

REAR AXLE & REAR SUSPENSION

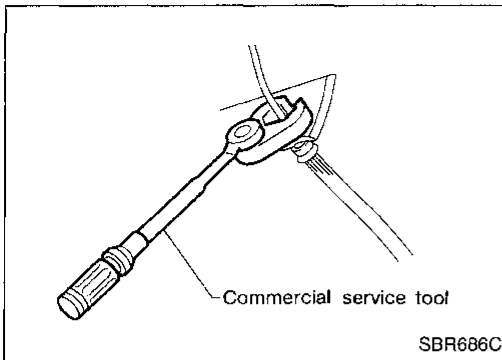
SECTION **RA**

CONTENTS

PRECAUTIONS AND PREPARATION	2	Removal.....	10
Precautions	2	Disassembly	10
Special Service Tools.....	2	Inspection	10
Commercial Service Tools	2	Shock absorber assembly.....	10
REAR SUSPENSION SYSTEM	3	Upper rubber seat and bushing	11
ON-VEHICLE SERVICE	4	Coil spring	11
Rear Axle and Rear Suspension Parts.....	4	Assembly	11
Rear Wheel Bearing	4	Torsion Beam, Lateral Link and Control Rod	12
Rear Wheel Alignment.....	5	Disassembly	12
Preliminary Inspection	5	Inspection	12
Camber	5	Rubber Bushing Replacement	12
Toe-In	5	Assembly	13
REAR AXLE — Wheel Hub	6	SERVICE DATA AND SPECIFICATIONS (SDS)	14
Removal	6	General Specifications	14
Installation.....	7	Coil Spring	14
REAR SUSPENSION	8	Shock Absorber	14
Removal	9	Inspection and Adjustment.....	14
Installation.....	9	Wheel Alignment (Unladen).....	14
Coil Spring and Shock Absorber	10	Wheel Bearing	14

GI
MA
EM
LC
EC
FE
CL
MT
AT
FA
RA
BR
ST
RS
BT
HA
EL
IDX

PRECAUTIONS AND PREPARATION

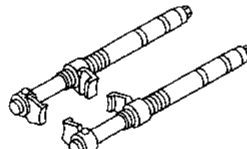
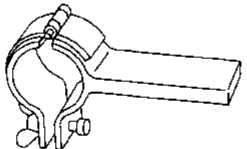


Precautions

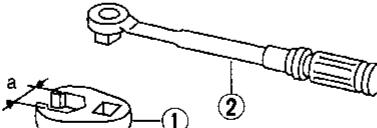
- When installing rubber parts, final tightening must be carried out under unladen condition* with tires on ground.
- *: Fuel, radiator coolant and engine oil full. Spare tire, jack, hand tools and mats in designated positions.
- Use flare nut wrench when removing or installing brake tubes.
- When installing suspension components, check wheel alignment and adjust if necessary.
- Do not jack up at the parallel links and radius rods.
- Always torque brake lines when installing.

Special Service Tools

*: Special tool or commercial equivalent

Tool number (Kent-Moore No.) Tool name	Description
HT71780000* (—) Spring compressor	 Removing and installing coil spring NT144
ST35652000* (—) Strut attachment	 Fixing strut assembly NT145

Commercial Service Tools

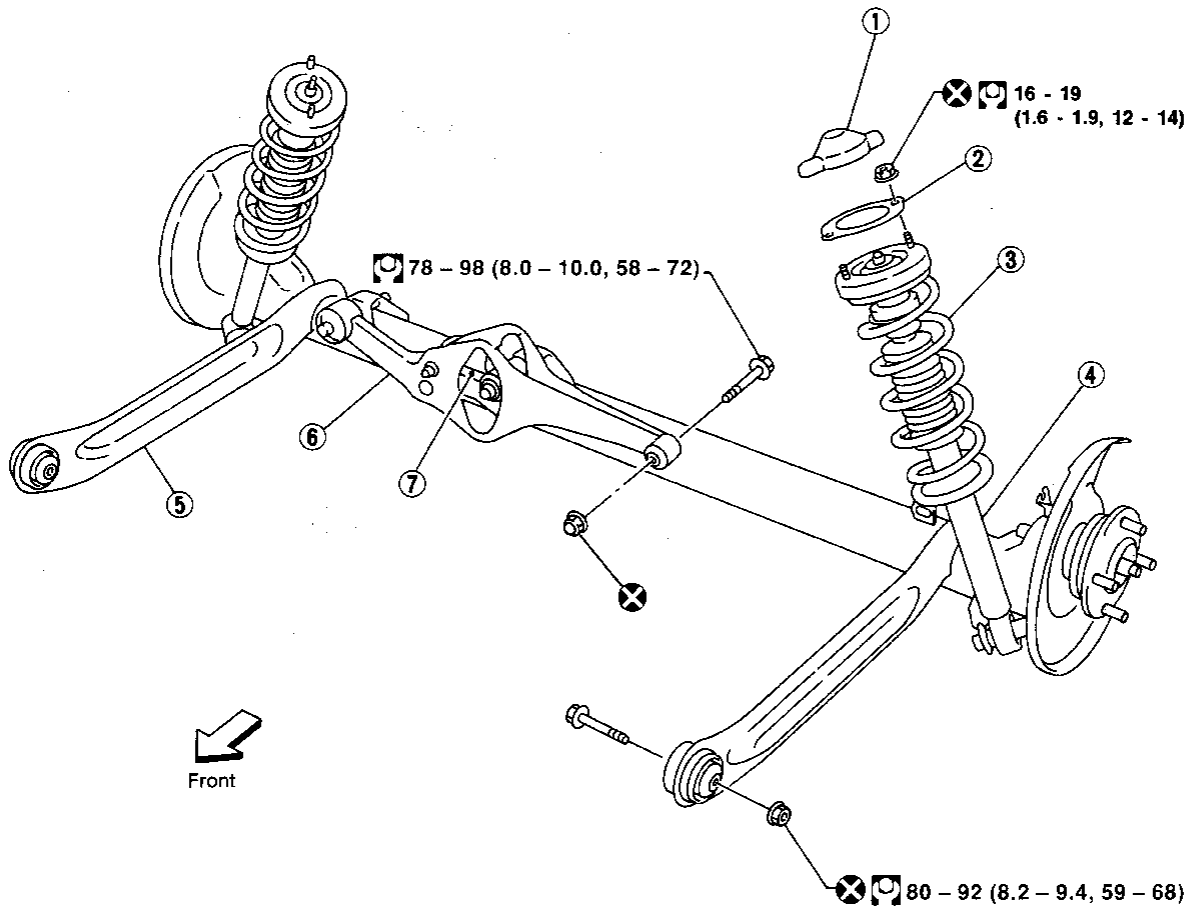
Tool name	Description
① Flare nut crows foot ② Torque wrench	 Removing and installing brake piping a: 10 mm (0.39 in) NT360

REAR SUSPENSION SYSTEM

SEC. 431

When installing each rubber part, final tightening must be carried out under unladen condition* with tires on ground.

* Fuel, radiator coolant and engine oil full.
Spare tire, jack, hand tools and mats in designated positions.

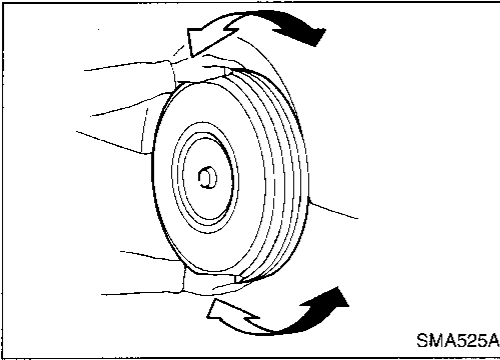


: N·m (kg-m, ft-lb)

- | | | |
|--------------------------------|------------------|----------------|
| ① Shock absorber cap | ④ Shock absorber | ⑥ Lateral link |
| ② Shock absorber mounting seal | ⑤ Torsion beam | ⑦ Control rod |
| ③ Coil spring | | |

ARA056

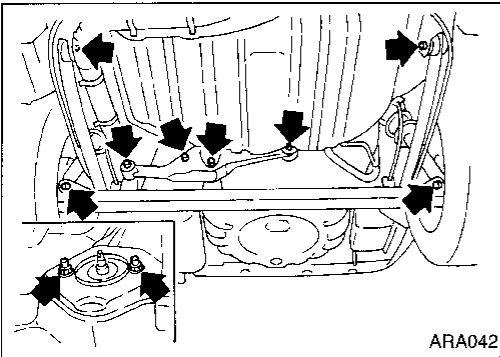
GI
MA
EM
LC
EC
FE
CL
MT
AT
FA
RA
BR
ST
RS
BT
HA
EL
IDX



Rear Axle and Rear Suspension Parts

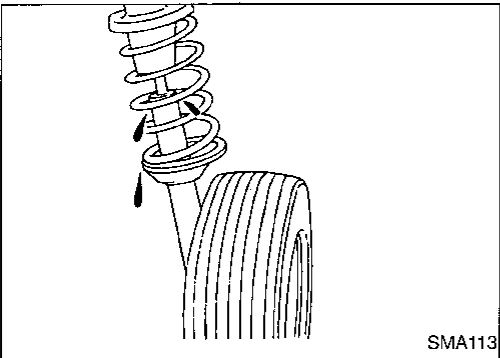
Check axle and suspension parts for excessive play, wear or damage.

- Shake each rear wheel to check for excessive play.

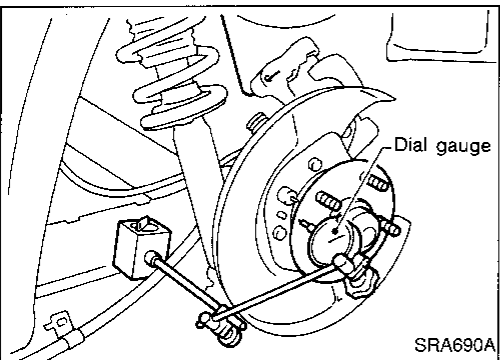


- Retighten all nuts and bolts to the specified torque.

Tightening torque:
Refer to RA-8.



- Check shock absorber for oil leakage or other damage.
- Check wheelarch height. Refer to FA section ("Front Axle and Front Suspension Parts", "ON-VEHICLE SERVICE").



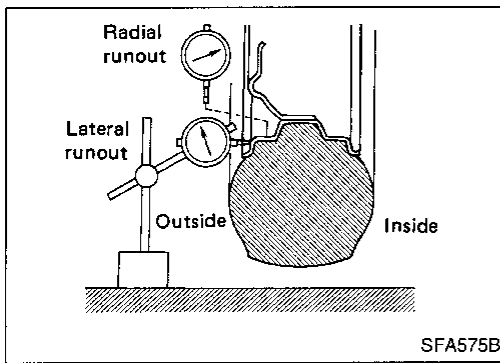
Rear Wheel Bearing

- Check axial end play.

Axial end play:

0.05 mm (0.0020 in) or less

- Check that wheel hub bearings operate smoothly.
- Check tightening torque of wheel bearing lock nut.
□: 187 - 255 N·m (19 - 26 kg·m, 138 - 188 ft·lb)
- If axial end play is not within specification, or wheel bearing does not turn smoothly, replace wheel hub bearing assembly. Refer to RA-6.



Rear Wheel Alignment

PRELIMINARY INSPECTION

Make following checks. Adjust, repair or replace if necessary.

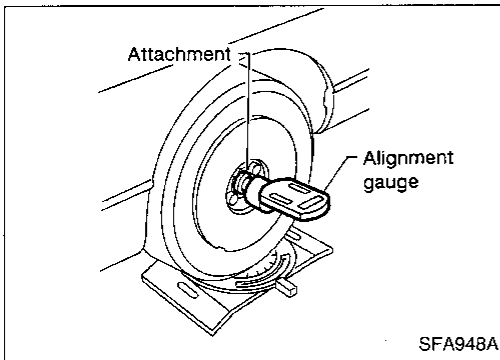
- Check tires for wear and for proper inflation.
- Check rear wheel bearings for excessive play.
- Check wheel runout.

Wheel runout:

Refer to FA section (“Inspection and Adjustment”, “SDS”).

- Check that rear shock absorber works properly.
- Check rear axle and rear suspension parts for excessive play.
- Check vehicle posture (Unladen*).

*: Fuel, radiator and engine oil full. Spare tire, jack, hand tools and mats in designated positions.



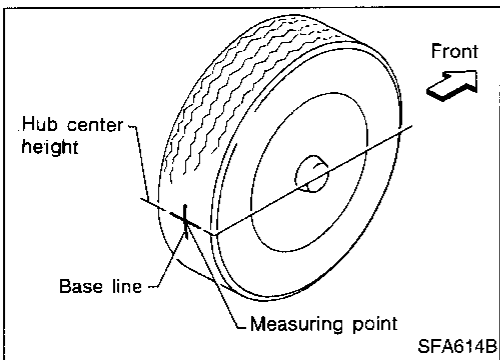
CAMBER

Camber is preset at factory and cannot be adjusted.

Camber:

Refer to SDS, RA-14.

- If the camber is not within specification, inspect and replace any damaged or worn rear suspension parts.



TOE-IN

Toe-in is preset at factory and cannot be adjusted.

Measure toe-in using following procedure. If out of specification, inspect and replace any damaged or worn rear suspension parts.

WARNING:

- Always perform following procedure on a flat surface.
- Make sure that no person is in front of the vehicle before pushing it.

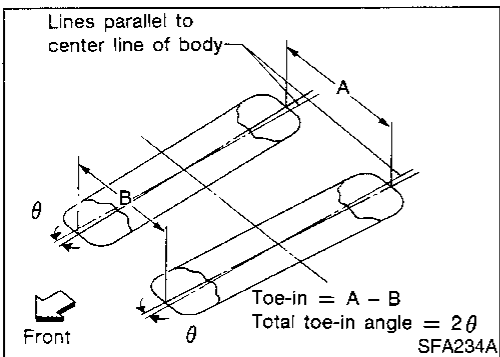
1. Bounce rear of vehicle up and down to stabilize the posture.
2. Push the vehicle straight ahead about 5 m (16 ft).
3. Put a mark on base line of the tread (rear side) of both tires at the same height of hub center. This mark is a measuring point.
4. Measure distance “A” (rear side).
5. Push the vehicle slowly ahead to rotate the wheels 180 degrees (1/2 turn).

If the wheels have rotated more than 180 degrees (1/2 turn), try the above procedure again from the beginning. Never push vehicle backward.

6. Measure distance “B” (front side).

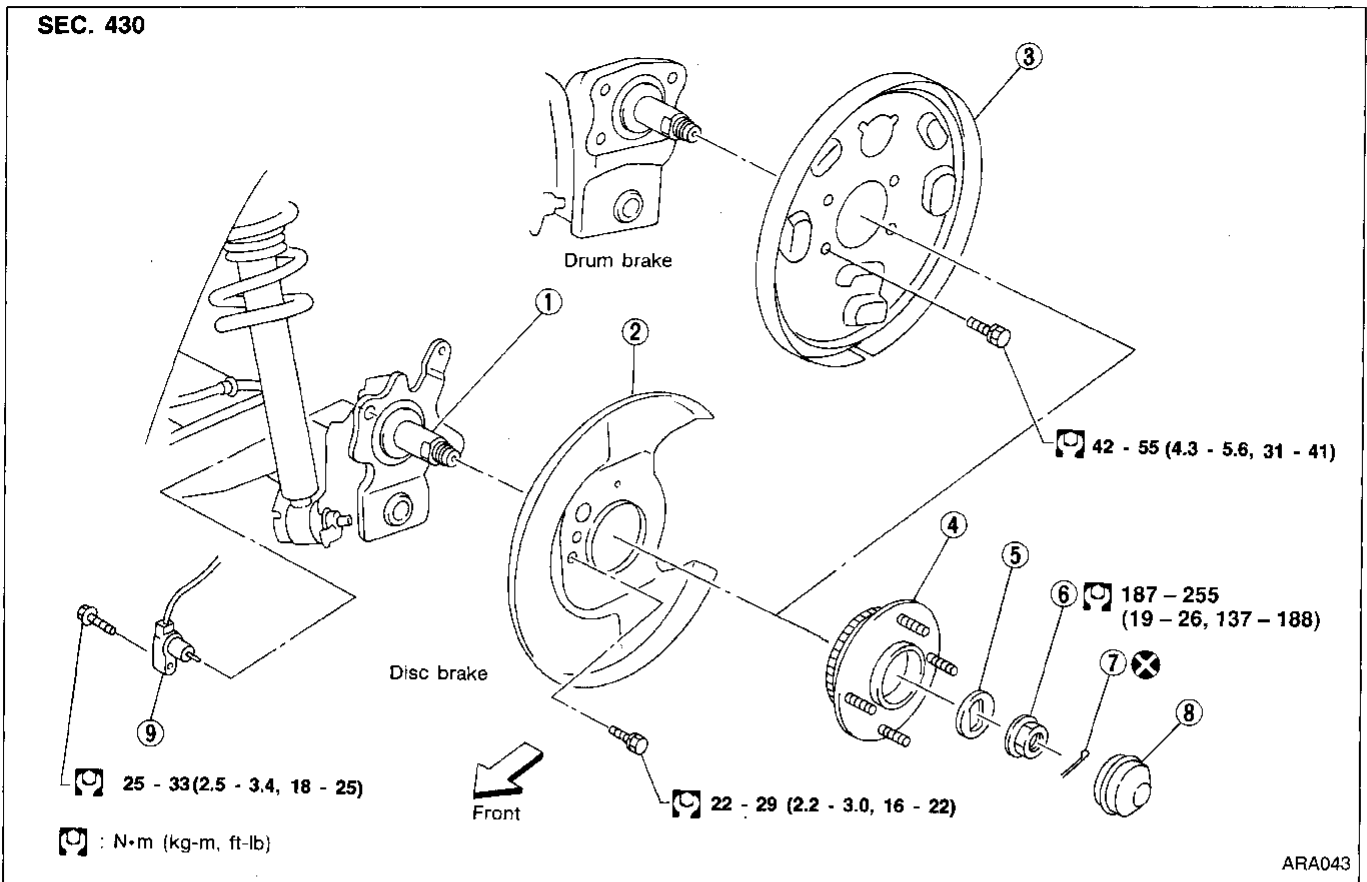
Toe-in (A - B):

Refer to SDS, RA-14.



REAR AXLE — Wheel Hub

SEC. 430



ARA043

- ① Spindle
- ② Baffle plate
- ③ Back plate

- ④ Wheel hub bearing
- ⑤ Washer
- ⑥ Wheel bearing lock nut

- ⑦ Cotter pin
- ⑧ Hub cap
- ⑨ ABS sensor

Removal

CAUTION:

- Before removing the wheel hub bearing assembly, disconnect the ABS wheel sensor from the assembly. Then move it away from the hub assembly. Failure to do so may result in damage to the sensor wires and the sensor becoming inoperative.
- Wheel hub bearing does not require maintenance. If any of the following symptoms are noted, replace wheel hub bearing assembly.
 - (1) Growling noise is emitted from wheel hub bearing during operation.
 - (2) Wheel hub bearing drags or turns roughly. This occurs when turning hub by hand after bearing lock nut is tightened to specified torque.

REAR AXLE — Wheel Hub

Removal (Cont'd)

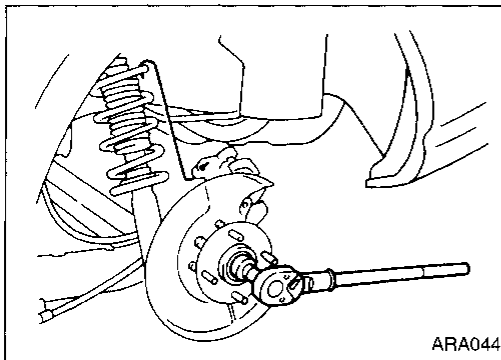
1. Remove brake caliper assembly.
2. Remove wheel bearing lock nut.
3. Remove brake rotor (models with disc brake) or brake drum (models with drum brakes).
4. Remove wheel hub bearing from spindle.

Brake hose does not need to be disconnected from brake caliper.

Suspend caliper assembly with wire so as not to stretch brake hose.

Be careful not to depress brake pedal, or piston will pop out.

Make sure brake hose is not twisted.



ARA044

GI

MA

EM

LC

EC

FE

CL

MT

AT

FA

RA

BR

ST

RS

BT

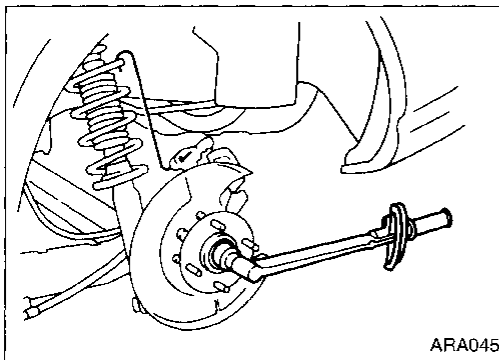
HA

EL

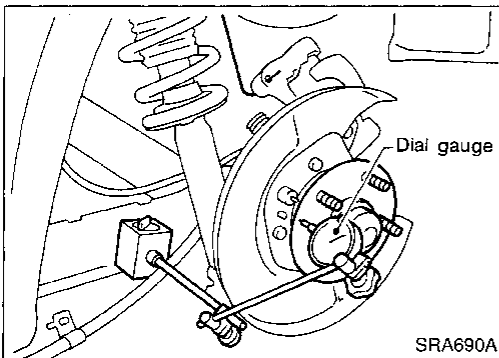
IDX

INSTALLATION

1. Install wheel hub bearing assembly.
2. Tighten wheel bearing lock nut.
Before tightening, apply oil to threaded portion of rear spindle and both sides of plain washer.
Torque: 187 - 255 N·m (19 - 26 kg-m, 138 - 188 ft-lb)
3. Check that wheel bearings operate smoothly.



ARA045



SRA690A

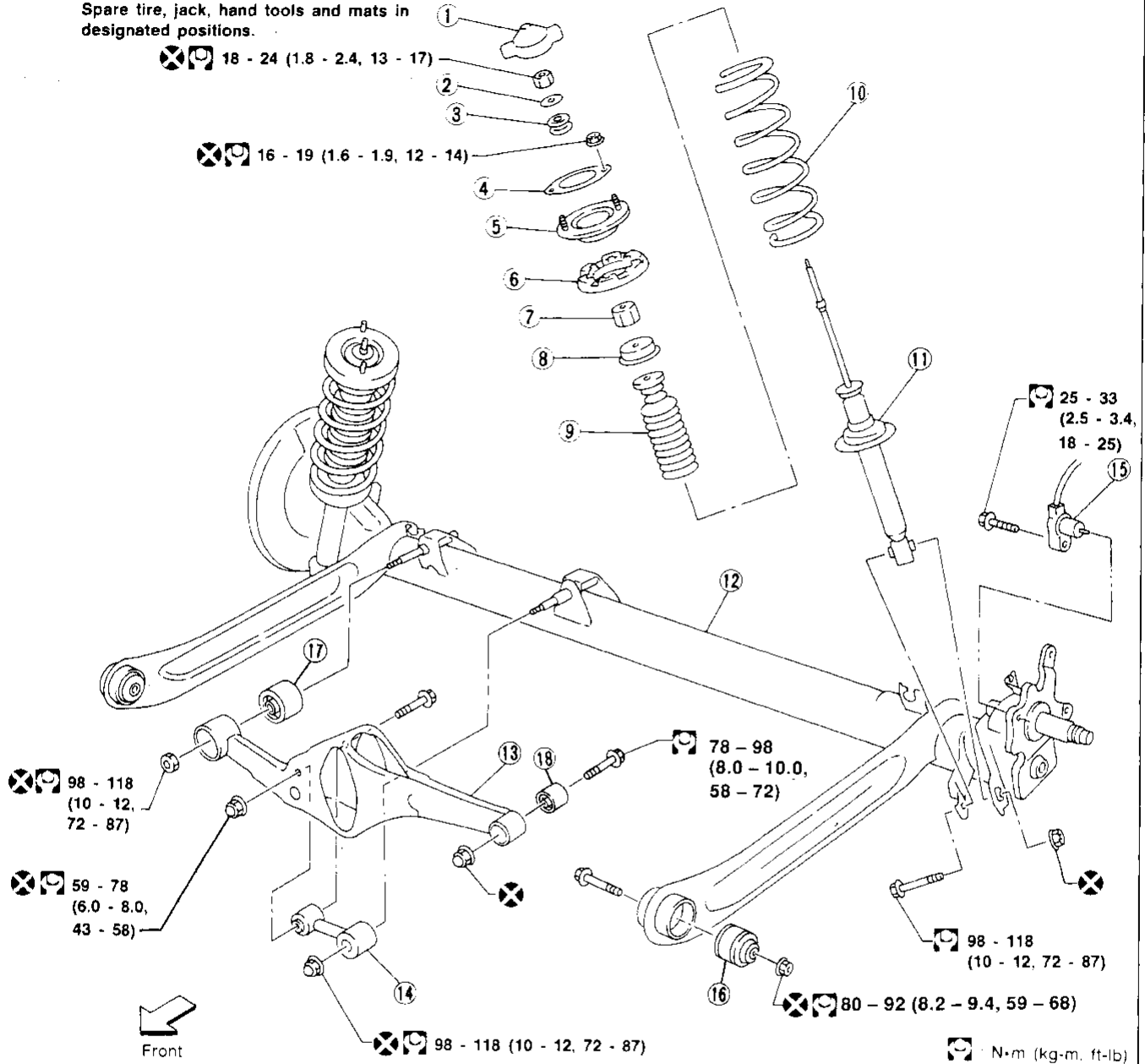
4. Check wheel hub bearing axial end play.
Axial end play:
0.05 mm (0.0020 in) or less

REAR SUSPENSION

SEC. 431

When installing each rubber part, final tightening must be carried out under unladen condition* with tires on ground.

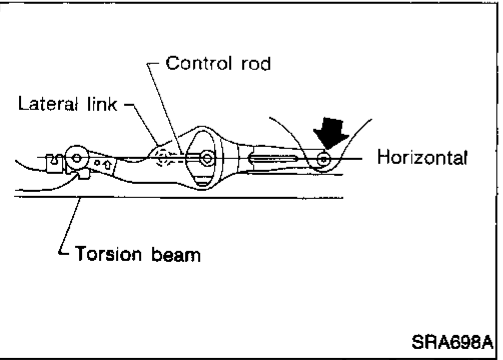
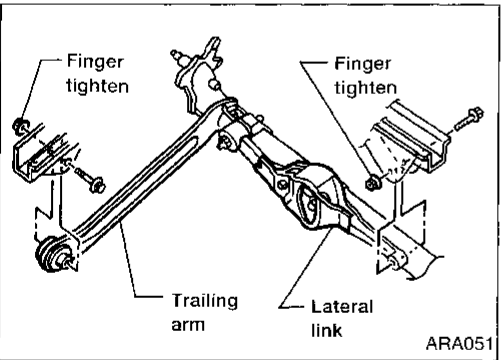
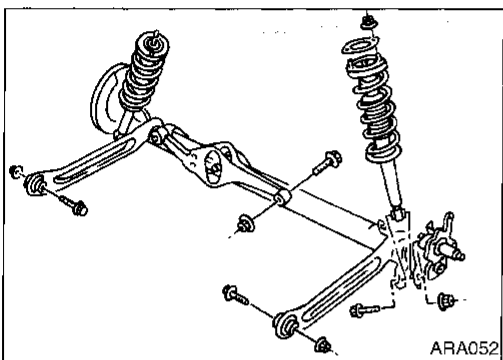
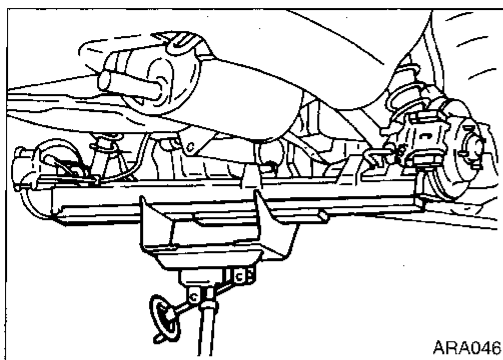
* Fuel, radiator coolant and engine oil full.
Spare tire, jack, hand tools and mats in designated positions.



ARA055

- | | | |
|-----------------------------------|----------------------|------------------------------|
| ① Shock absorber cap | ⑦ Bushing | ⑬ Lateral link |
| ② Washer | ⑧ Bound bumper cover | ⑭ Control rod |
| ③ Bushing | ⑨ Bound bumper | ⑮ ABS sensor |
| ④ Shock absorber mounting seal | ⑩ Coil spring | ⑯ Trailing arm bushing |
| ⑤ Shock absorber mounting bracket | ⑪ Shock absorber | ⑰ Large lateral link bushing |
| ⑥ Upper spring seat rubber | ⑫ Torsion beam | ⑱ Small lateral link bushing |

REAR SUSPENSION



Removal

CAUTION:

- Before removing the rear suspension assembly, disconnect the ABS wheel sensor from the assembly. Failure to do so may result in damaged sensor wires and the sensor becoming inoperative.

1. Disconnect brake hydraulic lines and parking brake cable at toggle lever. (Models with drum brakes.)
- Drain brake fluid before disconnecting brake lines.
2. Disconnect parking brake cable from caliper and remove brake caliper and rotor. (Models with disc brakes.)

Suspend caliper assembly with wire so as not to stretch brake hose.

Be careful not to depress brake pedal, or piston will pop out.

Make sure brake hose is not twisted.

3. Using a transmission jack, raise torsion beam a little, and remove nuts and bolts from the trailing arm, shock absorber assembly (lower side) and lateral link.
4. Lower transmission jack, and remove suspension.
5. Remove luggage compartment trim. Refer to BT section ("Trunk Trim", "INTERIOR TRIM").
6. Remove shock absorber securing nuts (upper side). Then pull out shock absorber assembly.

Installation

CAUTION:

Refill with new brake fluid "DOT 3".

Never reuse drained brake fluid.

1. Attach torsion beam, at trailing arm and lateral link, to vehicle. Do not tighten bolts at this time.
2. Using a transmission jack, place lateral link and control rod horizontally against torsion beam. Tighten lateral link on vehicle.
3. Attach shock absorber assembly to vehicle. Then tighten the lower side of shock absorber assembly.
4. Lower torsion beam to fully extended position. Remove transmission jack and tighten torsion beam, at trailing arm, to specified torque. Refer to RA-8.
5. Install brake hydraulic lines and tighten flare nuts.
⚙: 15 - 18 N-m (1.5 - 1.8 kg-m, 11 - 13 ft-lb)

REAR SUSPENSION

Installation (Cont'd)

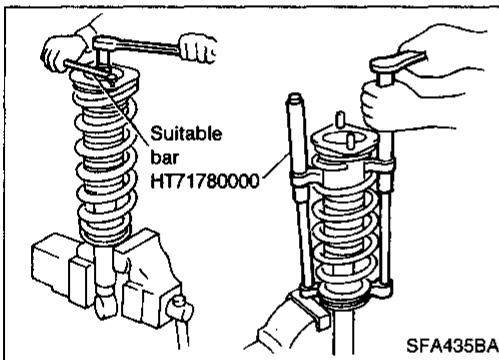
6. Bleed air. Refer to BR section ("Bleeding Procedure", "AIR BLEEDING").
7. Install ABS wheel sensor.

Coil Spring and Shock Absorber

REMOVAL

Remove shock absorber upper and lower fixing nuts.

Do not remove piston rod lock nut on vehicle.

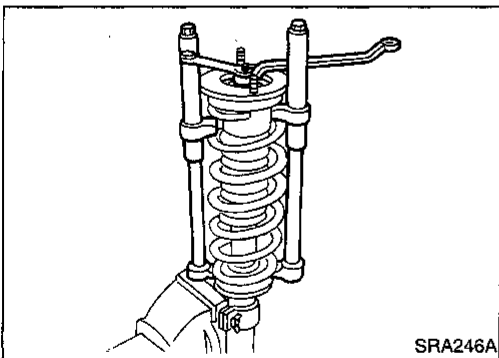


DISASSEMBLY

1. Set shock absorber in vise with attachment, then **loosen** piston rod lock nut.

Do not remove piston rod lock nut at this time.

2. Compress spring with Tool so that the shock absorber upper spring seat can be turned by hand.



3. Remove piston rod lock nut.

INSPECTION

Shock absorber assembly

- Check for smooth operation through a full stroke, both compression and extension.
- Check for oil leakage on welded or gland packing portions.
- Check piston rod for cracks, deformation or other damage. Replace if necessary.

REAR SUSPENSION

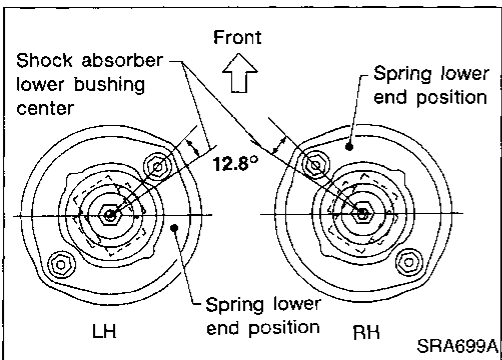
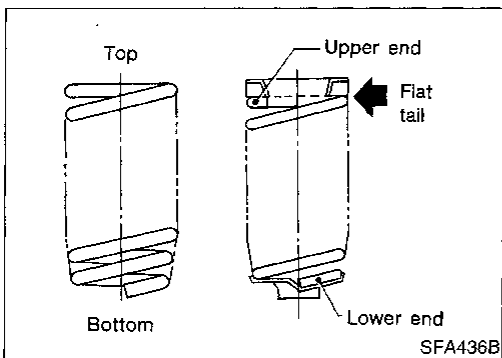
Coil Spring and Shock Absorber (Cont'd)

Upper rubber seat and bushing

Check rubber parts for deterioration or cracks.
Replace if necessary.

Coil spring

Check for cracks, deformation or other damage. Replace if necessary.



ASSEMBLY

- When installing coil spring, be careful not to reverse top and bottom direction. (Top end is flat.)
- When installing coil spring on shock absorber, it must be positioned as shown in figure.

- Locate upper spring seat as shown.

GI

MA

EM

LC

EC

FE

CL

MT

AT

FA

RA

BR

ST

RS

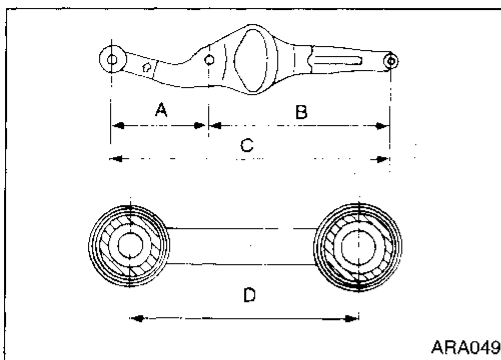
BT

HA

EL

IDX

REAR SUSPENSION



Torsion Beam, Lateral Link and Control Rod

DISASSEMBLY

- Remove torsion beam assembly. Refer to RA-9.
- Remove lateral link and control rod from torsion beam.

INSPECTION

- Check for cracks, distortion or other damage. Replace if necessary.

Standard length:

- A 207 - 208 mm (8.15 - 8.19 in)
- B 394 - 395 mm (15.51 - 15.55 in)
- C 601 - 603 mm (23.66 - 23.74 in)
- D 106 - 108 mm (4.17 - 4.25 in)

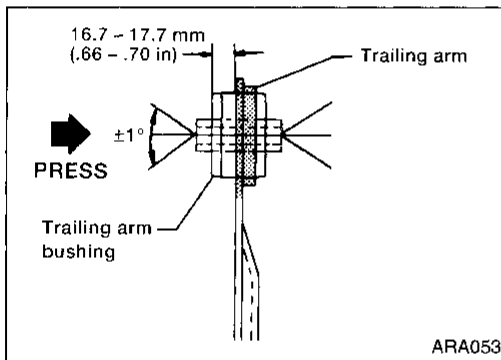
- Check all rubber parts for wear, cracks or deformation. Replace if necessary.

RUBBER BUSHING REPLACEMENT

Trailing arm

Trailing arm bushings are press fit and must be centered properly in trailing arm collars.

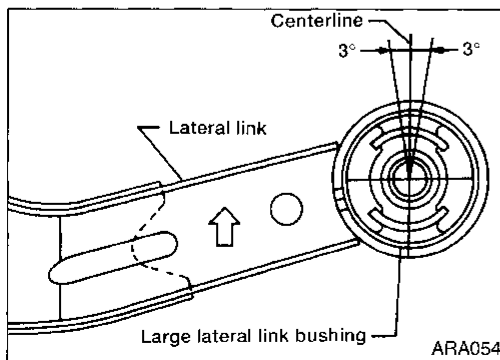
1. Press out old bushing from trailing arm collar.
 2. Press in new bushing until inside edge of bushing is 16.7 - 17.7 mm (.66 - .70 in) from inside edge of trailing arm.
- Do not allow bushing to incline more than 1 degree.
 - During installation, do not allow trailing arm to bend or twist.



Lateral link

Lateral link bushings are press fit. The large lateral link bushing is directional and must be installed in a specific position.

1. Remove lateral link.
2. Press out bushings. Note installation position of large bushing before removing.
3. Press in small bushing until bushing is centered in lateral link collar.
4. Press in large bushing until bushing is centered in lateral link collar.
 - a. Position bushing on lateral link collar.



- b. Angle between bushing centerline and collar centerline must be within 3 degrees as shown in illustration.

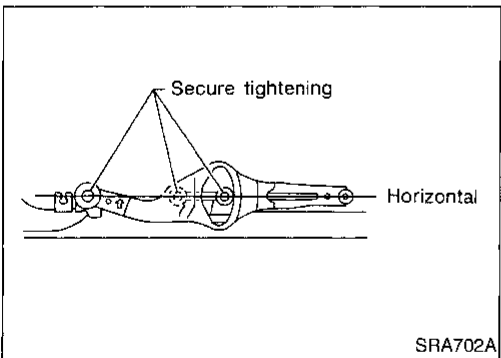
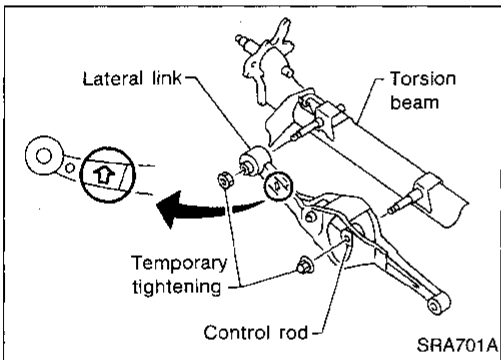
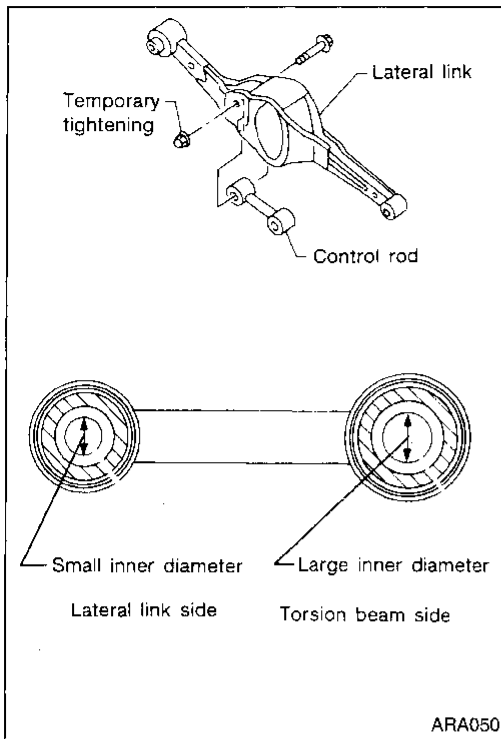
Control rod

Control rod bushings are not replaceable. If bushings are worn or damaged, replace control rod.

REAR SUSPENSION

Torsion Beam, Lateral Link and Control Rod (Cont'd)

ASSEMBLY



1. Temporarily assemble lateral link and control rod.
 - When installing the control rod, connect the end with the smaller inner diameter to the lateral link.

2. Temporarily install lateral link and control rod on torsion beam.
 - Install lateral link with the arrow upward.

3. Ensure lateral link and control rod are horizontal against torsion beam, and tighten to the specified torque. Refer to RA-8.
4. Install torsion beam assembly. Refer to RA-9.

GI

MA

EM

LC

EC

FE

CL

WT

AT

FA

RA

BR

ST

RS

BT

HA

EL

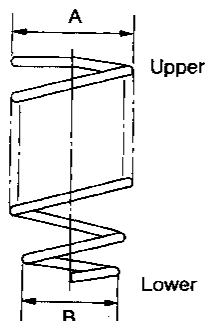
IDX

SERVICE DATA AND SPECIFICATIONS (SDS)

General Specifications

COIL SPRING

Applied model	GA16DE		SR20DE
	E	XE · GLE · GXE · SE	SE-R
Wire diameter mm (in)	10.9 (0.429)	11.0 (0.433)	11.0 (0.433)
Coil outer diameter mm (in)			
"A"	110.4 (4.346)	110.6 (4.354)	110.6 (4.354)
"B"	99.8 (3.929)	100 (3.94)	100 (3.94)
Free length mm (in)	310 (12.20)	300 (11.81)	290 (11.42)
Identification color	Light blue	White	Pink



SRA713A

SHOCK ABSORBER

Shock absorber	Double-acting hydraulic	
Piston rod		
Rod diameter	mm (in)	12.5 (0.492)

Inspection and Adjustment

WHEEL ALIGNMENT (Unladen*)

Camber	degree	-1°45' to -0°15'
Total toe-in	mm (in)	-3 to 5 (-0.12 to 0.20)
	degree	-18' to 30'

*: Fuel, radiator coolant and engine oil full. Spare tire, jack, hand tools and mats in designated positions.

WHEEL BEARING

Wheel bearing axial end play	mm (in)	0.05 (0.0020)
Wheel bearing lock nut tightening torque	N·m (kg·m, ft·lb)	187 - 255 (19 - 26, 138 - 188)