

SECTION **BT**

GI
MA
EM
LC
EC
FE
CL
MT
AT
FA
RA
BR
ST
RS
BT
HA
EL
IDX

CONTENTS

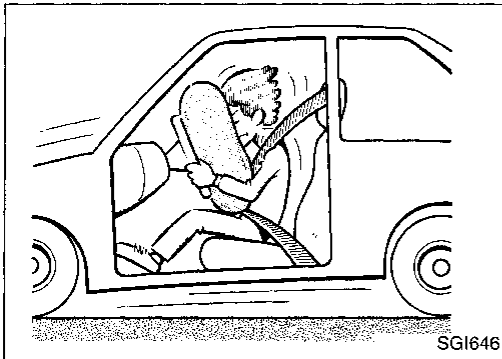
| | |
|---|---|
| <p>GENERAL SERVICING 2</p> <p style="padding-left: 20px;">Precautions 2</p> <p style="padding-left: 20px;">Supplemental Restraint System (SRS) "AIR BAG" 2</p> <p style="padding-left: 20px;">Clip and Fastener 2</p> <p>BODY END 5</p> <p style="padding-left: 20px;">Body Front End 5</p> <p style="padding-left: 20px;">Body Rear End and Opener 7</p> <p>DOOR 9</p> <p style="padding-left: 20px;">Front Door 9</p> <p style="padding-left: 20px;">Rear Door 11</p> <p>INSTRUMENT PANEL 12</p> <p>INTERIOR TRIM 15</p> <p style="padding-left: 20px;">Side and Floor Trim 15</p> <p style="padding-left: 20px;">Door Trim 18</p> <p style="padding-left: 20px;">Roof Trim 20</p> <p style="padding-left: 20px;">Trunk Room Trim 21</p> <p>EXTERIOR 22</p> <p style="padding-left: 20px;">① Hood front seal 22</p> <p style="padding-left: 20px;">② ③ Cowl top seal and cowl top grille 22</p> <p style="padding-left: 20px;">④ Windshield side molding 22</p> <p style="padding-left: 20px;">⑤ Windshield upper molding 23</p> <p style="padding-left: 20px;">⑥ Drip weatherstrip 23</p> <p style="padding-left: 20px;">⑦ Body side welt 23</p> <p style="padding-left: 20px;">⑧ Door weatherstrip 23</p> <p style="padding-left: 20px;">⑨ Rear window upper molding and side molding 23</p> <p style="padding-left: 20px;">⑩ Rear window lower molding 23</p> | <p style="padding-left: 20px;">⑪ Door sash molding 24</p> <p style="padding-left: 20px;">⑫ Rear door parting seal 24</p> <p style="padding-left: 20px;">⑬ Rear door corner molding 24</p> <p style="padding-left: 20px;">⑭ Door outside molding 24</p> <p style="padding-left: 20px;">⑮ Sunroof lid weatherstrip 25</p> <p style="padding-left: 20px;">⑯ Side guard molding 25</p> <p style="padding-left: 20px;">⑰ Trunk lid weatherstrip 25</p> <p style="padding-left: 20px;">⑱ Trunk lid finisher 25</p> <p style="padding-left: 20px;">⑲ Rear combination lamp 26</p> <p style="padding-left: 20px;">⑳ Fender and center mudguard 26</p> <p style="padding-left: 20px;">㉑ Rear air spoiler and high-mounted stop lamp 27</p> <p>SEAT 28</p> <p style="padding-left: 20px;">Front Seat 28</p> <p style="padding-left: 20px;">Rear Seat 29</p> <p>SUNROOF 30</p> <p style="padding-left: 20px;">Removal 31</p> <p style="padding-left: 20px;">Adjustment 32</p> <p>WINDSHIELD AND WINDOWS 33</p> <p style="padding-left: 20px;">Windshield and Rear Window 34</p> <p style="padding-left: 20px;">Quarter Window 35</p> <p style="padding-left: 40px;">Coupe 35</p> <p style="padding-left: 40px;">Sedan 36</p> <p>MIRROR 37</p> <p style="padding-left: 20px;">Door Mirror 37</p> <p>BODY ALIGNMENT 38</p> <p style="padding-left: 20px;">Engine Compartment 38</p> <p style="padding-left: 20px;">Underbody 40</p> |
|---|---|

★ For seat belt, refer to MA and RS section.

★ For wiring diagrams of body electrical systems, refer to EL section.

Precautions

- When removing or installing various parts, place a cloth or padding onto the vehicle body to prevent scratches.
- Handle trim, molding, instruments, grille, etc. carefully during removing or installing. Be careful not to soil or damage them.
- Apply sealing compound where necessary when installing parts.
- When applying sealing compound, be careful that the sealing compound does not protrude from parts.
- When replacing any metal parts (for example body outer panel, members, etc.), be sure to take rust prevention measures.



Supplemental Restraint System (SRS) “AIR BAG”

The Supplemental Restraint System “Air Bag”, used along with a seat belt, helps to reduce the risk or severity of injury to the driver and front passenger in a frontal collision. The Supplemental Restraint System consists of air bag modules (located in the center of the steering wheel and on the instrument panel on the passenger side), a diagnosis sensor unit, warning lamp, wiring harness and spiral cable.


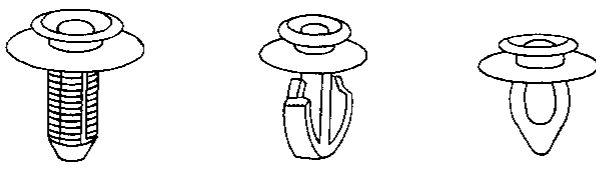
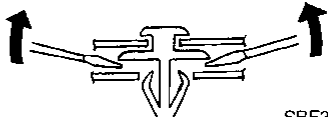
Information necessary to service the system safely is included in the **RS** section of this Service Manual.

WARNING:

- To avoid rendering the SRS inoperative, which could increase the risk of personal injury or death in the event of a collision which would result in air bag inflation, all maintenance must be performed by an authorized NISSAN dealer.
- Improper maintenance, including incorrect removal and installation of the SRS, can lead to personal injury caused by unintentional activation of the system.
- Do not use electrical test equipment on any circuit related to the SRS unless instructed to in this Service Manual. SRS wiring harnesses are covered with yellow insulation either just before the harness connectors or for the complete harness, for easy identification.


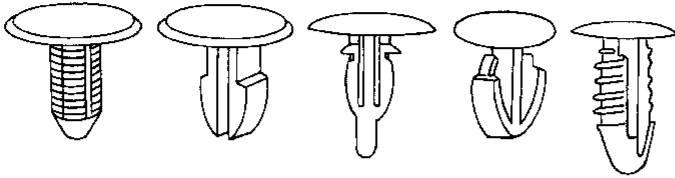
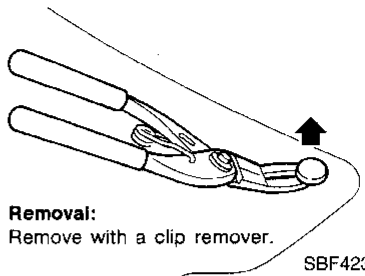

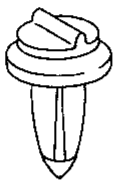
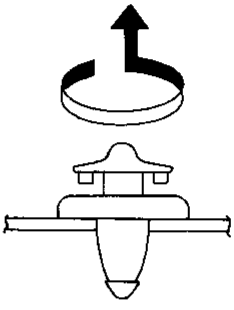

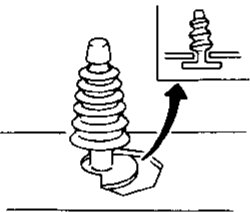
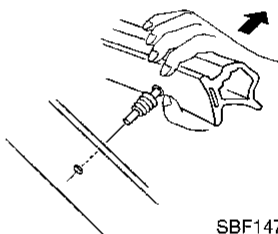

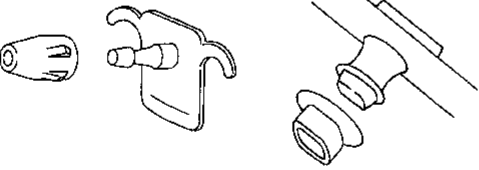
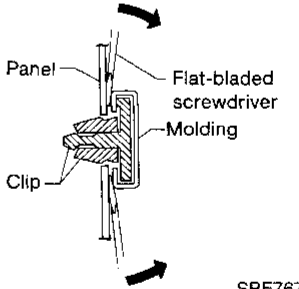

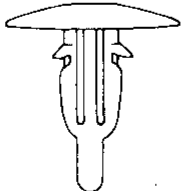
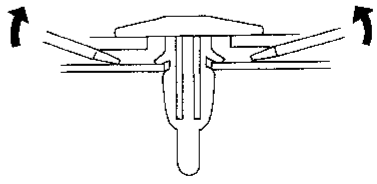
Clip and Fastener

- Clips and fasteners in BT section correspond to the following numbers and symbols.
- Replace any clips and/or fasteners which are damaged during removal or installation.

| Symbol No. | Shapes | Removal & Installation |
|---|---|---|
|  |  | <p>Removal: Remove by bending up with flat-bladed screwdrivers or clip remover.</p> <div style="text-align: center;">  </div> |
| | SBF302H | SBF367BA |

GENERAL SERVICING



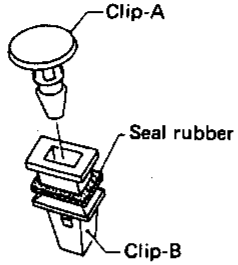
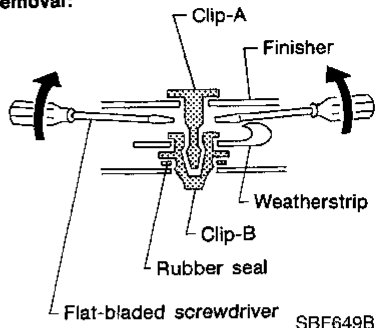


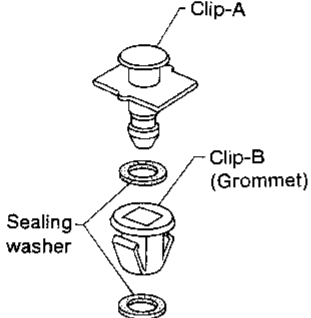
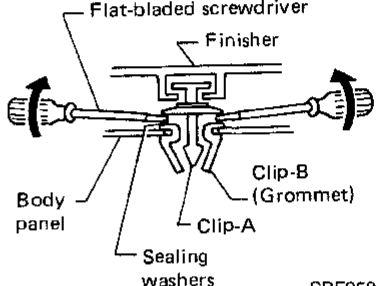


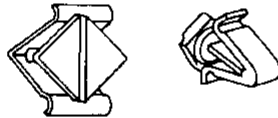
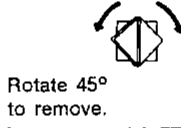
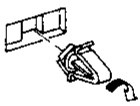


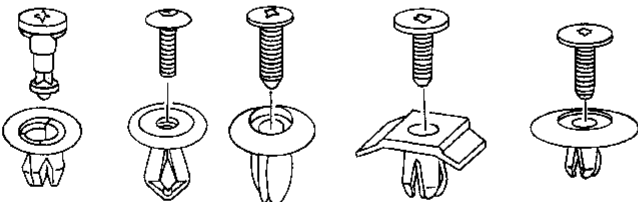
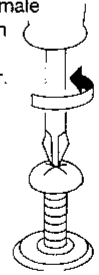


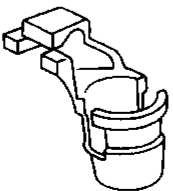
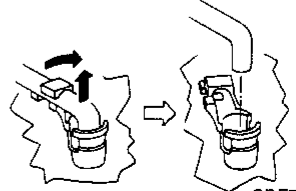
Clip and Fastener (Cont'd)

| Symbol No. | Shapes | Removal & Installation |
|---|---|--|
|  |  <p style="text-align: right;">SBF303H</p> |  <p>Removal: Remove with a clip remover.</p> <p style="text-align: right;">SBF423H</p> |
|  |  <p style="text-align: right;">MBF519B</p> |  <p style="text-align: right;">MBF520B</p> |
|  |  <p style="text-align: right;">SBF104B</p> | <p>Removal:</p>  <p style="text-align: right;">SBF147B</p> |
|  |  <p style="text-align: right;">SBF411H</p> |  <p>Panel Clip Flat-bladed screwdriver Molding</p> <p style="text-align: right;">SBF767B</p> |
|  |  <p style="text-align: right;">SBF174D</p> | <p>Removal: Remove by bending up with a flat-bladed screwdriver or pliers.</p>  <p style="text-align: right;">SBF175DA</p> |

GI
MA
EM
LC
EC
FE
CL
MT
AT
FA
RA
BR
ST
RS
BT
HA
EL
IDX

GENERAL SERVICING

Clip and Fastener (Cont'd)

| Symbol No. | Shapes | Removal & Installation |
|--|---|--|
|   |  | <p>Removal:</p>  <p>SBF648B SBF649B</p> |
|   |  | <p>Removal:</p>  <p>SBF151D SBF259G</p> |
|   |  | <p>Removal:</p>  <p>Rotate 45° to remove.</p> <p>Installation:</p>  <p>SBF145B SBF085B</p> |
|   |  | <p>Removal:</p> <ol style="list-style-type: none"> 1. Screw out with a Phillips screwdriver. 2. Remove female portion with flat-bladed screwdriver.  <p>SBF078B SBF992G</p> |
|   |  | <p>Removal:</p> <p>Holder portion of clip must be spread out to remove rod.</p>  <p>SBF768B SBF770B</p> |

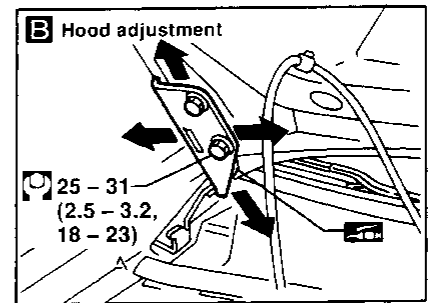
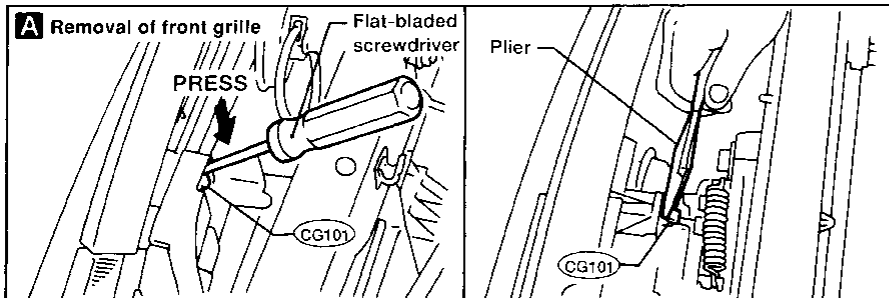
BODY END

Body Front End

- When removing or installing hood, place a cloth or other padding on front fender panels and cowl top. This prevents vehicle body from being scratched.
- Bumper fascia is made of plastic. Do not use excessive force and be sure to keep oil away from it.
- Hood adjustment: Adjust at hinge portion. **B**
- Hood lock adjustment: After adjusting, check hood lock control operation. Apply a coat of grease to hood lock engaging mechanism.
- Hood opener: Do not attempt to bend cable forcibly. Doing so increases effort required to unlock hood.

REMOVAL — Front bumper assembly

- ① Remove screws securing left and right front fog lamps, and remove the lamps.
- ② Remove clips **CG101**, then remove the front grille. **A**
- ③ Remove clips **CS101** and screws located on front side of fender protector at wheel opening.
- ④ Remove two screws and two clips **CS101** securing upper side of front bumper fascia.
- ⑤ Remove two screws securing lower side of front bumper fascia.
- ⑥ Pull out front bumper fascia and energy absorber.
- ⑦ Remove four bolts securing bumper reinforcement, then remove bumper reinforcement.
- ⑧ Remove four bolts and clip **CS101** securing front bumper side stays.
- ⑨ Remove front bumper side stays.



C : N·m (kg·m, ft·lb)

ABT029

GI

MA

EM

LC

EC

FE

CL

MT

AT

FA

RA

BR

ST

RS

BT

HA

EL

IDX

BODY END

Body Front End (Cont'd)

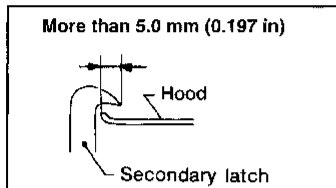
SEC. 620•623•630

Hood lock adjustment

- Adjust hood so that hood primary lock meshes at a position 1 to 1.5 mm (0.039 to 0.059 in) lower than fender.
- After hood lock adjustment, adjust bumper rubber.
- When securing hood lock, ensure it does not tilt. Striker must be positioned at the center of hood primary lock.
- After adjustment, ensure that hood primary and secondary lock operate properly.

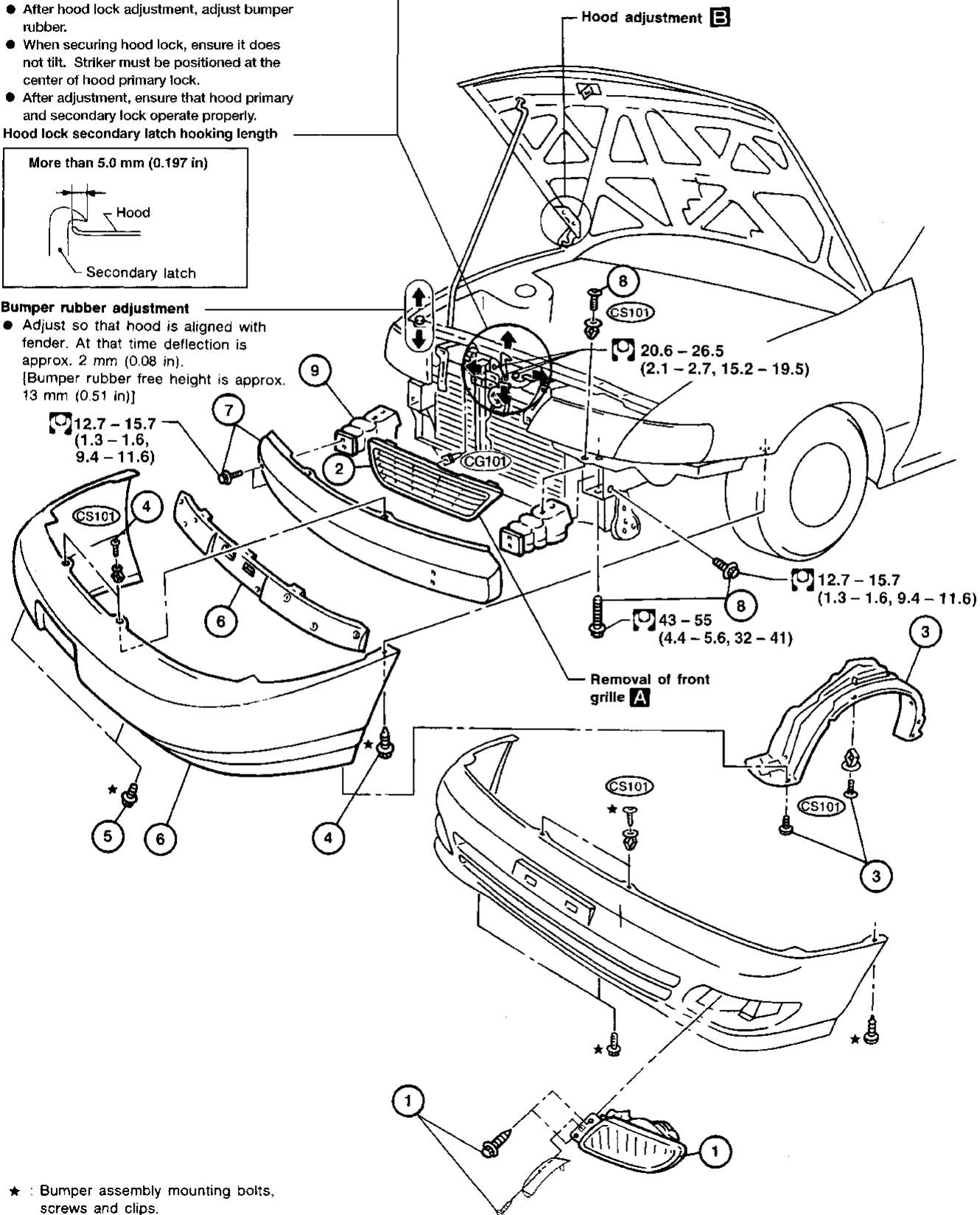
Hood lock secondary latch hooking length

More than 5.0 mm (0.197 in)



Bumper rubber adjustment

- Adjust so that hood is aligned with fender. At that time deflection is approx. 2 mm (0.08 in). [Bumper rubber free height is approx. 13 mm (0.51 in)]



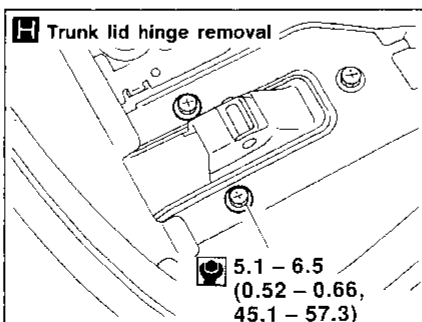
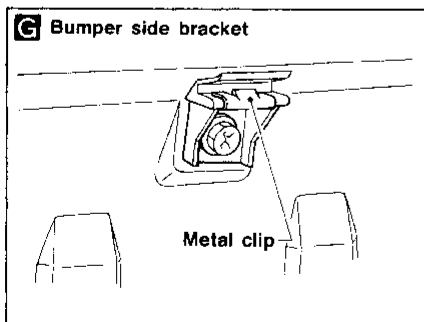
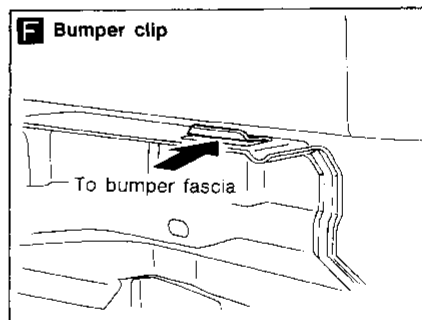
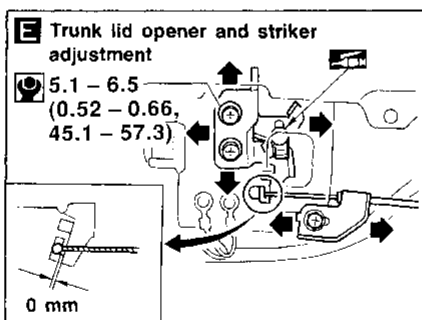
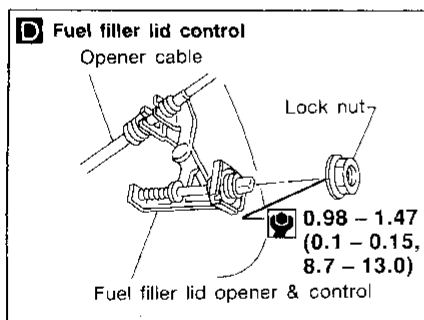
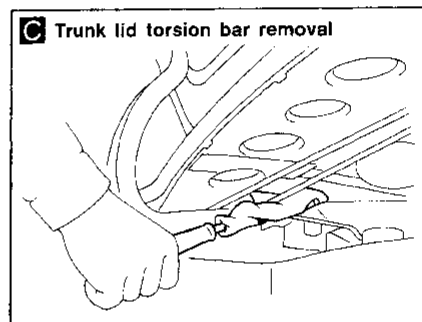
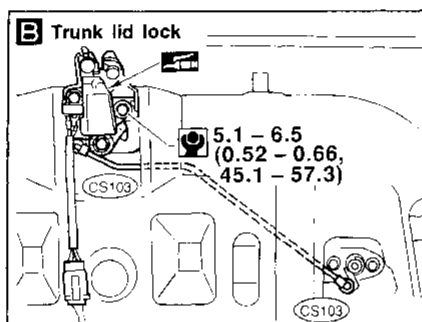
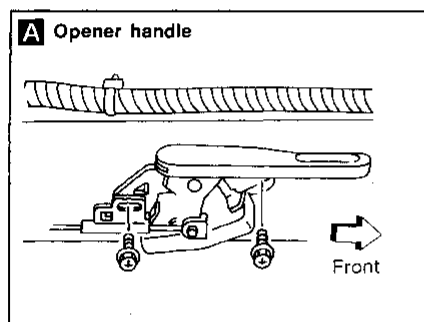
- ★ : Bumper assembly mounting bolts, screws and clips.
- ☒ : N•m (kg-m, ft-lb)

Body Rear End and Opener

- When removing or installing trunk lid, place a cloth or other padding on rear fender panels. This prevents vehicle body from being scratched.
- Bumper fascia is made of plastic. Do not use excessive force and be sure to keep oil away from it.
- Trunk lid adjustment: Adjust at hinge-trunk lid portion for proper trunk lid fit.
- Trunk lid lock system adjustment: Adjust striker so that it is in the center of the lock. After adjustment, check trunk lid lock operation.
- Opener cable: Do not attempt to bend cable using excessive force.
- After installation, make sure that trunk lid and fuel filler lid open smoothly.

REMOVAL — Rear bumper assembly

- 1 Remove four screws securing mudguards, then remove mudguards.
- 2 Remove four bolts and one clip (CS101) from lower side of rear bumper fascia.
- 3 Remove two screws from each fender side.
- 4 Remove four clips (CS101) from upper side of rear bumper fascia.
- 5 Pull out rear bumper fascia.
- 6 Remove eight nuts securing bumper reinforcement, then remove bumper reinforcement.
- 7 Remove four bolts securing bumper side stays, then remove bumper side stays.



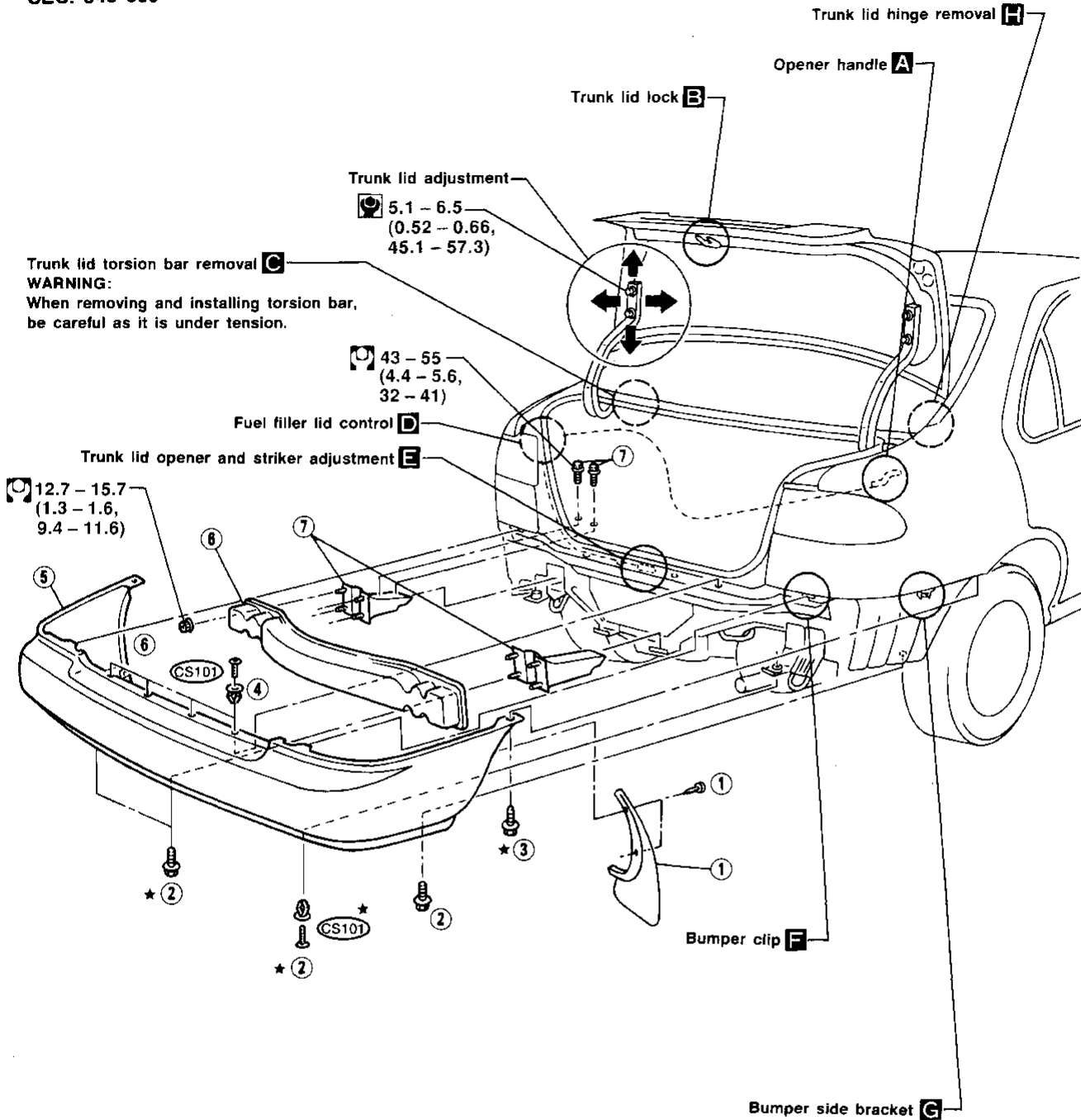
: N·m (kg·m, in·lb)

ABT092

BODY END

Body Rear End and Opener (Cont'd)

SEC. 843-850



★ : Bumper assembly mounting bolts, screws and clips.

: N·m (kg-m, ft-lb)

: N·m (kg-m, in-lb)

ABT093

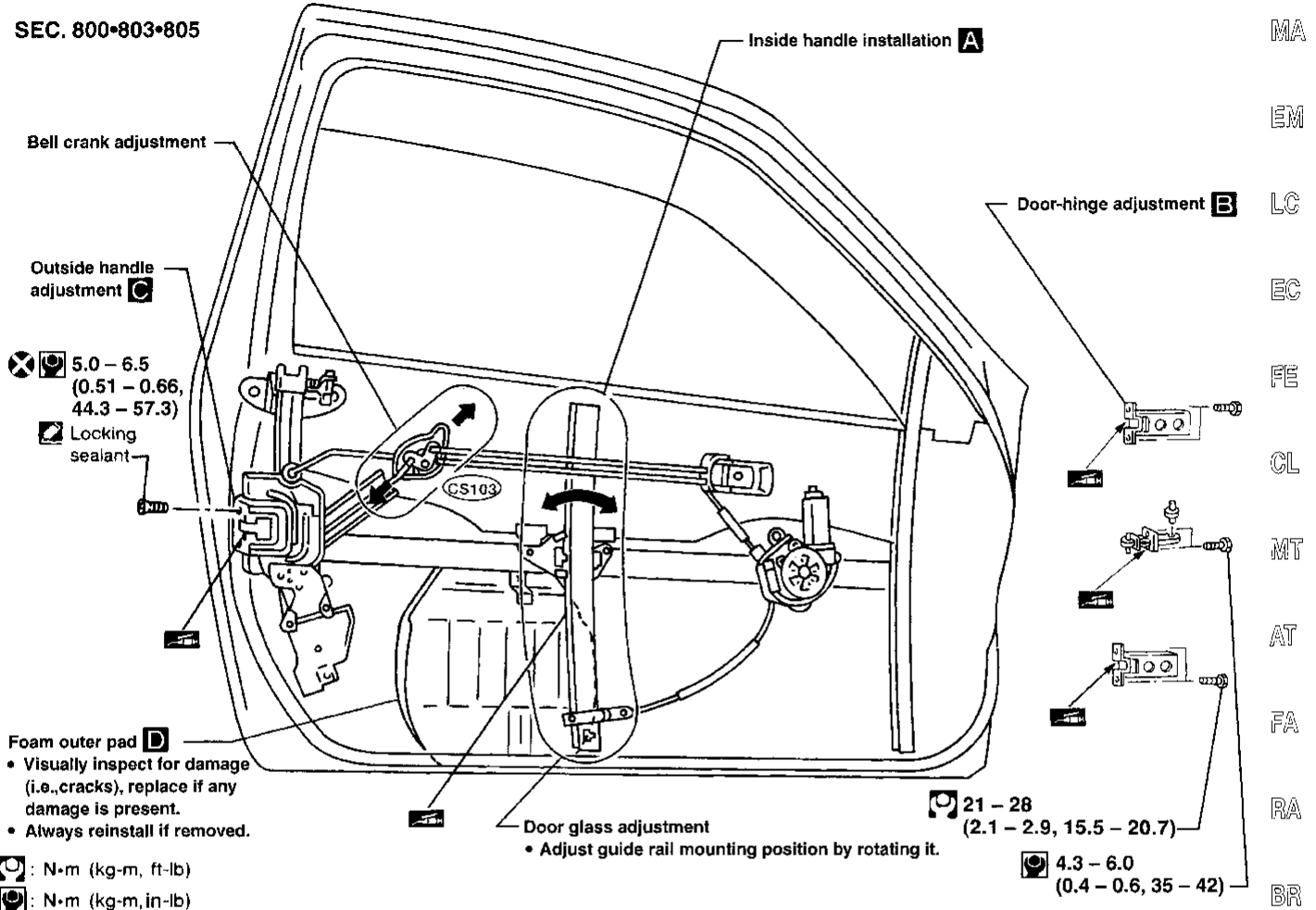
DOOR

Front Door

- For removal of door trim, refer to BT-18.
- After adjusting door or door lock, check door lock operation.

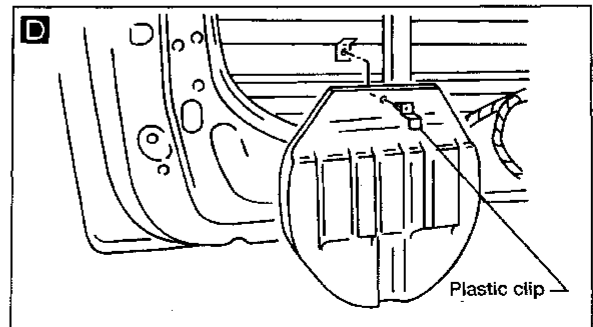
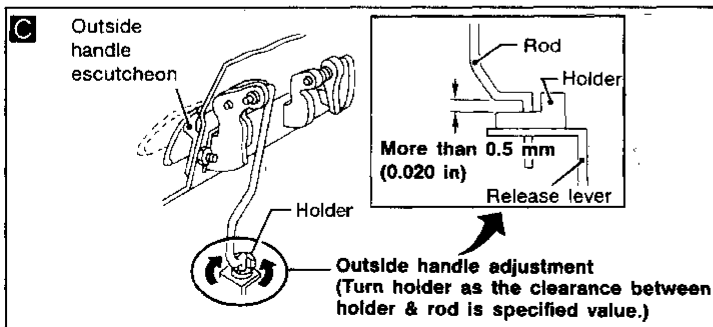
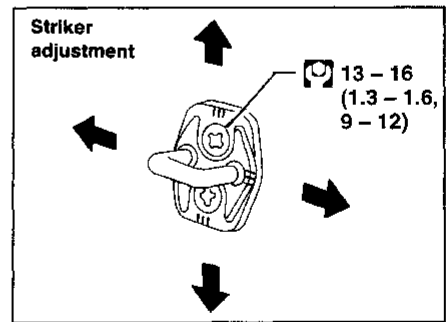
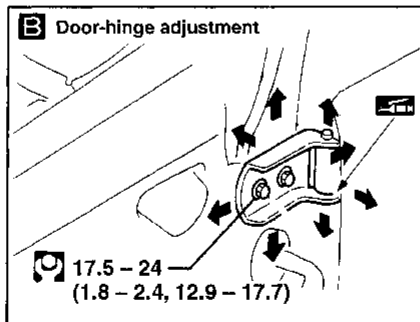
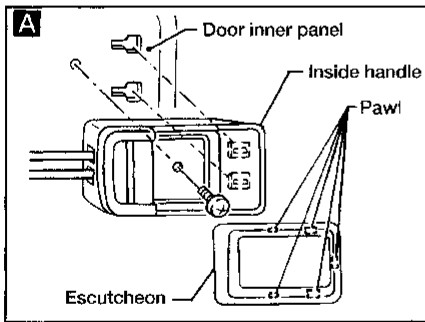
Coupe

SEC. 800•803•805



: N•m (kg-m, ft-lb)

: N•m (kg-m, in-lb)



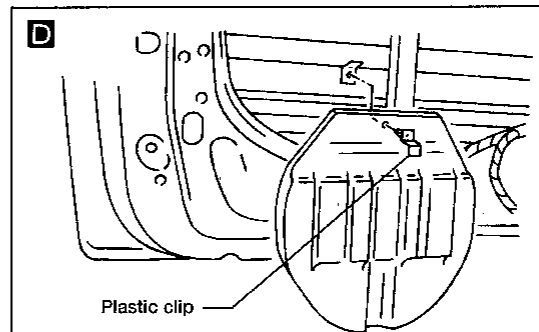
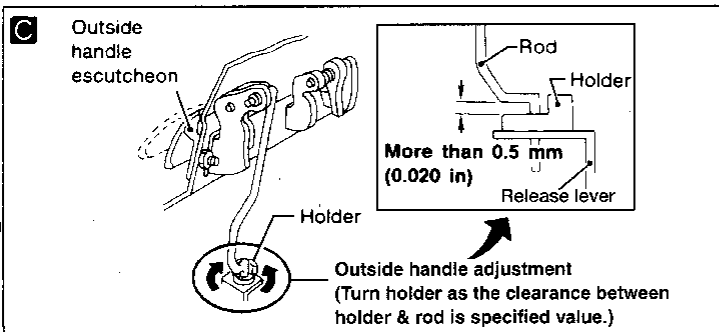
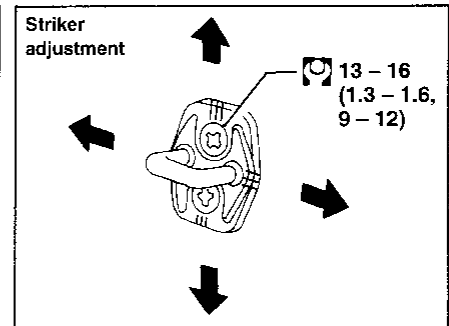
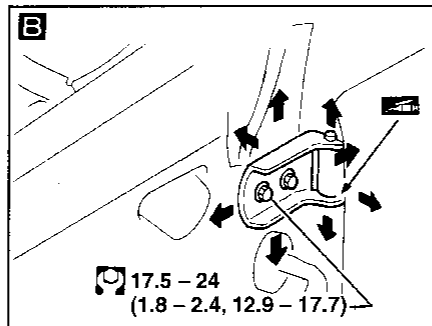
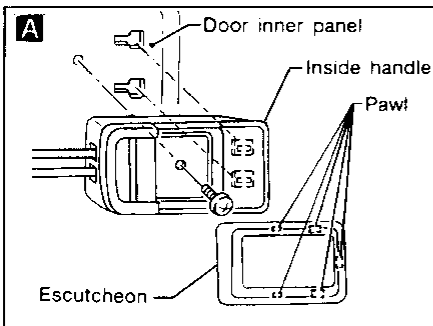
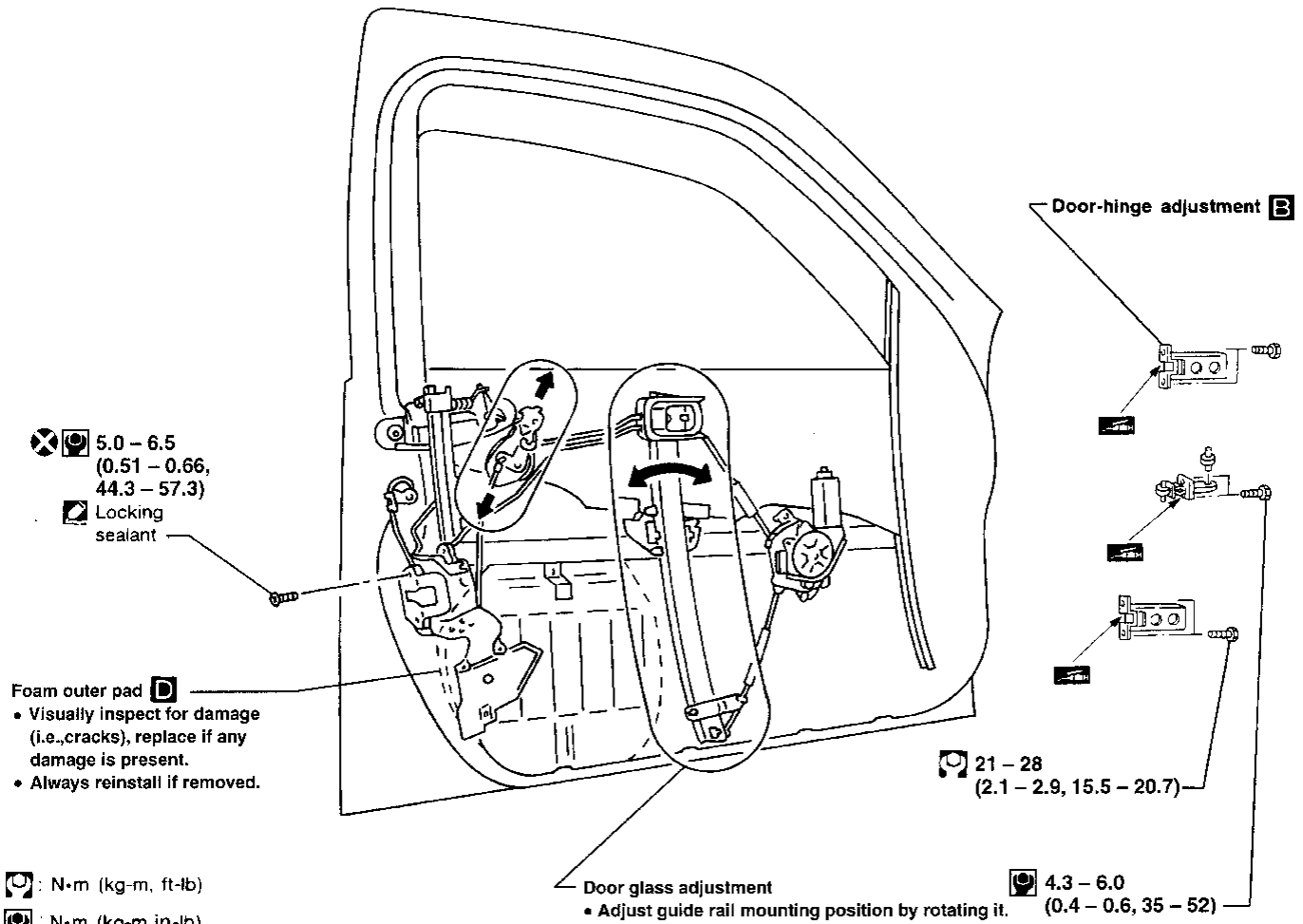
ABT094

DOOR

Front Door (Cont'd)

Sedan

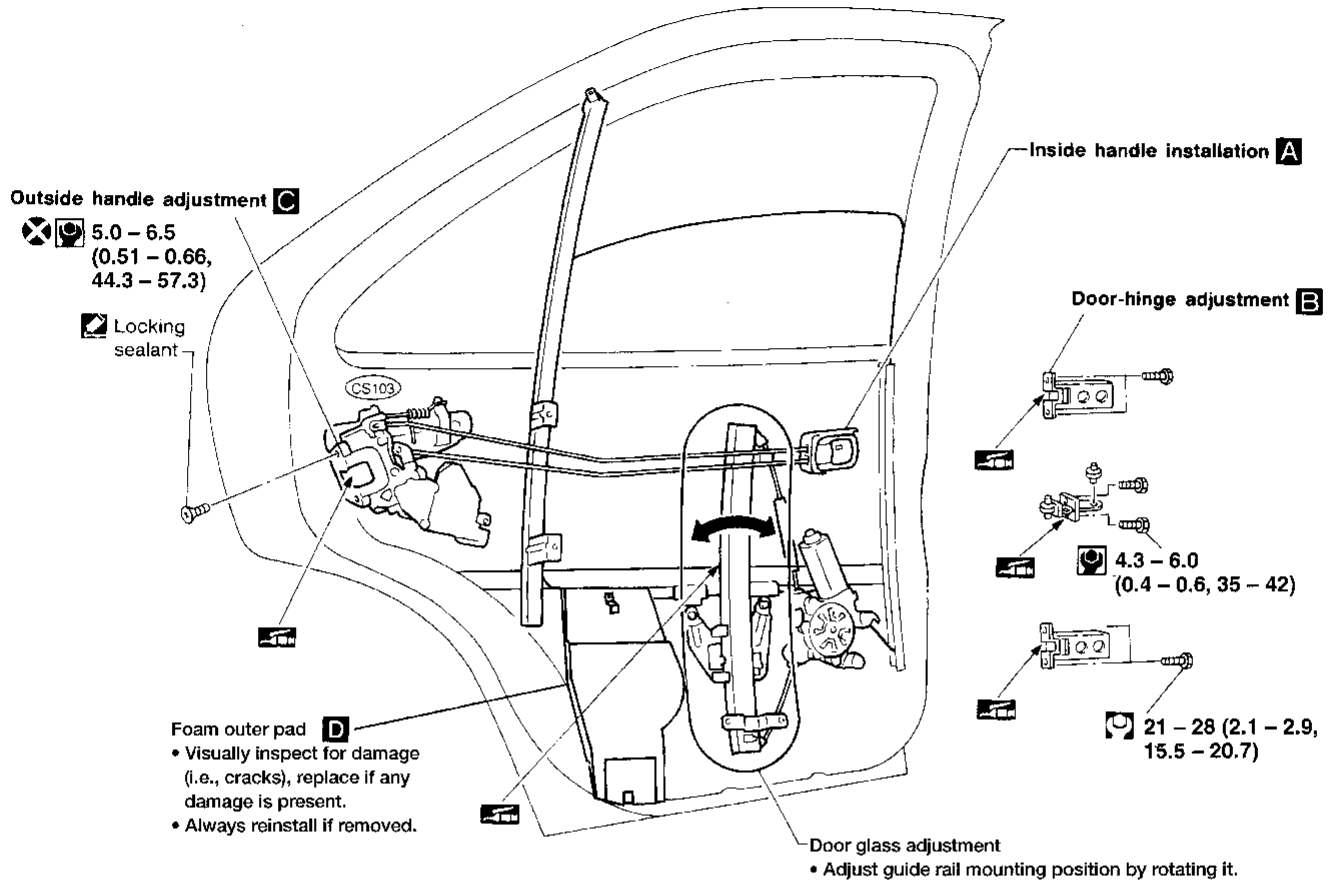
SEC. 800-803-805



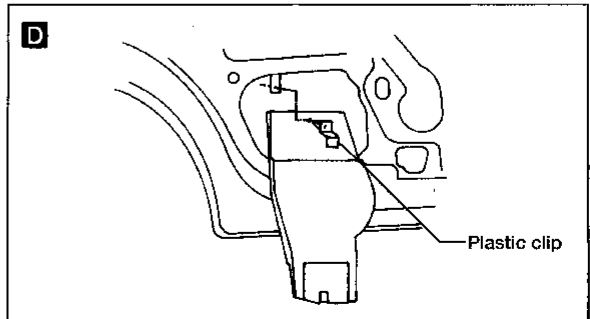
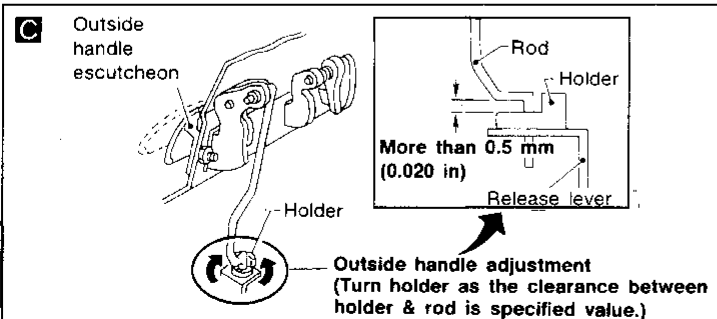
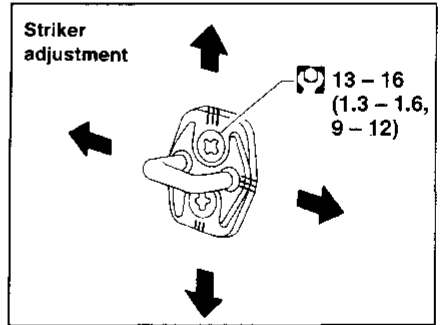
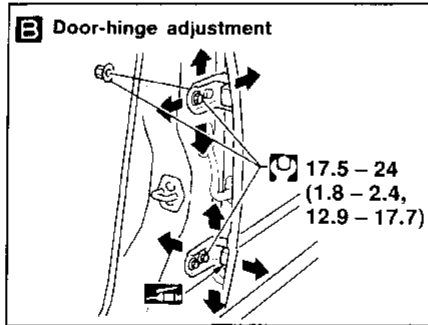
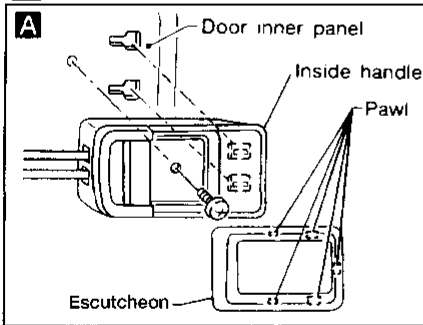
DOOR

Rear Door

SEC. 820-823-825



: N•m (kg-m, ft-lb)
: N•m (kg-m, in-lb)



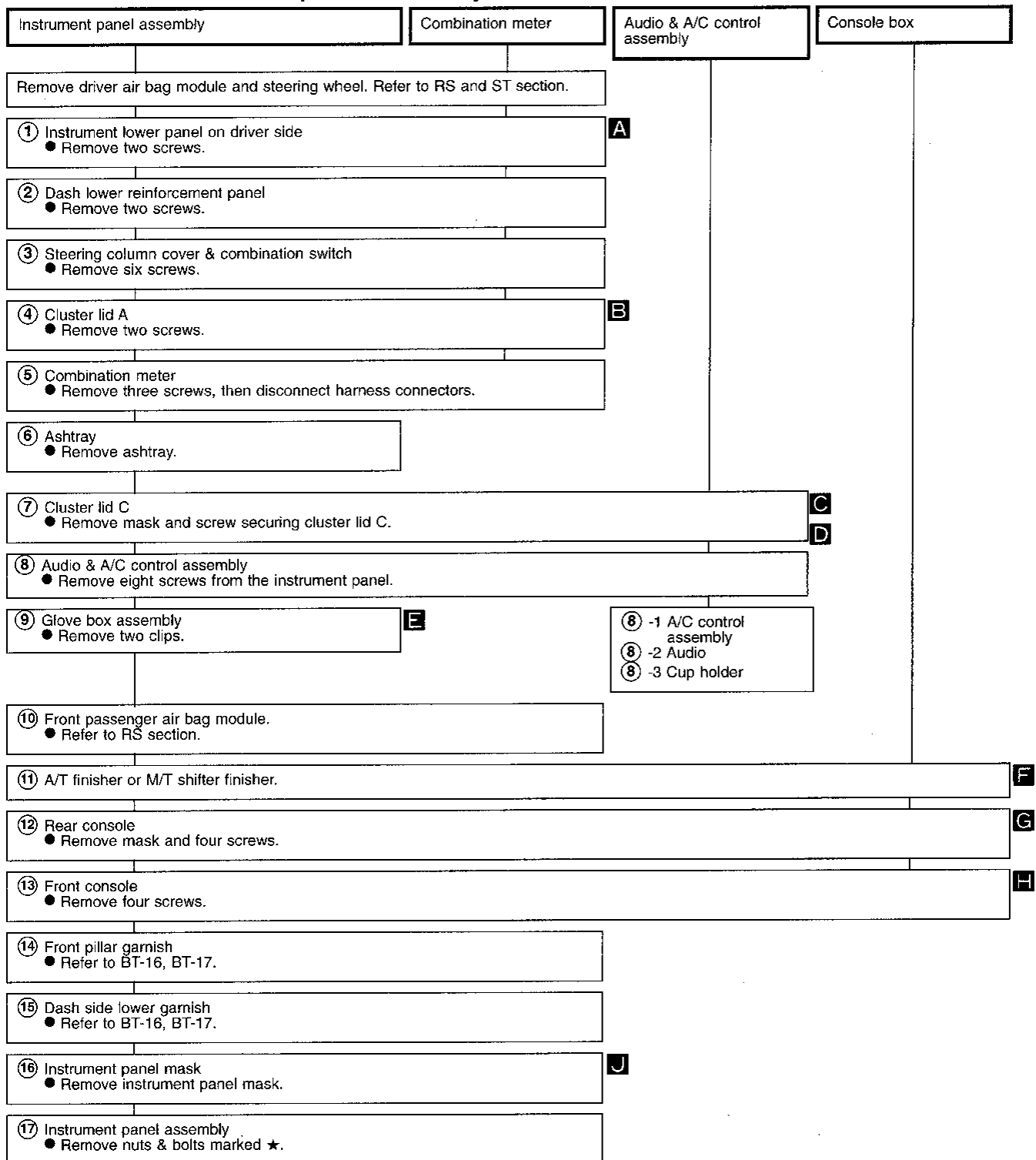
ABT096

INSTRUMENT PANEL

CAUTION:

- Disconnect both terminals from battery in advance.
- Disconnect air bag module connectors in advance.
- Be careful not to scratch pad and other parts.

REMOVAL — Instrument panel assembly



INTERIOR TRIM

Side and Floor Trim

CAUTION:

Wrap the tip of flat-bladed screwdriver with a cloth when removing metal clips from garnishes.

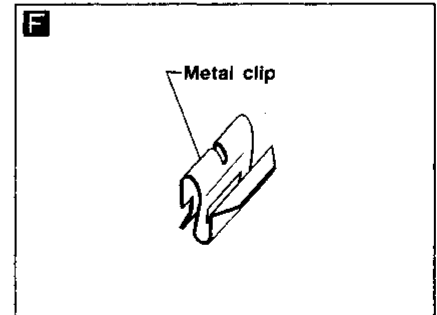
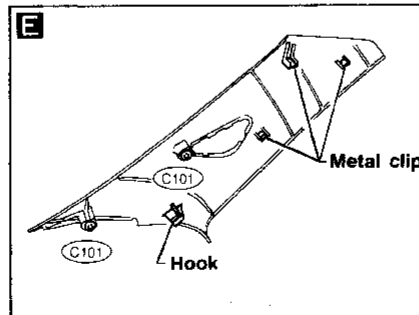
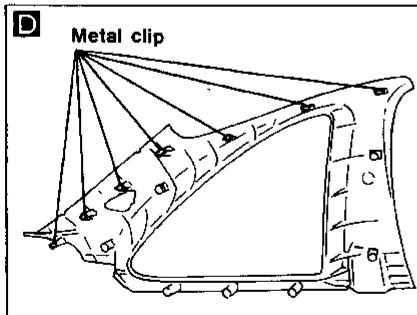
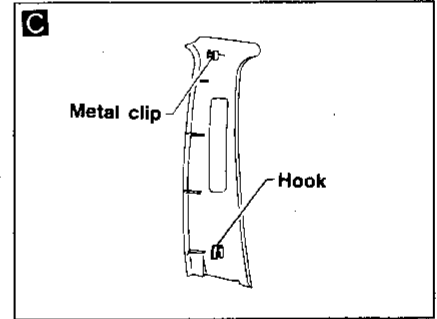
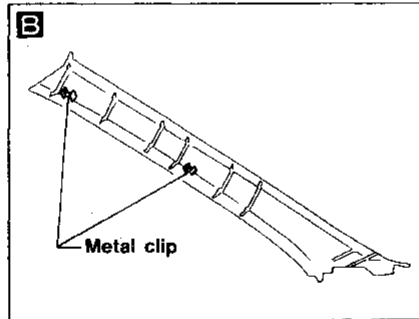
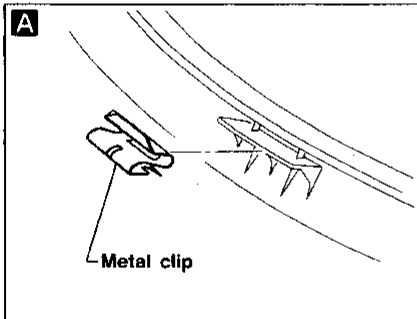
REMOVAL — Body side trim

Remove A/T finisher or M/T shift lever boot.

Remove front console and rear console. Refer to BT-12.

Remove front and rear seats.

- ① Remove kick plates.
- ② Remove dash side lower garnish. **A**
- ③ Remove body side welts.
- ④ Remove front pillar garnish. **B**
Remove front seat belt floor anchor bolt.
Remove rear seat belt floor anchor bolt.
- ⑤ Remove rear side finisher (for coupe).
Remove front seat belt pillar anchor cover and anchor bolt (for coupe). Refer to RS-4.
Remove center pillar lower garnish (for sedan).
Remove adjuster cover and pillar anchor bolt (for sedan). Refer to RS-5.
- ⑥ Remove center pillar upper garnish (for sedan). **C**
- ⑦ Remove rear pillar finisher (for coupe). **D**
Remove rear pillar garnish (for sedan). **E**
- ⑧ Remove parcel shelf.
- ⑨ Remove welt.
- ⑩ Remove rear seat back finishers. **F**
- ⑪ Remove floor carpet.



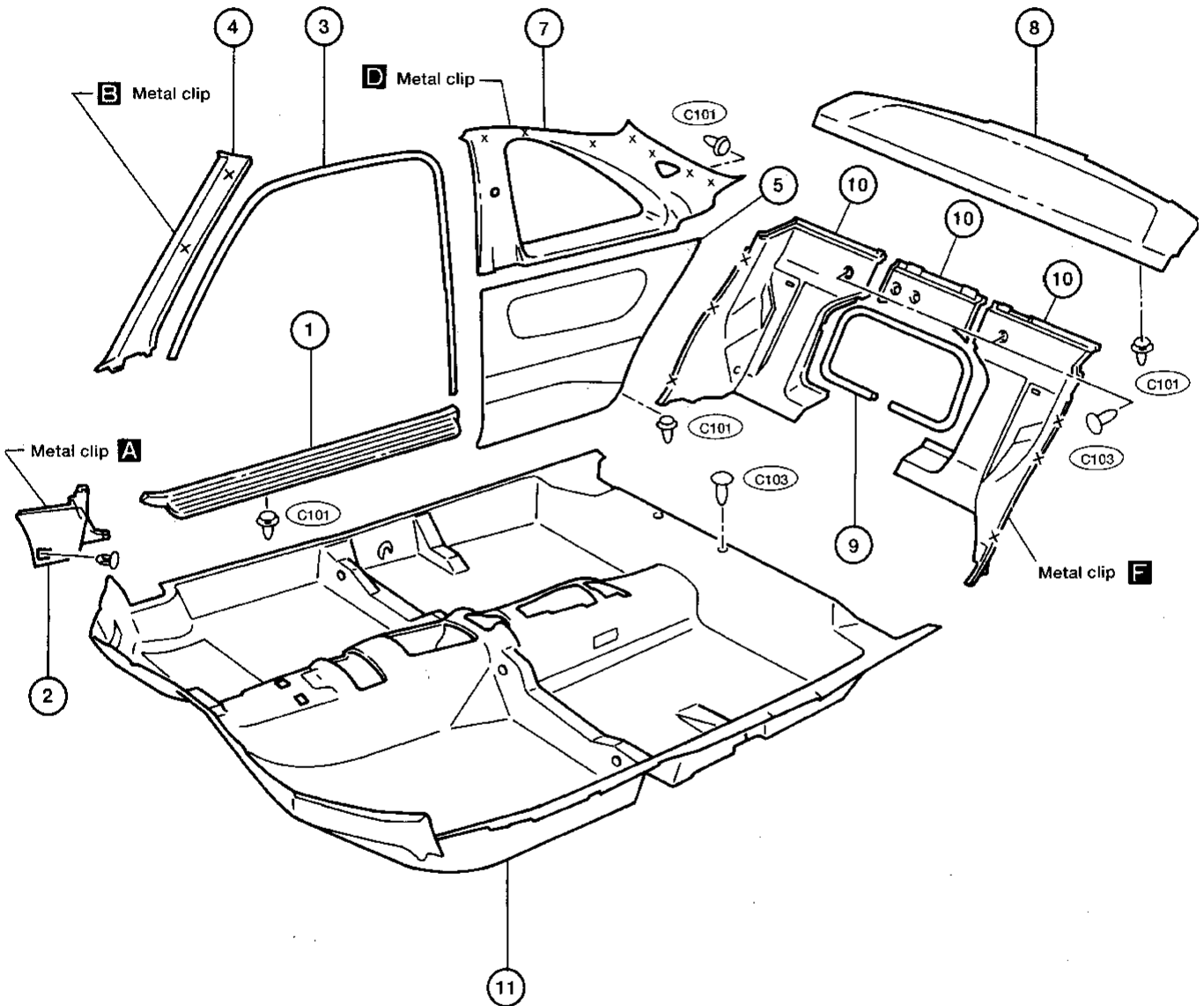
ABT036

INTERIOR TRIM

Side and Floor Trim (Cont'd)

Coupe

SEC. 749-769-799



X: Metal clips

BT-16

ABT020

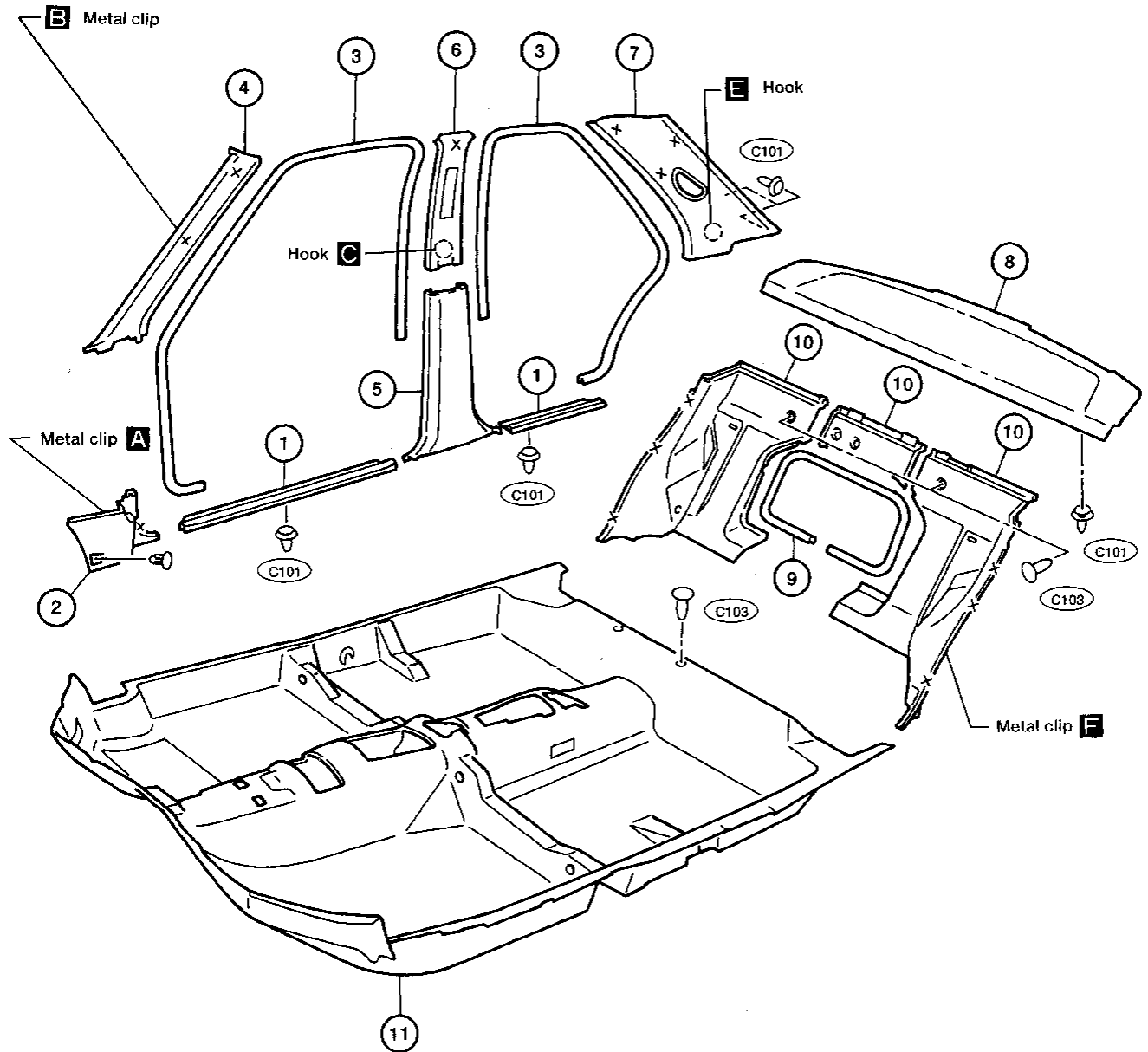
1294

INTERIOR TRIM

Side and Floor Trim (Cont'd)

Sedan

SEC. 749-769-799



GI
MA
EM
LC
EC
FE
CL
MT
AT
FA
RA
BR
ST
RS
BT
HA
EL
IDX

X: Metal clips

INTERIOR TRIM

Door Trim

CAUTION:

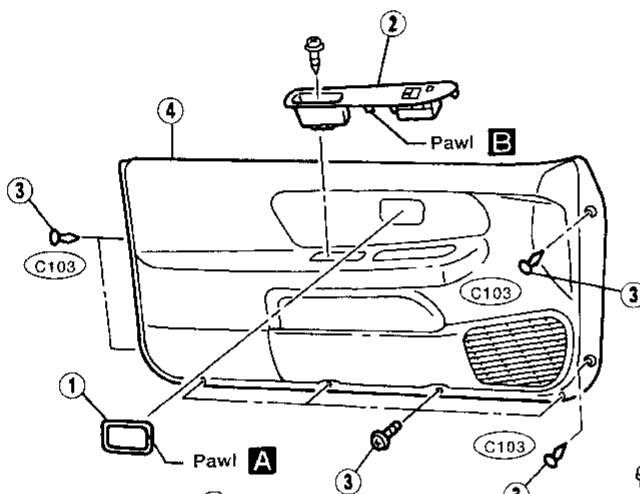
Wrap the tip of flat-bladed screwdriver with a cloth when prying pawls from door trim.

REMOVAL

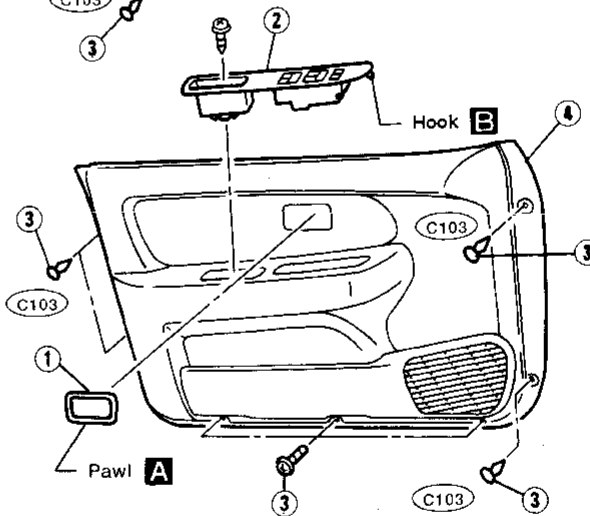
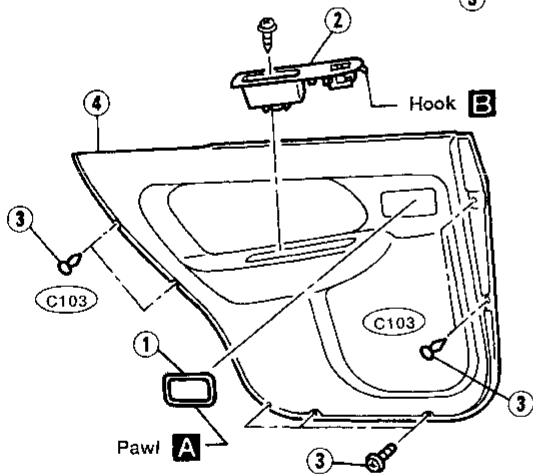
- 1 Remove inside handle escutcheon. **A**
- 2 Remove power window switch(es), then disconnect the connector(s) (models equipped with power window). **B**
Remove window regulator handle (models without power window). **C**
- 3 Remove screws and clips **(C103)**.
- 4 Lift out door trim.

SEC. 251-805-809

Coupe



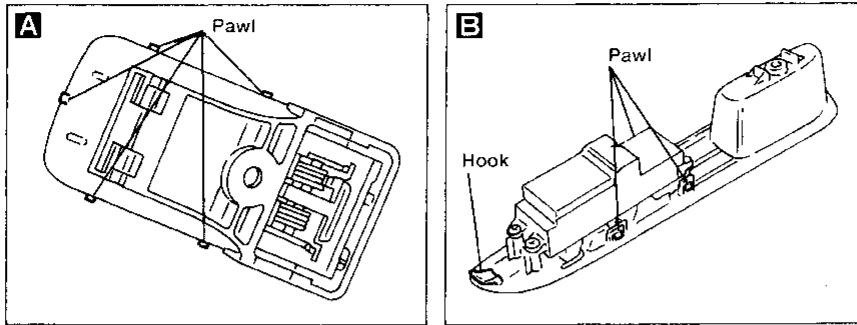
Sedan



ABT030

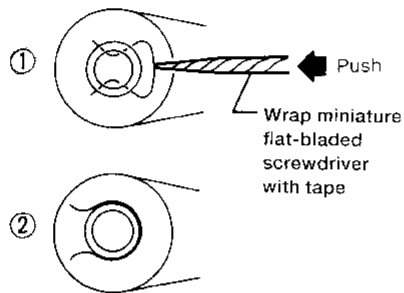
INTERIOR TRIM

Door Trim (Cont'd)



C Manual window regulator handle

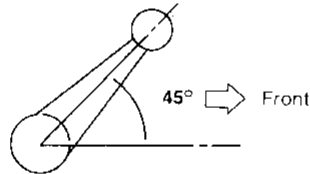
Removal



Push the regulator handle clip with a screwdriver being careful not to scratch handle or door trim. Then remove the regulator handle from the regulator shaft.

Installation

Before installing, the regulator handle clip as shown in figure ①.



Push the regulator handle onto the regulator shaft. Install the regulator handle in place as shown in the figure with the window completely closed.

GI
MA
EM
LC
EC
FE
CL
MT
AT
FA
RA
BR
ST
RS
BT
HA
EL
IDX

INTERIOR TRIM

Roof Trim

CAUTION:

- Disconnect both terminals from battery in advance.

REMOVAL

Remove driver air bag module and steering wheel. Refer to RS and ST section.

Fully tilt front right and left seatbacks backward.

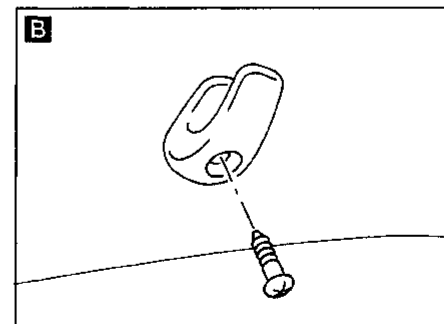
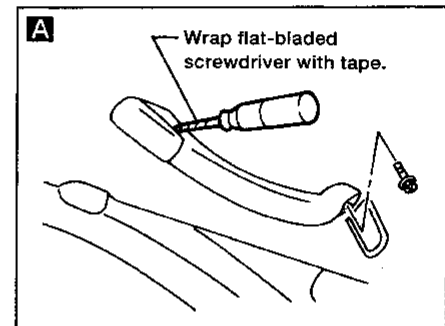
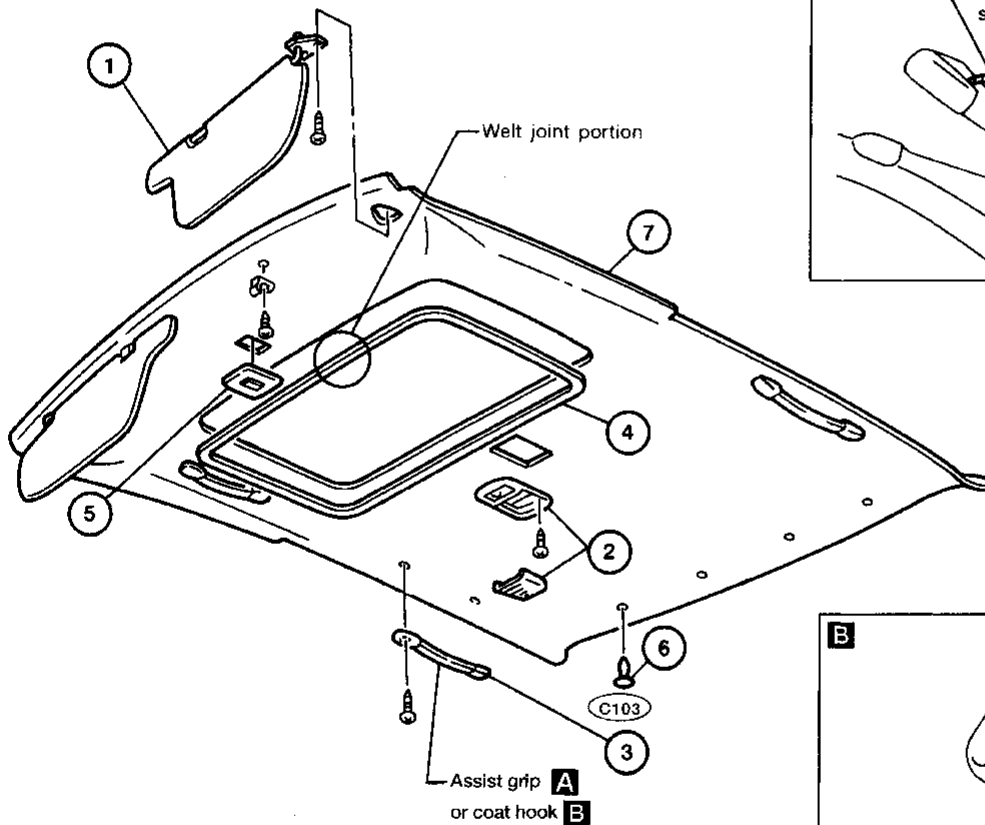
Remove front pillar garnish. Refer to BT-15.

Remove rear pillar finisher (for coupe). Refer to BT-15.

Remove center pillar upper garnish and rear pillar garnish (for sedan). Refer to BT-15.

- ① Remove sun visors.
- ② Remove interior lamp.
- ③ Remove assist grips (if equipped) or coat hooks.
- ④ Remove sunroof welt.
- ⑤ Remove sunroof switch.
- ⑥ Remove clips attached to roof.
- ⑦ Take out headlining from the front passenger door.

SEC. 738-963-964

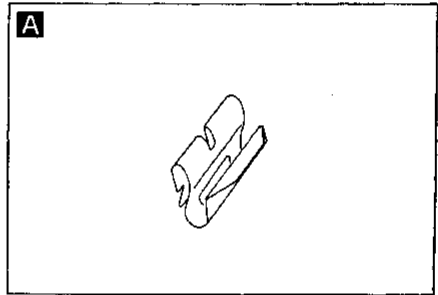
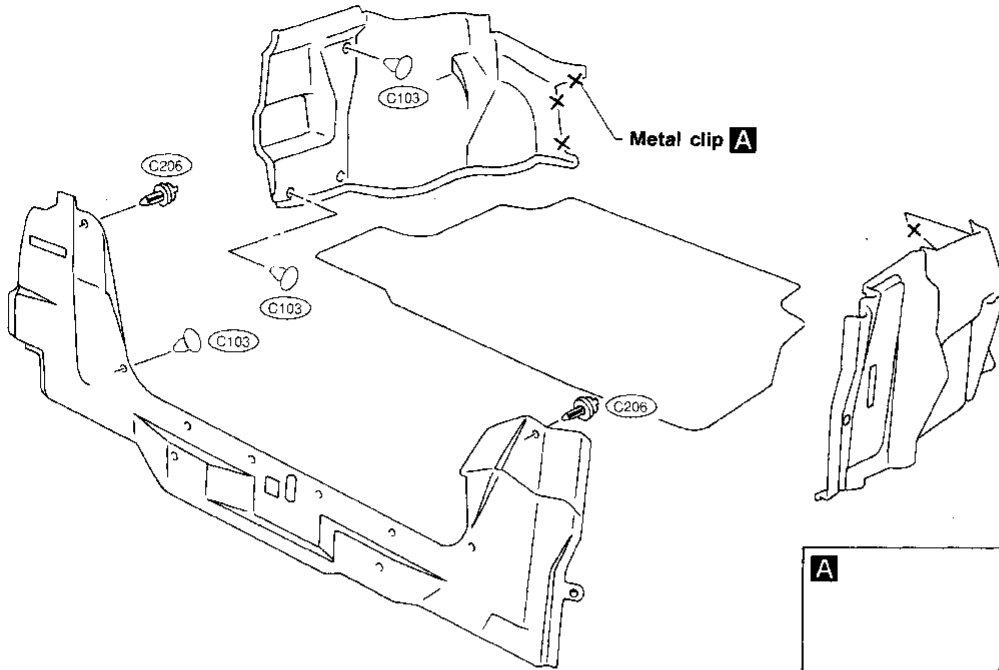


ABT099

INTERIOR TRIM

Trunk Room Trim

SEC. 849

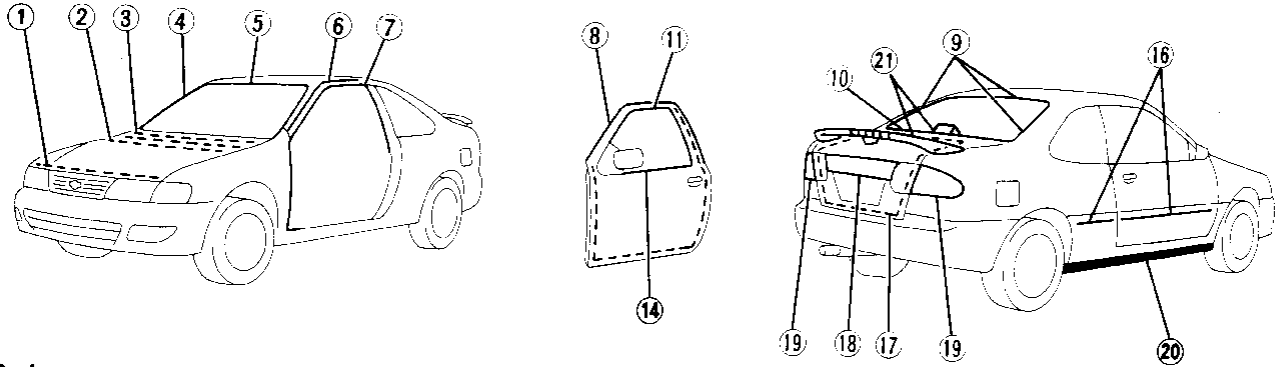


MBT009A

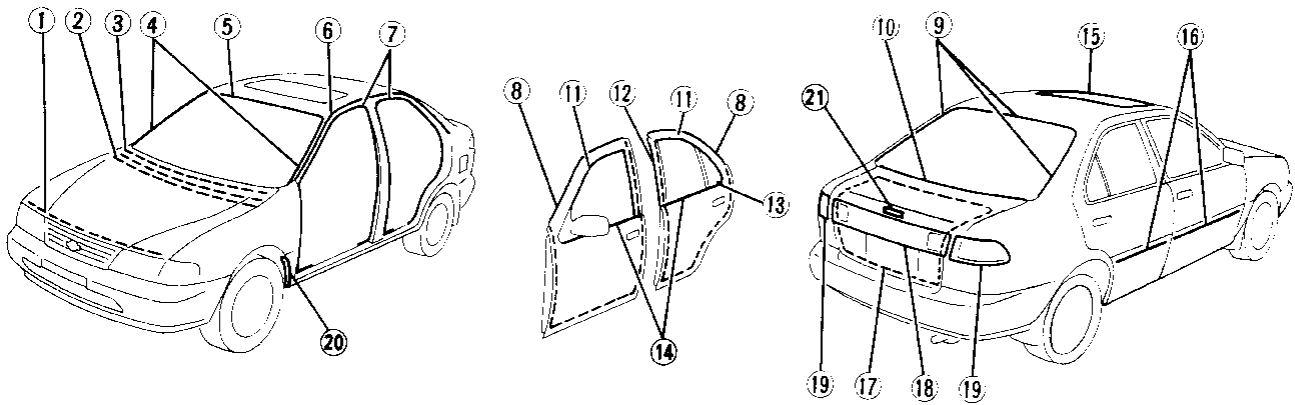
GI
MA
EM
LC
EC
FE
CL
MT
AT
FA
RA
BR
ST
RS
BT
HA
EL
IDX

EXTERIOR

Coupe

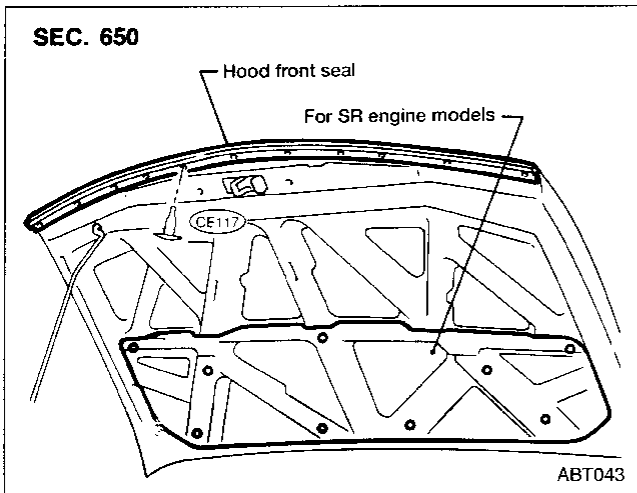


Sedan

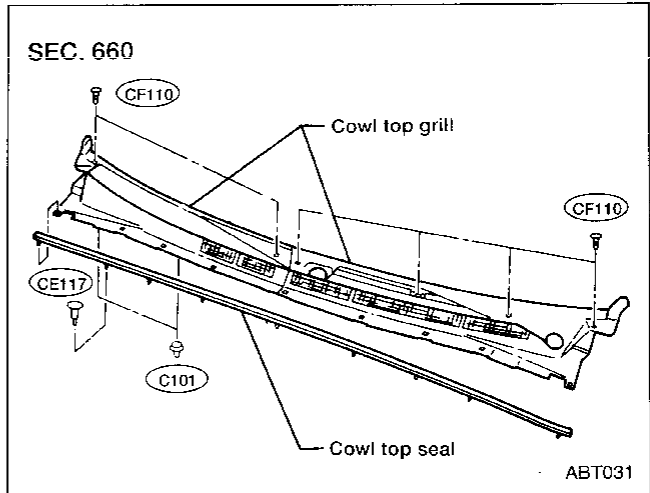


ABT140

① Hood front seal



② ③ Cowl top seal and cowl top grille



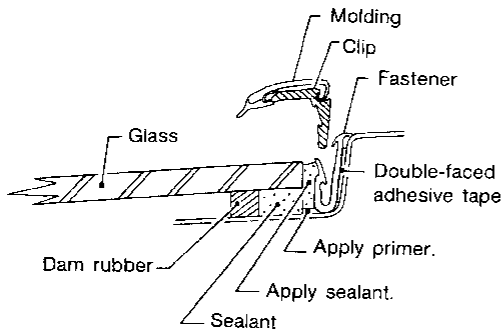
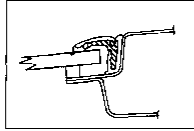
④ Windshield side molding

Mounted with screws.

⑤ Windshield upper molding

SEC. 720

1. Cut off sealant at glass end.
2. Clean the side on which panel was mounted.
3. Set molding fastener and apply primer to body panel, and apply sealant to body.

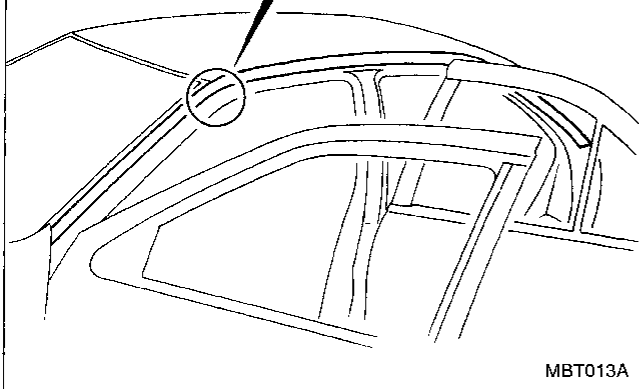
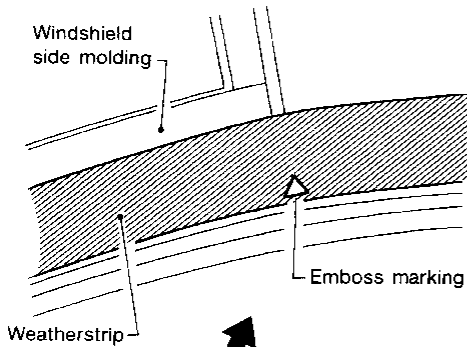


4. Install molding by aligning the molding mark located on center with vehicle center. Be sure to install tightly so that there is no gap around the corner.

SBF342H

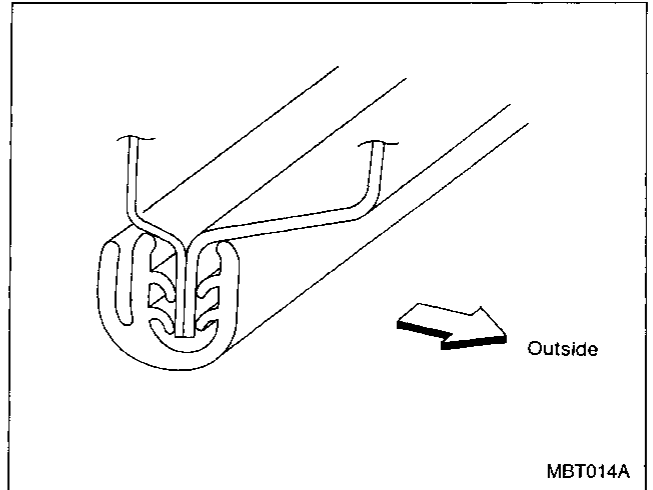
⑥ Drip weatherstrip

SEC. 720-767



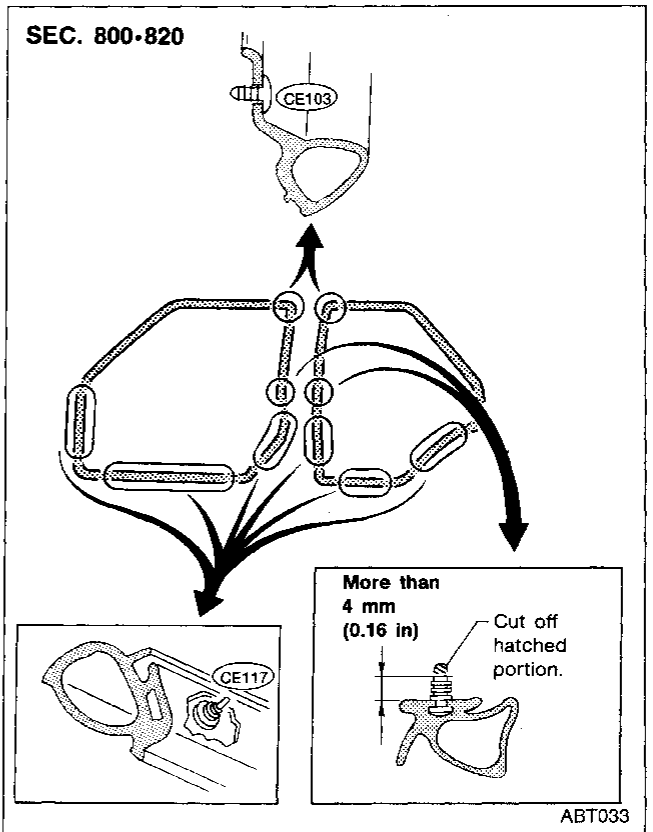
MBT013A

⑦ Body side welt



⑧ Door weatherstrip

SEC. 800-820



⑨ Rear window upper molding and side molding

Basically the same as windshield upper molding and side molding.

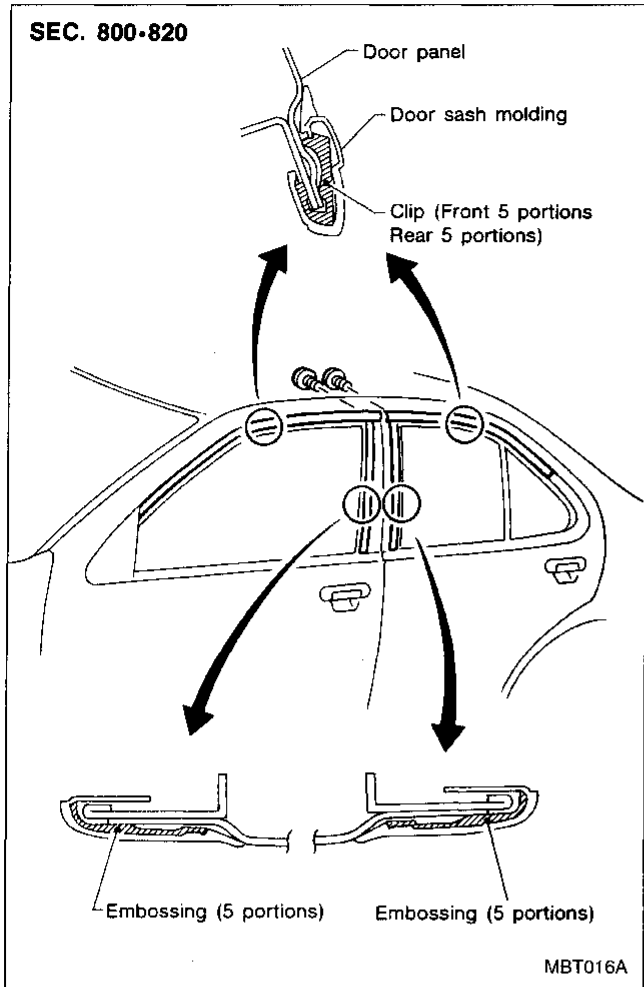
Refer to ⑤ Windshield upper molding and side molding.

⑩ Rear window lower molding

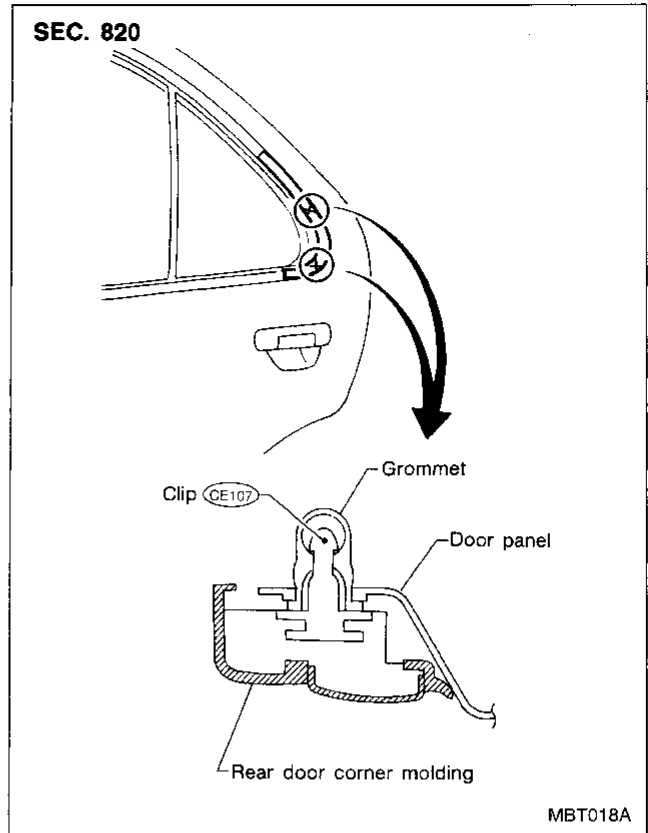
Mounted with screws.

CI
MA
EM
LC
EC
FE
CL
MT
AT
FA
RA
BR
ST
RS
BT
HA
EL
IDX

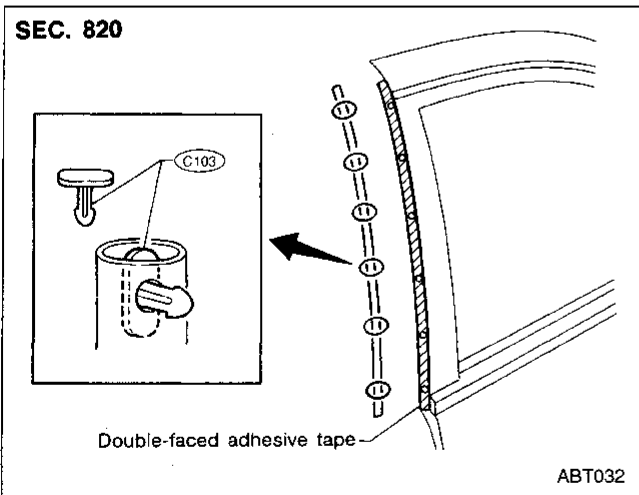
11 Door sash molding



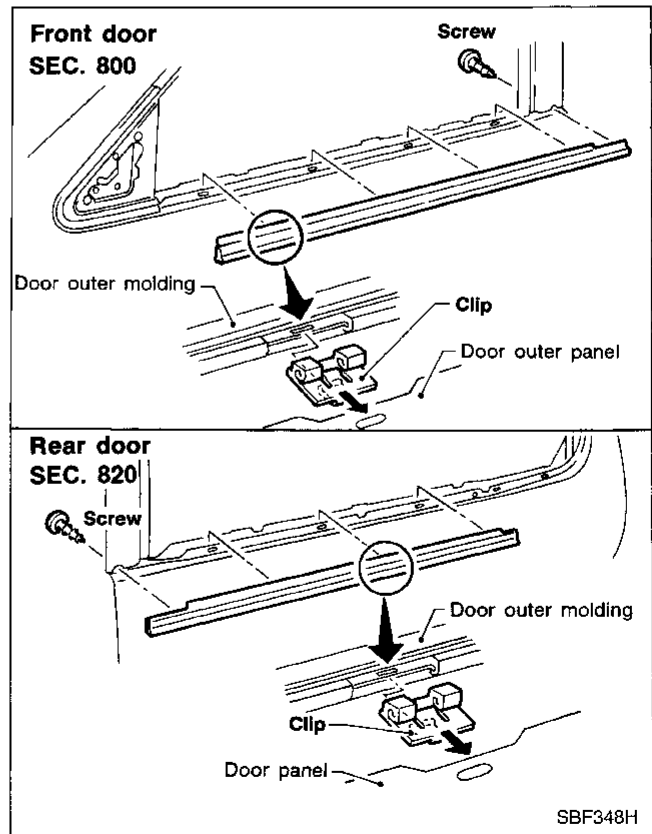
13 Rear door corner molding



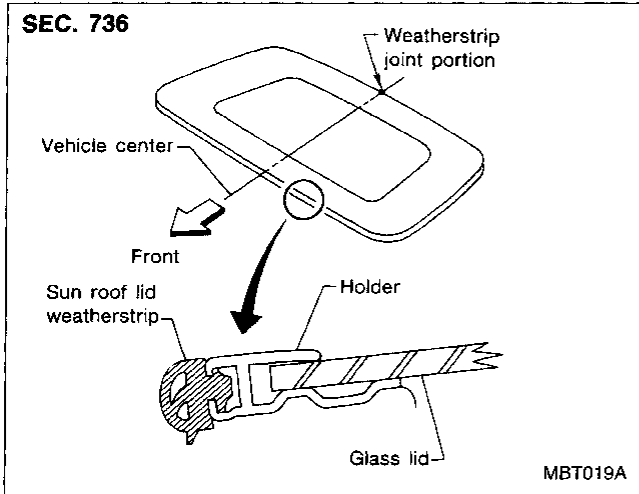
12 Rear door parting seal



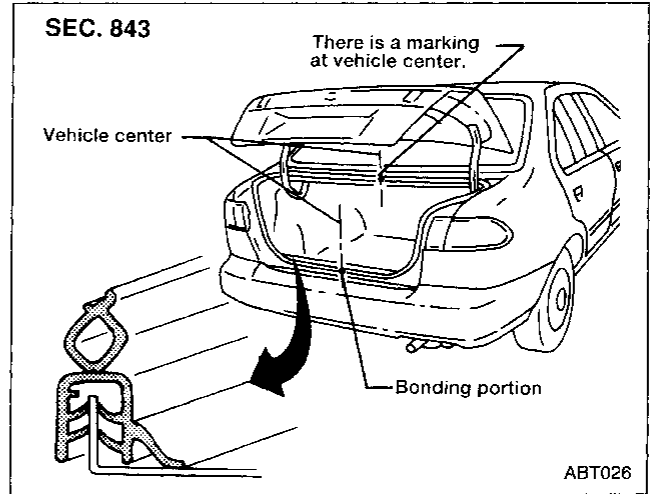
14 Door outside molding



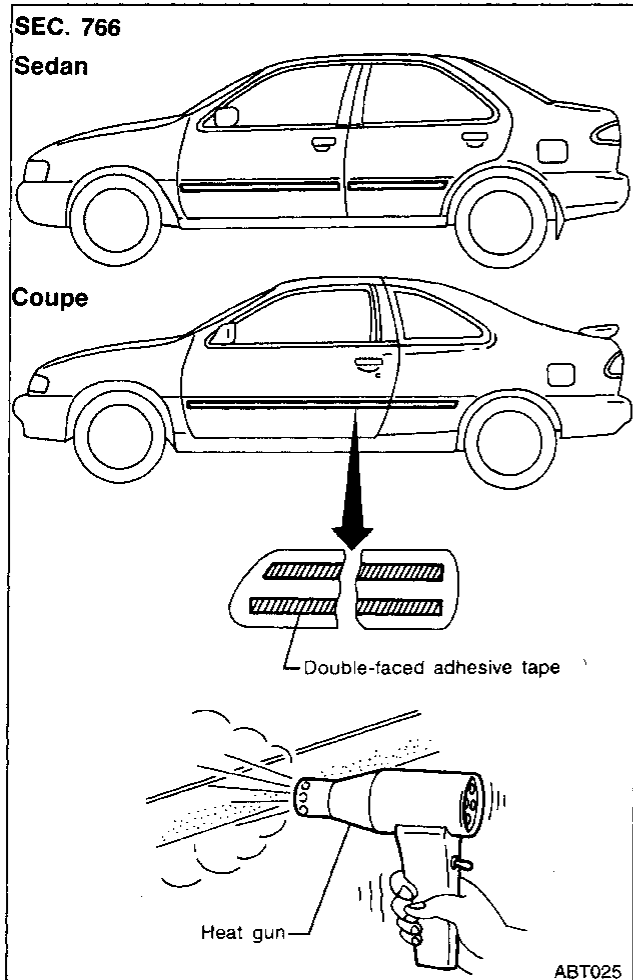
15 Sunroof lid weatherstrip



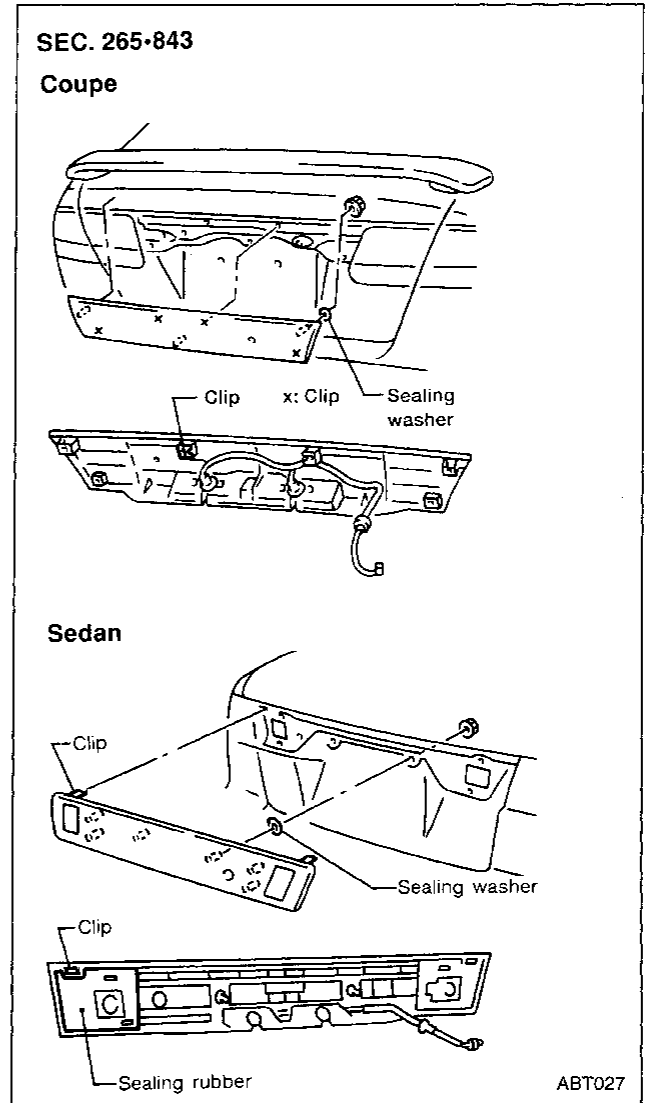
17 Trunk lid weatherstrip



16 Side guard molding



18 Trunk lid finisher



- With a vehicle coated with Hard Clear Coat, use double-faced 3M adhesive tape Product No. 4210 or equivalent, after priming with 3M primer Product No. N-200 or C-100 or equivalent.

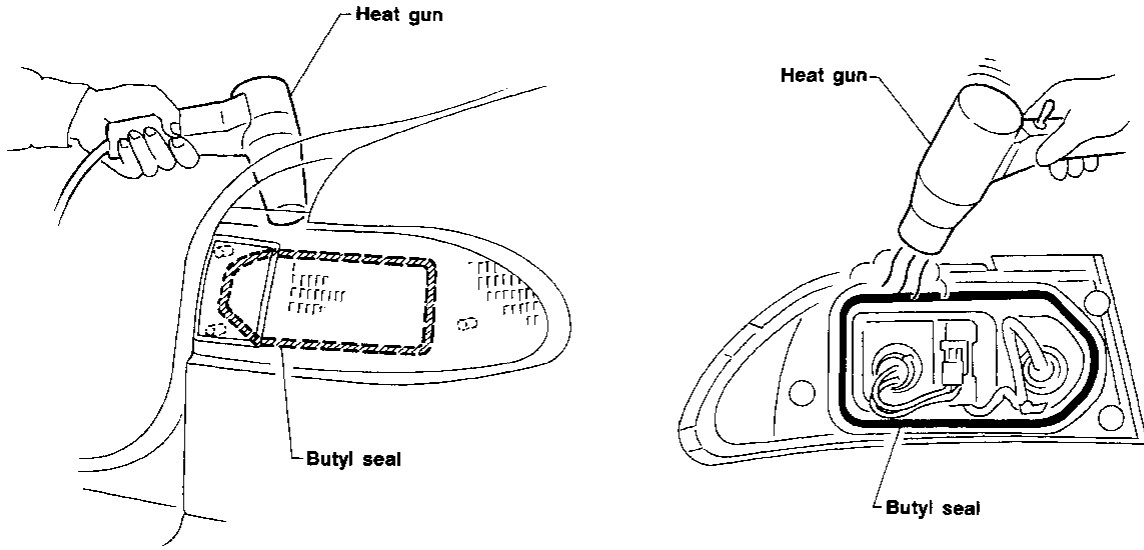
GI
MA
EM
LC
EC
FE
CL
MT
AT
FA
RA
BR
ST
RS
BT
HA
EL
IDX

EXTERIOR

19 Rear combination lamp

Rear combination lamps are installed with nuts and butyl sealant.

SEC. 265



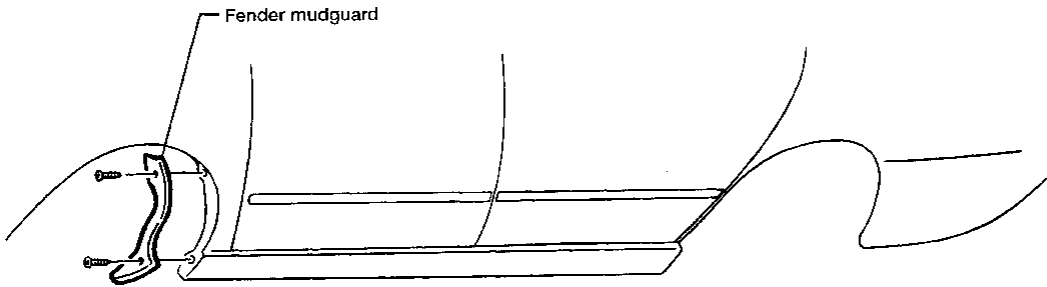
- Apply butyl seal evenly as it tends to become thin in the corners.
- Warm up lamp assembly area to a temperature of a little below 60°C (140°F).

MBT021A

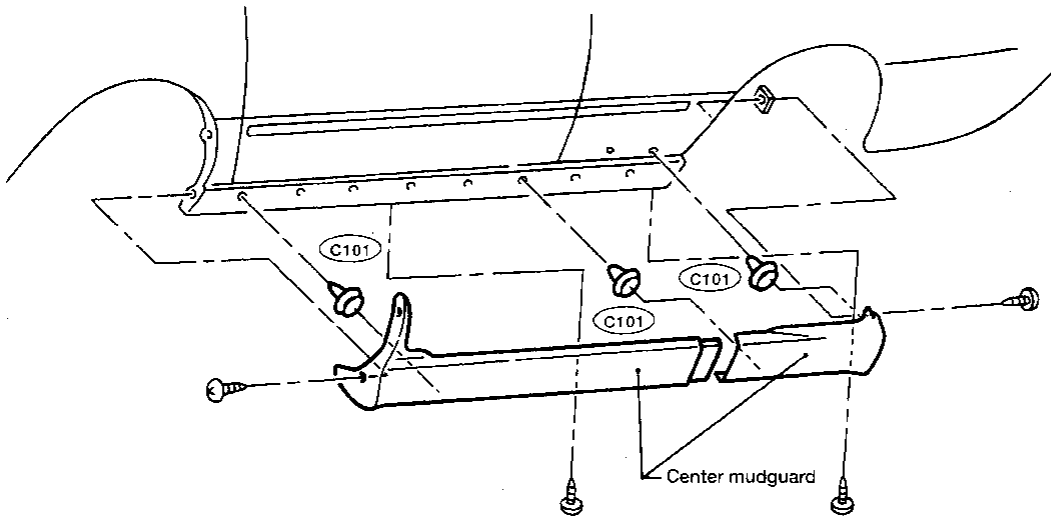
20 Fender and center mudguard

SEC. 767

Sedan



Coupe



ABT040

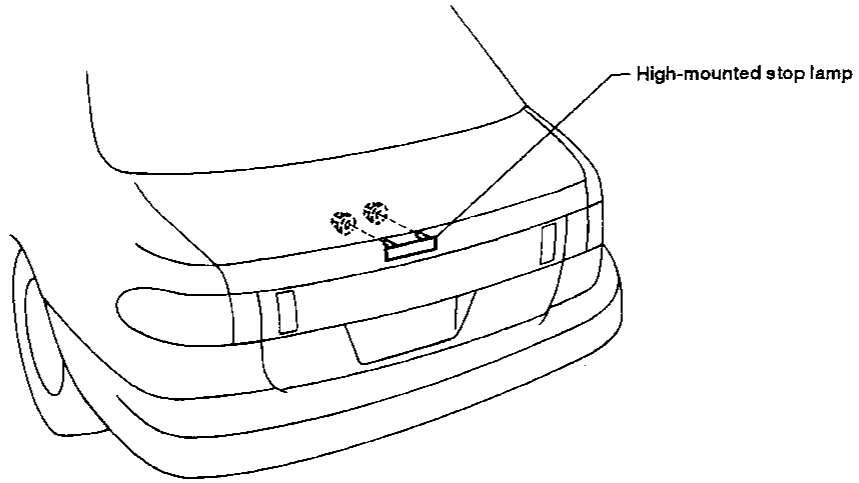
EXTERIOR

⑳ Rear air spoiler and high-mounted stop lamp

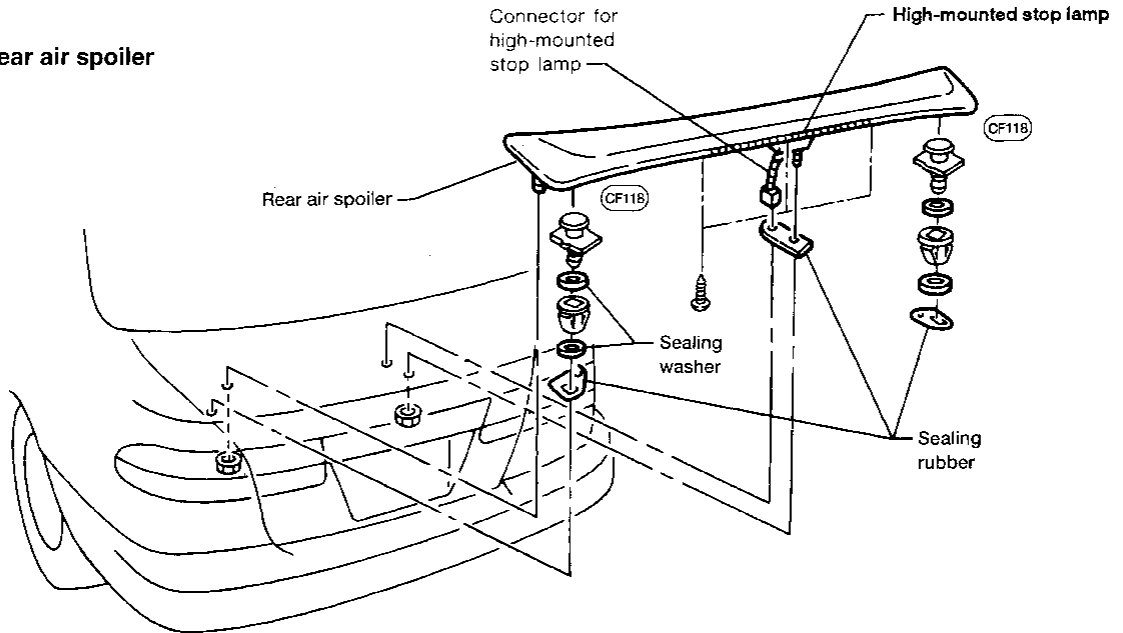
- When installing, make sure that there are no gaps or waves at ends of air spoiler.
- Before installing spoiler, clean and remove oil from surface where spoiler will be mounted.

SEC. 960

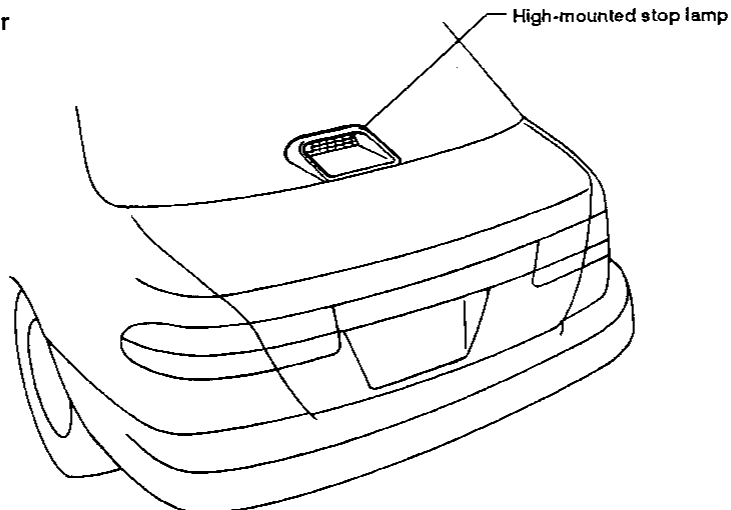
Sedan



Coupe
Models with rear air spoiler



Models without rear air spoiler



GI

MA

EM

LC

EC

FE

CL

MT

AT

FA

RA

BR

ST

RS

BT

HA

EL

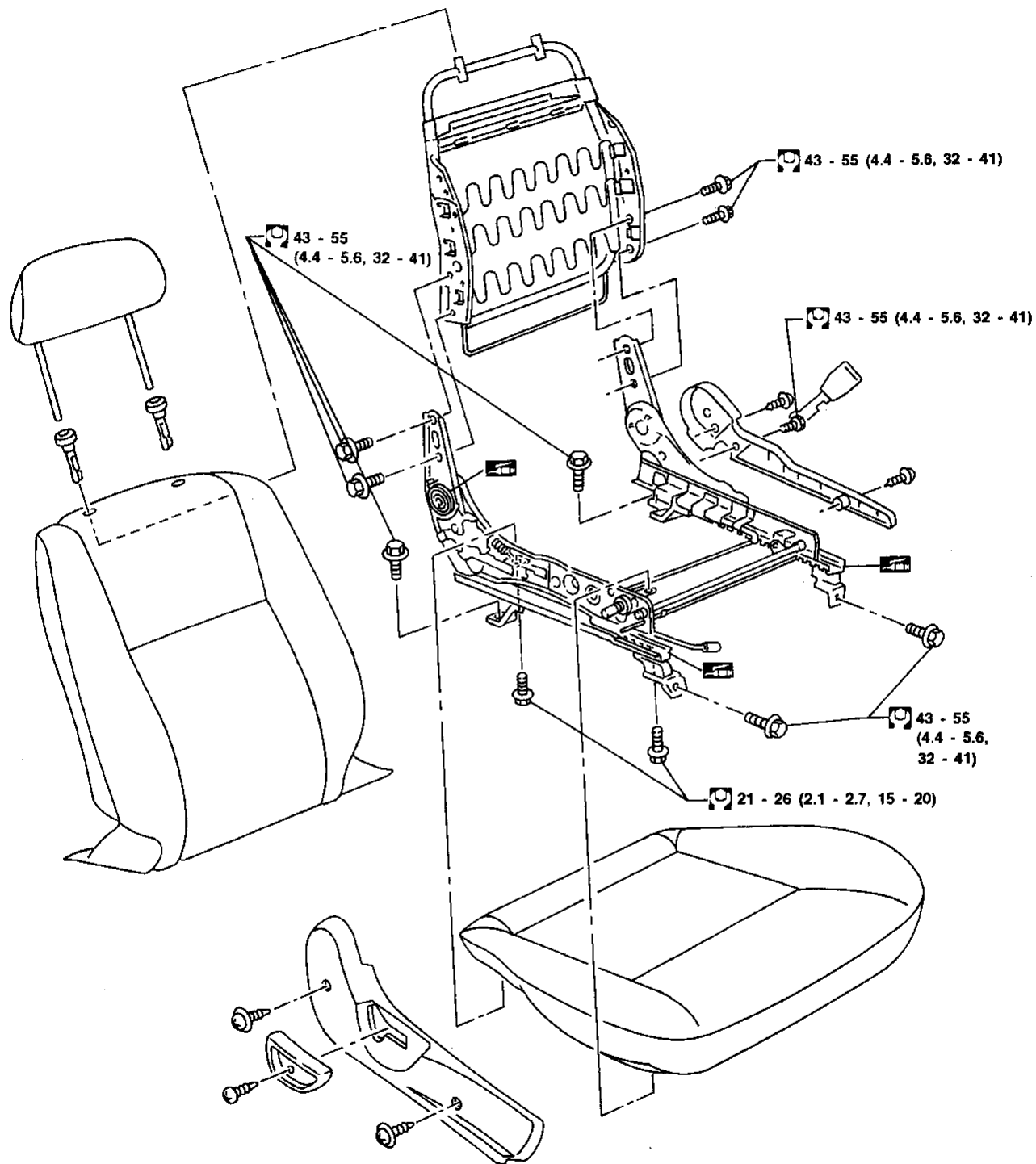
IDX


SEAT

When removing or installing the seat trim, handle it carefully to keep dirt out and avoid damage.

Front Seat

SEC. 870



: N·m (kg-m, ft-lb)

ABT028

BT-28

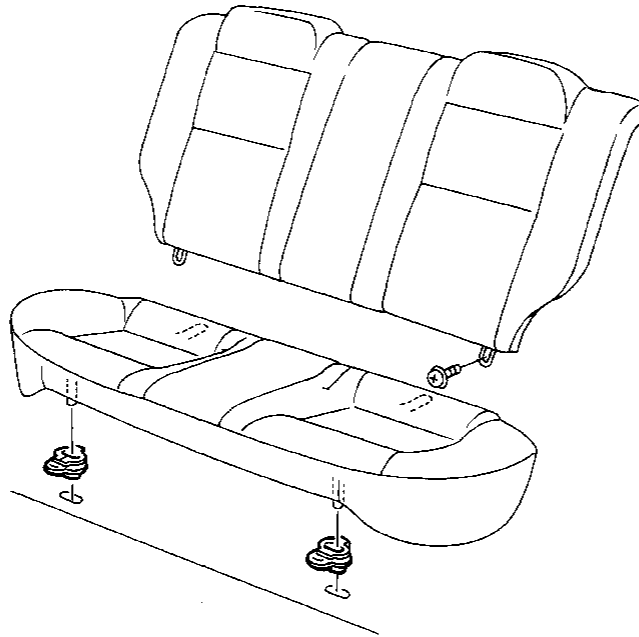
1306

SEAT

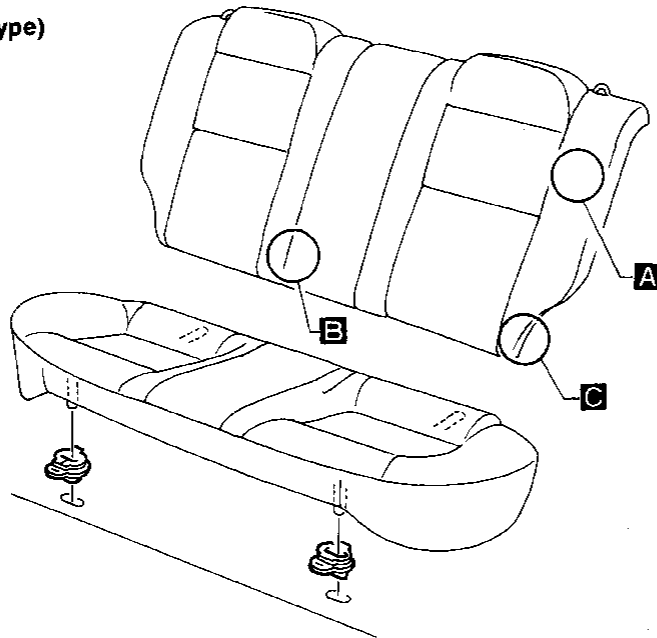
Rear Seat

SEC. 880

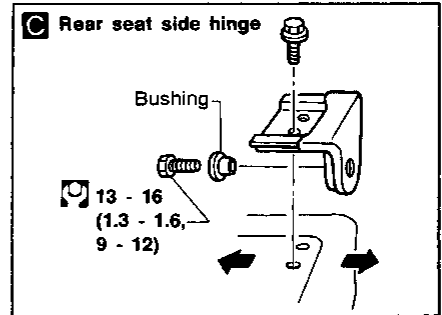
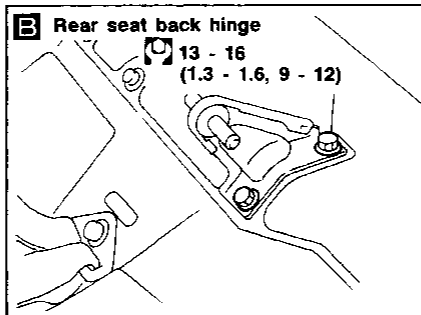
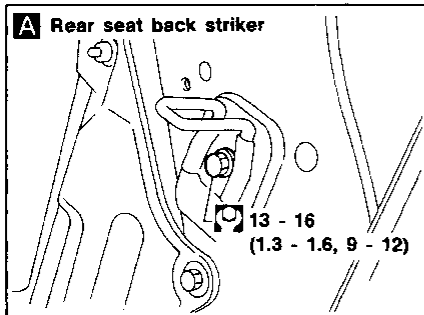
Type 1 (Fixed type)



Type 2 (Folding type)



: N·m (kg·m, ft·lb)



GI

MA

EM

LG

EC

FE

CL

MT

AT

FA

RA

BR

ST

RS

BT

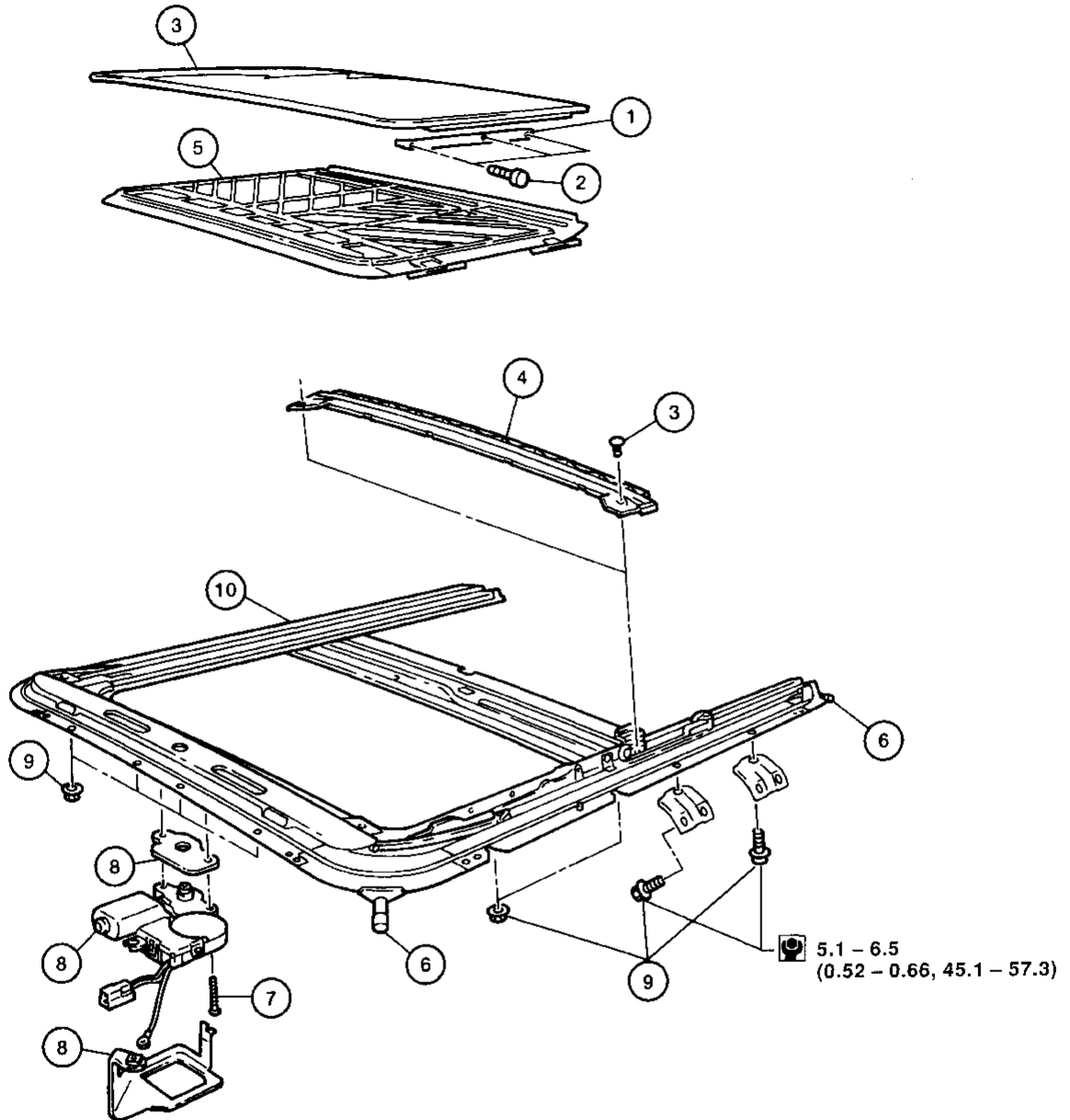
HA


EL

IDX

SUNROOF

SEC. 736



 : N·m (kg·m, in·lb)

ABT097

BT-30

1308

SUNROOF

Removal

- After any repair, check sunroof operation and lid alignment.
- Handle finisher plate and glass lid with care so not to cause damage.
- It is desirable for easy installation to mark each point before removal.

CAUTION:

- Always work with a helper.

SUNROOF LID ASSEMBLY

Open sunroof shade.

Close sunroof lid.

- ① Remove side trim.
- ② Remove the six bolts securing sunroof lid assembly to sunroof assembly.

SHADE ASSEMBLY

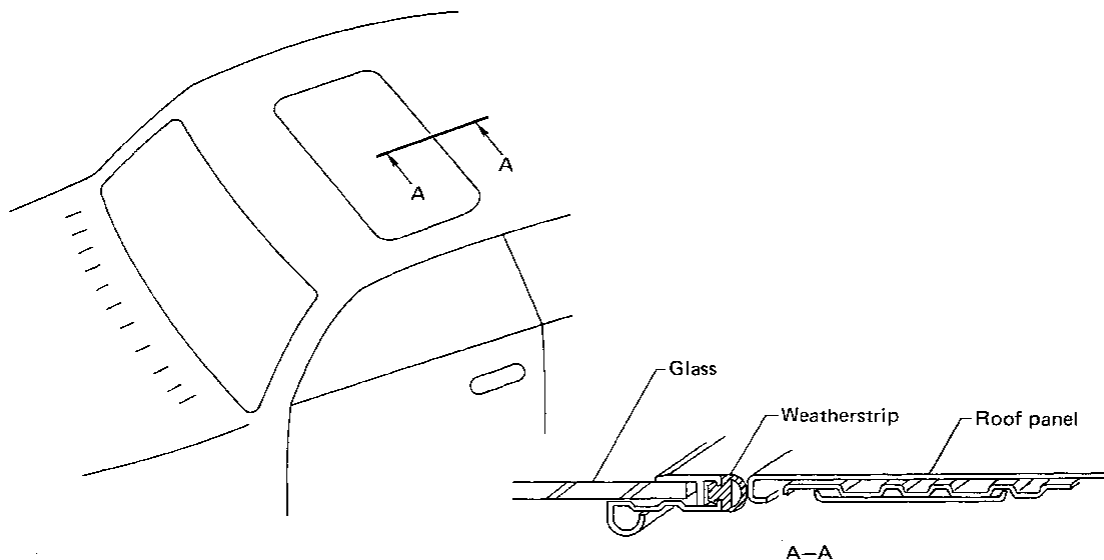
- ③ After removing sunroof lid assembly, remove two screws securing drain channel.
- ④ Remove drain channel.
- ⑤ Remove shade assembly.

SUNROOF ASSEMBLY

Remove headlining. Refer to BT-20.

Disconnect interior lamp harness.

- ⑥ Disconnect front and rear drain hoses.
Remove assist grip brackets.
- ⑦ Remove screws securing sunroof motor to sunroof assembly.
- ⑧ Remove sunroof motor and bracket.
- ⑨ Remove nuts and bolts securing sunroof assembly to roof.
- ⑩ Remove sunroof assembly.



SBF918F

GI

MA

EM

LC

EC

FE

CL

MT

AT

FA

RA

BR

ST

RS

BT

HA

EL

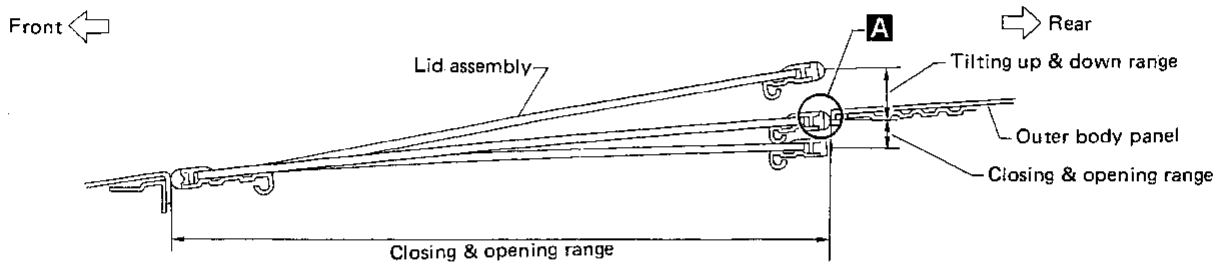
IDX

SUNROOF

Adjustment

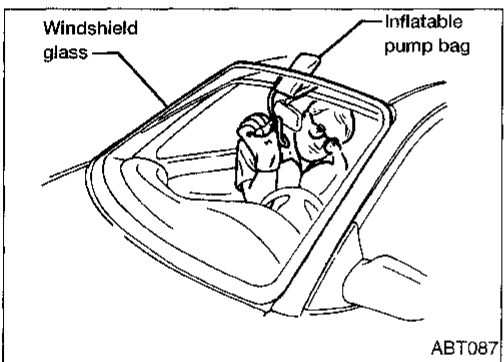
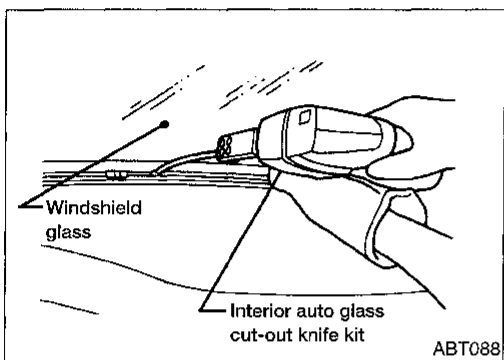
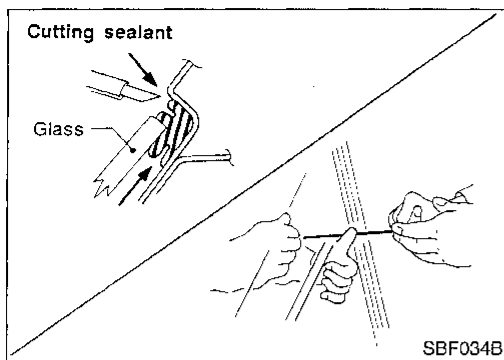
Install motor & limit SW assembly and sunroof rail assembly in the following sequence:

1. Arrange equal lengths of link and wire assemblies on both sides of sunroof opening.
2. Connect sunroof connector to sunroof switch and positive (+) power supply.
3. Set lid assembly to fully closed position **A** by operating CLOSE switch and TILT switch.
4. Fit outer side of lid assembly to the surface of roof on body outer panel.
5. Remove motor, and keep CLOSE switch pressed until motor pinion gear reaches the end of its rotating range.
6. Install motor.
7. Check that motor drive gear fits properly in wires.
8. Press TILT-UP switch to check lid assembly for normal tilting.
9. Check sunroof lid assembly for normal operations (tilt-up, tilt-down, open, and close).



SBF920F

WINDSHIELD AND WINDOWS



REMOVAL

After removing moldings, remove glass using piano wire or power cutting tool and an inflatable pump bag.

CAUTION:

Be careful not to scratch glass when removing.

INSTALLATION

- Use genuine Nissan Sealant kit or equivalent. Follow instructions furnished with it.
- After installation, the vehicle should remain stationary until the sealant hardens.

WARNING:

Keep heat and open flames away as primers are flammable.

CAUTION:

Advise user not to drive the vehicle on rough roads or surfaces for 24 hours after installation.

- Do not use sealant which is past its usable term.
- Do not leave cartridge unattended with its cap open.
- Keep primers and sealant in a cool, dry place. Ideally, they should be stored in a refrigerator.
- Molding must be installed securely so that it is in position and leaves no gap.

GI

MA

EM

LC

EC

FE

CL

MT

AT

FA

RA

BR

ST

RS

BT

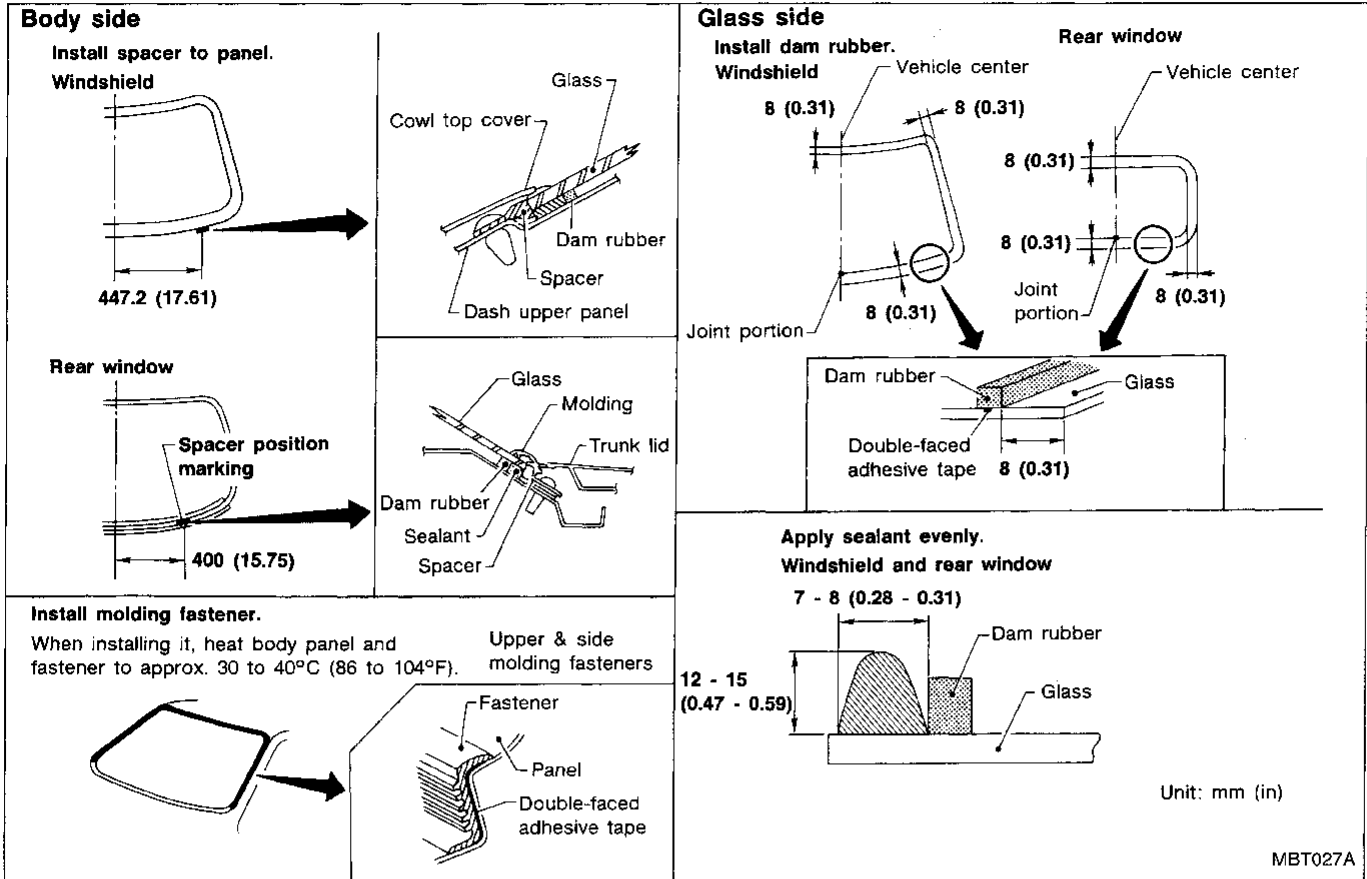
HA

EL

IDX

WINDSHIELD AND WINDOWS

Windshield and Rear Window



REPAIRING WATER LEAKS FOR WINDSHIELD

Leaks can be repaired without removing and reinstalling glass.

If water is leaking between caulking material and body or glass, determine the extent of leakage. This can be determined by applying water while pushing glass outward.

To stop the leak, apply primer and then sealant to the leak point.

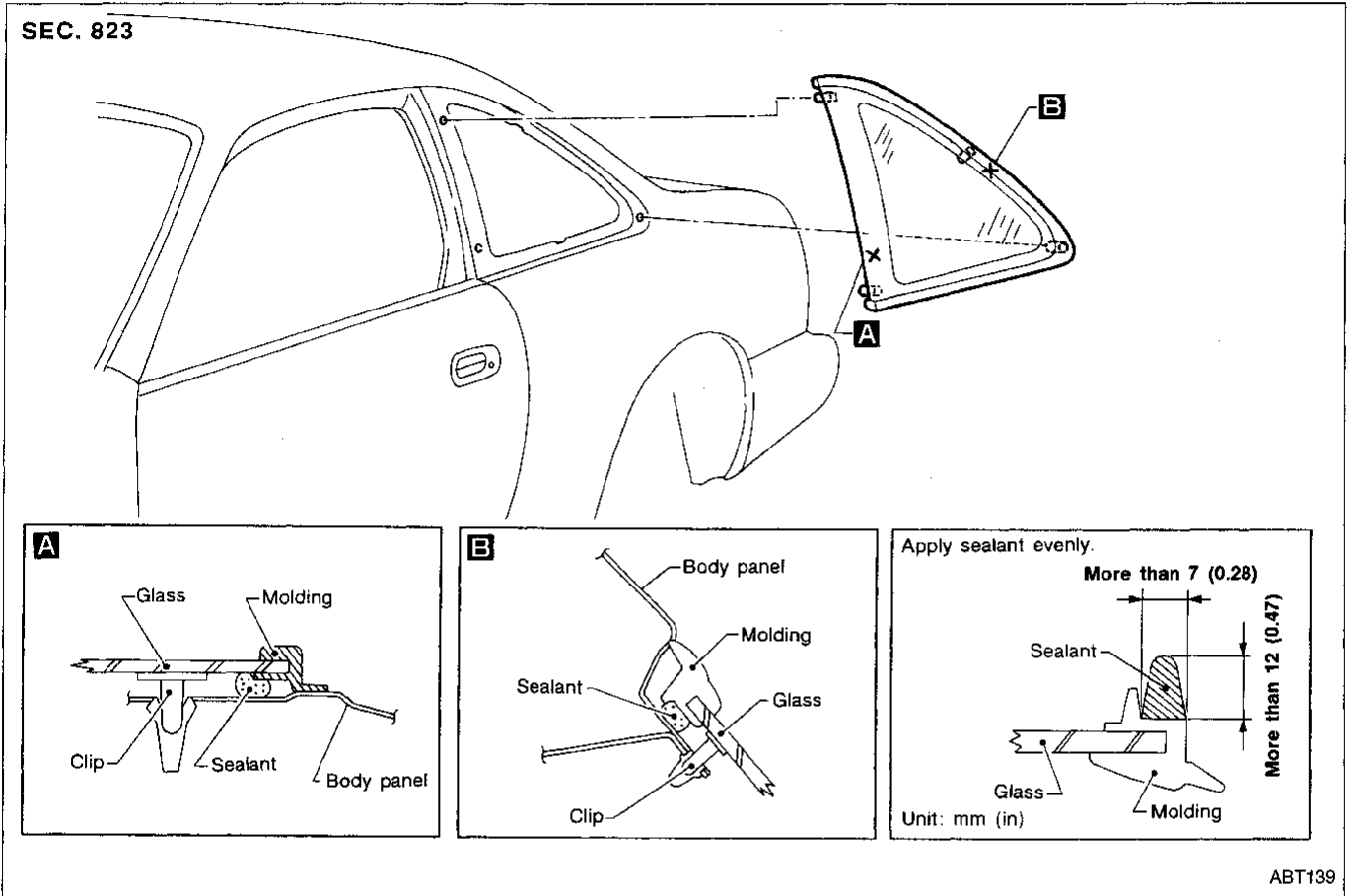
WINDSHIELD AND WINDOWS

Quarter Window

COUPE

Molded type window

During removal, be careful not to scratch molding when cutting sealant.
If molding is scratched, repair it.



CI

MA

EM

LC

EC

FE

CL

MT

AT

FA

RA

BR

ST

RS

BT

HA

EL

IDX

WINDSHIELD AND WINDOWS

Quarter Window (Cont'd)

SEDAN

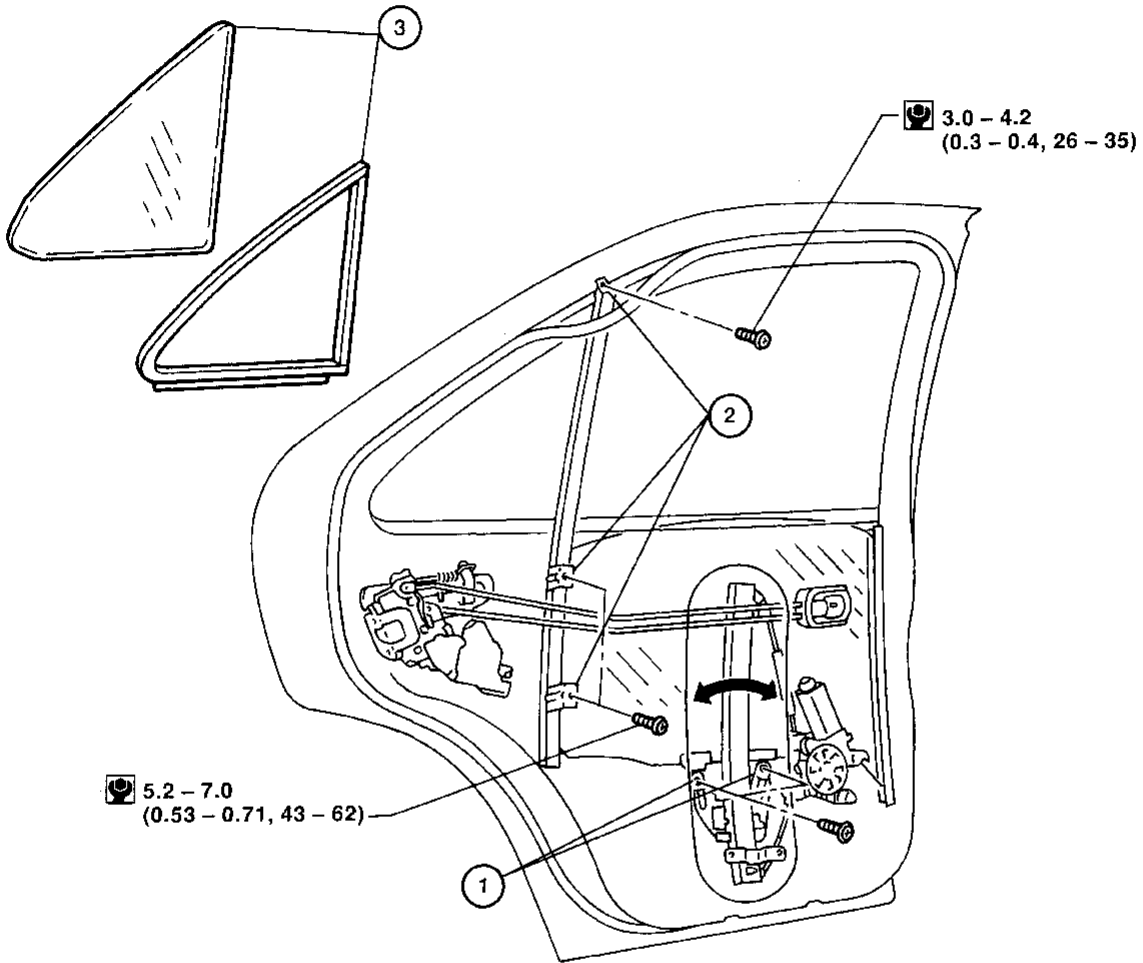
Removal


Remove the rear door trim. For details, refer to BT-18.

Roll the rear window down.

- ① Remove two screws securing rear glass, then remove rear glass.
- ② Remove three screws securing rear door center sash, then remove rear door center sash.
- ③ Remove quarter glass.

SEC. 820-823-825



 : N-m (kg-m, in-lb)

ABT098

MIRROR

Door Mirror

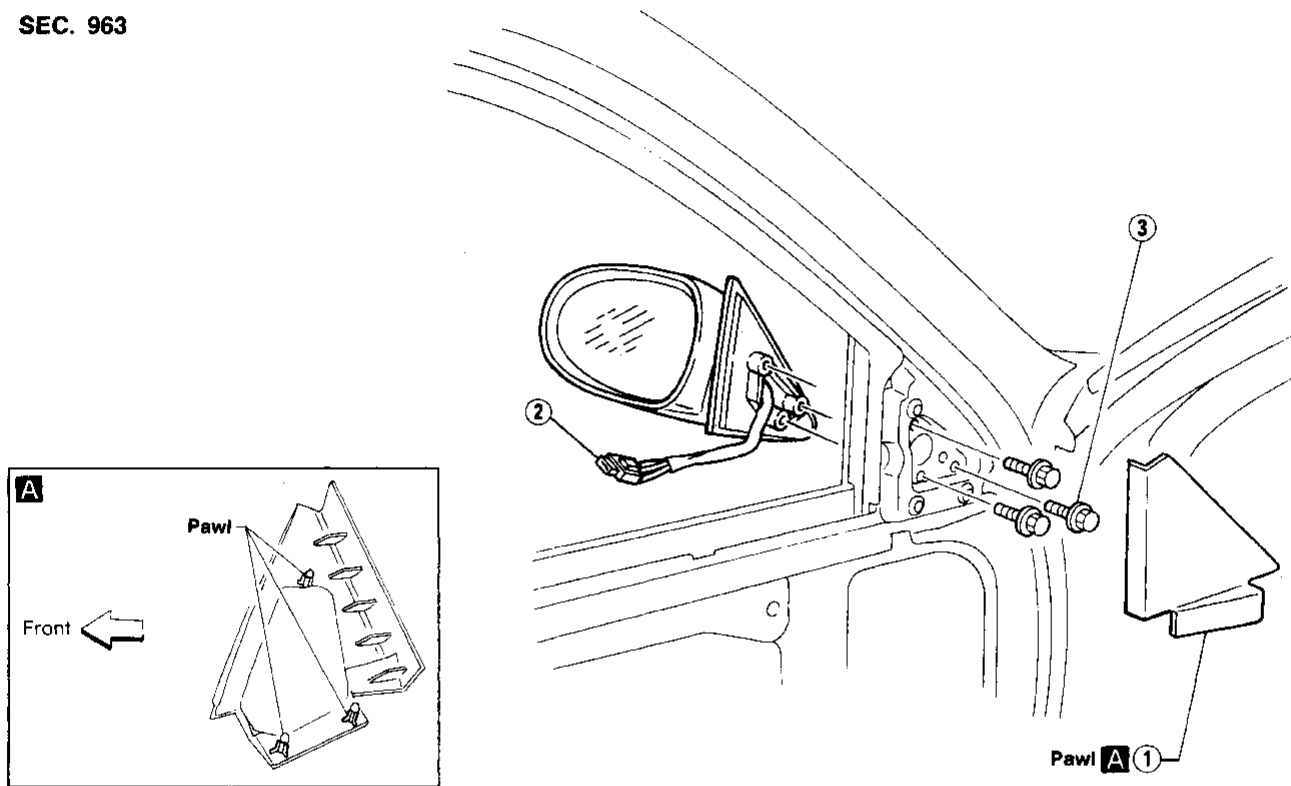
CAUTION:

Be careful not to scratch door mirror body.

REMOVAL — Door mirror

- Remove door trim. For details, refer to BT-18.
- ① Remove inner cover from front corner of door.
- ② Disconnect door mirror harness connector.
- ③ Remove three bolts securing door mirror assembly.

SEC. 963



GI
MA
EM
LC
EC
FE
CL
MT
AT
FA
RA
BR

Mirror glass replacement

CAUTION:

Do not exceed specified temperature or time limit. Excess heat or duration may cause damage to the mirror housing.

• Removal

1. Use a heat lamp (at least 500 watts) to thoroughly warm the frame edge of the door mirror glass to approximately 70°C (159°F) for three minutes.
2. Insert a stiff blade scraper between the mirror glass and the frame. Pry the glass loose.
3. Remove any remaining adhesive (butyl tape) from the mounting surface on the frame.

• Installation

1. Install butyl/adhesive tape (2 pieces) on the frame.
2. Warm the mirror glass frame edge thoroughly with a heat lamp.
3. Position mirror glass on frame. Carefully press on the mirror glass to seat it in place.

ST

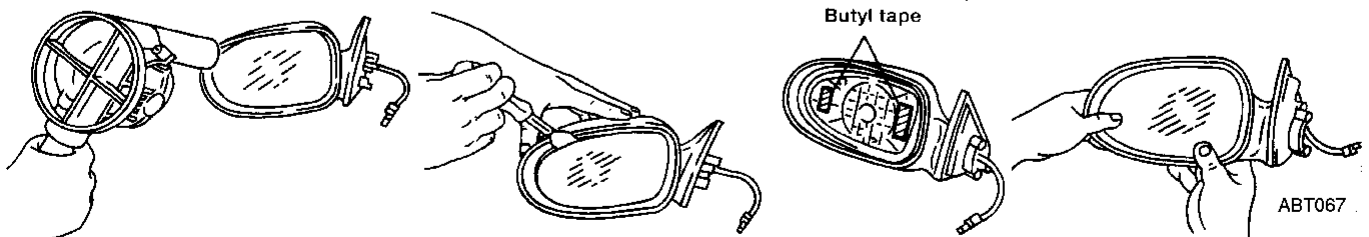
RS

BT

HA

EL

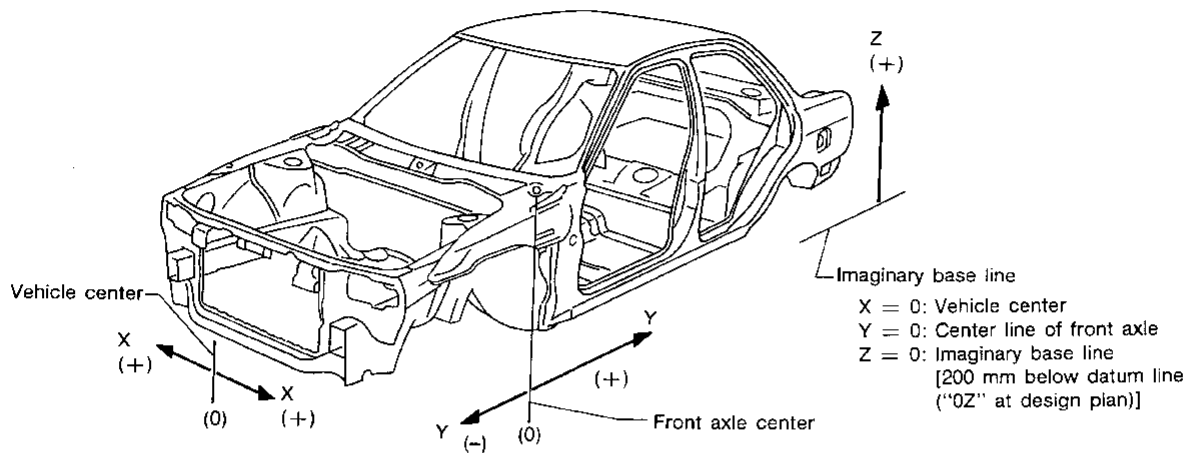
IDX



ABT067

BODY ALIGNMENT

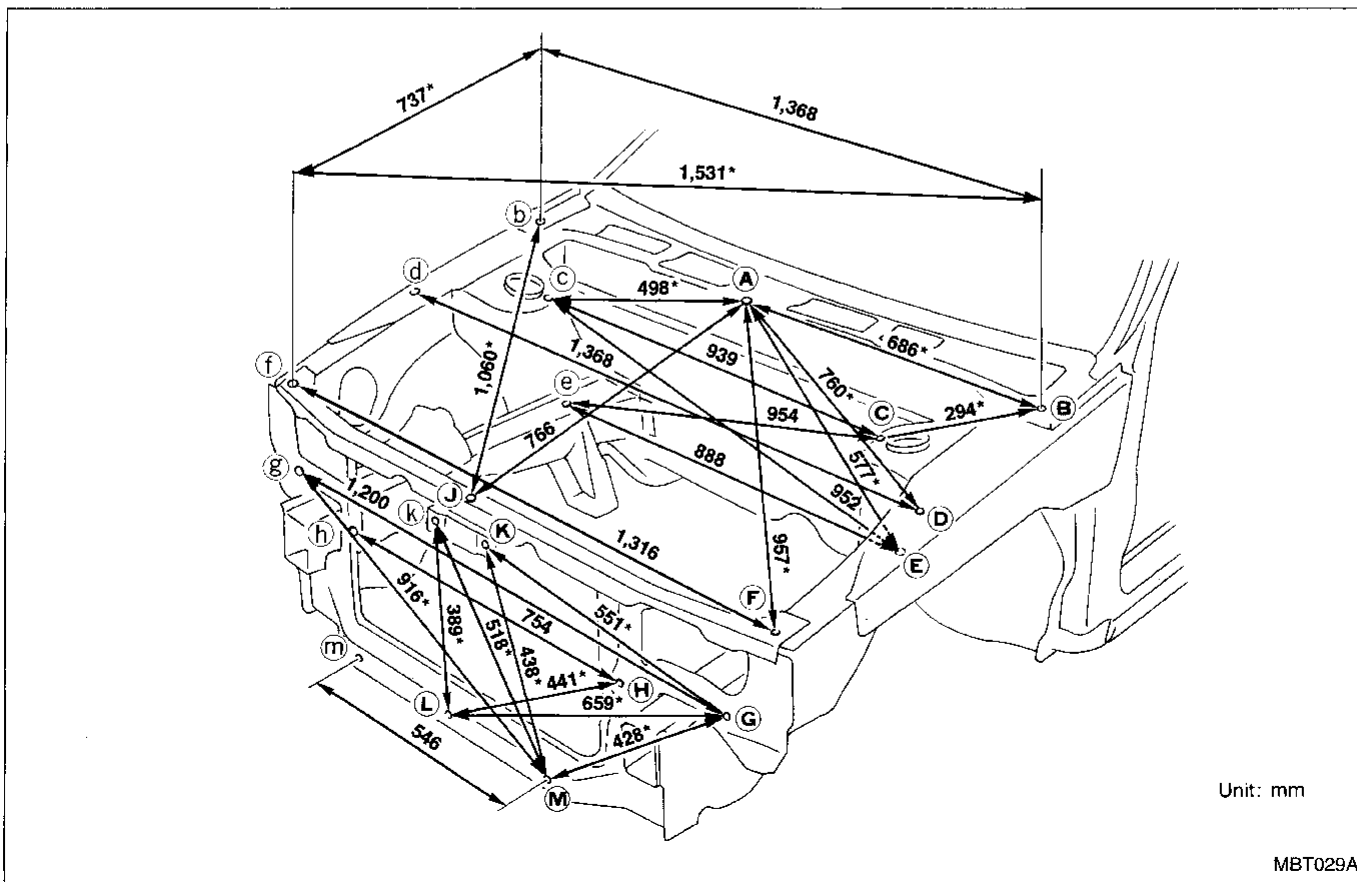
- All dimensions indicated in figures are actual ones.
- When using a tracking gauge, adjust both pointers to equal length. Then check the pointers and gauge itself to make sure there is no free play.
- When a measuring tape is used, check to be sure there is no elongation, twisting or bending.
- Measurements should be taken at the center of the mounting holes.
- An asterisk (*) indicates the measuring point value is the same on both sides.
- The coordinates of the measurement points are the distances measured from the standard line of "X", "Y" and "Z".



SBF874GC

Engine Compartment

MEASUREMENT

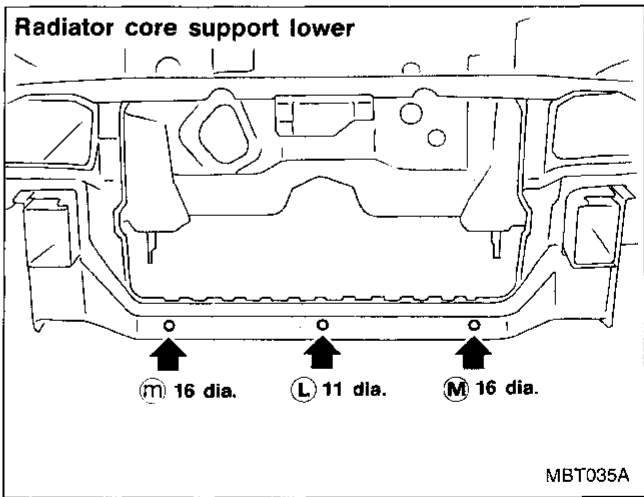
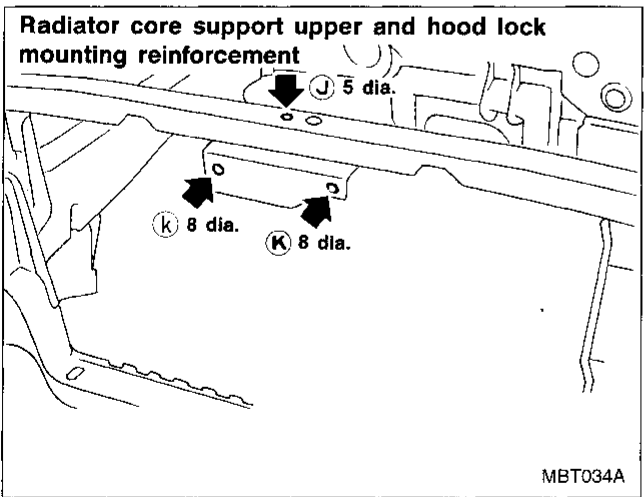
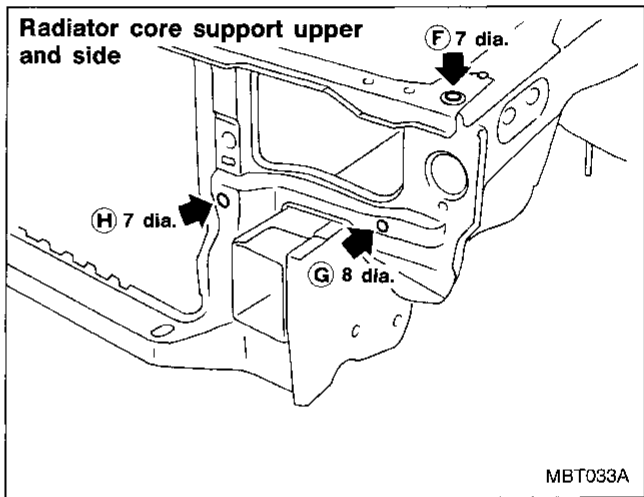
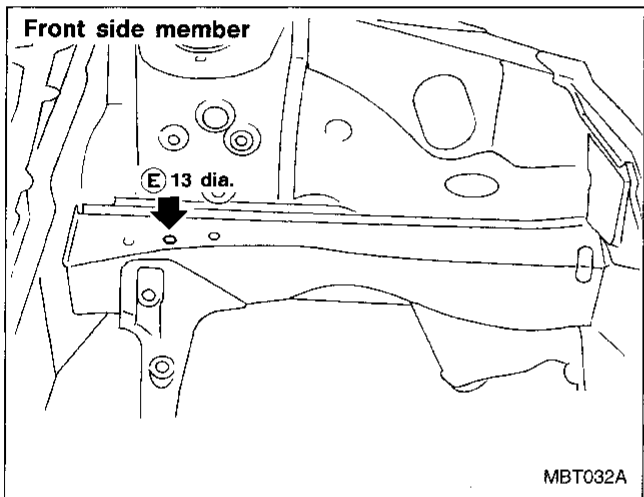
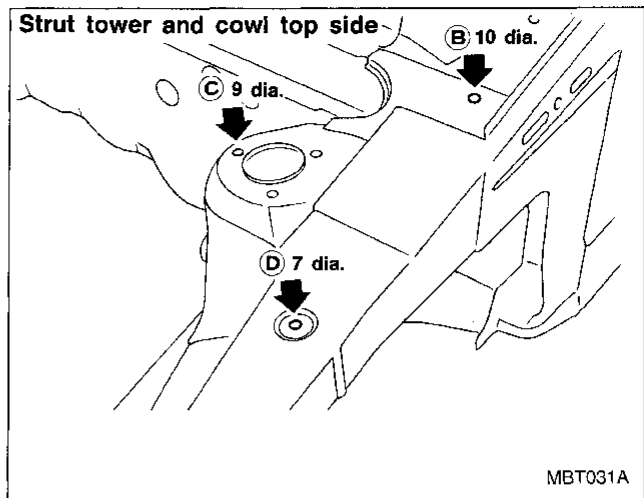
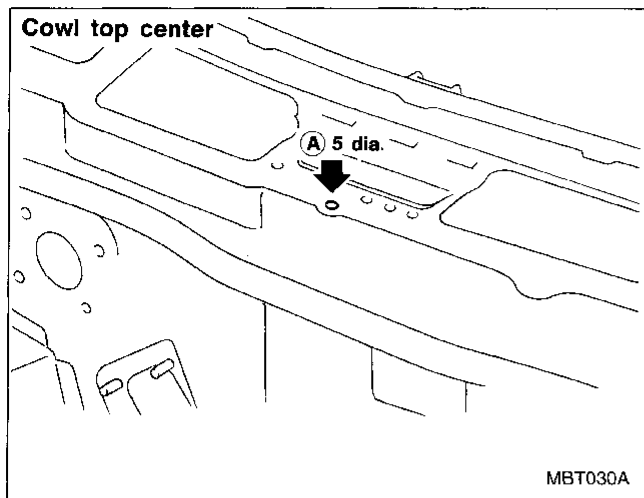


BODY ALIGNMENT

Engine Compartment (Cont'd)

MEASUREMENT POINTS

Unit: mm

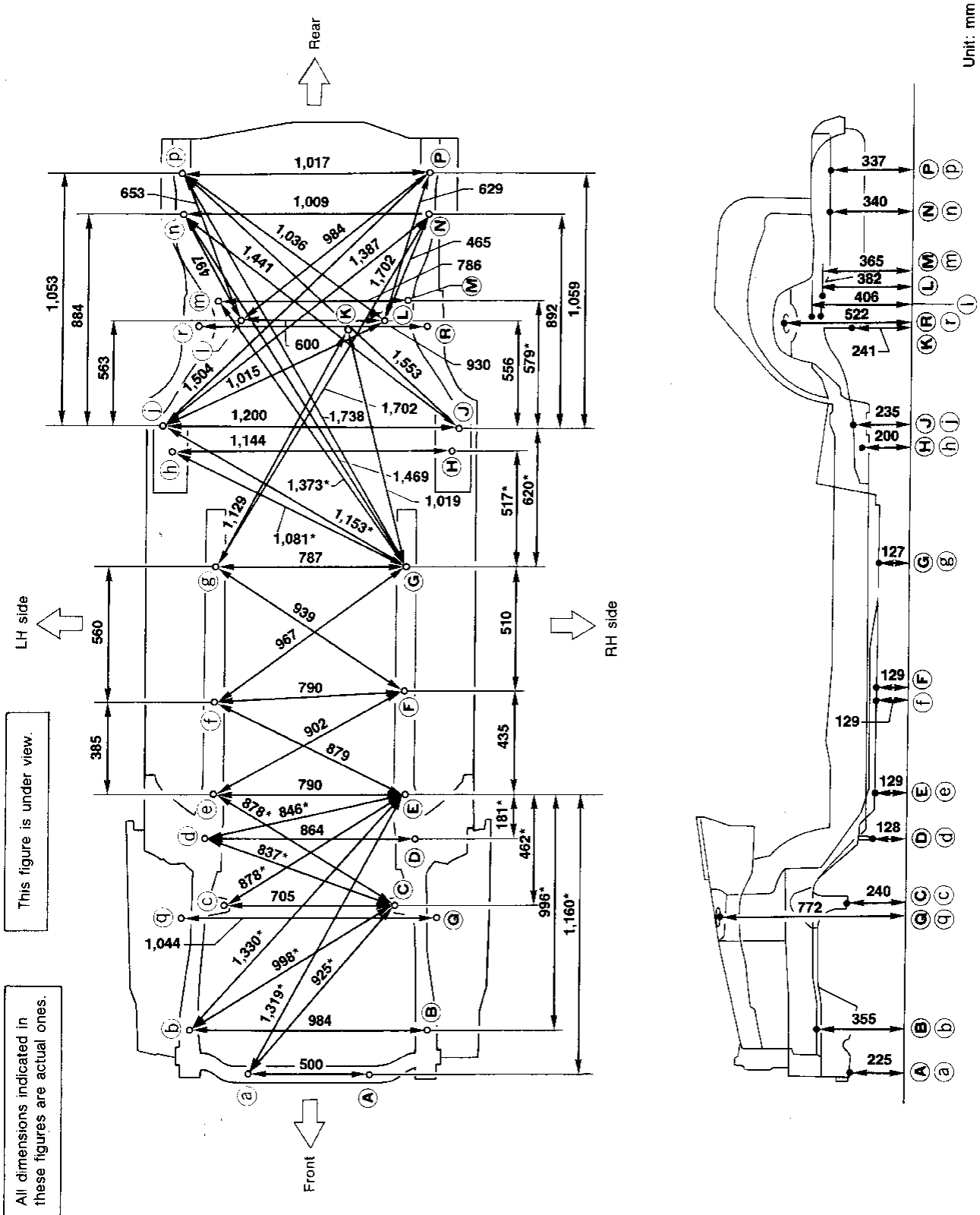


CI
MA
EM
LC
EC
FE
CL
MT
AT
FA
RA
BR
ST
RS
BT
HA
EL
IDX

BODY ALIGNMENT

Underbody

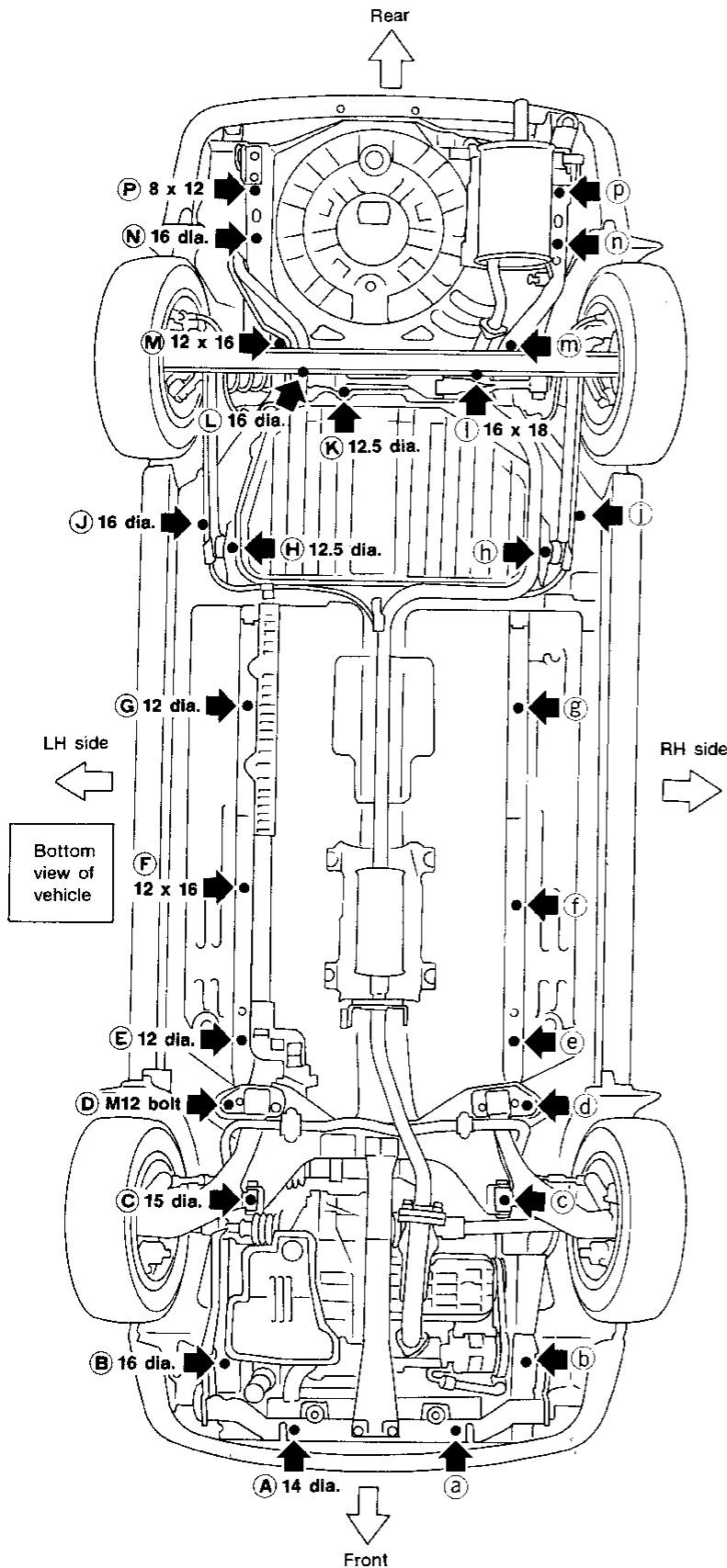
MEASUREMENT



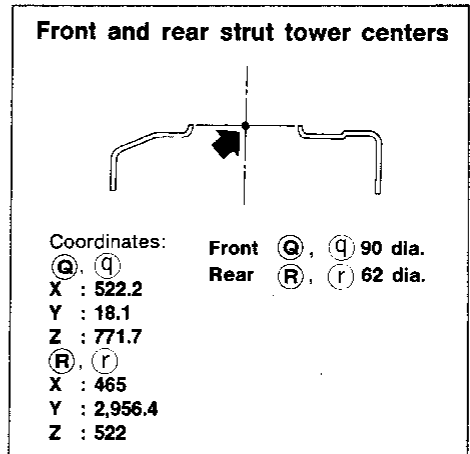
BODY ALIGNMENT

Underbody (Cont'd)

MEASUREMENT POINTS



| Front coordinates: | Rear coordinates: |
|--------------------|-------------------|
| (A, a) | (G, g) |
| X : 250 | X : 393.5 |
| Y : -632 | Y : 1,460 |
| Z : 224.8 | Z : 126.9 |
| (B, b) | (H, h) |
| X : 492 | X : 572 |
| Y : -450 | Y : 1,940 |
| Z : 355 | Z : 200 |
| (C, c) | (J, j) |
| X : 352.7 | X : 600 |
| Y : 69 | Y : 2,035 |
| Z : 240 | Z : 235.2 |
| (D, d) | (K, k) |
| X : 432 | X : 150 |
| Y : 338 | Y : 2,487.9 |
| Z : 128 | Z : 241 |
| (E, e) | (L, l) |
| X : 395 | X : 300 |
| Y : 515 | Y : 2,480 |
| Z : 129.2 | Z : 381.8 |
| (F, f) | (I, i) |
| X : 395 | X : 300 |
| Y : 950 | Y : 2,480 |
| Z : 129.2 | Z : 405.8 |
| (M, m) | (N, n) |
| X : 395 | X : 393 |
| Y : 900 | Y : 2,560 |
| Z : 365 | Z : 365 |
| | (P, p) |
| | X : 470 |
| | Y : 2,911 |
| | Z : 339.6 |
| | (n, n) |
| | X : 539 |
| | Y : 2,911 |
| | Z : 339.6 |
| | (P, p) |
| | X : 475 |
| | Y : 3,082 |
| | Z : 335.8 |
| | (p, p) |
| | X : 542 |
| | Y : 3,082 |
| | Z : 335.8 |



Unit: mm

ABT047