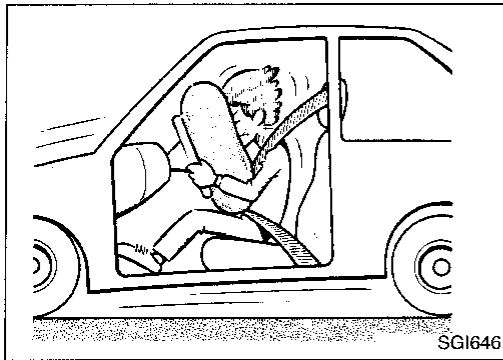


SECTION MA

CONTENTS

PRECAUTIONS AND PREPARATION	2	Changing Oil Filter.....	23
Supplemental Restraint System (SRS) "AIR BAG".....	2	Changing Spark Plugs.....	24
Special Service Tools.....	2	Checking EVAP Vapor & Purge Lines.....	24
GENERAL MAINTENANCE	3		
PERIODIC MAINTENANCE	5	<input type="checkbox"/> SR & GA <input type="checkbox"/>	
Schedule 1.....	6	CHASSIS AND BODY MAINTENANCE	25
Schedule 2.....	7	Checking Exhaust System.....	25
RECOMMENDED FLUIDS AND LUBRICANTS	8	Checking Clutch System.....	25
Fluids and Lubricants.....	8	Checking M/T Oil.....	25
SAE Viscosity Number.....	8	Changing M/T Oil.....	25
Anti-freeze Coolant Mixture Ratio.....	9	Checking A/T Fluid.....	26
		Changing A/T Fluid.....	26
<input type="checkbox"/> SR <input type="checkbox"/>		Checking Brake Fluid Level and Leaks.....	27
ENGINE MAINTENANCE	10	Checking Brake Lines and Cables.....	27
Checking Drive Belts.....	10	Checking Disc Brake.....	27
Changing Engine Coolant.....	11	Checking Drum Brake.....	27
Checking Fuel Lines.....	13	Balancing Wheels.....	28
Changing Fuel Filter.....	13	Tire Rotation.....	28
Changing Air Cleaner Filter.....	14	Checking Steering Gear and Linkage.....	28
Changing Engine Oil.....	14	Checking Power Steering Fluid and Lines.....	29
Changing Oil Filter.....	15	Lubricating Locks, Hinges and Hood Latches.....	30
Changing Spark Plugs (Platinum-tipped type).....	15	Checking Seat Belts, Buckles, Retractors, Anchors and Adjusters.....	30
Changing Spark Plugs (Conventional type).....	16	SERVICE DATA AND SPECIFICATIONS (SDS)	31
Checking EVAP Vapor & Purge Lines.....	17	Engine Maintenance (SR).....	31
		Inspection And Adjustment.....	31
<input type="checkbox"/> GA <input type="checkbox"/>		Drive belt deflection.....	31
ENGINE MAINTENANCE	18	Spark plug.....	31
Checking Drive Belts.....	18	Engine Maintenance (GA).....	31
Changing Engine Coolant.....	19	Inspection And Adjustment.....	31
Checking Fuel Lines.....	21	Drive belt deflection.....	31
Changing Fuel Filter.....	21	Spark plug.....	31
Changing Air Cleaner Filter.....	22	Chassis and Body Maintenance.....	31
Changing Engine Oil.....	22	Inspection And Adjustment.....	31
		Wheel balance.....	31

PRECAUTIONS AND PREPARATION



Supplemental Restraint System (SRS) "AIR BAG"

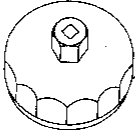
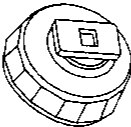
The Supplemental Restraint System "Air Bag" used along with a seat belt, helps to reduce the risk or severity of injury to the driver and front passenger in a frontal collision. The Supplemental Restraint System consists of air bag modules (located in the center of the steering wheel and on the instrument panel on the passenger side), a diagnosis sensor unit, warning lamp, wiring harness and spiral cable. Information necessary to service the system safely is included in the **RS section** of this Service Manual.

WARNING:

- To avoid rendering the SRS inoperative, which could increase the risk of personal injury or death in the event of a collision which would result in air bag inflation, all maintenance must be performed by an authorized NISSAN dealer.
- Improper maintenance, including incorrect removal and installation of the SRS, can lead to personal injury caused by unintentional activation of the system.
- Do not use electrical test equipment on any circuit related to the SRS unless instructed to in this Service Manual. SRS wiring harnesses are covered with yellow insulation either just before the harness connectors or for the complete harness, for easy identification.

Special Service Tools

The actual shapes of Kent-Moore tools may differ from those of special service tools illustrated here.

Tool number (Kent-Moore No.) Tool name	Description	Engine application		
		SR20DE	GA16DE	
KV10115801 (J38956) Oil filter wrench	 <p>14 faces. Inner span: 64.3 mm (2.531 in) (Face to opposite face)</p> <p>NT362</p>	Removing oil filter	X	—
KV10105900 (J34274) Oil filter wrench	 <p>NT005</p>	Removing oil filter	—	X
		80 mm (3.15 in) dia.		

GENERAL MAINTENANCE

General maintenance includes those items which should be checked during the normal day-to-day operation of the vehicle. They are essential if the vehicle is to continue operating properly. The owners can perform checks and inspections themselves or have their NISSAN dealers do them.

Item	Reference page	GI
OUTSIDE THE VEHICLE		
The maintenance items listed here should be performed from time to time, unless otherwise specified.		
Tires Check the pressure with a gauge periodically when at a service station, including the spare, and adjust to the specified pressure if necessary. Check carefully for damage, cuts or excessive wear.	—	EM
Wheel nuts When checking the tires, make sure no nuts are missing, and check for any loose nuts. Tighten if necessary.	MA-28	LC
Tire rotation Tires should be rotated every 12,000 km (7,500 miles.)	MA-28	EC
Wheel alignment and balance If the vehicle pulls to either side while driving on a straight and level road, or if you detect uneven or abnormal tire wear, there may be a need for wheel alignment. If the steering wheel or seat vibrates at normal highway speeds, wheel balancing may be needed.	MA-28, FA-6	FE
Windshield wiper blades Check for cracks or wear if they do not wipe properly.	—	CL
Doors and engine hood Check that all doors and the engine hood operate smoothly as well as the trunk lid or back hatch. Also ensure, that all latches lock securely. Lubricate hinges, latches, rollers and links if necessary. Make sure that the secondary latch keeps the hood from opening when the primary latch is released. When driving in areas using road salt or other corrosive materials, check lubrication frequently.	MA-30	MT
INSIDE THE VEHICLE		
The maintenance items listed here should be checked on a regular basis, such as when performing periodic maintenance, cleaning the vehicle, etc.		
Lamps Make sure that the headlamps, stop lamps, tail lamps, turn signal lamps, and other lamps are all operating properly and installed securely. Also check headlamp aim.	—	FA
Warning lamps and buzzers/chimes Make sure that all warning lamps and buzzers/chimes are operating properly.	—	RA
Windshield wiper and washer Check that the wipers and washer operate properly and that the wipers do not streak.	—	BR
Windshield defroster Check that the air comes out of the defroster outlets properly and in sufficient quantity when operating the heater or air conditioner.	—	ST
Steering wheel Check that it has the specified play. Be sure to check for changes in the steering condition, such as excessive play, hard steering or strange noises. Free play: Less than 35 mm (1.38 in)	—	RS
Seats Check seat position controls such as seat adjusters, seatback recliner, etc. to ensure they operate smoothly and that all latches lock securely in every position. Check that the head restraints move up and down smoothly and that the locks (if so equipped) hold securely in all latched positions. Check that the latches lock securely for folding-down rear seatbacks.	—	BT
Seat belts Check that all parts of the seat belt system (e.g. buckles, anchors, adjusters and retractors) operate properly and smoothly, and are installed securely. Check the belt webbing for cuts, fraying, wear or damage.	MA-30	HA
Clutch pedal Make sure the pedal operates smoothly and check that it has the proper free play.	CL-4	EL
Brakes Check that the brake does not pull the vehicle to one side when applied.	—	EL
Brake pedal and booster Check the pedal for smooth operation and make sure it has the proper distance under it when depressed fully. Check the brake booster function. Be sure to keep the floor mats away from the pedal.	BR-10, 14	IDX
Parking brake Check that the lever has the proper travel and make sure that the vehicle is held securely on a fairly steep hill when only the parking brake is applied.	BR-25	MA

GENERAL MAINTENANCE

Item	Reference page
Automatic transaxle “Park position” mechanism Check that the lock release button on the selector lever operates properly and smoothly. On a fairly steep hill check that the vehicle is held securely with the selector lever in the “P” position without applying any brakes.	—
UNDER THE HOOD AND VEHICLE	
The maintenance items listed here should be checked periodically (e.g. each time you check the engine oil or refuel).	
Windshield washer fluid Check that there is adequate fluid in the tank.	—
Engine coolant level Check the coolant level when the engine is cold.	MA-11, 19
Radiator and hoses Check the front of the radiator and clean off any dirt, insects, leaves, etc., that may have accumulated. Make sure the hoses have no cracks, deformation, deterioration or loose connections.	—
Brake and clutch fluid levels Make sure that the brake and clutch fluid levels are between the “MAX” and “MIN” lines on the reservoir.	MA-27
Battery Check the fluid level in each cell. It should be between the “MAX” and “MIN” lines.	—
Engine drive belts Make sure that no belt is frayed, worn, cracked or oily.	MA-10, 18
Engine oil level Check the level on the dipstick after parking the vehicle on a level spot and turning off the engine.	MA-14, 22
Power steering fluid level and lines Check the level in the reservoir tank with the engine off. Check the lines for improper attachment, leaks, cracks, etc.	MA-29
Automatic transaxle fluid level Check the level on the dipstick after putting the selector lever in “P” with the engine idling.	MA-26
Exhaust system Make sure there are no loose supports, cracks or holes. If the sound of the exhaust seems unusual or there is a smell of exhaust fumes, immediately locate the trouble and correct it.	MA-25
Underbody The underbody is frequently exposed to corrosive substances such as those used on icy roads or to control dust. It is very important to remove these substances, otherwise rust will form on the floor pan, frame, fuel lines and around the exhaust system. At the end of winter, the underbody should be thoroughly flushed with plain water, being careful to clean those areas where mud and dirt can easily accumulate.	—
Fluid leaks Check under the vehicle for fuel, oil, water or other fluid leaks after the vehicle has been parked for a while. Water dripping from the air conditioner after use is normal. If you should notice any leaks or gasoline fumes are evident, check for the cause and correct it immediately.	—

PERIODIC MAINTENANCE

Two different maintenance schedules are provided, and should be used, depending upon the conditions in which the vehicle is mainly operated. **After 60,000 miles (96,000 km) or 48 months, continue the periodic maintenance at the same mileage/time intervals.**

GI

SCHEDULE 1

Follow Periodic Maintenance Schedule 1 if your driving habits frequently includes one or more of the following driving conditions:

MA

- Repeated short trips of less than 5 miles (8 km).
- Repeated short trips of less than 10 miles (16 km) with outside temperatures remaining below freezing.
- Operating in hot weather in stop-and-go “rush hour” traffic.
- Extensive idling and/or low speed driving for long distances, such as police, taxi or door-to-door delivery use.
- Driving in dusty conditions.
- Driving on rough, muddy, or salt spread roads.
- Towing a trailer, using a camper or a car-top carrier.

EM

LG

EC

SCHEDULE 2

Follow Periodic Maintenance Schedule 2 if none of the driving conditions shown in Schedule 1 apply to your driving habits.

FE

CL

MT

AT

FA

RA

BR

ST

RS

BT

HA

EL

IDX

PERIODIC MAINTENANCE

Schedule 1

Abbreviations: R = Replace. I = Inspect. Correct or replace if necessary. [] : At the mileage intervals only

MAINTENANCE OPERATION

Miles x 1,000 (km x 1,000) Months	MAINTENANCE INTERVAL												Reference page		
	3.75 (6)	7.5 (12)	11.25 (18)	15 (24)	18.75 (30)	22.5 (36)	26.25 (42)	30 (48)	33.75 (54)	37.5 (60)	41.25 (66)	45 (72)		48.75 (78)	52.5 (84)

Emission control system maintenance

	MAINTENANCE INTERVAL												SR series	GA series		
Drive belts	See NOTE (1).												I*	MA-10	MA-18	
Air cleaner filter	See NOTE (2).												[R]	MA-14	MA-22	
Vapor lines	I*	I*	I*	I*	I*	I*	I*	I*	I*	I*	I*	I*	I*	I*	I*	I*
Fuel lines	I*	I*	I*	I*	I*	I*	I*	I*	I*	I*	I*	I*	I*	I*	I*	I*
Fuel filter	See NOTE (3)*.												I*	MA-13	MA-21	
Engine coolant	See NOTE (4).												R*	MA-11	MA-19	
Engine oil	R	R	R	R	R	R	R	R	R	R	R	R	R	R	R	R
Engine oil filter (Use part No. 15208-H8903 for GA16DE engine and 15208-68F00 for SR20DE engine.)	R	R	R	R	R	R	R	R	R	R	R	R	R	R	R	R
Spark plugs	GA16DE engine SR20DE engine (Use PLATINUM-TIPPED type.) See NOTE (5).												[R]	MA-15	MA-24	
Idle rpm (GA16DE engine)	I*												[R]	MA-15	—	
Intake & exhaust valve clearance (GA16DE engine)	See NOTE (6)*.												I*	—	EC-251	

Chassis and body maintenance

Brake lines & cables	I	I	I	I	I	I	I	I	I	I	I	I	I	I	I	I
Brake pads, discs, drums & linings	I	I	I	I	I	I	I	I	I	I	I	I	I	I	I	I
Manual & automatic transmission oil	See NOTE (7).												I	MA-27	MA-27	
Steering gear & linkage, axle & suspension parts	I	I	I	I	I	I	I	I	I	I	I	I	I	I	I	I
Steering linkage ball joints & front suspension ball joints	I	I	I	I	I	I	I	I	I	I	I	I	I	I	I	I
Exhaust system	I	I	I	I	I	I	I	I	I	I	I	I	I	I	I	I
Drive shaft boots	I	I	I	I	I	I	I	I	I	I	I	I	I	I	I	I
Air bag system	See NOTE (8).												I	FA-7	RS-11	

- NOTE:** (1) After 60,000 miles (96,000 km) or 48 months, inspect every 15,000 miles (24,000 km) or 12 months.
 (2) If operating mainly in dusty conditions, more frequent maintenance may be required.
 (3) If vehicle is operated under extremely adverse weather conditions or in areas where ambient temperatures are either extremely low or extremely high, the filters might become clogged. In such an event, replace them immediately.
 (4) After 60,000 miles (96,000 km) or 48 months, replace every 30,000 miles (48,000 km) or 24 months.
 (5) Original equipment platinum-tipped plugs should be replaced at 60,000 miles (96,000 km) intervals. Conventional spark plugs can be used but should be replaced at 30,000 mile (48,000 km) intervals.
 (6) If valve noise increases, inspect valve clearance.
 (7) If towing a trailer, using a camper or a car-top carrier, or driving on rough or muddy roads, change (not just inspect) oil at every 30,000 miles (48,000 km) or 24 months.
 (8) Inspect the air bag system 10 years after the date of manufacture noted on the FMVSS certification label.
 * Maintenance items and intervals with "*" are recommended by NISSAN for reliable vehicle operation. The owner need not perform such maintenance in order to maintain the emission warranty or manufacturer recall liability. Other maintenance items and intervals are required.

Schedule 2

Abbreviations: R = Replace. I = Inspect. Correct or replace if necessary. []: At the mileage intervals only

MAINTENANCE OPERATION	MAINTENANCE INTERVAL								SR series	GA series		
	Miles x 1,000 (km x 1,000)	7.5 (12)	15 (24)	22.5 (36)	30 (48)	37.5 (60)	45 (72)	52.5 (84)			60 (96)	Reference page
	Months	6	12	18	24	30	36	42	48			
Emission control system maintenance												
Drive belts	See NOTE (1).											
Air cleaner filter					[R]					I*	MA-10	MA-18
Vapor lines						I*				[R]	MA-14	MA-22
Fuel lines						I*				I*	MA-17	MA-24
Fuel filter										I*	MA-13	MA-21
Engine coolant											MA-13	MA-21
Engine oil		R	R	R	R	R	R	R	R	R*	MA-11	MA-19
Engine oil filter (Use Part No. 15208-H8903 for GA16DE engine and 15208-65F00 for SR20DE engine.)		R	R	R	R	R	R	R	R	R	MA-14	MA-22
Spark plugs	GA16DE engine					[R]				[R]	—	MA-24
	SR20DE engine (Use PLATINUM-TIPPED type.) See NOTE (4).									[R]	MA-15	—
Idle rpm (GA16DE engine)						I*				I*	—	EC-251
Intake & exhaust valve clearance (GA16DE engine)											—	EM-91
Chassis and body maintenance												
Brake lines & cables			I		I					I		MA-27
Brake pads, discs, drums & linings			I		I					I		MA-27
Manual & automatic transmission oil			I		I					I		MA-25, 26
Steering gear linkage, axle & suspension parts										I		MA-28, FA-5, RA-4
Exhaust system										I		MA-25
Drive shaft boots			I		I					I		FA-7
Air bag system												RS-11

NOTE: (1) After 60,000 miles (96,000 km) or 48 months, inspect every 15,000 miles (24,000 km) or 12 months.
(2) If vehicle is operated under extremely adverse weather conditions or in areas where ambient temperatures are either extremely low or extremely high, the filters might become clogged. In such an event, replace them immediately.
(3) After 60,000 miles (96,000 km) or 48 months, replace every 30,000 miles (48,000 km) or 24 months.
(4) Original equipment platinum-tipped plugs should be replaced at 60,000 miles (96,000 km) intervals.
(5) If valve noise increases, inspect valve clearance.
(6) Inspect the air bag system 10 years after the date of manufacture noted on the FMVSS certification label.

* Maintenance items and intervals with "*" are recommended by NISSAN for reliable vehicle operation. The owner need not perform such maintenance in order to maintain the emission warranty or manufacturer recall liability. Other maintenance items and intervals are required.

RECOMMENDED FLUIDS AND LUBRICANTS

Fluids and Lubricants

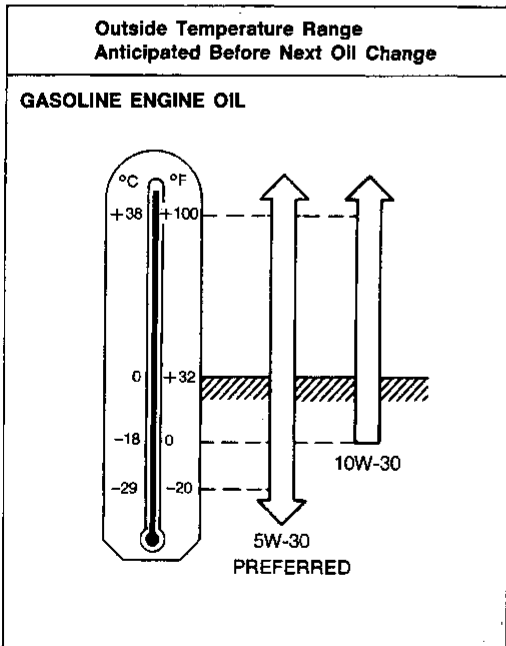
		Capacity (Approximate)			Recommended fluids and lubricants	
		US measure	Imp measure	Liter		
Engine oil (Refill)	With oil filter	SR20DE	3-5/8 qt	3 qt	3.4	<ul style="list-style-type: none"> ● API SG or SH and Energy Conserving II *2 ● API Certification Mark *2
		GA16DE	3-3/8 qt	2-7/8 qt	3.2	
	Without oil filter	SR20DE	3-3/8 qt	2-7/8 qt	3.2	
		GA16DE	3 qt	2-1/2 qt	2.8	
Cooling system (with reservoir tank)	M/T	SR20DE	6-1/2 qt	5-1/2 qt	6.2	Anti-freeze coolant (Ethylene glycol base)
		GA16DE	5-1/2 qt	4-5/8 qt	5.2	
	A/T	SR20DE	6-1/2 qt	5-1/2 qt	6.2	
		GA16DE	6 qt	5 qt	5.7	
Manual transaxle gear oil		RS5F31A	6-1/8 - 6-3/4 pt	5-1/8 - 5-5/8 pt	2.9 - 3.2	API GL-4*2
		RS5F32V	7-7/8 - 8-1/4 pt	6-1/2 - 6-7/8 pt	3.7 - 3.9	
Automatic transaxle fluid		RL4F03A RE4F03V	7-3/8 qt	6-1/8 qt	7.0	Nissan Matic 'D' (Continental U.S. and Alaska) or Genuine Automatic Transmission Fluid (Canada). *1
Power steering fluid			—	—	—	Type DEXRON™ II or equivalent
Brake fluid			—	—	—	Genuine Nissan Brake Fluid*3 or equivalent DOT 3 (US FMVSS No. 116)
Multi-purpose grease			—	—	—	NLGI No. 2 (Lithium soap base)

*1: Dexron® III/Mercon® or equivalent may also be used. Outside the continental United States and Alaska contact a Nissan dealership for more information regarding suitable fluids, including recommended brand(s) of Dexron® III/Mercon® or Dexron® IIE/Mercon® Automatic Transmission Fluid.

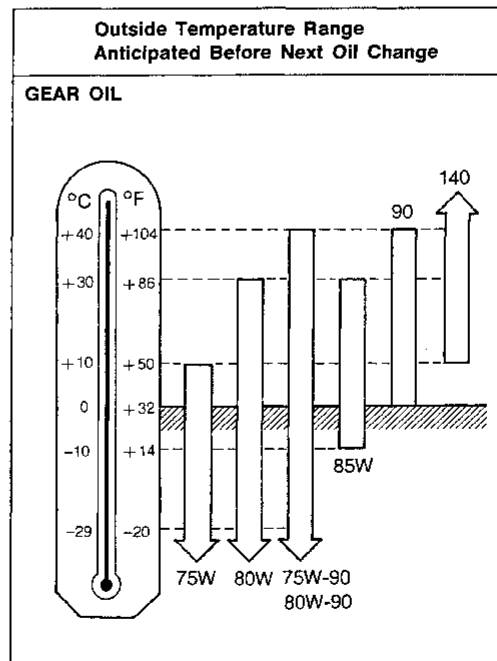
*2: For further details, see "SAE Viscosity Number".

*3: Available in mainland USA through your NISSAN dealer

SAE Viscosity Number



SAE 5W-30 viscosity oil is preferred for all ambient temperatures. SAE 10W-30 viscosity oil may be used if the ambient temperature is above -18°C (0°F).



80W-90 is preferable if the ambient temperature is below 40°C (104°F).

RECOMMENDED FLUIDS AND LUBRICANTS

Anti-freeze Coolant Mixture Ratio

The engine cooling system is filled at the factory with a high-quality, year-round, anti-freeze coolant solution. The anti-freeze solution contains rust and corrosion inhibitors, therefore additional cooling system additives are not necessary.

CAUTION:

When adding or replacing coolant, be sure to use only an ethylene glycol anti-freeze with the proper mixture ratio. See the following examples:

Outside temperature down to		Anti-freeze	Soft water
°C	°F		
-15	5	30%	70%
-35	-30	50%	50%

The use of other types of coolant solutions may damage the cooling system.

GI

MA

EM

LC

EC

FE

CL

WT

AT

FA

RA

BR

ST

RS

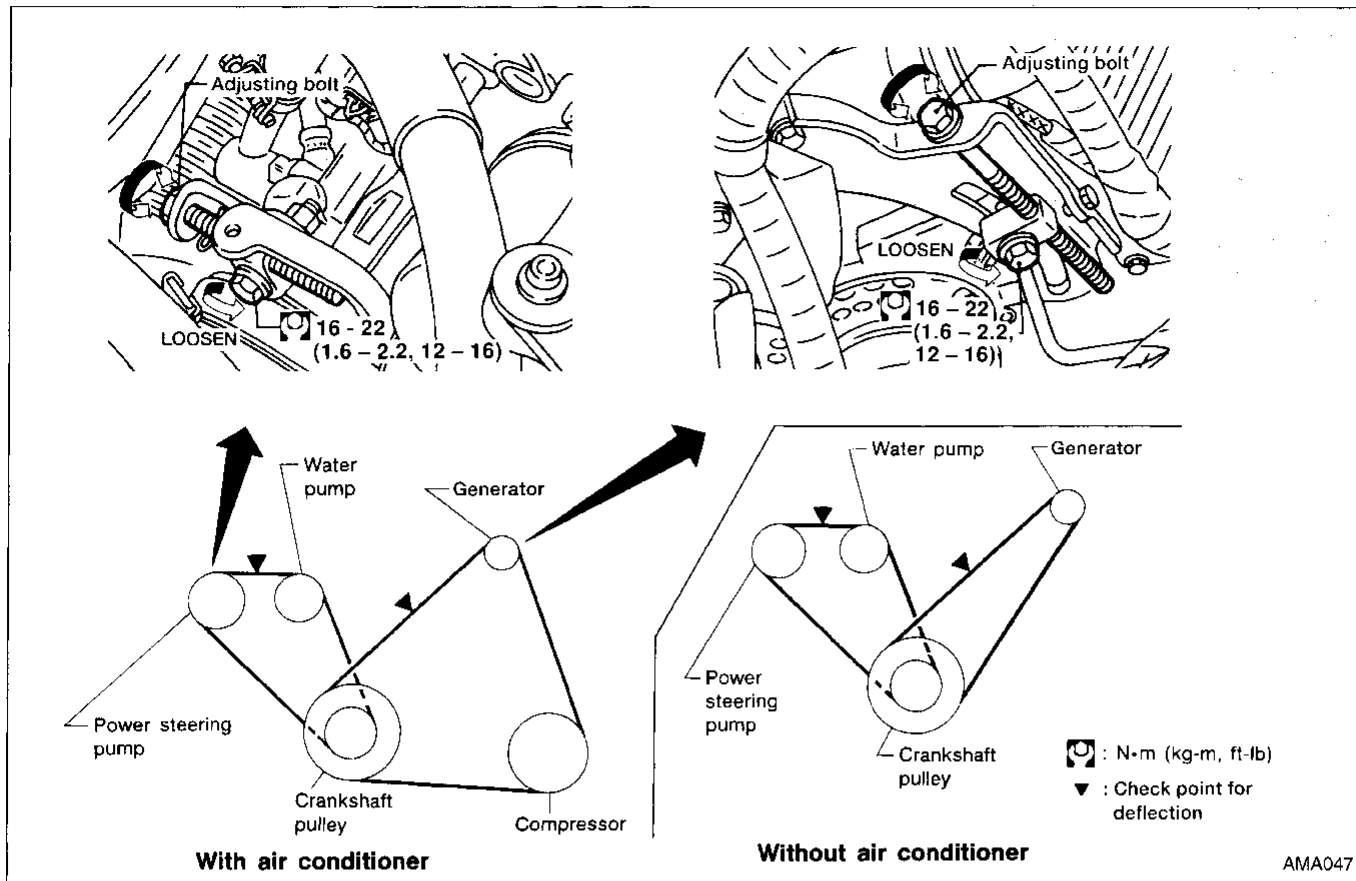
BT

HA

EL

IDX

Checking Drive Belts

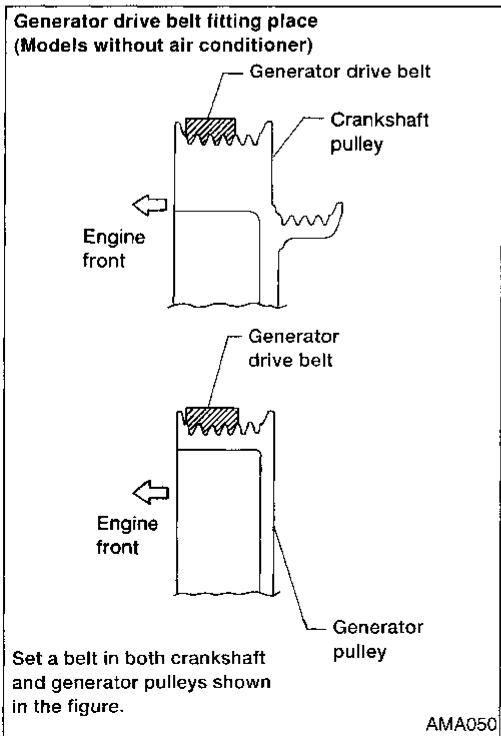


1. Inspect for cracks, fraying, wear or oil. If necessary, replace with a new one.
2. Inspect drive belt deflections by pushing midway between pulleys.

Inspect drive belt deflections when engine is cold.

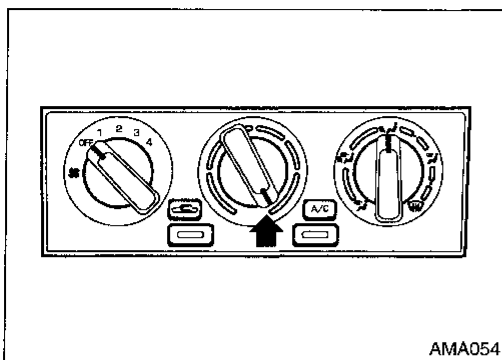
Adjust if belt deflections exceed the limit.

Belt deflection:



Unit: mm (in)

	Used belt deflection		Deflection of new belt
	Limit	Deflection after adjustment	
Generator			
With air conditioner compressor	11.5 - 12.5 (0.453 - 0.492)	7 - 8 (0.28 - 0.31)	6.5 - 7.5 (0.256 - 0.295)
Without air conditioner compressor	12 - 13 (0.47 - 0.51)	8 - 9 (0.31 - 0.35)	7 - 8 (0.28 - 0.31)
Power steering pump	6 - 7 (0.24 - 0.28)	4 - 5 (0.16 - 0.20)	3.5 - 4.5 (0.138 - 0.177)
Applied pushing force	98 N (10 kg, 22 lb)		



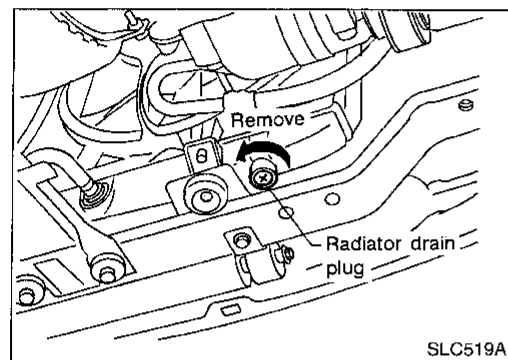
Changing Engine Coolant

WARNING:

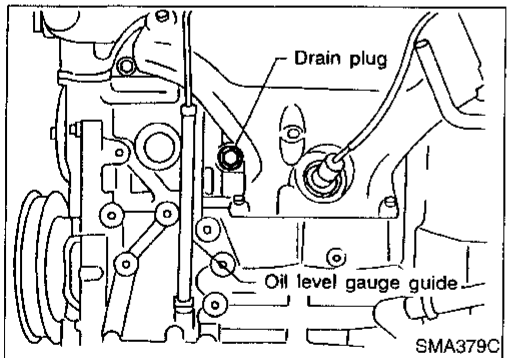
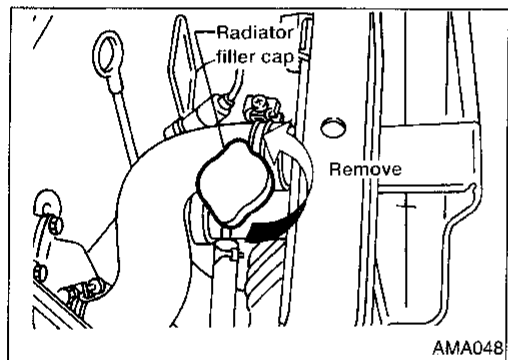
To avoid being scalded, never change the coolant when the engine is hot.

-DRAINING ENGINE COOLANT-

1. Move heater "TEMP" control lever all the way to "HOT".
 - Make sure that air conditioner switch is "OFF".



2. Open radiator drain plug at the bottom of radiator, and remove radiator cap.
3. Remove reservoir tank, drain coolant, then clean reservoir tank. Install it temporarily.
 - Be careful not to allow coolant to contact drive belts.



4. Remove cylinder block drain plug and air relief plug.

-FLUSHING COOLING SYSTEM-

5. Install radiator drain plug and cylinder block drain plug securely.
6. Fill radiator with water until water spills from the air relief hole, then install air relief plug. Fill radiator and reservoir tank with water and install radiator cap.

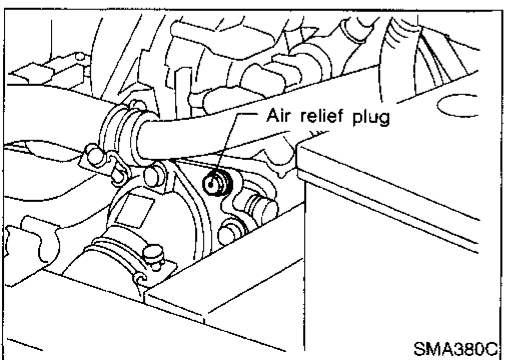
Air relief plug:

⊙: 10 N·m (1.0 kg-m, 87 in-lb)

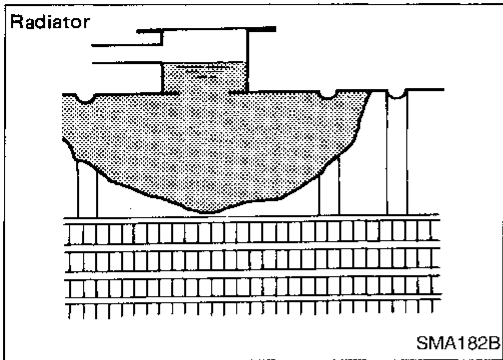
7. Warm up engine until cooling fan operates, then race engine 2 or 3 times under no-load.
8. Stop engine and wait until it cools down.
9. Drain water.
10. Repeat steps 2 through 9 until clear water begins to drain from radiator.

-REFILLING ENGINE COOLANT-

11. Install reservoir tank, radiator drain plug and cylinder block drain plug.
 - Apply sealant to the thread of cylinder block drain plug.
 - ⊙: 8 - 12 N·m (0.8 - 1.2 kg-m, 69 - 104 in-lb)



Changing Engine Coolant (Cont'd)



12. Fill radiator with coolant until coolant spills from the air relief hole, then install air relief plug.
13. Fill radiator and reservoir tank with coolant up to specified level and install radiator cap.

Air relief plug:

: 10 N·m (1.0 kg-m, 87 in-lb)

For coolant mixture ratio, refer to MA-9.

Coolant capacity (With reservoir tank):

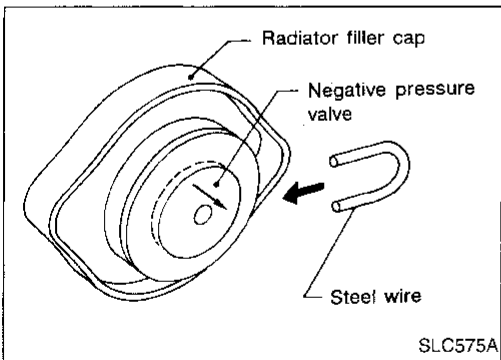
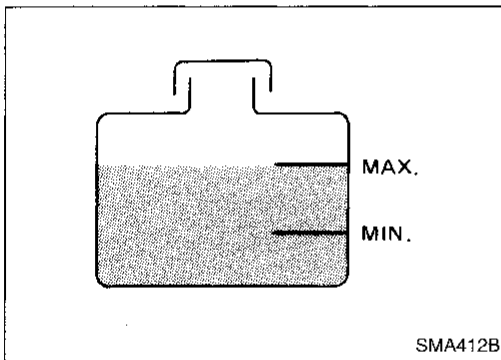
Unit: ℓ (US qt, Imp qt)

M/T	6.2 (6-1/2, 5-1/2)
A/T	6.2 (6-1/2, 5-1/2)

Reservoir tank capacity (for MAX level):

0.7 ℓ (3/4 US qt, 5/8 Imp qt).

Pour coolant through coolant filler neck slowly to allow air in system to escape.



14. Install a temporary radiator filler cap which allows air and coolant in cooling system to be directed into reservoir tank regardless of pressure.

- Install a suitable steel wire between negative pressure valve and its seat as shown in the picture.

15. Warm up engine to normal operating temperature.

16. Run engine at 2,500 rpm for 10 seconds and return to idle speed.

- Repeat 2 or 3 times.

Watch coolant temperature gauge so as not to overheat the engine.

17. Stop engine and cool it down.

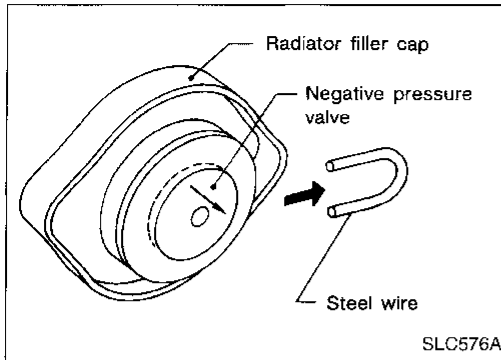
- Cool down using a fan to reduce the time.

18. Remove the temporary radiator filler cap and check coolant level.

- If necessary, refill radiator up to filler neck with coolant.

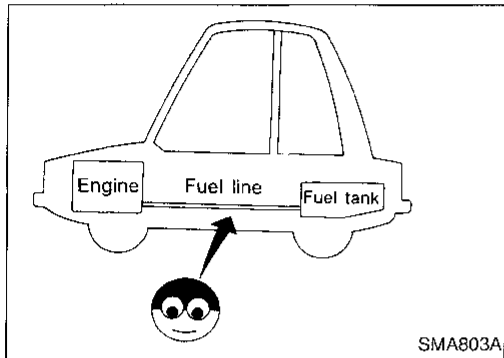
19. Refill reservoir tank to Max line with coolant.

20. Repeat steps 16 through 19 two or more times.



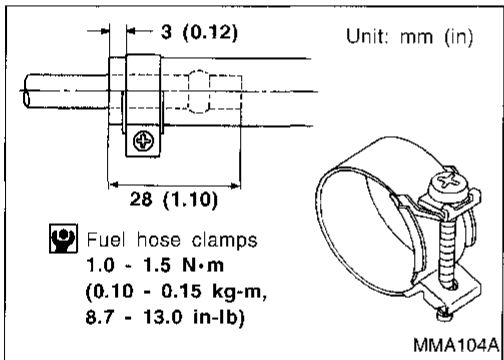
Changing Engine Coolant (Cont'd)

21. Install a proper radiator filler cap. (Original radiator filler cap)
22. Warm up engine, and check for sound of coolant flow while running engine from idle up to 4,000 rpm with heater temperature control lever set at several positions between COOL and HOT.
 - Sound may be noticeable at heater water cock.
23. If sound is heard, bleed air from cooling system by repeating steps 14 through 19 until coolant level no longer drops.
 - **Clean excess coolant from engine.**



Checking Fuel Lines

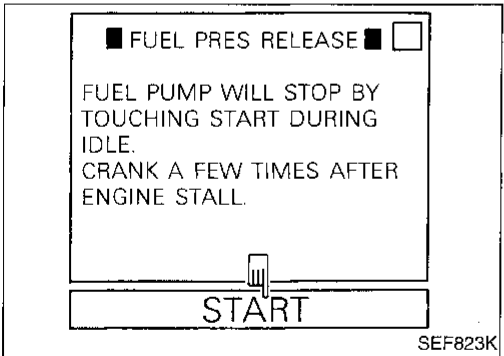
Inspect fuel lines and tank for improper attachment, leaks, cracks, damage, chafing or deterioration. If necessary, repair or replace.



Changing Fuel Filter

CAUTION:

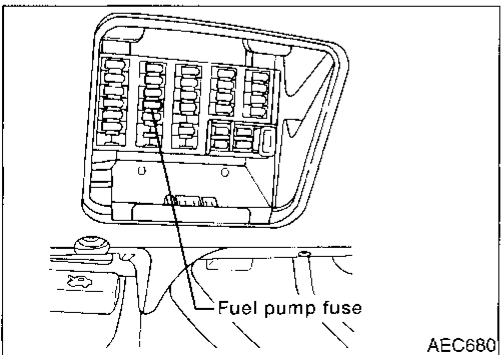
Tighten high-pressure rubber hose clamp so that clamp end is 3 mm (0.12 in) from hose end. Ensure that screw does not contact adjacent parts.



WARNING:

Before removing fuel filter, release fuel pressure from fuel line.

1. Release fuel pressure using the following procedure.
 - a. Start engine.
 - b. Perform "FUEL PRESSURE RELEASE" in "WORK SUPPORT" mode and release fuel pressure to zero.
 - c. After engine stalls, crank engine two or three times to make sure that fuel pressure is released.
 - d. Turn ignition switch "OFF".
- a. Remove fuse for fuel pump.
 - b. Start engine.
 - c. After engine stalls, crank engine two or three times to make sure that fuel pressure is released.
 - d. Turn ignition switch "OFF" and install fuse for fuel pump.



GI

MA

EM

LC

EC

PE

CL

MT

AT

FA

RA

BR

ST

RS

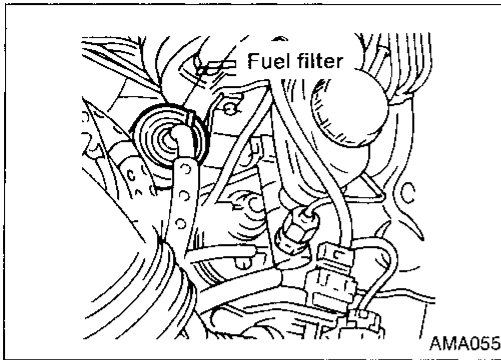
BT

HA

EL

IDX

Changing Fuel Filter (Cont'd)

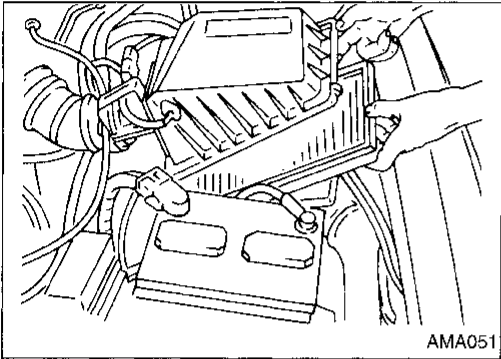


WARNING:

Use rubber gloves to prevent fuel from contacting skin when removing fuel hoses and filter.

2. Loosen fuel hose clamps.
 3. Replace fuel filter.
- Be careful not to spill fuel over engine compartment. Place a shop towel to absorb fuel.
 - Use a high-pressure type fuel filter. Do not use a synthetic resinous fuel filter.

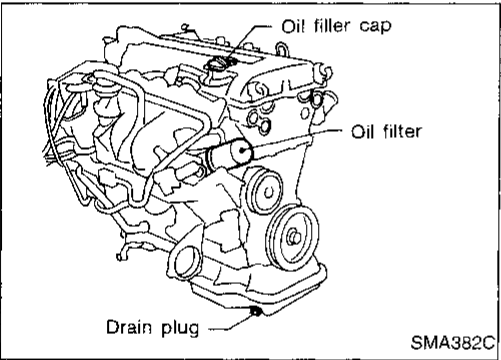
Changing Air Cleaner Filter



Unfasten clamps to change air cleaner filter.

The viscous paper type filter does not need cleaning between renewals.

Changing Engine Oil



WARNING:

- Be careful not to burn yourself, as the engine oil is hot.
- Prolonged and repeated contact with used engine oil may cause skin cancer; try to avoid direct skin contact with used oil. If skin contact is made, wash thoroughly with soap or hand cleaner as soon as possible.

1. Warm up engine, and check for oil leakage from engine components.
2. Remove drain plug and oil filler cap.
3. Drain oil and refill with new engine oil.

Oil Specification and Viscosity:

- API SG or SH and Energy Conserving II
- API Certification Mark
- See "RECOMMENDED FLUIDS AND LUBRICANTS" (MA-8).

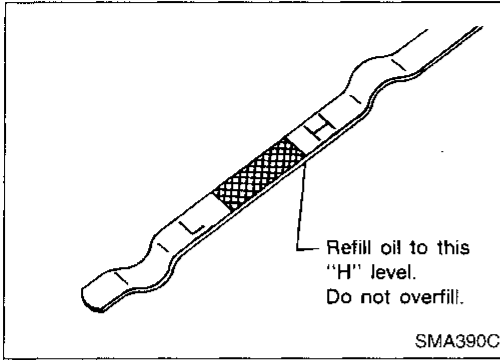
Refill oil capacity (Approximately):

	Unit: l (US qt, Imp qt)
With oil filter change	3.4 (3-5/8, 3)
Without oil filter change	3.2 (3-3/8, 2-7/8)

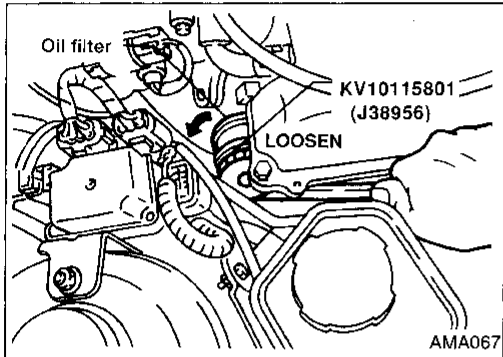
CAUTION:

- Be sure to clean drain plug and install with new washer.
Drain plug:
 ⚙️: 29 - 39 N·m (3.0 - 4.0 kg·m, 22 - 29 ft·lb)
- The refill capacity depends on the oil temperature and drain time; use the "Refill oil capacity" values as a reference and be certain to check with the dipstick when changing the oil.

Changing Engine Oil (Cont'd)



4. Check oil level.
5. Start engine and check area around drain plug and oil filter for oil leakage.
6. Run engine for a few minutes, then turn it off. After several minutes, check oil level.



Changing Oil Filter

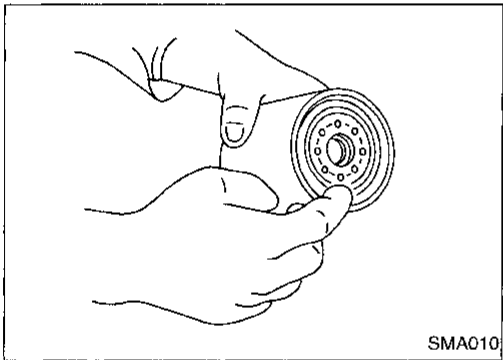
1. Remove oil filter with Tool.

WARNING:

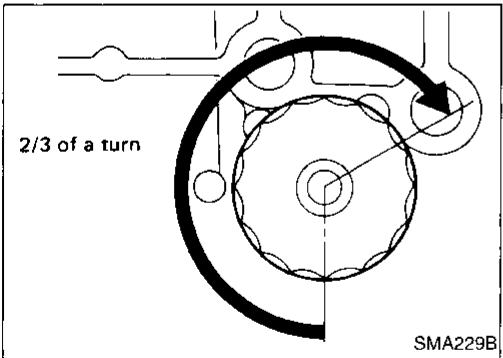
Be careful not to burn yourself, as the engine and the engine oil are hot.

The filter is a full-flow cartridge type and is provided with a relief valve.

Refer to LC section ("Oil Filter", "ENGINE LUBRICATION SYSTEM").



2. Clean oil filter mounting surface on cylinder block. Coat rubber seal of new oil filter with engine oil.

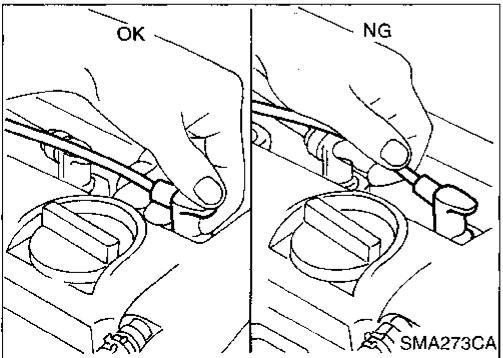


3. Screw in the oil filter until a slight resistance is felt, then tighten additionally more than 2/3 turn.

4. Add engine oil.

Refer to "Changing Engine Oil", MA-14.

- Clean excess oil from engine.



Changing Spark Plugs (Platinum-tipped type)

1. Disconnect ignition wires from spark plugs at boot. Do not pull on the wire.

GI

MA

EM

LC

EC

FE

CL

MT

AT

FA

RA

BR

ST

RS

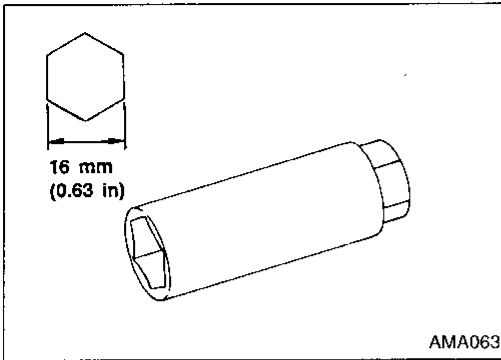
BT

HA

EL

IDX

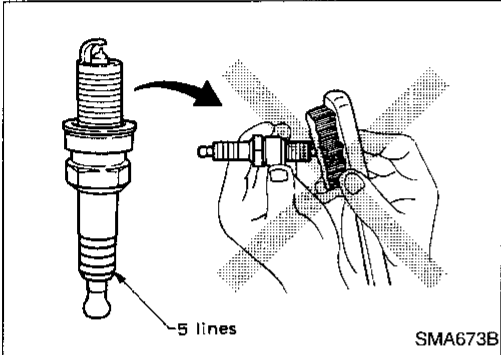
**Changing Spark Plugs (Platinum-tipped type)
(Cont'd)**



2. Remove spark plugs with spark plug socket.

Spark plug:

Standard type	PFR5B-11
Alternative	PFR6B-11
	PFR7B-11



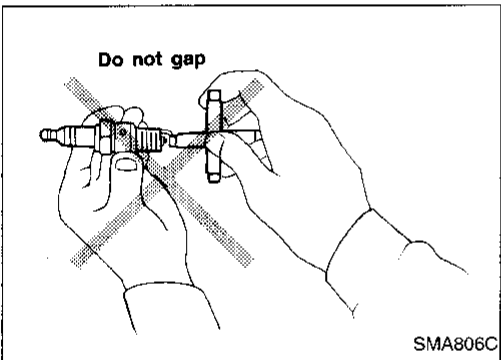
- Do not use a wire brush for cleaning.
- If plug tip is covered with carbon, spark plug cleaner may be used.

Cleaner air pressure:

Less than 588 kPa (6 kg/cm², 85 psi)

Cleaning time:

Less than 20 seconds

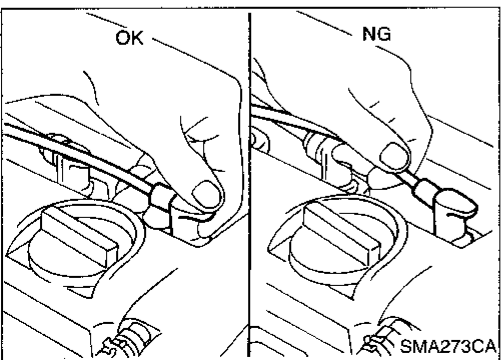


- Checking and adjusting plug gap is not required between change intervals.

3. Install spark plugs. Reconnect ignition wires according to numbers indicated on them.

Spark plug:

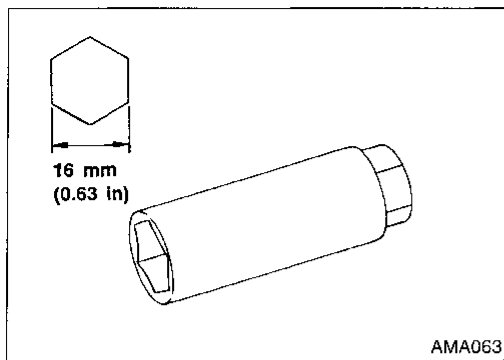
Ⓜ: 20 - 29 N·m (2.0 - 3.0 kg·m, 14 - 22 ft·lb)



Changing Spark Plugs (Conventional type)

1. Disconnect ignition wires from spark plugs at boot. Do not pull on the wire.

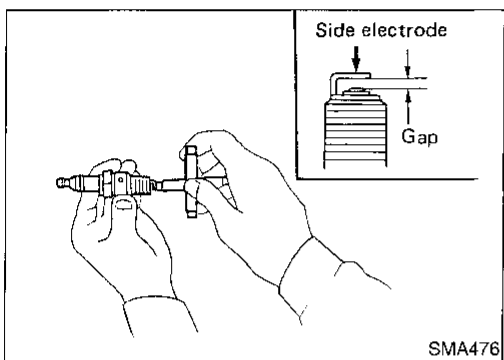
**Changing Spark Plugs (Conventional type)
(Cont'd)**



2. Remove spark plugs with spark plug socket.

Spark plug:

- Standard type **BKR6E**
- Hot type **BKR5E**
- Cold type **BKR7E**



3. Check plug gap of each new spark plug.

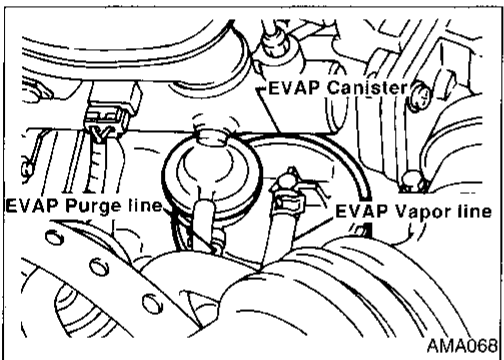
Gap: 0.8 - 0.9 mm (0.031 - 0.035 in)

● **Use a wire brush for cleaning, if necessary.**

4. Install spark plugs. Reconnect ignition wires according to numbers indicated on them.

Spark plug:

⚙️: 20 - 29 N·m (2.0 - 3.0 kg·m, 14 - 22 ft·lb)



Checking EVAP Vapor & Purge Lines

1. Visually inspect EVAP vapor and purge lines for improper attachment and for cracks, damage, loose connections, chafing and deterioration.
2. Inspect vacuum relief valve of fuel tank filler cap for clogging, sticking, etc.

Refer to EC section ("Inspection", "EVAPORATIVE EMISSION SYSTEM").

GI

MA

EM

LC

EC

FE

CL

MT

AT

FA

RA

BR

ST

RS

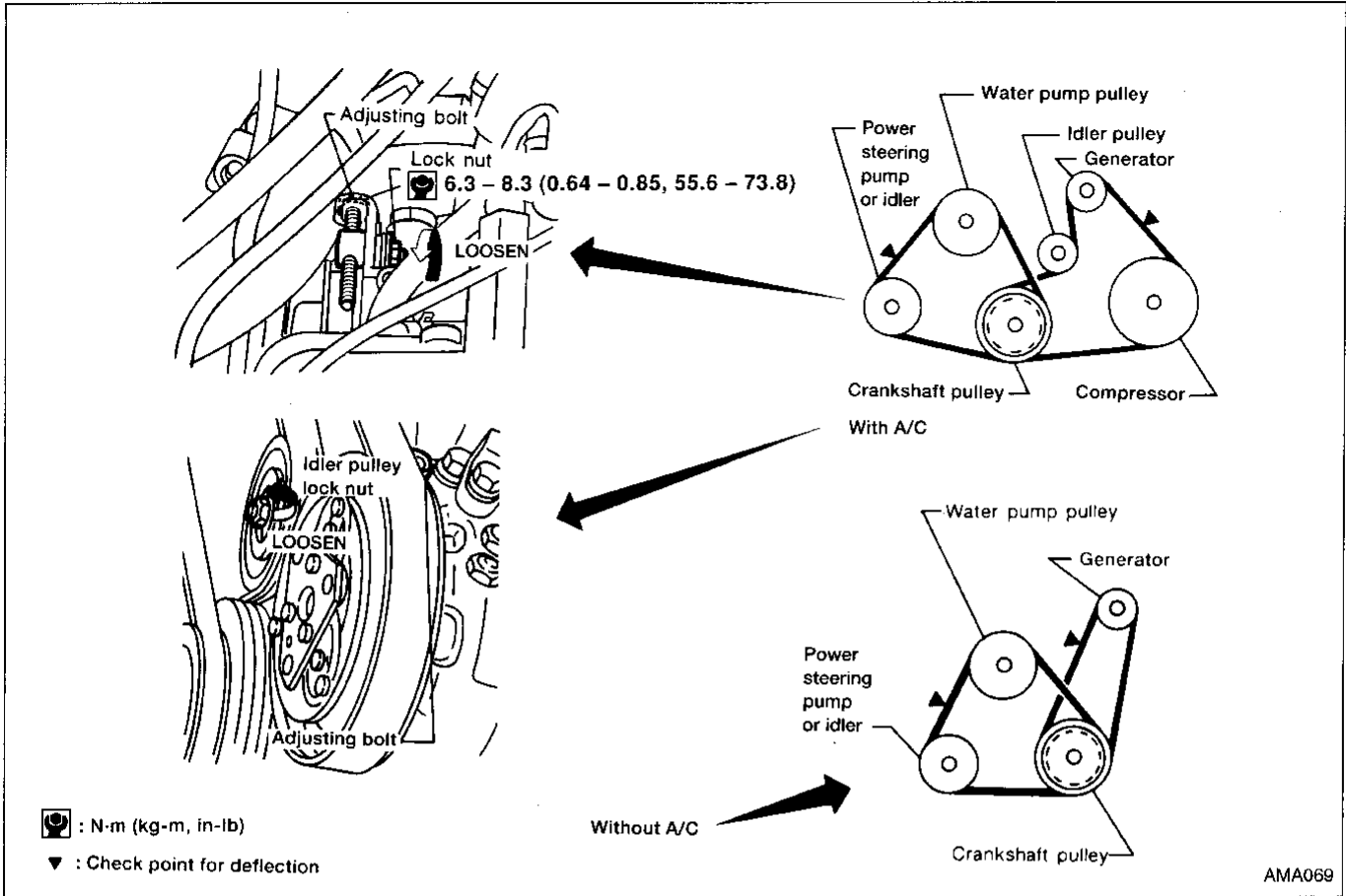
BT

HA

EL

IDX

Checking Drive Belts



1. Inspect for cracks, fraying, wear or oil. If necessary, replace with a new one.
2. Inspect drive belt deflections by pushing midway between pulleys.

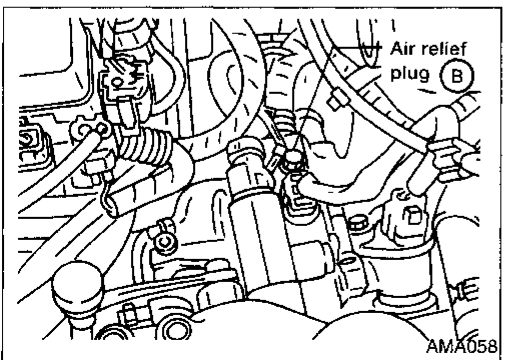
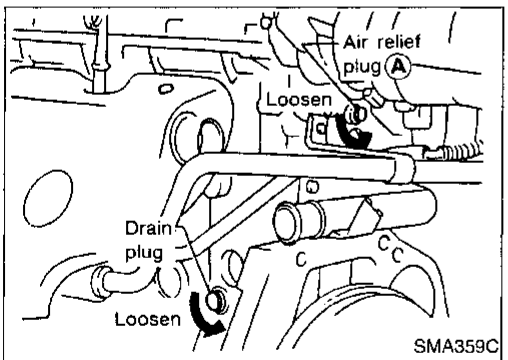
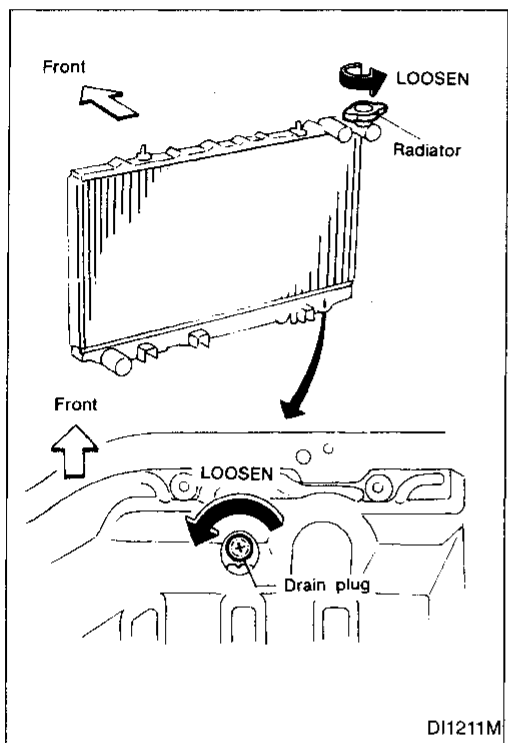
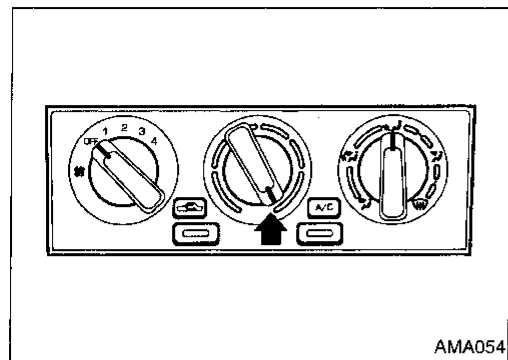
Inspect drive belt deflections when engine is cold.

Adjust if belt deflections exceed the limit.

Belt deflection:

Unit: mm (in)

	Used belt deflection		Deflection of new belt
	Limit	Deflection after adjustment	
Generator			
With A/C compressor	9.5 (0.374)	6 - 6.5 (0.24 - 0.256)	5 - 6 (0.20 - 0.24)
Without A/C compressor	11.5 (0.453)	7.5 - 8 (0.295 - 0.315)	6.5 - 7 (0.256 - 0.28)
Water pump			
With power steering pump	7.5 (0.295)	4 - 6 (0.16 - 0.24)	3 - 5 (0.12 - 0.20)
Without power steering pump	6 (0.24)	3 - 4.5 (0.12 - 0.177)	3 - 4 (0.12 - 0.16)
Applied pushing force	98 N (10 kg, 22 lb)		



Changing Engine Coolant

WARNING:

To avoid being scalded, never change the coolant when the engine is hot.

-DRAINING ENGINE COOLANT-

1. Move heater "TEMP" control lever all the way to "HOT".
 - Make sure that blower fan switch is "OFF".

2. Open radiator drain plug at the bottom of radiator and remove radiator cap.
3. Remove reservoir tank, drain coolant, then clean reservoir tank. Install it temporarily.
 - Be careful not to allow coolant to contact drive belts.

4. Remove cylinder block drain plug and air relief plugs (A) and (B).
5. Close radiator drain plug.

-FLUSHING COOLING SYSTEM-

6. Fill radiator with water until coolant spills from cylinder block drain plug hole during refill, then reinstall drain plug securely.
7. Fill radiator with water again until coolant spills from the air relief hole during refill, then reinstall air relief plugs (A) and (B).

Then fill radiator and reservoir tank with water.

Air relief plug:

: 7 - 8 N·m (0.7 - 0.8 kg·m, 61 - 69 in·lb)

8. Reinstall radiator cap.
9. Warm up engine until cooling fan operates, then race engine 2 or 3 times under no-load.
10. Stop engine and wait until it cools down.
11. Repeat steps 2 through 10 until clear water begins to drain from radiator.
12. Drain water.

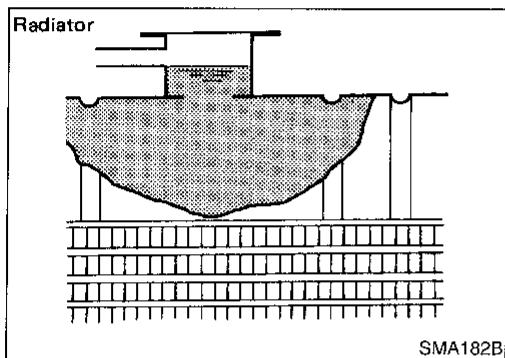
GI
MA
EM
LC
EC
FE
CL
MT
AT
FA
RA
BR
ST
RS
BT
HA
EL
IDX

Changing Engine Coolant (Cont'd)

- Apply sealant to the thread of drain plug on cylinder block.

Ⓜ: 34.3 - 44.1 N-m
(3.50 - 4.50 kg-m, 25.30 - 32.53 ft-lb)

13. Reinstall reservoir tank.



-REFILLING ENGINE COOLANT-

14. Fill radiator and reservoir tank with coolant up to specified level following steps 6 through 8.

For coolant mixture ratio, refer to MA-9.

Coolant capacity (With reservoir tank):

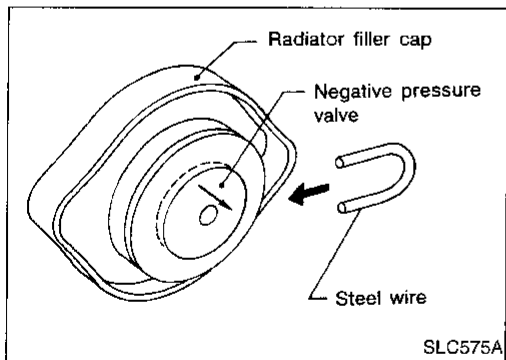
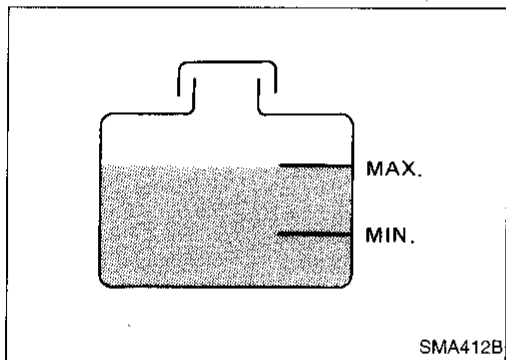
Unit: ℓ (US qt, Imp qt)

M/T	5.2 (5-1/2, 4-5/8)
A/T	5.7 (6, 5)

Reservoir tank capacity (to MAX level):

0.7 ℓ (3/4 US qt, 5/8 Imp qt)

Pour coolant through coolant filler neck slowly to allow air in system to escape.



15. Install a temporary radiator filler cap which allows air and coolant in cooling system to be directed into reservoir tank regardless of pressure.

- Install a suitable steel wire between negative pressure valve and its seat as shown in the picture.

16. Warm up engine to normal operating temperature.

17. Run engine at 2,500 rpm for 10 seconds and return to idle speed.

- Repeat 2 or 3 times.

Watch coolant temperature gauge so as not to overheat the engine.

18. Stop engine and cool it down.

- Cool down using a fan to reduce the time.

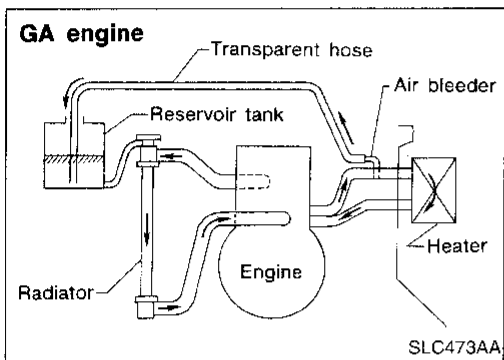
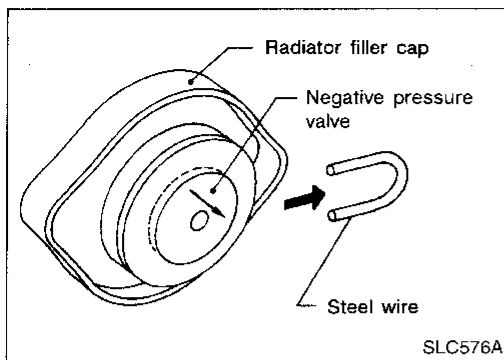
19. Remove the temporary radiator filler cap and check coolant level.

- If necessary, refill radiator up to filler neck with coolant.

20. Refill reservoir tank to Max line with coolant.

21. Repeat steps 17 through 20 two or more times.

Changing Engine Coolant (Cont'd)



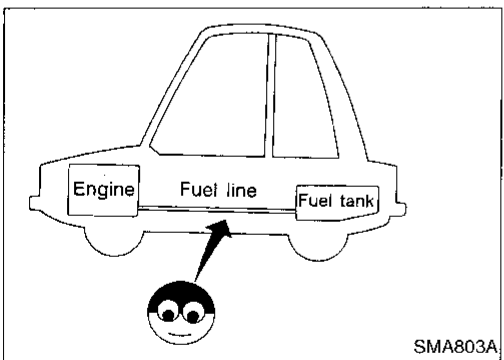
22. Install a proper radiator filler cap. (Original radiator filler cap)
23. Warm up engine, and check for sound of coolant flow while running engine from idle up to 4,000 rpm with heater temperature control lever set at several positions between COOL and HOT.
 - Sound may be noticeable at heater water cock.
24. If sound is heard, bleed air from cooling system according to the following steps.
 - a. Cool engine down and remove air bleeder cap on heater inlet hose.
 - b. Attach a suitable transparent hose and hose fitting at air bleeder hole and put the opposite end of the hose into coolant of reservoir tank.
 - c. Install the temporary radiator cap and check for proper connection of all coolant related hoses.
 - d. Start engine and check for bubbles in reservoir tank.
 - e. Set heater temperature control lever to max "COOL" position in order to bypass coolant through the transparent hose.
 - f. Run engine up to 2,300 rpm until bubbles disappear in the transparent hose.

Do not run engine over 2,300 rpm because engine may be damaged due to reduced coolant flow.

- g. After removing bubbles, set heater temperature control lever to max "HOT" position and check for sound of coolant flow.
- h. If sound is heard, repeat steps e. through g.
25. Stop engine and cool it down.
26. Install a proper radiator cap. (Original radiator cap)
27. Remove the transparent hose and install air bleeder cap.
28. Check any removed parts for secure reinstallation.
 - **Clean excess coolant from engine.**

Checking Fuel Lines

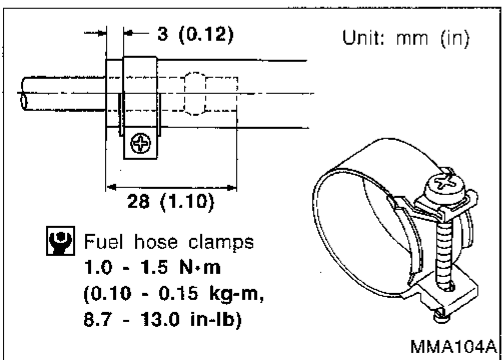
Inspect fuel lines and tank for improper attachment, leaks, cracks, damage, chafing or deterioration. If necessary, repair or replace.



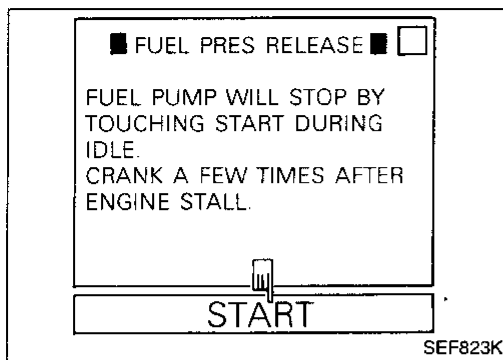
Changing Fuel Filter

CAUTION:

Tighten high-pressure rubber hose clamp so that clamp end is 3 mm (0.12 in) from hose end. Ensure that screw does not contact adjacent parts.



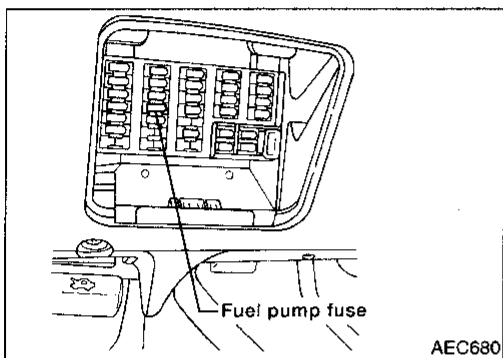
Changing Fuel Filter (Cont'd)



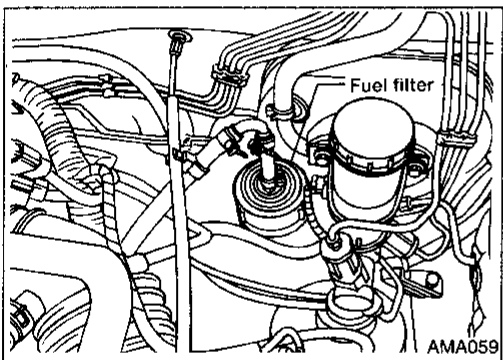
WARNING:

Before removing fuel filter, release fuel pressure from fuel line.

1. Release fuel pressure using the following procedure.
 - a. Start engine.
 - b. Perform "FUEL PRESSURE RELEASE" in "WORK SUPPORT" mode and release fuel pressure to zero.
 - c. After engine stalls, crank engine two or three times to make sure that fuel pressure is released.
 - d. Turn ignition switch "OFF".



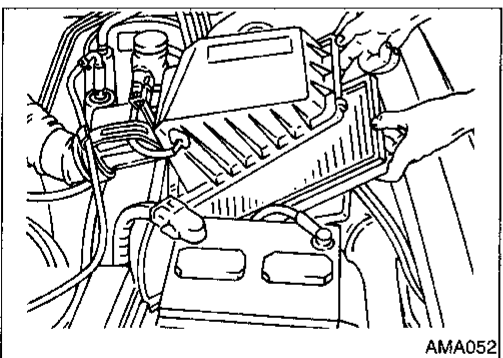
- a. Remove fuse for fuel pump.
 - b. Start engine.
 - c. After engine stalls, crank engine two or three times to make sure that fuel pressure is released.
 - d. Turn ignition switch "OFF" and install fuse for fuel pump.



WARNING:

Use rubber gloves to prevent fuel from contacting skin when removing fuel hoses and filter.

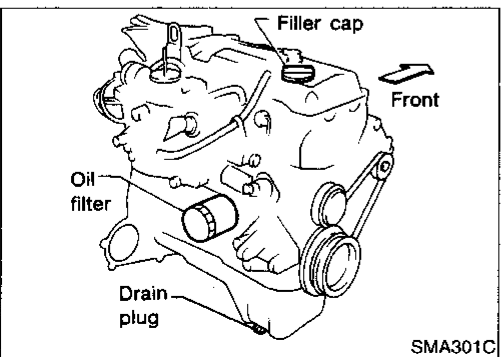
2. Loosen fuel hose clamps.
 3. Replace fuel filter.
- Be careful not to spill fuel over engine compartment. Place a shop towel to absorb fuel.
 - Use a high-pressure type fuel filter. Do not use a synthetic resinous fuel filter.



Changing Air Cleaner Filter

Unfasten clamps to change air cleaner filter.

The viscous paper type filter does not need cleaning between renewals.



Changing Engine Oil

WARNING:

- Be careful not to burn yourself, as the engine oil is hot.
- Prolonged and repeated contact with used engine oil may cause skin cancer; try to avoid direct skin contact with used oil. If skin contact is made, wash thoroughly with soap or hand cleaner as soon as possible.

1. Warm up engine, and check for oil leakage from engine components.
2. Remove drain plug and oil filler cap.

Changing Engine Oil (Cont'd)

3. Drain oil and refill with new engine oil.

Oil specification and viscosity:

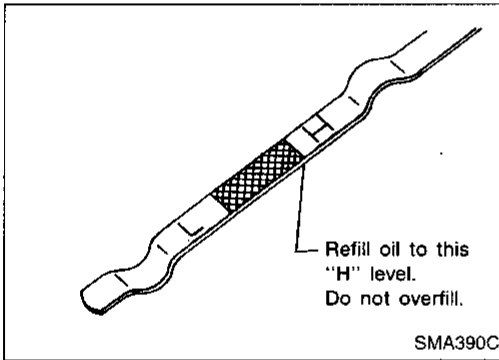
- API SG or SH and Energy Conserving II
- API Certification Mark
- See "RECOMMENDED FLUIDS AND LUBRICANTS" (MA-8).

Refill oil capacity (Approximately):

	Unit: ℓ (US qt, Imp qt)
With oil filter change	3.2 (3-3/8, 2-7/8)
Without oil filter change	2.8 (3, 2-1/2)

CAUTION:

- Be sure to clean drain plug and install with new washer.
Drain plug:
 □: 29 - 39 N·m
 (3.0 - 4.0 kg-m, 22 - 29 ft-lb)
- The refill capacity depends on the oil temperature and drain time. Use the "Refill oil capacity" values as a reference and be certain to check with the dipstick when changing the oil.



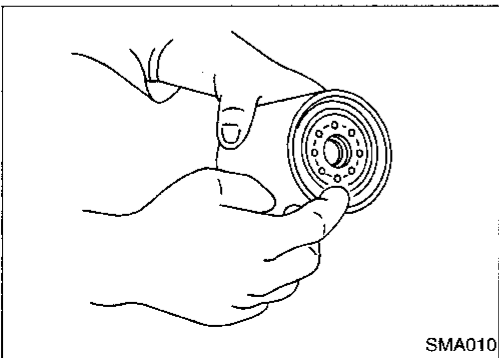
4. Check oil level.
5. Start engine and check area around drain plug and oil filter for oil leakage.
6. Run engine for a few minutes, then turn it off. After several minutes, check oil level.

Changing Oil Filter

1. Remove oil filter with Tool.

WARNING:

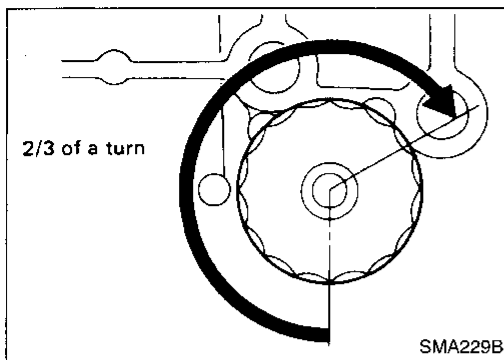
Be careful not to burn yourself, as the engine and the engine oil are hot.



2. Clean oil filter mounting surface on cylinder block. Coat the rubber seal of new oil filter with engine oil.

GI
MA
 EM
 LC
 EC
 FE
 CL
 MT
 AT
 FA
 RA
 BR
 ST
 RS
 BT
 HA
 EL
 IDX

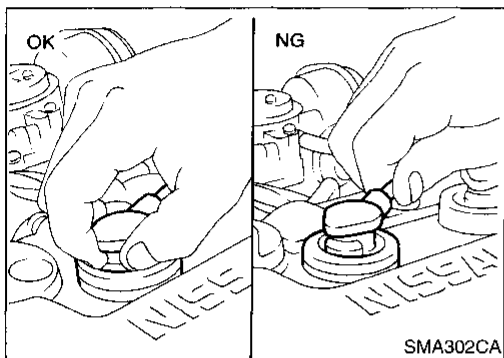
Changing Oil Filter (Cont'd)



3. Screw in the oil filter until a slight resistance is felt, then tighten additionally more than 2/3 turn.
4. Add engine oil.

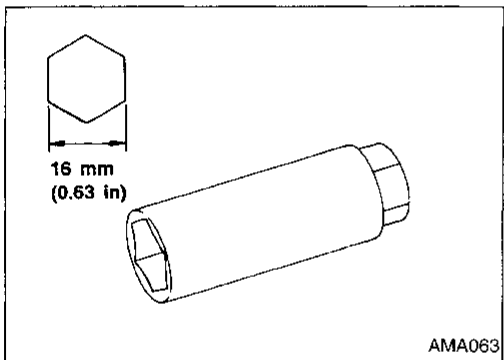
Refer to "Changing Engine Oil", MA-22.

- Clean excess oil from engine.



Changing Spark Plugs

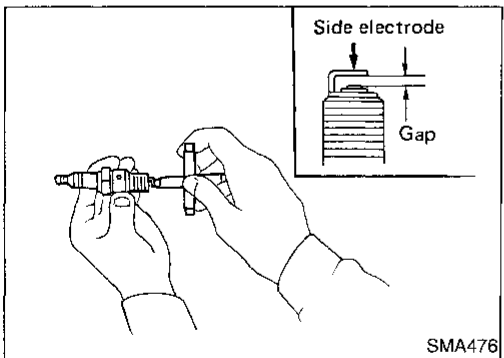
1. Disconnect ignition wires from spark plugs at boot. Do not pull on the wire.



2. Remove spark plugs with spark plug socket.

Spark plug:

Standard type	BKR5E-11
Hot type	BKR4E-11
Cold type	BKR6E-11 BKR7E-11



3. Check gap of each new spark plug.

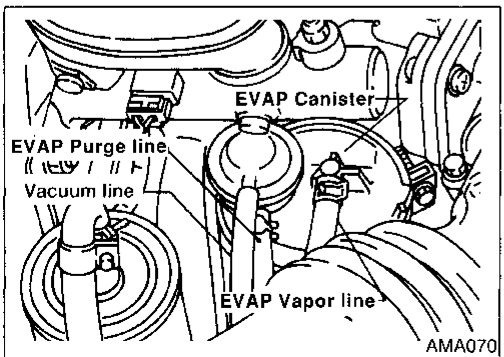
Gap: 1.0 - 1.1 mm (0.039 - 0.043 in)

- Use a wire brush for cleaning, if necessary.

4. Install spark plugs. Reconnect ignition wires according to numbers indicated on them.

Spark plug:

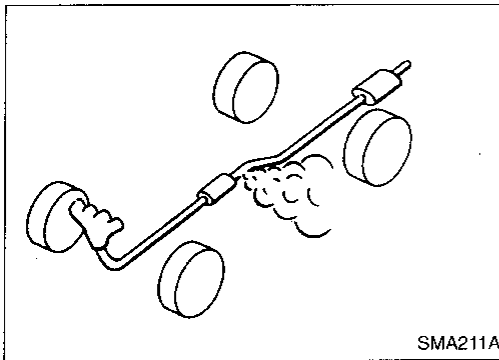
**⚙️: 20 - 29 N·m
(2.0 - 3.0 kg-m, 14 - 22 ft-lb)**



Checking EVAP Vapor & Purge Lines

1. Visually inspect EVAP vapor and purge lines for improper attachment, cracks, damage, chafing, or deterioration.
2. Inspect vacuum relief valve of fuel tank filler cap for clogging, sticking, etc.

Refer to EC section ("Inspection", EVAPORATIVE EMISSION SYSTEM").



SMA211A

Checking Exhaust System

Check exhaust pipes, muffler and mounting for improper attachment, leaks, cracks, damage, chafing or deterioration.

GI

MA

EM

LC

EC

FE

CL

MT

AT

FA

RA

BR

ST

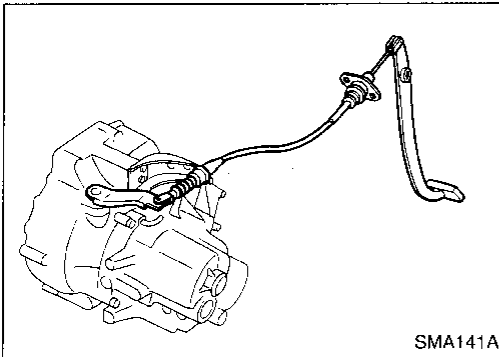
RS

BT

HA

EL

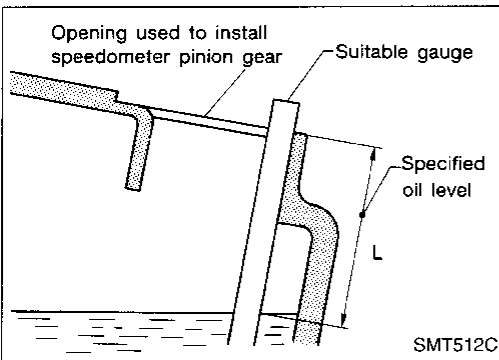
IDX



SMA141A

Checking Clutch System

Check cable and lever for improper attachment, chafing, wear or deterioration.



SMT512C

Checking M/T Oil

- Check that oil is not leaking from transaxle or around it.
- Remove speedometer pinion and check that the oil level L at vehicle rear side is within specification.

Oil level "L":

- RS5F31A (GA engine model)
57 - 66 mm (2.24 - 2.60 in)
- RS5F32V (SR engine model)
34 - 40 mm (1.34 - 1.57 in)

Changing M/T Oil

1. Drain oil from drain plug and refill with new gear oil.
2. Check oil level. Refer to "Checking M/T Oil".

Oil grade: API GL-4

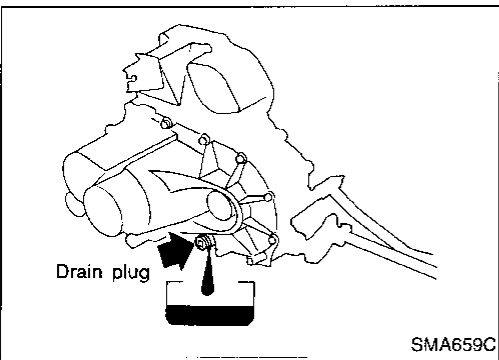
Viscosity: Refer to MA-8.

Capacity:

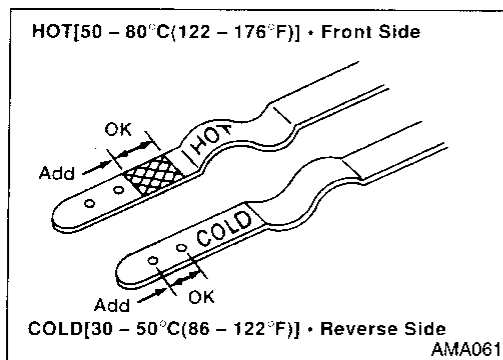
- RS5F31A (GA engine model)
2.9 - 3.2 liters (6-1/8 - 6-3/4 US pt, 5-1/8 - 5-5/8 Imp pt)
- RS5F32V (SR engine model)
3.7 - 3.9 liters (7-7/8 - 8-1/4 US pt, 6-1/2 - 6-7/8 Imp pt)

Drain plug:

⊗: 25 - 34 N·m (2.5 - 3.5 kg·m, 18 - 25 ft·lb)

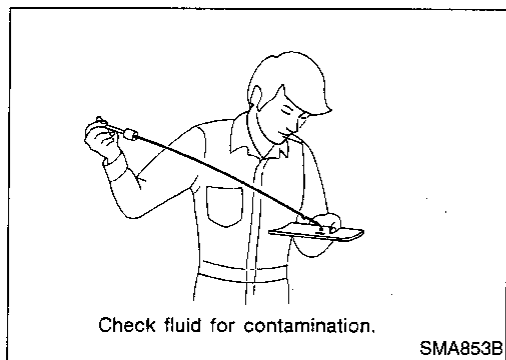


SMA659C

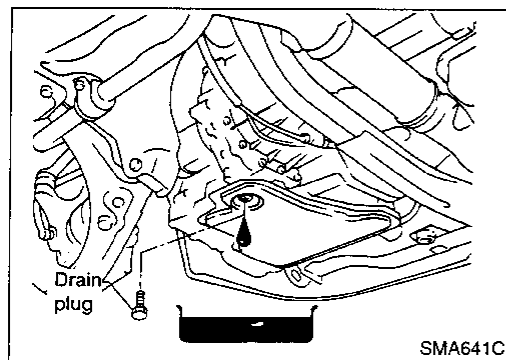


Checking A/T Fluid

1. Warm up engine.
2. Check for fluid leakage.
3. Before driving, fluid level can be checked at fluid temperatures of 30 to 50°C (86 to 122°F) using “COLD” range on dipstick.
 - a. Park vehicle on level surface and set parking brake.
 - b. Start engine and move selector lever through each gear position. Leave selector lever in “P” position.
 - c. Check fluid level with engine idling.
 - d. Remove dipstick and wipe clean with lint-free paper.
 - e. Re-insert dipstick into charging pipe as far as it will go.
 - f. Remove dipstick and note reading. If reading is at low side of range, add fluid to the charging pipe.
- Do not overfill.**
4. Drive vehicle for approximately 5 minutes in urban areas.
5. Re-check fluid level at fluid temperatures of 50 to 80°C (122 to 176°F) using “HOT” range on dipstick.



6. Check fluid condition.
 - If fluid is very dark or smells burned, refer to A/T section for checking operation of A/T. Flush cooling system after repair of A/T.
 - If A/T fluid contains frictional material (clutches, bands, etc.), replace radiator and flush cooler line using cleaning solvent and compressed air after repair of A/T. Refer to LC section (“Radiator”, “ENGINE COOLING SYSTEM”).



Changing A/T Fluid

1. Warm up A/T fluid.
2. Stop engine.
3. Drain A/T fluid from drain plug and refill with new A/T fluid. Always refill same volume as drained fluid.

Fluid grade:

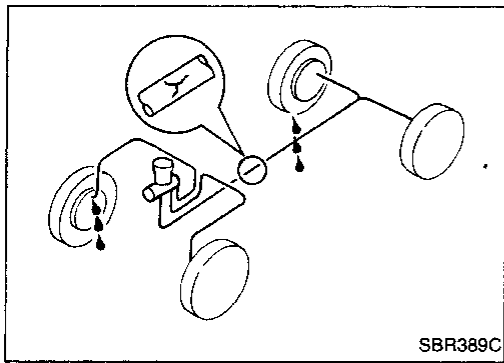
Genuine Nissan ATF or equivalent
 Refer to “RECOMMENDED FLUIDS AND LUBRICANTS”, MA-8.

Fluid capacity (With torque converter):
 7.0 liters (7-3/8 US qt, 6-1/8 Imp qt)

Drain plug:

: 29 - 39 N·m (3.0 - 4.0 kg·m, 22 - 29 ft·lb)

4. Run engine at idle speed for five minutes.
5. Check fluid level and condition.
 Refer to “Checking A/T Fluid”.
 If fluid is still dirty, repeat steps 2. through 5.



Checking Brake Fluid Level and Leaks

If fluid level is extremely low, check brake system for leaks.

GI

Checking Brake Lines and Cables

Check brake fluid lines and parking brake cables for improper attachment, leaks, chafing, abrasions, or deterioration.

MA

EM

LC

EC

FE

CL

MT

AT

FA

RA

BR

ST

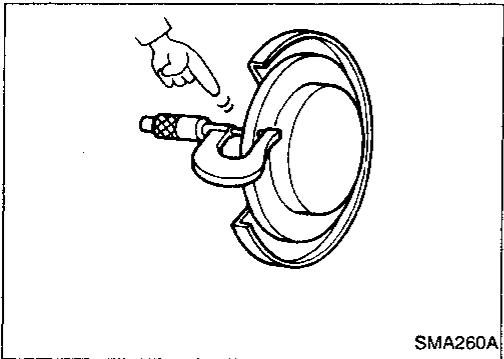
RS

BT

HA

EL

IDX



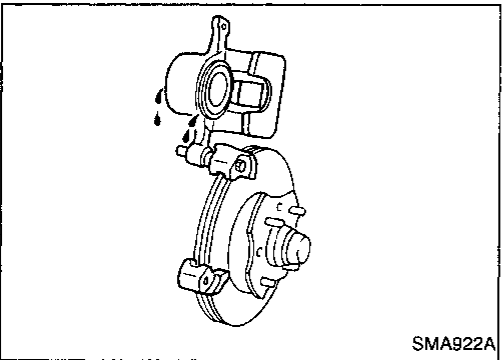
Checking Disc Brake

ROTOR

Check condition and thickness.

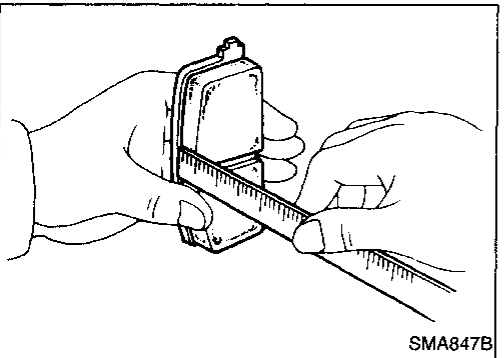
Thickness:

	Unit: mm (in)	
	CL22VD, CL22VE	CL7HB
Standard	18 (0.71)	7 (0.28)
Minimum	16.0 (0.630)	6.0 (0.236)



CALIPER

Check operation and for leakage.

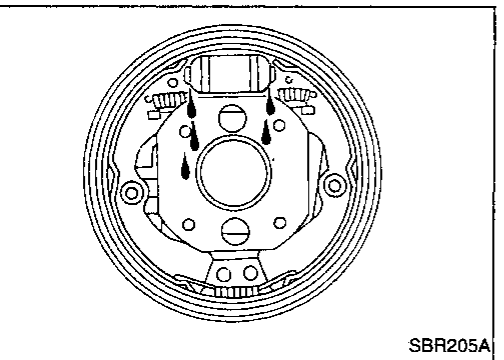


PAD

Check for wear or damage.

Thickness:

	Unit: mm (in)	
	CL22VD, CL22VE	CL7HB
Standard	11 (0.43)	10 (0.39)
Minimum	2.0 (0.079)	1.5 (0.059)



Checking Drum Brake

WHEEL CYLINDER

Check operation and for leakage.

CHASSIS AND BODY MAINTENANCE

Checking Drum Brake (Cont'd)

DRUM

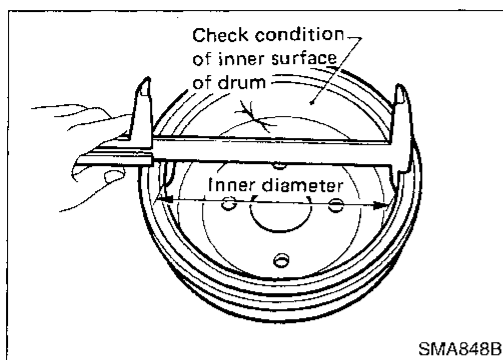
Check condition of inner surface.

Standard diameter:

180 mm (7.09 in)

Drum repair limit (Inner diameter):

181 mm (7.13 in)



LINING

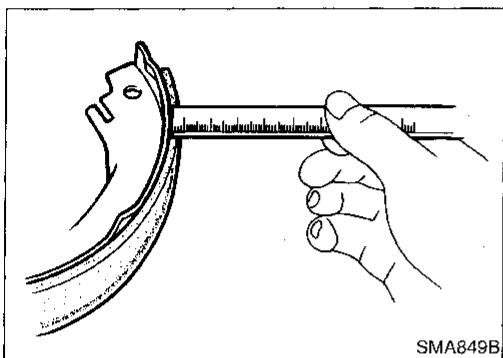
Check for wear or damage.

Standard thickness:

4 mm (0.16 in)

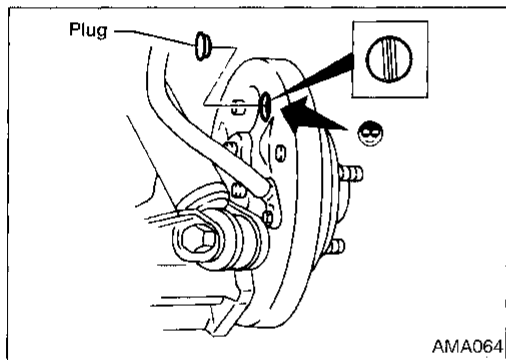
Lining wear limit (Minimum thickness):

1.5 mm (0.059 in)



TEMPORARY METHOD FOR CHECKING LINING WEAR

Remove inspection hole plug and check for lining wear.

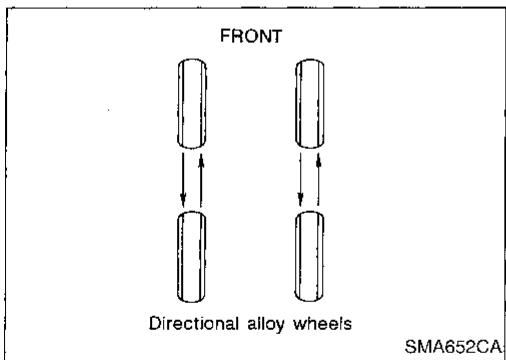


Balancing Wheels

Adjust wheel balance using road wheel center.

Wheel balance (Maximum allowable unbalance):

Refer to SDS, MA-31.



Tire Rotation

Do not include the T-type spare tire when rotating the tires.

Wheel nuts:

: 98 - 118 N·m (10.0 - 12.0 kg·m, 72 - 87 ft·lb)

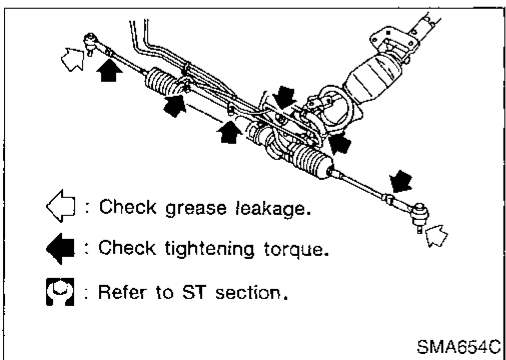
Checking Steering Gear and Linkage

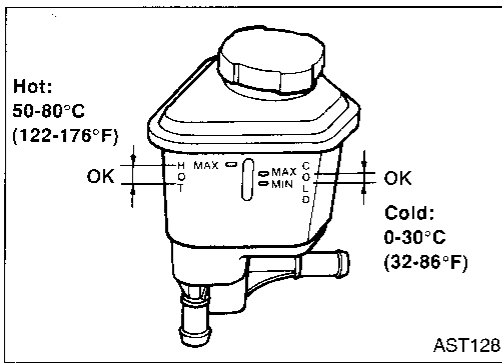
STEERING GEAR

- Check gear housing and boots for looseness, damage or grease leakage.
- Check connection with steering column for looseness.

STEERING LINKAGE

Check ball joint, dust cover and other component parts for looseness, wear, damage or grease leakage.



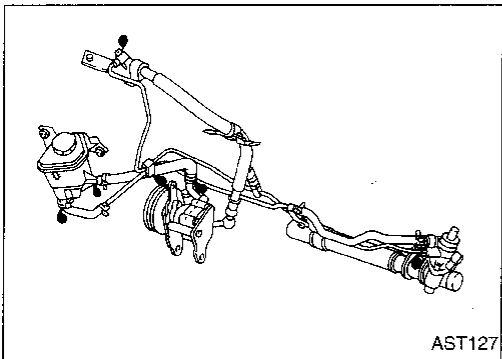


Checking Power Steering Fluid and Lines

Check fluid level with engine off. Check fluid level in reservoir. Use "HOT" range at fluid temperatures of 50 to 80°C (122 to 176°F). Use "COLD" range at fluid temperatures of 0 to 30°C (32 to 86°F).

CAUTION:

- Do not overfill.
- Recommended fluid is type DEXRON™II or equivalent.



- Check lines for improper attachment, leaks, cracks, damage, loose connections, chafing or deterioration.
- Check rack boots for accumulation of power steering fluid.

GI

MA

EM

LC

EC

FE

CL

MT

AT

FA

RA

BR

ST

RS

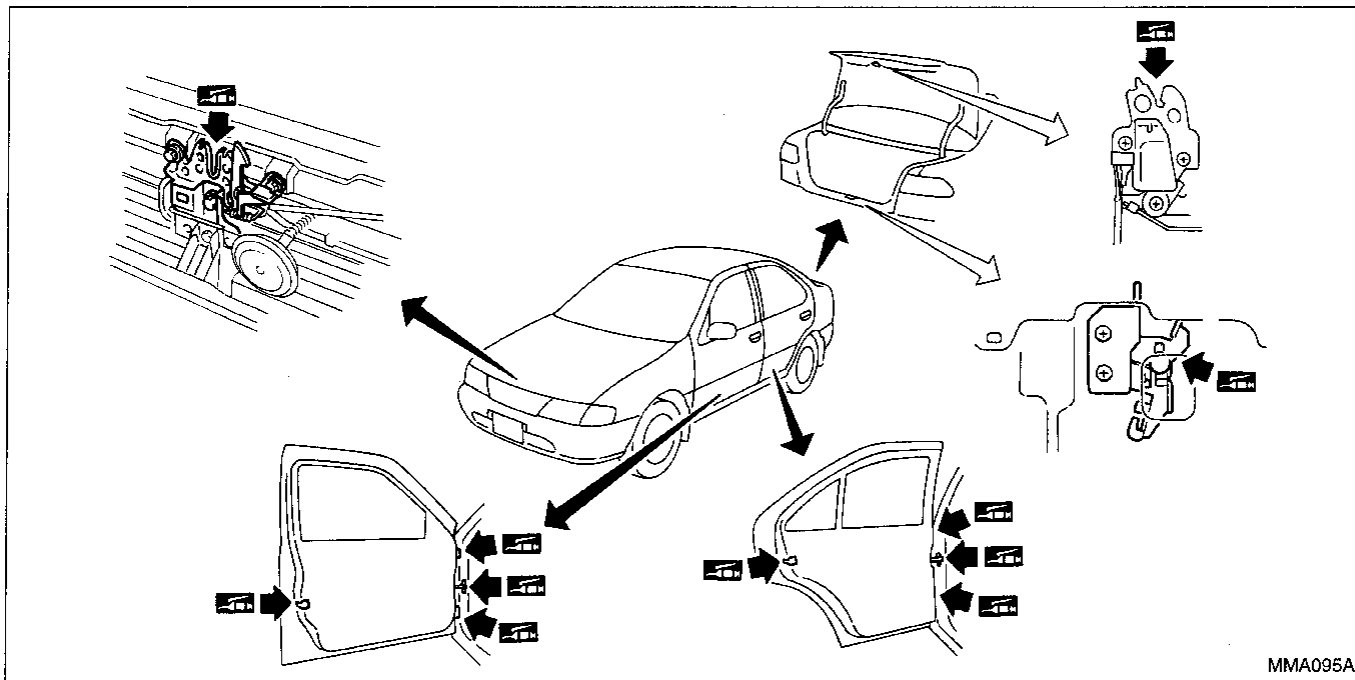
BT

HA

EL

IDX

Lubricating Locks, Hinges and Hood Latches

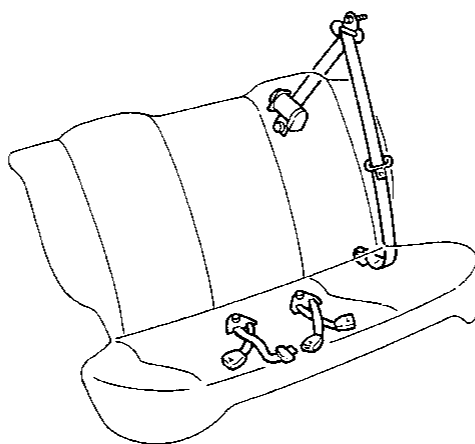


MMA095A

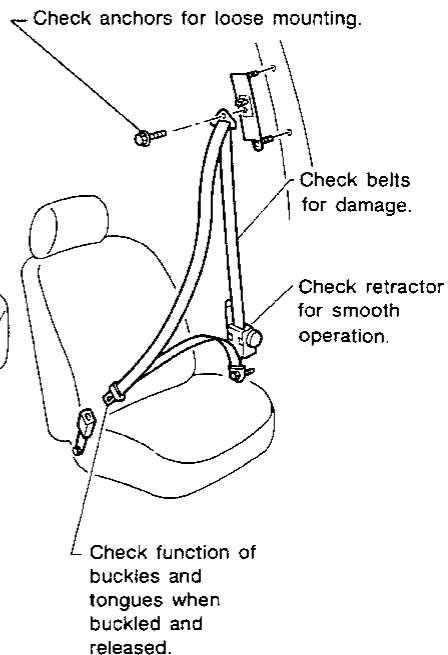
Checking Seat Belts, Buckles, Retractors, Anchors and Adjusters

CAUTION:

- After any collision, inspect all seat belt assemblies, including retractors and other attached hardware (i.e. guide rail set). Nissan recommends to replace all seat belt assemblies in use during a collision, unless not damaged and properly operating after minor collision. Also inspect seat belt assemblies not in use during a collision, and replace if damaged or improperly operating.
- If any component of seat belt assembly is questionable, do not repair. Replace as seat belt assembly.
- If webbing is cut, frayed, or damaged, replace belt assembly.
- Do not spill drinks, oil etc. on inner lap belt buckle. Never oil tongue and buckle.
- Use a NISSAN genuine seat belt assembly.



Rear seat belt



Front seat belt

- Ⓜ Anchor bolt
43 - 55 N·m
(4.4 - 5.6 kg-m,
32 - 41 ft-lb)

MMA096AA

SERVICE DATA AND SPECIFICATIONS (SDS)

Engine Maintenance (SR)

INSPECTION AND ADJUSTMENT

Drive belt deflection

Unit: mm (in)

	Used belt deflection		Deflection of new belt
	Limit	Deflection after adjustment	
Generator			
With air conditioner compressor	11.5 - 12.5 (0.453 - 0.492)	7 - 8 (0.28 - 0.31)	6.5 - 7.5 (0.256 - 0.295)
Without air conditioner compressor	12 - 13 (0.47 - 0.51)	8 - 9 (0.31 - 0.35)	7 - 8 (0.28 - 0.31)
Power steering pump	6 - 7 (0.24 - 0.28)	4 - 5 (0.16 - 0.20)	3.5 - 4.5 (0.138 - 0.177)
Applied pushing force	98 N (10 kg, 22 lb)		

Spark plug

Type	Platinum-tipped type	Conventional type
Standard	PFR5B-11	BKR6E
Alternative	PFR6B-11 PFR7B-11	BKR5E BKR7E
Plug gap	mm (in)	0.8 - 0.9 (0.031 - 0.035)

Engine Maintenance (GA)

INSPECTION AND ADJUSTMENT

Drive belt deflection

Unit: mm (in)

	Used belt deflection		Deflection of new belt
	Limit	Deflection after adjustment	
Generator			
With A/C compressor	9.5 (0.374)	6 - 6.5 (0.24 - 0.256)	5 - 6 (0.20 - 0.24)
Without A/C compressor	11.5 (0.453)	7.5 - 8 (0.295 - 0.315)	6.5 - 7 (0.256 - 0.28)
Water pump			
With power steering pump	7.5 (0.295)	4 - 6 (0.16 - 0.24)	3 - 5 (0.12 - 0.20)
Without power steering pump	6 (0.24)	3 - 4.5 (0.12 - 0.177)	3 - 4 (0.12 - 0.16)
Applied pushing force	98 N (10 kg, 22 lb)		

Spark plug

Type	
Standard	BKR5E-11
Hot	BKR4E-11
Cold	BKR6E-11 BKR7E-11
Plug gap	mm (in) 1.0 - 1.1 (0.039 - 0.043)

Chassis and Body Maintenance

INSPECTION AND ADJUSTMENT

Wheel balance

Maximum allowable unbalance	Dynamic (at rim flange) g (oz)	10 (0.35) (One side)
	Static g (oz)	20 (0.71)