

## SECTION **EC**

GI

MA

EM

LC

**EC**

FE

CL

MT

AT

FA

RA

BR

ST

RS

BT

HA

EL

IDX

## CONTENTS

<p><b>DIAGNOSTIC TROUBLE CODE INDEX</b>..... 2</p> <p style="padding-left: 20px;">Alphabetical &amp; P No. Index for DTC..... 2</p> <p><b>PRECAUTIONS AND PREPARATION</b>..... 4</p> <p style="padding-left: 20px;">Special Service Tools..... 4</p> <p style="padding-left: 20px;">Commercial Service Tools ..... 4</p> <p style="padding-left: 20px;">Supplemental Restraint System (SRS)</p> <p style="padding-left: 40px;">"AIR BAG" ..... 5</p> <p style="padding-left: 20px;">Precautions for On Board Diagnostic (OBD)</p> <p style="padding-left: 40px;">System of Engine..... 5</p> <p style="padding-left: 40px;">Engine Fuel &amp; Emission Control System ..... 6</p> <p style="padding-left: 40px;">Precautions ..... 7</p> <p><b>ENGINE AND EMISSION CONTROL OVERALL</b></p> <p><b>SYSTEM</b>..... 9</p> <p style="padding-left: 20px;">Circuit Diagram ..... 9</p> <p style="padding-left: 20px;">System Diagram ..... 10</p> <p style="padding-left: 20px;">ECCS Component Parts Location ..... 11</p> <p style="padding-left: 20px;">Vacuum Hose Drawing ..... 14</p> <p style="padding-left: 20px;">System Chart ..... 15</p> <p><b>ENGINE AND EMISSION BASIC CONTROL</b></p> <p><b>SYSTEM DESCRIPTION</b> ..... 16</p> <p style="padding-left: 20px;">Multiport Fuel Injection (MFI) System..... 16</p> <p style="padding-left: 20px;">Distributor Ignition (DI) System..... 18</p> <p style="padding-left: 20px;">Air Conditioning Cut Control ..... 19</p> <p style="padding-left: 20px;">Fuel Cut Control..... 20</p> <p><b>EVAPORATIVE EMISSION SYSTEM</b> ..... 21</p> <p style="padding-left: 20px;">Description ..... 21</p> <p style="padding-left: 20px;">Inspection ..... 21</p> <p style="padding-left: 20px;">Evaporative Emission Line Drawing ..... 24</p> <p style="padding-left: 20px;">On Board Refueling Vapor Recovery (ORVR) ..... 26</p> <p><b>POSITIVE CRANKCASE VENTILATION</b> ..... 31</p> <p style="padding-left: 20px;">Description ..... 31</p> <p style="padding-left: 20px;">Inspection ..... 31</p> <p><b>BASIC SERVICE PROCEDURE</b> ..... 32</p> <p style="padding-left: 20px;">Fuel Pressure Release ..... 32</p> <p style="padding-left: 20px;">Fuel Pressure Check ..... 32</p> <p style="padding-left: 20px;">Fuel Pressure Regulator Check ..... 33</p> <p style="padding-left: 20px;">Injector Removal and Installation ..... 33</p>	<p style="padding-left: 20px;">Fast Idle Cam (FIC)..... 33</p> <p style="padding-left: 20px;">Idle Speed/Ignition Timing/Idle Mixture Ratio</p> <p style="padding-left: 40px;">Adjustment ..... 36</p> <p><b>ON BOARD DIAGNOSTIC SYSTEM</b></p> <p><b>DESCRIPTION</b> ..... 42</p> <p style="padding-left: 20px;">Introduction ..... 42</p> <p style="padding-left: 20px;">Two Trip Detection Logic ..... 42</p> <p style="padding-left: 20px;">Emission-related Diagnostic Information ..... 43</p> <p style="padding-left: 20px;">Malfunction Indicator Lamp (MIL) ..... 53</p> <p style="padding-left: 20px;">OBD System Operation Chart ..... 57</p> <p style="padding-left: 20px;">CONSULT ..... 62</p> <p style="padding-left: 20px;">Generic Scan Tool (GST) ..... 76</p> <p><b>TROUBLE DIAGNOSIS — Introduction</b>..... 78</p> <p style="padding-left: 20px;">Introduction ..... 78</p> <p style="padding-left: 20px;">Diagnostic Worksheet ..... 78</p> <p style="padding-left: 20px;">Work Flow ..... 80</p> <p style="padding-left: 20px;">Description for Work Flow ..... 81</p> <p><b>TROUBLE DIAGNOSIS — Basic Inspection</b> ..... 82</p> <p style="padding-left: 20px;">Basic Inspection ..... 82</p> <p><b>TROUBLE DIAGNOSIS — General Description</b> ... 85</p> <p style="padding-left: 20px;">Diagnostic Trouble Code (DTC) Inspection</p> <p style="padding-left: 40px;">Priority Chart..... 85</p> <p style="padding-left: 40px;">Fail-Safe Chart..... 86</p> <p style="padding-left: 40px;">Symptom Matrix Chart..... 87</p> <p style="padding-left: 20px;">CONSULT Reference Value in Data Monitor</p> <p style="padding-left: 40px;">Mode ..... 90</p> <p style="padding-left: 40px;">Major Sensor Reference Graph in Data</p> <p style="padding-left: 40px;">Monitor Mode ..... 93</p> <p style="padding-left: 40px;">ECM Terminals and Reference Value..... 95</p> <p><b>TROUBLE DIAGNOSIS FOR INTERMITTENT</b></p> <p><b>INCIDENT</b>..... 104</p> <p style="padding-left: 20px;">Description ..... 104</p> <p style="padding-left: 20px;">Common I/I Report Situations ..... 104</p> <p style="padding-left: 20px;">Diagnostic Procedure..... 104</p> <p><b>TROUBLE DIAGNOSIS FOR POWER SUPPLY</b> ... 105</p> <p style="padding-left: 20px;">Main Power Supply and Ground Circuit ..... 105</p> <p><b>TROUBLE DIAGNOSIS FOR DTC P0100</b>..... 110</p> <p style="padding-left: 20px;">Mass Air Flow Sensor (MAFS) ..... 110</p>
--	--

# CONTENTS (Cont'd.)

<b>TROUBLE DIAGNOSIS FOR DTC P0105</b> .....	119	<b>TROUBLE DIAGNOSIS FOR DTC P0300 -</b>	
Absolute Pressure Sensor.....	119	<b>P0304</b> .....	235
<b>TROUBLE DIAGNOSIS FOR DTC P0110</b> .....	127	No. 4 - 1 Cylinder Misfire, Multiple Cylinder	
Intake Air Temperature Sensor .....	127	Misfire.....	235
<b>TROUBLE DIAGNOSIS FOR DTC P0115</b> .....	133	<b>TROUBLE DIAGNOSIS FOR DTC P0325</b> .....	240
Engine Coolant Temperature Sensor (ECTS)		Knock Sensor (KS) .....	240
(Circuit).....	133	<b>TROUBLE DIAGNOSIS FOR DTC P0335</b> .....	244
<b>TROUBLE DIAGNOSIS FOR DTC P0120</b> .....	138	Crankshaft Position Sensor (CKPS) (OBD) .....	244
Throttle Position Sensor .....	138	<b>TROUBLE DIAGNOSIS FOR DTC P0340</b> .....	249
<b>TROUBLE DIAGNOSIS FOR DTC P0125</b> .....	149	Camshaft Position Sensor (CMPS) .....	249
Engine Coolant Temperature (ECT) Sensor.....	149	<b>TROUBLE DIAGNOSIS FOR DTC P0400</b> .....	255
<b>TROUBLE DIAGNOSIS FOR DTC P0130</b> .....	154	EGR Function (Close).....	255
Front Heated Oxygen Sensor (Circuit) (Front		<b>TROUBLE DIAGNOSIS FOR DTC P0402</b> .....	263
HO2S) .....	154	EGRC-BPT Valve Function.....	263
<b>TROUBLE DIAGNOSIS FOR DTC P0131</b> .....	161	<b>TROUBLE DIAGNOSIS FOR DTC P0420</b> .....	268
Front Heated Oxygen Sensor (Lean Shift		Three-Way Catalyst Function .....	268
Monitoring) (Front HO2S) .....	161	<b>TROUBLE DIAGNOSIS FOR DTC P0440</b> .....	272
<b>TROUBLE DIAGNOSIS FOR DTC P0132</b> .....	167	Evaporative Emission (EVAP) Control System	
Front Heated Oxygen Sensor (Rich Shift		(Small Leak) (Negative Pressure) .....	272
Monitoring) (Front HO2S) .....	167	<b>TROUBLE DIAGNOSIS FOR DTC P0443</b> .....	283
<b>TROUBLE DIAGNOSIS FOR DTC P0133</b> .....	173	Evaporative Emission (EVAP) Canister Purge	
Front Heated Oxygen Sensor (Response		Volume Control Valve .....	283
Monitoring) (Front HO2S) .....	173	<b>TROUBLE DIAGNOSIS FOR DTC P0446</b> .....	289
<b>TROUBLE DIAGNOSIS FOR DTC P0134</b> .....	181	Evaporative Emission (EVAP) Canister Vent	
Front Heated Oxygen Sensor (High Voltage)		Control Valve (Circuit).....	289
(Front HO2S) .....	181	<b>TROUBLE DIAGNOSIS FOR DTC P0450</b> .....	294
<b>TROUBLE DIAGNOSIS FOR DTC P0135</b> .....	186	Evaporative Emission (EVAP) Control System	
Front Heated Oxygen Sensor Heater.....	186	Pressure Sensor .....	294
<b>TROUBLE DIAGNOSIS FOR DTC P0137</b> .....	190	<b>TROUBLE DIAGNOSIS FOR DTC P0500</b> .....	300
Rear Heated Oxygen Sensor (Min. Voltage		Vehicle Speed Sensor (VSS).....	300
Monitoring) (Rear HO2S).....	190	<b>TROUBLE DIAGNOSIS FOR DTC P0505</b> .....	304
<b>TROUBLE DIAGNOSIS FOR DTC P0138</b> .....	197	Idle Air Control Valve (IACV) — Auxiliary Air	
Rear Heated Oxygen Sensor (Max. Voltage		Control (AAC) Valve.....	304
Monitoring) (Rear HO2S).....	197	<b>TROUBLE DIAGNOSIS FOR DTC P0510</b> .....	311
<b>TROUBLE DIAGNOSIS FOR DTC P0139</b> .....	204	Closed Throttle Position Switch.....	311
Rear Heated Oxygen Sensor (Response		<b>TROUBLE DIAGNOSIS FOR DTC P0605</b> .....	316
Monitoring) (Rear HO2S).....	204	Engine Control Module (ECM).....	316
<b>TROUBLE DIAGNOSIS FOR DTC P0140</b> .....	210	<b>TROUBLE DIAGNOSIS FOR DTC P1105</b> .....	318
Rear Heated Oxygen Sensor (High Voltage)		Manifold Absolute Pressure (MAP)/	
(Rear HO2S) .....	210	Barometric Pressure (BARO) Switch Solenoid	
<b>TROUBLE DIAGNOSIS FOR DTC P0141</b> .....	215	Valve .....	318
Rear Heated Oxygen Sensor Heater .....	215	<b>TROUBLE DIAGNOSIS FOR DTC P1110</b> .....	326
<b>TROUBLE DIAGNOSIS FOR DTC P0171</b> .....	219	Intake Valve Timing Control.....	326
Fuel Injection System Function (Lean side).....	219	<b>TROUBLE DIAGNOSIS FOR DTC P1148</b> .....	334
<b>TROUBLE DIAGNOSIS FOR DTC P0172</b> .....	225	Closed Loop Control.....	334
Fuel Injection System Function (Rich side).....	225	<b>TROUBLE DIAGNOSIS FOR DTC P1320</b> .....	336
<b>TROUBLE DIAGNOSIS FOR DTC P0180</b> .....	231	Ignition Signal .....	336
Tank Fuel Temperature Sensor .....	231		

# CONTENTS (Cont'd.)

<b>TROUBLE DIAGNOSIS FOR DTC P1336</b> ..... 343	<b>TROUBLE DIAGNOSIS FOR DTC P1492</b> ..... 417	GI
Crankshaft Position Sensor (CKPS) (OBD)	Evaporative Emission (EVAP) Canister Purge	
(COG)..... 343	Control Valve/Solenoid Valve (Circuit)..... 417	
<b>TROUBLE DIAGNOSIS FOR DTC P1400</b> ..... 348	<b>TROUBLE DIAGNOSIS FOR DTC P1493</b> ..... 423	MA
EGRC-Solenoid Valve..... 348	Evaporative Emission (EVAP) Canister Purge	
<b>TROUBLE DIAGNOSIS FOR DTC P1401</b> ..... 353	Control Valve/Solenoid Valve..... 423	
EGR Temperature Sensor ..... 353	<b>TROUBLE DIAGNOSIS FOR DTC P1706</b> ..... 431	EM
<b>TROUBLE DIAGNOSIS FOR DTC P1402</b> ..... 359	Park/Neutral Position Switch ..... 431	
EGR Function (Open) ..... 359	<b>TROUBLE DIAGNOSIS FOR DTC P1775</b> ..... 436	LC
<b>TROUBLE DIAGNOSIS FOR DTC P1440</b> ..... 366	Torque Converter Clutch Solenoid Valve..... 436	
Evaporative Emission (EVAP) Control System	<b>TROUBLE DIAGNOSIS FOR DTC P1776</b> ..... 441	
(Small Leak) (Positive Pressure) ..... 366	Torque Converter Clutch Solenoid Valve..... 441	EC
<b>TROUBLE DIAGNOSIS FOR DTC P1444</b> ..... 378	<b>TROUBLE DIAGNOSIS FOR OVERHEAT</b> ..... 446	
Evaporative Emission (EVAP) Canister Purge	Overheat ..... 446	
Volume Control Valve ..... 378	<b>TROUBLE DIAGNOSIS FOR</b>	FE
<b>TROUBLE DIAGNOSIS FOR DTC P1446</b> ..... 386	<b>NON-DETECTABLE ITEMS</b> ..... 459	
Evaporative Emission (EVAP) Canister Vent	Injector ..... 459	
Control Valve (Close)..... 386	Start Signal ..... 462	CL
<b>TROUBLE DIAGNOSIS FOR DTC P1447</b> ..... 391	Fuel Pump..... 465	
Evaporative Emission (EVAP) Control System	Power Steering Oil Pressure Switch ..... 469	MT
Purge Flow Monitoring..... 391	IACV-FICD Solenoid Valve ..... 473	
<b>TROUBLE DIAGNOSIS FOR DTC P1448</b> ..... 400	Electric Load Signal..... 477	
Evaporative Emission (EVAP) Canister Vent	MIL & Data Link Connectors..... 481	AT
Control Valve (Open) ..... 400	<b>SERVICE DATA AND SPECIFICATIONS (SDS)</b> ... 482	
<b>TROUBLE DIAGNOSIS FOR DTC P1490</b> ..... 406	General Specifications ..... 482	
Vacuum Cut Valve Bypass Valve (Circuit)..... 406	Inspection and Adjustment..... 482	FA
<b>TROUBLE DIAGNOSIS FOR DTC P1491</b> ..... 411		
Vacuum Cut Valve Bypass Valve..... 411		RA

**When you read wiring diagrams:**

- Read GI section, "HOW TO READ WIRING DIAGRAMS".
- Read EL section, "POWER SUPPLY ROUTING" for power distribution circuit.

When you perform trouble diagnoses, read GI section, "HOW TO FOLLOW FLOW CHART IN TROUBLE DIAGNOSES" and "HOW TO PERFORM EFFICIENT DIAGNOSIS FOR AN ELECTRICAL INCIDENT".

GI  
MA  
EM  
LC  
EC  
FE  
CL  
MT  
AT  
FA  
RA  
BR  
ST  
RS  
BT  
HA  
EL  
IDX

# DIAGNOSTIC TROUBLE CODE INDEX

## Alphabetical & P No. Index for DTC

### ALPHABETICAL INDEX FOR DTC

Items (CONSULT screen terms)	DTC*5		Reference page
	ECM*1	CONSULT GST*2	
Unable to access ECCS	—	—	EC-86
*COOLAN T SEN/CIRC	P0125	0908	EC-149
ABSL PRES SEN/CIRC	P0105	0803	EC-119
AIR TEMP SEN/CIRC	P0110	0401	EC-127
CAM POS SEN/CIR	P0340	0101	EC-249
CLOSED LOOP	P1148	0307	EC-334
CLOSED TP SW/CIRC	P0510	0203	EC-311
COOLANT T SEN/CIRC	P0115	0103	EC-133
CPS/CIRC (OBD) COG	P1336	0905	EC-343
CPS/CIRCUIT (OBD)	P0335	0802	EC-244
CYL 1 MISFIRE	P0301	0608	EC-235
CYL 2 MISFIRE	P0302	0607	EC-235
CYL 3 MISFIRE	P0303	0606	EC-235
CYL 4 MISFIRE	P0304	0605	EC-235
ECM	P0605	0301	EC-316
EGR SYSTEM	P0400	0302	EC-255
EGR SYSTEM	P1402	0514	EC-359
EGR TEMP SEN/CIRC	P1401	0305	EC-353
EGRC SOLENOID/V	P1400	1005	EC-348
EGRC-BPT VALVE	P0402	0306	EC-263
EVAP PURG FLOW/MON	P1447	0111	EC-391
EVAP SMALL LEAK	P1440	0213	EC-366
EVAP SMALL LEAK	P0440	0705	EC-272
EVAP SYS PRES SEN	P0450	0704	EC-294
FRONT O2 SENSOR	P0130	0303	EC-154
FR O2 SEN HEATER	P0135	0901	EC-186
FRONT O2 SENSOR	P0133	0409	EC-173
FRONT O2 SENSOR	P0132	0410	EC-167
FRONT O2 SENSOR	P0131	0411	EC-161
FRONT O2 SENSOR	P0134	0412	EC-181
FUEL SYS DIAG-LEAN	P0171	0115	EC-219
FUEL SYS DIAG-RICH	P0172	0114	EC-225
FUEL TEMP SEN/CIRC	P0180	0402	EC-231
IACV/AAC VLV/CIRC	P0505	0205	EC-304

Items (CONSULT screen terms)	DTC*5		Reference page
	ECM*1	CONSULT GST*2	
IGN SIGNAL-PRIMARY	P1320	0201	EC-336
INT/V TIMING CONT	P1110	0805	EC-326
KNOCK SEN/CIRCUIT	P0325	0304	EC-240
MAF SEN/CIRCUIT*3	P0100	0102	EC-110
MAP/BAR SW SOL/CIR	P1105	1302	EC-318
MULTI CYL MISFIRE	P0300	0701	EC-235
NO SELF DIAGNOSTIC FAILURE INDICATED	P0000	0505	—
NO SELF DIAGNOSTIC FAILURE INDICATED	No DTC	Flashing*4	EC-54
OVER HEAT	—	0208	EC-446
P-N POS SW/CIRCUIT	P1706	1003	EC-431
PURG CONT/V & S/V	P1493	0312	EC-423
PURG CONT/V S/V	P1492	0807	EC-417
PURG VOLUME CONT/V	P1444	0214	EC-378
PURG VOLUME CONT/V	P0443	1008	EC-283
REAR O2 SENSOR	P0138	0510	EC-197
REAR O2 SENSOR	P0137	0511	EC-190
REAR O2 SENSOR	P0140	0512	EC-210
REAR O2 SENSOR	P0139	0707	EC-204
RR O2 SEN HEATER	P0141	0902	EC-215
THRRTL POS SEN/CIRC*3	P0120	0403	EC-138
TOR CONV CLTCH S/V	P1775	0904	EC-436
TOR CONV CLTCH S/V	P1776	0513	EC-441
TW CATALYST SYSTEM	P0420	0702	EC-268
VC CUT/V BYPASS/V	P1491	0311	EC-411
VC/V BYPASS/V	P1490	0801	EC-406
VEH SPEED SEN/CIRC	P0500	0104	EC-300
VENT CONTROL VALVE	P1446	0215	EC-386
VENT CONTROL VALVE	P1448	0309	EC-400
VENT CONTROL VALVE	P0446	0903	EC-289

\*1: In Diagnostic Test Mode II (Self-diagnostic results).

These numbers are controlled by NISSAN.

\*2: These numbers are prescribed by SAE J2012.

\*3: When the fail-safe operation occurs, the MIL illuminates.

\*4: While engine is running.

\*5: 1st trip DTC No. is the same as DTC No.

# DIAGNOSTIC TROUBLE CODE INDEX

## Alphabetical & P No. Index for DTC (Cont'd)

### P NO. INDEX FOR DTC

DTC*5		Items (CONSULT screen terms)	Reference page
CONSULT GST*2	ECM*1		
—	—	Unable to access ECCS	EC-86
No DTC	Flash- ing*4	NO SELF DIAGNOSTIC FAILURE INDICATED	EC-54
P0000	0505	NO SELF DIAGNOSTIC FAILURE INDICATED	—
P0100	0102	MAF SEN/CIRCUIT*3	EC-110
P0105	0803	ABSL PRES SEN/CIRC	EC-119
P0110	0401	AIR TEMP SEN/CIRC	EC-127
P0115	0103	COOLANT T SEN/CIRC	EC-133
P0120	0403	THRTL POS SEN/CIRC*3	EC-138
P0125	0908	*COOLAN T SEN/CIRC	EC-149
P0130	0303	FRONT O2 SENSOR	EC-154
P0131	0411	FRONT O2 SENSOR	EC-161
P0132	0410	FRONT O2 SENSOR	EC-167
P0133	0409	FRONT O2 SENSOR	EC-173
P0134	0412	FRONT O2 SENSOR	EC-181
P0135	0901	FR O2 SEN HEATER	EC-186
P0137	0511	REAR O2 SENSOR	EC-190
P0138	0510	REAR O2 SENSOR	EC-197
P0139	0707	REAR O2 SENSOR	EC-204
P0140	0512	REAR O2 SENSOR	EC-210
P0141	0902	RR O2 SEN HEATER	EC-215
P0171	0115	FUEL SYS DIAG-LEAN	EC-219
P0172	0114	FUEL SYS DIAG-RICH	EC-225
P0180	0402	FUEL TEMP SEN/CIRC	EC-231
P0300	0701	MULTI CYL MISFIRE	EC-235
P0301	0608	CYL 1 MISFIRE	EC-235
P0302	0607	CYL 2 MISFIRE	EC-235
P0303	0606	CYL 3 MISFIRE	EC-235
P0304	0605	CYL 4 MISFIRE	EC-235
P0325	0304	KNOSK SEN/CIRCUIT	EC-240
P0335	0802	CPS/CIRCUIT (OBD)	EC-244
P0340	0101	CAM POS SEN/CIR	EC-249
P0400	0302	EGR SYSTEM	EC-255
P0402	0306	EGRC-BPT VALVE	EC-263
P0420	0702	TW CATALYST SYSTEM	EC-268
P0440	0705	EVAP SMALL LEAK	EC-272

DTC*5		Items (CONSULT screen terms)	Reference page
CONSULT GST*2	ECM*1		
P0443	1008	PURG VOLUME CONT/V	EC-283
P0446	0903	VENT CONTROL VALVE	EC-289
P0450	0704	EVAP SYS PRES SEN	EC-294
P0500	0104	VEH SPEED SEN/CIRC	EC-300
P0505	0205	IACV/AAC VLV/CIRC	EC-304
P0510	0203	CLOSED TP SW/CIRC	EC-311
P0605	0301	ECM	EC-316
P1105	1302	MAP/BAR SW SOL/CIR	EC-318
P1110	0805	INT/V TIMING CONT	EC-326
P1148	0307	CLOSED LOOP	EC-334
P1320	0201	IGN SIGNAL-PRIMARY	EC-336
P1336	0905	CPS/CIRC (OBD) COG	EC-343
P1400	1005	EGRC SOLENOID/V	EC-348
P1401	0305	EGR TEMP SEN/CIRC	EC-353
P1402	0514	EGR SYSTEM	EC-359
P1440	0213	EVAP SMALL LEAK	EC-366
P1444	0214	PURG VOLUME CONT/V	EC-378
P1446	0215	VENT CONTROL VALVE	EC-386
P1447	0111	EVAP PURG FLOW/MON	EC-391
P1448	0309	VENT CONTROL VALVE	EC-400
P1490	0801	VC/V BYPASS/V	EC-406
P1491	0311	VC CUT/V BYPASS/V	EC-411
P1492	0807	PURG CONT/V S/V	EC-417
P1493	0312	PURG CONT/V & S/V	EC-423
P1706	1003	P-N POS SW/CIRCUIT	EC-431
P1775	0904	TOR CONV CLTCH S/V	EC-436
P1776	0513	TOR CONV CLTCH S/V	EC-441
—	0208	OVERHEAT	EC-446

\*1: In Diagnostic Test Mode II (Self-diagnostic results).

These numbers are controlled by NISSAN.

\*2: These numbers are prescribed by SAE J2012.

\*3: When the fail-safe operation occurs, the MIL illuminates.

\*4: While engine is running.

\*5: 1st trip DTC No. is the same as DTC No.

GI

MA

EM

LC

EC

FE

CL

MT

AT

FA

RA

BR

ST

RS

BT

HA

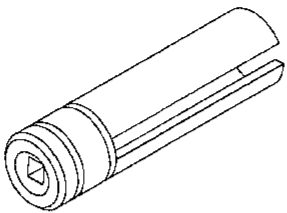
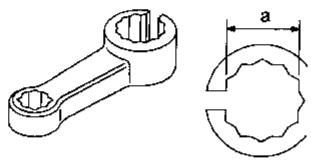
EL

IDX

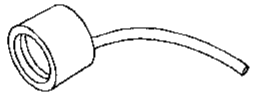
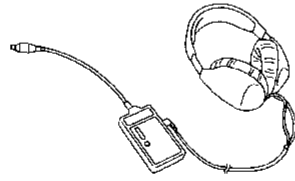
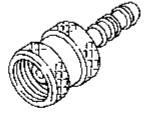
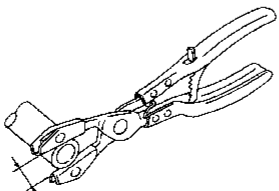
# PRECAUTIONS AND PREPARATION

## Special Service Tools

The actual shapes of Kent-Moore tools may differ from those of special service tools illustrated here.

Tool number (Kent-Moore No.) Tool name	Description
KV10117100 (J36471-A) Heated oxygen sensor wrench	 <p>Loosening or tightening front heated oxygen sensor with 22 mm (0.87 in) hexagon nut</p> <p>NT379</p>
KV10114400 (J-38365) Heated oxygen sensor wrench	 <p>Loosening or tightening rear heated oxygen sensor</p> <p>NT636</p> <p>a: 22 mm (0.87 in)</p>

## Commercial Service Tools

Tool name	Description
Fuel filler cap adapter	 <p>Checking fuel tank vacuum relief valve opening pressure</p> <p>NT653</p>
Leak detector (J41416)	 <p>Locating the EVAP leak.</p> <p>NT703</p>
EVAP service port adapter (J41413-OBDD)	 <p>Applying positive pressure through EVAP service port.</p> <p>NT704</p>
Hose clipper ( — )	 <p>Clamping the EVAP purge hose between the fuel tank and EVAP canister applied to DTC P1440 [EVAP control system (Small leak — Positive pressure)].</p> <p>Approx. 20 mm (0.79 in)</p> <p>NT720</p>

## Supplemental Restraint System (SRS) “AIR BAG”

The Supplemental Restraint System “AIR BAG”, used along with a seat belt, helps to reduce the risk or severity of injury to the driver and front passenger in a frontal collision. The Supplemental Restraint System consists of air bag modules (located in the center of the steering wheel and in the instrument panel on the passenger side), a diagnosis sensor unit, warning lamp, wiring harness and spiral cable. Information necessary to service the system safely is included in the **RS** section of this Service Manual.

### WARNING:

- To avoid rendering the SRS inoperative, which could increase the risk of personal injury or death in the event of a collision which would result in air bag inflation, all maintenance should be performed by an authorized NISSAN dealer.
- Improper maintenance, including incorrect removal and installation of the SRS, can lead to personal injury caused by unintentional activation of the system.
- Do not use electrical test equipment on any circuit related to the SRS unless instructed to in this Service Manual. SRS wiring harnesses are covered with yellow insulation either just before the harness connectors or on the complete harness, for easy identification.

## Precautions for On Board Diagnostic (OBD) System of Engine

The ECM has an on board diagnostic system. It will light up the malfunction indicator lamp (MIL) to warn the driver of a malfunction causing emission deterioration.

### CAUTION:

- Be sure to turn the ignition switch “OFF” and disconnect the negative battery terminal before any repair or inspection work. The open/short circuit of related switches, sensors, solenoid valves, etc. will cause the MIL to light up.
- Be sure to connect and lock the connectors securely after work. A loose (unlocked) connector will cause the MIL to light up due to the open circuit. (Be sure the connector is free from water, grease, dirt, bent terminals, etc.)
- Be sure to route and secure the harnesses properly after work. The interference of the harness with a bracket, etc. may cause the MIL to light up due to the short circuit.
- Be sure to connect rubber tubes properly after work. A misconnected or disconnected rubber tube may cause the MIL to light up due to the malfunction of the EGR system or fuel injection system, etc.
- Be sure to erase the unnecessary malfunction information (repairs completed) from the ECM before returning the vehicle to the customer.

GI

MA

EM

LC

EC

FE

CL

MT

AT

FA

RA

BR

ST

RS

BT

HA

EL

IDX

## Engine Fuel & Emission Control System

### BATTERY

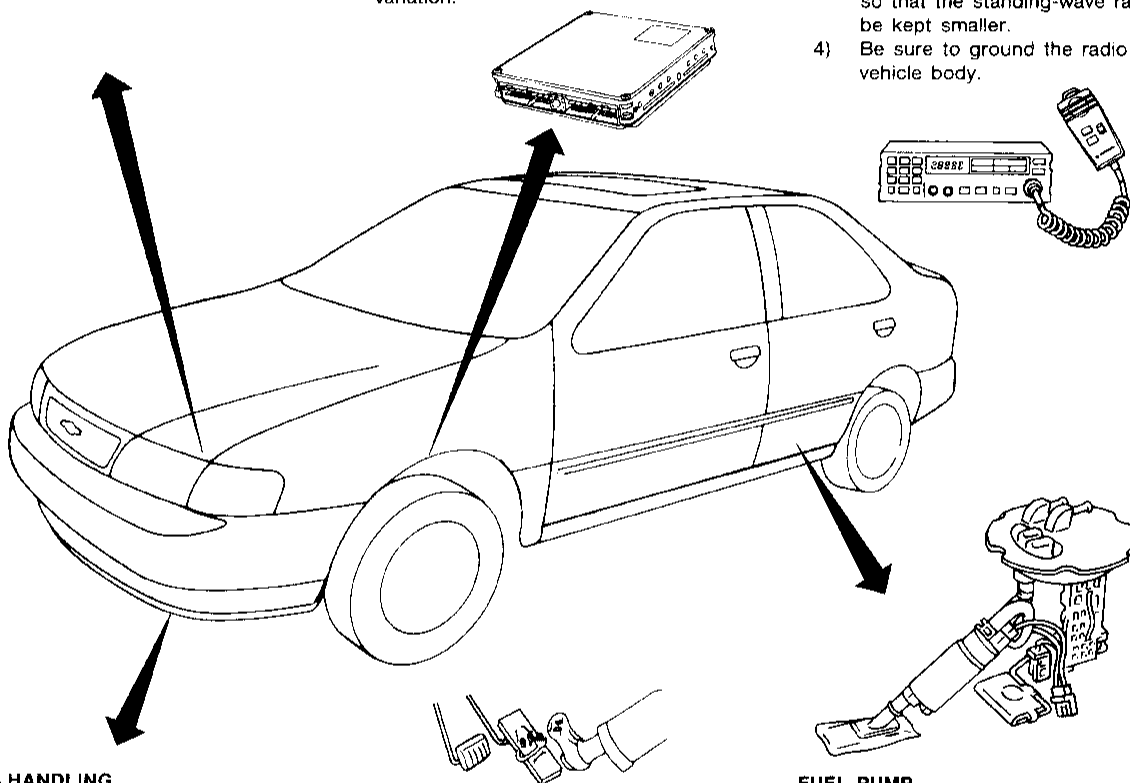
- Always use a 12 volt battery as power source.
- Do not attempt to disconnect battery cables while engine is running.

### ECM

- Do not disassemble ECM (ECCS control module).
- Do not turn on-board diagnostic test mode selector forcibly.
- If a battery terminal is disconnected, the memory will return to the ECM value. The ECM will now start to self-control at its initial value. Engine operation can vary slightly when the terminal is disconnected. However, this is not an indication of a problem. Do not replace parts because of a slight variation.

### WIRELESS EQUIPMENT

- When installing C.B. ham radio or a mobile phone, be sure to observe the following as it may adversely affect electronic control systems depending on its installation location.
  - 1) Keep the antenna as far as possible away from the electronic control units.
  - 2) Keep the antenna feeder line more than 20 cm (8 in) away from the harness of electronic controls. Do not let them run parallel for a long distance.
  - 3) Adjust the antenna and feeder line so that the standing-wave ratio can be kept smaller.
  - 4) Be sure to ground the radio to vehicle body.



### ECCS PARTS HANDLING

- Handle mass air flow sensor carefully to avoid damage.
- Do not disassemble mass air flow sensor.
- Do not clean mass air flow sensor with any type of detergent.
- Do not disassemble IAC valve-AAC valve.
- Even a slight leak in the air intake system can cause serious problems.
- Do not shock or jar the camshaft position sensor.

### WHEN STARTING

- Do not depress accelerator pedal when starting.
- Immediately after starting, do not rev up engine unnecessarily.
- Do not rev up engine just prior to shutdown.

### FUEL PUMP

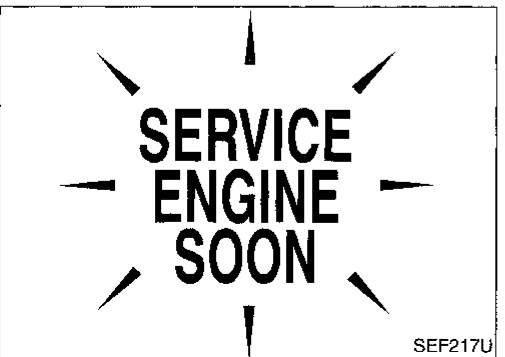
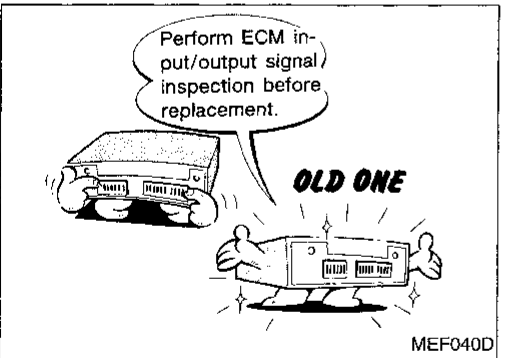
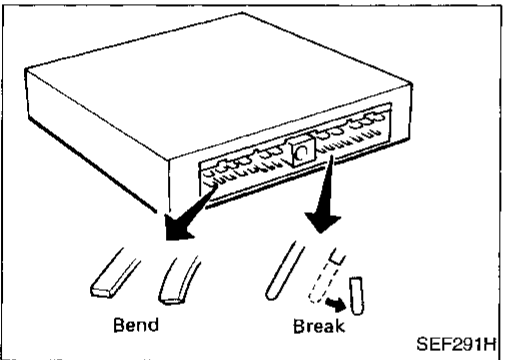
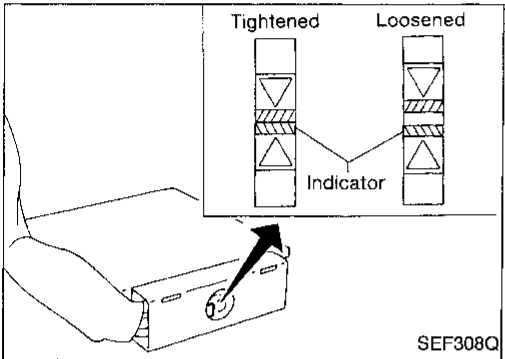
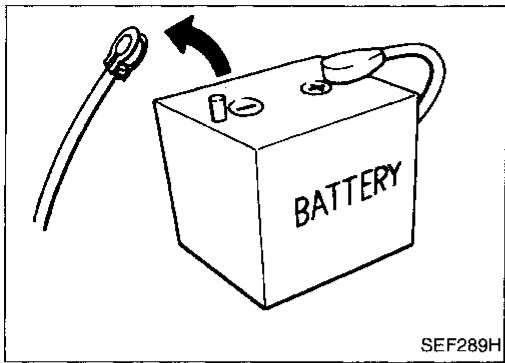
- Do not operate fuel pump when there is no fuel in lines.
- Tighten fuel hose clamps to the specified torque.

### ECM HARNESS HANDLING

- Securely connect ECM harness connectors. A poor connection can cause an extremely high (surge) voltage to develop in coil and condenser, thus resulting in damage to ICs.
- Keep ECM harness at least 10 cm (4 in) away from adjacent harnesses, to prevent an ECM system malfunction due to receiving external noise, degraded operation of ICs, etc.
- Keep ECM parts and harnesses dry.
- Before removing parts, turn off ignition switch and then disconnect battery ground cable.



# PRECAUTIONS AND PREPARATION



## Precautions

- Before connecting or disconnecting the ECM harness connector, turn ignition switch OFF and disconnect negative battery terminal. Failure to do so may damage the ECM because battery voltage is applied to ECM even if ignition switch is turned off.
- When connecting ECM harness connector, tighten securing bolt until the gap between orange indicators disappears.  
Ⓜ: 3.0 - 5.0 N·m (0.3 - 0.5 kg-m, 26 - 43 in-lb)
- When connecting or disconnecting pin connectors into or from ECM, take care not to damage pin terminals (bend or break). Make sure that there are not any bends or breaks on ECM pin terminals, when connecting pin connectors.
- Before replacing ECM, perform Terminals and Reference Value inspection and make sure ECM functions properly. Refer to EC-95.
- After performing each TROUBLE DIAGNOSIS, perform "OVERALL FUNCTION CHECK" or "DTC (Diagnostic Trouble Code) CONFIRMATION PROCEDURE". The DTC should not be displayed in the "DIAGNOSTIC TROUBLE CODE CONFIRMATION PROCEDURE" if the repair is completed. The "OVERALL FUNCTION CHECK" should be a good result if the repair is completed.

GI

MA

EM

LC

EC

FE

CL

MT

AT

FA

RA

BR

ST

RS

BT

HA

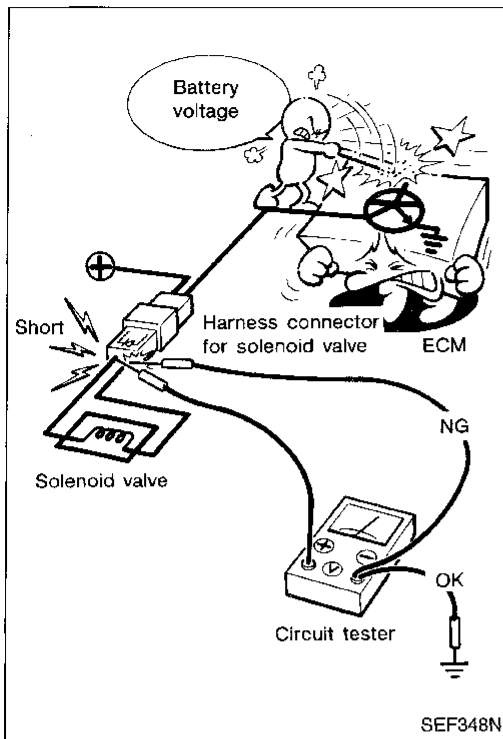
EL

IDX

## PRECAUTIONS AND PREPARATION

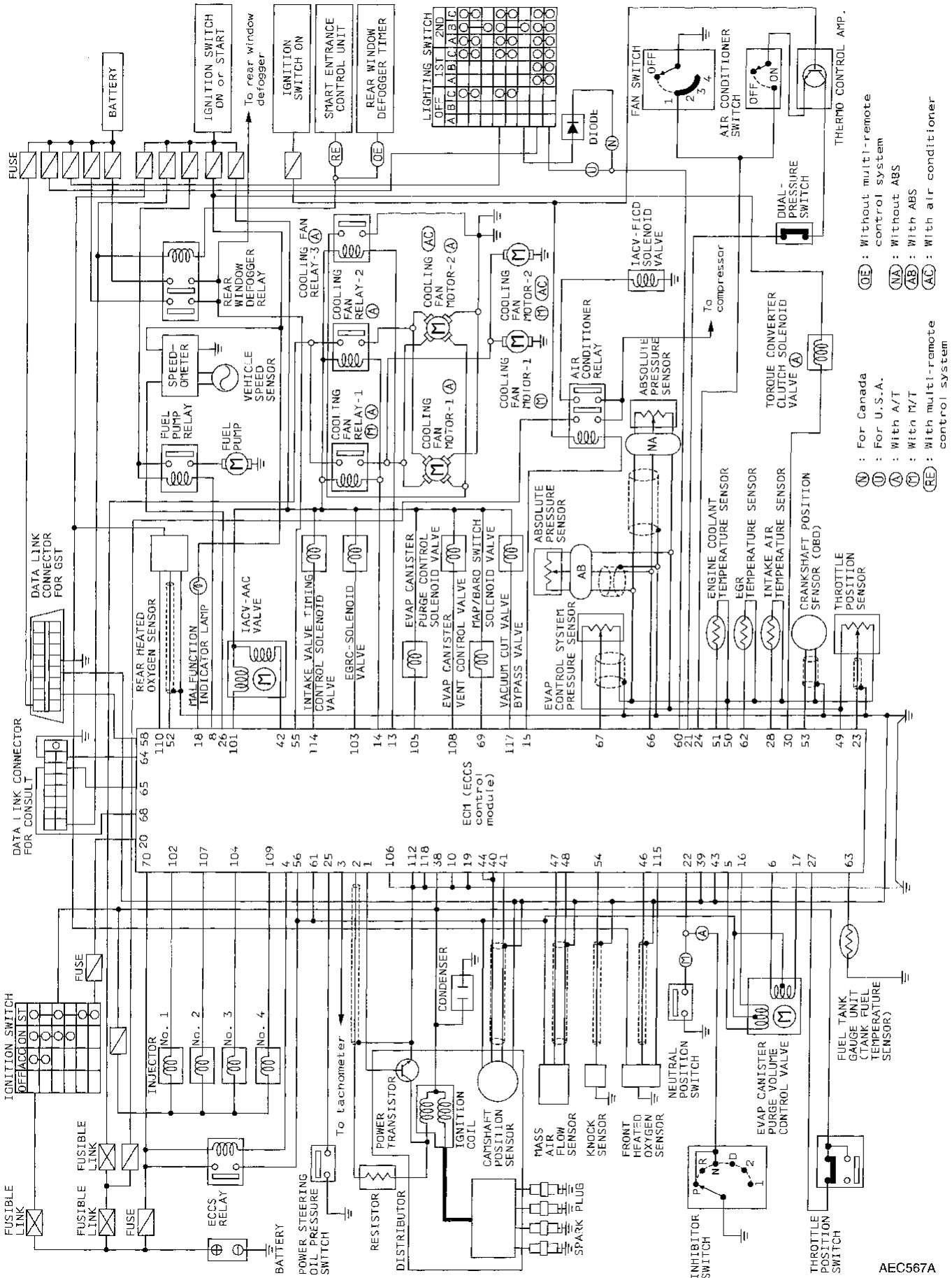
### Precautions (Cont'd)

- When measuring ECM signals with a circuit tester, never allow the two tester probes to contact each other. Accidental contact of probes will cause a short circuit and damage the ECM power transistor.



# ENGINE AND EMISSION CONTROL OVERALL SYSTEM

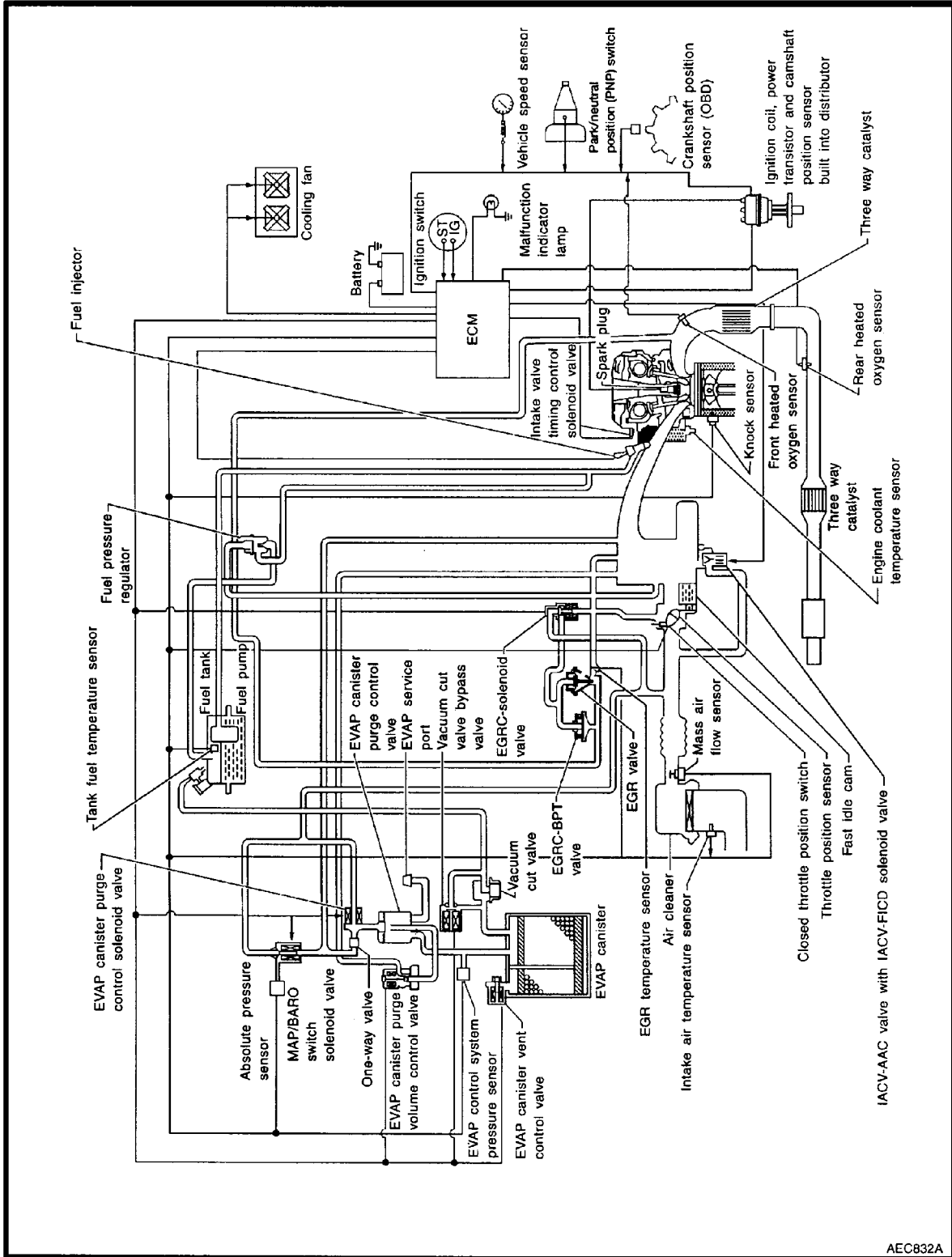
## Circuit Diagram



EC  
 FA  
 RA  
 BR  
 ST  
 RS  
 BT  
 FA  
 EL  
 IDX

# ENGINE AND EMISSION CONTROL OVERALL SYSTEM

## System Diagram

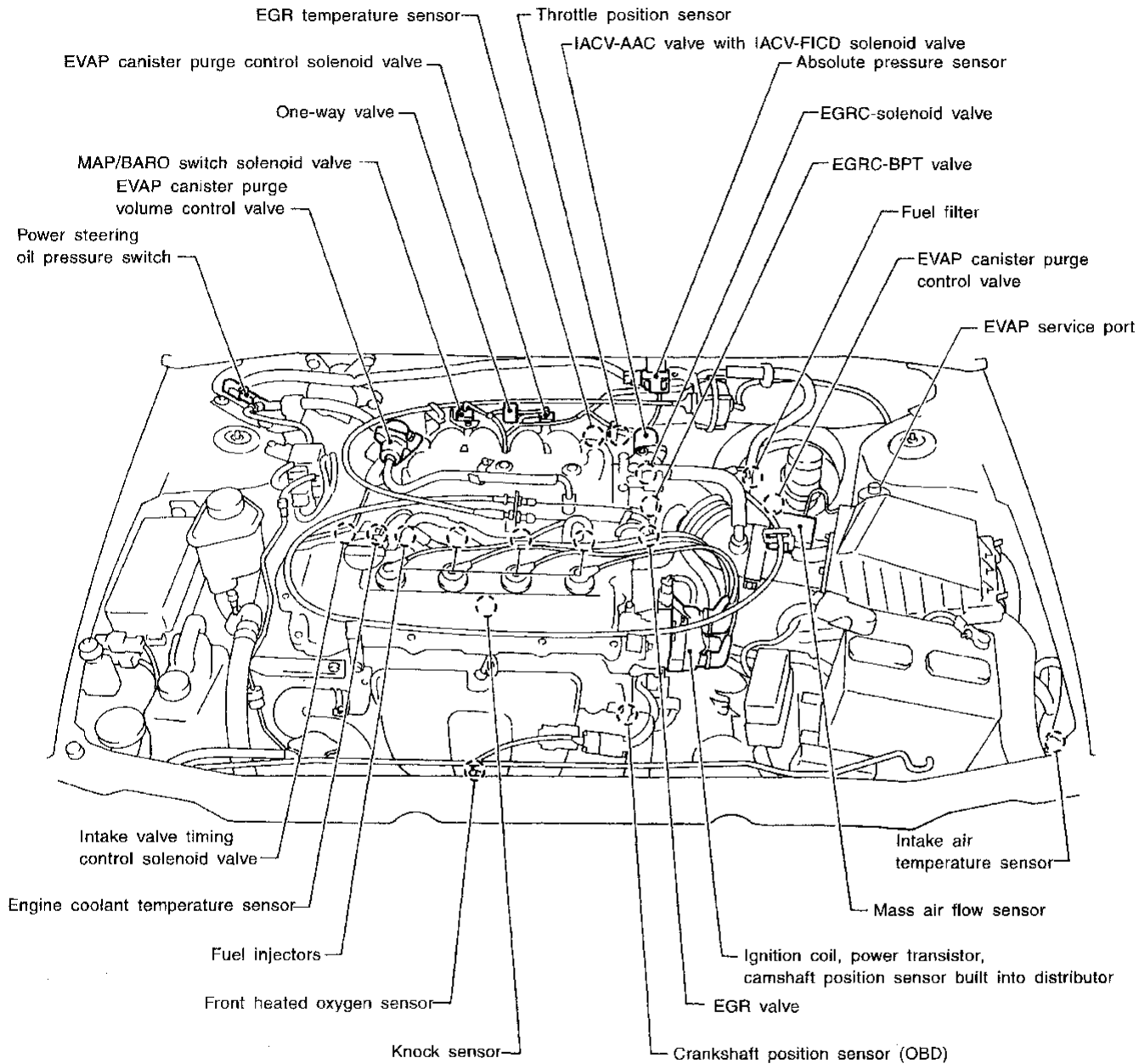


AEC832A

SMA98-145	'98 SENTRA/200SX	AUGUST 1997(05)	SM8E-OB14UO
<p>← ARROW INDICATES AMENDED INFORMATION</p>			

# ENGINE AND EMISSION CONTROL OVERALL SYSTEM

## ECCS Component Parts Location



GI

MA

EM

LC

**EC**

FE

CL

MT

AT

FA

RA

BR

ST

RS

BT

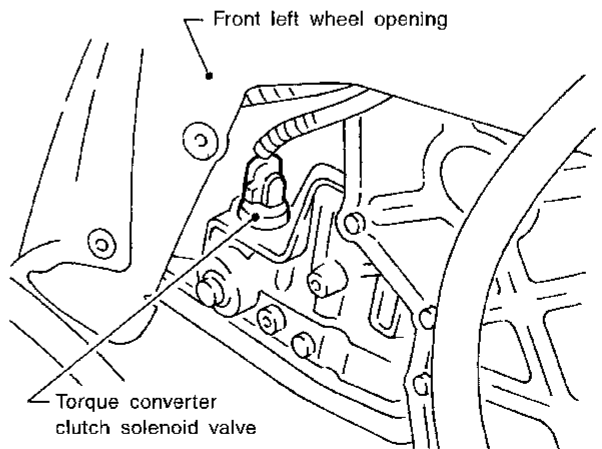
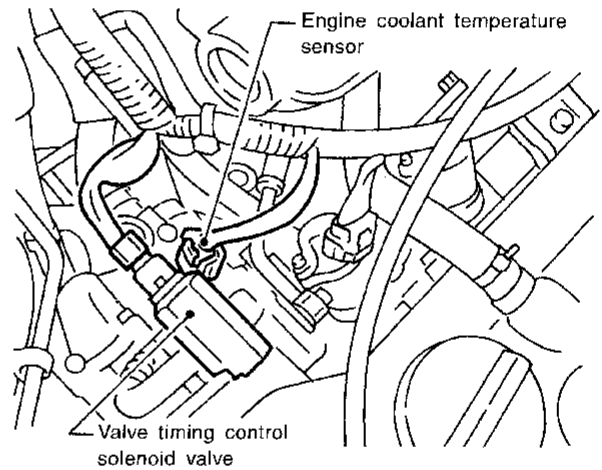
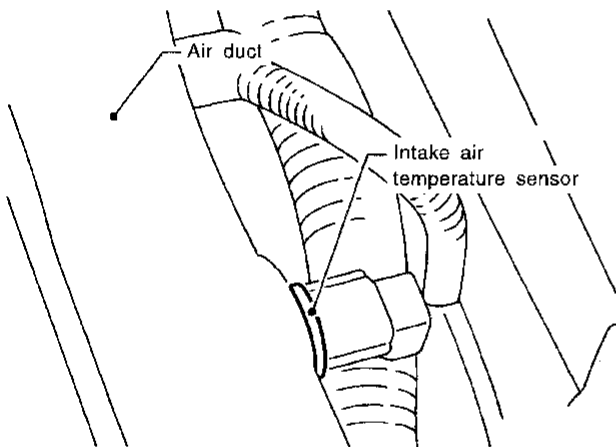
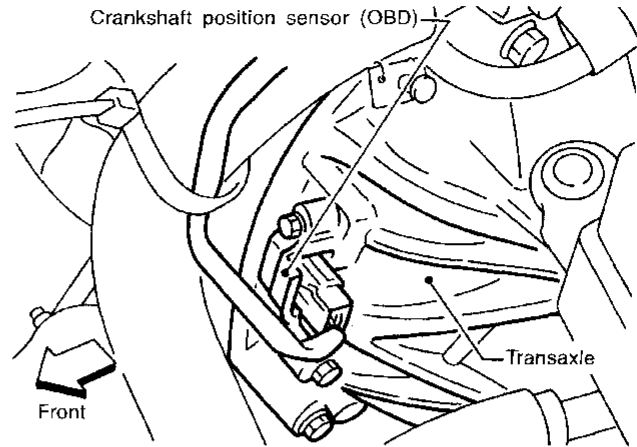
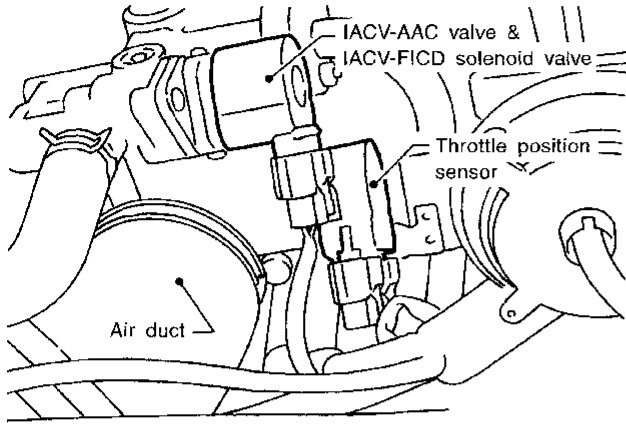
HA

EL

IDX

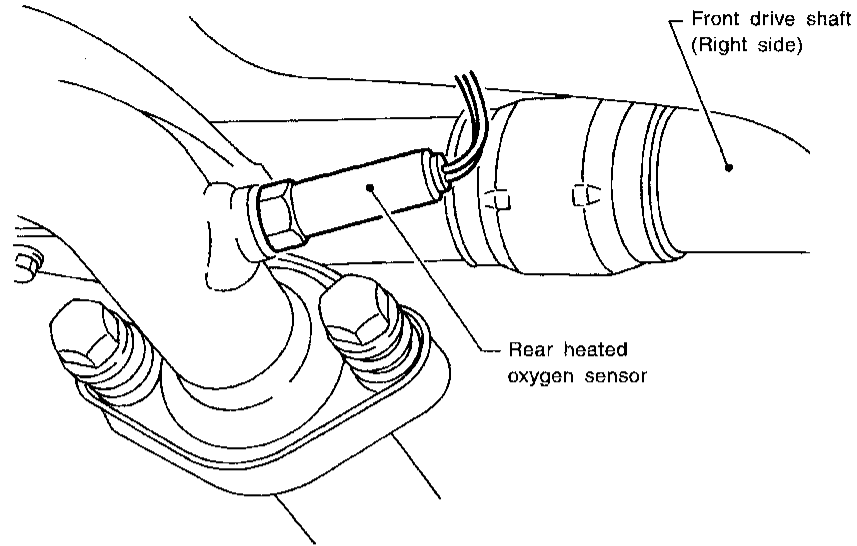
# ENGINE AND EMISSION CONTROL OVERALL SYSTEM

## ECCS Component Parts Location (Cont'd)



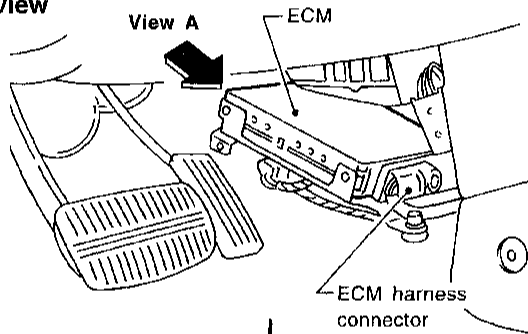
# ENGINE AND EMISSION CONTROL OVERALL SYSTEM

## ECCS Component Parts Location (Cont'd)

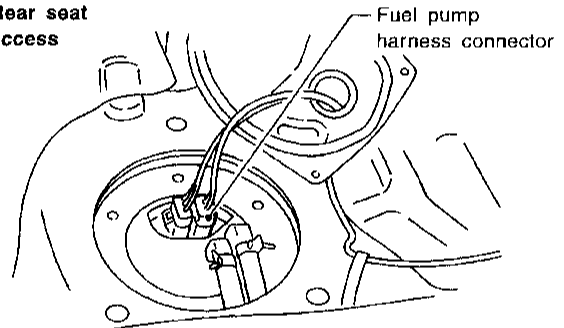


SEF208T

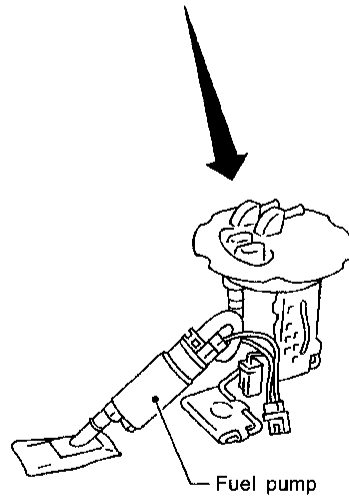
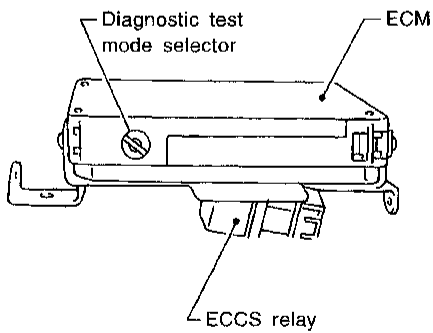
Left side view



Rear seat access



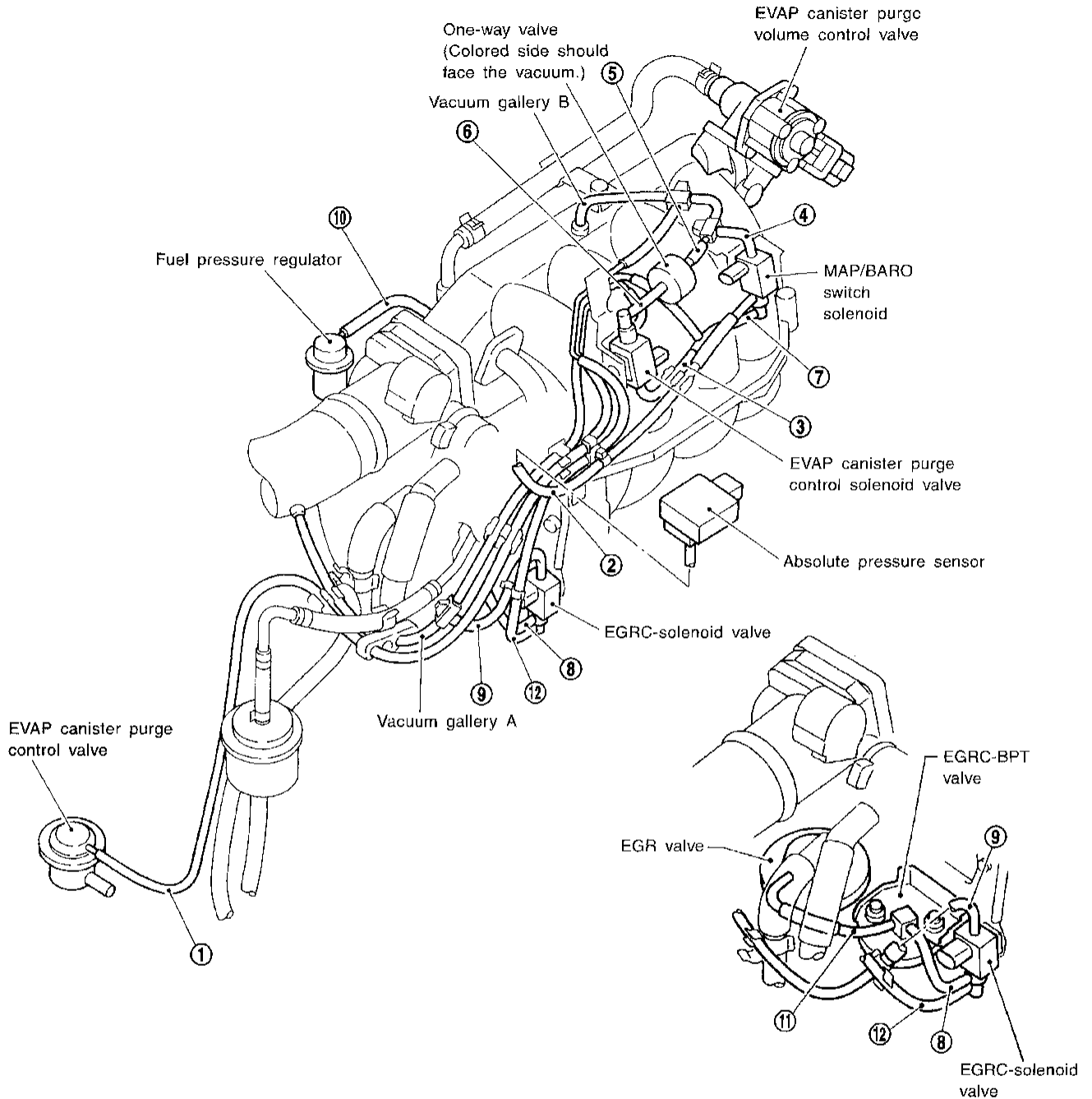
View A



SEF451T

GI  
MA  
EM  
LC  
**EC**  
FE  
CL  
MT  
AT  
FA  
RA  
BR  
ST  
RS  
BT  
HA  
EL  
IDX

## Vacuum Hose Drawing



SEF843U

- |   |   |   |
|---|---|---|
| <ul style="list-style-type: none"> <li>① EVAP canister purge control valve to EVAP canister purge control solenoid valve</li> <li>② Absolute pressure sensor to MAP/BARO switch solenoid valve</li> <li>③ EVAP canister purge control solenoid valve to Vacuum gallery A</li> </ul> | <ul style="list-style-type: none"> <li>④ MAP/BARO switch solenoid valve to Vacuum gallery B</li> <li>⑤ One-way valve to Vacuum gallery B</li> <li>⑥ One-way valve to EVAP canister purge control solenoid valve</li> <li>⑦ MAP/BARO switch solenoid valve to Vacuum gallery A</li> <li>⑧ EGRC-solenoid valve to EGRC-BPT valve</li> </ul> | <ul style="list-style-type: none"> <li>⑨ EGRC-solenoid valve to Vacuum gallery A</li> <li>⑩ Fuel pressure regulator to Intake manifold collector</li> <li>⑪ EGR valve to EGRC-BPT valve</li> <li>⑫ EGRC-solenoid valve to Vacuum gallery B</li> </ul> |
|---|---|---|

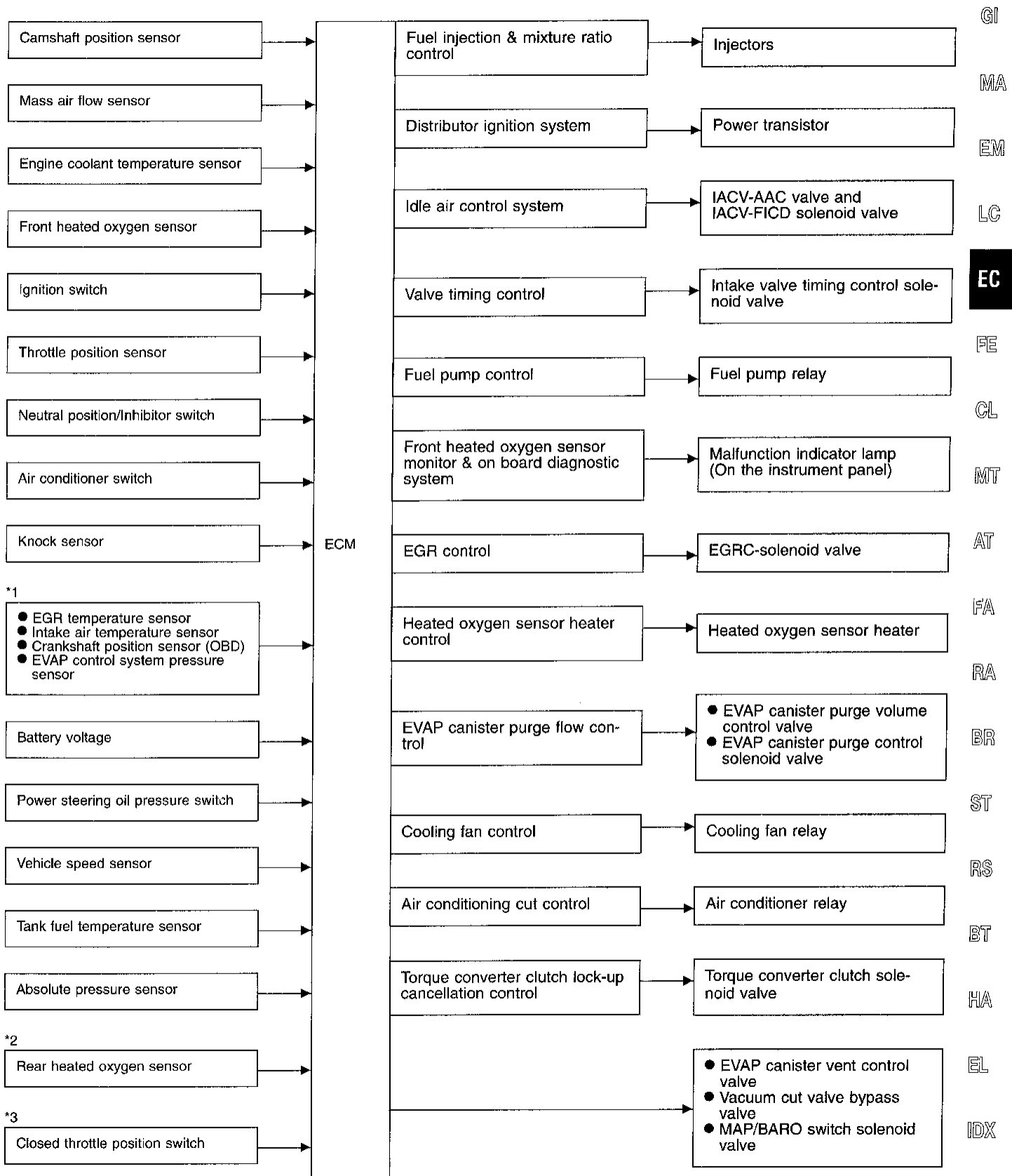
Refer to "System Diagram" in ENGINE AND EMISSION CONTROL OVERALL SYSTEM for vacuum control system.

**Note: Do not use soapy water or any type of solvent while installing vacuum hoses or purge hoses.**



# ENGINE AND EMISSION CONTROL OVERALL SYSTEM

## System Chart



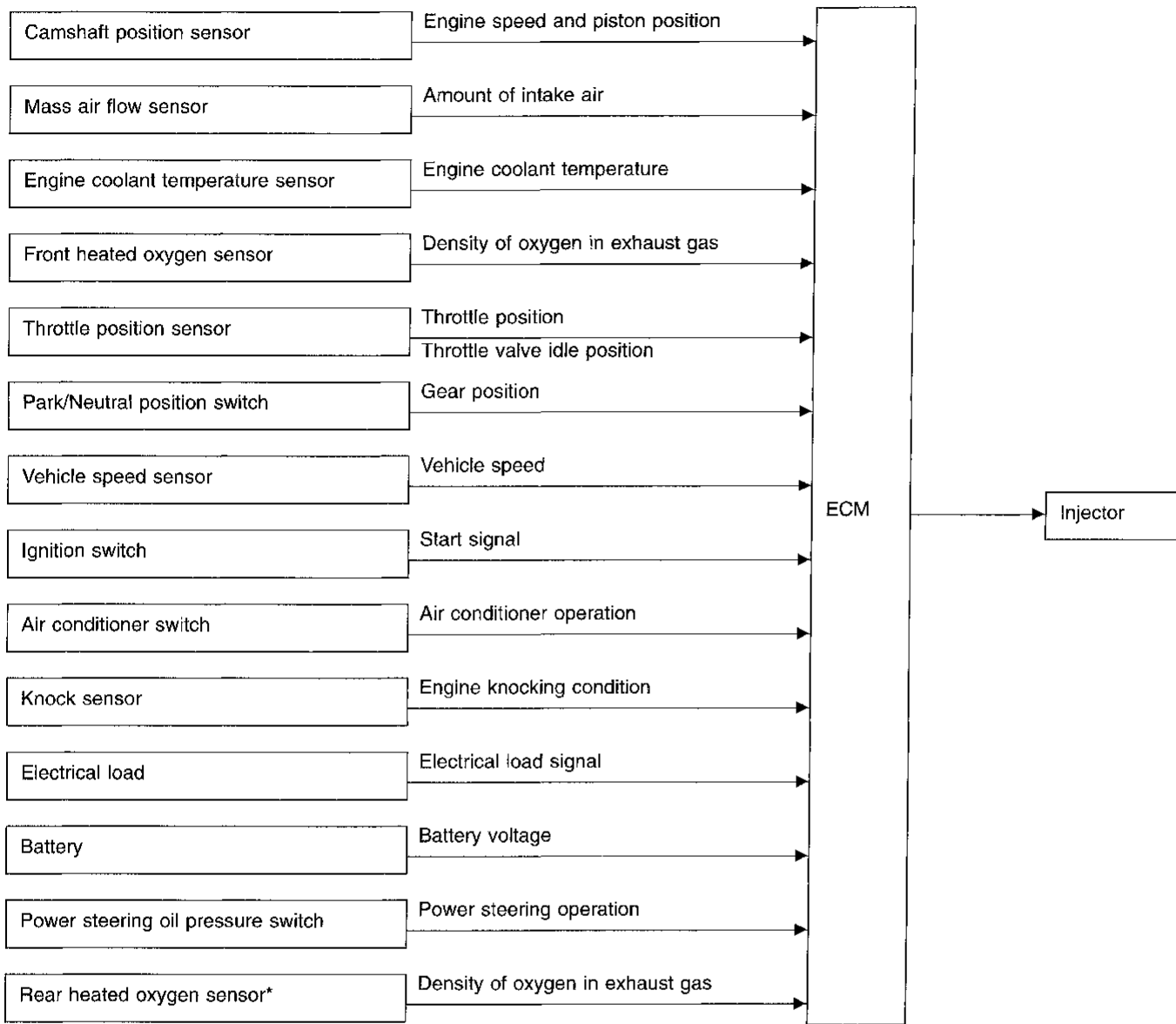
\*1: These sensors are not used to control the engine system. They are used only for the on board diagnosis.

\*2: Under normal conditions, this sensor is not for engine control operation.

\*3: This switch will operate in place of the throttle position sensor to control EVAP parts if the sensor malfunctions.

## Multiport Fuel Injection (MFI) System

### INPUT/OUTPUT SIGNAL LINE



\* Under normal conditions, this sensor is not for engine control operation.

### BASIC MULTIPORT FUEL INJECTION SYSTEM

The amount of fuel injected from the fuel injector is determined by the ECM. The ECM controls the length of time the valve remains open (injection pulse duration). The amount of fuel injected is a program value in the ECM memory. The program value is preset by engine operating conditions. These conditions are determined by input signals (for engine speed and intake air) from both the camshaft position sensor and the mass air flow sensor.

### VARIOUS FUEL INJECTION INCREASE/DECREASE COMPENSATION

In addition, the amount of fuel injected is compensated to improve engine performance under various operating conditions as listed below.

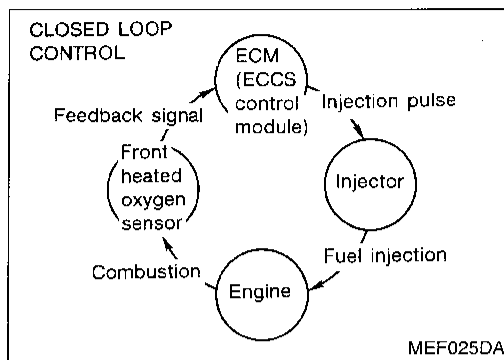
<Fuel increase>

- During warm-up
- When starting the engine
- During acceleration
- Hot-engine operation
- When selector lever is changed from "N" to "D" (A/T models only)
- High-load, high-speed operation

<Fuel decrease>

- During deceleration
- During high engine speed operation

# ENGINE AND EMISSION BASIC CONTROL SYSTEM DESCRIPTION



## Multiport Fuel Injection (MFI) System (Cont'd) MIXTURE RATIO FEEDBACK CONTROL (CLOSED LOOP CONTROL)

The mixture ratio feedback system provides the best air-fuel mixture ratio for driveability and emission control. The three-way catalyst can then better reduce CO, HC and NOx emissions. This system uses a front heated oxygen sensor in the exhaust manifold to monitor if the engine operation is rich or lean. The ECM adjusts the injection pulse width according to the sensor voltage signal. For more information about the front heated oxygen sensor, refer to EC-154. This maintains the mixture ratio within the range of stoichiometric (ideal air-fuel mixture).

This stage is referred to as the closed loop control condition. Rear heated oxygen sensor is located downstream of the three-way catalyst. Even if the switching characteristics of the front heated oxygen sensor shift, the air-fuel ratio is controlled to stoichiometric by the signal from the rear heated oxygen sensor.

## OPEN LOOP CONTROL

The open loop system condition refers to when the ECM detects any of the following conditions. Feedback control stops in order to maintain stabilized fuel combustion.

- Deceleration and acceleration
- High-load, high-speed operation
- Malfunction of front heated oxygen sensor or its circuit
- Insufficient activation of front heated oxygen sensor at low engine coolant temperature
- High engine coolant temperature
- During warm-up
- When starting the engine

## MIXTURE RATIO SELF-LEARNING CONTROL

The mixture ratio feedback control system monitors the mixture ratio signal transmitted from the front heated oxygen sensor. This feedback signal is then sent to the ECM. The ECM controls the basic mixture ratio as close to the theoretical mixture ratio as possible. However, the basic mixture ratio is not necessarily controlled as originally designed. Both manufacturing differences (i.e., mass air flow sensor hot film) and characteristic changes during operation (i.e., injector clogging) directly affect mixture ratio. Accordingly, the difference between the basic and theoretical mixture ratios is monitored in this system. This is then computed in terms of "injection pulse duration" to automatically compensate for the difference between the two ratios.

"Fuel trim" refers to the feedback compensation value compared against the basic injection duration. Fuel trim includes short term fuel trim and long term fuel trim.

"Short term fuel trim" is the short-term fuel compensation used to maintain the mixture ratio at its theoretical value. The signal from the front heated oxygen sensor indicates whether the mixture ratio is RICH or LEAN compared to the theoretical value. The signal then triggers a reduction in fuel volume if the mixture ratio is rich, and an increase in fuel volume if it is lean.

"Long term fuel trim" is overall fuel compensation carried out long-term to compensate for continual deviation of the short term fuel trim from the central value. Such deviation will occur due to individual engine differences, wear over time and changes in the usage environment.

# ENGINE AND EMISSION BASIC CONTROL SYSTEM DESCRIPTION

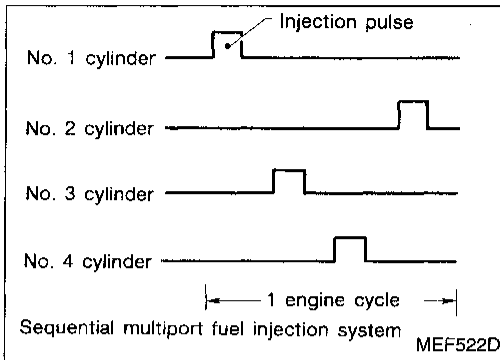
## Multiport Fuel Injection (MFI) System (Cont'd)

### FUEL INJECTION TIMING

Two types of systems are used.

#### Sequential multiport fuel injection system

Fuel is injected into each cylinder during each engine cycle according to the firing order. This system is used when the engine is running.

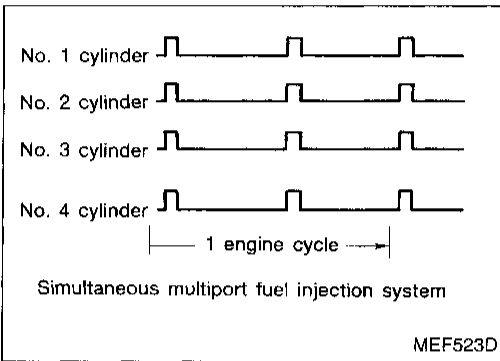


#### Simultaneous multiport fuel injection system

Fuel is injected simultaneously into all four cylinders twice each engine cycle. In other words, pulse signals of the same width are simultaneously transmitted from the ECM.

The four injectors will then receive the signals two times for each engine cycle.

This system is used when the engine is being started and/or if the fail-safe system (CPU) is operating.

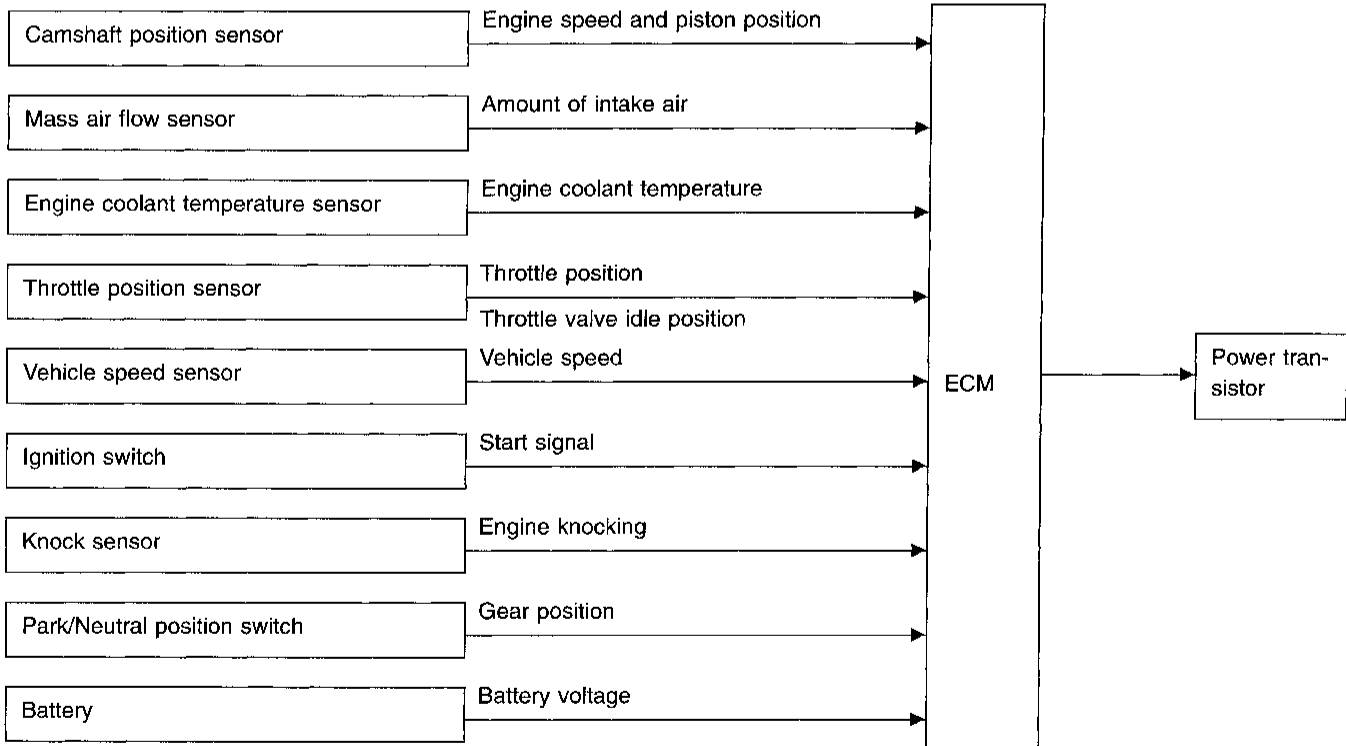


### FUEL SHUT-OFF

Fuel to each cylinder is cut off during deceleration or operation of the engine at excessively high speeds.

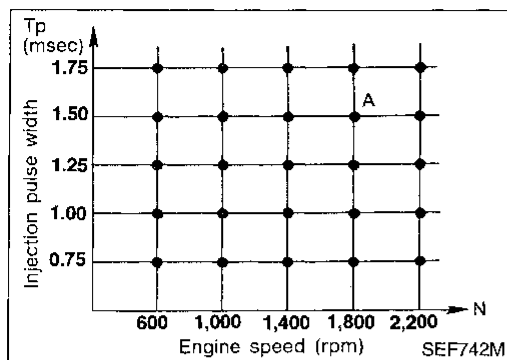
## Distributor Ignition (DI) System

### INPUT/OUTPUT SIGNAL LINE



# ENGINE AND EMISSION BASIC CONTROL SYSTEM DESCRIPTION

## Distributor Ignition (DI) System (Cont'd) SYSTEM DESCRIPTION



The ignition timing is controlled by the ECM to maintain the best air-fuel ratio for every running condition of the engine. The ignition timing data is stored in the ECM. This data forms the map shown.

The ECM receives information such as the injection pulse width and camshaft position sensor signal. Computing this information, ignition signals are transmitted to the power transistor.

e.g., N: 1,800 rpm, Tp: 1.50 msec  
A°BTDC

During the following conditions, the ignition timing is revised by the ECM according to the other data stored in the ECM.

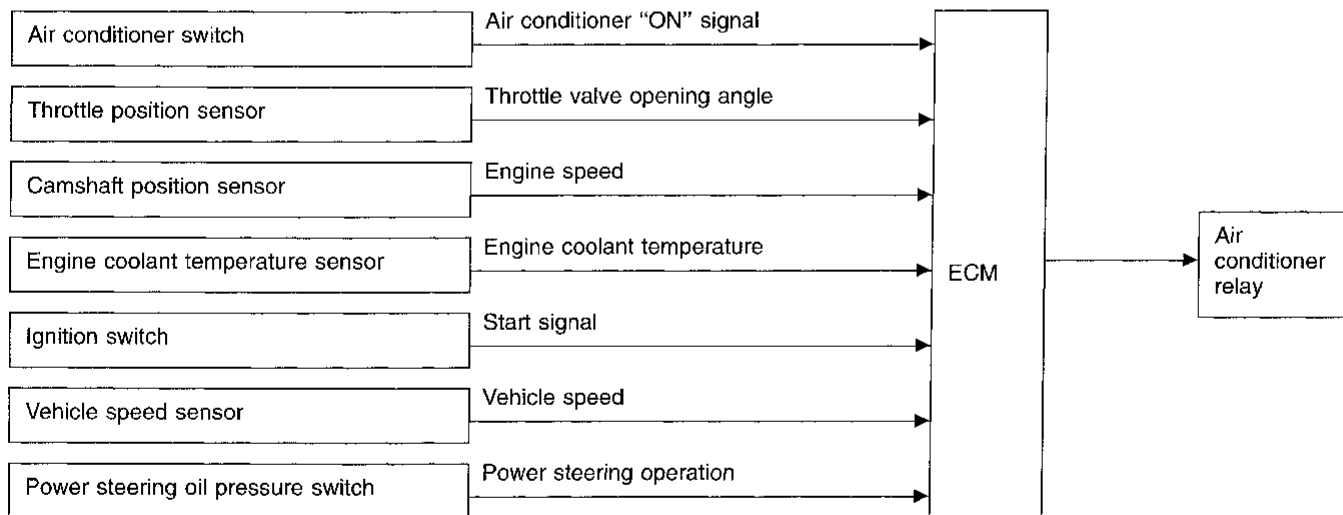
- At starting
- During warm-up
- At idle
- At low battery voltage
- During acceleration

The knock sensor retard system is designed only for emergencies. The basic ignition timing is programmed within the anti-knocking zone, if recommended fuel is used under dry conditions. The retard system does not operate under normal driving conditions.

If engine knocking occurs, the knock sensor monitors the condition. The signal is transmitted to the ECM. The ECM retards the ignition timing to eliminate the knocking condition.

## Air Conditioning Cut Control

### INPUT/OUTPUT SIGNAL LINE



### SYSTEM DESCRIPTION

This system improves engine operation when the air conditioner is used.

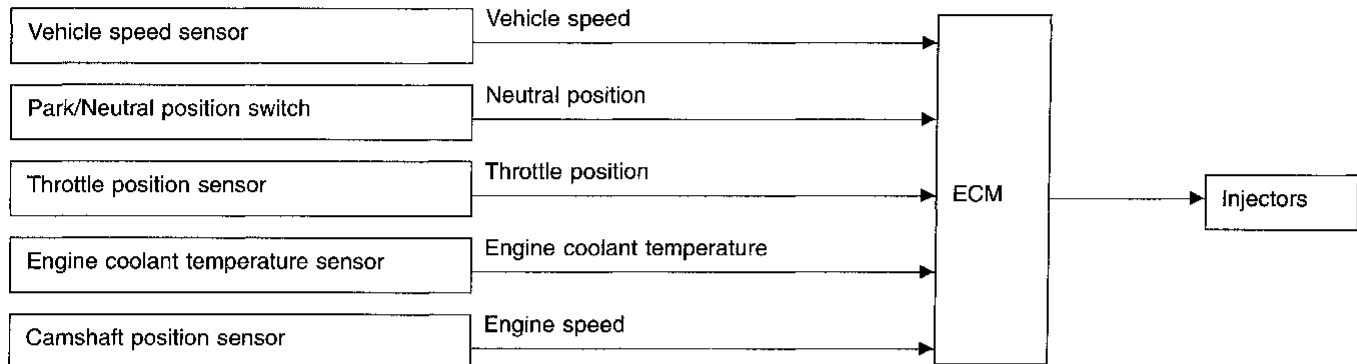
Under the following conditions, the air conditioner is turned off.

- When the accelerator pedal is fully depressed.
- When cranking the engine.
- At high engine speeds.

- When the engine coolant temperature becomes excessively high.
- When operating power steering during low engine speed or low vehicle speed.
- When engine speed is excessively low.

## Fuel Cut Control (at no load & high engine speed)

### INPUT/OUTPUT SIGNAL LINE



If the engine speed is above 4,000 rpm with no load, (for example, in neutral and engine speed over 4,000 rpm) fuel will be cut off after some time. The exact time when the fuel is cut off varies based on engine speed.

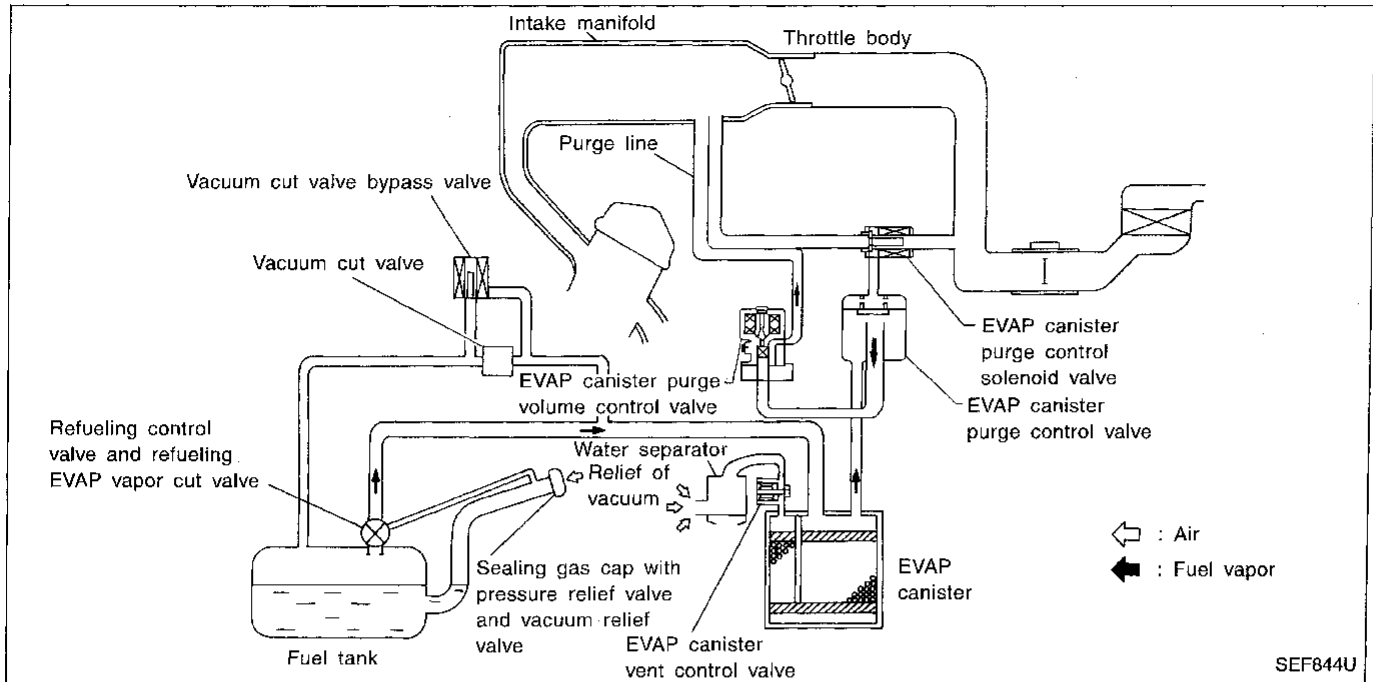
Fuel cut will operate until the engine speed reaches 2,000 rpm, then fuel cut is cancelled.

**NOTE:**

**This function is different from deceleration control listed under "Multiport Fuel Injection (MFI) System", EC-16.**

# EVAPORATIVE EMISSION SYSTEM

## Description

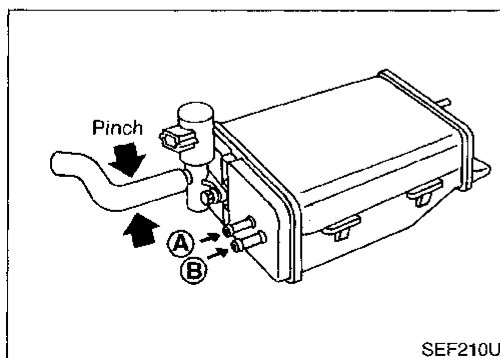


The evaporative emission system is used to reduce hydrocarbons emitted into the atmosphere from the fuel system. This reduction of hydrocarbons is accomplished by activated charcoals in the EVAP canister.

The fuel vapor in the sealed fuel tank is led into the EVAP canister which contains activated carbon and the vapor is stored there when the engine is not operating or when refueling to the fuel tank.

The vapor in the EVAP canister is purged by the air through the purge line to the intake manifold when the engine is operating. EVAP canister purge volume control valve is controlled by ECM. When the engine operates, the flow rate of vapor controlled by EVAP canister purge volume control valve is proportionally regulated as the air flow increases.

EVAP canister purge control valve also shuts off the vapor purge line during decelerating and idling.



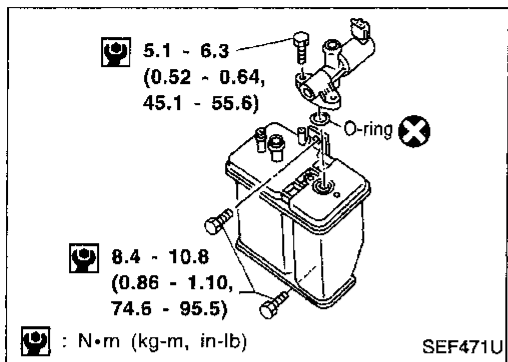
## Inspection

### EVAP CANISTER

Check EVAP canister as follows:

1. Pinch the fresh air hose.
2. Blow air into port (A) and check that air flows freely through port (B).

## EVAPORATIVE EMISSION SYSTEM

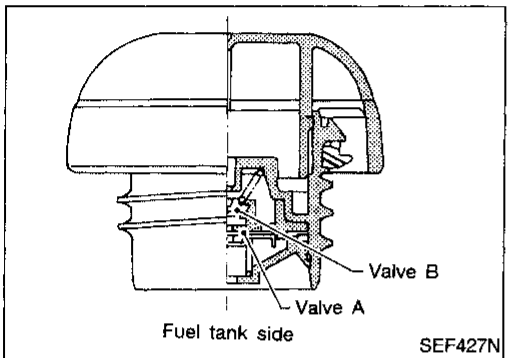


### Inspection (Cont'd)

#### TIGHTENING TORQUE

Tighten EVAP canister as shown in the figure.

**Make sure new O-ring is installed properly between EVAP canister and EVAP vent control valve.**



#### FUEL TANK VACUUM RELIEF VALVE (Built into fuel filler cap)

1. Wipe clean valve housing.
2. Check valve opening pressure and vacuum.

##### Pressure:

16.0 - 20.0 kPa (0.163 - 0.204 kg/cm<sup>2</sup>, 2.32 - 2.90 psi)

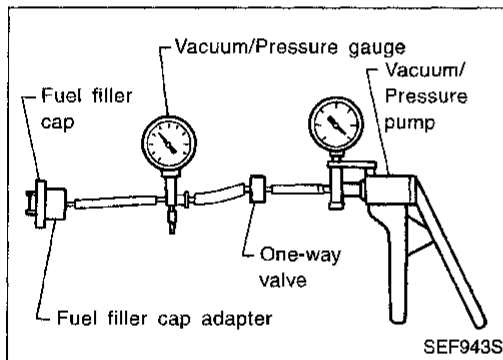
##### Vacuum:

-6.0 to -3.5 kPa (-0.061 to -0.036 kg/cm<sup>2</sup>, -0.87 to -0.51 psi)

3. If out of specification, replace fuel filler cap as an assembly.

#### CAUTION:

**Use only a genuine NISSAN fuel filler cap as a replacement. If an incorrect fuel filler cap is used, the MIL may come on.**



#### EVAPORATIVE EMISSION (EVAP) CANISTER PURGE CONTROL VALVE

Refer to EC-423.

#### VACUUM CUT VALVE AND VACUUM CUT VALVE BYPASS VALVE

Refer to EC-411.

#### EVAPORATIVE EMISSION (EVAP) CANISTER PURGE VOLUME CONTROL VALVE

Refer to EC-378.

#### EVAPORATIVE EMISSION (EVAP) CANISTER PURGE CONTROL SOLENOID VALVE

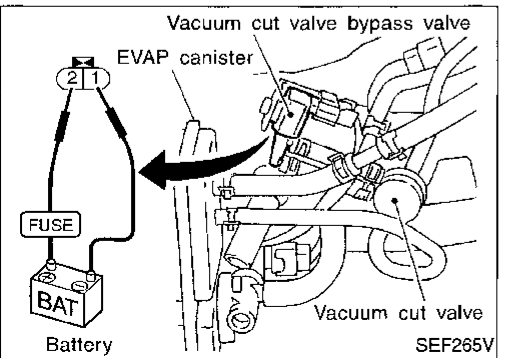
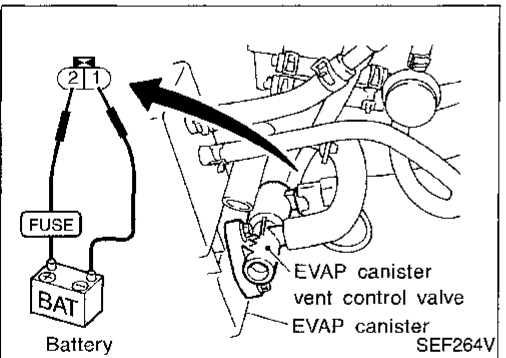
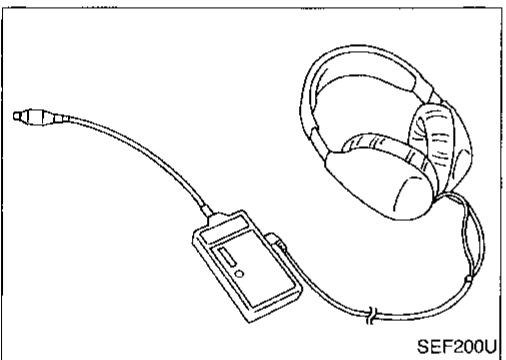
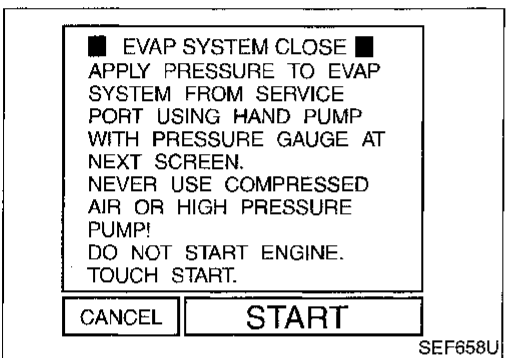
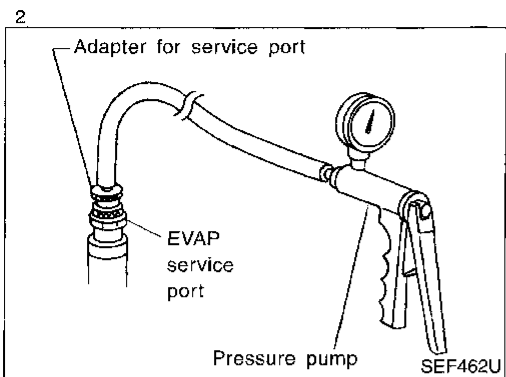
Refer to EC-423.

#### TANK FUEL TEMPERATURE SENSOR

Refer to EC-231.



# EVAPORATIVE EMISSION SYSTEM



## Inspection (Cont'd)

### EVAP SERVICE PORT

Positive pressure is delivered to the EVAP system through the evaporator service port. If fuel vapor leakage in the EVAP system occurs, use a leak detector to locate the leak.

### How to detect fuel vapor leakage

#### CAUTION:

- Never use compressed air or a high pressure pump.
- Do not start engine.
- Do not exceed 4.12 kPa (0.042 kg/cm<sup>2</sup>, 0.6 psi) of pressure in EVAP system.

#### NOTE:

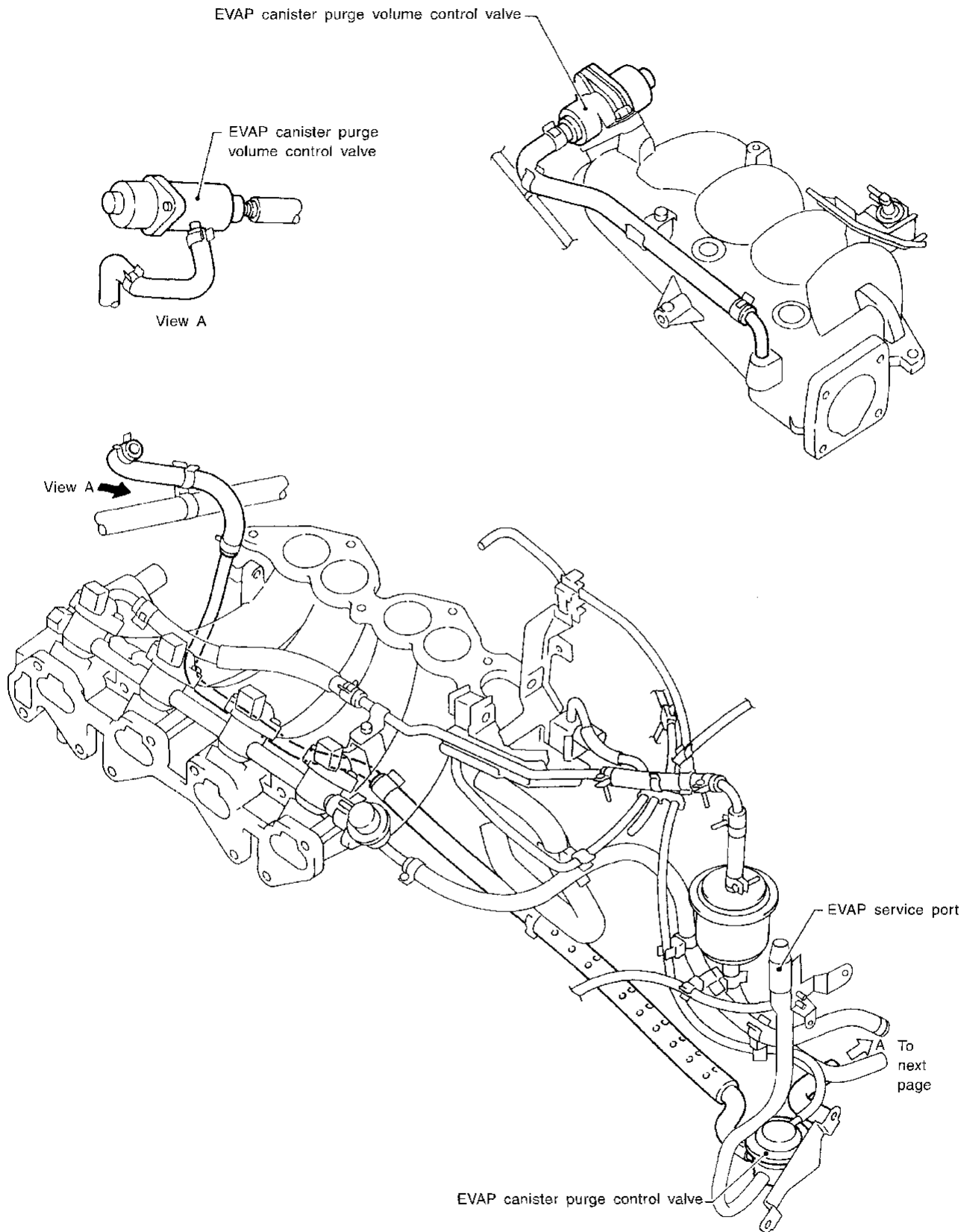
Improper installation of adapter to the service port may cause a leak.

1. Attach the adapter securely to the EVAP SERVICE port.
2. Also attach the pressure pump and hose.
3. Turn ignition switch "ON".
4. Select the "EVAP SYSTEM CLOSE" of "WORK SUPPORT MODE" with CONSULT.
5. Touch "START". A bar graph (Pressure indicating display) will appear on the screen.
6. Apply positive pressure to the EVAP system until the pressure indicator reaches the middle of the bar graph.
7. Remove adapter and hose with pressure pump.
8. Locate the leak using a leak detector. Refer to "Evaporative Emission Line Drawing", on next page.

OR

1. Attach the adapter securely to the EVAP service port and pressure pump with pressure gauge to the EVAP service port.
2. Apply battery voltage to between the terminals of both EVAP canister vent control valve and vacuum cut valve bypass valve to make a closed EVAP system.
3. To locate the leak, deliver positive pressure to the EVAP system until pressure gauge points reach 1.38 - 2.76 kPa (0.014 - 0.028 kg/cm<sup>2</sup>, 0.2 - 0.4 psi).
4. Remove adapter and hose with pressure pump.
5. Locate the leak using a leak detector. Refer to "Evaporative Emission Line Drawing", on next page.

## Evaporative Emission Line Drawing

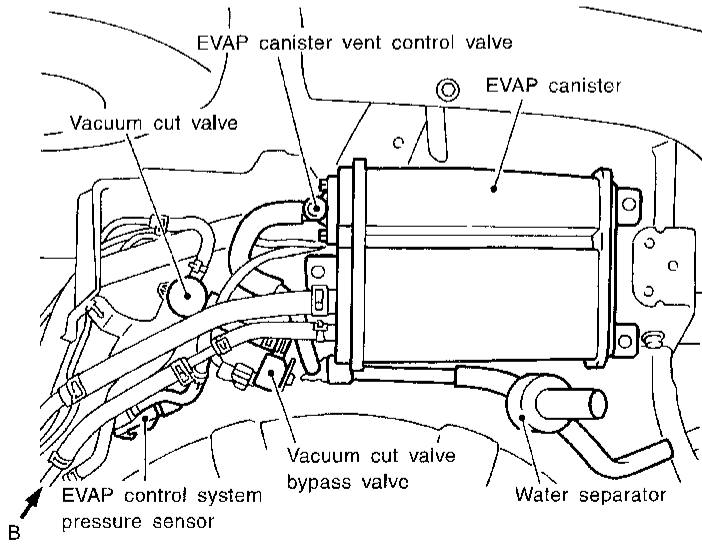
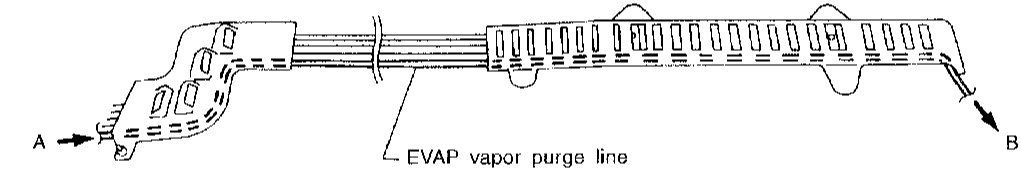
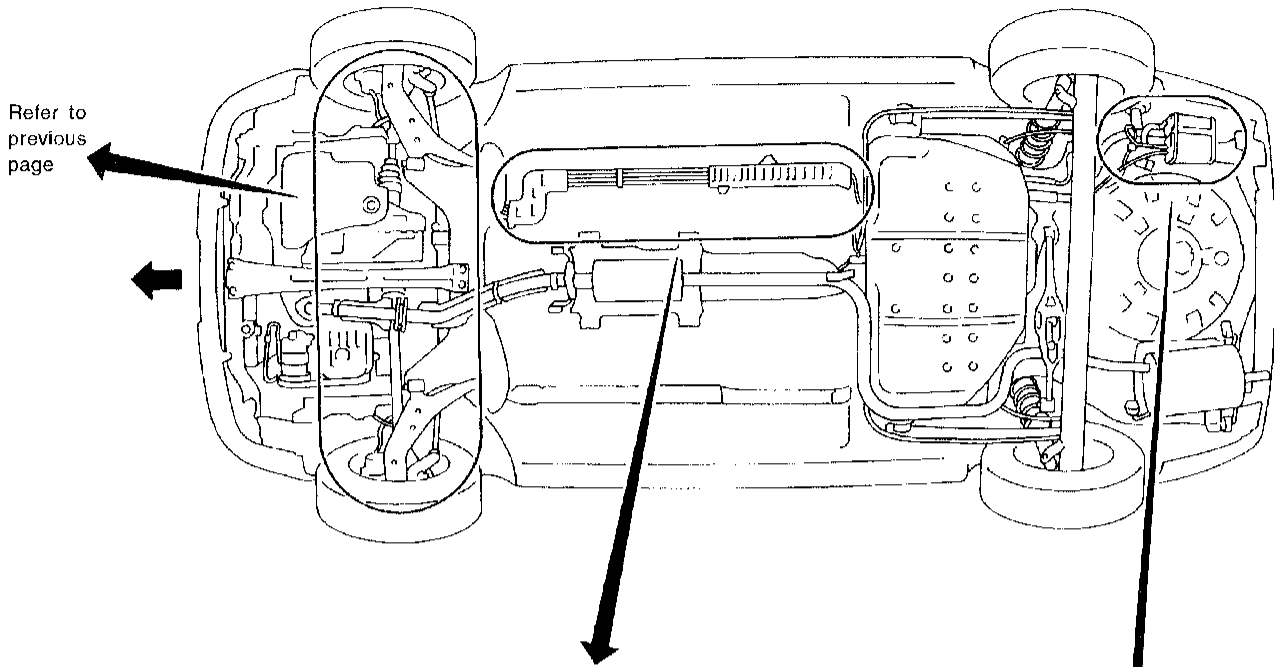


**Note:** Do not use soapy water or any type of solvent while installing vacuum hoses or purge hoses.

SEF845U

# EVAPORATIVE EMISSION SYSTEM

## Evaporative Emission Line Drawing (Cont'd)



CI

MA

EM

LC

**EC**

FE

CL

MT

AT

FA

RA

BR

SI

RS

BT

HA

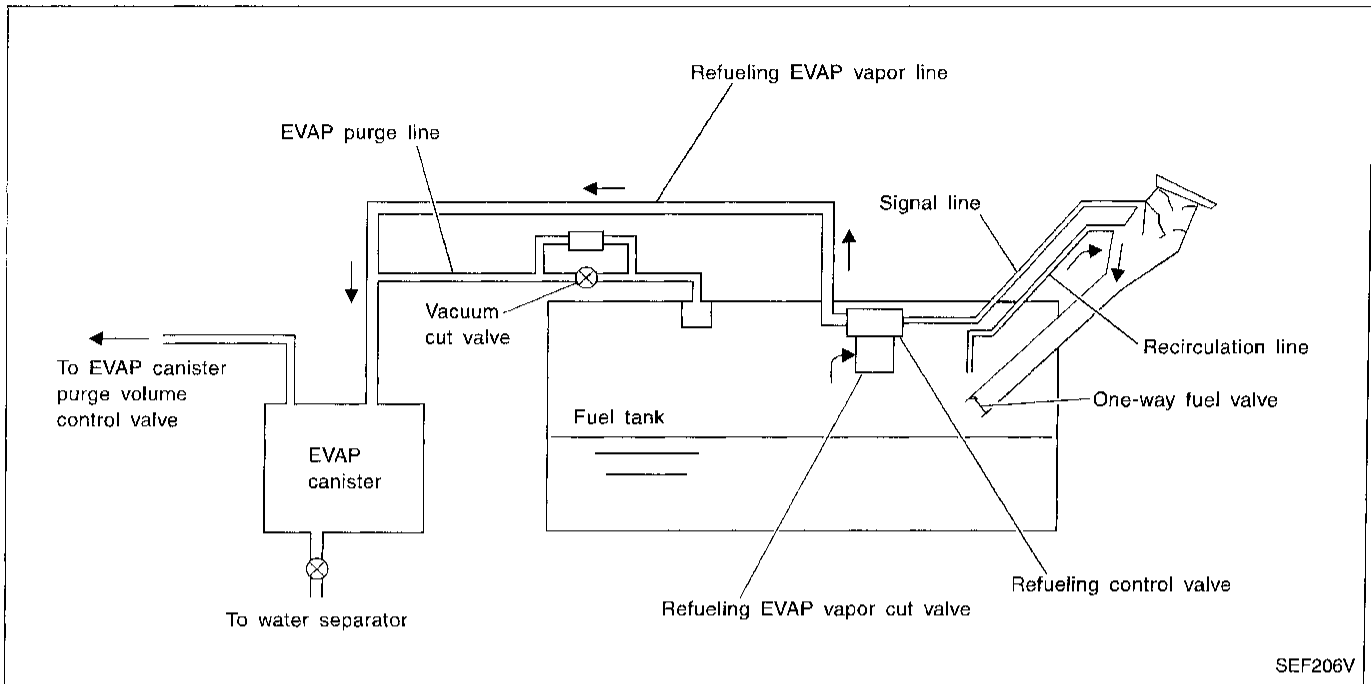
EL

IX

# EVAPORATIVE EMISSION SYSTEM

## On Board Refueling Vapor Recovery (ORVR)

### SYSTEM DESCRIPTION



From the beginning of refueling, the fuel tank pressure goes up. When the pressure reaches the setting value of the refueling control valve (RCV) opening pressure, the RCV is opened. After RCV opens, the air and vapor inside the fuel tank go through refueling EVAP vapor cut valve, RCV and refueling vapor line to the EVAP canister. The vapor is absorbed by the EVAP canister and the air is released to the atmosphere.

When the refueling has reached the full level of the fuel tank, the refueling EVAP vapor cut valve is closed and refueling is stopped because of auto shut-off. The vapor which was absorbed by the EVAP canister is purged during driving.

The RCV is always closed during driving and the evaporative emission control system is operated the same as conventional system.

#### WARNING:

When conducting inspections below, be sure to observe the following:

- Put a "CAUTION: INFLAMMABLE" sign in workshop.
- Do not smoke while servicing fuel system. Keep open flames and sparks away from work area.
- Be sure to furnish the workshop with a CO<sub>2</sub> fire extinguisher.

#### CAUTION:

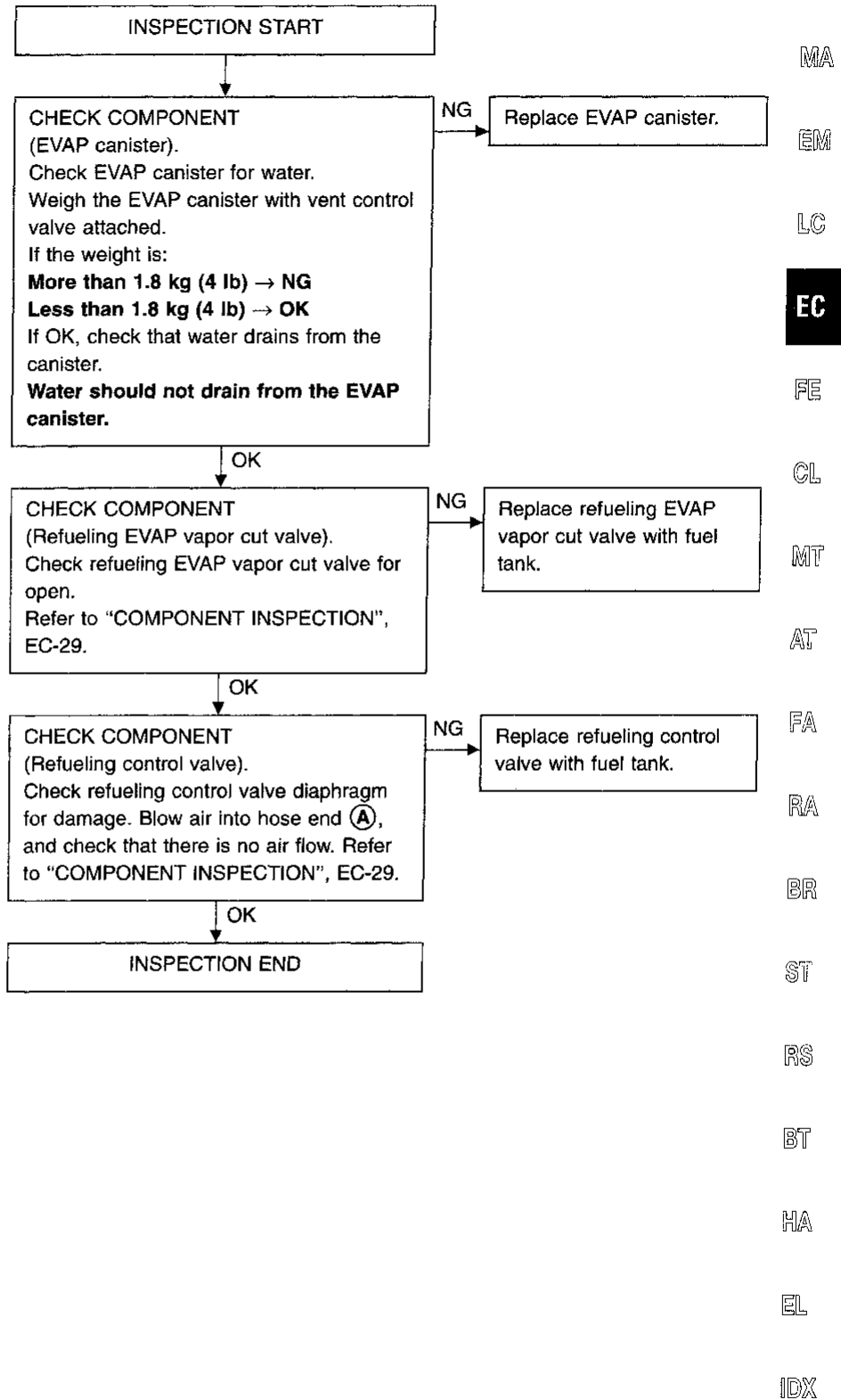
- Before removing fuel line parts, carry out the following procedures:
  - a. Put drained fuel in an explosion-proof container and put lid on securely.
  - b. Release fuel pressure from fuel line. Refer to "Fuel Pressure Release".
  - c. Disconnect battery ground cable.
- Always replace O-ring when the fuel gauge retainer is removed.
- Do not kink or twist hose and tube when they are installed.
- Do not tighten hose and clamps excessively to avoid damaging hoses.
- After installation, run engine and check for fuel leaks at connection.

# EVAPORATIVE EMISSION SYSTEM

## On Board Refueling Vapor Recovery (ORVR) (Cont'd)

### DIAGNOSTIC PROCEDURE

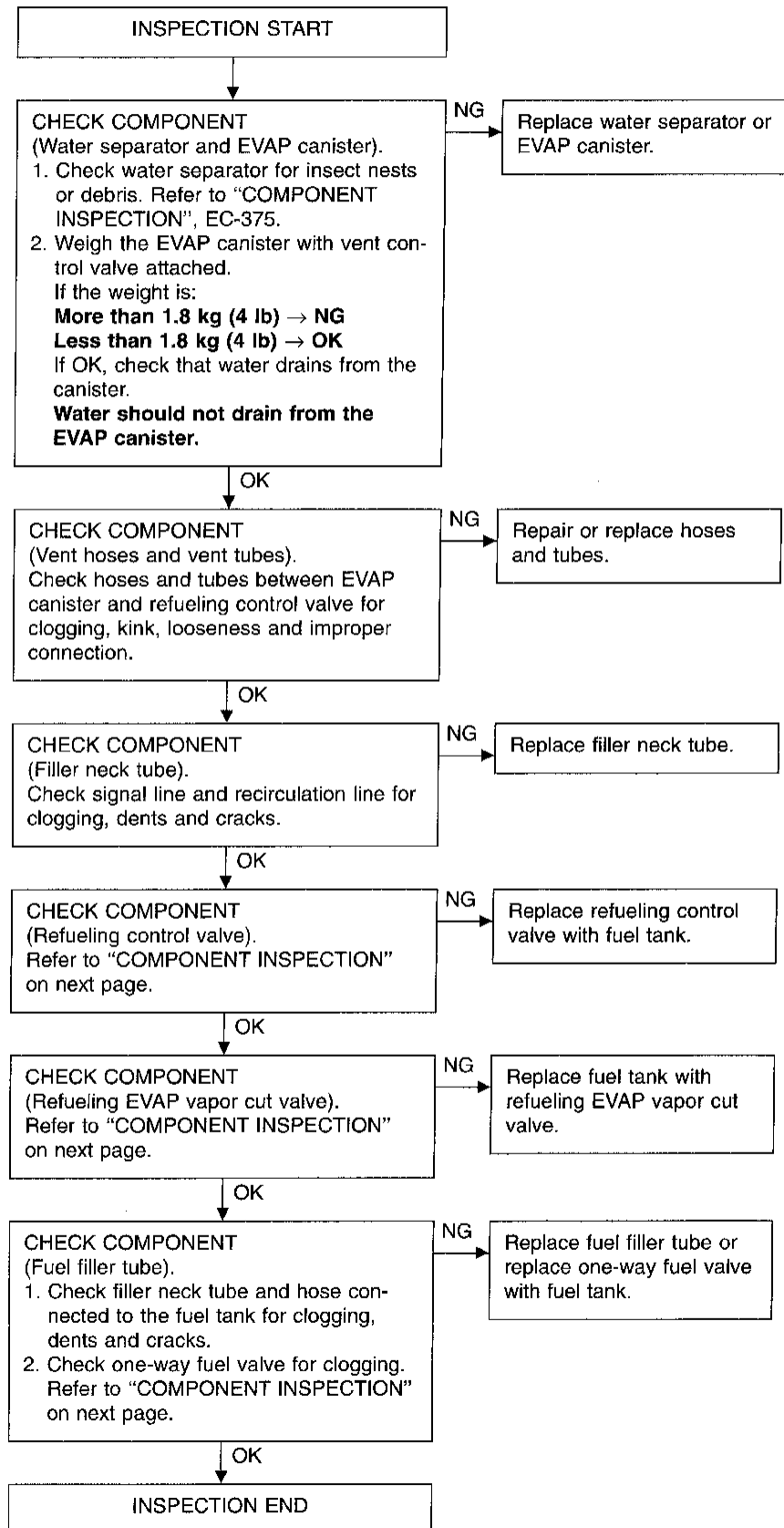
SYMPTOM: Fuel odor from EVAP canister is strong.



# EVAPORATIVE EMISSION SYSTEM

## On Board Refueling Vapor Recovery (ORVR) (Cont'd)

**SYMPTOM:** Cannot refuel/Fuel odor from the fuel filler opening is strong while refueling.



# EVAPORATIVE EMISSION SYSTEM

## On Board Refueling Vapor Recovery (ORVR) (Cont'd)

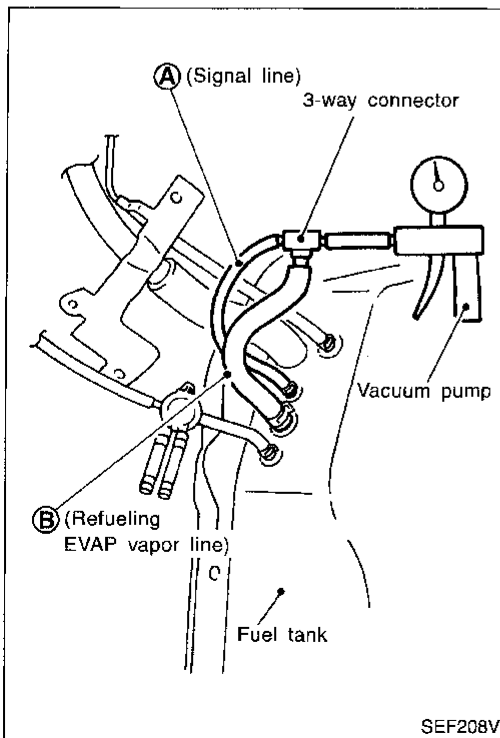
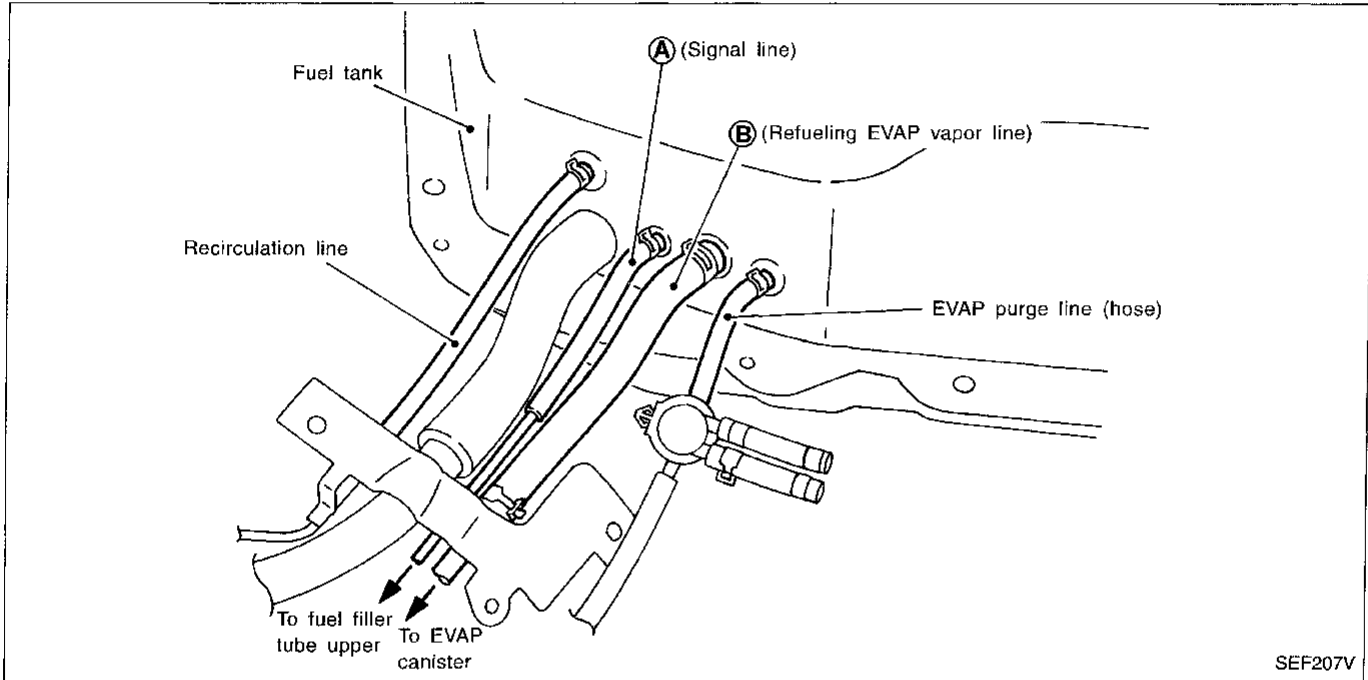
### COMPONENT INSPECTION

#### Refueling control valve

Check refueling control valve as follows:

1. Remove fuel filler cap.
2. Check air continuity between hose ends (A) and (B).  
Blow air into the hose end (B). Air should flow freely into the fuel tank.
3. Blow air into hose end (A) and check there is no leakage.
4. Apply pressure to both hose ends (A) and (B) [20 kPa (150 mmHg, 5.91 inHg)] using a pressure pump and a suitable 3-way connector. And check there is no leakage.

If NG, replace refueling control valve with fuel tank.



#### Refueling EVAP vapor cut valve

1. Remove fuel tank. Refer to "FUEL SYSTEM" in FE section.  
Drain fuel from the tank as follows:

- a. Remove fuel feed hose located on the fuel gauge retainer.
- b. Connect a spare fuel hose, one side to fuel gauge retainer where the hose was removed and the other side to a fuel container.
- c. Drain fuel using "FUEL PUMP RELAY" in "ACTIVE TEST" mode with CONSULT.

OR

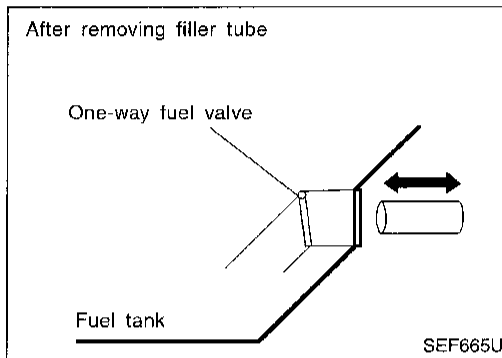
- a. Remove fuel gauge retainer.
  - b. Drain fuel from the tank using a hand pump into a fuel container.
2. Check refueling EVAP vapor cut valve for stuck to close as follows.  
Blow air into the refueling EVAP vapor cut valve (from hose end (B)), and check that the air flows freely into the tank.
  3. Check EVAP vapor cut valve for stuck to open as following.
    - a. Connect vacuum pump to hose ends (A) and (B) using a suitable 3-way connector.
    - b. Remove fuel gauge retainer with fuel gauge unit.

## EVAPORATIVE EMISSION SYSTEM

### On Board Refueling Vapor Recovery (ORVR) (Cont'd)

**Always replace O-ring with new one.**

- c. Put fuel tank upside down.
- d. Apply vacuum pressure to both hose ends **(A)** and **(B)** [ $-13.3$  kPa ( $-100$  mmHg,  $-3.94$  inHg)] with fuel gauge retainer remaining open and check that the pressure is applicable. If NG, replace refueling EVAP vapor cut valve with fuel tank.



#### One-way fuel valve

1. Drain fuel from the tank. Refer to "COMPONENT INSPECTION" of refueling EVAP vapor cut valve on previous page.
2. Remove fuel filler tube and hose.
3. Check one-way fuel valve for operation. When a stick is inserted, the valve should open; when removing stick, it should close.

**Do not drop any material into the tank.**

If NG, replace one-way fuel valve with fuel tank.



# POSITIVE CRANKCASE VENTILATION

## Description

This system returns blow-by gas to the intake collector.

The positive crankcase ventilation (PCV) valve is provided to conduct crankcase blow-by gas to the intake manifold.

During partial throttle operation of the engine, the intake manifold sucks the blow-by gas through the PCV valve.

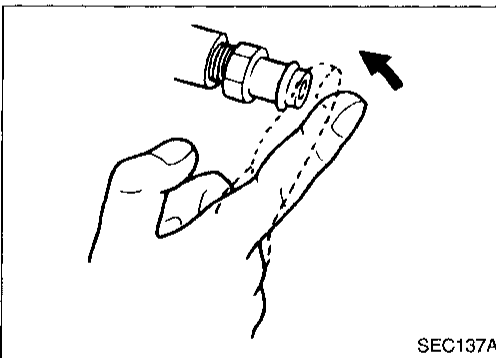
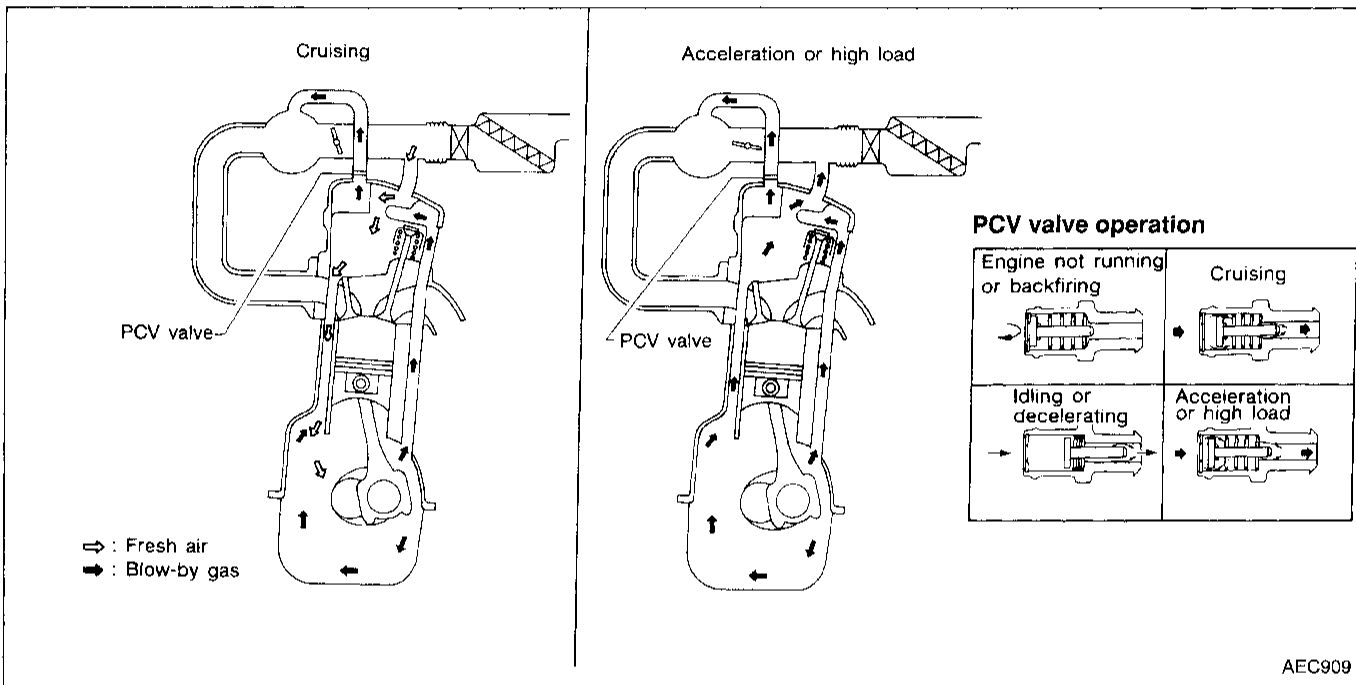
Normally, the capacity of the valve is sufficient to handle any blow-by and a small amount of ventilating air.

The ventilating air is then drawn from the air duct

into the crankcase. In this process the air passes through the hose connecting air inlet tubes to rocker cover.

Under full-throttle condition, the manifold vacuum is insufficient to draw the blow-by flow through the valve. The flow goes through the hose connection in the reverse direction.

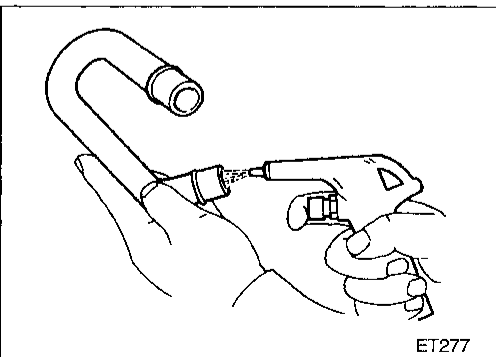
On vehicles with an excessively high blow-by, the valve does not meet the requirement. This is because some of the flow will go through the hose connection to the intake collector under all conditions.



## Inspection

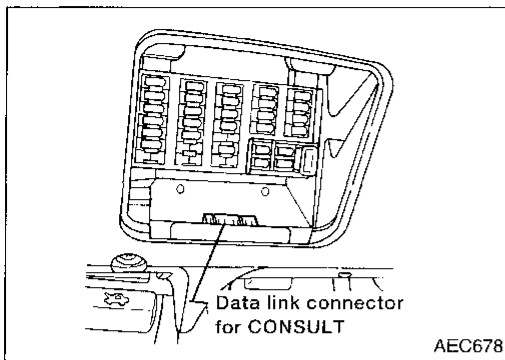
### PCV (Positive Crankcase Ventilation) VALVE

With engine running at idle, remove PCV valve from breather separator. A properly working valve makes a hissing noise as air passes through it. A strong vacuum should be felt immediately when a finger is placed over the valve inlet.



### VENTILATION HOSE

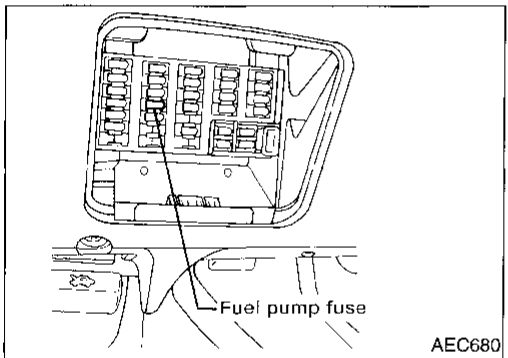
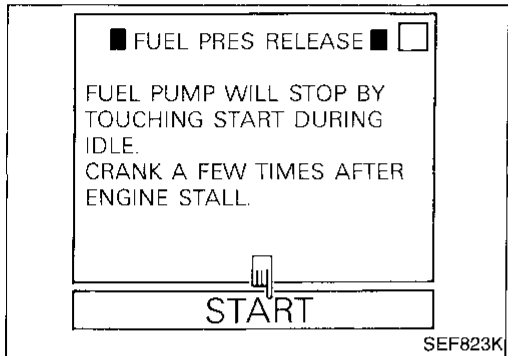
1. Check hoses and hose connections for leaks.
2. Disconnect all hoses and clean with compressed air. If any hose cannot be freed of obstructions, replace.



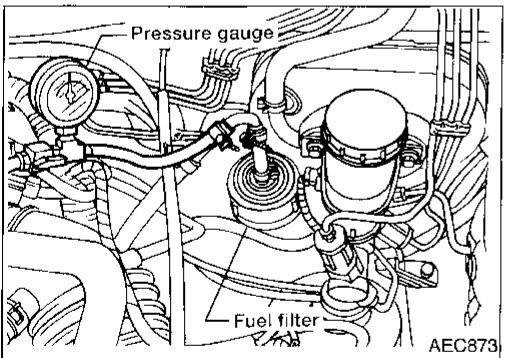
## Fuel Pressure Release

Before disconnecting fuel line, release fuel pressure from fuel line to eliminate danger.

1. Turn ignition switch ON.
2. Perform "FUEL PRESSURE RELEASE" in "WORK SUPPORT" mode with CONSULT.
3. Start engine.
4. After engine stalls, crank it two or three times to release all fuel pressure.
5. Turn ignition switch OFF.



1. Remove fuse for fuel pump.
2. Start engine.
3. After engine stalls, crank it two or three times to release all fuel pressure.
4. Turn ignition switch off and reconnect fuel pump fuse.



## Fuel Pressure Check

- When reconnecting fuel line, always use new clamps.
- Make sure that clamp screw does not contact adjacent parts.
- Use a torque driver to tighten clamps.
- Use Pressure Gauge to check fuel pressure.
- Do not perform fuel pressure check with system operating. Fuel pressure gauge may indicate false readings.

1. Release fuel pressure to zero.
2. Disconnect fuel hose between fuel filter and fuel tube (engine side).
3. Install pressure gauge between fuel filter and fuel tube.
4. Start engine and check for fuel leakage.
5. Read the indication of fuel pressure gauge.

**At idling:**

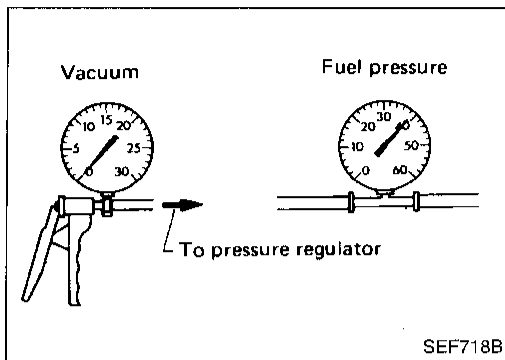
**With vacuum hose connected**

**Approximately 235 kPa (2.4 kg/cm<sup>2</sup>, 34 psi)**

**With vacuum hose disconnected**

**Approximately 294 kPa (3.0 kg/cm<sup>2</sup>, 43 psi)**

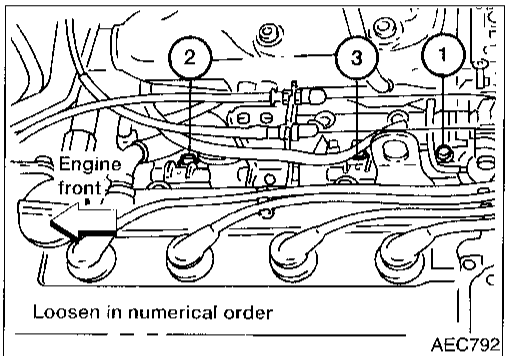
If results are unsatisfactory, perform Fuel Pressure Regulator Check.



## Fuel Pressure Regulator Check

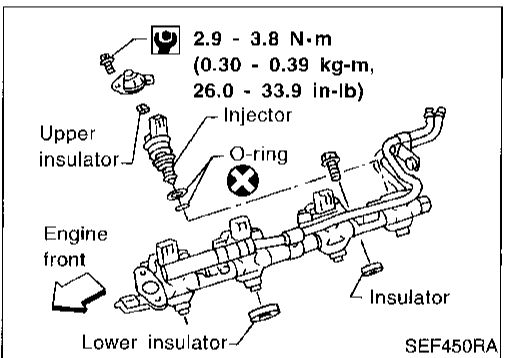
1. Stop engine and disconnect fuel pressure regulator vacuum hose from intake manifold.
2. Plug intake manifold with a rubber cap.
3. Connect variable vacuum source to fuel pressure regulator.
4. Start engine and read indication of fuel pressure gauge as vacuum is changed.

**Fuel pressure should decrease as vacuum increases. If results are unsatisfactory, replace fuel pressure regulator.**



## Injector Removal and Installation

1. Release fuel pressure to zero.
2. Remove injector tube assembly with injectors from intake manifold.
3. Remove injectors from injector tube assembly.
  - Push injector tail piece.
  - Do not pull on the connector.

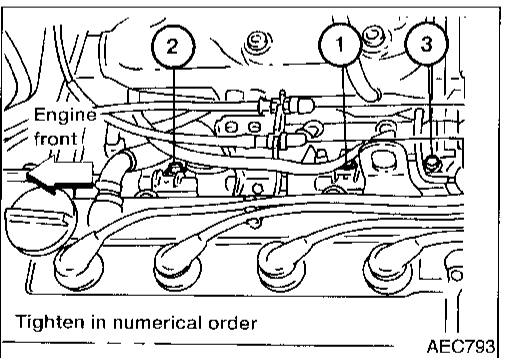


4. Install injectors.
  - Clean exterior of injector tail piece.
  - Use new O-rings.
  - Face metal plate of upper insulator to injector.

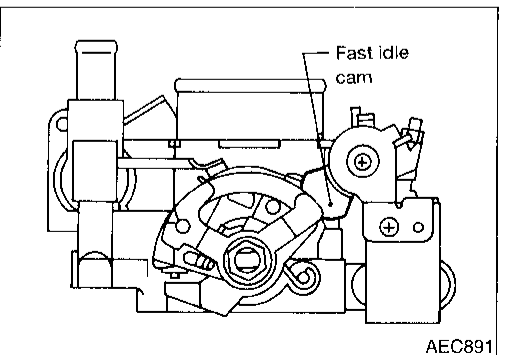
### CAUTION:

**After properly connecting injectors to fuel tube assembly, check connections for fuel leakage.**

5. Assemble injectors to injector tube assembly.
6. Install injector tube assembly to intake manifold.



7. Tighten fuel tube bolts to 9.32 to 10.8 N·m (0.95 to 1.10 kg-m, 6.9 to 8.0 ft-lb) as shown in the figure. Then tighten the bolts to 20.6 to 26.5 N·m (2.10 to 2.70 kg-m, 15 to 20 ft-lb).



## Fast Idle Cam (FIC)

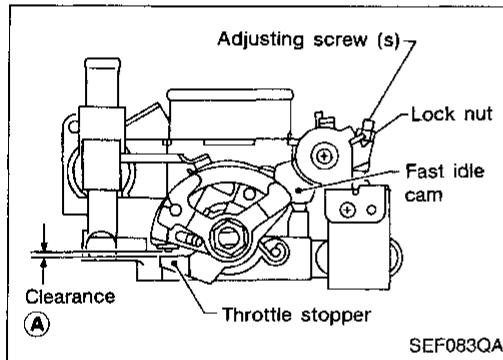
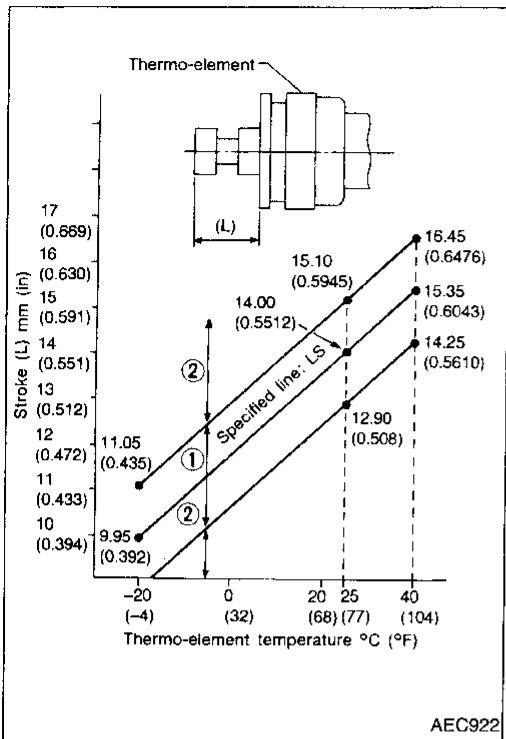
### COMPONENT DESCRIPTION

The FIC is installed on the throttle body to maintain adequate engine speed while the engine is cold. It is operated by a volumetric change in wax located inside the thermo-element. The thermo-element is operated by engine coolant temperature.

# BASIC SERVICE PROCEDURE

## Fast Idle Cam (FIC) (Cont'd)

### COMPONENT INSPECTION AND ADJUSTMENT



1. If engine is not completely cold, remove throttle body from engine. Then, wait for at least 3 hours.  
(This step is necessary to bring the temperature of the thermo-element to the room temperature.)
2. Measure thermo-element stroke (L) and room temperature.
3. Check thermo-element stroke (L) as shown in the figure.  
If the stroke is not within the range ①, replace thermo-element with new one. Then return to step 1 again.

4. Adjust clearance ① between throttle stopper and throttle adjusting screw to specification by turning adjusting screw (S).

Models	Clearance ① mm (in)
M/T	0.72 - 1.18 (0.0283 - 0.0465)
A/T	0.95 - 1.43 (0.0374 - 0.0563)

5. Rotate adjusting screw (S) clockwise or counterclockwise by Z turns according to the following equation, then tighten the adjusting screw lock nut.

$$Z = \frac{L - Ls^*}{Y}$$

\*: Value of the specified line (Ls) at the temperature of thermo-element actually measured.

Y = 0.8 mm (0.031 in)

• Direction of adjusting screw (S) rotation

(1) Positive (+) Z: Counterclockwise

(2) Negative (-) Z: Clockwise

# BASIC SERVICE PROCEDURE

## Fast Idle Cam (FIC) (Cont'd)

For example:

	Case I	Case II	
Thermo-element temperature °C (°F)	25 (77)	40 (104)	GI
Thermo-element specified stroke (Ls) mm (in)	14.0 (0.551)	15.35 (0.6043)	MA
Thermo-element stroke (L) mm (in)	14.8 (0.583)	14.15 (0.5571)	EM
Revolutions of adjusting screw (Z) mm/in	$Z = \frac{14.8 - 14.0}{0.8} = 1.0 /$ $\frac{0.583 - 0.551}{0.031} = 1.0$	$Z = \frac{14.15 - 15.35}{0.8} = -1.5 /$ $\frac{0.5571 - 0.6043}{0.031} = -1.5$	LC
Direction of revolution	Counterclockwise	Clockwise	<b>EC</b>

GI

MA

EM

LC

**EC**

FE

CL

MT

AT

FA

RA

BR

ST

RS

BT

HA

EL

IDX

## Idle Speed/Ignition Timing/Idle Mixture Ratio Adjustment

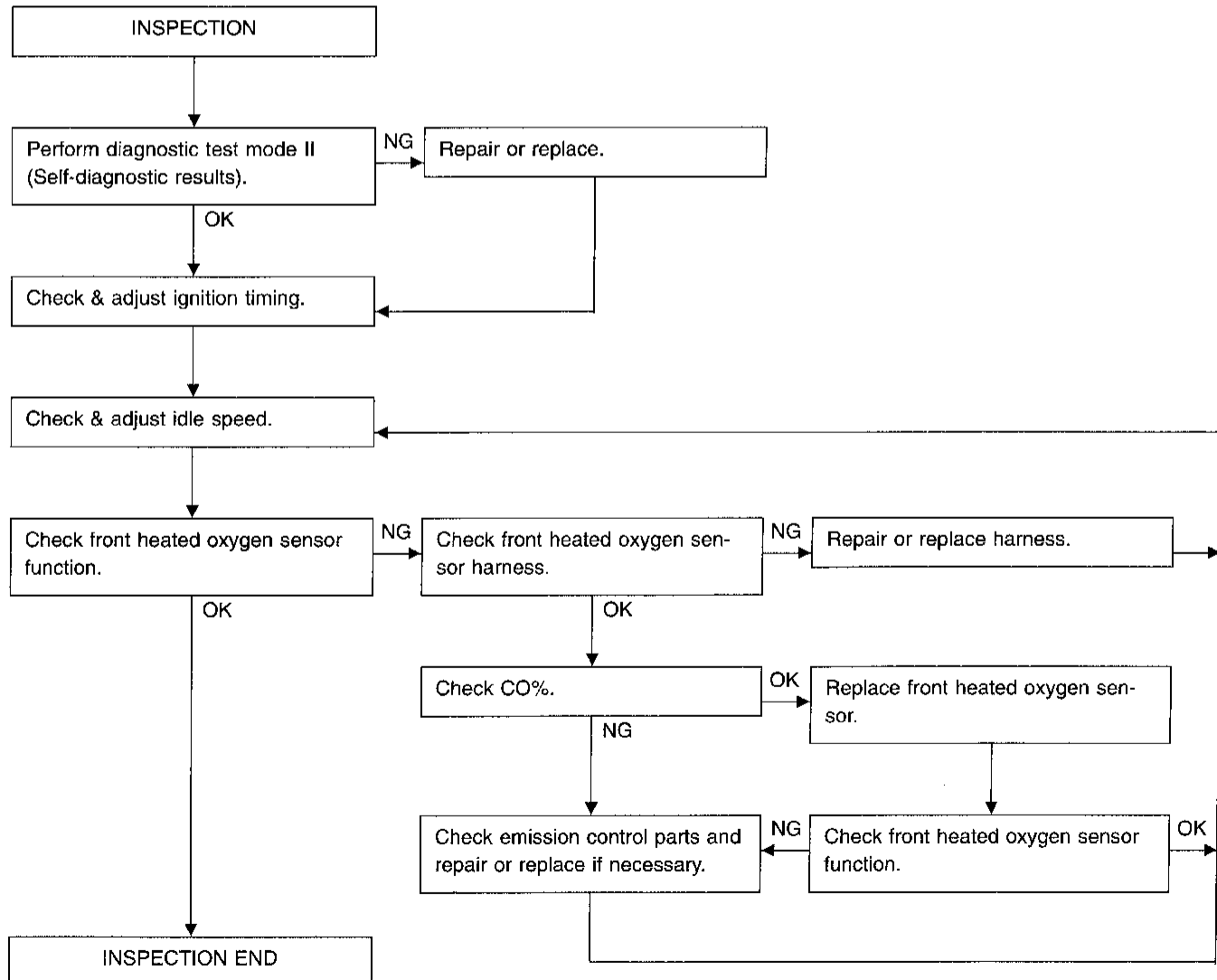
### PREPARATION

- Make sure that the following parts are in good order.

- (1) Battery
- (2) Ignition system
- (3) Engine oil and coolant levels
- (4) Fuses
- (5) ECM harness connector
- (6) Vacuum hoses
- (7) Air intake system  
(Oil filler cap, oil level gauge, etc.)
- (8) Fuel pressure
- (9) Engine compression
- (10) EGR valve operation
- (11) Throttle valve
- (12) EVAP system

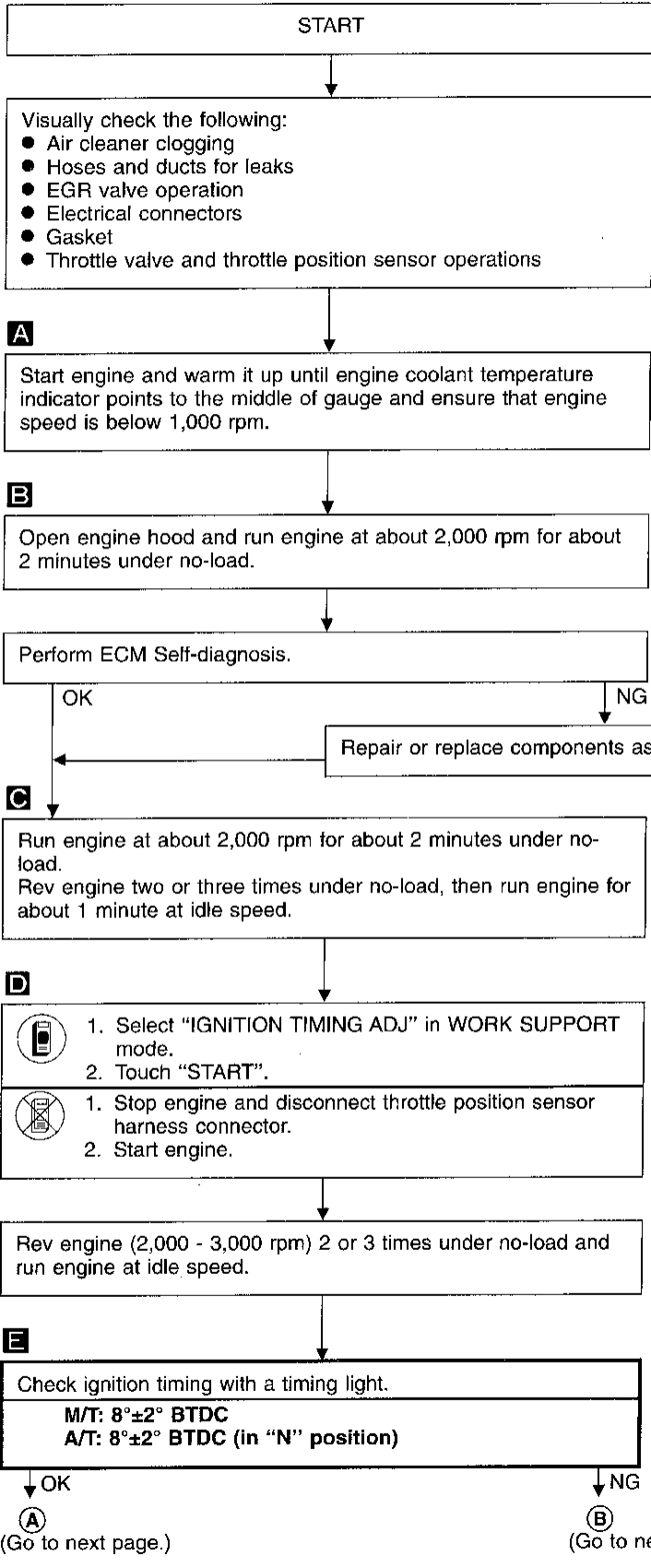
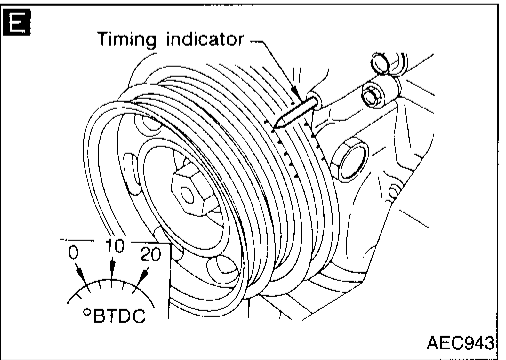
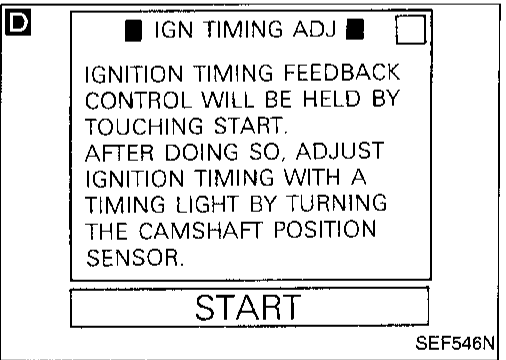
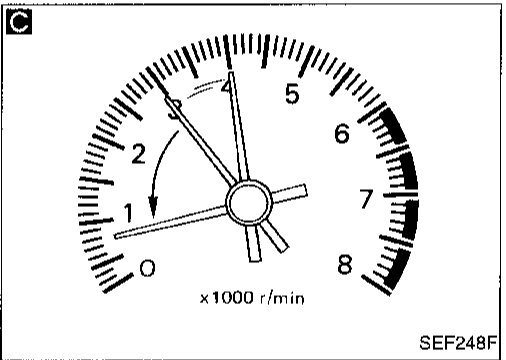
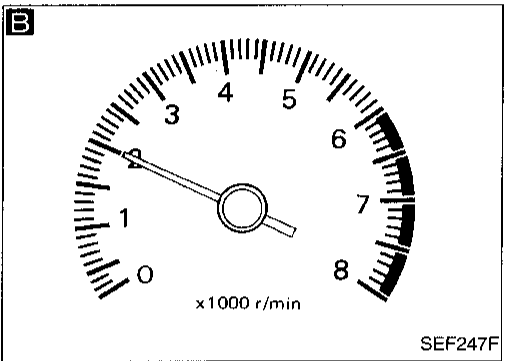
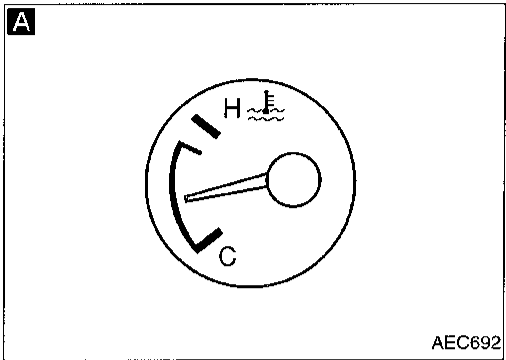
- On models equipped with air conditioner, checks should be carried out while the air conditioner is "OFF".
- On models equipped with automatic transaxle, when checking idle speed, ignition timing and mixture ratio, checks should be carried out while shift lever is in "N" position.
- When measuring "CO" percentage, insert probe more than 40 cm (15.7 in) into tail pipe.
- Turn off headlamps, heater blower, rear window defogger.
- Keep front wheels pointed straight ahead.
- Make the check after the cooling fan has stopped.

### Overall inspection sequence



# BASIC SERVICE PROCEDURE

## Idle Speed/Ignition Timing/Idle Mixture Ratio Adjustment (Cont'd)



GI  
MA  
EM  
LC  
EC  
FE  
CL  
MT  
AT  
FA  
RA  
BR  
ST  
RS  
BT  
HA  
EL  
IDX

# BASIC SERVICE PROCEDURE

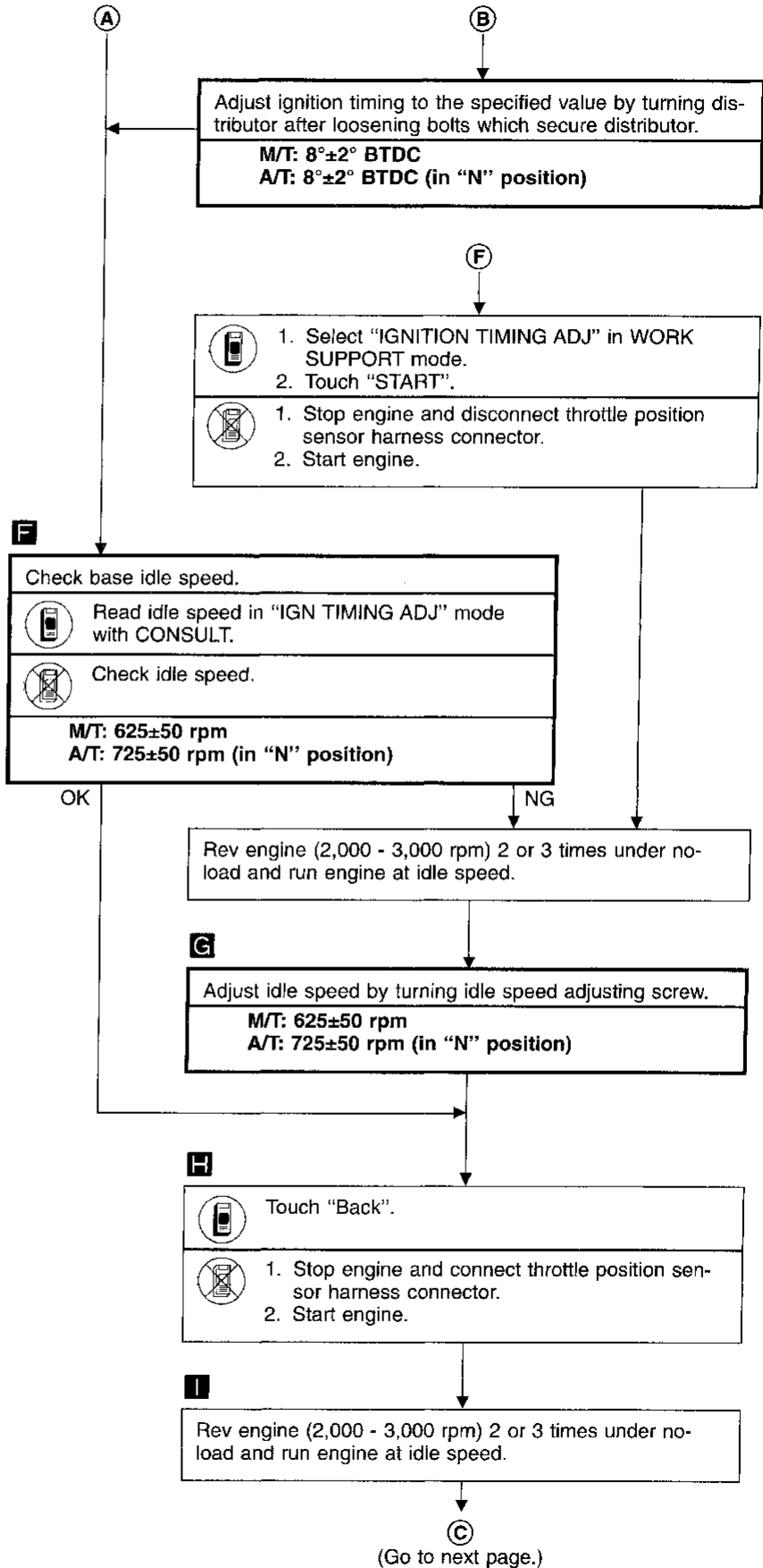
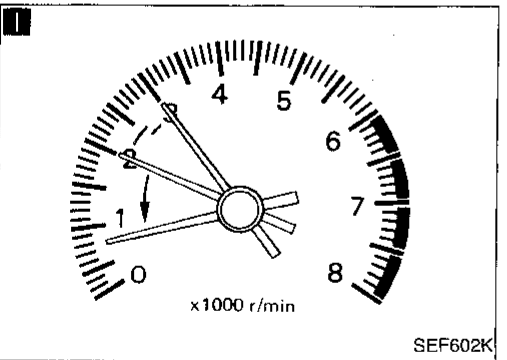
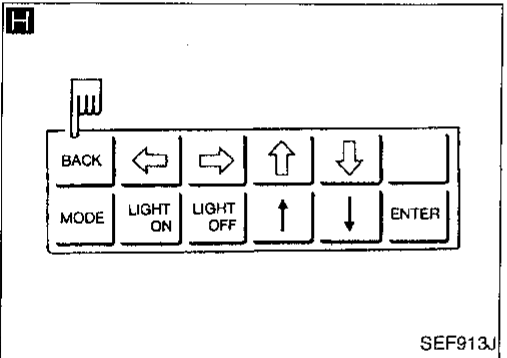
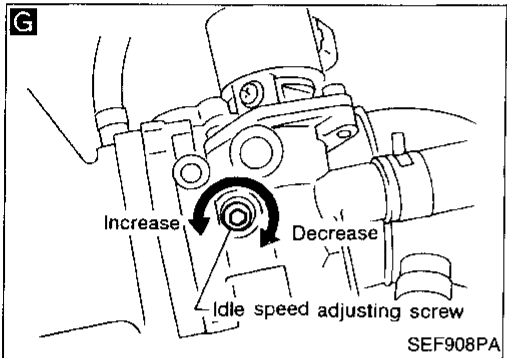
## Idle Speed/Ignition Timing/Idle Mixture Ratio Adjustment (Cont'd)

**F** ■ IGN TIMING ADJ ■ □

IGNITION TIMING FEEDBACK CONTROL WILL BE HELD BY TOUCHING START. AFTER DOING SO, ADJUST IGNITION TIMING WITH A TIMING LIGHT BY TURNING THE CAMSHAFT POSITION SENSOR.

**START**

SEF546N





# BASIC SERVICE PROCEDURE

## Idle Speed/Ignition Timing/Idle Mixture Ratio Adjustment (Cont'd)

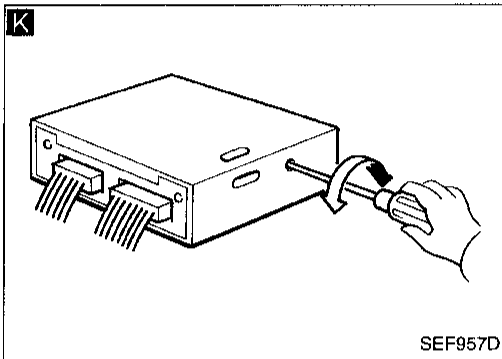
**J**

☆ MONITOR ☆ NO FAIL

CMPS•RPM(REF) 700rpm

**RECORD**

SEF190P



**K**

☆ MONITOR ☆ NO FAIL

CMPS•RPM (REF) 2000rpm  
FR O2 MNTR RICH

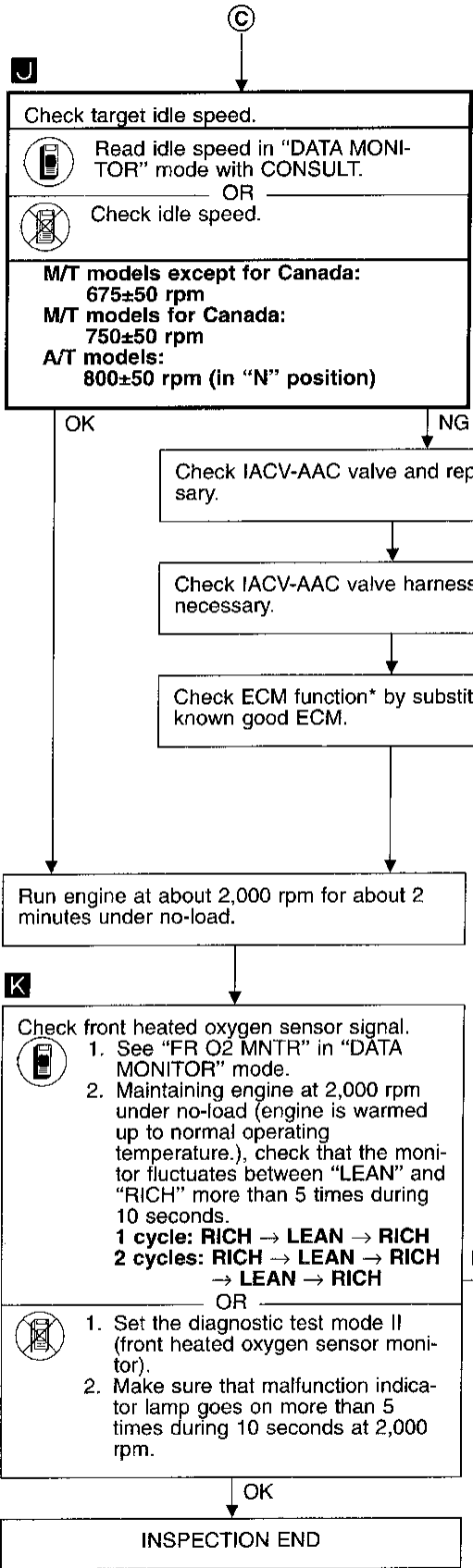
**RECORD**

SEF054P

**K**

**SERVICE ENGINE SOON**

SEF217U



GI

MA

EM

LC

**EC**

FE

CL

MT

AT

FA

RA

BR

ST

RS

BT

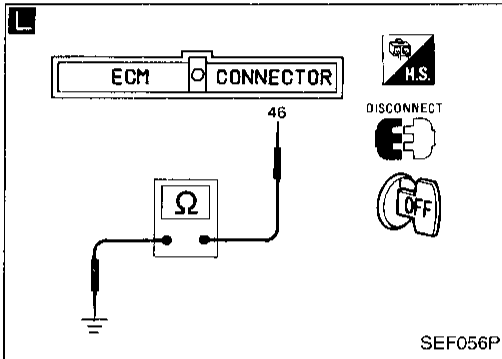
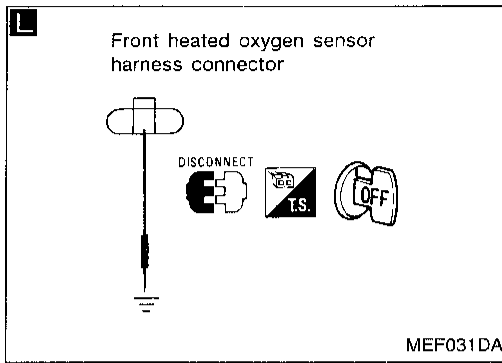
HA

EL

IDX

# BASIC SERVICE PROCEDURE

## Idle Speed/Ignition Timing/Idle Mixture Ratio Adjustment (Cont'd)



**L**

Check front heated oxygen sensor harness:

1. Turn off engine and disconnect battery ground cable.
2. Disconnect ECM harness connector from ECM.
3. Disconnect front heated oxygen sensor harness connector and connect terminal for front heated oxygen sensor to ground with a jumper wire.
4. Check for continuity between terminal No. 46 of ECM harness connector and ground metal on vehicle body.

Continuity exists ... OK  
Continuity does not exist ... NG

Repair harness.

**F**  
(Go to EC-38.)

Connect ECM harness connector to ECM.

1. Select "ENG COOLANT TEMP" in "ACTIVE TEST" mode.
  2. Set "COOLANT TEMP" at 5°C (41°F).
1. Disconnect engine coolant temperature sensor harness connector.
  2. Connect a resistor (4.4 kΩ) between terminals of engine coolant temperature sensor harness connector.

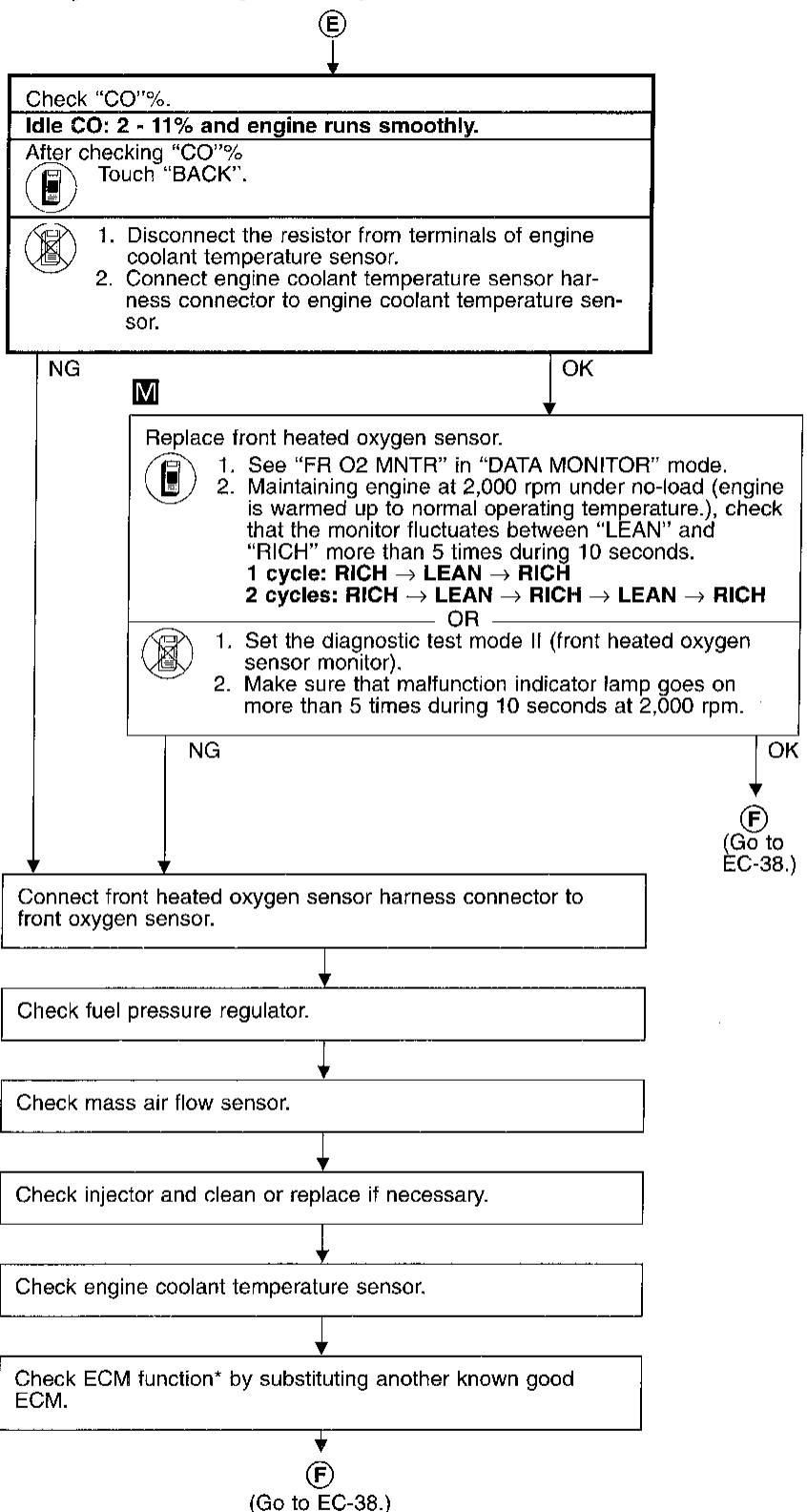
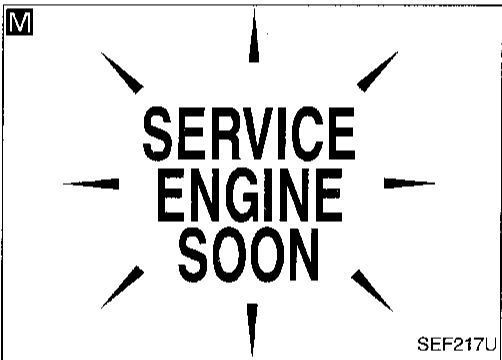
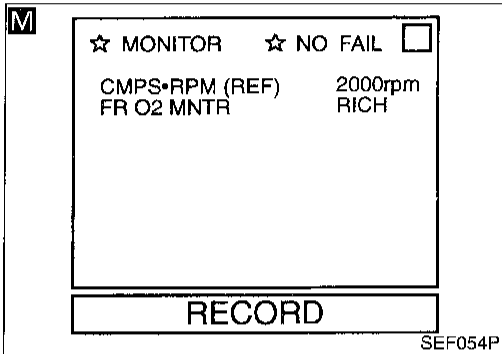
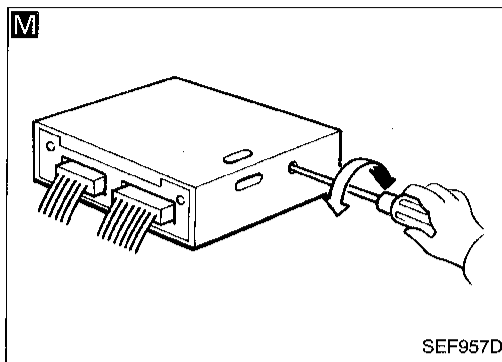
Start engine and warm it up until engine coolant temperature indicator points to the middle of gauge.  
(Be careful to start engine after setting "COOLANT TEMP" or installing a 4.4 kΩ resistor.)

Rev engine two or three times under no-load then run engine at idle speed.

**E**  
(Go to next page.)

# BASIC SERVICE PROCEDURE

## Idle Speed/Ignition Timing/Idle Mixture Ratio Adjustment (Cont'd)



GI  
MA  
EM  
LC  
**EC**  
FE  
CL  
MT  
AT  
FA  
RA  
BR  
ST  
RS  
BT  
HA  
EL  
IDX

\*: ECM may be the cause of a problem, but this is rarely the case.

- If a vehicle contains a part which is operating outside of design specifications with no MIL illumination, the part shall not be replaced prior to emission testing unless it is determined that the part has been tampered with or abused in such a way that the diagnostic system cannot reasonably be expected to detect the resulting malfunction.

# ON BOARD DIAGNOSTIC SYSTEM DESCRIPTION

## Introduction

The ECM has an on board diagnostic system, which detects malfunctions related to engine sensors or actuators. The ECM also records various emission-related diagnostic information including:

- Diagnostic Trouble Code (DTC).....Mode 3 of SAE J1979
- Freeze Frame data .....Mode 2 of SAE J1979
- System Readiness Test (SRT) code.....Mode 1 of SAE J1979
- 1st Trip Diagnostic Trouble Code (1st Trip DTC).....Mode 7 of SAE J1979
- 1st Trip Freeze Frame data
- Test values and Test limits.....Mode 6 of SAE J1979

The above information can be checked using procedures listed in the table below.

	DTC	1st trip DTC	Freeze Frame data	1st trip Freeze Frame data	SRT code	Test value
Diagnostic test mode II (Self-diagnostic results)	○	○*1				
CONSULT	○	○	○	○	○	
GST	○	○*2	○		○	○

\*1: When DTC and 1st trip DTC simultaneously appear on the display, they cannot be clearly distinguished from each other.

\*2: 1st trip DTCs for self-diagnoses concerning SRT items cannot be shown on the GST display.

The malfunction indicator lamp (MIL) on the instrument panel lights up when the same malfunction is detected in two consecutive trips (Two trip detection logic), or when the ECM enters fail-safe mode (Refer to EC-86.).

## Two Trip Detection Logic

When a malfunction is detected for the first time, 1st trip DTC and 1st trip Freeze Frame data are stored in the ECM memory. The MIL will not light up at this stage. <1st trip>

If the same malfunction is detected again during the next drive, the DTC and Freeze Frame data are stored in the ECM memory, and the MIL lights up. The MIL lights up at the same time when the DTC is stored. <2nd trip> The "trip" in the "Two Trip Detection Logic" means a driving mode in which self-diagnosis is performed during vehicle operation. Specific on board diagnostic items will cause the ECM to light up or blink the MIL, and store DTC and Freeze Frame data, even in the 1st trip, as shown below.

Items	MIL			DTC		1st trip DTC	
	1st trip		2nd trip lighting up	1st trip displaying	2nd trip displaying	1st trip displaying	2nd trip displaying
	Blinking	Lighting up					
Misfire (Possible three-way catalyst damage) — DTC: P0300 - P0304 (0701, 0605 - 0608) is being detected	X			X		X	
Misfire (Possible three-way catalyst damage) — DTC: P0300 - P0304 (0701, 0605 - 0608) has been detected		X		X		X	
Closed loop control — DTC: P1148 (0307)		X		X		X	
Fail-safe items (Refer to EC-86.)		X		X*1		X*1	
Except above			X		X	X	X

\*1: Except "ECM".

## Emission-related Diagnostic Information

### DTC AND 1ST TRIP DTC

The 1st trip DTC (whose number is the same as the DTC number) is displayed for the latest self-diagnostic result obtained. If the ECM memory was cleared previously, and the 1st trip DTC did not reoccur, the 1st trip DTC will not be displayed. If a malfunction is detected during the 1st trip, the 1st trip DTC is stored in the ECM memory. The MIL will not light up (two trip detection logic). If the same malfunction is not detected in the 2nd trip (meeting the required driving pattern), the 1st trip DTC is cleared from the ECM memory. If the same malfunction is detected in the 2nd trip, both the 1st trip DTC and DTC are stored in the ECM memory and the MIL lights up. In other words, the DTC is stored in the ECM memory and the MIL lights up when the same malfunction occurs in two consecutive trips. If a 1st trip DTC is stored and a non-diagnostic operation is performed between the 1st and 2nd trips, only the 1st trip DTC will continue to be stored. For malfunctions that blink or light up the MIL during the 1st trip, the DTC and 1st trip DTC are stored in the ECM memory.

Procedures for clearing the DTC and the 1st trip DTC from the ECM memory are described in "HOW TO ERASE EMISSION-RELATED DIAGNOSTIC INFORMATION". Refer to EC-52.


For malfunctions in which 1st trip DTCs are displayed, refer to EC-50. These items are required by legal regulations to continuously monitor the system/component. In addition, the items monitored non-continuously are also displayed on CONSULT.


1st trip DTC is specified in Mode 7 of SAE J1979. 1st trip DTC detection occurs without lighting up the MIL and therefore does not warn the driver of a problem. However, 1st trip DTC detection will not prevent the vehicle from being tested, for example during Inspection/Maintenance (I/M) tests.


When a 1st trip DTC is detected, check, print out or write down and erase (1st trip) DTC and Freeze Frame data as specified in "Work Flow" procedure Step II, refer to page EC-80. Then perform "Diagnostic trouble code confirmation procedure" or "Overall function check" to try to duplicate the problem. If the malfunction is duplicated, the item requires repair.

### How to read DTC and 1st trip DTC

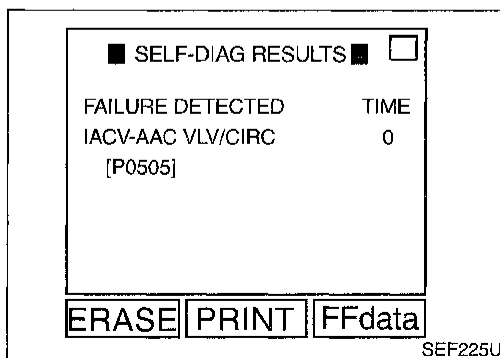
DTC and 1st trip DTC can be read by the following methods.

 1. The number of blinks of the malfunction indicator lamp in the Diagnostic Test Mode II (Self-Diagnostic Results) Examples: 0101, 0201, 1003, 1104, etc.  
These DTCs are controlled by NISSAN.

 2. CONSULT or GST (Generic Scan Tool) Examples: P0340, P1320, P0705, P0750, etc.  
These DTCs are prescribed by SAE J2012.

 (CONSULT also displays the malfunctioning component or system.)

- 1st trip DTC No. is the same as DTC No.
- Output of a DTC indicates a malfunction. However, Mode II and GST do not indicate whether the malfunction is still occurring or has occurred in the past and has returned to normal. CONSULT can identify malfunction status as shown below. Therefore, using CONSULT (if available) is recommended.



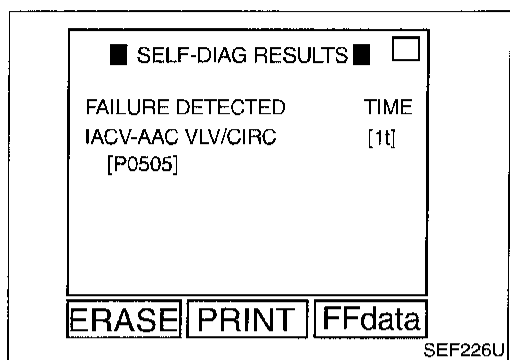
A sample of CONSULT display for DTC is shown at left. DTC or 1st trip DTC of a malfunction is displayed in SELF-DIAGNOSTIC RESULTS mode of CONSULT. Time data indicates how many times the vehicle was driven after the last detection of a DTC.

If the DTC is being detected currently, the time data will be "0".

# ON BOARD DIAGNOSTIC SYSTEM DESCRIPTION

## Emission-related Diagnostic Information (Cont'd)

If a 1st trip DTC is stored in the ECM, the time data will be "[1t]".



### FREEZE FRAME DATA AND 1ST TRIP FREEZE FRAME DATA

The ECM records the driving conditions such as fuel system status, calculated load value, engine coolant temperature, short term fuel trim, long term fuel trim, engine speed, vehicle speed and absolute pressure sensor at the moment a malfunction is detected.

Data which are stored in the ECM memory, along with the 1st trip DTC, are called 1st trip freeze frame data. The data, stored together with the DTC data, are called freeze frame data and displayed on CONSULT or GST. The 1st trip freeze frame data can only be displayed on the CONSULT screen, not on the GST. For details, see EC-65.

Only one set of freeze frame data (either 1st trip freeze frame data or freeze frame data) can be stored in the ECM. 1st trip freeze frame data is stored in the ECM memory along with the 1st trip DTC. There is no priority for 1st trip freeze frame data and it is updated each time a different 1st trip DTC is detected. However, once freeze frame data (2nd trip detection/MIL on) is stored in the ECM memory, 1st trip freeze frame data is no longer stored. Remember, only one set of freeze frame data can be stored in the ECM. The ECM has the following priorities to update the data.

Priority	Items	
1	Freeze frame data	Misfire — DTC: P0300 - P0304 (0701, 0605 - 0608) Fuel Injection System Function — DTC: P0171 (0115), P0172 (0114)
2		Except the above items
3	1st trip freeze frame data	

For example, the EGR malfunction (Priority: 2) was detected and the freeze frame data was stored in the 2nd trip. After that when the misfire (Priority: 1) is detected in another trip, the freeze frame data will be updated from the EGR malfunction to the misfire. The 1st trip freeze frame data is updated each time a different malfunction is detected. There is no priority for 1st trip freeze frame data. However, once freeze frame data is stored in the ECM memory, first trip freeze data is no longer stored (because only one freeze frame data or first trip freeze frame data can be stored in the ECM). If freeze frame data is stored in the ECM memory and freeze frame data with the same priority occurs later, the first (original) freeze frame data remains unchanged in the ECM memory.

Both 1st trip freeze frame data and freeze frame data (along with the DTCs) are cleared when the ECM memory is erased. Procedures for clearing the ECM memory are described in "HOW TO ERASE EMISSION-RELATED DIAGNOSTIC INFORMATION". Refer to EC-52.

### SYSTEM READINESS TEST (SRT) CODE

System Readiness Test (SRT) code is specified in Mode 1 of SAE J1979. It indicates whether the self-diagnostic tests for non-continuously monitored items have been completed or not.

Inspection/Maintenance (I/M) tests of the on board diagnostic (OBD) II system may become the legal requirements in some states/areas. All SRT codes must be set in this case. Unless all SRT codes are set, conducting the I/M test may not be allowed.

SRT codes are set after self-diagnosis has been performed one or more times. This occurs regardless of whether the diagnosis is in "OK" or "NG", and whether or not the diagnosis is performed in consecutive trips. The following table lists the five SRT items (18 test items) for the ECCS used in B14 models.

# ON BOARD DIAGNOSTIC SYSTEM DESCRIPTION

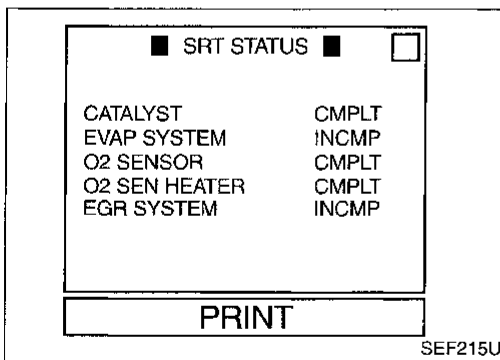
## Emission-related Diagnostic Information (Cont'd)

SRT items	Self-diagnostic test items	
Catalyst monitoring	<ul style="list-style-type: none"> <li>● Three-way catalyst function P0420 (0702)</li> </ul>	GI
EVAP system monitoring	<ul style="list-style-type: none"> <li>● EVAP control system (Small leak — Negative pressure) P0440 (0705)</li> <li>● EVAP control system (Small leak — Positive pressure) P1440 (0213)</li> <li>● EVAP control system purge flow monitoring P1447 (0111)</li> </ul>	MA
Oxygen sensor monitoring	<ul style="list-style-type: none"> <li>● Front heated oxygen sensor (Response monitoring) P0133 (0409)</li> <li>● Front heated oxygen sensor (Rich shift monitoring) P0132 (0410)</li> <li>● Front heated oxygen sensor (Lean shift monitoring) P0131 (0411)</li> <li>● Front heated oxygen sensor (Circuit) P0130 (0303)</li> <li>● Front heated oxygen sensor (High voltage) P0134 (0412)</li> <li>● Rear heated oxygen sensor (Response monitoring) P0139 (0707)</li> <li>● Rear heated oxygen sensor (Max. voltage monitoring) P0138 (0510)</li> <li>● Rear heated oxygen sensor (Min. voltage monitoring) P0137 (0511)</li> <li>● Rear heated oxygen sensor (High voltage) P0140 (0512)</li> </ul>	EM  LC  <b>EC</b>
Oxygen sensor heater monitoring	<ul style="list-style-type: none"> <li>● Front heated oxygen sensor heater P0135 (0901)</li> <li>● Rear heated oxygen sensor heater P0141 (0902)</li> </ul>	FE
EGR system monitoring	<ul style="list-style-type: none"> <li>● EGR function (Close) P0400 (0302)</li> <li>● EGR function (Open) P1402 (0514)</li> <li>● EGRC-BPT valve function P0402 (0306)</li> </ul>	CL

Together with the DTC, the SRT code is cleared from the ECM memory using the method described later (Refer to EC-52). In addition, after ECCS components/system are repaired or if the battery terminals remain disconnected for more than 24 hours, all SRT codes may be cleared from the ECM memory.

### How to display SRT code

1. Selecting "SRT STATUS" in "DTC CONFIRMATION" mode with CONSULT.  
For items whose SRT codes are set, a "CMPLT" is displayed on the CONSULT screen; for items whose SRT codes are not set, "INCMP" is displayed.
2. Selecting Mode 1 with GST (Generic Scan Tool).



A sample of CONSULT display for SRT code is shown at left. "INCMP" means the self-diagnosis is incomplete and SRT is not set. "CMPLT" means the self-diagnosis is complete and SRT is set.

### How to set SRT code

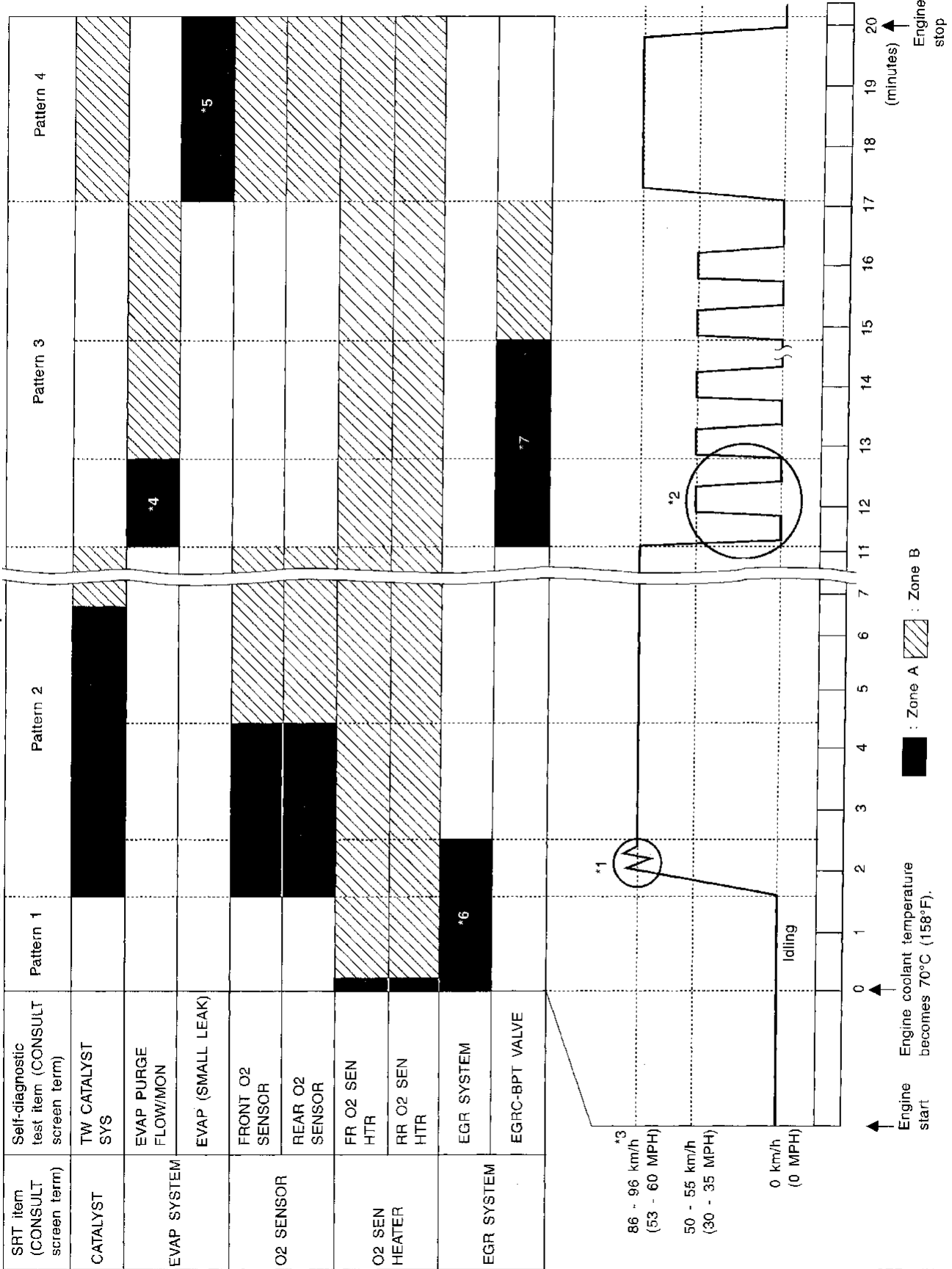
To set all SRT codes, self-diagnosis for the items indicated above must be performed one or more times. Each diagnosis may require a long period of actual driving under various conditions. The most efficient driving pattern in which SRT codes can be properly set is explained on the next page. The driving pattern should be performed one or more times to set all SRT codes.

# ON BOARD DIAGNOSTIC SYSTEM DESCRIPTION

## Emission-related Diagnostic Information (Cont'd)

### Driving pattern

**Note: Always drive vehicle in safe manner according to traffic conditions and obey all traffic laws. Refer to next page for more information and explanation of chart.**



SEF224U



# ON BOARD DIAGNOSTIC SYSTEM DESCRIPTION

## Emission-related Diagnostic Information (Cont'd)

- The time required for each diagnosis varies with road surface conditions, weather, altitude, individual driving habits, etc.

Zone A refers to the range where the time required, for the diagnosis under normal conditions\*, is the shortest. Zone B refers to the range where the diagnosis can still be performed if the diagnosis is not completed within zone A.

\*: Normal conditions refer to the following:

- Sea level
- Flat road
- Ambient air temperature: 20 - 30°C (68 - 86°F)
- Diagnosis is performed as quickly as possible under normal conditions.

Under different conditions [For example: ambient air temperature other than 20 - 30°C (68 - 86°F)], diagnosis may also be performed.

- Pattern 1: ● **The engine is started at the engine coolant temperature of -10 to 35°C (14 to 95°F) (where the voltage between the ECM terminals (51) and (50) is 3.0 - 4.3V).**
- **The engine must be operated at idle speed until the engine coolant temperature is greater than 70°C (158°F) (where the voltage between the ECM terminals (51) and (50) is lower than 1.4V).**
  - **The engine is started at the tank fuel temperature of warmer than 0°C (32°F) (where the voltage between the ECM terminal (63) and ground is less than 4.1V).**

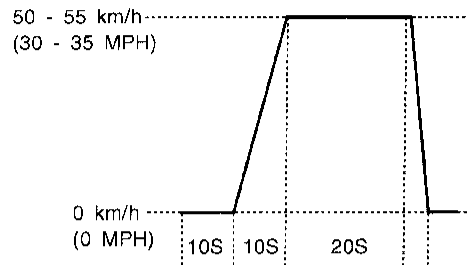
- Pattern 2: ● When steady-state driving is performed again even after it is interrupted, each diagnosis can be conducted. In this case, the time required for diagnosis may be extended.

- Pattern 3: ● The driving pattern outlined in \*2 must be repeated at least 3 times.  
On M/T models, shift gears following "suggested upshift speeds" schedule on the following page.

- Pattern 4: ● Tests are performed after the engine has been operated for at least 17 minutes.
- The accelerator pedal must be held very steady during steady-state driving.
  - If the accelerator pedal is moved, the test must be conducted all over again.

- \*1: Depress the accelerator pedal until vehicle speed is 90 km/h (56 MPH), then release the accelerator pedal and keep it released for more than 10 seconds. Depress the accelerator pedal until vehicle speed is 90 km/h (56 MPH) again.

- \*2: Operate the vehicle in the following driving pattern.
- 1) Decelerate vehicle to 0 km/h and let engine idle.
  - 2) Repeat driving pattern shown below at least 10 times.
    - **During acceleration, hold the accelerator pedal as steady as possible. (The THROTL POS SEN value of CONSULT should be between 0.8 to 1.2V.)**
  - 3) Repeat steps 1 and 2 until the EGR system SRT is set.



SEF414S

- \*3: Checking the vehicle speed with CONSULT or GST is advised.

- \*4: The driving pattern may be omitted when "PURGE FLOW P1447" is performed using the "DTC WORK SUPPORT" mode with CONSULT.

- \*5: The driving pattern may be omitted when "EVAP SML LEAK P0440" is performed using the "DTC WORK SUPPORT" mode with CONSULT.

- \*6: The driving pattern may be omitted when all the following are performed using the "DTC WORK SUPPORT" mode with CONSULT.

- "EGR SYSTEM P0400"
- "EGR SYSTEM P1402"

- \*7: The driving pattern may be omitted when all the following are performed using the "DTC WORK SUPPORT" mode with CONSULT.

- "PURGE FLOW P1447"
- "EGRC-BPT/VLV P0402"

GI

MA

EM

LC

EC

FE

CL

MT

AT

FA

RA

BR

ST

RS

BT

HA

EL

IDX

# ON BOARD DIAGNOSTIC SYSTEM DESCRIPTION

## Emission-related Diagnostic Information (Cont'd)

### Suggested transmission gear position for A/T models

Set the selector lever in the "D" position with "OD" ON.

### Suggested upshift speeds for M/T models

Shown below are suggested vehicle speeds for shifting into a higher gear. These suggestions relate to fuel economy and vehicle performance. Actual upshift speeds will vary according to road conditions, the weather and individual driving habits.

For normal acceleration in low altitude areas [less than 1,219 m (4,000 ft)]:

Gear change	ACCEL shift point km/h (MPH)
1st to 2nd	24 (15)
2nd to 3rd	40 (25)
3rd to 4th	65 (40)
4th to 5th	70 (43)

For quick acceleration in low altitude areas and high altitude areas [over 1,219 m (4,000 ft)]:

Gear change	km/h (MPH)
1st to 2nd	25 (16)
2nd to 3rd	55 (34)
3rd to 4th	75 (47)
4th to 5th	80 (50)

### Suggested maximum speed in each gear

Downshift to a lower gear if the engine is not running smoothly, or if you need to accelerate.

Do not exceed the maximum suggested speed (shown below) in any gear. For level road driving, use the highest gear suggested for that speed. Always observe posted speed limits and drive according to the road conditions to ensure safe operation. Do not over-rev the engine when shifting to a lower gear as it may cause engine damage or loss of vehicle control.

Gear	km/h (MPH)
1st	50 (30)
2nd	90 (56)

# ON BOARD DIAGNOSTIC SYSTEM DESCRIPTION

## Emission-related Diagnostic Information (Cont'd)

### TEST VALUE AND TEST LIMIT (GST only — not applicable to CONSULT)

The following is the information specified in Mode 6 of SAE J1979.

The test value is a parameter used to determine whether a system/circuit diagnostic test is "OK" or "NG" while being monitored by the ECM during self-diagnosis. The test limit is a reference value which is specified as the maximum or minimum value and is compared with the test value being monitored.

Items for which these data (test value and test limit) are displayed are the same as SRT code items (9 test items).

These data (test value and test limit) are specified by Test ID (TID) and Component ID (CID) and can be displayed on the GST screen.

X: Applicable  
—: Not applicable

SRT item (CONSULT display)	Self-diagnostic test item	Test value (GST display)		Test limit	Application
		TID	CID		
CATALYST	Three-way catalyst function	01H	01H	Max.	X
		02H	81H	Min.	X
EVAP SYSTEM	EVAP control system (Small leak)	05H	03H	Max.	X
	EVAP control system purge flow monitoring	06H	83H	Min.	X
O2 SENSOR	Front heated oxygen sensor	09H	04H	Max.	X
		0AH	84H	Min.	X
		0BH	04H	Max.	X
		0CH	04H	Max.	X
	Rear heated oxygen sensor	0DH	04H	Max.	X
		19H	86H	Min.	X
		1AH	86H	Min.	X
		1BH	06H	Max.	X
1CH	06H	Max.	X		
O2 SENSOR HEATER	Front heated oxygen sensor heater	29H	08H	Max.	X
		2AH	88H	Min.	X
	Rear heated oxygen sensor heater	2DH	0AH	Max.	X
		2EH	8AH	Min.	X
EGR SYSTEM	EGR function	31H	8CH	Min.	X
		32H	8CH	Min.	X
		33H	8CH	Min.	X
		34H	8CH	Min.	X
		35H	0CH	Max.	X
	EGRC-BPT valve function	36H	0CH	Max.	X
		37H	8CH	Min.	X

CI

MA

EM

LC

EC

FE

CL

MT

AT

FA

RA

BR

ST

RS

BT

HA

EL

IDX

# ON BOARD DIAGNOSTIC SYSTEM DESCRIPTION

## Emission-related Diagnostic Information (Cont'd)

### EMISSION-RELATED DIAGNOSTIC INFORMATION ITEMS

X: Applicable  
—: Not applicable

Items (CONSULT screen terms)	DTC*4		SRT code	Test value/ Test limit	1st trip DTC	Reference page
	CONSULT GST*2	ECM*1				
<b>NO SELF DIAGNOSTIC FAILURE INDICATED</b>	<b>P0000</b>	<b>0505</b>	—	—	—	—
MAF SEN/CIRCUIT	P0100	0102	—	—	X	EC-110
ABSL PRES SEN/CIRC	P0105	0803	—	—	X	EC-119
AIR TEMP SEN/CIRC	P0110	0401	—	—	X	EC-127
COOLANT T SEN/CIRC	P0115	0103	—	—	X	EC-133
THRTL POS SEN/CIRC	P0120	0403	—	—	X	EC-138
*COOLAN T SEN/CIRC	P0125	0908	—	—	X	EC-149
FRONT O2 SENSOR	P0130	0303	X	X	X*3	EC-154
FRONT O2 SENSOR	P0131	0411	X	X	X*3	EC-161
FRONT O2 SENSOR	P0132	0410	X	X	X*3	EC-167
FRONT O2 SENSOR	P0133	0409	X	X	X*3	EC-173
FRONT O2 SENSOR	P0134	0412	X	X	X*3	EC-181
FR O2 SEN HEATER	P0135	0901	X	X	X*3	EC-186
REAR O2 SENSOR	P0137	0511	X	X	X*3	EC-190
REAR O2 SENSOR	P0138	0510	X	X	X*3	EC-197
REAR O2 SENSOR	P0139	0707	X	X	X*3	EC-204
REAR O2 SENSOR	P0140	0512	X	X	X*3	EC-210
RR O2 SEN HEATER	P0141	0902	X	X	X*3	EC-215
FUEL SYS DIAG-LEAN	P0171	0115	—	—	X	EC-219
FUEL SYS DIAG-RICH	P0172	0114	—	—	X	EC-225
FUEL TEMP SEN/CIRC	P0180	0402	—	—	X	EC-231
MULTI CYL MISFIRE	P0300	0701	—	—	X	EC-235
CYL 1 MISFIRE	P0301	0608	—	—	X	EC-235
CYL 2 MISFIRE	P0302	0607	—	—	X	EC-235
CYL 3 MISFIRE	P0303	0606	—	—	X	EC-235
CYL 4 MISFIRE	P0304	0605	—	—	X	EC-235
KNOCK SEN/CIRCUIT	P0325	0304	—	—	X	EC-240
CPS/CIRCUIT (OBD)	P0335	0802	—	—	X	EC-244
CAM POS SEN/CIR	P0340	0101	—	—	X	EC-249
EGR SYSTEM	P0400	0302	X	X	X*3	EC-255
EGRC-BPT VALVE	P0402	0306	X	X	X*3	EC-263
TW CATALYST SYSTEM	P0420	0702	X	X	X*3	EC-268
EVAP SMALL LEAK	P0440	0705	X	X	X*3	EC-272
PURG VOLUME CONT/V	P0443	1008	—	—	X	EC-283
VENT CONTROL VALVE	P0446	0903	—	—	X	EC-289
EVAP0 SYS PRES SEN	P0450	0704	—	—	X	EC-294

\*1: In Diagnostic Test Mode II (Self-diagnostic results). These numbers are controlled by NISSAN.

\*2: These numbers are prescribed by SAE J2012.

\*3: These are not displayed with GST.

\*4: 1st trip DTC No. is the same as DTC No.

# ON BOARD DIAGNOSTIC SYSTEM DESCRIPTION

## Emission-related Diagnostic Information (Cont'd)

X: Applicable  
—: Not applicable

Items (CONSULT screen terms)	DTC*4		SRT code	Test value/ Test limit	1st trip DTC	Reference page
	CONSULT GST*2	ECM*1				
VEH SPEED SEN/CIRC	P0500	0104	—	—	X	EC-300
IACV/AAC VLV/CIRC	P0505	0205	—	—	X	EC-304
CLOSED TP SW/CIRC	P0510	0203	—	—	X	EC-311
ECM	P0605	0301	—	—	X	EC-316
MAP/BAR SW SOL/CIR	P1105	1302	—	—	X	EC-318
INT/V TIMING CONT	P1110	0805	—	—	X	EC-326
CLOSED LOOP	P1148	0307	—	—	X	EC-334
IGN SIGNAL-PRIMARY	P1320	0201	—	—	X	EC-336
CPS/CIRC (OBD) COG	P1336	0905	—	—	X	EC-343
EGRC SOLENOID/V	P1400	1005	—	—	X	EC-348
EGR TEMP SEN/CIRC	P1401	0305	—	—	X	EC-353
EGR SYSTEM	P1402	0514	X	X	X*3	EC-359
EVAP SMALL LEAK	P1440	0213	X	X	X*3	EC-366
PURG VOLUME CONT/V	P1444	0214	—	—	X	EC-378
VENT CONTROL VALVE	P1446	0215	—	—	X	EC-386
EVAP PURG FLOW/MON	P1447	0111	X	X	X*3	EC-391
VENT CONTROL VALVE	P1448	0309	—	—	X	EC-400
VC/V BYPASS/V	P1490	0801	—	—	X	EC-406
VC CUT/V BYPASS/V	P1491	0311	—	—	X	EC-411
PURG CONT/V S/V	P1492	0807	—	—	X	EC-417
PURG CONT/V & S/V	P1493	0312	—	—	X	EC-423
P-N POS SW/CIRCUIT	P1706	1003	—	—	X	EC-431
TOR CONV CLTCH S/V	P1775	0904	—	—	X	EC-436
TOR CONV CLTCH S/V	P1776	0513	—	—	X	EC-441

\*1: In Diagnostic Test Mode II (Self-diagnostic results). These numbers are controlled by NISSAN.

\*2: These numbers are prescribed by SAE J2012.

\*3: These are not displayed with GST.

\*4: 1st trip DTC No. is the same as DTC No.

GI

MA

EM

LC

**EC**

FE

CL

MT

AT

FA

RA

BR

ST

RS

BT

HA

EL

DX

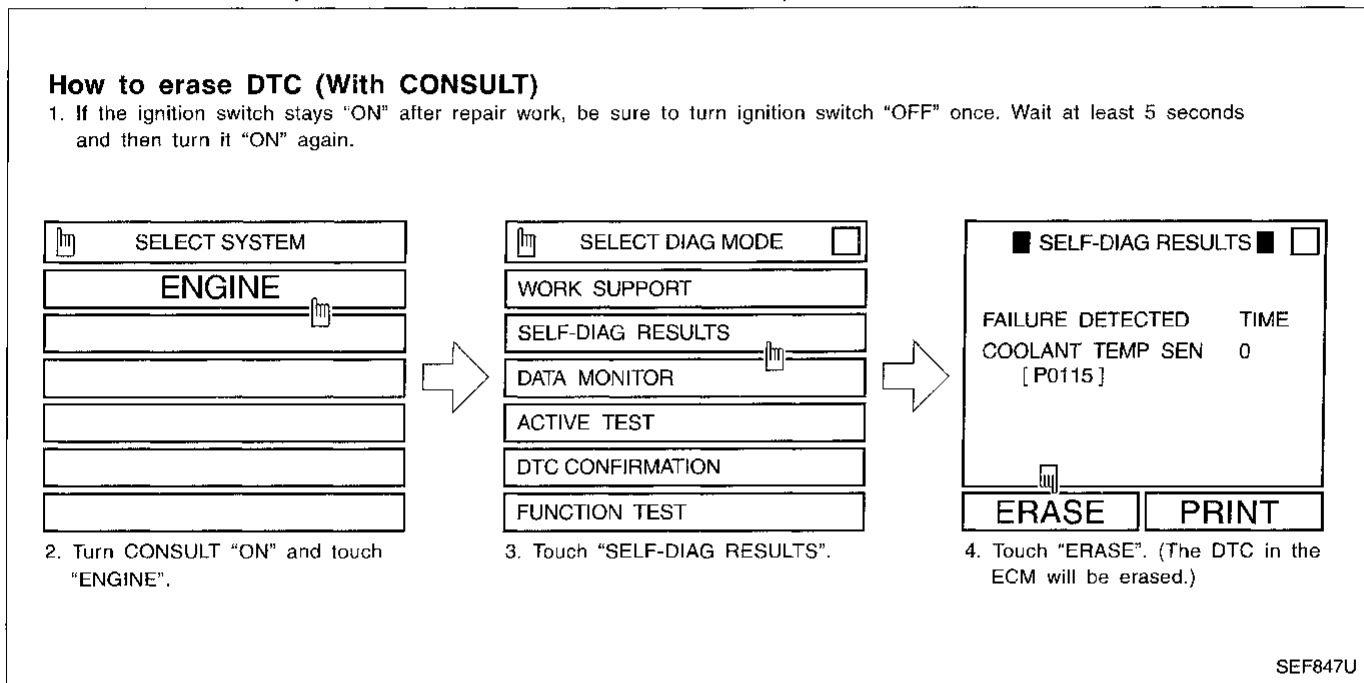
# ON BOARD DIAGNOSTIC SYSTEM DESCRIPTION

## Emission-related Diagnostic Information (Cont'd)

### HOW TO ERASE EMISSION-RELATED DIAGNOSTIC INFORMATION

#### How to erase DTC (With CONSULT)

1. If the ignition switch stays "ON" after repair work, be sure to turn ignition switch "OFF" once. Wait at least 5 seconds and then turn it "ON" (engine stopped) again.
2. Turn CONSULT "ON".
3. Touch "ENGINE".
4. Touch "SELF-DIAG RESULTS".
5. Touch "ERASE". (The DTC in the ECM will be erased.)



The emission-related diagnostic information can be erased by selecting "ERASE" in the "SELF-DIAG RESULTS" mode with CONSULT.

#### How to erase DTC (With GST)

1. If the ignition switch stays "ON" after repair work, be sure to turn ignition switch "OFF" once. Wait at least 5 seconds and then turn it "ON" (engine stopped) again.
  2. Select Mode 4 with GST (Generic Scan Tool).
- The emission-related diagnostic information can be erased by selecting Mode 4 with GST (Generic Scan Tool).

#### How to erase DTC (No Tools)

1. If the ignition switch stays "ON" after repair work, be sure to turn ignition switch "OFF" once. Wait at least 5 seconds and then turn it "ON" again.
2. Change the diagnostic test mode from Mode II to Mode I by turning the mode selector on the ECM. (See EC-55.)

The emission-related diagnostic information can be erased by changing the diagnostic test mode from Diagnostic Test Mode II to Mode I by turning the mode selector on the ECM. (Refer to EC-55.)

#### NOTE:

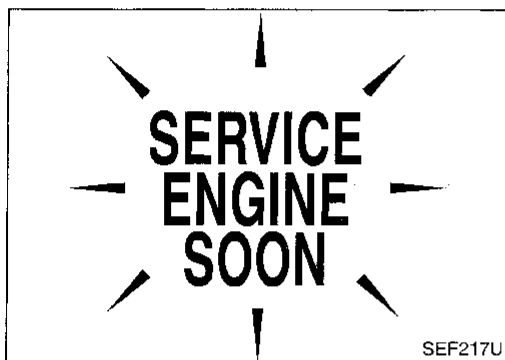
- If the battery is disconnected, the emission-related diagnostic information will be lost after approx. 24 hours.
- Erasing the emission-related diagnostic information using CONSULT or GST is easier and quicker than switching the mode selector on the ECM.
- The following data are cleared when the ECM memory is erased.
  1. Diagnostic trouble codes
  2. 1st trip diagnostic trouble codes

# ON BOARD DIAGNOSTIC SYSTEM DESCRIPTION

## Emission-related Diagnostic Information (Cont'd)

3. Freeze frame data
4. 1st trip freeze frame data
5. System readiness test (SRT) codes
6. Test values
7. Others

Actual work procedures are explained using a DTC as an example. Be careful so that not only the DTC, but all of the data listed above, are cleared from the ECM memory during work procedures.



### Malfunction Indicator Lamp (MIL)

1. The malfunction indicator lamp will light up when the ignition switch is turned ON without the engine running. This is a bulb check.
  - If the malfunction indicator lamp does not light up, refer to EL section ("WARNING LAMPS AND CHIME") or see EC-481.
2. When the engine is started, the malfunction indicator lamp should go off. If the lamp remains on, the on board diagnostic system has detected an engine system malfunction.

### ON BOARD DIAGNOSTIC SYSTEM FUNCTION

The on board diagnostic system has the following four functions.

#### Diagnostic Test Mode I

1. BULB CHECK : This function checks the MIL bulb for damage (blown, open circuit, etc.). If the MIL does not come on, check MIL circuit and ECM test mode selector. (See next page.)
2. MALFUNCTION WARNING : This is a usual driving condition. When a malfunction is detected twice in two consecutive driving cycles (two trip detection logic), the MIL will light up to inform the driver that a malfunction has been detected. The following malfunctions will light up or blink the MIL in the 1st trip.
  - "Misfire (Possible three-way catalyst damage)"
  - "Closed loop control"
  - Fail-safe mode

#### Diagnostic Test Mode II

3. SELF-DIAGNOSTIC RESULTS : This function allows DTCs and 1st trip DTCs to be read.
4. FRONT HEATED OXYGEN SENSOR MONITOR : This function allows the fuel mixture condition (lean or rich), monitored by front heated oxygen sensor, to be read.

GI

MA

EM

LC

EC

FE

CL

MT

AT

FA

RA

BR

ST

RS

BT

HA

EL

IDX




# ON BOARD DIAGNOSTIC SYSTEM DESCRIPTION

## Malfunction Indicator Lamp (MIL) (Cont'd)

### MIL flashing without DTC

If the ECM is in Diagnostic Test Mode II, MIL may flash when engine is running. In this case, check ECM test mode selector following "HOW TO SWITCH DIAGNOSTIC TEST MODES" on next page.

How to switch the diagnostic test (function) modes, and details of the above functions are described later. (Refer to EC-55.)

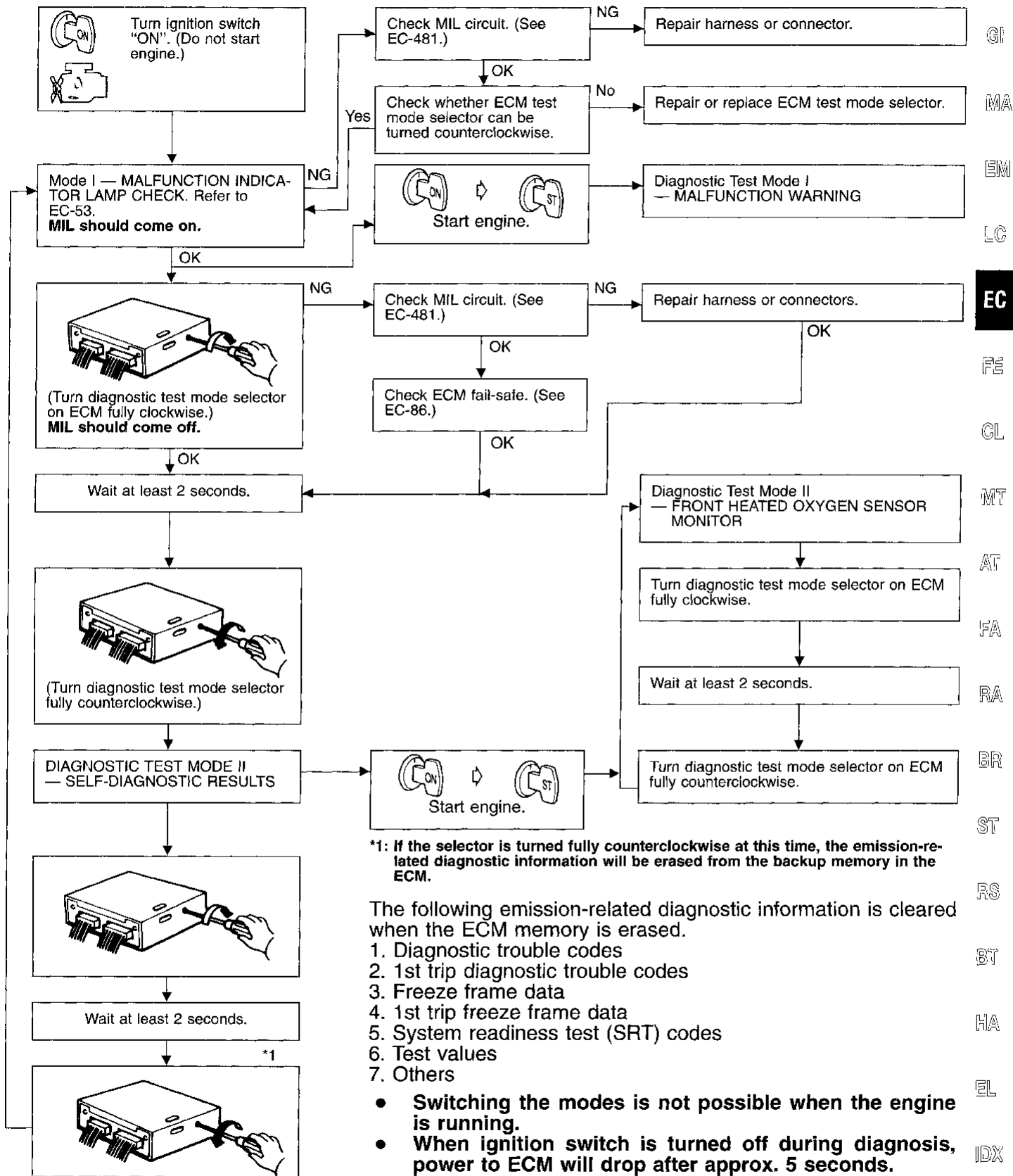
Condition		Diagnostic Test Mode I	Diagnostic Test Mode II
Ignition switch in "ON" position 	Engine stopped 	BULB CHECK	SELF-DIAGNOSTIC RESULTS
	Engine running 	MALFUNCTION WARNING	FRONT HEATED OXYGEN SENSOR MONITOR



# ON BOARD DIAGNOSTIC SYSTEM DESCRIPTION

## Malfunction Indicator Lamp (MIL) (Cont'd)

### HOW TO SWITCH DIAGNOSTIC TEST MODES



# ON BOARD DIAGNOSTIC SYSTEM DESCRIPTION

## Malfunction Indicator Lamp (MIL) (Cont'd)

### DIAGNOSTIC TEST MODE I—BULB CHECK

In this mode, the MALFUNCTION INDICATOR LAMP on the instrument panel should stay ON. If it remains OFF, check the bulb. Refer to EL section ("WARNING LAMPS AND CHIME") or see EC-481.

### DIAGNOSTIC TEST MODE I—MALFUNCTION WARNING

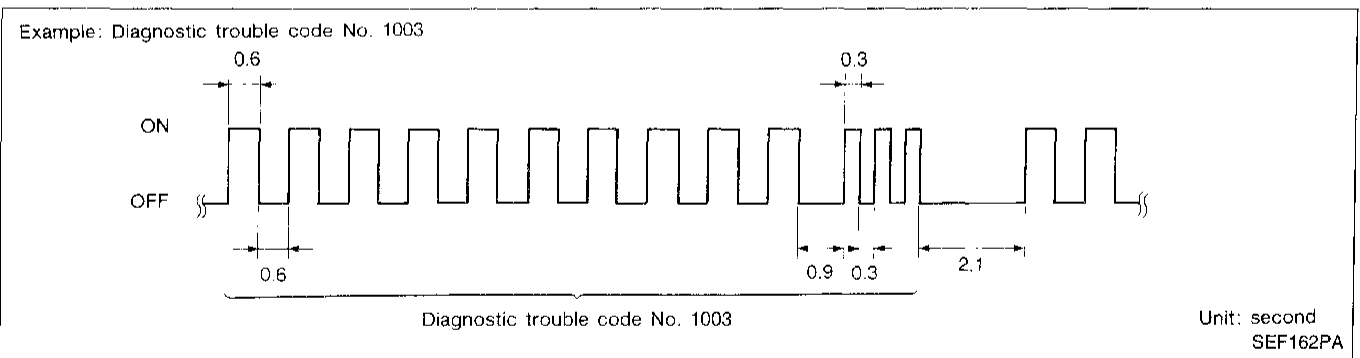
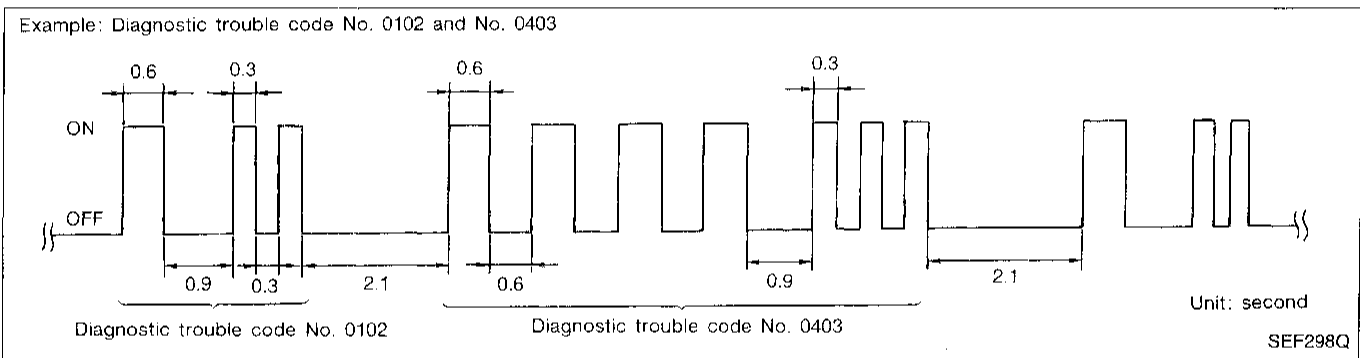
MALFUNCTION INDICATOR LAMP	Condition
ON	When the malfunction is detected or the ECM's CPU is malfunctioning.
OFF	No malfunction.

- These Diagnostic Trouble Code Numbers are clarified in Diagnostic Test Mode II (SELF-DIAGNOSTIC RESULTS).

### DIAGNOSTIC TEST MODE II—SELF-DIAGNOSTIC RESULTS

In this mode, the DTC and 1st trip DTC are indicated by the number of blinks of the MALFUNCTION INDICATOR LAMP.

The DTC and 1st trip DTC are displayed at the same time. If the MIL does not illuminate in diagnostic test mode 1 (Malfunction warning), all displayed items are 1st trip DTC's. If only one code is displayed when the MIL illuminates in diagnostic test mode II (SELF-DIAGNOSTIC RESULTS), it is a DTC; if two or more codes are displayed, they may be either DTC's or 1st trip DTC's. DTC No. is same as that of 1st trip DTC. These unidentified codes can be identified by using the consult or GST. A DTC will be used as an example for how to read a code.



Long (0.6 second) blinking indicates the two LH digits of number and short (0.3 second) blinking indicates the two RH digits of number. For example, the malfunction indicator lamp blinks 10 times for 6 seconds (0.6 sec x 10 times) and then it blinks three times for about 1 second (0.3 sec x 3 times). This indicates the DTC "1003" and refers to the malfunction of the neutral position switch.

In this way, all the detected malfunctions are classified by their diagnostic trouble code numbers. The DTC "0505" refers to no malfunction. (See DIAGNOSTIC TROUBLE CODE (DTC) INDEX, EC-2.)

# ON BOARD DIAGNOSTIC SYSTEM DESCRIPTION

## Malfunction Indicator Lamp (MIL) (Cont'd)

### How to erase diagnostic test mode II (Self-diagnostic results)

The diagnostic trouble code can be erased from the backup memory in the ECM when the diagnostic test mode is changed from Diagnostic Test Mode II to Diagnostic Test Mode I. (Refer to "HOW TO SWITCH DIAGNOSTIC TEST MODES".)

- If the battery is disconnected, the diagnostic trouble code will be lost from the backup memory after approx. 24 hours.
- Be careful not to erase the stored memory before starting trouble diagnoses.

### DIAGNOSTIC TEST MODE II — FRONT HEATED OXYGEN SENSOR MONITOR

In this mode, the MALFUNCTION INDICATOR LAMP displays the condition of the fuel mixture (lean or rich) which is monitored by the front heated oxygen sensor.

MALFUNCTION INDICATOR LAMP	Fuel mixture condition in the exhaust gas	Air fuel ratio feedback control condition
ON	Lean	Closed loop system
OFF	Rich	
*Remains ON or OFF	Any condition	Open loop system

\*: Maintains conditions just before switching to open loop.

To check the front heated oxygen sensor function, start engine in the Diagnostic Test Mode II and warm it up until engine coolant temperature indicator points to the middle of the gauge.

Next run engine at about 2,000 rpm for about 2 minutes under no-load conditions. Then make sure that the MALFUNCTION INDICATOR LAMP comes ON more than 5 times within 10 seconds with engine running at 2,000 rpm under no-load.

## OBD System Operation Chart

### RELATIONSHIP BETWEEN MIL, 1ST TRIP DTC, DTC, AND DETECTABLE ITEMS

- When a malfunction is detected for the first time, the 1st trip DTC and the 1st trip freeze frame data are stored in the ECM memory.
- When the same malfunction is detected in two consecutive trips, the DTC and the freeze frame data are stored in the ECM memory, and the MIL will come on. For details, refer to "Two Trip Detection Logic" on EC-42.
- The MIL will go off after the vehicle is driven 3 times with no malfunction. The drive is counted only when the recorded driving pattern is met (as stored in the ECM). If another malfunction occurs while counting, the counter will reset.
- The DTC and the freeze frame data will be stored until the vehicle is driven 40 times (driving pattern A) without the same malfunction recurring (except for Misfire and Fuel Injection System). For Misfire and Fuel Injection System, the DTC and freeze frame data will be stored until the vehicle is driven 80 times (driving pattern C) without the same malfunction recurring. The "TIME" in "SELF-DIAGNOSTIC RESULTS" mode of CONSULT will count the number of times the vehicle is driven.
- The 1st trip DTC is not displayed when the self-diagnosis results in "OK" for the 2nd trip.

### SUMMARY CHART

Items	Fuel Injection System	Misfire	Other
MIL (goes off)	3 (pattern B)	3 (pattern B)	3 (pattern B)
DTC, Freeze Frame Data (no display)	80 (pattern C)	80 (pattern C)	40 (pattern A)
1st Trip DTC (clear)	1 (pattern C), *1	1 (pattern C), *1	1 (pattern B)
1st Trip Freeze Frame Data (clear)	*1, *2	*1, *2	1 (pattern B)

Details about patterns "B" and "C" for "Fuel Injection System" and "Misfire" are on EC-59.

Details about patterns "A" and "B" for "Other" are on EC-61.

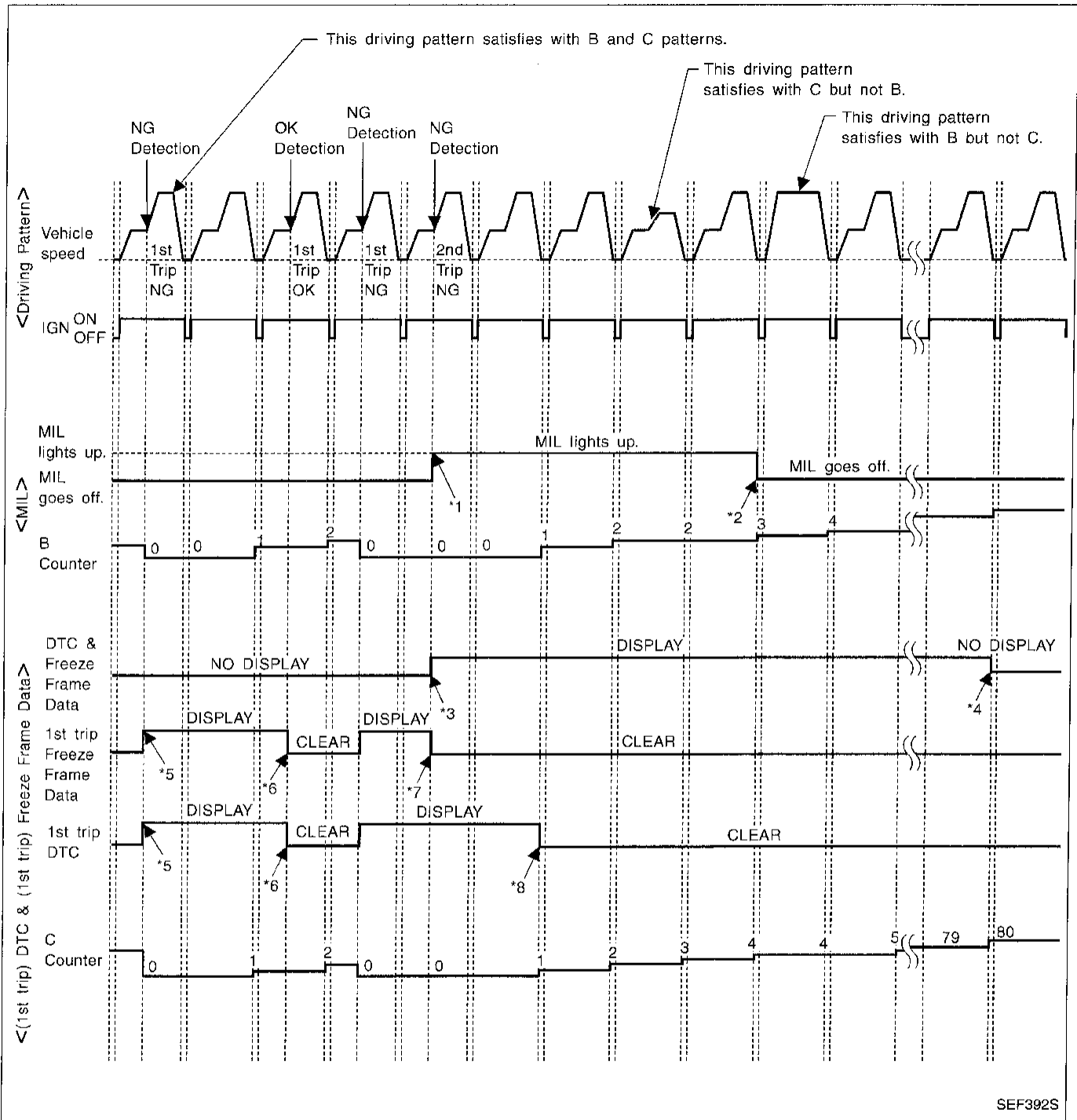
\*1: Clear timing is at the moment OK is detected.

\*2: Clear timing is when the same malfunction is detected in the 2nd trip.

# ON BOARD DIAGNOSTIC SYSTEM DESCRIPTION

## OBD System Operation Chart (Cont'd)

### RELATIONSHIP BETWEEN MIL, DTC, 1ST TRIP DTC AND DRIVING PATTERNS FOR "MISFIRE" <EXHAUST QUALITY DETERIORATION>, "FUEL INJECTION SYSTEM"



- \*1: When the same malfunction is detected in two consecutive trips, MIL will light up.
- \*2: MIL will go off after vehicle is driven 3 times (pattern B) without any malfunctions.
- \*3: When the same malfunction is detected in two consecutive trips, the DTC and the freeze frame data will be stored in ECM.
- \*4: The DTC and the freeze frame data will not be displayed any longer after vehicle is driven 80 times (pattern C) without the same malfunction. (The DTC and the freeze frame data still remain in ECM.)

- \*5: When a malfunction is detected for the first time, the 1st trip DTC and the 1st trip freeze frame data will be stored in ECM.
- \*6: The 1st trip DTC and the 1st trip freeze frame data will be cleared at the moment OK is detected.
- \*7: When the same malfunction is detected in the 2nd trip, the 1st trip freeze frame data will be cleared.
- \*8: 1st trip DTC will be cleared when vehicle is driven once (pattern C) without the same malfunction after DTC is stored in ECM.

# ON BOARD DIAGNOSTIC SYSTEM DESCRIPTION

## OBD System Operation Chart (Cont'd)

### EXPLANATION FOR DRIVING PATTERNS FOR "MISFIRE <EXHAUST QUALITY DETERIORATION>", "FUEL INJECTION SYSTEM"

#### <Driving pattern B>

Driving pattern B means the vehicle operation as follows:

All components and systems should be monitored at least once by the OBD system.

- The B counter will be cleared when the malfunction is detected once regardless of the driving pattern.
- The B counter will be counted up when driving pattern B is satisfied without any malfunction.
- The MIL will go off when the B counter reaches 3. (\*2 in "OBD SYSTEM OPERATION CHART")

#### <Driving pattern C>

Driving pattern C means the vehicle operation as follows:

(1) The following conditions should be satisfied at the same time:

Engine speed: (Engine speed in the freeze frame data)  $\pm 375$  rpm

Calculated load value: (Calculated load value in the freeze frame data)  $\times (1 \pm 0.1)$  [%]

Engine coolant temperature (T) condition:

- When the freeze frame data shows lower than 70°C (158°F), "T" should be lower than 70°C (158°F).
- When the freeze frame data shows higher than or equal to 70°C (158°F), "T" should be higher than or equal to 70°C (158°F).

Example:

If the stored freeze frame data is as follows:

Engine speed: 850 rpm, Calculated load value: 30%, Engine coolant temperature: 80°C (176°F)

To be satisfied with driving pattern C, the vehicle should run under the following conditions:

Engine speed: 475 - 1,225 rpm, Calculated load value: 27 - 33%, Engine coolant temperature: more than 70°C (158°F)

- The C counter will be cleared when the malfunction is detected regardless of (1).
- The C counter will be counted up when (1) is satisfied without the same malfunction.
- The DTC will not be displayed after C counter reaches 80.
- The 1st trip DTC will be cleared when C counter is counted once without the same malfunction after DTC is stored in ECM.

GI

MA

EM

LC

EC

FE

CL

MT

AT

FA

RA

BR

ST

RS

BT

HA

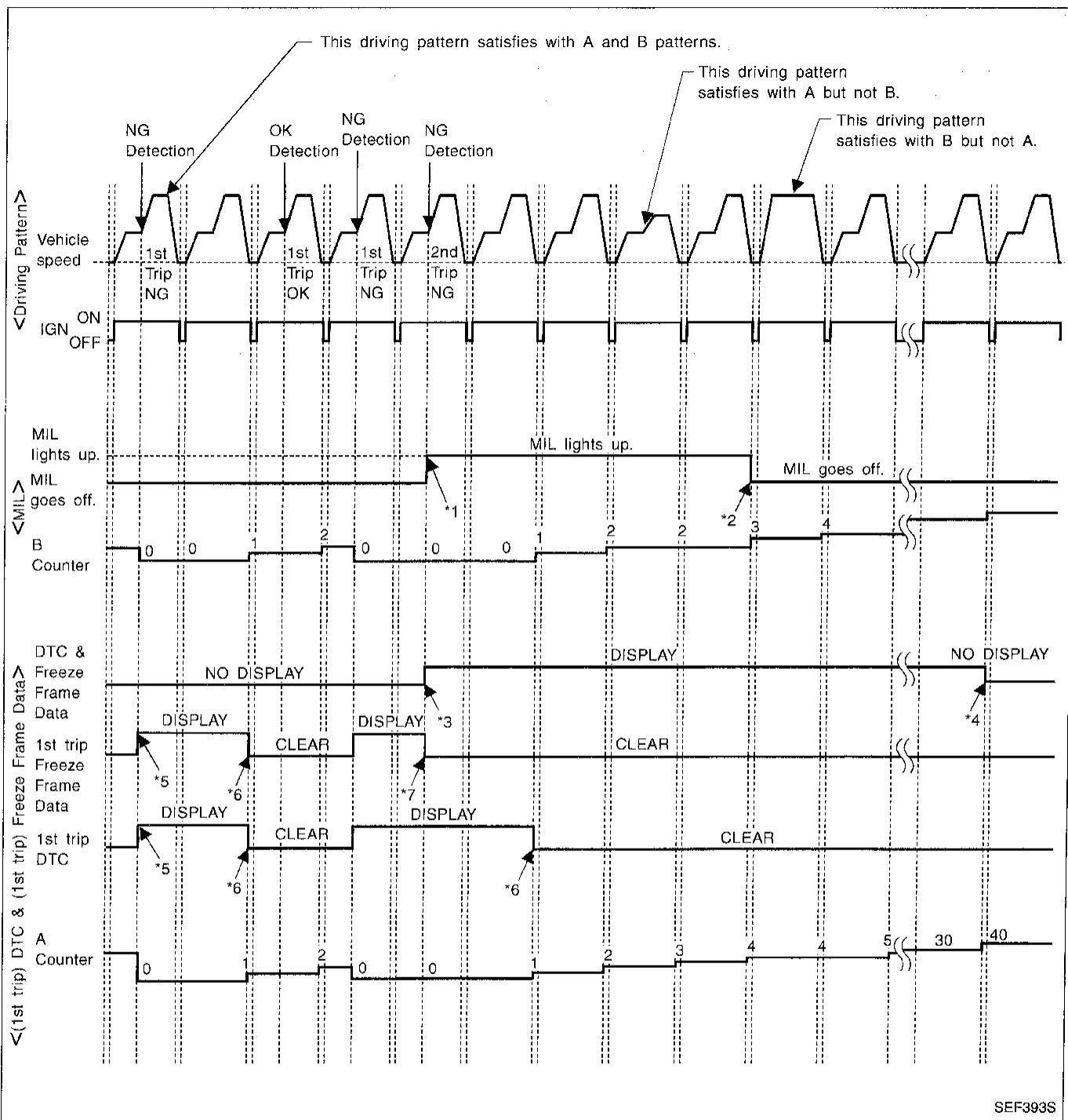
EL

IDX

# ON BOARD DIAGNOSTIC SYSTEM DESCRIPTION

## OBD System Operation Chart (Cont'd)

### RELATIONSHIP BETWEEN MIL, DTC, 1ST TRIP DTC AND DRIVING PATTERNS EXCEPT FOR "MISFIRE <EXHAUST QUALITY DETERIORATION>", "FUEL INJECTION SYSTEM"



- \*1: When the same malfunction is detected in two consecutive trips, MIL will light up.
- \*2: MIL will go off after vehicle is driven 3 times (pattern B) without any malfunctions.
- \*3: When the same malfunction is detected in two consecutive trips, the DTC and the freeze frame data will be stored in ECM.
- \*4: The DTC and the freeze frame data will not be displayed any longer after vehicle is driven 40 times (pattern A) without the same malfunction. (The DTC and the freeze frame data still remain in ECM.)

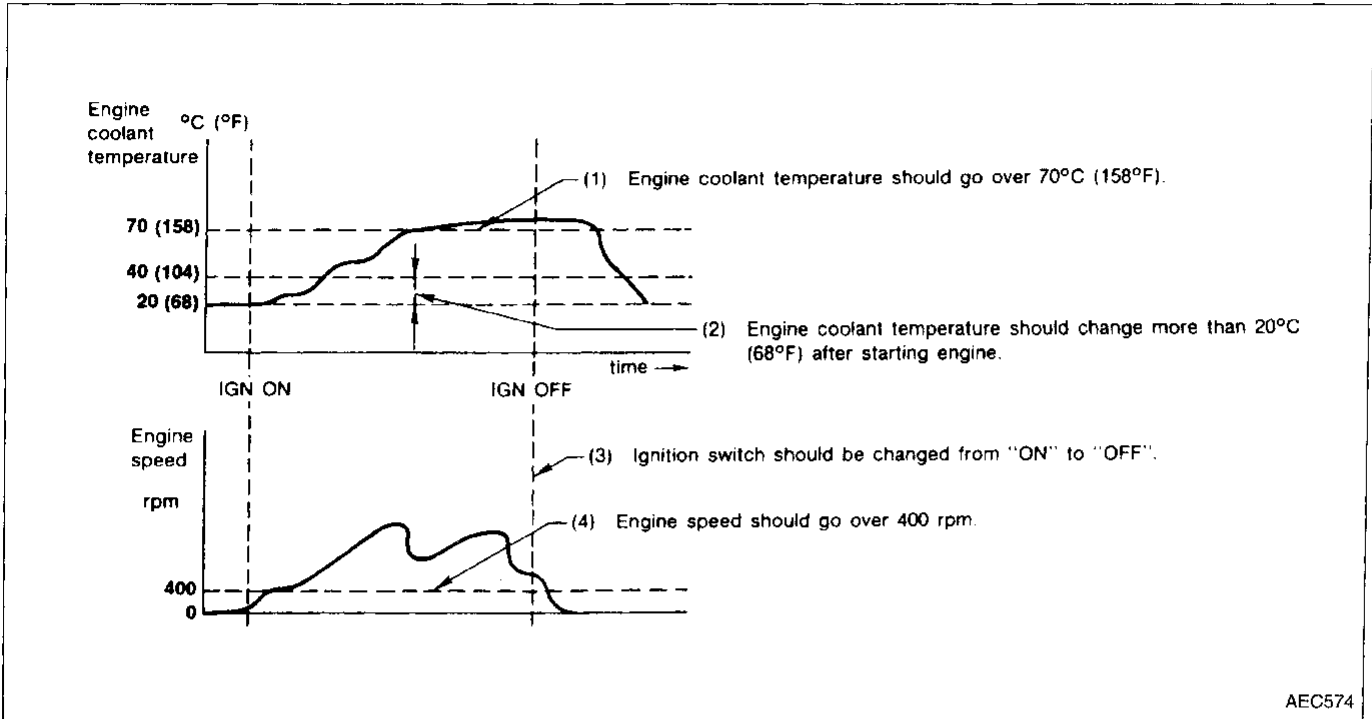
- \*5: When a malfunction is detected for the first time, the 1st trip DTC and the 1st trip freeze frame data will be stored in ECM.
- \*6: 1st trip DTC will be cleared after vehicle is driven once (pattern B) without the same malfunction.
- \*7: When the same malfunction is detected in the 2nd trip, the 1st trip freeze frame data will be cleared.

# ON BOARD DIAGNOSTIC SYSTEM DESCRIPTION

## OBD System Operation Chart (Cont'd)

EXPLANATION FOR DRIVING PATTERNS EXCEPT FOR "MISFIRE <EXHAUST QUALITY DETERIORATION>", "FUEL INJECTION SYSTEM"

### <Driving pattern A>



- The A counter will be cleared when the malfunction is detected regardless of (1) - (4).
- The A counter will be counted up when (1) - (4) are satisfied without the same malfunction.
- The DTC will not be displayed after the A counter reaches 40.

### <Driving pattern B>

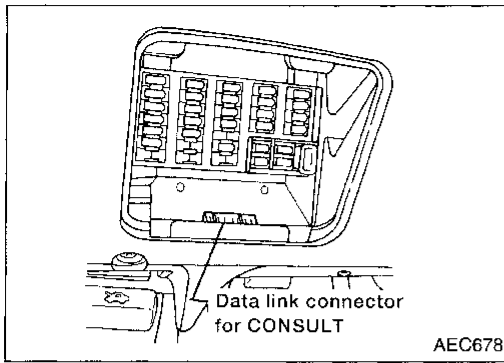
Driving pattern B means the vehicle operation as follows:

All components and systems should be monitored at least once by the OBD system.

- The B counter will be cleared when the malfunction is detected once regardless of the driving pattern.
- The B counter will be counted up when driving pattern B is satisfied without any malfunctions.
- The MIL will go off when the B counter reaches 3 (\*2 in "OBD SYSTEM OPERATION CHART").

GI  
MA  
EM  
LC  
EC  
FE  
CL  
MT  
AT  
FA  
RA  
BR  
ST  
RS  
BT  
HA  
EL  
IDX

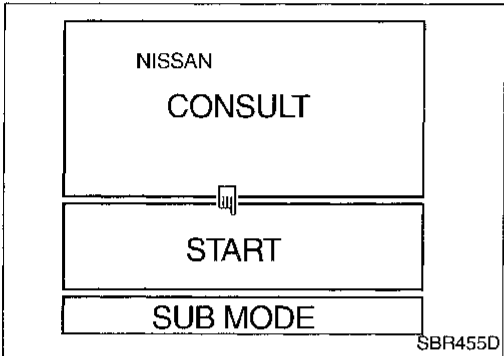
# ON BOARD DIAGNOSTIC SYSTEM DESCRIPTION



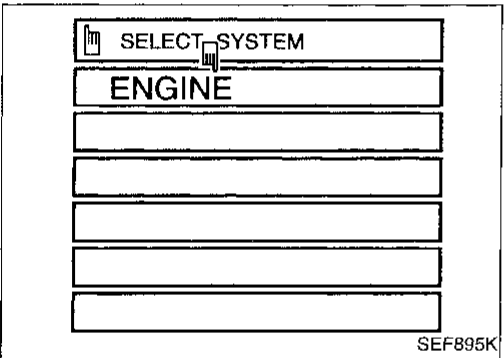
## CONSULT

### CONSULT INSPECTION PROCEDURE

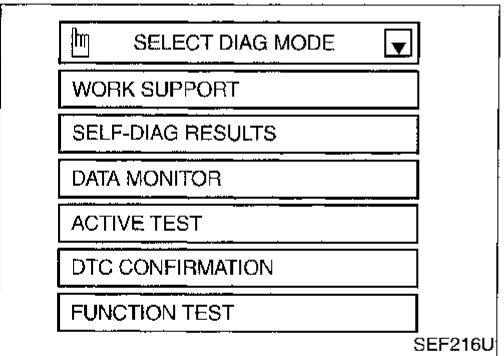
1. Turn off ignition switch.
2. Connect "CONSULT" to data link connector for CONSULT. (Data link connector for CONSULT is located behind the fuse box cover.)



3. Turn on ignition switch.
4. Touch "START".



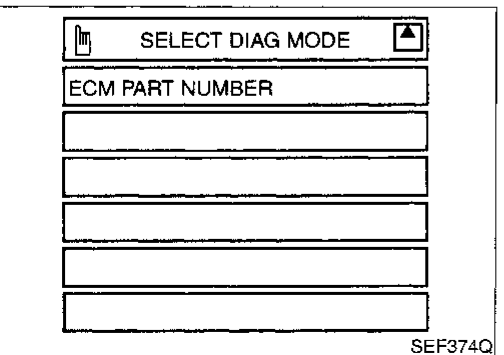
5. Touch "ENGINE".



6. Perform each diagnostic test mode according to each service procedure.

**For further information, see the CONSULT Operation Manual.**

**This sample shows the display when using the UEOBD98 program card. Screen differs in accordance with the program card used.**





# ON BOARD DIAGNOSTIC SYSTEM DESCRIPTION

## CONSULT (Cont'd)

### ECCS COMPONENT PARTS/CONTROL SYSTEMS APPLICATION

		Item	DIAGNOSTIC TEST MODE								
			WORK SUP-PORT	SELF-DIAGNOSTIC RESULTS*1		DATA MONITOR	ACTIVE TEST	FUNCTION TEST	DTC CONFIRMATION		
				FREEZE FRAME DATA*2					SRT STATUS	DTC WORK SUP-PORT	
ECCS COMPONENT PARTS	INPUT	Camshaft position sensor		X	X	X					CI
		Mass air flow sensor		X		X					MA
		Engine coolant temperature sensor		X	X	X	X				EM
		Front heated oxygen sensor		X		X		X	X	X	LC
		Rear heated oxygen sensor		X		X			X	X	LC
		Vehicle speed sensor		X	X	X		X			
		Throttle position sensor	X	X		X		X			
		Tank fuel temperature sensor		X		X	X				EC
		EVAP control system pressure sensor		X		X					
		Absolute pressure sensor		X		X					FE
		EGR temperature sensor		X		X					
		Intake air temperature sensor		X		X					CL
		Crankshaft position sensor (OBD)		X							
		Knock sensor		X							
		Ignition switch (start signal)					X		X		
		Closed throttle position switch		X							
		Closed throttle position switch (throttle position sensor signal)					X		X		
		Air conditioner switch					X				
		Park/Neutral position switch			X		X		X		
		Power steering oil pressure switch					X		X		
	Air conditioner pressure switch					X				FA	
	Battery voltage					X					
	Ambient air temperature switch					X					
	OUTPUT	Injectors				X	X	X			RA
		Power transistor (Ignition timing)	X	X (Ignition signal)		X	X	X			BR
		IACV-AAC valve	X	X		X	X	X			ST
		Intake valve timing control solenoid valve		X		X	X	X			RS
		Torque converter clutch solenoid valve		X		X				X	BT
		EVAP canister purge control solenoid valve		X		X	X			X	HA
		EVAP canister purge volume control valve		X		X	X			X	EL
		Air conditioner relay				X					
		Fuel pump relay	X			X	X	X			
		EGRC-solenoid valve		X		X	X	X*3			
		Front heated oxygen sensor heater		X		X			X		
Rear heated oxygen sensor heater			X		X			X			
Cooling fan			X		X	X	X				
EVAP canister vent control valve			X		X	X					
Vacuum cut valve bypass valve		X		X	X			X			
MAP/BARO switch solenoid valve		X		X	X						
Calculated load value				X	X				IDX		

X: Applicable

\*1: This item includes 1st trip DTCs.

\*2: This mode includes 1st trip freeze frame data or freeze frame data. The items appear on CONSULT screen in freeze frame data mode only if a 1st trip DTC or DTC is detected. For details, refer to EC-44.

\*3: If this function test mode is not available, use "ACTIVE TEST" mode.

# ON BOARD DIAGNOSTIC SYSTEM DESCRIPTION

## CONSULT (Cont'd)

### FUNCTION

Diagnostic test mode	Function
Work support	This mode enables a technician to adjust some devices faster and more accurately by following the indications on the CONSULT unit.
Self-diagnostic results	Self-diagnostic results such as 1st trip DTC, DTCs and 1st trip freeze frame data or freeze frame data can be read and erased quickly.*1
Data monitor	Input/Output data in the ECM can be read.
Active test	Diagnostic Test Mode in which CONSULT drives some actuators apart from the ECMs and also shifts some parameters in a specified range.
DTC confirmation	The status of system monitoring tests and the self-diagnosis status/result can be confirmed.
Function test	Conducted by CONSULT instead of a technician to determine whether each system is "OK" or "NG".
ECM part numbers	ECM part numbers can be read.

\*1 The following emission-related diagnostic information is cleared when the ECM memory is erased.

1. Diagnostic trouble codes
2. 1st trip diagnostic trouble codes
3. Freeze frame data
4. 1st trip freeze frame data
5. System readiness test (SRT) codes
6. Test values
7. Others

### WORK SUPPORT MODE

WORK ITEM	CONDITION	USAGE
THRTL POS SEN ADJ	CHECK THE THROTTLE POSITION SENSOR SIGNAL. ADJUST IT TO THE SPECIFIED VALUE BY ROTATING THE SENSOR BODY UNDER THE FOLLOWING CONDITIONS. <ul style="list-style-type: none"> <li>● IGN SW "ON"</li> <li>● ENG NOT RUNNING</li> <li>● ACC PEDAL NOT PRESSED</li> </ul>	When adjusting throttle position sensor initial position
IGNITION TIMING ADJ	<ul style="list-style-type: none"> <li>● IGNITION TIMING FEEDBACK CONTROL WILL BE HELD BY TOUCHING "START". AFTER DOING SO, ADJUST IGNITION TIMING WITH A TIMING LIGHT BY TURNING THE CRANK-SHAFT POSITION SENSOR.</li> </ul>	When adjusting initial ignition timing
IACV-AAC VALVE ADJ	SET ENGINE SPEED AT THE SPECIFIED VALUE UNDER THE FOLLOWING CONDITIONS. <ul style="list-style-type: none"> <li>● ENGINE WARMED UP</li> <li>● NO-LOAD</li> </ul>	When adjusting idle speed
FUEL PRESSURE RELEASE	<ul style="list-style-type: none"> <li>● FUEL PUMP WILL STOP BY TOUCHING "START" DURING IDLING. CRANK A FEW TIMES AFTER ENGINE STALLS.</li> </ul>	When releasing fuel pressure from fuel line
EVAP SYSTEM CLOSE	OPEN THE VACUUM CUT VALVE BYPASS VALVE AND CLOSE THE EVAP CANISTER VENT CONTROL VALVE IN ORDER TO MAKE EVAP SYSTEM CLOSE UNDER THE FOLLOWING CONDITIONS. <ul style="list-style-type: none"> <li>● IGN SW "ON"</li> <li>● ENGINE NOT RUNNING</li> <li>● AMBIENT TEMPERATURE IS ABOVE 0°C (32°F).</li> <li>● NO VACUUM AND NO HIGH PRESSURE IN EVAP SYSTEM</li> <li>● TANK FUEL TEMP. IS MORE THAN 0°C (32°F).</li> <li>● WITHIN 10 MINUTES AFTER STARTING "EVAP SYSTEM CLOSE"</li> </ul>	When detecting EVAP vapor leak point of EVAP system

# ON BOARD DIAGNOSTIC SYSTEM DESCRIPTION

## CONSULT (Cont'd)

### SELF-DIAGNOSTIC MODE

#### DTC and 1st trip DTC

Regarding items of "DTC and 1st trip DTC", refer to "DIAGNOSTIC TROUBLE CODE INDEX" (See EC-2.).

#### Freeze frame data and 1st trip freeze frame data

Freeze frame data item*	Description
DIAG TROUBLE CODE [PXXXX]	<ul style="list-style-type: none"> <li>● ECCS component part/control system has a trouble code, it is displayed as "PXXXX". [Refer to "Alphabetical &amp; P No. Index for DTC" (EC-2).]</li> </ul>
FUEL SYS DATA	<ul style="list-style-type: none"> <li>● "Fuel injection system status" at the moment a malfunction is detected is displayed.</li> <li>● One mode in the following is displayed.  "MODE 2": Open loop due to detected system malfunction  "MODE 3": Open loop due to driving conditions (power enrichment, deceleration enrichment)  "MODE 4": Closed loop - using oxygen sensor(s) as feedback for fuel control  "MODE 5": Open loop - has not yet satisfied condition to go to closed loop</li> </ul>
CAL/LD VALUE [%]	<ul style="list-style-type: none"> <li>● The calculated load value at the moment a malfunction is detected is displayed.</li> </ul>
COOLANT TEMP [°C] or [°F]	<ul style="list-style-type: none"> <li>● The engine coolant temperature at the moment a malfunction is detected is displayed.</li> </ul>
S-FUEL TRIM [%]	<ul style="list-style-type: none"> <li>● "Short-term fuel trim" at the moment a malfunction is detected is displayed.</li> <li>● The short-term fuel trim indicates dynamic or instantaneous feedback compensation to the base fuel schedule.</li> </ul>
L-FUEL TRIM [%]	<ul style="list-style-type: none"> <li>● "Long-term fuel trim" at the moment a malfunction is detected is displayed.</li> <li>● The long-term fuel trim indicates much more gradual feedback compensation to the base fuel schedule than short-term fuel trim.</li> </ul>
ENGINE SPEED [rpm]	<ul style="list-style-type: none"> <li>● The engine speed at the moment a malfunction is detected is displayed.</li> </ul>
VHCL SPEED [km/h] or [mph]	<ul style="list-style-type: none"> <li>● The vehicle speed at the moment a malfunction is detected is displayed.</li> </ul>
ABSOL PRESS [kPa] or [kg/cm <sup>2</sup> ] or [psi]	<ul style="list-style-type: none"> <li>● The absolute pressure at the moment a malfunction is detected is displayed.</li> </ul>

\*: The items are the same as those of 1st trip freeze frame data.

GI

MA

EM

LC

EC

FE

CL

MT

AT

FA

RA

BR

ST

RS

BT

HA

EL

IDX

# ON BOARD DIAGNOSTIC SYSTEM DESCRIPTION

## CONSULT (Cont'd)

### DATA MONITOR MODE

Monitored item [Unit]	ECM input signals	Main signals	Description	Remarks
CMPS-RPM (REF) [rpm]	○	○	<ul style="list-style-type: none"> <li>Indicates the engine speed computed from the REF signal (180° signal) of the camshaft position sensor.</li> </ul>	<ul style="list-style-type: none"> <li>Accuracy becomes poor if engine speed drops below the idle rpm.</li> <li>If the signal is interrupted while the engine is running, an abnormal value may be indicated.</li> </ul>
MAS AIR/FL SE [V]	○	○	<ul style="list-style-type: none"> <li>The signal voltage of the mass air flow sensor is displayed.</li> </ul>	<ul style="list-style-type: none"> <li>When the engine is stopped, a certain value is indicated.</li> </ul>
COOLAN TEMP/S [°C] or [°F]	○	○	<ul style="list-style-type: none"> <li>The engine coolant temperature (determined by the signal voltage of the engine coolant temperature sensor) is displayed.</li> </ul>	<ul style="list-style-type: none"> <li>When the engine coolant temperature sensor is open or short-circuited, ECM enters fail-safe mode. The engine coolant temperature determined by the ECM is displayed.</li> </ul>
FR O2 SENSOR [V]	○	○	<ul style="list-style-type: none"> <li>The signal voltage of the front heated oxygen sensor is displayed.</li> </ul>	
RR O2 SENSOR [V]	○	○	<ul style="list-style-type: none"> <li>The signal voltage of the rear heated oxygen sensor is displayed.</li> </ul>	
FR O2 MNTR [RICH/LEAN]	○	○	<ul style="list-style-type: none"> <li>Display of front heated oxygen sensor signal during air-fuel ratio feedback control: RICH ... means the mixture became "rich", and control is being affected toward a leaner mixture. LEAN ... means the mixture became "lean", and control is being affected toward a rich mixture.</li> </ul>	<ul style="list-style-type: none"> <li>After turning ON the ignition switch, "RICH" is displayed until air-fuel mixture ratio feedback control begins.</li> <li>When the air-fuel ratio feedback is clamped, the value just before the clamping is displayed continuously.</li> </ul>
RR O2 MNTR [RICH/LEAN]	○		<ul style="list-style-type: none"> <li>Display of rear heated oxygen sensor signal: RICH ... means the amount of oxygen after three-way catalyst is relatively small. LEAN ... means the amount of oxygen after three-way catalyst is relatively large.</li> </ul>	<ul style="list-style-type: none"> <li>When the engine is stopped, a certain value is indicated.</li> </ul>
VHCL SPEED SE [km/h] or [mph]	○	○	<ul style="list-style-type: none"> <li>The vehicle speed computed from the vehicle speed sensor signal is displayed.</li> </ul>	
BATTERY VOLT [V]	○	○	<ul style="list-style-type: none"> <li>The power supply voltage of ECM is displayed.</li> </ul>	
THRTL POS SEN [V]	○	○	<ul style="list-style-type: none"> <li>The throttle position sensor signal voltage is displayed.</li> </ul>	
TANK F/TMP SE [°C] or [°F]	○		<ul style="list-style-type: none"> <li>The fuel temperature judged from the tank fuel temperature sensor signal voltage is displayed.</li> </ul>	
EGR TEMP SEN [V]	○		<ul style="list-style-type: none"> <li>The signal voltage of the EGR temperature sensor is displayed.</li> </ul>	
INT/A TEMP SE [°C] or [°F]	○		<ul style="list-style-type: none"> <li>The intake air temperature determined by the signal voltage of the intake air temperature sensor is indicated.</li> </ul>	
START SIGNAL [ON/OFF]	○	○	<ul style="list-style-type: none"> <li>Indicates [ON/OFF] condition from the starter signal.</li> </ul>	<ul style="list-style-type: none"> <li>After starting the engine, [OFF] is displayed regardless of the starter signal.</li> </ul>

**NOTE:**

Any monitored item that does not match the vehicle being diagnosed is deleted from the display automatically.

# ON BOARD DIAGNOSTIC SYSTEM DESCRIPTION

## CONSULT (Cont'd)

Monitored item [Unit]	ECM input signals	Main signals	Description	Remarks	
CLSD THL/P SW [ON/OFF]	○	○	<ul style="list-style-type: none"> <li>Indicates [ON/OFF] condition from the closed throttle position sensor signal.</li> </ul>		GI
AIR COND SIG [ON/OFF]	○	○	<ul style="list-style-type: none"> <li>Indicates [ON/OFF] condition of the air conditioner switch as determined by the air conditioning signal.</li> </ul>		MA
P/N POSI SW [ON/OFF]	○	○	<ul style="list-style-type: none"> <li>Indicates [ON/OFF] condition from the park/neutral position switch signal.</li> </ul>		EM
PW/ST SIGNAL [ON/OFF]	○	○	<ul style="list-style-type: none"> <li>Indicates [ON/OFF] condition of the power steering oil pressure switch determined by the power steering oil pressure signal.</li> </ul>		LC
LOAD SIGNAL	○	○	<ul style="list-style-type: none"> <li>Indicates [ON/OFF] condition from the rear defogger signal.</li> </ul>		EC
IGNITION SW [ON/OFF]	○		<ul style="list-style-type: none"> <li>Indicates [ON/OFF] condition from ignition switch.</li> </ul>		FE
HEATER FAN SE [ON/OFF]	○		<ul style="list-style-type: none"> <li>Indicates [ON/OFF] condition from the heater fan switch.</li> </ul>		CL
INJ PULSE [msec]		○	<ul style="list-style-type: none"> <li>Indicates the actual fuel injection pulse width compensated by ECM according to the input signals.</li> </ul>	<ul style="list-style-type: none"> <li>When the engine is stopped, a certain computed value is indicated.</li> </ul>	MT
B/FUEL SCHDL [msec]		○	<ul style="list-style-type: none"> <li>"Base fuel schedule" indicates the fuel injection pulse width programmed into ECM, prior to any learned on board correction.</li> </ul>		AT
IGN TIMING [BTDC]		○	<ul style="list-style-type: none"> <li>Indicates the ignition timing computed by ECM according to the input signals.</li> </ul>		FA
IACV-AAC/V [%]		○	<ul style="list-style-type: none"> <li>Indicates the idle air control valve (AAC valve) control value computed by ECM according to the input signals.</li> </ul>		RA
PURG VOL C/V [step]			<ul style="list-style-type: none"> <li>Indicates the EVAP canister purge volume control valve computed by the ECM according to the input signals.</li> <li>The opening becomes larger as the value increases.</li> </ul>		BR
A/F ALPHA [%]		○	<ul style="list-style-type: none"> <li>Indicates the mean value of the air-fuel ratio feedback correction factor per cycle.</li> </ul>	<ul style="list-style-type: none"> <li>When the engine is stopped, a certain value is indicated.</li> <li>This data also includes the data for the air-fuel ratio learning control.</li> </ul>	RS
EVAP SYS PRES [V]			<ul style="list-style-type: none"> <li>The signal voltage of EVAP control system pressure sensor is displayed.</li> </ul>		BT
AIR COND RLY [ON/OFF]			<ul style="list-style-type: none"> <li>Indicates the air conditioner relay control condition (determined by ECM according to the input signal).</li> </ul>		HA
FUEL PUMP RLY [ON/OFF]			<ul style="list-style-type: none"> <li>Indicates the fuel pump relay control condition determined by ECM according to the input signals.</li> </ul>		EL
					IDX

# ON BOARD DIAGNOSTIC SYSTEM DESCRIPTION

## CONSULT (Cont'd)

Monitored item [Unit]	ECM input signals	Main signals	Description	Remarks
INT/V TIM SOL [ON/OFF]			<ul style="list-style-type: none"> <li>The control condition of the valve timing solenoid valve (determined by ECM according to the input signal) is indicated.</li> <li>ON ... Intake valve timing control operating</li> <li>OFF ... Intake valve timing control not operating</li> </ul>	
COOLING FAN [HI/LOW/OFF]			<ul style="list-style-type: none"> <li>Indicates the control condition of the cooling fan (determined by ECM according to the input signal).</li> <li>HI ... High speed operation</li> <li>LOW ... Low speed operation</li> <li>OFF ... Stop</li> </ul>	
EGRC SOL/V [ON/OFF]			<ul style="list-style-type: none"> <li>Indicates the control condition of the EGRC-solenoid valve (determined by ECM according to the input signal).</li> <li>ON ... EGR valve is operational</li> <li>OFF ... EGR valve is cut-off</li> </ul>	
VENT CONT/V [ON/OFF]			<ul style="list-style-type: none"> <li>The control condition of the EVAP canister vent control valve (determined by ECM according to the input signal) is indicated.</li> <li>ON ... Closed</li> <li>OFF ... Open</li> </ul>	
TCC SOL/V			<ul style="list-style-type: none"> <li>The control condition of the torque converter clutch solenoid valve (determined by ECM according to the input signal) is indicated.</li> <li>ON ... Lock-up is cancelled</li> <li>OFF ... Lock-up is operational</li> </ul>	
FR O2 HEATER [ON/OFF]			<ul style="list-style-type: none"> <li>Indicates [ON/OFF] condition of front heated oxygen sensor heater determined by ECM according to the input signals.</li> </ul>	
RR O2 HEATER [ON/OFF]			<ul style="list-style-type: none"> <li>Indicates [ON/OFF] condition of rear heated oxygen sensor heater determined by ECM according to the input signals.</li> </ul>	
VC/V BYPASS/V [ON/OFF]			<ul style="list-style-type: none"> <li>The control condition of the vacuum cut valve bypass valve (determined by ECM according to the input signal) is indicated.</li> <li>ON ... Open</li> <li>OFF ... Closed</li> </ul>	
PURG CONT S/V [ON/OFF]			<ul style="list-style-type: none"> <li>The control condition of the EVAP canister purge control solenoid valve (computed by the ECM according to the input signals) is indicated.</li> <li>ON ... Canister purge is operational</li> <li>OFF ... Canister purge operation is cut-off</li> </ul>	
CAL/LD VALUE [%]			<ul style="list-style-type: none"> <li>"Calculated load value" indicates the value of the current airflow divided by peak airflow.</li> </ul>	

# ON BOARD DIAGNOSTIC SYSTEM DESCRIPTION

## CONSULT (Cont'd)

Monitored item [Unit]	ECM input signals	Main signals	Description	Remarks
ABSOL TH+P/S [%]			<ul style="list-style-type: none"> <li>“Absolute throttle position sensor” indicates the throttle opening computed by ECM according to the signal voltage of the throttle position sensor.</li> </ul>	
MASS AIRFLOW [gm/s]			<ul style="list-style-type: none"> <li>Indicates the mass airflow computed by ECM according to the signal voltage of the mass air flow sensor.</li> </ul>	
MAP/BARO SW/V [MAP/BARO]			<ul style="list-style-type: none"> <li>The control condition of the MAP/BARO switch solenoid valve (determined by ECM according to the input signal) is indicated. MAP ... Intake manifold absolute pressure BARO ... Barometric pressure</li> </ul>	
ABSOL PRES/SE [V]			<ul style="list-style-type: none"> <li>The signal voltage of the absolute pressure sensor is displayed.</li> </ul>	
VOLTAGE [V]			<ul style="list-style-type: none"> <li>Voltage measured by the voltage probe.</li> </ul>	
PULSE [msec] or [Hz] or [%]			<ul style="list-style-type: none"> <li>Pulse width, frequency or duty cycle measured by the pulse probe.</li> </ul>	<ul style="list-style-type: none"> <li>Only “#” is displayed if item is unable to be measured.</li> <li>Figures with “#”s are temporary ones. They are the same figures as an actual piece of data which was just previously measured.</li> </ul>

GI

MA

EM

LC

EC

FE

CL

MT

AT

FA

RA

BR

ST

RS

BT

HA

EL

IDX

# ON BOARD DIAGNOSTIC SYSTEM DESCRIPTION

## CONSULT (Cont'd)

### ACTIVE TEST MODE

TEST ITEM	CONDITION	JUDGEMENT	CHECK ITEM (REMEDY)
FUEL INJECTION	<ul style="list-style-type: none"> <li>● Engine: Return to the original trouble condition</li> <li>● Change the amount of fuel injection using CONSULT.</li> </ul>	If trouble symptom disappears, see CHECK ITEM.	<ul style="list-style-type: none"> <li>● Harness and connector</li> <li>● Fuel injectors</li> <li>● Front heated oxygen sensor</li> </ul>
IACV-AAC/ OPENING	<ul style="list-style-type: none"> <li>● Engine: After warming up, idle the engine.</li> <li>● Change the IACV-AAC valve opening percent using CONSULT.</li> </ul>	Engine speed changes according to the opening percent.	<ul style="list-style-type: none"> <li>● Harness and connector</li> <li>● IACV-AAC valve</li> </ul>
ENG COOLANT TEMP	<ul style="list-style-type: none"> <li>● Engine: Return to the original trouble condition</li> <li>● Change the engine coolant temperature indication using CONSULT.</li> </ul>	If trouble symptom disappears, see CHECK ITEM.	<ul style="list-style-type: none"> <li>● Harness and connector</li> <li>● Engine coolant temperature sensor</li> <li>● Fuel injectors</li> </ul>
IGNITION TIMING	<ul style="list-style-type: none"> <li>● Engine: Return to the original trouble condition</li> <li>● Timing light: Set</li> <li>● Retard the ignition timing using CONSULT.</li> </ul>	If trouble symptom disappears, see CHECK ITEM.	<ul style="list-style-type: none"> <li>● Adjust initial ignition timing</li> </ul>
POWER BAL- ANCE	<ul style="list-style-type: none"> <li>● Engine: After warming up, idle the engine.</li> <li>● Air conditioner switch "OFF"</li> <li>● Shift lever "N"</li> <li>● Cut off each injector signal one at a time using CONSULT.</li> </ul>	Engine runs rough or dies.	<ul style="list-style-type: none"> <li>● Harness and connector</li> <li>● Compression</li> <li>● Injectors</li> <li>● Power transistor</li> <li>● Spark plugs</li> <li>● Ignition coils</li> </ul>
COOLING FAN	<ul style="list-style-type: none"> <li>● Ignition switch: ON</li> <li>● Turn the cooling fan "ON" and "OFF" using CONSULT.</li> </ul>	Cooling fan moves and stops.	<ul style="list-style-type: none"> <li>● Harness and connector</li> <li>● Cooling fan motor</li> </ul>
FUEL PUMP RELAY	<ul style="list-style-type: none"> <li>● Ignition switch: ON (Engine stopped)</li> <li>● Turn the fuel pump relay "ON" and "OFF" using CONSULT and listen to operating sound.</li> </ul>	Fuel pump relay makes the operating sound.	<ul style="list-style-type: none"> <li>● Harness and connector</li> <li>● Fuel pump relay</li> </ul>
EGRC SOLE- NOID VALVE	<ul style="list-style-type: none"> <li>● Ignition switch: ON</li> <li>● Turn EGRC-solenoid valve "ON" and "OFF" using CONSULT and listen to operating sound.</li> </ul>	EGRC-solenoid valve makes an operating sound.	<ul style="list-style-type: none"> <li>● Harness and connector</li> <li>● EGRC-solenoid valve</li> </ul>
VALVE TIMING SOL	<ul style="list-style-type: none"> <li>● Ignition switch: ON</li> <li>● Turn intake valve timing control solenoid valve "ON" and "OFF" using CONSULT and listen to operating sound.</li> </ul>	Intake valve timing control solenoid valve makes an operating sound.	<ul style="list-style-type: none"> <li>● Harness and connector</li> <li>● Intake valve timing control solenoid valve</li> </ul>
SELF-LEARNING CONT	<ul style="list-style-type: none"> <li>● In this test, the coefficient of self-learning control mixture ratio returns to the original coefficient by touching "CLEAR" on the screen.</li> </ul>		
PURG VOL CONT/V	<ul style="list-style-type: none"> <li>● Engine: After warming up, run engine at 1,500 rpm.</li> <li>● Change the EVAP canister purge volume control valve opening step using CONSULT.</li> </ul>	Engine speed changes according to the opening step.	<ul style="list-style-type: none"> <li>● Harness and connector</li> <li>● EVAP canister purge volume control valve</li> </ul>



# ON BOARD DIAGNOSTIC SYSTEM DESCRIPTION

## CONSULT (Cont'd)

TEST ITEM	CONDITION	JUDGEMENT	CHECK ITEM (REMEDY)
VENT CONTROL/V	<ul style="list-style-type: none"> <li>● Ignition switch: ON (Engine stopped)</li> <li>● Turn solenoid valve "ON" and "OFF" using CONSULT and listen to operating sound.</li> </ul>	Solenoid valve makes an operating sound.	<ul style="list-style-type: none"> <li>● Harness and connector</li> <li>● Solenoid valve</li> </ul>
VC/V BYPASS/V	<ul style="list-style-type: none"> <li>● Ignition switch: ON (Engine stopped)</li> <li>● Turn solenoid valve "ON" and "OFF" using CONSULT and listen to operating sound.</li> </ul>	Solenoid valve makes an operating sound.	<ul style="list-style-type: none"> <li>● Harness and connector</li> <li>● Solenoid valve</li> </ul>
PURG CONT S/V	<ul style="list-style-type: none"> <li>● Start engine.</li> <li>● Turn the EVAP canister purge control solenoid valve "ON" and "OFF" using CONSULT and listen for operating sound.</li> </ul>	EVAP canister purge control solenoid valve makes an operating sound. Check vacuum signal for EVAP canister purge control valve. VC ON ... Vacuum exists. VC OFF ... Vacuum does not exist.	<ul style="list-style-type: none"> <li>● Harness and connector</li> <li>● EVAP canister purge control solenoid valve</li> <li>● Vacuum hose</li> </ul>
MAP/BARO SW/V	<ul style="list-style-type: none"> <li>● Ignition switch: ON (Engine stopped)</li> <li>● Turn the MAP/BARO switch solenoid valve between "MAP" and "BARO" using CONSULT and listen for operating sound.</li> </ul>	MAP/BARO switch solenoid valve makes an operating sound.	<ul style="list-style-type: none"> <li>● Harness and connector</li> <li>● MAP/BARO switch solenoid valve</li> </ul>
TANK F/TEMP SEN	<ul style="list-style-type: none"> <li>● Change the tank fuel temperature using CONSULT.</li> </ul>		

### DTC CONFIRMATION MODE

#### SRT STATUS mode

For details, refer to "SYSTEM READINESS TEST (SRT) CODE", EC-44.

### DTC WORK SUPPORT MODE

TEST MODE	TEST ITEM	CONDITION	REFERENCE PAGE
EVAPORATIVE SYSTEM	PURGE FLOW P1447	Refer to corresponded trouble diagnosis for DTC.	EC-391
	VC CUT/V BP/V P1491		EC-411
	PURG CN/V & S/V P1493		EC-423
	PURG VOL CN/V P1444		EC-378
	EVAP SML LEAK P0440		EC-272
	EVAP SML LEAK P1440		EC-366
FR O2 SENSOR	FR O2 SENSOR P0130		EC-154
	FR O2 SENSOR P0131		EC-161
	FR O2 SENSOR P0132		EC-167
	FR O2 SENSOR P0133		EC-173
RR O2 SENSOR	RR O2 SENSOR P0137		EC-190
	RR O2 SENSOR P0138		EC-197
	RR O2 SENSOR P0139		EC-204
EGR SYSTEM	EGR SYSTEM P0400		EC-255
	EGRC-BPT/VLV P0402	EC-263	
	EGR SYSTEM P1402	EC-359	
A/T (TCC S/V)	TCC S/V FNCTN P1776	EC-441	

# ON BOARD DIAGNOSTIC SYSTEM DESCRIPTION

## CONSULT (Cont'd)

### FUNCTION TEST MODE

FUNCTION TEST ITEM	CONDITION	JUDGEMENT		CHECK ITEM (REMEDY)
SELF-DIAG RESULTS	<ul style="list-style-type: none"> <li>● Ignition switch: ON (Engine stopped)</li> <li>● Displays the results of on-board diagnostic system.</li> </ul>	—		Objective system
CLOSED THROTTLE POSI	<ul style="list-style-type: none"> <li>● Ignition switch: ON (Engine stopped)</li> <li>● Closed throttle position sensor circuit is tested when throttle is opened and closed fully. ("IDLE POSITION" is the test item name for the vehicles in which idle is selected by throttle position sensor.)</li> </ul>	Throttle valve: opened	OFF	<ul style="list-style-type: none"> <li>● Harness and connector</li> <li>● Throttle position sensor (Closed throttle position)</li> <li>● Throttle position sensor (Closed throttle position) adjustment</li> <li>● Throttle linkage</li> <li>● Verify operation in DATA MONITOR mode.</li> </ul>
		Throttle valve: closed	ON	
THROTTLE POSI SEN CKT	<ul style="list-style-type: none"> <li>● Ignition switch: ON (Engine stopped)</li> <li>● Throttle position sensor circuit is tested when throttle is opened and closed fully.</li> </ul>	Range (Throttle valve fully opened — Throttle valve fully closed)	More than 3.0V	<ul style="list-style-type: none"> <li>● Harness and connector</li> <li>● Throttle position sensor</li> <li>● Throttle position sensor adjustment</li> <li>● Throttle linkage</li> <li>● Verify operation in DATA MONITOR mode.</li> </ul>
PARK/NEUT POSI SW CKT	<ul style="list-style-type: none"> <li>● Ignition switch: ON (Engine stopped)</li> <li>● Inhibitor/Neutral position switch circuit is tested when shift lever is manipulated.</li> </ul>	Out of N/P positions	OFF	<ul style="list-style-type: none"> <li>● Harness and connector</li> <li>● Neutral position switch or inhibitor switch</li> <li>● Linkage or inhibitor switch adjustment</li> </ul>
		In N/P positions	ON	
FUEL PUMP CIRCUIT	<ul style="list-style-type: none"> <li>● Ignition switch: ON (Engine stopped)</li> <li>● Fuel pump circuit is tested by checking the pulsation in fuel pressure when fuel tube is pinched.</li> </ul>	There is pressure pulsation on the fuel feed hose.		<ul style="list-style-type: none"> <li>● Harness and connector</li> <li>● Fuel pump</li> <li>● Fuel pump relay</li> <li>● Fuel filter clogging</li> <li>● Fuel level</li> </ul>
EGRC SOL/V CIRCUIT*	<ul style="list-style-type: none"> <li>● Ignition switch: ON (Engine stopped)</li> <li>● EGRC-solenoid valve circuit is tested by checking solenoid valve operating noise.</li> </ul>	The EGRC-solenoid valve makes an operating sound every 3 seconds.		<ul style="list-style-type: none"> <li>● Harness and connector</li> <li>● EGRC-solenoid valve</li> </ul>
VALVE TIMING S/V CKT	<ul style="list-style-type: none"> <li>● Ignition switch: ON (Engine stopped)</li> <li>● Intake valve timing control solenoid valve circuit is tested by checking solenoid valve operating sound</li> </ul>	The intake valve timing control solenoid valve makes an operating sound periodically.		<ul style="list-style-type: none"> <li>● Harness and connector</li> <li>● Intake valve timing control solenoid valve</li> </ul>
COOLING FAN CIRCUIT	<ul style="list-style-type: none"> <li>● Ignition switch: ON (Engine stopped)</li> <li>● Cooling fan circuit is tested when cooling fan is rotated.</li> </ul>	The cooling fan rotates and stops every 3 seconds.		<ul style="list-style-type: none"> <li>● Harness and connector</li> <li>● Cooling fan motor</li> <li>● Cooling fan relay</li> </ul>

\*: If this function test mode is not available, use "ACTIVE TEST" mode.

# ON BOARD DIAGNOSTIC SYSTEM DESCRIPTION

## CONSULT (Cont'd)

FUNCTION TEST ITEM	CONDITION	JUDGEMENT		CHECK ITEM (REMEDY)	
START SIGNAL CIRCUIT	<ul style="list-style-type: none"> <li>● Ignition switch: ON → START</li> <li>● Start signal circuit is tested when engine is started by operating the starter. Before cranking, battery voltage and engine coolant temperature are displayed. During cranking, average battery voltage, mass air flow sensor output voltage and cranking speed are displayed.</li> </ul>	Start signal: OFF → ON		<ul style="list-style-type: none"> <li>● Harness and connector</li> <li>● Ignition switch</li> </ul>	GI
PW/ST SIGNAL CIRCUIT	<ul style="list-style-type: none"> <li>● Ignition switch: ON (Engine running)</li> <li>● Power steering circuit is tested when steering wheel is rotated fully and then set to a straight line running position.</li> </ul>	Locked position	ON	<ul style="list-style-type: none"> <li>● Harness and connector</li> <li>● Power steering oil pressure switch</li> <li>● Power steering oil pump</li> </ul>	EC
		Neutral position	OFF		
VEHICLE SPEED SEN CKT	<ul style="list-style-type: none"> <li>● Vehicle speed sensor circuit is tested when vehicle is running at a speed of 10 km/h (6 MPH) or higher.</li> </ul>	Vehicle speed sensor input signal is greater than 4 km/h (2 MPH)		<ul style="list-style-type: none"> <li>● Harness and connector</li> <li>● Vehicle speed sensor</li> <li>● Electric speedometer</li> </ul>	MT AT
IGN TIMING ADJ	<ul style="list-style-type: none"> <li>● After warming up, idle the engine.</li> <li>● Ignition timing adjustment is checked by reading ignition timing with a timing light and checking whether it agrees with specifications.</li> </ul>	The timing light indicates the same value on the screen.		<ul style="list-style-type: none"> <li>● Adjust ignition timing (by moving camshaft position sensor or distributor)</li> <li>● Camshaft position sensor drive mechanism</li> </ul>	FA RA
MIXTURE RATIO TEST	<ul style="list-style-type: none"> <li>● Air-fuel ratio feedback circuit (injection system, ignition system, vacuum system, etc.) is tested by examining the front heated oxygen sensor output at 2,000 rpm under non-loaded state.</li> </ul>	Front heated oxygen sensor COUNT: More than 5 times during 10 seconds		<ul style="list-style-type: none"> <li>● INJECTION SYS (Injector, fuel pressure regulator, harness or connector)</li> <li>● IGNITION SYS (Spark plug, power transistor, ignition coil, harness or connector)</li> <li>● VACUUM SYS (Intake air leaks)</li> <li>● Front heated oxygen sensor circuit</li> <li>● Front heated oxygen sensor operation</li> <li>● Fuel pressure high or low</li> <li>● Mass air flow sensor</li> </ul>	BR ST RS BT HA

EL

IDX

# ON BOARD DIAGNOSTIC SYSTEM DESCRIPTION

## CONSULT (Cont'd)

FUNCTION TEST ITEM	CONDITION	JUDGEMENT	CHECK ITEM (REMEDY)
POWER BALANCE	<ul style="list-style-type: none"> <li>● After warming up, idle the engine.</li> <li>● Injector operation of each cylinder is stopped one after another, and resultant change in engine rotation is examined to evaluate combustion of each cylinder. (This is only displayed for models where a sequential multipoint fuel injection system is used.)</li> </ul>	Difference in engine speed is greater than 25 rpm before and after cutting off the injector of each cylinder.	<ul style="list-style-type: none"> <li>● Injector circuit (Injector, harness or connector)</li> <li>● Ignition circuit (Spark plug, power transistor, ignition coil, harness or connector)</li> <li>● Compression</li> <li>● Valve timing</li> </ul>
IACV-AAC/V SYSTEM	<ul style="list-style-type: none"> <li>● After warming up, idle the engine.</li> <li>● IACV-AAC valve system is tested by detecting change in engine speed when IACV-AAC valve opening is changed to 0%, 20% and 80%.</li> </ul>	Difference in engine speed is greater than 150 rpm between when valve opening is at 80% and at 20%.	<ul style="list-style-type: none"> <li>● Harness and connector</li> <li>● IACV-AAC valve</li> <li>● Air passage restriction between air inlet and IACV-AAC valve</li> <li>● IAS (Idle adjusting screw) adjustment</li> </ul>

# ON BOARD DIAGNOSTIC SYSTEM DESCRIPTION

## CONSULT (Cont'd)

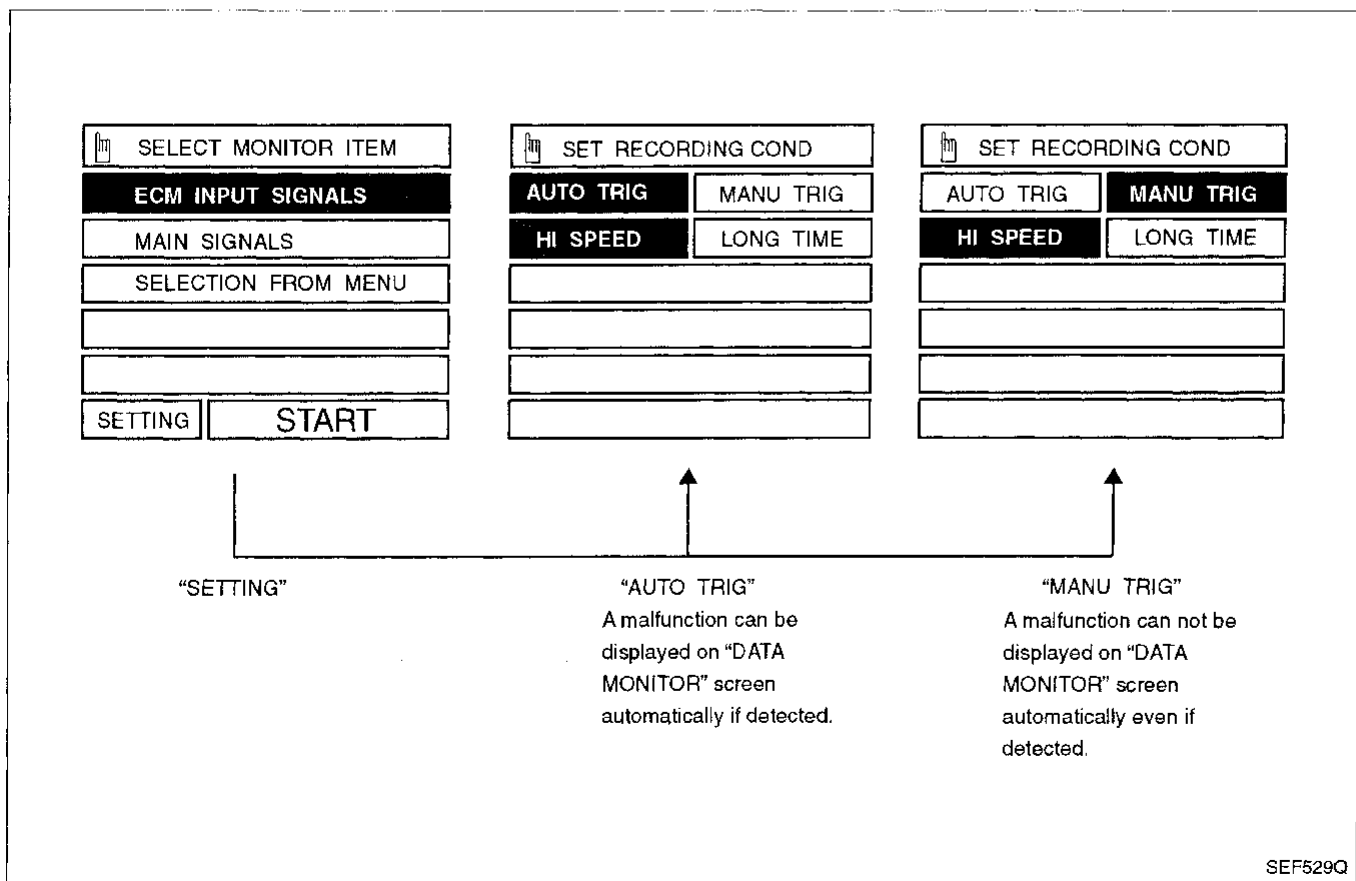
### REAL TIME DIAGNOSIS IN DATA MONITOR MODE (Recording vehicle data)

CONSULT has two kinds of triggers and they can be selected by touching "SETTING" in "DATA MONITOR" mode.

1. "AUTO TRIG" (Automatic trigger):
  - The malfunction will be identified on the CONSULT screen in real time. In other words, DTC/1st trip DTC and malfunction item will be displayed at the moment the malfunction is detected by ECM.
  - DATA MONITOR can be performed continuously until a malfunction is detected. However, DATA MONITOR cannot continue any longer after the malfunction detection.
2. "MANU TRIG" (Manual trigger):
  - DTC/1st trip DTC and malfunction item will not be displayed automatically on CONSULT screen even though a malfunction is detected by ECM.
  - DATA MONITOR can be performed continuously even though a malfunction is detected.

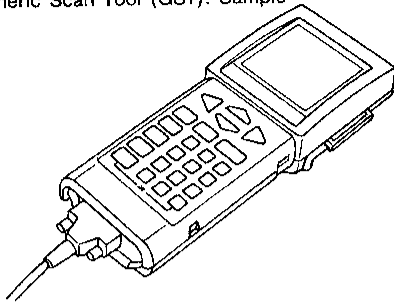
Use these triggers as follows:

1. "AUTO TRIG"
  - While trying to detect the DTC/1st trip DTC by performing the "DIAGNOSTIC TROUBLE CODE CONFIRMATION PROCEDURE", be sure to select to "DATA MONITOR (AUTO TRIG)" mode. You can confirm the malfunction at the moment it is detected.
  - While narrowing down the possible causes, CONSULT should be set in "DATA MONITOR (AUTO TRIG)" mode, especially in case the incident is intermittent. When you are inspecting the circuit by gently shaking (or twisting) the suspicious connectors, components and harness in the "DIAGNOSTIC TROUBLE CODE CONFIRMATION PROCEDURE", the moment a malfunction is found the DTC/1st trip DTC will be displayed. (Refer to GI section, "Incident Simulation Tests" in "HOW TO PERFORM EFFICIENT DIAGNOSIS FOR AN ELECTRICAL INCIDENT".)
2. "MANU TRIG"
  - If the malfunction is displayed as soon as "DATA MONITOR" is selected, reset CONSULT to "MANU TRIG". By selecting "MANU TRIG" you can monitor and store the data. The data can be utilized for further diagnosis, such as a comparison with the value for the normal operating condition.



# ON BOARD DIAGNOSTIC SYSTEM DESCRIPTION

Generic Scan Tool (GST): Sample



SEF139P

## Generic Scan Tool (GST)

### DESCRIPTION

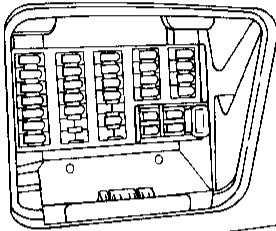
Generic Scan Tool (OBDII scan tool) complying with SAE J1978 has 7 different functions explained on the next page.

ISO9141 is used as the protocol.

The name "GST" or "Generic Scan Tool" is used in this service manual.

### GST INSPECTION PROCEDURE

1. Turn off ignition switch.
2. Connect "GST" to data link connector for GST. (Data link connector for GST is located under LH dash panel near the fuse box cover.)



Data link connector  
for GST

AEC679

3. Turn on ignition switch.
4. Enter the program according to instruction on the screen or in the operation manual.

(\*: Regarding GST screens in this section, sample screens are shown.)

VTX GENERIC OBD II  
PROGRAM CARD

Press [ENTER]

Sample screen\*

SEF398S

5. Perform each diagnostic mode according to each service procedure.

**For further information, see the GST Operation Manual of the tool maker.**

#### OBD II FUNCTIONS

F0: DATA LIST  
F1: FREEZE DATA  
F2: DTCs  
F3: SNAPSHOT  
F4: CLEAR DIAG INFO  
F5: O2 TEST RESULTS  
**F6: READINESS TESTS**  
F7: ON BOARD TESTS  
F8: EXPAND DIAG PROT  
F9: UNIT CONVERSION

Sample screen\*

SEF416S

# ON BOARD DIAGNOSTIC SYSTEM DESCRIPTION

## Generic Scan Tool (GST) (Cont'd)

### FUNCTION

Diagnostic test mode		Function	
MODE 1	READINESS TESTS	This mode gains access to current emission-related data values, including analog inputs and outputs, digital inputs and outputs, and system status information.	GI
MODE 2	(FREEZE DATA)	This mode gains access to emission-related data value which were stored by ECM during the freeze frame. [For details, refer to "Freeze Frame Data" (EC-65).]	MA
MODE 3	DTCs	This mode gains access to emission-related power train trouble codes which were stored by ECM.	EM
MODE 4	CLEAR DIAG INFO	This mode can clear all emission-related diagnostic information. This includes: <ul style="list-style-type: none"> <li>● Clear number of diagnostic trouble codes (MODE 1)</li> <li>● Clear diagnostic trouble codes (MODE 3)</li> <li>● Clear trouble code for freeze frame data (MODE 1)</li> <li>● Clear freeze frame data (MODE 2)</li> <li>● Reset status of system monitoring test (MODE 1)</li> <li>● Clear on board monitoring test results (MODE 6 and 7)</li> </ul>	LC <b>EC</b>
MODE 6	(ON BOARD TESTS)	This mode accesses the results of on board diagnostic monitoring tests of specific components/systems that are not continuously monitored.	FE
MODE 7	(ON BOARD TESTS)	This mode enables the off board test drive to obtain test results for emission-related powertrain components/systems that are continuously monitored during normal driving conditions.	CL
MODE 8	—	This mode can close EVAP system in ignition switch "ON" position (Engine stopped). When this mode is performed, following parts can be opened or closed. <ul style="list-style-type: none"> <li>● EVAP canister vent control open</li> <li>● Vacuum cut valve bypass valve closed</li> </ul> In the following conditions, this mode cannot function. <ul style="list-style-type: none"> <li>● Low ambient temperature</li> <li>● Low battery voltage</li> <li>● Engine running</li> <li>● Ignition switch "OFF"</li> <li>● Low fuel temperature</li> <li>● Too much pressure is applied to EVAP system</li> </ul>	MT AT FA RA

BR

ST

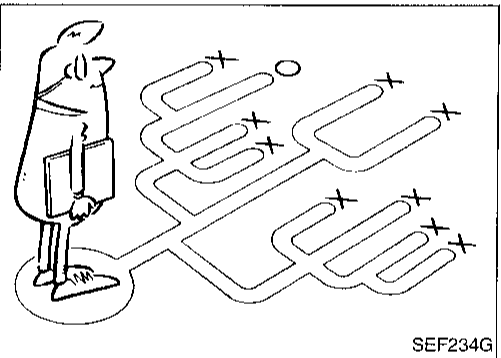
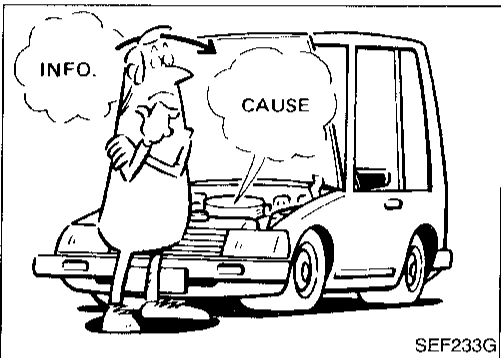
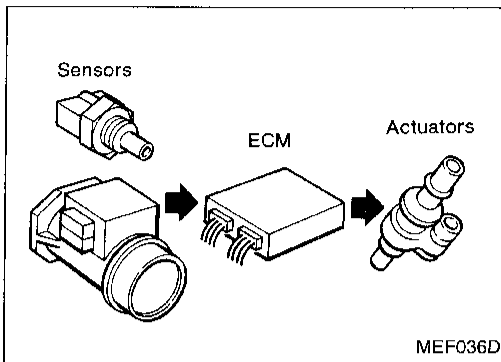
RS

BT

HA

EL

IDX



KEY POINTS	
<b>WHAT</b> .....	Vehicle & engine model
<b>WHEN</b> .....	Date, Frequencies
<b>WHERE</b> .....	Road conditions
<b>HOW</b> .....	Operating conditions, Weather conditions, Symptoms

SEF907L

## Introduction

The engine has an ECM to control major systems such as fuel control, ignition control, idle air control system, etc. The ECM accepts input signals from sensors and instantly drives actuators. It is essential that both input and output signals are proper and stable. At the same time, it is important that there are no problems such as vacuum leaks, fouled spark plugs, or other problems with the engine.

It is much more difficult to diagnose a problem that occurs intermittently rather than continuously. Most intermittent problems are caused by poor electric connections or improper wiring. In this case, careful checking of suspected circuits may help prevent the replacement of good parts.

A visual check only may not find the cause of the problems. A road test with CONSULT (or GST) or a circuit tester connected should be performed. Follow the "Work Flow" on EC-80.

Before undertaking actual checks, take a few minutes to talk with a customer who approaches with a driveability complaint. The customer can supply good information about such problems, especially intermittent ones. Find out what symptoms are present and under what conditions they occur. A "Diagnostic Worksheet" like the example on next page should be used. Start your diagnosis by looking for "conventional" problems first. This will help troubleshoot driveability problems on an electronically controlled engine vehicle.

## Diagnostic Worksheet

There are many operating conditions that lead to the malfunction of engine components. A good grasp of such conditions can make trouble-shooting faster and more accurate.

In general, each customer feels differently about a problem. It is important to fully understand the symptoms or conditions for a customer complaint.

Utilize a diagnostic worksheet like the one on the next page in order to organize all the information for troubleshooting.

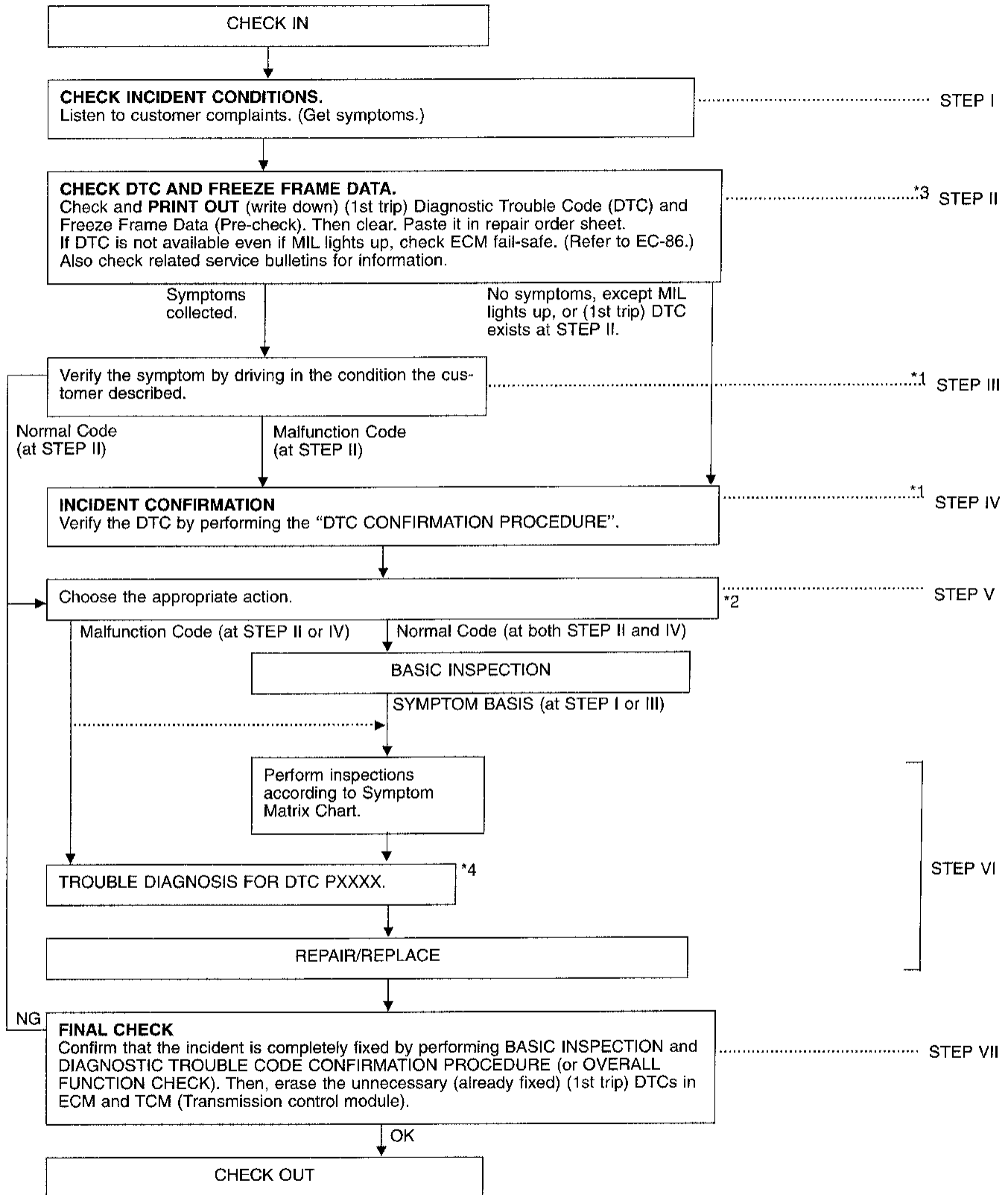
Some conditions may cause the malfunction indicator lamp to come on steady or blink and DTC to be detected. Examples:

- Vehicle ran out of fuel, which caused the engine to misfire.
- Fuel filler cap was left off or incorrectly screwed on, allowing fuel to evaporate into the atmosphere [for the models with EVAP (SMALL LEAK) diagnosis].





## Work Flow



- \*1: If the incident cannot be duplicated, refer to "TROUBLE DIAGNOSIS FOR INTERMITTENT INCIDENT", EC-104.
- \*2: If the on board diagnostic system cannot be performed, check main power supply and ground circuit. Refer to "TROUBLE DIAGNOSIS FOR POWER SUPPLY", EC-105.
- \*3: If time data of "SELF-DIAG RESULTS" is other than "0" or "1t", refer to "TROUBLE DIAGNOSIS FOR INTERMITTENT INCIDENT", EC-104.
- \*4: If the malfunctioning part cannot be found, refer to "TROUBLE DIAGNOSIS FOR INTERMITTENT INCIDENT", EC-104.

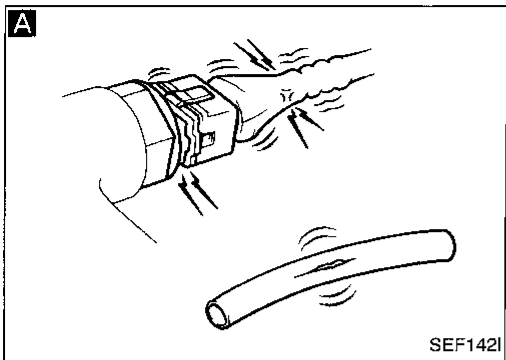
# TROUBLE DIAGNOSIS — Introduction

## Description for Work Flow

STEP	DESCRIPTION	
STEP I	Get detailed information about the conditions and the environment when the incident/symptom occurred using the "DIAGNOSTIC WORK SHEET", EC-79.	GI
STEP II	Before confirming the concern, check and write down (print out using CONSULT or Generic Scan Tool) the (1st trip) Diagnostic Trouble Code (DTC) and the (1st trip) freeze frame data, then erase the code and the data. (Refer to EC-52.) The (1st trip) DTC and the (1st trip) freeze frame data can be used when duplicating the incident at STEP III & IV. Study the relationship between the cause, specified by (1st trip) DTC, and the symptom described by the customer. (The "Symptom Matrix Chart" will be useful. See EC-87.) Also check related service bulletins for information.	MA EM LC
STEP III	Try to confirm the symptom and under what conditions the incident occurs. The "DIAGNOSTIC WORK SHEET" and the freeze frame data are useful to verify the incident. Connect CONSULT to the vehicle in DATA MONITOR (AUTO TRIG) mode and check real time diagnosis results. If the incident cannot be verified, perform INCIDENT SIMULATION TESTS. (Refer to GI section.) If the malfunction code is detected, skip STEP IV and perform STEP V.	EC
STEP IV	Try to detect the (1st trip) Diagnostic Trouble Code by driving in (or performing) the "DIAGNOSTIC TROUBLE CODE CONFIRMATION PROCEDURE". Check and read the (1st trip) DTC and (1st trip) freeze frame data by using CONSULT or Generic Scan Tool. During the (1st trip) DTC verification, be sure to connect CONSULT to the vehicle in DATA MONITOR (AUTO TRIG) mode and check real time diagnosis results. If the incident cannot be verified, perform INCIDENT SIMULATION TESTS. (Refer to GI section.) In case the "DIAGNOSTIC TROUBLE CODE CONFIRMATION PROCEDURE" is not available, perform the "OVERALL FUNCTION CHECK" instead. The (1st trip) DTC cannot be displayed by this check, however, this simplified "check" is an effective alternative. The "NG" result of the "OVERALL FUNCTION CHECK" is the same as the (1st trip) DTC detection.	FE CL MT AT
STEP V	Take the appropriate action based on the results of STEP I through IV. If the malfunction code is indicated, proceed to TROUBLE DIAGNOSIS FOR DTC PXXXX. If the normal code is indicated, proceed to the BASIC INSPECTION. (Refer to EC-82.) Then perform inspections according to the Symptom Matrix Chart. (Refer to EC-87.)	FA
STEP VI	Identify where to begin diagnosis based on the relationship study between symptom and possible causes. Inspect the system for mechanical binding, loose connectors or wiring damage using (tracing) "Harness Layouts". Gently shake the related connectors, components or wiring harness with CONSULT set in "DATA MONITOR (AUTO TRIG)" mode. Check the voltage of the related ECM terminals or monitor the output data from the related sensors with CONSULT. Refer to EC-95. The "DIAGNOSTIC PROCEDURE" in EC section contains a description based on open circuit inspection. A short circuit inspection is also required for the circuit check in the DIAGNOSTIC PROCEDURE. For details, refer to GI section ("HOW TO PERFORM EFFICIENT DIAGNOSIS FOR AN ELECTRICAL INCIDENT", "Circuit Inspection"). Repair or replace the malfunction parts.	RA BR ST RS
STEP VII	Once you have repaired the circuit or replaced a component, you need to run the engine in the same conditions and circumstances which resulted in the customer's initial complaint. Perform the "DIAGNOSTIC TROUBLE CODE CONFIRMATION PROCEDURE" and confirm the normal code [Diagnostic trouble code No. P0000 or 0505] is detected. If the incident is still detected in the final check, perform STEP VI by using a different method from the previous one. Before returning the vehicle to the customer, be sure to erase the unnecessary (already fixed) (1st trip) DTC in ECM. (Refer to EC-52.)	BT HA

EL

IDX

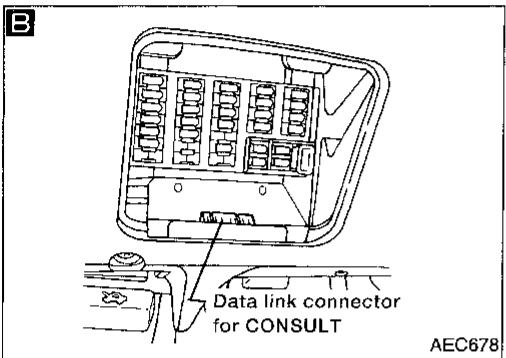


## Basic Inspection

### Precaution:

**Perform Basic Inspection without electrical or mechanical loads applied;**

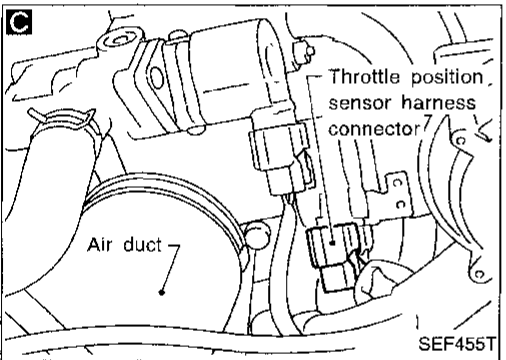
- Headlamp switch is OFF,
- Air conditioner switch is OFF,
- Rear window defogger switch is OFF,
- Steering wheel is in the straight-ahead position, etc.



**A**

### BEFORE STARTING

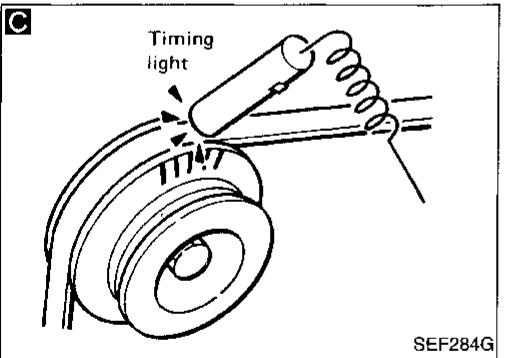
1. Check service records for any recent repairs that may indicate a related problem, or the current need for scheduled maintenance.
2. Open engine hood and check the following:
  - Harness connectors for improper connections
  - Vacuum hoses for splits, kinks, or improper connections
  - Wiring for improper connections, pinches, or cuts



**B**

### CONNECT CONSULT TO THE VEHICLE.

Connect "CONSULT" to the data link connector for CONSULT and select "ENGINE" from the menu. Refer to EC-62.



**C**

### CHECK IGNITION TIMING.

1. Warm up engine to normal operating temperature.
2. Stop engine and disconnect throttle position sensor harness connector.
3. Start engine.
4. Check ignition timing at idle using timing light.

**Ignition timing:**  
8°±2° BTDC

NG → Adjust ignition timing by turning distributor.

OK

### CHECK BASE IDLE SPEED.

Does engine speed fall to the following speed?

**M/T: 625±50 rpm**

**A/T: 725±50 rpm (in "N" position)**

NG → Adjust engine speed by turning idle speed adjusting screw.

OK

**A**

(Go to next page.)

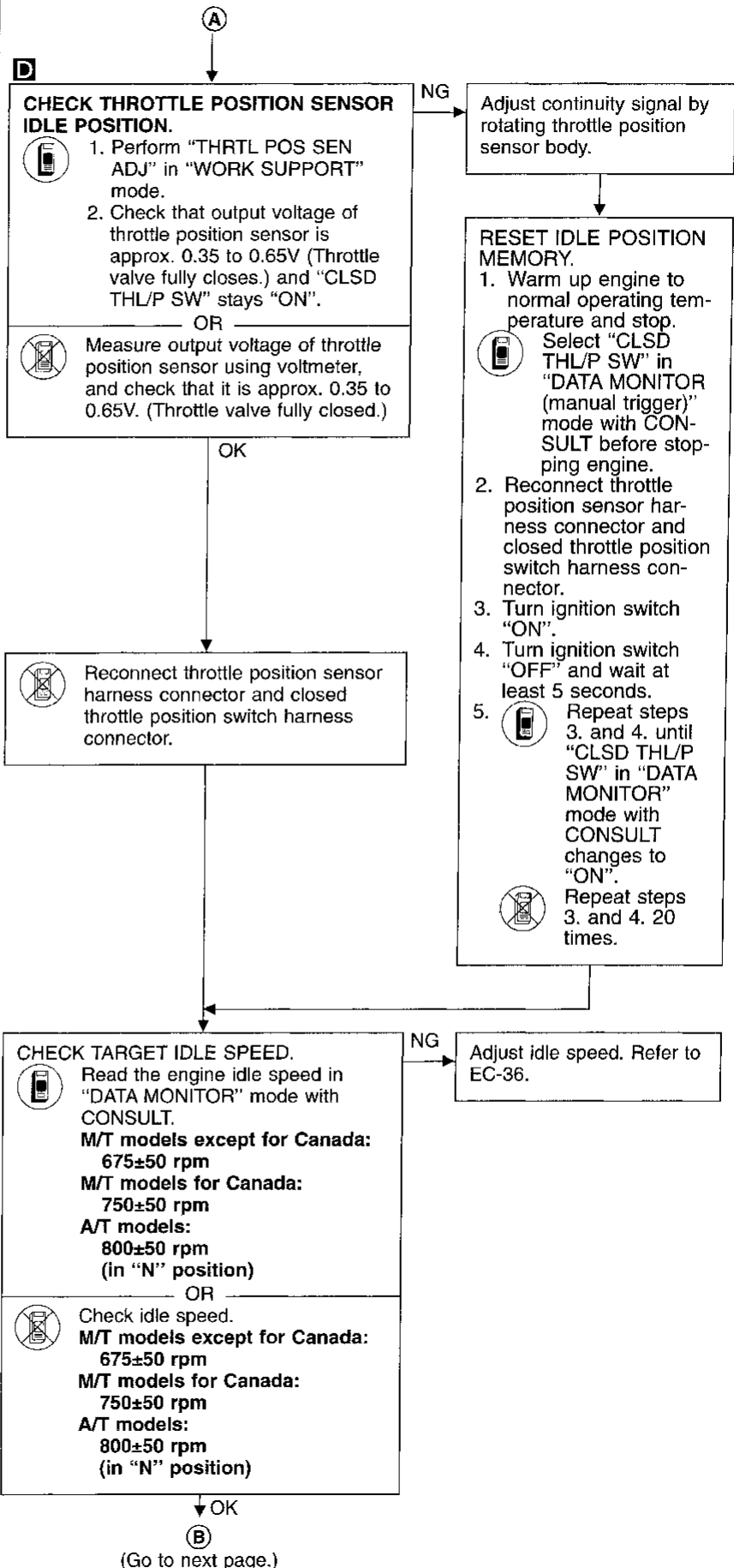
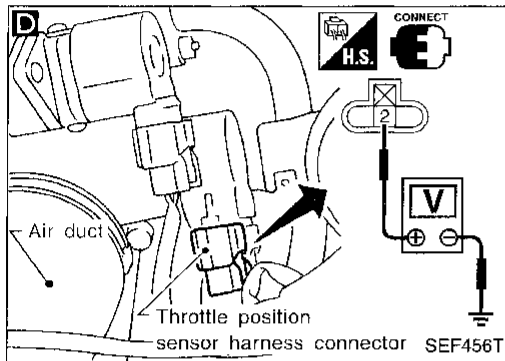
# TROUBLE DIAGNOSIS — Basic Inspection

## Basic Inspection (Cont'd)

**D**

■ THRTL POS SEN ADJ ■ □
*** ADJ MONITOR ***
THRTL POS SEN     0.52V
===== MONITOR =====
CMPS•RPM (REF)    0rpm
CLSD THL/P        ON

SEF165P



GI  
MA  
EM  
LC  
EC  
FE  
CL  
MT  
AT  
FA  
RA  
BR  
ST  
RS  
BT  
HA  
EL  
IDX

# TROUBLE DIAGNOSIS — Basic Inspection

## Basic Inspection (Cont'd)

Ⓑ



After this inspection, unnecessary diagnostic trouble code No. might be displayed.  
Erase the stored memory in ECM.  
Refer to "ON BOARD DIAGNOSTIC SYSTEM DESCRIPTION" (EC-42) and "HOW TO ERASE DTC" in AT section.

OK



INSPECTION END

# TROUBLE DIAGNOSIS — General Description

## Diagnostic Trouble Code (DTC) Inspection Priority Chart

If some DTCs are displayed at the same time, perform inspections one by one based on the following priority chart.

Priority	Detected items (DTC)		
1	<ul style="list-style-type: none"> <li>● ECM (P0605, 0301)</li> <li>● Mass air flow sensor (P0100, 0102)</li> <li>● Throttle position sensor (P0120, 0403)</li> <li>● EGRC-solenoid valve (P1400, 1005)</li> </ul>	<ul style="list-style-type: none"> <li>● Camshaft position sensor (P0340, 0101)</li> <li>● Vehicle speed sensor (P0500, 0104)</li> <li>● Intake air temperature sensor (P0110, 0401)</li> <li>● Knock sensor (P0325, 0304)</li> <li>● Tank fuel temperature sensor (P0180, 0402)</li> </ul>	<ul style="list-style-type: none"> <li>● Engine coolant temperature sensor (P0115, 0103) (P0125, 0908)</li> <li>● Ignition signal (P1320, 0201)</li> <li>● Park/Neutral position switch (P1706, 1003)</li> </ul>
2	<ul style="list-style-type: none"> <li>● EGR temperature sensor (P1401, 0305)</li> <li>● T/C clutch solenoid valve (P1775, 0904) (P1776, 0513)</li> <li>● Absolute pressure sensor (P0105, 0803)</li> <li>● MAP/BARO switch solenoid valve (P1105, 1302)</li> <li>● Closed throttle position switch (P0510, 0203)</li> </ul>	<ul style="list-style-type: none"> <li>● Front heated oxygen sensor heater (P0135, 0901)</li> <li>● Crankshaft position sensor (OBD) (P0335, 0802) (P1336, 0905)</li> <li>● Vacuum cut valve bypass valve (P1491, 0311) (P1490, 0801)</li> <li>● EVAP canister purge control valve/solenoid valve (P1492, 0807) (P1493, 0312)</li> </ul>	<ul style="list-style-type: none"> <li>● Front heated oxygen sensor (P0130 - P0134, 0303 - 0412)</li> <li>● Rear heated oxygen sensor (P0137 - P0140, 0510 - 0707)</li> <li>● Rear heated oxygen sensor heater (P0141, 0902)</li> <li>● EVAP control system pressure sensor (P0450, 0704)</li> <li>● EVAP canister vent control valve (P1448, 0309) (P0446, 0903) (P1446, 0215)</li> <li>● EVAP canister purge volume control valve (P1444, 0214) (P0443, 1008)</li> <li>● EVAP control system purge flow monitoring (P1447, 0111)</li> </ul>
3	<ul style="list-style-type: none"> <li>● EGR function (P0400, 0302) (P1402, 0514)</li> <li>● EVAP control system (SMALL LEAK) (P0440, 0705) (P1440, 0213)</li> <li>● EGRC-BPT valve function (P0402, 0306)</li> <li>● IACV-AAC valve (P0505, 0205)</li> </ul>	<ul style="list-style-type: none"> <li>● Misfire (P0304 - P0300, 0605 - 0701)</li> <li>● Closed loop control (P1148, 0307)</li> <li>● Intake valve timing control (P1110, 0805)</li> </ul>	<ul style="list-style-type: none"> <li>● Fuel injection system function (P0172, 0114), (P0171, 0115)</li> <li>● Three-way catalyst function (P0420, 0702)</li> </ul>

GI

MA

EM

LC

EC

FE

CL

MT

AT

FA

RA

BR

ST

RS

BT

HA

EL

IDX

# TROUBLE DIAGNOSIS — General Description

## Fail-Safe Chart

The ECM enters fail-safe mode, if any of the following malfunctions is detected due to the open or short circuit. When the ECM enters the fail-safe mode, the MIL illuminates.

DTC No.		Detected items	Engine operating condition in fail-safe mode												
CONSULT GST	ECM*1														
P0100	0102	Mass air flow sensor circuit	Engine speed will not rise more than 2,400 rpm due to the fuel cut.												
P0110	0401	Intake air temperature sensor	The ECM functions on the assumption that the intake air temperature is 30°C (86°F).												
P0115	0103	Engine coolant temperature sensor circuit	<p>Engine coolant temperature will be determined by ECM based on the time after turning ignition switch "ON" or "START". CONSULT displays the engine coolant temperature decided by ECM.</p> <table border="1" style="width: 100%; border-collapse: collapse; margin-top: 10px;"> <thead> <tr> <th style="text-align: center;">Condition</th> <th style="text-align: center;">Engine coolant temperature decided (CONSULT display)</th> </tr> </thead> <tbody> <tr> <td>Just as ignition switch is turned ON or Start</td> <td style="text-align: center;">40°C (104°F)</td> </tr> <tr> <td>More than approx. 4 minutes after ignition ON or Start</td> <td style="text-align: center;">80°C (176°F)</td> </tr> <tr> <td>Except as shown above</td> <td style="text-align: center;">40 - 80°C (104 - 176°F) (Depends on the time)</td> </tr> </tbody> </table>	Condition	Engine coolant temperature decided (CONSULT display)	Just as ignition switch is turned ON or Start	40°C (104°F)	More than approx. 4 minutes after ignition ON or Start	80°C (176°F)	Except as shown above	40 - 80°C (104 - 176°F) (Depends on the time)				
Condition	Engine coolant temperature decided (CONSULT display)														
Just as ignition switch is turned ON or Start	40°C (104°F)														
More than approx. 4 minutes after ignition ON or Start	80°C (176°F)														
Except as shown above	40 - 80°C (104 - 176°F) (Depends on the time)														
P0120	0403	Throttle position sensor circuit	<p>Throttle position will be determined based on the injected fuel amount and the engine speed. Therefore, acceleration will be poor.</p> <table border="1" style="width: 100%; border-collapse: collapse; margin-top: 10px;"> <thead> <tr> <th style="text-align: center;">Condition</th> <th style="text-align: center;">Driving condition</th> </tr> </thead> <tbody> <tr> <td>When engine is idling</td> <td style="text-align: center;">Normal</td> </tr> <tr> <td>When accelerating</td> <td style="text-align: center;">Poor acceleration</td> </tr> </tbody> </table>	Condition	Driving condition	When engine is idling	Normal	When accelerating	Poor acceleration						
Condition	Driving condition														
When engine is idling	Normal														
When accelerating	Poor acceleration														
Unable to access ECCS	Unable to access Diagnostic Test Mode II	ECM	<p><b>ECM fail-safe activating condition</b> The computing function of the ECM was judged to be malfunctioning. When the fail-safe system activates (i.e., if the ECM detects a malfunction condition in the CPU of ECM), the MALFUNCTION INDICATOR LAMP on the instrument panel lights to warn the driver. However it is not possible to access ECCS and DTC cannot be confirmed.</p> <p><b>Engine control with fail-safe</b> When ECM fail-safe is operating, fuel injection, ignition timing, fuel pump operation, and IACV-AAC valve operation are controlled under certain limitations.</p> <table border="1" style="width: 100%; border-collapse: collapse; margin-top: 10px;"> <thead> <tr> <th colspan="2" style="text-align: center;">ECM fail-safe operation</th> </tr> </thead> <tbody> <tr> <td style="text-align: center;"><b>Engine speed</b></td> <td style="text-align: center;"><b>Engine speed will not rise more than 3,000 rpm</b></td> </tr> <tr> <td>Fuel injection</td> <td style="text-align: center;">Simultaneous multiport fuel injection system</td> </tr> <tr> <td>Ignition timing</td> <td style="text-align: center;">Ignition timing is fixed at the preset value</td> </tr> <tr> <td>Fuel pump</td> <td style="text-align: center;">Fuel pump relay is "ON" when engine is running and "OFF" when engine stalls</td> </tr> <tr> <td>IACV-AAC valve</td> <td style="text-align: center;">Full open</td> </tr> </tbody> </table> <p>Replace ECM, if ECM fail-safe condition is confirmed.</p>	ECM fail-safe operation		<b>Engine speed</b>	<b>Engine speed will not rise more than 3,000 rpm</b>	Fuel injection	Simultaneous multiport fuel injection system	Ignition timing	Ignition timing is fixed at the preset value	Fuel pump	Fuel pump relay is "ON" when engine is running and "OFF" when engine stalls	IACV-AAC valve	Full open
ECM fail-safe operation															
<b>Engine speed</b>	<b>Engine speed will not rise more than 3,000 rpm</b>														
Fuel injection	Simultaneous multiport fuel injection system														
Ignition timing	Ignition timing is fixed at the preset value														
Fuel pump	Fuel pump relay is "ON" when engine is running and "OFF" when engine stalls														
IACV-AAC valve	Full open														

\*1: In Diagnostic Test Mode II (Self-diagnostic results)



# TROUBLE DIAGNOSIS — General Description

## Symptom Matrix Chart

SYSTEM		SYMPTOM													Reference page	
		HARD/NO START/RESTART (EXCP. HA)	ENGINE STALL	HESITATION/SURGING/FLAT SPOT	SPARK KNOCK/DETONATION	LACK OF POWER/POOR ACCELERATION	HIGH IDLE/LOW IDLE	ROUGH IDLE/HUNTING	IDLING VIBRATION	SLOW/NO RETURN TO IDLE	OVERHEATS/WATER TEMPERATURE HIGH	EXCESSIVE FUEL CONSUMPTION	EXCESSIVE OIL CONSUMPTION	BATTERY DEAD (UNDER CHARGE)		
Warranty symptom code		AA	AB	AC	AD	AE	AF	AG	AH	AJ	AK	AL	AM	HA		
Fuel	Fuel pump circuit	1	1	2	3	2		2	2				3		2	EC-465
	Fuel pressure regulator system	3	3	4	4	4	4	4	4	4			4			EC-33
	Injector circuit	1	1	2	3	2		2	2				2			EC-459
	Evaporative emission system	3	3	4	4	4	4	4	4	4			4			EC-21
Air	Positive crankcase ventilation system	3	3	4	4	4	4	4	4	4			4	1		EC-31
	Incorrect idle speed adjustment	3	3				1	1	1	1			1			EC-82
	IACV-AAC valve circuit	1	1	2	3	3	2	2	2	2			2		2	EC-304
	IACV-FICD solenoid valve circuit	2	2	3	3	3	3	3	3	3			3			EC-473
Ignition	Incorrect ignition timing adjustment	3	3	1	1	1		1	1				1			EC-82
	Ignition circuit	1	1	2	2	2		2	2				2			EC-336
EGR	EGRC-solenoid valve circuit		2	2	3	3							3			EC-348
	EGR system	2	1	2	3	3	3	2	2	3			3			EC-255
Main power supply and ground circuit		2	2	3	3	3		3	3		2		3		2	EC-105
Air conditioner circuit		2	2	3	3	3	3	3	3	3			3		2	HA section

1 - 6: The numbers refer to the probability of the cause, 1 being the most likely.

(continued on next page)

GI  
 MA  
 EM  
 LC  
**EC**  
 FE  
 CL  
 MT  
 AT  
 FA  
 RA  
 BR  
 ST  
 RS  
 BT  
 HA  
 EL  
 IDX

# TROUBLE DIAGNOSIS — General Description

## Symptom Matrix Chart (Cont'd)

SYSTEM — ECCS system		SYMPTOM													Reference page
		HARD/NO START/RESTART (EXCP. HA)	ENGINE STALL	HESITATION/SURGING/FLAT SPOT	SPARK KNOCK/DETONATION	LACK OF POWER/POOR ACCELERATION	HIGH IDLE/LOW IDLE	ROUGH IDLE/HUNTING	IDLING VIBRATION	SLOW/NO RETURN TO IDLE	OVERHEATS/WATER TEMPERATURE HIGH	EXCESSIVE FUEL CONSUMPTION	EXCESSIVE OIL CONSUMPTION	BATTERY DEAD (UNDER CHARGE)	
Warranty symptom code		AA	AB	AC	AD	AE	AF	AG	AH	AJ	AK	AL	AM	HA	
ECCS	Camshaft position sensor circuit	2	2	3	3	3		3	3			3			EC-249
	Mass air flow sensor circuit	1	1	2	2	2		2	2			2			EC-110
	Front heated oxygen sensor circuit		1	2	3	2		2	2			2			EC-154, 161
	Engine coolant temperature sensor circuit	1	1	2	3	2	3	2	2	3		2			EC-133, 149
	Throttle position sensor circuit		1	2		2	2	2	2	2		2			EC-138
	Incorrect throttle position sensor adjustment		3	1		1	1	1	1	1		1			EC-82
	Vehicle speed sensor circuit		2	3		3						3			EC-300
	Knock sensor circuit			2								3			EC-240
	ECM	2	2	3	3	3	3	3	3	3	3	3			EC-316, 86
	Start signal circuit	2													EC-462
	Park/Neutral position switch circuit			3		3		3	3			3			EC-431
Power steering oil pressure switch circuit		2					3	3						EC-469	

1 - 6: The numbers refer to the probability of the cause, 1 being the most likely.

(continued on next page)

# TROUBLE DIAGNOSIS — General Description

## Symptom Matrix Chart (Cont'd)

SYSTEM — Engine mechanical & other		SYMPTOM													Reference page
		HARD/NO START/RESTART (EXCP. HA)	ENGINE STALL	HESITATION/SURGING/FLAT SPOT	SPARK KNOCK/DETONATION	LACK OF POWER/POOR ACCELERATION	HIGH IDLE/LOW IDLE	ROUGH IDLE/HUNTING	IDLING VIBRATION	SLOW/NO RETURN TO IDLE	OVERHEATS/WATER TEMPERATURE HIGH	EXCESSIVE FUEL CONSUMPTION	EXCESSIVE OIL CONSUMPTION	BATTERY DEAD (UNDER CHARGE)	
Warranty symptom code		AA	AB	AC	AD	AE	AF	AG	AH	AJ	AK	AL	AM	HA	
Fuel	Fuel tank	5													FE section
	Fuel piping			5	5	5		5	5			5			
	Vapor lock		5												
	Valve deposit														
	Poor fuel (Heavy weight gasoline, Low octane)	5		5	5	5		5	5				5		
Air	Air duct														—
	Air cleaner														
	Air leakage from air duct (Mass air flow sensor — throttle body)		5	5		5		5	5				5		
	Throttle body, Throttle wire	5			5		5			5					FE section
	Air leakage from intake manifold/Collector/Gasket														—
Cranking	Battery	1	1	1		1		1	1					1	EL section
	Alternator circuit														
	Starter circuit	3											1		FA
	Flywheel/Drive plate	6													EM section
	Inhibitor switch	4													AT section
Engine	Cylinder head														
	Cylinder head gasket	5	5	5	5	5		5	5		4	5	3		
	Cylinder block														
	Piston												4		
	Piston ring														
	Connecting rod	6	6	6	6	6		6	6			6			EM section
	Bearing														
	Crankshaft														
Valve mechanism	Timing chain														
	Camshaft														
	Intake valve	5	5	5	5	5		5	5			5			RS
	Exhaust valve												3		
Exhaust	Exhaust manifold/Tube/Muffler/Gasket														FE section
	Three way catalyst														BT
Lubrication	Oil pan/Oil strainer/Oil pump/Oil filter/Oil gallery	5	5	5	5	5		5	5			5			MA, EM and LC sections
	Oil level (Low)/Filthy oil														HA
Cooling	Radiator/Hose/Radiator filler cap														
	Thermostat														
	Water pump														
	Water gallery	5	5	5	5	5		5	5		4	5			LC section
	Cooling fan														
	Coolant level (low)/Contaminated coolant														EC-446 MA section

1 - 6: The numbers refer to the probability of the cause, 1 being the most likely.

GI  
 MA  
 EM  
 LC  
**EC**  
 FE  
 CL  
 MT  
 AT  
 FA  
 RA  
 BR  
 ST  
 RS  
 BT  
 HA  
 EL  
 IDX

# TROUBLE DIAGNOSIS — General Description

## CONSULT Reference Value in Data Monitor Mode

**Remarks:**

- Specification data are reference values.
- Specification data are output/input values which are detected or supplied by the ECM at the connector.
- \* Specification data may not be directly related to their components signals/values/operations.  
(i.e., Adjust ignition timing with a timing light before monitoring IGN TIMING. Specification data might be displayed even when ignition timing is not adjusted to specification. This IGN TIMING monitors the data calculated by the ECM according to the input signals from the camshaft position sensor and other ignition timing related sensors.)
- If the real-time diagnosis results are NG, and the on board diagnostic system results are OK, when diagnosing the mass air flow sensor, first check to see if the fuel pump control circuit is normal.

MONITOR ITEM	CONDITION		SPECIFICATION
CMPS-RPM (REF)	<ul style="list-style-type: none"> <li>● Tachometer: Connect</li> <li>● Run engine and compare tachometer indication with the CONSULT value.</li> </ul>		Almost the same speed as the CONSULT value.
MAS AIR/FL SE	<ul style="list-style-type: none"> <li>● Engine: After warming up</li> <li>● Air conditioner switch: OFF</li> <li>● Shift lever: "N"</li> <li>● No-load</li> </ul>	Idle	1.0 - 1.7V
		2,500 rpm	1.5 - 2.1V
COOLAN TEMP/S	<ul style="list-style-type: none"> <li>● Engine: After warming up</li> </ul>		More than 70°C (158°F)
FR O2 SENSOR	<ul style="list-style-type: none"> <li>● Engine: After warming up</li> </ul>	Maintaining engine speed at 2,000 rpm	0 - 0.3V ↔ 0.6 - 1.0V
FR O2 MNTR			LEAN ↔ RICH Changes more than 5 times during 10 seconds.
RR O2 SENSOR	<ul style="list-style-type: none"> <li>● Engine: After warming up</li> </ul>	Revving engine from idle to 3,000 rpm quickly	0 - 0.3V ↔ 0.6 - 1.0V
RR O2 MNTR			LEAN ↔ RICH
VHCL SPEED SE	<ul style="list-style-type: none"> <li>● Turn drive wheels and compare speedometer indication with the CONSULT value</li> </ul>		Almost the same speed as the CONSULT value
BATTERY VOLT	<ul style="list-style-type: none"> <li>● Ignition switch: ON (Engine stopped)</li> </ul>		11 - 14V
THRTL POS SEN	<ul style="list-style-type: none"> <li>● Ignition switch: ON (Engine stopped)</li> <li>● Engine: After warming up</li> </ul>	Throttle valve fully closed	0.35 - 0.65V
		Throttle valve fully opened	Approx. 4.0V
EGR TEMP SEN	<ul style="list-style-type: none"> <li>● Engine: After warming up</li> </ul>		Less than 4.5V
START SIGNAL	<ul style="list-style-type: none"> <li>● Ignition switch: ON → START → ON</li> </ul>		OFF → ON → OFF
CLSD THL/P SW	<ul style="list-style-type: none"> <li>● Engine: After warming up</li> <li>● Ignition switch: ON (Engine stopped)</li> </ul>	Throttle valve: Idle position	ON
		Throttle valve: Slightly open	OFF
AIR COND SIG	<ul style="list-style-type: none"> <li>● Engine: After warming up, idle the engine</li> </ul>	A/C switch "OFF"	OFF
		A/C switch "ON" (Compressor operates)	ON
P/N POS! SW	<ul style="list-style-type: none"> <li>● Ignition switch: ON</li> </ul>	Shift lever "P" or "N"	ON
		Except above	OFF

## TROUBLE DIAGNOSIS — General Description

### CONSULT Reference Value in Data Monitor Mode (Cont'd)

MONITOR ITEM	CONDITION		SPECIFICATION	
PW/ST SIGNAL	<ul style="list-style-type: none"> <li>● Engine: After warming up, idle the engine</li> </ul>	Steering wheel in neutral position (forward direction)	OFF	GI
		The steering wheel is turned	ON	MA
LOAD SIGNAL	<ul style="list-style-type: none"> <li>● Ignition switch: ON</li> </ul>	Rear window defogger is operating and/or lighting switch* is on	ON	EM
		Rear window defogger is not operating and lighting switch is not on	OFF	
IGNITION SW	<ul style="list-style-type: none"> <li>● Ignition switch: ON → OFF</li> </ul>		ON → OFF	LC
HEATER FAN SE	<ul style="list-style-type: none"> <li>● Heater fan switch: ON → OFF</li> </ul>		ON → OFF	
INJ PULSE	<ul style="list-style-type: none"> <li>● Engine: After warming up</li> <li>● Air conditioner switch: OFF</li> <li>● Shift lever: "N"</li> <li>● No-load</li> </ul>	Idle	2.4 - 3.2 msec.	EC
		2,000 rpm	1.9 - 3.2 msec.	
B/FUEL SCHDL	<ul style="list-style-type: none"> <li>● Engine: After warming up</li> <li>● Air conditioner switch: OFF</li> <li>● Shift lever: "N"</li> <li>● No-load</li> </ul>	Idle	0.7 - 1.5 msec	FE
		2,000 rpm	0.7 - 1.5 msec	CL
IGN TIMING	<ul style="list-style-type: none"> <li>● Engine: After warming up</li> <li>● Air conditioner switch: OFF</li> <li>● Shift lever: "N"</li> <li>● No-load</li> </ul>	Idle	0 - 10° BTDC	MT
		2,000 rpm	More than 25° BTDC	
IACV-AAC/V	<ul style="list-style-type: none"> <li>● Engine: After warming up</li> <li>● Air conditioner switch: OFF</li> <li>● Shift lever: "N"</li> <li>● No-load</li> </ul>	Idle	20 - 60%	AT
		2,000 rpm	—	
PURG VOL C/V	<ul style="list-style-type: none"> <li>● Engine: After warming up</li> <li>● Shift lever: N</li> <li>● No-load</li> <li>● M/T models: Jack up drive wheels and shift to 1st gear position.</li> </ul>	Idle	0 step	FA
		More than 60 seconds after starting engine A/T models: 2,200 rpm M/T models: 2,000 rpm and more than 16 km/h (10 MPH)	—	RA
A/F ALPHA	<ul style="list-style-type: none"> <li>● Engine: After warming up</li> </ul>	Maintaining engine speed at 2,000 rpm	56 - 155%	BR
EVAP SYS PRES	<ul style="list-style-type: none"> <li>● Ignition switch: ON</li> </ul>		Approx. 3.4V	
AIR COND RLY	<ul style="list-style-type: none"> <li>● Air conditioner switch: OFF → ON</li> </ul>		OFF → ON	
FUEL PUMP RLY	<ul style="list-style-type: none"> <li>● Ignition switch is turned to ON (Operates for 5 seconds)</li> <li>● Engine running and cranking</li> <li>● When engine is stopped (stops in 1.0 seconds)</li> </ul>		ON	ST
		<ul style="list-style-type: none"> <li>● Except as shown above</li> </ul>		OFF
COOLING FAN	<ul style="list-style-type: none"> <li>● After warming up engine, idle the engine.</li> <li>● Air conditioner switch: OFF</li> </ul>	Engine coolant temperature is 90°C (194°F) or less	OFF	BT
		Engine coolant temperature is 91°C (196°F) or more	ON	
INT/V TIM SOL	<ul style="list-style-type: none"> <li>● Engine: After warming up</li> </ul>	Idle	OFF	HA
		2,000 rpm	ON	
VENT CONT/V	<ul style="list-style-type: none"> <li>● Ignition switch: ON</li> </ul>		OFF	
EGRC SOL/V	<ul style="list-style-type: none"> <li>● Engine: After warming up</li> <li>● Air conditioner switch: OFF</li> <li>● Shift lever: N</li> <li>● No-load</li> <li>● M/T models: Jack up drive wheels and shift to 1st gear position</li> </ul>	Idle	OFF	EL
		A/T models: 2,200 rpm M/T models: 2,000 rpm and more than 16 km/h (10 MPH)	ON	IDX

\*: 1st position for USA models, 2nd position for Canada models

## TROUBLE DIAGNOSIS — General Description

### CONSULT Reference Value in Data Monitor Mode (Cont'd)

MONITOR ITEM	CONDITION	SPECIFICATION
TCC SOL/V	<ul style="list-style-type: none"> <li>● Engine: After warming up</li> </ul>	Idle ON
		Vehicle speed is 64 km/h (40 MPH) or more in "D" position OFF
FR O2 HEATER	<ul style="list-style-type: none"> <li>● Engine speed: Idle</li> </ul>	ON
	<ul style="list-style-type: none"> <li>● Engine speed: Above 3,200 rpm</li> </ul>	OFF
RR O2 HEATER	<ul style="list-style-type: none"> <li>● Engine speed: Idle</li> </ul>	ON
	<ul style="list-style-type: none"> <li>● Engine speed: Above 3,200 rpm</li> </ul>	OFF
VC/V BYPASS/V	<ul style="list-style-type: none"> <li>● Ignition switch: ON</li> </ul>	OFF
PURG CONT S/V	<ul style="list-style-type: none"> <li>● Engine: After warming up</li> <li>● Shift lever: N</li> <li>● No-load</li> <li>● M/T models: Jack up drive wheels and shift to 1st gear position.</li> </ul>	Idle OFF
		More than 60 seconds after starting engine A/T models: 2,200 rpm M/T models: 2,000 rpm and more than 16 km/h (10 MPH) ON
CAL/LD VALUE	<ul style="list-style-type: none"> <li>● Engine: After warming up</li> <li>● Air conditioner switch: OFF</li> <li>● Shift lever: "N"</li> <li>● No-load</li> </ul>	Idle 15.0 - 30.0%
		2,500 rpm 13.0 - 28.0%
ABSOL TH:P/S	<ul style="list-style-type: none"> <li>● Ignition switch: ON (Engine stopped)</li> </ul>	Throttle valve fully closed 0.0%
		Throttle valve fully opened Approx. 89%
MASS AIRFLOW	<ul style="list-style-type: none"> <li>● Engine: After warming up</li> <li>● Air conditioner switch: OFF</li> <li>● Shift lever: N</li> <li>● No-load</li> </ul>	Idle 1.0 - 4.0 g·m/s
		2,500 rpm 5.0 - 10.0 g·m/s
MAP/BARO SW/V	<ul style="list-style-type: none"> <li>● For 5 seconds after starting engine</li> </ul>	BARO
	<ul style="list-style-type: none"> <li>● More than 5 seconds after starting engine</li> </ul>	MAP
ABSOL PRES/SE	<ul style="list-style-type: none"> <li>● Engine: After warming up</li> </ul>	Engine is not running Approx. 4.4V
		Idle (5 seconds after starting engine) Approx. 1.2V

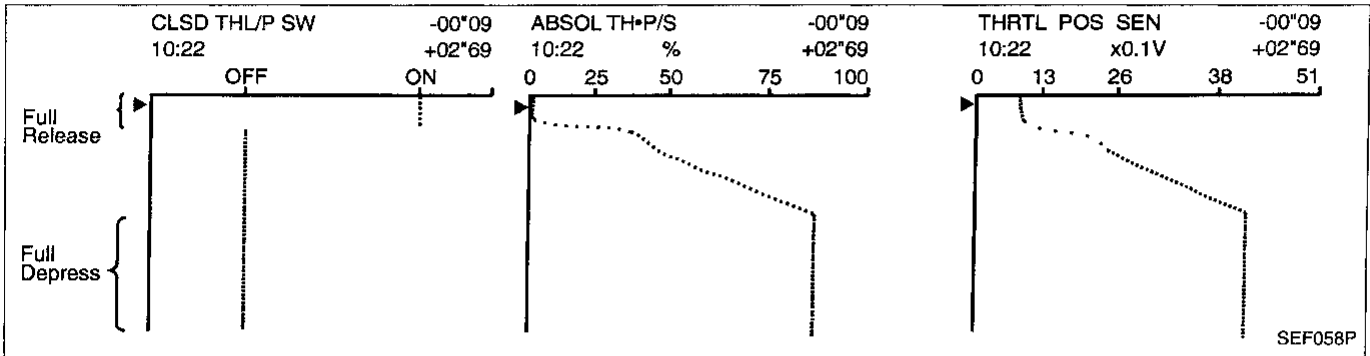
## Major Sensor Reference Graph in Data Monitor Mode

The following are the major sensor reference graphs in "DATA MONITOR" mode. (Select "HI SPEED" in "DATA MONITOR" with CONSULT.)

### THRTL POS SEN, ABSOL TH·P/S, CLSD THL/P SW

Below is the data for "THRTL POS SEN", "ABSOL TH·P/S" and "CLSD THL/P SW" when depressing the accelerator pedal with the ignition switch "ON".

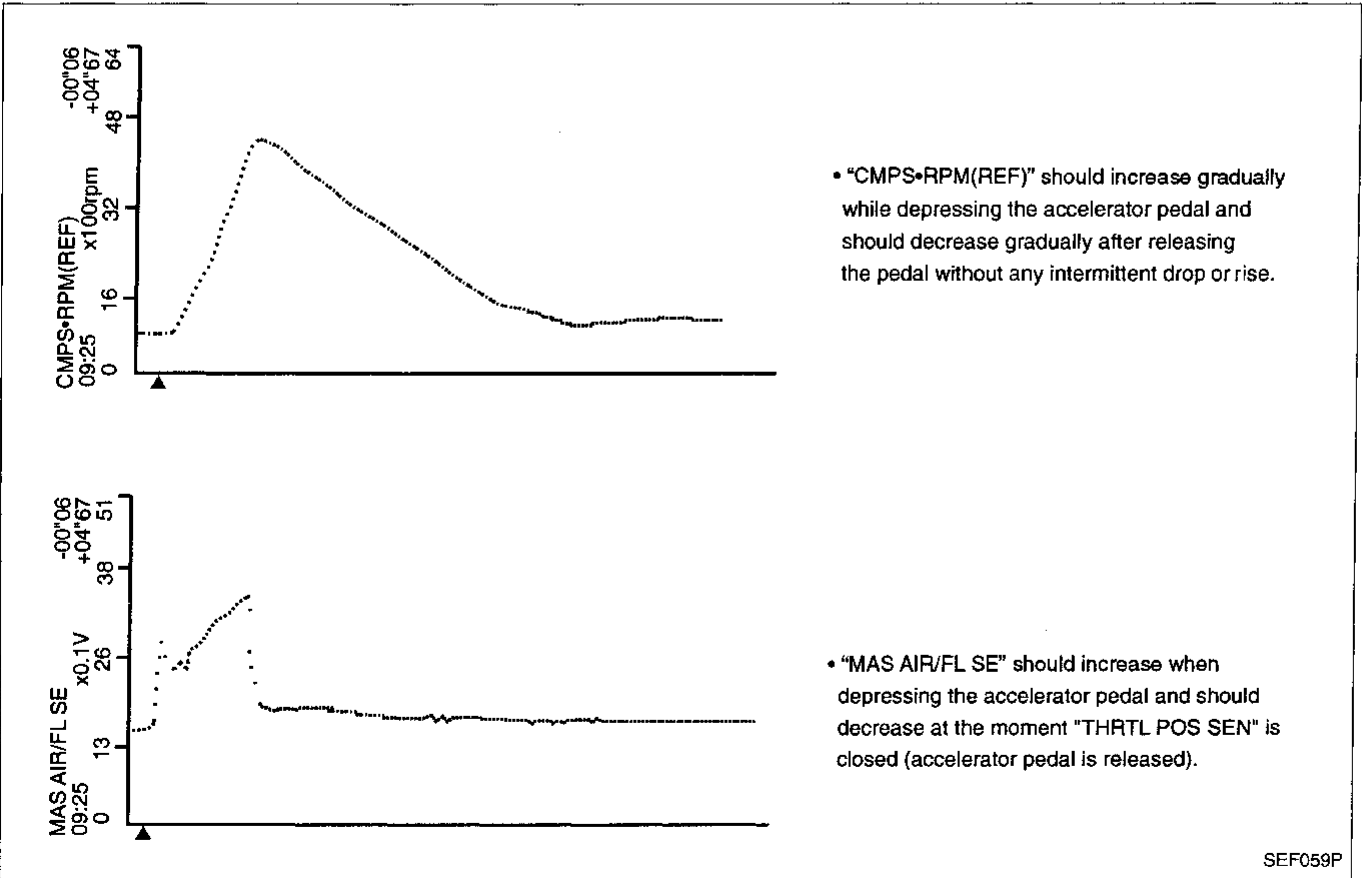
The signal of "THRTL POS SEN" and "ABSOL TH·P/S" should rise gradually without any intermittent drop or rise after "CLSD THL/P SW" is changed from "ON" to "OFF".



### CMPS·RPM (REF), MAS AIR/FL SE, THRTL POS SEN, RR O2 SEN, FR O2 SEN, INJ PULSE

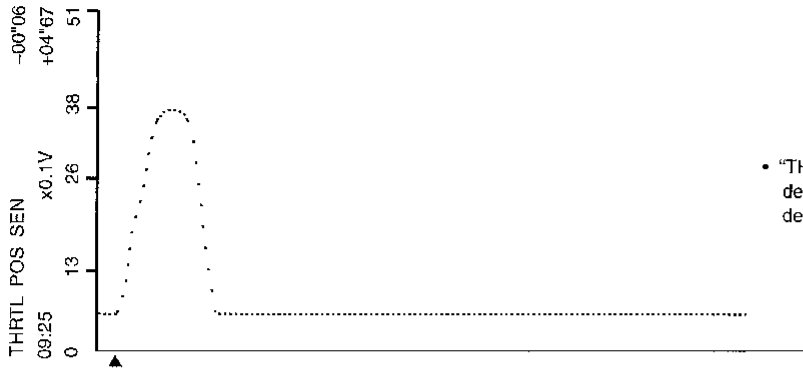
Below is the data for "CMPS·RPM (REF)", "MAS AIR/FL SE", "THRTL POS SEN", "RR O2 SEN", "FR O2 SEN" and "INJ PULSE" when revving engine quickly up to 4,800 rpm under no load after warming up engine to normal operating temperature.

Each value is for reference; the exact value may vary.

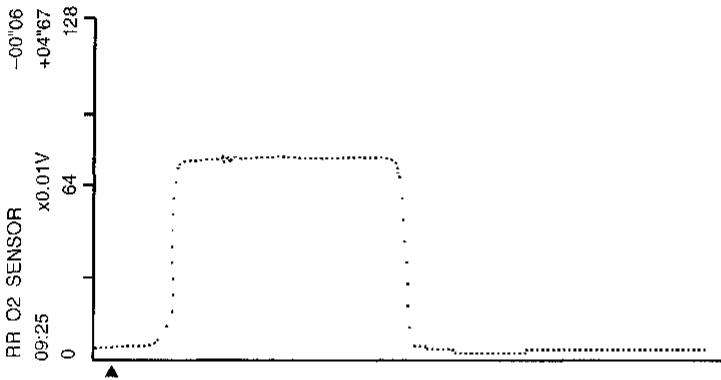


# TROUBLE DIAGNOSIS — General Description

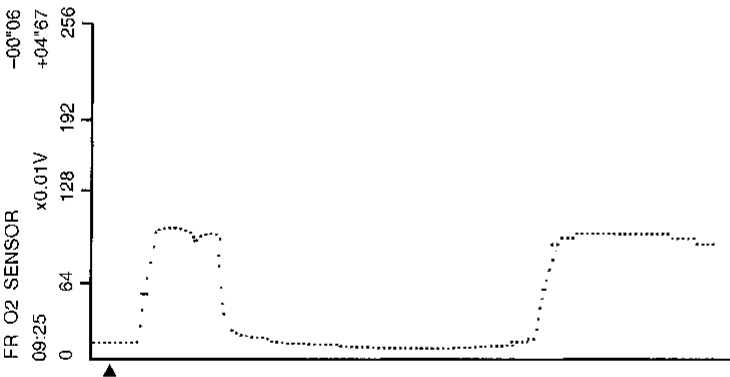
## Major Sensor Reference Graph in Data Monitor Mode (Cont'd)



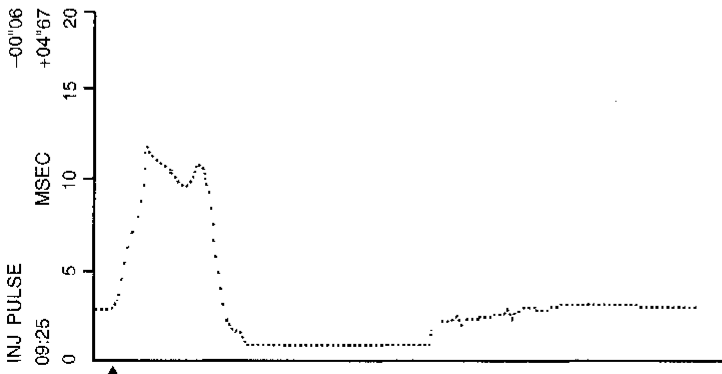
- "THRTL POS SEN" should increase while depressing the accelerator pedal and should decrease while releasing it.



- "RR O2 SENSOR" may increase immediately after depressing the accelerator pedal and may decrease after releasing the pedal.

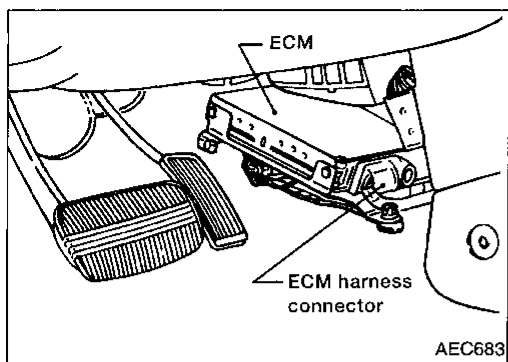


- "FR O2 SENSOR" may increase immediately after depressing the accelerator pedal and may decrease after releasing the pedal.



- "INJ PULSE" should increase when depressing the accelerator pedal and should decrease when the pedal is released.

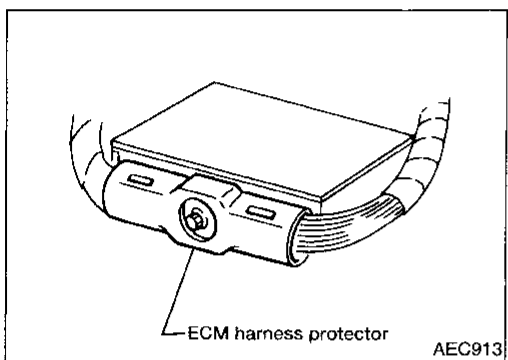




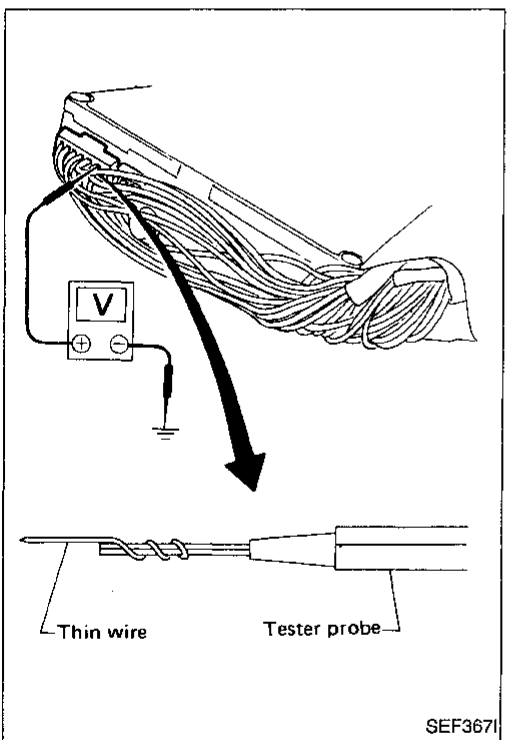
## ECM Terminals and Reference Value

### PREPARATION

- ECM is located behind the center console. For this inspection:
  - Remove the front passenger center console panel.

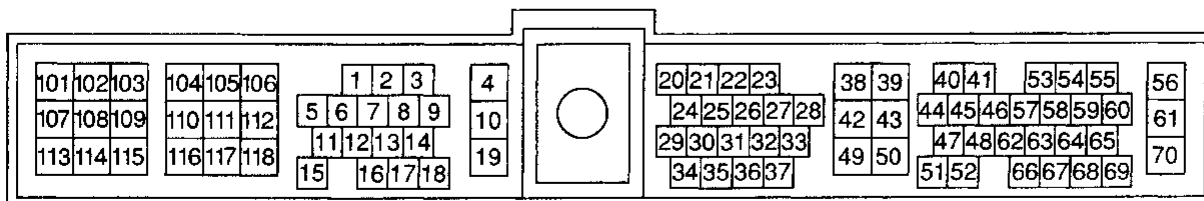


- Remove ECM harness protector.



- Perform all voltage measurements with the connector connected. Extend tester probe as shown to perform tests easily.
  - Open harness securing clip to make testing easier.
  - Use extreme care not to touch 2 pins at one time.
  - Data is for comparison and may not be exact.

### ECM HARNESS CONNECTOR TERMINAL LAYOUT



SEF064P

GI  
 MA  
 EM  
 LC  
**EC**  
 FE  
 CL  
 MT  
 AT  
 FA  
 RA  
 BR  
 ST  
 RS  
 BT  
 HA  
 EL  
 IDX

# TROUBLE DIAGNOSIS — General Description

## ECM Terminals and Reference Value (Cont'd)

### ECM INSPECTION TABLE

Specification data are reference values and are measured between each terminal and Ⓞ (ECCS ground).

TER-MINAL NO.	WIRE COLOR	ITEM	CONDITION	DATA (DC voltage)
1	W/B	Ignition signal	<p>Engine is running. (Warm-up condition)</p> <p>└ Idle speed</p>	<p>0.2 - 0.6V</p>
			<p>Engine is running.</p> <p>└ Engine speed is 2,000 rpm.</p>	<p>0.7 - 0.9V</p>
2	W	Ignition check	<p>Engine is running. (Warm-up condition)</p> <p>└ Idle speed</p>	<p>Approximately 13V</p>
			<p>Engine is running.</p> <p>└ Engine speed is 2,000 rpm.</p>	<p>Approximately 13V</p>
3	L/OR	Tachometer	<p>Engine is running. (Warm-up condition)</p> <p>└ Idle speed</p>	<p>Approximately 1V</p>
			<p>Engine is running.</p> <p>└ Engine speed is 2,000 rpm.</p>	<p>Approximately 2.4V</p>

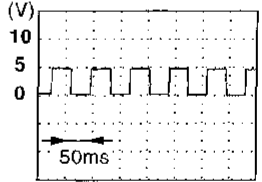
## TROUBLE DIAGNOSIS — General Description

### ECM Terminals and Reference Value (Cont'd)

TER-MINAL NO.	WIRE COLOR	ITEM	CONDITION	DATA (DC voltage)	
4	W/G	ECCS relay (Self-shutoff)	Engine is running.	0 - 1V	GI
			Ignition switch "OFF" └ For a few seconds after turning ignition switch "OFF"		MA
			Ignition switch "OFF" └ A few seconds passed after turning ignition switch "OFF"	BATTERY VOLTAGE (11 - 14V)	EM LC
5	L	EVAP canister purge volume control valve	Engine is running. (Warm-up condition)	0 - 0.4V	EC
6	G		└ Idle speed		
8	B/P	Fuel pump relay	Ignition switch "ON" └ For 5 seconds after turning ignition switch "ON"	0 - 1V	FE
			Engine is running.		CL
			Ignition switch "ON" └ More than 5 seconds after turning ignition switch "ON"	BATTERY VOLTAGE (11 - 14V)	MT
10	B	ECCS ground	Engine is running. └ Idle speed	Engine ground	AT
13	LG (A/T models)	Cooling fan relay (High)	Engine is running. └ Cooling fan is not operating.	BATTERY VOLTAGE (11 - 14V)	FA
			Engine is running. └ Cooling fan (High) is operating.	0.07 - 0.10V	RA
14	LG/R	Cooling fan relay	Engine is running. └ Cooling fan is not operating.	BATTERY VOLTAGE (11 - 14V)	BR
			Engine is running. └ Cooling fan is operating.	0.07 - 0.30V	ST
15	G/Y	Air conditioner relay	Engine is running. └ Both A/C switch and blower switch are "ON".	0 - 0.3V	RS
			Engine is running. └ A/C switch is "OFF".	BATTERY VOLTAGE (11 - 14V)	BT
16	Y	EVAP canister purge volume control valve	Engine is running.	BATTERY VOLTAGE (11 - 14V)	HA
17	OR		└ Idle speed		
18	OR/L	Malfunction indicator lamp	Ignition switch "ON"	Approximately 0.1V	
			Engine is running. └ Idle speed	BATTERY VOLTAGE (11 - 14V)	EL
19	B	ECCS ground	Engine is running. └ Idle speed	Engine ground	IDX
20	B/Y	Start signal	Ignition switch "ON"	Approximately 0V	
			Ignition switch "START"	BATTERY VOLTAGE (11 - 14V)	

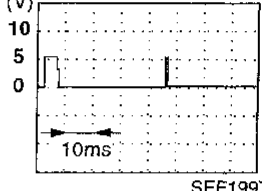
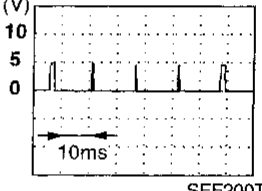

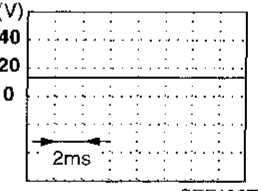
## TROUBLE DIAGNOSIS — General Description

### ECM Terminals and Reference Value (Cont'd)

TER-MINAL NO.	WIRE COLOR	ITEM	CONDITION	DATA (DC voltage)
21	L/W	Air conditioner switch	Engine is running. └ Both air conditioner switch and blower switch are "ON" (Compressor operates).	Approximately 0V
			Engine is running. └ Air conditioner switch is "OFF".	BATTERY VOLTAGE (11 - 14V)
22	G/OR	Neutral position switch (M/T models) Inhibitor switch (A/T models)	Ignition switch "ON" └ Gear position is "Neutral position" (M/T models). └ Gear position is "N" or "P" (A/T models).	Approximately 0V
			Ignition switch "ON" └ Except the above gear position	A/T models: BATTERY VOLTAGE (11 - 14V) M/T models: Approximately 5V
23	Y	Throttle position sensor	Ignition switch "ON" └ Accelerator pedal released	0.35 - 0.65V
			Ignition switch "ON" └ Accelerator pedal fully depressed	Approximately 4V
24	LG/B	Blower fan switch	Ignition switch "ON" └ Blower fan switch is "ON".	Approximately 0V
25	SB	Power steering oil pressure switch	Engine is running. └ Steering wheel is fully turned.	Approximately 0V
			Engine is running. └ Steering wheel is not turned.	Approximately 5V
26	PU/R	Vehicle speed sensor	Engine is running. └ Lift up the vehicle. └ In 2nd gear position └ Vehicle speed is 40 km/h (25 MPH).	0 - Approximately 4.2V  SEF194T
27	LG	Throttle position switch (Closed position)	Ignition switch "ON" (Warm-up condition) └ Accelerator pedal released	BATTERY VOLTAGE (11 - 14V)
			Ignition switch "ON" └ Accelerator pedal depressed	Approximately 0V
28	R/Y	Intake air temperature sensor	Engine is running.	Approximately 0 - 4.8V Output voltage varies with intake air temperature.
30	P/B	Torque converter clutch solenoid valve (A/T models only)	Engine is running. └ Idle speed	Approximately 0V
			Engine is running. (Warm-up condition) └ Vehicle speed is 64 km/h (40 MPH) or more in "D" position.	BATTERY VOLTAGE (11 - 14V)

# TROUBLE DIAGNOSIS — General Description

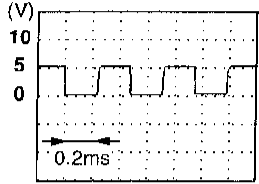
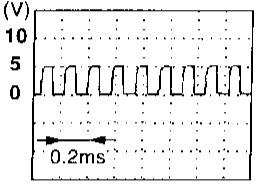
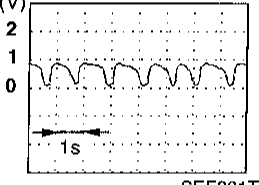
## ECM Terminals and Reference Value (Cont'd)

TER-MINAL NO.	WIRE COLOR	ITEM	CONDITION	DATA (DC voltage)
38	B/R	Ignition switch	Ignition switch "OFF"	0V
			Ignition switch "ON"	BATTERY VOLTAGE (11 - 14V)
39	B	ECCS ground	Engine is running. └ Idle speed	Engine ground
40 44	L L	Camshaft position signal (Reference signal)	Engine is running. (Warm-up condition) └ Idle speed	0.1 - 0.4V 
			Engine is running. └ Engine speed is 2,000 rpm.	0.1 - 0.4V 
42	PU/W	IACV-AAC valve (Close)	Engine is running. (Warm-up condition) └ Idle speed	5 - 9V 
			Engine is running. (Warm-up condition) └ Engine speed is 2,000 rpm.	Approximately 13V 
43	B	ECCS ground	Engine is running. └ Idle speed	Engine ground (Probe this terminal with ⊖ tester probe when measuring.)

GI  
MA  
EM  
LC  
**EC**  
FE  
CL  
MT  
AT  
FA  
RA  
BR  
ST  
RS  
BT  
HA  
EL  
IDX

# TROUBLE DIAGNOSIS — General Description

## ECM Terminals and Reference Value (Cont'd)

TER-MINAL NO.	WIRE COLOR	ITEM	CONDITION	DATA (DC voltage)
41	B/W	Camshaft position sensor (Position signal)	<div style="border: 1px solid black; padding: 2px; display: inline-block;">Engine is running.</div> (Warm-up condition) └ Idle speed	Approximately 2.5V 
			<div style="border: 1px solid black; padding: 2px; display: inline-block;">Engine is running.</div> └ Engine speed is 2,000 rpm.	Approximately 2.4V 
46	W	Front heated oxygen sensor	<div style="border: 1px solid black; padding: 2px; display: inline-block;">Engine is running.</div> └ After warming up to normal operating temperature and engine speed is 2,000 rpm	0 - Approximately 1.0V 
47	G	Mass air flow sensor	<div style="border: 1px solid black; padding: 2px; display: inline-block;">Engine is running.</div> (Warm-up condition) └ Idle speed	1.0 - 1.7V
			<div style="border: 1px solid black; padding: 2px; display: inline-block;">Engine is running.</div> (Warm-up condition) └ Engine speed is 2,500 rpm.	1.5 - 2.1V
48	R	Mass air flow sensor ground	<div style="border: 1px solid black; padding: 2px; display: inline-block;">Engine is running.</div> (Warm-up condition) └ Idle speed	0.005 - 0.02V
49	P/L	Sensors' power supply	<div style="border: 1px solid black; padding: 2px; display: inline-block;">Ignition switch "ON"</div>	Approximately 5V
50	B	Sensors' ground	<div style="border: 1px solid black; padding: 2px; display: inline-block;">Engine is running.</div> (Warm-up condition) └ Idle speed	0.001 - 0.02V
51	BR/Y	Engine coolant temperature sensor	<div style="border: 1px solid black; padding: 2px; display: inline-block;">Engine is running.</div>	Approximately 0 - 4.8V Output voltage varies with engine coolant temperature.
52	W	Rear heated oxygen sensor	<div style="border: 1px solid black; padding: 2px; display: inline-block;">Engine is running.</div> └ After warming up to normal operating temperature and engine speed is 3,000 rpm	0 - Approximately 1.0V

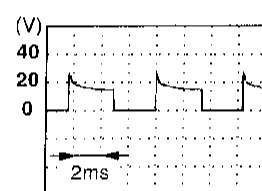
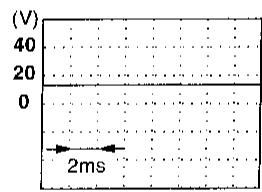
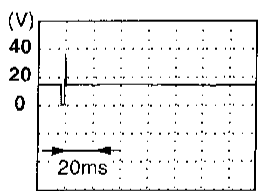
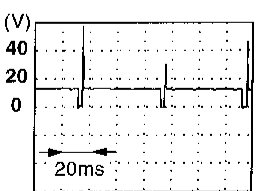
# TROUBLE DIAGNOSIS — General Description

## ECM Terminals and Reference Value (Cont'd)

TER-MINAL NO.	WIRE COLOR	ITEM	CONDITION	DATA (DC voltage)	
53	W	Crankshaft position sensor (OBD)	<div style="border: 1px solid black; padding: 2px;">Engine is running.</div> (Warm-up condition) Idle speed	Approximately 0.03V SEF202T	GI
			<div style="border: 1px solid black; padding: 2px;">Engine is running.</div> Engine speed is 2,000 rpm.	Approximately 0.03V SEF203T	MA EM LC
54	W	Knock sensor	<div style="border: 1px solid black; padding: 2px;">Engine is running.</div> Idle speed	2.0 - 3.0V	EC
55	L/R	Rear window defogger relay	<div style="border: 1px solid black; padding: 2px;">Ignition switch "ON"</div> Rear window defogger is "OFF".	Approximately 0V	FE
			<div style="border: 1px solid black; padding: 2px;">Ignition switch "ON"</div> Rear window defogger is "ON".	BATTERY VOLTAGE (11 - 14V)	CL
56 61	W/R W/R	Power supply for ECM	<div style="border: 1px solid black; padding: 2px;">Ignition switch "ON"</div>	BATTERY VOLTAGE (11 - 14V)	MT
58	L/B	Data link connector for GST	<div style="border: 1px solid black; padding: 2px;">Engine is running.</div> Idle speed (GST is disconnected.)	6 - 10V	AT
60	R/L	Headlamp switch	<div style="border: 1px solid black; padding: 2px;">Lighting switch "ON"</div>	BATTERY VOLTAGE (11 - 14V)	FA
			<div style="border: 1px solid black; padding: 2px;">Lighting switch "OFF"</div>	Approximately 0V	RA
62	R/B	EGR temperature sensor	<div style="border: 1px solid black; padding: 2px;">Engine is running.</div> (Warm-up condition) Idle speed	Less than 4.5V	BR
			<div style="border: 1px solid black; padding: 2px;">Engine is running.</div> (Warm-up condition) EGR system is operating.	0 - 3.0V	ST
63	LG/R	Tank fuel temperature sensor	<div style="border: 1px solid black; padding: 2px;">Engine is running.</div>	Approximately 0 - 4.8V Output voltage varies with fuel temperature.	RS
64	G/B	Data link connector for CONSULT	<div style="border: 1px solid black; padding: 2px;">Engine is running.</div>	Approximately 0V	BT
65	GY/L		Idle speed (CONSULT is connected and turned on.)	Approximately 4 - 9V	HA
68	G/W			Approximately 3.5V	EL
66	W	Absolute pressure sensor	<div style="border: 1px solid black; padding: 2px;">Ignition switch "ON"</div> For 5 seconds after turning ignition switch "ON"	Approximately 4.4V	IDX
			<div style="border: 1px solid black; padding: 2px;">Engine is running.</div> For 5 seconds after starting engine		
			<div style="border: 1px solid black; padding: 2px;">Engine is running.</div> (Warm-up condition) More than 5 seconds after starting engine	Approximately 1.4V	

# TROUBLE DIAGNOSIS — General Description

## ECM Terminals and Reference Value (Cont'd)

TER-MINAL NO.	WIRE COLOR	ITEM	CONDITION	DATA (DC voltage)
67	W	EVAP control system pressure sensor	Ignition switch "ON"	Approximately 3.4V
69	GY/R	MAP/BARO switch solenoid valve	Ignition switch "ON" └ For 5 seconds after turning ignition switch "ON"	Approximately 0V
			Engine is running. └ For 5 seconds after starting engine	
70	W/L	Power supply (Back-up)	Ignition switch "OFF"	BATTERY VOLTAGE (11 - 14V)
101	SB	IACV-AAC valve (Open)	Engine is running. (Warm-up condition) └ Idle speed	Approximately 10V  SEF197T
			Engine is running. (Warm-up condition) └ Engine speed is 2,000 rpm.	Approximately 0V  SEF198T
102 104 107 109	R/B G/B Y/B L/B	Injector No. 1 Injector No. 3 Injector No. 2 Injector No. 4	Engine is running. (Warm-up condition) └ Idle speed	BATTERY VOLTAGE (11 - 14V)  SEF204T
			Engine is running. (Warm-up condition) └ Engine speed is 2,000 rpm.	BATTERY VOLTAGE (11 - 14V)  SEF205T



## TROUBLE DIAGNOSIS — General Description

### ECM Terminals and Reference Value (Cont'd)

TER-MINAL NO.	WIRE COLOR	ITEM	CONDITION	DATA (DC voltage)	
103	P	EGRC-solenoid valve	Engine is running. (Warm-up condition) <ul style="list-style-type: none"> <li>— M/T models: Jack up front wheels and drive wheels at 16 km/h (10 MPH).</li> <li>— Engine speed is 2,200 rpm. (A/T models) 2,000 rpm. (M/T models)</li> </ul>	Approximately 0V	GI
			Engine is running. (Warm-up condition) <ul style="list-style-type: none"> <li>— Idle speed</li> </ul>	BATTERY VOLTAGE (11 - 14V)	MA EM
105	PU	EVAP canister purge control solenoid valve	Engine is running. (Warm-up condition) <ul style="list-style-type: none"> <li>— More than 60 seconds after starting engine</li> <li>— M/T models: Jack up front wheels and drive wheels at 16 km/h (10 MPH).</li> <li>— Engine speed is 2,200 rpm. (A/T models) 2,000 rpm. (M/T models)</li> </ul>	Approximately 0V	LC
			Engine is running. (Warm-up condition) <ul style="list-style-type: none"> <li>— Idle speed</li> </ul>	BATTERY VOLTAGE (11 - 14V)	<b>EC</b> FE
106	B	ECCS ground	Engine is running. <ul style="list-style-type: none"> <li>— Idle speed</li> </ul>	Engine ground	CL
108	PU/W	EVAP canister vent control valve	Ignition switch "ON"	BATTERY VOLTAGE (11 - 14V)	MT
110	R/W	Rear heated oxygen sensor heater	Engine is running. <ul style="list-style-type: none"> <li>— Engine speed is below 3,200 rpm.</li> </ul>	Approximately 0V	AT
			Engine is running. <ul style="list-style-type: none"> <li>— Engine speed is above 3,200 rpm.</li> </ul>	BATTERY VOLTAGE (11 - 14V)	FA
112	B	ECCS ground	Engine is running. <ul style="list-style-type: none"> <li>— Idle speed</li> </ul>	Engine ground	RA
114	Y/R	Intake valve timing control solenoid valve	Engine is running. <ul style="list-style-type: none"> <li>— Idle speed</li> </ul>	BATTERY VOLTAGE (11 - 14V)	BR
			Engine is running. <ul style="list-style-type: none"> <li>— Engine speed is 2,000 rpm.</li> </ul>	Approximately 0V	ST
115	OR	Front heated oxygen sensor heater	Engine is running. <ul style="list-style-type: none"> <li>— Engine speed is below 3,200 rpm.</li> </ul>	Approximately 0V	RS
			Engine is running. <ul style="list-style-type: none"> <li>— Engine speed is above 3,200 rpm.</li> </ul>	BATTERY VOLTAGE (11 - 14V)	BT
117	PU/R	Vacuum cut valve bypass valve	Ignition switch "ON"	BATTERY VOLTAGE (11 - 14V)	HA
118	B	ECCS ground	Engine is running. <ul style="list-style-type: none"> <li>— Idle speed</li> </ul>	Engine ground	EL

IDX

# TROUBLE DIAGNOSIS FOR INTERMITTENT INCIDENT

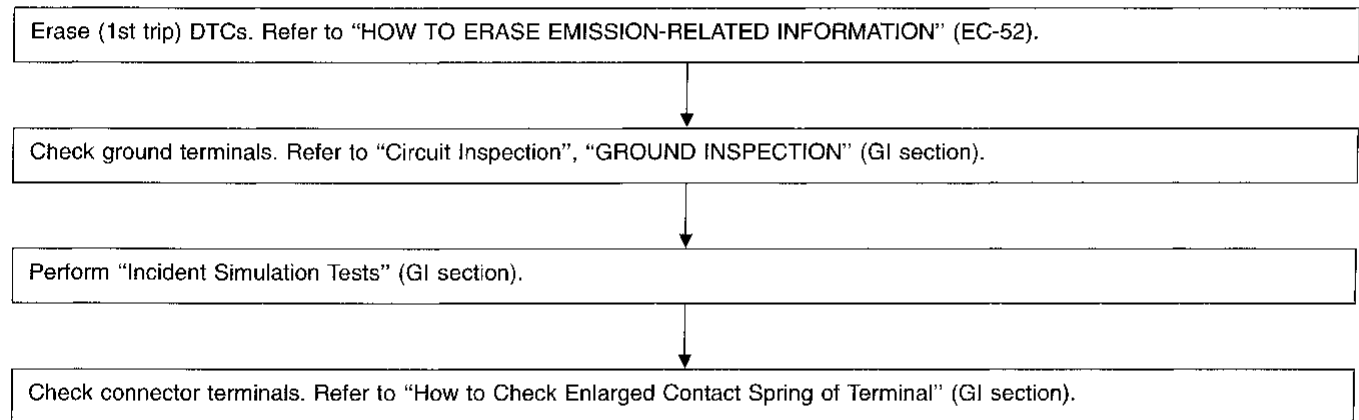
## Description

Intermittent incidents (I/I) may occur. In many cases, the problem resolves itself (the part or circuit function returns to normal without intervention). It is important to realize that the symptoms described in the customer's complaint often do not recur on DTC (1st trip) visits. Realize also that the most frequent cause of I/I occurrences is poor electrical connections. Because of this, the conditions under which the incident occurred may not be clear. Therefore, circuit checks made as part of the standard diagnostic procedure may not indicate the specific problem area.

## Common I/I Report Situations

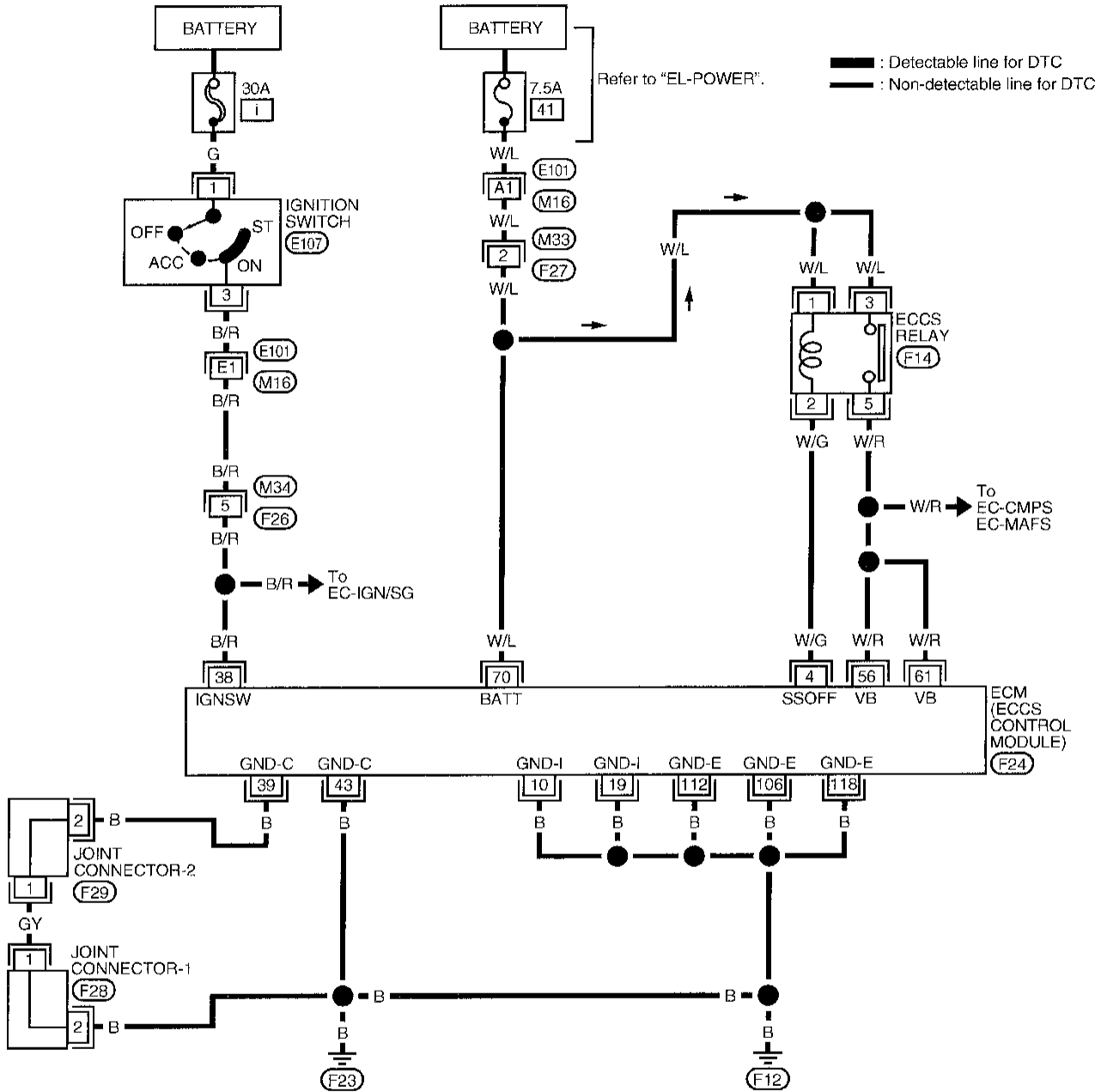
STEP in Work Flow	Situation
II	The CONSULT is used. The SELF-DIAG RESULTS screen shows time data other than "0" or "1t".
III	The symptom described by the customer does not recur.
IV	(1st trip) DTC data does not appear during the DTC CONFIRMATION PROCEDURE.
VI	The TROUBLE DIAGNOSIS for PXXXX does not indicate the problem area.

## Diagnostic Procedure



## Main Power Supply and Ground Circuit

EC-MAIN-01



GI

MA

EM

LC

EC

FE

CL

MT

AT

FA

RA

BR

ST

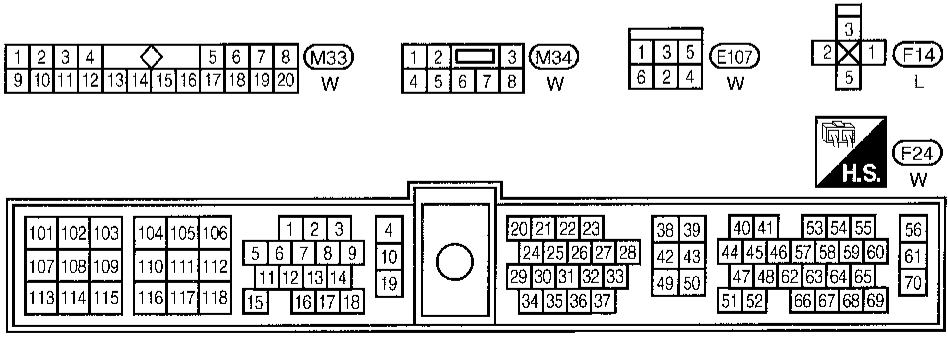
RS

BT

HA

EL

IDX



Refer to last page (Foldout page).

(M16), (E101)  
 (F28)  
 (F29)

## TROUBLE DIAGNOSIS FOR POWER SUPPLY

### Main Power Supply and Ground Circuit (Cont'd)

#### ECM TERMINALS AND REFERENCE VALUE

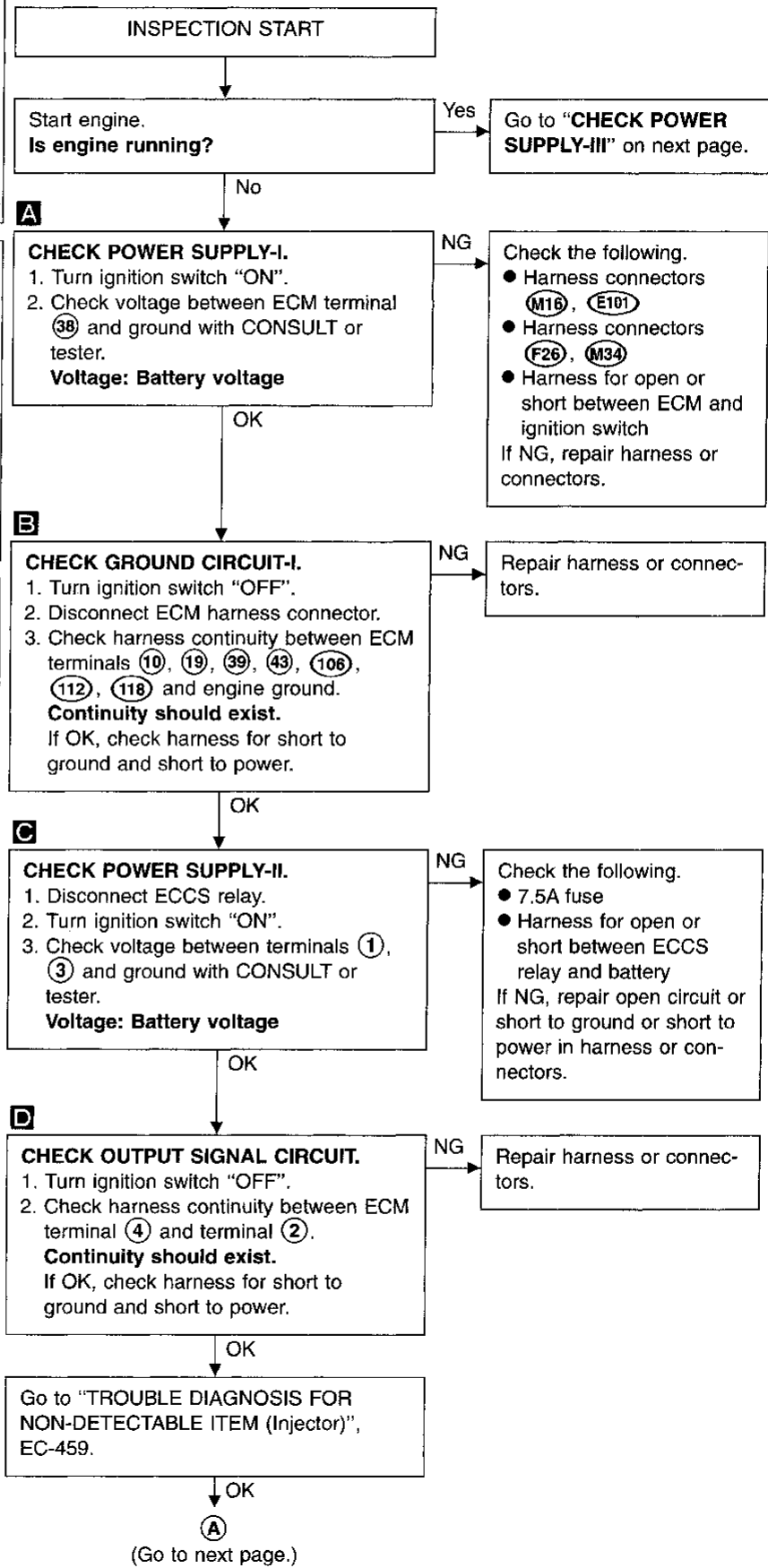
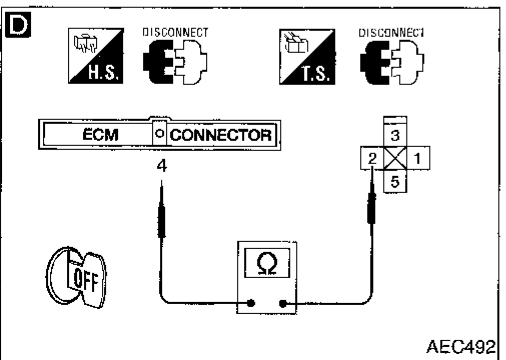
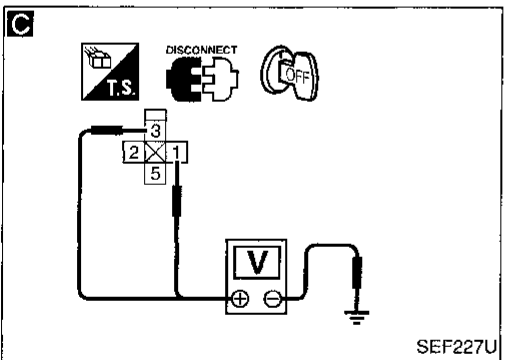
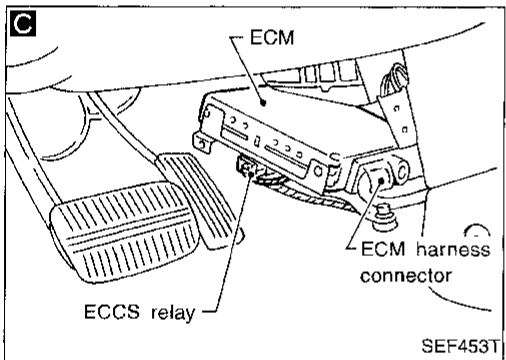
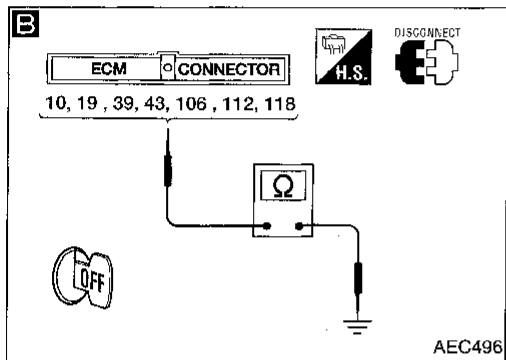
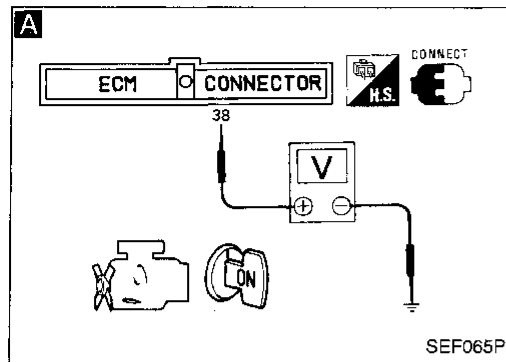
Specification data are reference values and are measured between each terminal and ④ (ECCS ground).

TER-MINAL NO.	WIRE COLOR	ITEM	CONDITION	DATA (DC voltage)
4	W/G	ECCS relay (Self-shutoff)	<div style="border: 1px solid black; padding: 2px;">Engine is running.</div> <div style="border: 1px solid black; padding: 2px;">Ignition switch "OFF"</div> <div style="margin-left: 20px;">└ For a few seconds after turning ignition switch "OFF"</div>	0 - 1V
			<div style="border: 1px solid black; padding: 2px;">Ignition switch "OFF"</div> <div style="margin-left: 20px;">└ A few seconds passed after turning ignition switch "OFF"</div>	BATTERY VOLTAGE (11 - 14V)
10	B	ECCS ground	<div style="border: 1px solid black; padding: 2px;">Engine is running.</div> <div style="margin-left: 20px;">└ Idle speed</div>	Engine ground
19	B	ECCS ground	<div style="border: 1px solid black; padding: 2px;">Engine is running.</div> <div style="margin-left: 20px;">└ Idle speed</div>	Engine ground
38	B/R	Ignition switch	<div style="border: 1px solid black; padding: 2px;">Ignition switch "OFF"</div>	0V
			<div style="border: 1px solid black; padding: 2px;">Ignition switch "ON"</div>	BATTERY VOLTAGE (11 - 14V)
39	B	ECCS ground	<div style="border: 1px solid black; padding: 2px;">Engine is running.</div> <div style="margin-left: 20px;">└ Idle speed</div>	Engine ground
43	B	ECCS ground	<div style="border: 1px solid black; padding: 2px;">Engine is running.</div> <div style="margin-left: 20px;">└ Idle speed</div>	Engine ground (Probe this terminal with ⊖ tester probe when measuring.)
56 61	W/R W/R	Power supply for ECM	<div style="border: 1px solid black; padding: 2px;">Ignition switch "ON"</div>	BATTERY VOLTAGE (11 - 14V)
70	W/L	Power supply (Back-up)	<div style="border: 1px solid black; padding: 2px;">Ignition switch "OFF"</div>	BATTERY VOLTAGE (11 - 14V)
106	B	ECCS ground	<div style="border: 1px solid black; padding: 2px;">Engine is running.</div> <div style="margin-left: 20px;">└ Idle speed</div>	Engine ground
112	B	ECCS ground	<div style="border: 1px solid black; padding: 2px;">Engine is running.</div> <div style="margin-left: 20px;">└ Idle speed</div>	Engine ground
118	B	ECCS ground	<div style="border: 1px solid black; padding: 2px;">Engine is running.</div> <div style="margin-left: 20px;">└ Idle speed</div>	Engine ground

# TROUBLE DIAGNOSIS FOR POWER SUPPLY

## Main Power Supply and Ground Circuit (Cont'd)

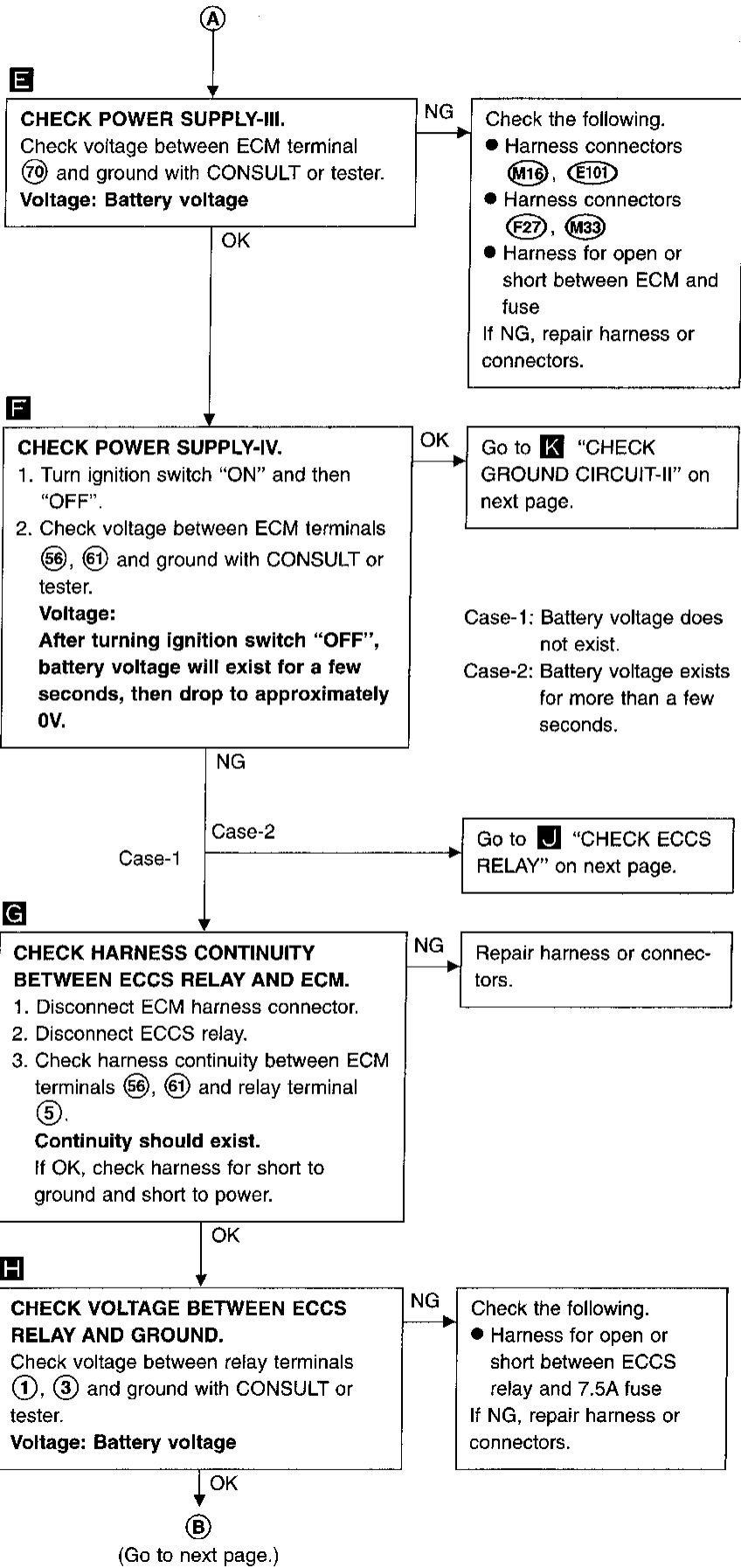
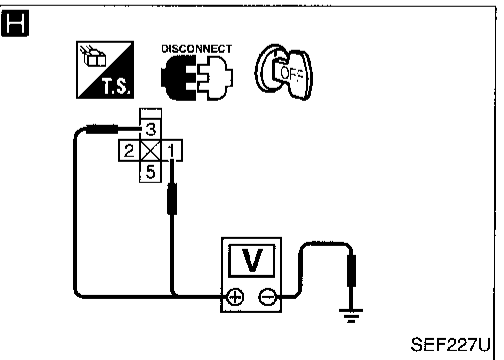
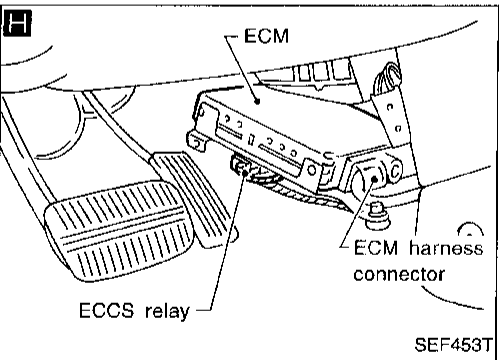
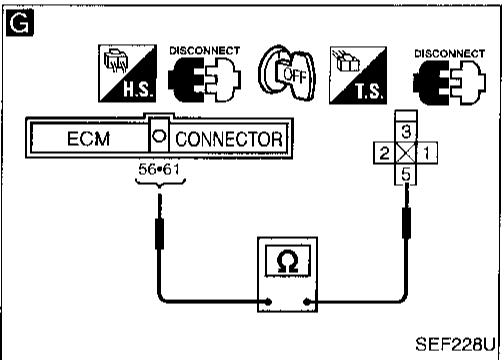
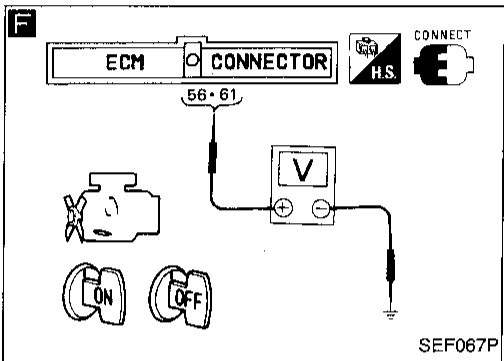
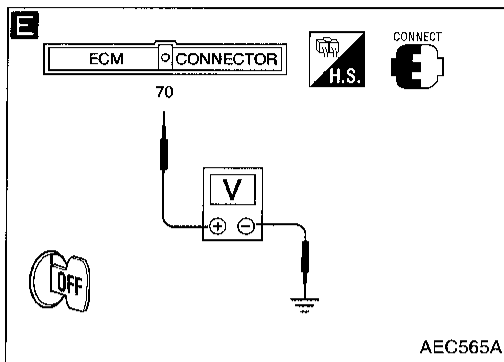
### DIAGNOSTIC PROCEDURE



GI  
MA  
EM  
LC  
EC  
FE  
CL  
MT  
AT  
FA  
RA  
BR  
ST  
RS  
BT  
HA  
EL  
IDX

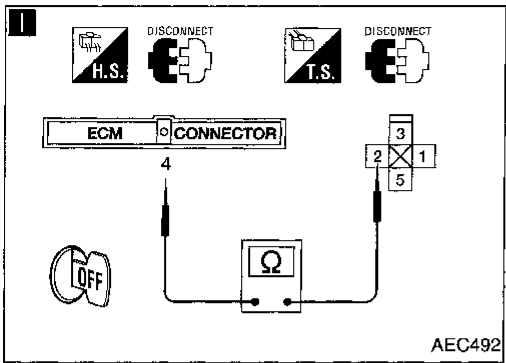
# TROUBLE DIAGNOSIS FOR POWER SUPPLY

## Main Power Supply and Ground Circuit (Cont'd)



# TROUBLE DIAGNOSIS FOR POWER SUPPLY

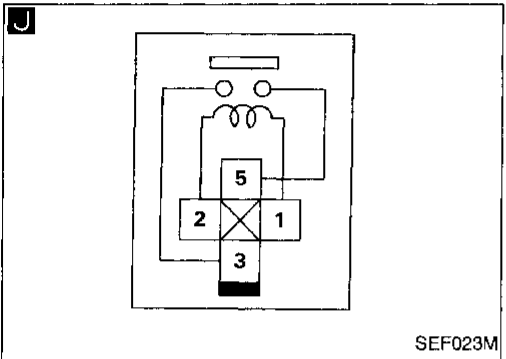
## Main Power Supply and Ground Circuit (Cont'd)



**I**

**CHECK OUTPUT SIGNAL CIRCUIT.**  
Check harness continuity between ECM terminal ④ and relay terminal ②.  
**Continuity should exist.**  
If OK, check harness for short to ground and short to power.

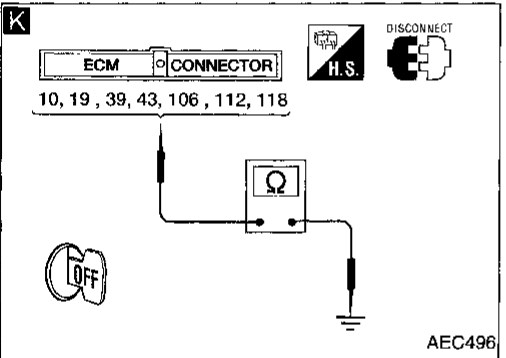
NG → Repair harness or connectors.



**J**

**CHECK ECCS RELAY.**  
1. Apply 12V direct current between relay terminals ① and ②.  
2. Check continuity between relay terminals ③ and ⑤.  
**12V (① - ②) applied:**  
**Continuity exists.**  
**No voltage applied:**  
**No continuity**

NG → Replace ECCS relay.



**K**

**CHECK GROUND CIRCUIT-II.**  
Check harness continuity between ECM terminals ⑩, ⑱, ③⑨, ④③, ⑩⑥, ⑪②, ⑪⑧ and engine ground.  
**Continuity should exist.**  
If OK, check harness for short.

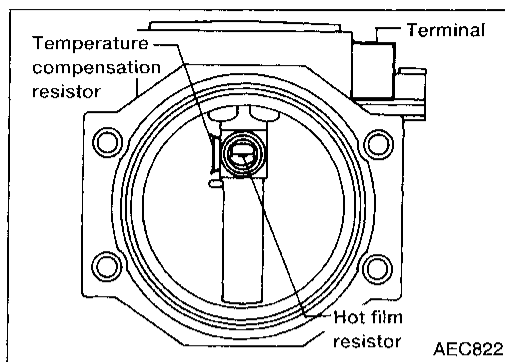
NG → Repair harness or connectors.

OK → Perform "TROUBLE DIAGNOSIS FOR INTERMITTENT INCIDENT", EC-104.

INSPECTION END

GI  
MA  
EM  
LC  
**EC**  
FE  
CL  
MT  
AT  
FA  
RA  
BR  
ST  
RS  
BT  
HA  
EL  
IDX

## TROUBLE DIAGNOSIS FOR DTC P0100



### Mass Air Flow Sensor (MAFS)

#### COMPONENT DESCRIPTION

The mass air flow sensor is placed in the stream of intake air. It measures the intake flow rate by measuring a part of the entire intake flow. It consists of a hot film resistor that is supplied with electric current from the ECM. The temperature of the hot film resistor is controlled by the ECM a certain amount. The heat generated by the hot film resistor is reduced as the intake air flows around it. The more air, the greater the heat loss. Therefore, the ECM must supply more electric current to maintain the temperature of the hot film resistor as air flow increases. The ECM detects the air flow by means of this current change.

#### CONSULT REFERENCE VALUE IN DATA MONITOR MODE

Specification data are reference values

MONITOR ITEM	CONDITION		SPECIFICATION
MAS AIR/FL SE	<ul style="list-style-type: none"> <li>● Engine: After warming up</li> <li>● Air conditioner switch: "OFF"</li> <li>● Shift lever: "N"</li> <li>● No-load</li> </ul>	Idle	1.0 - 1.7V
		2,500 rpm	1.8 - 2.4V
CAL/LD VALUE	<ul style="list-style-type: none"> <li>● Engine: After warming up</li> <li>● Air conditioner switch: "OFF"</li> <li>● Shift lever: "N"</li> <li>● No-load</li> </ul>	Idle	15.0 - 30.0%
		2,500 rpm	13.0 - 28.0%
MASS AIRFLOW	<ul style="list-style-type: none"> <li>● Engine: After warming up</li> <li>● Air conditioner switch: "OFF"</li> <li>● Shift lever: "N"</li> <li>● No-load</li> </ul>	Idle	1.0 - 4.0 g/m/s
		2,500 rpm	5.0 - 10.0 g/m/s

#### ECM TERMINALS AND REFERENCE VALUE

Specification data are reference values and are measured between each terminal and Ⓞ (ECCS ground).

TER-MINAL NO.	WIRE COLOR	ITEM	CONDITION	DATA (DC Voltage)
47	G	Mass air flow sensor	Engine is running. (Warm-up condition) └ Idle speed	1.0 - 1.7V
			Engine is running. (Warm-up condition) └ Engine speed is 2,500 rpm.	1.5 - 2.1V
48	R	Mass air flow sensor ground	Engine is running. (Warm-up condition) └ Idle speed	0.005 - 0.02V



# TROUBLE DIAGNOSIS FOR DTC P0100

## Mass Air Flow Sensor (MAFS) (Cont'd)

### ON BOARD DIAGNOSIS LOGIC

Diagnostic Trouble Code No.	Malfunction is detected when ...	Check Items (Possible Cause)	
P0100 0102	A) An excessively high voltage from the sensor is sent to ECM when engine is not running.	<ul style="list-style-type: none"> <li>● Harness or connectors (The sensor circuit is open or shorted.)</li> <li>● Mass air flow sensor</li> </ul>	GI
	C) A high voltage from the sensor is sent to ECM under light load driving condition.		MA
	B) An excessively low voltage from the sensor is sent to ECM* when engine is running.	<ul style="list-style-type: none"> <li>● Harness or connectors (The sensor circuit is open or shorted.)</li> <li>● Intake air leaks</li> <li>● Mass air flow sensor</li> </ul>	EM
	D) A low voltage from the sensor is sent to ECM under heavy load driving condition.		LC

\*: When this malfunction is detected, the ECM enters fail-safe mode and the MIL lights up.

Detected items	Engine operating condition in fail-safe mode	
Mass air flow sensor circuit	Engine speed will not rise more than 2,400 rpm due to the fuel cut.	FE
		CL

### DIAGNOSTIC TROUBLE CODE CONFIRMATION PROCEDURE

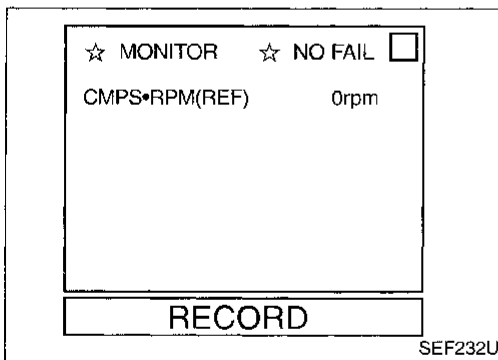
Perform "Procedure for malfunction A" first. If the 1st trip DTC cannot be confirmed, perform "Procedure for malfunction B". If there is no problem on "Procedure for malfunction B", perform "Procedure for malfunction C". If there is no problem on "Procedure for malfunction C", perform "Procedure for malfunction D".

#### CAUTION:

Always drive vehicle at a safe speed.

#### NOTE:

If "DIAGNOSTIC TROUBLE CODE CONFIRMATION PROCEDURE" has been previously conducted, always turn ignition switch "OFF" and wait at least 5 seconds before conducting the next test.



#### Procedure for malfunction A

- 1) Turn ignition switch "ON".
  - 2) Select "DATA MONITOR" mode with CONSULT.
  - 3) Wait at least 6 seconds.
- OR
- 1) Turn ignition switch "ON", and wait at least 6 seconds.
  - 2) Select "MODE 7" with GST.
- OR
- 1) Turn ignition switch "ON", and wait at least 6 seconds.
  - 2) Turn ignition switch "OFF", wait at least 5 seconds and then turn "ON".
  - 3) Perform "Diagnostic Test Mode II (Self-diagnostic results)" with ECM.


## TROUBLE DIAGNOSIS FOR DTC P0100

### Mass Air Flow Sensor (MAFS) (Cont'd)


#### Procedure for malfunction B

☆ MONITOR	☆ NO FAIL	<input type="checkbox"/>
CMPS•RPM(REF)	700rpm	
<b>RECORD</b>		


SEF190P

-  1) Turn ignition switch "ON".  
 2) Select "DATA MONITOR" mode with CONSULT.  
 3) Start engine and wait 5 seconds at most.

OR

-  1) Turn ignition switch "ON".  
 2) Start engine and wait 5 seconds at most.  
 3) Select "MODE 7" with GST.

OR

-  1) Turn ignition switch "ON".  
 2) Start engine and wait 5 seconds at most.  
 3) Turn ignition switch "OFF", wait at least 5 seconds and then turn "ON".  
 4) Perform "Diagnostic Test Mode II (Self-diagnostic results)" with ECM.

**NOTE:**

If 1st trip DTC confirmed after more than 5 seconds, there may be malfunction C.


#### Procedure for malfunction C

☆ MONITOR	☆ NO FAIL	<input type="checkbox"/>
CMPS•RPM(REF)	700rpm	
COOLAN TEMP/S	85°C	
<b>RECORD</b>		


SEF230U

**NOTE:**


If engine will not start or stops soon, wait at least 10 seconds with engine stopped (Ignition switch "ON") instead of running engine at idle speed. ←

-  1) Turn ignition switch "ON".  
 2) Select "DATA MONITOR" mode with CONSULT.  
 3) Start engine and warm it up to normal operating temperature.  
 4) Run engine for at least 10 seconds at idle speed.

OR

-  1) Start engine and warm it up to normal operating temperature.  
 2) Run engine for at least 10 seconds at idle speed.  
 3) Select "MODE 7" with GST.

OR

-  1) Start engine and warm it up to normal operating temperature.  
 2) Run engine for at least 10 seconds at idle speed.  
 3) Turn ignition switch "OFF", wait at least 5 seconds and then turn "ON".  
 4) Perform "Diagnostic Test Mode II (Self-diagnostic results)" with ECM.

SMA98-146	'98 SENTRA/200SX	AUGUST 1997(05)	SM8E-OB14UO
-----------	------------------	-----------------	-------------



ARROW INDICATES AMENDED INFORMATION

# TROUBLE DIAGNOSIS FOR DTC P0100

## Mass Air Flow Sensor (MAFS) (Cont'd)

### Procedure for malfunction D

- 1) Turn ignition switch "ON".
- 2) Start engine and warm it up to normal operating temperature.  
If engine cannot be started, go to "DIAGNOSTIC PROCEDURE", EC-115.
- 3) Select "DATA MONITOR" mode with CONSULT.
- 4) Check the voltage of MAS AIR/FL SE with "DATA MONITOR".
- 5) Increases engine speed to about 4,000 rpm.
- 6) Monitor the linear voltage rise in response to engine speed increases.  
If NG, go to "DIAGNOSTIC PROCEDURE", EC-115.  
If OK, go to following step.
- 7) Maintain the following conditions for at least 10 consecutive seconds.

**CMPS-RPM (REF): More than 2,000 rpm**

**THRTL POS SEN: More than 3V**

**Selector lever: Suitable position**

**Driving location: Driving vehicle uphill (Increased engine load) will help maintain the driving conditions required for this test.**

OR

### OVERALL FUNCTION CHECK

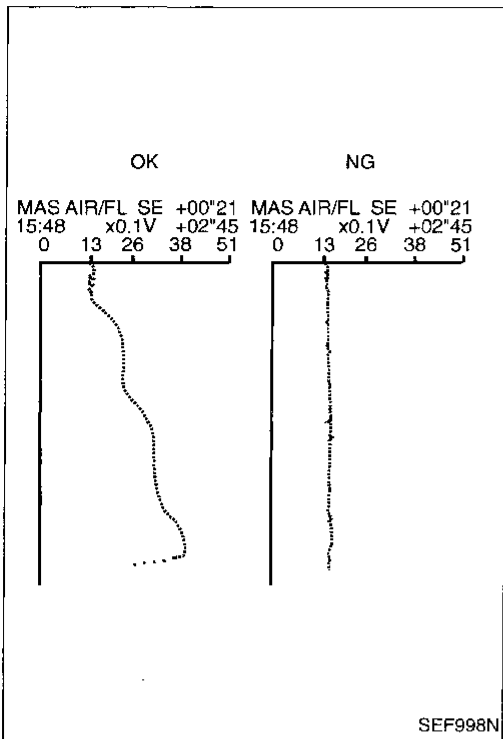
Use this procedure to check the overall function of the mass air flow sensor circuit. During this check, a 1st trip DTC might not be confirmed.

### Procedure for malfunction D

- 1) Turn ignition switch "ON".
- 2) Start engine and warm it up to normal operating temperature.
- 3) Select "MODE 1" with GST.
- 4) Check the mass air flow with "MODE 1".
- 5) Check for linear mass air flow rise in response to increases to about 4,000 rpm in engine speed.

OR

- 1) Turn ignition switch "ON".
- 2) Start engine and warm it up to normal operating temperature.
- 3) Check the voltage between ECM terminal ④7 and ground.
- 4) Check for linear voltage rise in response to increases to about 4,000 rpm in engine speed.

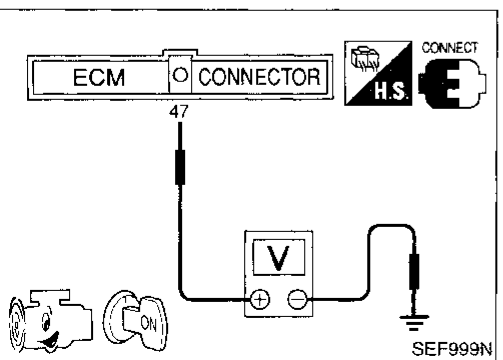


☆ MONITOR	☆ NO FAIL	<input type="checkbox"/>
CMPS-RPM(REF)	3000rpm	
VHCL SPEED SE	70km/h	
THRTL POS SEN	3.2V	
<b>RECORD</b>		

SEF231U

CALC LOAD	20%
COOLANT TEMP	95°C
SHORT FT #1	2%
LONG FT #1	0%
SHORT FT #2	4%
LONG FT #2	0%
ENGINE SPD	2637RPM
VEHICLE SPD	0MPH
IGN ADVANCE	41.0°
INTAKE AIR	41°C
<b>MAF</b>	<b>14.1gm/sec</b>
THROTTLE POS	3%

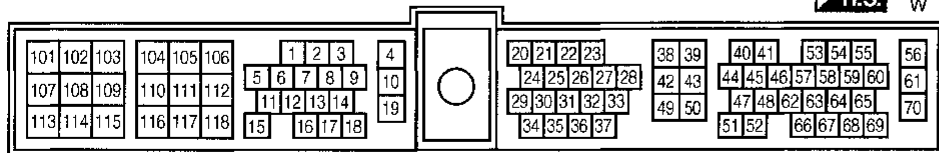
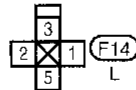
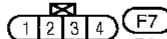
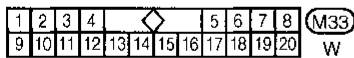
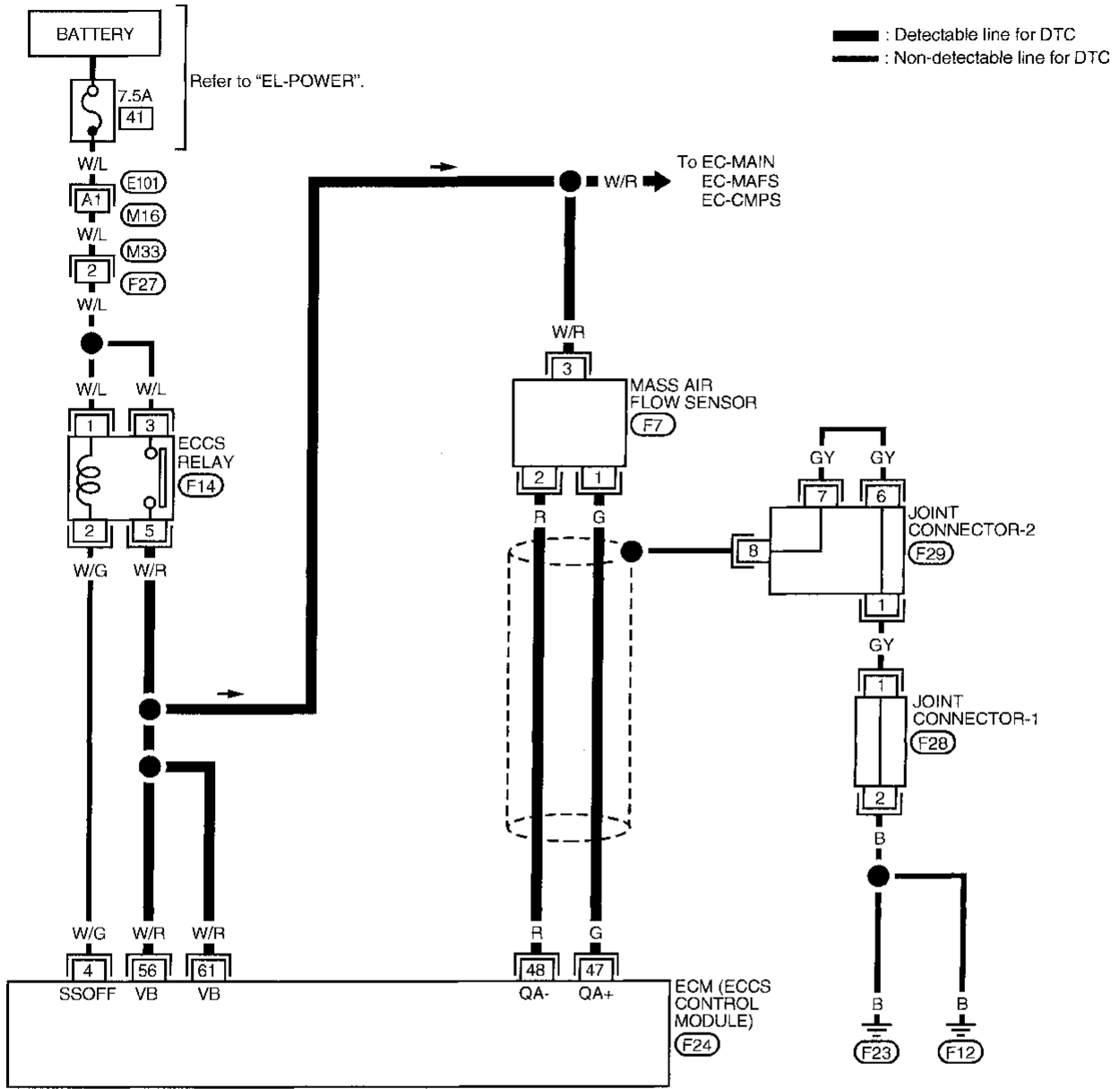
SEF534P



# TROUBLE DIAGNOSIS FOR DTC P0100

## Mass Air Flow Sensor (MAFS) (Cont'd)

EC-MAFS-01



Refer to last page (Foldout page).

- (M16), (E101)
- (F28)
- (F29)

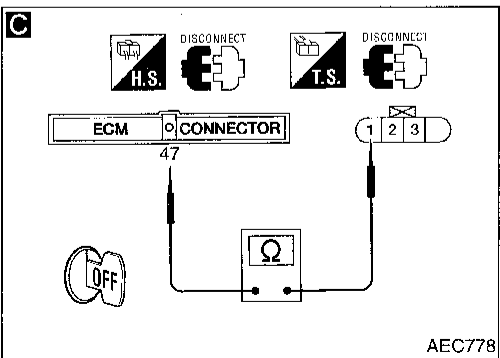
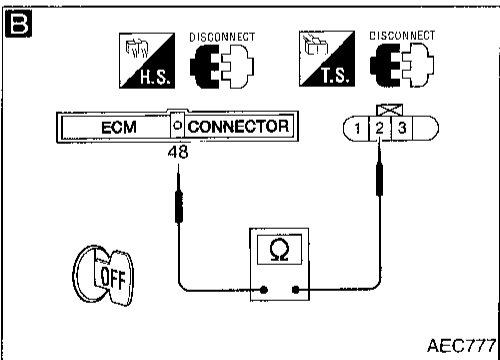
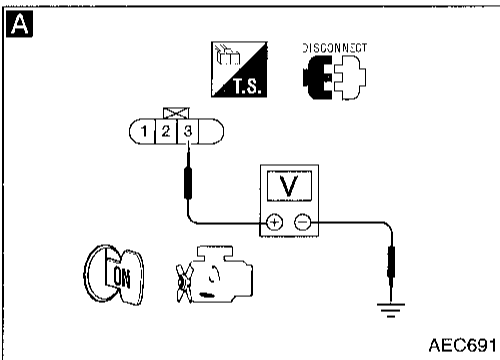
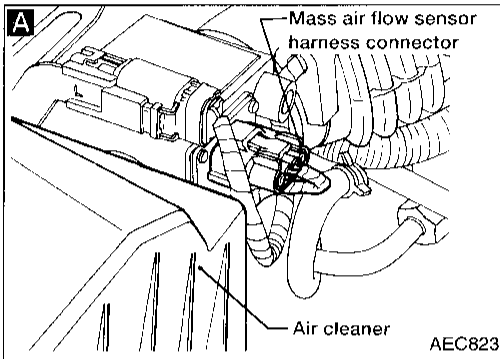
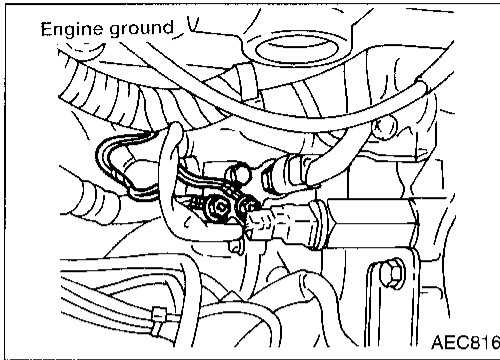
# TROUBLE DIAGNOSIS FOR DTC P0100

## Mass Air Flow Sensor (MAFS) (Cont'd)

### DIAGNOSTIC PROCEDURE

If the trouble is duplicated after "Procedure for malfunction A or C", perform "Procedure A" below. If the trouble is duplicated after "Procedure for malfunction B or D", perform "Procedure B" on next page.

#### Procedure A



INSPECTION START

1. Turn ignition switch "OFF".
2. Loosen and retighten engine ground screws.

**A**

**CHECK POWER SUPPLY.**

1. Disconnect mass air flow sensor harness connector.
2. Turn ignition switch "ON".
3. Check voltage between terminal ③ and ground with CONSULT or tester.

**Voltage: Battery voltage**

NG

Check the following.

- Harness for open or short between ECCS relay and mass air flow sensor
- Harness for open or short between mass air flow sensor and ECM

If NG, repair harness or connectors.

**B**

**CHECK GROUND CIRCUIT.**

1. Turn ignition switch "OFF".
2. Disconnect ECM harness connector.
3. Check harness continuity between terminal ② and ECM terminal ④⑧.

**Continuity should exist.**

If OK, check harness for short to ground and short to power.

NG

Repair harness or connectors.

**C**

**CHECK INPUT SIGNAL CIRCUIT.**

Check harness continuity between terminal ① and ECM terminal ④⑦.

**Continuity should exist.**

If OK, check harness for short.

NG

Repair harness or connectors.

OK

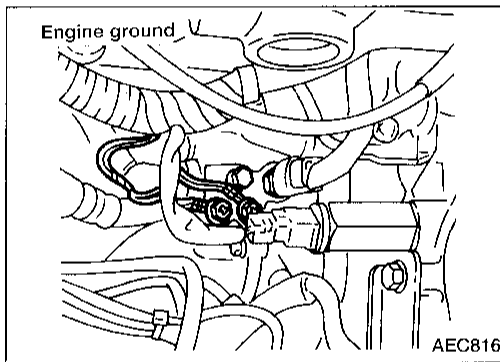
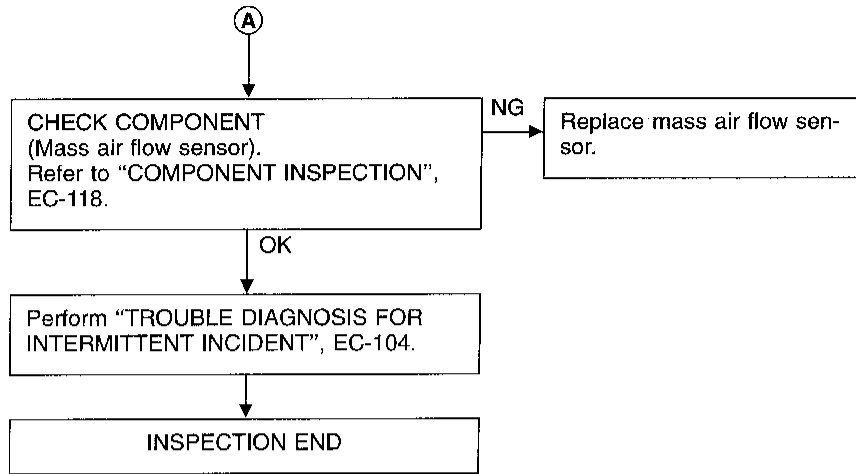
**A**

(Go to next page.)

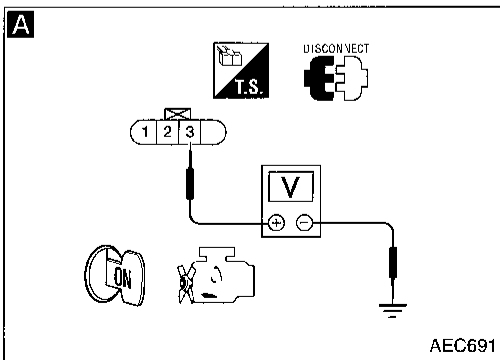
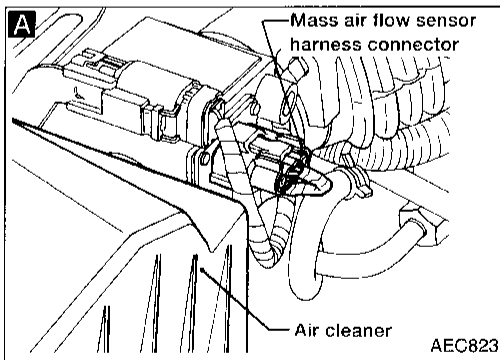
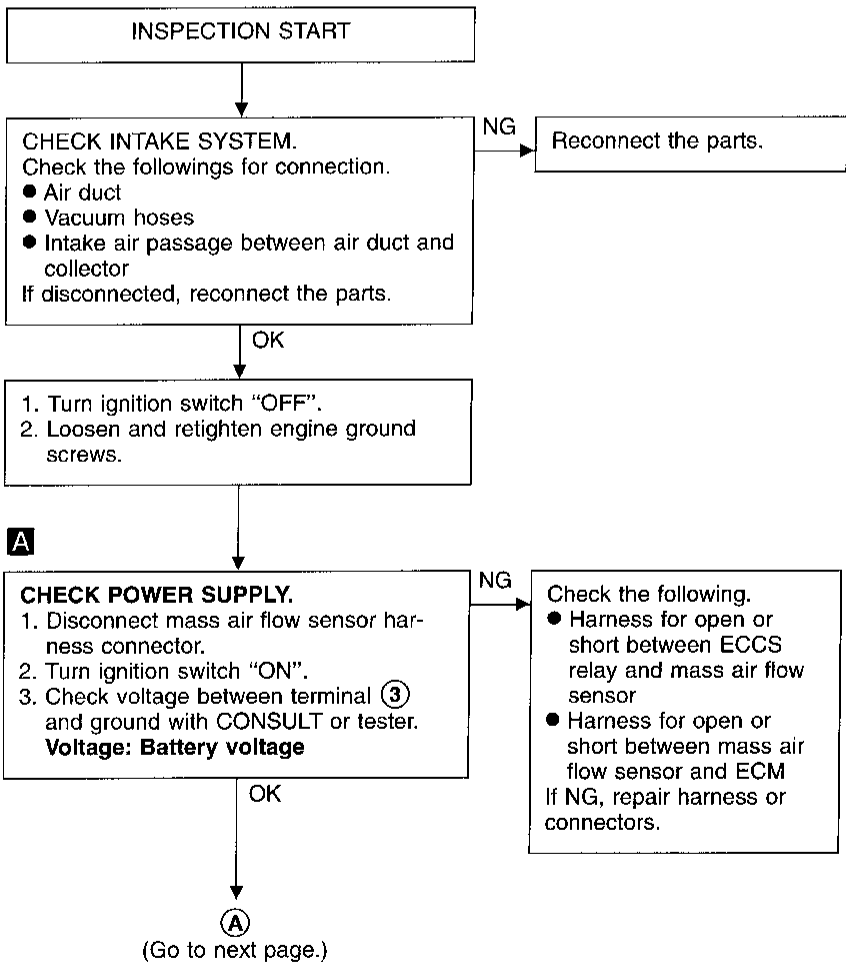
GI  
MA  
EM  
LC  
EC  
FE  
CL  
MT  
AT  
FA  
RA  
BR  
ST  
RS  
BT  
HA  
EL  
IDX

# TROUBLE DIAGNOSIS FOR DTC P0100

## Mass Air Flow Sensor (MAFS) (Cont'd)

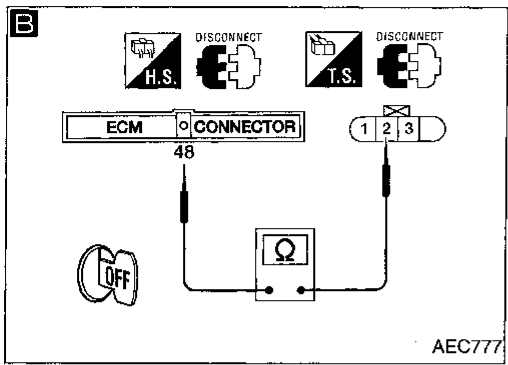


### Procedure B



# TROUBLE DIAGNOSIS FOR DTC P0100

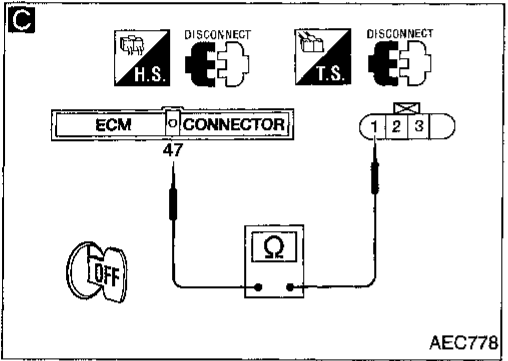
## Mass Air Flow Sensor (MAFS) (Cont'd)



**B**

**CHECK GROUND CIRCUIT.**  
 1. Turn ignition switch "OFF".  
 2. Disconnect ECM harness connector.  
 3. Check harness continuity between terminal ② and ECM terminal ④⑧.  
**Continuity should exist.**  
 If OK, check harness for short to ground and short to power.

NG → Repair harness or connectors.



**C**

**CHECK INPUT SIGNAL CIRCUIT.**  
 Check harness continuity between terminal ① and ECM terminal ④⑦.  
**Continuity should exist.**  
 If OK, check harness for short.

NG → Repair harness or connectors.

**CHECK COMPONENT**  
 (Mass air flow sensor).  
 Refer to "COMPONENT INSPECTION", EC-118.

NG → Replace mass air flow sensor.

Perform "TROUBLE DIAGNOSIS FOR INTERMITTENT INCIDENT", EC-104.

INSPECTION END

GI  
 MA  
 EM  
 LC  
**EC**  
 FE  
 CL  
 MT  
 AT  
 FA  
 RA  
 BR  
 ST  
 RS  
 BT  
 HA  
 EL  
 IDX

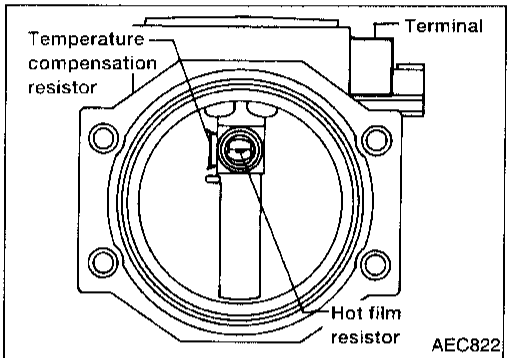
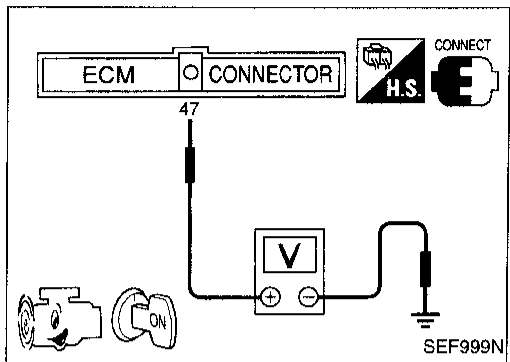
## TROUBLE DIAGNOSIS FOR DTC P0100

### Mass Air Flow Sensor (MAFS) (Cont'd)

#### COMPONENT INSPECTION

##### Mass air flow sensor

1. Turn ignition switch "ON".
2. Start engine and warm it up to normal operating temperature.
3. Check voltage between ECM terminal ④7 and ground.

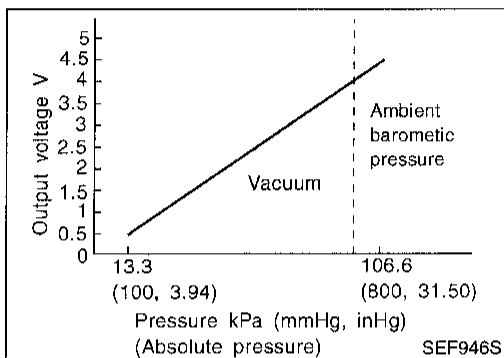
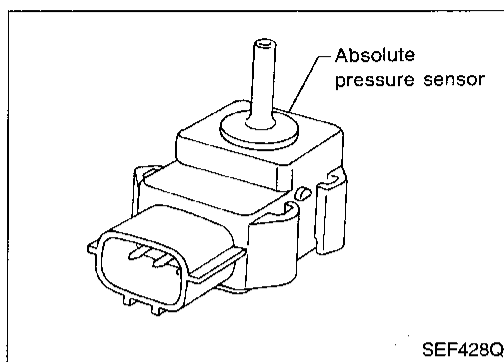


Conditions	Voltage V
Ignition switch "ON" (Engine stopped.)	Less than 1.0
Idle (Engine is warmed-up to normal operating temperature.)	1.0 - 1.7
2,500 rpm (Engine is warmed-up to normal operating temperature.)	1.7 - 2.1
Idle to about 4,000 rpm*	1.0 - 1.7 to Approx. 4.0

\*: Check for linear voltage rise in response to increases to about 4,000 rpm in engine speed.

4. If the voltage is out of specification, disconnect mass air flow sensor harness connector and connect it again. Repeat above check.
5. If NG, remove mass air flow sensor from air duct. Check hot film for damage or dust.





## Absolute Pressure Sensor

### COMPONENT DESCRIPTION

The absolute pressure sensor is connected to the MAP/BARO switch solenoid valve by a hose. The sensor detects ambient barometric pressure and intake manifold pressure and sends the voltage signal to the ECM. As the pressure increases, the voltage rises.

GI

MA

EM

LC

EC

FE

CL

MT

### ON BOARD DIAGNOSIS LOGIC

Diagnostic Trouble Code No.	Malfunction is detected when ....	Check Items (Possible Cause)
P0105 0803	A) An excessively low or high voltage from the sensor is sent to ECM.	<ul style="list-style-type: none"> <li>● Harness or connectors (Absolute pressure sensor circuit is open or shorted.)</li> <li>● Absolute pressure sensor</li> </ul>
	B) A high voltage from the sensor is sent to ECM under light load driving conditions.	<ul style="list-style-type: none"> <li>● Hoses (Hoses between the intake manifold and absolute pressure sensor are disconnected or clogged.)</li> <li>● Intake air leaks</li> <li>● MAP/BARO switch solenoid valve</li> <li>● Absolute pressure sensor</li> </ul>
	C) A low voltage from the sensor is sent to ECM under heavy load driving conditions.	<ul style="list-style-type: none"> <li>● Absolute pressure sensor</li> </ul>

AT

FA

RA

BR

SI

RS

### DIAGNOSTIC TROUBLE CODE CONFIRMATION PROCEDURE

Perform "Procedure for malfunction A" first. If the 1st trip DTC cannot be confirmed, perform "Procedure for malfunction B". If the 1st trip DTC is not confirmed on "Procedure for malfunction B", perform "Procedure for malfunction C".

BT

HA

EL

DX

## TROUBLE DIAGNOSIS FOR DTC P0105

### Absolute Pressure Sensor (Cont'd)

#### Procedure for malfunction A

##### NOTE:

If "DIAGNOSTIC TROUBLE CODE CONFIRMATION PROCEDURE" has been previously conducted, always turn ignition switch "OFF" and wait at least 5 seconds before conducting the next test.



- 1) Turn ignition switch "ON".
- 2) Select "DATA MONITOR" mode with CONSULT.
- 3) Wait at least 6 seconds.

OR

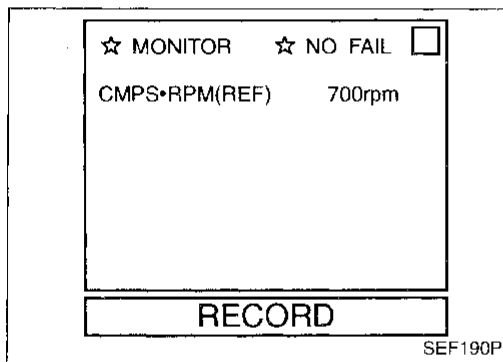
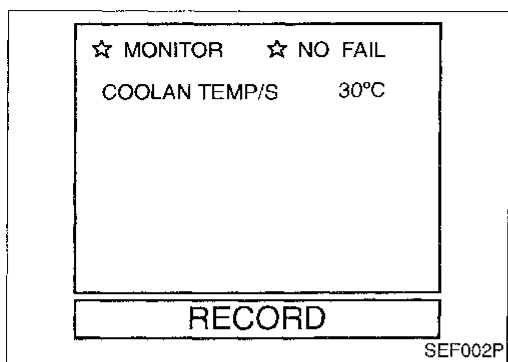


- 1) Turn ignition switch "ON" and wait at least 6 seconds.
- 2) Select "MODE 7" with GST.

OR



- 1) Turn ignition switch "ON" and wait at least 6 seconds.
- 2) Turn ignition switch "OFF", wait at least 5 seconds and then turn "ON".
- 3) Perform "Diagnostic Test Mode II (Self-diagnostic results)" with ECM.



#### Procedure for malfunction B

##### NOTE:

If "DIAGNOSTIC TROUBLE CODE CONFIRMATION PROCEDURE" has been previously conducted, always turn ignition switch "OFF" and wait at least 5 seconds before conducting the next test.



- 1) Start engine and warm it up to normal operating temperature.
- 2) Turn ignition switch "OFF" and wait at least 5 seconds.
- 3) Turn ignition switch "ON" and select "DATA MONITOR" mode with CONSULT.
- 4) Start engine and let it idle.
- 5) Wait at least 15 seconds.

OR



- 1) Start engine and warm it up to normal operating temperature.
- 2) Turn ignition switch "OFF" and wait at least 5 seconds.
- 3) Start engine.
- 4) Let engine idle and wait at least 15 seconds.
- 5) Select "MODE 7" with GST.

OR



- 1) Start engine and warm it up to normal operating temperature.
- 2) Turn ignition switch "OFF" and wait at least 5 seconds.
- 3) Start engine.
- 4) Let engine idle and wait at least 15 seconds.
- 5) Turn ignition switch "OFF", wait at least 5 seconds and then turn "ON".
- 6) Perform "Diagnostic Test Mode II (Self-diagnostic results)" with ECM.

# TROUBLE DIAGNOSIS FOR DTC P0105

## Absolute Pressure Sensor (Cont'd)

### Procedure for malfunction C

#### CAUTION:

Always drive vehicle at a safe speed.

#### NOTE:

If "DIAGNOSTIC TROUBLE CODE CONFIRMATION PROCEDURE" has been previously conducted, always turn ignition switch "OFF" and wait at least 5 seconds before conducting the next test.



- 1) Turn ignition switch "ON".
- 2) Select "DATA MONITOR" mode with CONSULT.  
The voltage of "ABSOL PRES/SE" should be more than 1.74 [V].

If the check result is NG, go to "DIAGNOSTIC PROCEDURE", EC-123.

If the check result is OK, go to following step.

- 3) Start engine and warm it up to normal operating temperature.
- 4) Turn ignition switch "OFF" and wait at least 5 seconds.
- 5) Start engine and let it idle for at least 13 seconds.
- 6) Select "DATA MONITOR" mode with CONSULT.
- 7) Drive the vehicle at least 3 consecutive seconds under the following conditions,

**B/FUEL SCHDL:** More than 4.5 ms

**CMPS-RPM (REF):** 3,000 - 4,800 rpm

**Selector lever:** Suitable position

**Driving pattern:** Driving vehicle uphill (Increased engine load) will help maintain the driving conditions required for this test.

OR

### OVERALL FUNCTION CHECK

Use this procedure to check the overall function of the front heated oxygen sensor circuit. During this check, a 1st trip DTC might not be confirmed.

### Procedure for malfunction C



- 1) Turn ignition switch "ON".
- 2) Select "MAP" in "MODE 1" with GST.
- 3) Make sure that the pressure of "MAP" is more than 46 kPa (0.47 kg/cm<sup>2</sup>, 6.7 psi).

OR



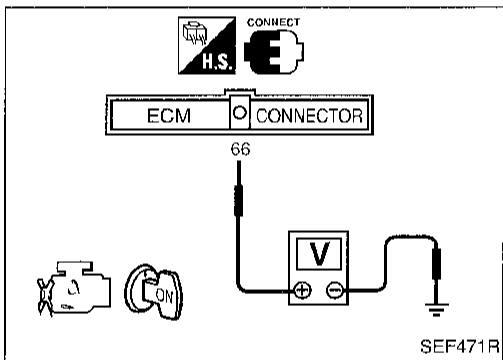
- 1) Turn ignition switch "ON".
- 2) Make sure that the voltage between ECM terminal ⑥⑥ and ground is more than 1.74 [V].

☆ MONITOR	☆ NO FAIL	<input type="checkbox"/>
CMPS-RPM(REF)	4000rpm	
VHCL SPEED SE	70km/h	
B/FUEL SCHDL	4.8ms	
ABSOL. PRES/SE	4.4V	
<b>RECORD</b>		

SEF365U

ENGINE SPD	0RPM
COOLANT TEMP	69°C
VEHICLE SPD	0MPH
IGN ADVANCE	3.0°
CALC LOAD	0.0%
<b>MAP</b>	<b>101kPaA</b>
MAF	0.25gm/s
THROTTLE POS	0.0%
INTAKE AIR	27°C
FUEL SYS #1	OL
FUEL SYS #2	UNUSED
SHORT FT #1	0.0%
LONG FT #1	0.0%
O2S B1 S1	0.000V
O2FT B1 S1	0.0%
O2S B1 S2	0.000V

SEF518R



CI

MA

EM

LC

EC

FE

CL

WT

AT

FA

RA

BR

SI

RS

BT

HA

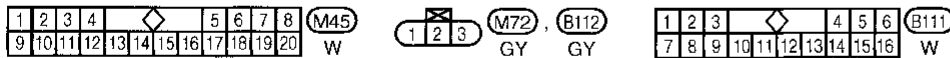
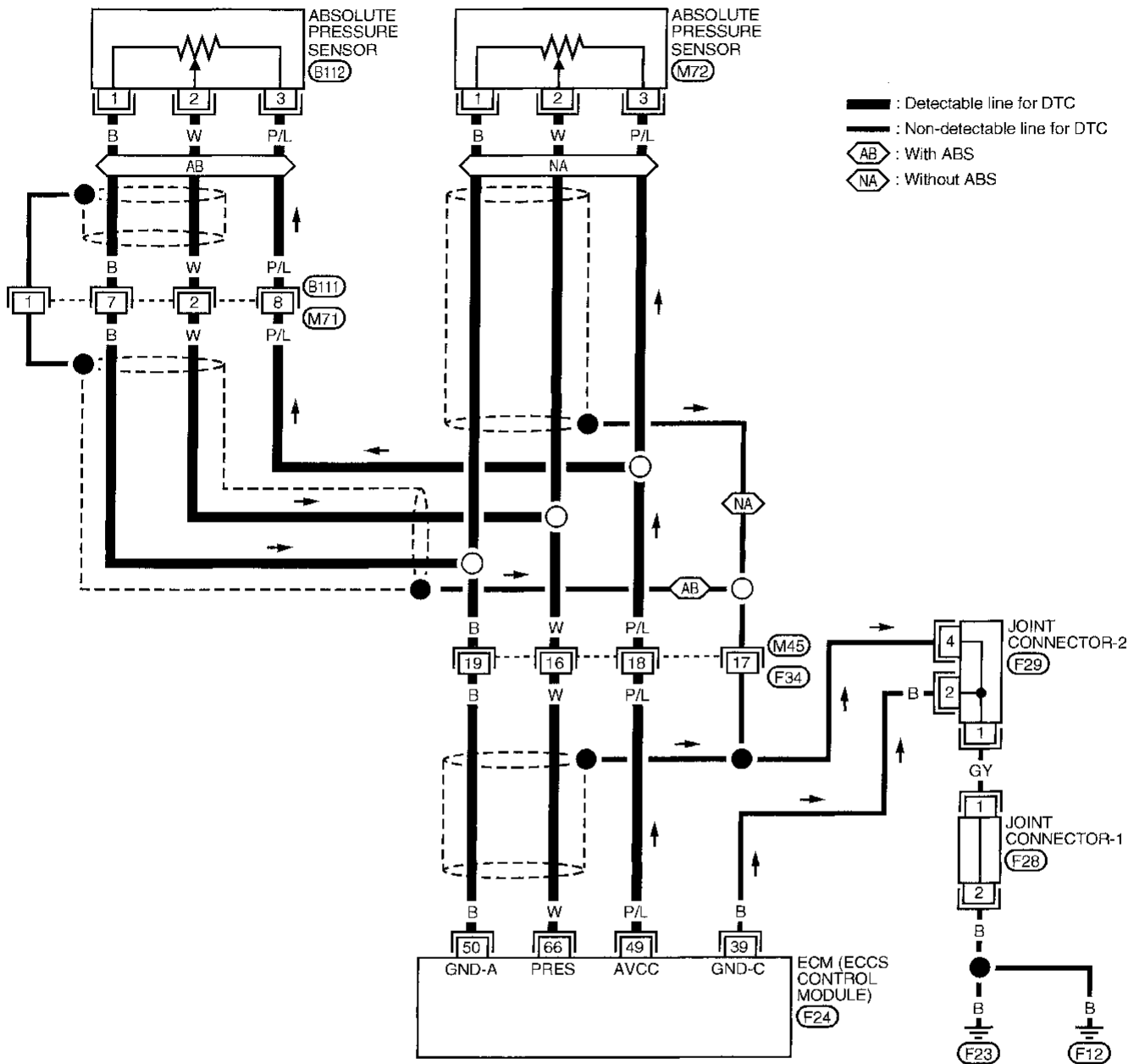
EL

DX

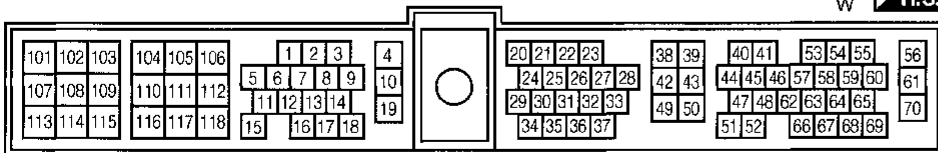
# TROUBLE DIAGNOSIS FOR DTC P0105

## Absolute Pressure Sensor (Cont'd)

EC-AP/SEN-01



Refer to last page (Foldout page).



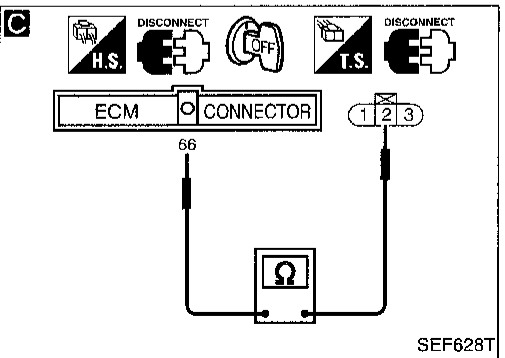
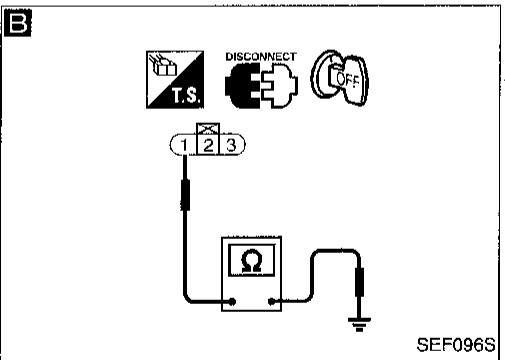
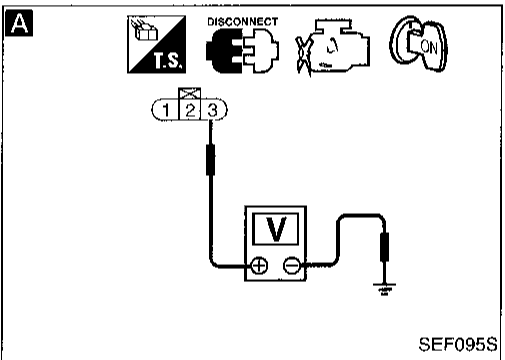
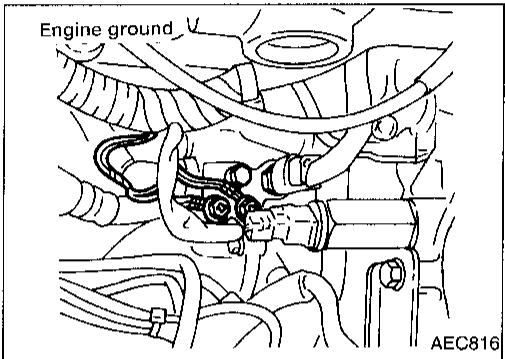
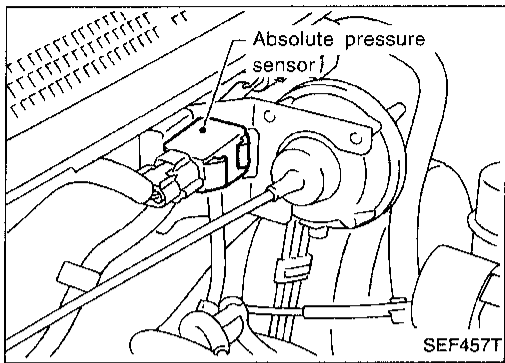
# TROUBLE DIAGNOSIS FOR DTC P0105

## Absolute Pressure Sensor (Cont'd)

### DIAGNOSTIC PROCEDURE

If the trouble is duplicated after "Procedure for malfunction A or C", perform "Procedure A" below. If the trouble is duplicated after "Procedure for malfunction B", perform "Procedure B" on next page.

#### Procedure A



INSPECTION START

1. Turn ignition switch "OFF".
2. Loosen and retighten engine ground screws.

NG → Repair harness or connectors.

- A**
- CHECK POWER SUPPLY.**
1. Turn ignition switch "OFF".
  2. Disconnect absolute pressure sensor harness connector.
  3. Check sensor connector for water. **Water should not exist.**
  4. Turn ignition switch "ON".
  5. Check voltage between terminal ③ and engine ground with CONSULT or tester. **Voltage: Approximately 5V**

NG → Check the following.

- Harness connectors  
With ABS: (B111), (M71), (M45), (F34)  
Without ABS: (M45), (F34)
- Harness for open or short between ECM and absolute pressure sensor

If NG, repair harness or connectors.

- B**
- CHECK GROUND CIRCUIT.**
1. Turn ignition switch "OFF".
  2. Check harness continuity between terminal ① and engine ground. **Continuity should exist.**
- If OK, check harness for short to ground and short to power.

NG → Check the following.

- Harness for open or short between ECM and absolute pressure sensor
- Harness connectors  
With ABS: (B111), (M71), (M45), (F34)  
Without ABS: (M45), (F34)

If NG, repair open circuit or short to ground or short to power in harness or connectors.

- C**
- CHECK INPUT SIGNAL CIRCUIT.**
1. Disconnect ECM harness connector.
  2. Check harness continuity between ECM terminal ⑥⑥ and terminal ②. **Continuity should exist.**
- If OK, check harness for short to ground and short to power.

NG → Check the following.

- Harness connectors  
With ABS: (B111), (M71), (M45), (F34)  
Without ABS: (M45), (F34)
- Harness for open or short between ECM and absolute pressure sensor

If NG, repair harness or connectors.

(Go to next page.)

GI

MA

EM

LC

EC

FE

CL

MT

AT

FA

RA

BR

ST

RS

BT

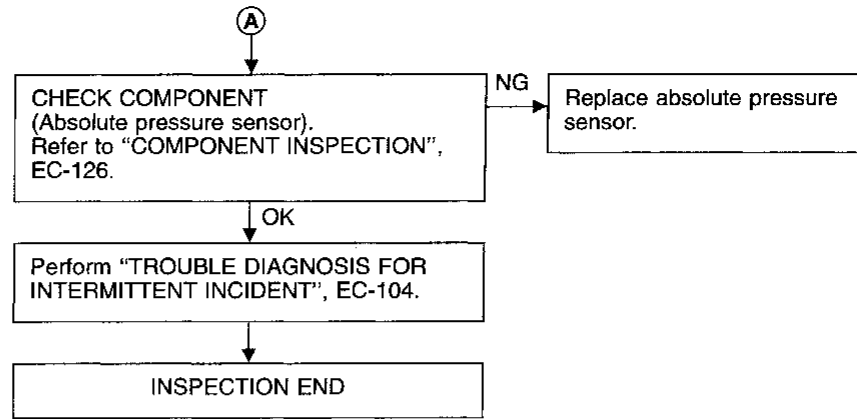
HA

EL

IDX

# TROUBLE DIAGNOSIS FOR DTC P0105

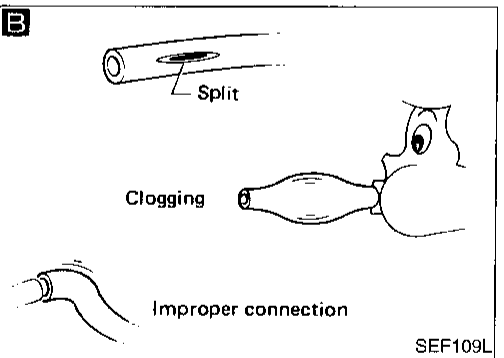
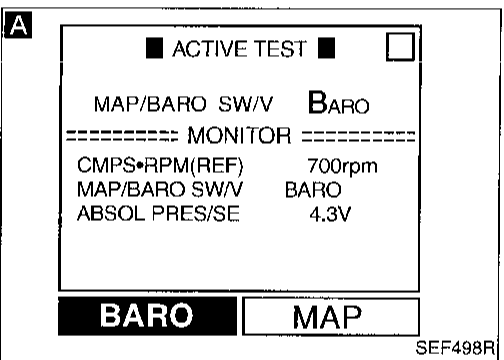
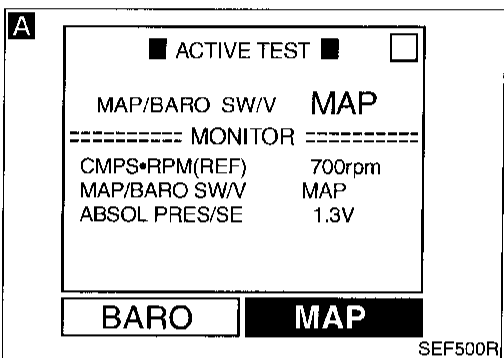
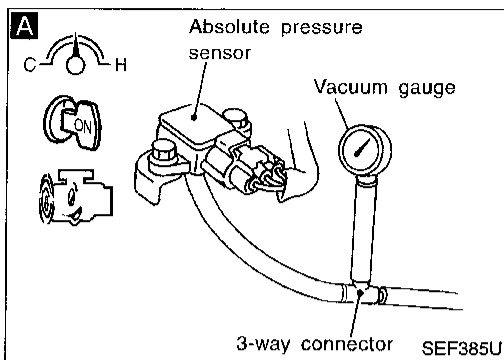
## Absolute Pressure Sensor (Cont'd)



# TROUBLE DIAGNOSIS FOR DTC P0105

## Absolute Pressure Sensor (Cont'd)

### Procedure B



INSPECTION START

#### A

#### CHECK VACUUM SOURCE TO ABSOLUTE PRESSURE SENSOR.

1. Start engine and warm it up to normal operating temperature.
2. Turn ignition switch "OFF".
3. Connect MAP/BARO switch solenoid valve and absolute pressure sensor with a rubber tube that has vacuum gauge.
4. Turn ignition switch "ON".
5. Select "MAP/BARO SW/V" in "ACTIVE TEST" mode with CONSULT.
6. Start engine and let it idle.
7. Touch "MAP" and "BARO" alternately and check for vacuum.

MAP/BARO SW/V	Vacuum
BARO	Should not exist
MAP	Should exist

- OR
4. Turn ignition switch "ON".
  5. Start engine and let it idle.
  6. Check for vacuum.  
For 5 seconds after 5 minutes from starting engine:  
**Vacuum should not exist.**  
More than 5 seconds after starting engine:  
**Vacuum should exist.**

OK

#### B

#### CHECK HOSE BETWEEN ABSOLUTE PRESSURE SENSOR AND MAP/BARO SWITCH SOLENOID VALVE.

1. Turn ignition switch "OFF".
2. Check hose for clogging, cracks or improper connection.

OK

#### CHECK COMPONENT (Absolute pressure sensor).

Refer to "COMPONENT INSPECTION", on next page.

OK

Perform "TROUBLE DIAGNOSIS FOR INTERMITTENT INCIDENT", EC-104.

INSPECTION END

NG

CHECK VACUUM HOSE. Check vacuum hose for clogging, cracks, disconnection or improper connection. If NG, repair or replace the hose.

OK

Check vacuum port for clogging. If NG, clean it.

OK

CHECK COMPONENT (MAP/BARO switch solenoid valve). Refer to "COMPONENT INSPECTION", EC-325.

OK

NG

Replace MAP/BARO switch solenoid valve.

CHECK INTAKE SYSTEM. Check intake system for air leaks.

NG

Repair or reconnect hose.

NG

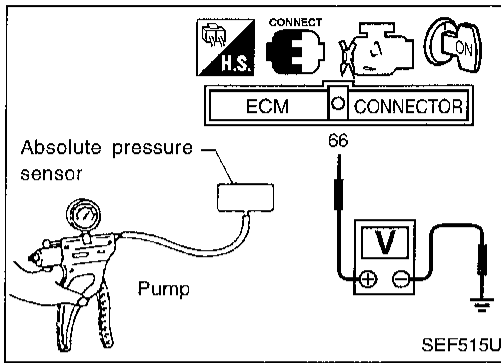
Replace absolute pressure sensor.

GI  
MA  
EM  
LC  
EC  
FE  
CL  
MT  
AT  
FA  
RA  
BR  
ST  
RS  
BT  
HA  
EL  
IDX

## TROUBLE DIAGNOSIS FOR DTC P0105

### Absolute Pressure Sensor (Cont'd) COMPONENT INSPECTION

#### Absolute pressure sensor



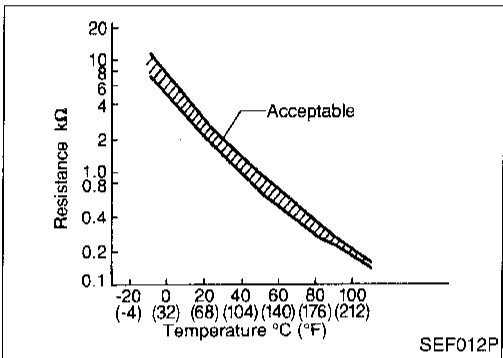
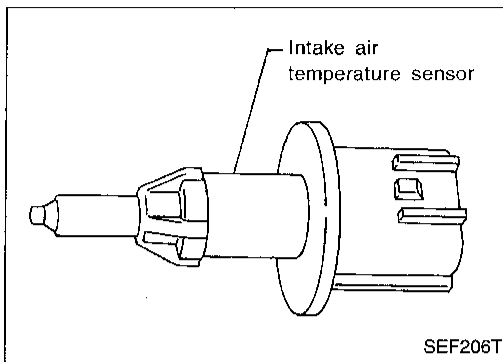
1. Remove absolute pressure sensor with its harness connector connected.
2. Remove hose from absolute pressure sensor.
3. Turn ignition switch "ON" and check output voltage between ECM terminal ⑥⑥ and engine ground.  
**The voltage should be 3.2 to 4.8 V.**
4. Use pump to apply vacuum pressure of  $-26.7$  kPa ( $-200$  mmHg,  $-7.87$  inHg) to absolute pressure sensor as shown in figure and check the output voltage.  
**The voltage should be 1.0 to 1.4 V lower than the value measured in step 3.**

#### CAUTION:

- Always calibrate the vacuum pump gauge when using it.
  - Do not apply pressure below  $-93.3$  kPa ( $-700$  mmHg,  $-27.56$  inHg) or over  $101.3$  kPa ( $760$  mmHg,  $29.92$  inHg).
5. If NG, replace absolute pressure sensor.



# TROUBLE DIAGNOSIS FOR DTC P0110



## Intake Air Temperature Sensor

### COMPONENT DESCRIPTION

The intake air temperature sensor is mounted to the air duct housing. The sensor detects intake air temperature and transmits a signal to the ECM.

The temperature sensing unit uses a thermistor which is sensitive to the change in temperature. Electrical resistance of the thermistor decreases in response to the temperature rise.

### <Reference data>

Intake air temperature °C (°F)	Voltage* V	Resistance kΩ
20 (68)	3.5	2.1 - 2.9
80 (176)	1.23	0.27 - 0.38

\*: These data are reference values and are measured between ECM terminal ②⑧ (Intake air temperature sensor) and ECM terminal ④③ (ECCS ground).

## ON BOARD DIAGNOSIS LOGIC

Diagnostic Trouble Code No.	Malfunction is detected when ...	Check Items (Possible Cause)
P0110 0401	A) An excessively low or high voltage from the sensor is sent to ECM.  B) Rationally incorrect voltage from the sensor is sent to ECM, compared with the voltage signal from engine coolant temperature sensor.	<ul style="list-style-type: none"> <li>● Harness or connectors (The sensor circuit is open or shorted.)</li> <li>● Intake air temperature sensor</li> </ul>

Engine operating condition in fail-safe mode

The ECM functions on the assumption that the intake air temperature is 30°C (86°F).

## DIAGNOSTIC TROUBLE CODE CONFIRMATION PROCEDURE

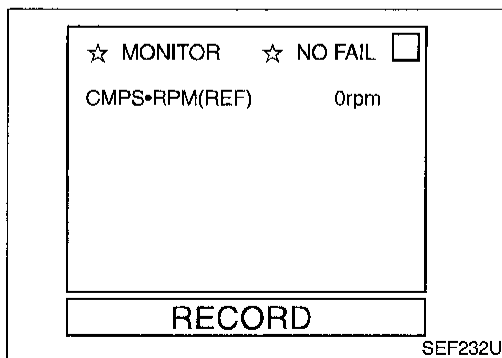
Perform "Procedure for malfunction A" first. If DTC cannot be confirmed, perform "Procedure for malfunction B".

### NOTE:

If "DIAGNOSTIC TROUBLE CODE CONFIRMATION PROCEDURE" has been previously conducted, always turn ignition switch "OFF" and wait at least 5 seconds before conducting the next test.

### Procedure for malfunction A

- 1) Turn ignition switch "ON".
- 2) Select "DATA MONITOR" mode with CONSULT.
- 3) Wait at least 5 seconds.



# TROUBLE DIAGNOSIS FOR DTC P0110

## Intake Air Temperature Sensor (Cont'd)

OR



- 1) Turn ignition switch "ON" and wait at least 5 seconds.
- 2) Select MODE 7 with GST.

OR



- 1) Turn ignition switch "ON" and wait at least 5 seconds.
- 2) Turn ignition switch "OFF", wait at least 5 seconds and then turn "ON".
- 3) Perform "Diagnostic Test Mode II (Self-diagnostic results)" with ECM.

☆ MONITOR	☆ NO FAIL
COOLANT TEMP/S	30°C
VHCL SPEED SE	75km/h
<b>RECORD</b>	

SEF233U

### Procedure for malfunction B

#### CAUTION:

Always drive vehicle at a safe speed.

#### TESTING CONDITION:

This test may be conducted with the drive wheels lifted in the shop or by driving the vehicle. If a road test is expected to be easier, it is unnecessary to lift the vehicle.



- 1) Wait until engine coolant temperature is less than 90°C (194°F).
  - (a) Turn ignition switch "ON".
  - (b) Select "DATA MONITOR" mode with CONSULT.
  - (c) Check the engine coolant temperature.
  - (d) If the engine coolant temperature is not less than 90°C (194°F), turn ignition switch "OFF" and cool down engine.

- Perform the following steps before engine coolant temperature is above 90°C (194°F).

- 2) Turn ignition switch "ON".
- 3) Select "DATA MONITOR" mode with CONSULT.
- 4) Start engine.
- 5) Hold vehicle speed more than 70 km/h (43 MPH) for 100 consecutive seconds.

OR



- 1) Wait until engine coolant temperature is less than 90°C (194°F).
  - (a) Turn ignition switch "ON".
  - (b) Select MODE 1 with GST.
  - (c) Check the engine coolant temperature.
  - (d) If the engine coolant temperature is above 90°C (194°F), turn ignition switch "OFF" and cool down engine.

- Perform the following steps before engine coolant temperature is above 90°C (194°F).

- 2) Start engine.
- 3) Hold vehicle speed more than 70 km/h (43 MPH) for 100 consecutive seconds.
- 4) Select MODE 7 with GST.

OR



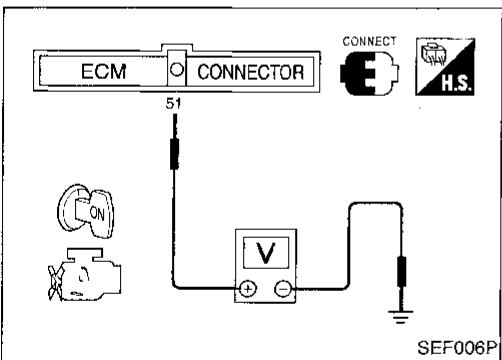
- 1) Wait until engine coolant temperature is less than 90°C (194°F).
  - (a) Turn ignition switch "ON".
  - (b) Check voltage between ECM terminal (51) and ground.

**Voltage: More than 1.0 (V)**

- (c) If the voltage is less than 1.0 (V), turn ignition switch "OFF" and cool down engine.

FUEL SYS #1	OPEN
FUEL SYS #2	UNUSED
CALC LOAD	0%
<b>COOLANT TEMP</b>	<b>28°C</b>
SHORT FT #1	0%
LONG FT #1	0%
ENGINE SPD	0RPM
VEHICLE SPD	0km/h
IGN ADVANCE	5.0°
INTAKE AIR	25°C
MAF	0.0gm/sec
THROTTLE POS	0%
O2S LOCATION	3
O2S B1,S1	0.380V
O2FT B1,S1	0%
O2S B1,S2	0.000V

SEF950N



## TROUBLE DIAGNOSIS FOR DTC P0110

### Intake Air Temperature Sensor (Cont'd)

- Perform the following steps before the voltage is below 1.0V.
- 2) Start engine.
- 3) Hold vehicle speed more than 70 km/h (43 MPH) for 100 consecutive seconds.
- 4) Turn ignition switch "OFF", wait at least 5 seconds and then turn "ON".
- 5) Perform "Diagnostic Test Mode II (Self-diagnostic results)" with ECM.

GI

MA

EM

LC

**EC**

FE

CL

MT

AT

FA

RA

BR

ST

RS

BT

HA

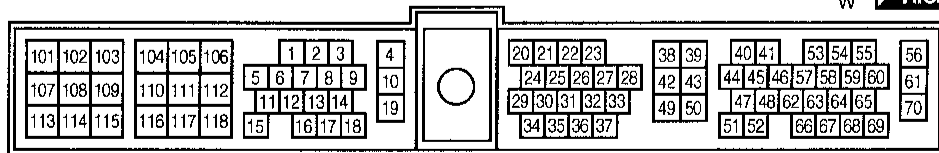
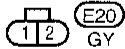
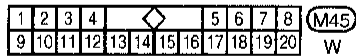
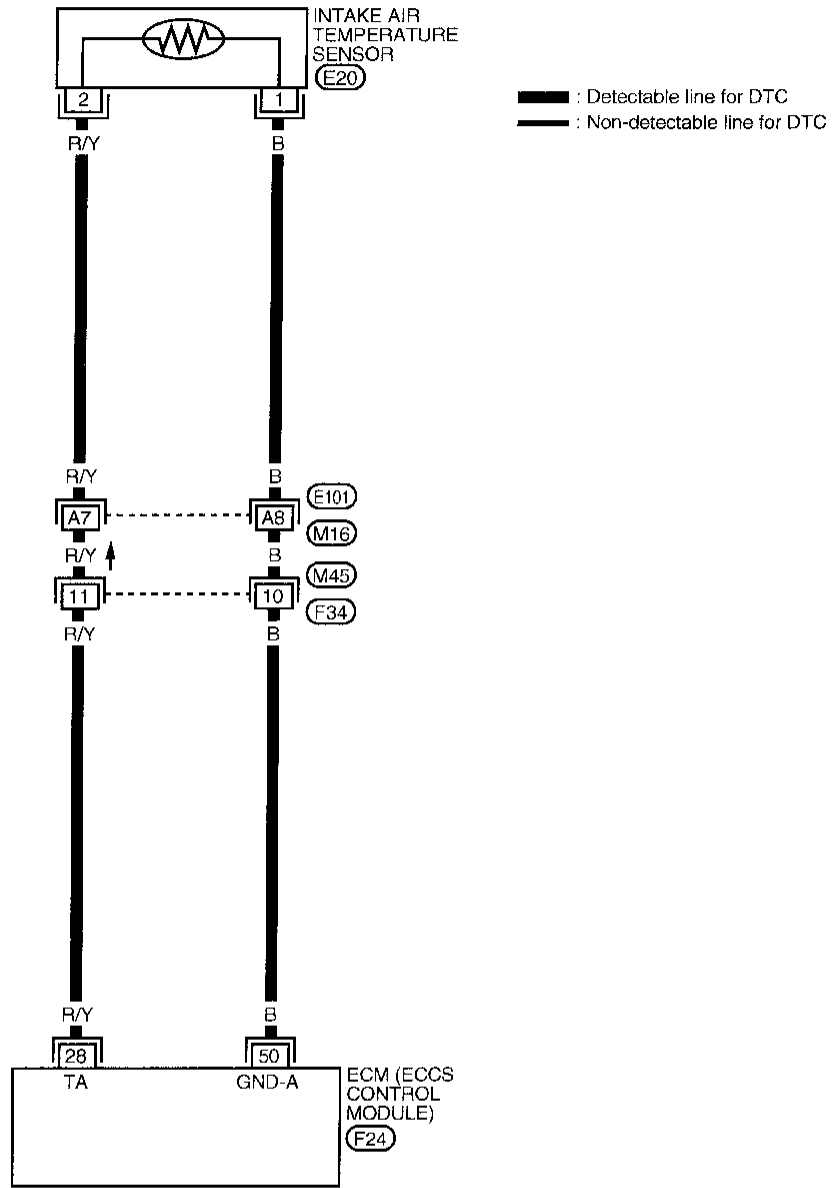
EL

IDX

# TROUBLE DIAGNOSIS FOR DTC P0110

## Intake Air Temperature Sensor (Cont'd)

EC-IATS-01

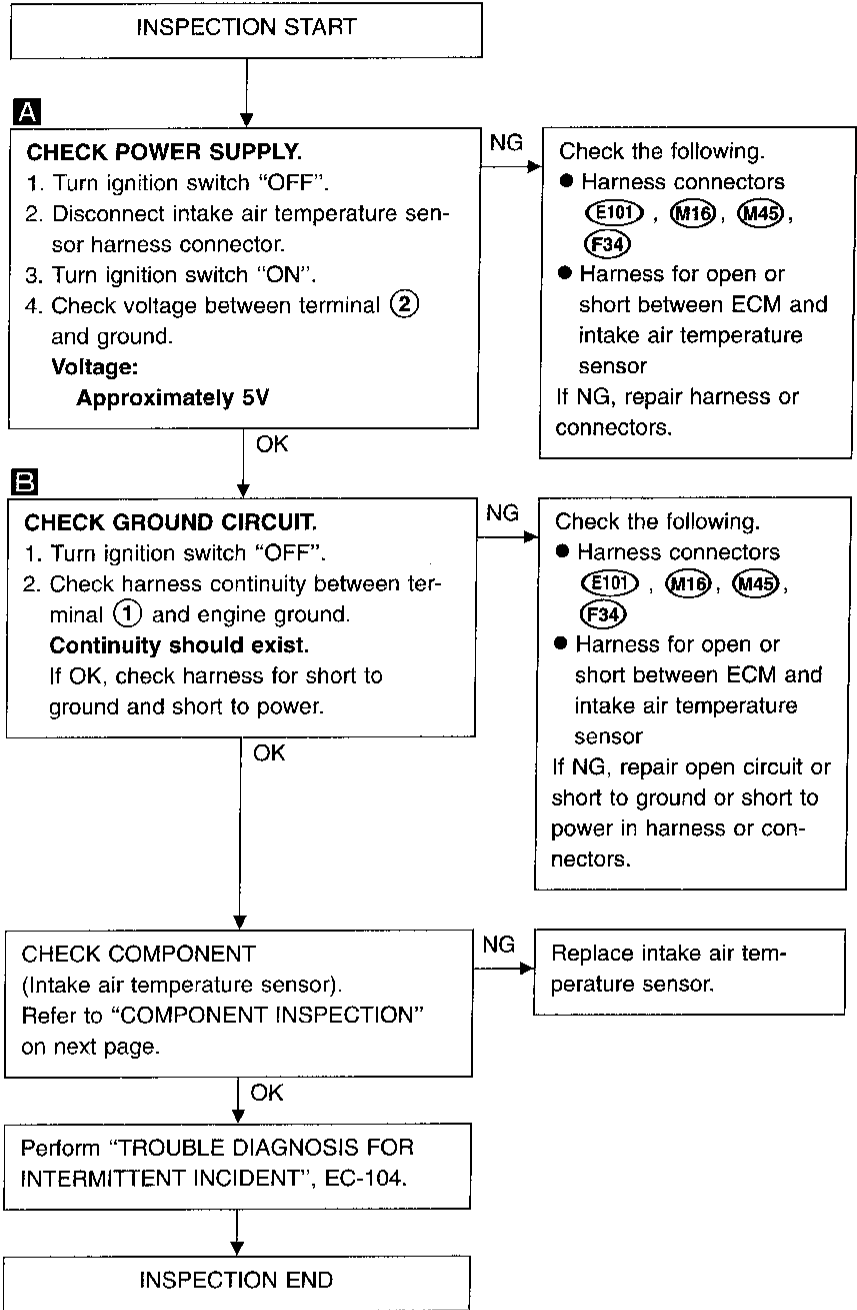
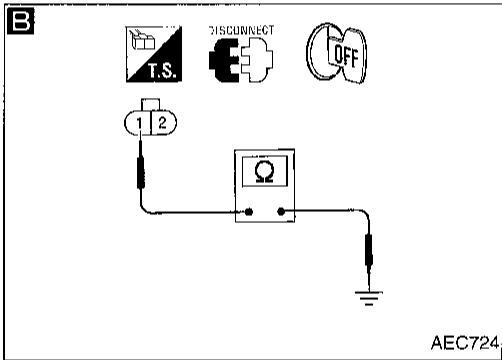
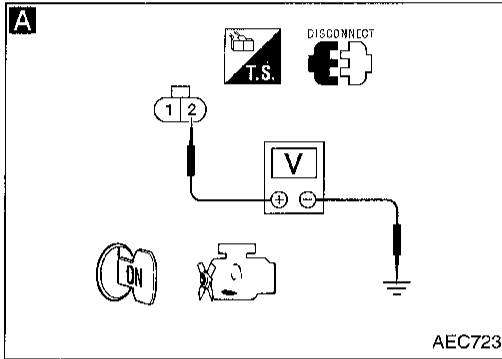
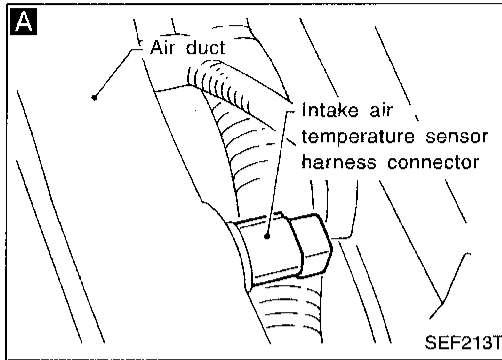


Refer to last page (Foldout page).

(M16), (E101)

# TROUBLE DIAGNOSIS FOR DTC P0110

## Intake Air Temperature Sensor (Cont'd) DIAGNOSTIC PROCEDURE



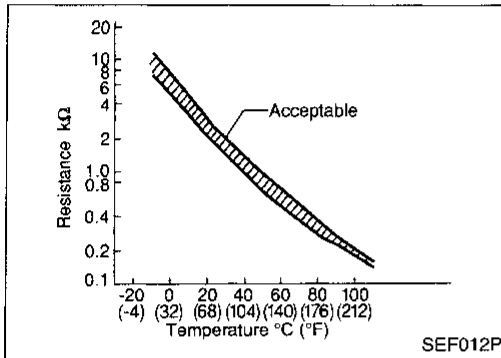
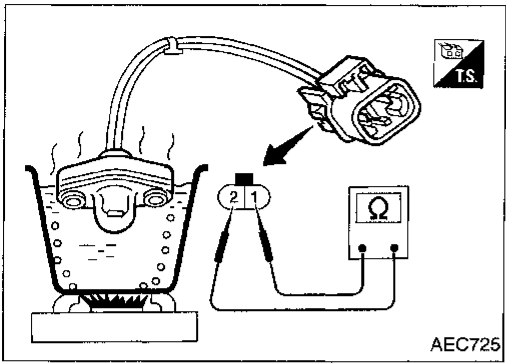
GI  
MA  
EM  
LC  
EC  
FE  
CL  
MT  
AT  
FA  
RA  
BR  
ST  
RS  
BT  
HA  
EL  
IDX

## TROUBLE DIAGNOSIS FOR DTC P0110

### Intake Air Temperature Sensor (Cont'd) COMPONENT INSPECTION

#### Intake air temperature sensor

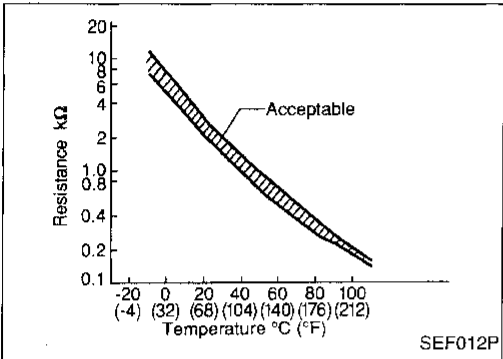
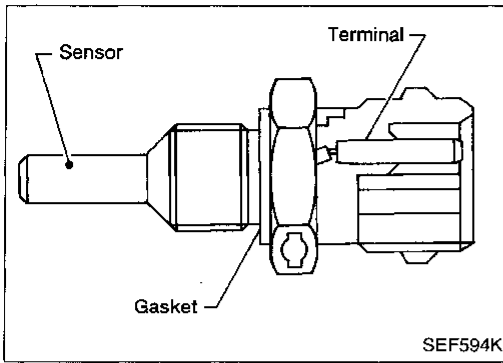
Check resistance as shown in the figure.



#### <Reference data>

Intake air temperature °C (°F)	Resistance kΩ
20 (68)	2.1 - 2.9
80 (176)	0.27 - 0.38

If NG, replace intake air temperature sensor.



## Engine Coolant Temperature Sensor (ECTS) (Circuit)

### COMPONENT DESCRIPTION

The engine coolant temperature sensor is used to detect the engine coolant temperature. The sensor modifies a voltage signal from the ECM. The modified signal returns to the ECM as the engine coolant temperature input. The sensor uses a thermistor which is sensitive to the change in temperature. The electrical resistance of the thermistor decreases as temperature increases.

#### <Reference data>

Engine coolant temperature °C (°F)	Voltage* V	Resistance kΩ
-10 (14)	4.4	7.0 - 11.4
20 (68)	3.5	2.1 - 2.9
50 (122)	2.2	0.68 - 1.00
90 (194)	0.9	0.236 - 0.260

\*: These data are reference values and are measured between ECM terminal (51) (Engine coolant temperature sensor) and ECM terminal (43) (ECCS ground).

### CONSULT REFERENCE VALUE IN DATA MONITOR MODE

MONITOR ITEM	CONDITION	SPECIFICATION
COOLAN TEMP/S	● Engine: After warming up	More than 70°C (158°F)

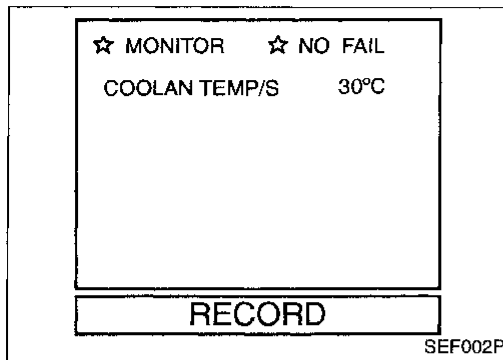
### ON BOARD DIAGNOSIS LOGIC

Diagnostic Trouble Code No.	Malfunction is detected when ...	Check Items (Possible Cause)
P0115 0103	● An excessively high or low voltage from the sensor is sent to ECM.*	<ul style="list-style-type: none"> <li>● Harness or connectors (The sensor circuit is open or shorted.)</li> <li>● Engine coolant temperature sensor</li> </ul>

\*: When this malfunction is detected, the ECM enters fail-safe mode and the MIL lights up.

Detected items	Engine operating condition in fail-safe mode								
Engine coolant temperature sensor circuit	Engine coolant temperature will be determined by ECM based on the time after turning ignition switch "ON" or "START". CONSULT displays the engine coolant temperature decided by ECM.								
	<table border="1"> <thead> <tr> <th>Condition</th> <th>Engine coolant temperature decided (CONSULT display)</th> </tr> </thead> <tbody> <tr> <td>Just as ignition switch is turned ON or Start</td> <td>40°C (104°F)</td> </tr> <tr> <td>More than approx. 4 minutes after ignition ON or Start</td> <td>80°C (176°F)</td> </tr> <tr> <td>Except as shown above</td> <td>40 - 80°C (104 - 176°F) (Depends on the time)</td> </tr> </tbody> </table>	Condition	Engine coolant temperature decided (CONSULT display)	Just as ignition switch is turned ON or Start	40°C (104°F)	More than approx. 4 minutes after ignition ON or Start	80°C (176°F)	Except as shown above	40 - 80°C (104 - 176°F) (Depends on the time)
	Condition	Engine coolant temperature decided (CONSULT display)							
	Just as ignition switch is turned ON or Start	40°C (104°F)							
More than approx. 4 minutes after ignition ON or Start	80°C (176°F)								
Except as shown above	40 - 80°C (104 - 176°F) (Depends on the time)								
When the fail-safe system for engine coolant temperature sensor is activated, the cooling fan operates while the engine is running.									

## TROUBLE DIAGNOSIS FOR DTC P0115



### Engine Coolant Temperature Sensor (ECTS) (Circuit) (Cont'd)

#### DIAGNOSTIC TROUBLE CODE CONFIRMATION PROCEDURE

##### NOTE:

If "DIAGNOSTIC TROUBLE CODE CONFIRMATION PROCEDURE" has been previously conducted, always turn ignition switch "OFF" and wait at least 5 seconds before conducting the next test.



- 1) Turn ignition switch "ON".
- 2) Select "DATA MONITOR" mode with CONSULT.
- 3) Wait at least 5 seconds.

OR



- 1) Turn ignition switch "ON" and wait at least 5 seconds.
- 2) Select "MODE 7" with GST.

OR



- 1) Turn ignition switch "ON" and wait at least 5 seconds.
- 2) Turn ignition switch "OFF", wait at least 5 seconds and then turn "ON".
- 3) Perform "Diagnostic Test Mode II (Self-diagnostic results)" with ECM.



# TROUBLE DIAGNOSIS FOR DTC P0115

## Engine Coolant Temperature Sensor (ECTS) (Circuit) (Cont'd)

EC-ECTS-01

GI

MA

EM

LC

**EC**

FE

CL

MT

AT

FA

RA

BR

ST

RS

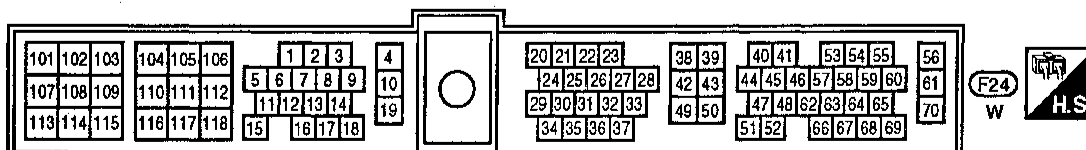
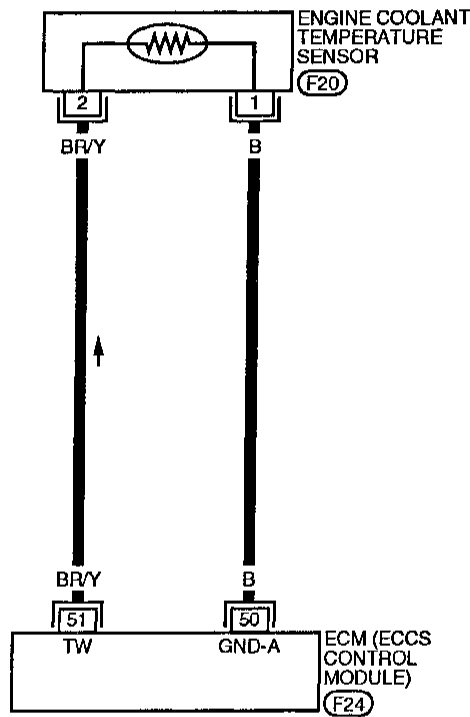
BT

HA

EL

IDX

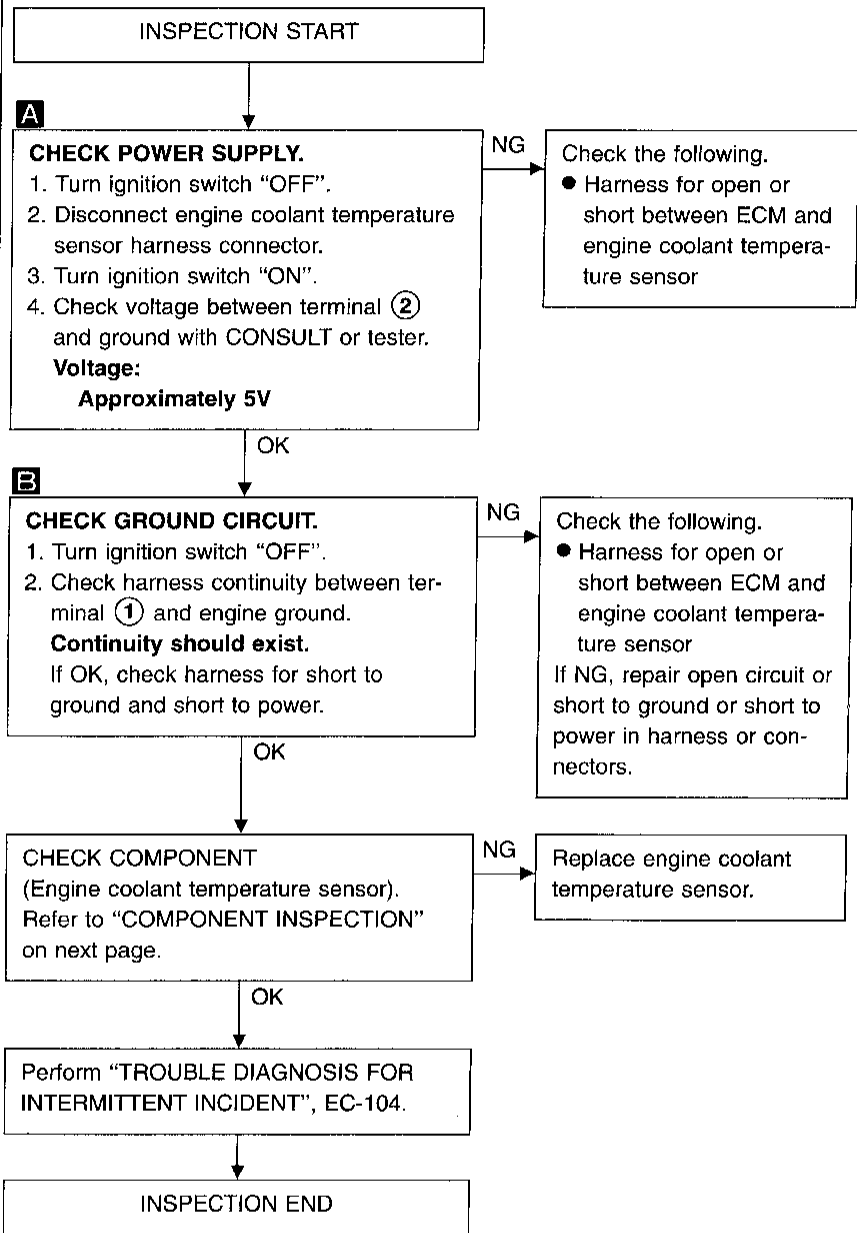
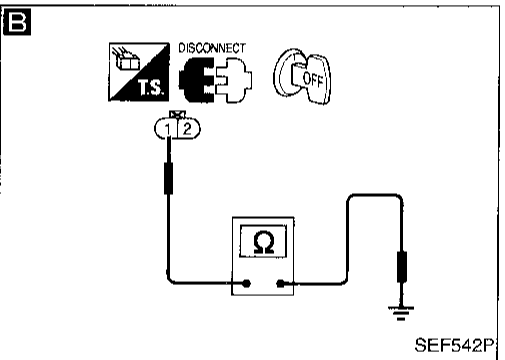
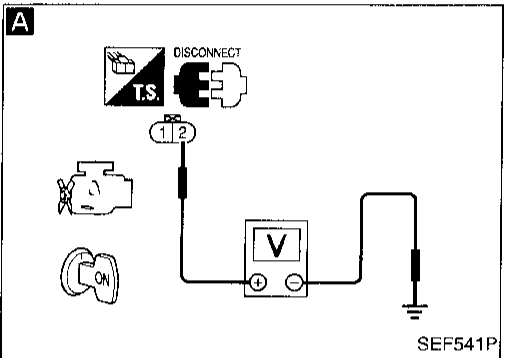
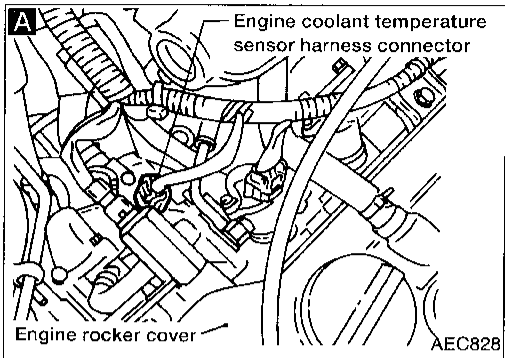
— : Detectable line for DTC  
— : Non-detectable line for DTC



# TROUBLE DIAGNOSIS FOR DTC P0115

## Engine Coolant Temperature Sensor (ECTS) (Circuit) (Cont'd)

### DIAGNOSTIC PROCEDURE



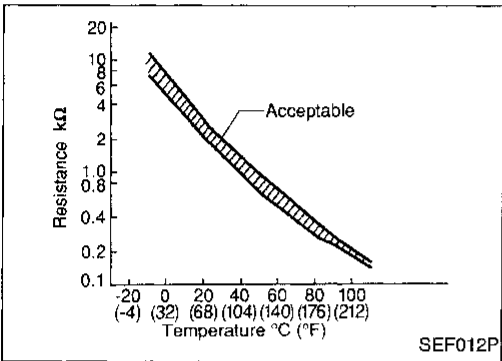
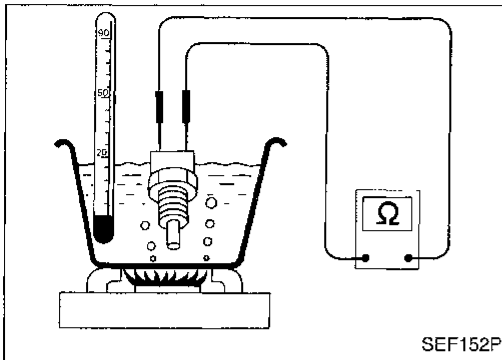
# TROUBLE DIAGNOSIS FOR DTC P0115

## Engine Coolant Temperature Sensor (ECTS) (Circuit) (Cont'd)

### COMPONENT INSPECTION

#### Engine coolant temperature sensor

Check resistance as shown in the figure.



<Reference data>

Temperature °C (°F)	Resistance kΩ
20 (68)	2.1 - 2.9
50 (122)	0.68 - 1.00
90 (194)	0.236 - 0.260

If NG, replace engine coolant temperature sensor.

CI

MA

EM

LC

**EC**

FE

GL

MT

AT

FA

RA

BR

ST

RS

BT

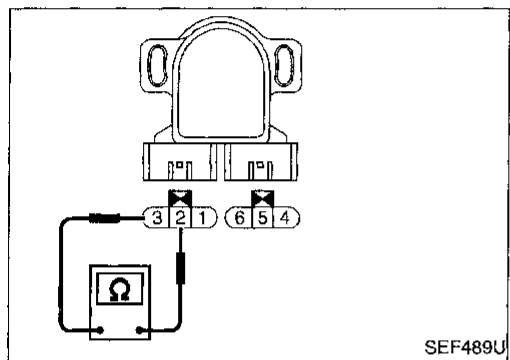
HA

EL

IDX

## Throttle Position Sensor

**Note:** If both DTC P0120 (0403) and DTC P0510 (0203) are displayed, perform TROUBLE DIAGNOSIS FOR DTC P0510 first. (See EC-311.)



### COMPONENT DESCRIPTION

The throttle position sensor responds to the accelerator pedal movement. This sensor is a kind of potentiometer which transforms the throttle position into output voltage, and emits the voltage signal to the ECM. In addition, the sensor detects the opening and closing speed of the throttle valve and feeds the voltage signal to the ECM.

Idle position of the throttle valve is determined by the ECM receiving the signal from the throttle position sensor. This sensor controls engine operation such as fuel cut. On the other hand, the "Wide open and closed throttle position switch", which is built into the throttle position sensor unit, is not used for engine control.

### CONSULT REFERENCE VALUE IN DATA MONITOR MODE

Specification data are reference values

MONITOR ITEM	CONDITION	SPECIFICATION
THRTL POS SEN	<ul style="list-style-type: none"> <li>Ignition switch: ON (Engine stopped)</li> <li>Engine: After warming up</li> </ul> Throttle valve: fully closed	0.35 - 0.65V
	Throttle valve: fully opened	Approx. 4.0V
ABSOL TH/P/S	<ul style="list-style-type: none"> <li>Ignition switch: ON (Engine stopped)</li> <li>Engine: After warming up</li> </ul> Throttle valve: fully closed	0.0%
	Throttle valve: fully opened	Approx. 89%

### ECM TERMINALS AND REFERENCE VALUE

Specification data are reference values and are measured between each terminal and (43) (ECCS ground).

TERMINAL NO.	WIRE COLOR	ITEM	CONDITION	DATA (DC voltage)
23	Y	Throttle position sensor	Ignition switch "ON" (Warm-up condition) Accelerator pedal fully released	0.35 - 0.65V
			Ignition switch "ON" Accelerator pedal fully depressed	Approximately 4V
49	P/L	Sensors' power supply	Ignition switch "ON"	Approximately 5V
50	B	Sensors' ground	Engine is running. Idle speed	0.001 - 0.02V

# TROUBLE DIAGNOSIS FOR DTC P0120

## Throttle Position Sensor (Cont'd)

### ON BOARD DIAGNOSIS LOGIC

Diagnostic Trouble Code No.	Malfunction is detected when ...	Check Items (Possible Cause)	
P0120 0403	A) An excessively low or high voltage from the sensor is sent to ECM.*	<ul style="list-style-type: none"> <li>● Harness or connectors (The throttle position sensor circuit is open or shorted.)</li> <li>● Throttle position sensor</li> </ul>	GI MA EM
	B) A high voltage from the sensor is sent to ECM under light load driving condition.	<ul style="list-style-type: none"> <li>● Harness or connectors (The throttle position sensor circuit is open or shorted.)</li> <li>● Throttle position sensor</li> <li>● Fuel injector</li> <li>● Camshaft position sensor</li> <li>● Mass air flow sensor</li> </ul>	LC <b>EC</b>
	C) A low voltage from the sensor is sent to ECM under heavy load driving condition.	<ul style="list-style-type: none"> <li>● Harness or connectors (The throttle position sensor circuit is open or shorted.)</li> <li>● Intake air leaks</li> <li>● Throttle position sensor</li> </ul>	FE

\*: When this malfunction is detected, the ECM enters fail-safe mode and the MIL lights up.

Detected items	Engine operating condition in fail-safe mode					
Throttle position sensor circuit	Throttle position will be determined based on the injected fuel amount and the engine speed. Therefore, acceleration will be poor.					
	<table border="1" style="margin: auto; border-collapse: collapse;"> <thead> <tr> <th style="width: 50%;">Condition</th> <th style="width: 50%;">Driving condition</th> </tr> </thead> <tbody> <tr> <td>When engine is idling</td> <td>Normal</td> </tr> <tr> <td>When accelerating</td> <td>Poor acceleration</td> </tr> </tbody> </table>	Condition	Driving condition	When engine is idling	Normal	When accelerating
Condition	Driving condition					
When engine is idling	Normal					
When accelerating	Poor acceleration					

### DIAGNOSTIC TROUBLE CODE CONFIRMATION PROCEDURE

Perform "Procedure for malfunction A" first. If the DTC cannot be confirmed, perform "Procedure for malfunction B". If there is no problem on "Procedure for malfunction B", perform "Procedure for malfunction C".

#### Procedure for malfunction A

##### NOTE:

If "DIAGNOSTIC TROUBLE CODE CONFIRMATION PROCEDURE" has been previously conducted, always turn ignition switch "OFF" and wait at least 5 seconds before conducting the next test.

##### CAUTION:

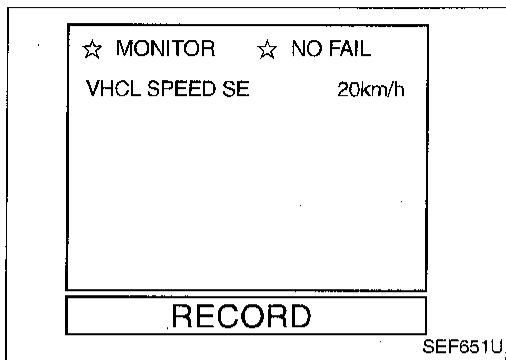
Always drive vehicle at a safe speed.

##### TESTING CONDITION:

- Before performing the following procedure, confirm that battery voltage is more than 10V at idle.
- This test may be conducted with the drive wheels lifted in the shop or by driving the vehicle. If a road test is expected to be easier, it is unnecessary to lift the vehicle.

## TROUBLE DIAGNOSIS FOR DTC P0120

### Throttle Position Sensor (Cont'd)



- 1) Turn ignition switch "ON" and select "DATA MONITOR" mode with CONSULT.
- 2) Start engine and maintain the following conditions for at least 5 consecutive seconds.  
**VHCL SPEED SE: More than 4 km/h (2 MPH)**  
**Selector lever: Suitable position except "P" or "N" position**

OR

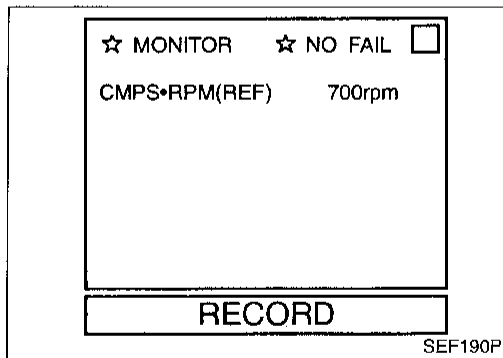


- 1) Start engine and maintain the following conditions for at least 5 consecutive seconds.  
**Vehicle speed: More than 4 km/h (2 MPH)**  
**Selector lever: Suitable position except "P" or "N" position**

OR



- 1) Start engine and maintain the following conditions for at least 5 consecutive seconds.  
**Vehicle speed: More than 4 km/h (2 MPH)**  
**Selector lever: Suitable position except "P" or "N" position**
- 2) Turn ignition switch "OFF" and wait at least 5 seconds.
- 3) Turn ignition switch "ON" and perform "DIAGNOSTIC TEST MODE (Self-diagnostic results)" with ECM.



### Procedure for malfunction B

#### NOTE:

If "DIAGNOSTIC TROUBLE CODE CONFIRMATION PROCEDURE" has been previously conducted, always turn ignition switch "OFF" and wait at least 5 seconds before conducting the next test.



- 1) Turn ignition switch "ON".
- 2) Select "DATA MONITOR" mode with CONSULT.
- 3) Start engine and let it idle for at least 10 seconds.

OR



- 1) Start engine and let it idle for at least 10 seconds.
- 2) Select "MODE 7" with GST.

OR



- 1) Start engine and let it idle for at least 10 seconds.
- 2) Turn ignition switch "OFF" and wait at least 5 seconds.
- 3) Turn ignition switch "ON" and perform "DIAGNOSTIC TEST MODE (Self-diagnostic results)" with ECM.

# TROUBLE DIAGNOSIS FOR DTC P0120

## Throttle Position Sensor (Cont'd)

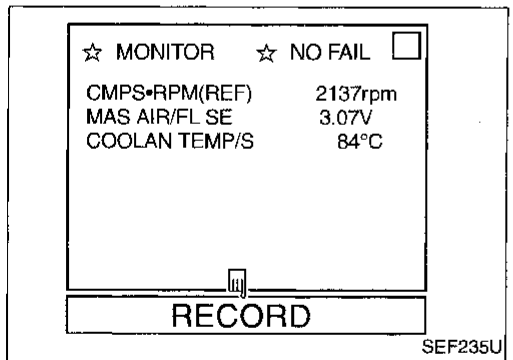
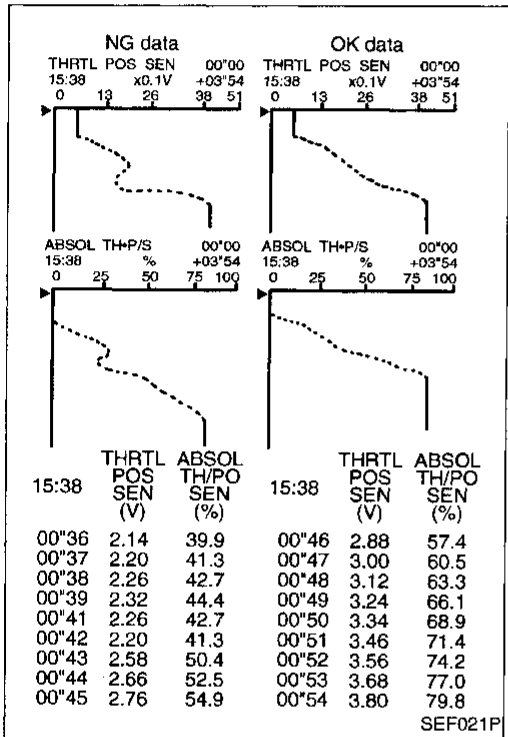
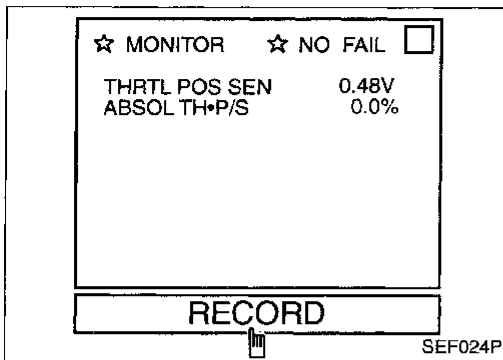
### Procedure for malfunction C

#### CAUTION:

Always drive vehicle at a safe speed.

#### NOTE:

If "DIAGNOSTIC TROUBLE CODE CONFIRMATION PROCEDURE" has been previously conducted, always turn ignition switch "OFF" and wait at least 5 seconds before conducting the next test.



- 1) Start engine and warm it up to normal operating temperature.
- 2) Turn ignition switch "OFF" and wait at least 5 seconds.
- 3) Turn ignition switch "ON".
- 4) Select "MANU TRIG" and "HI SPEED" in "DATA MONITOR" mode with CONSULT.
- 5) Select "THRTL POS SEN" and "ABSOL TH·P/S" in "DATA MONITOR" mode with CONSULT.
- 6) Press RECORD on CONSULT SCREEN at the same time accelerator pedal is depressed.
- 7) Print out the recorded graph and check the following:
  - The voltage rise is linear in response to accelerator pedal depression.
  - The voltage when accelerator pedal is fully depressed is approximately 4V.
 If NG, go to "DIAGNOSTIC PROCEDURE", EC-144. If OK, go to following step.
- 8) Select "AUTO TRIG" in "DATA MONITOR" mode with CONSULT.
- 9) Maintain the following conditions for at least 10 consecutive seconds.

**CMPS·RPM (REF): More than 2,000 rpm**

**MAS AIR/FL SE: More than 3V**

**COOLAN TEMP/S: More than 70°C (158°F)**

**Selector lever: Suitable position**

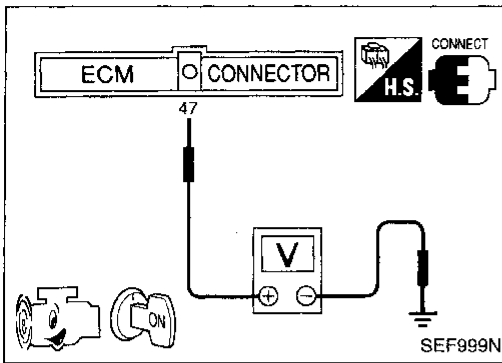
**Driving location: Driving vehicle uphill (Increased engine load) will help maintain the driving conditions required for this test.**

GI  
MA  
EM  
LC  
EC  
FE  
CL  
MT  
AT  
FA  
RA  
BR  
ST  
RS  
BT  
HA  
EL  
IDX

# TROUBLE DIAGNOSIS FOR DTC P0120

## Throttle Position Sensor (Cont'd)

OR



- 1) Maintain the following conditions for at least 10 consecutive seconds.

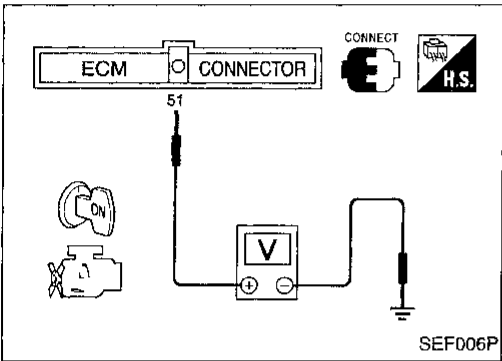
**Gear position: Suitable position**

**Engine speed: More than 2,000 rpm**

**Engine coolant temperature: More than 70°C (158°F)**

**Voltage between ECM terminal ④⑦ and ground:  
More than 3V**

OR



- 1) Maintain the following conditions for at least 10 consecutive seconds.

**Gear position: Suitable position**

**Engine speed: More than 2,000 rpm**

**Voltage between ECM terminal ④⑦ and ground:  
More than 3V**

**Voltage between ECM terminal ⑤① and ground:  
Less than 1.5V**

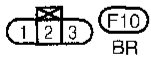
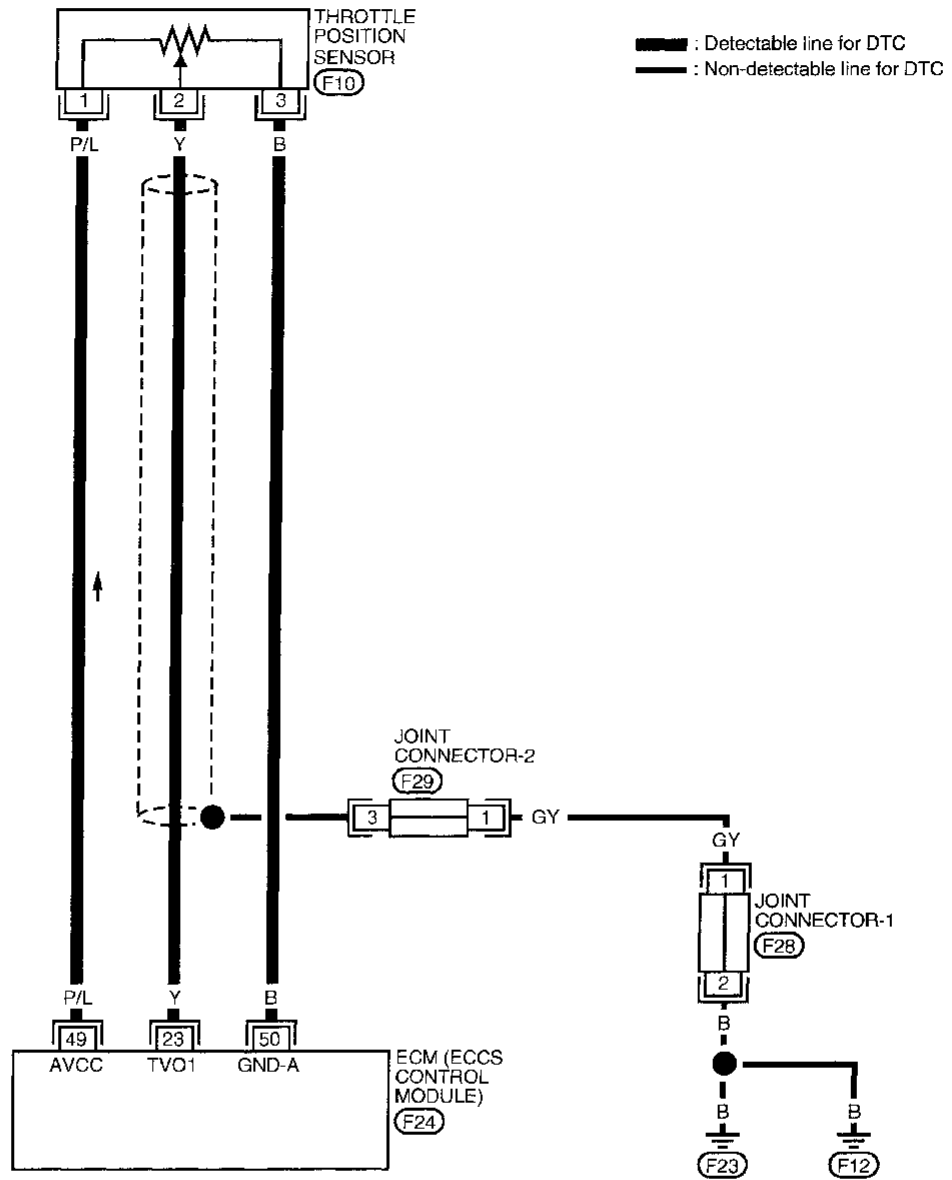
- 2) Stop the vehicle, turn ignition switch "OFF", wait at least 5 seconds and then turn "ON".
- 3) Perform "DIAGNOSTIC TEST MODE (Self-diagnostic results)" with ECM.



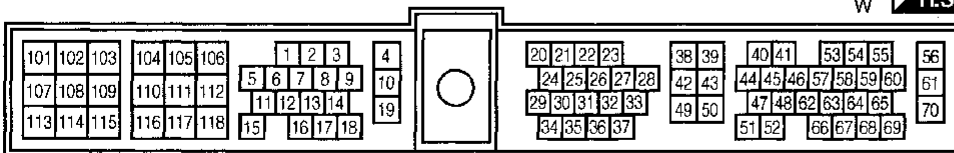
# TROUBLE DIAGNOSIS FOR DTC P0120

## Throttle Position Sensor (Cont'd)

EC-TPS-01



Refer to last page (Foldout page).



GI

MA

EM

LC

**EC**

FE

CL

MT

AT

FA

RA

BR

ST

RS

BT

HA

EL

IDX

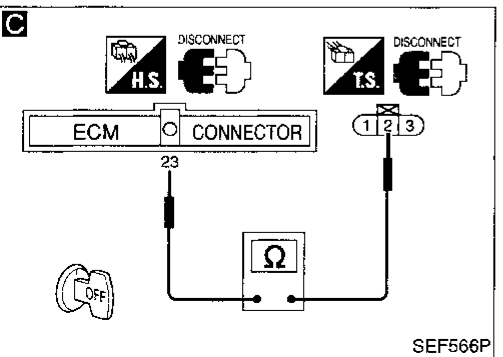
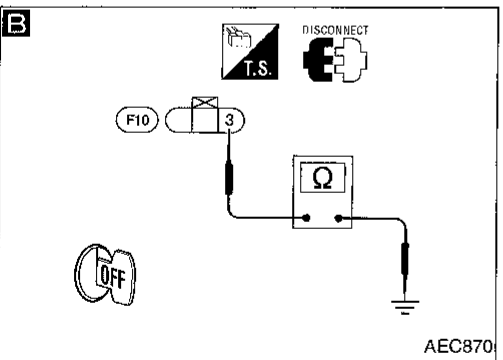
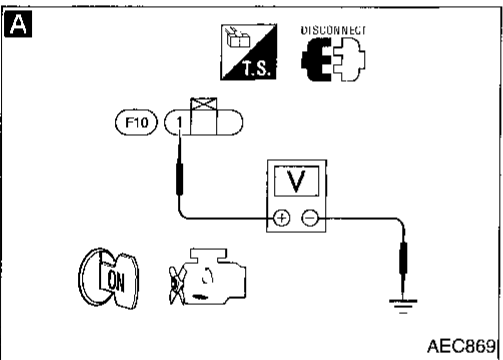
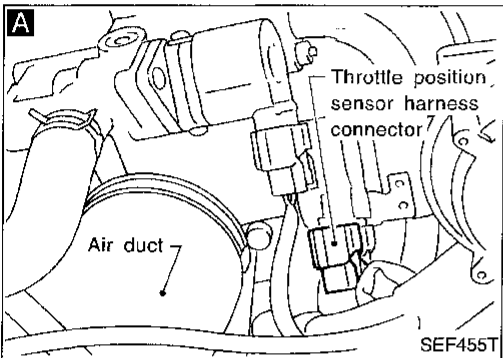
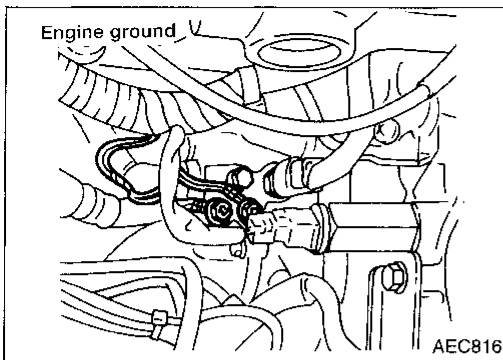
# TROUBLE DIAGNOSIS FOR DTC P0120

## Throttle Position Sensor (Cont'd)

### DIAGNOSTIC PROCEDURE

If the trouble is duplicated after "Procedure for malfunction A", perform "Procedure A" below. If the trouble is duplicated after "Procedure for malfunction B", perform "Procedure B" on next page. If the trouble is duplicated after "Procedure for malfunction C", perform "Procedure C" on EC-147.

#### Procedure A



INSPECTION START

1. Turn ignition switch "OFF".
2. Loosen and retighten engine ground screws.

**A**  
**CHECK POWER SUPPLY.**  
1. Disconnect throttle position sensor harness connector.  
2. Turn ignition switch "ON".  
3. Check voltage between terminal ① and ground with CONSULT or tester.  
**Voltage: Approximately 5V**

NG → Repair harness or connectors.

**B**  
**CHECK GROUND CIRCUIT.**  
1. Turn ignition switch "OFF".  
2. Check harness continuity between terminal ③ and engine ground.  
**Continuity should exist.**  
If OK, check harness for short to ground and short to power.

NG → Check the following.  
● Harness for open or short between ECM and throttle position sensor  
If NG, repair open circuit or short to ground or short to power in harness or connectors.

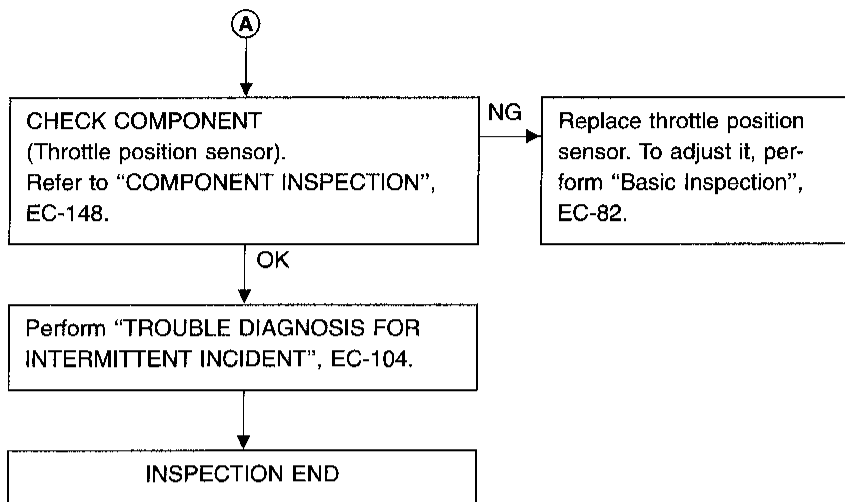
**C**  
**CHECK INPUT SIGNAL CIRCUIT.**  
1. Disconnect ECM harness connector.  
2. Check harness continuity between ECM terminal ②③ and terminal ②.  
**Continuity should exist.**  
If OK, check harness for short to ground and short to power.

NG → Repair harness or connectors.

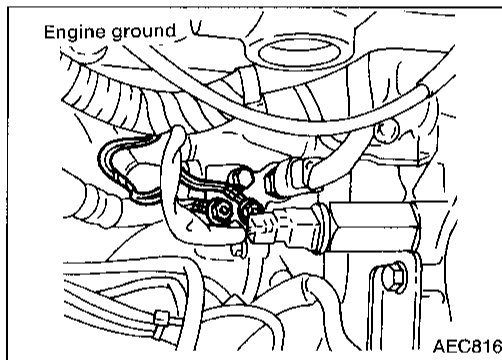
OK  
A  
(Go to next page.)

# TROUBLE DIAGNOSIS FOR DTC P0120

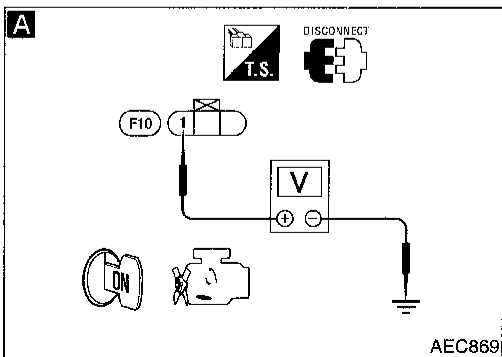
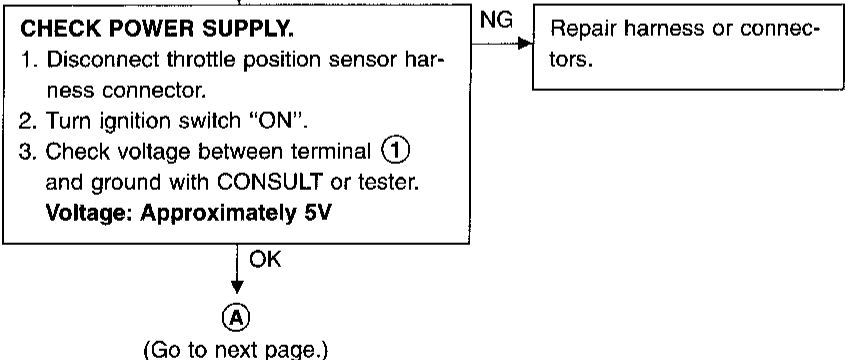
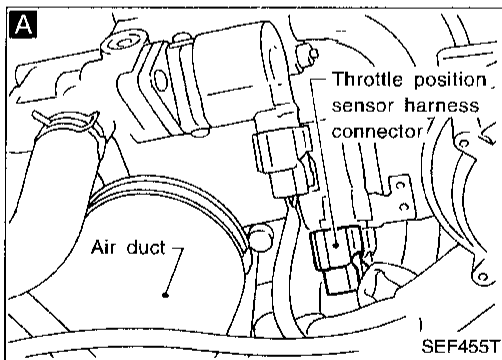
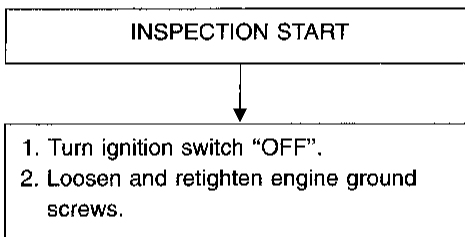
## Throttle Position Sensor (Cont'd)



GI  
MA  
EM  
LC  
EC  
FE  
CL  
MT  
AT  
FA  
RA  
BR  
ST  
RS  
BT  
HA  
EL  
IDX

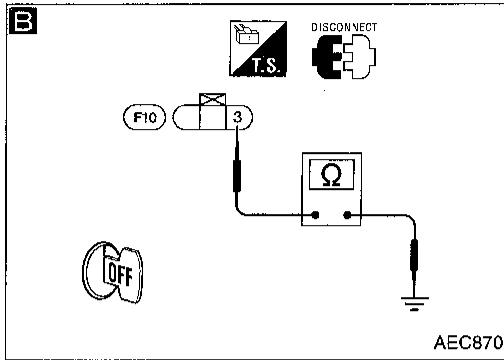


### Procedure B



# TROUBLE DIAGNOSIS FOR DTC P0120

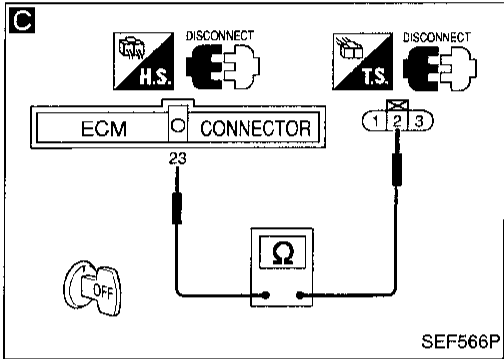
## Throttle Position Sensor (Cont'd)



**B**

**CHECK GROUND CIRCUIT.**  
 1. Turn ignition switch "OFF".  
 2. Check harness continuity between terminal ③ and engine ground.  
**Continuity should exist.**  
 If OK, check harness for short to ground and short to power.

NG → Check the following.  
 • Harness for open or short between ECM and throttle position sensor  
 If NG, repair open circuit or short to ground or short to power in harness or connectors.



**C**

**CHECK INPUT SIGNAL CIRCUIT.**  
 1. Disconnect ECM harness connector.  
 2. Check harness continuity between ECM terminal ②③ and terminal ②.  
**Continuity should exist.**  
 If OK, check harness for short to ground and short to power.

NG → Repair harness or connectors.

**CHECK COMPONENT**  
 (Throttle position sensor).  
 Refer to "COMPONENT INSPECTION", EC-148.

NG → Replace throttle position sensor. To adjust it, perform "Basic Inspection", EC-82.

**CHECK COMPONENT**  
 (Mass air flow sensor).  
 Refer to "COMPONENT INSPECTION", EC-118.

NG → Replace mass air flow sensor.

**CHECK COMPONENT**  
 (Camshaft position sensor).  
 Refer to "COMPONENT INSPECTION", EC-254.

NG → Replace camshaft position sensor.

**CHECK COMPONENT**  
 (Fuel injector).  
 Refer to "COMPONENT INSPECTION", EC-461.

NG → Replace fuel injector.

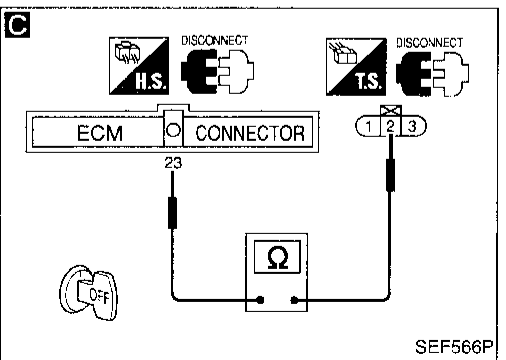
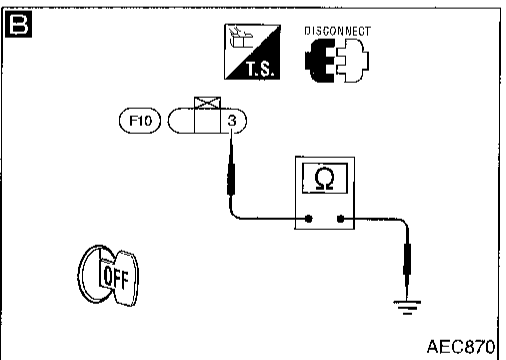
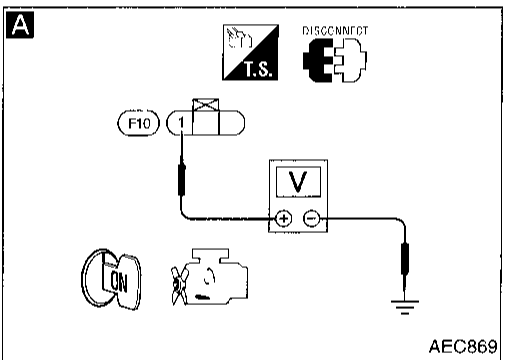
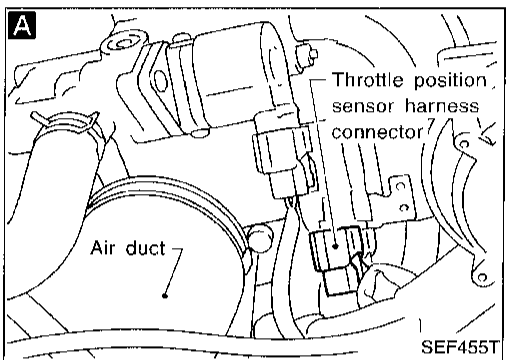
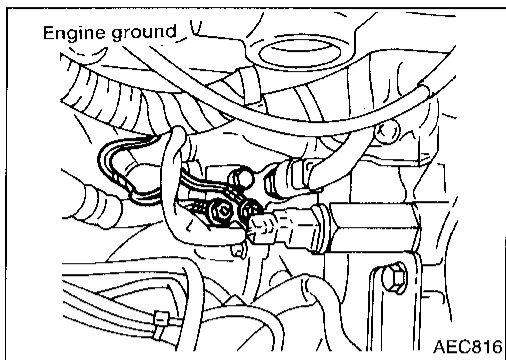
Perform "TROUBLE DIAGNOSIS FOR INTERMITTENT INCIDENT", EC-104.

INSPECTION END

# TROUBLE DIAGNOSIS FOR DTC P0120

## Throttle Position Sensor (Cont'd)

### Procedure C



INSPECTION START

ADJUST THROTTLE POSITION SENSOR.  
Perform "Basic Inspection", EC-82.

OK

CHECK INTAKE SYSTEM.  
Check the following for connection.  
● Air duct  
● Vacuum hoses  
● Intake air passage between air duct to collector  
If disconnected, reconnect the parts.

NG → Reconnect the parts.

OK

1. Turn ignition switch "OFF".  
2. Loosen and retighten engine ground screws.

CHECK POWER SUPPLY.  
1. Disconnect throttle position sensor harness connector.  
2. Turn ignition switch "ON".  
3. Check voltage between terminal ① and ground with CONSULT or tester.  
**Voltage: Approximately 5V**

NG → Repair harness or connectors.

OK

CHECK GROUND CIRCUIT.  
1. Turn ignition switch "OFF".  
2. Check harness continuity between terminal ③ and engine ground.  
**Continuity should exist.**  
If OK, check harness for short to ground and short to power.

NG → Check the following.  
● Harness for open or short between ECM and throttle position sensor  
If NG, repair open circuit or short to ground or short to power in harness or connectors.

OK

CHECK INPUT SIGNAL CIRCUIT.  
1. Disconnect ECM harness connector.  
2. Check harness continuity between ECM terminal ②③ and terminal ②.  
**Continuity should exist.**  
If OK, check harness for short to ground and short to power.

NG → Repair harness or connectors.

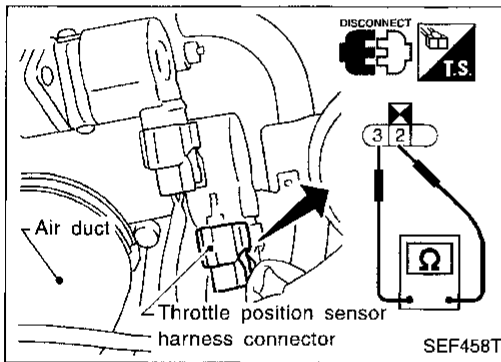
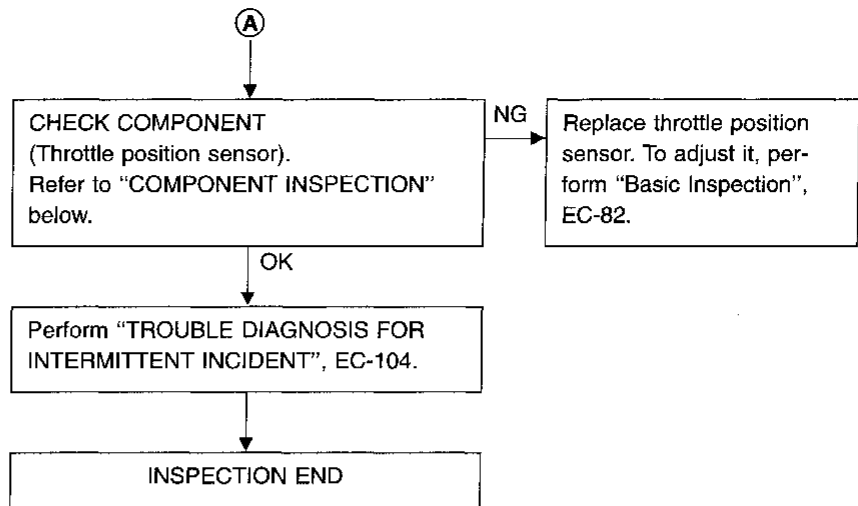
OK

Ⓐ  
(Go to next page.)

GI  
MA  
EM  
LC  
EC  
FE  
CL  
MT  
AT  
FA  
RA  
BR  
ST  
RS  
BT  
HA  
EL  
IDX

# TROUBLE DIAGNOSIS FOR DTC P0120

## Throttle Position Sensor (Cont'd)



### COMPONENT INSPECTION

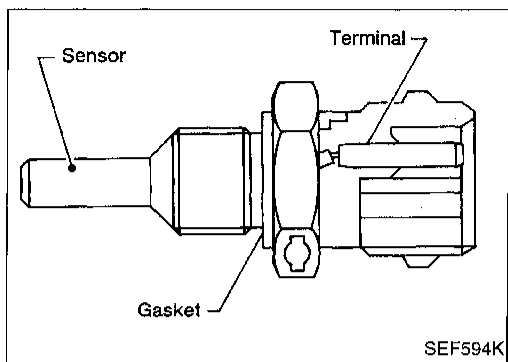
#### Throttle position sensor

1. Disconnect throttle position sensor harness connector.
2. Make sure that resistance between terminals ② and ③ changes when opening throttle valve manually.

Throttle valve conditions	Resistance [at 25°C (77°F)]
Completely closed	Approximately 0.6 kΩ
Partially open	0.6 - 4 kΩ
Completely open	Approximately 4 kΩ

If NG, replace throttle position sensor.  
To adjust it, perform "Basic Inspection", EC-82.

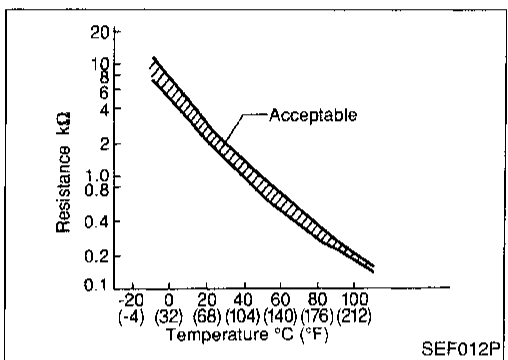
# TROUBLE DIAGNOSIS FOR DTC P0125



## Engine Coolant Temperature (ECT) Sensor

### COMPONENT DESCRIPTION

The engine coolant temperature sensor is used to detect the engine coolant temperature. The sensor modifies a voltage signal from the ECM. The modified signal returns to the ECM as the engine coolant temperature input. The sensor uses a thermistor which is sensitive to the change in temperature. The electrical resistance of the thermistor decreases as temperature increases.



### <Reference data>

Engine coolant temperature °C (°F)	Voltage* V	Resistance kΩ
-10 (14)	4.4	9.2
20 (68)	3.5	2.1 - 2.9
50 (122)	2.2	0.68 - 1.00
90 (194)	0.9	0.236 - 0.260

\*: These data are reference values and are measured between ECM terminal ⑤1 (Engine coolant temperature sensor) and ECM terminal ④3 (ECCS ground).

## CONSULT REFERENCE VALUE IN DATA MONITOR MODE

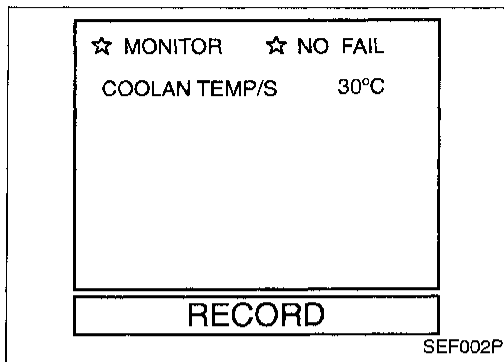
MONITOR ITEM	CONDITION	SPECIFICATION
COOLAN TEMP/S	● Engine: After warming up	More than 70°C (158°F)

## ON BOARD DIAGNOSIS LOGIC

Diagnostic Trouble Code No.	Malfunction is detected when ...	Check Items (Possible Cause)
P0125 0908	<ul style="list-style-type: none"> <li>● Voltage sent to ECM from the sensor is not practical, even when some time has passed after starting the engine.</li> <li>● Engine coolant temperature is insufficient for closed loop fuel control.</li> </ul>	<ul style="list-style-type: none"> <li>● Harness or connectors (High resistance in the circuit)</li> <li>● Engine coolant temperature sensor</li> <li>● Thermostat</li> </ul>

## TROUBLE DIAGNOSIS FOR DTC P0125

### Engine Coolant Temperature (ECT) Sensor (Cont'd)



#### DIAGNOSTIC TROUBLE CODE CONFIRMATION PROCEDURE

**CAUTION:**

Be careful not to overheat engine.

**NOTE:**

- If both DTC P0115 (0103) and P0125 (0908) are displayed, first perform "TROUBLE DIAGNOSIS FOR DTC P0115". Refer to EC-133.
- If "DIAGNOSTIC TROUBLE CODE CONFIRMATION PROCEDURE" has been previously conducted, always turn ignition switch "OFF" and wait at least 5 seconds before conducting the next test.



- 1) Turn ignition switch "ON".
- 2) Select "DATA MONITOR" mode with CONSULT.
- 3) Check that "COOLAN TEMP/S" is above 10°C (50°F).

**If it is above 10°C (50°F), the test result will be OK.**

**If it is below 10°C (50°F), go to following step.**

- 4) Start engine and run it for 65 minutes at idle speed. **If "COOLAN TEMP/S" increases to more than 10°C (50°F) within 65 minutes, stop engine because the test result will be OK.**

OR



- 1) Turn ignition switch "ON".
- 2) Select "MODE 1" with GST.
- 3) Check that engine coolant temperature is above 10°C (50°F).

**If it is above 10°C (50°F), the test result will be OK.**

**If it is below 10°C (50°F), go to following step.**

- 4) Start engine and run it for 65 minutes at idle speed. **If engine coolant temperature increases to more than 10°C (50°F) within 65 minutes, stop engine because the test result will be OK.**

OR



- 1) Turn ignition switch "ON".
- 2) Check that voltage between ECM terminal (51) and ground is less than 3.8V.

**If it is less than 3.8V, the test result will be OK.**

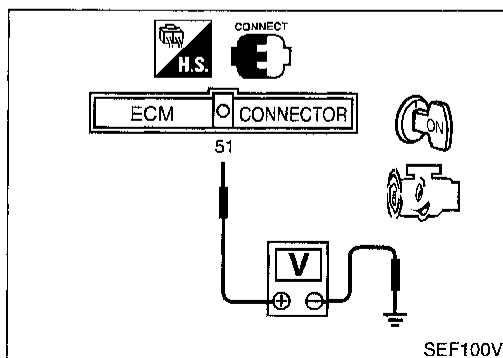
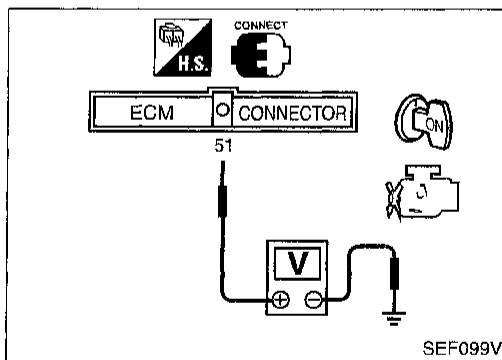
**If it is over 3.8V, go to following step.**

- 3) Start engine and run it for 65 minutes at idle speed. Then measure voltage between ECM terminal (51) and ground.

**If the voltage decreases to less than 3.8V within 65 minutes, stop engine because the test result will be OK.**

- 4) Turn ignition switch "OFF", wait at least 5 seconds and then turn "ON".

- 5) Perform "Diagnostic Test Mode II (Self-diagnostic results)" with ECM.





# TROUBLE DIAGNOSIS FOR DTC P0125

## Engine Coolant Temperature (ECT) Sensor (Cont'd)

EC-ECTS-01

GI

MA

EM

LC

**EC**

FE

CL

MT

AT

FA

RA

BR

ST

RS

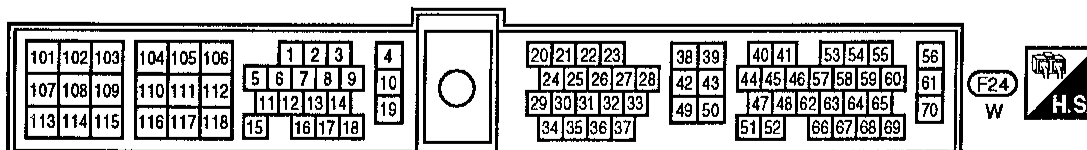
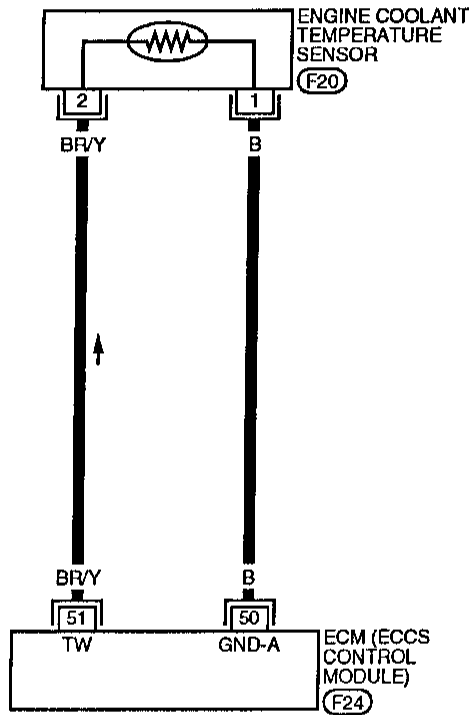
BT

HA

EL

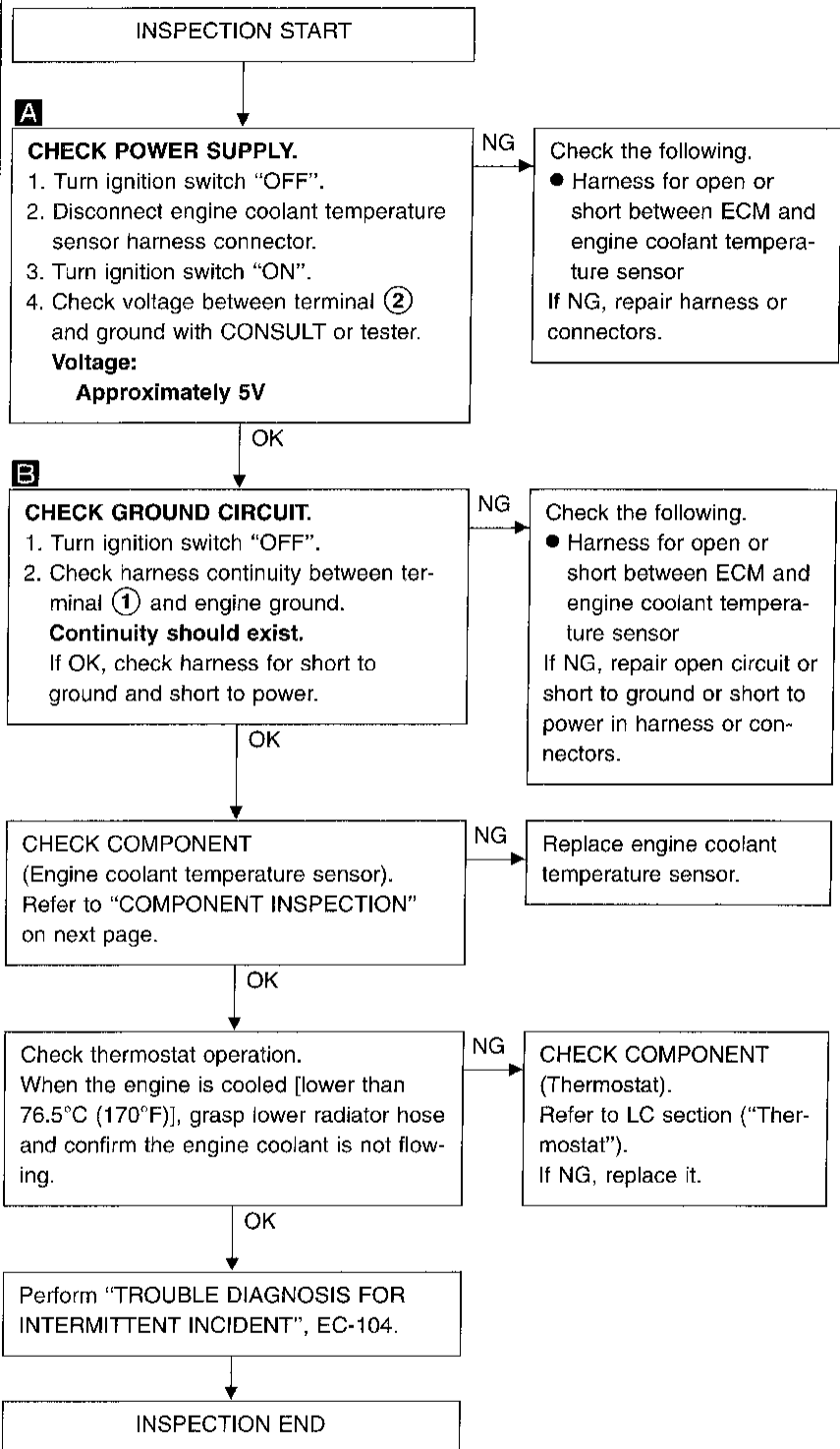
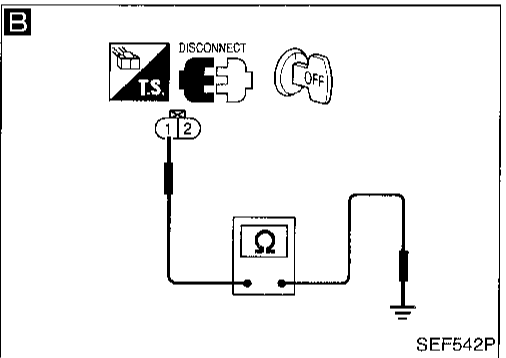
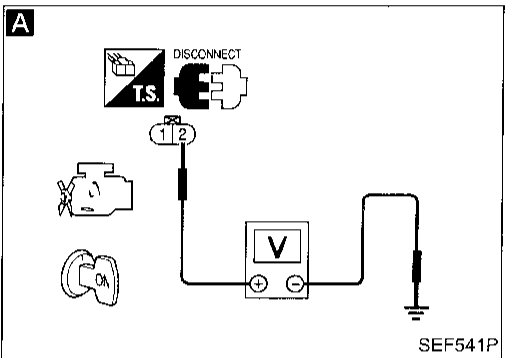
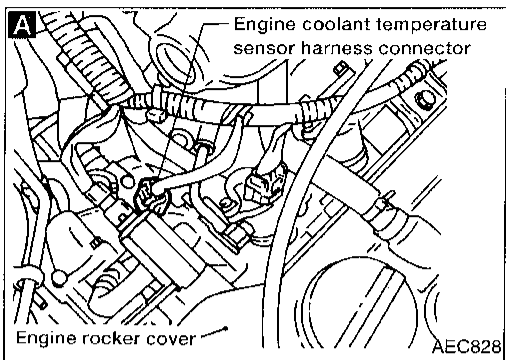
IDX

— : Detectable line for DTC  
 - - - : Non-detectable line for DTC



## Engine Coolant Temperature (ECT) Sensor (Cont'd)

### DIAGNOSTIC PROCEDURE



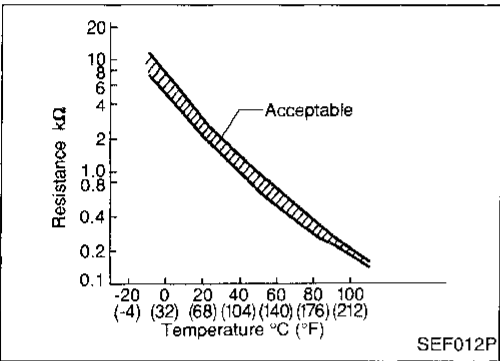
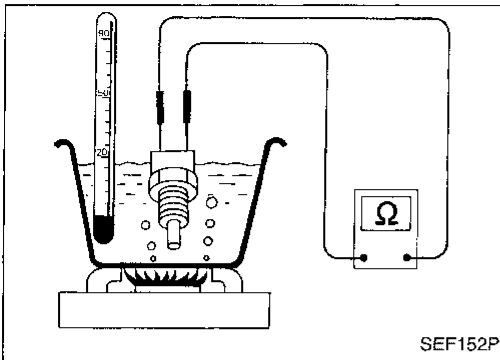
# TROUBLE DIAGNOSIS FOR DTC P0125

## Engine Coolant Temperature (ECT) Sensor (Cont'd)

### COMPONENT INSPECTION

#### Engine coolant temperature sensor

Check resistance as shown in the figure.



<Reference data>

Temperature °C (°F)	Resistance kΩ
20 (68)	2.1 - 2.9
50 (122)	0.68 - 1.0
90 (194)	0.236 - 0.260

If NG, replace engine coolant temperature sensor.

GI

MA

EM

LC

**EC**

FE

CL

MT

AT

FA

RA

BR

ST

RS

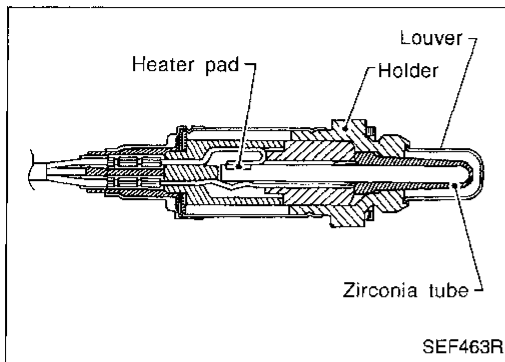
BT

HA

EL

IDX

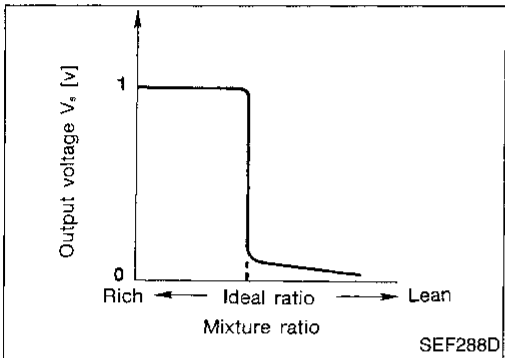
# TROUBLE DIAGNOSIS FOR DTC P0130



## Front Heated Oxygen Sensor (Circuit) (Front HO2S)

### COMPONENT DESCRIPTION

The front heated oxygen sensor is placed into the exhaust manifold. It detects the amount of oxygen in the exhaust gas compared to the outside air. The front heated oxygen sensor has a closed-end tube made of ceramic zirconia. The zirconia generates voltage from approximately 1V in richer conditions to 0V in leaner conditions. The front heated oxygen sensor signal is sent to the ECM. The ECM adjusts the injection pulse duration to achieve the ideal air-fuel ratio. The ideal air-fuel ratio occurs near the radical change from 1V to 0V.



### CONSULT REFERENCE VALUE IN DATA MONITOR MODE

Specification data are reference values

MONITOR ITEM	CONDITION	SPECIFICATION
FR O2 SENSOR ..... FR O2 MNTR	● Engine: After warming up  Maintaining engine speed at 2,000 rpm	0 - 0.3V ↔ Approx. 0.6 - 1.0V  LEAN ↔ RICH Changes more than 5 times during 10 seconds.

### ECM TERMINALS AND REFERENCE VALUE

Specification data are reference values and are measured between each terminal and (43) (ECCS ground).

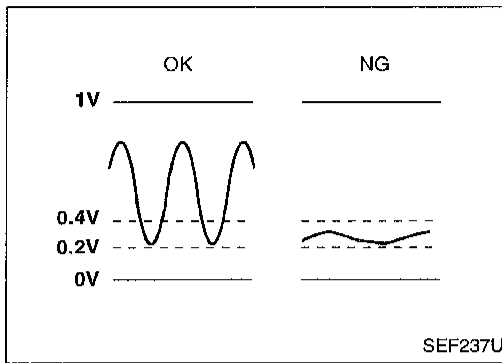
TER-MINAL NO.	WIRE COLOR	ITEM	CONDITION	DATA (DC voltage)
46	W	Front heated oxygen sensor	Engine is running.  After warming up to normal operating temperature and engine speed is 2,000 rpm	0 - Approximately 1.0V   SEF201T

# TROUBLE DIAGNOSIS FOR DTC P0130

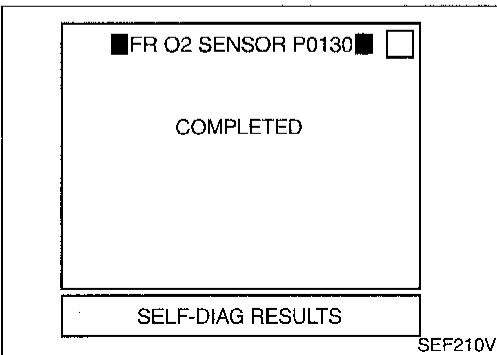
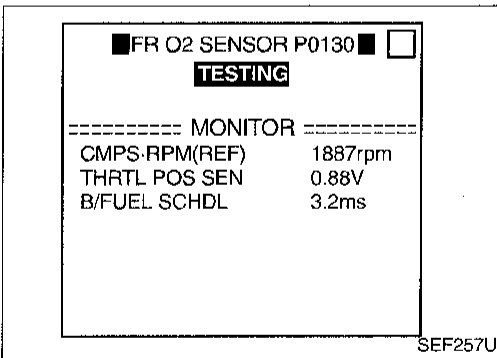
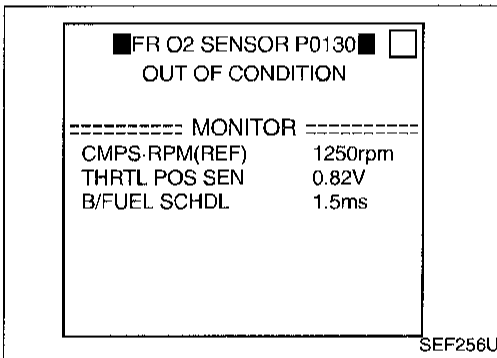
## Front Heated Oxygen Sensor (Circuit) (Front HO2S) (Cont'd)

### ON BOARD DIAGNOSIS LOGIC

Under the condition in which the front heated oxygen sensor signal is not input, the ECM circuits will read a continuous approximately 0.3V. Therefore, for this diagnosis, the time that output voltage is within 200 to 400 mV range is monitored, and the diagnosis checks that this time is not inordinately long.



Diagnostic Trouble Code No.	Malfunction is detected when ...	Check Items (Possible Cause)
P0130 0303	<ul style="list-style-type: none"> <li>The voltage from the sensor is constantly approx. 0.3V.</li> </ul>	<ul style="list-style-type: none"> <li>Harness or connectors (The sensor circuit is open or shorted.)</li> <li>Front heated oxygen sensor</li> </ul>



### DIAGNOSTIC TROUBLE CODE CONFIRMATION PROCEDURE

#### CAUTION:

Always drive vehicle at a safe speed.

#### NOTE:

If "DIAGNOSTIC TROUBLE CODE CONFIRMATION PROCEDURE" has been previously conducted, always turn ignition switch "OFF" and wait at least 5 seconds before conducting the next test.

#### TESTING CONDITION:

- Always perform at a temperature of more than  $-10^{\circ}\text{C}$  ( $14^{\circ}\text{F}$ ).
- Before performing the following procedure, confirm that battery voltage is more than 11V at idle.
- Never raise engine speed above 3,200 rpm during the "DIAGNOSTIC TROUBLE CODE CONFIRMATION PROCEDURE". If the engine speed limit is exceeded, retry the procedure from step 2).



- Start engine and warm it up to normal operating temperature.
- Stop engine and wait at least 5 seconds.
- Turn ignition switch "ON" and select "FR O2 SENSOR P0130" of "FRONT O2 SENSOR" in "DTC WORK SUPPORT" mode with CONSULT.
- Touch "START".
- Start engine and let it idle for at least 3 minutes.
- When the following conditions are met, "TESTING" will be displayed on the CONSULT screen. Maintain the conditions continuously until "TESTING" changes to "COMPLETED". (It will take approximately 10 to 60 seconds.)

**CMPS-RPM (REF): 1,500 - 2,500 rpm (A/T)  
1,800 - 2,500 rpm (M/T)**

## TROUBLE DIAGNOSIS FOR DTC P0130

### Front Heated Oxygen Sensor (Circuit) (Front HO2S) (Cont'd)

Vehicle speed: 70 - 100 km/h (43 - 62 MPH)

B/FUEL SCHDL: 1 - 5 ms (A/T)

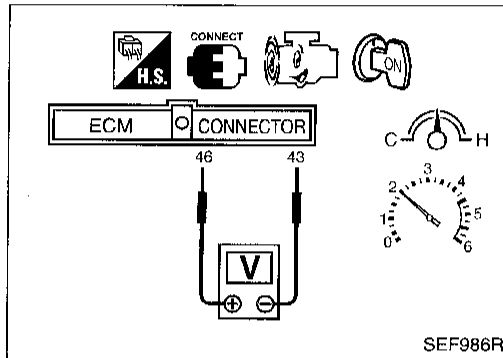
1 - 4 ms (M/T)

Selector lever: Suitable position

If "TESTING" is not displayed after 5 minutes, retry from step 2).

7) Make sure that "OK" is displayed after touching "SELF-DIAG RESULTS". If "NG" is displayed, refer to "DIAGNOSTIC PROCEDURE", EC-158.

During this test, P1148 may be stored in ECM.



SEF986R

OR

### OVERALL FUNCTION CHECK

Use this procedure to check the overall function of the front heated oxygen sensor circuit. During this check, a 1st trip DTC might not be confirmed.

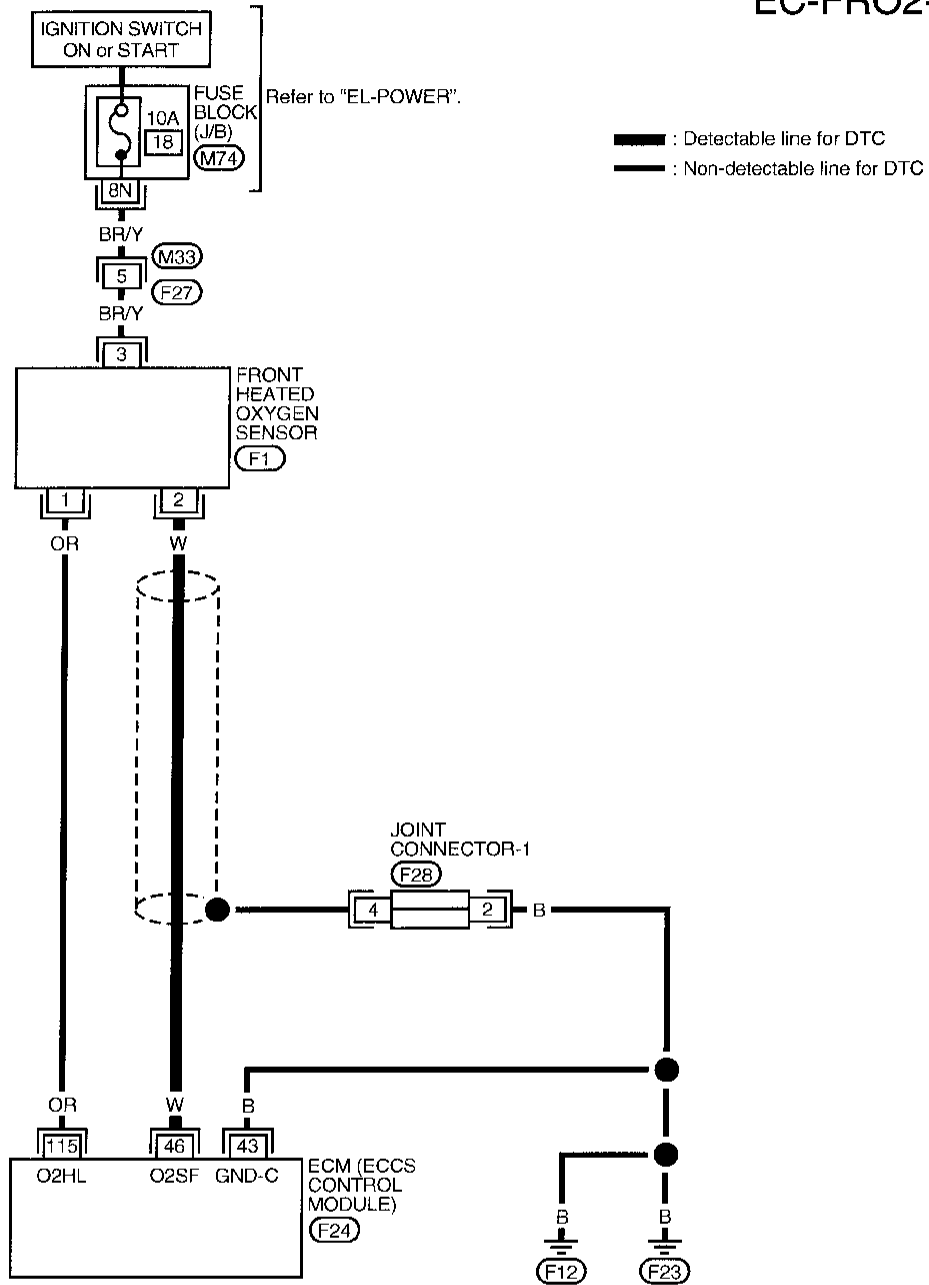


- 1) Start engine and warm it up to normal operating temperature.
- 2) Set voltmeter probes between ECM terminal ④⑥ (sensor signal) and ④③ (engine ground).
- 3) Check the following with engine speed held at 2,000 rpm constant under no load.
  - The voltage does not remain in the range of 0.2 - 0.4V.

# TROUBLE DIAGNOSIS FOR DTC P0130

## Front Heated Oxygen Sensor (Circuit) (Front HO2S) (Cont'd)

EC-FRO2-01



GI

MA

EM

LC

**EC**

FE

CL

MT

AT

FA

RA

BR

ST

RS

BT

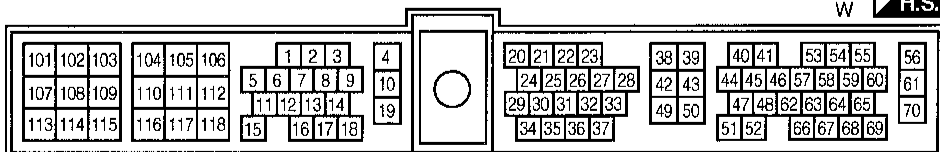
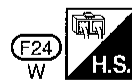
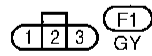
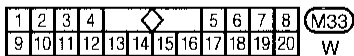
HA

EL

IDX

Refer to last page (Foldout page).

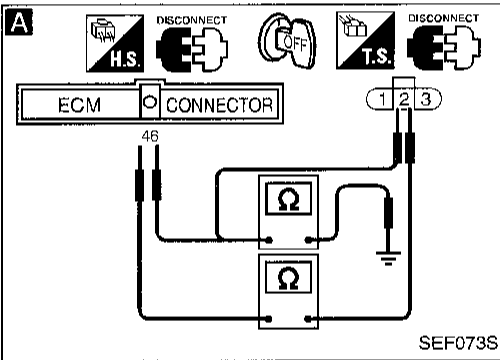
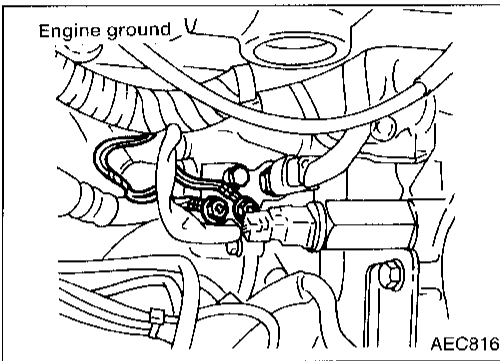
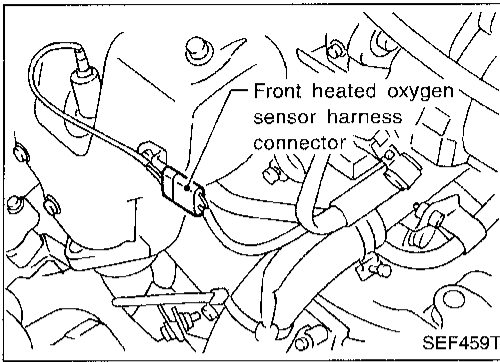
(F28)



# TROUBLE DIAGNOSIS FOR DTC P0130

## Front Heated Oxygen Sensor (Circuit) (Front HO2S) (Cont'd)

### DIAGNOSTIC PROCEDURE



INSPECTION START

1. Turn ignition switch "OFF".
2. Loosen and retighten engine ground screws.

**A**

**CHECK INPUT SIGNAL CIRCUIT.**

1. Disconnect front heated oxygen sensor harness connector and ECM harness connector.
2. Check harness continuity between ECM terminal (46) and terminal (2).  
**Continuity should exist.**
3. Check harness continuity between ECM terminal (46) (or terminal (2)) and ground.  
**Continuity should not exist.**

If OK, check harness for short to ground and short to power.

NG Repair harness or connectors.

OK

**CHECK COMPONENT**  
(Front heated oxygen sensor).  
Refer to "COMPONENT INSPECTION" on next page.

NG Replace front heated oxygen sensor.

OK

Perform "TROUBLE DIAGNOSIS FOR INTERMITTENT INCIDENT", EC-104.

INSPECTION END



# TROUBLE DIAGNOSIS FOR DTC P0130

## Front Heated Oxygen Sensor (Circuit) (Front HO2S) (Cont'd)

### COMPONENT INSPECTION

#### Front heated oxygen sensor



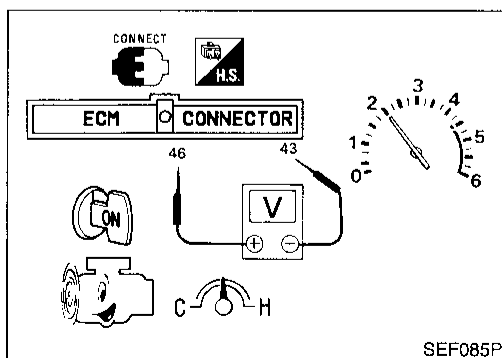
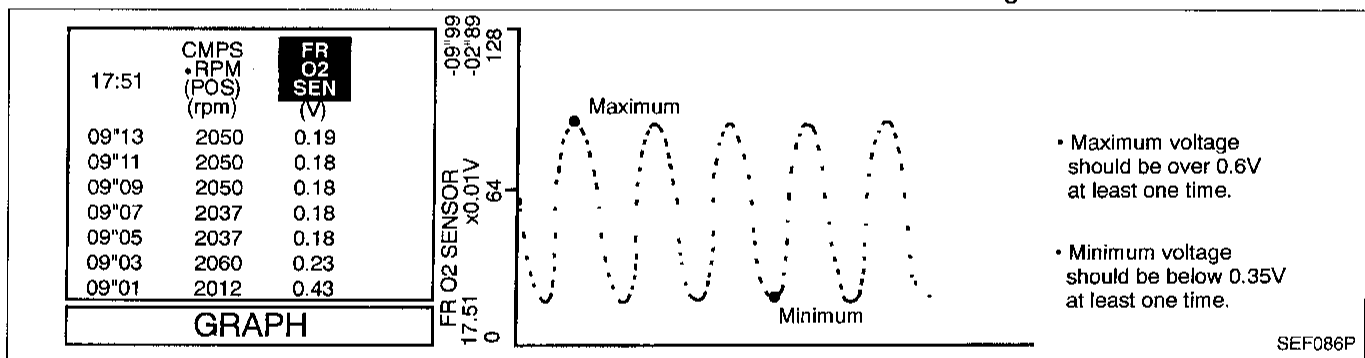
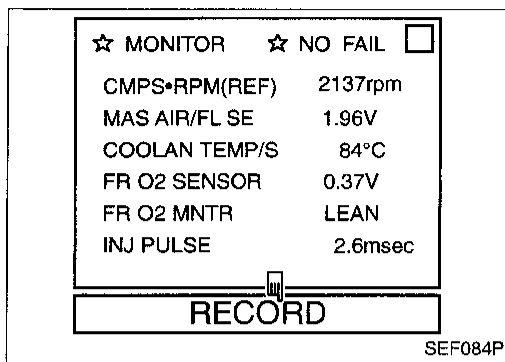
- 1) Start engine and warm it up to normal operating temperature.
  - 2) Select "MANU TRIG" and "HI SPEED" in "DATA MONITOR" mode with CONSULT, and select "FR O2 SENSOR" and "FR O2 MNTR".
  - 3) Hold engine speed at 2,000 rpm under no load during the following steps.
  - 4) Touch "RECORD" on CONSULT screen.
  - 5) Check the following.
    - "FR O2 MNTR" in "DATA MONITOR" mode changes from "RICH" to "LEAN" to "RICH" 5 times in 10 seconds.
- 5 times (cycles) are counted as shown below:

cycle | 1 | 2 | 3 | 4 | 5 |  
FR O2 MNTR R-L-R-L-R-L-R-L-R-L-R

R = "FR O2 MNTR", "RICH"

L = "FR O2 MNTR", "LEAN"

- "FR O2 SENSOR" voltage goes above 0.6V at least once.
- "FR O2 SENSOR" voltage goes below 0.35V at least once.
- "FR O2 SENSOR" voltage never exceeds 1.0V.



- 1) Start engine and warm it up to normal operating temperature.
- 2) Set voltmeter probes between ECM terminal ④⑥ (sensor signal) and ④③ (engine ground).
- 3) Check the following with engine speed held at 2,000 rpm constant under no load.
  - Malfunction indicator lamp goes on more than 5 times within 10 seconds in Diagnostic Test Mode II (FRONT HEATED OXYGEN SENSOR MONITOR).
  - The maximum voltage is over 0.6V at least one time.

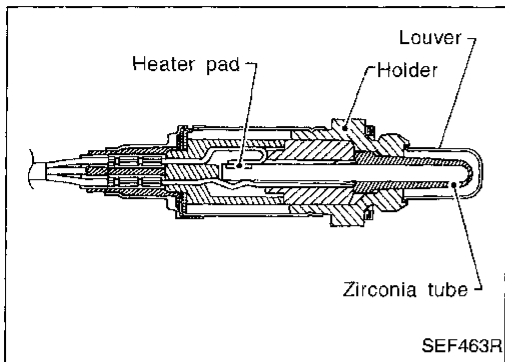
## **TROUBLE DIAGNOSIS FOR DTC P0130**

---

### **Front Heated Oxygen Sensor (Circuit) (Front HO2S) (Cont'd)**

- The minimum voltage is below 0.35V at least one time.
- The voltage never exceeds 1.0V.

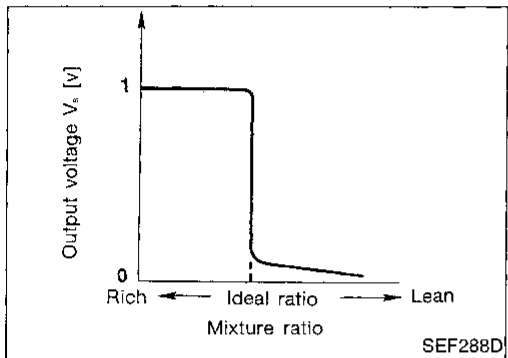
# TROUBLE DIAGNOSIS FOR DTC P0131



## Front Heated Oxygen Sensor (Lean Shift Monitoring) (Front HO2S)

### COMPONENT DESCRIPTION

The front heated oxygen sensor is placed into the exhaust manifold. It detects the amount of oxygen in the exhaust gas compared to the outside air. The front heated oxygen sensor has a closed-end tube made of ceramic zirconia. The zirconia generates voltage from approximately 1V in richer conditions to 0V in leaner conditions. The front heated oxygen sensor signal is sent to the ECM. The ECM adjusts the injection pulse duration to achieve the ideal air-fuel ratio. The ideal air-fuel ratio occurs near the radical change from 1V to 0V.



### CONSULT REFERENCE VALUE IN DATA MONITOR MODE

Specification data are reference values

MONITOR ITEM	CONDITION	SPECIFICATION
FR O2 SENSOR ..... FR O2 MNTR	● Engine: After warming up  Maintaining engine speed at 2,000 rpm	0 - 0.3V ↔ Approx. 0.6 - 1.0V  LEAN ↔ RICH Changes more than 5 times during 10 seconds.

### ECM TERMINALS AND REFERENCE VALUE

Specification data are reference values and are measured between each terminal and ④3 (ECCS ground).

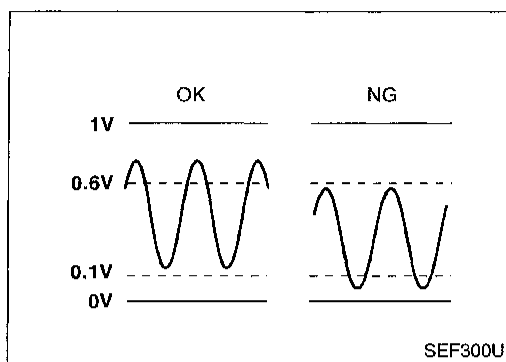
TER-MINAL NO.	WIRE COLOR	ITEM	CONDITION	DATA (DC voltage)
46	W	Front heated oxygen sensor	Engine is running.  After warming up to normal operating temperature and engine speed is 2,000 rpm	0 - Approximately 1.0V   SEF201T

## TROUBLE DIAGNOSIS FOR DTC P0131

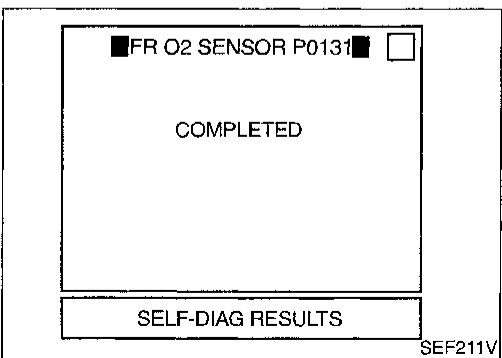
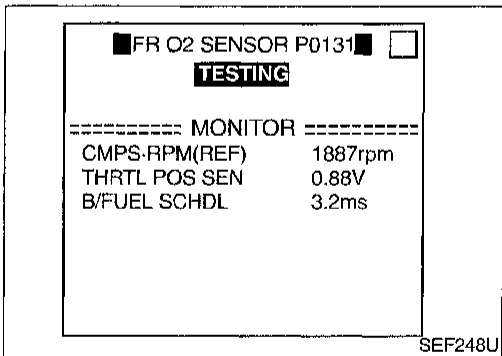
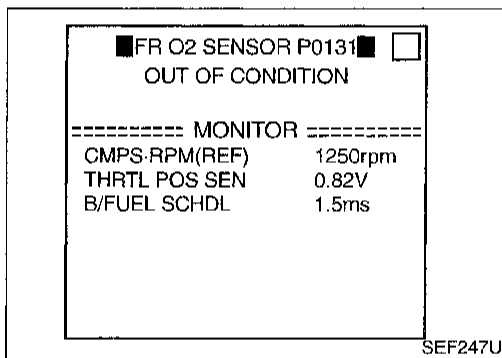
### Front Heated Oxygen Sensor (Lean Shift Monitoring) (Front HO2S) (Cont'd)

#### ON BOARD DIAGNOSIS LOGIC

To judge the malfunction, the output from the front heated oxygen sensor is monitored to determine whether the "rich" output is sufficiently high and whether the "lean" output is sufficiently low. When both the outputs are shifting to the lean side, the malfunction will be detected.



Diagnostic Trouble Code No.	Malfunction is detected when ...	Check Items (Possible Cause)
P0131 0411	<ul style="list-style-type: none"> <li>● The maximum and minimum voltages from the sensor are not reached to the specified voltages.</li> </ul>	<ul style="list-style-type: none"> <li>● Front heated oxygen sensor</li> <li>● Front heated oxygen sensor heater</li> <li>● Fuel pressure</li> <li>● Injectors</li> <li>● Intake air leaks</li> </ul>



### DIAGNOSTIC TROUBLE CODE CONFIRMATION PROCEDURE

#### CAUTION:

Always drive vehicle at a safe speed.

#### NOTE:

If "DIAGNOSTIC TROUBLE CODE CONFIRMATION PROCEDURE" has been previously conducted, always turn ignition switch "OFF" and wait at least 5 seconds before conducting the next test.

#### TESTING CONDITION:

- Always perform at a temperature above  $-10^{\circ}\text{C}$  ( $14^{\circ}\text{F}$ ).
- Before performing the following procedure, confirm that battery voltage is more than 11V at idle.
- Never raise engine speed above 3,200 rpm during the "DIAGNOSTIC TROUBLE CODE CONFIRMATION PROCEDURE". If the engine speed limit is exceeded, retry the procedure from step 2).



- 1) Start engine and warm it up to normal operating temperature.
- 2) Stop engine and wait at least 5 seconds.
- 3) Turn ignition switch "ON" and select "FR O2 SENSOR P0131" of "FRONT O2 SENSOR" in "DTC WORK SUPPORT" mode with CONSULT.
- 4) Touch "START".
- 5) Start engine and let it idle for at least 3 minutes.
- 6) When the following conditions are met, "TESTING" will be displayed on the CONSULT screen. Maintain the conditions continuously until "TESTING" changes to "COMPLETED". (It will take approximately 20 seconds.)

**CMPS-RPM (REF): 1,800 - 2,600 rpm (A/T)  
2,000 - 2,900 rpm (M/T)**

## TROUBLE DIAGNOSIS FOR DTC P0131

### Front Heated Oxygen Sensor (Lean Shift Monitoring) (Front HO2S) (Cont'd)

Vehicle speed: 78 - 100 km/h (48 - 62 MPH)

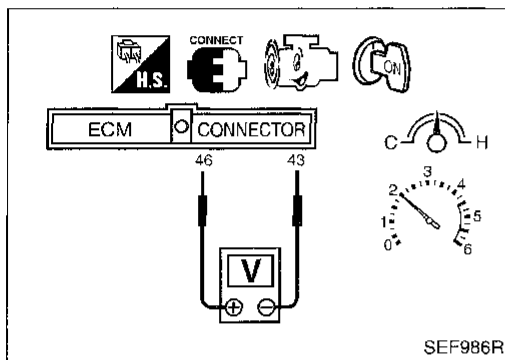
B/FUEL SCHDL: 2.5 - 4.5 ms (A/T)

1.9 - 4 ms (M/T)

Selector lever: Suitable position

If "TESTING" is not displayed after 5 minutes, retry from step 2).

7) Make sure that "OK" is displayed after touching "SELF-DIAG RESULTS". If "NG" is displayed, refer to "DIAGNOSTIC PROCEDURE", EC-164.



### OR

### OVERALL FUNCTION CHECK

Use this procedure to check the overall function of the front heated oxygen sensor circuit. During this check, a 1st trip DTC might not be confirmed.

- 1) Start engine and warm it up to normal operating temperature.
  - 2) Set voltmeter probes between ECM terminal ④⑥ (sensor signal) and ④③ (engine ground).
  - 3) Check the following with engine speed held at 2,000 rpm constant under no load.
    - The maximum voltage is over 0.6V at least one time.
- OR
- The minimum voltage is over 0.1V at least one time.

GI

MA

EM

LC

EC

FE

CL

MT

AT

FA

RA

BR

ST

RS

BT

HA

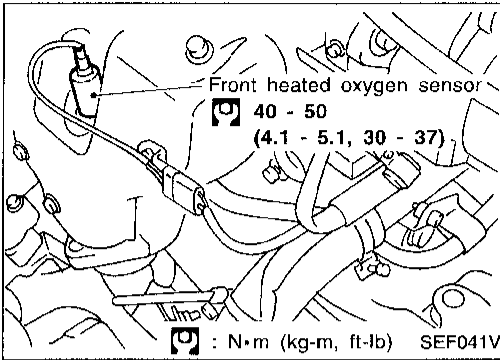
EL

IDX

# TROUBLE DIAGNOSIS FOR DTC P0131

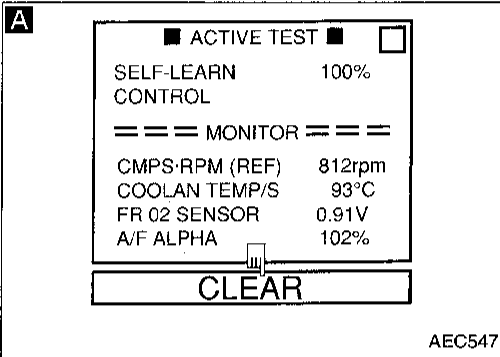
## Front Heated Oxygen Sensor (Lean Shift Monitoring) (Front HO2S) (Cont'd)

### DIAGNOSTIC PROCEDURE



INSPECTION START

Loosen and retighten front heated oxygen sensor.  
**Tightening torque:**  
 40 - 50 N·m  
 (4.1 - 5.1 kg-m, 30 - 37 ft-lb)

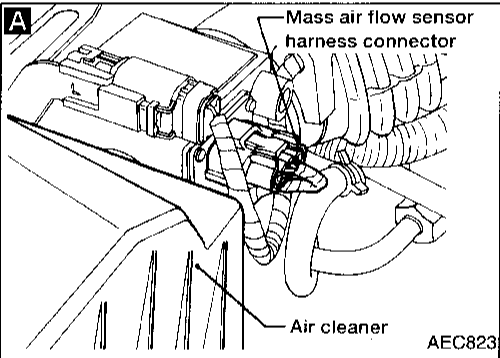


**A**

**CLEAR THE SELF-LEARNING DATA.**

1. Start engine and warm it up to normal operating temperature.
2. Select "SELF-LEARNING CONT" in "ACTIVE TEST" mode with CONSULT.
3. Clear the self-learning control coefficient by touching "CLEAR".
4. Run engine for at least 10 minutes at idle speed.  
**Is the 1st trip DTC P0171 detected? Is it difficult to start engine?**

Yes → Go to "TROUBLE DIAGNOSIS FOR DTC P0171", EC-219.



OR

2. Turn ignition switch "OFF".
3. Disconnect mass air flow sensor harness connector, and restart and run engine for at least 3 seconds at idle speed.
4. Stop engine and reconnect mass air flow sensor harness connector.
5. Make sure diagnostic trouble code No. 0102 is displayed in Diagnostic Test Mode II.
6. Erase the diagnostic test mode II (Self-diagnostic results) memory. Make sure diagnostic trouble code No. 0505 is displayed in Diagnostic Test Mode II.
7. Run engine for at least 10 minutes at idle speed.  
**Is the 1st trip DTC 0115 detected? Is it difficult to start engine?**

No

**CHECK COMPONENT**  
 (Front heated oxygen sensor heater). Refer to "COMPONENT INSPECTION" on next page.

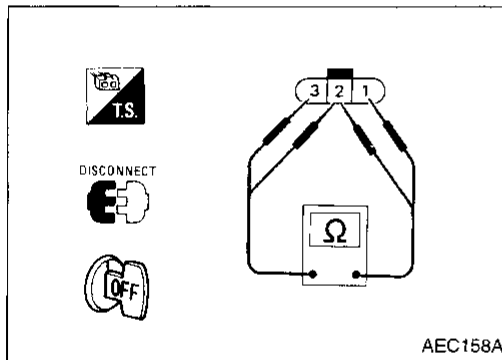
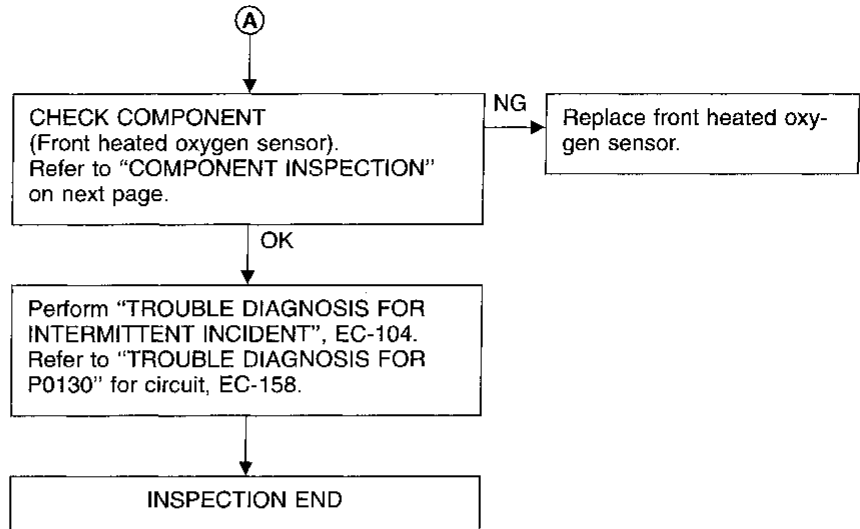
NG → Replace front heated oxygen sensor.

OK

**A**  
 (Go to next page.)

# TROUBLE DIAGNOSIS FOR DTC P0131

## Front Heated Oxygen Sensor (Lean Shift Monitoring) (Front HO2S) (Cont'd)



### COMPONENT INSPECTION

#### Front heated oxygen sensor heater

Check resistance between terminals ③ and ①.

**Resistance: 2.3 - 4.3Ω at 25°C (77°F)**

Check continuity between terminals ② and ①, ③ and ②.

**Continuity should not exist.**

If NG, replace the front heated oxygen sensor.

#### CAUTION:

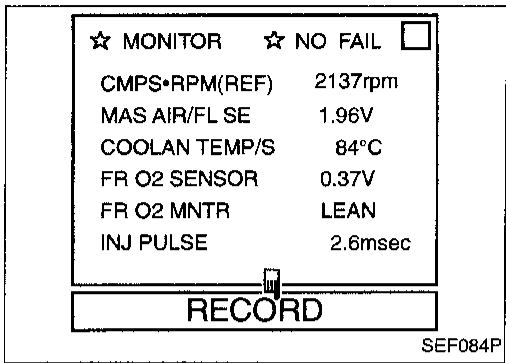
Discard any heated oxygen sensor which has been dropped from a height of more than 0.5 m (19.7 in) onto a hard surface such as a concrete floor; use a new one.

GI  
MA  
EM  
LC  
EC  
FE  
CL  
MT  
AT  
FA  
RA  
BR  
ST  
RS  
BT  
HA  
EL  
IDX

# TROUBLE DIAGNOSIS FOR DTC P0131

## Front Heated Oxygen Sensor (Lean Shift Monitoring) (Front HO2S) (Cont'd)

### Front heated oxygen sensor

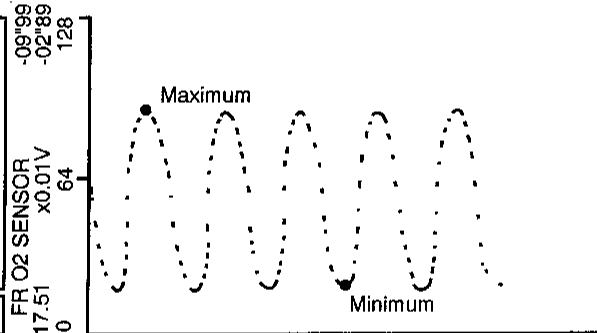
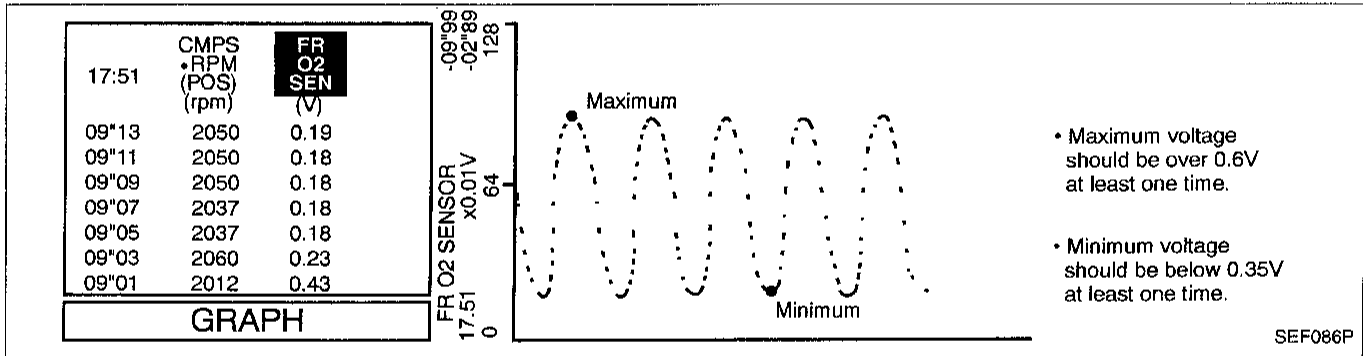


- 1) Start engine and warm it up to normal operating temperature.
  - 2) Select "MANU TRIG" and "HI SPEED" in "DATA MONITOR" mode with CONSULT, and select "FR O2 SENSOR" and "FR O2 MNTR".
  - 3) Hold engine speed at 2,000 rpm under no load during the following steps.
  - 4) Touch "RECORD" on CONSULT screen.
  - 5) Check the following.
    - "FR O2 MNTR" in "DATA MONITOR" mode changes from "RICH" to "LEAN" to "RICH" 5 times in 10 seconds.
- 5 times (cycles) are counted as shown below:

cycle | 1 | 2 | 3 | 4 | 5 |  
FR O2 MNTR R-L-R-L-R-L-R-L-R-L-R

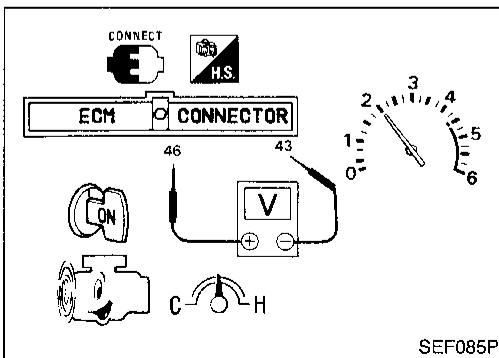
R = "FR O2 MNTR", "RICH"  
L = "FR O2 MNTR", "LEAN"

- "FR O2 SENSOR" voltage goes above 0.6V at least once.
- "FR O2 SENSOR" voltage goes below 0.35V at least once.
- "FR O2 SENSOR" voltage never exceeds 1.0V.



- Maximum voltage should be over 0.6V at least one time.
- Minimum voltage should be below 0.35V at least one time.

OR

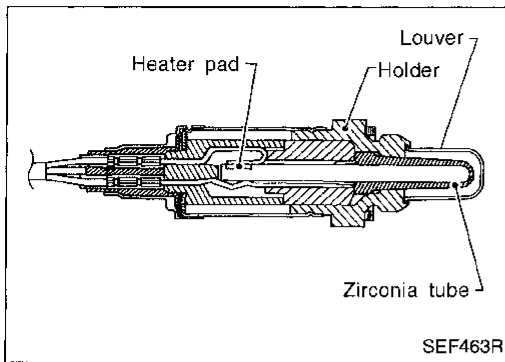


- 1) Start engine and warm it up to normal operating temperature.
- 2) Set voltmeter probes between ECM terminal ④⑥ (sensor signal) and ④③ (engine ground).
- 3) Check the following with engine speed held at 2,000 rpm constant under no load.
  - Malfunction indicator lamp goes on more than 5 times within 10 seconds in Diagnostic Test Mode II (FRONT HEATED OXYGEN SENSOR MONITOR).
  - The maximum voltage is over 0.6V at least one time.
  - The minimum voltage is below 0.35V at least one time.
  - The voltage never exceeds 1.0V.

## EC-166



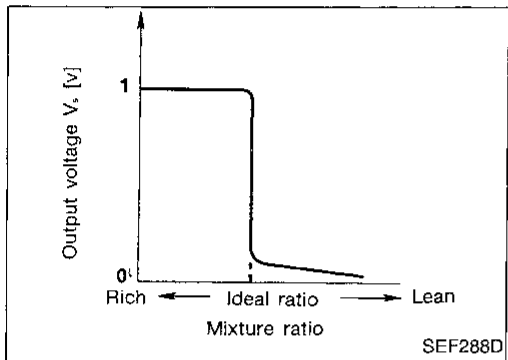
# TROUBLE DIAGNOSIS FOR DTC P0132



## Front Heated Oxygen Sensor (Rich Shift Monitoring) (Front HO2S)

### COMPONENT DESCRIPTION

The front heated oxygen sensor is placed into the exhaust manifold. It detects the amount of oxygen in the exhaust gas compared to the outside air. The front heated oxygen sensor has a closed-end tube made of ceramic zirconia. The zirconia generates voltage from approximately 1V in richer conditions to 0V in leaner conditions. The front heated oxygen sensor signal is sent to the ECM. The ECM adjusts the injection pulse duration to achieve the ideal air-fuel ratio. The ideal air-fuel ratio occurs near the radical change from 1V to 0V.



### CONSULT REFERENCE VALUE IN DATA MONITOR MODE

Specification data are reference values

MONITOR ITEM	CONDITION	SPECIFICATION
FR O2 SENSOR ..... FR O2 MNTR	● Engine: After warming up Maintaining engine speed at 2,000 rpm	0 - 0.3V ↔ Approx. 0.6 - 1.0V LEAN ↔ RICH Changes more than 5 times during 10 seconds.

### ECM TERMINALS AND REFERENCE VALUE

Specification data are reference values and are measured between each terminal and ④3 (ECCS ground).

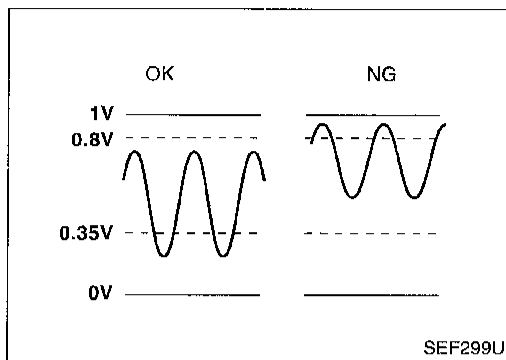
TER-MINAL NO.	WIRE COLOR	ITEM	CONDITION	DATA (DC voltage)
46	W	Front heated oxygen sensor	Engine is running. After warming up to normal operating temperature and engine speed is 2,000 rpm	0 - Approximately 1.0V  SEF201T

## TROUBLE DIAGNOSIS FOR DTC P0132

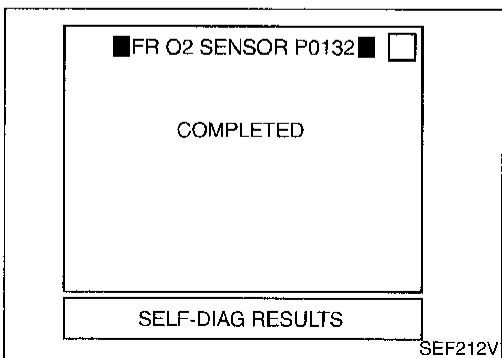
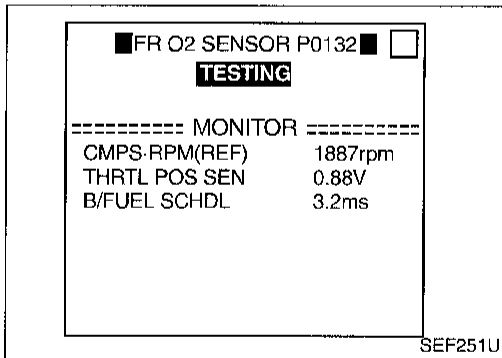
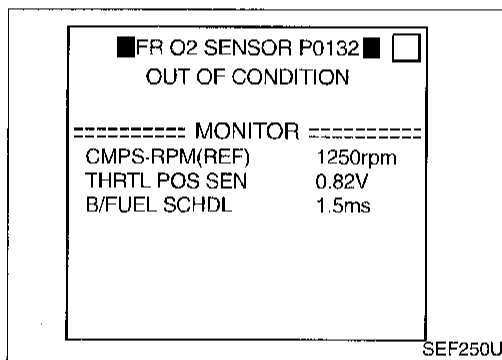
### Front Heated Oxygen Sensor (Rich Shift Monitoring) (Front HO2S) (Cont'd)

#### ON BOARD DIAGNOSIS LOGIC

To judge the malfunction, the output from the front heated oxygen sensor is monitored to determine whether the "rich" output is sufficiently high. The "lean" output is sufficiently low. When both the outputs are shifting to the rich side, the malfunction will be detected.



Diagnostic Trouble Code No.	Malfunction is detected when ...	Check Items (Possible Cause)
P0132 0410	<ul style="list-style-type: none"> <li>● The maximum and minimum voltages from the sensor are beyond the specified voltages.</li> </ul>	<ul style="list-style-type: none"> <li>● Front heated oxygen sensor</li> <li>● Front heated oxygen sensor heater</li> <li>● Fuel pressure</li> <li>● Injectors</li> </ul>



### DIAGNOSTIC TROUBLE CODE CONFIRMATION PROCEDURE

#### CAUTION:

Always drive vehicle at a safe speed.

#### NOTE:

If "DIAGNOSTIC TROUBLE CODE CONFIRMATION PROCEDURE" has been previously conducted, always turn ignition switch "OFF" and wait at least 5 seconds before conducting the next test.

#### TESTING CONDITION:

- Always perform at a temperature above  $-10^{\circ}\text{C}$  ( $14^{\circ}\text{F}$ ).
- Before performing the following procedure, confirm that battery voltage is more than 11V at idle.
- Never raise engine speed above 3,200 rpm during the "DIAGNOSTIC TROUBLE CODE CONFIRMATION PROCEDURE". If the engine speed limit is exceeded, retry the procedure from step 2).



- 1) Start engine and warm it up to normal operating temperature.
- 2) Stop engine and wait at least 5 seconds.
- 3) Turn ignition switch "ON" and select "FR O2 SENSOR P0132" of "FRONT O2 SENSOR" in "DTC WORK SUPPORT" mode with CONSULT.
- 4) Touch "START".
- 5) Start engine and let it idle for at least 3 minutes.
- 6) When the following conditions are met, "TESTING" will be displayed on the CONSULT screen. Maintain the conditions continuously until "TESTING" changes to "COMPLETED". (It will take approximately 20 seconds.)

**CMPS-RPM (REF): 1,800 - 2,600 rpm (A/T)  
2,000 - 2,900 rpm (M/T)**

## TROUBLE DIAGNOSIS FOR DTC P0132

### Front Heated Oxygen Sensor (Rich Shift Monitoring) (Front HO2S) (Cont'd)

Vehicle speed: 78 - 100 km/h (48 - 62 MPH)

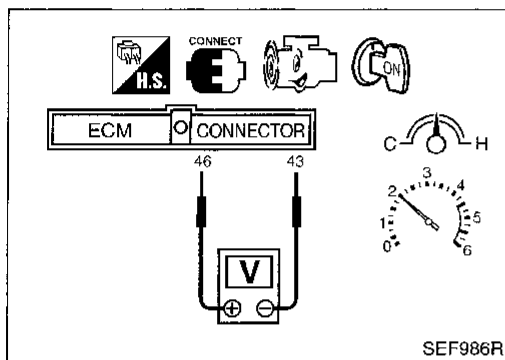
B/FUEL SCHDL: 2.5 - 4.5 ms (A/T)

1.9 - 4 ms (M/T)

Selector lever: Suitable position

If "TESTING" is not displayed after 5 minutes, retry from step 2).

7) Make sure that "OK" is displayed after touching "SELF-DIAG RESULTS". If "NG" is displayed, refer to "DIAGNOSTIC PROCEDURE", EC-170.



### OR

#### OVERALL FUNCTION CHECK

Use this procedure to check the overall function of the front heated oxygen sensor circuit. During this check, a 1st trip DTC might not be confirmed.

- 1) Start engine and warm it up to normal operating temperature.
  - 2) Set voltmeter probes between ECM terminal ④⑥ (sensor signal) and ④③ (engine ground).
  - 3) Check the following with engine speed held at 2,000 rpm constant under no load.
    - The maximum voltage is below 0.8V at least one time.
- OR
- The minimum voltage is below 0.35V at least one time.

GI

MA

EM

LC

EC

FE

CL

MT

AT

FA

RA

BR

ST

RS

BT

HA

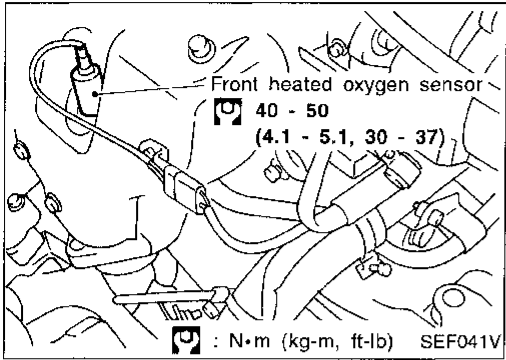
EL

IDX

# TROUBLE DIAGNOSIS FOR DTC P0132

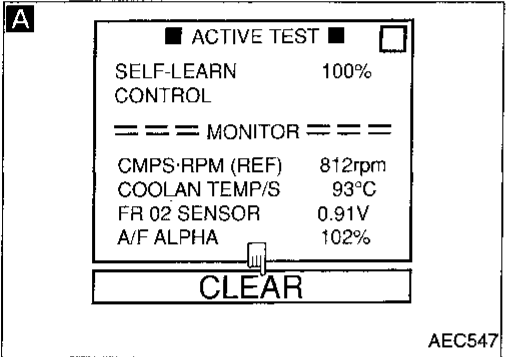
## Front Heated Oxygen Sensor (Rich Shift Monitoring) (Front HO2S) (Cont'd)

### DIAGNOSTIC PROCEDURE



INSPECTION START

Loosen and retighten front heated oxygen sensor.  
**Tightening torque:**  
 40 - 50 N·m  
 (4.1 - 5.1 kg-m, 30 - 37 ft-lb)

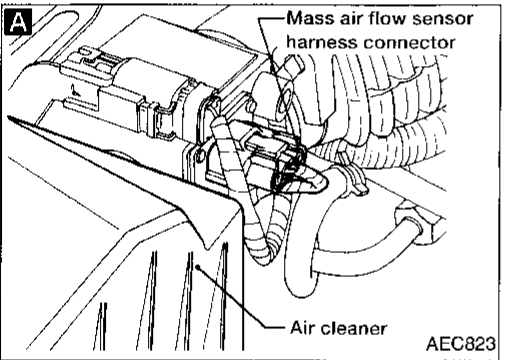


**A**

**CLEAR THE SELF-LEARNING DATA**

1. Start engine and warm it up to normal operating temperature.
2. Select "SELF-LEARNING CONT" in "ACTIVE TEST" mode with CONSULT.
3. Clear the self-learning control coefficient by touching "CLEAR".
4. Run engine for at least 10 minutes at idle speed.  
**Is the 1st trip DTC P0172 detected? Is it difficult to start engine?**

Yes → Go to "TROUBLE DIAGNOSIS FOR DTC P0172", EC-225.



OR

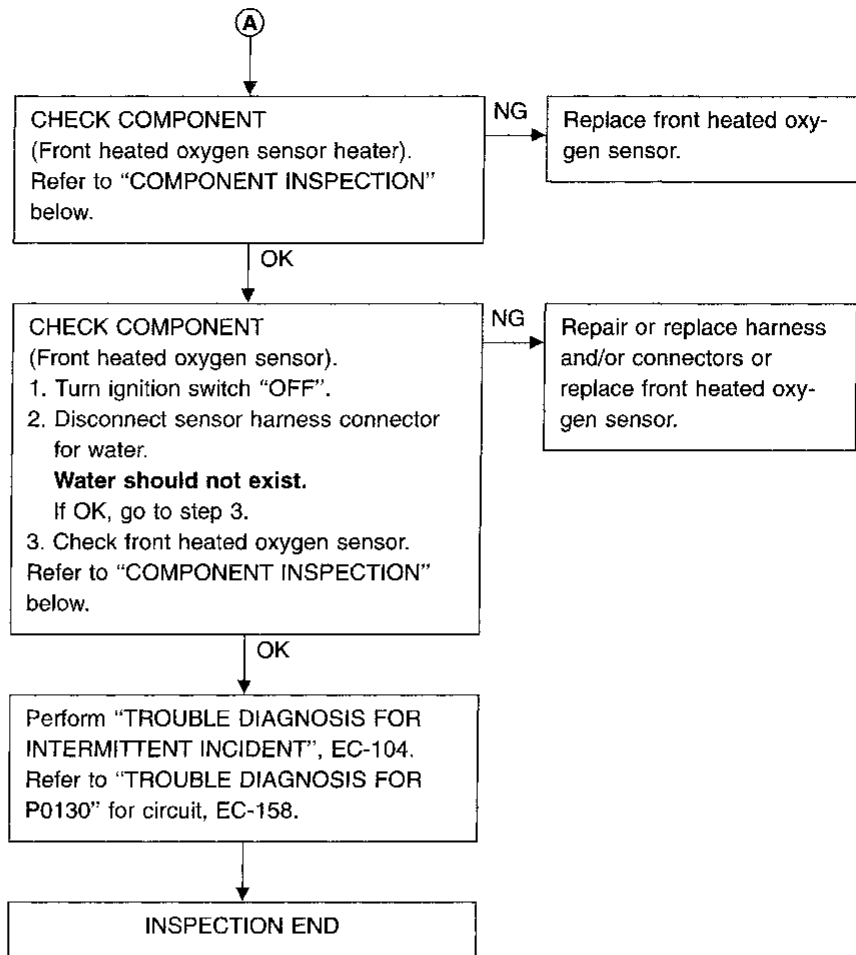
2. Turn ignition switch "OFF".
3. Disconnect mass air flow sensor harness connector, and restart and run engine for at least 3 seconds at idle speed.
4. Stop engine and reconnect mass air flow sensor harness connector.
5. Make sure diagnostic trouble code No. 0102 is displayed in Diagnostic Test Mode II.
6. Erase the diagnostic test mode II (Self-diagnostic results) memory. Make sure diagnostic trouble code No. 0505 is displayed in Diagnostic Test Mode II.
7. Run engine for at least 10 minutes at idle speed.  
**Is the 1st trip DTC 0114 detected? Is it difficult to start engine?**

No  
**A**

(Go to next page.)

# TROUBLE DIAGNOSIS FOR DTC P0132

## Front Heated Oxygen Sensor (Rich Shift Monitoring) (Front HO2S) (Cont'd)



GI

MA

EM

LC

EC

FE

CL

MT

AT

FA

RA

BR

ST

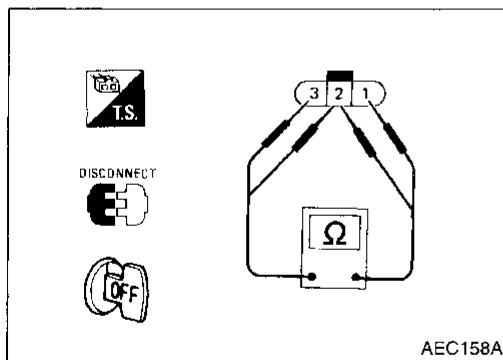
RS

BT

HA

EL

IDX



### COMPONENT INSPECTION

#### Front heated oxygen sensor heater

Check resistance between terminals ③ and ①.

**Resistance: 2.3 - 4.3Ω at 25°C (77°F)**

Check continuity between terminals ② and ①, ③ and ②.

**Continuity should not exist.**

If NG, replace the front heated oxygen sensor.

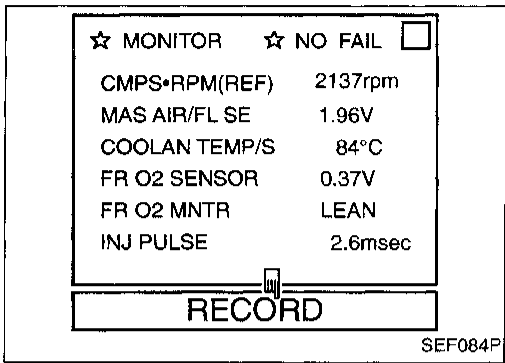
#### CAUTION:

Discard any heated oxygen sensor which has been dropped from a height of more than 0.5 m (19.7 in) onto a hard surface such as a concrete floor; use a new one.

# TROUBLE DIAGNOSIS FOR DTC P0132

## Front Heated Oxygen Sensor (Rich Shift Monitoring) (Front HO2S) (Cont'd)

### Front heated oxygen sensor

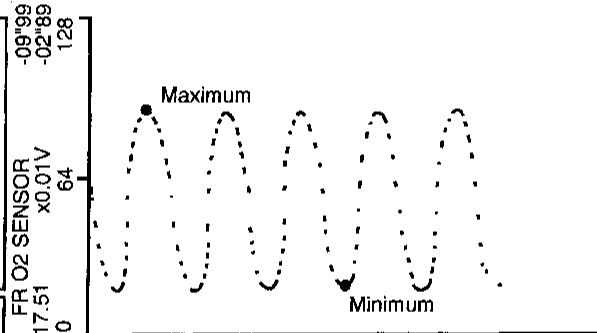
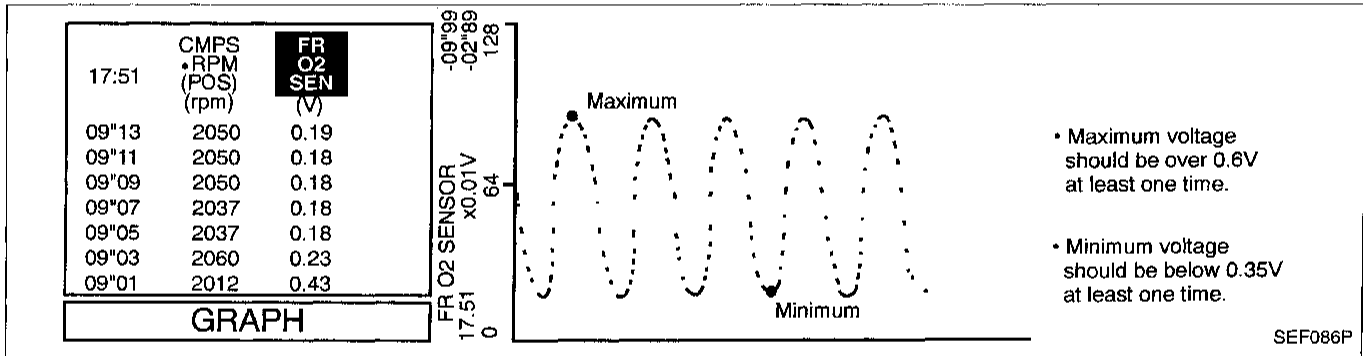


- 1) Start engine and warm it up to normal operating temperature.
- 2) Select "MANU TRIG" and "HI SPEED" in "DATA MONITOR" mode with CONSULT, and select "FR O2 SENSOR" and "FR O2 MNTR".
- 3) Hold engine speed at 2,000 rpm under no load during the following steps.
- 4) Touch "RECORD" on CONSULT screen.
- 5) Check the following.
  - "FR O2 MNTR" in "DATA MONITOR" mode changes from "RICH" to "LEAN" to "RICH" 5 times in 10 seconds.

cycle | 1 | 2 | 3 | 4 | 5 |  
FR O2 MNTR R-L-R-L-R-L-R-L-R

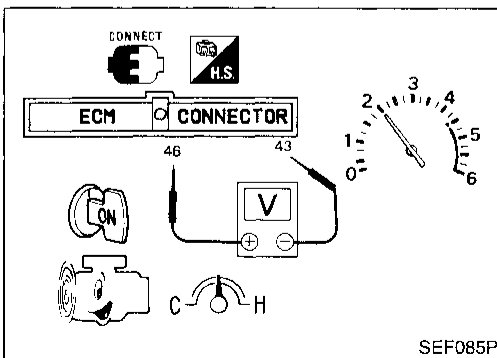
R = "FR O2 MNTR", "RICH"  
L = "FR O2 MNTR", "LEAN"

- "FR O2 SENSOR" voltage goes above 0.6V at least once.
- "FR O2 SENSOR" voltage goes below 0.35V at least once.
- "FR O2 SENSOR" voltage never exceeds 1.0V.



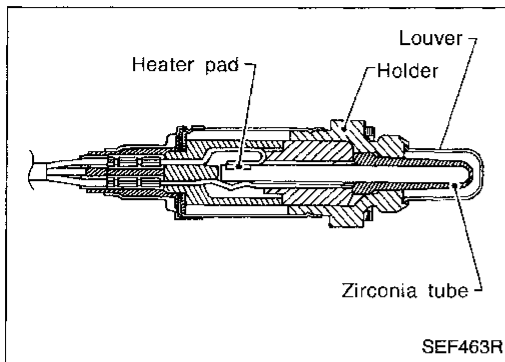
- Maximum voltage should be over 0.6V at least one time.
- Minimum voltage should be below 0.35V at least one time.

OR

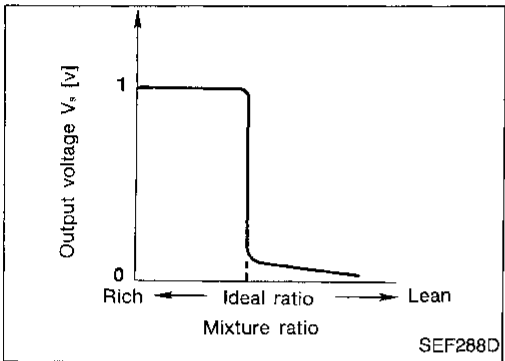


- 1) Start engine and warm it up to normal operating temperature.
- 2) Set voltmeter probes between ECM terminal ④⑥ (sensor signal) and ④③ (engine ground).
- 3) Check the following with engine speed held at 2,000 rpm constant under no load.
  - Malfunction indicator lamp goes on more than 5 times within 10 seconds in Diagnostic Test Mode II (FRONT HEATED OXYGEN SENSOR MONITOR).
  - The maximum voltage is over 0.6V at least one time.
  - The minimum voltage is below 0.35V at least one time.
  - The voltage never exceeds 1.0V.

# TROUBLE DIAGNOSIS FOR DTC P0133



SEF463R



SEF288D

## Front Heated Oxygen Sensor (Response Monitoring) (Front HO2S)

### COMPONENT DESCRIPTION

The front heated oxygen sensor is placed into the exhaust manifold. It detects the amount of oxygen in the exhaust gas compared to the outside air. The front heated oxygen sensor has a closed-end tube made of ceramic zirconia. The zirconia generates voltage from approximately 1V in richer conditions to 0V in leaner conditions. The front heated oxygen sensor signal is sent to the ECM. The ECM adjusts the injection pulse duration to achieve the ideal air-fuel ratio. The ideal air-fuel ratio occurs near the radical change from 1V to 0V.

GI

MA

EM

LC

EC

FE

CL

MT

### CONSULT REFERENCE VALUE IN DATA MONITOR MODE

Specification data are reference values

MONITOR ITEM	CONDITION	SPECIFICATION
FR O2 SENSOR ..... FR O2 MNTR	● Engine: After warming up Maintaining engine speed at 2,000 rpm	0 - 0.3V ↔ Approx. 0.6 - 1.0V LEAN ↔ RICH Changes more than 5 times during 10 seconds.

AT

FA

RA

### ECM TERMINALS AND REFERENCE VALUE

Specification data are reference values and are measured between each terminal and ④3 (ECCS ground).

TER-MINAL NO.	WIRE COLOR	ITEM	CONDITION	DATA (DC voltage)
46	W	Front heated oxygen sensor	Engine is running. After warming up to normal operating temperature and engine speed is 2,000 rpm	0 - Approximately 1.0V  SEF201T

BR

ST

RS

BT

HA

EL

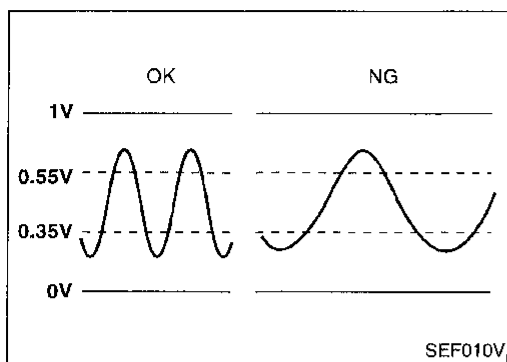
IDX

## TROUBLE DIAGNOSIS FOR DTC P0133

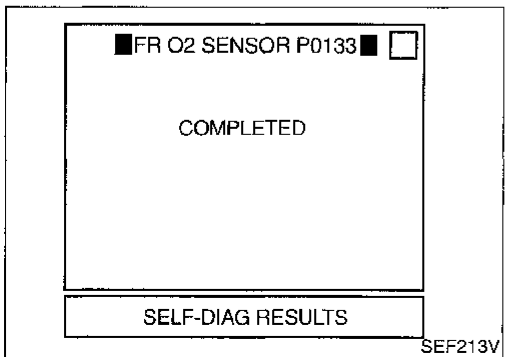
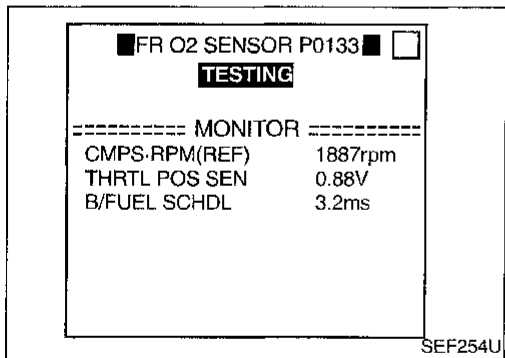
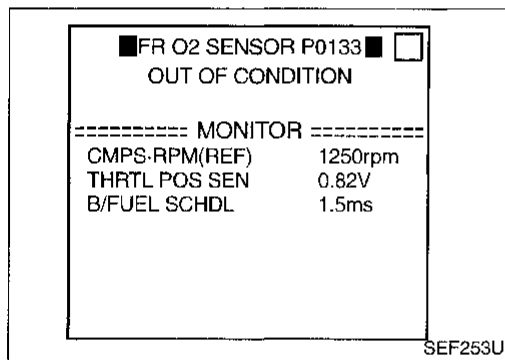
### Front Heated Oxygen Sensor (Response Monitoring) (Front HO2S) (Cont'd)

#### ON BOARD DIAGNOSIS LOGIC

To judge the malfunction of front heated oxygen sensor, this diagnosis measures front heated oxygen sensor cycling time. The time is compensated by engine operating (speed and load), fuel feedback control constant, and front heated oxygen sensor temperature index. Judgment is based on whether the compensated time (front heated oxygen sensor cycling time index) is inordinately long or not.



Diagnostic Trouble Code No.	Malfunction is detected when ...	Check Items (Possible Cause)
P0133 0409	<ul style="list-style-type: none"> <li>The cycle of the voltage signal from the sensor is more than the specified time.</li> </ul>	<ul style="list-style-type: none"> <li>Harness or connectors (The sensor circuit is open or shorted.)</li> <li>Front heated oxygen sensor</li> <li>Front heated oxygen sensor heater</li> <li>Fuel pressure</li> <li>Injectors</li> <li>Intake air leaks</li> <li>Exhaust gas leaks</li> <li>PCV</li> <li>Mass air flow sensor</li> </ul>



### DIAGNOSTIC TROUBLE CODE CONFIRMATION PROCEDURE

#### CAUTION:

Always drive vehicle at a safe speed.

#### NOTE:

If "DIAGNOSTIC TROUBLE CODE CONFIRMATION PROCEDURE" has been previously conducted, always turn ignition switch "OFF" and wait at least 5 seconds before conducting the next test.

#### TESTING CONDITION:

- Always perform at a temperature above  $-10^{\circ}\text{C}$  ( $14^{\circ}\text{F}$ ).
- Before performing the following procedure, confirm that battery voltage is more than 11V at idle.
- Never raise engine speed above 3,200 rpm during the "DIAGNOSTIC TROUBLE CODE CONFIRMATION PROCEDURE". If the engine speed limit is exceeded, retry the procedure from step 2).



- Start engine and warm it up to normal operating temperature.
- Stop engine and wait at least 5 seconds.
- Turn ignition switch "ON" and select "FR O2 SENSOR P0133" of "FRONT O2 SENSOR" in "DTC WORK SUPPORT" mode with CONSULT.
- Touch "START".
- Start engine and let it idle for at least 3 minutes.
- When the following conditions are met, "TESTING" will be displayed on the CONSULT screen. Maintain the conditions continuously until "TESTING" changes to "COMPLETED". (It will take approximately 20 seconds.)

**CMPS-RPM (REF): 1,800 - 2,600 rpm (A/T)  
2,000 - 2,900 rpm (M/T)**



## TROUBLE DIAGNOSIS FOR DTC P0133

### Front Heated Oxygen Sensor (Response Monitoring) (Front HO2S) (Cont'd)

Vehicle speed: 78 - 100 km/h (48 - 62 MPH)

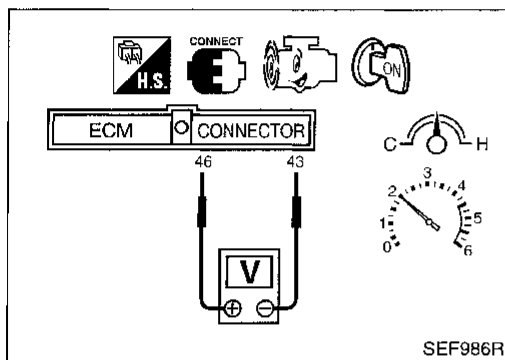
B/FUEL SCHDL: 2.5 - 4.5 ms (A/T)

1.9 - 4 ms (M/T)

Selector lever: Suitable position

If "TESTING" is not displayed after 5 minutes, retry from step 2).

7) Make sure that "OK" is displayed after touching "SELF-DIAG RESULTS". If "NG" is displayed, refer to "DIAGNOSTIC PROCEDURE", EC-177.



### OR

### OVERALL FUNCTION CHECK

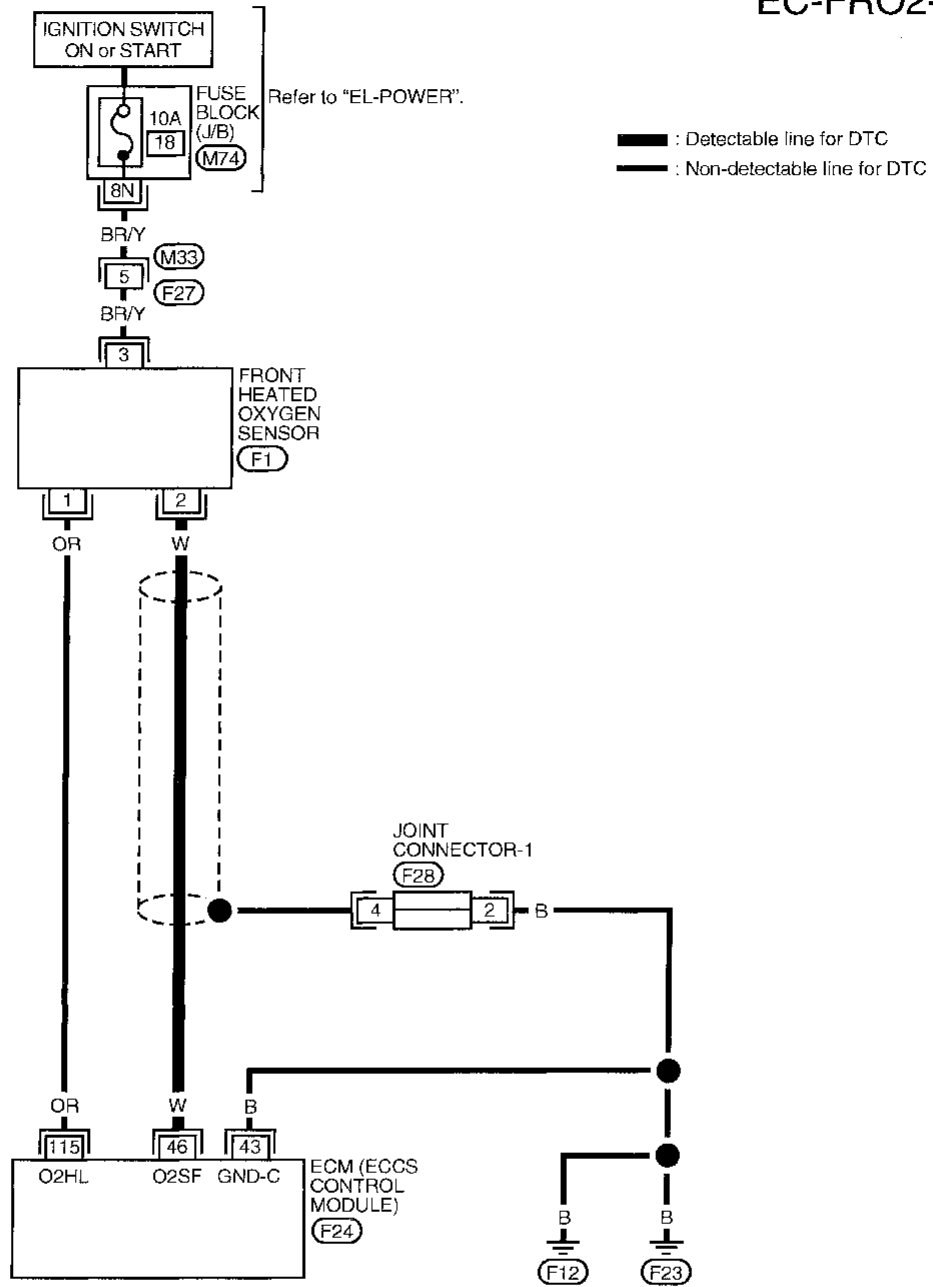
Use this procedure to check the overall function of the front heated oxygen sensor circuit. During this check, a 1st trip DTC might not be confirmed.

- 1) Start engine and warm it up to normal operating temperature.
- 2) Set voltmeter probes between ECM terminal ④⑥ (sensor signal) and ④③ (engine ground).
- 3) Check the following with engine speed held at 2,000 rpm constant under no load.
  - Malfunction indicator lamp goes on more than 5 times within 10 seconds in Diagnostic Test Mode II (FRONT HEATED OXYGEN SENSOR MONITOR).

# TROUBLE DIAGNOSIS FOR DTC P0133

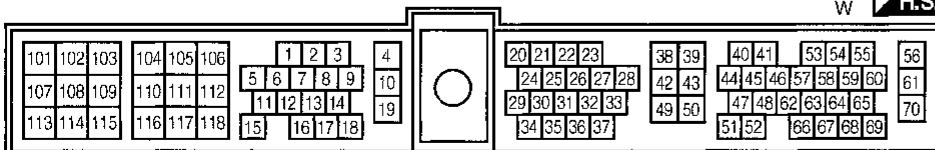
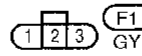
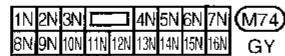
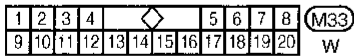
## Front Heated Oxygen Sensor (Response Monitoring) (Front HO2S) (Cont'd)

EC-FRO2-01



Refer to last page (Foldout page).

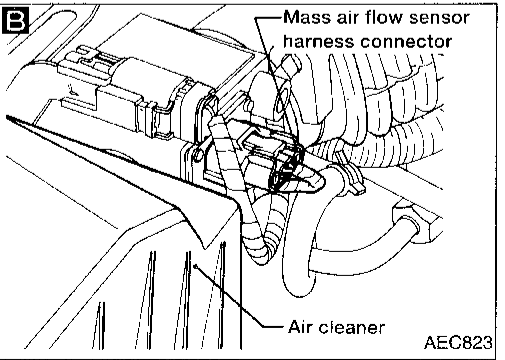
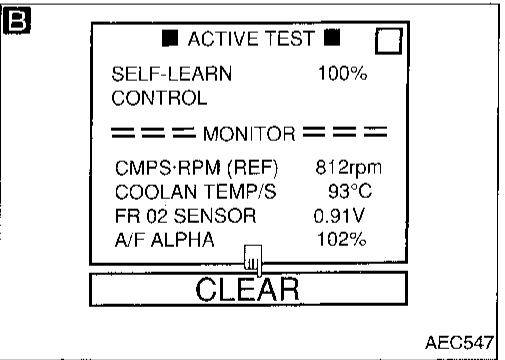
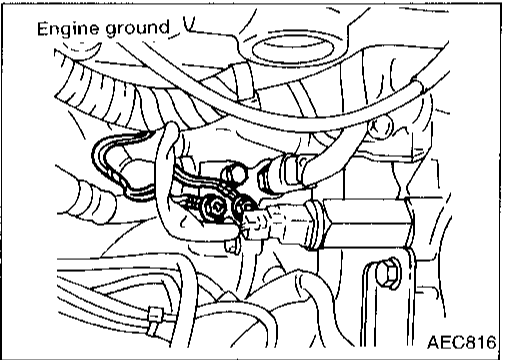
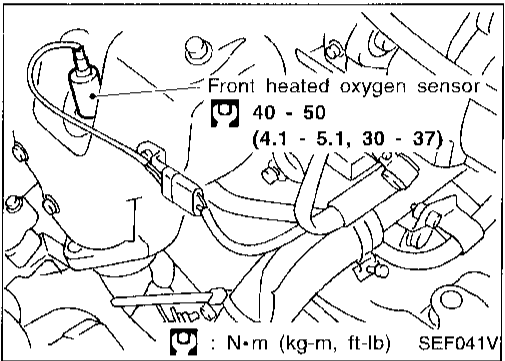
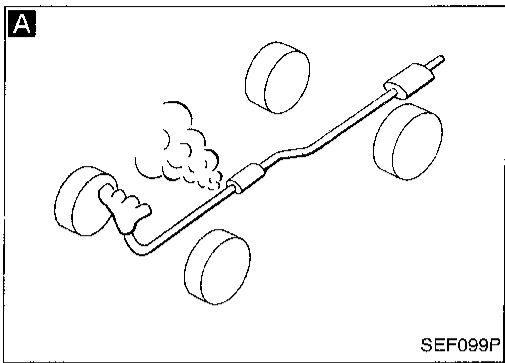
(F28)



# TROUBLE DIAGNOSIS FOR DTC P0133

## Front Heated Oxygen Sensor (Response Monitoring) (Front HO2S) (Cont'd)

### DIAGNOSTIC PROCEDURE



INSPECTION START

1. Turn ignition switch "OFF".
2. Loosen and retighten engine ground screws.

Loosen and retighten front heated oxygen sensor.  
**Tightening torque:**  
40 - 50 N·m  
(4.1 - 5.1 kg·m, 30 - 37 ft·lb)

**A**  
**CHECK EXHAUST AIR LEAK.**  
Start engine and run it at idle. Listen for an exhaust air leak before three way catalyst.

NG → Repair or replace.

OK  
**CHECK FOR INTAKE AIR LEAK.**  
Start engine and run it at idle. Listen for an intake air leak between the mass air flow sensor and the intake manifold.

NG → Repair or replace.

**B**  
**CLEAR THE SELF-LEARNING DATA**  
1. Start engine and warm it up to normal operating temperature.  
2. Select "SELF-LEARNING CONT" in "ACTIVE TEST" mode with CONSULT.  
3. Clear the self-learning control coefficient by touching "CLEAR".  
4. Run engine for at least 10 minutes at idle speed.  
**Is the 1st trip DTC P0171 or P0172 detected? Is it difficult to start engine?**

Yes → Go to "TROUBLE DIAGNOSIS FOR DTC P0171, P0172", EC-219, 225.

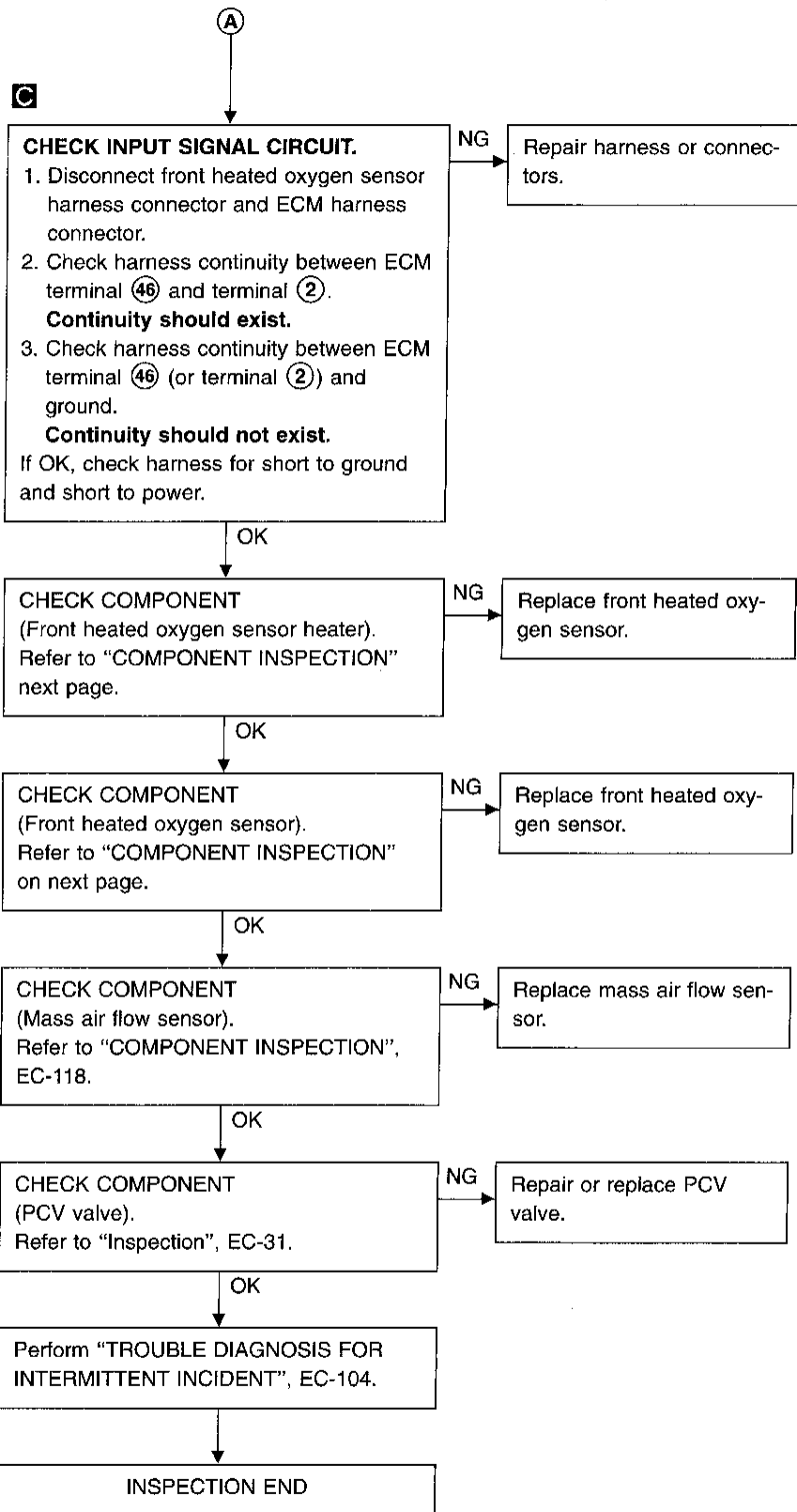
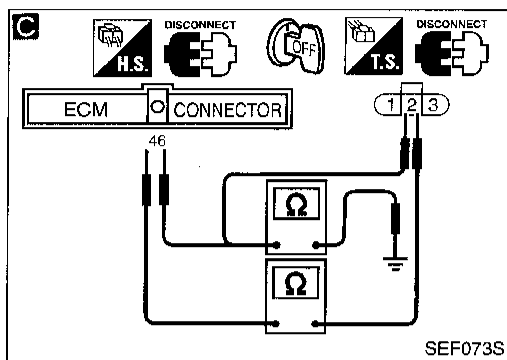
OR  
2. Turn ignition switch "OFF".  
3. Disconnect mass air flow sensor harness connector, and restart and run engine for at least 3 seconds at idle speed.  
4. Stop engine and reconnect mass air flow sensor harness connector.  
5. Make sure diagnostic trouble code No. 0102 is displayed in Diagnostic Test Mode II.  
6. Erase the diagnostic test mode II (Self-diagnostic results) memory. Make sure diagnostic trouble code No. 0505 is displayed in Diagnostic Test Mode II.  
7. Run engine for at least 10 minutes at idle speed.  
**Is the 1st trip DTC 0114 or 0115 detected? Is it difficult to start engine?**

↓ No  
**A**  
(Got to next page.)

CI  
MA  
EM  
LC  
**EC**  
FE  
CL  
MT  
AT  
FA  
RA  
BR  
ST  
RS  
BT  
HA  
EL  
IDX

# TROUBLE DIAGNOSIS FOR DTC P0133

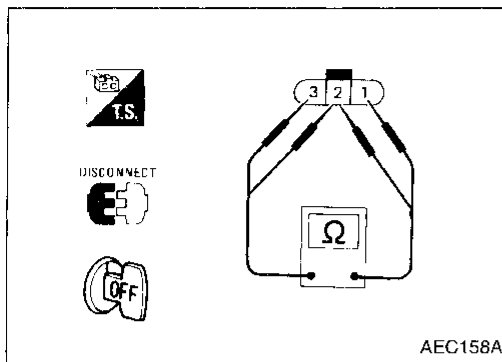
## Front Heated Oxygen Sensor (Response Monitoring) (Front HO2S) (Cont'd)



## TROUBLE DIAGNOSIS FOR DTC P0133

### Front Heated Oxygen Sensor (Response Monitoring) (Front HO2S) (Cont'd)

#### COMPONENT INSPECTION



#### Front heated oxygen sensor heater

Check resistance between terminals ③ and ①.

**Resistance: 2.3 - 4.3Ω at 25°C (77°F)**

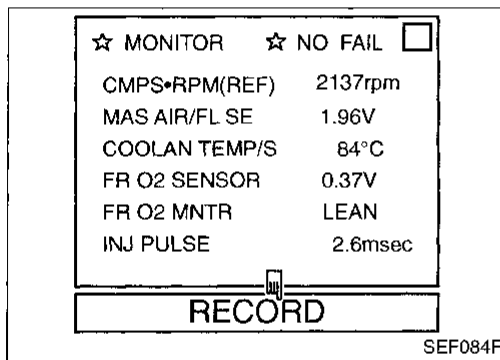
Check continuity between terminals ② and ①, ③ and ②.

**Continuity should not exist.**

If NG, replace the front heated oxygen sensor.

#### CAUTION:

Discard any heated oxygen sensor which has been dropped from a height of more than 0.5 m (19.7 in) onto a hard surface such as a concrete floor; use a new one.



#### Front heated oxygen sensor



- 1) Start engine and warm it up to normal operating temperature.
- 2) Select "MANU TRIG" and "HI SPEED" in "DATA MONITOR" mode with CONSULT, and select "FR O2 SENSOR" and "FR O2 MNTR".
- 3) Hold engine speed at 2,000 rpm under no load during the following steps.
- 4) Touch "RECORD" on CONSULT screen.
- 5) Check the following.
  - "FR O2 MNTR" in "DATA MONITOR" mode changes from "RICH" to "LEAN" to "RICH" 5 times in 10 seconds. 5 times (cycles) are counted as shown below:

cycle | 1 | 2 | 3 | 4 | 5 |  
FR O2 MNTR R-L-R-L-R-L-R-L-R

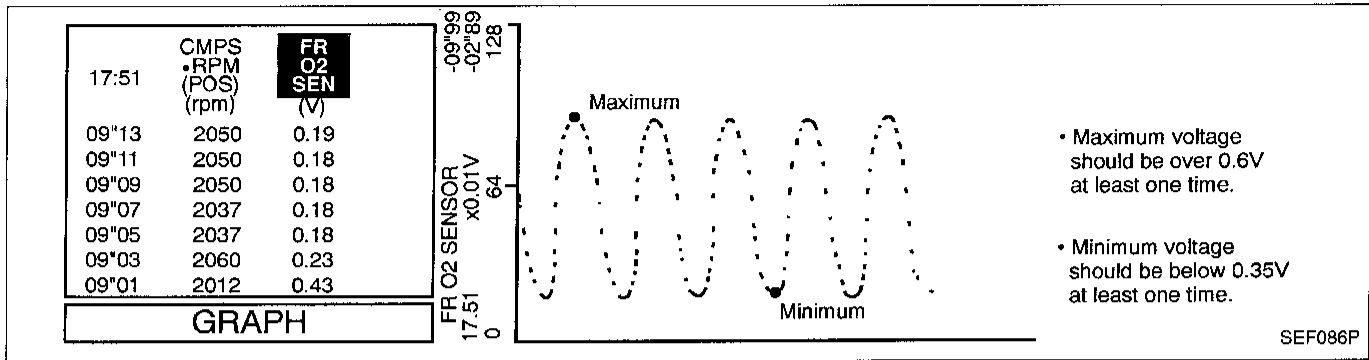
R = "FR O2 MNTR", "RICH"

L = "FR O2 MNTR", "LEAN"

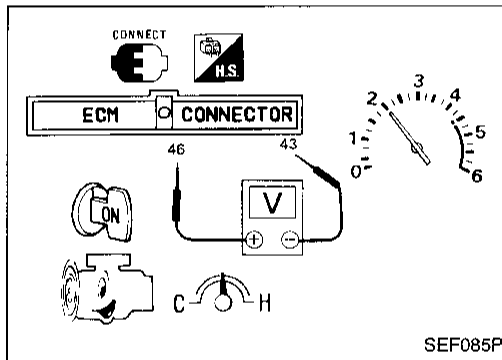
- "FR O2 SENSOR" voltage goes above 0.6V at least once.
- "FR O2 SENSOR" voltage goes below 0.35V at least once.
- "FR O2 SENSOR" voltage never exceeds 1.0V.

# TROUBLE DIAGNOSIS FOR DTC P0133

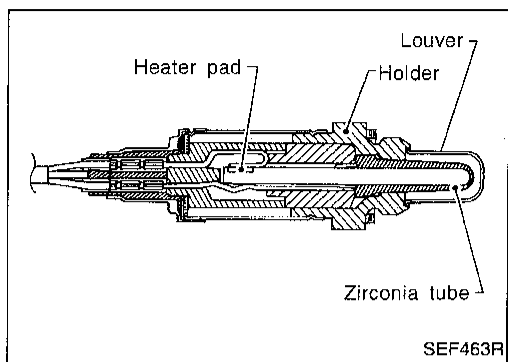
## Front Heated Oxygen Sensor (Response Monitoring) (Front HO2S) (Cont'd)



OR



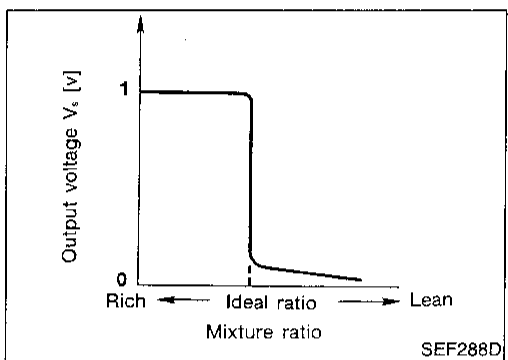
- 1) Start engine and warm it up to normal operating temperature.
- 2) Set voltmeter probes between ECM terminal ④⑥ (sensor signal) and ④③ (engine ground).
- 3) Check the following with engine speed held at 2,000 rpm constant under no load.
  - Malfunction indicator lamp goes on more than 5 times within 10 seconds in Diagnostic Test Mode II (FRONT HEATED OXYGEN SENSOR MONITOR).
  - The maximum voltage is over 0.6V at least one time.
  - The minimum voltage is below 0.35V at least one time.
  - The voltage never exceeds 1.0V.



## Front Heated Oxygen Sensor (High Voltage) (Front HO2S)

### COMPONENT DESCRIPTION

The front heated oxygen sensor is placed into the exhaust manifold. It detects the amount of oxygen in the exhaust gas compared to the outside air. The front heated oxygen sensor has a closed-end tube made of ceramic zirconia. The zirconia generates voltage from approximately 1V in richer conditions to 0V in leaner conditions. The front heated oxygen sensor signal is sent to the ECM. The ECM adjusts the injection pulse duration to achieve the ideal air-fuel ratio. The ideal air-fuel ratio occurs near the radical change from 1V to 0V.



### CONSULT REFERENCE VALUE IN DATA MONITOR MODE

Specification data are reference values

MONITOR ITEM	CONDITION	SPECIFICATION
FR O2 SENSOR ..... FR O2 MNTR	● Engine: After warming up  Maintaining engine speed at 2,000 rpm	0 - 0.3V ↔ Approx. 0.6 - 1.0V  LEAN ↔ RICH Changes more than 5 times during 10 seconds.

### ECM TERMINALS AND REFERENCE VALUE

Specification data are reference values and are measured between each terminal and ④ (ECCS ground).

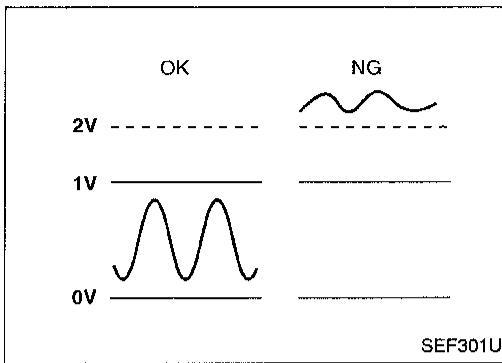
TER-MINAL NO.	WIRE COLOR	ITEM	CONDITION	DATA (DC voltage)
46	W	Front heated oxygen sensor	Engine is running.  After warming up to normal operating temperature and engine speed is 2,000 rpm	0 - Approximately 1.0V   SEF201T

## TROUBLE DIAGNOSIS FOR DTC P0134

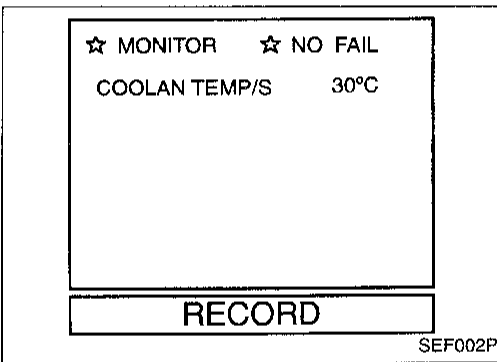
### Front Heated Oxygen Sensor (High Voltage) (Front HO2S) (Cont'd)

#### ON BOARD DIAGNOSIS LOGIC

To judge the malfunction, the diagnosis checks that the front heated oxygen sensor output is not inordinately high.



Diagnostic Trouble Code No.	Malfunction is detected when ...	Check Items (Possible Cause)
P0134 0412	<ul style="list-style-type: none"> <li>● An excessively high voltage from the sensor is sent to ECM.</li> </ul>	<ul style="list-style-type: none"> <li>● Harness or connectors (The sensor circuit is open or shorted.)</li> <li>● Front heated oxygen sensor</li> </ul>



### DIAGNOSTIC TROUBLE CODE CONFIRMATION PROCEDURE

#### NOTE:

If "DIAGNOSTIC TROUBLE CODE CONFIRMATION PROCEDURE" has been previously conducted, always turn ignition switch "OFF" and wait at least 5 seconds before conducting the next test.



- 1) Turn ignition switch "ON".
- 2) Select "DATA MONITOR" mode with CONSULT and wait at least 5 seconds.

OR



- 1) Turn ignition switch "ON" and wait at least 5 seconds.
- 2) Select "MODE 3" with GST.

OR



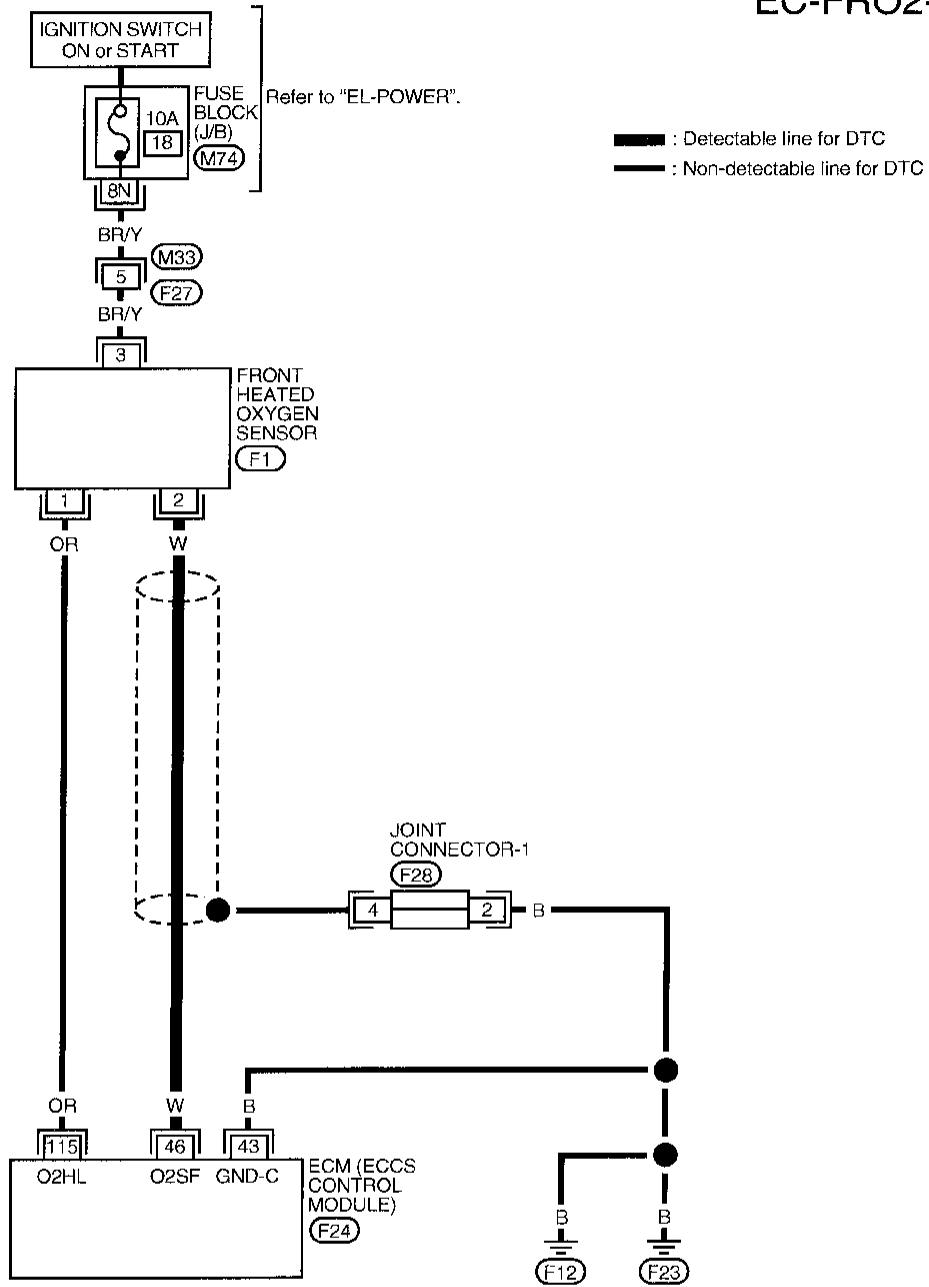
- 1) Turn ignition switch "ON" and wait at least 5 seconds.
- 2) Turn ignition switch "OFF", wait at least 5 seconds and then turn "ON".
- 3) Perform "Diagnostic Test Mode II (Self-diagnostic results)" with ECM.



# TROUBLE DIAGNOSIS FOR DTC P0134

## Front Heated Oxygen Sensor (High Voltage) (Front HO2S) (Cont'd)

EC-FRO2-01



GI

MA

EM

LC

**EC**

FE

CL

MT

AT

FA

RA

BR

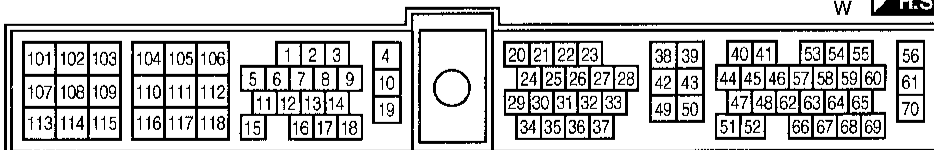
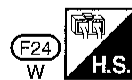
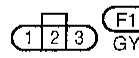
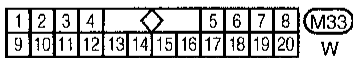
ST

RS

BT

Refer to last page (Foldout page).

(F28)



HA

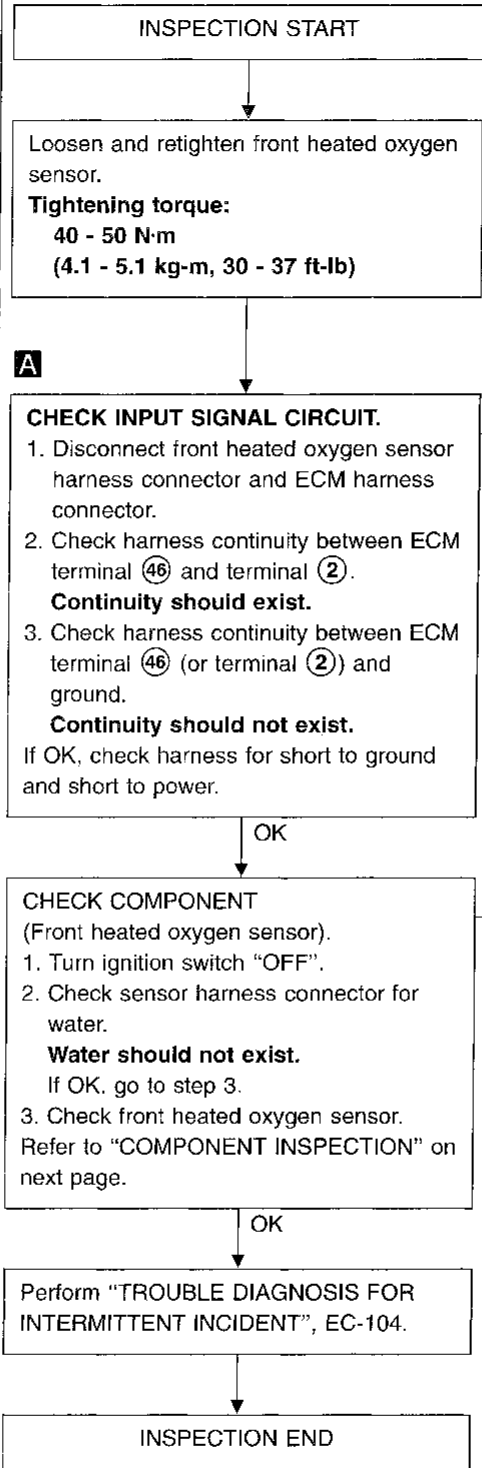
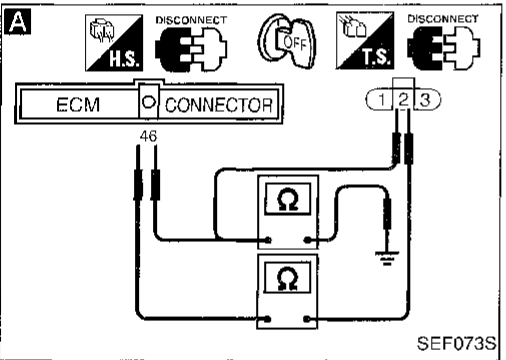
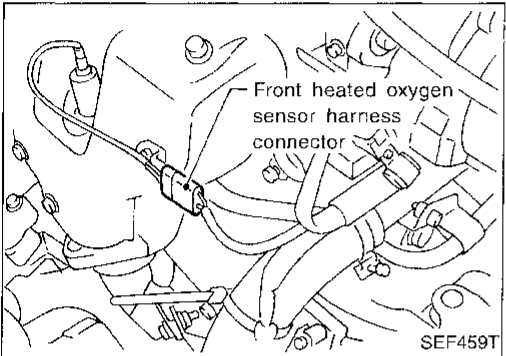
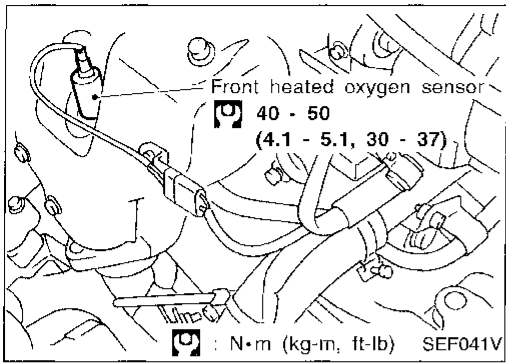
EL

IDX

# TROUBLE DIAGNOSIS FOR DTC P0134

## Front Heated Oxygen Sensor (High Voltage) (Front HO2S) (Cont'd)

### DIAGNOSTIC PROCEDURE



# TROUBLE DIAGNOSIS FOR DTC P0134

## Front Heated Oxygen Sensor (High Voltage) (Front HO2S) (Cont'd)

### COMPONENT INSPECTION

#### Front heated oxygen sensor



- 1) Start engine and warm it up to normal operating temperature.
- 2) Select "MANU TRIG" and "HI SPEED" in "DATA MONITOR" mode with CONSULT, and select "FR O2 SENSOR" and "FR O2 MNTR".
- 3) Hold engine speed at 2,000 rpm under no load during the following steps.
- 4) Touch "RECORD" on CONSULT screen.
- 5) Check the following.
  - "FR O2 MNTR" in "DATA MONITOR" mode changes from "RICH" to "LEAN" to "RICH" 5 times in 10 seconds.

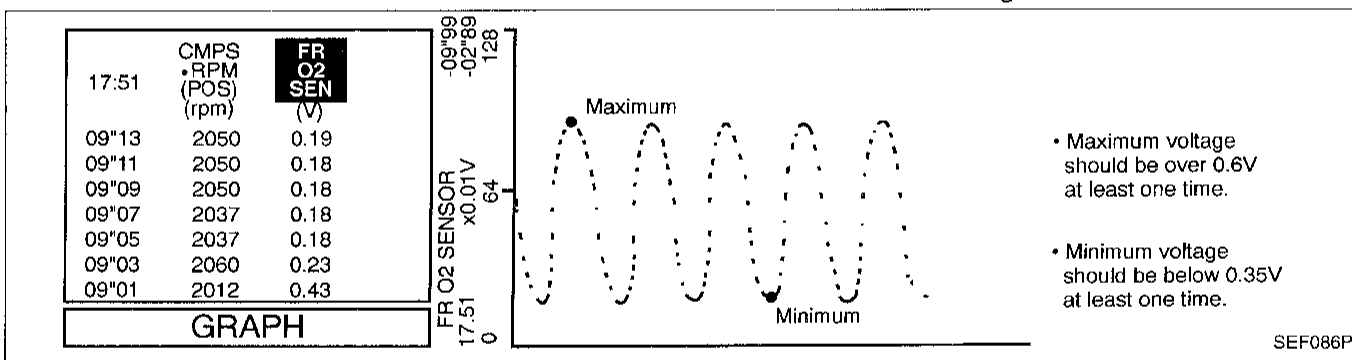
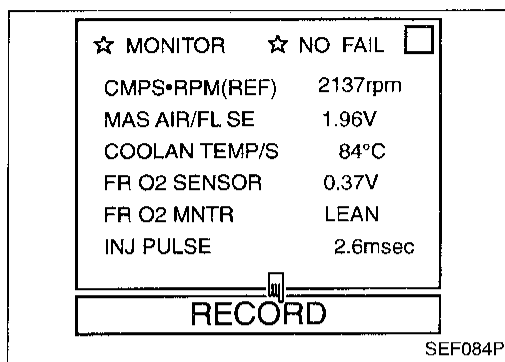
5 times (cycles) are counted as shown below:

cycle | 1 | 2 | 3 | 4 | 5 |  
FR O2 MNTR R-L-R-L-R-L-R-L-R-L-R

R = "FR O2 MNTR", "RICH"

L = "FR O2 MNTR", "LEAN"

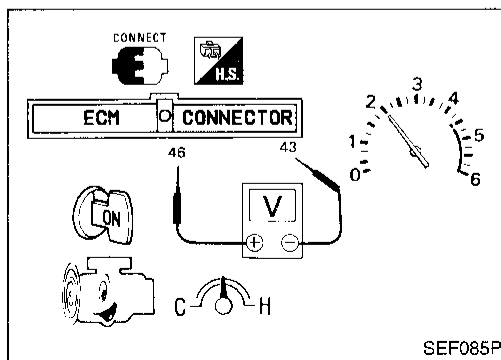
- "FR O2 SENSOR" voltage goes above 0.6V at least once.
- "FR O2 SENSOR" voltage goes below 0.35V at least once.
- "FR O2 SENSOR" voltage never exceeds 1.0V.



OR



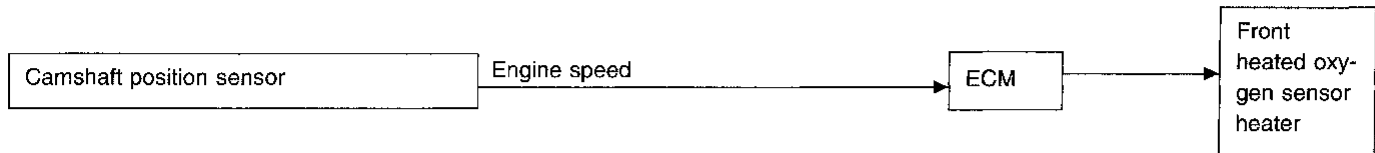
- 1) Start engine and warm it up to normal operating temperature.
- 2) Set voltmeter probes between ECM terminal ④⑥ (sensor signal) and ④③ (engine ground).
- 3) Check the following with engine speed held at 2,000 rpm constant under no load.
  - Malfunction indicator lamp goes on more than 5 times within 10 seconds in Diagnostic Test Mode II (FRONT HEATED OXYGEN SENSOR MONITOR).
  - The maximum voltage is over 0.6V at least one time.
  - The minimum voltage is below 0.35V at least one time.
  - The voltage never exceeds 1.0V.



# TROUBLE DIAGNOSIS FOR DTC P0135

## Front Heated Oxygen Sensor Heater

### SYSTEM DESCRIPTION



The ECM performs ON/OFF control of the front heated oxygen sensor heater corresponding to the engine speed.

### OPERATION

Engine speed rpm	Front heated oxygen sensor heater
Above 3,200	OFF
Below 3,200	ON

### CONSULT REFERENCE VALUE IN DATA MONITOR MODE

Specification data are reference values

MONITOR ITEM	CONDITION	SPECIFICATION
FR O2 HEATER	● Engine speed: Idle	ON
	● Engine speed: Above 3,200 rpm	OFF

### ECM TERMINALS AND REFERENCE VALUE

Specification data are reference values and are measured between each terminal and Ⓒ (ECCS ground).

TER-MINAL NO.	WIRE COLOR	ITEM	CONDITION	DATA (DC voltage)
115	OR	Front heated oxygen sensor heater	Engine is running. └ Engine speed is below 3,200 rpm.	Approximately 0V
			Engine is running. └ Engine speed is above 3,200 rpm.	BATTERY VOLTAGE (11 - 14V)

### ON BOARD DIAGNOSIS LOGIC

Diagnostic Trouble Code No.	Malfunction is detected when ....	Check Items (Possible Cause)
P0135 0901	● The current amperage in the front heated oxygen sensor heater circuit is out of the normal range. (An improper voltage drop signal is sent to ECM through the front heated oxygen sensor heater.)	● Harness or connectors (The front heated oxygen sensor heater circuit is open or shorted.) ● Front heated oxygen sensor heater

# TROUBLE DIAGNOSIS FOR DTC P0135

## Front Heated Oxygen Sensor Heater (Cont'd)

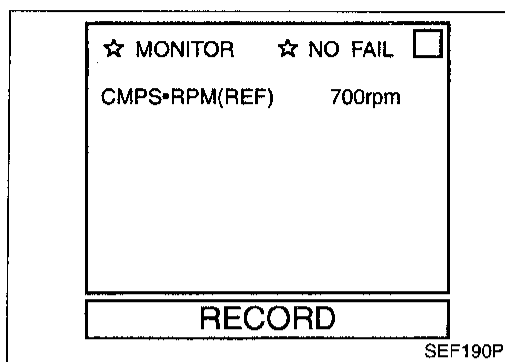
### DIAGNOSTIC TROUBLE CODE CONFIRMATION PROCEDURE

#### NOTE:

If "DIAGNOSTIC TROUBLE CODE CONFIRMATION PROCEDURE" has been previously conducted, always turn ignition switch "OFF" and wait at least 5 seconds before conducting the next test.

#### TESTING CONDITION:

Before performing the following procedure, confirm that battery voltage is between 10.5V and 16V at idle.



- 1) Turn ignition switch "ON" and select "DATA MONITOR" mode with CONSULT.
- 2) Start engine and run it for at least 5 seconds at idle speed.

OR



- 1) Start engine and run it for at least 5 seconds at idle speed.
- 2) Turn ignition switch "OFF" and wait at least 5 seconds.
- 3) Start engine and run it for at least 5 seconds at idle speed.
- 4) Select "MODE 3" with GST.

OR



- 1) Start engine and run it for at least 5 seconds at idle speed.
- 2) Turn ignition switch "OFF", wait at least 5 seconds and then turn "ON".
- 3) Perform "Diagnostic Test Mode II (Self-diagnostic results)" with ECM.

- When using GST, "DIAGNOSTIC TROUBLE CODE CONFIRMATION PROCEDURE" should be performed twice as much as when using CONSULT or ECM (Diagnostic Test Mode II) because GST cannot display MODE 7 (1st trip DTC) concerning this diagnosis. Therefore, using CONSULT or ECM (Diagnostic Test Mode II) is recommended.

GI

MA

EM

LC

EC

FE

CL

MT

AT

FA

RA

BR

ST

RS

BT

HA

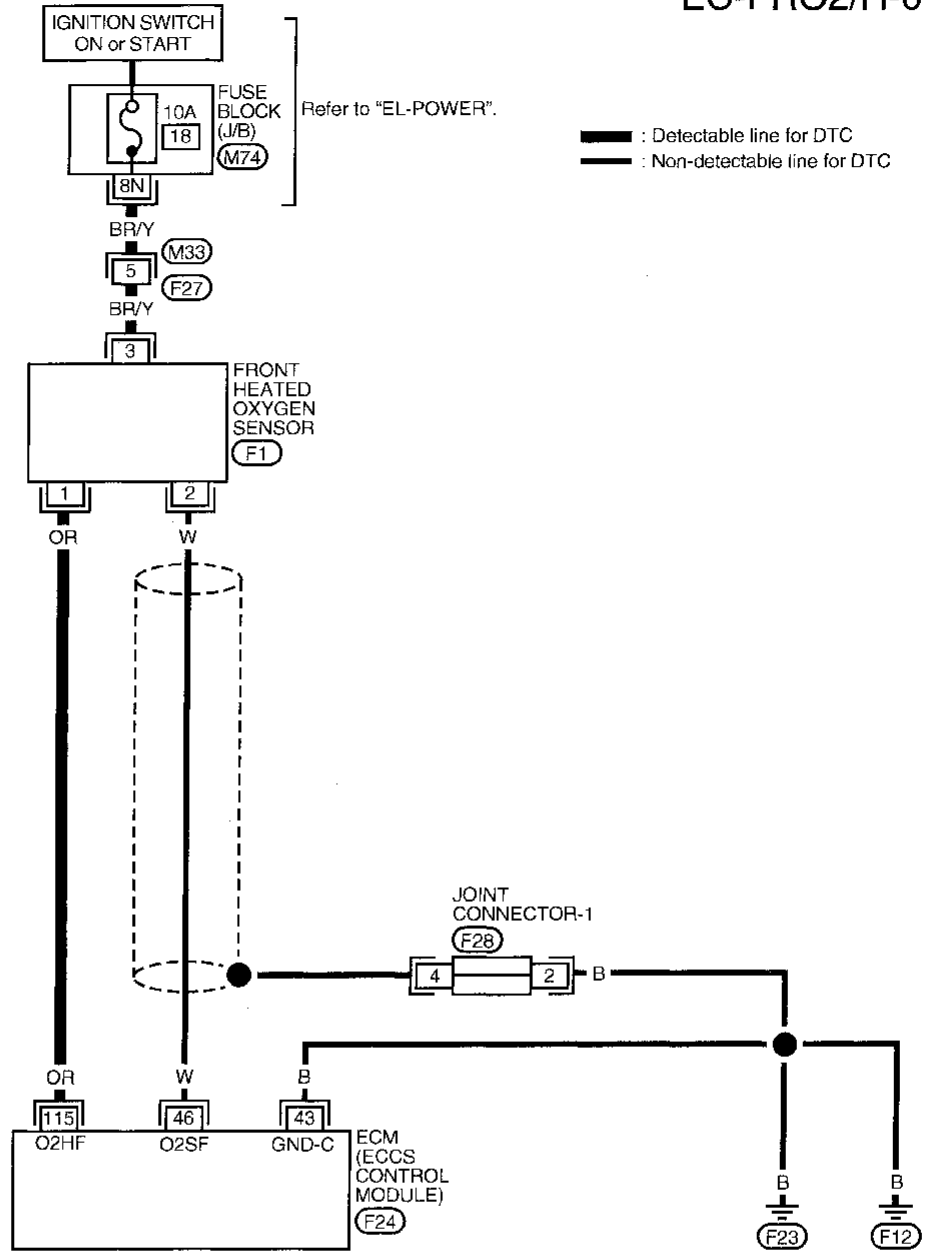
EL

IDX

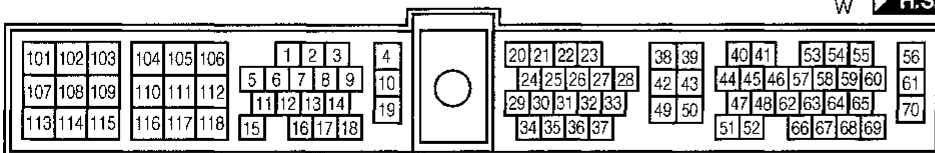
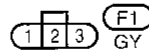
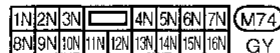
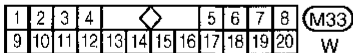
# TROUBLE DIAGNOSIS FOR DTC P0135

## Front Heated Oxygen Sensor Heater (Cont'd)

EC-FRO2/H-01

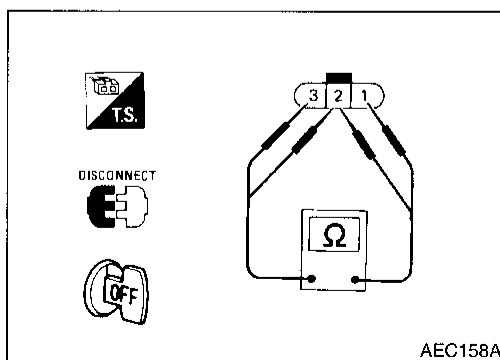
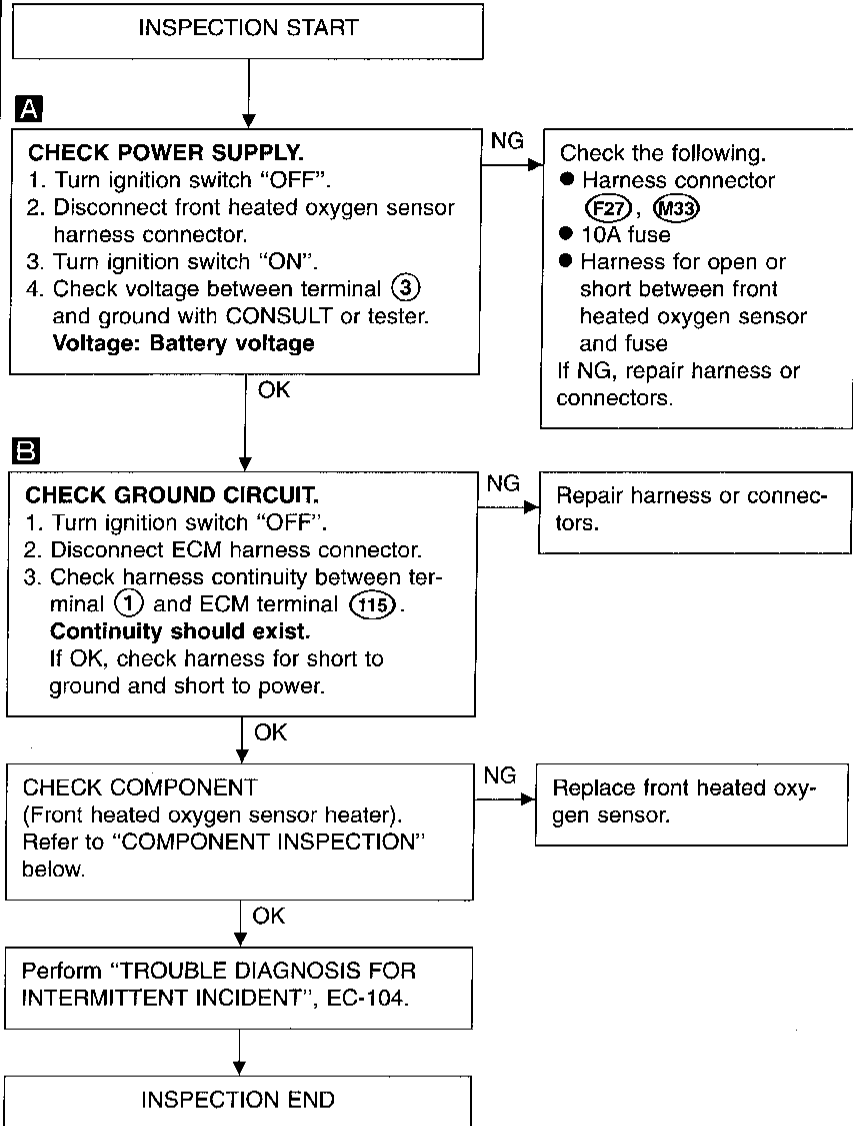
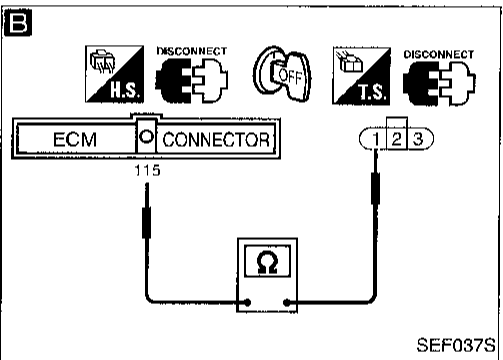
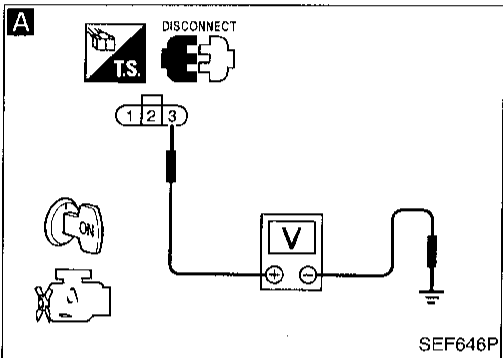
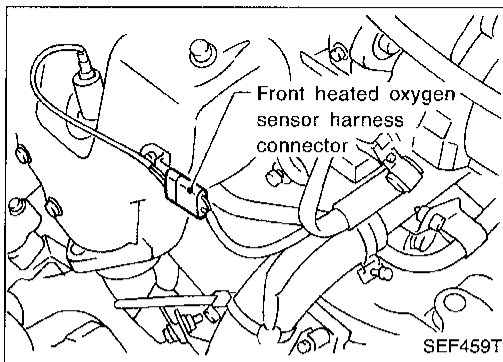


Refer to last page (Foldout page).



# TROUBLE DIAGNOSIS FOR DTC P0135

## Front Heated Oxygen Sensor Heater (Cont'd) DIAGNOSTIC PROCEDURE



### COMPONENT INSPECTION

#### Front heated oxygen sensor heater

Check resistance between terminals 3 and 1.

**Resistance: 2.3 - 4.3Ω at 25°C (77°F)**

Check continuity between terminals 2 and 1, 3 and 2.

**Continuity should not exist.**

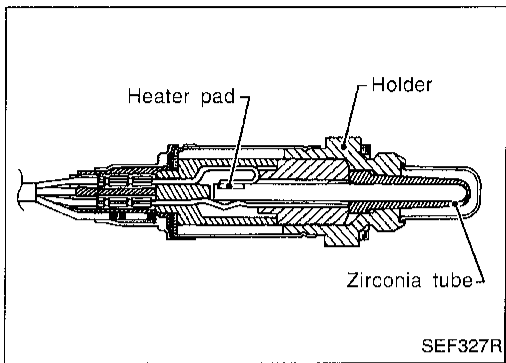
If NG, replace the front heated oxygen sensor.

#### CAUTION:

Discard any heated oxygen sensor which has been dropped from a height of more than 0.5 m (19.7 in) onto a hard surface such as a concrete floor; use a new one.

GI  
MA  
EM  
LC  
EC  
FE  
CL  
MT  
AT  
FA  
RA  
BR  
ST  
RS  
BT  
HA  
EL  
IDX

## TROUBLE DIAGNOSIS FOR DTC P0137



### Rear Heated Oxygen Sensor (Min. Voltage Monitoring) (Rear HO2S)

#### COMPONENT DESCRIPTION

The rear heated oxygen sensor (Rear HO2S), after three-way catalyst, monitors the oxygen level in the exhaust gas.

Even if switching characteristics of the front heated oxygen sensor are shifted, the air fuel ratio is controlled to stoichiometric, by the signal from the rear heated oxygen sensor.

This sensor is made of ceramic zirconia. The zirconia generates voltage from approximately 1V in richer conditions to 0V in leaner conditions.

Under normal conditions the rear heated oxygen sensor is not used for engine control operation.

#### CONSULT REFERENCE VALUE IN DATA MONITOR MODE

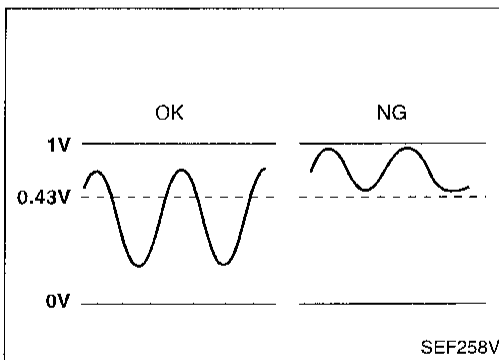
Specification data are reference values

MONITOR ITEM	CONDITION	SPECIFICATION
RR O2 SENSOR .....	● Engine: After warming up Revsing engine from idle to 3,000 rpm	0 - 0.3V ↔ Approx. 0.6 - 1.0V
RR O2 MNTR		LEAN ↔ RICH

#### ECM TERMINALS AND REFERENCE VALUE

Specification data are reference values and are measured between each terminal and Ⓞ (ECCS ground).

TER-MINAL NO.	WIRE COLOR	ITEM	CONDITION	DATA (DC voltage)
52	W	Rear heated oxygen sensor	Engine is running. After warming up to normal operating temperature and revving engine from idle to 3,000 rpm	0 - Approximately 1.0V



#### ON BOARD DIAGNOSIS LOGIC

The rear heated oxygen sensor has a much longer switching time between rich and lean than the front heated oxygen sensor. The oxygen storage capacity before the three-way catalyst causes the longer switching time. To judge the malfunctions of rear heated oxygen sensor, ECM monitors whether the minimum voltage of the sensor is sufficiently low during various driving conditions such as fuel-cut.

Diagnostic Trouble Code No.	Malfunction is detected when ...	Check Items (Possible Cause)
P0137 0511	● The minimum voltage from the sensor is not reached to the specified voltage.	<ul style="list-style-type: none"> <li>● Harness or connectors (The sensor circuit is open or shorted.)</li> <li>● Rear heated oxygen sensor</li> <li>● Fuel pressure</li> <li>● Injectors</li> </ul>



## TROUBLE DIAGNOSIS FOR DTC P0137

### Rear Heated Oxygen Sensor (Min. Voltage Monitoring) (Rear HO2S) (Cont'd)

#### DIAGNOSTIC TROUBLE CODE CONFIRMATION PROCEDURE

##### CAUTION:

Always drive vehicle at a safe speed.

##### NOTE:

- "COMPLETED" will appear on CONSULT screen when all tests "COND1", "COND2" and "COND3" are completed.
- If "DIAGNOSTIC TROUBLE CODE CONFIRMATION PROCEDURE" has been previously conducted, always turn ignition switch "OFF" and wait at least 5 seconds before conducting the next test.

##### TESTING CONDITION:

- Never stop engine during this test. If the engine is stopped, reperform this test from step 2).
- Always perform at a temperature above  $-10^{\circ}\text{C}$  ( $14^{\circ}\text{F}$ ).



##### Procedure for COND1

- 1) Start engine and warm it up to normal operating temperature.
- 2) Turn ignition switch "OFF" and wait at least 5 seconds.
- 3) Turn ignition switch "ON" and select "RR O2 SENSOR P0137" of "REAR O2 SENSOR" in "DTC WORK SUPPORT" mode with CONSULT.
- 4) Touch "START".
- 5) Start engine and let it idle for at least 30 seconds.
- 6) Rev engine up to 2,000 rpm 2 or 3 times quickly under no load.  
If "COMPLETED" appears on CONSULT screen, go to step 10).  
If "COMPLETED" does not appear on CONSULT screen, go to the following step.
- 7) When the following conditions are met, "TESTING" will be displayed at "COND1" on the CONSULT screen. Maintain the conditions continuously until "TESTING" changes to "COMPLETED". (It will take approximately 60 seconds.)

**CMPS-RPM (REF): 1,900 - 2,600 rpm (A/T)**  
**2,000 - 2,900 rpm (M/T)**  
**Vehicle speed: 64 - 100 km/h (40 - 62 MPH)**  
**B/FUEL SCHDL: 0.8 - 4.0 msec (M/T)**  
**1.0 - 4.5 msec (A/T)**

Selector lever: Suitable position

- If "TESTING" is not displayed after 5 minutes, retry from step 2).
- If "COMPLETED" already appears at "COND2" on CONSULT screen before "Procedure for COND2" is conducted, it is unnecessary to conduct step 8).

##### Procedure for COND2

- 8) While driving, release accelerator pedal completely with "OD" OFF (A/T models only) from the above condition [step 7] until "INCOMPLETE" at "COND2" on CONSULT screen has turned to "COMPLETED". (It will take approximately 4 seconds.)

■ RR O2 SEN P0137 ■ □

COND1: OUT OF COND  
COND2: INCOMPLETE  
COND3: INCOMPLETE

===== MONITOR =====

CMPS-RPM(REF)     912rpm  
THRTL POS SEN     0.51V  
B/FUEL SCHDL     1.0ms

SEF276U

■ RR O2 SEN P0137 ■ □

COND1: **TESTING**  
COND2: INCOMPLETE  
COND3: INCOMPLETE

===== MONITOR =====

CMPS-RPM(REF)     1687rpm  
THRTL POS SEN     0.94V  
B/FUEL SCHDL     3.6ms

SEF277U

■ RR O2 SEN P0137 ■ □

COND1: COMPLETED  
COND2: INCOMPLETE  
COND3: INCOMPLETE

===== MONITOR =====

CMPS-RPM(REF)     1687rpm  
THRTL POS SEN     0.94V  
B/FUEL SCHDL     3.6ms

SEF278U

■ RR O2 SEN P0137 ■ □

COND1: COMPLETED  
COND2: COMPLETED  
COND3: INCOMPLETE

===== MONITOR =====

CMPS-RPM(REF)     1050rpm  
THRTL POS SEN     0.51V  
B/FUEL SCHDL     1.0ms

SEF279U

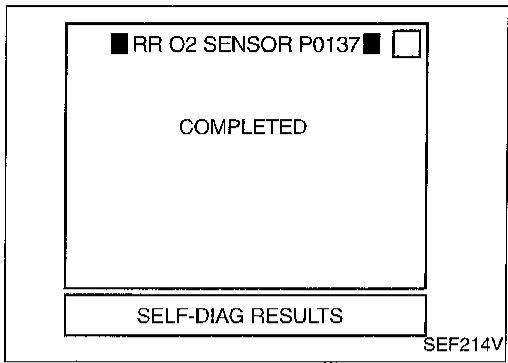
SMA98-147 | '98 SENTRA/200SX | AUGUST 1997(05) | SM8E-OB14UO



ARROW INDICATES AMENDED INFORMATION

## TROUBLE DIAGNOSIS FOR DTC P0137

### Rear Heated Oxygen Sensor (Min. Voltage Monitoring) (Rear HO2S) (Cont'd)



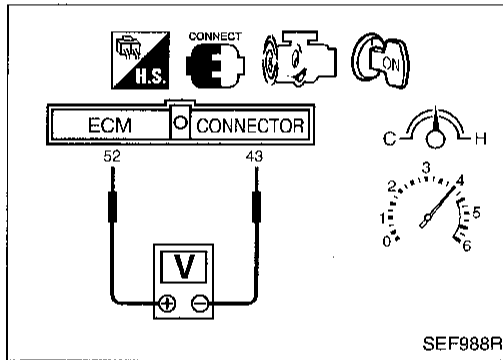
- If “TESTING” is not displayed after 5 minutes, retry from step 2).
- If “COMPLETED” already appears at “COND3” on CONSULT screen before “Procedure for COND3” is conducted, it is unnecessary to conduct step 9).

Procedure for COND3

9) Stop vehicle and let it idle until “INCOMPLETE” of “COND3” on CONSULT screen has turned to “COMPLETED”. (It will take a maximum of approximately 6 minutes.)

If “TESTING” is not displayed after 5 minutes, retry from step 2).

10) Make sure that “OK” is displayed after touching “SELF-DIAG RESULTS”. If “NG” is displayed, refer to “DIAGNOSTIC PROCEDURE”, EC-194.



OR

### OVERALL FUNCTION CHECK

Use this procedure to check the overall function of the rear heated oxygen sensor circuit. During this check, a 1st trip DTC might not be confirmed.



- 1) Start engine and warm it up to normal operating temperature.
- 2) Set voltmeter probes between ECM terminals ⑤②(sensor signal) and ④③(engine ground).
- 3) Check the voltage when revving engine up to 4,000 rpm under no load at least 10 times. (Depress and release accelerator pedal as soon as possible.)

**The voltage should be below 0.43V at least once during this procedure.**

**If the voltage can be confirmed in step 3, step 4 is not necessary.**

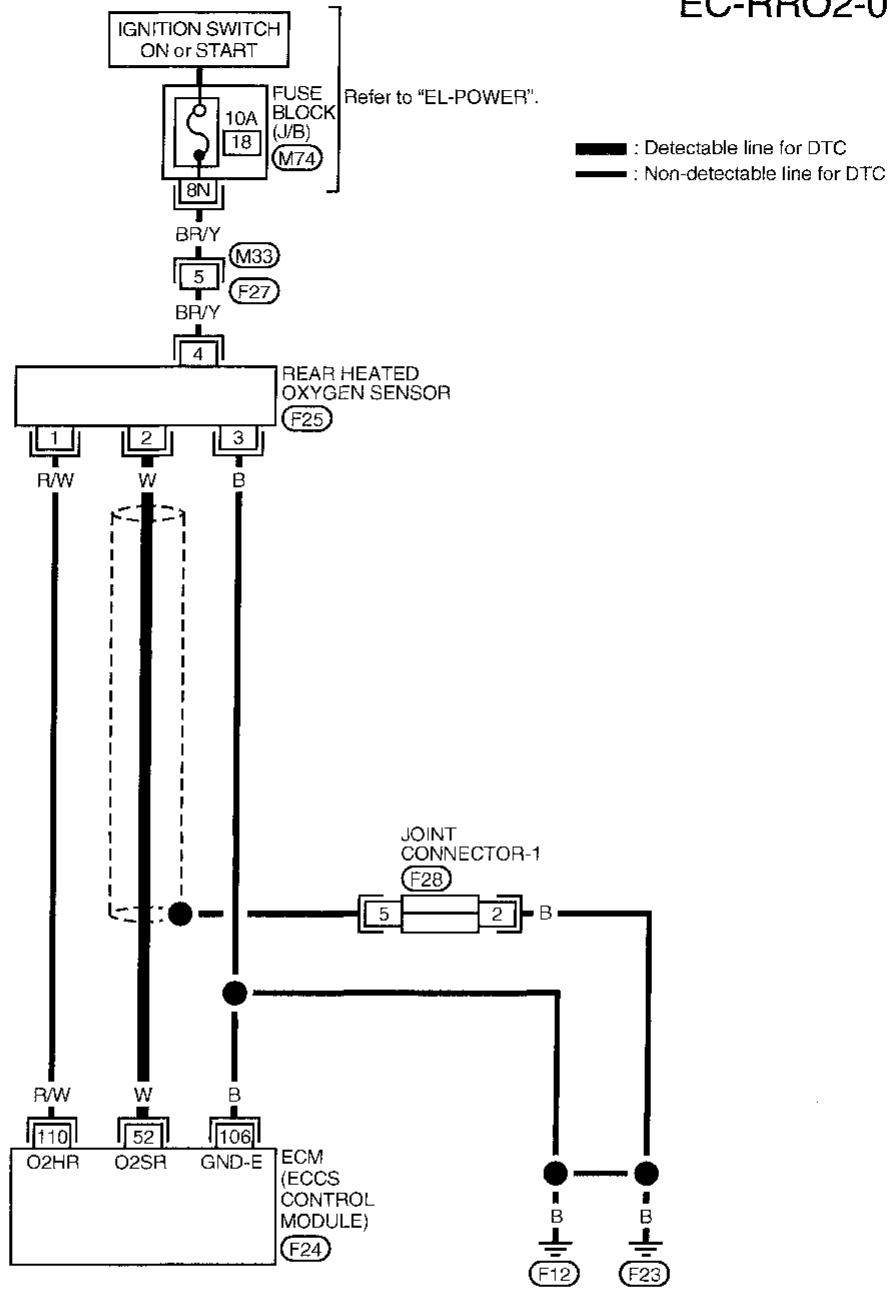
- 4) Keep vehicle at idling for 10 minutes, then check the voltage. Or check the voltage when coasting from 80 km/h (50 MPH) in 3rd gear position (M/T), D position (A/T).

**The voltage should be below 0.43V at least once during this procedure.**

# TROUBLE DIAGNOSIS FOR DTC P0137

## Rear Heated Oxygen Sensor (Min. Voltage Monitoring) (Rear HO2S) (Cont'd)

EC-RRO2-01



GI

MA

EM

LC

**EC**

FE

CL

MT

AT

FA

RA

BR

ST

RS

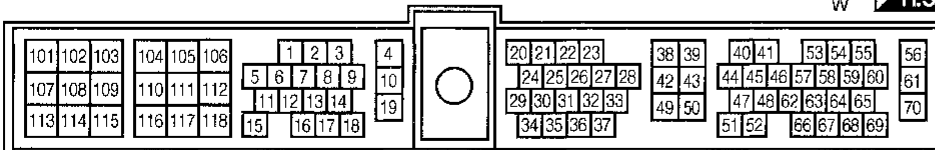
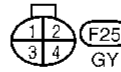
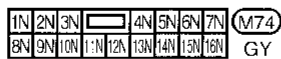
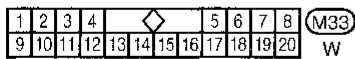
BT

HA

EL

IDX

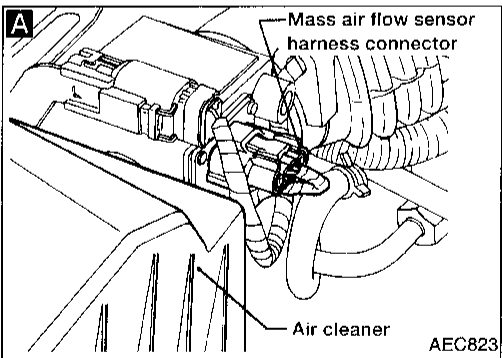
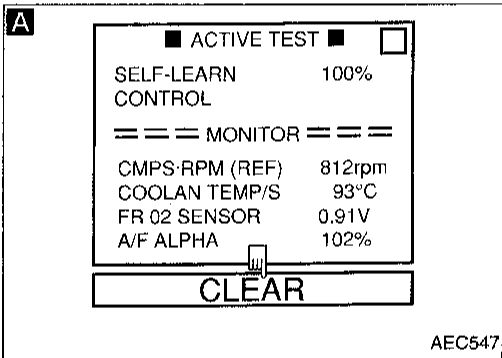
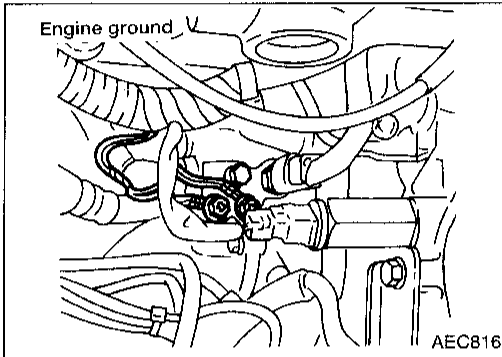
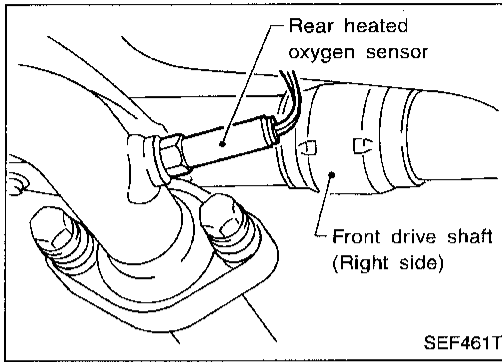
Refer to last page (Foldout page).



# TROUBLE DIAGNOSIS FOR DTC P0137

## Rear Heated Oxygen Sensor (Min. Voltage Monitoring) (Rear HO2S) (Cont'd)

### DIAGNOSTIC PROCEDURE



INSPECTION START

1. Turn ignition switch "OFF".
2. Loosen and retighten engine ground screws.

**A**

- CLEAR THE SELF-LEARNING DATA**
1. Start engine and warm it up to normal operating temperature.
  2. Select "SELF-LEARNING CONT" in "ACTIVE TEST" mode with CONSULT.
  3. Clear the self-learning control coefficient by touching "CLEAR".
  4. Run engine for at least 10 minutes at idle speed.
- Is the 1st trip DTC P0172 detected? Is it difficult to start engine?**

Yes → Go to "TROUBLE DIAGNOSIS FOR DTC P0172", EC-225.

OR

2. Turn ignition switch "OFF".
  3. Disconnect mass air flow sensor harness connector, and restart and run engine for at least 3 seconds at idle speed.
  4. Stop engine and reconnect mass air flow sensor harness connector.
  5. Make sure diagnostic trouble code No. 0102 is displayed in Diagnostic Test Mode II.
  6. Erase the diagnostic test mode II (Self-diagnostic results) memory. Make sure diagnostic trouble code No. 0505 is displayed in Diagnostic Test Mode II.
  7. Run engine for at least 10 minutes at idle speed.
- Is the 1st trip DTC 0114 detected? Is it difficult to start engine?**

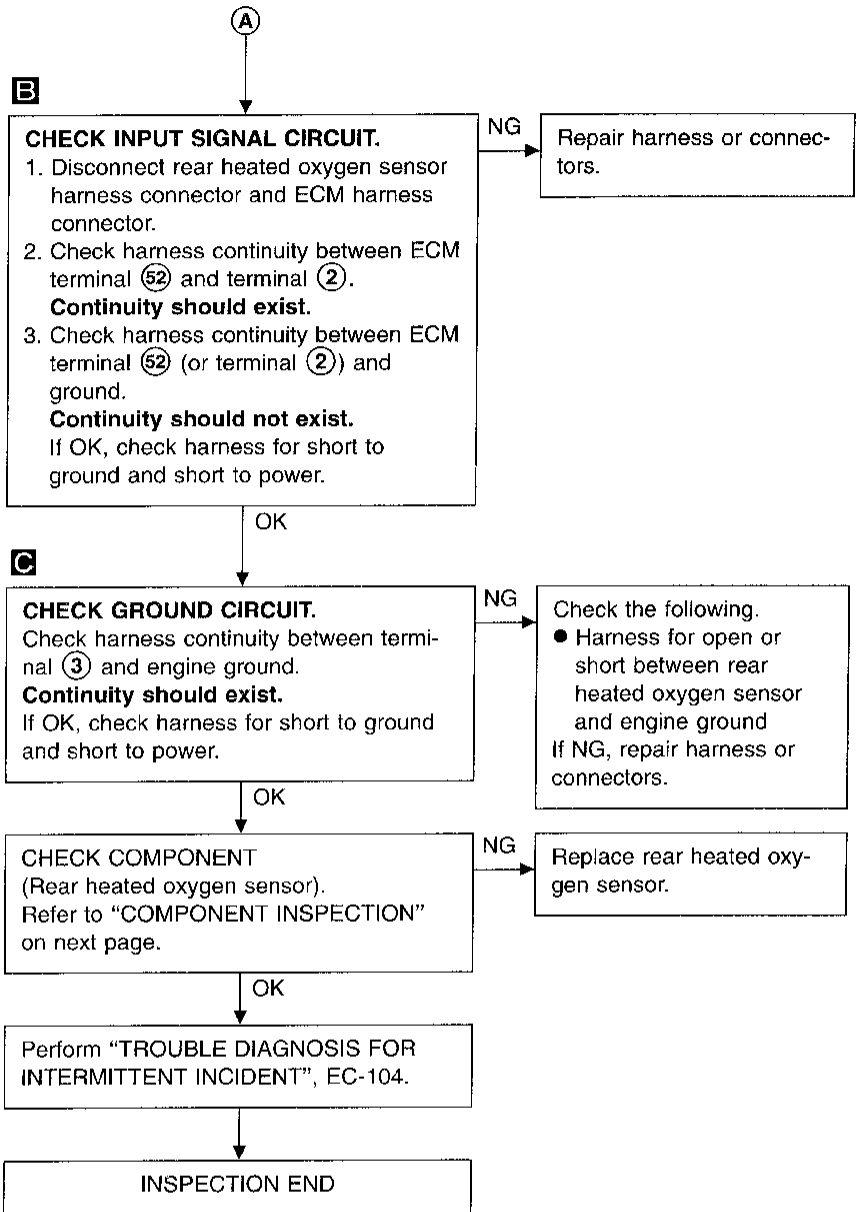
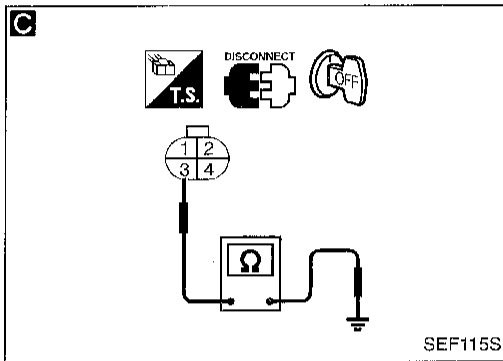
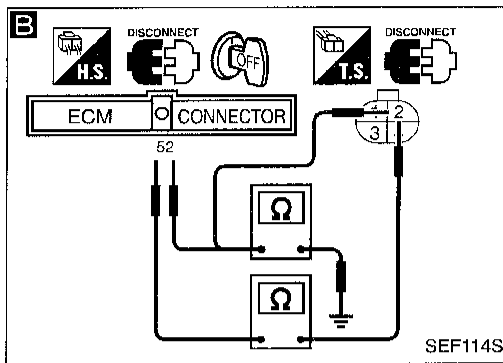
No

**A**

(Go to next page.)

# TROUBLE DIAGNOSIS FOR DTC P0137

## Rear Heated Oxygen Sensor (Min. Voltage Monitoring) (Rear HO2S) (Cont'd)



GI  
MA  
EM  
LC  
EC  
FE  
CL  
MT  
AT  
FA  
RA  
BR  
ST  
RS  
BT  
HA  
EL  
IDX

# TROUBLE DIAGNOSIS FOR DTC P0137

## Rear Heated Oxygen Sensor (Min. Voltage Monitoring) (Rear HO2S) (Cont'd)

### COMPONENT INSPECTION

#### Rear heated oxygen sensor

- 1) Start engine and warm it up to normal operating temperature.
- 2) Select "FUEL INJECTION" in "ACTIVE TEST" mode, and select "RR O2 SENSOR" as the monitor item with CONSULT.
- 3) Check "RR O2 SENSOR" at idle speed when adjusting "FUEL INJECTION" to  $\pm 25\%$ .

"RR O2 SENSOR" should be above 0.48V at least once when the "FUEL INJECTION" is +25%.

"RR O2 SENSOR" should be below 0.43V at least once when the "FUEL INJECTION" is -25%.

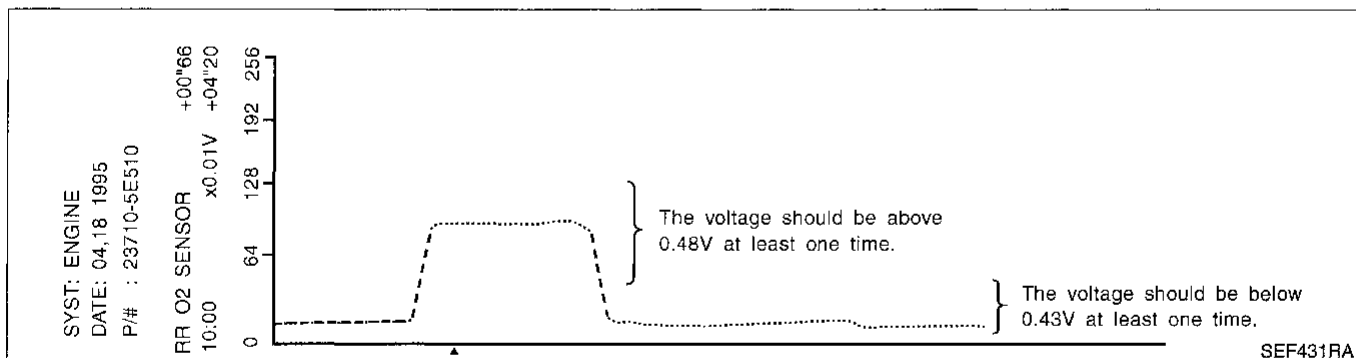
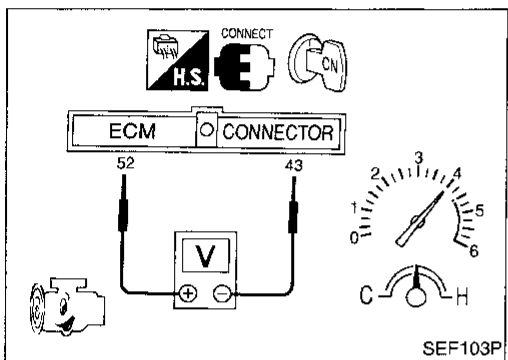
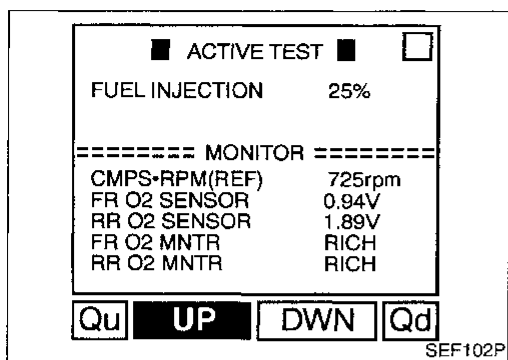
OR

- 1) Start engine and warm it up to normal operating temperature.
- 2) Set voltmeter probes between ECM terminals ⑤② (sensor signal) and ④③ (engine ground).
- 3) Check the voltage when racing up to 4,000 rpm under no load at least 10 times. (Depress and release accelerator pedal as soon as possible.)

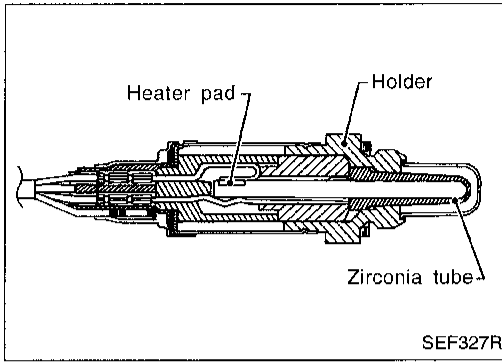
**The voltage should be above 0.48V at least once. If the voltage is above 0.48V at step 3, step 4 is not necessary.**

- 4) Check the voltage when racing up to 6,000 rpm under no load. Or keep vehicle at idling for 10 minutes, then check the voltage. Or check the voltage when coasting from 80 km/h (50 MPH) in 3rd gear position.

**The voltage should be below 0.43V at least once.**



# TROUBLE DIAGNOSIS FOR DTC P0138



## Rear Heated Oxygen Sensor (Max. Voltage Monitoring) (Rear HO2S)

### COMPONENT DESCRIPTION

The rear heated oxygen sensor (Rear HO2S), after three-way catalyst, monitors the oxygen level in the exhaust gas.

Even if switching characteristics of the front heated oxygen sensor are shifted, the air fuel ratio is controlled to stoichiometric, by the signal from the rear heated oxygen sensor.

This sensor is made of ceramic zirconia. The zirconia generates voltage from approximately 1V in richer conditions to 0V in leaner conditions.

Under normal conditions the rear heated oxygen sensor is not used for engine control operation.

### CONSULT REFERENCE VALUE IN DATA MONITOR MODE

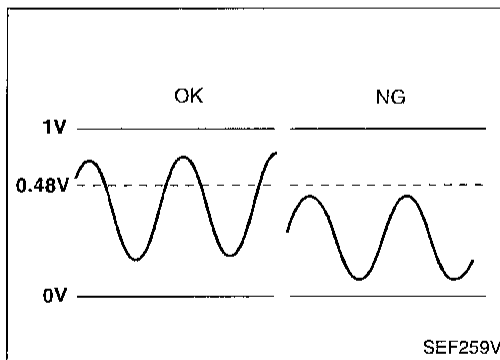
Specification data are reference values

MONITOR ITEM	CONDITION	SPECIFICATION
RR O2 SENSOR ..... RR O2 MNTR	● Engine: After warming up Revsing engine from idle to 3,000 rpm	0 - 0.3V ↔ Approx. 0.6 - 1.0V LEAN ↔ RICH

### ECM TERMINALS AND REFERENCE VALUE

Specification data are reference values and are measured between each terminal and Ⓞ (ECCS ground).

TER-MINAL NO.	WIRE COLOR	ITEM	CONDITION	DATA (DC voltage)
52	W	Rear heated oxygen sensor	Engine is running. After warming up to normal operating temperature and revving engine from idle to 3,000 rpm	0 - Approximately 1.0V



### ON BOARD DIAGNOSIS LOGIC

The rear heated oxygen sensor has a much longer switching time between rich and lean than the front heated oxygen sensor. The oxygen storage capacity before the three-way catalyst causes the longer switching time. To judge the malfunctions of rear heated oxygen sensor, ECM monitors whether the maximum voltage of the sensor is sufficiently high during various driving conditions such as fuel-cut.

Diagnostic Trouble Code No.	Malfunction is detected when ...	Check Items (Possible Cause)
P0138 0510	● The maximum voltage from the sensor is not reached to the specified voltage.	<ul style="list-style-type: none"> <li>● Harness or connectors (The sensor circuit is open or shorted.)</li> <li>● Rear heated oxygen sensor</li> <li>● Fuel pressure</li> <li>● Injectors</li> <li>● Intake air leaks</li> </ul>

## TROUBLE DIAGNOSIS FOR DTC P0138

### Rear Heated Oxygen Sensor (Max. Voltage Monitoring) (Rear HO2S) (Cont'd)

#### DIAGNOSTIC TROUBLE CODE CONFIRMATION PROCEDURE

##### CAUTION:

Always drive vehicle at a safe speed.

##### NOTE:

- "COMPLETED" will appear on CONSULT screen when all tests "COND1", "COND2" and "COND3" are completed.
- If "DIAGNOSTIC TROUBLE CODE CONFIRMATION PROCEDURE" has been previously conducted, always turn ignition switch "OFF" and wait at least 5 seconds before conducting the next test.

##### TESTING CONDITION:

- Never stop engine during this test. If the engine is stopped, reperform this test from step 2).
- Always perform at a temperature above  $-10^{\circ}\text{C}$  ( $14^{\circ}\text{F}$ ).



##### Procedure for COND1

- 1) Start engine and warm it up to normal operating temperature.
- 2) Turn ignition switch "OFF" and wait at least 5 seconds.
- 3) Turn ignition switch "ON" and select "RR O2 SENSOR P0138" of "REAR O2 SENSOR" in "DTC WORK SUPPORT" mode with CONSULT.
- 4) Touch "START".
- 5) Start engine and let it idle for at least 30 seconds.
- 6) Rev engine up to 2,000 rpm 2 or 3 times quickly under no load.

If "COMPLETED" appears on CONSULT screen, go to step 10).

If "COMPLETED" does not appear on CONSULT screen, go to the following step.

- 7) When the following conditions are met, "TESTING" will be displayed at "COND1" on the CONSULT screen. Maintain the conditions continuously until "TESTING" changes to "COMPLETED". (It will take approximately 60 seconds.)

**CMPS-RPM (REF): 2,000 - 2,750 rpm**

**Vehicle speed: 64 - 120 km/h (40 - 75 MPH)**

**B/FUEL SCHDL: 0.75 - 4 ms**

**Selector lever: Suitable position**

##### NOTE:

- If "TESTING" is not displayed after 5 minutes, retry from step 2).
- If "COMPLETED" already appears at "COND2" on CONSULT screen before "Procedure for COND2" is conducted, it is unnecessary to conduct step 8).

##### Procedure for COND2

- 8) While driving, release accelerator pedal completely with "OD" OFF (A/T models only) from the above condition [step 7] until "INCOMPLETE" at "COND2" on CONSULT screen is turned to "COMPLETED". (It will take approximately 4 seconds.)

■ RR O2 SENSOR P0138 ■ <input type="checkbox"/>	
COND1: OUT OF COND	
COND2: INCOMPLETE	
COND3: INCOMPLETE	
===== MONITOR =====	
CMPS-RPM(REF)	912rpm
THRTL POS SEN	0.51V
B/FUEL SCHDL	1.0ms

SEF282U

■ RR O2 SENSOR P0138 ■ <input type="checkbox"/>	
COND1: <b>TESTING</b>	
COND2: INCOMPLETE	
COND3: INCOMPLETE	
===== MONITOR =====	
CMPS-RPM(REF)	1687rpm
THRTL POS SEN	0.94V
B/FUEL SCHDL	3.6ms

SEF283U

■ RR O2 SENSOR P0138 ■ <input type="checkbox"/>	
COND1: COMPLETED	
COND2: INCOMPLETE	
COND3: INCOMPLETE	
===== MONITOR =====	
CMPS-RPM(REF)	1687rpm
THRTL POS SEN	0.94V
B/FUEL SCHDL	3.6ms

SEF284U

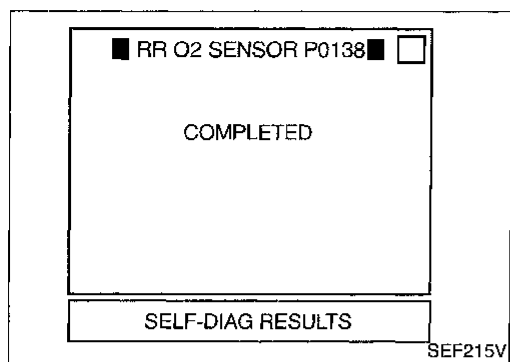
■ RR O2 SENSOR P0138 ■ <input type="checkbox"/>	
COND1: COMPLETED	
COND2: COMPLETED	
COND3: INCOMPLETE	
===== MONITOR =====	
CMPS-RPM(REF)	1050rpm
THRTL POS SEN	0.51V
B/FUEL SCHDL	1.0ms

SEF285U



## TROUBLE DIAGNOSIS FOR DTC P0138

### Rear Heated Oxygen Sensor (Max. Voltage Monitoring) (Rear HO2S) (Cont'd)



#### NOTE:

- If "TESTING" is not displayed after 5 minutes, retry from step 2).
- If "COMPLETED" already appears at "COND3" on CONSULT screen before "Procedure for COND3" is conducted, it is unnecessary to conduct step 9).

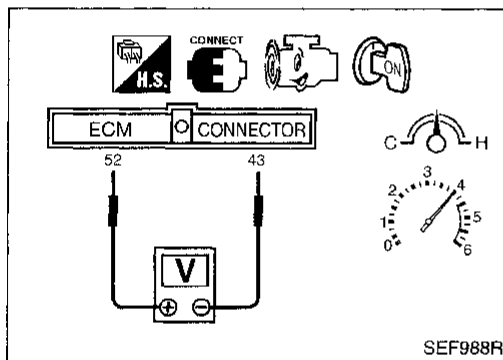
#### Procedure for COND3

- 9) Stop vehicle and let it idle until "INCOMPLETE" of "COND3" on CONSULT screen has turned to "COMPLETED". (It will take a maximum of approximately 6 minutes.)

#### NOTE:

If "TESTING" is not displayed after 5 minutes, retry from step 2).

- 10) Make sure that "OK" is displayed after touching "SELF-DIAG RESULTS".  
If "NG" is displayed, refer to "DIAGNOSTIC PROCEDURE", EC-201.



### OR

#### OVERALL FUNCTION CHECK

Use this procedure to check the overall function of the rear heated oxygen sensor circuit. During this check, a 1st trip DTC might not be confirmed.

- 1) Start engine and warm it up to normal operating temperature.
- 2) Set voltmeter probes between ECM terminals ⑤② (sensor signal) and ④③ (engine ground).
- 3) Check the voltage when revving engine up to 4,000 rpm under no load at least 10 times.  
(Depress and release accelerator pedal as soon as possible.)

**The voltage should be above 0.48V at least once during this procedure.**

**If the voltage can be confirmed in step 3, step 4 is not necessary.**

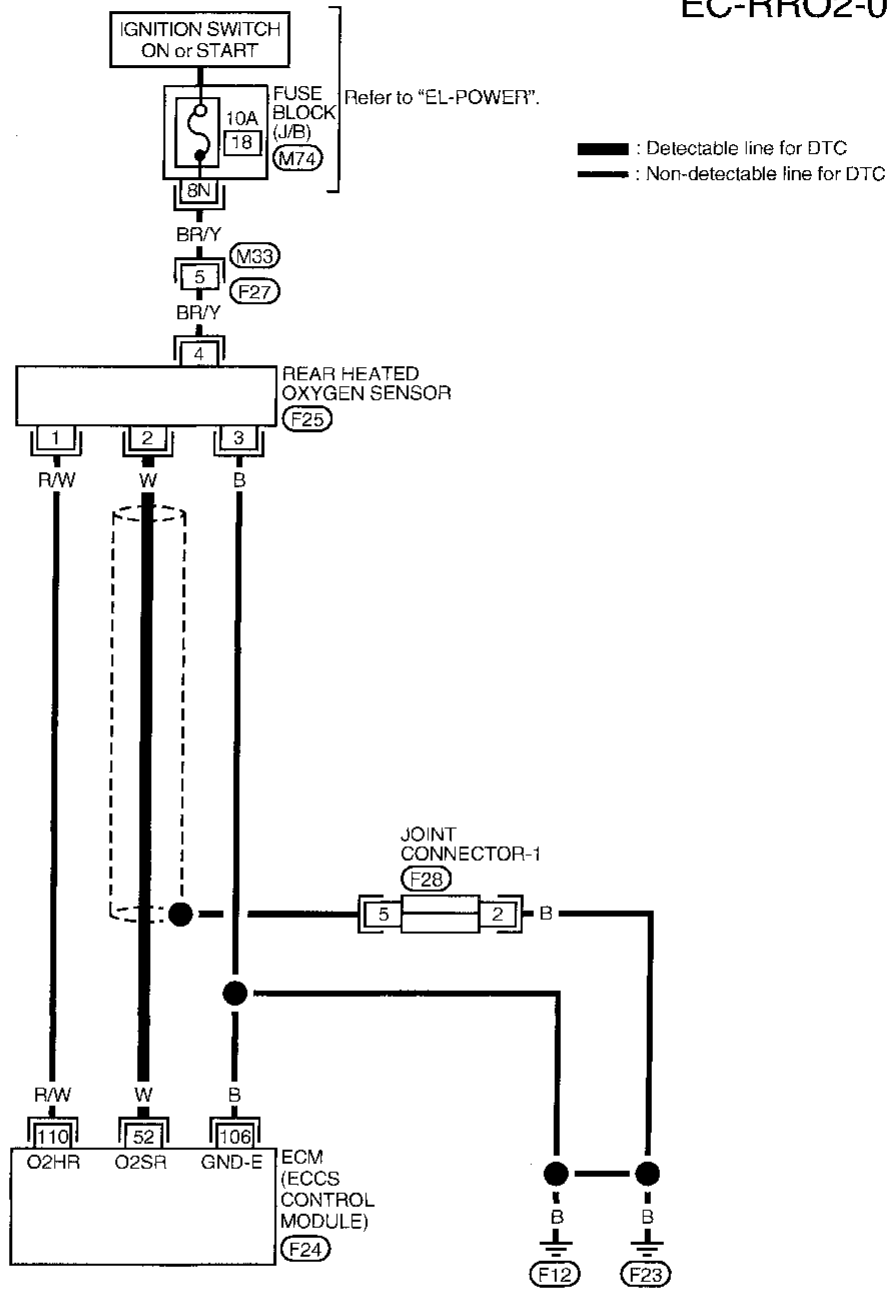
- 4) Keep vehicle at idling for 10 minutes, then check the voltage. Or check the voltage when coasting from 80 km/h (50 MPH) in 3rd gear position (M/T), D position (A/T).

**The voltage should be above 0.48V at least once during this procedure.**

# TROUBLE DIAGNOSIS FOR DTC P0138

## Rear Heated Oxygen Sensor (Max. Voltage Monitoring) (Rear HO2S) (Cont'd)

EC-RRO2-01



1	2	3	4	5	6	7	8				
9	10	11	12	13	14	15	16	17	18	19	20

(M33) W

1N	2N	3N	4N	5N	6N	7N		
8N	9N	10N	11N	12N	13N	14N	15N	16N

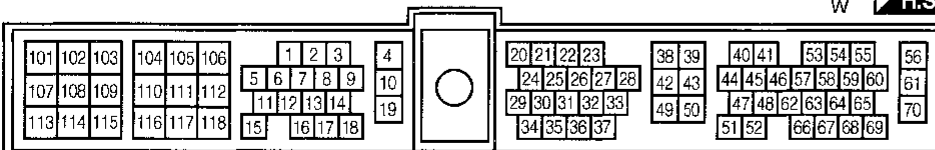
(M74) GY

1	2
3	4

(F25) GY

(F24) W
---------

H.S.

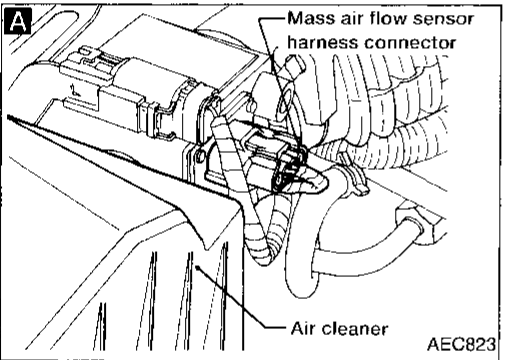
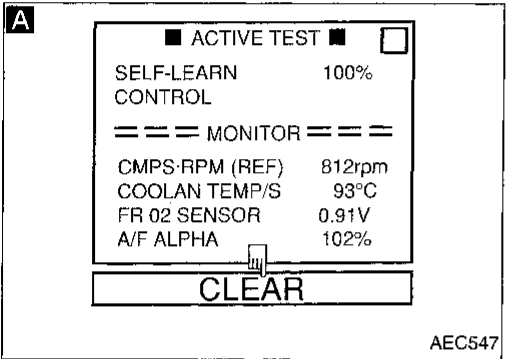
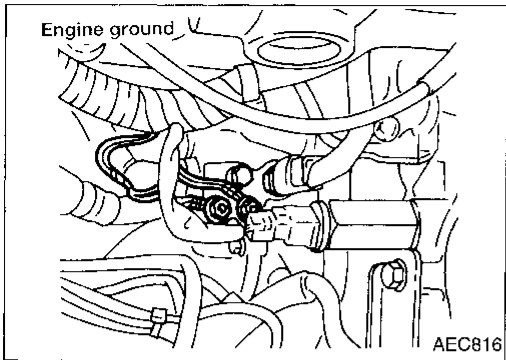


Refer to last page (Foldout page).

(F28)

# TROUBLE DIAGNOSIS FOR DTC P0138

## Rear Heated Oxygen Sensor (Max. Voltage Monitoring) (Rear HO2S) (Cont'd)



### DIAGNOSTIC PROCEDURE

INSPECTION START

1. Turn ignition switch "OFF".
2. Loosen and retighten engine ground screws.

**A**

**CLEAR THE SELF-LEARNING DATA**

1. Start engine and warm it up to normal operating temperature.
2. Select "SELF-LEARNING CONT" in "ACTIVE TEST" mode with CONSULT.
3. Clear the self-learning control coefficient by touching "CLEAR".
4. Run engine for at least 10 minutes at idle speed.

**Is the 1st trip DTC P0171 detected? Is it difficult to start engine?**

Yes  
Go to "TROUBLE DIAGNOSIS FOR DTC P0171", EC-219.

OR

2. Turn ignition switch "OFF".
3. Disconnect mass air flow sensor harness connector, and restart and run engine for at least 3 seconds at idle speed.
4. Stop engine and reconnect mass air flow sensor harness connector.
5. Make sure diagnostic trouble code No. 0102 is displayed in Diagnostic Test Mode II.
6. Erase the diagnostic test mode II (Self-diagnostic results) memory. Make sure diagnostic trouble code No. 0505 is displayed in Diagnostic Test Mode II.
7. Run engine for at least 10 minutes at idle speed.

**Is the 1st trip DTC 0115 detected? Is it difficult to start engine?**

No

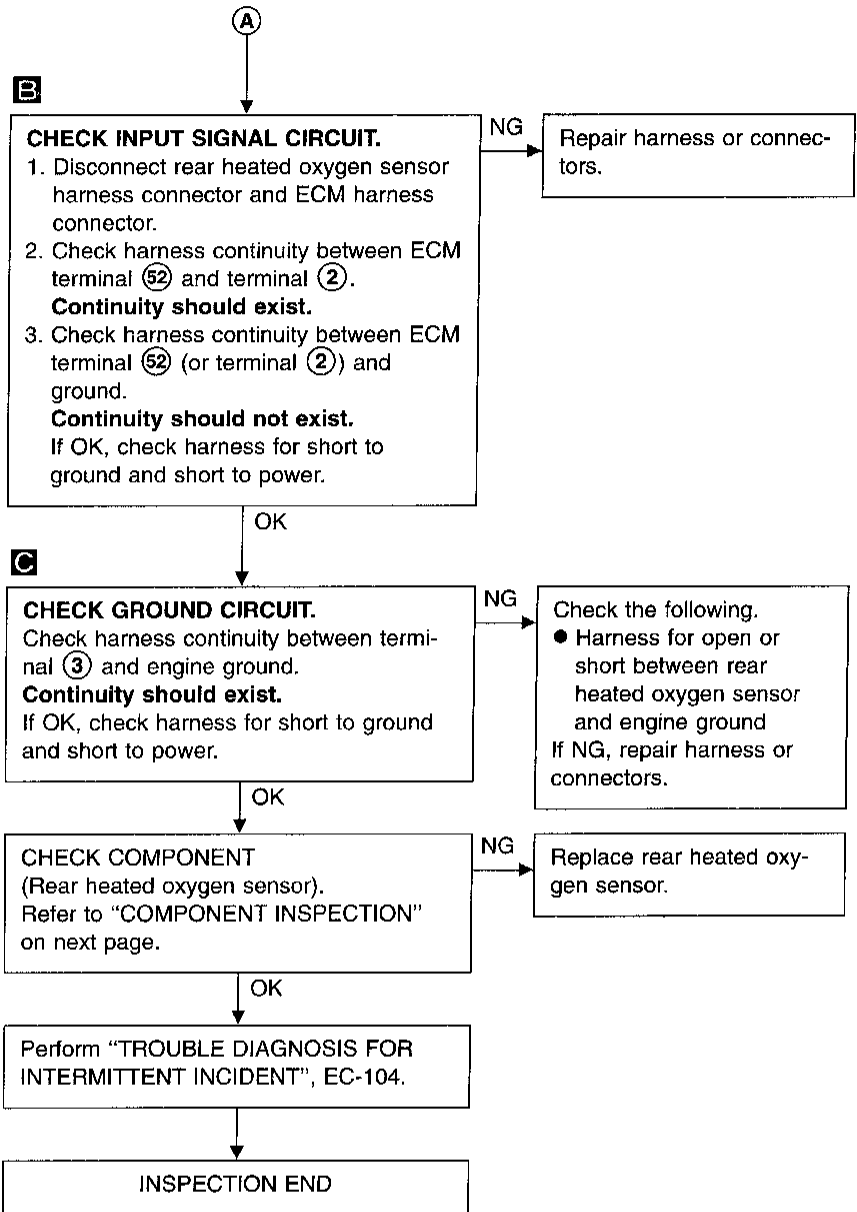
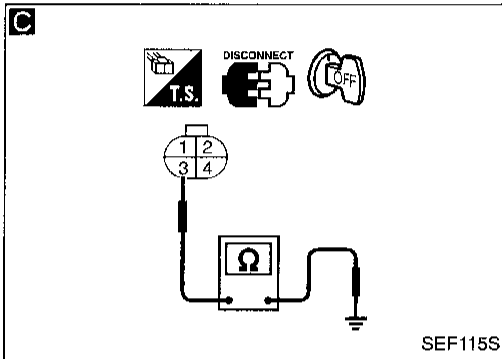
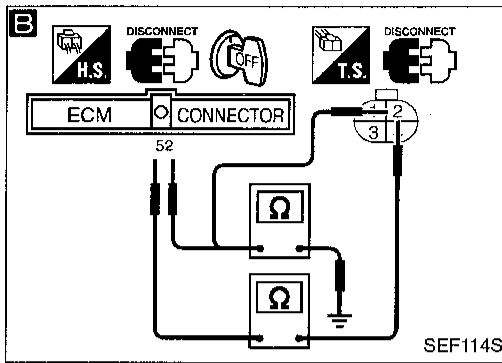
**A**

(Go to next page.)

GI  
MA  
EM  
LC  
EC  
FE  
CL  
MT  
AT  
FA  
RA  
BR  
ST  
RS  
BT  
HA  
EL  
IDX

# TROUBLE DIAGNOSIS FOR DTC P0138

## Rear Heated Oxygen Sensor (Max. Voltage Monitoring) (Rear HO2S) (Cont'd)



# TROUBLE DIAGNOSIS FOR DTC P0138

## Rear Heated Oxygen Sensor (Max. Voltage Monitoring) (Rear HO2S) (Cont'd)

### COMPONENT INSPECTION

#### Rear heated oxygen sensor

■ ACTIVE TEST ■

FUEL INJECTION      25%

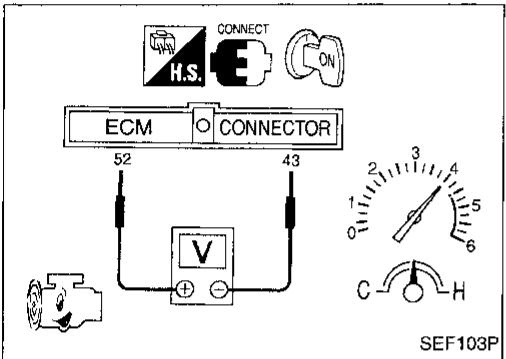
---

===== MONITOR =====

CMPS-RPM(REF)	725rpm
FR O2 SENSOR	0.94V
RR O2 SENSOR	1.89V
FR O2 MNTR	RICH
RR O2 MNTR	RICH

Qu
UP
DWN
Qd

SEF102P



- 1) Start engine and warm it up to normal operating temperature.
- 2) Select "FUEL INJECTION" in "ACTIVE TEST" mode, and select "RR O2 SENSOR" as the monitor item with CONSULT.
- 3) Check "RR O2 SENSOR" at idle speed when adjusting "FUEL INJECTION" to  $\pm 25\%$ .

**"RR O2 SENSOR" should be above 0.48V at least once when the "FUEL INJECTION" is +25%.**

**"RR O2 SENSOR" should be below 0.43V at least once when the "FUEL INJECTION" is -25%.**

OR

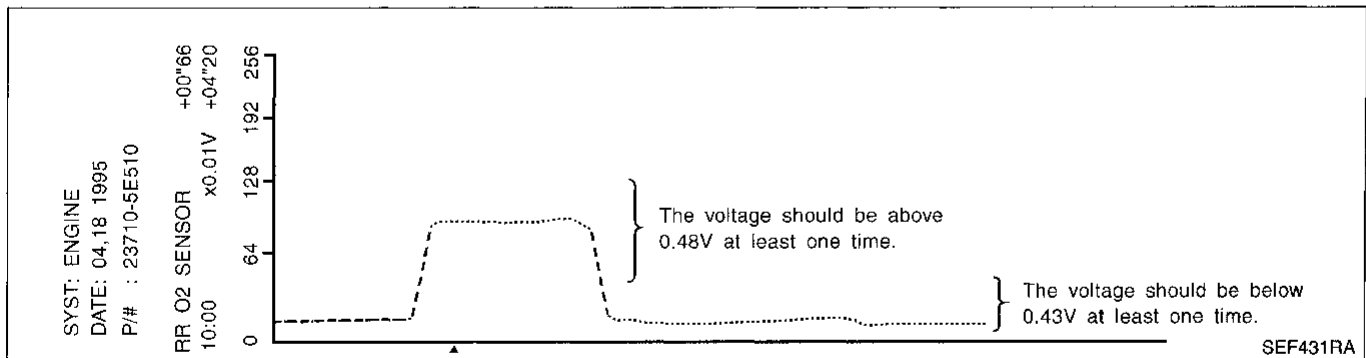


- 1) Start engine and warm it up to normal operating temperature.
- 2) Set voltmeter probes between ECM terminals ⑤② (sensor signal) and ④③ (engine ground).
- 3) Check the voltage when racing up to 4,000 rpm under no load at least 10 times. (Depress and release accelerator pedal as soon as possible.)

**The voltage should be above 0.48V at least once. If the voltage is above 0.48V at step 3, step 4 is not necessary.**

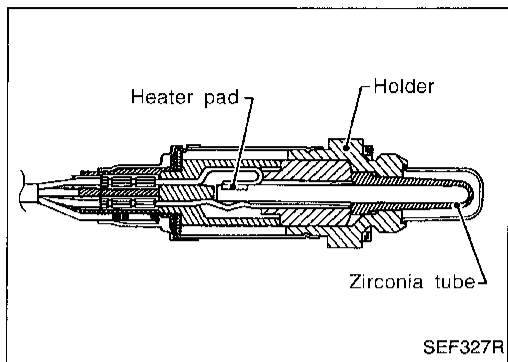
- 4) Check the voltage when racing up to 6,000 rpm under no load. Or keep vehicle at idling for 10 minutes, then check the voltage. Or check the voltage when coasting from 80 km/h (50 MPH) in 3rd gear position.

**The voltage should be below 0.43V at least once.**



GI  
MA  
EM  
LC  
EC  
FE  
CL  
MT  
AT  
FA  
RA  
BR  
ST  
RS  
BT  
HA  
EL  
IDX

## TROUBLE DIAGNOSIS FOR DTC P0139



### Rear Heated Oxygen Sensor (Response Monitoring) (Rear HO2S)

#### COMPONENT DESCRIPTION

The rear heated oxygen sensor (Rear HO2S), after three-way catalyst, monitors the oxygen level in the exhaust gas.

Even if switching characteristics of the front heated oxygen sensor are shifted, the air fuel ratio is controlled to stoichiometric, by the signal from the rear heated oxygen sensor.

This sensor is made of ceramic zirconia. The zirconia generates voltage from approximately 1V in richer conditions to 0V in leaner conditions.

Under normal conditions the rear heated oxygen sensor is not used for engine control operation.

#### CONSULT REFERENCE VALUE IN DATA MONITOR MODE

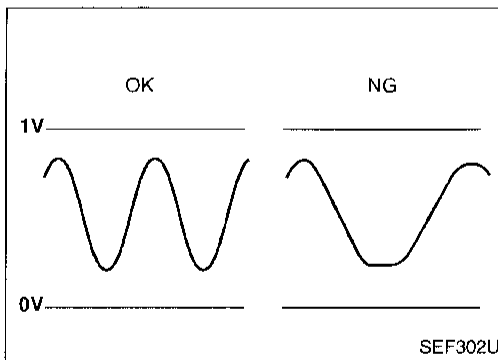
Specification data are reference values.

MONITOR ITEM	CONDITION	SPECIFICATION
RR O2 SENSOR	● Engine: After warming up Revsing engine from idle to 3,000 rpm	0 - 0.3V ↔ Approx. 0.6 - 1.0V
RR O2 MNTR		LEAN ↔ RICH

#### ECM TERMINALS AND REFERENCE VALUE

Specification data are reference values and are measured between each terminal and Ⓞ (ECCS ground).

TER-MINAL NO.	WIRE COLOR	ITEM	CONDITION	DATA (DC voltage)
52	W	Rear heated oxygen sensor	Engine is running. After warming up to normal operating temperature and revving engine from idle to 3,000 rpm	0 - Approximately 1.0V



#### ON BOARD DIAGNOSIS LOGIC

The rear heated oxygen sensor has a much longer switching time between rich and lean than the front heated oxygen sensor. The oxygen storage capacity before the three-way catalyst causes the longer switching time. To judge the malfunctions of rear heated oxygen sensor, ECM monitors whether the switching response of the sensor's voltage is faster than specified during various driving conditions such as fuel-cut.

Diagnostic Trouble Code No.	Malfunction is detected when ...	Check Items (Possible Cause)
P0139 0707	● It takes more time for the sensor to respond between rich and lean than the specified time.	<ul style="list-style-type: none"> <li>● Harness or connectors (The sensor circuit is open or shorted.)</li> <li>● Rear heated oxygen sensor</li> <li>● Fuel pressure</li> <li>● Injectors</li> <li>● Intake air leaks</li> </ul>

# TROUBLE DIAGNOSIS FOR DTC P0139

## Rear Heated Oxygen Sensor (Response Monitoring) (Rear HO2S) (Cont'd)

### DIAGNOSTIC TROUBLE CODE CONFIRMATION PROCEDURE

#### CAUTION:

Always drive vehicle at a safe speed.

#### NOTE:

- "COMPLETED" will appear on CONSULT screen when all tests "COND1", "COND2" and "COND3" are completed.
- If "DIAGNOSTIC TROUBLE CODE CONFIRMATION PROCEDURE" has been previously conducted, always turn ignition switch "OFF" and wait at least 5 seconds before conducting the next test.

#### TESTING CONDITION:

- Never stop engine during this test. If the engine is stopped, reperform this test from step 2).
- Always perform at a temperature above  $-10^{\circ}\text{C}$  ( $14^{\circ}\text{F}$ ).



#### Procedure for COND1

- 1) Start engine and warm it up to normal operating temperature.
- 2) Turn ignition switch "OFF" and wait at least 5 seconds.
- 3) Turn ignition switch "ON" and select "RR O2 SENSOR P0139" of "REAR O2 SENSOR" in "DTC WORK SUPPORT" mode with CONSULT.
- 4) Touch "START".
- 5) Start engine and let it idle for at least 30 seconds.
- 6) Rev engine up to 2,000 rpm 2 or 3 times quickly under no load.

If "COMPLETED" appears on CONSULT screen, go to step 10).

If "COMPLETED" does not appear on CONSULT screen, go to the following step.

- 7) When the following conditions are met, "TESTING" will be displayed at "COND1" on the CONSULT screen. Maintain the conditions continuously until "TESTING" changes to "COMPLETED". (It will take approximately 60 seconds.)

**CMPS-RPM (REF): 2,000 - 2,750 rpm**

**Vehicle speed: 64 - 120 km/h (40 - 75 MPH)**

**B/FUEL SCHDL: 0.75 - 4 ms**

**Selector lever: Suitable position**

#### NOTE:

- If "TESTING" is not displayed after 5 minutes, retry from step 2).
- If "COMPLETED" already appears at "COND2" on CONSULT screen before "Procedure for COND2" is conducted, it is unnecessary to conduct step 8).

#### Procedure for COND2

- 8) While driving, release accelerator pedal completely with "OD" OFF (A/T models only) from the above condition [step 7] until "INCOMPLETE" at "COND2" on CONSULT screen has turned to "COMPLETED". (It will take approximately 4 seconds.)

■ RR O2 SENSOR P0139 ■ <input type="checkbox"/>	
COND1: OUT OF COND	
COND2: INCOMPLETE	
COND3: INCOMPLETE	
===== MONITOR =====	
CMPS-RPM(REF)	912rpm
THRTL POS SEN	0.51V
B/FUEL SCHDL	1.0ms

SEF288U

■ RR O2 SENSOR P0139 ■ <input type="checkbox"/>	
COND1: <b>TESTING</b>	
COND2: INCOMPLETE	
COND3: INCOMPLETE	
===== MONITOR =====	
CMPS-RPM(REF)	1687rpm
THRTL POS SEN	0.94V
B/FUEL SCHDL	3.6ms

SEF289U

■ RR O2 SENSOR P0139 ■ <input type="checkbox"/>	
COND1: COMPLETED	
COND2: INCOMPLETE	
COND3: INCOMPLETE	
===== MONITOR =====	
CMPS-RPM(REF)	1687rpm
THRTL POS SEN	0.94V
B/FUEL SCHDL	3.6ms

SEF290U

■ RR O2 SENSOR P0139 ■ <input type="checkbox"/>	
COND1: COMPLETED	
COND2: COMPLETED	
COND3: INCOMPLETE	
===== MONITOR =====	
CMPS-RPM(REF)	1050rpm
THRTL POS SEN	0.51V
B/FUEL SCHDL	1.0ms

SEF291U

GI

MA

EM

LC

EC

FE

CL

MT

AT

FA

RA

BR

ST

RS

BT

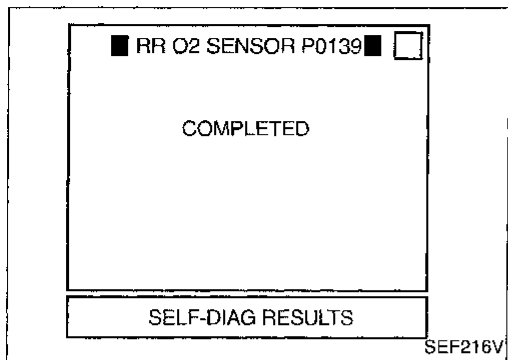
HA

EL

IDX

## TROUBLE DIAGNOSIS FOR DTC P0139

### Rear Heated Oxygen Sensor (Response Monitoring) (Rear HO2S) (Cont'd)



#### NOTE:

- If "TESTING" is not displayed after 5 minutes, retry from step 2).
- If "COMPLETED" already appears at "COND3" on CONSULT screen before "Procedure for COND3" is conducted, it is unnecessary to conduct step 9).

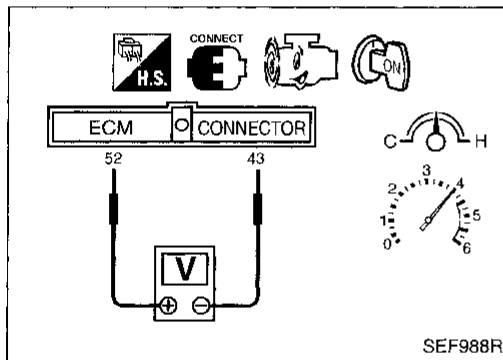
#### Procedure for COND3

- 9) Stop vehicle and let it idle until "INCOMPLETE" of "COND3" on CONSULT screen has turned to "COMPLETED". (It will take a maximum of approximately 6 minutes.)

#### NOTE:

If "TESTING" is not displayed after 5 minutes, retry from step 2).

- 10) Make sure that "OK" is displayed after touching "SELF-DIAG RESULTS".  
If "NG" is displayed, refer to "DIAGNOSTIC PROCEDURE", EC-208.



OR

### OVERALL FUNCTION CHECK

Use this procedure to check the overall function of the rear heated oxygen sensor circuit. During this check, a 1st trip DTC might not be confirmed.



- 1) Start engine and warm it up to normal operating temperature.
- 2) Set voltmeter probes between ECM terminals ⑤②(sensor signal) and ④③(engine ground).
- 3) Check the voltage when racing up to 4,000 rpm under no load at least 10 times.  
(Depress and release accelerator pedal as soon as possible.)

**The voltage should change at more than 0.06V for 1 second during this procedure.**

**If the voltage can be confirmed in step 3, step 4 is not necessary.**

- 4) Keep vehicle at idling for 10 minutes, then check the voltage. Or check the voltage when coasting from 80 km/h (50 MPH) in 3rd gear position (M/T), D position (A/T).

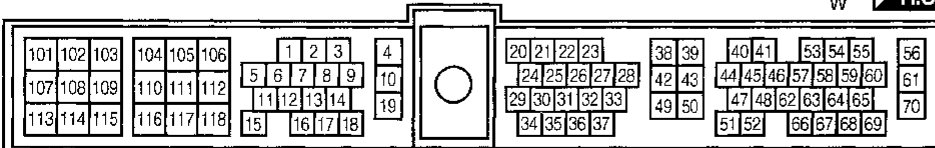
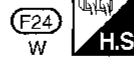
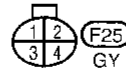
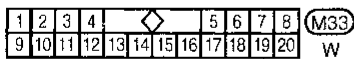
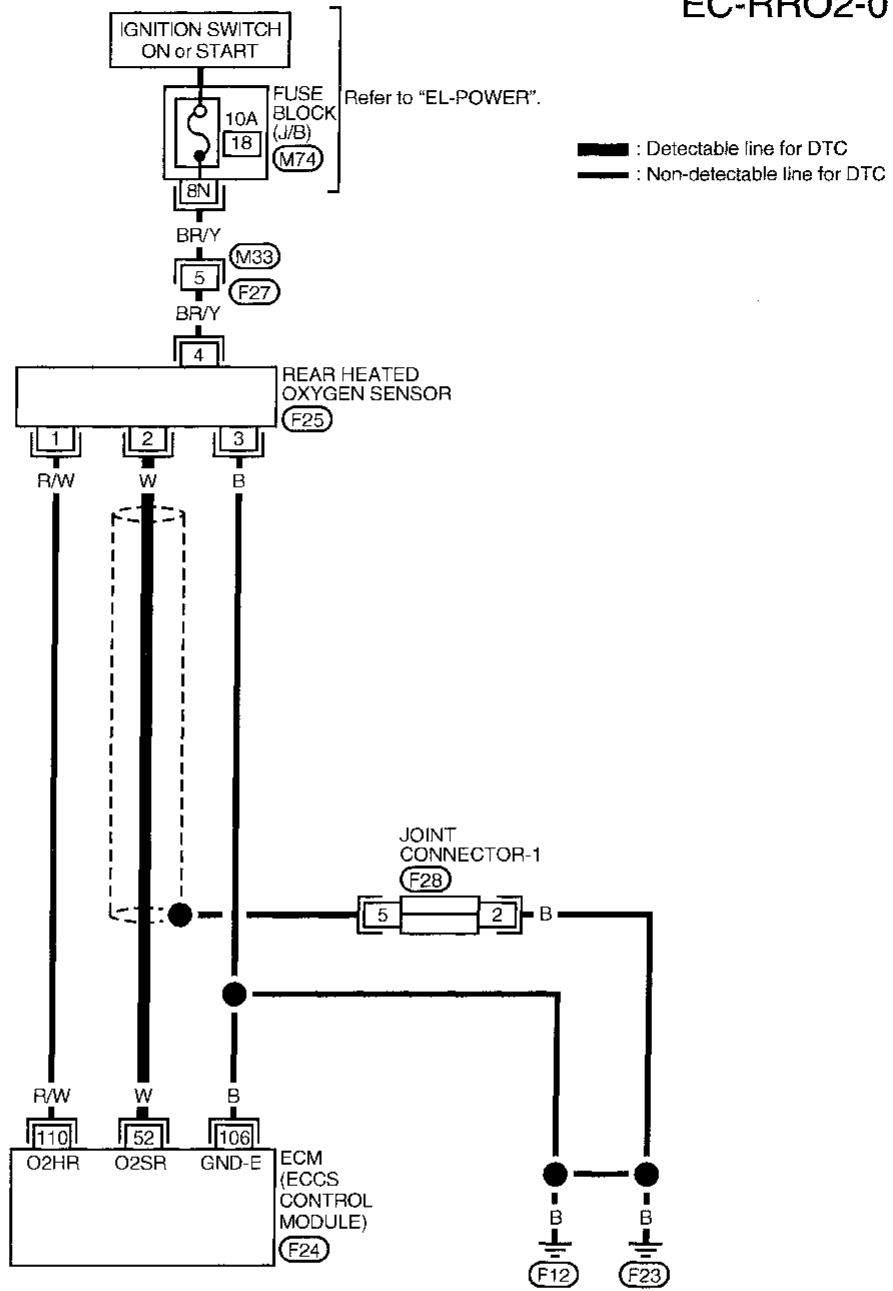
**The voltage should change at more than 0.06V for 1 second during this procedure.**



# TROUBLE DIAGNOSIS FOR DTC P0139

## Rear Heated Oxygen Sensor (Response Monitoring) (Rear HO2S) (Cont'd)

EC-RRO2-01



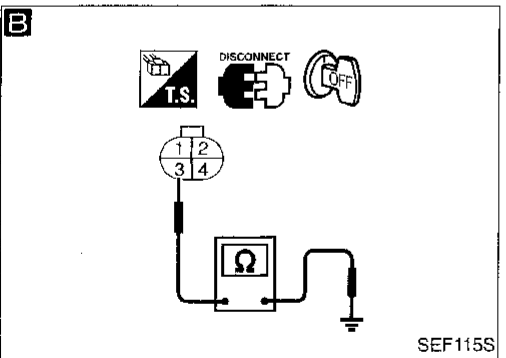
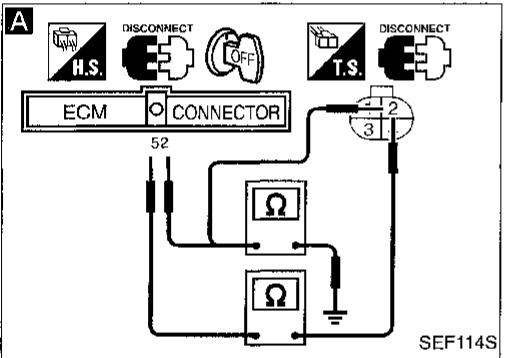
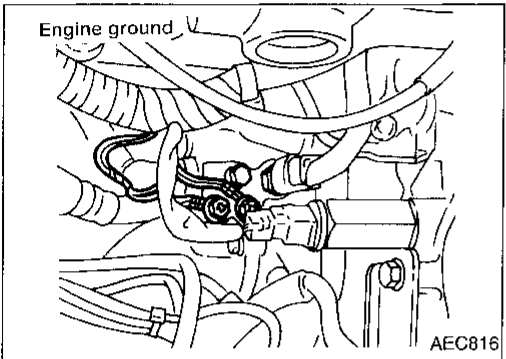
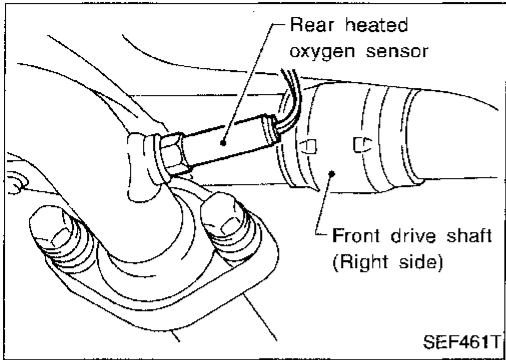
Refer to last page (Foldout page).

(F28)

# TROUBLE DIAGNOSIS FOR DTC P0139

## Rear Heated Oxygen Sensor (Response Monitoring) (Rear HO2S) (Cont'd)

### DIAGNOSTIC PROCEDURE



INSPECTION START

1. Turn ignition switch "OFF".
2. Loosen and retighten engine ground screws.

**A**

**CHECK INPUT SIGNAL CIRCUIT.**

1. Disconnect rear heated oxygen sensor RH harness connector and ECM harness connector.
2. Check harness continuity between ECM terminal (52) and terminal (2).  
**Continuity should exist.**
3. Check harness continuity between ECM terminal (52) (or terminal (2)) and ground.  
**Continuity should not exist.**  
If OK, check harness for short to ground and short to power.

NG → Repair harness or connectors.

OK

**B**

**CHECK GROUND CIRCUIT.**

Check harness continuity between terminal (3) and engine ground.  
**Continuity should exist.**  
If OK, check harness for short to ground and short to power.

NG → Check the following.  
● Harness for open or short between rear heated oxygen sensor and engine ground  
If NG, repair harness or connectors.

OK

**CHECK COMPONENT**  
(Rear heated oxygen sensor).  
Refer to "COMPONENT INSPECTION" on next page.

NG → Replace rear heated oxygen sensor.

OK

Perform "TROUBLE DIAGNOSIS FOR INTERMITTENT INCIDENT", EC-104.

INSPECTION END

# TROUBLE DIAGNOSIS FOR DTC P0139

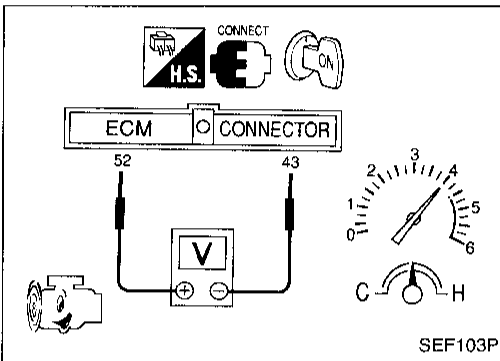
## Rear Heated Oxygen Sensor (Response Monitoring) (Rear HO2S) (Cont'd)

### COMPONENT INSPECTION

#### Rear heated oxygen sensor

■ ACTIVE TEST ■ □	
FUEL INJECTION	25%
===== MONITOR =====	
CMPS-RPM(REF)	725rpm
FR O2 SENSOR	0.94V
RR O2 SENSOR	1.89V
FR O2 MNTR	RICH
RR O2 MNTR	RICH
Qu	UP
DWN	Qd

SEF102P



- 1) Start engine and warm it up to normal operating temperature.
- 2) Select "FUEL INJECTION" in "ACTIVE TEST" mode, and select "RR O2 SENSOR" as the monitor item with CONSULT.
- 3) Check "RR O2 SENSOR" at idle speed when adjusting "FUEL INJECTION" to  $\pm 25\%$ .

"RR O2 SENSOR" should be above 0.48V at least once when the "FUEL INJECTION" is +25%.

"RR O2 SENSOR" should be below 0.43V at least once when the "FUEL INJECTION" is -25%.

OR

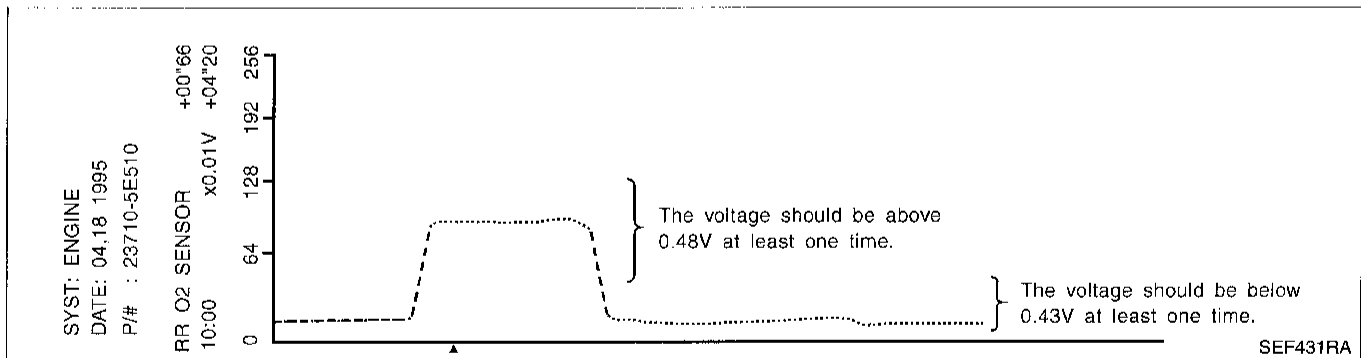


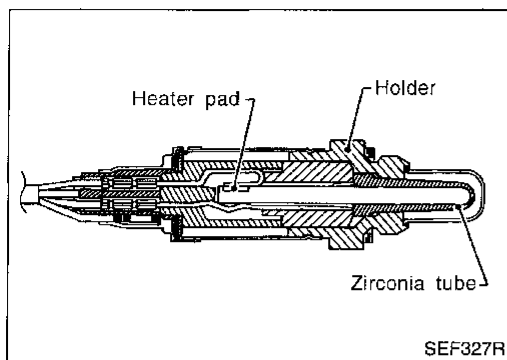
- 1) Start engine and warm it up to normal operating temperature.
- 2) Set voltmeter probes between ECM terminals ⑤② (sensor signal) and ④③ (engine ground).
- 3) Check the voltage when racing up to 4,000 rpm under no load at least 10 times. (Depress and release accelerator pedal as soon as possible.)

The voltage should be above 0.48V at least once. If the voltage is above 0.48V at step 3, step 4 is not necessary.

- 4) Check the voltage when racing up to 6,000 rpm under no load. Or keep vehicle at idling for 10 minutes, then check the voltage. Or check the voltage when coasting from 80 km/h (50 MPH) in 3rd gear position.

The voltage should be below 0.43V at least once.





## Rear Heated Oxygen Sensor (High Voltage) (Rear HO2S)

### COMPONENT DESCRIPTION

The rear heated oxygen sensor (Rear HO2S), after three-way catalyst, monitors the oxygen level in the exhaust gas.

Even if switching characteristics of the front heated oxygen sensor are shifted, the air fuel ratio is controlled to stoichiometric, by the signal from the rear heated oxygen sensor.

This sensor is made of ceramic zirconia. The zirconia generates voltage from approximately 1V in richer conditions to 0V in leaner conditions.

Under normal conditions the rear heated oxygen sensor is not used for engine control operation.

### CONSULT REFERENCE VALUE IN DATA MONITOR MODE

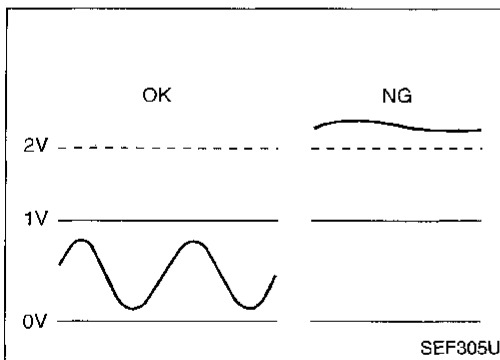
Specification data are reference values

MONITOR ITEM	CONDITION		SPECIFICATION
RR O2 SENSOR	● Engine: After warming up	Revving engine from idle to 3,000 rpm	0 - 0.3V ↔ Approx. 0.6 - 1.0V
RR O2 MNTR			LEAN ↔ RICH

### ECM TERMINALS AND REFERENCE VALUE

Specification data are reference values and are measured between each terminal and Ⓞ (ECCS ground).

TER-MINAL NO.	WIRE COLOR	ITEM	CONDITION	DATA (DC voltage)
52	W	Rear heated oxygen sensor	<div style="border: 1px solid black; padding: 2px;">Engine is running.</div> After warming up to normal operating temperature and revving engine from idle to 3,000 rpm	0 - Approximately 1.0V



### ON BOARD DIAGNOSIS LOGIC

The rear heated oxygen sensor has a much longer switching time between rich and lean than the front heated oxygen sensor. The oxygen storage capacity before the three-way catalyst causes the longer switching time. To judge the malfunctions of rear heated oxygen sensor, ECM monitors whether or not the voltage is too high during various driving conditions such as fuel-cut.

Diagnostic Trouble Code No.	Malfunction is detected when ...	Check Items (Possible Cause)
P0140 0512	● An excessively high voltage from the sensor is sent to ECM.	● Harness or connectors (The sensor circuit is open or shorted.) ● Rear heated oxygen sensor

## TROUBLE DIAGNOSIS FOR DTC P0140

### Rear Heated Oxygen Sensor (High Voltage) (Rear HO2S) (Cont'd)

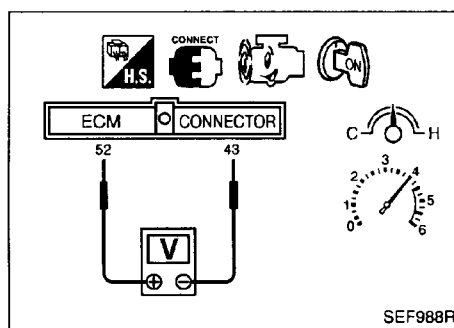
#### DIAGNOSTIC TROUBLE CODE CONFIRMATION PROCEDURE

##### NOTE:

If "DIAGNOSTIC TROUBLE CODE CONFIRMATION PROCEDURE" has been previously conducted, always turn ignition switch "OFF" and wait at least 5 seconds before conducting the next test.

☆ MONITOR	☆ NO FAIL	<input type="checkbox"/>
CMPS•RPM(REF)	2040rpm	
COOLAN TEMP/S	82°C	
VHCL SPEED SE	76km/h	
B/FUEL SCHDL	2.5ms	
<b>RECORD</b>		

SEF346U



- 1) Turn ignition switch "ON" and select "DATA MONITOR" mode with CONSULT.

- 2) Meet the following conditions once.

<b>CMPS•RPM (REF): 1,900 - 2,600 rpm (A/T)</b> <b>2,000 - 2,900 rpm (M/T)</b> <b>VHCL SPEED SE: 64 - 100 km/h (40 - 62 MPH)</b> <b>B/FUEL SCHDL: 0.8 - 4.0 msec (M/T)</b> <b>1.0 - 4.5 msec (A/T)</b>
---

**COOLAN TEMP/S: 70 - 100°C (158 - 212°F)**

**Selector lever: Suitable position**

- 3) Stop vehicle with engine running.

OR

#### OVERALL FUNCTION CHECK

Use this procedure to check the overall function of the rear heated oxygen sensor circuit. During this check, a 1st trip DTC might not be confirmed.

- 1) Start engine and warm it up to normal operating temperature.
- 2) Set voltmeter probes between ECM terminals ⑤② (sensor signal) and ④③ (engine ground).
- 3) Check the voltage after racing up to 4,000 rpm under no load at least 10 times.  
(Depress and release accelerator pedal as soon as possible.)  
**The voltage should be below 2V during this procedure.**

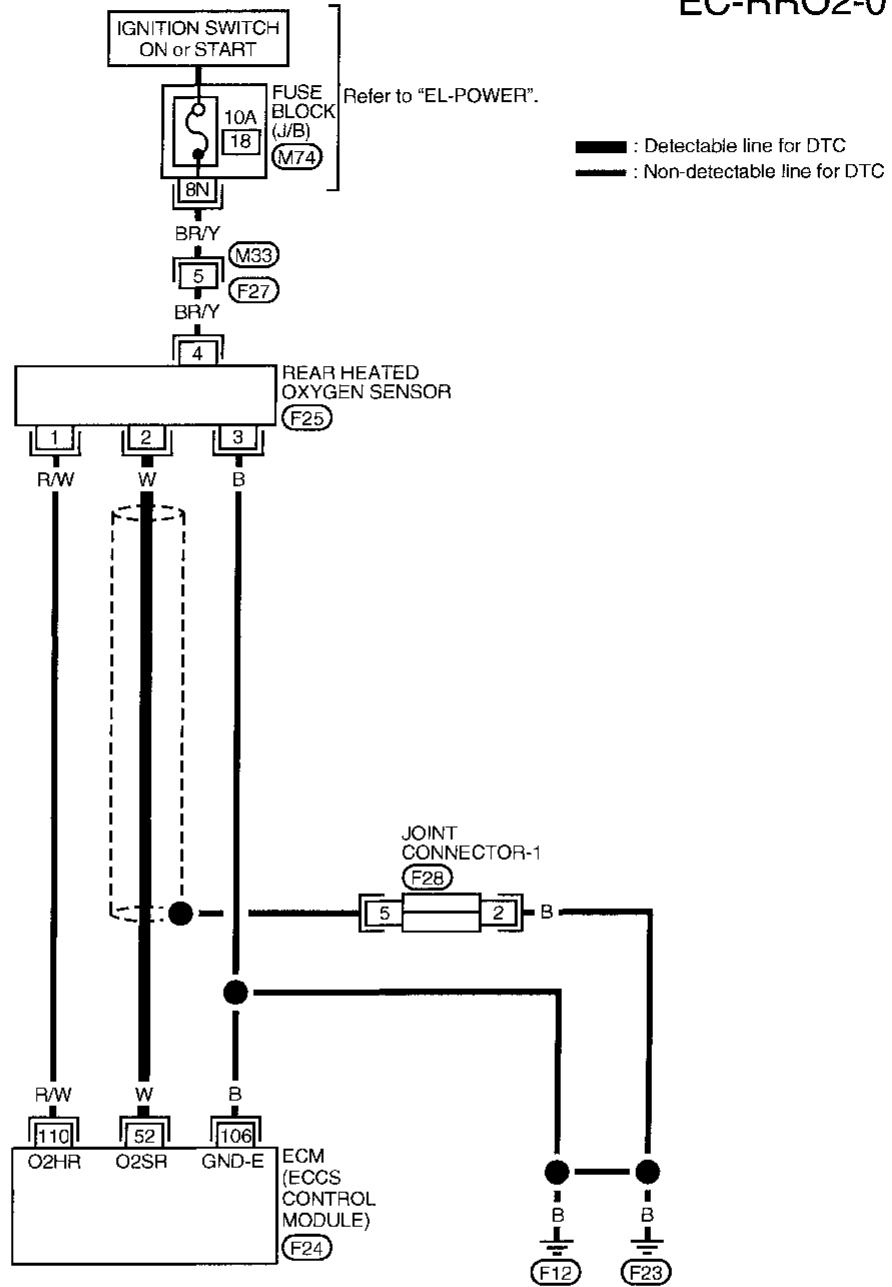
SMA98-148	'98 SENTRA/200SX	AUGUST 1997(05)	SM8E-OB14UO
-----------	------------------	-----------------	-------------

← ARROW INDICATES AMENDED INFORMATION

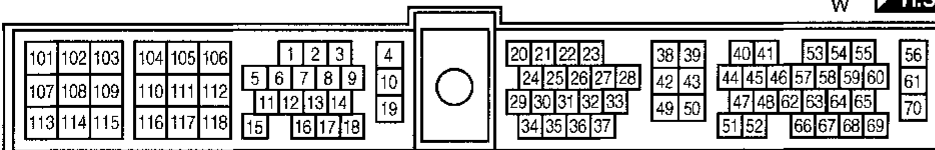
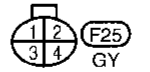
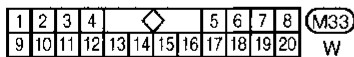
# TROUBLE DIAGNOSIS FOR DTC P0140

## Rear Heated Oxygen Sensor (High Voltage) (Rear HO2S) (Cont'd)

EC-RRO2-01



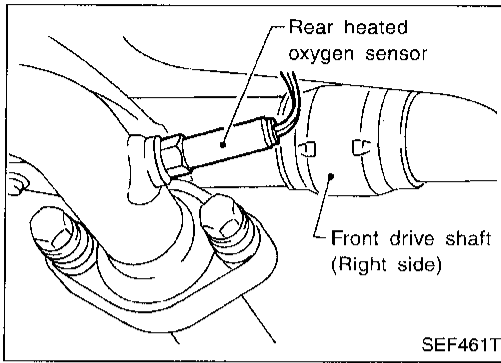
Refer to last page (Foldout page).



# TROUBLE DIAGNOSIS FOR DTC P0140

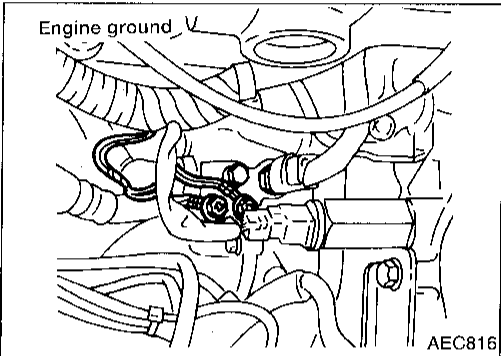
## Rear Heated Oxygen Sensor (High Voltage) (Rear HO2S) (Cont'd)

### DIAGNOSTIC PROCEDURE



INSPECTION START

1. Turn ignition switch "OFF".
2. Loosen and retighten engine ground screws.

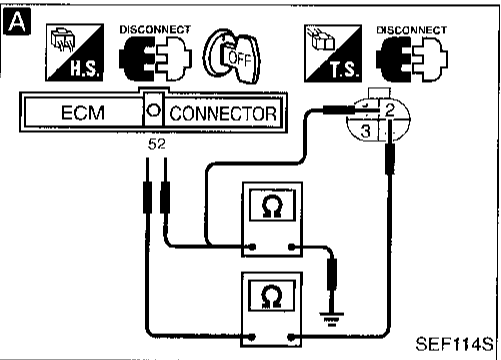


**A**

**CHECK INPUT SIGNAL CIRCUIT.**

1. Disconnect rear heated oxygen sensor RH harness connector and ECM harness connector.
2. Check harness continuity between ECM terminal (52) and terminal (2).  
**Continuity should exist.**
3. Check harness continuity between ECM terminal (52) (or terminal (2)) and ground.  
**Continuity should not exist.**  
If OK, check harness for short to ground and short to power.

NG → Repair harness or connectors.



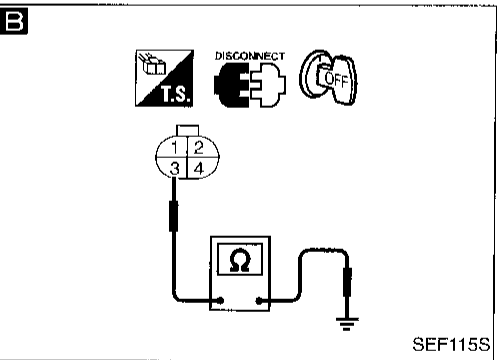
OK

**B**

**CHECK GROUND CIRCUIT.**

Check harness continuity between terminal (3) and engine ground.  
**Continuity should exist.**  
If OK, check harness for short to ground and short to power.

NG → Check the following.  
● Harness for open or short between rear heated oxygen sensor and engine ground  
If NG, repair harness or connectors.



OK

**CHECK COMPONENT**  
(Rear heated oxygen sensor).

1. Turn ignition switch "OFF".
2. Disconnect sensor harness connector and check for water.  
**Water should not exist.**  
If OK, go to step 3.
3. Check rear heated oxygen sensor.  
Refer to "COMPONENT INSPECTION" on next page.

NG → Repair or replace harness and/or connectors or replace rear heated oxygen sensor.

OK

Perform "TROUBLE DIAGNOSIS FOR INTERMITTENT INCIDENT", EC-104.

INSPECTION END

CI  
MA  
EM  
LC  
EC  
FE  
CL  
MT  
AT  
FA  
RA  
BR  
ST  
RS  
BT  
HA  
EL  
IDX

# TROUBLE DIAGNOSIS FOR DTC P0140

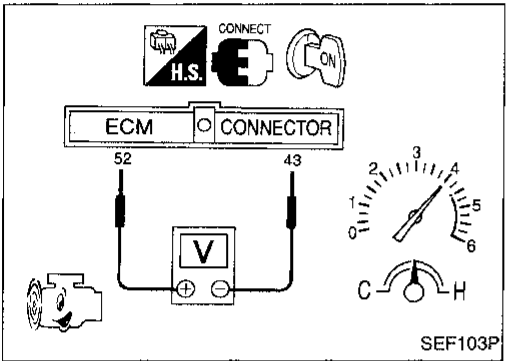
## Rear Heated Oxygen Sensor (High Voltage) (Rear HO2S) (Cont'd)

### COMPONENT INSPECTION

#### Rear heated oxygen sensor

<input checked="" type="checkbox"/> ACTIVE TEST <input type="checkbox"/>	
FUEL INJECTION	25%
===== MONITOR =====	
CMPS•RPM(REF)	725rpm
FR O2 SENSOR	0.94V
RR O2 SENSOR	1.89V
FR O2 MNTR	RICH
RR O2 MNTR	RICH
Qu	UP
DWN	Qd

SEF102P



- 1) Start engine and warm it up to normal operating temperature.
- 2) Select "FUEL INJECTION" in "ACTIVE TEST" mode, and select "RR O2 SENSOR" as the monitor item with CONSULT.
- 3) Check "RR O2 SENSOR" at idle speed when adjusting "FUEL INJECTION" to  $\pm 25\%$ .

"RR O2 SENSOR" should be above 0.48V at least once when the "FUEL INJECTION" is +25%.

"RR O2 SENSOR" should be below 0.43V at least once when the "FUEL INJECTION" is -25%.

OR

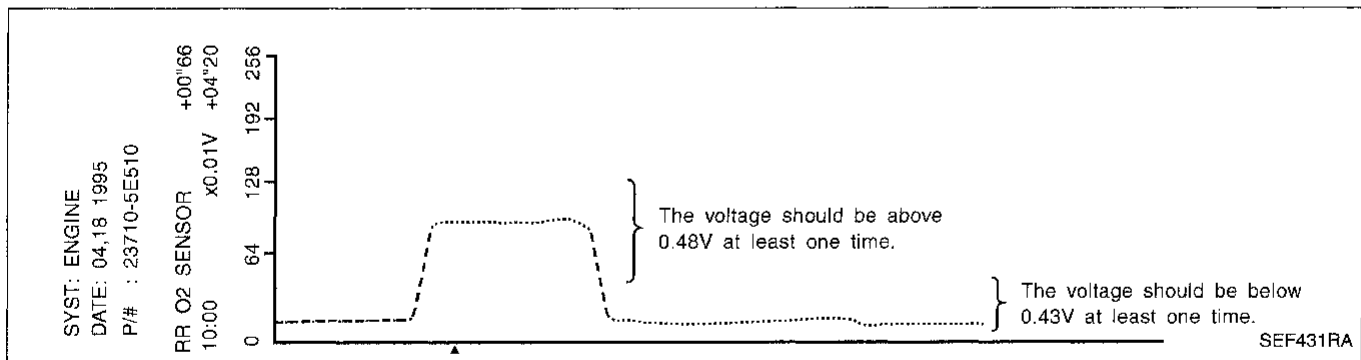


- 1) Start engine and warm it up to normal operating temperature.
- 2) Set voltmeter probes between ECM terminals ⑤② (sensor signal) and ④③ (engine ground).
- 3) Check the voltage when racing up to 4,000 rpm under no load at least 10 times. (Depress and release accelerator pedal as soon as possible.)

The voltage should be above 0.48V at least once. If the voltage is above 0.48V at step 3, step 4 is not necessary.

- 4) Check the voltage when racing up to 6,000 rpm under no load. Or keep vehicle at idling for 10 minutes, then check the voltage. Or check the voltage when coasting from 80 km/h (50 MPH) in 3rd gear position.

The voltage should be below 0.43V at least once.

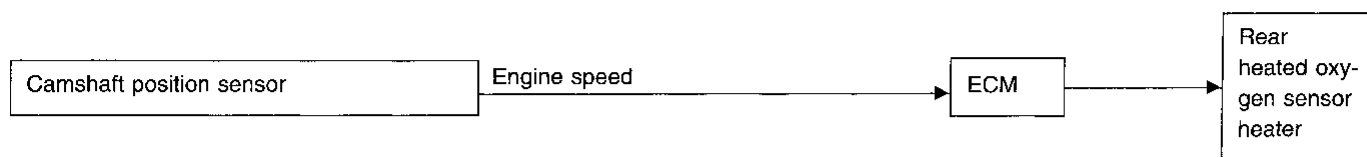




# TROUBLE DIAGNOSIS FOR DTC P0141

## Rear Heated Oxygen Sensor Heater

### SYSTEM DESCRIPTION



The ECM performs ON/OFF control of the rear heated oxygen sensor heater corresponding to the engine speed.

### OPERATION

Engine speed rpm	Rear heated oxygen sensor heater
Above 3,200	OFF
Below 3,200	ON

### CONSULT REFERENCE VALUE IN DATA MONITOR MODE

Specification data are reference values

MONITOR ITEM	CONDITION	SPECIFICATION
RR O2 HEATER	● Engine speed: Idle	ON
	● Engine speed: Above 3,200 rpm	OFF

### ECM TERMINALS AND REFERENCE VALUE

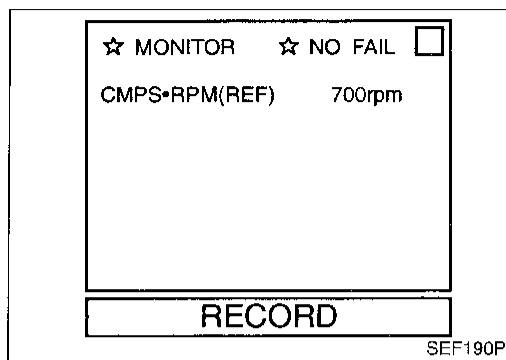
Specification data are reference values and are measured between each terminal and Ⓞ (ECCS ground).

TER-MINAL NO.	WIRE COLOR	ITEM	CONDITION	DATA (DC voltage)
110	R/W	Rear heated oxygen sensor heater	Engine is running. └ Engine speed is below 3,200 rpm.	Approximately 0V
			Engine is running. └ Engine speed is above 3,200 rpm.	BATTERY VOLTAGE (11 - 14V)

### ON BOARD DIAGNOSIS LOGIC

Diagnostic Trouble Code No.	Malfunction is detected when ....	Check Items (Possible Cause)
P0141 0902	<ul style="list-style-type: none"> <li>The current amperage in the rear heated oxygen sensor heater circuit is out of the normal range. (An improper voltage drop signal is sent to ECM through the rear heated oxygen sensor heater.)</li> </ul>	<ul style="list-style-type: none"> <li>Harness or connectors (The rear heated oxygen sensor heater circuit is open or shorted.)</li> <li>Rear heated oxygen sensor heater</li> </ul>

## TROUBLE DIAGNOSIS FOR DTC P0141



### Rear Heated Oxygen Sensor Heater (Cont'd)

#### DIAGNOSTIC TROUBLE CODE CONFIRMATION PROCEDURE

##### NOTE:

If "DIAGNOSTIC TROUBLE CODE CONFIRMATION PROCEDURE" has been previously conducted, always turn ignition switch "OFF" and wait at least 5 seconds before conducting the next test.

##### TESTING CONDITION:

Before performing the following procedure, confirm that battery voltage is between 10.5V and 16V at idle.



- 1) Turn ignition switch "ON" and select "DATA MONITOR" mode with CONSULT.
- 2) Start engine and run it for at least 5 seconds at idle speed.

OR



- 1) Start engine and run it for at least 5 seconds at idle speed.
- 2) Turn ignition switch "OFF" and wait at least 5 seconds.
- 3) Start engine and run it for at least 5 seconds at idle speed.
- 4) Select "MODE 3" with GST.

OR



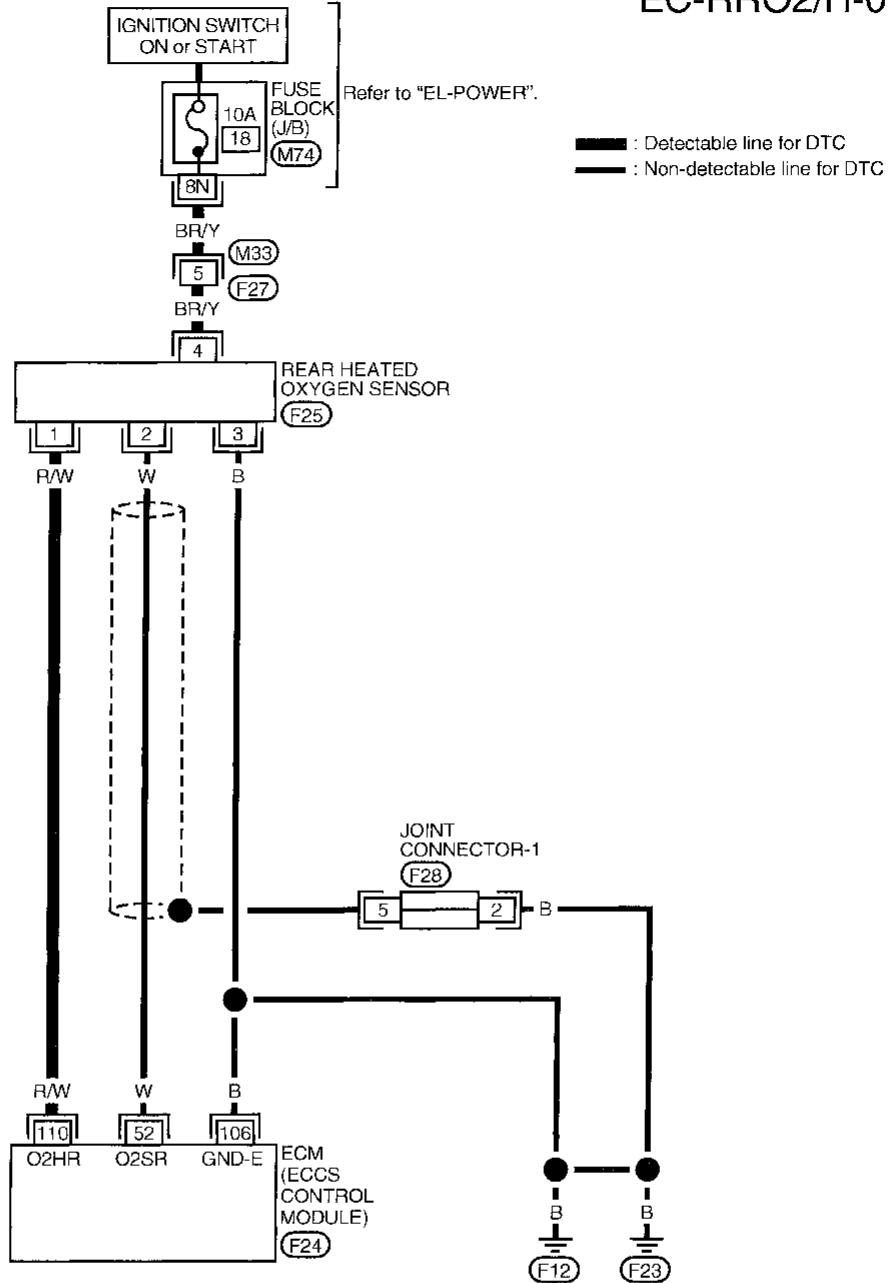
- 1) Start engine and run it for at least 5 seconds at idle speed.
- 2) Turn ignition switch "OFF", wait at least 5 seconds and then turn "ON".
- 3) Perform "Diagnostic Test Mode II (Self-diagnostic results)" with ECM.

When using GST, "DIAGNOSTIC TROUBLE CODE CONFIRMATION PROCEDURE" should be performed twice as much as when using CONSULT or ECM (Diagnostic Test Mode II) because GST cannot display MODE 7 (1st trip DTC) concerning this diagnosis. Therefore, using CONSULT or ECM (Diagnostic Test Mode II) is recommended.

# TROUBLE DIAGNOSIS FOR DTC P0141

## Rear Heated Oxygen Sensor Heater (Cont'd)

EC-RRO2/H-01



GI

WA

EM

LC

**EC**

FE

CL

MT

AT

FA

RA

BR

ST

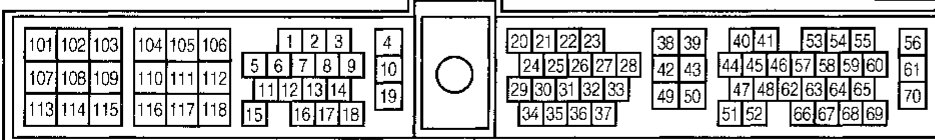
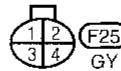
RS

BT

HA

EL

LDX

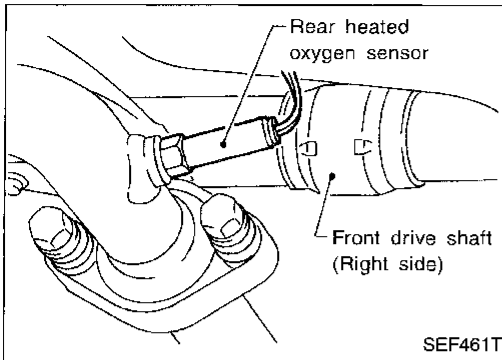


Refer to last page (Foldout page).

F28

# TROUBLE DIAGNOSIS FOR DTC P0141

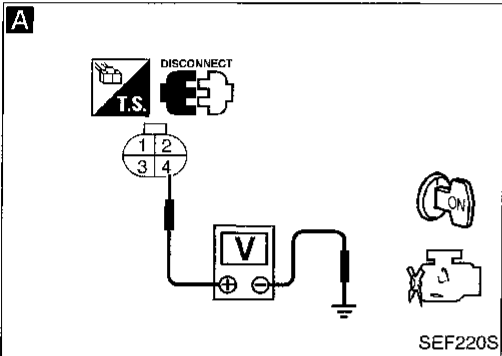
## Rear Heated Oxygen Sensor Heater (Cont'd) DIAGNOSTIC PROCEDURE



INSPECTION START

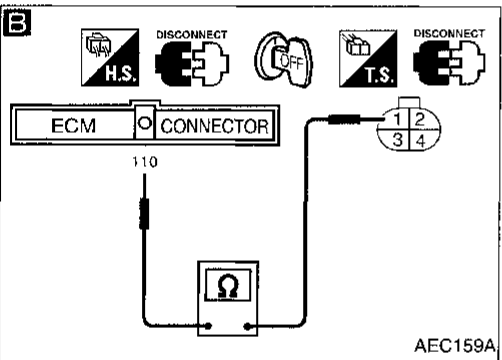
**A**  
**CHECK POWER SUPPLY.**  
1. Turn ignition switch "OFF".  
2. Disconnect rear heated oxygen sensor harness connector.  
3. Turn ignition switch "ON".  
4. Check voltage between terminal ④ and ground.  
**Voltage: Battery voltage**

NG → Check the following.  
● Harness connectors (F27, M33)  
● Harness for open or short between rear heated oxygen sensor and fuse  
If NG, repair harness or connectors.



**B**  
**CHECK GROUND CIRCUIT.**  
1. Turn ignition switch "OFF".  
2. Disconnect ECM harness connector.  
3. Check harness continuity between terminal ① and ECM terminal ⑪⑩.  
**Continuity should exist.**  
If OK, check harness for short to ground and short to power.

NG → Repair harness or connectors.



**CHECK COMPONENT**  
(Rear heated oxygen sensor heater). Refer to "COMPONENT INSPECTION" below.

NG → Replace rear heated oxygen sensor.

Perform "TROUBLE DIAGNOSIS FOR INTERMITTENT INCIDENT", EC-104.

INSPECTION END

### COMPONENT INSPECTION

#### Rear heated oxygen sensor heater

Check the following.

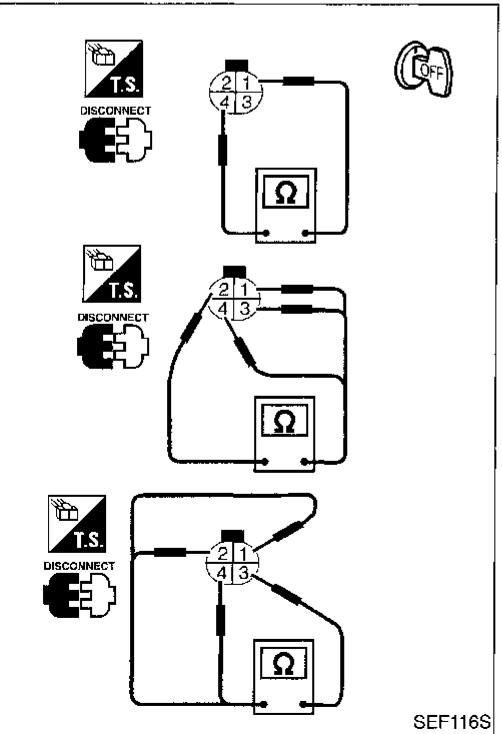
- Check resistance between terminals ① and ④.  
**Resistance: 2.3 - 4.3Ω at 25°C (77°F)**
- Check continuity.

Terminal No.	Continuity
② and ①, ③, ④	No
③ and ①, ②, ④	

If NG, replace the rear heated oxygen sensor.

#### CAUTION:

Discard any heated oxygen sensor which has been dropped from a height of more than 0.5 m (19.7 in) onto a hard surface such as a concrete floor; use a new one.

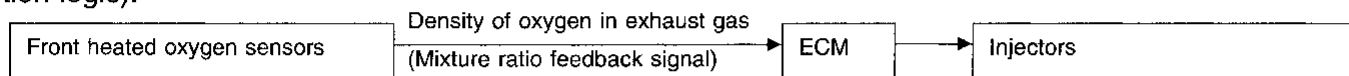


## Fuel Injection System Function (Lean side)

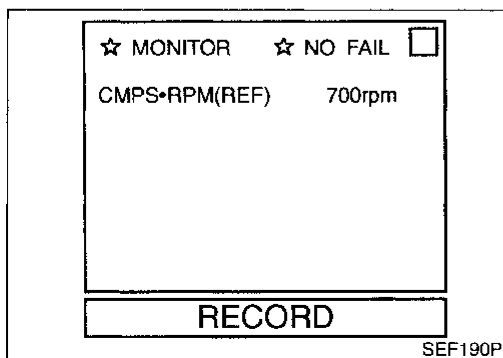
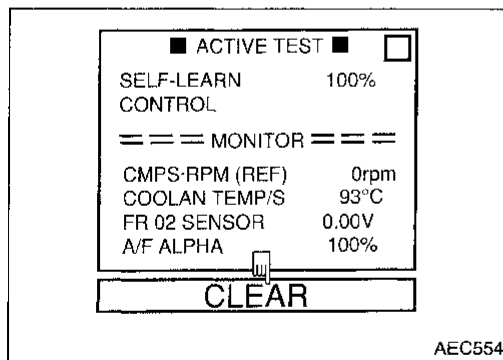
### ON BOARD DIAGNOSIS LOGIC

With the Air/Fuel Mixture Ratio Self-Learning Control, the actual mixture ratio can be brought closely to the theoretical mixture ratio based on the mixture ratio feedback signal from the front heated oxygen sensor. The ECM calculates the necessary compensation to correct the offset between the actual and the theoretical ratios.

In case the amount of the compensation value is extremely large (The actual mixture ratio is too lean.), the ECM judges the condition as the fuel injection system malfunction and light up the MIL (2 trip detection logic).



Diagnostic Trouble Code No.	Malfunction is detected when ...	Check Items (Possible Cause)
P0171 0115	<ul style="list-style-type: none"> <li>● Fuel injection system does not operate properly.</li> <li>● The amount of mixture ratio compensation is too large. (The mixture ratio is too lean.)</li> </ul>	<ul style="list-style-type: none"> <li>● Intake air leaks</li> <li>● Front heated oxygen sensor</li> <li>● Injectors</li> <li>● Exhaust gas leaks</li> <li>● Incorrect fuel pressure</li> <li>● Lack of fuel</li> <li>● Mass air flow sensor</li> </ul>



### DIAGNOSTIC TROUBLE CODE CONFIRMATION PROCEDURE

#### NOTE:

If "DIAGNOSTIC TROUBLE CODE CONFIRMATION PROCEDURE" has been previously conducted, always turn ignition switch "OFF" and wait at least 5 seconds before conducting the next test.



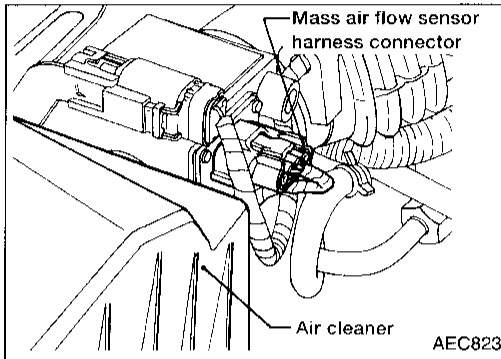
- 1) Start engine and warm it up to normal operating temperature.
- 2) Turn ignition switch "OFF" and wait at least 5 seconds.
- 3) Turn ignition switch "ON" and select "SELF-LEARN CONTROL" in "ACTIVE TEST" mode with CONSULT.
- 4) Clear the self-learning control coefficient by touching "CLEAR".
- 5) Select "DATA MONITOR" mode with CONSULT.
- 6) Start engine again and let it idle for at least 10 minutes.  
The 1st trip DTC P0171 should be detected at this stage, if a malfunction exists.

## TROUBLE DIAGNOSIS FOR DTC P0171

### Fuel Injection System Function (Lean side) (Cont'd)

- 7) If it is difficult to start engine at step 6, the fuel injection system has a malfunction.
- 8) Crank engine while depressing accelerator pedal. If engine starts, go to "DIAGNOSTIC PROCEDURE", EC-223. If engine does not start, visually check for exhaust and intake air leak.

OR



- 1) Start engine and warm it up to normal operating temperature.
- 2) Turn ignition switch "OFF" and wait at least 5 seconds.
- 3) Disconnect mass air flow sensor harness connector. Then restart and run engine for at least 3 seconds at idle speed.
- 4) Stop engine and reconnect mass air flow sensor harness connector.
- 5) Select "MODE 7" with GST. Make sure 1st trip DTC P0100 is detected.
- 6) Select "MODE 4" with GST and erase the 1st trip DTC P0100.
- 7) Start engine again and run it for at least 10 minutes at idle speed.
- 8) Select "MODE 7" with GST. The 1st trip DTC P0171 should be detected at this stage, if a malfunction exists.
- 9) If it is difficult to start engine at step 8, the fuel injection system has a malfunction.
- 10) Crank engine while depressing accelerator pedal. If engine starts, go to "DIAGNOSTIC PROCEDURE", EC-223. If engine does not start, visually check for exhaust and intake air leak.

OR



- 1) Start engine and warm it up to normal operating temperature.
- 2) Turn ignition switch "OFF" and wait at least 5 seconds.
- 3) Disconnect mass air flow sensor harness connector. Then restart and run engine for at least 3 seconds at idle speed.
- 4) Stop engine and reconnect mass air flow sensor harness connector.
- 5) Turn ignition switch "ON".
- 6) Perform Diagnostic Test Mode II (Self-diagnostic results) with ECM. Make sure 1st trip DTC 0102 is detected.
- 7) Erase the 1st trip DTC 0102 by changing from Diagnostic Test Mode II to Diagnostic Test Mode I.
- 8) Perform Diagnostic Test Mode II (Self-diagnostic results) with ECM. Make sure DTC 0505 is detected.
- 9) Start engine again and run it for at least 10 minutes at idle speed.  
The 1st trip DTC 0115 should be detected at this stage, if a malfunction exists.

## TROUBLE DIAGNOSIS FOR DTC P0171

### Fuel Injection System Function (Lean side) (Cont'd)

- 10) If it is difficult to start engine at step 9, the fuel injection system also has a malfunction.
- 11) Crank engine while depressing accelerator pedal. If engine starts, go to "DIAGNOSTIC PROCEDURE", EC-223. If engine does not start, visually check for exhaust and intake air leak.

GI

MA

EM

LC

**EC**

FE

CL

MT

AT

FA

RA

BR

ST

RS

BT

HA

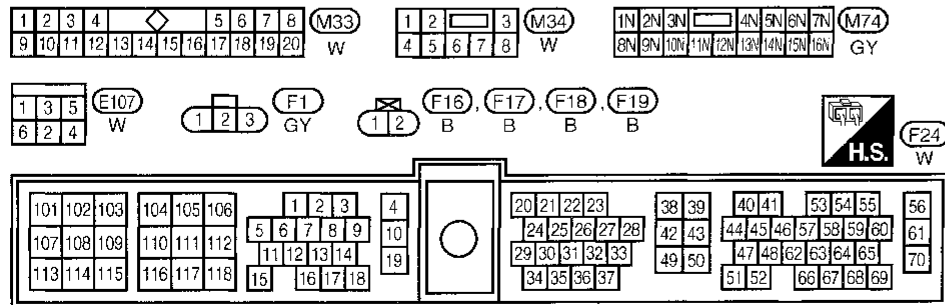
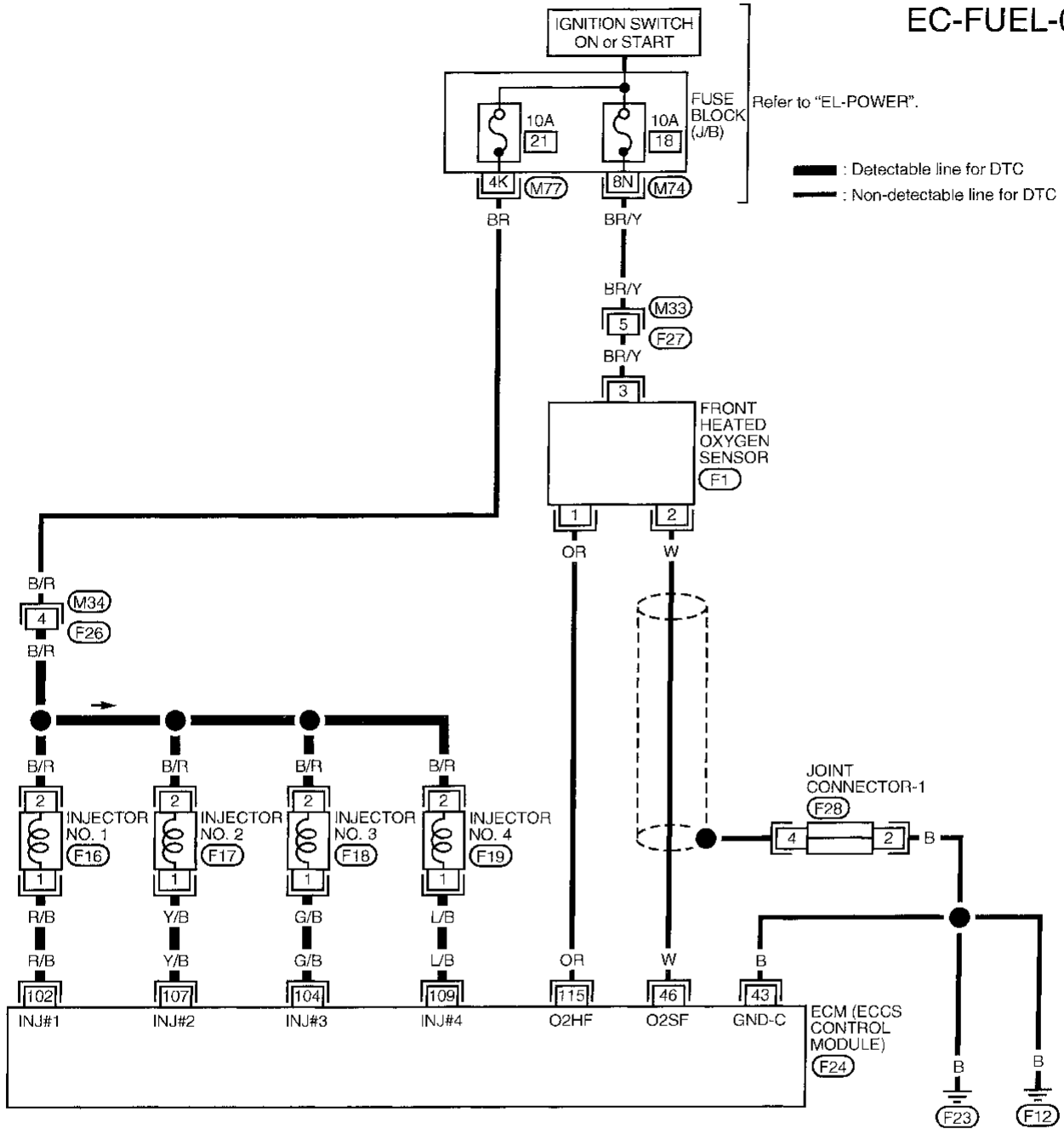
EL

IDX

# TROUBLE DIAGNOSIS FOR DTC P0171

## Fuel Injection System Function (Lean side) (Cont'd)

EC-FUEL-01



Refer to last page (Foldout page).

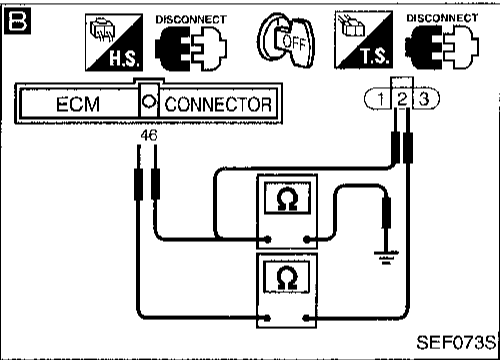
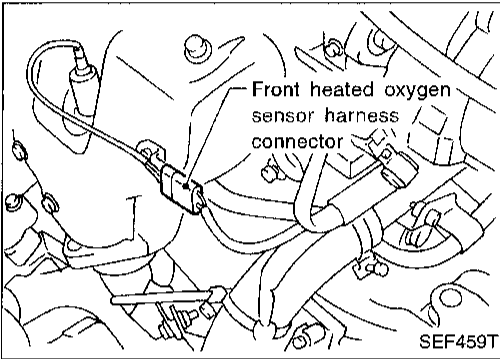
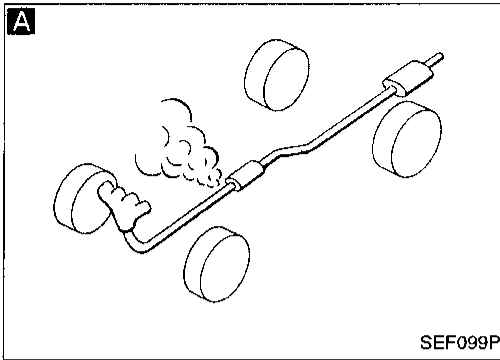
(M16), (E101)  
(F28)



# TROUBLE DIAGNOSIS FOR DTC P0171

## Fuel Injection System Function (Lean side) (Cont'd)

### DIAGNOSTIC PROCEDURE



INSPECTION START

**A**  
**CHECK EXHAUST AIR LEAK.**  
Start engine and run it at idle. Listen for an exhaust air leak before three-way catalyst.

NG → Repair or replace.

OK  
**CHECK FOR INTAKE AIR LEAK.**  
Start engine and run it at idle. Listen for an intake air leak between the mass air flow sensor and the intake manifold.

NG → Repair or replace.

**B**  
**CHECK FRONT HEATED OXYGEN SENSOR.**  
1. Turn ignition switch "OFF".  
2. Disconnect front heated oxygen sensor harness connector and ECM harness connector.  
3. Check harness continuity between ECM terminal (46) and terminal (2).  
**Continuity should exist.**  
4. Check harness continuity between ECM terminal (46) (or terminal (2)) and ground.  
**Continuity should not exist.**  
If OK, check harness for short to ground and short to power.

NG → Repair harness or connectors.

OK  
**CHECK FUEL PRESSURE.**  
1. Release fuel pressure to zero. Refer to EC-32.  
2. Install fuel pressure gauge and check fuel pressure.  
**At idling:**  
**When fuel pressure regulator valve vacuum hose is connected.**  
235 kPa  
(2.4 kg/cm<sup>2</sup>, 34 psi)  
**When fuel pressure regulator valve vacuum hose is disconnected.**  
294 kPa  
(3.0 kg/cm<sup>2</sup>, 43 psi)

NG → Check the following.  
● Fuel pump and circuit Refer to EC-465.  
● Fuel pressure regulator Refer to EC-33.  
● Fuel lines Refer to "ENGINE MAINTENANCE" in MA section.  
● Fuel filter for clogging  
If NG, repair or replace.

OK  
**CHECK MASS AIR FLOW SENSOR.**  
 Check "MASS AIR FLOW" in "DATA MONITOR" mode with CONSULT.  
1.0 - 4.0 g·m/sec: at idling  
5.0 - 10.0 g·m/sec: at 2,500 rpm  
OR  
 Check "MASS AIR FLOW" in MODE 1 with GST.  
1.0 - 4.0 g·m/sec: at idling  
5.0 - 10.0 g·m/sec: at 2,500 rpm  
OR  
 Check voltage between ECM terminal (47) and ground.  
1.0 - 1.7V: at idling  
1.5 - 2.1V: at 2,500 rpm

NG → Check connectors for rusted terminals or loose connections in the mass air flow sensor circuit or engine grounds. Refer to EC-115.

OK  
**A**  
(Go to next page.)

CI

MA

EM

LC

**EC**

FE

CL

MT

AT

FA

RA

BR

ST

RS

BT

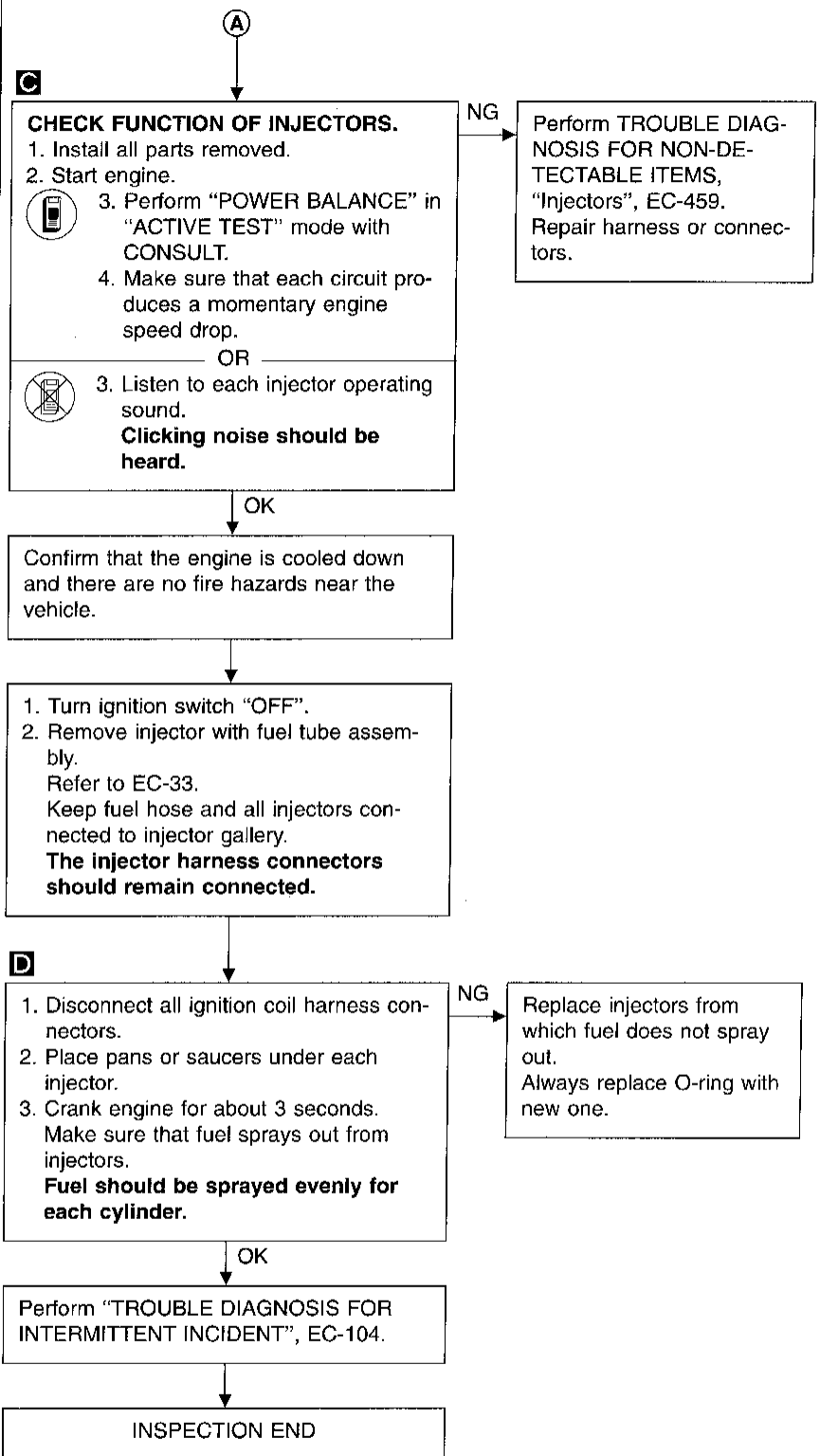
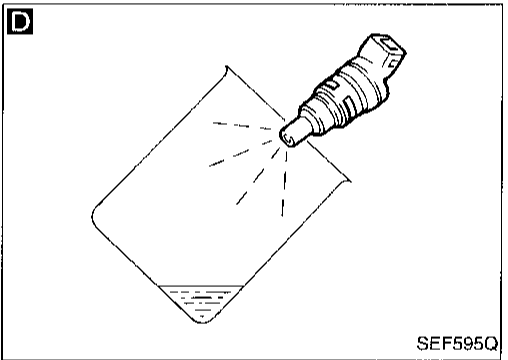
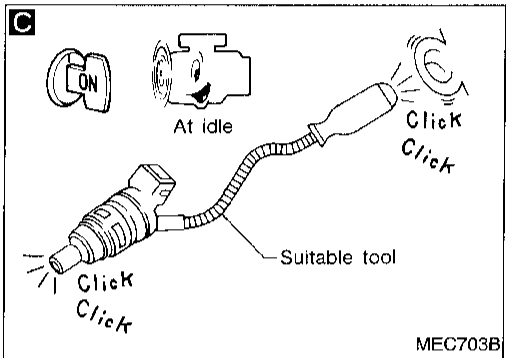
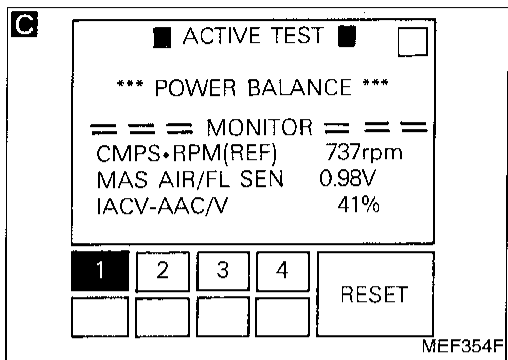
HA

EL

IDX

# TROUBLE DIAGNOSIS FOR DTC P0171

## Fuel Injection System Function (Lean side) (Cont'd)

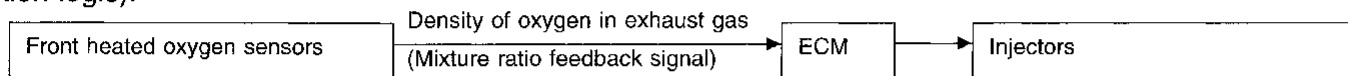


## Fuel Injection System Function (Rich side)

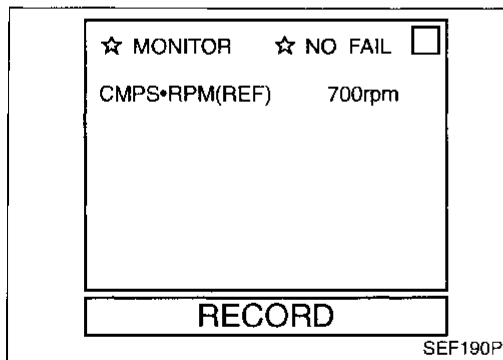
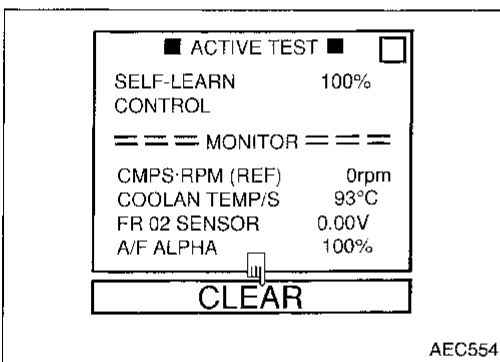
### ON BOARD DIAGNOSIS LOGIC

With the Air/Fuel Mixture Ratio Self-Learning Control, the actual mixture ratio can be brought closely to the theoretical mixture ratio based on the mixture ratio feedback signal from the front heated oxygen sensor. The ECM calculates the necessary compensation to correct the offset between the actual and the theoretical ratios.

In case the amount of the compensation value is extremely large (The actual mixture ratio is too rich.), the ECM judges the condition as the fuel injection system malfunction and light up the MIL (2 trip detection logic).



Diagnostic Trouble Code No.	Malfunction is detected when ...	Check Items (Possible Cause)
P0172 0114	<ul style="list-style-type: none"> <li>● Fuel injection system does not operate properly.</li> <li>● The amount of mixture ratio compensation is too large. (The mixture ratio is too rich.)</li> </ul>	<ul style="list-style-type: none"> <li>● Front heated oxygen sensor</li> <li>● Injectors</li> <li>● Exhaust gas leaks</li> <li>● Incorrect fuel pressure</li> <li>● Mass air flow sensor</li> </ul>



### DIAGNOSTIC TROUBLE CODE CONFIRMATION PROCEDURE

#### NOTE:

If "DIAGNOSTIC TROUBLE CODE CONFIRMATION PROCEDURE" has been previously conducted, always turn ignition switch "OFF" and wait at least 5 seconds before conducting the next test.

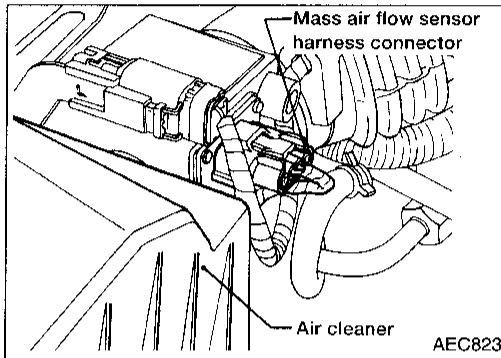
- 1) Start engine and warm it up to normal operating temperature.
  - 2) Turn ignition switch "OFF" and wait at least 5 seconds.
  - 3) Turn ignition switch "ON" and select "SELF-LEARN CONTROL" in "ACTIVE TEST" mode with CONSULT.
  - 4) Clear the self-learning control coefficient by touching "CLEAR".
  - 5) Select "DATA MONITOR" mode with CONSULT.
  - 6) Start engine again and let it idle for at least 10 minutes.
- The 1st trip DTC P0172 should be detected at this stage, if a malfunction exists.

## TROUBLE DIAGNOSIS FOR DTC P0172

### Fuel Injection System Function (Rich side) (Cont'd)

- 7) If it is difficult to start engine at step 6, the fuel injection system has a malfunction.
- 8) Crank engine while depressing accelerator pedal. If engine starts, go to "DIAGNOSTIC PROCEDURE", EC-229. If engine does not start, remove ignition plugs and check for fouling, etc.

OR



- 1) Start engine and warm it up to normal operating temperature.
- 2) Turn ignition switch "OFF" and wait at least 5 seconds.
- 3) Disconnect mass air flow sensor harness connector. Then restart and run engine for at least 3 seconds at idle speed.
- 4) Stop engine and reconnect mass air flow sensor harness connector.
- 5) Select "MODE 7" with GST. Make sure 1st trip DTC P0100 is detected.
- 6) Select "MODE 4" with GST and erase the 1st trip DTC P0100.
- 7) Start engine again and run it for at least 10 minutes at idle speed.
- 8) Select "MODE 7" with GST. The 1st trip DTC P0171 should be detected at this stage if a malfunction exists.
- 9) If it is difficult to start engine at step 8, the fuel injection system has a malfunction.
- 10) Crank engine while depressing accelerator pedal. If engine starts, go to "DIAGNOSTIC PROCEDURE", EC-223. If engine does not start, remove ignition plugs and check for fouling, etc.

OR



- 1) Start engine and warm it up to normal operating temperature.
- 2) Turn ignition switch "OFF" and wait at least 5 seconds.
- 3) Disconnect mass air flow sensor harness connector. Then restart engine and run it for at least 3 seconds at idle speed.
- 4) Stop engine and reconnect mass air flow sensor harness connector.
- 5) Turn ignition switch "ON".
- 6) Perform Diagnostic Test Mode II (Self-diagnostic results) with ECM. Make sure 1st trip DTC 0102 is detected.
- 7) Erase the 1st trip DTC 0102 by changing from Diagnostic Test Mode II to Diagnostic Test Mode I.
- 8) Perform Diagnostic Test Mode II (Self-diagnostic results) with ECM. Make sure DTC 0505 is detected.
- 9) Start engine again and run it for at least 10 minutes at idle speed.  
The 1st trip DTC 0114 should be detected at this stage if a malfunction exists.

## TROUBLE DIAGNOSIS FOR DTC P0172

### Fuel Injection System Function (Rich side) (Cont'd)

- 10) If it is difficult to start engine at step 9, the fuel injection system also has a malfunction.
- 11) Crank engine while depressing accelerator pedal. If engine starts, go to "DIAGNOSTIC PROCEDURE", EC-223. If engine does not start, remove ignition plugs and check for fouling, etc.

GI

MA

EM

LC

**EC**

FE

CL

MT

AT

FA

RA

BR

ST

RS

BT

HA

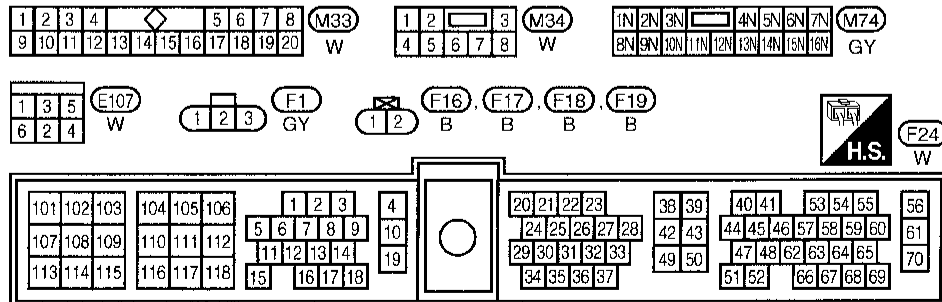
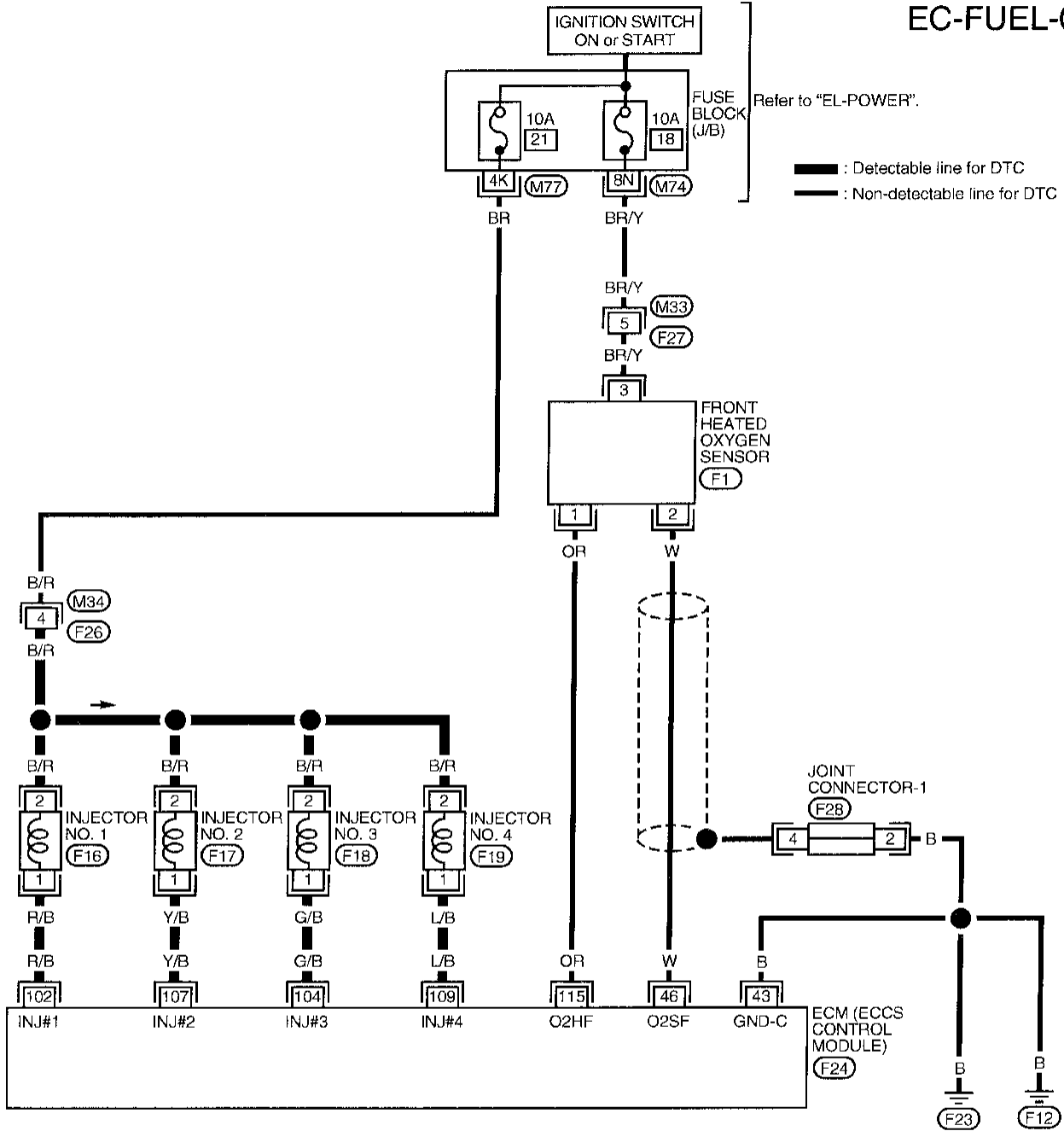
EL

IDX

# TROUBLE DIAGNOSIS FOR DTC P0172

## Fuel Injection System Function (Rich side) (Cont'd)

EC-FUEL-01



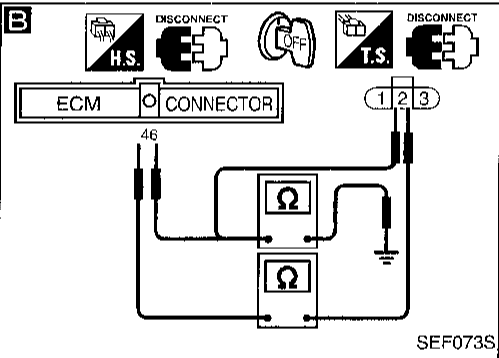
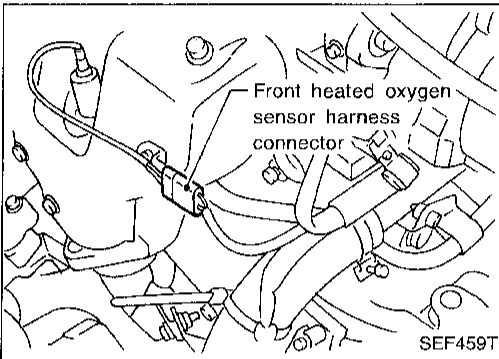
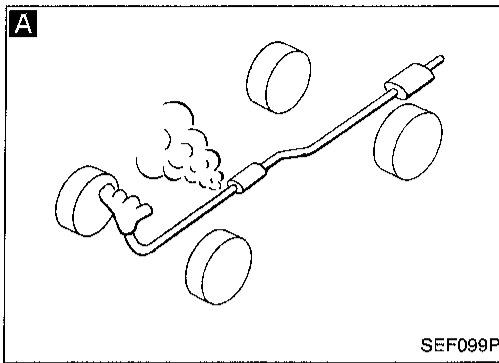
Refer to last page (Foldout page).

(M16) (E101)  
(F28)

# TROUBLE DIAGNOSIS FOR DTC P0172

## Fuel Injection System Function (Rich side) (Cont'd)

### DIAGNOSTIC PROCEDURE



INSPECTION START

**A**  
**CHECK FOR EXHAUST AIR LEAK.**  
Start engine and run it at idle. Listen for an exhaust air leak before the three-way catalyst.

NG → Repair or replace.

OK  
**B**  
**CHECK FRONT HEATED OXYGEN SENSOR.**  
1. Turn ignition switch "OFF".  
2. Disconnect front heated oxygen sensor RH harness connector and ECM harness connector.  
3. Check harness continuity between ECM terminal (46) and terminal (2).  
**Continuity should exist.**  
4. Check harness continuity between ECM terminal (46) (or terminal (2)) and ground.  
**Continuity should not exist.**  
If OK, check harness for short to ground and short to power.

NG → Repair harness or connectors.

OK  
**CHECK FUEL PRESSURE.**  
1. Release fuel pressure to zero. Refer to EC-32.  
2. Install fuel pressure gauge and check fuel pressure.  
**At idling:**  
**When fuel pressure regulator valve vacuum hose is connected.**  
**Approximately 235 kPa (2.4 kg/cm<sup>2</sup>, 34 psi)**  
**When fuel pressure regulator valve vacuum hose is disconnected.**  
**Approximately 294 kPa (3.0 kg/cm<sup>2</sup>, 43 psi)**

NG → Check the following.  
● Fuel pump and circuit Refer to EC-465.  
● Fuel pressure regulator Refer to EC-33.  
If NG, repair or replace.

OK  
**CHECK MASS AIR FLOW SENSOR.**  
 Check "MASS AIR FLOW" in "DATA MONITOR" mode with CONSULT.  
**1.0 - 4.0 g·m/sec: at idling**  
**5.0 - 10.0 g·m/sec: at 2,500 rpm**  
OR  
 Check "MASS AIR FLOW" in MODE 1 with GST.  
**1.0 - 4.0 g·m/sec: at idling**  
**5.0 - 10.0 g·m/sec: at 2,500 rpm**  
OR  
 Check voltage between ECM terminal (47) and ground.  
**1.0 - 1.7V: at idling**  
**1.5 - 2.1V: at 2,500 rpm**

NG → Check connectors for rusted terminals or loose connections in the mass air flow sensor circuit or engine grounds. Refer to EC-115.

OK  
**A**  
(Go to next page.)

GI

MA

EM

LC

**EC**

FE

CL

MT

AT

FA

RA

BR

ST

RS

BT

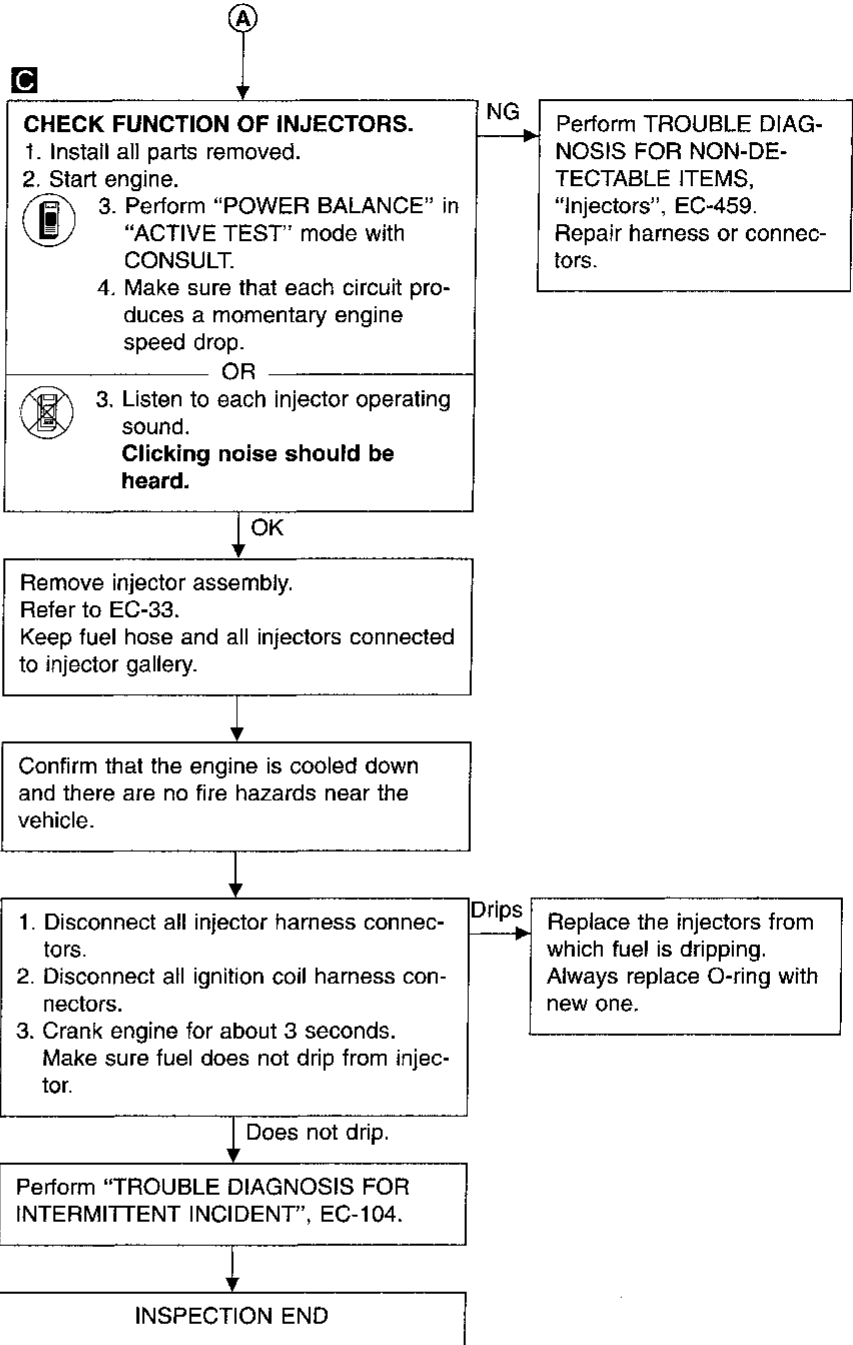
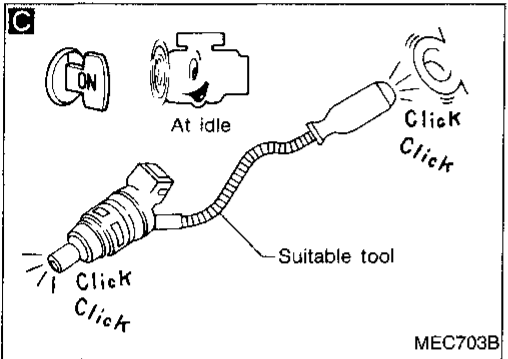
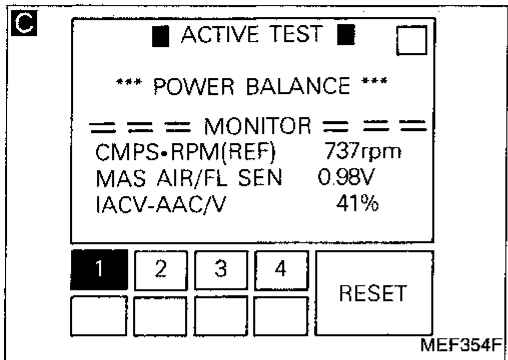
HA

EL

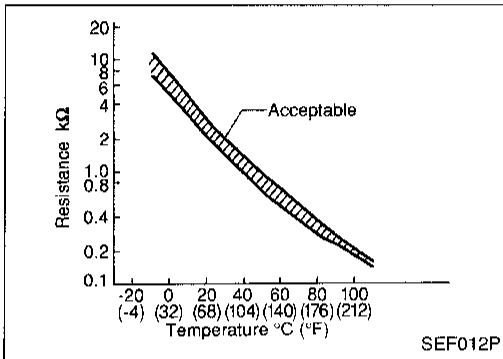
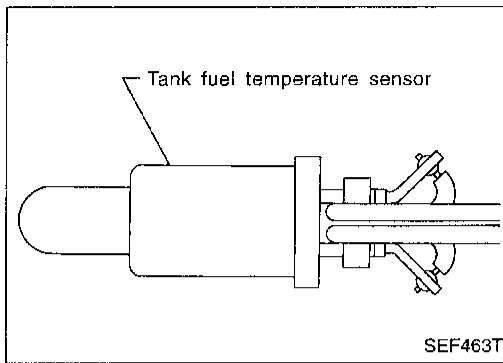
IDX

# TROUBLE DIAGNOSIS FOR DTC P0172

## Fuel Injection System Function (Rich side) (Cont'd)







## Tank Fuel Temperature Sensor

### COMPONENT DESCRIPTION

The tank fuel temperature sensor is used to detect the fuel temperature inside the fuel tank. The sensor modifies a voltage signal from the ECM. The modified signal returns to the ECM as the fuel temperature input. The sensor uses a thermistor which is sensitive to the change in temperature. The electrical resistance of the thermistor decreases as temperature increases.

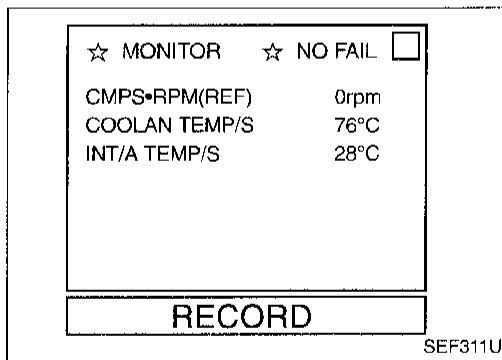
#### <Reference data>

Fluid temperature °C (°F)	Voltage* V	Resistance kΩ
20 (68)	3.5	2.3 - 2.7
50 (122)	2.2	0.79 - 0.90

\*: These data are reference values and are measured between ECM terminal ⑥③ (Tank fuel temperature sensor) and ECM terminal ④③ (ECCS ground).

### ON BOARD DIAGNOSIS LOGIC

Diagnostic Trouble Code No.	Malfunction is detected when ...	Check Items (Possible Causes)
P0180 0402	<ul style="list-style-type: none"> <li>An excessively high or low voltage is sent to ECM.</li> <li>Rationally incorrect voltage is sent to ECM, compared with the voltage signals from engine coolant temperature sensor and intake air temperature sensor.</li> </ul>	<ul style="list-style-type: none"> <li>Harness or connectors (The sensor circuit is open or shorted.)</li> <li>Tank fuel temperature sensor</li> </ul>



### DIAGNOSTIC TROUBLE CODE CONFIRMATION PROCEDURE

#### NOTE:

If "DIAGNOSTIC TROUBLE CODE CONFIRMATION PROCEDURE" has been previously conducted, always turn ignition switch "OFF" and wait at least 5 seconds before conducting the next test.



- Turn ignition switch "ON".
- Select "DATA MONITOR" mode with CONSULT.
- Wait at least 10 seconds.

If the result is NG, go to "DIAGNOSTIC PROCEDURE", EC-234.

If the result is OK, go to following step.

**NOTE: If "COOLAN TEMP/S" is already less than 90°C (194°F) before step 4), the result will be OK.**

**If "COOLAN TEMP/S" is above 90°C (194°F), go to the following step.**

- Cool engine down until "COOLAN TEMP/S" is less than 90°C (194°F).
- Wait at least 10 seconds.

## TROUBLE DIAGNOSIS FOR DTC P0180

### Tank Fuel Temperature Sensor (Cont'd)

OR



- 1) Turn ignition switch "ON" and wait at least 10 seconds.
- 2) Select "MODE 7" with GST.  
If the result is NG, go to "DIAGNOSTIC PROCEDURE", EC-234.  
If the result is OK, go to following step.
- 3) Select "MODE 1" with GST and check for the engine coolant temperature.
- 4) Cool engine down until the engine coolant temperature is less than 90°C (194°F). If the temperature is already less than 90°C (194°F) before step 4), the result will be OK.
- 5) Wait at least 10 seconds.
- 6) Select "MODE 7" with GST.

OR

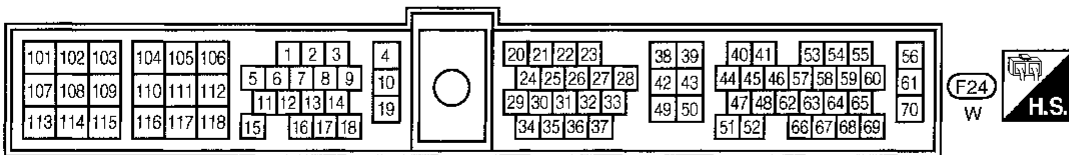
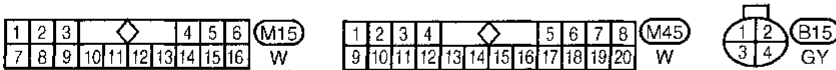
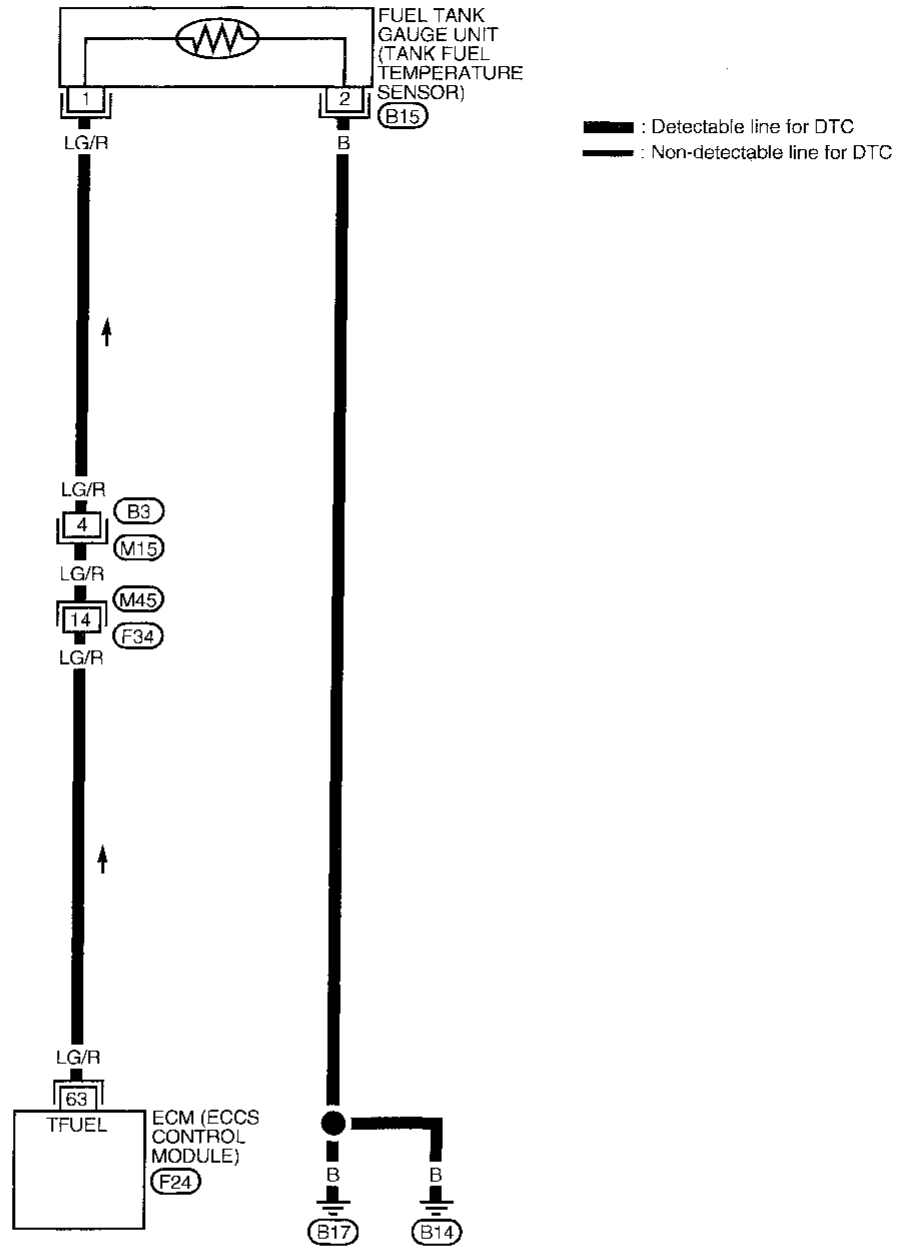


- 1) Turn ignition switch "ON" and wait at least 10 seconds.
- 2) Turn ignition switch "OFF", wait at least 5 seconds and then turn "ON".
- 3) Perform "Diagnostic Test Mode II (Self-diagnostic results)" with ECM.  
If the result is NG, go to "DIAGNOSTIC PROCEDURE", EC-234.  
If the result is OK, go to following step.
- 4) Cool engine down until the voltage between ECM terminal ⑤ (Engine coolant temperature) and ground becomes more than 1.0V.  
If the voltage is already more than 1.0V before step 4), the result will be OK.
- 5) Wait at least 10 seconds.
- 6) Turn ignition switch "OFF", wait at least 5 seconds and then turn "ON".
- 7) Perform "Diagnostic Test Mode II (Self-diagnostic results)" with ECM.

# TROUBLE DIAGNOSIS FOR DTC P0180

## Tank Fuel Temperature Sensor (Cont'd)

EC-TFTS-01



GI

MA

EM

LC

**EC**

FE

CL

WT

AT

FA

RA

BR

ST

RS

BT

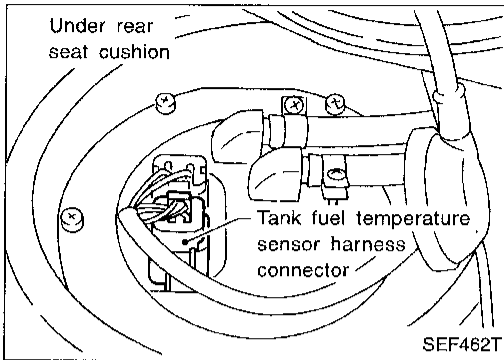
HA

EL

IDX

# TROUBLE DIAGNOSIS FOR DTC P0180

## Tank Fuel Temperature Sensor (Cont'd) DIAGNOSTIC PROCEDURE



INSPECTION START

**A**

**CHECK POWER SUPPLY.**

1. Turn ignition switch "OFF".
2. Disconnect tank fuel temperature sensor harness connector.
3. Turn ignition switch "ON".
4. Check voltage between terminal ① and ground with CONSULT or tester.

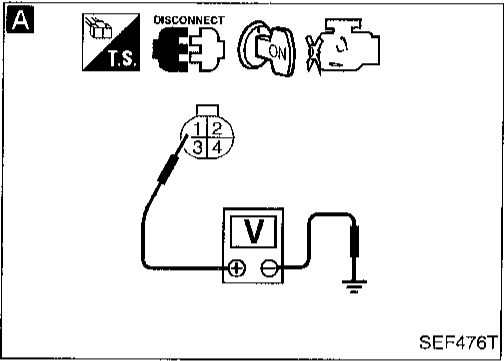
**Voltage: Approximately 5V**

NG

Check the following.

- Harness connectors (B3), (M15), (F34), (M45)
- Harness for open or short between ECM and tank fuel temperature sensor

If NG, repair harness or connector.



OK

**B**

**CHECK GROUND CIRCUIT.**

1. Turn ignition switch "OFF".
2. Check harness continuity between terminal ② and body ground.

**Continuity should exist.**

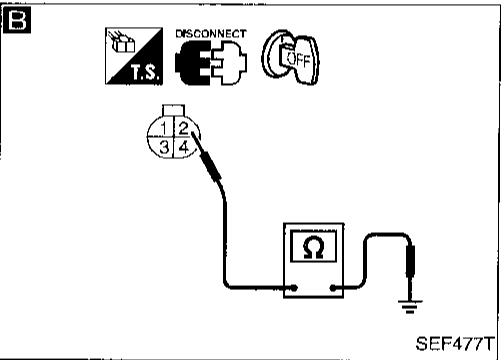
If OK, check harness for short to ground and short to power.

NG

Check the following.

- Harness for open or short between ECM and tank fuel temperature sensor

If NG, repair harness or connectors.



OK

**CHECK COMPONENT**  
(Tank fuel temperature sensor).  
Refer to "COMPONENT INSPECTION" below.

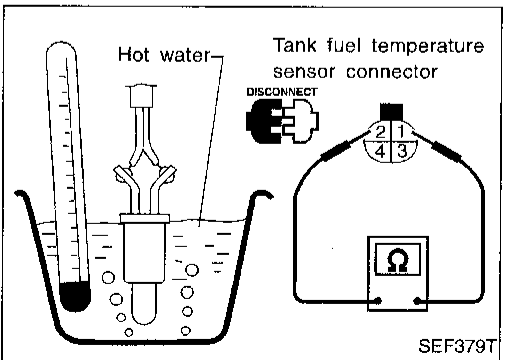
NG

Replace tank fuel temperature sensor.

OK

Perform "TROUBLE DIAGNOSIS FOR INTERMITTENT INCIDENT", EC-104.

INSPECTION END



### COMPONENT INSPECTION

#### Tank fuel temperature sensor

Check resistance by heating with hot water or heat gun as shown in the figure.

Temperature °C (°F)	Resistance kΩ
20 (68)	2.3 - 2.7
50 (122)	0.79 - 0.90

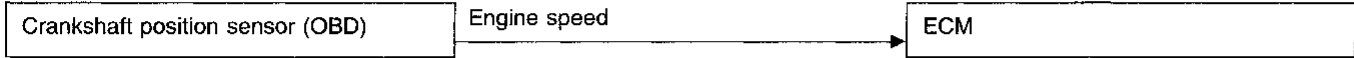
If NG, replace tank fuel temperature sensor.

## No. 4 - 1 Cylinder Misfire, Multiple Cylinder Misfire

### ON BOARD DIAGNOSIS LOGIC

If a misfire occurs, the engine speed will fluctuate. If the fluctuation is detected by the crankshaft position sensor (OBD), the misfire is diagnosed.

The misfire detection logic consists of the following two conditions.



#### 1. One Trip Detection Logic (Three-Way Catalyst Damage)

When a misfire is detected which will overheat and damage the three-way catalyst, the malfunction indicator lamp (MIL) will start blinking; even during the first trip. In this condition, ECM monitors the misfire every 200 revolutions.

If the misfire frequency decreases to a level that will not damage the three-way catalyst, the MIL will change from blinking to lighting up.

(After the first trip detection, the MIL will light up from engine starting. If a misfire is detected that will cause three-way catalyst damage, the MIL will start blinking.)

#### 2. Two Trip Detection Logic (Exhaust quality deterioration)

When a misfire that will not damage the three-way catalyst (but will affect exhaust emission) occurs, the malfunction indicator lamp will light up based on two trip detection logic. In this condition, ECM monitors the misfire for every 1,000 revolutions of the engine.

Diagnostic Trouble Code No.	Malfunction is detected when ...	Check Items (Possible Cause)
P0300 (0701)	● Multiple cylinders misfire.	● Improper spark plug ● Insufficient compression
P0301 (0608)	● No. 1 cylinder misfires.	● Incorrect fuel pressure ● EGR valve
P0302 (0607)	● No. 2 cylinder misfires.	● The injector circuit is open or shorted ● Injectors ● Intake air leak
P0303 (0606)	● No. 3 cylinder misfires.	● The ignition secondary circuit is open or shorted ● Lack of fuel
P0304 (0605)	● No. 4 cylinder misfires.	● Drive plate/Flywheel ● Front heated oxygen sensor

GI  
MA  
EM  
LC  
EC  
FE  
CL  
MT  
AT  
FA  
RA  
BR  
ST  
RS  
BT  
HA  
EL  
IDX

## TROUBLE DIAGNOSIS FOR DTC P0300 - P0304

☆ MONITOR	☆ NO FAIL	<input type="checkbox"/>
CMPS•RPM(REF)	1500rpm	
RECORD		

SEF330U

### No. 4 - 1 Cylinder Misfire, Multiple Cylinder Misfire (Cont'd)

#### DIAGNOSTIC TROUBLE CODE CONFIRMATION PROCEDURE (Overall)

##### CAUTION:

Always drive vehicle at a safe speed.

##### NOTE:

If "DIAGNOSTIC TROUBLE CODE CONFIRMATION PROCEDURE" has been previously conducted, always turn ignition switch "OFF" and wait at least 5 seconds before conducting the next test.



- 1) Turn ignition switch "ON", and select "DATA MONITOR" mode with CONSULT.
- 2) Start engine and warm it up to normal operating temperature.
- 3) Turn ignition switch "OFF" and wait at least 5 seconds.
- 4) Start engine again and drive at 1,500 - 3,000 rpm for at least 3 minutes.  
Hold the accelerator pedal as steady as possible.  
**Note: Refer to the freeze frame data for the test driving conditions.**

OR



- 1) Start engine and warm it up to normal operating temperature.
- 2) Turn ignition switch "OFF" and wait at least 5 seconds.
- 3) Start engine again and drive at 1,500 - 3,000 rpm for at least 3 minutes.  
Hold the accelerator pedal as steady as possible.  
**Note: Refer to the freeze frame data for the test driving conditions.**
- 4) Select "MODE 7" with GST.

OR

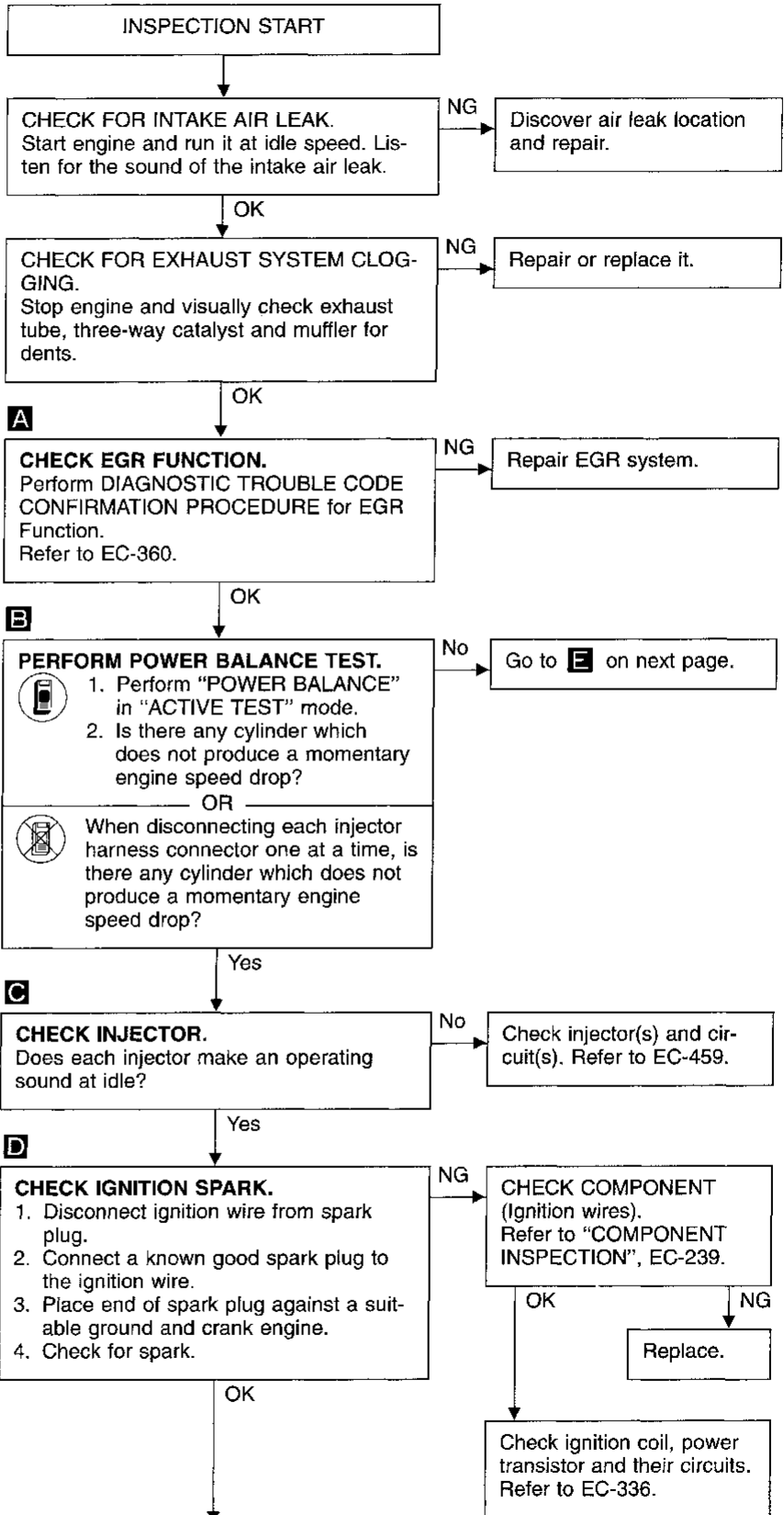
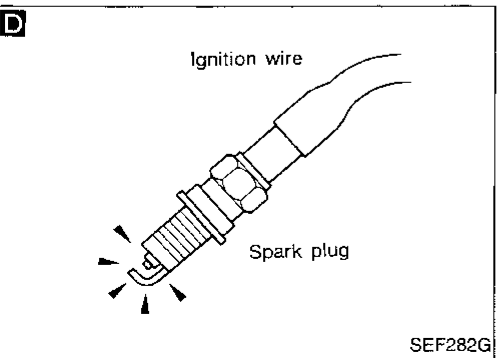
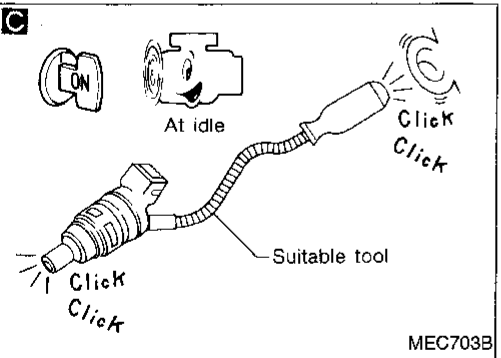
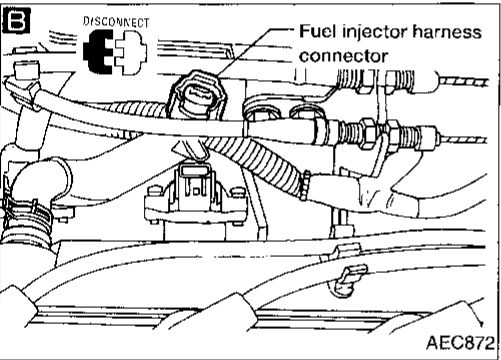
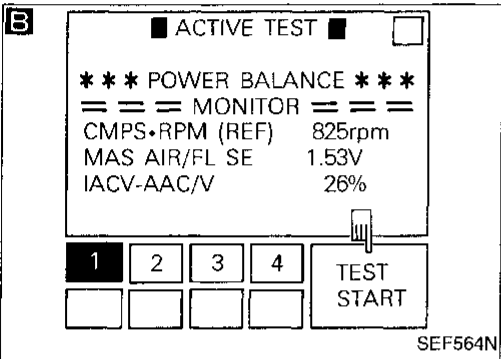
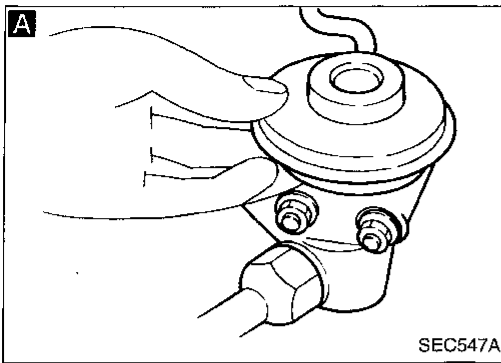


- 1) Start engine and warm it up to normal operating temperature.
- 2) Turn ignition switch "OFF" and wait at least 5 seconds.
- 3) Start engine again and drive at 1,500 - 3,000 rpm for at least 3 minutes.  
Hold the accelerator pedal as steady as possible.
- 4) Turn ignition switch "OFF", wait at least 5 seconds, and then turn "ON".
- 5) Perform "Diagnostic Test Mode II (Self-diagnostic results)" with ECM.

# TROUBLE DIAGNOSIS FOR DTC P0300 - P0304

## No. 4 - 1 Cylinder Misfire, Multiple Cylinder Misfire (Cont'd)

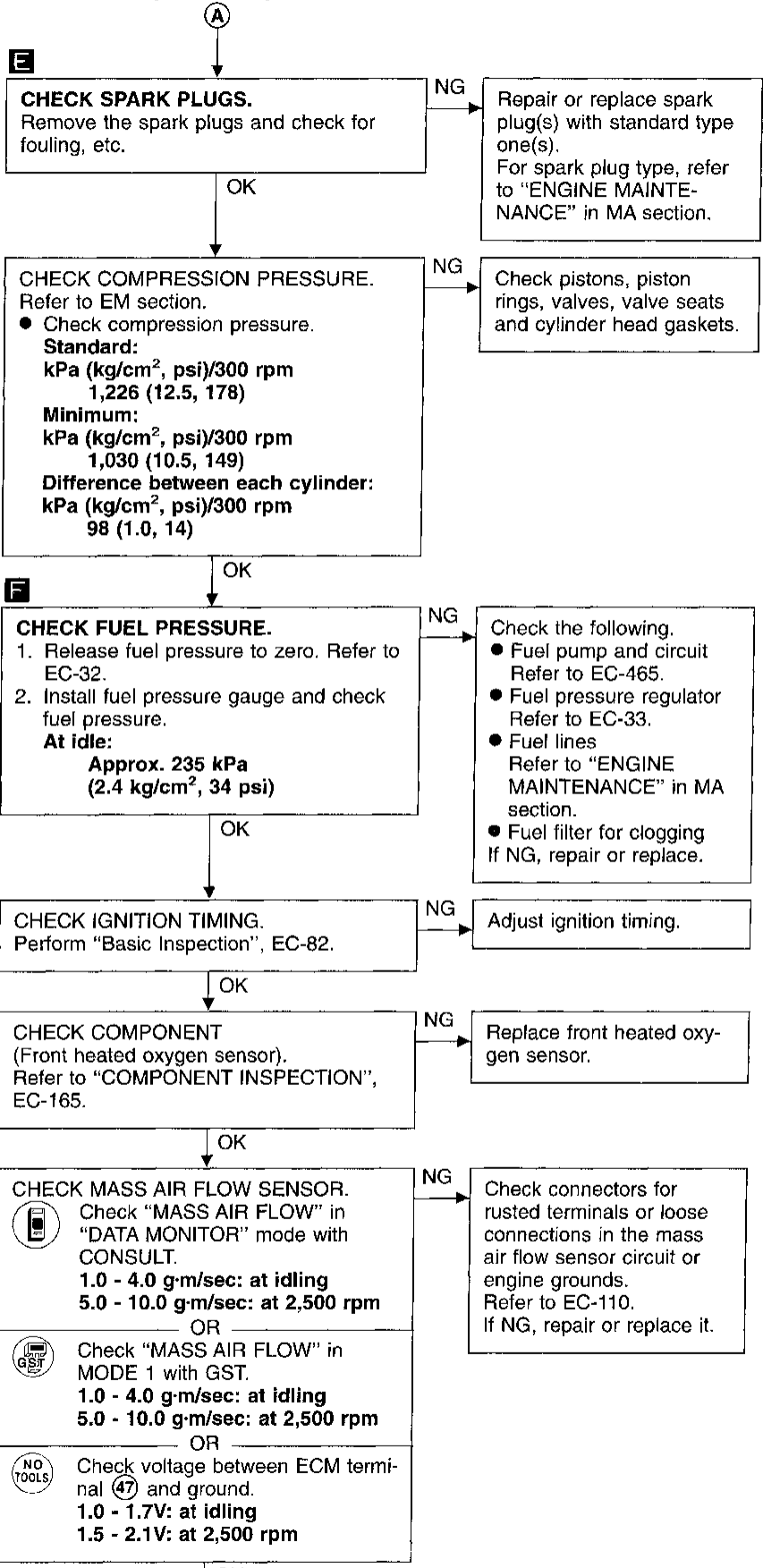
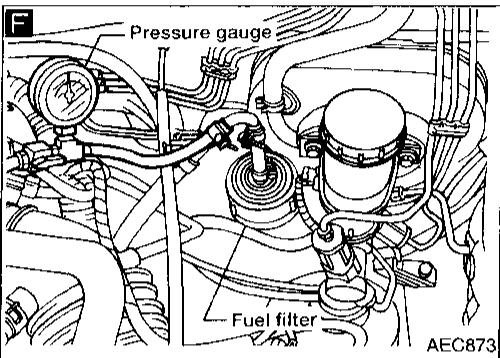
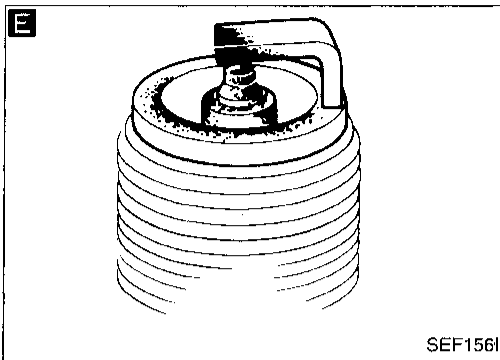
### DIAGNOSTIC PROCEDURE



GI  
MA  
EM  
LC  
EC  
FE  
CL  
MT  
AT  
FA  
RA  
BR  
ST  
RS  
BT  
HA  
EL  
IDX

# TROUBLE DIAGNOSIS FOR DTC P0300 - P0304

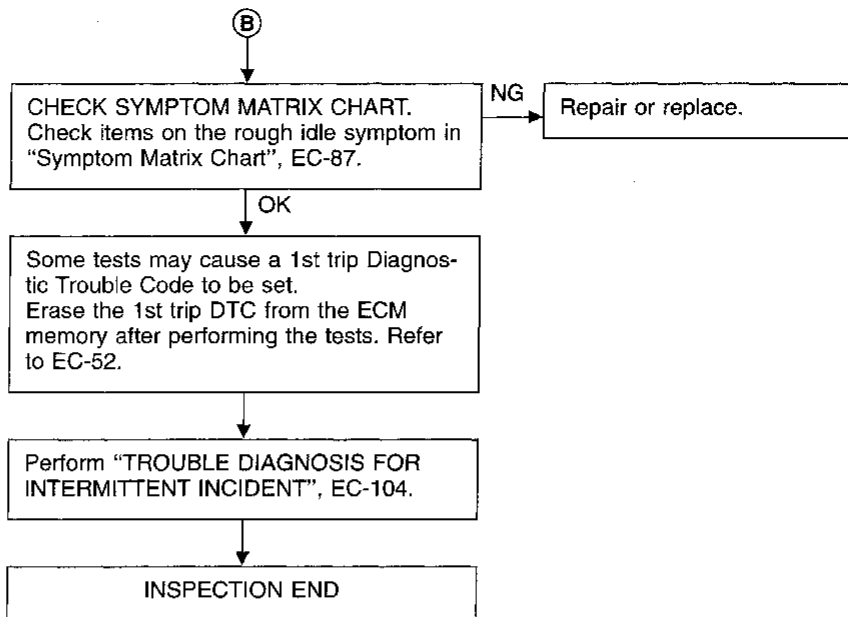
## No. 4 - 1 Cylinder Misfire, Multiple Cylinder Misfire (Cont'd)



(Go to next page.)



No. 4 - 1 Cylinder Misfire, Multiple Cylinder Misfire (Cont'd)



GI

MA

EM

LC

**EC**

FE

CL

MT

AT

FA

RA

BR

ST

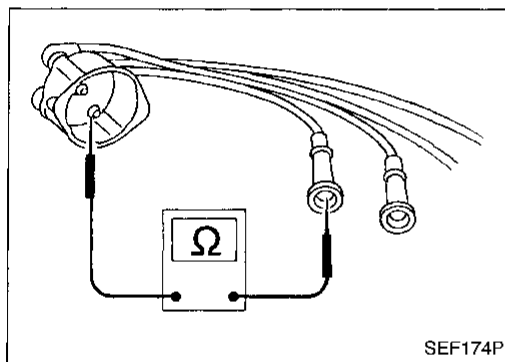
RS

BT

HA

EL

IDX



COMPONENT INSPECTION

Ignition wires

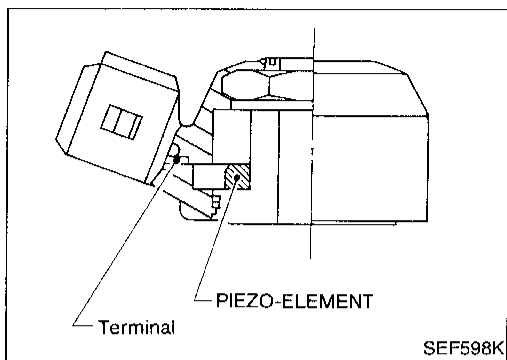
1. Inspect wires for cracks, damage, burned terminals and for improper fit.
2. Measure the resistance of wires to their distributor cap terminal. Move each wire while testing to check for intermittent breaks.

Resistance:

13.6 - 18.4 kΩ/m (4.15 - 5.61 kΩ/ft) at 25°C (77°F)

If the resistance exceeds the above specification, inspect ignition wire to distributor cap connection. Clean connection or replace the ignition wire with a new one.

# TROUBLE DIAGNOSIS FOR DTC P0325



## Knock Sensor (KS)

### COMPONENT DESCRIPTION

The knock sensor is attached to the cylinder block. It senses engine knocking using a piezoelectric element. A knocking vibration from the cylinder block is sensed as vibrational pressure. This pressure is converted into a voltage signal and sent to the ECM.

\* Freeze frame data will not be stored in the ECM for the knock sensor. The MIL will not light for knock sensor malfunction. The knock sensor has one trip detection logic.

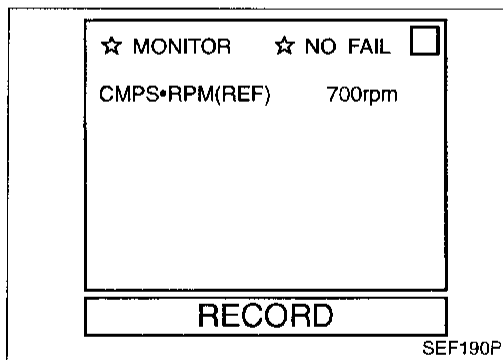
### ECM TERMINALS AND REFERENCE VALUE

Specification data are reference values and are measured between each terminal and ④ (ECCS ground).

TER-MINAL NO.	WIRE COLOR	ITEM	CONDITION	DATA (DC voltage)
54	W	Knock sensor	Engine is running. └ Idle speed	2.0 - 3.0V

### ON BOARD DIAGNOSIS LOGIC

Diagnostic Trouble Code No.	Malfunction is detected when ....	Check Items (Possible Cause)
P0325 0304	<ul style="list-style-type: none"> <li>An excessively low or high voltage from the knock sensor is sent to ECM.</li> </ul>	<ul style="list-style-type: none"> <li>Harness or connectors (The knock sensor circuit is open or shorted.)</li> <li>Knock sensor</li> </ul>



### DIAGNOSTIC TROUBLE CODE CONFIRMATION PROCEDURE

#### NOTE:

If "DIAGNOSTIC TROUBLE CODE CONFIRMATION PROCEDURE" has been previously conducted, always turn ignition switch "OFF" and wait at least 5 seconds before conducting the next test.

#### TESTING CONDITION:

Before performing the following procedure, confirm that battery voltage is more than 10V at idle.

- ① 1) Turn ignition switch "ON" and select "DATA MONITOR" mode with CONSULT.
- 2) Start engine and run it for at least 5 seconds at idle speed.

OR

- ② 1) Start engine and run it for at least 5 seconds at idle speed.
- 2) Select "MODE 3" with GST.

OR

# TROUBLE DIAGNOSIS FOR DTC P0325

## Knock Sensor (KS) (Cont'd)



- 1) Start engine and run it for at least 5 seconds at idle speed.
- 2) Turn ignition switch "OFF", wait at least 5 seconds and then turn "ON".
- 3) Perform "Diagnostic Test Mode II" (Self-diagnostic results) with ECM.

GI

MA

EM

LC

**EC**

FE

CL

MT

AT

FA

RA

BR

ST

RS

BT

HA

EL

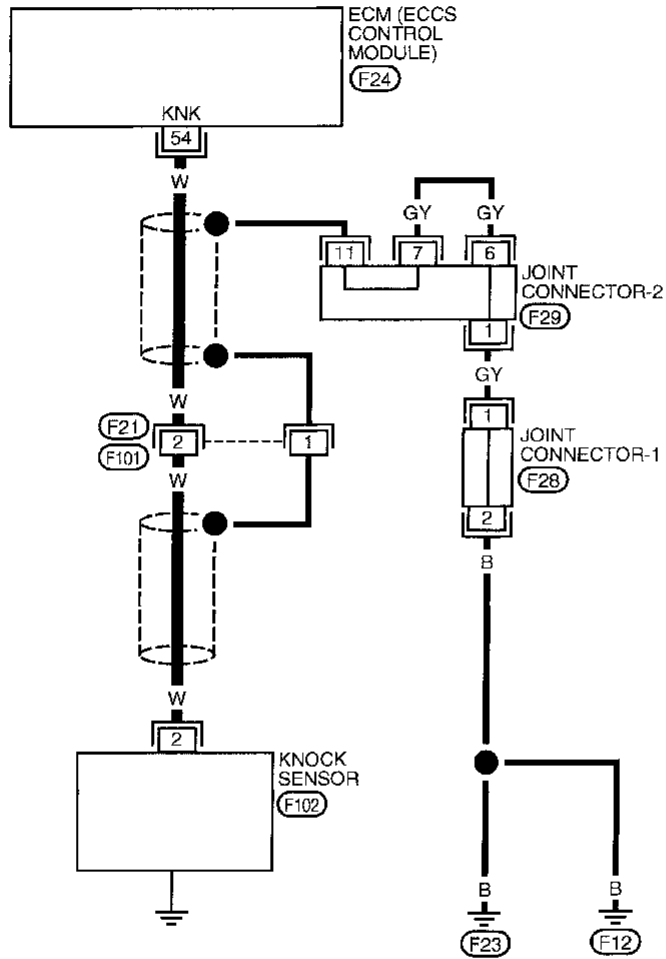
IDX

# TROUBLE DIAGNOSIS FOR DTC P0325

## Knock Sensor (KS) (Cont'd)

EC-KS-01

: Detectable line for DTC  
 : Non-detectable line for DTC



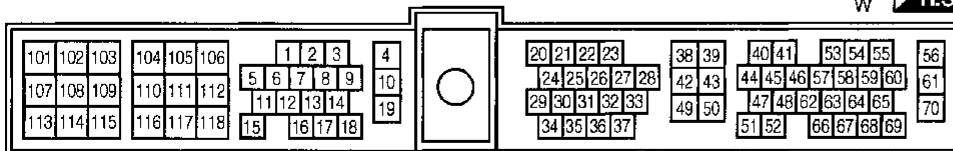
Refer to last page (Foldout page).

(F28)  
(F29)

(1 2) (F21) GY

(1 2) (F102) B

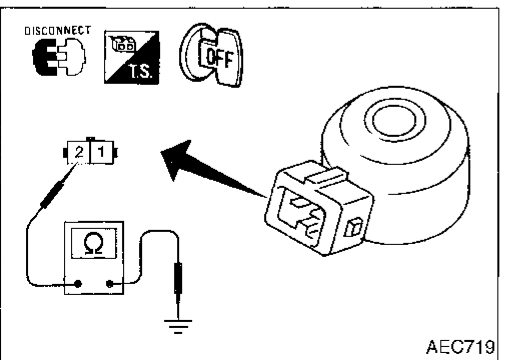
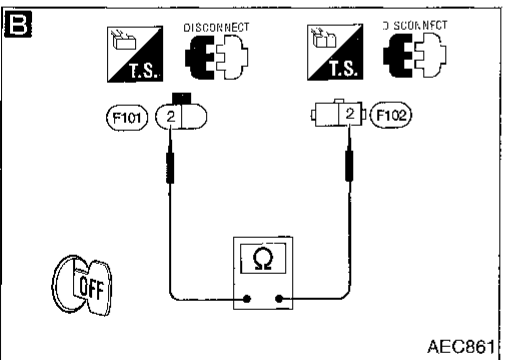
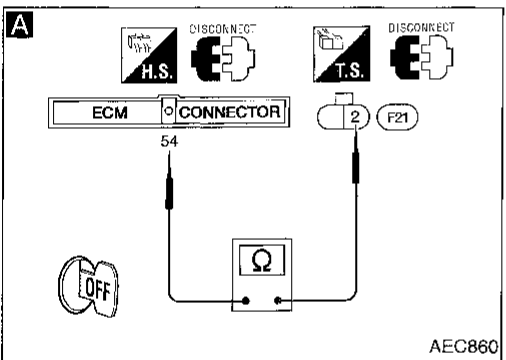
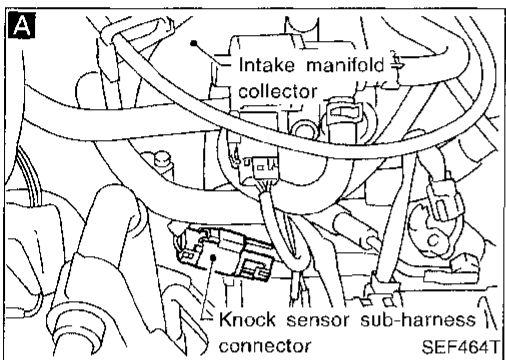
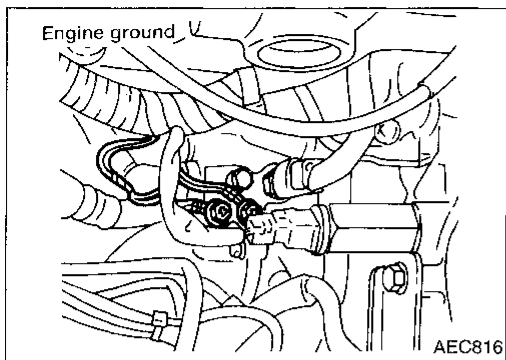
(F24) W



# TROUBLE DIAGNOSIS FOR DTC P0325

## Knock Sensor (KS) (Cont'd)

### DIAGNOSTIC PROCEDURE



INSPECTION START

Loosen and retighten engine ground screws.

**A**

**CHECK INPUT SIGNAL CIRCUIT-1.**

1. Turn ignition switch "OFF".
2. Disconnect ECM harness connector and knock sensor sub-harness connector.
3. Check harness continuity between terminal ② and ECM terminal ⑤4.

**Continuity should exist.**  
If OK, check harness for short to ground and short to power.

NG → Repair harness or connectors.

**B**

**CHECK INPUT SIGNAL CIRCUIT-2.**

1. Disconnect knock sensor harness connector.
2. Check harness continuity between knock sensor harness connector terminal ② and knock sensor sub-harness connector terminal ②.

**Continuity: Approximately 500 - 620 kΩ [at 25°C (77°F)]**  
If OK, check harness for short to ground and short to power.  
**It is necessary to use an ohmmeter which can measure more than 10 MΩ.**

NG → Check the following.

- Harness for open or short between knock sensor sub-harness connector and knock sensor
- Continuity between sensor body and engine ground

If NG, repair open circuit or short to ground or short to power in harness or connectors.

- Knock sensor, "COMPONENT INSPECTION" below.

If NG, replace knock sensor.

**CHECK COMPONENT (Knock sensor).**  
Refer to "COMPONENT INSPECTION" below.

NG → Replace knock sensor.

Perform "TROUBLE DIAGNOSIS FOR INTERMITTENT INCIDENT", EC-104.

INSPECTION END

### COMPONENT INSPECTION

#### Knock sensor

- Use an ohmmeter which can measure more than 10 MΩ.
1. Disconnect knock sensor harness connector.
  2. Check resistance between terminal ② and ground.
- Resistance: 500 - 620 kΩ [at 25°C (77°F)]**

#### CAUTION:

**Discard any knock sensors that have been dropped or physically damaged. Use only new ones.**

GI  
MA  
EM  
LC  
**EC**  
FE  
CL  
MT  
AT  
FA  
RA  
BR  
ST  
RS  
BT  
HA  
EL  
IDX

# TROUBLE DIAGNOSIS FOR DTC P0335

## Crankshaft Position Sensor (CKPS) (OBD)

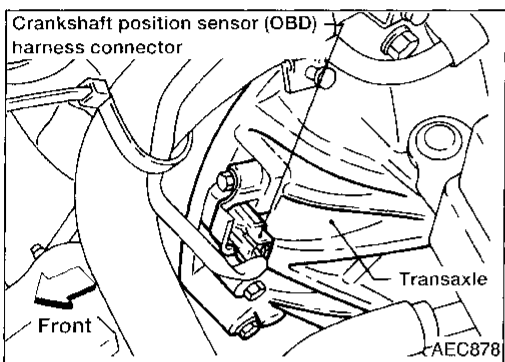
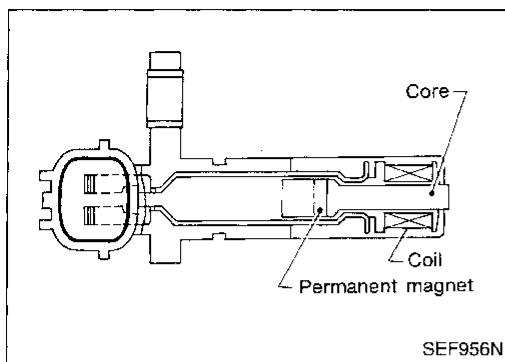
### COMPONENT DESCRIPTION

The crankshaft position sensor (OBD) is located on the transaxle housing facing the gear teeth (cogs) of the flywheel or drive plate. It detects the fluctuation of the engine revolution. The sensor consists of a permanent magnet, core and coil. When the engine is running, the high and low parts of the teeth cause the gap with the sensor to change. The changing gap causes the magnetic field near the sensor to change.

Due to the changing magnetic field, the voltage from the sensor changes.

The ECM receives the voltage signal and detects the fluctuation of the engine revolution.

This sensor is not directly used to control the engine system. It is used only for the on board diagnosis.



### ECM TERMINALS AND REFERENCE VALUE

Specification data are reference values and are measured between each terminal and ④3 (ECCS ground).

TER-MINAL NO.	WIRE COLOR	ITEM	CONDITION	DATA (DC voltage)
53	W	Crankshaft position sensor (OBD)	Engine is running. (Warm-up condition) Idle speed	Approximately 0.03V SEF643U
			Engine is running. Engine speed is 2,000 rpm.	Approximately 0.03V SEF644U

### ON BOARD DIAGNOSIS LOGIC

Diagnostic Trouble Code No.	Malfunction is detected when ....	Check Items (Possible Cause)
P0335 0802	<ul style="list-style-type: none"> <li>The proper pulse signal from the crankshaft position sensor (OBD) is not sent to ECM while the engine is running at the specified engine speed.</li> </ul>	<ul style="list-style-type: none"> <li>Harness or connectors (The crankshaft position sensor (OBD) circuit is open.)</li> <li>Crankshaft position sensor (OBD)</li> </ul>

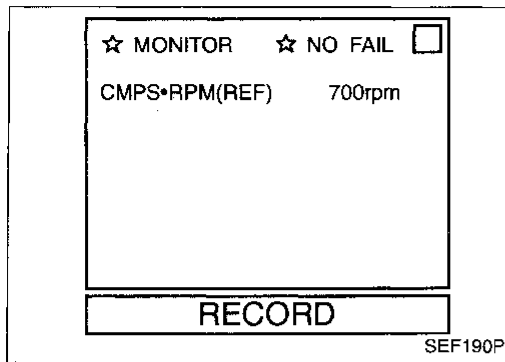
# TROUBLE DIAGNOSIS FOR DTC P0335

## Crankshaft Position Sensor (CKPS) (OBD) (Cont'd)

### DIAGNOSTIC TROUBLE CODE CONFIRMATION PROCEDURE

#### NOTE:

If "DIAGNOSTIC TROUBLE CODE CONFIRMATION PROCEDURE" has been previously conducted, always turn ignition switch "OFF" and wait at least 5 seconds before conducting the next test.



- 1) Turn ignition switch "ON" and select "DATA MONITOR" mode with CONSULT.
- 2) Start engine and run it for at least 10 seconds at idle speed.

OR



- 1) Start engine and run it for at least 10 seconds at idle speed.
- 2) Select "MODE 7" with GST.

OR



- 1) Start engine and run it for at least 10 seconds at idle speed.
- 2) Turn ignition switch "OFF", wait at least 5 seconds and then turn "ON".
- 3) Perform "Diagnostic Test Mode II" (Self-diagnostic results) with ECM.

GI

MA

EM

LC

EC

FE

CL

MT

AT

FA

RA

BR

ST

RS

BT

HA

EL

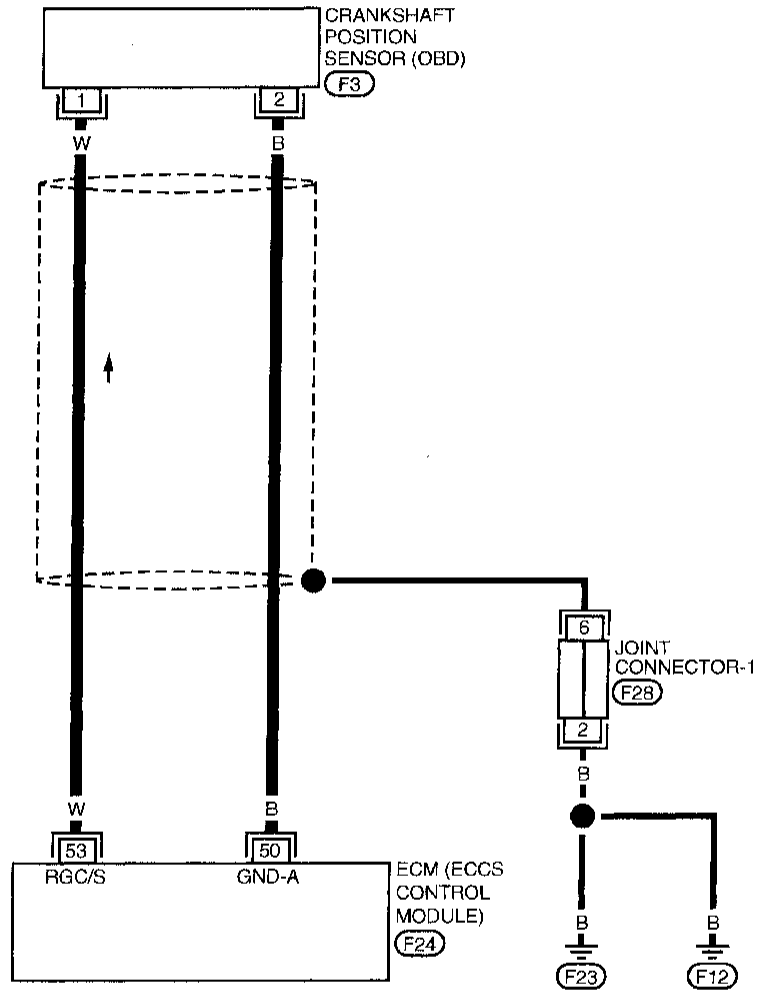
IDX

# TROUBLE DIAGNOSIS FOR DTC P0335

## Crankshaft Position Sensor (CKPS) (OBD) (Cont'd)

EC-CKPS-01

: Detectable line for DTC  
 : Non-detectable line for DTC

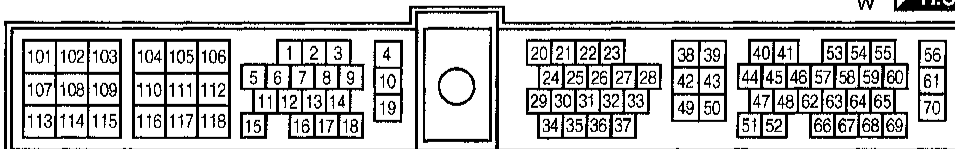


Refer to last page (Foldout page).

(F28)

1 2
F3  
 GY

F24  
 W H.S.

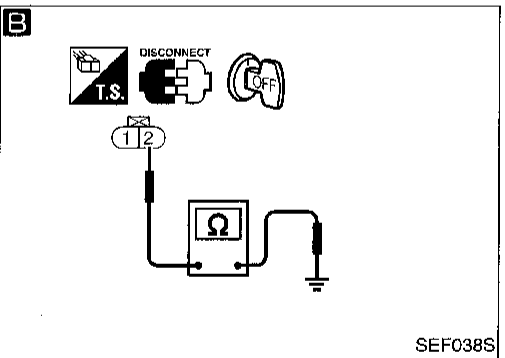
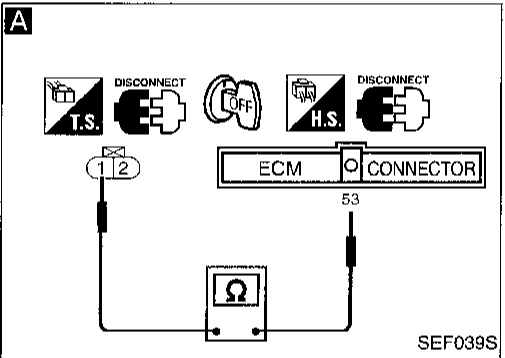
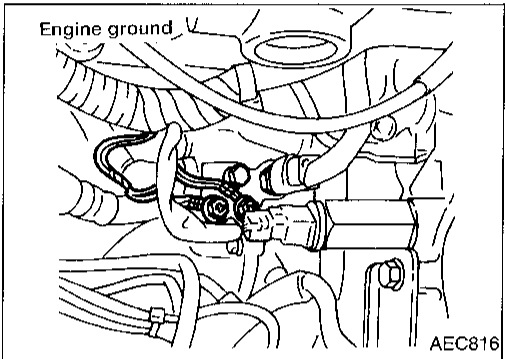
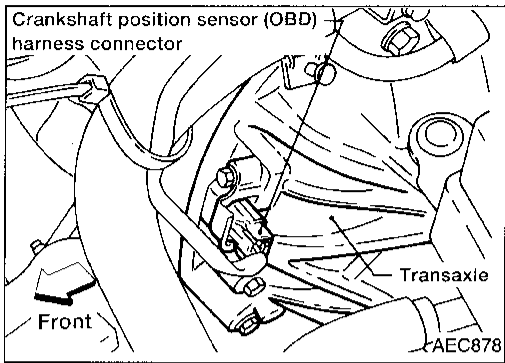




# TROUBLE DIAGNOSIS FOR DTC P0335

## Crankshaft Position Sensor (CKPS) (OBD) (Cont'd)

### DIAGNOSTIC PROCEDURE



INSPECTION START

1. Turn ignition switch "OFF".
2. Loosen and retighten engine ground screws.

**A**  
**CHECK INPUT SIGNAL CIRCUIT.**  
1. Disconnect crankshaft position sensor (OBD) and ECM harness connectors.  
2. Check continuity between ECM terminal ⑤③ and terminal ①.  
**Continuity should exist.**  
If OK, check harness for short to ground and short to power.

NG → Check the following.  
● Harness for open or short between ECM and crankshaft position sensor (OBD)  
If NG, repair open circuit or short to ground or short to power in harness or connectors.

**B**  
**CHECK GROUND CIRCUIT.**  
1. Reconnect ECM harness connector.  
2. Check harness continuity between terminal ② and engine ground.  
**Continuity should exist.**  
If OK, check harness for short to ground and short to power.

NG → Check the following.  
● Harness for open or short between crankshaft position sensor (OBD) and ECM  
If NG, repair open circuit or short to ground or short to power in harness or connectors.

CHECK COMPONENT [Crankshaft position sensor (OBD)]. Refer to "COMPONENT INSPECTION" on next page.

NG → Replace crankshaft position sensor (OBD).

Perform "TROUBLE DIAGNOSIS FOR INTERMITTENT INCIDENT", EC-104.

INSPECTION END

GI  
MA  
EM  
LC  
**EC**  
FE  
CL  
MT  
AT  
FA  
RA  
BR  
ST  
RS  
BT  
HA  
EL  
IDX

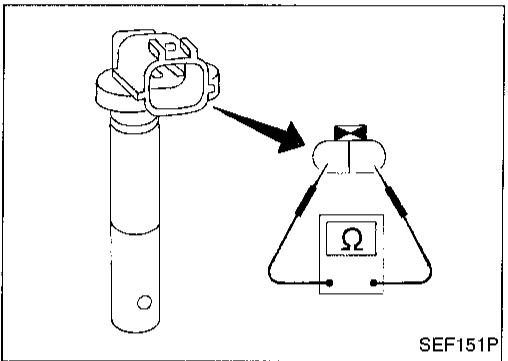
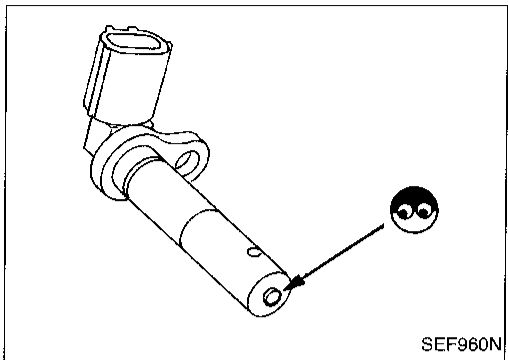
## TROUBLE DIAGNOSIS FOR DTC P0335

### Crankshaft Position Sensor (CKPS) (OBD) (Cont'd)

#### COMPONENT INSPECTION

#### Crankshaft position sensor (OBD)

1. Disconnect crankshaft position sensor (OBD) harness connector.
2. Loosen the fixing bolt of the sensor.
3. Remove the sensor.
4. Visually check the sensor for chipping.



5. Check resistance as shown in the figure.

#### Resistance:

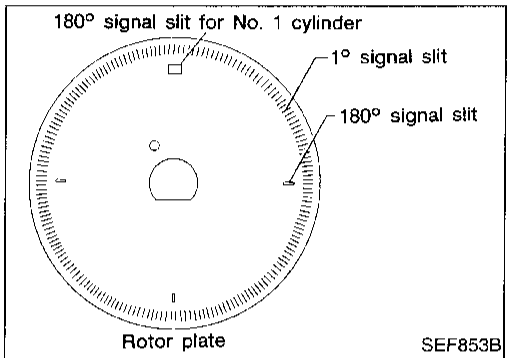
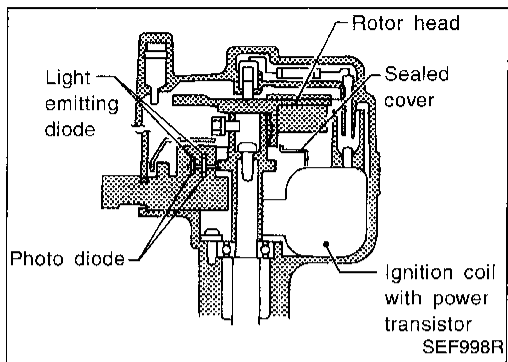
##### M/T models

432 - 528 $\Omega$  [at 25°C (77°F)]

##### A/T models

166.5 - 203.5 $\Omega$  [at 25°C (77°F)]

If NG, replace crankshaft position sensor (OBD).



## Camshaft Position Sensor (CMPS)

### COMPONENT DESCRIPTION

The camshaft position sensor is a basic component of the ECCS. It monitors engine speed and piston position. These input signals to the ECM are used to control fuel injection, ignition timing and other functions.

The camshaft position sensor has a rotor plate and a wave-forming circuit. The rotor plate has 360 slits for a 1° (POS) signal and 4 slits for a 180° (REF) signal. The wave-forming circuit consists of Light Emitting Diodes (LED) and photo diodes.

The rotor plate is positioned between the LED and the photo diode. The LED transmits light to the photo diode. As the rotor plate turns, the slits cut the light to generate rough-shaped pulses. These pulses are converted into on-off signals by the wave-forming circuit and sent to the ECM.

The distributor is not repairable and must be replaced as an assembly except distributor cap.

### ECM TERMINALS AND REFERENCE VALUE

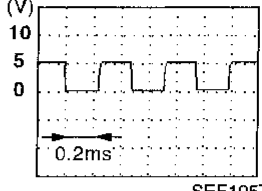
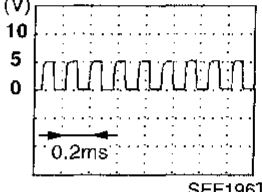
Specification data are reference values and are measured between each terminal and ④ (ECCS ground).

TER-MINAL NO.	WIRE COLOR	ITEM	CONDITION	DATA (DC voltage)
40	L	Camshaft position sensor (Reference signal)	Engine is running. (Warm-up condition) Idle speed	0.1 - 0.4V SEF199T
44	L		Engine is running. Engine speed is 2,000 rpm.	0.1 - 0.4V SEF200T

CI  
MA  
EM  
LC  
EC  
FE  
CL  
MT  
AT  
FA  
RA  
BR  
ST  
RS  
BT  
HA  
EL  
DX

# TROUBLE DIAGNOSIS FOR DTC P0340

## Camshaft Position Sensor (CMPS) (Cont'd)

TER-MINAL NO.	WIRE COLOR	ITEM	CONDITION	DATA (DC voltage)
41	B/W	Camshaft position sensor (Position signal)	<div style="border: 1px solid black; padding: 2px; display: inline-block;">Engine is running.</div> (Warm-up condition) Idle speed	Approximately 2.5V 
			<div style="border: 1px solid black; padding: 2px; display: inline-block;">Engine is running.</div> Engine speed is 2,000 rpm.	Approximately 2.3 - 2.5V 
56	W/R	Power supply for ECM	<div style="border: 1px solid black; padding: 2px; display: inline-block;">Ignition switch "ON"</div>	BATTERY VOLTAGE (11 - 14V)
61	W/R			

### ON BOARD DIAGNOSIS LOGIC

Diagnostic Trouble Code No.	Malfunction is detected when ....	Check Items (Possible Cause)
P0340 0101	A) Either 1° or 180° signal is not sent to ECM for the first few seconds during engine cranking. ..... B) Either 1° or 180° signal is not sent to ECM often enough while the engine speed is higher than the specified engine speed. ..... C) The relation between 1° and 180° signal is not in the normal range during the specified engine speed.	<ul style="list-style-type: none"> <li>● Harness or connectors (The camshaft position sensor circuit is open or shorted.)</li> <li>● Camshaft position sensor</li> <li>● Starter motor (Refer to EL section.)</li> <li>● Starting system circuit (Refer to EL section.)</li> <li>● Dead (Weak) battery</li> </ul>

### DIAGNOSTIC TROUBLE CODE CONFIRMATION PROCEDURE

Perform "Procedure for malfunction A" first. If DTC cannot be confirmed, perform "Procedure for malfunction B and C".

# TROUBLE DIAGNOSIS FOR DTC P0340

## Camshaft Position Sensor (CMPS) (Cont'd)

### Procedure for malfunction A

#### NOTE:

If "DIAGNOSTIC TROUBLE CODE CONFIRMATION PROCEDURE" has been previously conducted, always turn ignition switch "OFF" and wait at least 5 seconds before conducting the next test.

#### TESTING CONDITION:

Before performing the following procedure, confirm that battery voltage is more than 10.5V at idle.

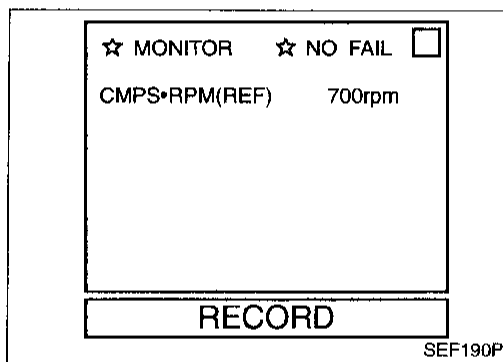
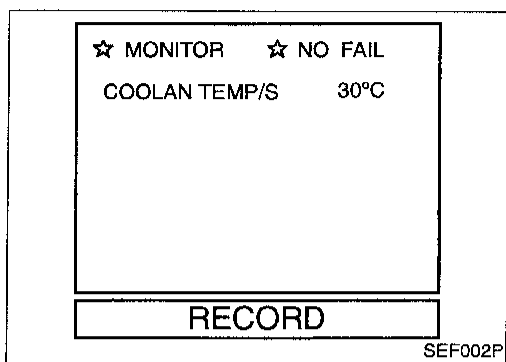
- 1) Turn ignition switch "ON".
- 2) Select "DATA MONITOR" mode with CONSULT.
- 3) Crank engine for at least 2 seconds.

OR

- 1) Crank engine for at least 2 seconds.
- 2) Select "MODE 7" with GST.

OR

- 1) Crank engine for at least 2 seconds.
- 2) Turn ignition switch "OFF", wait at least 5 seconds and then turn "ON".
- 3) Perform "Diagnostic Test Mode II" (Self-diagnostic results) with ECM.



### Procedure for malfunction B and C

#### NOTE:

If "DIAGNOSTIC TROUBLE CODE CONFIRMATION PROCEDURE" has been previously conducted, always turn ignition switch "OFF" and wait at least 5 seconds before conducting the next test.

#### TESTING CONDITION:

Before performing the following procedure, confirm that battery voltage is more than 10.5V at idle.

- 1) Turn ignition switch "ON".
- 2) Select "DATA MONITOR" mode with CONSULT.
- 3) Start engine and run it for at least 2 seconds at idle speed.

OR

- 1) Start engine and run it for at least 2 seconds at idle speed.
- 2) Select "MODE 7" with GST.

OR

- 1) Start engine and run it for at least 2 seconds at idle speed.
- 2) Turn ignition switch "OFF", wait at least 5 seconds and then turn "ON".
- 3) Perform "Diagnostic Test Mode II" (Self-diagnostic results) with ECM.

GI

MA

EM

LC

EC

FE

CL

MT

AT

FA

RA

BR

ST

RS

BT

HA

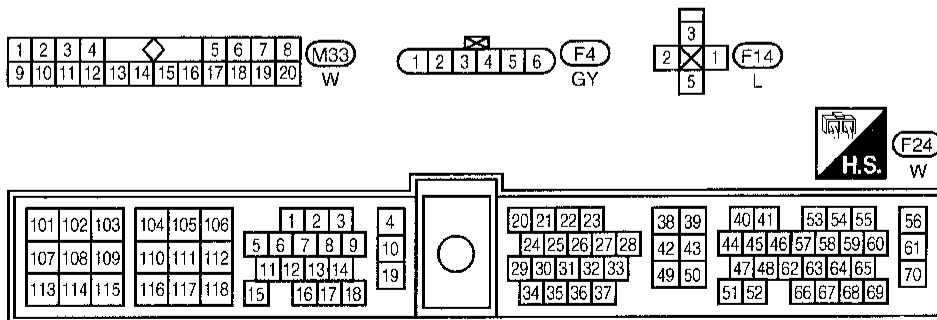
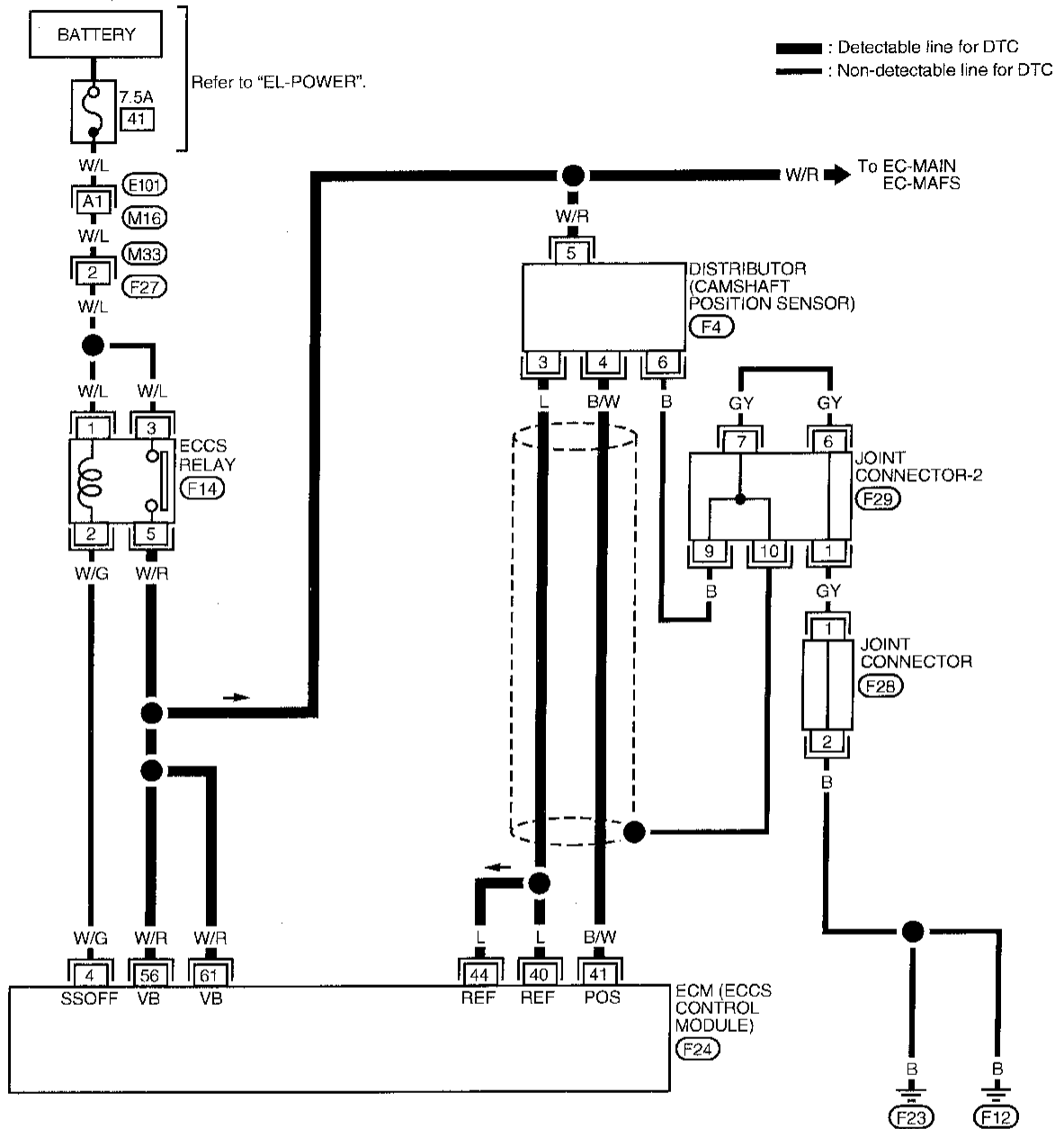
EL

IDX

# TROUBLE DIAGNOSIS FOR DTC P0340

## Camshaft Position Sensor (CMPS) (Cont'd)

EC-CMPS-01

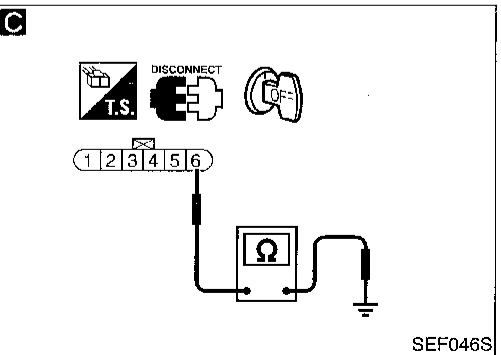
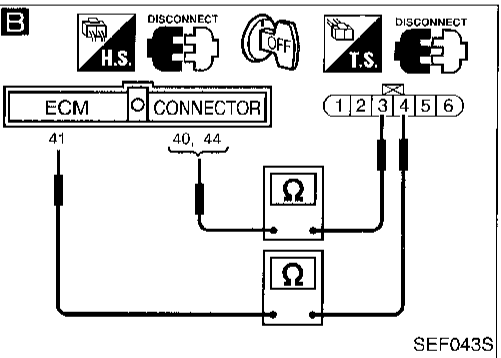
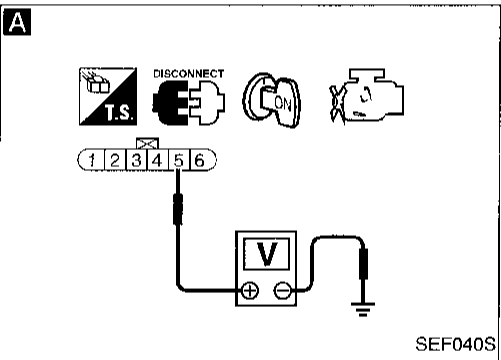
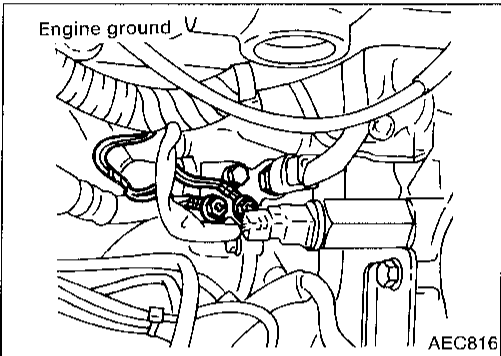
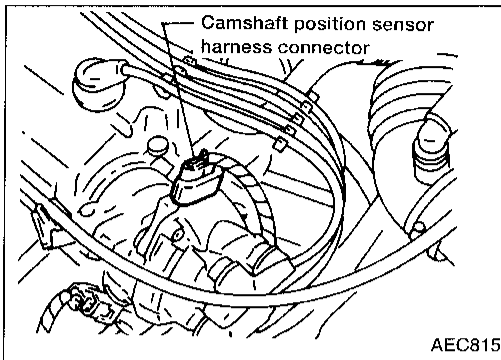


Refer to last page (Foldout page).

- (M16), (E101)
- (F28)
- (F29)

# TROUBLE DIAGNOSIS FOR DTC P0340

## Camshaft Position Sensor (CMPS) (Cont'd) DIAGNOSTIC PROCEDURE (DETECTABLE CIRCUIT)



INSPECTION START

1. Turn ignition switch "OFF".
2. Loosen and retighten engine ground screws.

**A**

**CHECK POWER SUPPLY.**

1. Disconnect camshaft position sensor harness connector.
2. Turn ignition switch "ON".
3. Check voltage between terminal (5) and ground with CONSULT or tester.

**Voltage: Battery voltage**

NG

Check the following.

- Harness for open or short between camshaft position sensor and ECCS relay

If NG, repair harness or connectors.

**B**

**CHECK INPUT SIGNAL CIRCUIT.**

1. Turn ignition switch "OFF".
2. Disconnect ECM harness connector.
3. Check harness continuity between sensor terminal (4) and ECM terminal (41), sensor terminal (3) and ECM terminals (40, 44).

**Continuity should exist.**

If OK, check harness for short to ground and short to power.

NG

Repair harness or connectors.

**C**

**CHECK GROUND CIRCUIT.**

1. Turn ignition switch "OFF".
2. Disconnect camshaft position sensor harness connector.
3. Check harness continuity between sensor terminal (6) and engine ground.

**Continuity should exist.**

If OK, check harness for short to ground and short to power.

NG

Check the following.

- Joint connector-2 (F29)
- Joint connector (F28)

If NG, repair connectors.

**CHECK COMPONENT**  
(Camshaft position sensor).  
Refer to "COMPONENT INSPECTION" on next page.

NG

Replace camshaft position sensor.

Perform "TROUBLE DIAGNOSIS FOR INTERMITTENT INCIDENT", EC-104.

INSPECTION END

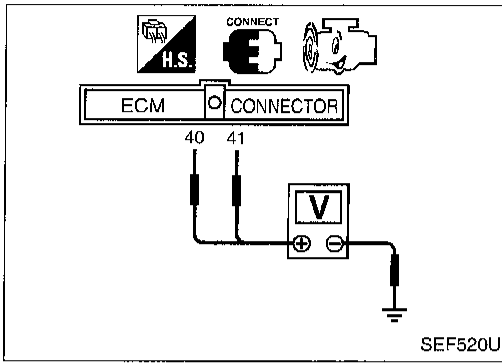
GI  
MA  
EM  
LC  
EC  
FE  
CL  
MT  
AT  
FA  
RA  
BR  
ST  
RS  
BT  
HA  
EL  
IDX

# TROUBLE DIAGNOSIS FOR DTC P0340

## Camshaft Position Sensor (CMPS) (Cont'd) COMPONENT INSPECTION

### Camshaft position sensor

1. Start engine and warm it up to normal operating temperature.
2. Check voltage between ECM terminals ④⑩, ④⑪ and engine ground.



### Terminal ④⑩ and engine ground

Condition	Idle	2,000 rpm
Voltage	0.1 - 0.4V	0.1 - 0.4V
Pulse signal	<p style="text-align: right;">SEF199T</p>	<p style="text-align: right;">SEF200T</p>

### Terminal ④⑪ and engine ground

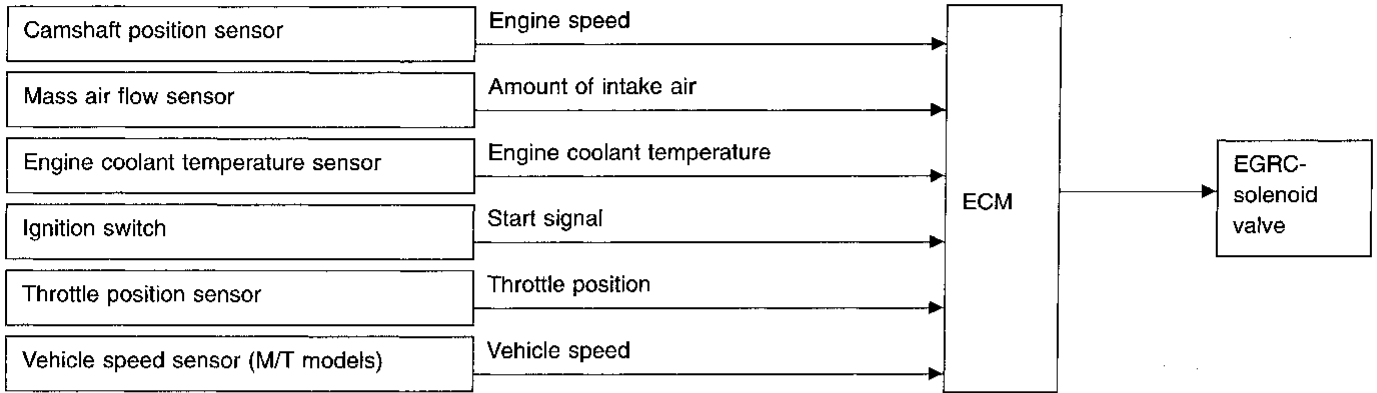
Condition	Idle	2,000 rpm
Voltage	Approximately 2.5V	Approximately 2.4V
Pulse signal	<p style="text-align: right;">SEF195T</p>	<p style="text-align: right;">SEF196T</p>

If NG, replace distributor assembly with camshaft position sensor.



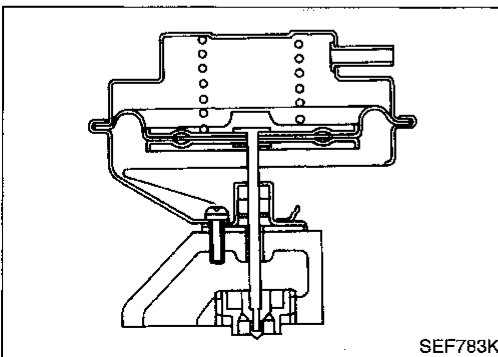
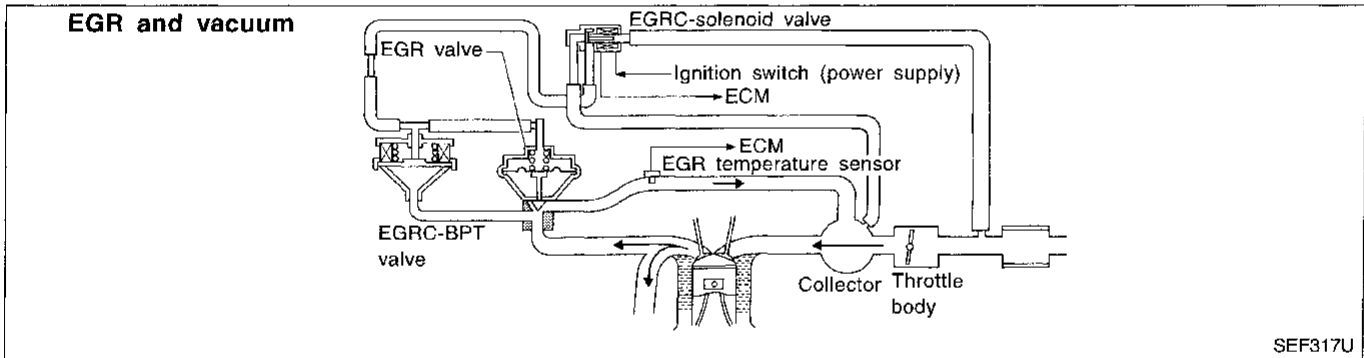
## EGR Function (Close)

### SYSTEM DESCRIPTION



This system cuts and controls vacuum applied to the EGR valve to suit engine operating conditions. This cut-and-control operation is accomplished through the ECM and the EGRC-solenoid valve. When the ECM detects any of the following conditions, current flows through the solenoid valve. This causes the port vacuum to be discharged into the atmosphere. The EGR valve remains closed.

- Low engine coolant temperature
- Engine starting
- High-speed engine operation
- Engine idling
- Excessively high engine coolant temperature
- Mass air flow sensor malfunction
- Low vehicle speed (M/T models)
- For 20 seconds after starting engine



### COMPONENT DESCRIPTION

#### Exhaust gas recirculation (EGR) valve

The EGR valve controls the amount of exhaust gas routed to the intake manifold. Vacuum is applied to the EGR valve in response to throttle valve opening. The vacuum controls the movement of a taper valve connected to the vacuum diaphragm in the EGR valve.

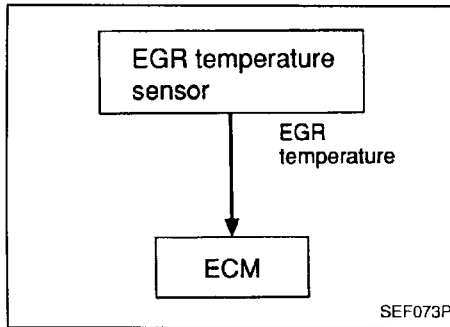
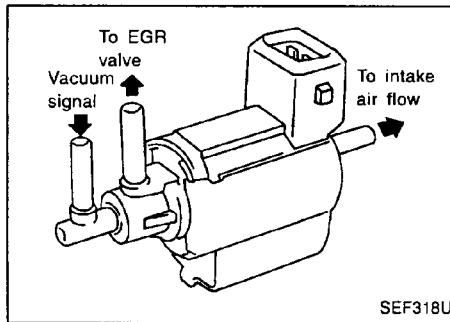
## TROUBLE DIAGNOSIS FOR DTC P0400

### EGR Function (Close) (Cont'd)

#### EGRC-solenoid valve

The EGRC-solenoid valve responds to signals from the ECM. When the ECM sends an ON (ground) signal, the coil in the solenoid valve is energized. The vacuum signal passes through the solenoid valve. The signal then reaches the EGR valve.

When the ECM sends an OFF signal, a plunger will then move to cut the vacuum signal from the intake manifold collector to the EGR valve.



#### ON BOARD DIAGNOSIS LOGIC

If the absence of EGR flow is detected by EGR temperature sensor under the condition that calls for EGR, a low-flow malfunction is diagnosed.

Diagnostic Trouble Code No.	Malfunction is detected when ...	Check Items (Possible Cause)
P0400 0302	<div style="border: 2px solid black; padding: 2px;">                     • No EGR flow is detected under conditions that call for EGR.                 </div> <div style="text-align: center; margin-top: 10px;"> </div>	<ul style="list-style-type: none"> <li>• EGR valve stuck closed</li> <li>• EGRC-BPT valve</li> <li>• Vacuum hose</li> <li>• EGRC-solenoid valve</li> <li>• EGR passage</li> <li>• EGR temperature sensor</li> <li>• Exhaust gas leaks</li> </ul>

# TROUBLE DIAGNOSIS FOR DTC P0400

## EGR Function (Close) (Cont'd)

### DIAGNOSTIC TROUBLE CODE CONFIRMATION PROCEDURE

#### CAUTION:

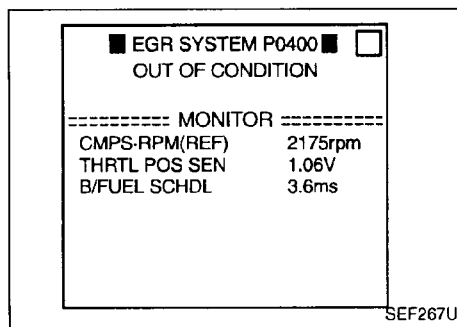
Always drive vehicle at a safe speed.

#### NOTE:

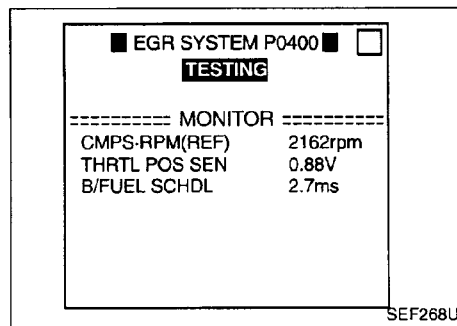
- If "DIAGNOSTIC TROUBLE CODE CONFIRMATION PROCEDURE" has been previously conducted, always turn ignition switch "OFF" and wait at least 5 seconds before conducting the next test.
- During the test, P0400 will not be stored in ECM even though "NG" is displayed on the CONSULT screen.

#### TESTING CONDITION:

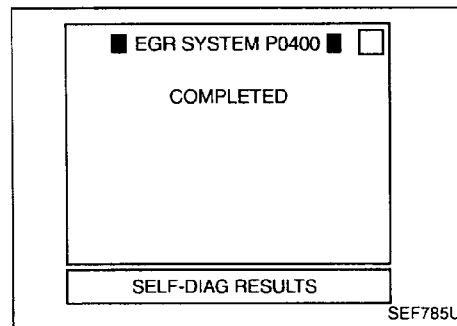
Always perform the test at a temperature of  $-10^{\circ}\text{C}$  ( $14^{\circ}\text{F}$ ) or higher.



SEF267U



SEF268U



SEF785U

- 1) Turn ignition switch "ON"
- 2) Check "COOLAN TEMP/S" in "DATA MONITOR" mode with CONSULT. Confirm COOLAN TEMP/S value is within the range listed below.

**COOLANT TEMP/S: Less than  $40^{\circ}\text{C}$  ( $104^{\circ}\text{F}$ )**

If the value is out of range, park the vehicle in a cool place and allow the engine temperature to stabilize. Do not attempt to lower the coolant temperature with a fan or means other than ambient air. Doing so may produce an inaccurate diagnostic result.

- 3) Start engine and let it idle monitoring "COOLAN TEMP/S" value. When the "COOLAN TEMP/S" value reaches  $70^{\circ}\text{C}$  ( $158^{\circ}\text{F}$ ), immediately go to the next step.
- 4) Select "EGR SYSTEM P0400" of "EGR SYSTEM" in "DTC WORK SUPPORT" mode with CONSULT.
- 5) Touch "START".
- 6) Accelerate vehicle to a speed of 40 km/h (25 MPH) once and then stop vehicle with engine running. If "COMPLETED" appears on CONSULT screen, go to step 9). If "COMPLETED" does not appear on CONSULT screen, go to the following step.

- 7) Check the output voltage of "THRTL POS SEN" (at closed throttle position) and note it.
- 8) When the following conditions are met, "TESTING" will be displayed on the CONSULT screen. Maintain the conditions until "TESTING" changes to "COMPLETED". (It will take approximately 30 seconds or more.)

**CMPS RPM (REF): 2,000 - 3,000 rpm (A/T)  
1,800 - 3,000 rpm (M/T)  
Vehicle speed: 10 km/h (6 MPH) or more  
B/FUEL SCHDL: 2.0 - 3.7 msec (A/T)  
2.5 - 3.7 msec (M/T)**

**THRTL POS SEN:  $(X) - (X + 0.57) \text{ V (A/T)}$   
 $(X) - (X + 0.92) \text{ V (M/T)}$   
X = Voltage value measured at step 7)**

**Selector lever: Suitable position**

If "TESTING" is not displayed after 5 minutes, retry from step 2).

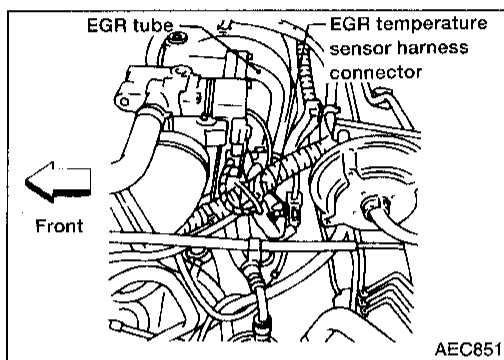
SMA98-149 '98 SENTRA/200SX AUGUST 1997(05) SM8E-OB14UO

ARROW INDICATES AMENDED INFORMATION

# TROUBLE DIAGNOSIS FOR DTC P0400

## EGR Function (Close) (Cont'd)

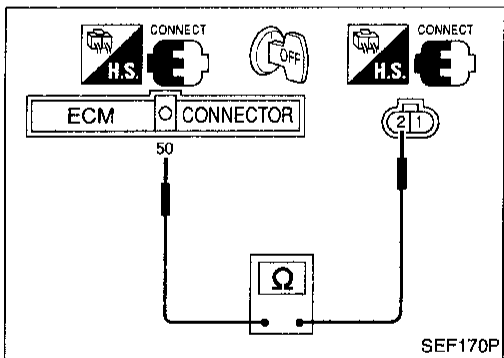
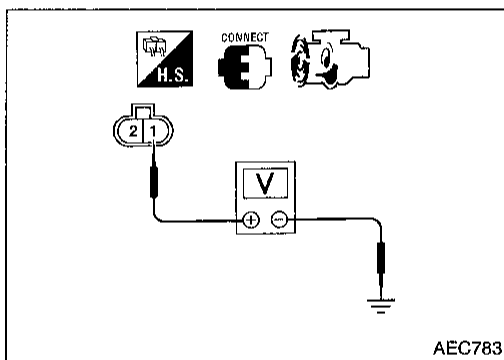
- 9) Make sure that "OK" is displayed after touching "SELF-DIAG RESULTS". If "NG" is displayed, refer to "DIAGNOSTIC PROCEDURE", EC-260.



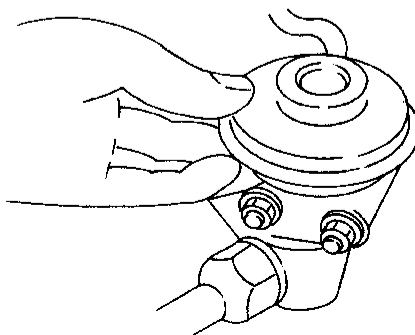
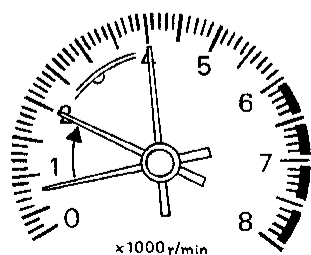
## OVERALL FUNCTION CHECK

Use this procedure to check the overall EGR function. During this check, a 1st trip DTC might not be confirmed.

- 1) Lift up drive wheels.
- 2) Start engine and warm it up to normal operating temperature.
- 3) Check the EGR valve lifting when revving engine from 2,000 rpm up to 4,000 rpm in 1st shift position. **EGR valve should lift up and down without sticking.**
- 4) Check voltage between EGR temperature sensor harness connector terminal ① and ground at idle speed. **Less than 4.5V should exist.**
- 5) Turn ignition switch "OFF".
- 6) Check harness continuity between EGR temperature sensor harness connector terminal ② and ECM terminal ⑤⑨. **Continuity should exist.**
- 7) Perform "COMPONENT INSPECTION", "EGR temperature sensor". Refer to EC-262.



### Overall function check

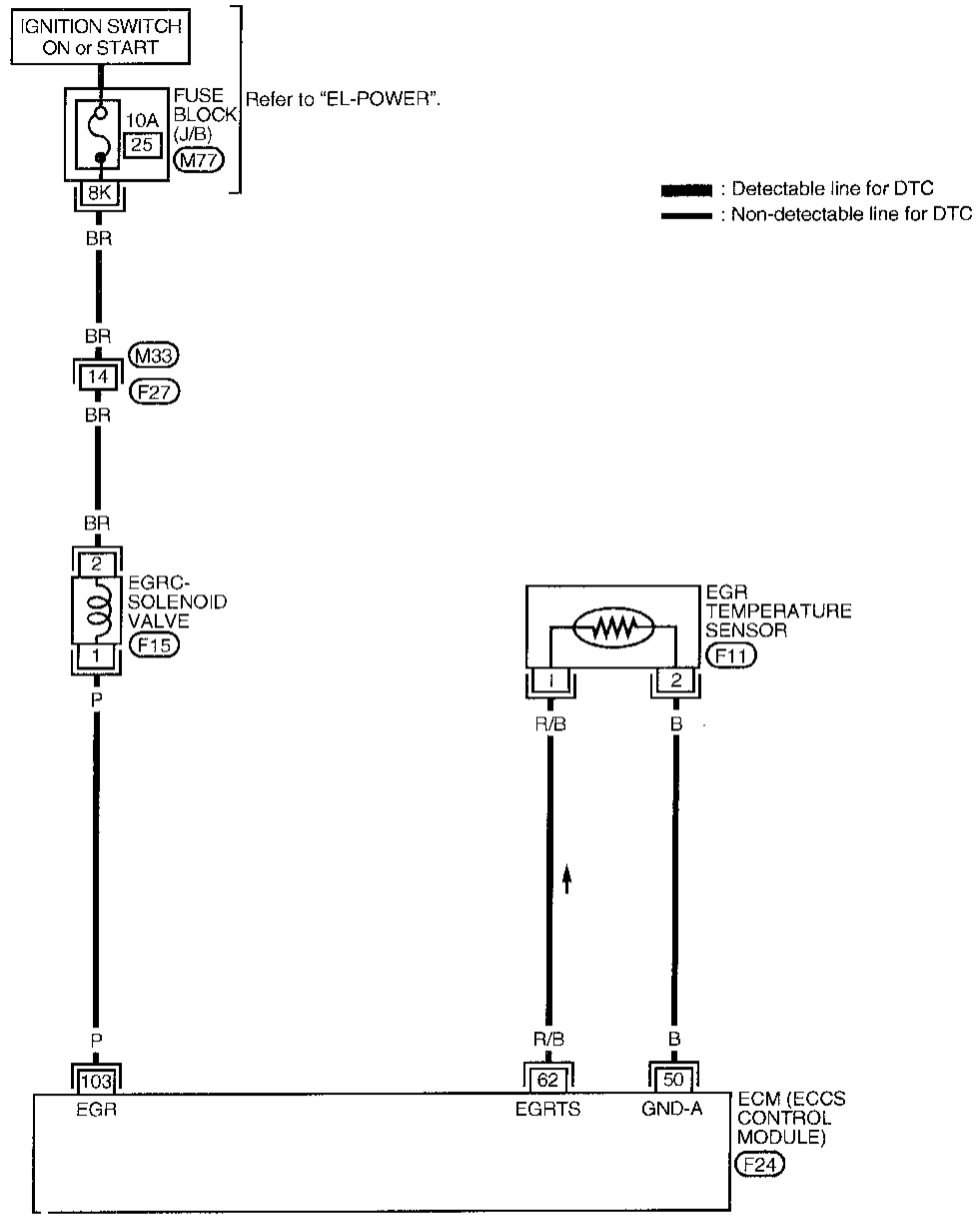


SEF642Q

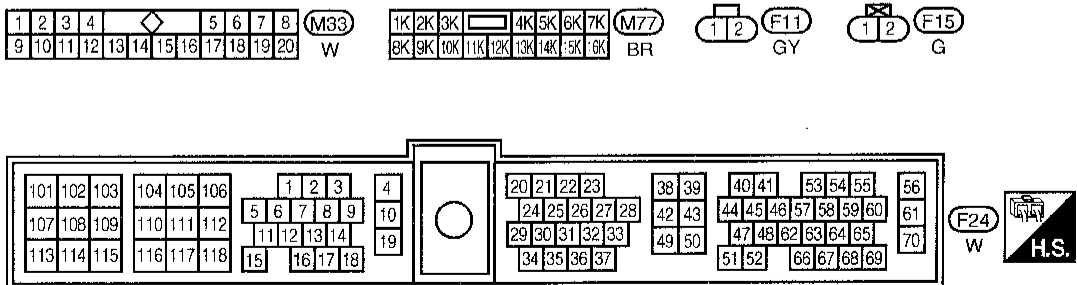
# TROUBLE DIAGNOSIS FOR DTC P0400

## EGR Function (Close) (Cont'd)

EC-EGRC1-01

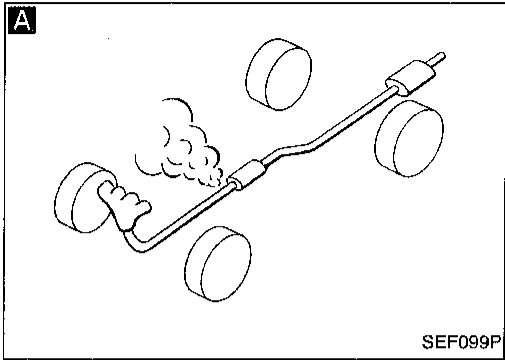


- GI
- MA
- EM
- LC
- EC**
- FE
- CL
- MT
- AT
- FA
- RA
- BR
- ST
- RS
- BT
- HA
- EL
- IDX



# TROUBLE DIAGNOSIS FOR DTC P0400

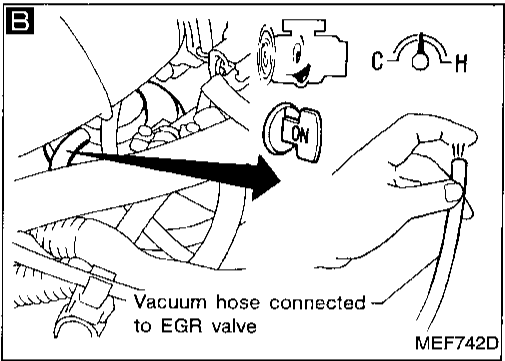
## EGR Function (Close) (Cont'd) DIAGNOSTIC PROCEDURE



INSPECTION START

**A**  
**CHECK EXHAUST SYSTEM.**  
Check exhaust pipes and muffler for leaks.

NG → Repair or replace exhaust system.



**B**  
**CHECK VACUUM SOURCE TO EGR VALVE.**

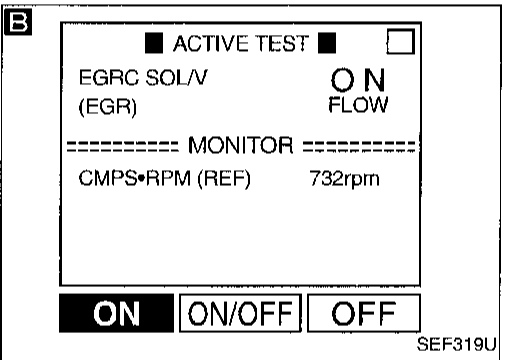
1. Start engine and warm it up to normal operating temperature.
2. Disconnect vacuum hose to EGR valve.
3. Check for vacuum existence.  
**Vacuum should not exist at idle.**
4. Check for vacuum existence when revving from 2,000 rpm up to 4,000 rpm with the following method.
  - Select "EGRC SOLENOID VALVE" in "ACTIVE TEST" mode with CONSULT and turn the solenoid valve "ON".

OR

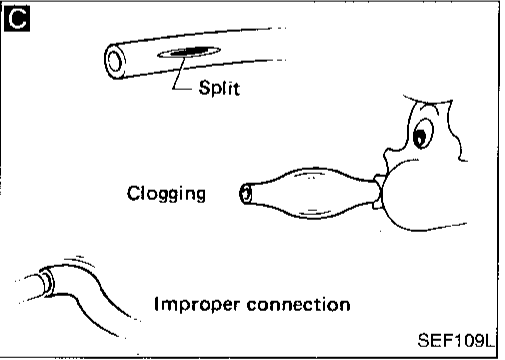
  - 4. Stop engine.
  - 5. Jack up drive wheels.
  - 6. Start engine and check for vacuum existence when revving from 2,000 to 4,000 rpm in 1st shift position.  
**Vacuum should exist when revving engine.**

OK → **CHECK COMPONENT (EGR valve).**  
Refer to "COMPONENT INSPECTION", EC-364.

NG → Replace EGR valve.



NG →



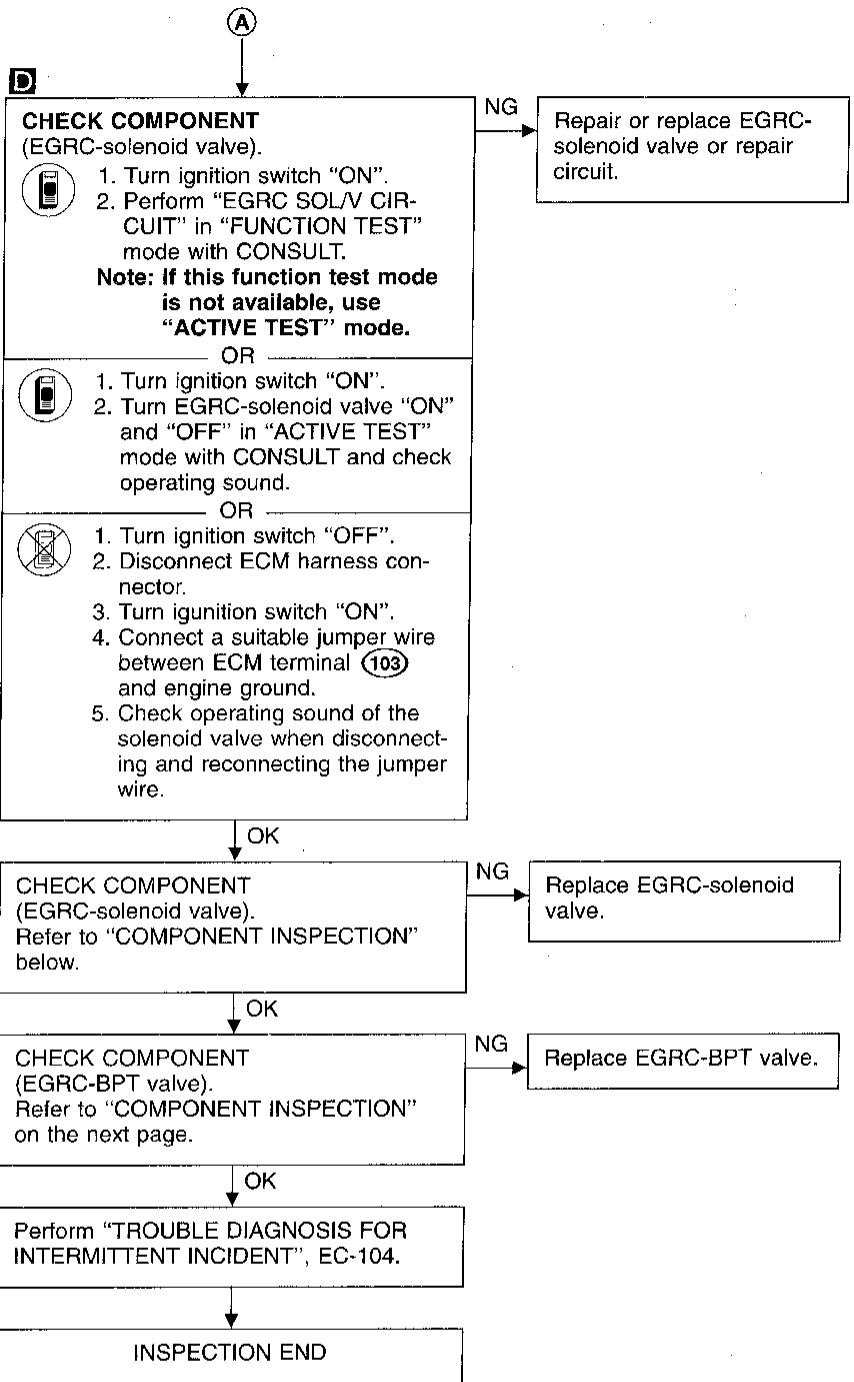
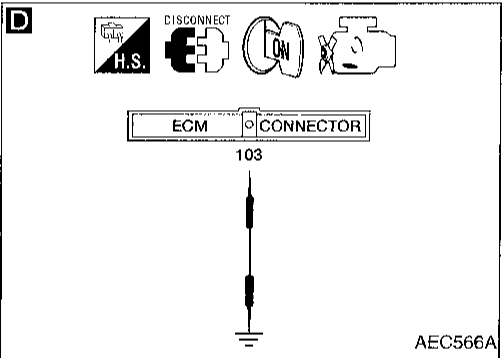
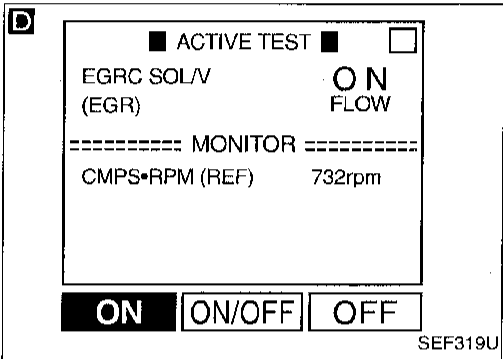
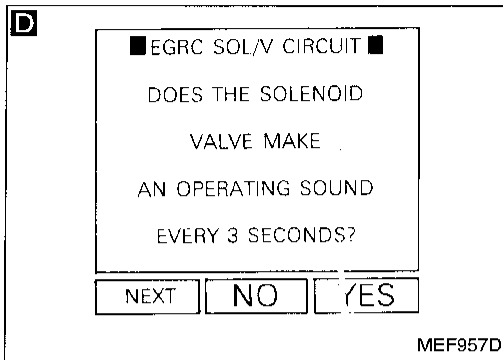
**C**  
**CHECK VACUUM HOSE.**  
Check vacuum hose for clogging, cracks or improper connection.

NG → Repair or replace vacuum hose.

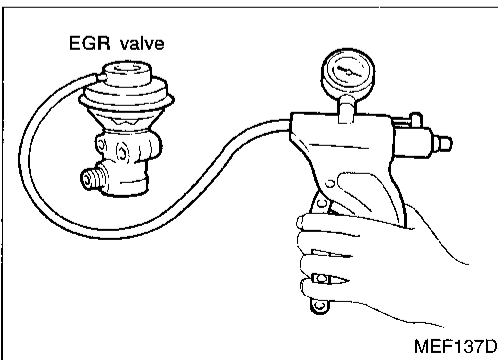
OK → **A**  
(Go to next page.)

# TROUBLE DIAGNOSIS FOR DTC P0400

## EGR Function (Close) (Cont'd)



GI  
MA  
EM  
LC  
EC  
FE  
CL  
MT  
AT  
FA  
RA  
BR  
ST  
RS  
BT  
HA  
EL  
IDX



### COMPONENT INSPECTION

#### EGR valve

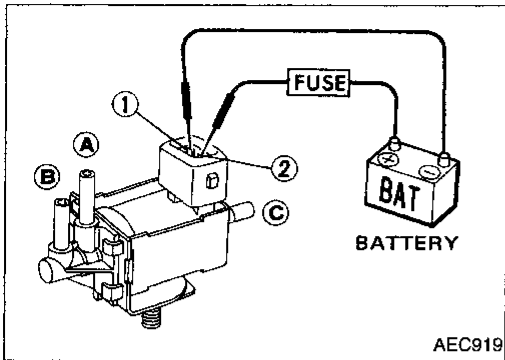
- Apply vacuum to EGR vacuum port with a hand vacuum pump.
- EGR valve spring should lift.
- Check for sticking.
- If NG, repair or replace EGR valve.

# TROUBLE DIAGNOSIS FOR DTC P0400

## EGR Function (Close) (Cont'd)

### EGRC-solenoid valve

Check solenoid valve, following the table as shown below:

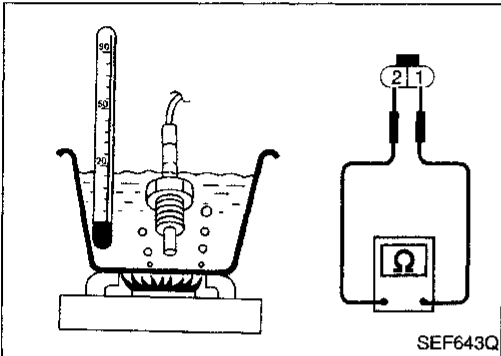


Conditions	Air passage continuity between (A) and (B)	Air passage continuity between (A) and (C)
12V direct current supply between terminals ① and ②	Yes	No
No supply	No	Yes

If NG, replace EGRC-solenoid valve.

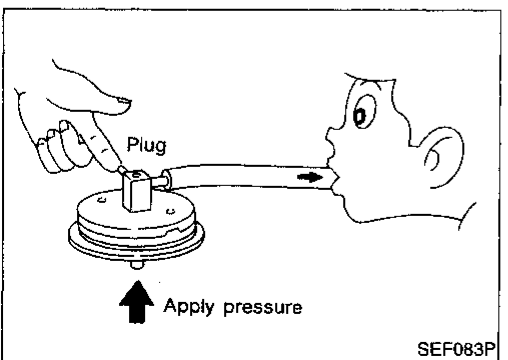
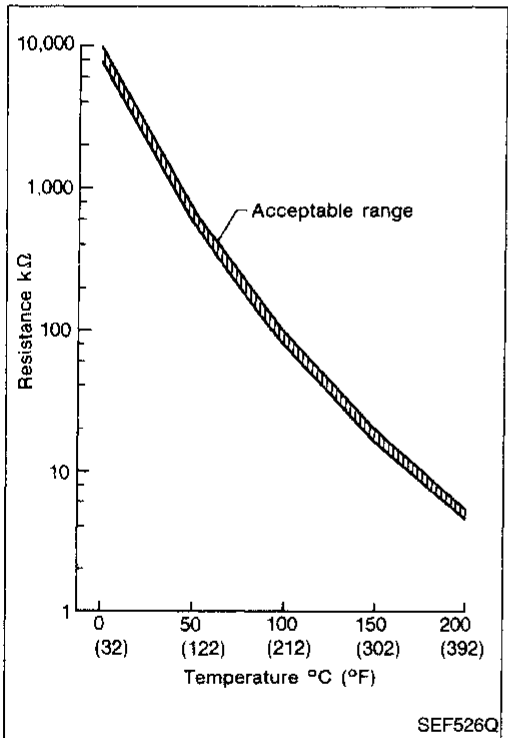
### EGR temperature sensor

Check resistance change and resistance value.



EGR temperature °C (°F)	Voltage (V)	Resistance (MΩ)
0 (32)	4.81	7.9 - 9.7
50 (122)	2.82	0.57 - 0.70
100 (212)	0.8	0.08 - 0.10

If NG, replace EGR temperature sensor.

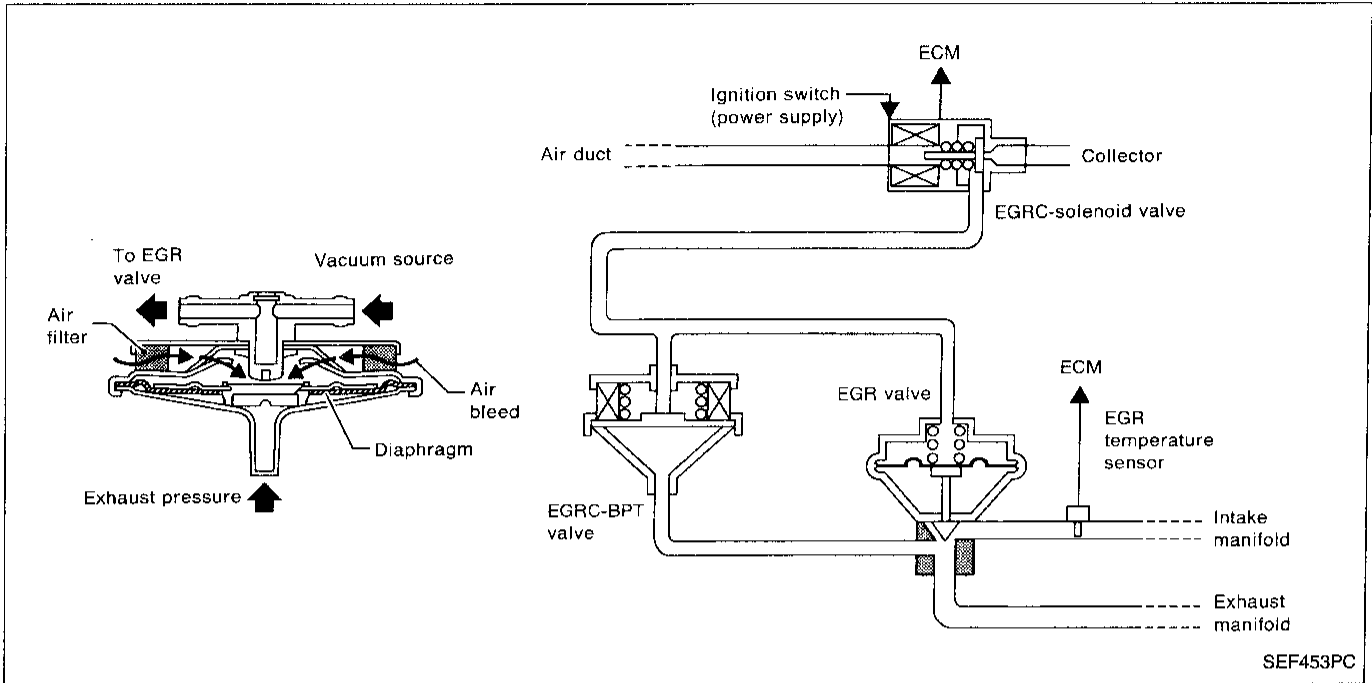


### EGRC-BPT valve

1. Plug one of two ports of EGRC-BPT valve.
2. Vacuum from the other port and check for leakage while applying a pressure above 0.981 kPa (100 mmH<sub>2</sub>O, 3.94 inH<sub>2</sub>O) from under EGRC-BPT valve.
3. If a leakage is noted, replace the valve.



EGRC-BPT Valve Function



SYSTEM DESCRIPTION

The EGRC-BPT valve monitors exhaust pressure to activate the diaphragm, controlling throttle body vacuum applied to the EGR valve. In other words, recirculated exhaust gas is controlled in response to positioning of the EGR valve or to engine operation.

ON BOARD DIAGNOSIS LOGIC

If too much EGR flow exists due to an EGRC-BPT valve malfunction, off idle engine roughness will increase. If the roughness is large, then the vacuum to the EGR valve is interrupted through the EGRC-solenoid valve. If the engine roughness is reduced at that time, the EGRC-BPT valve malfunction is indicated.

Diagnostic Trouble Code No.	Malfunction is detected when ...	Check Items (Possible Cause)
P0402 0306	<ul style="list-style-type: none"> <li>The EGRC-BPT valve does not operate properly.</li> </ul>	<ul style="list-style-type: none"> <li>EGRC-BPT valve</li> <li>EGR valve</li> <li>Loose or disconnected rubber tube</li> <li>Blocked rubber tube</li> <li>Camshaft position sensor</li> <li>Blocked exhaust system</li> <li>Orifice</li> <li>Mass air flow sensor</li> <li>EGRC-solenoid valve</li> </ul>

GI  
MA  
EM  
LC  
EC  
FE  
CL  
MT  
AT  
FA  
RA  
BR  
ST  
RS  
BT  
HA  
EL  
IDX

# TROUBLE DIAGNOSIS FOR DTC P0402

## EGRC-BPT Valve Function (Cont'd)

### DIAGNOSTIC TROUBLE CODE CONFIRMATION PROCEDURE

**CAUTION:**

Always drive vehicle at a safe speed.

**NOTE:**

If "DIAGNOSTIC TROUBLE CODE CONFIRMATION PROCEDURE" has been previously conducted, always turn ignition switch "OFF" and wait at least 5 seconds before conducting the next test.

**TESTING CONDITION:**

Always perform the test at a temperature of  $-10^{\circ}\text{C}$  ( $14^{\circ}\text{F}$ ) or higher.

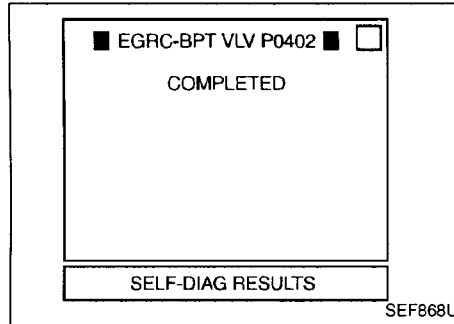
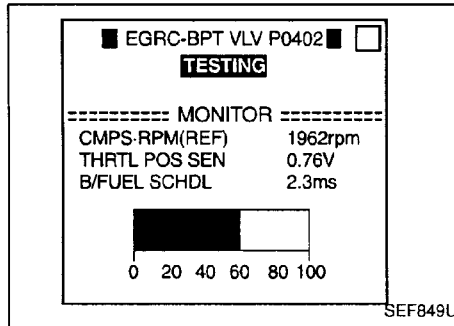
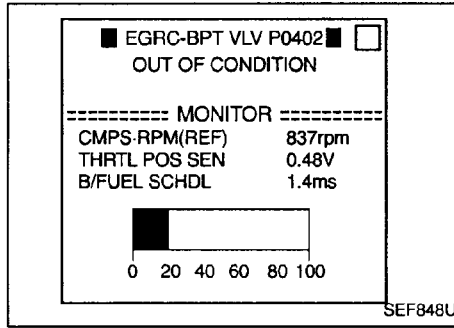


- 1) Start engine and warm it up to normal operating temperature.
- 2) Stop engine and wait at least 5 seconds.
- 3) Turn ignition switch "ON" and select "EGRC-BPT/V P0402" of "EGR SYSTEM" in "DTC WORK SUPPORT" mode with CONSULT.
- 4) Start engine and let it idle.
- 5) Touch "START".
- 6) Check the output voltage of "THRTL POS SEN" (at closed throttle position) and note it.
- 7) When the following conditions are met, "TESTING" will be displayed on the CONSULT screen and the bar chart may increase. Maintain the conditions many times until "COMPLETED" appears.

Selector lever: Suitable position CMPS-RPM (REF): 1,600 - 2,000 rpm (A/T) 2,200 - 2,800 rpm (M/T) Vehicle speed: 30 - 60 km/h (19 - 37 MPH) (A/T) 30 - 100 km/h (19 - 62 MPH) (M/T) B/FUEL SCHDL: 2.4 - 2.8 msec (A/T) 1.7 - 2.2 msec (M/T)
---

THRTL POS SEN:  $(X + 0.15) - (X + 0.41)$  V (A/T)  
                                      $(X + 0.25) - (X + 0.38)$  V (M/T)  
 X = Voltage value measured at step 6)

- The bar chart on CONSULT screen indicates the status of this test. However, the test may be finished before the bar chart becomes full scale.
  - If the bar chart indication does not continue to progress, completely release accelerator pedal once and try to meet the conditions again.
  - If "TESTING" does not appear on CONSULT screen, retry from step 2).
- 8) If "OK" is displayed, carry out "OVERALL FUNCTION CHECK" on next page. If "NG" is displayed, refer to "DIAGNOSTIC PROCEDURE", EC-266.



## TROUBLE DIAGNOSIS FOR DTC P0402

### EGRC-BPT Valve Function (Cont'd)

#### OVERALL FUNCTION CHECK

Use this procedure to check the overall function of the EGRC-BPT valve. During this check, a 1st trip DTC might not be confirmed.



- 1) Disconnect the vacuum hose to the fuel pressure regulator at the intake manifold.

- 2) Disconnect the vacuum hose to the EGRC-solenoid valve at the EGRC-BPT valve.

Connect the intake manifold collector and the EGRC-BPT valve directly with a rubber tube that has 0.5 mm (0.020 in) dia. orifice. (The intake manifold vacuum will be directly applied to the EGRC-BPT valve.)

- 3) Start engine.

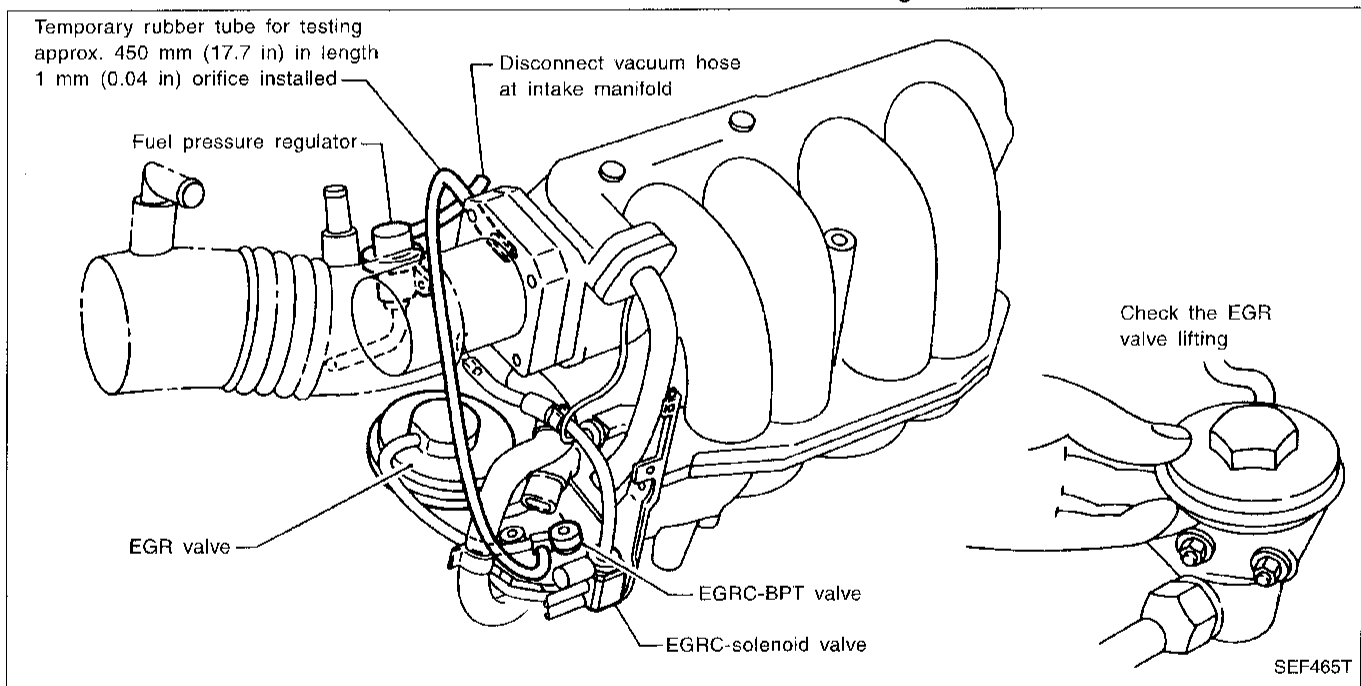
- 4) Check for the EGR valve lifting with engine at idle speed under no load.

**EGR valve should remain closed or lift up slightly.**

- 5) Check the EGR valve lifting when revving from 2,000 rpm up to 4,000 rpm under no load.

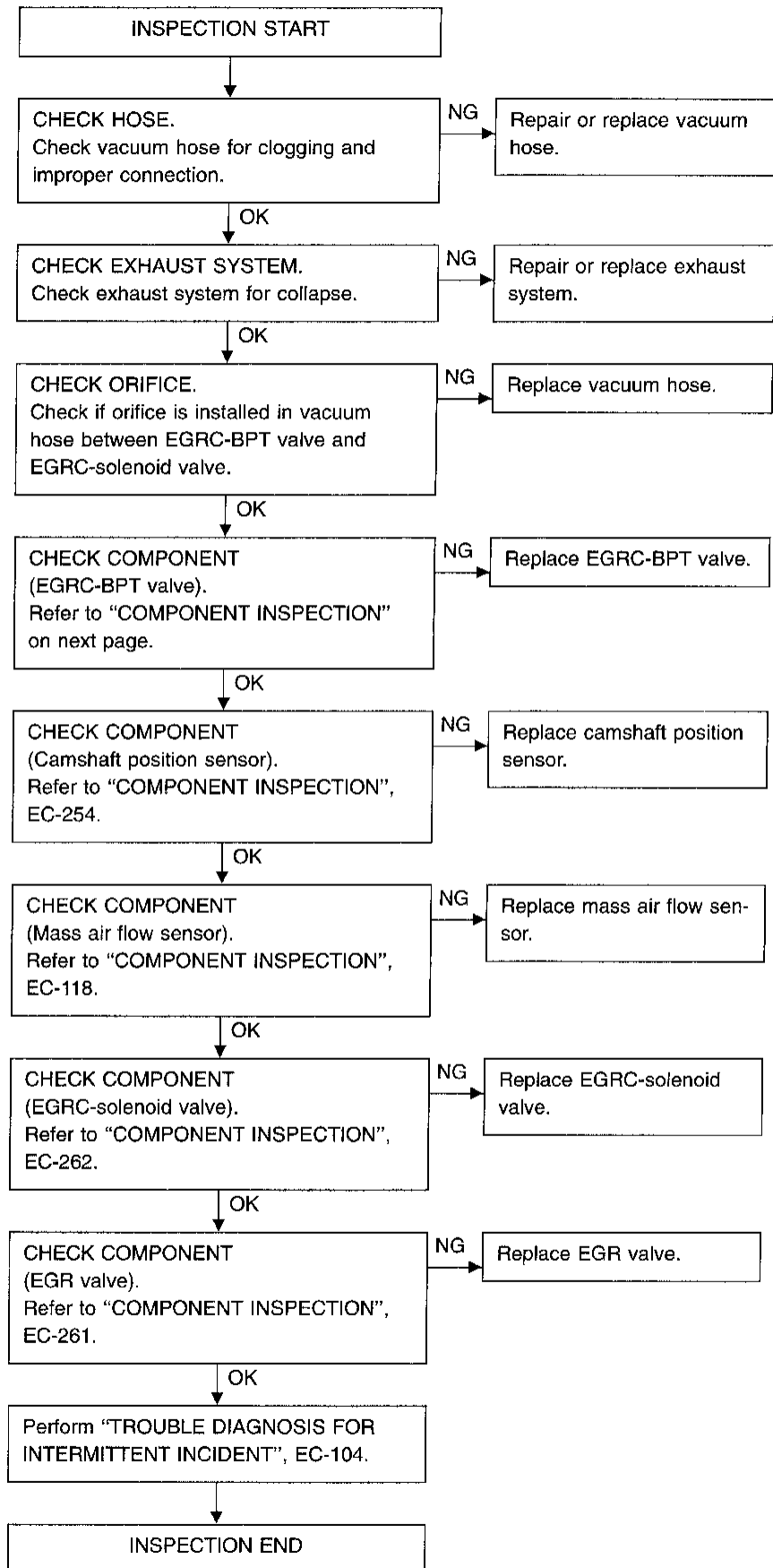
**EGR valve should lift up, and go down without sticking when the engine is returned to idle.**

- 6) Check rubber tube between EGRC-solenoid valve and intake manifold collector for misconnection, cracks or blockages.



# TROUBLE DIAGNOSIS FOR DTC P0402

## EGRC-BPT Valve Function (Cont'd) DIAGNOSTIC PROCEDURE



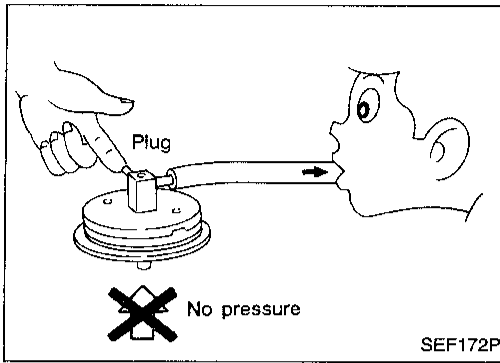
## TROUBLE DIAGNOSIS FOR DTC P0402

### EGRC-BPT Valve Function (Cont'd)

#### COMPONENT INSPECTION

##### EGRC-BPT valve

1. Plug one of two ports of EGRC-BPT valve.
2. Vacuum from the other port and check leakage without applying any pressure from under EGR-BPT valve.  
**Leakage should exist.**



GI

MA

EM

LC

**EC**

FE

GL

MT

AT

FA

RA

BR

ST

RS

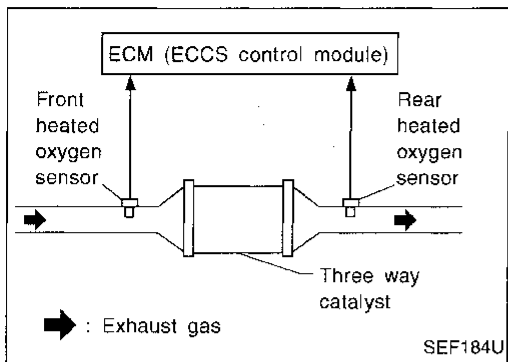
BT

HA

EL

IDX

# TROUBLE DIAGNOSIS FOR DTC P0420



## Three-Way Catalyst Function

### ON BOARD DIAGNOSIS LOGIC

The ECM monitors the switching frequency ratio of front and rear heated oxygen sensors.

A three-way catalyst with high oxygen storage capacity will indicate a low switching frequency of rear heated oxygen sensor. As oxygen storage capacity decreases, the rear heated oxygen sensor switching frequency will increase.

When the frequency ratio of front and rear heated oxygen sensors approaches a specified limit value, the three-way catalyst malfunction is diagnosed.

Diagnostic Trouble Code No.	Malfunction is detected when ...	Check Items (Possible Cause)
P0420 0702	<ul style="list-style-type: none"> <li>● Three-way catalyst does not operate properly.</li> <li>● Three-way catalyst does not have enough oxygen storage capacity.</li> </ul>	<ul style="list-style-type: none"> <li>● Three-way catalyst</li> <li>● Exhaust tube</li> <li>● Intake air leaks</li> <li>● Injectors</li> <li>● Injector leaks</li> <li>● Spark plug</li> <li>● Improper ignition timing</li> </ul>

☆ MONITOR    ☆ NO FAIL   

CMPS•RPM (REF)	2037rpm
FR O2 SEN	0.68V
RR O2 SEN	0.04V
FR O2 MNTR	RICH
RR O2 MNTR	LEAN
VHCL SPEED SE	0km/h

**RECORD**

SEF321U

■ SRT STATUS    ■

CATALYST	CMPLT
EVAP SYSTEM	INCMP
O2 SENSOR	CMPLT
O2 SEN HEATER	CMPLT
EGR SYSTEM	INCMP

**PRINT**

SEF215U

## DIAGNOSTIC TROUBLE CODE CONFIRMATION PROCEDURE

### CAUTION:

Always drive vehicle at a safe speed.

### NOTE:

If "DIAGNOSTIC TROUBLE CODE CONFIRMATION PROCEDURE" has been previously conducted, always turn ignition switch "OFF" and wait at least 5 seconds before conducting the next test.



- 1) Start engine and warm it up to normal operating temperature.
- 2) Set "MANU TRIG" and "HI SPEED", then select "FR O2 SENSOR", "RR O2 SENSOR", "FR O2 MNTR", "RR O2 MNTR" in "DATA MONITOR" mode with CONSULT.
- 3) Touch "RECORD" on CONSULT screen with engine speed held at 2,000 rpm constantly under no load.
- 4) Make sure that the switching frequency between "RICH" and "LEAN" of "RR O2 MNTR" is much less than that of "FR O2 MNTR" as shown below.

**Switching frequency ratio =**

**Rear heated oxygen sensor switching frequency**

**Front heated oxygen sensor switching frequency**

**This ratio should be less than 0.75.**

If the ratio is greater than above, the three-way catalyst is not operating properly.

If the "FR O2 MNTR" does not indicate "RICH" and "LEAN" periodically more than 5 times within 10 seconds at step 3), perform TROUBLE DIAGNOSES FOR DTC P0133 first.

# TROUBLE DIAGNOSIS FOR DTC P0420

## Three-Way Catalyst Function (Cont'd)

If the result is NG, go to "DIAGNOSTIC PROCEDURE", EC-270.

If the result is OK, go to following step.

- 5) Select "AUTO TRIG" in "DATA MONITOR" mode with CONSULT.
- 6) Drive vehicle at a speed of approximately 84 to 96 km/h (52 to 60 MPH) with the following for at least 10 consecutive minutes.  
(Drive the vehicle in an area where vehicle speed and accelerator pressure can be held steady and constant.)

**M/T: 5th position**

**A/T: D position ("OD" ON)**

If the result is NG, go to "DIAGNOSTIC PROCEDURE", EC-270.

- 7) Select "SRT STATUS" in "DTC CONFIRMATION" mode with CONSULT.
- 8) Verify that "CATALYST" is "CMPLT".  
If not "CMPLT", repeat the test from step 5).

CI

MA

EM

LC

EC

FE

CL

MT

AT

FA

RA

BR

ST

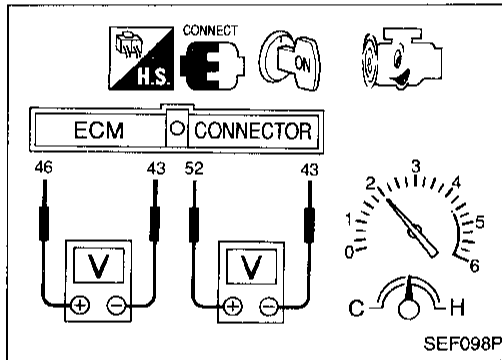
RS

BT

HA

EL

IOX



## OR OVERALL FUNCTION CHECK

Use this procedure to check the overall function of the three-way catalyst.

During this check, a 1st trip DTC might not be confirmed.

- 1) Start engine and warm it up to normal operating temperature.
- 2) Set voltmeter probes between ECM terminals ④⑥ (front heated oxygen sensor signal) and ④③ (engine ground), and ECM terminals ⑤② (rear heated oxygen sensor signal) and ④③ (engine ground).
- 3) Keep engine speed at 2,000 rpm constant under no load.
- 4) Make sure that the voltage switching frequency (high & low) between ECM terminals ⑤② and ④③ is much less than that of ECM terminals ④⑥ and ④③.

**Switching frequency ratio =**

**Rear heated oxygen sensor voltage switching frequency**

**Front heated oxygen sensor voltage switching frequency**

**This ratio should be less than 0.75.**

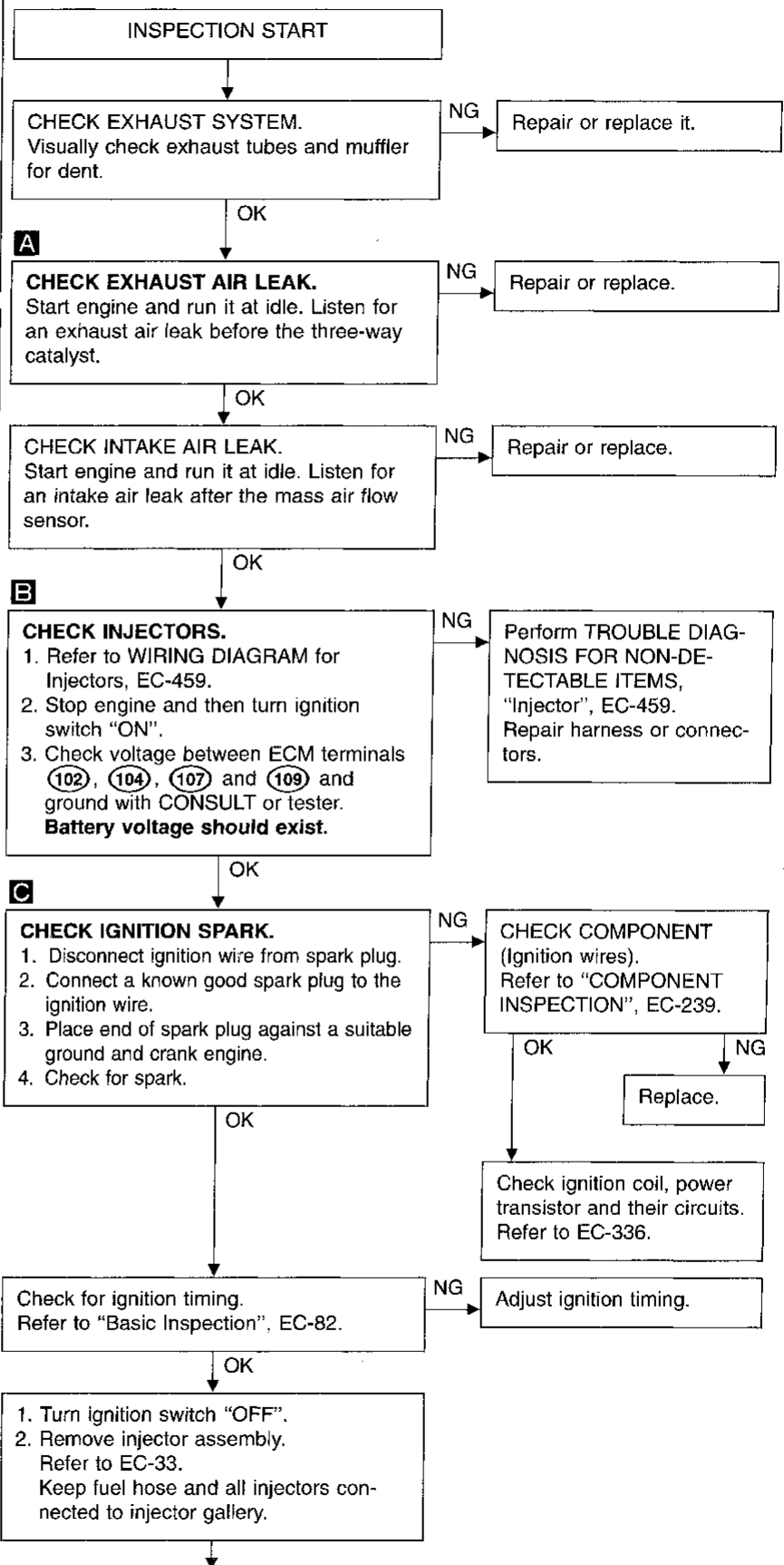
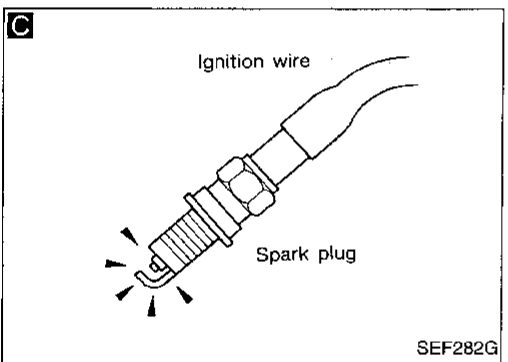
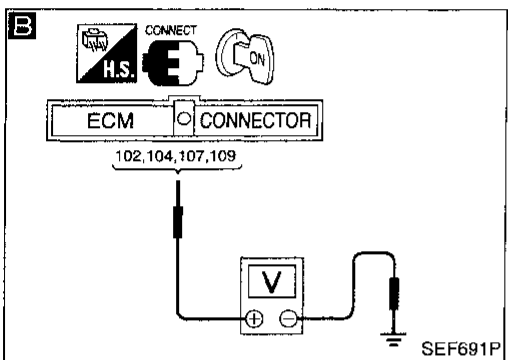
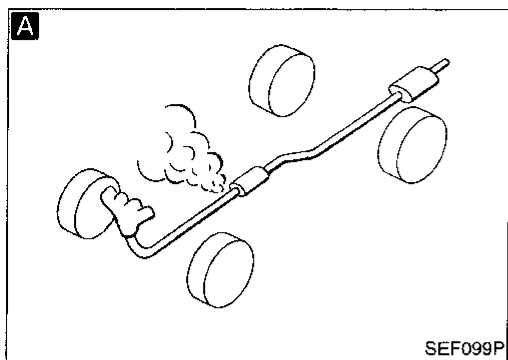
If the ratio is greater than above, it means three-way catalyst does not operate properly.

**Note: If the voltage at terminal ④⑥ does not switch periodically more than 5 times within 10 seconds at step 3), perform TROUBLE DIAGNOSIS FOR DTC P0133 first. (See EC-173.)**

# TROUBLE DIAGNOSIS FOR DTC P0420

## Three-Way Catalyst Function (Cont'd)

### DIAGNOSTIC PROCEDURE

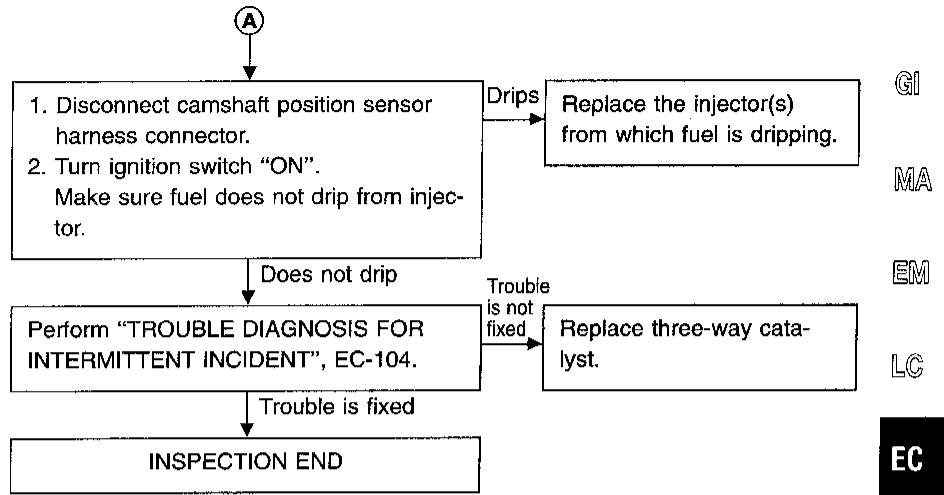


(Go to next page.)



# TROUBLE DIAGNOSIS FOR DTC P0420

## Three-Way Catalyst Function (Cont'd)



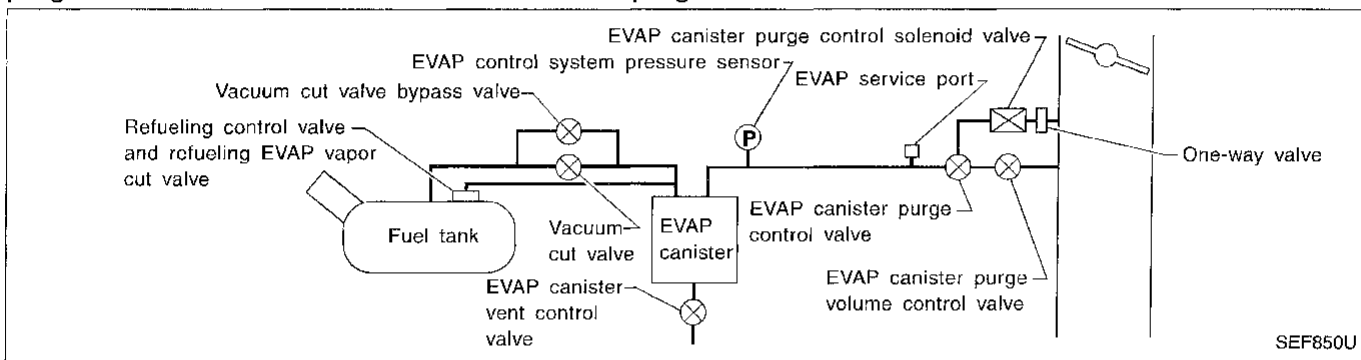
## TROUBLE DIAGNOSIS FOR DTC P0440

### Evaporative Emission (EVAP) Control System (Small Leak) (Negative Pressure)

**Note:** If both DTC P0440 and P1448 are displayed, perform TROUBLE DIAGNOSIS FOR DTC P1448 first. (See EC-400.)

#### ON BOARD DIAGNOSIS LOGIC

This diagnosis detects leaks in the EVAP purge line using engine intake manifold vacuum. If pressure does not increase, the ECM will check for leaks in the line between the fuel tank and EVAP canister purge control valve under the following "Vacuum test" conditions. The vacuum cut valve bypass valve is opened to clear the line between the fuel tank and the EVAP canister purge control valve. The EVAP canister vent control valve will then be closed to shut the EVAP purge line off. The EVAP canister purge volume control valve and EVAP canister purge control valve is opened to depressurize the EVAP purge line using intake manifold vacuum. After this occurs, the EVAP canister purge volume control valve and EVAP canister purge control valve will be closed.



Diagnostic Trouble Code No.	Malfunction is detected when ....	Check Items (Possible Cause)
P0440 0705	<ul style="list-style-type: none"> <li>● EVAP control system has a leak.</li> <li>● EVAP control system does not operate properly.</li> </ul>	<ul style="list-style-type: none"> <li>● Incorrect fuel tank vacuum relief valve</li> <li>● Incorrect fuel filler cap used</li> <li>● Fuel filler cap remains open or fails to close.</li> <li>● Foreign matter caught in fuel filler cap.</li> <li>● Leak is in line between intake manifold and EVAP canister purge control valve.</li> <li>● Foreign matter caught in EVAP canister vent control valve.</li> <li>● EVAP canister or fuel tank leaks</li> <li>● EVAP purge line (pipe and rubber tube) leaks</li> <li>● EVAP purge line rubber tube bent.</li> <li>● Blocked or bent rubber tube to EVAP control system pressure sensor</li> <li>● Loose or disconnected rubber tube</li> <li>● EVAP canister vent control valve and the circuit</li> <li>● EVAP canister purge control valve</li> <li>● EVAP canister purge volume control valve</li> <li>● EVAP canister purge control solenoid valve and the circuit</li> <li>● Absolute pressure sensor</li> <li>● Tank fuel temperature sensor</li> <li>● MAP/BARO switch solenoid valve and the circuit</li> <li>● Blocked or bent rubber tube to MAP/BARO switch solenoid valve</li> <li>● O-ring of EVAP canister vent control valve is missing or damaged.</li> <li>● Water separator</li> <li>● EVAP canister is saturated with water.</li> <li>● EVAP control system pressure sensor</li> <li>● Refueling EVAP vapor cut valve</li> <li>● ORVR system leaks</li> </ul>

#### CAUTION:

- Use only a genuine NISSAN fuel filler cap as a replacement. If an incorrect fuel filler cap is used, the MIL may come on.
- If the fuel filler cap is not tightened properly, the MIL may come on.
- Use only a genuine rubber tube as a replacement.

## TROUBLE DIAGNOSIS FOR DTC P0440

### Evaporative Emission (EVAP) Control System (Small Leak) (Negative Pressure) (Cont'd)

#### DIAGNOSTIC TROUBLE CODE CONFIRMATION PROCEDURE

##### NOTE:

- If DTC P0440 is displayed with P1448, perform TROUBLE DIAGNOSIS FOR DTC P1448 first. (See EC-400.)
- If "DIAGNOSTIC TROUBLE CODE CONFIRMATION PROCEDURE" has been previously conducted, always turn ignition switch "OFF" and wait at least 5 seconds before conducting the next test.

##### TESTING CONDITION:

- Perform "DTC WORK SUPPORT" when the fuel level is less than 3/4 full and vehicle is placed on flat level surface.
- Always perform test at a temperature of 5 to 30°C (41 to 86°F).
- It is better that the fuel level is low.

- 1) Turn ignition switch "ON"
- 2) Turn ignition switch "OFF" and wait at least 5 seconds.
- 3) Turn ignition switch "ON" and select "DATA MONITOR" mode with CONSULT.
- 4) Check that the following conditions are met.  
COOLANT TEMP/S: 0 - 70°C (32 - 158°F)  
INT/A TEMP SE: 5 - 60°C (41 - 140°F)
- 5) Select "EVAP SML LEAK P0440" of "EVAPORATIVE SYSTEM" in "DTC WORK SUPPORT" mode with CONSULT.  
Follow the instruction displayed.

##### NOTE:

- If the CONSULT screen shown at left is displayed, stop the engine and stabilize the vehicle temperature at 25°C (77°F) or cooler. After "TANK F/TMP SE" becomes less than 30°C (86°F), retest.  
(Use a fan to reduce the stabilization time.)

- If the engine speed cannot be maintained within the range displayed on CONSULT screen, go to "Basic Inspection", EC-82.
- The engine idle portion of this test (see illustration at left) will take approximately 5 minutes.

- 6) Make sure that "OK" is displayed.  
If "NG" is displayed, refer to "DIAGNOSTIC PROCEDURE", EC-275.

OR

##### NOTE:

Be sure to read the explanation of "Driving pattern" on EC-46 before driving vehicle.

- 1) Start engine.
  - 2) Drive vehicle according to "Driving pattern", EC-46.
  - 3) Stop vehicle.
  - 4) Select "MODE 1" with GST.
- If SRT of EVAP system is not set yet, go to the following step.
  - If SRT of EVAP system is set, the result will be OK.

■ EVAP SML LEAK P0440 ■

1)PERFORM TEST AT A LOCATION OF 5-30C (41-86F)  
2)OPEN ENGINE HOOD.  
3)START ENGINE WITH VEHICLE STOPPED. IF ENG IS ON, STOP FOR 5 SEC. THEN RESTART.  
4)TOUCH START.

EXIT      START

SEF296U

■ EVAP SML LEAK P0440 ■

CAN NOT BE DIAGNOSED

FUEL TEMPERATURE IS TOO HIGH. RETEST AFTER FUEL HAS COOLED.

EXIT      PRINT

SEF669U

■ EVAP SML LEAK P0440 ■

WAIT. . .

KEEP ENGINE RUNNING AT IDLE SPEED.

SEF551V

■ EVAP SML LEAK P0440 ■

\*\*\*\*\* OK \*\*\*\*\*

END      PRINT

SEF297U

SMA98-151 | '98 SENTRA/200SX | AUGUST 1997(05) | SM8E-OB14UO

← ARROW INDICATES AMENDED INFORMATION

## TROUBLE DIAGNOSIS FOR DTC P0440

### Evaporative Emission (EVAP) Control System (Small Leak) (Negative Pressure) (Cont'd)

- 5) Turn ignition switch "OFF" and wait at least 5 seconds.
- 6) Start engine.  
**It is not necessary to cool engine down before driving.**
- 7) Drive vehicle again according to the "Driving pattern".
- 8) Stop vehicle.
- 9) Select "MODE 3" with GST.
  - If P1447 is displayed on the screen, go to "TROUBLE DIAGNOSIS FOR DTC P1447", EC-391.
  - If P0440 is displayed on the screen, go to "DIAGNOSTIC PROCEDURE", EC-275.
  - If P1440 is displayed on the screen, go to "DIAGNOSTIC PROCEDURE" in "TROUBLE DIAGNOSIS FOR DTC P1440", EC-369.
  - If P0440, P1440 and P1447 are not displayed on the screen, go to the following step.
- 10) Select "MODE 1" with GST.
  - If SRT of EVAP system is set, the result will be OK.
  - If SRT of EVAP system is not set, go to step 5).

OR

#### NOTE:

- **Be sure to read the explanation of "Driving pattern" on EC-46 before driving vehicle.**
- **It is better that the fuel level is low.**



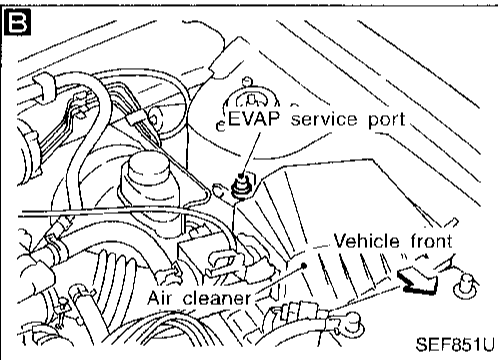
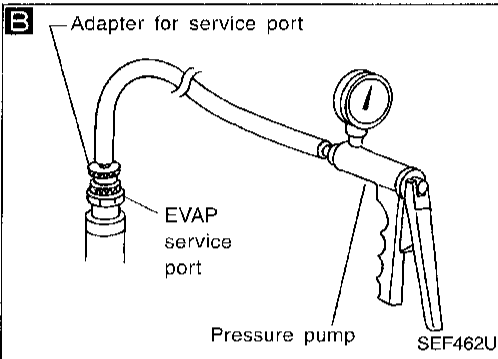
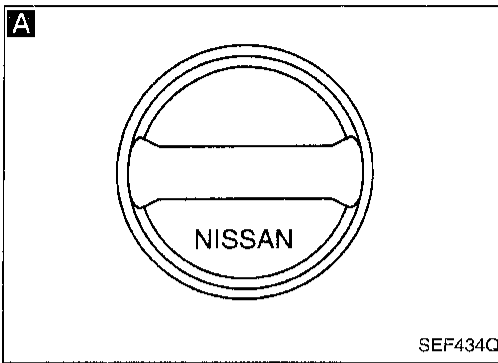
- 1) Start engine.
- 2) Drive vehicle according to "Driving pattern", EC-46.
- 3) Stop vehicle.
- 4) Turn ignition switch "OFF" and wait at least 5 seconds.
- 5) Perform the step 1) to 4) again.
- 6) Turn ignition switch "ON" and perform "Diagnostic Test Mode (Self-diagnostic results)" with ECM.

# TROUBLE DIAGNOSIS FOR DTC P0440

## Evaporative Emission (EVAP) Control System (Small Leak) (Negative Pressure) (Cont'd)

### DIAGNOSTIC PROCEDURE

INSPECTION START



**A**

**CHECK FUEL FILLER CAP.**

1. Check for genuine NISSAN fuel filler cap design.
2. Check for air releasing sound while opening the fuel filler cap. If the air releasing sound is heard, go to **B**.

If the air releasing sound is not heard, check the following.

**Was the cap tightened properly?**

If Yes, check fuel filler cap vacuum relief valve. Refer to "EVAPORATIVE EMISSION SYSTEM", EC-22.

If No, open fuel filler cap, then clean cap and filler neck thread using air blower. Retighten until ratcheting sound is heard.

NG

If genuine NISSAN fuel filler cap is not used, replace with genuine NISSAN fuel filler cap.

**B**

**CHECK FOR EVAP LEAK.**

- Never use compressed air or high pressure pump.
- Improper installation of service port may cause leaking.
- Do not exceed 4.12 kPa (0.042 kg/cm<sup>2</sup>, 0.6 psi) of pressure in the system.

To locate EVAP leak portion, proceed with the following steps.

1. Install the EVAP service port adapter and the pressure pump securely.
2. Turn ignition switch "ON". Select "EVAP SYSTEM CLOSE" of "WORK SUPPORT" mode with CONSULT.
3. Touch "START" and apply vacuum into the EVAP line until the pressure indicator reaches the middle of bar graph.
4. Remove adapter and pressure pump.
5. Using EVAP leak detector, locate the leak portion. For the leak detector, refer to instruction manual for more details. Refer to "EVAPORATIVE EMISSION SYSTEM", EC-21.

NG

Repair or replace.

OR

2. Turn ignition switch "OFF".
3. Apply 12 volts DC to EVAP canister vent control valve. The valve will close. (Continue to apply 12 volts until the end of test.)
4. Apply 12 volts DC to vacuum cut valve bypass valve. The valve will open. (Continue to apply 12V until the end of test.)
5. Pressurize the EVAP line using pressure pump with 1.3 to 2.7 kPa (10 to 20 mmHg, 0.39 to 0.79 inHg), then remove pump and service port adapter.
6. Locate the leak using a leak detector. Refer to the instruction manual for more details about the leak detector. Refer to "Evaporative Emission Line Drawing", EC-24.

▼ OK

(A)

(Go to next page.)

GI

MA

EM

LC

EC

FE

CL

MT

AT

FA

RA

BR

ST

RS

BT

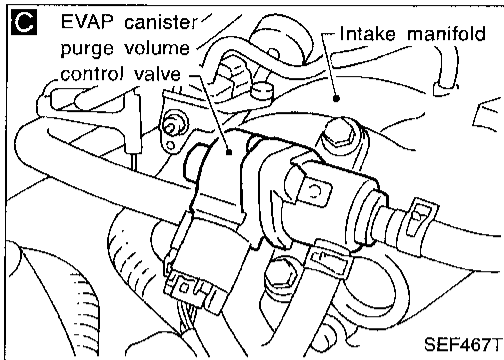
HA

EL

IDX

# TROUBLE DIAGNOSIS FOR DTC P0440

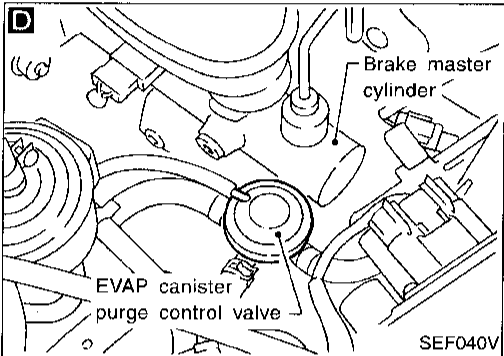
## Evaporative Emission (EVAP) Control System (Small Leak) (Negative Pressure) (Cont'd)



**C**

**CHECK COMPONENT**  
(EVAP canister purge volume control valve).  
Refer to "COMPONENT INSPECTION", EC-279.

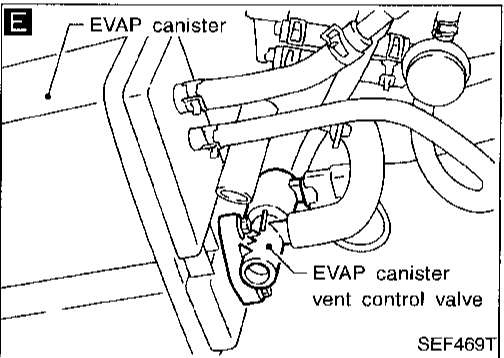
NG → Replace EVAP canister purge volume control valve.



**D**

**CHECK COMPONENT**  
(EVAP canister purge control valve).  
Refer to "COMPONENT INSPECTION", EC-280.

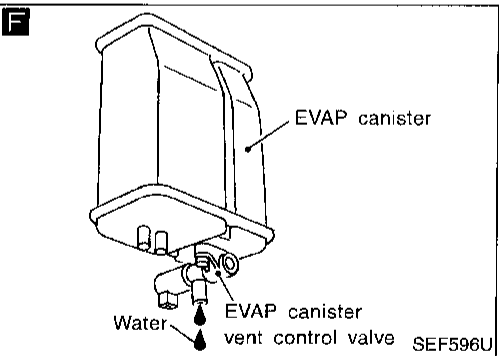
NG → Replace EVAP canister purge control valve.



**E**

**CHECK COMPONENT AND CIRCUIT**  
(EVAP canister vent control valve, O-ring and water separator).  
Refer to "TROUBLE DIAGNOSIS FOR P0446" for circuit, EC-289 and "COMPONENT INSPECTION", EC-280.

NG → Repair or replace EVAP canister vent control valve and O-ring or harness/connector.



**F**

**CHECK IF EVAP CANISTER SATURATED WITH WATER.**

1. Remove EVAP canister with EVAP canister vent control valve attached.
2. Check if water will drain from the EVAP canister. If it will, weigh the EVAP canister with the vent control valve attached. If the weight is:  
**More than 1.8 kg (4.0 lb) → NG**  
**Less than 1.8 kg (4.0 lb) → OK**

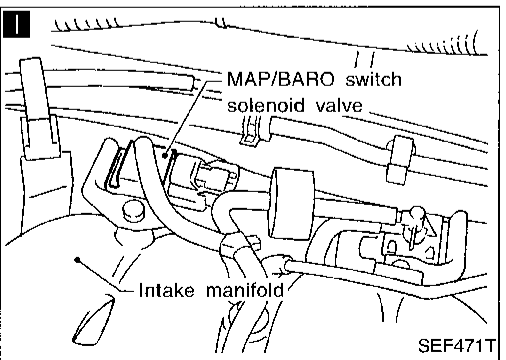
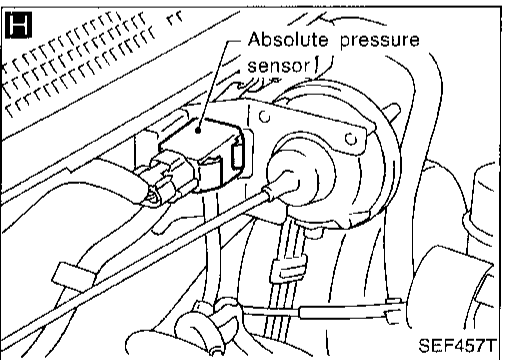
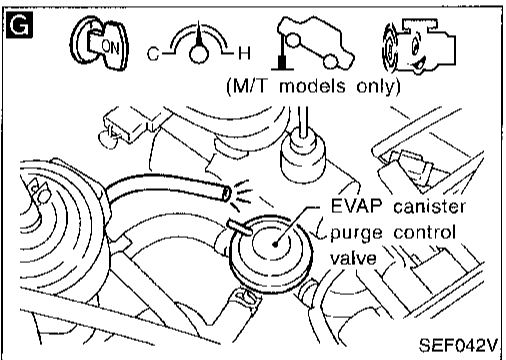
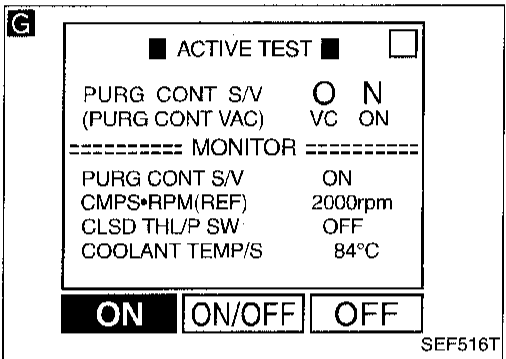
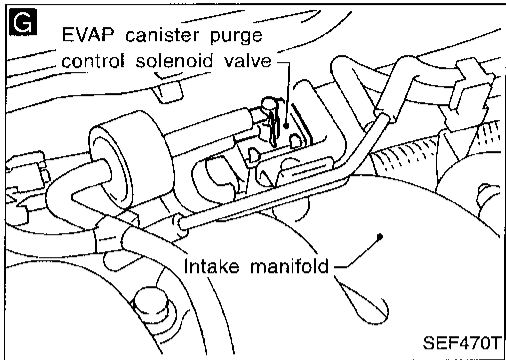
NG → Check the following:

1. Visually check the EVAP canister for damage.
2. Check hose connection between EVAP canister and water separator for clogging and poor connection.
3. Check water separator. Refer to "COMPONENT INSPECTION", EC-281. If NG, repair hose or replace EVAP canister or water separator.

OK → **B**  
(Go to next page.)

# TROUBLE DIAGNOSIS FOR DTC P0440

## Evaporative Emission (EVAP) Control System (Small Leak) (Negative Pressure) (Cont'd)



**G**

**CHECK COMPONENT** (EVAP canister purge control solenoid valve).

1. Disconnect vacuum hose to EVAP canister purge control valve.
2. Start engine.
3. Perform "PURG CONT S/V" in "ACTIVE TEST" mode.
4. Select "ON" on CONSULT screen to turn on "PURG CONT S/V".
5. Check vacuum hose for vacuum when revving engine up to 2,000 rpm.

**Vacuum should exist.**

**OR**

1. Start engine and warm it up to normal operating temperature.
2. Stop engine.
3. Jack up drive wheels.
4. Disconnect vacuum hose to EVAP canister purge control valve.
5. Start engine and let it idle for at least 60 seconds.
6. Check vacuum hose for vacuum when revving engine up to 2,000 rpm.

**Vacuum should exist.**

NG

Check the following.

- EVAP canister purge control solenoid valve Refer to "COMPONENT INSPECTION", EC-280.
- Vacuum hoses for clogging or disconnection Refer to "Vacuum Hose Drawing", EC-14.

If NG, repair hoses or replace EVAP canister purge control solenoid valve.

**H**

**CHECK COMPONENT** (Absolute pressure sensor). Refer to "COMPONENT INSPECTION", EC-376.

NG

Replace absolute pressure sensor.

**I**

**CHECK COMPONENT AND CIRCUIT** (MAP/BARO switch solenoid valve). Refer to "DIAGNOSTIC PROCEDURE", EC-322.

NG

Repair or replace MAP/BARO switch solenoid valve or harness/connector.

OK

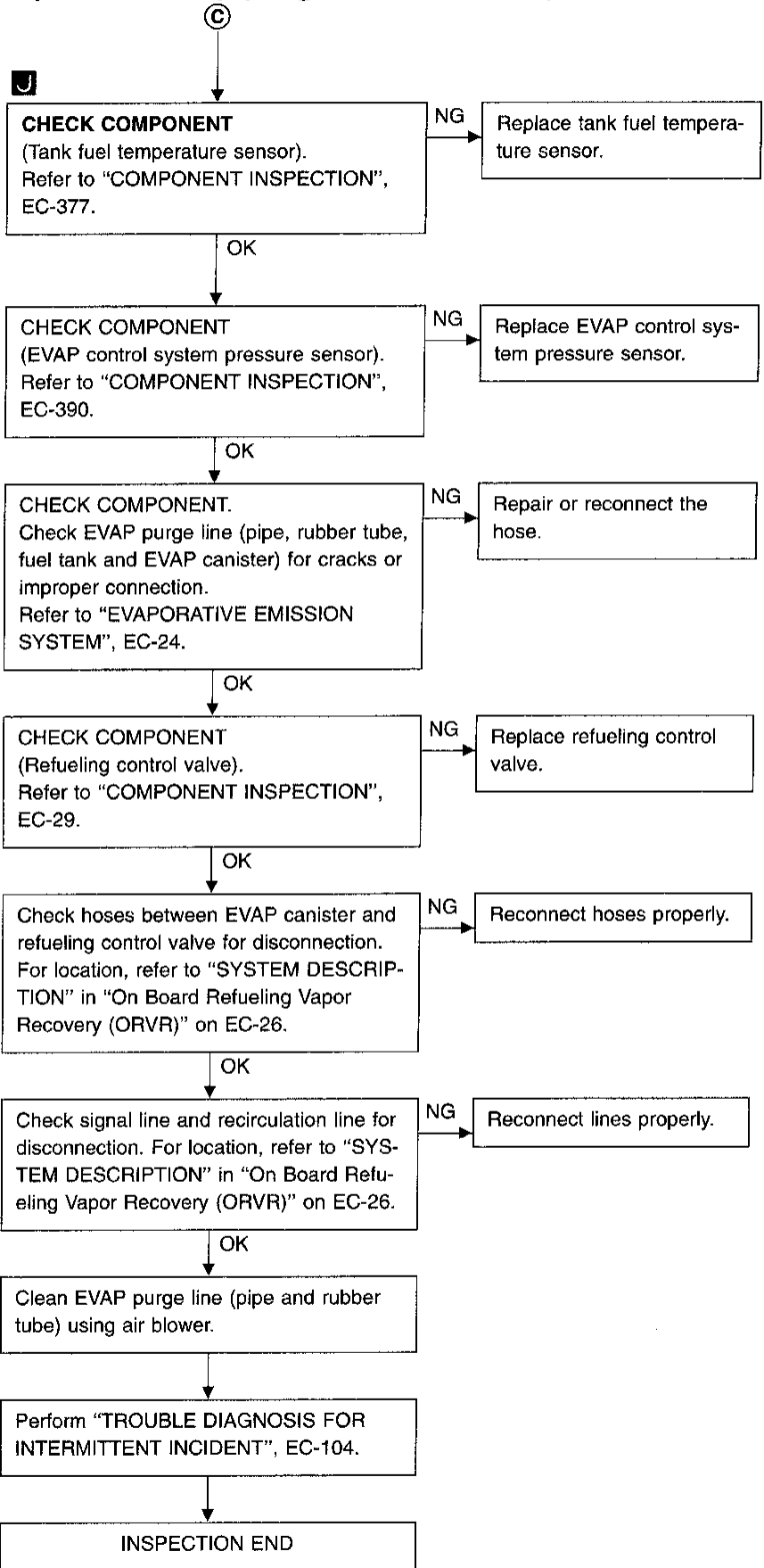
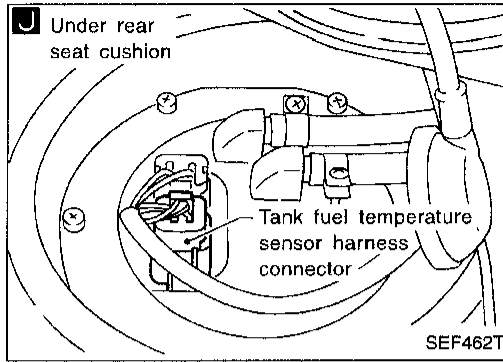
**C**

(Go to next page.)

GI  
MA  
EM  
LC  
EC  
FE  
CL  
MT  
AT  
FA  
RA  
BR  
ST  
RS  
BT  
HA  
EL  
IDX

# TROUBLE DIAGNOSIS FOR DTC P0440

## Evaporative Emission (EVAP) Control System (Small Leak) (Negative Pressure) (Cont'd)



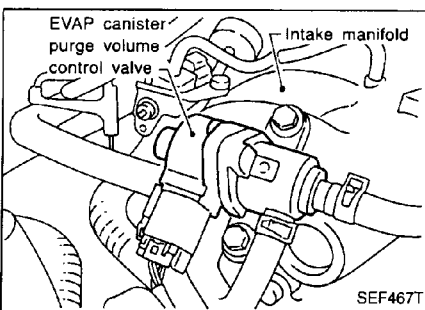
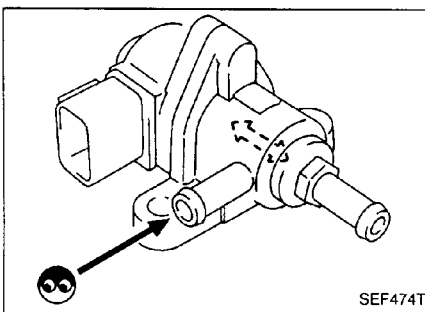
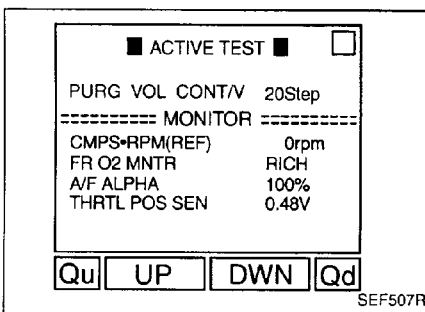
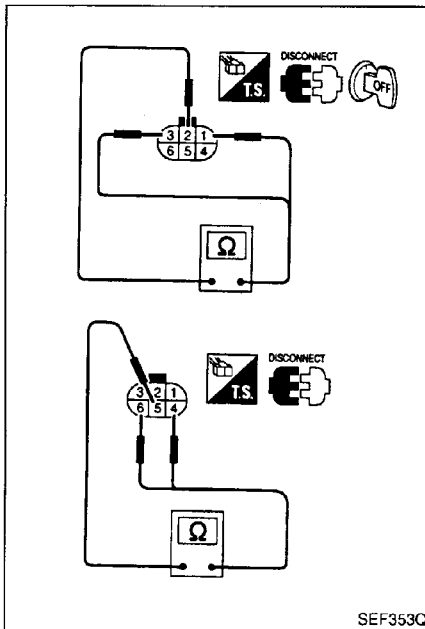


## TROUBLE DIAGNOSIS FOR DTC P0440

### Evaporative Emission (EVAP) Control System (Small Leak) (Negative Pressure) (Cont'd)

#### COMPONENT INSPECTION

##### EVAP canister purge volume control valve



1. Disconnect EVAP canister purge volume control valve harness connector.
2. Check resistance between the following terminals.  
terminal ② and terminals ①, ③  
terminal ⑤ and terminals ④, ⑥
- ➔ **Resistance:**  
**Approximately 35 - 43Ω [At 20°C (68°F)]**
3. Reconnect EVAP canister purge volume control valve harness connector.
4. Remove EVAP canister purge volume control valve from intake manifold collector and disconnect hoses from the valve.  
(Plug the purge hoses. The EVAP canister purge volume control valve harness connector should remain connected.)
5. Turn ignition switch "ON".
6. Perform "PURG VOL CONT/V" in "ACTIVE TEST" mode with CONSULT. Check that EVAP canister purge volume control valve shaft moves smoothly forward and backward according to the valve opening.  
If NG, replace the EVAP canister purge volume control valve.

OR

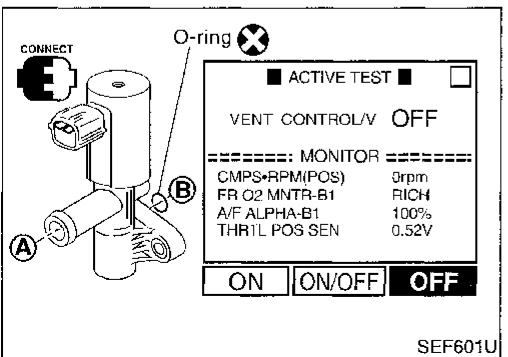
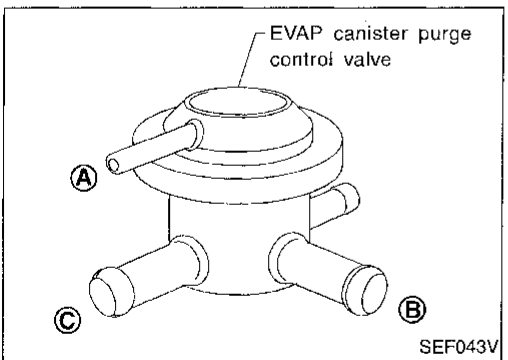
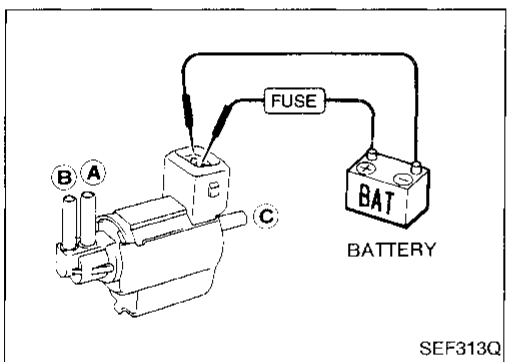
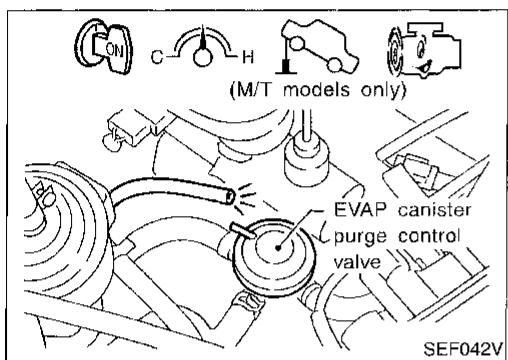
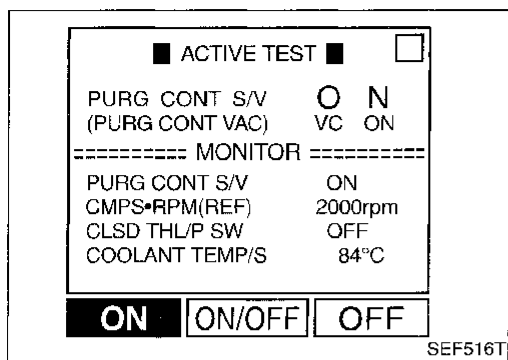
- ⊗ 1. Disconnect EVAP canister purge volume control valve harness connector.
2. Check resistance between the following terminals.  
terminal ② and terminals ①, ③  
terminal ⑤ and terminals ④, ⑥
- ➔ **Resistance:**  
**Approximately 35 - 43Ω [At 20°C (68°F)]**
3. Reconnect EVAP canister purge volume control valve harness connector.
4. Remove EVAP canister purge volume control valve from intake manifold collector and disconnect hoses from the valve.  
(Plug the purge hoses. The EVAP canister purge volume control valve harness connector should remain connected.)
5. Turn ignition switch "ON" and "OFF". Check that EVAP canister purge volume control valve shaft moves smoothly forward and backward according to the ignition switch position.  
If NG, replace the EVAP canister purge volume control valve.

SMA98-151 '98 SENTRA/200SX AUGUST 1997(05) SM8E-OB14UO

← ARROW INDICATES AMENDED INFORMATION

# TROUBLE DIAGNOSIS FOR DTC P0440

## Evaporative Emission (EVAP) Control System (Small Leak) (Negative Pressure) (Cont'd)



### EVAP canister purge control solenoid valve

1. Jack up driving wheels (M/T models only).
2. Turn ignition switch "ON".
3. Select "PURG CONT S/V" of "ACTIVE TEST" mode with CONSULT.
4. Start engine and warm it up to normal operating temperature.
5. Disconnect vacuum hose at EVAP canister purge control valve.
6. Touch "ON" and "OFF" and check for vacuum passing through the hose.

Condition	Vacuum
Idle	Not exist
2,000 rpm (A/T models) 2,000 rpm with 1st gear position (M/T models)	Exist

OR

1. Check air passage continuity.

Condition	Air passage continuity between (A) and (B)	Air passage continuity between (A) and (C)
12V direct current supply between terminals	Yes	No
No supply	No	Yes

If NG, replace solenoid valve.

### EVAP canister purge control valve

Check EVAP canister purge control valve as follows:

1. Blow air in port (A), (B) and (C), then ensure that there is no leakage.
2. Apply vacuum to port (A). [Approximately -13.3 to -20.0 kPa (-100 to -150 mmHg, -3.94 to -5.91 inHg)]  
Blow air in port (C) and ensure free flow out of port (B).

### EVAP canister vent control valve

Check air passage continuity.

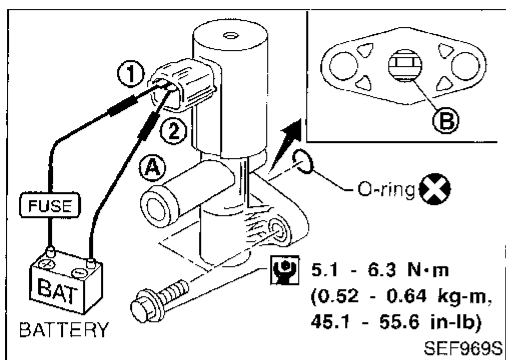
1. Perform "VENT CONTROL/V" in "ACTIVE TEST" mode.

Condition	Air passage continuity between (A) and (B)
VENT CONTROL/V ON	No
VENT CONTROL/V OFF	Yes

## TROUBLE DIAGNOSIS FOR DTC P0440

### Evaporative Emission (EVAP) Control System (Small Leak) (Negative Pressure) (Cont'd)

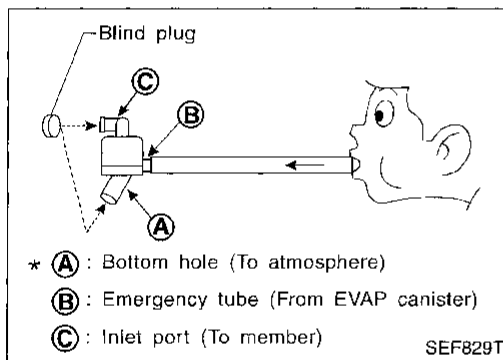
OR



Condition	Air passage continuity between (A) and (B)
12V direct current supply between terminals (1) and (2)	No
No supply	Yes

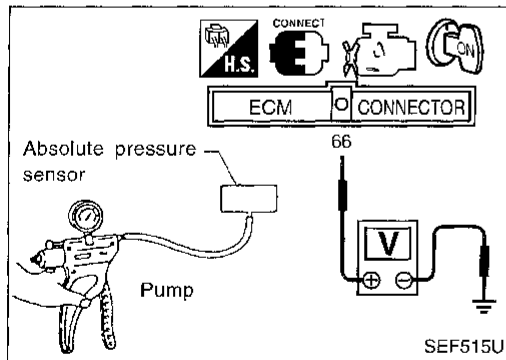
If NG, clean valve using air blower or replace as necessary. If the portion (B) is rusted, replace EVAP canister vent control valve.

**Make sure new O-ring is installed properly.**



#### Water separator

1. Check visually for insect nests in the water separator air inlet.
  2. Check visually for cracks or flaws in the appearance.
  3. Check visually for cracks or flaws in the hose.
  4. Check that (A) and (C) are not clogged by blowing air into (B) with (A), and then (C) plugged.
  5. In case of NG in items 2 - 4, replace the parts.
- **Do not disassemble water separator.**



#### Absolute pressure sensor

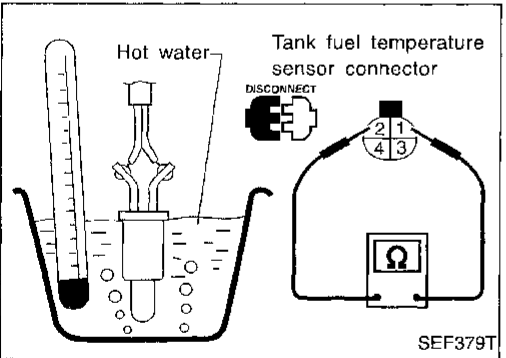
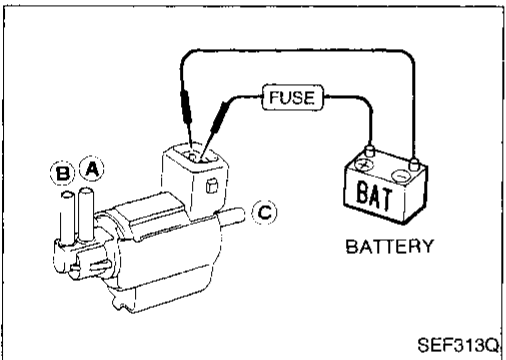
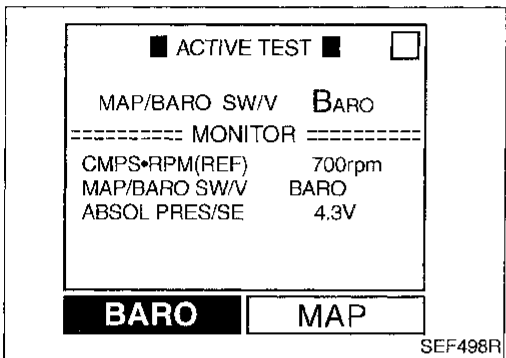
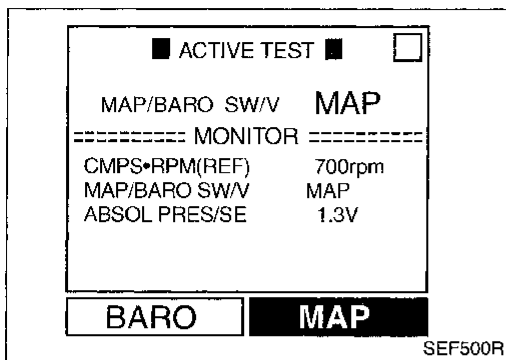
1. Remove absolute pressure sensor with its harness connector connected.
2. Remove hose from absolute pressure sensor.
3. Turn ignition switch "ON" and check output voltage between ECM terminal 66 and engine ground.  
**The voltage should be 3.2 to 4.8 V.**
4. Use pump to apply vacuum pressure of  $-26.7$  kPa ( $-200$  mmHg,  $-7.87$  inHg) to absolute pressure sensor as shown in figure and check the output voltage.  
**The voltage should be 1.0 to 1.4 V lower than the value measured in step 3.**

#### CAUTION:

- Always calibrate the vacuum pump gauge when using it.
- Do not apply pressure below  $-93.3$  kPa ( $-700$  mmHg,  $-27.56$  inHg) or over  $101.3$  kPa ( $760$  mmHg,  $29.92$  inHg).
- 5. If NG, replace absolute pressure sensor.

# TROUBLE DIAGNOSIS FOR DTC P0440

## Evaporative Emission (EVAP) Control System (Small Leak) (Negative Pressure) (Cont'd)



### MAP/BARO switch solenoid valve

1. Start engine and warm it up to normal operating temperature.
2. Perform "MAP/BARO SW/V" in "ACTIVE TEST" mode with CONSULT.
3. Check the following.
  - Condition: At idle under no-load
  - CONSULT display

MAP/BARO	ABSOL PRES/SE (Voltage)
BARO	More than 2.6V
MAP	Less than the voltage at BARO

- Time for voltage to change

MAP/BARO SW/V	Time to switch
BARO to MAP	Less than 1 second
MAP to BARO	

4. If NG, check solenoid valve as shown below.

OR

1. Remove MAP/BARO switch solenoid valve.
2. Check air passage continuity.

Condition	Air passage continuity between (A) and (B)	Air passage continuity between (A) and (C)
12V direct current supply between terminals ① and ②	Yes	No
No supply	No	Yes

3. If NG, replace solenoid valve.

### Tank fuel temperature sensor

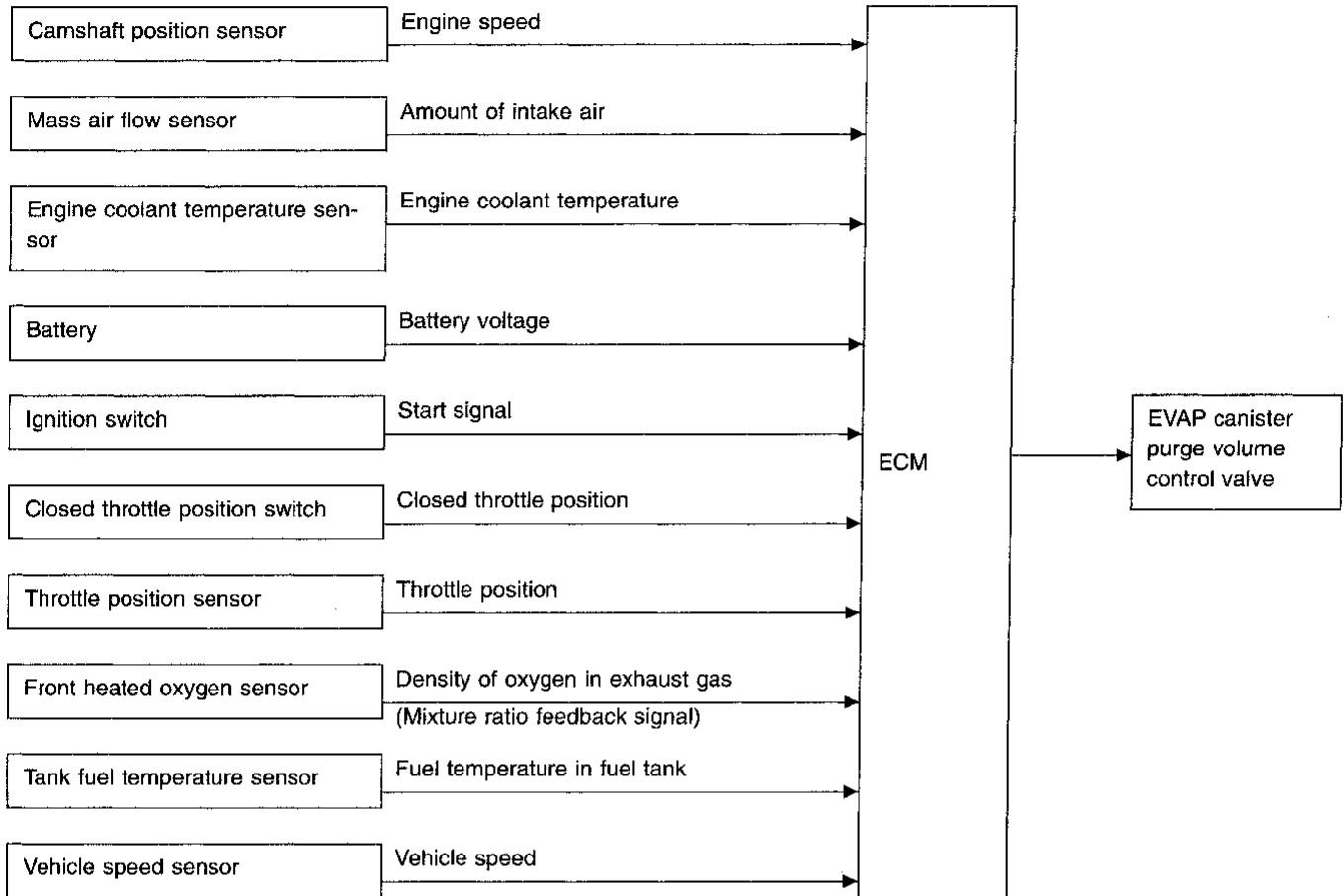
Check resistance by heating with hot water or heat gun as shown in the figure.

Temperature °C (°F)	Resistance kΩ
20 (68)	2.3 - 2.7
50 (122)	0.79 - 0.90

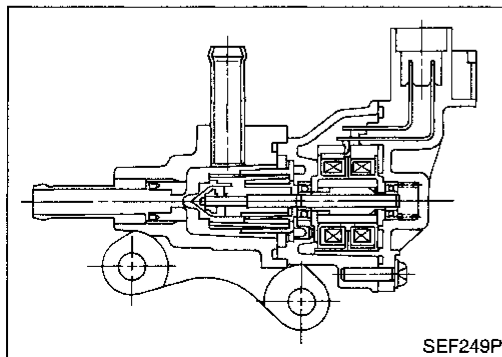
If NG, replace tank fuel temperature sensor.

## Evaporative Emission (EVAP) Canister Purge Volume Control Valve

### SYSTEM DESCRIPTION



This system controls flow rate of fuel vapor from the EVAP canister. The opening of the vapor by-pass passage in the EVAP canister purge volume control valve changes to control the flow rate. A built-in step motor moves the valve in steps corresponding to the ECM output pulses. The opening of the valve varies for optimum engine control. The optimum value stored in the ECM is determined by considering various engine conditions. When the engine is operating, the flow rate of fuel vapor from the EVAP canister is regulated as the air flow changes.



### COMPONENT DESCRIPTION

The EVAP canister purge volume control valve uses a step motor to control the flow rate of fuel vapor from the EVAP canister. This motor has four winding phases. It operates according to the output pulse signal of the ECM. Two windings are turned ON and OFF in sequence. Each time an ON pulse is issued, the valve opens or closes, changing the flow rate. When no change in the flow rate is needed, the ECM does not issue the pulse signal. A certain voltage signal is issued so that the valve remains at that particular opening.

## TROUBLE DIAGNOSIS FOR DTC P0443

### Evaporative Emission (EVAP) Canister Purge Volume Control Valve (Cont'd)

#### CONSULT REFERENCE VALUE IN DATA MONITOR MODE

MONITOR ITEM	CONDITION	SPECIFICATION
PURG VOL C/V	<ul style="list-style-type: none"> <li>● Engine: After warming up</li> <li>● Shift lever: N</li> <li>● No-load</li> <li>● M/T models: Jack up drive wheels and shift to 1st gear position.</li> </ul>	Idle
		More than 60 seconds after starting engine A/T models: 2,000 rpm M/T models: 2,000 rpm and more than 16 km/h (10 MPH)
		0 step
		—

#### ECM TERMINALS AND REFERENCE VALUE

Specification data are reference values and are measured between each terminal and Ⓞ (ECCS ground).

TER-MINAL NO.	WIRE COLOR	ITEM	CONDITION	DATA (DC voltage)
5	L	EVAP canister purge volume control valve	Engine is running. (Warm-up condition)	0 - 0.4V
6	G		└ Idle speed	
16	Y	EVAP canister purge volume control valve	Engine is running.	BATTERY VOLTAGE (11 - 14V)
17	OR		└ Idle speed	
56 61	W/R W/R	Power supply for ECM	Ignition switch "ON"	BATTERY VOLTAGE (11 - 14V)

#### ON BOARD DIAGNOSIS LOGIC

Diagnostic Trouble Code No.	Malfunction is detected when ....	Check Items (Possible Cause)
P1445 1008	<ul style="list-style-type: none"> <li>● An improper voltage signal is sent to ECM through the valve.</li> </ul>	<ul style="list-style-type: none"> <li>● Harness or connectors (The valve circuit is open or shorted.)</li> <li>● EVAP canister purge volume control valve</li> </ul>

## TROUBLE DIAGNOSIS FOR DTC P0443

### Evaporative Emission (EVAP) Canister Purge Volume Control Valve (Cont'd)

#### DIAGNOSTIC TROUBLE CODE CONFIRMATION PROCEDURE

##### NOTE:

If "DIAGNOSTIC TROUBLE CODE CONFIRMATION PROCEDURE" has been previously conducted, always turn ignition switch "OFF" and wait at least 5 seconds before conducting the next test.

##### TESTING CONDITION:

Before performing the following procedure, confirm battery voltage is more than 11V at idle.



- 1) Turn ignition switch "ON".
- 2) Select "DATA MONITOR" mode with CONSULT.
- 3) Wait at least 5 seconds.

OR



- 1) Turn ignition switch "ON" and wait at least 5 seconds.
- 2) Select "MODE 7" with GST.

OR



- 1) Turn ignition switch "ON" and wait at least 5 seconds.
- 2) Turn ignition switch "OFF", wait at least 5 seconds and then turn "ON".
- 3) Perform Diagnostic Test Mode II (Self-diagnostic results) with ECM.

GI

MA

EM

LC

**EC**

FE

CL

MT

AT

FA

RA

BR

ST

RS

BT

HA

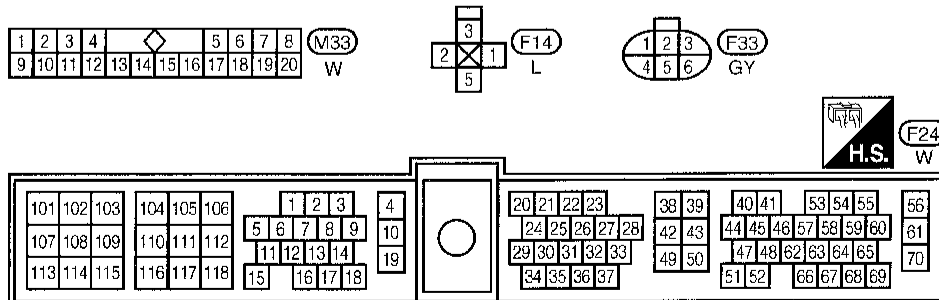
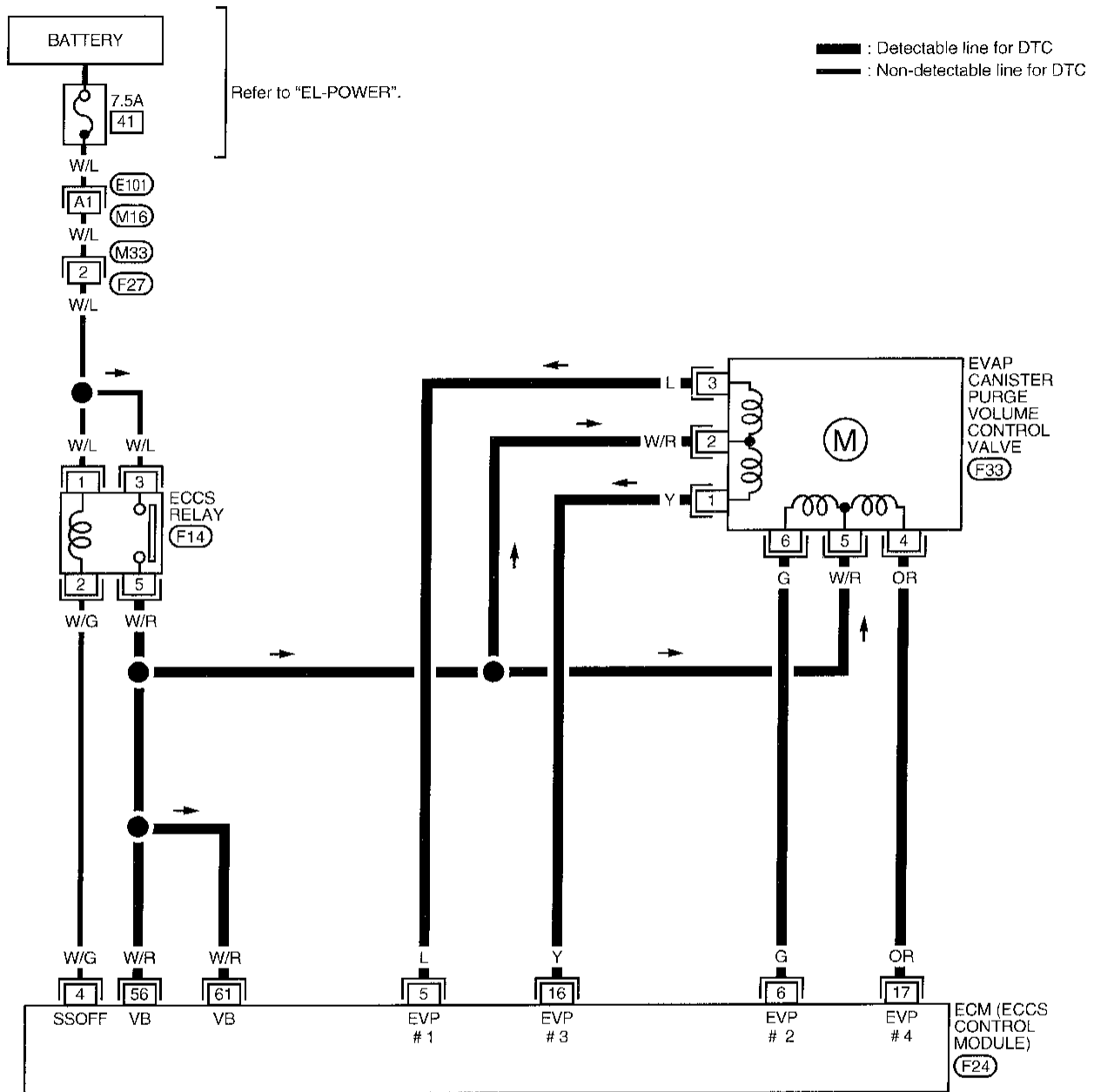
EL

IDX

# TROUBLE DIAGNOSIS FOR DTC P0443

## Evaporative Emission (EVAP) Canister Purge Volume Control Valve (Cont'd)

EC-PGC/V-01

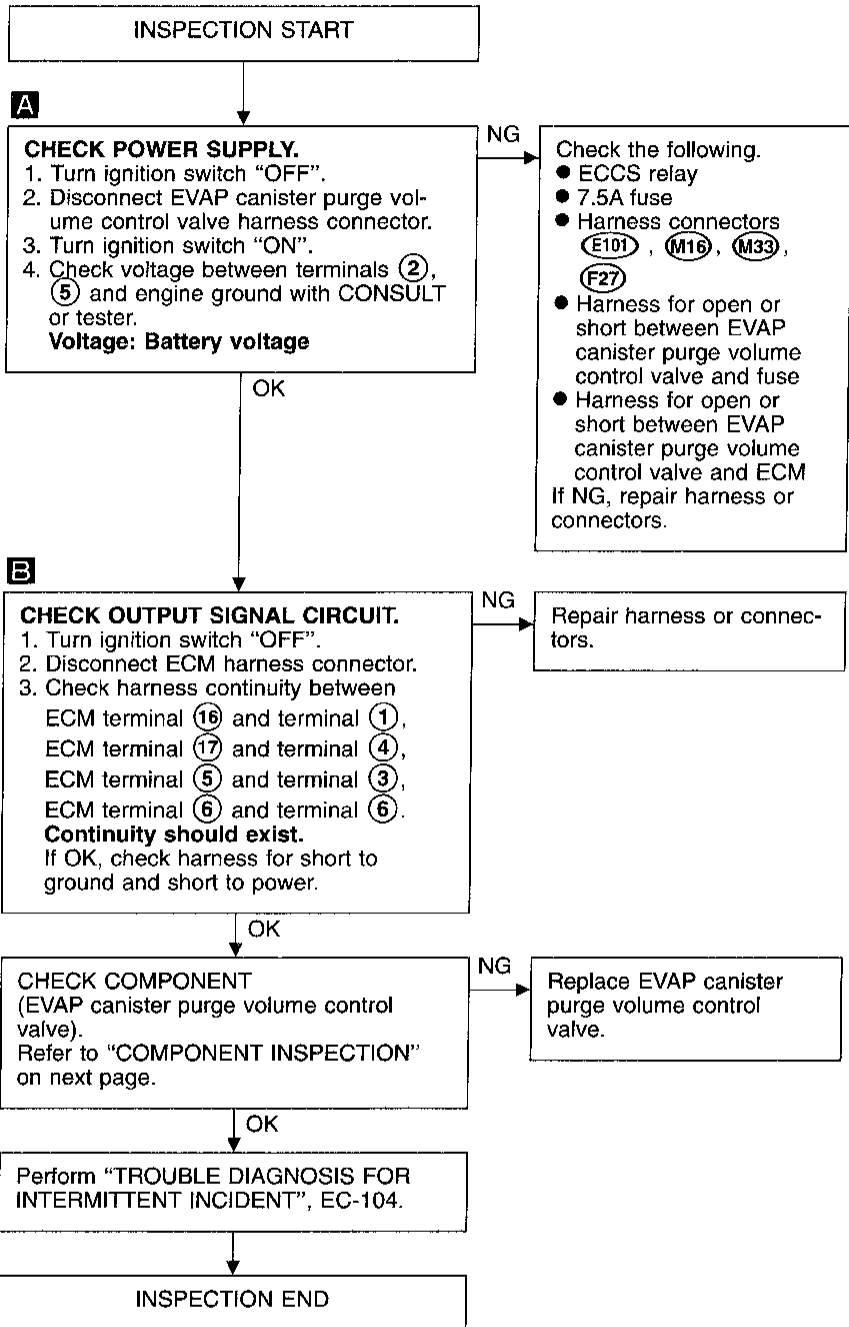
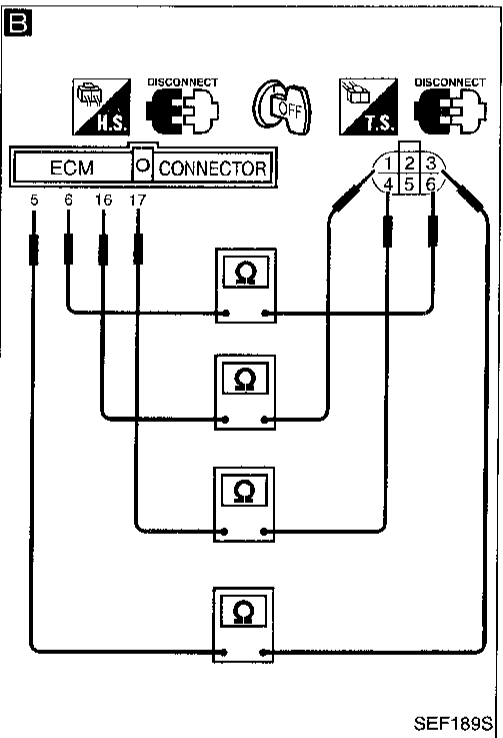
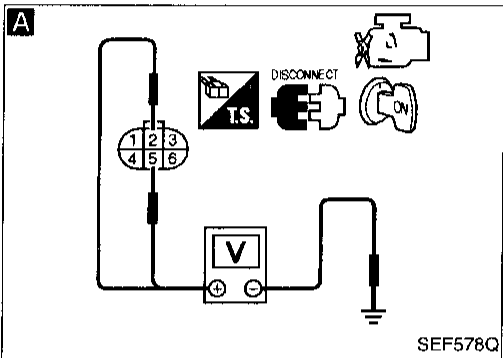
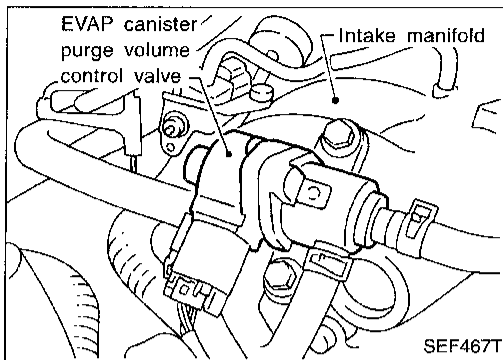




# TROUBLE DIAGNOSIS FOR DTC P0443

## Evaporative Emission (EVAP) Canister Purge Volume Control Valve (Cont'd)

### DIAGNOSTIC PROCEDURE



GI  
MA  
EM  
LC  
EC  
FE  
CL  
MT  
AT  
FA  
RA  
BR  
ST  
RS  
BT  
HA  
EL  
IDX

## TROUBLE DIAGNOSIS FOR DTC P0443

### Evaporative Emission (EVAP) Canister Purge Volume Control Valve (Cont'd)

#### COMPONENT INSPECTION

##### EVAP canister purge volume control valve

1. Disconnect EVAP canister purge volume control valve harness connector.
2. Check resistance between the following terminals.  
terminal ② and terminals ①, ③  
terminal ⑤ and terminals ④, ⑥



##### Resistance:

**Approximately 35 - 43Ω [At 20°C (68°F)]**

3. Reconnect EVAP canister purge volume control valve harness connector.
4. Remove EVAP canister purge volume control valve from intake manifold collector and disconnect hoses from the valve.  
(Plug the purge hoses. The EVAP canister purge volume control valve harness connector should remain connected.)
5. Turn ignition switch "ON".
6. Perform "PURG VOL CONT/V" in "ACTIVE TEST" mode with CONSULT. Check that EVAP canister purge volume control valve shaft moves smoothly forward and backward according to the valve opening.  
If NG, replace the EVAP canister purge volume control valve.

OR

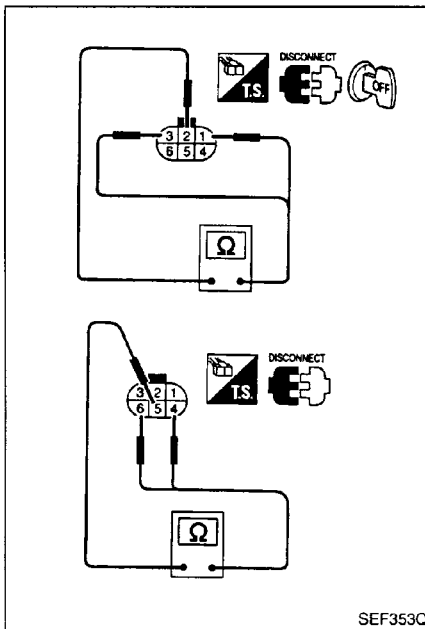
1. Disconnect EVAP canister purge volume control valve harness connector.
2. Check resistance between the following terminals.  
terminal ② and terminals ①, ③  
terminal ⑤ and terminals ④, ⑥



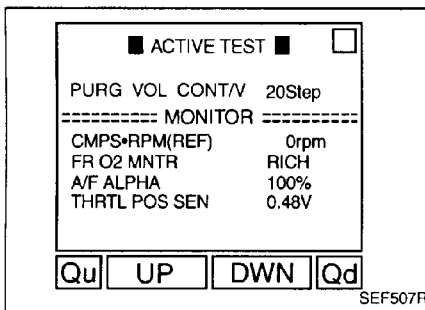
##### Resistance:

**Approximately 35 - 43Ω [At 20°C (68°F)]**

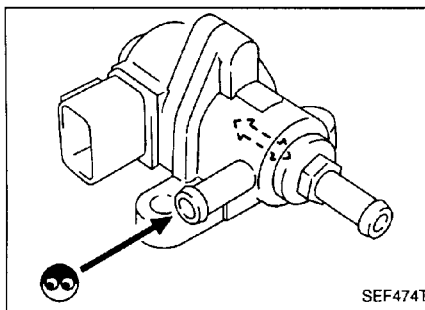
3. Reconnect EVAP canister purge volume control valve harness connector.
4. Remove EVAP canister purge volume control valve from intake manifold collector and disconnect hoses from the valve.  
(Plug the purge hoses. The EVAP canister purge volume control valve harness connector should remain connected.)
5. Turn ignition switch "ON" and "OFF". Check that EVAP canister purge volume control valve shaft moves smoothly forward and backward according to the ignition switch position.  
If NG, replace the EVAP canister purge volume control valve.



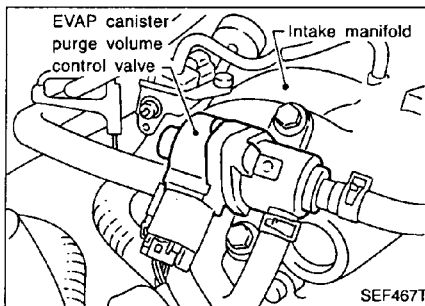
SEF353Q



SEF507R



SEF474T

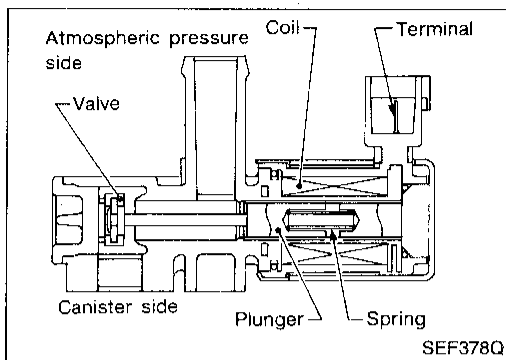


SEF467T

SMA98-152 '98 SENTRA/200SX AUGUST 1997(05) SM8E-OB14UO

← ARROW INDICATES AMENDED INFORMATION

# TROUBLE DIAGNOSIS FOR DTC P0446



## Evaporative Emission (EVAP) Canister Vent Control Valve (Circuit)

### COMPONENT DESCRIPTION

The EVAP canister vent control valve is located on the EVAP canister and is used to seal the canister vent.

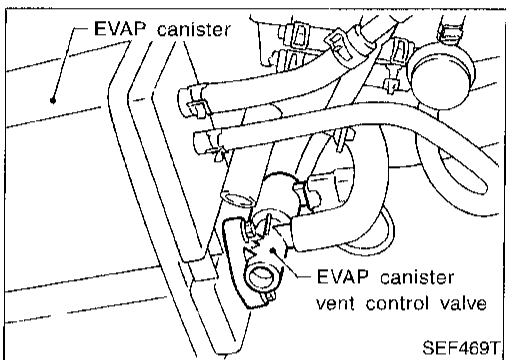
This solenoid (the EVAP canister vent control valve) responds to signals from the ECM.

When the ECM sends an ON signal, the coil in the solenoid valve is energized.

A plunger will then move to seal the canister vent. The ability to seal the vent is necessary for the on board diagnosis of other evaporative emission control system components.

This solenoid valve is used only for diagnosis, and usually remains opened.

When the vent is closed, under normal purge conditions, the evaporative emission control system is depressurized and allows "EVAP Control System (Small Leak)" diagnosis.



### CONSULT REFERENCE VALUE IN DATA MONITOR MODE

Specification data are reference values

MONITOR ITEM	CONDITION	SPECIFICATION
VENT CONT/V	● Ignition switch: ON	OFF

### ECM TERMINALS AND REFERENCE VALUE

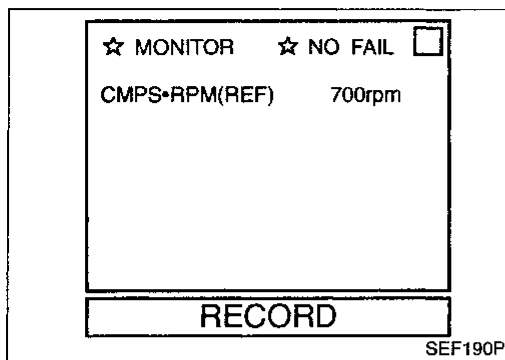
Specification data are reference values and are measured between each terminal and Ⓒ (ECCS ground).

TER-MINAL NO.	WIRE COLOR	ITEM	CONDITION	DATA (DC voltage)
108	PU/W	EVAP canister vent control valve	Ignition switch "ON"	BATTERY VOLTAGE (11 - 14V)

### ON BOARD DIAGNOSIS LOGIC

Diagnostic Trouble Code No.	Malfunction is detected when ....	Check Items (Possible Cause)
P0446 0903	● An improper voltage signal is sent to ECM through EVAP canister vent control valve.	<ul style="list-style-type: none"> <li>● Harness or connectors (EVAP canister vent control valve circuit is open or shorted.)</li> <li>● EVAP canister vent control valve</li> </ul>

## TROUBLE DIAGNOSIS FOR DTC P0446



### Evaporative Emission (EVAP) Canister Vent Control Valve (Circuit) (Cont'd)

#### DIAGNOSTIC TROUBLE CODE CONFIRMATION PROCEDURE

##### NOTE:

If "DIAGNOSTIC TROUBLE CODE CONFIRMATION PROCEDURE" has been previously conducted, always turn ignition switch "OFF" and wait at least 5 seconds before conducting the next test.

##### TESTING CONDITION:

Before performing the following procedure, confirm battery voltage is more than 11V at idle.



- 1) Turn ignition switch "ON".
- 2) Select "DATA MONITOR" mode with CONSULT.
- 3) Start engine and wait at least 5 seconds.

OR



- 1) Start engine and wait at least 5 seconds.
- 2) Select "MODE 7" with GST.

OR

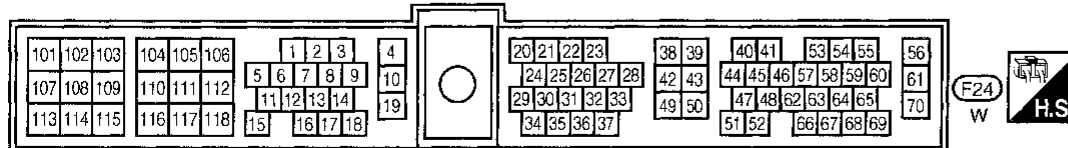
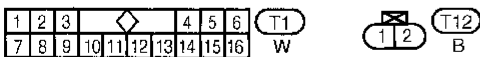
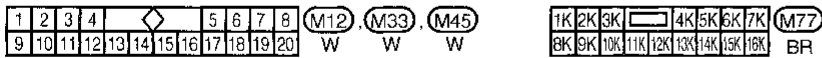
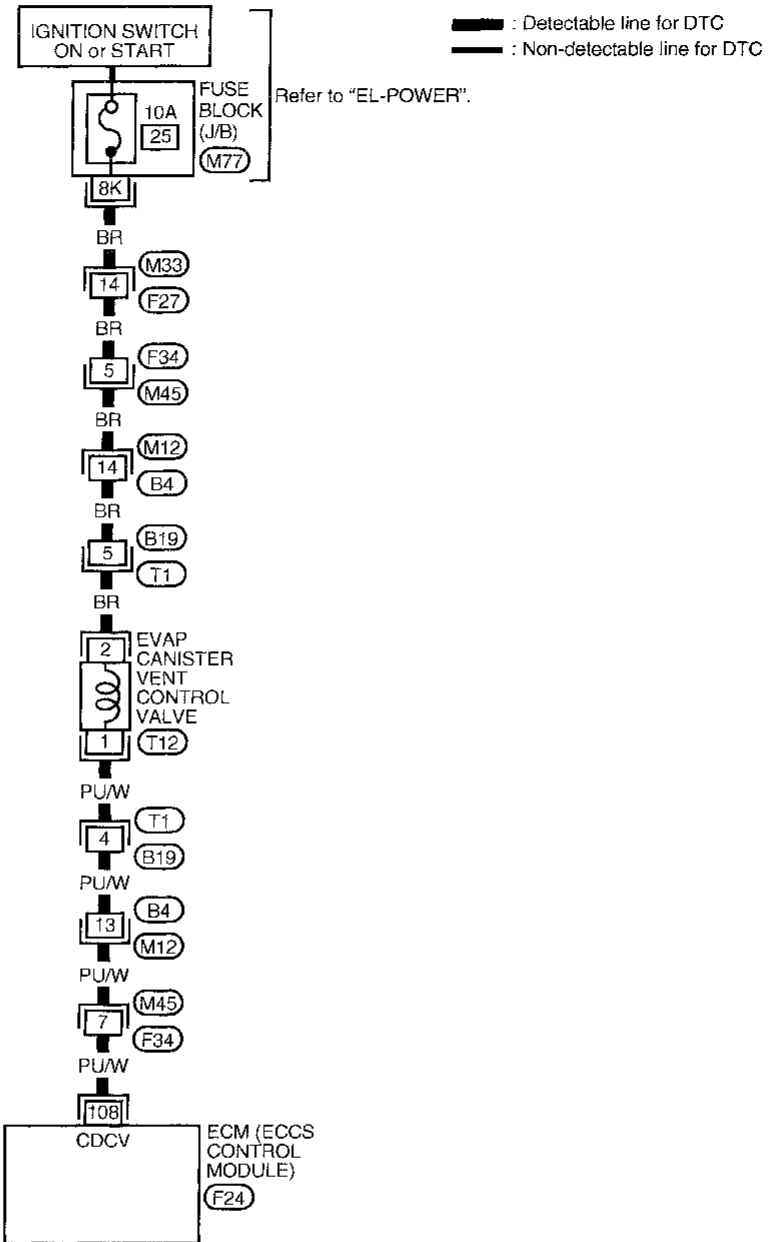


- 1) Start engine and wait at least 5 seconds.
- 2) Turn ignition switch "OFF", wait at least 8 seconds and then turn "ON".
- 3) Perform "Diagnostic Test Mode II (Self-diagnostic results)" with ECM.

# TROUBLE DIAGNOSIS FOR DTC P0446

## Evaporative Emission (EVAP) Canister Vent Control Valve (Circuit) (Cont'd)

EC-VENT/V-01



GI

MA

EM

LC

**EC**

FE

CL

MT

AT

FA

RA

BR

ST

RS

BT

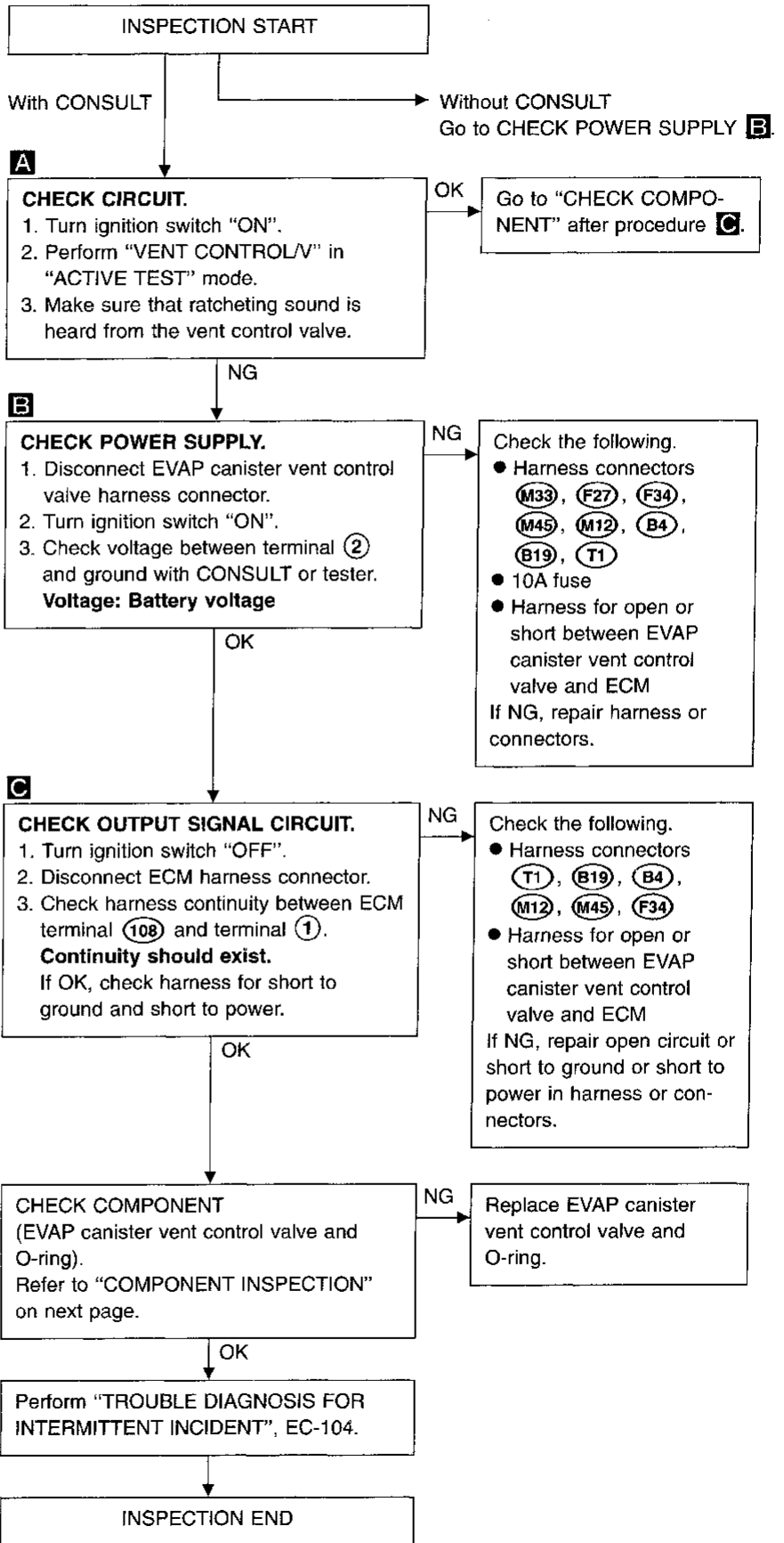
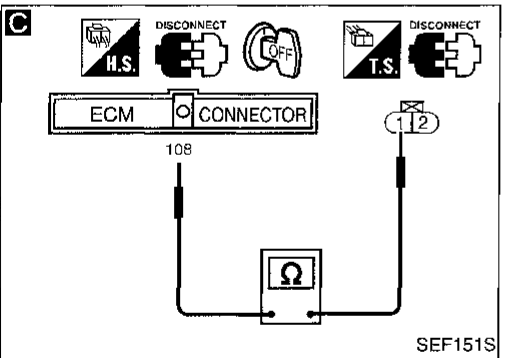
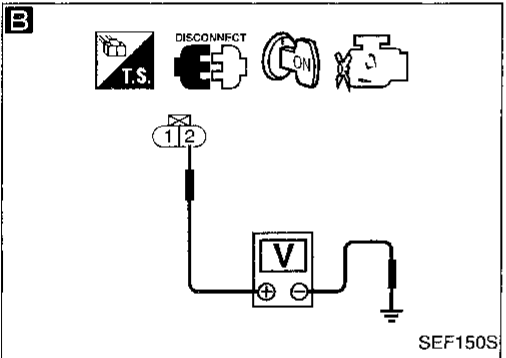
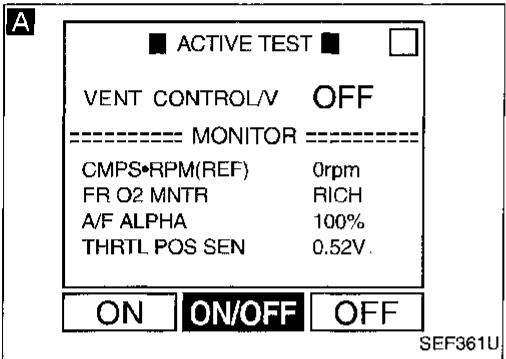
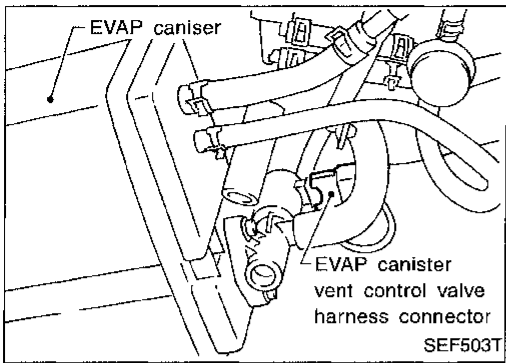
HA

EL

IDX

# TROUBLE DIAGNOSIS FOR DTC P0446

## Evaporative Emission (EVAP) Canister Vent Control Valve (Circuit) (Cont'd) DIAGNOSTIC PROCEDURE



# TROUBLE DIAGNOSIS FOR DTC P0446

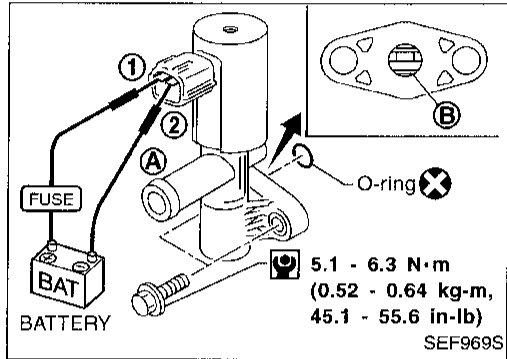
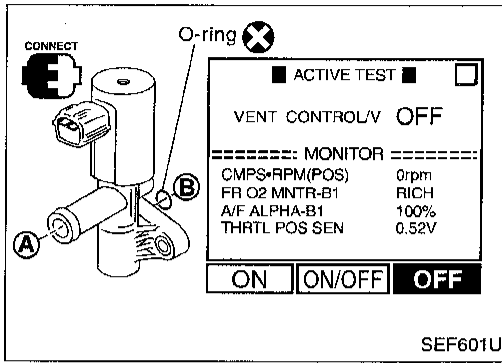
## Evaporative Emission (EVAP) Canister Vent Control Valve (Circuit) (Cont'd)

### COMPONENT INSPECTION

#### EVAP canister vent control valve

Check air passage continuity.

① Perform "VENT CONTROL/V" in "ACTIVE TEST" mode.



Condition	Air passage continuity between (A) and (B)
VENT CONTROL/V ON	No
VENT CONTROL/V OFF	Yes

OR

Condition	Air passage continuity between (A) and (B)
12V direct current supply between terminals ① and ②	No
No supply	Yes

If NG, clean valve using air blower or replace as necessary.

If the portion (B) is rusted, replace EVAP canister vent control valve.

Make sure new O-ring is installed properly.

GI

MA

EM

LC

EC

FE

CL

MT

AT

FA

RA

BR

ST

RS

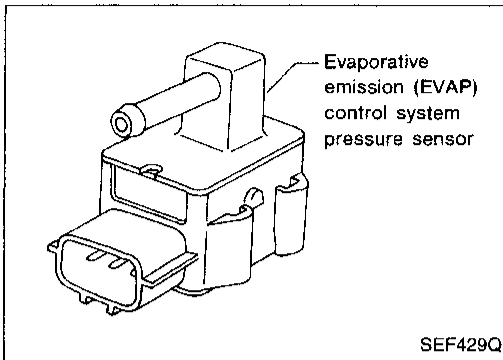
BT

HA

EL

IDX

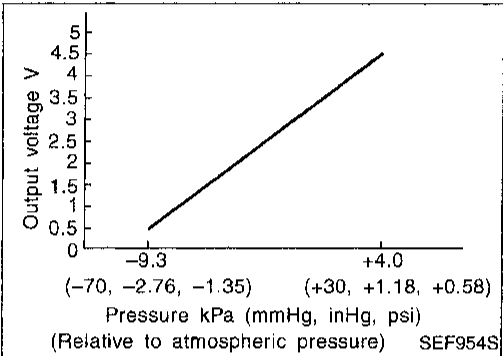
# TROUBLE DIAGNOSIS FOR DTC P0450



## Evaporative Emission (EVAP) Control System Pressure Sensor

### COMPONENT DESCRIPTION

The EVAP control system pressure sensor detects pressure in the purge line. The sensor output voltage to the ECM increases as pressure increases. The EVAP control system pressure sensor is not used to control the engine system. It is used only for on board diagnosis.



### CONSULT REFERENCE VALUE IN DATA MONITOR MODE

Specification data are reference values

MONITOR ITEM	CONDITION	SPECIFICATION
EVAP SYS PRES	● Ignition switch: ON	Approx. 3.4V

### ECM TERMINALS AND REFERENCE VALUE

Specification data are reference values and are measured between each terminal and Ⓒ (ECCS ground).

TER-MINAL NO.	WIRE COLOR	ITEM	CONDITION	DATA (DC voltage)
49	P/L	Sensors' power supply	Ignition switch "ON"	Approximately 5V
50	B	Sensors' ground	Engine is running. (Warm-up condition) └ Idle speed	Approximately 0V
67	W	EVAP control system pressure sensor	Ignition switch "ON"	Approximately 3.4V

### ON BOARD DIAGNOSIS LOGIC

Diagnostic Trouble Code No.	Malfunction is detected when ....	Check Items (Possible Cause)
P0450 0704	<ul style="list-style-type: none"> <li>● An improper voltage signal from EVAP control system pressure sensor is sent to ECM.</li> </ul>	<ul style="list-style-type: none"> <li>● Harness or connectors (The EVAP control system pressure sensor circuit is open or shorted.)</li> <li>● Rubber hose to EVAP control system pressure is clogged, vent, kinked, disconnected or improper connection.</li> <li>● EVAP control system pressure sensor</li> <li>● EVAP canister purge volume control valve</li> <li>● EVAP canister vent control valve</li> <li>● EVAP canister</li> <li>● Rubber hose from EVAP canister vent control valve to water separator</li> </ul>



# TROUBLE DIAGNOSIS FOR DTC P0450

## Evaporative Emission (EVAP) Control System Pressure Sensor (Cont'd)

### DIAGNOSTIC TROUBLE CODE CONFIRMATION PROCEDURE

#### NOTE:


If "DIAGNOSTIC TROUBLE CODE CONFIRMATION PROCEDURE" has been previously conducted, always turn ignition switch "OFF" and wait at least 5 seconds before conducting the next test.

#### TESTING CONDITION:


Always perform test at a temperature of 5°C (41°F) or more.

☆ MONITOR	☆ NO FAIL	<input type="checkbox"/>
CMPS•RPM(REF)	750rpm	
COOLAN TEMP/S	85°C	
TANK F/TMP SE	29°C	
<b>RECORD</b>		


SEF362U

-  1) Start engine and warm it up to normal operating temperature.
- 2) Turn ignition switch "OFF" and wait at least 5 seconds.
- 3) Turn ignition switch "ON".
- 4) Select "DATA MONITOR" mode with CONSULT.
- 5) Make sure that "TANK F/TEMP SE" is more than 0°C (32°F).
- 6) Start engine and wait at least 20 seconds.

OR

-  1) Start engine and warm it up to normal operating temperature.
- 2) Check that voltage between ECM terminal 63 and ground is less than 4.2V.
- 3) Turn ignition switch "OFF" and wait at least 5 seconds.
- 4) Start engine and wait at least 20 seconds.
- 5) Select "MODE 7" with GST.

OR

-  1) Start engine and warm it up to normal operating temperature.
- 2) Check that voltage between ECM terminal 63 and ground is less than 4.2V.
- 3) Turn ignition switch "OFF" and wait at least 5 seconds.
- 4) Start engine and wait at least 20 seconds.
- 5) Turn ignition switch "OFF", wait at least 5 seconds and then turn "ON".
- 6) Perform "Diagnostic Test Mode II (Self-diagnostic results)" with ECM.

GI

MA

EM

LC

**EC**

FE

CL

MT

AT

FA

RA

BR

ST

RS

BT

HA

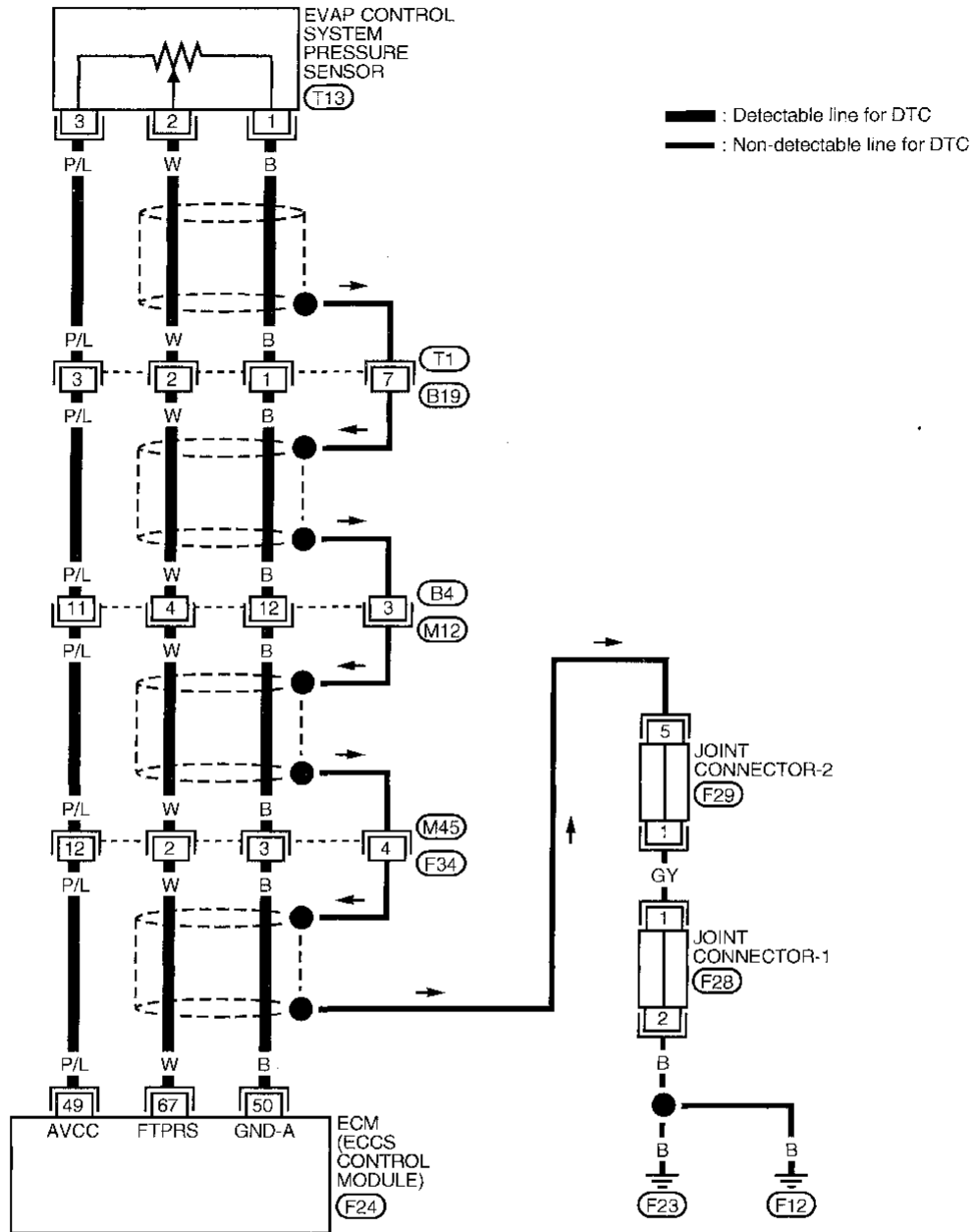
EL

IDX

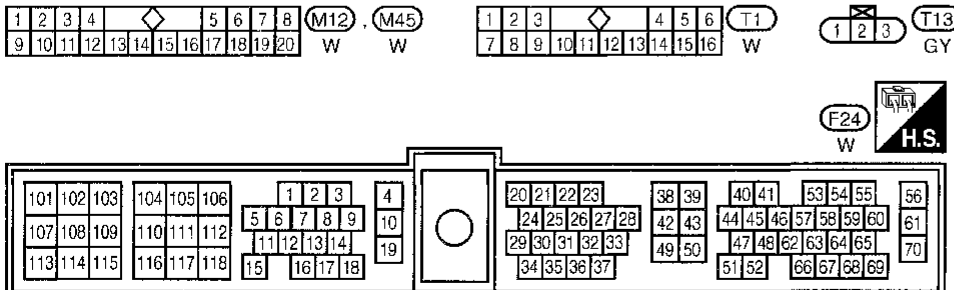
# TROUBLE DIAGNOSIS FOR DTC P0450

## Evaporative Emission (EVAP) Control System Pressure Sensor (Cont'd)

EC-PRE/SE-01



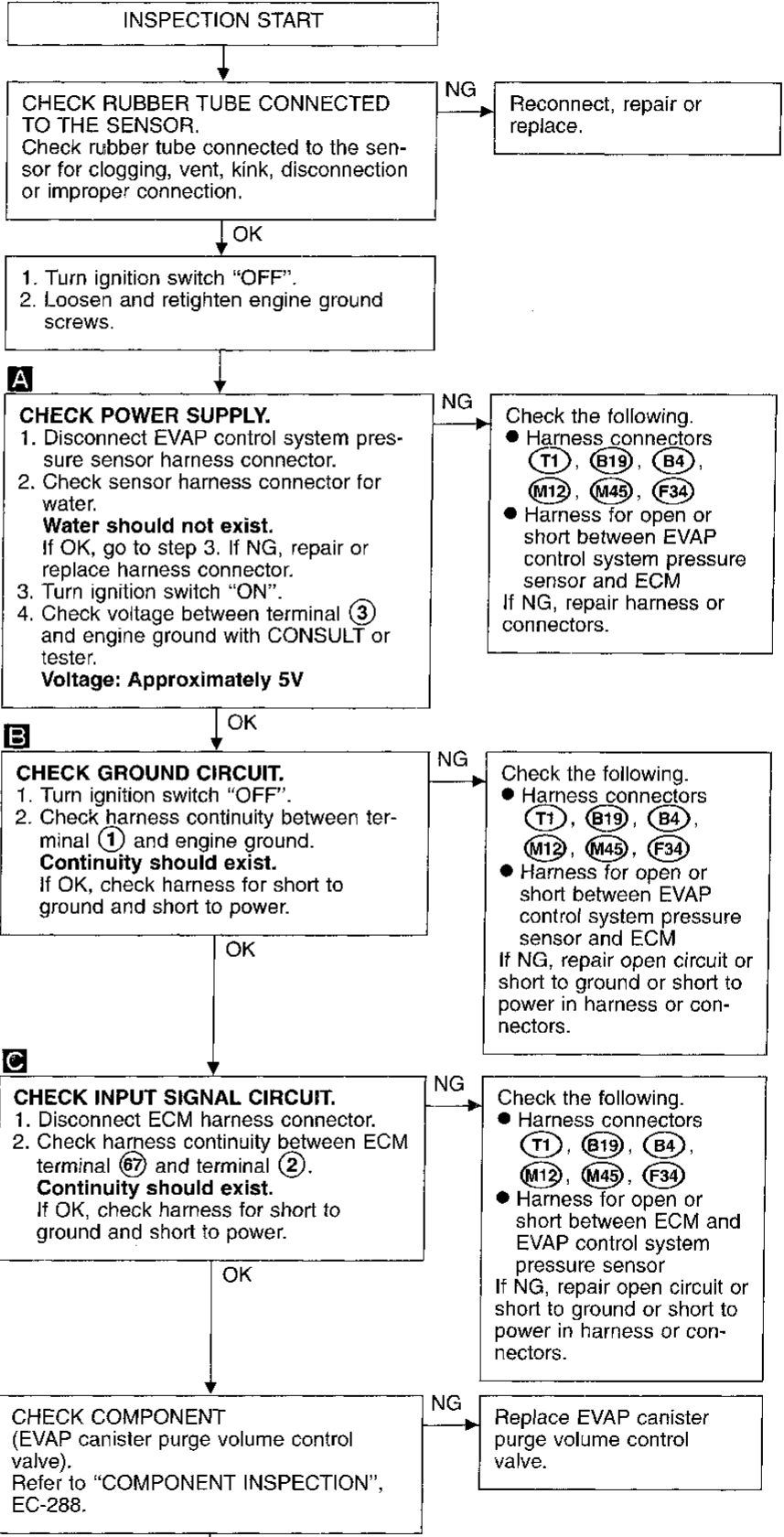
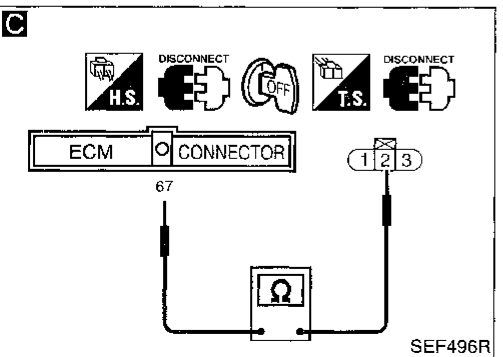
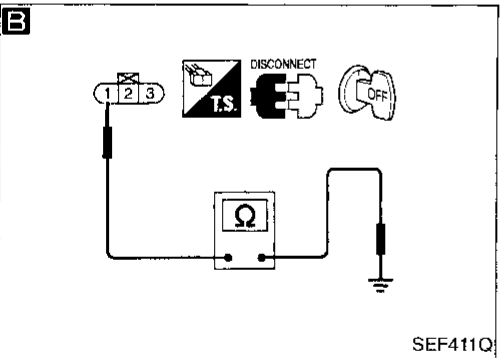
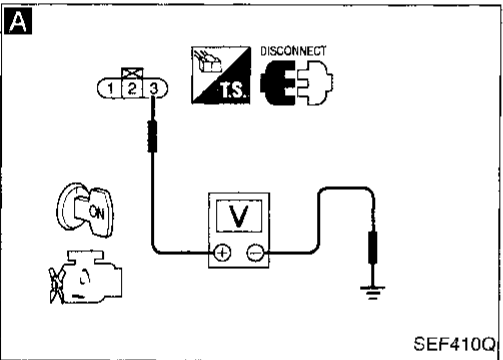
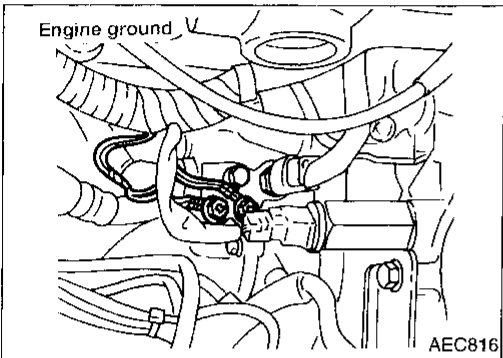
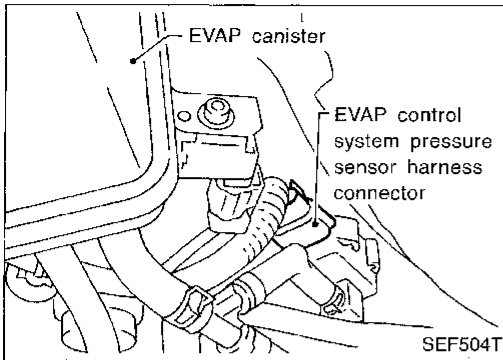
Refer to last page (Foldout page).



# TROUBLE DIAGNOSIS FOR DTC P0450

## Evaporative Emission (EVAP) Control System Pressure Sensor (Cont'd)

### DIAGNOSTIC PROCEDURE



(Go to next page.)

GI

MA

EM

LC

EC

FE

CL

WT

AT

FA

RA

BR

ST

RS

BT

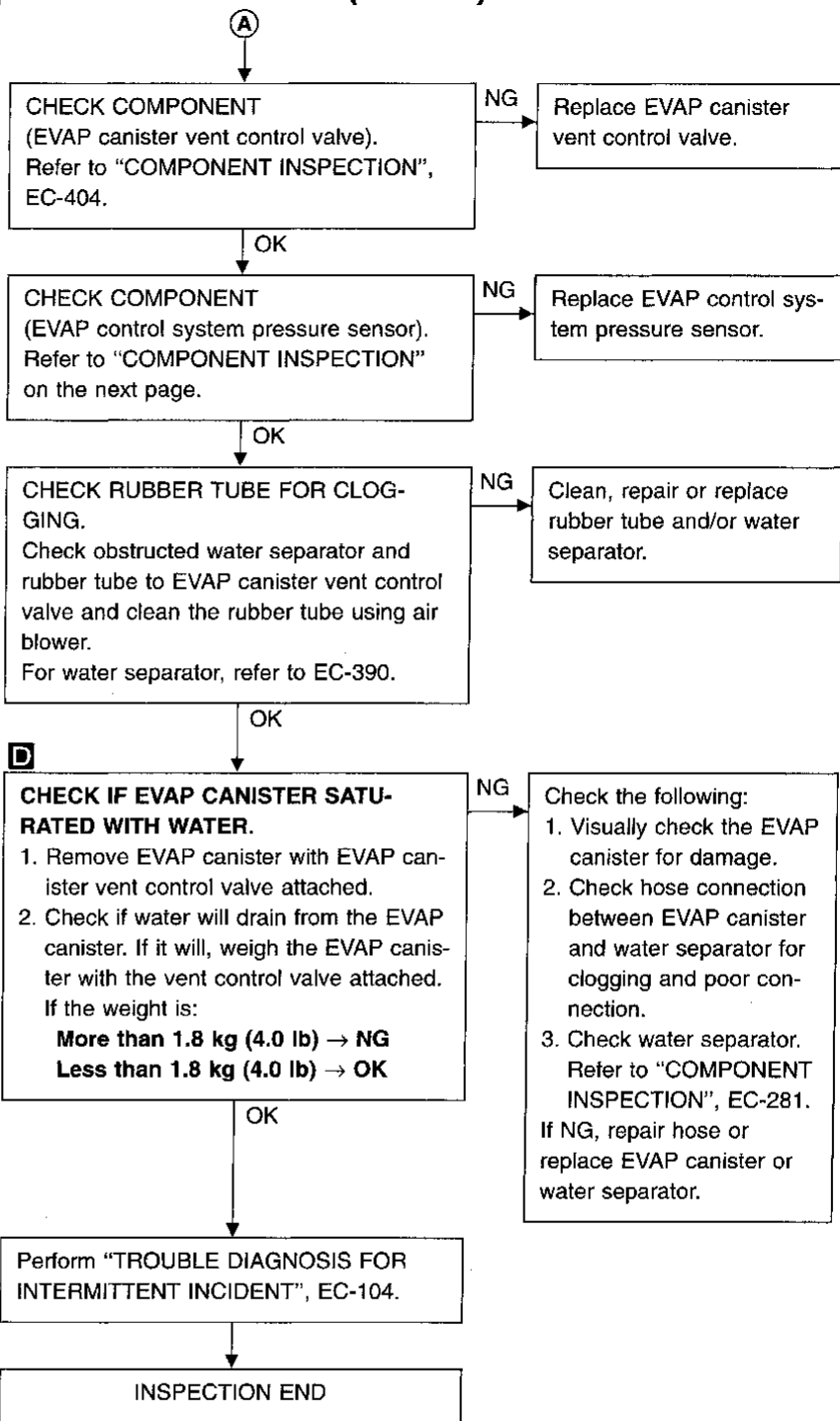
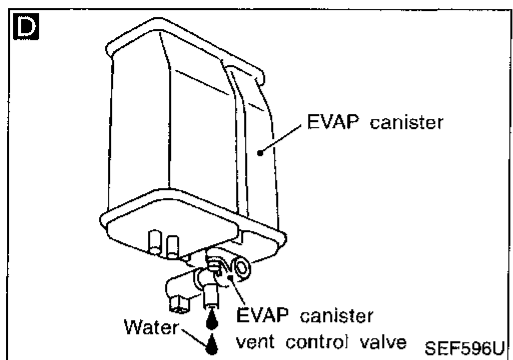
HA

EL

IDX

# TROUBLE DIAGNOSIS FOR DTC P0450

## Evaporative Emission (EVAP) Control System Pressure Sensor (Cont'd)

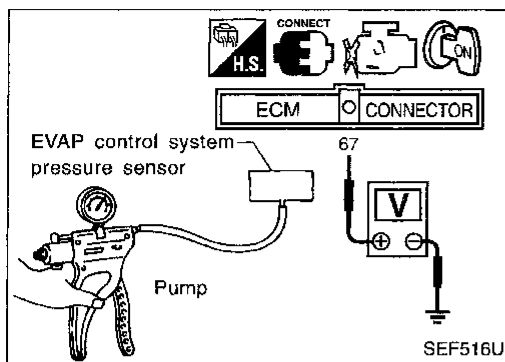


## TROUBLE DIAGNOSIS FOR DTC P0450

### Evaporative Emission (EVAP) Control System Pressure Sensor (Cont'd)

#### COMPONENT INSPECTION

##### EVAP control system pressure sensor



1. Remove EVAP control system pressure sensor with its harness connector connected.
2. Remove hose from EVAP control system pressure sensor.
3. Use pump to apply vacuum and pressure to EVAP control system pressure sensor as shown in figure.
4. Check output voltage between ECM terminal ⑥7 and engine ground.

Pressure (Relative to atmospheric pressure)	Voltage (V)
0 kPa (0 mmHg, 0 inHg)	3.0 - 3.6
-9.3 kPa (-70 mmHg, -2.76 inHg)	0.4 - 0.6

#### CAUTION:

- Always calibrate the vacuum pump gauge when using it.
  - Do not apply pressure below -20 kPa (-150 mmHg, -5.91 inHg) or over 20 kPa (150 mmHg, 5.91 inHg).
5. If NG, replace EVAP control system pressure sensor.

GI

MA

EM

LC

EC

FE

CL

MT

AT

FA

RA

BR

ST

RS

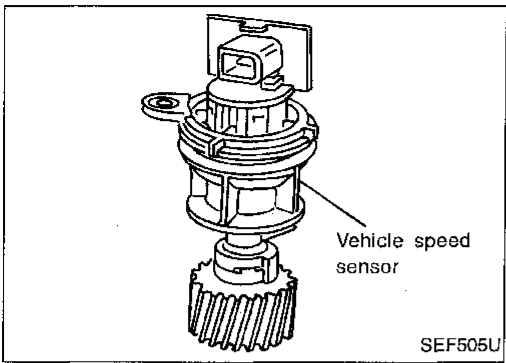
BT

HA

EL

IDX

# TROUBLE DIAGNOSIS FOR DTC P0500



## Vehicle Speed Sensor (VSS)

### COMPONENT DESCRIPTION

The vehicle speed sensor is installed in the transaxle. It contains a pulse generator which provides a vehicle speed signal to the speedometer. The speedometer then sends a signal to the ECM.

### ECM TERMINALS AND REFERENCE VALUE

Specification data are reference values and are measured between each terminal and ④③ (ECCS ground).

TER-MINAL NO.	WIRE COLOR	ITEM	CONDITION	DATA (DC voltage)
26	PU/R	Vehicle speed sensor	<div style="border: 1px solid black; padding: 2px; display: inline-block;">Engine is running.</div> <ul style="list-style-type: none"> <li>— Lift up the vehicle.</li> <li>— In 2nd gear position</li> <li>— Vehicle speed is 40 km/h (25 MPH).</li> </ul>	0 - Approximately 4.2V 

### ON BOARD DIAGNOSIS LOGIC

Diagnostic Trouble Code No.	Malfunction is detected when ....	Check Items (Possible Cause)
P0500 0104	<ul style="list-style-type: none"> <li>● The almost 0 km/h (0 MPH) signal from vehicle speed sensor is sent to ECM even when vehicle is being driven.</li> </ul>	<ul style="list-style-type: none"> <li>● Harness or connector (The vehicle speed sensor circuit is open or shorted.)</li> <li>● Vehicle speed sensor</li> </ul>

# TROUBLE DIAGNOSIS FOR DTC P0500

## Vehicle Speed Sensor (VSS) (Cont'd)

### DIAGNOSTIC TROUBLE CODE CONFIRMATION PROCEDURE

#### CAUTION:

Always drive vehicle at a safe speed.

#### NOTE:

If "DIAGNOSTIC TROUBLE CODE CONFIRMATION PROCEDURE" has been previously conducted, always turn ignition switch "OFF" and wait at least 5 seconds before conducting the next test.

#### TESTING CONDITION:

Steps 1 and 2 may be conducted with the drive wheels lifted in the shop or by driving the vehicle. If a road test is expected to be easier, it is unnecessary to lift the vehicle.

- 1) Start engine.
- 2) Perform "VEHICLE SPEED SEN CIRCUIT" in "FUNCTION TEST" mode with CONSULT.

OR

- 1) Start engine
- 2) Read vehicle speed sensor signal in "DATA MONITOR" mode with CONSULT. The vehicle speed on CONSULT should exceed 10 km/h (6 MPH) when rotating wheels with suitable gear position. If NG, go to "DIAGNOSTIC PROCEDURE", EC-303. If OK, go to following step.

- 3) Select "DATA MONITOR" mode with CONSULT.
- 4) Warm engine up to normal operating temperature.
- 5) Maintain the following conditions for at least 10 consecutive seconds.

**CMPS-RPM (REF): 2,100 - 2,800 rpm (A/T)**

**1,700 - 2,800 rpm (M/T)**

**COOLAN TEMP/S: More than 70°C (158°F)**

**B/FUEL SCHDL: 2.3 - 3.3 ms (A/T)**

**2.3 - 4 ms (M/T)**

**Selector lever: Suitable position**

**PW/ST SIGNAL: OFF**

OR

### OVERALL FUNCTION CHECK

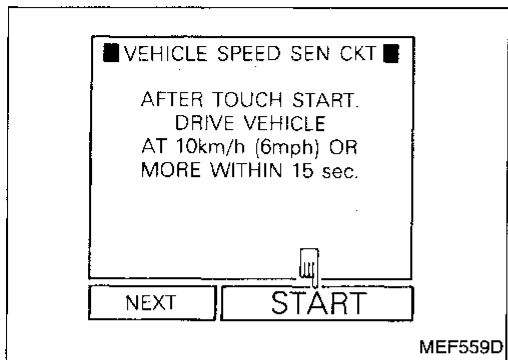
Use this procedure to check the overall function of the EVAP canister vent control valve circuit. During this check, a DTC might not be confirmed.

- 1) Jack up drive wheels.
- 2) Start engine.
- 3) Read vehicle speed sensor signal in "MODE 1" with GST.

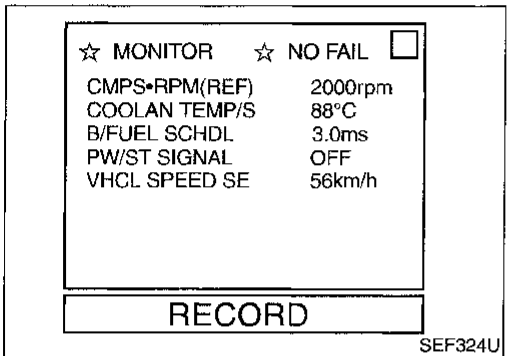
The vehicle speed sensor on GST should be able to exceed 10 km/h (6 MPH) when rotating wheels with suitable gear position.

OR

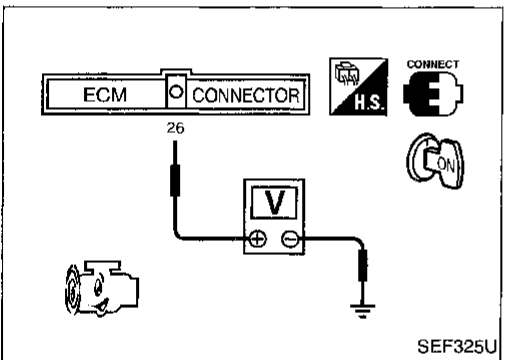
- 1) Jack up drive wheels.
- 2) Start engine.
- 3) Read the voltage signal between ECM terminal ② (Vehicle speed sensor signal) and ground with oscilloscope.
- 4) Verify that the oscilloscope screen shows the signal wave as shown at "ECM TERMINALS AND REFERENCE VALUE" on the previous page.



MEF559D



SEF324U



SEF325U

GI

MA

EM

LC

EC

FE

CL

MT

AT

FA

RA

BR

ST

RS

BT

HA

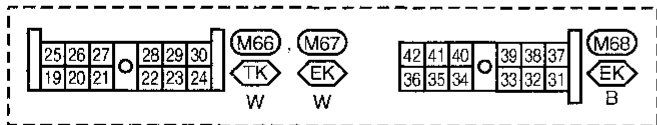
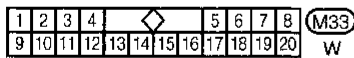
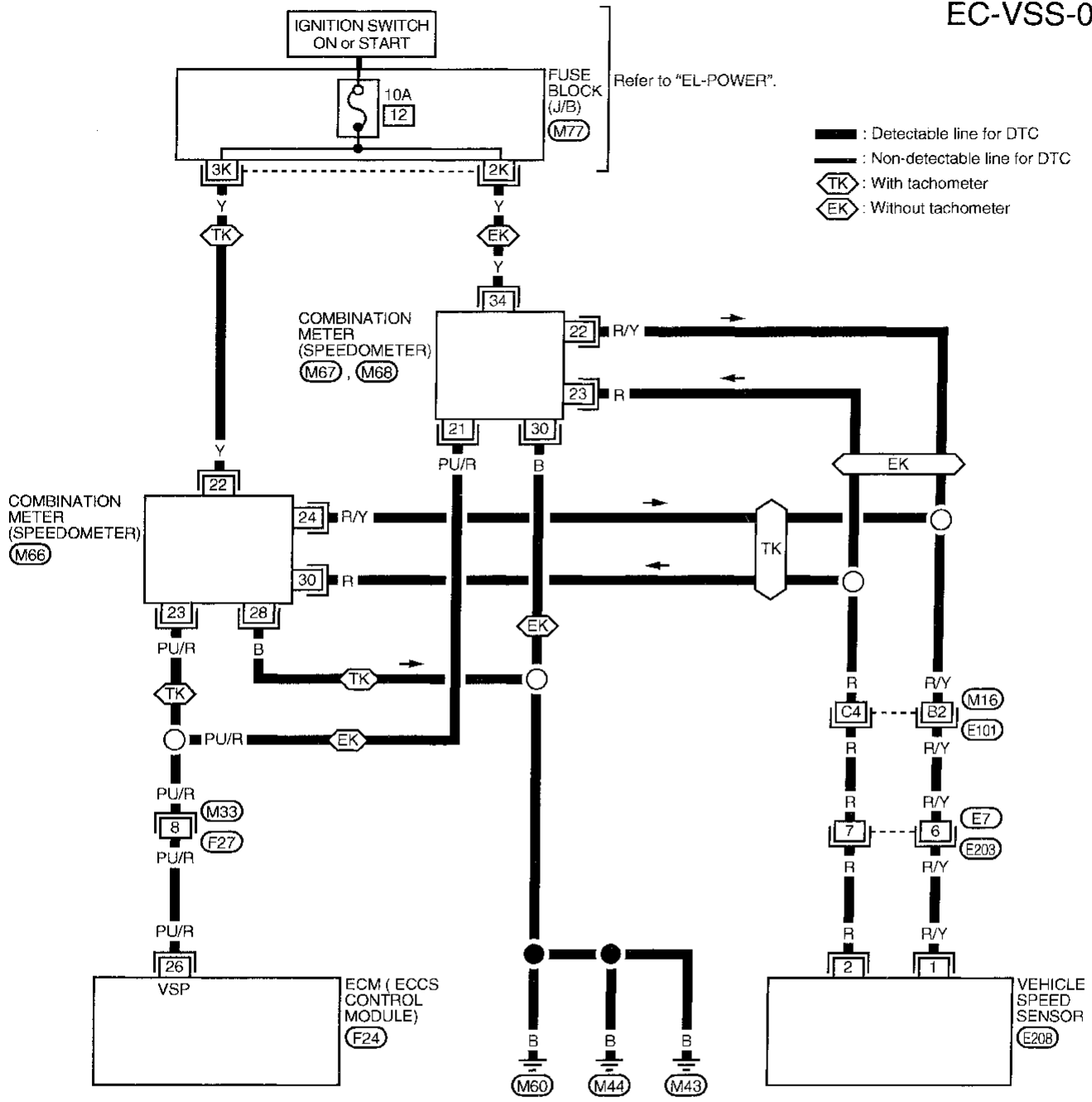
EL

IDX

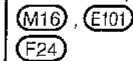
# TROUBLE DIAGNOSIS FOR DTC P0500

## Vehicle Speed Sensor (VSS) (Cont'd)

EC-VSS-01



Refer to last page (Foldout page).

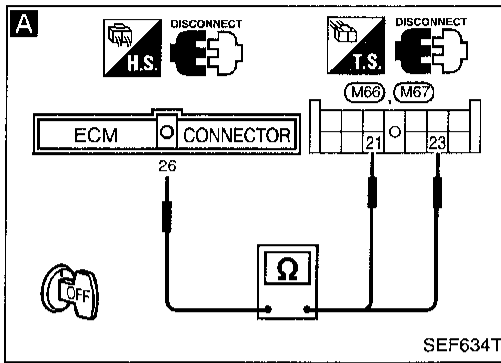




# TROUBLE DIAGNOSIS FOR DTC P0500

## Vehicle Speed Sensor (VSS) (Cont'd)

### DIAGNOSTIC PROCEDURE



INSPECTION START

**A**

**CHECK INPUT SIGNAL CIRCUIT.**

1. Turn ignition switch "OFF".
2. Disconnect ECM harness connector and combination meter harness connector.
3. Check harness continuity.

Model	Terminals	
	ECM	Meter
With tachometer	(26)	(23)
Without tachometer	(29)	(21)

**Continuity should exist.**  
If OK, check harness for short to ground and short to power.

NG

Check the following.

- Harness connectors (M33), (F27)
- Harness for open or short between ECM and combination meter
- Harness for open or short between combination meter and TCM

If NG, repair open circuit or short to ground or short to power in harness or connectors.

OK

**CHECK SPEEDOMETER FUNCTION.**  
Make sure that speedometer functions properly.

NG

Check the following.

- Harness connectors (M16), (E101)
- Harness connectors (E7), (E203)
- Harness for open or short between combination meter and vehicle speed sensor

If NG, repair harness or connectors.  
Check vehicle speed sensor and its circuit.  
Refer to EL section.

OK

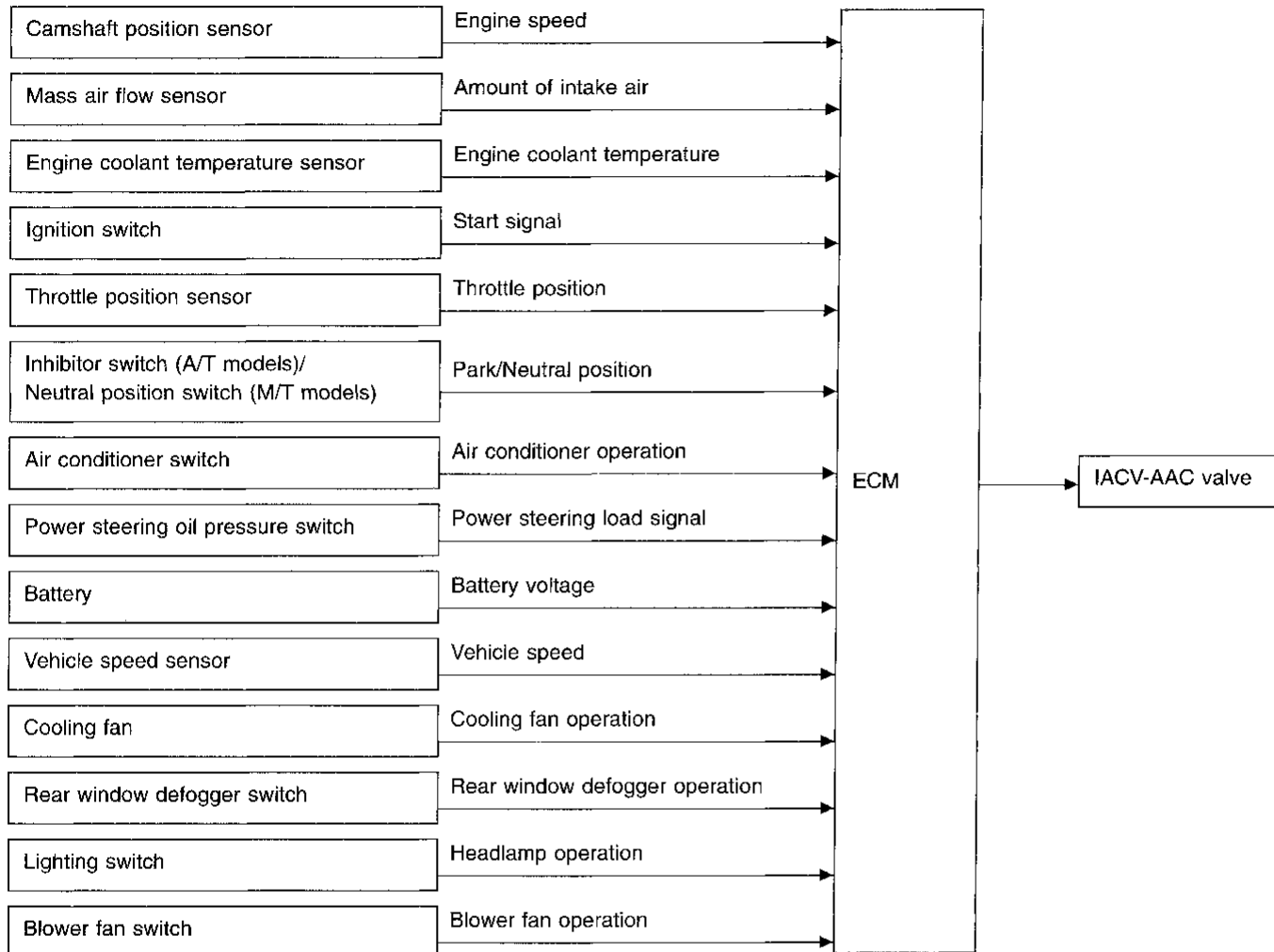
Perform "TROUBLE DIAGNOSIS FOR INTERMITTENT INCIDENT", EC-104.

INSPECTION END

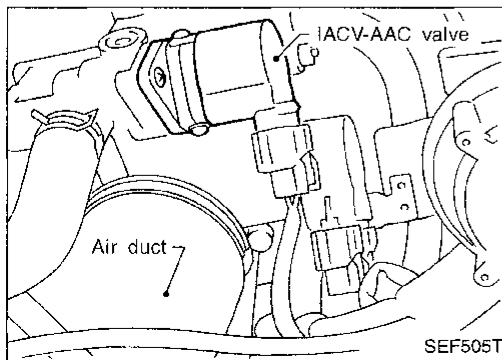
GI  
MA  
EM  
LC  
**EC**  
FE  
CL  
MT  
AT  
FA  
RA  
BR  
ST  
RS  
BT  
HA  
EL  
IDX

## Idle Air Control Valve (IACV) — Auxiliary Air Control (AAC) Valve

### SYSTEM DESCRIPTION



This system automatically controls engine idle speed to a specified level. Idle speed is controlled through fine adjustment of the amount of air which bypasses the throttle valve via IACV-AAC valve. The IACV-AAC valve opens and closes according to the signal sent from the ECM. The camshaft position sensor detects the actual engine speed and sends a signal to the ECM. The ECM then controls the IACV-AAC valve so that engine speed coincides with the target value memorized in ECM. The target engine speed is the lowest speed at which the engine can operate steadily. The optimum value stored in the ECM is determined by taking into consideration various engine conditions, such as during warm up, deceleration, and engine load (air conditioner, power steering and cooling fan operation).



### COMPONENT DESCRIPTION

#### IACV-AAC valve

The IACV-AAC valve is moved by open and close signals from the ECM. When the open signal is sent to the valve, the amount of air that will flow through the valve increases. The more air that flows through the valve, the higher the idle speed. When the close signal is sent to the valve, the amount of air decreases.

# TROUBLE DIAGNOSIS FOR DTC P0505

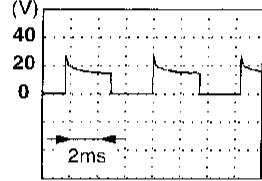
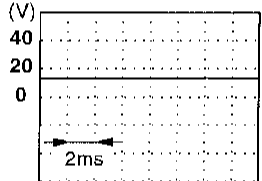
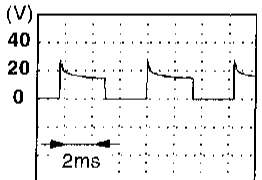
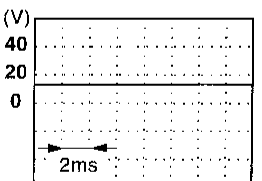
## Idle Air Control Valve (IACV) — Auxiliary Air Control (AAC) Valve (Cont'd)

### CONSULT REFERENCE VALUE IN DATA MONITOR MODE

MONITOR ITEM	CONDITION	SPECIFICATION
IACV-AAC/V	<ul style="list-style-type: none"> <li>● Engine: After warming up</li> <li>● Air conditioner switch: OFF</li> <li>● Shift lever: "N"</li> <li>● No-load</li> </ul>	Idle
	2,000 rpm	—

### ECM TERMINALS AND REFERENCE VALUE

Specification data are reference values and are measured between each terminal and Ⓣ (ECCS ground).

TER-MINAL NO.	WIRE COLOR	ITEM	CONDITION	DATA (DC voltage)
42	PU/W	IACV-AAC valve (Close)	<div style="border: 1px solid black; padding: 2px; display: inline-block;">Engine is running.</div> (Warm-up condition) └ Idle speed	5 - 9V 
			<div style="border: 1px solid black; padding: 2px; display: inline-block;">Engine is running.</div> (Warm-up condition) └ Engine speed is 2,000 rpm.	Approximately 13V 
101	SB	IACV-AAC valve (Open)	<div style="border: 1px solid black; padding: 2px; display: inline-block;">Engine is running.</div> (Warm-up condition) └ Idle speed	Approximately 10V 
			<div style="border: 1px solid black; padding: 2px; display: inline-block;">Engine is running.</div> (Warm-up condition) └ Engine speed is 2,000 rpm.	Approximately 0V 

# TROUBLE DIAGNOSIS FOR DTC P0505

## Idle Air Control Valve (IACV) — Auxiliary Air Control (AAC) Valve (Cont'd)

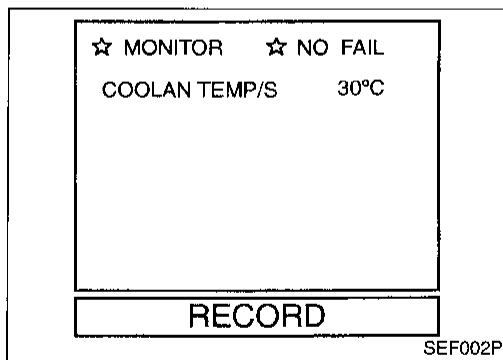
### ON BOARD DIAGNOSIS LOGIC

Diagnostic Trouble Code No.	Malfunction is detected when ....	Check Items (Possible Cause)
P0505 0205	A) The IACV-AAC valve does not operate properly.	<ul style="list-style-type: none"> <li>● Harness or connectors (The IACV-AAC valve circuit is open.)</li> <li>● IACV-AAC valve</li> </ul>
	B) The IACV-AAC valve does not operate properly.	<ul style="list-style-type: none"> <li>● Harness or connectors (The IACV-AAC valve circuit is shorted.)</li> <li>● IACV-AAC valve</li> </ul>

### DIAGNOSTIC TROUBLE CODE CONFIRMATION PROCEDURE

#### NOTE:

- If “DIAGNOSTIC TROUBLE CODE CONFIRMATION PROCEDURE” has been previously conducted, always turn ignition switch “OFF” and wait at least 5 seconds before conducting the next test.
- Perform “Procedure for malfunction A” first. If DTC cannot be confirmed, perform “Procedure for malfunction B”.



#### Procedure for malfunction A

- 1) Turn ignition switch “ON”.
  - 2) Select “DATA MONITOR” mode with CONSULT.
  - 3) Start engine and run it at idle at least 2 seconds.
- OR
- 1) Start engine and run it at idle at least 2 seconds.
  - 2) Select “MODE 7” with GST.
- OR
- 1) Start engine and run it at idle at least 2 seconds.
  - 2) Turn ignition switch “OFF”, wait at least 5 seconds and then turn “ON”.
  - 3) Perform “Diagnostic Test Mode II (Self-diagnostic results)” with ECM.


# TROUBLE DIAGNOSIS FOR DTC P0505

## Idle Air Control Valve (IACV) — Auxiliary Air Control (AAC) Valve (Cont'd)


☆ MONITOR	☆ NO FAIL	<input type="checkbox"/>
CMPS•RPM(REF)	700rpm	
COOLAN TEMP/S	85°C	
INT/A TEMP SE	18°C	
<b>RECORD</b>		

SEF327U


### Procedure for malfunction B

-  1) Start engine and warm it up to normal operating temperature. GI
- 2) Turn ignition switch "OFF" and wait at least 5 seconds. MA
- 3) Turn ignition switch "ON" again and select "DATA MONITOR" mode with CONSULT. EM
- 4) Start engine and run it for at least 1 minute at idle speed.

OR

-  1) Start engine and warm it up to normal operating temperature. LC
- 2) Turn ignition switch "OFF" and wait at least 5 seconds. **EC**
- 3) Start engine again and run it for at least 1 minute at idle speed. FE
- 4) Select "MODE 7" with GST.

OR

-  1) Start engine and warm it up to normal operating temperature. CL
- 2) Turn ignition switch "OFF" and wait at least 5 seconds. MT
- 3) Start engine again and run it for at least 1 minute at idle speed.
- 4) Turn ignition switch "OFF", wait at least 5 seconds and then turn "ON". AT
- 5) Perform "Diagnostic Test Mode II (Self-diagnostic results)" with ECM. FA

RA

BR

ST

RS

BT

HA

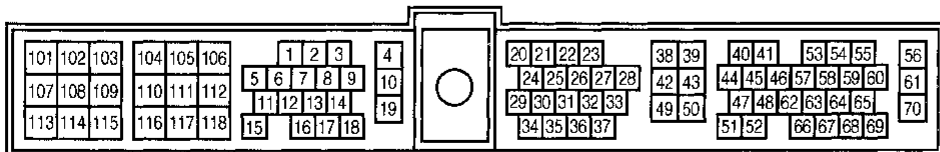
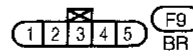
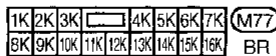
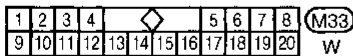
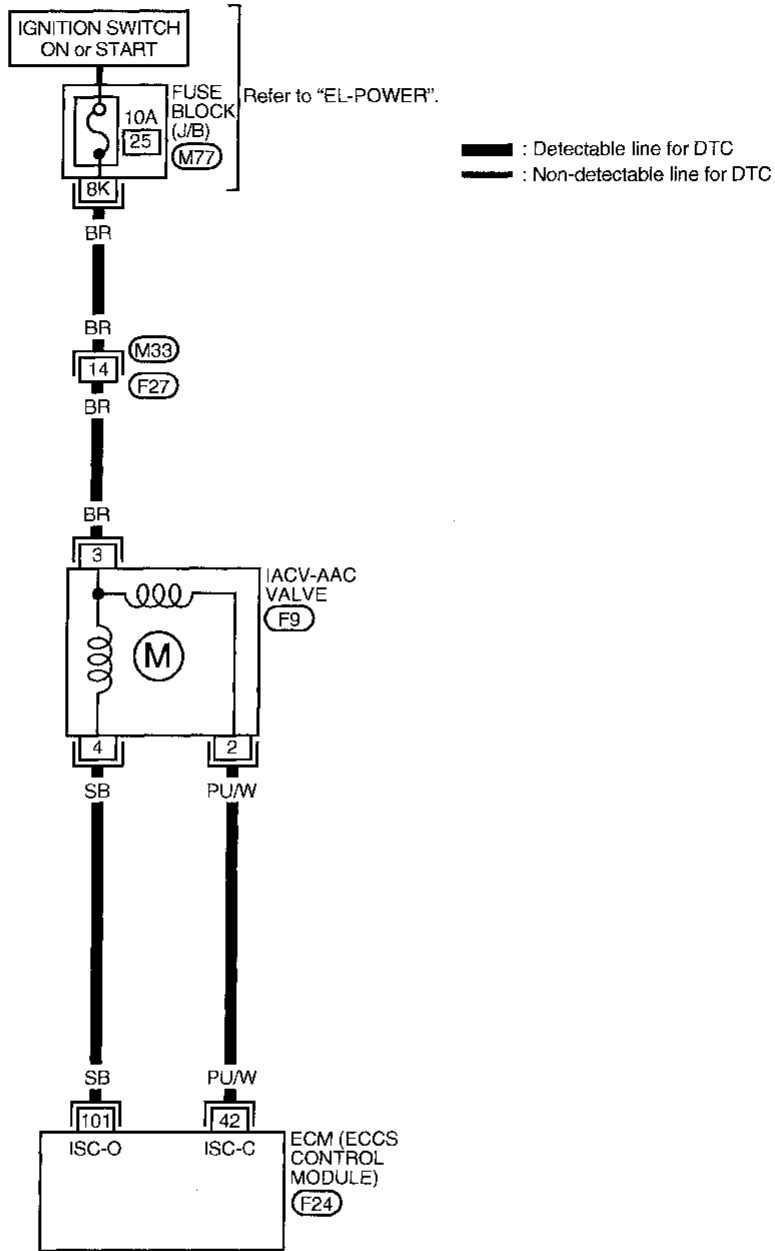
EL

IDX

# TROUBLE DIAGNOSIS FOR DTC P0505

## Idle Air Control Valve (IACV) — Auxiliary Air Control (AAC) Valve (Cont'd)

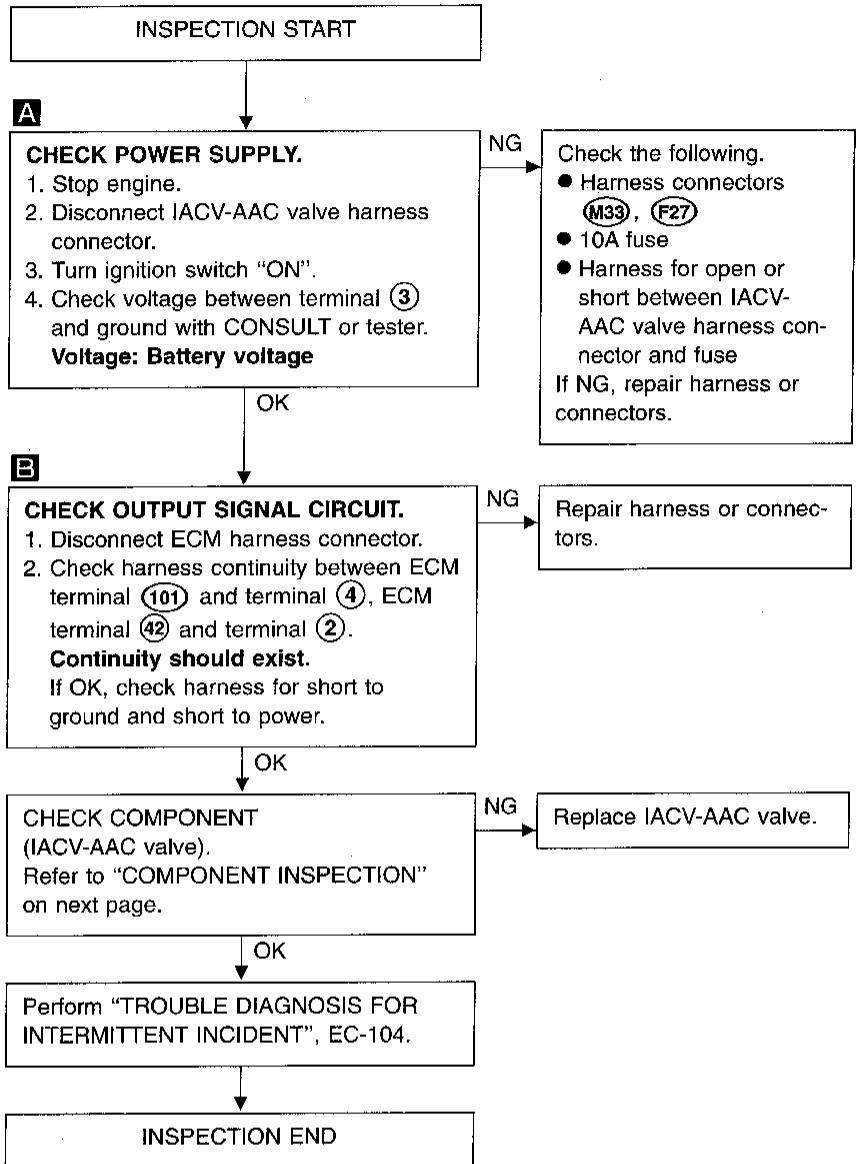
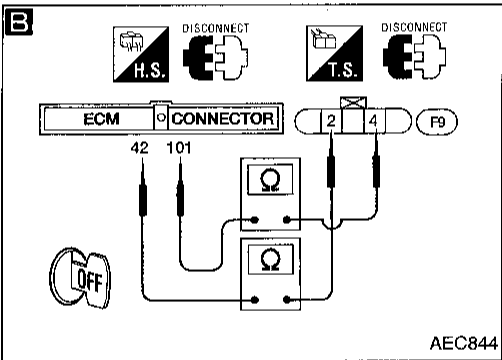
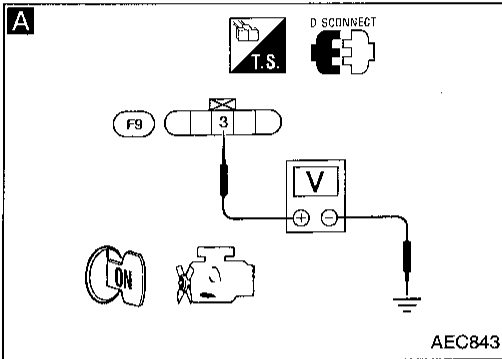
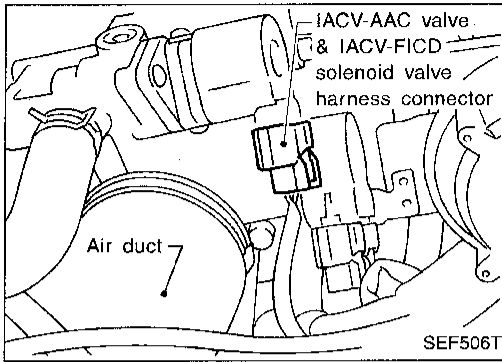
EC-AAC/V-01



# TROUBLE DIAGNOSIS FOR DTC P0505

## Idle Air Control Valve (IACV) — Auxiliary Air Control (AAC) Valve (Cont'd)

### DIAGNOSTIC PROCEDURE



CI

MA

EM

LC

EC

FE

CL

MT

AT

FA

RA

BR

ST

RS

BT

HA

EL

IDX

## TROUBLE DIAGNOSIS FOR DTC P0505

### Idle Air Control Valve (IACV) — Auxiliary Air Control (AAC) Valve (Cont'd)

#### COMPONENT INSPECTION

##### IACV-AAC valve

- ① 1. Disconnect IACV-AAC valve harness connector.
2. Check resistance between terminals ② and ③, ③ and ④.

##### Resistance:

Condition	Resistance (Ω)
Cold	138 - 238
Hot	175 - 280

**Note:** "Cold" and "Hot" mean the temperature of coils in IACV-AAC valve.

"Cold": -10°C (14°F) - 50°C (122°F)

"Hot": 50°C (122°F) - 100°C (212°F)

3. Reconnect IACV-AAC valve harness connector.
4. Start engine and warm it up sufficiently.
5. Perform "IACV-AAC/V OPENING" in "ACTIVE TEST" mode with CONSULT.
6. Check "MAS AIR/FL SE" value during changing the valve opening from 20% to 80%.

"MAS AIR/FL SE" value should be increased more than 0.15V.

7. If NG, replace IACV-AAC valve.

**Note:** Do not use "FUNCTION TEST" mode with CONSULT.

OR

- ⓧ 1. Disconnect IACV-AAC valve harness connector.
2. Check resistance between terminals ② and ③, ③ and ④.

##### Resistance:

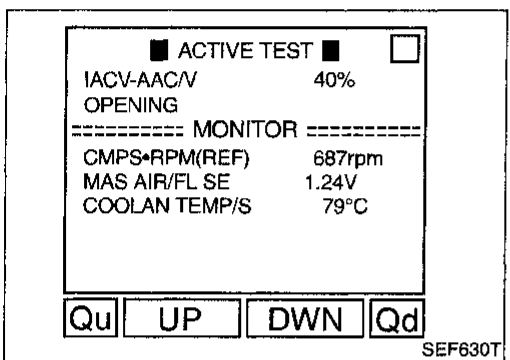
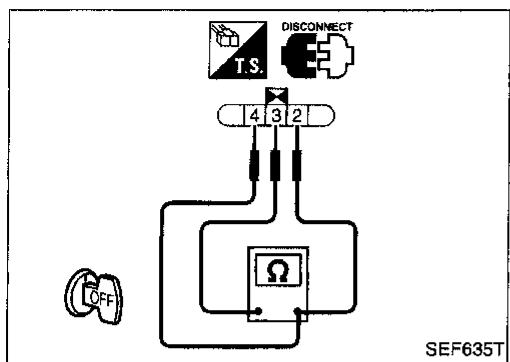
Condition	Resistance (Ω)
Cold	138 - 238
Hot	175 - 280

**Note:** "Cold" and "Hot" mean the temperature of coils in IACV-AAC valve.

"Cold": -10°C (14°F) - 50°C (122°F)

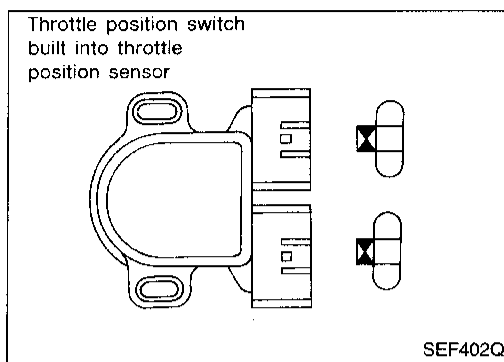
"Hot": 50°C (122°F) - 100°C (212°F)

3. If NG, replace IACV-AAC valve.





# TROUBLE DIAGNOSIS FOR DTC P0510



## Closed Throttle Position Switch

### COMPONENT DESCRIPTION

A closed throttle position switch and wide open throttle position switch are built into the throttle position sensor unit. The wide open throttle position switch is used only for A/T control. When the throttle valve is in the closed position, the closed throttle position switch sends a voltage signal to the ECM. The ECM only uses this signal to open or close the EVAP canister purge control valve when the throttle position sensor is malfunctioning.

### ECM TERMINALS AND REFERENCE VALUE

Specification data are reference values and are measured between each terminal and Ⓒ (ECCS ground).

TER-MINAL NO.	WIRE COLOR	ITEM	CONDITION	DATA (DC voltage)
27	LG	Throttle position switch (Closed position)	Ignition switch "ON" (Warm-up condition) └ Accelerator pedal fully released	BATTERY VOLTAGE (11 - 14V)
			Ignition switch "ON" └ Accelerator pedal depressed	Approximately 0V

### ON BOARD DIAGNOSIS LOGIC

Diagnostic Trouble Code No.	Malfunction is detected when ....	Check Items (Possible Cause)
P0510 0203	<ul style="list-style-type: none"> <li>Battery voltage from the closed throttle position switch is sent to ECM with the throttle valve opened.</li> </ul>	<ul style="list-style-type: none"> <li>Harness or connectors (The closed throttle position switch circuit is shorted.)</li> <li>Closed throttle position switch</li> <li>Throttle position sensor</li> </ul>

## TROUBLE DIAGNOSIS FOR DTC P0510

### Closed Throttle Position Switch (Cont'd)

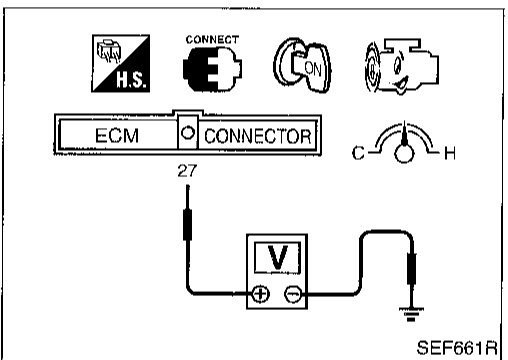
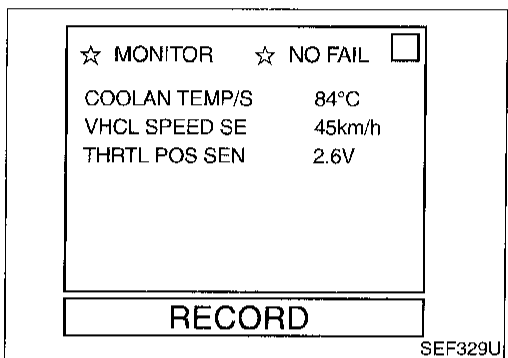
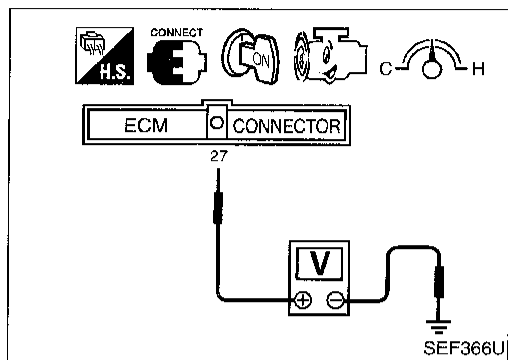
#### DIAGNOSTIC TROUBLE CODE CONFIRMATION PROCEDURE

##### CAUTION:

Always drive vehicle at a safe speed.

##### NOTE:

If "DIAGNOSTIC TROUBLE CODE CONFIRMATION PROCEDURE" has been previously conducted, always turn ignition switch "OFF" and wait at least 5 seconds before conducting the next test.



- 1) Start engine and warm it up to normal operating temperature.

- 2) Check voltage between ECM terminal ②⑦ and ground under the following conditions.

**At idle: Battery voltage**

**At 2,000 rpm: 0 - 1V**

If the check result is NG, go to "DIAGNOSTIC PROCEDURE", EC-314.

If OK, go to following step.

- 3) Select "DATA MONITOR" mode with CONSULT.
- 4) Drive the vehicle for at least 5 consecutive seconds under the following condition.

**THRTL POS SEN: More than 2.5V**

**VHCL SPEED SE: More than 4 km/h (2 MPH)**

**Selector lever: Suitable position**

**Driving pattern: Driving vehicle uphill (Increased engine load) will help maintain the driving conditions required for this test.**

OR

#### OVERALL FUNCTION CHECK

Use this procedure to check the overall function of the closed throttle position switch circuit. During this check, a 1st trip DTC might not be confirmed.



- 1) Start engine and warm it up to normal operating temperature.

- 2) Check the voltage between ECM terminal ②⑦ and ground under the following conditions.

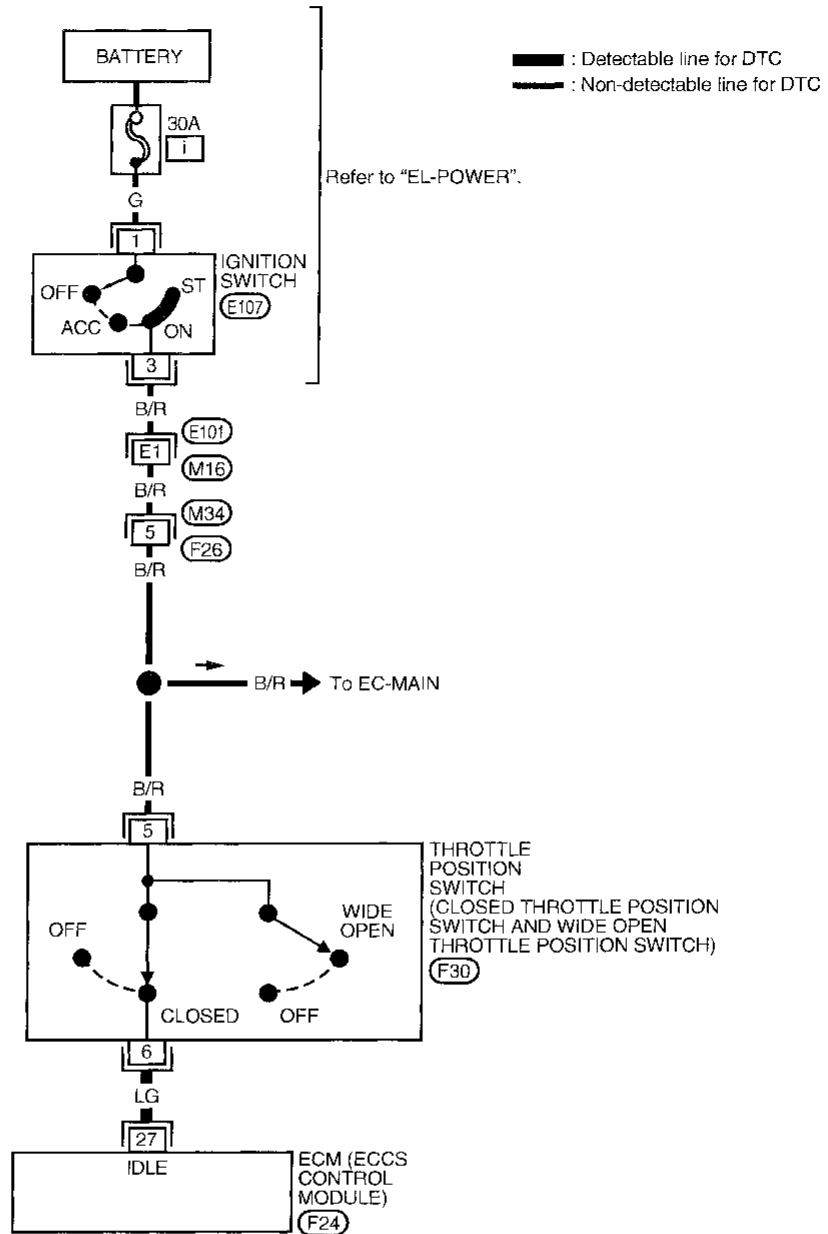
**At idle: Battery voltage**

**At 2,000 rpm: Approximately 0V**

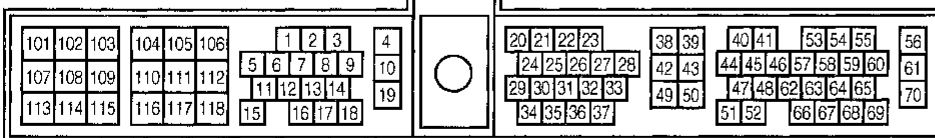
# TROUBLE DIAGNOSIS FOR DTC P0510

## Closed Throttle Position Switch (Cont'd)

EC-TP/SW-01



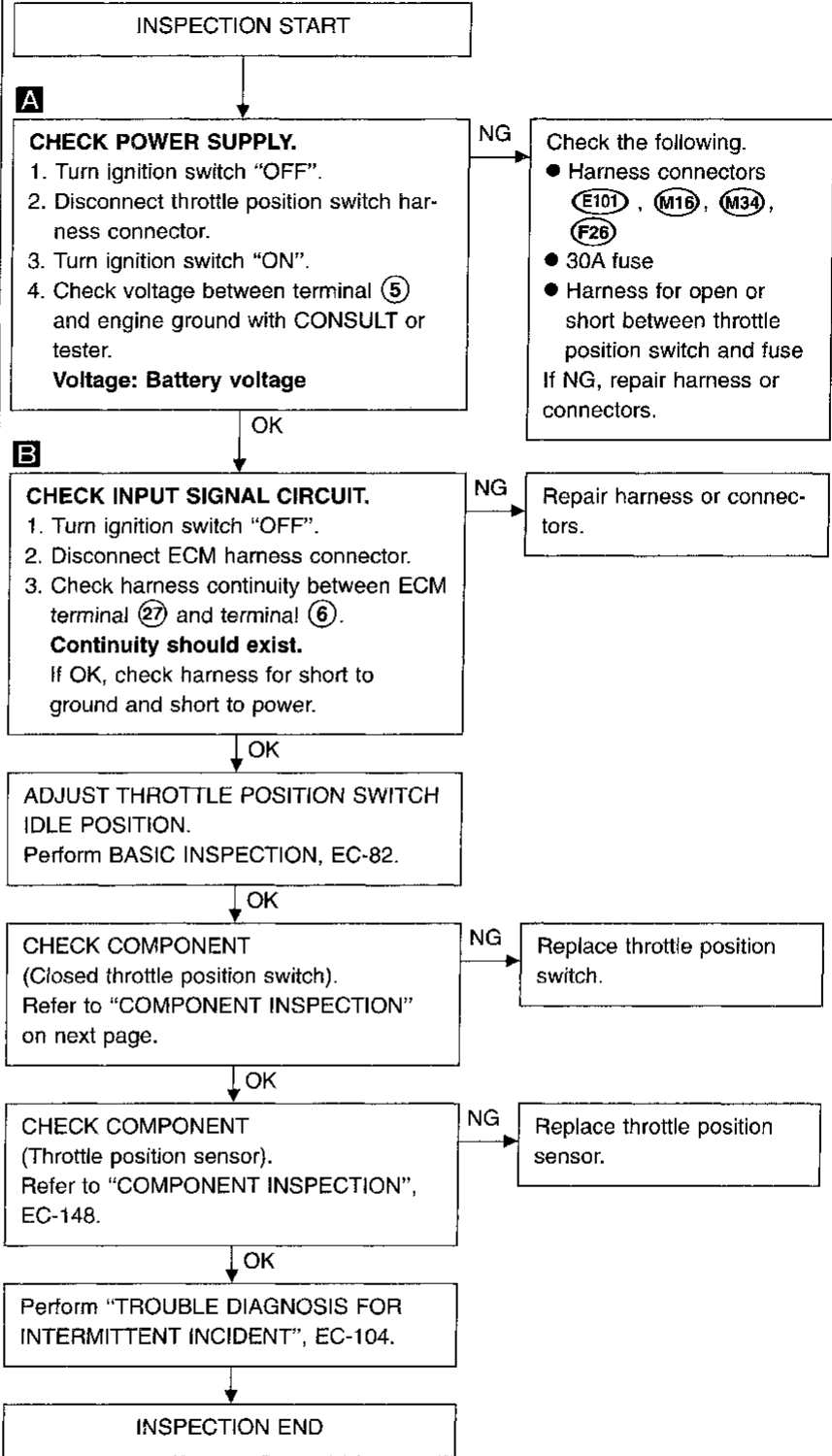
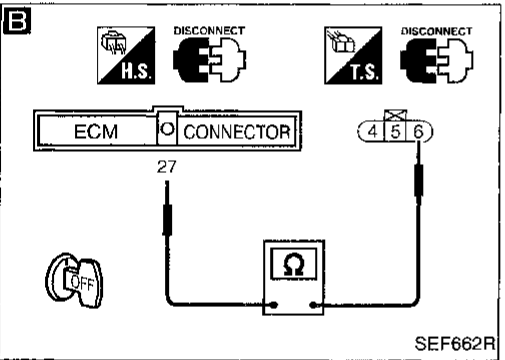
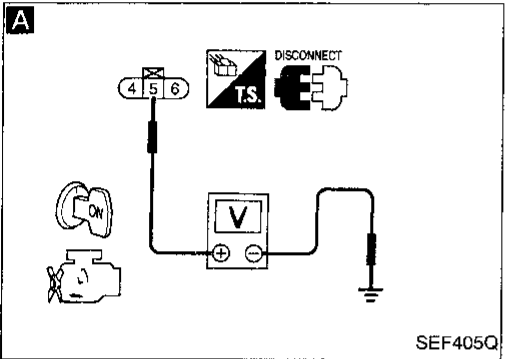
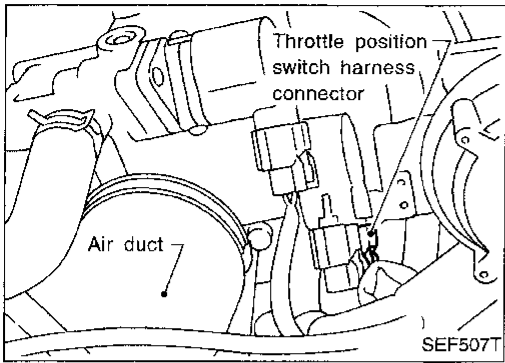
GI  
 MA  
 EM  
 LC  
**EC**  
 FE  
 CI  
 MT  
 AT  
 FA  
 RA  
 BR  
 ST  
 RS  
 BT  
 HA  
 EL  
 IDX



Refer to last page (Foldout page).  
 (M16), (E101)

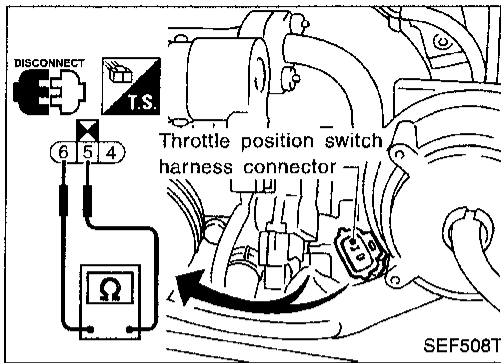
# TROUBLE DIAGNOSIS FOR DTC P0510

## Closed Throttle Position Switch (Cont'd) DIAGNOSTIC PROCEDURE



## TROUBLE DIAGNOSIS FOR DTC P0510

### Closed Throttle Position Switch (Cont'd) COMPONENT INSPECTION



#### Closed throttle position switch

1. Start engine and warm it up to normal operating temperature.
2. Turn ignition switch "OFF".
3. Disconnect throttle position switch harness connector.
4. Check continuity between terminals ⑤ and ⑥ while opening throttle valve manually.

Throttle valve conditions	Continuity
Completely closed	Yes
Partially open or completely open	No

If NG, replace throttle position switch.

GI

MA

EM

LC

**EC**

FE

CL

MT

AT

FA

RA

BR

ST

RS

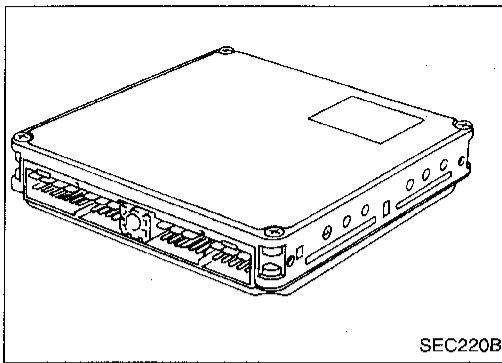
BT

HA

EL

IDX

# TROUBLE DIAGNOSIS FOR DTC P0605



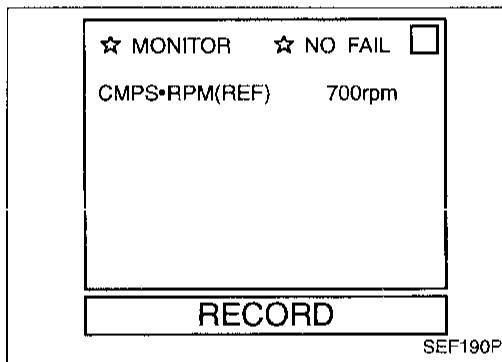
## Engine Control Module (ECM)

### COMPONENT DESCRIPTION

The ECM consists of a microcomputer, diagnostic test mode selector, and connectors for signal input and output and for power supply. The unit controls the engine.

### ON BOARD DIAGNOSIS LOGIC

Diagnostic Trouble Code No.	Malfunction is detected when ....	Check Item (Possible Cause)
P0605 0301	<ul style="list-style-type: none"> <li>● ECM calculation function is malfunctioning.</li> </ul>	<ul style="list-style-type: none"> <li>● ECM</li> </ul>



### DIAGNOSTIC TROUBLE CODE CONFIRMATION PROCEDURE

#### NOTE:

If "DIAGNOSTIC TROUBLE CODE CONFIRMATION PROCEDURE" has been previously conducted, always turn ignition switch "OFF" and wait at least 5 seconds before conducting the next test.



- 1) Turn ignition switch "ON".
- 2) Select "DATA MONITOR" mode with CONSULT.
- 3) Start engine.
- 4) Run engine for at least 30 seconds at idle speed.

OR



- 1) Turn ignition switch "ON".
- 2) Start engine.
- 3) Run engine for at least 30 seconds at idle speed.
- 4) Select "Mode 7" with GST.

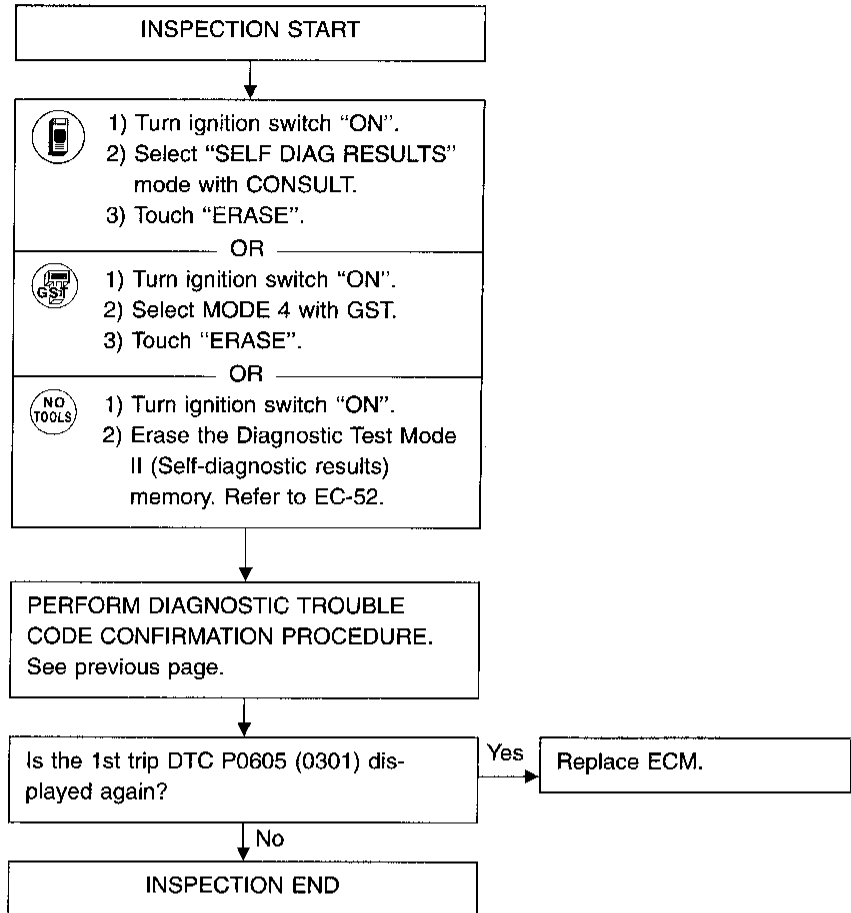
OR



- 1) Turn ignition switch "ON".
- 2) Start engine and wait at least 30 seconds.
- 3) Turn ignition switch "OFF", wait at least 5 seconds and then turn "ON".
- 4) Perform "Diagnostic Test Mode II" (Self-diagnostic results) with ECM.

# TROUBLE DIAGNOSIS FOR DTC P0605

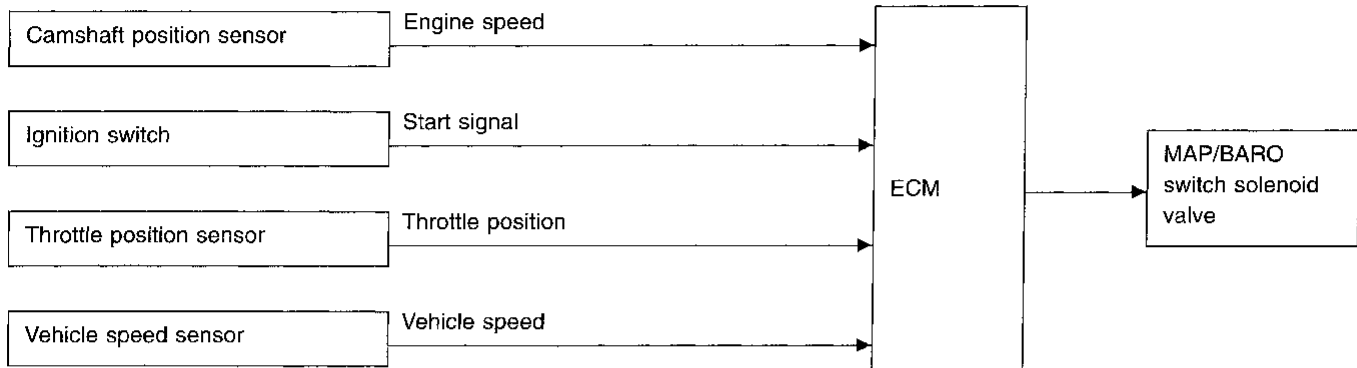
## Engine Control Module (ECM) (Cont'd) DIAGNOSTIC PROCEDURE



GI  
MA  
EM  
LC  
**EC**  
FE  
CL  
MT  
AT  
FA  
RA  
BR  
ST  
RS  
BT  
HA  
EL  
IDX

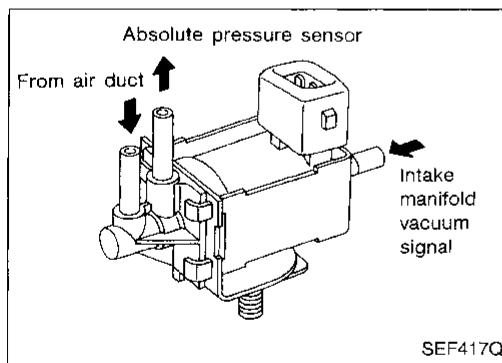
## Manifold Absolute Pressure (MAP)/ Barometric Pressure (BARO) Switch Solenoid Valve

### SYSTEM DESCRIPTION



This system allows the absolute pressure sensor to monitor either ambient barometric pressure or intake manifold pressure. The MAP/BARO switch solenoid valve switches between two passages by ON-OFF pulse signals from the ECM. (One passage is from the intake air duct, the other is from the intake manifold.) Either ambient barometric pressure or intake manifold pressure is applied to the absolute pressure sensor.

Solenoid	Conditions
ON	<ul style="list-style-type: none"> <li>● For 5 seconds after turning ignition switch "ON" (Engine is not running)</li> </ul> <p style="text-align: center;">OR</p>
	<ul style="list-style-type: none"> <li>● For 5 seconds after starting engine</li> </ul> <p style="text-align: center;">OR</p>
	<ul style="list-style-type: none"> <li>● More than 5 minutes after the solenoid valve shuts OFF.</li> </ul> <p style="text-align: center;">and</p>
	<ul style="list-style-type: none"> <li>● Throttle valve is shut or almost fully shut for more than 5 seconds</li> </ul> <p style="text-align: center;">and</p>
	<ul style="list-style-type: none"> <li>● Vehicle speed is less than 100 km/h (62 MPH).</li> </ul>



### COMPONENT DESCRIPTION

The MAP/BARO switch solenoid valve switches its air flow passage according to the voltage signal sent from the ECM. When voltage is supplied from the ECM, the MAP/BARO switch solenoid turns "ON". Then, the absolute pressure sensor can monitor the ambient barometric pressure. When voltage is not supplied from the ECM, the MAP/BARO switch solenoid valve turns "OFF". Then, the sensor monitors intake manifold pressure.

### CONSULT REFERENCE VALUE IN DATA MONITOR MODE

Specification data are reference values

MONITOR ITEM	CONDITION	SPECIFICATION
MAP/BARO SW/V	<ul style="list-style-type: none"> <li>● For 5 seconds after starting engine</li> </ul>	BARO
	<ul style="list-style-type: none"> <li>● More than 5 seconds after starting engine</li> </ul>	MAP



# TROUBLE DIAGNOSIS FOR DTC P1105

## Manifold Absolute Pressure (MAP)/ Barometric Pressure (BARO) Switch Solenoid Valve (Cont'd)

### ECM TERMINALS AND REFERENCE VALUE

Specification data are reference values and are measured between each terminal and Ⓒ (ECCS ground).

TER-MINAL NO.	WIRE COLOR	ITEM	CONDITION	DATA (DC voltage)
69	GY/R	MAP/BARO switch solenoid valve	Ignition switch "ON" <input type="checkbox"/> For 5 seconds after turning ignition switch "ON" Engine is running. <input type="checkbox"/> For 5 seconds after starting engine	Approximately 0V
			Ignition switch "ON" <input type="checkbox"/> More than 5 seconds after ignition switch "ON" Engine is running. <input type="checkbox"/> More than 5 seconds after starting engine	BATTERY VOLTAGE (11 - 14V)

### ON BOARD DIAGNOSIS LOGIC

Diagnostic Trouble Code No.	Malfunction is detected when ....	Check Items (Possible Cause)
P1105 1302	A) MAP/BARO switch solenoid valve receives the voltage supplied though ECM does not supply the voltage to the valve.  B) There is little difference between MAP/BARO switch solenoid valve input voltage at ambient barometric pressure and voltage at intake manifold pressure.	<ul style="list-style-type: none"> <li>● Harness or connectors (MAP/BARO switch solenoid valve circuit is open or shorted.)</li> <li>● MAP/BARO switch solenoid valve</li> <li>● Harness or connectors (MAP/BARO switch solenoid valve circuit is open or shorted.)</li> <li>● Hoses (Hoses are clogged, vent, kinked, disconnected or improper connection.)</li> <li>● Absolute pressure sensor</li> <li>● MAP/BARO switch solenoid valve</li> </ul>

☆ MONITOR
☆ NO FAIL

CMPS•RPM(REF)	700rpm
COOLAN TEMP/S	85°C

RECORD

SEF230U

### DIAGNOSTIC TROUBLE CODE CONFIRMATION PROCEDURE

Perform "Procedure for malfunction A" first. If the 1st trip DTC cannot be confirmed, perform "Procedure for malfunction B".

#### NOTE:

If "DIAGNOSTIC TROUBLE CODE CONFIRMATION PROCEDURE" has been previously conducted, always turn ignition switch "OFF" and wait at least 5 seconds before conducting the next test.

GI  
MA  
EM  
LC  
EC  
FE  
CL  
MT  
AT  
FA  
RA  
BR  
ST  
RS  
BT  
HA  
EL  
IDX




## TROUBLE DIAGNOSIS FOR DTC P1105

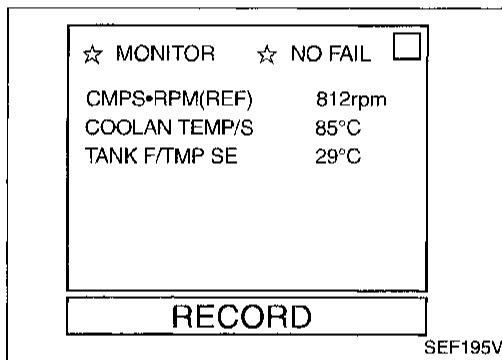
### Manifold Absolute Pressure (MAP)/ Barometric Pressure (BARO) Switch Solenoid Valve (Cont'd)

#### Procedure for malfunction A




##### TESTING CONDITION:

Before performing the following procedure, confirm that battery voltage is more than 11V.

-  1) Turn ignition switch "ON" and select "DATA MONITOR" mode with CONSULT.  
2) Wait at least 10 seconds.
- OR
-  1) Turn ignition switch "ON" and wait at least 10 seconds.  
2) Select "MODE 7" with GST.
- OR
-  1) Turn ignition switch "ON" and wait at least 10 seconds.  
2) Turn ignition switch "OFF", wait at least 5 seconds and then turn "ON".  
3) Perform "Diagnostic Test Mode II (Self-diagnostic results)" with ECM.



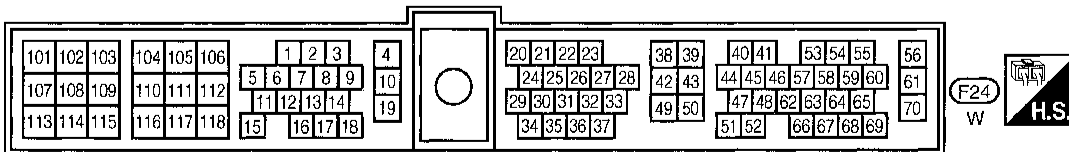
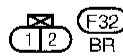
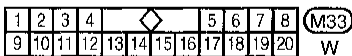
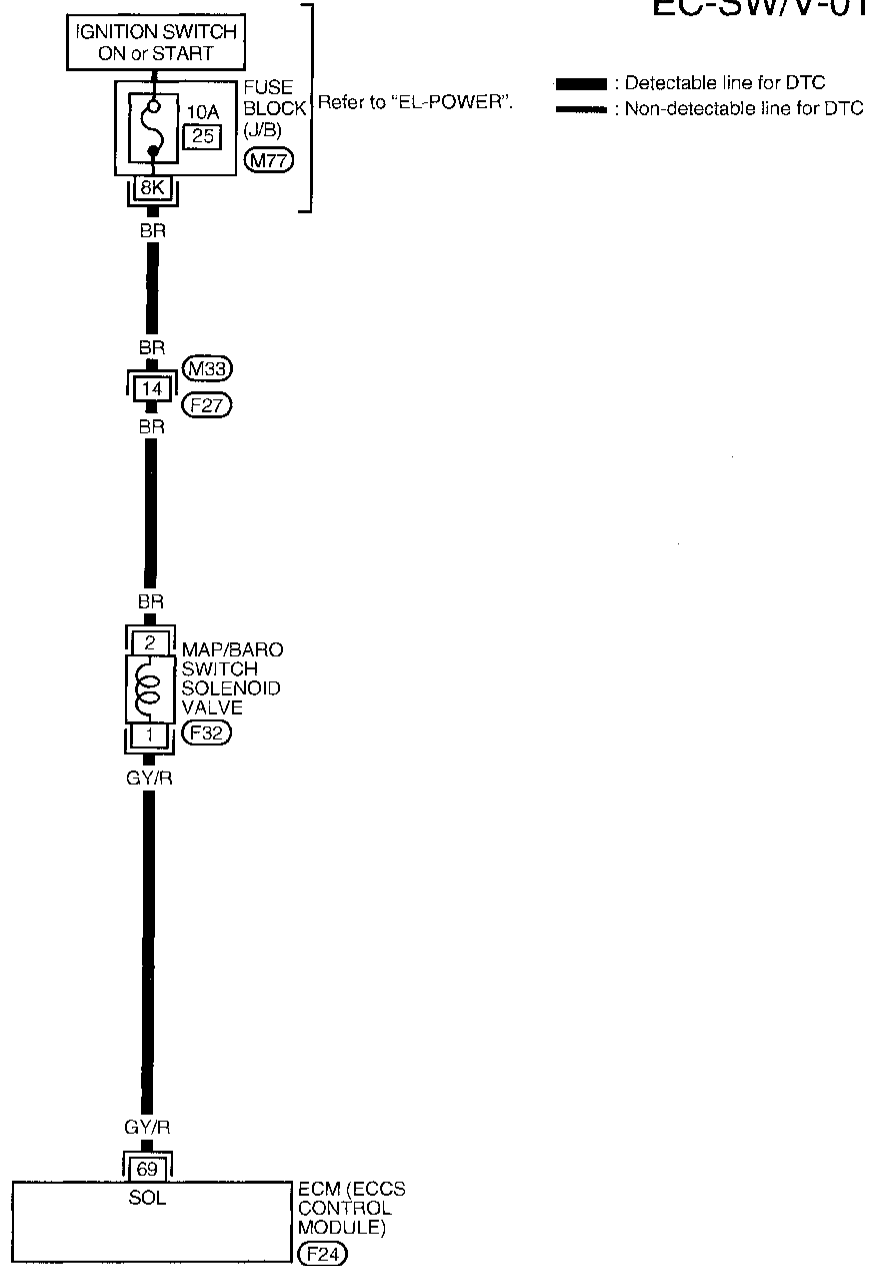
#### Procedure for malfunction B

-  1) Start engine and warm it up to normal operating temperature.  
2) Turn ignition switch "OFF" and wait at least 5 seconds.  
3) Turn ignition switch "ON" again and select "DATA MONITOR" mode with CONSULT.  
4) Make sure that "TANK/F/TEMP SE" is more than 0°C (32°F).  
5) Start engine and let it idle for at least 10 seconds.
- OR
-  1) Start engine and warm it up to normal operating temperature.  
2) Turn ignition switch "OFF" and wait at least 5 seconds.  
3) Turn ignition switch "ON".  
4) Check that voltage between ECM terminal ⑥7 and ground is less than 4.2V.  
5) Start engine and let it idle for at least 10 seconds.  
6) Select "MODE 7" with GST.
- OR
-  1) Start engine and warm it up to normal operating temperature.  
2) Turn ignition switch "OFF" and wait at least 5 seconds.  
3) Turn ignition switch "ON".  
4) Check that voltage between ECM terminal ⑥7 and ground is less than 4.2V.  
5) Start engine and let it idle for at least 10 seconds.  
6) Turn ignition switch "OFF", wait at least 5 seconds and then turn "ON".  
7) Perform "Diagnostic Test Mode II (Self-diagnostic results)" with ECM.

# TROUBLE DIAGNOSIS FOR DTC P1105

## Manifold Absolute Pressure (MAP)/ Barometric Pressure (BARO) Switch Solenoid Valve (Cont'd)

EC-SW/V-01



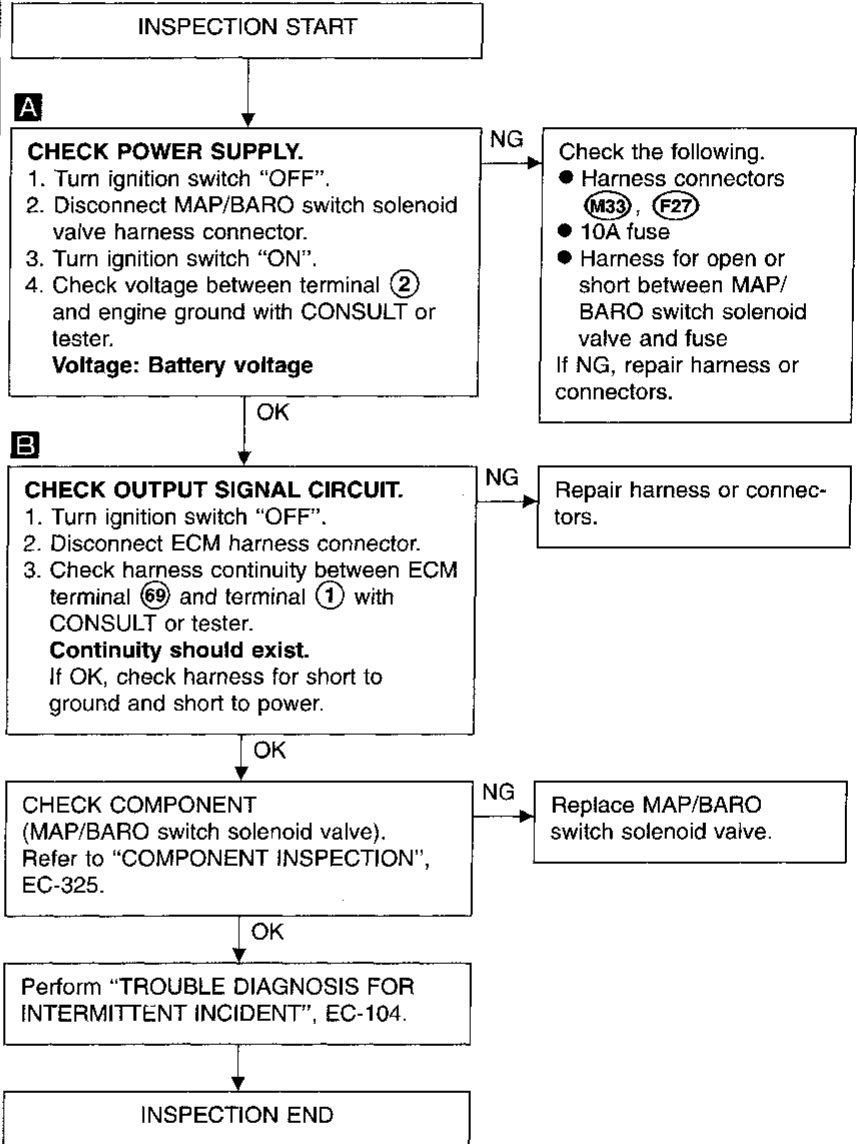
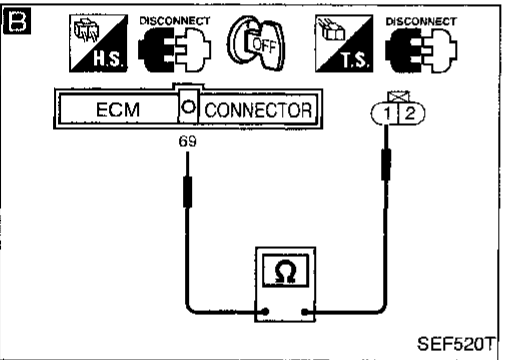
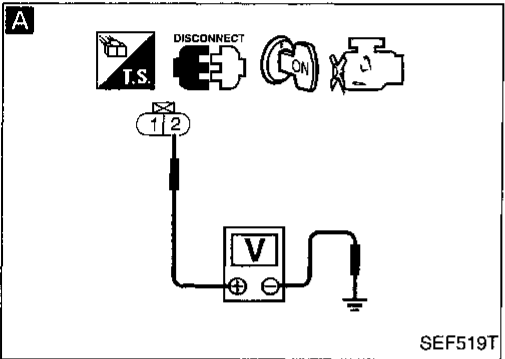
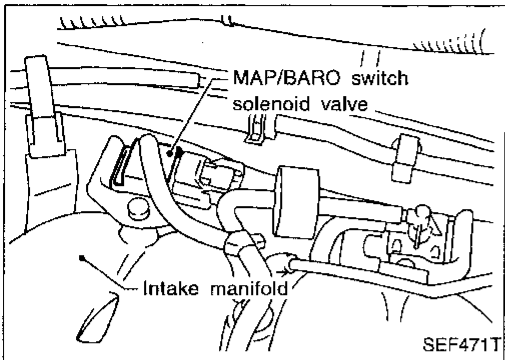
# TROUBLE DIAGNOSIS FOR DTC P1105

## Manifold Absolute Pressure (MAP)/ Barometric Pressure (BARO) Switch Solenoid Valve (Cont'd)

### DIAGNOSTIC PROCEDURE

If the trouble is duplicated after "Procedure for malfunction A", perform "Procedure A" below. If the trouble is duplicated after "Procedure for malfunction B", perform "Procedure B" on next page.

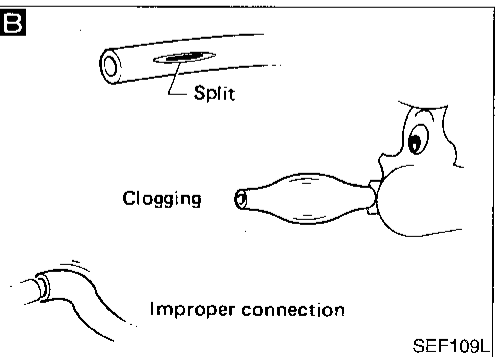
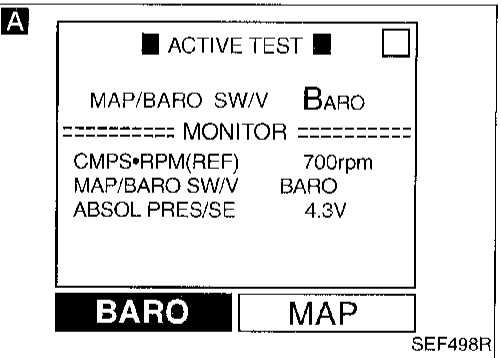
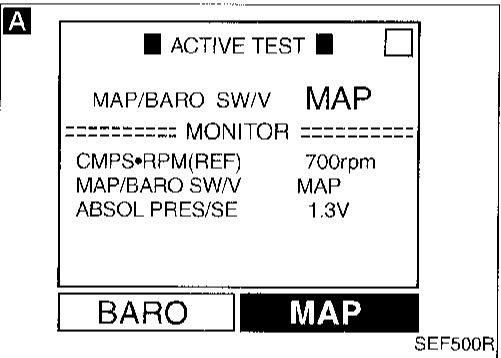
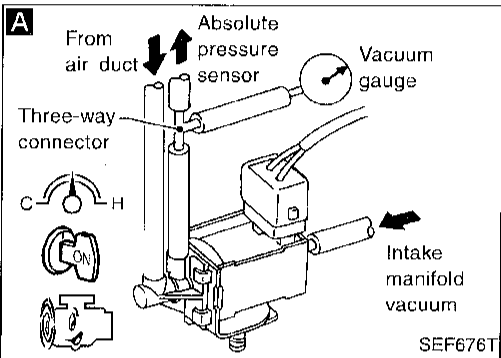
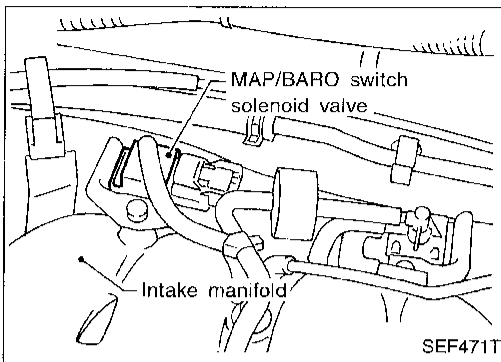
#### Procedure A



# TROUBLE DIAGNOSIS FOR DTC P1105

## Manifold Absolute Pressure (MAP)/ Barometric Pressure (BARO) Switch Solenoid Valve (Cont'd)

### Procedure B



INSPECTION START

**A**

**CHECK VACUUM SOURCE AND CIRCUIT TO MAP/BARO SWITCH SOLENOID VALVE.**

1. Start engine and warm it up to normal operating temperature.
2. Turn ignition switch "OFF".
3. Connect MAP/BARO switch solenoid valve and absolute pressure sensor with a rubber tube that has vacuum gauge.
4. Turn ignition switch "ON".
5. Select "MAP/BARO SW/V" in "ACTIVE TEST" mode with CONSULT.
6. Start engine and let it idle.
7. Touch "MAP" and "BARO" alternately and check for vacuum.

MAP/BARO SW/V	Vacuum
BARO	Vacuum should not exist
MAP	Vacuum should exist

OR

4. Turn ignition switch "ON".
5. Start engine and check for vacuum.

For 5 seconds after starting engine:  
**Vacuum should not exist.**

More than 5 seconds after starting engine:  
**Vacuum should exist.**

OK

**CHECK COMPONENT**  
(Absolute pressure sensor).

1. Check for disconnection of vacuum hose connected to the sensor.
2. Check sensor harness connector for water.

**Water should not exist.**

Refer to "COMPONENT INSPECTION" of "TROUBLE DIAGNOSIS FOR DTC P0105", EC-126.

OK

NG

Repair or replace absolute pressure sensor or harness connector.

Go to "TROUBLE DIAGNOSIS FOR INTERMITTENT INCIDENT", EC-104.

**B**

**CHECK HOSE.**

1. Turn ignition switch "OFF".
2. Check hose for clogging, cracks, disconnection or improper connection.

NG

Clean, repair or reconnect the hose.

If NG, check vacuum port for clogging.

OK

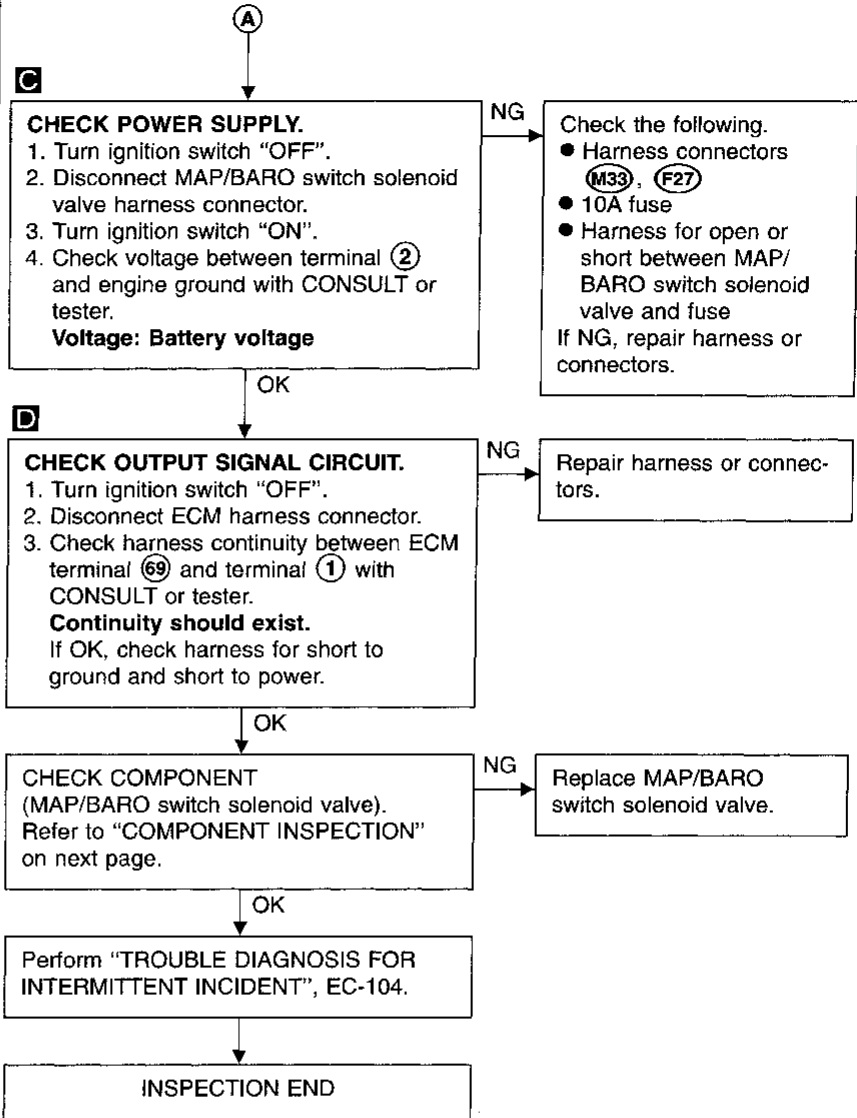
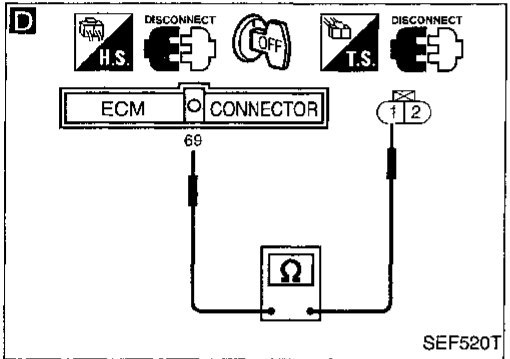
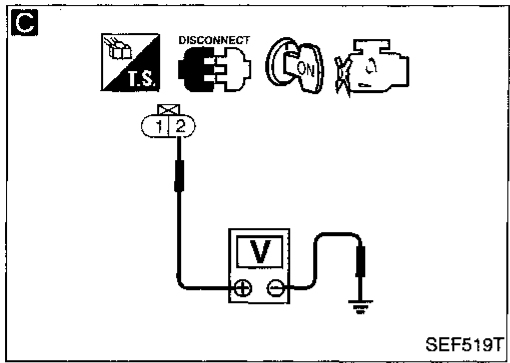
**CHECK INTAKE SYSTEM.**  
Check the intake system for air leaks.

(Go to next page.)

GI  
MA  
EM  
LC  
EC  
FE  
CL  
MT  
AT  
FA  
RA  
BR  
ST  
RS  
BT  
HA  
EL  
IDX

# TROUBLE DIAGNOSIS FOR DTC P1105

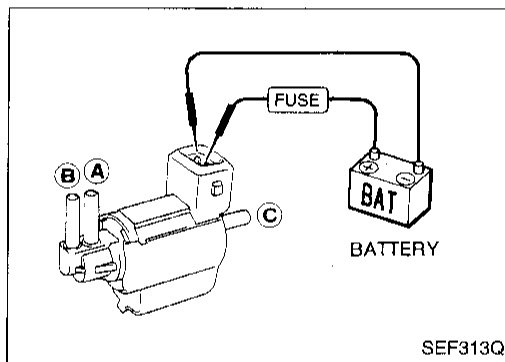
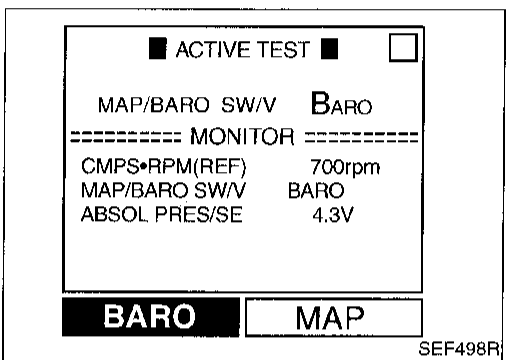
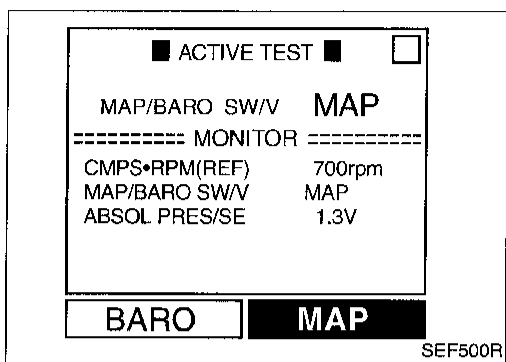
## Manifold Absolute Pressure (MAP)/ Barometric Pressure (BARO) Switch Solenoid Valve (Cont'd)



# TROUBLE DIAGNOSIS FOR DTC P1105

## Manifold Absolute Pressure (MAP)/ Barometric Pressure (BARO) Switch Solenoid Valve (Cont'd)

### COMPONENT INSPECTION MAP/BARO switch solenoid valve



1. Start engine and warm it up to normal operating temperature.
2. Perform "MAP/BARO SW/V" in "ACTIVE TEST" mode with CONSULT.
3. Check the following.
  - Condition: At idle under no-load
  - CONSULT display

MAP/BARO	ABSOL PRES/SE (Voltage)
BARO	More than 2.6V
MAP	Less than the voltage at BARO

- Time for voltage to change

MAP/BARO SW/V	Time to switch
BARO to MAP	Less than 1 second
MAP to BARO	

4. If NG, check solenoid valve as shown below.

OR



1. Remove MAP/BARO switch solenoid valve.
2. Check air passage continuity.

Condition	Air passage continuity between (A) and (B)	Air passage continuity between (A) and (C)
12V direct current supply between terminals (1) and (2)	Yes	No
No supply	No	Yes

3. If NG, replace solenoid valve.

GI

MA

EM

LC

EC

FE

CL

MT

AT

FA

RA

BR

ST

RS

BT

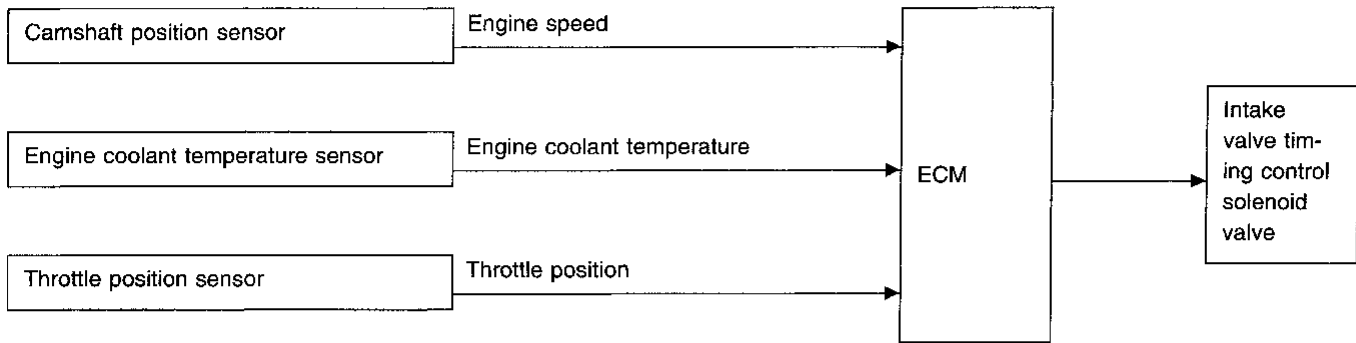
HA

EL

IDX

## Intake Valve Timing Control

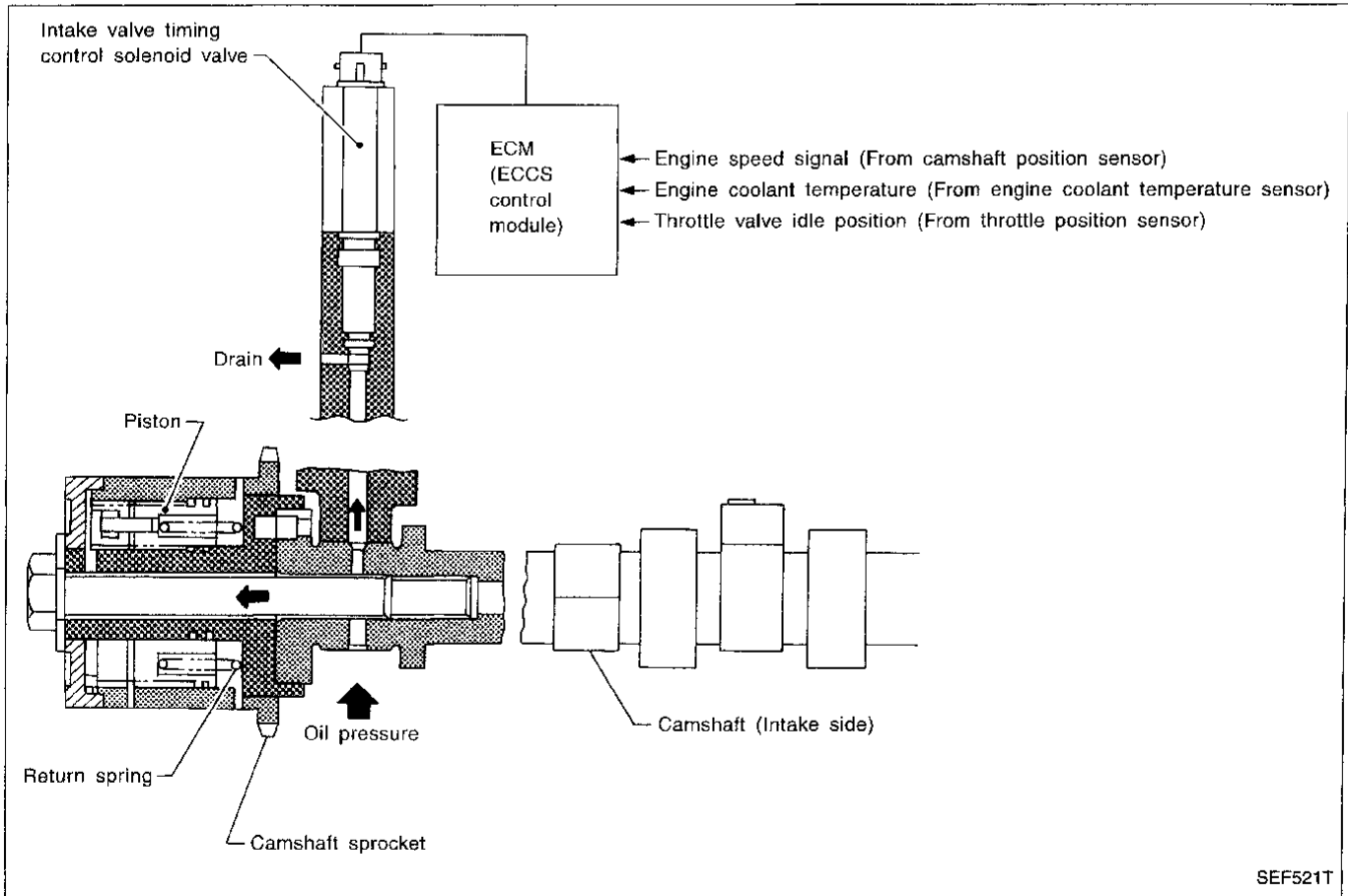
### SYSTEM DESCRIPTION



The valve timing control system is utilized to control intake valve opening and closing timing. Engine coolant temperature signals, engine speed and throttle position are used to determine intake valve timing.

The intake camshaft sprocket position is regulated by oil pressure controlled by the intake valve timing control.

When ECM sends ON signal to intake valve timing control solenoid valve, oil pressure is transmitted to camshaft sprocket. Then, intake side camshaft is advanced.



SEF521T



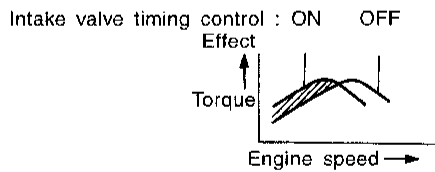
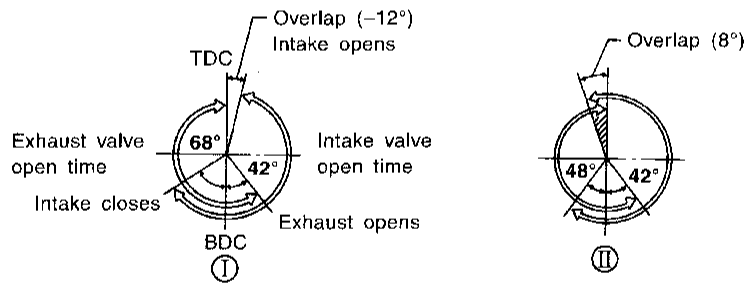
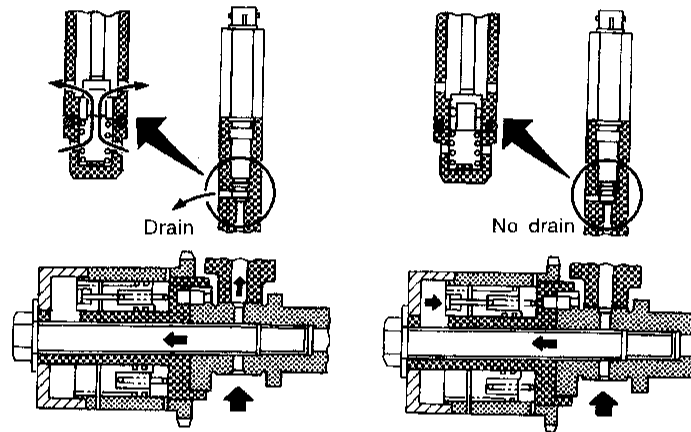
# TROUBLE DIAGNOSIS FOR DTC P1110

## Intake Valve Timing Control (Cont'd)

### OPERATION

Engine operating condition	Intake valve timing control solenoid valve	Intake valve opening and closing time	Valve overlap	Engine valve timing
<ul style="list-style-type: none"> <li>● Engine coolant temperature is 70°C (158°F) or more.</li> <li>● Engine speed is between 1,150 rpm and 5,400 rpm.</li> <li>● Engine speed is 6,600 rpm or more.</li> </ul>	ON	Advance	Increased	Ⓜ
Those other than above	OFF	Normal	Normal	Ⓛ

Ⓛ Intake valve timing control solenoid valve is OFF. Ⓜ Intake valve timing control solenoid valve is ON.



SEF522T

## TROUBLE DIAGNOSIS FOR DTC P1110

### Intake Valve Timing Control (Cont'd)

#### CONSULT REFERENCE VALUE IN DATA MONITOR MODE

MONITOR ITEM	CONDITION	SPECIFICATION
INT/V TIM SOL	● Engine: After warming up	Idle
		2,000 rpm
		OFF
		ON

#### ECM TERMINALS AND REFERENCE VALUE

Specification data are reference values and are measured between each terminal and (43) (ECCS ground).

TER-MINAL NO.	WIRE COLOR	ITEM	CONDITION	DATA (DC voltage)
114	Y/R	Intake valve timing control solenoid valve	Engine is running. (Warm-up condition) └ Idle speed	BATTERY VOLTAGE (11 - 14V)
			Engine is running. (Warm-up condition) └ Engine speed is 2,000 rpm.	Approximately 0V

#### ON BOARD DIAGNOSIS LOGIC

Diagnostic Trouble Code No.	Malfunction is detected when ....	Check Items (Possible Cause)
P1110 0805	A) An improper voltage signal is entered to ECM through intake valve timing control solenoid valve.	<ul style="list-style-type: none"> <li>● Harness or connectors (The intake valve timing control solenoid valve circuit is open or shorted.)</li> <li>● Intake valve timing control solenoid valve</li> </ul>
	B) The basic injection pulse width does not change when intake valve timing control solenoid valve is activated to ON under the specified conditions.	<ul style="list-style-type: none"> <li>● Harness or connectors (The intake valve timing control solenoid valve circuit is open.)</li> <li>● Intake valve timing control</li> <li>● Engine oil (The oil is deteriorated.)</li> <li>● Intake air system</li> <li>● Intake valve timing control solenoid valve</li> </ul>

#### DIAGNOSTIC TROUBLE CODE CONFIRMATION PROCEDURE

Perform "Procedure for malfunction A" first. If the 1st trip DTC cannot be confirmed, perform "Procedure for malfunction B".

##### Procedure for malfunction A

##### NOTE:

If "DIAGNOSTIC TROUBLE CODE CONFIRMATION PROCEDURE" has been previously conducted, always turn ignition switch "OFF" and wait at least 5 seconds before conducting the next test.



- 1) Turn ignition switch "ON".
- 2) Select "DATA MONITOR" mode with CONSULT.
- 3) Wait at least 5 seconds.

OR



- 1) Turn ignition switch "ON" and wait at least 5 seconds.
- 2) Select "MODE 3" with GST.

OR



- 1) Turn ignition switch "ON", wait at least 5 seconds.
- 2) Perform "Diagnostic Test Mode II" (Self-diagnostic results) with ECM.

# TROUBLE DIAGNOSIS FOR DTC P1110

## Intake Valve Timing Control (Cont'd)

### Procedure for malfunction B

#### CAUTION:

Always drive vehicle at a safe speed.

#### NOTE:

If "DIAGNOSTIC TROUBLE CODE CONFIRMATION PROCEDURE" has been previously conducted, always turn ignition switch "OFF" and wait at least 5 seconds before conducting the next test.

#### TESTING CONDITION:

Always perform the test at a temperature of  $-10^{\circ}\text{C}$  ( $14^{\circ}\text{F}$ ) or higher.



- 1) Start engine and warm it up to normal operating temperature.
- 2) Turn ignition switch "OFF" and wait at least 5 seconds.
- 3) Turn ignition switch "ON" and select "DATA MONITOR" mode with CONSULT.
- 4) Check the output voltage of "THRTL POS SEN" (at closed throttle position) and note it.
- 5) Restart engine and wait at least 3 minutes.
- 6) Maintain the following conditions until the "ON-OFF" interval of "INT/V TIM SOL" in "DATA MONITOR" with CONSULT has been repeated at least 10 times.

#### NOTE:

When the following conditions are met, diagnosis can begin. As soon as diagnosis begins, the "INT/V TIM SOL" on the CONSULT display repeats the ON-OFF operation.

CMPS-RPM (REF): 2,000 - 3,000 rpm

VHCL SPEED SE: More than 70 km/h (43 MPH)

THRTL POS SEN:  $(X + 1.00) - (X + 1.76)$  V

B/FUEL SCHDL: 4.2 - 5.7 ms

Selector lever: Suitable position

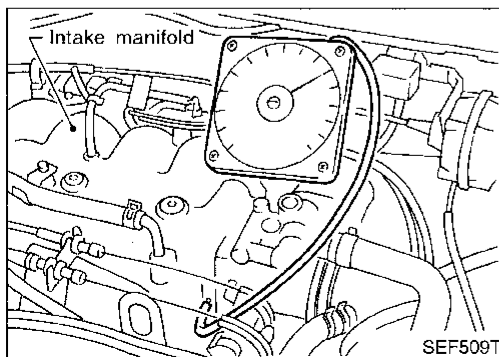
Driving pattern: Driving uphill (increased engine load) will help maintain the driving conditions required for this test.

X = Voltage value measured at step 4)

- 7) Make sure that "OK" is displayed after touching "SELF-DIAG RESULTS".  
If "NG" is displayed, refer to "DIAGNOSTIC PROCEDURE", EC-332.

☆ MONITOR	☆ NO FAIL	<input type="checkbox"/>
CMPS-RPM(REF)	2837rpm	
COOLAN TEMP/S	84°C	
VHCL SPEED SE	92km/h	
THRTL POS SEN	1.88V	
B/FUEL SCHDL	4.8msec	
INT/V TIM SOL	OFF	
<b>RECORD</b>		

SEF852U



SEF509T

OR

## OVERALL FUNCTION CHECK

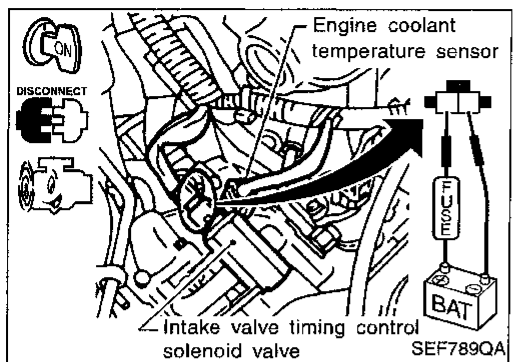
Use this procedure to check the overall function of the VTC. During this check, a DTC might not be confirmed.



- 1) Disconnect vacuum hose from fuel pressure regulator and then connect the hose to vacuum gauge.
- 2) Disconnect VTC solenoid valve harness connector.
- 3) Start engine and warm it up to normal operating temperature.
- 4) Keep engine speed at approximately 3,000 rpm and make sure vacuum gauge indicator becomes stable.

## TROUBLE DIAGNOSIS FOR DTC P1110

### Intake Valve Timing Control (Cont'd)



- 5) Make sure that the vacuum pressure changes more than 1.3 kPa (10 mmHg, 0.39 inHg) when supplying the solenoid valve terminals with battery voltage.

Reference value

Battery voltage supplied:

Approx. -73.3 kPa (-550 mmHg, -21.65 inHg)

No battery voltage supplied:

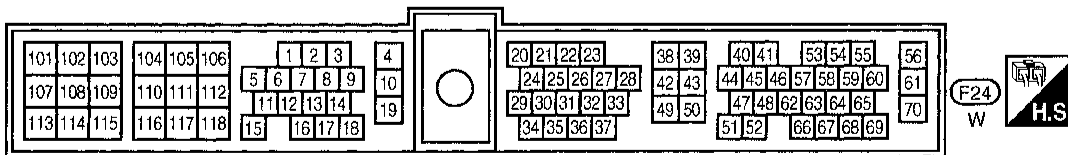
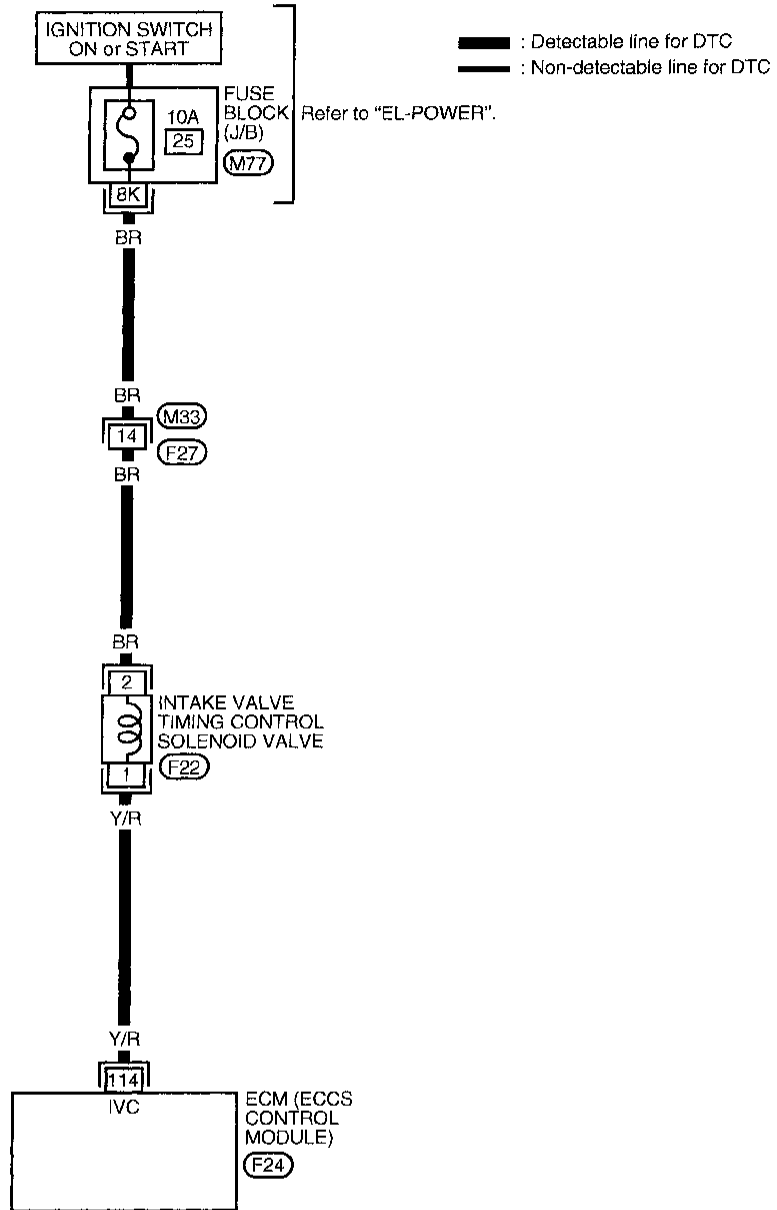
Approx. -72.0 kPa (-540 mmHg, -21.26 inHg)

**Note: DTC 0805 may be stored in ECM during "OVERALL FUNCTION CHECK". Ignore it.**

# TROUBLE DIAGNOSIS FOR DTC P1110

## Intake Valve Timing Control (Cont'd)

EC-IVC-01



GI

MA

EM

LC

**EC**

FE

CL

MT

AT

FA

RA

BR

ST

RS

BT

HA

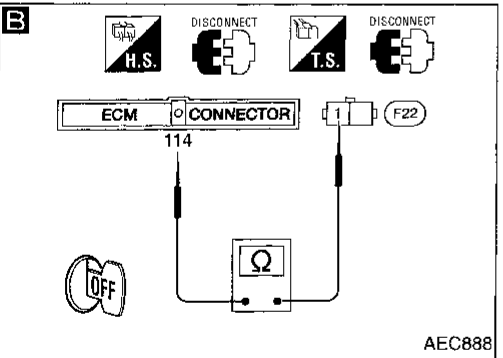
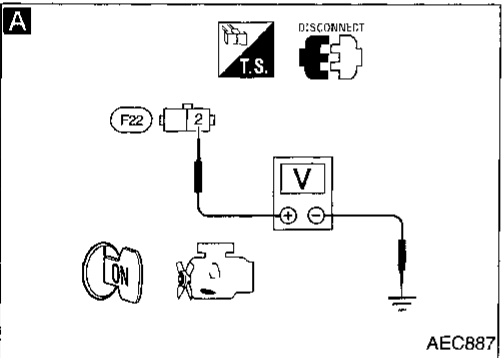
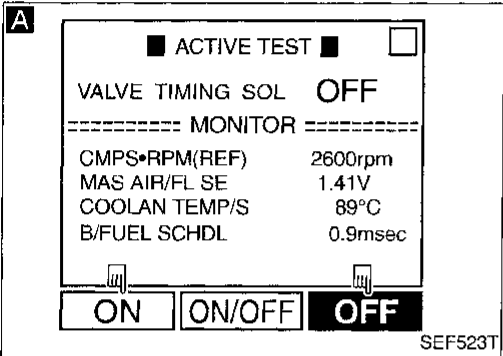
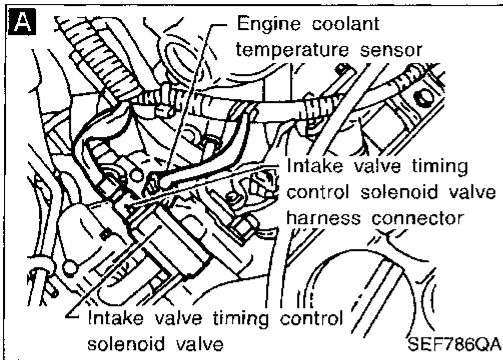
EL

IDX

# TROUBLE DIAGNOSIS FOR DTC P1110

## Intake Valve Timing Control (Cont'd)

### DIAGNOSTIC PROCEDURE



INSPECTION START

**A**

**CHECK POWER SUPPLY.**

1. Turn ignition switch "OFF".
2. Turn ignition switch "ON".
3. Select "VALVE TIMING SOL" in "ACTIVE TEST" mode with CONSULT.
4. Touch "ON" and "OFF" alternately and check for operating sound.  
**Operating sound should exist.**

OR

1. Stop engine.
2. Disconnect intake valve timing control solenoid valve harness connector.
3. Turn ignition switch "ON".
4. Check voltage between terminal ② and ground.  
**Voltage: Battery voltage**

NG

Check the following.

- Harness connectors (F27), (M33)
- 10A fuse
- Harness for open or short between the ECM and fuse (With CONSULT)
- Harness for open or short between the intake valve timing control solenoid valve and fuse (Without CONSULT)

If NG, repair harness or connectors.

**B**

**CHECK OUTPUT SIGNAL CIRCUIT.**

1. Turn ignition switch "OFF".
2. Disconnect ECM harness connector.
3. Check harness continuity between ECM terminal ①④ and solenoid valve terminal ①.  
**Continuity should exist.**
4. Check harness for short to ground and short to power.

NG

Repair harness or connectors.

**CHECK ENGINE OIL PRESSURE.**  
Refer to LC section ("Oil Pressure Check", "ENGINE LUBRICATION SYSTEM").

NG

Check oil passage and oil pump for oil leak. If NG, repair or replace oil passage or oil pump.

**CHECK INTAKE AIR SYSTEM.**  
Check intake air system for leaks.

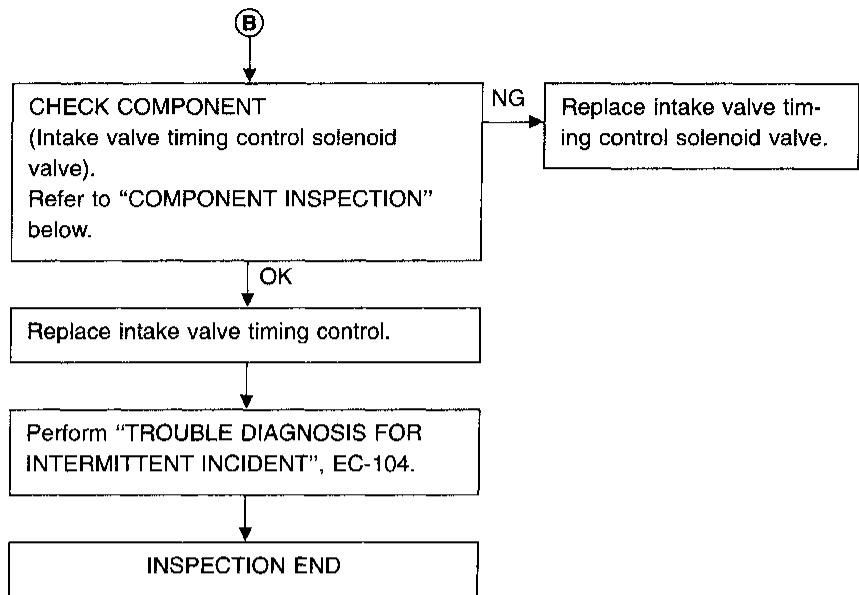
NG

Repair intake air system.

(Go to next page.)

# TROUBLE DIAGNOSIS FOR DTC P1110

## Intake Valve Timing Control (Cont'd)



GI

MA

EM

LC

EC

FE

CL

MT

AT

FA

RA

BR

ST

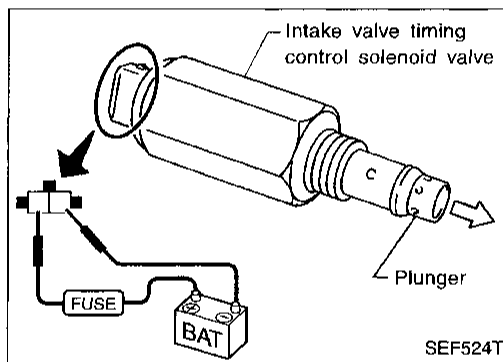
RS

BT

HA

EL

IDX



### COMPONENT INSPECTION

#### Intake valve timing control solenoid valve

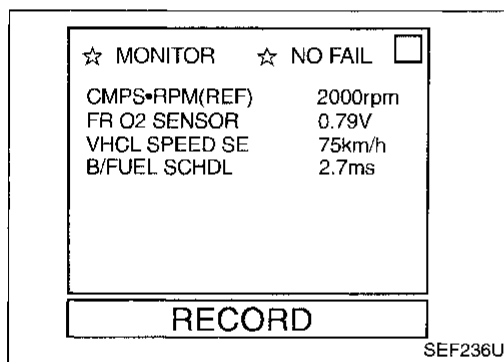
1. Check oil passage visually for any metal debris.
2. Supply intake valve timing control solenoid valve terminals with battery voltage.
3. Make sure that inside plunger protrudes.  
If NG, replace intake valve timing control solenoid valve.

## Closed Loop Control

### ON BOARD DIAGNOSIS LOGIC

★ The closed loop control has the one trip detection logic.

Diagnostic Trouble Code No.	Malfunction is detected when ...	Check Items (Possible Cause)
P1148 0307	<ul style="list-style-type: none"> <li>● The closed loop control function does not operate even when vehicle is driving in the specified condition.</li> </ul>	<ul style="list-style-type: none"> <li>● The front heated oxygen sensor circuit is open or shorted.</li> <li>● Front heated oxygen sensor</li> <li>● Front heated oxygen sensor heater</li> </ul>



### DIAGNOSTIC TROUBLE CODE CONFIRMATION PROCEDURE

#### CAUTION:

Always drive vehicle at a safe speed.

#### NOTE:

If "DIAGNOSTIC TROUBLE CODE CONFIRMATION PROCEDURE" has been previously conducted, always turn ignition switch "OFF" and wait at least 5 seconds before conducting the next test.

#### TESTING CONDITION:

- Never raise engine speed above 3,200 rpm during the "DIAGNOSTIC TROUBLE CODE CONFIRMATION PROCEDURE". If the engine speed limit is exceeded, retry the procedure from step 1).
  - Before performing the following procedure, confirm that battery voltage is more than 11V at idle.
- 1) Start engine and warm it up to normal operating temperature.
  - 2) Select "DATA MONITOR" mode with CONSULT.
  - 3) Hold engine speed at 2,000 rpm and check the following.
    - "FR O2 SENSOR" voltage should go above 0.61V at least once.
- OR
- "FR O2 SENSOR" voltage should go below 0.23V at least once.  
If the check result is NG, perform "DIAGNOSIS PROCEDURE", EC-177.  
If the check result is OK, perform the following step.
- 4) Let engine idle at least 4 minutes.
  - 5) Maintain the following condition at least 50 consecutive seconds.



## TROUBLE DIAGNOSIS FOR DTC P1148

### Closed Loop Control (Cont'd)

B/FUEL SCHDL: 1.5 ms or more

CMPS-RPM (REF): 2,000 - 3,500 rpm

Selector lever: Suitable position

VHCL SPEED SE: More than 70 km/h (43 MPH)

GI

OR

### OVERALL FUNCTION CHECK

MA

Use this procedure to check the overall function of the closed loop control. During this check, a 1st trip DTC might not be confirmed.

EM



1) Start engine and warm it up to normal operating temperature.

2) Set voltmeter probes between ECM terminal ④⑥ (sensor signal) and ④③ (engine ground).

LC

3) Check the following with engine speed held at 2,000 rpm constant under no load.

EC

- The voltage should go above 0.61V at least once.

OR

- The voltage should go below 0.23V at least once.

FE

### DIAGNOSTIC PROCEDURE

Refer to TROUBLE DIAGNOSIS FOR DTC P0133, EC-177.

CL

MT

AT

FA

RA

BR

ST

RS

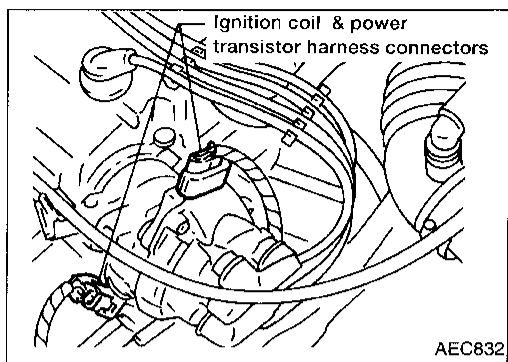
BT

HA

EL

IDX

# TROUBLE DIAGNOSIS FOR DTC P1320



## Ignition Signal

### COMPONENT DESCRIPTION

#### Ignition coil & power transistor (Built into distributor)

The ignition coil is built into distributor. The ignition signal from the ECM is sent to the power transistor. The power transistor switches on and off the ignition coil primary circuit. As the primary circuit is turned on and off, the proper high voltage is induced in the coil secondary circuit.

The distributor is not repairable and must be replaced as an assembly except distributor cap.

### CONSULT REFERENCE VALUE IN DATA MONITOR MODE

MONITOR ITEM	CONDITION	SPECIFICATION
IGN TIMING	<ul style="list-style-type: none"> <li>● Engine: After warming up</li> <li>● Air conditioner switch: OFF</li> <li>● Shift lever: "N"</li> <li>● No-load</li> </ul> Idle	0 - 10° BTDC
	2,000 rpm	More than 25° BTDC

### ECM TERMINALS AND REFERENCE VALUE

Specification data are reference values and are measured between each terminal and (43) (ECCS ground).

TER-MINAL NO.	WIRE COLOR	ITEM	CONDITION	DATA (DC voltage)
1	W/B	Ignition signal	Engine is running. (Warm-up condition) └ Idle speed	0.2 - 0.6V 
			Engine is running. └ Engine speed is 2,000 rpm.	0.7 - 0.9V 

# TROUBLE DIAGNOSIS FOR DTC P1320

## Ignition Signal (Cont'd)

TER-MINAL NO.	WIRE COLOR	ITEM	CONDITION	DATA (DC voltage)
2	W	Ignition check	<div style="border: 1px solid black; padding: 2px; display: inline-block;">Engine is running.</div> (Warm-up condition) └ Idle speed	Approximately 13V 
			<div style="border: 1px solid black; padding: 2px; display: inline-block;">Engine is running.</div> └ Engine speed is 2,000 rpm.	Approximately 13V 

### ON BOARD DIAGNOSIS LOGIC

Diagnostic Trouble Code No.	Malfunction is detected when ...	Check Items (Possible Cause)
P1320 0201	<ul style="list-style-type: none"> <li>● The ignition signal in the primary circuit is not sent to ECM during engine cranking or running.</li> </ul>	<ul style="list-style-type: none"> <li>● Harness or connectors (The ignition primary circuit is open or shorted.)</li> <li>● Power transistor unit.</li> <li>● Resistor</li> <li>● Camshaft position sensor</li> <li>● Camshaft position sensor circuit</li> </ul>

### DIAGNOSTIC TROUBLE CODE CONFIRMATION PROCEDURE

#### NOTE:

- If “DIAGNOSTIC TROUBLE CODE CONFIRMATION PROCEDURE” has been previously conducted, always turn ignition switch “OFF” and wait at least 5 seconds before conducting the next test.
- If both DTC P0340 (0101) and P1320 (0201) are displayed, perform TROUBLE DIAGNOSIS FOR DTC P0340 first. Refer to EC-249.



- 1) Turn ignition switch “ON”.
- 2) Select “DATA MONITOR” mode with CONSULT.
- 3) Start engine and wait at least 4 seconds. (If engine does not run, turn ignition switch to “START” at least 5 seconds.)

OR



- 1) Turn ignition switch “ON”.
- 2) Start engine and wait at least 4 seconds. (If engine does not run, turn ignition switch to “START” at least 5 seconds.)
- 3) Select MODE 3 with GST.

OR



- 1) Turn ignition switch “ON”.
- 2) Start engine and wait at least 4 seconds. (If engine does not run, turn ignition switch to “START” at least 5 seconds.)

## TROUBLE DIAGNOSIS FOR DTC P1320

---

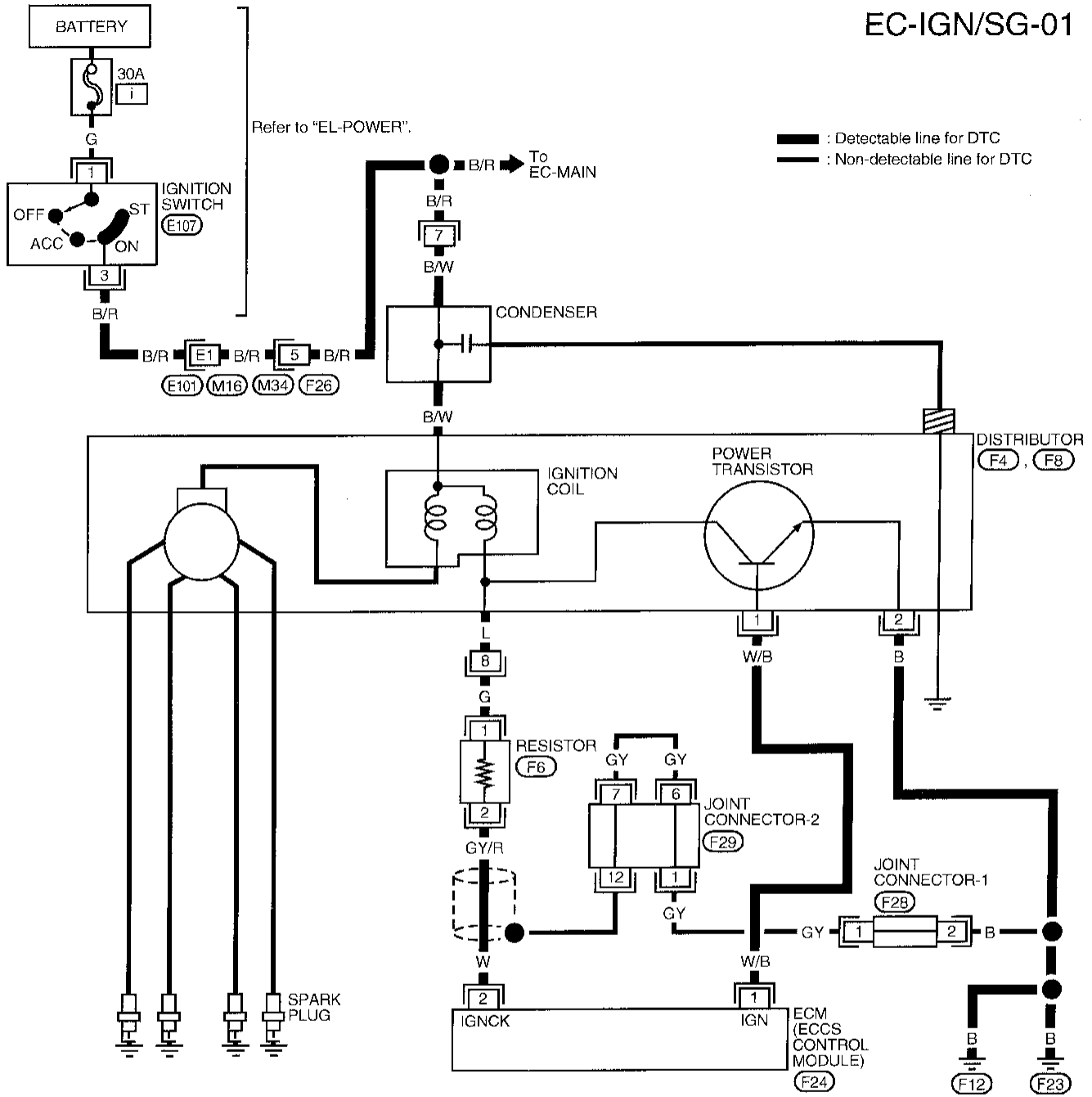
### Ignition Signal (Cont'd)

- 3) Turn ignition switch "OFF" and wait at least 5 seconds, and then turn "ON".
- 4) Perform "Diagnostic Test Mode II" (Self-diagnostic results) with ECM.

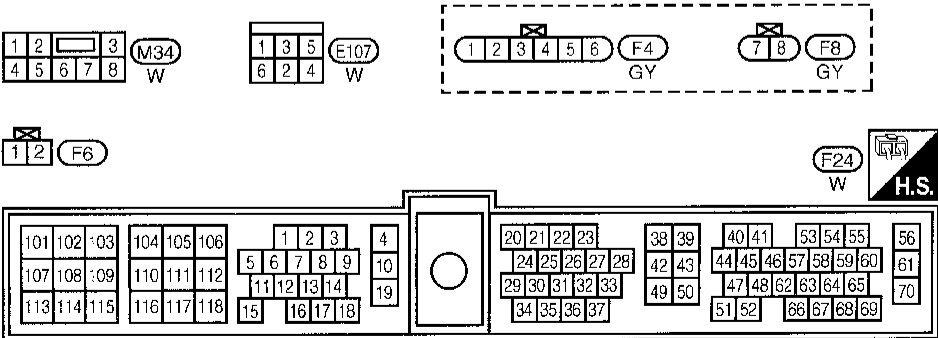
# TROUBLE DIAGNOSIS FOR DTC P1320

## Ignition Signal (Cont'd)

EC-IGN/SG-01



- GI
- MA
- EM
- LC
- EC**
- FE
- CL
- MT
- AT
- FA
- RA
- BR
- ST
- RS
- BT

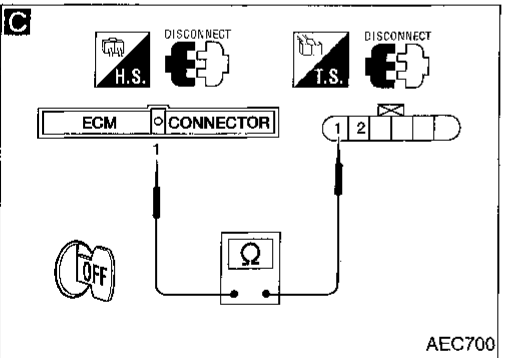
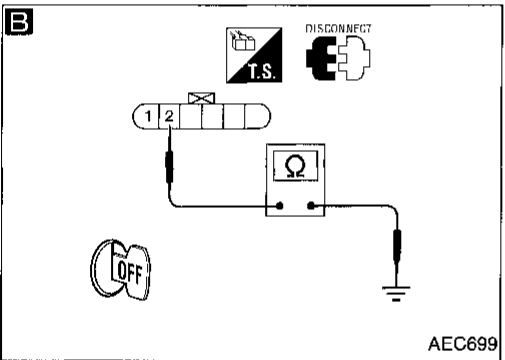
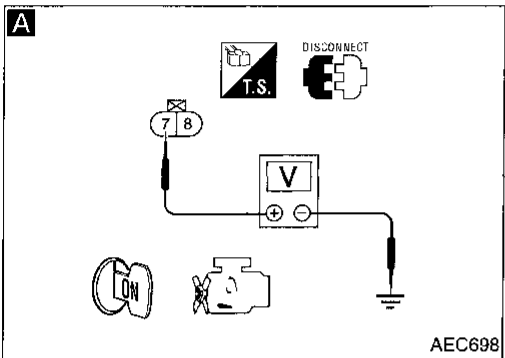
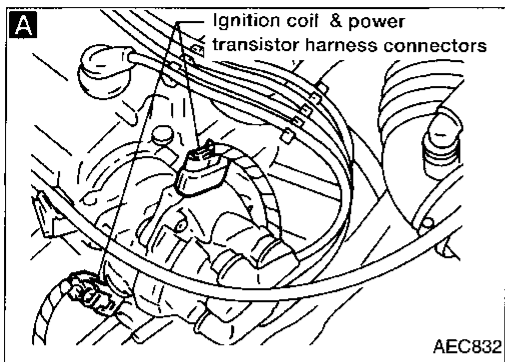


Refer to last page (Foldout page).  
 (M16) (E101)  
 (F28)  
 (F29)

- HA
- EL
- IDX

# TROUBLE DIAGNOSIS FOR DTC P1320

## Ignition Signal (Cont'd) DIAGNOSTIC PROCEDURE



INSPECTION START

Turn ignition switch "OFF", and restart engine.  
**Is engine running?**

Yes → A

**A**  
**CHECK POWER SUPPLY.**  
1. Turn ignition switch "OFF".  
2. Disconnect ignition coil harness connector.  
3. Turn ignition switch "ON".  
4. Check voltage between terminal ⑦ and ground with CONSULT or tester.  
**Voltage: Battery voltage**

NG → Check the following.  
• Harness connectors  
  • E101, M16  
• Harness connectors  
  • M34, F26  
• Harness for open or short between ignition coil and ignition switch  
If NG, repair harness or connectors.

**B**  
**CHECK GROUND CIRCUIT.**  
1. Turn ignition switch "OFF".  
2. Disconnect power transistor harness connector.  
3. Check harness continuity between terminal ② and engine ground.  
**Continuity should exist.**  
If OK, check harness for short to ground and short to power.

NG → Repair harness or connectors.

**C**  
**CHECK INPUT SIGNAL CIRCUIT.**  
1. Disconnect ECM harness connector.  
2. Check harness continuity between ECM terminal ① and power transistor terminal ①.  
**Continuity should exist.**  
If OK, check harness for short to ground and short to power.

NG → Repair harness or connectors.

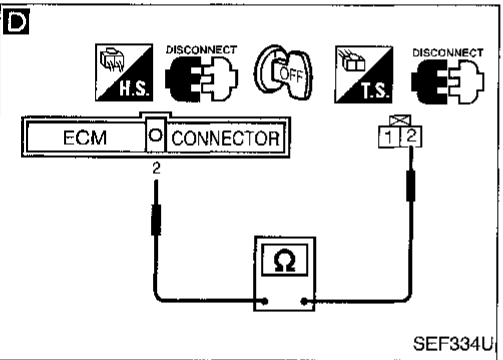
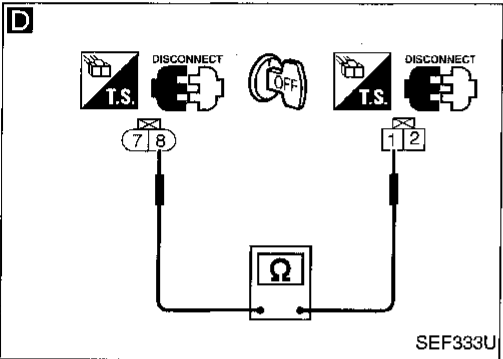
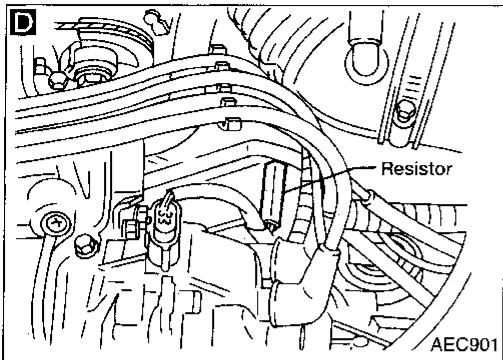
**CHECK COMPONENTS**  
(Ignition coil, power transistor).  
Refer to "COMPONENT INSPECTION", EC-342.

NG → Replace malfunctioning component(s).

OK → A  
(Go to next page.)

# TROUBLE DIAGNOSIS FOR DTC P1320

## Ignition Signal (Cont'd)



**D**

**CHECK INPUT SIGNAL CIRCUIT.**

1. Stop engine.
2. Disconnect ignition coil harness connector.
3. Strip tape covering resistor and condenser.
4. Disconnect resistor harness connector.
5. Disconnect ECM harness connector.
6. Check harness continuity between ignition coil terminal ⑧ and resistor terminal ①, resistor terminal ② and ECM terminal ②.

**Continuity should exist.**  
If OK, check harness for short to ground and short to power.

NG → Repair harness or connectors.

OK ↓

**CHECK COMPONENTS (Resistor).**  
Refer to "COMPONENT INSPECTION" on next page.

NG → Replace resistor.

OK ↓

Perform "TROUBLE DIAGNOSIS FOR INTERMITTENT INCIDENT", EC-104.

INSPECTION END

GI  
MA  
EM  
LC  
EC  
FE  
CL  
MT  
AT  
FA  
RA  
BR  
ST  
RS  
BT  
HA  
EL  
IDX

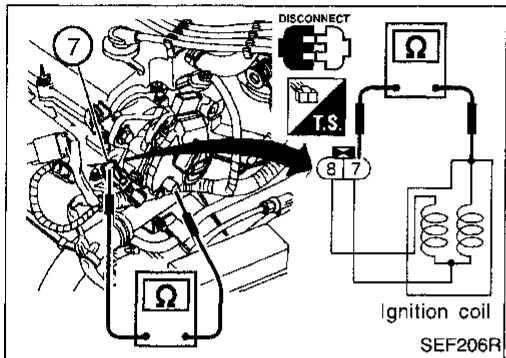
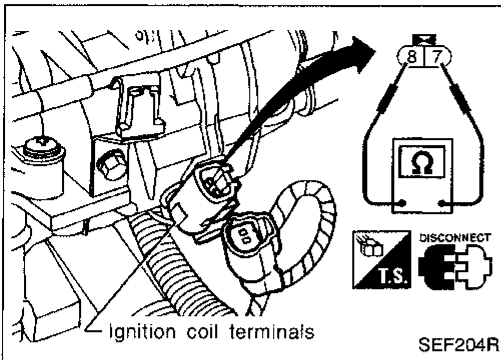
# TROUBLE DIAGNOSIS FOR DTC P1320

## Ignition Signal (Cont'd) COMPONENT INSPECTION

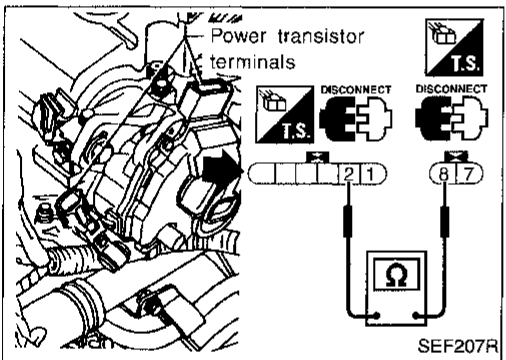
### Ignition coil

1. Disconnect ignition coil harness connector.
2. Check resistance as shown in the figure.

Terminal	Resistance [at 25°C (77°F)]
⑦ - ⑧ (Primary coil)	Approximately 1 Ω
⑦ - secondary terminal on distributor head (Secondary coil)	Approximately 10 kΩ



3. For checking secondary coil, remove distributor cap.
4. Check resistance between ignition coil harness connector terminal ⑦ and the secondary terminal on the distributor head.  
If NG, replace distributor.

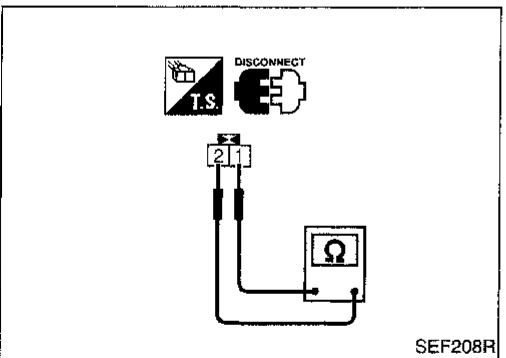


### Power transistor

1. Disconnect power transistor harness connector.
2. Check power transistor resistance between terminals ② and ①.

Terminals	Resistance	Result
② and ①	Except 0Ω	OK
	0Ω	NG

If NG, replace distributor.

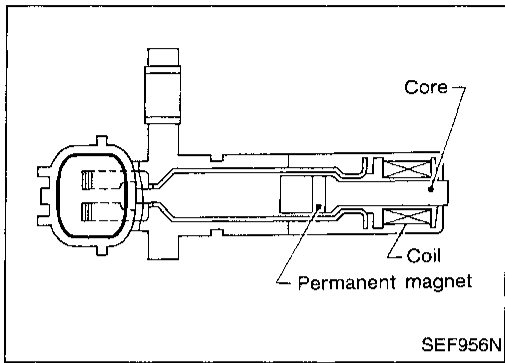


### Resistor

1. Disconnect resistor harness connector.
2. Check resistance between terminals ① and ②.  
**Resistance: Approximately 2.2 kΩ [at 25°C (77°F)]**  
If NG, replace resistor.



# TROUBLE DIAGNOSIS FOR DTC P1336



## Crankshaft Position Sensor (CKPS) (OBD) (COG)

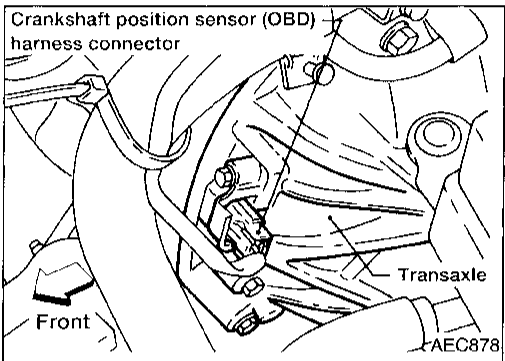
### COMPONENT DESCRIPTION

The crankshaft position sensor (OBD) is located on the transmission housing facing the gear teeth (cogs) of the flywheel or drive plate. It detects the fluctuation of the engine revolution. The sensor consists of a permanent magnet, core and coil. When the engine is running, the high and low parts of the teeth cause the gap with the sensor to change. The changing gap causes the magnetic field near the sensor to change.

Due to the changing magnetic field, the voltage from the sensor changes.

The ECM receives the voltage signal and detects the fluctuation of the engine revolution.

This sensor is not directly used to control the engine system. It is used only for the on board diagnosis.



### ECM TERMINALS AND REFERENCE VALUE

Specification data are reference values and are measured between each terminal and ④3 (ECCS ground).

TER-MINAL NO.	WIRE COLOR	ITEM	CONDITION	DATA (DC voltage)
50	B	Sensors' ground	Engine is running. (Warm-up condition) └ Idle speed	Approximately 0V
53	W	Crankshaft position sensor (OBD)	Engine is running. (Warm-up condition) └ Idle speed	Approximately 0.03V  SEF643U
			Engine is running. └ Engine speed is 2,000 rpm.	Approximately 0.03V  SEF644U

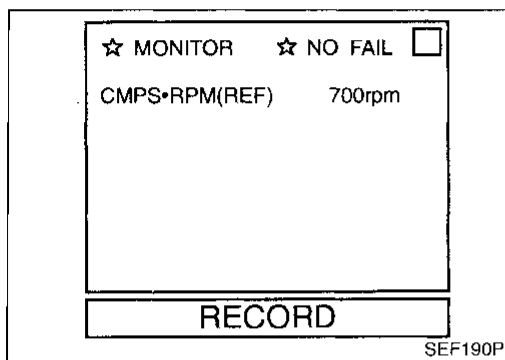
GI  
MA  
EM  
LC  
EC  
FE  
CL  
MT  
AT  
FA  
RA  
BR  
ST  
RS  
BT  
HA  
EL  
IDX

# TROUBLE DIAGNOSIS FOR DTC P1336

## Crankshaft Position Sensor (CKPS) (OBD) (COG) (Cont'd)

### ON BOARD DIAGNOSIS LOGIC

Diagnostic Trouble Code No.	Malfunction is detected when ....	Check Items (Possible Cause)
P1336 0905	<ul style="list-style-type: none"> <li>● A chipping of the flywheel or drive plate gear tooth (cog) is detected by the ECM.</li> </ul>	<ul style="list-style-type: none"> <li>● Harness or connectors</li> <li>● Crankshaft position sensor (OBD)</li> <li>● Drive plate/Flywheel</li> </ul>



### DIAGNOSTIC TROUBLE CODE CONFIRMATION PROCEDURE

**NOTE:**

If "DIAGNOSTIC TROUBLE CODE CONFIRMATION PROCEDURE" has been previously conducted, always turn ignition switch "OFF" and wait at least 5 seconds before conducting the next test.



- 1) Turn ignition switch "ON" and select "DATA MONITOR" mode with CONSULT.
- 2) Start engine and run it for at least 4 minutes at idle speed.

OR



- 1) Start engine and run it for at least 4 minutes at idle speed.
- 2) Select "MODE 7" with GST.

OR



- 1) Start engine and run it for at least 4 minutes at idle speed.
- 2) Turn ignition switch "OFF", wait at least 5 seconds and then turn "ON".
- 3) Perform "Diagnostic Test Mode II" (Self-diagnostic results) with ECM.

# TROUBLE DIAGNOSIS FOR DTC P1336

## Crankshaft Position Sensor (CKPS) (OBD) (COG) (Cont'd)

EC-CKPS-01

GI

MA

EM

LC

**EC**

FE

CL

MT

AT

FA

RA

BR

ST

RS

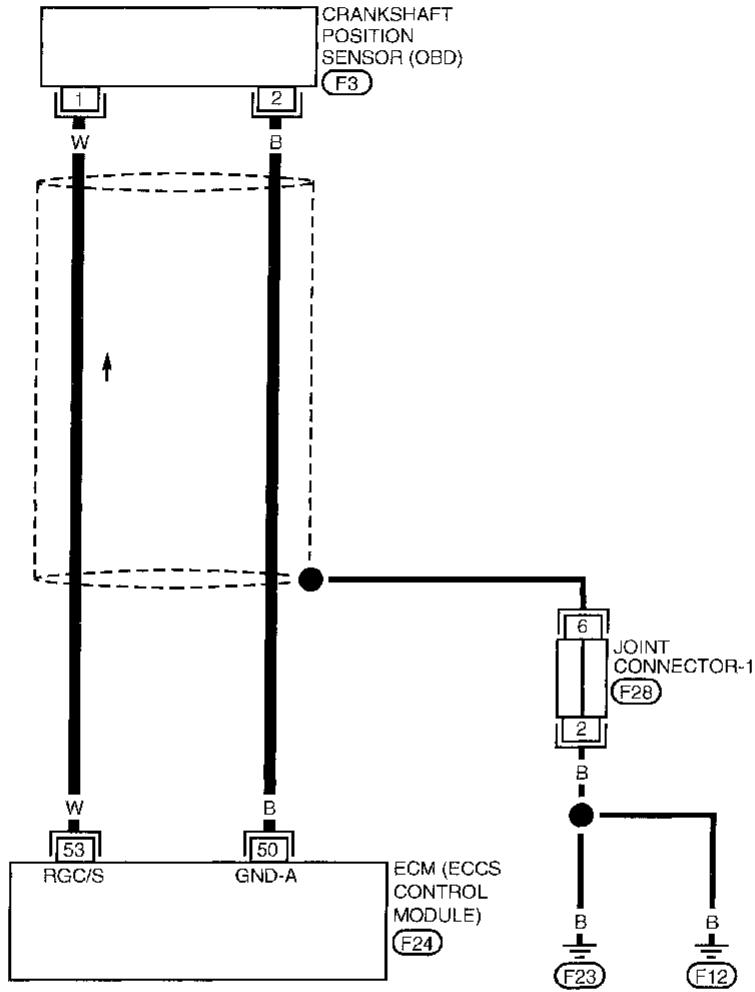
BT

HA

EL

IDX

— : Detectable line for DTC  
 — : Non-detectable line for DTC

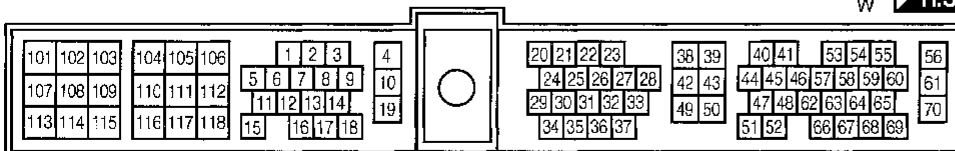


Refer to last page (Foldout page).

(F28)

1 2 F3  
 CY

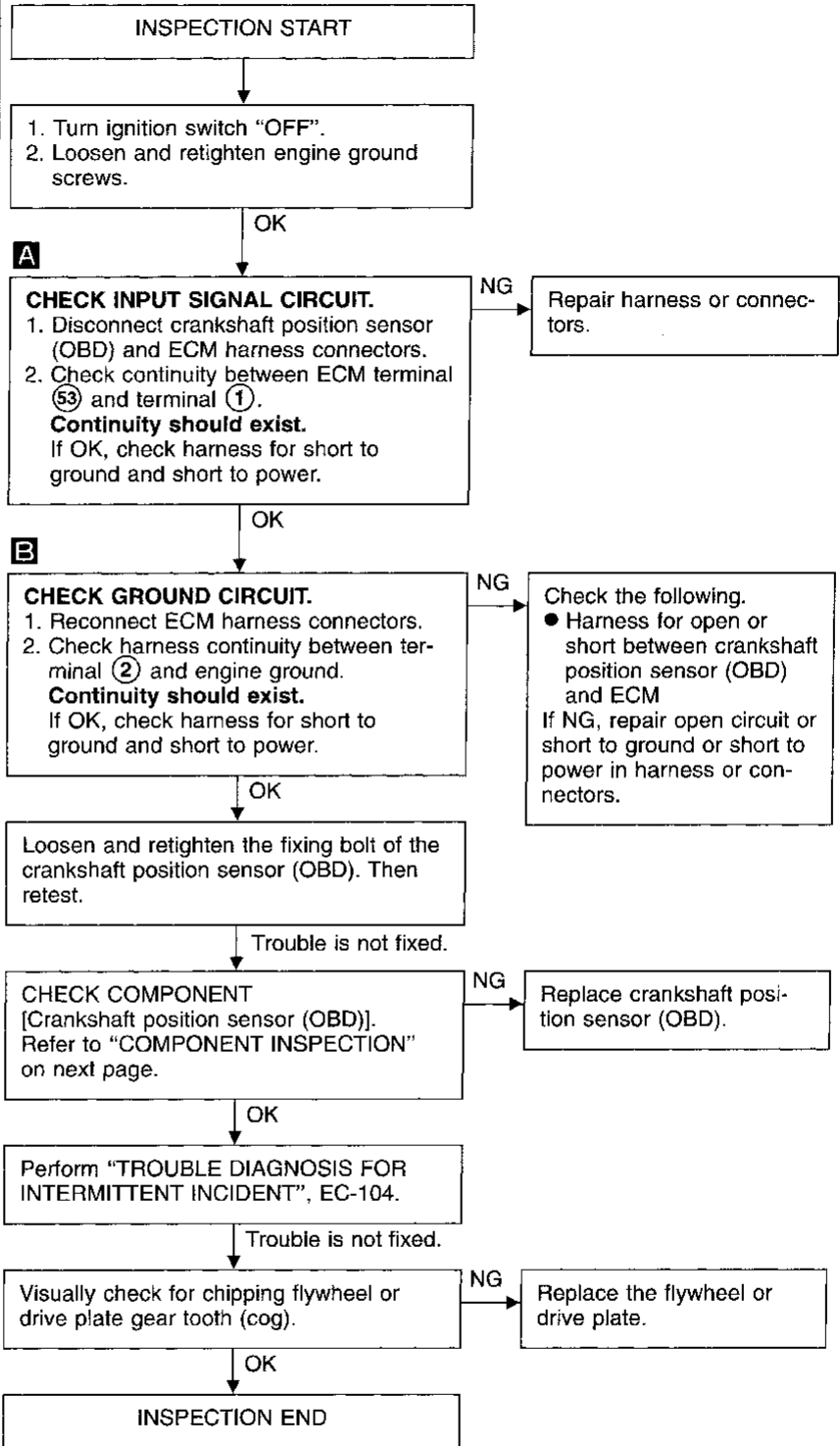
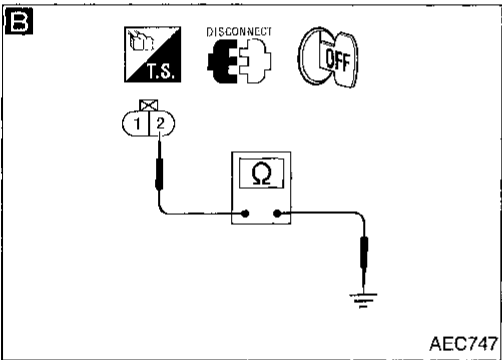
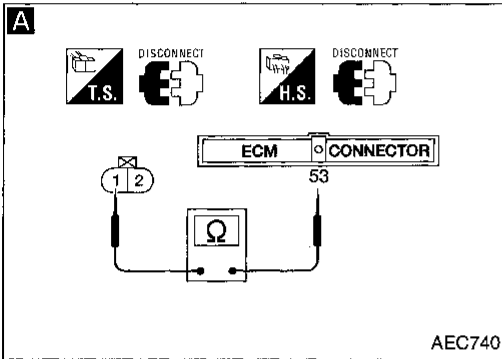
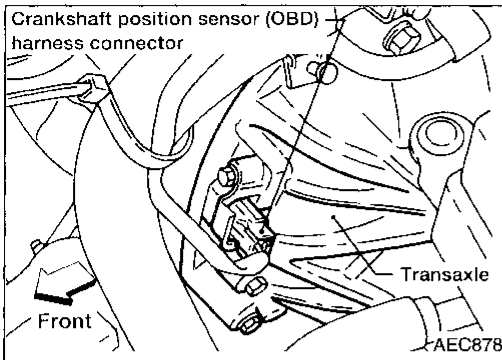
F24  
 W H.S.



# TROUBLE DIAGNOSIS FOR DTC P1336

## Crankshaft Position Sensor (CKPS) (OBD) (COG) (Cont'd)

### DIAGNOSTIC PROCEDURE



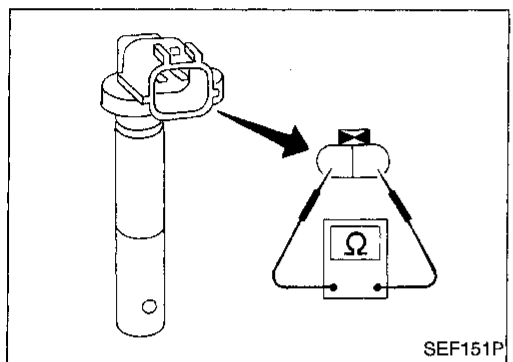
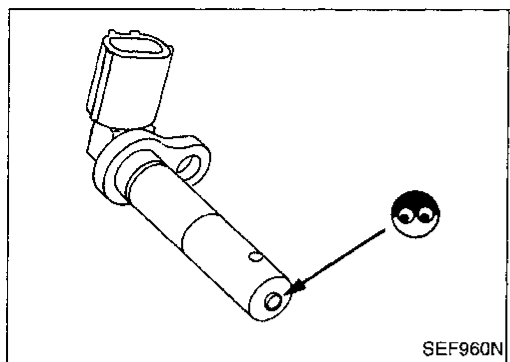
## TROUBLE DIAGNOSIS FOR DTC P1336

### Crankshaft Position Sensor (CKPS) (OBD) (COG) (Cont'd)

#### COMPONENT INSPECTION

##### Crankshaft position sensor (OBD)

1. Disconnect crankshaft position sensor (OBD) harness connector.
2. Loosen the fixing bolt of the sensor.
3. Remove the sensor.
4. Visually check the sensor for chipping.
5. Check resistance as shown in the figure.



##### Resistance:

###### M/T models

432 - 528 $\Omega$  [at 25°C (77°F)]

###### A/T models

166.5 - 203.5 $\Omega$  [at 25°C (77°F)]

GI

MA

EM

LC

EC

FE

CL

MT

AT

FA

RA

BR

ST

RS

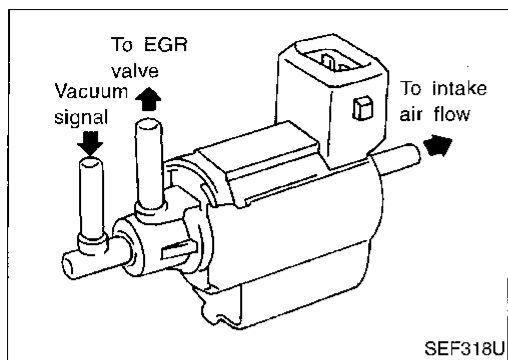
BT

HA

EL

IDX

# TROUBLE DIAGNOSIS FOR DTC P1400



## EGRC-Solenoid Valve

### COMPONENT DESCRIPTION

The EGRC-solenoid valve responds to signals from the ECM. When the ECM sends an ON (ground) signal, the coil in the solenoid valve is energized. The vacuum signal passes through the solenoid valve. The signal then reaches the EGR valve. When the ECM sends an OFF signal, a plunger will then move to cut the vacuum signal from the intake manifold collector to the EGR valve.

### CONSULT REFERENCE VALUE IN DATA MONITOR MODE

Specification data are reference values

MONITOR ITEM	CONDITION		SPECIFICATION
EGRC SOL/V	<ul style="list-style-type: none"> <li>● Engine: After warming up</li> <li>● Air conditioner switch: "OFF"</li> <li>● Shift lever: "N"</li> <li>● No-load</li> <li>● M/T models: Jack up drive wheels and shift to 1st gear position</li> </ul>	Idle	OFF
		A/T models: 2,200 rpm M/T models: 2,000 rpm and more than 16 km/h (10 MPH)	ON

### ECM TERMINALS AND REFERENCE VALUE

Specification data are reference values and are measured between each terminal and Ⓞ (ECCS ground).

TER-MINAL NO.	WIRE COLOR	ITEM	CONDITION	DATA (DC voltage)
103	P	EGRC-solenoid valve	Engine is running. (Warm-up condition) └ Idle speed	BATTERY VOLTAGE (11 - 14V)
			Engine is running. (Warm-up condition) └ M/T models: Jack up front wheels and drive wheels at 16 km/h (10 MPH). └ Engine speed is 2,200 rpm. (A/T models) 2,000 rpm. (M/T models)	Approximately 0V

### ON BOARD DIAGNOSIS LOGIC

Diagnostic Trouble Code No.	Malfunction is detected when ....	Check Items (Possible Cause)
P1400 1005	<ul style="list-style-type: none"> <li>● The improper voltage signal is sent to ECM through EGRC-solenoid valve.</li> </ul>	<ul style="list-style-type: none"> <li>● Harness or connectors (The EGRC-solenoid valve circuit is open or shorted.)</li> <li>● EGRC-solenoid valve</li> </ul>

# TROUBLE DIAGNOSIS FOR DTC P1400

## EGRC-Solenoid Valve (Cont'd)

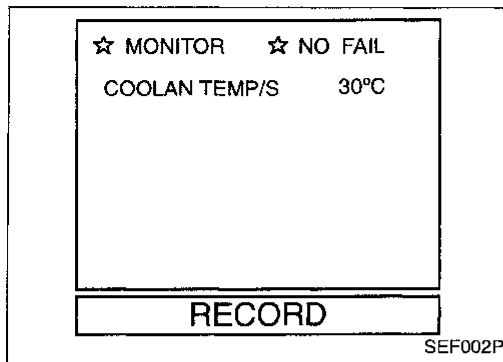
### DIAGNOSTIC TROUBLE CODE CONFIRMATION PROCEDURE

#### NOTE:

If "DIAGNOSTIC TROUBLE CODE CONFIRMATION PROCEDURE" has been previously conducted, always turn ignition switch "OFF" and wait at least 5 seconds before conducting the next test.

#### TESTING CONDITION:

Always perform the test at a temperature of  $-10^{\circ}\text{C}$  ( $14^{\circ}\text{F}$ ) or higher.



- 1) Turn ignition switch "ON".
- 2) Select "DATA MONITOR" mode with CONSULT and wait at least 5 seconds.

OR



- 1) Turn ignition switch "ON" and wait at least 5 seconds.
- 2) Select "MODE 7" with GST.

OR



- 1) Turn ignition switch "ON" and wait at least 5 seconds.
- 2) Turn ignition switch "OFF" and wait at least 5 seconds.
- 3) Turn ignition switch "ON" and perform "Diagnostic Test Mode (Self-diagnostic results)" with ECM.

GI

MA

EM

LC

EC

FE

CL

MT

AT

FA

RA

BR

ST

RS

BT

HA

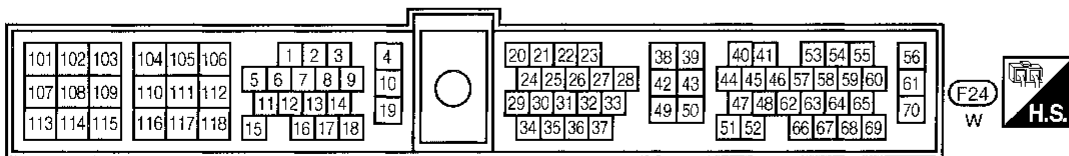
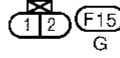
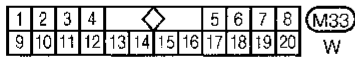
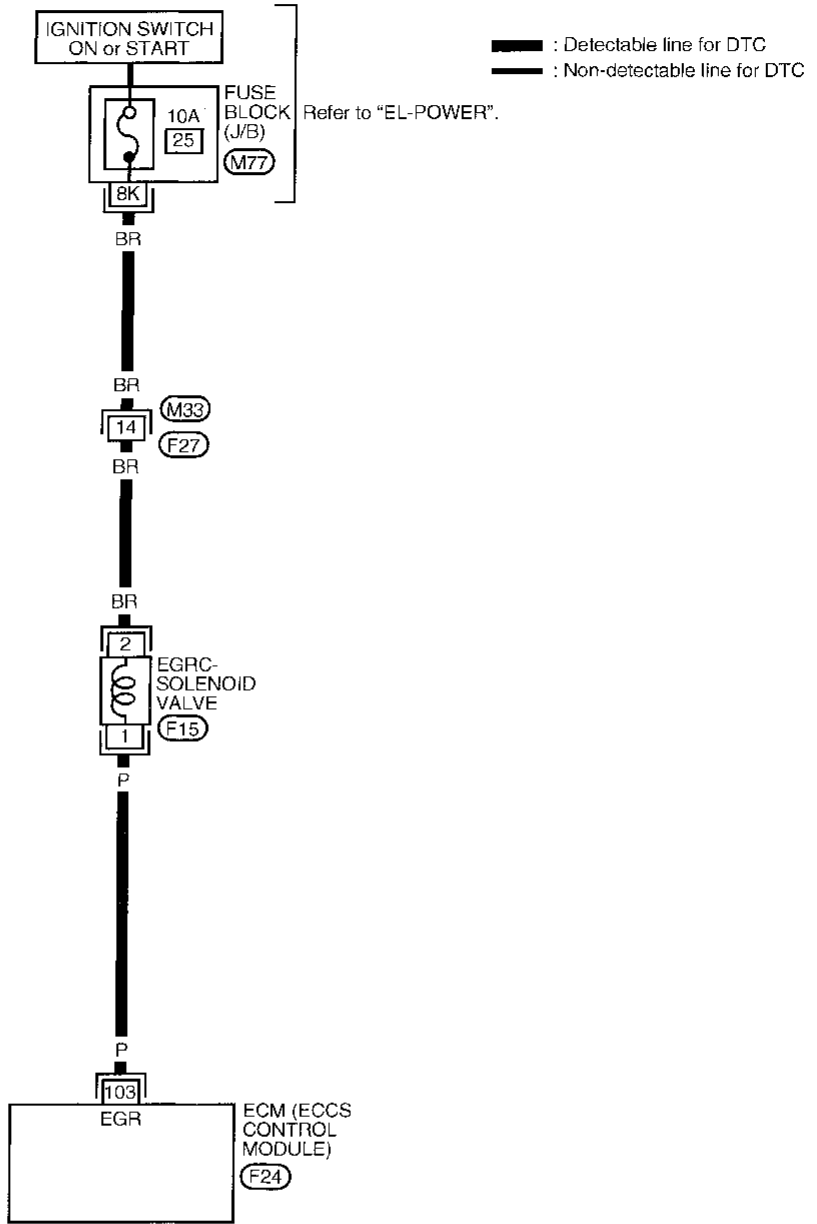
EL

IDX

# TROUBLE DIAGNOSIS FOR DTC P1400

## EGRC-Solenoid Valve (Cont'd)

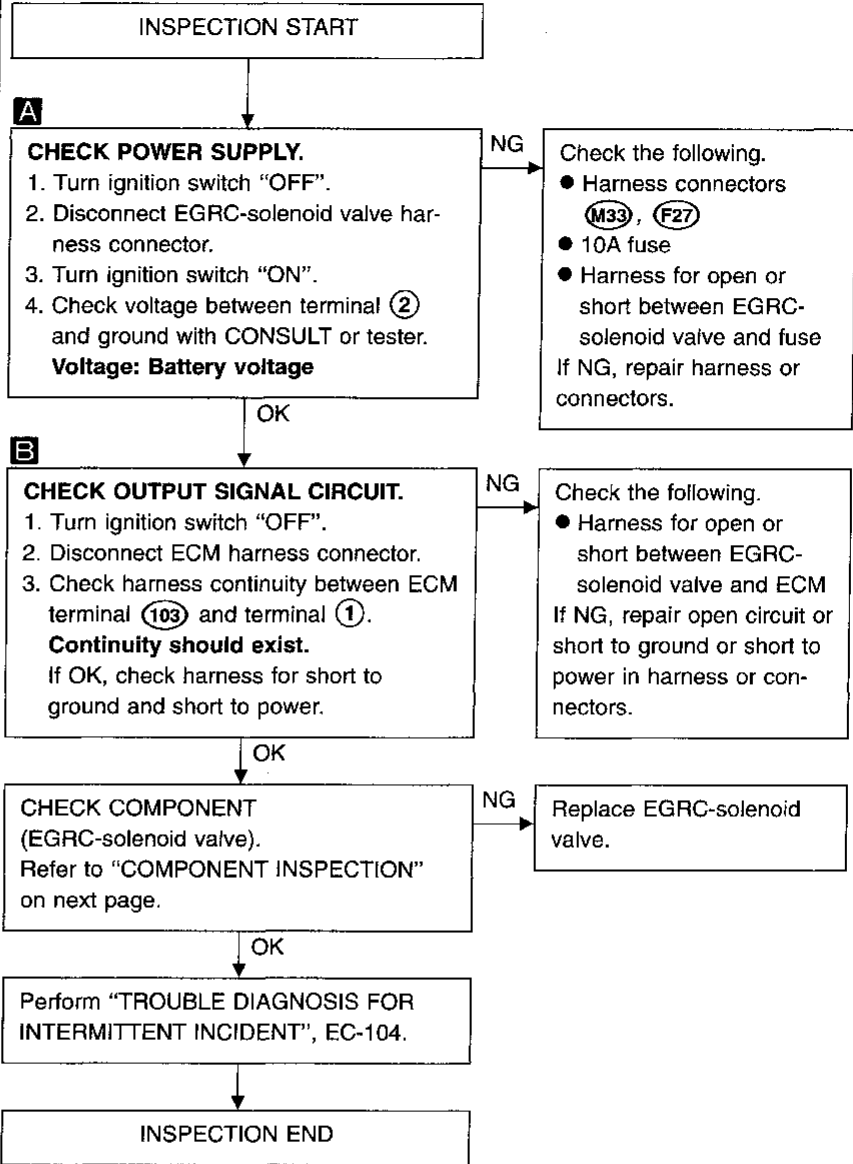
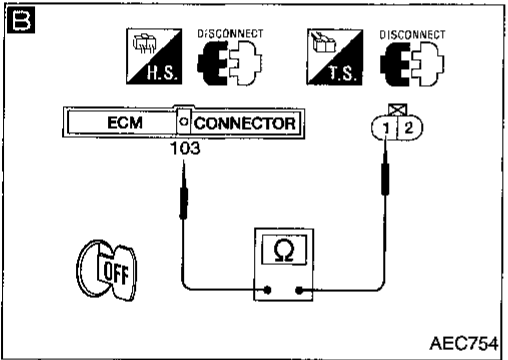
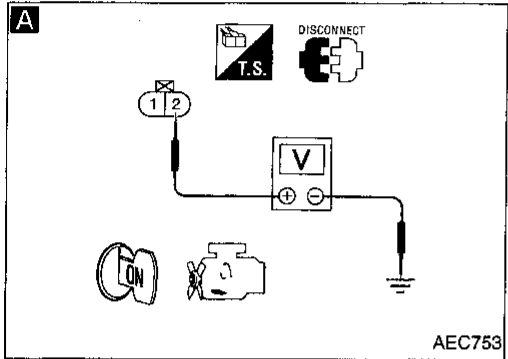
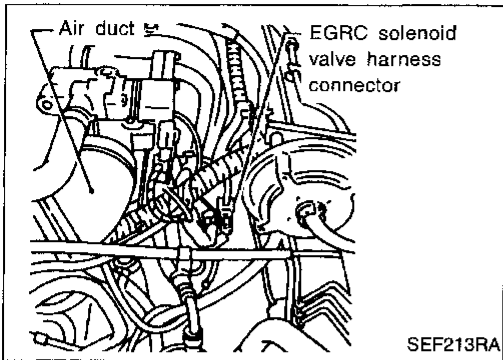
EC-EGRC/V-01





# TROUBLE DIAGNOSIS FOR DTC P1400

## EGRC-Solenoid Valve (Cont'd) DIAGNOSTIC PROCEDURE



GI  
MA  
EM  
LC  
EC  
FE  
CL  
MT  
AT  
FA  
RA  
BR  
ST  
RS  
BT  
HA  
EL  
IDX

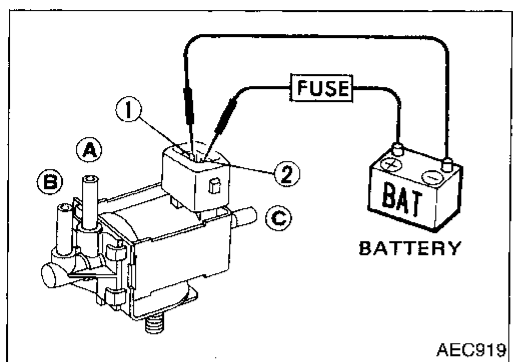
## TROUBLE DIAGNOSIS FOR DTC P1400

### EGRC-Solenoid Valve (Cont'd)

#### COMPONENT INSPECTION

#### EGRC-solenoid valve

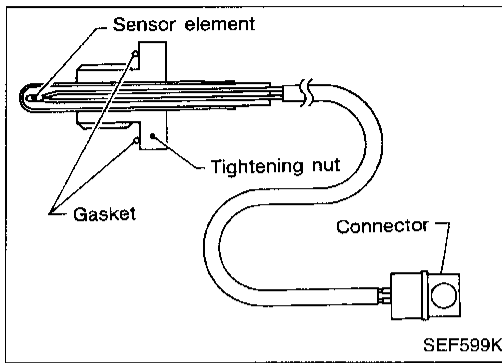
Check air passage continuity.



Condition	Air passage continuity between (A) and (B)	Air passage continuity between (A) and (C)
12V direct current supply between terminals ① and ②	Yes	No
No supply	No	Yes

If NG, replace solenoid valve.

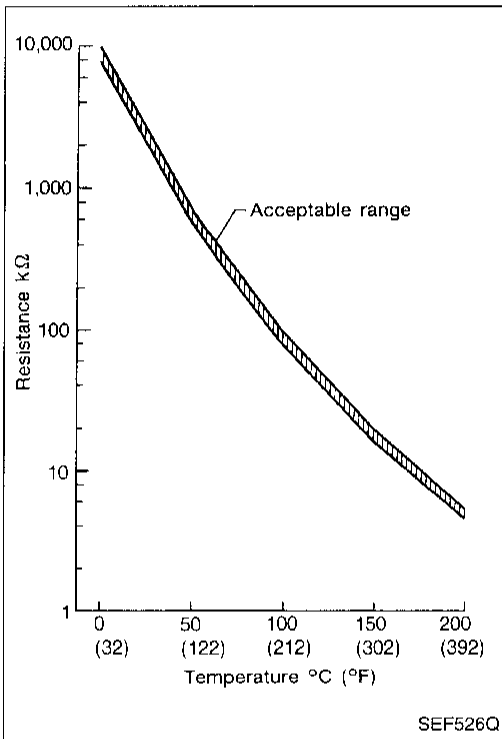
# TROUBLE DIAGNOSIS FOR DTC P1401



## EGR Temperature Sensor

### COMPONENT DESCRIPTION

The EGR temperature sensor detects temperature changes in the EGR passage way. When the EGR valve opens, hot exhaust gases flow, and the temperature in the passage way changes. The EGR temperature sensor is a thermistor that modifies a voltage signal sent from the ECM. This modified signal then returns to the ECM as an input signal. As the temperature increases, EGR temperature sensor resistance decreases. This sensor is not used to control the engine system. It is used only for the on board diagnosis.



### <Reference data>

EGR temperature °C (°F)	Voltage* V	Resistance MΩ
0 (32)	4.81	7.9 - 9.7
50 (122)	2.82	0.57 - 0.70
100 (212)	0.8	0.08 - 0.10

\*: These data are reference values and are measured between ECM terminal 62 (EGR temperature sensor) and ECM terminal 43 (ECCS ground).  
When EGR system is operating.  
Voltage: 0 - 1.5V

## ON BOARD DIAGNOSIS LOGIC

Diagnostic Trouble Code No.	Malfunction is detected when ....	Check Items (Possible Cause)
P1401 0305	A) An excessively low voltage from the EGR temperature sensor is sent to ECM even when engine coolant temperature is low.	<ul style="list-style-type: none"> <li>● Harness or connectors (The EGR temperature sensor circuit is shorted.)</li> <li>● EGR temperature sensor</li> <li>● Malfunction of EGR function, EGRC-BPT valve or EGRC-solenoid valve</li> </ul>
	B) An excessively high voltage from the EGR temperature sensor is sent to ECM even when engine coolant temperature is high.	<ul style="list-style-type: none"> <li>● Harness or connectors (The EGR temperature sensor circuit is open.)</li> <li>● EGR temperature sensor</li> <li>● Malfunction of EGR function, EGRC-BPT valve or EGRC-solenoid valve</li> </ul>

# TROUBLE DIAGNOSIS FOR DTC P1401

## EGR Temperature Sensor (Cont'd)


### DIAGNOSTIC TROUBLE CODE CONFIRMATION PROCEDURE

Perform "Procedure for malfunction A" first. If DTC cannot be confirmed, perform "Procedure for malfunction B".

#### Procedure for malfunction A

##### NOTE:


If "DIAGNOSTIC TROUBLE CODE CONFIRMATION PROCEDURE" has been previously conducted, always turn ignition switch "OFF" and wait at least 5 seconds before conducting the next test.

-  1) Turn ignition switch "ON".  
2) Select "DATA MONITOR" mode with CONSULT.  
3) Verify that engine coolant temperature is less than 40°C (104°F).

**If the engine coolant temperature is above the range, cool the engine down.**

- 4) Start engine and let it idle for at least 8 seconds.

OR


-  1) Turn ignition switch "ON".  
2) Select "MODE 1" with GST.  
3) Verify that engine coolant temperature is less than 40°C (104°F).

**If the engine coolant temperature is above the range, cool the engine down.**

- 4) Start engine and let it idle for at least 8 seconds.

- 5) Select "MODE 7" with GST.

OR

-  1) Turn ignition switch "ON".  
2) Verify that voltage between ECM terminal ⑤1 (engine coolant temperature) and ground is more 1.5V.

**If the voltage is below the range, cool the engine down.**

- 3) Start engine and let it idle for at least 8 seconds.

- 4) Turn ignition switch "OFF" and wait at least 5 seconds.

- 5) Turn ignition switch "ON" and perform "Diagnostic Test Mode (Self-diagnostic results)" with ECM.

#### Procedure for malfunction B

##### CAUTION:


Always drive vehicle at a safe speed.

##### NOTE:

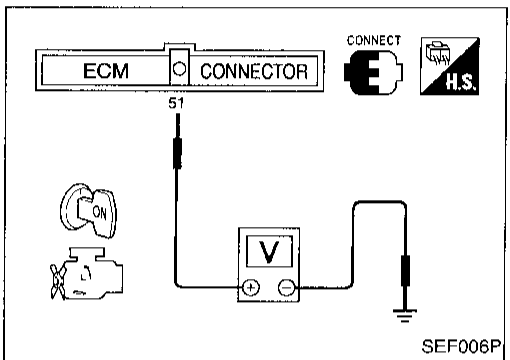
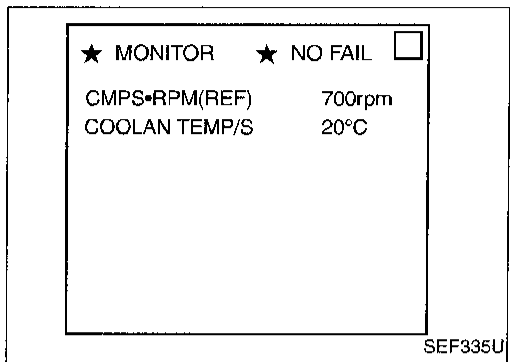
If "DIAGNOSTIC TROUBLE CODE CONFIRMATION PROCEDURE" has been previously conducted, always turn ignition switch "OFF" and wait at least 5 seconds before conducting the next test.

##### TESTING CONDITION:

Always perform the test at a temperature of -10°C (14°F) or higher.

-  1) Start engine and warm it up to normal operating temperature.  
2) Run engine at idle for at least 2 minutes.  
3) Confirm that EGR valve is not lifting.

If the check result is NG, go to "TROUBLE DIAGNOSES FOR DTC P0400, P0402 and P1402". (See pages EC-255, 263 and 359.)



# TROUBLE DIAGNOSIS FOR DTC P1401

## EGR Temperature Sensor (Cont'd)

★ MONITOR	★ NO FAIL	<input type="checkbox"/>
CMPS-RPM(REF)	1500rpm	
COOLAN TEMP/S	85°C	
VHCL SPEED SEN	0km/h	
THRTL POS SEN	1.68V	
B/FUEL SCHDL	1.0msec	

SEF336U

- 4) Select "DATA MONITOR" mode with CONSULT.
  - 5) Read "EGR TEMP SEN" at about 1,500 rpm while holding the EGR valve in full open position by hand. **Voltage should decrease to less than 1.0V.** If the check result is NG, go to "DIAGNOSTIC PROCEDURE", EC-357. If the check result is OK, go to following step.
  - 6) Turn ignition switch "OFF" and wait at least 5 seconds.
  - 7) Turn ignition switch "ON".
  - 8) Check the output voltage of "THRTL POS SEN" (at closed throttle position) and note it.
  - 9) Start engine.
  - 10) Maintain the following conditions for at least 5 consecutive seconds.
    - CMPS-RPM (REF): 2,000 - 3,000 rpm (A/T)  
1,800 - 3,000 rpm (M/T)
    - VHCL SPEED SE: 10 km/h (6 MPH) or more
    - B/FUEL SCHDL: 2.5 - 3.8 ms (A/T)  
2 - 2.6 ms (M/T)
    - THRTL POS SEN: (X) - (X + 0.57) V (A/T)  
(X) - (X + 0.92) V (M/T)  
X = Voltage value measured at step 8)
- Selector lever: Suitable position

GI

MA

EM

LC

EC

FE

CL

MT

AT

FA

RA

BR

ST

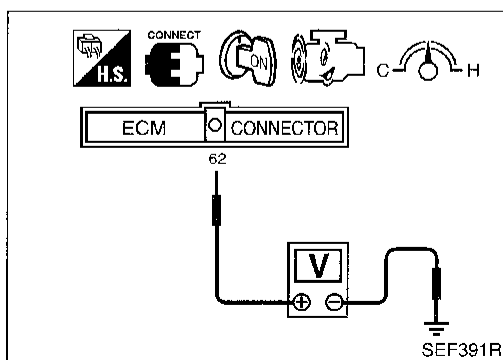
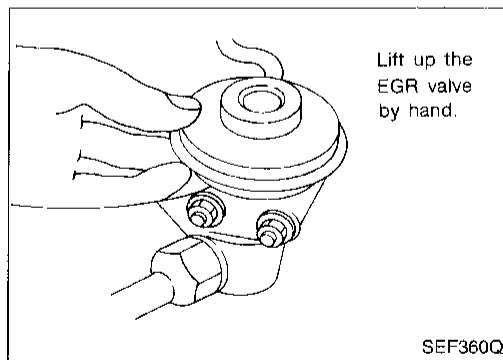
RS

BT

HA

EL

IDX



## OR

### OVERALL FUNCTION CHECK

Use this procedure to check the overall function of the EGR temperature sensor. During this check, a 1st trip DTC might not be confirmed.



#### Procedure for malfunction B

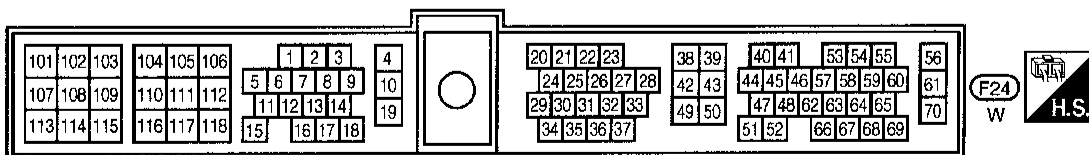
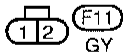
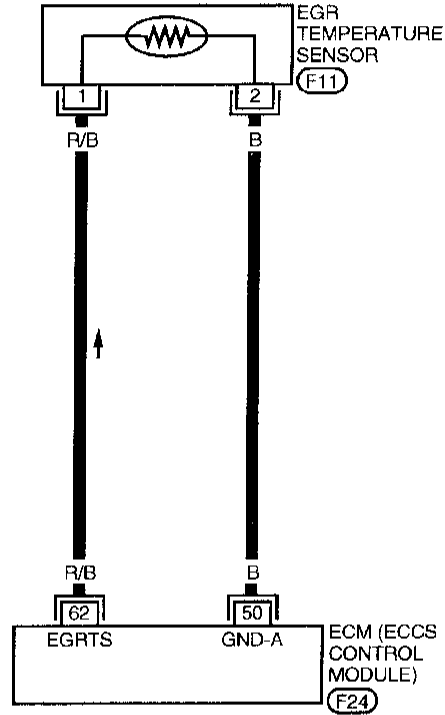
- 1) Start engine and warm it up to normal operating temperature.
- 2) Run engine at idle for at least 2 minutes.
- 3) Confirm that EGR valve is not lifting. If NG, go to TROUBLE DIAGNOSES FOR DTC P0400 and P0402 (See pages EC-255 and 263).
- 4) Check voltage between ECM terminal 62 and ground at about 1,500 rpm with EGR valve lifted up to the full position by hand. **Voltage should decrease to less than 1.0V.**
- 5) If step 4 is OK, perform TROUBLE DIAGNOSES FOR DTC P0400, P0402 and P1400 (See pages EC-255, 263 and 348).

# TROUBLE DIAGNOSIS FOR DTC P1401

## EGR Temperature Sensor (Cont'd)

EC-EGR/TS-01

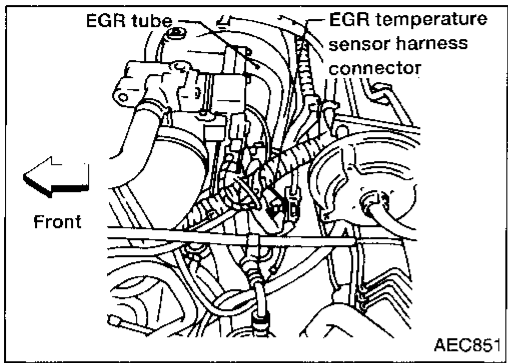
 : Detectable line for DTC  
 : Non-detectable line for DTC



# TROUBLE DIAGNOSIS FOR DTC P1401

## EGR Temperature Sensor (Cont'd)

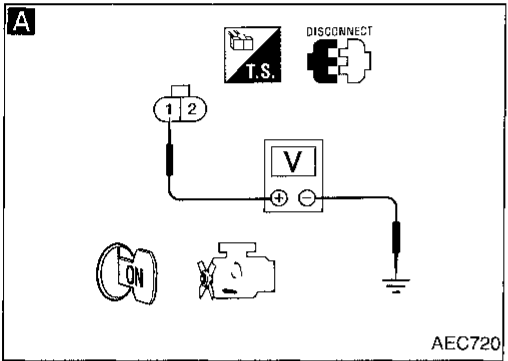
### DIAGNOSTIC PROCEDURE



INSPECTION START

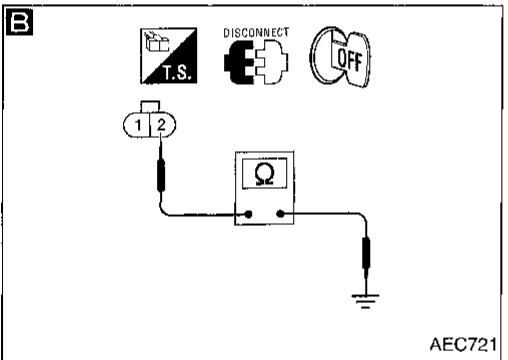
**A**  
**CHECK POWER SUPPLY.**  
1. Disconnect EGR temperature sensor harness connector.  
2. Turn ignition switch "ON".  
3. Check voltage between terminal ① and ground with CONSULT or tester.  
**Voltage: Approximately 5V**

NG → Repair harness or connectors.



**B**  
**CHECK GROUND CIRCUIT.**  
1. Turn ignition switch "OFF".  
2. Check harness continuity between terminal ② and engine ground.  
**Continuity should exist.**  
If OK, check harness for short to ground and short to power.

NG → Repair harness or connectors.



**CHECK COMPONENT**  
(EGR temperature sensor).  
Refer to "COMPONENT INSPECTION" on next page.

NG → Replace EGR temperature sensor.

Perform "TROUBLE DIAGNOSIS FOR INTERMITTENT INCIDENT", EC-104.

INSPECTION END

GI

MA

EM

LC

**EC**

FE

CL

MT

AT

FA

RA

BR

ST

RS

BT

HA

EL

IDX

# TROUBLE DIAGNOSIS FOR DTC P1401

## EGR Temperature Sensor (Cont'd)

### COMPONENT INSPECTION

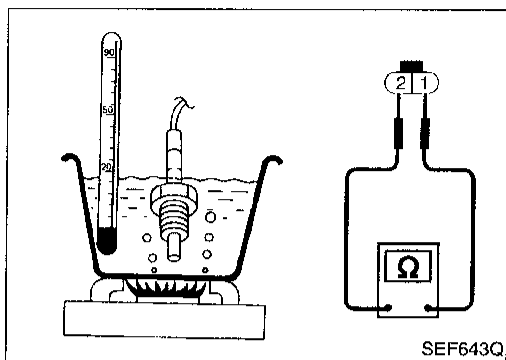
#### EGR temperature sensor

Check resistance change and resistance value.

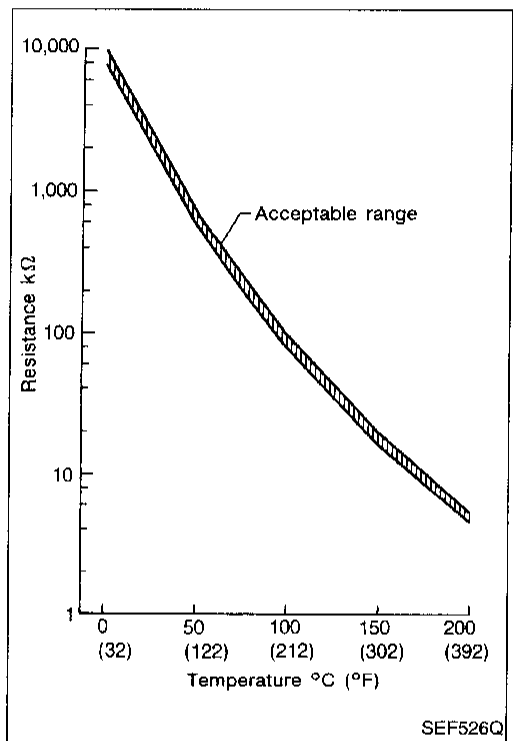
<Reference data>

EGR temperature °C (°F)	Voltage V	Resistance MΩ
0 (32)	4.81	7.9 - 9.7
50 (122)	2.82	0.57 - 0.70
100 (212)	0.8	0.08 - 0.10

If NG, replace EGR temperature sensor.



SEF643Q

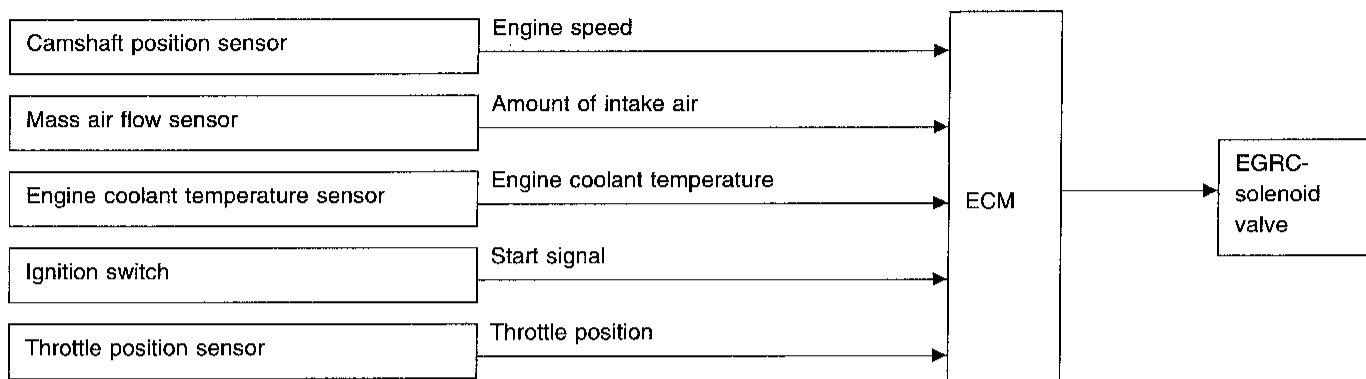


SEF526Q



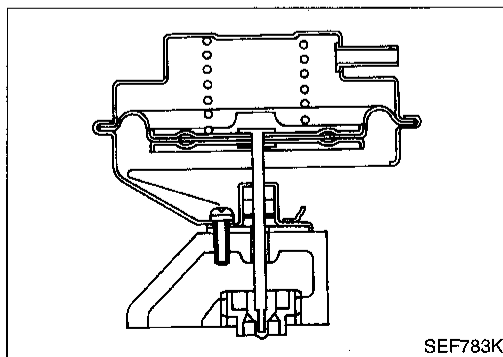
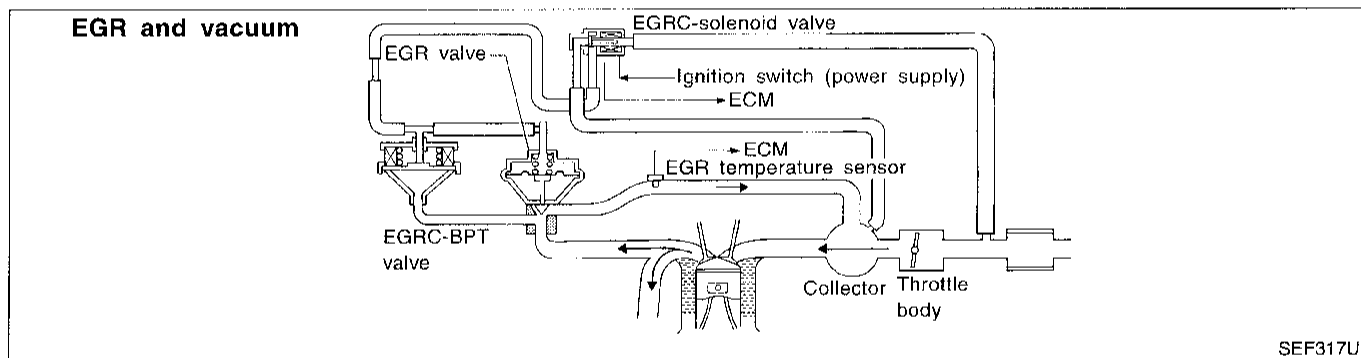
## EGR Function (Open)

### SYSTEM DESCRIPTION



This system cuts and controls vacuum applied to the EGR valve to suit engine operating conditions. This cut-and-control operation is accomplished through the ECM and the EGRC-solenoid valve. When the ECM detects any of the following conditions, current flows through the solenoid valve. This causes the port vacuum to be discharged into the atmosphere. The EGR valve remains closed.

- Low engine coolant temperature
- Engine starting
- High-speed engine operation
- Engine idling
- Excessively high engine coolant temperature
- Mass air flow sensor malfunction



### COMPONENT DESCRIPTION

#### Exhaust gas recirculation (EGR) valve

The EGR valve controls the amount of exhaust gas routed to the intake manifold. Vacuum is applied to the EGR valve in response to throttle valve opening. The vacuum controls the movement of a taper valve connected to the vacuum diaphragm in the EGR valve.

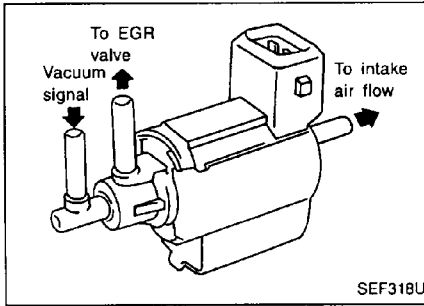
## TROUBLE DIAGNOSIS FOR DTC P1402

### EGR Function (Open) (Cont'd)

#### EGRC-solenoid valve

The EGRC-solenoid valve responds to signals from the ECM. When the ECM sends an ON (ground) signal, the coil in the solenoid valve is energized. The vacuum signal passes through the solenoid valve. The signal then reaches the EGR valve.

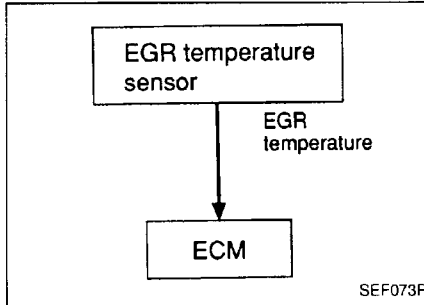
When the ECM sends an OFF signal, a plunger will then move to cut the vacuum signal from the intake manifold collector to the EGR valve.



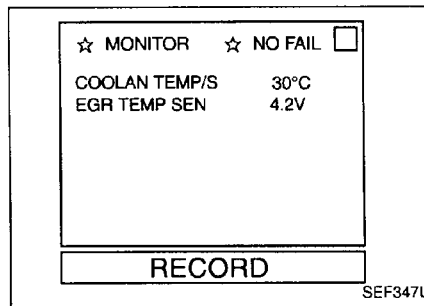
#### ON BOARD DIAGNOSIS LOGIC

If EGR temperature sensor detects EGR flow under the condition that does not call for EGR, a high-flow malfunction is diagnosed.

**NOTE:**  
Diagnosis for this DTC will end when engine coolant temperature is approx. 50 to 60°C (120 to 140°F). Ignition switch must be turned "ON" (engine running) with engine coolant temperature below 40°C (104°F) when starting DTC confirmation procedure.



Diagnostic Trouble Code No.	Malfunction is detected when ...	Check Items (Possible Cause)
P1402 0514	<ul style="list-style-type: none"> <li>• EGR flow is detected under condition that do not call for EGR.</li> </ul>	<ul style="list-style-type: none"> <li>• EGRC-solenoid valve</li> <li>• EGR valve leaking or stuck open</li> <li>• EGR temperature sensor</li> <li>• EGRC-BPT valve</li> </ul>



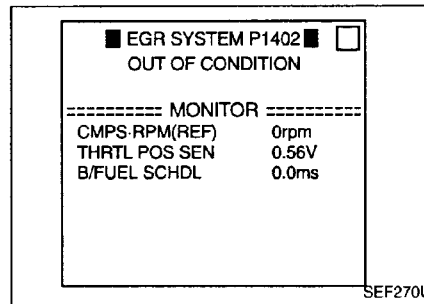
#### DIAGNOSTIC TROUBLE CODE CONFIRMATION PROCEDURE

**NOTE:**  
If "DIAGNOSTIC TROUBLE CODE CONFIRMATION PROCEDURE" has been previously conducted, always turn ignition switch "OFF" and wait at least 5 seconds before conducting the next test.

#### TESTING CONDITION:

- Always perform the test at a temperature of -10°C (14°F) or higher.
- Engine coolant temperature and EGR temperature must be verified in "DATA MONITOR" mode with CONSULT before starting DTC WORK SUPPORT test. If it is out of range below, the test cannot be conducted.  
COOLAN TEMP/S: -10 to 40°C (14 to 104°F)  
EGR TEMP SEN: Less than 4.8V

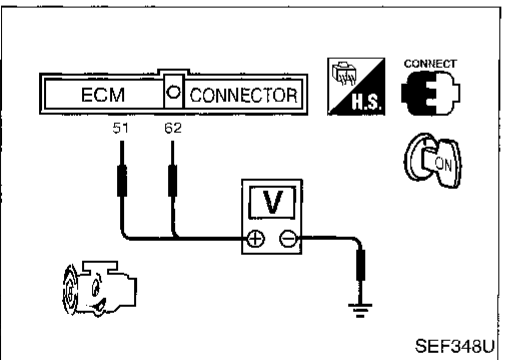
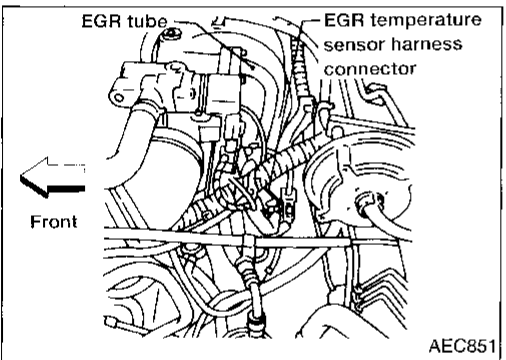
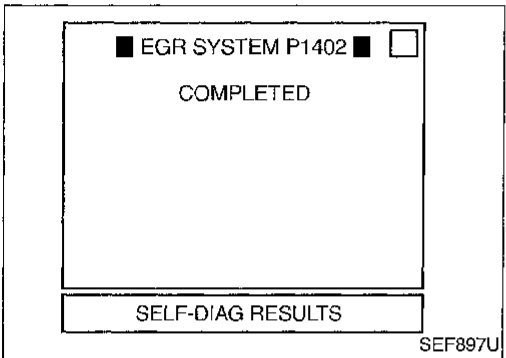
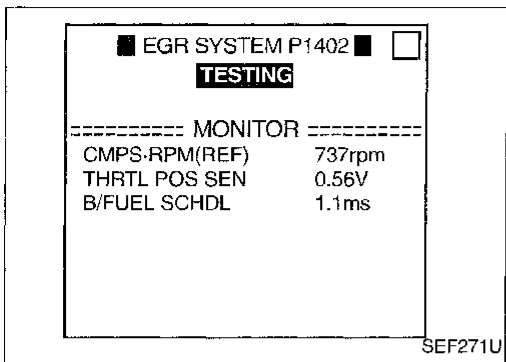
If the values are out of the ranges indicated above, park the vehicle in a cool place and allow the engine temperature to stabilize. Do not attempt to reduce the coolant or EGR temperature with a fan or means other than ambient air. Doing so may produce an inaccurate diagnostic result.



SMA98-153	'98 SENTRA/200SX	AUGUST 1997(05)	SM8E-OB14UO
ARROW INDICATES AMENDED INFORMATION			

# TROUBLE DIAGNOSIS FOR DTC P1402

## EGR Function (Open) (Cont'd)



- 1) Turn ignition switch "ON".
- 2) Select "EGR SYSTEM P1402" of "EGR SYSTEM" in "DTC WORK SUPPORT" mode with CONSULT.
- 3) Touch "START".
- 4) Start engine and let it idle until "TESTING" on CONSULT screen is turned to "COMPLETED". (It will take 90 seconds or more.)

If "TESTING" is not displayed after 5 minutes, turn ignition "OFF" and cool the engine coolant temperature to the range of -10 to 40°C (14 to 104°F). Retry from step 1).

- 5) Make sure that "OK" is displayed after touching "SELF-DIAG RESULTS". If "NG" is displayed, refer to "DIAGNOSTIC PROCEDURE", EC-363.

OR

- 1) Turn ignition switch "ON" and select "MODE 1" with GST.
- 2) Check that engine coolant temperature is within the range of -10 to 40°C (14 to 104°F).
- 3) Check that voltage between ECM terminal 62 (EGR temperature) and ground is less than 4.8V.
- 4) Start engine and let it idle for at least 90 seconds.
- 5) Stop engine.
- 6) Perform from step 1) to 4).
- 7) Select "MODE 3" with GST.

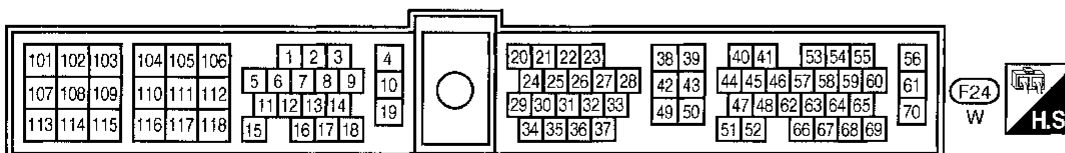
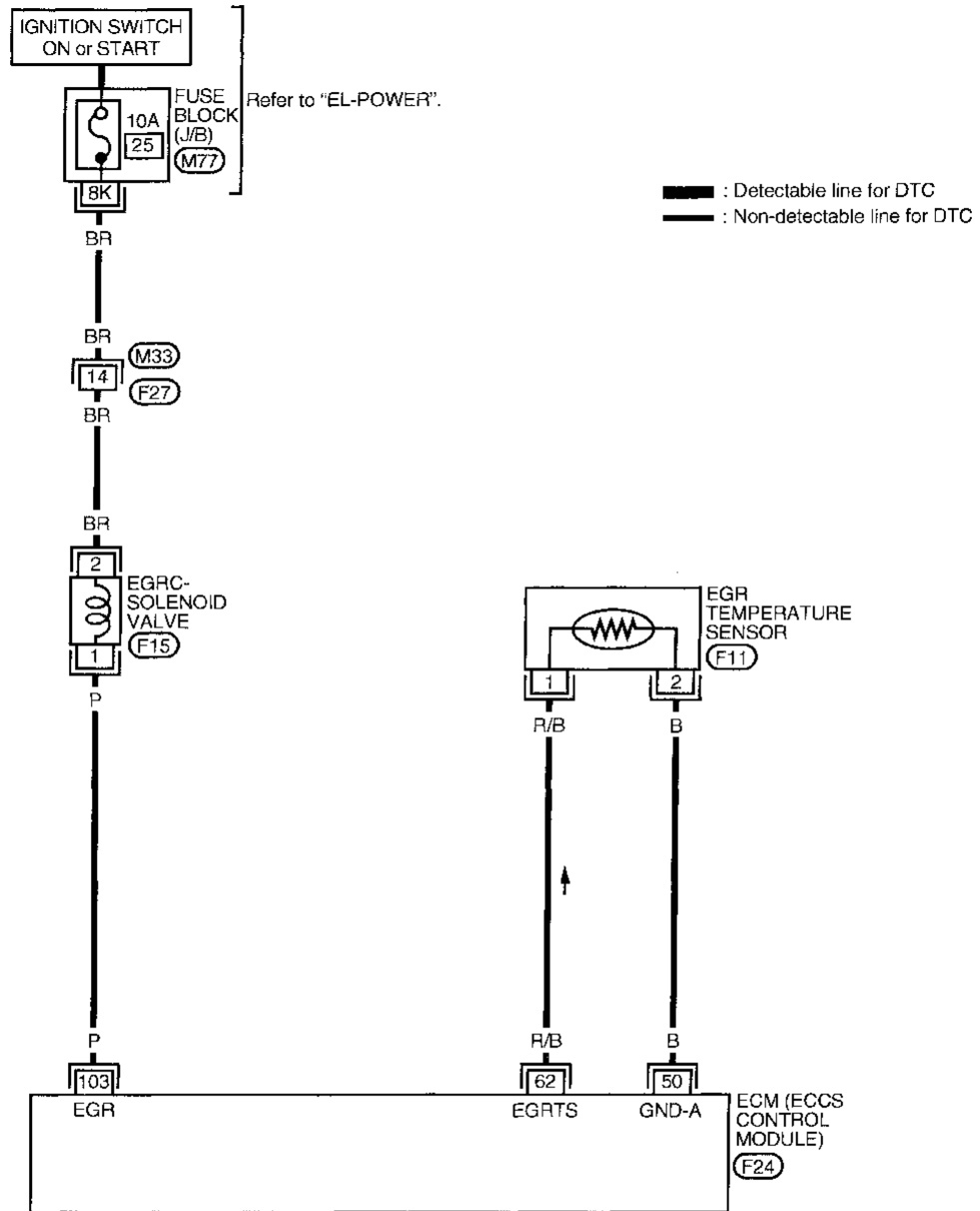
OR

- 1) Turn ignition switch "ON".
- 2) Check the following voltages.  
**ECM terminal 51 (engine coolant temperature) and ground:**  
**1.5 - 4.4V**  
**ECM terminal 62 (EGR temperature) and ground:**  
**Less than 4.8V**
- 3) Start engine and let it idle for at least 70 seconds.
- 4) Turn ignition switch "OFF", wait at least 5 seconds and then turn "ON".
- 5) Perform "Diagnostic Test Mode II (Self-diagnostic results)" with ECM.

# TROUBLE DIAGNOSIS FOR DTC P1402

## EGR Function (Open) (Cont'd)

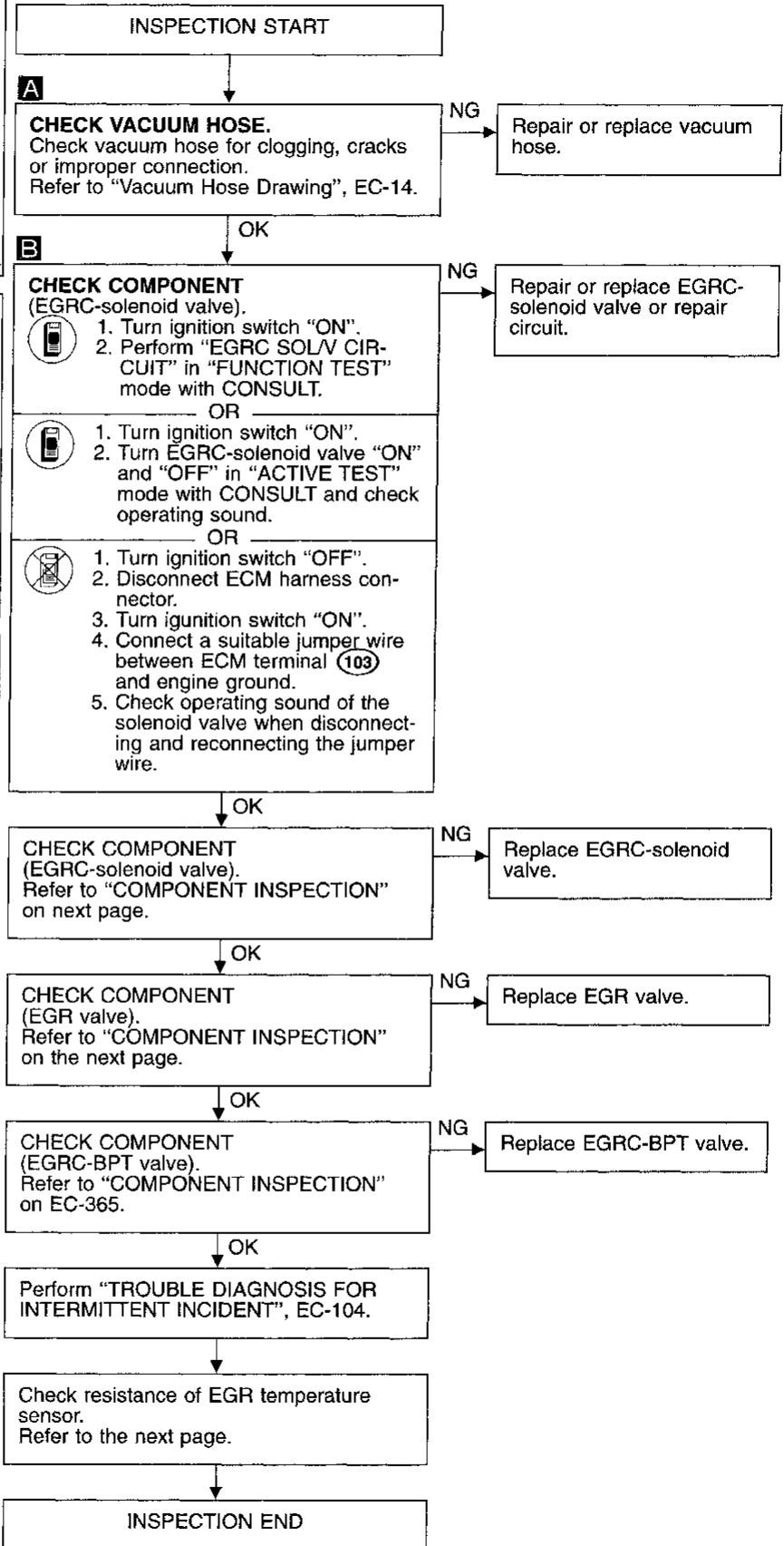
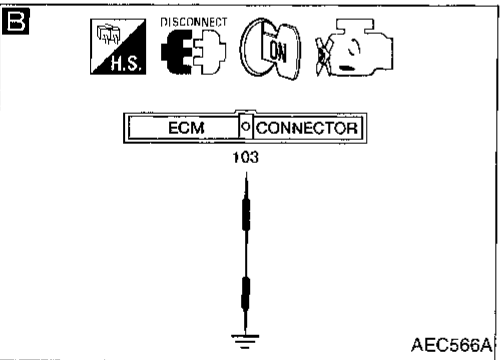
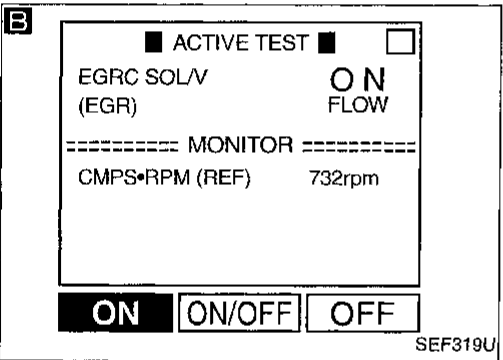
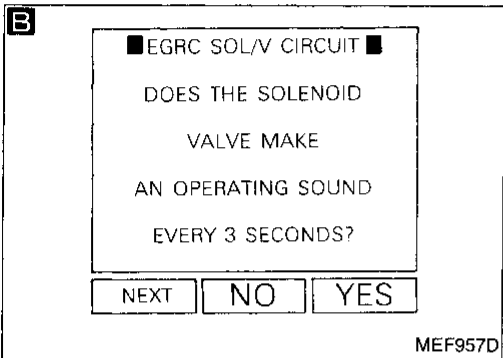
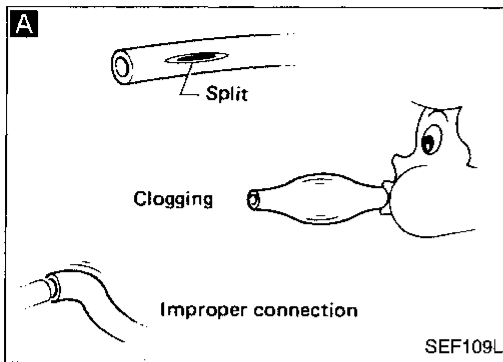
EC-EGRC1-01



# TROUBLE DIAGNOSIS FOR DTC P1402

## EGR Function (Open) (Cont'd)

### DIAGNOSTIC PROCEDURE



GI  
MA  
EM  
LC  
EC  
FE  
CL  
MT  
AT  
FA  
RA  
BR  
ST  
RS  
BT  
HA  
EL  
IDX

# TROUBLE DIAGNOSIS FOR DTC P1402

## EGR Function (Open) (Cont'd)

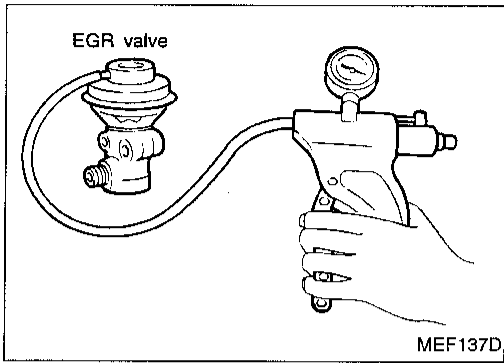
### COMPONENT INSPECTION

#### EGR valve

- Apply vacuum to EGR vacuum port with a hand vacuum pump.

#### EGR valve should lift.

- Check for sticking.
- If NG, repair or replace EGR valve.



#### EGRC-solenoid valve

Check solenoid valve, following the table as shown below:

Conditions	Air passage continuity between (A) and (B)	Air passage continuity between (A) and (C)
12V direct current supply between terminals (1) and (2)	Yes	No
No supply	No	Yes

If NG, replace EGRC-solenoid valve.

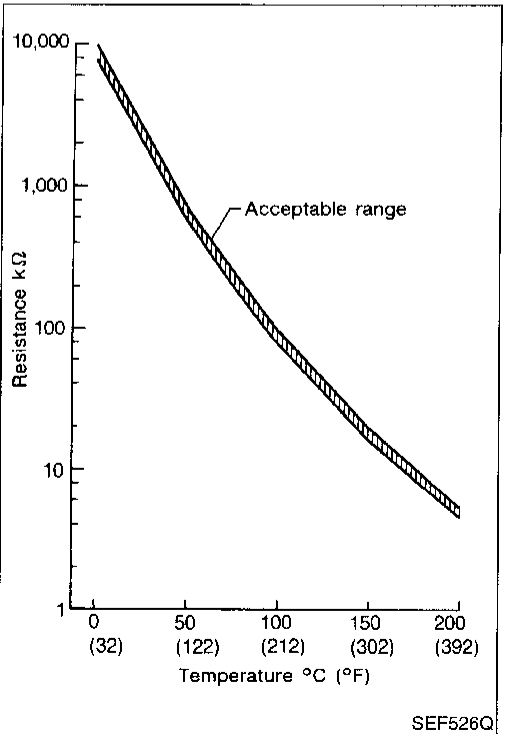
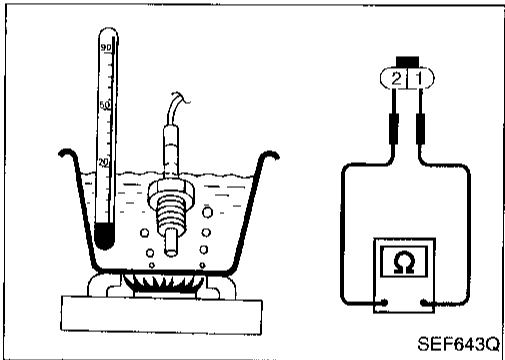
#### EGR temperature sensor

Check resistance change and resistance value.

<Reference data>

EGR temperature °C (°F)	Voltage V	Resistance MΩ
0 (32)	4.81	7.9 - 9.7
50 (122)	2.82	0.57 - 0.70
100 (212)	0.8	0.08 - 0.10

If NG, replace EGR temperature sensor.

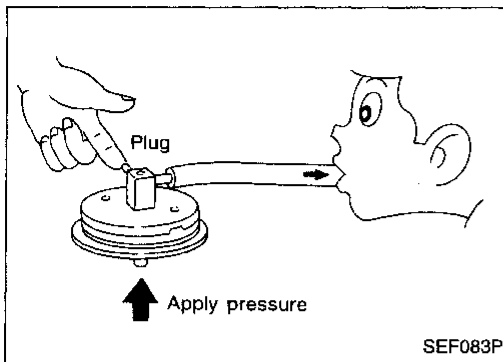


## TROUBLE DIAGNOSIS FOR DTC P1402

### EGR Function (Open) (Cont'd)

#### EGRC-BPT valve

1. Plug one of two ports of EGRC-BPT valve.
2. Vacuum from the other port and check for leakage while applying a pressure above 0.981 kPa (100 mmH<sub>2</sub>O, 3.94 inH<sub>2</sub>O) from under EGRC-BPT valve.
3. If a leakage is noted, replace the valve.



GI

MA

EM

LC

**EC**

FE

CL

MT

AT

FA

RA

BR

ST

RS

BT

HA

EL

IDX

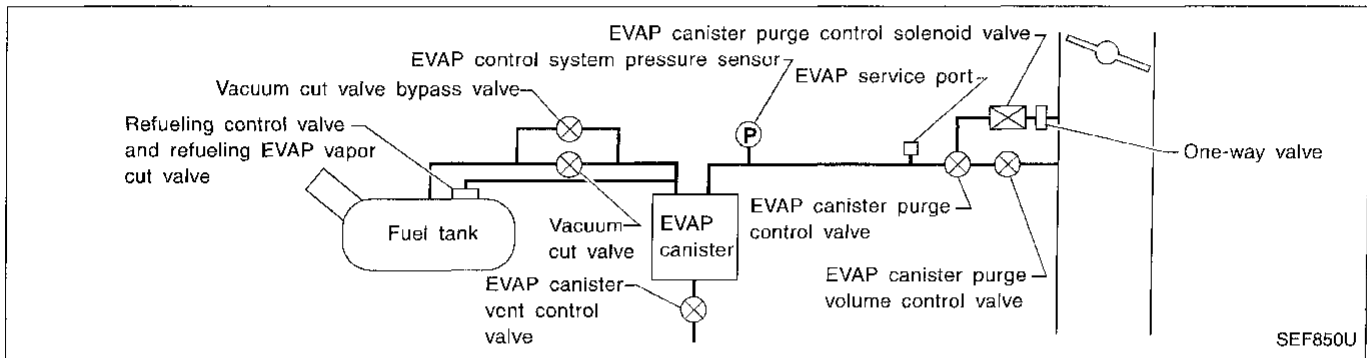
## TROUBLE DIAGNOSIS FOR DTC P1440

### Evaporative Emission (EVAP) Control System (Small Leak) (Positive Pressure)

**Note:** If both DTC P1440 and P1448 are displayed, perform TROUBLE DIAGNOSIS FOR DTC P1448 first. (See EC-400.)

#### ON BOARD DIAGNOSIS LOGIC

This diagnosis detects leaks in the EVAP purge line using vapor pressure in the fuel tank. The EVAP canister vent control valve is closed to shut the EVAP purge line. The vacuum cut valve bypass valve will then be opened to clear the line between the fuel tank and the EVAP canister purge control valve. The EVAP control system pressure sensor can now monitor the pressure inside the fuel tank. If pressure increases, the ECM will check for leaks in the line between the vacuum cut valve and EVAP canister purge control valve.



#### ON BOARD DIAGNOSIS LOGIC

Diagnostic Trouble Code No.	Malfunction is detected when ....	Check Items (Possible Cause)
P1440 0213	<ul style="list-style-type: none"> <li>● EVAP control system has a leak.</li> <li>● EVAP control system does not operate properly.</li> </ul>	<ul style="list-style-type: none"> <li>● Incorrect fuel tank vacuum relief valve</li> <li>● Incorrect fuel filler cap used</li> <li>● Fuel filler cap remains open or fails to close.</li> <li>● Foreign matter caught in fuel filler cap.</li> <li>● Leak is in line between intake manifold and EVAP canister purge control valve.</li> <li>● Foreign matter caught in EVAP canister vent control valve.</li> <li>● EVAP canister or fuel tank leaks</li> <li>● EVAP purge line (pipe and rubber tube) leaks</li> <li>● EVAP purge line rubber tube bent.</li> <li>● Blocked or bent rubber tube to EVAP control system pressure sensor</li> <li>● Loose or disconnected rubber tube</li> <li>● EVAP canister vent control valve and the circuit</li> <li>● EVAP canister purge control valve</li> <li>● EVAP canister purge volume control valve</li> <li>● EVAP canister purge control solenoid valve</li> <li>● Absolute pressure sensor</li> <li>● Tank fuel temperature sensor</li> <li>● MAP/BARO switch solenoid valve</li> <li>● Blocked or bent rubber tube to MAP/BARO switch solenoid valve</li> <li>● O-ring of EVAP canister vent control valve is missing or damaged.</li> <li>● Water separator</li> <li>● EVAP canister is saturated with water.</li> <li>● Refueling EVAP vapor cut valve</li> </ul>

#### CAUTION:

- Use only a genuine NISSAN fuel filler cap as a replacement. If an incorrect fuel filler cap is used, the MIL may come on.
- If the fuel filler cap is not tightened properly, the MIL may come on.
- Use only a genuine rubber tube as a replacement.



## TROUBLE DIAGNOSIS FOR DTC P1440

### Evaporative Emission (EVAP) Control System (Small Leak) (Positive Pressure) (Cont'd)

#### DIAGNOSTIC TROUBLE CODE CONFIRMATION PROCEDURE

##### CAUTION:

- Never use compressed air or high pressure pump. Otherwise, EVAP system may be damaged.
- Do not exceed 4.12 kPa (0.042 kg/cm<sup>2</sup>, 0.6 psi) of pressure in EVAP system.

##### NOTE:

- If "DIAGNOSTIC TROUBLE CODE CONFIRMATION PROCEDURE" has been previously conducted, always turn ignition switch "OFF" and wait at least 5 seconds before conducting the next test.
- Always remove service port adapter from service port when applying air up to 0.69 to 1.38 kPa (5.14 to 10.34 mmHg, 0.202 to 0.407 inHg).
- During the test, clamp the EVAP hose tightly as shown at left.
- If both DTC P1440 and P1448 are displayed, perform TROUBLE DIAGNOSIS FOR DTC P1448 first. (See EC-400.)



- 1) Turn ignition switch "ON".
- 2) Select "EVAP SML LEAK P1440" of "EVAPORATIVE SYSTEM" in "DTC WORK SUPPORT" mode with CONSULT. Follow the instruction displayed.
- 3) Make sure that "OK" is displayed. If "NG" is displayed, refer to "DIAGNOSTIC PROCEDURE", EC-369.

OR

##### NOTE:

Be sure to read the explanation of "Driving pattern" on EC-46 before driving vehicle.



- 1) Start engine.
- 2) Drive vehicle according to "Driving pattern", EC-46.
- 3) Stop vehicle.
- 4) Select "MODE 1" with GST.
  - If SRT of EVAP system is not set yet, go to the following step.
  - If SRT of EVAP system is set, the result will be OK.
- 5) Turn ignition switch "OFF" and wait at least 5 seconds.
- 6) Start engine.
 

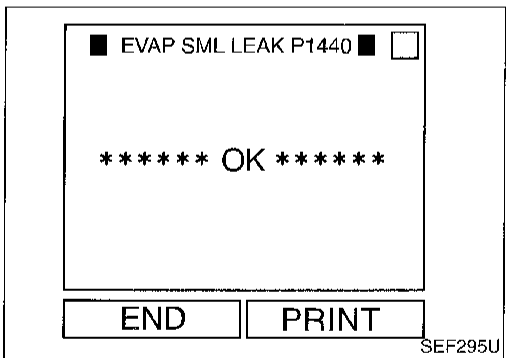
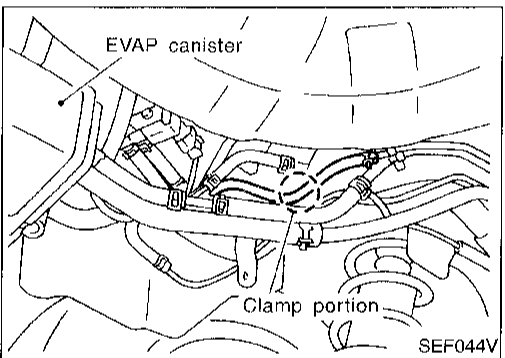
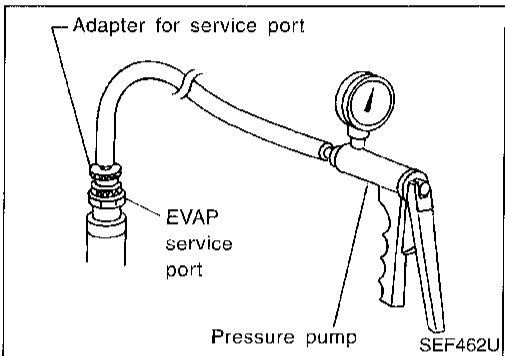
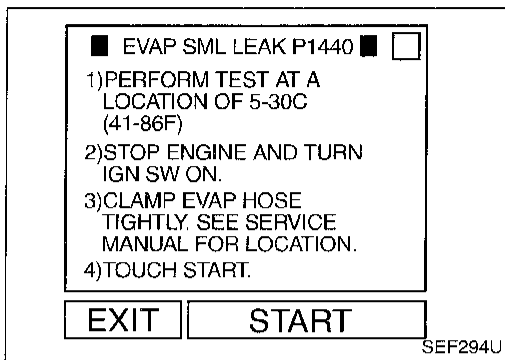
**It is not necessary to cool engine down before driving.**

7) Drive vehicle again according to the "Driving pattern", EC-46.

8) Stop vehicle.

9) Select "MODE 3" with GST.

- If P1447 is displayed on the screen, go to "TROUBLE DIAGNOSIS FOR DTC P1447", EC-391.
- If P0440 is displayed on the screen, go to "DIAGNOSTIC PROCEDURE", EC-275.
- If P1440 is displayed on the screen, go to "TROUBLE DIAGNOSIS FOR DTC P1440", EC-369.
- If P0440, P1440 and P1447 are not displayed on the screen, go to the following step.



## TROUBLE DIAGNOSIS FOR DTC P1440

---

### Evaporative Emission (EVAP) Control System (Small Leak) (Positive Pressure) (Cont'd)

10) Select "MODE 1" with GST.

- If SRT of EVAP system is set, the result will be OK.
- If SRT of EVAP system is not set, go to step 5).

---

OR

---

#### NOTE:

- **Be sure to read the explanation of "Driving pattern" on EC-46 before driving vehicle.**
- **It is better that the fuel level is low.**

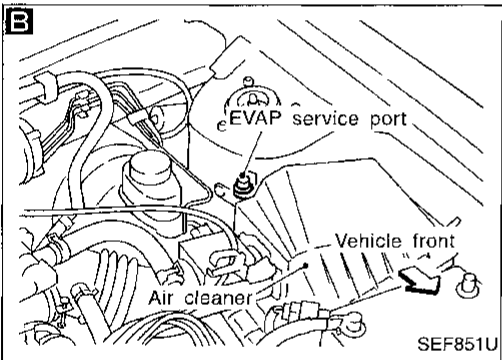
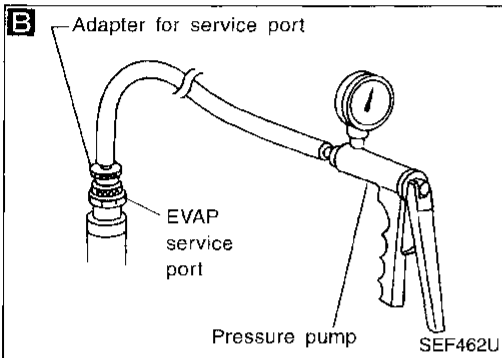
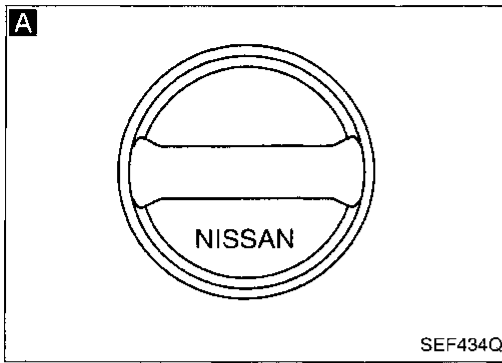


- 1) Start engine.
- 2) Drive vehicle according to "Driving pattern", EC-46.
- 3) Stop vehicle.
- 4) Turn ignition switch "OFF" and wait at least 5 seconds.
- 5) Perform the step 1) to 4) again.
- 6) Turn ignition switch "ON" and perform "Diagnostic Test Mode (Self-diagnostic results)" with ECM.

# TROUBLE DIAGNOSIS FOR DTC P1440

## Evaporative Emission (EVAP) Control System (Small Leak) (Positive Pressure) (Cont'd)

### DIAGNOSTIC PROCEDURE



INSPECTION START

**A**

**CHECK FUEL FILLER CAP.**

1. Check for genuine NISSAN fuel filler cap design.
2. Check for air releasing sound while opening the fuel filler cap. If the air releasing sound is heard, go to **B**.

If the air releasing sound is not heard, check the following.

**Was the cap tightened properly?**

If Yes, check fuel filler cap vacuum relief valve. Refer to "EVAPORATIVE EMISSION SYSTEM", EC-22.

If No, open fuel filler cap, then clean cap and filler neck thread using air blower. Retighten until ratcheting sound is heard.

NG → If genuine NISSAN fuel filler cap is not used, replace with genuine NISSAN fuel filler cap.

**B** OK

**CHECK FOR EVAP LEAK.**

- Never use compressed air or high pressure pump.
- Improper installation of service port may cause leaking.
- Do not exceed 4.12 kPa (0.042 kg/cm<sup>2</sup>, 0.6 psi) of pressure in the system.

To locate EVAP leak portion, proceed with the following steps.

1. Install the EVAP service port adapter and the pressure pump securely.
2. Turn ignition switch "ON". Select "EVAP SYSTEM CLOSE" of "WORK SUPPORT" mode with CONSULT.
3. Touch "START" and apply vacuum into the EVAP line until the pressure indicator reaches the middle of bar graph.
4. Remove adapter and pressure pump.
5. Using EVAP leak detector, locate the leak portion. For the leak detector, refer to instruction manual for more details. Refer to "EVAPORATIVE EMISSION SYSTEM", EC-21.

NG → Repair or replace.

OR

2. Turn ignition switch "OFF".
3. Apply 12 volts DC to EVAP canister vent control valve. The valve will close. (Continue to apply 12 volts until the end of test.)
4. Apply 12 volts DC to vacuum cut valve bypass valve. The valve will open. (Continue to apply 12V until the end of test.)
5. Pressurize the EVAP line using pressure pump with 1.3 to 2.7 kPa (10 to 20 mmHg, 0.39 to 0.79 inHg), then remove pump and service port adapter.
6. Locate the leak using a leak detector. Refer to the instruction manual for more details about the leak detector. Refer to "Evaporative Emission Line Drawing", EC-24.

↓ OK

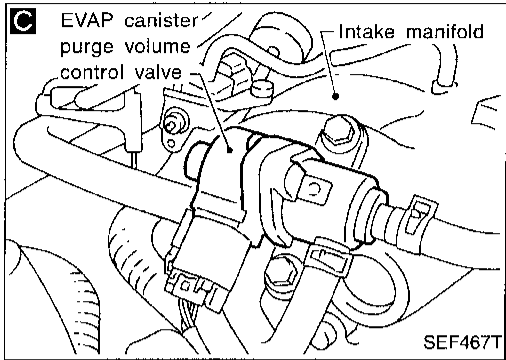
(A)

(Go to next page.)

GI  
MA  
EM  
LC  
EC  
FE  
CL  
MT  
AT  
FA  
RA  
BR  
ST  
RS  
BT  
HA  
EL  
IDX

# TROUBLE DIAGNOSIS FOR DTC P1440

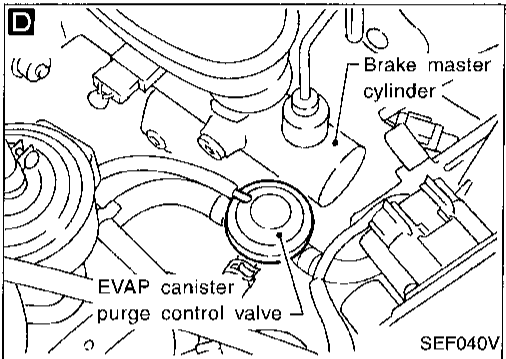
## Evaporative Emission (EVAP) Control System (Small Leak) (Positive Pressure) (Cont'd)



**C**

**CHECK COMPONENT**  
(EVAP canister purge volume control valve).  
Refer to "COMPONENT INSPECTION", EC-373.

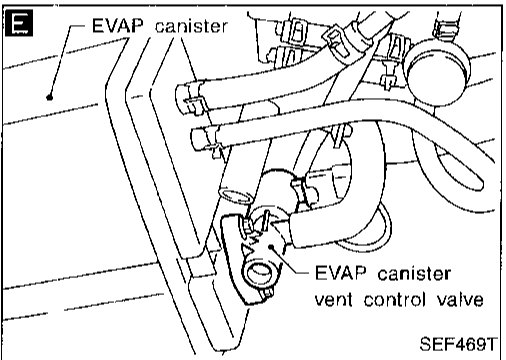
NG → Replace EVAP canister purge volume control valve.



**D**

**CHECK COMPONENT**  
(EVAP canister purge control valve).  
Refer to "COMPONENT INSPECTION", EC-374.

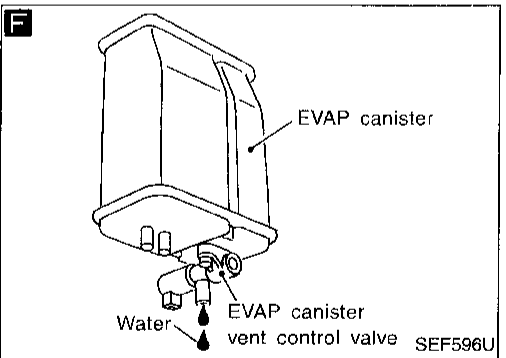
NG → Replace EVAP canister purge control valve.



**E**

**CHECK COMPONENT AND CIRCUIT**  
(EVAP canister vent control valve, O-ring and water separator).  
Refer to "TROUBLE DIAGNOSIS FOR P0446" for circuit, EC-289 and "COMPONENT INSPECTION", EC-280.

NG → Repair or replace EVAP canister vent control valve and O-ring or harness/connector.



**F**

**CHECK IF EVAP CANISTER IS SATURATED WITH WATER.**

1. Remove EVAP canister with EVAP canister vent control valve attached.
2. Check if water will drain from the EVAP canister.

If it will, weigh the EVAP canister with the vent control valve attached.

If the weight is:  
**More than 1.8 kg (4.0 lb) → NG**  
**Less than 1.8 kg (4.0 lb) → OK**

NG → Check the following:

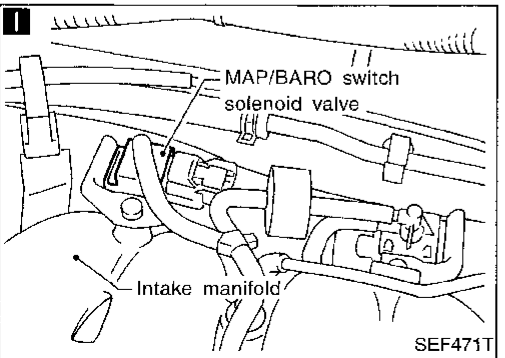
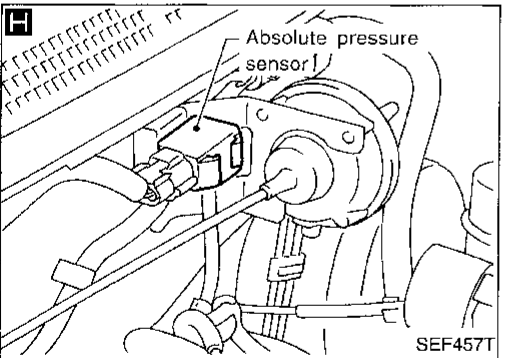
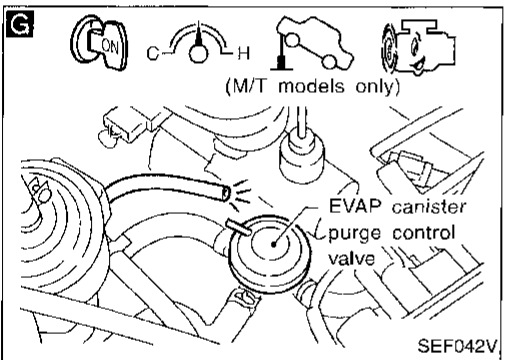
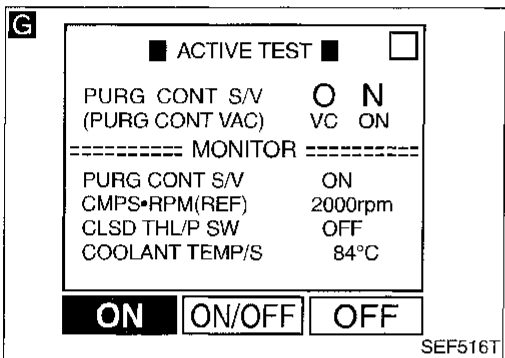
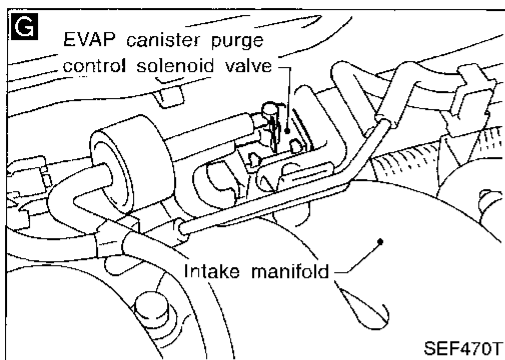
1. Visually check the EVAP canister for damage.
2. Check hose connection between EVAP canister and water separator for clogging and poor connection.
3. Check water separator. Refer to "COMPONENT INSPECTION", EC-281.

If NG, repair hose or replace EVAP canister or water separator.

OK → **B**  
(Go to next page.)

# TROUBLE DIAGNOSIS FOR DTC P1440

## Evaporative Emission (EVAP) Control System (Small Leak) (Positive Pressure) (Cont'd)



**G**

**CHECK COMPONENT** (EVAP canister purge control solenoid valve).

1. Disconnect vacuum hose to EVAP canister purge control valve.
2. Start engine.
3. Perform "PURG CONT S/V" in "ACTIVE TEST" mode.
4. Select "ON" on CONSULT screen to turn on "PURG CONT S/V".
5. Check vacuum hose for vacuum when revving engine up to 2,000 rpm.  
**Vacuum should exist.**

OR

1. Start engine and warm it up to normal operating temperature.
2. Stop engine.
3. Jack up drive wheels.
4. Disconnect vacuum hose to EVAP canister purge control valve.
5. Start engine and let it idle for at least 60 seconds.
6. Check vacuum hose for vacuum when revving engine up to 2,000 rpm.  
**Vacuum should exist.**

NG

Check the following.

- EVAP canister purge control solenoid valve Refer to "COMPONENT INSPECTION", EC-374.
- Vacuum hoses for clogging or disconnection Refer to "Vacuum Hose Drawing", EC-14.

If NG, repair hoses or replace EVAP canister purge control solenoid valve.

**H**

**CHECK COMPONENT** (Absolute pressure sensor). Refer to "COMPONENT INSPECTION", EC-376.

NG

Replace absolute pressure sensor.

**I**

**CHECK COMPONENT** (MAP/BARO switch solenoid valve). Refer to "COMPONENT INSPECTION", EC-377.

NG

Replace MAP/BARO switch solenoid valve.

OK

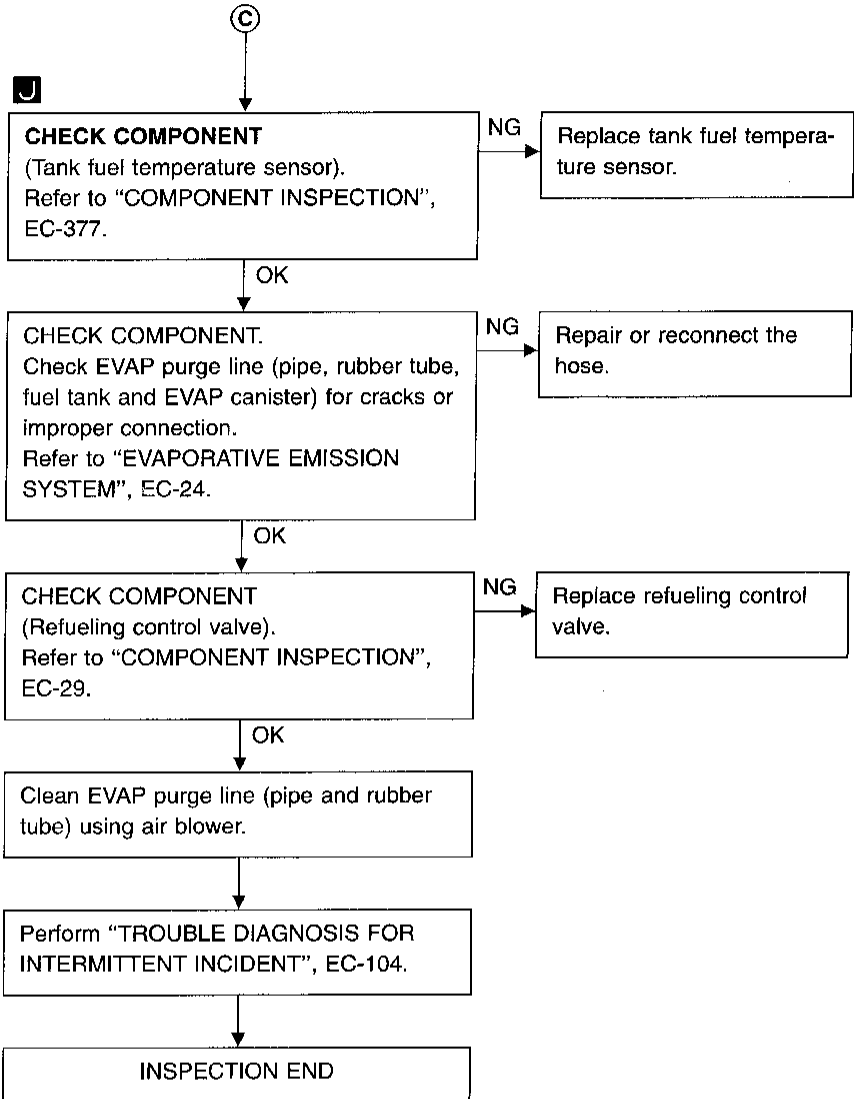
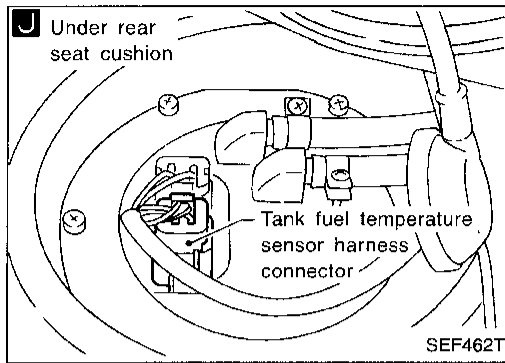
**C**

(Go to next page.)

GI  
MA  
EM  
LC  
EC  
FE  
CL  
MT  
AT  
FA  
RA  
BR  
ST  
RS  
BT  
HA  
EL  
IDX

# TROUBLE DIAGNOSIS FOR DTC P1440

## Evaporative Emission (EVAP) Control System (Small Leak) (Positive Pressure) (Cont'd)



# TROUBLE DIAGNOSIS FOR DTC P1440

## Evaporative Emission (EVAP) Control System (Small Leak) (Positive Pressure) (Cont'd)

### COMPONENT INSPECTION

#### EVAP canister purge volume control valve

1. Disconnect EVAP canister purge volume control valve harness connector.
2. Check resistance between the following terminals.  
terminal ② and terminals ①, ③  
terminal ⑤ and terminals ④, ⑥

#### Resistance:

**Approximately 41Ω [At 20°C (68°F)]**

3. Reconnect EVAP canister purge volume control valve harness connector.
4. Remove EVAP canister purge volume control valve from intake manifold collector and disconnect hoses from the valve.  
(Plug the purge hoses. The EVAP canister purge volume control valve harness connector should remain connected.)
5. Turn ignition switch "ON".
6. Perform "PURG VOL CONT/V" in "ACTIVE TEST" mode with CONSULT. Check that EVAP canister purge volume control valve shaft moves smoothly forward and backward according to the valve opening.

If NG, replace the EVAP canister purge volume control valve.

OR

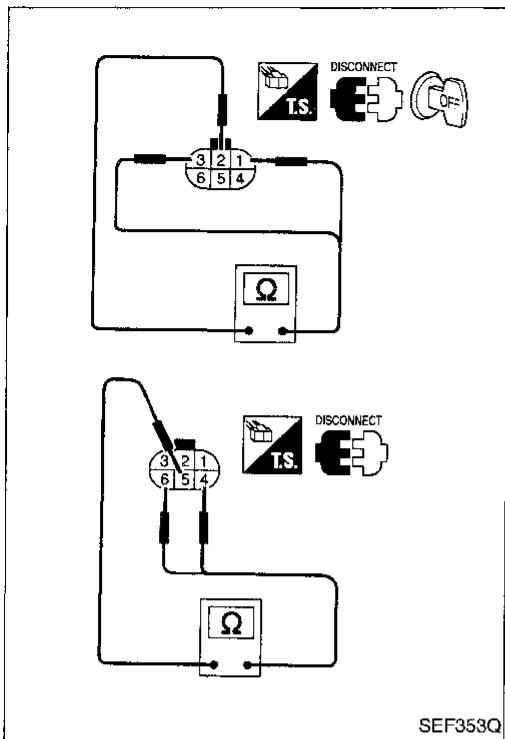
1. Disconnect EVAP canister purge volume control valve harness connector.
2. Check resistance between the following terminals.  
terminal ② and terminals ①, ③  
terminal ⑤ and terminals ④, ⑥

#### Resistance:

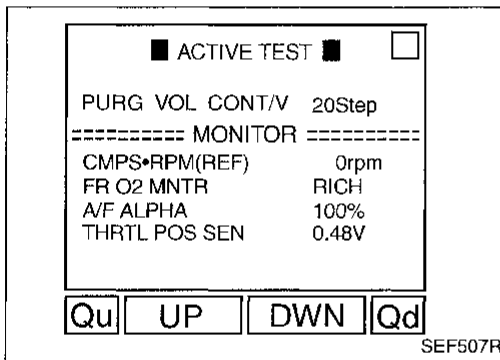
**Approximately 41Ω [At 20°C (68°F)]**

3. Reconnect EVAP canister purge volume control valve harness connector.
4. Remove EVAP canister purge volume control valve from intake manifold collector and disconnect hoses from the valve.  
(Plug the purge hoses. The EVAP canister purge volume control valve harness connector should remain connected.)
5. Turn ignition switch "ON" and "OFF". Check that EVAP canister purge volume control valve shaft moves smoothly forward and backward according to the ignition switch position.

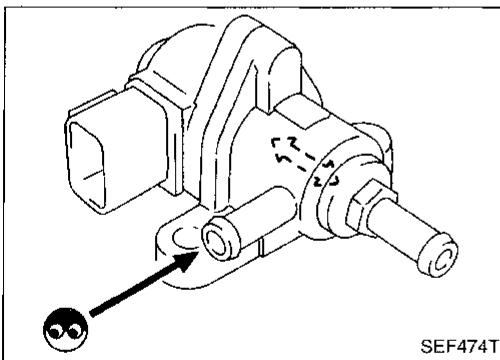
If NG, replace the EVAP canister purge volume control valve.



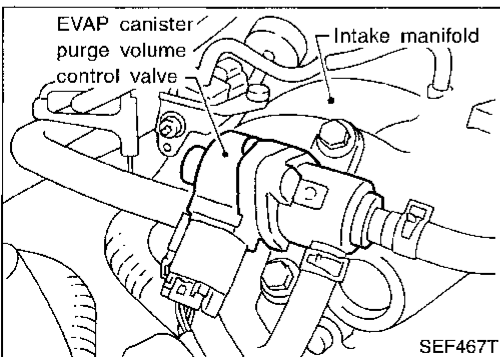
SEF353Q



SEF507R



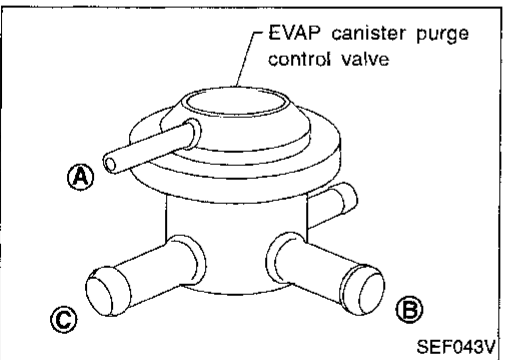
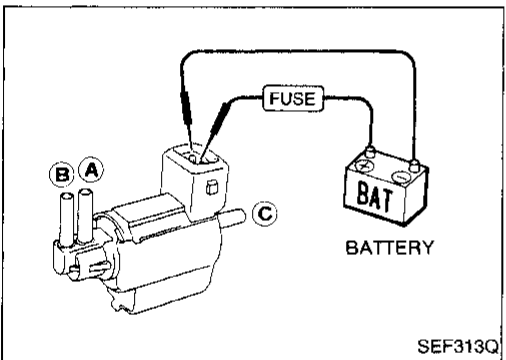
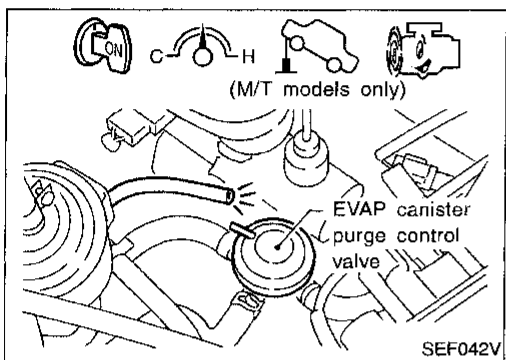
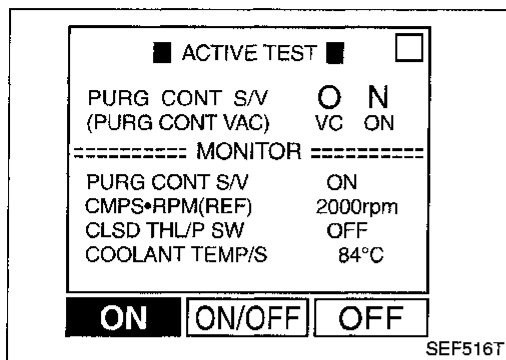
SEF474T



SEF467T

## TROUBLE DIAGNOSIS FOR DTC P1440

### Evaporative Emission (EVAP) Control System (Small Leak) (Positive Pressure) (Cont'd)



#### EVAP canister purge control solenoid valve

1. Jack up driving wheels (M/T models only).
2. Turn ignition switch "ON".
3. Select "PURG CONT S/V" of "ACTIVE TEST" mode with CONSULT.
4. Start engine and warm it up to normal operating temperature.
5. Disconnect vacuum hose at EVAP canister purge control valve.
6. Touch "ON" and "OFF" and check for vacuum passing through the hose.

Condition	Vacuum
Idle	Not exist
2,000 rpm (A/T models) 2,000 rpm with 1st gear position (M/T models)	Exist

OR

1. Check air passage continuity.

Condition	Air passage continuity between (A) and (B)	Air passage continuity between (A) and (C)
12V direct current supply between terminals	Yes	No
No supply	No	Yes

If NG, replace solenoid valve.

#### EVAP canister purge control valve

Check EVAP canister purge control valve as follows:

1. Blow air in port (A), (B) and (C), then ensure that there is no leakage.
2. Apply vacuum to port (A). [Approximately -13.3 to -20.0 kPa (-100 to -150 mmHg, -3.94 to -5.91 inHg)]  
Blow air in port (C) and ensure free flow out of port (B).



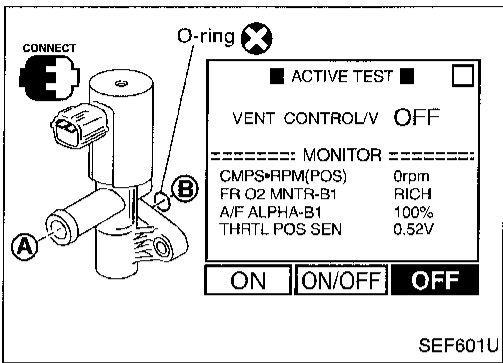
# TROUBLE DIAGNOSIS FOR DTC P1440

## Evaporative Emission (EVAP) Control System (Small Leak) (Positive Pressure) (Cont'd)

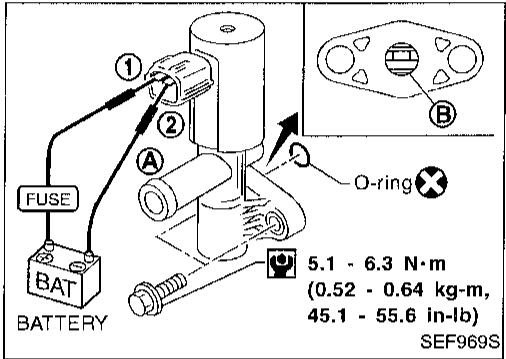
### EVAP canister vent control valve

Check air passage continuity.

 Perform "VENT CONTROL/V" in "ACTIVE TEST" mode.



SEF601U



SEF969S

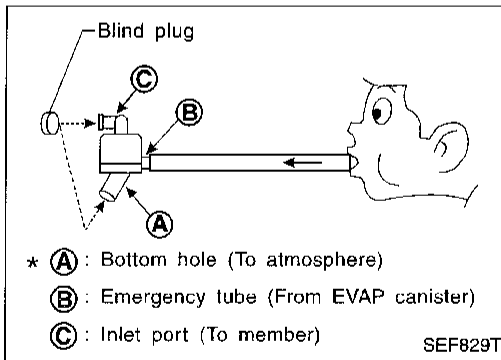
Condition	Air passage continuity between (A) and (B)
VENT CONTROL/V	
ON	No
OFF	Yes

OR

Condition	Air passage continuity between (A) and (B)
12V direct current supply between terminals (1) and (2)	No
No supply	Yes

If NG, clean valve using air blower or replace as necessary. If the portion (B) is rusted, replace EVAP canister vent control valve.

**Make sure new O-ring is installed properly.**



SEF829T

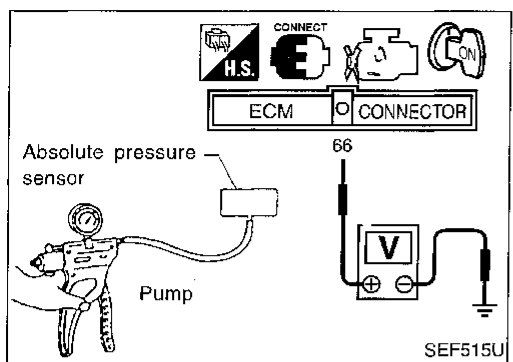
### Water separator

1. Check visually for insect nests in the water separator air inlet.
  2. Check visually for cracks or flaws in the appearance.
  3. Check visually for cracks or flaws in the hose.
  4. Check that (A) and (C) are not clogged by blowing air into (B) with (A), and then (C) plugged.
  5. In case of NG in items 2 - 4, replace the parts.
- **Do not disassemble water separator.**

## TROUBLE DIAGNOSIS FOR DTC P1440

### Evaporative Emission (EVAP) Control System (Small Leak) (Positive Pressure) (Cont'd)

#### Absolute pressure sensor



1. Remove absolute pressure sensor with its harness connector connected.
2. Remove hose from absolute pressure sensor.
3. Turn ignition switch "ON" and check output voltage between ECM terminal 66 and engine ground.  
**The voltage should be 3.2 to 4.8 V.**
4. Use pump to apply vacuum pressure of  $-26.7$  kPa ( $-200$  mmHg,  $-7.87$  inHg) to absolute pressure sensor as shown in figure and check the output voltage.  
**The voltage should be 1.0 to 1.4 V lower than the value measured in step 3.**

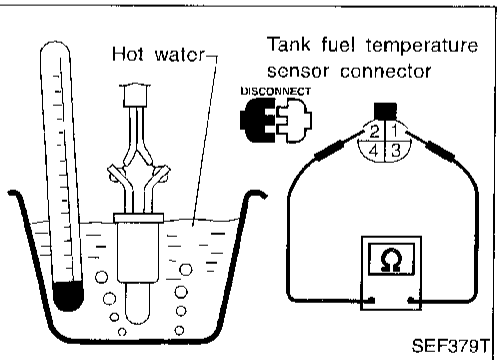
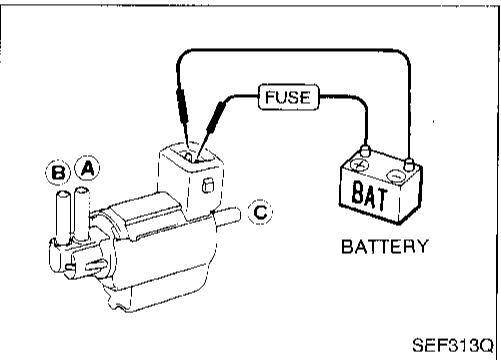
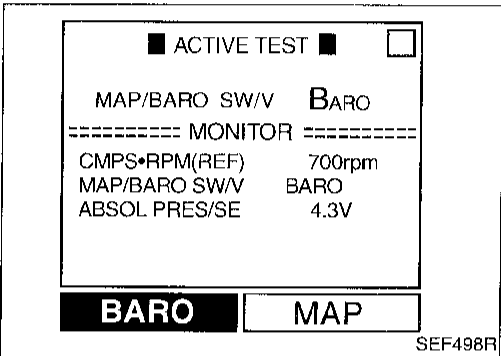
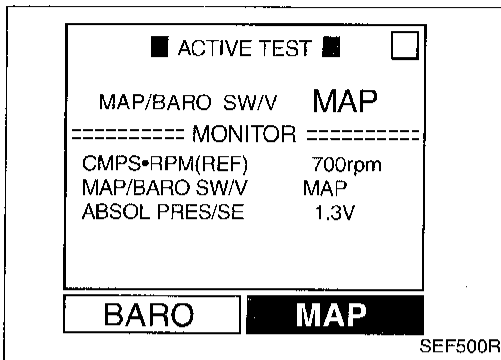
#### CAUTION:

- Always calibrate the vacuum pump gauge when using it.
  - Do not apply pressure below  $-93.3$  kPa ( $-700$  mmHg,  $-27.56$  inHg) or over  $101.3$  kPa ( $760$  mmHg,  $29.92$  inHg).
5. If NG, replace absolute pressure sensor.

# TROUBLE DIAGNOSIS FOR DTC P1440

## Evaporative Emission (EVAP) Control System (Small Leak) (Positive Pressure) (Cont'd)

### MAP/BARO switch solenoid valve



1. Start engine and warm it up to normal operating temperature.
2. Perform "MAP/BARO SW/V" in "ACTIVE TEST" mode with CONSULT.
3. Check the following.
  - Condition: At idle under no-load
  - CONSULT display

MAP/BARO	ABSOL PRES/SE (Voltage)
BARO	More than 2.6V
MAP	Less than the voltage at BARO

- Time for voltage to change

MAP/BARO SW/V	Time to switch
BARO to MAP	Less than 1 second
MAP to BARO	

4. If NG, check solenoid valve as shown below.

OR

1. Remove MAP/BARO switch solenoid valve.
2. Check air passage continuity.

Condition	Air passage continuity between (A) and (B)	Air passage continuity between (A) and (C)
12V direct current supply between terminals ① and ②	Yes	No
No supply	No	Yes

3. If NG, replace solenoid valve.

### Tank fuel temperature sensor

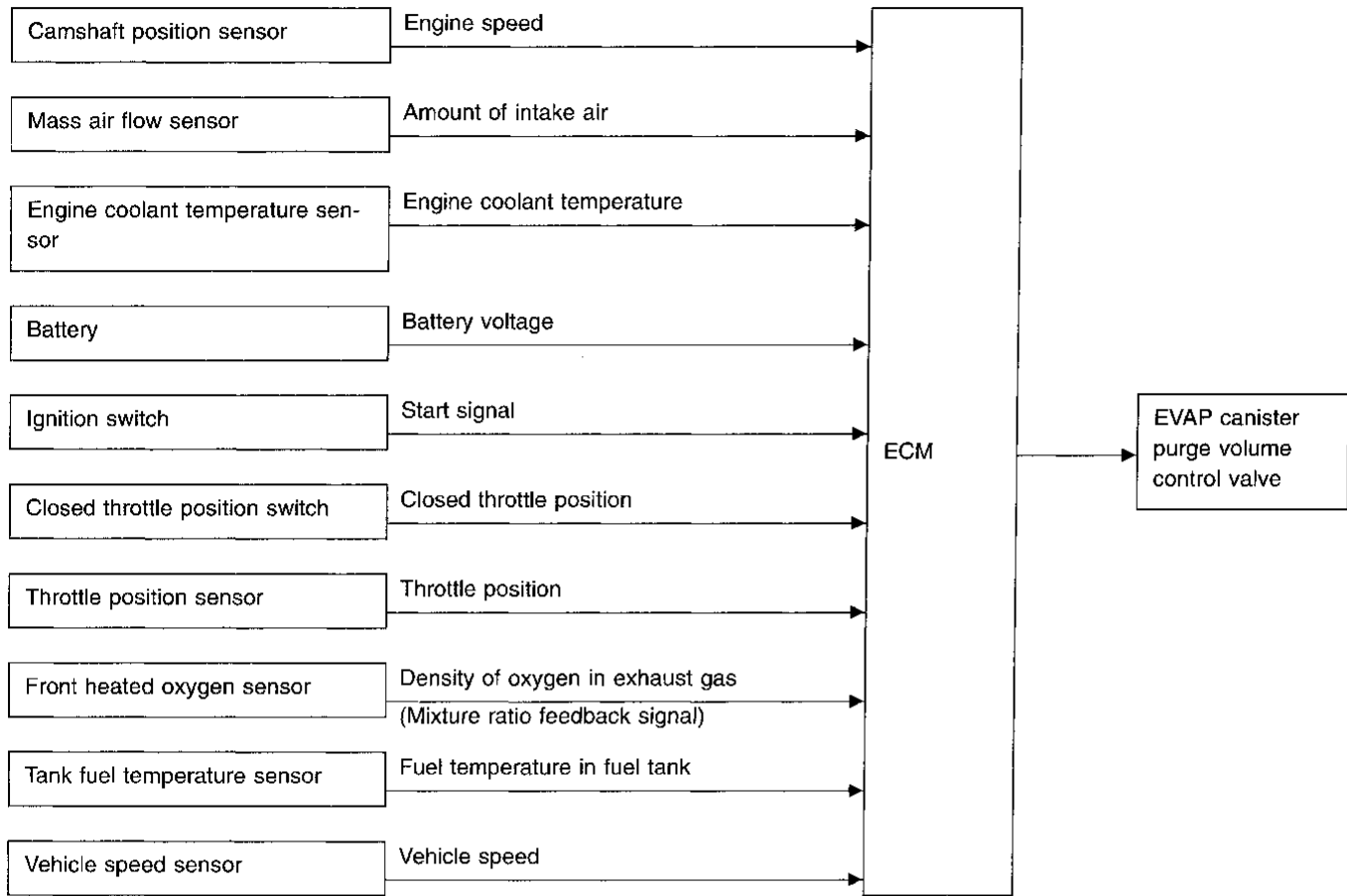
Check resistance by heating with hot water or heat gun as shown in the figure.

Temperature °C (°F)	Resistance kΩ
20 (68)	2.3 - 2.7
50 (122)	0.79 - 0.90

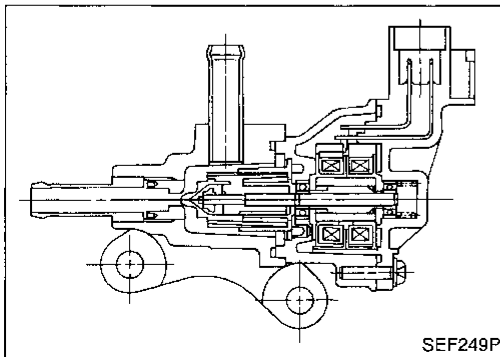
If NG, replace tank fuel temperature sensor.

## Evaporative Emission (EVAP) Canister Purge Volume Control Valve

### SYSTEM DESCRIPTION



This system controls flow rate of fuel vapor from the EVAP canister. The opening of the vapor by-pass passage in the EVAP canister purge volume control valve changes to control the flow rate. A built-in step motor moves the valve in steps corresponding to the ECM output pulses. The opening of the valve varies for optimum engine control. The optimum value stored in the ECM is determined by considering various engine conditions. When the engine is operating, the flow rate of fuel vapor from the EVAP canister is regulated as the air flow changes.



### COMPONENT DESCRIPTION

The EVAP canister purge volume control valve uses a step motor to control the flow rate of fuel vapor from the EVAP canister. This motor has four winding phases. It operates according to the output pulse signal of the ECM. Two windings are turned ON and OFF in sequence. Each time an ON pulse is issued, the valve opens or closes, changing the flow rate. When no change in the flow rate is needed, the ECM does not issue the pulse signal. A certain voltage signal is issued so that the valve remains at that particular opening.

# TROUBLE DIAGNOSIS FOR DTC P1444

## Evaporative Emission (EVAP) Canister Purge Volume Control Valve (Cont'd)

### CONSULT REFERENCE VALUE IN DATA MONITOR MODE

MONITOR ITEM	CONDITION	SPECIFICATION
PURG VOL C/V	● Engine: After warming up ● Shift lever: N ● No-load ● M/T models: Jack up drive wheels and shift to 1st gear position.	Idle 0 step
		More than 60 seconds after starting engine A/T models: 2,000 rpm M/T models: 2,000 rpm and more than 16 km/h (10 MPH) —

### ECM TERMINALS AND REFERENCE VALUE

Specification data are reference values and are measured between each terminal and Ⓒ (ECCS ground).

TER-MINAL NO.	WIRE COLOR	ITEM	CONDITION	DATA (DC voltage)
5	L	EVAP canister purge volume control valve	Engine is running. (Warm-up condition)	0 - 0.4V
6	G		Idle speed	
16	Y	EVAP canister purge volume control valve	Engine is running.	BATTERY VOLTAGE (11 - 14V)
17	OR		Idle speed	
56 61	W/R W/R	Power supply for ECM	Ignition switch "ON"	BATTERY VOLTAGE (11 - 14V)

### ON BOARD DIAGNOSIS LOGIC

Diagnostic Trouble Code No.	Malfunction is detected when ....	Check Items (Possible Cause)
P1444 0214	<ul style="list-style-type: none"> <li>The canister purge flow is detected during the specified driving conditions, even when EVAP canister purge volume control valve is completely closed.</li> </ul>	<ul style="list-style-type: none"> <li>EVAP control system pressure sensor</li> <li>EVAP canister purge volume control valve (The valve is stuck open.)</li> <li>EVAP canister purge control valve</li> <li>EVAP canister</li> <li>Hoses (Hoses are connected incorrectly or clogged.)</li> <li>EVAP canister vent control valve</li> </ul>

## TROUBLE DIAGNOSIS FOR DTC P1444

### Evaporative Emission (EVAP) Canister Purge Volume Control Valve (Cont'd)

#### DIAGNOSTIC TROUBLE CODE CONFIRMATION PROCEDURE

##### CAUTION:

Always drive vehicle at a safe speed.

##### NOTE:

If "DTC CONFIRMATION PROCEDURE" has been previously conducted, always turn ignition switch "OFF" and wait at least 5 seconds before conducting the next test.

##### TESTING CONDITION:

Always perform test at a temperature of 5°C (41°F) or more.



- 1) Start engine and warm it up to normal operating temperature.
- 2) Turn ignition switch "OFF" and wait at least 5 seconds.
- 3) Turn ignition switch "ON".
- 4) Select "PURG CN/V & S/V P1493" of "EVAPORATIVE SYSTEM" in "DTC WORK SUPPORT" mode with CONSULT.
- 5) Touch "START".
- 6) Start engine and let it idle for at least 90 seconds.
- 7) When the following conditions are met, "TESTING" will be displayed on the CONSULT screen. Maintain the conditions continuously until "TESTING" changes to "COMPLETED". (It will take at least 30 seconds.)  
**Selector lever: Suitable position**  
**Vehicle speed: 36 - 100 km/h (22 - 62 MPH)**  
**CMPS·RPM (REF): 1,600 - 3,000 rpm**  
**B/FUEL SCHDL: 1 - 4.5 ms**
- 8) Stop vehicle with engine running.
- 9) Select "PURG VOL CN/V P1444" of "EVAPORATIVE SYSTEM" in "DTC WORK SUPPORT" mode with CONSULT.
- 10) Touch "START".  
 If "COMPLETED" is displayed, go to step 12.

- 11) When the following conditions are met, "TESTING" will be displayed on the CONSULT screen. Maintain the conditions continuously until "TESTING" changes to "COMPLETED". (It will take at least 20 seconds.)  
**Selector lever: Suitable position**  
**Vehicle speed: 36 - 100 km/h (22 - 62 MPH)**  
**CMPS·RPM (REF): 1,600 - 3,000 rpm**  
**B/FUEL SCHDL: 1 - 4.5 ms**

##### NOTE:

If "TESTING" is not displayed after 5 minutes, retry from step 2).

- 12) Make sure that "OK" is displayed after touching "SELF-DIAG RESULTS". If "NG" is displayed, refer to "DIAGNOSTIC PROCEDURE", EC-383.

■ PURG CNV&S/V P1493 ■

THIS SUPPORT FUNCTION IS FOR DTC P1493. SEE THE SERVICE MANUAL ABOUT THE OPERATING CONDITION FOR THIS DIAGNOSIS.

EXIT      START

SEF610U

■ PURG CNV&S/V P1493 ■

\*\*\*\*\* OK \*\*\*\*\*

■ SELF-DIAG RESULTS ■

\*\*\*\* NO FAILURE \*\*\*\*

END      PRINT

SEF611U

■ PURG VOL CN/V P1444 ■

THIS SUPPORT FUNCTION IS FOR DTC P1447. SEE THE SERVICE MANUAL ABOUT THE OPERATING CONDITION FOR THIS DIAGNOSIS.

EXIT      START

SEF612U

■ PURG VOL CN/V P1444 ■

**TESTING**

===== MONITOR =====

CMPS·RPM(REF)	1687rpm
THRTL POS SEN	0.74V
B/FUEL SCHDL	2.5msec

SEF853U

■ PURG VOL CN/V P1444 ■

COMPLETED

SELF-DIAG RESULTS

SEF902U

## TROUBLE DIAGNOSIS FOR DTC P1444

### Evaporative Emission (EVAP) Canister Purge Volume Control Valve (Cont'd)

ENGINE SPD .....	825RPM
<b>COOLANT TEMP .....</b>	<b>69°C</b>
VEHICLE SPD .....	0MPH
IGN ADVANCE .....	8.0°
CALC LOAD .....	28.2%
MAP .....	36KPaA
MAF .....	5.20gm/s
THROTTLE POS .....	0.0%
INTAKE AIR .....	27°C
FUEL SYS #1 .....	OLDRIVE
FUEL SYS #2 .....	UNUSED
SHORT FT #1 .....	0.8%
LONG FT #1 .....	0.0%
O2S B1 S1 .....	0.200V
O2FT B1 S1 .....	0.8%
O2S B1 S2 .....	0.010V

SEF519R

OR



- 1) Lift up vehicle.
- 2) Start engine and warm it up to normal operating temperature.
- 3) Select "MODE 1" with GST.
- 4) Check coolant temperature.

**Coolant temperature: 40 - 100°C (104 - 212°F)**

Be sure that water temperature does not exceed 100°C. If it becomes higher than 100°C, cool down the engine and perform the procedure again from the beginning.

- 5) Turn ignition switch "OFF" and wait at least 5 seconds.
- 6) Restart engine and let it idle for at least 100 seconds.
- 7) Maintain the following conditions for at least 80 seconds.

**Gear position: Suitable gear position**

**Vehicle speed: 36 - 100 km/h (22 - 62 MPH)**

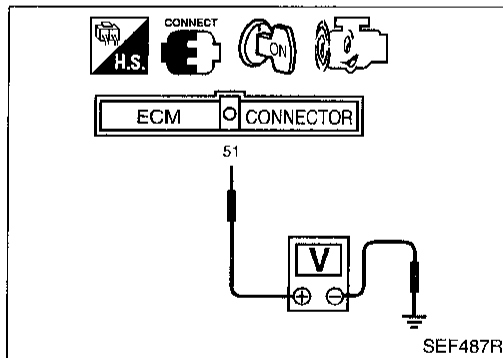
**Engine speed: 1,600 - 3,000 rpm**

**Coolant temperature: 40 - 100°C (104 - 212°F)**

- 8) Select "MODE 7" with GST.

#### NOTE:

- Hold the accelerator pedal as steady as possible during driving in step 7).
- If the driving conditions are not satisfied in step 7), restart the procedure.
- It is better that the fuel level is low.



OR



- 1) Lift up vehicle.
- 2) Start engine and warm it up to normal operating temperature.

- 3) Check voltage between ECM terminal (51) and ground  
**Voltage: 0.8 - 1.5V**

Perform the following procedure before the voltage drops below 0.8V. If the voltage drops below 0.8V, cool down the engine and perform the entire procedure all over again.

- 4) Turn ignition switch "OFF" and wait at least 5 seconds.
- 5) Restart engine and let it idle for at least 100 seconds.
- 6) Maintain the following conditions for at least 80 seconds.

**Gear position: Suitable gear position**

**Vehicle speed: 36 - 100 km/h (22 - 62 MPH)**

**Engine speed: 1,600 - 3,000 rpm**

**Check voltage between ECM terminal (51) and ground: 0.8 - 1.5 V**

- 7) Turn ignition switch "OFF", wait at least 5 seconds, and then turn "ON".

## **TROUBLE DIAGNOSIS FOR DTC P1444**

---

### **Evaporative Emission (EVAP) Canister Purge Volume Control Valve (Cont'd)**

- 8) Perform "Diagnostic Test Mode II (Self-diagnostic results)" with ECM.

**NOTE:**

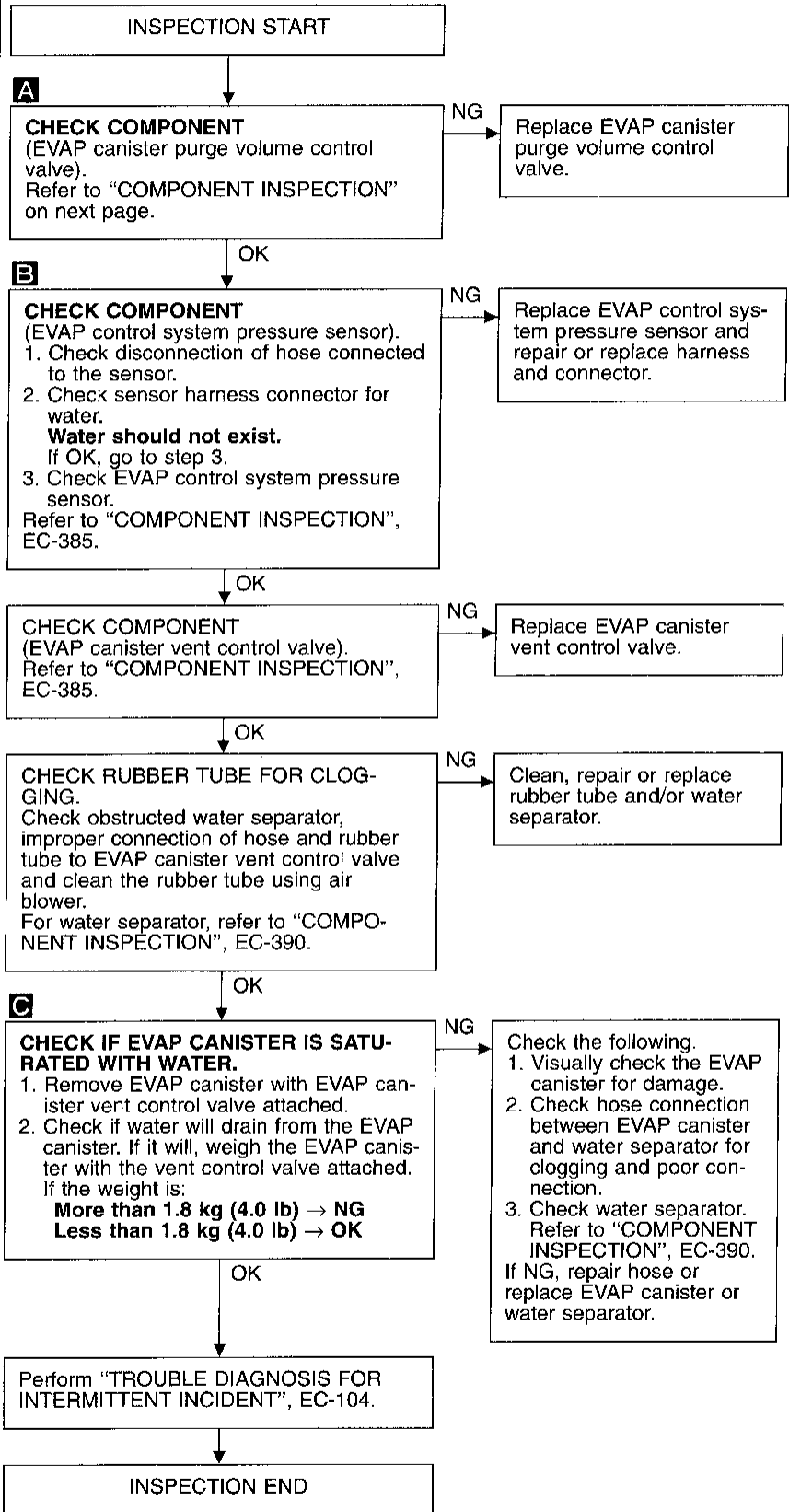
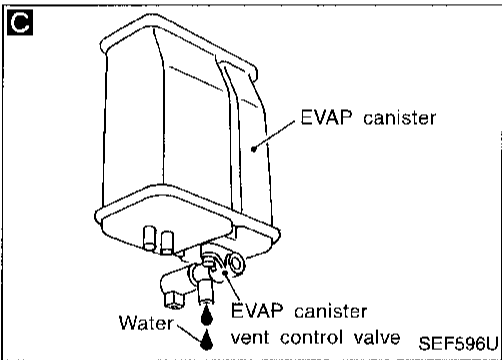
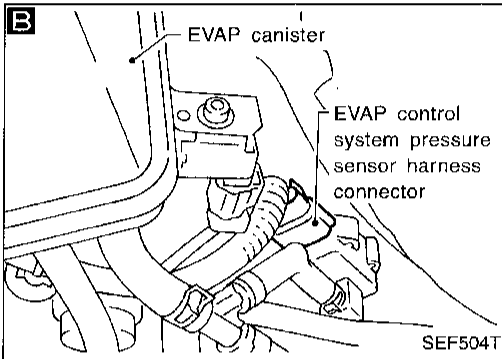
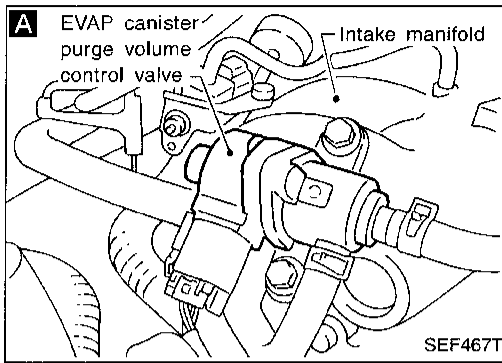
- Hold the accelerator pedal as steady as possible during driving in step 6).
- If the driving conditions are not satisfied in step 6), restart the procedure.
- It is better that the fuel level is low.



# TROUBLE DIAGNOSIS FOR DTC P1444

## Evaporative Emission (EVAP) Canister Purge Volume Control Valve (Cont'd)

### DIAGNOSTIC PROCEDURE



GI

MA

EM

LC

EC

FE

CL

MT

AT

FA

RA

BR

ST

RS

BT

HA

EL

IDX

## TROUBLE DIAGNOSIS FOR DTC P1444

### Evaporative Emission (EVAP) Canister Purge Volume Control Valve (Cont'd)

#### COMPONENT INSPECTION

##### EVAP canister purge volume control valve

1. Disconnect EVAP canister purge volume control valve harness connector.
2. Check resistance between the following terminals.  
terminal ② and terminals ①, ③  
terminal ⑤ and terminals ④, ⑥

##### Resistance:

**Approximately 41Ω [At 20°C (68°F)]**

3. Reconnect EVAP canister purge volume control valve harness connector.
4. Remove EVAP canister purge volume control valve from intake manifold collector and disconnect hoses from the valve.  
(Plug the purge hoses. The EVAP canister purge volume control valve harness connector should remain connected.)
5. Turn ignition switch "ON".
6. Perform "PURG VOL CONT/V" in "ACTIVE TEST" mode with CONSULT. Check that EVAP canister purge volume control valve shaft moves smoothly forward and backward according to the valve opening.  
If NG, replace the EVAP canister purge volume control valve.

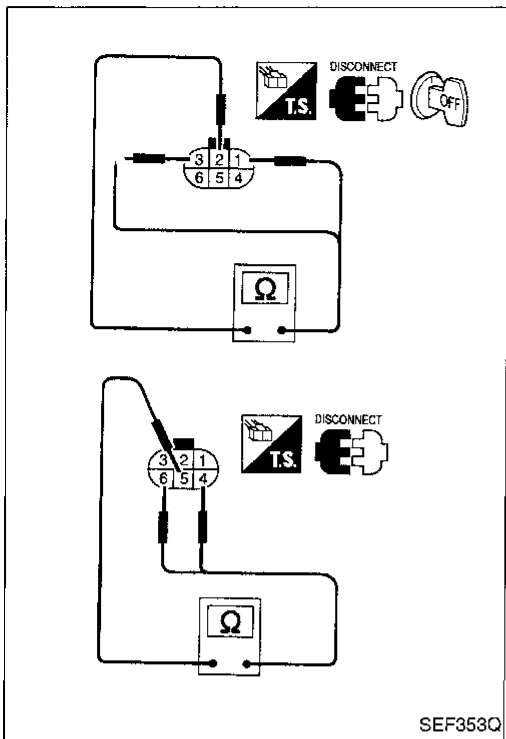
OR

1. Disconnect EVAP canister purge volume control valve harness connector.
2. Check resistance between the following terminals.  
terminal ② and terminals ①, ③  
terminal ⑤ and terminals ④, ⑥

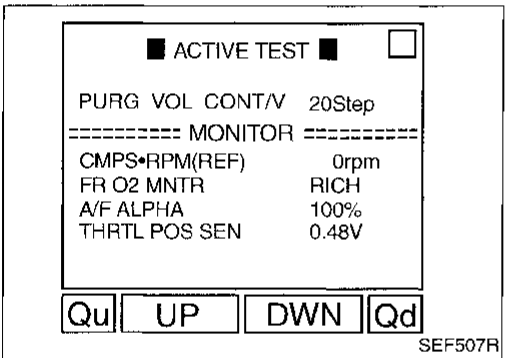
##### Resistance:

**Approximately 41Ω [At 20°C (68°F)]**

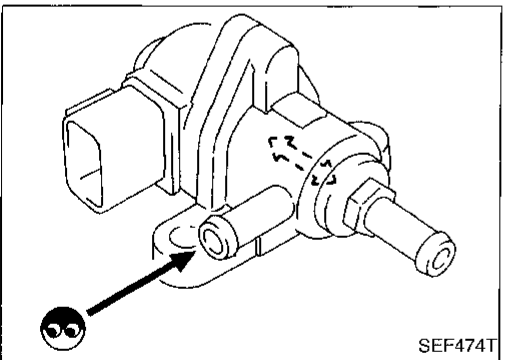
3. Reconnect EVAP canister purge volume control valve harness connector.
4. Remove EVAP canister purge volume control valve from intake manifold collector and disconnect hoses from the valve.  
(Plug the purge hoses. The EVAP canister purge volume control valve harness connector should remain connected.)
5. Turn ignition switch "ON" and "OFF". Check that EVAP canister purge volume control valve shaft moves smoothly forward and backward according to the ignition switch position.  
If NG, replace the EVAP canister purge volume control valve.



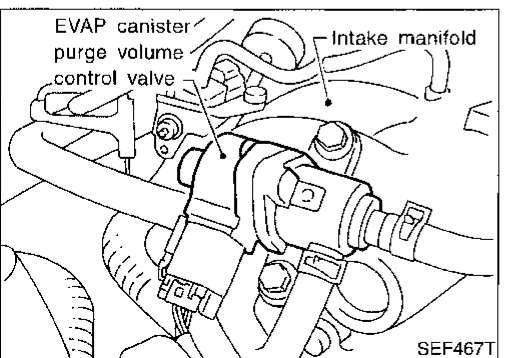
SEF353Q



SEF507R



SEF474T



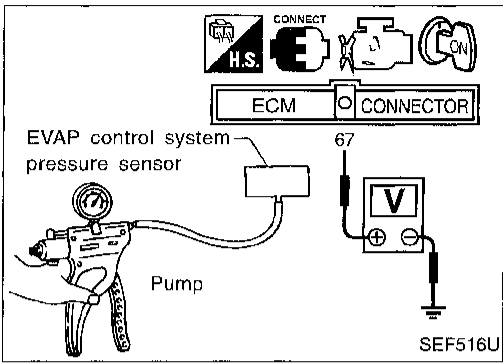
SEF467T

# TROUBLE DIAGNOSIS FOR DTC P1444

## Evaporative Emission (EVAP) Canister Purge Volume Control Valve (Cont'd)

### COMPONENT INSPECTION

#### EVAP control system pressure sensor



1. Remove EVAP control system pressure sensor with its harness connector connected.
2. Remove hose from EVAP control system pressure sensor.
3. Use pump to apply vacuum and pressure to EVAP control system pressure sensor as shown in figure.
4. Check output voltage between ECM terminal 67 and engine ground.

Pressure (Relative to atmospheric pressure)	Voltage (V)
0 kPa (0 mmHg, 0 inHg)	3.0 - 3.6
-9.3 kPa (-70 mmHg, -2.76 inHg)	0.4 - 0.6

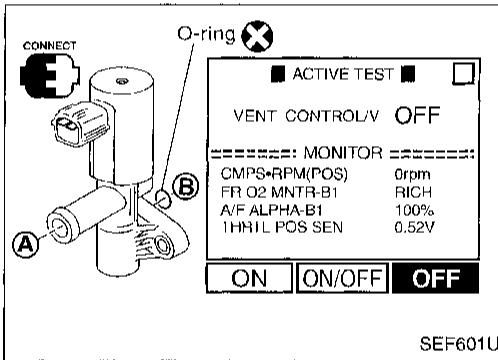
#### CAUTION:

- Always calibrate the vacuum pump gauge when using it.
- Do not apply pressure below -20 kPa (-150 mmHg, -5.91 inHg) or over 20 kPa (150 mmHg, 5.91 inHg).
- 5. If NG, replace EVAP control system pressure sensor.

#### EVAP canister vent control valve

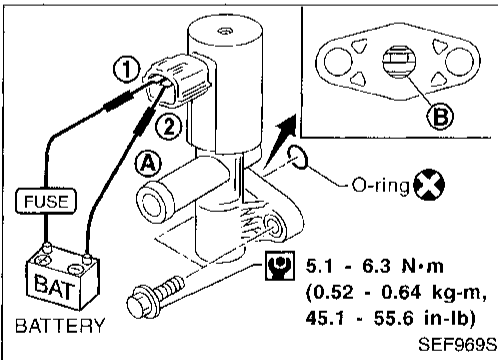
Check air passage continuity.

- Perform "VENT CONTROL/V" in "ACTIVE TEST" mode with CONSULT.



Condition	Air passage continuity between (A) and (B)
VENT CONTROL/V ON	No
VENT CONTROL/V OFF	Yes

OR

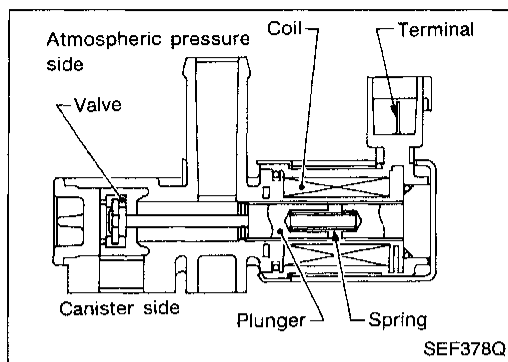


Condition	Air passage continuity between (A) and (B)
12V direct current supply between terminals ① and ②	No
No supply	Yes

If NG, clean valve using air blower or replace as necessary. If the portion (B) is rusted, replace EVAP canister vent control valve.

**Make sure new O-ring is installed properly.**

## TROUBLE DIAGNOSIS FOR DTC P1446



### Evaporative Emission (EVAP) Canister Vent Control Valve (Close)

#### COMPONENT DESCRIPTION

The EVAP canister vent control valve is located on the EVAP canister and is used to seal the canister vent.

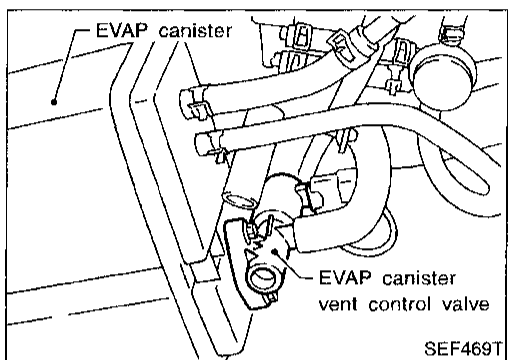
This solenoid (the EVAP canister vent control valve) responds to signals from the ECM.

When the ECM sends an ON signal, the coil in the solenoid valve is energized.

A plunger will then move to seal the canister vent. The ability to seal the vent is necessary for the on board diagnosis of other evaporative emission control system components.

This solenoid valve is used only for diagnosis, and usually remains opened.

When the vent is closed, under normal purge conditions, the evaporative emission control system is depressurized and allows "EVAP Control System (Small Leak)" diagnosis.



#### CONSULT REFERENCE VALUE IN DATA MONITOR MODE

Specification data are reference values

MONITOR ITEM	CONDITION	SPECIFICATION
VENT CONT/V	● Ignition switch: ON	OFF

#### ECM TERMINALS AND REFERENCE VALUE

Specification data are reference values and are measured between each terminal and ④ (ECCS ground).

TER-MINAL NO.	WIRE COLOR	ITEM	CONDITION	DATA (DC Voltage)
108	PU/W	EVAP canister vent control valve	Ignition switch "ON"	BATTERY VOLTAGE (11 - 14V)

#### ON BOARD DIAGNOSIS LOGIC

Diagnostic Trouble Code No.	Malfunction is detected when ....	Check Items (Possible Cause)
P1446 0215	● EVAP canister vent control valve remains closed under specified driving conditions.	<ul style="list-style-type: none"> <li>● EVAP canister vent control valve</li> <li>● EVAP control system pressure sensor and the circuit</li> <li>● Blocked rubber tube to EVAP canister vent control valve</li> <li>● Water separator</li> <li>● EVAP canister is saturated with water.</li> </ul>

# TROUBLE DIAGNOSIS FOR DTC P1446

★ MONITOR	★ NO FAIL	<input type="checkbox"/>
CMPS•RPM(REF)	1500rpm	
COOLAN TEMP/S	85°C	
VHCL SPEED SEN	0km/h	
THRTL POS SEN	1.68V	
B/FUEL SCHDL	1.0msec	

SEF336U

## Evaporative Emission (EVAP) Canister Vent Control Valve (Close) (Cont'd)

### DIAGNOSTIC TROUBLE CODE CONFIRMATION PROCEDURE

#### CAUTION:

Always drive vehicle at a safe speed.

#### NOTE:

If "DIAGNOSTIC TROUBLE CODE CONFIRMATION PROCEDURE" has been previously conducted, always turn ignition switch "OFF" and wait at least 5 seconds before conducting the next test.



- 1) Turn ignition switch "ON".
- 2) Select "DATA MONITOR" mode with CONSULT.
- 3) Start engine.
- 4) Drive vehicle at a speed of approximately 80 km/h (50 MPH) for a maximum of 15 minutes.

#### NOTE:

If a malfunction exists, NG result may reveal soon.

OR



- 1) Start engine.
- 2) Drive vehicle at a speed of approximately 80 km/h (50 MPH) for 15 minutes.
- 3) Select "MODE 7" with GST.

OR



- 1) Start engine.
- 2) Drive vehicle at a speed of approximately 80 km/h (50 MPH) for 15 minutes.
- 3) Turn ignition switch "OFF" and wait at least 5 seconds.
- 4) Turn ignition switch "ON" and perform "DIAGNOSTIC TEST MODE (Self-diagnostic results)" with ECM.

GI

MA

EM

LC

EC

FE

CL

MT

AT

FA

RA

BR

ST

RS

BT

HA

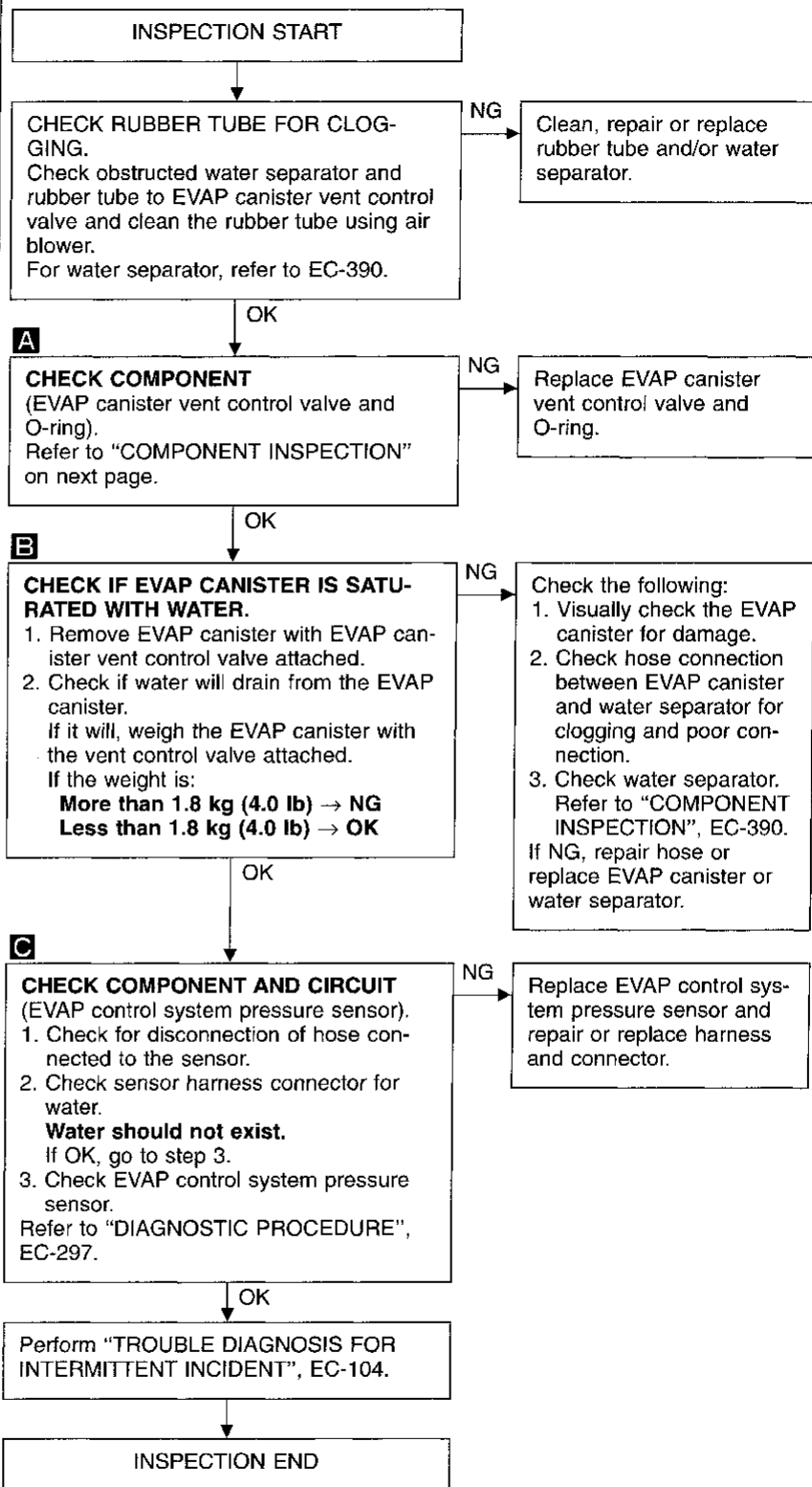
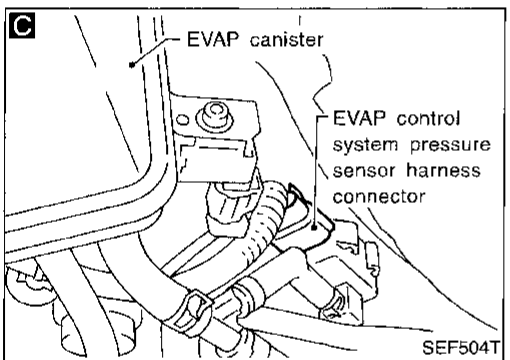
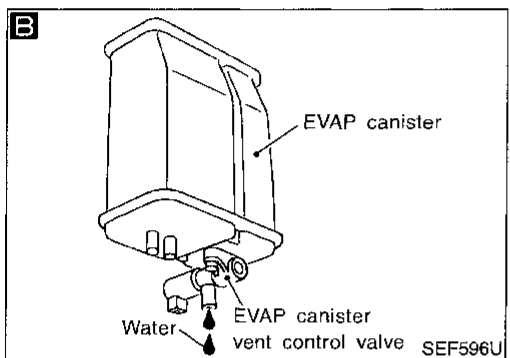
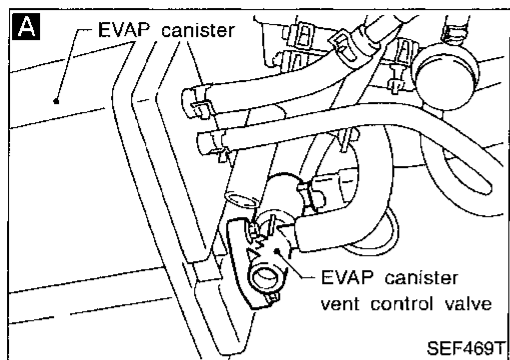
EL

IDX

# TROUBLE DIAGNOSIS FOR DTC P1446

## Evaporative Emission (EVAP) Canister Vent Control Valve (Close) (Cont'd)

### DIAGNOSTIC PROCEDURE



# TROUBLE DIAGNOSIS FOR DTC P1446

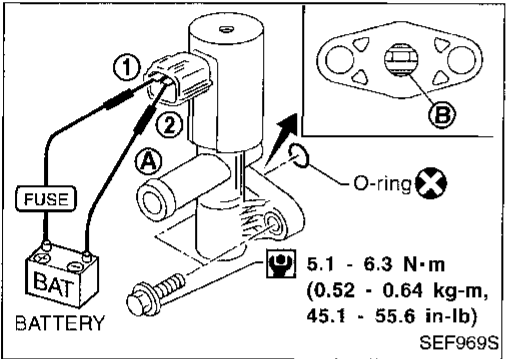
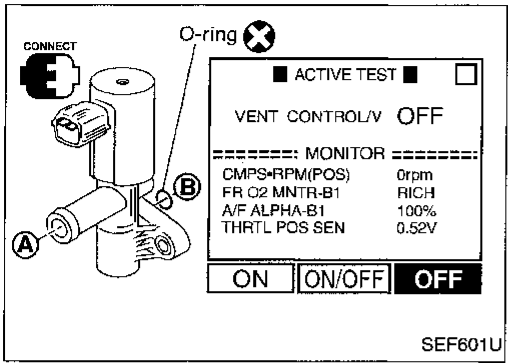
## Evaporative Emission (EVAP) Canister Vent Control Valve (Close) (Cont'd)

### COMPONENT INSPECTION

#### EVAP canister vent control valve

Check air passage continuity.

① Perform "VENT CONTROL/V" in "ACTIVE TEST" mode.



Condition VENT CONTROL/V	Air passage continuity between (A) and (B)
ON	No
OFF	Yes

OR

Condition	Air passage continuity between (A) and (B)
12V direct current supply between terminals ① and ②	No
No supply	Yes

If NG, clean valve using air blower or replace as necessary.  
If the portion (B) is rusted, replace EVAP canister vent control valve.

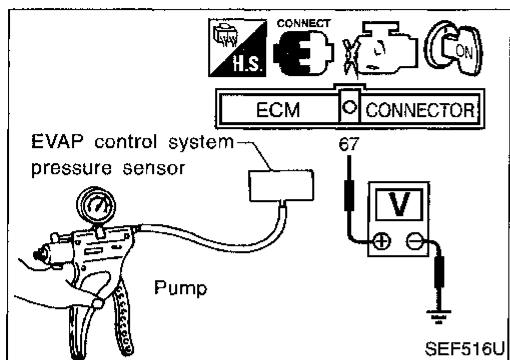
**Make sure new O-ring is installed properly.**

GI  
MA  
EM  
LC  
EC  
FE  
CL  
MT  
AT  
FA  
RA  
BR  
ST  
RS  
BT  
HA  
EL  
IDX

## TROUBLE DIAGNOSIS FOR DTC P1446

### Evaporative Emission (EVAP) Canister Vent Control Valve (Close) (Cont'd)

#### EVAP control system pressure sensor

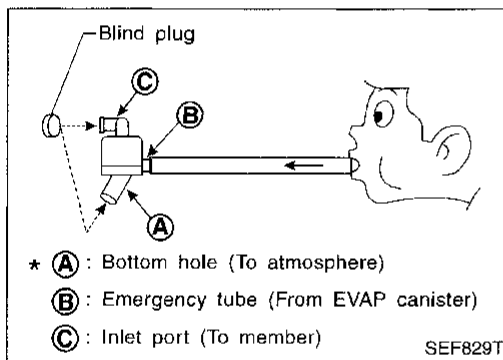


1. Remove EVAP control system pressure sensor with its harness connector connected.
2. Remove hose from EVAP control system pressure sensor.
3. Use pump to apply vacuum and pressure to EVAP control system pressure sensor as shown in figure.
4. Check output voltage between ECM terminal 67 and engine ground.

Pressure (Relative to atmospheric pressure)	Voltage (V)
0 kPa (0 mmHg, 0 inHg)	3.0 - 3.6
-9.3 kPa (-70 mmHg, -2.76 inHg)	0.4 - 0.6

#### CAUTION:

- Always calibrate the vacuum pump gauge when using it.
- Do not apply pressure below -20 kPa (-150 mmHg, -5.91 inHg) or over 20 kPa (150 mmHg, 5.91 inHg).
- 5. If NG, replace EVAP control system pressure sensor.



#### Water separator

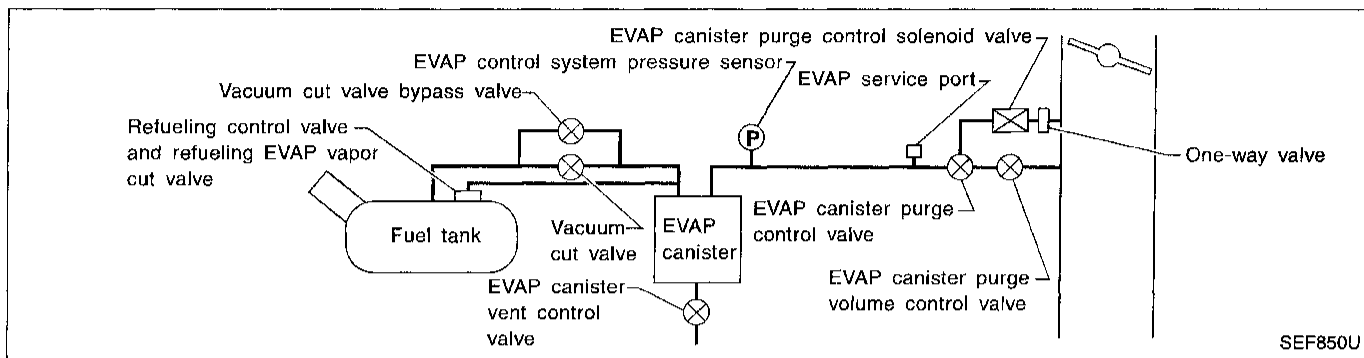
1. Check visually for insect nests in the water separator air inlet.
  2. Check visually for cracks or flaws in the appearance.
  3. Check visually for cracks or flaws in the hose.
  4. Check that (A) and (C) are not clogged by blowing air into (B) with (A), and then (C) plugged.
  5. In case of NG in items 2 - 4, replace the parts.
- Do not disassemble water separator.



# TROUBLE DIAGNOSIS FOR DTC P1447

## Evaporative Emission (EVAP) Control System Purge Flow Monitoring

**Note: If both DTC P0510 and P1447 are displayed, perform TROUBLE DIAGNOSIS FOR DTC P0510 first. (See EC-311.)**



### SYSTEM DESCRIPTION

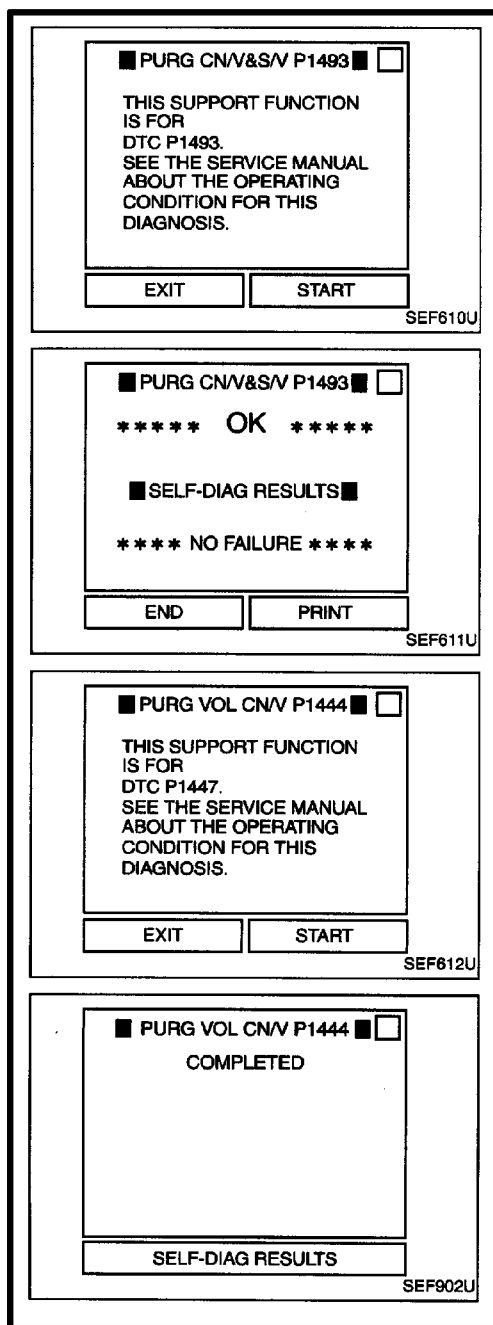
In this evaporative emission (EVAP) control system, purge flow occurs during non-vehicle stopped conditions (M/T models) and non-closed throttle conditions. Purge volume is related to air intake volume. Under normal purge conditions (non-closed throttle), the EVAP canister purge volume control valve and EVAP canister purge control valve are open. Purge flow exposes the EVAP control system pressure sensor to intake manifold vacuum.

### ON BOARD DIAGNOSIS LOGIC

Under normal conditions (non-closed throttle), sensor output voltage indicates if pressure drop and purge flow are adequate. If not, a fault is determined.

Diagnostic Trouble Code No.	Malfunction is detected when ....	Check Items (Possible Cause)
P1447 0111	<ul style="list-style-type: none"> <li>● EVAP control system does not operate properly.</li> <li>● EVAP control system has a leak between intake manifold and EVAP control system pressure sensor.</li> </ul>	<ul style="list-style-type: none"> <li>● EVAP canister purge volume control valve stuck closed</li> <li>● EVAP canister purge control valve stuck closed</li> <li>● EVAP control system pressure sensor and the circuit</li> <li>● Loose, disconnected or improper connection of rubber tube</li> <li>● Blocked rubber tube</li> <li>● EVAP canister purge control solenoid valve</li> <li>● Blocked or bent rubber tube to MAP/BARO switch solenoid valve</li> <li>● Cracked EVAP canister</li> <li>● Closed throttle position switch</li> <li>● Improper connection of one-way valve</li> <li>● Blocked purge port</li> <li>● EVAP canister vent control valve</li> </ul>

## TROUBLE DIAGNOSIS FOR DTC P1447



### Evaporative Emission (EVAP) Control System Purge Flow Monitoring (Cont'd)

#### DIAGNOSTIC TROUBLE CODE CONFIRMATION PROCEDURE

##### CAUTION:

Always drive vehicle at a safe speed.

##### NOTE:

If "DIAGNOSTIC TROUBLE CODE CONFIRMATION PROCEDURE" has been previously conducted, always turn ignition switch "OFF" and wait at least 5 seconds before conducting the next test.

##### TESTING CONDITION:

Always perform test at a temperature of 5°C (41°F) or more.

- 1) Start engine and warm it up to normal operating temperature.
- 2) Turn ignition switch "OFF" and wait at least 5 seconds.
- 3) Start engine and let it idle for at least 1 minute.
- 4) Select "PURG CNV & S/V P1493" of "EVAPORATIVE SYSTEM" in "DTC WORK SUPPORT" mode with CONSULT.
- 5) Touch "START".
- 6) When the following conditions are met, "TESTING" will be displayed on the CONSULT screen. Maintain the conditions continuously until "TESTING" changes to "COMPLETED". (It will take at least 30 seconds.)  
**CMPS-RPM (REF): 1,600 - 3,000 rpm**  
**Selector lever: Suitable position**  
**Vehicle speed: 36 - 100 km/h (22 - 62 MPH)**  
**B/FUEL SCHDL: 1 - 4.5 ms**

If "TESTING" is not displayed after 5 minutes, retry from step 2).

- 7) Make sure that "OK" is displayed after touching "SELF-DIAG RESULTS" and go to the following step. If "NG" is displayed, refer to "DIAGNOSTIC PROCEDURE" of "TROUBLE DIAGNOSIS FOR DTC P1493", EC-423.
  - 8) Select "PURG VOL C/V P1444" of "EVAPORATIVE SYSTEM" in "DTC WORK SUPPORT" mode with CONSULT.
  - 9) Touch "START".  
If "COMPLETED" is displayed, go to step 11.
  - 10) When the following conditions are met, "TESTING" will be displayed on the CONSULT screen. Maintain the conditions continuously until "TESTING" changes to "COMPLETED". (It will take at least 20 seconds.)  
**CMPS-RPM (REF): 1,600 - 3,000 rpm**  
**Selector lever: Suitable position**  
**Vehicle speed: 36 - 100 km/h (22 - 62 MPH)**  
**B/FUEL SCHDL: 1 - 4.5 ms**
- If "TESTING" is not displayed after 5 minutes, retry from step 2).

SMA98-052 '98 SENTRA/200SX AUGUST 1997 (05) SM8E-OB14UO

← ARROW INDICATES AMENDED INFORMATION

## TROUBLE DIAGNOSIS FOR DTC P1447

### Evaporative Emission (EVAP) Control System Purge Flow Monitoring (Cont'd)

■ PURG FLOW P1447 ■

OUT OF CONDITION

===== MONITOR =====

CMPS-RPM(REF)	1062rpm
THRTL POS SEN	0.59V
B/FUEL SCHDL	1.2msec

SEF250V

■ PURG FLOW P1447 ■

TESTING

===== MONITOR =====

CMPS-RPM(REF)	2375rpm
THRTL POS SEN	0.72V
B/FUEL SCHDL	2.1msec

SEF251V

■ PURG FLOW P1447 ■

COMPLETED

SELF-DIAG RESULTS

SEF905U



- 11) Make sure that "OK" is displayed after touching "SELF-DIAG RESULTS" and go to the following step. If "NG" is displayed, refer to "DIAGNOSTIC PROCEDURE" of "TROUBLE DIAGNOSIS FOR DTC P1444", EC-378.
  - 12) Select "PURG FLOW P1447" of "EVAPORATIVE SYSTEM" in "DTC CONFIRMATION" mode with CONSULT.
  - 13) Touch "START".
  - 14) When the following conditions are met, "TESTING" will be displayed on the CONSULT screen. Maintain the conditions continuously until "TESTING" changes to "COMPLETED". (It will take at least 35 seconds.)  
**Selector lever: Suitable position**  
**Vehicle speed: 30 - 100 km/h (19 - 62 MPH)**  
**CMPS-RPM (REF): 1,000 - 3,000 rpm**  
**Engine coolant temperature: 70 - 100°C (158 - 212°F)**
- If "TESTING" is not displayed after 5 minutes, retry from step 2).
- 15) Make sure that "OK" is displayed after touching "SELF-DIAG RESULTS". If "NG" is displayed, refer to "DIAGNOSTIC PROCEDURE", EC-395.

SMA98-052 '98 SENTRA/200SX AUGUST 1997 (05) SM8E-OB14UO



ARROW INDICATES AMENDED INFORMATION

## TROUBLE DIAGNOSIS FOR DTC P1447

### Evaporative Emission (EVAP) Control System Purge Flow Monitoring (Cont'd)

OR

#### OVERALL FUNCTION CHECK

Use this procedure to check the overall monitoring function of the EVAP control system purge flow. During this check, a 1st trip DTC might not be confirmed.



- 1) Lift up drive wheels.
- 2) Start engine and warm it up to normal operating temperature.
- 3) Turn ignition switch "OFF" and wait at least 5 seconds.
- 4) Start engine and wait at least 70 seconds.
- 5) Set voltmeter probes to ECM terminals ⑥7 (EVAP control system pressure sensor signal) and ④3 (ground).
- 6) Check EVAP control system pressure sensor value at idle speed.
- 7) Establish and maintain the following conditions for at least 1 minute.

**Air conditioner switch: ON**

**Steering wheel: Fully turned**

**Headlamp switch: ON**

**Rear window defogger switch: ON**

**Engine speed: Approx. 3,000 rpm**

**Gear position:**

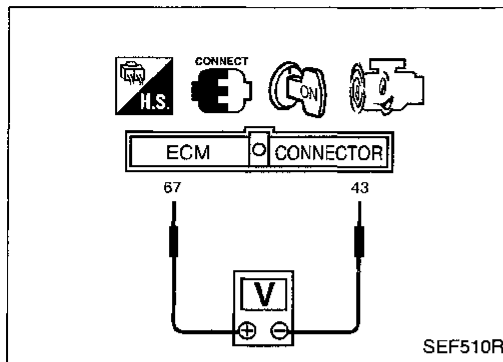
**M/T models**

**Any position other than "Neutral" or "Reverse"**

**A/T models**

**Any position other than "P", "N" or "R"**

Verify that EVAP control system pressure sensor value stays 0.1V less than the value at idle speed for at least 1 second.



# TROUBLE DIAGNOSIS FOR DTC P1447

## Evaporative Emission (EVAP) Control System Purge Flow Monitoring (Cont'd)

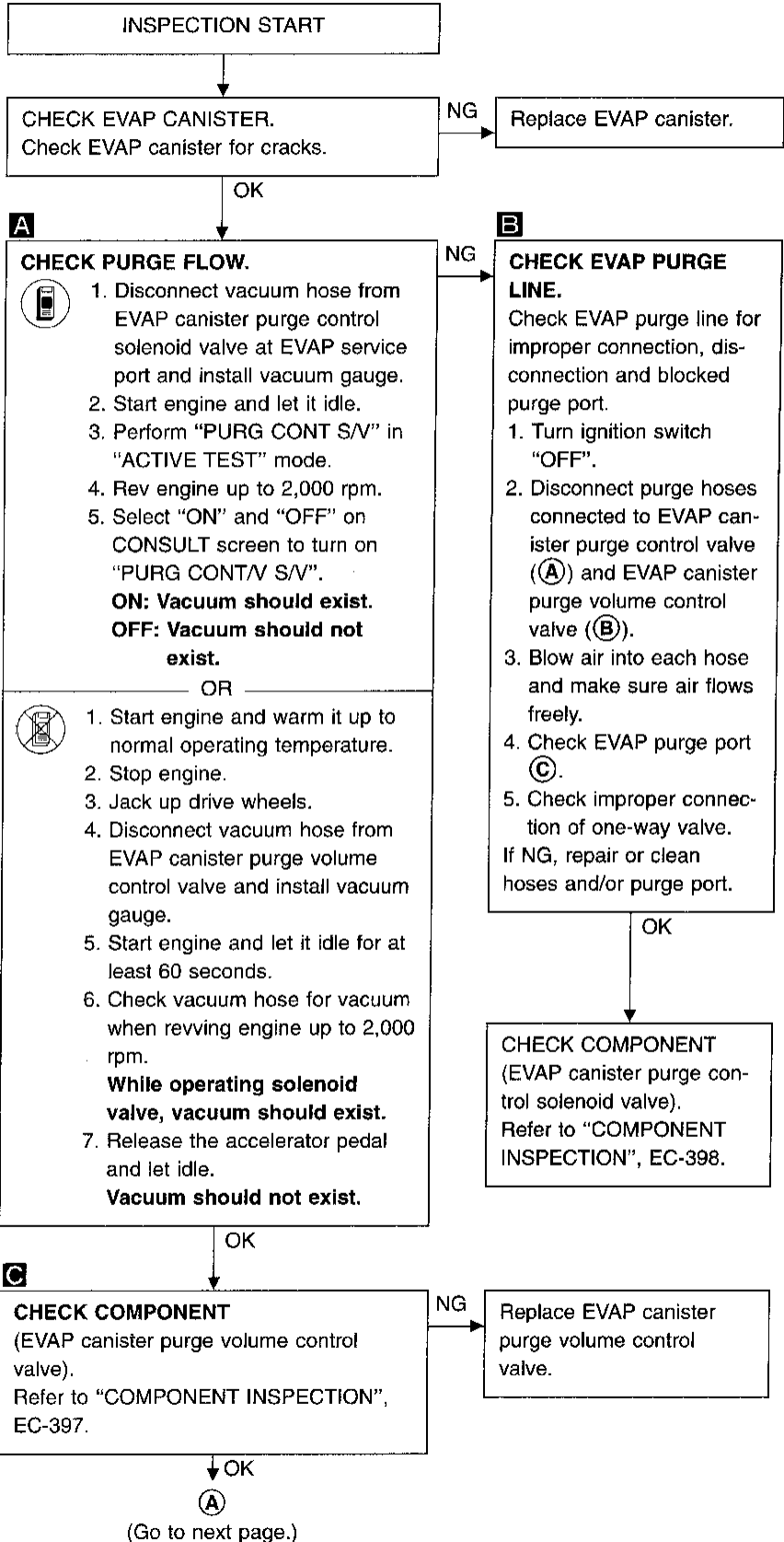
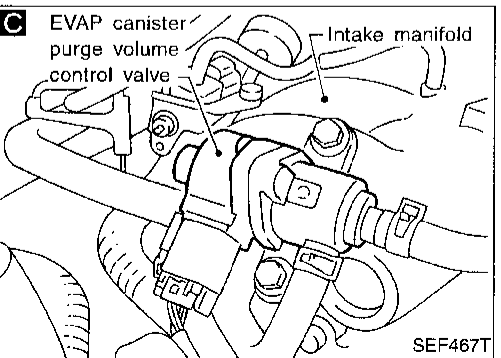
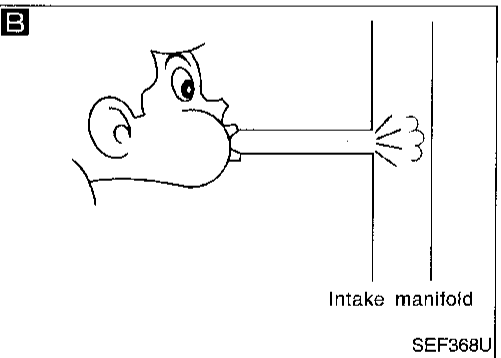
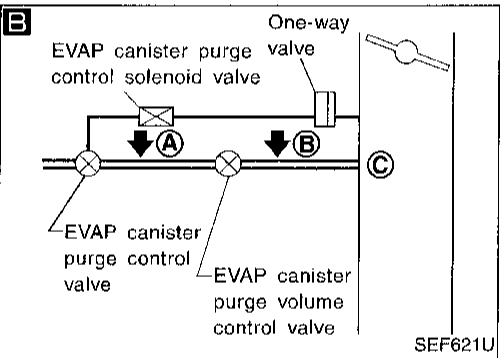
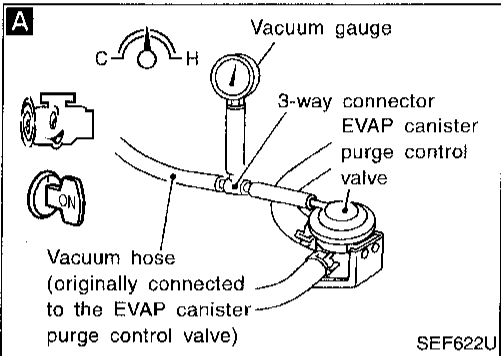
### DIAGNOSTIC PROCEDURE

**A**

■ ACTIVE TEST ■ □	
PURG CONT S/V	ON
(PURG CONT VAC)	VC ON
===== MONITOR =====	
CMPS•RPM(POS)	2000rpm
CLSD THL/P SW	OFF
PURG CONT S/V	ON

ON ON/OFF OFF

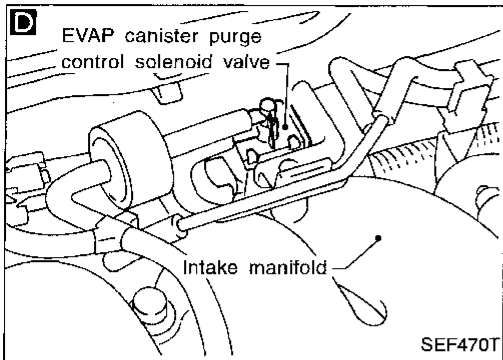
SEF620U



GI  
MA  
EM  
LC  
EC  
FE  
CL  
MT  
AT  
FA  
RA  
BR  
ST  
RS  
BT  
HA  
EL  
IDX

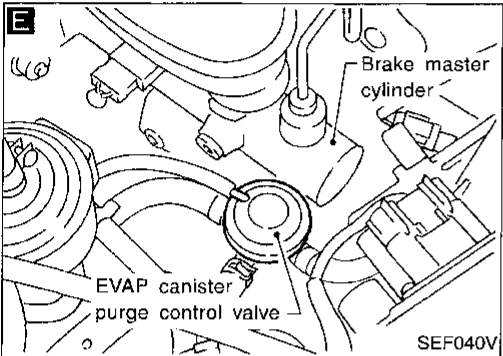
# TROUBLE DIAGNOSIS FOR DTC P1447

## Evaporative Emission (EVAP) Control System Purge Flow Monitoring (Cont'd)



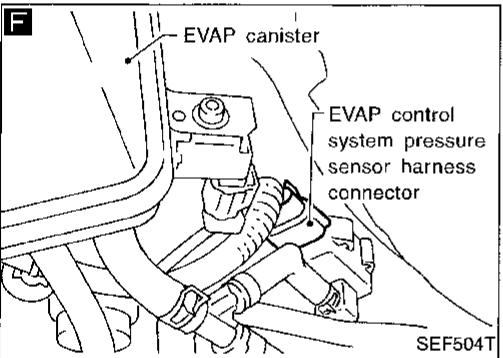
**D**  
**CHECK COMPONENT**  
 (EVAP canister purge control solenoid valve).  
 Refer to "COMPONENT INSPECTION", EC-398.

NG → Replace EVAP canister purge control solenoid valve.



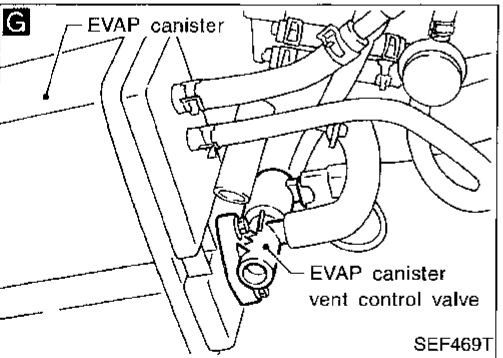
**E**  
**CHECK COMPONENT**  
 (EVAP canister purge control valve).  
 Refer to "COMPONENT INSPECTION", EC-398.

NG → Replace EVAP canister purge control valve.



**F**  
**CHECK COMPONENT**  
 (EVAP control system pressure sensor).  
 1. Check disconnection of hose connected to the sensor.  
 2. Check sensor harness connector for water.  
**Water should not exist.**  
 If OK, go to step 3.  
 3. Check EVAP control system pressure sensor.  
 Refer to "COMPONENT INSPECTION", EC-399.

NG → Replace EVAP control system pressure sensor and repair or replace harness and connector.



**G**  
**CHECK COMPONENT**  
 (EVAP canister vent control valve and O-ring).  
 Refer to "COMPONENT INSPECTION", EC-404.

NG → Replace EVAP canister vent control valve and O-ring.

**CHECK EVAP PURGE LINE.**  
 Inspect EVAP purge line (pipe and rubber tube). Check for evidence of leaks.

NG → Replace it.

Clean EVAP purge line (pipe and rubber tube) using air blower.

Perform "TROUBLE DIAGNOSIS FOR INTERMITTENT INCIDENT", EC-104.

INSPECTION END

# TROUBLE DIAGNOSIS FOR DTC P1447

## Evaporative Emission (EVAP) Control System Purge Flow Monitoring (Cont'd)

### COMPONENT INSPECTION

#### EVAP canister purge volume control valve

- 1) Disconnect EVAP canister purge volume control valve harness connector.
- 2) Check resistance between the following terminals.  
terminal ② and terminals ①, ③  
terminal ⑤ and terminals ④, ⑥

#### Resistance:

**Approximately 41Ω [At 20°C (68°F)]**

- 3) Reconnect EVAP canister purge volume control valve harness connector.
- 4) Remove EVAP canister purge volume control valve from intake manifold collector and disconnect hoses from the valve.  
(Plug the purge hoses. The EVAP canister purge volume control valve harness connector should remain connected.)
- 5) Turn ignition switch "ON".
- 6) Perform "PURG VOL CONT/V" in "ACTIVE TEST" mode with CONSULT. Check that EVAP canister purge volume control valve shaft moves smoothly forward and backward according to the valve opening.

If NG, replace the EVAP canister purge volume control valve.

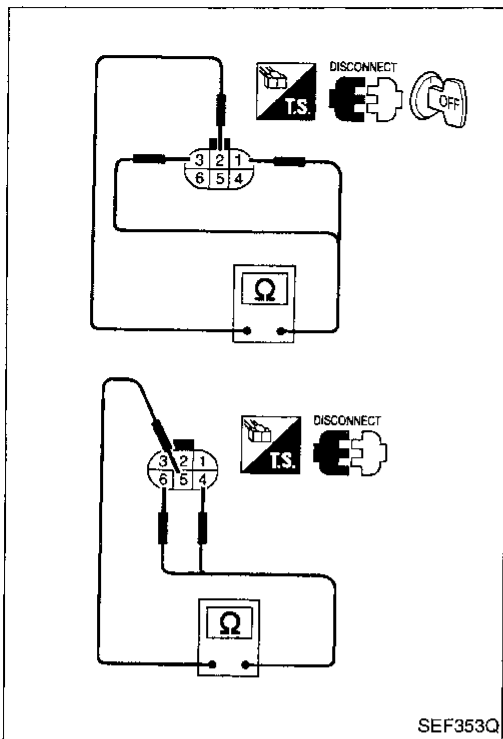
OR

- 1) Disconnect EVAP canister purge volume control valve harness connector.
- 2) Check resistance between the following terminals.  
terminal ② and terminals ①, ③  
terminal ⑤ and terminals ④, ⑥

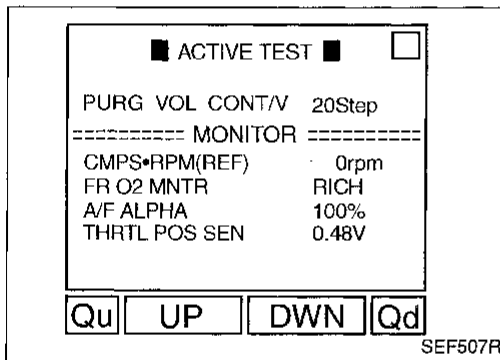
#### Resistance:

**Approximately 41Ω [At 20°C (68°F)]**

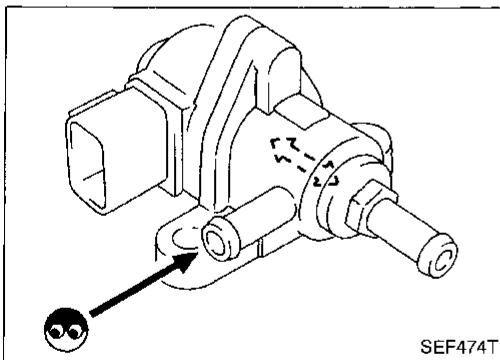
- 3) Reconnect EVAP canister purge volume control valve harness connector.
- 4) Remove EVAP canister purge volume control valve from intake manifold collector and disconnect hoses from the valve.  
(Plug the purge hoses. The EVAP canister purge volume control valve harness connector should remain connected.)
- 5) Turn ignition switch "ON" and "OFF". Check that EVAP canister purge volume control valve shaft moves smoothly forward and backward according to the ignition switch position.  
If NG, replace the EVAP canister purge volume control valve.



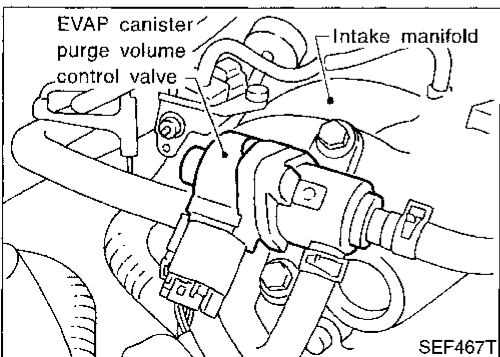
SEF353Q



SEF507R



SEF474T



SEF467T

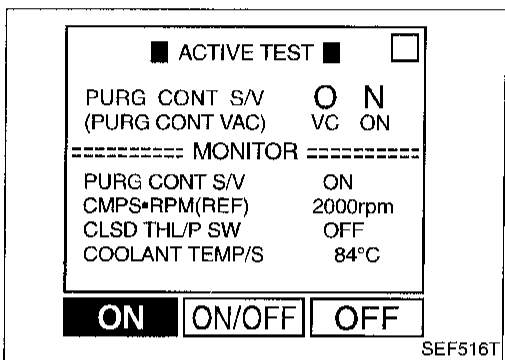
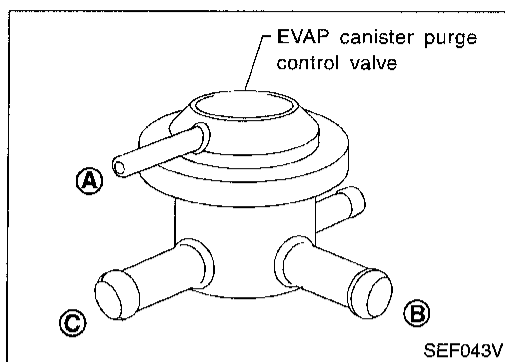
## TROUBLE DIAGNOSIS FOR DTC P1447

### Evaporative Emission (EVAP) Control System Purge Flow Monitoring (Cont'd)

#### EVAP canister purge control valve

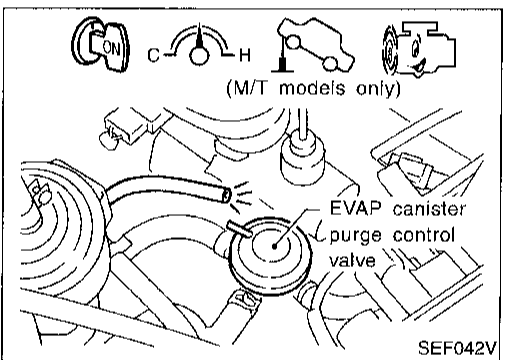
Check EVAP canister purge control valve as follows:

1. Blow air in port (A), (B) and (C), then ensure that there is no leakage.
2. Apply vacuum to port (A). [Approximately -13.3 to -20.0 kPa (-100 to -150 mmHg, -3.94 to -5.91 inHg)]  
Blow air in port (C) and ensure free flow out of port (B).



#### EVAP canister purge control solenoid valve

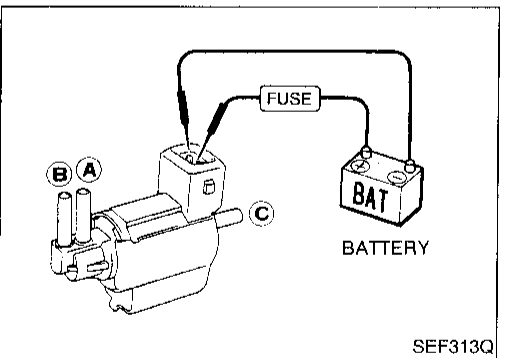
1. Jack up driving wheels (M/T models only).
2. Turn ignition switch "ON".
3. Select "PURG CONT S/V" of "ACTIVE TEST" mode with CONSULT.
4. Start engine and warm it up to normal operating temperature.
5. Disconnect vacuum hose at EVAP canister purge control valve.
6. Touch "ON" and "OFF" and check for vacuum passing through the hose.



Condition	Vacuum
Idle	Not exist
2,000 rpm (A/T models) 2,000 rpm with 1 gear position (M/T models)	Exist

OR

- Check air passage continuity.



Condition	Air passage continuity between (A) and (B)	Air passage continuity between (A) and (C)
12V direct current supply between terminals	Yes	No
No supply	No	Yes

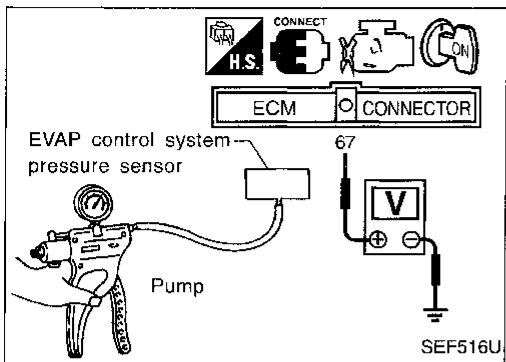
If NG, replace solenoid valve.



## TROUBLE DIAGNOSIS FOR DTC P1447

### Evaporative Emission (EVAP) Control System Purge Flow Monitoring (Cont'd)

#### EVAP control system pressure sensor

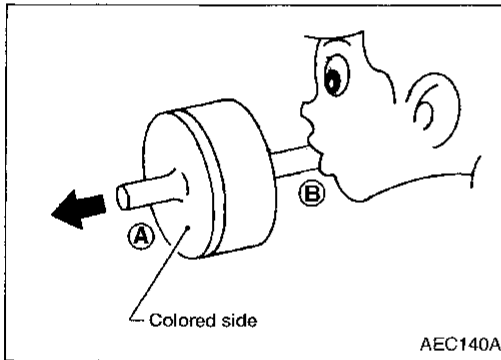


1. Remove EVAP control system pressure sensor with its harness connector connected.
2. Remove hose from EVAP control system pressure sensor.
3. Use pump to apply vacuum and pressure to EVAP control system pressure sensor as shown in figure.
4. Check output voltage between ECM terminal 67 and engine ground.

Pressure (Relative to atmospheric pressure)	Voltage (V)
0 kPa (0 mmHg, 0 inHg)	3.0 - 3.6
-9.3 kPa (-70 mmHg, -2.76 inHg)	0.4 - 0.6

#### CAUTION:

- Always calibrate the vacuum pump gauge when using it.
  - Do not apply pressure below -20 kPa (-150 mmHg, -5.91 inHg) or over 20 kPa (150 mmHg, 5.91 inHg).
5. If NG, replace EVAP control system pressure sensor.



#### One-way valve

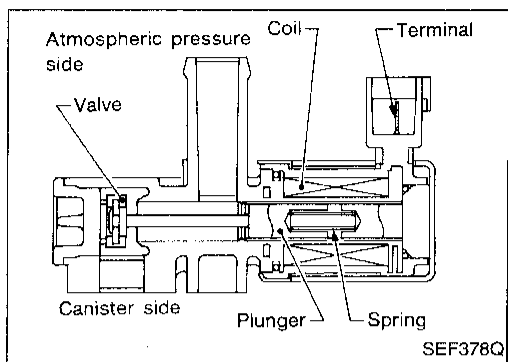
Check one-way valve air passage continuity.

Condition	Air passage continuity
Blow air into side B to A	Yes
Blow air into side A to B	No

If NG, replace one-way valve.

**Make sure to install one-way valve with the colored side facing the vacuum.**

## TROUBLE DIAGNOSIS FOR DTC P1448



### Evaporative Emission (EVAP) Canister Vent Control Valve (Open)

#### COMPONENT DESCRIPTION

##### NOTE:

If DTC P0440 or P1440 is displayed with P1448, perform **TROUBLE DIAGNOSIS FOR DTC P1448** first.

The EVAP canister vent control valve is located on the EVAP canister and is used to seal the canister vent.

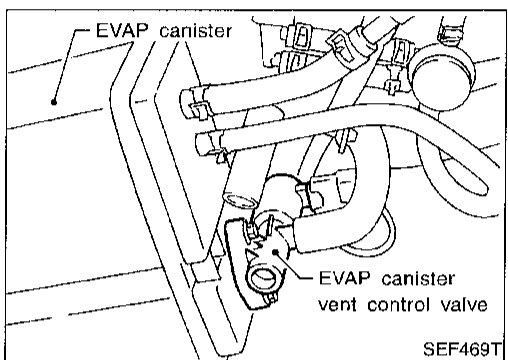
This solenoid (the EVAP canister vent control valve) responds to signals from the ECM.

When the ECM sends an ON signal, the coil in the solenoid valve is energized.

A plunger will then move to seal the canister vent. The ability to seal the vent is necessary for the on board diagnosis of other evaporative emission control system components.

This solenoid valve is used only for diagnosis, and usually remains opened.

When the vent is closed, under normal purge conditions, the evaporative emission control system is depressurized and allows "EVAP Control System (Small Leak)" diagnosis.



#### CONSULT REFERENCE VALUE IN DATA MONITOR MODE

Specification data are reference values

MONITOR ITEM	CONDITION	SPECIFICATION
VENT CONT/V	● Ignition switch: ON	OFF

#### ECM TERMINALS AND REFERENCE VALUE

Specification data are reference values and are measured between each terminal and ④3 (ECCS ground).

TER-MINAL NO.	WIRE COLOR	ITEM	CONDITION	DATA (DC voltage)
108	PU/W	EVAP canister vent control valve	Ignition switch "ON"	BATTERY VOLTAGE (11 - 14V)

#### ON BOARD DIAGNOSIS LOGIC

Diagnostic Trouble Code No.	Malfunction is detected when ....	Check Items (Possible Cause)
P1448 0309	● EVAP canister vent control valve remains opened under specified driving conditions.	<ul style="list-style-type: none"> <li>● EVAP canister vent control valve</li> <li>● EVAP control system pressure sensor</li> <li>● Blocked rubber tube to EVAP canister vent control valve</li> <li>● Water separator</li> <li>● EVAP canister is saturated with water.</li> <li>● Vacuum cut valve</li> </ul>

## TROUBLE DIAGNOSIS FOR DTC P1448

### Evaporative Emission (EVAP) Canister Vent Control Valve (Open) (Cont'd)

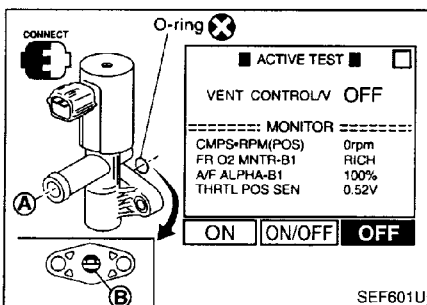
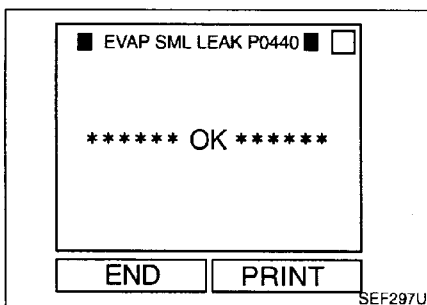
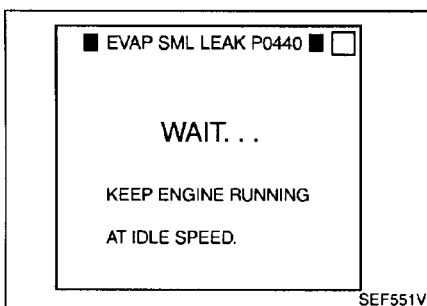
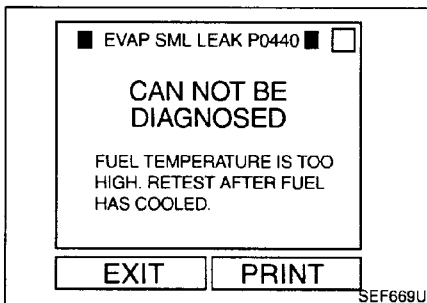
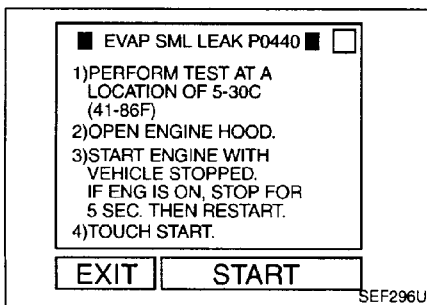
#### DIAGNOSTIC TROUBLE CODE CONFIRMATION PROCEDURE

**NOTE:**

- If DTC P1448 is displayed with P0440 or P1440, perform TROUBLE DIAGNOSIS FOR DTC P1448 first.
- If "DIAGNOSTIC TROUBLE CODE CONFIRMATION PROCEDURE" has been previously conducted, always turn ignition switch "OFF" and wait at least 5 seconds before conducting the next test.

**TESTING CONDITION:**

- Perform "DTC WORK SUPPORT" when the fuel level is less than 3/4 full and vehicle is placed on flat level surface.
- Always perform test at a temperature of 5 to 30°C (41 to 86°F).
- It is better than the fuel level is low.



- 1) Turn ignition switch "ON"
  - 2) Turn ignition switch "OFF" and wait at least 5 seconds.
  - 3) Turn ignition switch "ON" and select "DATA MONITOR" mode with CONSULT.
  - 4) Make sure that the following conditions are met.  
**COOLAN TEMP/S: 0 - 70°C (32 - 158°F)**  
**INT/A TEMP SE: 5 - 60°C (41 - 140°F)**
  - 5) Select "EVAP SML LEAK P0440" of "EVAPORATIVE SYSTEM" in "DTC WORK SUPPORT" mode with CONSULT. Follow the instruction displayed.
- NOTE:**
- If the CONSULT screen shown at left is displayed, stop the engine and stabilize the vehicle temperature at 25°C (77°F) or cooler. After "TANK F/TMP SE" becomes less than 30°C (86°F), retest. (Use a fan to reduce the stabilization time.)
  - If the engine speed cannot be maintained within the range displayed on CONSULT screen, go to "Basic Inspection", EC-82.
  - The engine idle portion of this test (See illustration at left.) will take approximately 5 minutes.
- 6) Make sure that "OK" is displayed. If "NG" is displayed, go to the following step.
- NOTE:**  
 Make sure that EVAP hoses are connected to EVAP canister purge volume control solenoid valve properly.
- 7) Stop engine and wait at least 5 seconds, then turn "ON".
  - 8) Disconnect hose from water separator.
  - 9) Select "VENT CONTROL/V" of "ACTIVE TEST" mode with CONSULT.
  - 10) Touch "ON" and "OFF" alternately.
  - 11) Make sure of the following.

Condition	Air passage continuity between (A) and (B)
Touching "ON"	No
Touching "OFF"	Yes

If the result is NG, go to "DIAGNOSTIC PROCEDURE", EC-403.  
 If the result is OK, go to "DIAGNOSTIC PROCEDURE" for "TROUBLE DIAGNOSIS FOR DTC P0440", EC-275.

SMA98-154 '98 SENTRA/200SX AUGUST 1997(05) SM8E-OB14UO

← ARROW INDICATES AMENDED INFORMATION

## TROUBLE DIAGNOSIS FOR DTC P1448

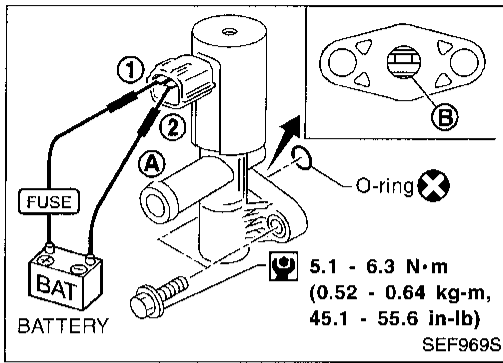
### Evaporative Emission (EVAP) Canister Vent Control Valve (Open) (Cont'd)

OR

#### OVERALL FUNCTION CHECK

Use this procedure to check the overall function of the EVAP canister vent control valve circuit. During this check, a DTC might not be confirmed.

- 1) Disconnect hose from water separator.
- 2) Disconnect EVAP canister vent control valve harness connector.
- 3) Verify the following.



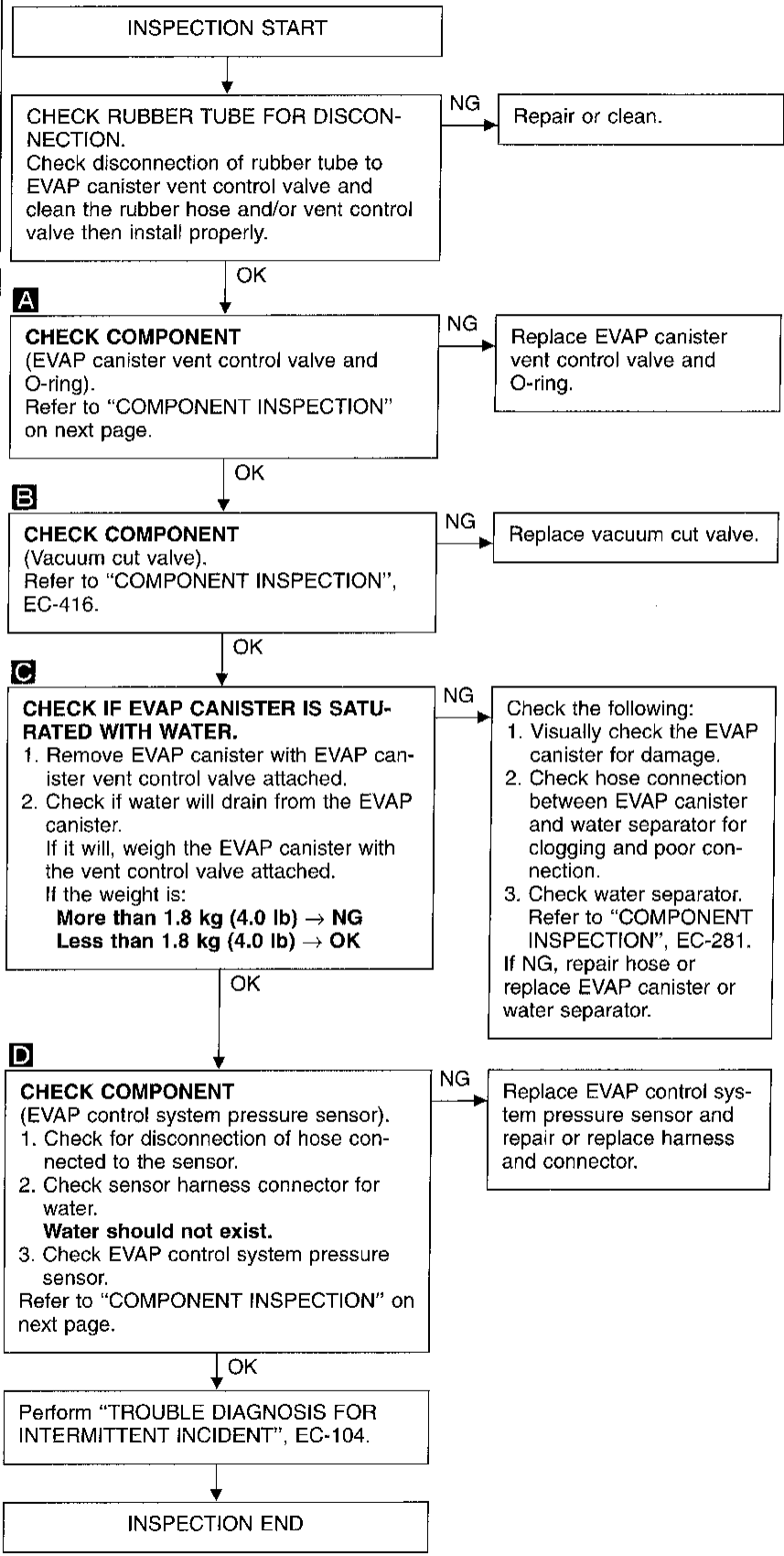
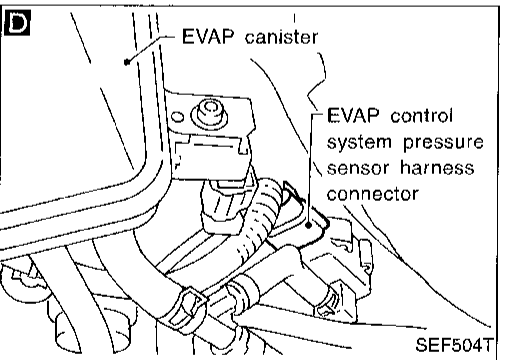
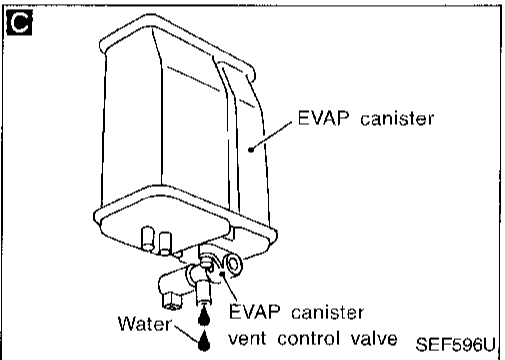
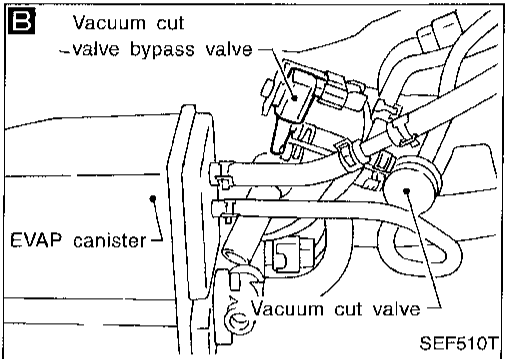
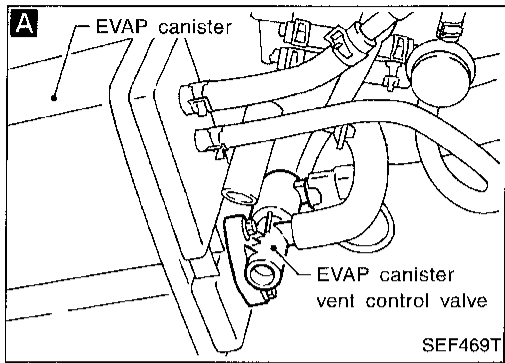
Condition	Air passage continuity
12V direct current supply between terminals ① and ②	No
No supply	Yes

If the result is NG, go to "DIAGNOSTIC PROCEDURE", EC-403.

If the result is OK, go to "TROUBLE DIAGNOSIS FOR DTC P0440", EC-272.

# TROUBLE DIAGNOSIS FOR DTC P1448

## Evaporative Emission (EVAP) Canister Vent Control Valve (Open) (Cont'd) DIAGNOSTIC PROCEDURE



GI  
MA  
EM  
LC  
EC  
FE  
CL  
MT  
AT  
FA  
RA  
BR  
ST  
RS  
BT  
HA  
EL  
IDX

## TROUBLE DIAGNOSIS FOR DTC P1448

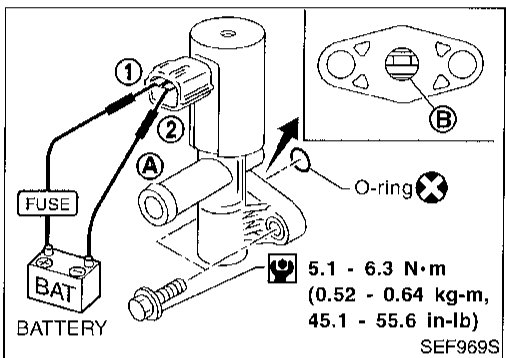
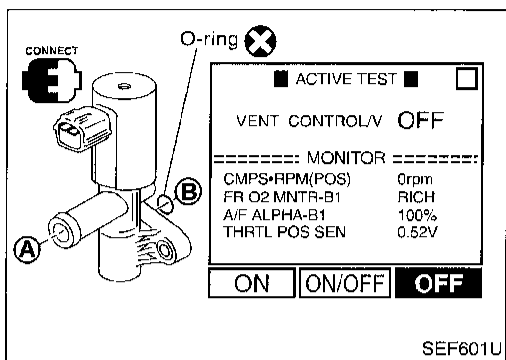
### Evaporative Emission (EVAP) Canister Vent Control Valve (Open) (Cont'd)

#### COMPONENT INSPECTION

#### EVAP canister vent control valve

Check air passage continuity.

Perform "VENT CONTROL/V" in "ACTIVE TEST" mode.



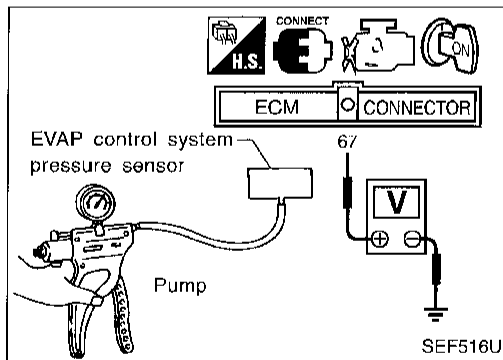
Condition	Air passage continuity between (A) and (B)
VENT CONTROL/V ON	No
VENT CONTROL/V OFF	Yes

OR

Condition	Air passage continuity between (A) and (B)
12V direct current supply between terminals (1) and (2)	No
No supply	Yes

If NG, clean valve using air blower or replace as necessary. If the portion (B) is rusted, replace EVAP canister vent control valve.

**Make sure new O-ring is installed properly.**



#### EVAP control system pressure sensor

1. Remove EVAP control system pressure sensor with its harness connector connected.
2. Remove hose from EVAP control system pressure sensor.
3. Use pump to apply vacuum and pressure to EVAP control system pressure sensor as shown in figure.
4. Check output voltage between ECM terminal (67) and engine ground.

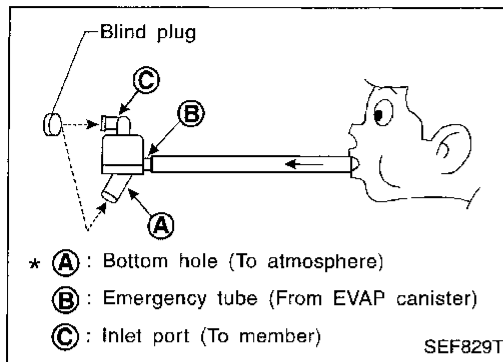
Pressure (Relative to atmospheric pressure)	Voltage (V)
0 kPa (0 mmHg, 0 inHg)	3.0 - 3.6
-9.3 kPa (-70 mmHg, -2.76 inHg)	0.4 - 0.6

#### CAUTION:

- Always calibrate the vacuum pump gauge when using it.
- Do not apply pressure below -20 kPa (-150 mmHg, -5.91 inHg) or over 20 kPa (150 mmHg, 5.91 inHg).
- 5. If NG, replace EVAP control system pressure sensor.

## TROUBLE DIAGNOSIS FOR DTC P1448

### Evaporative Emission (EVAP) Canister Vent Control Valve (Open) (Cont'd)



#### Water separator

1. Check visually for insect nests in water separator air inlet.
  2. Check visually for cracks or flaws in the appearance.
  3. Check visually for cracks or flaws in the hose.
  4. Check that (A) and (C) are not clogged by blowing air into (B) with (A), and then (C) plugged.
  5. In case of NG in items 2 - 4, replace the parts.
- **Do not disassemble water separator.**

GI

MA

EM

LC

**EC**

FE

CL

MT

AT

FA

RA

BR

ST

RS

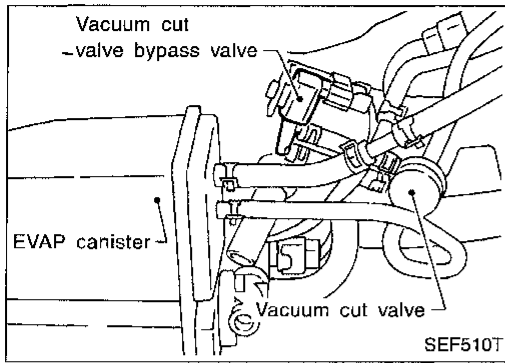
BT

HA

EL

IDX

# TROUBLE DIAGNOSIS FOR DTC P1490



## Vacuum Cut Valve Bypass Valve (Circuit)

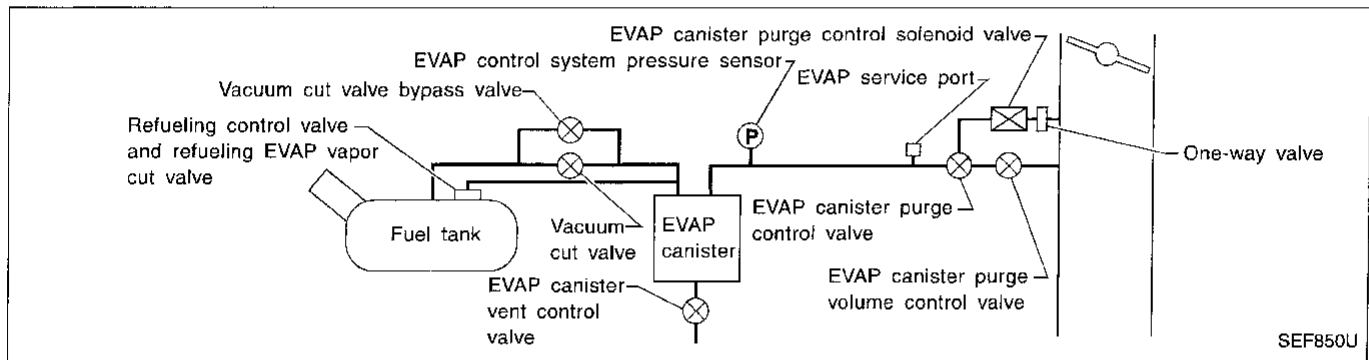
### COMPONENT DESCRIPTION

The vacuum cut valve and vacuum cut valve bypass valve are installed in parallel on the EVAP purge line between the fuel tank and the EVAP canister.

The vacuum cut valve prevents the intake manifold vacuum from being applied to the fuel tank.

The vacuum cut valve bypass valve is a solenoid type valve and generally remains closed. It opens only for on board diagnosis. The vacuum cut valve bypass valve responds to signals from the ECM. When the ECM sends an ON (ground) signal, the valve is opened. The vacuum cut valve is then bypassed to apply intake manifold vacuum to the fuel tank.

## EVAPORATIVE EMISSION SYSTEM DIAGRAM



## CONSULT REFERENCE VALUE IN DATA MONITOR MODE

Specification data are reference values

MONITOR ITEM	CONDITION	SPECIFICATION
VC/V BYPASS/V	● Ignition switch: ON	OFF

## ECM TERMINALS AND REFERENCE VALUE

Specification data are reference values and are measured between each terminal and (43) (ECCS ground).

TER-MINAL NO.	WIRE COLOR	ITEM	CONDITION	DATA (DC voltage)
117	PU/R	Vacuum cut valve bypass valve	Ignition switch "ON"	BATTERY VOLTAGE (11 - 14V)

## ON BOARD DIAGNOSIS LOGIC

Diagnostic Trouble Code No.	Malfunction is detected when ....	Check Items (Possible Cause)
P1490 0801	● An improper voltage signal is sent to ECM through vacuum cut valve bypass valve.	<ul style="list-style-type: none"> <li>● Harness or connectors (The vacuum cut valve bypass valve circuit is open or shorted.)</li> <li>● Vacuum cut valve bypass valve</li> </ul>



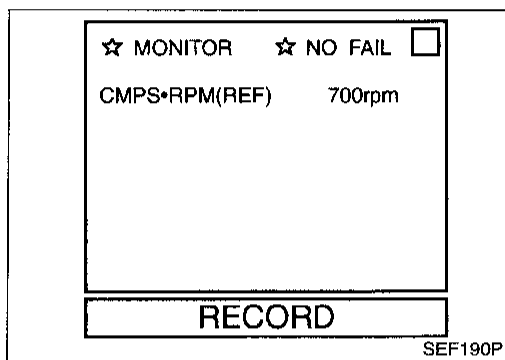
# TROUBLE DIAGNOSIS FOR DTC P1490

## Vacuum Cut Valve Bypass Valve (Circuit) (Cont'd)

### DIAGNOSTIC TROUBLE CODE CONFIRMATION PROCEDURE

#### NOTE:

If "DIAGNOSTIC TROUBLE CODE CONFIRMATION PROCEDURE" has been previously conducted, always turn ignition switch "OFF" and wait at least 5 seconds before conducting the next test.



- 1) Turn ignition switch "ON".
- 2) Select "DATA MONITOR" mode with CONSULT.
- 3) Start engine and wait at least 5 seconds.

OR



- 1) Start engine and wait at least 5 seconds.
- 2) Select "MODE 7" with GST.

OR



- 1) Start engine and wait at least 5 seconds.
- 2) Turn ignition switch "OFF", wait at least 5 seconds and then turn "ON".
- 3) Perform "Diagnostic Test Mode II (Self-diagnostic results)" with ECM.

GI

MA

EM

LC

EC

FE

CL

MT

AT

FA

RA

BR

ST

RS

BT

HA

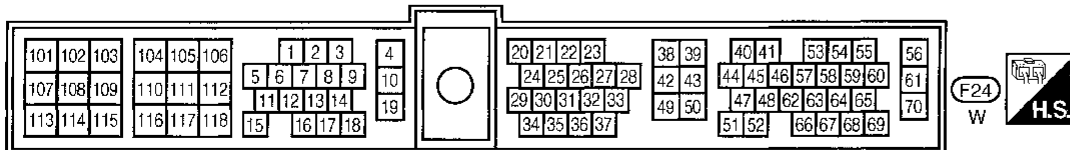
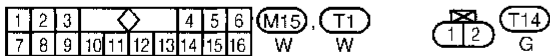
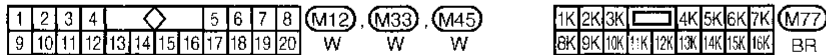
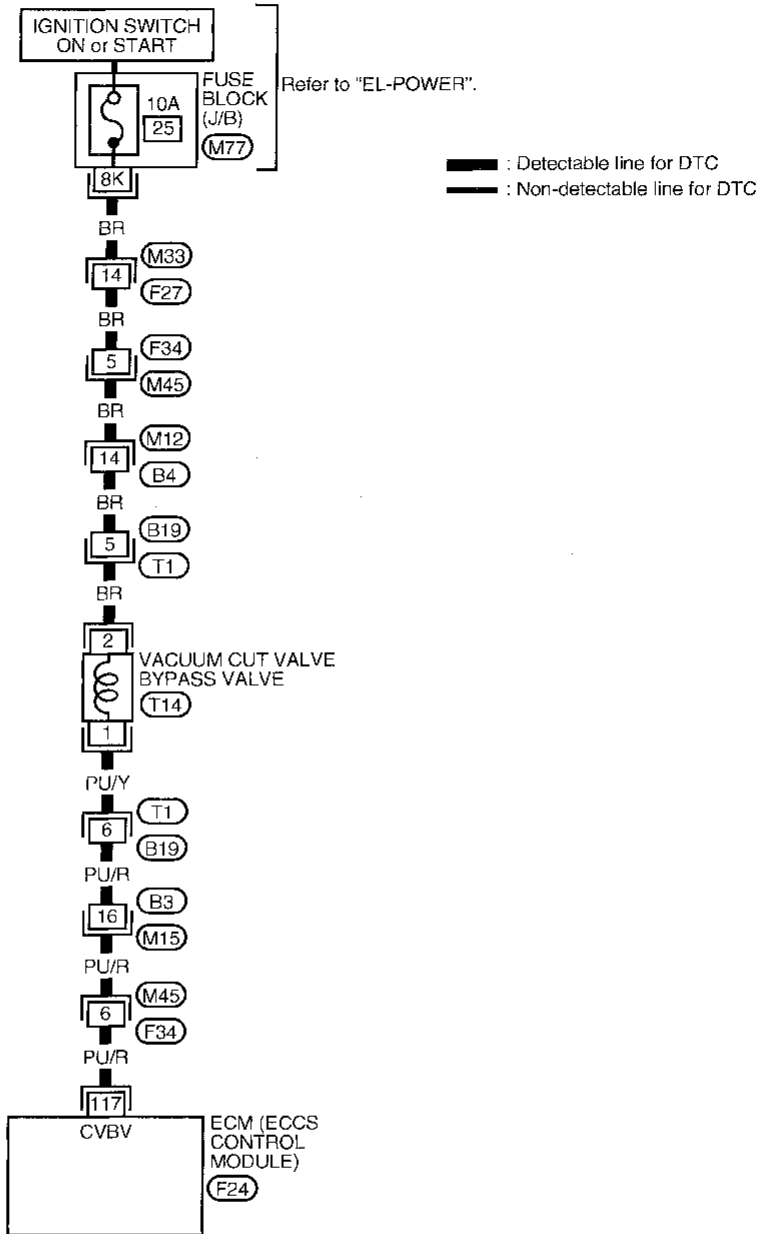
EL

IDX

# TROUBLE DIAGNOSIS FOR DTC P1490

## Vacuum Cut Valve Bypass Valve (Circuit) (Cont'd)

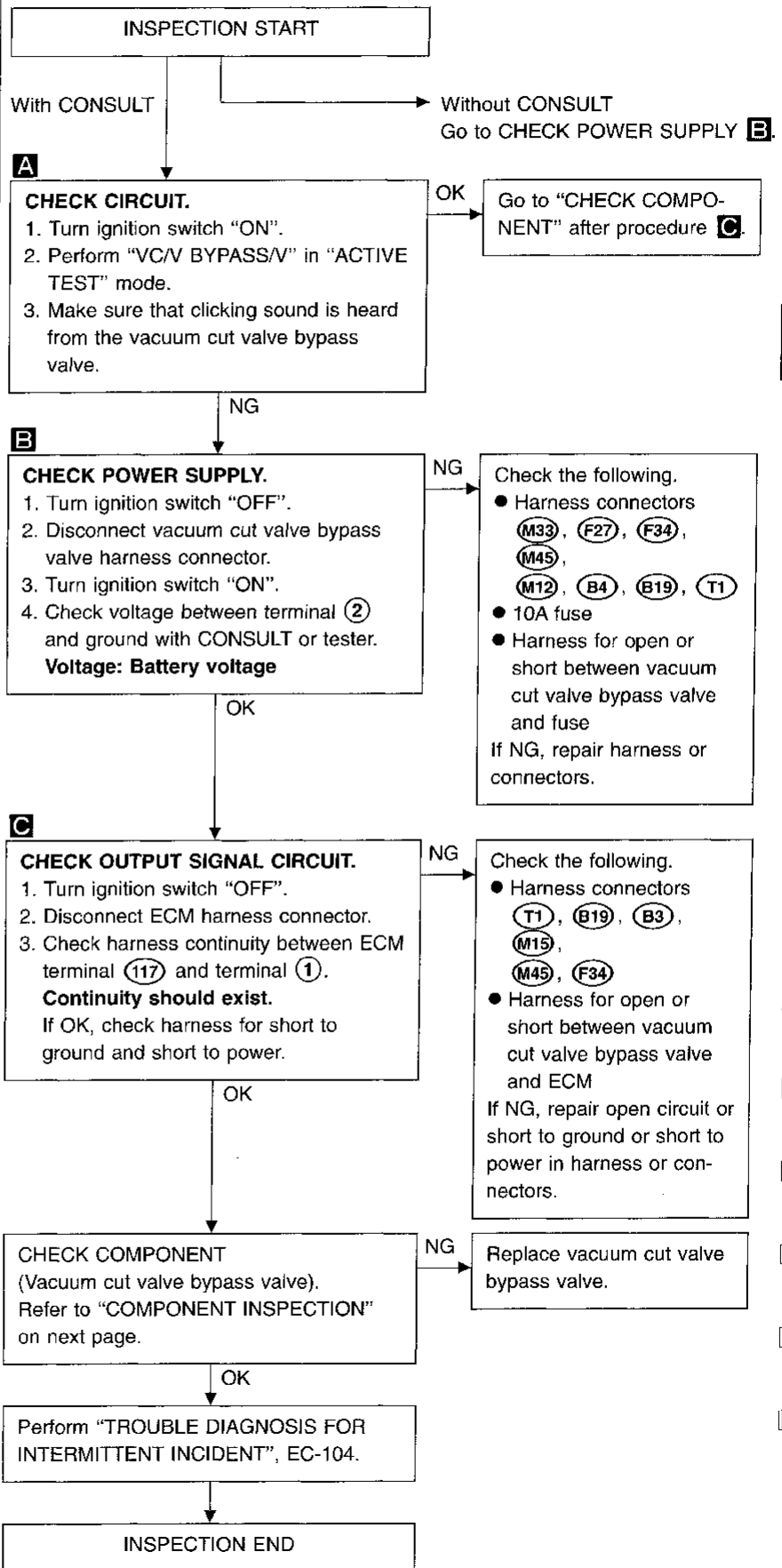
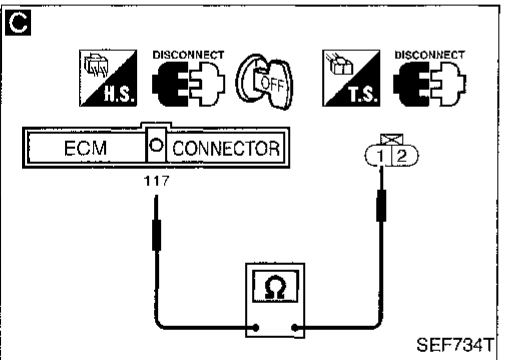
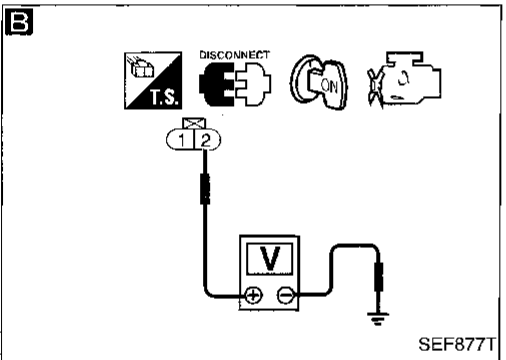
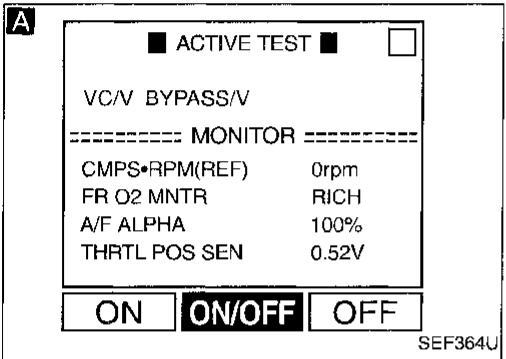
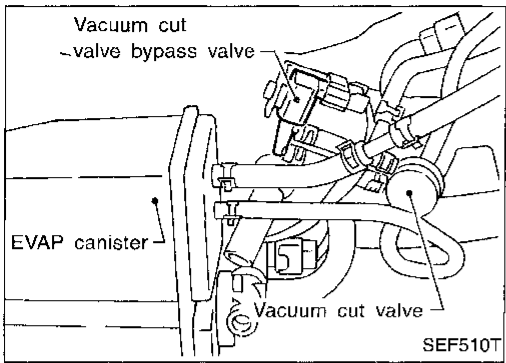
EC-BYPS/V-01



# TROUBLE DIAGNOSIS FOR DTC P1490

## Vacuum Cut Valve Bypass Valve (Circuit) (Cont'd)

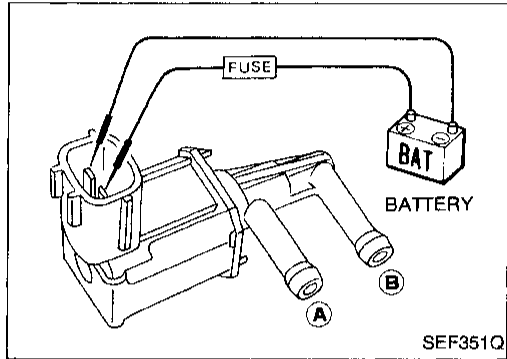
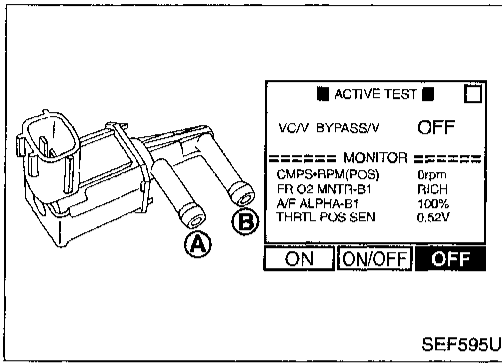
### DIAGNOSTIC PROCEDURE



GI  
MA  
EM  
LC  
**EC**  
FE  
CL  
MT  
AT  
FA  
RA  
BR  
ST  
RS  
BT  
HA  
EL  
IDX

# TROUBLE DIAGNOSIS FOR DTC P1490

## Vacuum Cut Valve Bypass Valve (Circuit) (Cont'd)



### COMPONENT INSPECTION

#### Vacuum cut valve bypass valve

Check air passage continuity.

- ⓘ Perform "VC/V BYPASS/V" in "ACTIVE TEST" mode.

Condition VC/V BYPASS/V	Air passage continuity between (A) and (B)
ON	No
OFF	Yes

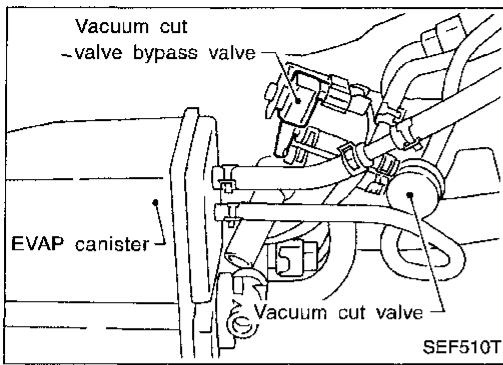
OR



Condition	Air passage continuity between (A) and (B)
12V direct current supply between terminals	Yes
No supply	No

If NG, replace vacuum cut valve bypass valve.

# TROUBLE DIAGNOSIS FOR DTC P1491



## Vacuum Cut Valve Bypass Valve

### COMPONENT DESCRIPTION

The vacuum cut valve and vacuum cut valve bypass valve are installed in parallel on the EVAP purge line between the fuel tank and the EVAP canister.

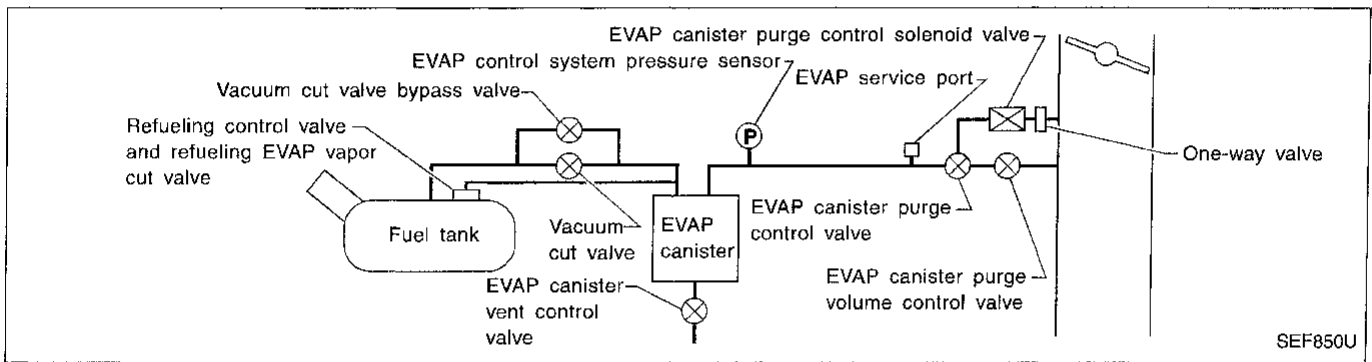
The vacuum cut valve prevents the intake manifold vacuum from being applied to the fuel tank.

The vacuum cut valve bypass valve is a solenoid type valve and generally remains closed. It opens only for on board diagnosis. The vacuum cut valve bypass valve responds to signals from the ECM. When the ECM sends an ON (ground) signal, the valve is opened. The vacuum cut valve is then bypassed to apply intake manifold vacuum to the fuel tank.

GI  
MA  
EM  
LC

**EC**

## EVAPORATIVE EMISSION SYSTEM DIAGRAM



FE  
CL  
MT  
AT

## CONSULT REFERENCE VALUE IN DATA MONITOR MODE

Specification data are reference values

MONITOR ITEM	CONDITION	SPECIFICATION
VC/V BYPASS/V	● Ignition switch: ON	OFF

FA  
RA

## ECM TERMINALS AND REFERENCE VALUE

Specification data are reference values and are measured between each terminal and ④3 (ECCS ground).

TER-MINAL NO.	WIRE COLOR	ITEM	CONDITION	DATA (DC voltage)
117	PU/R	Vacuum cut valve bypass valve	Ignition switch "ON"	BATTERY VOLTAGE (11 - 14V)

BR  
ST  
RS

BT  
HA  
EL  
IDX

# TROUBLE DIAGNOSIS FOR DTC P1491

## Vacuum Cut Valve Bypass Valve (Cont'd)

### ON BOARD DIAGNOSIS LOGIC

Diagnostic Trouble Code No.	Malfunction is detected when ....	Check Items (Possible Cause)
P1491 0311	<ul style="list-style-type: none"> <li>● Vacuum cut valve bypass valve does not operate properly.</li> </ul>	<ul style="list-style-type: none"> <li>● Vacuum cut valve bypass valve</li> <li>● Vacuum cut valve</li> <li>● Bypass hoses for clogging</li> <li>● EVAP control system pressure sensor</li> <li>● EVAP canister vent control valve</li> <li>● Hose between fuel tank and vacuum cut valve clogged</li> <li>● Hose between vacuum cut valve and EVAP canister clogged</li> <li>● EVAP canister</li> <li>● EVAP purge port of fuel tank for clogging</li> <li>● ORVR system leaks</li> </ul>



■ PURG CNV&S/V P1493 ■

THIS SUPPORT FUNCTION IS FOR DTC P1493. SEE THE SERVICE MANUAL ABOUT THE OPERATING CONDITION FOR THIS DIAGNOSIS.

EXIT      START

SEF610U

■ PURG CNV&S/V P1493 ■

\*\*\*\*\* OK \*\*\*\*\*

■ SELF-DIAG RESULTS ■

\*\*\*\*\* NO FAILURE \*\*\*\*\*

END      PRINT

SEF611U

■ PURG VOL CNV/V P1444 ■

THIS SUPPORT FUNCTION IS FOR DTC P1447. SEE THE SERVICE MANUAL ABOUT THE OPERATING CONDITION FOR THIS DIAGNOSIS.

EXIT      START

SEF612U

### DIAGNOSTIC TROUBLE CODE CONFIRMATION PROCEDURE

#### CAUTION:

Always drive vehicle at a safe speed.

#### NOTE:

If "DTC CONFIRMATION PROCEDURE" has been previously conducted, always turn ignition switch "OFF" and wait at least 5 seconds before conducting the next test.

#### TESTING CONDITION:

- Always perform test at a temperature of 5 to 30°C (41 to 86°F).
- This test may be conducted with the drive wheels lifted in the shop or by driving the vehicle. If a road test is expected to be easier, it is unnecessary to lift the vehicle.



- 1) Turn ignition switch "ON".
- 2) Start engine and warm it up to normal operating temperature.
- 3) Turn ignition switch "OFF" and wait at least 5 seconds.
- 4) Start engine and let it idle for at least 1 minute.
- 5) Select "PURG CNV & S/V P1493" of "EVAPORATIVE SYSTEM" in "DTC WORK SUPPORT" mode with CONSULT.
- 6) Touch "START".
- 7) When the following conditions are met, "TESTING" will be displayed on the CONSULT screen. Maintain the conditions continuously until "TESTING" changes to "COMPLETED". (It will take at least 30 seconds.)

**CMPS-RPM (REF): 1,600 - 3,000 rpm**

**Selector lever: Suitable position**

**Vehicle speed: 36 - 100 km/h (22 - 62 MPH)**

**B/FUEL SCHDL: 1 - 4.5 ms**

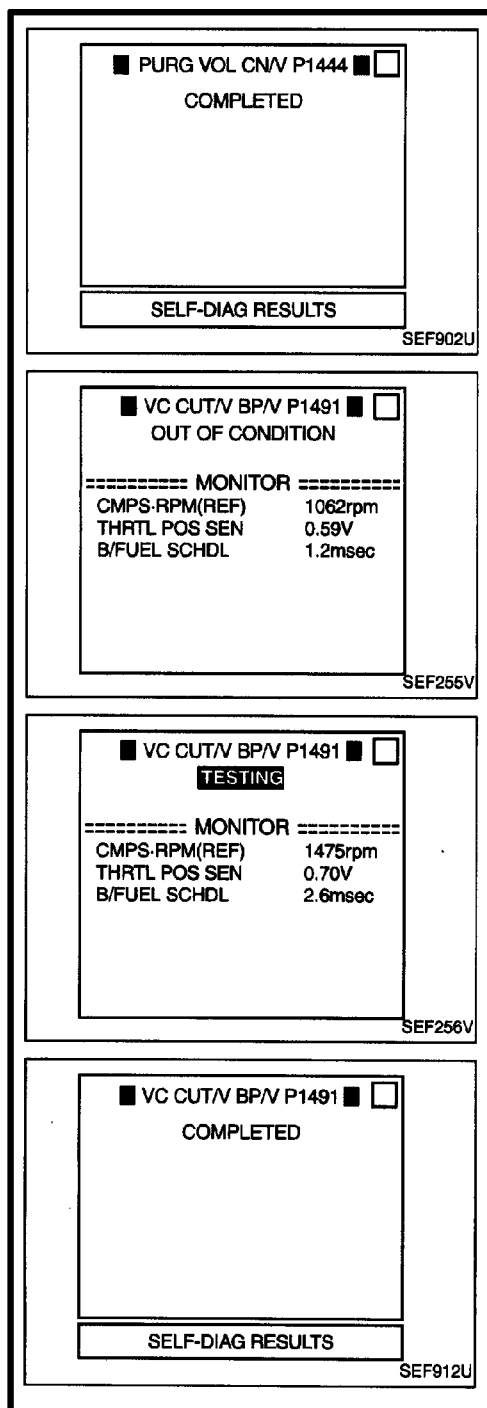
SMA98-053 '98 SENTRA/200SX AUGUST 1997 (05) SM8E-OB14UO



ARROW INDICATES AMENDED INFORMATION

## TROUBLE DIAGNOSIS FOR DTC P1491

### Vacuum Cut Valve Bypass Valve (Cont'd)



If "TESTING" is not displayed after 5 minutes, retry from step 3).

8) Make sure that "OK" is displayed after touching "SELF-DIAG RESULTS" and go to the following step.

If "NG" is displayed, refer to "DIAGNOSTIC PROCEDURE" of "TROUBLE DIAGNOSIS FOR DTC P1493", EC-423.

9) Select "PURG VOL C/V P1444" of "EVAPORATIVE SYSTEM" in "DTC WORK SUPPORT" mode with CONSULT.

10) Touch "START".

If "COMPLETED" is displayed, go to step 12.

11) When the following conditions are met, "TESTING" will be displayed on the CONSULT screen. Maintain the conditions continuously until "TESTING" changes to "COMPLETED". (It will take at least 20 seconds.)

**CMPS-RPM (REF): 1,600 - 3,000 rpm**

**Selector lever: Suitable position**

**Vehicle speed: 36 - 100 km/h (22 - 62 MPH)**

**B/FUEL SCHDL: 1 - 4.5 ms**

If "TESTING" is not displayed after 5 minutes, retry from step 3).

12) Make sure that "OK" is displayed after touching "SELF-DIAG RESULTS" and go to the following step.

If "NG" is displayed, refer to "DIAGNOSTIC PROCEDURE" of "TROUBLE DIAGNOSIS FOR DTC P1444", EC-378.

13) Select "VC/V BYPASS/V P1491" of "EVAPORATIVE SYSTEM" in "DTC WORK SUPPORT" mode with CONSULT.

14) Touch "START".

15) When the following conditions are met, "TESTING" will be displayed on the CONSULT screen. Maintain the conditions continuously until "TESTING" changes to "COMPLETED". (It will take at least 30 seconds.)

**CMPS-RPM (REF): 1,000 - 3,700 rpm**

**Selector lever: Suitable position**

**Vehicle speed: 36 - 100 km/h (22 - 62 MPH)**

**B/FUEL SCHDL: 0.6 - 4.6 ms**

If "TESTING" is not displayed after 5 minutes, retry from step 3).

16) Make sure that "OK" is displayed after touching "SELF-DIAG RESULTS".

If "NG" is displayed, refer to "DIAGNOSTIC PROCEDURE", EC-415.

SMA98-053 '98 SENTRA/200SX AUGUST 1997 (05) SM8E-OB14UO

◀ ARROW INDICATES AMENDED INFORMATION

## TROUBLE DIAGNOSIS FOR DTC P1491

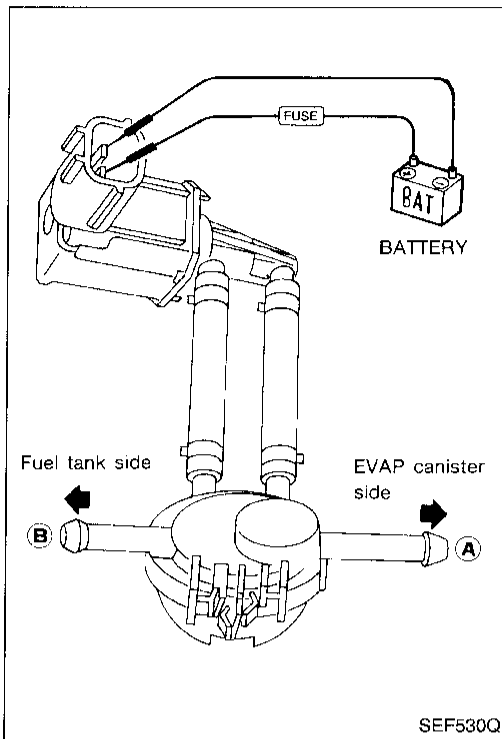
### Vacuum Cut Valve Bypass Valve (Cont'd)

OR

#### OVERALL FUNCTION CHECK



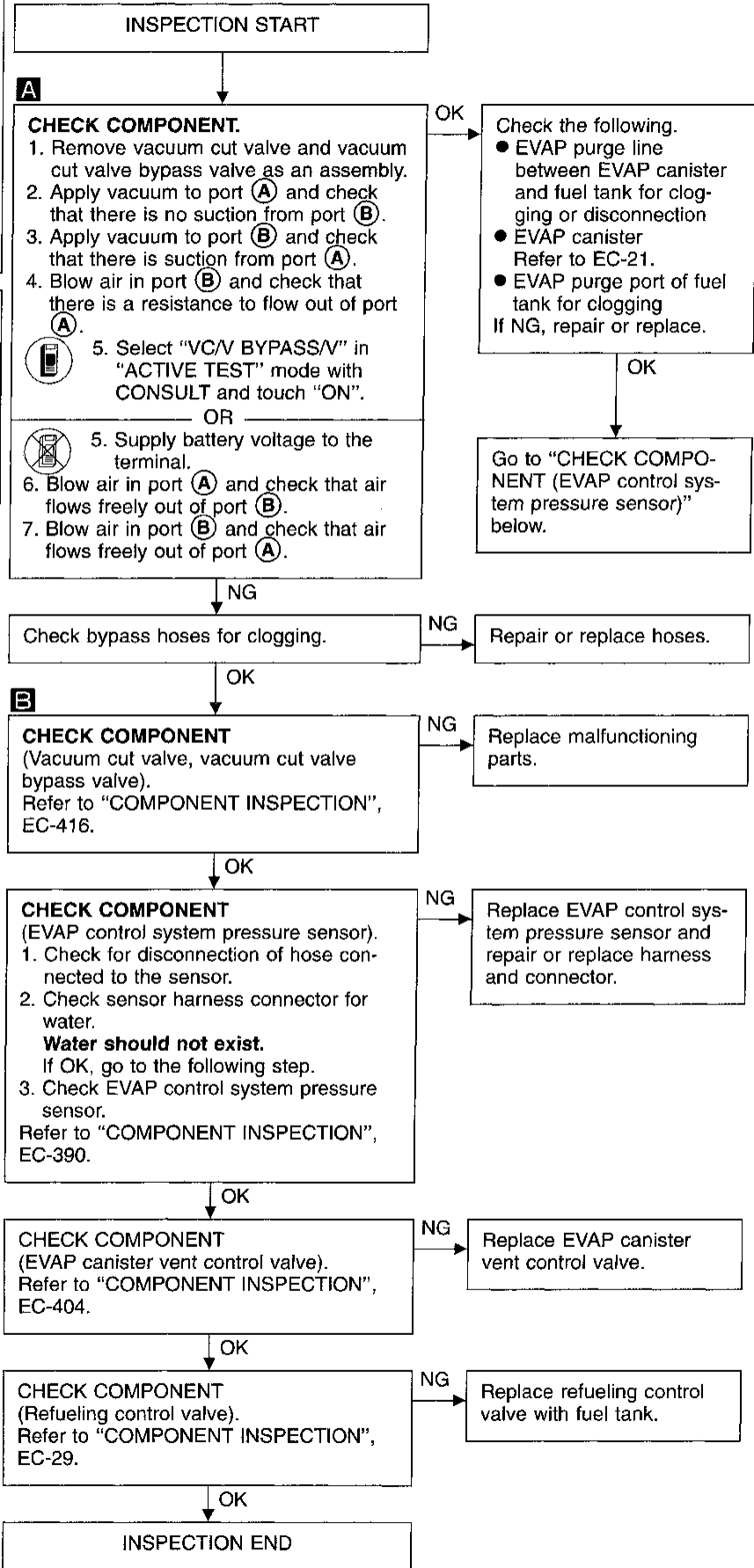
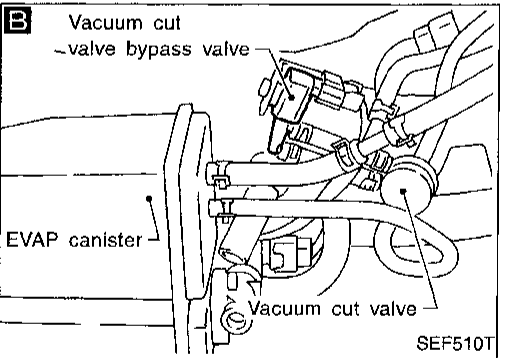
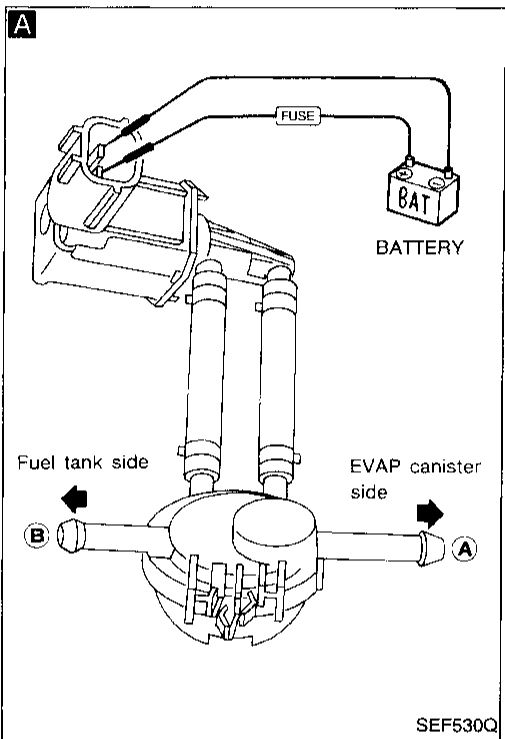
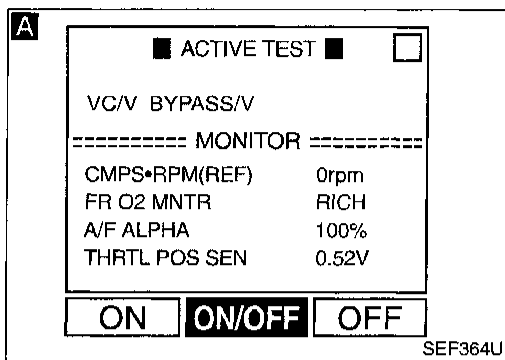
- 1) Remove vacuum cut valve and vacuum cut valve bypass valve as an assembly.
- 2) Apply vacuum to port (A) and check that there is no suction from port (B).
- 3) Apply vacuum to port (B) and check that there is suction from port (A).
- 4) Blow air in port (B) and check that there is a resistance to flow out of port (A).
- 5) Supply battery voltage to the terminal.
- 6) Blow air in port (A) and check that air flow freely out of port (B).
- 7) Blow air in port (B) and check that air flow freely out of port (A).





# TROUBLE DIAGNOSIS FOR DTC P1491

## Vacuum Cut Valve Bypass Valve (Cont'd) DIAGNOSTIC PROCEDURE




GI  
MA  
EM  
LC  
EC  
FE  
CL  
MT  
AT  
FA  
RA  
BR  
ST  
RS  
BT  
HA  
EL  
IDX

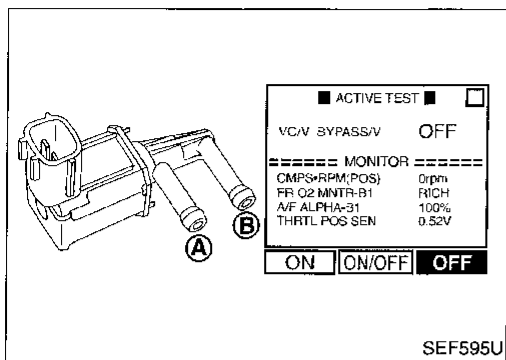
# TROUBLE DIAGNOSIS FOR DTC P1491

## Vacuum Cut Valve Bypass Valve (Cont'd) COMPONENT INSPECTION

### Vacuum cut valve bypass valve

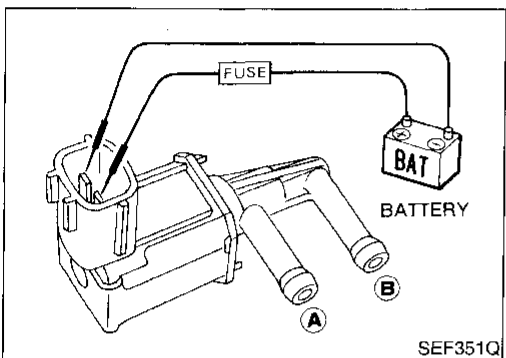
Check air passage continuity.

 Perform "VC/V BYPASS/V" in "ACTIVE TEST" mode.



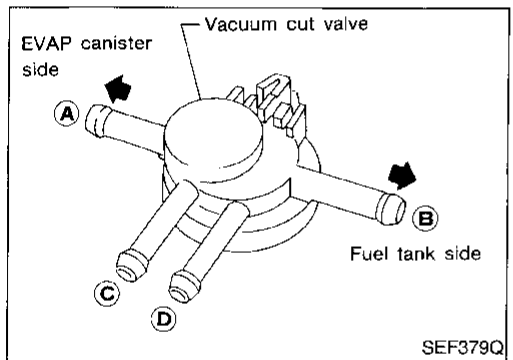
Condition VC/V BYPASS/V	Air passage continuity between (A) and (B)
ON	Yes
OFF	No

OR



Condition	Air passage continuity between (A) and (B)
12V direct current supply between terminals	Yes
No supply	No

If NG, replace vacuum cut valve bypass valve.



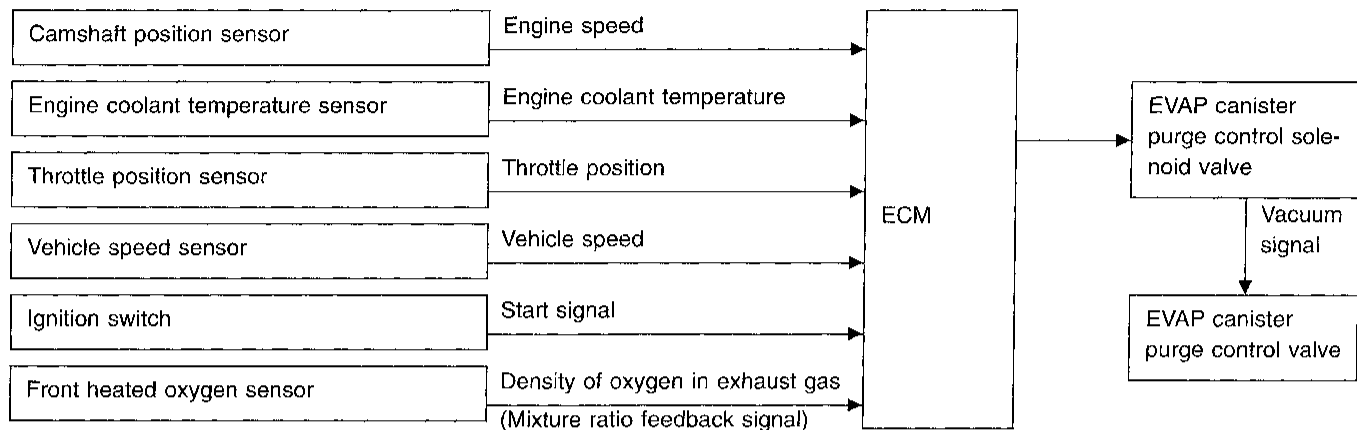
### Vacuum cut valve

Check vacuum cut valve as follows:

1. Plug port (C) and (D) with fingers.
2. Apply vacuum to port (A) and check that there is no suction from port (B).
3. Apply vacuum to port (B) and check that there is suction from port (A).
4. Blow air in port (B) and check that there is a resistance to flow out of port (A).
5. Open port (C) and (D).
6. Blow air in port (A) check that air flows freely out of port (C).
7. Blow air in port (B) check that air flows freely out of port (D).

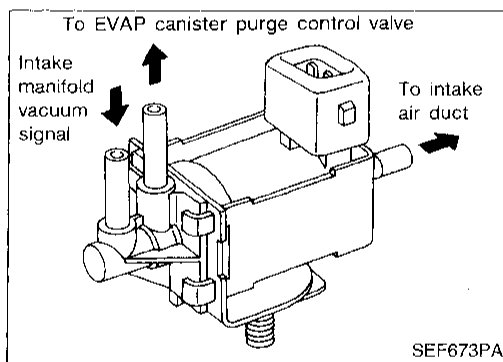
## Evaporative Emission (EVAP) Canister Purge Control Valve/Solenoid Valve (Circuit)

### SYSTEM DESCRIPTION



This system controls the vacuum signal applied to the EVAP canister purge control valve. When the ECM detects any of the following conditions, current does not flow through the EVAP canister purge control solenoid valve. The solenoid valve cuts the vacuum signal so that the EVAP canister purge control valve remains closed.

- Ignition switch "ON"
- Closed throttle position
- Low engine coolant temperature
- During deceleration
- Engine stopped
- Low vehicle speed (M/T models)
- For 60 seconds after starting engine (After warm-up to normal operating temperature)

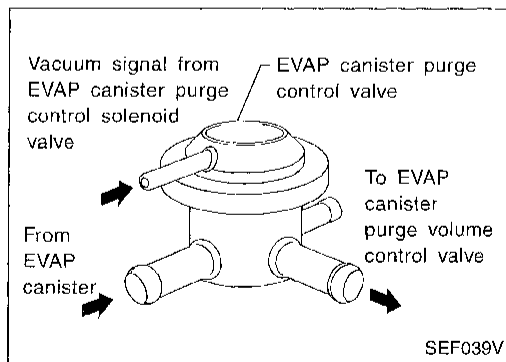


### COMPONENT DESCRIPTION

#### EVAP canister purge control solenoid valve

The EVAP canister purge control solenoid valve responds to signals from the ECM. When the ECM sends an OFF signal, the vacuum signal (from the intake manifold to the EVAP canister purge control valve) is cut.

When the ECM sends an ON (ground) signal, the vacuum signal passes through the EVAP canister purge control solenoid valve. The signal then opens the EVAP canister purge control valve.



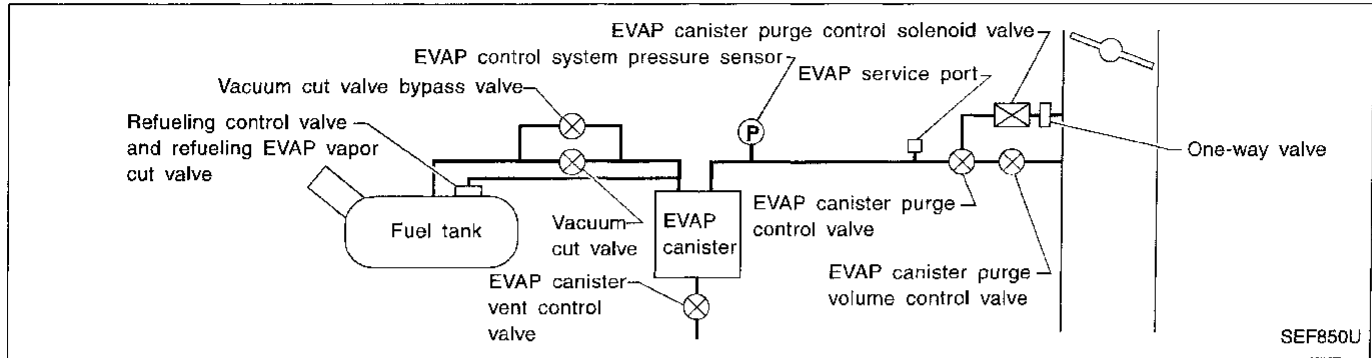
#### EVAP canister purge control valve

When the vacuum signal is cut by EVAP canister purge control solenoid valve, EVAP canister purge control valve closes.

## TROUBLE DIAGNOSIS FOR DTC P1492

### Evaporative Emission (EVAP) Canister Purge Control Valve/Solenoid Valve (Circuit) (Cont'd)

#### EVAPORATIVE EMISSION SYSTEM DIAGRAM



#### CONSULT REFERENCE VALUE IN DATA MONITOR MODE

MONITOR ITEM	CONDITION	SPECIFICATION
PURG CONT S/V	<ul style="list-style-type: none"> <li>● Engine: After warming up</li> <li>● Shift lever: N</li> <li>● No-load</li> <li>● M/T models: Jack up drive wheels and shift to 1st gear position.</li> </ul>	OFF
	<ul style="list-style-type: none"> <li>Idle</li> <li>More than 60 seconds after starting engine</li> <li>A/T models: 2,000 rpm</li> <li>M/T models: 2,000 rpm and more than 16 km/h (10 MPH)</li> </ul>	ON

#### ECM TERMINALS AND REFERENCE VALUE

Specification data are reference values and are measured between each terminal and Ⓞ (ECCS ground).

TER-MINAL NO.	WIRE COLOR	ITEM	CONDITION	DATA (DC voltage)
105	PU	EVAP canister purge control solenoid valve	<div style="border: 1px solid black; padding: 2px;">Engine is running.</div> (Warm-up condition) <ul style="list-style-type: none"> <li>— More than 60 seconds after starting engine</li> <li>— M/T models: Jack up front wheels and drive wheels at 16 km/h (10 MPH).</li> <li>— Engine speed is 2,000 rpm.</li> </ul>	Approximately 0V
			<div style="border: 1px solid black; padding: 2px;">Engine is running.</div> (Warm-up condition) <ul style="list-style-type: none"> <li>— Idle speed</li> </ul>	BATTERY VOLTAGE (11 - 14V)

#### ON BOARD DIAGNOSIS LOGIC

Diagnostic Trouble Code No.	Malfunction is detected when ....	Check Items (Possible Cause)
P1492	<ul style="list-style-type: none"> <li>● An improper voltage signal is sent to ECM through EVAP canister purge control solenoid valve.</li> </ul>	<ul style="list-style-type: none"> <li>● Harness or connectors (The EVAP canister purge control solenoid valve circuit is open or shorted.)</li> <li>● EVAP canister purge control solenoid valve</li> </ul>

# TROUBLE DIAGNOSIS FOR DTC P1492

## Evaporative Emission (EVAP) Canister Purge Control Valve/Solenoid Valve (Circuit) (Cont'd)

### DIAGNOSTIC TROUBLE CODE CONFIRMATION PROCEDURE

#### NOTE:

If "DIAGNOSTIC TROUBLE CODE CONFIRMATION PROCEDURE" has been previously conducted, always turn ignition switch "OFF" and wait at least 5 seconds before conducting the next test.



- 1) Turn ignition switch "ON".
- 2) Select "DATA MONITOR" mode with CONSULT.
- 3) Wait at least 5 seconds.

OR



- 1) Turn ignition switch "ON" and wait at least 5 seconds.
- 2) Select "MODE 3" with GST.

OR



- 1) Turn ignition switch "ON" and wait at least 5 seconds.
- 2) Turn ignition switch "OFF", wait at least 5 seconds and then turn "ON".
- 3) Perform "Diagnostic Test Mode II (Self-diagnostic results)" with ECM.

GI

MA

EM

LC

**EC**

FE

CL

MT

AT

FA

RA

BR

ST

RS

BT

HA

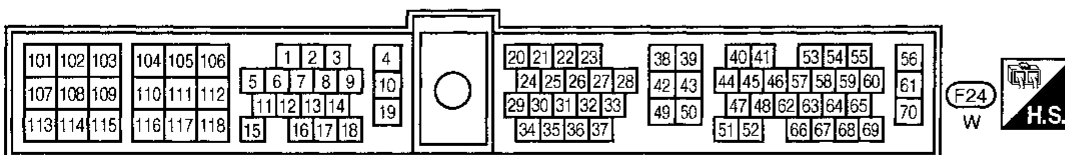
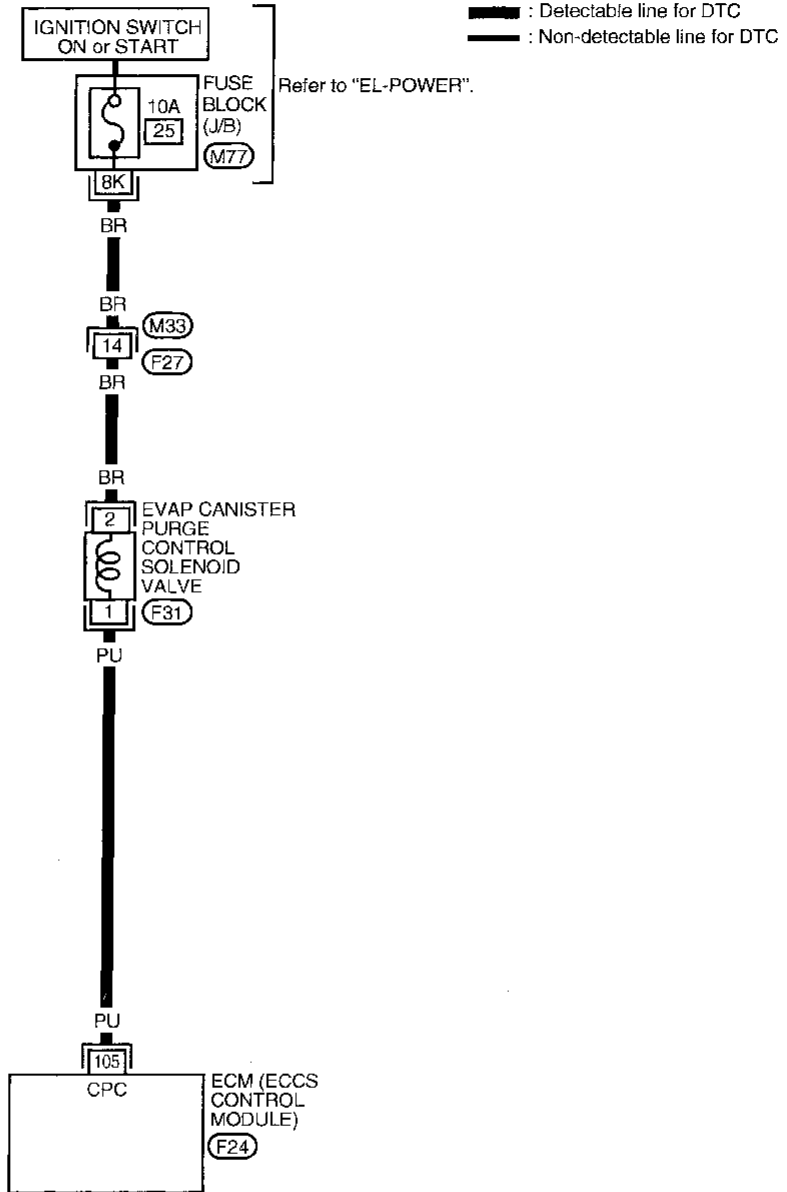
EL

IDX

# TROUBLE DIAGNOSIS FOR DTC P1492

## Evaporative Emission (EVAP) Canister Purge Control Valve/Solenoid Valve (Circuit) (Cont'd)

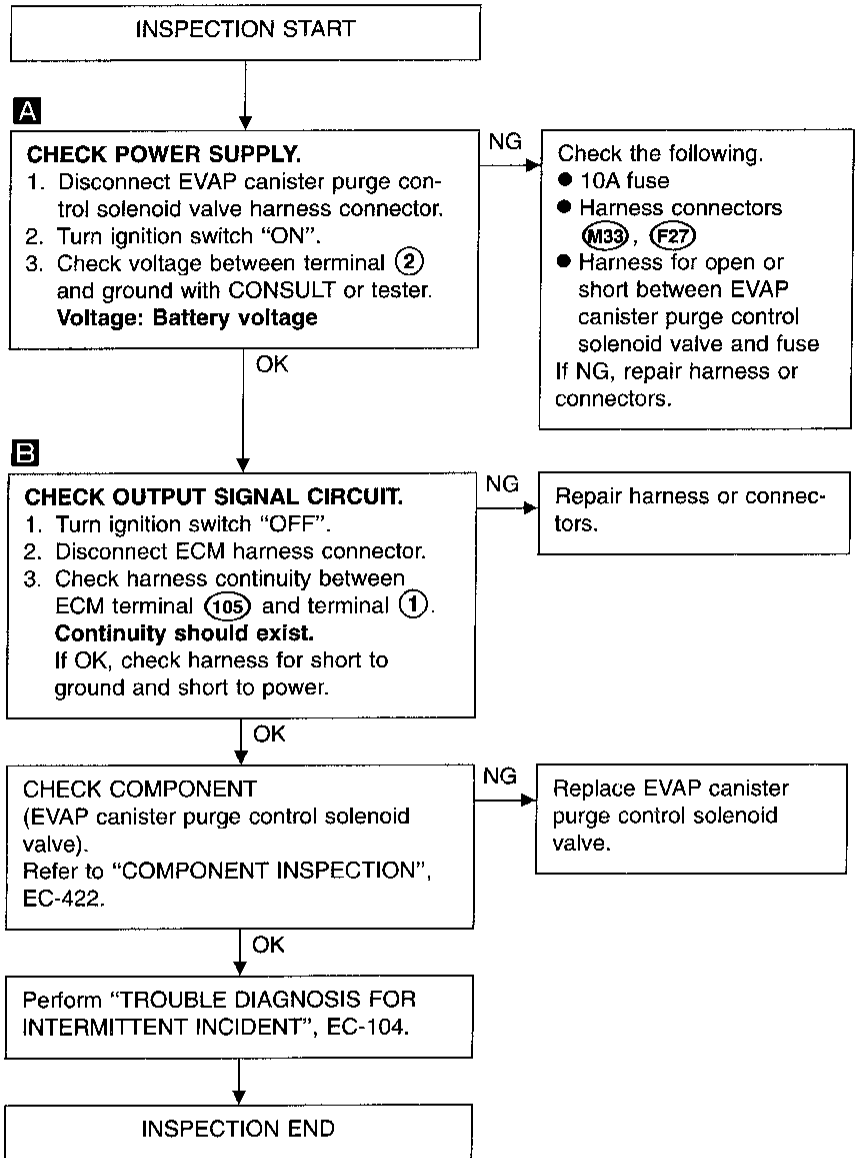
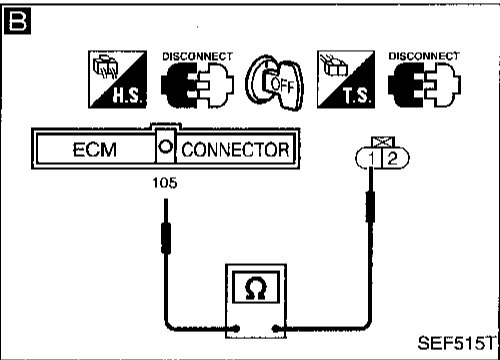
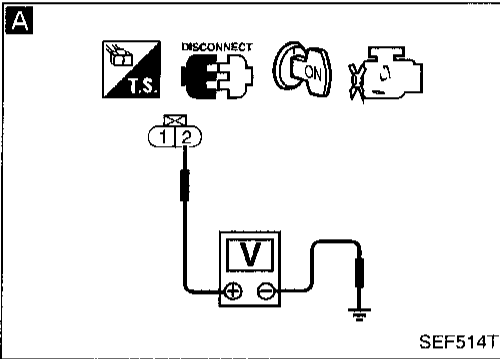
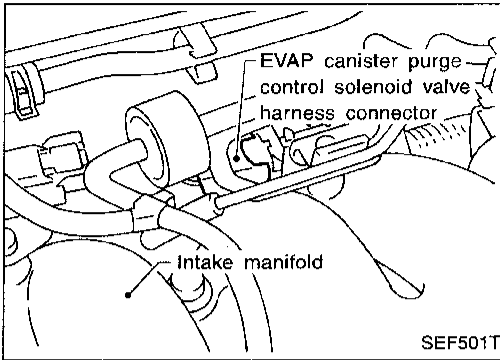
EC-CANI/V-01



# TROUBLE DIAGNOSIS FOR DTC P1492

## Evaporative Emission (EVAP) Canister Purge Control Valve/Solenoid Valve (Circuit) (Cont'd)

### DIAGNOSTIC PROCEDURE



GI

MA

EM

LC

EC

FE

CL

MT

AT

FA

RA

BR

ST

RS

BT

HA

EL

IDX

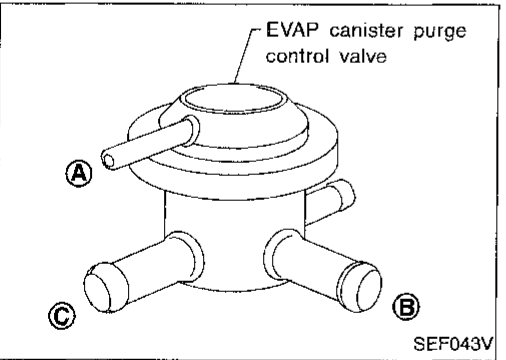
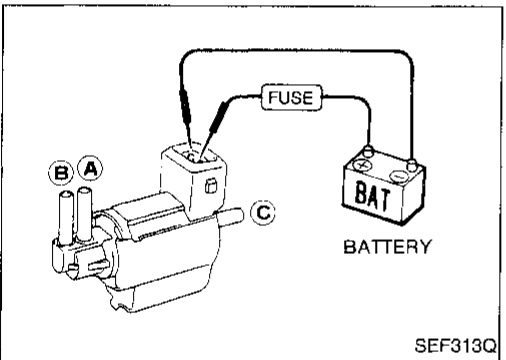
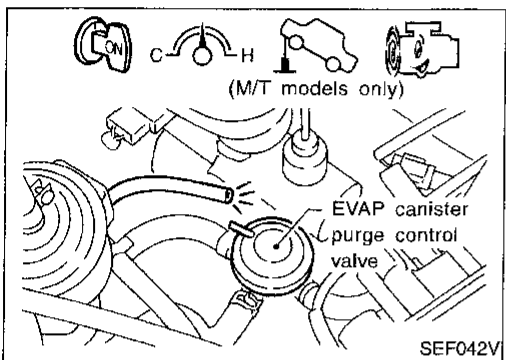
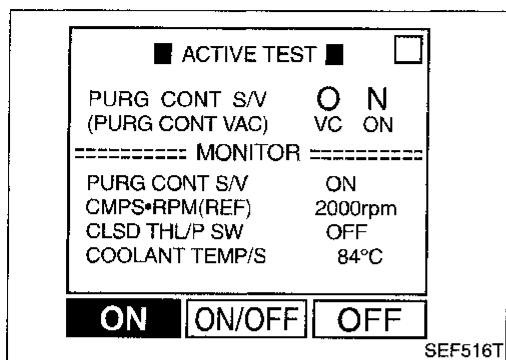
# TROUBLE DIAGNOSIS FOR DTC P1492

## Evaporative Emission (EVAP) Canister Purge Control Valve/Solenoid Valve (Circuit) (Cont'd)

### COMPONENT INSPECTION

#### EVAP canister purge control solenoid valve

1. Jack up driving wheels (M/T models only).
2. Turn ignition switch "ON".
3. Select "PURG CONT S/V" of "ACTIVE TEST" mode with CONSULT.
4. Start engine and warm it up to normal operating temperature.
5. Disconnect vacuum hose at EVAP canister purge control valve.
6. Touch "ON" and "OFF" and check for vacuum passing through the hose.



Condition	Vacuum
Idle	Not exist
2,000 rpm (A/T models) 2,000 rpm with 1 gear position (M/T models)	Exist

OR

1. Check air passage continuity.

Condition	Air passage continuity between (A) and (B)	Air passage continuity between (A) and (C)
12V direct current supply between terminals	Yes	No
No supply	No	Yes

If NG, replace solenoid valve.

#### EVAP canister purge control valve

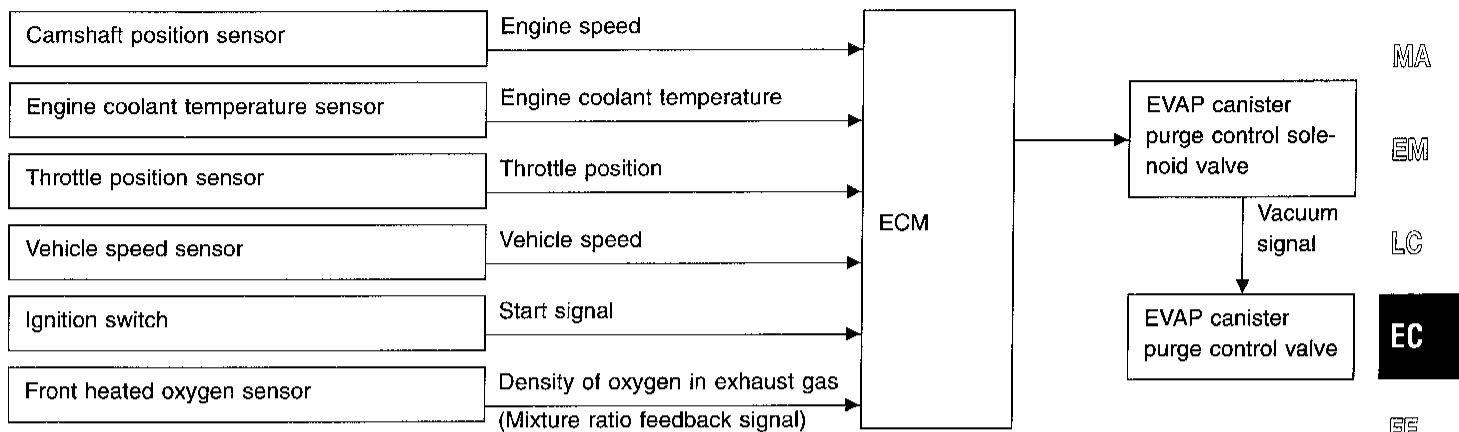
Check EVAP canister purge control valve as follows.

1. Blow air in port (A), (B) and (C), then ensure that there is no leakage.
2. Apply vacuum to port (A). [Approximately -13.3 to -20.0 kPa (-100 to -150 mmHg, -3.94 to -5.91 inHg)]  
Blow air in port (C) and ensure free flow out of port (B).



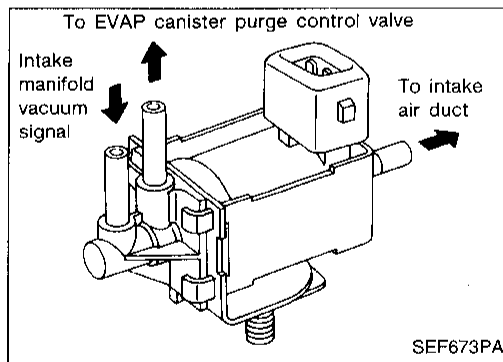
## Evaporative Emission (EVAP) Canister Purge Control Valve/Solenoid Valve

### SYSTEM DESCRIPTION



This system controls the vacuum signal applied to the EVAP canister purge control valve. When the ECM detects any of the following conditions, current does not flow through the EVAP canister purge control solenoid valve. The solenoid valve cuts the vacuum signal so that the EVAP canister purge control valve remains closed.

- Ignition switch "ON"
- Closed throttle position
- Low engine coolant temperature
- During deceleration
- Engine stopped
- Low vehicle speed (M/T models)
- For 60 seconds after starting engine (After warm-up to normal operating temperature)

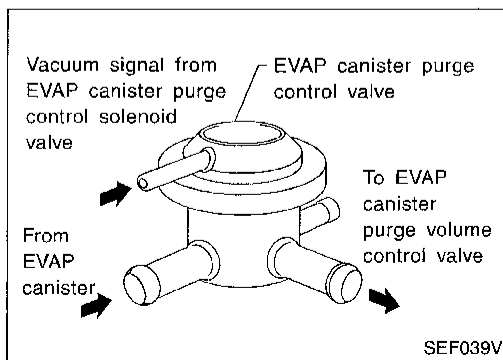


### COMPONENT DESCRIPTION

#### EVAP canister purge control solenoid valve

The EVAP canister purge control solenoid valve responds to signals from the ECM. When the ECM sends an OFF signal, the vacuum signal (from the intake manifold to the EVAP canister purge control valve) is cut.

When the ECM sends an ON (ground) signal, the vacuum signal passes through the EVAP canister purge control solenoid valve. The signal then opens the EVAP canister purge control valve.



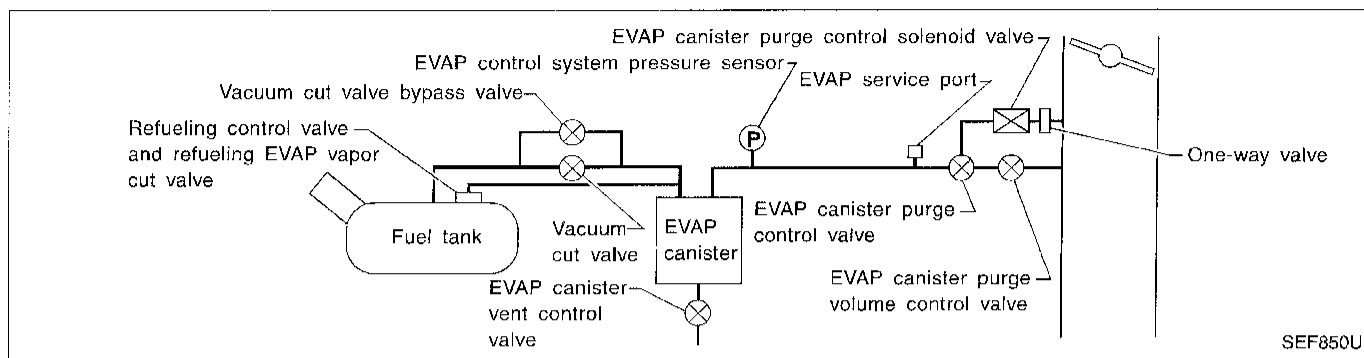
#### EVAP canister purge control valve

When the vacuum signal is cut by EVAP canister purge control solenoid valve, EVAP canister purge control valve closes.

## TROUBLE DIAGNOSIS FOR DTC P1493

### Evaporative Emission (EVAP) Canister Purge Control Valve/Solenoid Valve (Cont'd)

#### EVAPORATIVE EMISSION SYSTEM DIAGRAM



#### CONSULT REFERENCE VALUE IN DATA MONITOR MODE

MONITOR ITEM	CONDITION	SPECIFICATION
PURG CONT S/V	<ul style="list-style-type: none"> <li>● Engine: After warming up</li> <li>● Shift lever: N</li> <li>● No-load</li> <li>● M/T models: Jack up drive wheels and shift to 1st gear position.</li> </ul>	OFF
	<ul style="list-style-type: none"> <li>Idle</li> <li>More than 60 seconds after starting engine</li> <li>A/T models: 2,000 rpm</li> <li>M/T models: 2,000 rpm and more than 16 km/h (10 MPH)</li> </ul>	ON

#### ECM TERMINALS AND REFERENCE VALUE

Specification data are reference values and are measured between each terminal and Ⓞ (ECCS ground).

TER-MINAL NO.	WIRE COLOR	ITEM	CONDITION	DATA (DC voltage)
105	PU	EVAP canister purge control solenoid valve	Engine is running. (Warm-up condition) <ul style="list-style-type: none"> <li>More than 60 seconds after starting engine</li> <li>M/T models: Jack up front wheels and drive wheels at 16 km/h (10 MPH).</li> <li>Engine speed is 2,000 rpm.</li> </ul>	Approximately 0V
			Engine is running. (Warm-up condition) <ul style="list-style-type: none"> <li>Idle speed</li> </ul>	BATTERY VOLTAGE (11 - 14V)

#### ON BOARD DIAGNOSIS LOGIC

Diagnostic Trouble Code No.	Malfunction is detected when ....	Check Items (Possible Cause)
P1493	<ul style="list-style-type: none"> <li>● EVAP canister purge control valve does not operate properly (stuck open).</li> </ul>	<ul style="list-style-type: none"> <li>● EVAP canister purge control valve</li> <li>● EVAP canister purge control solenoid valve</li> <li>● Vacuum hoses for clogging or disconnection</li> <li>● EVAP control system pressure sensor</li> <li>● EVAP canister vent control valve</li> <li>● Water separator</li> <li>● EVAP canister saturated with water</li> </ul>

## TROUBLE DIAGNOSIS FOR DTC P1493

### Evaporative Emission (EVAP) Canister Purge Control Valve/Solenoid Valve (Cont'd)

#### DIAGNOSTIC TROUBLE CODE CONFIRMATION PROCEDURE

##### CAUTION:

Always drive vehicle at a safe speed.

##### NOTE:

- If both DTC P1492 and P1493 are displayed, perform TROUBLE DIAGNOSIS FOR DTC P1492 first. (See EC-417.)
- If "DTC CONFIRMATION PROCEDURE" has been previously conducted, always turn ignition switch "OFF" and wait at least 5 seconds before conducting the next test.



- 1) Start engine and warm it up to normal operating temperature.
- 2) Turn ignition switch "OFF" and wait at least 5 seconds.
- 3) Turn ignition switch "ON".
- 4) Select "PURG CN/V & S/V P1493" of "EVAPORATIVE SYSTEM" in "DTC WORK SUPPORT" mode with CONSULT.
- 5) Touch "START".
- 6) Start engine and let it idle for at least 90 seconds.
- 7) When the following conditions are met, "TESTING" will be displayed on the CONSULT screen. Maintain the conditions continuously until "TESTING" changes to "COMPLETED". (It will take approximately 30 seconds.)

**Selector lever: Suitable position**

**Vehicle speed: 36 - 100 km/h (22 - 62 MPH)**

**CMPS·RPM (REF): 1,600 - 3,000 rpm**

**B/FUEL SCHDL: 1 - 4.5 ms**

If "TESTING" is not displayed after 5 minutes, retry from step 2).

- 8) Make sure that "OK" is displayed after touching "SELF-DIAG RESULTS".

If "NG" is displayed, refer to "DIAGNOSTIC PROCEDURE", EC-427.

☆ MONITOR	☆ NO FAIL	<input type="checkbox"/>
CMPS·RPM(POS)	750rpm	
COOLAN TEMP/S	85°C	
<b>RECORD</b>		

SEF842T

☆ MONITOR	☆ NO FAIL	<input type="checkbox"/>
CMPS·RPM(POS)	2000rpm	
VHCL SPEED SE	60km/h	
COOLAN TEMP/S	85°C	
<b>RECORD</b>		

SEF843T

GI

MA

EM

LC

**EC**

FE

CL

MT

AT

FA

RA

BR

ST

RS

BT

HA

EL

IDX

## TROUBLE DIAGNOSIS FOR DTC P1493

### Evaporative Emission (EVAP) Canister Purge Control Valve/Solenoid Valve (Cont'd)

ENGINE SPD .....	825RPM
<b>COOLANT TEMP .....</b>	<b>69°C</b>
VEHICLE SPD .....	0MPH
IGN ADVANCE .....	8.0°
CALC LOAD .....	28.2%
MAP .....	36KPaA
MAF .....	5.20gm/s
THROTTLE POS .....	0.0%
INTAKE AIR .....	27°C
FUEL SYS #1 .....	OLDRIVE
FUEL SYS #2 .....	UNUSED
SHORT FT #1 .....	0.8%
LONG FT #1 .....	0.0%
O2S B1 S1 .....	0.200V
O2FT B1 S1 .....	0.8%
O2S B1 S2 .....	0.010V

SEF519R

OR



- 1) Start engine and warm it up to normal operating temperature.
- 2) Select "MODE 1" with GST.
- 3) Check coolant temperature.

**Coolant temperature: 40 - 100°C (104 - 212°F)**

Be sure that water temperature does not exceed 100°C. If it becomes higher than 100°C, cool down the engine and perform the procedure again from the beginning.

- 4) Turn ignition switch "OFF" and wait at least 5 seconds.
- 5) Restart engine and let it idle for at least 100 seconds.
- 6) Maintain the following conditions for at least 30 seconds.

**Gear position: Suitable gear position**

**Vehicle speed: 36 - 100 km/h (22 - 62 MPH)**

**Engine speed: 1,600 - 3,000 rpm**

**Coolant temperature: 40 - 100°C (104 - 212°F)**

- 7) Select "MODE 7" with GST.

#### NOTE:

- Hold the accelerator pedal as steady as possible during driving in step 6).
- If the driving conditions are not satisfied in step 6), restart the procedure.
- It is better that the fuel level is low.

OR



- 1) Start engine and warm it up to normal operating temperature.

- 2) Check voltage between ECM terminal (51) and ground  
**Voltage: 0.8 - 1.5V**

Perform the following procedure before the voltage drops below 0.8V. If the voltage drops below 0.8V, cool down the engine and perform the entire procedure all over again.

- 3) Turn ignition switch "OFF" and wait at least 5 seconds.
- 4) Restart engine and let it idle for at least 100 seconds.
- 5) Maintain the following conditions for at least 30 seconds.

**Gear position: Suitable gear position**

**Vehicle speed: 36 - 100 km/h (22 - 62 MPH)**

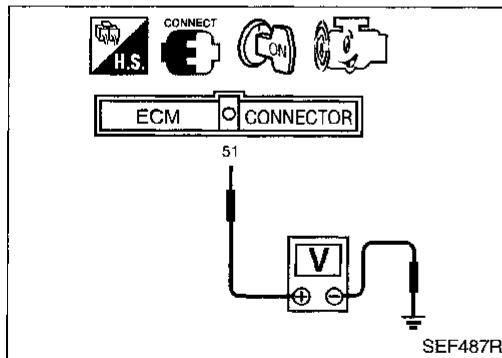
**Engine speed: 1,600 - 3,000 rpm**

**Check voltage between ECM terminal (51) and ground: 0.8 - 1.5 V**

- 6) Stop the vehicle, turn ignition switch "OFF", wait at least 5 seconds, and then turn "ON".
- 7) Perform "Diagnostic Test Mode II (Self-diagnostic results)" with ECM.

#### NOTE:

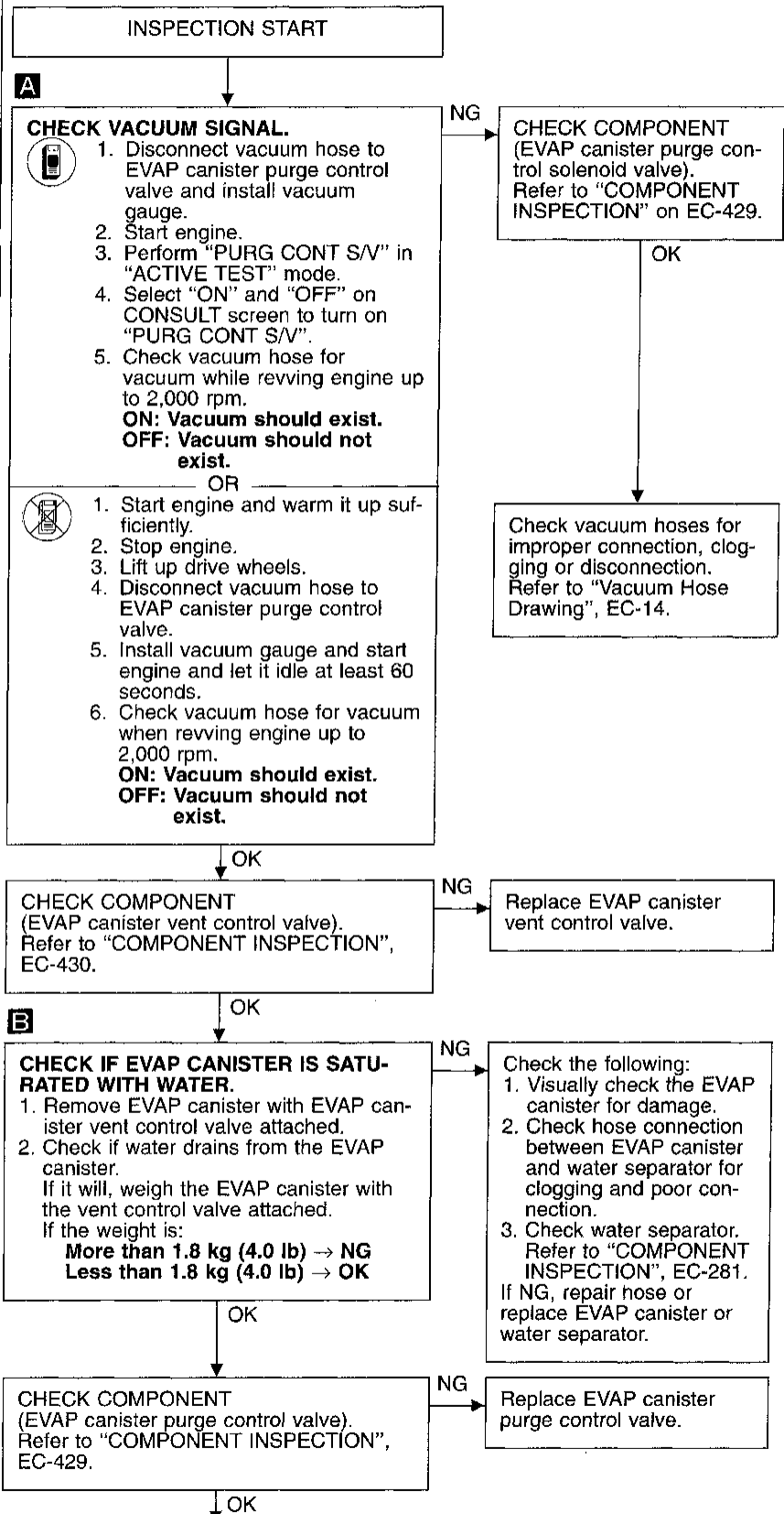
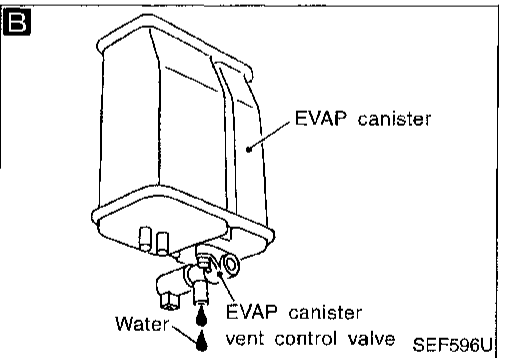
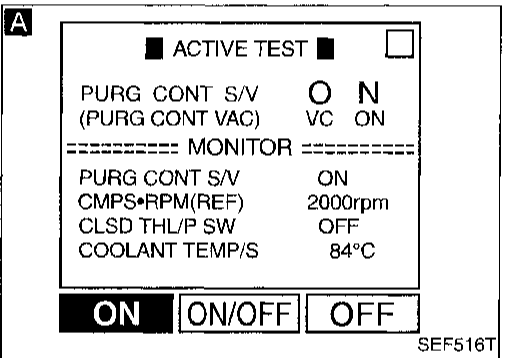
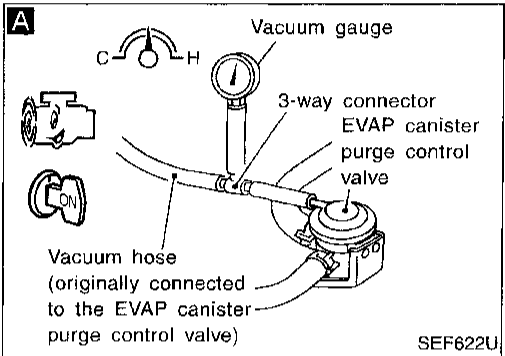
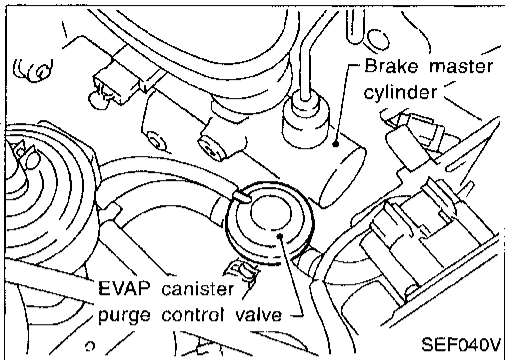
- Hold the accelerator pedal as steady as possible during driving in step 5).
- If the driving conditions are not satisfied in step 5), restart the procedure.
- It is better that the fuel level is low.



# TROUBLE DIAGNOSIS FOR DTC P1493

## Evaporative Emission (EVAP) Canister Purge Control Valve/Solenoid Valve (Cont'd)

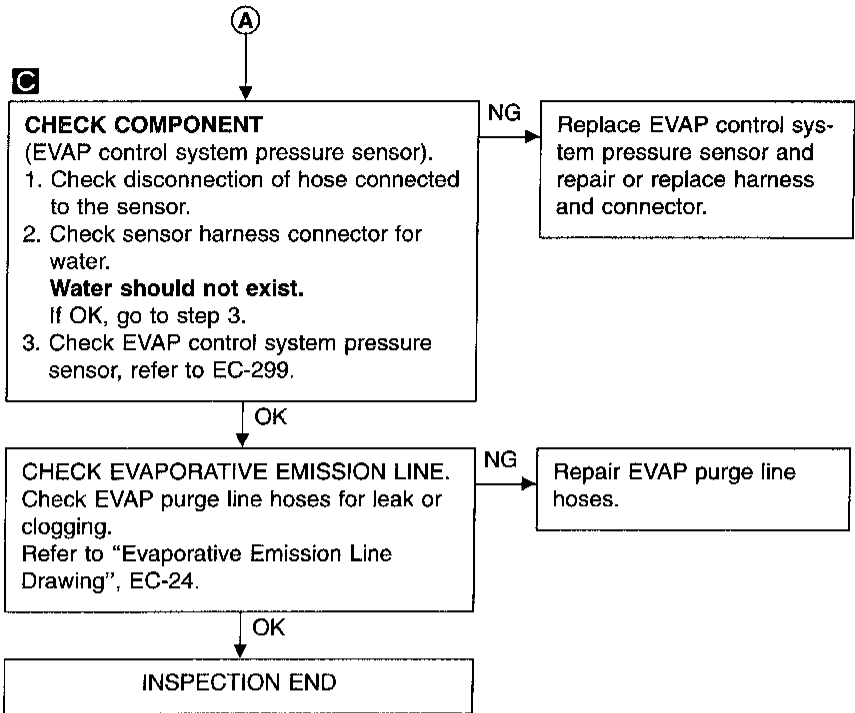
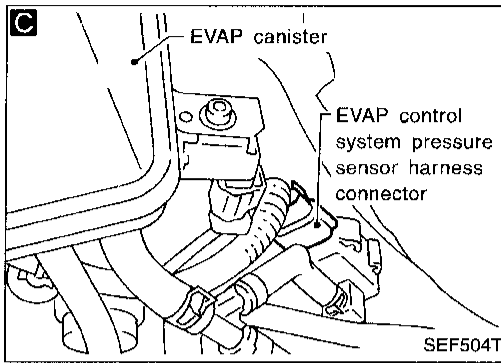
### DIAGNOSTIC PROCEDURE



(Go to next page.)

# TROUBLE DIAGNOSIS FOR DTC P1493

## Evaporative Emission (EVAP) Canister Purge Control Valve/Solenoid Valve (Cont'd)



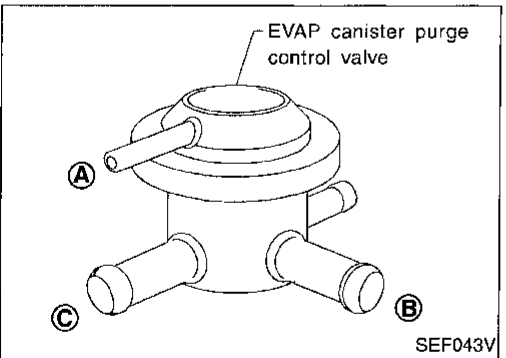
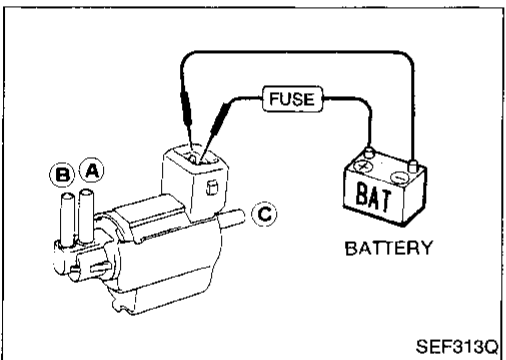
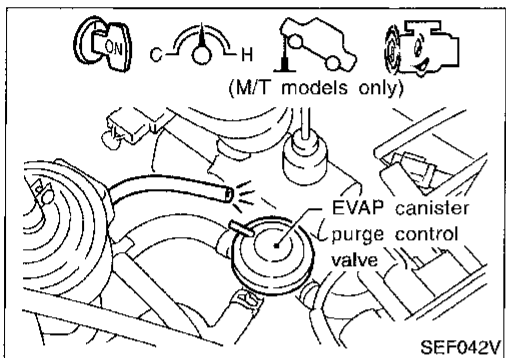
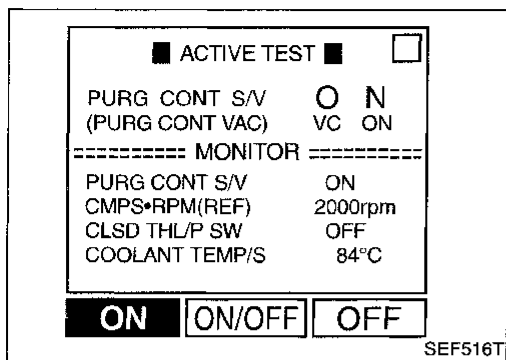
# TROUBLE DIAGNOSIS FOR DTC P1493

## Evaporative Emission (EVAP) Canister Purge Control Valve/Solenoid Valve (Cont'd)

### COMPONENT INSPECTION

#### EVAP canister purge control solenoid valve

1. Jack up driving wheels (M/T models only).
2. Turn ignition switch "ON".
3. Select "PURG CONT S/V" of "ACTIVE TEST" mode with CONSULT.
4. Start engine and warm it up to normal operating temperature.
5. Disconnect vacuum hose at EVAP canister purge control valve.
6. Touch "ON" and "OFF" and check for vacuum passing through the hose.



Condition	Vacuum
Idle	Not exist
2,200 rpm (A/T models) 2,000 rpm with 1 gear position (M/T models)	Exist

OR

- ⊗ Check air passage continuity.

Condition	Air passage continuity between (A) and (B)	Air passage continuity between (A) and (C)
12V direct current supply between terminals	Yes	No
No supply	No	Yes

If NG, replace solenoid valve.

#### EVAP canister purge control valve

Check EVAP canister purge control valve as follows.

1. Blow air in port (A), (B) and (C), then ensure that there is no leakage.
2. Apply vacuum to port (A). [Approximately -13.3 to -20.0 kPa (-100 to -150 mmHg, -3.94 to -5.91 inHg)]  
Blow air in port (C) and ensure free flow out of port (B).

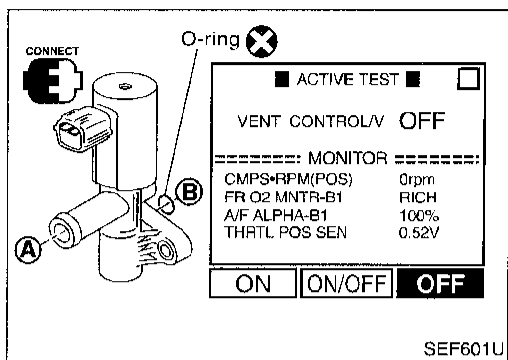
## TROUBLE DIAGNOSIS FOR DTC P1493

### Evaporative Emission (EVAP) Canister Purge Control Valve/Solenoid Valve (Cont'd)

#### EVAP canister vent control valve

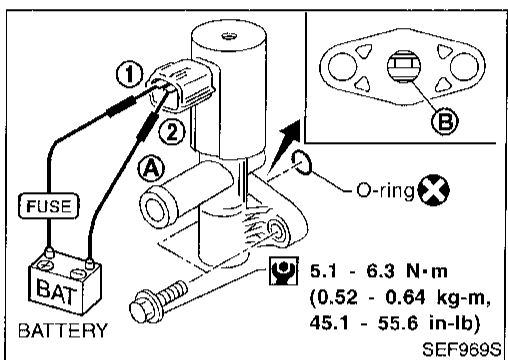
Check air passage continuity.

① Perform "VENT CONTROL/V" in "ACTIVE TEST" mode with CONSULT.



Condition	Air passage continuity between (A) and (B)
VENT CONTROL/V	
ON	No
OFF	Yes

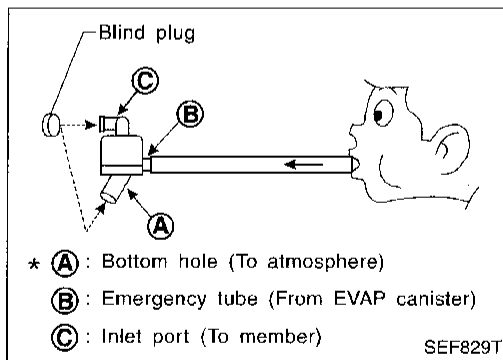
OR



Condition	Air passage continuity between (A) and (B)
12V direct current supply between terminals ① and ②	No
No supply	Yes

If NG, clean valve using air blower or replace as necessary. If the portion (B) is rusted, replace EVAP canister vent control valve.

**Make sure new O-ring is installed properly.**



- \* (A) : Bottom hole (To atmosphere)
- (B) : Emergency tube (From EVAP canister)
- (C) : Inlet port (To member)

#### Water separator

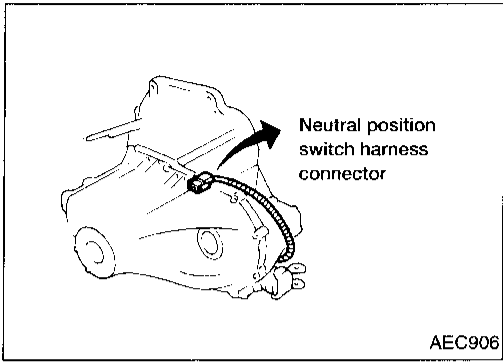
1. Check visually for insect's nests in the water separator air inlet.
2. Check visually for cracks or flaws in the appearance.
3. Check visually for cracks or flaws in the hose.
4. Check that (A) and (C) are not clogged by blowing air into (B) with (A), and then (C) plugged.
5. In case of NG in items 2 - 4, replace the parts.

#### NOTE:

- Do not disassemble water separator.



# TROUBLE DIAGNOSIS FOR DTC P1706



## Park/Neutral Position Switch

### COMPONENT DESCRIPTION

When the gear position is "P" (A/T models only) or "N", park/neutral position switch is "ON".

ECM detects the park/neutral position when continuity with ground exists.

### CONSULT REFERENCE VALUE IN DATA MONITOR MODE

Specification data are reference values

MONITOR ITEM	CONDITION	SPECIFICATION
P/N POSI SW	● Ignition switch: ON	Shift lever: "P" or "N" ON
		Except above OFF

### ECM TERMINALS AND REFERENCE VALUE

Specification data are reference values and are measured between each terminal and Ⓣ (ECCS ground).

TER-MINAL NO.	WIRE COLOR	ITEM	CONDITION	DATA (DC Voltage)
22	G/OR	Inhibitor switch	Ignition switch "ON" └ Gear position is "Neutral position" (M/T models). └ Gear position is "N" or "P" (A/T models).	Approximately 0V
			Ignition switch "ON" └ Except the above gear position	A/T models: BATTERY VOLTAGE (11 - 14V) M/T models: Approximately 5V

### ON BOARD DIAGNOSIS LOGIC

Diagnostic Trouble Code No.	Malfunction is detected when ....	Check Items (Possible Cause)
P1706 1003	● The signal of the park/neutral position switch is not changed in the process of engine starting and driving.	<ul style="list-style-type: none"> <li>● Harness or connectors (The neutral position switch or inhibitor switch circuit is open or shorted.)</li> <li>● Neutral position switch (M/T models)</li> <li>● Inhibitor switch (A/T models)</li> </ul>

# TROUBLE DIAGNOSIS FOR DTC P1706

## Park/Neutral Position Switch (Cont'd)

### DIAGNOSTIC TROUBLE CODE CONFIRMATION PROCEDURE

#### CAUTION:

Always drive vehicle at a safe speed.

#### NOTE:

If "DIAGNOSTIC TROUBLE CODE CONFIRMATION PROCEDURE" has been previously conducted, always turn ignition switch "OFF" and wait at least 5 seconds before conducting the next test.



- 1) Turn ignition switch "ON".
- 2) Perform "PARK/NEUT POSI SW CKT" in "FUNCTION TEST" mode with CONSULT.

OR

- 2) Select "P/N POSI SW" in "DATA MONITOR" mode with CONSULT. Then check the "P/N POSI SW" signal under the following conditions.

Position (Selector lever)	Known good signal
"N" and "P" (A/T only) position	ON
Except the above position	OFF

If NG, go to "DIAGNOSTIC PROCEDURE", EC-434.  
If OK, go to following step.

- 3) Select "DATA MONITOR" mode with CONSULT.
- 4) Start engine and warm it up to normal operating temperature.
- 5) Maintain the following conditions for at least 50 consecutive seconds.

**CMPS-RPM (REF): 1,800 - 2,800 rpm**  
**COOLAN TEMP/S: More than 70°C (158°F)**  
**B/FUEL SCHDL: 1 - 4.5 ms**  
**VHCL SPEED SE: 70 - 100 km/h (43 - 62 MPH)**  
**Selector lever: Suitable position**

OR

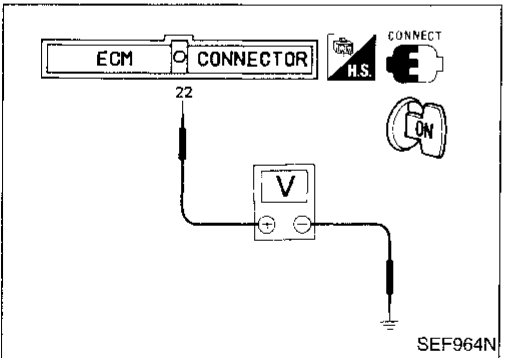
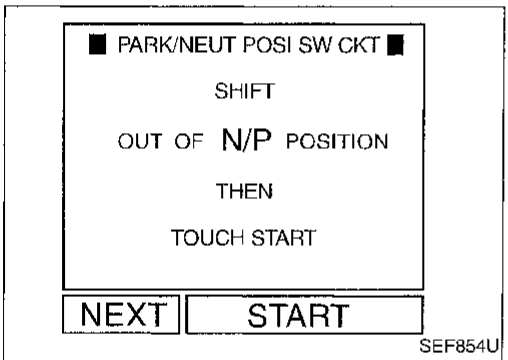
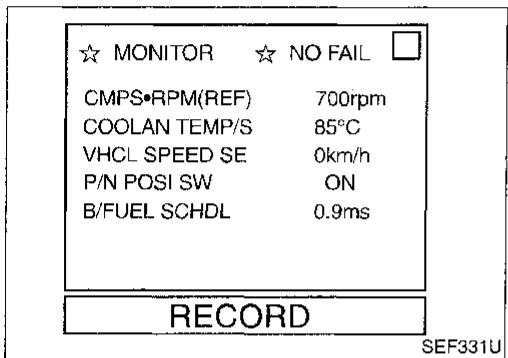
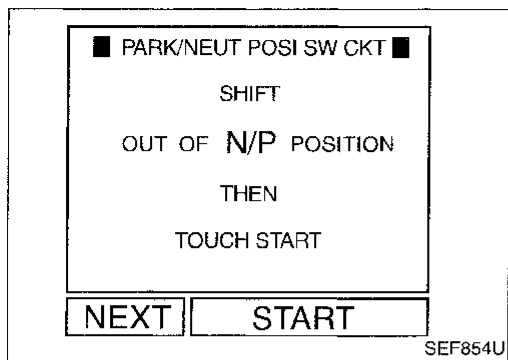
### OVERALL FUNCTION CHECK

Use this procedure to check the overall function of the park/neutral position switch circuit. During this check, a 1st trip DTC might not be confirmed.



- 1) Turn ignition switch "ON".
- 2) Check voltage between ECM terminal ② and body ground under the following conditions.

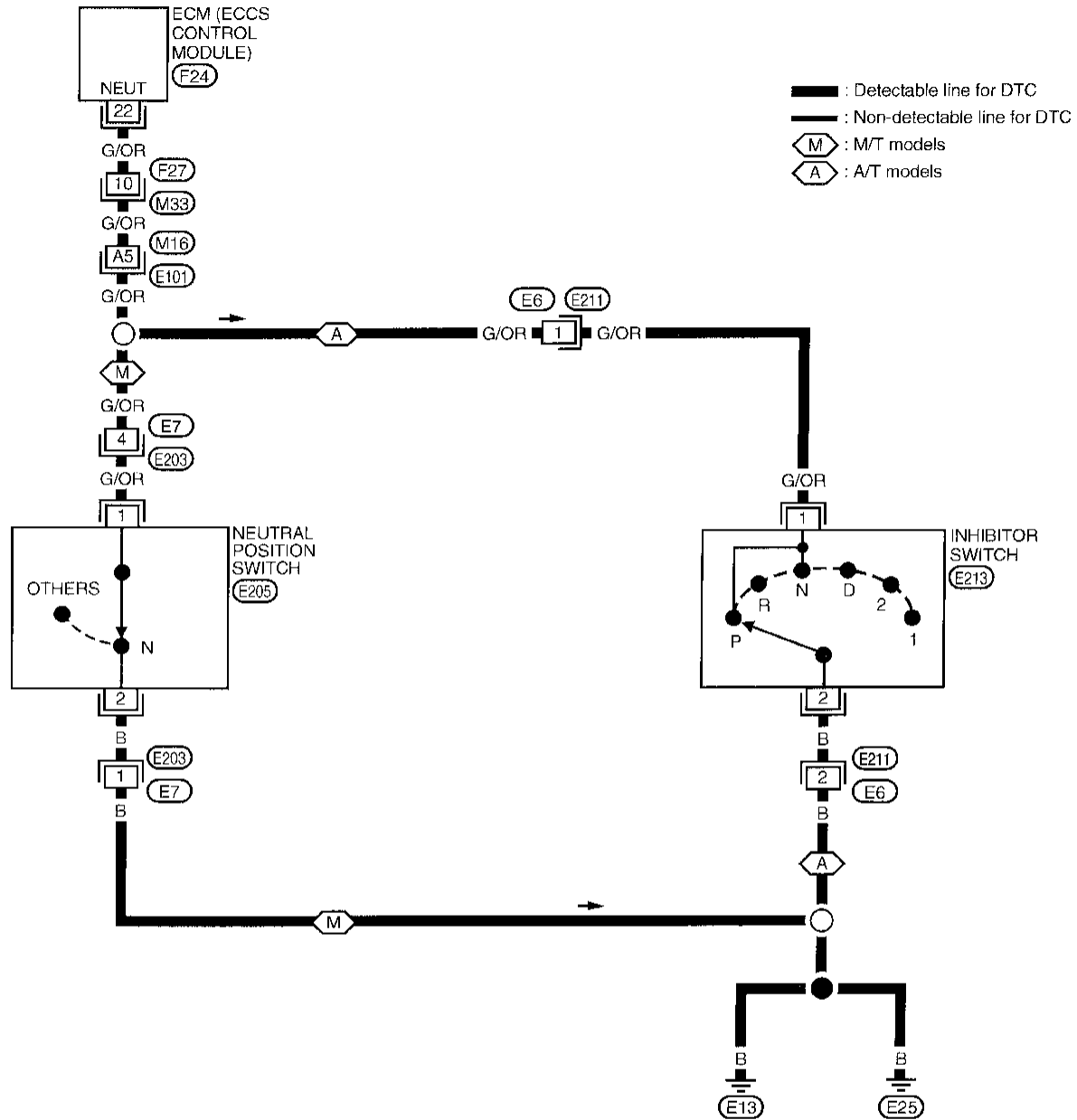
Condition (Gear position)	Voltage (V) (Known good data)
"P" (A/T only) and "N" position	Approx. 0
Except the above position	A/T models: BATTERY VOLTAGE (11 - 14V) M/T models: Approx. 5



# TROUBLE DIAGNOSIS FOR DTC P1706

## Park/Neutral Position Switch (Cont'd)

### EC-PNP/SW-01



GI

MA

EM

LC

**EC**

FE

CL

MT

AT

FA

RA

BR

ST

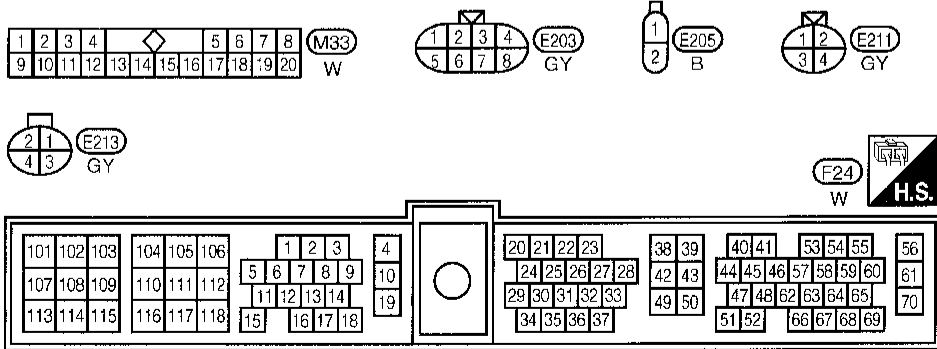
RS

BT

HA

EL

IDX

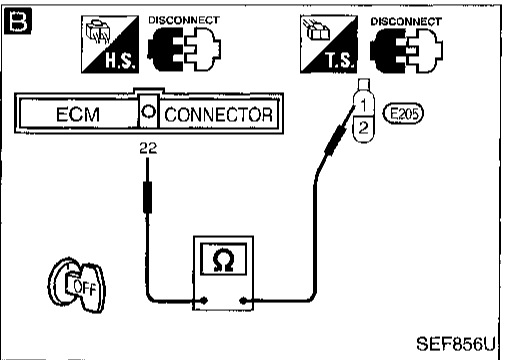
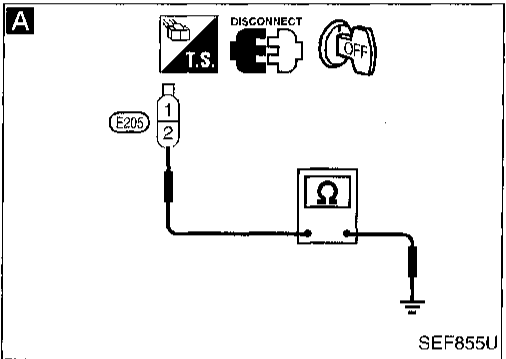
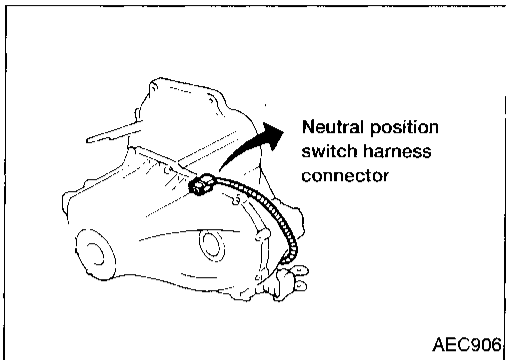


Refer to last page (Foldout page).  
 (M16), (E101)

# TROUBLE DIAGNOSIS FOR DTC P1706

## Park/Neutral Position Switch (Cont'd)

### DIAGNOSTIC PROCEDURE



Neutral position switch (M/T models)

INSPECTION START

**A**

**CHECK GROUND CIRCUIT.**

1. Disconnect neutral position switch harness connector.
2. Check harness continuity between terminal ② and body ground.  
**Continuity should exist.**  
If OK, check harness for short to ground and short to power.

NG

Check the following.

- Harness connectors **E203**, **E7**
- Harness for open or short between neutral position switch and body ground

If NG, repair open circuit or short to ground or short to power in harness or connectors.

OK

**B**

**CHECK INPUT SIGNAL CIRCUIT.**

1. Disconnect ECM harness connector.
2. Check harness continuity between ECM terminal ②② and terminal ①①.  
**Continuity should exist.**  
If OK, check harness for short to ground and short to power.

NG

Check the following.

- Harness connectors **F27**, **M33**, **M18**, **E107**
- Harness connectors **E7**, **E203**
- Harness for open or short between ECM and neutral position switch

If NG, repair open circuit or short to ground or short to power in harness or connectors.

OK

**CHECK COMPONENT**  
(Neutral position switch).  
Refer to MT section.

NG

Replace neutral position switch.

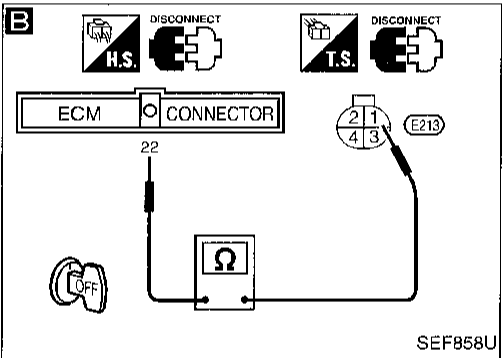
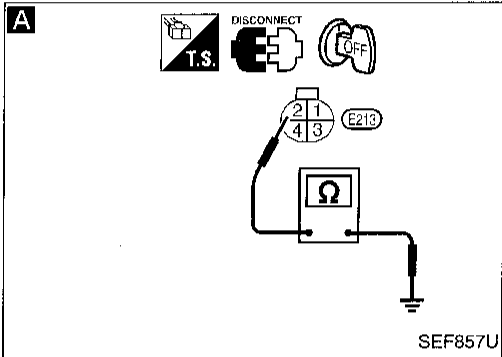
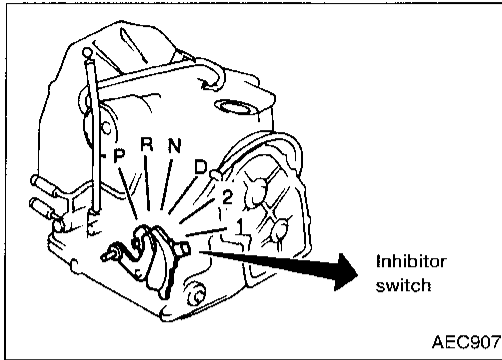
OK

Perform "TROUBLE DIAGNOSIS FOR INTERMITTENT INCIDENT", EC-104.

INSPECTION END

# TROUBLE DIAGNOSIS FOR DTC P1706

## Park/Neutral Position Switch (Cont'd)



### Inhibitor switch (A/T models)

INSPECTION START

**A**

**CHECK GROUND CIRCUIT.**

1. Disconnect inhibitor switch harness connector.
2. Check harness continuity between terminal ② and ground.  
**Continuity should exist.**

If OK, check harness for short to ground and short to power.

NG

Check the following.

- Harness connector (E211), (E6)
- Harness for open or short between inhibitor switch and fuse

If NG, repair harness or connectors.

OK

**B**

**CHECK INPUT SIGNAL CIRCUIT.**

1. Turn ignition switch "OFF".
2. Disconnect ECM harness connector.
3. Check harness continuity between ECM terminal ②② and terminals ①①.  
**Continuity should exist.**

If OK, check harness for short to ground and short to power.

NG

Check the following.

- Harness connectors (F27), (M33), (M16), (E101)
- Harness connectors (E6), (E211)
- Harness for open or short between inhibitor switch and ECM

If NG, repair open circuit or short to ground or short to power in harness or connectors.

OK

**CHECK COMPONENT**  
(Inhibitor switch).  
Refer to AT section.

NG

Replace inhibitor switch.

OK

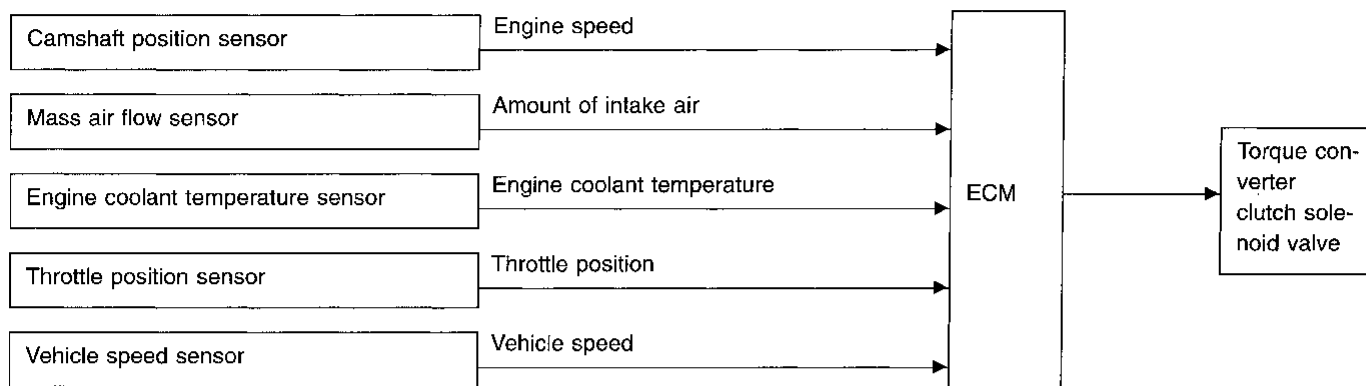
Perform "TROUBLE DIAGNOSIS FOR INTERMITTENT INCIDENT", EC-104.

INSPECTION END

CI  
MA  
EM  
LC  
**EC**  
FE  
CL  
MT  
AT  
FA  
RA  
BR  
ST  
RS  
BT  
HA  
EL  
DX

## Torque Converter Clutch Solenoid Valve

### SYSTEM DESCRIPTION



The ECM controls torque converter clutch solenoid valve to cancel the lock-up condition of A/T. When the solenoid valve is **turned on**, lock-up is **cancelled**. When the solenoid valve is turned off, A/T lock-up is operational.

#### Conditions for lock-up cancel:

Torque converter clutch solenoid valve is turned "ON" when;

- Throttle valve is fully closed (during idling or deceleration)
- Engine coolant temperature is below 60°C (140°F)
- Vehicle speed is less than 64 km/h (40 MPH)
- During high-load operation

#### Conditions for lock-up operation:

- Under 68 to 76 km/h (42 to 47 MPH) (2/8

throttle on flat road), lock-up does not operate even when the torque converter clutch solenoid valve is "OFF".

- Over 106 to 114 km/h (66 to 71 MPH) (2/8 throttle on flat road), lock-up should operate because the torque converter clutch solenoid valve is "OFF".

**To confirm vehicle lock-up, the torque converter clutch solenoid valve must be in operation ("ON" during idle and deceleration, and "OFF" during acceleration) and engine speed should drop.**

**When the accelerator pedal is depressed (less than 2/8) in lock-up, the engine speed should not change abruptly. If there is a big jump in engine speed, there will be no lock-up.**

### CONSULT REFERENCE VALUE IN DATA MONITOR MODE

MONITOR ITEM	CONDITION	SPECIFICATION
TCC SOL/V	Idle	ON
	• Engine: After warming up Vehicle speed is 64 km/h (40 MPH) or more in "D" position	OFF

### ECM TERMINALS AND REFERENCE VALUE

Specification data are reference values and are measured between each terminal and (43) (ECCS ground).

TERMINAL NO.	WIRE COLOR	ITEM	CONDITION	DATA (DC voltage)
30	P/B	Torque converter clutch solenoid valve (A/T models only)	Engine is running. └ Idle speed	Approximately 0V
			Engine is running. (Warm-up condition) └ Vehicle speed is 64 km/h (40 MPH) or more in "D" position.	BATTERY VOLTAGE (11 - 14V)

# TROUBLE DIAGNOSIS FOR DTC P1775

## Torque Converter Clutch Solenoid Valve (Cont'd)

### ON BOARD DIAGNOSIS LOGIC

Diagnostic Trouble Code No.	Malfunction is detected when ....	Check Items (Possible Cause)
P1775 0904	<ul style="list-style-type: none"> <li>● An excessively low voltage from the solenoid is sent to ECM.</li> </ul>	<ul style="list-style-type: none"> <li>● Harness or connectors (The circuit is open or shorted.)</li> <li>● Torque converter clutch solenoid valve</li> </ul>

GI  
MA  
EM  
LC  
EC  
FE  
CL  
MT  
AT  
FA  
RA  
BR  
ST  
RS  
BT  
HA  
EL  
IDX

### DIAGNOSTIC TROUBLE CODE CONFIRMATION PROCEDURE

**NOTE:**

If "DIAGNOSTIC TROUBLE CODE CONFIRMATION PROCEDURE" has been previously conducted, always turn ignition switch "OFF" and wait at least 5 seconds before conducting the next test.



- 1) Turn ignition switch "ON".
- 2) Select "DATA MONITOR" mode with CONSULT.
- 3) Wait at least 5 seconds.

OR



- 1) Turn ignition switch "ON" and wait at least 5 seconds.
- 2) Select "MODE 7" with GST.

OR

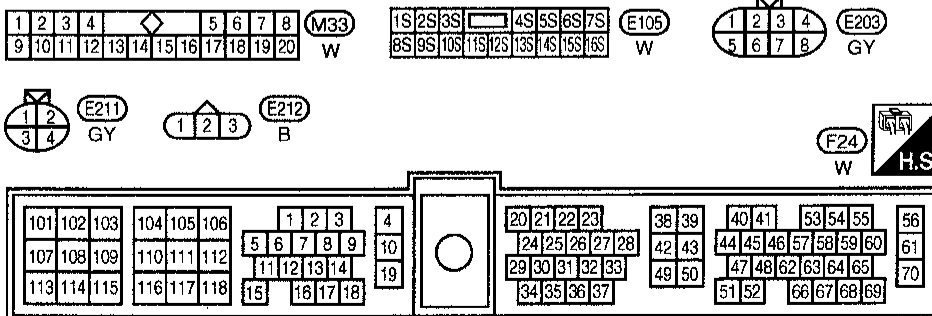
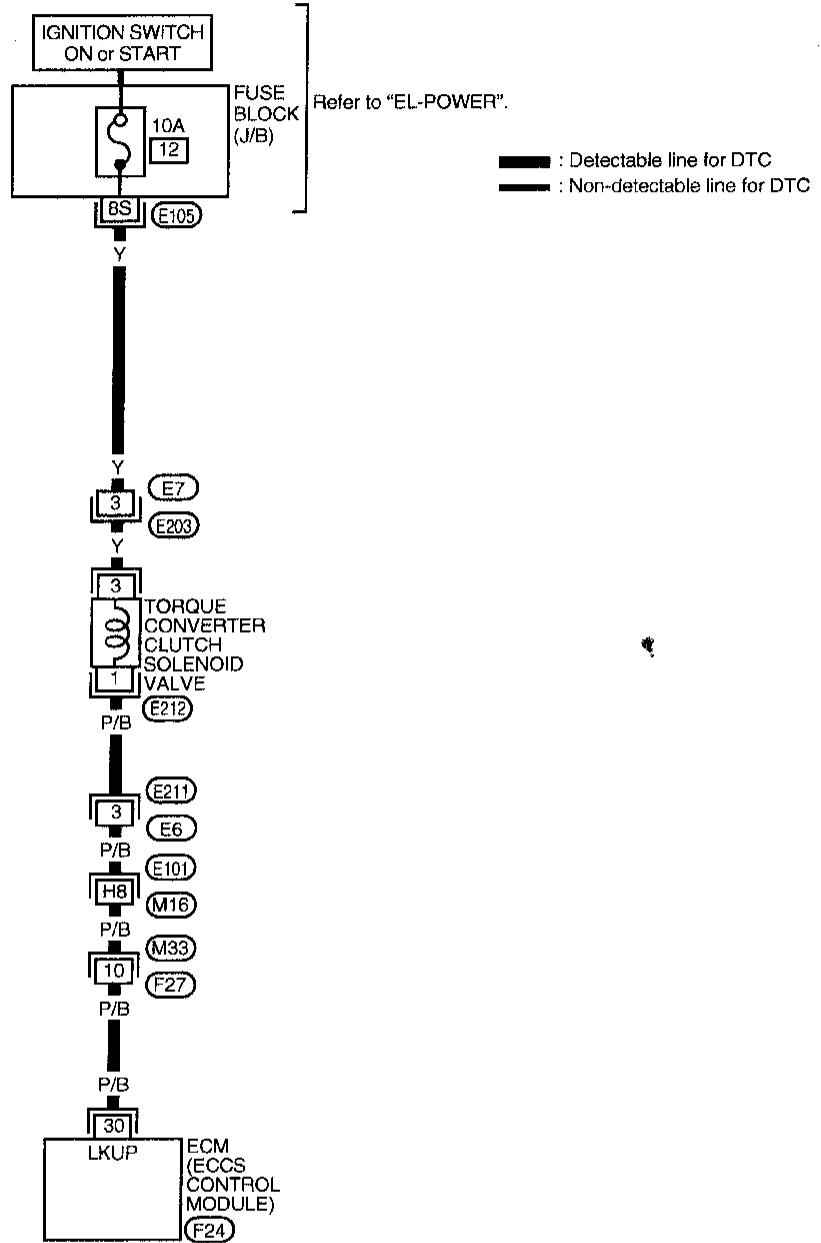


- 1) Turn ignition switch "ON" and wait at least 5 seconds.
- 2) Turn ignition switch "OFF", wait at least 5 seconds and then turn "ON".
- 3) Perform "Diagnostic Test Mode II (Self-diagnostic results)" with ECM.

# TROUBLE DIAGNOSIS FOR DTC P1775

## Torque Converter Clutch Solenoid Valve (Cont'd)

EC-LKUP-01



Refer to last page (Foldout page).

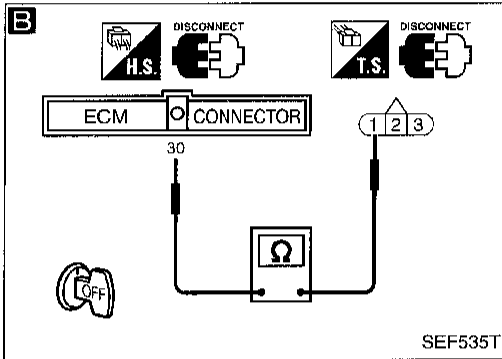
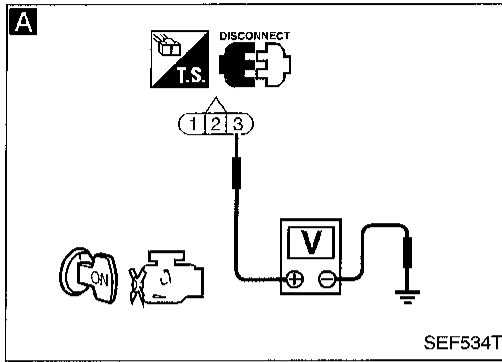
M16, E101



# TROUBLE DIAGNOSIS FOR DTC P1775

## Torque Converter Clutch Solenoid Valve (Cont'd)

### DIAGNOSTIC PROCEDURE



INSPECTION START

**A**  
**CHECK POWER SUPPLY.**  
 1. Disconnect torque converter clutch solenoid valve harness connector.  
 2. Turn ignition switch "ON".  
 3. Check voltage between terminal ③ and ground with CONSULT or tester.  
**Voltage: Battery voltage**

NG → Check the followings.  
 ● Harness connectors  
     E7, E203  
 ● 10A fuse  
 ● Harness continuity between torque converter clutch solenoid valve and fuse  
 If NG, repair harness or connectors.

OK →  
**B**  
**CHECK OUTPUT SIGNAL CIRCUIT.**  
 2. Disconnect ECM harness connector.  
 3. Check harness continuity between ECM terminal ③⑩ and terminal ①.  
**Continuity should exist.**  
 If OK, check harness for short to ground and short to power.

NG → Check the followings.  
 ● Harness connectors  
     E211, E6, E101, M16, M33, F27  
 ● Harness continuity between torque converter clutch solenoid valve and ECM  
 If NG, repair open circuit or short to ground or short to power in harness or connectors.

OK →  
**CHECK COMPONENT**  
 (Torque converter clutch solenoid valve). Refer to "COMPONENT INSPECTION" on next page.

NG → Replace torque converter clutch solenoid valve.

OK → Perform "TROUBLE DIAGNOSIS FOR INTERMITTENT INCIDENT", EC-104.

INSPECTION END

GI

MA

EM

LC

**EC**

FE

CL

MT

AT

FA

RA

BR

ST

RS

BT

HA

EL

IDX

## TROUBLE DIAGNOSIS FOR DTC P1775

### Torque Converter Clutch Solenoid Valve (Cont'd)

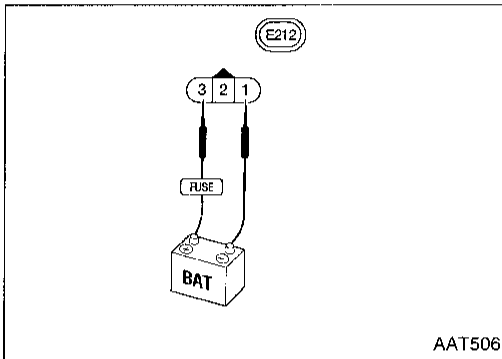
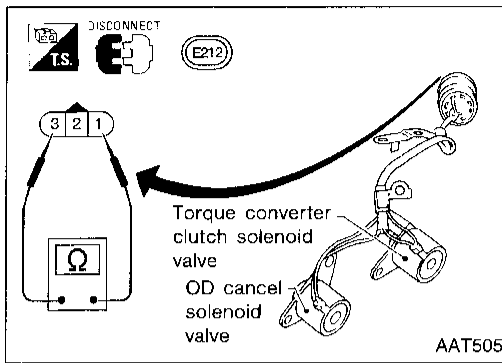
#### COMPONENT INSPECTION

##### Torque converter clutch solenoid valve

1. Check resistance between torque converter clutch solenoid valve terminals ① and ③.

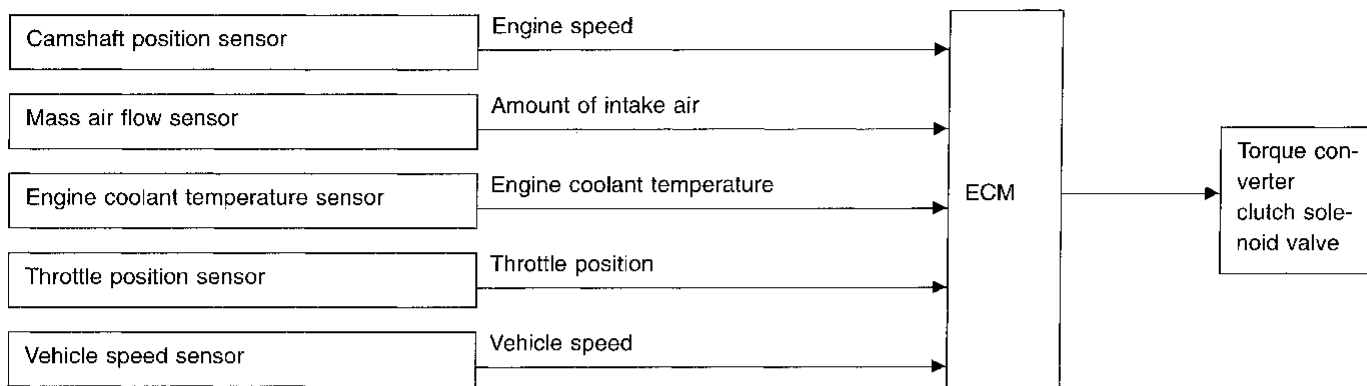
**Resistance: Approximately  $25\Omega$  [at 25°C (77°F)]**

2. Remove torque converter clutch solenoid valve. Refer to "ON-VEHICLE SERVICE" in AT section.
3. Supply the solenoid valve terminals ① and ③ with battery voltage and check the solenoid valve operation.  
**Torque converter clutch solenoid valve should be operated.**
4. If NG, replace torque converter clutch solenoid valve.



## Torque Converter Clutch Solenoid Valve

### SYSTEM DESCRIPTION



The ECM controls torque converter clutch solenoid valve to cancel the lock-up condition of A/T. When the solenoid valve is **turned on**, lock-up is **cancelled**. When the solenoid valve is turned off, A/T lock-up is operational.

#### Conditions for lock-up cancel:

Torque converter clutch solenoid valve is turned "ON" when:

- Throttle valve is fully closed (during idling or deceleration)
- Engine coolant temperature is below 60°C (140°F)
- Vehicle speed is less than 64 km/h (40 MPH)
- During high-load operation

#### Conditions for lock-up operation:

- Under 68 to 76 km/h (42 to 47 MPH) (2/8

throttle on flat road), lock-up does not operate even when the torque converter clutch solenoid valve is "OFF".

- Over 106 to 114 km/h (66 to 71 MPH) (2/8 throttle on flat road), lock-up should operate because the torque converter clutch solenoid valve is "OFF".

**To confirm vehicle lock-up, the torque converter clutch solenoid valve must be in operation ("ON" during idle and deceleration, and "OFF" during acceleration) and engine speed should drop.**

**When the accelerator pedal is depressed (less than 2/8) in lock-up, the engine speed should not change abruptly. If there is a big jump in engine speed, there will be no lock-up.**

### CONSULT REFERENCE VALUE IN DATA MONITOR MODE

MONITOR ITEM	CONDITION	SPECIFICATION
TCC SOL/V	● Engine: After warming up	ON
		OFF
	Idle	ON
	Vehicle speed is 64 km/h (40 MPH) or more in "D" position	OFF

### ECM TERMINALS AND REFERENCE VALUE

Specification data are reference values and are measured between each terminal and ④ (ECCS ground).

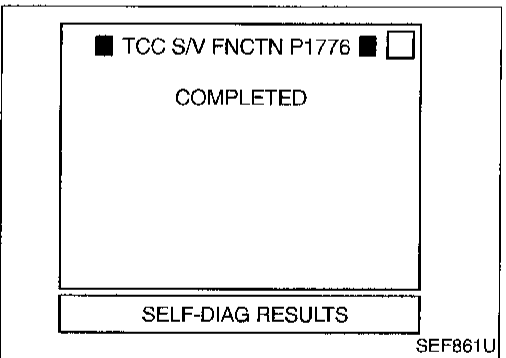
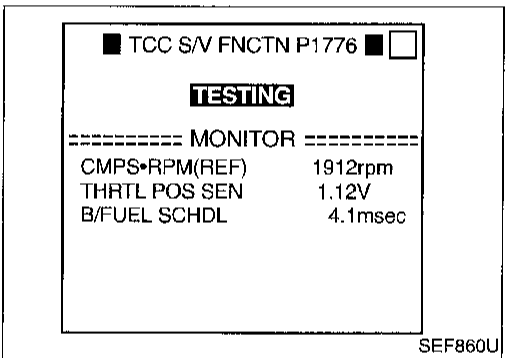
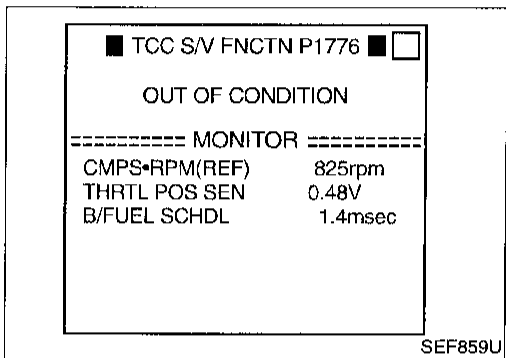
TERMINAL NO.	WIRE COLOR	ITEM	CONDITION	DATA (DC voltage)
30	P/B	Torque converter clutch solenoid valve (A/T models only)	Engine is running. └ Idle speed	Approximately 0V
			Engine is running. (Warm-up condition) └ Vehicle speed is 64 km/h (40 MPH) or more in "D" position.	BATTERY VOLTAGE (11 - 14V)

# TROUBLE DIAGNOSIS FOR DTC P1776

## Torque Converter Clutch Solenoid Valve (Cont'd)

### ON BOARD DIAGNOSIS LOGIC

Diagnostic Trouble Code No.	Malfunction is detected when ....	Check Items (Possible Cause)
P1776 0904	<ul style="list-style-type: none"> <li>● A/T torque converter slip is occurred in lock-up condition.</li> </ul>	<ul style="list-style-type: none"> <li>● Torque converter clutch solenoid valve</li> <li>● A/T hydraulic control system</li> <li>● Torque converter</li> </ul>



### DIAGNOSTIC TROUBLE CODE CONFIRMATION PROCEDURE

#### CAUTION:

Always drive vehicle at a safe speed.

#### NOTE:

Always perform the test at a temperature of  $-10^{\circ}\text{C}$  ( $14^{\circ}\text{F}$ ) or higher.

#### TESTING CONDITION:

If "DIAGNOSTIC TROUBLE CODE CONFIRMATION PROCEDURE" has been previously conducted, always turn ignition switch "OFF" and wait at least 5 seconds before conducting the next test.



- 1) Start engine and warm it up to normal operating temperature.
- 2) Turn ignition switch "OFF" and wait at least 5 seconds.
- 3) Start engine.
- 4) Select "TCC S/V FNCTN P1776" of "A/T (TCC S/V)" in "DTC WORK SUPPORT" mode with CONSULT.
- 5) Touch "START".
- 6) When the following conditions are met, "TESTING" will be displayed on the CONSULT screen. Maintain the conditions continuously until "TESTING" changes to "COMPLETED". (It will take approximately 20 seconds.)  
**Selector lever: D (OD "ON")**  
**Vehicle speed: 76 - 100 km/h (47 - 62 MPH)**  
**CMPS-RPM (REF): Less than 3,200 rpm**  
**B/FUEL SCHDL: 1.8 - 4.8 ms**  
**THRTL POS SEN: Less than 1.4V**

If "TESTING" is not displayed after 5 minutes, retry from step 2).

- 7) Make sure that "OK" is displayed after touching "SELF-DIAG RESULTS".  
If "NG" is displayed, refer to "DIAGNOSTIC PROCEDURE", EC-444.

OR



- 1) Start engine and warm it up to normal operating temperature.
- 2) Select MODE 7 with GST.
- 3) Perform test drive in "D" position (OD "ON") at least 20 seconds continuously under the following conditions.  
**Engine speed: Less than 3,200 rpm**  
**Vehicle speed: 76 - 100 km/h (47 - 62 MPH)**

OR

# TROUBLE DIAGNOSIS FOR DTC P1776

## Torque Converter Clutch Solenoid Valve (Cont'd)



- 1) Start engine and warm it up to normal operating temperature.
- 2) Perform test drive in "D" position (OD "ON") at least 20 seconds continuously under the following conditions.  
**Engine speed: Less than 3,200 rpm**  
**Vehicle speed: 76 - 100 km/h (47 - 62 MPH)**
- 3) Stop the vehicle, turn ignition switch "OFF", wait at least 5 seconds and then turn "ON".
- 4) Perform "Diagnostic Test Mode II (Self-diagnostic results)" with ECM.

GI

MA

EM

LC

**EC**

FE

CL

MT

AT

FA

RA

BR

ST

RS

BT

HA

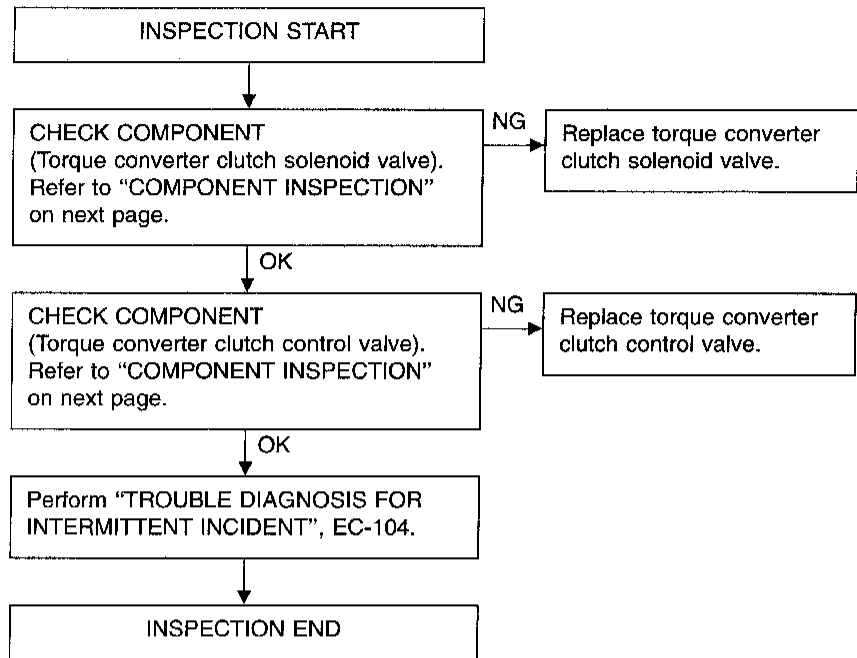
EL

IDX

# TROUBLE DIAGNOSIS FOR DTC P1776

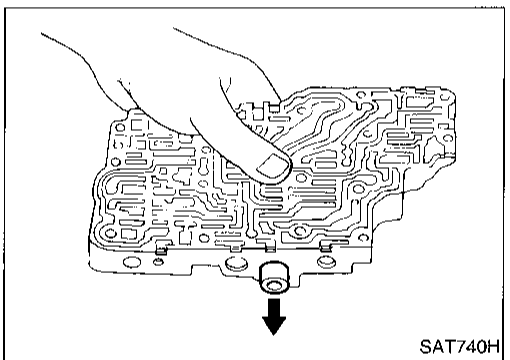
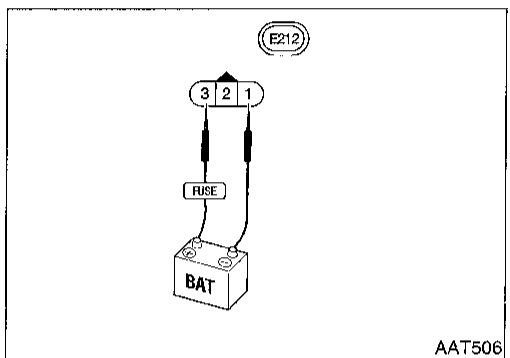
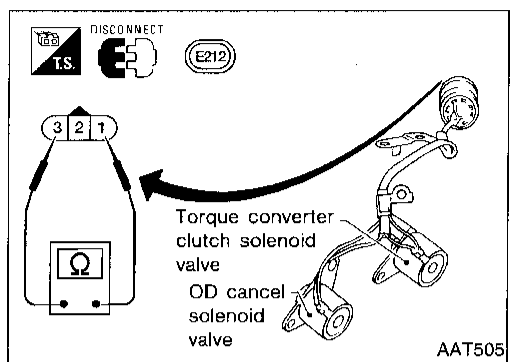
## Torque Converter Clutch Solenoid Valve (Cont'd)

### DIAGNOSTIC PROCEDURE



# TROUBLE DIAGNOSIS FOR DTC P1776

## Torque Converter Clutch Solenoid Valve (Cont'd)



### COMPONENT INSPECTION

#### Torque converter clutch solenoid valve

1. Check resistance between torque converter clutch solenoid valve terminals ① and ③.

**Resistance: Approximately 25Ω [at 25°C (77°F)]**

2. Remove torque converter clutch solenoid valve. Refer to "ON-VEHICLE SERVICE" in AT section.
3. Supply the solenoid valve terminals ① and ③ with battery voltage and check the solenoid valve operation.  
**Torque converter clutch solenoid valve should be operated.**
4. If NG, replace torque converter clutch solenoid valve.

#### Torque converter clutch control valve

1. Disassemble torque converter clutch control valve assembly. Refer to "REPAIR FOR COMPONENT PARTS" on AT section.
2. Check torque converter clutch control valve.
  - Valve, and sleeve slide along valve bore under their own weight.
  - Valve, and sleeve are free from burrs, dents and scratches.
  - Control valve springs are free from damage, deformation and fatigue.
  - Hydraulic line is free from obstacles.
3. If NG, replace torque converter clutch control valve.

GI

MA

EM

LC

EC

FE

CL

MT

AT

FA

RA

BR

ST

RS

BT

HA

EL

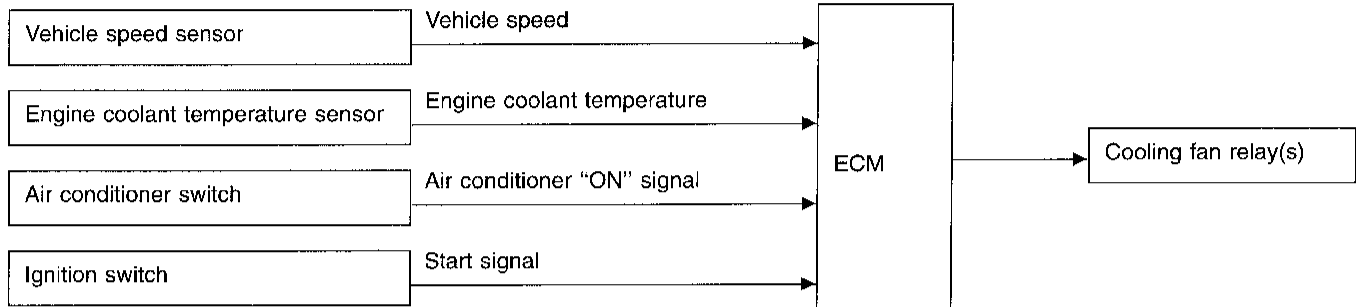
IDX

# TROUBLE DIAGNOSIS FOR OVERHEAT

## Overheat

### SYSTEM DESCRIPTION

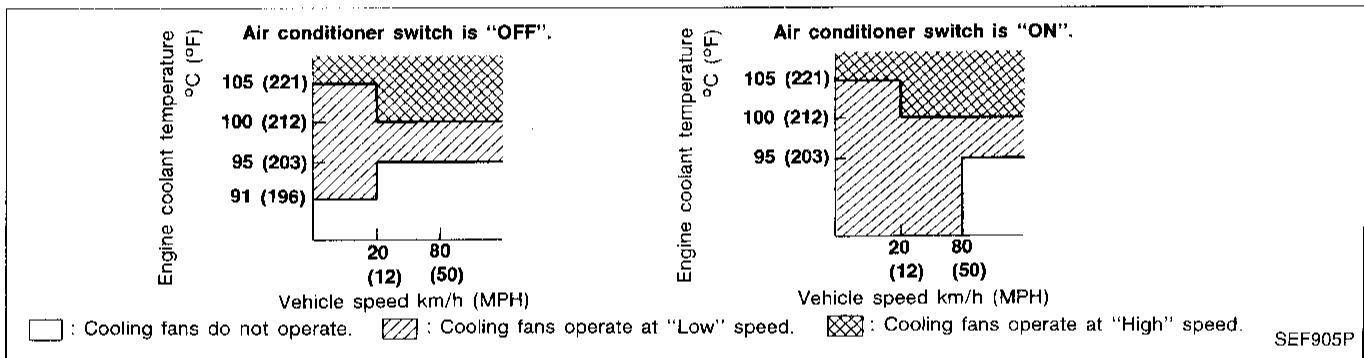
#### Cooling fan control



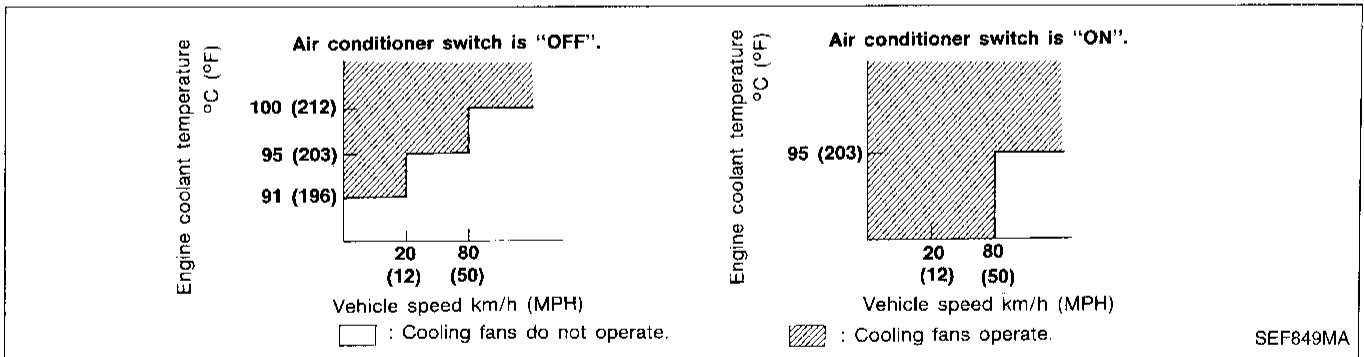
The ECM controls the cooling fan corresponding to the vehicle speed, engine coolant temperature, and air conditioner ON signal. The control system has 3-step control [HIGH/LOW/OFF] on A/T models and 2-step control [HIGH/OFF] on M/T models.

### Operation

#### For A/T models



#### For M/T models





# TROUBLE DIAGNOSIS FOR OVERHEAT

## Overheat (Cont'd)

**CONSULT REFERENCE VALUE IN DATA MONITOR MODE**

MONITOR ITEM	CONDITION	SPECIFICATION
COOLING FAN	<ul style="list-style-type: none"> <li>● After warming up engine, idle the engine.</li> <li>● Air conditioner switch: OFF</li> </ul>	Engine coolant temperature is 90°C (194°F) or less OFF
		Engine coolant temperature is 91°C (196°F) or more ON

### ECM TERMINALS AND REFERENCE VALUE

Specification data are reference values and are measured between each terminal and Ⓞ (ECCS ground).

TER-MINAL NO.	WIRE COLOR	ITEM	CONDITION	DATA (DC voltage)
13	LG (A/T models)	Cooling fan relay (High)	<div style="border: 1px solid black; padding: 2px;">Engine is running.</div> <ul style="list-style-type: none"> <li>└ Cooling fan is not operating.</li> </ul>	BATTERY VOLTAGE (11 - 14V)
			<div style="border: 1px solid black; padding: 2px;">Engine is running.</div> <ul style="list-style-type: none"> <li>└ Cooling fan (High) is operating.</li> </ul>	0.07 - 0.10V
14	LG/R	Cooling fan relay	<div style="border: 1px solid black; padding: 2px;">Engine is running.</div> <ul style="list-style-type: none"> <li>└ Cooling fan is not operating.</li> </ul>	BATTERY VOLTAGE (11 - 14V)
			<div style="border: 1px solid black; padding: 2px;">Engine is running.</div> <ul style="list-style-type: none"> <li>└ Cooling fan is operating.</li> </ul>	0.07 - 0.30V

### ON BOARD DIAGNOSIS LOGIC

If the cooling fan or another component in the cooling system malfunctions, engine coolant temperature will rise.

When the engine coolant temperature reaches an abnormally high temperature condition, a malfunction is indicated.

Diagnostic Trouble Code No.	Malfunction is detected when ...	Check Items (Possible Cause)
0208	<ul style="list-style-type: none"> <li>● Cooling fan does not operate properly (Overheat).</li> <li>● Cooling fan system does not operate properly (Overheat).</li> <li>● Engine coolant was not added to the system using the proper filling method.</li> </ul>	<ul style="list-style-type: none"> <li>● Harness or connectors (The cooling fan circuit is open or shorted.)</li> <li>● Cooling fan</li> <li>● Radiator hose</li> <li>● Radiator</li> <li>● Radiator cap</li> <li>● Water pump</li> <li>● Thermostat</li> </ul> <p>For more information, refer to "MAIN 12 CAUSES OF OVERHEATING", EC-457.</p>

### CAUTION:

When a malfunction is indicated, be sure to replace the coolant following the procedure in the MA section ("Changing Engine Coolant", "ENGINE MAINTENANCE"). Also, replace the engine oil.

a. Fill radiator with coolant up to specified level with a filling speed of 2 liters per minute. Be sure to use coolant with the proper mixture ratio. Refer to MA section ("Anti-freeze Coolant Mixture Ratio", "RECOMMENDED FLUIDS AND LUBRICANTS").

b. After refilling coolant, run engine to ensure that no water-flow noise is emitted.

# TROUBLE DIAGNOSIS FOR OVERHEAT

## Overheat (Cont'd)

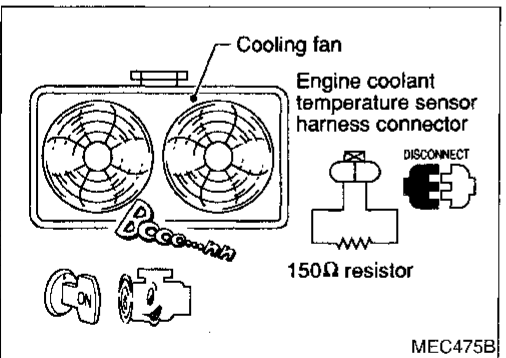
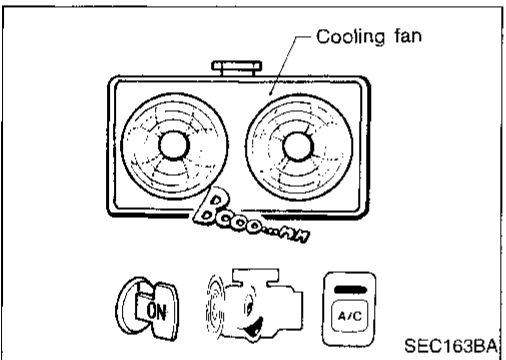
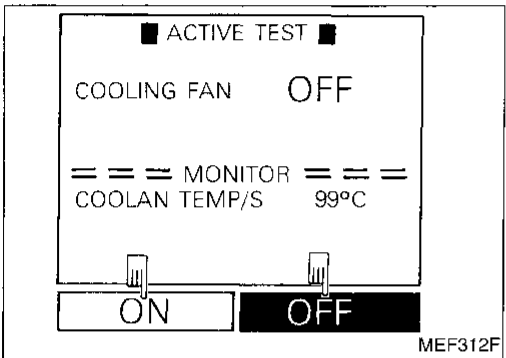
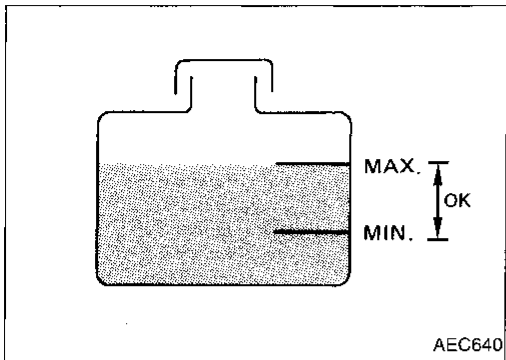
### OVERALL FUNCTION CHECK

Use this procedure to check the overall function of the cooling fan. During this check, a DTC might not be confirmed.

#### WARNING:

**Never remove the radiator cap when the engine is hot. Serious burns could be caused by high pressure fluid escaping from the radiator.**

**Wrap a thick cloth around cap. Carefully remove the cap by turning it a quarter turn to allow built-up pressure to escape. Then turn the cap all the way off.**



- 1) Check the coolant level in the reservoir tank and radiator.  
**Allow engine to cool before checking coolant level.** If the coolant level in the reservoir tank and/or radiator is below the proper range, skip the following steps and go to "DIAGNOSTIC PROCEDURE" (EC-451).
- 2) Confirm whether customer filled the coolant or not. If customer filled the coolant, skip the following steps and go to "DIAGNOSTIC PROCEDURE" (EC-451).



- 3) Turn ignition switch "ON".
- 4) Perform "COOLING FAN" in "ACTIVE TEST" mode with CONSULT.

OR



- 3) Start engine.  
**Be careful not to overheat engine.**
- 4) Set temperature control lever to full cold position.
- 5) Turn air conditioner switch "ON".
- 6) Turn blower fan switch "ON".
- 7) Run engine at idle for a few minutes with air conditioner operating.  
**Be careful not to overheat engine.**
- 8) Make sure that cooling fan operates at low speed for A/T models and high speed for M/T models.
- 9) Turn ignition switch "OFF".
- 10) Turn air conditioner switch and blower fan switch "OFF".

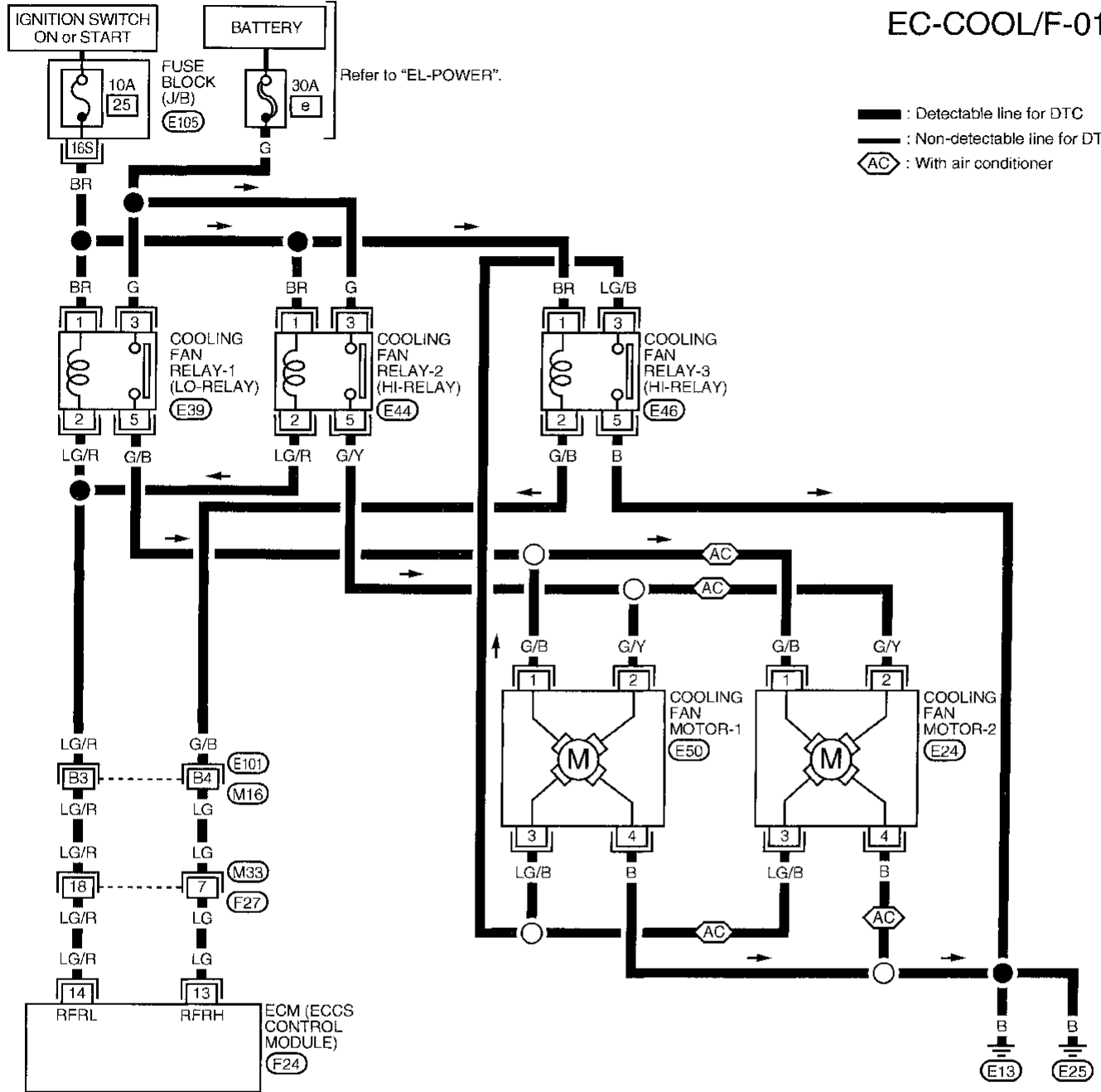
#### —A/T models only—

- 11) Disconnect engine coolant temperature sensor harness connector.
- 12) Connect 150Ω resistor to engine coolant temperature sensor harness connector.
- 13) Restart engine and make sure that cooling fan operates at higher speed than low speed.  
**Be careful not to overheat engine.**

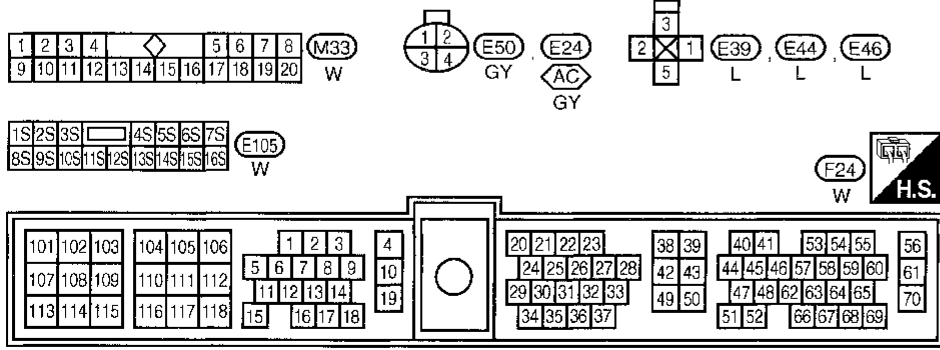
# TROUBLE DIAGNOSIS FOR OVERHEAT

## Overheat (Cont'd)

WITH A/T



GI  
 MA  
 EM  
 LC  
**EC**  
 FE  
 CL  
 MT  
 AT  
 FA  
 RA  
 BR  
 ST  
 RS  
 BT



Refer to last page (Foldout page).

(M16), (E101)

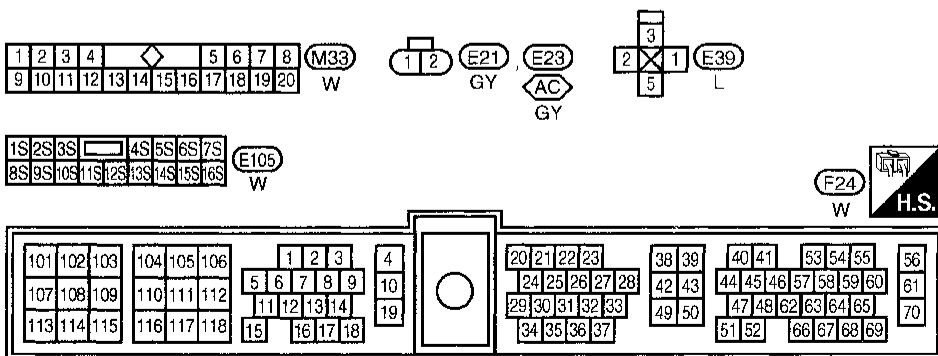
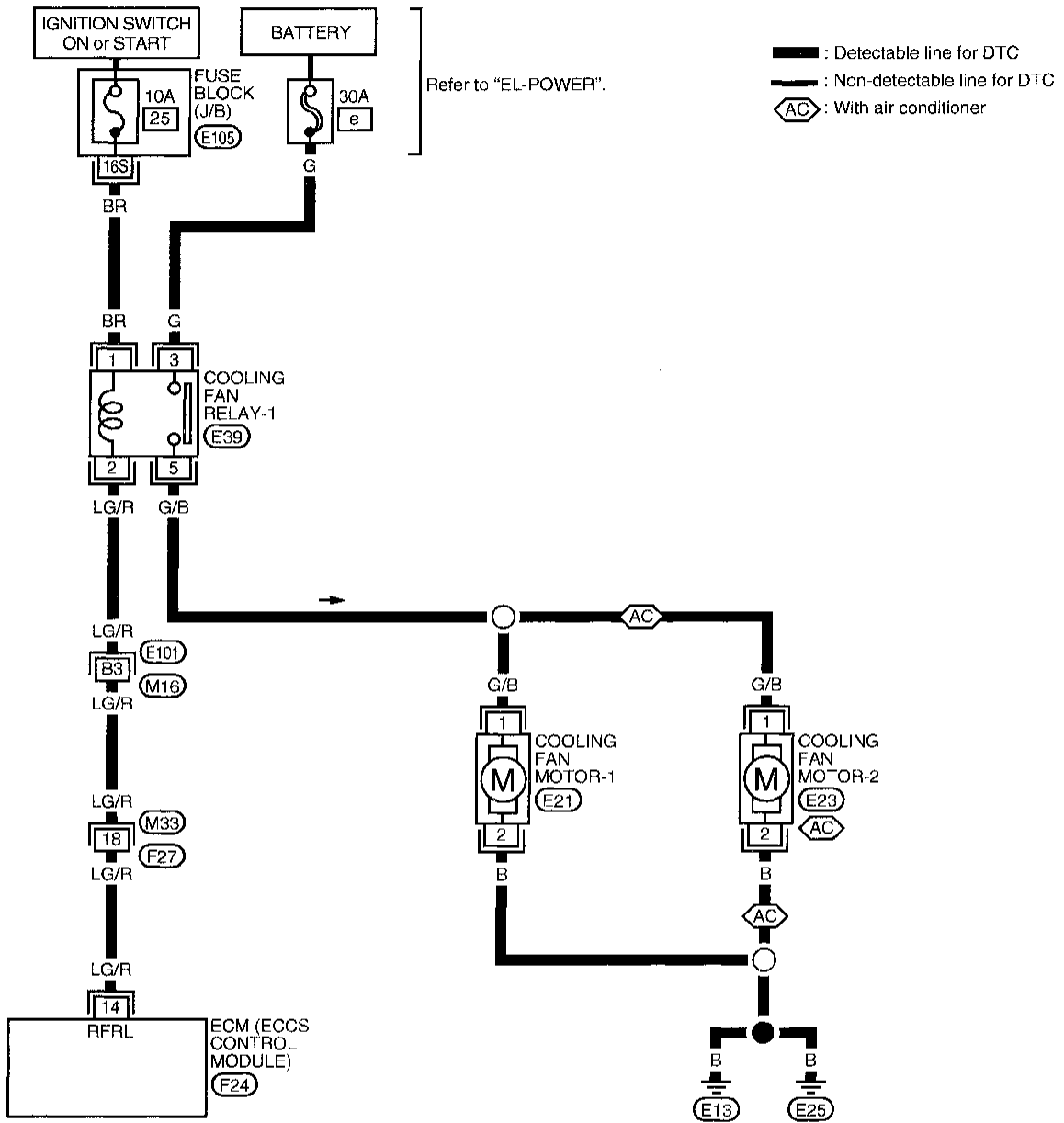
HA  
 EL  
 IDX

# TROUBLE DIAGNOSIS FOR OVERHEAT

## Overheat (Cont'd)

WITH M/T

EC-COOL/F-02

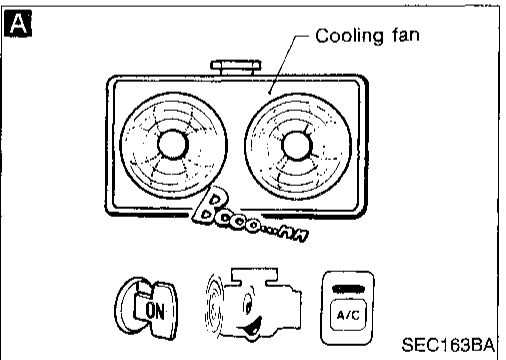
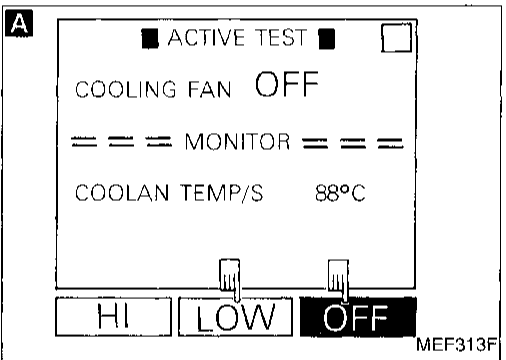
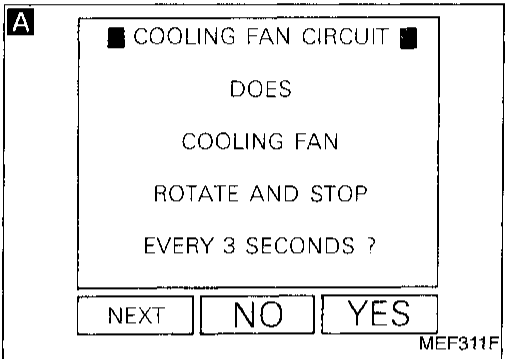
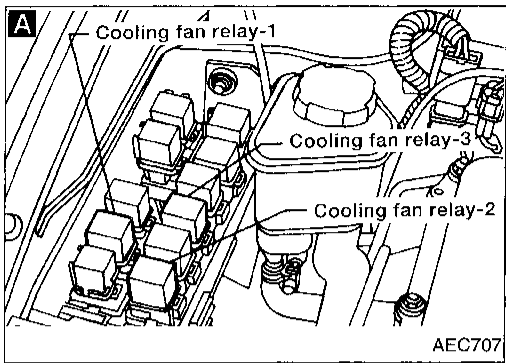


Refer to last page (Foldout page).

(M16) . (E101)

# TROUBLE DIAGNOSIS FOR OVERHEAT

## Overheat (Cont'd) DIAGNOSTIC PROCEDURE



INSPECTION START

**A** **CHECK COOLING FAN LOW SPEED OPERATION (A/T MODELS) AND HIGH SPEED OPERATION (M/T MODELS).**

1. Disconnect cooling fan relays-2 and -3 for A/T models.
2. Turn ignition switch "ON".
3. Perform "COOLING FAN CIRCUIT" in "FUNCTION TEST" mode with CONSULT.

OR

2. Turn ignition switch "ON".
3. Perform "COOLING FAN" in "ACTIVE TEST" mode with CONSULT.

OR

2. Start engine.
3. Set temperature lever at full cold position.
4. Turn air conditioner switch "ON".
5. Turn blower fan switch "ON".
6. Run engine at idle for a few minutes with air conditioner operating.
7. Make sure that cooling fan operates at low speed for A/T models and at high speed for M/T models.

NG → Check cooling fan low speed control circuit (A/T models) and high speed control circuit (M/T models). (Go to PROCEDURE A, EC-453.)

OK  
**A**  
 (Go to next page.)

GI  
 MA  
 EM  
 LC  
**EC**  
 FE  
 CL  
 MT  
 AT  
 FA  
 RA  
 BR  
 ST  
 RS  
 BT  
 HA  
 EL  
 IDX

# TROUBLE DIAGNOSIS FOR OVERHEAT

## Overheat (Cont'd)

**B**

■ COOLING FAN CIRCUIT ■

DOES  
COOLING FAN  
ROTATE AND STOP  
EVERY 3 SECONDS ?

NEXT NO YES

MEF311F

**B**

■ ACTIVE TEST ■

COOLING FAN OFF

=== MONITOR ===

COOLANT TEMP/S 88°C

HI LOW OFF

MEF314F

**B**

Cooling fan

150 Ω resistor

DISCONNECT

Engine coolant temperature sensor harness connector

MEF613EA

**B**

**CHECK COOLING FAN HIGH SPEED OPERATION (A/T MODELS).**

1. Turn ignition switch "OFF".
2. Reconnect cooling fan relays-2 and -3.
3. Disconnect cooling fan relay-1.

4. Turn ignition switch "ON".

5. Perform "COOLING FAN CIRCUIT" in "FUNCTION TEST" mode with CONSULT.

OR

4. Turn ignition switch "ON".

5. Perform "COOLING FAN" in "ACTIVE TEST" mode with CONSULT.

OR

4. Turn air conditioner switch and blower fan switch "OFF".

5. Disconnect engine coolant temperature sensor harness connector.

6. Connect 150Ω resistor to engine coolant temperature sensor harness connector.

7. Restart engine and make sure that cooling fan operates at higher speed than low speed.

NG → Check cooling fan high speed control circuit. (Go to PROCEDURE B, EC-454.)

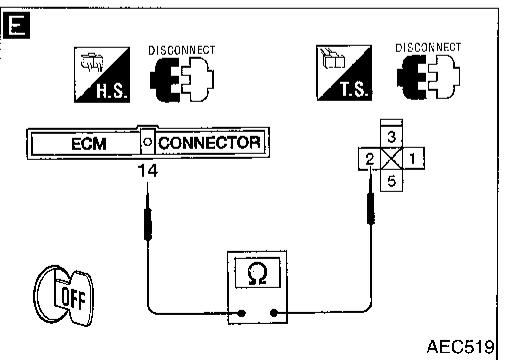
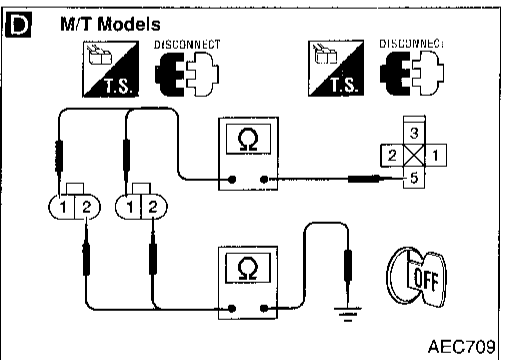
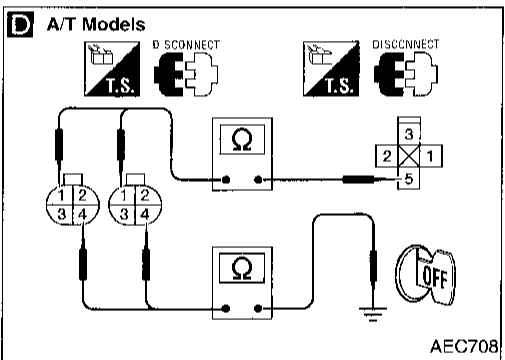
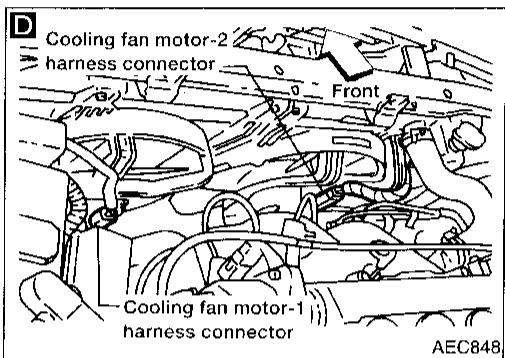
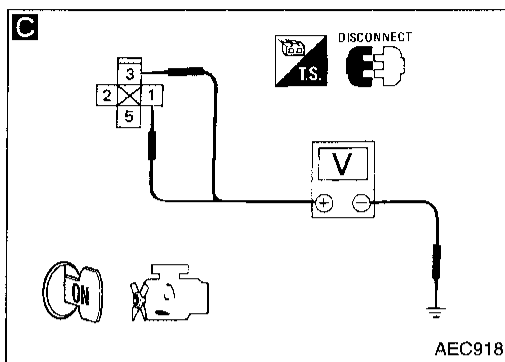
OK

**B**

(Go to EC-456.)

# TROUBLE DIAGNOSIS FOR OVERHEAT

## Overheat (Cont'd)



### PROCEDURE A

#### INSPECTION START

**C**

**CHECK POWER SUPPLY.**

1. Turn ignition switch "OFF".
2. Disconnect cooling fan relay-1.
3. Turn ignition switch "ON".
4. Check voltage between terminals ①, ③ and ground with CONSULT or tester.

**Voltage: Battery voltage**

NG → Check the following.

- 10A fuse
- 30A fusible link
- Harness for open or short between cooling fan relay-1 and fuse
- Harness for open or short between cooling fan relay-1 and battery

If NG, repair open circuit or short to ground or short to power in harness or connectors.

OK ↓

**D**

**CHECK GROUND CIRCUIT.**

1. Turn ignition switch "OFF".
2. Disconnect cooling fan motor-1 harness connector and cooling fan motor-2 harness connector (with air conditioner).
3. Check harness continuity between terminal ① and terminal ⑤.

**Continuity should exist.**

If OK, check harness for short.

4. Check harness continuity between terminal ④ (A/T models), ② (M/T models) and body ground.

**Continuity should exist.**

If OK, check harness for short to ground and short to power.

NG → Repair harness or connectors.

OK ↓

**E**

**CHECK OUTPUT SIGNAL CIRCUIT.**

1. Disconnect ECM harness connector.
2. Check harness continuity between ECM terminal ⑭ and terminal ②.

**Continuity should exist.**

If OK, check harness for short to ground and short to power.

NG → Check the following.

- Harness connectors (M16, E101)
- Harness connectors (F27, M33)
- Harness for open or short between cooling fan relay-1 and ECM

If NG, repair open circuit or short to ground or short to power in harness or connectors.

OK ↓

**CHECK COMPONENT**  
(Cooling fan relay-1).  
Refer to "COMPONENT INSPECTION", EC-458.

NG → Replace cooling fan relay.

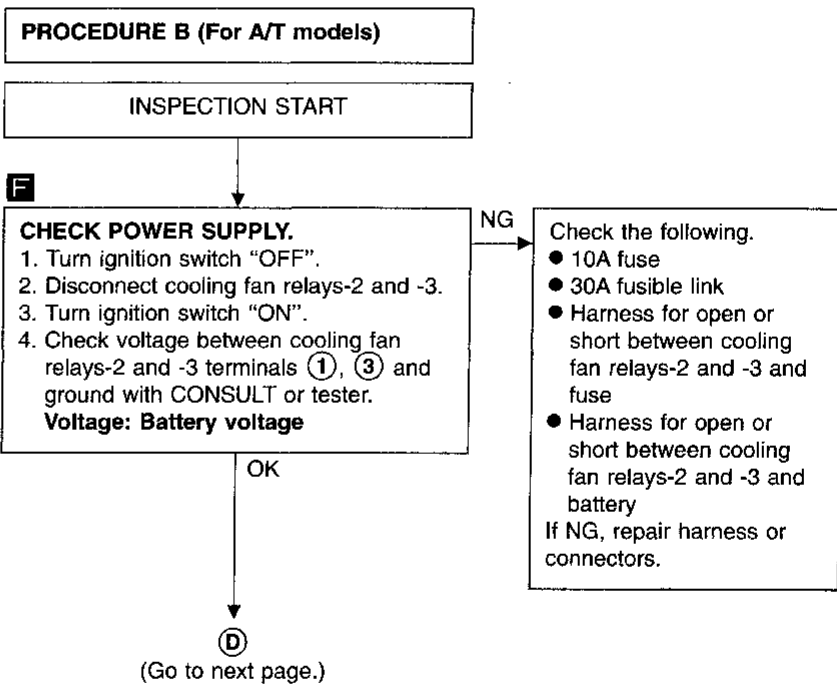
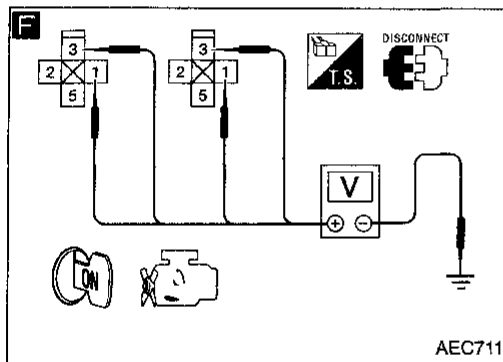
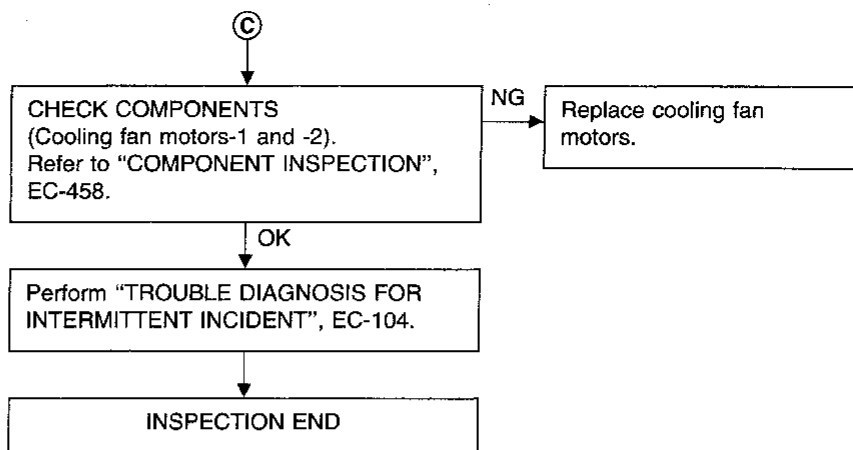
OK ↓

Ⓢ (Go to next page.)

GI  
MA  
EM  
LC  
EC  
FE  
CL  
MT  
AT  
FA  
RA  
BR  
ST  
RS  
BT  
HA  
EL  
IDX

# TROUBLE DIAGNOSIS FOR OVERHEAT

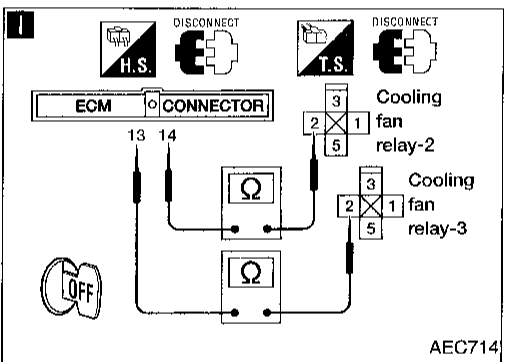
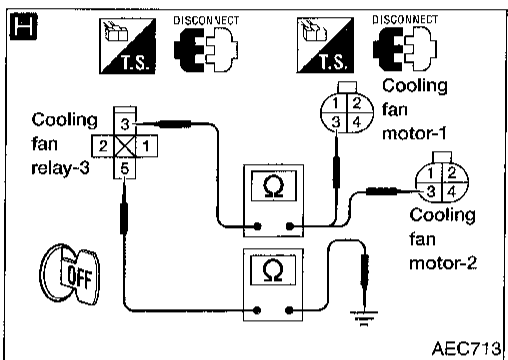
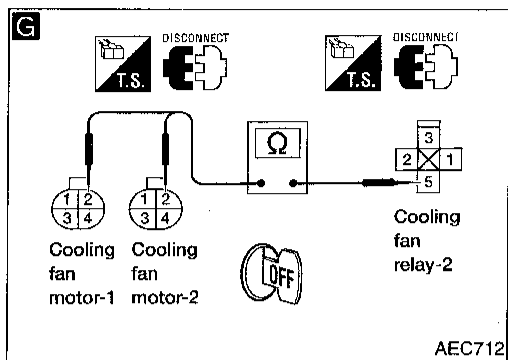
## Overheat (Cont'd)





# TROUBLE DIAGNOSIS FOR OVERHEAT

## Overheat (Cont'd)



**D**

**CHECK POWER AND GROUND CIRCUIT.**

1. Turn ignition switch "OFF".
2. Disconnect cooling fan motors-1 and -2 harness connectors (with air conditioner).

**G** 3. Check harness continuity between cooling fan relay-2 terminal (5) and cooling fan motors-1 and -2 terminal (2).  
**Continuity should exist.**  
If OK, check harness for short.

**H** 4. Check harness continuity between cooling fan relay-3 terminal (3) and cooling fan motors-1 and -2 terminal (3), cooling fan relay-3 terminal (5) and body ground.  
**Continuity should exist.**  
If OK, check harness for short to ground and short to power.

NG → Repair harness or connectors.

**I**

**CHECK OUTPUT SIGNAL CIRCUIT.**

1. Disconnect ECM harness connector.
2. Check harness continuity between ECM terminal (13) and cooling fan relay-3 terminal (2), ECM terminal (14) and cooling fan relay-2 terminal (2).

**Continuity should exist.**  
If OK, check harness for short to ground and short to power.

NG → Check the following.

- Harness connectors (M16, E101)
- Harness connectors (F27, M33)
- Harness for open or short between cooling fan relays-2 and -3 and ECM

If NG, repair open circuit or short to ground or short to power in harness or connectors.

**CHECK COMPONENTS**  
(Cooling fan relays-2 and -3).  
Refer to "COMPONENT INSPECTION", EC-458.

NG → Replace cooling fan relays.

**CHECK COMPONENTS**  
(Cooling fan motors).  
Refer to "COMPONENT INSPECTION", EC-458.

NG → Replace cooling fan motors.

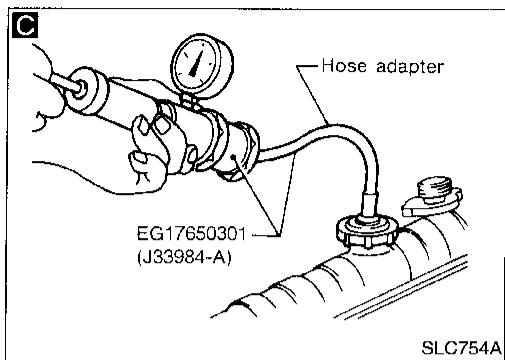
Perform "TROUBLE DIAGNOSIS FOR INTERMITTENT INCIDENT", EC-104.

INSPECTION END

GI  
MA  
EM  
LC  
EC  
FE  
CL  
MT  
AT  
FA  
RA  
BR  
ST  
RS  
BT  
HA  
EL  
IDX

# TROUBLE DIAGNOSIS FOR OVERHEAT

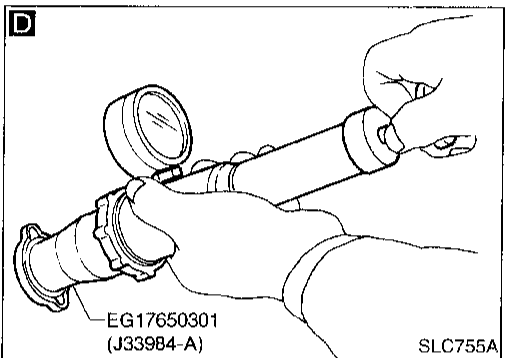
## Overheat (Cont'd)



**C**

**CHECK COOLING SYSTEM FOR LEAK.**  
Apply pressure to the cooling system with a tester, and check if the pressure drops.  
**Testing pressure:**  
157 kPa (1.6 kg/cm<sup>2</sup>, 23 psi)  
**Pressure should not drop.**  
**CAUTION:**  
Higher than the specified pressure may cause radiator damage.

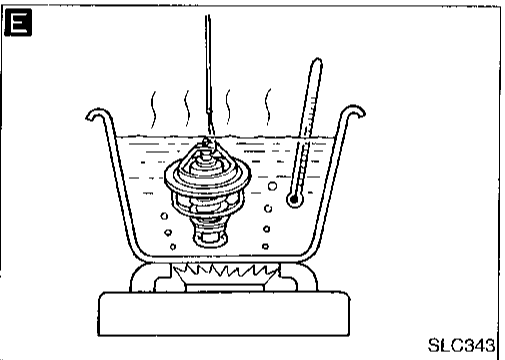
NG → Check the following for leak.  
● Hose  
● Radiator  
● Water pump  
Refer to LC section ("Water Pump").



**D**

**CHECK RADIATOR CAP.**  
Apply pressure to cap with a tester.  
**Radiator cap relief pressure:**  
59 - 98 kPa (0.6 - 1.0 kg/cm<sup>2</sup>, 9 - 14 psi)

NG → Replace radiator cap.



**E**

**CHECK THERMOSTAT.**

1. Check valve seating condition at normal room temperatures.  
It should seat tightly.
2. Check valve opening temperature and valve lift.  
**Valve opening temperature:**  
76.5°C (170°F) [standard]  
**Valve lift:**  
More than 8 mm/90°C  
(0.31 in/194°F)
3. Check if valve is closed at 5°C (9°F) below valve opening temperature.  
For details, refer to LC section ("Thermostat").

NG → Replace thermostat

OK → Check engine coolant temperature sensor. Refer to "COMPONENT INSPECTION", EC-137.

NG → Replace engine coolant temperature sensor.

OK → If the cause can not be isolated, go to "MAIN 12 CAUSES OF OVERHEATING" on next page.

OK → INSPECTION END

# TROUBLE DIAGNOSIS FOR OVERHEAT

## Overheat (Cont'd)

### MAIN 12 CAUSES OF OVERHEATING

Engine	Step	Inspection item	Equipment	Standard	Reference page
OFF	1	<ul style="list-style-type: none"> <li>● Blocked radiator</li> <li>● Blocked condenser</li> <li>● Blocked radiator grille</li> <li>● Blocked bumper</li> </ul>	● Visual	No blocking	—
	2	● Coolant mixture	● Coolant tester	50 - 50% coolant mixture	See "RECOMMENDED FLUIDS AND LUBRICANTS" in MA section.
	3	● Coolant level	● Visual	Coolant up to MAX level in reservoir tank and radiator filler neck	See "Changing Engine Coolant", "ENGINE MAINTENANCE" in MA section.
	4	● Radiator cap	● Pressure tester	59 - 98 kPa (0.6 - 1.0 kg/cm <sup>2</sup> , 9 - 14 psi) (Limit)	See "System Check", "ENGINE COOLING SYSTEM" in LC section.
ON*2	5	● Coolant leaks	● Visual	No leaks	See "System Check", "ENGINE COOLING SYSTEM" in LC section.
ON*2	6	● Thermostat	● Touch the upper and lower radiator hoses	Both hoses should be hot	See "Thermostat" and "Radiator", "ENGINE COOLING SYSTEM" in LC section.
ON*1	7	● Cooling fan	● CONSULT	Operating	See "TROUBLE DIAGNOSIS FOR OVERHEAT" (EC-446).
OFF	8	● Combustion gas leak	● Color checker chemical tester 4 Gas analyzer	Negative	—
ON*3	9	● Coolant temperature gauge	● Visual	Gauge less than 3/4 when driving	—
		● Coolant overflow to reservoir tank	● Visual	No overflow during driving and idling	See "Changing Engine Coolant", "ENGINE MAINTENANCE" in MA section.
OFF*4	10	● Coolant return from reservoir tank to radiator	● Visual	Should be initial level in reservoir tank	See "ENGINE MAINTENANCE" in MA section.
OFF	11	● Cylinder head	● Straight gauge feeler gauge	0.1 mm (0.004 in) Maximum distortion (warping)	See "Inspection", "CYLINDER HEAD" in EM section.
	12	● Cylinder block and pistons	● Visual	No scuffing on cylinder walls or piston	See "Inspection", "CYLINDER BLOCK" in EM section.

\*1: Turn the ignition switch ON.

\*2: Engine running at 3,000 rpm for 10 minutes.

\*3: Drive at 90 km/h (55 MPH) for 30 minutes and then let idle for 10 minutes.

\*4: After 60 minutes of cool down time.

For more information, refer to "OVERHEATING CAUSE ANALYSIS" in LC section.

GI  
 MA  
 EM  
 LC  
**EC**  
 FE  
 CL  
 MT  
 AT  
 FA  
 RA  
 BR  
 ST  
 RS  
 BT  
 HA  
 EL  
 IDX

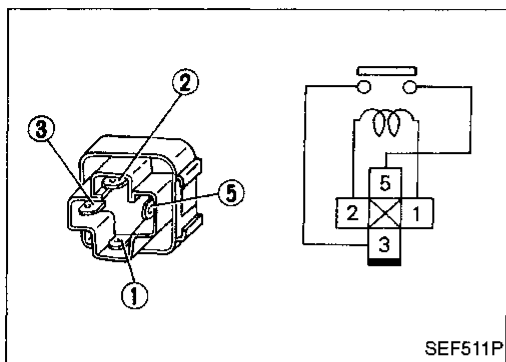
# TROUBLE DIAGNOSIS FOR OVERHEAT

## Overheat (Cont'd)

### COMPONENT INSPECTION

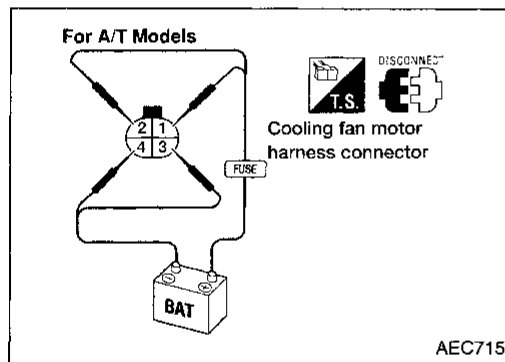
#### Cooling fan relays-1, -2 and -3

Check continuity between terminals ③ and ⑤.



Conditions	Continuity
12V direct current supply between terminals ① and ②	Yes
No current supply	No

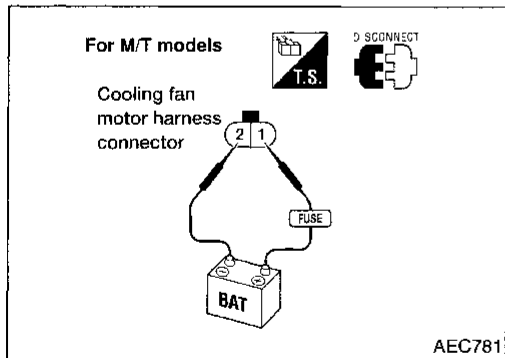
If NG, replace relay.



#### Cooling fan motors-1 and -2

1. Disconnect cooling fan motor harness connectors.
2. Supply cooling fan motor terminals with battery voltage and check operation.

	Speed	Terminals	
		(⊕)	(⊖)
Cooling fan motor	Low (A/T models)	①	④
	High (A/T models)	②	③
	High (M/T models)	①	②



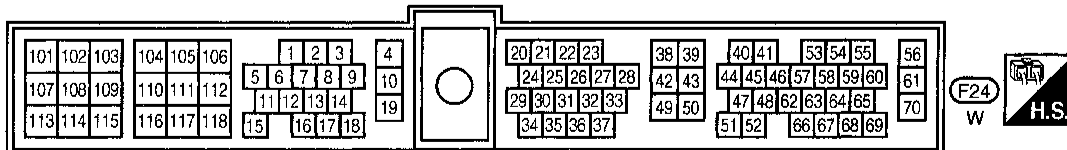
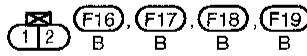
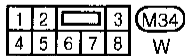
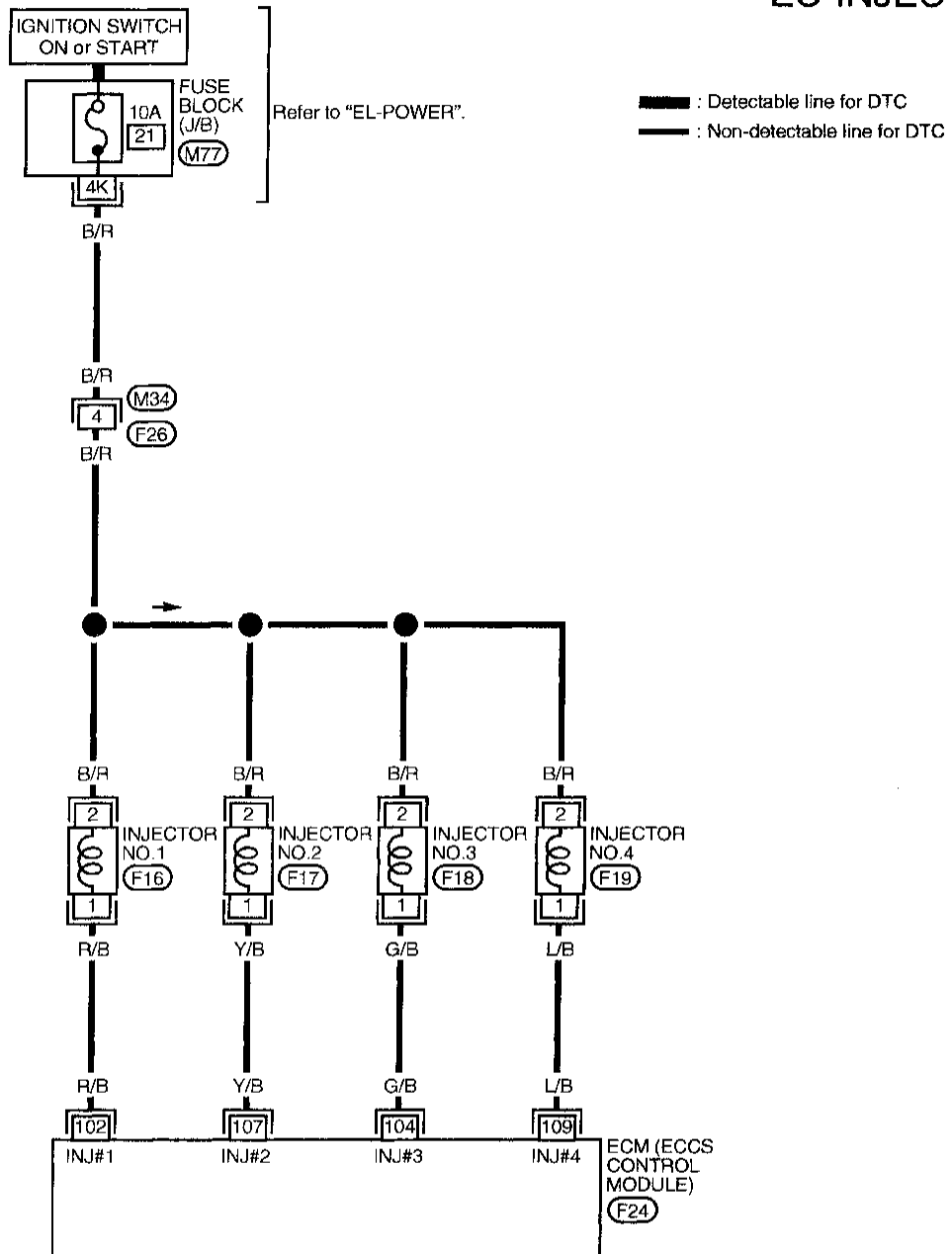
Cooling fan motor should operate.

If NG, replace cooling fan motor.

# TROUBLE DIAGNOSIS FOR NON-DETECTABLE ITEMS

## Injector

EC-INJECT-01

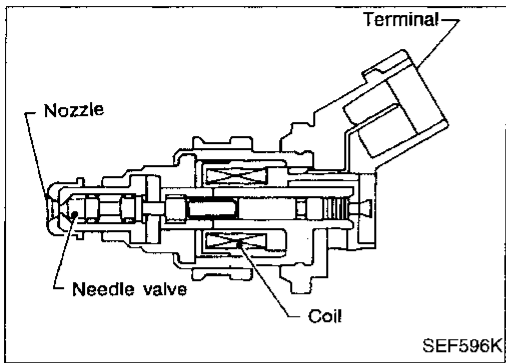


# TROUBLE DIAGNOSIS FOR NON-DETECTABLE ITEMS

## Injector (Cont'd)

### COMPONENT DESCRIPTION

The fuel injector is a small, precise solenoid valve. When the ECM supplies a ground to the injector circuit, the coil in the injector is energized. The energized coil pulls the needle valve back and allows fuel to flow through the injector into the intake manifold. The amount of fuel injected depends upon the injection pulse duration. Pulse duration is the length of time the injector remains open. The ECM controls the injection pulse duration based on engine fuel needs.



### CONSULT REFERENCE VALUE IN DATA MONITOR MODE

MONITOR ITEM	CONDITION	SPECIFICATION
INJ PULSE	<ul style="list-style-type: none"> <li>● Engine: After warming up</li> <li>● Air conditioner switch: OFF</li> <li>● Shift lever: "N"</li> <li>● No-load</li> </ul>	Idle 2.4 - 3.2 msec.
	2,000 rpm	1.9 - 3.2 msec.
B/FUEL SCHDL	<ul style="list-style-type: none"> <li>● Engine: After warming up</li> <li>● Air conditioner switch: OFF</li> <li>● Shift lever: "N"</li> <li>● No-load</li> </ul>	Idle 0.7 - 1.5 msec
	2,000 rpm	0.7 - 1.5 msec

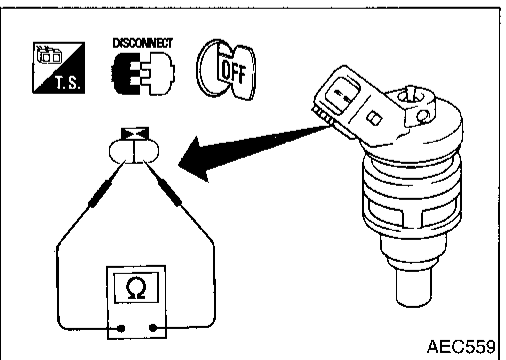
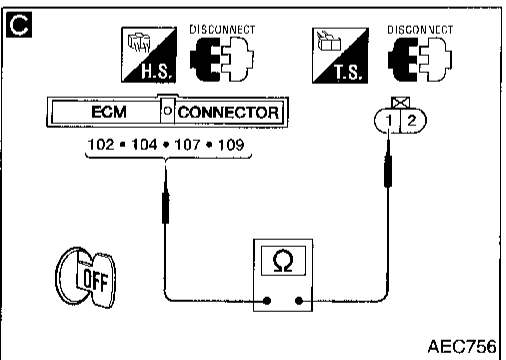
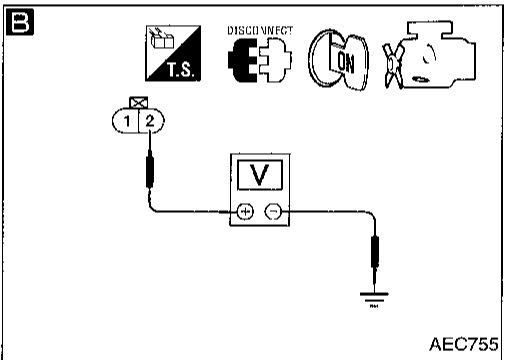
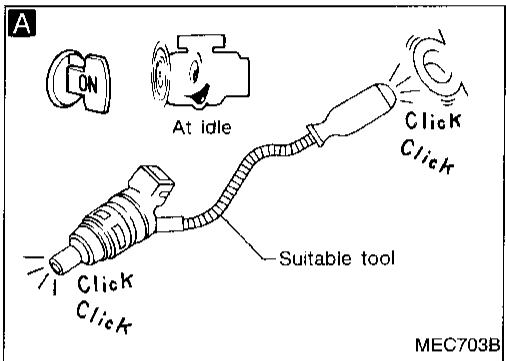
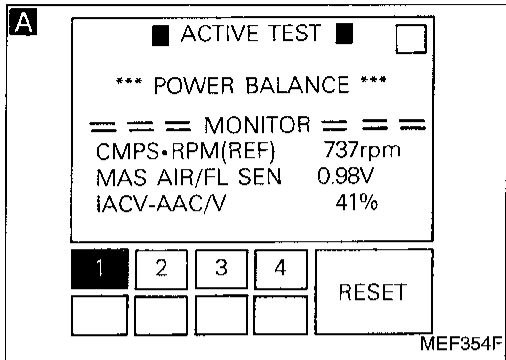
### ECM TERMINALS AND REFERENCE VALUE

Specification data are reference values and are measured between each terminal and Ⓞ (ECCS ground).

TER-MINAL NO.	WIRE COLOR	ITEM	CONDITION	DATA (DC voltage)	
102	R/B	Injector No. 1	<div style="border: 1px solid black; padding: 2px; display: inline-block;">Engine is running.</div> (Warm-up condition) └ Idle speed	BATTERY VOLTAGE (11 - 14V) 	
104	G/B	Injector No. 3		<div style="border: 1px solid black; padding: 2px; display: inline-block;">Engine is running.</div> (Warm-up condition) └ Engine speed is 2,000 rpm.	BATTERY VOLTAGE (11 - 14V) 
107	Y/B	Injector No. 2			
109	L/B	Injector No. 4			

# TROUBLE DIAGNOSIS FOR NON-DETECTABLE ITEMS

## Injector (Cont'd) DIAGNOSTIC PROCEDURE



INSPECTION START

**A**

**CHECK OVERALL FUNCTION.**

1. Start engine.
2. Perform "POWER BALANCE" in "ACTIVE TEST" mode with CONSULT.
3. Make sure that each circuit produces a momentary engine speed drop.

OR

1. Start engine.
2. Listen to each injector operating sound.  
**Clicking noise should be heard.**

OK → INSPECTION END

**B**

**CHECK POWER SUPPLY.**

1. Stop engine.
2. Disconnect injector harness connector.
3. Turn ignition switch "ON".
4. Check voltage between terminal ② and ground with CONSULT or tester.  
**Voltage: Battery voltage**

NG → Check the following.

- Harness connectors (M34, F26)
- Harness for open or short between injector and battery

If NG, repair harness or connectors.

**C**

**CHECK OUTPUT SIGNAL CIRCUIT.**

1. Turn ignition switch "OFF".
2. Disconnect ECM harness connector.
3. Check harness continuity between injector harness connector terminal ① and ECM terminals ①02, ①04, ①07, ①09.  
**Continuity should exist.**  
If OK, check harness for short to ground and short to power.

NG → Check the following.

- Harness for open or short between ECM and injector

If NG, repair open circuit or short to ground or short to power in harness or connectors.

**CHECK COMPONENT (Injector).**  
Refer to "COMPONENT INSPECTION" below.

NG → Replace injector.

Perform "TROUBLE DIAGNOSIS FOR INTERMITTENT INCIDENT", EC-104.

INSPECTION END

### COMPONENT INSPECTION

#### Injector

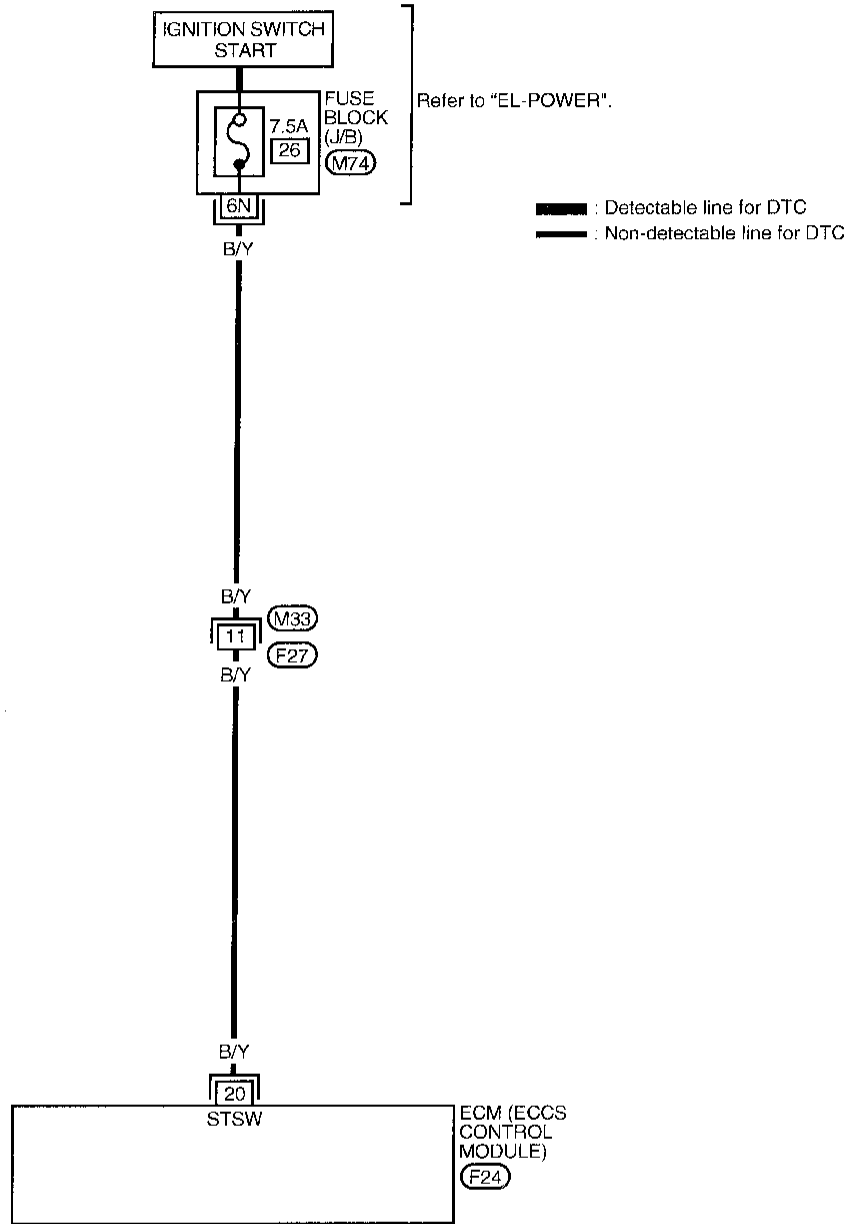
1. Disconnect injector harness connector.
2. Check resistance between terminals as shown in the figure.  
**Resistance: 10 - 14Ω [at 25°C (77°F)]**  
If NG, replace injector.

GI  
MA  
EM  
LC  
EC  
FE  
CL  
MT  
AT  
FA  
RA  
BR  
ST  
RS  
BT  
HA  
EL  
IDX

# TROUBLE DIAGNOSIS FOR NON-DETECTABLE ITEMS

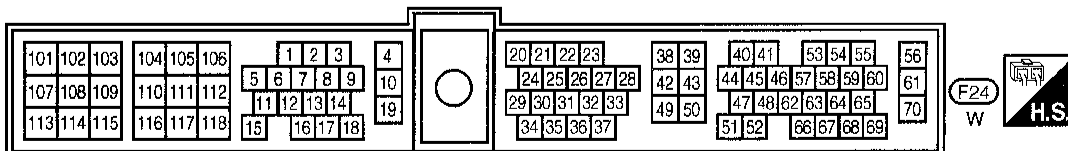
## Start Signal

EC-S/SIG-01



1	2	3	4	5	6	7	8	M33				
9	10	11	12	13	14	15	16	17	18	19	20	W

1N	2N	3N	4N	5N	6N	7N	M74		
8N	9N	10N	11N	12N	13N	14N	15N	16N	GY





# TROUBLE DIAGNOSIS FOR NON-DETECTABLE ITEMS

## Start Signal (Cont'd)

### CONSULT REFERENCE VALUE IN DATA MONITOR MODE

Specification data are reference values

MONITOR ITEM	CONDITION	SPECIFICATION
START SIGNAL	● Ignition switch: ON → START → ON	OFF → ON → OFF

### ECM TERMINALS AND REFERENCE VALUE

Specification data are reference values and are measured between each terminal and ④③ (ECCS ground).

TER-MINAL NO.	WIRE COLOR	ITEM	CONDITION	DATA (DC voltage)
20	B/Y	Start signal	Ignition switch "ON"	Approximately 0V
			Ignition switch "START"	BATTERY VOLTAGE (11 - 14V)

**A**

■ START SIGNAL CKT ■

- CLOSE THROTTLE. SHIFT TO P OR N RANGE.
- TOUCH START AND START ENGINE IMMEDIATELY.

NEXT    START

SEF191L

**A**

☆ MONITOR    ☆ NO FAIL

START SIGNAL      OFF

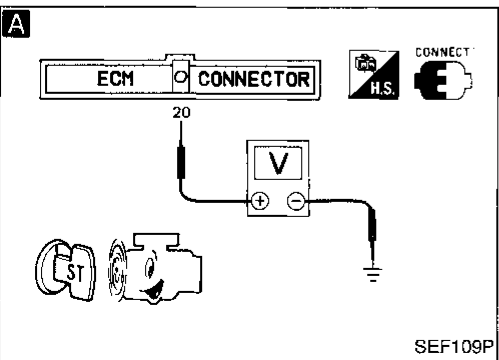
CLSD TH/P SW      ON

AIR COND SIG      OFF

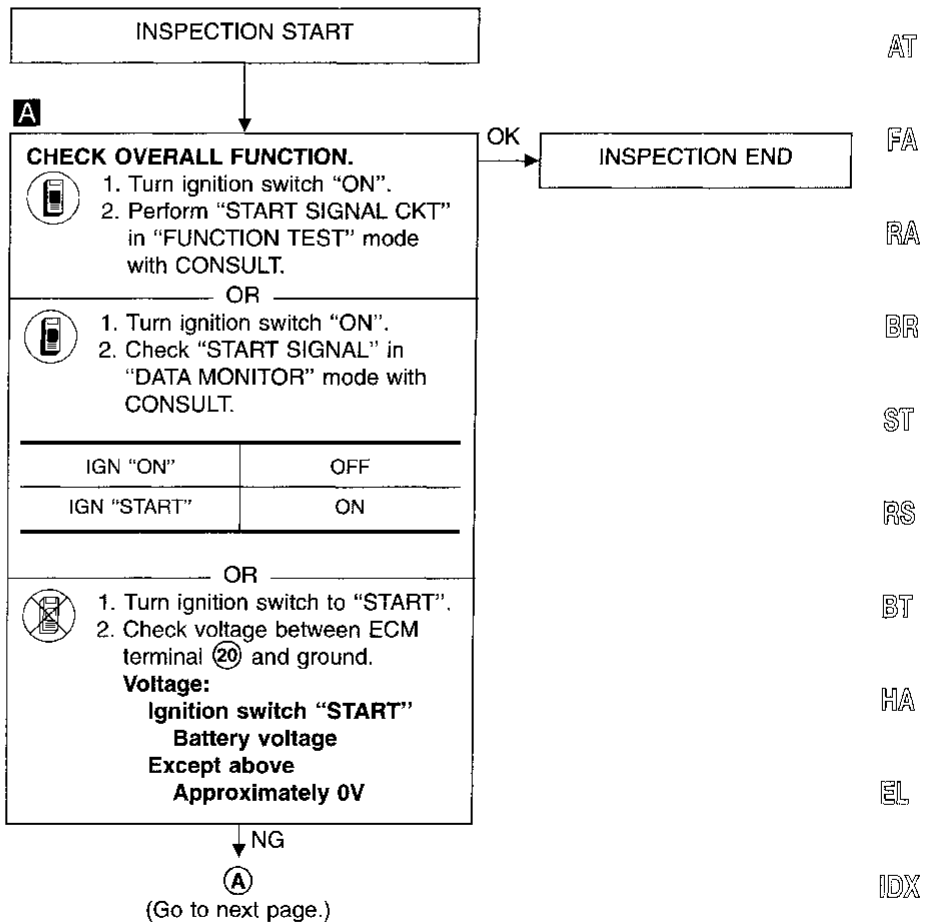
P/N POSI SW      ON

RECORD

SEF111P

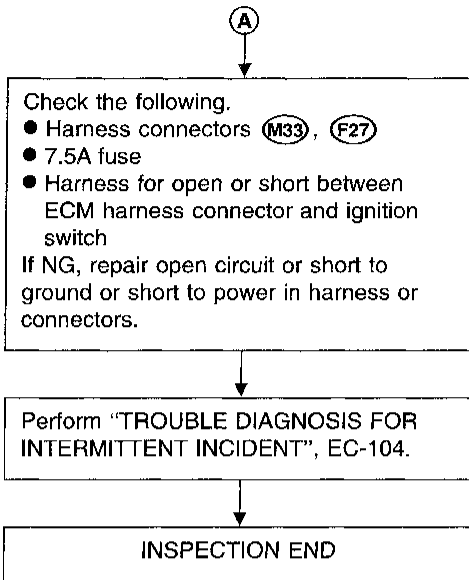


### DIAGNOSTIC PROCEDURE



# TROUBLE DIAGNOSIS FOR NON-DETECTABLE ITEMS

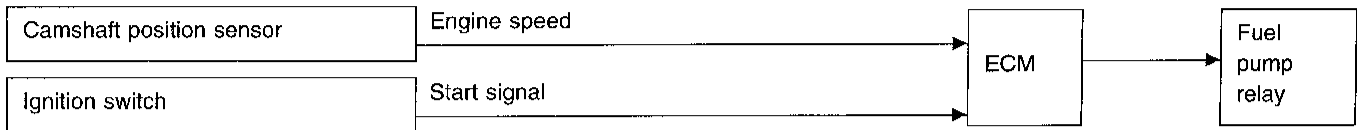
## Start Signal (Cont'd)



# TROUBLE DIAGNOSIS FOR NON-DETECTABLE ITEMS

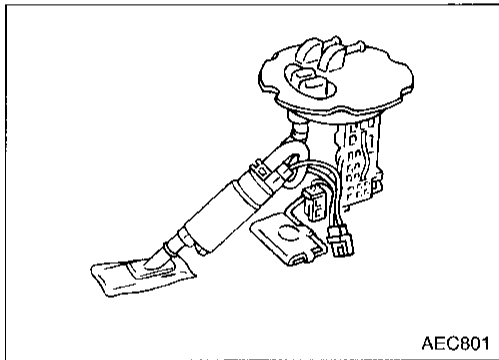
## Fuel Pump

### SYSTEM DESCRIPTION



The ECM activates the fuel pump for several seconds after the ignition switch is turned on to improve engine startability. If the ECM receives a 180° signal from the camshaft position sensor, it knows that the engine is rotating, and causes the pump to perform. If the 180° signal is not received when the ignition switch is on, the engine stalls. The ECM stops pump operation and prevents battery discharging, thereby improving safety. The ECM does not directly drive the fuel pump. It controls the ON/OFF fuel pump relay, which in turn controls the fuel pump.

Condition	Fuel pump operation
Ignition switch is turned to ON.	Operates for 5 seconds
Engine running and cranking	Operates
When engine is stopped	Stops in 1 second
Except as shown above	Stops



### COMPONENT DESCRIPTION

A turbine type design fuel pump is used in the fuel tank.

### CONSULT REFERENCE VALUE IN DATA MONITOR MODE

MONITOR ITEM	CONDITION	SPECIFICATION
FUEL PUMP RLY	<ul style="list-style-type: none"> <li>● Ignition switch is turned to ON (Operates for 5 seconds)</li> <li>● Engine running and cranking</li> <li>● When engine is stopped (stops in 1.0 seconds)</li> </ul>	ON
	<ul style="list-style-type: none"> <li>● Except as shown above</li> </ul>	OFF

### ECM TERMINALS AND REFERENCE VALUE

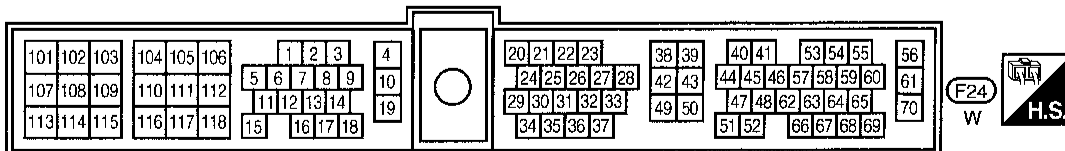
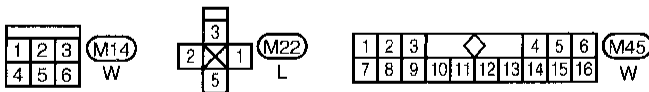
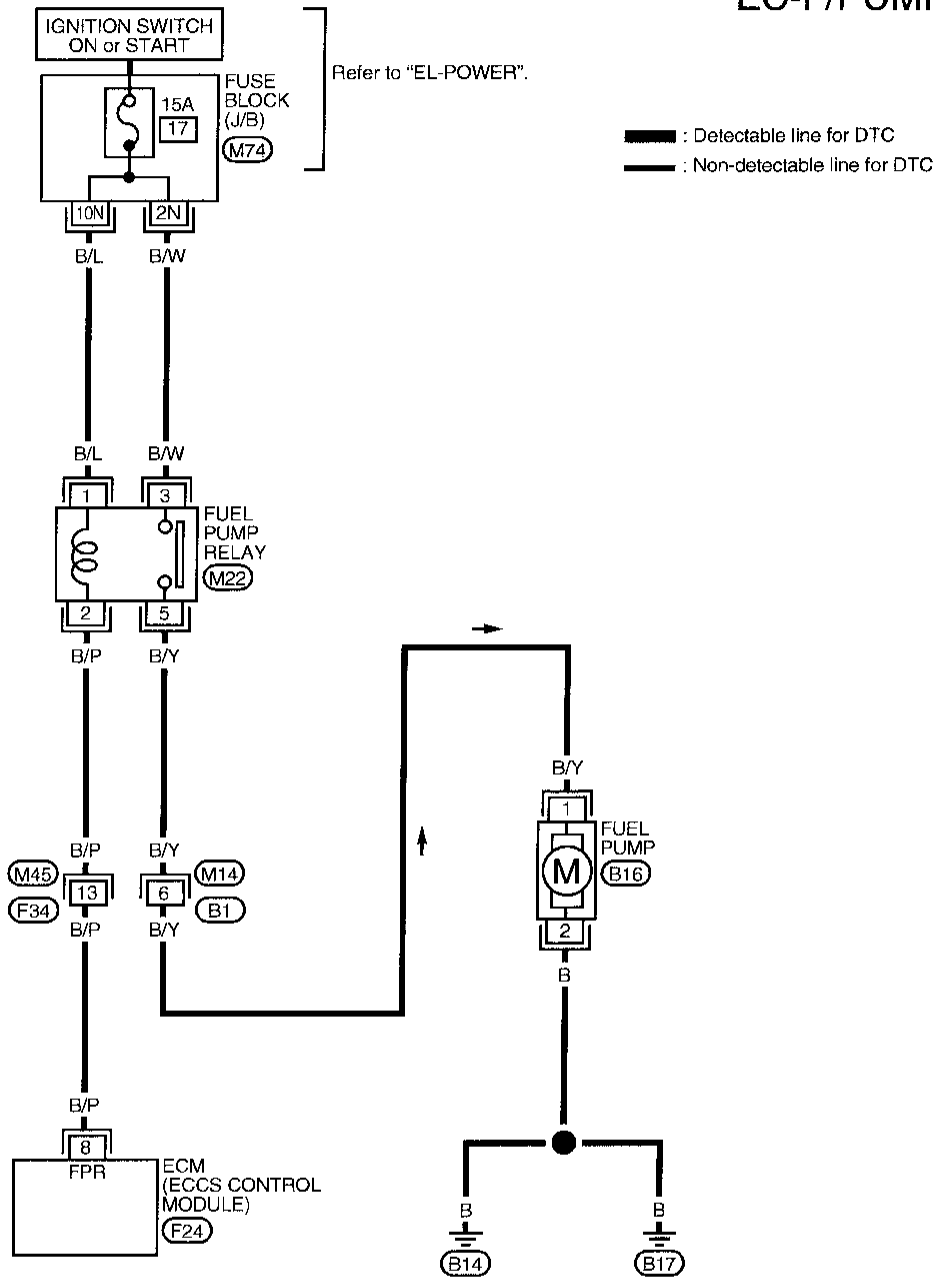
Specification data are reference values and are measured between each terminal and ④③ (ECCS ground).

TER-MINAL NO.	WIRE COLOR	ITEM	CONDITION	DATA (DC voltage)
8	B/P	Fuel pump relay	Ignition switch "ON" └ For 5 seconds after turning ignition switch "ON"	0 - 1V
			Ignition switch "ON" └ More than 5 seconds after turning ignition switch "ON"	BATTERY VOLTAGE (11 - 14V)

# TROUBLE DIAGNOSIS FOR NON-DETECTABLE ITEMS

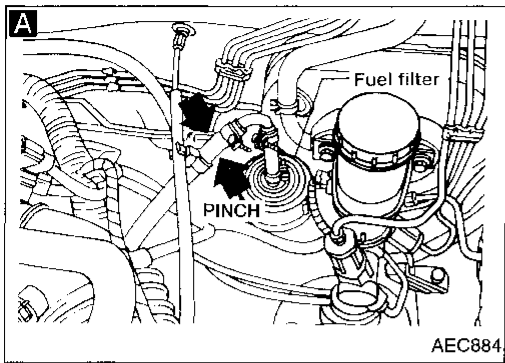
## Fuel Pump (Cont'd)

EC-F/PUMP-01



# TROUBLE DIAGNOSIS FOR NON-DETECTABLE ITEMS

## Fuel Pump (Cont'd) DIAGNOSTIC PROCEDURE



INSPECTION START

**A**

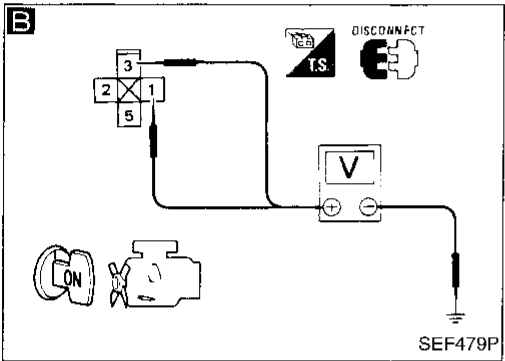
**CHECK OVERALL FUNCTION.**

1. Turn ignition switch "ON".
2. Pinch fuel feed hose with fingers.

**Fuel pressure pulsation should be felt on the fuel feed hose for 5 seconds after ignition switch is turned "ON".**

OK → INSPECTION END

NG → B



**B**

**CHECK POWER SUPPLY.**

1. Turn ignition switch "OFF".
2. Disconnect fuel pump relay from relay box.
3. Turn ignition switch "ON".
4. Check voltage between terminals ①, ③ and ground with CONSULT or tester.

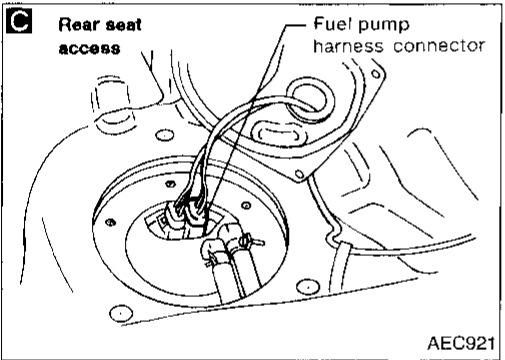
**Voltage: Battery voltage**

NG → Check the following.

- 15A fuse
- Harness for open or short between fuse and fuel pump relay

If NG, repair harness or connectors.

OK → C



**C**

**CHECK POWER GROUND CIRCUIT.**

1. Turn ignition switch "OFF".
2. Disconnect fuel pump harness connector.
3. Check harness continuity between terminal ② and body ground, terminal ① and fuel pump relay connector terminal ⑤.

**Continuity should exist.**

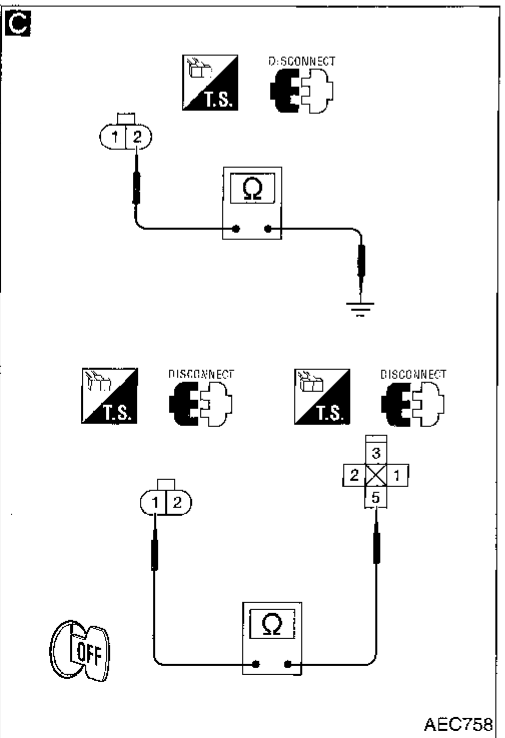
If OK, check harness for short to ground and short to power.

NG → Check the following.

- Harness connectors (M14, B1)
- Harness for open or short between fuel pump and body ground
- Harness for open or short between fuel pump and fuel pump relay

If NG, repair open circuit or short to ground or short to power in harness or connectors.

OK → D



**D**

**CHECK OUTPUT SIGNAL CIRCUIT.**

1. Disconnect ECM harness connector.
2. Check harness continuity between ECM terminal ⑧ and fuel pump relay connector terminal ②.

**Continuity should exist.**

If OK, check harness for short to ground and short to power.

NG → Check the following.

- Harness connectors (M45, F34)
- Harness for open or short between ECM and fuel pump relay

If NG, repair open circuit or short to ground or short to power in harness or connectors.

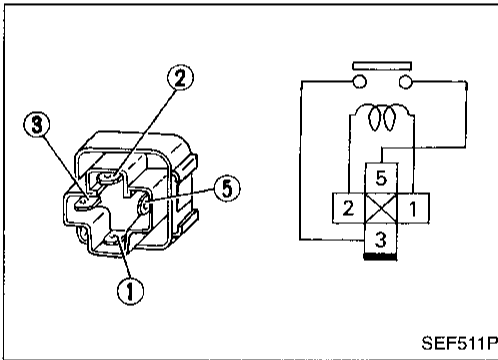
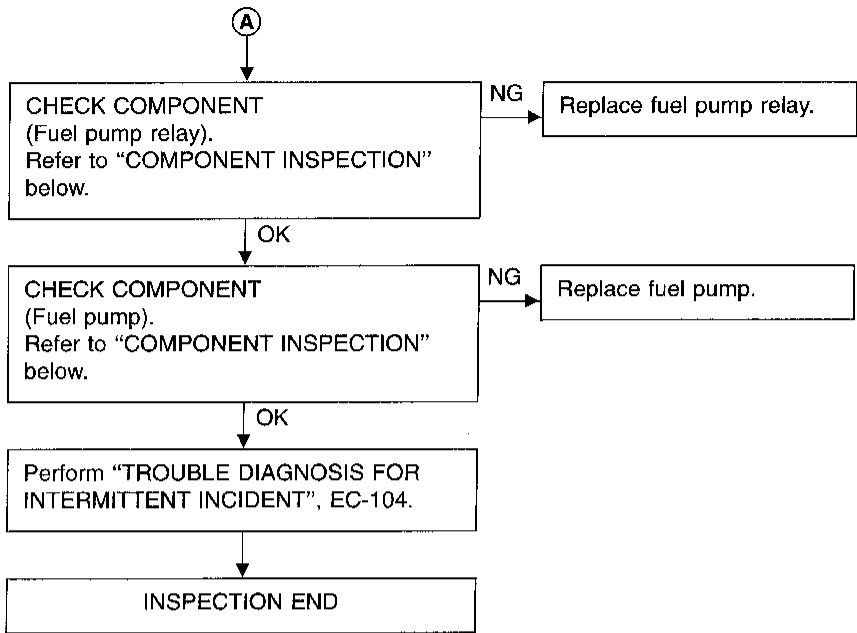
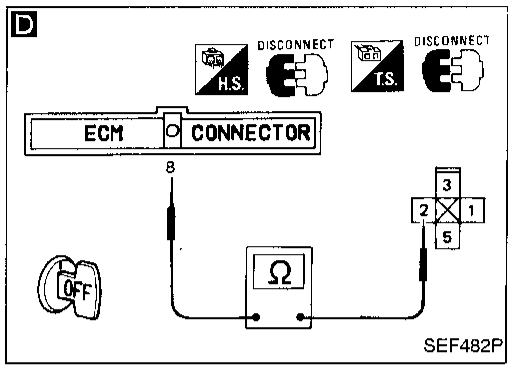
OK → A

(Go to next page.)

GI  
MA  
EM  
LC  
EC  
FE  
CL  
MT  
AT  
FA  
RA  
BR  
ST  
RS  
BT  
HA  
EL  
IDX

# TROUBLE DIAGNOSIS FOR NON-DETECTABLE ITEMS

## Fuel Pump (Cont'd)



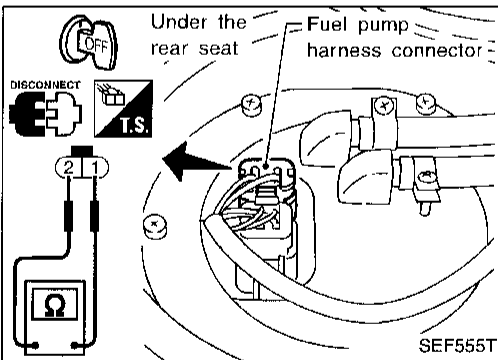
## COMPONENT INSPECTION

### Fuel pump relay

Check continuity between terminals ③ and ⑤.

Conditions	Continuity
12V direct current supply between terminals ① and ②	Yes
No current supply	No

If NG, replace relay.

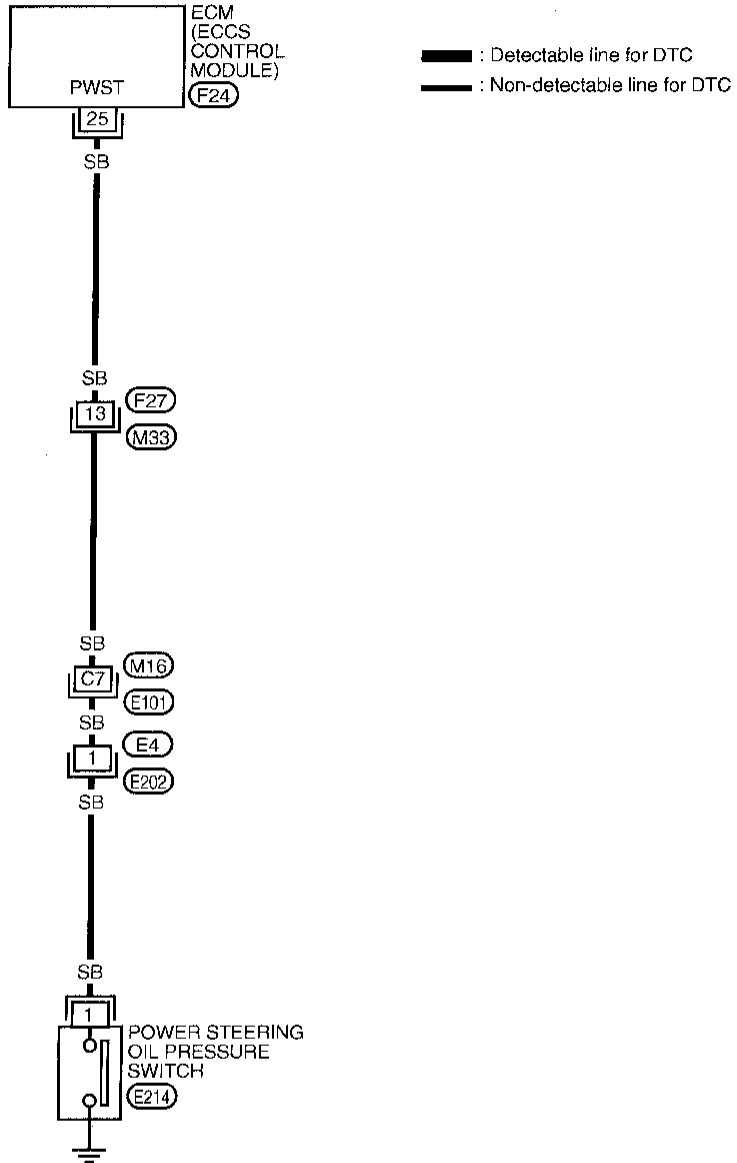


### Fuel pump

1. Disconnect fuel pump harness connector.
2. Check resistance between terminals ① and ②.  
**Resistance: 0.2 - 5.0Ω [at 25°C (77°F)]**  
If NG, replace fuel pump.

Power Steering Oil Pressure Switch

EC-PST/SW-01



GI

MA

EM

LC

**EC**

FE

CL

MT

AT

FA

RA

BR

ST

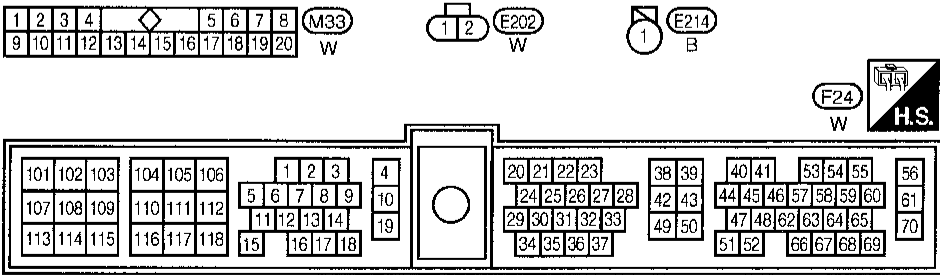
RS

BT

HA

EL

IDX

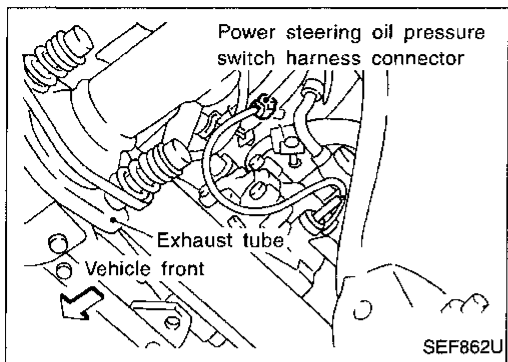


Refer to last page (Foldout page).

(M16), (E101)

# TROUBLE DIAGNOSIS FOR NON-DETECTABLE ITEMS

## Power Steering Oil Pressure Switch (Cont'd) COMPONENT DESCRIPTION



The power steering oil pressure switch is attached to the power steering high-pressure tube and detects a power steering load. When a power steering load is detected, it signals the ECM. The ECM adjusts the IACV-AAC valve to increase the idle speed and adjust for the increased load.

## CONSULT REFERENCE VALUE IN DATA MONITOR MODE

Specification data are reference values

MONITOR ITEM	CONDITION	SPECIFICATION
PW/ST SIGNAL	● Engine: After warming up, idle the engine	Steering wheel in neutral position (forward direction)
		The steering wheel is fully turned
		OFF
		ON

## ECM TERMINALS AND REFERENCE VALUE

Specification data are reference values and are measured between each terminal and ④ (ECCS ground).

TER-MINAL NO.	WIRE COLOR	ITEM	CONDITION	DATA (DC voltage)
25	SB	Power steering oil pressure switch	Engine is running. └ Steering wheel is fully turned.	Approximately 0V
			Engine is running. └ Steering wheel is not turned.	Approximately 5V



# TROUBLE DIAGNOSIS FOR NON-DETECTABLE ITEMS

## Power Steering Oil Pressure Switch (Cont'd) DIAGNOSTIC PROCEDURE

**A**

■ PW/ST SIGNAL CIRCUIT ■

HOLD STEERING WHEEL  
IN A FULL  
LOCKED POSITION  
THEN  
TOUCH START

NEXT    START

MEF023E

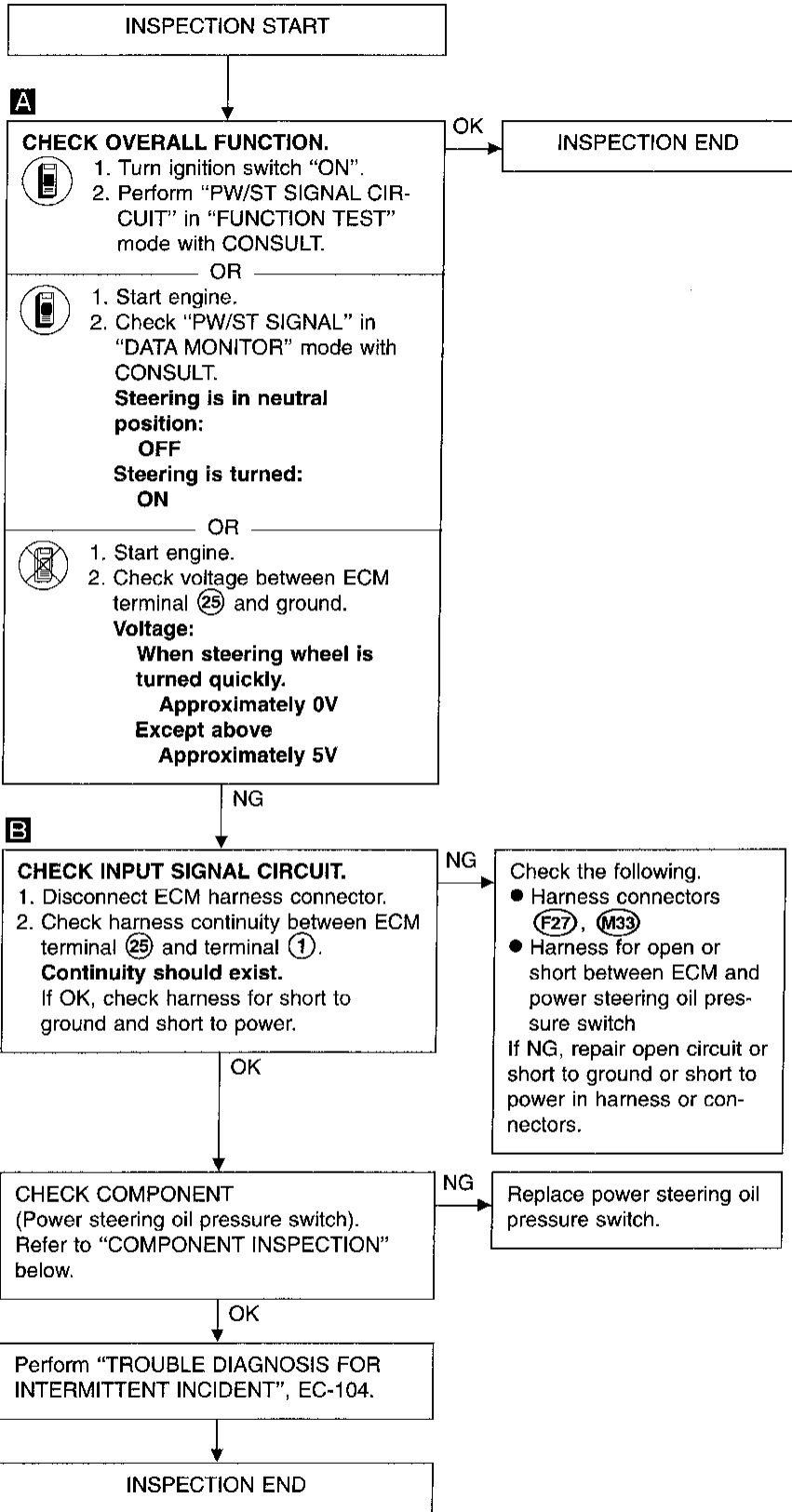
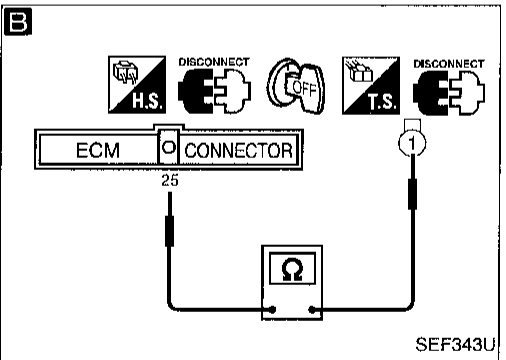
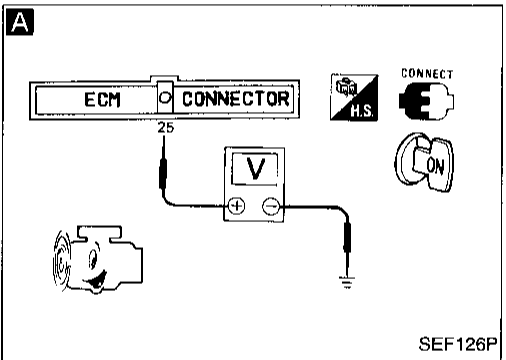
**A**

☆ MONITOR ☆ NO FAIL

PW/ST SIGNAL      OFF

RECORD

SEF591I



GI

MA

EM

LC

EC

FE

CL

MT

AT

FA

RA

BR

ST

RS

BT

HA

EL

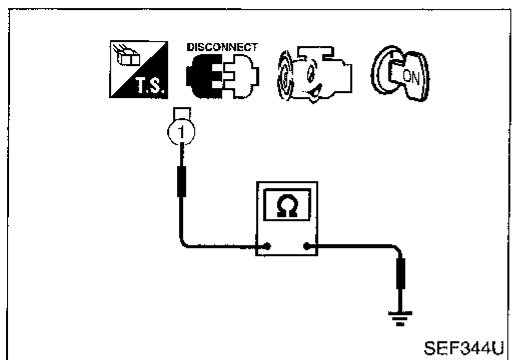
IDX

## TROUBLE DIAGNOSIS FOR NON-DETECTABLE ITEMS

### Power Steering Oil Pressure Switch (Cont'd) COMPONENT INSPECTION

#### Power steering oil pressure switch

1. Disconnect power steering oil pressure switch harness connector then start engine.
2. Check continuity between terminal ① and ground.



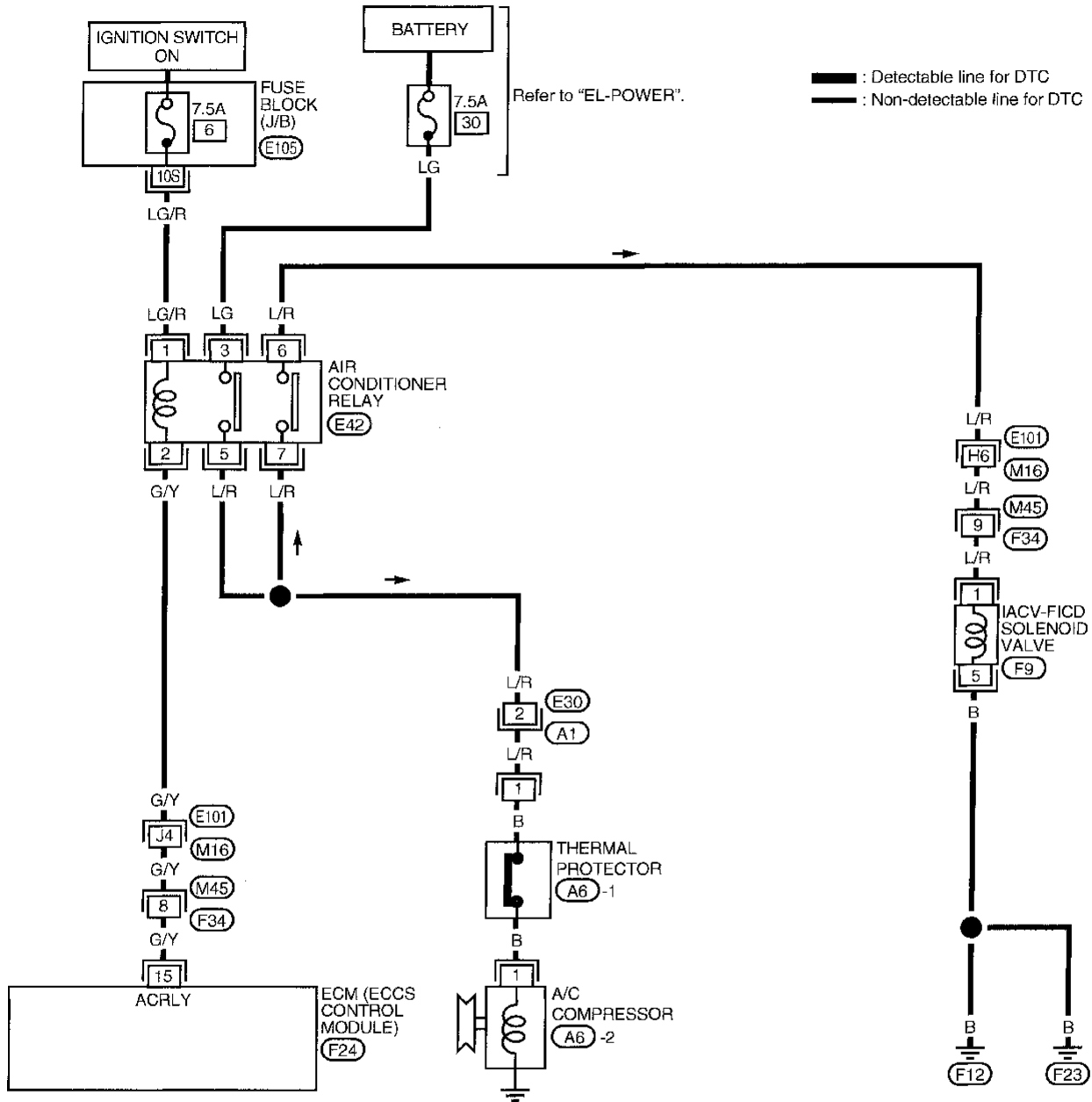
Conditions	Continuity
Steering wheel is being turned	Yes
Steering wheel is not being turned	No

If NG, replace power steering oil pressure switch.

# TROUBLE DIAGNOSIS FOR NON-DETECTABLE ITEMS

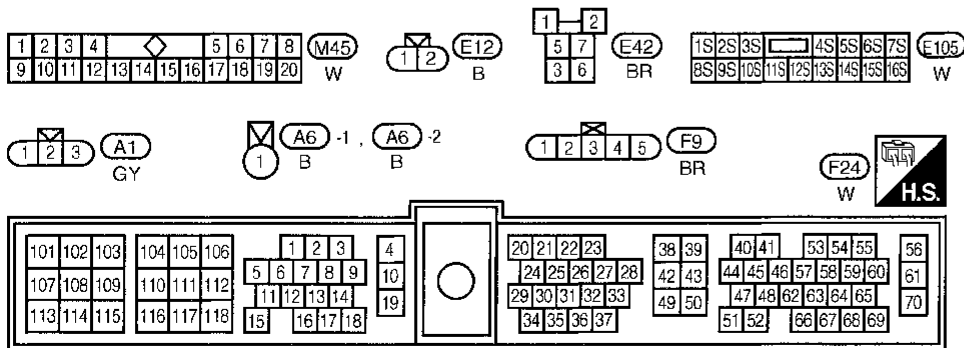
## IACV-FICD Solenoid Valve

EC-FICD-01



: Detectable line for DTC  
 : Non-detectable line for DTC

- GI
- MA
- EM
- LC
- EC**
- FE
- CL
- MT
- AT
- FA
- RA
- BR
- ST
- RS
- BT



Refer to last page (Foldout page).  
 (M16), (E101)

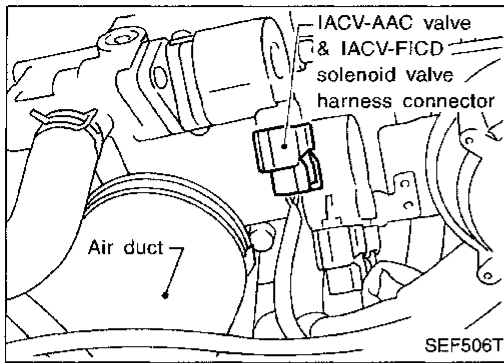
- HA
- EL
- IDX

# TROUBLE DIAGNOSIS FOR NON-DETECTABLE ITEMS

## IACV-FICD Solenoid Valve (Cont'd)

### COMPONENT DESCRIPTION

The IACV-FICD solenoid valve is built into the IACV-AAC valve body. When the air conditioner is on, the IACV-FICD solenoid valve supplies additional air to adjust to the increased load.



### ECM TERMINALS AND REFERENCE VALUE

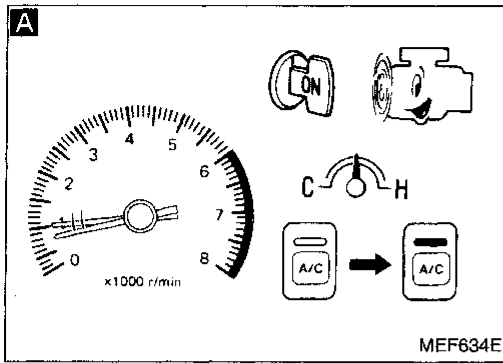
Specification data are reference values and are measured between each terminal and Ⓒ (ECCS ground).

TER-MINAL NO.	WIRE COLOR	ITEM	CONDITION	DATA (DC voltage)
15	G/Y	Air conditioner relay	Engine is running. └ Both A/C switch and blower switch are "ON".	0 - 0.3V
			Engine is running. └ A/C switch is "OFF".	BATTERY VOLTAGE (11 - 14V)

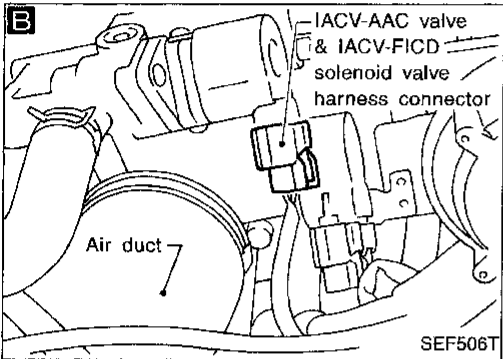
# TROUBLE DIAGNOSIS FOR NON-DETECTABLE ITEMS

## IACV-FICD Solenoid Valve (Cont'd)

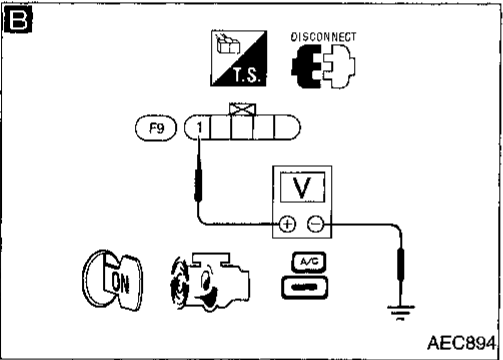
### DIAGNOSTIC PROCEDURE



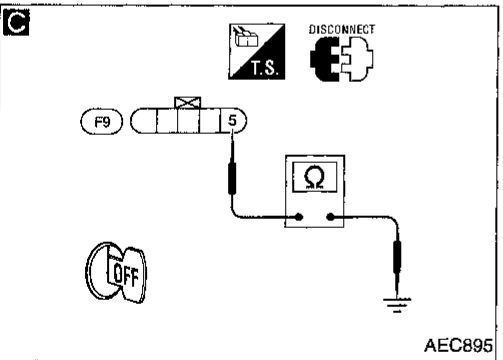
MEF634E



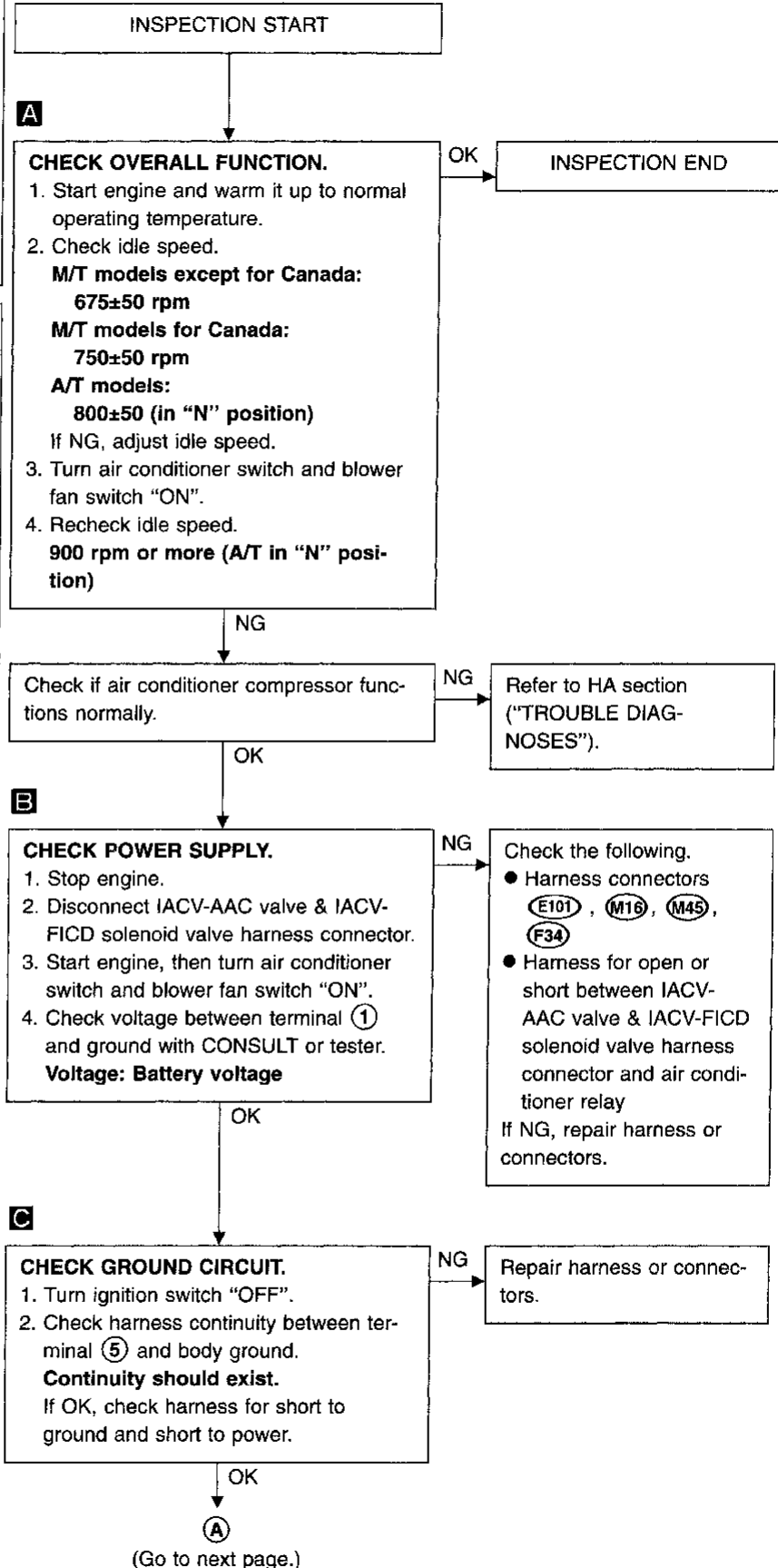
SEF506T



AEC894



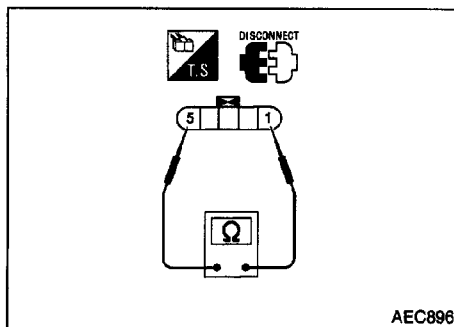
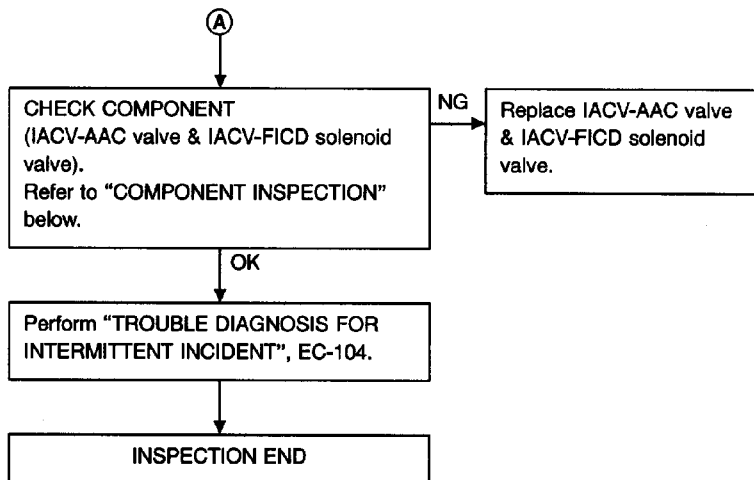
AEC895



GI  
MA  
EM  
LC  
EC  
FE  
CL  
MT  
AT  
FA  
RA  
BR  
ST  
RS  
BT  
HA  
EL  
IDX

# TROUBLE DIAGNOSIS FOR NON-DETECTABLE ITEMS

## IACV-FICD Solenoid Valve (Cont'd)



### COMPONENT INSPECTION

#### IACV-FICD solenoid valve

1. Disconnect IACV-AAC valve & IACV-FICD solenoid valve harness connector.
2. Check resistance between terminals ① and ⑤.

#### Resistance:

Condition	Resistance (Ω)
Cold	162 - 278 ←
Hot	205 - 327 ←

**Note:** "Cold" and "Hot" mean the temperature of coils in IACV-AAC valve.

"Cold": -10°C (14°F) - 50°C (122°F)

"Hot": 50°C (122°F) - 100°C (212°F)

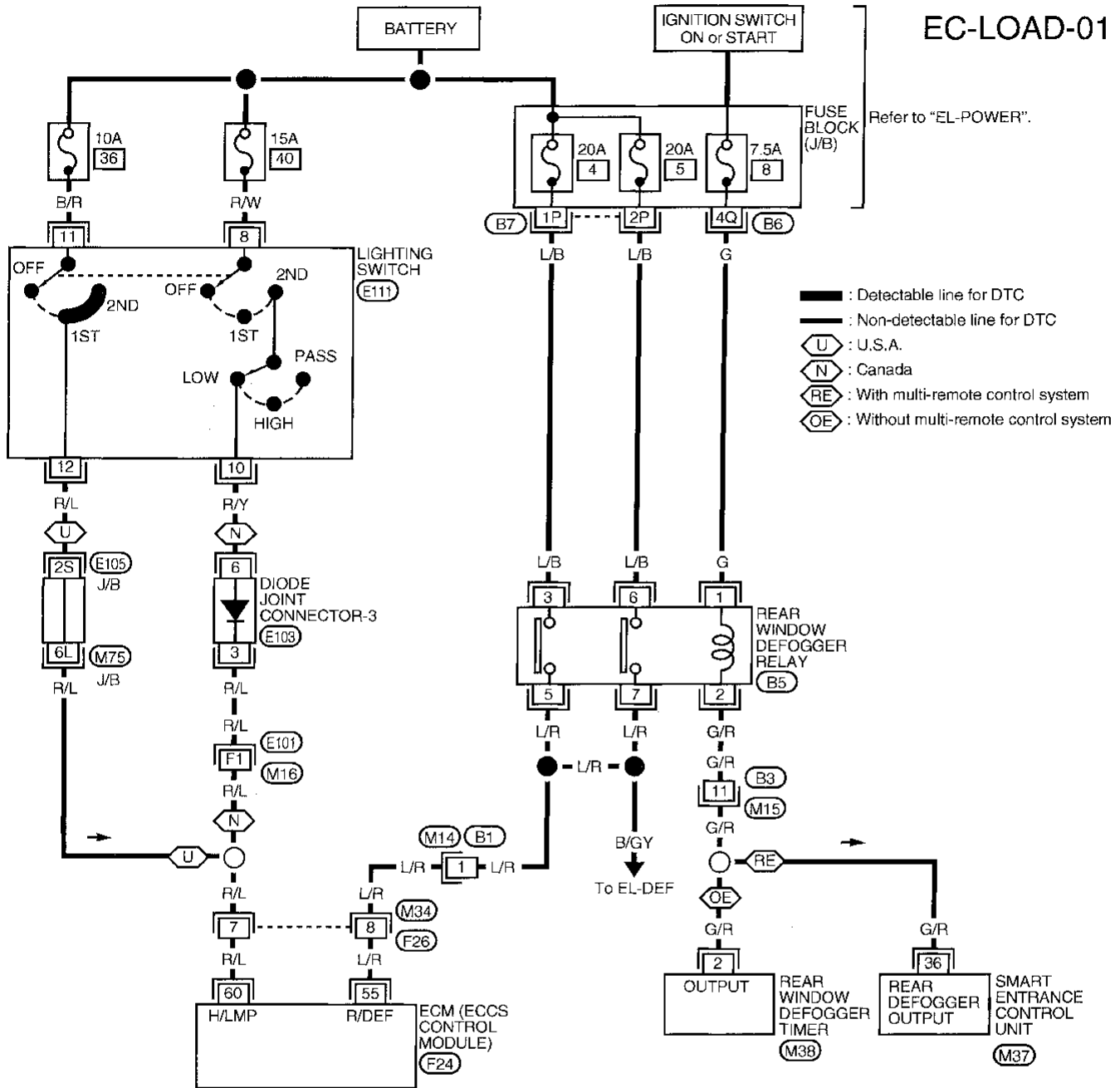
If NG, replace IACV-AAC valve & IACV-FICD solenoid valve.

SMA98-054 | '98 SENTRA/200SX | AUGUST 1997 (05) | SM8E-OB14UO

← ARROW INDICATES AMENDED INFORMATION

# TROUBLE DIAGNOSIS FOR NON-DETECTABLE ITEMS

## Electric Load Signal



EC-LOAD-01

GF

MA

EM

LC

EC

FE

CL

MT

AT

FA

RA

BR

ST

RS

BT

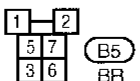
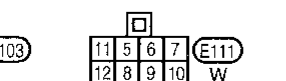
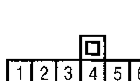
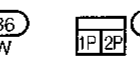
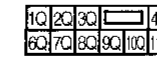
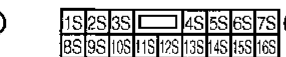
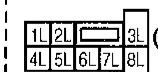
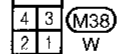
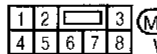
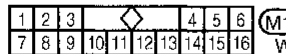
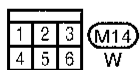
HA

EL

IDX

Refer to last page (Foldout page).

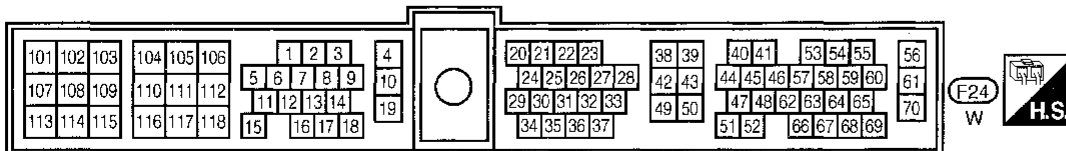
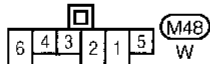
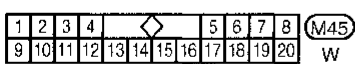
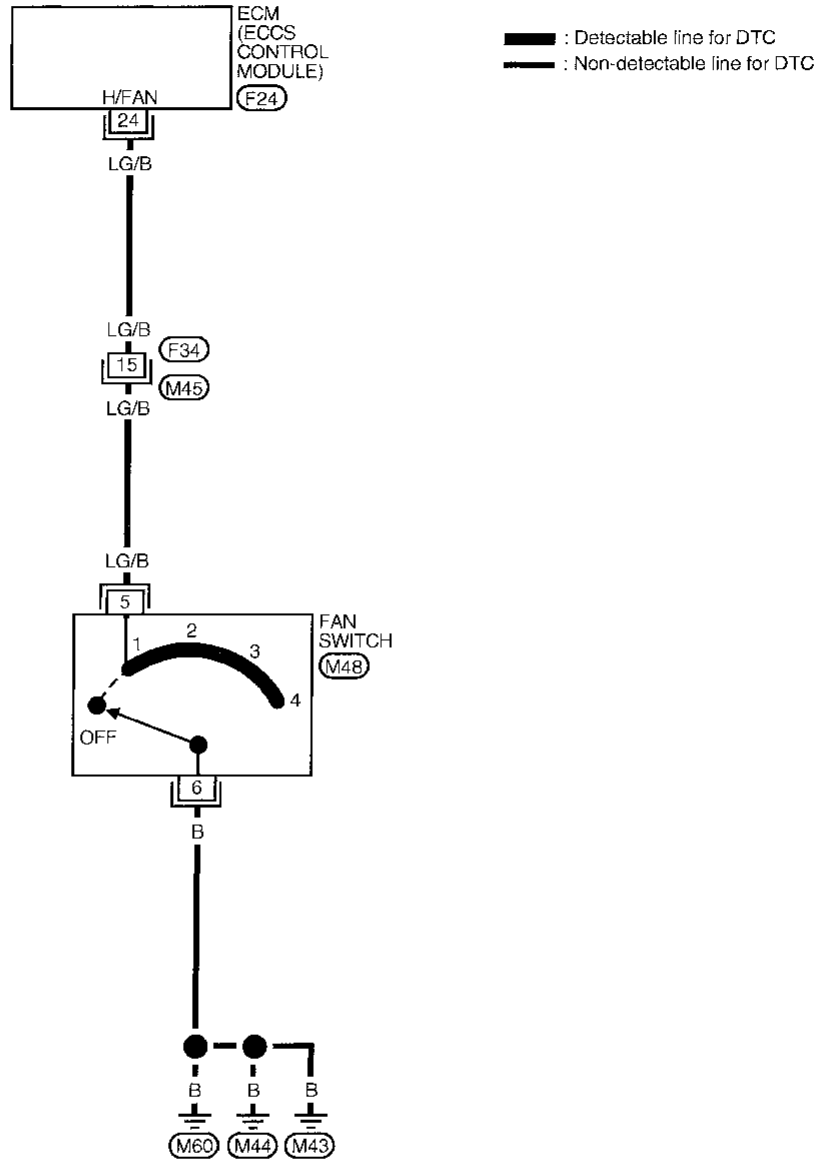
(M16) (E101)  
(M37)  
(F24)



# TROUBLE DIAGNOSIS FOR NON-DETECTABLE ITEMS

## Electric Load Signal (Cont'd)

EC-LOAD-02





# TROUBLE DIAGNOSIS FOR NON-DETECTABLE ITEMS

## Electric Load Signal (Cont'd)

### CONSULT REFERENCE VALUE IN DATA MONITOR MODE

MONITOR ITEM	CONDITION	SPECIFICATION
LOAD SIGNAL	● Ignition switch: ON	Rear window defogger is operating and/or lighting switch* is on ON
		Rear window defogger is not operating and lighting switch is not on OFF

\*: 1st position for USA models, 2nd position for Canada models.

### ECM TERMINALS AND REFERENCE VALUE

Specification data are reference values and are measured between each terminal and Ⓞ (ECCS ground).

TER-MINAL NO.	WIRE COLOR	ITEM	CONDITION	DATA (DC voltage)
24	LG/B	Blower fan switch	Ignition switch "ON" └ Blower fan switch is "ON".	Approximately 0V
55	L/R	Rear window defogger relay	Ignition switch "ON" └ Rear window defogger is "OFF".	Approximately 0V
			Ignition switch "ON" └ Rear window defogger is "ON".	BATTERY VOLTAGE (11 - 14V)
60	R/L	Headlamp switch	Lighting switch "ON"	BATTERY VOLTAGE (11 - 14V)
			Lighting switch "OFF"	Approximately 0V

GI

MA

EM

LC

EC

FE

CL

MT

AT

FA

RA

BR

ST

RS

BT

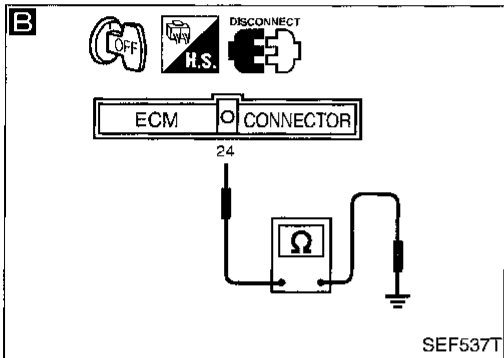
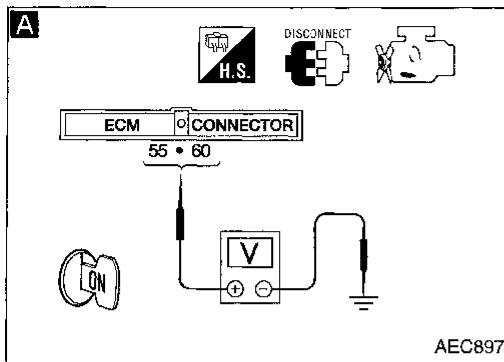
HA

EL

IDX

# TROUBLE DIAGNOSIS FOR NON-DETECTABLE ITEMS

## Electric Load Signal (Cont'd) DIAGNOSTIC PROCEDURE



INSPECTION START

**A**

**CHECK OVERALL FUNCTION.**

1. Turn ignition switch "OFF".
2. Disconnect ECM harness connector.
3. Turn ignition switch "ON".
4. Check voltage between ECM terminal (55), (60) and ground with CONSULT or tester.

**Voltage between (55) and ground:**  
 Rear window defogger "ON"  
 Battery positive voltage  
 Rear window defogger "OFF"  
 0V

**Voltage between (60) and ground:**  
 Lighting switch "ON" or daytime running light "ON"  
 Battery positive voltage  
 Lighting switch "OFF" or daytime running light "OFF"  
 0V

NG

Check the following.

For terminal (55)

- Harness connectors (M34), (F26), (M14), (B1)
- Harness for open or short between ECM and rear window defogger relay
- Harness for open or short between timer and rear window defogger relay

Refer to EL section ("REAR WINDOW DEFOGGER").

For terminal (60)

- Harness connectors (M34), (F26)
- Harness connectors

For USA:  
 (M75), (E105)

For Canada:  
 (M16), (E101)

- Harness continuity between ECM and lighting switch
- Diode joint connector-3 (E103) for Canada models

If NG, repair open circuit short to ground or short to power in harness or connectors.

OK

**B**

**CHECK POWER AND GROUND CIRCUIT.**

1. Turn ignition switch "OFF".
2. Check continuity between ECM terminal (24) and ground.

**Blower fan switch "ON"**  
 Continuity should exist.

**Blower fan switch "OFF"**  
 Continuity should not exist.

NG

Check the following.

- Harness connectors (M45), (F34)
- Harness for open or short between ECM and fan switch, fan switch and ground

If NG, repair open circuit short to ground or short to power in harness or connectors.

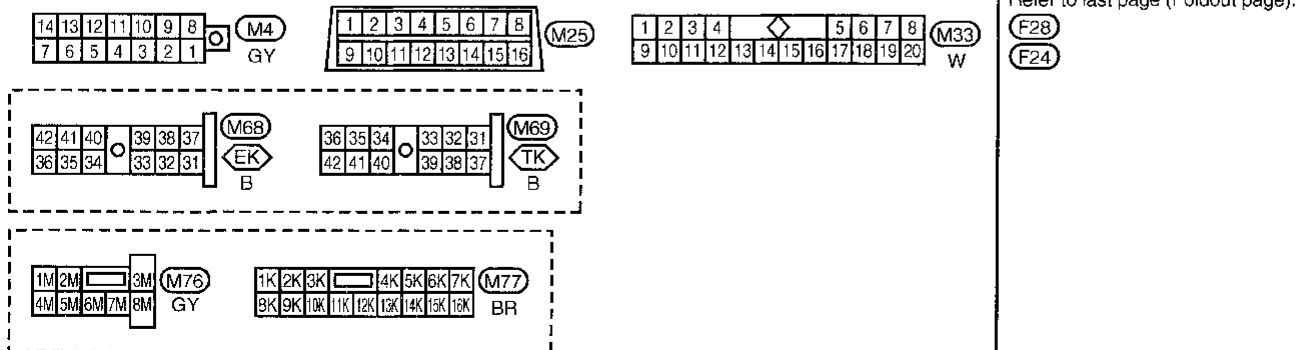
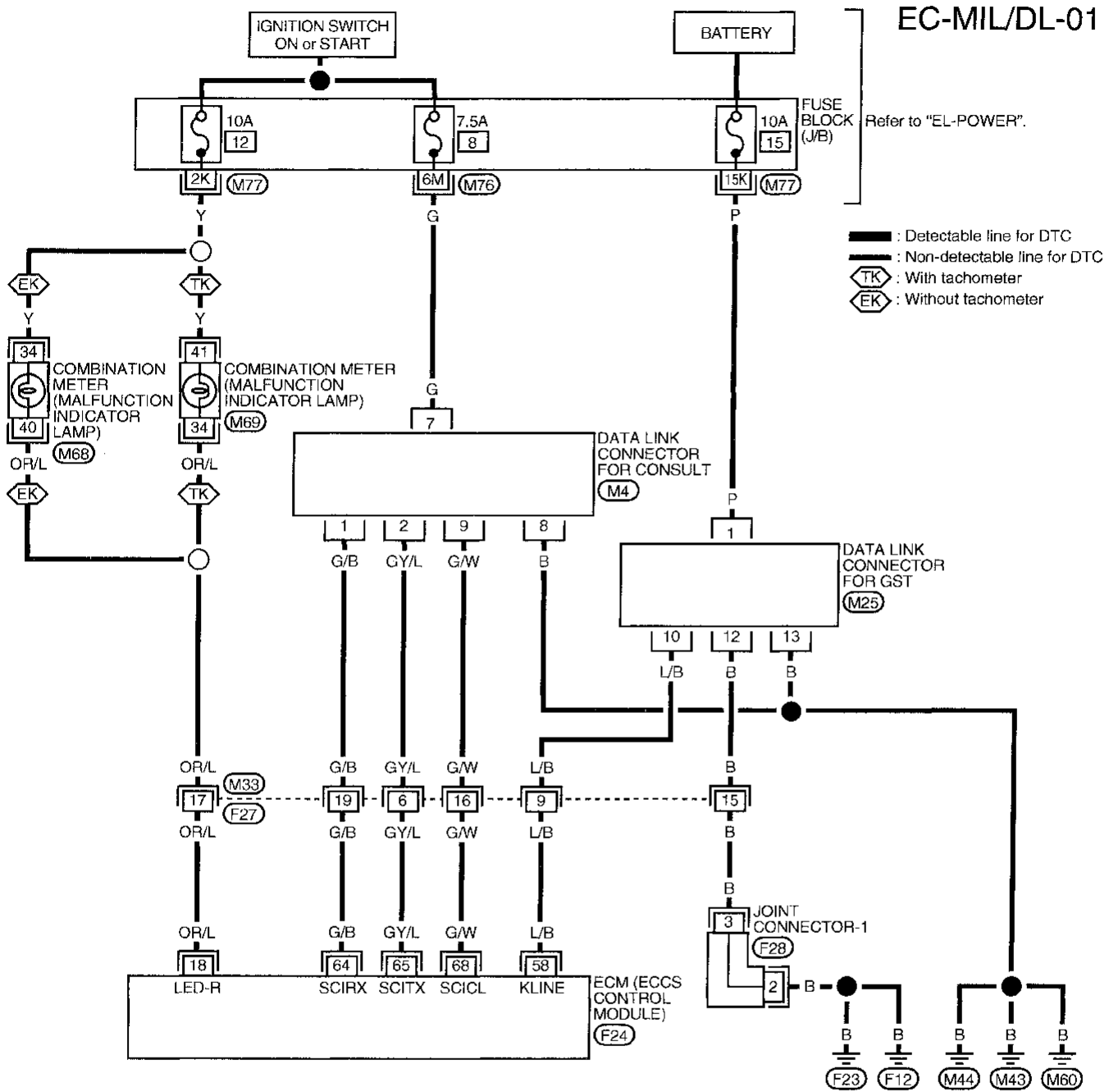
OK

Perform "TROUBLE DIAGNOSIS FOR INTERMITTENT INCIDENT", EC-104.

INSPECTION END

# TROUBLE DIAGNOSIS FOR NON-DETECTABLE ITEMS

## MIL & Data Link Connectors



# SERVICE DATA AND SPECIFICATIONS (SDS)

## General Specifications

<b>FUEL PRESSURE REGULATOR</b>	
Fuel pressure at idling kPa (kg/cm <sup>2</sup> , psi)	
Vacuum hose is connected	Approximately 235 (2.4, 34)
Vacuum hose is disconnected	Approximately 294 (3.0, 43)

## Inspection and Adjustment

Idle speed*1	rpm	
No-load*2	(in "N" position)	M/T models except for Canada: 675±50 rpm M/T models for Canada: 750±50 rpm A/T models: 800±50 (in "N" position)
Air conditioner: ON	(in "N" position)	900 or more
Ignition timing		8°±2° BTDC
Throttle position sensor idle position	V	0.35 - 0.65

\*1: Feedback controlled and needs no adjustments

\*2: Under the following conditions:

- Air conditioner switch: OFF
- Electric load: OFF (Lights, heater fan & rear window defogger)

## IGNITION COIL

Primary voltage	V	Battery voltage (11 - 14)
Primary resistance [at 25°C (77°F)]	Ω	Approximately 1.0
Secondary resistance [at 25°C (77°F)]	kΩ	Approximately 10.0

## MASS AIR FLOW SENSOR

Supply voltage	V	Battery voltage (11 - 14)
Output voltage	V	1.0 - 1.7
Mass air flow (Using CONSULT or GST)	g-m/sec	1.0 - 4.0 at idle* 5.0 - 10.0 at 2,500 rpm*

\*: Engine is warmed up to normal operating temperature and idling under no-load.

## ENGINE COOLANT TEMPERATURE SENSOR

Temperature °C (°F)	Resistance kΩ
20 (68)	2.1 - 2.9
50 (122)	0.68 - 1.00
90 (194)	0.236 - 0.260

## EGR TEMPERATURE SENSOR

EGR temperature °C (°F)	Voltage (V)	Resistance (MΩ)
0 (32)	4.81	7.9 - 9.7
50 (122)	2.82	0.57 - 0.70
100 (212)	0.8	0.08 - 0.10

## FUEL PUMP

Resistance [at 25°C (77°F)]	Ω	0.2 - 5.0
-----------------------------	---	-----------

## IACV-AAC VALVE

Condition	Resistance (Ω)
Cold	138 - 238
Hot	175 - 280

## INJECTOR

Resistance [at 25°C (77°F)]	Ω	10 - 14
-----------------------------	---	---------

## RESISTOR

Resistance [at 25°C (77°F)]	kΩ	Approximately 2.2
-----------------------------	----	-------------------

# SERVICE DATA AND SPECIFICATIONS (SDS)

## Inspection and Adjustment (Cont'd)

### THROTTLE POSITION SENSOR

Throttle valve conditions	Resistance [at 25°C (77°F)]
Completely closed	Approximately 0.6 kΩ
Partially open	0.6 - 4.0 kΩ
Completely open	Approximately 4.0 kΩ

### FRONT HEATED OXYGEN SENSOR HEATER

Resistance [at 25°C (77°F)]	Ω
	2.3 - 4.3

### CALCULATED LOAD VALUE

	Calculated load value % (Using CONSULT or GST)
At idle	15.0 - 30.0
At 2,500 rpm	13.0 - 28.0

### INTAKE AIR TEMPERATURE SENSOR

Temperature °C (°F)	Resistance kΩ
20 (68)	2.1 - 2.9
80 (176)	0.27 - 0.38

### EVAP CANISTER PURGE VOLUME CONTROL VALVE

Resistance [at 20°C (68°F)]	Ω
	Approximately 41

### TORQUE CONVERTER CLUTCH SOLENOID VALVE

Resistance [at 25°C (77°F)]	Ω
	Approximately 25

### REAR HEATED OXYGEN SENSOR HEATER

Resistance [at 25°C (77°F)]	Ω
	2.3 - 4.3

### CRANKSHAFT POSITION SENSOR (OBD)

Resistance [at 25°C (77°F)]	Ω	M/T	432 - 528
		A/T	166.5 - 203.5

### TANK FUEL TEMPERATURE SENSOR

Temperature °C (°F)	Resistance kΩ
20 (68)	2.3 - 2.7
50 (122)	0.79 - 0.90

GI

MA

EM

LC

EC

FE

CL

MT

AT

FA

RA

BR

ST

RS

BT

HA

EL

IDX