

HEATER AND AIR CONDITIONER

SECTION HA

GI

MA

EM

LG

EC

FE

CL

MT

AT

FA

RA

BR

ST

RS

BT

HA

EL

IDX

CONTENTS

PRECAUTIONS AND PREPARATION	2	Blower Motor Circuit	28
Supplemental Restraint System (SRS) "AIR BAG"	2	Intake Door Motor Circuit.....	32
Precautions for Working With HFC-134a (R-134a)	2	Magnet Clutch Circuit	35
Precautions for Working with Refrigerants	3	Air Mix Door	40
Precautions for Refrigerant Connection	4	Air Outlet.....	41
Precautions for Refrigerant Connection	6	Trouble Diagnoses For Insufficient Cooling.....	42
Precautions for Servicing Compressor	7	Performance Test Diagnoses.....	43
Special Service Tools.....	8	Performance Chart.....	45
R-134a Service Tools and Equipment	9	Trouble Diagnoses for Abnormal Pressure.....	46
Precautions for Service Equipment	11	Trouble Diagnoses for Insufficient Heating.....	50
DESCRIPTION	13	Trouble Diagnoses for Noise	51
Refrigeration Cycle	13	SERVICE PROCEDURES	52
Refrigerant Flow	13	Checking Refrigerant Leaks	52
Freeze Protection	13	R-134a Service Procedure	55
Refrigerant System Protection	13	Compressor Lubricant Quantity.....	57
Component Layout.....	14	Refrigerant Lines.....	59
Control Operation.....	15	Compressor Mounting.....	60
Discharge Air Flow.....	16	Belt Tension	60
TROUBLE DIAGNOSES	17	Fast Idle Control Device (FICD)	60
How to Perform Trouble Diagnoses for Quick and Accurate Repair	17	Compressor.....	61
Operational Check	18	Compressor Clutch	61
Harness Layout.....	20	Thermal Protector	63
Circuit Diagram — Air Conditioner	22	Heater Unit (Heater Core)	64
Wiring Diagram —HEATER—.....	23	Cooling Unit	65
Wiring Diagram —A/C—.....	24	Control Assembly	66
Main Power Supply and Ground Circuit Check....	27	Removal	66
		SERVICE DATA AND SPECIFICATIONS (SDS)	67
		General Specifications	67
		Inspection and Adjustment.....	67

When you read wiring diagrams:

- Read GI section, "HOW TO READ WIRING DIAGRAMS".
- See EL section, "POWER SUPPLY ROUTING" for power distribution circuit.

When you perform trouble diagnoses, read GI section, "HOW TO FOLLOW FLOW CHART IN TROUBLE DIAGNOSES" and "HOW TO PERFORM EFFICIENT DIAGNOSIS FOR AN ELECTRICAL INCIDENT".

PRECAUTIONS AND PREPARATION

Supplemental Restraint System (SRS) “AIR BAG”

The Supplemental Restraint System “Air Bag”, used along with a seat belt, helps to reduce the risk or severity of injury to the driver and front passenger in a frontal collision. The Supplemental Restraint System consists of air bag modules (located in the center of the steering wheel and on the instrument panel on the passenger side), a diagnosis sensor unit, warning lamp, wiring harness and spiral cable. Information necessary to service the system safely is included in the **RS section** of this Service Manual.

WARNING:

- To avoid rendering the SRS inoperative, which could increase the risk of personal injury or death in the event of a collision which would result in air bag inflation, all maintenance should be performed by an authorized NISSAN dealer.
- Improper maintenance, including incorrect removal and installation of the SRS, can lead to personal injury caused by unintentional activation of the system.
- Do not use electrical test equipment on any circuit related to the SRS unless instructed to in this Service Manual. SRS wiring harnesses are covered with yellow insulation either just before the harness connectors or on the complete harness, for easy identification.

Precautions for Working With HFC-134a (R-134a)

WARNING:

- CFC-12 (R-12) refrigerant and HFC-134a (R-134a) refrigerant are not compatible. These refrigerants must never be mixed, even in the smallest amounts. If the refrigerants are mixed, compressor malfunction is likely.
- Use only specified lubricant for the HFC-134a (R-134a) A/C system and HFC-134a (R-134a) components. If lubricant other than that specified is used, compressor malfunction is likely.
- The specified HFC-134a (R-134a) lubricant rapidly absorbs moisture from the atmosphere. The following handling precautions must be observed:
 - a. When removing refrigerant components from a vehicle, immediately cap (seal) the component to minimize the entry of moisture from the atmosphere.
 - b. When installing refrigerant components to a vehicle, do not remove the caps (unseal) until just before connecting the components. Connect all refrigerant loop components as quickly as possible to minimize the entry of moisture into the system.
 - c. Only use the specified lubricant from a sealed container. Immediately reseal containers of lubricant. Without proper sealing, lubricant will become moisture saturated and should not be used.
 - d. Avoid breathing A/C refrigerant and lubricant vapor or mist. Exposure may irritate eyes, nose and throat. Remove HFC-134a (R-134a) from the A/C system using certified service equipment meeting requirements of SAE J2210 (R-134a recycling equipment) or J2209 (R-134a recovery equipment). If accidental system discharge occurs, ventilate work area before resuming service. Additional health and safety information may be obtained from refrigerant and lubricant manufacturers.
 - e. Do not allow lubricant to contact styrofoam parts. Damage may result.

PRECAUTIONS AND PREPARATION

Precautions for Working with Refrigerants

WARNING:

- Do not release refrigerant into the air. Use approved recovery/recycling equipment to capture the refrigerant every time an air conditioning system is discharged.
- Always wear eye and hand protection (goggles and gloves) when working with any refrigerant or air conditioning system.
- Do not store or heat refrigerant containers above 52°C (125°F).
- Do not heat a refrigerant container with an open flame; if container warming is required, place the bottom of the container in a pail of warm water.
- Do not intentionally drop, puncture, or incinerate refrigerant containers.
- Keep refrigerant away from open flames: poisonous gas will be produced if refrigerant burns.
- Refrigerant will displace oxygen. Work in well ventilated areas to prevent suffocation.
- Do not introduce compressed air to any refrigerant container or refrigerant component.

GI

MA

EM

LC

EC

FE

CL

MT

AT

FA

RA

BR

ST

RS

BT

HA

EL

IDX

PRECAUTIONS AND PREPARATION

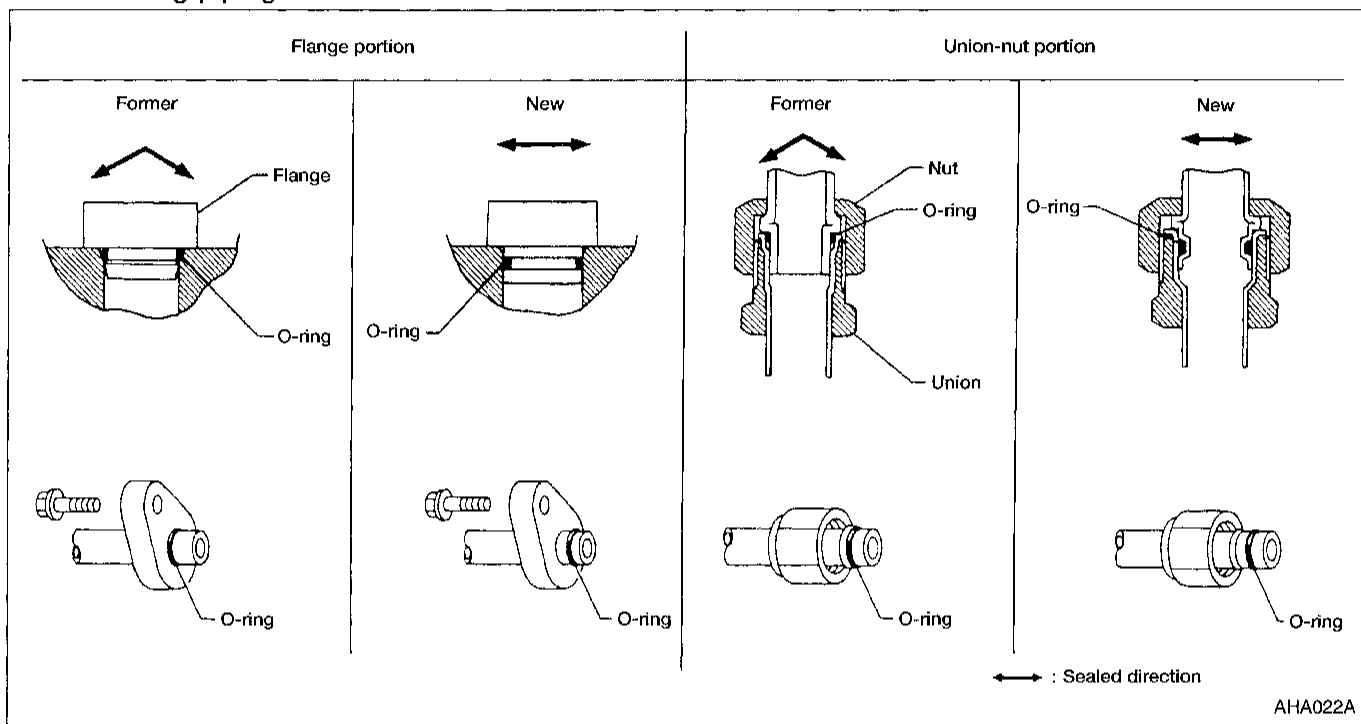
Precautions for Refrigerant Connection

A new type refrigerant connection has been introduced to all refrigerant lines except the following location:

- Expansion valve to cooling unit.

FEATURES OF NEW TYPE REFRIGERANT CONNECTION

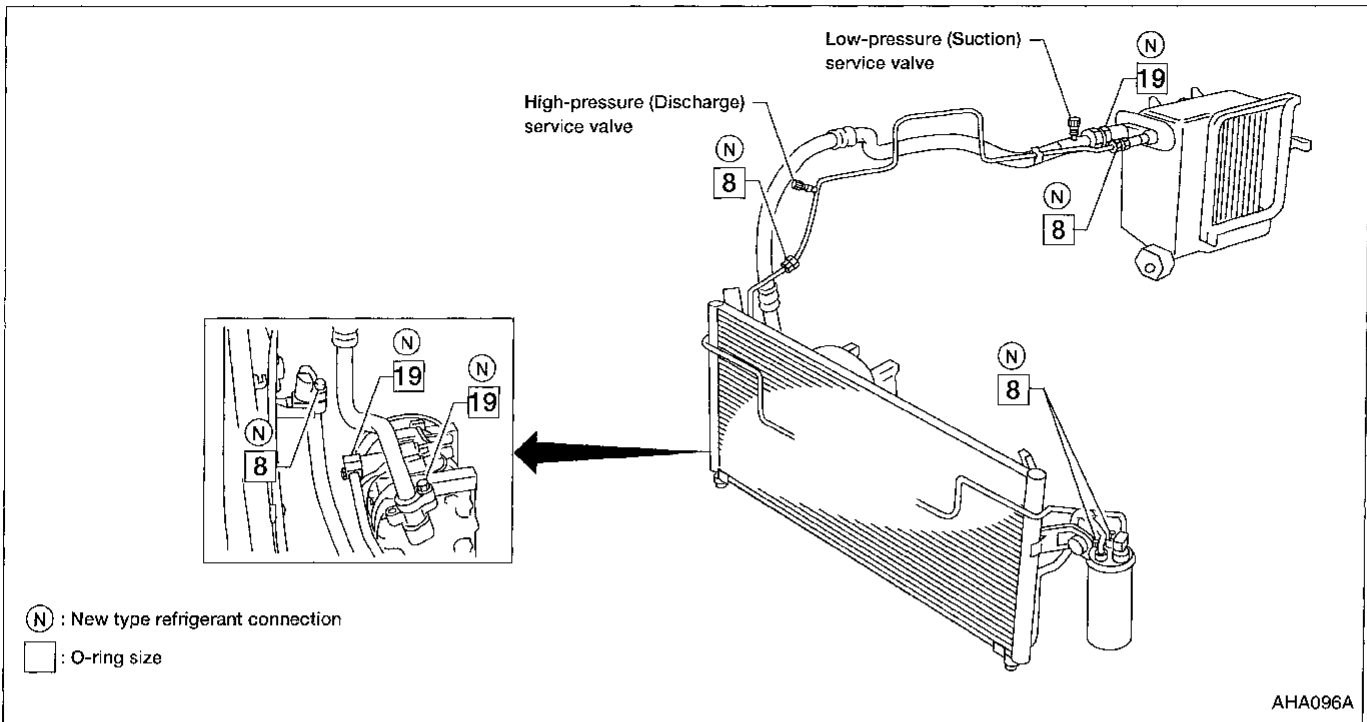
- The O-ring has been relocated. It has also been provided with a groove for proper installation. This eliminates the chance of the O-ring being caught in, or damaged by, the mating part. The sealing direction of the O-ring is now set vertically in relation to the contacting surface of the mating part to improve sealing characteristics.
- The reaction force of the O-ring will not occur in the direction that causes the joint to pull out, thereby facilitating piping connections.



PRECAUTIONS AND PREPARATION

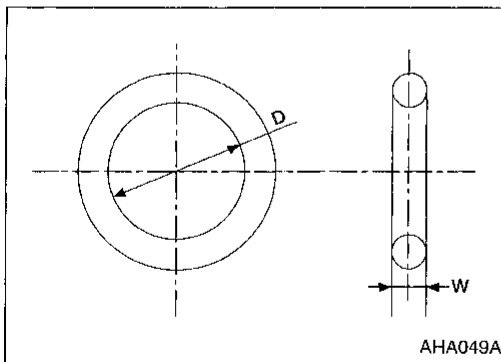
Precautions for Refrigerant Connection (Cont'd)

O-RING AND REFRIGERANT CONNECTION



CAUTION:

The new and former refrigerant connections use different O-ring configurations. Do not confuse O-rings since they are not interchangeable. If a wrong O-ring is installed, refrigerant will leak at, or around, the connection.



O-ring part numbers and specifications

Connection type	O-ring size	Part number	D	mm (in)	W	mm (in)
New	8	92471 N8210	6.8	(0.268)	1.85	(0.0728)
Former		92470 N8200	6.07	(0.2390)	1.78	(0.0701)
New	12	92472 N8210	10.9	(0.429)	2.43	(0.0957)
Former		92475 71L00	11.0	(0.433)	2.4	(0.094)
New	16	92473 N8210	13.6	(0.535)	2.43	(0.0957)
Former		92475 72L00	14.3	(0.563)	2.3	(0.0906)
New	19	92474 N8210	16.5	(0.650)	2.43	(0.0957)
Former		92477 N8200	17.12	(0.6740)	1.78	(0.0701)

PRECAUTIONS AND PREPARATION

Precautions for Refrigerant Connection

WARNING:

Make sure all refrigerant is discharged into the recycling equipment and the pressure in the system is less than atmospheric pressure. Then gradually loosen the discharge side hose fitting and remove it.

CAUTION:

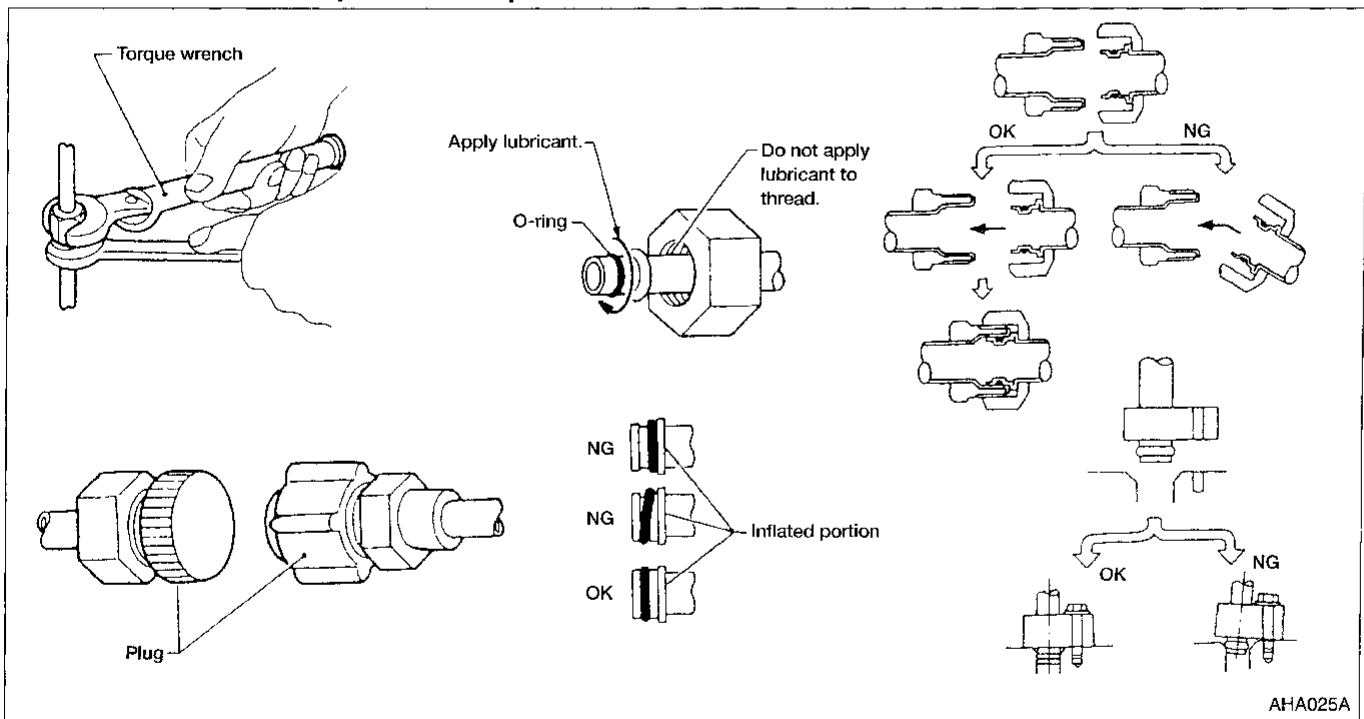
When replacing or cleaning refrigerant cycle components, observe the following.

- Do not leave compressor on its side or upside down for more than 10 minutes. Compressor lubricant will enter low pressure chamber.
- When connecting tubes, always use a torque wrench and a back-up wrench.
- After disconnecting tubes, plug all openings immediately to prevent entry of dirt and moisture.
- When installing an air conditioning unit in the vehicle, connect the pipes as the final stage of the operation. Do not remove seal caps from pipes and other components until just before required for connection.
- Allow components stored in cool areas to warm to working area temperature before removing seal caps. This prevents condensation from forming inside A/C components.
- Thoroughly remove moisture from the refrigeration system before charging the refrigerant.
- Always replace used O-rings.
- When connecting tube, apply lubricant to portions shown in illustration. Be careful not to apply lubricant to threaded portion.

Name: Nissan A/C System Lubricant Type R

Part No.: KLH00-PAGR0

- O-ring must be closely attached to inflated portion of tube.
- After inserting tube into union until O-ring is no longer visible, tighten nut to specified torque.
- After connecting line, conduct leak test and make sure that there is no leakage. When the gas leaking point is found, disconnect that line and replace the O-ring. Then tighten connections of seal seat to the specified torque.



PRECAUTIONS AND PREPARATION

Precautions for Servicing Compressor

- Plug all openings to prevent moisture and foreign matter from entering. GI
- Do not keep the compressor in the upside down position or laid on its side for more than 10 minutes. MA
- When replacing or repairing compressor, be sure to remove lubricant from the compressor and check the lubricant quantity extracted. EM
- When replacing or repairing compressor, follow lubricant checking and adjusting procedure exactly. Refer to “Compressor Lubricant Quantity”, “SERVICE PROCEDURES”, HA-57. LC
- Keep friction surfaces between clutch and pulley clean. If the surface is contaminated with oil, wipe it off by using a clean waste cloth moistened with thinner. EC
- After compressor service operation, turn the compressor shaft by hand more than five turns in both directions. This will equally distribute lubricant inside the compressor. After the compressor is installed, let the engine idle and operate the compressor for one hour. FE
- After replacing the compressor magnet clutch, apply voltage to the new one and check for normal operation. CL

FE

CL

MT

AT

FA

RA

BR

ST

RS

BT

HA

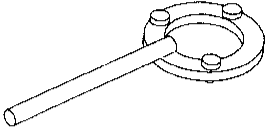
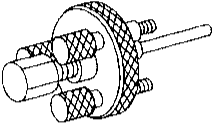
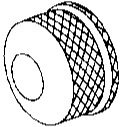
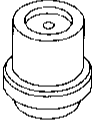
EL

IDX

PRECAUTIONS AND PREPARATION

Special Service Tools

The actual shapes of Kent-Moore tools may differ from those of special service tools illustrated here.

Tool number (Kent-Moore No.) Tool name	Description	Note
KV99231260 (J-38874) Clutch disc wrench	 NT204	Removing shaft nut and clutch disc
KV99232340 (J-38874) Clutch disc puller	 NT206	Removing clutch disc
KV99234330 (J-39024) Pulley installer	 NT207	Installing pulley
KV99233130 (J-39023) Pulley puller	 NT208	Removing pulley

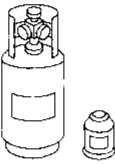

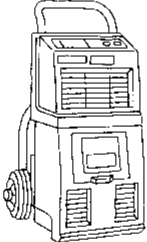
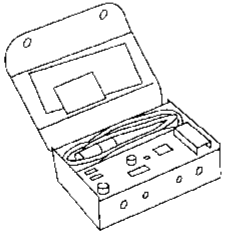
PRECAUTIONS AND PREPARATION

R-134a Service Tools and Equipment

Never mix HFC-134a (R-134a) refrigerant and/or its specified lubricant with CFC-12 (R-12) refrigerant and/or its lubricant.

Separate and non-interchangeable service equipment must be used for each type of refrigerant/lubricant. Refrigerant container fittings, service hose fittings, and service equipment fittings (equipment which handles refrigerant and/or lubricant) are different for CFC-12 (R-12) and HFC-134a (R-134a). This equipment difference is designed to prevent mixed use of the refrigerants/lubricants.

Adapters to convert from one size fitting to the other must never be used. Refrigerant/lubricant contamination will occur and compressor failure will result.

Tool number (Kent-Moore No.) Tool name	Description	Note
R-134a refrigerant	 NT196	Container color: Light blue Container marking: R-134a Fitting size: Thread size ● Large container 1/2"-16 ACME
KLH00-PAGR0 (—) Nissan A/C System Lubricant Type R	 NT197	Type: Polyalkylene glycol (PAG), type R Application: R-134a vane rotary compressors (Nissan only) Lubricity: 40 ml (1.4 US fl oz, 1.4 Imp fl oz)
(J-39500-NI) Recovery/Recycling equipment (ACR4)	 NT195	Function: Refrigerant Recovery and Recycling and Recharging
(J-39400) Electronic leak detector	 NT198	Power supply: ● DC 12 V (Cigarette lighter)

GI

MA

FM

LC

EC

FE

CL

MT

AT

FA

RA

BR

ST

RS

BT

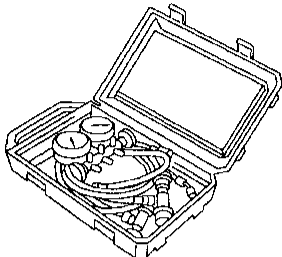
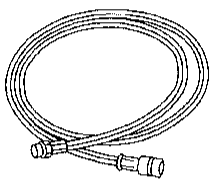
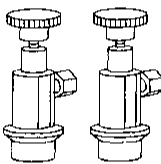

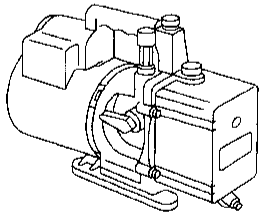
HA

EL

IDX

PRECAUTIONS AND PREPARATION

R-134a Service Tools and Equipment (Cont'd)

Tool number (Kent-Moore No.) Tool name	Description	Note
(J-39183) Manifold gauge set (with hoses and couplers)	 <p style="text-align: center;">NT199</p>	Identification: <ul style="list-style-type: none"> ● The gauge face indicates R-134a. Fitting size: Thread size <ul style="list-style-type: none"> ● 1/2"-16 ACME
Service hoses <ul style="list-style-type: none"> ● High side hose (J-39501-72) ● Low side hose (J-39502-72) ● Utility hose (J-39476-72) 	 <p style="text-align: center;">NT201</p>	Hose color: <ul style="list-style-type: none"> ● Low hose: Blue with black stripe ● High hose: Red with black stripe ● Utility hose: Yellow with black stripe or green with black stripe Hose fitting to gauge: <ul style="list-style-type: none"> ● 1/2"-16 ACME
Service couplers <ul style="list-style-type: none"> ● High side coupler (J-39500-20) ● Low side coupler (J-39500-24) 	 <p style="text-align: center;">NT202</p>	Hose fitting to service hose: <ul style="list-style-type: none"> ● M14 x 1.5 fitting (optional) or permanently attached
(J-39650) Refrigerant weight scale	 <p style="text-align: center;">NT200</p>	For measuring of refrigerant Fitting size: Thread size <ul style="list-style-type: none"> ● 1/2"-16 ACME
(J-39649) Vacuum pump (Including the isolator valve)	 <p style="text-align: center;">NT203</p>	Capacity: <ul style="list-style-type: none"> ● Air displacement: 4 CFM ● Micron rating: 20 microns ● Oil capacity: 482 g (17 oz) Fitting size: Thread size <ul style="list-style-type: none"> ● 1/2"-16 ACME

PRECAUTIONS AND PREPARATION

Precautions for Service Equipment

RECOVERY/RECYCLING EQUIPMENT

Follow the manufacturer's instructions for machine operation and machine maintenance. Never introduce any refrigerant other than specified into the machine.

ELECTRONIC LEAK DETECTOR

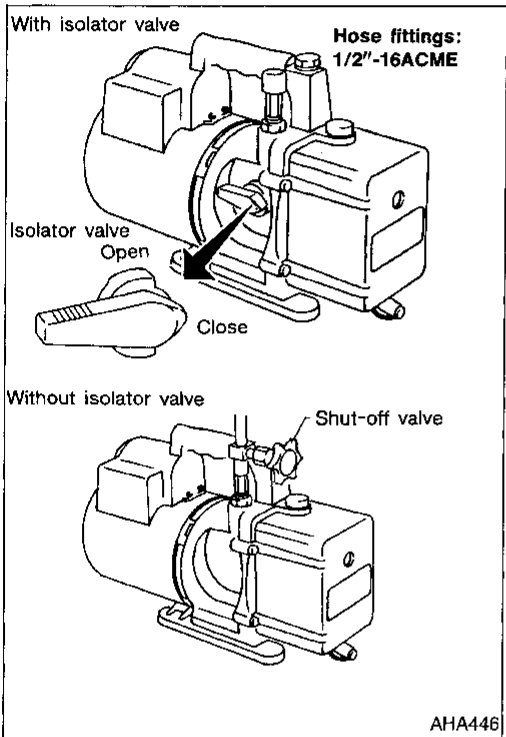
Follow the manufacturer's instructions for tester operation and tester maintenance.

VACUUM PUMP

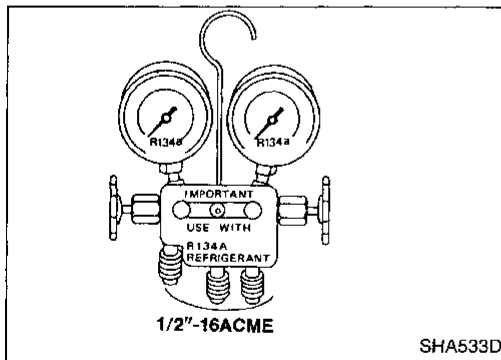
The lubricating oil contained inside the vacuum pump is not compatible with the specified lubricant for R-134a A/C systems. The vent side of the vacuum pump is exposed to atmospheric pressure. Therefore, if the pump is switched off after evacuation the lubricating oil may migrate into the hose. To prevent this, isolate the pump from the hose after evacuation (vacuuming). This migration is avoided by placing a manual valve near the hose-to-pump connection, as follows:

- Usually vacuum pumps have a manual isolator valve as part of the pump. Close this valve to isolate the service hose from the pump.
- For pumps without an isolator, use a hose equipped with a manual shut-off valve near pump end. Close the valve to isolate the hose from the pump.
- If the hose has an automatic shut-off valve, disconnect the hose from the pump. As long as the hose is connected, the valve is open and lubricating oil may migrate.

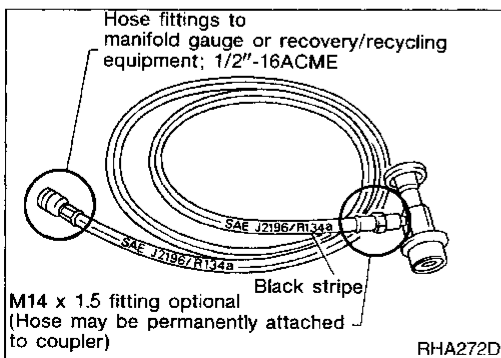
Some one-way valves open when vacuum is applied and close under a no vacuum condition. Such valves may restrict the pump's ability to pull a deep vacuum and are not recommended.



AHA446



SHA533D



RHA272D

MANIFOLD GAUGE SET

Be sure the gauge set has 1/2"-16 ACME threaded connections for service hoses. Confirm the set has been used only with refrigerant HFC-134a (R-134a) along with specified lubricants.

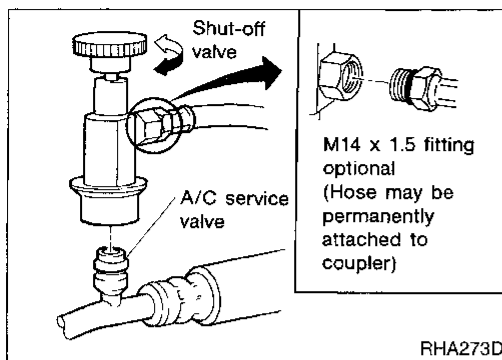
SERVICE HOSES

Be certain that the service hoses display the markings described (colored hose with black stripe). Be certain all hoses include positive shut-off devices (either manual or automatic) near the service end opposite the manifold gauge.

GI
MA
EM
LC
EC
FE
CL
MT
AT
FA
RA
BR
ST
RS
BT
HA
EL
IDX

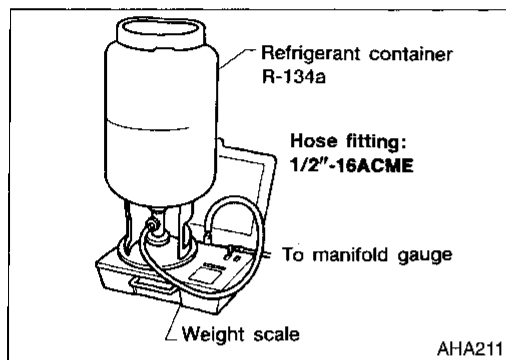
PRECAUTIONS AND PREPARATION

Precautions for Service Equipment (Cont'd) SERVICE COUPLERS



Never attempt to connect R-134a service couplers to a CFC-12 (R-12) A/C system. The R-134a couplers will not properly connect to the CFC-12 (R-12) system. However, if an improper connection is attempted, discharging and contamination can occur.

Shut off valve rotation	A/C service valve
Clockwise	Open
Counterclockwise	Close



REFRIGERANT WEIGHT SCALE

When using a scale which controls refrigerant flow electronically, assure the following:

- Hose fitting size is 1/2"-16 ACME
- No refrigerant other than HFC-134a (R-134a) (along with specified lubricant) has been used with the scale

CHARGING CYLINDER

Using a charging cylinder is not recommended. Refrigerant may be vented into the air through the cylinder's top valve when filling the cylinder.

DESCRIPTION

Refrigeration Cycle

REFRIGERANT FLOW

The refrigerant flow is in the standard pattern. Refrigerant flows through the compressor, condenser, liquid tank, evaporator and back to the compressor.

The refrigerant evaporation through the evaporator coil is controlled by an externally equalized expansion valve, located inside the evaporator case.

FREEZE PROTECTION

The compressor cycles on and off to maintain the evaporator temperature within a specified range. When the evaporator coil temperature falls below a specified point, the thermo control amplifier interrupts the compressor operation. When the evaporator coil temperature rises above the specification, the thermo control amplifier allows compressor operation.

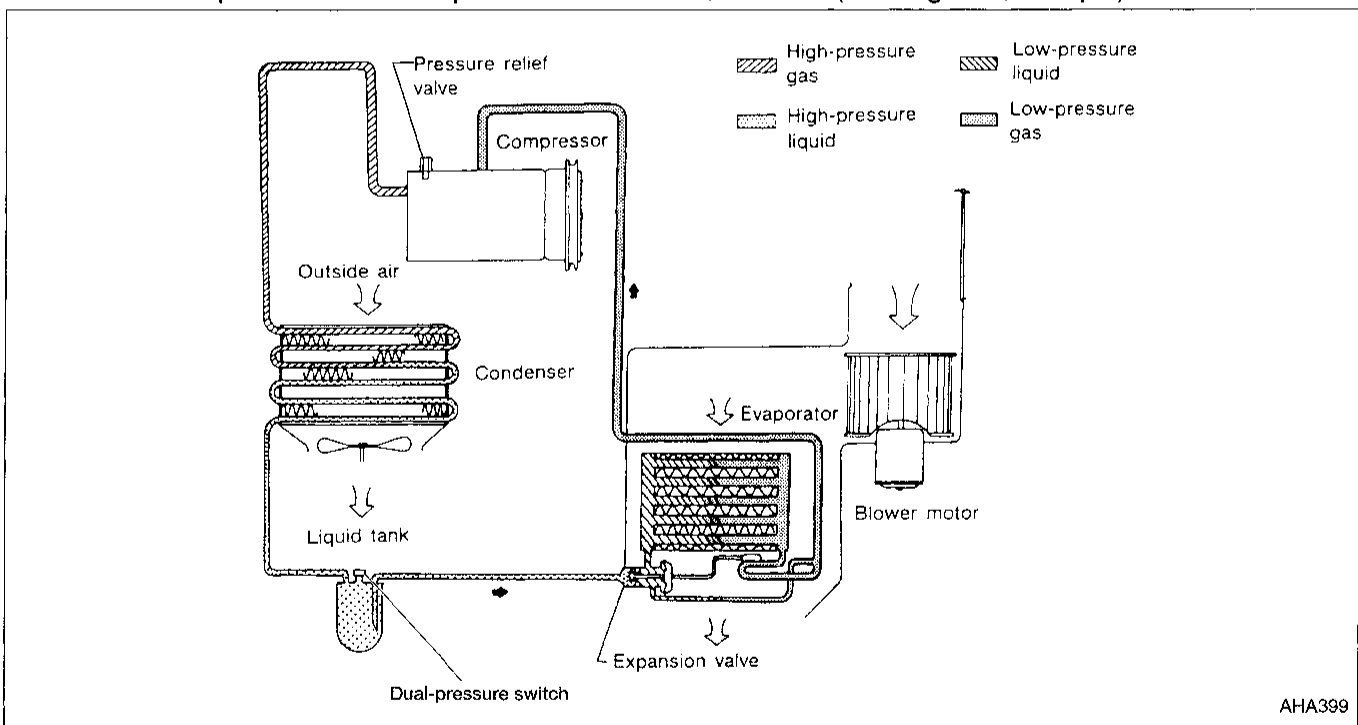
REFRIGERANT SYSTEM PROTECTION

Dual-pressure switch

The dual-pressure switch is located on the liquid tank. If the system pressure rises or falls out of specifications, the switch opens to interrupt compressor clutch operation.

Pressure relief valve

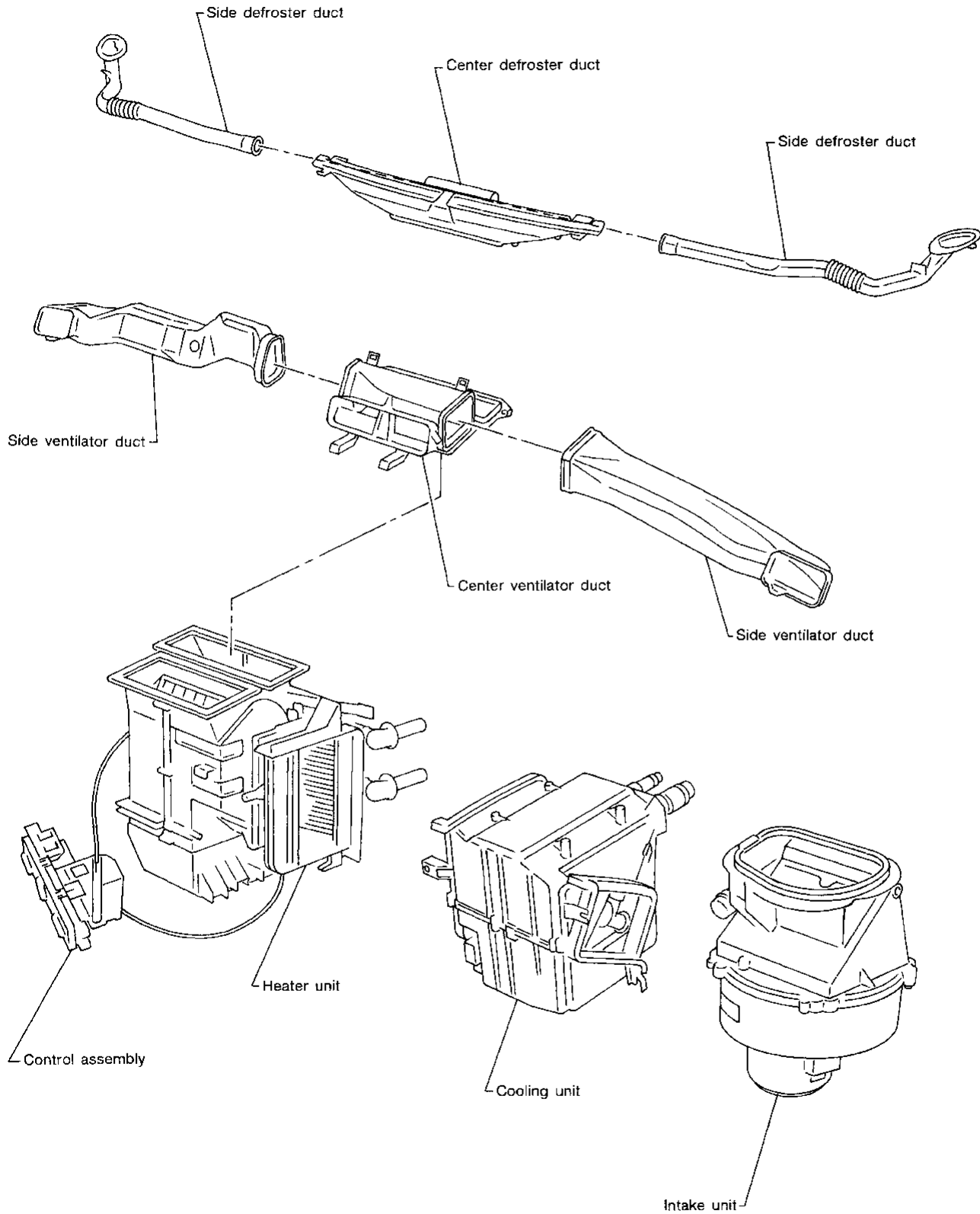
The refrigerant system is protected by a pressure relief valve. The valve is located on the compressor near the thermal protector. When refrigerant system pressure increases abnormally [over 3,727 kPa (38 kg/cm², 540 psi)], the relief valve port opens. The valve then releases refrigerant into the atmosphere. The relief valve port closes when pressure reaches 2,991 kPa (30.5 kg/cm², 434 psi).



DESCRIPTION

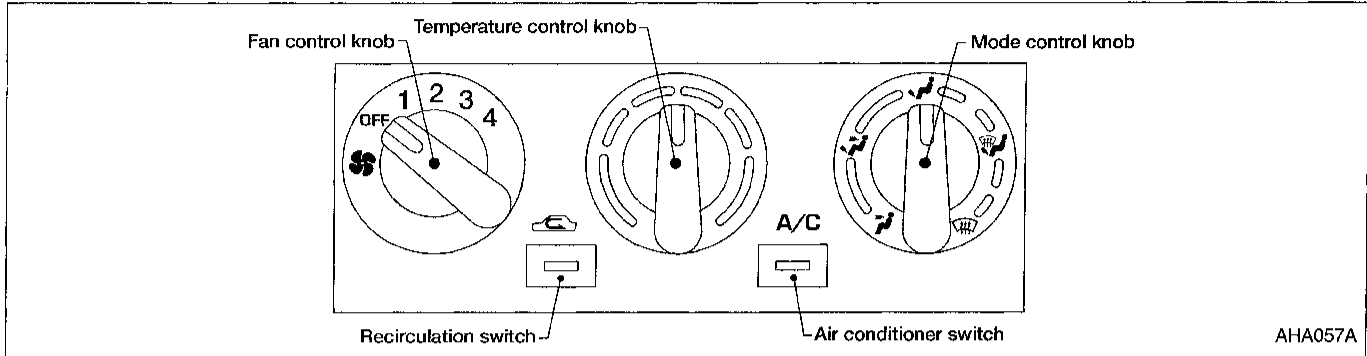
Component Layout

SEC. 270-271-272-273-685



DESCRIPTION

Control Operation



FAN CONTROL KNOB

This knob turns the fan ON and OFF, and controls fan speed.

MODE CONTROL KNOB

This knob controls the outlet air flow.

TEMPERATURE CONTROL KNOB

This knob allows adjustment of the outlet air temperature.

RECIRCULATION SWITCH

OFF position:

Outside air is drawn into the passenger compartment.

ON position:

Interior air is recirculated inside the vehicle.

The indicator lamp will also light.

Models without air conditioner do not have the recirculation switch. Outside air is always drawn into the passenger compartment when the fan is ON.

AIR CONDITIONER SWITCH

The air conditioner switch controls the A/C system. When the switch is depressed with the fan ON, the compressor will turn ON. The indicator lamp will also light.

The air conditioner cooling function operates only when the engine is running.

GI

MA

EM

LC

EC

FE

CL

MT

AT

FA

RA

BR

ST

RS

BT

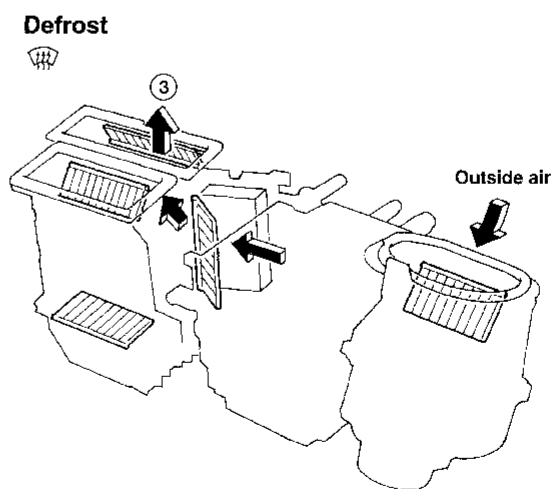
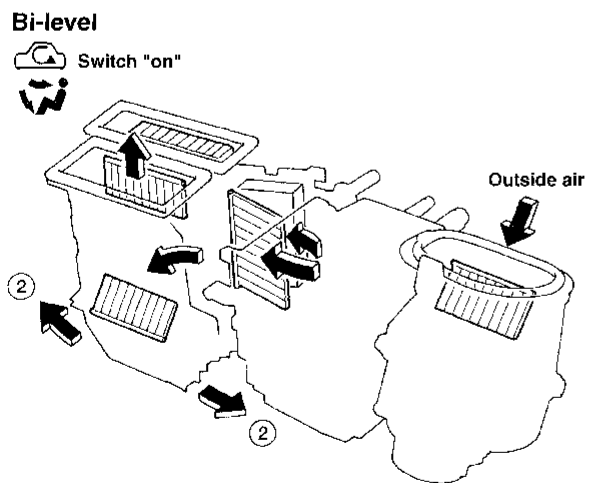
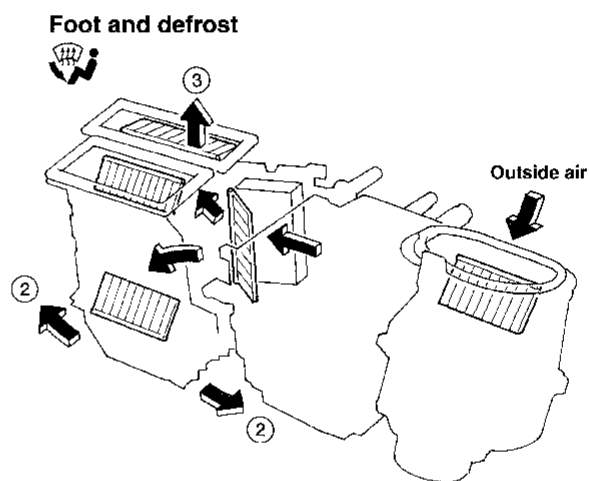
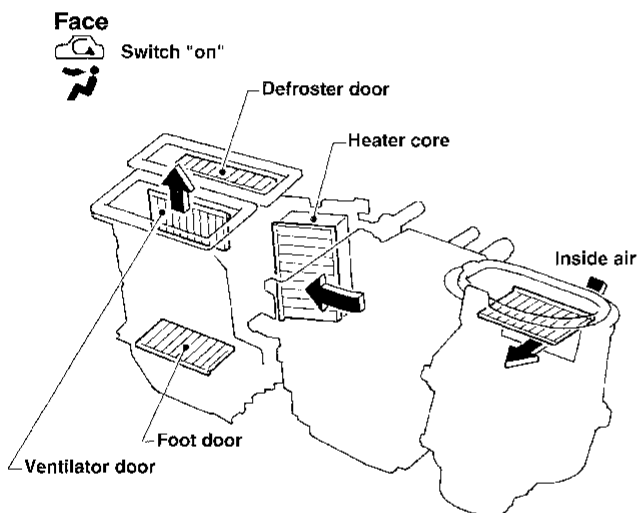
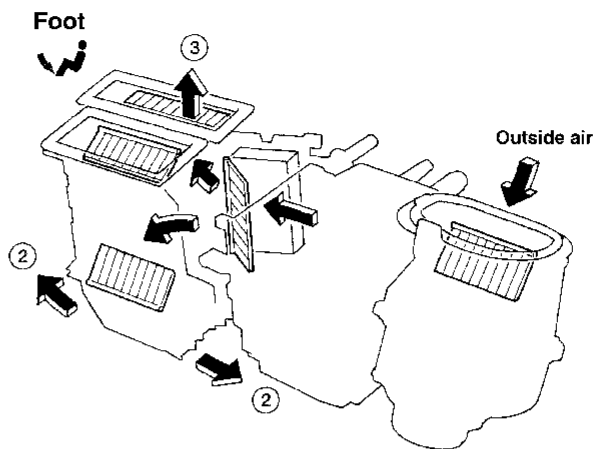
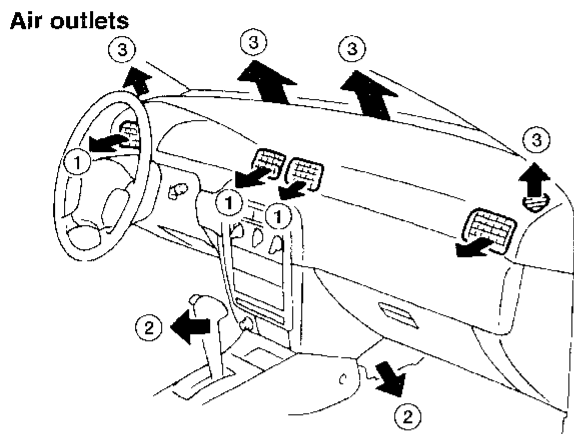
HA

EL

IDX

DESCRIPTION

Discharge Air Flow



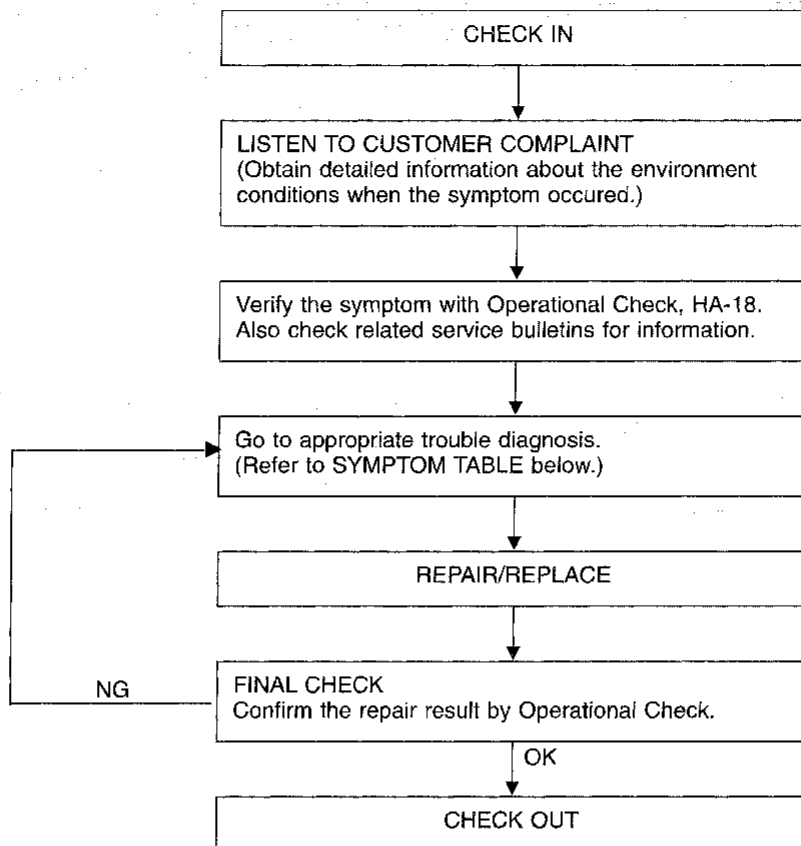
- ① : To face
- ② : To foot
- ③ : To defrost

For air flow %, refer to "Operational Check,"
"TROUBLE DIAGNOSES."

TROUBLE DIAGNOSES

How to Perform Trouble Diagnoses for Quick and Accurate Repair

WORK FLOW



SYMPTOM TABLE

Symptom	Reference page
● Blower motor does not rotate.	● Go to Blower Motor Circuit, HA-28.
● Air outlet does not change.	● Go to Air Outlet, HA-41.
● Air mix door does not change.	● Go to Air Mix Door, HA-40.
● Intake door does not operate.	● Go to Intake Door Motor Circuit, HA-32.
● Magnet clutch does not engage when A/C switch and fan switch are ON.	● Go to Magnet Clutch Circuit, HA-35.
● Insufficient Cooling.	● Go to Trouble Diagnosis for Insufficient Cooling, HA-42. ● Go to Performance Test Diagnosis, HA-43. ● Go to Performance Chart, HA-45. ● Go to Trouble Diagnoses for Abnormal Pressure, HA-46.
● Insufficient heating.	● Go to Trouble Diagnoses for Insufficient Heating, HA-50.
● Noise.	● Go to Trouble Diagnoses for Noise, HA-51.

GI

MA

EW

LC

EC

FE

CL

MT

AT

FA

RA

BR

ST

RS

BT

HA

EL

IDX

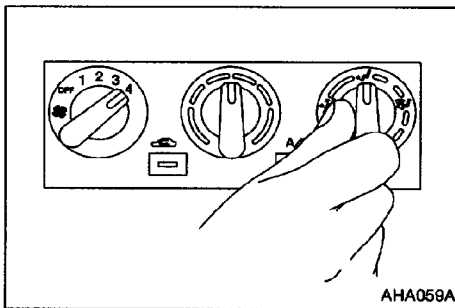
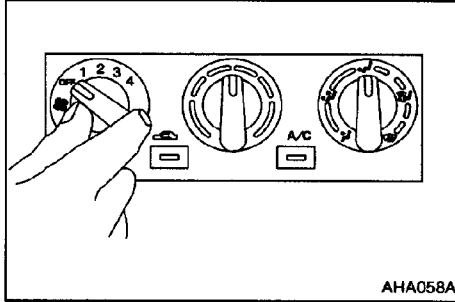
TROUBLE DIAGNOSES

Operational Check

The purpose of the operational check is to confirm that the system operates properly.

CONDITIONS:

- Engine running at normal operating temperature.



PROCEDURE:

1. Check blower

- a. Turn fan control knob to 1-speed. Blower should operate on 1-speed.
- b. Turn fan control knob to 2-speed, and continue checking blower speed until all speeds are checked.
- c. Leave blower on 4-speed.

2. Check discharge air

- a. Turn mode control knob.

- b. Confirm that discharge air comes out according to the air distribution table at left. Refer to "Discharge Air Flow", HA-16.

Discharge air flow

Switch mode/ indicator	Air outlet/distribution		
	Face	Foot	Defroster
	100%	—	—
	60%	40%	—
	—	80%	20%
	—	60%	40%
	—	—	100%

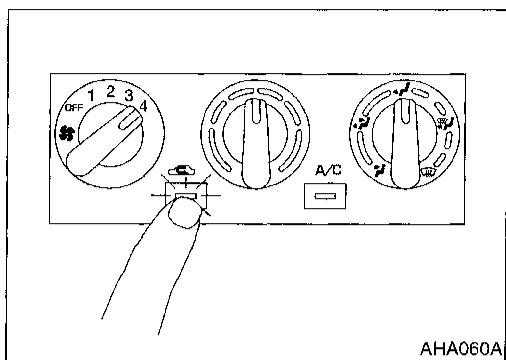
RHA378EA

(NOTE DELETED)



TROUBLE DIAGNOSES

Operational Check (Cont'd)



3. Check recirculation

- Press recirculation switch.
Recirculation indicator should light.
- Listen for intake door position change (you should hear blower sound change slightly).

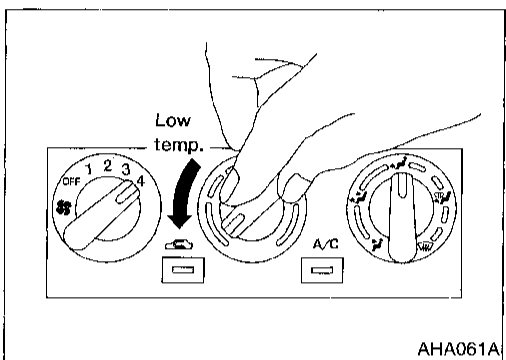
NOTE: Recirculation does not operate in DEF  mode.

GI

MA

EM

LC



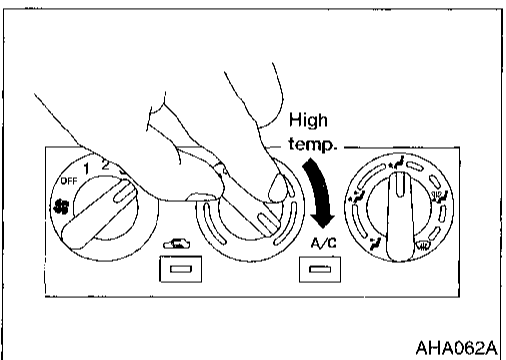
4. Check temperature decrease

- Turn temperature control knob to full cold.
- Check for cold air at discharge air outlets.

EC

FE

CL



5. Check temperature increase

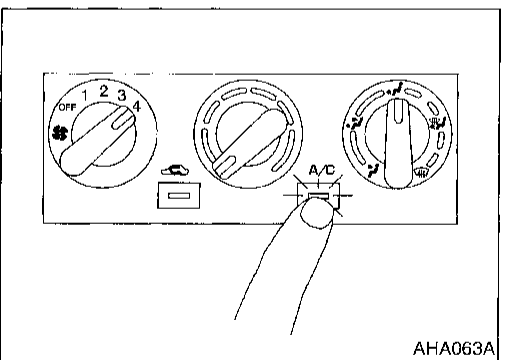
- Turn temperature control knob to full hot.
- Check for hot air at discharge air outlets.

MT

AT

FA

RA



6. Check air conditioner switch

Turn fan control knob to the desired (1- to 4-speed) position and push the A/C switch to turn ON the air conditioner. The indicator light should come on when air conditioner is ON.

BR

ST

RS

BT

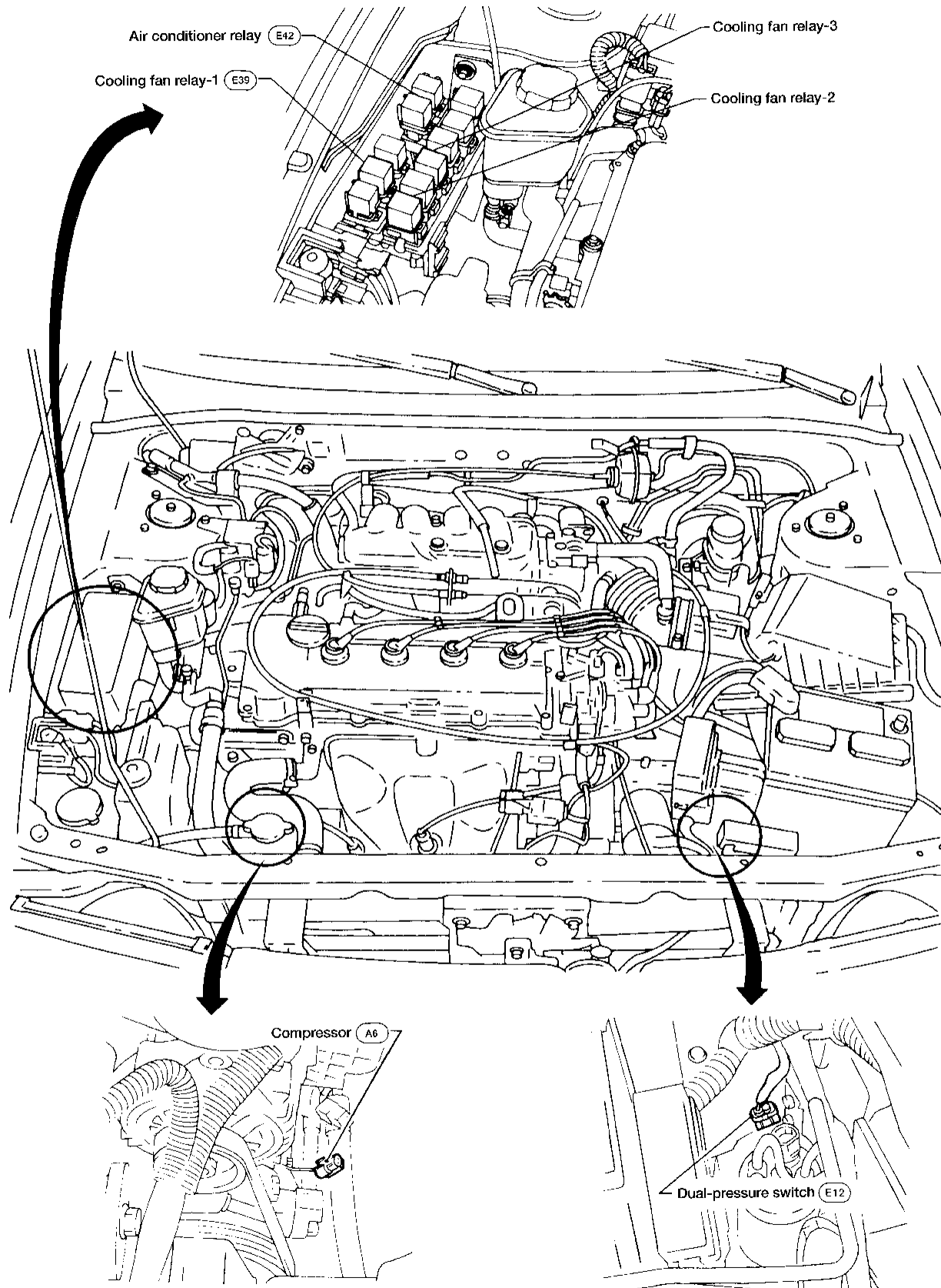
HA

EL

IDX

Harness Layout

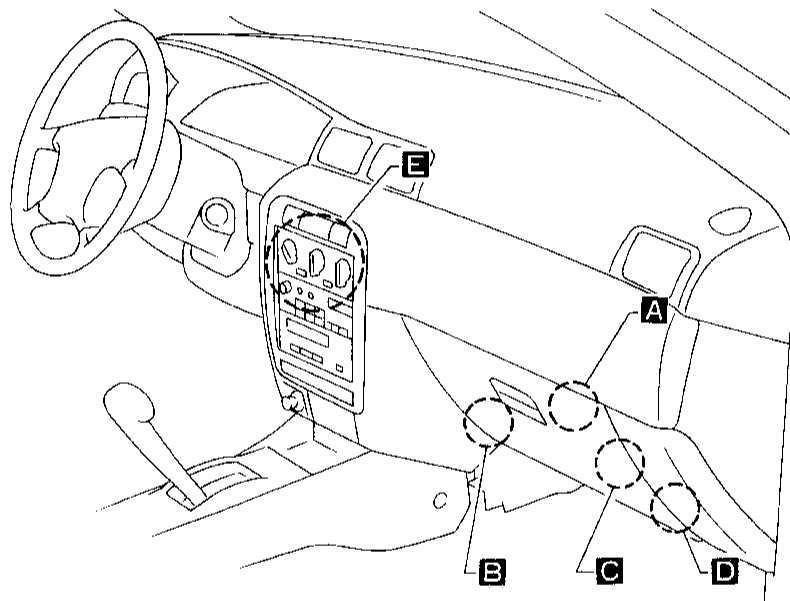
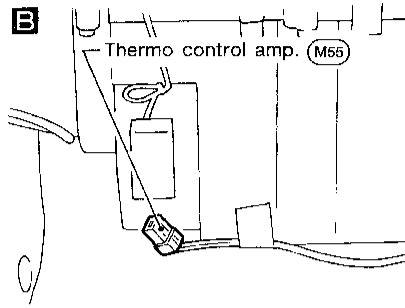
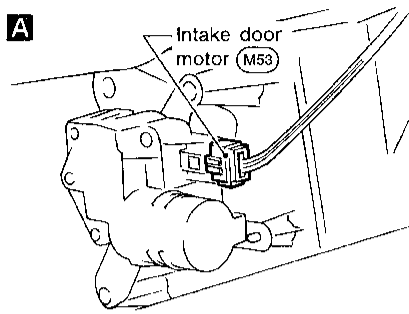
ENGINE COMPARTMENT



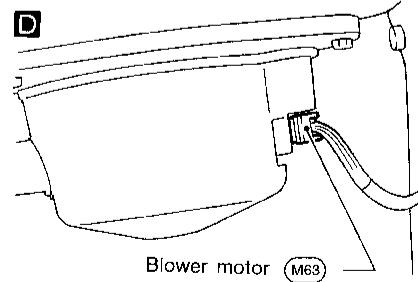
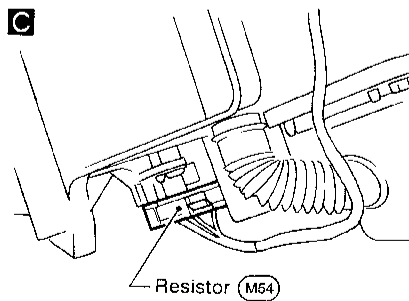
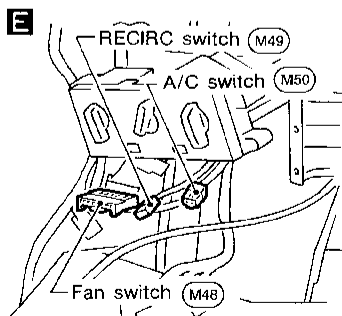
TROUBLE DIAGNOSES

Harness Layout (Cont'd)

PASSENGER COMPARTMENT

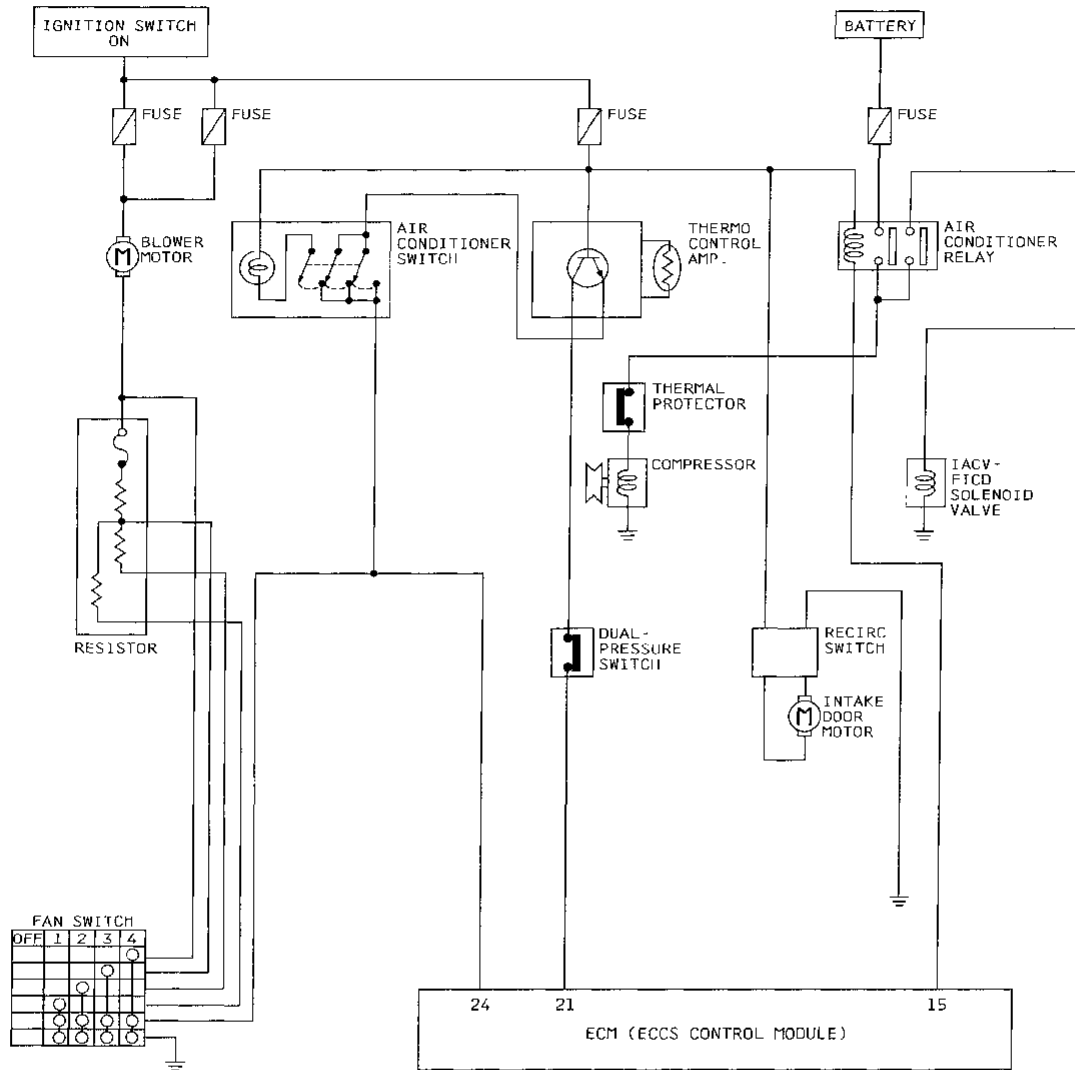


GI
MA
EM
LC
EC
FE
CL
MT
AT
FA
RA
BR
ST
RS
BT
HA
EL
IDX



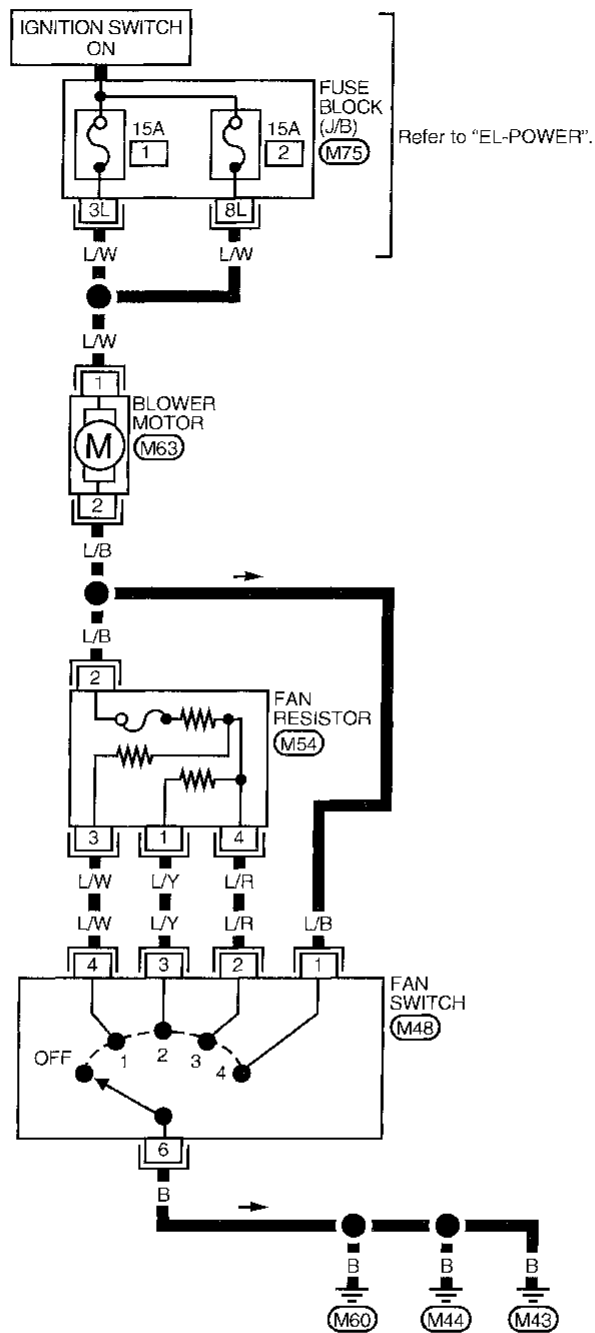
TROUBLE DIAGNOSES

Circuit Diagram — Air Conditioner



TROUBLE DIAGNOSES

Wiring Diagram -HEATER-



HA-HEATER-01

GI

MA

EM

LC

EC

FE

GL

MT

AT

FA

RA

BR

ST

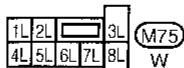
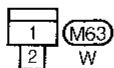
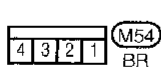
RS

BT

HA

EL

IDX

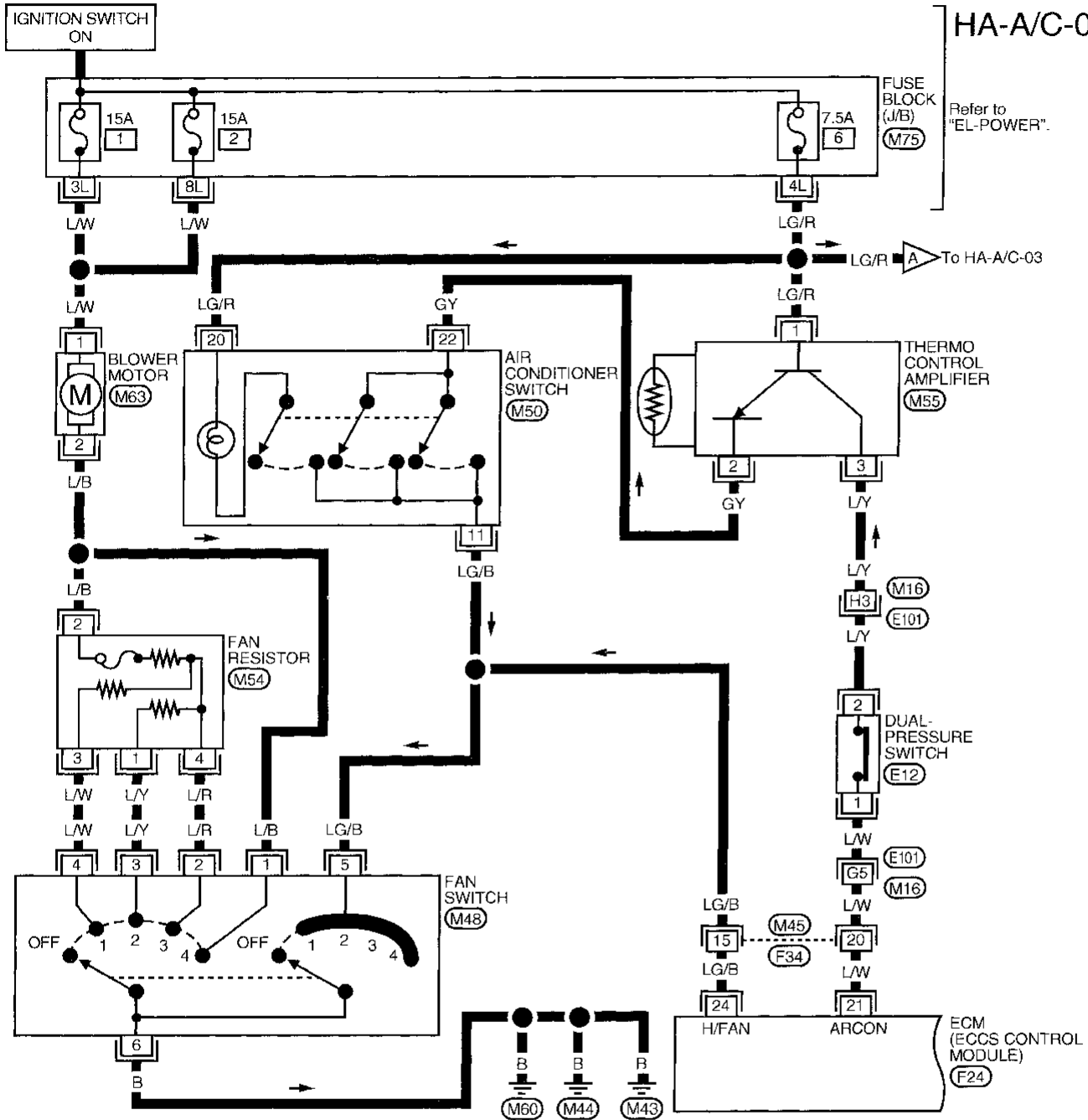


TROUBLE DIAGNOSES

Wiring Diagram -A/C-

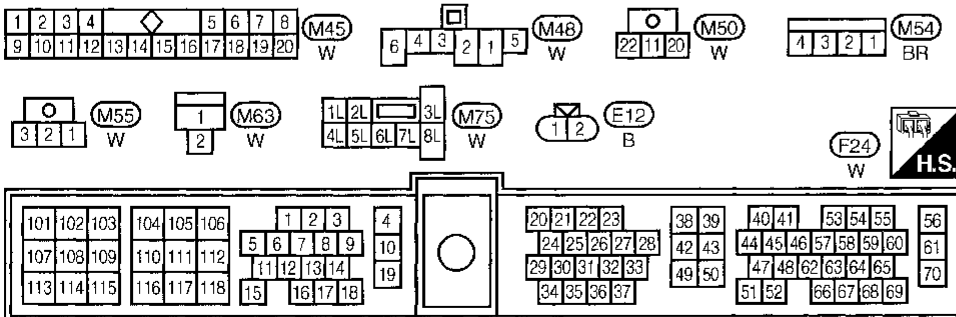
HA-A/C-01

Refer to "EL-POWER".



Refer to last page (Foldout page).

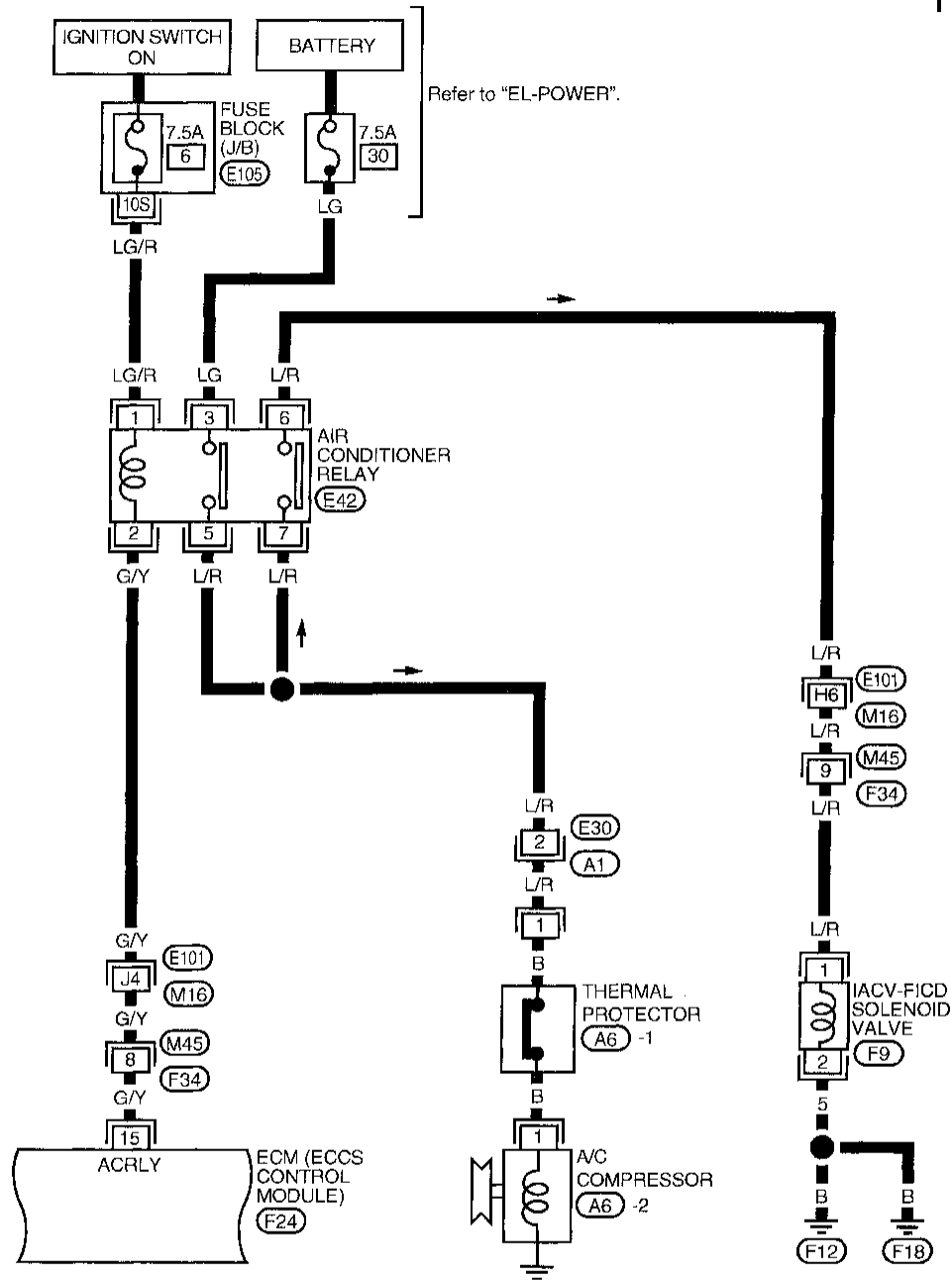
(M16), (E101)



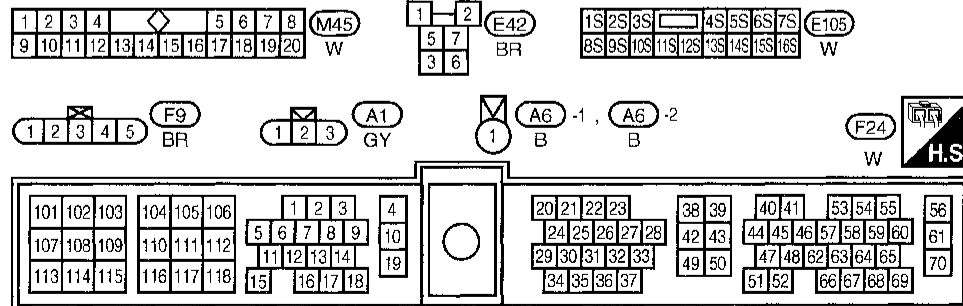
TROUBLE DIAGNOSES

Wiring Diagram -A/C- (Cont'd)

HA-A/C-02



GI
MA
EM
LC
EC
FE
CL
MT
AT
FA
RA
BR
ST
RS
BT



Refer to last page (Foldout page).

(M16), (E101)



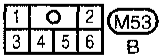
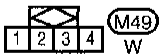
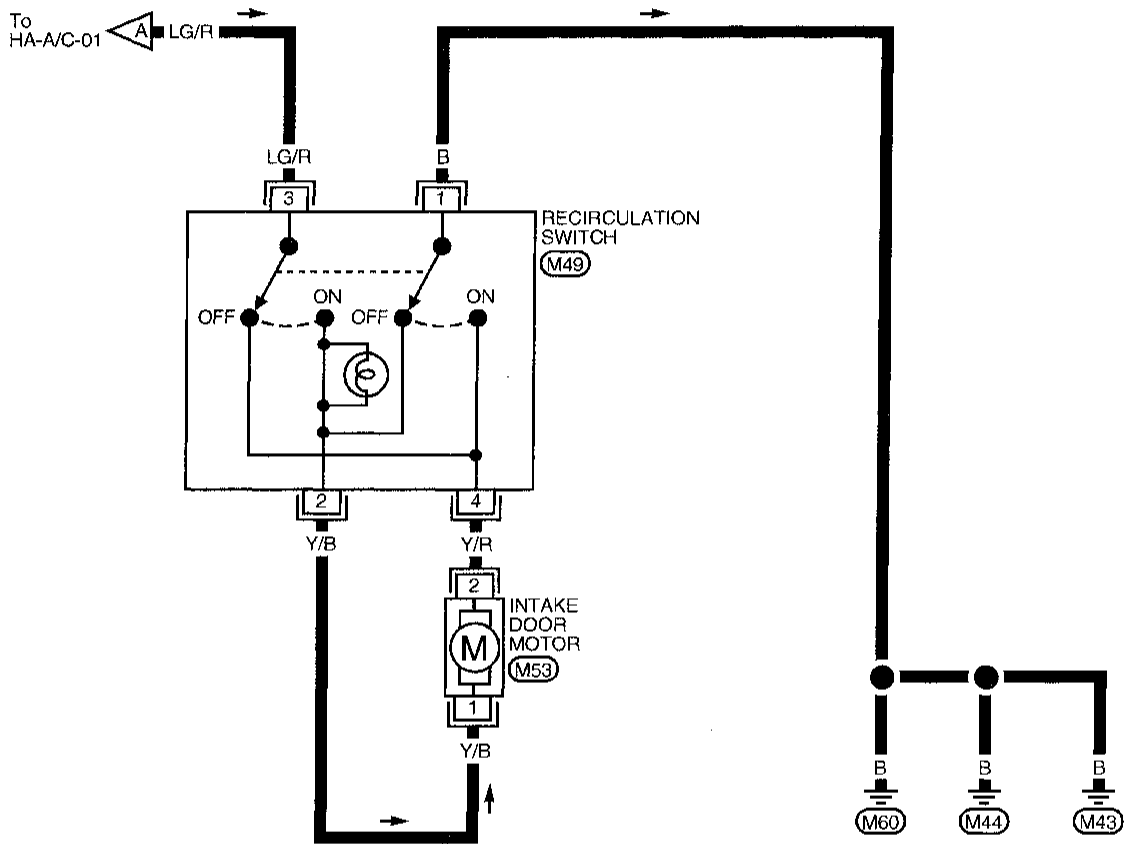
EL

IDX

TROUBLE DIAGNOSES

Wiring Diagram -A/C- (Cont'd)

HA-A/C-03



TROUBLE DIAGNOSES

Main Power Supply and Ground Circuit Check

POWER SUPPLY CIRCUIT CHECK FOR A/C SYSTEM

Check power supply circuit for air conditioning system.

Refer to EL section ("Wiring Diagram", "POWER SUPPLY ROUTING").

GI

MA

EM

LC

EC

FE

CL

MT

AT

FA

RA

BR

ST

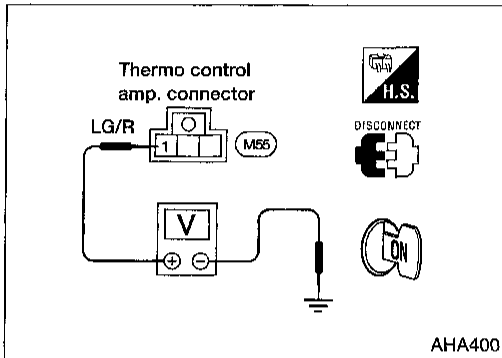
RS

BT

HA

EL

IDX

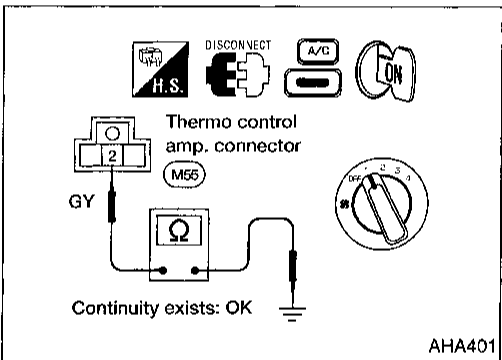


THERMO CONTROL AMP. CHECK

Check power supply circuit for thermo control amp. with ignition switch ON.

1. Disconnect thermo control amp. harness connector.
2. Connect voltmeter from harness side.
3. Measure voltage across terminal ① and body ground.

Voltmeter terminal		Voltage
⊕	⊖	
①	Body ground	Approx. 12V



Turn ignition, A/C and fan switches ON. Check body ground circuit for thermo control amp.

1. Disconnect thermo control amp. harness connector.
2. Connect ohmmeter from harness side.
3. Check for continuity between terminal ② and body ground.

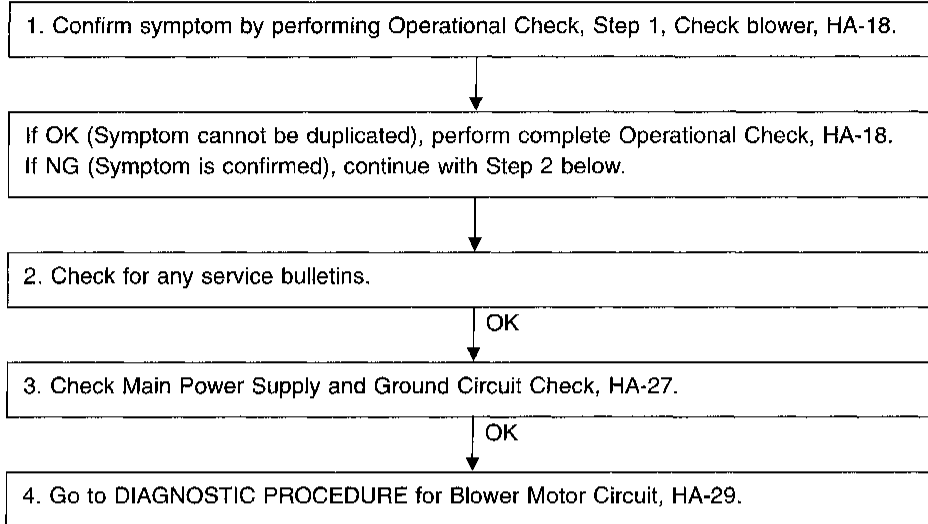
Ohmmeter terminal		Continuity
⊕	⊖	
②	Body ground	Yes

TROUBLE DIAGNOSES

Blower Motor Circuit

SYMPTOM: Blower motor does not rotate.

INSPECTION FLOW



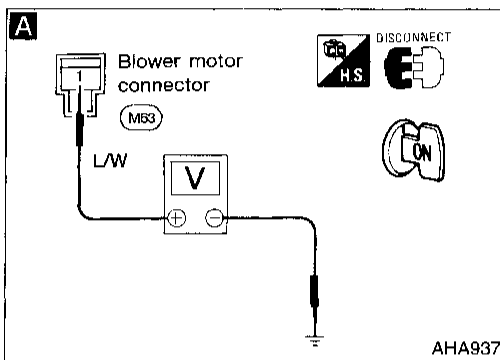
TROUBLE DIAGNOSES

Blower Motor Circuit (Cont'd) DIAGNOSTIC PROCEDURE

	INCIDENT	Flow chart No.
1	Fan fails to rotate.	1
2	Fan does not rotate at 1-speed.	2
3	Fan does not rotate at 2-speed.	3
4	Fan does not rotate at 3-speed.	4
5	Fan does not rotate at 4-speed.	5

Check if blower motor rotates properly at each fan speed.
Conduct check as per flow chart at left.

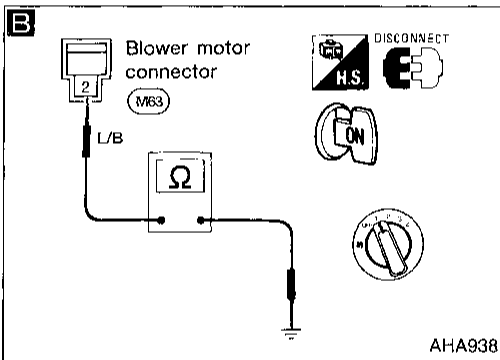
2 3 4 5
(Go to next page.)



A

CHECK POWER SUPPLY FOR BLOWER MOTOR.
Disconnect blower motor harness connector.
Do approx. 12 volts exist between blower motor harness terminal ① and body ground?

No → Check 15A fuse at fuse block.
Refer to EL section ("Wiring Diagram", "POWER SUPPLY ROUTING").



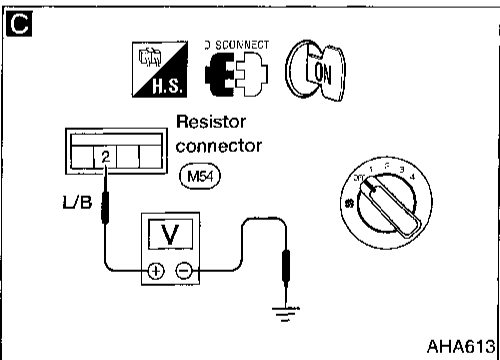
B

CHECK CIRCUIT CONTINUITY BETWEEN BLOWER MOTOR HARNESS TERMINAL ② AND BODY GROUND.

OK → **CHECK BLOWER MOTOR.**
Refer to HA-31.

NG → Replace blower motor.

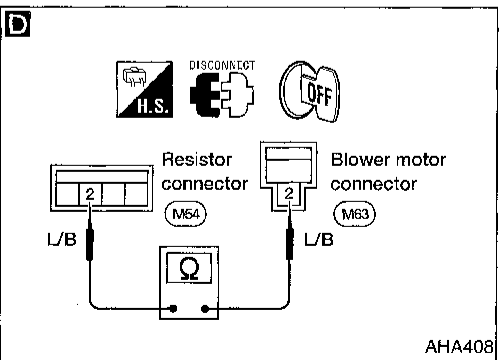
Reconnect blower motor harness connector.



C

CHECK BLOWER MOTOR CIRCUIT BETWEEN BLOWER MOTOR AND RESISTOR.
Do approx. 12 volts exist between resistor harness terminal ② and body ground?

No → Disconnect blower motor and resistor harness connectors.



D

CHECK CIRCUIT CONTINUITY BETWEEN BLOWER MOTOR HARNESS TERMINAL ② AND RESISTOR HARNESS TERMINAL ②.
Continuity should exist.
If OK, check harness for short.

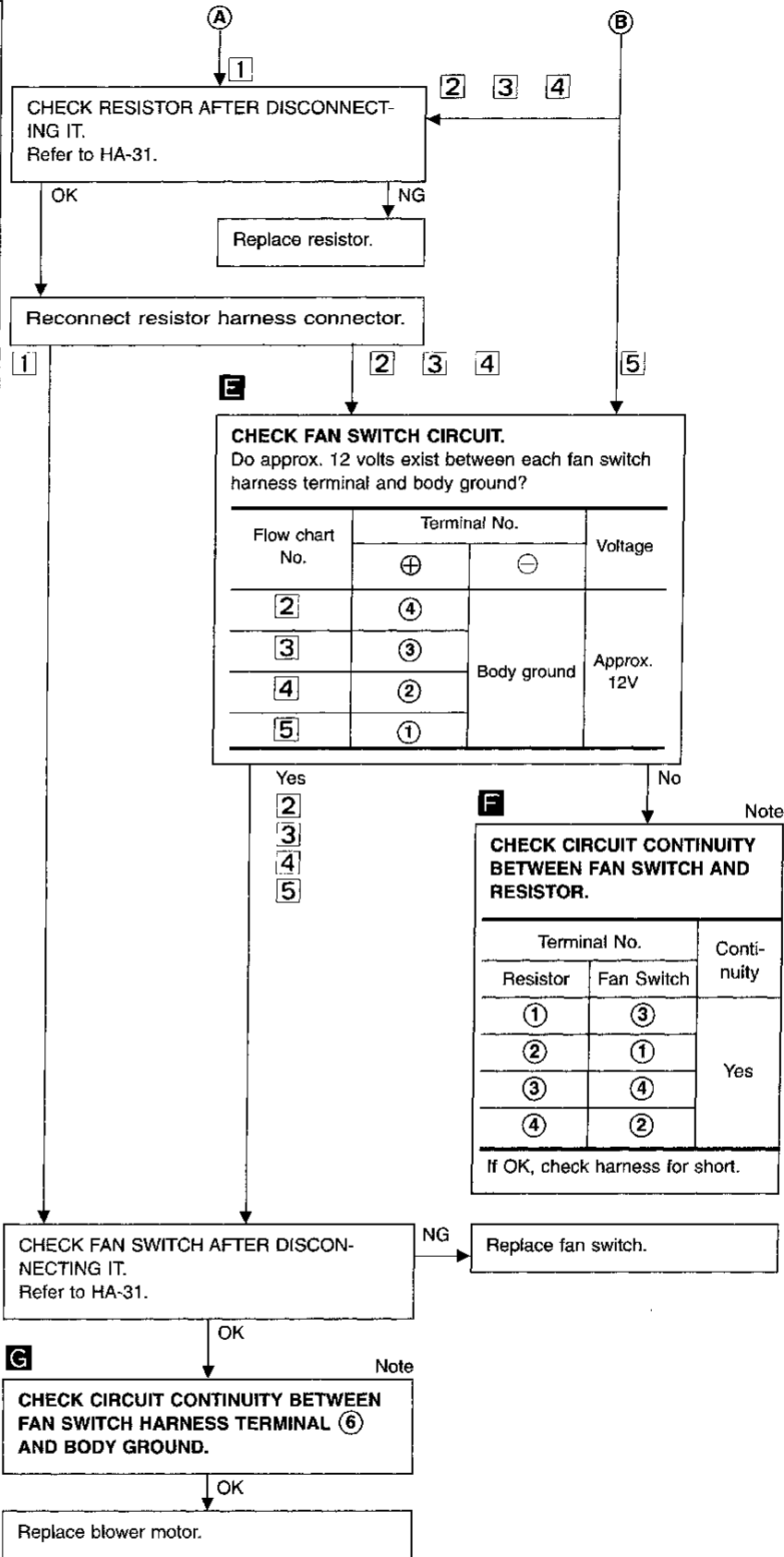
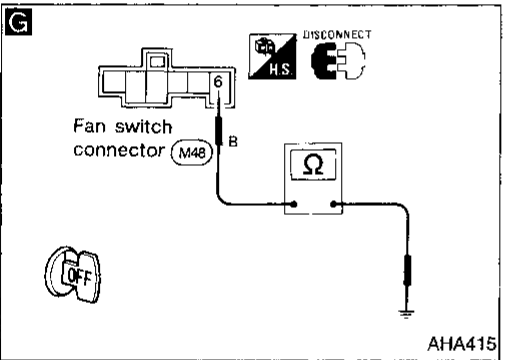
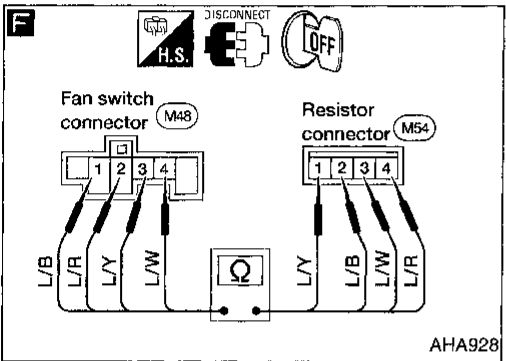
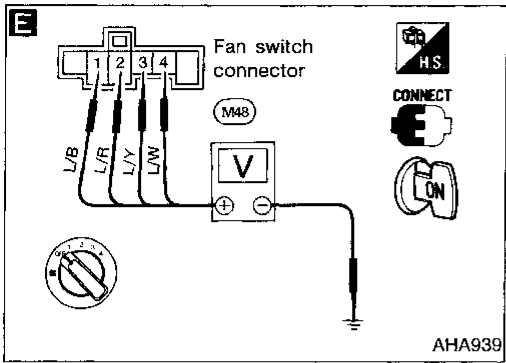
Note

(Go to next page.)

Note:
If the result is NG or No after checking circuit continuity, repair harness or connector.

TROUBLE DIAGNOSES

Blower Motor Circuit (Cont'd)



Note:
If the result is NG or No after checking circuit continuity, repair harness or connector.

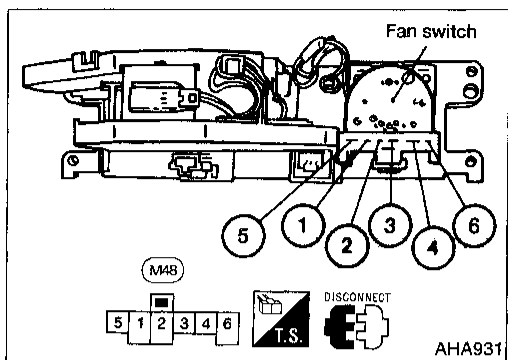
TROUBLE DIAGNOSES

Blower Motor Circuit (Cont'd)

ELECTRICAL COMPONENTS INSPECTION

Fan switch

Check continuity between terminals at each switch position.

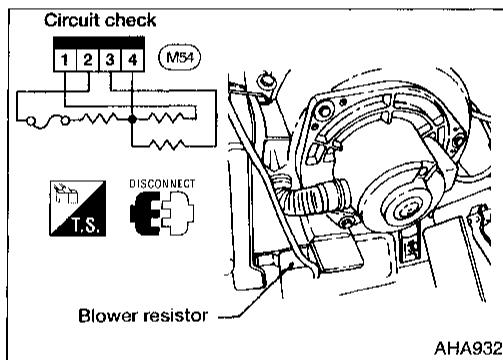


TERMINAL	POSITION				
	OFF	1	2	3	4
1					○
2				○	○
3			○	○	○
4		○	○	○	○
5		○	○	○	○
6		○	○	○	○

Blower motor

Confirm smooth rotation of the blower motor.

- Ensure that there are no foreign particles inside the intake unit.



Blower resistor

Check resistance between terminals.

Terminal No.		Resistance
⊕	⊖	
①	②	Approx. 1.4 - 1.6Ω
③		Approx. 2.5 - 2.8Ω
④		Approx. 0.5 - 0.6Ω

GI

MA

EM

LC

EC

FE

CL

MT

AT

FA

RA

BR

ST

RS

BT

HA

EL

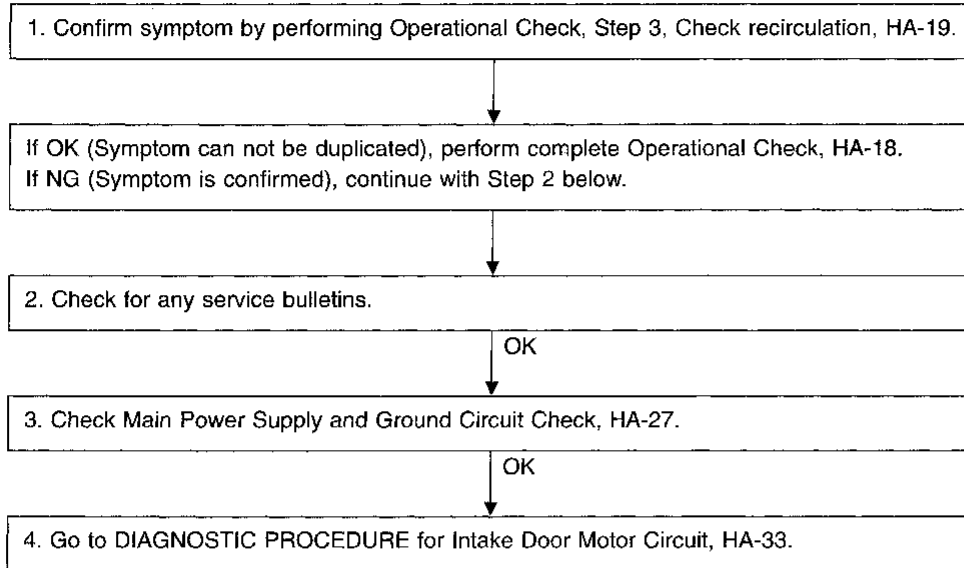
IDX

TROUBLE DIAGNOSES

Intake Door Motor Circuit

SYMPTOM: Intake door does not operate.

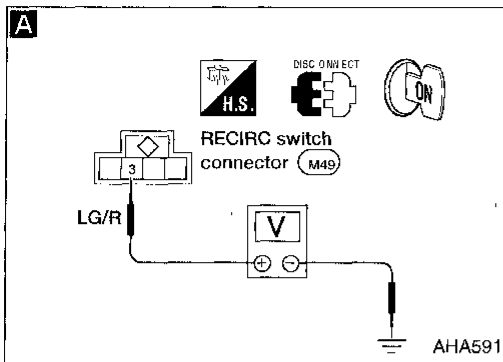
INSPECTION FLOW



TROUBLE DIAGNOSES

Intake Door Motor Circuit (Cont'd)

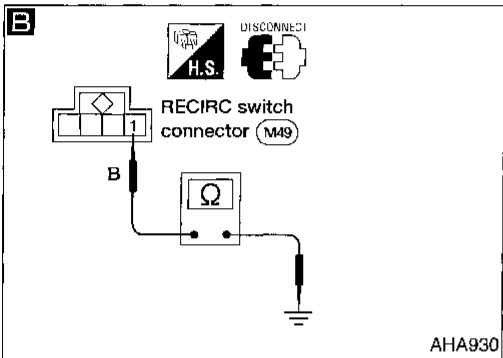
DIAGNOSTIC PROCEDURE



A

CHECK POWER SUPPLY FOR RECIRC SWITCH.
 Disconnect RECIRC switch harness connector.
 Do approx. 12 volts exist between RECIRC switch harness terminal ③ and body ground?

No → Check 7.5A fuse at fuse block.
 Refer to EL section ("Wiring Diagram", "POWER SUPPLY ROUTING").



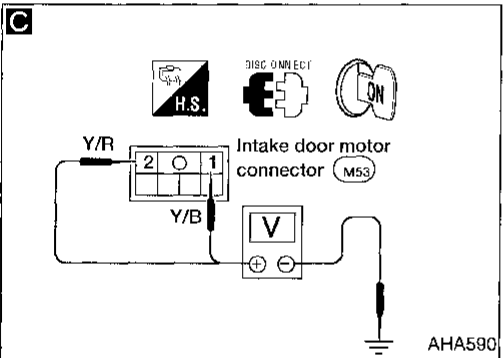
B

CHECK CIRCUIT CONTINUITY BETWEEN RECIRC SWITCH HARNESS TERMINAL ① AND BODY GROUND.

OK →

CHECK RECIRC SWITCH.
 Refer to "Electrical Components Inspection", HA-34.

NG → Replace RECIRC switch.



Disconnect RECIRC switch harness connector.

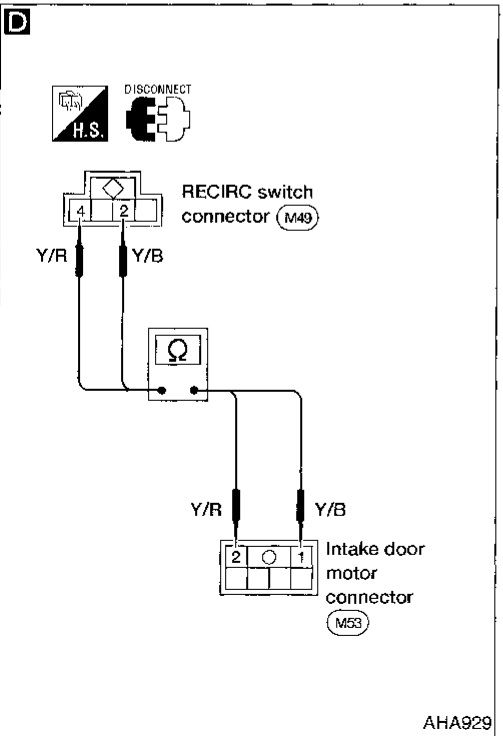
C

CHECK POWER SUPPLY FOR INTAKE DOOR MOTOR.
 Disconnect intake door motor harness connector.
 Check voltage between intake door motor harness terminals and body ground.

D

CHECK CONTINUITY BETWEEN RECIRC SWITCH HARNESS TERMINAL ②(④) AND INTAKE DOOR MOTOR HARNESS TERMINAL ①(②).
 Continuity should exist.
 If OK, check harness for short.

RECIRC switch	Terminal No.		Voltage V
	⊕	⊖	
ON	①	Body ground	12
	②		0
OFF	①		0
	②		12



OK →

CHECK INTAKE DOOR LINKAGE.
 Refer to HA-34.

OK →

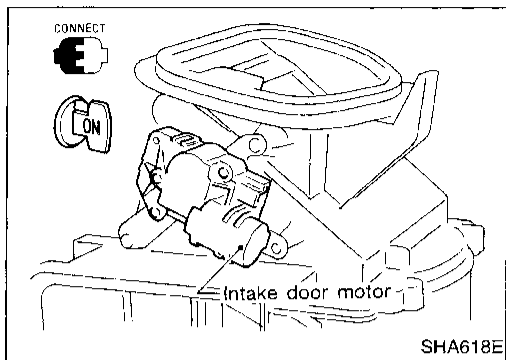
Replace intake door motor.

Note:
 If the result is NG or No after checking circuit continuity, repair harness or connector.

GI
 MA
 EM
 LC
 EC
 FE
 CL
 MTJ
 AT
 FA
 RA
 BR
 ST
 RS
 BT
 HA
 EL
 IDX

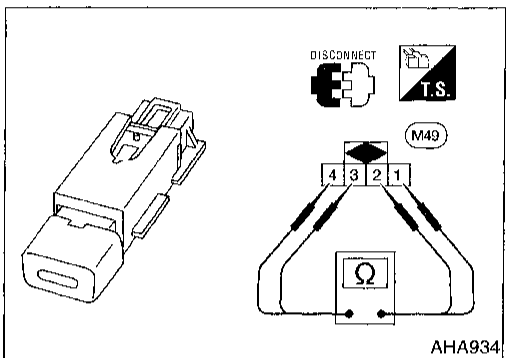
TROUBLE DIAGNOSES

Intake Door Motor Circuit (Cont'd) ELECTRICAL COMPONENT INSPECTION



Intake door motor

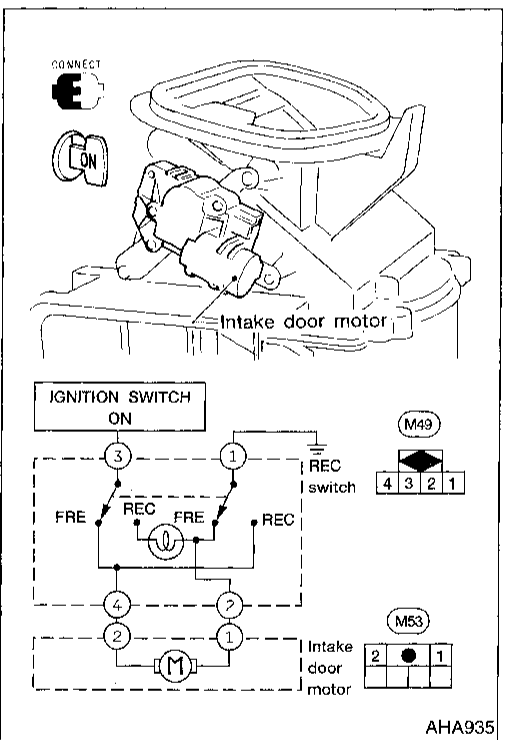
1. Install intake door motor on intake unit.
Ensure that the intake door motor lever is fitted into the slit portion of intake door link.
2. Connect the intake door motor harness connector.
3. Turn ignition switch to ON.
4. Check that intake door operates properly when RECIRC switch is turned ON and OFF.



Recirc switch

Check continuity between terminals at each switch position.

Terminal No.		RECIRC switch condition	Continuity
⊕	⊖		
③	②	ON	Yes
		OFF	No
④	①	ON	Yes
		OFF	No



SYSTEM DESCRIPTION

Intake door motor

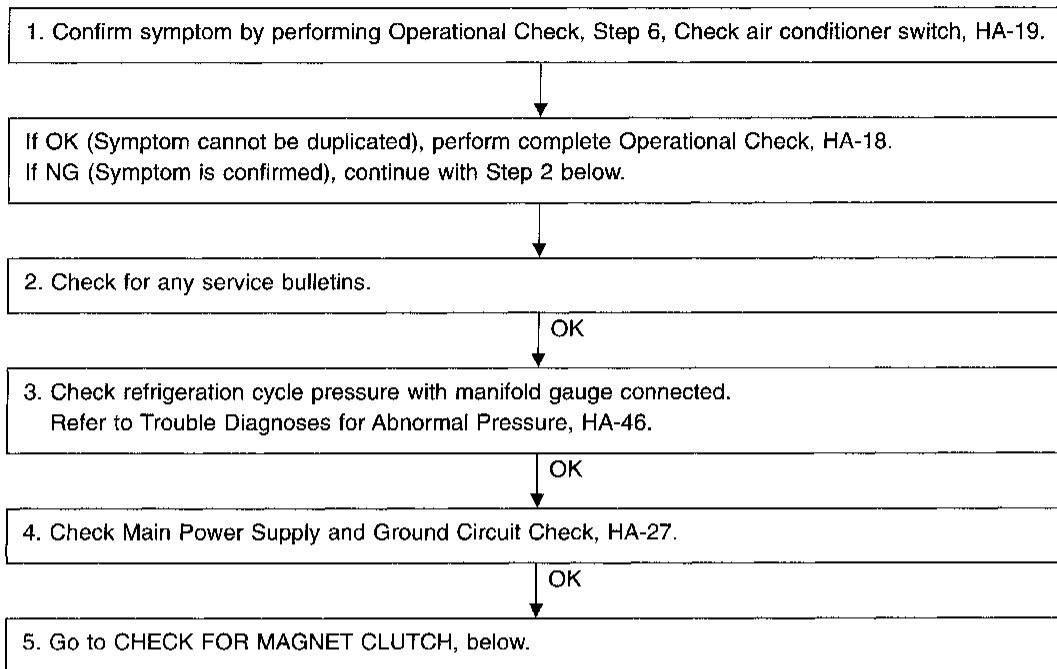
The intake door motor is installed on the intake unit. Using a link, it opens and closes the intake door. When RECIRC switch is ON, the ground line of the motor is switched from terminal ② to ④. This starts the motor because the position switch contacts built into it make current flow. When RECIRC switch is OFF, the ground line is switched from terminal ④ to ②. The contacts turn along with the motor. When they reach the non-current flow position, the motor will stop.

TROUBLE DIAGNOSES

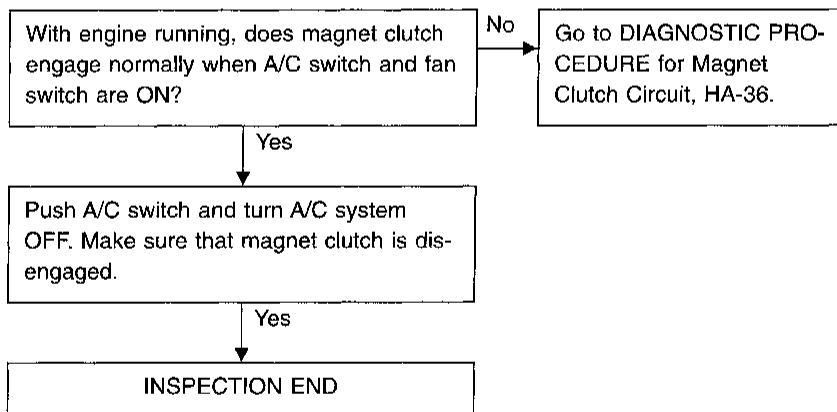
Magnet Clutch Circuit

SYMPTOM: Magnet clutch does not engage when A/C switch and fan switch are ON.

INSPECTION FLOW



CHECK FOR MAGNET CLUTCH



GI

MA

EM

LC

EC

FE

CL

MT

AT

FA

RA

BR

ST

RS

BT

HA

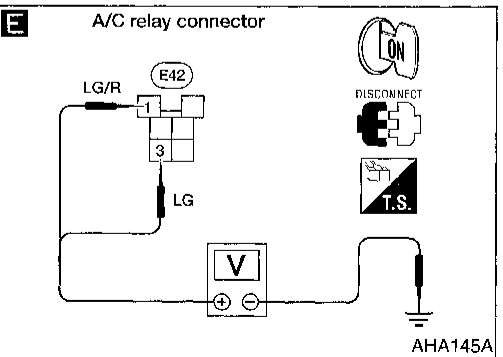
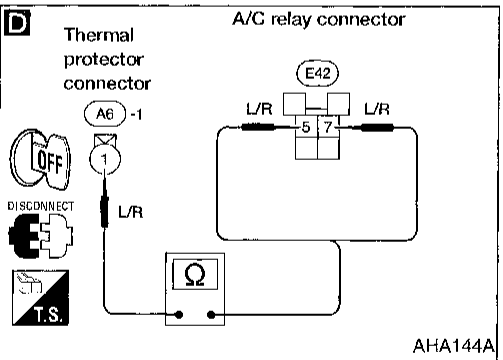
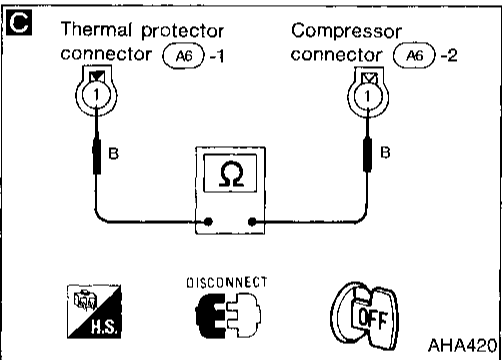
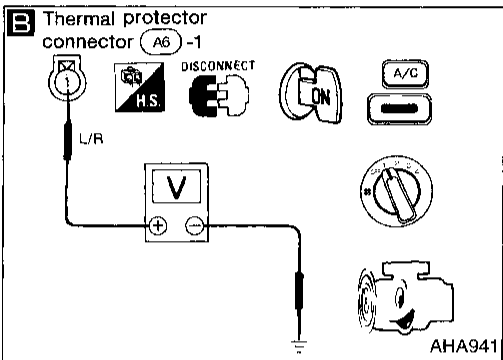
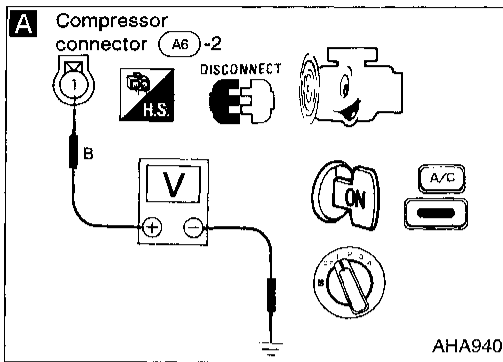
EL

IDX

TROUBLE DIAGNOSES

Magnet Clutch Circuit (Cont'd)

DIAGNOSTIC PROCEDURE



A **CHECK POWER SUPPLY FOR COMPRESSOR.**
Disconnect compressor harness connector. Do approx. 12 volts exist between compressor harness terminal ① and body ground?

Yes → Check magnet clutch coil.
NG → Replace magnet clutch. Refer to HA-61.

B **CHECK POWER SUPPLY FOR THERMAL PROTECTOR.**
Disconnect thermal protector harness connector. Do approx. 12V exist between thermal protector harness terminal ① and body ground?

Yes → **C** **CHECK THERMAL PROTECTOR.**
Check circuit continuity between thermal protector harness terminal ① and compressor harness terminal ①. **Continuity should exist.** If OK, check harness for short.
NG → Replace thermal protector.

No → Disconnect A/C relay.

D **CHECK CIRCUIT CONTINUITY BETWEEN A/C RELAY HARNESS TERMINAL ⑤, ⑦ AND THERMAL PROTECTOR HARNESS TERMINAL ①.** **Continuity should exist.** If OK, check harness for short.

Note

E **CHECK POWER SUPPLY FOR A/C RELAY.**
Disconnect A/C relay. Do approx. 12 volts exist between A/C relay harness terminals ①, ③ and body ground?

No → **CHECK POWER SUPPLY CIRCUIT AND 7.5A FUSES AT FUSE BLOCK.** Refer to EL section ("Wiring Diagram", "POWER SUPPLY ROUTING").

Yes → **CHECK A/C RELAY AFTER DISCONNECTING IT.** Refer to HA-40.

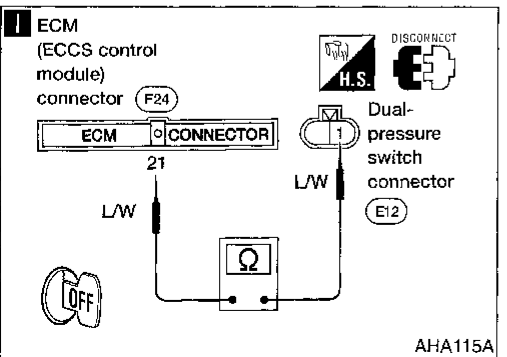
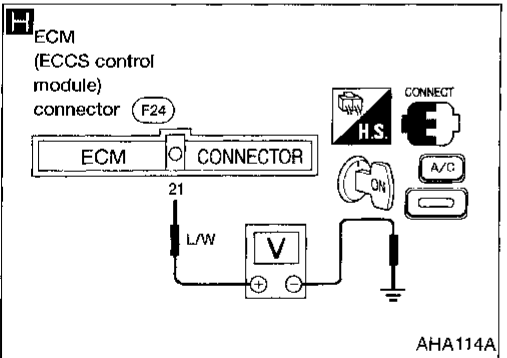
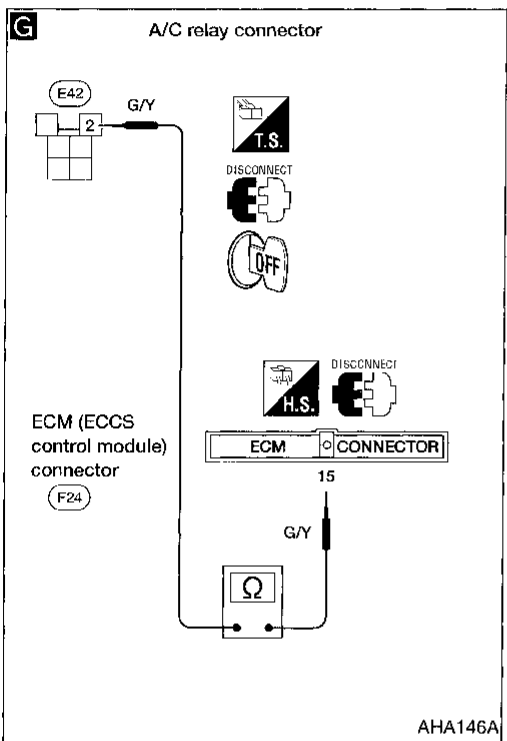
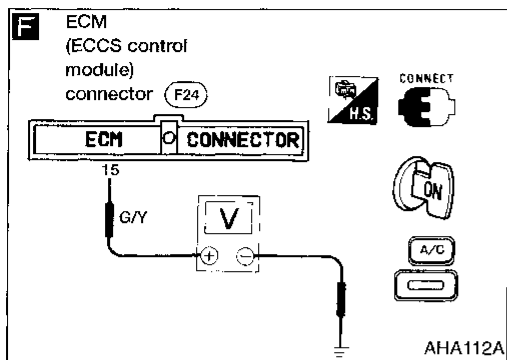
NG → Replace A/C relay.

OK → **A**
(Go to next page.)

Note:
If the result is NG or No after checking circuit continuity, repair harness or connector.

TROUBLE DIAGNOSES

Magnet Clutch Circuit (Cont'd)



A

Reconnect A/C relay.

F CHECK COIL SIDE CIRCUIT OF A/C RELAY.
Do approx. 12 volts exist between ECM harness terminal 15 and body ground?

No → Disconnect A/C relay. Disconnect ECM harness connector.

Yes

H CHECK VOLTAGE FOR ECM.
Do approx. 12 volts exist between ECM harness terminal 21 and body ground?

G Note
CHECK CIRCUIT CONTINUITY BETWEEN A/C RELAY HARNESS TERMINAL 2 AND ECM HARNESS TERMINAL 15.
Continuity should exist. If OK, check harness for short.

No → CHECK ECM. Refer to EC section.

Yes

Disconnect ECM harness connector. Disconnect dual-pressure switch harness connector.

I Note
CHECK CIRCUIT CONTINUITY BETWEEN ECM HARNESS TERMINAL 21 AND DUAL-PRESSURE SWITCH HARNESS TERMINAL 1.
Continuity should exist. If OK, check harness for short.

OK → CHECK DUAL-PRESSURE SWITCH. Refer to HA-40.

NG → Replace dual-pressure switch.

OK → Disconnect thermo control amp. harness connector.

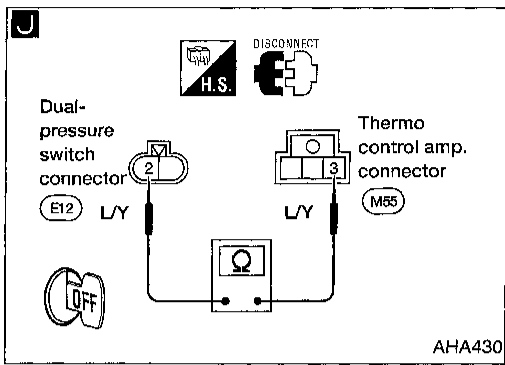
B
(Go to next page.)

Note:
If the result is NG or No after checking circuit continuity, repair harness or connector.

GI
MA
EM
LC
EC
FE
CL
MT
AT
FA
RA
BR
ST
RS
BT
HA
EL
IDX

TROUBLE DIAGNOSES

Magnet Clutch Circuit (Cont'd)

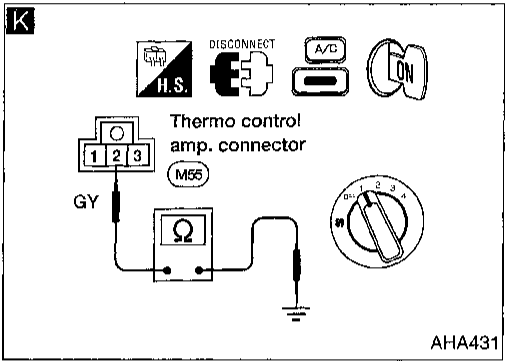


J Note

CHECK CIRCUIT CONTINUITY BETWEEN DUAL-PRESSURE SWITCH HARNESS TERMINAL ② AND THERMO CONTROL AMP. HARNESS TERMINAL ③.
Continuity should exist.
If OK, check harness for short.

OK

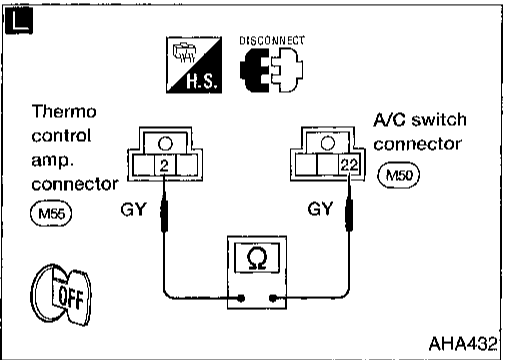
Reconnect dual-pressure switch harness connector.



CHECK POWER SUPPLY FOR THERMO CONTROL AMP.
Refer to HA-27.

NG → **CHECK POWER SUPPLY CIRCUIT AND 7.5A FUSE AT FUSE BLOCK.**
Refer to EL section ("Wiring Diagram", "POWER SUPPLY ROUTING").

OK



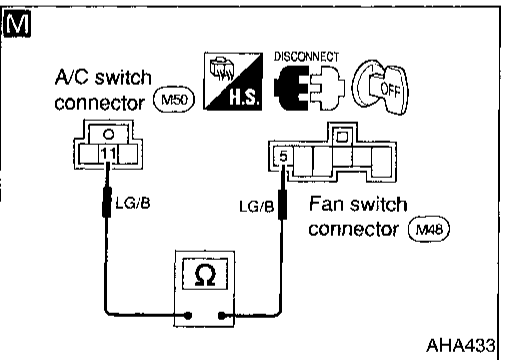
K Note

CHECK BODY GROUND CIRCUIT FOR THERMO CONTROL AMP.
Disconnect thermo control amp. harness connector.
Check circuit continuity between thermo control amp. harness terminal ② and body ground.
Continuity should exist.
If OK, check harness for short.

OK → Replace thermo control amp.

NG

Disconnect A/C switch harness connector.



L Note

CHECK CIRCUIT CONTINUITY BETWEEN THERMO CONTROL AMP. HARNESS TERMINAL ② AND A/C SWITCH HARNESS TERMINAL ②②.
Continuity should exist.
If OK, check harness for short.

OK

CHECK A/C SWITCH.
Refer to HA-39.

NG → Replace A/C switch.

OK

Disconnect fan switch harness connector.

M Note

CHECK CIRCUIT CONTINUITY BETWEEN A/C SWITCH HARNESS TERMINAL ①① AND FAN SWITCH HARNESS TERMINAL ⑤.
Continuity should exist.
If OK, check harness for short.

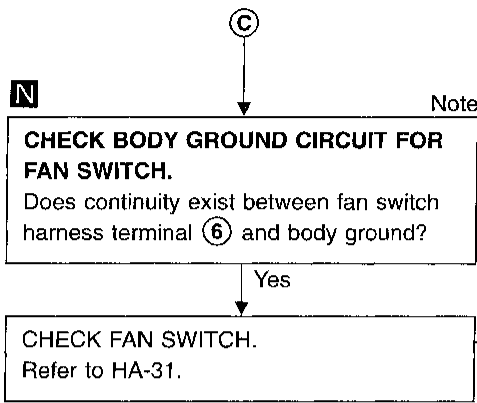
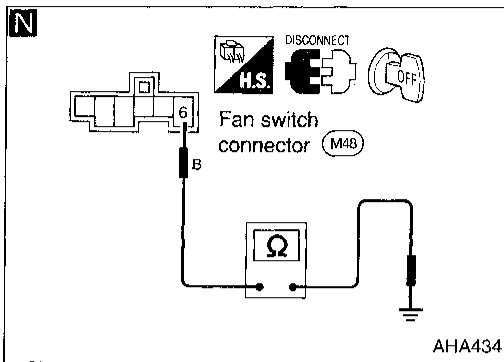
OK

ⓐ (Go to next page.)

Note:
If the result is NG or No after checking circuit continuity, repair harness or connector.

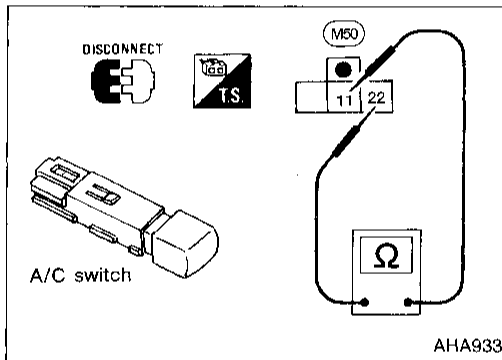
TROUBLE DIAGNOSES

Magnet Clutch Circuit (Cont'd)



Note:

If the result is NG or No after checking circuit continuity, repair harness or connector.

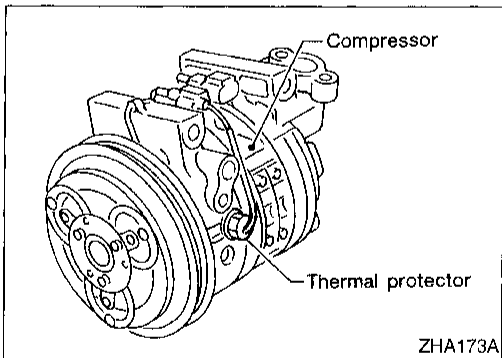


ELECTRICAL COMPONENT INSPECTION

Air conditioner switch

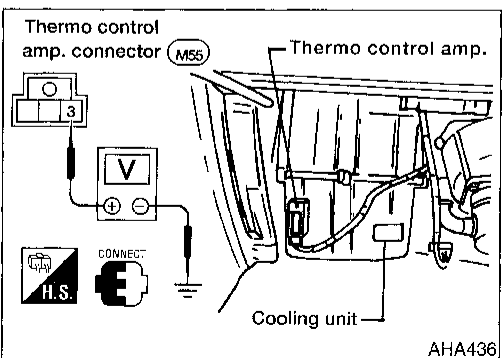
Check continuity between terminals at each switch position.

Switch condition	Terminal No.		Continuity
	⊕	⊖	
A/C	⊕	⊖	Yes
ON	⓫	⓬	
OFF	⓫	⓬	



Thermal protector

Temperature of compressor °C (°F)	Compressor operation
Increasing to approx. 145 - 155 (293 - 311)	Turn OFF
Decreasing to approx. 130 - 140 (266 - 284)	Turn ON



Thermal control amp.

1. Run engine, and operate A/C system.
2. Connect the voltmeter from harness side.
3. Check thermo control amp. operation shown in the table.

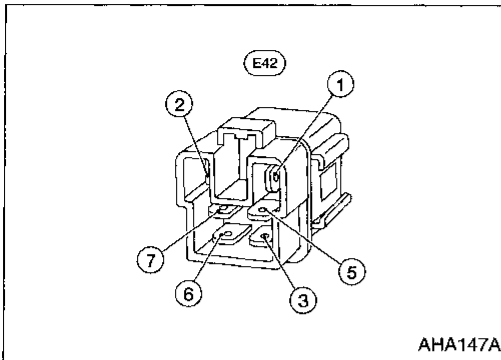
Evaporator outlet air temperature °C (°F)	Thermo amp. operation	Tester
Decreasing to 2.5 - 3.5 (37 - 38)	Turn OFF	Approx. 12V
Increasing to 4.0 - 5.0 (39 - 41)	Turn ON	Approx. 0V

TROUBLE DIAGNOSES

Magnet Clutch Circuit (Cont'd)

Air conditioner relay

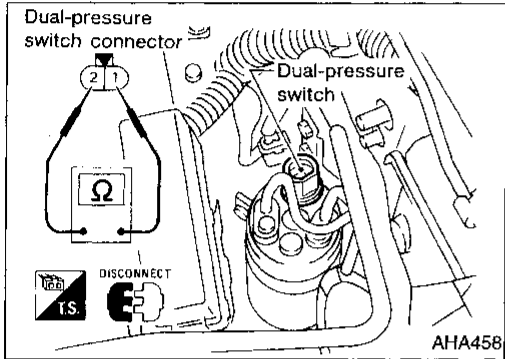
Check continuity between terminals ③ and ⑤, ⑥ and ⑦.



Conditions	Continuity
12V direct current supply between terminals ① and ②	Yes
No current supply	No

If NG, replace relay.

Dual-pressure switch

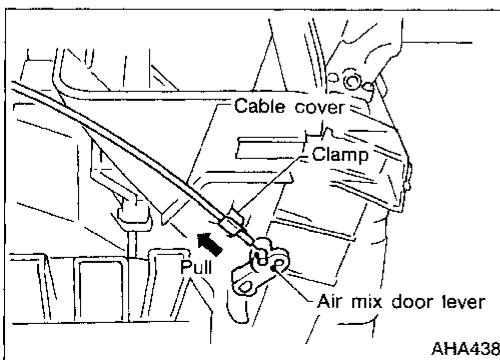
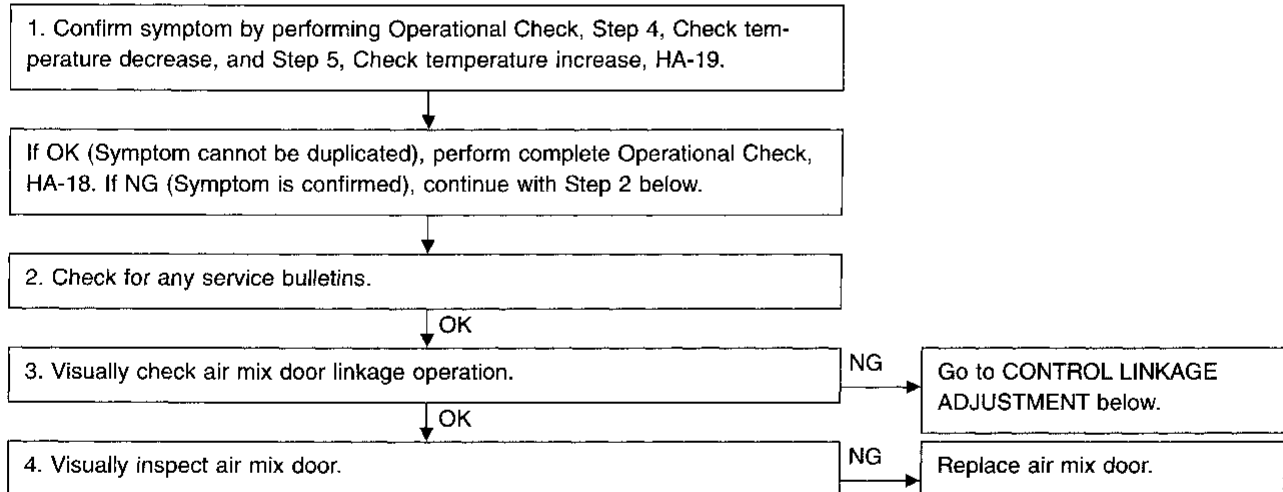


	ON Continuity exists kPa (kg/cm ² , psi)	OFF Continuity does not exist kPa (kg/cm ² , psi)
Low-pressure side	Increasing to 157 - 216 (1.6 - 2.2, 23 - 31)	Decreasing to 157 - 196 (1.6 - 2.0, 23 - 28)
High-pressure side	Decreasing to 1,863 - 2,256 (19 - 23, 270 - 327)	Increasing to 2,648 - 2,844 (27 - 29, 384 - 412)

Air Mix Door

SYMPTOM: Air mix door does not change.

INSPECTION FLOW



CONTROL LINKAGE ADJUSTMENT

Temperature control cable

1. Move the temperature control knob to the full hot position.
2. Set the air mix door lever in the full hot position.
3. Pull on cable cover in the direction of arrow, then clamp cable cover.

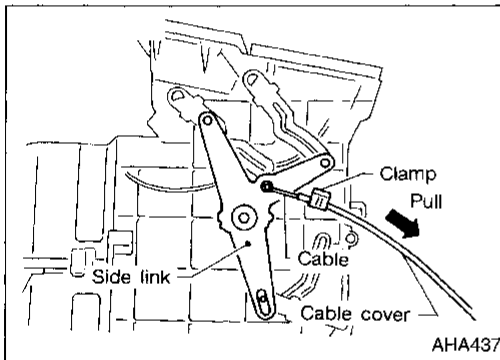
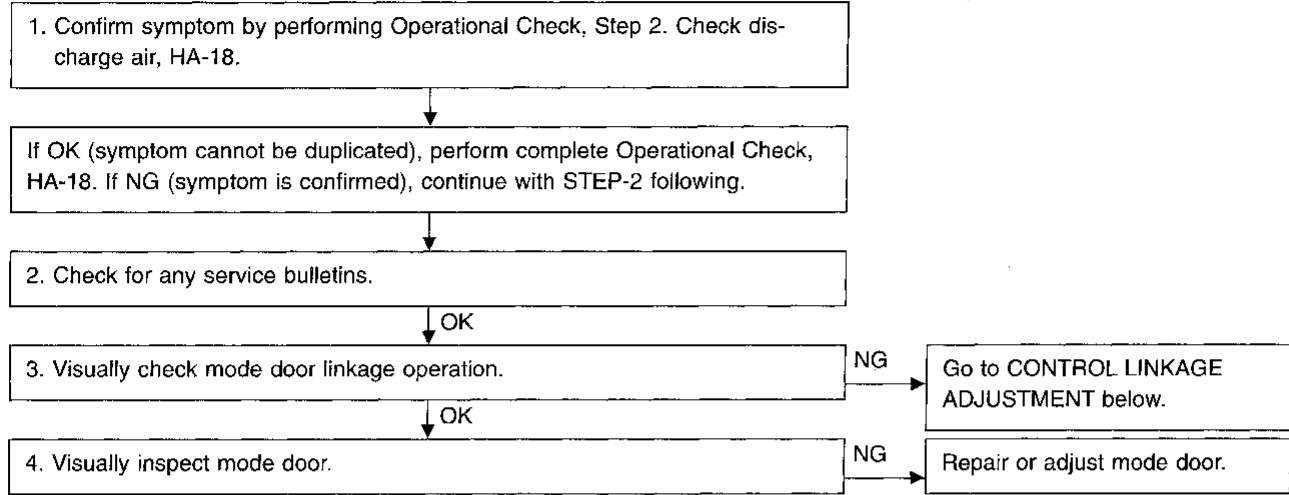
After positioning control cable, check for proper operation.

TROUBLE DIAGNOSES

Air Outlet

SYMPTOM: Air outlet does not change.

INSPECTION FLOW



CONTROL LINKAGE ADJUSTMENT

Mode control cable

1. Turn the mode control knob to the DEF position.
2. Set the side link in the DEF position by hand.
3. Pull on cable cover in the direction of arrow, then clamp cable cover.

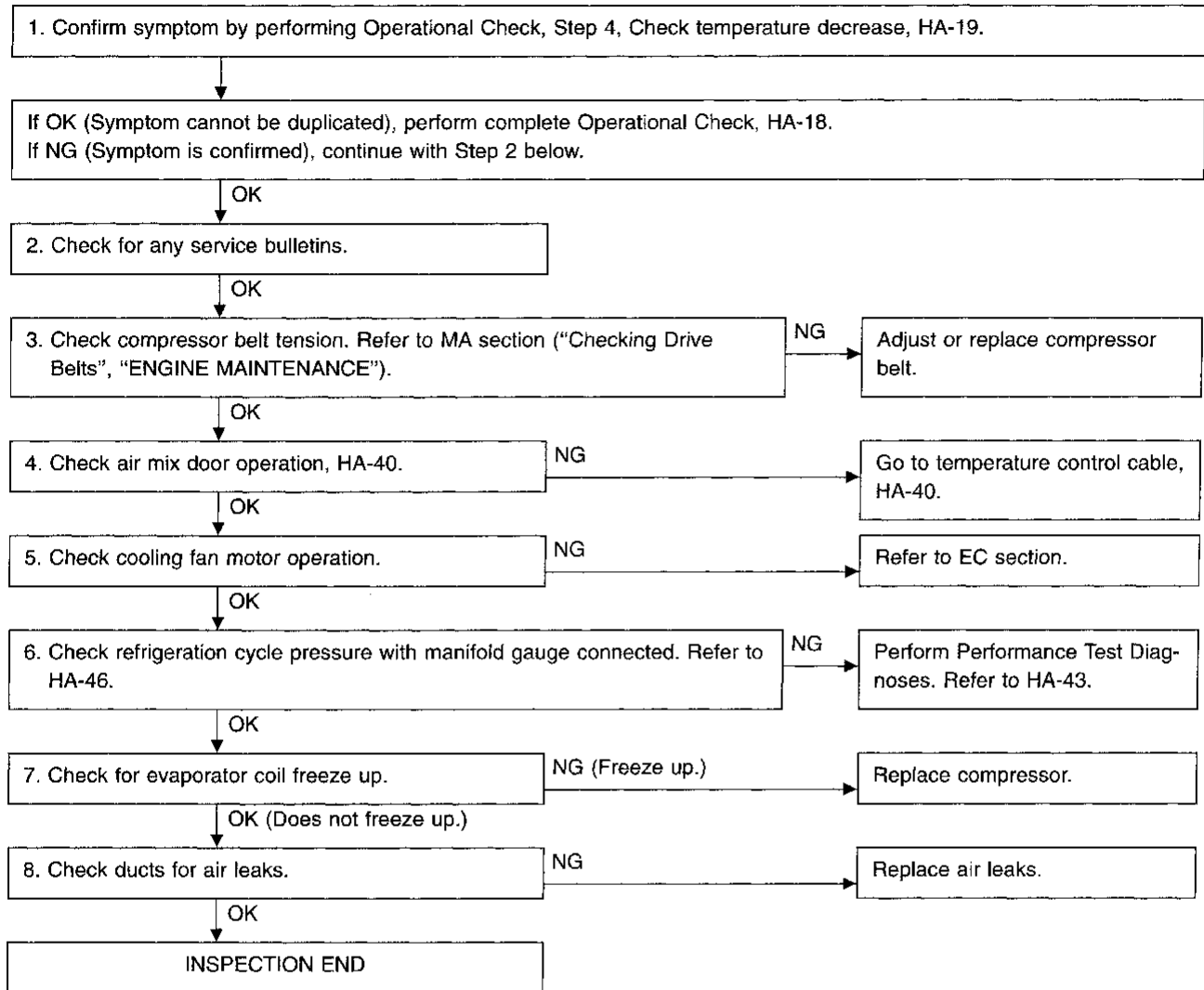
After positioning control cable, check for proper operation.

GI
MA
EM
LC
EC
FE
CL
MT
AT
FA
RA
BR
ST
RS
BT
HA
EL
IDX

TROUBLE DIAGNOSES

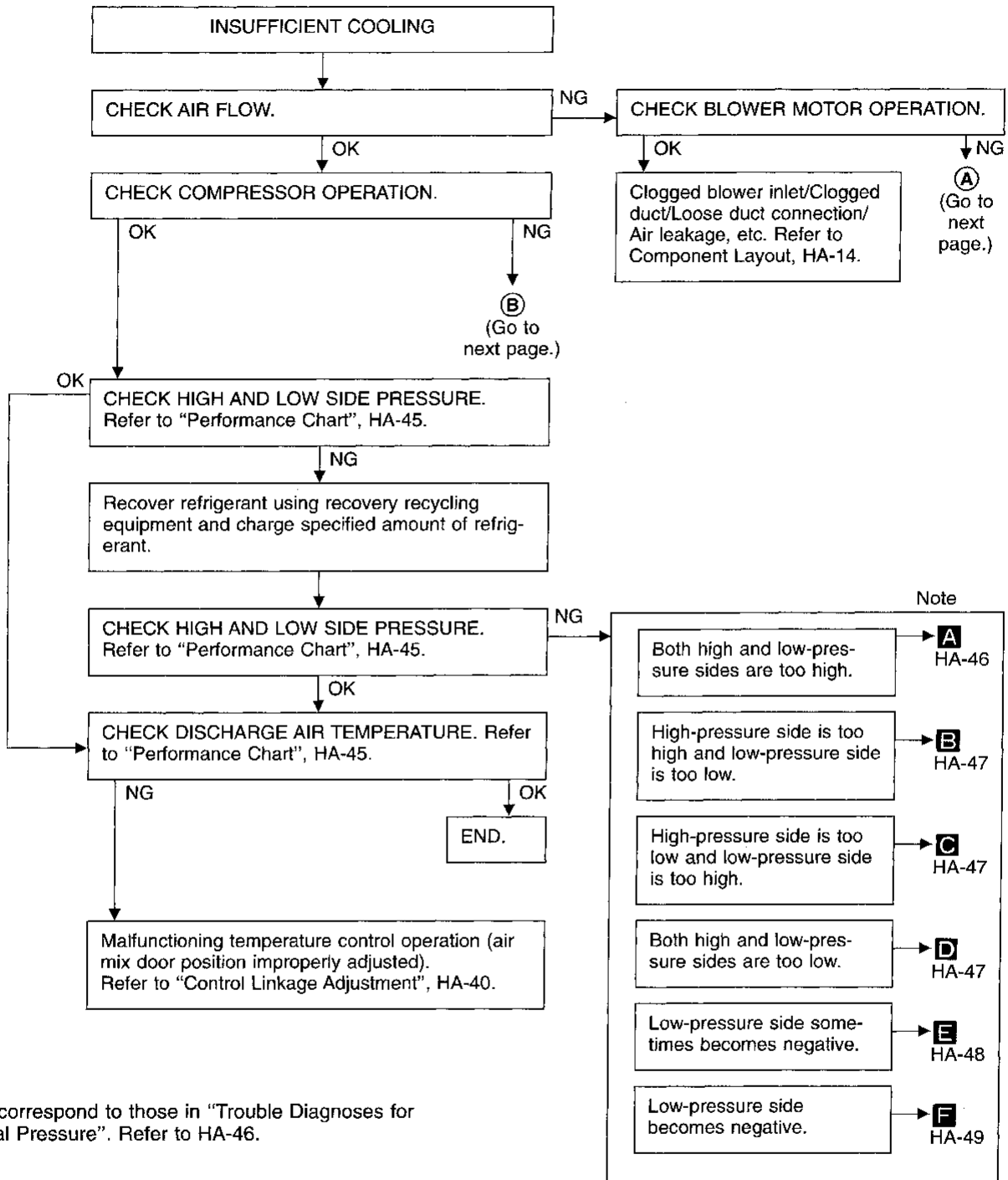
Trouble Diagnoses For Insufficient Cooling

INSPECTION FLOW



TROUBLE DIAGNOSES

Performance Test Diagnoses INSUFFICIENT COOLING

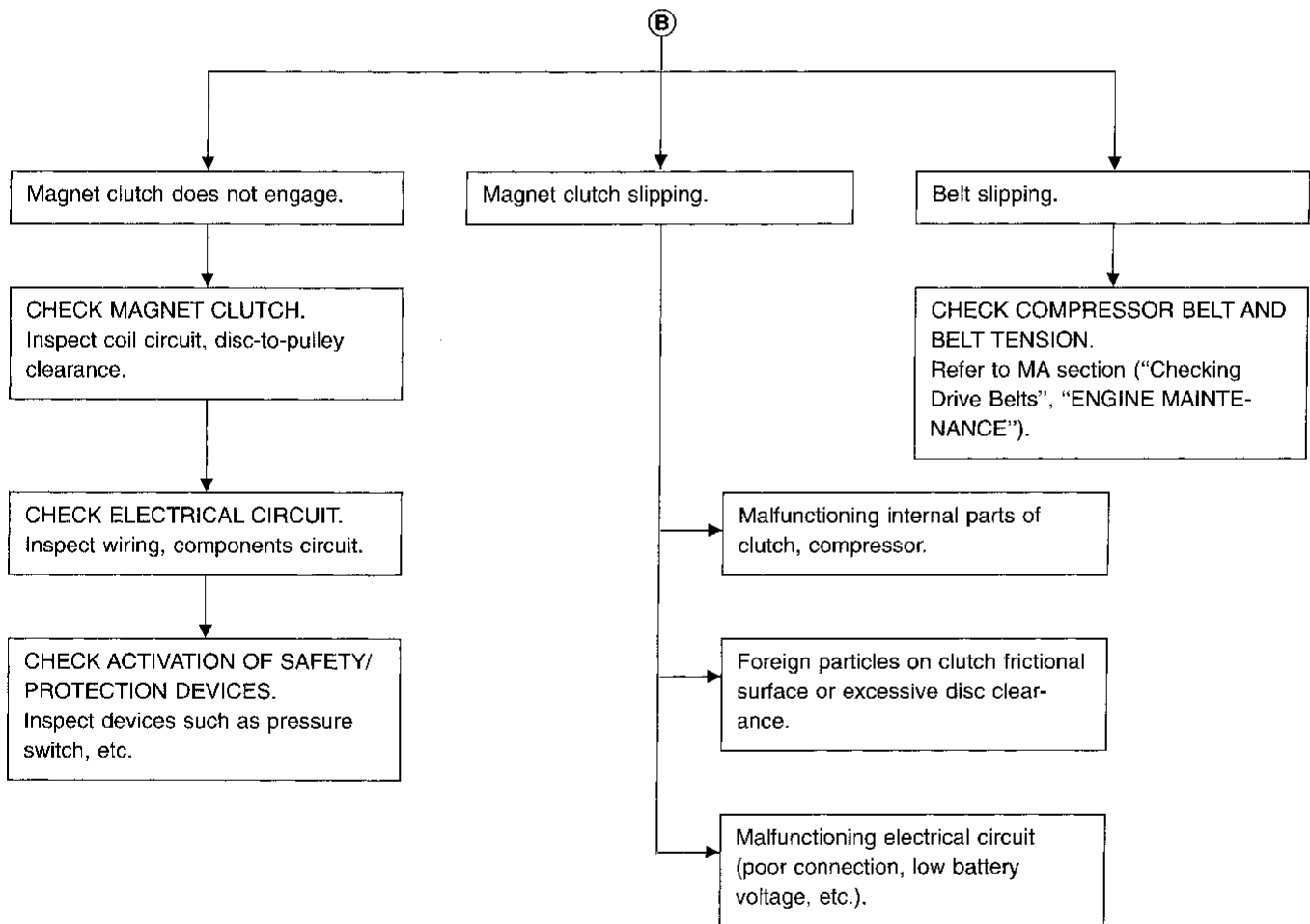
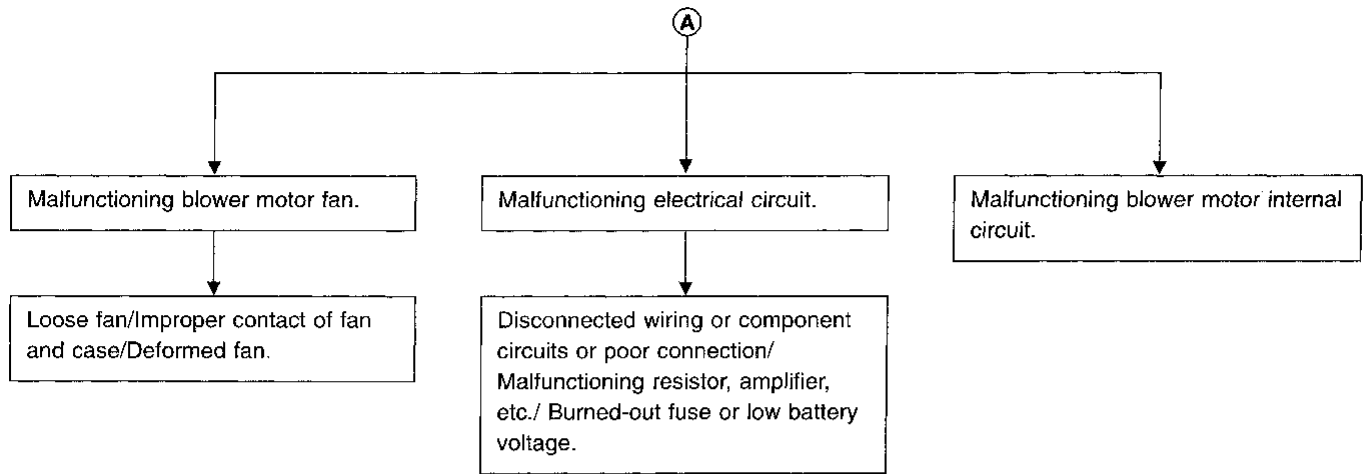


Note: **A-F** correspond to those in "Trouble Diagnoses for Abnormal Pressure". Refer to HA-46.

GI
MA
EM
LC
EC
FE
CL
MT
AT
FA
RA
BR
ST
RS
BT
HA
FL
IDX

TROUBLE DIAGNOSES

Performance Test Diagnoses (Cont'd)



TROUBLE DIAGNOSES

Performance Chart

TEST CONDITION

Testing must be performed as follows:

Vehicle location: Indoors or in the shade (in a well-ventilated place)

Doors: Closed

Door window: Open

Hood: Open

TEMP.: Max. COLD

Discharge Air: Face Vent

REC switch: (Recirculation) set

FAN speed: High speed

Engine speed: Idle speed

Operate the air conditioning system for 10 minutes before taking measurements.

TEST READING

Recirculating-to-discharge air temperature table

Inside air (Recirculating air) at blower assembly inlet		Discharge air temperature at center ventilator °C (°F)
Relative humidity %	Air temperature °C (°F)	
50 - 60	20 (68)	4.4 - 7.0 (40 - 45)
	25 (77)	7.9 - 11.1 (46 - 52)
	30 (86)	11.6 - 15.8 (53 - 60)
	35 (95)	15.4 - 20.4 (60 - 69)
	40 (104)	19.6 - 26.0 (67 - 79)
60 - 70	20 (68)	7.0 - 9.3 (45 - 49)
	25 (77)	11.1 - 14.5 (52 - 58)
	30 (86)	15.8 - 20.2 (60 - 68)
	35 (95)	20.4 - 26.2 (69 - 79)
	40 (104)	26.0 - 33.6 (79 - 92)

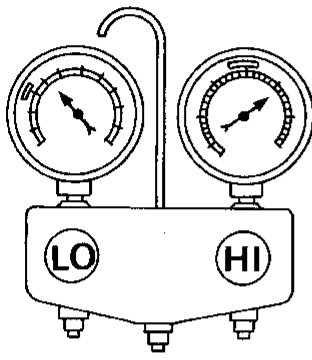
Ambient air temperature-to-operating pressure table

Ambient air		High-pressure (Discharge side) kPa (kg/cm ² , psi)	Low-pressure (Suction side) kPa (kg/cm ² , psi)
Relative humidity %	Air temperature °C (°F)		
50 - 70	20 (68)	1,010 - 1,314 (10.3 - 13.4, 146 - 191)	108 - 206 (1.1 - 2.1, 16 - 30)
	25 (77)	1,236 - 1,599 (12.6 - 16.3, 179 - 232)	118 - 226 (1.2 - 2.3, 17 - 33)
	30 (86)	1,471 - 1,883 (15.0 - 19.2, 213 - 273)	137 - 265 (1.4 - 2.7, 20 - 38)
	35 (95)	1,893 - 2,167 (19.3 - 22.1, 274 - 314)	157 - 324 (1.6 - 3.3, 23 - 47)
	40 (104)	1,922 - 2,452 (19.6 - 25.0, 279 - 356)	196 - 392 (2.0 - 4.0, 28 - 57)

TROUBLE DIAGNOSES

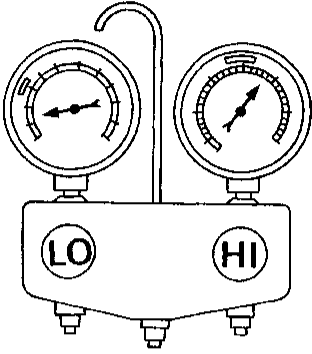
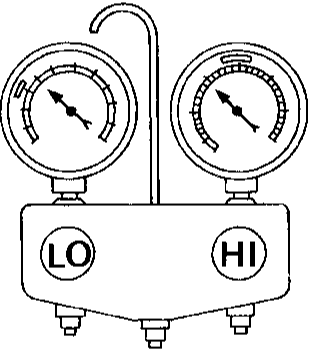
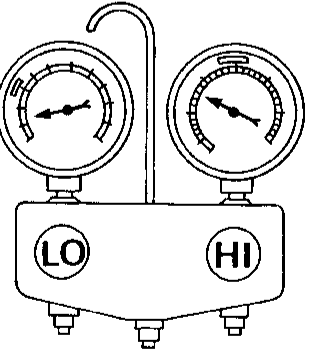
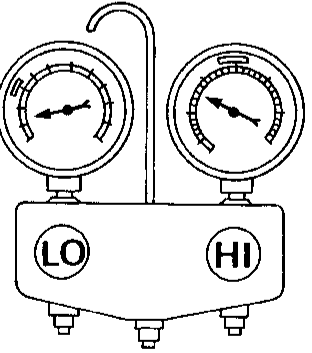
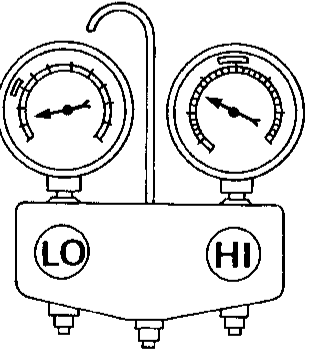
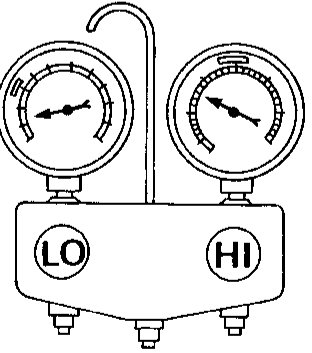
Trouble Diagnoses for Abnormal Pressure

When system's high- or low-pressure sides are abnormal, diagnose using a manifold gauge. The marker above the gauge scale indicates the standard (normal) pressure range. However, since the standard (normal) pressure differs from vehicle to vehicle, refer to "Ambient air temperature-to-operating pressure table", HA-45.

Gauge indication	Refrigerant cycle	Probable cause	Corrective action
<p>Both high- and low-pressure sides are too high.</p> <p>A</p>  <p>AC359A</p>	<ul style="list-style-type: none"> ● Pressure is reduced soon after water is splashed on condenser. 	<ul style="list-style-type: none"> ● Excessive refrigerant charge in refrigeration cycle. 	<ul style="list-style-type: none"> ● Reduce refrigerant until specified pressure is obtained.
	<ul style="list-style-type: none"> ● Air suction by cooling fan is insufficient. 	<ul style="list-style-type: none"> ● Insufficient condenser cooling performance <ul style="list-style-type: none"> ① Condenser fins are clogged. ② Improper rotation of cooling fan. 	<ul style="list-style-type: none"> ● Clean condenser. ● Check and repair cooling fan as necessary.
	<ul style="list-style-type: none"> ● Low-pressure pipe is not cold. ● When compressor is stopped, high-pressure value quickly drops by approximately 196 kPa (2 kg/cm², 28 psi). It then decreases gradually thereafter. 	<ul style="list-style-type: none"> ● Poor heat exchange in condenser. (After compressor operation stops, high pressure decreases too slowly.) ● Air in refrigeration cycle. 	<ul style="list-style-type: none"> ● Evacuate repeatedly and recharge system.
	<ul style="list-style-type: none"> ● Engine tends to overheat. 	<ul style="list-style-type: none"> ● Engine cooling systems malfunction. 	<ul style="list-style-type: none"> ● Check and repair each engine cooling system.
	<ul style="list-style-type: none"> ● An area of the low-pressure pipe is colder than areas near the evaporator outlet. ● Plates are sometimes covered with frost. 	<ul style="list-style-type: none"> ● Excessive liquid refrigerant on low-pressure side. ● Excessive refrigerant discharge flow. ● Expansion valve is open a little compared with the specification. ① Improper thermal valve installation. ② Improper expansion valve adjustment. 	<ul style="list-style-type: none"> ● Replace expansion valve.

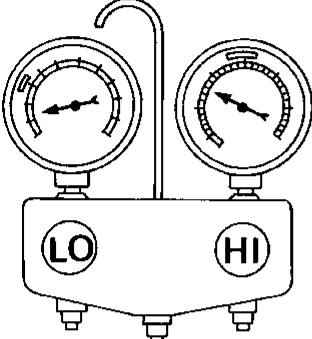
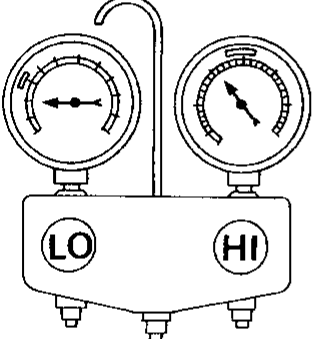
TROUBLE DIAGNOSES

Trouble Diagnoses for Abnormal Pressure (Cont'd)

Gauge indication	Refrigerant cycle	Probable cause	Corrective action	
<p>High-pressure side is too high and low-pressure side is too low.</p> <p>B</p>  <p>AC360A</p>	<ul style="list-style-type: none"> Upper side of condenser and high-pressure side are hot, however, liquid tank is not as hot. 	<ul style="list-style-type: none"> High-pressure tube or parts located between compressor and condenser are clogged or crushed. 	<ul style="list-style-type: none"> Check and repair or replace malfunctioning parts. Check lubricant for contamination. 	GI MA EM LC EC FE
<p>High-pressure side is too low and low-pressure side is too high.</p> <p>C</p>  <p>AC356A</p>	<ul style="list-style-type: none"> High- and low-pressure sides become equal soon after compressor operation stops. 	<ul style="list-style-type: none"> Compressor pressure operation is improper. <ul style="list-style-type: none"> ↓ Damaged inside compressor packings. 	<ul style="list-style-type: none"> Replace compressor. 	CL MT AT
<p>High-pressure side is too low and low-pressure side is too high.</p> <p>C</p>  <p>AC356A</p>	<ul style="list-style-type: none"> No temperature difference between high- and low-pressure sides. 	<ul style="list-style-type: none"> Compressor pressure operation is improper. <ul style="list-style-type: none"> ↓ Damaged inside compressor packings. 	<ul style="list-style-type: none"> Replace compressor. 	FA RA BR
<p>Both high- and low-pressure sides are too low.</p> <p>D</p>  <p>AC353A</p>	<ul style="list-style-type: none"> There is a big temperature difference between liquid tank outlet and inlet. Outlet temperature is extremely low. Liquid tank inlet and expansion valve are frosted. 	<ul style="list-style-type: none"> Liquid tank is partly clogged. 	<ul style="list-style-type: none"> Replace liquid tank. Check lubricant for contamination. 	ST RS
<p>Both high- and low-pressure sides are too low.</p> <p>D</p>  <p>AC353A</p>	<ul style="list-style-type: none"> Temperature of expansion valve inlet is extremely low as compared with areas near liquid tank. Expansion valve inlet may be frosted. Temperature difference occurs somewhere in high-pressure side. 	<ul style="list-style-type: none"> High-pressure pipe located between liquid tank and expansion valve is clogged. 	<ul style="list-style-type: none"> Check and repair malfunctioning parts. Check lubricant for contamination. 	BT HA
<p>Both high- and low-pressure sides are too low.</p> <p>D</p>  <p>AC353A</p>	<ul style="list-style-type: none"> Expansion valve and liquid tank are warm or only cool when touched. 	<ul style="list-style-type: none"> Low refrigerant charge. <ul style="list-style-type: none"> ↓ Leaking fittings or components. 	<ul style="list-style-type: none"> Check for refrigerant leaks. Refer to HA-51. 	EL IDX

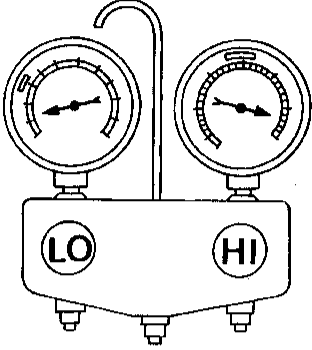
TROUBLE DIAGNOSES

Trouble Diagnoses for Abnormal Pressure (Cont'd)

Gauge indication	Refrigerant cycle	Probable cause	Corrective action
<p>Both high- and low-pressure sides are too low.</p> <p>D</p>  <p style="text-align: center;">AC353A</p>	<ul style="list-style-type: none"> ● There is a big temperature difference between expansion valve inlet and outlet while the valve itself is frosted. 	<ul style="list-style-type: none"> ● Expansion valve closed and past the specification. ↓ ① Improper expansion valve adjustment. ② Malfunctioning thermal valve. ③ Outlet and inlet may be clogged. 	<ul style="list-style-type: none"> ● Remove foreign particles by using compressed air. ● Check lubricant for contamination.
	<ul style="list-style-type: none"> ● An area of the low-pressure pipe is colder than areas near the evaporator outlet. 	<ul style="list-style-type: none"> ● Low-pressure pipe is clogged or crushed. 	<ul style="list-style-type: none"> ● Check and repair malfunctioning parts. ● Check lubricant for contamination.
	<ul style="list-style-type: none"> ● Air flow volume is not enough or is too low. 	<ul style="list-style-type: none"> ● Evaporator is frozen. 	<ul style="list-style-type: none"> ● Replace compressor.
<p>Low-pressure side sometimes becomes negative.</p> <p>E</p>  <p style="text-align: center;">AC354A</p>	<ul style="list-style-type: none"> ● Air conditioning system does not function and does not cyclically cool the compartment air. ● The system constantly functions for a certain period of time after compressor is stopped and restarted. 	<ul style="list-style-type: none"> ● Refrigerant does not discharge cyclically. ↓ ● Moisture is frozen at expansion valve outlet and inlet. ↓ ● Water is mixed with refrigerant. 	<ul style="list-style-type: none"> ● Replace refrigerant. ● Replace liquid tank.

TROUBLE DIAGNOSES

Trouble Diagnoses for Abnormal Pressure (Cont'd)

Gauge indication	Refrigerant cycle	Probable cause	Corrective action
<p>Low-pressure side becomes negative.</p> <p>F</p>  <p>AC362A</p>	<ul style="list-style-type: none"> Liquid tank or front/rear side of expansion valve pipe is frosted or dewed. 	<ul style="list-style-type: none"> High-pressure side is closed and refrigerant does not flow. <ul style="list-style-type: none"> ↓ Expansion valve or liquid tank is frosted. 	<ul style="list-style-type: none"> Leave the system at rest until no frost is present. Start it again to check if the problem is caused by water or foreign particles. If water is the cause, initial cooling is O.K. Later, the water freezes, causing a blockage. Replace refrigerant. If due to foreign particles, remove expansion valve and remove the particles with dry and compressed air (not shop air). If either of the above methods cannot correct the problem, replace expansion valve. Replace liquid tank. Check lubricant for contamination.

GI

MA

EM

LC

EC

FE

CL

MT

AT

FA

RA

BR

ST

RS

BT

HA

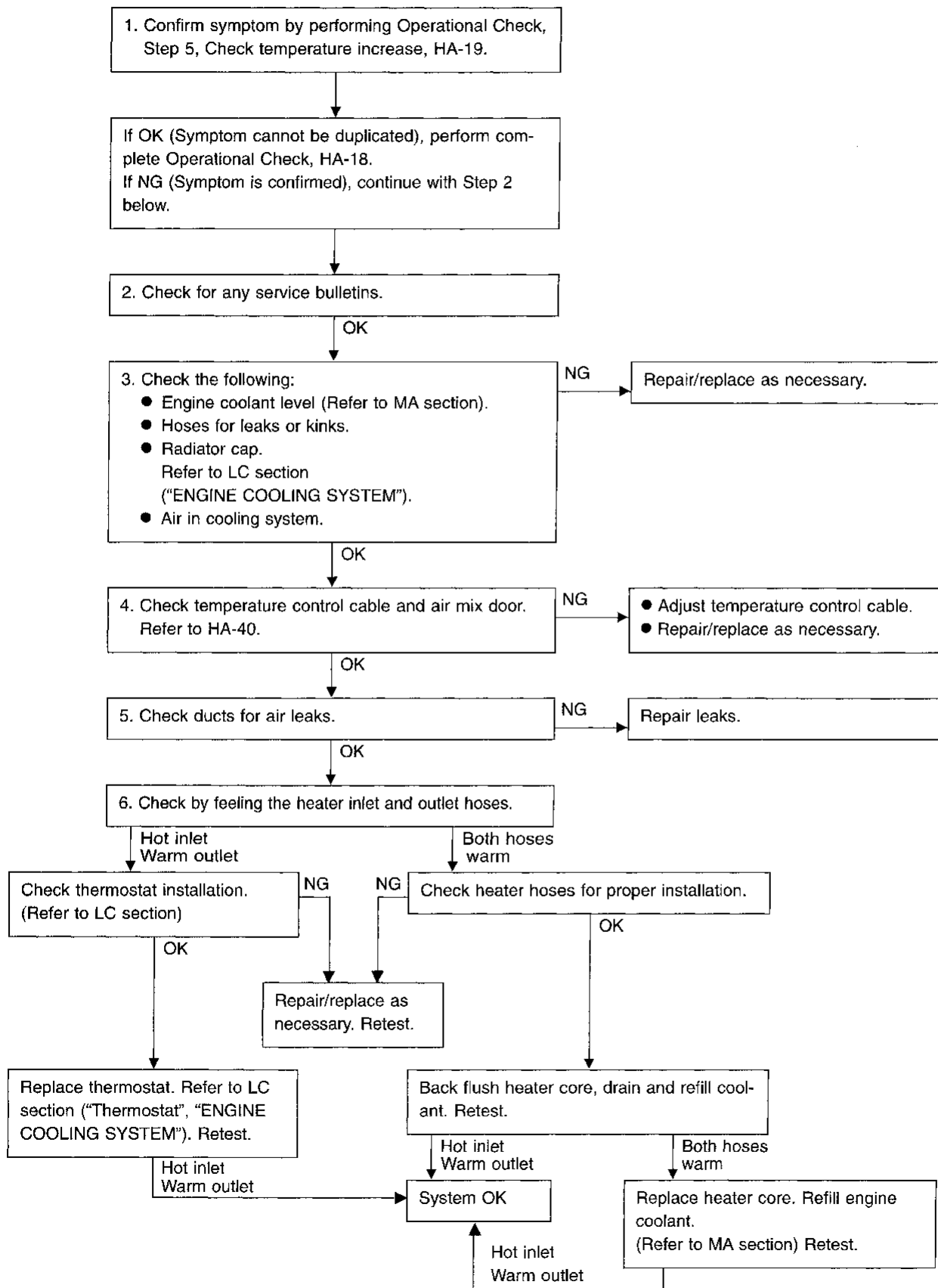
EL

IDX

TROUBLE DIAGNOSES

Trouble Diagnoses for Insufficient Heating

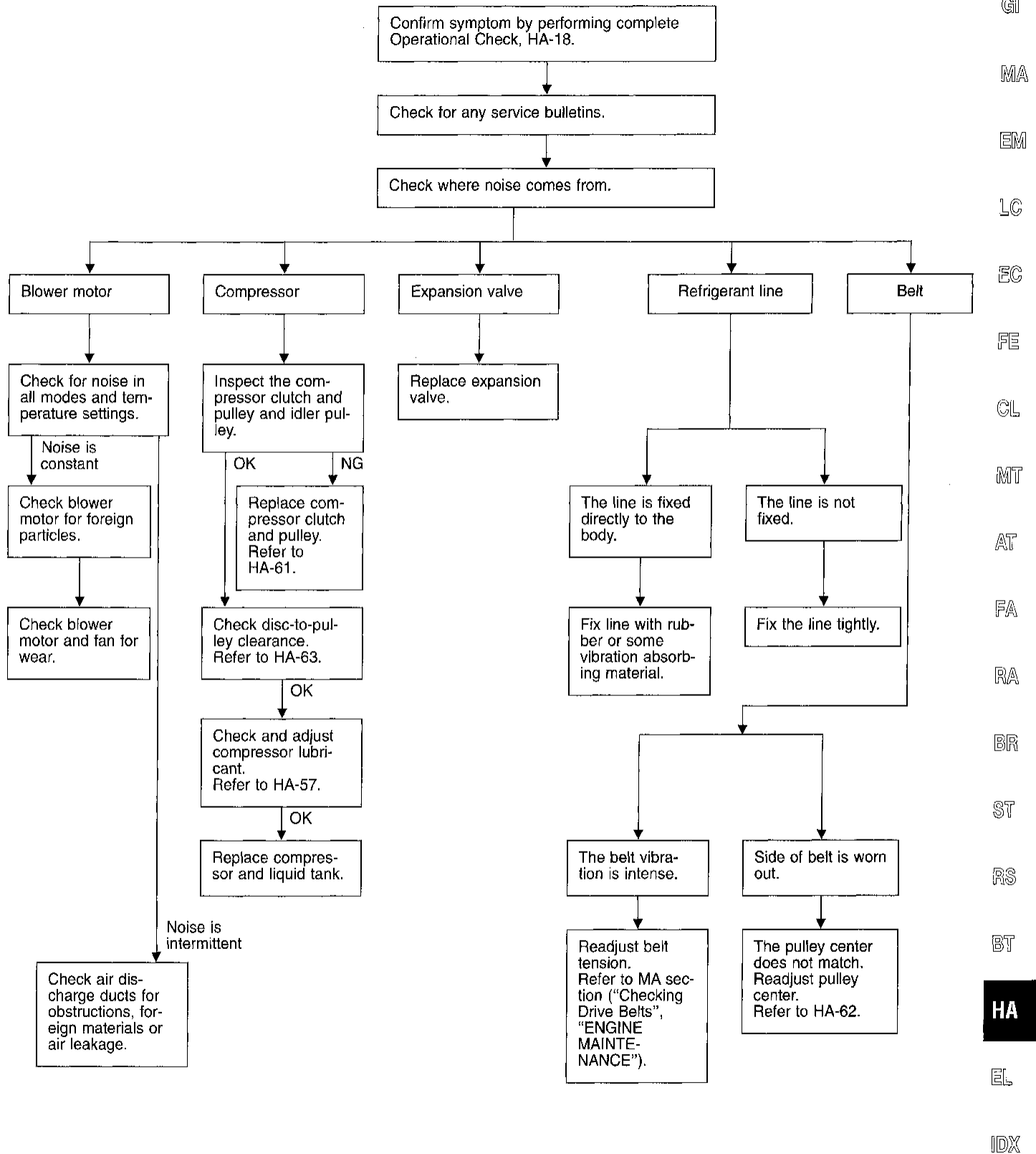
INSPECTION FLOW



TROUBLE DIAGNOSES

Trouble Diagnoses for Noise

INSPECTION FLOW



GI
MA
EM
LC
EC
FE
CL
MT
AT
FA
RA
BR
ST
RS
BT
HA
EL
IDX

Checking Refrigerant Leaks

PRELIMINARY CHECK

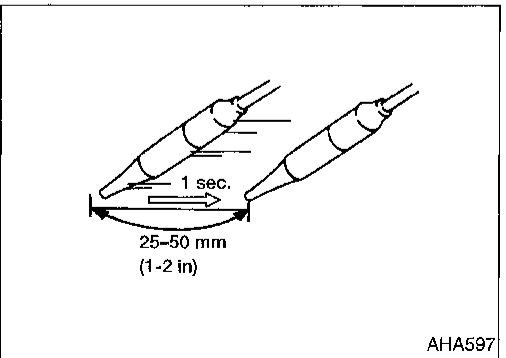
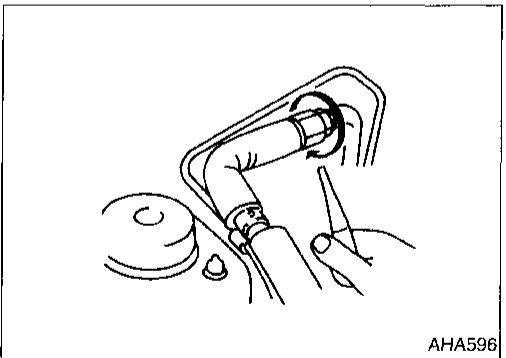
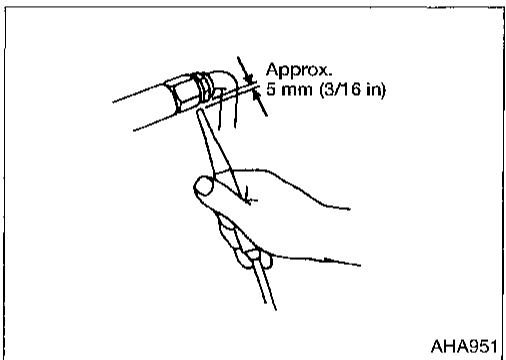
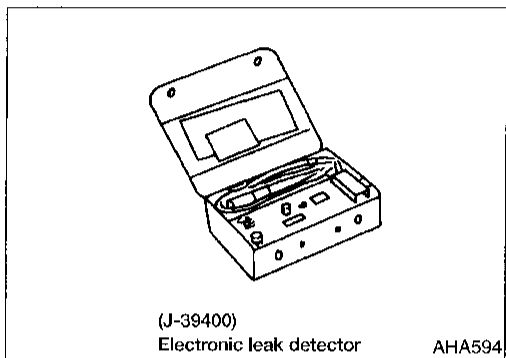
Perform a visual inspection of all refrigeration parts, fittings, hoses, and components for signs of A/C lubricant leakage, damage and corrosion.

PRECAUTIONS FOR HANDLING LEAK DETECTOR

When performing a refrigerant leak check, use a J39400 A/C leak detector or equivalent. Ensure that the instrument is calibrated and set properly per the operating instructions.

The leak detector is a delicate device. In order to use the leak detector properly, read the operating instructions and perform any specified maintenance.

Other gases in the work area or substances on the A/C components, for example, anti-freeze, windshield washer fluid, solvents and cleaners, may falsely trigger the leak detector. Make sure the surfaces to be checked are clean. Do not allow the sensor tip of the detector to come into contact with any substance. This can also cause false readings and may damage the detector.



1. Position probe approximately 5 mm (3/16 in) away from point to be checked.
2. When testing, circle each fitting completely with probe.
3. Move probe along component approximately 25 - 50 mm (1-2 in)/sec.

SERVICE PROCEDURES

Checking Refrigerant Leaks (Cont'd)

CHECKING PROCEDURE

To prevent inaccurate or false readings, make sure there is no refrigerant vapor or tobacco smoke in the vicinity of the vehicle. Perform the leak test in calm area (low air/wind movement) so that the leaking refrigerant is not dispersed. GI

1. Turn engine off. MA
2. Connect a suitable A/C manifold gauge set to the A/C service ports.
3. Check if the A/C refrigerant pressure is at least 345 kPa (50 psi) above 16°C (60°F). If less than specification, evacuate and recharge the system with the specified amount of refrigerant. EM
NOTE: At temperatures below 16°C (60°F), leaks may not be detected since the system may not reach 345 kPa (50 psi). LC

4. Conduct the leak test from the high side to the low side at points (a) through (k). Refer to HA-59. EC
Perform a leak check for the following areas carefully. Clean the component to be checked and move the leak detector probe completely around the connection/component. FE

- **Compressor**

Check the fittings of high and low pressure hoses, relief valve, and shaft seal. CL

- **Liquid tank**

Check the pressure switch, tube fitting, weld seams and the fusible plug mounts. MT

- **Service valves**

Check all around the service valves. Ensure service valve caps are secured on the service valves (to prevent leaks). AT

NOTE: After removing A/C manifold gauge set from service valves, wipe any residue from valves to prevent any false readings by leak detector. FA

- **Cooling unit (Evaporator)**

Turn fan control knob to 4-speed for at least 15 seconds to dissipate any refrigerant trace in the cooling unit. Insert the leak detector probe into the drain hose immediately after stopping engine. (Keep the probe inserted for at least ten seconds.) RA

5. If a leak detector detects a leak, verify at least once by blowing compressed air into area of suspected leak, then repeat check. BR
6. Do not stop when one leak is found. Continue to check for additional leaks at all system components and connections. ST
6. Do not stop when one leak is found. Continue to check for additional leaks at all system components and connections. RS

BT

HA

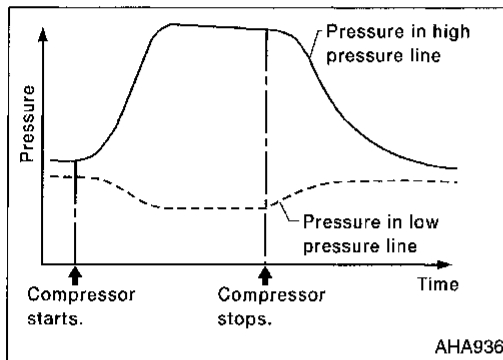
EL

IDX

SERVICE PROCEDURES

Checking Refrigerant Leaks (Cont'd)

7. Start engine.
8. Set the heater A/C control as follows:
 - a. A/C switch ON
 - b. Face mode
 - c. Recirculation switch ON
 - d. Max cold temperature
 - e. Fan speed 4
9. Run engine at 1500 rpm for at least 2 minutes.
10. Turn engine off and perform leak check again following steps 4 through 6 above.



Refrigerant leaks should be checked immediately after stopping the engine. Begin with the leak detector on the high pressure line. The pressure in the high pressure line will gradually drop after refrigerant circulation stops and pressure in the low pressure line will gradually rise, as shown in the graph. Leaks are more easily detected when pressure is high.

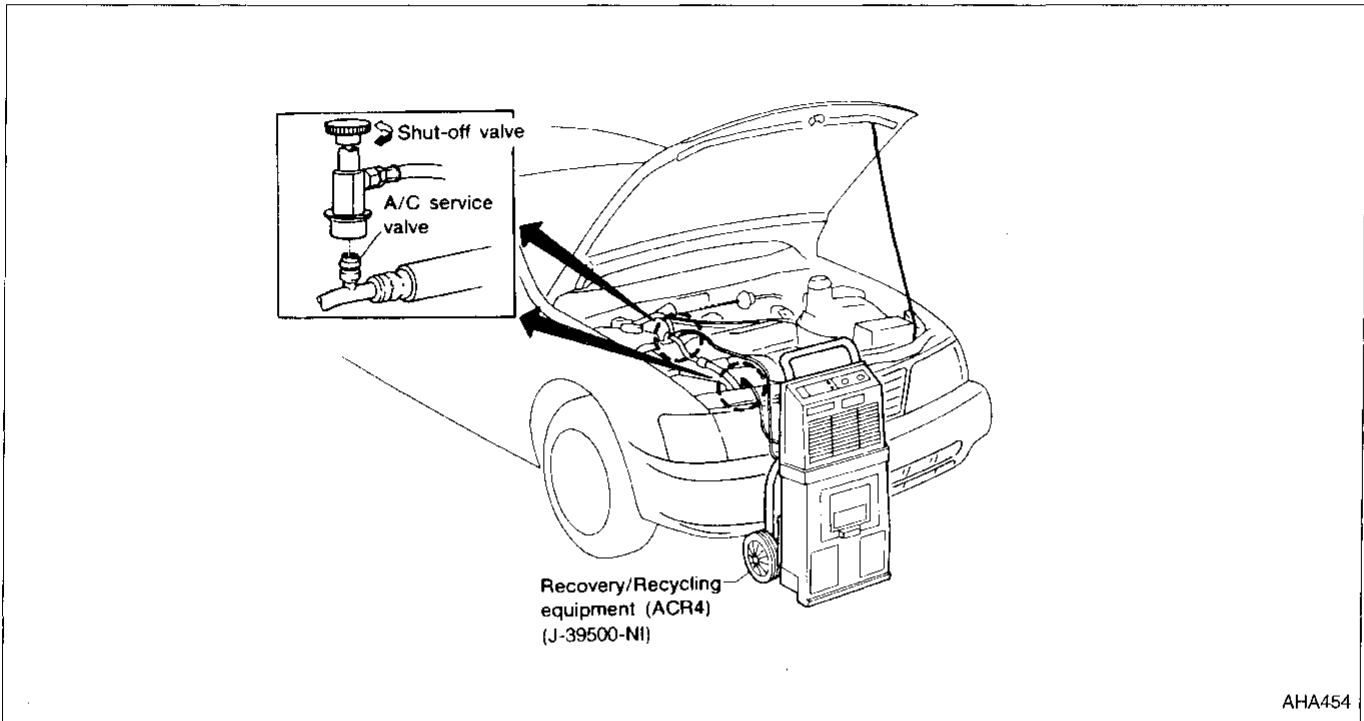
11. Discharge A/C system using approved refrigerant recovery equipment. Repair the leaking fitting or component as necessary.
12. Evacuate and recharge A/C system and perform the leak test to confirm no refrigerant leaks.
13. Conduct A/C performance test to ensure system works properly.

R-134a Service Procedure

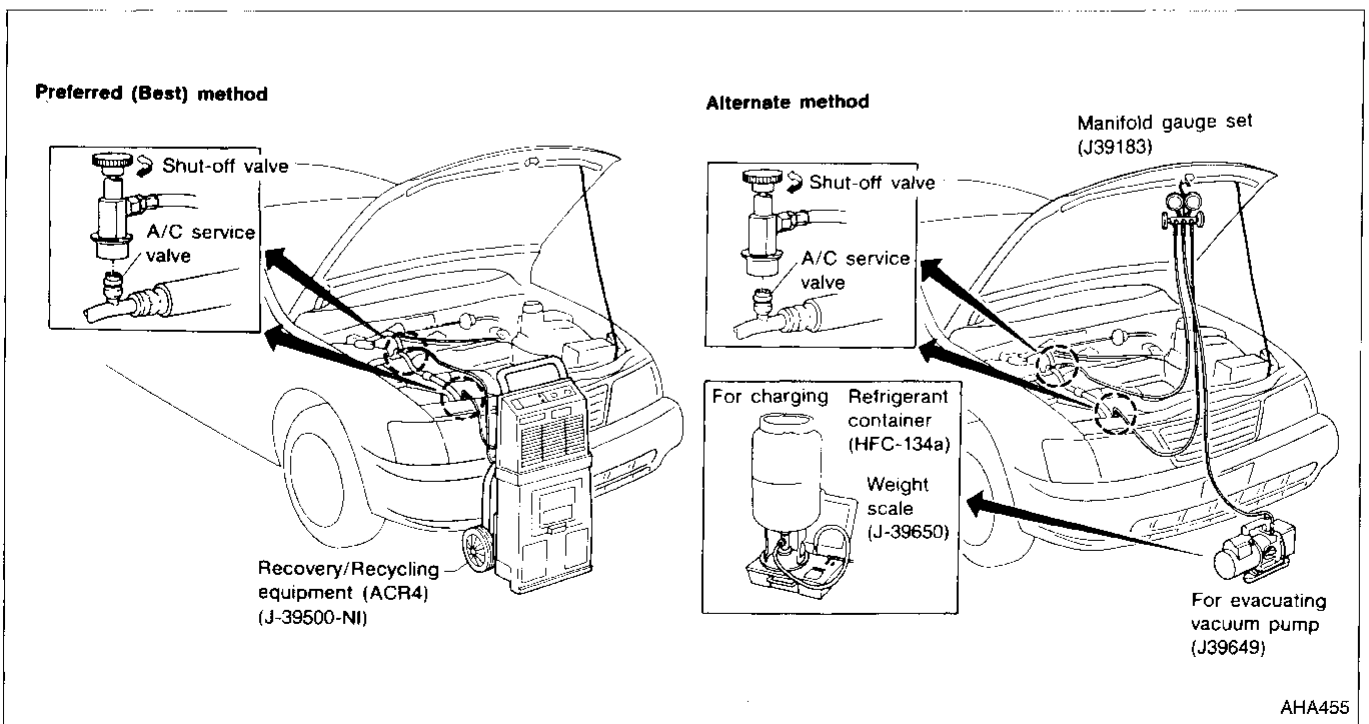
DISCHARGING REFRIGERANT

WARNING:

Avoid breathing A/C refrigerant and lubricant vapor or mist. Exposure may irritate eyes, nose and throat. Remove R-134a from the A/C system using certified service equipment meeting requirements of SAE J2210 (R-134a recycling equipment) or J2209 (R-134a recovery equipment). If accidental system discharge occurs, ventilate work area before resuming service. Additional health and safety information may be obtained from refrigerant and lubricant manufacturers.

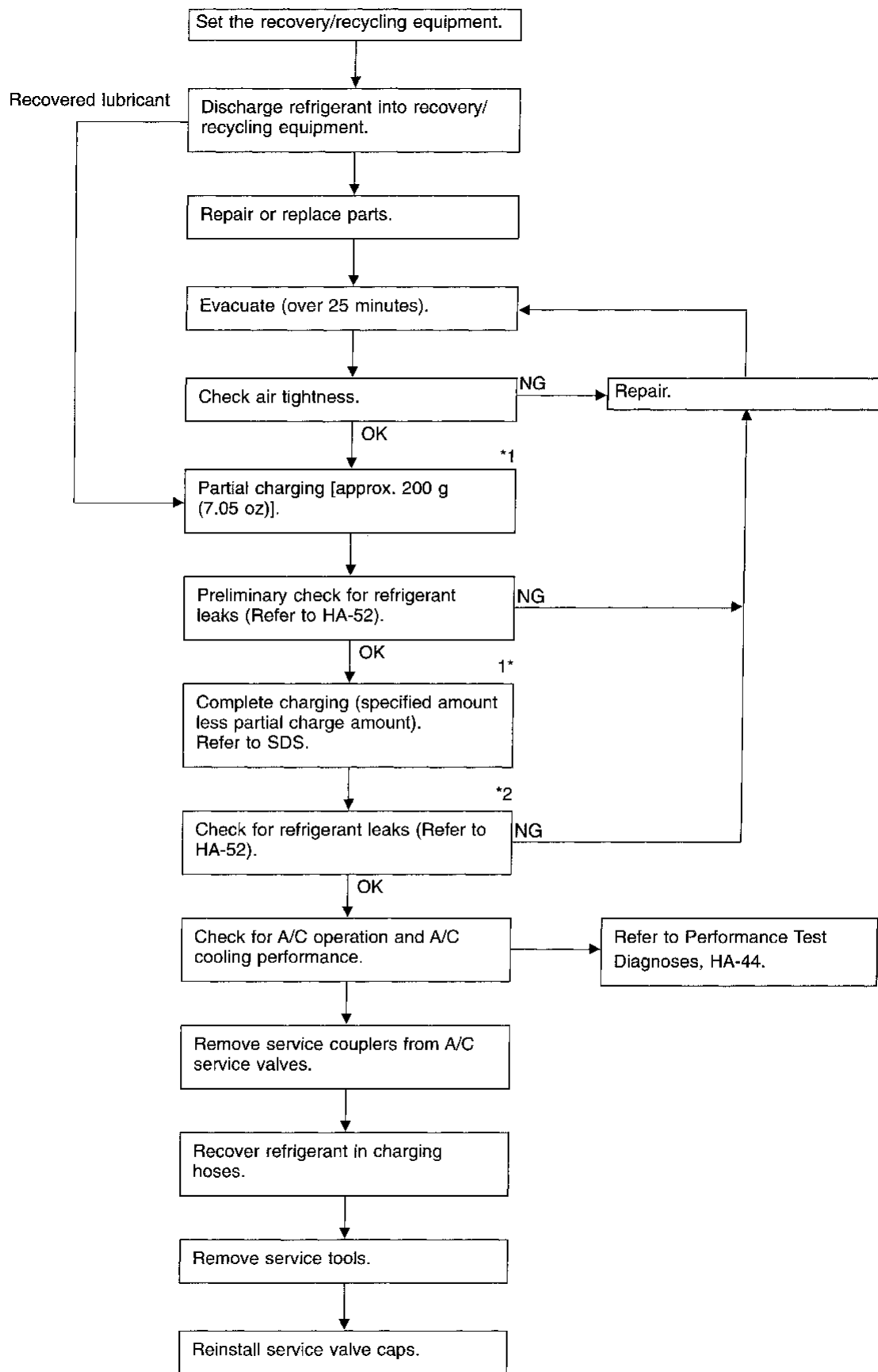


EVACUATING SYSTEM AND CHARGING REFRIGERANT



SERVICE PROCEDURES

R-134a Service Procedure (Cont'd)



Note: *1 Before charging refrigerant, ensure engine is off.

*2 Before checking for leaks, start engine to activate air conditioning system, then turn engine off. Service valve caps must be installed to prevent leakage.

Compressor Lubricant Quantity

The lubricant used to lubricate the compressor circulates through the system with the refrigerant. Whenever any A/C component is replaced or gas leakage occurs, lubricant must be added.

If lubricant quantity is not maintained properly, the following malfunctions may result:

- Lack of lubricant: May lead to a seized compressor
- Excessive lubricant: Inadequate cooling (thermal exchange interference)

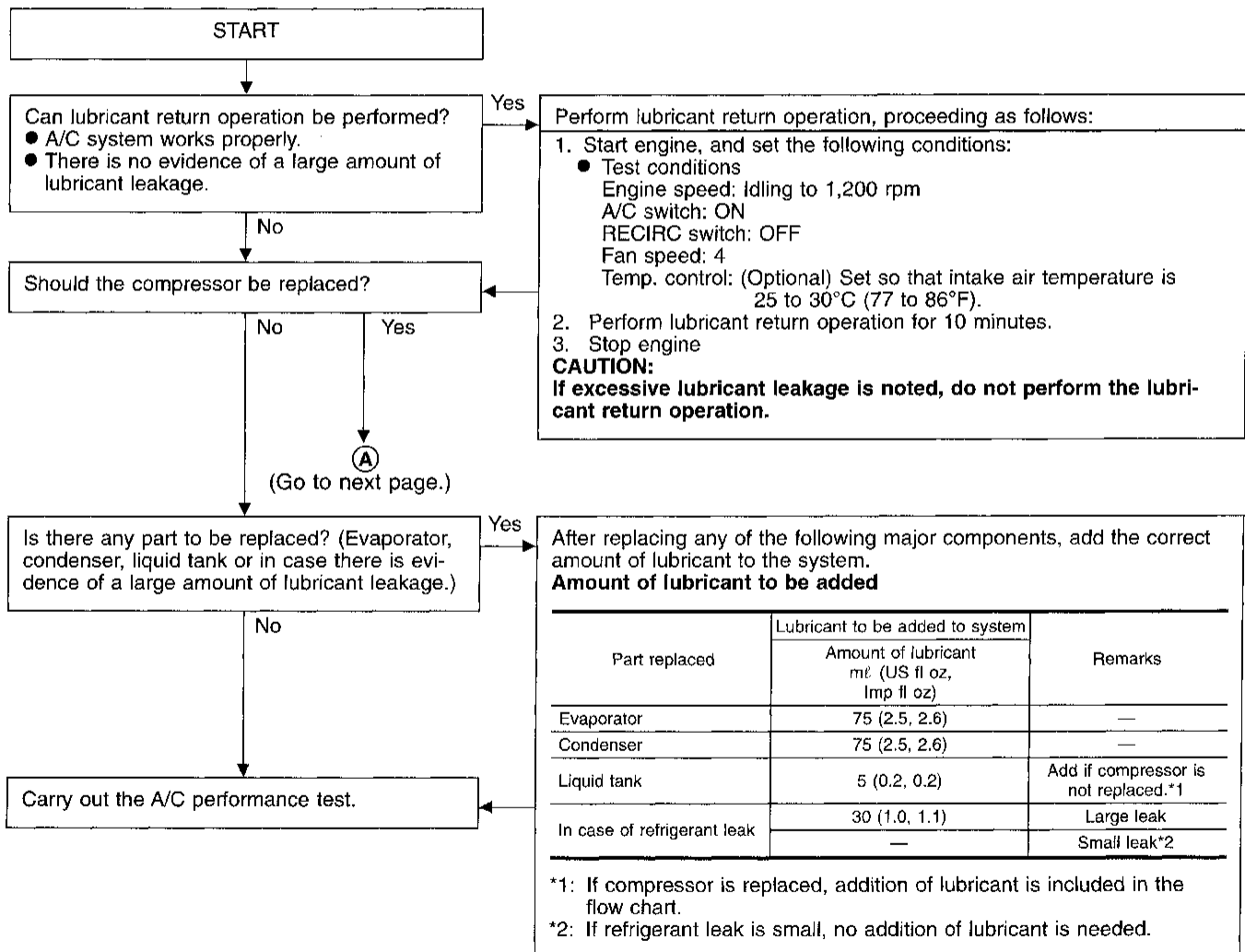
LUBRICANT

Name: Nissan A/C System Lubricant Type R

Part No.: KLH00-PAGRO

CHECKING AND ADJUSTING

Adjust the lubricant quantity according to the flow chart shown below.



SERVICE PROCEDURES

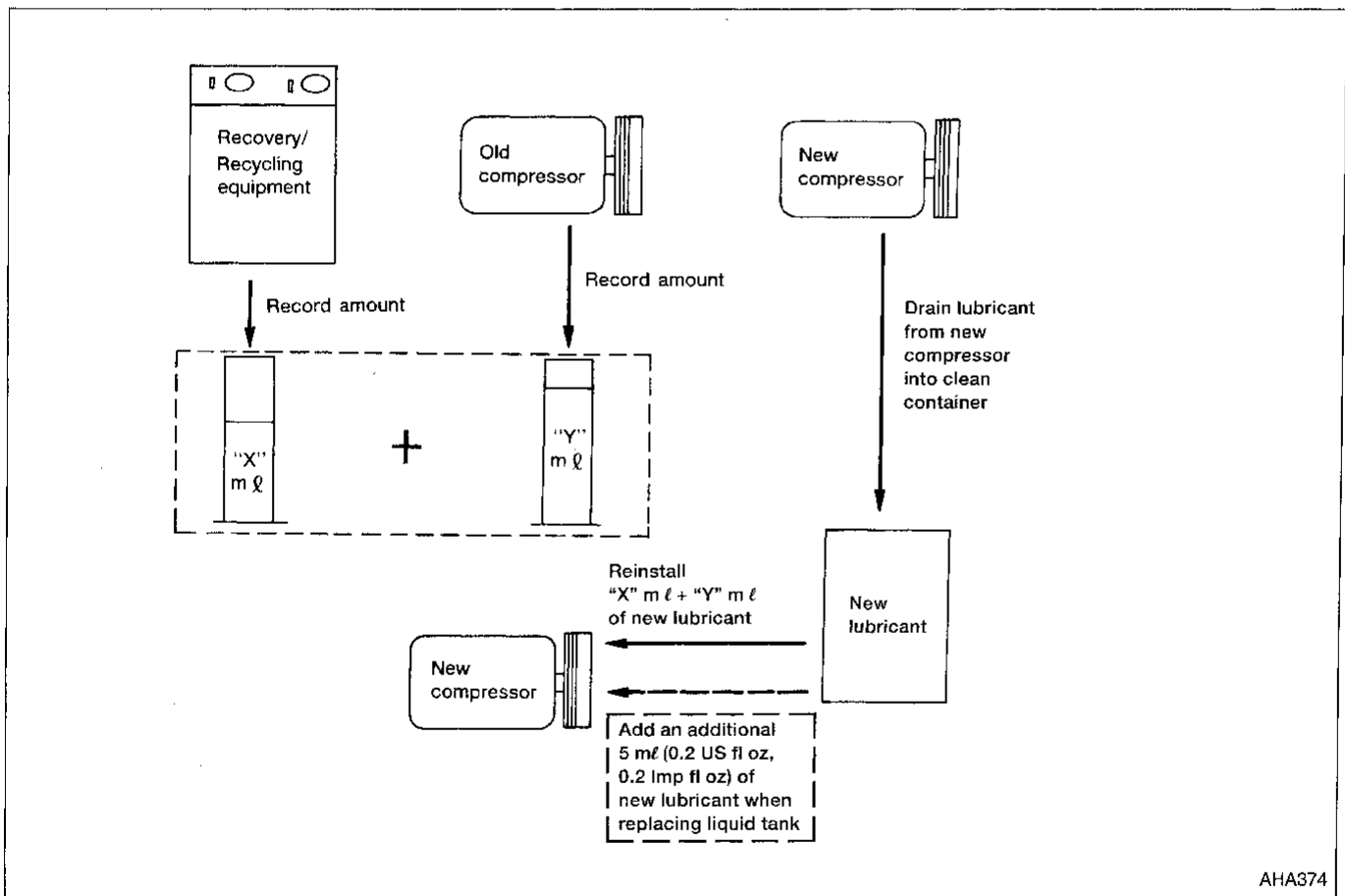
Compressor Lubricant Quantity (Cont'd)

(A)



1. Discharge refrigerant into refrigerant recovery/recycling equipment. Measure lubricant discharged into the recovery/recycling equipment.
2. Drain the lubricant from the "old" (removed) compressor into a graduated container and record the amount of lubricant drained.
3. Drain the lubricant from the "new" compressor into a separate, clean container.
4. Measure an amount of new lubricant installed equal to amount drained from "old" compressor. Add this lubricant to "new" compressor through the suction port opening.
5. Measure an amount of "new" lubricant equal to the amount recovered during discharging. Add this lubricant to "new" compressor through the suction port opening.
6. If the liquid tank also needs to be replaced, add an additional 5 ml (0.2 US fl oz, 0.2 Imp fl oz) of lubricant at this time.
Do not add this 5 ml (0.2 US fl oz, 0.2 Imp fl oz) of lubricant if replacing only the compressor.

Lubricant adjusting procedure for compressor replacement

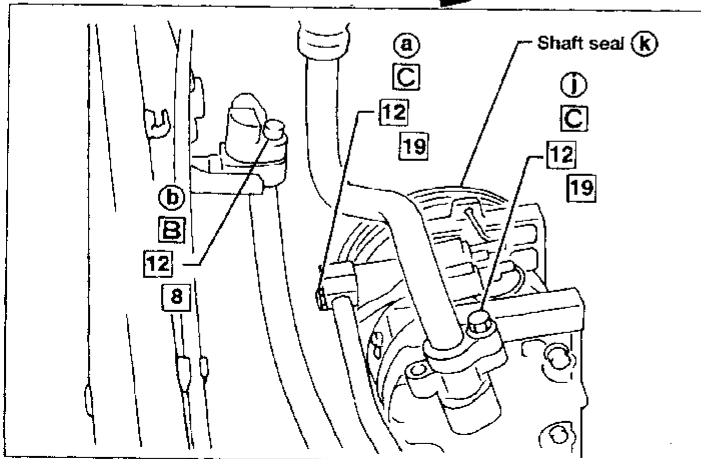
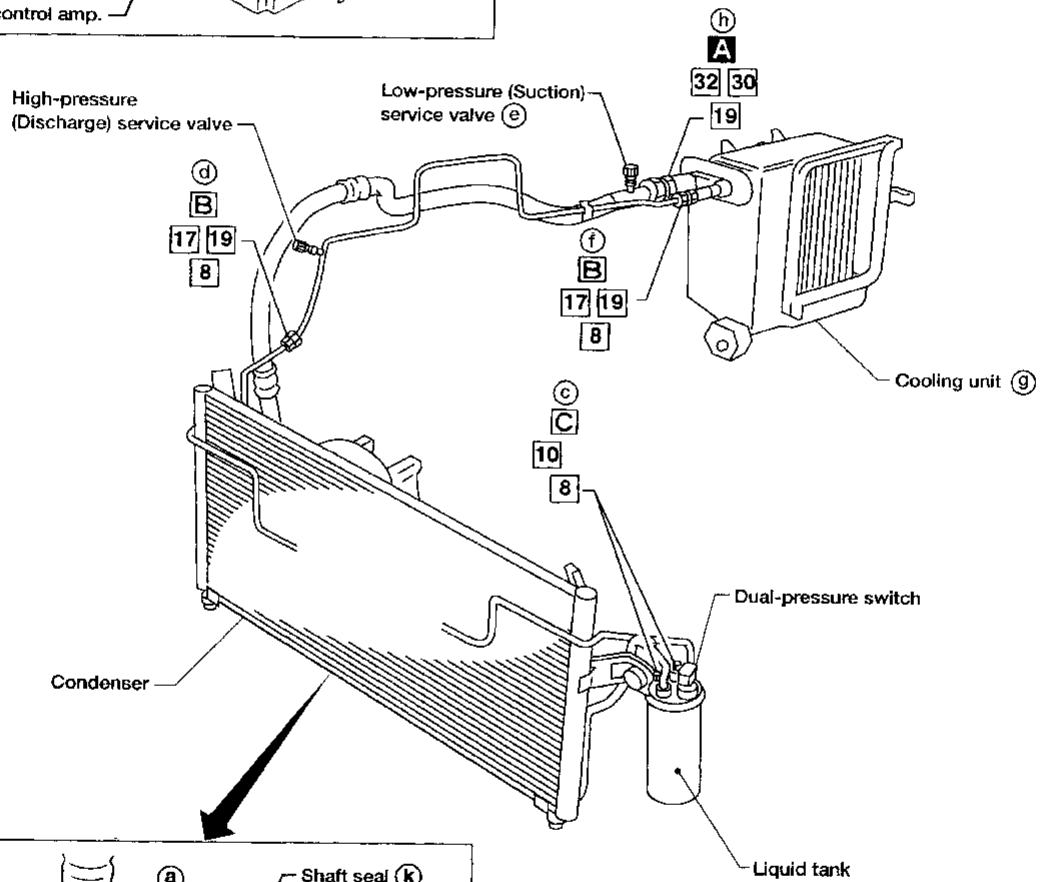
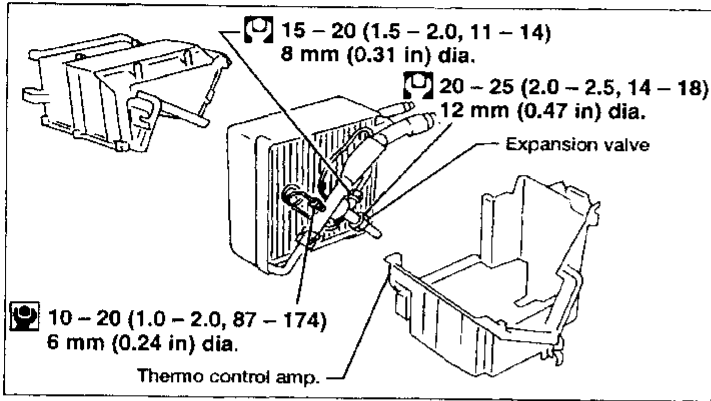


SERVICE PROCEDURES

Refrigerant Lines

- Refer to "Precautions for Refrigerant Connection", HA-6.

SEC. 271•274•276



- : (Refrigerant leak checking points)
- : (Tightening torque)
- : (Wrench size)
- : (O-ring size)
- ⊖ : N·m (kg-m, ft-lb)
- ⊖ : 25 - 34 (2.5 - 3.5, 18 - 25)
- ⊖ : N·m (kg-m, in-lb)
- ⊖ : 10 - 20 (1.0 - 2.0, 87 - 174)
- ⊖ : 8 - 11 (0.8 - 1.1, 69 - 95)

AHA141A

GI

MA

EM

LC

EC

FE

CL

MT

AT

FA

RA

BR

ST

RS

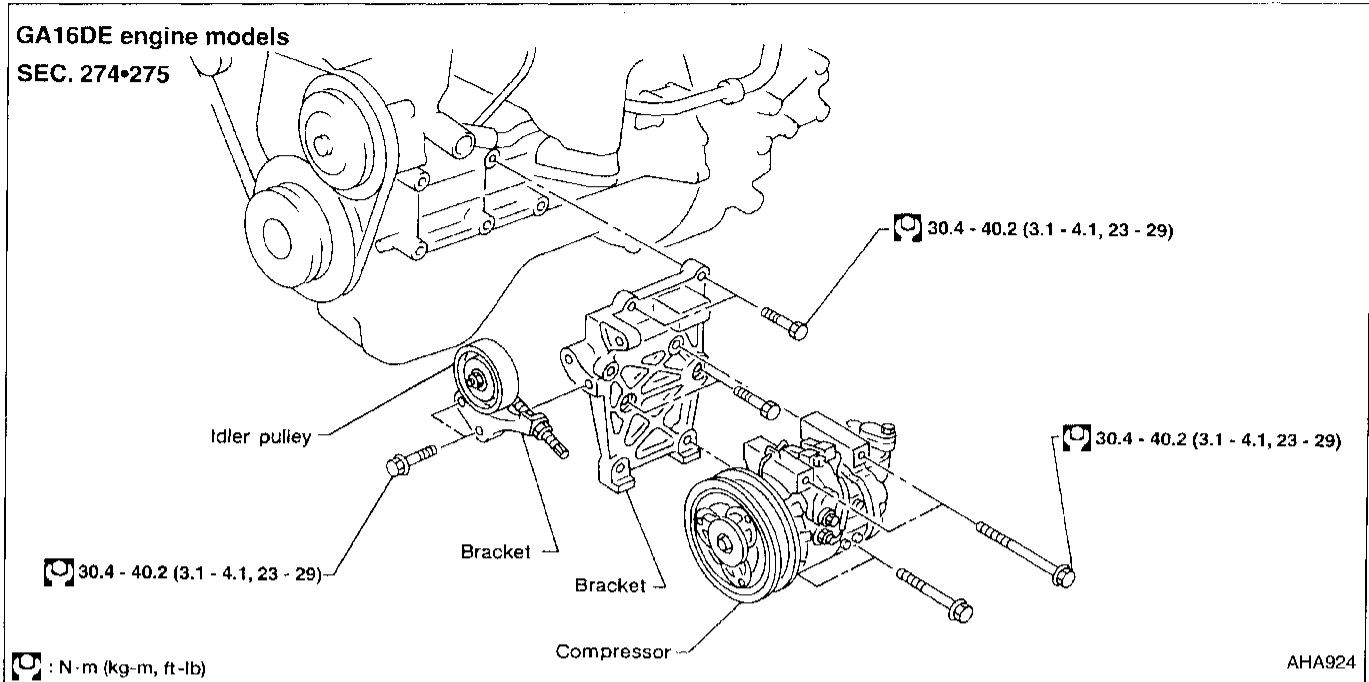
BT

HA

EL

IDX

Compressor Mounting



Belt Tension

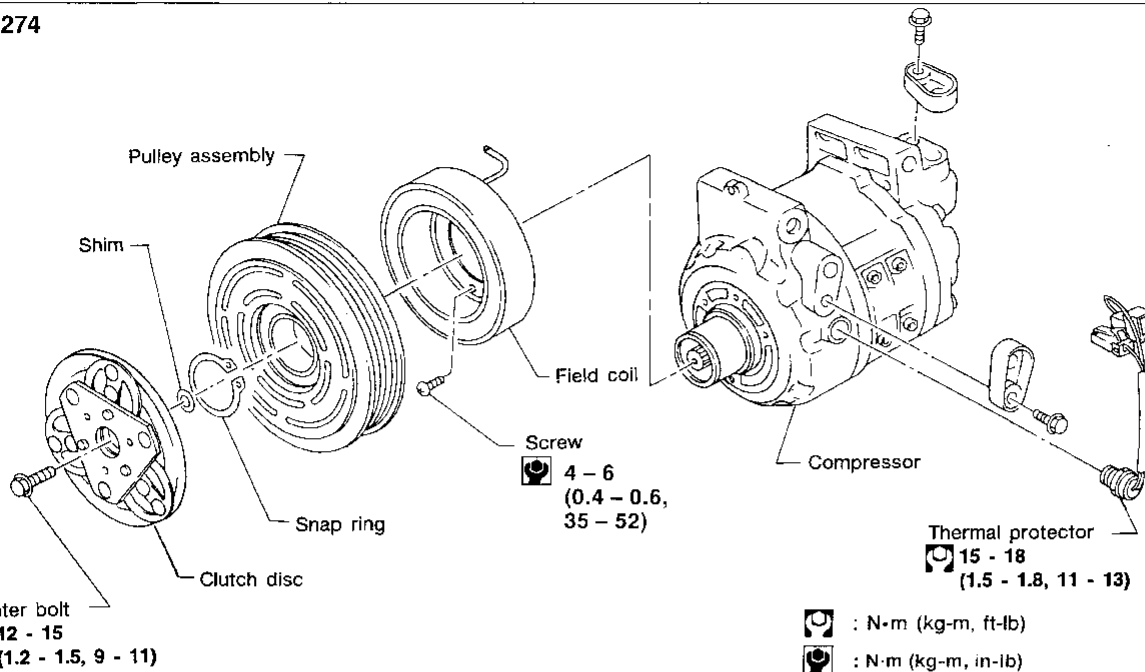
- Refer to MA section, (“Checking Drive Belts”, “ENGINE MAINTENANCE”).

Fast Idle Control Device (FICD)

- Refer to EC section (“IACV-FICD Solenoid Valve”, “TROUBLE DIAGNOSIS FOR NON-DETECTABLE ITEMS”).

Compressor

SEC. 274

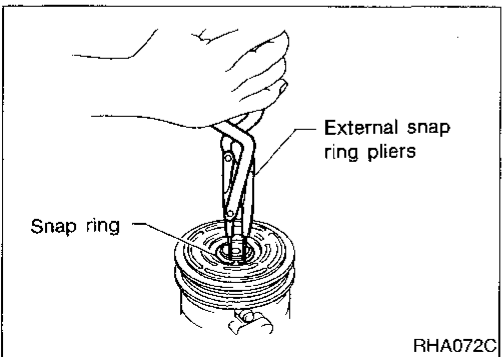
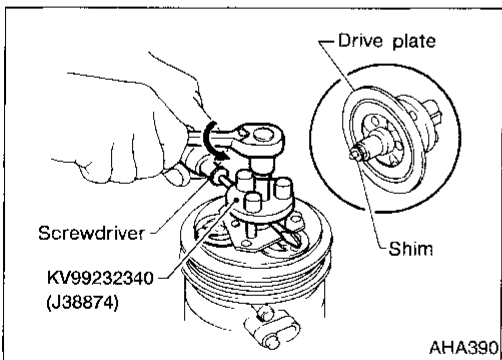
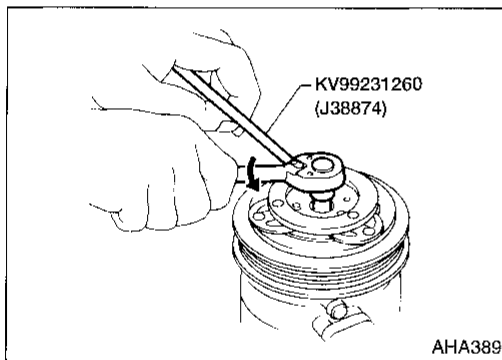


AHA592

Compressor Clutch

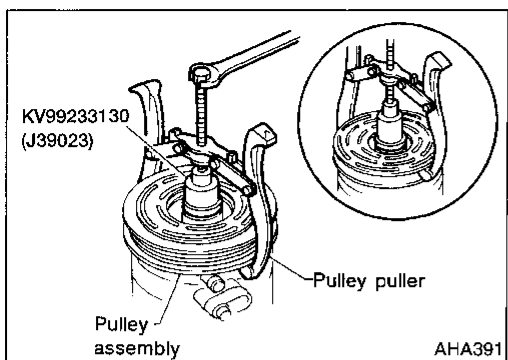
REMOVAL

- When removing center bolt, hold clutch disc with clutch disc wrench.
- Remove the drive plate using the clutch disc puller. Insert holder's three pins into the drive plate. Rotate the holder clockwise to hook it onto the plate. Tighten the center bolt to remove the drive plate. While tightening the center bolt, insert a screwdriver between two of the pins (as shown in the figure) to prevent rotation. After removing the drive plate, remove the shims from either the drive shaft or the drive plate.
- Remove the snap ring using external snap ring pliers.



SERVICE PROCEDURES

Compressor Clutch (Cont'd)



- **Pulley removal:**
Use a commercially available pulley puller. Position the center of the puller on the end of the drive shaft. Remove the pulley assembly with the puller.

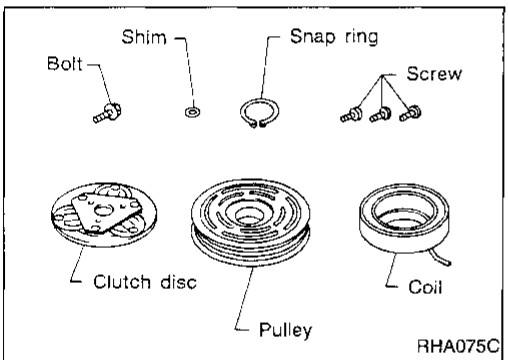
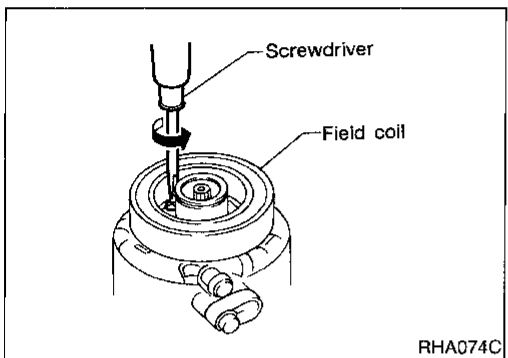
For pressed pulleys:

To prevent deformation of the pulley groove, the puller claws should be hooked under (not into) the pulley groove.

For machine latched pulleys:

Align the pulley puller groove with the pulley groove, and then remove the pulley assembly.

- Remove the field coil harness clip using a screwdriver.
- Remove the three field coil fixing screws and remove the field coil.

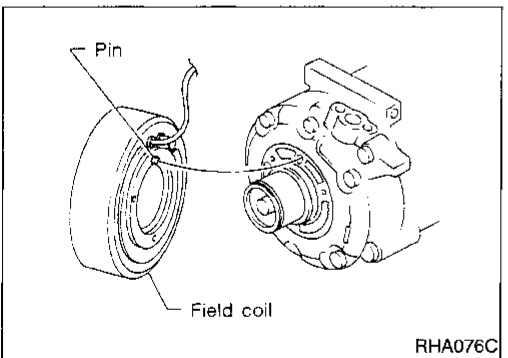


INSPECTION

Clutch disc: If the contact surface shows signs of damage due to excessive heat, replace clutch disc and pulley.

Pulley: Check the appearance of the pulley assembly. If contact surface of pulley shows signs of excessive grooving, replace clutch disc and pulley. The contact surfaces of the pulley assembly should be cleaned with a suitable solvent before installation.

Coil: Check coil for loose connection or cracked insulation.

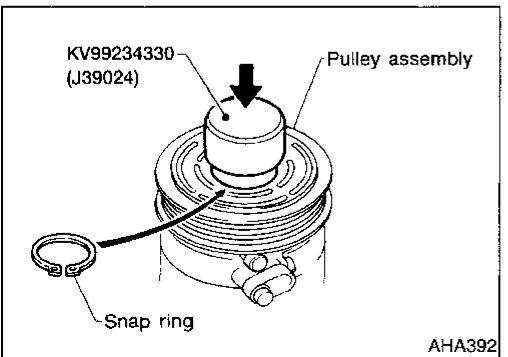


INSTALLATION

- Install the field coil.

Be sure to align the coil pin with the hole in the compressor front head.

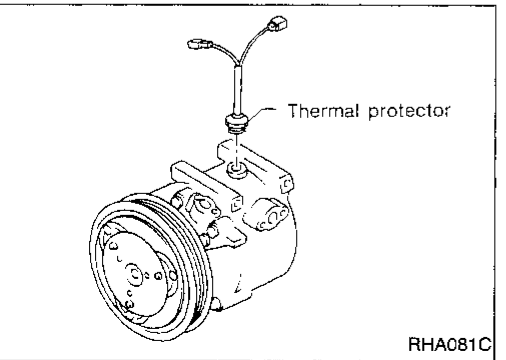
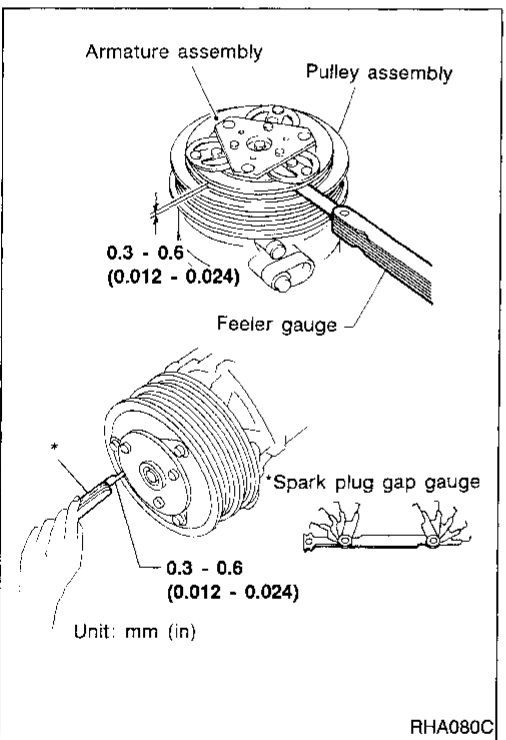
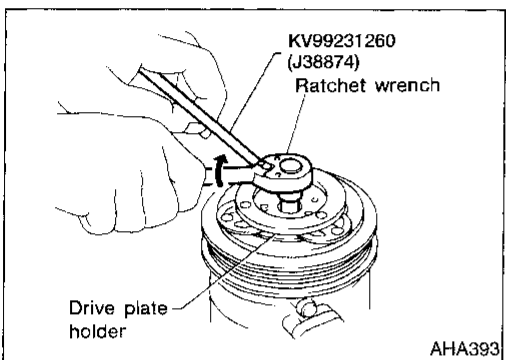
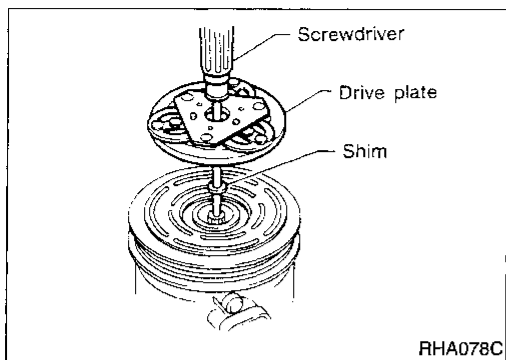
- Install the field coil harness clip using a screwdriver.



- Install the pulley assembly using the installer and a hand press, and then install the snap ring using snap ring pliers.

SERVICE PROCEDURES

Compressor Clutch (Cont'd)



- Install the drive plate on the drive shaft, together with the original shim(s). Press the drive plate down by hand.

- Using the holder to prevent drive plate rotation, tighten the bolt to 12 to 15 N·m (1.2 to 1.5 kg-m, 9 to 11 ft-lb) torque.
- **After tightening the bolt, check that the pulley rotates smoothly.**

- Check clearance all the way around the clutch disc.

Disc-to-pulley clearance:
0.3 - 0.6 mm (0.012 - 0.024 in)

If the specified clearance is not obtained, replace adjusting spacer and readjust.

BREAK-IN OPERATION

When replacing compressor clutch assembly, always conduct the break-in operation. This is done by engaging and disengaging the clutch about thirty times. Break-in operation raises the level of transmitted torque.

Thermal Protector

INSPECTION

- When servicing, do not allow foreign matter to enter compressor.
- Check continuity between two terminals.

GI

MA

EM

LC

EC

FE

CL

MT

AT

FA

RA

BR

ST

RS

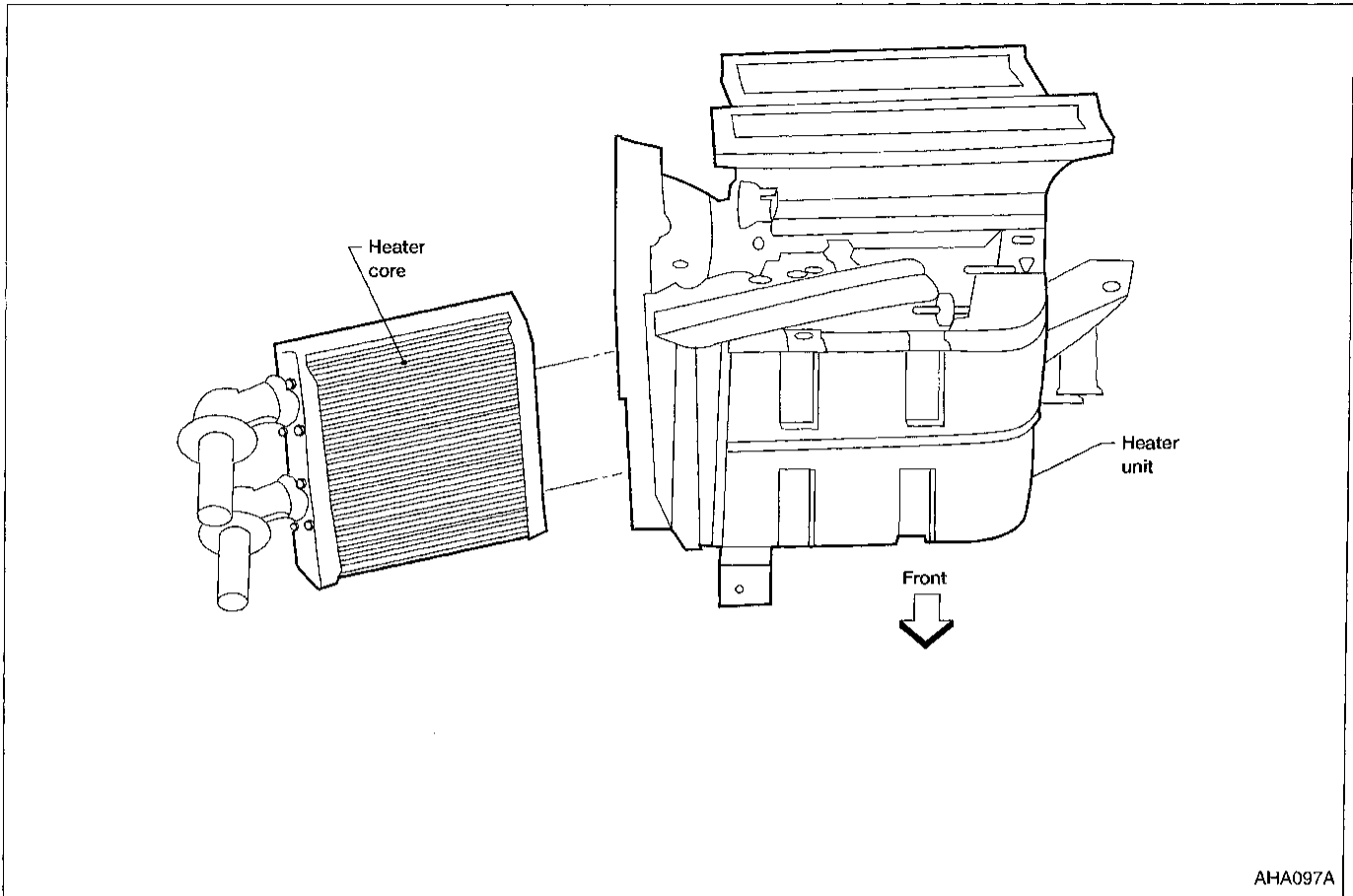
BT

HA

EL

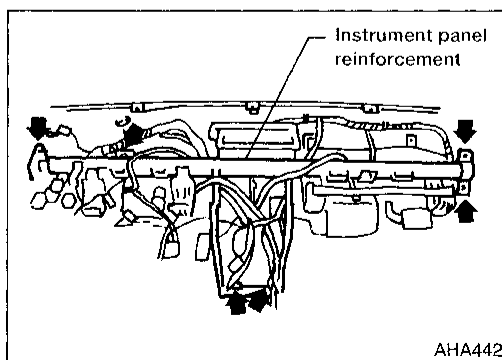
IDX

Heater Unit (Heater Core)



REMOVAL

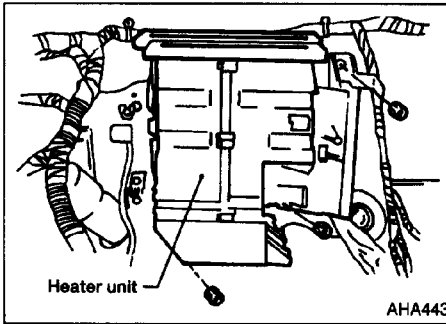
1. Drain cooling system. Refer to MA section ("Draining Engine Coolant", "ENGINE MAINTENANCE").
2. Discharge the A/C system. Refer to "DISCHARGING REFRIGERANT", HA-55.
3. Disconnect the heater hoses from the engine compartment.
4. Remove the instrument panel. Refer to BT section ("INSTRUMENT PANEL").



5. Remove the instrument panel reinforcement. Refer to BT section ("INSTRUMENT PANEL").
6. Remove the cooling unit. Refer to HA-65.

SERVICE PROCEDURES

Heater Unit (Heater Core) (Cont'd)

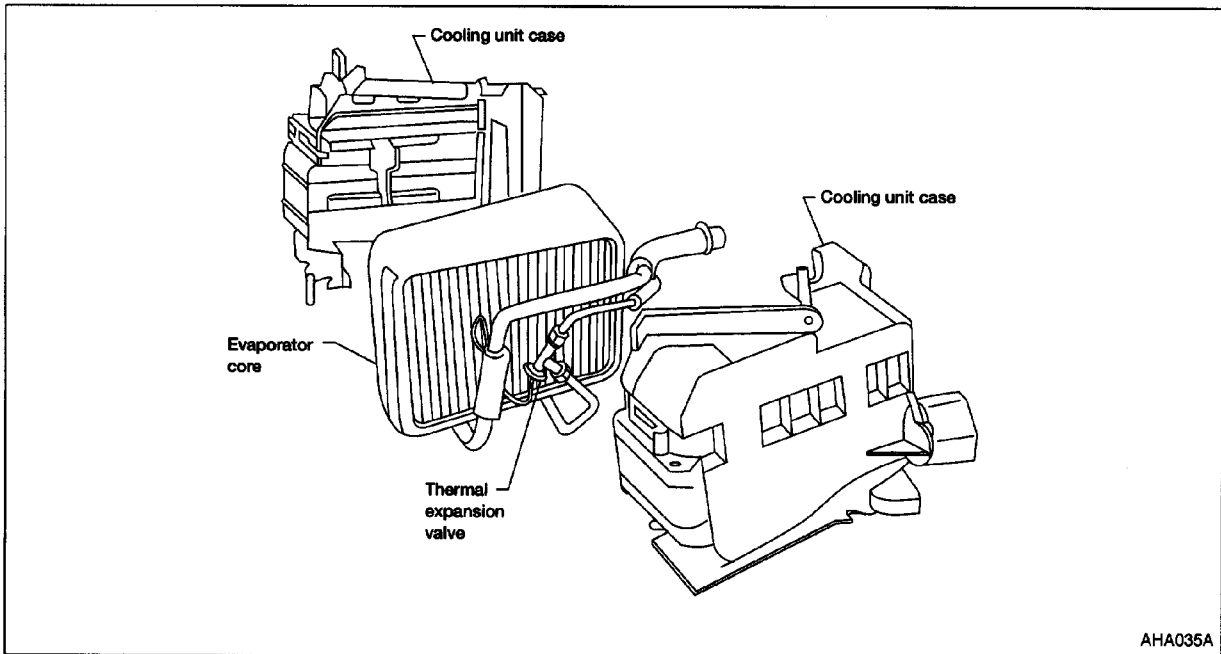


6. Remove the heater unit.
7. Remove the heater core.

INSTALLATION

- Installation is the reverse of removal. Inspect cooling system for leaks.
- Inspect A/C system for refrigerant leaks.

Cooling Unit



REMOVAL

(NOTE DELETED)

1. Discharge the A/C system. Refer to "DISCHARGING REFRIGERANT", HA-55.
2. Disconnect air conditioning lines from the engine compartment.
3. Remove the glove box and mating trim.
4. Disconnect thermo control amp.

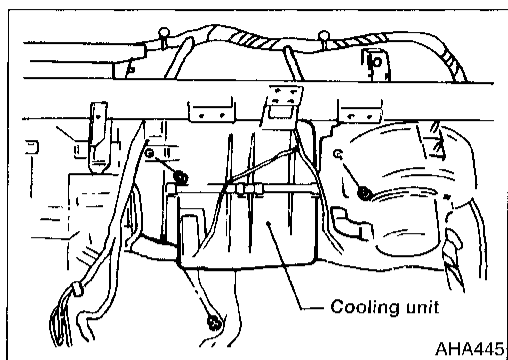
SMA98-062 '98 SENTRA/200SX AUGUST 1997 (05) SM8E-OB14UO

← ARROW INDICATES AMENDED INFORMATION

SERVICE PROCEDURES

Cooling Unit (Cont'd)

5. Remove the cooling unit.

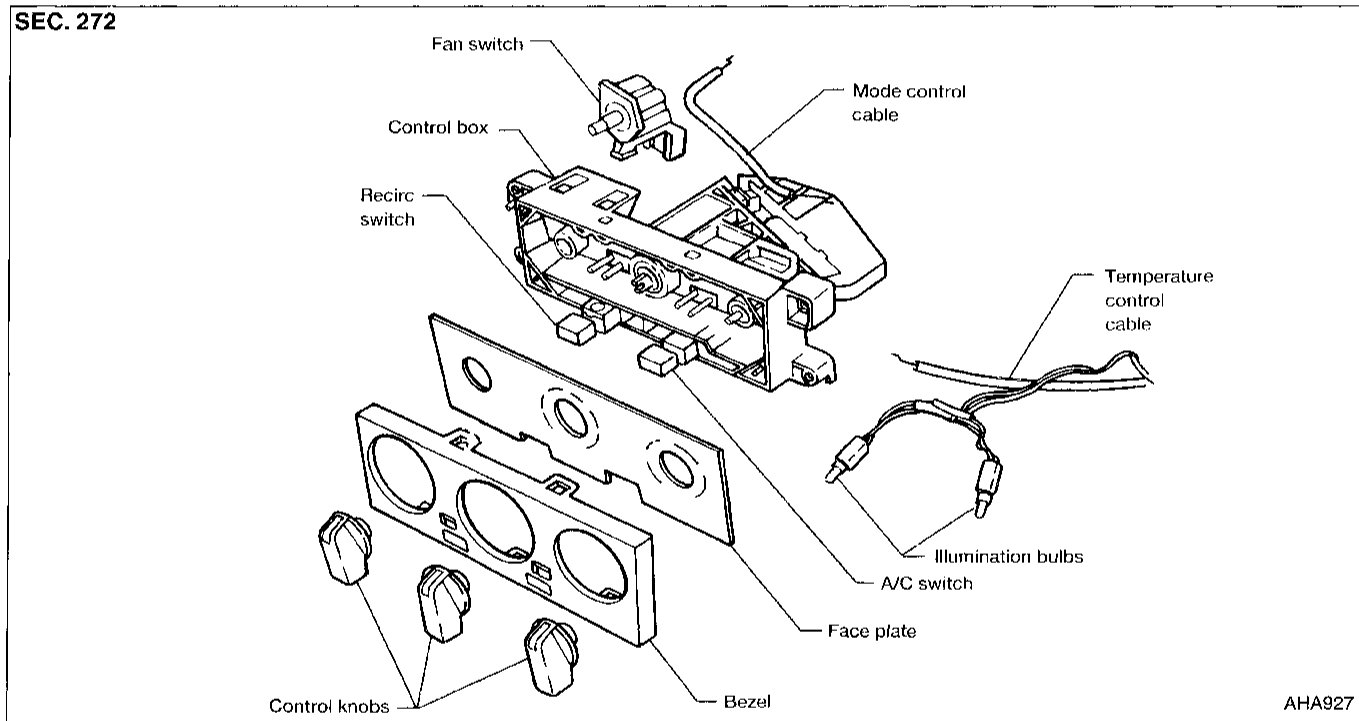


INSTALLATION

Installation is the reverse of removal.

- Inspect cooling system for leaks.
- Inspect A/C system for refrigerant leaks.

Control Assembly



Removal

- Refer to BT section ("INSTRUMENT PANEL").

SERVICE DATA AND SPECIFICATIONS (SDS)

General Specifications

COMPRESSOR

Model	DKV-14D
Type	Vane rotary
Displacement cm ³ (cu in)/Rev	140 (8.54)
Direction of rotation	Clockwise (Viewed from drive end)
Drive belt	Poly V type

LUBRICANT

Model	ZEXEL make DKV-14D
Name	Nissan A/C System Lubricant Type R
Part number	KLH00-PAGR0
Capacity m ^l (US fl oz, Imp fl oz)	
Total in system	200 (6.8, 7.0)
Compressor (Service parts) charging amount	200 (6.8, 7.0)

REFRIGERANT

Type	HFC-134a (R-134a)
Capacity kg (lb)	0.60 - 0.70 (1.32 - 1.54)

Inspection and Adjustment

ENGINE IDLE SPEED

When A/C is ON

- Refer to EC section ("Inspection and Adjustment", "SERVICE DATA AND SPECIFICATIONS").

BELT TENSION

- Refer to MA section ("Checking Drive Belts", "ENGINE MAINTENANCE").

COMPRESSOR

Model	DKV-14D
Clutch disc-to-pulley clearance mm (in)	0.3 - 0.6 (0.012 - 0.024)

GI

MA

EM

LC

EC

FE

CL

MT

AT

FA

RA

BR

ST

RS

BT

HA

EL

IDX