

SECTION **BT**

GI
MA
EM
LC
EC
FE
CL
MT
AT
PD
FA
RA
BR
ST
RS
BT
HA
EL
IDX

CONTENTS

PRECAUTIONS	2	EXTERIOR	22
Service Notice.....	2	SEAT	27
Supplemental Restraint System (SRS) "AIR BAG".....	2	Front Seat.....	27
GENERAL SERVICING	3	Rear Seat.....	29
Clip and Fastener	3	SUNROOF	30
BODY END	6	WINDSHIELD AND WINDOWS	34
Body Front End.....	6	Windshield and Rear Window	34
Body Rear End and Opener.....	8	Side Window.....	35
DOOR	10	MIRROR	36
Door Glass Fitting Adjustment.....	11	Door Mirror.....	36
INSTRUMENT PANEL	14	FRONT AND REAR AIR SPOILER	37
INTERIOR TRIM	17	Front Air Spoiler.....	37
Side and Floor Trim.....	17	Rear Air Spoiler	37
Door Trim.....	19	BODY ALIGNMENT	38
Roof Trim	20	Engine Compartment.....	38
Trunk Room Trim.....	21	Underbody	40

- ★ For seat belt, refer to MA and RS section.
- ★ For wiring diagrams of body electrical systems, refer to EL section.

PRECAUTIONS

Service Notice

- When removing or installing various parts, place a cloth or padding onto the vehicle body to prevent scratches.
- Handle trim, molding, instruments, grille, etc. carefully during removing or installing. Be careful not to soil or damage them.
- Apply sealing compound where necessary when installing parts.
- When applying sealing compound, be careful that the sealing compound does not protrude from parts.
- When replacing any metal parts (for example body outer panel, members, etc.), be sure to take rust prevention measures.

Supplemental Restraint System (SRS) “AIR BAG”

The Supplemental Restraint System “Air Bag”, used along with a seat belt, helps to reduce the risk or severity of injury to the driver and front passenger in a frontal collision. The Supplemental Restraint System consists of air bag modules (located in the center of the steering wheel and on the instrument panel on the passenger side), a diagnosis sensor unit, warning lamp, wiring harness and spiral cable. Information necessary to service the system safely is included in the **RS section** of this Service Manual.


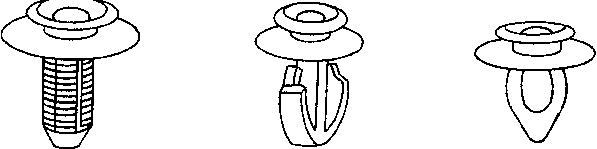
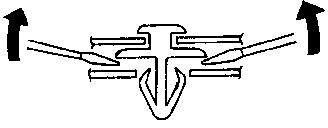

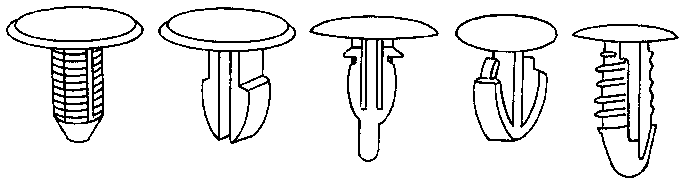
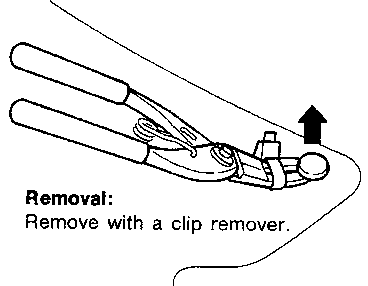

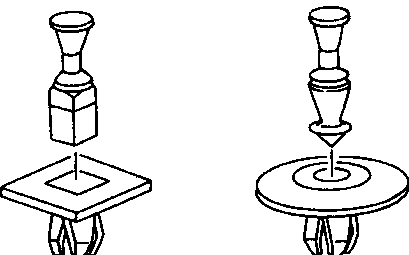
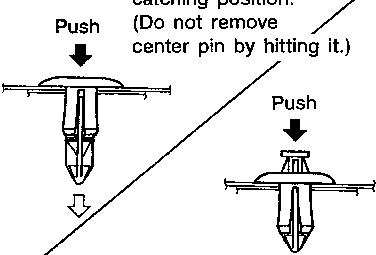
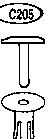
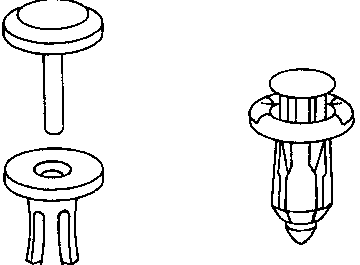
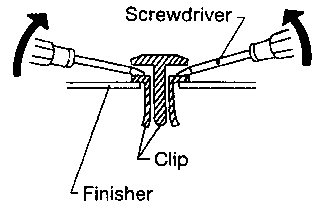
WARNING:

- **To avoid rendering the SRS inoperative, which could increase the risk of personal injury or death in the event of a collision which would result in air bag inflation, all maintenance must be performed by an authorized NISSAN dealer.**
- **Improper maintenance, including incorrect removal and installation of the SRS, can lead to personal injury caused by unintentional activation of the system.**
- **Do not use electrical test equipment on any circuit related to the SRS unless instructed to in this Service Manual. SRS wiring harnesses are covered with yellow insulation either just before the harness connectors or for the complete harness, for easy identification.**

GENERAL SERVICING

Clip and Fastener


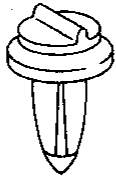
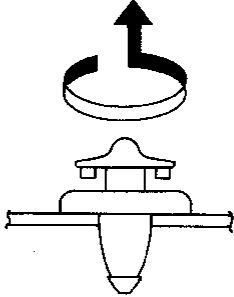

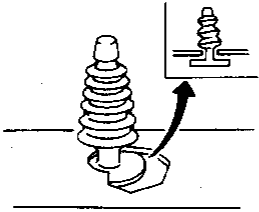
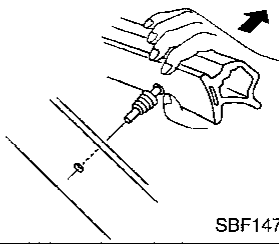

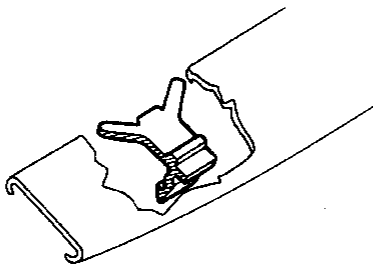
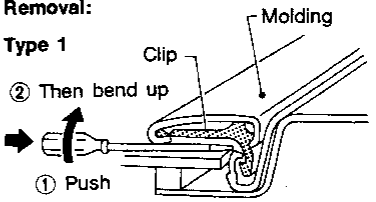
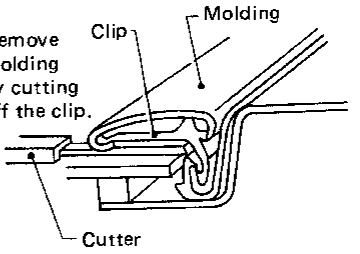

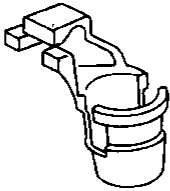
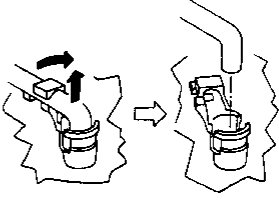
- Clips and fasteners in BT section correspond to the following numbers and symbols.
- Replace any clips and/or fasteners which are damaged during removal or installation.

Symbol No.	Shapes	Removal & Installation
	 <p style="text-align: right;">SBF302H</p>	<p>Removal: Remove by bending up with flat-bladed screwdrivers or clip remover.</p>  <p style="text-align: right;">SBF0F367BA</p>
	 <p style="text-align: right;">SBF303H</p>	 <p>Removal: Remove with a clip remover.</p> <p style="text-align: right;">SBF304H</p>
	 <p style="text-align: right;">SBF258G</p>	<p>Push center pin to catching position. (Do not remove center pin by hitting it.)</p>  <p>Installation:</p> <p style="text-align: right;">SBF708E</p>
	 <p style="text-align: right;">MBF518B</p>	<p>Removal:</p>  <p style="text-align: right;">SBF638C</p>

GI
MA
EM
LC
EC
FE
CL
MT
AT
PD
FA
RA
BR
ST
RS
BT
HA
EL
IDX


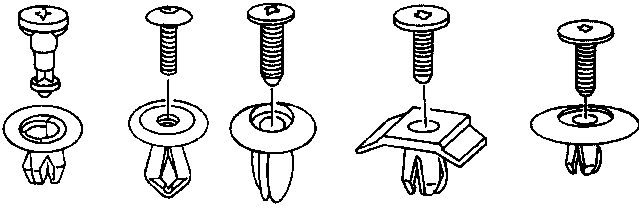
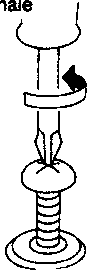
GENERAL SERVICING

Clip and Fastener (Cont'd)

Symbol No.	Shapes	Removal & Installation
 <p style="font-size: small;">C206</p>		 <p style="text-align: right; font-size: small;">MBF519B MBF520B</p>
 <p style="font-size: small;">CE103</p>		<p>Removal:</p>  <p style="text-align: right; font-size: small;">SBF104B SBF147B</p>
 <p style="font-size: small;">CE103</p>		<p>Removal:</p> <p>Type 1</p>  <p style="font-size: small;">② Then bend up ① Push</p> <p style="text-align: right; font-size: small;">SBF654B</p> <hr/> <p>Type 2</p> <p>Remove molding by cutting off the clip.</p>  <p style="font-size: small;">Cutter</p> <p style="text-align: right; font-size: small;">SBF653B SBF914B</p>
 <p style="font-size: small;">CR103</p>		<p>Removal:</p> <p>Holder portion of clip must be spread out to remove rod.</p>  <p style="text-align: right; font-size: small;">SBF768B SBF770B</p>

GENERAL SERVICING

Clip and Fastener (Cont'd)

Symbol No.	Shapes	Removal & Installation
	 <p style="text-align: right;">SBF078B</p>	<p>Removal:</p> <ol style="list-style-type: none"> 1. Screw out with a Phillips screwdriver. 2. Remove female portion with flat-bladed screwdriver.  <p style="text-align: right;">SBF992G</p>

GI
MA
EM
LC
EC
FE
CL
MT
AT
PD
FA
RA
BR
ST
RS
BT
HA
EL
IDX

Body Front End

- When removing or installing hood, place a cloth or other padding on hood. This prevents vehicle body from being scratched.
- Bumper fascia is made of plastic. Do not use excessive force and be sure to keep oil away from it.
- Hood adjustment: Adjust at hinge portion.
- Hood lock adjustment: After adjusting, check hood lock control operation. Apply a coat of grease to hood locks engaging mechanism.
- Hood opener: Do not attempt to bend cable forcibly. Doing so increases effort required to unlock hood.

REMOVAL — Front bumper assembly

- ① Remove nuts securing bumper fascia to front air spoiler.
- ② Remove clips **C203** and screws left and right side of fender protector front.
- ③ Remove bolts securing bumper fascia to engine undercover.
- ④ Remove clips **C5107** securing front grille.
- ⑤ Remove screws securing each side of clearance lamp.
- ⑥ Remove clip **C205** securing hood lock stay to bumper fascia.
- ⑦ Remove fog lamp cover. Remove bolts securing fog lamp assembly.
- ⑧ Remove bolts and nuts securing headlamps.
- ⑨ Remove left and right screws securing bumper fascia to fender.
- ⑩ Remove left and right bolts securing bumper fascia to bumper side bracket.
- ⑪ Remove bolts securing bumper fascia bracket to bumper fascia.
- ⑫ Remove bumper fascia assembly.
- ⑬ Remove energy absorber.
- ⑭ Remove left and right nuts securing bumper fascia bracket to radiator core support side.
- ⑮ Remove bolts and nuts securing bumper stay to bumper bracket.
- ⑯ Remove bumper reinforcement assembly.

BODY END

Body Front End (Cont'd)

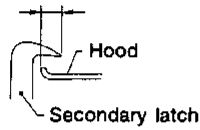
**SEC. 260-261-262-263-
620-623-630-650-747**

Hood lock adjustment

- Adjust hood so that hood primary lock meshes at a position 1 to 1.5 mm (0.039 to 0.059 in) lower than fender.
- After hood lock adjustment, adjust bumper rubber.
- When securing hood lock, ensure it does not tilt. Striker must be positioned at the center of hood primary lock.
- After adjustment, ensure that hood primary and secondary lock operate properly.

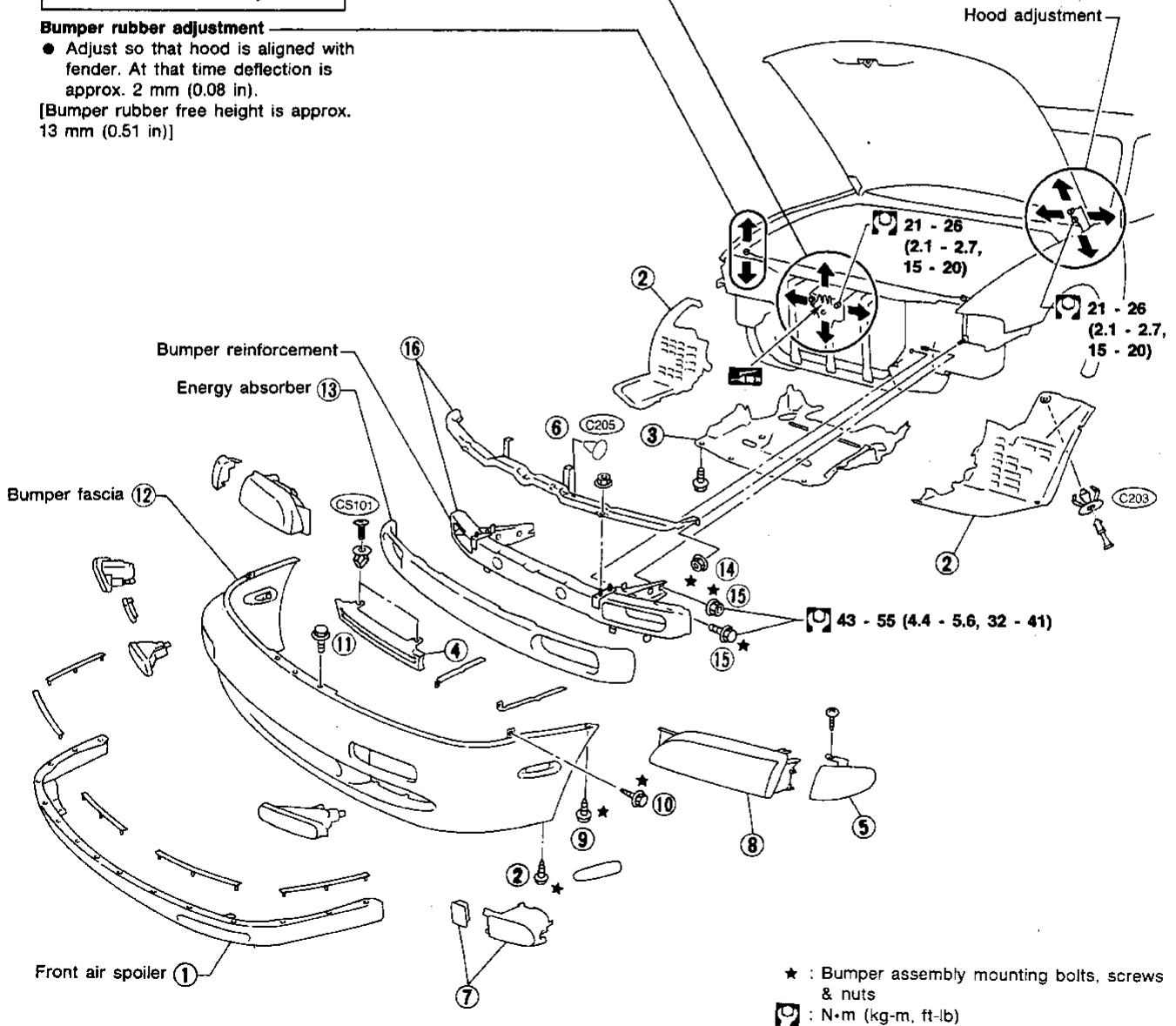
Hood lock secondary latch hooking length

More than 5.0 mm (0.197 in)



Bumper rubber adjustment

- Adjust so that hood is aligned with fender. At that time deflection is approx. 2 mm (0.08 in).
- [Bumper rubber free height is approx. 13 mm (0.51 in)]



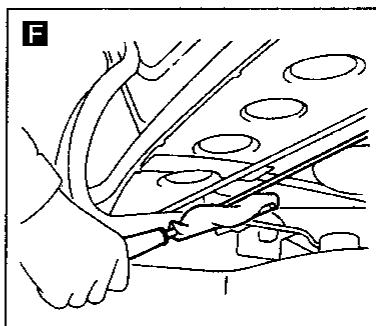
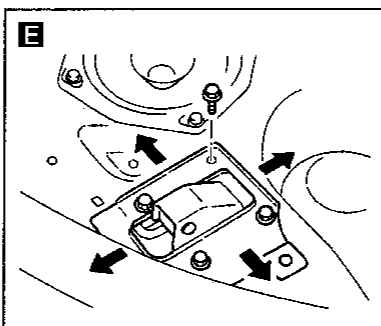
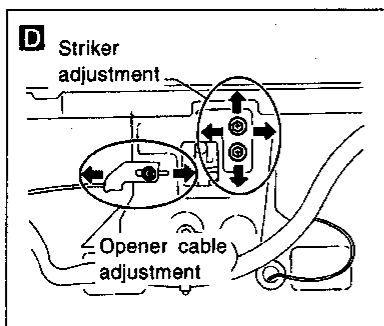
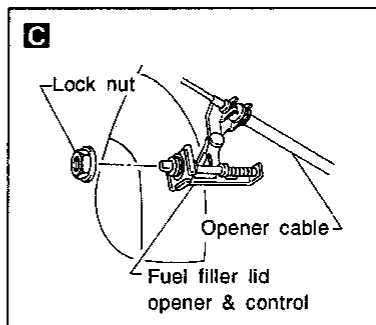
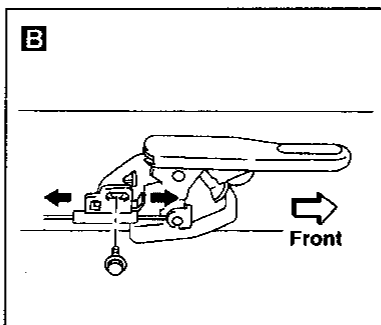
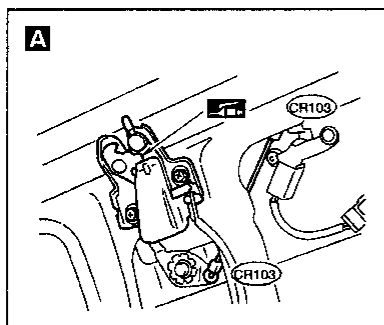
GI
 MA
 EM
 LC
 EC
 FE
 CL
 MT
 AT
 PD
 FA
 RA
 BR
 ST
 RS
 BT
 HA
 EL
 IDX

Body Rear End and Opener

- When removing or installing trunk lid, place a cloth or other padding on trunk lid. This prevents vehicle body from being scratched.
- Trunk lid adjustment: Adjust at hinge-trunk lid portion for proper trunk lid fit.
- Trunk lid lock system adjustment: Adjust striker so that it is in the center of the lock. After adjustment, check trunk lid lock operation.
- Opener cable: do not attempt to bend cable using excessive force.
- After installation, make sure that trunk lid and fuel filler lid open smoothly.

REMOVAL — Rear bumper assembly

- ① Remove screws from lower side of each side bumper.
- ② Remove clips (CS10) from lower side of bumper fascia.
- ③ Remove clips (C26) from upper side of bumper fascia.
- ④ Remove screws and clip (C28) securing license plate to bumper fascia.
- ⑤ Remove trunk room trim. Refer to "Trunk Room Trim" in "INTERIOR TRIM" for details, BT-21.
- ⑥ Working inside trunk, remove nuts securing left and right rear fenders to bumper fascia.
- ⑦ Working inside trunk, remove nuts securing left and right rear panels to bumper fascia.
- ⑧ Remove bumper fascia assembly.
- ⑨ Working inside trunk, remove left and right plugs from floor, then remove bolts.
- ⑩ Remove bumper reinforcement.

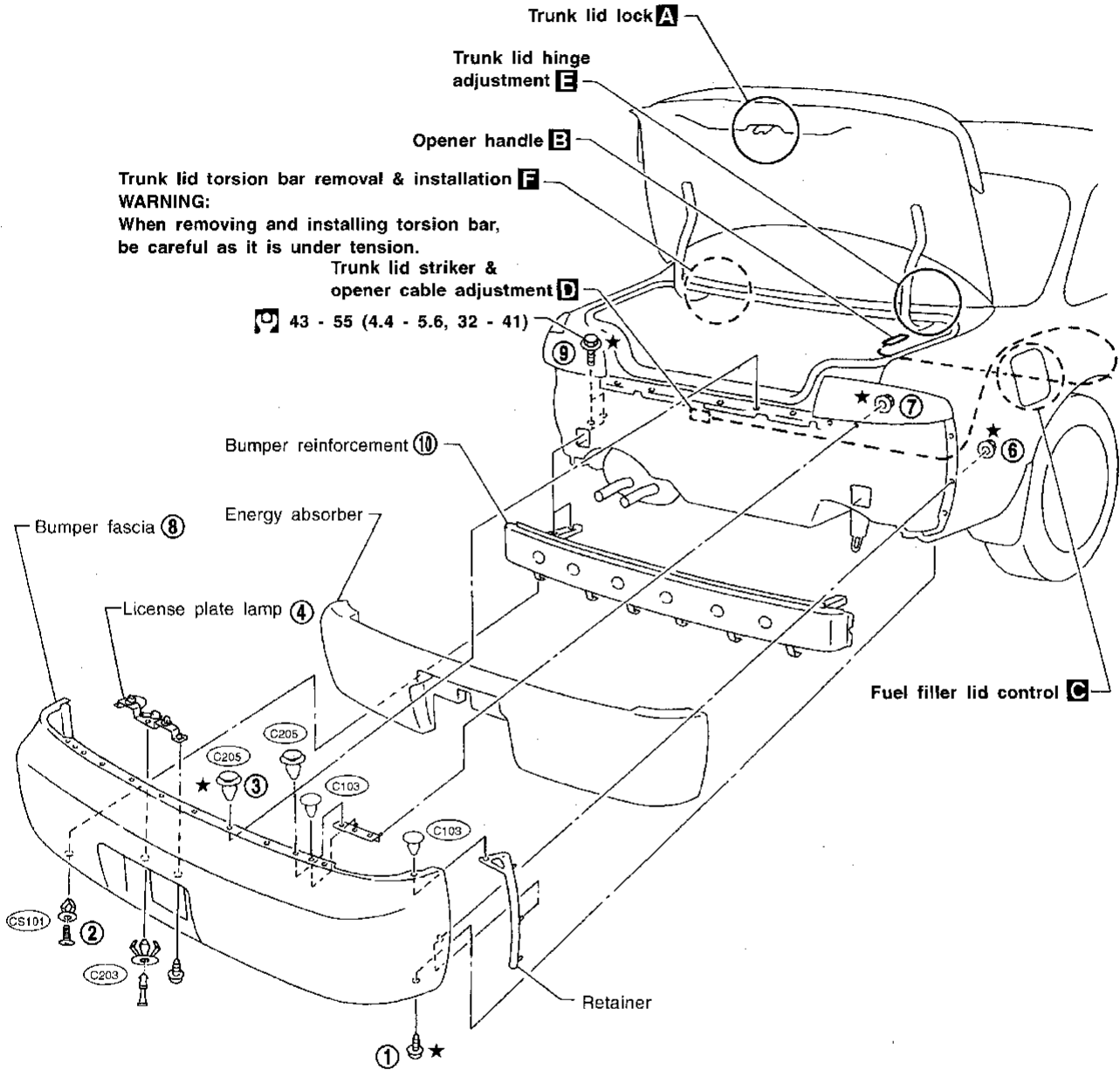


SBT123

BODY END

Body Rear End and Opener (Cont'd)

SEC. 843•850



Trunk lid torsion bar removal & installation F
WARNING:
 When removing and installing torsion bar,
 be careful as it is under tension.

Trunk lid striker & opener cable adjustment D
 43 - 55 (4.4 - 5.6, 32 - 41)

Fuel filler lid control C

★ : Bumper assembly mounting bolts, nuts and clips

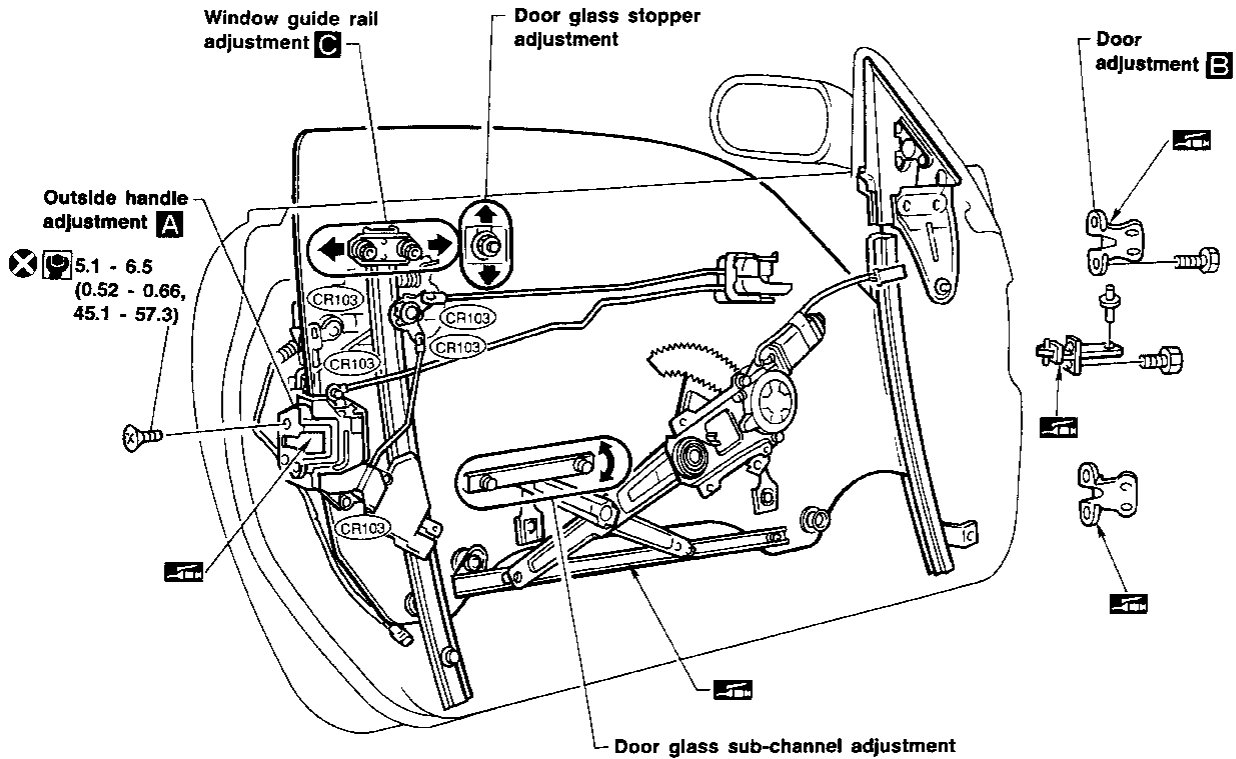
☞ : N·m (kg-m, ft-lb)

GI
 MA
 EM
 LC
 EC
 FE
 CL
 MT
 AT
 PD
 FA
 RA
 BR
 ST
 RS
 BT
 HA
 EL
 IDX

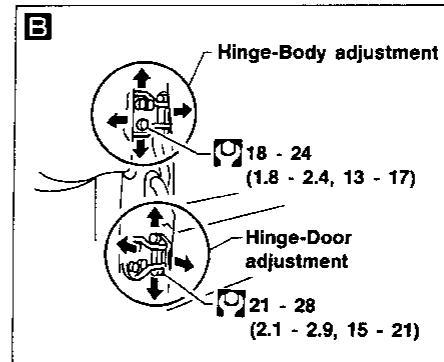
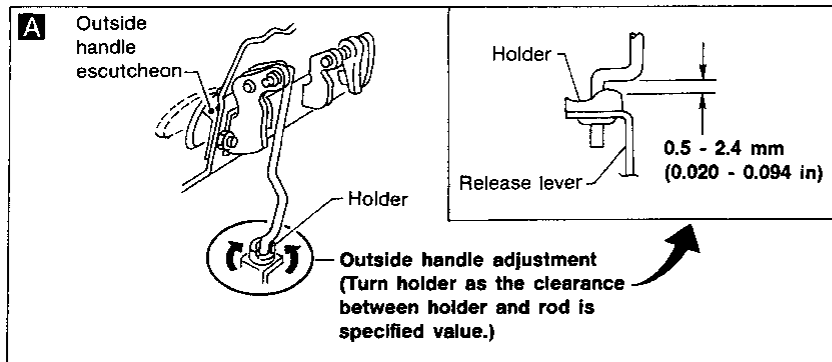
DOOR

- For removal of door trim. Refer to "Door Trim" in "INTERIOR TRIM" for details, BT-19.
- After adjusting door or door lock, check door lock operation.

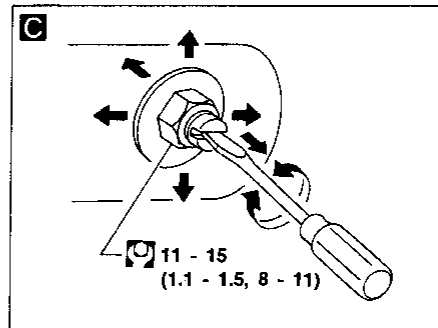
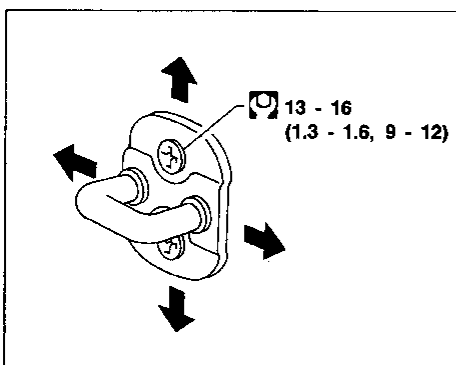
SEC. 800-803-805



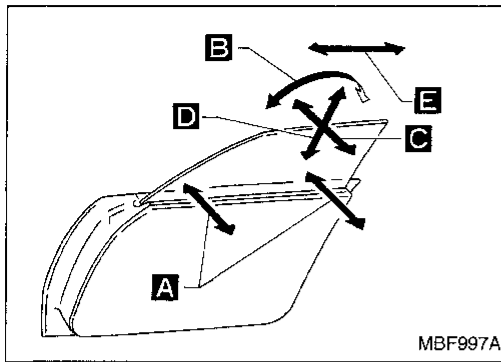
: N·m (kg-m, in-lb)
 : N·m (kg-m, ft-lb)



Striker adjustment



DOOR



Door Glass Fitting Adjustment

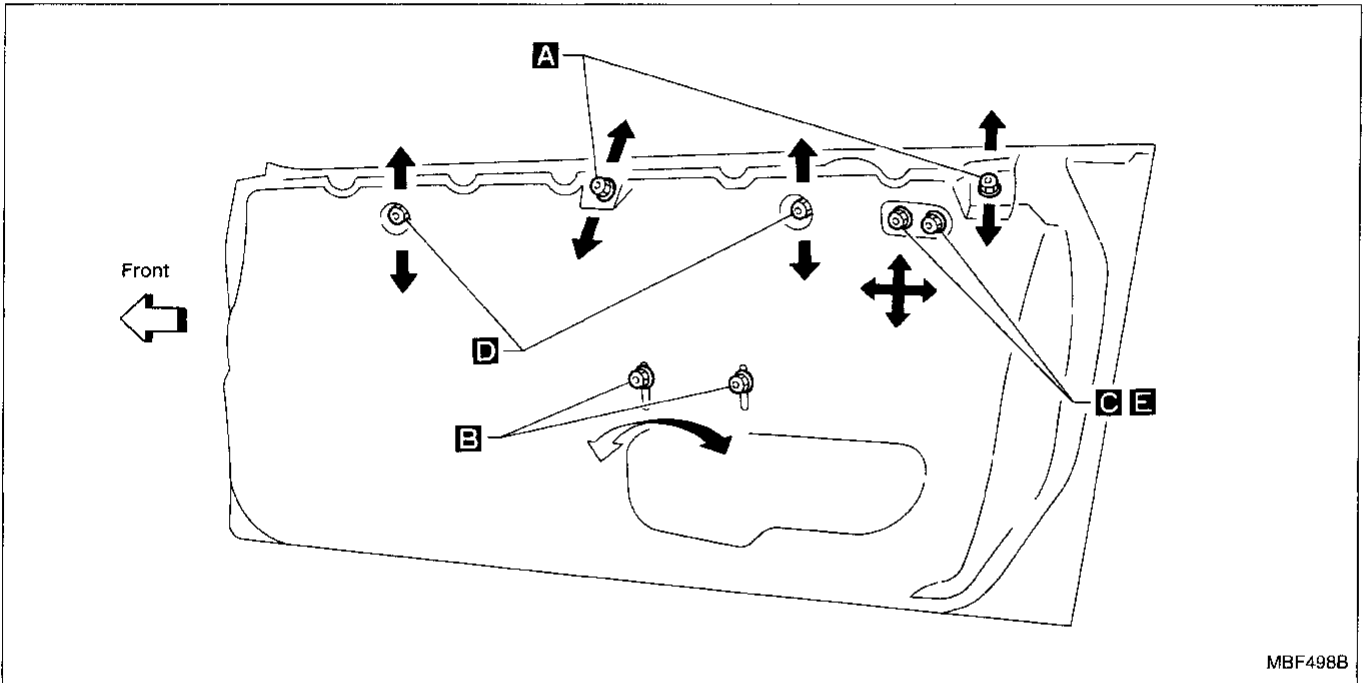
The door glass is properly adjusted using the following five methods:

- A** In-out adjustment (at the glass waist)
- B** Fore-aft tilt adjustment
- C** In-out tilt adjustment (at the glass upper stop)
- D** Up-stop adjustment
- E** Fore-aft adjustment

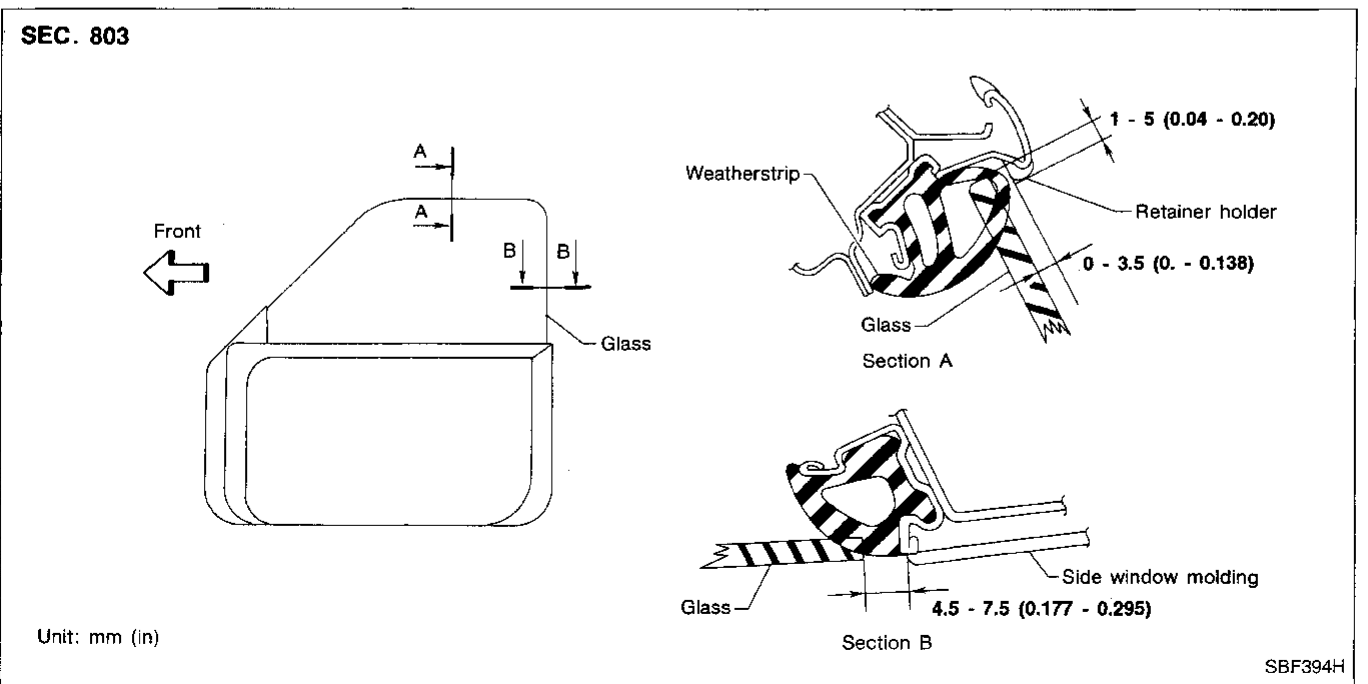
NOTICE:

When adjusting the door glass, it is not necessary to remove the outside door molding.

Adjustment locations



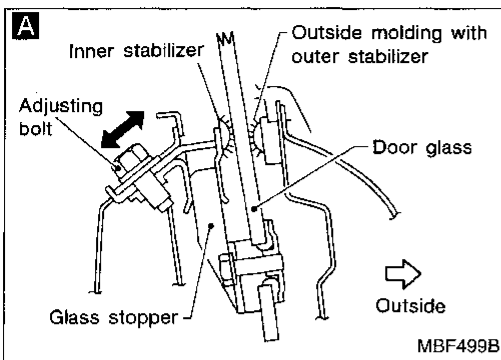
Adjustment standard clearance



GI
MA
EM
LC
EC
FE
CL
MT
AT
PD
FA
RA
BR
ST
RS
BT
HA
EL
IDX

DOOR

Door Glass Fitting Adjustment (Cont'd)

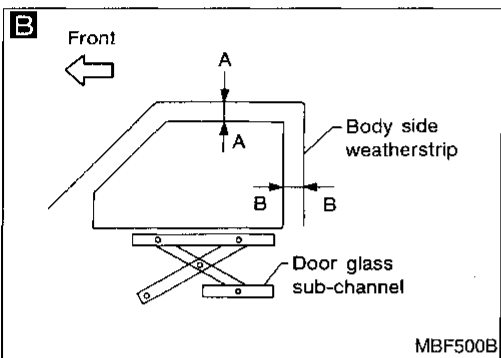


A IN-OUT ADJUSTMENT (at the glass waist)

1. Raise door glass until glass stopper is in contact with inner stabilizer, just before the window stops.
2. Loosen adjusting bolts.
3. Lightly press door glass upper end outward so that glass outer surface contacts outer stabilizer. With glass held in that position, press inner stabilizer to glass inner surface and tighten adjusting bolt.

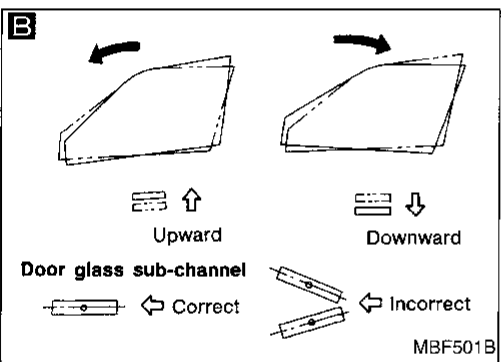
CAUTION:

Make sure nap portions of stabilizers are clean and free from oil, grease, etc.



B FORE-AFT TILT ADJUSTMENT

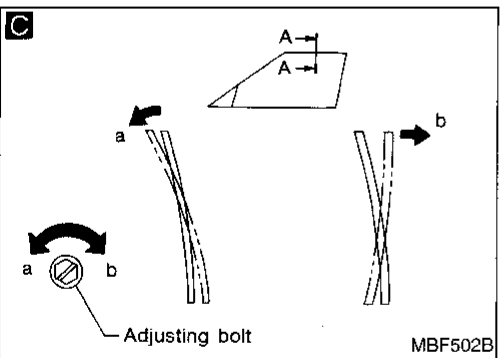
- Adjust front glass sub-channel so that specified dimensions A-A and B-B are obtained at the glass and retainer holder/body side weatherstrip location.



- For sub-channel adjustment procedures, refer to figure at left as a guide.

CAUTION:

- Make sure door glass sub-channel is horizontal.
- The fore-aft tilt adjustment must be made at the same time the fore-aft adjustment **B** is made.

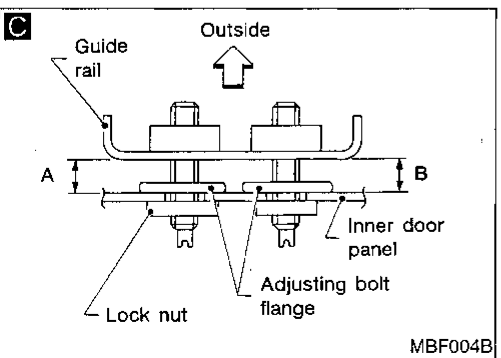


C IN-OUT TILT ADJUSTMENT (at glass upper stop)

1. Adjust door glass-to-holder clearance to 0 - 3.5 mm (0 - 0.138 in) (A) with the adjusting bolts.

CAUTION:

- Turn adjusting bolt clockwise to move door glass upper end outward.
- Turn adjusting bolt counterclockwise to move door glass upper end inward.



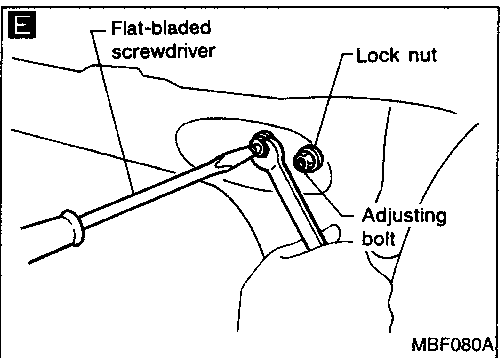
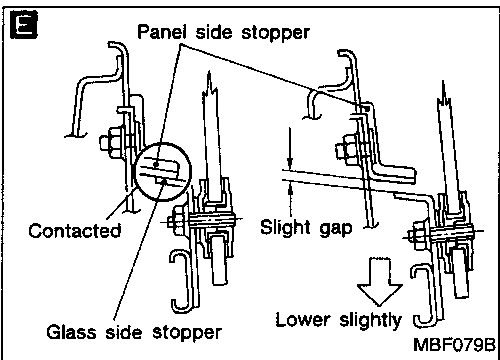
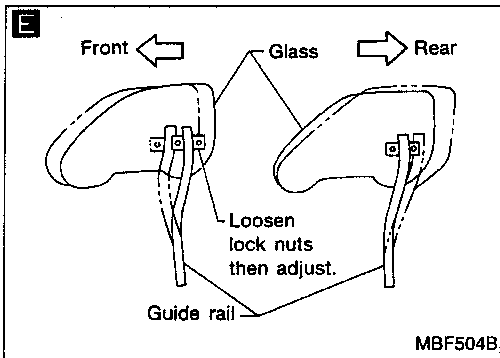
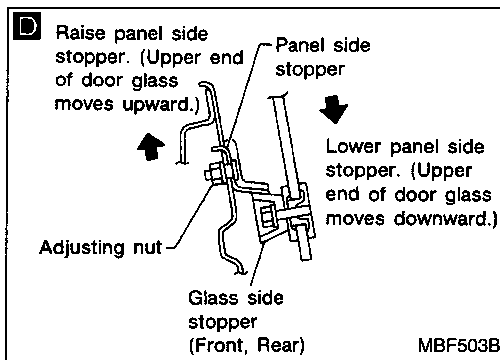
- For sub-channel adjustment procedures, refer to figure at left as a guide.

CAUTION:

- Make sure door glass sub-channel is horizontal.
- The fore-aft tilt adjustment must be made at the same time the fore-aft adjustment **B** is made.

DOOR

Door Glass Fitting Adjustment (Cont'd)



D UP-STOP ADJUSTMENT

1. Adjust panel stopper height so that clearance at upper edge of door is standard measurement (A). Make sure front and rear glass stoppers lightly contact front and rear panel stoppers, then tighten adjusting nuts.
2. If stoppers do not contact each other, adjust sub-channel nut. Refer to "**E** Fore-aft tilt adjustment".
3. Open and close doors to make sure upper end of door glass does not contact holder.

E FORE-AFT ADJUSTMENT

1. Adjust guide rail in the fore-aft direction so that clearance between upper edge of door glass and holder is constant at the midpoint of holder (specified dimension A) when door is closed or opened.
2. If outer perimeter of door glass interferes with holder when door is opened or closed, refer to "**E** Fore-aft tilt adjustment" for procedures.

CAUTION:

When loosening guide rail lock nut, prevent adjusting bolt from turning by holding it with a standard screwdriver.

3. Lower the glass slightly until the glass side stopper comes off the panel side stopper.

CAUTION:

Do not lower the glass excessively.

- After completing door glass adjustment, retighten all lock nuts.

CAUTION:

While tightening lock nuts, hold adjusting bolts using a standard screwdriver to prevent them from turning.

GI

MA

EM

LC

EC

FE

CL

MT

AT

PD

FA

RA

BR

ST

RS

BT

HA

EL

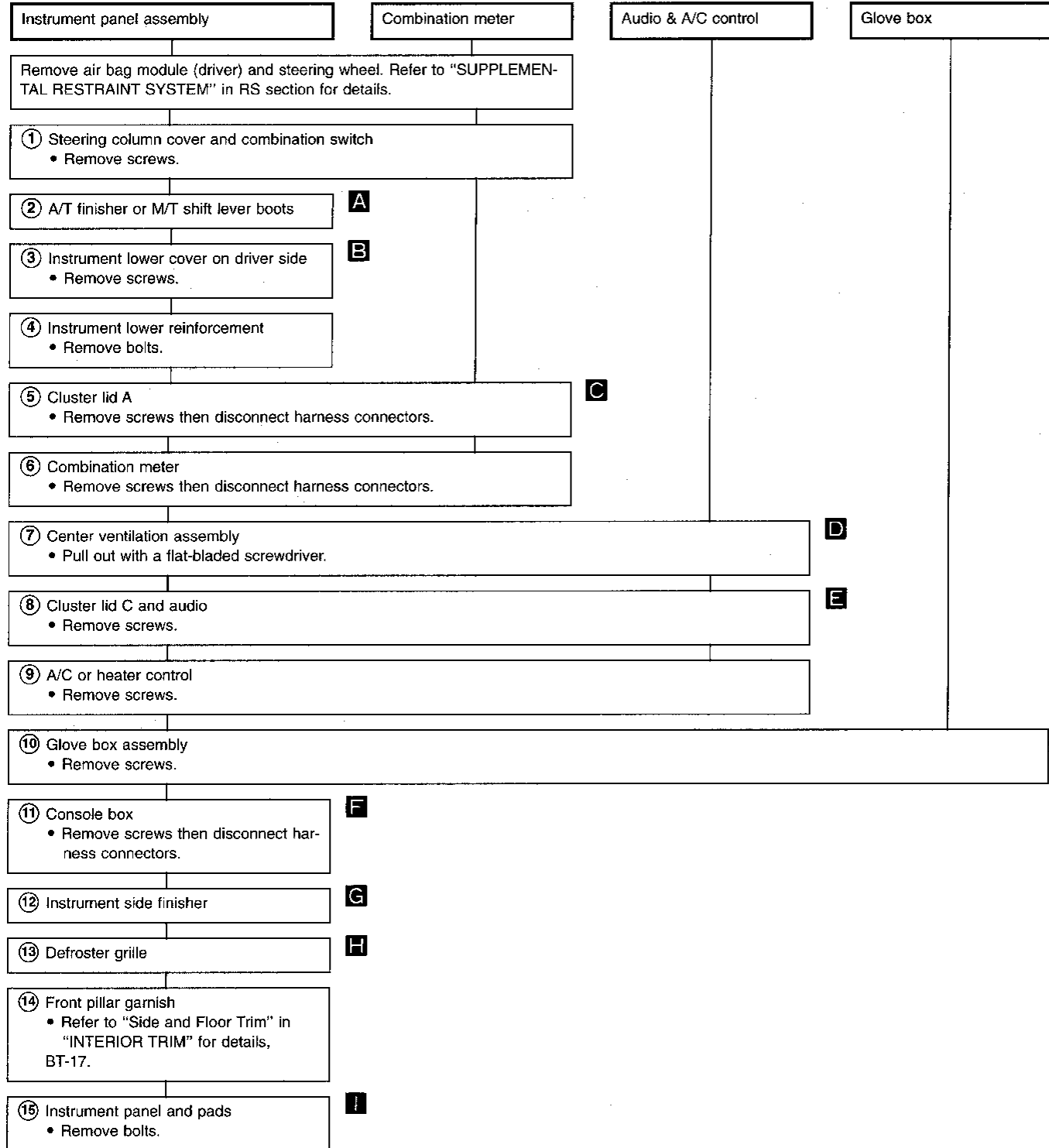
IDX

INSTRUMENT PANEL

CAUTION:

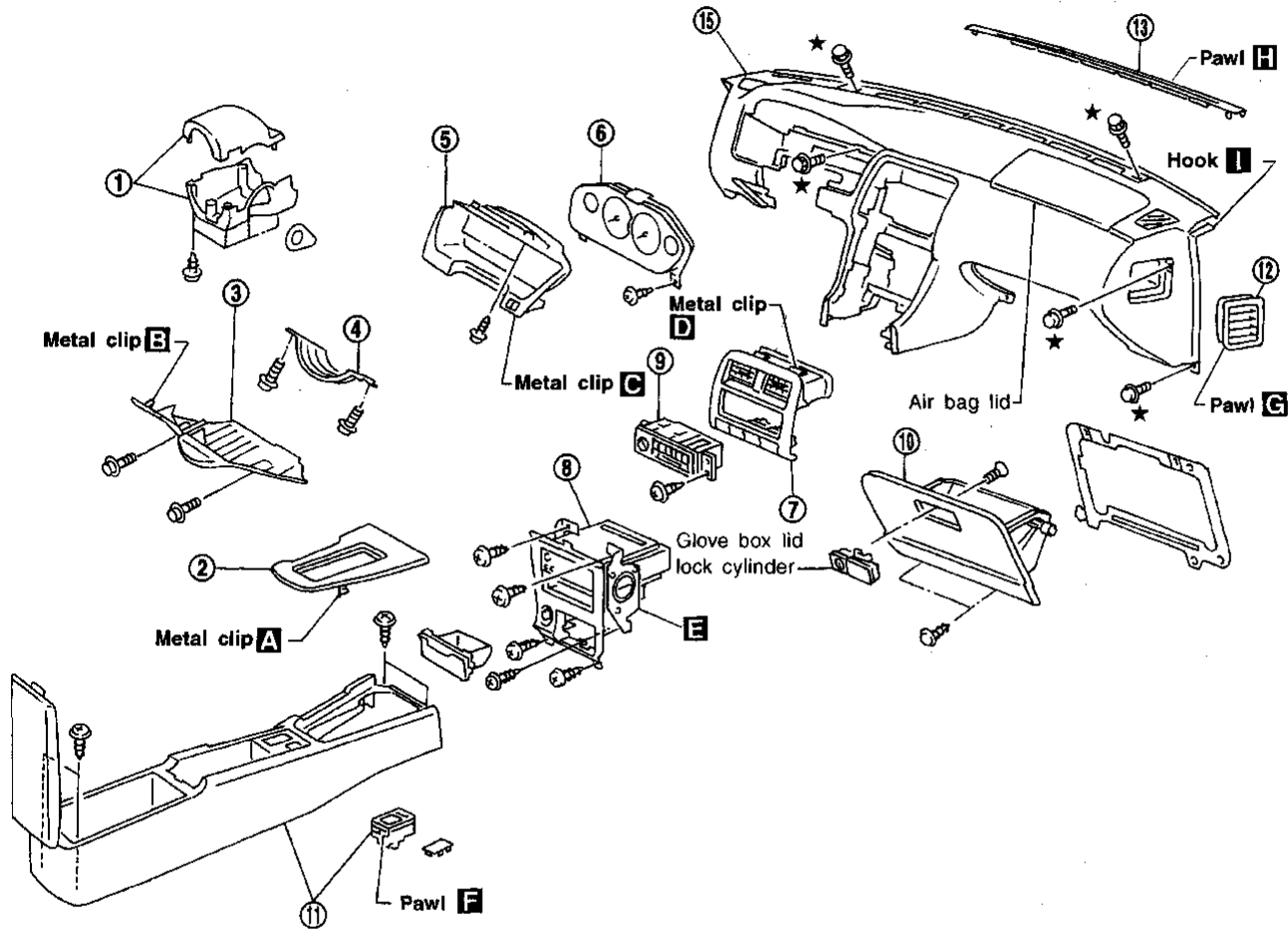
- Disconnect ground terminal from battery in advance.
- Disconnect air bag system line in advance.
- Never tamper with or force air bag lid open, as this may adversely affect air bag performance.
- Be careful not to scratch pad and other parts.

REMOVAL — Instrument panel assembly

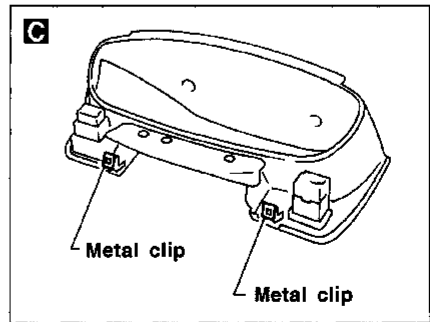
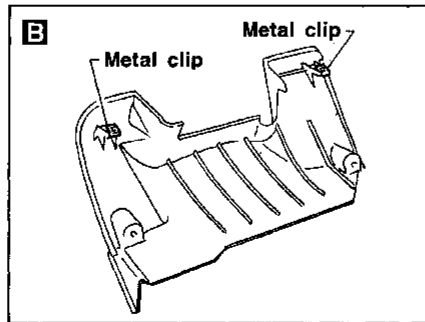
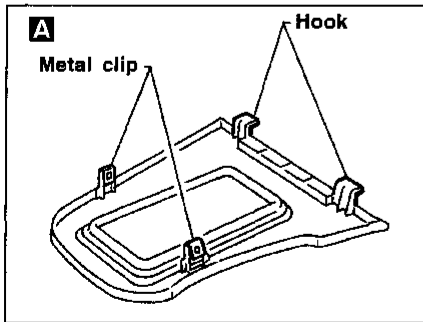


INSTRUMENT PANEL

SEC. 248•487•680•685•969

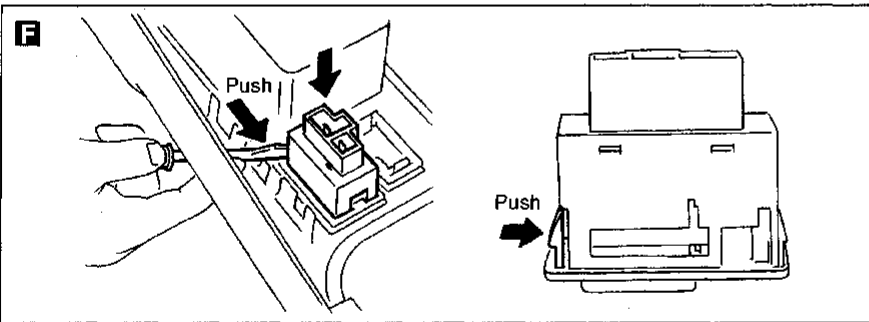
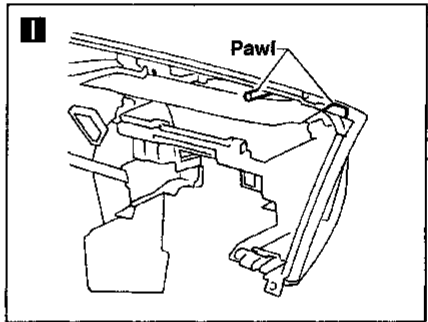
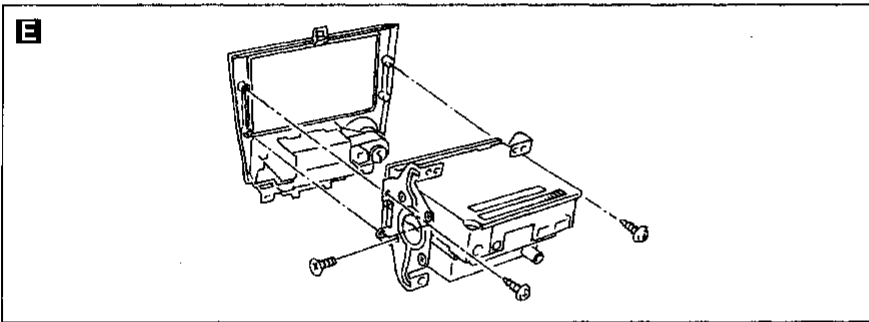
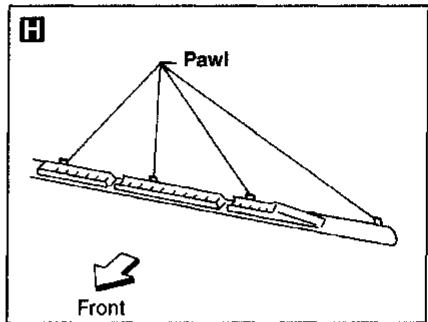
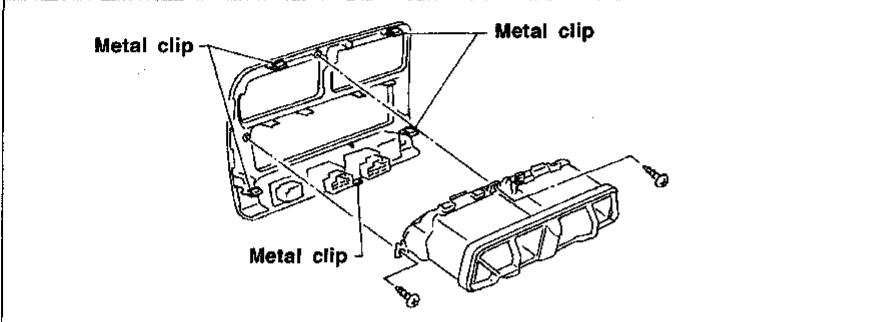
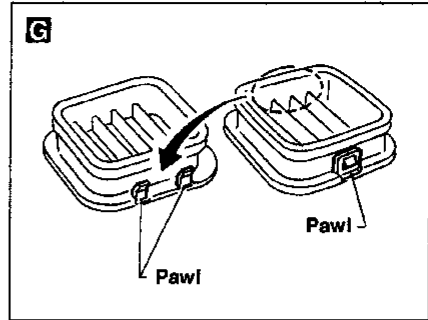
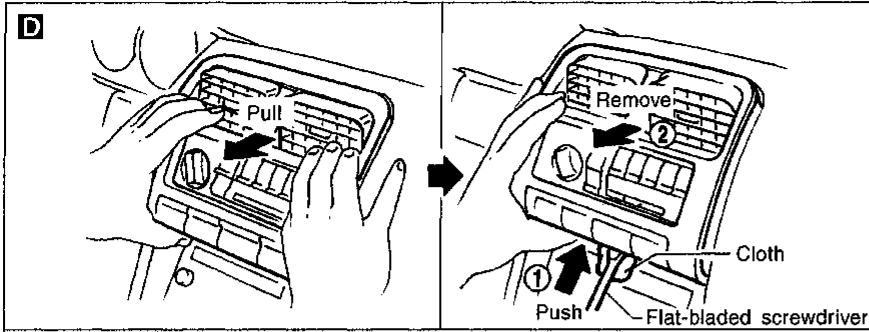


★ : Instrument panel assembly mounting bolts



GI
MA
EM
LC
EC
FE
CL
MT
AT
PD
FA
RA
BR
ST
RS
BT
HA
EL
IDX

INSTRUMENT PANEL



INTERIOR TRIM

Side and Floor Trim

CAUTION:

Wrap the tip of flat-bladed screwdriver with a cloth when removing metal clips from garnishes.

REMOVAL — Body side trim

- ① Remove front and rear seat. Refer to "SEAT" for details, BT-27.
- ② Remove dash side finisher.
- ③ Remove kicking plate.
- ④ Remove front pillar garnish.
- ⑤ Remove rear side finisher.
- ⑥ Remove rear pillar finisher.
- ⑦ Remove rear parcel shelf.
- ⑧ Remove seat back finisher welt. Refer to "Trunk Room Trim" in "INTERIOR TRIM" for details, BT-21.
- ⑨ Remove seat back finishers (Right, Center, Left).

GI

MA

EM

LC

EC

FE

CL

MT

AT

PD

FA

RA

BR

ST

RS

BT

HA

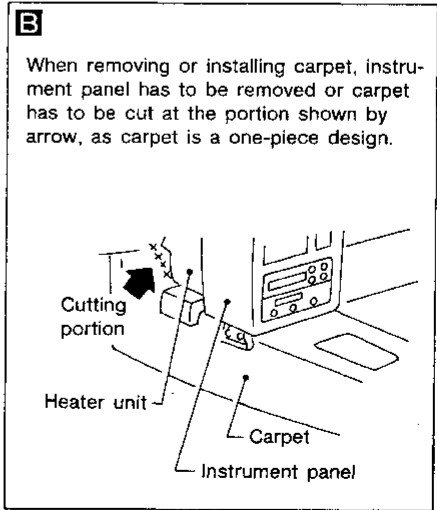
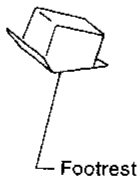
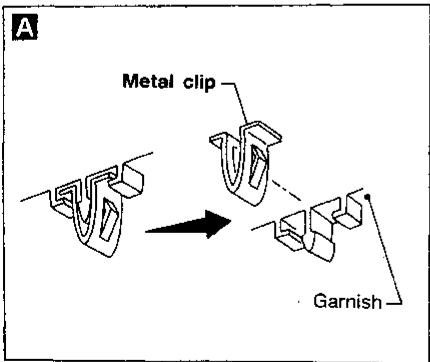
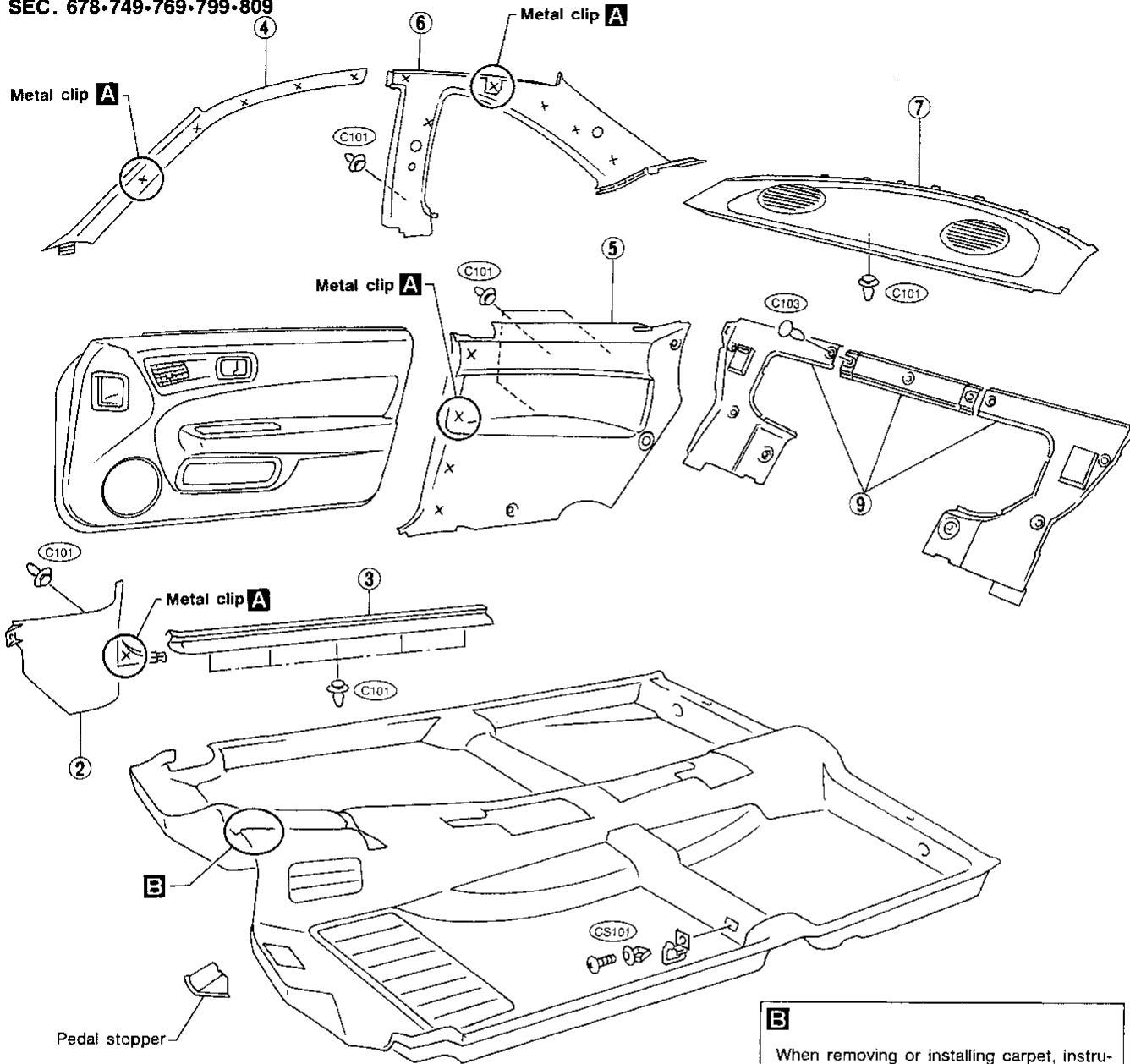
EL

IDX

INTERIOR TRIM

Side and Floor Trim (Cont'd)

SEC. 678-749-769-799-809



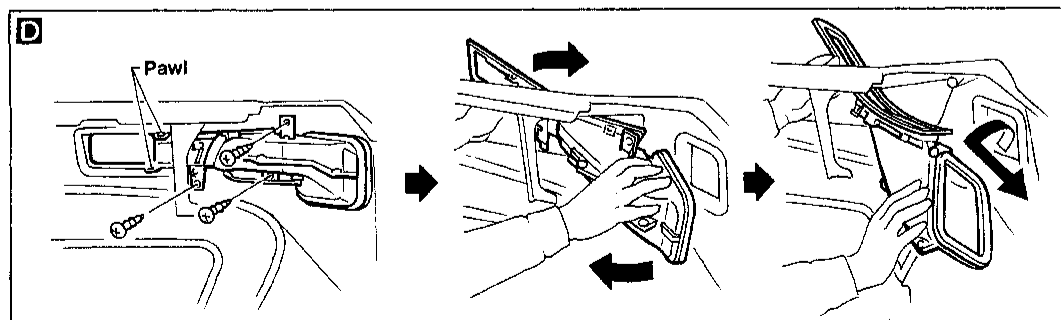
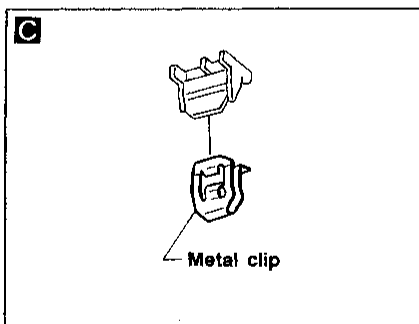
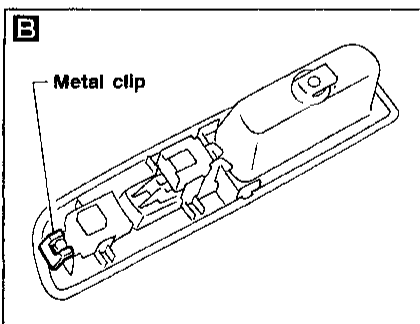
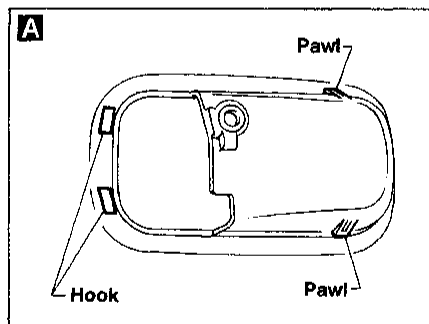
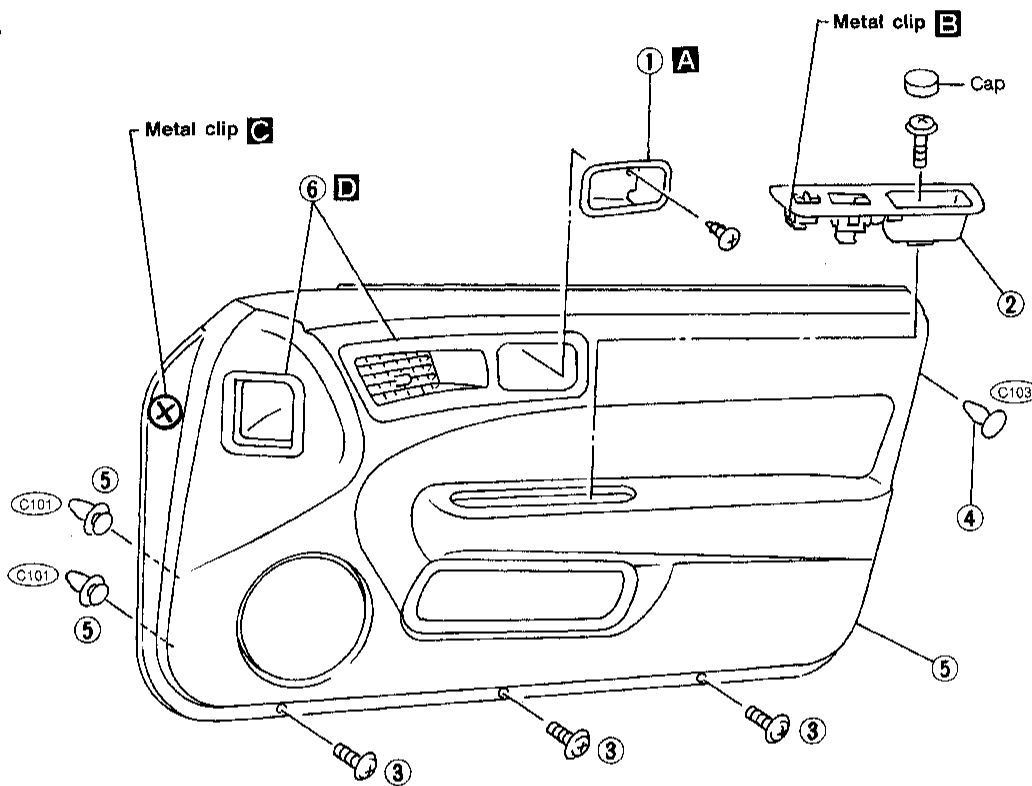
INTERIOR TRIM

Door Trim

REMOVAL — Door trim

- ① Remove screws securing inside handle escutcheon **A** .
- ② Remove power window switch **B** .
- ③ Remove screws securing door finisher.
- ④ Remove clips securing door finisher.
- ⑤ Pull door finisher to remove clips **C101** and metal clips **C** from door panel and remove door finisher. Disconnect main and door harnesses.
- ⑥ Remove ventilator grille and ventilator duct assembly from door finisher **D** .

SEC. 809



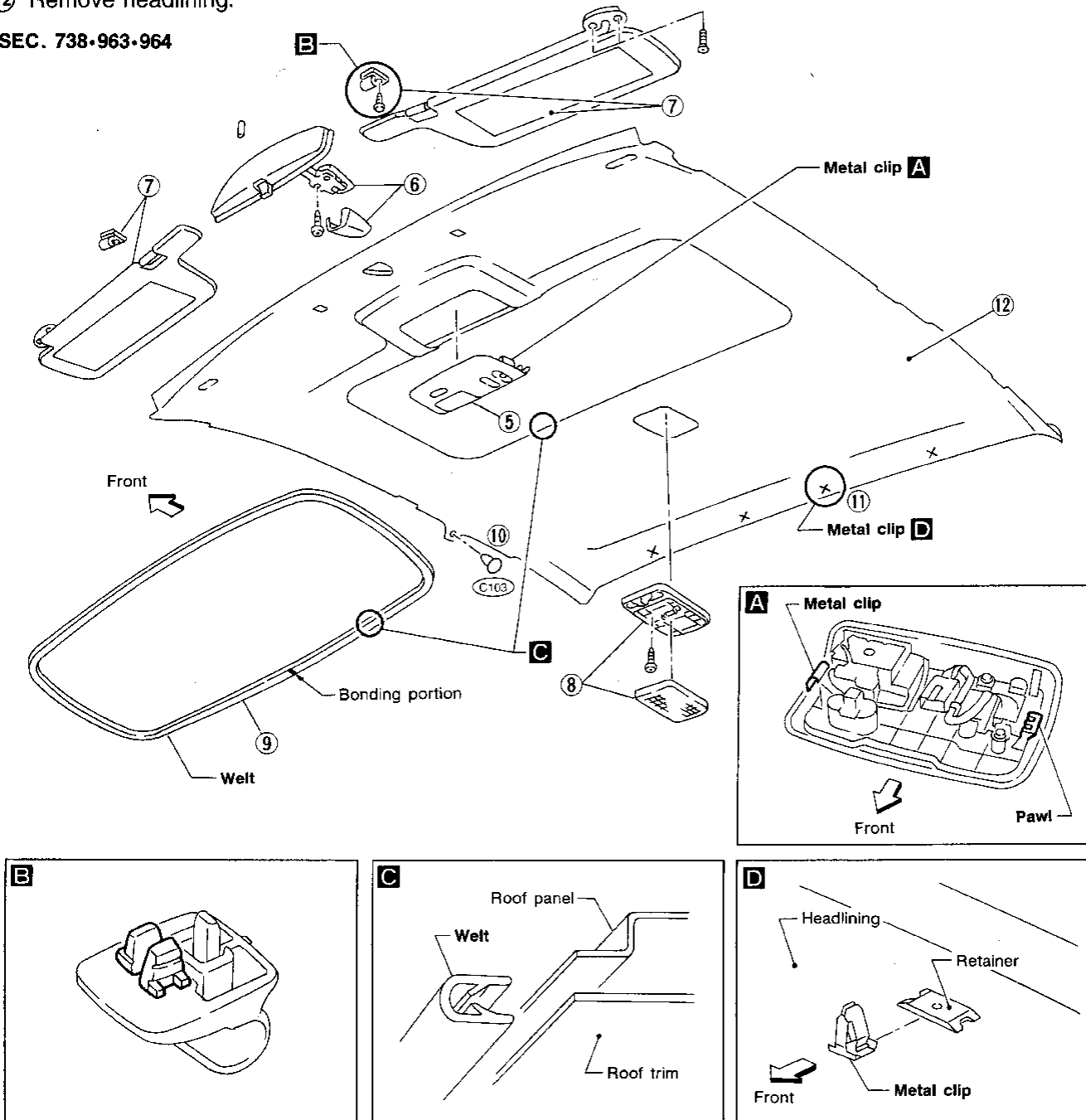
GI
MA
EM
LC
EC
FE
CL
MT
AT
PD
FA
RA
BR
ST
RS
BT
HA
EL
IDX

Roof Trim

REMOVAL — Headlining

- ① Remove rear seat. Refer to "Rear Seat" in "SEAT" for details, BT-29.
- ② Remove seat belt adjuster cover over anchor bolt.
- ③ Remove front and rear seat belts. Refer to "SEAT BELTS" in RS section for details.
- ④ Remove body side trim. Refer to "Side and Floor Trim" in "INTERIOR TRIM" for details, BT-17.
- ⑤ Remove sunroof switch **A**.
- ⑥ Remove inside mirror assembly.
- ⑦ Remove sun visors **B**.
- ⑧ Remove interior lamp assembly.
- ⑨ Remove sunroof welt **C**.
- ⑩ Remove clips **C103** securing each side of headlining.
- ⑪ Remove metal clips securing headlining **D**.
- ⑫ Remove headlining.

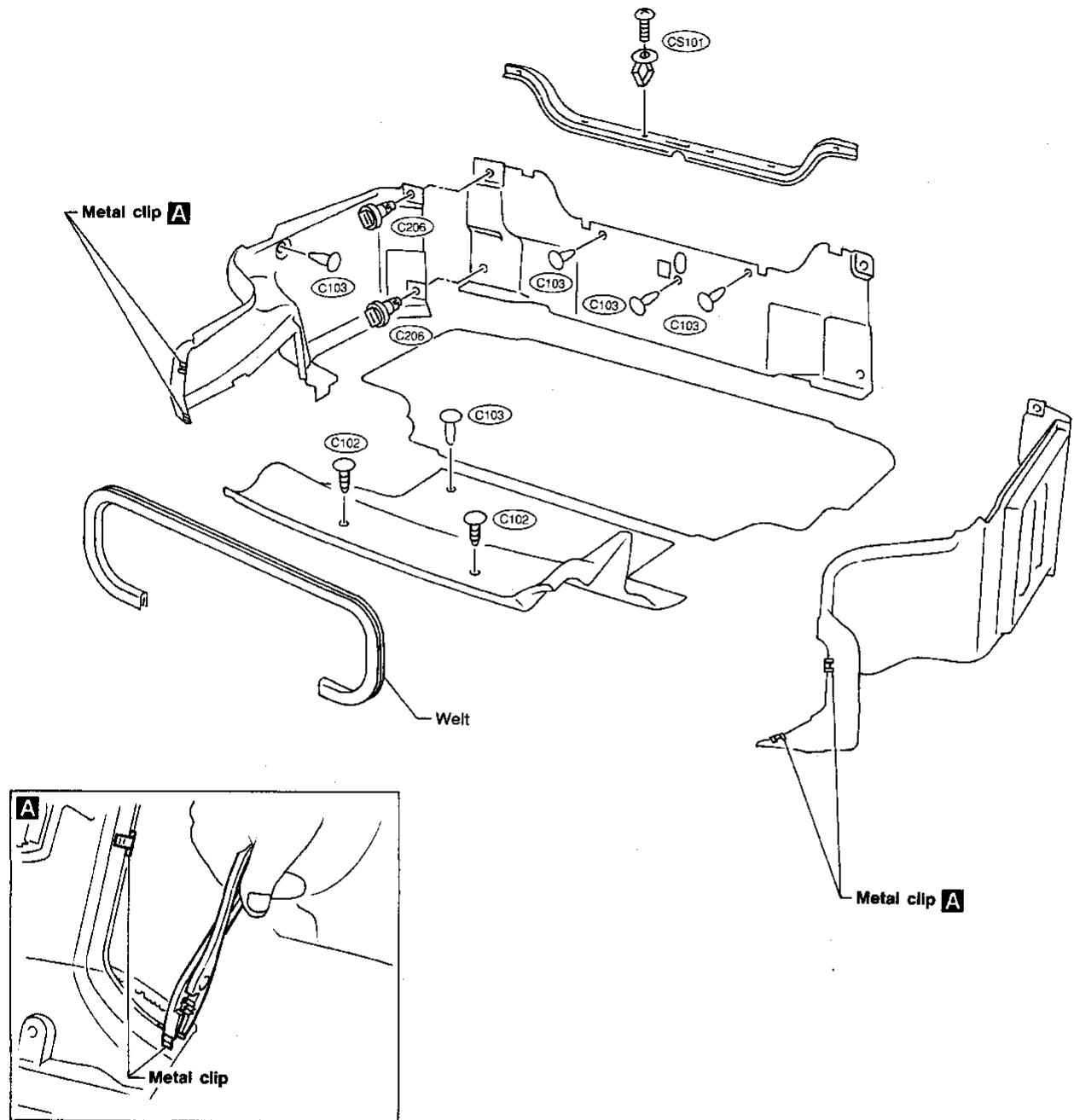
SEC. 738-963-964



INTERIOR TRIM

Trunk Room Trim

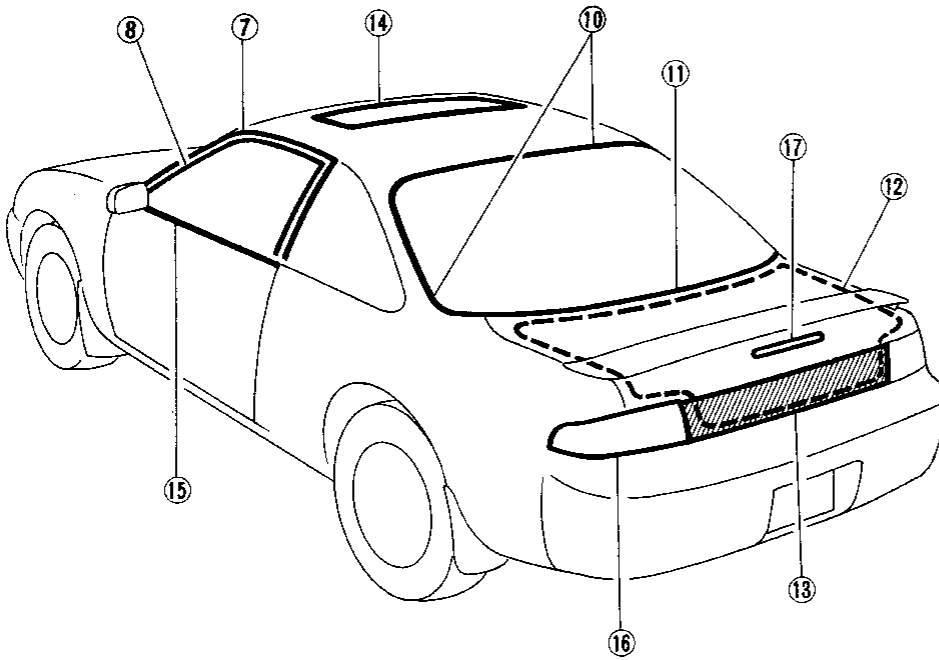
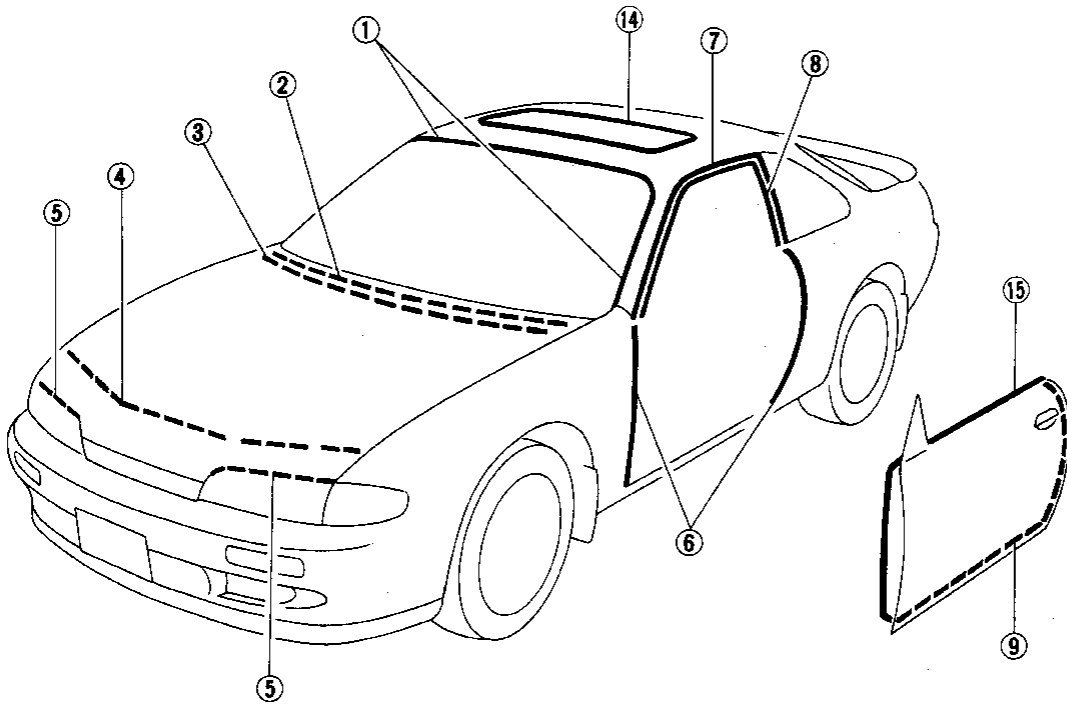
SEC. 799-849



CI
MA
EM
LC
EC
FE
CL
MT
AT
PD
FA
RA
BR
ST
RS
BT
HA
EL
IDX

MBF448B

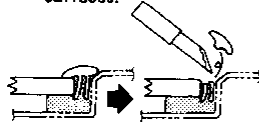
EXTERIOR



① Windshield upper and side molding

Method 1

Cut off top portion of molding and clean glass and panel surfaces.



Apply sealant to top portion of molding.



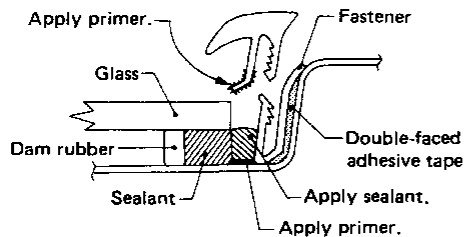
Cut off lower portion of new molding.



Finish well to give it a good appearance.

Method 2

1. Cut off sealant at glass end.
2. Clean the side on which panel was mounted.
3. Set molding fastener and apply sealant to body panel, and apply primer to molding and body.

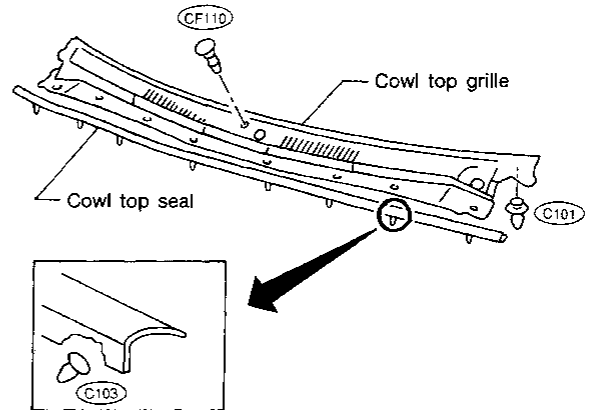


4. Install molding by aligning the molding mark located on center with vehicle center. Be sure to install tightly so that there is no gap around the corner.

SBF161E

②, ③ Cowl top grille and hood rear sealing rubber

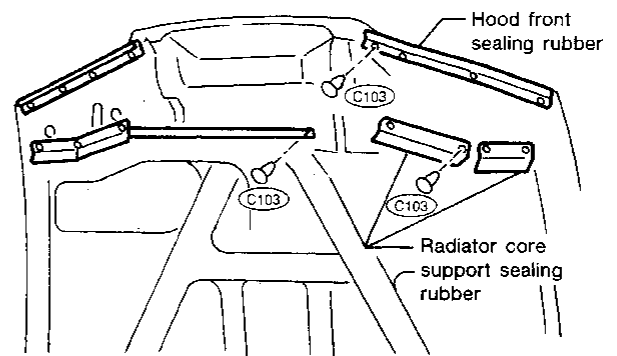
SEC. 660



MBF450B

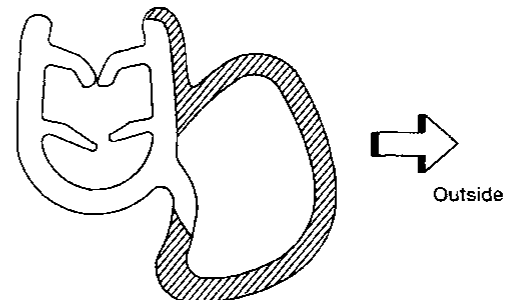
④, ⑤ Hood front sealing rubber

SEC. 650



MBF451B

⑥ Body side welt



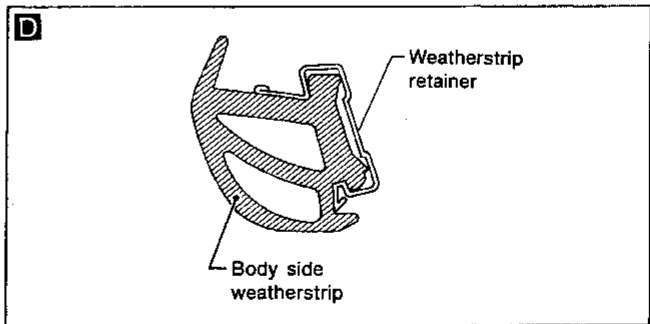
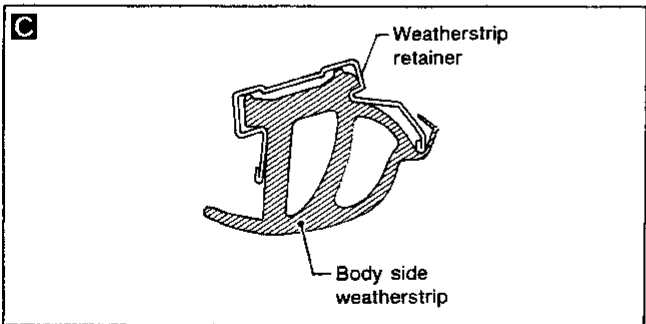
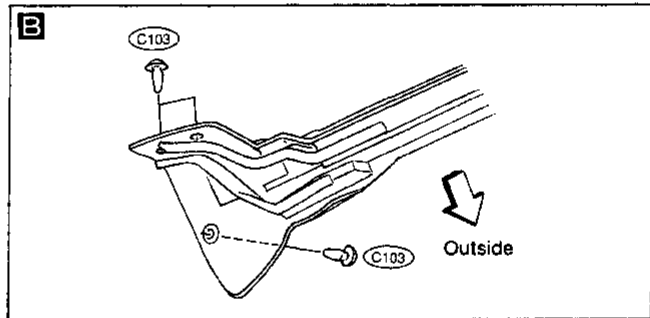
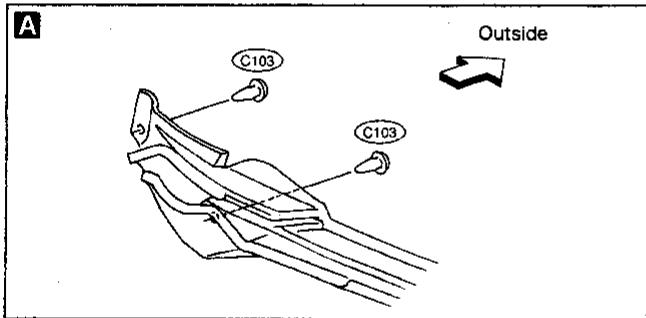
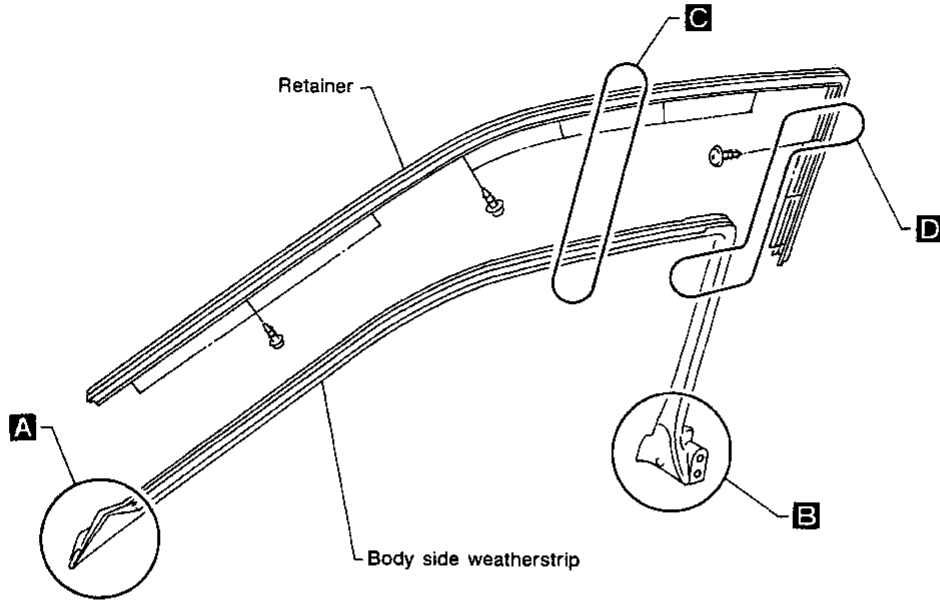
MBF452B

GI
MA
EM
LC
EC
FE
CL
MT
AT
PD
FA
RA
BR
ST
RS
BT
HA
EL
IDX

EXTERIOR

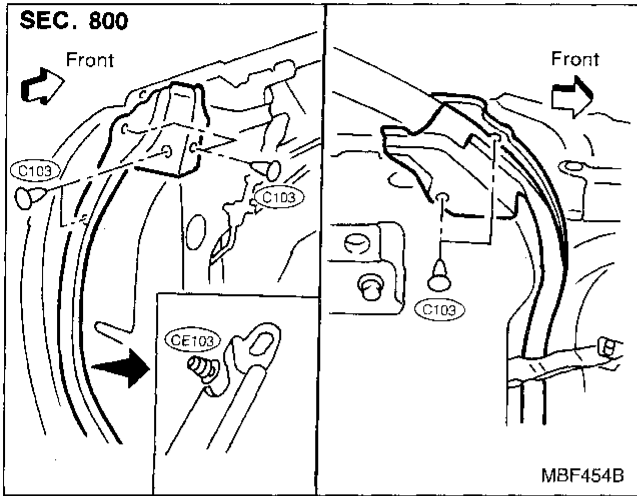
⑦, ⑧ Body side weatherstrip and weatherstrip retainer

SEC. 766



⑨ Door weatherstrip

Before removing door weatherstrip, remove door trim. Refer to "Door Trim" in "INTERIOR TRIM" for details, BT-19.



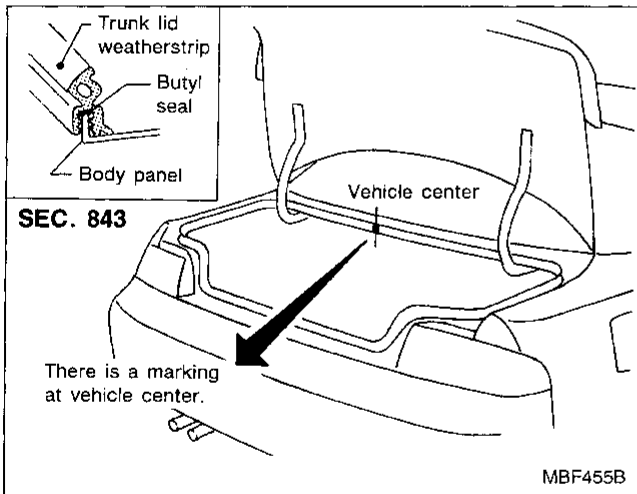
⑩ Back window upper and side molding (SEC. 797)

Basically the same as windshield upper and side molding.

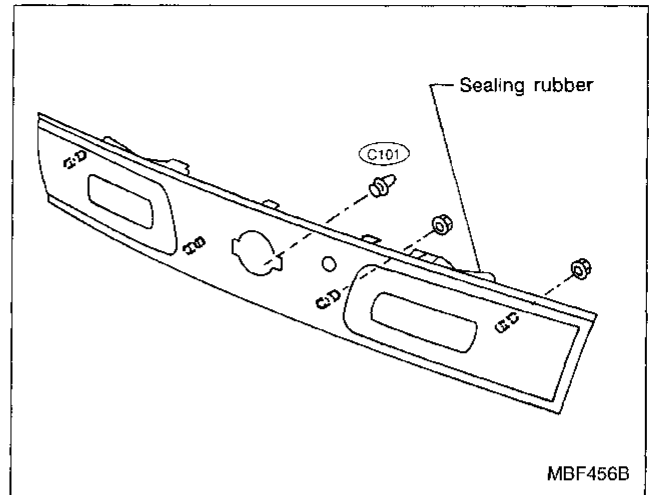
⑪ Back window lower molding (SEC. 797)

It is mounted with screws.

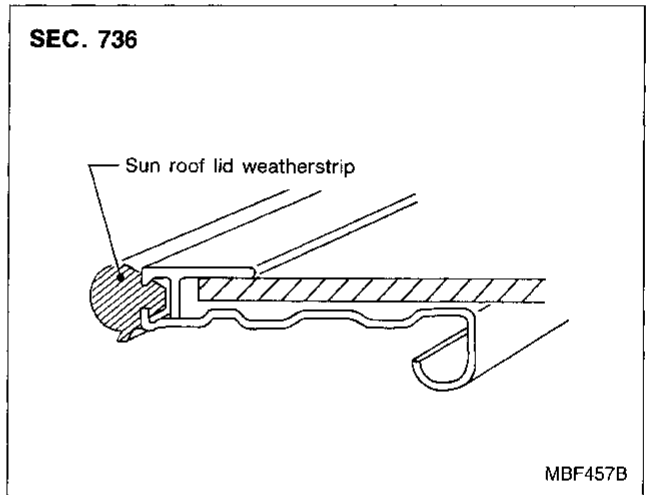
⑫ Trunk lid weatherstrip



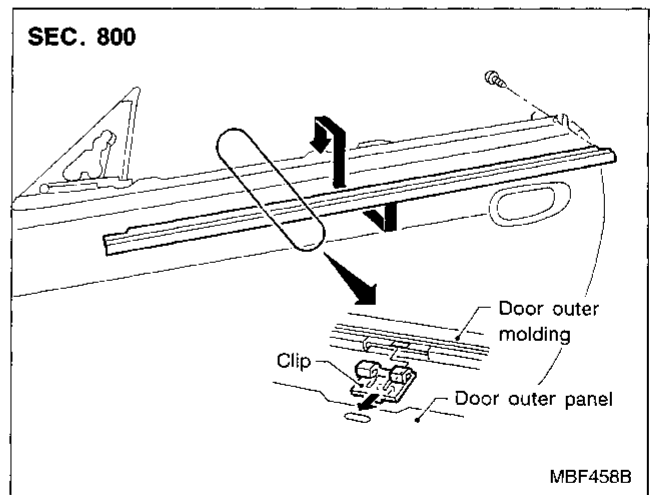
⑬ Rear panel finisher



⑭ Sun roof lid weatherstrip



⑮ Door waist outside molding



GI

MA

EM

LC

EC

FE

CL

MT

AT

PD

FA

RA

BR

ST

RS

BT

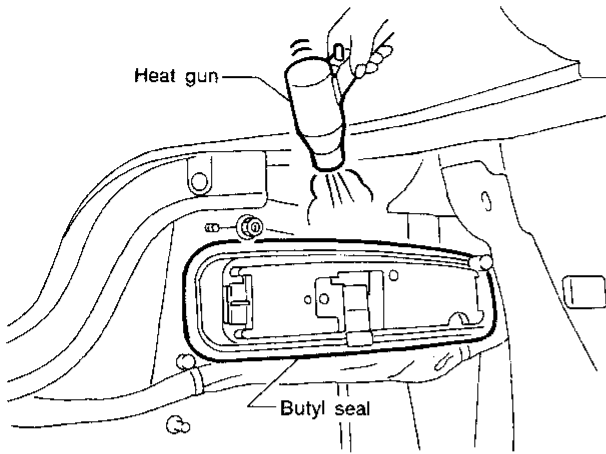
HA

EL

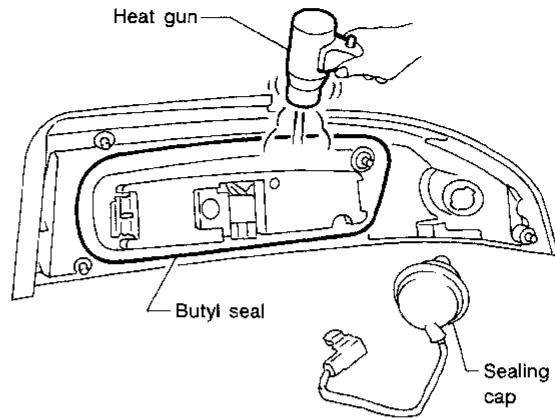
IDX

16 Rear combination lamp

SEC. 265



- Warm up lamp assembly area to a temperature a little below 60°C (140°F).

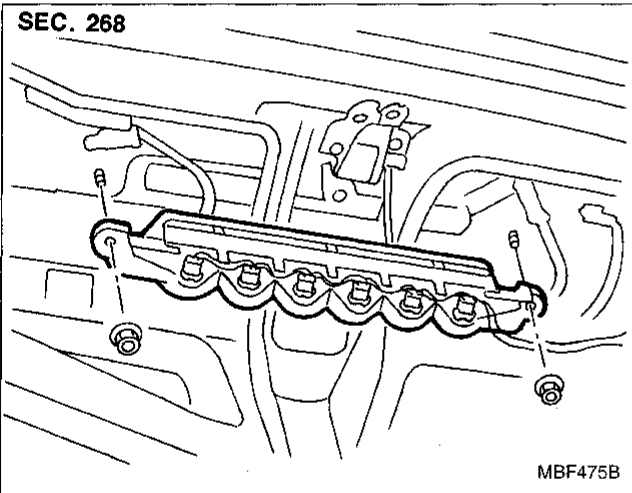


- Apply butyl seal evenly as it tends to become thin in the corners.
- Warm up lamp assembly area to a temperature a little below 60°C (140°F).

MBF459B

17 High-mounted stop lamp

SEC. 268



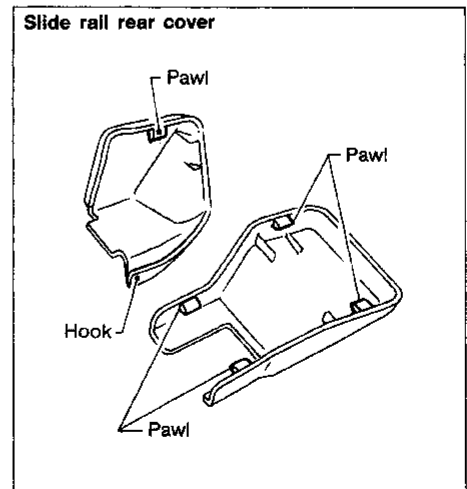
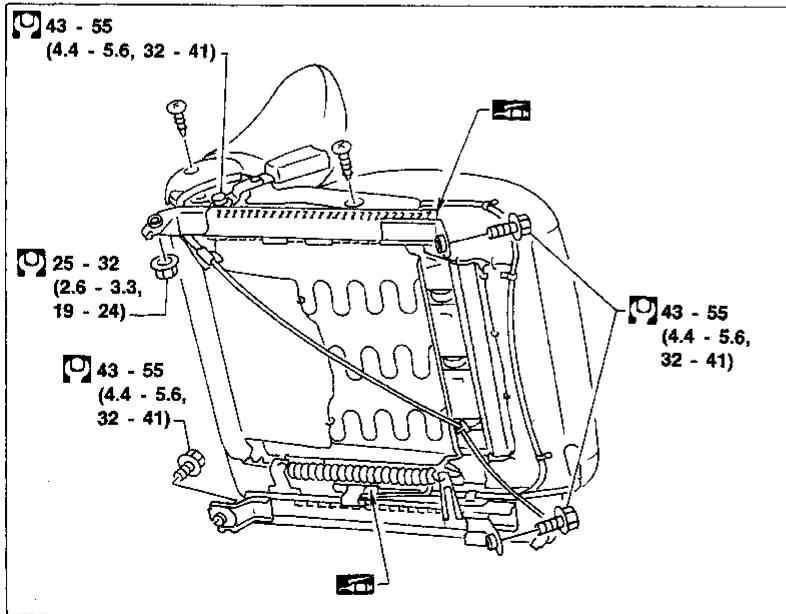
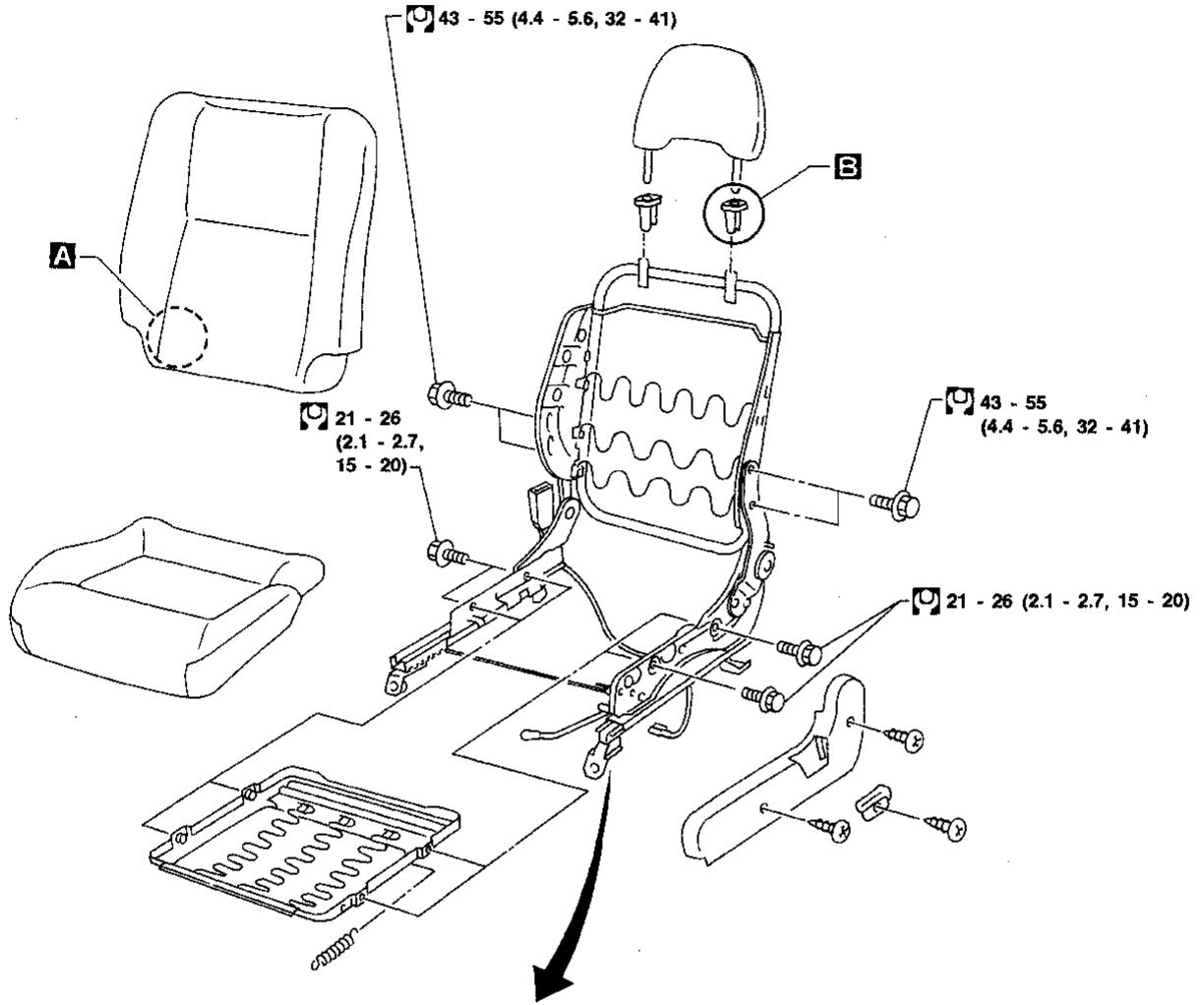
MBF475B

SEAT

- When removing or installing the seat trim, carefully handle it to keep dirt out and avoid damage.

Front Seat

SEC. 870



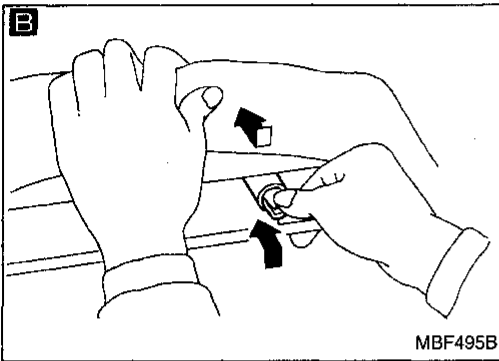
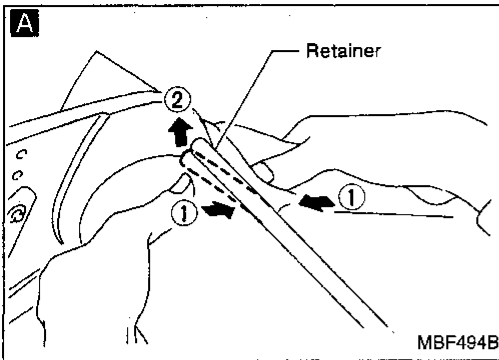
: N·m (kg·m, ft·lb)

GI
MA
EM
LC
EC
FE
CL
MT
AT
PD
FA
RA
BR
ST
RS
BT
HA
EL
IDX

SEAT

Front Seat (Cont'd)

Remove retainer from lower side of seatback with fingers.

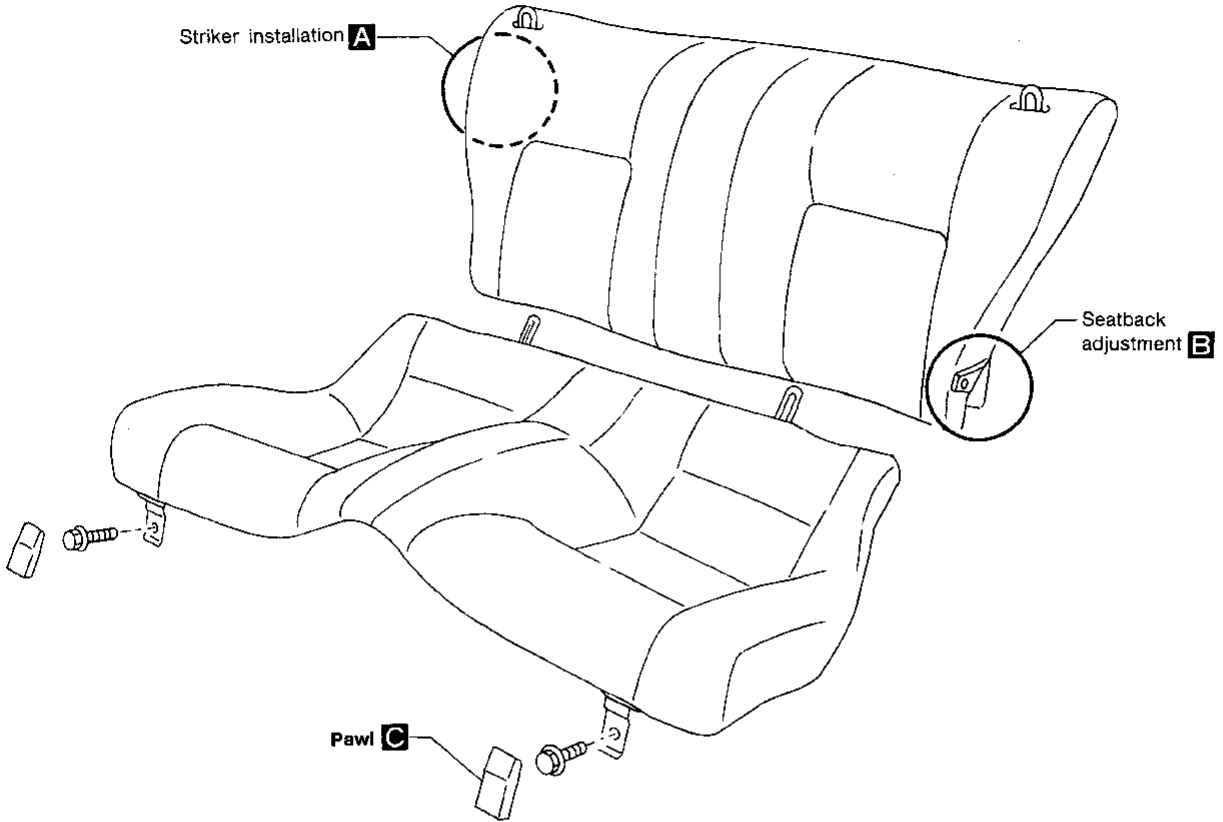


Roll up seatback trim all the way to gain access to headrest holder pawls. Disengage and push headrest holder pawls to unlock holder. Lift off headrest holder.

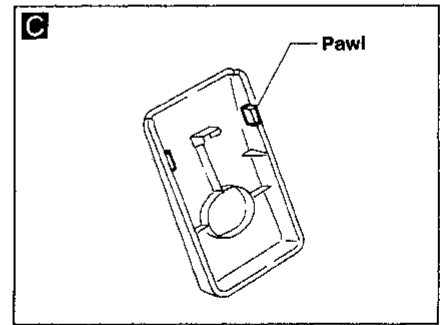
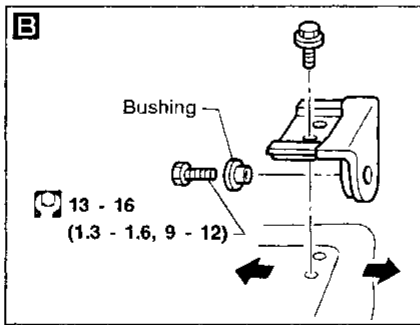
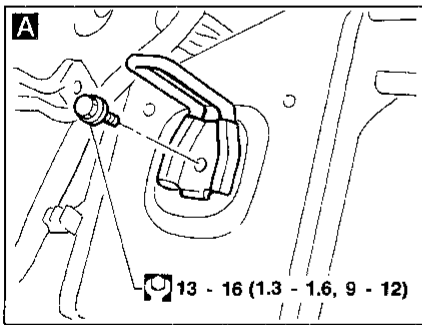
SEAT

Rear Seat

SEC. 880



SEC. 880



: N·m (kg·m, ft·lb)

GI
MA
EM
LC
EC
FE
CL
MT
AT
PD
FA
RA
BR
ST
RS
BT
HA
EL
IDX

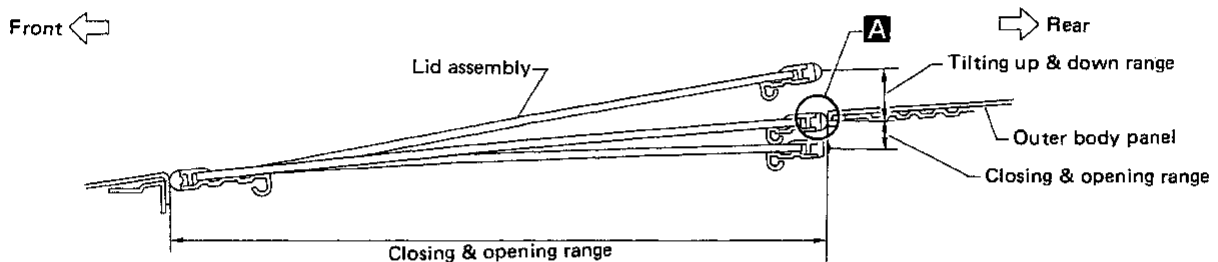
SUNROOF

★ For Wiring Diagram, refer to “ELECTRIC SUNROOF” in EL section.

ADJUSTMENT

Install motor & limit SW assembly and sunroof rail assembly in the following sequence:

1. Arrange equal lengths of link and wire assemblies on both sides of sunroof opening.
2. Connect sunroof connector to sunroof switch and positive (+) power supply.
3. Set lid assembly to fully closed position **A** by operating OPEN switch and TILT switch.
4. Fit outer side of lid assembly to the surface of roof on body outer panel.
5. Remove motor, and keep OPEN switch pressed until motor pinion gear reaches the end of its rotating range.
6. Install motor.
7. Check that motor drive gear fits properly in wires.
8. Press TILT-UP switch to check lid assembly for normal tilting.
9. Check sunroof lid assembly for normal operations (tilt-up, tilt-down, open, and close).



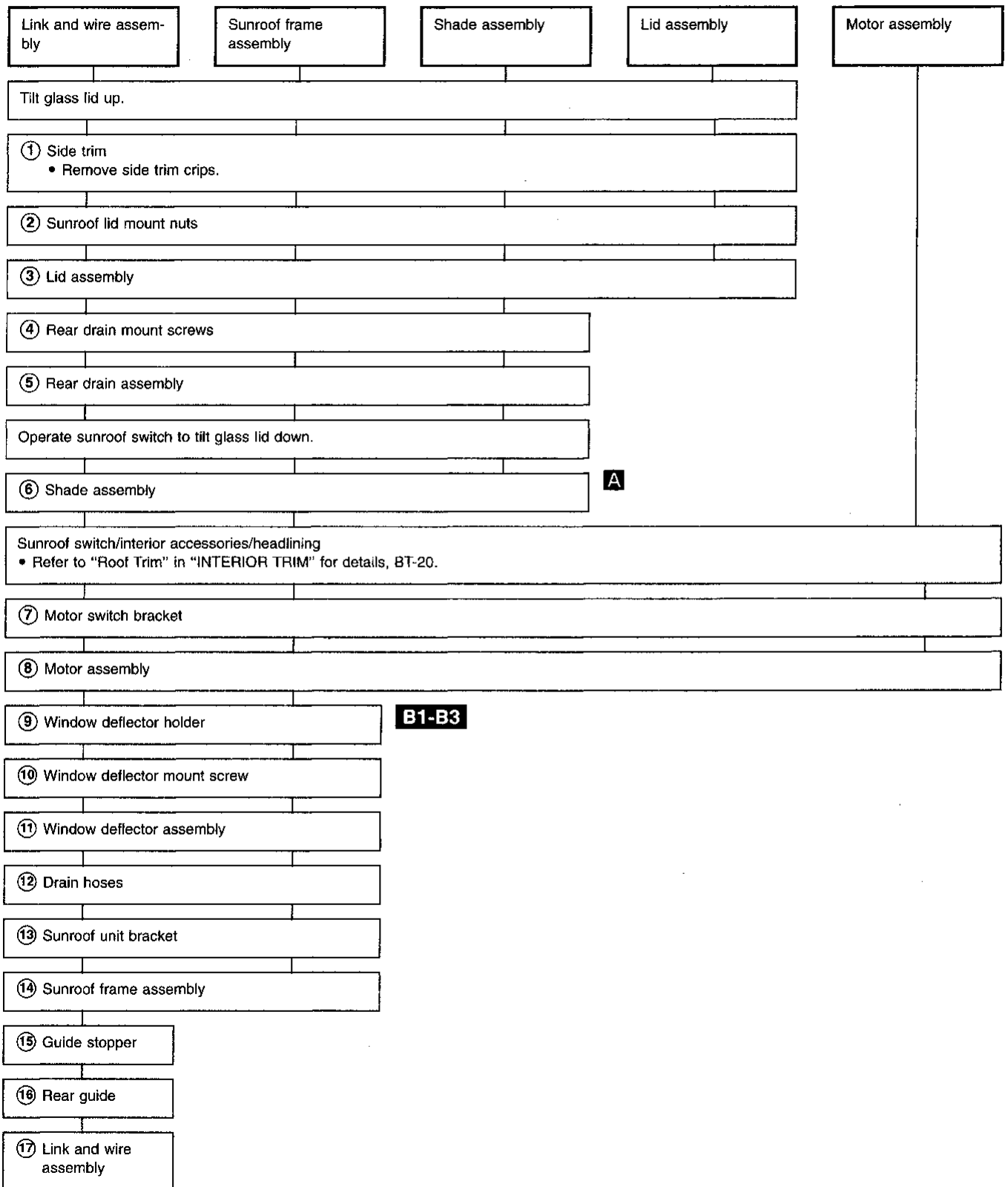
SBF920F

SUNROOF

- After any adjustment, check sunroof operation and lid alignment.
- Handle finisher plate and glass lid with care so not to cause damage.
- It is desirable for easy installation to mark each point before removal.

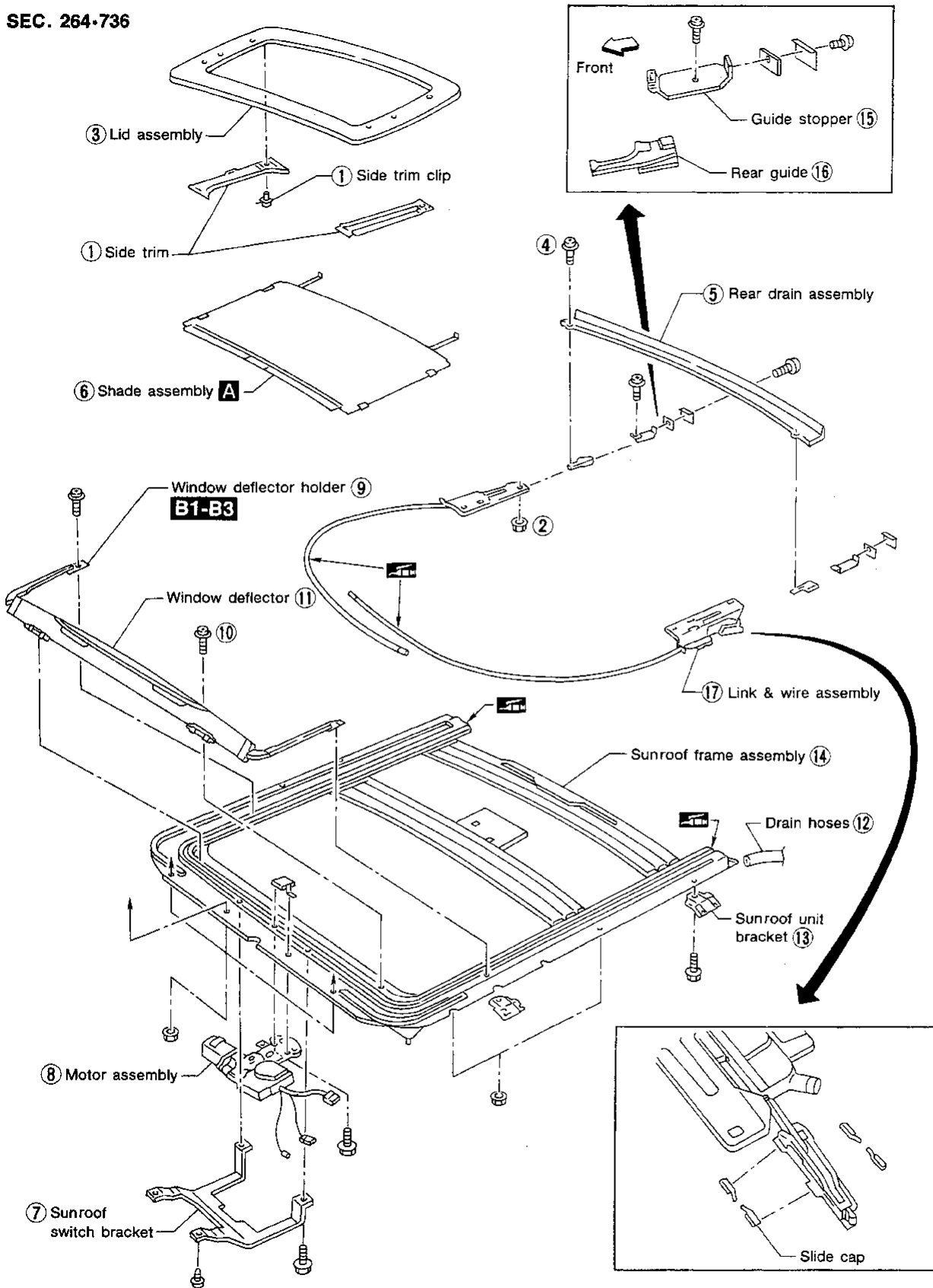
CAUTION:

Always work with a helper.

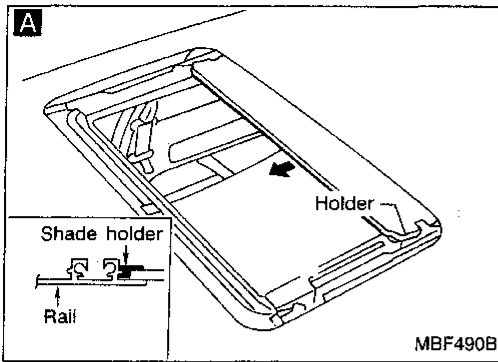


SUNROOF

SEC. 264-736



SUNROOF



- A** Using flat-bladed screwdriver, pry shade assembly holder off rail. Then pull shade assembly forward to remove it from rail.

GI

MA

EM

LC

EC

FE

CL

MT

AT

PD

FA

RA

BR

ST

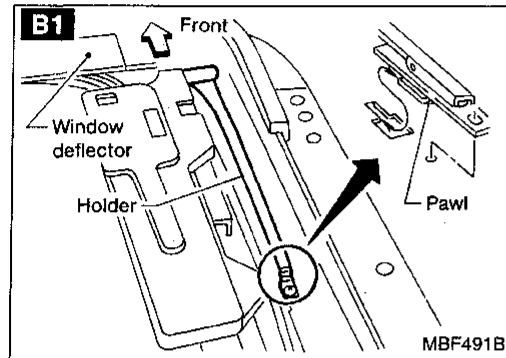
RS

BT

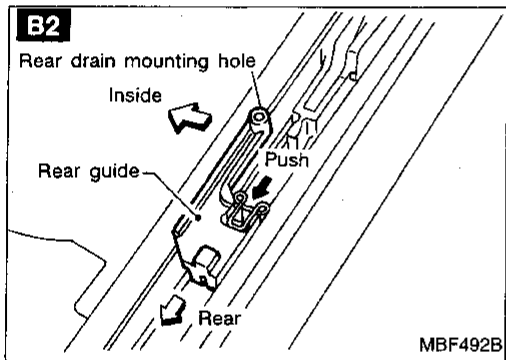
HA

EL

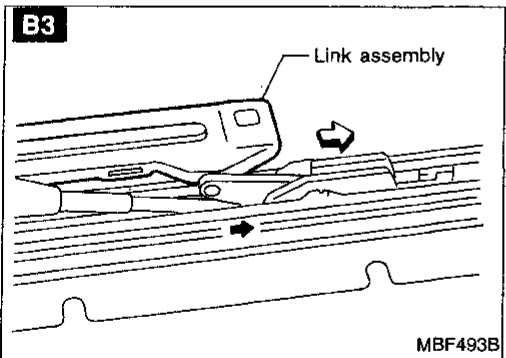
IDX



- B1** Disengage pawls from rail, then remove window deflector holder.



- B2** Using flat-bladed screwdriver, pry stopper spring off rail groove. Then slide rear guide backward to remove it from rail.



- B3** Remove wire and link assembly from rail while pushing link back with flat-bladed screwdriver.

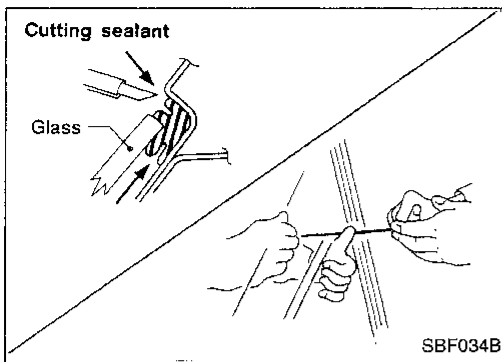
BT

HA

EL

IDX

WINDSHIELD AND WINDOWS



REMOVAL

After removing moldings, remove glass.

CAUTION:

Be careful not to scratch glass when removing.

INSTALLATION

- Use genuine Nissan Sealant kit or equivalent. Follow instructions furnished with it.
- After installation, the vehicle should remain stationary until the sealant hardens.

WARNING:

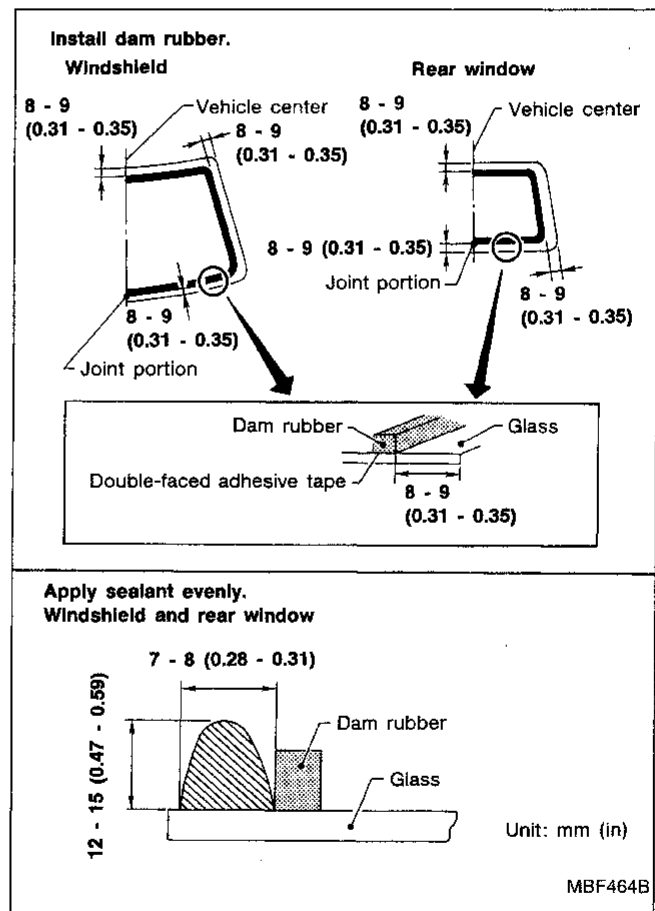
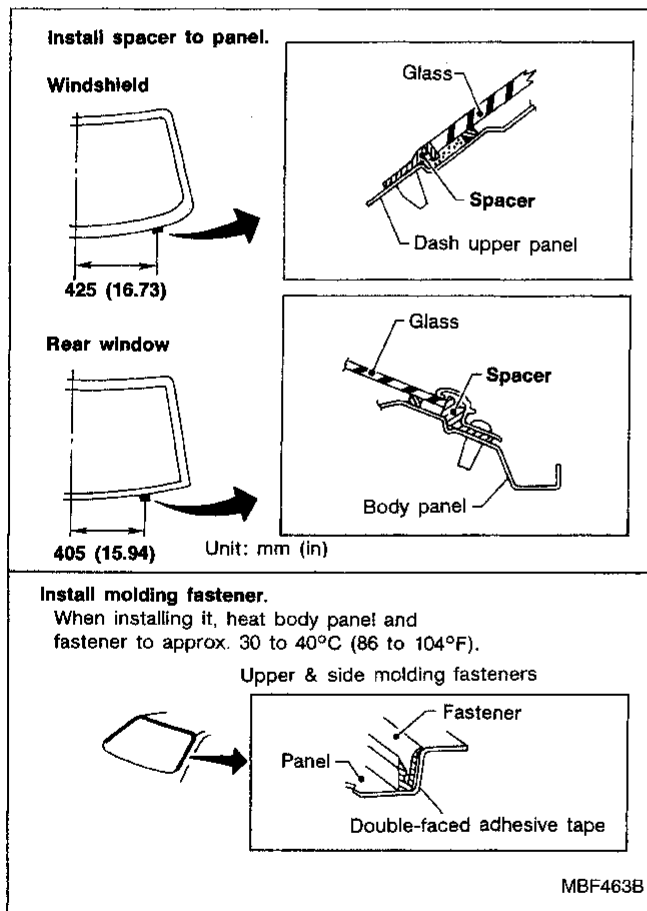
Keep heat and open flames away as primers are flammable.

CAUTION:

Advise users not to drive the vehicle on rough roads until sealant has properly vulcanized.

- Do not use sealant which is past its usable term.
- Do not leave cartridge unattended with its cap open.
- Keep primers and sealant in a cool, dry place. Ideally, they should be stored in a refrigerator.
- Molding must be installed securely so that it is in position and leaves no gap.

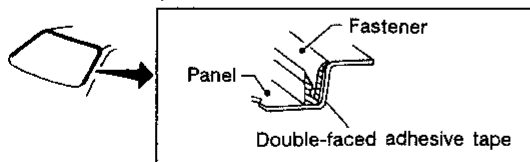
Windshield and Rear Window



Install molding fastener.

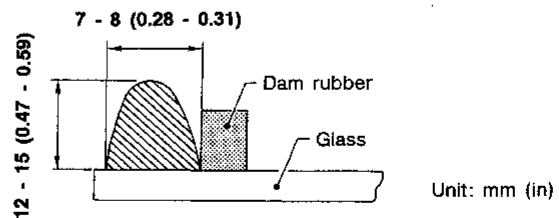
When installing it, heat body panel and fastener to approx. 30 to 40°C (86 to 104°F).

Upper & side molding fasteners



Apply sealant evenly.

Windshield and rear window



REPAIRING WATER LEAKS FOR WINDSHIELD AND WINDOWS

Leaks can be repaired without removing and reinstalling glass.

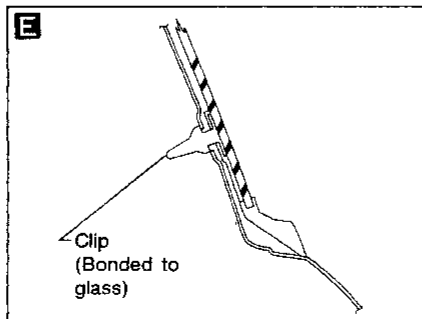
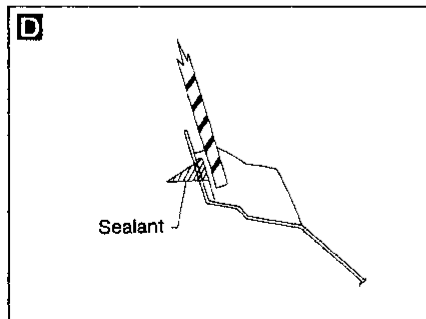
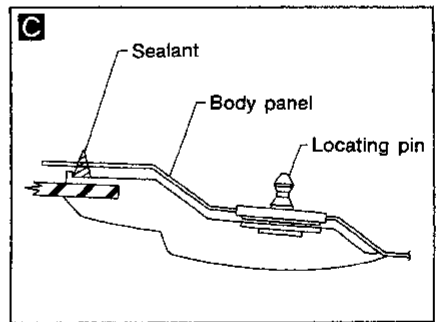
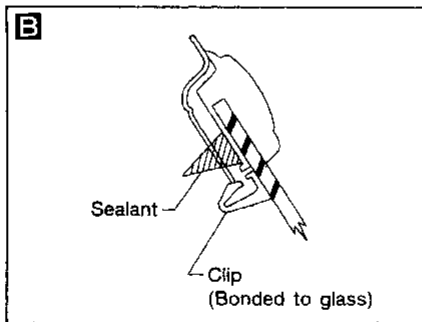
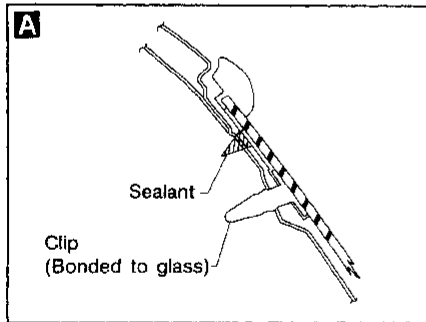
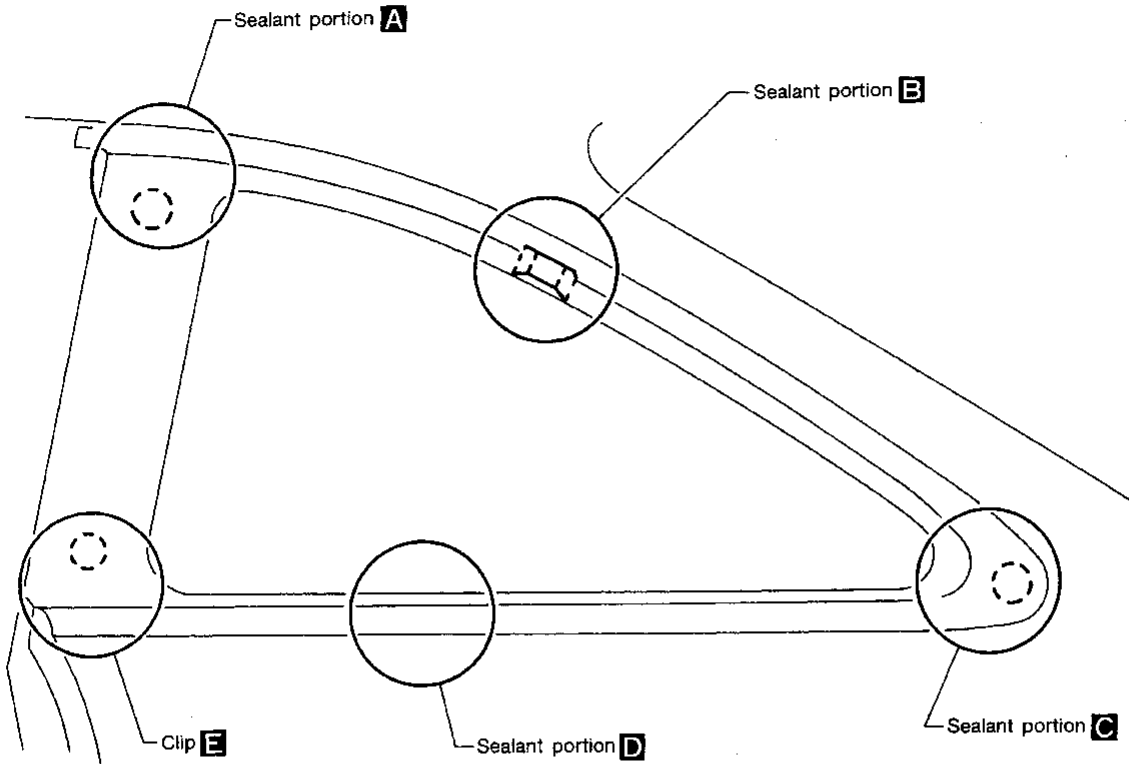
If water is leaking between caulking material and body or glass, determine the extent of leaking. This can be determined by applying water while pushing glass outward.

To stop the leak, apply primer and then sealant to the leak point.

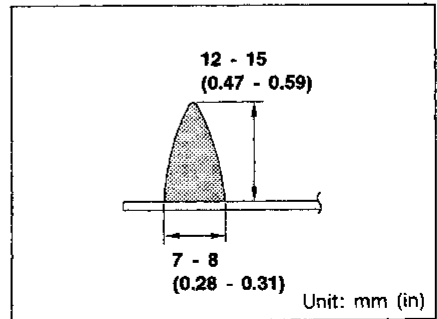
WINDSHIELD AND WINDOWS

Side Window

SEC. 830



Sealant quantity



GI
MA
EM
LC
EC
FE
CL
MT
AT
PD
FA
RA
BR
ST
RS
BT
HA
EL
IDX

MIRROR

Door Mirror

CAUTION:

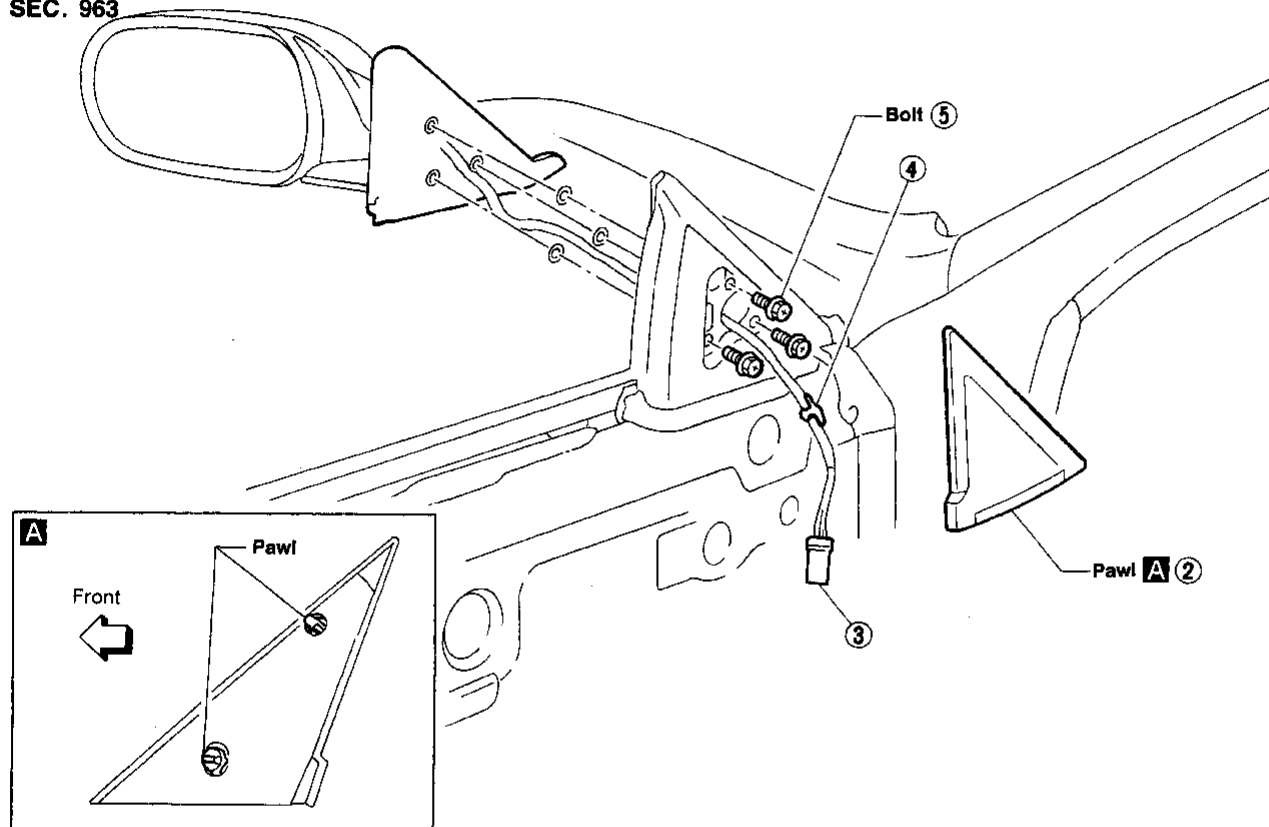
Be careful not to scratch door rearview mirror body.

★ For Wiring Diagram, refer to "POWER DOOR MIRROR" in EL section.

REMOVAL — Door mirror

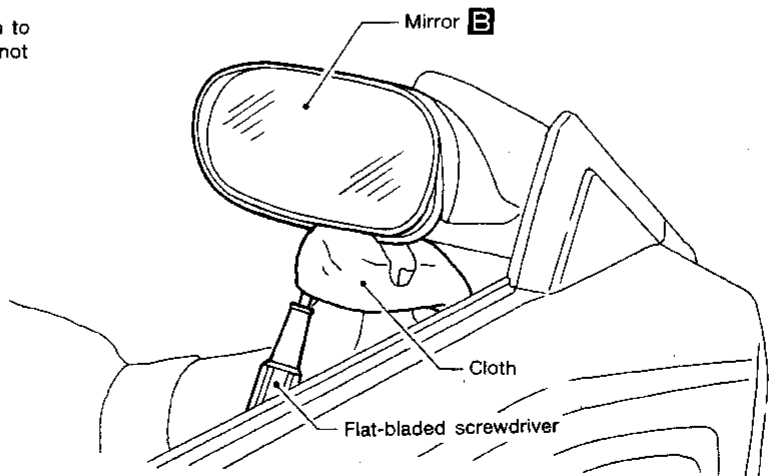
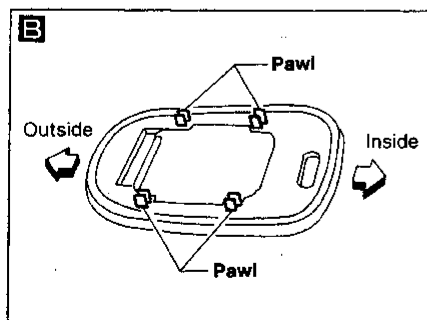
- ① Remove door trim. Refer to "Door Trim" in "INTERIOR TRIM" for details, BT-19.
- ② Remove inner cover front corner of door. **A**
- ③ Disconnect door mirror harness connector.
- ④ Remove harness clips.
- ⑤ Remove three bolts securing door mirror.

SEC. 963



Removal:

- Wrap flat-bladed of screwdriver with a cloth to prevent scratching rear of door mirror. Do not insert screwdriver too far.

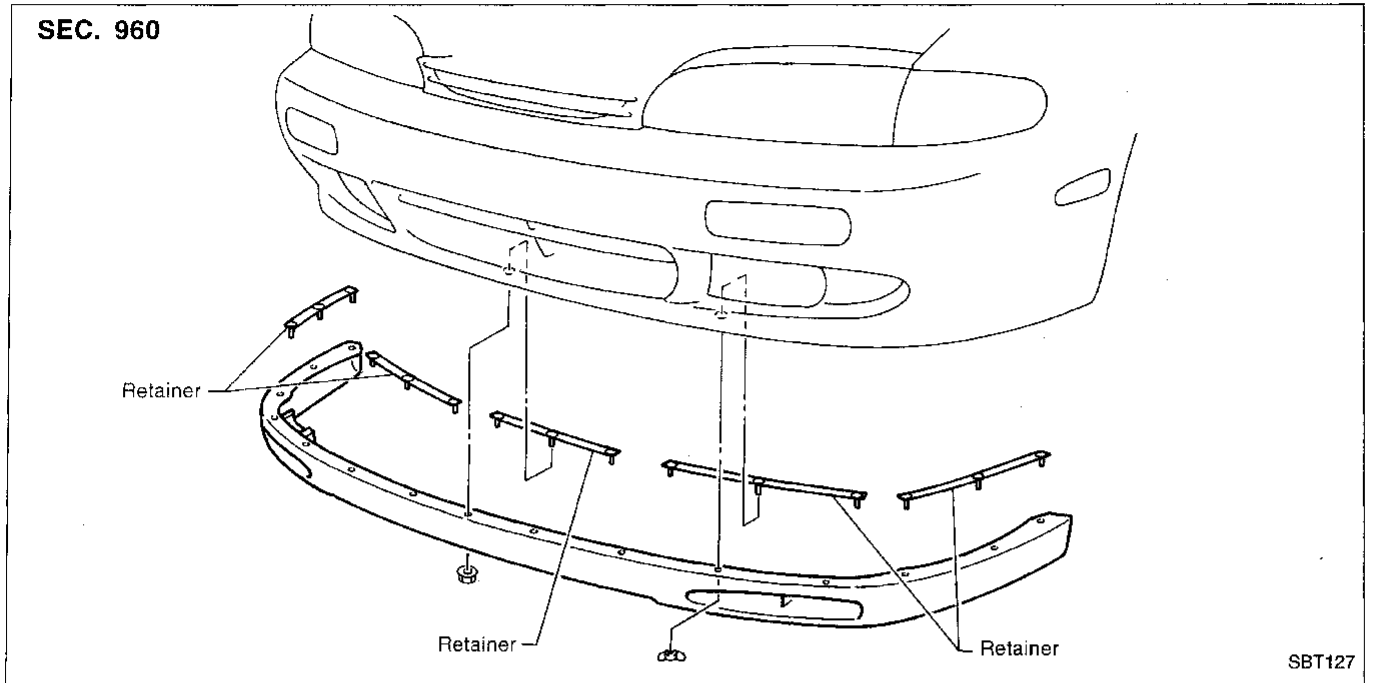


MBF466B

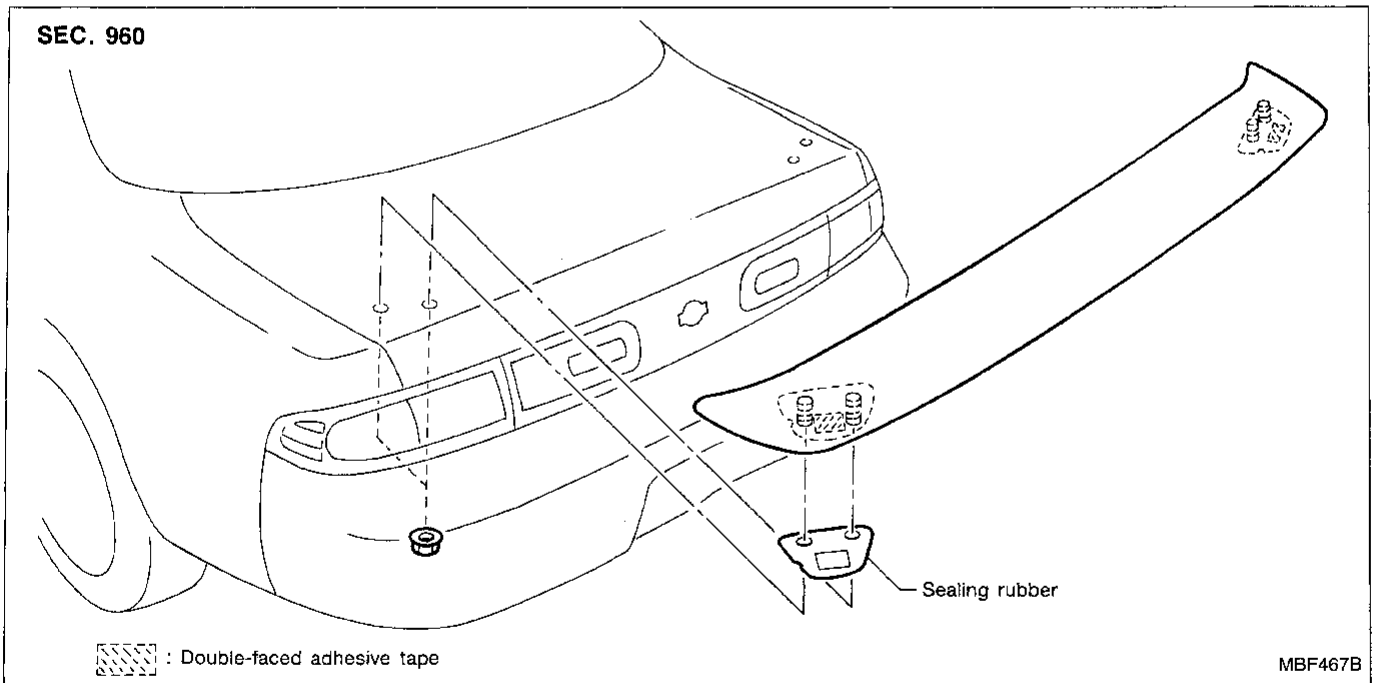
FRONT AND REAR AIR SPOILER

- When installing, make sure that there are not gaps or waves at ends of air spoiler.
- Before installing spoiler, clean and remove oil from surface where spoiler will be mounted.

Front Air Spoiler



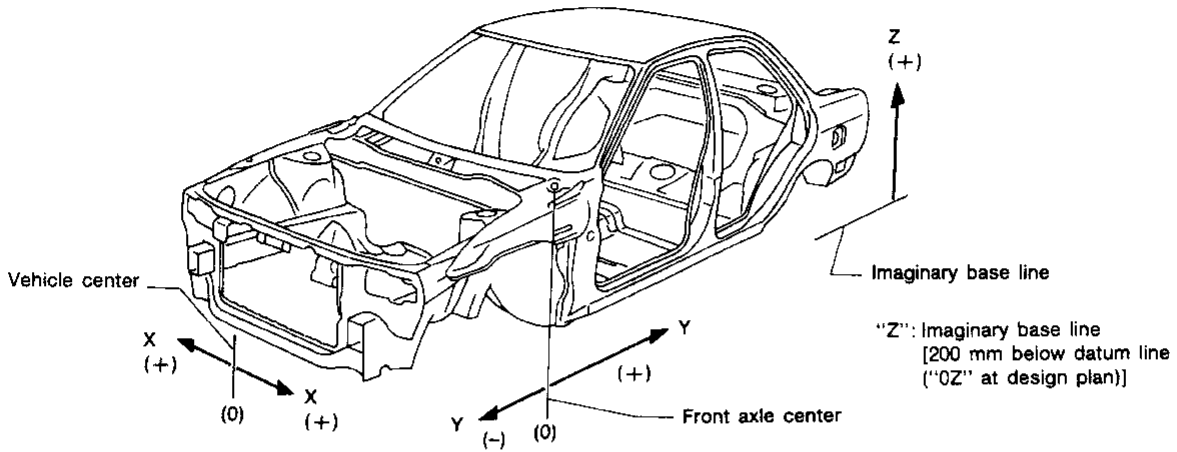
Rear Air Spoiler



GI
MA
EM
LC
EC
FE
CL
MT
AT
PD
FA
RA
BR
ST
RS
BT
HA
EL
IDX

BODY ALIGNMENT

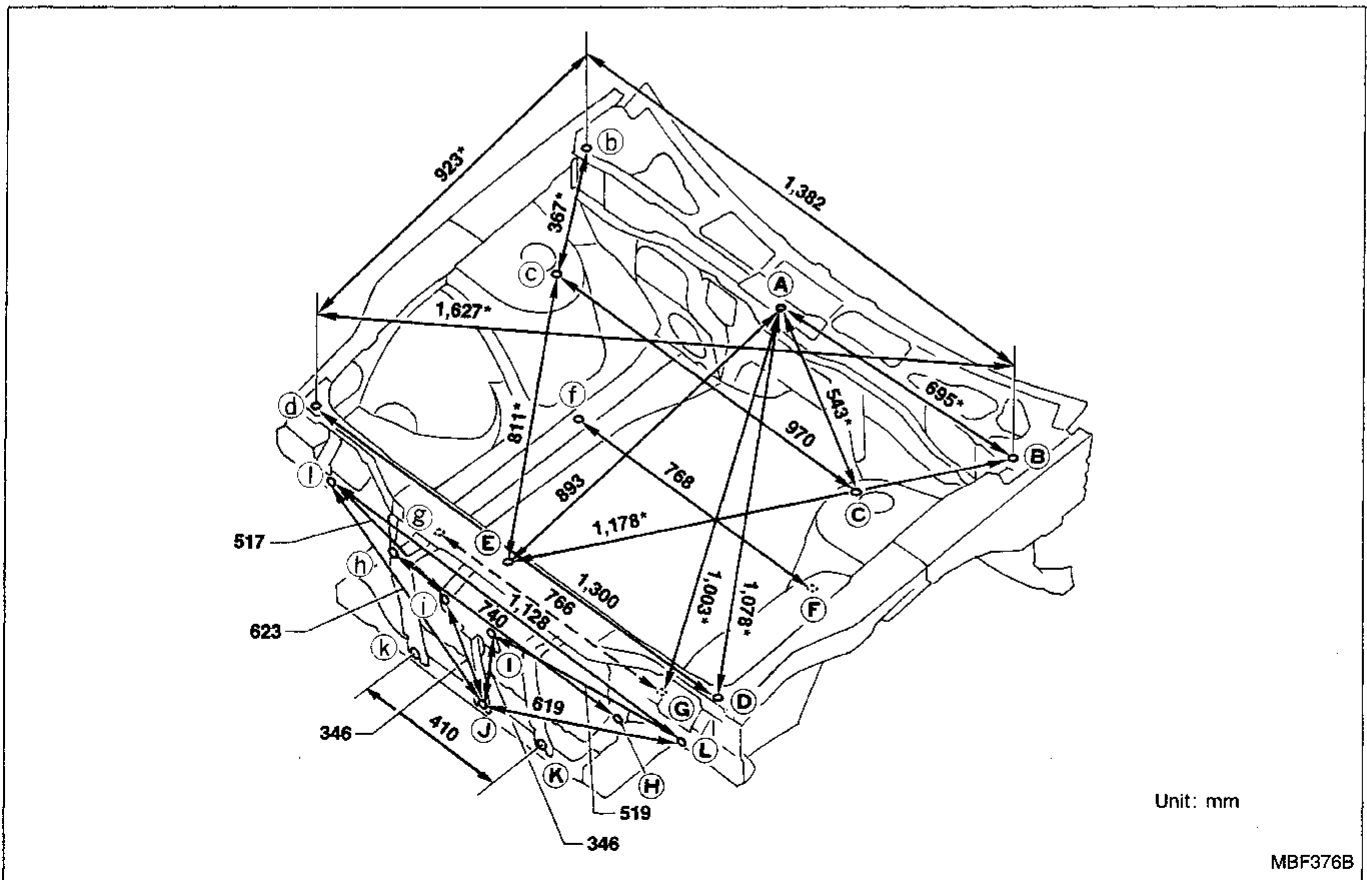
- All dimensions indicated in figures are actual ones.
- When using a tracking gauge, adjust both pointers to equal length. Then check the pointers and gauge itself to make sure there is no free play.
- When a measuring tape is used, check to be sure there is no elongation, twisting or bending.
- Measurements should be taken at the center of the mounting holes.
- An asterisk (*) following the value at the measuring point indicates that the measuring point on the other side is symmetrically the same value.
- The coordinates of the measurement points are the distances measured from the standard line of "X", "Y" and "Z".



Engine Compartment

SBF874GB

MEASUREMENT

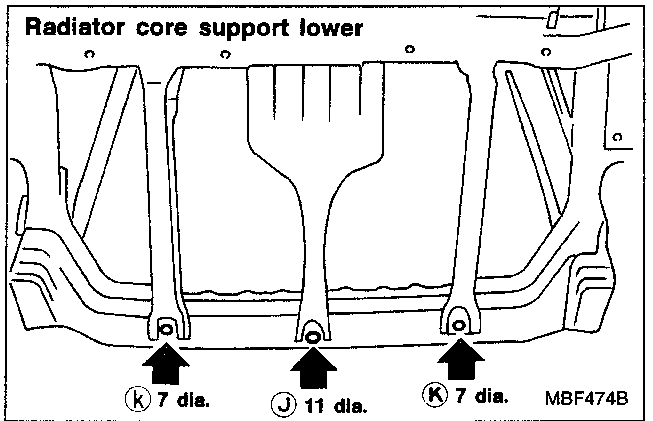
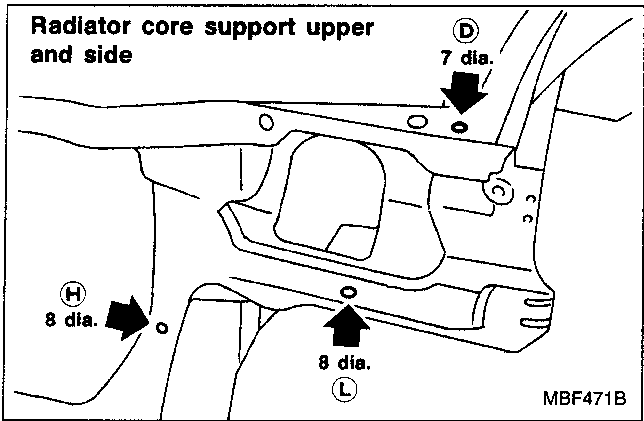
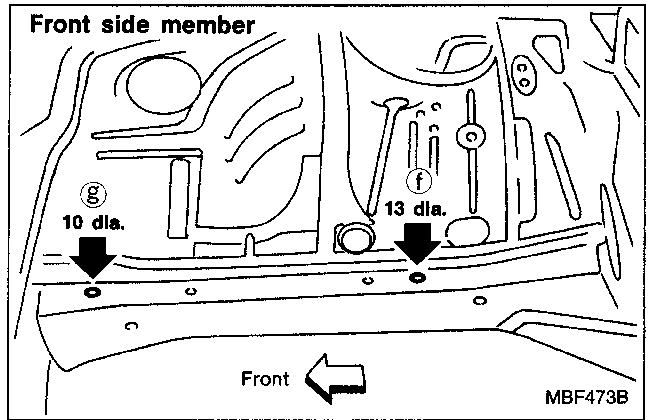
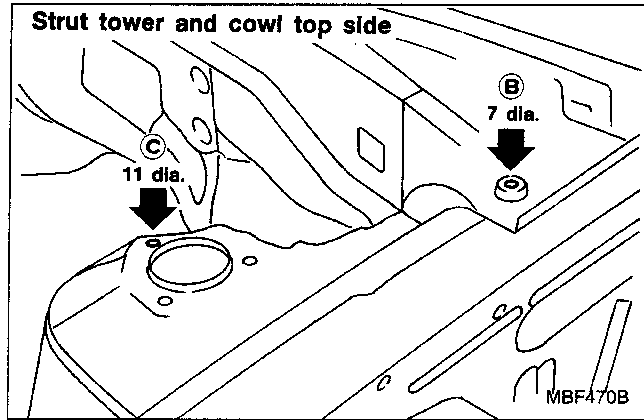
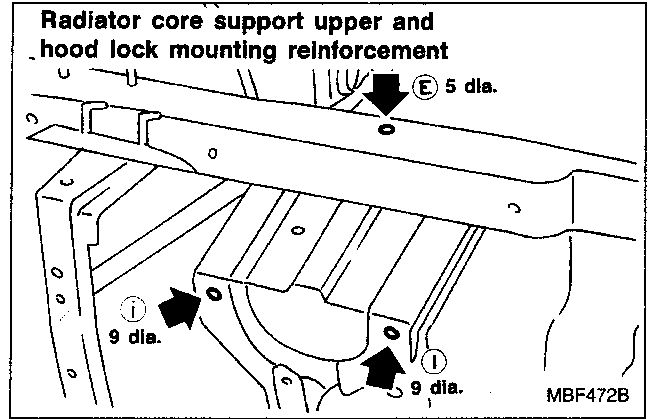
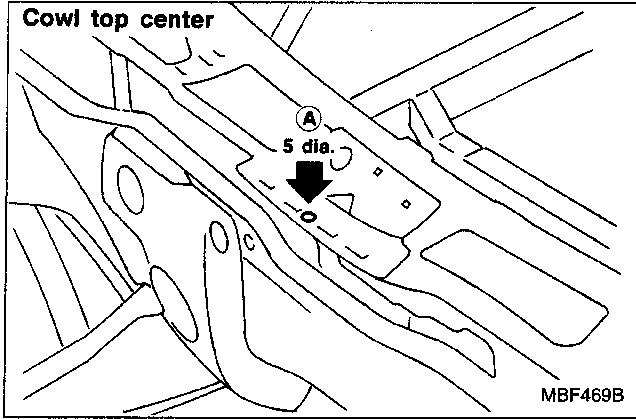


BODY ALIGNMENT

Engine Compartment (Cont'd)

MEASUREMENT POINTS

Unit: mm

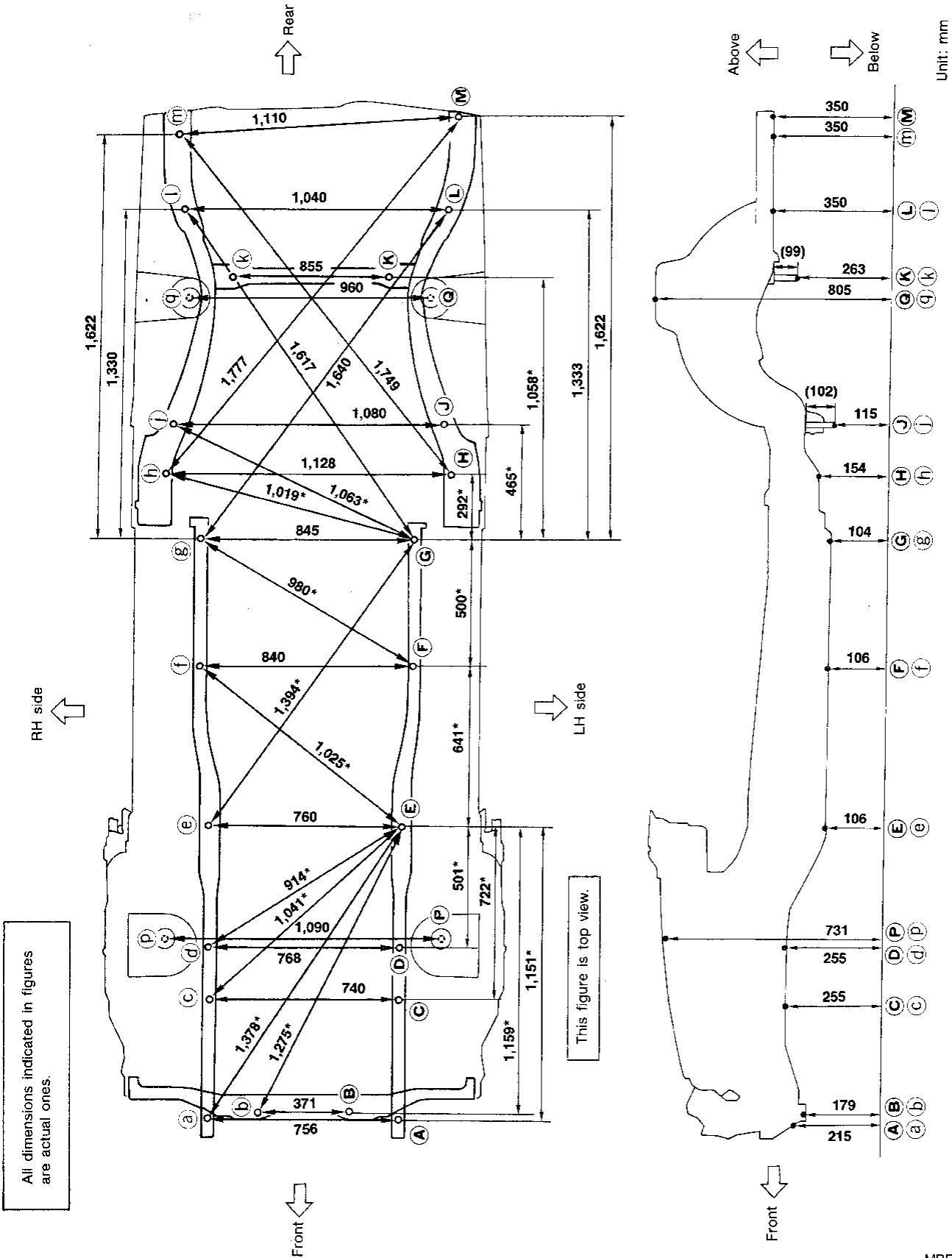


GI
MA
EM
LC
EC
FE
CL
MT
AT
PD
FA
RA
BR
ST
RS
BT
HA
EL
IDX

BODY ALIGNMENT

Underbody

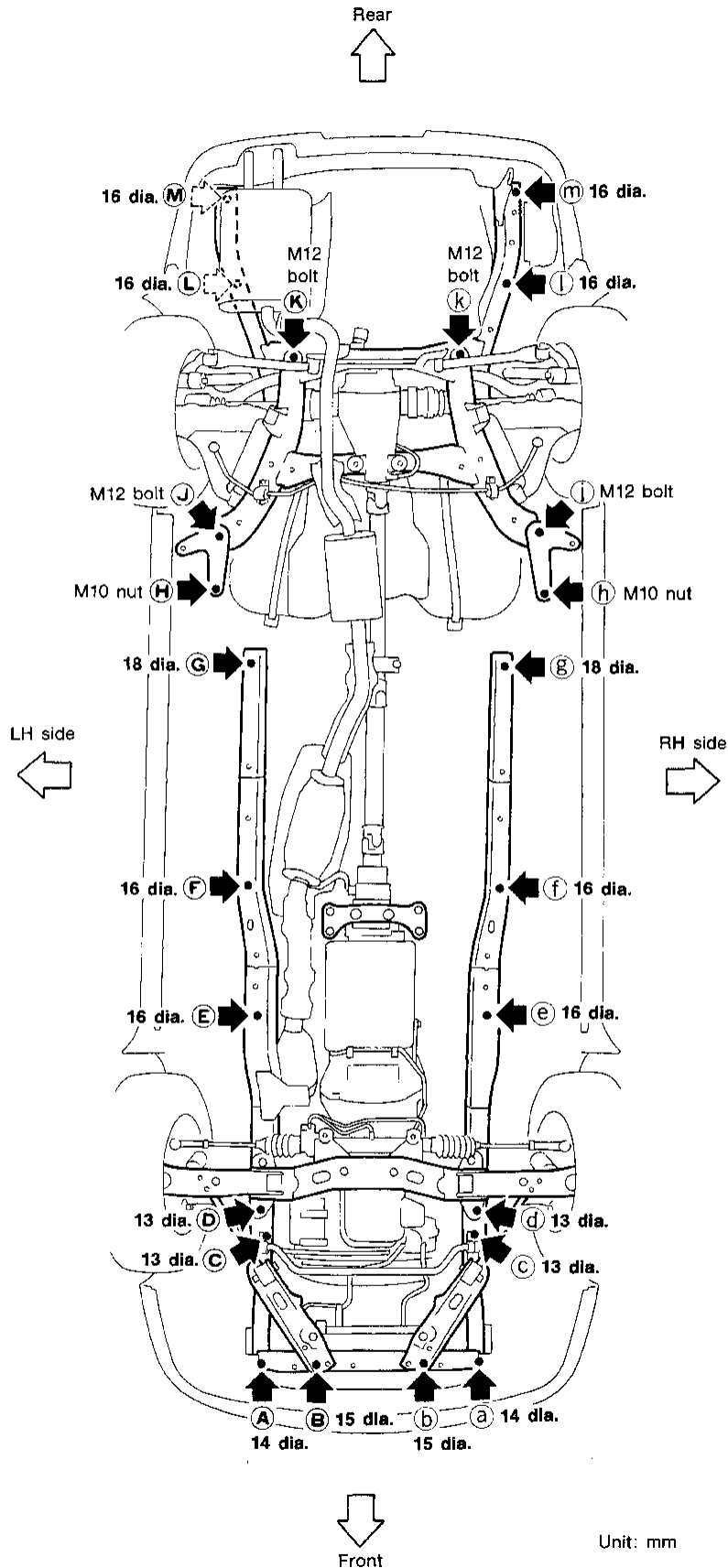
MEASUREMENT



BODY ALIGNMENT

Underbody (Cont'd)

MEASUREMENT POINTS



Front coordinates:

Rear coordinates:

(A), (a)
X : 378
Y : -635.5
Z : 214.5

(G), (g)
X : 422.5
Y : 1,650
Z : 103.9

(B), (b)
X : 185.3
Y : -630
Z : 179

(H), (h)
X : 564
Y : 1,900
Z : 154

(C), (c)
X : 370
Y : -196.5
Z : 254.9

(J), (j)
X : 540
Y : 2,100
Z : 115.2

(D), (d)
X : 384.2
Y : 32
Z : 254.9

(K), (k)
X : 308
Y : 2,690
Z : 262.8

(E), (e)
X : 380
Y : 510
Z : 106.2

(L)
X : 540
Y : 2,955
Z : 350

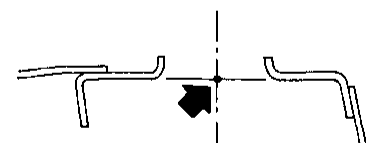
(F), (f)
X : 420
Y : 1,150
Z : 106.2

(I)
X : 500
Y : 2,955
Z : 350

(M)
X : 580
Y : 3,245
Z : 350

(m)
X : 530
Y : 3,250
Z : 350

Front and rear strut tower centers



Coordinates:

(P), (p)
X : 545.1
Y : 63.6
Z : 730.9

(Q), (q)
X : 479.8
Y : 2,608
Z : 804.6

Front: **(P), (p)** 82.2 dia.
Rear: **(Q), (q)** 66 dia.

Unit: mm

GI

MA

EM

LC

EC

FE

CL

MT

AT

PD

FA

RA

BR

ST

RS

BT

HA

EL

IDX