

# SECTION **BF**

GI

MA

EM

LC

EF &amp;

EC

FE

CL

MT

AT

PD

FA

RA

BR

ST

**BF**

HA

EL

## CONTENTS

<b>GENERAL SERVICING</b> .....	2	Description .....	34
Precautions.....	2	<b>TROUBLE DIAGNOSES — Automatic seat belt</b>	
Circuit Breaker Inspection.....	2	<b>system</b> .....	36
Clip and Fastener .....	2	Contents.....	36
<b>BODY END</b> .....	5	<b>SUN ROOF</b> .....	56
Body Front End.....	5	Electrical Sun Roof .....	56
Body Rear End and Opener .....	6	Wiring Diagram .....	58
<b>DOOR</b> .....	9	Manual Sun Roof .....	59
Power Window .....	11	<b>WINDSHIELD AND WINDOWS</b> .....	60
Power Door Lock.....	13	Windshield.....	60
<b>INSTRUMENT PANEL</b> .....	15	Back Window — Coupe.....	61
<b>INTERIOR AND EXTERIOR</b> .....	17	Back Door Window — Fastback.....	62
Interior.....	17	Side Window.....	63
Exterior.....	21	<b>MIRROR</b> .....	65
<b>SEAT</b> .....	26	Door Mirror .....	65
Front Seat.....	26	<b>REAR COMBINATION LAMP</b> .....	66
Rear Seat .....	27	<b>FRONT AND REAR AIR SPOILER</b> .....	67
<b>AUTOMATIC SEAT BELT SYSTEM</b> .....	28	<b>BODY ALIGNMENT</b> .....	69
Unit Location .....	28	Engine Compartment.....	69
Replacement of Rear Switch Assembly.....	30	Underbody.....	71
Wiring Diagram .....	32		

**When you read wiring diagrams:**

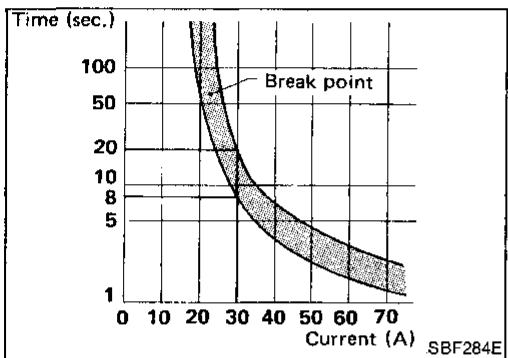
- Read GI section, "HOW TO READ WIRING DIAGRAMS".
- See EL section, "POWER SUPPLY ROUTING" for power distribution circuit.

**When you perform trouble diagnoses, read GI section, "HOW TO FOLLOW FLOW CHART IN TROUBLE DIAGNOSES".**

★ For conventional seat belt, refer to MA section.

## Precautions

- When removing or installing various parts, place a cloth or padding onto the vehicle body to prevent scratches.
- Handle trim, molding, instruments, grille, etc. carefully during removing or installing. Be careful not to soil or damage them.
- Apply sealing compound where necessary when installing parts.
- When applying sealing compound, be careful that the sealing compound does not protrude from parts.
- When replacing any metal parts (for example body outer panel, members, etc.), be sure to take rust prevention measures.



## Circuit Breaker Inspection

For example, when current is 30A, the circuit is broken within 8 to 20 seconds.

Circuit breakers are used in the following systems.

- Power window & power door lock
- Automatic seat belt
- Power sun roof


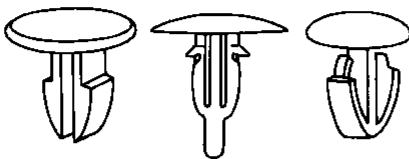
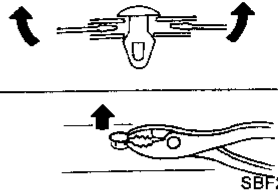

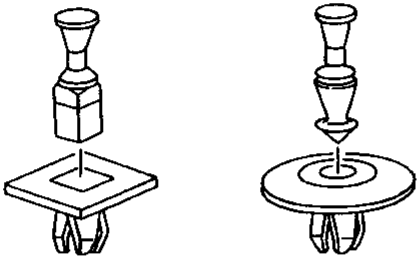
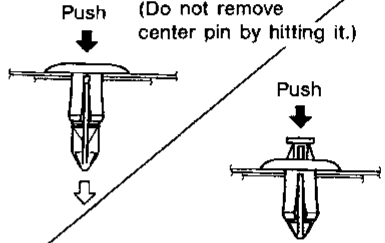

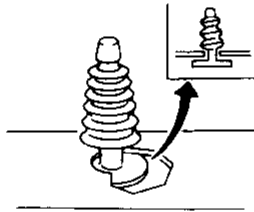
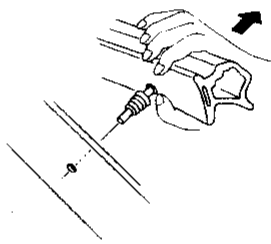
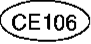
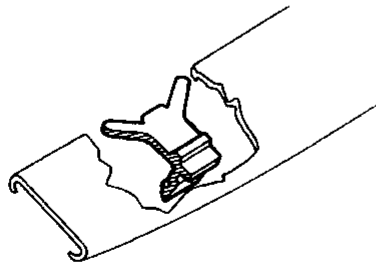
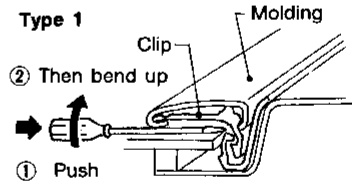
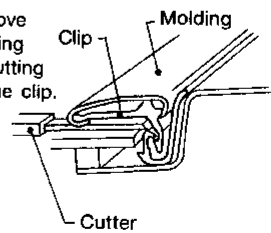
## Clip and Fastener

- Clips and fasteners in BF section correspond to the following numbers and symbols.
- Replace any clips and/or fasteners which are damaged during removal or installation.

Symbol No.	Shapes	Removal & Installation
 C101	 SBF256G	<p><b>Removal:</b> Remove by bending up with flat-bladed screwdrivers.</p> SBF367B
 C102	 SBF114B  SBF137B	 <b>Removal:</b> Pull up by rotating.

# GENERAL SERVICING

## Clip and Fastener (Cont'd)

Symbol No.	Shapes	Removal & Installation
 <p>C103</p>	 <p style="text-align: right;">SBF257G</p>	<p><b>Removal:</b> Remove with a flat-bladed screwdriver or pliers.</p>  <p style="text-align: right;">SBF292C</p>
 <p>C203</p>	 <p style="text-align: right;">SBF258G</p>	<p>Push center pin to catching position. (Do not remove center pin by hitting it.)</p>  <p><b>Installation:</b></p> <p style="text-align: right;">SBF708E</p>
 <p>CE103</p>	 <p style="text-align: right;">SBF104B</p>	<p><b>Removal:</b></p>  <p style="text-align: right;">SBF147B</p>
 <p>CE106</p>	 <p style="text-align: right;">SBF653B</p>	<p><b>Removal:</b></p> <p><b>Type 1</b></p>  <p style="text-align: right;">SBF654B</p> <p><b>Type 2</b></p> <p>Remove molding by cutting off the clip.</p>  <p style="text-align: right;">SBF914B</p>

GI

MA

EM

LC

EF &  
EC

FE

CL

MT

AT

PD

FA

RA

BR

ST



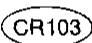

BF

HA

EL

# GENERAL SERVICING

## Clip and Fastener (Cont'd)

Symbol No.	Shapes	Removal & Installation
<p>CF109</p> 	<p>Clip-A</p> <p>Seal</p> <p>Clip-B (Grommet)</p> <p>SBF268G</p>	<p><b>Removal:</b></p> <p>Flat-bladed screwdriver</p> <p>Finisher</p> <p>Body panel</p> <p>Clip-B (Grommet)</p> <p>Clip-A</p> <p>SBF652B</p>
<p>CF118</p> 	<p>Clip-A</p> <p>Sealing washer</p> <p>Clip-B (Grommet)</p> <p>SBF151D</p>	<p><b>Removal:</b></p> <p>Flat-bladed screwdriver</p> <p>Finisher</p> <p>Body panel</p> <p>Clip-B (Grommet)</p> <p>Clip-A</p> <p>Sealing washers</p> <p>SBF259G</p>
<p>CR103</p> 	<p>SBF768B</p>	<p><b>Removal:</b> Holder portion of clip must be spread out to remove rod.</p> <p>SBF770B</p>
<p>CS101</p> 	<p>SBF260G</p>	<p><b>Removal:</b> Screw out with a Phillips screwdriver.</p> <p>SBF140B</p>

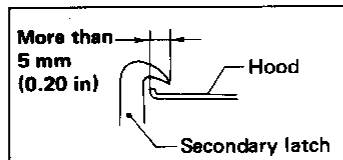
Body Front End

- Hood adjustment: Adjust at hinge portion.
- Hood lock adjustment: After adjusting, check hood lock control operation. Apply a coat of grease to hood locks engaging mechanism.
- Hood opener: Do not attempt to bend cable forcibly.

Hood lock adjustment

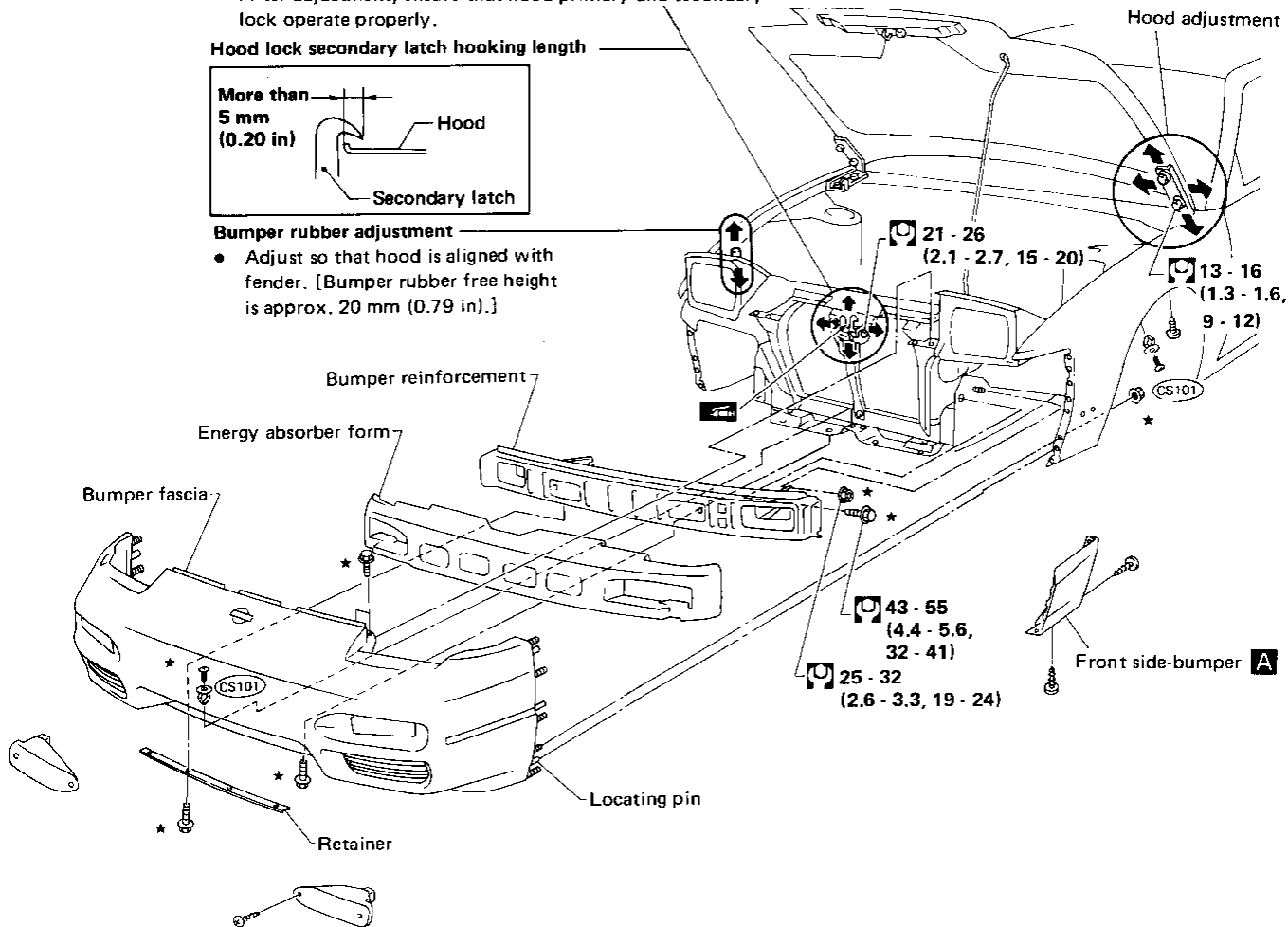
- Adjust lock so that hood primary lock meshes at a position where hood is 1 to 1.5 mm (0.039 to 0.059 in) lower than fender.
- After hood lock adjustment, adjust bumper rubber.
- When securing hood lock, ensure it does not tilt. Striker must be positioned at the center of hood primary lock.
- After adjustment, ensure that hood primary and secondary lock operate properly.

Hood lock secondary latch hooking length



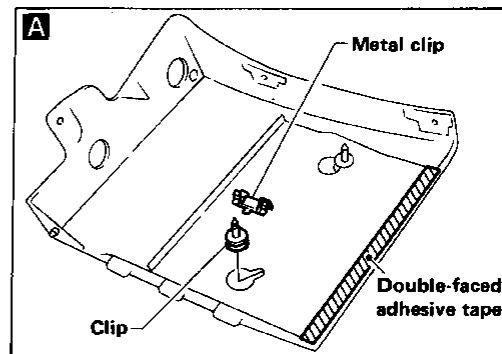
Bumper rubber adjustment

- Adjust so that hood is aligned with fender. [Bumper rubber free height is approx. 20 mm (0.79 in).]



\* : Bumper assembly mounting bolts, nuts and clips

☞ : N-m (kg-m, ft-lb)



GI

MA

EM

LC

EF &  
EC

FE

CL

MT

AT

PD

FA

RA

BR

ST

BF

HA

EL

## Body Rear End and Opener

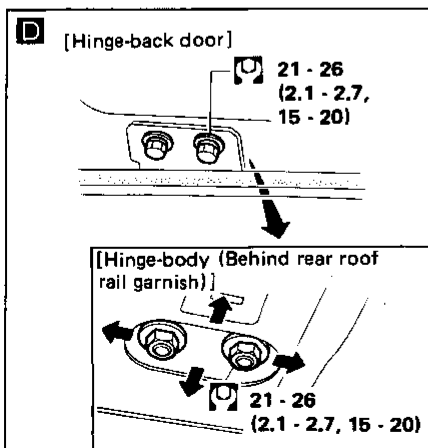
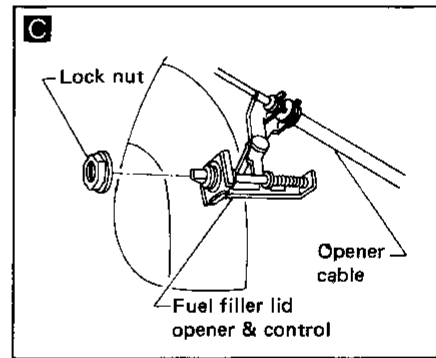
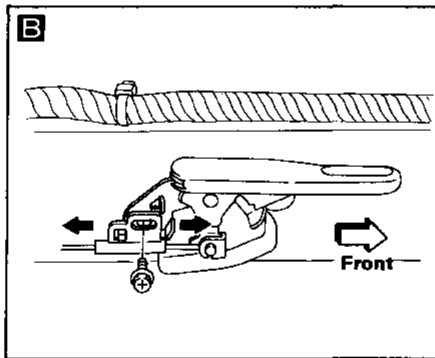
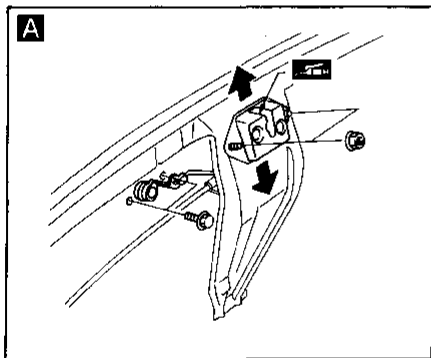
- Back door adjustment: Adjust at hinge-body portion for proper back door fit.
- Back door lock system adjustment: Adjust lock & striker so that they are in the center. After adjustment, check back door lock operation.
- Trunk lid adjustment: Adjust at hinge-trunk lid portion for proper trunk lid fit.
- Trunk lid lock system adjustment: Adjust striker so that it is in the center of the lock. After adjustment, check trunk lid lock operation.

### WARNING:

- Be careful not to scratch back door stay when installing back door. A scratched stay may cause gas leakage.**
  - The contents of the back door stay are under pressure. Do not take apart, puncture, apply heat or allow fire near it.**
- Opener cable: do not attempt to bend cable using excessive force.
  - After installation, make sure that trunk lid/back door and fuel filler lid open smoothly.

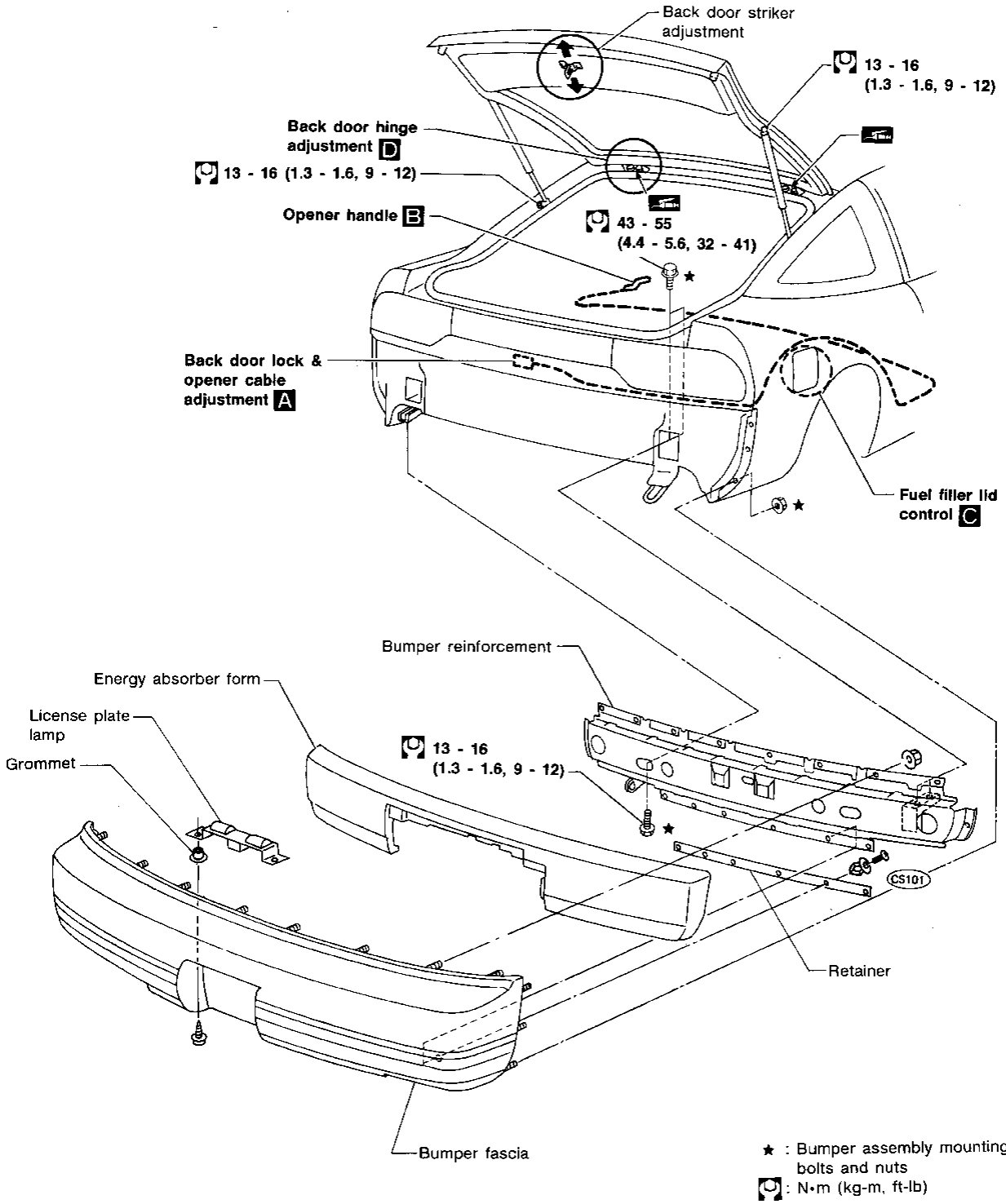
### FASTBACK

- Before removing rear bumper, remove right drafter which is secured with two upper nuts and butyl seal.



# BODY END

## Body Rear End and Opener (Cont'd)

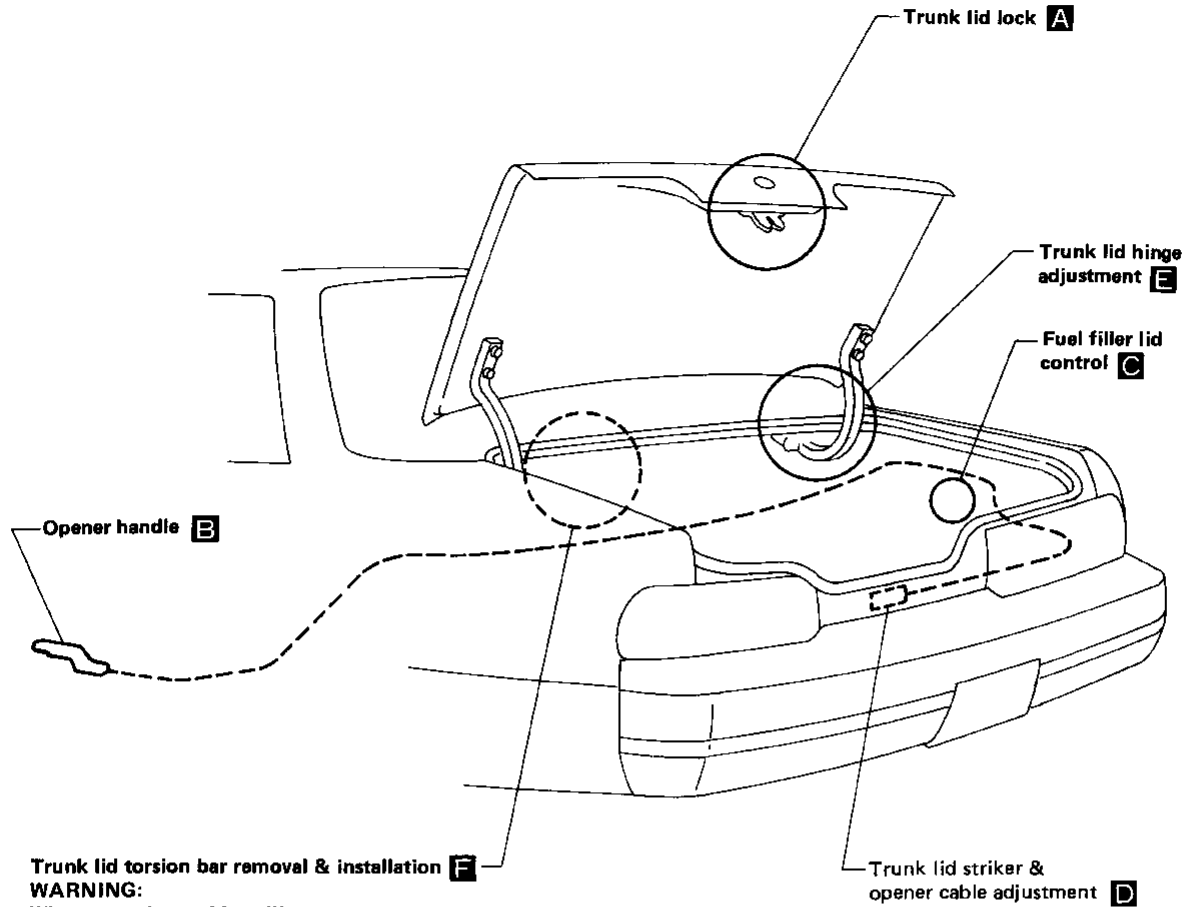


GI  
MA  
EM  
LC  
EF & EC  
FE  
CL  
MT  
AT  
PD  
FA  
RA  
BR  
ST  
BF  
HA  
EL

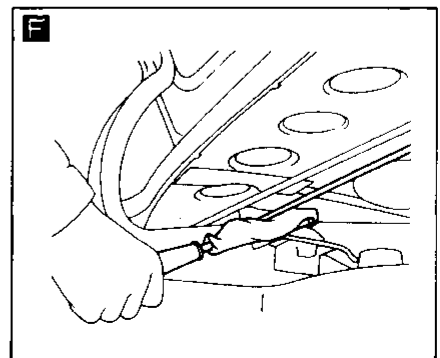
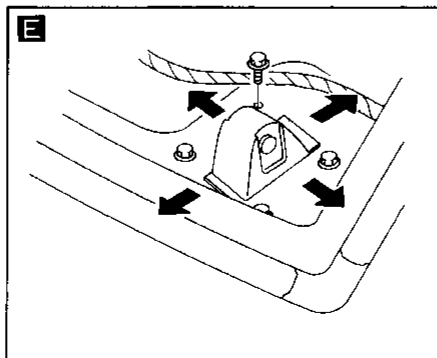
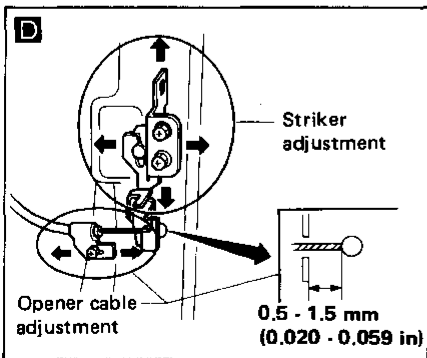
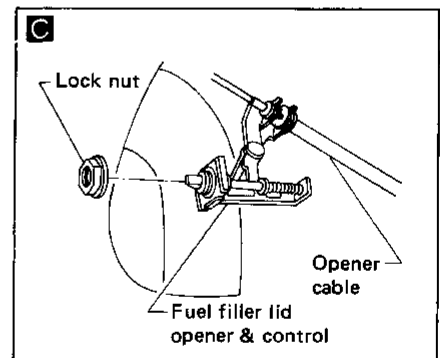
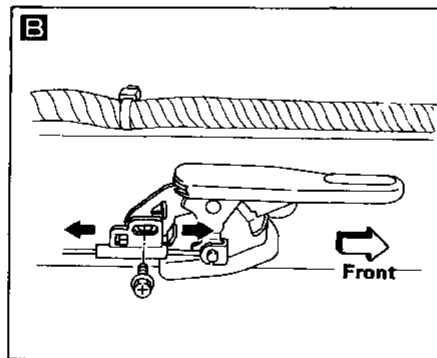
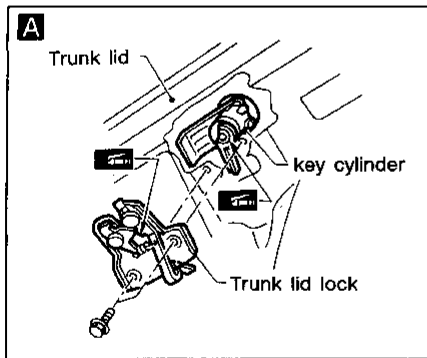
# BODY END

## Body Rear End and Opener (Cont'd)

COUPE



**Trunk lid torsion bar removal & installation F**  
**WARNING:**  
 When removing and installing  
 torsion bar, be careful as it is  
 under tension.

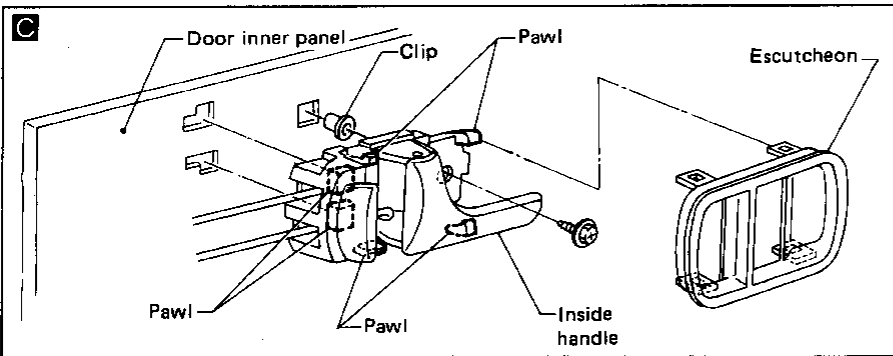
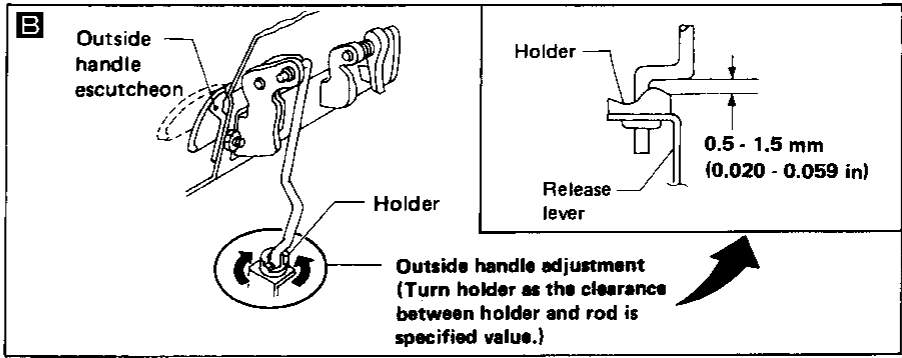
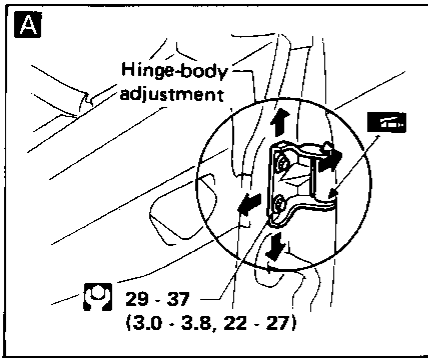


MBF500A

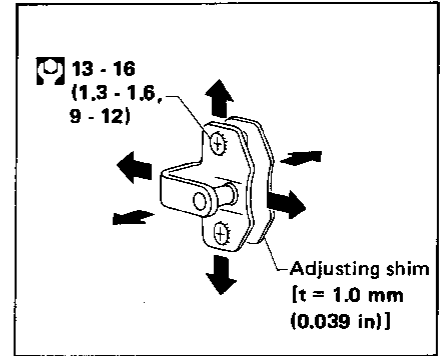




# DOOR



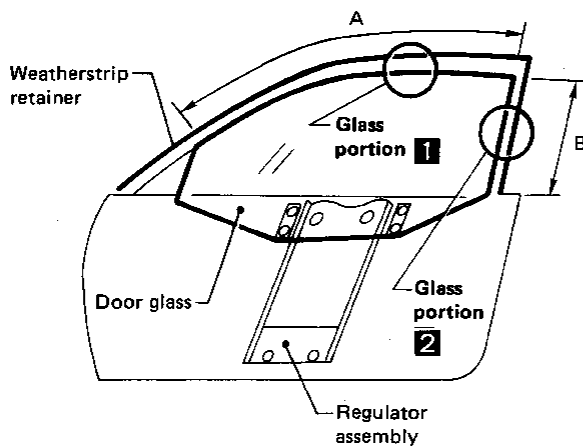
## Striker adjustment



**D**

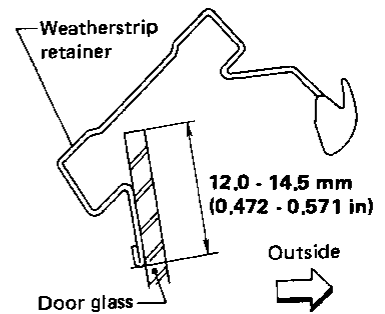
- Remove weatherstrip from retainer.

- Door glass-to-retainer clearances A and B  
Adjust so that clearances A and B are equal.
- Ensure door glass is not tilted.

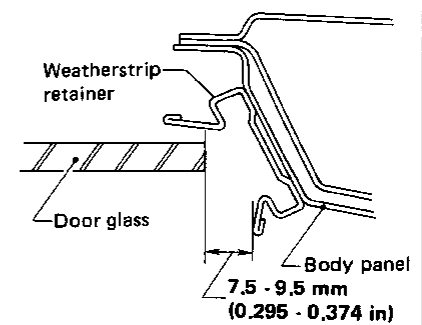


## Glass portion 1

- Adjust to provide proper light surface contact of glass and retainer.

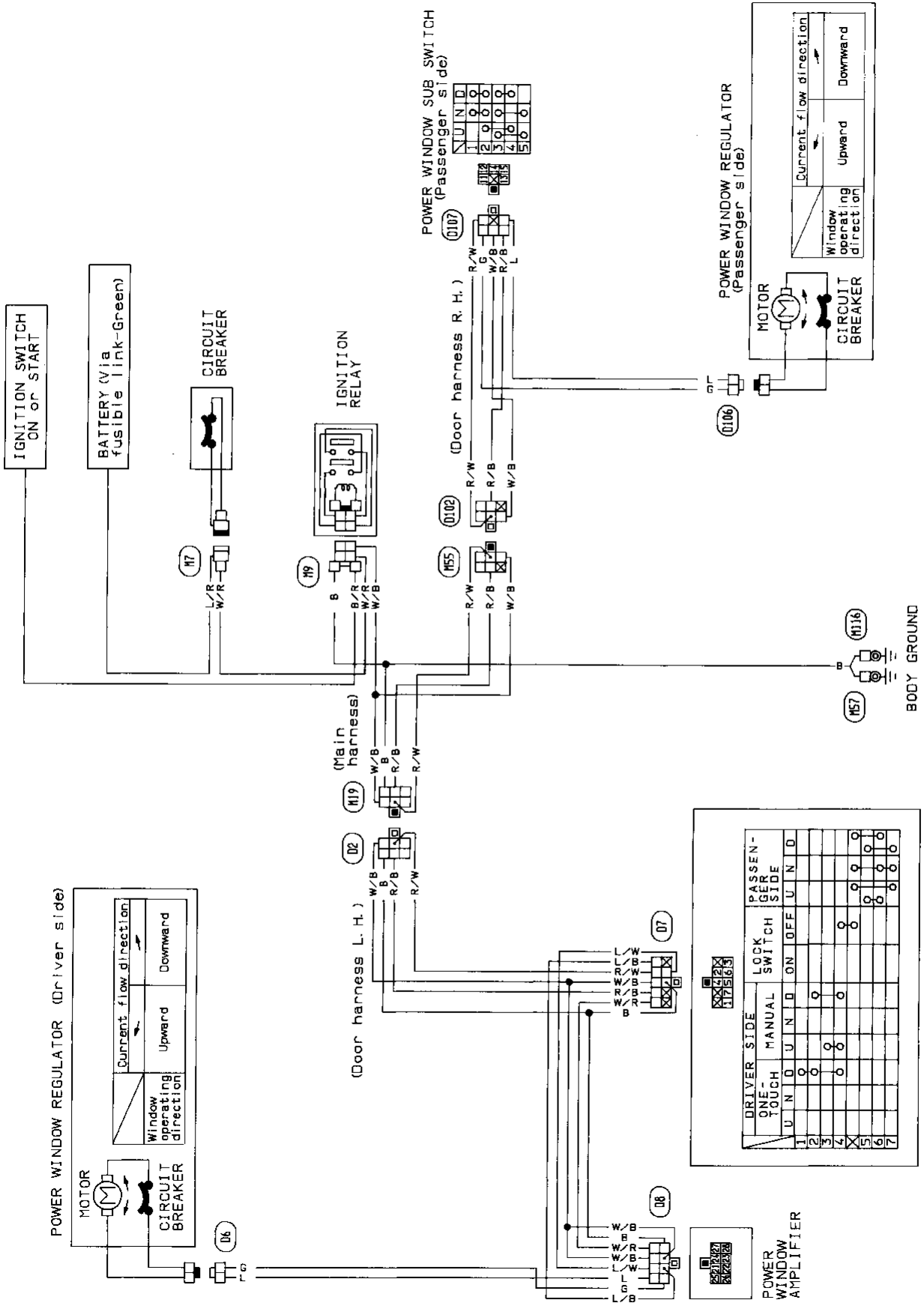


## Glass portion 2



Power Window

WIRING DIAGRAM



GI  
MA  
EM  
LC  
FF &  
EC  
FE  
CL  
MT  
AT  
PD  
FA  
RA  
BR  
ST  
BF  
HA  
EL

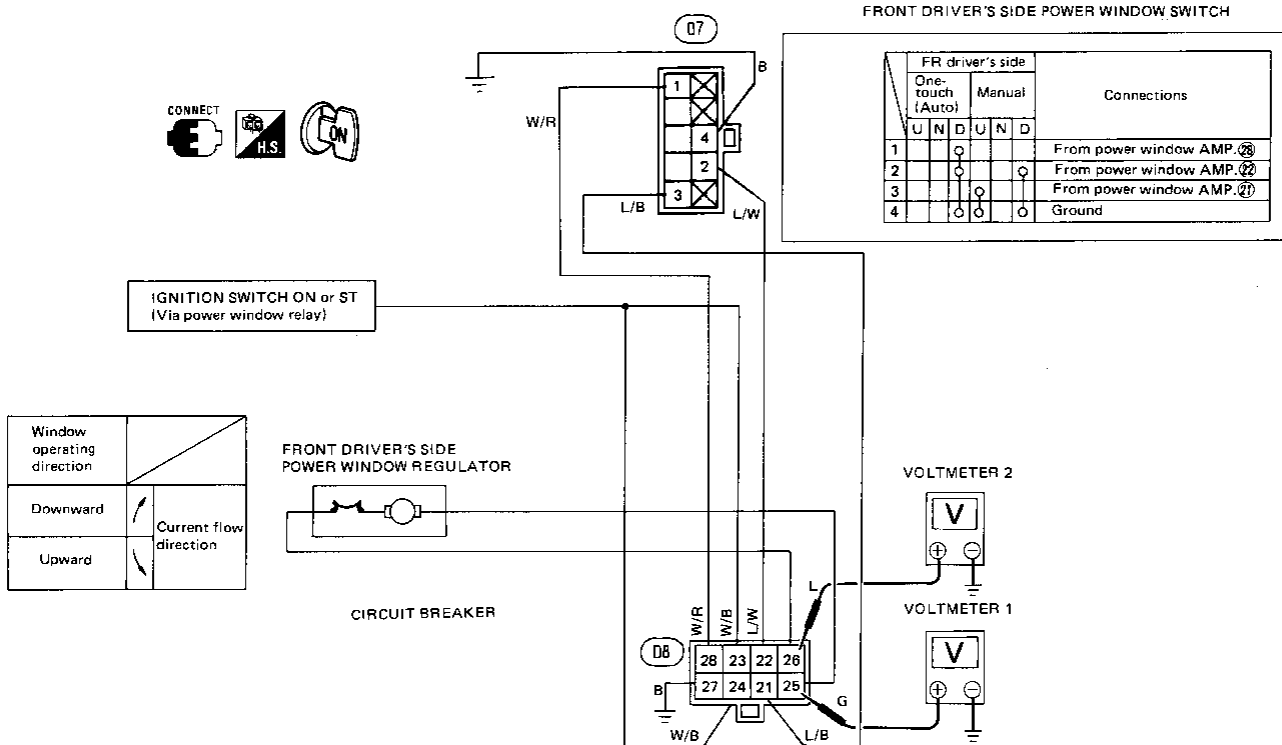
# DOOR

## Power Window (Cont'd)

### POWER WINDOW AMP. INSPECTION

Carry out the inspections below.

- (1) Power source and ground: Battery voltage should exist between terminals 24 and 27.
- (2) Input signals: Battery voltage should exist between terminal 23 and ground (IGN "ON" or "ST"). Continuity should exist between terminal 28, 21, 22 and ground in "ON" condition, and should not exist in "OFF" condition.
- (3) Output signals: Battery voltage shown in the chart should exist.



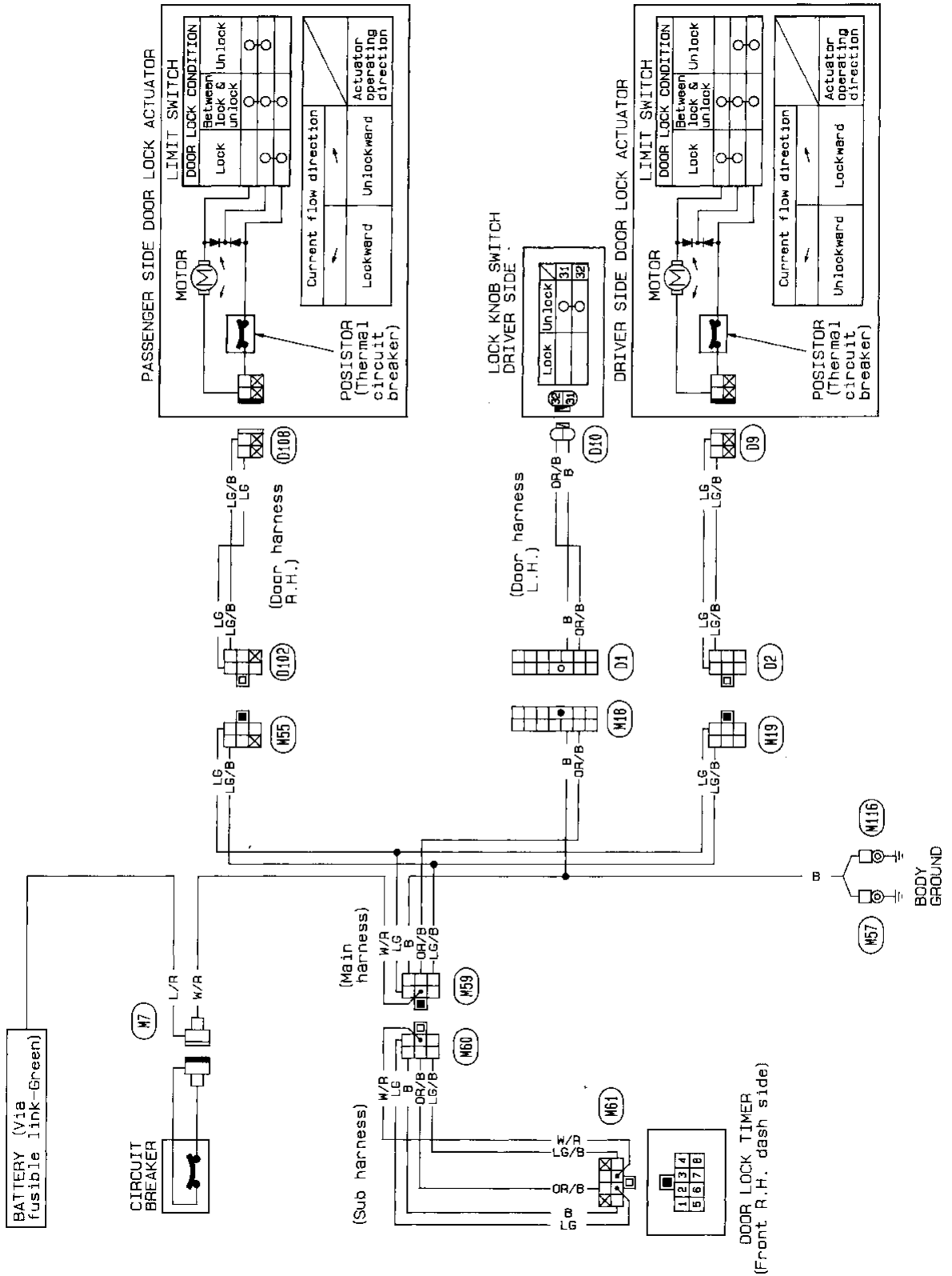
Connections		Operations					
		Manual operation			One-touch (Auto) operation		
		N	UP	Down	N	Down	N
24	Power source (IGN)	12V	12V	12V	12V	12V	12V
27	Ground	Ground	Ground	Ground	Ground	Ground	Ground
23	From ignition SW (ON or ST)	12V	12V	12V	12V	12V	12V
28	To FR driver's side power window SW (AUTO) ①	OFF	OFF	OFF	OFF	ON	OFF
21	To FR driver's side power window SW (UP) ③	OFF	ON	OFF	OFF	OFF	OFF
22	To FR driver's side power window SW (DOWN) ②	OFF	OFF	ON	OFF	ON	OFF
25	FR driver's side regulator (Upward power source) VOLTMETER 1	Approx. 0V	Approx. over 9V	Approx. 0V	Approx. 0V	Approx. over 9V	Approx. 0V
26	FR driver's side regulator (Downward power source) VOLTMETER 2	Approx. 0V	Approx. 0V	Approx. over 9V	Approx. 0V	Approx. over 9V	Approx. over 9V
Regulator Operating Condition		Stop	Upward operation	Downward operation	Stop	Starting	Keeping operation until fully open, then stops automatically.

Carry out the operation check in this chart from left to right continuously

POWER WINDOW AMP - Driver's side door

Power Door Lock

WIRING DIAGRAM



GI  
MA  
EM  
LC  
FF &  
EC  
FE  
CL  
MT  
AT  
PD  
FA  
RA  
BR  
ST  
BF  
HA  
EL

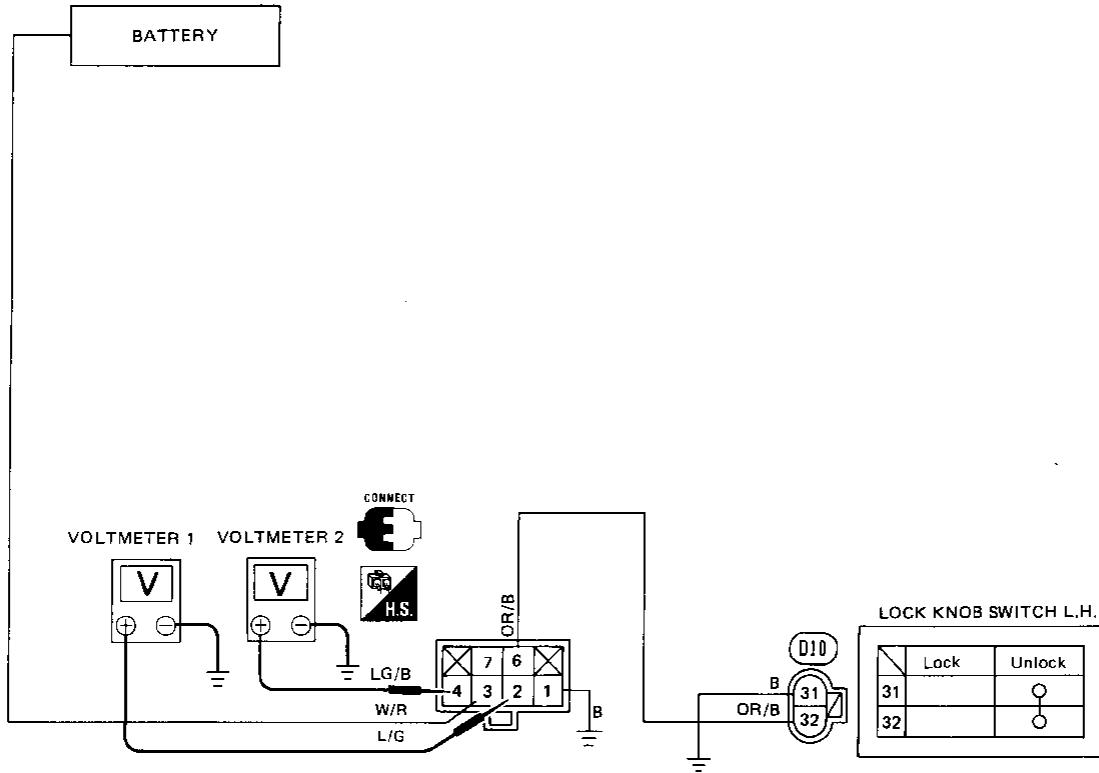
# DOOR

## Power Door Lock (Cont'd)

### DOOR LOCK TIMER INSPECTION

Door lock timer

- Carry out the inspections below.
- (1) Power source and ground: Battery voltage should exist between terminals ③ and ①.
- (2) Input signals: Continuity should exist between terminal ⑥ and ground in "ON" condition, and should not exist in "OFF" condition.
- (3) Output signals: Voltage shown in the chart should exist.



DOOR LOCK TIMER

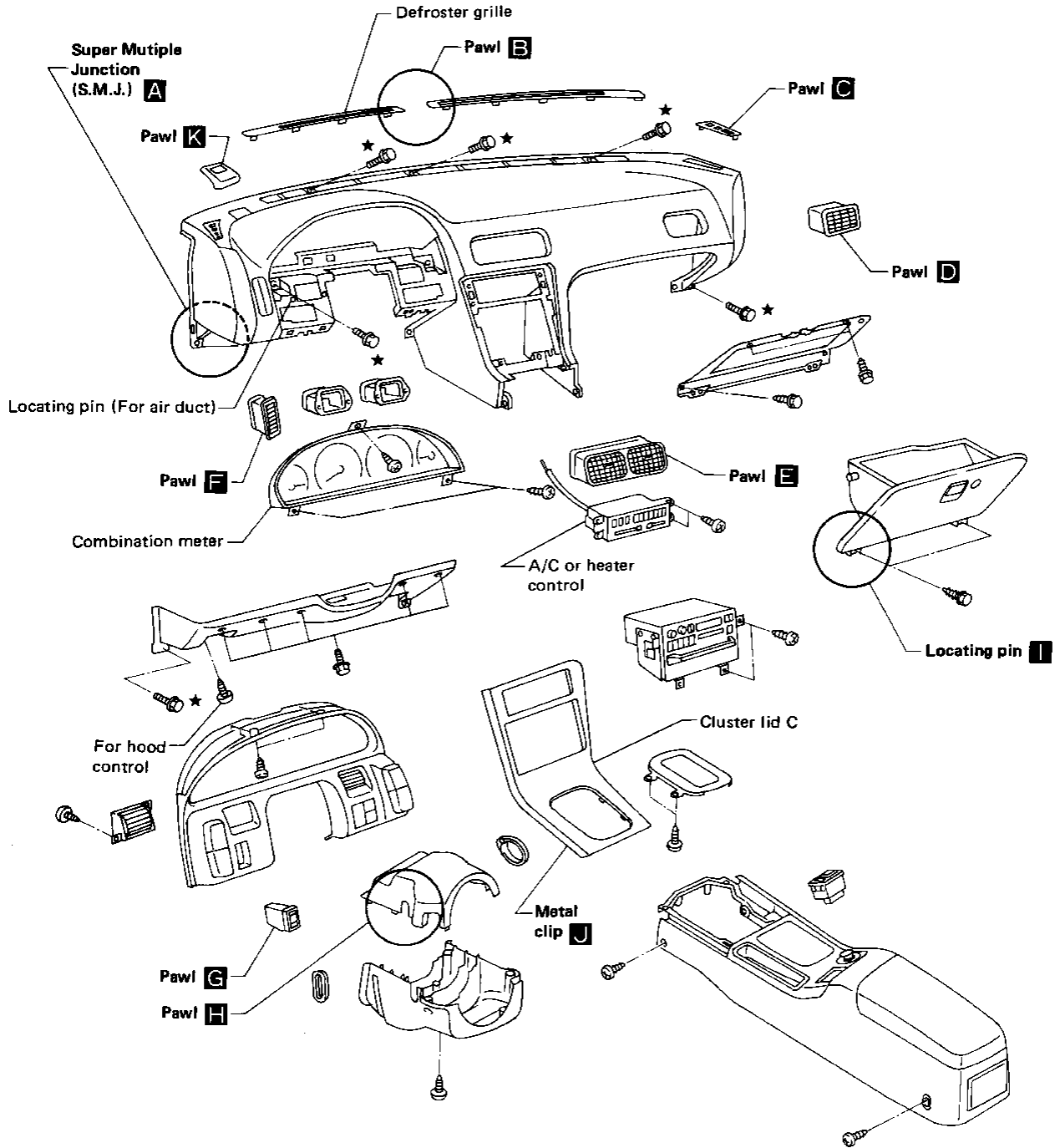
Connections		Operations			
		Lock knob switch L.H.			
		Lock	Unlock	Lock	
3	Power source	12V	12V	12V	
1	Ground	Ground	Ground	Ground	
6	Input signal	Lock knob switch ③② L.H.	OFF	ON	OFF
	7	Input signal	Lock knob switch ④② R.H.	-	-
2	Output signal	Door lock actuator (Lock power source) VOLTMETER 1	0V	0V	12V (Approx. 1.0 sec.) → 0V
		4	Door lock actuator (Unlock power source) VOLTMETER 2	0V	12V (Approx. 1.0 sec.) → 0V

# INSTRUMENT PANEL

- When removing instrument panel assembly, remove defroster grille, combination meter, A/C or heater control, cluster lid C and S.M.J. first.

## HEAD-UP DISPLAY (H.U.D.)

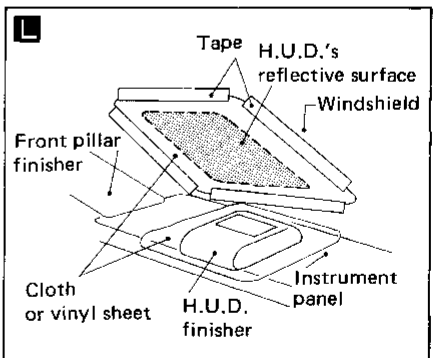
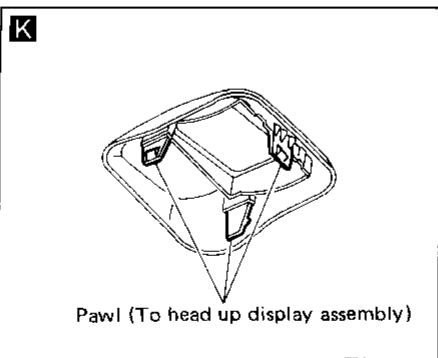
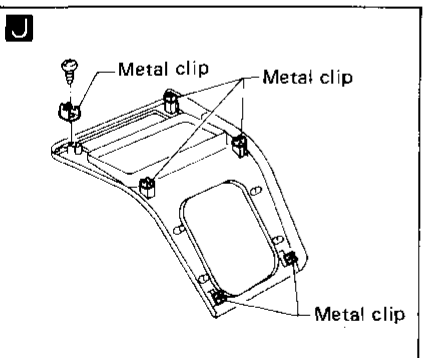
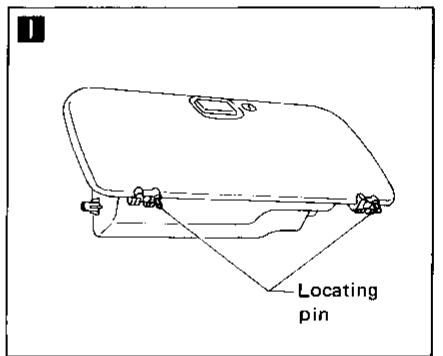
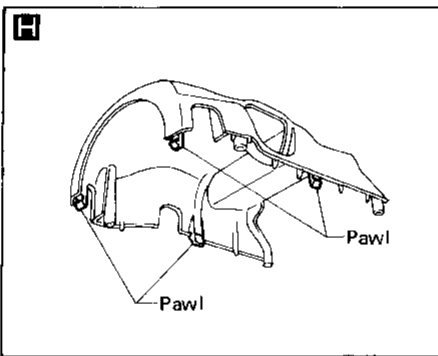
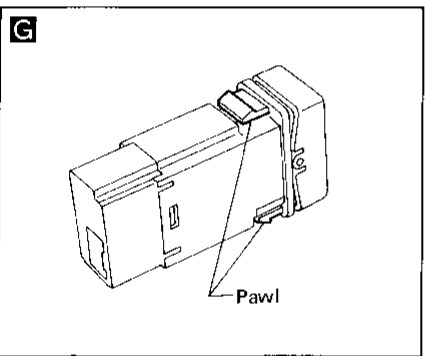
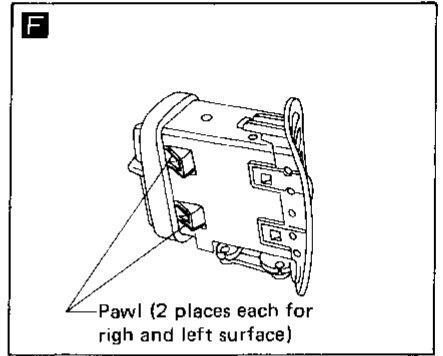
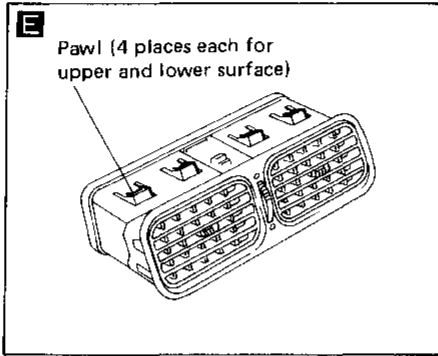
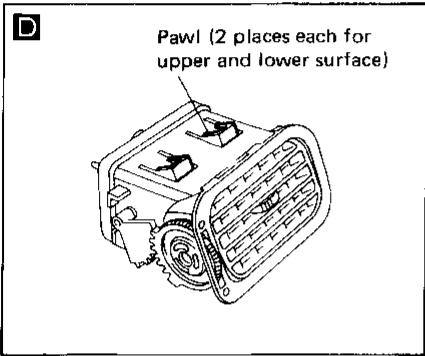
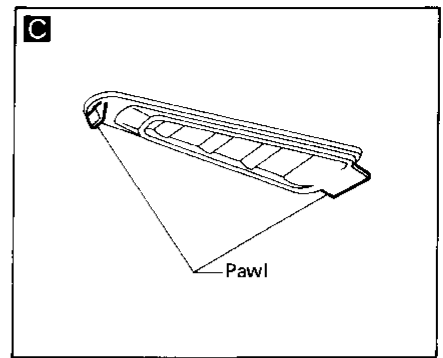
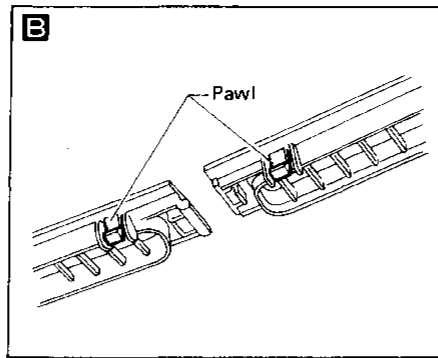
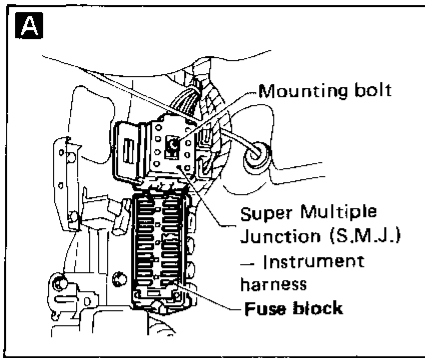
- When removing H.U.D. finisher, be extremely careful not to scratch H.U.D.'s reflective surface. To avoid scratching, cover H.U.D.'s reflective surface or finisher with a cloth or vinyl sheet. **L**



GI  
MA  
EM  
LC  
EF & EC  
FE  
CL  
MT  
AT  
PD  
FA  
RA  
BR  
ST  
BF  
HA  
EL

★ : Instrument panel assembly mounting bolts

# INSTRUMENT PANEL

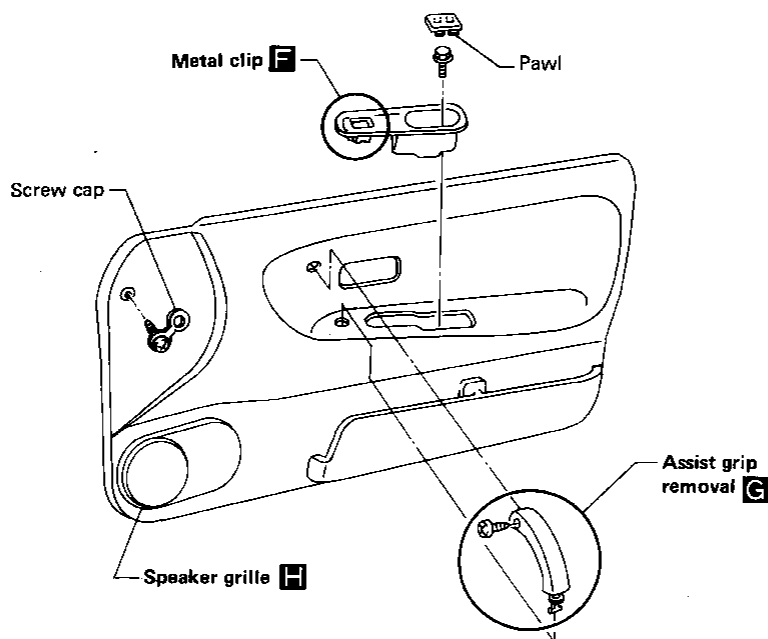
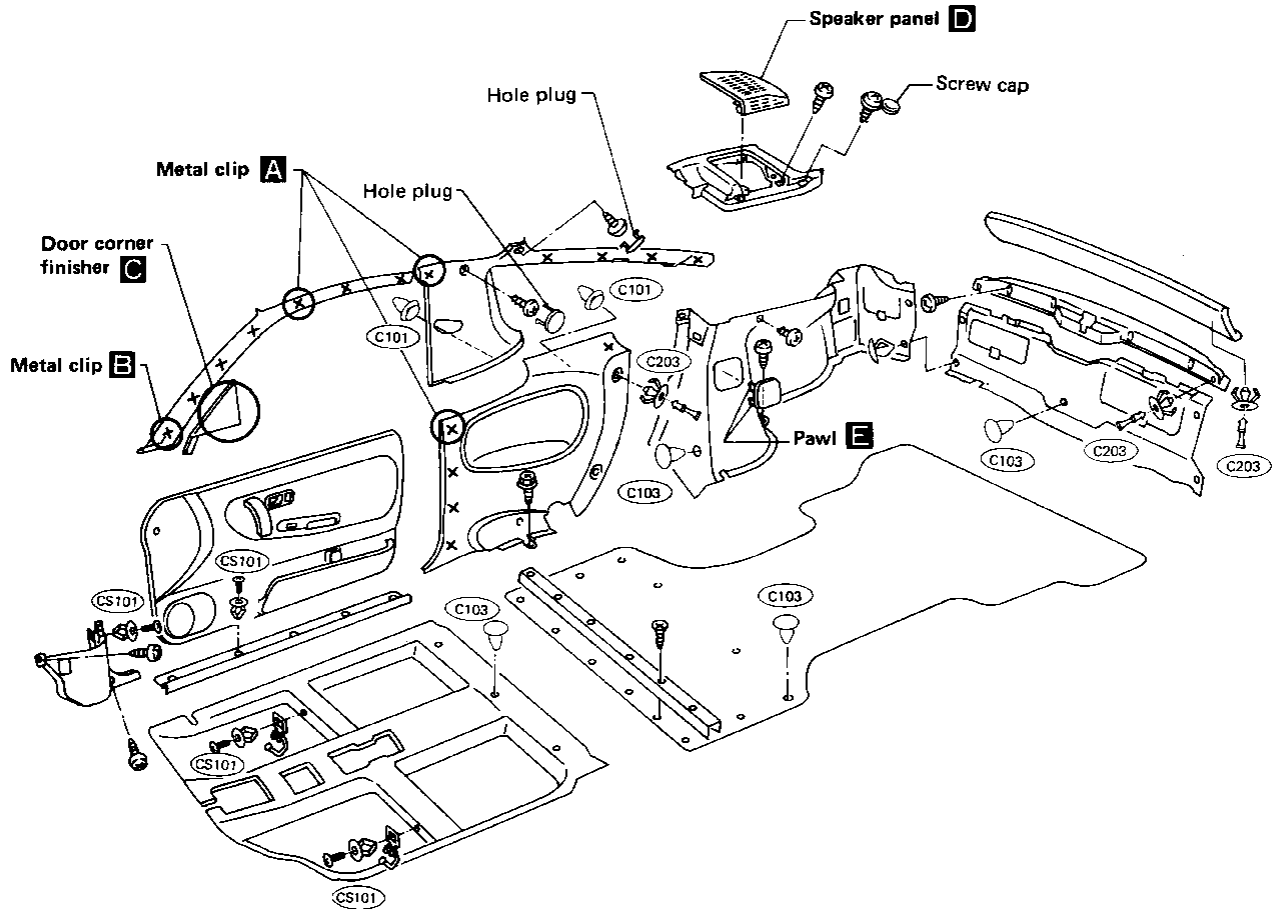




# INTERIOR AND EXTERIOR

## Interior

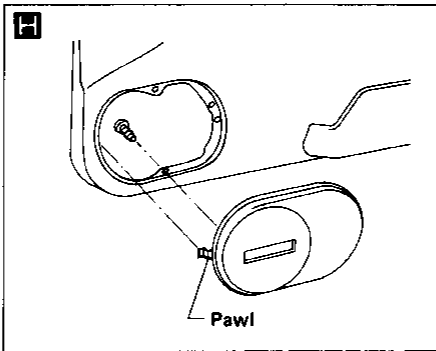
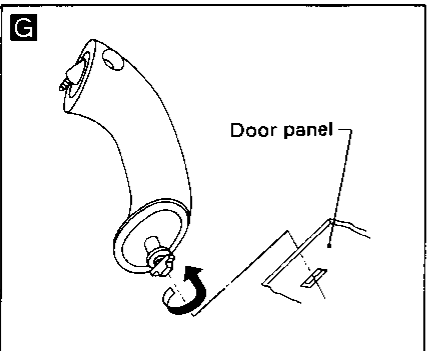
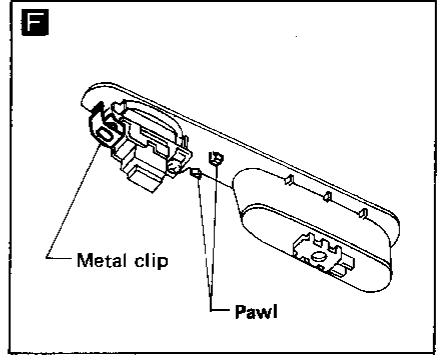
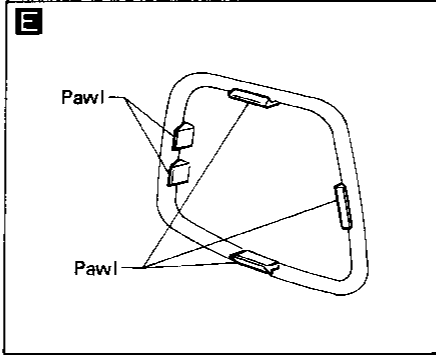
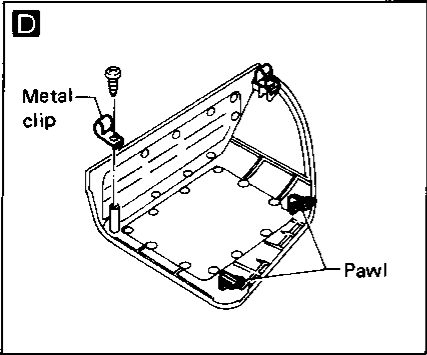
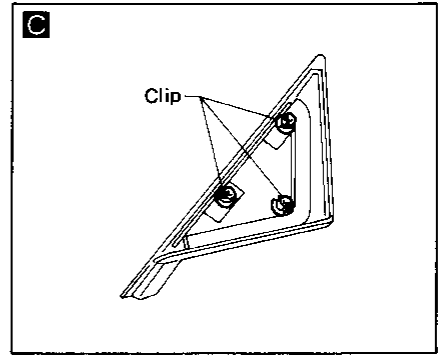
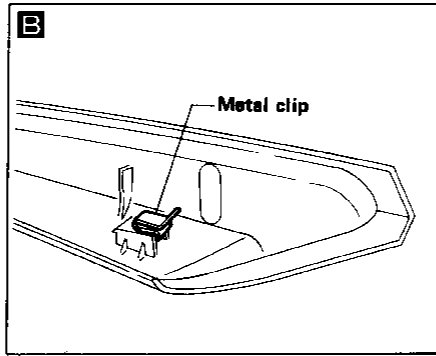
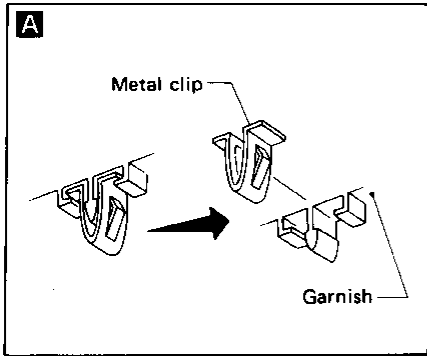
### SIDE, LUGGAGE AND FLOOR TRIM — Fastback



GI  
MA  
EM  
LC  
EF &  
EC  
FE  
CL  
MT  
AT  
PD  
FA  
RA  
BR  
ST  
BF  
HA  
EL

# INTERIOR AND EXTERIOR

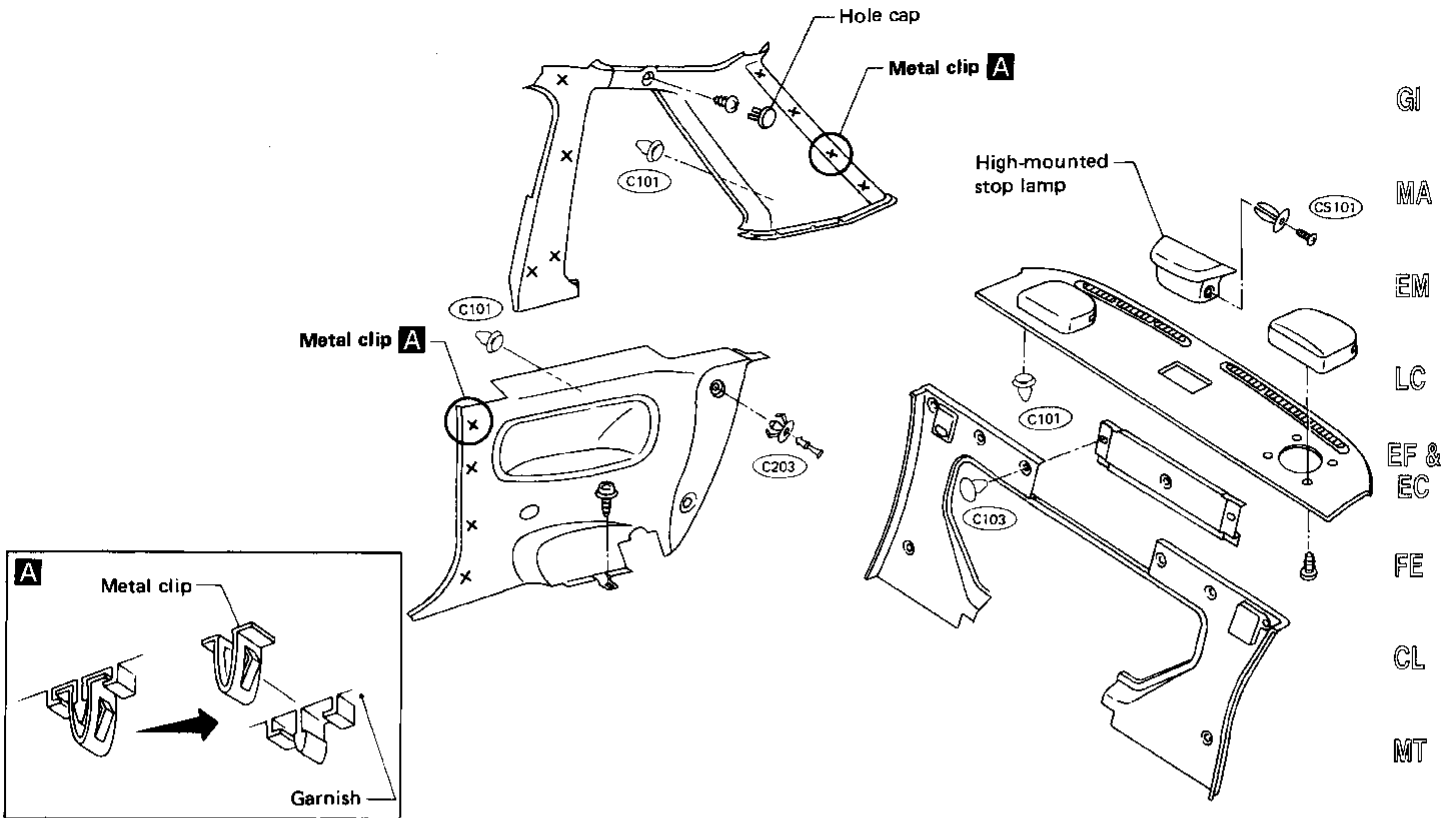
## Interior (Cont'd)



# INTERIOR AND EXTERIOR

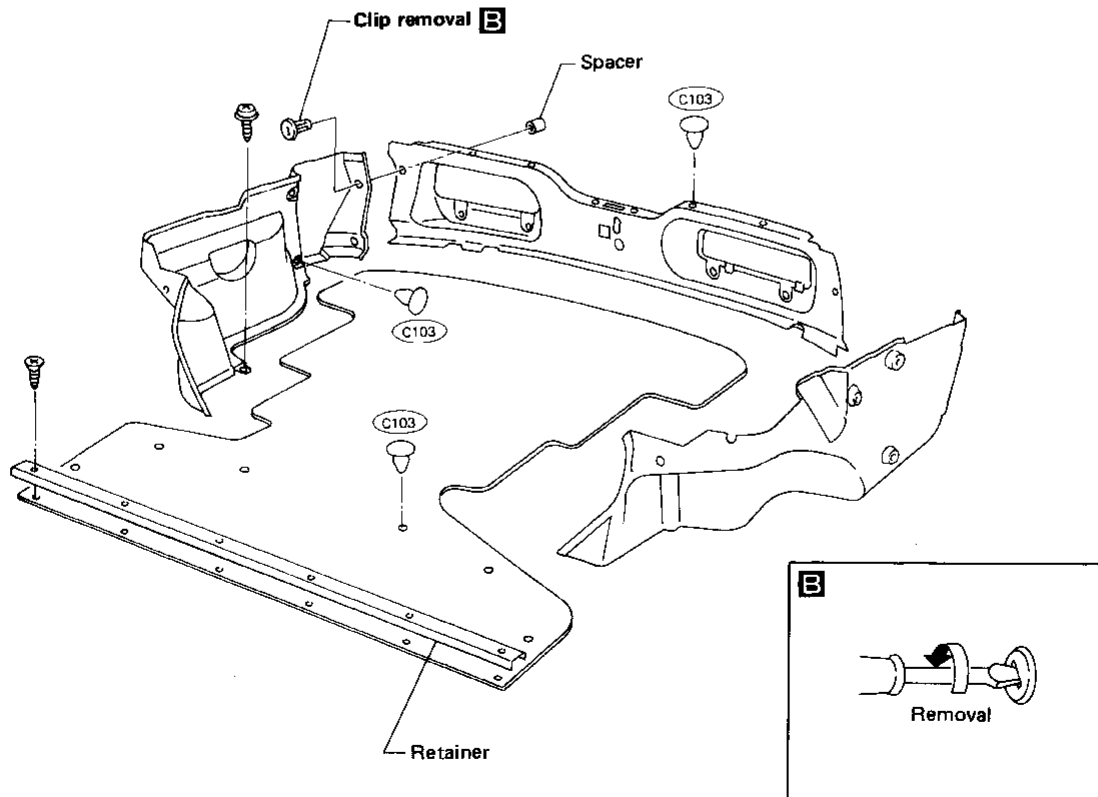
## Interior (Cont'd)

### SIDE TRIM — Coupe



MBF462A

### LUGGAGE ROOM TRIM — Coupe



MBF455A

GI

MA

EM

LC

EF &  
EC

FE

CL

MT

AT

PD

FA

RA

BR

ST

BF

HA

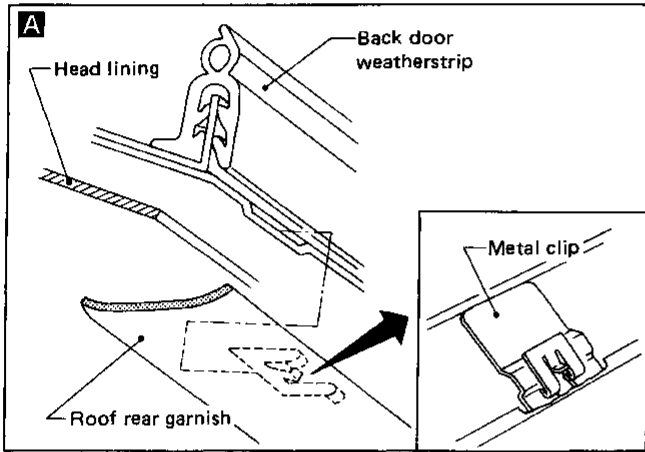
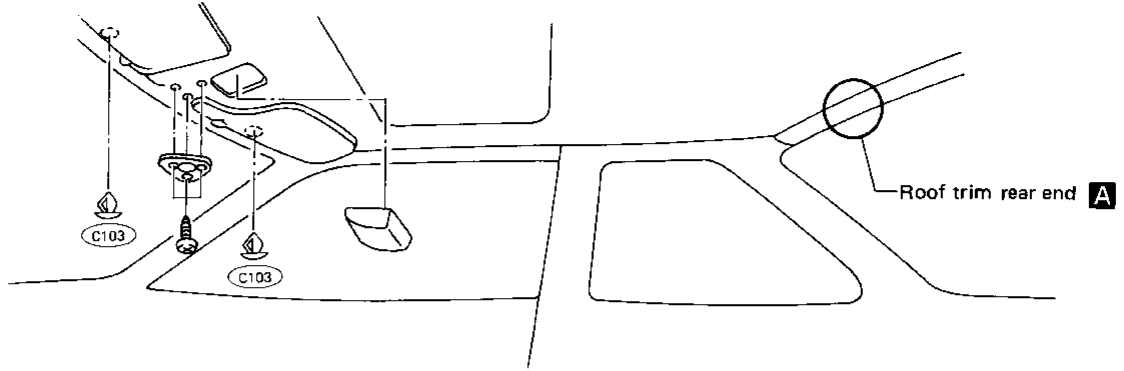
EL

# INTERIOR AND EXTERIOR

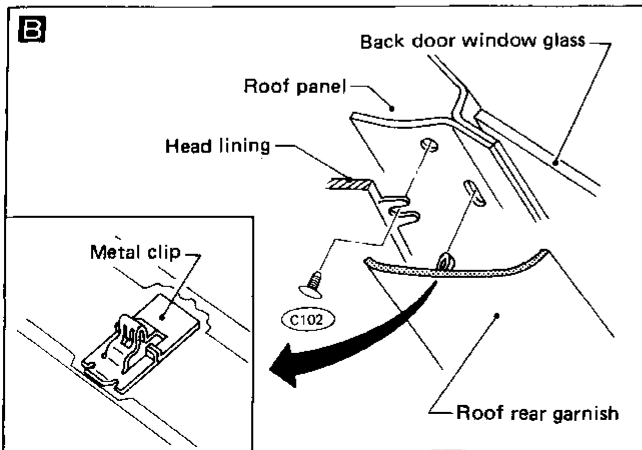
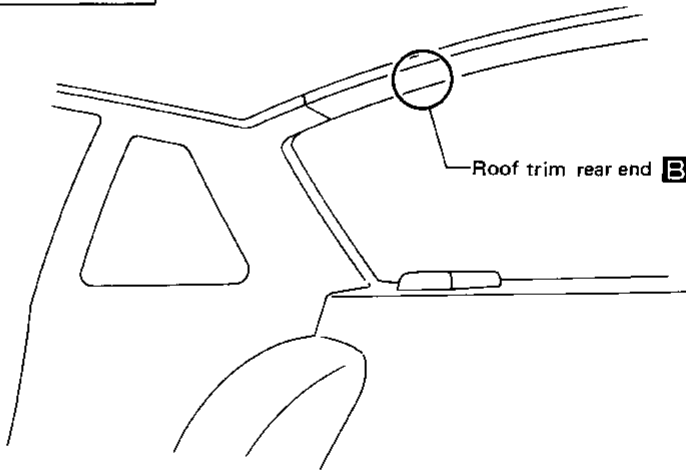
## Interior (Cont'd)

### ROOF TRIM

#### Fastback

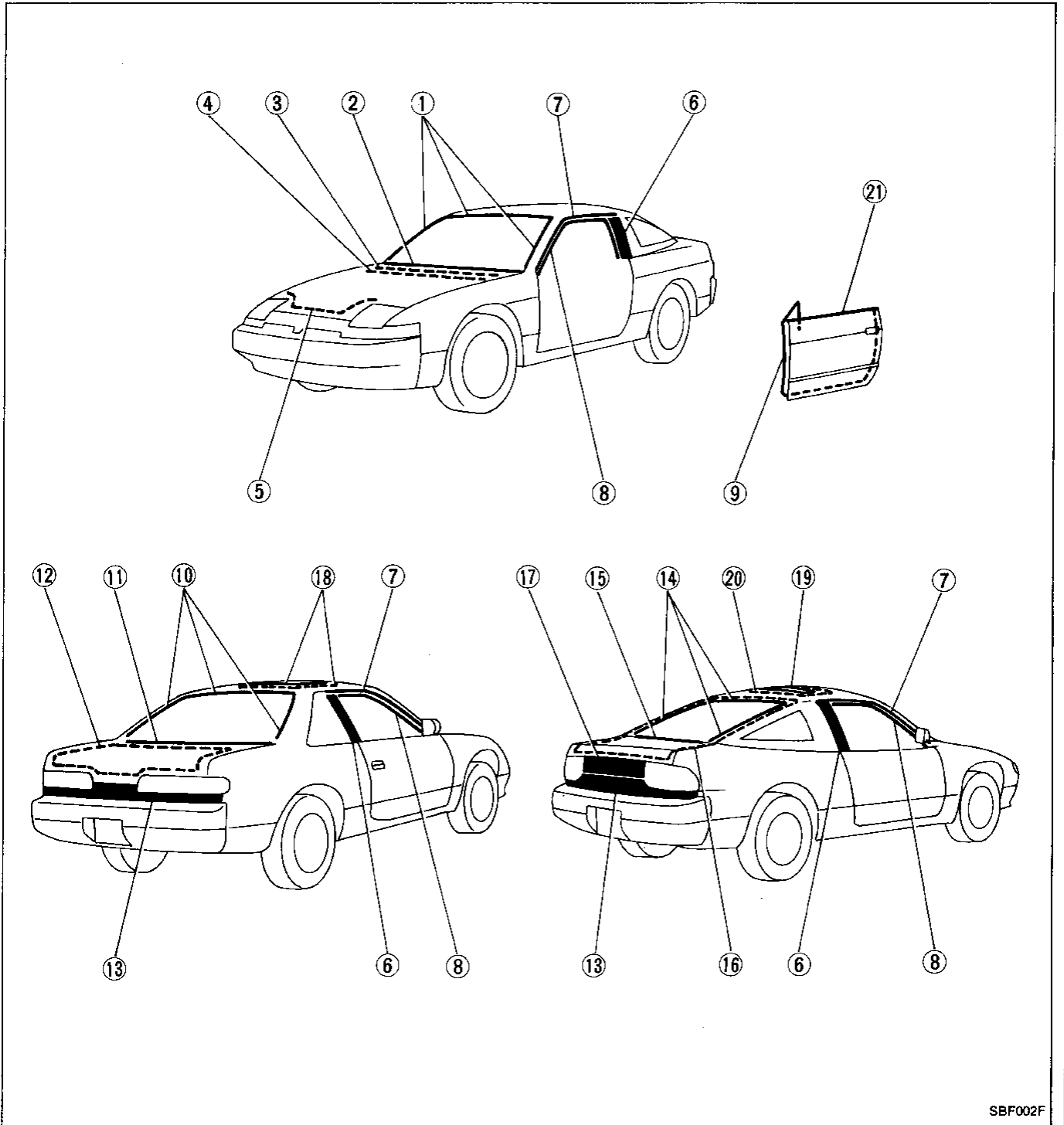


#### Coupe



# INTERIOR AND EXTERIOR

## Exterior



GI  
MA  
EM  
LC  
EF &  
EC  
FE  
CL  
MT  
AT  
PD  
FA  
RA  
BR  
ST  
BF  
HA  
EL

SBF002F

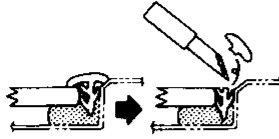
# INTERIOR AND EXTERIOR

## Exterior (Cont'd)

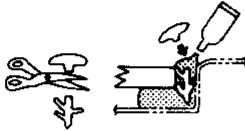
### ① Windshield upper and side molding

#### Method 1

Cut off top portion of molding and clean glass and panel surfaces.



Apply sealant to top portion of molding.



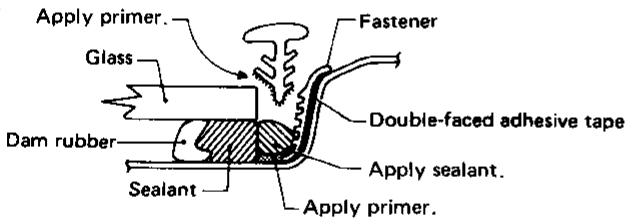
Cut off lower portion of new molding.



Finish well to give it a good appearance.

#### Method 2

1. Cut off sealant at glass end.
2. Clean the side on which panel was mounted.
3. Set molding fastener and apply sealant & primer to body panel, and apply primer to molding.



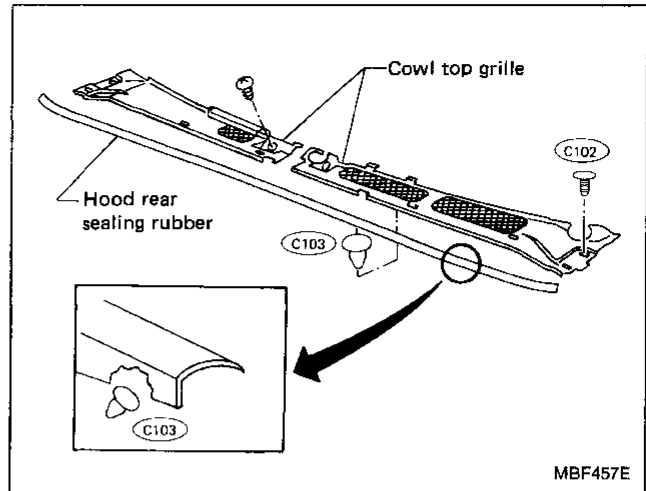
4. Install molding by aligning the molding mark located on center with vehicle center. Be sure to install tightly so that there is no gap around the corner.

SBF519B

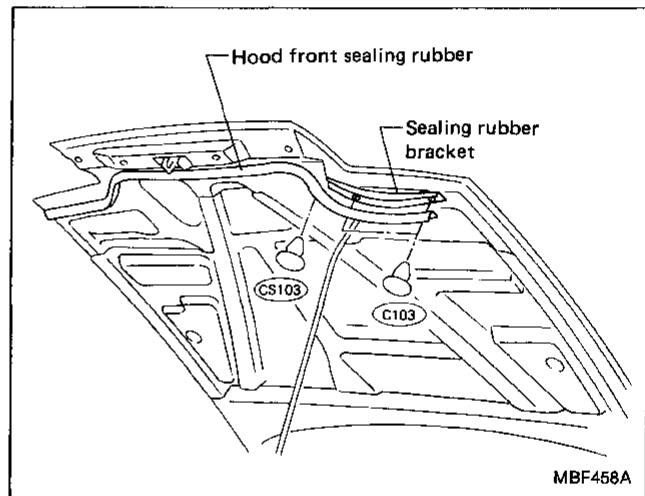
### ② Windshield lower molding

It is mounted with screws.

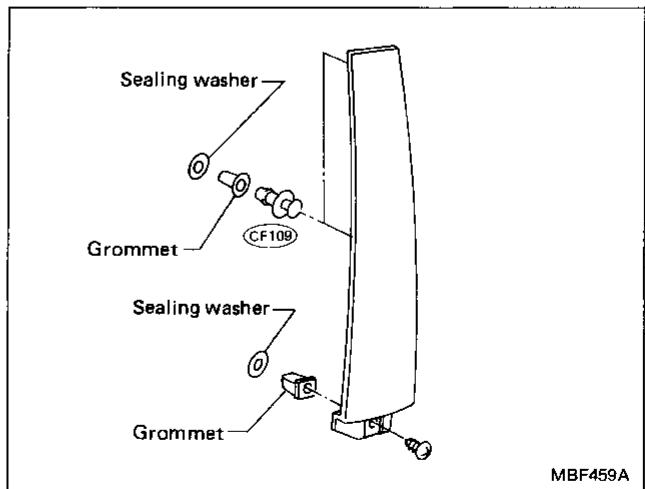
### ③, ④ Cowl top grille and hood rear sealing rubber



### ⑤ Hood front sealing rubber



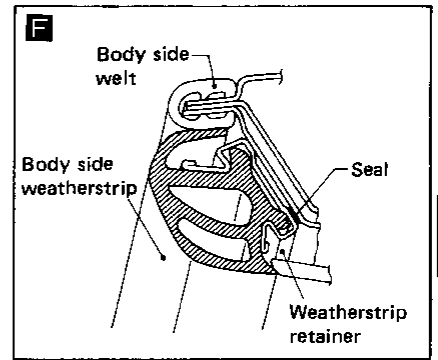
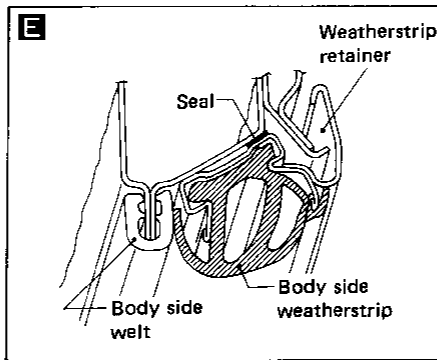
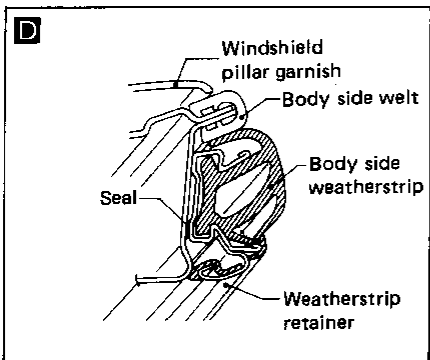
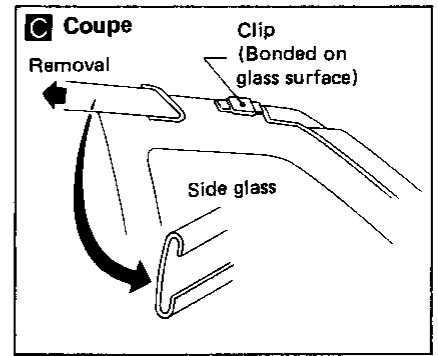
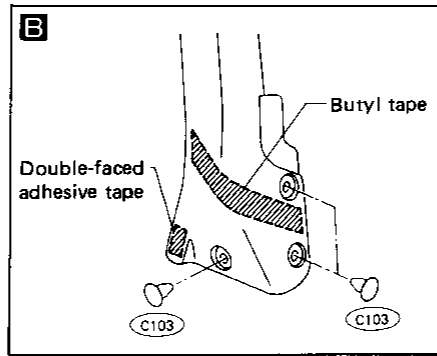
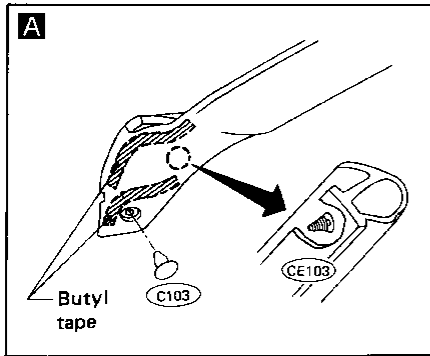
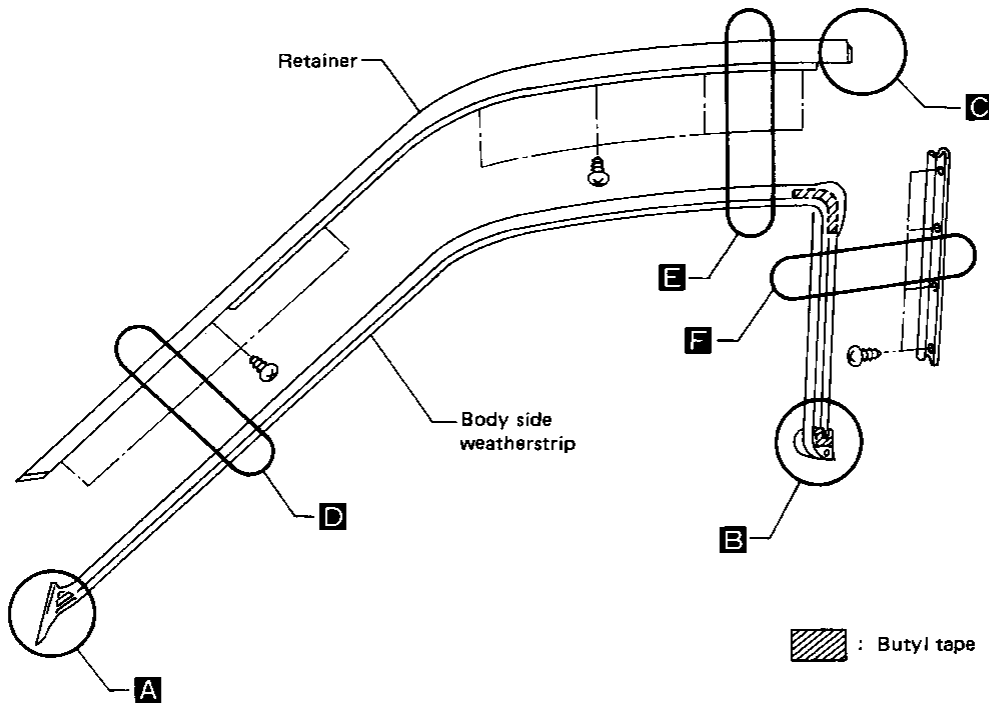
### ⑥ Center pillar finisher



# INTERIOR AND EXTERIOR

## Exterior (Cont'd)

### ⑦, ⑧ Body side weatherstrip and weatherstrip retainer

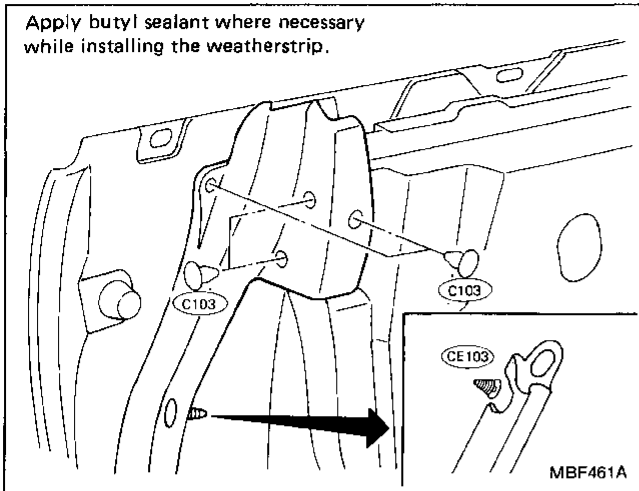


GI  
MA  
EM  
LC  
EF & EC  
FE  
CL  
MT  
AT  
PD  
FA  
RA  
BR  
ST  
BF  
HA  
EL

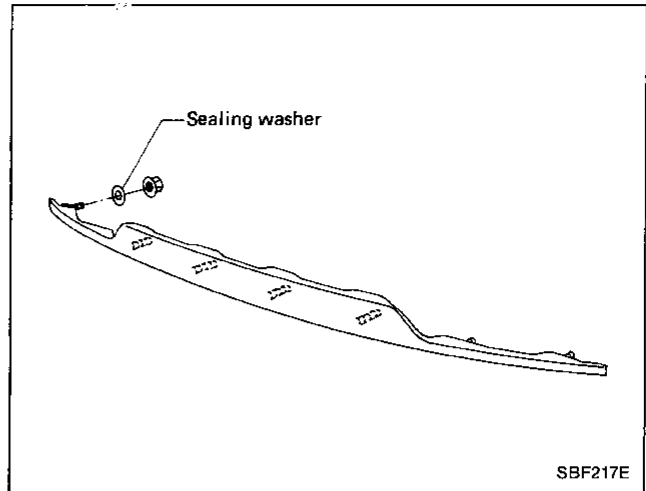
# INTERIOR AND EXTERIOR

## Exterior (Cont'd)

### 9 Door weatherstrip



### 13 Rear sight shield



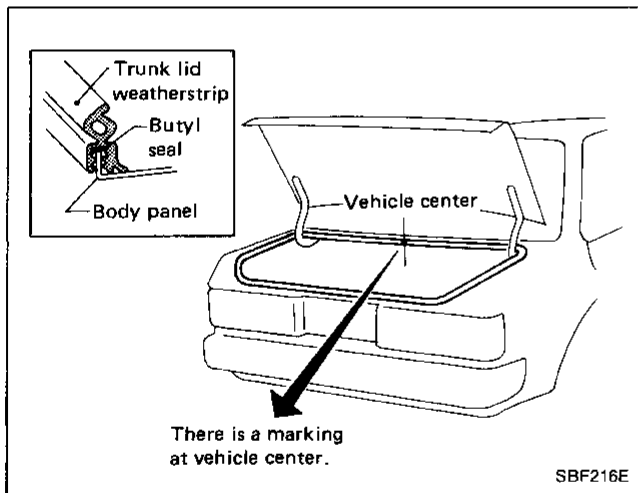
### 10 Back window upper and side molding (Coupe)

Basically the same as windshield upper and side molding.

### 11 Back window lower molding (Coupe)

It is mounted with screws.

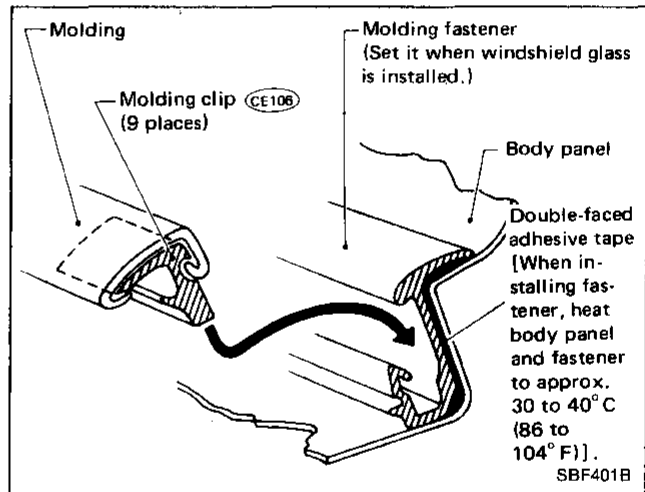
### 12 Trunk lid weatherstrip



### 14 Back door window upper and side molding (Fastback)

Bonded on back door glass side.

### 15 Back door window lower molding (Fastback)

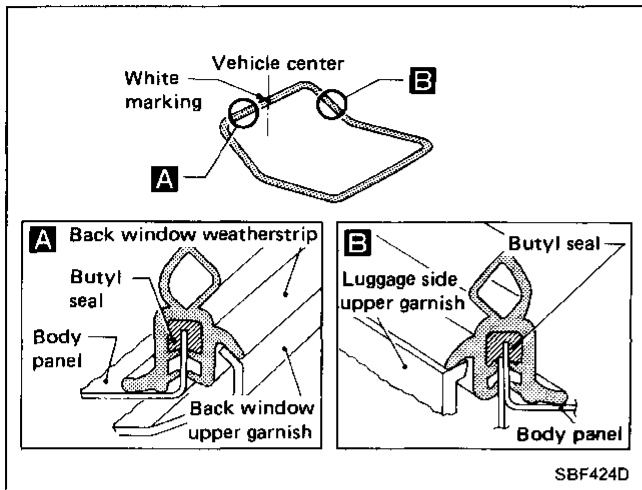




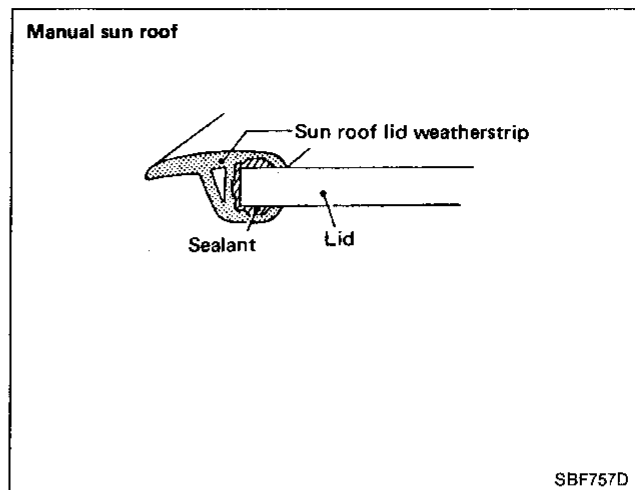
# INTERIOR AND EXTERIOR

## Exterior (Cont'd)

16 Back door weatherstrip



19 Sun roof lid weatherstrip



GI

MA

EM

LC

EF &  
EC

FE

CL

MT

AT

PD

FA

RA

BR

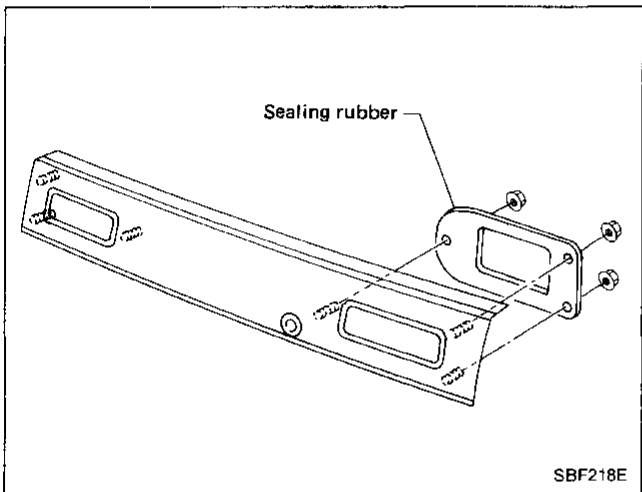
ST

BF

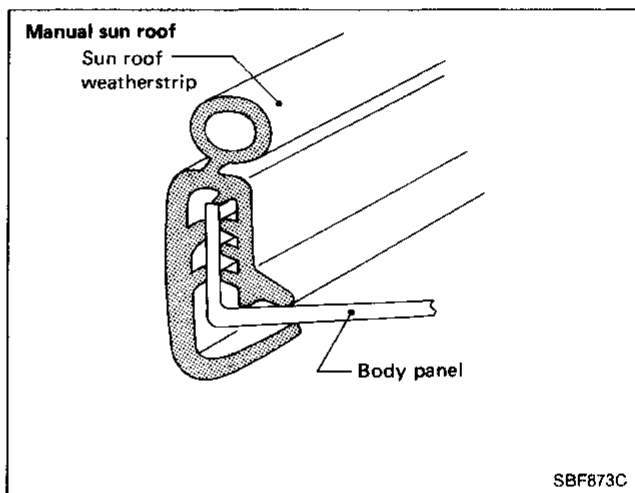
HA

EL

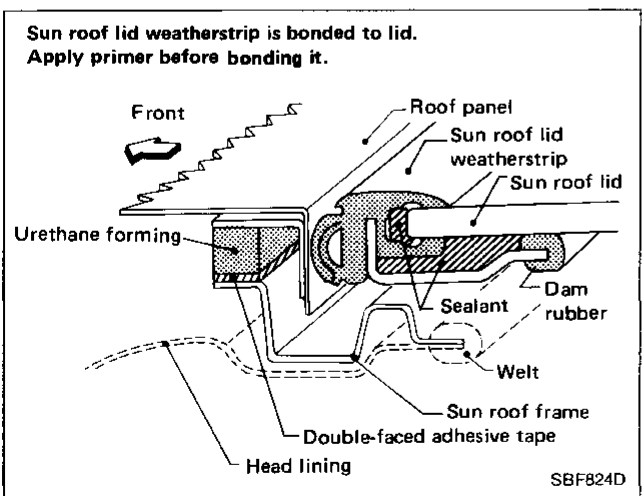
17 Rear panel finisher (Fastback)



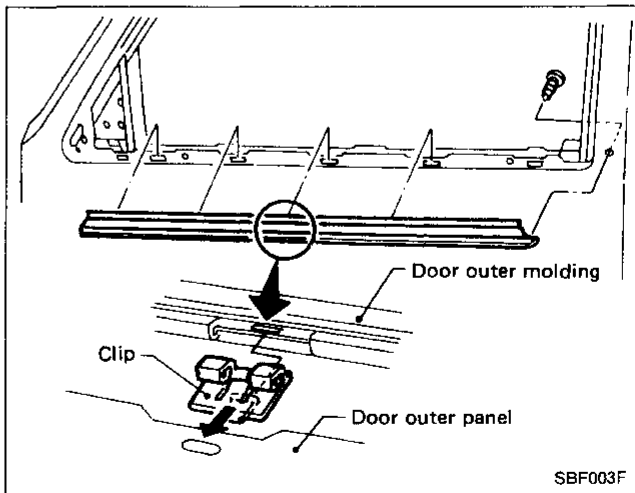
20 Sun roof weatherstrip



18 Sun roof lid weatherstrip and sun roof frame weatherstrip (Coupe)

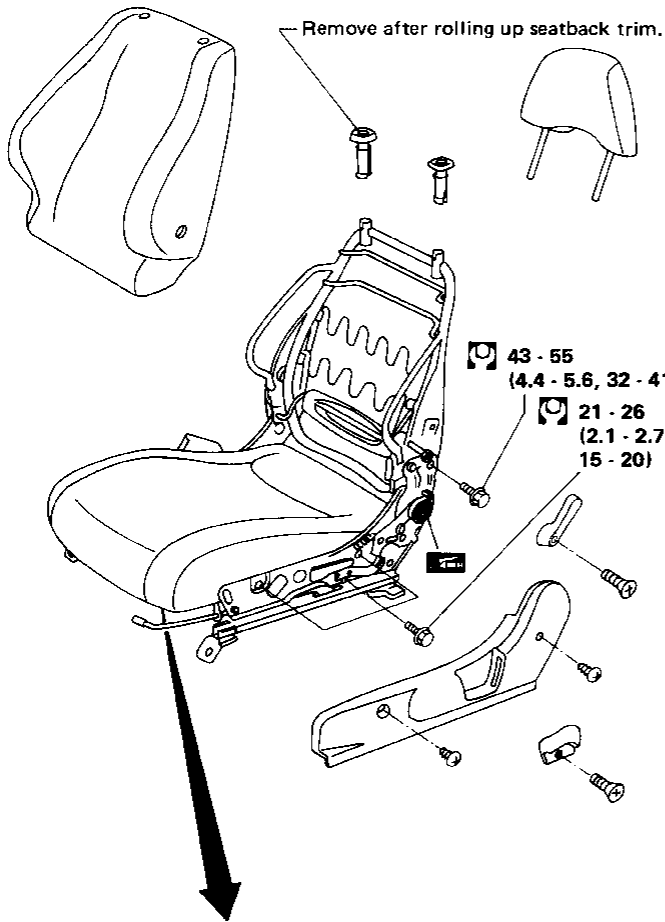


21 Door waist outside molding

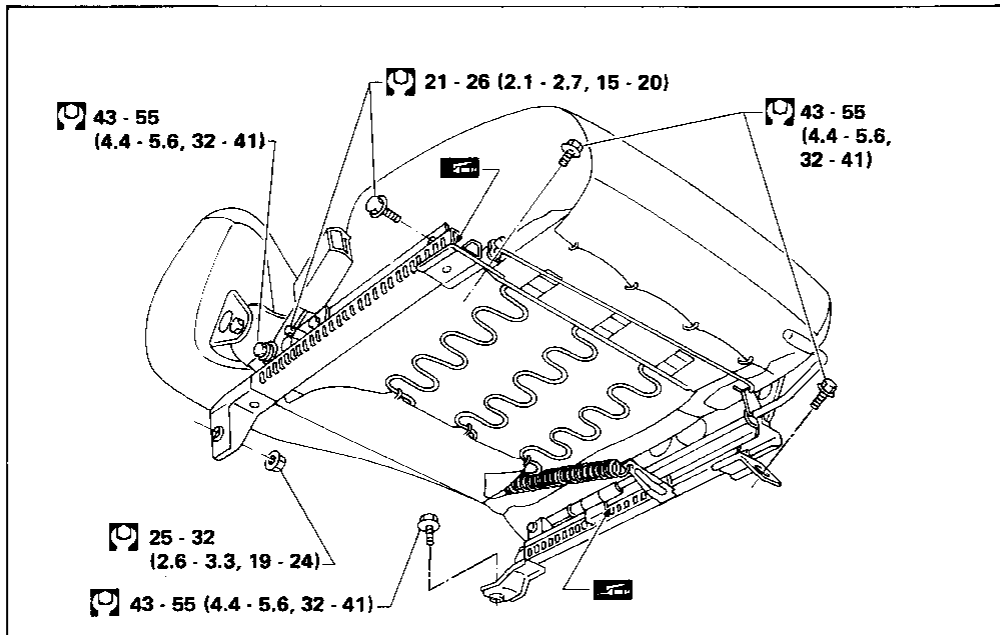
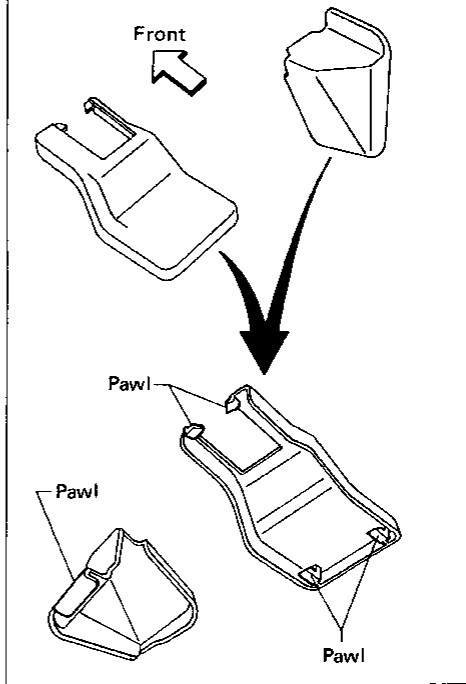


# SEAT

## Front Seat



### Slide rail rear cover

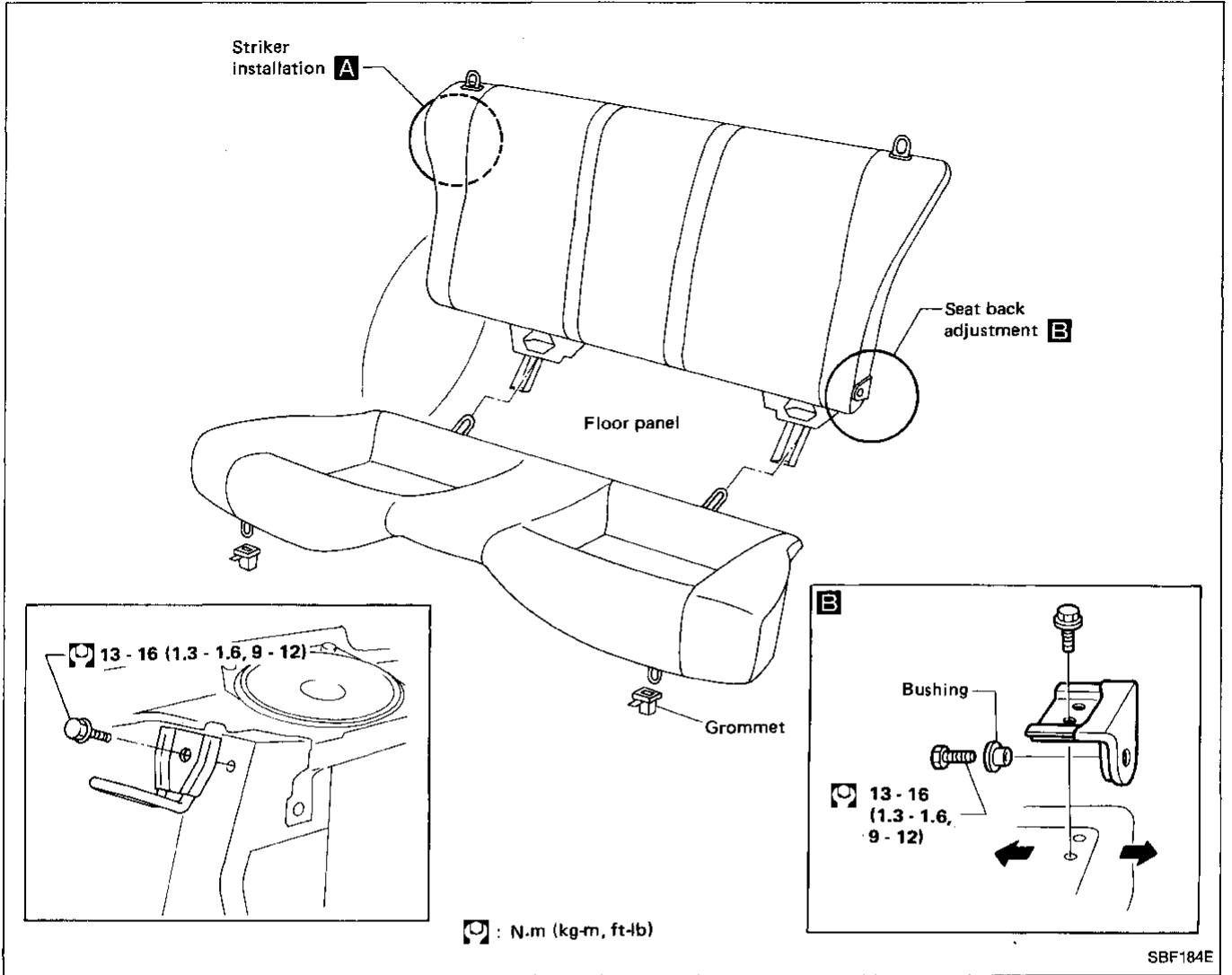


 : N·m (kg·m, ft·lb)

MBF218A

# SEAT

## Rear Seat



GI

MA

EM

LC

EF &  
EC

FE

CL

MT

AT

PD

FA

RA

BR

ST

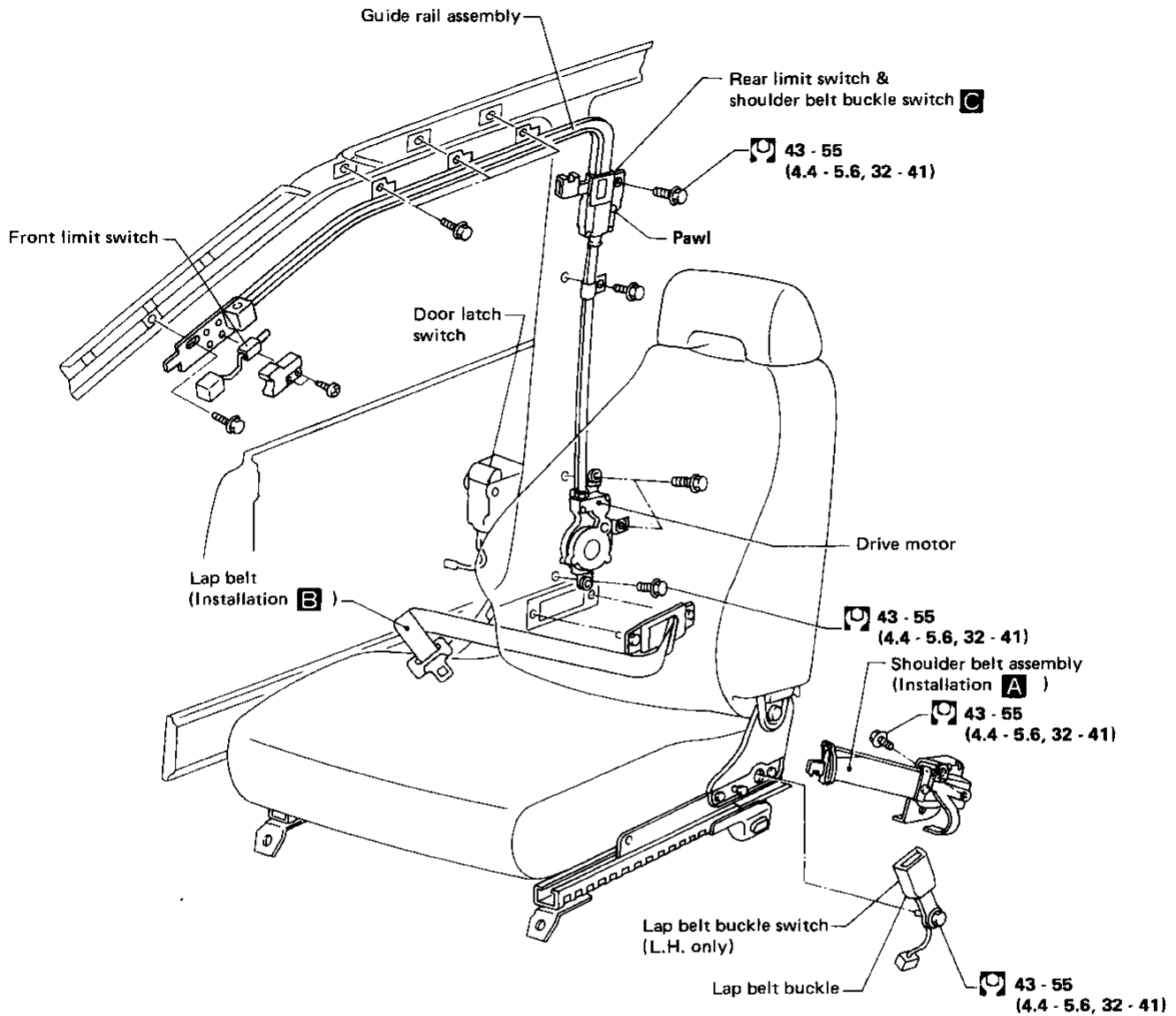
**BF**

HA

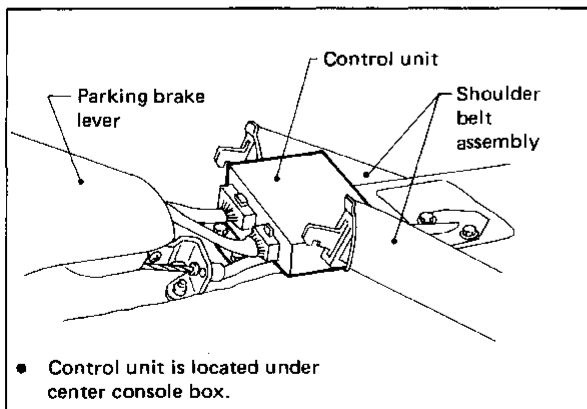
EL

# AUTOMATIC SEAT BELT SYSTEM

## Unit Location

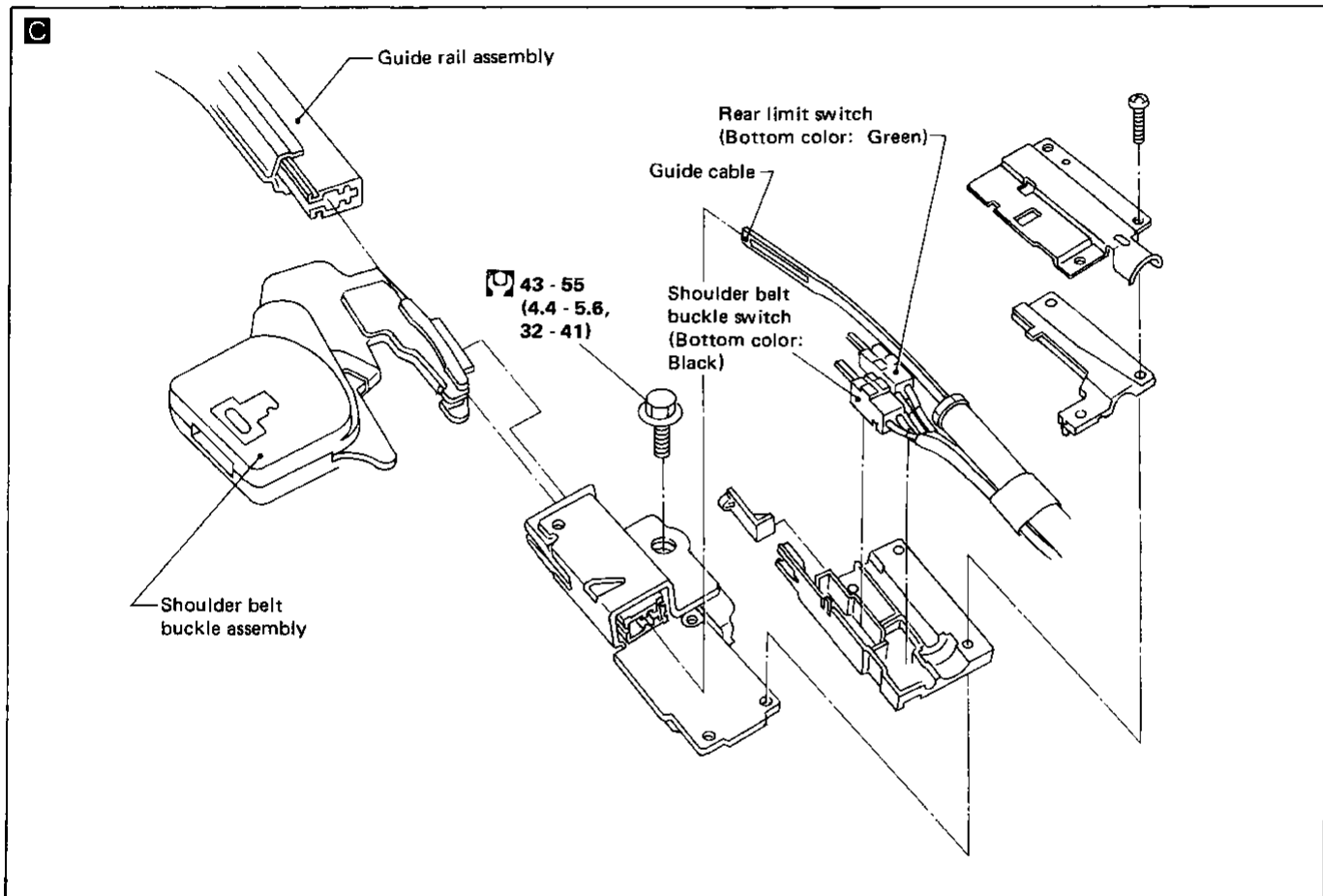
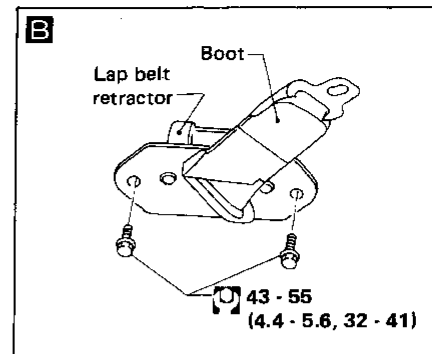
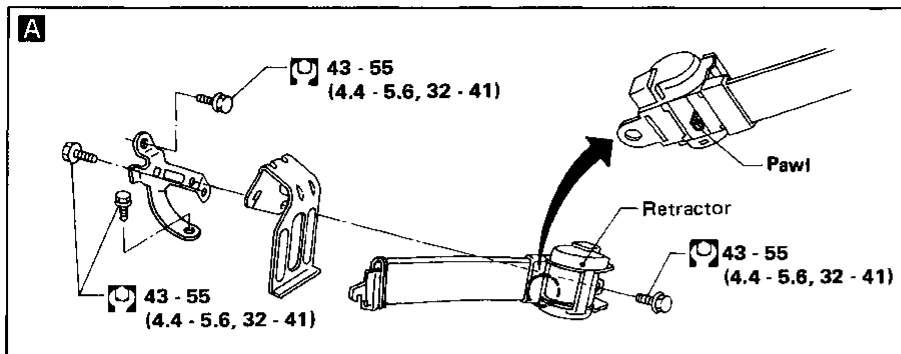


## Control unit



# AUTOMATIC SEAT BELT SYSTEM

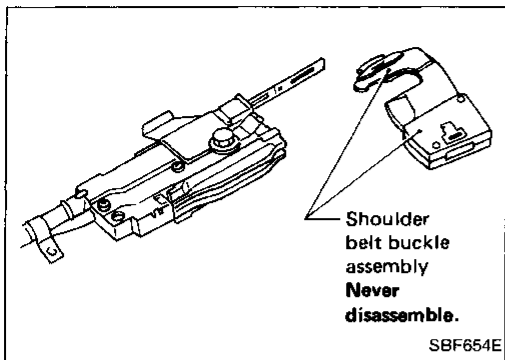
## Unit Location (Cont'd)



: N·m (kg·m, ft·lb)

GI  
MA  
EM  
LC  
EF & EC  
FE  
CL  
MT  
AT  
PD  
FA  
RA  
BR  
ST  
BF  
HA  
EL

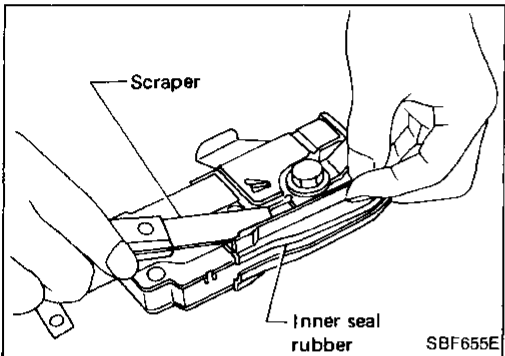
# AUTOMATIC SEAT BELT SYSTEM



## Replacement of Rear Switch Assembly

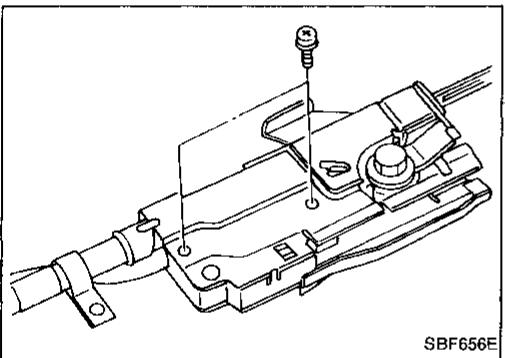
### CAUTION:

- Never disassemble shoulder belt buckle assembly.
- Keep dirt out.

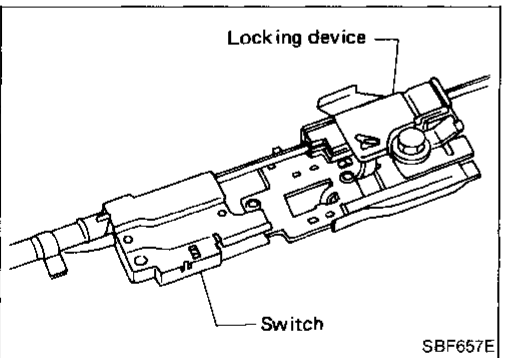


### DISASSEMBLY

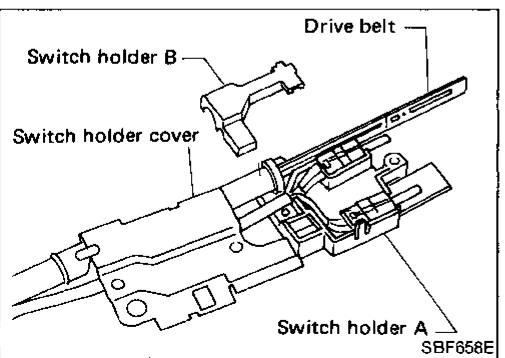
1. Remove inner seal rubber from locking device assembly with scraper.



2. Remove screws from locking device assembly.



3. Slide locking device up and remove it from switch holders.

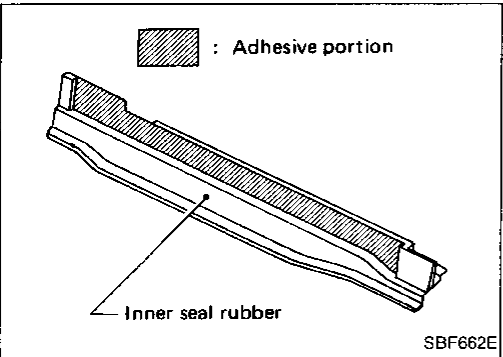
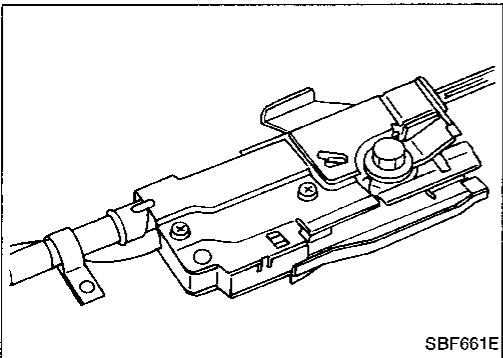
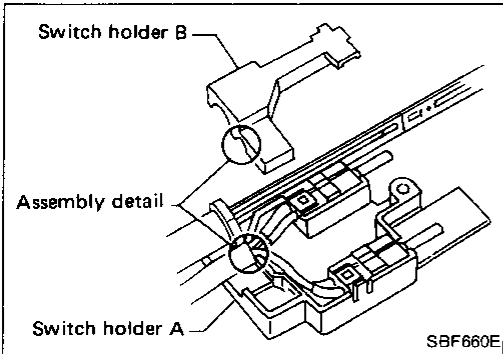
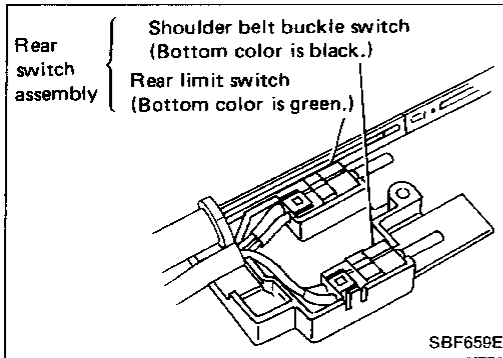


4. Slide switch holder cover down and remove it from switch holders A and B.
5. Remove switch holder B.
6. Remove rear switch assembly.

**Never turn drive belt.**

# AUTOMATIC SEAT BELT SYSTEM

## Replacement of Rear Switch Assembly (Cont'd) ASSEMBLY



1. Set rear switch assembly to switch holder A.

**Be sure to set rear limit switch and shoulder belt buckle switch to appropriate position.**

2. Cover switch holder A by switch holder B.

**Take care not to catch harness between holders A and B.**

3. Slide switch holder cover up until it is aligned with switch holders A and B.

4. Slide locking device down until it is aligned with switch holders.

5. Secure screws to locking device assembly.

**[T]: 0.6 - 0.9 N·m (0.06 - 0.09 kg·m, 0.4 - 0.7 ft-lb)**

6. Apply adhesive on adhesive surface of inner seal rubber.

**Do not apply too much adhesive.**

7. Fix inner seal rubber to locking device assembly.

GI

MA

EM

LC

EF &  
EC

FE

CL

MT

AT

PD

FA

RA

BR

ST

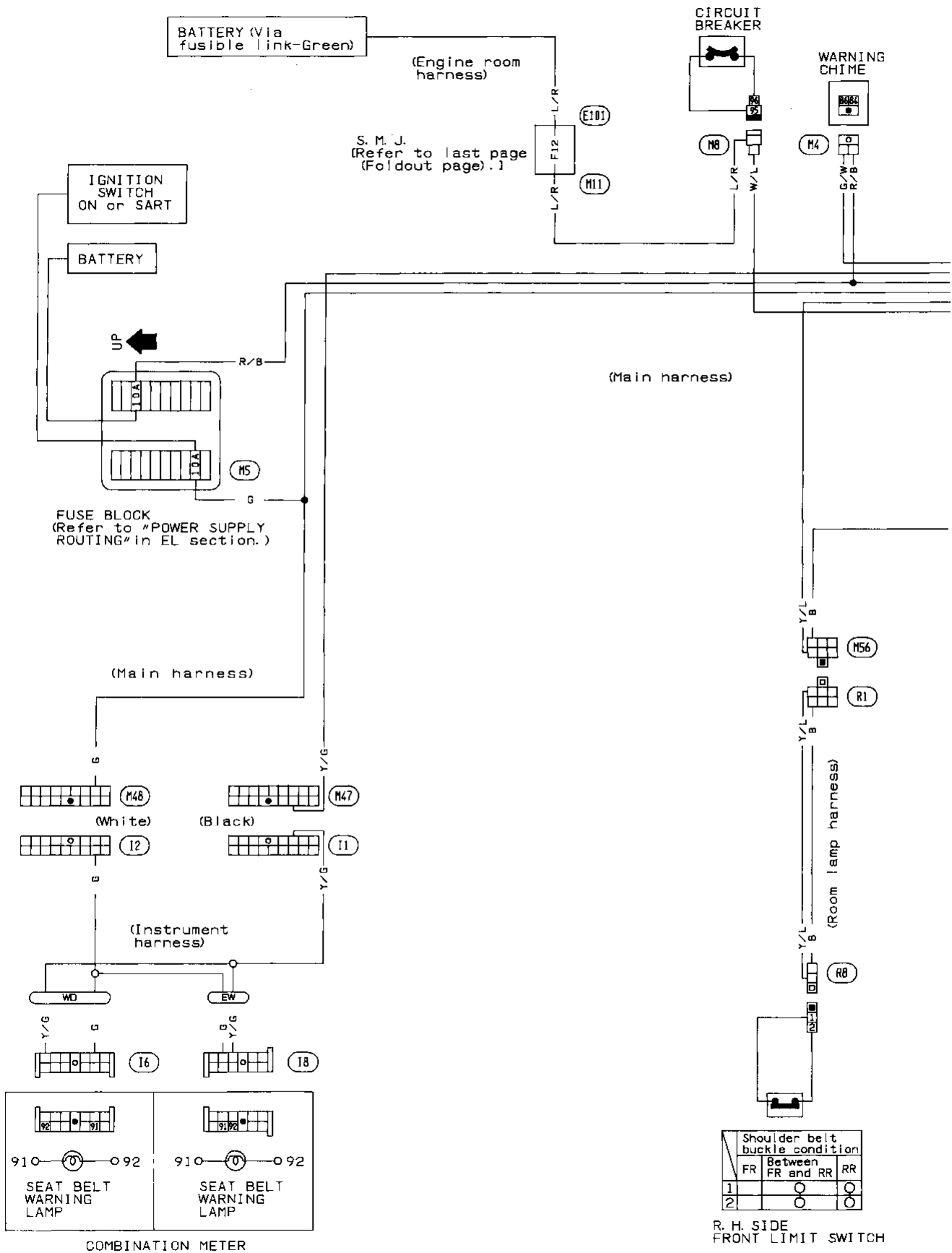
BF

HA

EL

# AUTOMATIC SEAT BELT SYSTEM

## Wiring Diagram



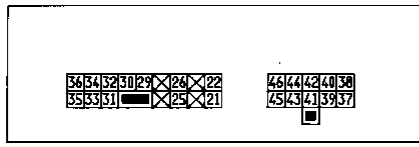
Shoulder belt buckle condition		
	FR	RR
1	○	○
2	○	○



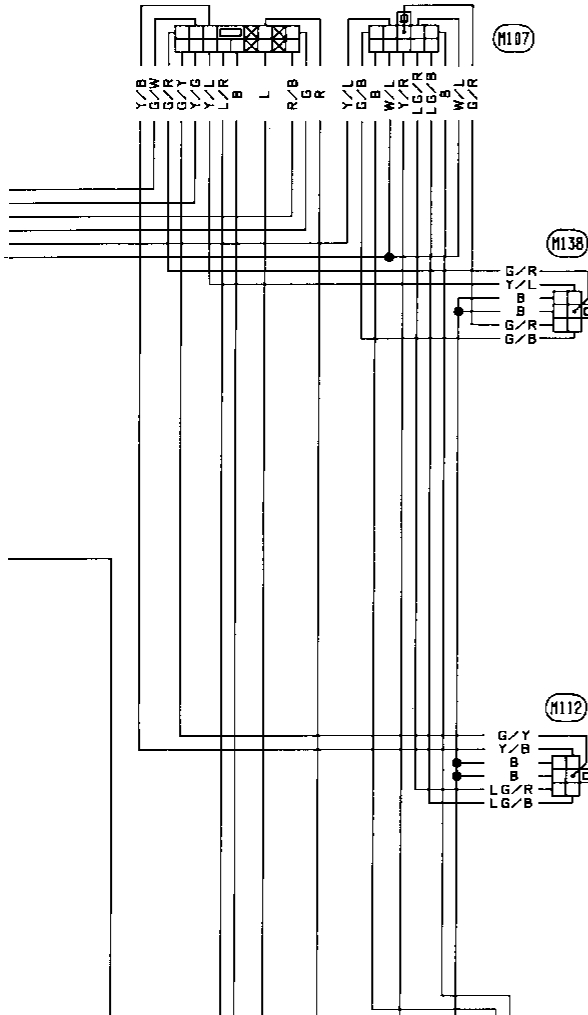
# AUTOMATIC SEAT BELT SYSTEM

## Wiring Diagram (Cont'd)

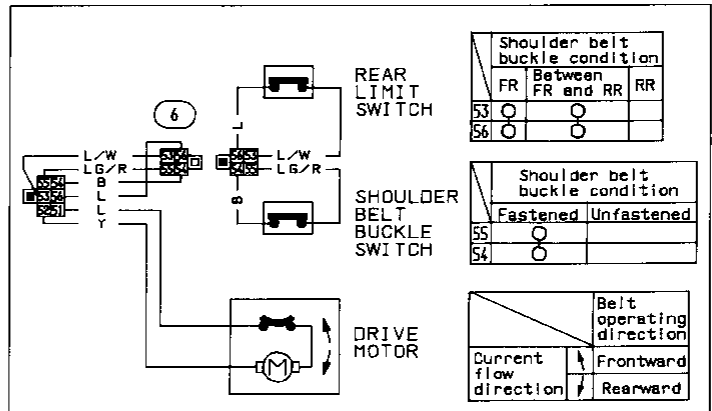
AUTOMATIC SEAT BELT CONTROL UNIT



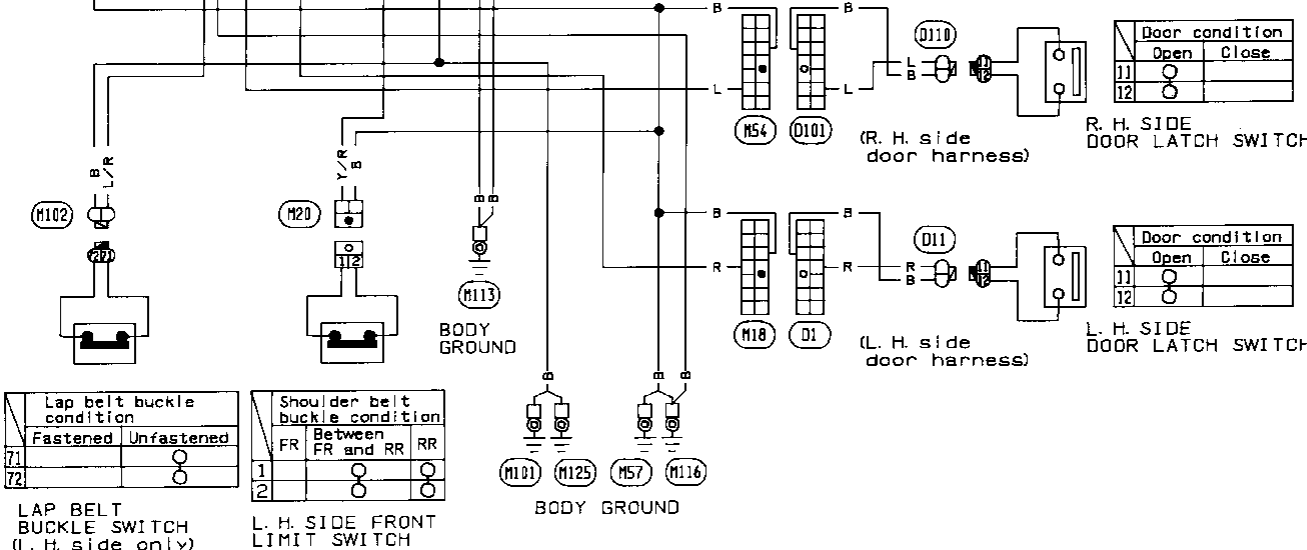
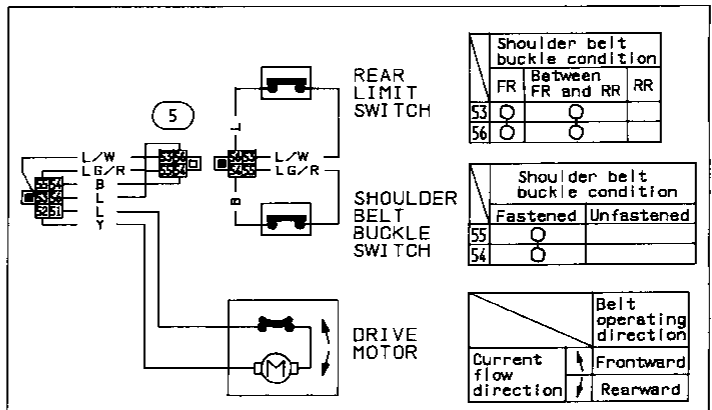
ⓂD: With head-up display  
 ⓂW: Without head-up display



R. H. SIDE



L. H. SIDE



GI  
 MA  
 EM  
 LC  
 EF &  
 EC  
 FE  
 CL  
 MT  
 AT  
 PD  
 FA  
 RA  
 BR  
 ST  
**BF**  
 HA  
 EL

# AUTOMATIC SEAT BELT SYSTEM

## Description

### FUNCTION

Shoulder belt buckle is mainly operated while ignition switch is "ON".

Condition (A): Ignition switch is "ON".

When door is opened, shoulder belt buckle is moved forward and when door is closed, buckle is moved rearward.

Condition (B): Ignition switch is "OFF".

When door is opened, shoulder belt buckle is moved forward. When the door is closed, buckle will remain in this position.

(Voltage of output signal is approximate value.)

Input signal	Ignition switch	OFF	OFF	ON	ON	ON	ON	ON	ON	OFF	OFF	OFF
	Door latch switch	OFF	ON	OFF	OFF	OFF	ON	ON	ON	OFF	ON	ON
	Front limit switch	OFF	OFF	OFF	ON	ON	ON	ON	OFF	ON	ON	ON
	Rear limit switch	ON	ON	ON	ON	OFF	OFF	ON	ON	OFF	OFF	ON
Output signal	Drive motor power source for frontward operation	0V	0V	0V	0V	0V	12V	12V	0V	0V	12V	12V
	Drive motor power source for rearward operation	0V	0V	12V	12V	0V	0V	0V	0V	0V	0V	0V
Shoulder belt buckle	Function	Stop	Stop	Start to move	Moving	Stop	Start to move	Moving	Stop	Stop	Start to move	Moving
	Position	Front	Front	Front	Between Front & Rear	Rear	Rear	Between Front & Rear	Front	Rear	Rear	Between Front & Rear

### TIMER (Ignition switch either "ON" or "OFF")

If limit switch does not operate (when accomplishing frontward operation, front limit switch can not be turned "OFF" or when accomplishing rearward operation, rear limit switch can not be turned "OFF"), control unit will continue to supply power to drive motor for 15 seconds.

### QUICK WARNING (Ignition switch "ON")

If front limit switch is not turned "OFF" after accomplishing frontward operation, control unit will stop supplying power 15 seconds later and warning lamp will flash and chime will operate rapidly for approximately 6 seconds.

### REAR LOCK (Fail safe operation)

If quick warning functions twice successively while ignition switch is "ON", shoulder belt buckle will move to rear position when the door is closed as normal but will remain in rear position even if door is opened. This operation is canceled when ignition switch is "OFF".

# AUTOMATIC SEAT BELT SYSTEM

## Description (Cont'd)

### WARNING

Priority	Warning item	Ignition switch	Indication of warning (Indicating time is approximately value.)	
1	Shoulder anchors are not at rear lock position.	ON	Lamp	
		OFF → ON	Lamp	
			Lamp	
2	Shoulder belts are not fastened.	ON	Lamp	
			Lamp	
3	Driver side lap belt is not fastened.	OFF → ON	Lamp	
			Lamp	
4	Normal (All belts are fastened and shoulder anchors are in rear lock position.)	OFF → ON	Lamp	

GI

MA

EM

LC

EF &  
EC

FE

CL

MT

AT

PD

FA

RA

BR

ST

BF

HA

EL

## Contents

<b>Symptom Chart</b> .....	BF-37
<b>Preliminary Check</b> .....	BF-38
<b>Main Power Supply and Ground Circuit Check</b> .....	BF-40
<b>Harness Layout</b> .....	BF-41
<b>Circuit Diagram for Quick Pinpoint Check</b> .....	BF-42
<b>Diagnostic Procedure 1</b> (Check motor circuit and stop signals.) .....	BF-43
<b>Diagnostic Procedure 2</b> (Check door switch circuit.) .....	BF-46
<b>Diagnostic Procedure 3</b> (Check front limit switch circuit.) .....	BF-47
<b>Diagnostic Procedure 4</b> (Check rear limit switch circuit.) .....	BF-48
<b>Diagnostic Procedure 5</b> (Check shoulder belt switch circuit.) .....	BF-50
<b>Diagnostic Procedure 6</b> (Check lap belt switch circuit.) .....	BF-51
<b>Diagnostic Procedure 7</b> (Check warning chime circuit.) .....	BF-52
<b>Diagnostic Procedure 8</b> (Check warning lamp circuit.) .....	BF-53
<b>Electrical Components Inspection</b> .....	BF-54

Since left and right component parts are basically the same, harness layout and methods for electronic components inspection are shown for one side only.

For those methods enclosed by double rectangles, component parts on both sides must be checked.

# TROUBLE DIAGNOSES — Automatic seat belt system

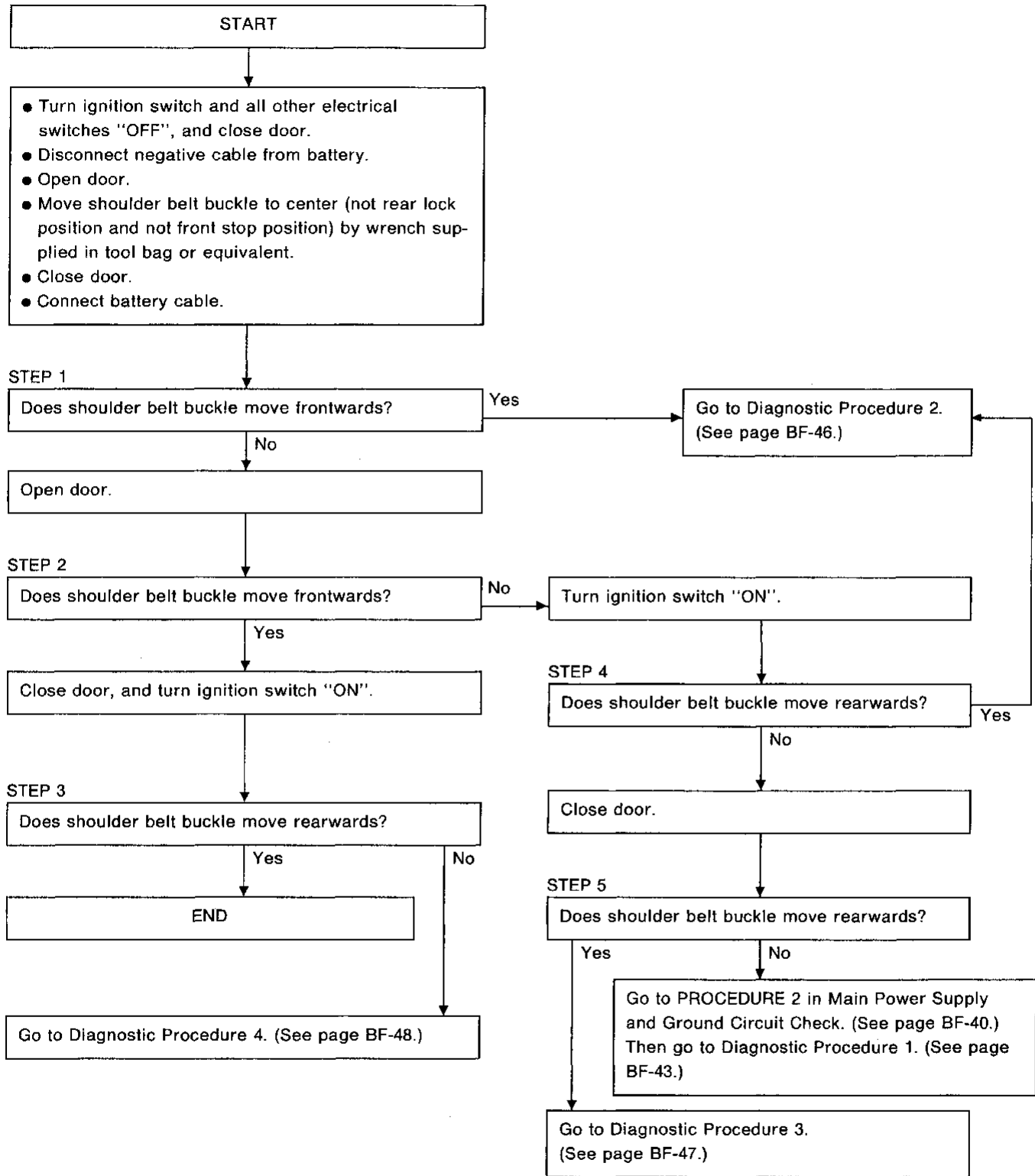
## Symptom Chart

Procedure	Reference page	SYMPTOM							
Electrical Components Inspection	R.H. side	BF-54	Motor	○	○				
		BF-54	Shoulder belt buckle switch	○			○		
		BF-54	Door latch switch	○		○	○		
		BF-54	Rear limit switch	○	○	○	○		
		BF-54	Front limit switch	○	○		○	○	
	L.H. side	BF-55	Lap belt switch	○				○	
		BF-54	Motor	○	○				
		BF-54	Shoulder belt buckle switch	○				○	
		BF-54	Door latch switch	○		○	○		
		BF-54	Rear limit switch	○	○	○		○	
		BF-54	Front limit switch	○	○		○	○	
	Diagnostic Procedure	BF-53	Procedure 8					○	
		BF-52	Procedure 7					○	
		BF-51	Procedure 6					○	
		BF-50	Procedure 5					○	
		BF-48	Procedure 4	○	○	○		○	
		BF-47	Procedure 3	○	○		○		○
BF-46		Procedure 2			○	○			
BF-43		Procedure 1	○	○					
Main Power Supply and Ground Circuit Check		BF-40	Procedure 2		○				
		BF-40	Procedure 1	○					
Preliminary Check	BF-39	Procedure 2					○		
	BF-38	Procedure 1		○	○	○			
			No operation has made. (No warning indicated and no buckles movement performed)		Shoulder belt buckle in L.H. or R.H. side does not move.	Shoulder belt buckle moves forwards only. (not rearwards)	Shoulder belt buckle moves rearwards only. (not forwards)	Warnings indicate incorrectly or do not function. Quick warning operates.	

GI  
 MA  
 EM  
 LC  
 EF & EC  
 FE  
 CL  
 MT  
 AT  
 PD  
 FA  
 RA  
 BR  
 ST  
**BF**  
 HA  
 EL

**Preliminary Check**

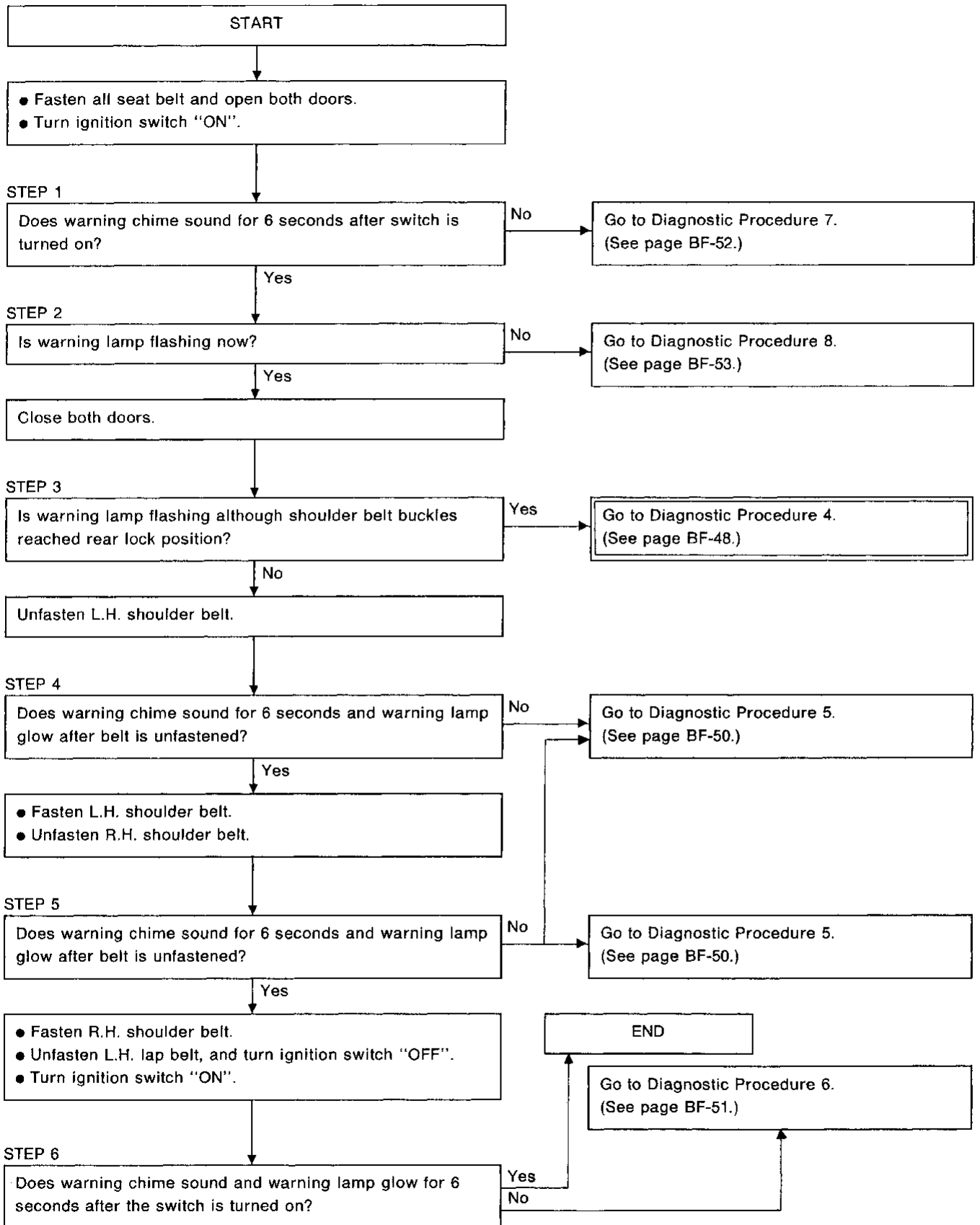
**PROCEDURE 1**



# TROUBLE DIAGNOSES — Automatic seat belt system

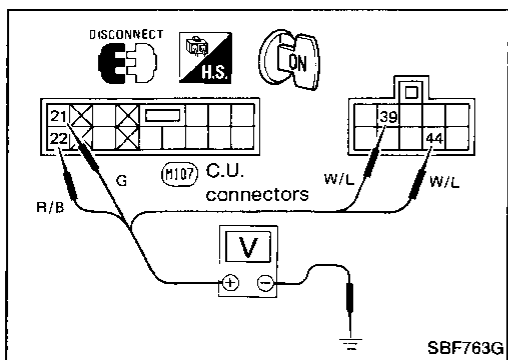
## Preliminary Check (Cont'd)

### PROCEDURE 2



GI  
MA  
EM  
LC  
EF & EC  
FE  
CL  
MT  
AT  
PD  
FA  
RA  
BR  
ST  
BF  
HA  
EL

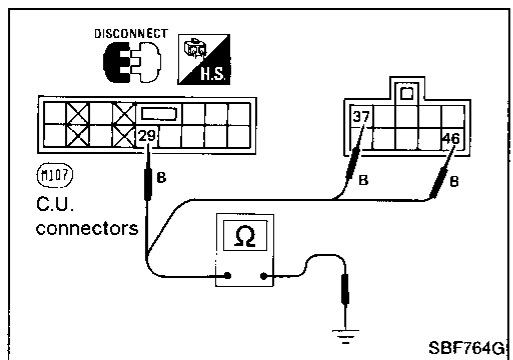
# TROUBLE DIAGNOSES — Automatic seat belt system



## Main Power Supply and Ground Circuit Check PROCEDURE 1

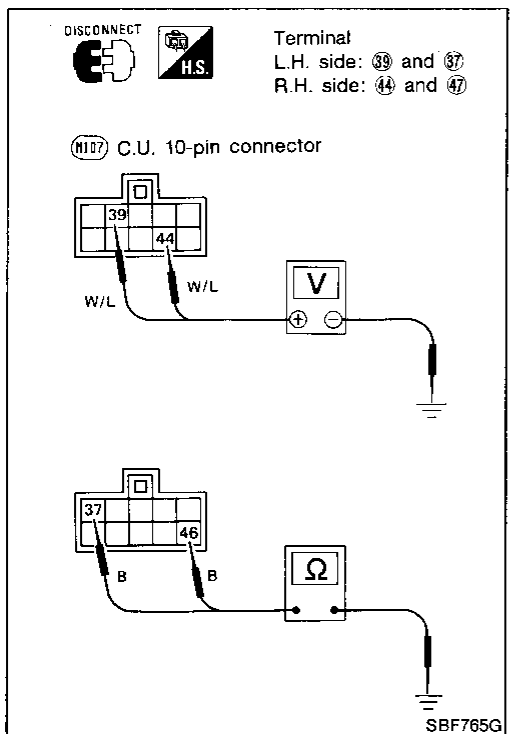
### Main power supply

Terminals	Battery voltage existence condition	
	Ignition switch "ON"	Other than ignition switch "ON"
②1 - Ground	Yes	No
②2 - Ground	Yes	Yes
③9 - Ground	Yes	Yes
④4 - Ground	Yes	Yes



### Ground circuit

Terminals	Continuity
②9 - Ground	Yes
③7 - Ground	Yes
④6 - Ground	Yes



## PROCEDURE 2

### Power supply for motor drive

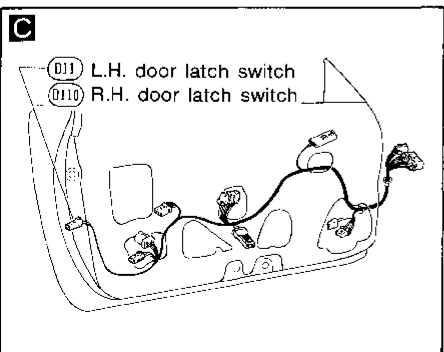
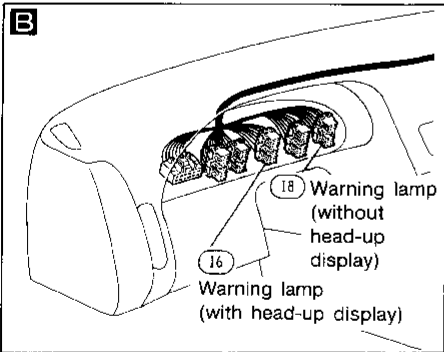
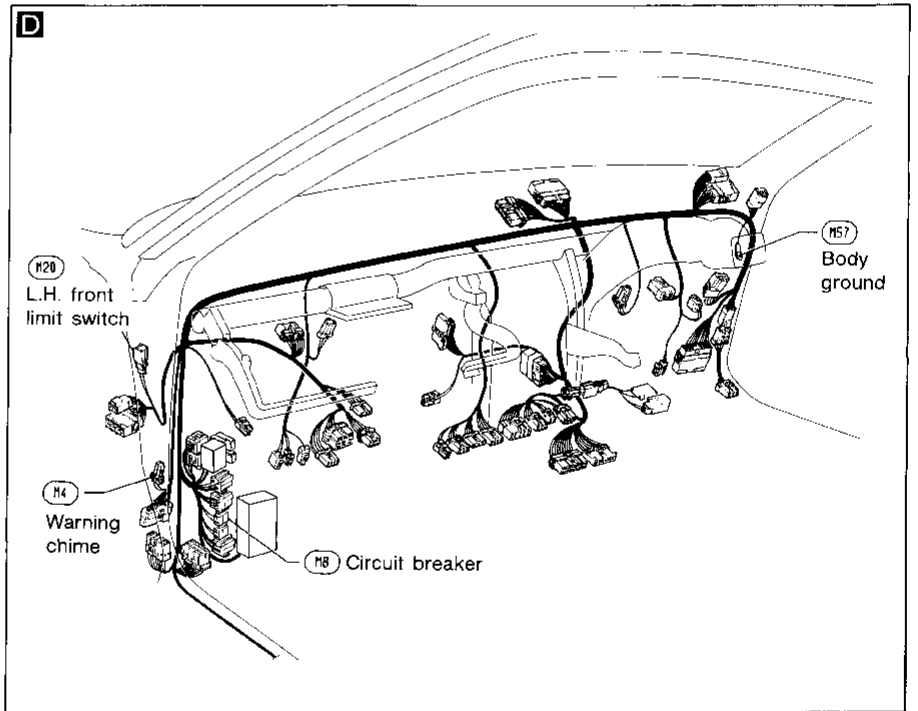
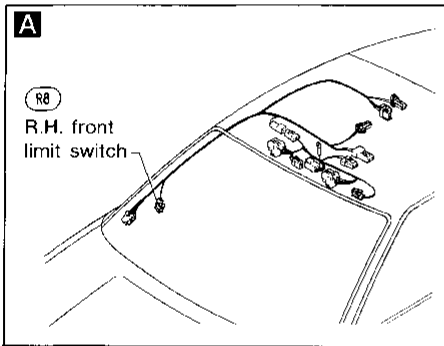
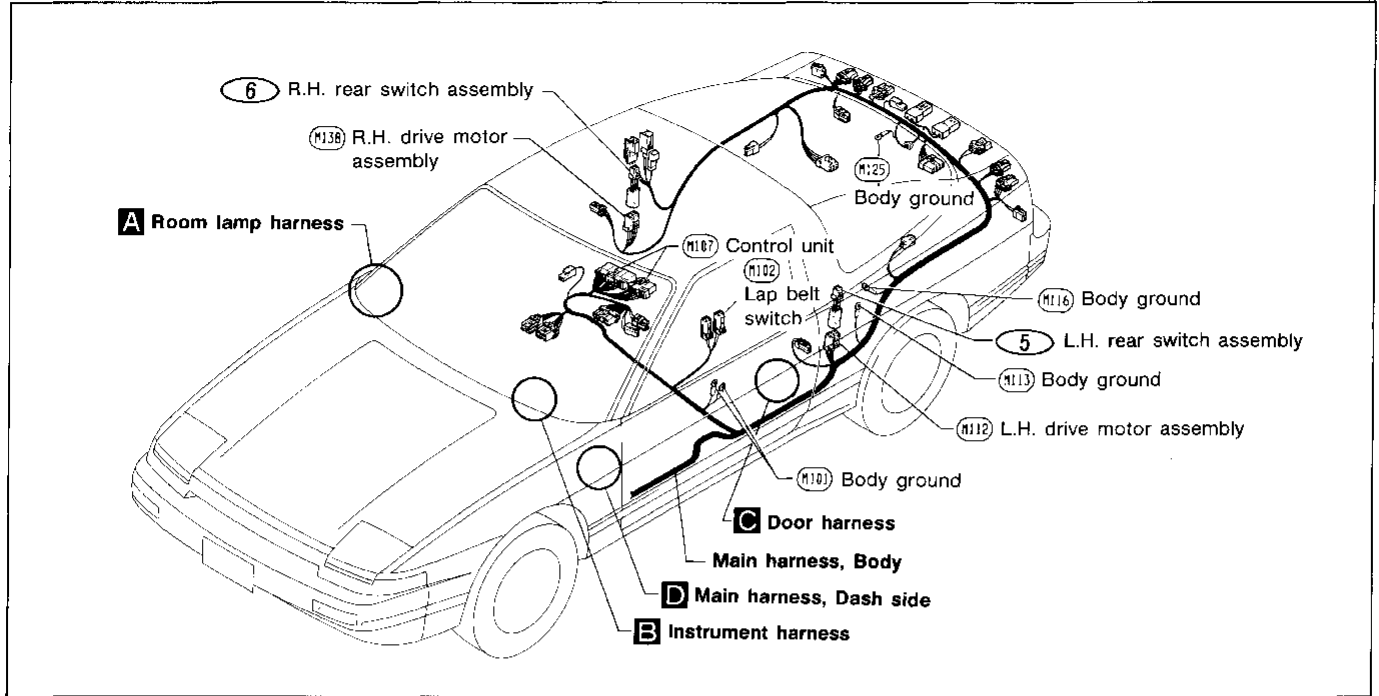
	Terminals	Battery voltage existence
L.H. side	③9 - Ground	Yes
R.H. side	④4 - Ground	Yes

### Ground circuit for motor drive

	Terminals	Continuity
L.H. side	③7 - Ground	Yes
R.H. side	④6 - Ground	Yes

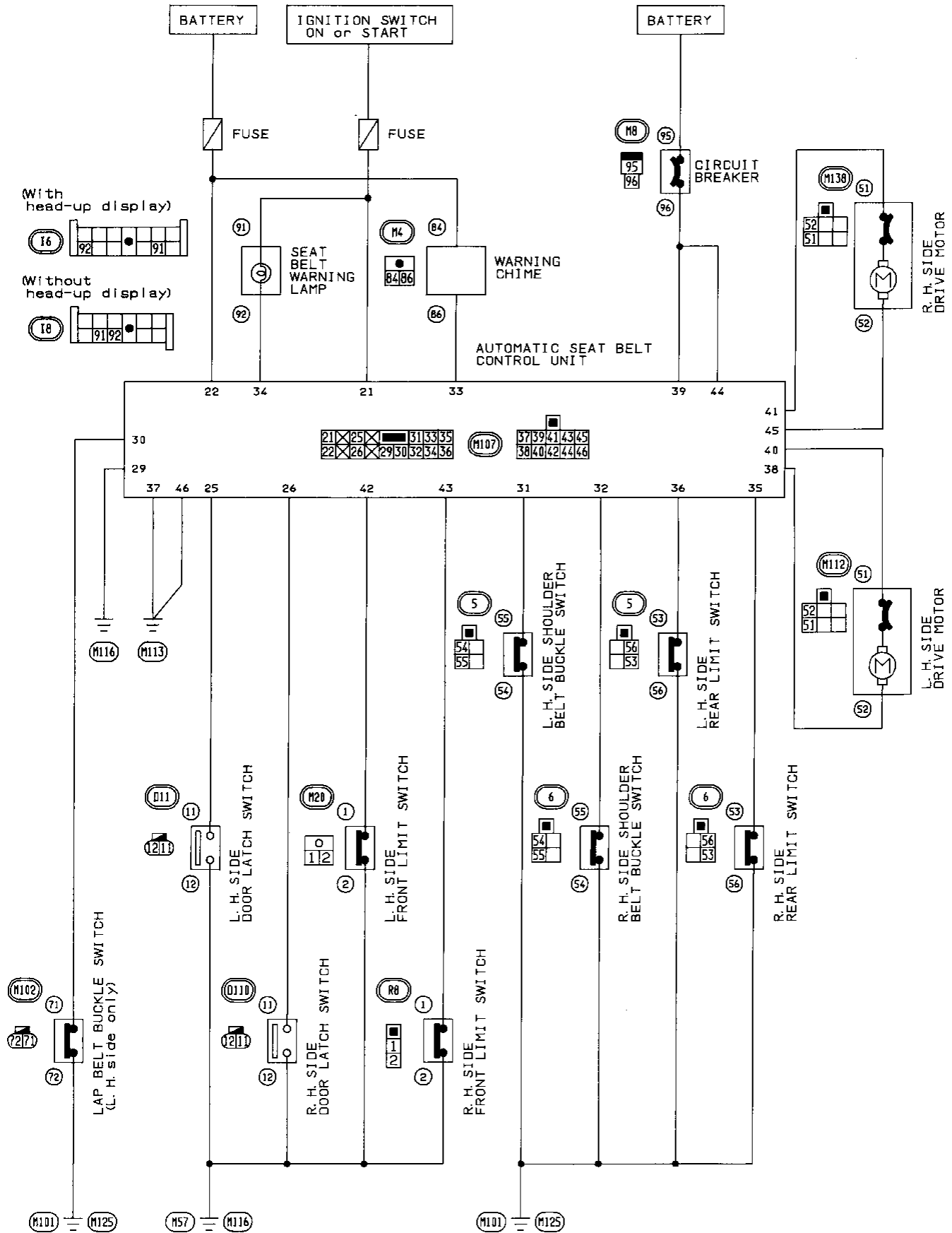


Harness Layout

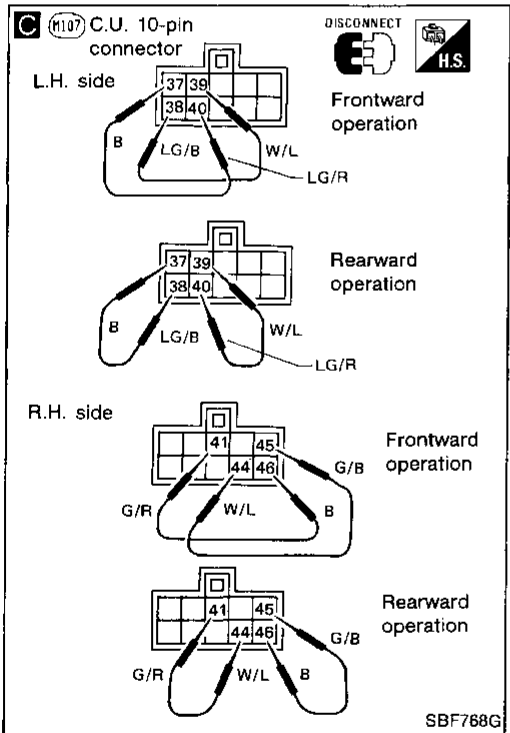
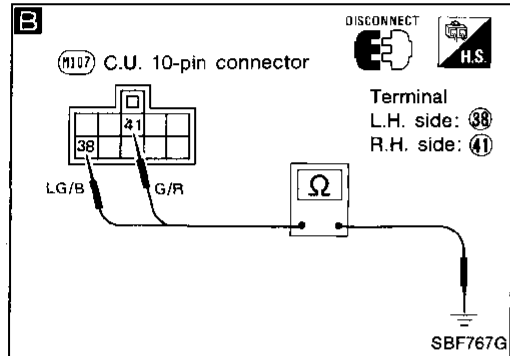
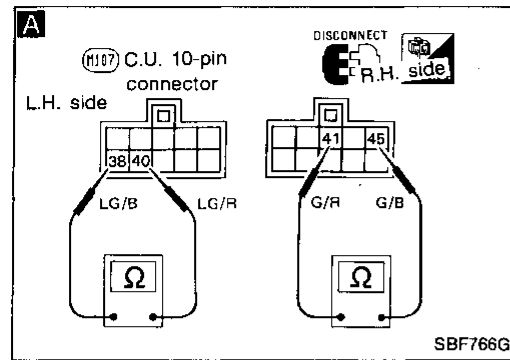


GI  
MA  
EM  
LC  
EF &  
EC  
FE  
CL  
MT  
AT  
PD  
FA  
RA  
BR  
ST  
BF  
HA  
EL

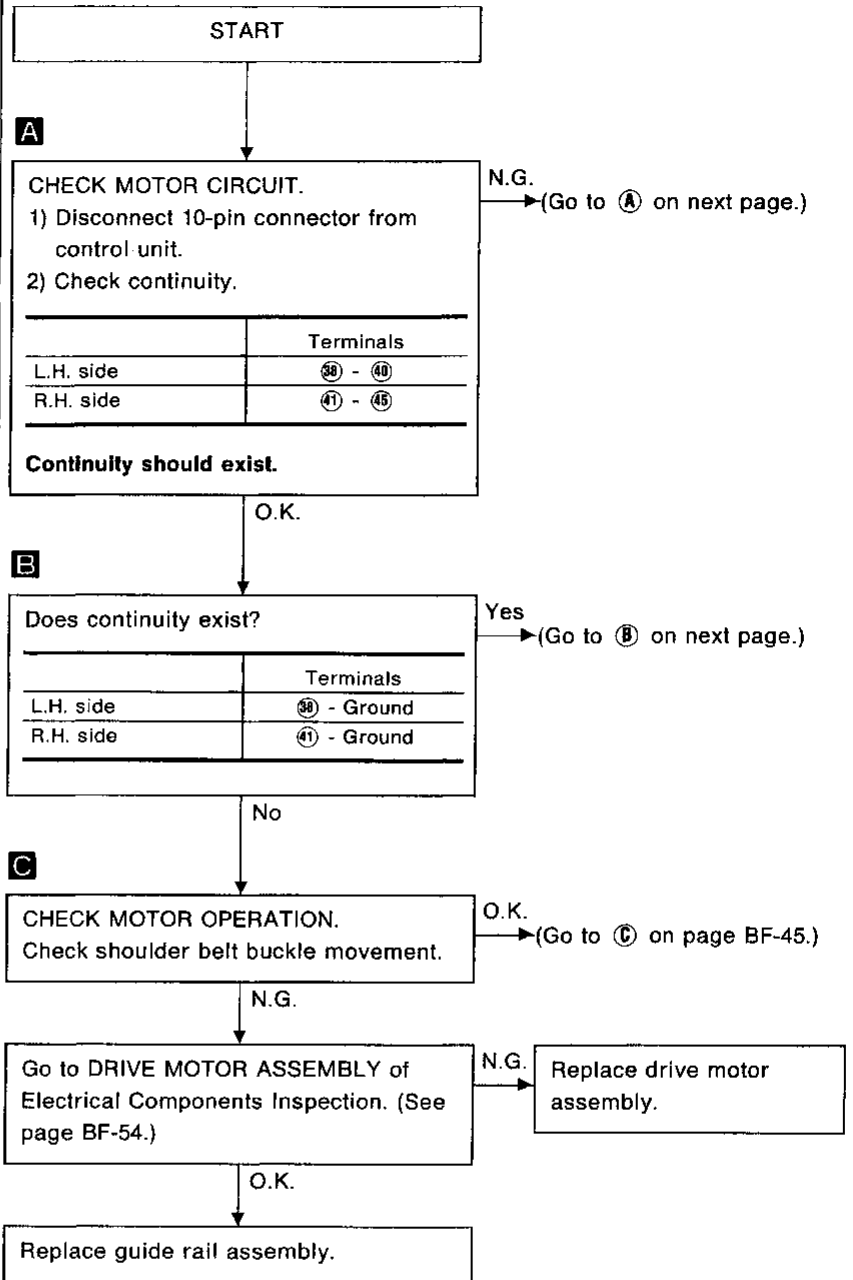
Circuit Diagram for Quick Pinpoint Check



SBF785E



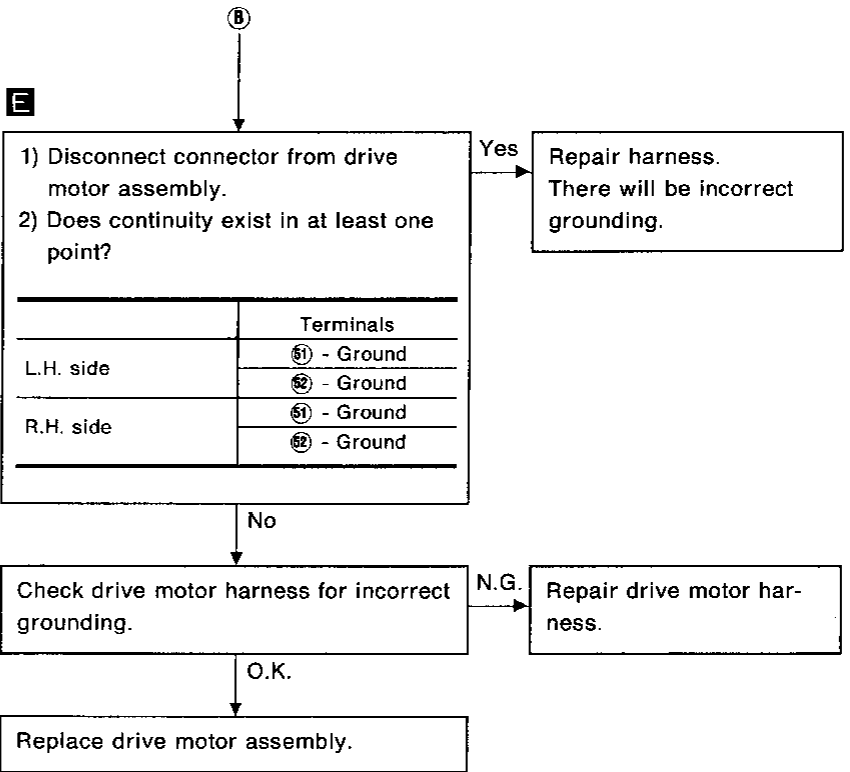
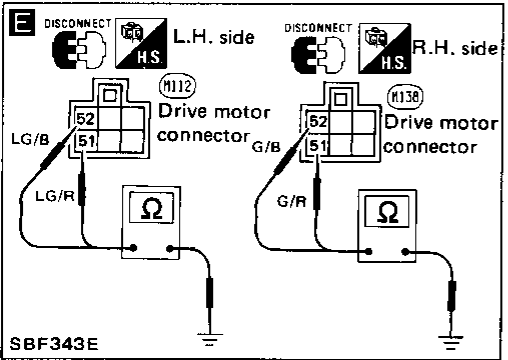
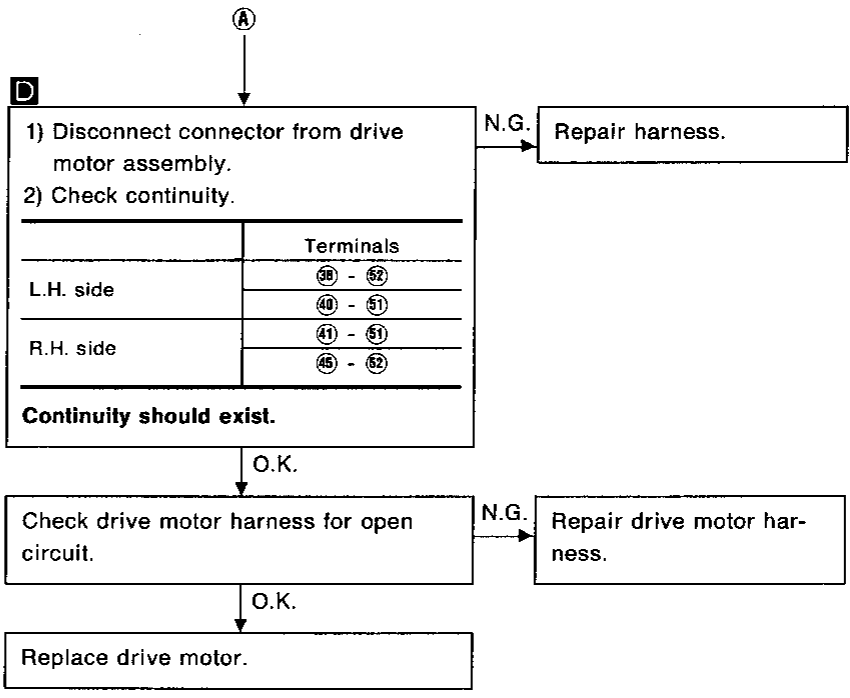
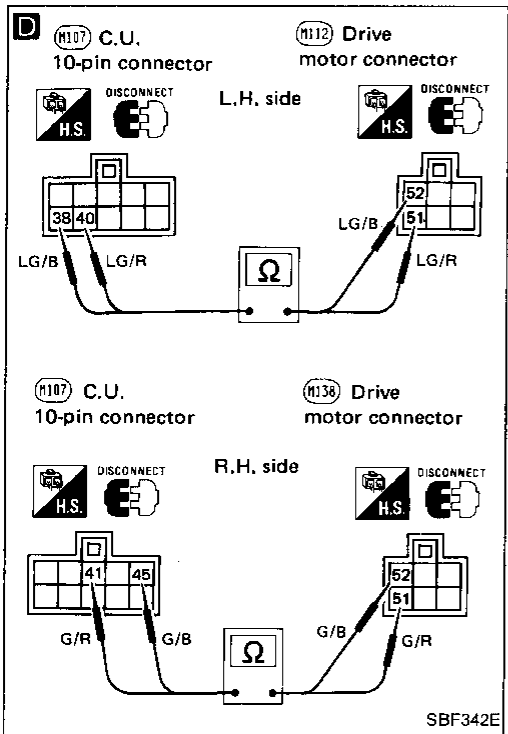
## Diagnostic Procedure 1



GI  
 MA  
 EM  
 LC  
 EF &  
 EC  
 FE  
 CL  
 MT  
 AT  
 PD  
 FA  
 RA  
 BR  
 ST  
 BF  
 HA  
 EL

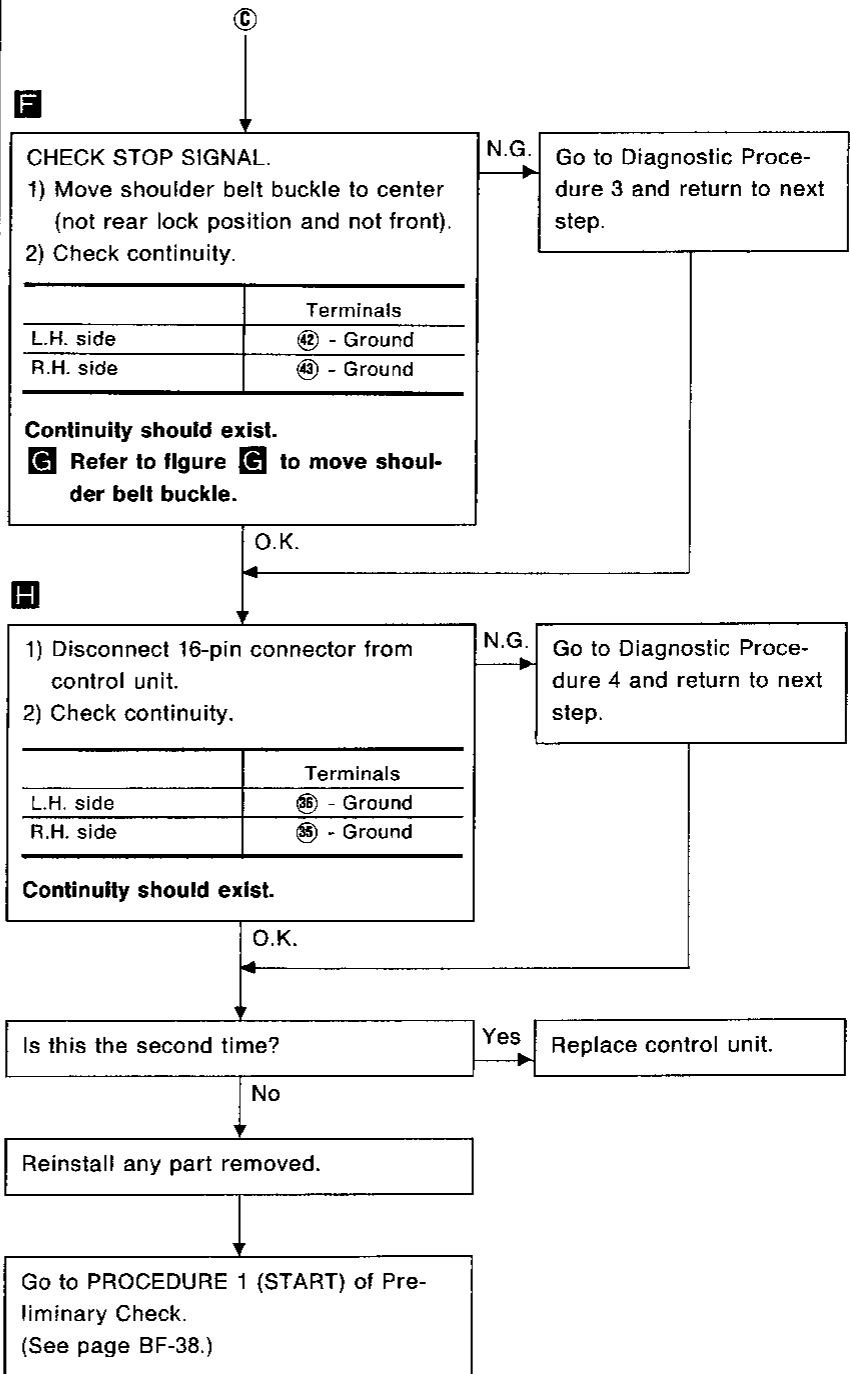
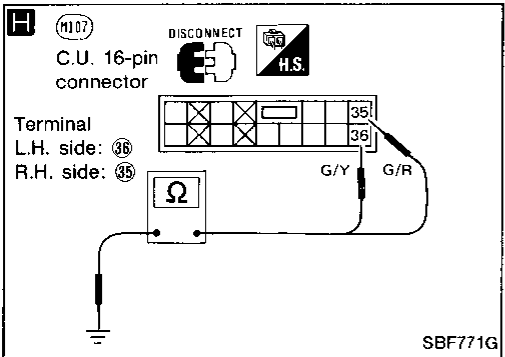
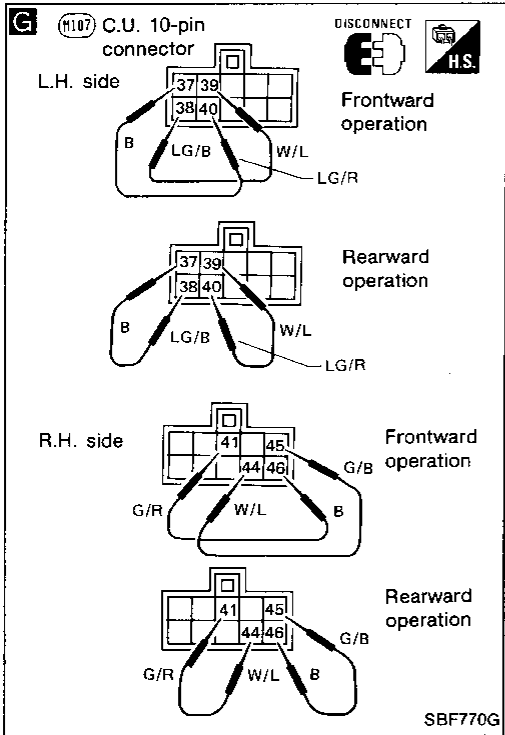
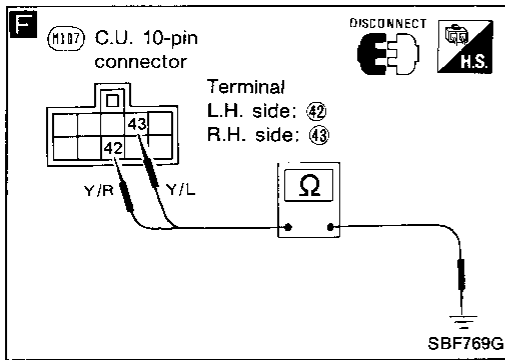
# TROUBLE DIAGNOSES — Automatic seat belt system

## Diagnostic Procedure 1 (Cont'd)

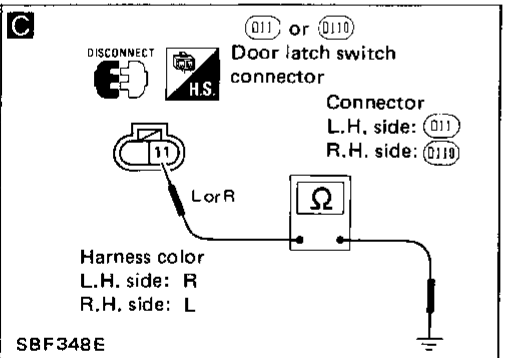
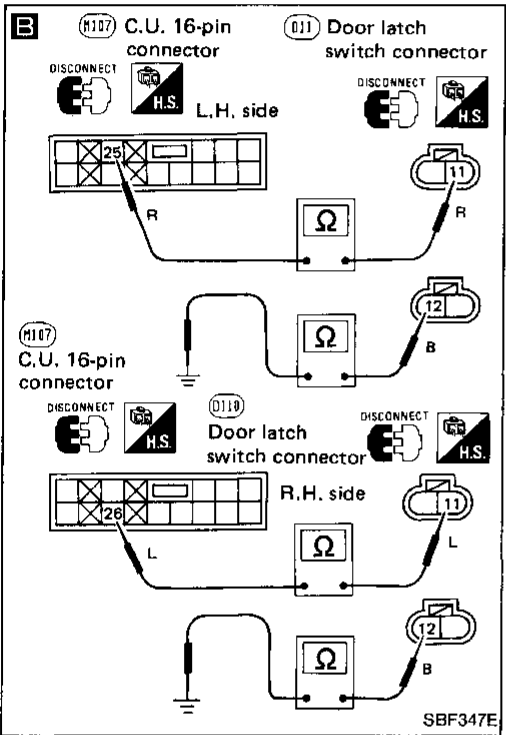
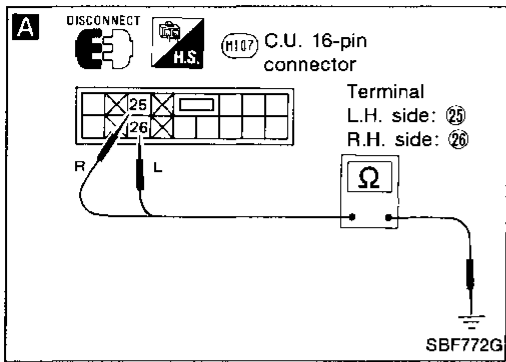


# TROUBLE DIAGNOSES — Automatic seat belt system

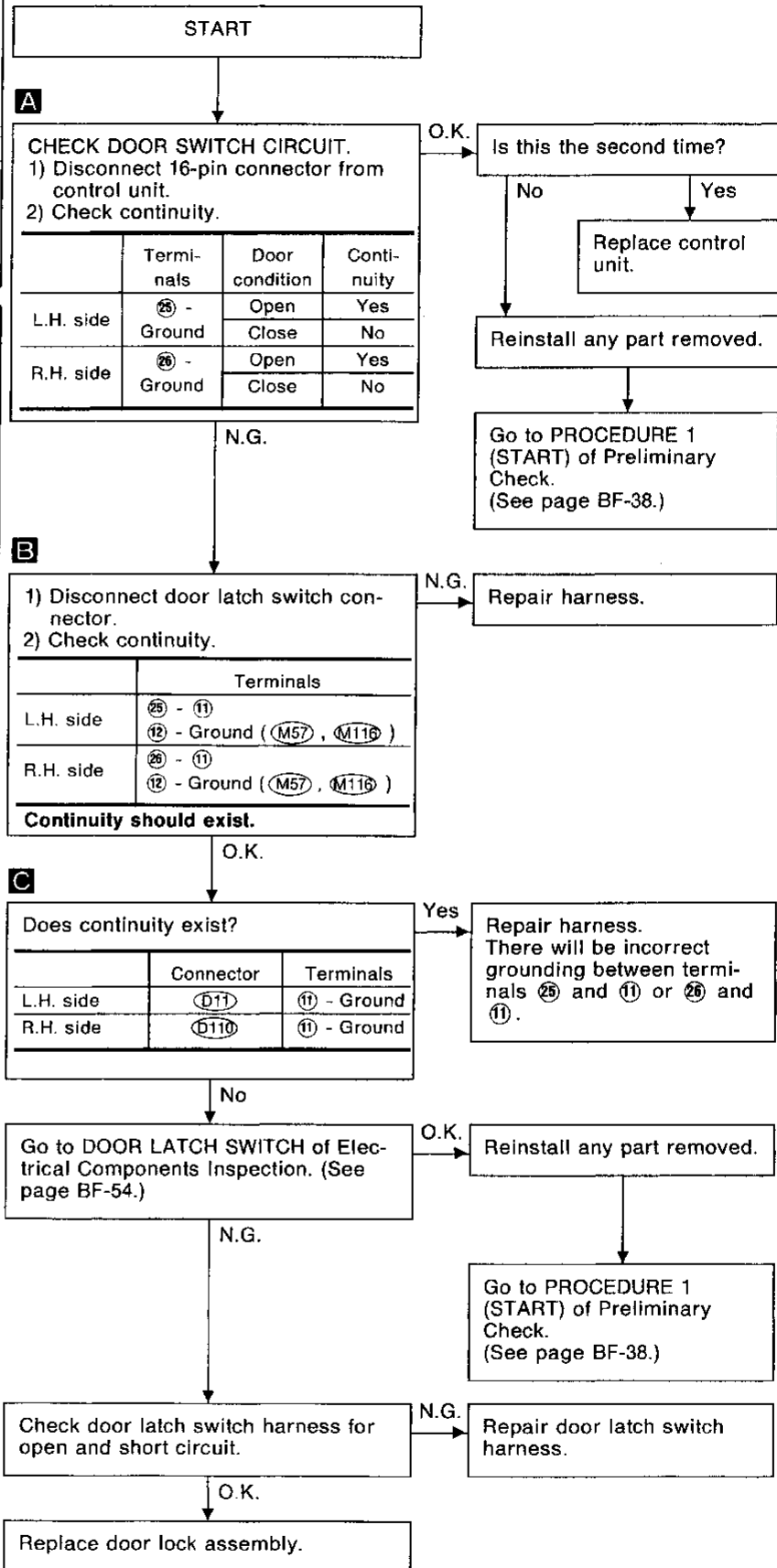
## Diagnostic Procedure 1 (Cont'd)

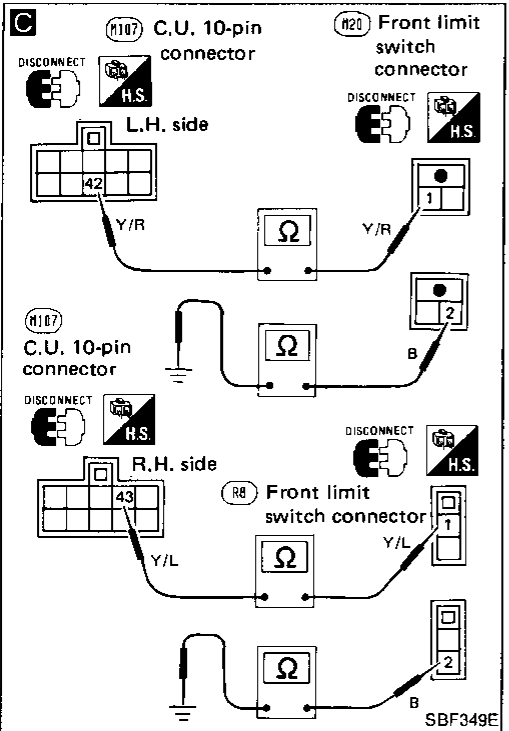
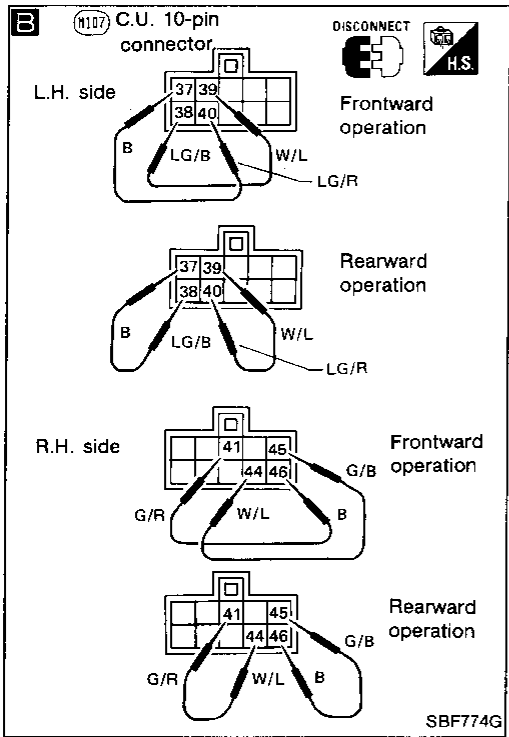
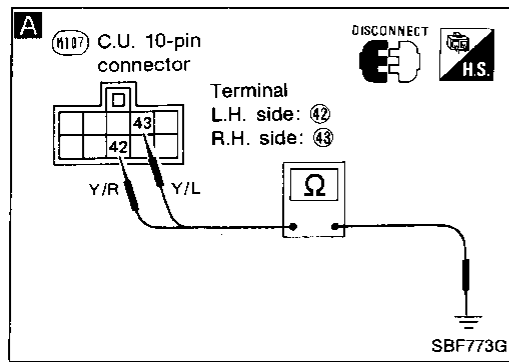


GI  
MA  
EM  
LC  
EF & EC  
FE  
CL  
MT  
AT  
PD  
FA  
RA  
BR  
ST  
BF  
HA  
EL

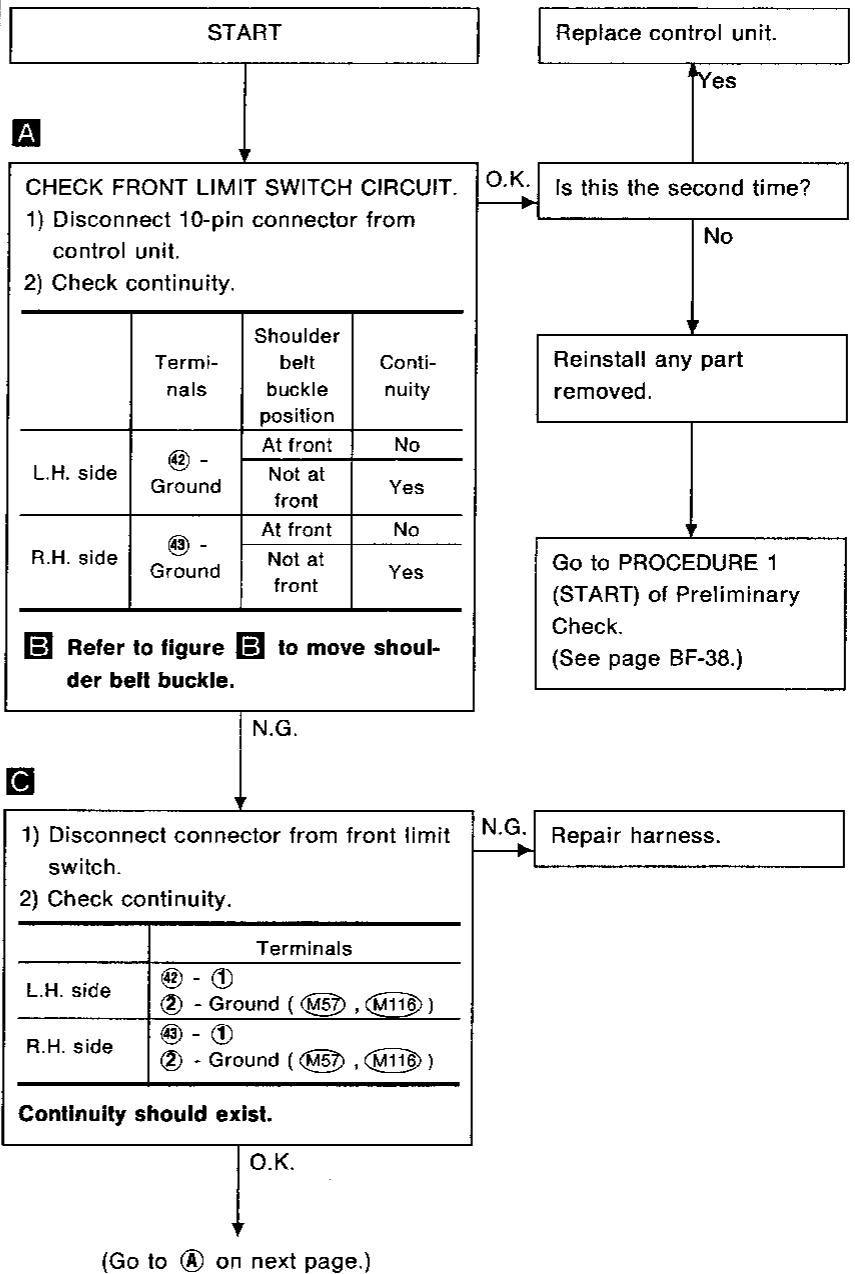


## Diagnostic Procedure 2





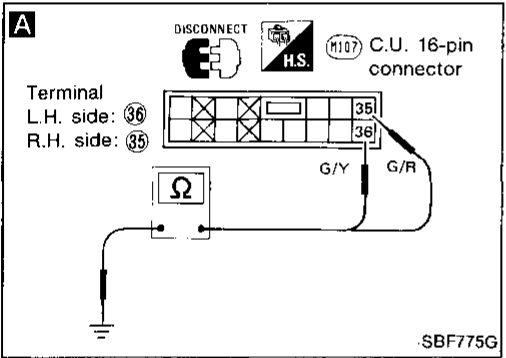
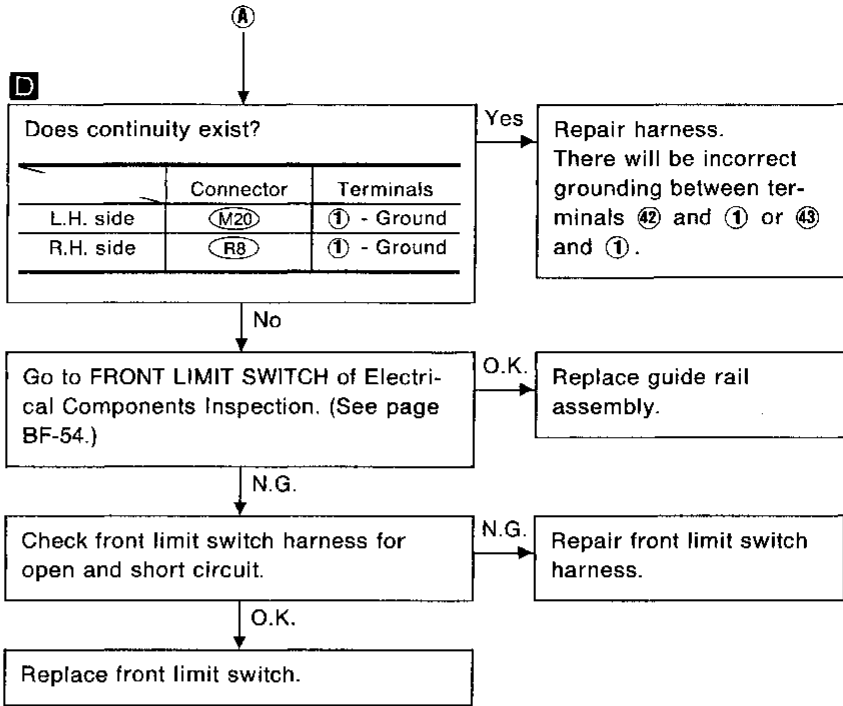
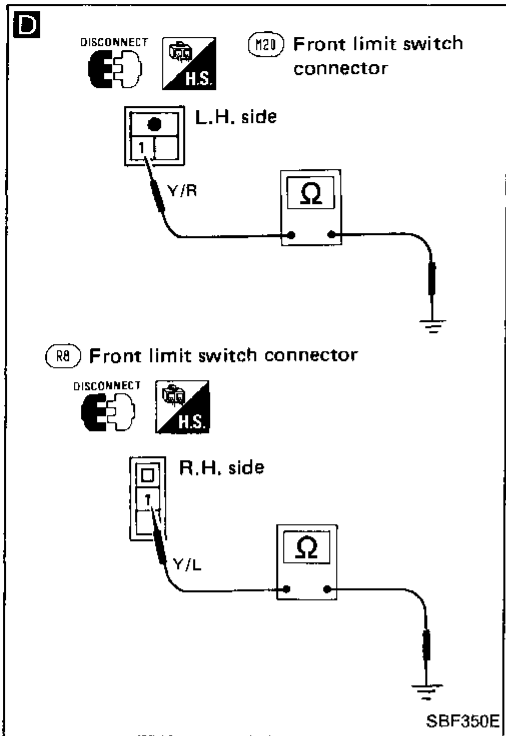
## Diagnostic Procedure 3



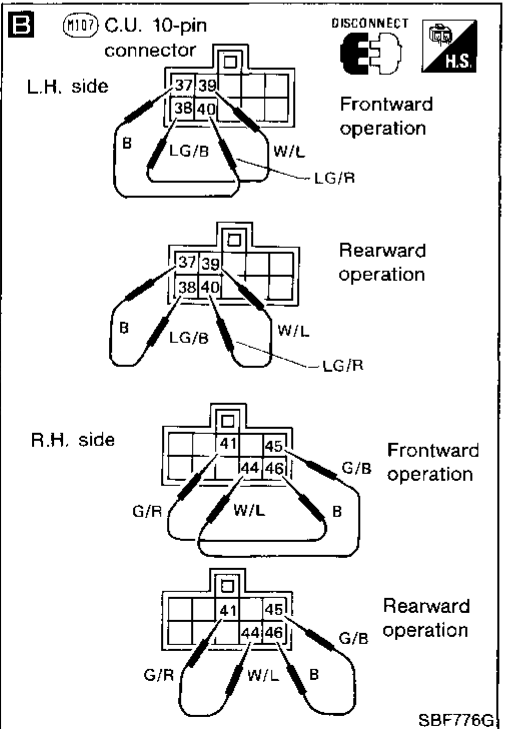
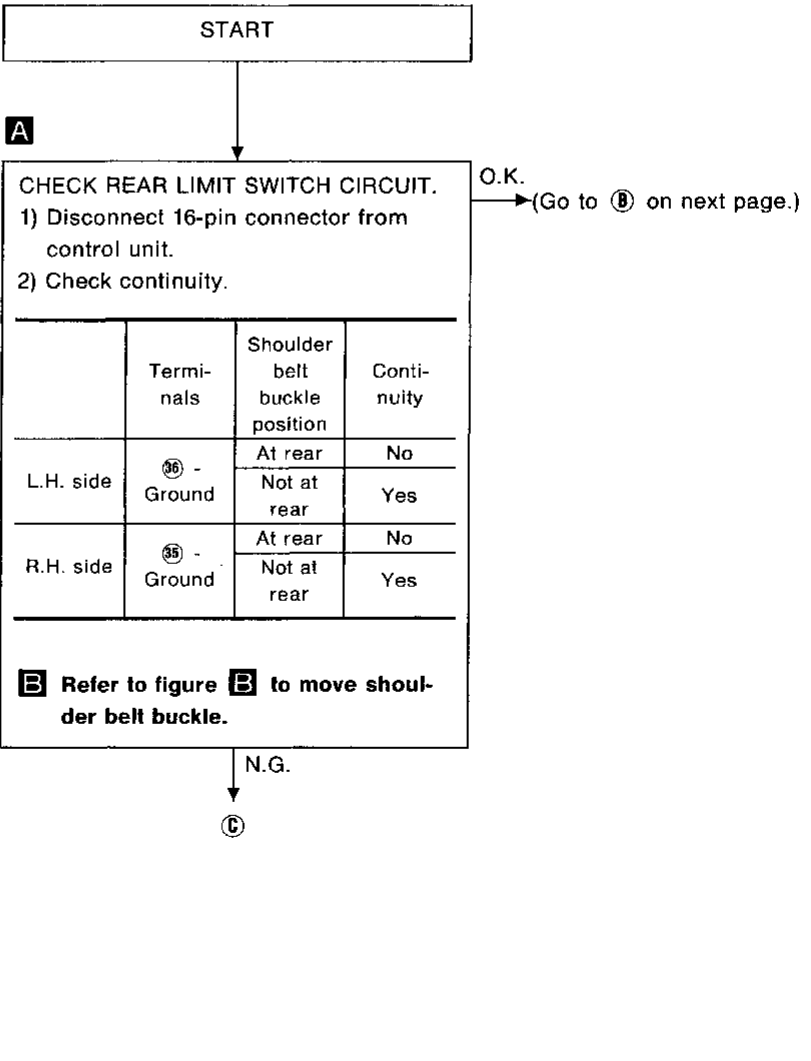
GI  
MA  
EM  
LC  
EF & EC  
FE  
CL  
WT  
AT  
PD  
FA  
RA  
BR  
ST  
BF  
HA  
EL

# TROUBLE DIAGNOSES — Automatic seat belt system

## Diagnostic Procedure 3 (Cont'd)



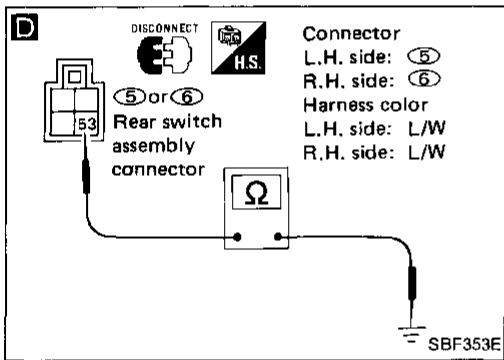
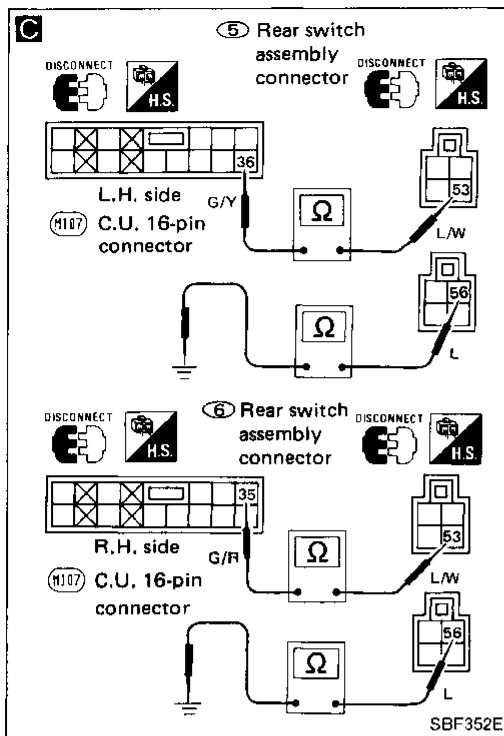
## Diagnostic Procedure 4





# TROUBLE DIAGNOSES — Automatic seat belt system

## Diagnostic Procedure 4 (Cont'd)



**C**

1) Disconnect connector from rear switch assembly.  
2) Check continuity.

Terminals	
L.H. side	36 - 53 56 - Ground (M101, M125)
R.H. side	35 - 53 59 - Ground (M101, M125)

Continuity should exist.

N.G. → Repair harness.

**D**

Does continuity exist?

	Connector	Terminals
L.H. side	5	53 - Ground
R.H. side	6	53 - Ground

Yes → Repair harness. There will be incorrect grounding between terminals 56 and 53 or 59 and 53.

No

Go to REAR LIMIT SWITCH of Electrical Components Inspection. (See page BF-54.)

O.K. → (Go to below.)

N.G.

Check rear limit switch harness for open or short circuit.

N.G. → Repair rear limit switch harness.

O.K.

Replace rear switch assembly.

**B**

Is this the second time?

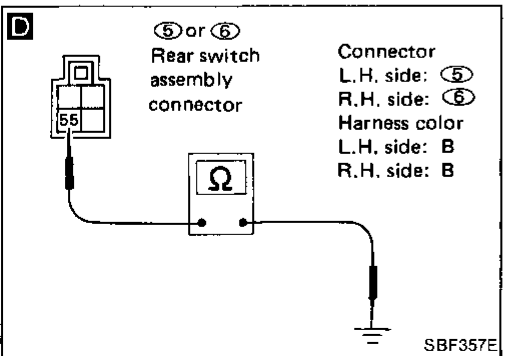
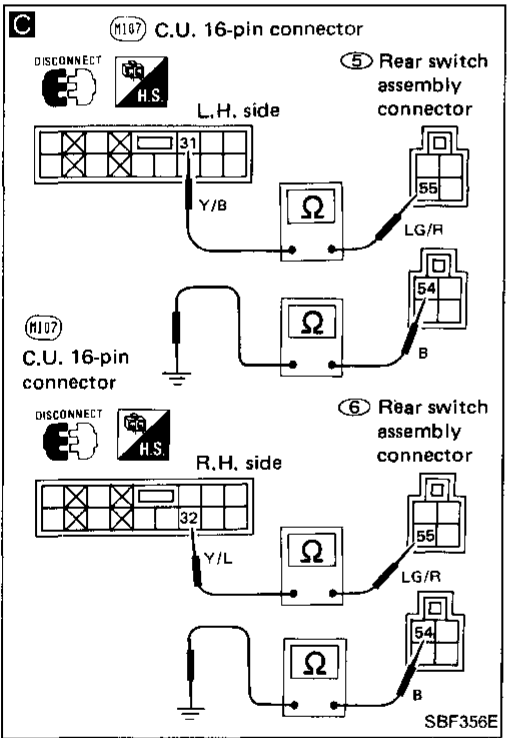
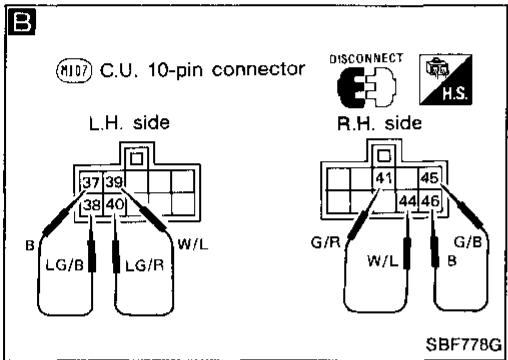
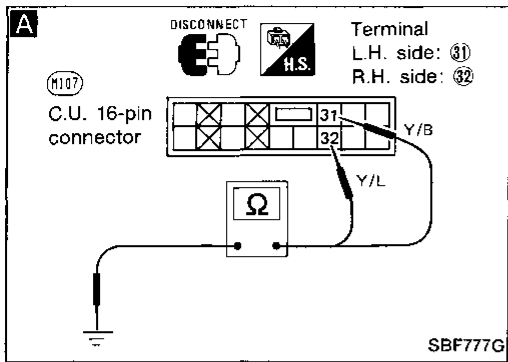
Yes → Replace control unit.

No

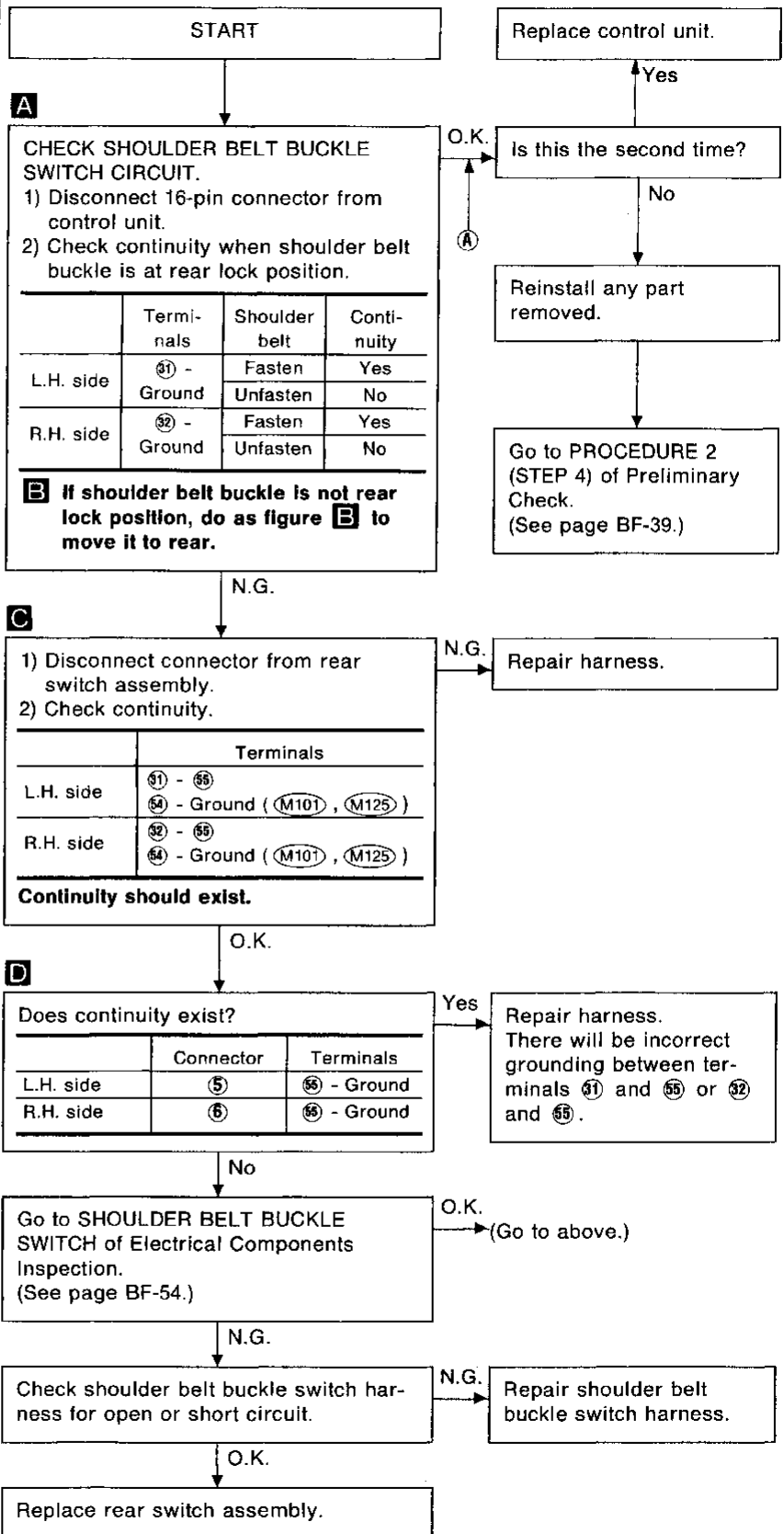
Reinstall any part removed.

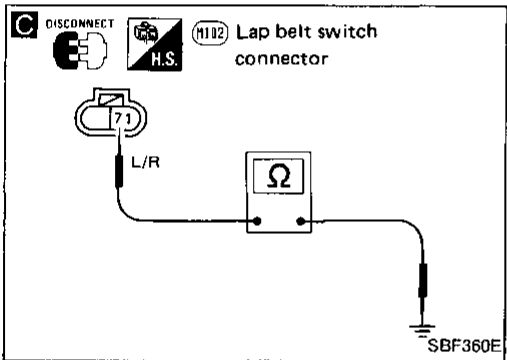
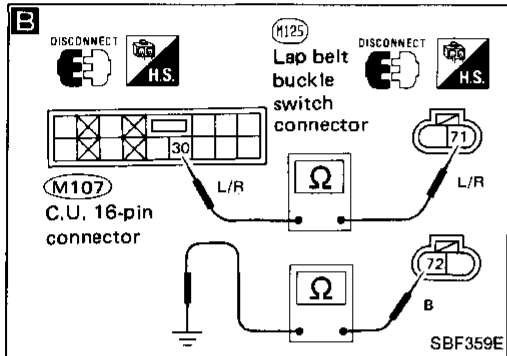
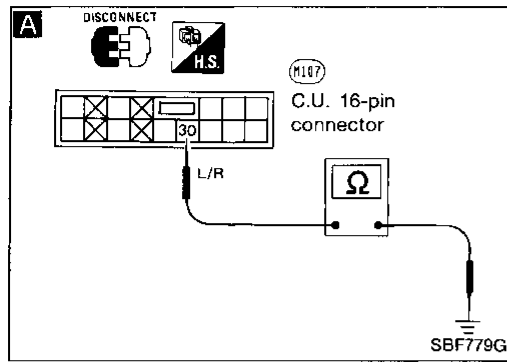
Go to PROCEDURE 1 (STEP 3) (See page BF-38.) or PROCEDURE 2 (STEP 3) (See page BF-39.) of Preliminary Check.

GI  
 MA  
 EM  
 LC  
 EF & EC  
 FE  
 CL  
 MT  
 AT  
 PD  
 FA  
 RA  
 BR  
 ST  
 BF  
 HA  
 EL

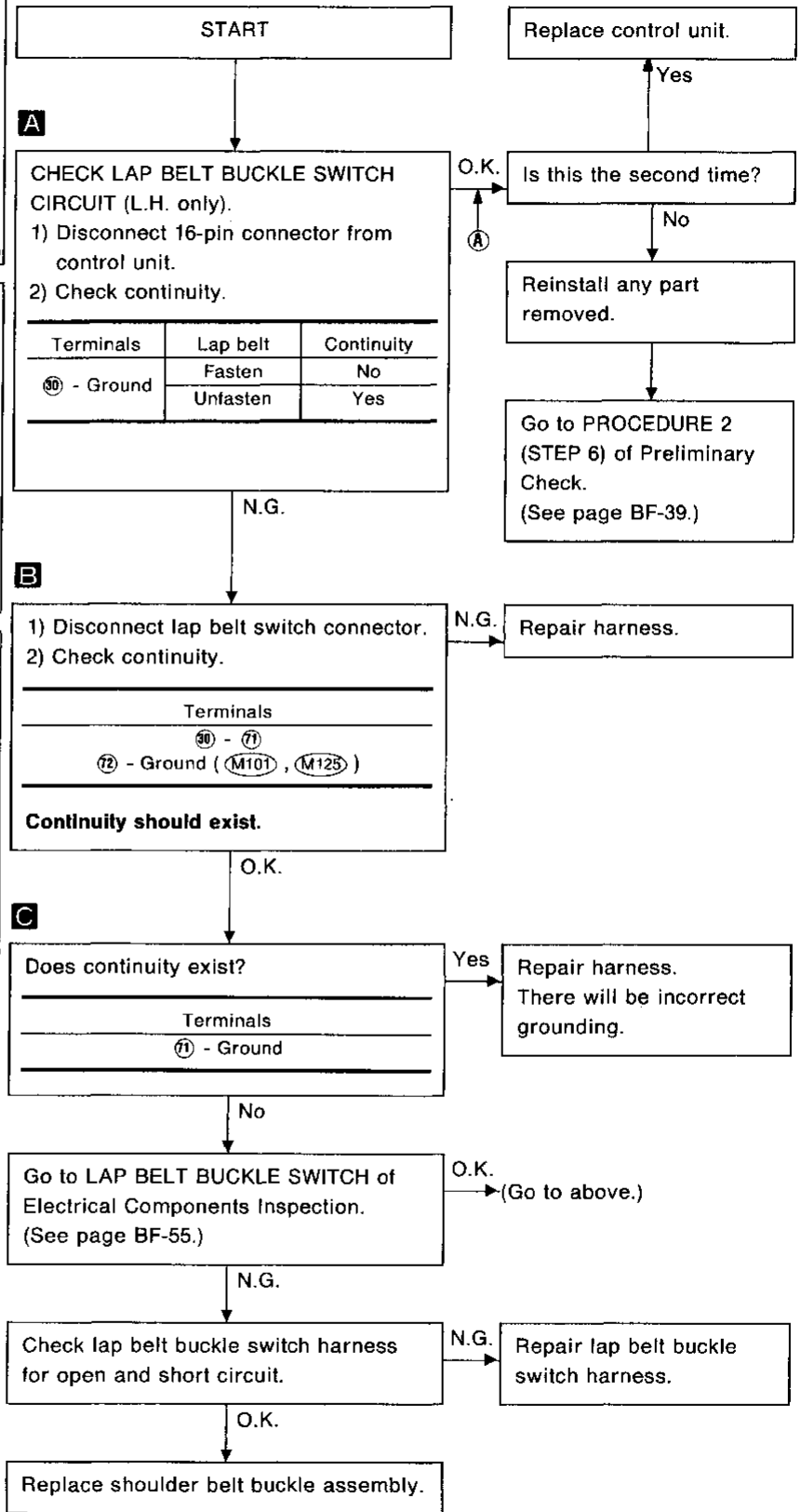


## Diagnostic Procedure 5



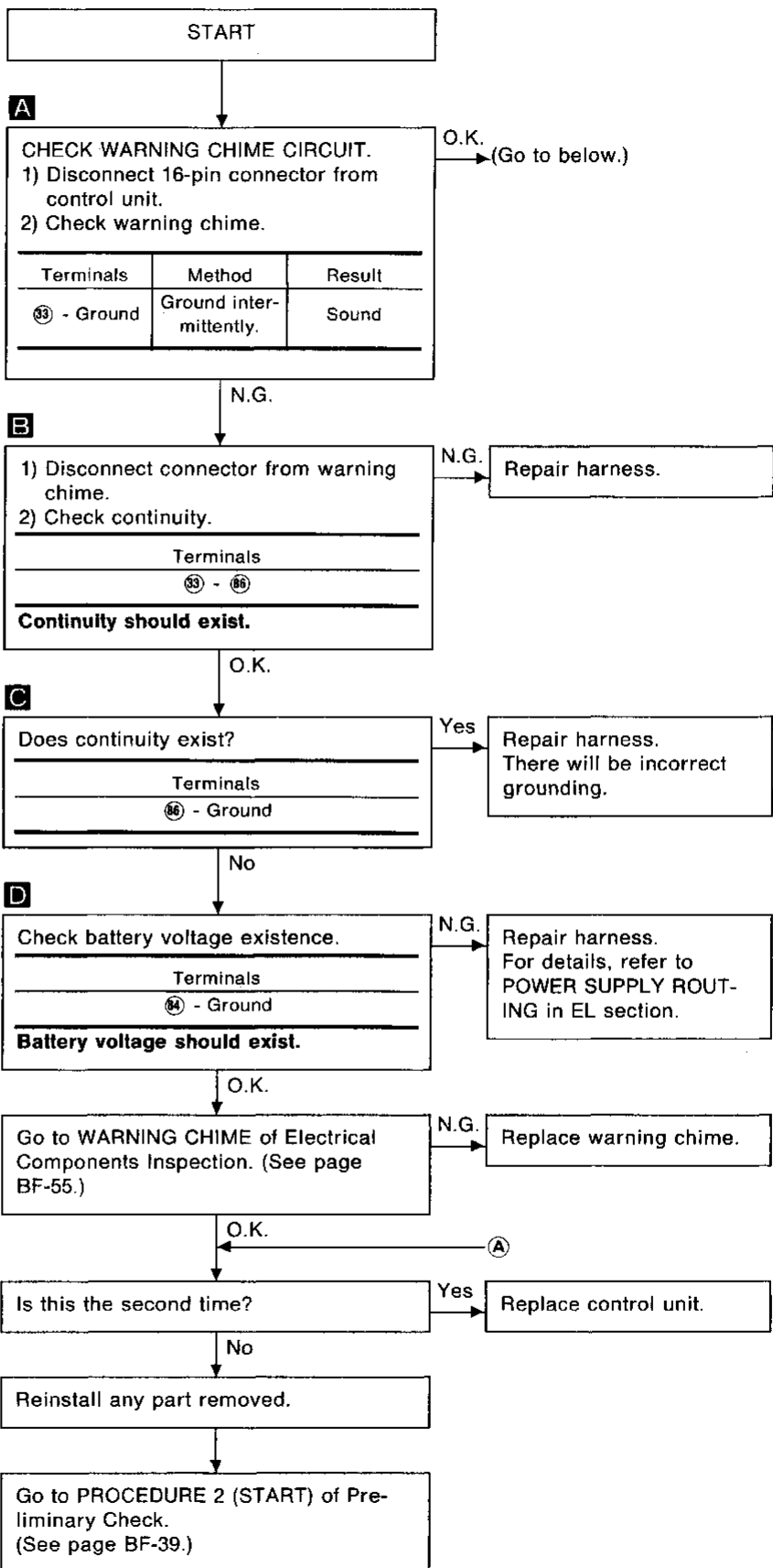
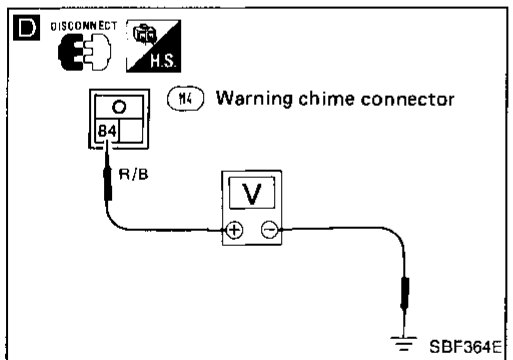
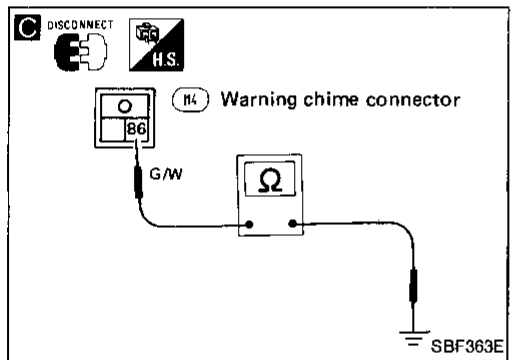
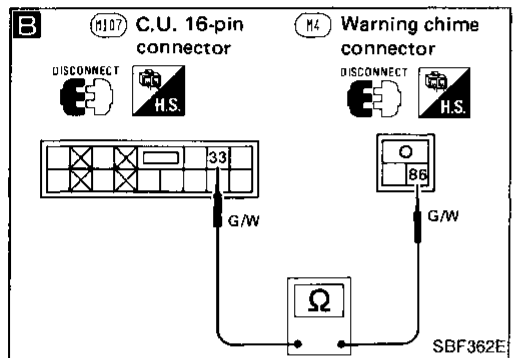
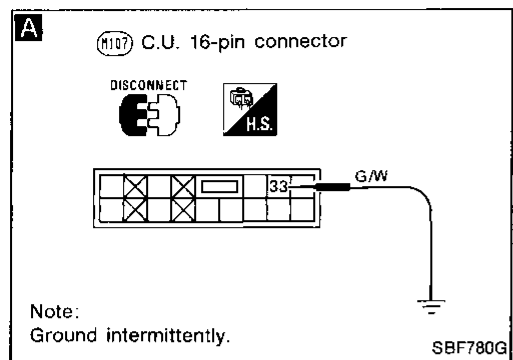


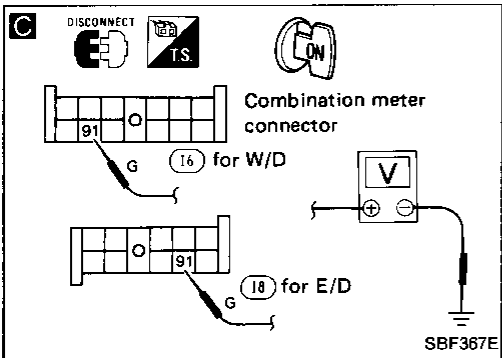
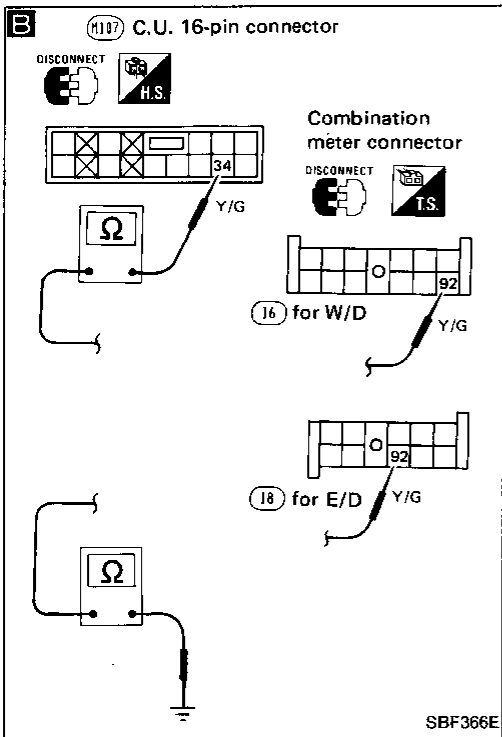
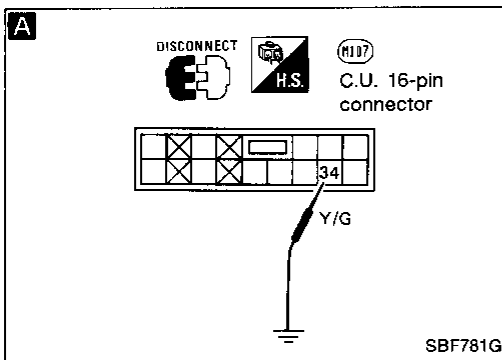
## Diagnostic Procedure 6



GI  
 MA  
 EM  
 LC  
 EF & EC  
 FE  
 CL  
 MT  
 AT  
 PD  
 FA  
 RA  
 BR  
 ST  
 BF  
 HA  
 EL

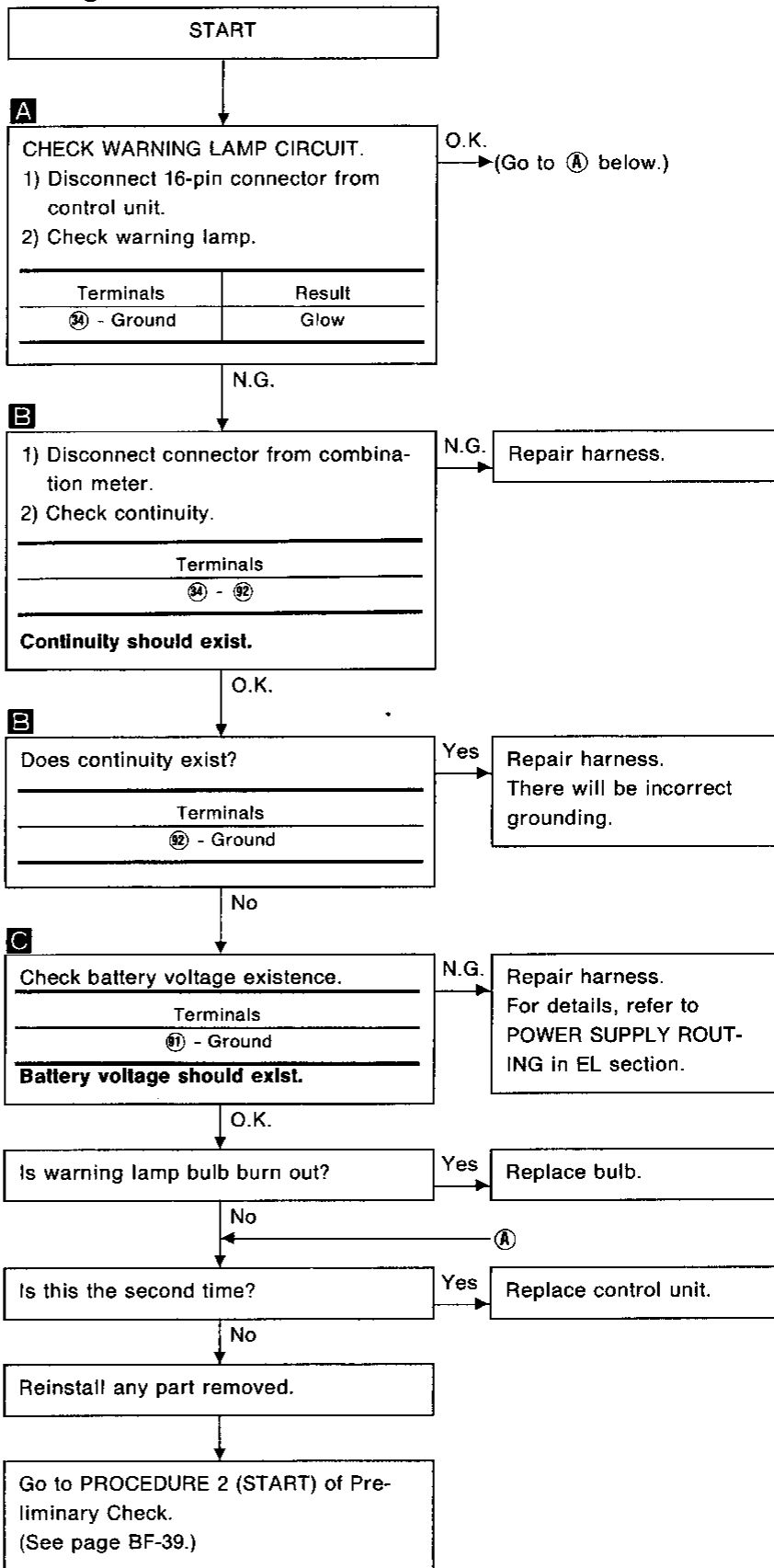
## Diagnostic Procedure 7





**W/D : With head-up Display**  
**E/D : Without Head-up Display**

## Diagnostic Procedure 8



GI

MA

EM

LC

EF &amp; EC

FE

CL

MT

AT

PD

FA

RA

BR

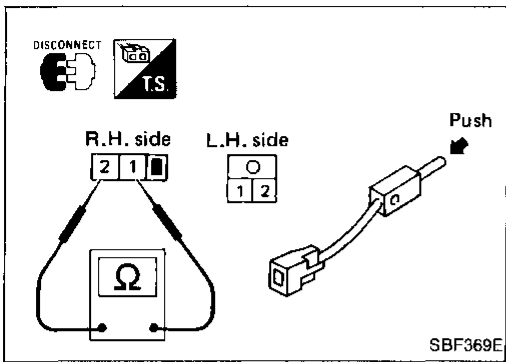
ST

BF

HA

EL

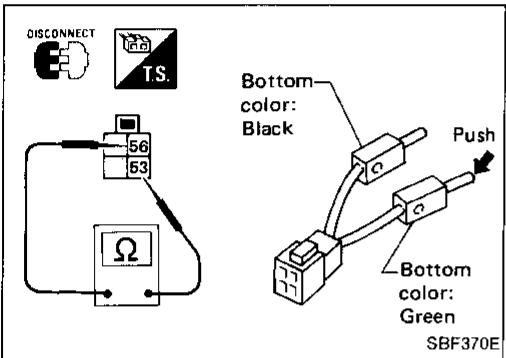
# TROUBLE DIAGNOSES — Automatic seat belt system



## Electrical Components Inspection

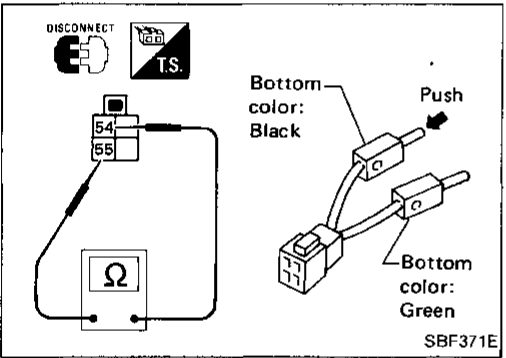
### FRONT LIMIT SWITCH

Condition	Continuity
Pushed	No
Released	Yes



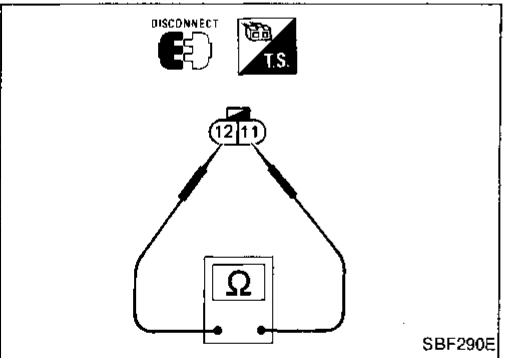
### REAR LIMIT SWITCH

Condition	Continuity
Pushed	No
Released	Yes



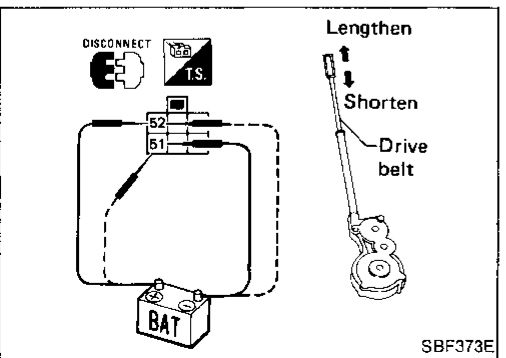
### SHOULDER BELT BUCKLE SWITCH

Condition	Continuity
Pushed	Yes
Released	No



### DOOR LATCH SWITCH (Built-in door lock assembly)

Door condition	Continuity
Open	Yes
Closed	No



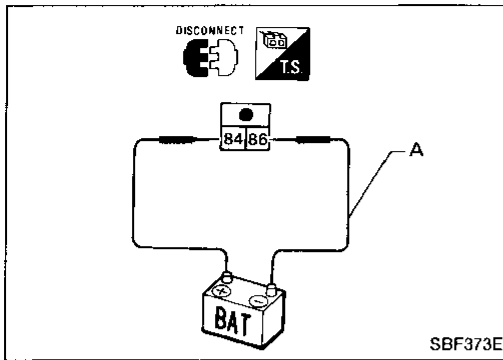
### DRIVE MOTOR ASSEMBLY

Terminals		Drive belt operation
⊕	⊖	
52	51	Lengthen
51	52	Shorten

# TROUBLE DIAGNOSES — Automatic seat belt system

## Electrical Components Inspection (Cont'd)

### WARNING CHIME



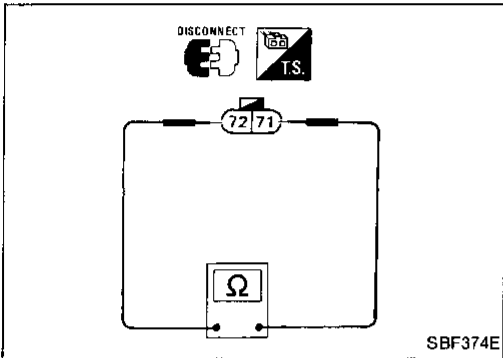
Condition	Operation
Connect and disconnect harness A as shown at left	Sounds

GI

MA

EM

### LAP BELT BUCKLE SWITCH (Built-in lap belt buckle for L.H. side)



Condition	Continuity
Fastened	No
Unfastened	Yes

LC

EF &  
EC

FE

CL

MT

AT

PD

FA

RA

BR

ST

**BF**

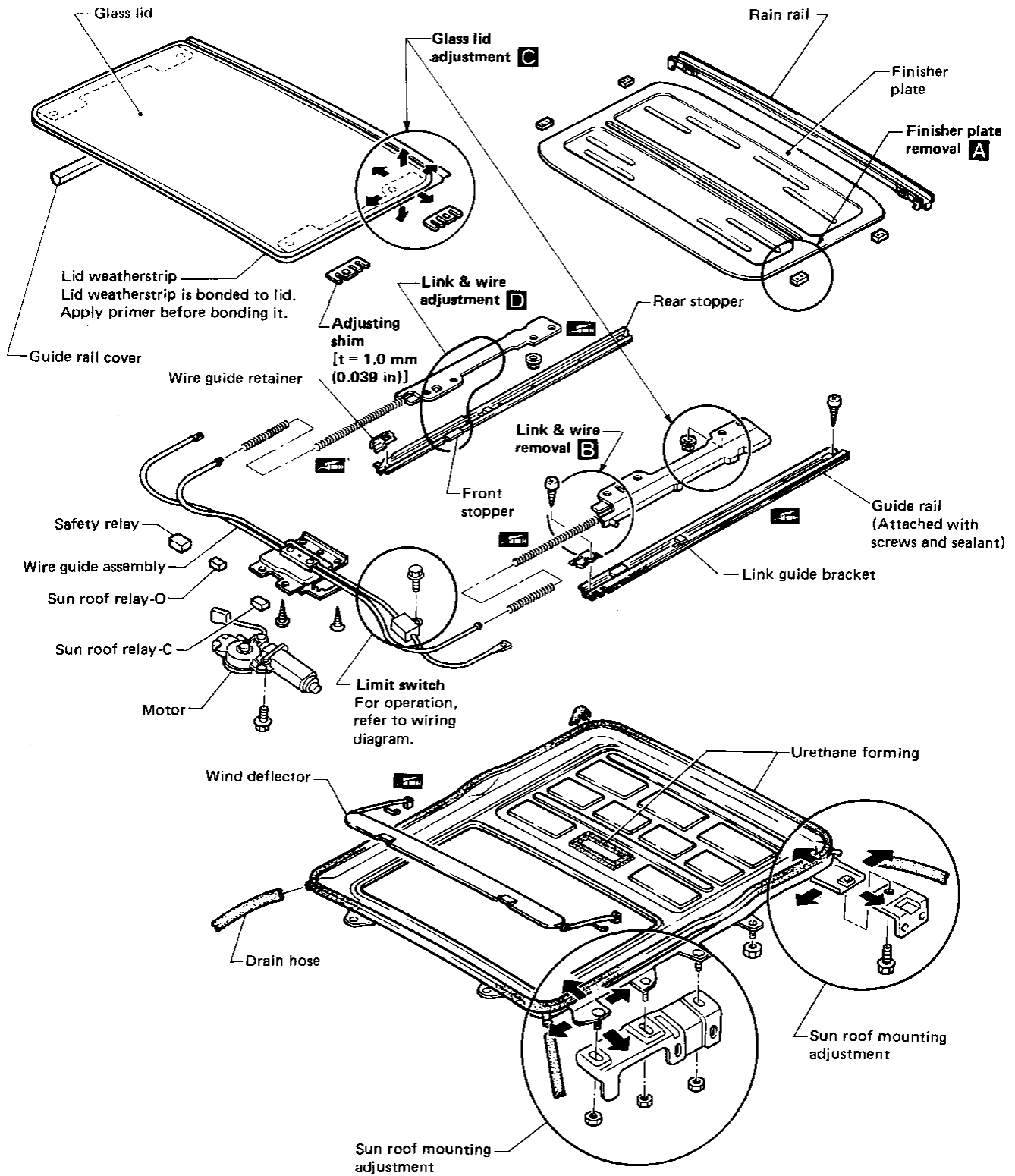
HA

EL

# SUN ROOF

## Electrical Sun Roof

- Do not move or remove limit switch unless it is necessary.
- After any adjustment, check sun roof operation and lid alignment.



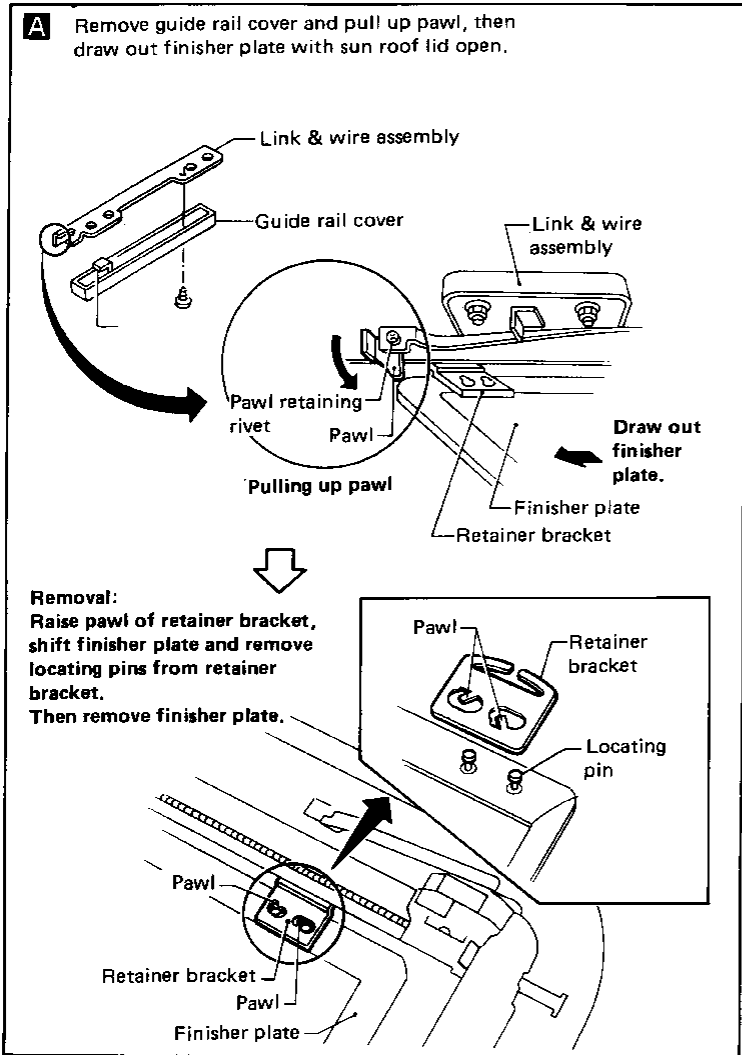
: Grease-up points



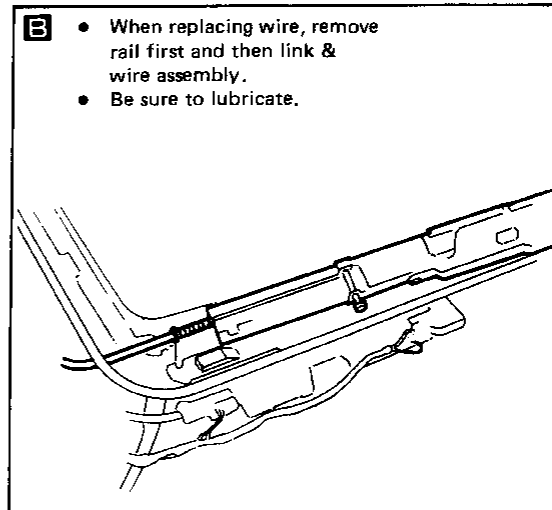
# SUN ROOF

## Electrical Sun Roof (Cont'd)

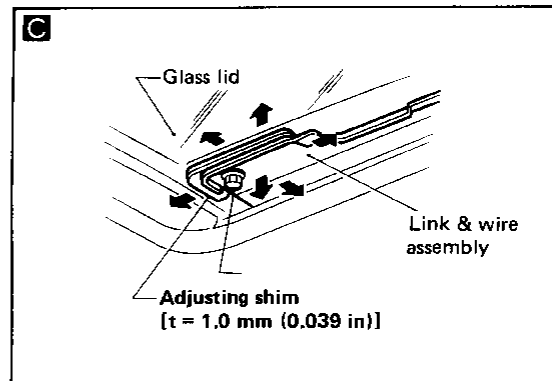
### Finisher plate removal & installation



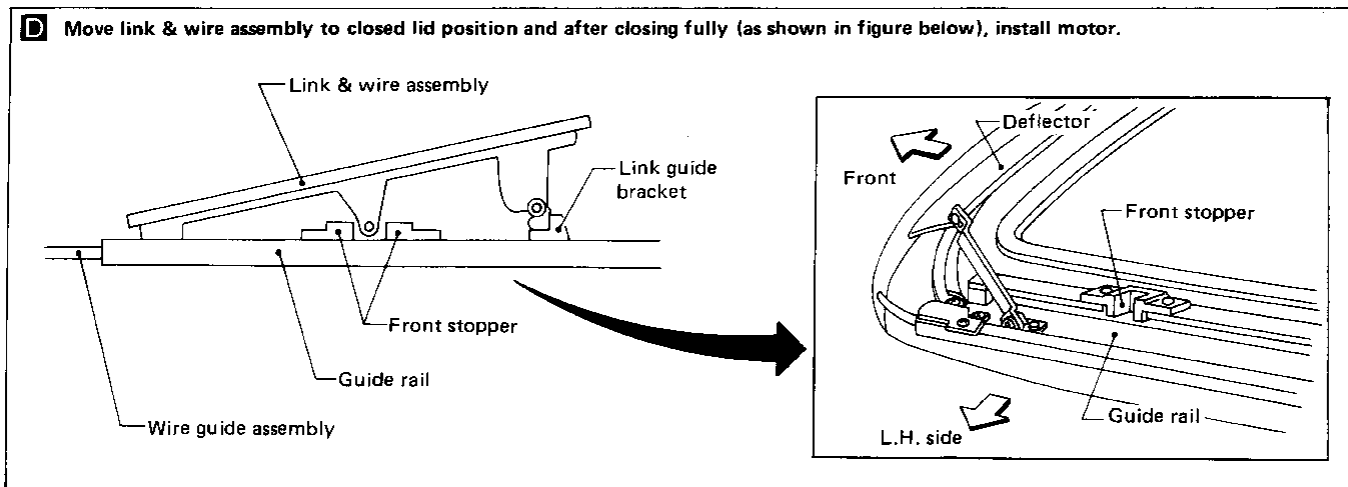
### Link & wire removal & installation



### Glass lid adjustment



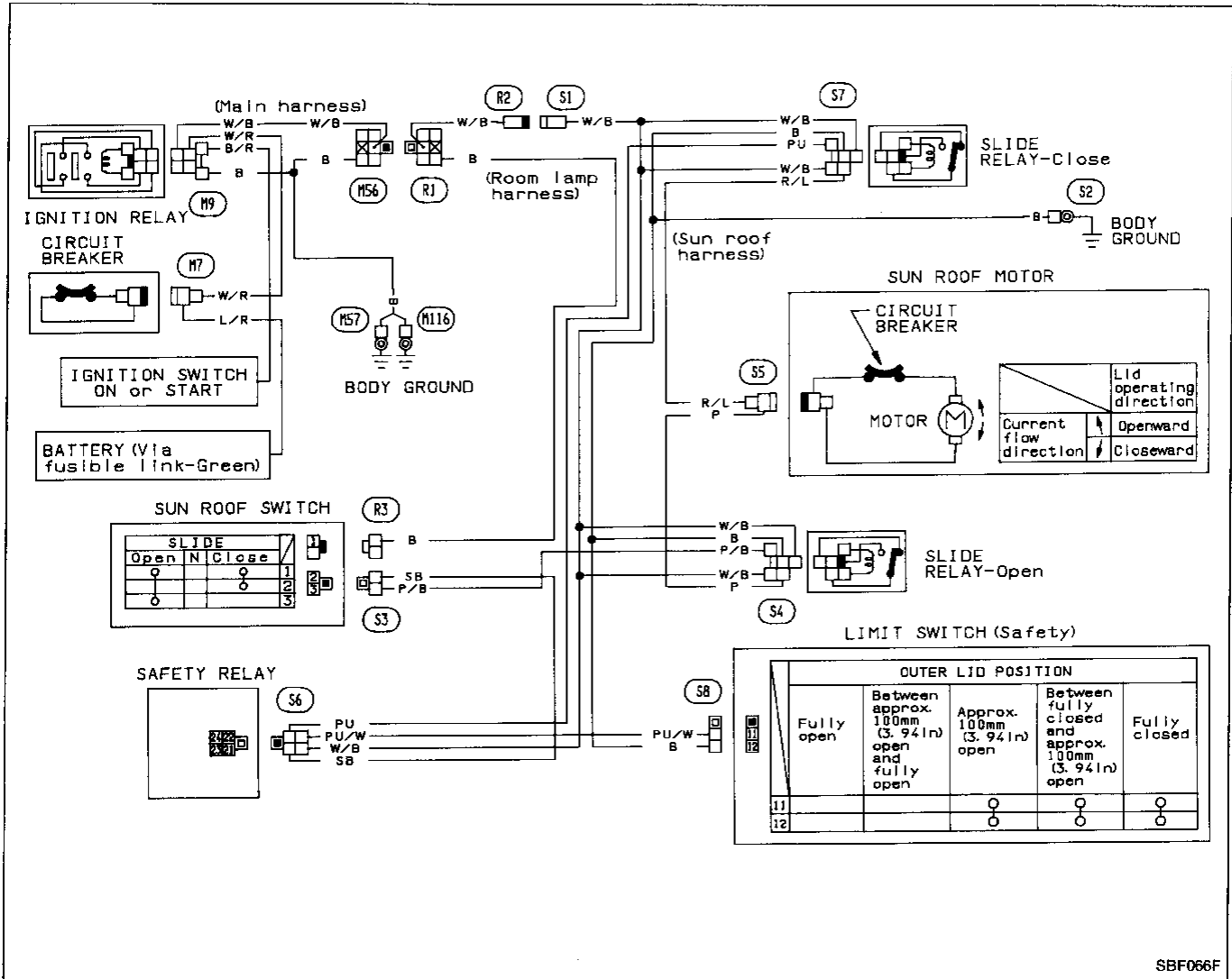
### Link & wire adjustment



GI  
MA  
EM  
LC  
EF &  
EC  
FE  
CL  
MT  
AT  
PD  
FA  
RA  
BR  
ST  
BF  
HA  
EL

# SUN ROOF

## Wiring Diagram

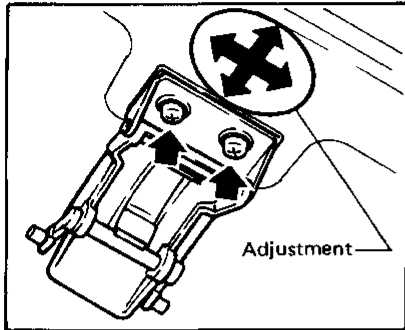


SBF066F

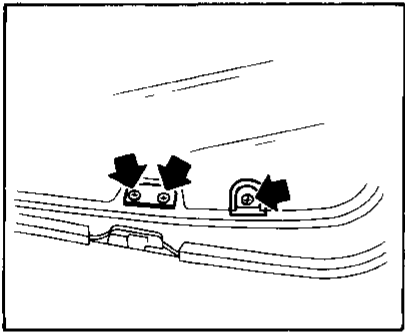
# SUN ROOF

## Manual Sun Roof

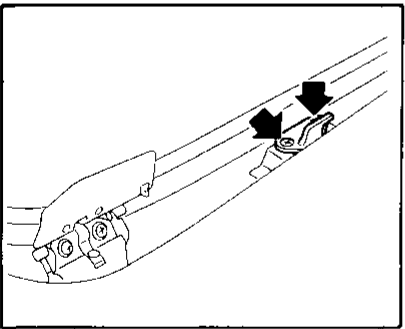
Handle adjustment



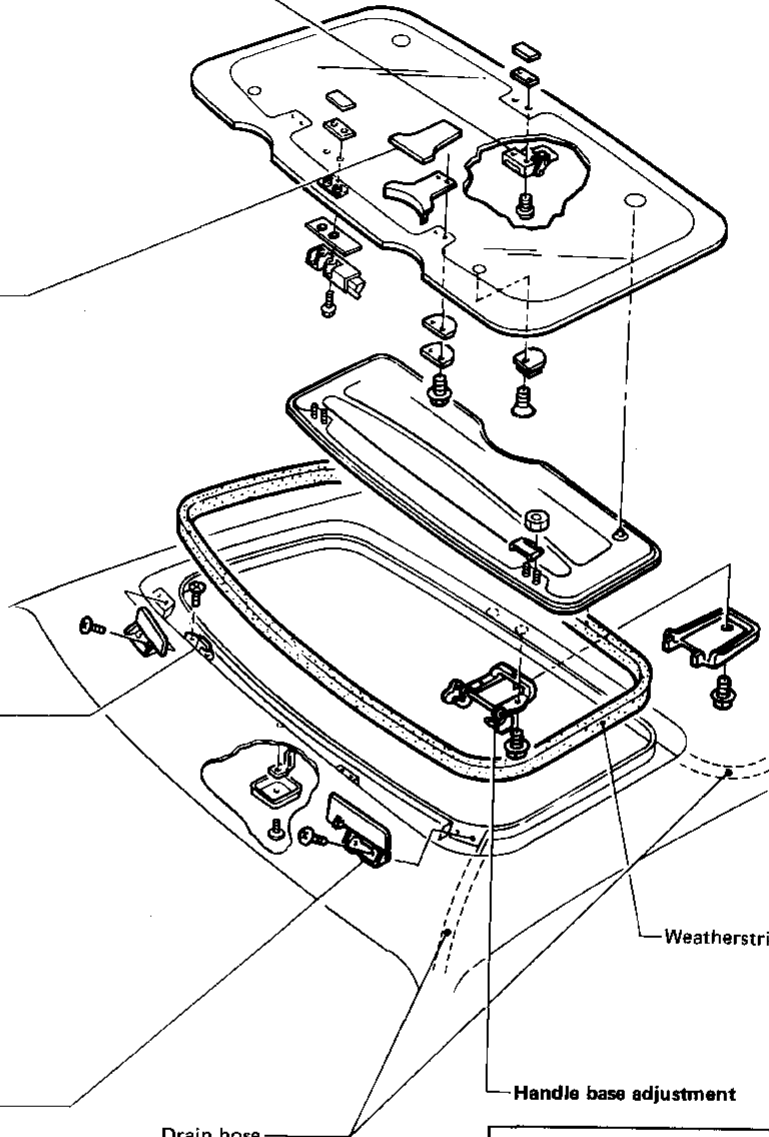
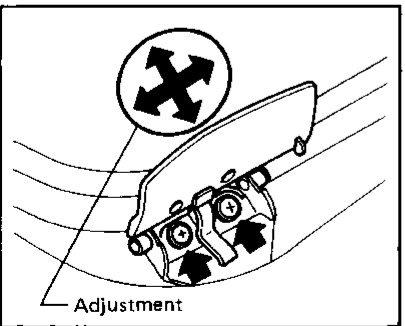
Female hinge



Hinge bracket

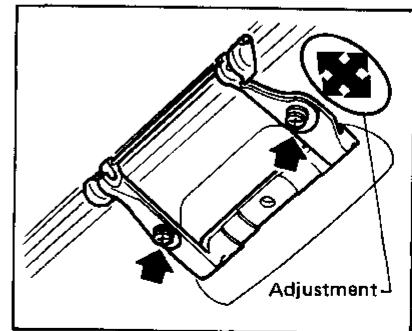


Air deflector adjustment



Drain hose

- After installation of drain hoses, make sure water drains smoothly.



GI

MA

EM

LC

EF &  
EC

FE

CL

MT

AT

PD

FA

RA

BR

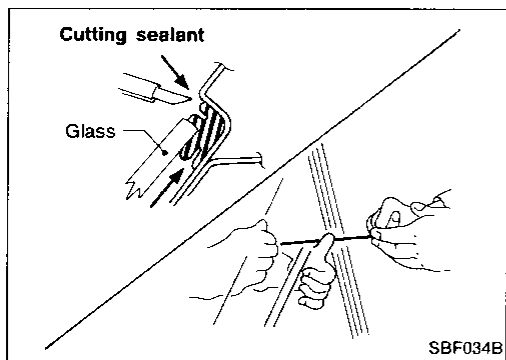
ST

**BF**

HA

EL

# WINDSHIELD AND WINDOWS



## REMOVAL

After removing moldings, remove glass.

### CAUTION:

Be careful not to scratch glass when removing.

## INSTALLATION

- Use genuine Nissan Sealant kit or equivalent. Follow instructions furnished with it.
- After installation, the vehicle should remain stationary until the sealant hardens.

### WARNING:

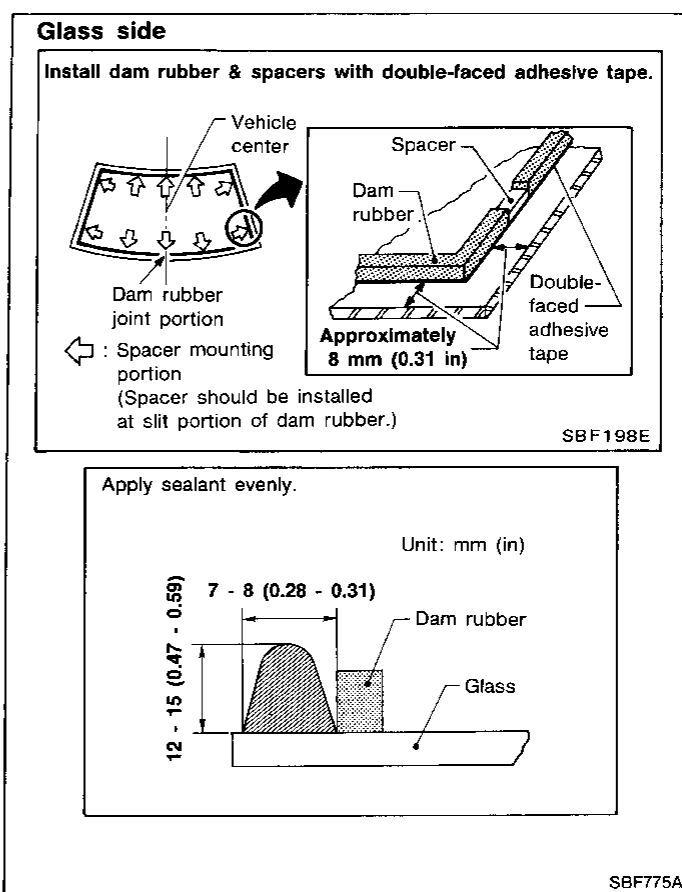
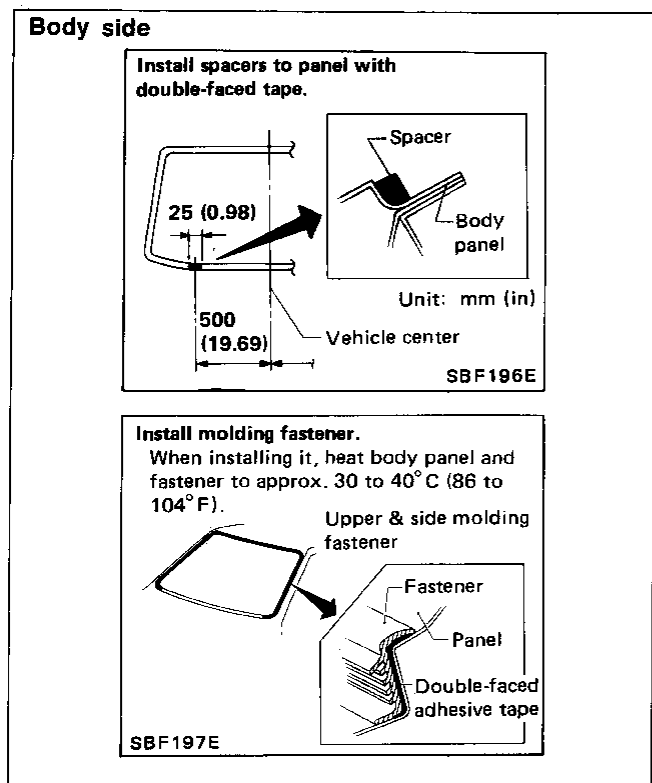
Keep heat and open flames away as primers are flammable.

### CAUTION:

Advise the user of the fact that vehicle should not be driven on rough roads or surfaces until sealant has properly vulcanized.

- Do not use sealant which is past its usable term.
- Do not leave cartridge unattended with its cap open.
- Keep primers and sealant in a cool, dry place. Ideally, they should be stored in a refrigerator.
- Molding must be installed securely so that it is in position and leaves no gap.

## Windshield



## REPAIRING WATER LEAKS FOR WINDSHIELD AND WINDOWS

Leaks can be repaired without removing and reinstalling glass.

If water is leaking between caulking material and body or between glass and caulking material, determine the extent of the leak by applying water while pushing glass outward.

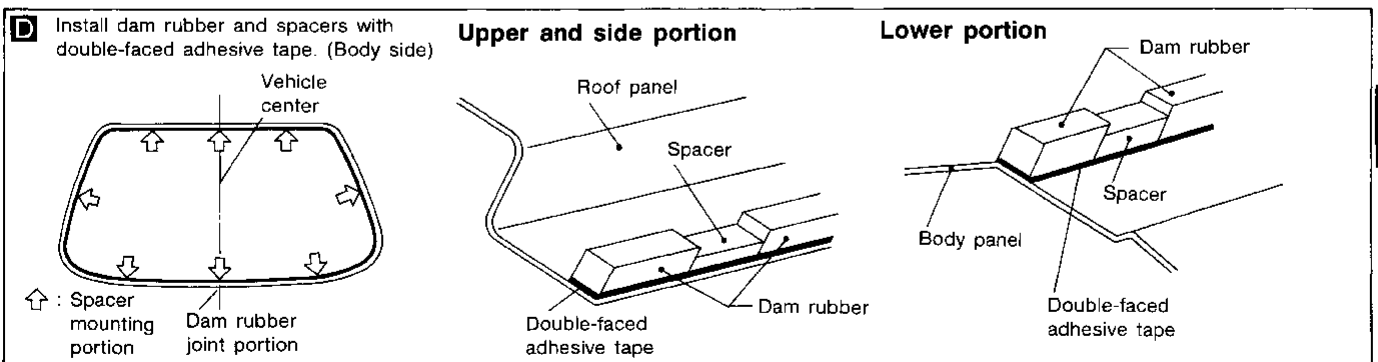
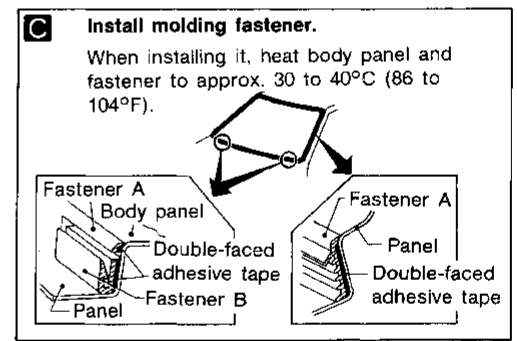
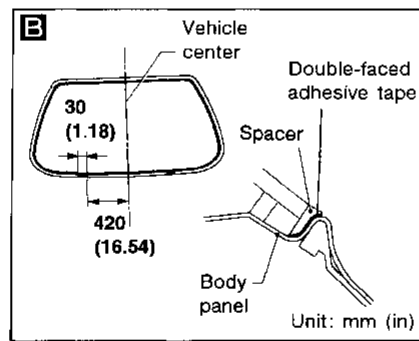
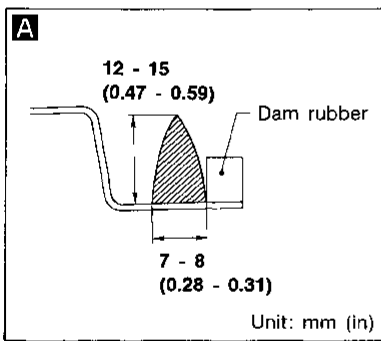
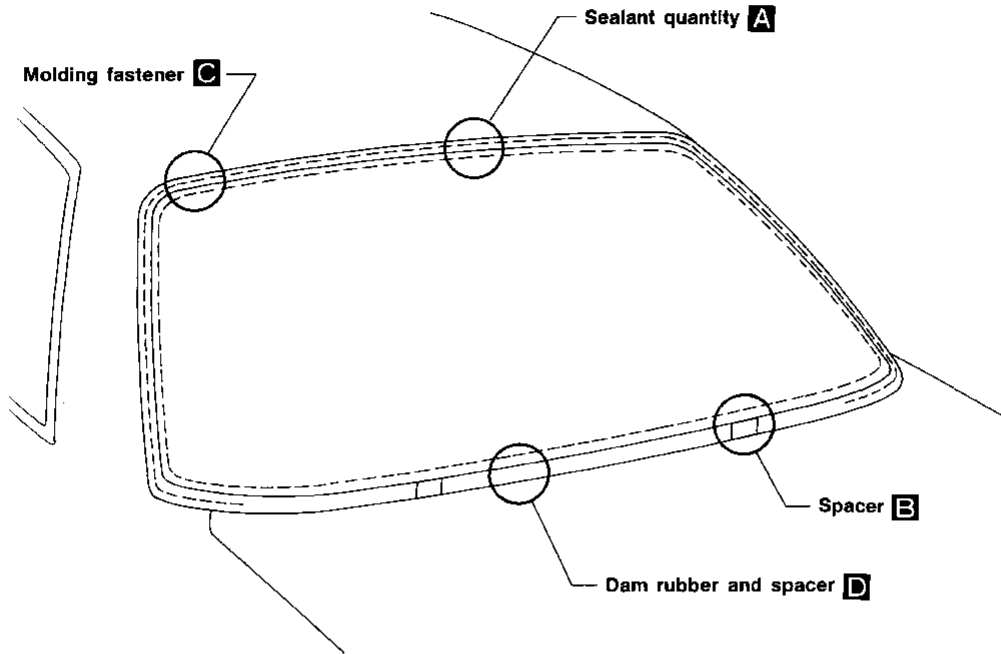
To stop the leak, apply primer (if necessary) and then sealant to the leak point.

# WINDSHIELD AND WINDOWS

## Back Window — Coupe

- Construction and removal/reinstallation methods of back window are basically the same as those of windshield.  
For details of service procedures, refer to "Windshield".
- The difference between windshield and back window is as follows:
- For sealant drying period, refer to "Drying Time for Sealant".
- For details of moldings, refer to "Exterior".

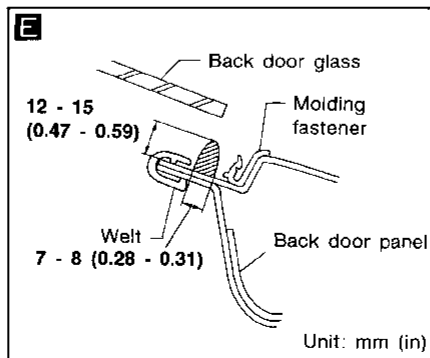
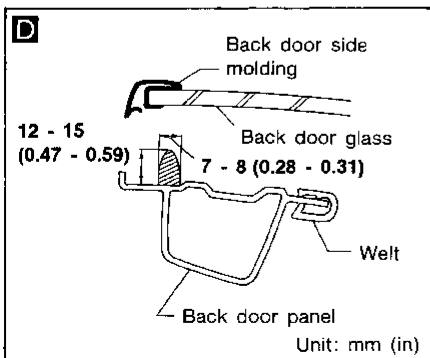
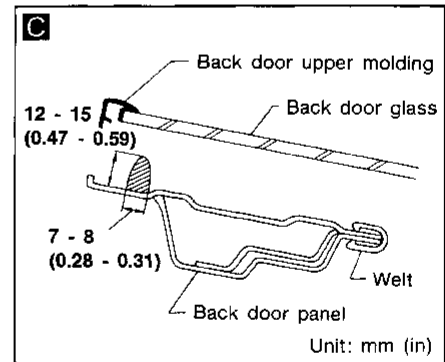
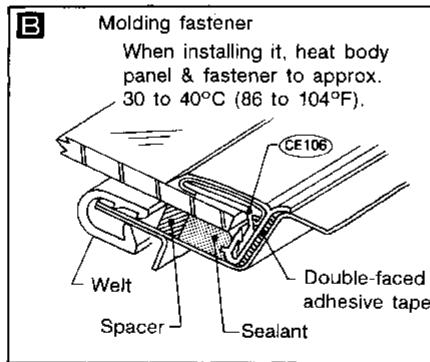
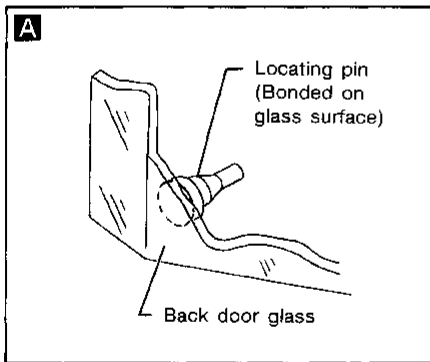
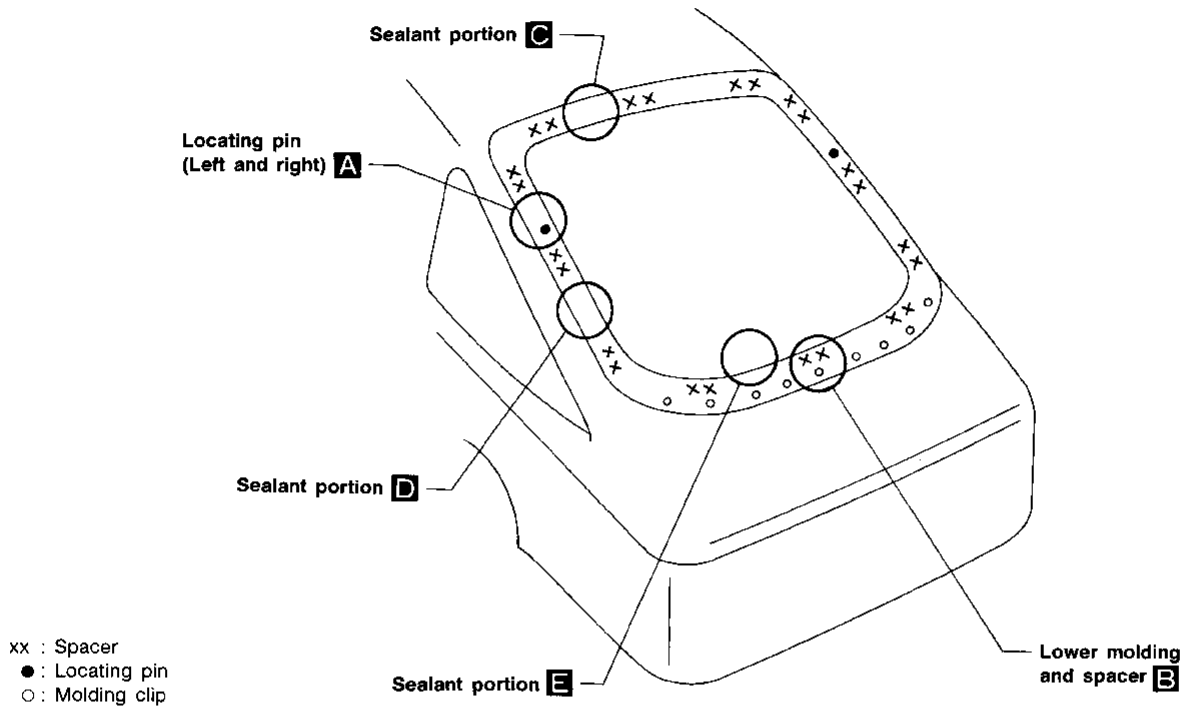
GI  
MA  
EM  
LC  
EF &  
EC  
FE  
CL  
MT  
AT



PD  
FA  
RA  
BR  
ST  
BF  
HA  
EL

## Back Door Window — Fastback

- Construction and removal/reinstallation method of back door window are basically the same as those of windshield.
- Major differences are that sealant & dam rubber are installed to back door panel instead of glass surface. Spacer position is also changed. Moreover, there are locating pins in lower portion of glass. For details, refer to following figure.
- For sealant drying period, refer to "Drying Time for Sealant".
- For details of moldings, refer to "Exterior".

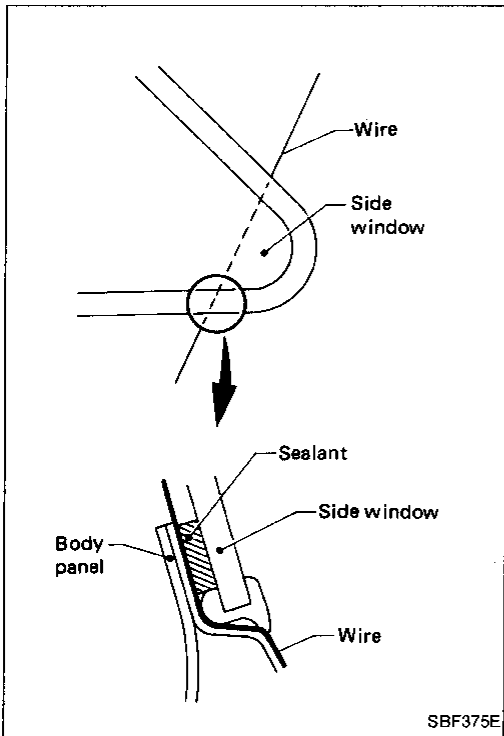


# WINDSHIELD AND WINDOWS

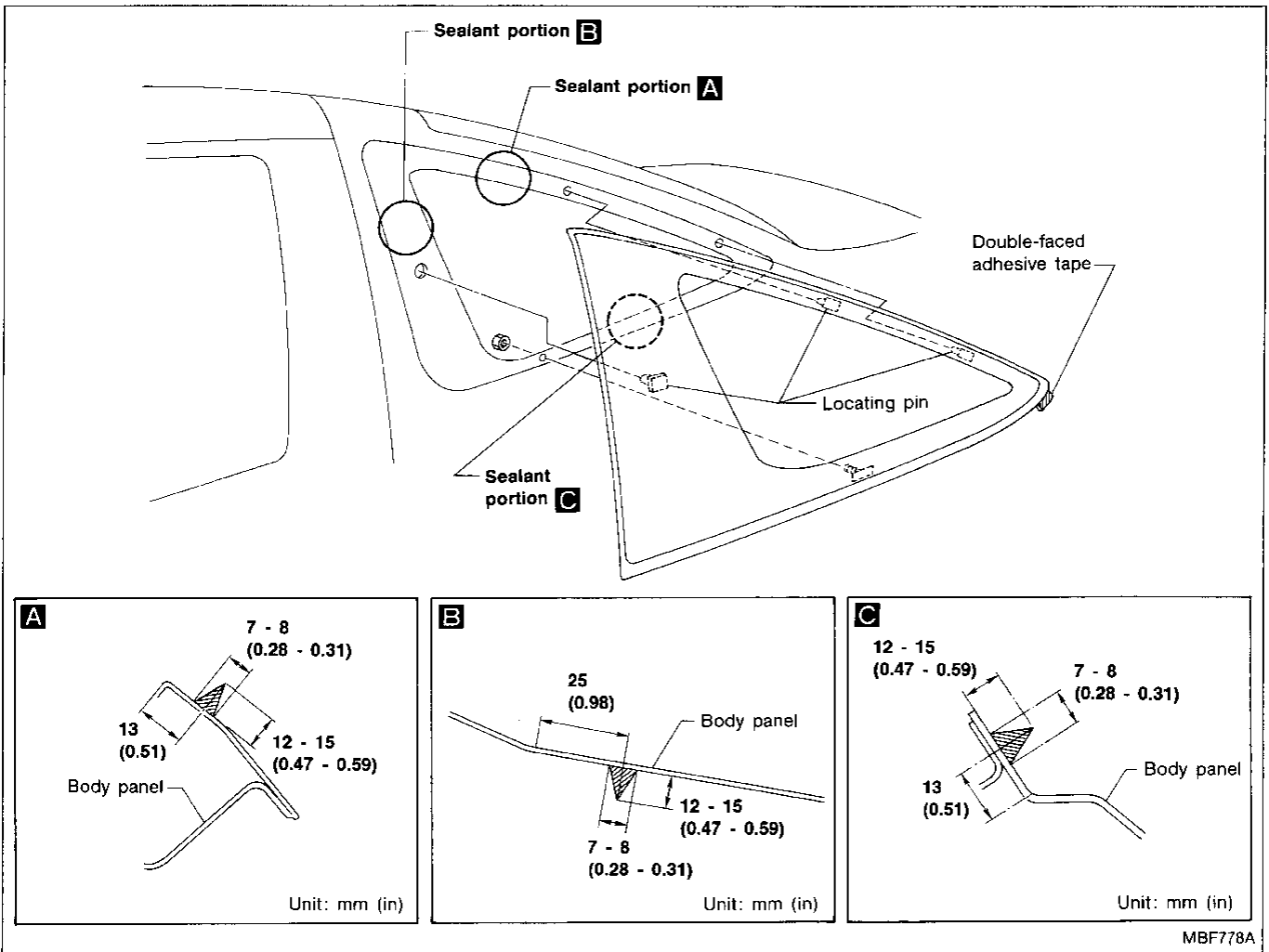
## Side Window

Side window is a molded type. During removal or installation, observe the following instructions.

1. Cut sealant in the same manner as that outlined under "Windshield".
2. Be careful not to scratch molding when cutting sealant. If molding is scratched, repair.
3. Remove clips and locating pins which have been exposed from vehicle body.



## FASTBACK

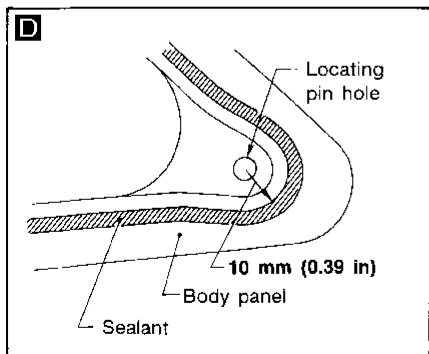
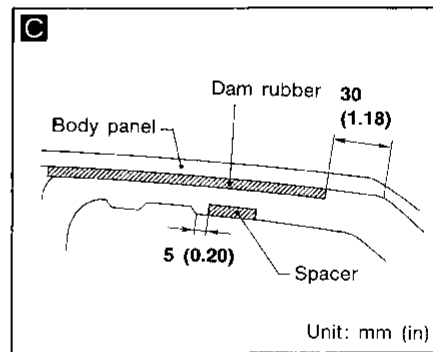
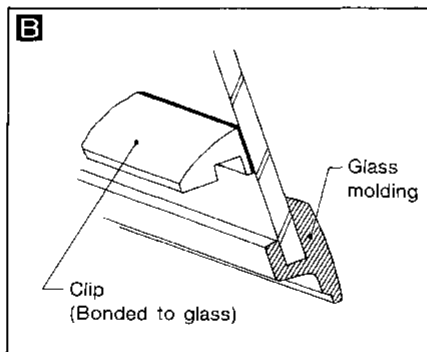
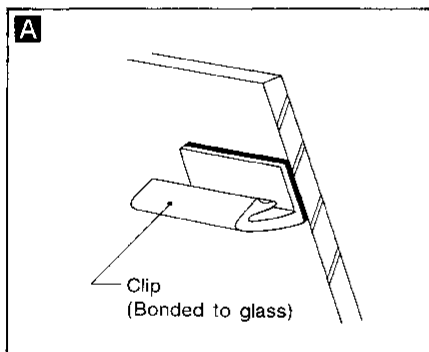
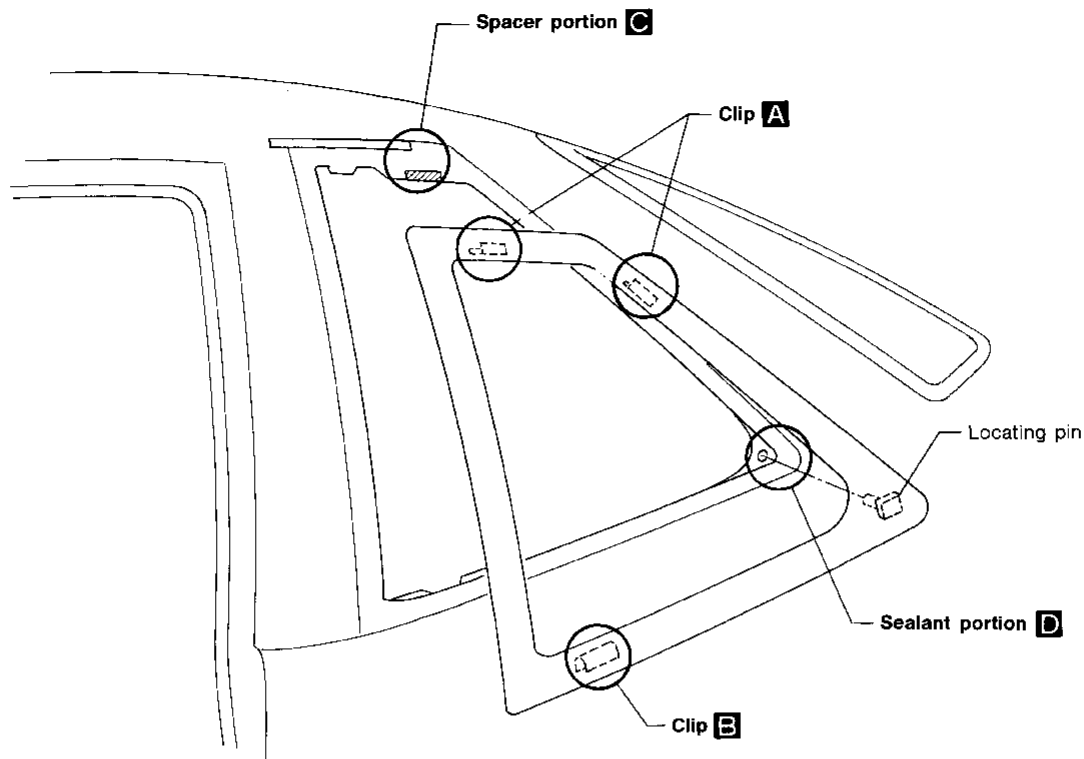


GI  
MA  
EM  
LC  
EF & EC  
FE  
CL  
MT  
AT  
PD  
FA  
RA  
BR  
ST  
BF  
HA  
EL

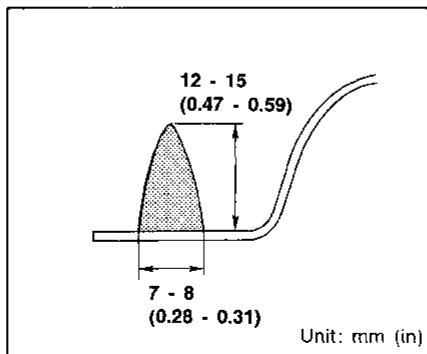
# WINDSHIELD AND WINDOWS

## Side Window (Cont'd)

COUPE



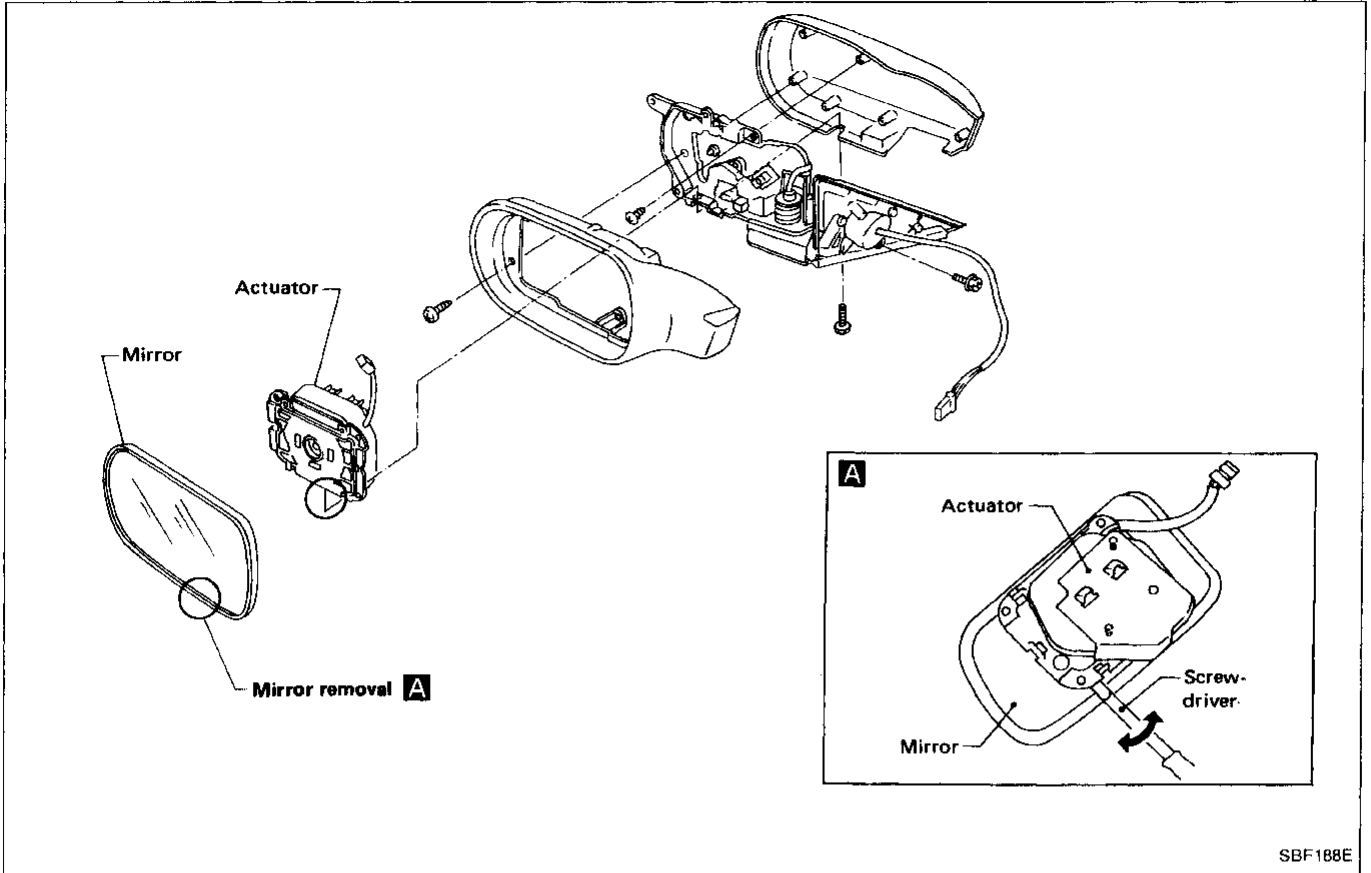
### Sealant quantity



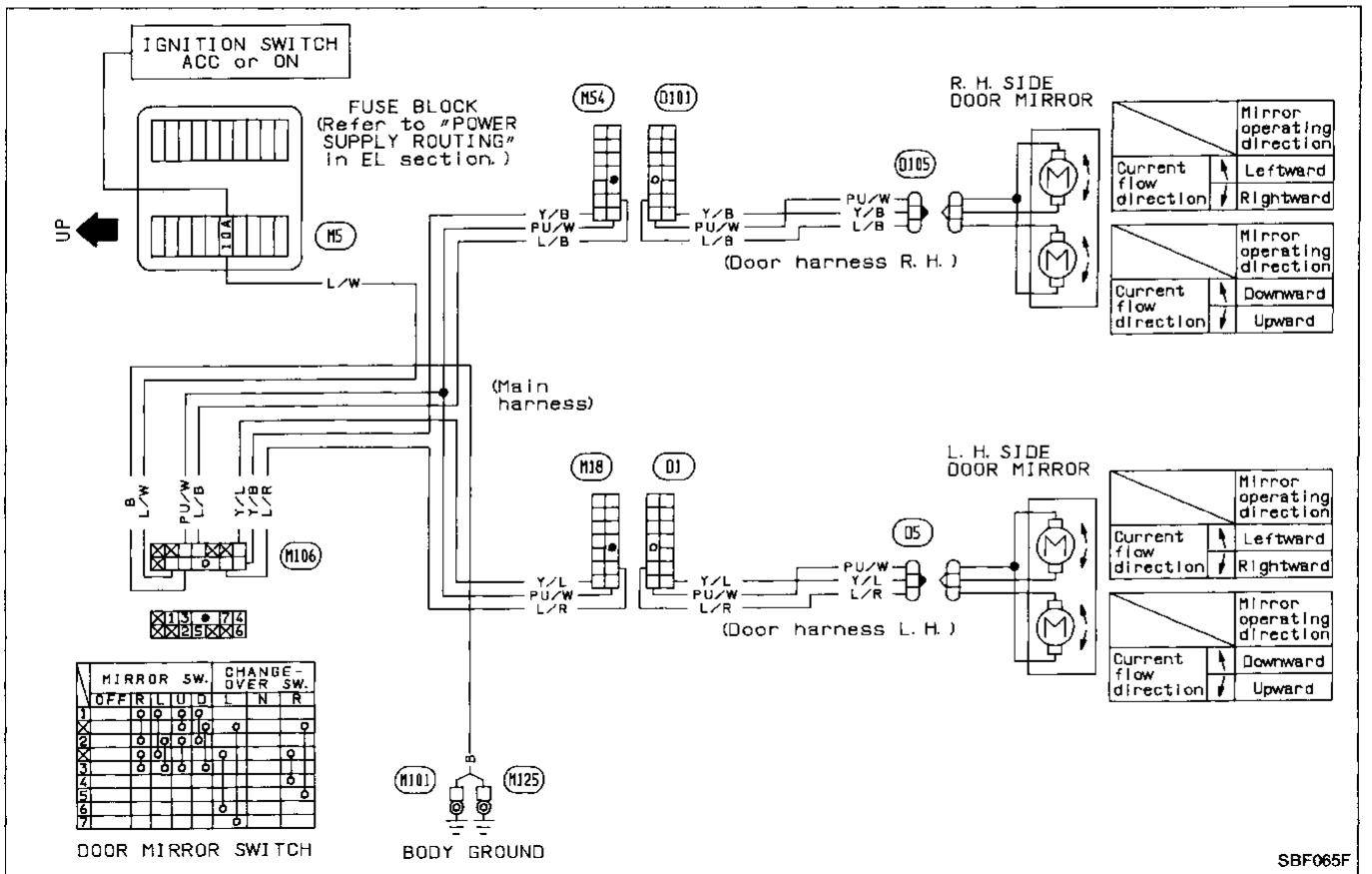


# MIRROR

## Door Mirror

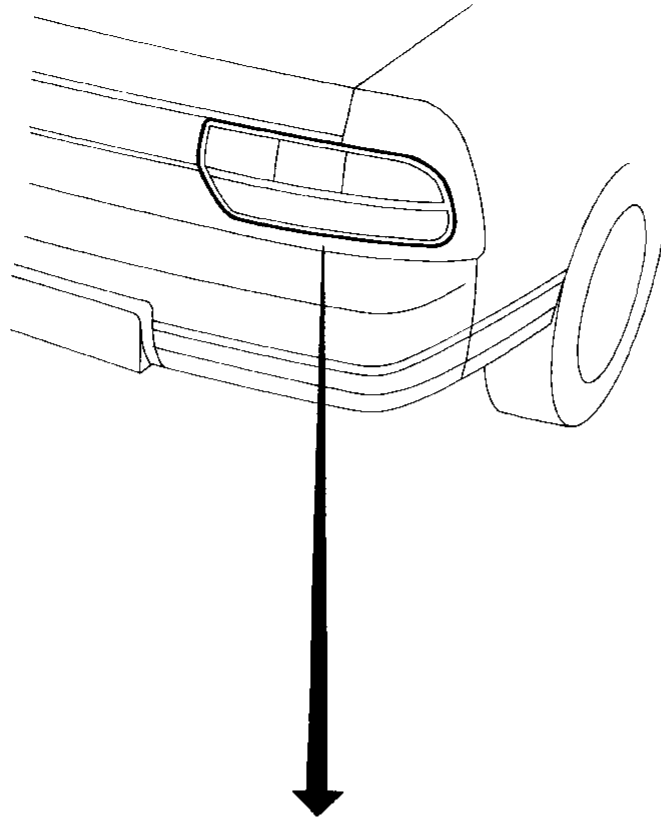


## WIRING DIAGRAM

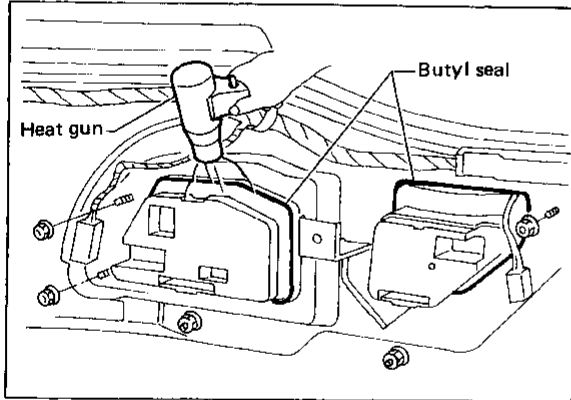


## REAR COMBINATION LAMP

- Rear combination lamps are installed with nuts and butyl sealant.

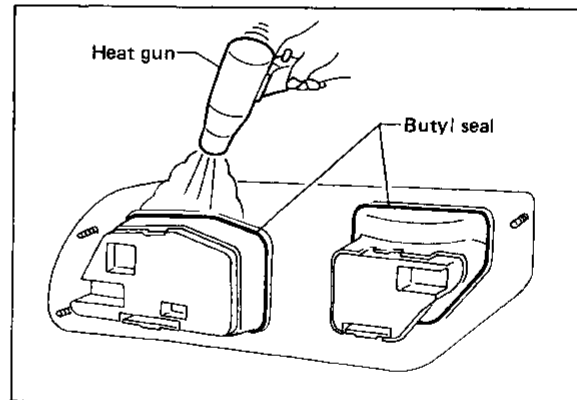


### Removal



- Warm up lamp assembly area to a temperature of a little below 60°C (140°F).

### Installation



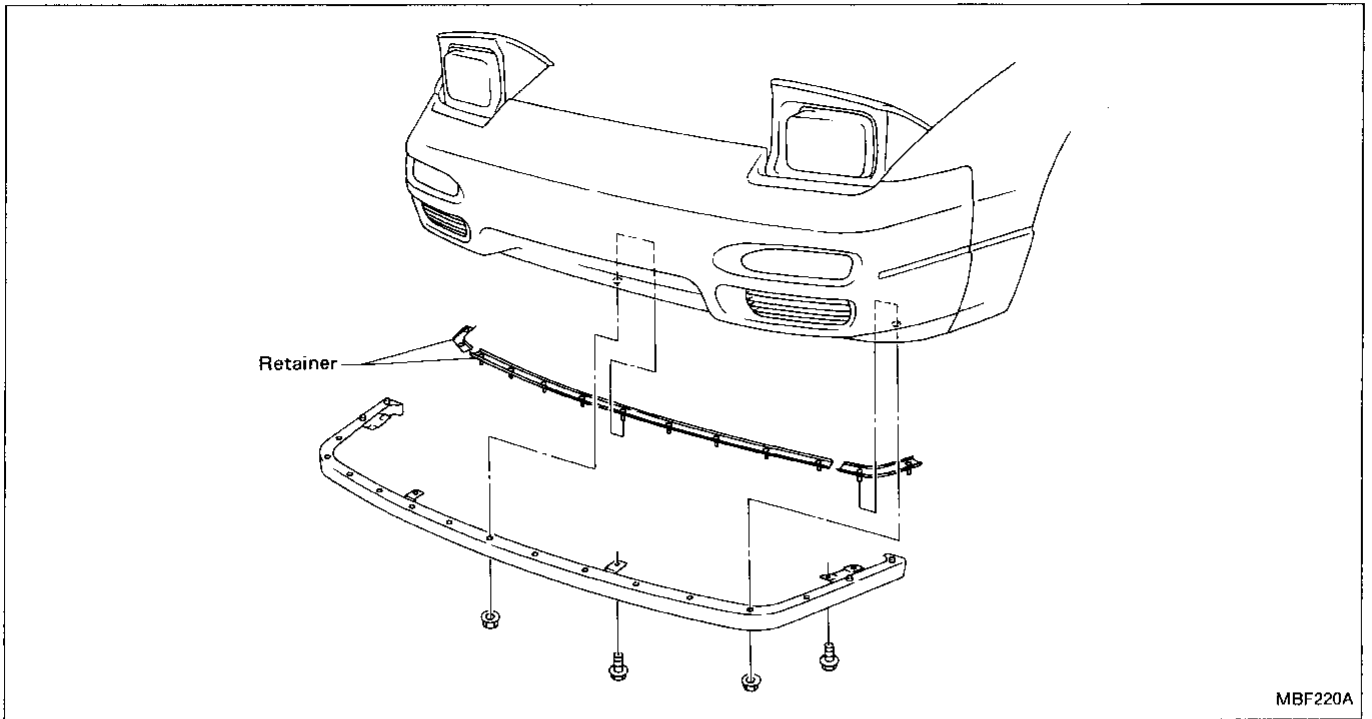
- Apply butyl seal evenly as it tends to become thin in the corners.
- Warm up lamp assembly area to a temperature of a little below 60°C (140°F).

SBF189E

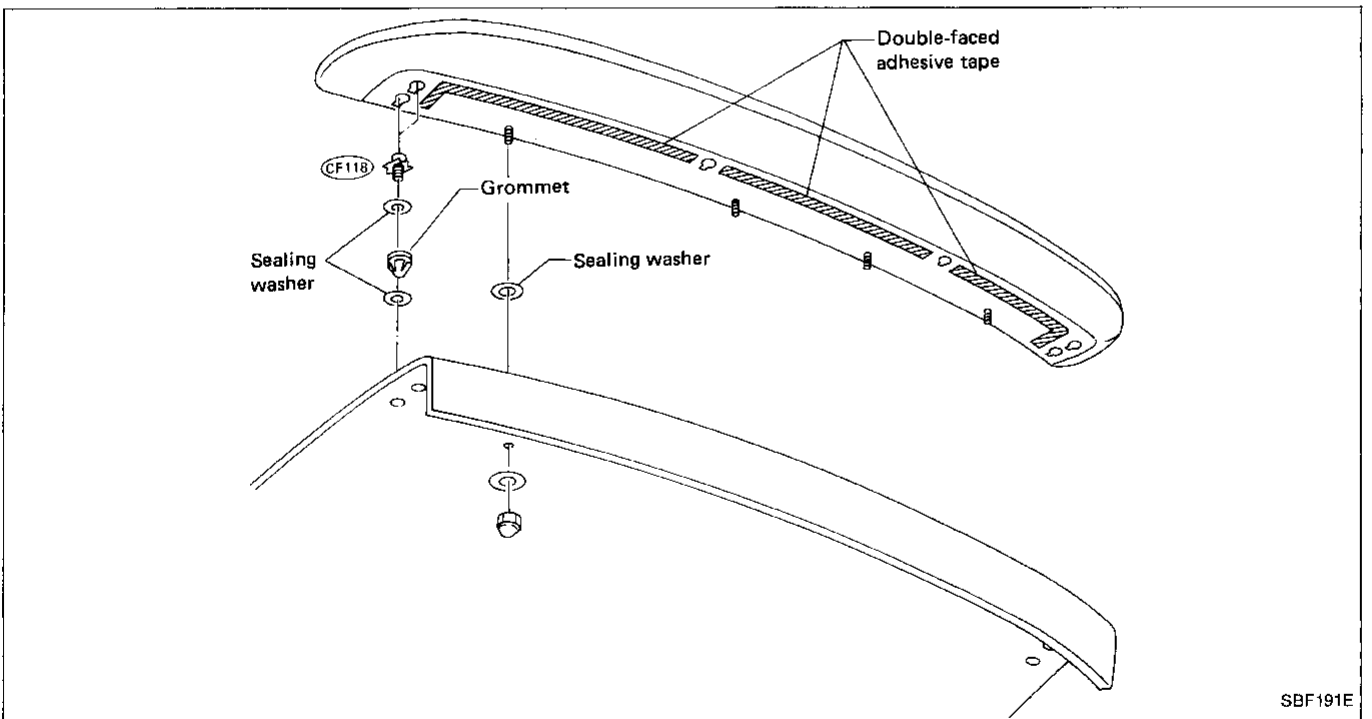
# FRONT AND REAR AIR SPOILER

- When installing, make sure that there are not gaps or waves at ends of air spoiler.
- Before installing spoiler, clean and remove oil from surface where spoiler will be mounted.

## FRONT AIR SPOILER



## REAR AIR SPOILER — Fastback



GI

MA

EM

LC

EF &  
EC

FE

CL

MT

AT

PD

FA

RA

BR

ST

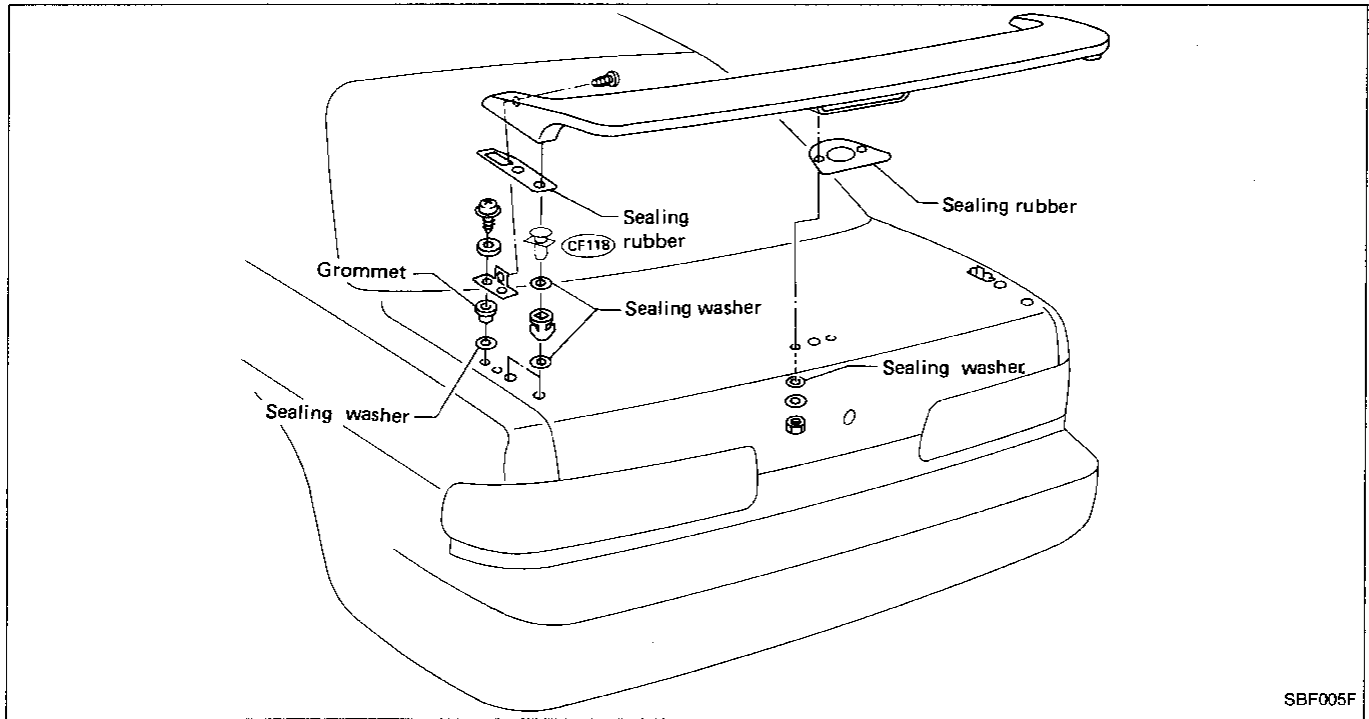
BF

HA

EL

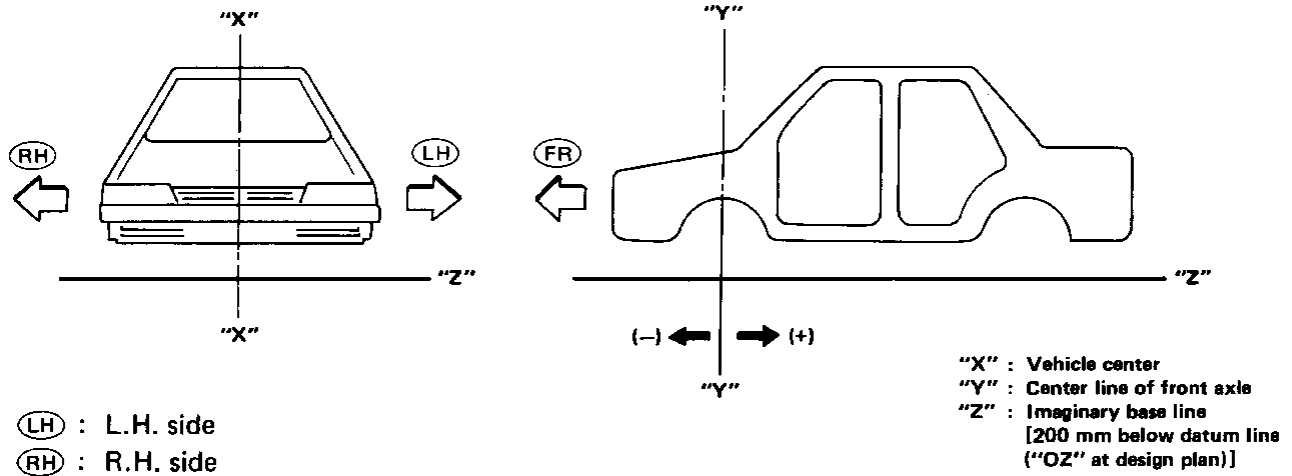
# FRONT AND REAR AIR SPOILER

## REAR AIR SPOILER — Coupe



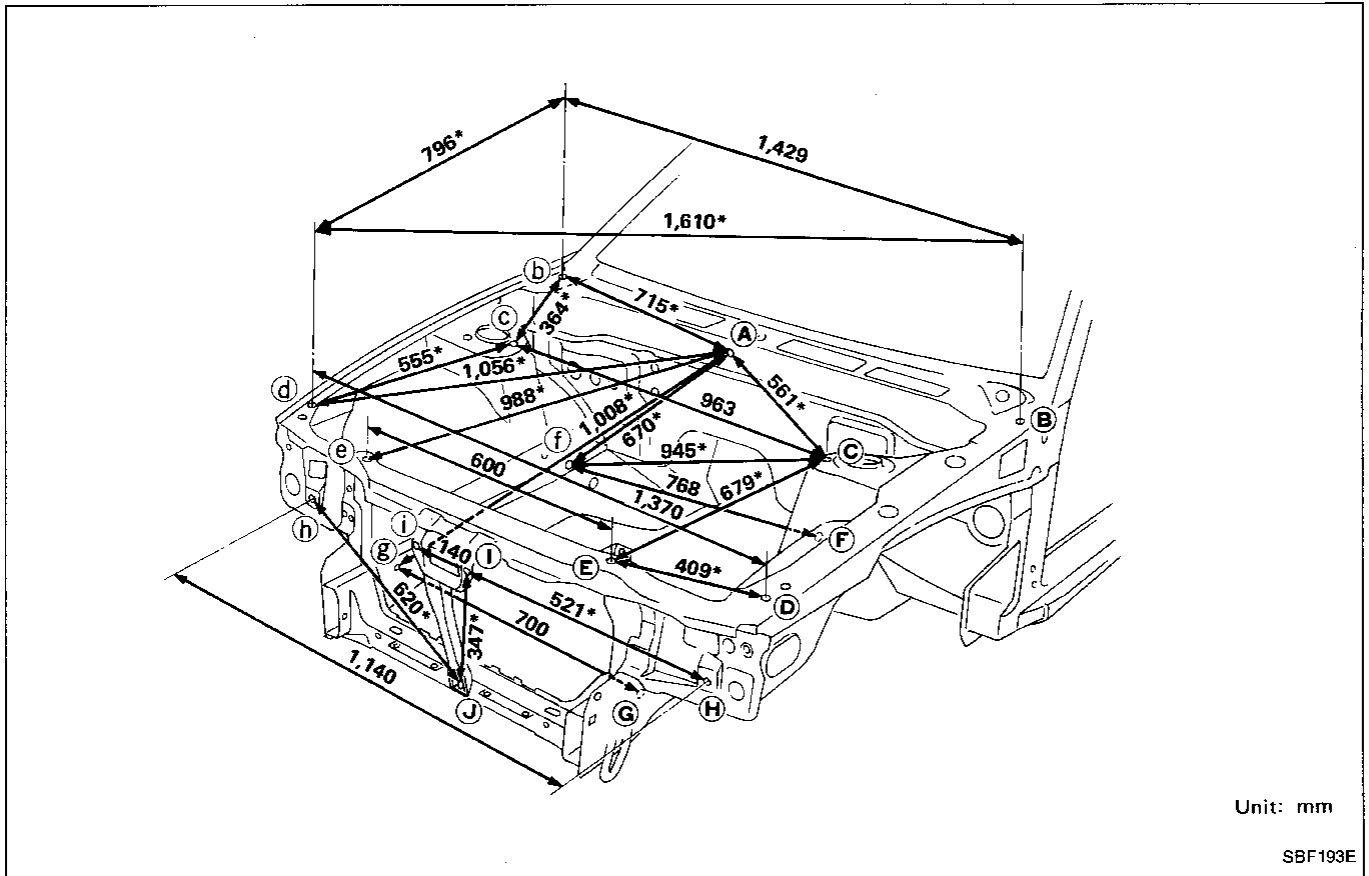
# BODY ALIGNMENT

- All dimensions indicated in figures are actual ones.
- When a tram tracking gauge is used, adjust both pointers to equal length and check the pointers and gauge itself to make sure there is no free play.
- When a measuring tape is used, check to be sure there is no elongation, twisting or bending.
- Measurements should be taken at the center of the mounting holes.
- An asterisk (\*) following the value at the measuring point indicates that the measuring point on the other side is symmetrically the same value.
- The coordinates of the measurement points are the distances measured from the standard line of "X", "Y" and "Z".



## Engine Compartment

### MEASUREMENT

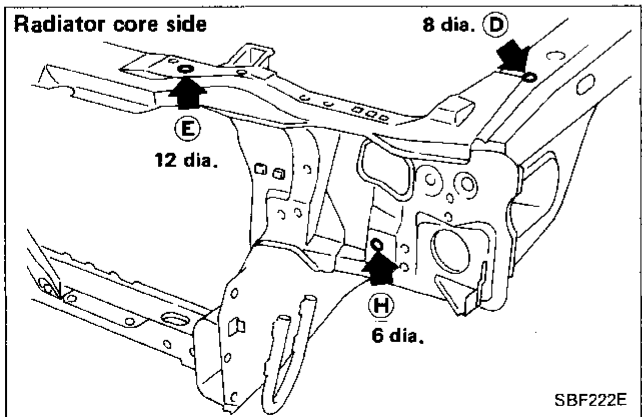
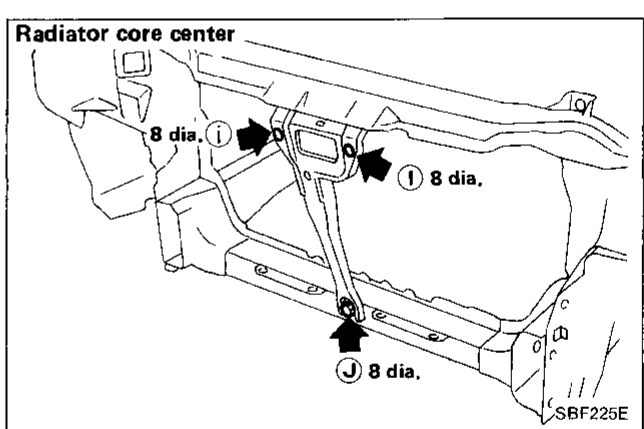
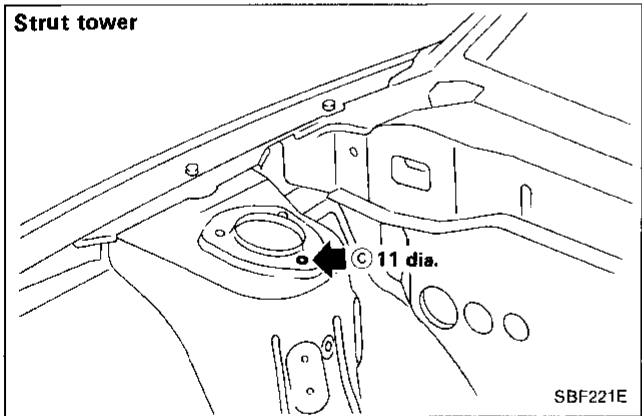
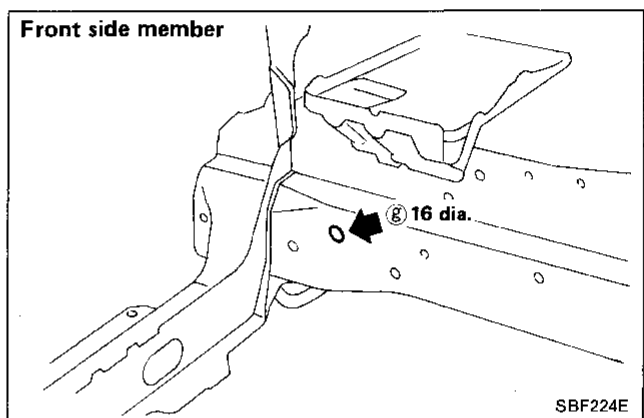
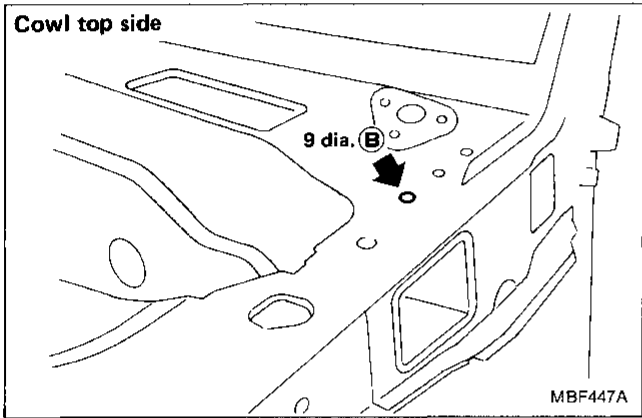
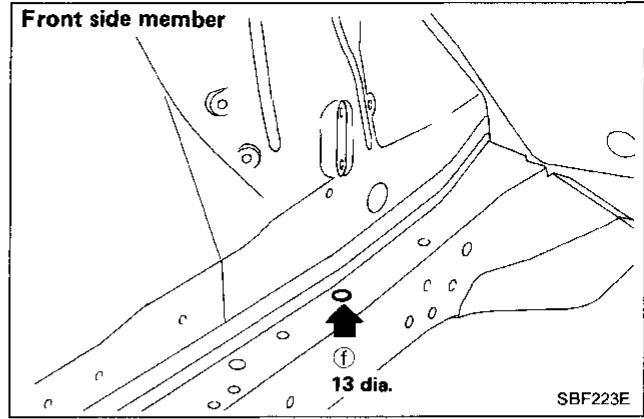
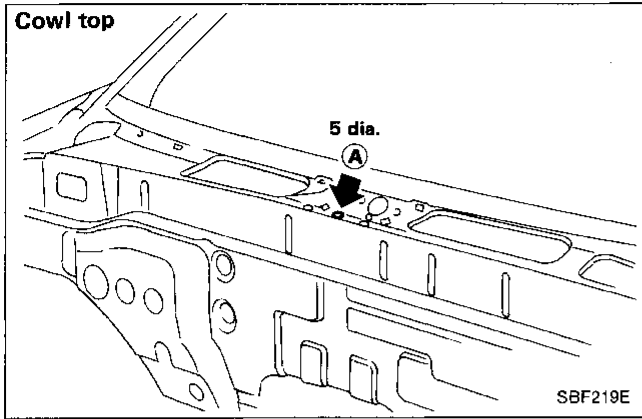


# BODY ALIGNMENT

## Engine Compartment (Cont'd)

### MEASUREMENT POINTS

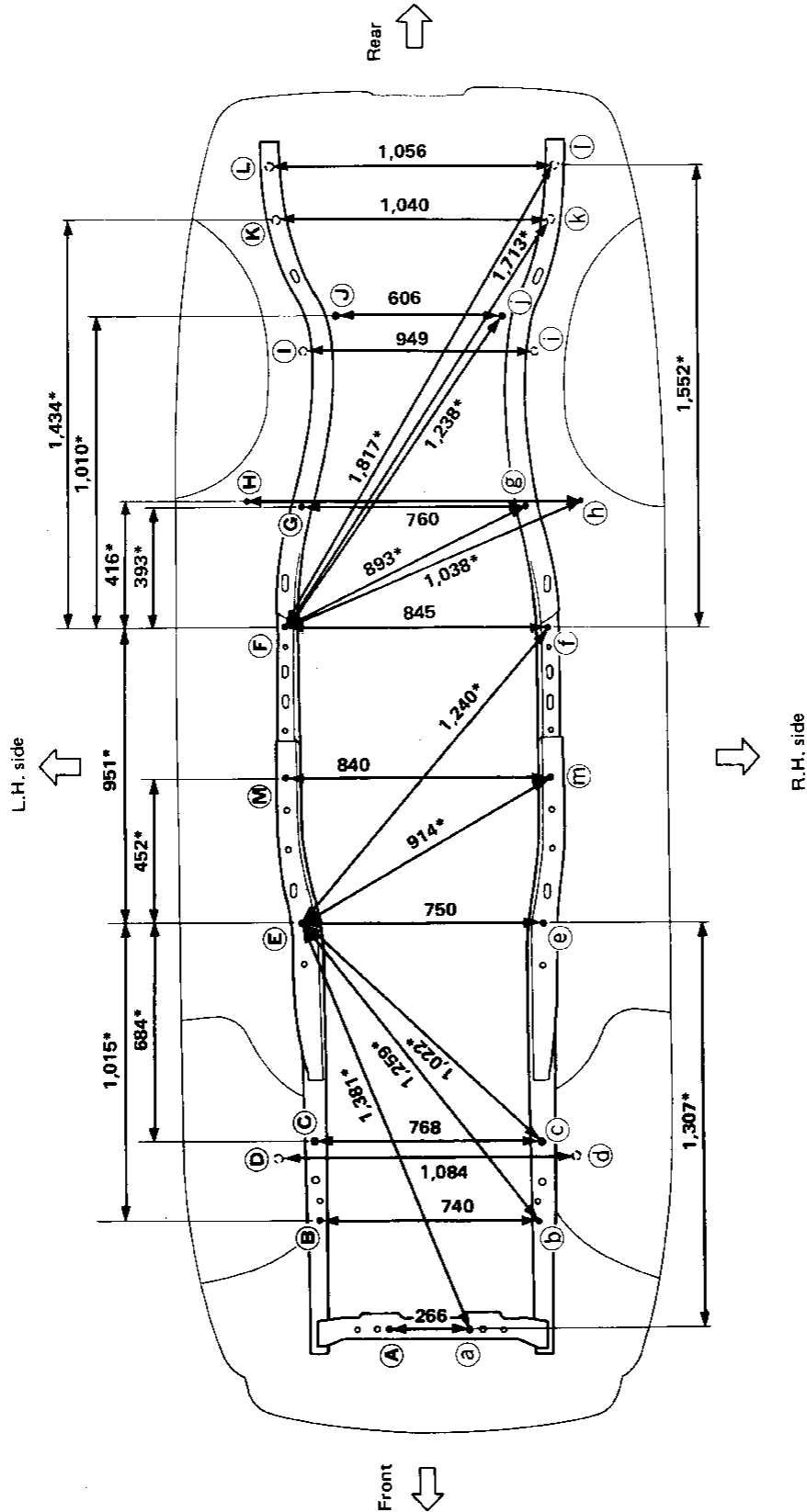
Unit: mm



# BODY ALIGNMENT

## Underbody

### MEASUREMENT



Unit: mm

- GI
- MA
- EM
- LC
- EF & EC
- FE
- CL
- MT
- AT
- PD
- FA
- RA
- BR
- ST
- BF**
- HA
- EL

All dimensions indicated in this figure are actual ones. (There are no projected dimensions.)

# BODY ALIGNMENT

## Underbody (Cont'd)

### MEASUREMENT POINTS

Coordinates:

- Ⓐ, Ⓐ
- X : 132.9
- Y : -582
- Z : 189
- Ⓑ, Ⓑ
- X : 370
- Y : -304
- Z : 255
- Ⓒ, Ⓒ
- X : 384.2
- Y : 32
- Z : 255

- Ⓔ, Ⓔ
- X : 375
- Y : 700
- Z : 106.2
- Ⓕ, Ⓕ
- X : 422.5
- Y : 1,650
- Z : 104

- Ⓖ, Ⓖ
- X : 380
- Y : 2,030
- Z : 195.8
- Ⓗ, Ⓗ
- X : 535
- Y : 2,050
- Z : 116.3

- Ⓙ, Ⓙ
- X : 303
- Y : 2,640
- Z : 265.8
- Ⓚ, Ⓚ
- X : 520
- Y : 3,050
- Z : 398.8

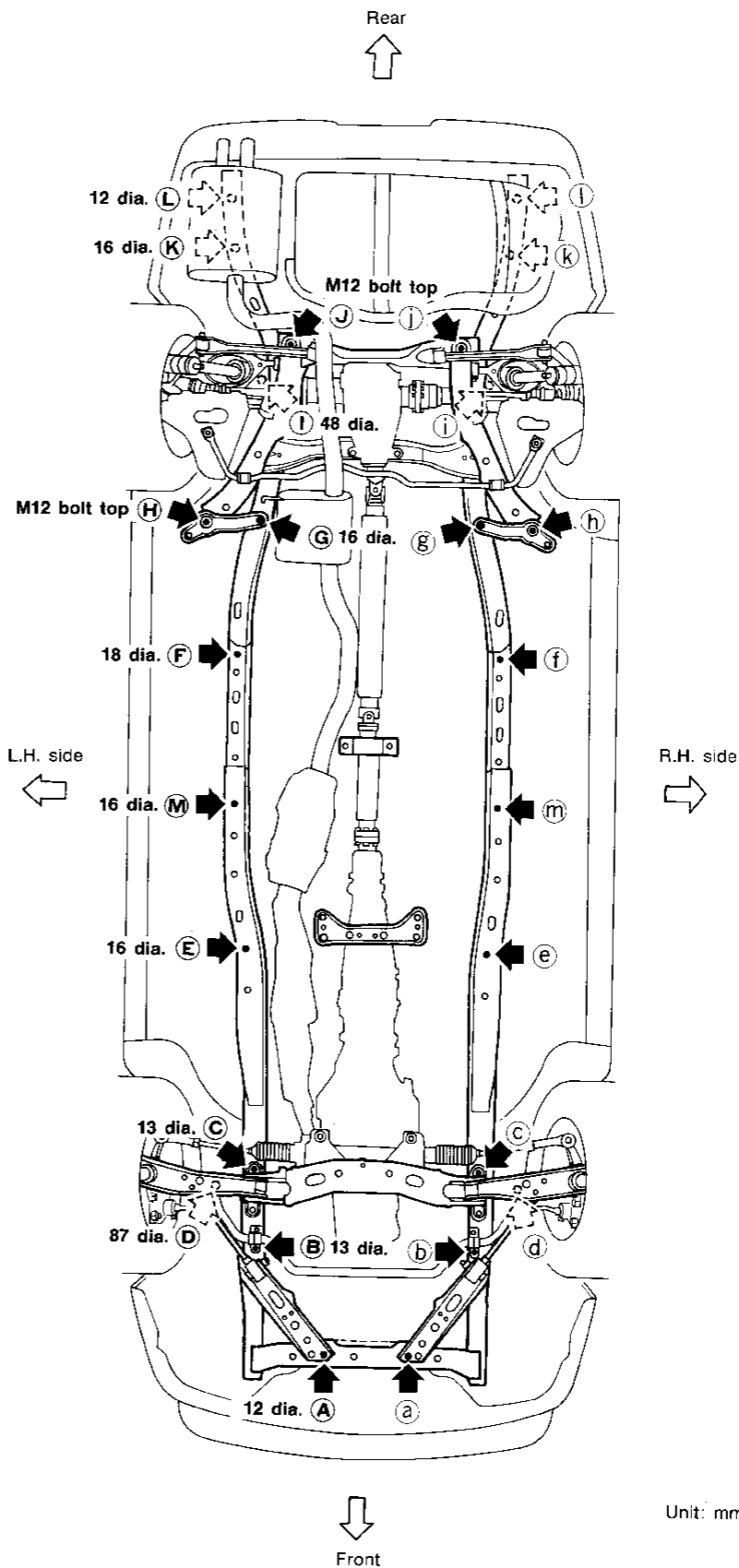
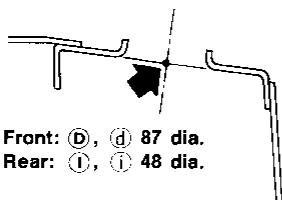
- Ⓛ, Ⓛ
- X : 528
- Y : 3,170
- Z : 400
- Ⓜ, Ⓜ
- X : 420
- Y : 1,150
- Z : 106.2

**Front and rear strut tower centers**

Coordinates:

- Ⓓ, Ⓓ
- X : 542.2
- Y : 63.5
- Z : 725.7
- Ⓛ, Ⓛ
- X : 474.5
- Y : 2,500
- Z : 658.9

Front: Ⓓ, Ⓓ 87 dia.  
Rear: Ⓛ, Ⓛ 48 dia.



Unit: mm