

SERVICE MANUAL

DATSUN 240Z
MODEL S30 SERIES



NISSAN MOTOR CO., LTD.
TOKYO, JAPAN

SECTION CO

COOLING SYSTEM

CO

COOLING SYSTEM CO-1

COOLING SYSTEM

COOLING SYSTEM

CONTENTS

DESCRIPTION	CO-1	Removal	CO-4
WATER PUMP	CO-2	Inspection	CO-4
Removal	CO-2	Installation	CO-5
Disassembly	CO-2	RADIATOR	CO-5
Inspection	CO-2	Removal	CO-5
FAN	CO-3	Inspection	CO-5
THERMOSTAT	CO-4	SPECIFICATIONS	CO-6

DESCRIPTION

The cooling system is a closed pressure type with high cooling capability. Cooling water flowing through resistance-free water passages in the cylinder head and block is maintained at adequate temperature range at all

times by means of an ample capacity water pump, a corrugated fin type radiator with high cooling efficiency and a pellet type thermostat.

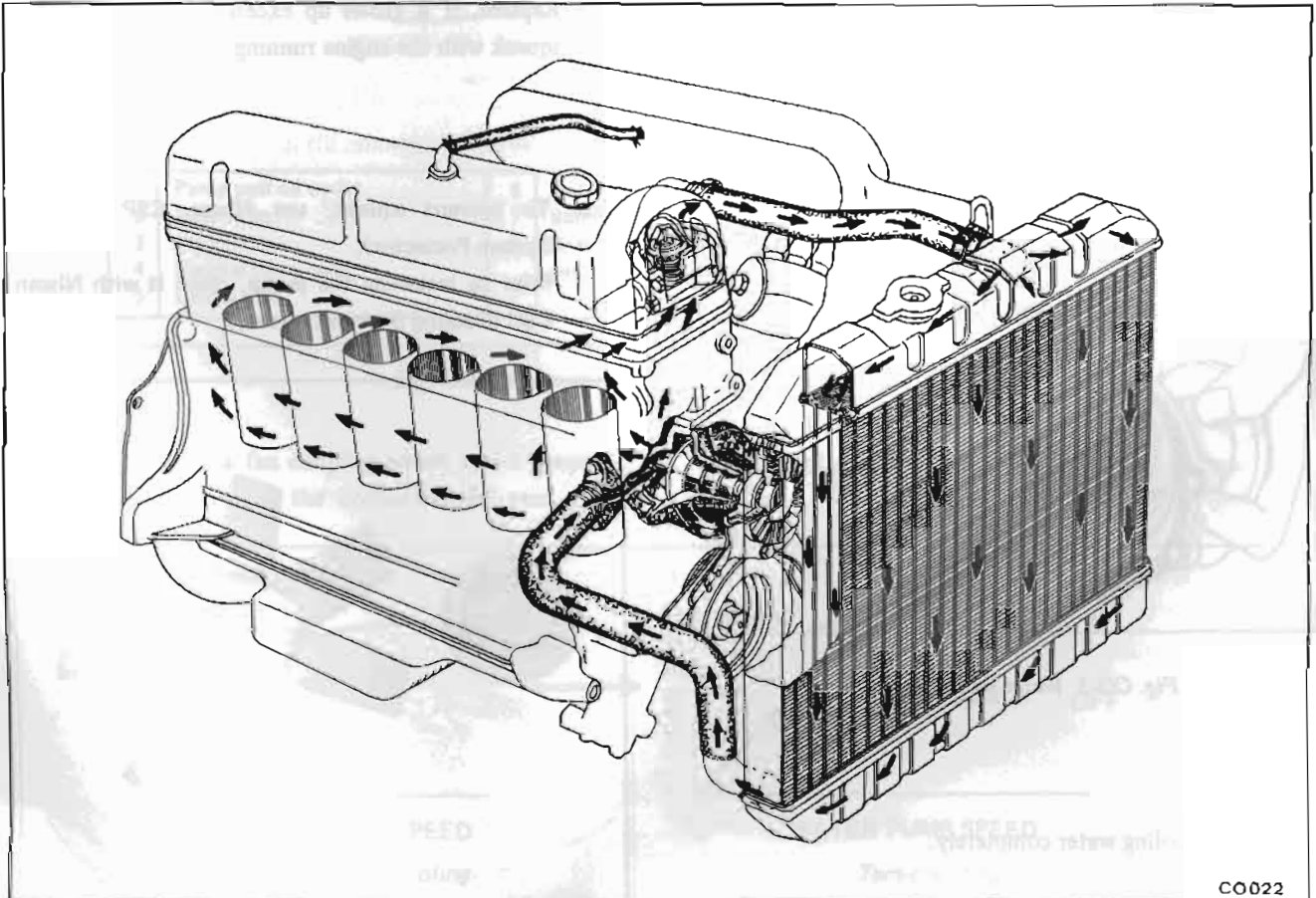


Fig. CO-1 Cooling system

WATER PUMP

The water pump is a centrifugal type water pump with an aluminum diecast pump body. The volute chamber is built in the front cover assembly and a high pressure sealing mechanism is adopted to prevent the water leakage and noise thoroughly.

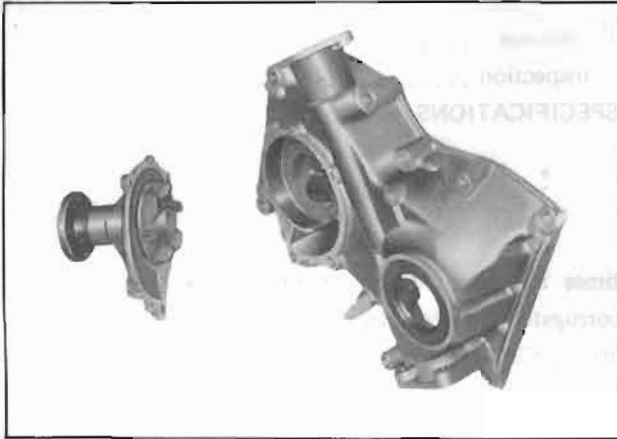


Fig. CO-2 Water pump and front cover

Removal

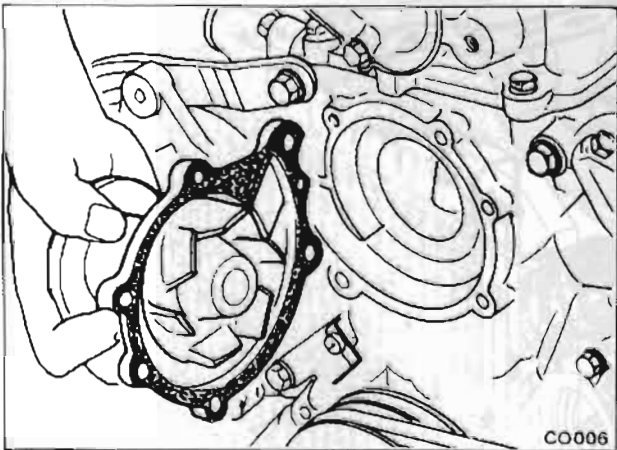


Fig. CO-3 Water pump removal

1. Drain cooling water completely.
2. Take the fan belt off the pulley.

3. Remove fan and pulley.
4. Remove the water pump.

Disassembly

Recommended the water pump be not disassembled by reason of an aluminum make.

Inspection

Pump body

- o Replace, if vanes are rusted or corroded considerably.
- o Replace, if it grows up excessive bearing noise or squeak with the engine running.

Note: To prevent squeak, use Nissan CSP (Cooling System Protector).
Prior to installing the pump, clean it with Nissan CSC (Cooling System Cleaner).

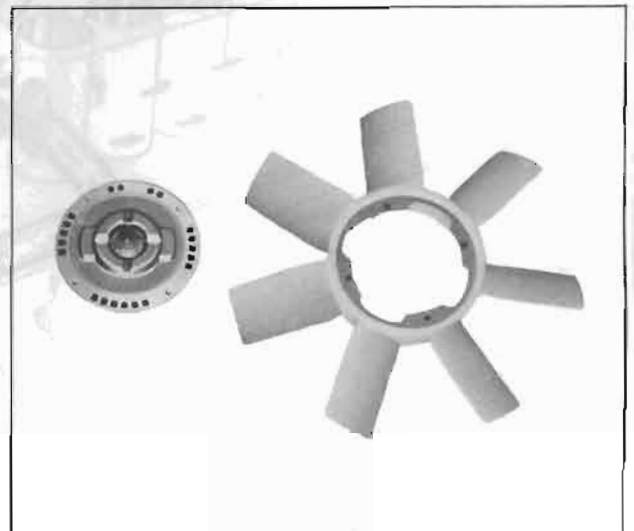


Fig. CO-4 Fan and coupling

COOLING SYSTEM

FAN

The conventional silicon coupling fan has been far improved, and the new fan is equipped with Tem-

coupling.

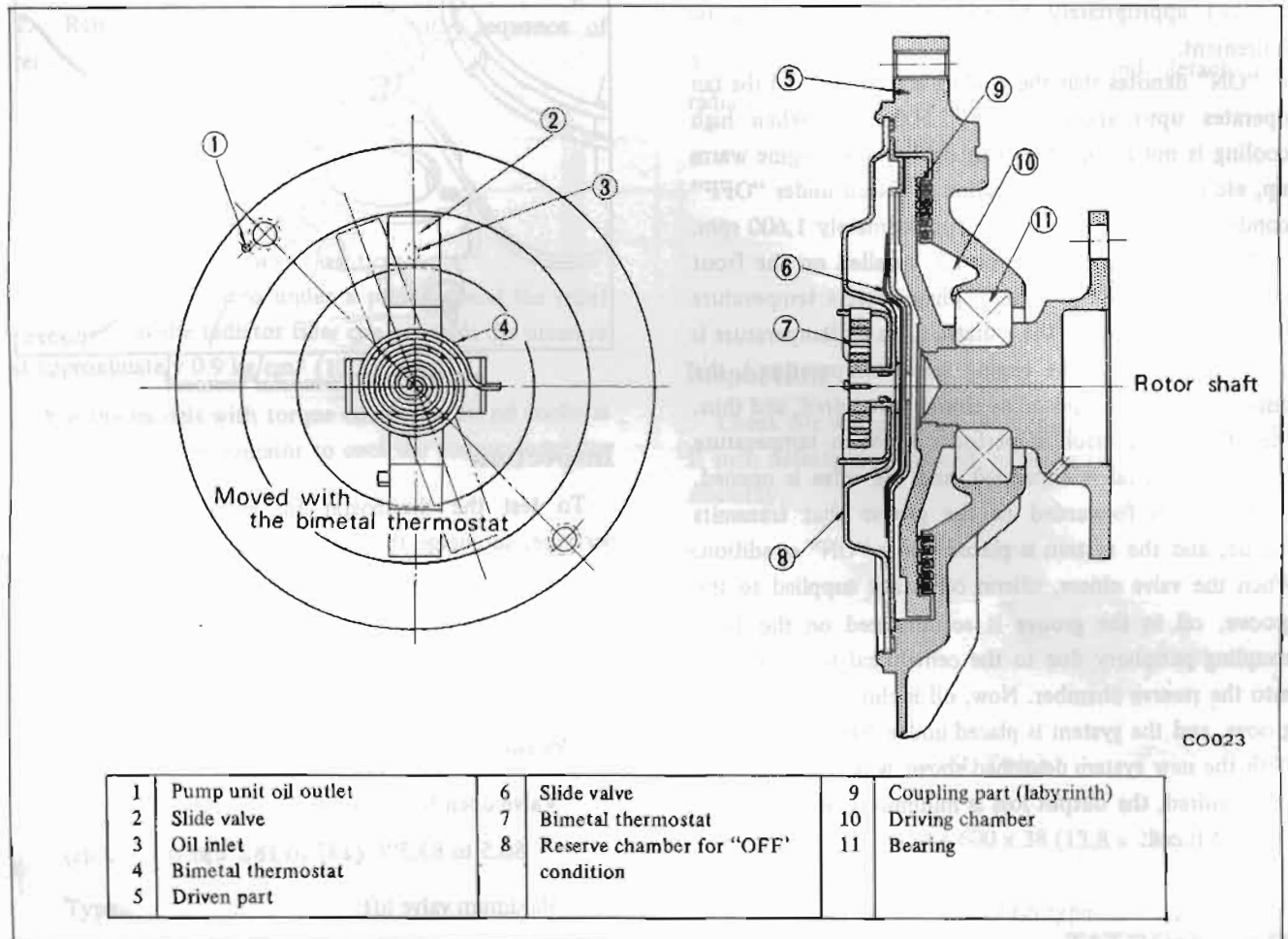


Fig. CO-5 Cross-sectional view of Tem-coupling

Tem-coupling is a fan coupling which uses a temperature control system on the conventionally used fluid

coupling (silicon oil is used).

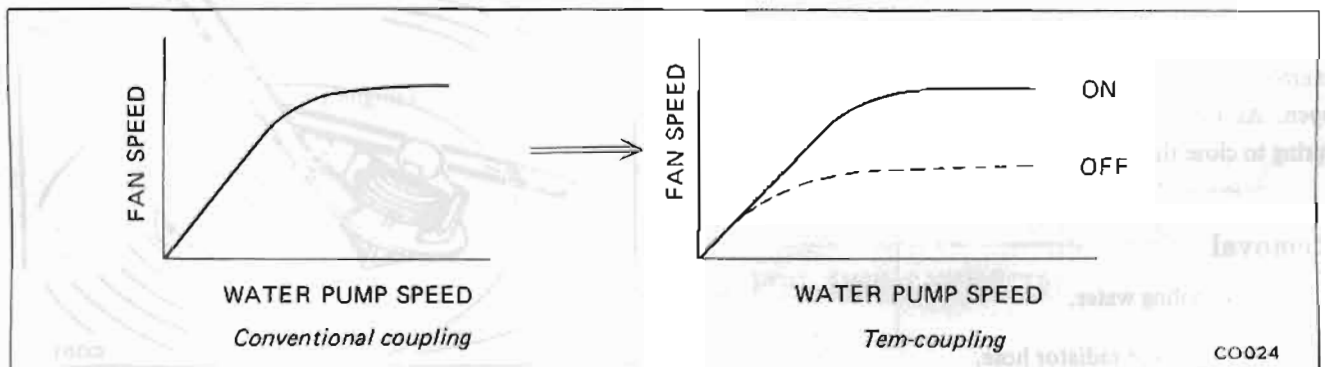


Fig. CO-6 Operating principle

The conventional coupling slips the fan at a high speed always under a constant ratio regardless of the engine cooling requirement.

Under the Tem-coupling however, the slipping ratio is changed appropriately in response to the cooling requirement.

“ON” denotes that the cooling is required, and the fan operates upto approximately 2,500 rpm. When high cooling is not required (during cold season, engine warm up, etc.), however, the operation is placed under “OFF” condition, and the fan slips at approximately 1,600 rpm.

The coiled bimetal thermostat installed on the front center portion of the Tem-coupling detects temperature of air passing through the radiator (The air temperature is directly relative to the engine water temperature.), the inside slide valve is opened or closed as required, and thus, the ON-OFF control is performed. When temperature rises, the bimetal is expanded, and the valve is opened, silicon oil is forwarded to the groove that transmits torque, and the system is placed under “ON” condition. When the valve closes, silicon oil is not supplied to the groove, oil in the groove is accumulated on the Tem-coupling periphery due to the centrifugal force, and led into the reserve chamber. Now, oil is eliminated from the groove, and the system is placed under “OFF” condition. With the new system described above, when fan cooling is not required, the output loss is minimized, and noise can be far reduced.

THERMOSTAT

A pellet type thermostat is used in the water out-let passage to control the flow of coolant, providing fast engine warm-up and regulating coolant temperature. A wax pellet in the thermostat expands when heated and contracts when cooled. The pellet is connected through a piston to a valve and when the pellet is heated, pressure is exerted against a rubber diaphragm, forcing the valve to open. As the pellet is cooled, the contraction allows a spring to close the valve.

Removal

1. Drain cooling water.
2. Disconnect the radiator hose.
3. Remove the water out-let elbow, and take out the

thermostat.

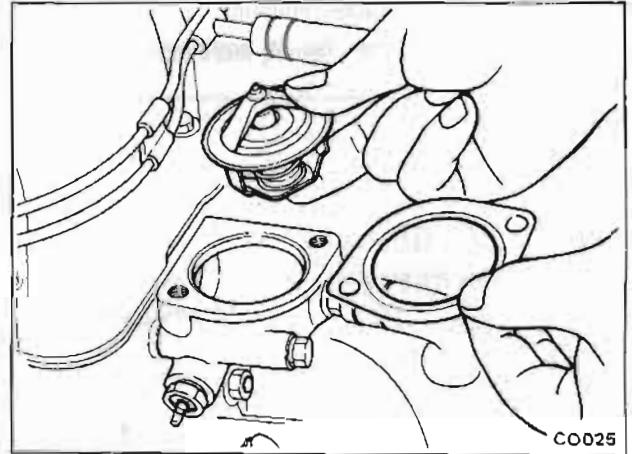


Fig. CO-7 Thermostat removal

Inspection

To test the thermostat for proper operating temperature, submerge the unit under water. Heat the water and observe the temperature.

1. Measure the temperature when the thermostat valve just starts rising.
2. Measure the maximum lift of the thermostat valve.

Valve open temperature:

80.5 to 83.5°C (177 to 182°F)

Maximum valve lift:

above 8 mm at 95°C (0.315 in at 203°F)

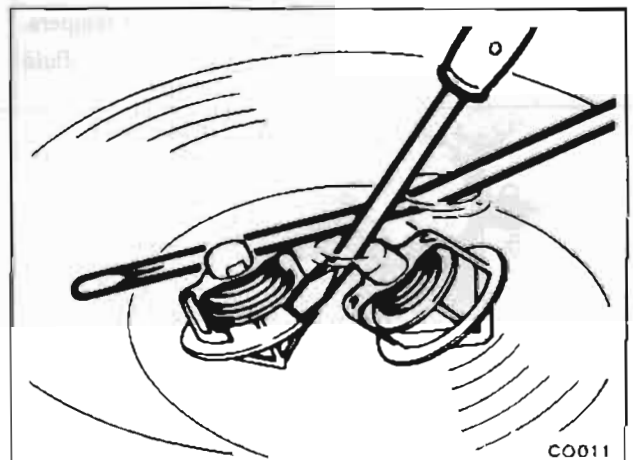


Fig. CO-8 Thermostat inspection

COOLING SYSTEM

Installation

1. When installing, apply adhesive to both sides of the packing for prevention of water leakage.
2. Reinstall the thermostat in reverse sequence of removal.

Removal

1. Drain cooling water.
2. Disconnect radiator upper hose and lower hose.
3. Remove four installation bolts and detach the radiator assembly.

RADIATOR

The radiator is of a down flow type.

The system is placed under a pressure, and the relief valve, built in the radiator filler cap, controls the pressure at approximately 0.9 kg/cm² (12.8 lb/sq in).

For the models with torque converter, the oil cooler is combined with the radiator to cool the torque converter oil.

Inspection

Check for water leakage and cracks using a cap tester. If such defects are detected, repair or replace the radiator assembly.

SPECIFICATIONS

Engine		L24 (SU Twin)
Dimensions of radiator core (Height x Width x Thickness)	mm (in)	350 x 600 x 38 (13.8 x 23.6 x 1.5)
Type		Corrugated fin type
Radiator fin pitch	mm (in)	2.3 (0.09), 2.1 (0.08) *A/T
Radiator capacity	Kcal/h°C	More than 595 More than 635 *A/T
Cap working pressure	kg/cm ² (psi)	0.9 (13)
Testing pressure	kg/cm ² (psi)	1.6 (23)
Water capacity (including engine)	ℓ (U.S. gal.)	8.0 (2 1/4)

*A/T: Automatic transmission