

EMISSION CONTROL SYSTEM



SECTION EC

CONTENTS

EMISSION CONTROL DEVICES	EC- 2	BOOST CONTROLLED DECELERATION	
GENERAL DESCRIPTION	EC- 3	DEVICE (B.C.D.D.)	EC-11
CRANKCASE EMISSION CONTROL SYSTEM	EC- 4	MIXTURE RATIO FEEDBACK SYSTEM	EC-13
DESCRIPTION	EC- 4	CATALYTIC CONVERTER SYSTEM	EC-18
INSPECTION	EC- 4	EVAPORATIVE EMISSION CONTROL SYSTEM	EC-20
EXHAUST EMISSION CONTROL SYSTEM	EC- 5	DESCRIPTION	EC-20
DESCRIPTION	EC- 5	OPERATION	EC-21
EXHAUST GAS RECIRCULATION (E.G.R.) SYSTEM	EC- 5	INSPECTION	EC-22
SPARK TIMING CONTROL SYSTEM	EC- 7	SERVICE DATA AND SPECIFICATIONS (S.D.S.)	EC 23
		TIGHTENING TORQUE	EC-23

EC

EMISSION CONTROL DEVICES

		Engine model	L28E			
		Car model	S130			
			For U.S.A.		For Canada	
		Transmission	M/T	A/T	M/T	A/T
Air inlet system	Fresh air duct	X	X	X	X	
Air/Fuel system	Air flow meter	X	X	X	X	
	Throttle chamber (1 barrel)	X	X	X	X	
	Cold start valve	X	X	X	X	
	Throttle valve switch	X	X	X	X	
	Air regulator	X	X	X	X	
	Cylinder head temperature sensor	X	X	—	—	
	Water temperature sensor	—	—	X	X	
	B.C.D.D. (with altitude corrector)	X	X	X	X	
	Mixture ratio feedback system	X	X	—	—	
	Inlet air temperature sensor	X	X	X	X	
Ignition system	Pick-up coil type IC ignition unit	X	X	X	X	
	Idle advance system	X	X	—	—	
	Spark timing control system	X	X	X	X	
	Thermal vacuum valve	Type C	X	X	X	X
		Type D	X	X	—	—
One-way valve	X	X	—	—		
E.G.R. system	E.G.R. control valve	X	X	X	X	
	Thermal vacuum valve (Type C)	X	X	X	X	
Catalyzer	Oxidation catalytic converter	—	—	X	X	
	3-way catalytic converter	X	X	—	—	
	Exhaust gas sensor	X	X	—	—	
Evaporator system	Canister	X	X	X	X	
	Fuel check valve	X	X	X	X	
	Fuel filler cap with vacuum relief valve	X	X	X	X	
Crankcase ventilation system	Positive crankcase ventilation (P.C.V.) valve	X	X	X	X	

Remarks: X: Available —: Not available

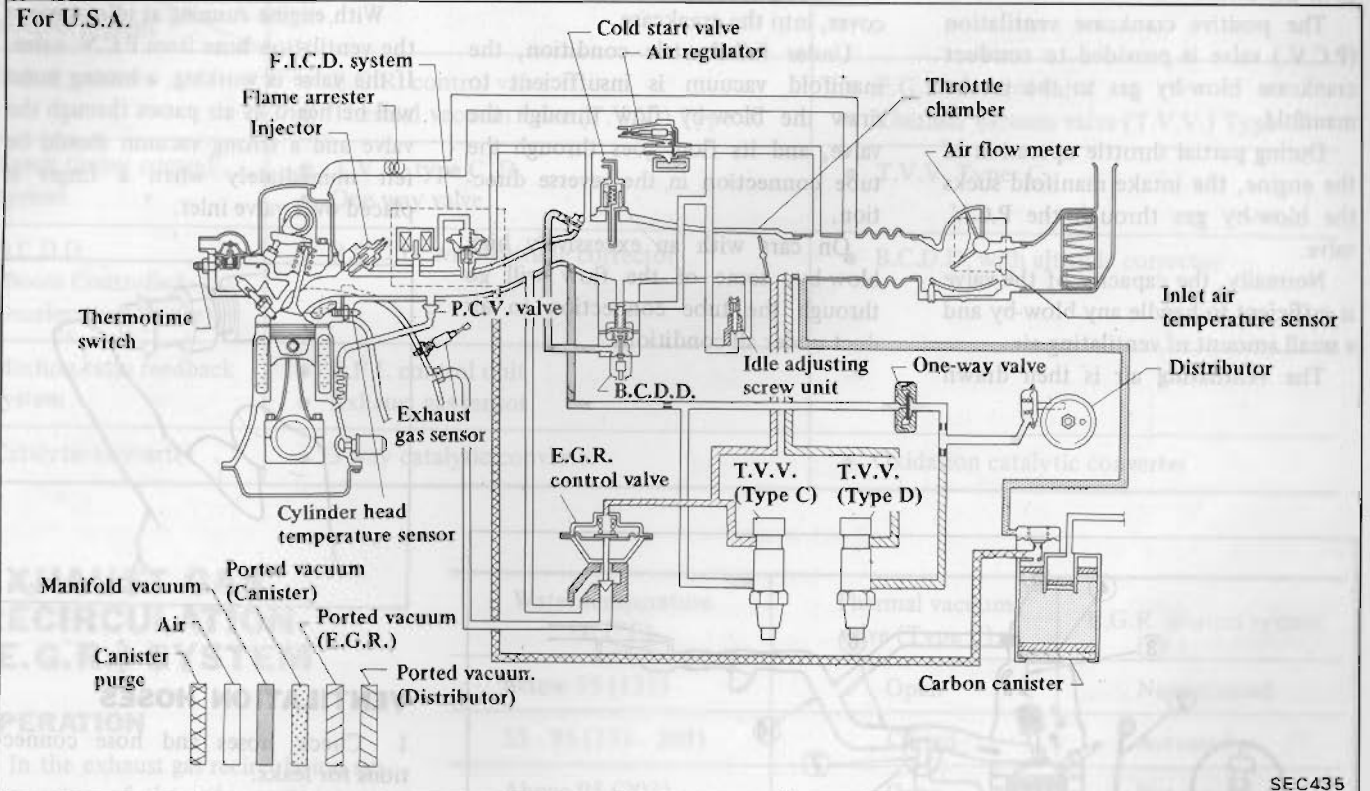
GENERAL DESCRIPTION

There are three types of emission control system. These are:
 1. Closed type crankcase emission control system.

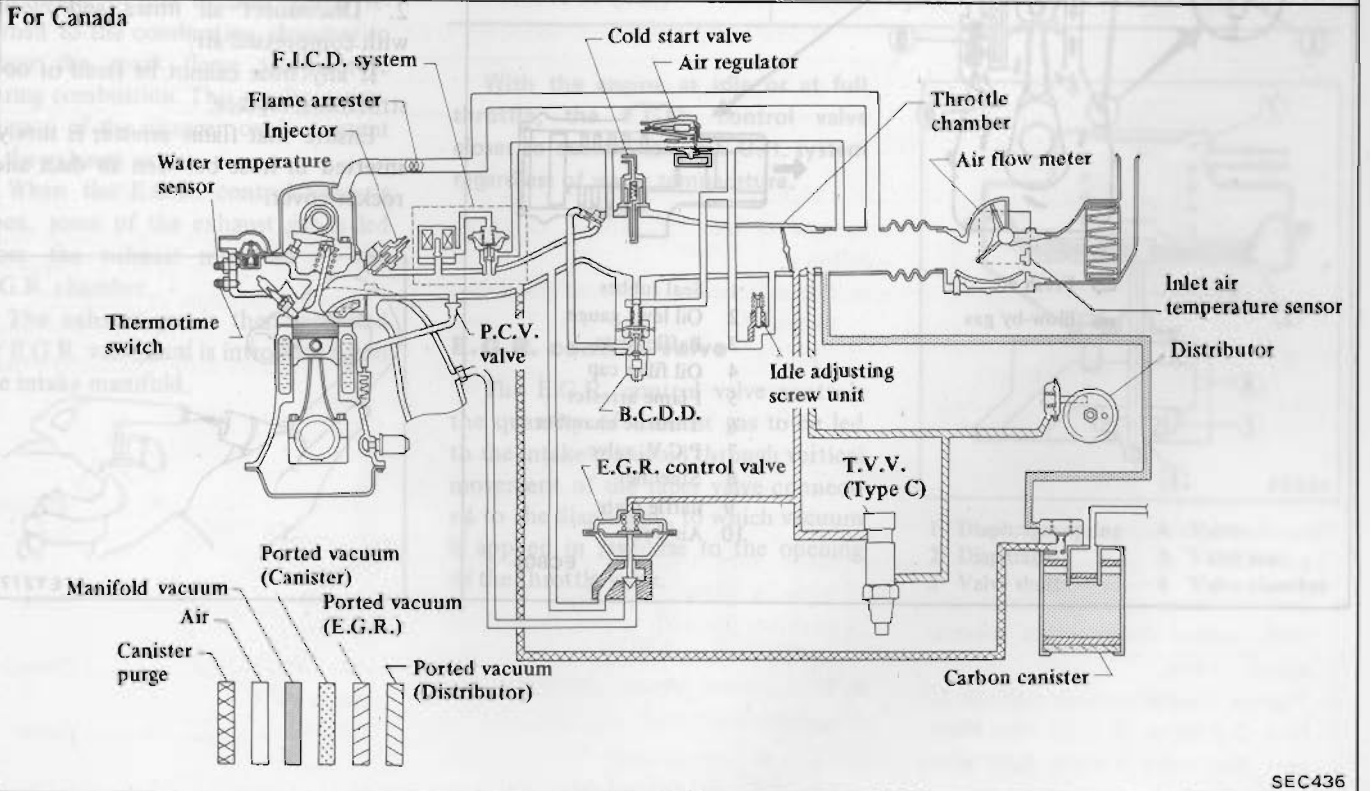
2. Exhaust emission control system.
 3. Evaporative emission control system.

servicing of these systems should be carried out to reduce harmful emission to a minimum.

Periodic inspection and required



SEC435



SEC436

CRANKCASE EMISSION CONTROL SYSTEM

DESCRIPTION

This system returns blow-by gas to both the intake manifold and air duct.

The positive crankcase ventilation (P.C.V.) valve is provided to conduct crankcase blow-by gas to the intake manifold.

During partial throttle operation of the engine, the intake manifold sucks the blow-by gas through the P.C.V. valve.

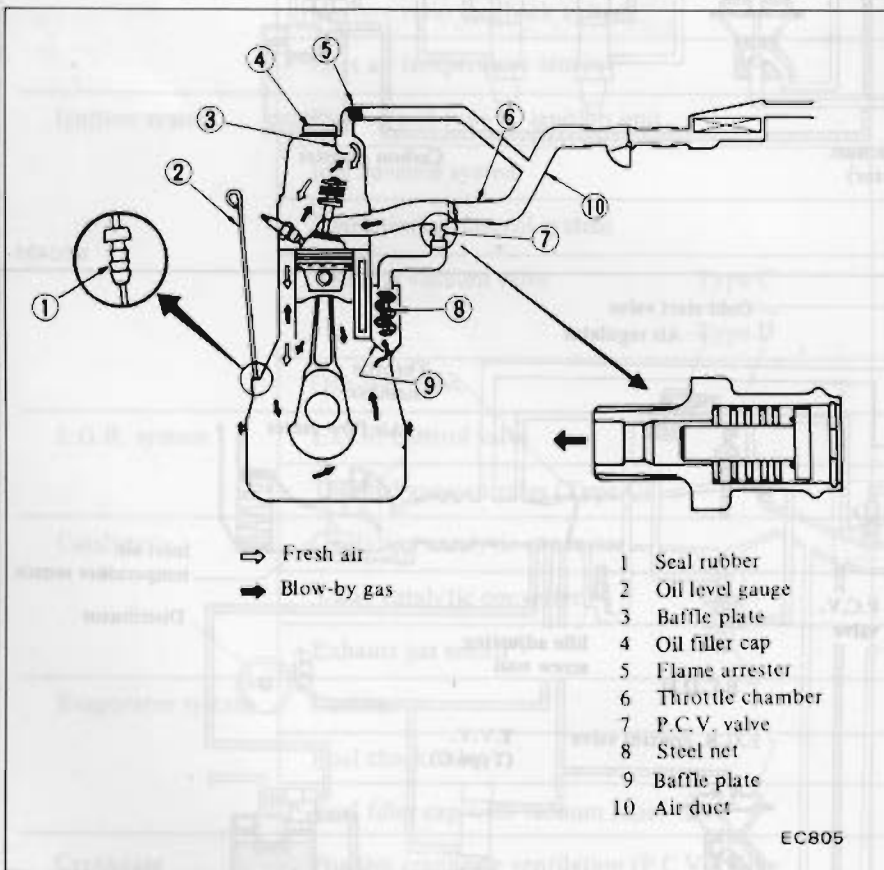
Normally, the capacity of the valve is sufficient to handle any blow-by and a small amount of ventilating air.

The ventilating air is then drawn

from the air duct, through the tube connecting air duct to the rocker cover, into the crankcase.

Under full-throttle condition, the manifold vacuum is insufficient to draw the blow-by flow through the valve, and its flow goes through the tube connection in the reverse direction.

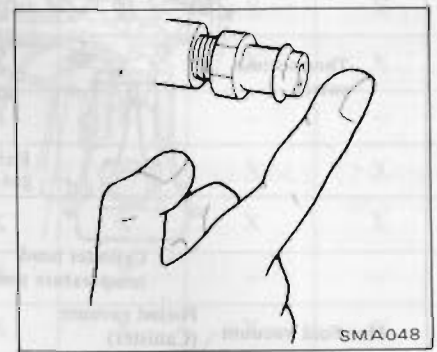
On cars with an excessively high blow-by, some of the flow will go through the tube connection to air duct under all conditions.



INSPECTION

P.C.V. VALVE

With engine running at idle, remove the ventilation hose from P.C.V. valve. If the valve is working, a hissing noise will be heard as air passes through the valve and a strong vacuum should be felt immediately when a finger is placed over valve inlet.

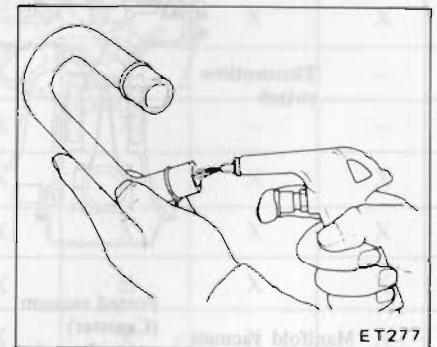


VENTILATION HOSES

1. Check hoses and hose connections for leaks.
2. Disconnect all hoses and clean with compressed air.

If any hose cannot be freed of obstructions, replace.

Ensure that flame arrester is surely inserted in hose between air duct and rocker cover.



EXHAUST EMISSION CONTROL SYSTEM

DESCRIPTION

The exhaust emission control system is made up of the following.

Destination Emission control system	For U.S.A.	For Canada
E.G.R. system	<ul style="list-style-type: none"> E.G.R. control valve Thermal vacuum valve (T.V.V.) Type: C 	<ul style="list-style-type: none"> E.G.R. control valve Thermal vacuum valve (T.V.V.) Type: C
Spark timing control system	<ul style="list-style-type: none"> T.V.V. type C, D One way valve 	<ul style="list-style-type: none"> T.V.V. Type: C
B.C.D.D. (Boost Controlled Deceleration Device)	<ul style="list-style-type: none"> B.C.D.D. with altitude corrector 	<ul style="list-style-type: none"> B.C.D.D. with altitude corrector
Mixture ratio feedback system	<ul style="list-style-type: none"> E.F.I. control unit Exhaust gas sensor 	—
Catalytic converter	<ul style="list-style-type: none"> 3-way catalytic converter 	<ul style="list-style-type: none"> Oxidation catalytic converter

EXHAUST GAS RECIRCULATION (E.G.R.) SYSTEM

OPERATION

In the exhaust gas recirculation system, some of the exhaust gas is returned to the combustion chamber to lower the spark flame temperature during combustion. This results in a reduction of the nitrogen oxide content in the exhaust gas.

When the E.G.R. control valve is open, some of the exhaust gas is led from the exhaust manifold to the E.G.R. chamber.

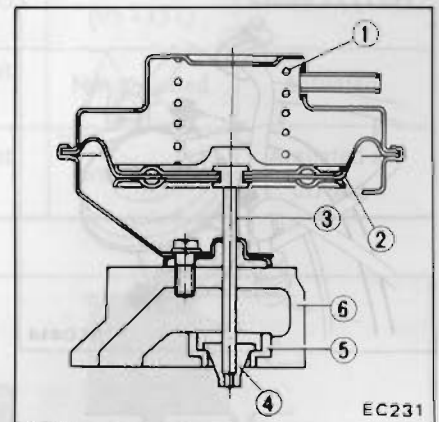
The exhaust gas is then regulated by E.G.R. valve, and is introduced into the intake manifold.

Water temperature °C (°F)	Thermal vacuum valve (Type C)	E.G.R. control system
Below 55 (131)	Open	Not actuated
55 - 95 (131 - 203)	Closed	Actuated
Above 95 (203)	Open	Not actuated

With the engine at idle or at full throttle, the E.G.R. control valve closes to deactivate the E.G.R. system regardless of water temperature.

E.G.R. control valve

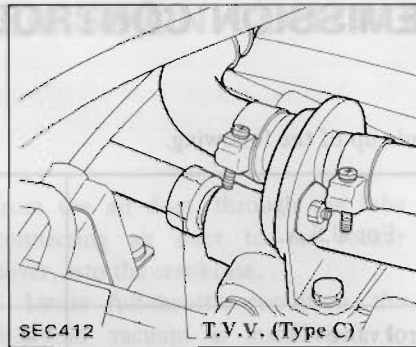
The E.G.R. control valve controls the quantity of exhaust gas to be led to the intake manifold through vertical movement of the taper valve connected to the diaphragm, to which vacuum is applied in response to the opening of the throttle valve.



- | | |
|--------------------|-----------------|
| 1 Diaphragm spring | 4 Valve |
| 2 Diaphragm | 5 Valve seat |
| 3 Valve shaft | 6 Valve chamber |

Thermal vacuum valve

The thermal vacuum valve detects engine coolant temperature by means of a wax pellet, and opens or closes the vacuum line to the atmosphere. When the vacuum line is closed, the throttle chamber vacuum signal is applied to the diaphragm of the E.G.R. control valve to actuate the taper valve connected to the diaphragm.



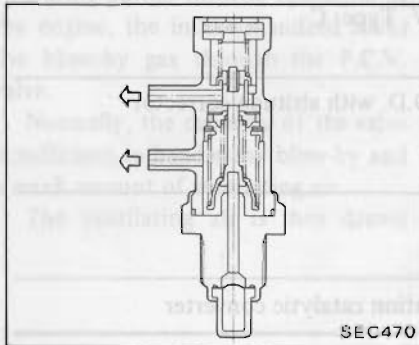
If any hoses are cracked or broken, replace.

2. With engine stopped, inspect E.G.R. control valve for any indication of binding or sticking by moving diaphragm of control valve upwards with finger.

3. With engine running, inspect E.G.R. control valve. Place a finger on the diaphragm of E.G.R. control valve to check for valve operation.

Check operation of E.G.R. valve, using the following chart as a guide. Engine speed should always be increased from idle to 3,000 to 3,500 rpm.

T.V.V. (Type C)



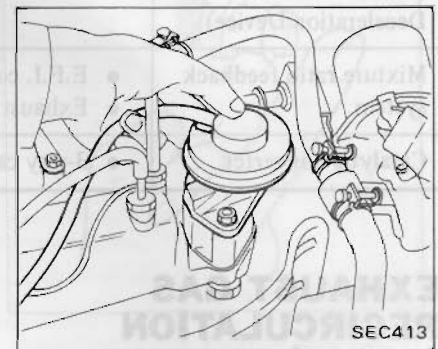
To install E.G.R. control system components, reverse the order of removal.

When connecting vacuum hoses, ensure that they are properly positioned.

INSPECTION

Entire system

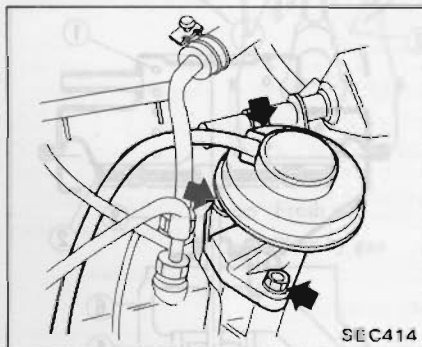
1. Make a thorough visual check of E.G.R. control system. If necessary, wipe away oil to facilitate inspection.



REMOVAL AND INSTALLATION

E.G.R. control valve

To remove vacuum hose, flatten clip connecting vacuum hose to E.G.R. control valve and remove hose by hand.



Thermal vacuum valve (Type C)

- a. Drain engine coolant, about one liter, before dismantling thermal vacuum valve.
- b. Tighten thermal vacuum valve to 22 N·m (2.2 kg-m, 16 ft-lb) max. Make sure that valve is water-tight after installation.

Engine coolant Temperature	E.G.R. control valve operation
Below 55°C (131°F) or above 95°C (203°F)	Not actuated
55 - 95°C (131 - 203°F)	Actuated

4. If E.G.R. control valve does not operate as indicated above, check as follows:

- Engine coolant temperature is between 55 and 95°C (131 and 203°F)
- Increase engine speed from idle to 3,000 to 3,500 rpm.
 - (1) Thermal vacuum valve.
 - Disconnect one end of vacuum gallery.
 - Make sure that thermal vacuum valve is closed, and that throttle chamber vacuum is not present at end of vacuum tube.
 - If vacuum is present, check thermal vacuum valve itself.
 - (2) E.G.R. control valve.
 - Check E.G.R. control valve itself.

Thermal vacuum valve

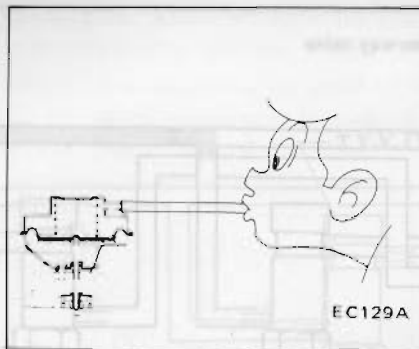
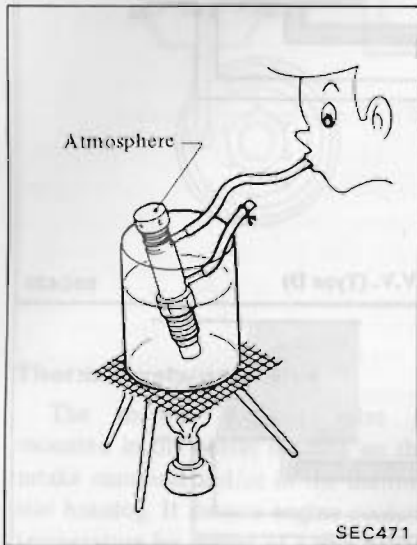
Check to be sure that thermal vacuum valve opens or closes in response to water temperature as specified.

If test results satisfy the following, thermal vacuum valve is properly functioning:

Coolant temperature	Vacuum line
Below 55°C (131°F)	Open
55 - 95°C (131 - 203°F)	Closed
Above 95°C (203°F)	Open

CAUTION:

Do not allow water to get inside the thermal vacuum valve.



2. Visually check E.G.R. control valve for damage, wrinkling or deformation.

3. Clean the seating surface of E.G.R. control valve with a brush and compressed air, and remove foreign matter from around the valve and port.

SPARK TIMING CONTROL SYSTEM

DESCRIPTION

The spark timing is controlled in three stages, COLD, WARM-UP and NORMAL DRIVING to obtain good fuel economy and quick warm-up of the catalyst.

This system is designed so that the engine coolant temperature is monitored by the T.V.V. to control the distributor vacuum and provide correct advance timing.

OPERATION

These systems are controlled as follows:

		Cold	Warm-up	Normal driving
Water temperature °C (°F)		Below 35 (95)	35 - 55 (95 - 131)	Above 55 (131)
Spark timing control system	U.S.A.	Actuated at idling	Not actuated	Actuated
	Canada	Actuated at driving	Not actuated	Actuated at driving

E.G.R. control valve

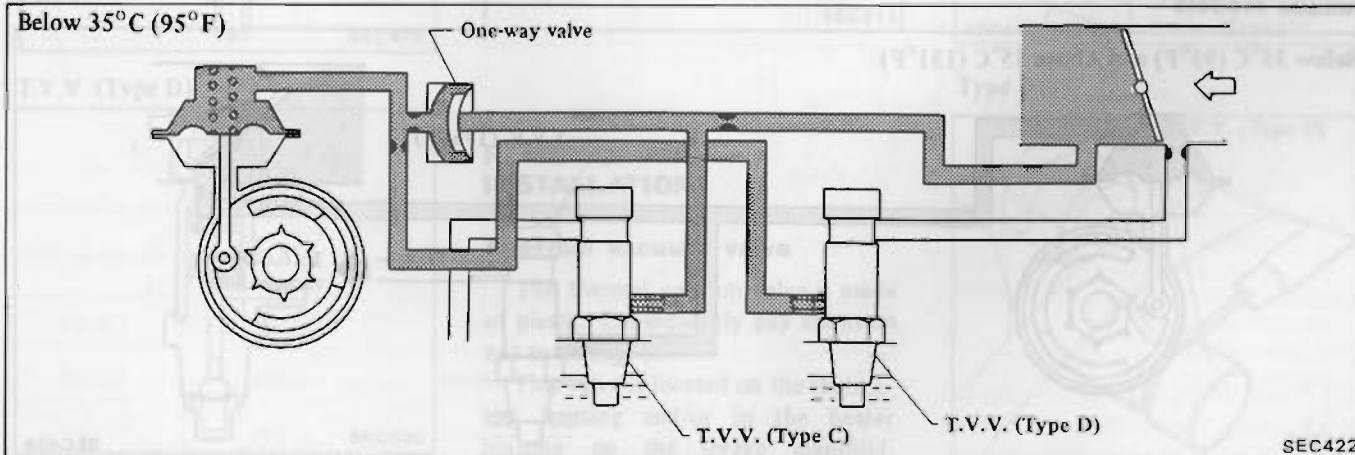
Dismount E.G.R. control valve from engine.

1. Apply vacuum to E.G.R. control valve, referring to the following figure. If the valve moves to full position, it is normal.

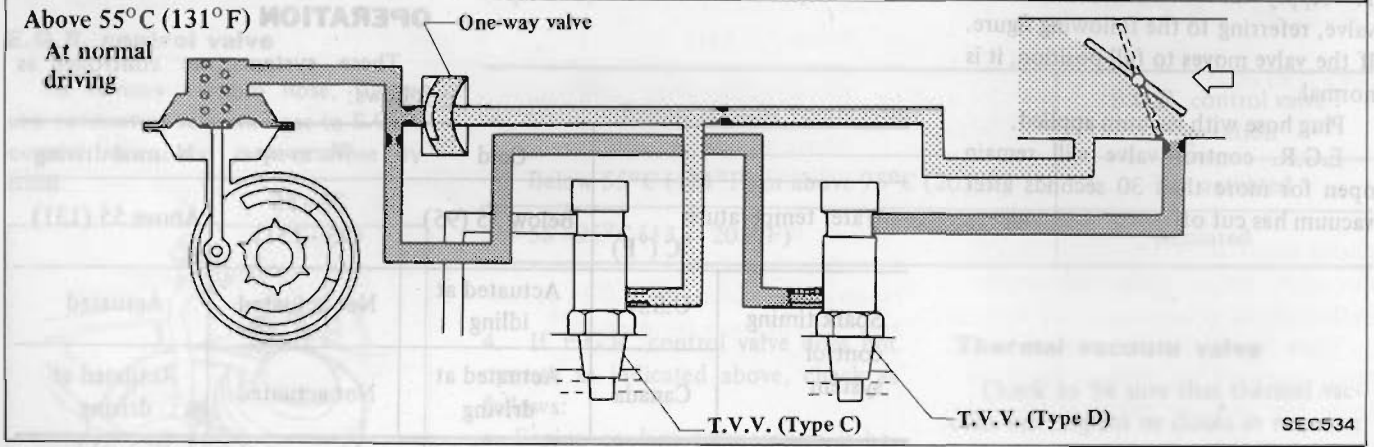
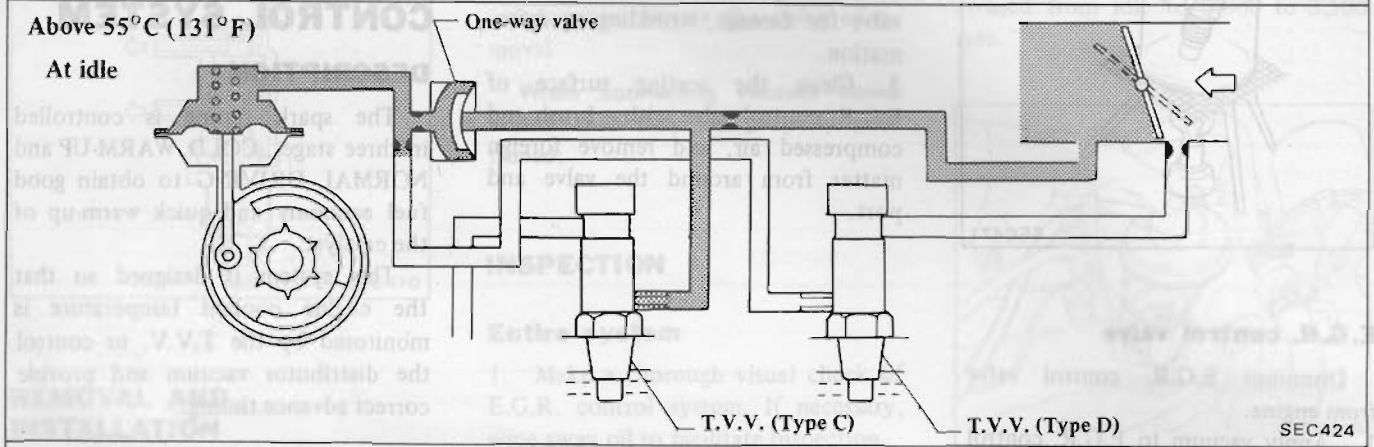
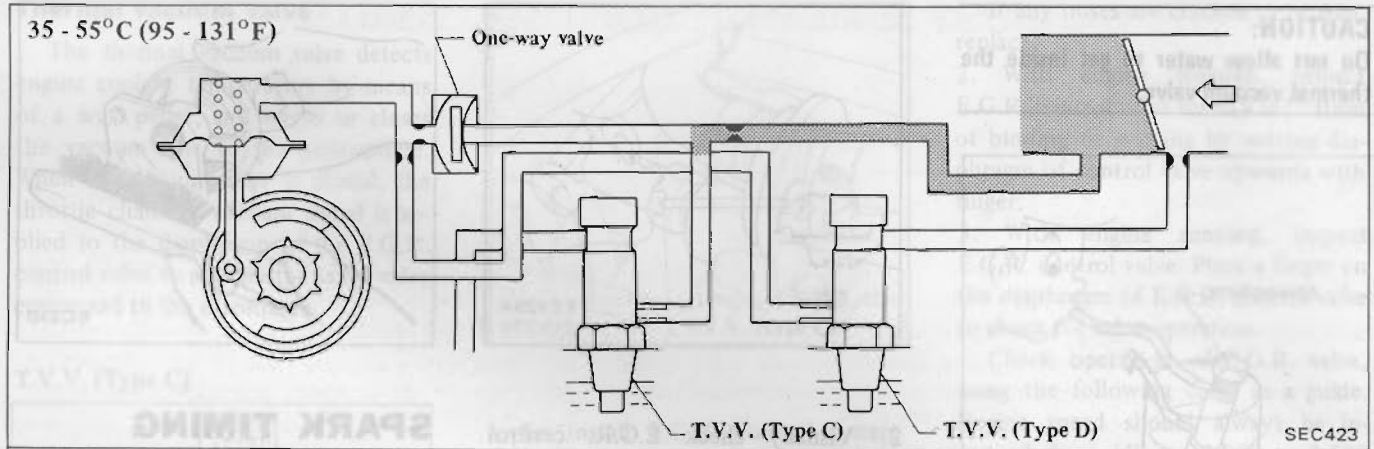
Plug hose with vacuum applied.

E.G.R. control valve will remain open for more than 30 seconds after vacuum has cut off.

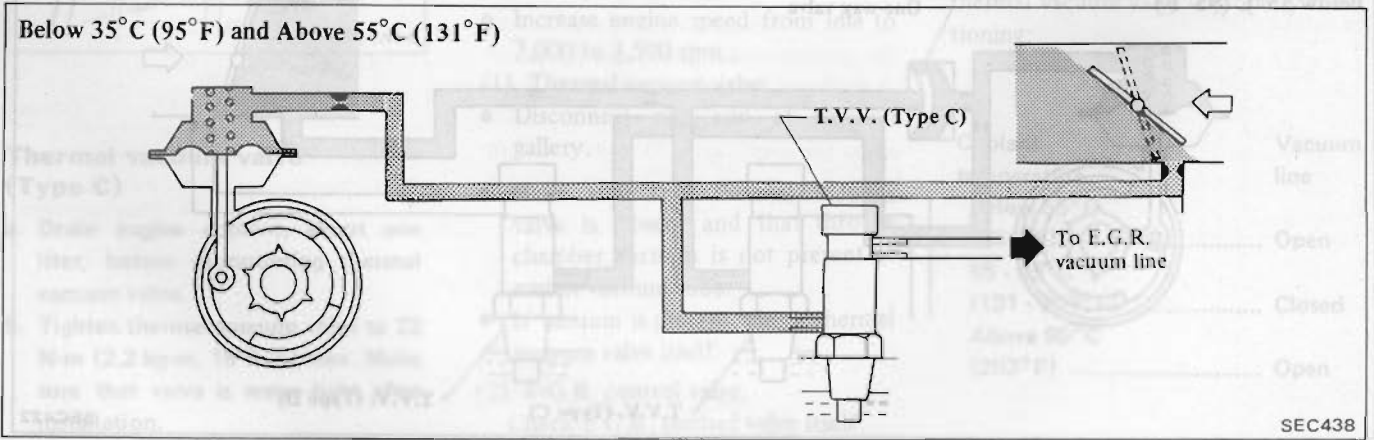
U.S.A. models



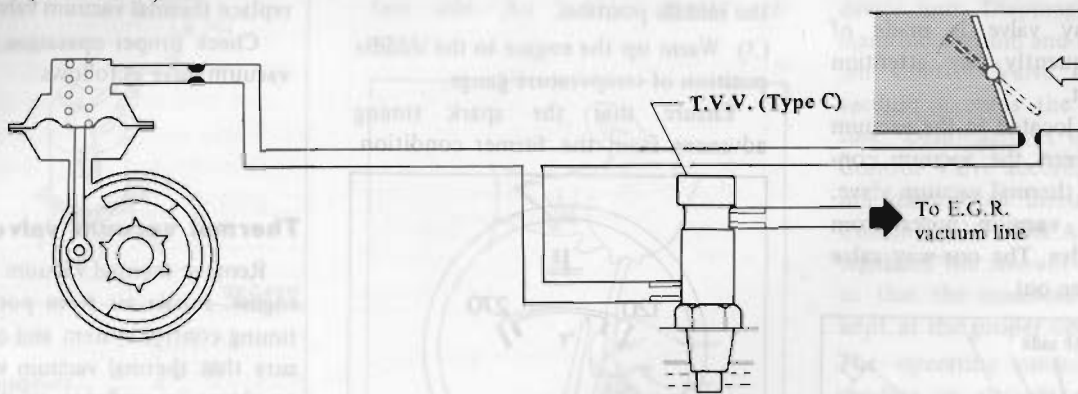
Exhaust Emission Control System – EMISSION CONTROL SYSTEM



Canada models



35 - 55°C (95 - 131°F)



SEC439

Thermal vacuum valve

The thermal vacuum valve is mounted in the heater housing on the intake manifold and/or in the thermostat housing. It detects engine coolant temperature by means of a wax pellet, and opens or closes the vacuum line to the atmosphere.

The thermal vacuum valve opens and closes to either permit or obstruct external air passing to the distributor vacuum line. When the valve opens, the vacuum signal line will allow external air to enter, thereby stopping the distributor vacuum from advancing.

One-way valve

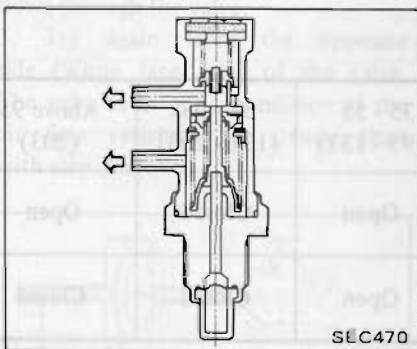
The one-way valve is utilized for the purpose of assuring good car drivability in cold engine conditions by applying manifold vacuum to the distributor vacuum advance unit.

This valve, installed in the vacuum control line to the vacuum advance unit, accumulates the vacuum in the line and advances the spark timing. When the coolant reaches a certain temperature, the thermal vacuum valve (Type C) disconnects the vacuum line and normal ported vacuum is applied to the distributor vacuum advance unit.

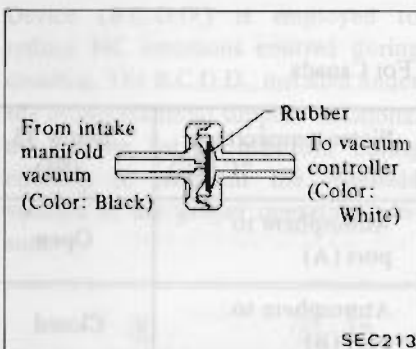
1. Drain engine coolant about one liter.
2. Disconnect vacuum hoses and unscrew the thermal vacuum valve. Then the valve can be taken out.
3. Installation is in the reverse order of removal.

- a. Be sure to apply sealer to threads of the valve prior to installing new valve.
- b. When installing new thermal vacuum valve, make sure of the color and of the figure.

T.V.V. (Type C)

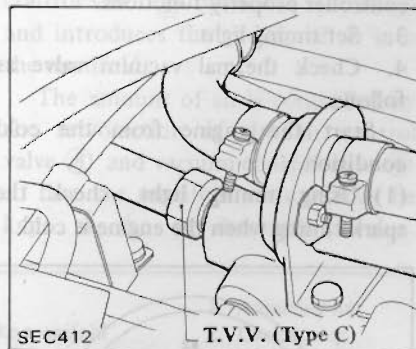


SEC470



SEC213

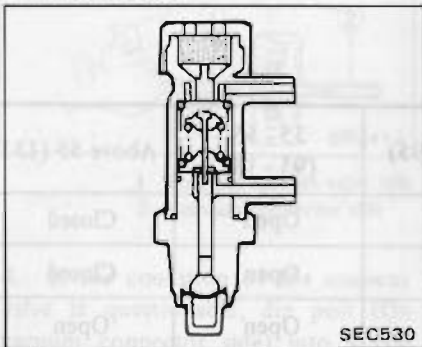
Type C



SEC412

T.V.V. (Type C)

T.V.V. (Type D)



SEC530

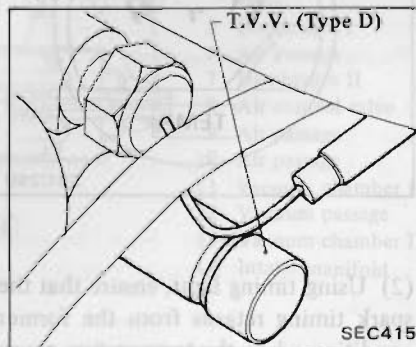
REMOVAL AND INSTALLATION

Thermal vacuum valve

The thermal vacuum valve is made of plastic. Consequently pay attention not to damage it.

This valve is located on the thermostat housing and/or in the heater housing on the intake manifold.

Type D

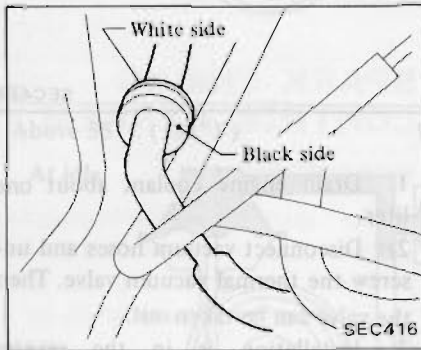


SEC415

One-way valve

The one-way valve is made of plastic. Consequently pay attention not to damage it.

This valve is located in the vacuum hose line between the vacuum connector and the thermal vacuum valve.
 1. Disconnect vacuum hoses from the one way valve. The one-way valve can then be taken out.



2. Installation is in the reverse order of removal.

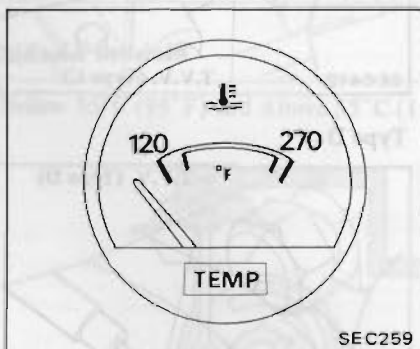
INSPECTION

Entire system

1. Ensure that vacuum hoses are properly connected to their positions.
2. Ensure that distributor vacuum controller properly functions.
3. Set timing light.
4. Check thermal vacuum valve as follows:

Start the engine from the cold condition.

(1) Using timing light, check the spark timing when the engine is cold.

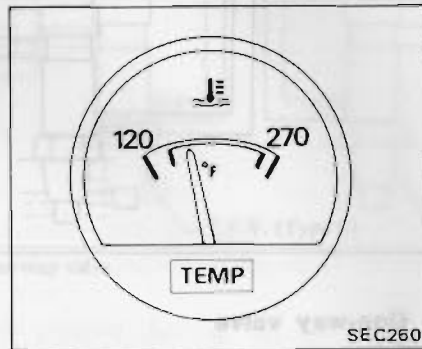


(2) Using timing light, ensure that the spark timing retards from the former condition when the temperature gauge

changes from the former condition to the middle position.

(3) Warm up the engine to the middle position of temperature gauge.

Ensure that the spark timing advances from the former condition.



If the spark timing does not change, replace thermal vacuum valve.

Check proper operation of thermal vacuum valve as follows:

Thermal vacuum valve

Remove thermal vacuum valve from engine. Inhale air from port of spark timing control system and check to be sure that thermal vacuum valve opens or closes in response to its temperature.

Thermal vacuum valve operating temperature:

Type C

For U.S.A.

Water temperature °C (°F)	Below 35 (95)	35 - 55 (95 - 131)	55 - 95 (131 - 203)	Above 95 (203)
Atmosphere to port (A)	Open	Open	Closed	Open
Atmosphere to port (B)	Partially open	Open	Closed	Closed

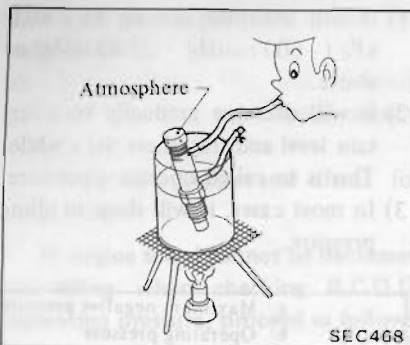
For Canada

Water temperature °C (°F)	Below 35 (95)	35 - 55 (95 - 131)	55 - 95 (131 - 203)	Above 95 (203)
Atmosphere to port (A)	Open	Open	Closed	Open
Atmosphere to port (B)	Closed	Open	Closed	Closed

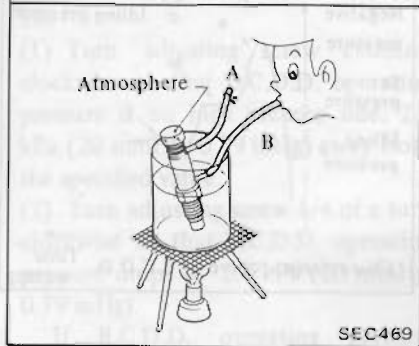
Type D

For U.S.A. only

Water temperature °C (°F)	Below 35 (95)	35 - 55 (95 - 131)	Above 55 (131)
Atmosphere to port (A)	Open	Open	Closed
Atmosphere to port (B)	Closed	Open	Closed
Port (A) to port (B)	Closed	Open	Open



SEC468



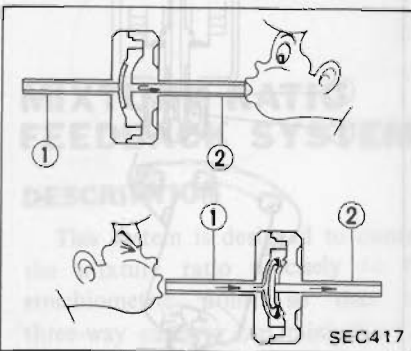
SEC469

CAUTION:

Do not allow water to get inside the thermal vacuum valve.

One-way valve

1. Remove one-way valve.
2. Blow air from the port of the vacuum connector side. The one way valve is in good condition if the air flows through the valve.
3. Try again from the opposite side (White face side) of the valve. The valve is in good condition if the air flow resistance is greater than with step 2 above.

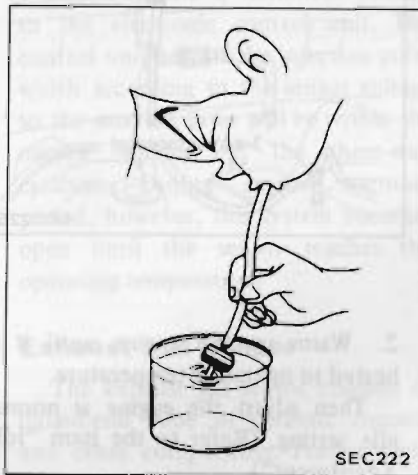


SEC417

- 1 Thermal vacuum valve side
- 2 Vacuum connector side

4. If the condition of the one-way valve is questionable, dip port (On vacuum connector side) into a cup

filled with water. Blow air from white face side. Air bubbles should not appear.



SEC222

CAUTION:

Be careful to avoid entry of oil or dirt into valve.

BOOST CONTROLLED DECELERATION DEVICE (B.C.D.D.)

DESCRIPTION

The Boost Controlled Deceleration Device (B.C.D.D.) is employed to reduce HC emissions emitted during coasting. The B.C.D.D., installed under the intake manifold supplies additional air to the intake manifold during coasting to maintain the manifold vacuum at the proper operating pressure.

There are two diaphragms in the device unit. Diaphragm I detects the manifold vacuum and makes the Vacuum Control Valve open when the vacuum exceeds the operating pressure. Diaphragm II operates the Air Control Valve according to the vacuum transmitted through the Vacuum Control Valve. The Air Control Valve regulates the amount of additional air so that the manifold vacuum can be kept at the proper operating pressure. The operating pressure changes depending on altitude; thus, diaphragm I and control valve operations are adjusted automatically in coincidence with the altitude at which the vehicle is driven. The table indicates change in operating pressure for changes in atmospheric pressure and altitude.

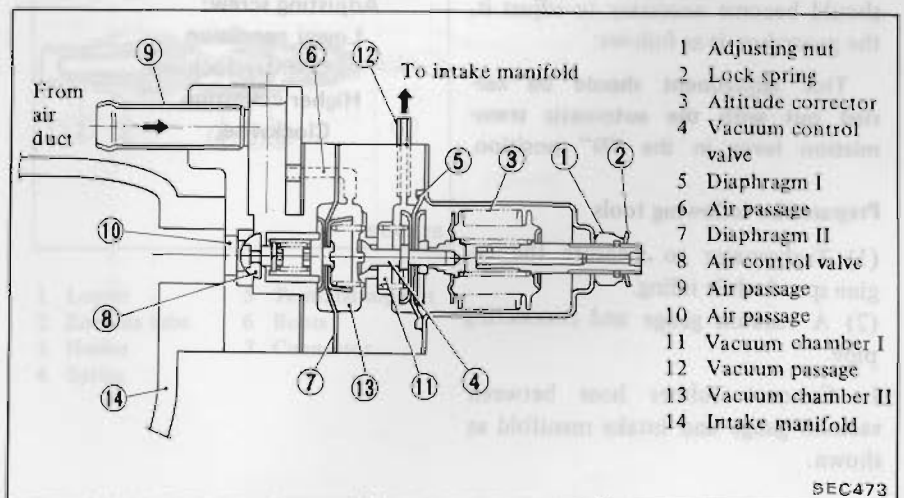
OPERATION

B. C. D. D.

Diaphragm I (5) monitors the manifold vacuum; when the vacuum exceeds a pre-determined value, it acts so as to open the vacuum control valve (4). This causes the manifold vacuum to be introduced into vacuum chamber II (13) and actuates diaphragm II (7).

When diaphragm II operates, the air control valve (8) opens the air passage and introduces the additional air into the manifold.

The amount of air is controlled by the servo-action of the air control valve (8) and vacuum control valve (4) so that the manifold vacuum may be kept at the pre-determined value.



- 1 Adjusting nut
- 2 Lock spring
- 3 Altitude corrector
- 4 Vacuum control valve
- 5 Diaphragm I
- 6 Air passage
- 7 Diaphragm II
- 8 Air control valve
- 9 Air passage
- 10 Air passage
- 11 Vacuum chamber I
- 12 Vacuum passage
- 13 Vacuum chamber II
- 14 Intake manifold

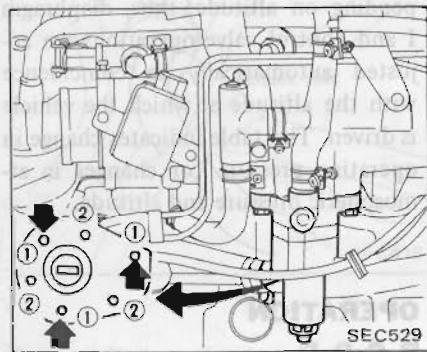
SEC473

REMOVAL AND INSTALLATION

B. C. D. D.

The B.C.D.D. cannot be disassembled. If it is found to be functioning unsatisfactorily, it must be replaced as an assembly.

1. Remove the B.C.D.D. by unscrewing the three securing screw ①.
- Do not unscrew the four B.C.D.D. assembly screws ②.



2. To install, reverse the removal procedure.
- T : 2.0 - 3.9 N·m
(20 - 40 kg-cm,
17 - 35 in-lb)

INSPECTION

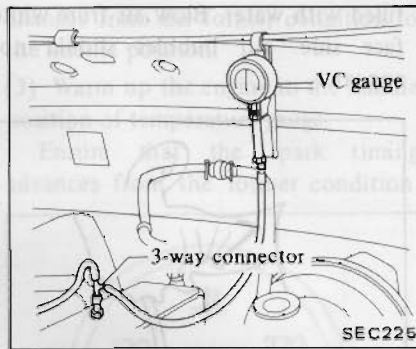
Entire system

Generally, it is unnecessary to adjust the boost control valve. If it should become necessary to adjust it, the procedure is as follows:

This adjustment should be carried out with the automatic transmission lever in the "N" position.

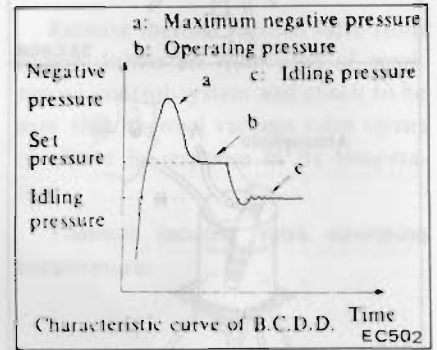
Prepare the following tools

- (1) Tachometer to measure the engine speed while idling.
 - (2) A vacuum gauge and connecting pipe.
1. Connect rubber hose between vacuum gauge and intake manifold as shown.



2. Warm up the engine until it is heated to operating temperature. Then adjust the engine at normal idle setting. (Refer to the item "Idle Adjustment").
3. Run the engine under no load. Increase engine speed to 3,000 to 3,500 rpm, then quickly close throttle valve.
4. At that time, the manifold vacuum pressure will change as follows:

- 1) It will abruptly rise up to -80.0 kPa (-600 mmHg, -23.62 inHg) or above.
- 2) It will decrease gradually to a certain level and stay there for a while. This is so called operating pressure.
- 3) In most cases, it will drop to idling pressure.



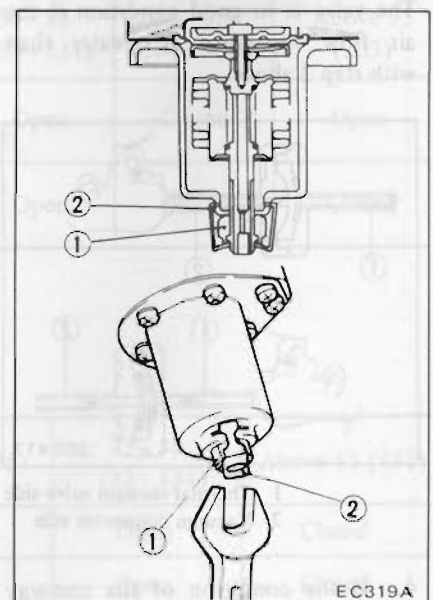
5. Check that the B.C.D.D. operating pressure is within the specified range.

Operating pressure: Unit: kPa (mmHg, inHg)

At atmospheric pressure	U.S.A.	Canada
101.3 (760, 29.92)	-76.0 ±2.7 (-570 ±20, -22.44 ±0.79)	-74.6 ±2.7 (-560 ±20, -22.05 ±0.79)
80.0 (600, 23.62)	-58.7 ±2.7 (-440 ±20, -17.32 ±0.79)	-57.3 ±2.7 (-430 ±20, -16.93 ±0.79)

6. If it is lower or higher than the specified level, turn the adjusting screw in the following direction until correct adjustment is made.

Adjusting screw:
Lower condition
 Counterclockwise
Higher condition
 Clockwise



- 1 Adjusting nut
- 2 Lock spring

7. Race the engine and check for adjustment.
8. If it is lower than the set level, turn the adjusting screw until correct adjustment is made.
9. Race the engine and check for adjustment.

If engine speed cannot be decreased to idling when checking B.C.D.D. operating pressure, proceed as follows.

10. (1) Turn adjusting screw counter-clockwise so that B.C.D.D. operating pressure is on high vacuum side, 2.7 kPa (20 mmHg, 0.79 inHg) away from the specified value.

(2) Turn adjusting screw 1/4 of a turn clockwise so that B.C.D.D. operating pressure drops by 2.7 kPa (20 mmHg, 0.79 inHg).

If B.C.D.D. operating pressure cannot be observed clearly even in step 10 (1), proceed as follows:

11. (1) Turn adjusting screw counter-clockwise so that B.C.D.D. operating pressure is on the high vacuum side 6.7 kPa (50 mmHg, 1.97 inHg) away from the specified value.

(2) Turn the adjusting screw 1/2 of a turn clockwise.

The B.C.D.D. operating pressure should be correctly set within the specified range after the above adjustments, even if the engine speed cannot be decreased to idling.

to give an indication of whether the inlet mixture ratio is richer or leaner than the stoichiometric point. The sensor transmits a nonlinear voltage to the electronic control unit. The control unit adjusts the injection pulse width according to the sensor voltage so the mixture ratio will be within the narrow window of the three-way catalyst. During engine warm-up period, however, this system becomes open until the sensor reaches the operating temperature.

Exhaust gas sensor

The exhaust gas sensor consists of closed-end tube of ceramic zirconia and other components. Porous platinum electrodes cover the inner and outer surface of the tube. The closed-end of the tube is exposed to the exhaust gases in the exhaust manifold. The outer surface of the tube contacts the exhaust gases and the inner surface contacts air.

A galvanic potential is generated between the inner and outer electrodes which corresponds to the difference in oxygen pressure at the exhaust gas (outer) electrode and the air (inner) electrode. Since the oxygen pressure of air is constant and that of exhaust gas varies with the composition of exhaust gases, the galvanic potential can be utilized as an indicator of mixture ratio.

ENTIRE SYSTEM INSPECTION

Preparation

1. Make sure that the following parts are in good order.
 - Battery
 - Ignition system
 - Engine oil and coolant levels
 - Fuses
 - EFI harness connectors
 - Vacuum hoses
 - Air intake system (oil filler cap, oil level gauge, etc.)
 - Valve clearance, engine compression
2. On air conditioner equipped models, checks should be carried out while the air conditioner is "OFF".
3. On automatic transmission equipped models, when checking idle rpm, ignition timing and mixture ratio, checks should be carried out while shift lever is in "D" position.

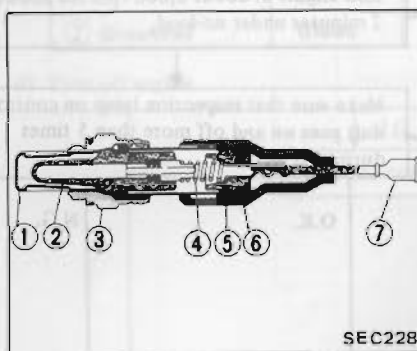
WARNING:

- a. When selector lever is shifted to "D" position, apply parking brake and block both front and rear wheels with chocks.
- b. Depress brake pedal while accelerating the engine to prevent forward surge of car.
- c. After the adjustment has been made, shift the lever to the "N" or "P" position and remove wheel chocks.

MIXTURE RATIO FEEDBACK SYSTEM

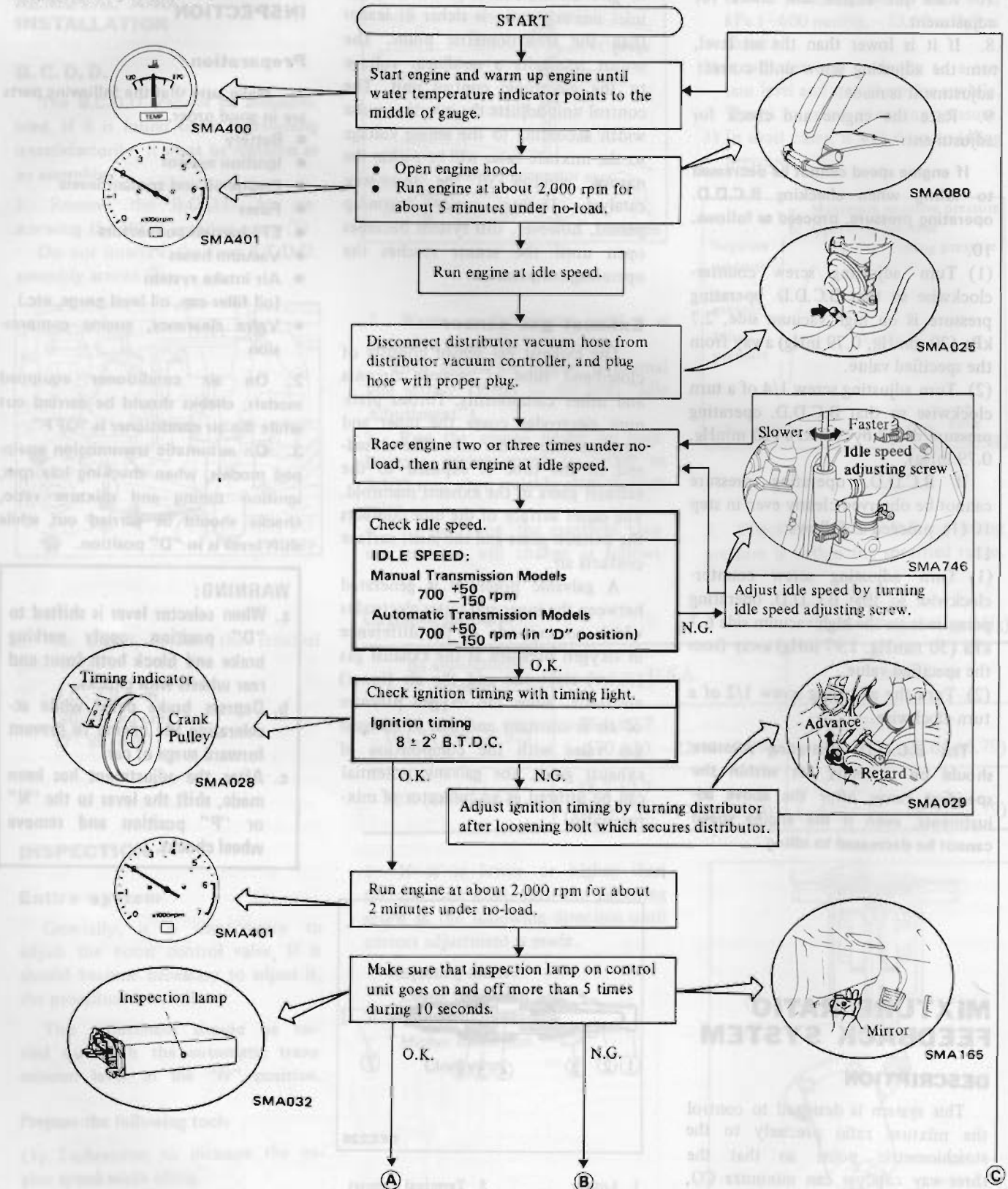
DESCRIPTION

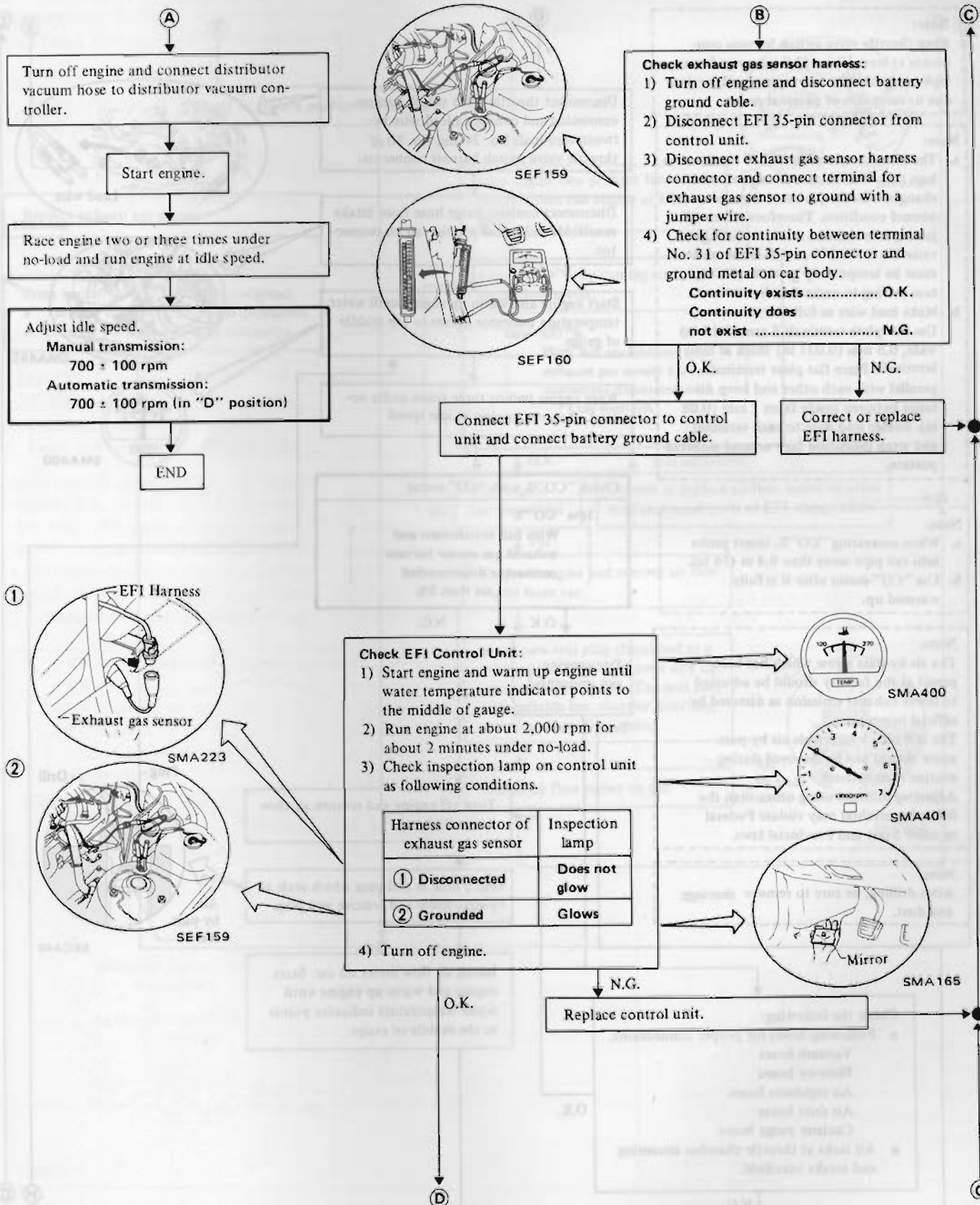
This system is designed to control the mixture ratio precisely to the stoichiometric point so that the three-way catalyst can minimize CO, HC and NO_x emissions simultaneously. The system uses the oxygen sensor located in the exhaust manifold



- | | |
|-----------------|--------------------|
| 1 Louver | 5 Terminal support |
| 2 Zirconia tube | 6 Boots |
| 3 Holder | 7 Connector |
| 4 Spring | |

Inspection procedure





Note:

Keep throttle valve switch harness connector at least 10 cm (3.9 in) away from high tension cable, to prevent malfunction due to reception of external noise.

Note:

- a. The idle mixture ratio of EFI car is set so lean that "CO"% remains almost unchanged when adjustment is made under normal condition. Therefore, when adjusting idle mixture ratio, to distinguish variation in "CO"% , a full enrichment must be temporarily given to idle mixture setting to make it richer.
- b. Make lead wire as follows:
Use flat plate terminals 3 mm (0.12 in) wide, 0.8 mm (0.031 in) thick as male terminals. Place flat plate terminals parallel with each other and keep distance between inside faces 2 mm (0.08 in). Solder lead wire to each terminal and wrap insulation tape around soldered portion.

Note:

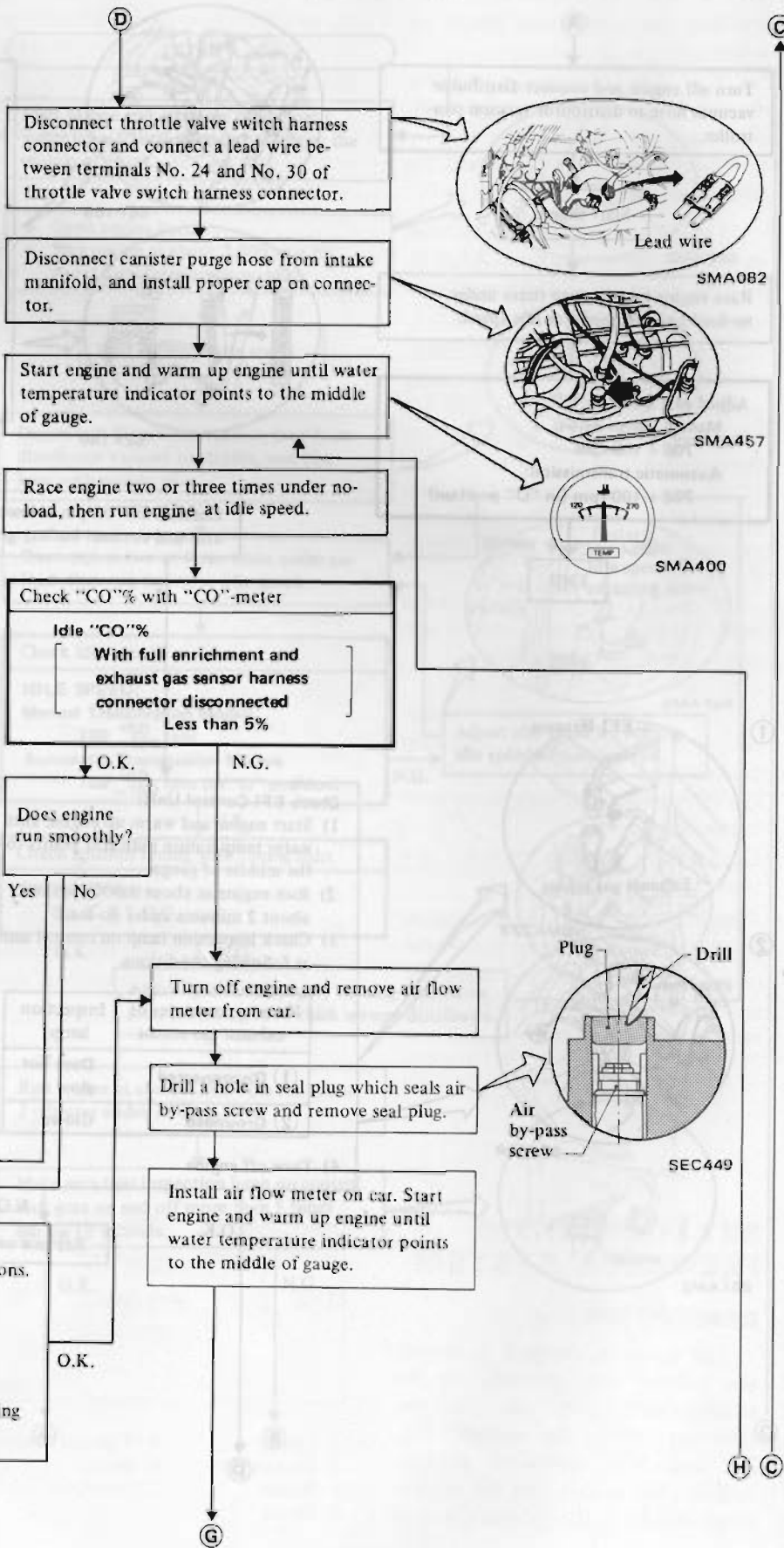
- a. When measuring "CO"% , insert probe into tail pipe more than 0.4 m (16 in).
- b. Use "CO"-meter after it is fully warmed up.

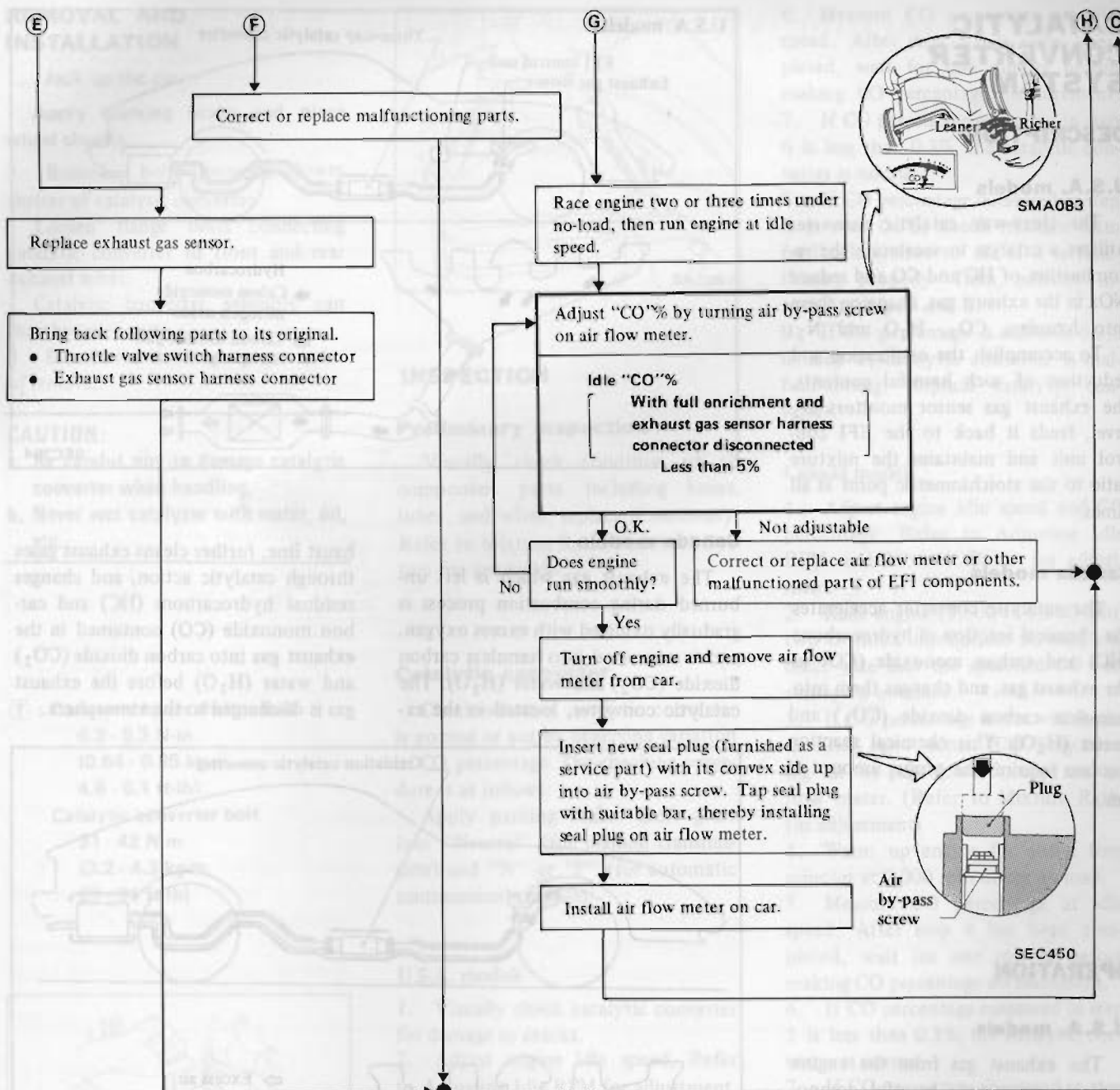
Note:

The air by-pass screw which has been preset at the factory should be adjusted to lower exhaust emission as directed by official inspections. The seal plug which seals air by-pass screw should not be removed during routine maintenance. Adjusting mixture using other than the following method may violate Federal or other State and Provincial laws.

Note:

After drilling, be sure to remove shavings and dust.





CATALYTIC CONVERTER SYSTEM

DESCRIPTION

U.S.A. models

The three-way catalytic converter utilizes a catalyst to accelerate the re-combustion of HC and CO and reduce NOx in the exhaust gas, changing them into harmless CO₂, H₂O and N₂.

To accomplish the oxidization and reduction of such harmful contents, the exhaust gas sensor monitors O₂ level, feeds it back to the EFI control unit and maintains the mixture ratio to the stoichiometric point at all times.

Canada models

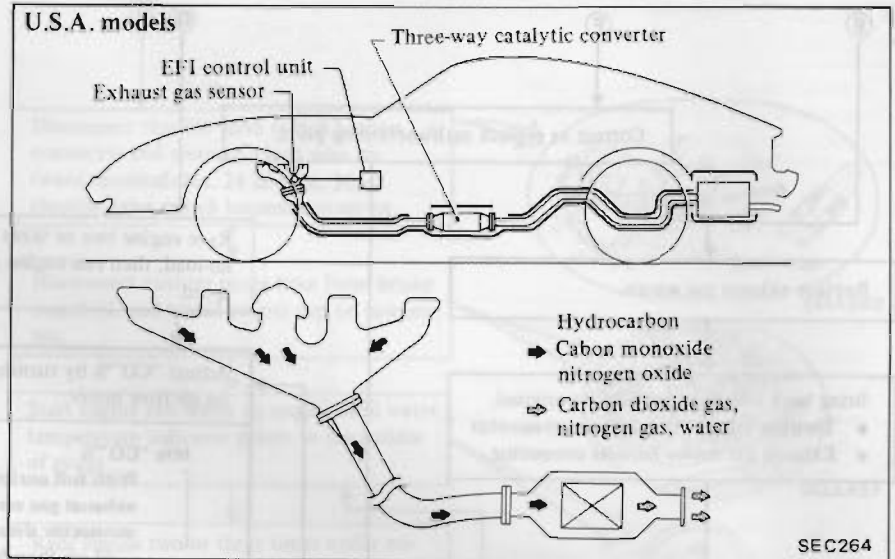
The catalytic converter accelerates the chemical reaction of hydrocarbons (HC) and carbon monoxide (CO) in the exhaust gas, and changes them into harmless carbon dioxide (CO₂) and water (H₂O). This chemical reaction process requires the proper amount of air.

OPERATION

U.S.A. models

The exhaust gas from the engine contains unburned, harmful components. The mixture ratio feedback system reduces such harmful components in the exhaust gas. In this system, an exhaust gas sensor monitors the contents of O₂ density to determine the combustion condition and maintains the mixture ratio to the stoichiometric point.

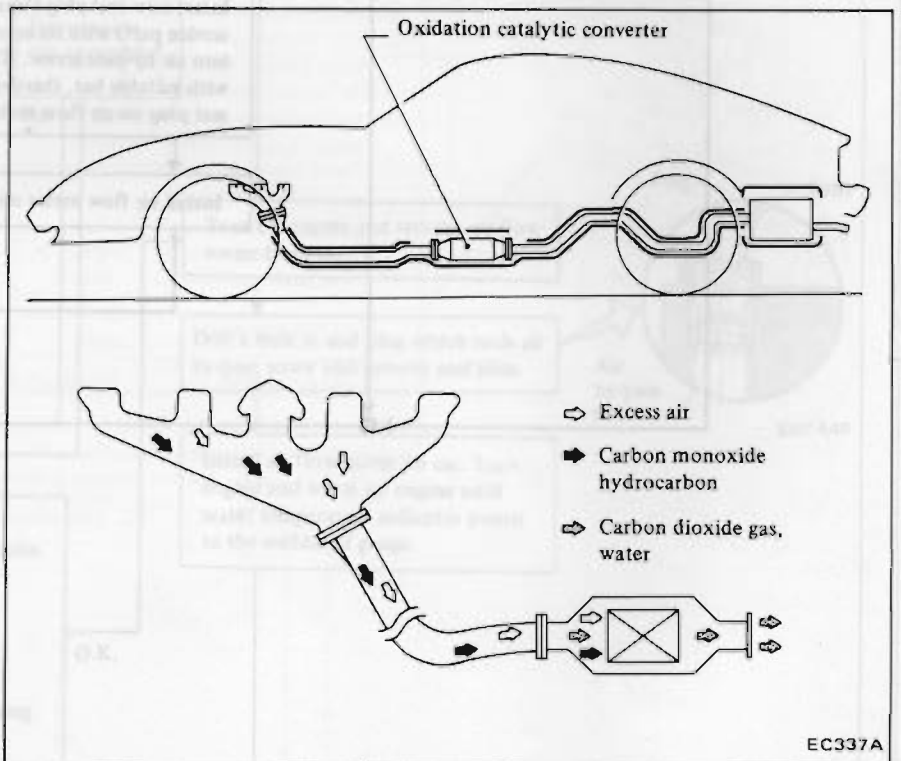
While the mixture ratio is so maintained, the three-way catalytic converter activates to change the harmful components (HC, CO, and NOx) into harmless CO₂, H₂O and N₂. In this way, the catalytic converter cleans the exhaust gas and discharges H₂O, CO₂ and N₂ into the atmosphere.



Canada models

The exhaust gas which is left unburned during combustion process is gradually oxidized with excess oxygen, and is converted into harmless carbon dioxide (CO₂) and water (H₂O). The catalytic converter, located in the ex-

haust line, further cleans exhaust gases through catalytic action, and changes residual hydrocarbons (HC) and carbon monoxide (CO) contained in the exhaust gas into carbon dioxide (CO₂) and water (H₂O) before the exhaust gas is discharged to the atmosphere.

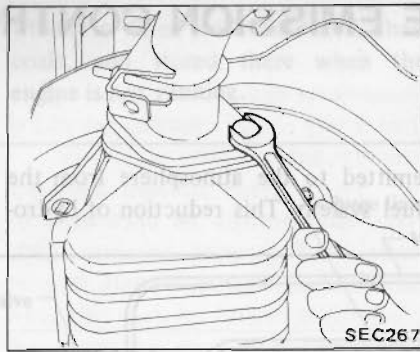


REMOVAL AND INSTALLATION

1. Jack up the car.
Apply parking brake and place wheel chocks.
2. Remove bolts securing lower shelter of catalytic converter.
Loosen flange bolts connecting catalytic converter to front and rear exhaust tubes.
Catalytic converter assembly can then be taken out.
3. Installation is in the reverse order of removal.

CAUTION:

- a. Be careful not to damage catalytic converter when handling.
- b. Never wet catalyzer with water, oil, etc.



INSPECTION

Preliminary inspection

Visually check condition of all component parts including hoses, tubes, and wires, replace if necessary. Refer to Mixture Ratio Feedback System for inspection.

Catalytic converter

Check whether catalytic converter is normal or not by observing variation in CO percentage. The checking procedure is as follows:

Apply parking brake. Shift gears into "Neutral" (for manual transmission) and "N" or "P" (for automatic transmission) position.

U.S.A. models

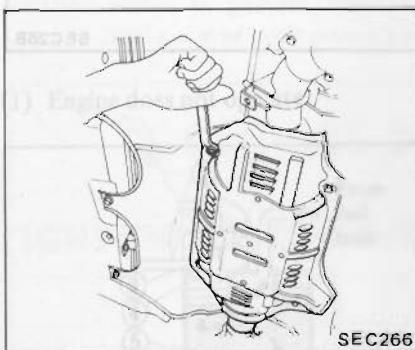
1. Visually check catalytic converter for damage or cracks.
2. Adjust engine idle speed. Refer to Adjusting Idle RPM for adjustment.
3. Race engine (1,500 to 2,000 rpm) two or three times under no load.
4. If idle speed increases, readjust it to specified speed with throttle adjusting screw.
5. Warm up engine for about four minutes at 2,000 rpm under no load.

6. Measure CO percentage at idle speed. After step 5 has been completed, wait for one minute before making CO percentage measurement.
7. If CO percentage measured in step 6 is less than 0.3%, the catalytic converter is normal.
8. If CO percentage measured in step 6 is over 0.3%, check mixture ratio feedback system to see if it is functioning properly. Then, perform inspection steps 5 and 6.
9. If CO percentage is still over 0.3% in step 8, catalytic converter is malfunctioning. Replace catalytic converter.

Canada models

1. Adjust engine idle speed and CO percentage. Refer to Adjusting Idle RPM and Mixture Ratio for adjustment.
2. Race engine (1,500 to 2,000 rpm) two or three times under no load and make sure that the specified CO percentage is obtained.
3. If CO percentage is not within the specified value, adjust "CO" by turning air by-pass screw located on air flow meter. (Refer to Mixture Ratio for adjustment)
4. Warm up engine for about four minutes at 2,000 rpm under no load.
5. Measure CO percentage at idle speed. After step 4 has been completed, wait for one minute before making CO percentage measurement.
6. If CO percentage measured in step 5 is less than 0.3%, the catalytic converter is normal.
7. If CO percentage measured in step 5 is over 0.3%, readjust Idle Mixture and Idle RPM. Then, perform inspection steps 4 and 5.
8. If CO percentage is still over 0.3% in step 7, catalytic converter is malfunctioning. Replace catalytic converter.

- ⊕ : Converter lower shelter bolt
6.3 - 8.3 N·m
(0.64 - 0.85 kg·m,
4.6 - 6.1 ft·lb)
Catalytic converter bolt
31 - 42 N·m
(3.2 - 4.3 kg·m,
23 - 31 ft·lb)



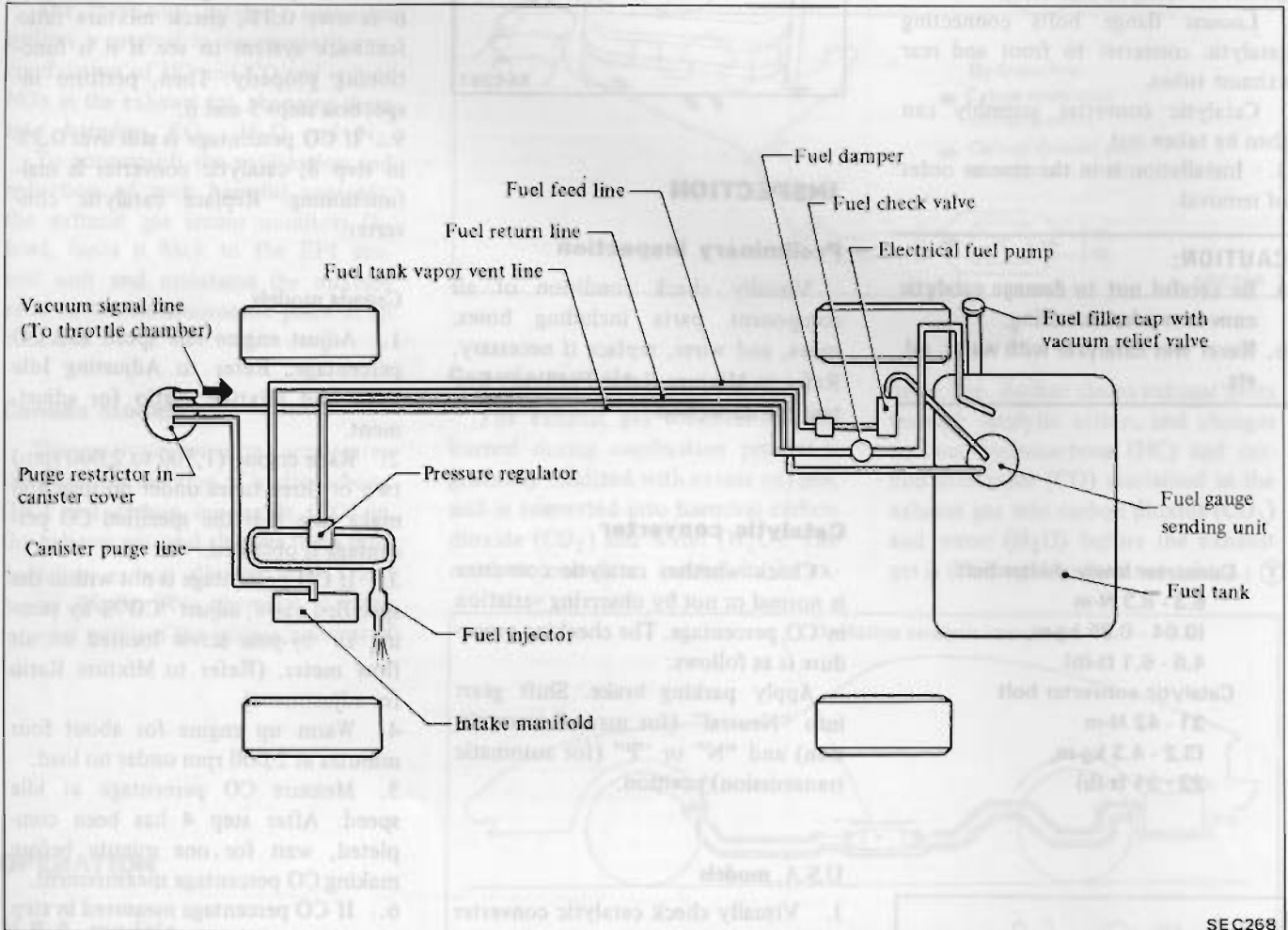
EVAPORATIVE EMISSION CONTROL SYSTEM

DESCRIPTION

The evaporative emission control system is used to reduce hydrocarbons

emitted to the atmosphere from the fuel system. This reduction of hydro-

carbons is accomplished by activated charcoals in the carbon canister.

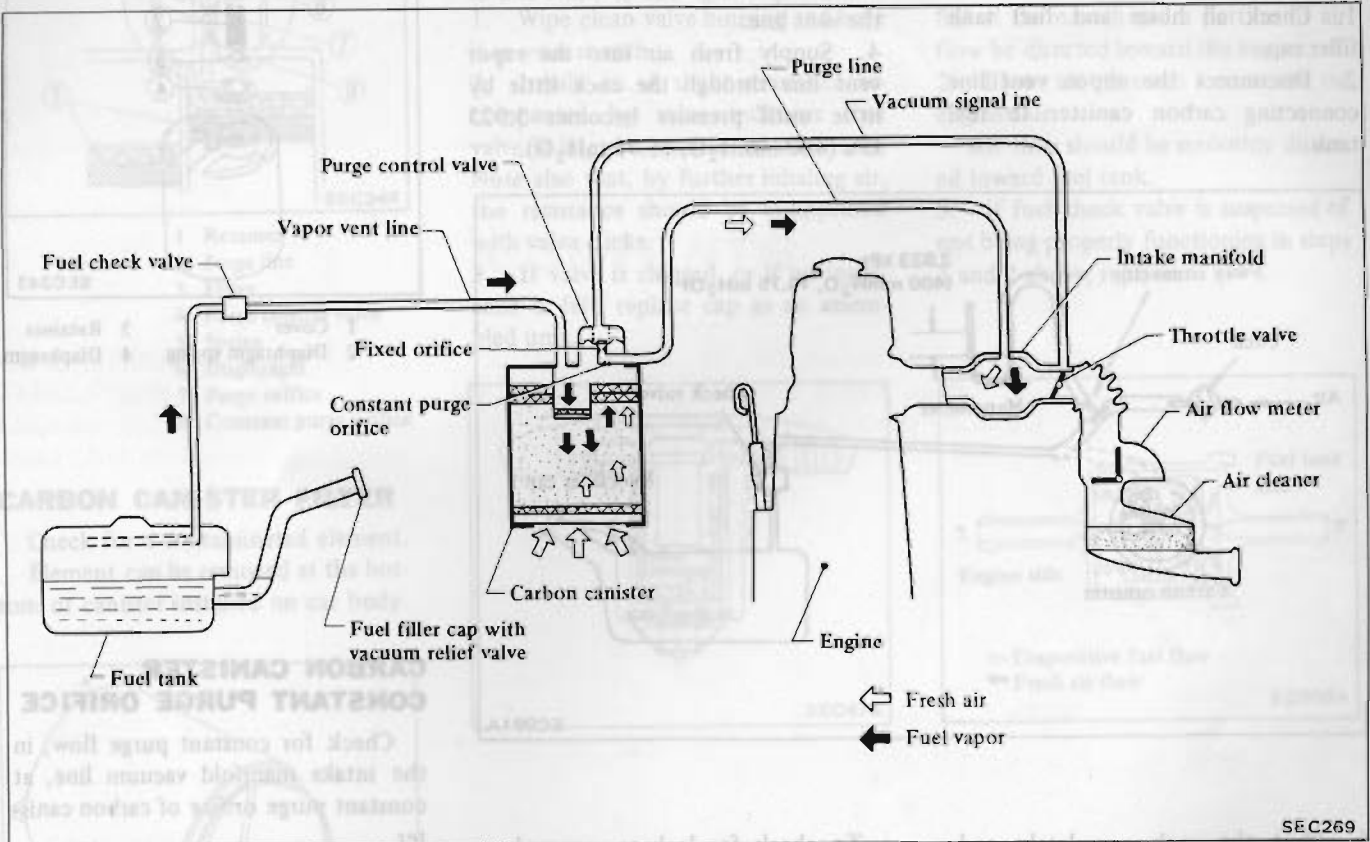


SEC268

OPERATION

Fuel vapors from the sealed fuel tank are led into the carbon canister,

which is filled with activated charcoal, and stored there when the engine is not running.

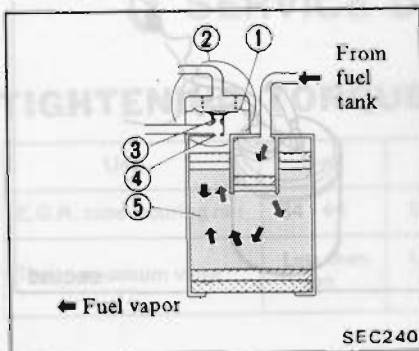


The canister retains the vapor until the canister is purged by the air drawn through the purge line to the intake manifold when the engine is operated. When the engine runs at idle, the purge

control valve is closed. Only a small amount of purge air flows into the intake manifold through the constant purge orifice. As the engine speed increases, and the ported vacuum rises

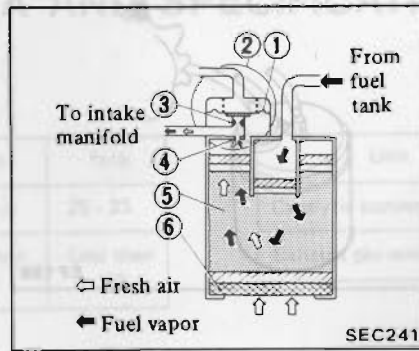
higher, the purge control valve opens and the vapor is sucked into the intake manifold through both the fixed orifice and the constant purge orifice.

(1) Engine does not operate



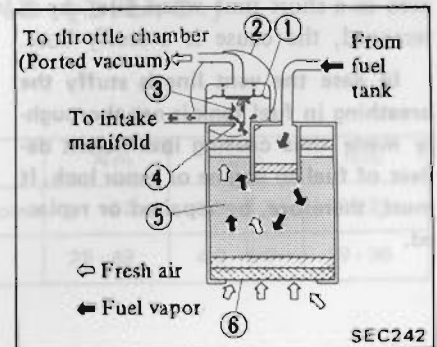
- 1 Diaphragm
- 2 Purge control valve
- 3 Fixed orifice
- 4 Constant fixed orifice
- 5 Activated carbon

(2) Engine operates at idle



- 1 Diaphragm
- 2 Purge control valve
- 3 Fixed orifice
- 4 Constant fixed orifice
- 5 Activated carbon
- 6 Filter

(3) Engine speed increases



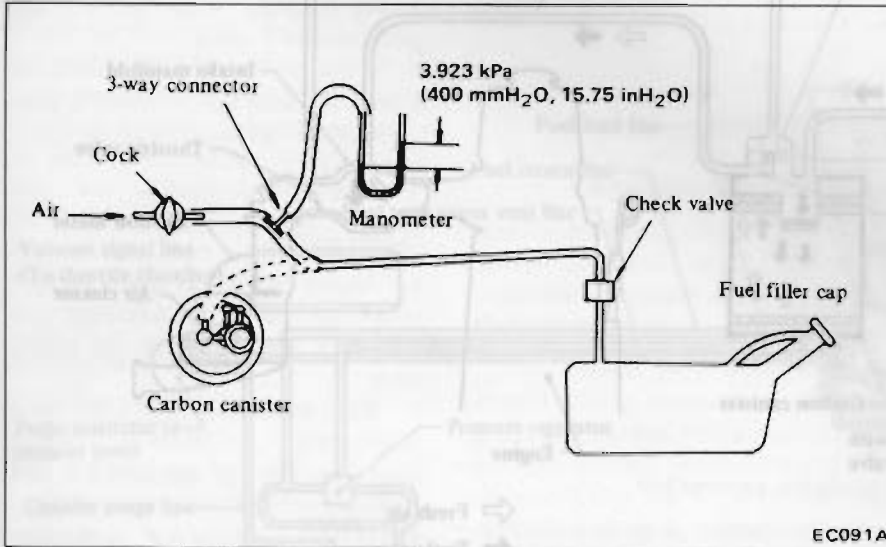
- 1 Diaphragm
- 2 Purge control valve
- 3 Fixed orifice
- 4 Constant fixed orifice
- 5 Activated carbon
- 6 Filter

INSPECTION

FUEL TANK AND VAPOR VENT LINE

1. Check all hoses and fuel tank filler cap.
2. Disconnect the vapor vent line connecting carbon canister to fuel tank.

3. Connect a 3-way connector, a manometer and a cock (or an equivalent 3-way charge cock) to the end of the vent line.
4. Supply fresh air into the vapor vent line through the cock little by little until pressure becomes 3.923 kPa (400 mmH₂O, 15.75 inH₂O).



5. Shut the cock completely and leave it unattended.
6. After 2.5 minutes, measure the height of the liquid in the manometer.
7. Variation in height should remain at 0.245 kPa (25 mmH₂O, 0.98 inH₂O).
8. When filler cap does not close completely, the height should drop to zero in a short time.
9. If the height does not drop to zero in a short time when filler cap is removed, the cause is a stuffy hose.

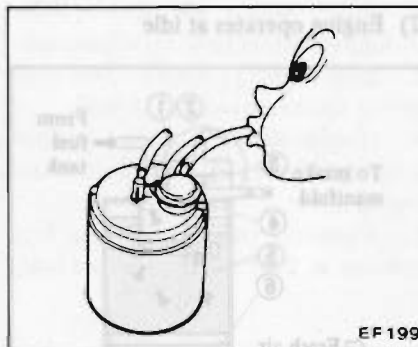
In case the vent line is stuffy the breathing in fuel tank is not thoroughly made thus causing insufficient deliver of fuel to engine or vapor lock. It must, therefore, be repaired or replaced.

CARBON CANISTER PURGE CONTROL VALVE

Check for fuel vapor leakage, in the distributor vacuum line, at diaphragm of carbon canister purge control valve.

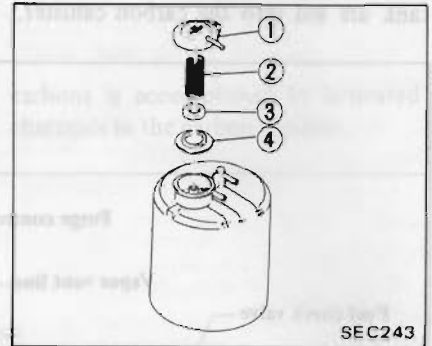
To check for leakage, proceed as follows:

1. Disconnect rubber hose, in the line, between T-connector and carbon canister at T-connector.
2. Inhale air into the opening of rubber hose running to vacuum hole in carbon canister and ensure that there is no leak.



3. If there is a leak, remove top cover from purge control valve and check for dislocated or cracked diaphragm. If necessary, replace dia-

phragm kit (which is made up of a retainer, diaphragm and spring).



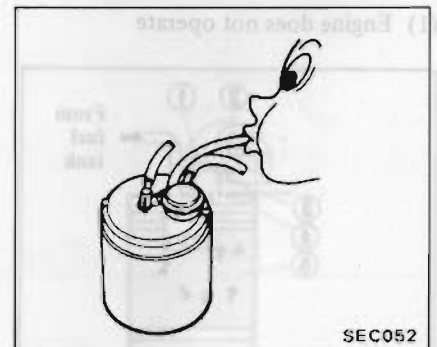
- | | |
|--------------------|-------------|
| 1 Cover | 3 Retainer |
| 2 Diaphragm spring | 4 Diaphragm |

CARBON CANISTER CONSTANT PURGE ORIFICE

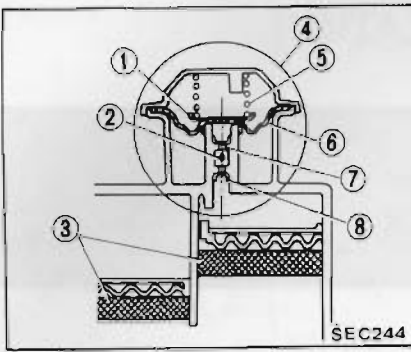
Check for constant purge flow, in the intake manifold vacuum line, at constant purge orifice of carbon canister.

To check for purge flow, proceed as follows:

1. Disconnect rubber hose, in the line, between steel pipe of the engine and canister.
2. Inhale air into the opening of rubber hose running to carbon canister and ensure that there is a leak.



3. If there is no leak, remove purge control valve and check constant purge orifice for leak. If necessary, blow constant purge orifice.

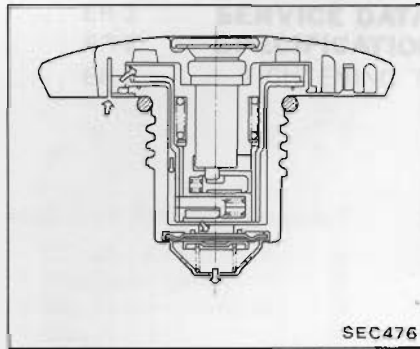


- 1 Retainer
- 2 Purge line
- 3 Filter
- 4 Purge control valve
- 5 Spring
- 6 Diaphragm
- 7 Purge orifice
- 8 Constant purge orifice

FUEL TANK VACUUM RELIEF VALVE

Remove fuel filler cap and see it functions properly.

1. Wipe clean valve housing and have it in your mouth.
2. Inhale air. A slight resistance accompanied by valve indicates that valve is in good mechanical condition. Note also that, by further inhaling air, the resistance should be disappeared with valve clicks.
3. If valve is clogged, or if no resistance is felt, replace cap as an assembled unit.



FUEL CHECK VALVE

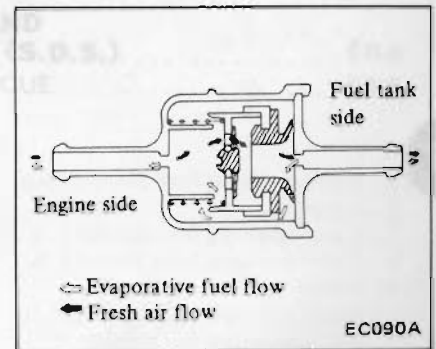
1. Blow air through connector on fuel tank side.

A considerable resistance should be felt at the mouth and a portion of air flow be directed toward the engine.

2. Blow air through connector on engine side.

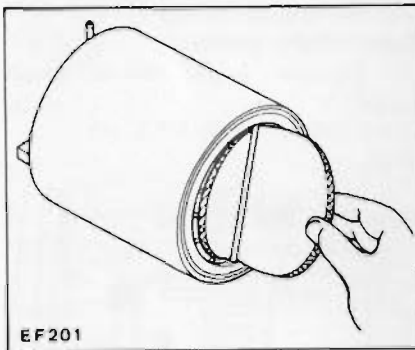
Air flow should be smoothly directed toward fuel tank.

3. If fuel check valve is suspected of not being properly functioning in steps 1 and 2 above, replace.



CARBON CANISTER FILTER

Check for a contaminated element. Element can be removed at the bottom of canister installed on car body.



SERVICE DATA AND SPECIFICATIONS (S.D.S.)

TIGHTENING TORQUE

Unit	N-m	kg-m	ft-lb
E.G.R. tube securing nut	34 - 44	3.5 - 4.5	25 - 33
Thermal vacuum valve	Less than 22	Less than 2.2	Less than 16

Unit	N-m	kg-m	ft-lb
Catalytic converter bolt	31 - 42	3.2 - 4.3	23 - 31
Exhaust gas sensor	39 - 49	4.0 - 5.0	29 - 36