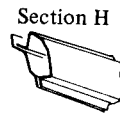
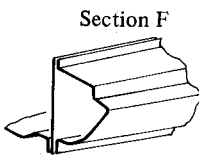
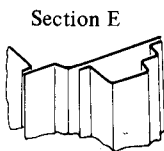
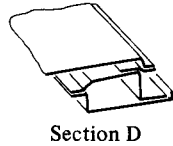
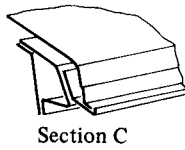
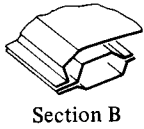
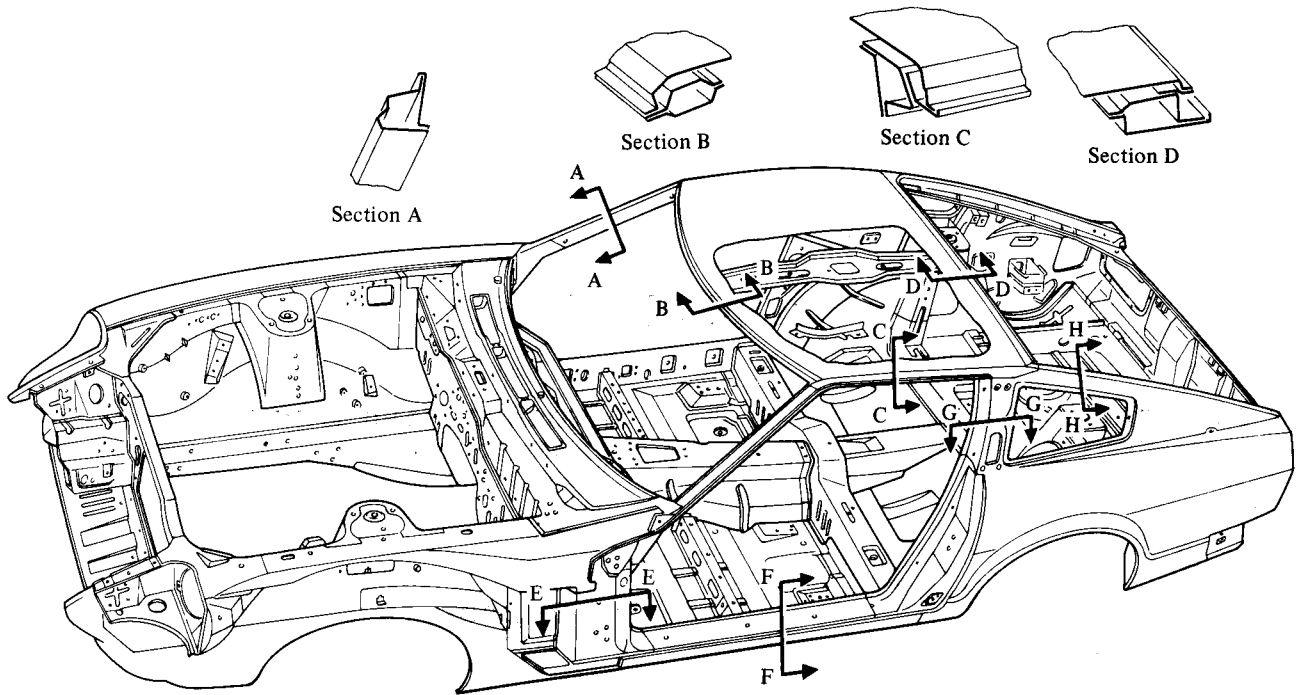


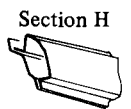
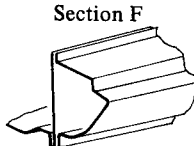
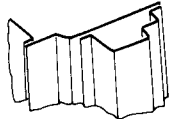
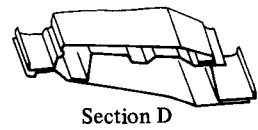
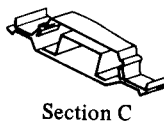
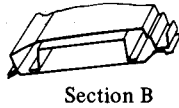
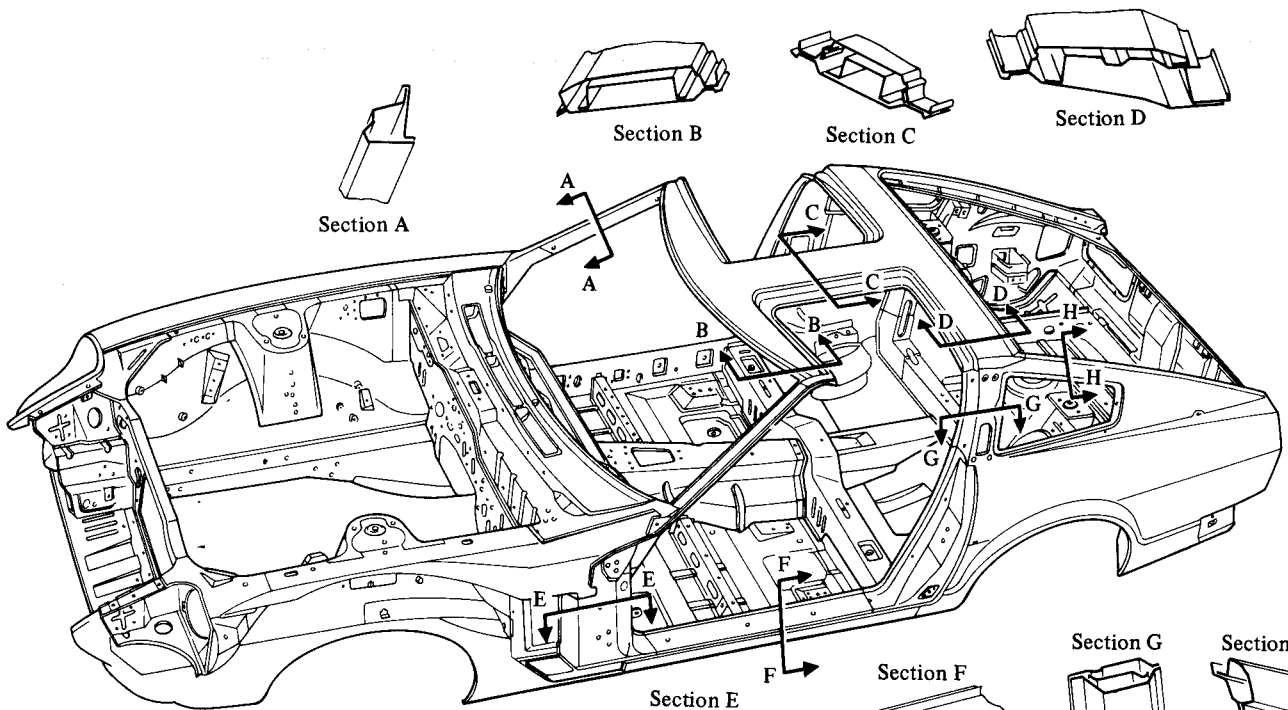
SECTION BF**CONTENTS**

BODY CONSTRUCTION	BF- 2	WINDSHIELD AND WINDOW	
BODY ALIGNMENT	BF- 3	GLASS	BF-16
BUMPER	BF- 4	WINDSHIELD GLASS	BF-16
DESCRIPTION	BF- 4	SIDE WINDOW GLASS (2 seater)	BF-19
INSPECTION	BF- 5	SIDE WINDOW GLASS (2 + 2 seater)	BF-20
FRONT BUMPER	BF- 5	BACK DOOR GLASS	BF-22
REAR BUMPER	BF- 6	T-BAR ROOF	BF-24
BODY FRONT END	BF- 6	CONSTRUCTION	BF-24
RADIATOR GRILLE	BF- 6	LOCK MECHANISM	BF-25
FRONT APRON	BF- 7	INTERIOR	BF-26
HEADLAMP CASE	BF- 7	INSTRUMENT PANEL	BF-26
FRONT FENDER	BF- 8	CONSOLE BOX	BF-27
HOOD	BF- 8	SEAT	BF-28
HOOD LOCK CONTROL	BF- 9	SEAT BELT	BF-28
TORSION BAR	BF- 9	TRIM AND MOLDING	BF-29
HOOD HINGE	BF- 9	ROOF TRIMMING	BF-29
DOORS	BF-10	BODY SIDE TRIM AND MOLDING	BF-30
DOOR	BF-10	TONNEAU COVER	BF-30
BODY REAR END	BF-14	SPECIAL SERVICE TOOLS	BF-31
BACK DOOR	BF-14		
BACK DOOR OPENER	BF-15		

BODY CONSTRUCTION

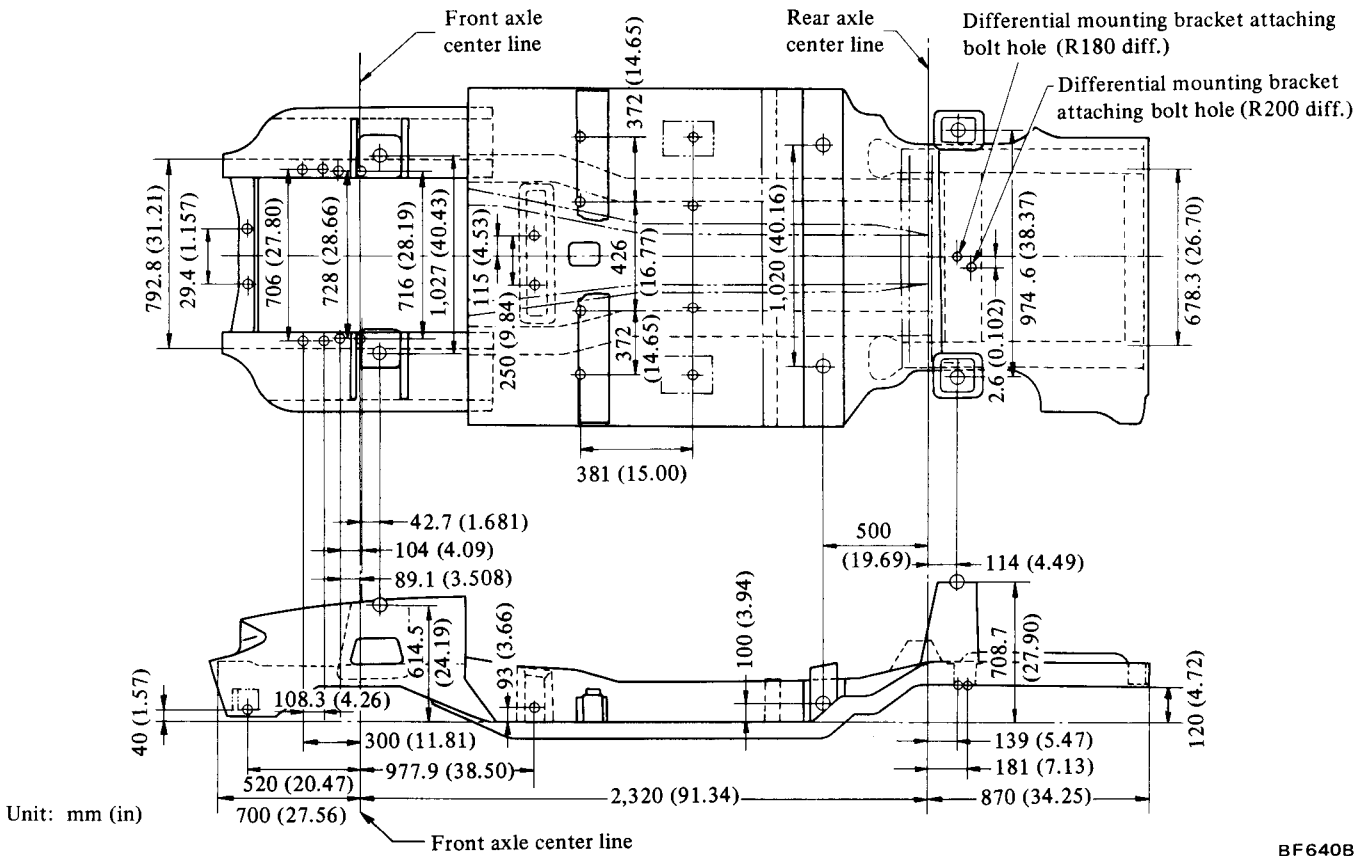


BF638B

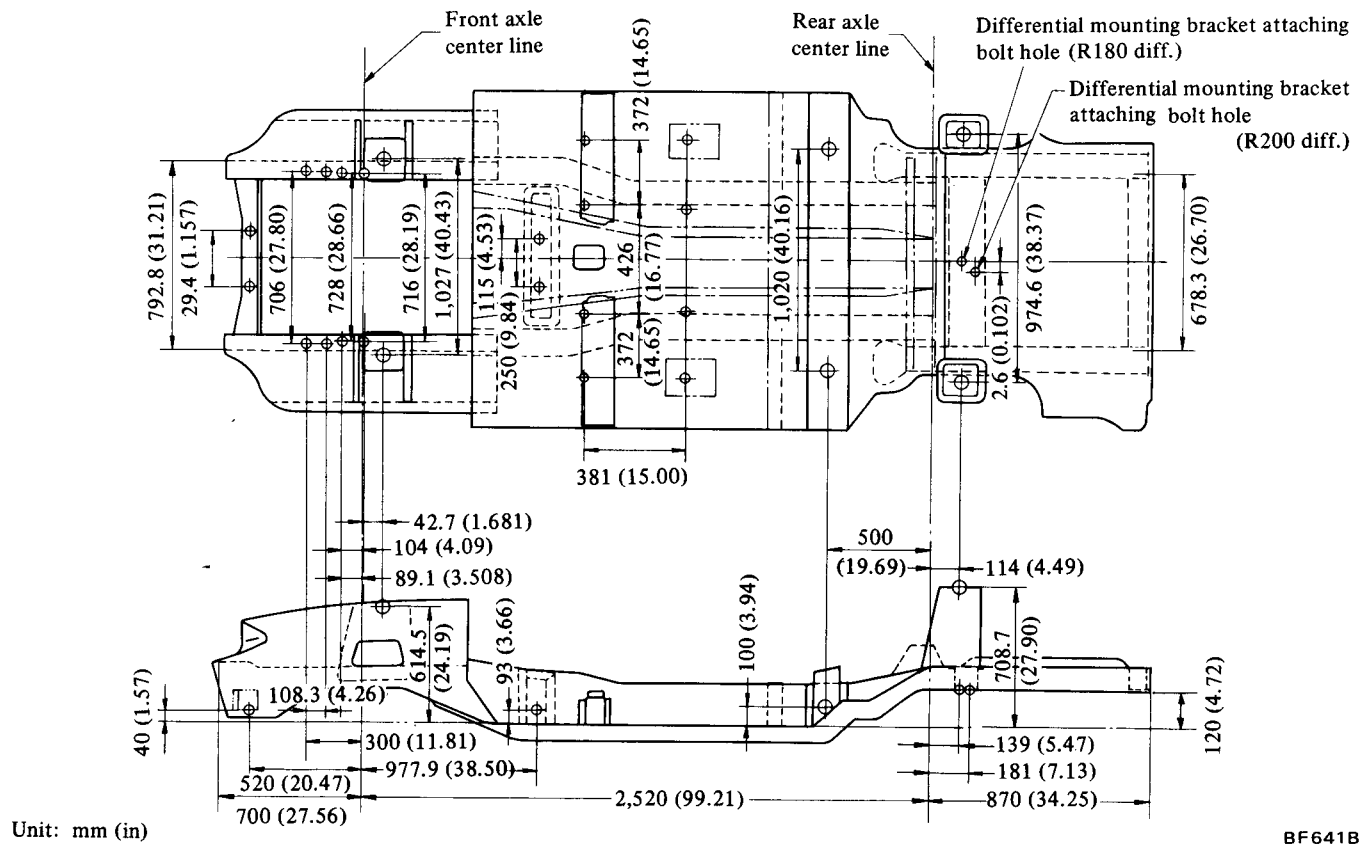


SBF309

BODY ALIGNMENT



BF640B



BF641B

BUMPER

DESCRIPTION

The front and rear bumpers are installed on the car body through the strut-type, gas-and-oil-filled shock absorbers. These bumpers are so designed that when the car is involved in a

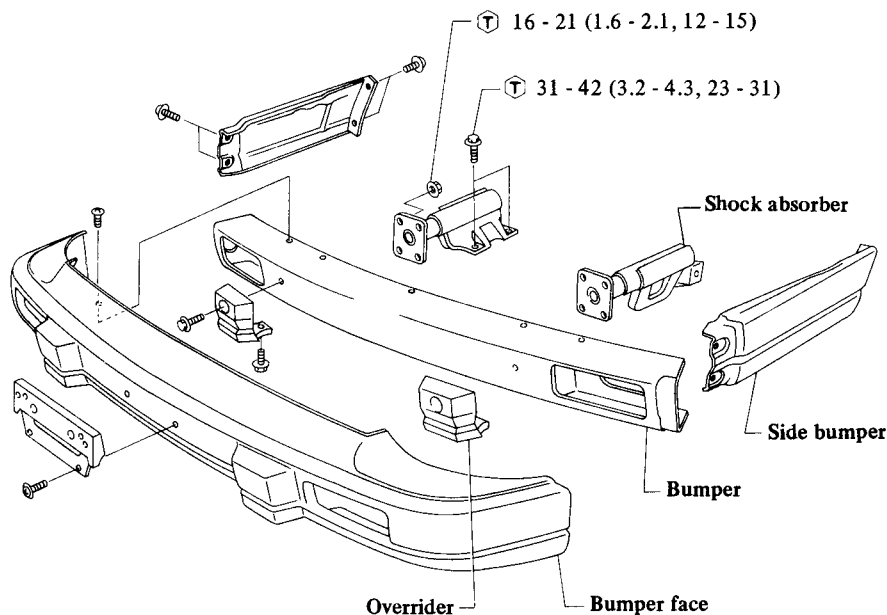
collision (solid barrier) at a speed of 8 km/h (5 MPH) or less, they retract to effectively absorb impact energy and to prevent car from damage.

The bumpers will be returned to their original positions upon absorbing impact energy.

CAUTION:

The shock absorber is filled with a high pressure gas and should not be disassembled, drilled or exposed to an open flame.

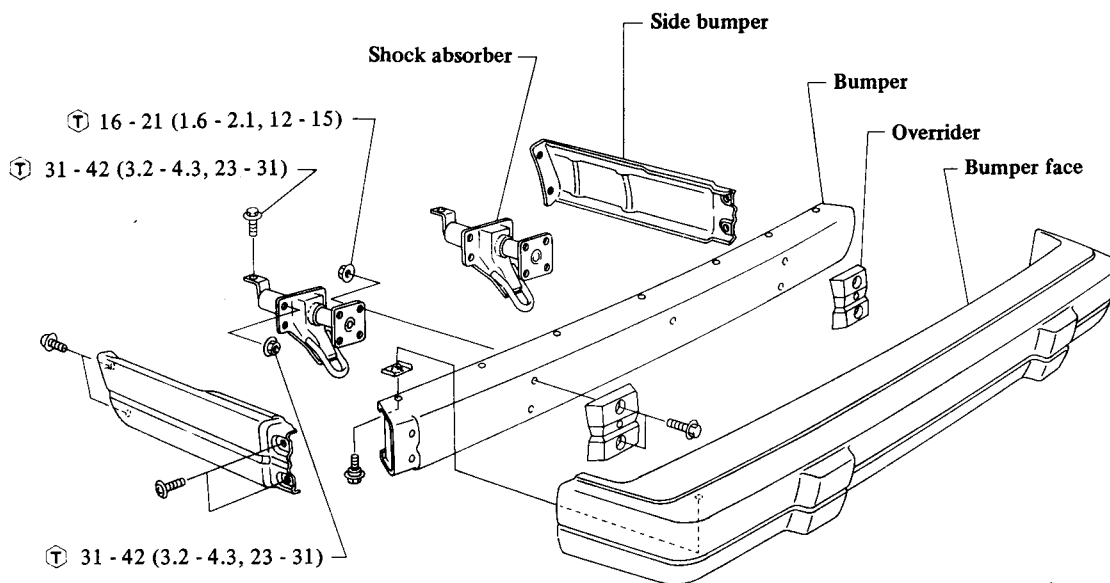
FRONT BUMPER



Ⓣ : N·m (kg·m, ft·lb)

SBF515A

REAR BUMPER



Ⓣ : N·m (kg·m, ft·lb)

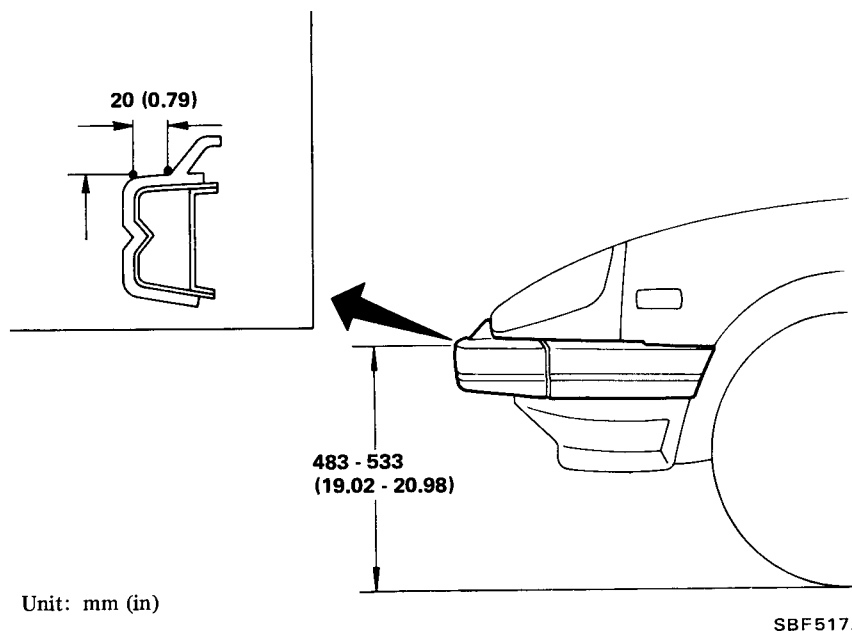
SBF516A

INSPECTION

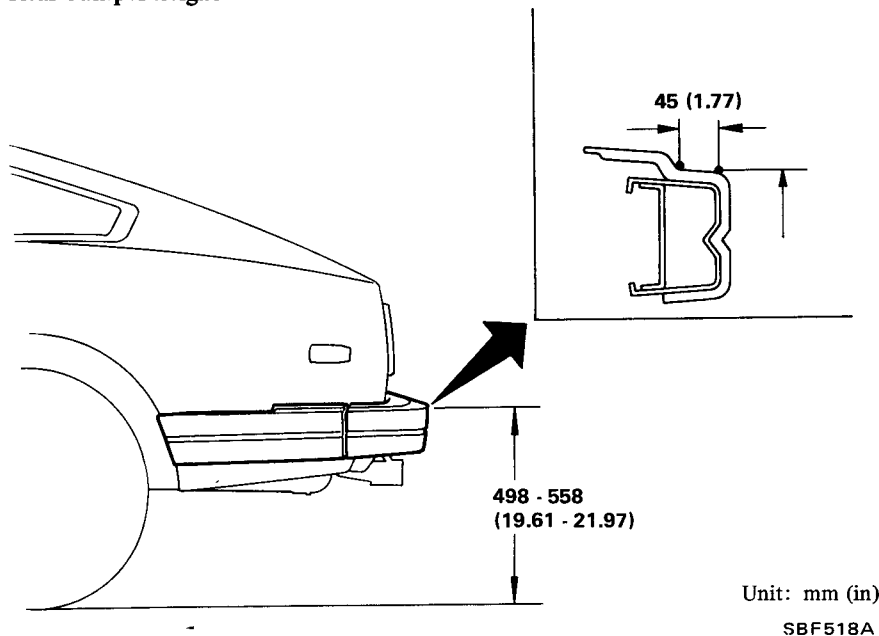
BUMPER HEIGHT

Adjust bumper height so that distance from top edge to ground meets

Front bumper height



Rear bumper height

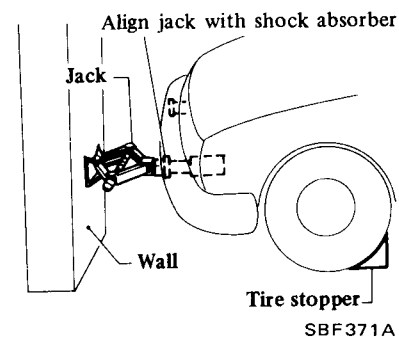


SHOCK ABSORBER

1. Check shock absorber for oil leakage, cracks or deformation.
2. Function of shock absorber;
 - (1) Place vehicle in front of a wall.

specifications.

Place vehicle on a flat surface under curb weight conditions. Tires must be inflated to rated pressure.



- (3) Apply pressure to compress shock absorber at least 10.0 mm (0.394 in).

Use a jack with capacity of more than 600 kg (1,323 lb).

- (4) Make sure bumper returns to its original position when jack is retracted. Replace if necessary.

CAUTION:

It is not recommended to confirm proper installation by driving into walls or other barriers as this could cause personal injury or damage to the vehicle.

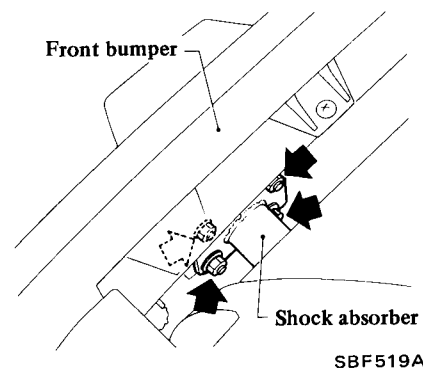
When replacing shock absorbers, make sure they are of the same type and rating, and manufactured by the same maker.

- (5) For rear bumper, use the same procedures as described for front bumper.

FRONT BUMPER

REMOVAL AND INSTALLATION

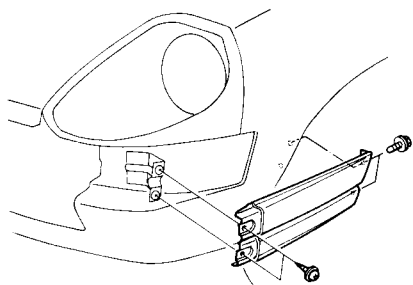
1. Disconnect front combination lamp harness connectors.
2. Open hood, and then remove bumper from shock absorber.



Apply parking brake and place tire stoppers securely.

- (2) Place a jack between bumper and wall; jack is positioned squarely with bumper directly in line with shock absorber to be checked.

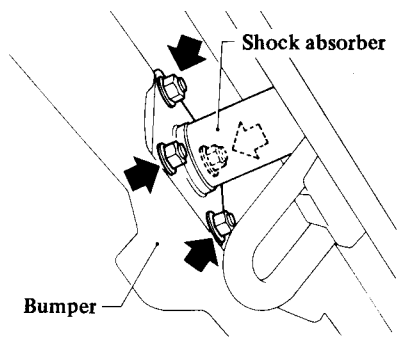
3. Remove side bumper from fender.



SBF520A

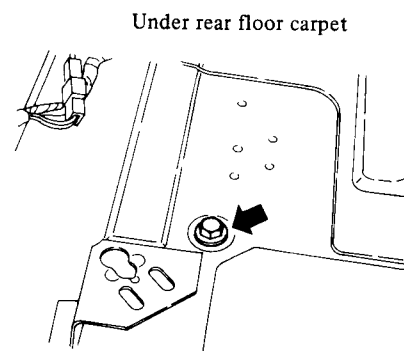
4. Remove shock absorber.

5. Install in the reverse order of removal, and adjust bumper height.

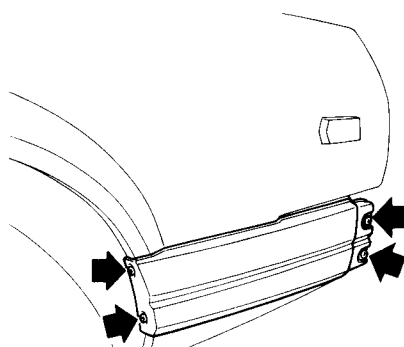


SBF521A

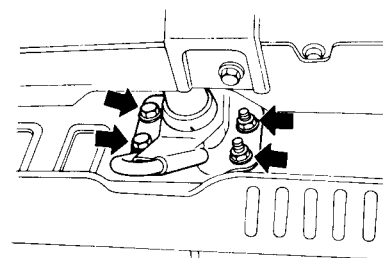
3. After removing rear carpet and padding, remove shock absorber.



2. Remove side bumper.



SBF522A



BF650B

4. Install in the reverse order of removal, and adjust bumper height.

REAR BUMPER

REMOVAL AND INSTALLATION

1. Remove bumper from shock absorber.

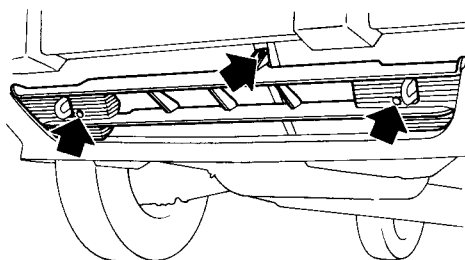
RADIATOR GRILLE

CAUTION:

- a. Radiator grille is made of plastic, so do not use excessive force.
- b. Take care to keep any oil away from radiator.

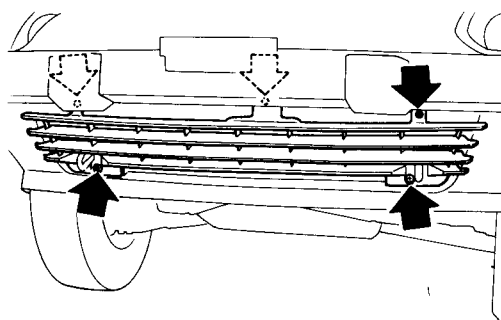
BODY FRONT END

Model equipped with turbocharger



SBF523A

Model not equipped with turbocharger

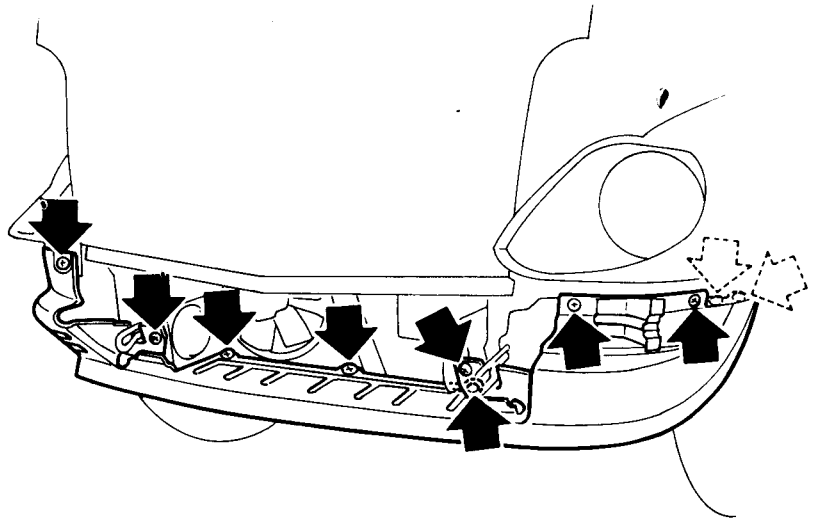


SBF524A

FRONT APRON

REMOVAL AND INSTALLATION

1. Remove bumper and side bumper.
2. Remove radiator grille.
3. Remove front apron.
4. Installation is in the reverse order of removal.

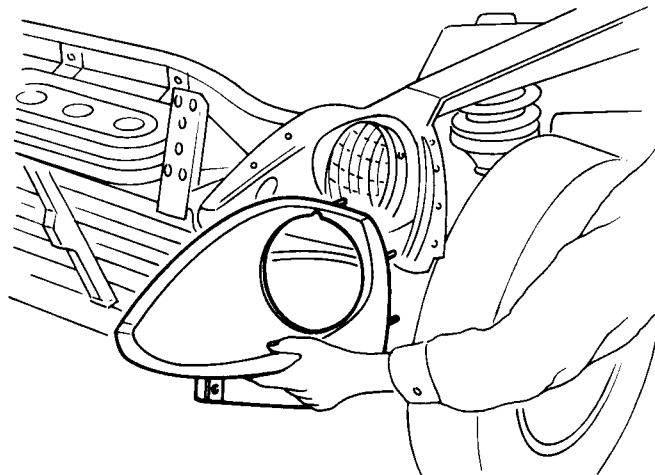


SBF525A

HEADLAMP CASE

REMOVAL AND INSTALLATION

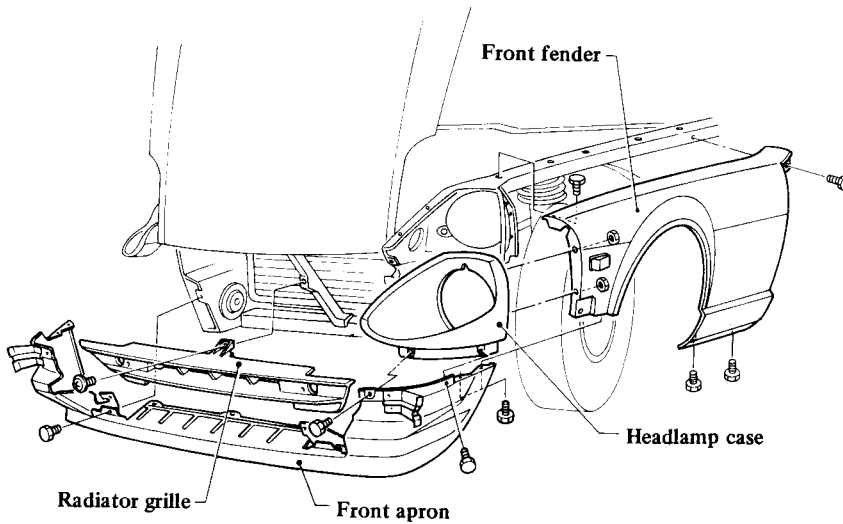
1. Remove front apron and side apron. Refer to Front Apron and Side Apron for removal.
2. Remove headlamp.
3. Remove inner fender protector.
4. Remove screws securing headlamp case to front fender. Then remove headlamp case.
5. Installation is in reverse order of removal.



BF653B

FRONT FENDER

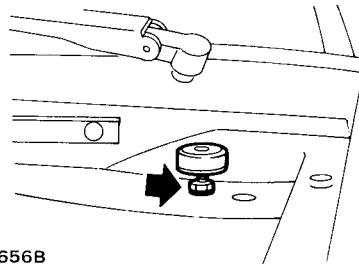
REMOVAL AND INSTALLATION



SBF526A

1. Remove inner fender protector.
2. Remove headlamp case. Refer to Headlamp Case for removal.
3. Disconnect side marker lamp harness at connector. Then remove front fender.
4. Installation is in reverse order of removal.

2. Loosen hood bumper lock nuts and lower bumpers until they do not contact rear of hood when hood is locked.



BF656B

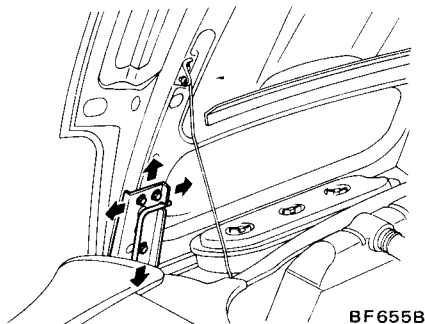
HOOD

ADJUSTMENT

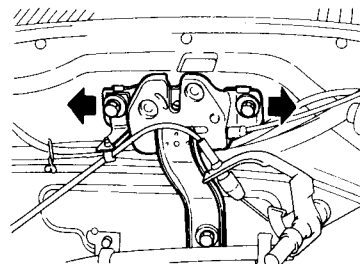
Hood can be adjusted with bolts attaching hood to hinge and hood to hood lock, and hood bumpers. Adjust hood for an even fit between front fenders.

Adjust hood as follows:

1. Adjust hood fore and aft and from side to side by loosening bolts attaching hood to hinge and repositioning hood.



BF655B

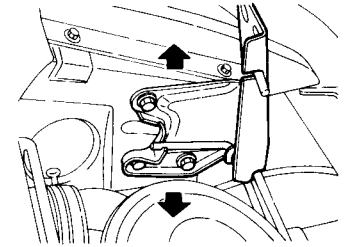


BF657B

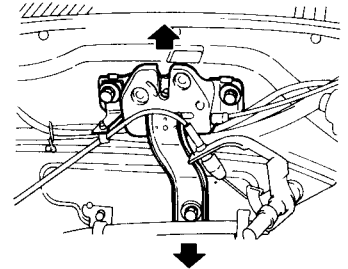
3. Adjust hood lock to set striker at center of hood lock, and tighten hood lock securing bolts temporarily.

4. Adjust hood up and down by loosening hood hinge to body and hood lock to body attaching bolts to obtain a flush hood with fender.

Front side

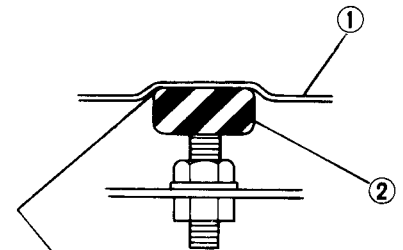


Rear side



BF658B

5. Raise bumpers until they contact rear of hood when hood is locked.



Be sure to contact this portion.

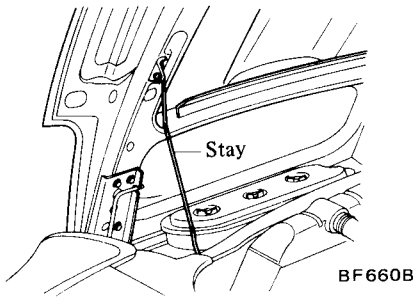
- 1 Hood
- 2 Hood bumper rubber

BF659B

6. Tighten hood hinge and hood lock securing bolts after proper adjustment has been obtained.

CAUTION:

When opening hood, be sure to use hood stay as shown in figure.



REMOVAL AND INSTALLATION

1. Open hood and protect body with covers to prevent scratching painted surface.
2. Mark hood hinge locations on hood for proper reinstallation.
3. Holding both sides of hood, unscrew bolts securing hinge to hood, and remove hood. This operation requires two men.
4. Installation is in reverse order of removal.

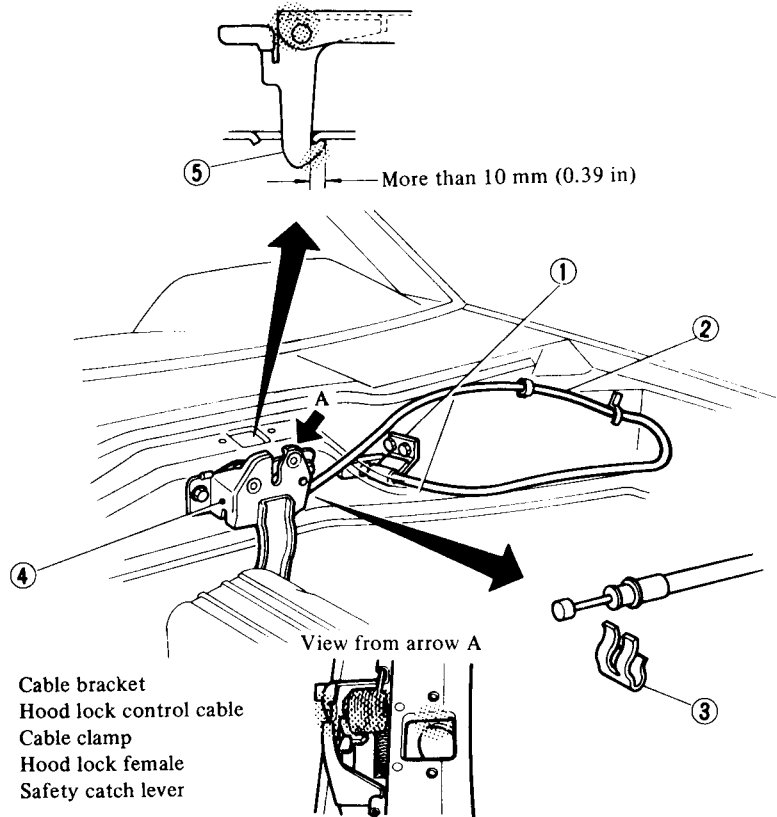
⊕ : Hood to hinge securing bolt
 8 - 11 N·m
 (0.8 - 1.1 kg-m,
 5.8 - 8.0 ft-lb)

HOOD LOCK CONTROL

REMOVAL AND INSTALLATION

1. Disconnect control cable from hood lock.
2. Remove instrument lower cover and then remove cable bracket securing bolts and cable clip; draw cable out through passenger compartment.
3. Remove hood lock.
4. Install hood lock control in reverse order of removal, referring to Hood Adjustment.
5. Check hood lock control operation. Make sure safety catch lever retains body properly when hood lock is disengaged.

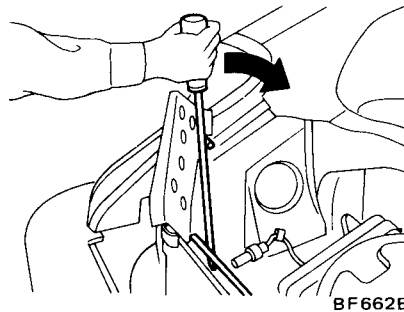
- a. Lubricate safety catch lever, return spring, lift spring and hood lock inserting portion into striker as shown in figure.
- b. Inspect safety catch lever, return spring and, lift spring for deformation, fatigue or rusting.



TORSION BAR

REMOVAL AND INSTALLATION

1. Open engine hood and protect body with covers to prevent scratching painted surface.
2. Support hood and remove each torsion bar by disengaging end of torsion bar from hood hinge. Use a suitable screwdriver.



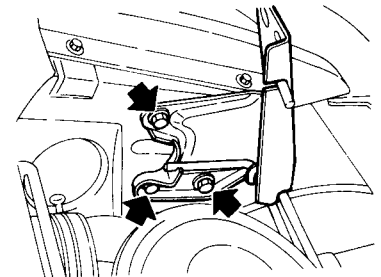
3. Installation is in reverse order of removal.

Note: Lubricate sliding surface of torsion bar.

HOOD HINGE

REMOVAL AND INSTALLATION

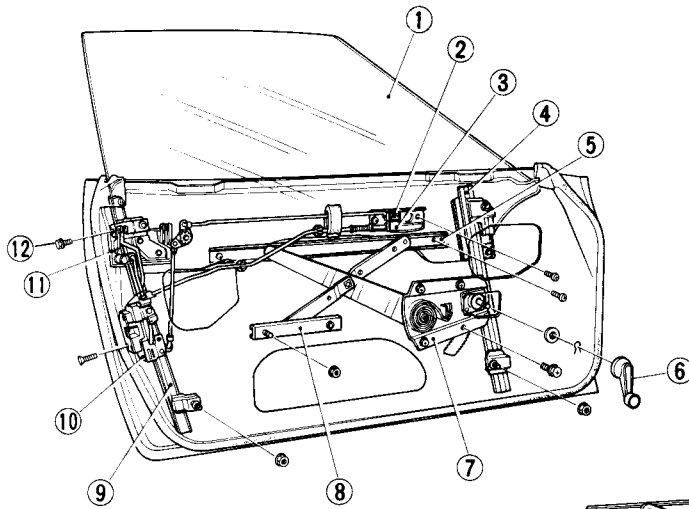
1. Open hood and protect body with covers to prevent scratching painted surface.
2. Remove hood. Refer to Hood for removal.
3. Remove torsion bars. Refer to Torsion Bar for removal.
4. Remove hinge.



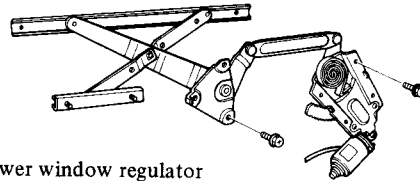
5. Installation is in reverse order of removal.

DOORS

DOOR



- 1 Door glass
- 2 Door lock knob
- 3 Door inside handle
- 4 Front guide rail assembly
- 5 Guide channel A
- 6 Regulator handle
- 7 Regulator assembly
- 8 Guide channel B
- 9 Rear guide rail assembly
- 10 Door lock assembly
- 11 Door outside handle
- 12 Rear guide rail upper securing bolt



Power window regulator

BF664B

ADJUSTMENT

Proper door alignment can be obtained by adjusting door hinge and door lock striker.

Door hinge and striker can be moved up and down and fore and aft in enlarged holes by loosening attaching bolts.

Door should be adjusted for an even and parallel fit with the door opening and surrounding body panels.

CAUTION:

Be careful not to distort or mar door and surrounding body panels when adjusting.

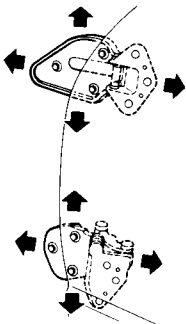
1. Remove front fender. Refer to Front Fender for removal.
2. Adjust door fore and aft and up and down to provide proper fit to body opening by loosening attaching bolts.
3. Adjust door lock striker up and down or in and out by loosening attaching bolts until it aligns with door lock.

REMOVAL AND INSTALLATION

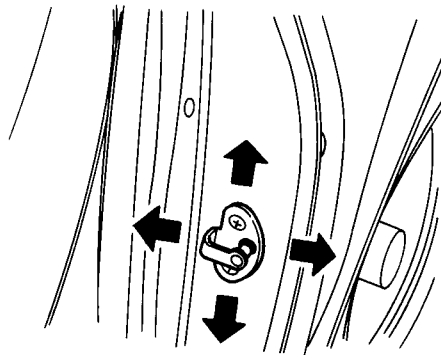
1. Remove instrument lower cover.
2. Remove side dash trim and disconnect power window and door mirror harness at connector.
3. Open door fully and support it with a stand or jack.

Place a rag between door and stand or jack to protect door panel from being scarred.

4. Remove door from hinges.

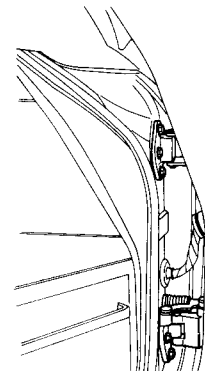


BF665B



BF666B

4. Install front fender. Refer to Front Fender for installation.



BF667B

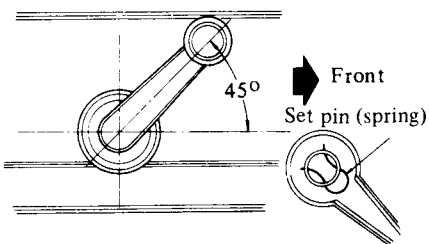
5. Installation is in reverse order of removal.

Apply grease to sliding surfaces of levers and springs.

DOOR GLASS AND REGULATOR

Removal and installation

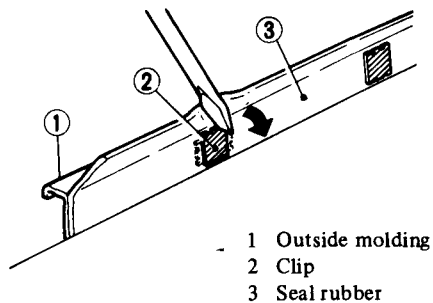
1. Remove regulator handle by prying out set pin.



BF507B

2. Remove arm rest, door inside handle escutcheon, power window switch escutcheon (if so equipped), door finisher and sealing screen.

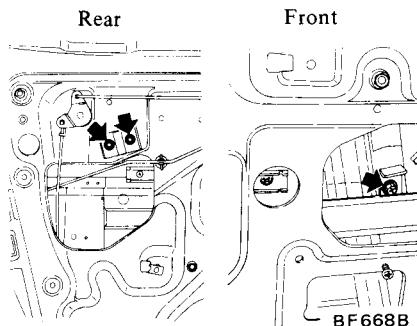
3. Lower door glass as far as possible with regulator handle or power window switch on. Using suitable tool, turn outside molding retaining clips 90°. Then remove.



BF286B

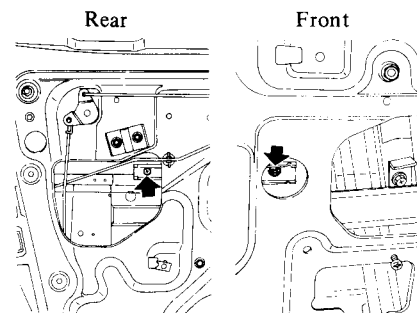
Clips are made of resin; do not apply excessive force to them.

4. Raise door glass with regulator handle or power window switch on until regulator to glass attaching screws appear at access holes in door inside panel. Then remove front and rear upper stopper bolts.



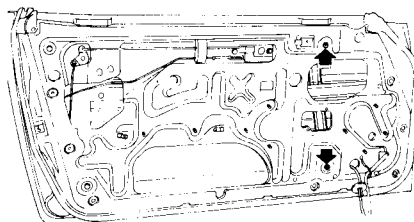
BF668B

5. Holding door glass by hand, remove regulator to glass attaching bolts. Then raise door glass and draw it upwards.



BF669B

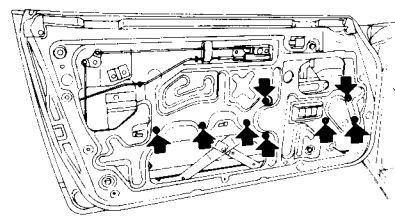
6. Remove front guide rail assembly through large access hole in door panel.



BF670B

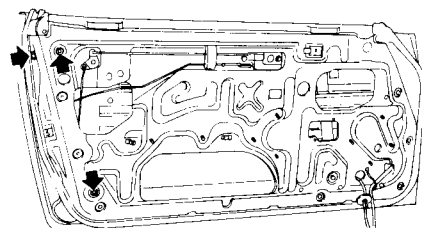
7. In models with power windows, disconnect harness connector. Then

remove regulator assembly with motor through large access hole in door panel.



BF671B

8. Remove rear guide rail assembly through large access hole in door panel.



BF672B

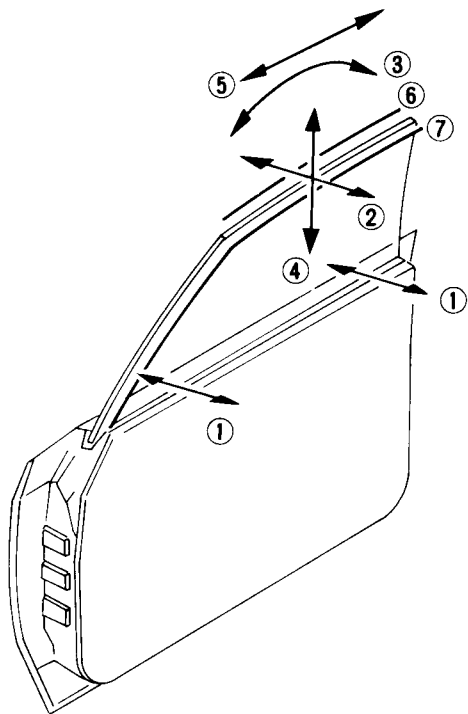
9. Installation is in reverse order of removal.

Apply grease to sliding surfaces of regulator and guide channel.

Adjustment

Before adjusting door window glass, check body side weatherstrip to be sure it is installed properly. Improper installation may cause water or dust leaks.

Proper window glass adjustment can be performed as follows: See figure.

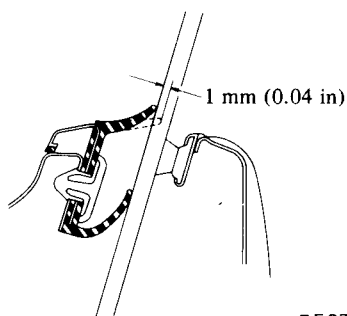


- 1 In-out adjustment (at waist area)
- 2 In-out adjustment (upper side of glass)
- 3 Tilt adjustment (upper side of glass)
- 4 Glass upper stop adjustment
- 5 Glass fore and aft adjustment
- 6 Range of glass upper stop adjustment
- 7 Range of in-out adjustment (upper side of glass)

BF211B

In-out adjustment (At waist area)

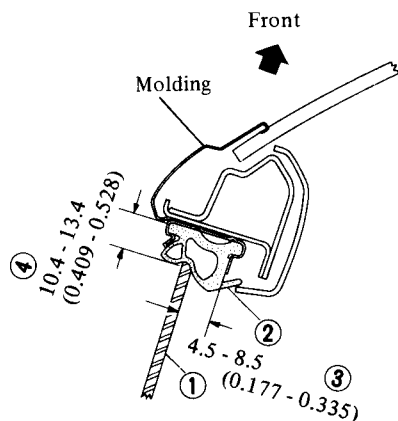
1. With door glass in up position and the door closed, loosen rear guide rail upper securing bolt. See figure. Adjust front and rear upper adjusting bolts so that glass will push molding upper seal by 1 mm (0.04 in).
2. After adjusting clearance, tighten upper adjusting bolts.



BF673B

In-out adjustment (Upper side of glass)

With lower adjusting bolts, adjust upper edge of glass as shown in figure.

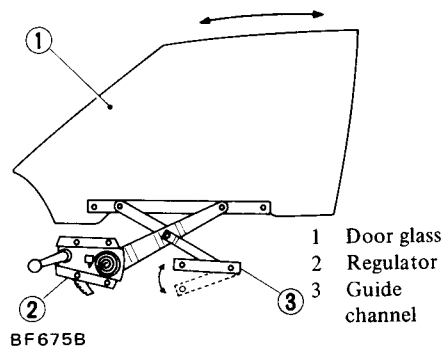


- 1 Door glass
- 2 Body side weatherstrip
- 3 In-out adjustment (Upper side of glass)
- 4 Fore and aft adjustment

Unit: mm (in)
BF674B

Tilt adjustment (Upper side of glass)

1. Loosen, front and rear upper stopper securing bolts and front and rear guide rail adjusting nuts.
2. Adjust door regulator so that upper side of glass is parallel with body side weatherstrip.



- 1 Door glass
- 2 Regulator
- 3 Guide channel

BF675B

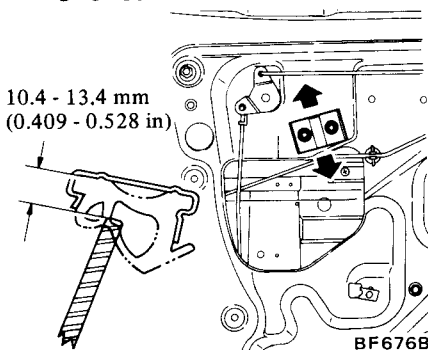
3. After adjusting, tighten adjusting nuts and bolts.

Fore and aft adjustment

Loosen front and rear guide rail adjusting bolts. Adjust door glass so that it is at position shown in figure.

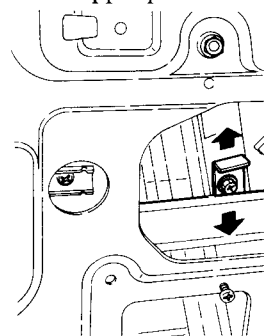
Glass upper stop adjustment

1. Adjust rear height of glass by changing upper rear stopper position.



BF676B

2. Adjust front height of glass, same as rear upper stopper, by changing upper front stopper position.

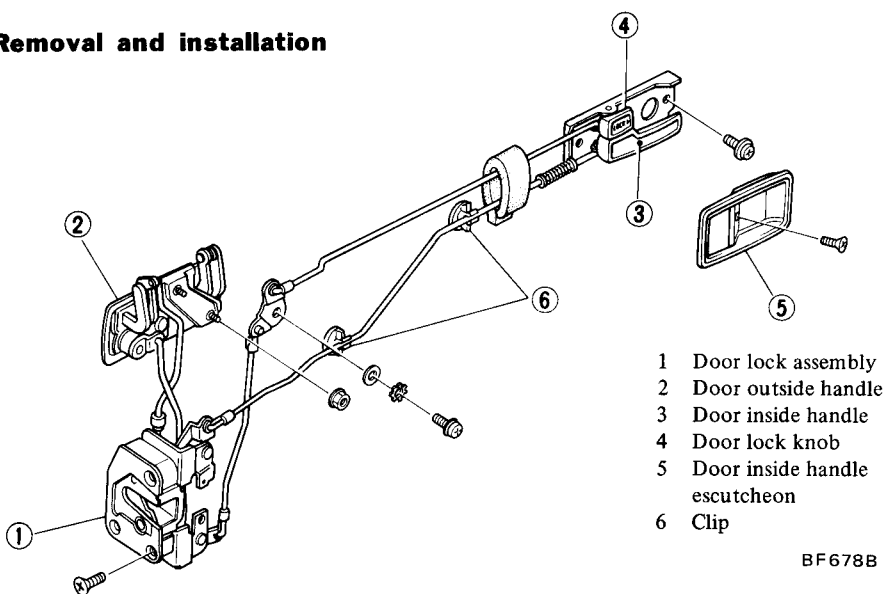


BF677B

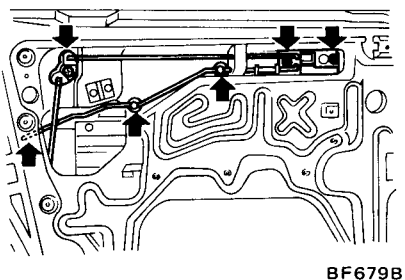
After entire adjustment is made, make sure that each adjustment is within the specified limit.

DOOR LOCK AND LOCK CONTROL

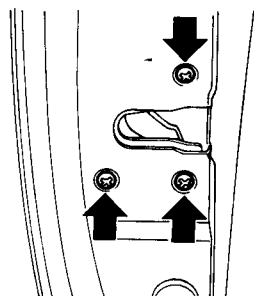
Removal and installation



1. Remove door glass. Refer to Door Glass for removal.
2. Remove door inside handle attaching screws. Disengage knob rods from rod holders on bell crank and door lock. Then remove door inside handle assembly.



3. Loosen bell crank attaching screw. Disconnect key rod from door lock. Then remove door lock assembly together with bell crank.

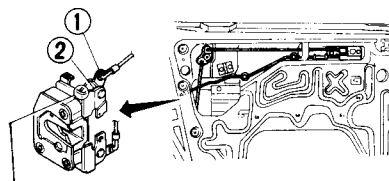


4. Remove door outside handle.
5. Installation is in reverse order of removal.

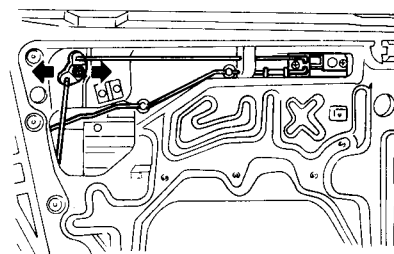
Apply grease to sliding surfaces of levers and springs.

Adjustment

1. With door inside handle locked, adjust door inside handle so that lock side inside lever can touch lock base plate. After adjustment is made, secure door inside handle.



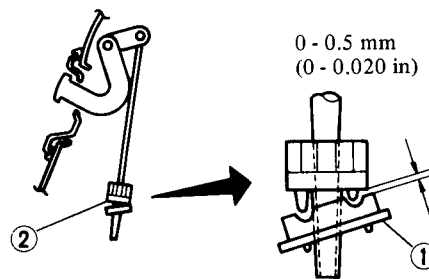
2. With lock knob in lock position, adjust bell crank so that play of lock knob is minimum. Then secure bell crank.



3. Adjust door outside handle rod as follows:

Door outside handle adjustment can be accomplished by adjusting the clearance between door lock lever and adjusting nut (nylon) located on door outside handle rod.

To adjust door outside handle, turn adjusting nut clockwise or counter-clockwise to obtain a clearance of 0 to 0.5 mm (0 to 0.020 in). See figure.



- 1 Lever at door lock
- 2 Adjusting nut

BF683B

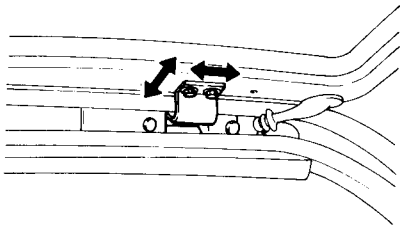
BODY REAR END

BACK DOOR

ADJUSTMENT

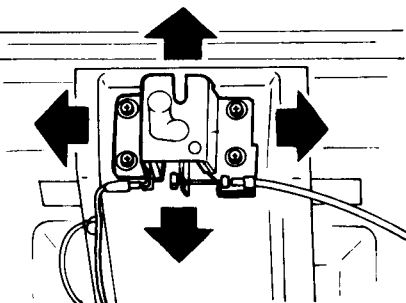
Back door can be adjusted with bolts attaching back door to back door hinge and back door lock.

1. Loosen bolts attaching back door to back door hinge.
2. To make side-to-side adjustment, move back door to left or right as required to obtain an equal clearance between back door and rear fender on both sides.
3. To make fore-and-aft adjustment, move back door in fore-and-aft direction as required to obtain an equal clearance between back door and roof.



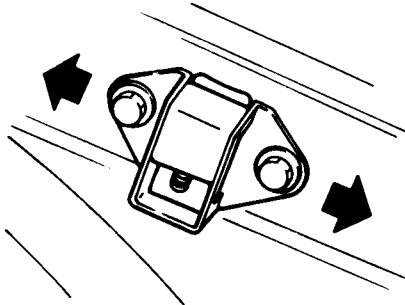
BF684B

4. After alignment is properly made, tighten bolts securely.
5. To obtain a snug fit between back door and weatherstrip, loosen down stopper securing screws. Loosen back door lock attaching bolts enough to move lock, working lock up or down and from side to side as required.



BF685B

6. After desired adjustment is obtained, tighten back door lock attaching bolts securely.
7. Adjust down stopper to set with hollow of back door, then tighten down stopper securing screws.



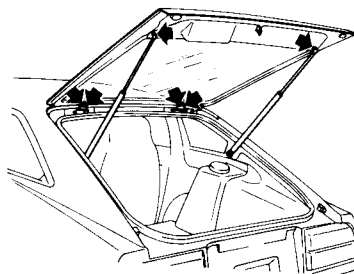
BF686B

REMOVAL AND INSTALLATION

1. Open back door.
2. Mark hinge locations on body for proper reinstallation.
3. Support back door by hand and remove back door to back door stay bolts. Remove rear roof rail trim and disconnect rear defogger and rear window wiper harness connector and hose.
4. Support back door by hand and remove back door to back door hinge attaching bolts. Then remove back door. This operation requires two men.

CAUTION:

Place rags between roof and upper end of back door to avoid damaging painted surfaces.

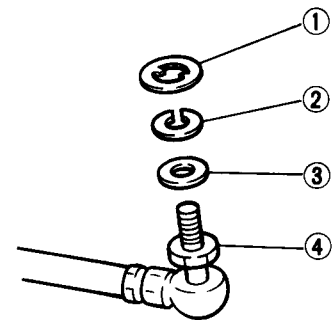


BF687B

5. Installation is in reverse order of removal.

Before securing back door stay to car body with bolts, make sure parts shown in figure are properly assembled.

- Ⓡ : Back door stay retaining bolt
 19 - 25 N·m
 (1.9 - 2.5 kg-m,
 14 - 18 ft-lb)



- 1 Stopper ring
- 2 Spring washer
- 3 Spacer rubber
- 4 Stay stud

BF688B

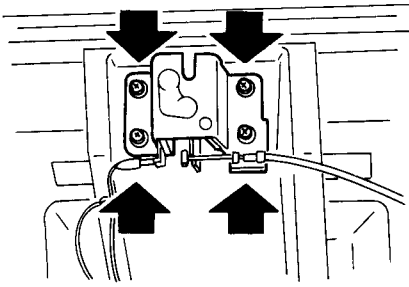
CAUTION:

- a. Be careful not to scratch back door stay when installing. A scratched stay may cause gas leakage.
- b. Back door stay contents are under pressure. Do not take apart, puncture, apply heat or fire.

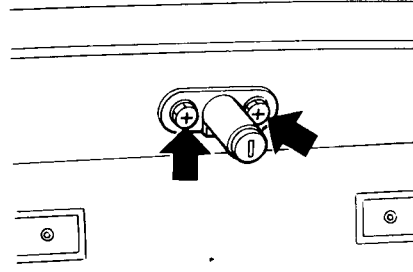
BACK DOOR LOCK AND LOCK CYLINDER

Removal and installation

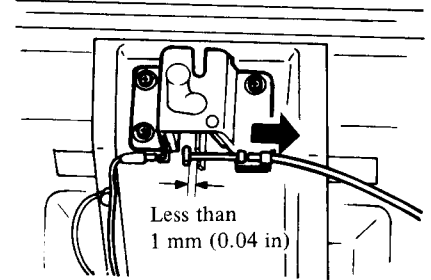
1. Open back door.
2. Remove luggage rear finisher.
3. Remove back door lock from rear panel.



BF689B



BF690B



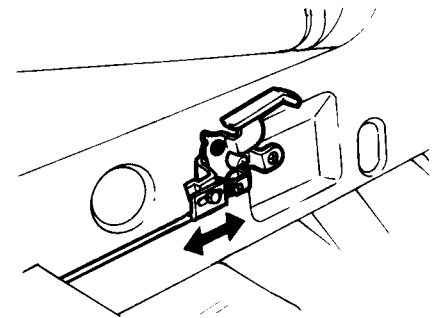
BF692B

4. Remove license lamp case and then remove lock cylinder.

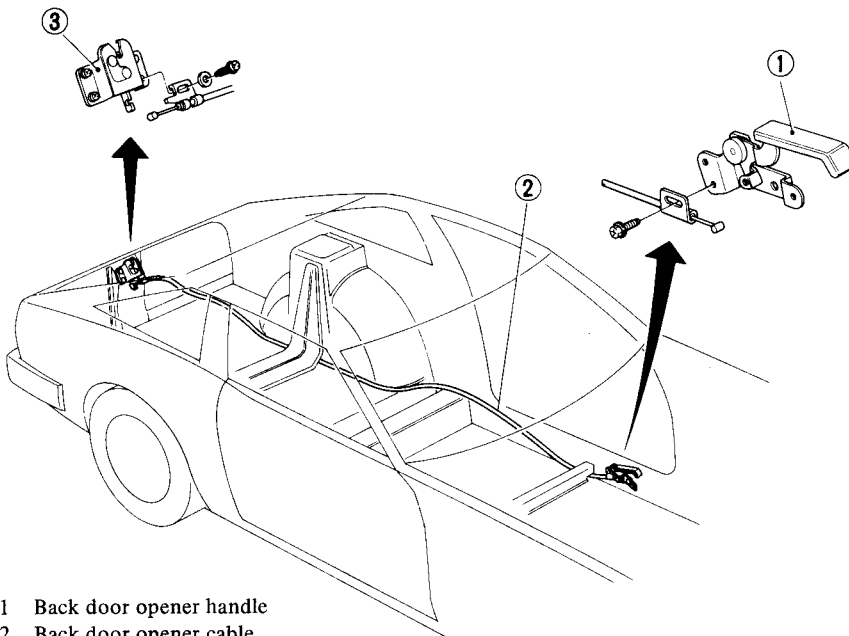
5. Installation is in reverse order of removal. Adjust back door lock, referring to Back Door for adjustment.

2. Adjust cable front clamp and tighten.

BACK DOOR OPENER



BF693B



- 1 Back door opener handle
- 2 Back door opener cable
- 3 Back door lock

BF691B

ADJUSTMENT

1. After adjusting back door, adjust cable rear clamp so that clearance between cable end and locking lever is

less than 1 mm (0.04 in) with back door locked. Then tighten clamp securing bolt.

REMOVAL AND INSTALLATION

1. Open back door and door.
2. Loosen lap-shoulder belt securing bolt and remove seat belt plate.
3. Remove instrument lower cover and side dash trim, then remove kicking plate and turn up floor carpet.
4. Remove rear seat, referring to Rear Seat for removal.
5. Remove front side body trim and wheel house trim.
6. Remove rear panel finisher, body side rear finisher and padding.
7. Remove back door lock.
8. Disconnect back door lock opener cable from back door lock.
9. Remove back door opener handle with cable.
10. Installation is in reverse order of removal.

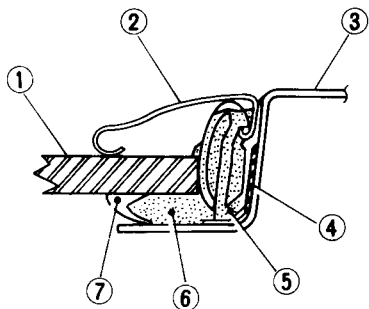
WINDSHIELD AND WINDOW GLASS

WINDSHIELD GLASS

A pre-mixed, one-part sealant to cement windshield glass to windshield opening is available.

After using this sealant, it is highly recommended that the car should remain stationary for about 24 hours so that the sealant can cure well.

Upper and lower windshield moldings are installed with a continuous plastic molding fastener.



- 1 Windshield glass
- 2 Windshield molding
- 3 Body
- 4 Double-faced adhesive tape
- 5 Molding fastener
- 6 Sealant
- 7 Dam

BF694B

REMOVAL

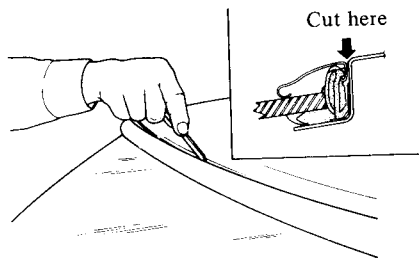
1. Protect hood, front fenders, instrument panel and front seats with covers.

2. Remove windshield wipers, front pillar garnishes and windshield garnish.

Refer to Roof Trimming for removal.

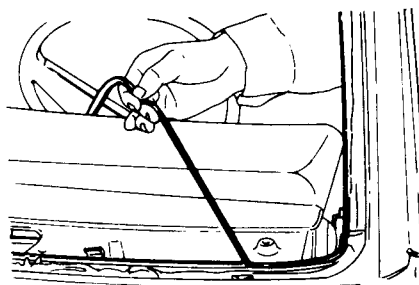
3. Remove front pillar moldings.

4. With a sharp cutting knife, cut off caulking material attached to upper and lower moldings. Then remove moldings.



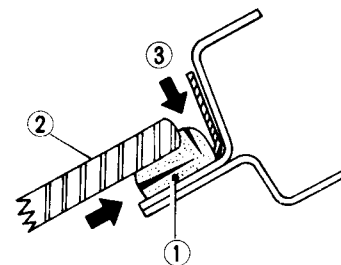
BF695B

5. Reaching from inside car, strip dam rubber from around windshield glass.



BF288B

6. With a sharp cutting knife, cut off caulking material along edge of entire window opening.



- 1 Adhesive caulking material
- 2 Glass
- 3 Knife cut

BF331B

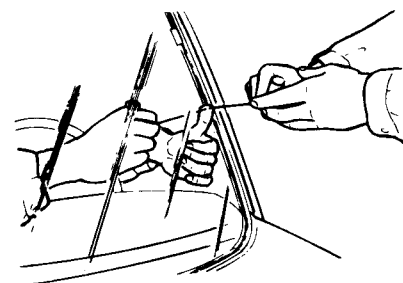
7. Cut off caulking material around entire perimeter of glass as follows:

(1) Using a knife, cut through part of caulking material.

(2) Secure one end of steel music wire [0.5 mm (0.020 in) in diameter] to a piece of wood that can serve as a handle.

Using long nose pliers, insert other end of wire through caulking material at edge of glass; then, secure that end of wire to another wood handle.

(3) With the aid of an assistant, carefully cut (pull wire) through caulking material around entire perimeter of window using a sawing motion.



BF357B

8. From inside car, push glass up and out of window opening.

9. Using a razor blade or sharp scraper, remove caulking material along entire edge of windshield opening, leaving it about 1.0 to 2.0 mm (0.039 to 0.079 in) thick.

If residual sealant is silicone, remove all traces of it.

CAUTION:

- a. Use Genuine Nissan Sealant Kit "72891Y1625" or equivalent. Sealant kit consists of Primer-A, Primer-E, dam, caution label and sealant which is made from silicone. Using this kit, proceed to operations described in removal and installation.
- b. Do not use sealant if it is more than six-months old.
- c. Open cartridge only at the time of use.
- d. Keep Primers and sealant in a cool, dry place. Ideally, sealant should be stored in a refrigerator.

WARNING:

Keep heat or open flames away as Primers are flammable.

CAUTION:

a. When body painted surface is scratched, be sure to repair with paint.

b. Identification of used adhesive material can be accomplished as follows:

1) Cut a small piece of excess sealant from glass or windshield opening flange.

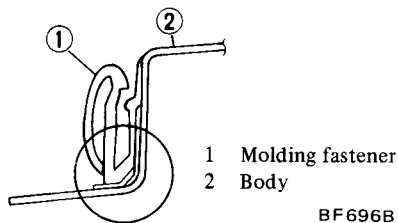
2) Stick small piece of sealant on the end of knife or the like, and hold it over flame from match or lighter until it ignites.

● Polysulfide burns with a clear flame and a very small amount of white smoke or no smoke and its odor is very objectionable (heavy sulfur dioxide).

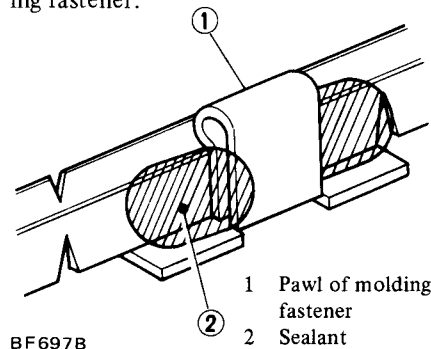
● Polyurethane burns with a dirty flame and emit black smoke and very little odor.

● Silicone glows with little or no flame and emits white smoke and very little odor.

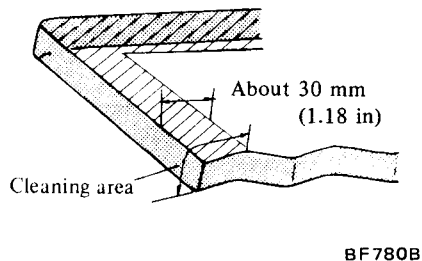
Burnt residue is white ash.



(3) Apply glass sealant beside molding fastener.



3. Clean glass surface where the sealant will be applied and dam with non-lead gasoline.



INSTALLATION

1. Clean contacting face of body with non-lead gasoline.

CAUTION:

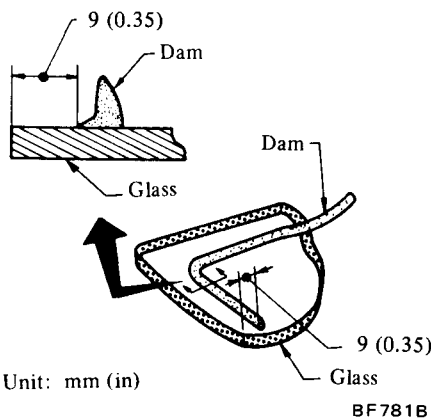
Do not allow oil, grease or water to get on clean surfaces from dirty hands or tools.

2. Install molding fasteners on upper and lower windshield opening as follows:

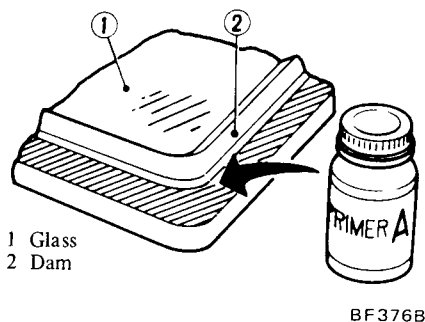
(1) Heat molding fastener and contacting face of body up to about 40°C (104°F) using a heat gun.

(2) Attach molding fastener to body and press it more than 490 kPa (5 kg/cm², 71 psi) using a suitable roller.

4. Install dam rubber to inside of windshield glass 9 mm (0.35 in) inboard from edge of glass and cut off excess amount at its ends.



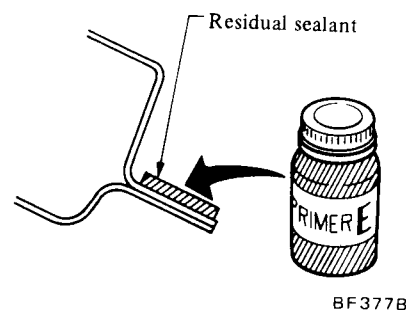
5. With sponge furnished with Primer A, apply a light coat of Primer to cleaned area of glass.



CAUTION:

Do not apply Primer A to glass opening flanges.

6. With sponge furnished with Primer E, apply a light coat of Primer to original caulking material left on glass opening flange.

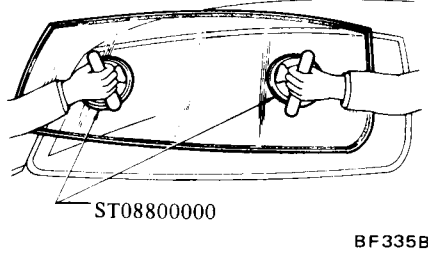
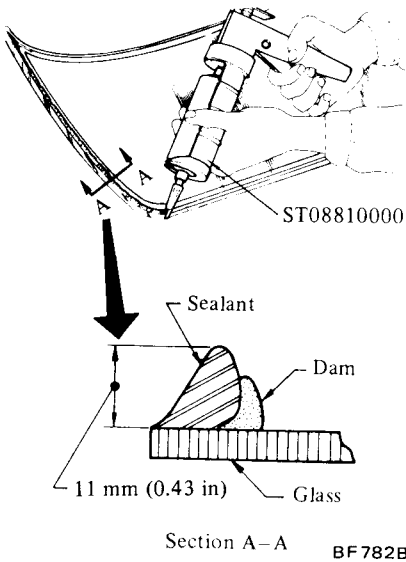


If residual sealant is silicone, remove all traces of it.

CAUTION:

Allow Primers to dry for 10 to 15 minutes before proceeding to the next step.

7. Insert cartridge in Caulking Hand Gun ST08810000 and place smooth, continuous bead on glass 11 mm (0.43 in) above glass surfaces.



After installing, attach caution label to glass surface.

CAUTION

LEAVE ONE WINDOW OPEN SLIGHTLY FOR THREE DAYS.

This is to protect your new windshield installation from pressure-induced leaks before the rubber seal has completely vulcanized.

BF698B

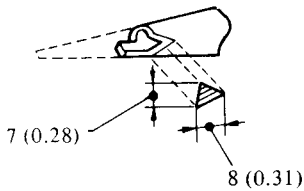
10. Apply pressure on glass to aid in seating on plate.
11. Wipe excess caulking material off molding fasteners, edges of glass, and body.
12. Remove protective covers.
13. Water test immediately using a cold water spray.

Do not direct stream of water at fresh adhesive material. Allow water to spill over edges of glass. If leaks are encountered, use Caulking Hand Gun to work in additional caulking material at leak point.

14. Install all previously removed parts.

Be sure that it does not obstruct visibility. The label, noting the fact that sealing will be impaired if door is opened or closed with window closed before sealant has dried, will be furnished with the kit.

Cut off nozzle end of cartridge as shown below.



Unit: mm (in)

BF957

Pierce sealing film with needle; install cartridge on hand gun.

CAUTION:

Sealant starts to harden 15 minutes after it is applied; therefore, windshield glass should be installed in windshield opening in body within 15 minutes of applying sealant.

8. Support windshield glass with Sucker ST08800000.

9. Install windshield glass on opening flange so that clearances between windshield glass and body are about 7 mm (0.28 in).

Reference: Period required for sealant to dry to desired hardness.

Unit: days

Relative humidity %	Temperature °C (°F)		
	90	50	25
25 (77)	1.5	2.5	6
10 (50)	3	5.3	10
-10 (14)	10	17	34

REPAIRING LEAKS

Leaks can be repaired without removing and reinstalling glass in the following manner:

1. To stop leaks, first remove moldings in area of leak.
2. Mark location of leak.

If water is leaking between caulking material and body or between glass and caulking material, determine extent of leak by pushing glass outwards.

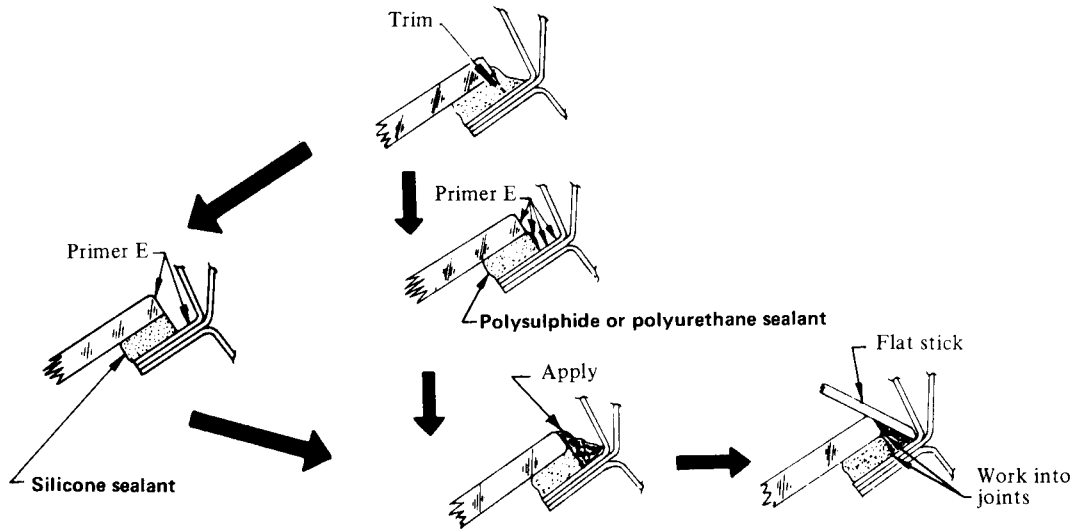
Apply water to leak area while pushing on glass.

Mark extent of leak point.

3. Apply Primer and then sealant to leak points, following procedures shown below.

CAUTION:

Do not apply Primer to old silicone sealant.



BF498B

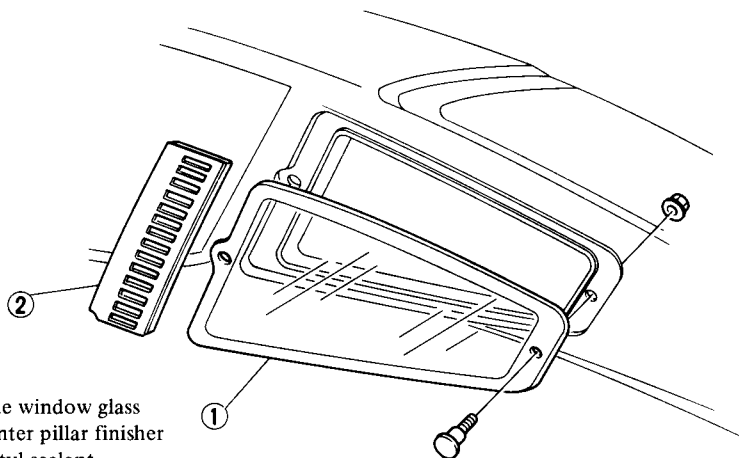
SIDE WINDOW GLASS (2 seater)

DESCRIPTION

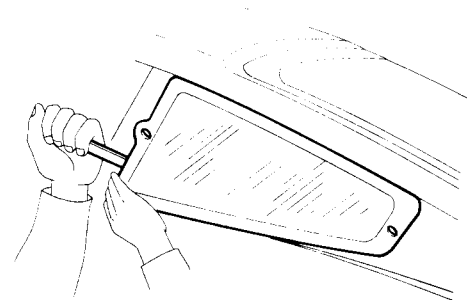
The side window glass is butyl-sealed all around its periphery and is retained with two bolts.

4. Using a knife, cut off butyl sealant around entire periphery of glass.

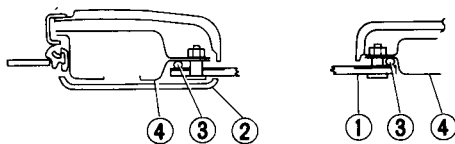
It is advisable to start cutting butyl sealant at front portion of window glass while pulling glass outward.



- 1 Side window glass
- 2 Center pillar finisher
- 3 Butyl sealant
- 4 Body



BF790B



BF699B

- 5. Remove side window glass.
- 6. Using a rag dampened with unleaded gasoline, remove any trace of butyl sealant from car body.

REMOVAL

CAUTION:
Do not attempt to pry moldings glued to the rear side window glass.

- 1. Remove center pillar finisher.
- 2. Remove front body side trim.
- 3. Remove side window glass retaining bolts.

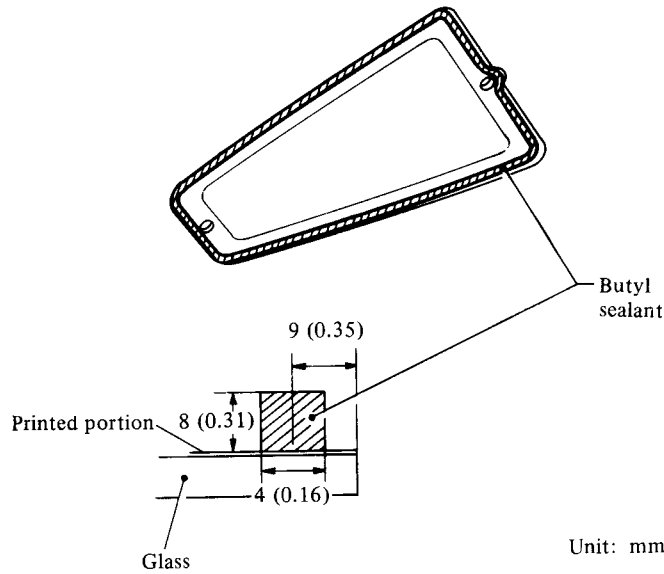
INSTALLATION

- 1. Clean contacting surfaces of body and side window glass with a rag dampened with unleaded gasoline.

CAUTION:

Do not allow oil, grease or water to get on clean surfaces.

2. Attach butyl sealant around entire periphery of side window glass so that inner edge is at specified distance from printed black area on glass. See Fig. BF-78.

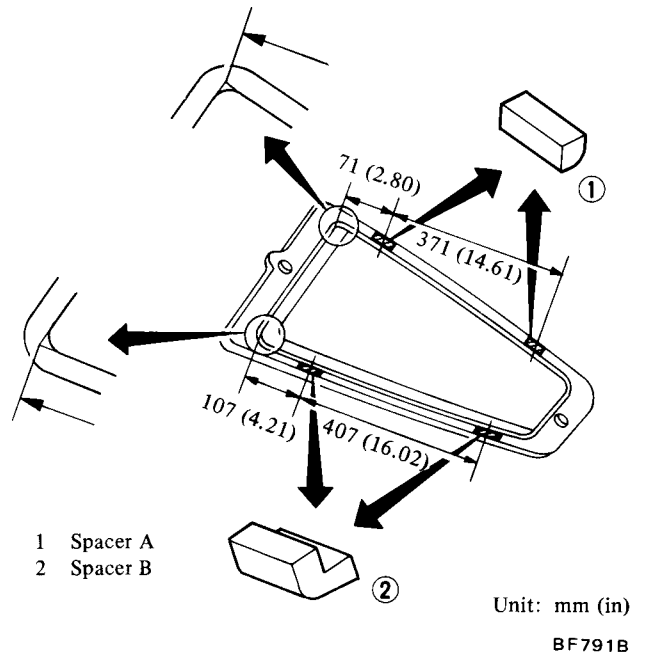


Unit: mm (in)
BF792B

- a. Do not touch surfaces of butyl sealant which contact with side window glass with hands, as this will reduce sealing effects.
- b. Always affix a continuous bead of butyl sealant. Be sure to overlap one end of butyl bead approximately 10 mm (0.39 in) over the other end. A break can cause water leakage.

3. Install 4 spacers on side window opening. See figure.

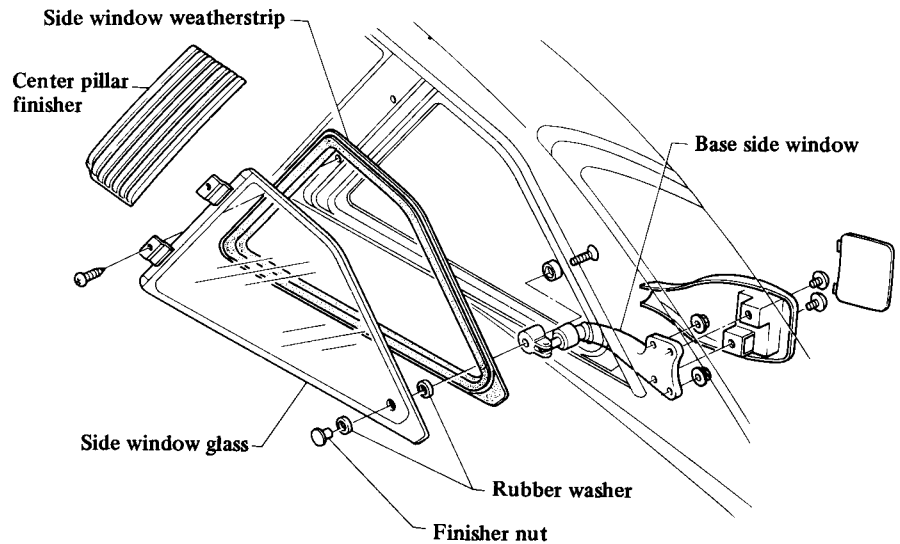
Do not confuse spacers A and B and glass location each other. They differ in shape.



Unit: mm (in)
BF791B

4. Position side window glass in opening flange of side window.
5. Using a heat gun, heat butyl sealant on inner side of side window to approximately 80°C (176°F), and apply hand pressure to glass.
6. Tighten bolts and nuts securing side window glass.
7. Install all previously removed parts in the order of removal.

SIDE WINDOW GLASS (2 + 2 seater)

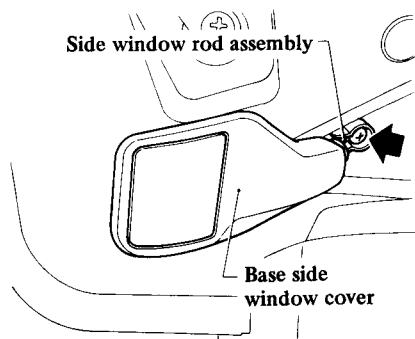


SBF527A

SIDE WINDOW

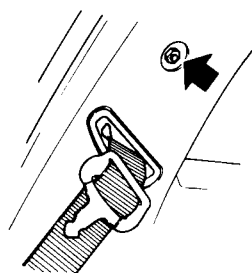
Removal and installation

1. Remove side window rod assembly.



SBF528A

2. Remove center pillar finisher by loosening nut.

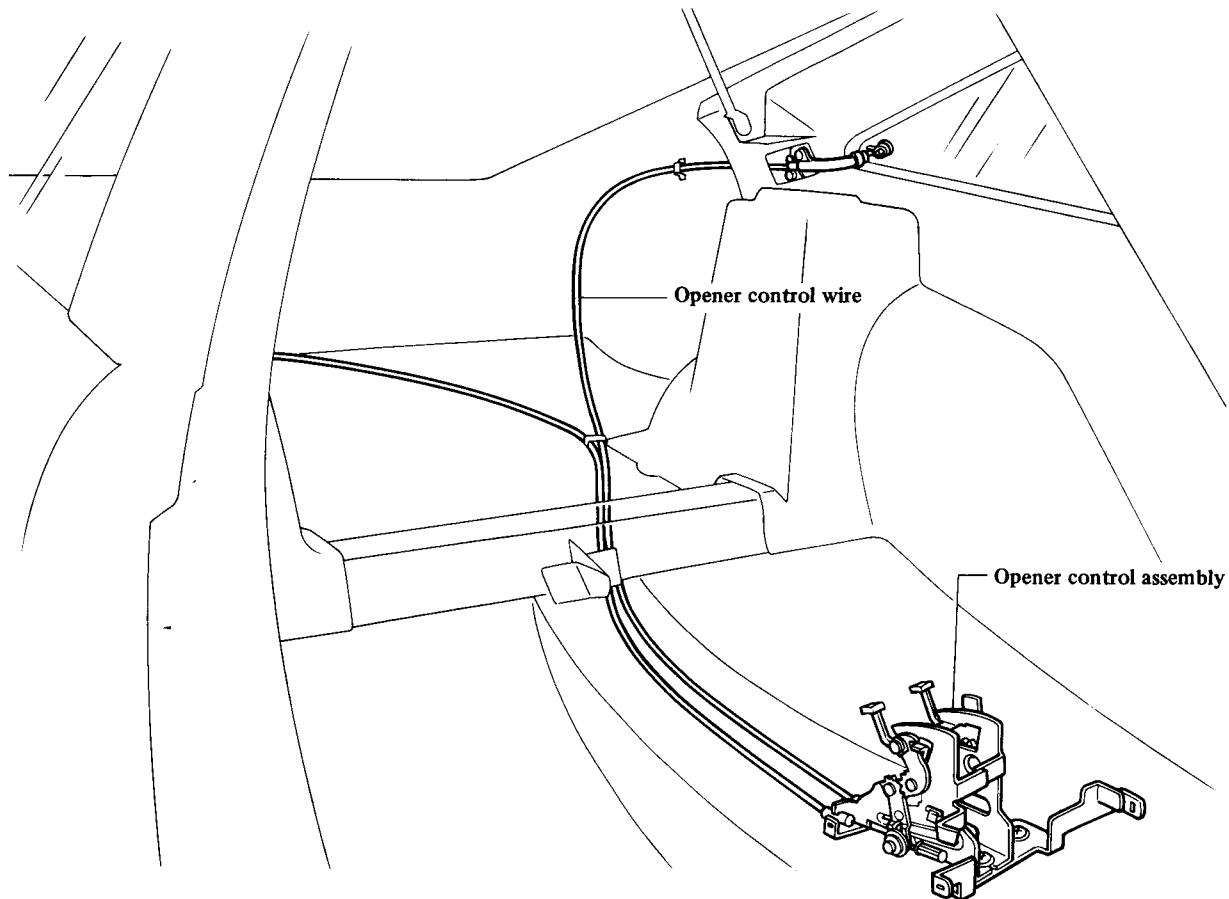


BF701B

3. Loosen screws attaching side window hinge and remove side window assembly.

4. Installation is in the reverse order of removal.

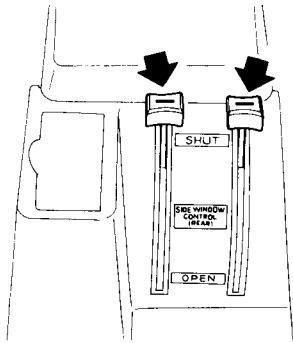
SIDE WINDOW OPENER



SBF529A

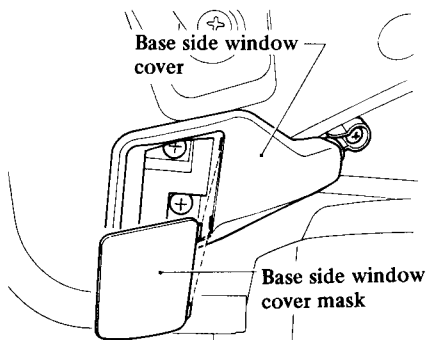
Removal and installation

1. Remove front seats and rear cushion, then remove seatback with rear carpet.
2. Take out rear floor padding.
3. Remove opener control knob, then remove console box.



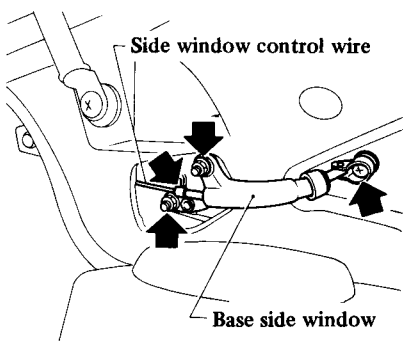
SBF530A

4. Remove base side window cover mask, then remove cover mask.



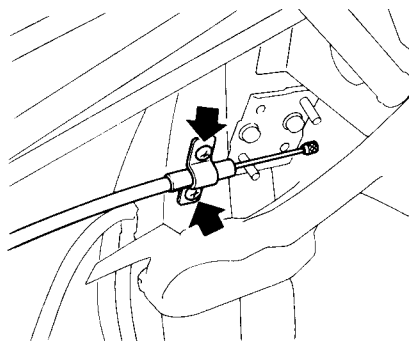
SBF531A

5. Remove base side window.



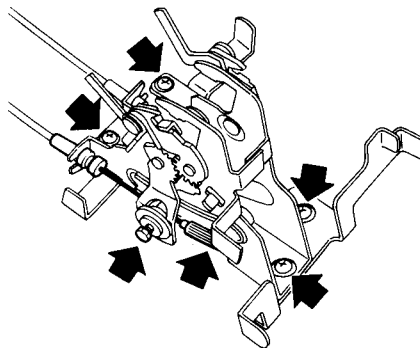
SBF532A

6. Remove rear panel finisher and rear body side trim, then remove control wire clamp.



SBF533A

7. Remove opener control assembly attaching screws and wire clamps, then draw out side window control wire.

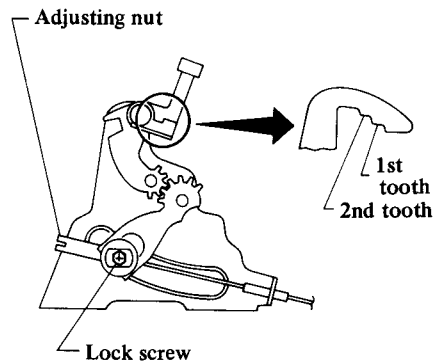


SBF534A

8. Installation is in the reverse order of removal.

After installation, make sure that side window opens smoothly.

Adjustment

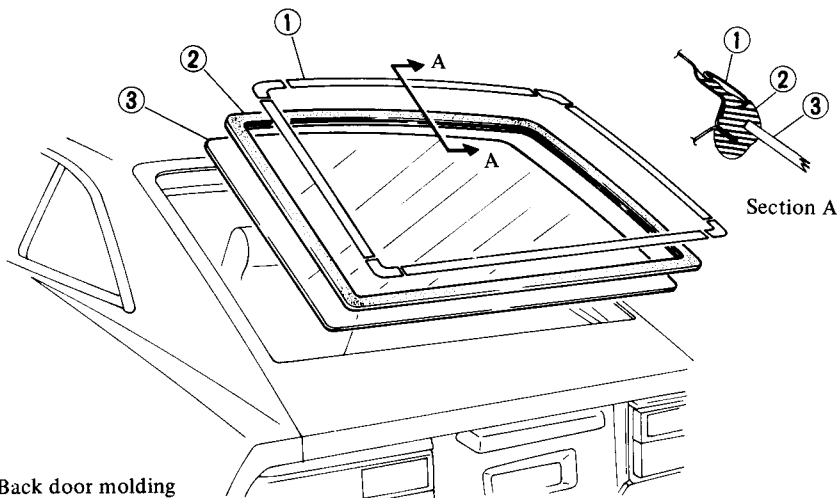


SBF535A

1. Set control lever stopper at 1st tooth.
2. Fully close side glass by turning adjusting nut and tighten lock screw securely.

When wire elongates to such an extent that stopper must be locked at 2nd tooth, loosen lock screw and turn adjusting nut so that stopper engages with 1st tooth. Tighten lock screw securely.

BACK DOOR GLASS

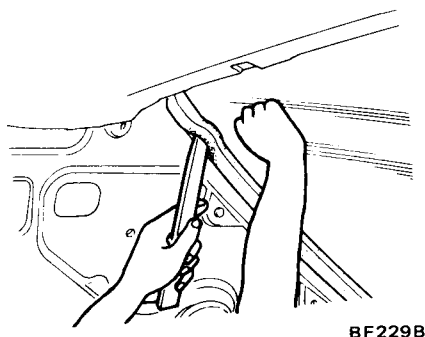


- 1 Back door molding
- 2 Weatherstrip
- 3 Back door glass

BF702B

REMOVAL

1. Place protective covers on back door and rear fenders.
2. Remove rear roof rail trim, rear panel finisher, rear body side trim and front body side trim. Then disconnect rear window defogger harness at connector.
3. Remove back door molding by prying out molding.
4. Attach two Suckers ST08800000 to glass beforehand for convenience in lifting out back door glass.
5. From inside passenger compartment, apply hand pressure to edges of back door glass and remove weatherstrip lip from body flange, starting from top to sides. Use a conventional screwdriver covered with cloth or other suitable tool and carefully put weatherstrip over body flange.



6. After back door weatherstrip is free from body flange, with aid of a helper, carefully remove back door glass with Suckers ST08800000.

INSTALLATION

It is important that back door opening in body be checked thoroughly before installation of back door glass.

Procedure below includes checking of back door opening in body.

1. Check back door weatherstrip and back door opening in body for any irregularities.
2. Stick Suckers ST08800000 on back door glass. With aid of a coworker, carefully position glass in opening in body.

CAUTION:

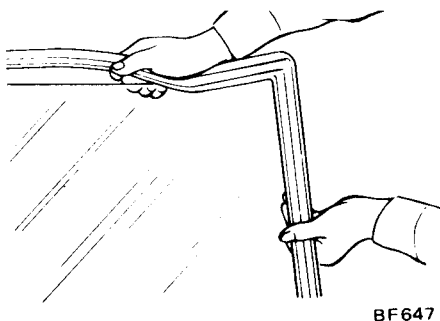
Care should be exercised to make certain glass does not strike body metal during installation. Edge chips can lead to future breaks.

3. With back door glass supported and centered in opening in body, check relationship between glass and opening around entire perimeter of glass.

- (1) Entire inside surface of glass should be in contact with opening.
- (2) Curvature of glass should conform to that of opening.
- (3) Mark any section of opening to be reformed. Remove glass and reform opening as required.

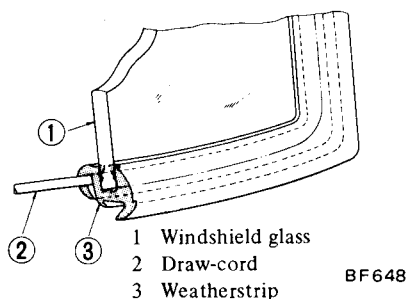
4. Install back door glass as follows:

- (1) Install back door weatherstrip to glass.



- (2) Insert a strong cord in groove of weatherstrip where opening flange fits.

Insert cord so that its ends are at bottom center of glass.



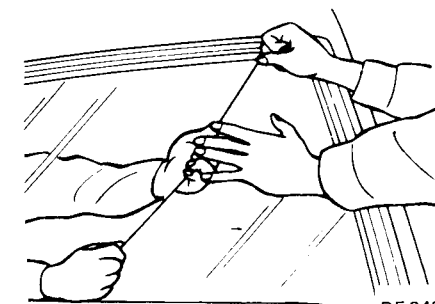
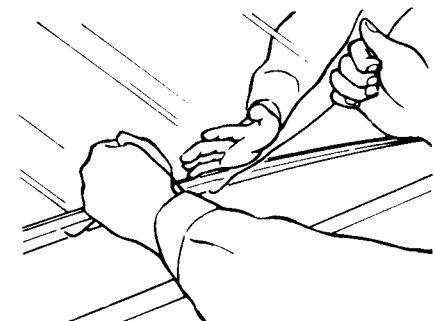
- (3) With aid of a helper, carefully position and center back door glass in opening in body, supporting it with Sucker ST08800000.

- (4) When glass and weatherstrip are properly positioned in opening, slowly pull ends of cord with a coworker pushing glass from outside, starting from lower center of back door glass to seal lip of weatherstrip on opening flange.

Cord should be pulled first across bottom of glass, then up each side and finally across top.

- (5) Carefully tap around back door glass to assist in seating weatherstrip on flange.

Never tap or hammer at glass to position.



5. Install all previously removed parts.

BF 650

BF 647

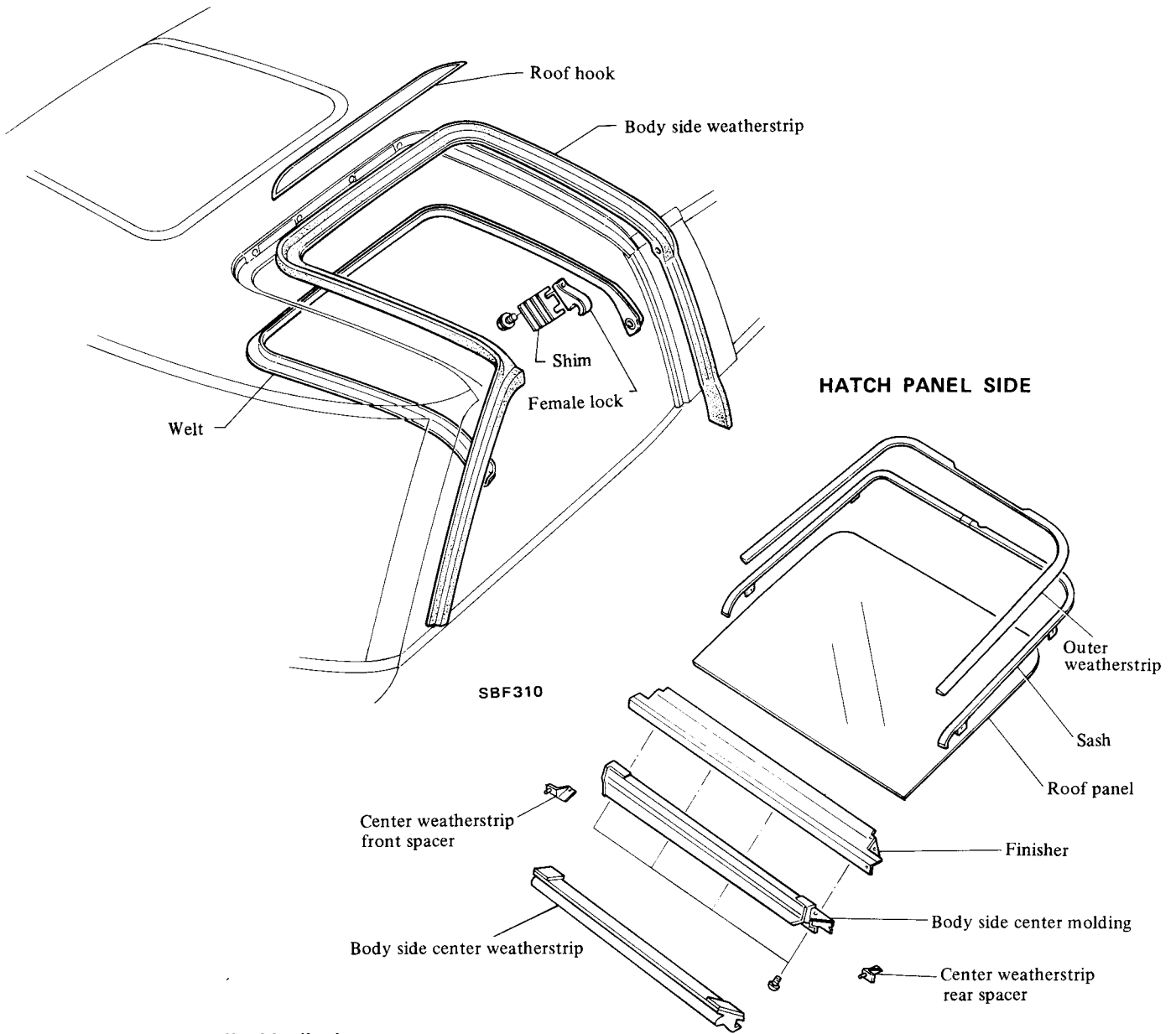
BF 649

BF 648

T-BAR ROOF

CONSTRUCTION

BODY SIDE

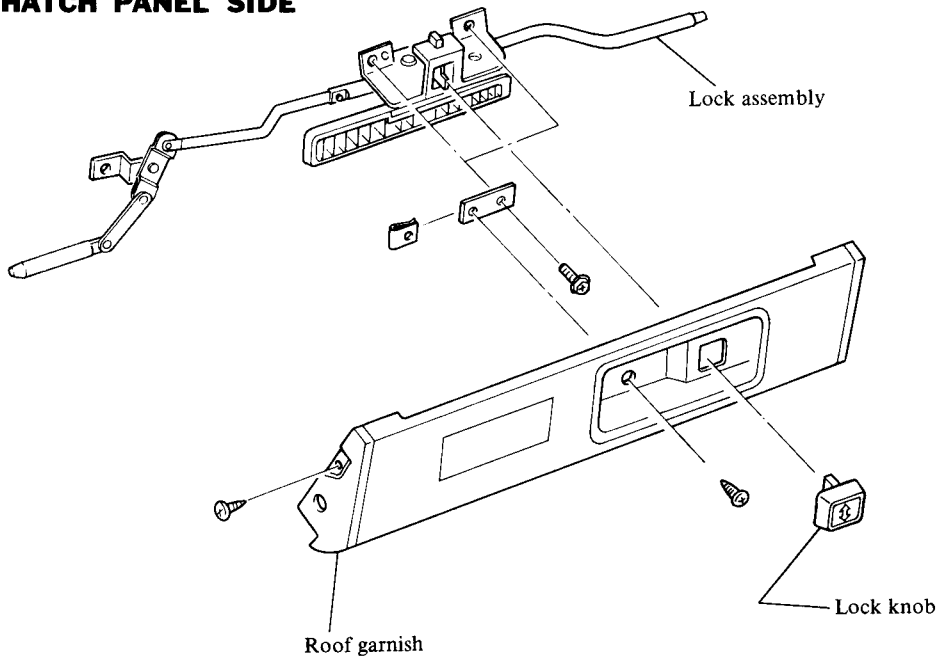


Use a urethane, one-liquid adhesive agent to attach body side weatherstrips.

SBF311

LOCK MECHANISM

HATCH PANEL SIDE



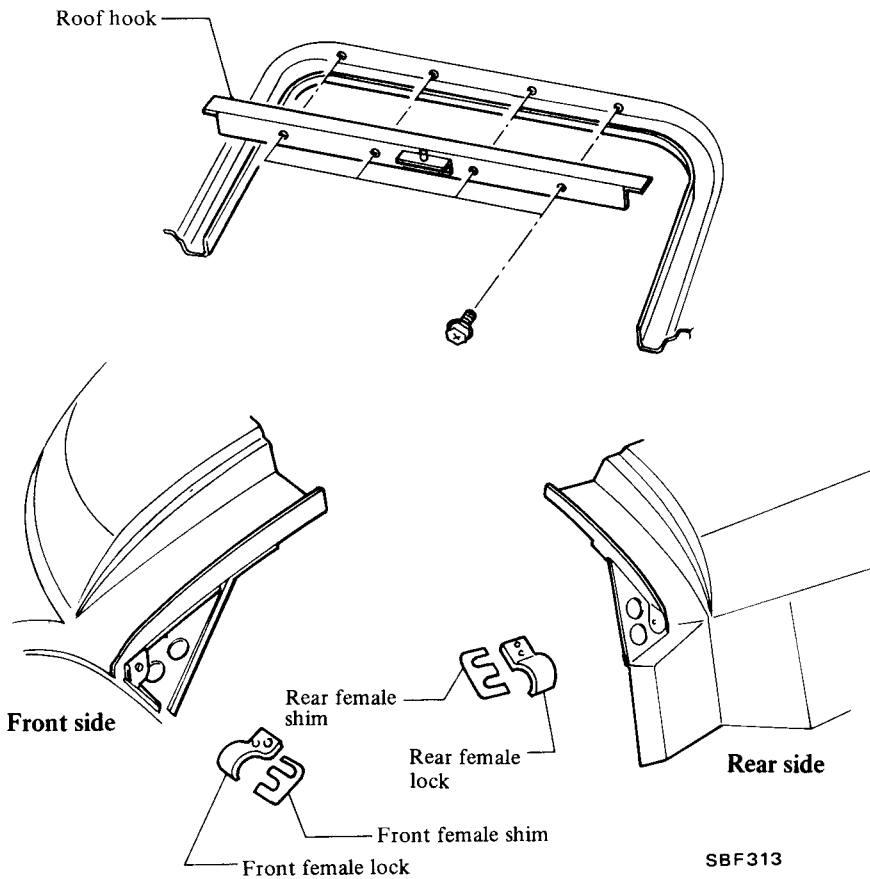
SBF312

Adjustment

Adjust height of hatch panel so that it is flush with body roof. To adjust, add or remove shim(s) between female and car body. Do not use more than five shims in one place.

1. Remove roof welt.
2. Add shim(s) when hatch panel is lower than body roof.
3. Remove shim(s) when hatch is higher than body roof.

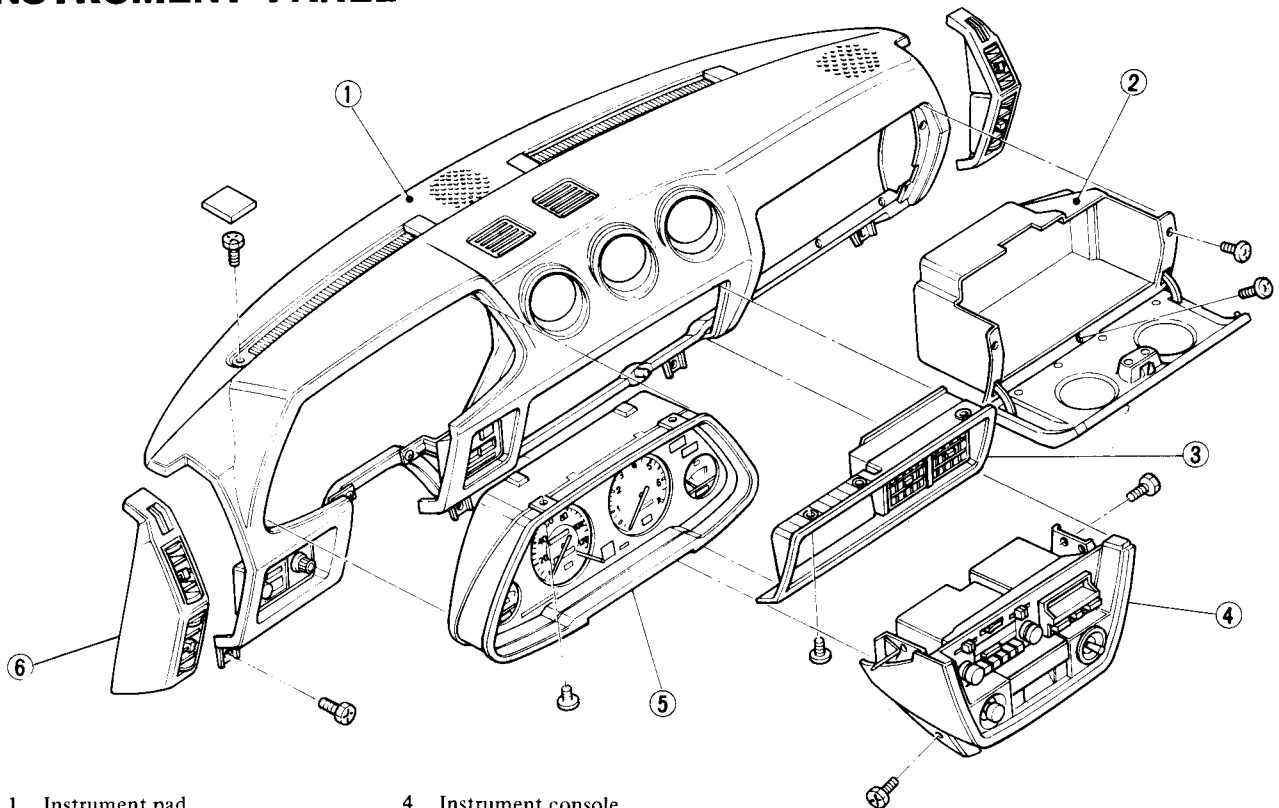
BODY SIDE



SBF313

INTERIOR

INSTRUMENT PANEL



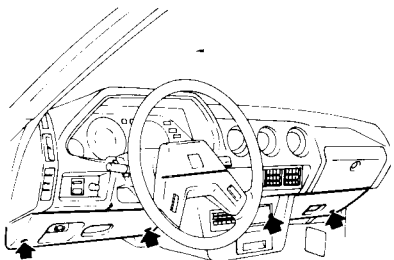
- | | |
|--------------------------------|----------------------|
| 1 Instrument pad | 4 Instrument console |
| 2 Glove box | 5 Combination meter |
| 3 Instrument center ventilator | 6 Side ventilator |

BF703B

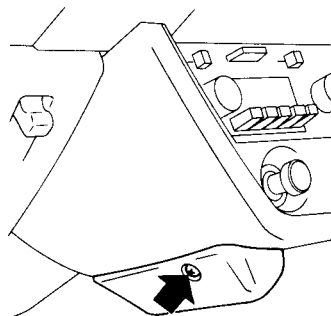
REMOVAL AND INSTALLATION

1. Disconnect battery ground cable.
2. Remove horn pad, steering wheel and shell cover. Refer to Steering Wheel (Section ST) for removal.
3. Remove combination switch.
4. Remove instrument lower covers. Disconnect step lamp harness at connector and air conditioner vacuum tube.

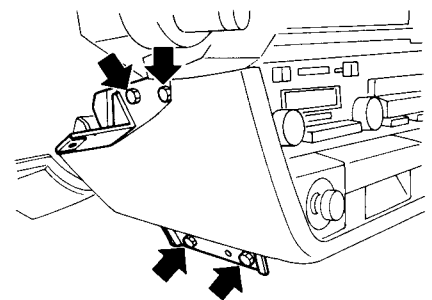
5. Remove instrument console bracket covers.



BF704B



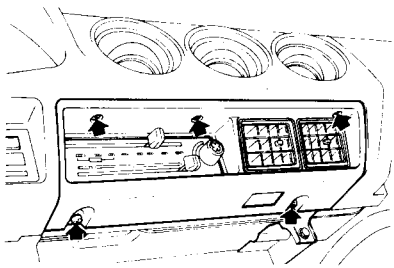
BF705B



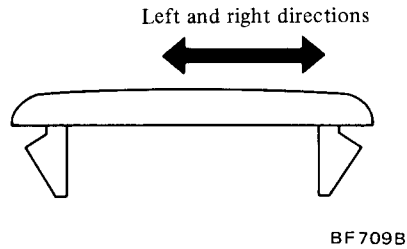
BF706B

7. Remove instrument center ventilator.

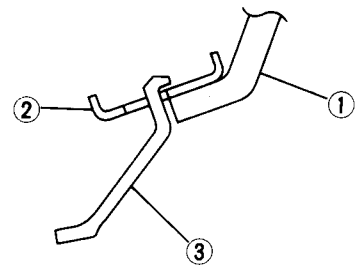
6. Remove instrument console.



BF707B



BF709B

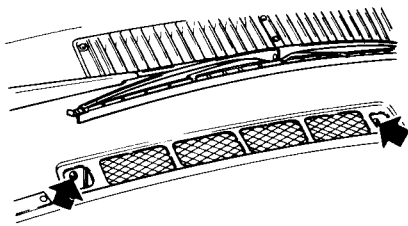


1 Pad
2 Panel
3 Instrument lower cover BF710B

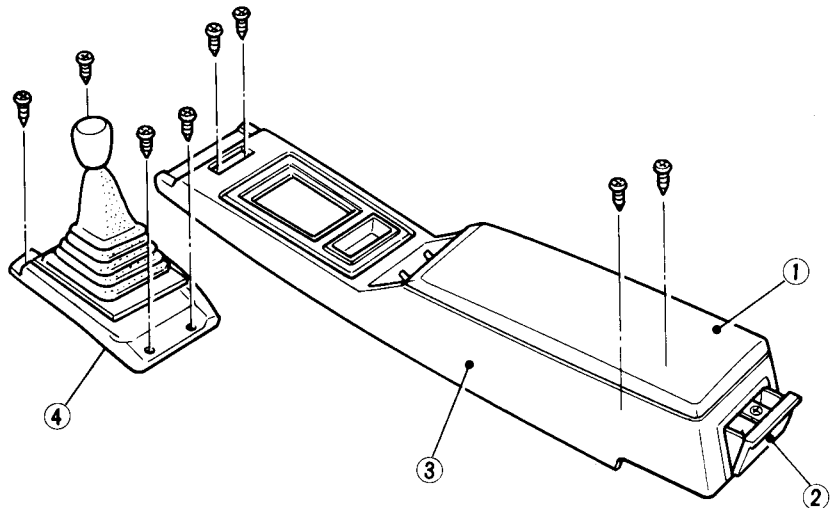
(3) When installing instrument lower cover, insert upper part of cover into instrument panel.

8. Remove heater control securing screws.
9. Remove speedometer cable intermediate connector.
10. Remove glove box lid.
11. Remove glove box attaching screws and remove pins in side box. Then lower upper face of box and remove glove box.
12. Remove instrument upper plugs and 4 instrument panel upper securing screws.

CONSOLE BOX



BF708B



1 Console box lid
2 Ash tray
3 Console box
4 Control lever assembly

BF711B

13. Remove instrument panel lower securing bolt as shown in figure.
14. Disconnect instrument harness connectors.
15. Remove instrument panel in horizontal direction while lifting heater control slightly.
16. Installation is in reverse order of removal, paying attention to following points.

(1) When installing instrument panel, securely insert panel edge into instrument panel upper welt.
(2) Be sure to install instrument upper plug as shown in figure.

1. Remove console box securing screws and disconnect outside mirror harness, at connector.
2. Remove console box.

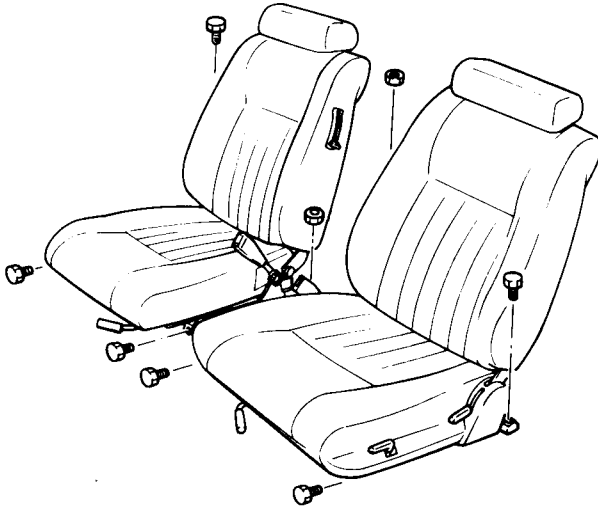
3. Remove control lever rubber boot.
4. Installation is in reverse order of removal.

SEAT

REMOVAL AND INSTALLATION

Front seat

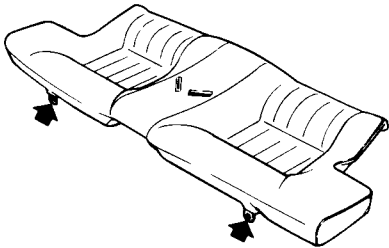
Front seat can be removed easily by removing attaching nuts and bolts.



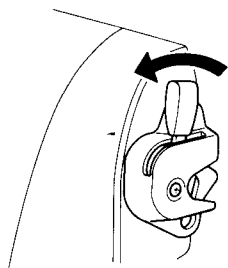
BF712B

Rear seat

Remove rear seat cushion. Then remove rear seat back by removing bolts and unlocking lock knob.



BF713B



BF714B

SEAT BELT

DESCRIPTION

The front seat belts are a three-point type consisting of an inner lap and an outer lap-shoulder belt.

This lap-shoulder belt is provided with an Emergency Locking Retractor which locks the belt by detecting car deceleration.

This retractor serves to restrain the belt securely in case of emergency, as in a collision or sudden stop of the car, thus protecting the seat occupant against serious injury. Under normal condition, the belt can be freely pulled out.

The inner lap belt is combined with a buckle. The buckle on drivers seat includes a switch which is used as a seat belt warning device.

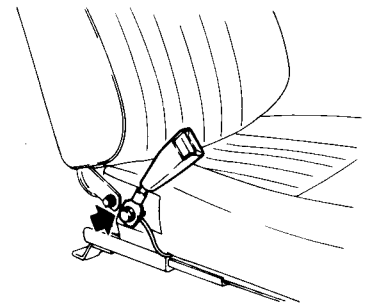
The rear seat belt is a two-point type and includes an automatic belt locking-retracting device.

CAUTION:

1. In conformity with MVSS No. 302, be sure to remove the thin polyethylene covers from seat belts at:
 - 1) Pre-delivery service
 - 2) Parts replacements
2. If the car is collided or overturned, replace the entire belt assembly, regardless of nature of accident.
3. If the condition of any component of a seat belt is questionable, do not have seat belt repaired, but replaced as a belt assembly.
4. If webbing is cut, frayed, or damaged, replace belt assembly.
5. Do not spill drinks, oil, etc. on inner lap belt buckle. Never oil tongue and buckle.
6. Use a NISSAN genuine seat belt assembly or equivalent.

REMOVAL AND INSTALLATION

1. Disconnect battery ground cable.
2. Loosen bolt attaching inner lap belt.



BF715B

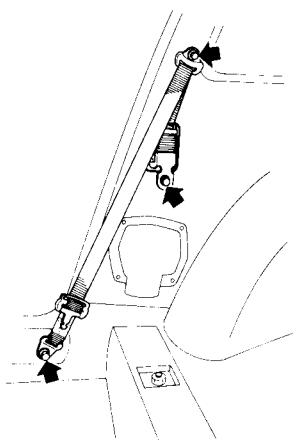
3. On driver's seat, disconnect seat belt warning device harness connector and remove inner lap belt.
4. Remove front side body trims.
5. Remove lap-shoulder belt with Emergency Locking Retractor.

INSPECTION OF SEAT BELT SWITCH

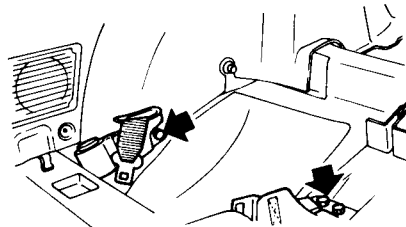
The contacts of seat belt switch are normally closed. When tongue latches buckle, the tip end of tongue pushes push rod to open the switch contacts.

1. Disconnect battery ground cable.
2. Disconnect seat belt switch wire harness.
3. Check seat belt switch for proper operation, using a test light. The light should go out when tongue of outer lap belt latches buckle, and go on when it unlatches buckle. Replace belt assembly if necessary.

When checking seat belt switch operation, make sure that power is held below 16 volts and 13 mA.



BF716B



BF717B

7. Install front and rear seat belts in reverse order of removal.

⊕ : 24 - 31 N·m
 (2.4 - 3.2 kg·m,
 17 - 23 ft·lb)

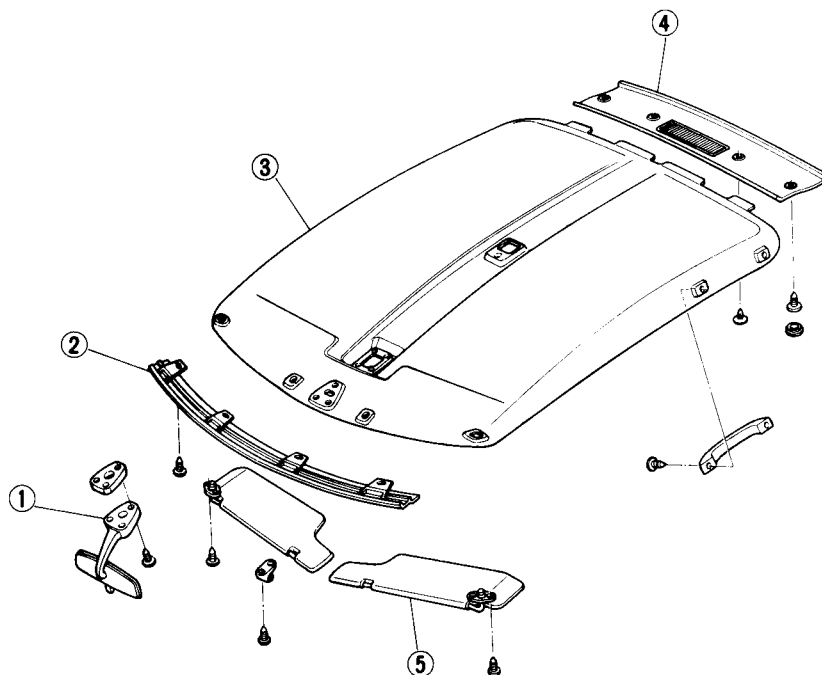
6. Remove seat cushion, then remove rear seat belts.

TRIM AND MOLDING

ROOF TRIMMING

REMOVAL AND INSTALLATION

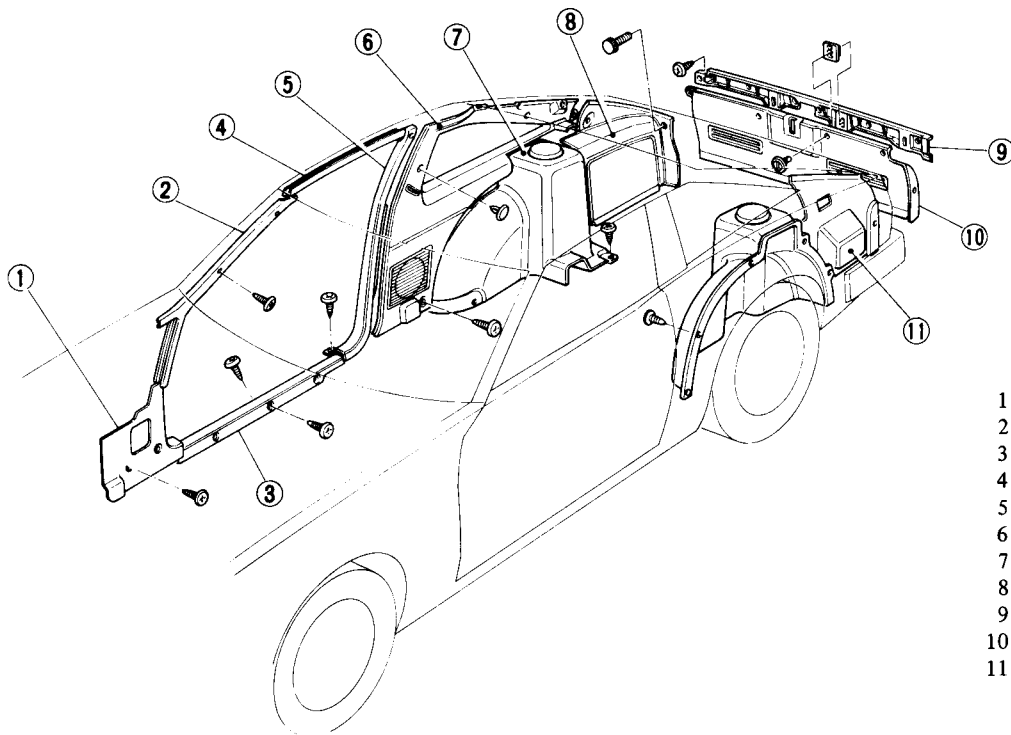
1. Remove roof rail rear finisher.
2. Remove assist grips, coat hangers, roof welt (T-bar roof model), sun visors, inside mirror, body side welt and pillar garnish lock. Then remove head lining.
3. Installation is in reverse order of removal.



- 1 Inside mirror
- 2 Windshield garnish
- 3 Headlining
- 4 Rear roof rail trim
- 5 Sun visor

BF718B

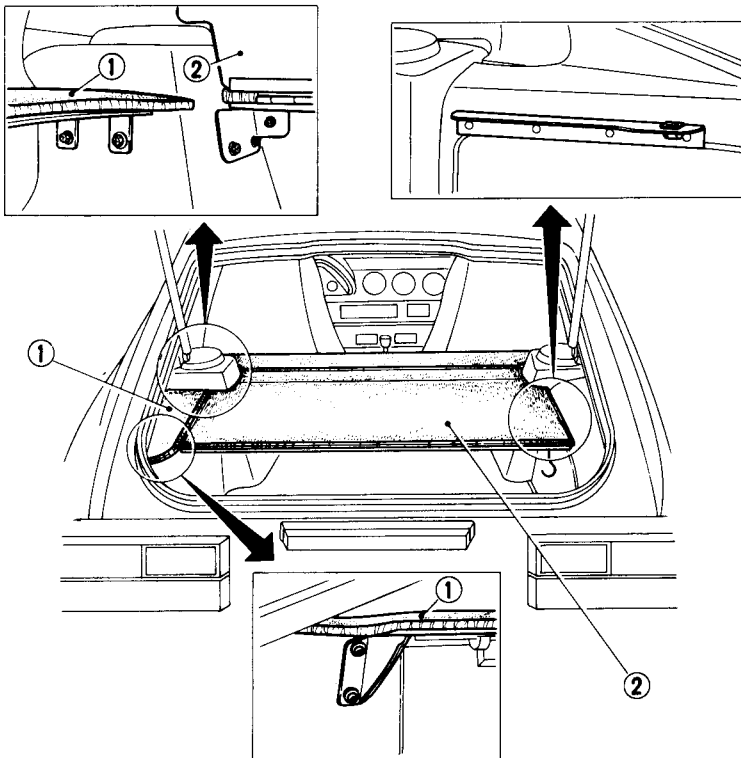
BODY SIDE TRIM AND MOLDING



- 1 Dash side trim
- 2 Front pillar garnish
- 3 Kicking plate
- 4 Side body welt
- 5 Lock pillar garnish
- 6 Front body side trim
- 7 Wheel house trim
- 8 Space saver spare tire cover
- 9 Rear finisher support
- 10 Rear panel finisher
- 11 Rear body side trim

BF719B

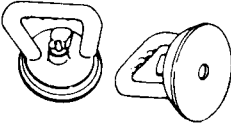
TONNEAU COVER



- 1 Side tonneau cover
- 2 Center tonneau cover

BF720B

SPECIAL SERVICE TOOLS

Tool number (Kent-Moore No.)	Tool name
ST08800000 (-)	Sucker 
ST08810000 (-)	Caulking hand gun 