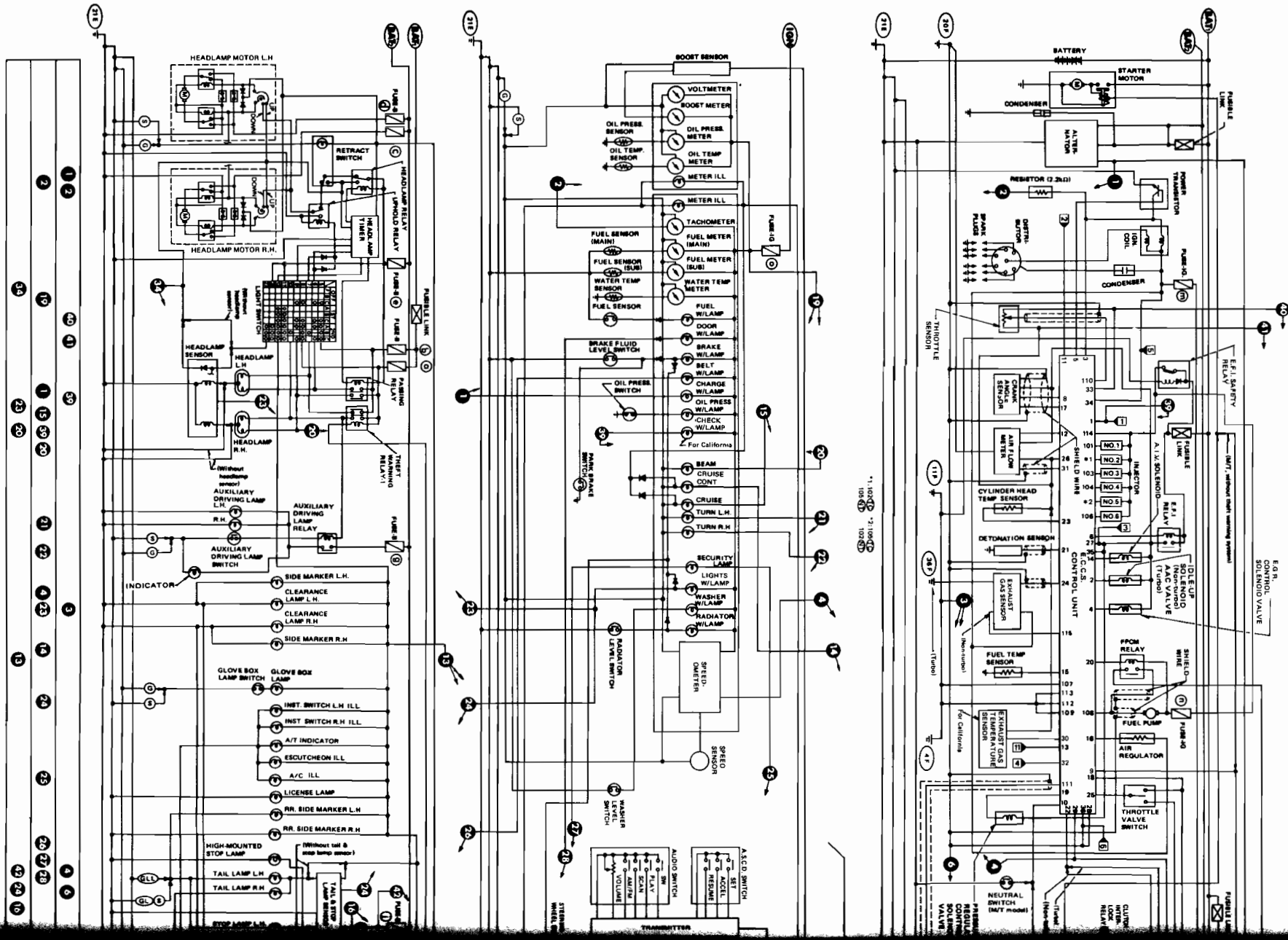
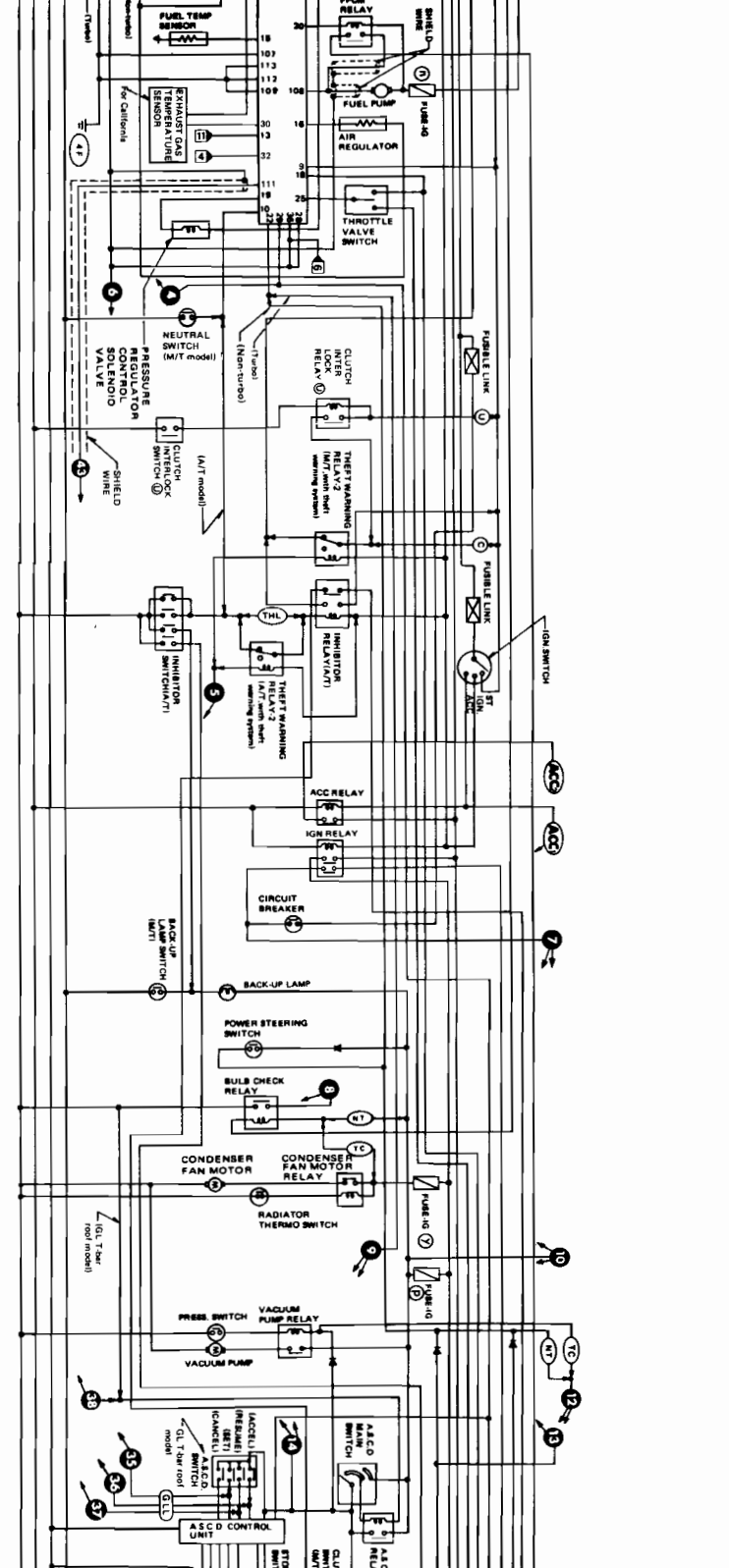
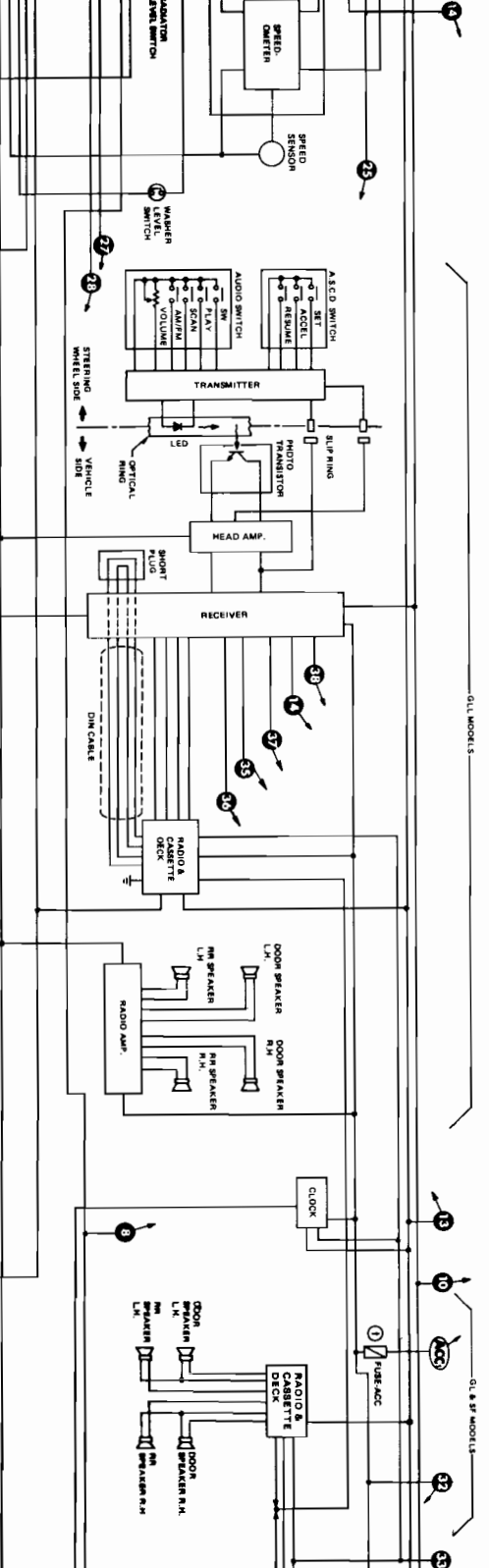
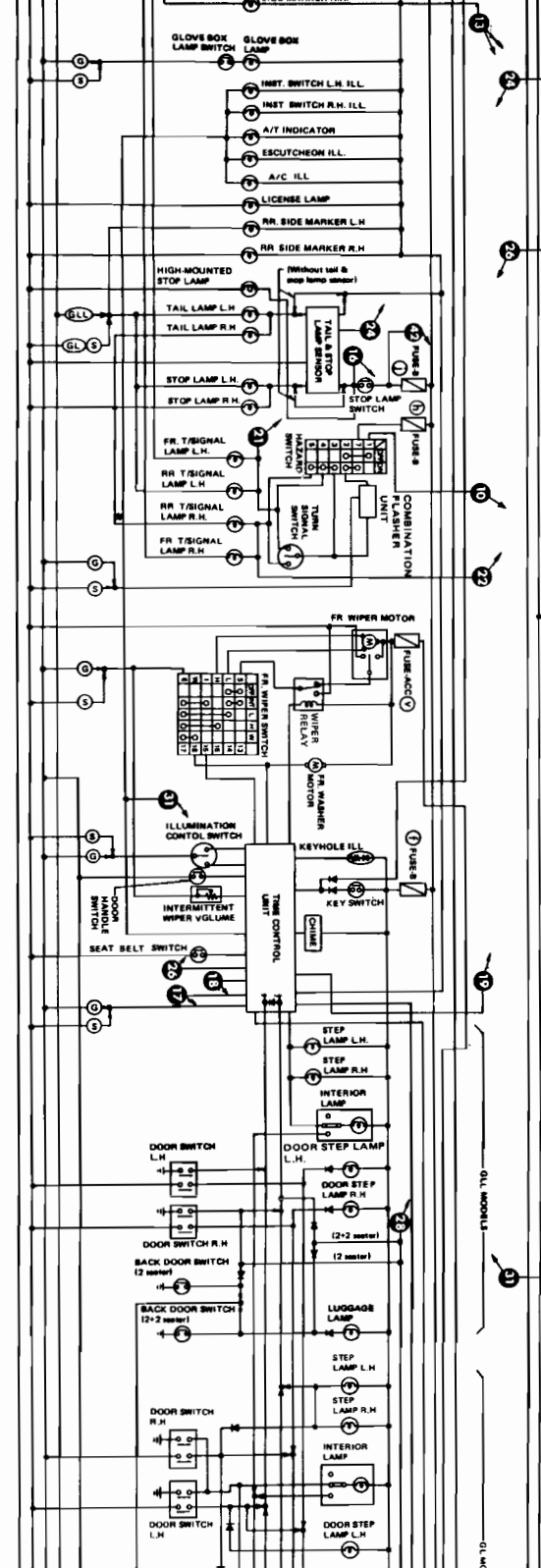


# 1989 NISSAN 300ZX CIRCUIT DIAGRAM (Needle type combination meter equipped model)

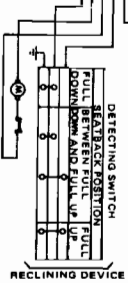
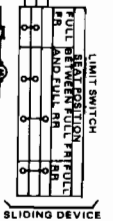
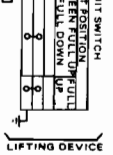


13 14 15 16 17 18 19 20 21 22 23 24 25 26 27 28 29 30 31 32 33 34 35 36 37 38 39 40 41 42 43 44 45 46 47 48 49 50 51 52 53 54 55 56 57 58 59 60 61 62 63 64 65 66 67 68 69 70 71 72 73 74 75 76 77 78 79 80 81 82 83 84 85 86 87 88 89 90 91 92 93 94 95 96 97 98 99 100

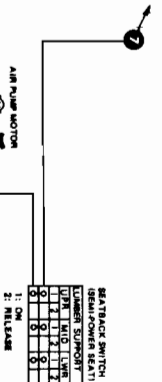
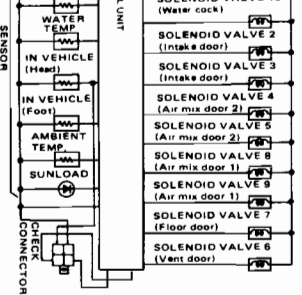




104A  
104B



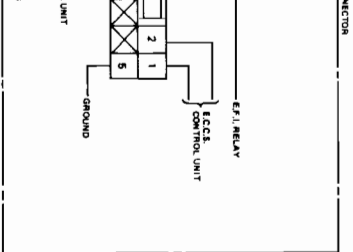
ACC  
103B



FUSE ARRANGEMENT

①	10 A	⑭	15 A	⑶	20 A
②	10 A	⑮	10 A	⑷	20 A
③	15 A	⑯	10 A	⑸	20 A
④	15 A	⑰	10 A	⑹	
⑤	15 A	⑱	10 A	⑺	
⑥	10 A	⑲	10 A	⑽	
⑦	10 A	⑳	10 A	⑾	
⑧	10 A	㉑	10 A	⑿	
⑨	15 A	㉒	15 A	⑿	
⑩	15 A	㉓	15 A	⑿	
⑪	15 A	㉔	15 A	⑿	
⑫	10 A	㉕	10 A	⑿	
⑬	10 A	㉖	10 A	⑿	

- ① : For U.S.A.
- ② : For Canada
- ③, ④, ⑤ : With theft warning system models
- ⑥, ⑦, ⑧ : Without theft warning system models
- ⑨ : GL models
- ⑩ : GLL models
- ⑪ : Turbo models
- ⑫ : Non-turbo models
- ⑬ : SF models
- ⑭ : GLL & GL models



7

