

ENGINE LUBRICATION & COOLING SYSTEMS

SECTION **LC**

GI
MA
EM

LC

EF &
EC

CONTENTS

PRECAUTIONS/PREPARATION 2	ENGINE COOLING SYSTEM 8	FE
Supplemental Restraint System "AIR BAG"..... 2	Cooling Circuit 8	
Liquid Gasket Application Procedure 2	System Check..... 8	CL
Special Service Tools 3	Water Pump..... 9	
ENGINE LUBRICATION SYSTEM 4	Thermostat 10	MT
Lubrication Circuit..... 4	Cooling Fan (Crankshaft driven) 11	
Oil Pressure Check..... 5	Radiator 12	AT
Oil Filter Bracket (Turbocharger model) 5	Cooling Fan (Motor driven) 12	
Oil Pump..... 5	SERVICE DATA AND SPECIFICATIONS (SDS) 13	PD
Oil Cooler (Turbocharger model)..... 7	Engine Lubrication System..... 13	
	Engine Cooling System 13	FA

RA

BR

ST

BF

HA

EL

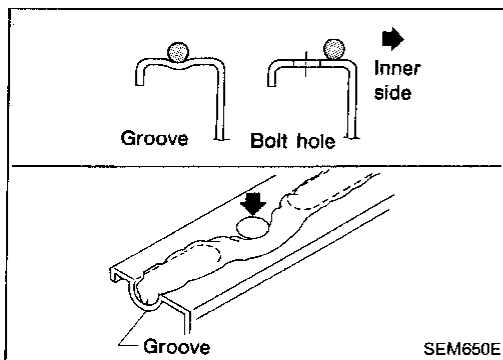
IDX

Supplemental Restraint System "AIR BAG"

The Supplemental Restraint System "Air Bag" helps to reduce the risk or severity of injury to the driver and front passenger in a frontal collision. The Supplemental Restraint System consists of air bags (located in the center of the steering wheel and on the instrument panel on the passenger side), sensors, a diagnosis unit, warning lamp, wiring harness and spiral cable. Information necessary to service the system safely is included in the **BF** section of this Service Manual.

WARNING:

- To avoid rendering the SRS inoperative, which could lead to personal injury or death in the event of a severe frontal collision, all maintenance must be performed by an authorized NISSAN dealer.
- Improper maintenance, including incorrect removal and installation of the SRS, can lead to personal injury caused by unintentional activation of the system.
- All SRS air bag electrical wiring harnesses and connectors are covered with yellow outer insulation. Do not use electrical test equipment on any circuit related to the SRS SYSTEM.

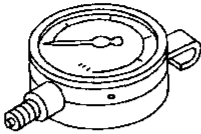
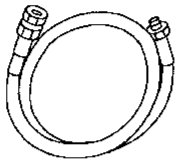
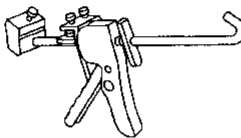
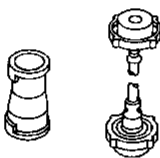


Liquid Gasket Application Procedure

- a. Before applying liquid gasket, use a scraper to remove all traces of old liquid gasket from mating surfaces and grooves, and then completely clean any oil stains from these portions.
- b. Apply a continuous bead of liquid gasket to mating surfaces. (Use Genuine Liquid Gasket or equivalent.)
 - Be sure liquid gasket is 3.5 to 4.5 mm (0.138 to 0.177 in) wide (for oil pan).
 - Be sure liquid gasket is 2.0 to 3.0 mm (0.079 to 0.118 in) wide (in areas except oil pan).
- c. Apply liquid gasket to inner surface around hole perimeter area. (Assembly should be done within 5 minutes after coating.)
- d. Wait at least 30 minutes before refilling engine oil and engine coolant.

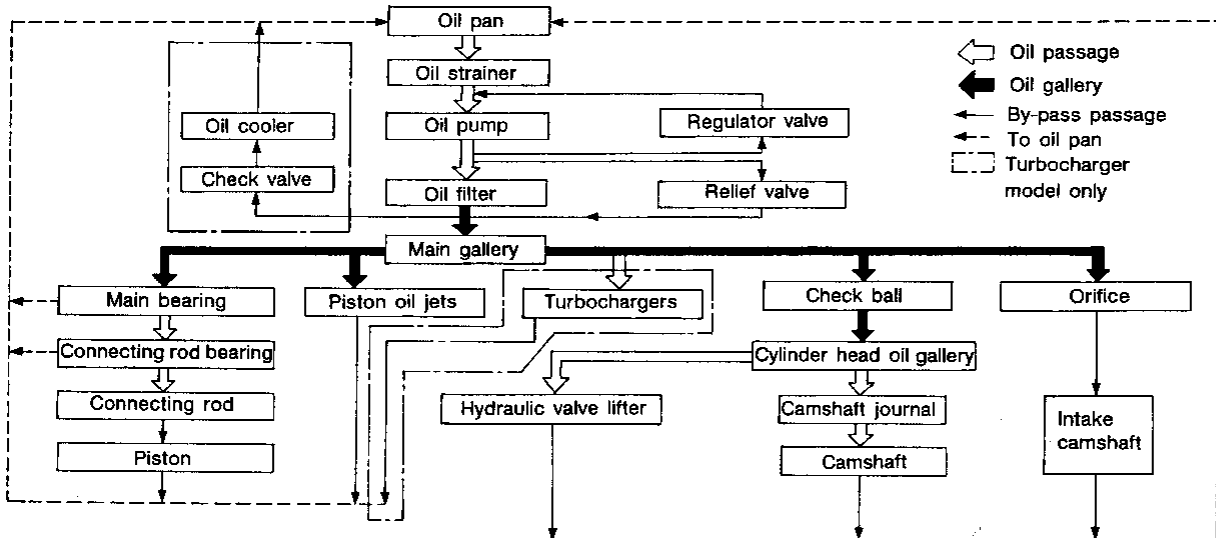
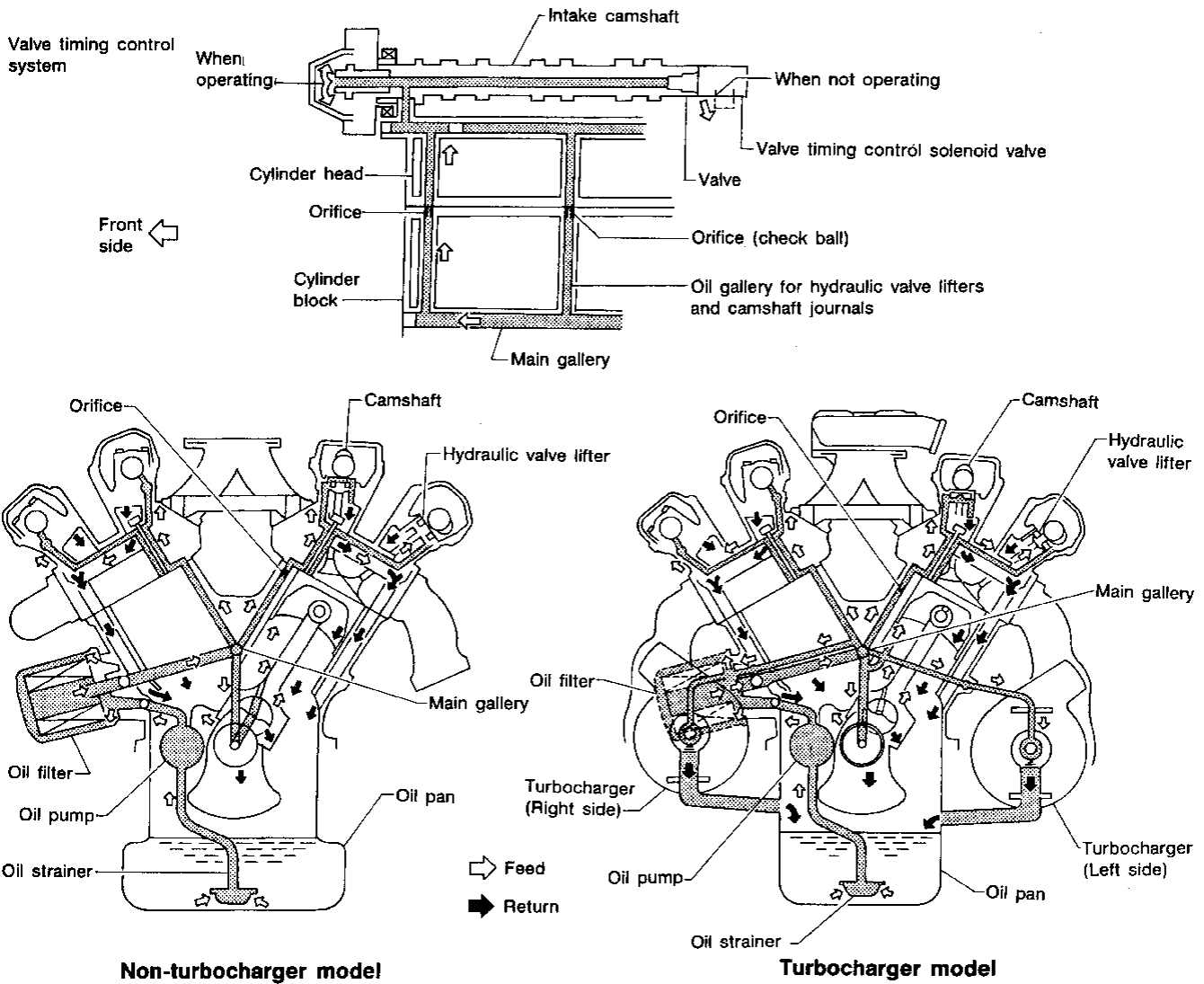
PRECAUTIONS/PREPARATION

Special Service Tools

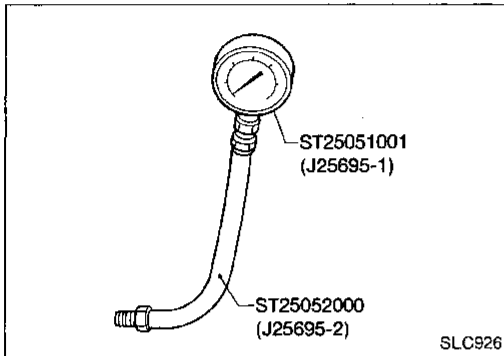
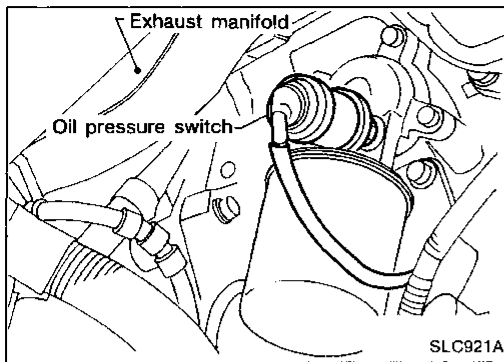
Tool number (Kent-Moore No.) Tool name	Description	GI
ST25051001 (J25695-1) Oil pressure gauge	 NT050	MA
ST25052000 (J25695-2) Hose	 NT051	EM
WS39930000 (—) Tube presser	 NT052	EF & EC
EG17650301 (J33984-A) Radiator cap tester adapter	 NT053	FE
		CL
		MT
		AT
		PD
		FA
		RA
		BR
		ST
		BF
		HA
		EL
		IDX

ENGINE LUBRICATION SYSTEM

Lubrication Circuit



ENGINE LUBRICATION SYSTEM



Oil Pressure Check

WARNING:

- Be careful not to burn yourself, as the engine and oil may be hot.

- Oil pressure check should be done in "Neutral position".

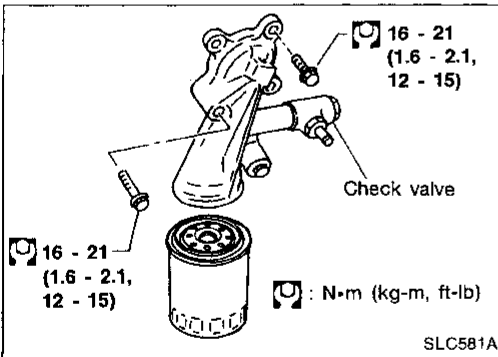
1. Check oil level.
2. Remove oil pressure switch.

3. Install pressure gauge.
4. Start engine and warm it up to normal operating temperature.
5. Check oil pressure with engine running under no-load.

Engine speed rpm	Approximate discharge pressure kPa (kg/cm ² , psi)
Idle speed	More than 78 (0.8, 11)
3,000	353 - 451 (3.6 - 4.6, 51 - 65)

If difference is extreme, check oil passage and oil pump for oil leaks.

6. Install oil pressure switch with sealant.

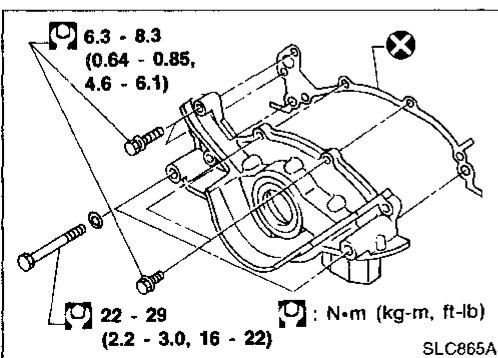


Oil Filter Bracket (Turbocharger model)

- Check oil cooler check valve for valve opening pressure.

Opening pressure:

324 - 363 kPa (3.3 - 3.7 kg/cm², 47 - 53 psi)



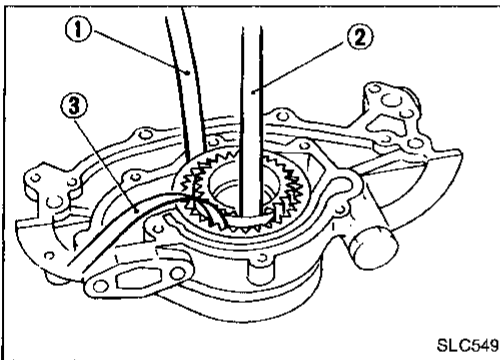
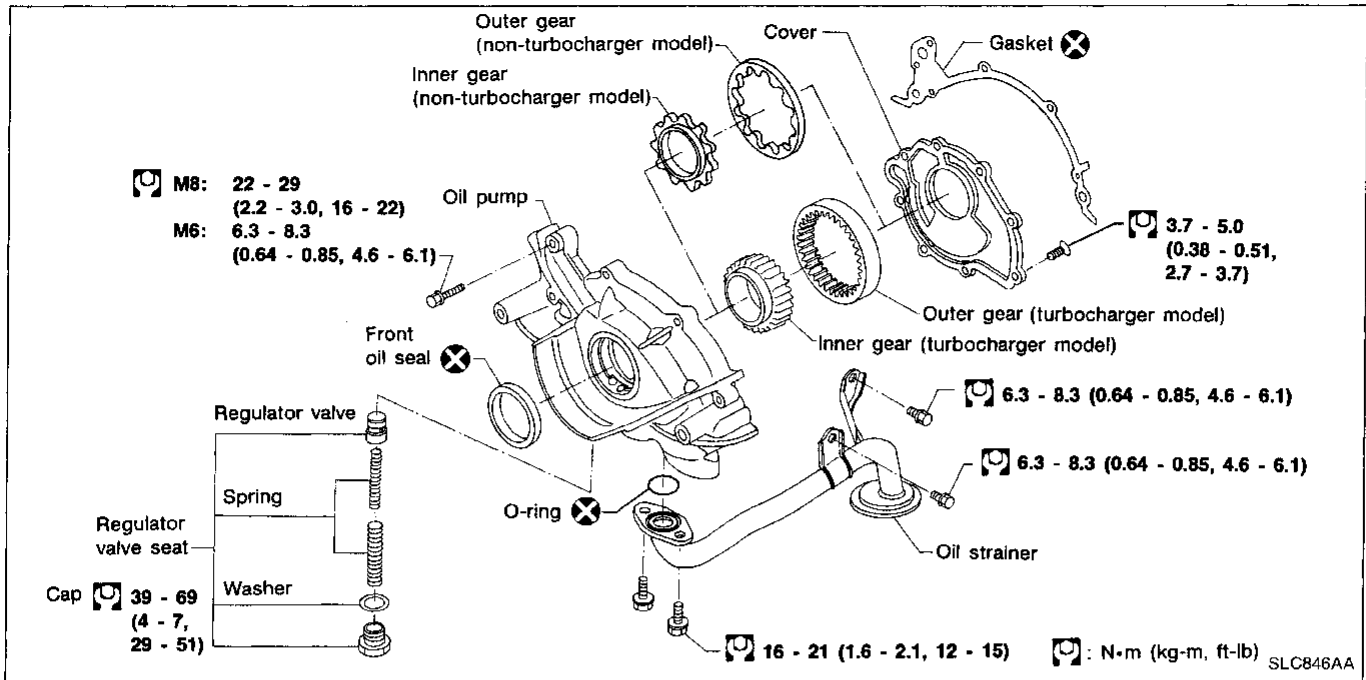
Oil Pump

REMOVAL

1. Drain oil.
2. Remove oil pan. (Refer to "OIL PAN — Removal" in EM section.)
3. Remove oil pump assembly.

ENGINE LUBRICATION SYSTEM

Oil Pump (Cont'd) DISASSEMBLY AND ASSEMBLY



- Always replace with new oil seal and gasket.
- When assembling, apply engine oil to inner and outer gears.
- Be sure that O-ring is properly installed.

INSPECTION

Using a feeler gauge, check the following clearances:

Standard clearance:

Turbocharger model

Unit: mm (in)

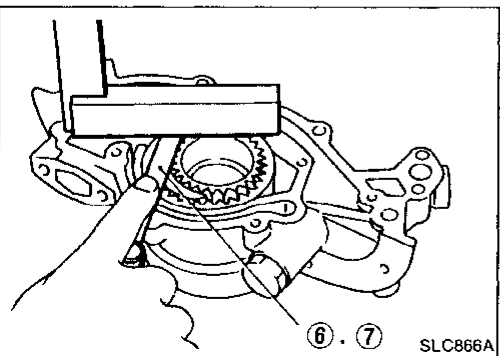
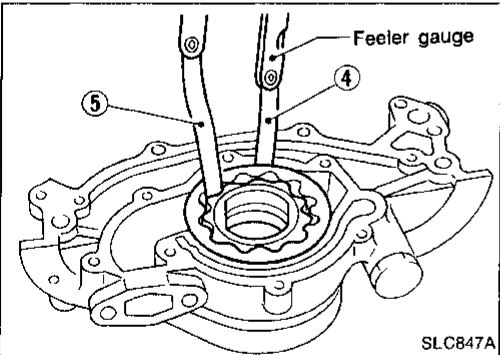
Body to outer gear clearance ①	0.110 - 0.200 (0.0043 - 0.0079)
Inner gear to crescent clearance ②	0.223 - 0.333 (0.0088 - 0.0131)
Outer gear to crescent clearance ③	0.210 - 0.320 (0.0083 - 0.0126)
Housing to inner gear clearance ⑥	0.050 - 0.090 (0.0020 - 0.0035)
Housing to outer gear clearance ⑦	0.050 - 0.110 (0.0020 - 0.0043)
Inner gear to brazed portion of body clearance ⑧	0.045 - 0.091 (0.0018 - 0.0036)

Non-turbocharger model

Unit: mm (in)

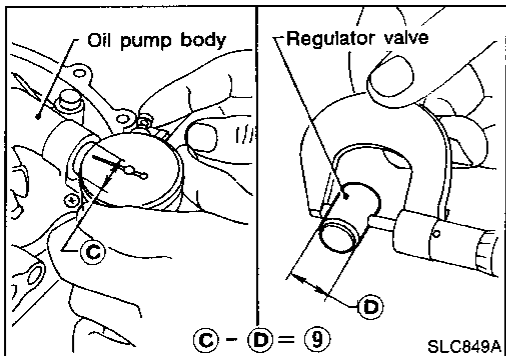
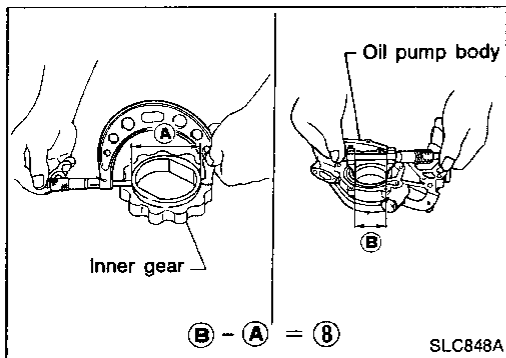
Body to outer gear clearance ④	0.114 - 0.200 (0.0045 - 0.0079)
Inner gear to outer gear tip clearance ⑤	Less than 0.18 (0.0071)
Body to inner gear clearance ⑥	0.050 - 0.090 (0.0020 - 0.0035)
Body to outer gear clearance ⑦	0.050 - 0.110 (0.0020 - 0.0043)
Inner gear to brazed portion of body clearance ⑧	0.045 - 0.091 (0.0018 - 0.0036)

If any clearance exceeds the limit, replace gear set or entire oil pump assembly.



ENGINE LUBRICATION SYSTEM

Oil Pump (Cont'd)



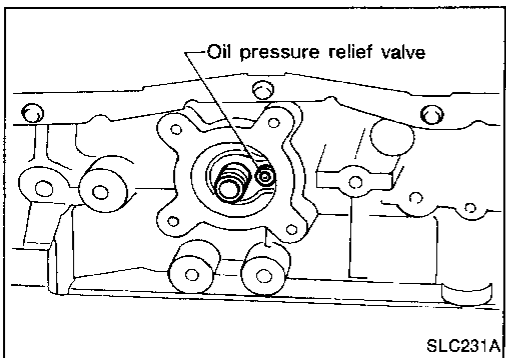
REGULATOR VALVE INSPECTION

1. Visually inspect components for wear and damage.
2. Check oil pressure regulator valve sliding surface and valve spring.
3. Coat regulator valve with engine oil and check that it falls smoothly into the valve hole by its own weight.
4. Check regulator valve to oil pump body clearance.

Clearance:

⑨ : 0.040 - 0.097 mm (0.0016 - 0.0038 in)

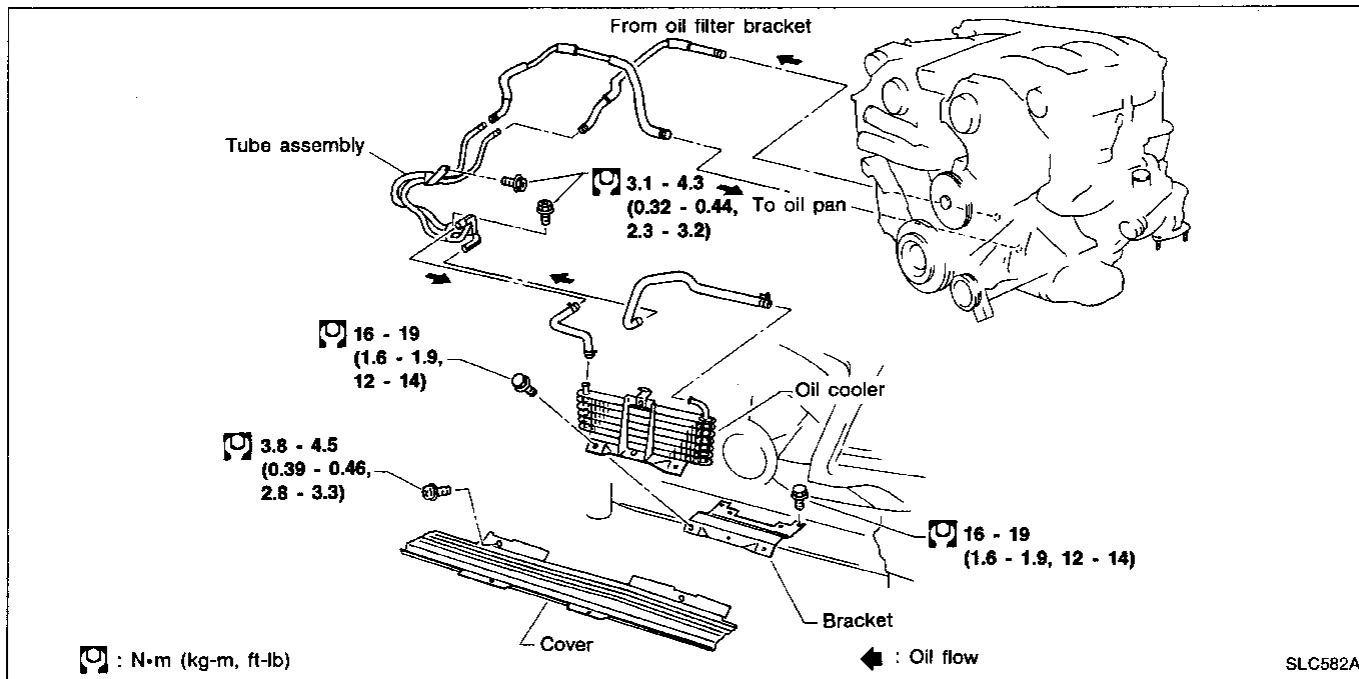
If it exceeds the limit, replace oil pump assembly.



OIL PRESSURE RELIEF VALVE INSPECTION

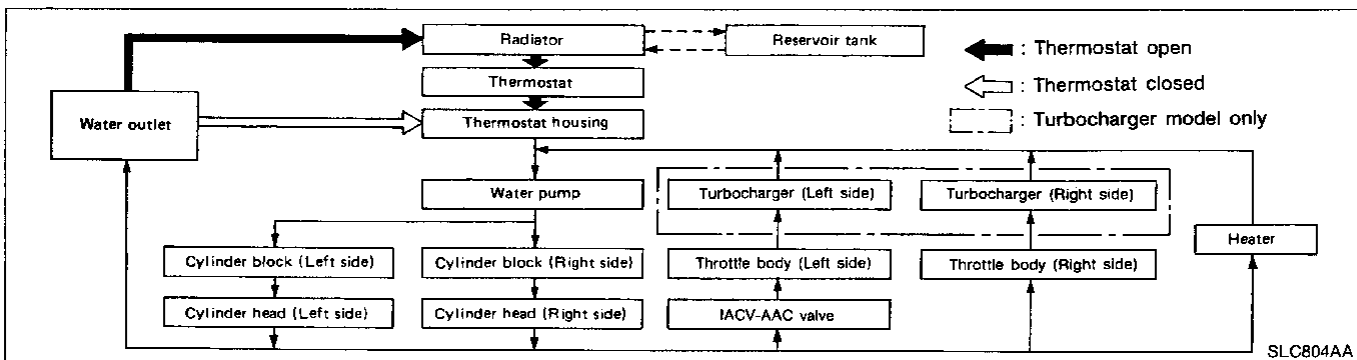
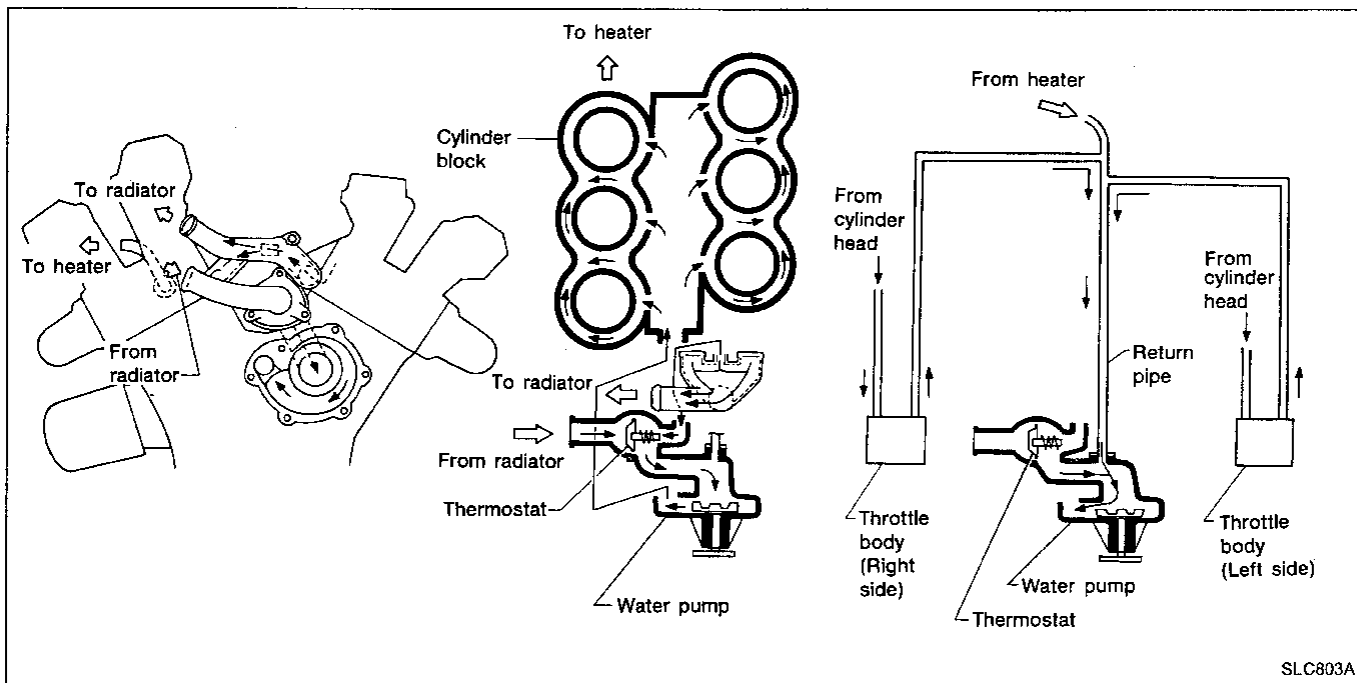
Inspect oil pressure relief valve for movement, cracks and breaks by pushing the ball. If replacement is necessary, remove valve by prying it out with a suitable tool. Install a new valve by tapping it in place.

Oil Cooler (Turbocharger model)



ENGINE COOLING SYSTEM

Cooling Circuit



System Check

WARNING:

Never remove the radiator cap when the engine is hot; serious burns could be caused by high pressure fluid escaping from the radiator.

Wrap a thick cloth around the cap and carefully remove by turning it a quarter turn to allow built-up pressure to escape. Then continue to turn the cap until it can be removed safely.

CHECKING COOLING SYSTEM HOSES

Check hoses for improper attachment, leaks, cracks, damage, loose connections, chafing and deterioration.

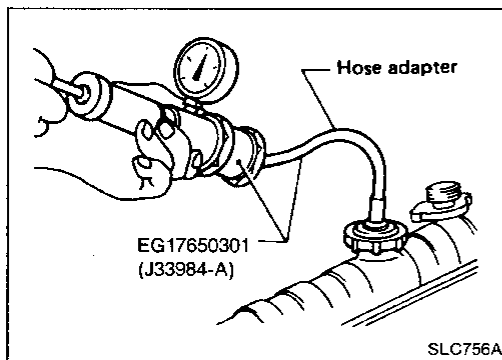
CHECKING COOLING SYSTEM FOR LEAKS

To check for leakage, apply pressure to the cooling system with a tester.

Testing pressure: 157 kPa (1.6 kg/cm², 23 psi)

CAUTION:

Higher than the specified pressure may cause radiator damage.



ENGINE COOLING SYSTEM

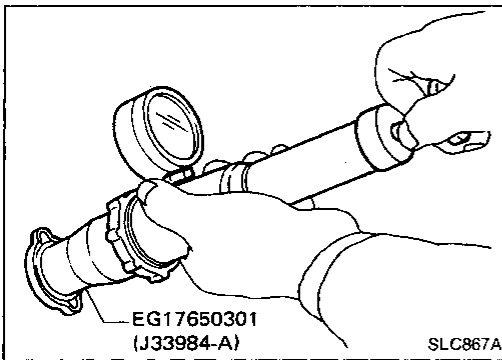
System Check (Cont'd)

CHECKING RADIATOR CAP

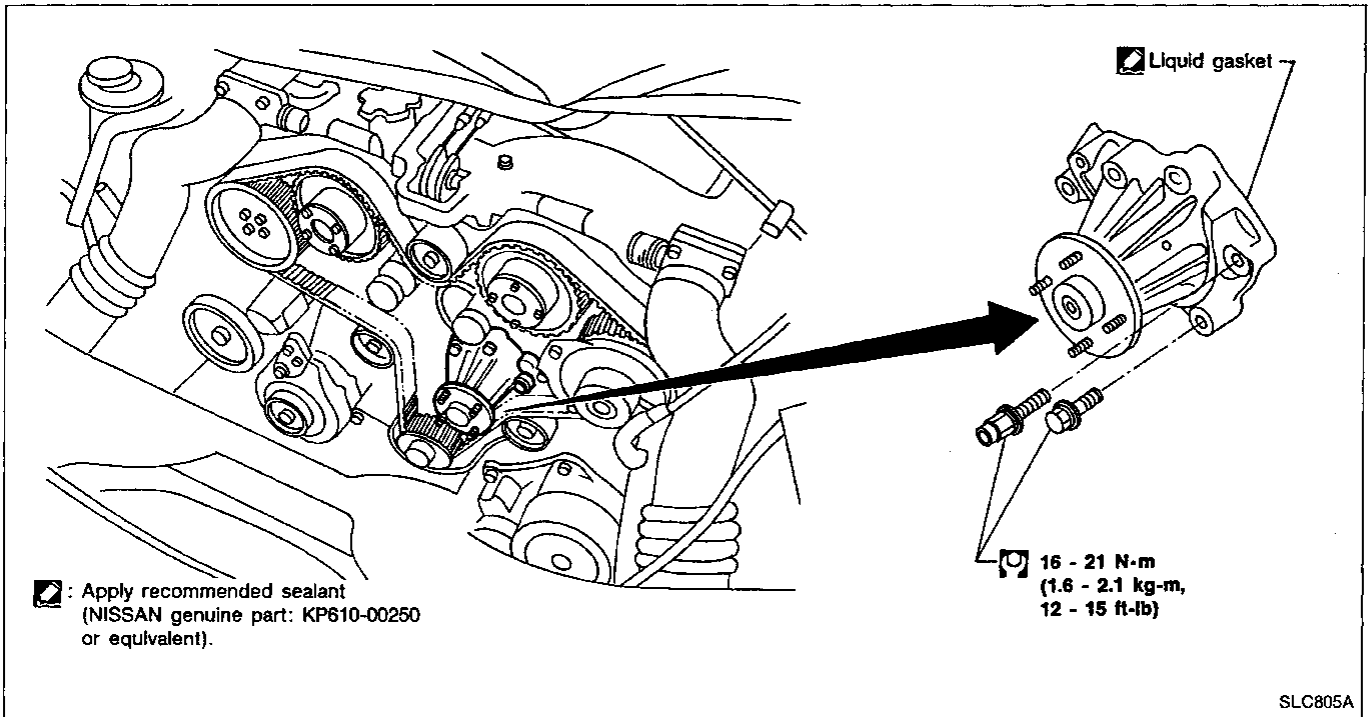
To check radiator cap, apply pressure to cap with a tester.

Radiator cap relief pressure:

78 - 98 kPa (0.8 - 1.0 kg/cm², 11 - 14 psi)



Water Pump



REMOVAL AND INSTALLATION

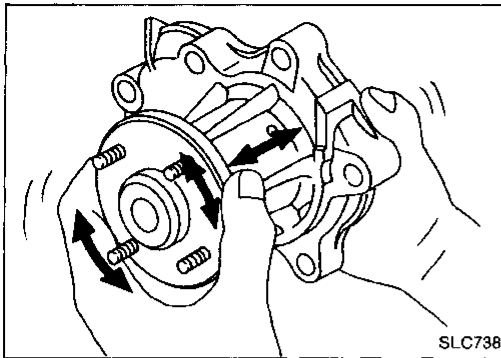
1. Drain coolant from drain cocks on both sides of cylinder block and radiator.
2. Remove the following parts:
 - Under cover
 - Radiator
 - Drive belts
 - Cooling fan and coupling
 - Water inlet and outlet
 - Crank pulley
 - Timing belt cover
3. Remove water pump
4. After repairing or replacing water pump, install any parts removed in reverse order of removal.

CAUTION:

- When removing water pump assembly, be careful not to get coolant on timing belt.
- Water pump cannot be disassembled and should be replaced as a unit.
- After installing water pump, connect hose and clamp securely, then check for leaks using radiator cap tester.

ENGINE COOLING SYSTEM

Water Pump (Cont'd)



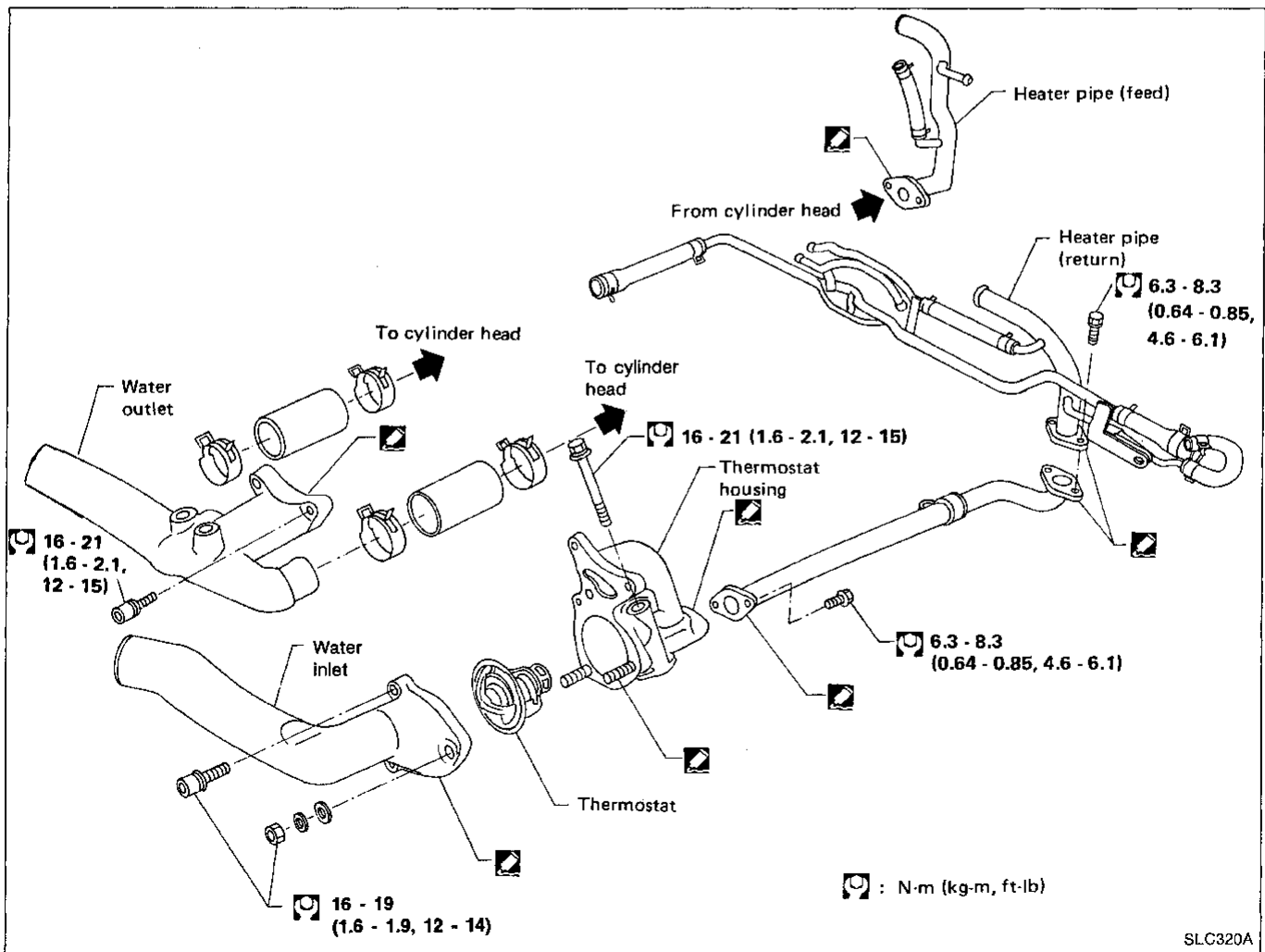
INSPECTION

1. Check for badly rusted or corroded vanes and body assembly.
2. Check for rough operation due to excessive end play.

Thermostat

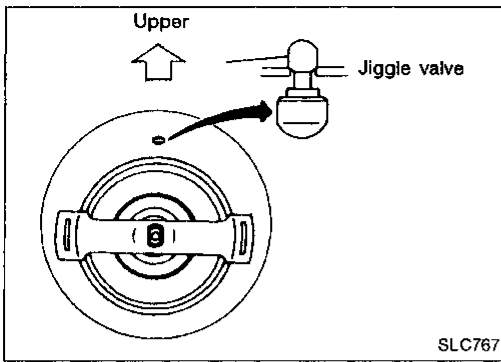
REMOVAL AND INSTALLATION

1. Drain coolant from drain cocks on both sides of cylinder block and radiator.
2. Remove the following parts:
 - Under cover
 - Radiator upper hose
 - Radiator shroud
 - Fan belt
 - Cooling fan and coupling
 - Water inlet
3. Remove thermostat.



ENGINE COOLING SYSTEM

Thermostat (Cont'd)



- After repairing or replacing thermostat, install thermostat with jiggle valve facing upward.

GI

MA

EM

LC

EF &
EC

FE

CL

MT

AT

PD

FA

RA

BR

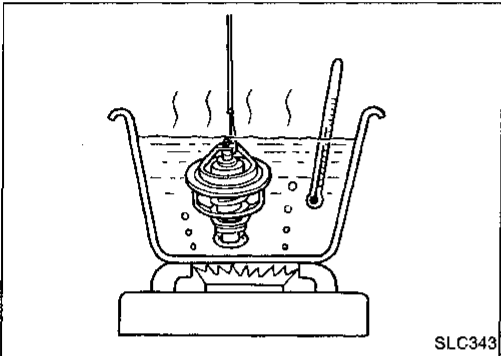
ST

BF

HA

EL

IDX



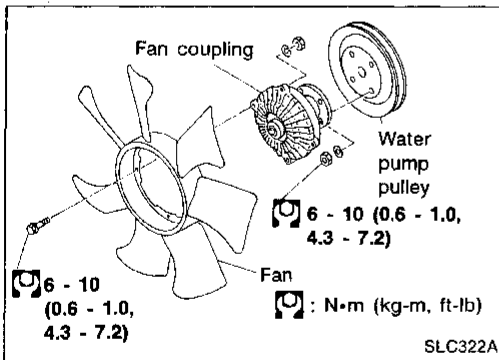
INSPECTION

- Check valve seating condition at ordinary room temperatures. It should seat tightly.
- Check valve opening temperature and maximum valve lift.

		Standard
Valve opening temperature	°C (°F)	76.5 (170)
Maximum valve lift	mm/°C (in/°F)	10/90 (0.39/194)

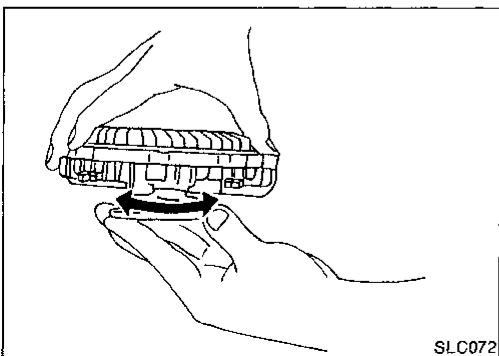
- Then check if valve is 5°C (9°F) below valve opening temperature.

- After installation, run engine for a few minutes, and check for leaks.
- Be careful not to spill coolant over engine compartment. Use a rag to absorb coolant.



Cooling Fan (Crankshaft driven)

DISASSEMBLY AND ASSEMBLY



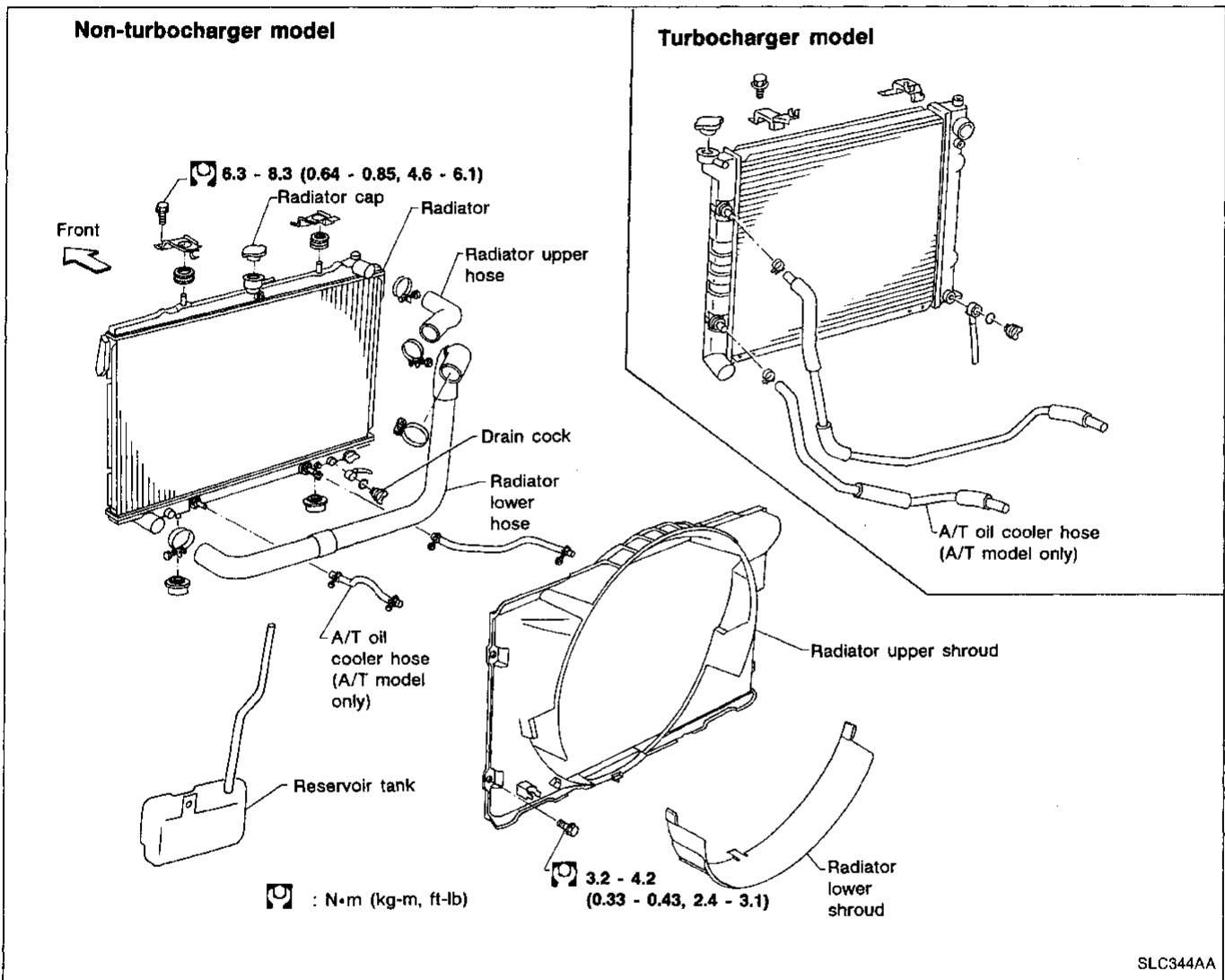
INSPECTION

Check fan coupling for rough operation, oil leakage or bent bimetal.

Radiator

REMOVAL AND INSTALLATION

1. Drain coolant from radiator drain cock.
2. Remove under cover.
3. Disconnect radiator upper and lower hoses.
4. Remove A/T oil cooler hoses. (A/T model only)
5. Remove radiator lower shroud.
6. Remove radiator.
7. After repairing or replacing radiator, install any part removed in reverse order of removal.



SLC344AA

Cooling Fan (Motor driven)

This cooling fan is controlled by ECM (ECCS control module). For details, refer to "ENGINE AND EMISSION CONTROL SYSTEM DESCRIPTION" in EF & EC section.

SERVICE DATA AND SPECIFICATIONS (SDS)

Engine Lubrication System

Oil pressure check

Engine speed	rpm	Approximate discharge pressure kPa (kg/cm ² , psi)
Idle speed		More than 78 (0.8, 11)
	3,000	353 - 451 (3.6 - 4.6, 51 - 65)

Oil pump

Turbocharger model

		Unit: mm (in)	
Body to outer gear clearance	0.110 - 0.200 (0.0043 - 0.0079)		GI
Inner gear to crescent clearance	0.223 - 0.333 (0.0088 - 0.0131)		MA
Outer gear to crescent clearance	0.210 - 0.320 (0.0083 - 0.0126)		EM
Housing to inner gear side clearance	0.050 - 0.090 (0.0020 - 0.0035)		LC
Housing to outer gear side clearance	0.050 - 0.110 (0.0020 - 0.0043)		EF & EC
Inner gear to brazed portion of housing clearance	0.045 - 0.091 (0.0018 - 0.0036)		

Non-turbocharger model

		Unit: mm (in)	
Body to outer gear clearance	0.114 - 0.200 (0.0045 - 0.0079)		FE
Inner gear to outer gear tip clearance	Less than 0.18 (0.0071)		CL
Body to inner gear clearance	0.050 - 0.090 (0.0020 - 0.0035)		MT
Body to outer gear clearance	0.050 - 0.110 (0.0020 - 0.0043)		AT
Inner gear to brazed portion of housing clearance	0.045 - 0.091 (0.0018 - 0.0036)		

Engine Cooling System

Thermostat

		Standard
Valve opening temperature	°C (°F)	76.5 (170)
Maximum valve lift	mm/°C (in/°F)	10/90 (0.39/194)

GI

MA

EM

LC

EF &
EC

FE

CL

MT

AT

PD

FA

RA

BR

ST

BF

HA

EL

IDX