

SECTION **PG**

POWER SUPPLY, GROUND & CIRCUIT ELEMENTS

CONTENTS

SERVICE INFORMATION	2	GROUND CIRCUIT	25	
DTC INDEX	2	Ground Distribution	25	
U1000	2	HARNESS	39	
PRECAUTIONS	3	Harness Layout	39	
Precaution for Battery Service	3	Wiring Diagram Codes (Cell Codes)	64	
POWER SUPPLY ROUTING CIRCUIT	4	ELECTRICAL UNITS LOCATION	68	
Schematic	4	Electrical Units Location	68	
Wiring Diagram - POWER -	5	HARNESS CONNECTOR	74	
Fuse	15	Description	74	
Fusible Link	15	ELECTRICAL UNITS	77	
Circuit Breaker	15	Terminal Arrangement	77	
IPDM E/R (INTELLIGENT POWER DISTRI- BUTION MODULE ENGINE ROOM)	16	SMJ (SUPER MULTIPLE JUNCTION)	79	
System Description	16	Terminal Arrangement	79	
CAN Communication System Description	17	STANDARDIZED RELAY	81	
CAN Communication Unit	17	Description	81	
Function of Detecting Ignition Relay Malfunction	17	FUSE BLOCK - JUNCTION BOX (J/B)	83	
CONSULT-III Function (IPDM E/R)	17	Terminal Arrangement	83	
Auto Active Test	19	FUSE, FUSIBLE LINK AND RELAY BOX	84	
Schematic	21	Terminal Arrangement	84	
IPDM E/R Terminal Arrangement	22			
IPDM E/R Power/Ground Circuit Inspection	22			
U1000 CAN COMM CIRCUIT	23			
Removal and Installation of IPDM E/R	23			

A
B
C
D
E
F
G
H
I
J
PG
L
M
N
O
P

DTC INDEX

< SERVICE INFORMATION >

SERVICE INFORMATION

DTC INDEX

U1000

INFOID:000000004657902

DTC	Items (CONSULT screen terms)	Reference
U1000	CAN COMM CIRCUIT	PG-23, "U1000 CAN COMM CIRCUIT"

PRECAUTIONS

< SERVICE INFORMATION >

PRECAUTIONS

Precaution for Battery Service

INFOID:000000004657903

Before disconnecting the battery, lower both the driver and passenger windows. This will prevent any interference between the window edge and the vehicle when the door is opened/closed. During normal operation, the window slightly raises and lowers automatically to prevent any window to vehicle interference. The automatic window function will not work with the battery disconnected.

A
B
C
D
E
F
G
H
I
J
PG
L
M
N
O
P

PG

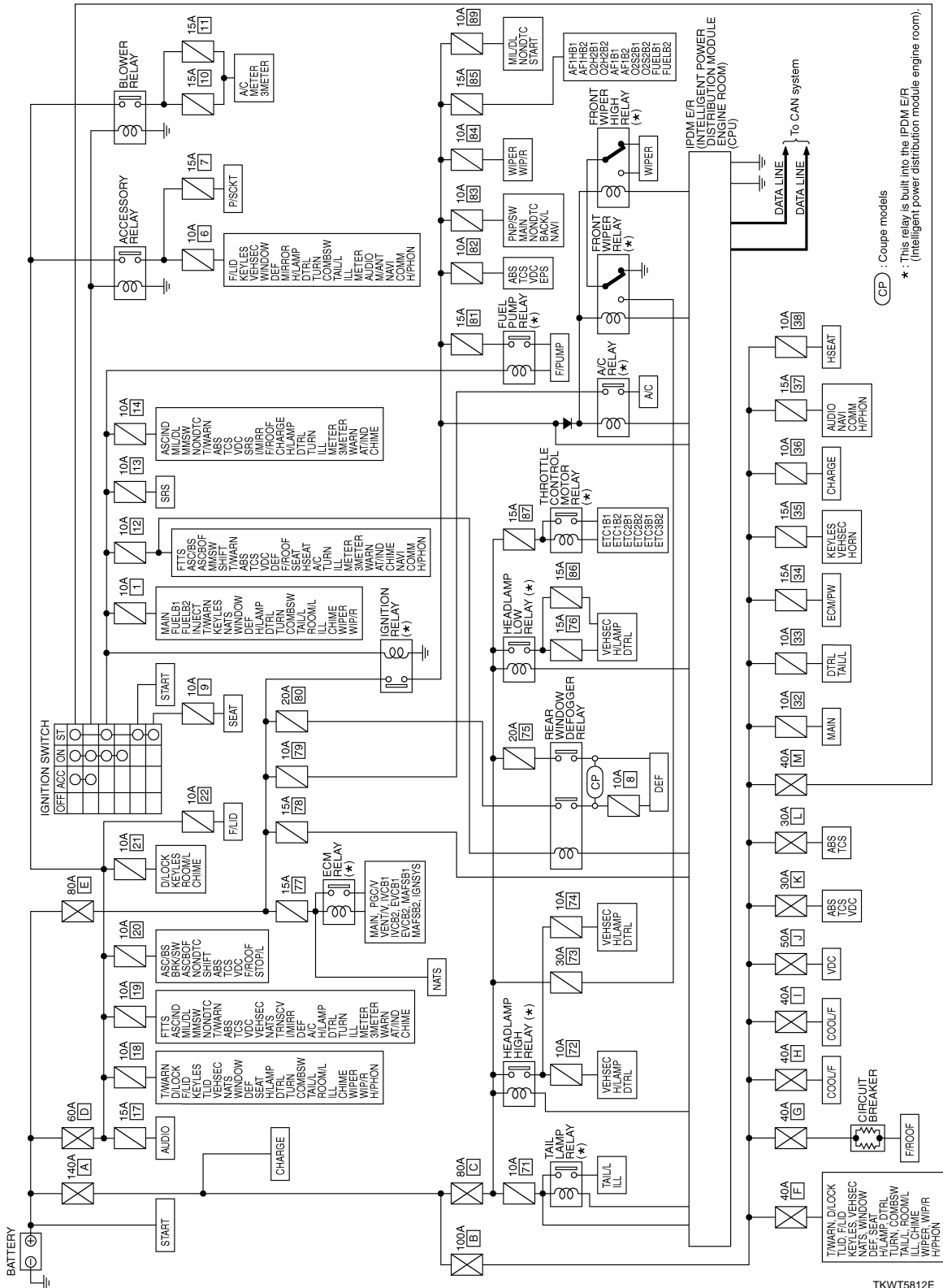
POWER SUPPLY ROUTING CIRCUIT

< SERVICE INFORMATION >

POWER SUPPLY ROUTING CIRCUIT

Schematic

INFOID:000000004657904



TKWT5812E

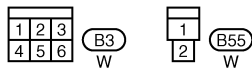
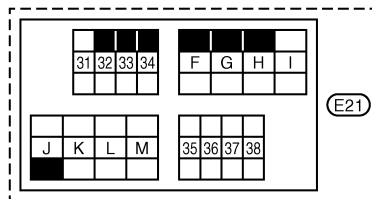
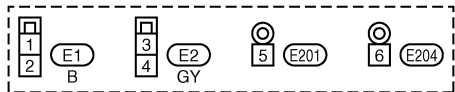
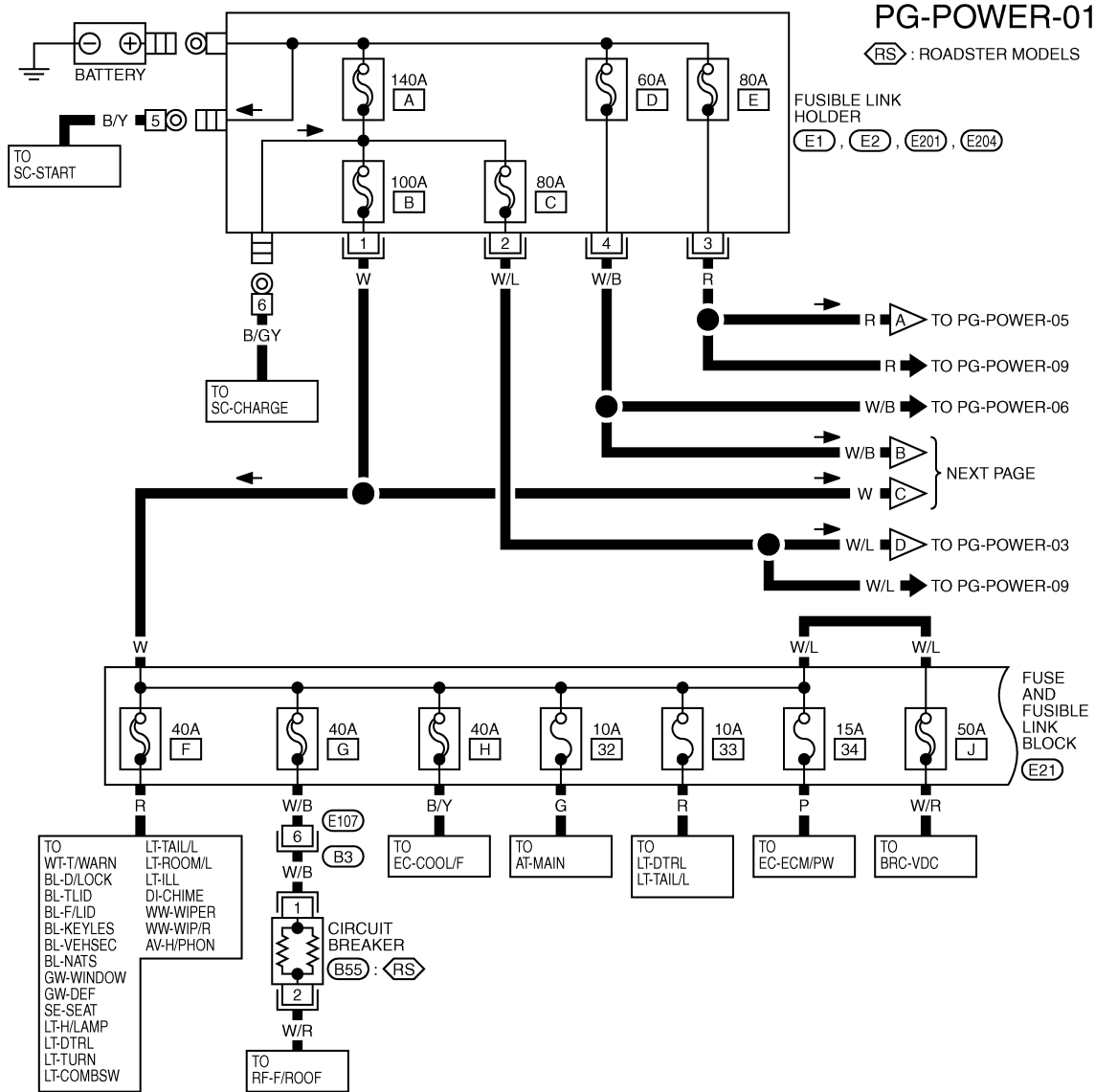
POWER SUPPLY ROUTING CIRCUIT

< SERVICE INFORMATION >

Wiring Diagram - POWER -

INFOID:000000004657905

BATTERY POWER SUPPLY — IGNITION SW. IN ANY POSITION

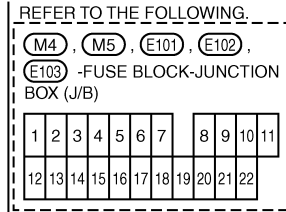
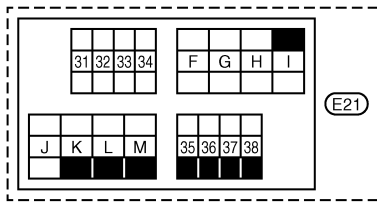
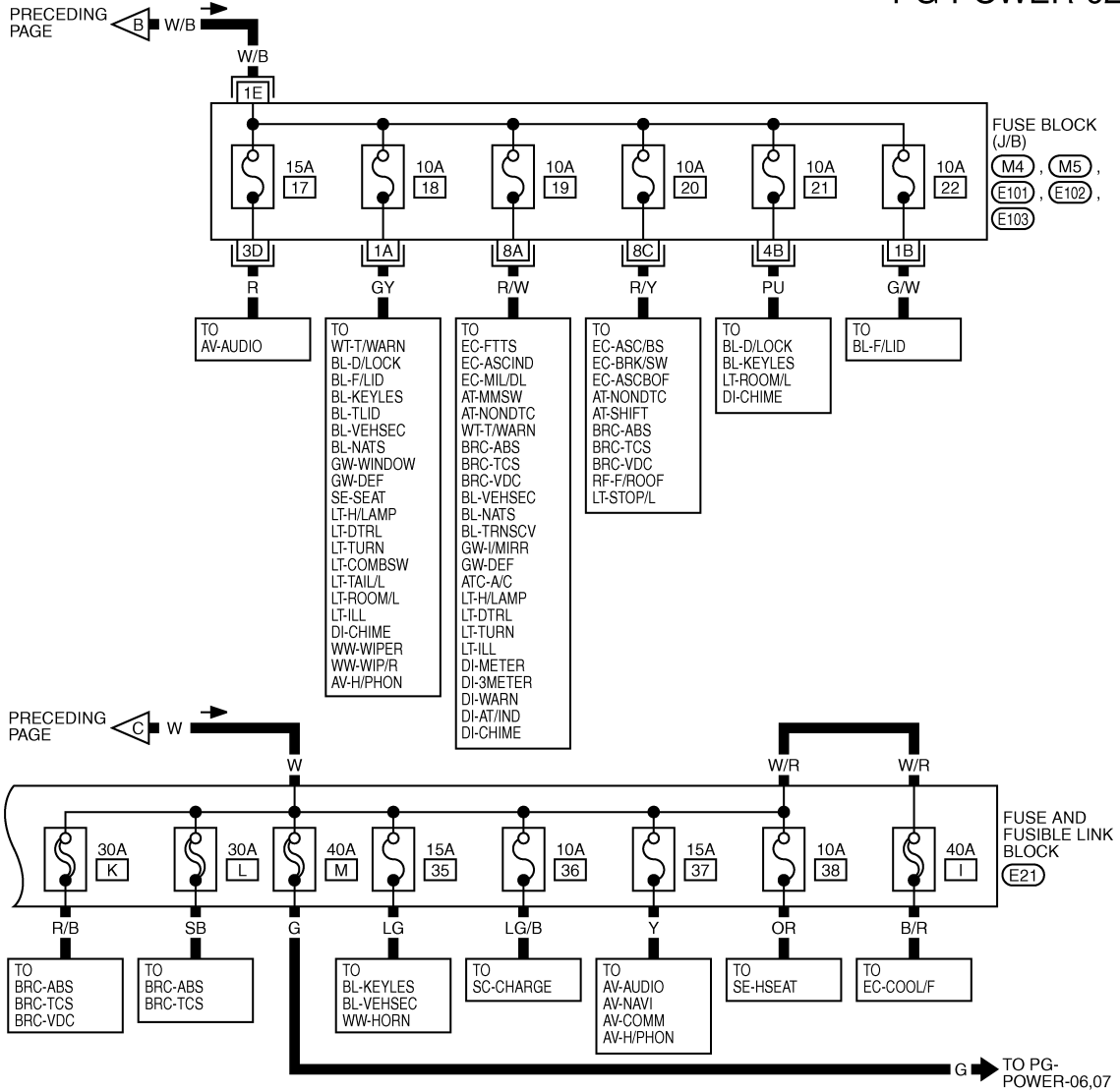


A
B
C
D
E
F
G
H
I
J
PG
L
M
N
O
P

POWER SUPPLY ROUTING CIRCUIT

< SERVICE INFORMATION >

PG-POWER-02

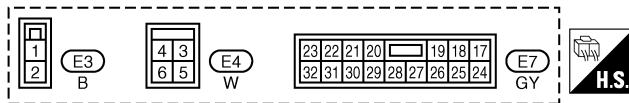
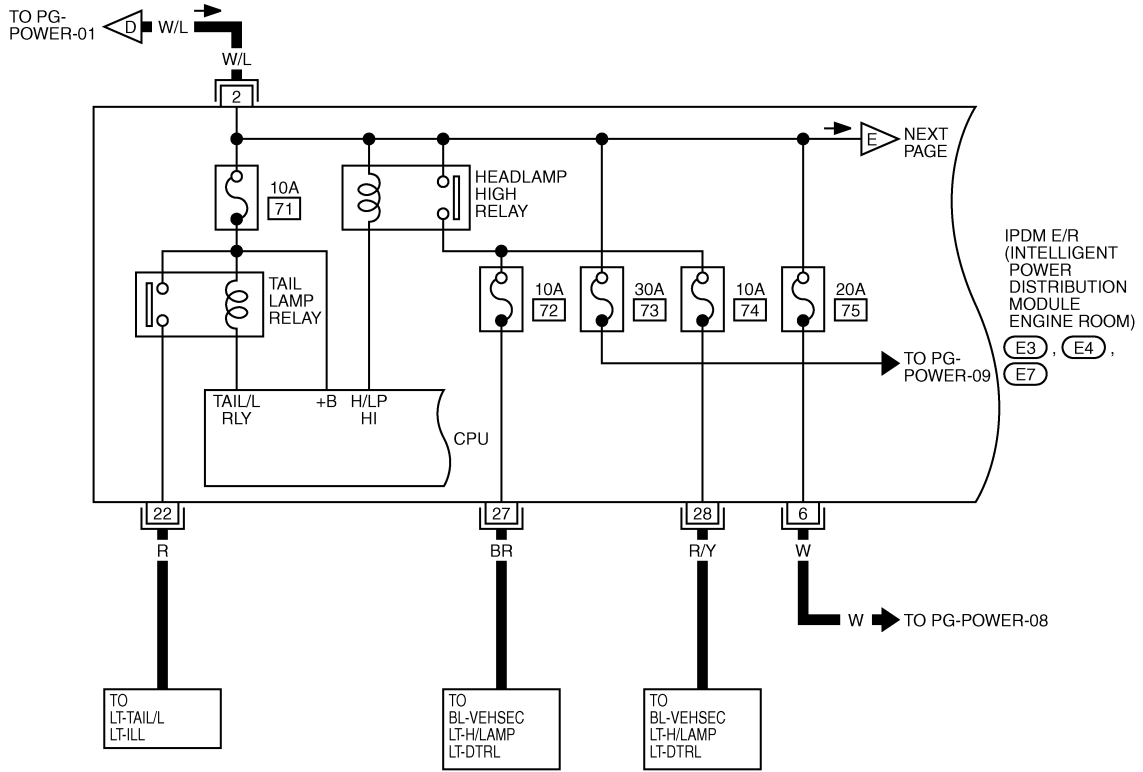


TKWT5814E

POWER SUPPLY ROUTING CIRCUIT

< SERVICE INFORMATION >

PG-POWER-03

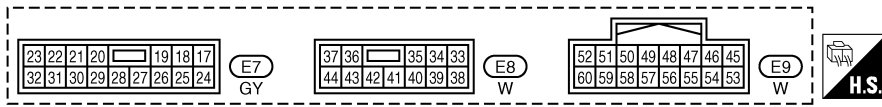
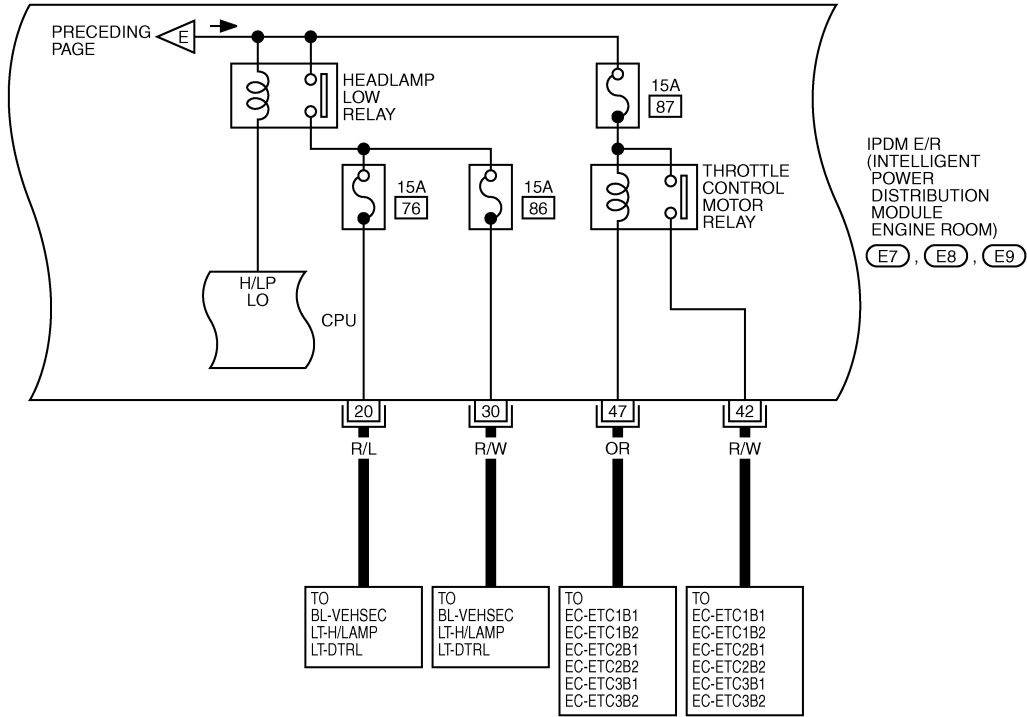


TKW75815E

POWER SUPPLY ROUTING CIRCUIT

< SERVICE INFORMATION >

PG-POWER-04

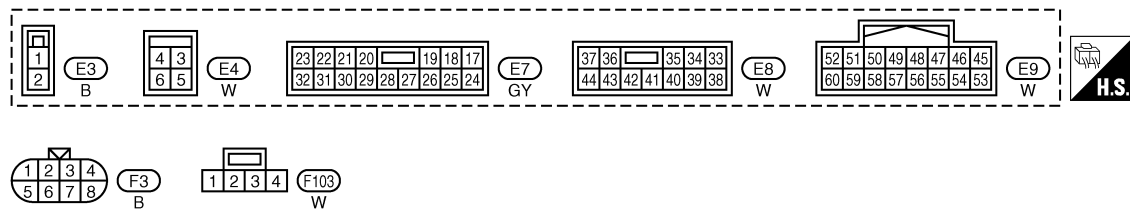
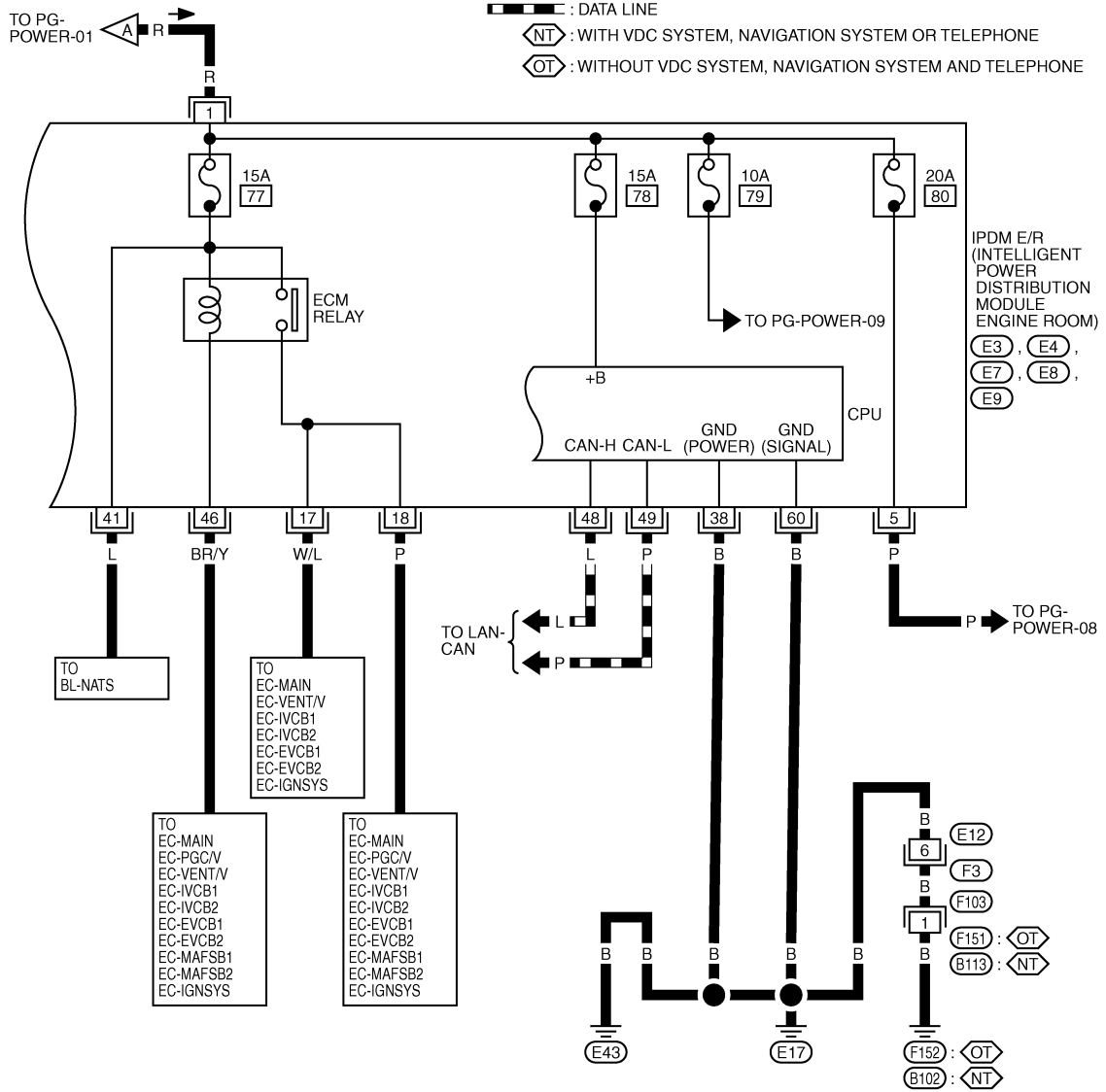


TKWT5816E

POWER SUPPLY ROUTING CIRCUIT

< SERVICE INFORMATION >

PG-POWER-05



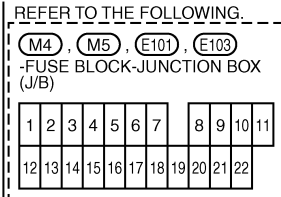
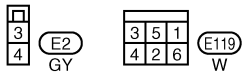
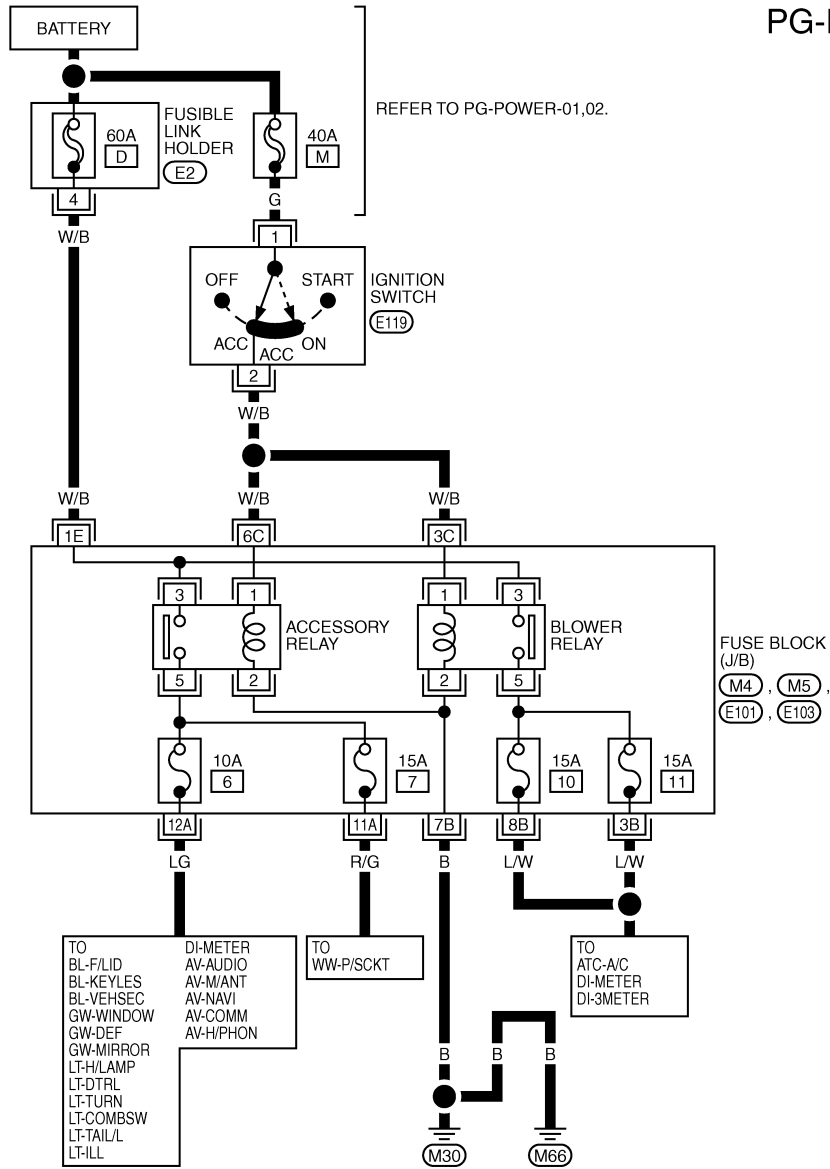
TKWT5817E

POWER SUPPLY ROUTING CIRCUIT

< SERVICE INFORMATION >

ACCESSORY POWER SUPPLY — IGNITION SW. IN "ACC" OR "ON"

PG-POWER-06



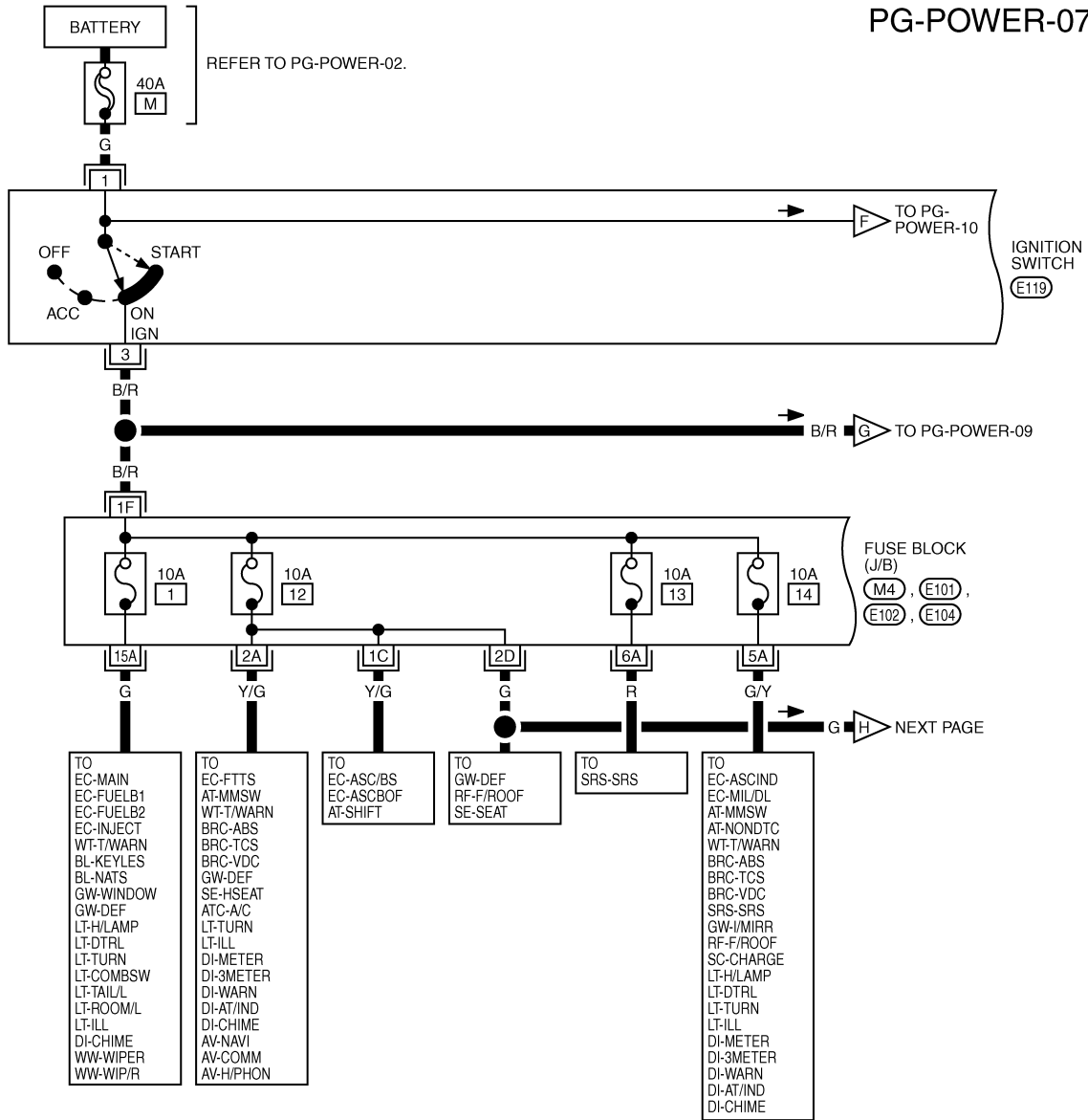
TKWT5818E

POWER SUPPLY ROUTING CIRCUIT

< SERVICE INFORMATION >

IGNITION POWER SUPPLY — IGNITION SW. IN “ON” AND/OR “START”

PG-POWER-07



3	5	1
4	2	6

(E119)
W

REFER TO THE FOLLOWING.

(M4), (E101), (E102), (E104)

-FUSE BLOCK-JUNCTION BOX (J/B)

1	2	3	4	5	6	7	8	9	10	11
12	13	14	15	16	17	18	19	20	21	22

TKWT5819E

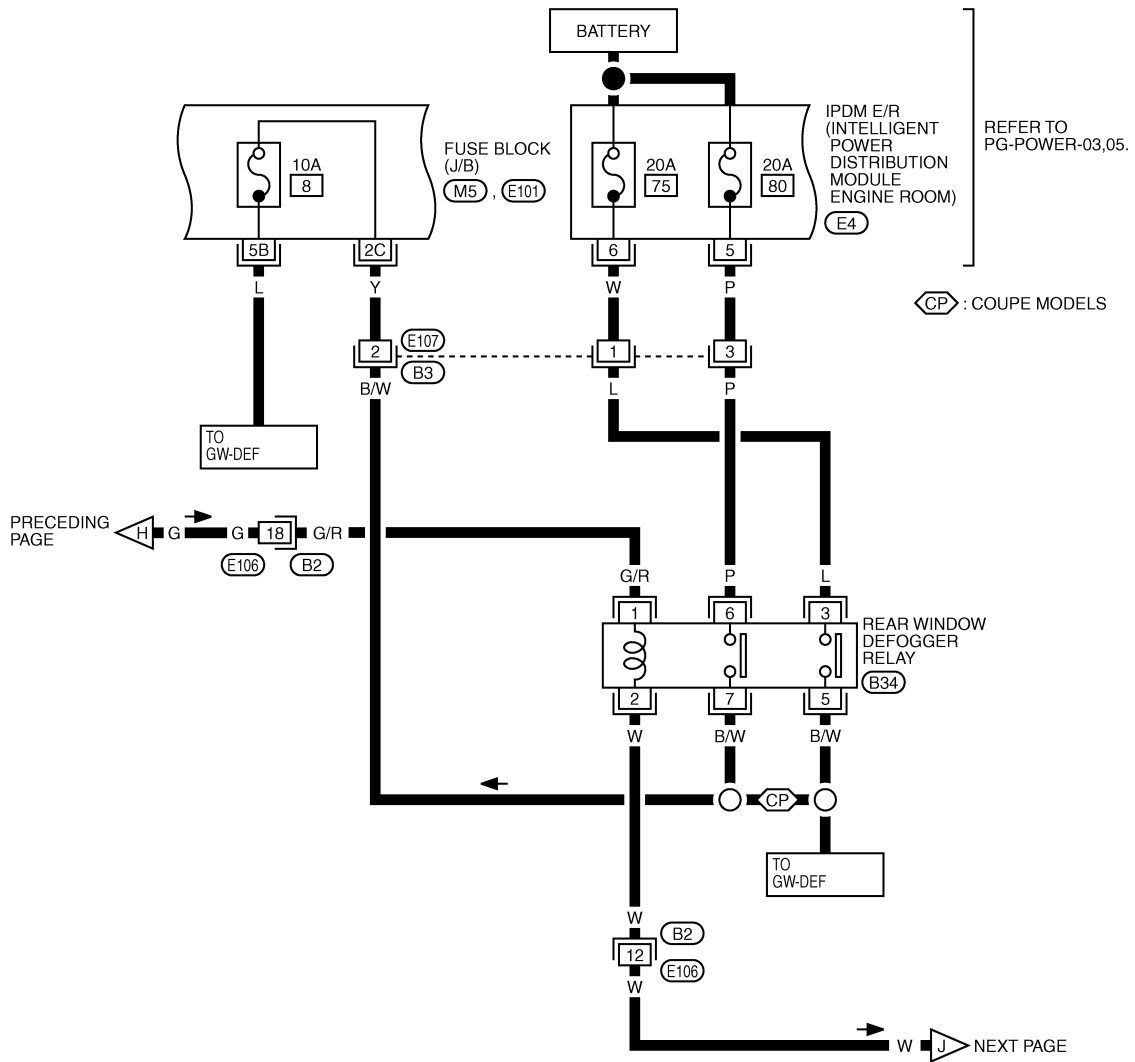
A
B
C
D
E
F
G
H
I
J
K
L
M
N
O
P

PG

POWER SUPPLY ROUTING CIRCUIT

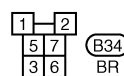
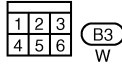
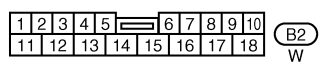
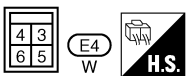
< SERVICE INFORMATION >

PG-POWER-08



REFER TO PG-POWER-03,05.

CP : COUPE MODELS



REFER TO THE FOLLOWING:

(M5), (E101) - FUSE BLOCK-JUNCTION BOX (J/B)

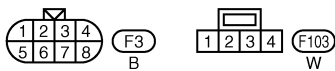
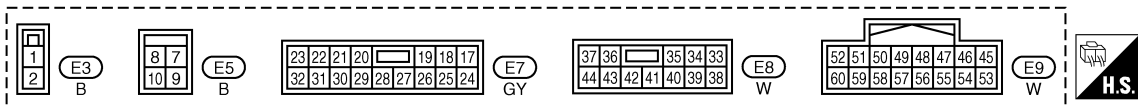
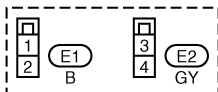
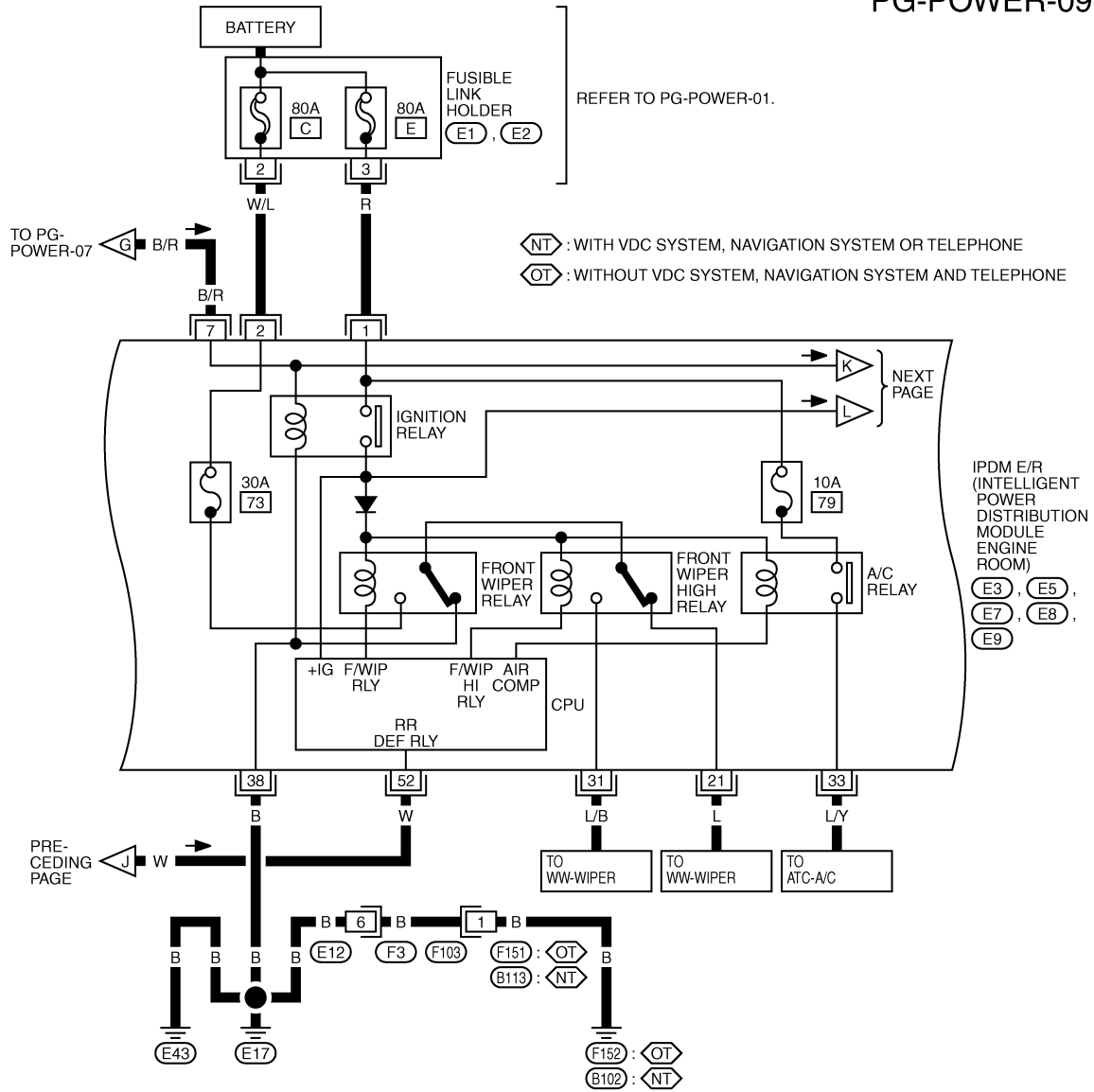
1	2	3	4	5	6	7	8	9	10	11
12	13	14	15	16	17	18	19	20	21	22

TKWT5820E

POWER SUPPLY ROUTING CIRCUIT

< SERVICE INFORMATION >

PG-POWER-09



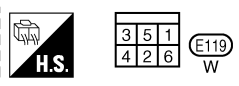
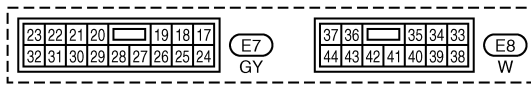
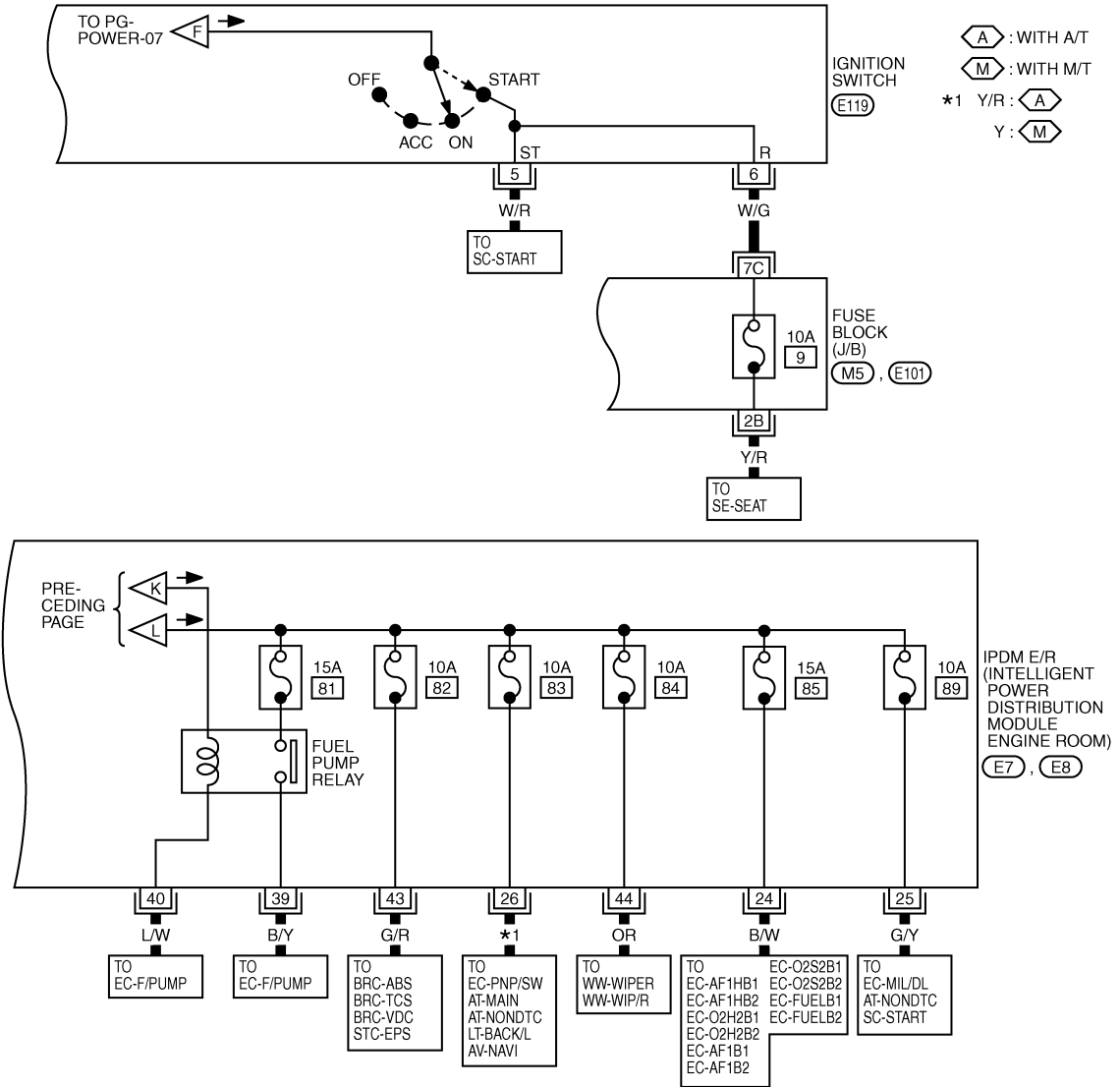
TKWT5821E

A
B
C
D
E
F
G
H
I
J
PG
L
M
N
O
P

POWER SUPPLY ROUTING CIRCUIT

< SERVICE INFORMATION >

PG-POWER-10



REFER TO THE FOLLOWING.

(M5), (E101) - FUSE BLOCK-JUNCTION BOX (J/B)

1	2	3	4	5	6	7	8	9	10	11
12	13	14	15	16	17	18	19	20	21	22

TKWWT5822E

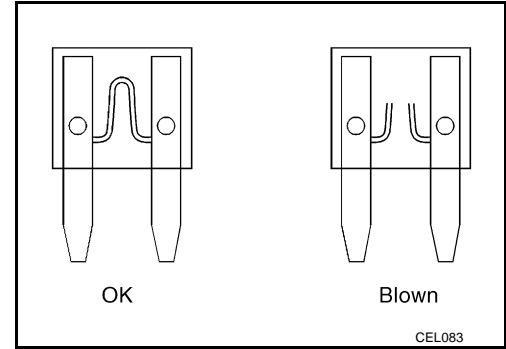
POWER SUPPLY ROUTING CIRCUIT

< SERVICE INFORMATION >

Fuse

INFOID:000000004657906

- If fuse is blown, be sure to eliminate cause of malfunction before installing new fuse.
- Use fuse of specified rating. Never use fuse of more than specified rating.
- Do not partially install fuse; always insert it into fuse holder properly.
- Remove fuse for "ELECTRICAL PARTS (BAT)" if vehicle is not used for a long period of time.



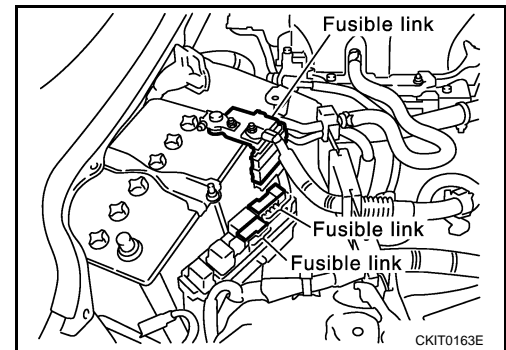
Fusible Link

INFOID:000000004657907

A melted fusible link can be detected either by visual inspection or by feeling with finger tip. If its condition is questionable, use circuit tester or test lamp.

CAUTION:

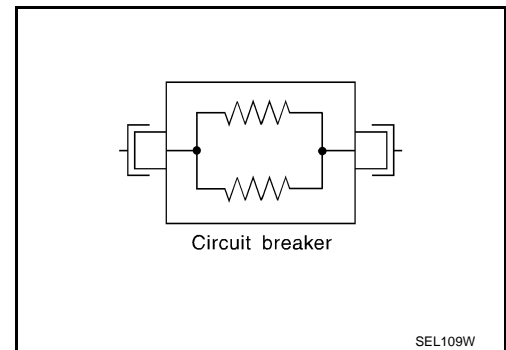
- If fusible link should melt, it is possible that critical circuit (power supply or large current carrying circuit) is shorted. In such a case, carefully check and eliminate cause of malfunction.
- Never wrap outside of fusible link with vinyl tape. Important: Never let fusible link touch any other wiring harness, vinyl or rubber parts.



Circuit Breaker

INFOID:000000004657908

The PTC thermistor generates heat in response to current flow. The temperature (and resistance) of the thermistor element varies with current flow. Excessive current flow will cause the element's temperature to rise. When the temperature reaches a specified level, the electrical resistance will rise sharply to control the circuit current. Reduced current flow will cause the element to cool. Resistance falls accordingly and normal circuit current flow is allowed to resume.



A
B
C
D
E
F
G
H
I
J
PG
L
M
N
O
P

IPDM E/R (INTELLIGENT POWER DISTRIBUTION MODULE ENGINE ROOM)

< SERVICE INFORMATION >

IPDM E/R (INTELLIGENT POWER DISTRIBUTION MODULE ENGINE ROOM)

System Description

INFOID:000000004657909

- IPDM E/R (Intelligent Power Distribution Module Engine Room) integrates relays and fuse blocks which were originally placed in engine room. It controls integrated relays via IPDM E/R control circuit.
- IPDM E/R integrated control unit performs ON-OFF operation of relay, hood switch signal reception, etc.
- It controls operation of each electrical part via ECM, BCM and CAN communication lines.

CAUTION:

None of the IPDM E/R-integrated relays can be removed.

SYSTEMS CONTROLLED BY IPDM E/R

IPDM E/R receives a request signal from each control unit with CAN communication. It controls each system.

Control system	Transmit control unit	Control part
Lamp control	BCM	<ul style="list-style-type: none">• Head lamps (HI, LO)• Parking lamps, license plate lamps and tail lamps
Wiper control	BCM	Front wipers
Rear window defogger control	BCM	Rear window defogger
A/C compressor control	ECM	A/C compressor (magnet clutch)
Cooling fan control	ECM	Cooling fan

CAN COMMUNICATION LINE CONTROL

With CAN communication, by connecting each control unit using two communication lines (CAN L line, CAN H line), it is possible to transmit maximum amount of information with minimum wiring. Each control unit can transmit and receive data, and reads necessary information only.

1. Fail-safe control

- When CAN communication with other control units is impossible, IPDM E/R performs fail-safe control. After CAN communication recovers normally, it also returns to normal control.
- Operation of control parts by IPDM E/R during fail-safe mode is as follows:

Controlled system	Fail-safe mode
Headlamp	<ul style="list-style-type: none">• With the ignition switch ON, the headlamp (low) is ON.• With the ignition switch OFF, the headlamp (low) is OFF.
Parking, license plate and tail lamps	<ul style="list-style-type: none">• With the ignition switch ON, the parking, license plate and tail lamps are ON.• With the ignition switch OFF, the parking, license plate and tail lamps are OFF.
Cooling fan	<ul style="list-style-type: none">• With the ignition switch ON, the cooling fan HI operates.• With the ignition switch OFF, the cooling fan stops.
Front wiper	Until the ignition switch is turned OFF, the front wiper LO and HI remains in the same status it was in just before fail-safe control was initiated.
Rear window defogger	Rear window defogger relay OFF
A/C compressor	A/C compressor OFF

IPDM E/R STATUS CONTROL

In order to save power, IPDM E/R switches status by itself based on each operating condition.

1. CAN communication status

- CAN communication is normally performed with other control units.
- Individual unit control by IPDM E/R is normally performed.
- When sleep request signal is received from BCM, mode is switched to sleep waiting status.

2. Sleep waiting status

- Process to stop CAN communication is activated.
- All systems controlled by IPDM E/R are stopped. When 3 seconds have elapsed after CAN communication with other control units is stopped, mode switches to sleep status.

3. Sleep status

- IPDM E/R operates in low power mode.

IPDM E/R (INTELLIGENT POWER DISTRIBUTION MODULE ENGINE ROOM)

< SERVICE INFORMATION >

- CAN communication is stopped.
- When a change in CAN communication line is detected, mode switches to CAN communication status.
- When a change in hood switch or ignition switch signal is detected, mode switches to CAN communication status.

CAN Communication System Description

INFOID:000000004657910

CAN (Controller Area Network) is a serial communication line for real time application. It is an on-vehicle multiplex communication line with high data communication speed and excellent error detection ability. Modern vehicles are equipped with many electronic control units and each control unit shares information and links with other control units during operation (not independent). In CAN communication, control units are connected with 2 communication lines (CAN H line, CAN L line) allowing a high rate of information transmission with less wiring. Each control unit transmits/receives data but selectively reads required data only.

CAN Communication Unit

INFOID:000000004657911

Refer to [LAN-41. "CAN System Specification Chart"](#).

Function of Detecting Ignition Relay Malfunction

INFOID:000000004657912

- When contact point of integrated ignition relay is stuck and cannot be turned OFF, IPDM E/R turns ON parking lamp, license plate lamp and tail lamp for 10 minutes to indicate ignition relay malfunction.
- When a state of ignition relay having built-in does not agree with a state of Ignition switch signal input by a CAN communication from BCM, IPDM E/R lets tail lamp relay operate.

Ignition switch signal	Ignition relay status	Tail lamp relay and daytime light relay*1
ON	ON	—
OFF	OFF	—
ON	OFF	—
OFF	ON	ON (10 minutes)

NOTE:

- When the ignition switch is turned ON, tail lamp relay and daytime light relay are OFF.
- *1: Canada model only

CONSULT-III Function (IPDM E/R)

INFOID:000000004657913

CONSULT-III can display each diagnostic item using the diagnostic test modes shown following.

Inspection Item, Diagnosis Mode	Description
SELF-DIAG RESULTS	The IPDM E/R performs diagnosis of the CAN communication and self-diagnosis.
DATA MONITOR	The input/output data of the IPDM E/R is displayed in real time.
CAN DIAG SUPPORT MNTR	The result of transmit/receive diagnosis of CAN communication can be read.
ACTIVE TEST	The IPDM E/R sends a drive signal to electronic components to check their operation.

SELF-DIAG RESULTS

Display Item List

Display Items	CONSULT-III display code	Malfunction detecting condition	TIME		Possible causes
			CRNT	PAST	
NO DTC IS DETECTED.FURTHER TESTING MAY BE REQUIRED.	-	-	-	-	-
CAN COMM CIRC	U1000	<ul style="list-style-type: none"> • If CAN communication reception/transmission data has a malfunction, or if any of the control units malfunction, data reception/transmission cannot be confirmed. • When the data in CAN communication is not received before the specified time 	×	×	Any of or several items below have errors. <ul style="list-style-type: none"> • TRANSMIT DIAG • ECM • BCM

IPDM E/R (INTELLIGENT POWER DISTRIBUTION MODULE ENGINE ROOM)

< SERVICE INFORMATION >

NOTE:

The details for display of the period are as follows:

- CRNT: Error currently detected with IPDM E/R.
- PAST: Error detected in the past and memorized with IPDM E/R.

DATA MONITOR

All Items, Main Items, Selection From Menu

Item name	CONSULT-III screen display	Display or unit	SELECT MONITOR ITEM			Description
			ALL SIG-NALS	MAIN SIG-NALS	SELECTION FROM MENU	
Motor fan request	MOTOR FAN REQ	1/2/3/4	×	×	×	Signal status input from ECM
Compressor request	AC COMP REQ	ON/OFF	×	×	×	Signal status input from ECM
Parking request	TAIL&CLR REQ	ON/OFF	×	×	×	Signal status input from BCM
H/L LO request	HL LO REQ	ON/OFF	×	×	×	Signal status input from BCM
H/L HI request	HL HI REQ	ON/OFF	×	×	×	Signal status input from BCM
Front fog request	FR FOG REQ* ¹	ON/OFF	×	×	×	—
Head lamp washer request	HL WASHER REQ* ¹	ON/OFF	×		×	—
Front wiper request	FR WIP REQ	STOP/1LOW/LOW/HI	×	×	×	Signal status input from BCM
Wiper auto stop	WIP AUTO STOP	ACT P/STOP P	×	×	×	Output status of IPDM E/R
Wiper protection	WIP PROT	OFF/Block	×	×	×	Control status of IPDM E/R
Starter request	ST RLY REQ* ²	ON/OFF	×		×	Status of input signal
Ignition relay status	IGN RLY	ON/OFF	×	×	×	Ignition relay status monitored with IPDM E/R
Rear window defogger request	RR DEF REQ	ON/OFF	×	×	×	Signal status input from BCM
Oil pressure switch	OIL P SW* ¹	OPEN/CLOSE	×		×	—
Day time light request	DTRL REQ* ³	ON/OFF	×		×	Signal status input from BCM
Hood switch	HOOD SW* ¹	ON/OFF	×		×	—
Theft warning horn request	THFT HRN REQ	ON/OFF	×		×	Signal status input from BCM
Horn chirp	HORN CHIRP	ON/OFF	×		×	Output status of IPDM E/R

NOTE:

- Perform monitoring of IPDM E/R data with the ignition switch ON. When the ignition switch is at ACC, the display may not be correct.
- *1: This items is displayed, but does not function.
- *2: The vehicle without intelligent key system displays only ON without change.
- *3: Only the vehicle with daytime light system operates.

ACTIVE TEST

Display Item List

Test item	CONSULT-III screen display	Description
Tail lamp operation	TAIL LAMP	With a certain ON-OFF operation, the tail lamp relay can be operated.
Rear window defogger operation	REAR DEFOGGER	With a certain ON-OFF operation, the rear window defogger relay can be operated.

IPDM E/R (INTELLIGENT POWER DISTRIBUTION MODULE ENGINE ROOM)

< SERVICE INFORMATION >

Test item	CONSULT-III screen display	Description
Front wiper (HI, LO) operation	FRONT WIPER	With a certain operation (OFF, HI ON, LO ON), the front wiper relay (Lo, Hi) can be operated.
Cooling fan operation	MOTOR FAN	With a certain operation (1,2,3,4), the cooling fan can be operated.
Headlamp washer ^{NOTE 1}	HEAD LAMP WASHER	—
Lamp (HI, LO, FOG ^{NOTE 2}) operation	LAMPS	With a certain operation (OFF, HI ON, LO ON, FOG ON ^{NOTE}), the lamp relay (Lo, Hi, Fog ^{NOTE}) can be operated.
Horn operation	HORN	Push "ON" button, horn relay operates 20 ms.

NOTE:

1. Headlamp washer item is displayed, but it cannot be tested.
2. Fog lamp item is displayed, but it cannot be tested.

Auto Active Test

INFOID:000000004657914

DESCRIPTION

In auto active test mode, operation inspection can be performed when IPDM E/R sends a drive signal to the following systems:

- Rear window defogger
- Front wipers
- Parking lamp, license plate lamp and tail lamp
- Headlamps (Hi, Lo)
- A/C compressor (magnetic clutch)
- Cooling fan

OPERATION PROCEDURE

1. Close hood and front door (passenger side), and then lift wiper arms away from windshield (to prevent glass damage by wiper operation).

NOTE:

When auto active test is performed with hood opened, sprinkle water on windshield beforehand.

2. Turn ignition switch OFF.
3. Turn ignition switch ON, and, within 20 seconds, press driver's front door switch 10 times (close other door). Then turn ignition switch OFF.
4. Turn ignition switch ON within 10 seconds after ignition switch OFF.
5. When auto active test mode is actuated, horn chirps once. Oil pressure warning lamp starts blinking.
6. After a series of operations is repeated three times, auto active test is completed.

NOTE:

When auto active test mode has to be cancelled halfway, turn ignition switch OFF.

CAUTION:

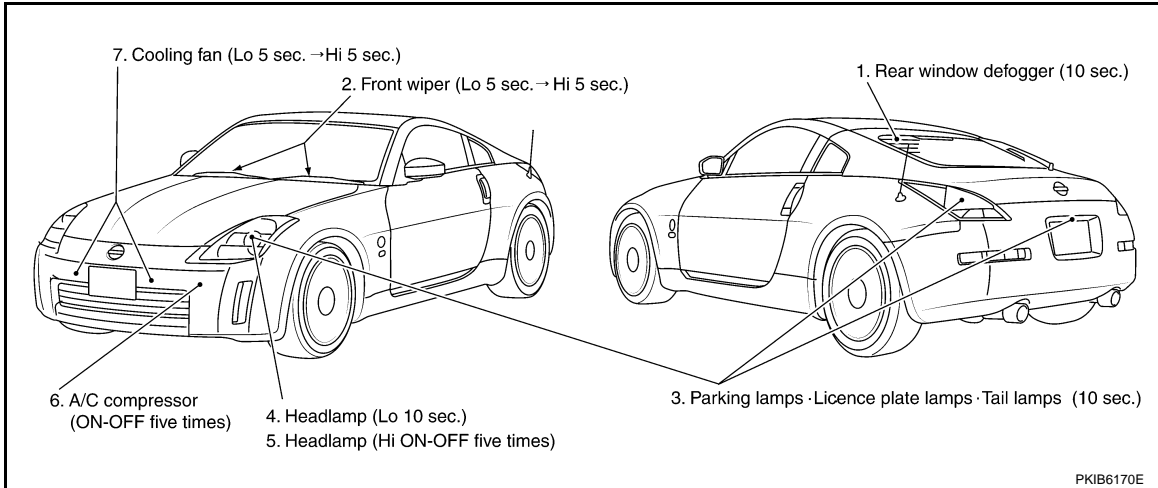
Be sure to inspect [BL-35. "Check Door Switch"](#) when the auto active test cannot be performed.

INSPECTION IN AUTO ACTIVE TEST MODE

IPDM E/R (INTELLIGENT POWER DISTRIBUTION MODULE ENGINE ROOM)

< SERVICE INFORMATION >

When auto active test mode is actuated, the following eight steps are repeated three times.



NOTE:

It takes 10 seconds from 3 to 4.

Concept of Auto Active Test

- IPDM E/R actuates auto active test mode when it receives door switch signal from BCM via CAN communication line. Therefore, when auto active test mode is activated successfully, CAN communication between IPDM E/R and BCM is normal.
- If any of systems controlled by IPDM E/R cannot be operated, possible cause can be easily diagnosed using auto active test.

Diagnosis chart in auto active test mode

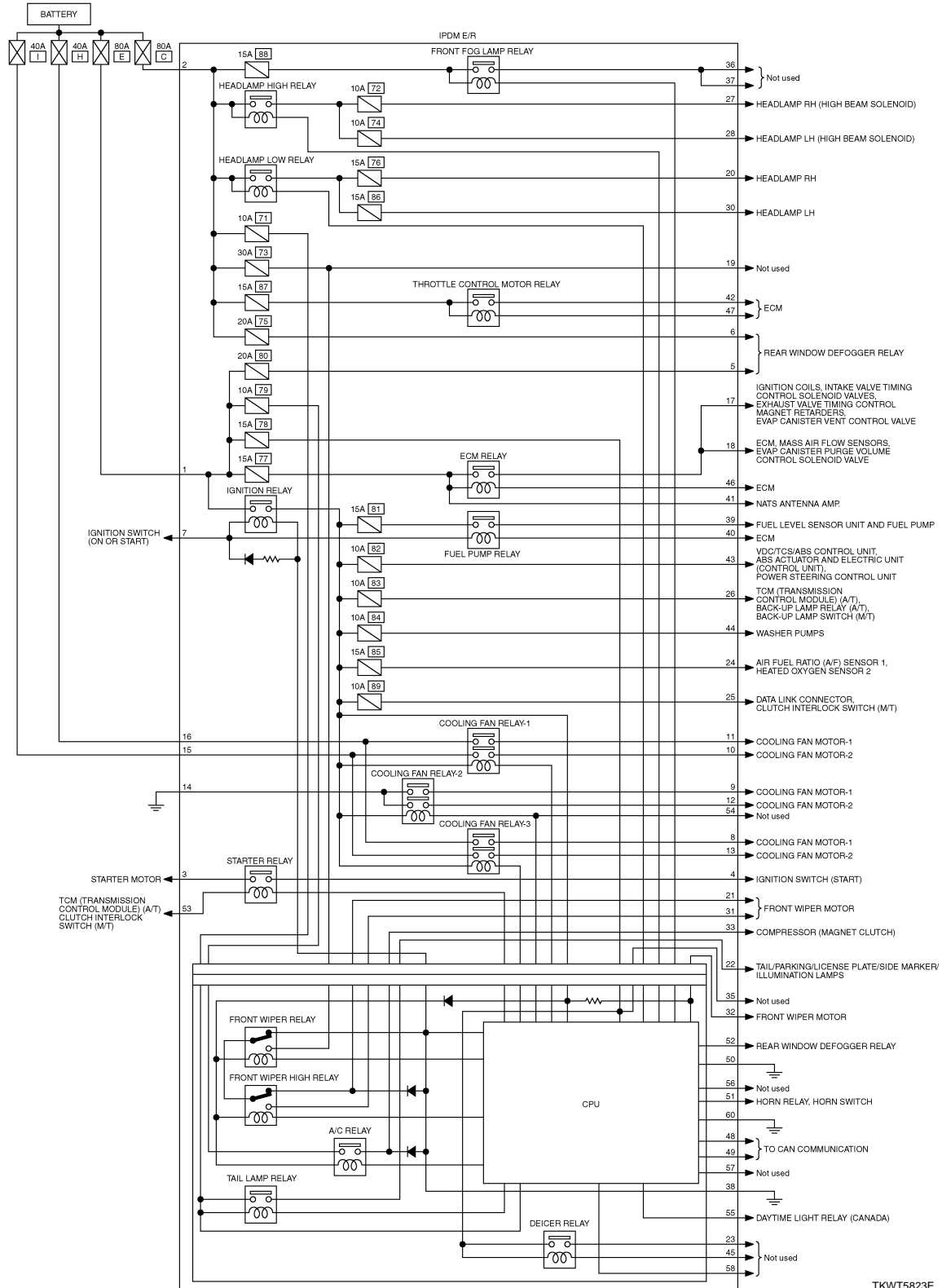
Symptom	Inspection contents	Possible cause	
Rear window defogger does not operate.	Perform auto active test. Does rear window defogger operate?	YES	• BCM signal input circuit
		NO	• Rear window defogger relay circuit • Open circuit of rear window defogger • IPDM E/R malfunction
Any of front wipers, tail and parking lamps, front fog lamps, and head lamps (Hi, Lo) do not operate.	Perform auto active test. Does system in question operate?	YES	• BCM signal input system
		NO	• Lamp/wiper motor malfunction • Lamp/wiper motor ground circuit malfunction • Harness/connector malfunction between IPDM E/R and system in question • IPDM E/R (integrated relay) malfunction
A/C compressor does not operate.	Perform auto active test. Does magnetic clutch operate?	YES	• BCM signal input circuit • CAN communication signal between BCM and ECM. • CAN communication signal between ECM and IPDM E/R
		NO	• Magnetic clutch malfunction • Harness/connector malfunction between IPDM E/R and magnetic clutch • IPDM E/R (integrated relay) malfunction
Cooling fan does not operate.	Perform auto active test. Does cooling fan operate?	YES	• ECM signal input circuit • CAN communication signal between ECM and IPDM E/R
		NO	• Cooling fan motor malfunction • Harness/connector malfunction between IPDM E/R and cooling fan motor • IPDM E/R (integrated relay) malfunction

IPDM E/R (INTELLIGENT POWER DISTRIBUTION MODULE ENGINE ROOM)

< SERVICE INFORMATION >

Schematic

INFOID:000000004657915



A
B
C
D
E
F
G
H
I
J
K
L
M
N
O
P

PG

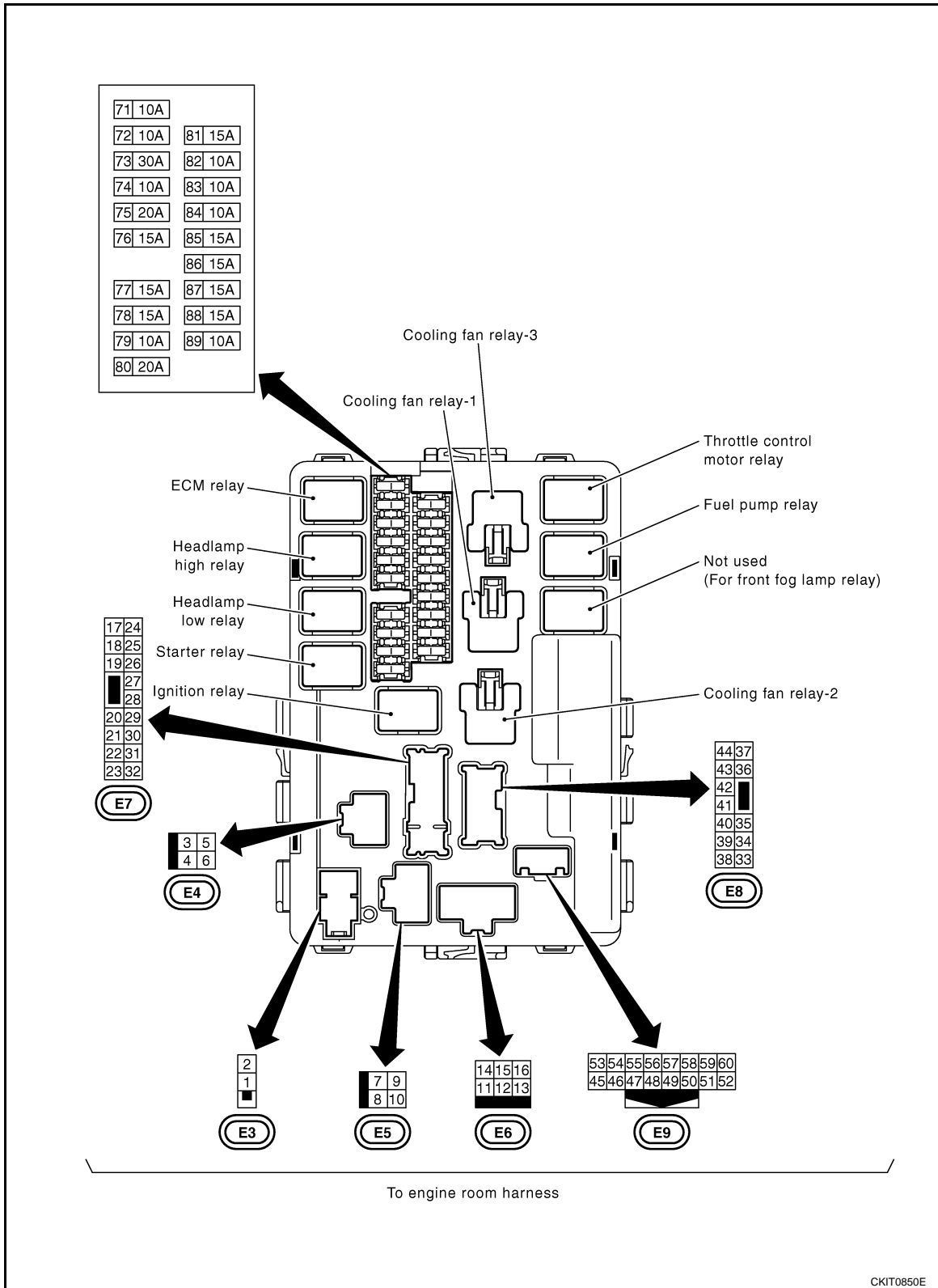
TKWT5823E

IPDM E/R (INTELLIGENT POWER DISTRIBUTION MODULE ENGINE ROOM)

< SERVICE INFORMATION >

IPDM E/R Terminal Arrangement

INFOID:000000004657916



CKIT0850E

IPDM E/R Power/Ground Circuit Inspection

INFOID:000000004657917

1. CHECK FUSE AND FUSIBLE LINK

Make sure the following fusible links or IPDM E/R fuses are not blown.

IPDM E/R (INTELLIGENT POWER DISTRIBUTION MODULE ENGINE ROOM)

< SERVICE INFORMATION >

Terminal No.	Signal name	Fuse and fusible link No.
1	Battery power	E
2		C
—		71
—		78

OK or NG

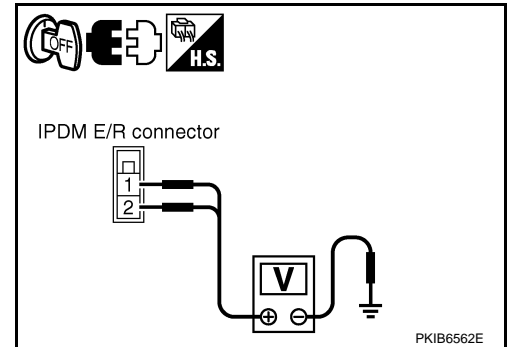
OK >> GO TO 2.

NG >> If fuse or fusible link is blown, be sure to eliminate cause of malfunction before installing new fuse or fusible link.

2. CHECK POWER SUPPLY CIRCUIT

- Turn ignition switch OFF.
- Disconnect IPDM E/R harness connector.
- Check voltage between IPDM E/R harness connector and ground.

Terminal		(-)	Voltage (Approx.)
(+)	Terminal		
IPDM E/R connector	1	Ground	Battery voltage
	2		
E3			



OK or NG

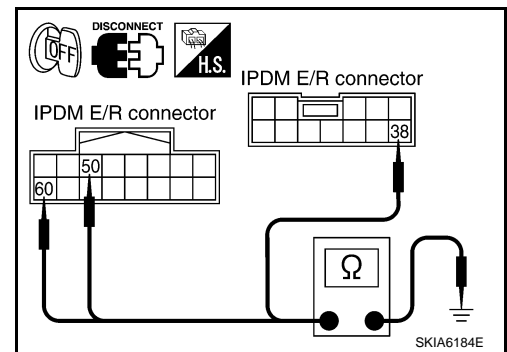
OK >> GO TO 3.

NG >> Repair harness or connector.

3. CHECK GROUND CIRCUIT

- Disconnect IPDM E/R harness connectors.
- Check continuity between IPDM E/R harness connectors and ground.

IPDM E/R connector	Terminal	Ground	Continuity
E8	38		
E9	50		
	60		



OK or NG

OK >> INSPECTION END

NG >> Repair harness or connector.

U1000 CAN COMM CIRCUIT

INFOID:000000004657918

1. PERFORM SELF DIAGNOSTIC

- Turn ignition switch ON and wait for 2 seconds or more.
- Check "Self Diagnostic Result" of IPDM E/R.

Is "CAN COMM CIRCUIT" displayed?

YES >> Refer to [LAN-13, "Trouble Diagnosis Flow Chart"](#).

NO >> Refer to [GI-24, "How to Perform Efficient Diagnosis for an Electrical Incident"](#).

Removal and Installation of IPDM E/R

INFOID:000000004657919

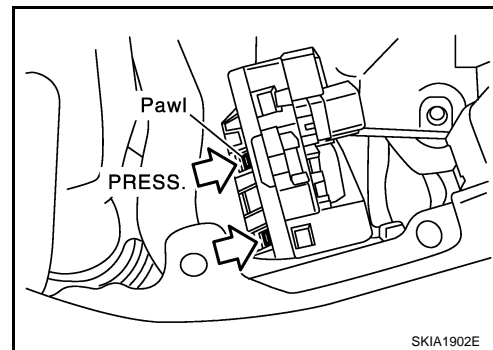
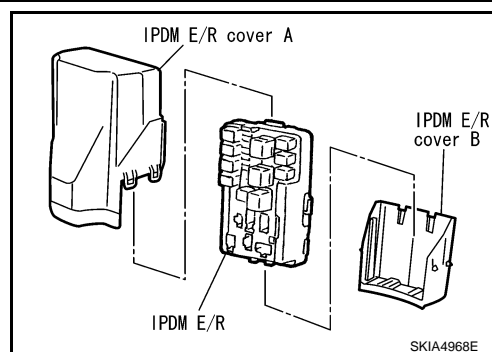
REMOVAL

- Remove battery. Refer to [SC-6, "Removal and Installation"](#).

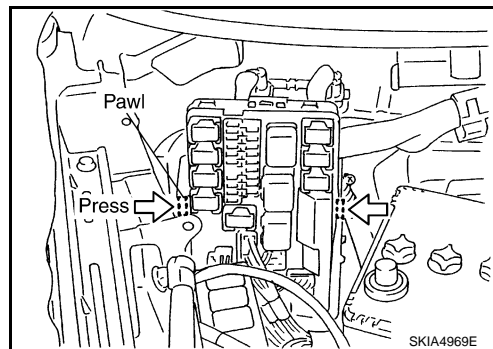
IPDM E/R (INTELLIGENT POWER DISTRIBUTION MODULE ENGINE ROOM)

< SERVICE INFORMATION >

2. Remove IPDM E/R cover A. While pressing pawl on backside of IPDM E/R cover B toward vehicle front to unlock, lift up IPDM E/R.



3. While pressing pawls on right and left side of IPDM E/R, remove IPDM E/R cover B from IPDM E/R.
4. Remove harness connector from IPDM E/R.



INSTALLATION

Installation is the reverse order of removal.

GROUND CIRCUIT

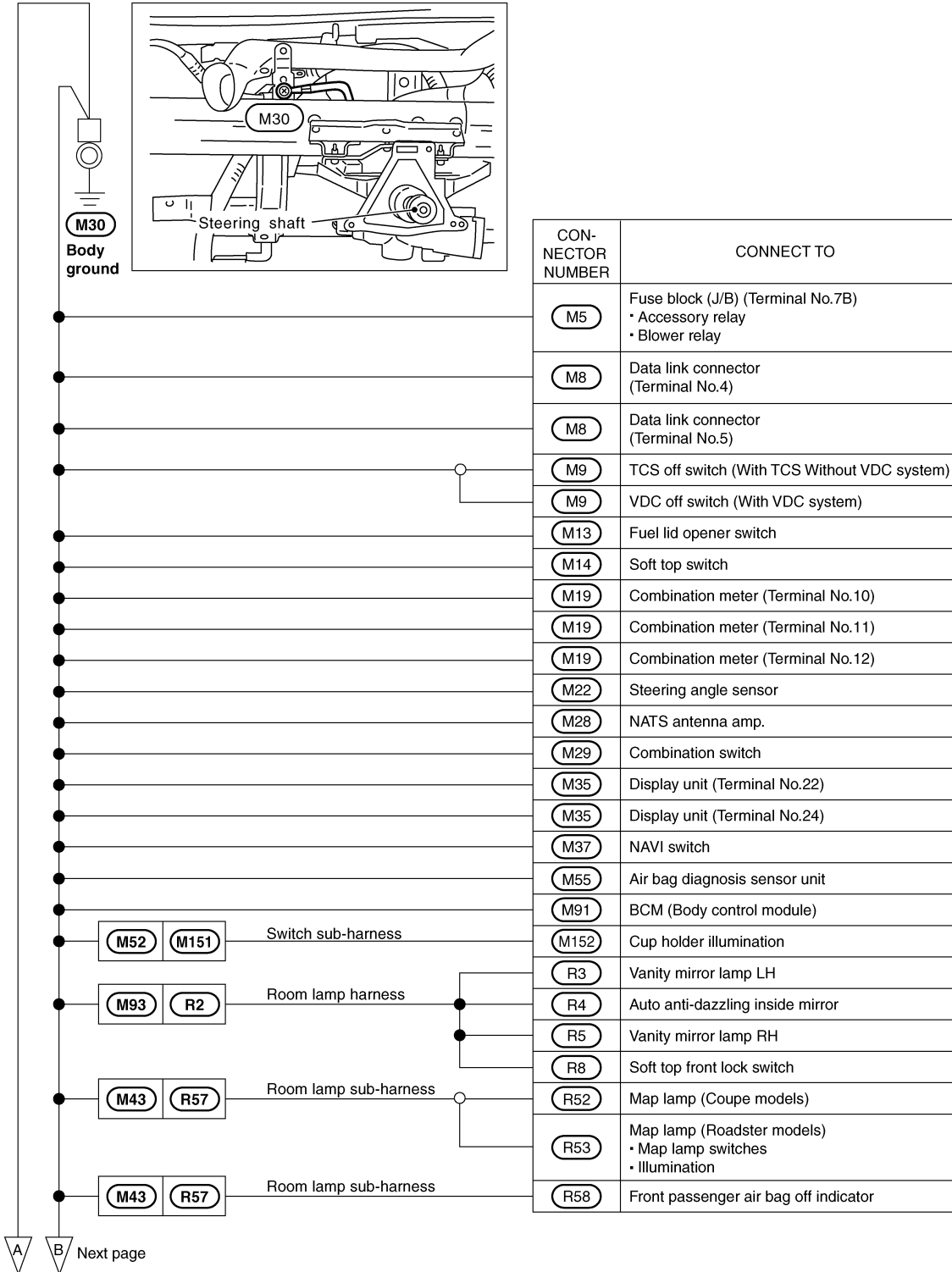
< SERVICE INFORMATION >

GROUND CIRCUIT

Ground Distribution

INFOID:000000004657920

MAIN HARNESS



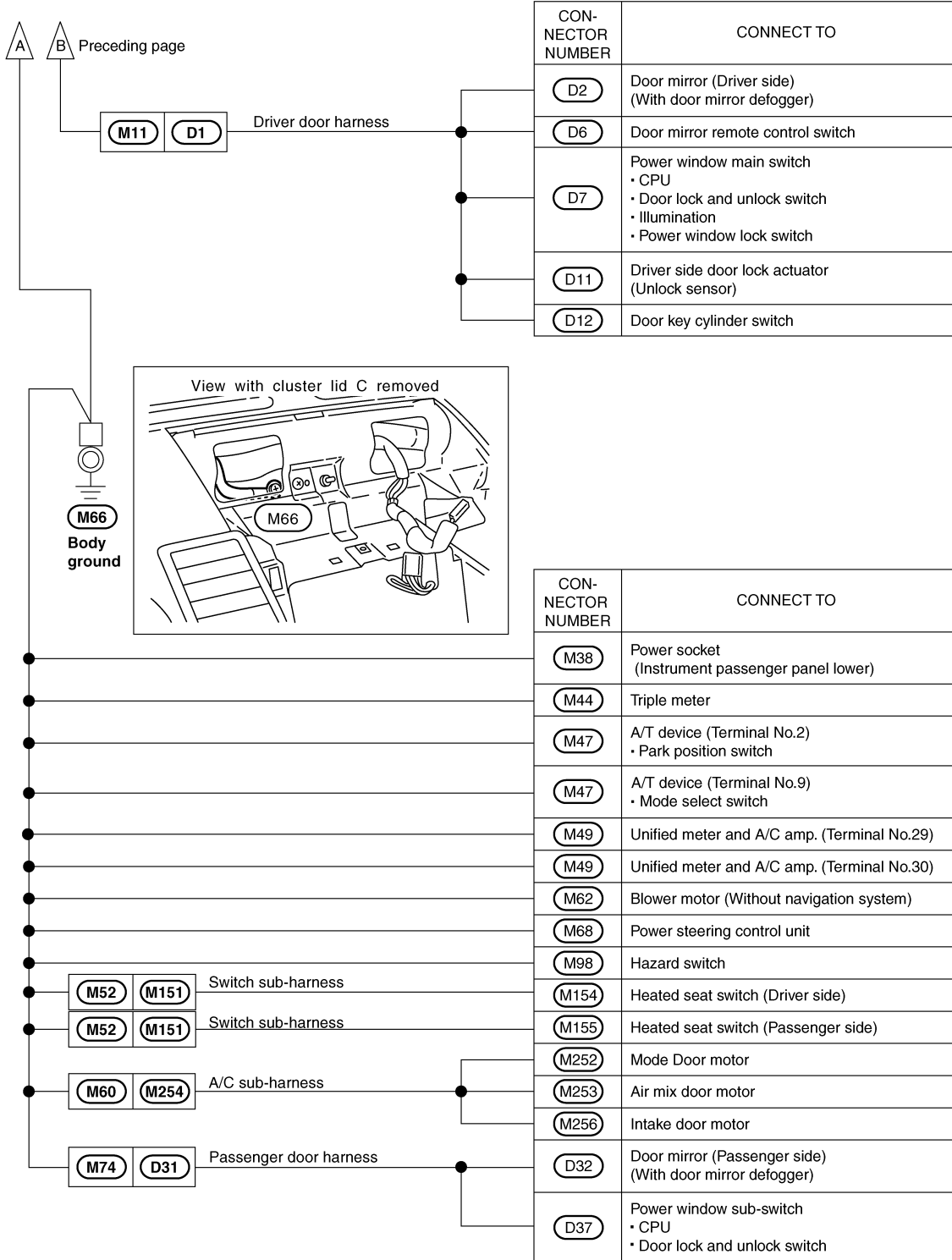
A
B
C
D
E
F
G
H
I
J
PG
L
M
N
O
P

A B Next page

CKIT0865E

GROUND CIRCUIT

< SERVICE INFORMATION >

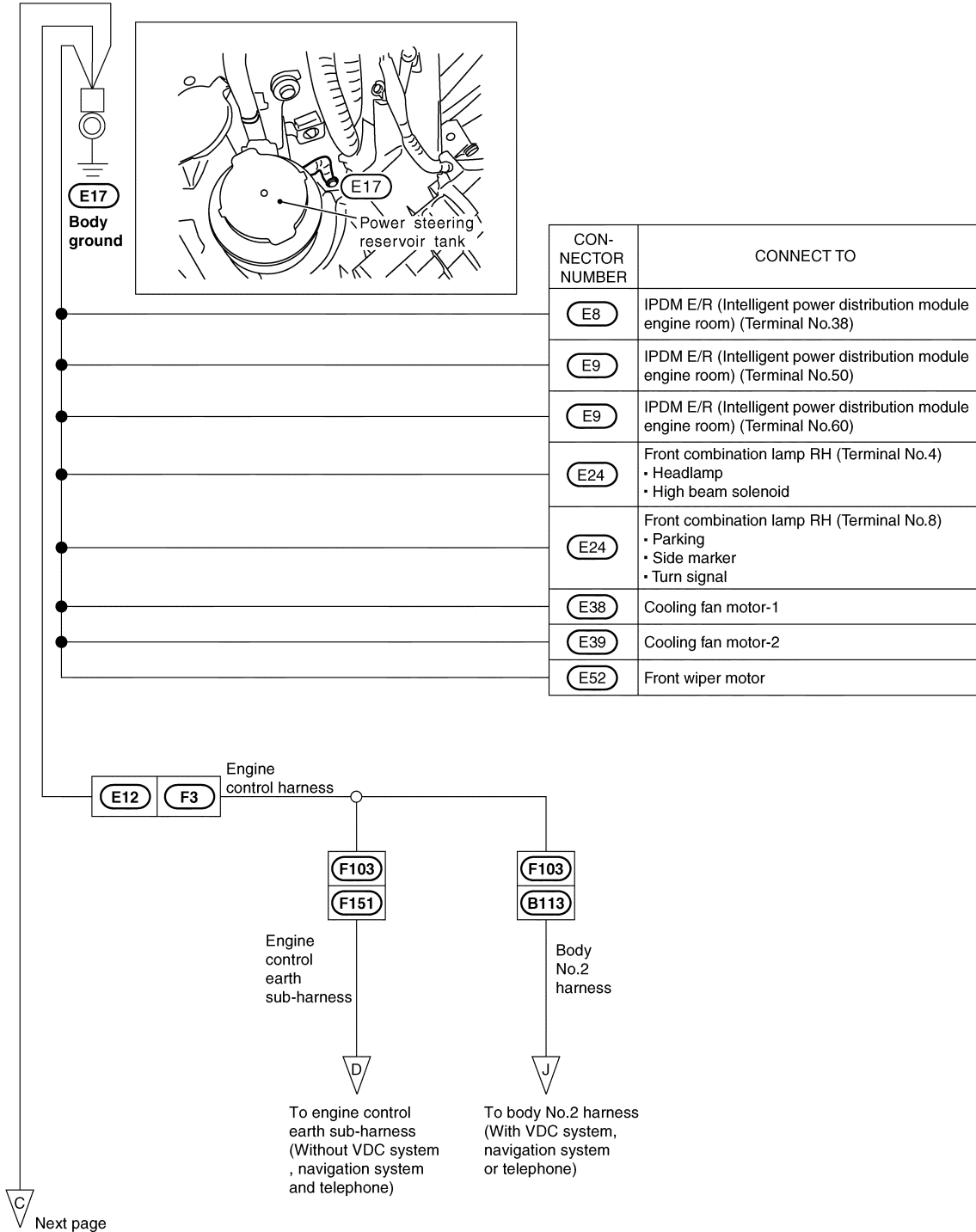


CKIT0866E

GROUND CIRCUIT

< SERVICE INFORMATION >

ENGINE ROOM HARNESS

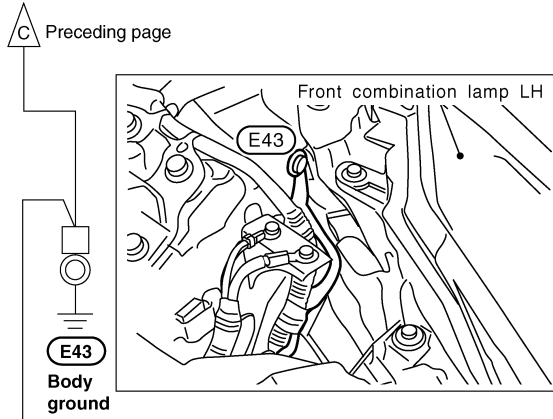


A
B
C
D
E
F
G
H
I
J
PG
L
M
N
O
P

CKIT0867E

GROUND CIRCUIT

< SERVICE INFORMATION >



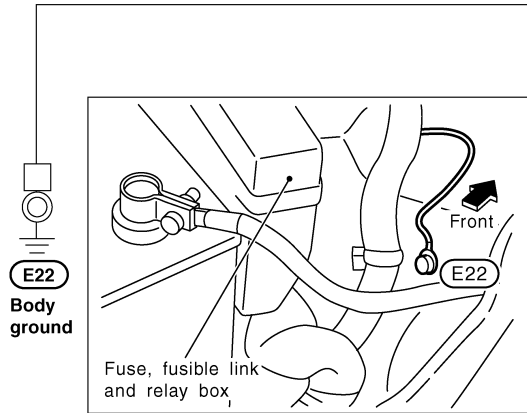
CON-NECTOR NUMBER	CONNECT TO
E6	IPDM E/R (Intelligent power distribution module engine room) (Terminal No.14)
E19	Shift lock relay
E30	Washer level sensor
E33	Horn (Low)
E36	Horn (High)
E40	Front combination lamp LH (Terminal No. 4) • Headlamp • High beam solenoid
E40	Front combination lamp LH (Terminal No. 8) • Parking • Side marker • Turn signal
E44	Brake fluid level switch
E51	ABS actuator and electric unit (Terminal No. 16)
E51	ABS actuator and electric unit (Terminal No. 30)

CKIT0868E

GROUND CIRCUIT

< SERVICE INFORMATION >

CON-NECTOR NUMBER	CONNECT TO
E37	Shield wire (Crash zone sensor)

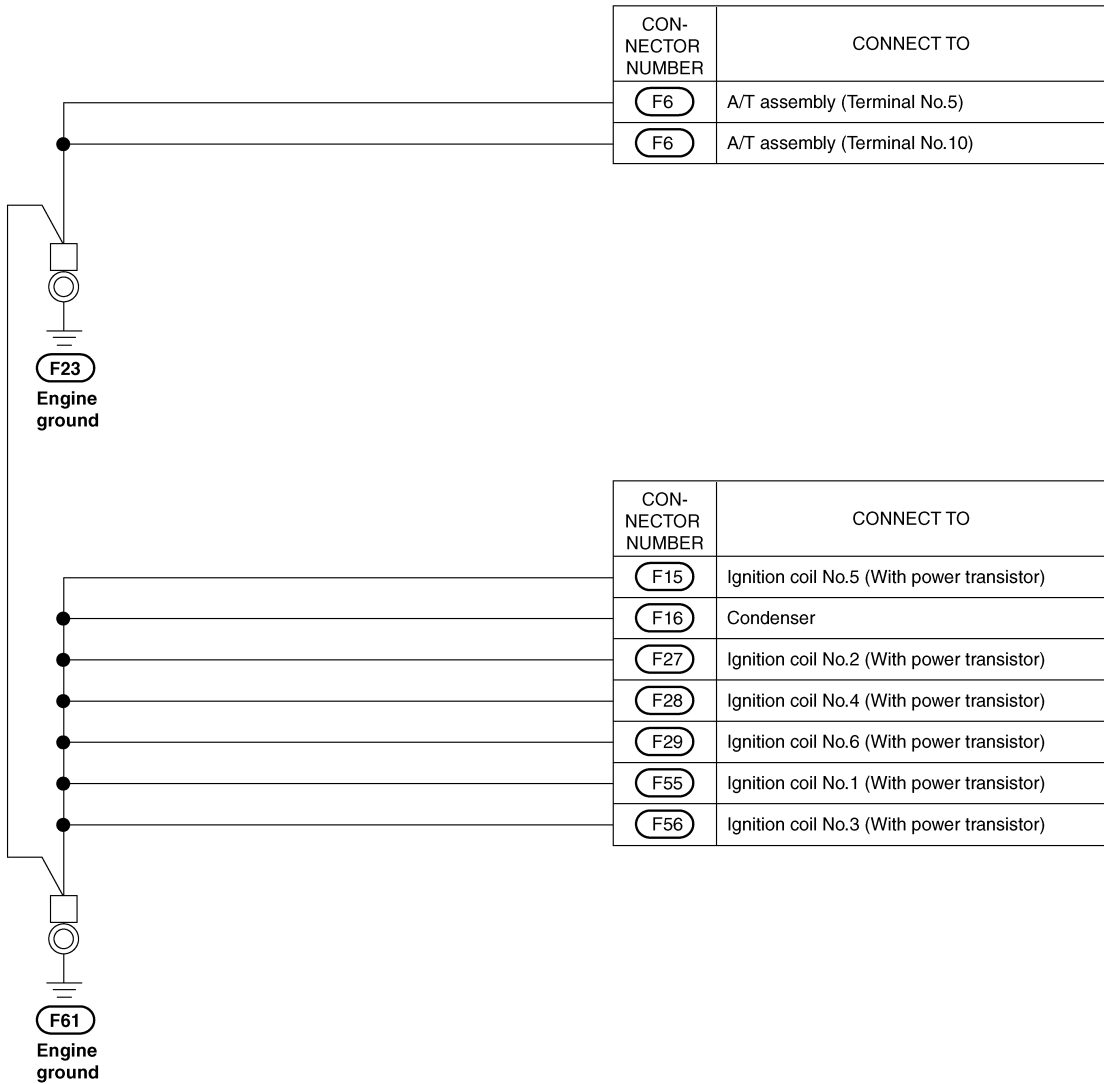
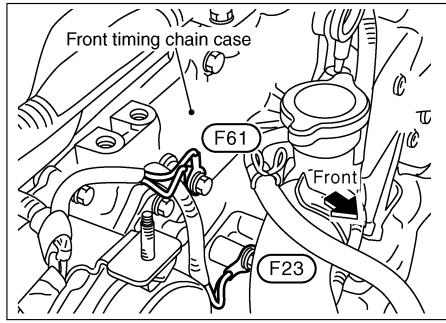


A
B
C
D
E
F
G
H
I
J
PG
L
M
N
O
P

CKIT0869E

GROUND CIRCUIT

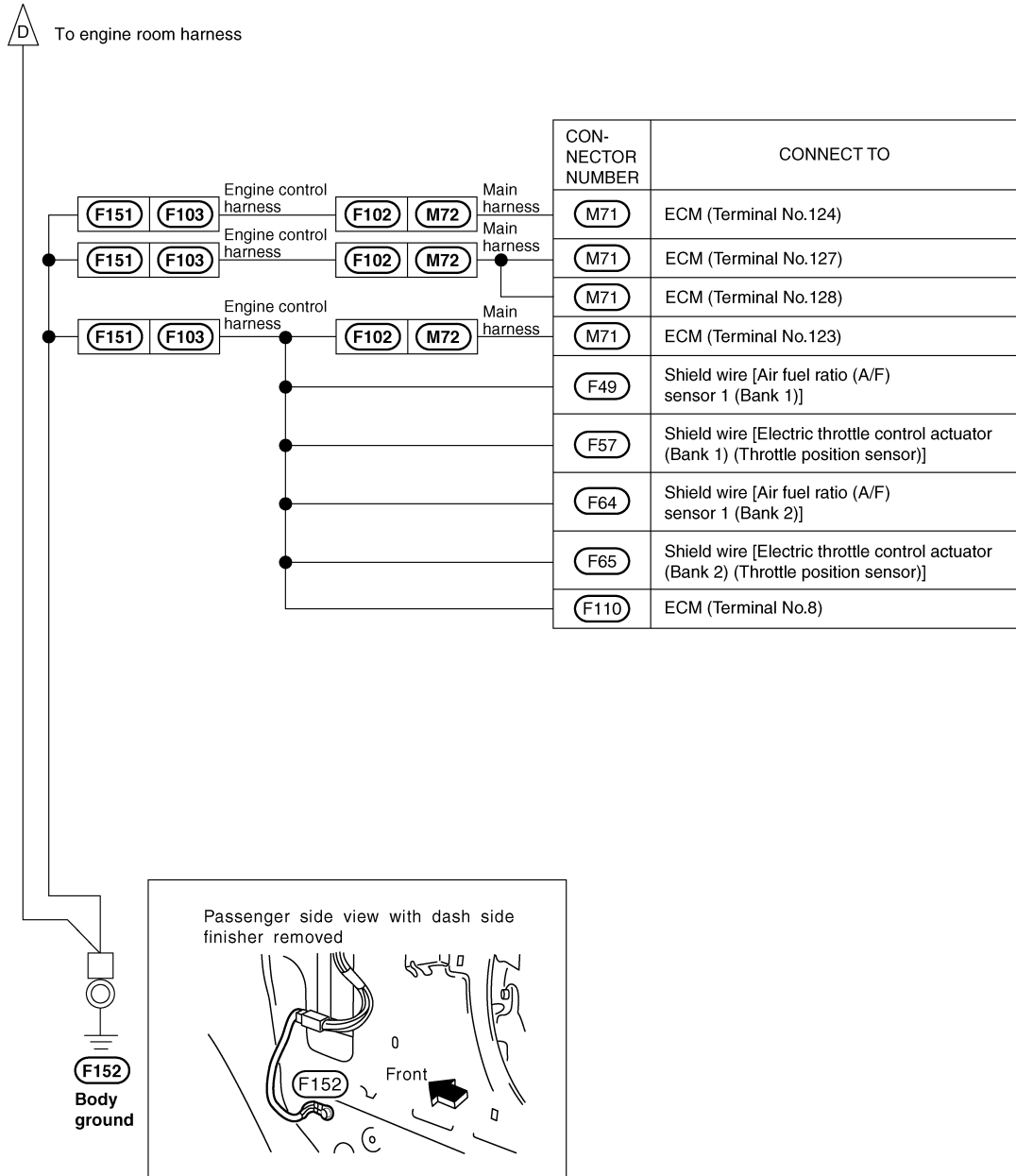
< SERVICE INFORMATION > ENGINE CONTROL HARNESS



CKIT0870E

GROUND CIRCUIT

< SERVICE INFORMATION >



A
B
C
D
E
F
G
H
I
J
L
M
N
O
P

PG

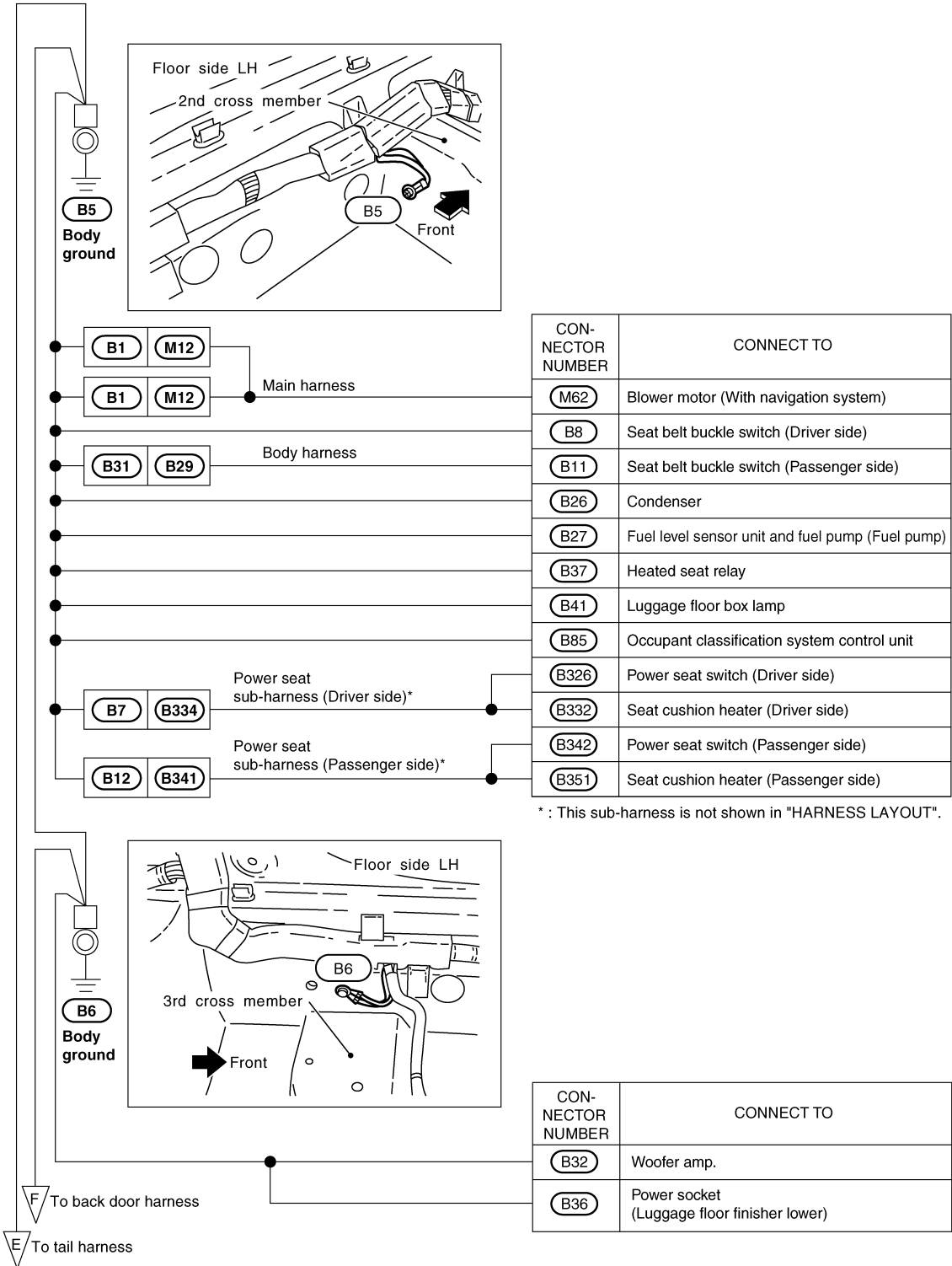
BODY HARNESS

CKIT0871E

GROUND CIRCUIT

< SERVICE INFORMATION >

Coupe Models

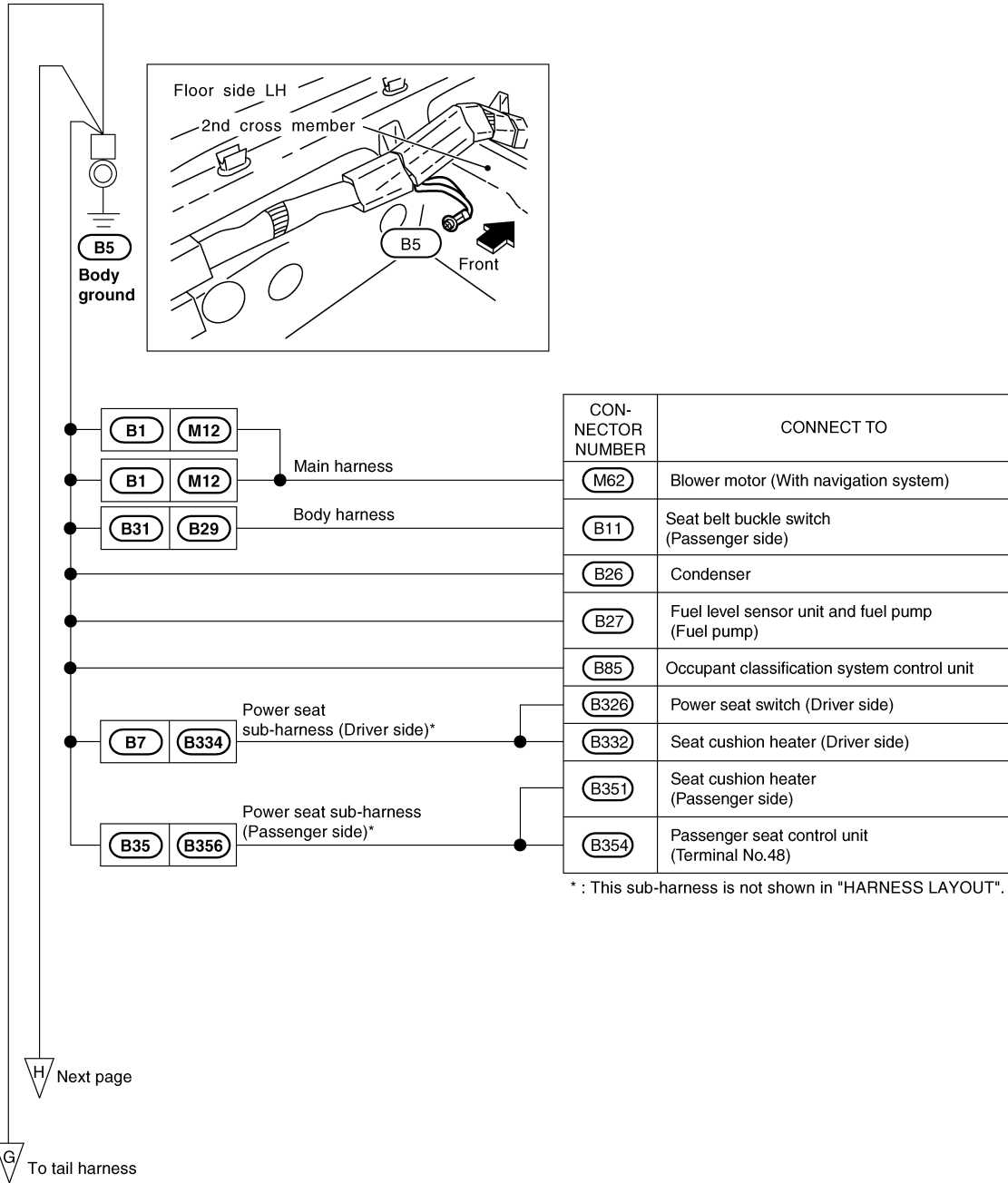


CKIT0856E

GROUND CIRCUIT

< SERVICE INFORMATION >

Roadster Models



A
B
C
D
E
F
G
H
I
J
L
M
N
O
P

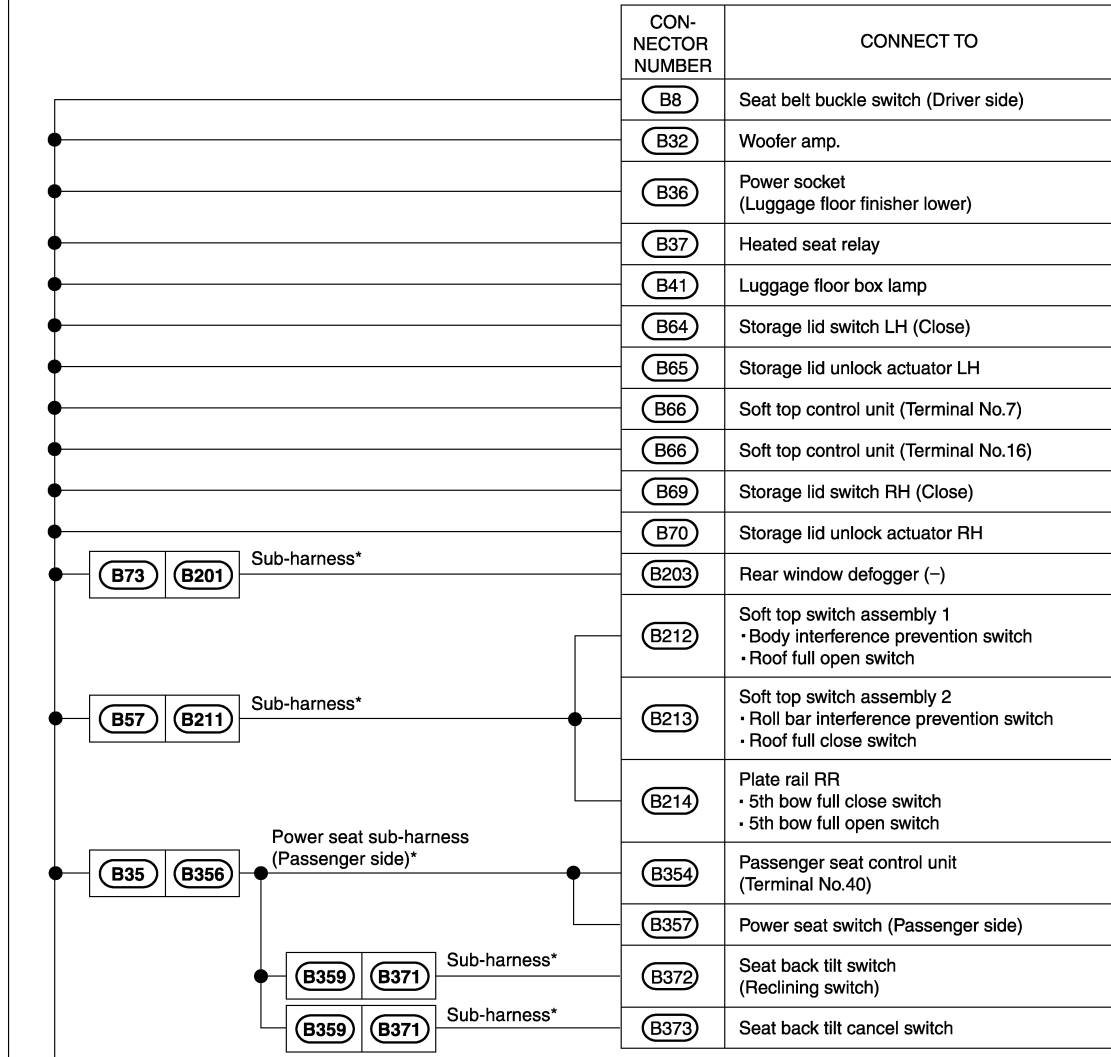
PG

CKIT0857E

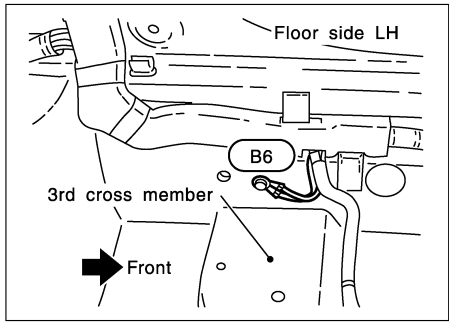
GROUND CIRCUIT

< SERVICE INFORMATION >

H Preceding page



*This sub-harness is not shown in "HARNESS LAYOUT".

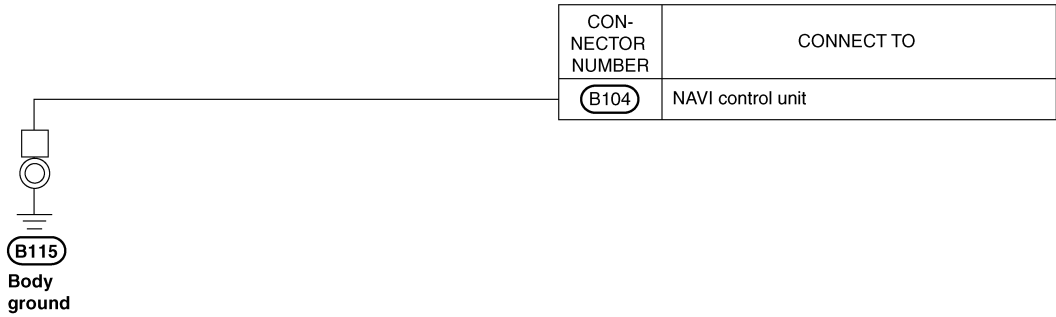
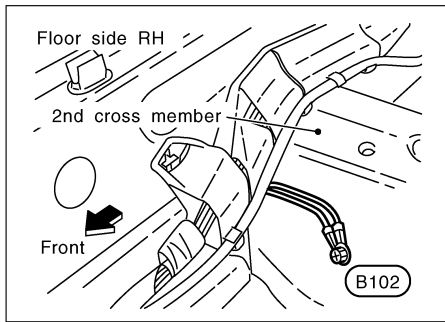
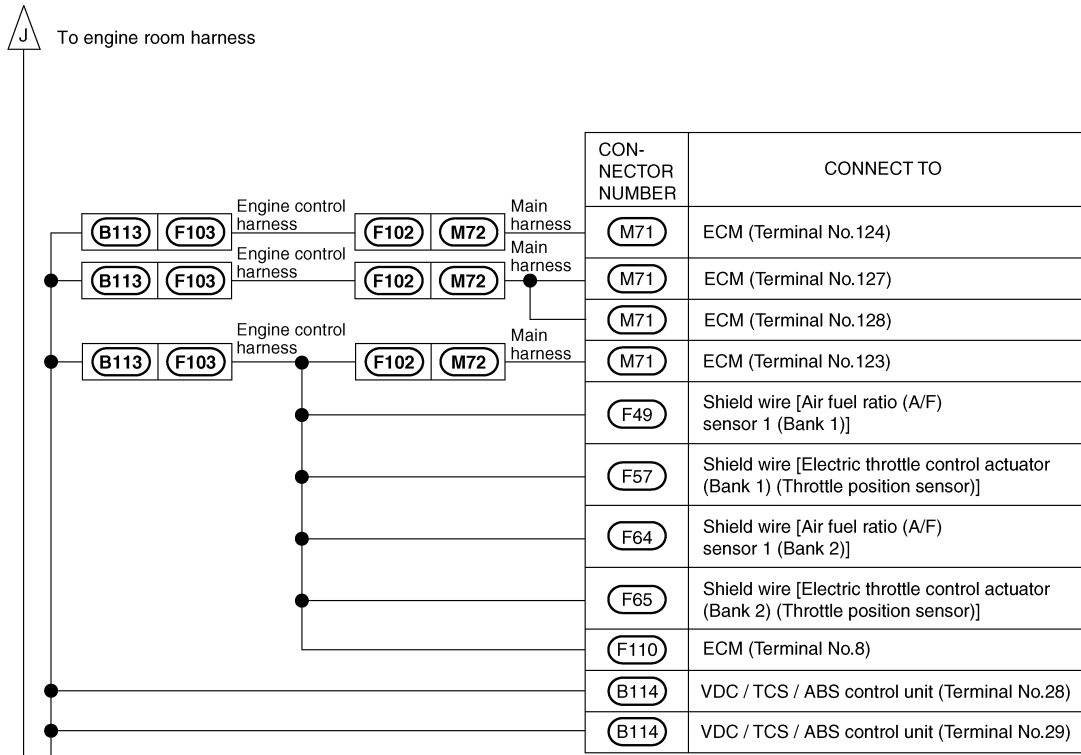


CKIT0735E

GROUND CIRCUIT

< SERVICE INFORMATION >

BODY NO. 2 HARNESS



TAIL HARNESS

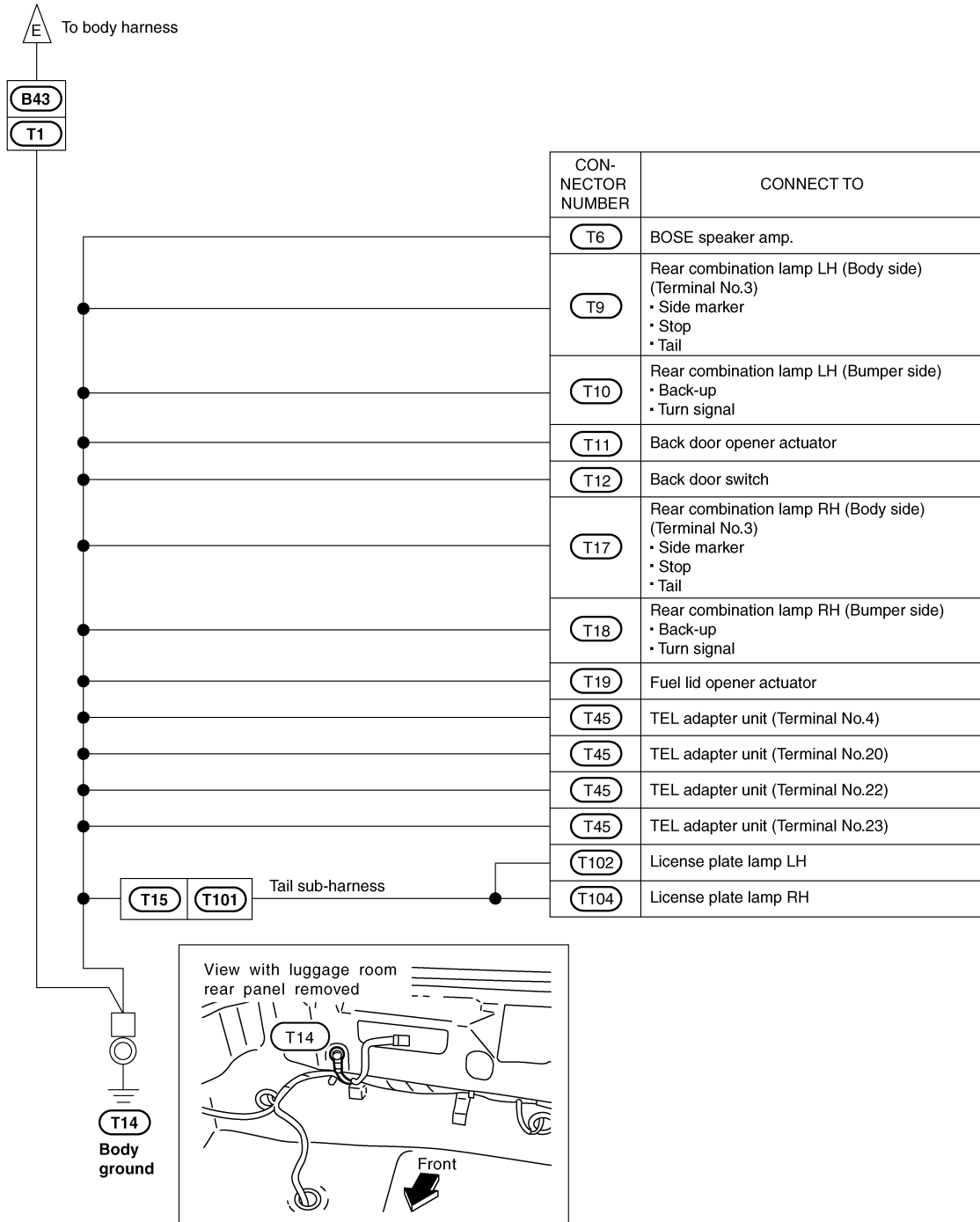
CKIT0872E

A
B
C
D
E
F
G
H
I
J
PG
L
M
N
O
P

GROUND CIRCUIT

< SERVICE INFORMATION >

Coupe Models

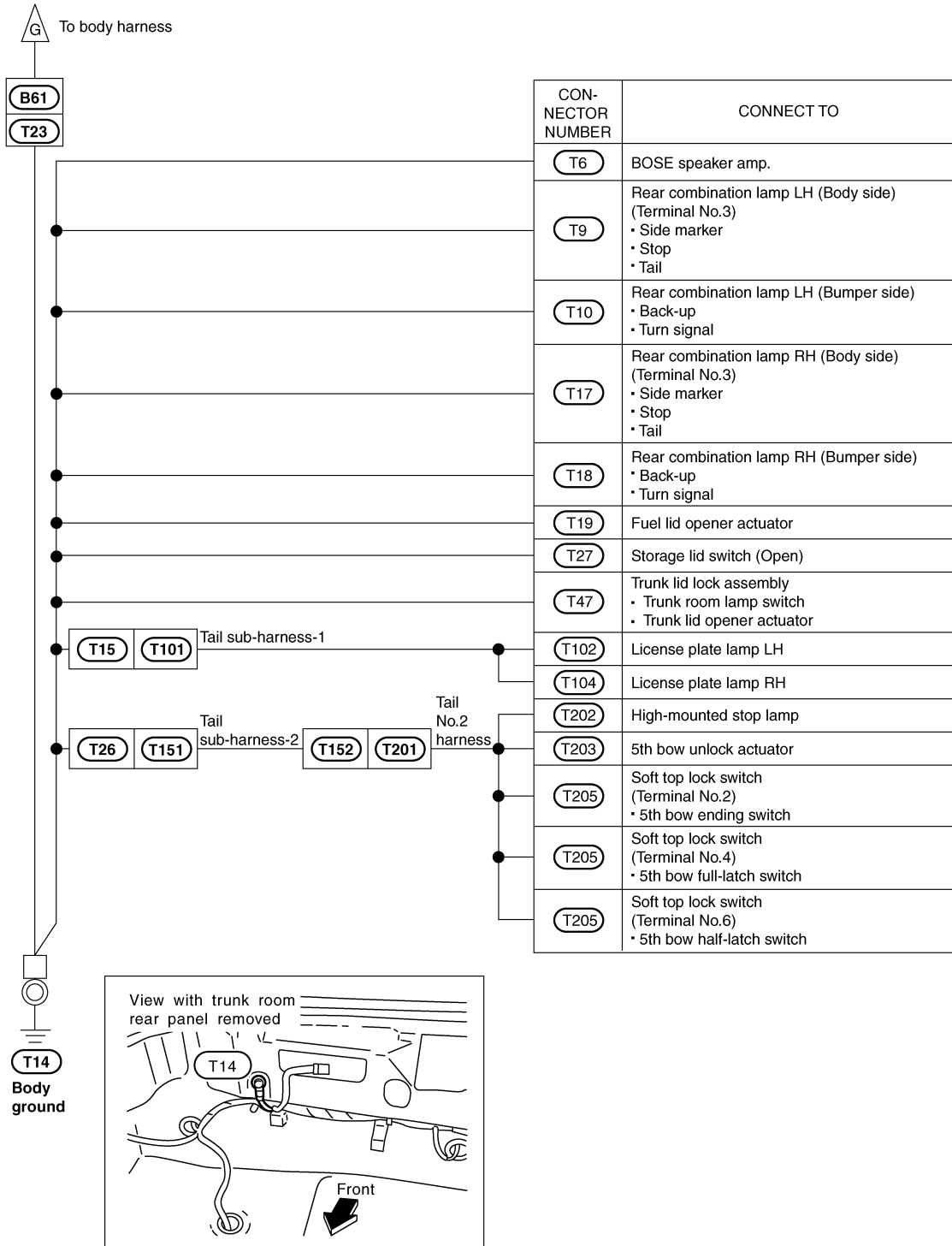


CKIT0873E

GROUND CIRCUIT

< SERVICE INFORMATION >

Roadster Models



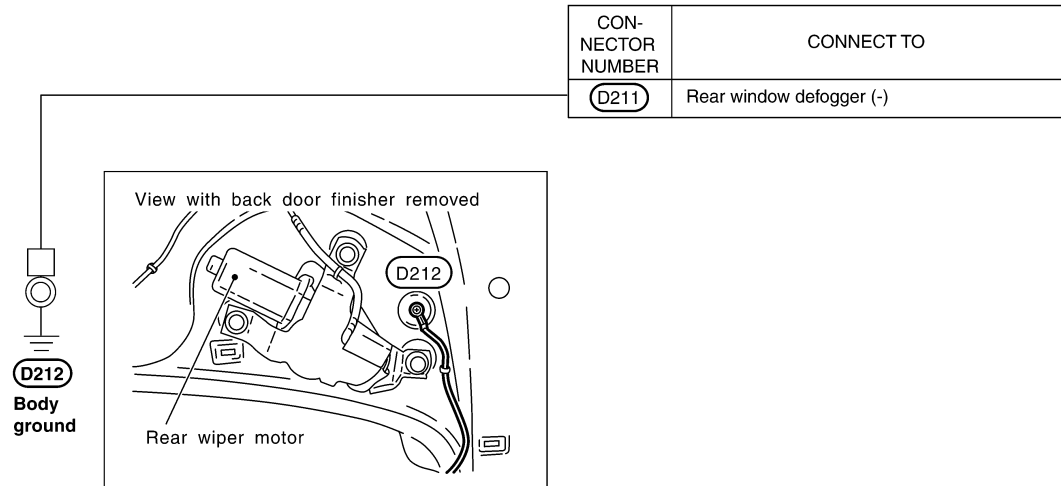
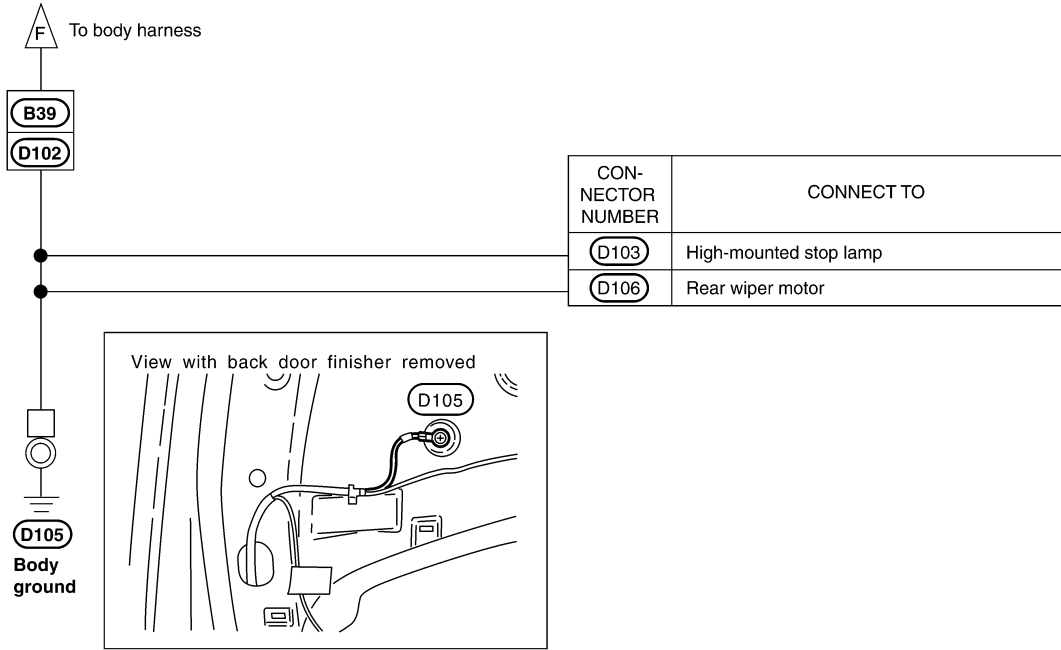
CKIT0859E

A
B
C
D
E
F
G
H
I
J
PG
L
M
N
O
P

GROUND CIRCUIT

< SERVICE INFORMATION >

BACK DOOR HARNESS



CKIT0464E

HARNESS

< SERVICE INFORMATION >

HARNESS

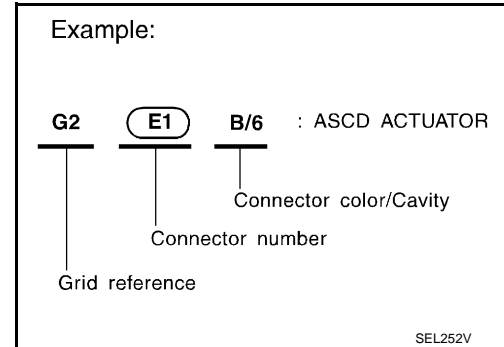
Harness Layout

INFOID:000000004657921

HOW TO READ HARNESS LAYOUT

The following Harness Layouts use a map style grid to help locate connectors on the figures:

- Main Harness
- Engine Room Harness (Engine Compartment)
- Engine Control Harness (Engine Compartment)
- Body Harness
- Tail Harness (Roadster Models)



To Use the Grid Reference

1. Find the desired connector number on the connector list.
2. Find the grid reference.
3. On the figure, find the crossing of the grid reference letter column and number row.
4. Find the connector number in the crossing zone.
5. Follow the line (if used) to the connector.

CONNECTOR SYMBOL

Main symbols of connector (in Harness Layout) are indicated in the below.

Connector type	Water proof type		Standard type	
	Male	Female	Male	Female
• Cavity: Less than 4 • Relay connector				
• Cavity: From 5 to 8				
• Cavity: More than 9				
• Ground terminal etc.	—			

CKIT0108E

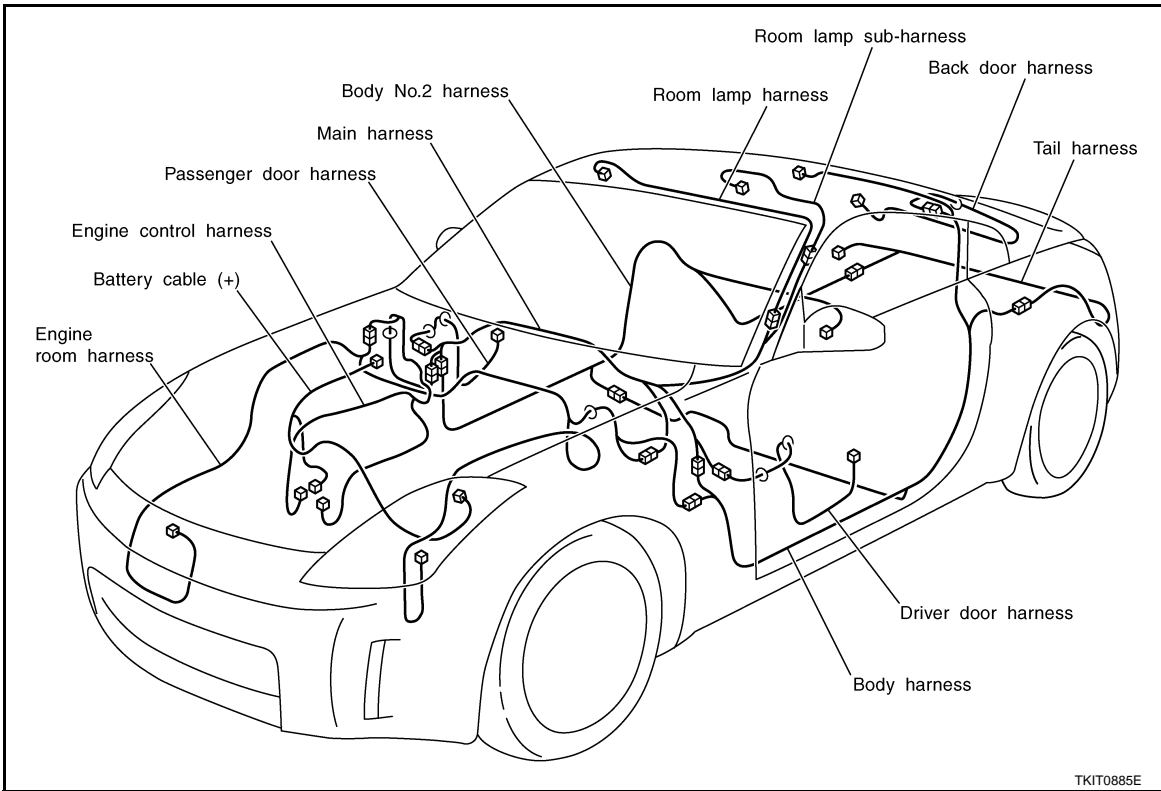
OUTLINE

A
B
C
D
E
F
G
H
I
J
PG
L
M
N
O
P

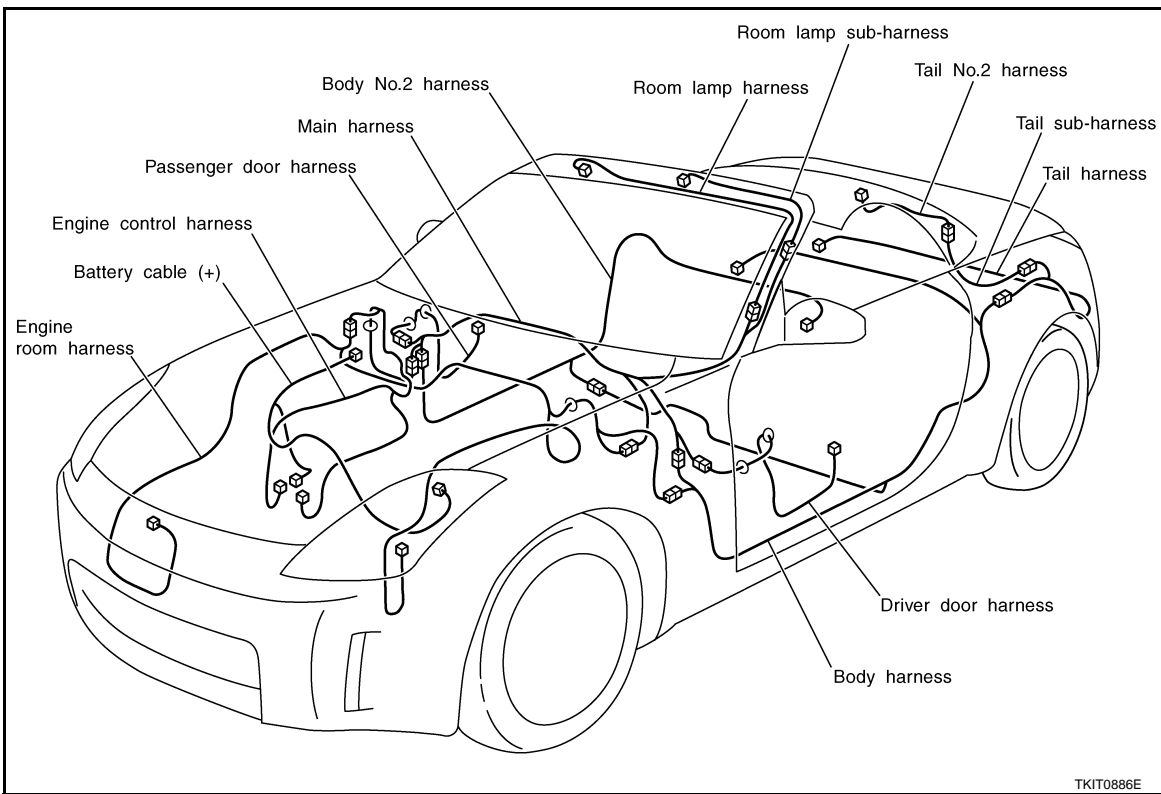
HARNESS

< SERVICE INFORMATION >

Coupe Models



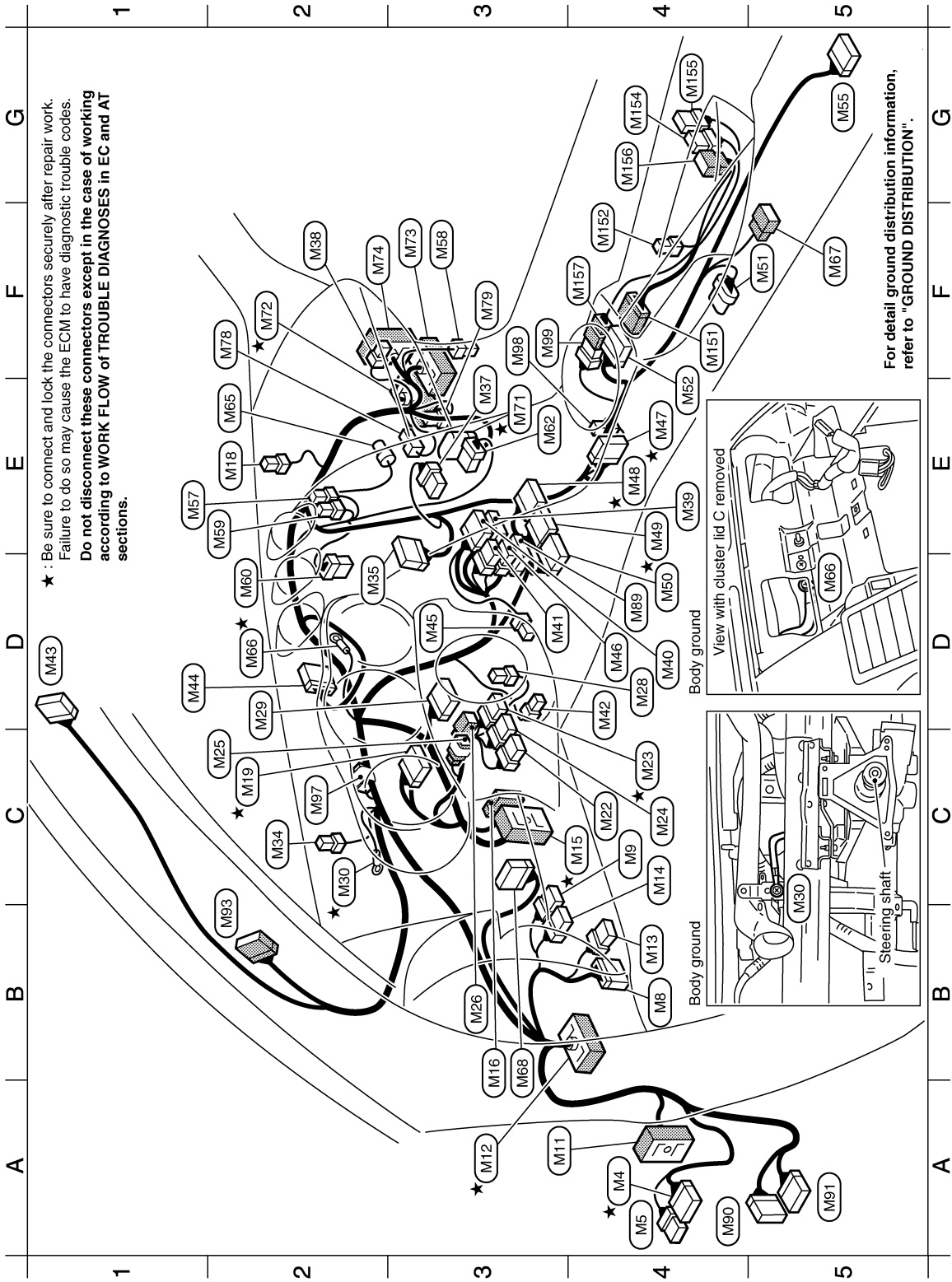
Roadster Models



HARNESS

< SERVICE INFORMATION >

MAIN HARNESS



★ : Be sure to connect and lock the connectors securely after repair work. Failure to do so may cause the ECM to have diagnostic trouble codes. Do not disconnect these connectors except in the case of working according to WORK FLOW of TROUBLE DIAGNOSES in EC and AT sections.

For detail ground distribution information, refer to "GROUND DISTRIBUTION".

TKIT0887E

A B C D E F G
A B C D E F G H I J K L M N O P

PG

A4	★ (M4)	W/16	: Fuse block (J/B)	F3	(M58)	W/4	: To (E112) (With VDC system)
A4	(M5)	W/8	: Fuse block (J/B)	E2	(M59)	L/4	: Fuel lid opener relay (For Coupe models)
B4	(M8)	W/16	: Data link connector	D2	(M60)	W/6	: To (M25-4)
C4	(M9)	GY/6	: VDC off switch (With VDC system)	E3	(M62)	W/6	: Blower motor
		GY/6	: TCS off switch (Without VDC system)	E2	(M65)	Y/4	: Front passenger air bag module
A3	(M11)	SMJ	: To (D1)	D2	★ (M66)	—	: Body ground
A3	★ (M12)	SMJ	: To (B1)	F5	(M67)	W/8	: To (B86) (With navigation system)
B4	(M13)	GY/6	: Fuel lid opener switch	B3	(M68)	W/12	: Power steering control unit
C4	(M14)	W/6	: Soft top switch (For Roadster models)	E3	★ (M71)	GY/32	: ECM
C4	★ (M15)	SMJ	: To (E108)	F2	★ (M72)	SMJ	: To (F102)
B3	(M16)	W/16	: To (E109) (With VDC system)	F3	(M73)	SMJ	: To (E101)
E2	(M18)	B/2	: Sunload sensor				(With navigation system, VDC system or telephone)
C2	★ (M19)	W/24	: Combination meter	F2	(M74)	SMJ	: To (D31)
C4	(M22)	W/8	: Steering angle sensor (With VDC system)	F2	(M78)	W/4	: Remote keyless entry receiver
C4	★ (M23)	GY/8	: Combination switch (Spiral cable)	F3	(M79)	W/2	: Tire pressure warning check connector
C4	(M24)	Y/6	: Combination switch (Spiral cable)	D4	(M89)	W/12	: Audio unit (With BOSE system)
C2	(M25)	BR/2	: Key switch	A4	(M90)	W/40	: BCM (Body control module)
B3	(M26)	W/2	: Ignition Keyhole illumination	A5	(M91)	B/15	: BCM (Body control module)
D4	(M28)	W/4	: NATS antenna amp.	B2	(M93)	W/12	: To (R2)
D2	(M29)	W/16	: Combination switch	C2	(M97)	—/2	: Resistor
C2	★ (M30)	—	: Body ground	F3	(M98)	W/4	: Hazard switch
C2	(M34)	BR/2	: Security indicator lamp	F3	(M99)	W/8	: To (M157) (For heated seat)
D2	(M35)	GY/24	: Display unit (With navigation system)				
E3	(M37)	W/8	: NAVI switch (With navigation system)				
F2	(M38)	B/2	: Power socket				
E4	(M39)	W/16	: Audio unit [With A/T or with M/T (With VDC system, BOSE system or navigation system)]				
D4	(M40)	W/10	: Audio unit				
D3	(M41)	W/6	: Audio unit				
D4	(M42)	W/2	: In-vehicle sensor				
D1	(M43)	W/12	: To (F57)				
D1	(M44)	W/12	: Triple meter				
D3	(M45)	BR/2	: Antenna amp. (Via sub-harness)				
D4	(M46)	BR/8	: Audio unit (With navigation system or without telephone)				
E4	★ (M47)	W/10	: A/T device (For A/T)				
E4	★ (M48)	GY/20	: Unified meter and A/C amp.				
E4	★ (M49)	GY/16	: Unified meter and A/C amp.				
D4	(M50)	W/24	: Unified meter and A/C amp.				
F5	(M51)	B/6	: Yaw rate / side G sensor (With VDC system)				
E4	(M52)	W/12	: To (M151)				
G5	(M55)	Y/28	: Air bag diagnosis sensor unit				
E1	(M57)	L/4	: Back-up lamp relay (For A/T)				

		Switch sub-harness	
F4	(M151)	W/12	: To (M52)
F3	(M152)	W/2	: Cup holder illumination
G4	(M154)	W/6	: Heated seat switch (Driver side) (With heated seat)
G4	(M155)	BR/6	: Heated seat switch (Passenger side) (With heated seat)
G4	(M156)	W/6	: Not used
F4	(M157)	W/8	: To (M99) (For heated seat)

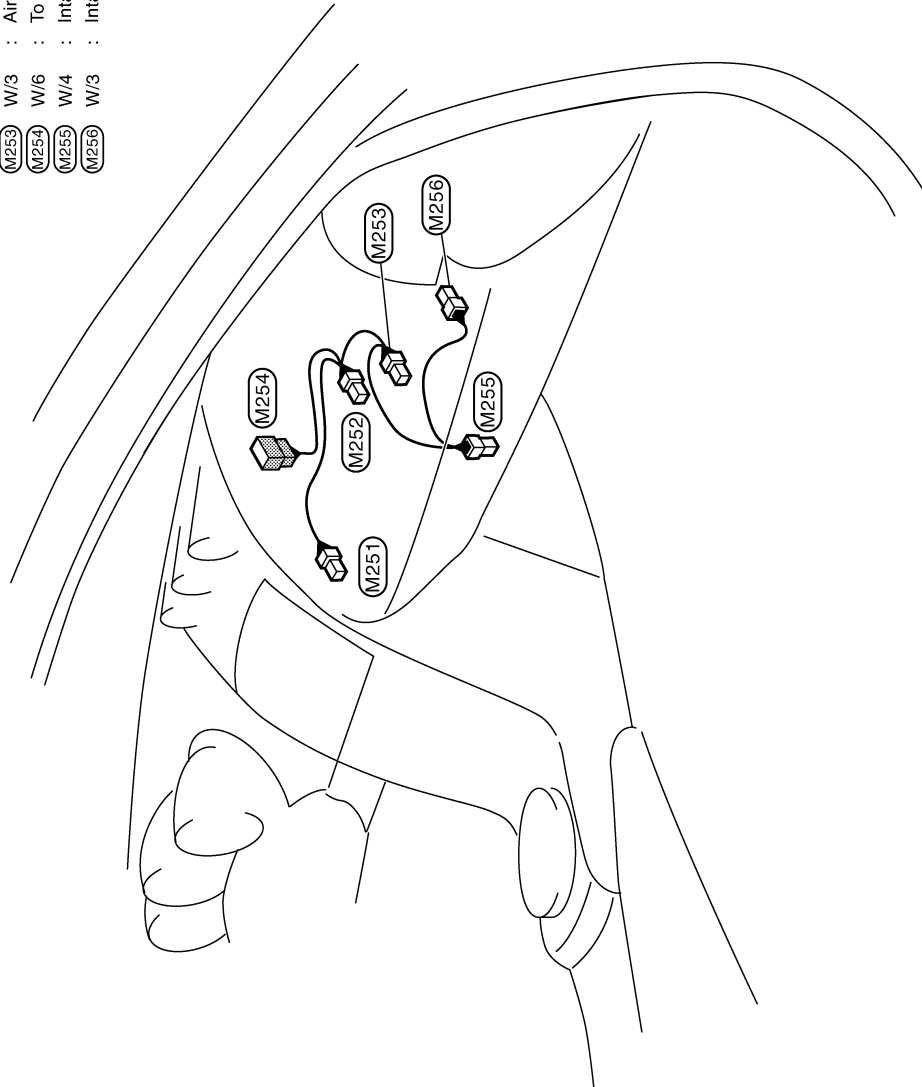
★ : Be sure to connect and lock the connectors securely after repair work.
Failure to do so may cause the ECM to have diagnostic trouble codes.
Do not disconnect these connectors except in the case of working according to WORK FLOW of TROUBLE DIAGNOSES in EC and AT sections.

TKIT0888E

HARNESS

< SERVICE INFORMATION >

- A/C sub-harness**
- (M251) W/3 : Not used
 - (M252) W/3 : Mode door motor
 - (M253) W/3 : Air mix door motor
 - (M254) W/6 : To (M60)
 - (M255) W/4 : Intake sensor
 - (M256) W/3 : Intake door motor



ENGINE ROOM HARNESS

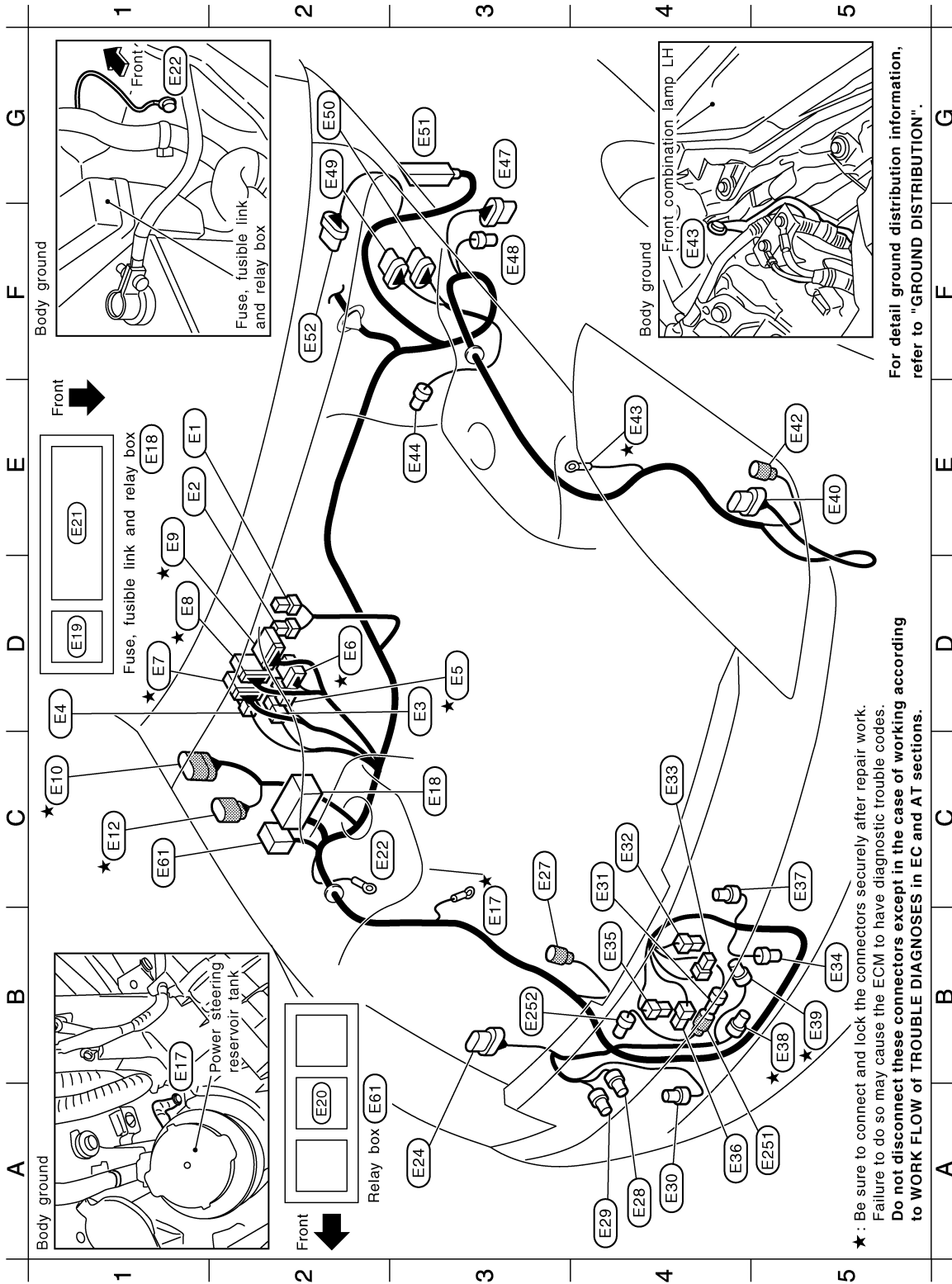
TKIT0889E

A
B
C
D
E
F
G
H
I
J
PG
L
M
N
O
P

HARNESS

< SERVICE INFORMATION >

Engine Compartment



For detail ground distribution information, refer to "GROUND DISTRIBUTION".

★ : Be sure to connect and lock the connectors securely after repair work. Failure to do so may cause the ECM to have diagnostic trouble codes. Do not disconnect these connectors except in the case of working according to WORK FLOW of TROUBLE DIAGNOSES in EC and AT sections.

TKIT0890E

E1	(E1)	B/2	:	Fusible link holder	A4	(E29)	GY/2	:	Front washer pump
E1	(E2)	GY/2	:	Fusible link holder	A4	(E30)	BR/2	:	Washer level sensor
D3	(E3)	B/2	:	IPDM E/R (Intelligent power distribution module engine room)	C4	(E31)	B/3	:	To (E251)
D1	(E4)	W/4	:	IPDM E/R (Intelligent power distribution module engine room)	C4	(E32)	B/1	:	Horn (Low)
D3	(E5)	B/4	:	IPDM E/R (Intelligent power distribution module engine room)	C4	(E33)	B/1	:	Horn (Low)
D2	(E6)	W/6	:	IPDM E/R (Intelligent power distribution module engine room)	B5	(E34)	B/2	:	Ambient sensor
D1	(E7)	GY/16	:	IPDM E/R (Intelligent power distribution module engine room)	B4	(E35)	B/1	:	Horn (High)
D1	(E8)	W/12	:	IPDM E/R (Intelligent power distribution module engine room)	A4	(E36)	B/1	:	Horn (High)
E1	(E9)	W/16	:	IPDM E/R (Intelligent power distribution module engine room)	C5	(E37)	Y/2	:	Crash zone sensor
C1	(E10)	GY/9	:	To (F1)	B5	(E38)	GY/4	:	Cooling fan motor-1 (Via sub-harness)
C1	(E12)	B/8	:	To (F3)	B5	(E39)	GY/4	:	Cooling fan motor-2 (Via sub-harness)
B3	(E17)	—	:	Body ground	E5	(E40)	GY/8	:	Front combination lamp LH
C3	(E18)	—	:	Fuse, fusible link and relay box	E5	(E42)	B/2	:	Front wheel sensor LH
D1	(E19)	L/4	:	Shift lock relay (With A/T)	E4	(E43)	—	:	Body ground
A2	(E20)	L/4	:	Daytime light relay (For Canada)	E3	(E44)	GY/2	:	Brake fluid level switch
E1	(E21)	—	:	Fuse and fusible link block	G3	(E47)	B/8	:	VDC relay box (With VDC system)
C2	(E22)	—	:	Body ground	F3	(E48)	B/2	:	VDC relay box (With VDC system)
A3	(E24)	GY/8	:	Front combination lamp RH	G2	(E49)	GY/8	:	VDC actuator (With VDC system)
C3	(E27)	GY/2	:	Front wheel sensor RH	G2	(E50)	B/8	:	VDC actuator (With VDC system)
A4	(E28)	GY/2	:	Rear washer pump	G3	(E51)	SMJ	:	ABS actuator and electric unit (Without VDC system)

Sub-harness

A5	(E251)	B/3	:	To (E31)
B3	(E252)	B/3	:	Refrigerant pressure sensor

★: Be sure to connect and lock the connectors securely after repair work.
 Failure to do so may cause the ECM to have diagnostic trouble codes.
Do not disconnect these connectors except in the case of working according to WORK FLOW of TROUBLE DIAGNOSES in EC and AT sections.

TKIT0891E

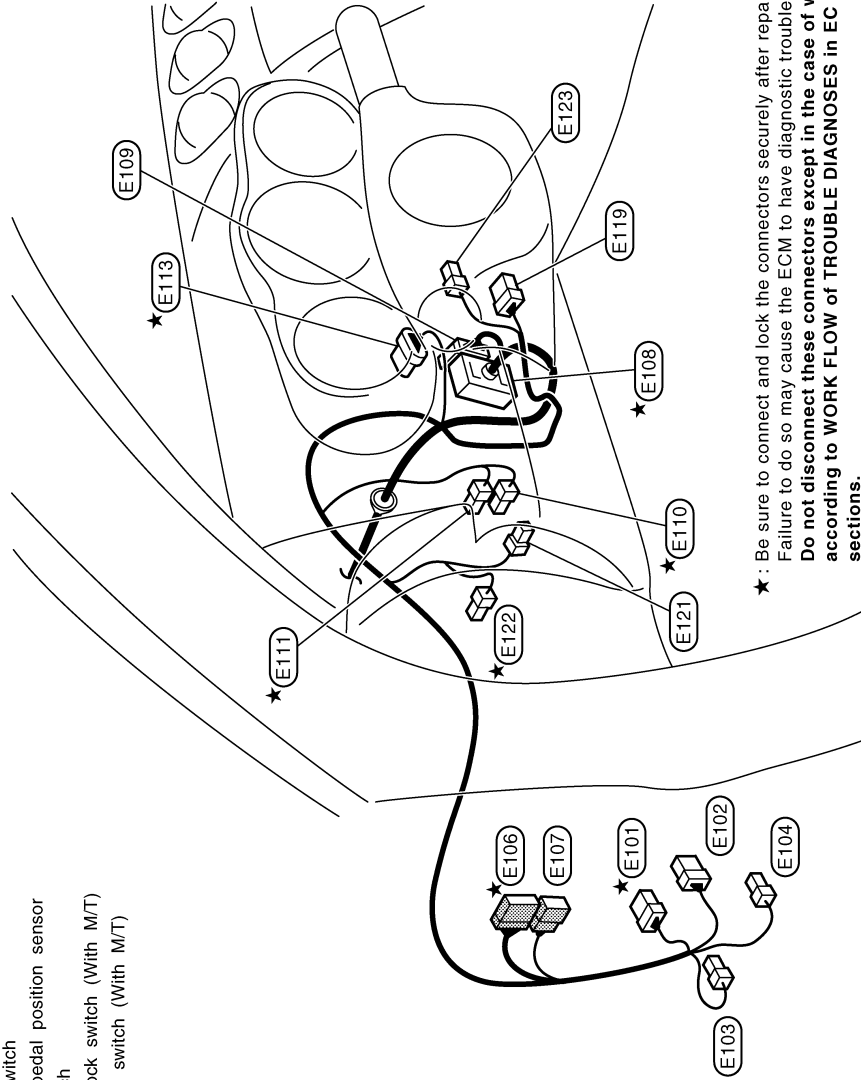
A
B
C
D
E
F
G
H
I
J
PG
L
M
N
O
P

HARNESS

< SERVICE INFORMATION >

Passenger Compartment

- ★ E101 W/8 : Fuse block (J/B)
- E102 W/6 : Fuse block (J/B)
- E103 B/1 : Fuse block (J/B)
- E104 B/2 : Fuse block (J/B)
- ★ E106 W/18 : To E2
- E107 W/6 : To B3
- ★ E108 SMJ : To M15
- ★ E109 W/16 : To M16 (With VDC system)
- E110 BR/2 : ASCD brake switch
- ★ E111 W/4 : Stop lamp switch
- ★ E113 GY/6 : Accelerator pedal position sensor
- E119 W/6 : Ignition switch
- E121 L/2 : Clutch interlock switch (With M/T)
- ★ E122 L/2 : ASCD clutch switch (With M/T)
- E123 BR/2 : Microphone



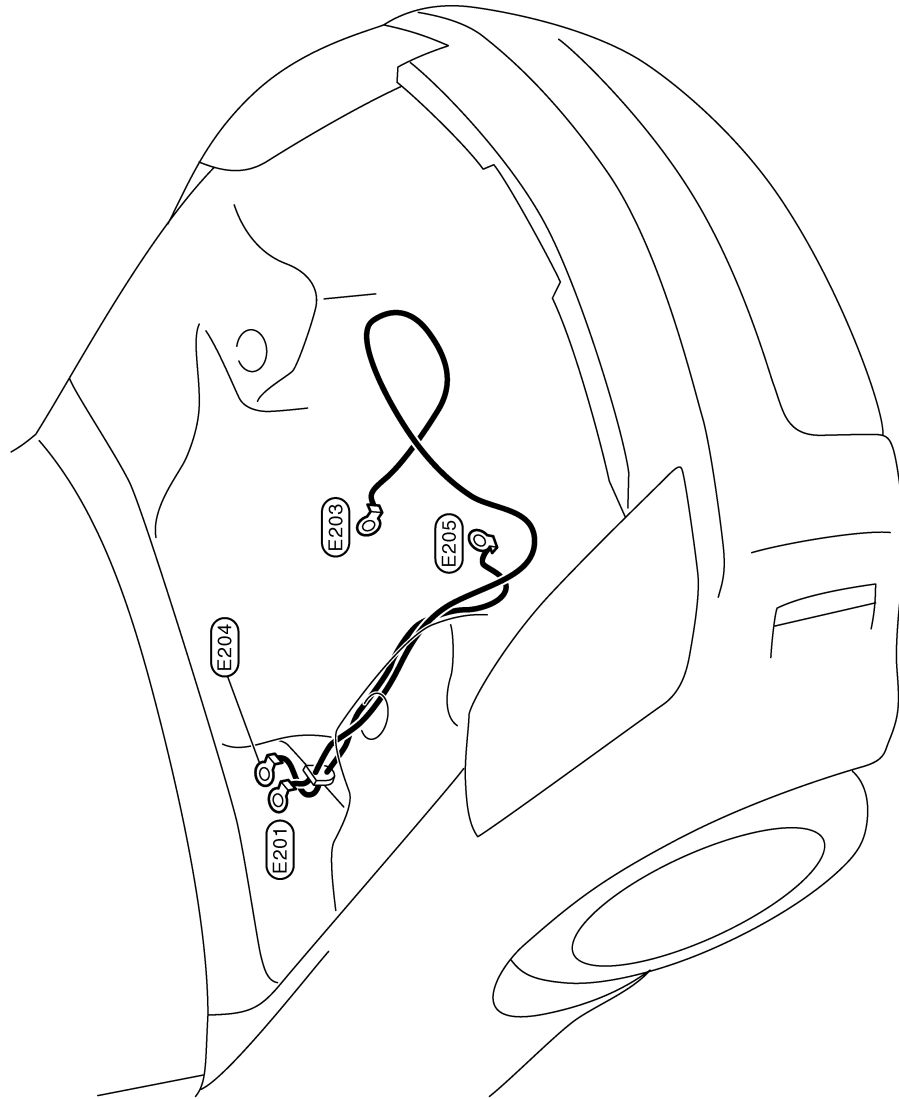
★ : Be sure to connect and lock the connectors securely after repair work. Failure to do so may cause the ECM to have diagnostic trouble codes. Do not disconnect these connectors except in the case of working according to **WORK FLOW of TROUBLE DIAGNOSES** in **EC and AT** sections.

TKIT0899E

HARNESS

< SERVICE INFORMATION >

Battery Cable



- : Fusible link holder
 - : Starter motor
 - : Fusible link holder
 - : Alternator (B)
- | | | |
- (E201) (E203) (E204) (E205)

ENGINE CONTROL HARNESS

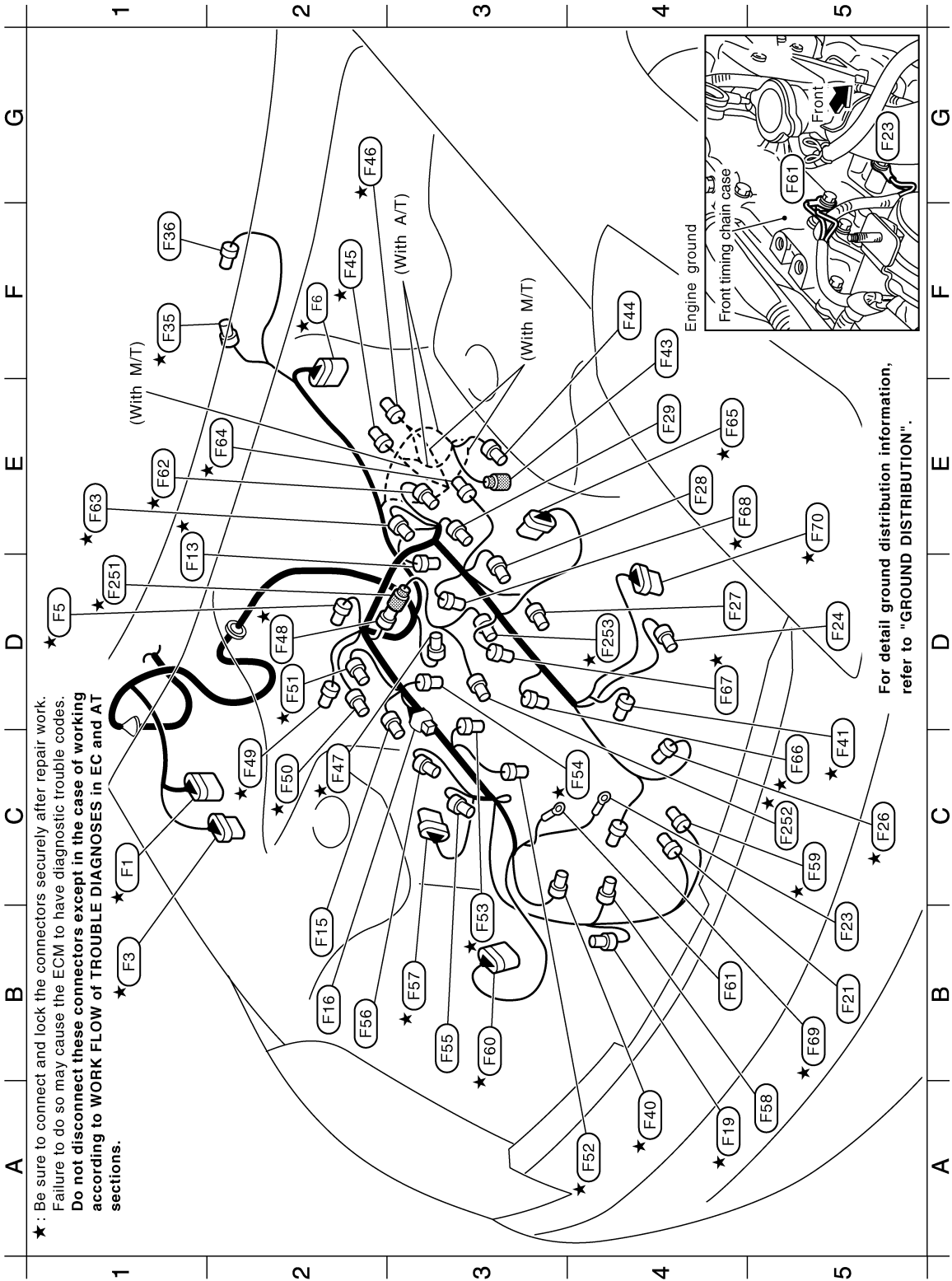
TKIT0892E

A
B
C
D
E
F
G
H
I
J
PG
L
M
N
O
P

HARNESS

< SERVICE INFORMATION >

Engine Compartment



TKIT0893E

C1	★	F1	GY/9	:	To	E10	
B1	★	F9	B/8	:	To	E12	
D1	★	F5	GY/2	:	EVAP canister purge volume control solenoid valve		
F2	★	F6	GY/10	:	A/T assembly (With A/T)		
D1	★	F13	GY/2	:	Engine coolant temperature sensor		
B2	★	F15	GY/3	:	Ignition coil No.5 (With power transistor)		
B2	★	F16	W/2	:	Condenser		
A4	★	F19	B/3	:	Power steering pressure sensor		
B5	★	F21	B/3	:	Oil pressure sensor		
B5	★	F23	—	:	Engine ground		
D5	★	F24	B/1	:	Compressor		
C5	★	F26	GY/2	:	Intake valve timing control solenoid valve (Bank 2)		
D4	★	F27	GY/3	:	Ignition coil No.2 (With power transistor)		
E4	★	F28	GY/3	:	Ignition coil No.4 (With power transistor)		
E4	★	F29	GY/3	:	Ignition coil No.6 (With power transistor)		
F1	★	F35	B/2	:	Park/Neutral position switch (With M/T)		
F1	★	F36	B/2	:	Back-up lamp switch (With M/T)		
A4	★	F40	B/4	:	Exhaust valve timing control magnet retarder (Bank 1)		
C5	★	F41	B/4	:	Exhaust valve timing control magnet retarder (Bank 2)		
F4	★	F43	GY/2	:	Power steering solenoid valve		
F4	★	F44	GY/1	:	Starter motor		
F2	★	F45	B/4	:	Heated oxygen sensor 2 (Bank 1)		
G2	★	F46	B/4	:	Heated oxygen sensor 2 (Bank 2)		
C2	★	F47	B/3	:	Crankshaft position sensor (POS)		
D2	★	F48	B/4	:	To	F251	
C2	★	F49	GY/4	:	Air fuel ratio (A/F) sensor 1 (Bank 1)		
C2	★	F50	B/3	:	Exhaust valve timing control position sensor (Bank 1)		
D2	★	F51	B/3	:	Camshaft position sensor (PHASE) (Bank 1)		
A4	★	F52	GY/2	:	Fuel injector No.1		
B3	★	F53	GY/2	:	Fuel injector No.3		
C4	★	F54	GY/2	:	Fuel injector No.5		
B3	★	F55	GY/3	:	Ignition coil No.1 (With power transistor)		
B2	★	F56	GY/3	:	Ignition coil No.3 (With power transistor)		
B3	★	F57	B/6	:	Electric throttle control actuator (Bank 1)		
A5	★	F58	B/3	:	Alternator (S, L)		
C5	★	F59	GY/2	:	Engine oil temperature sensor		
B3	★	F60	B/6	:	Mass air flow sensor (Bank 1)		
B4	★	F61	—	:	Engine ground		
E1	★	F62	B/3	:	Exhaust valve timing control position sensor (Bank 2)		
E1	★	F63	B/3	:	Camshaft position sensor (PHASE) (Bank 2)		

E2	★	F64	GY/4	:	Air fuel ratio (A/F) sensor 1 (Bank 2)		
E4	★	F65	B/6	:	Electric throttle control actuator (Bank 2)		
C5	★	F66	GY/2	:	Fuel injector No.2		
D4	★	F67	GY/2	:	Fuel injector No.4		
E4	★	F68	GY/2	:	Fuel injector No.6		
B5	★	F69	GY/2	:	Intake valve timing control solenoid valve (Bank 1)		
E5	★	F70	B/6	:	Mass air flow sensor (Bank 2)		

Engine control sub-harness

D1	★	F251	B/4	:	To	F48	
C5	★	F252	—/2	:	Knock sensor (Bank 1)		
D4	★	F253	—/2	:	Knock sensor (Bank 2)		

★ : Be sure to connect and lock the connectors securely after repair work.
 Failure to do so may cause the ECM to have diagnostic trouble codes.
Do not disconnect these connectors except in the case of working according to WORK FLOW of TROUBLE DIAGNOSES in EC and AT sections.

TKIT0894E

HARNESS

< SERVICE INFORMATION >

Passenger Compartment

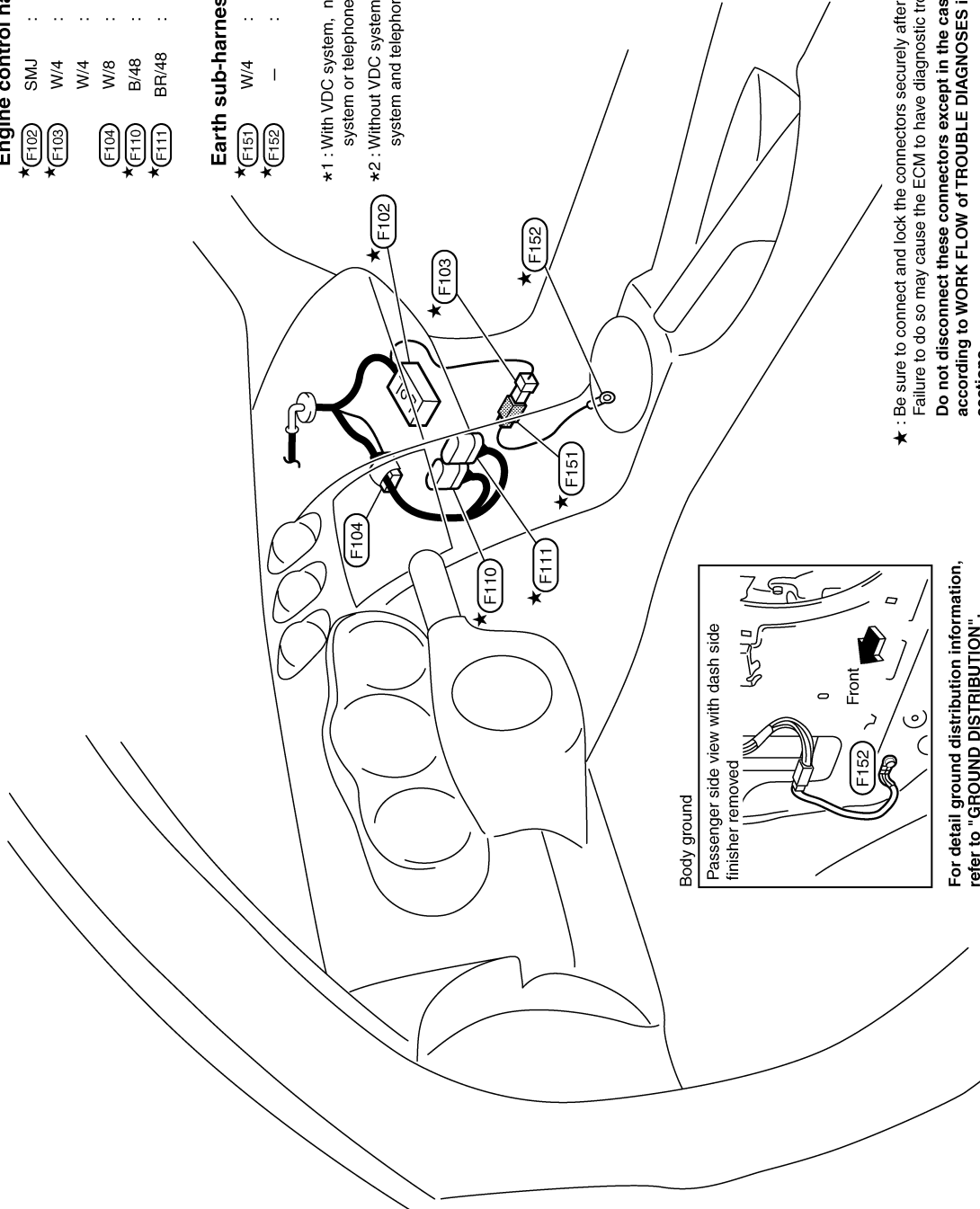
Engine control harness

- ★ F102 SMJ : To (M72)
- ★ F103 W/4 : To (M151) (*2)
- W/4 : To (B113) (*1)
- (F104) W/8 : Not used
- ★ F110 B/48 : ECM
- ★ F111 BR/48 : ECM

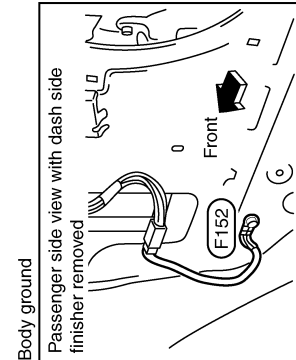
Earth sub-harness (*2)

- ★ F151 W/4 : To (F103)
- ★ F152 - : Body ground

*1 : With VDC system, navigation system or telephone
 *2 : Without VDC system, navigation system and telephone



★ : Be sure to connect and lock the connectors securely after repair work. Failure to do so may cause the ECM to have diagnostic trouble codes. Do not disconnect these connectors except in the case of working according to WORK FLOW of TROUBLE DIAGNOSES in EC and AT sections.



For detail ground distribution information, refer to "GROUND DISTRIBUTION".

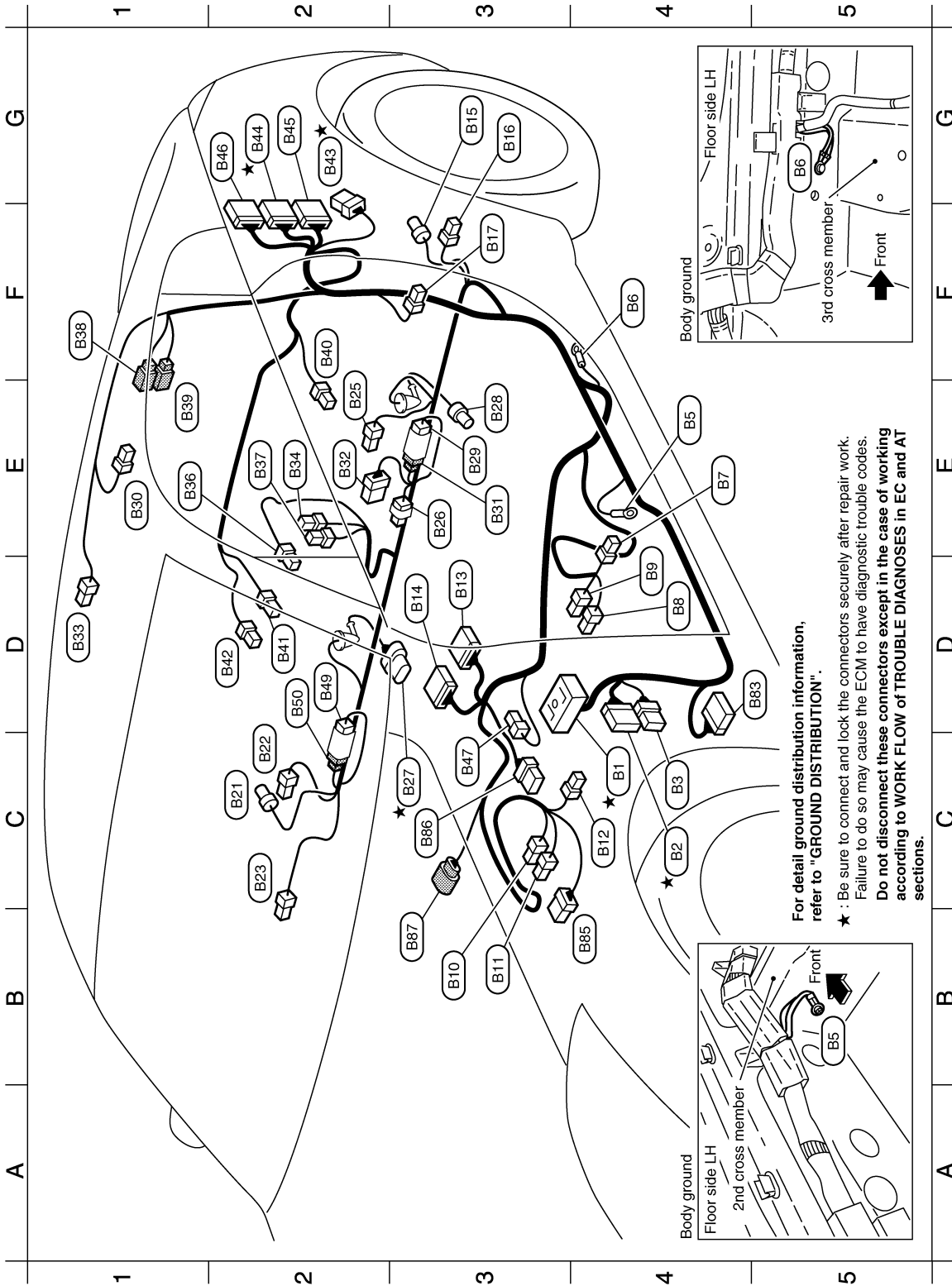
TKIT0895E

BODY HARNESS

HARNESSES

< SERVICE INFORMATION >

Coupe Models



For detail ground distribution information, refer to "GROUND DISTRIBUTION".

★: Be sure to connect and lock the connectors securely after repair work. Failure to do so may cause the ECM to have diagnostic trouble codes. Do not disconnect these connectors except in the case of working according to WORK FLOW of TROUBLE DIAGNOSES in EC and AT sections.

TKIT0900E

A
B
C
D
E
F
G
H
I
J
K
L
M
N
O
P

PG

HARNESSES

< SERVICE INFORMATION >

★ C4	B1	SMJ	: To (M12)	E2	(B37)	L/4	: Heated seat relay (With heated seat or side air bag)
C4	★ B2	W/18	: To (E106)	F1	(B38)	W/3	: To (D101)
C4	B3	W/6	: To (E107)	E1	(B39)	GY/2	: To (D102)
E4	B5	—	: Body ground	F2	(B40)	BR/2	: Rear speaker LH
F4	B6	—	: Body ground	D2	(B41)	W/2	: Luggage floor box lamp
E4	B7	W/4	: Driver side seat (With heated seat or side air bag)	D2	(B42)	BR/2	: Rear speaker RH
D4	B8	W/3	: Seat belt buckle switch (Driver side)	G2	★ (B43)	W/6	: To (T1)
D4	B9	Y/2	: LH side air bag module (With side air bag)	G2	★ (B44)	W/32	: To (T2)
B3	B10	Y/2	: RH side air bag module (With side air bag)	G2	(B45)	W/10	: To (T3) (With BOSE system)
B3	B11	W/3	: Seat belt buckle switch (Passenger side)	G2	(B46)	W/24	: To (T4) (With BOSE system)
C4	B12	W/4	: Passenger side seat (With heated seat or side air bag)	C3	(B47)	B/1	: Parking brake switch
D3	B13	Y/12	: Air bag diagnosis sensor unit	D2	(B49)	BR/2	: To (B50)
D3	B14	Y/12	: Air bag diagnosis sensor unit	D2	(B50)	BR/2	: To (B49)
G3	B15	Y/2	: LH side air bag (satellite) sensor (With side air bag)	D5	(B83)	W/15	: BCM (Body control module)
G3	B16	Y/2	: Seat belt pre-tensioner LH	B4	(B85)	W/8	: Passenger side seat
F3	B17	W/3	: Driver side door switch	C3	(B86)	W/8	: To (M67)
C2	B21	Y/2	: RH side air bag (satellite) sensor (With side air bag)	B3	(B87)	GY/8	: To (B116)
C2	B22	Y/2	: Seat belt pre-tensioner RH				
C2	B23	W/3	: Passenger side door switch				
E2	B25	W/2	: Woofer (With BOSE system)				
E3	B26	W/2	: Condenser				
C3	★ B27	GY/5	: Fuel level sensor unit and fuel pump				
E3	B28	GY/2	: Fuel level sensor unit (Sub)				
E3	B29	W/2	: To (B31)				
E1	B30	Y/2	: LH side curtain air bag module (With side air bag)				
E3	B31	W/2	: To (B29)				
E2	B32	BR/8	: Woofer amp. (With BOSE system)				
D1	B33	Y/2	: RH side curtain air bag module (With side air bag)				
E2	B34	BR/6	: Rear window defogger relay				
E1	B36	B/2	: Power socket				

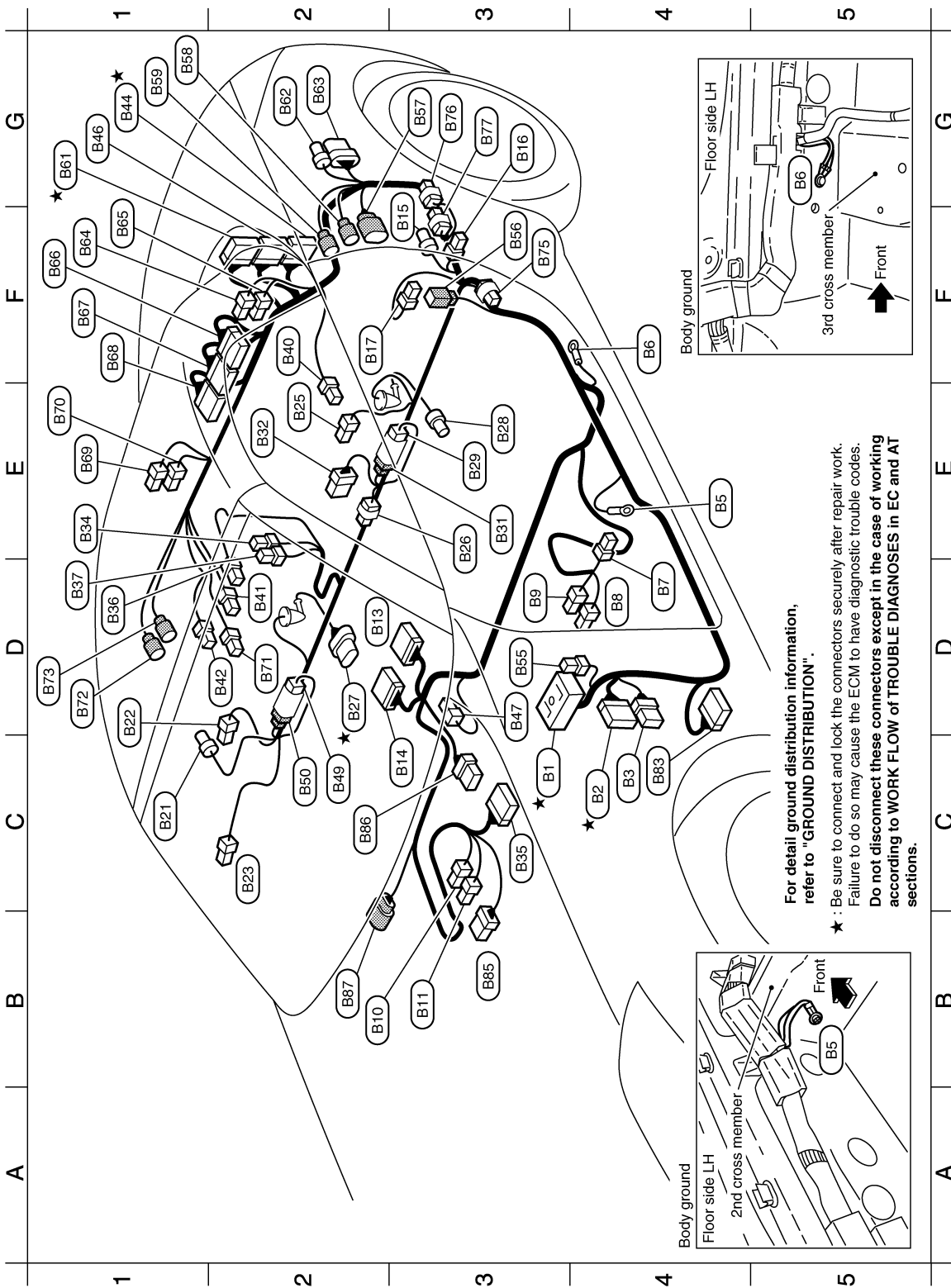
★ : Be sure to connect and lock the connectors securely after repair work.
Failure to do so may cause the ECM to have diagnostic trouble codes.
Do not disconnect these connectors except in the case of working according to WORK FLOW of TROUBLE DIAGNOSES in EC and AT sections.

TKIT0901E

HARNESS

< SERVICE INFORMATION >

Roadster Models



For detail ground distribution information, refer to "GROUND DISTRIBUTION".

★: Be sure to connect and lock the connectors securely after repair work. Failure to do so may cause the ECM to have diagnostic trouble codes. Do not disconnect these connectors except in the case of working according to WORK FLOW of TROUBLE DIAGNOSES in EC and AT sections.

TKIT0902E

PG

HARNESS

< SERVICE INFORMATION >

C3	★ (B1)	SMJ	:	To (M12)	D3	(B55)	W/2	:	Circuit breaker
C4	★ (B2)	W/18	:	To (E106)	F3	(B56)	W/2	:	Short connector
C4	(B3)	W/6	:	To (E107)	G3	(B57)	GY/8	:	Soft top assembly
E4	(B5)	—	:	Body ground	G1	(B58)	B/2	:	Soft top assembly
F4	(B6)	—	:	Body ground	G1	(B59)	GY/2	:	Roof actuator LH
D4	(B7)	W/4	:	Driver side seat	G1	★ (B61)	W/16	:	To (T23)
D4	(B8)	W/3	:	Seat belt buckle switch (Driver side)	G2	(B62)	GY/4	:	To (T24) (With BOSE system)
D3	(B9)	Y/2	:	LH side air bag module (With side air bag)	G2	(B63)	B/6	:	To (T25) (With BOSE system)
B2	(B10)	Y/2	:	RH side air bag module (With side air bag)	F1	(B64)	W/2	:	Storage lid switch LH (Close)
B3	(B11)	W/3	:	Seat belt buckle switch (Passenger side)	F1	(B65)	B/2	:	Storage lid unlock actuator LH
D2	(B13)	Y/12	:	Air bag diagnosis sensor unit	F1	(B66)	W/16	:	Soft top control unit
C3	(B14)	Y/12	:	Air bag diagnosis sensor unit	F1	(B67)	W/20	:	Soft top control unit
F3	(B15)	Y/2	:	LH side air bag (satellite) sensor (With side air bag)	F1	(B68)	W/12	:	Soft top control unit
G3	(B16)	Y/2	:	Seat belt pre-tensioner LH	E1	(B69)	W/2	:	Storage lid switch RH (Close)
F2	(B17)	W/3	:	Driver side door switch	E1	(B70)	B/2	:	Storage lid unlock actuator RH
C1	(B21)	Y/2	:	RH side air bag (satellite) sensor (With side air bag)	D2	(B71)	W/2	:	Trunk opener cancel switch
D1	(B22)	Y/2	:	Seat belt pre-tensioner RH	D1	(B72)	GY/2	:	Roof actuator RH
C2	(B23)	W/3	:	Passenger side door switch	D1	(B73)	B/2	:	Rear window defogger (Via sub-harness)
E2	(B25)	W/2	:	Woofer (With BOSE system)	F3	(B75)	W/2	:	Diode
E3	(B26)	W/2	:	Condenser	G3	(B76)	W/2	:	Diode
D2	★ (B27)	GY/5	:	Fuel level sensor unit and fuel pump	G3	(B77)	W/2	:	Diode
E3	(B28)	GY/2	:	Fuel level sensor unit (Sub)	C4	(B83)	W/15	:	BCM (Body control module)
E3	(B29)	W/2	:	To (B31)	B3	(B85)	W/8	:	Passenger side seat
E3	(B31)	W/2	:	To (B29)	C2	(B86)	W/8	:	To (M67)
E2	(B32)	BR/8	:	Woofer amp. (With BOSE system)	B2	(B87)	GY/8	:	To (B116)
E1	(B34)	BR/6	:	Rear window defogger relay					
C3	(B35)	W/18	:	Passenger side seat					
D1	(B36)	B/2	:	Power socket					
D1	(B37)	L/4	:	Heated seat relay (With heated seat or side air bag)					
F2	(B40)	BR/2	:	Rear speaker LH					
D2	(B41)	W/2	:	Luggage floor box lamp					
D2	(B42)	BR/2	:	Rear speaker RH					
G1	★ (B44)	W/32	:	To (T2)					
G1	(B46)	W/24	:	To (T4) (With BOSE system)					
D3	(B47)	B/1	:	Parking brake switch					
C2	(B49)	BR/2	:	To (B50)					
C2	(B50)	BR/2	:	To (B49)					

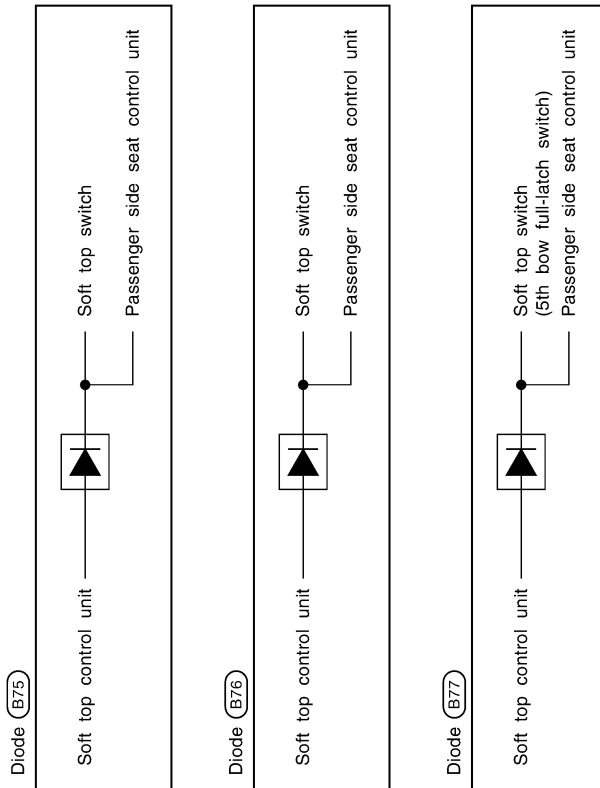
★: Be sure to connect and lock the connectors securely after repair work.
Failure to do so may cause the ECM to have diagnostic trouble codes.
Do not disconnect these connectors except in the case of working according to WORK FLOW of TROUBLE DIAGNOSES in EC and AT sections.

TKIT0903E

HARNESS

< SERVICE INFORMATION >

A
B
C
D
E
F
G
H
I
J
PG
L
M
N
O
P



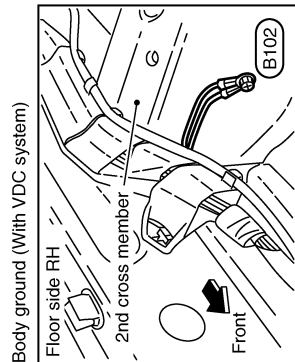
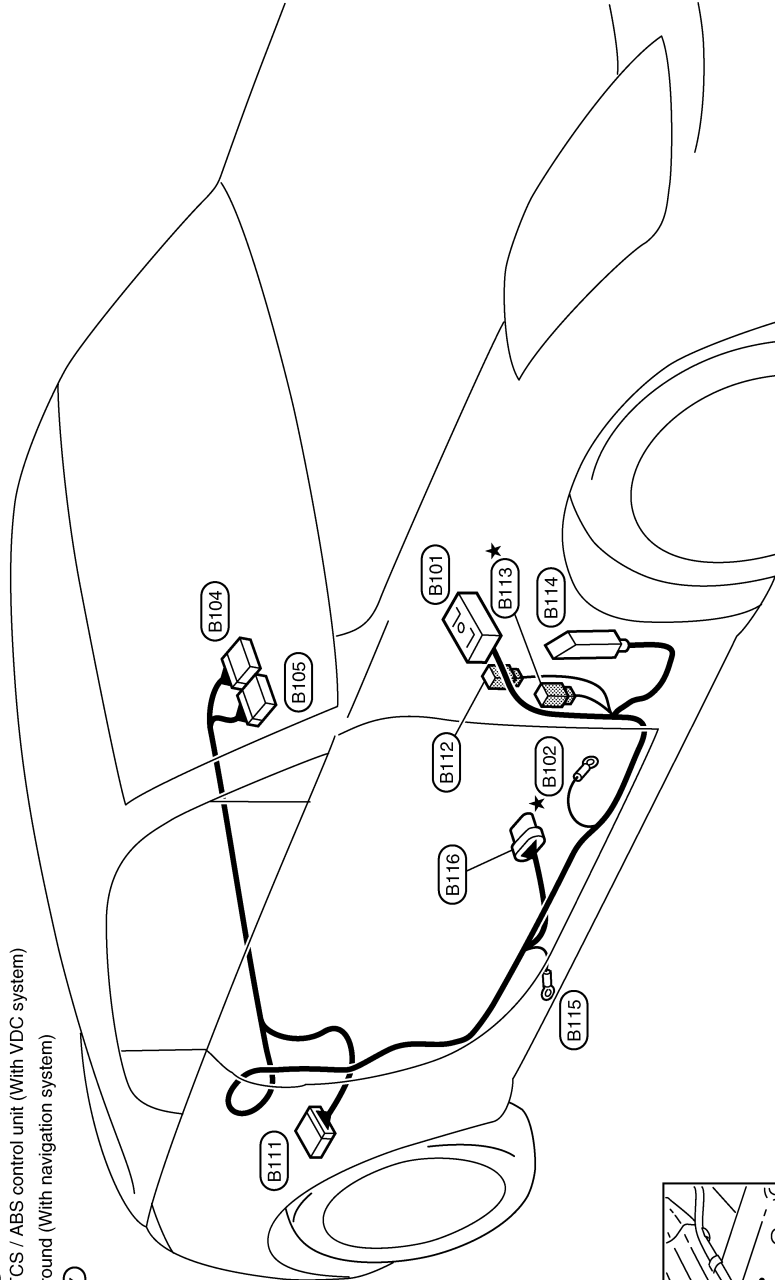
TKIT0117E

HARNESS

< SERVICE INFORMATION >

BODY NO. 2 HARNESS

(B101)	SMJ	:	To (M73)
★ (B102)	—	:	Body ground
(B104)	W/40	:	NAVI control unit (With navigation system)
(B105)	W/32	:	NAVI control unit (With navigation system)
(B111)	W/24	:	To (T46) (With telephone)
(B112)	W/4	:	To (M58) (With VDC system)
★ (B113)	W/4	:	To (F103)
(B114)	SMJ	:	VDC / TCS / ABS control unit (With VDC system)
(B115)	—	:	Body ground (With navigation system)
(B116)	GY/8	:	To (B87)



★ : Be sure to connect and lock the connectors securely after repair work.
 Failure to do so may cause the ECM to have diagnostic trouble codes.
Do not disconnect these connectors except in the case of working
 according to **WORK FLOW of TROUBLE DIAGNOSES** in EC and AT
 sections.

For detail ground distribution information,
 refer to "GROUND DISTRIBUTION".

TKIT0896E

TAIL HARNESS

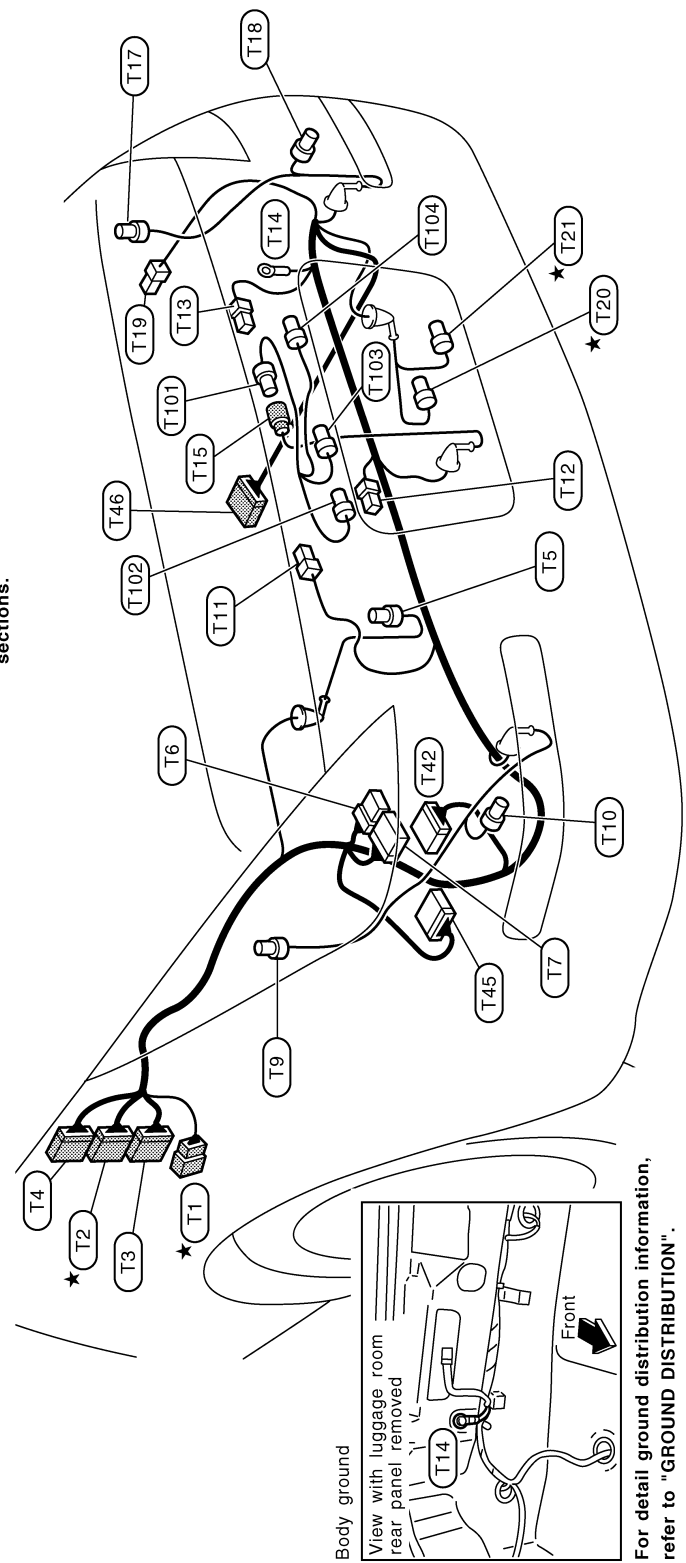
- ★ (T1) W/6 : To (B43)
- ★ (T2) W/32 : To (B44)
- (T3) W/10 : To (B45) (With BOSE system)
- (T4) W/24 : To (B46) (With BOSE system)
- (T5) GY/4 : Rear wheel sensor
- (T6) GY/8 : BOSE speaker amp. (With BOSE system)
- (T7) B/24 : BOSE speaker amp. (With BOSE system)
- (T9) GY/3 : Rear combination lamp LH (Body side)
- (T10) GY/4 : Rear combination lamp LH (Bumper side)
- (T11) W/4 : Back door opener actuator
- (T12) W/3 : Back door switch
- (T13) GY/2 : Luggage room lamp
- (T14) — : Body ground
- (T15) GY/4 : To (T101)
- (T17) GY/3 : Rear combination lamp RH (Body side)
- (T18) GY/4 : Rear combination lamp RH (Bumper side)

- (T19) W/4 : Fuel lid opener actuator
- ★ (T20) B/2 : EVAP canister vent control valve
- ★ (T21) GY/3 : EVAP control system pressure sensor
- (T42) W/16 : Satellite radio tuner (With BOSE system)
- (T45) W/32 : TEL adapter unit (with telephone)
- (T46) W/24 : To (B11) (With telephone)

Tail sub-harness-1

- (T10) GY/4 : To (T15)
- (T102) BR/2 : License plate lamp LH
- (T103) GY/2 : Back door opener switch
- (T104) BR/2 : License plate lamp RH

★ : Be sure to connect and lock the connectors securely after repair work. Failure to do so may cause the ECM to have diagnostic trouble codes. Do not disconnect these connectors except in the case of working according to WORK FLOW of TROUBLE DIAGNOSES in EC and AT sections.



TKIT0897E

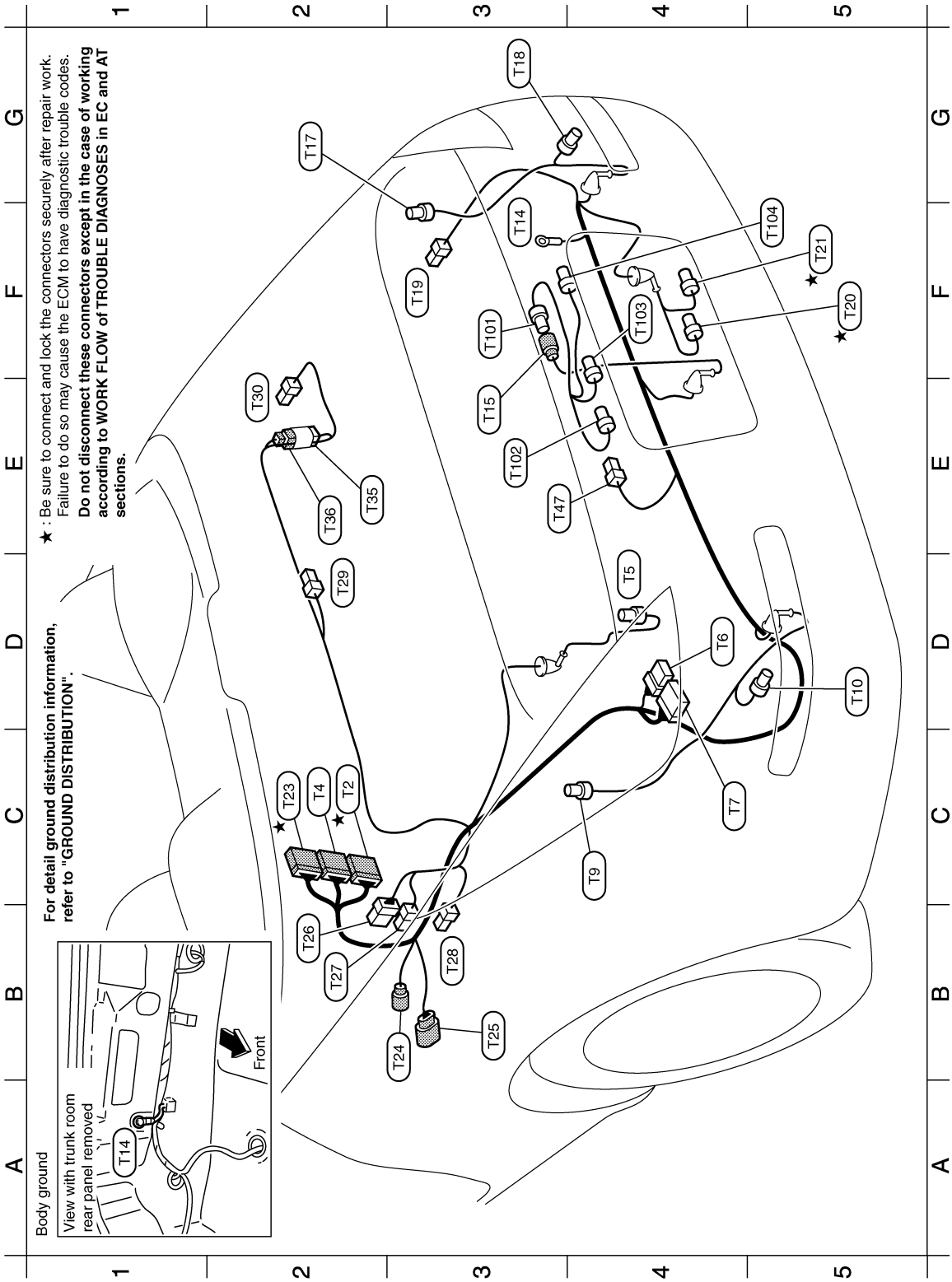
For detail ground distribution information, refer to "GROUND DISTRIBUTION".

A
B
C
D
E
F
G
H
I
J
PG
L
M
N
O
P

HARNESS

< SERVICE INFORMATION >

Roadster Models



TKIT0852E

Tail sub-harness-1

F3	(T101)	GY/4	:	To	(T115)
E3	(T102)	BR/2	:	License plate lamp LH	
F4	(T103)	GY/2	:	Trunk lid opener switch	
F5	(T104)	BR/2	:	License plate lamp RH	

★: Be sure to connect and lock the connectors securely after repair work.
 Failure to do so may cause the ECM to have diagnostic trouble codes.
Do not disconnect these connectors except in the case of working according to WORK FLOW of TROUBLE DIAGNOSES in EC and AT sections.

★ C2	(T2)	W/32	:	To	(B44)
C2	(T4)	W/24	:	To	(B46) (With BOSE system)
D4	(T5)	GY/4	:	Rear wheel sensor	
D4	(T6)	GY/8	:	BOSE speaker amp. (With BOSE system)	
C4	(T7)	B/24	:	BOSE speaker amp. (With BOSE system)	
C4	(T9)	GY/3	:	Rear combination lamp LH (Body side)	
D5	(T10)	GY/4	:	Rear combination lamp LH (Bumper side)	
F3	(T14)	—	:	Body ground	
E3	(T15)	GY/4	:	To	(T10)
G2	(T17)	GY/3	:	Rear combination lamp RH (Body side)	
G3	(T18)	GY/4	:	Rear combination lamp RH (Bumper side)	
F3	(T19)	W/4	:	Fuel lid opener actuator	
F5	(T20)	B/2	:	EVAP canister vent control valve	
F5	(T21)	GY/3	:	EVAP control system pressure sensor	
★ C2	(T23)	W/16	:	To	(B61)
B3	(T24)	GY/4	:	To	(B62) (With BOSE system)
B3	(T25)	B/6	:	To	(B63) (With BOSE system)
B2	(T26)	W/8	:	To	(T151)
B2	(T27)	B/2	:	Storage lid switch (Open)	
B3	(T28)	W/2	:	Storage lid actuator LH	
D2	(T29)	W/2	:	Trunk room lamp	
E2	(T30)	W/2	:	Storage lid actuator RH	
E2	(T35)	W/2	:	To	(T36)
E2	(T36)	W/2	:	To	(T35)
E3	(T47)	W/3	:	Trunk lid lock assembly	

TAIL NO. 2 HARNESS

TKIT0853E

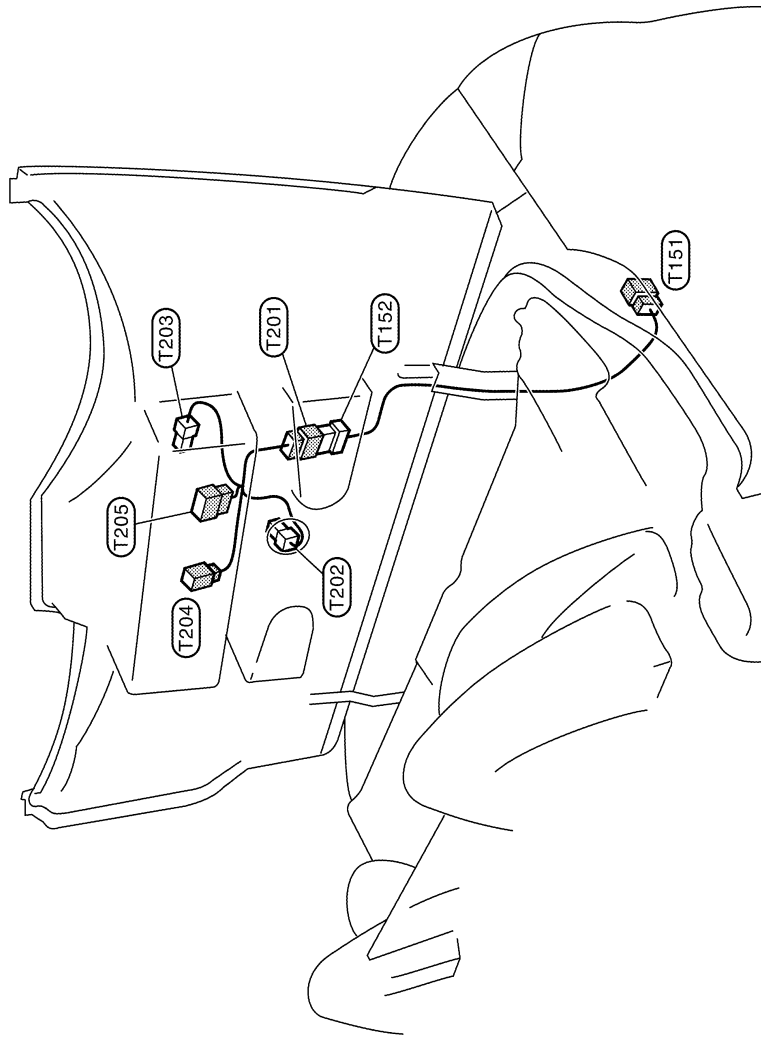
A
B
C
D
E
F
G
H
I
J
L
M
N
O
P

PG

HARNESS

< SERVICE INFORMATION >

Roadster Models



Tail No.2 harness

T201 W/8 : To T152
T202 BR/2 : High-mounted stop lamp
T203 W/4 : 5th bow unlock actuator
T204 B/2 : 5th bow closure motor
T205 W/6 : Soft top lock switch

Tail sub-harness-2

T151 W/8 : To T26
T152 W/8 : To T201

ROOM LAMP HARNESS

TKIT0113E

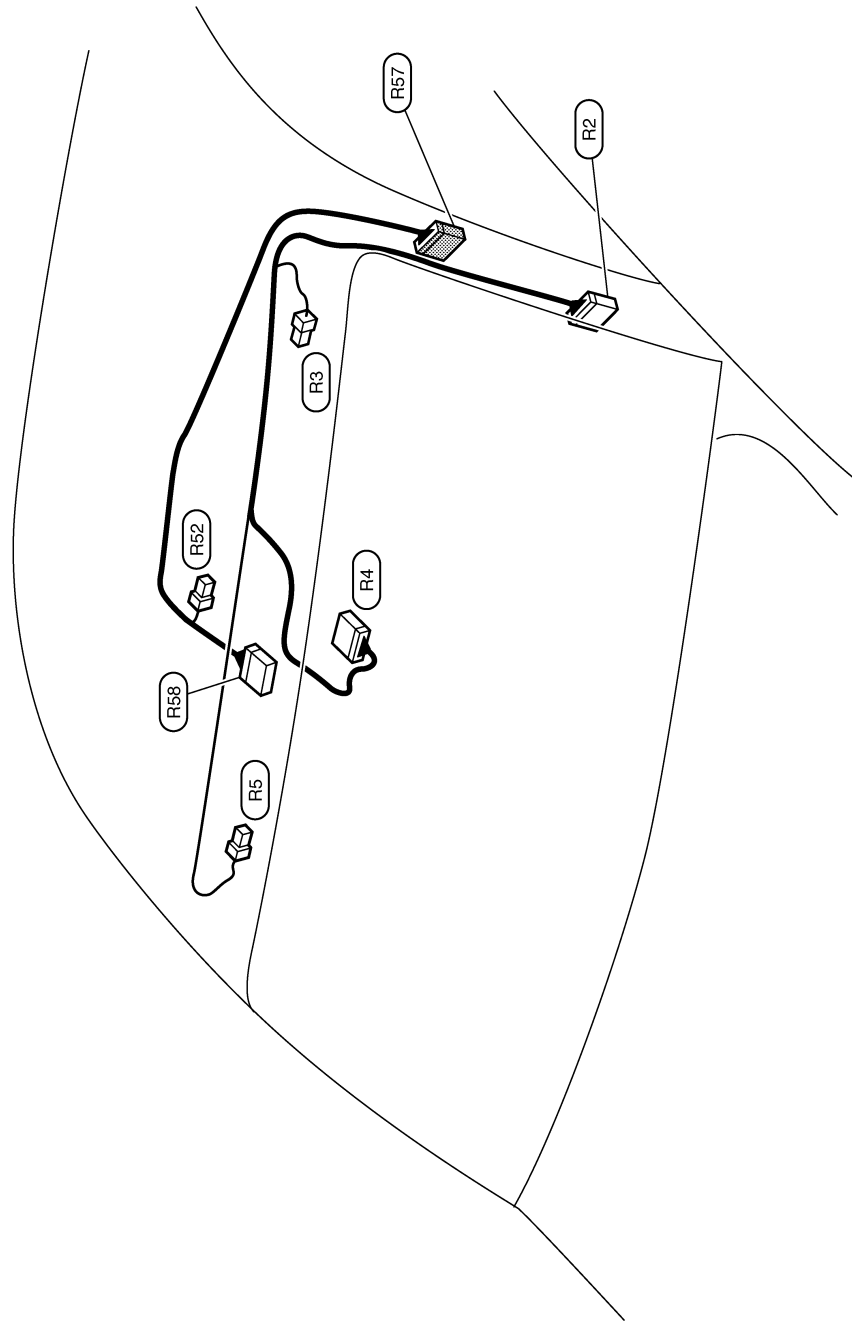
HARNESS

< SERVICE INFORMATION >

Coupe Models

Room lamp sub-harness

- | | | | |
|-------|------|---|--|
| (R2) | W/12 | : | To (M83) |
| (R3) | W/2 | : | Vanity mirror lamp LH |
| (R4) | B/10 | : | Auto anti-dazzling inside mirror |
| (R5) | W/2 | : | Vanity mirror lamp RH |
| (R52) | W/3 | : | Map lamp |
| (R57) | W/12 | : | To (M43) |
| (R58) | W/12 | : | Front passenger air bag off indicator • Telephone microphone |



TKIT0898E

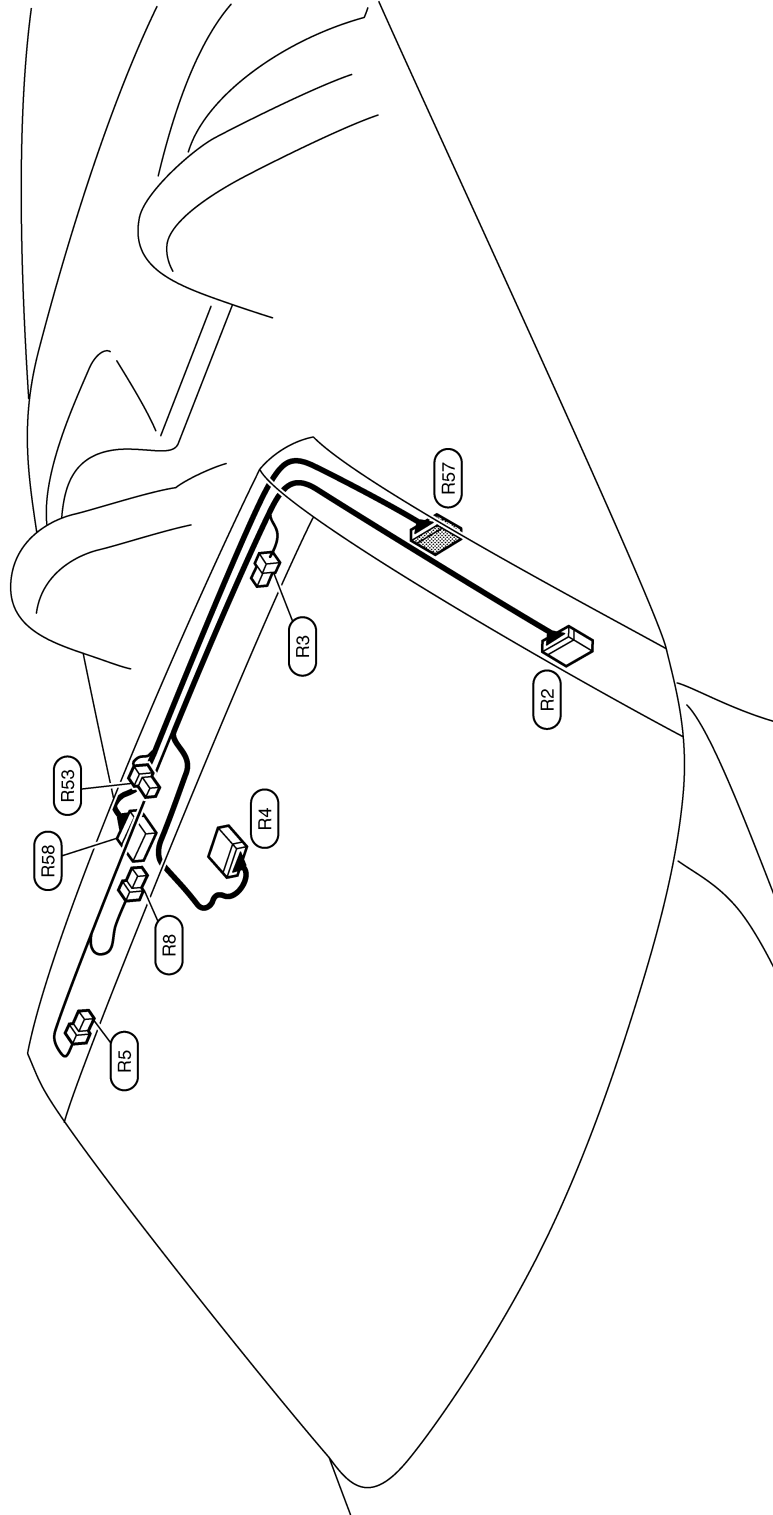
A
B
C
D
E
F
G
H
I
J
PG
L
M
N
O
P

HARNESS

< SERVICE INFORMATION >

Roadster Models

- | | | | |
|-------------|------|---|----------------------------------|
| (R2) | W/12 | : | To (M93) |
| (R3) | W/2 | : | Vanity mirror lamp LH |
| (R4) | B/10 | : | Auto anti-dazzling inside mirror |
| (R5) | W/2 | : | Vanity mirror lamp RH |
| (R8) | W/4 | : | Soft top front lock switch |
- Room lamp sub-harness**
- | | | | |
|--------------|------|---|---------------------------------------|
| (R53) | W/4 | : | Map lamp |
| (R57) | W/12 | : | To (M43) |
| (R58) | W/12 | : | Front passenger air bag off indicator |



TKIT0855E

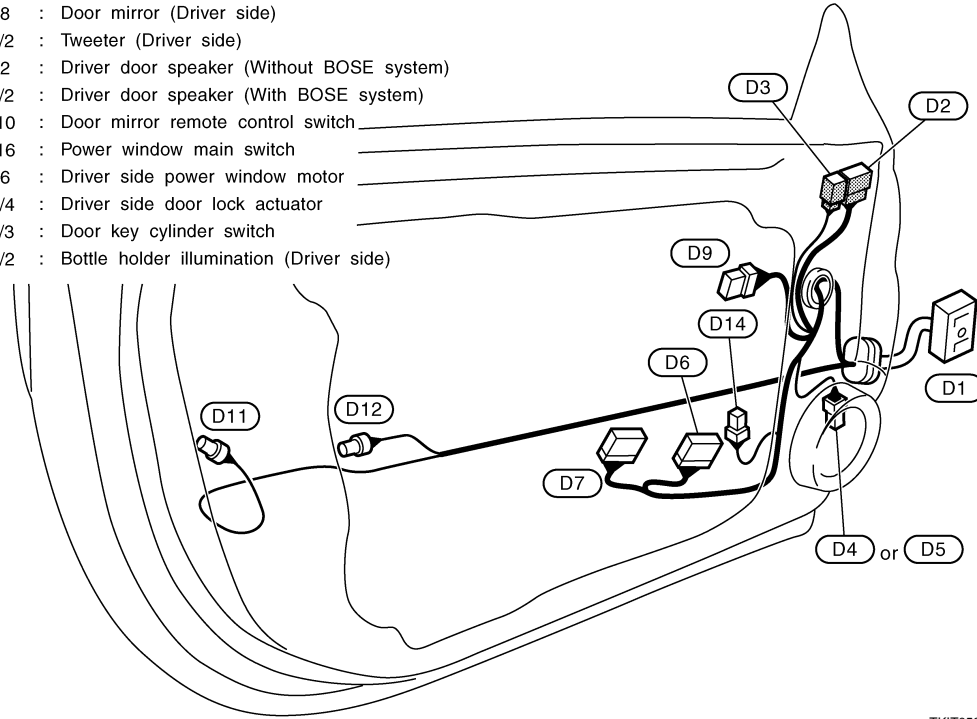
DOOR HARNESS

HARNESS

< SERVICE INFORMATION >

Driver Side Door

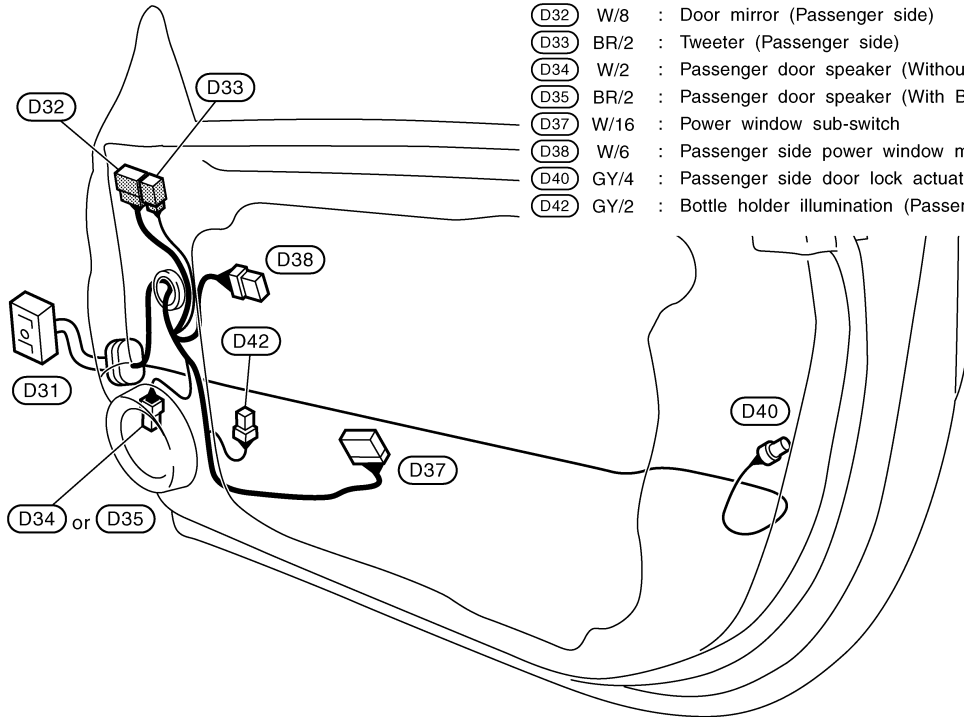
- (D1) SMJ : To (M11)
- (D2) W/8 : Door mirror (Driver side)
- (D3) BR/2 : Tweeter (Driver side)
- (D4) W/2 : Driver door speaker (Without BOSE system)
- (D5) BR/2 : Driver door speaker (With BOSE system)
- (D6) W/10 : Door mirror remote control switch
- (D7) W/16 : Power window main switch
- (D9) W/6 : Driver side power window motor
- (D11) GY/4 : Driver side door lock actuator
- (D12) BR/3 : Door key cylinder switch
- (D14) GY/2 : Bottle holder illumination (Driver side)



TKIT0563E

Passenger Side Door

- (D31) SMJ : To (M74)
- (D32) W/8 : Door mirror (Passenger side)
- (D33) BR/2 : Tweeter (Passenger side)
- (D34) W/2 : Passenger door speaker (Without BOSE system)
- (D35) BR/2 : Passenger door speaker (With BOSE system)
- (D37) W/16 : Power window sub-switch
- (D38) W/6 : Passenger side power window motor
- (D40) GY/4 : Passenger side door lock actuator
- (D42) GY/2 : Bottle holder illumination (Passenger side)



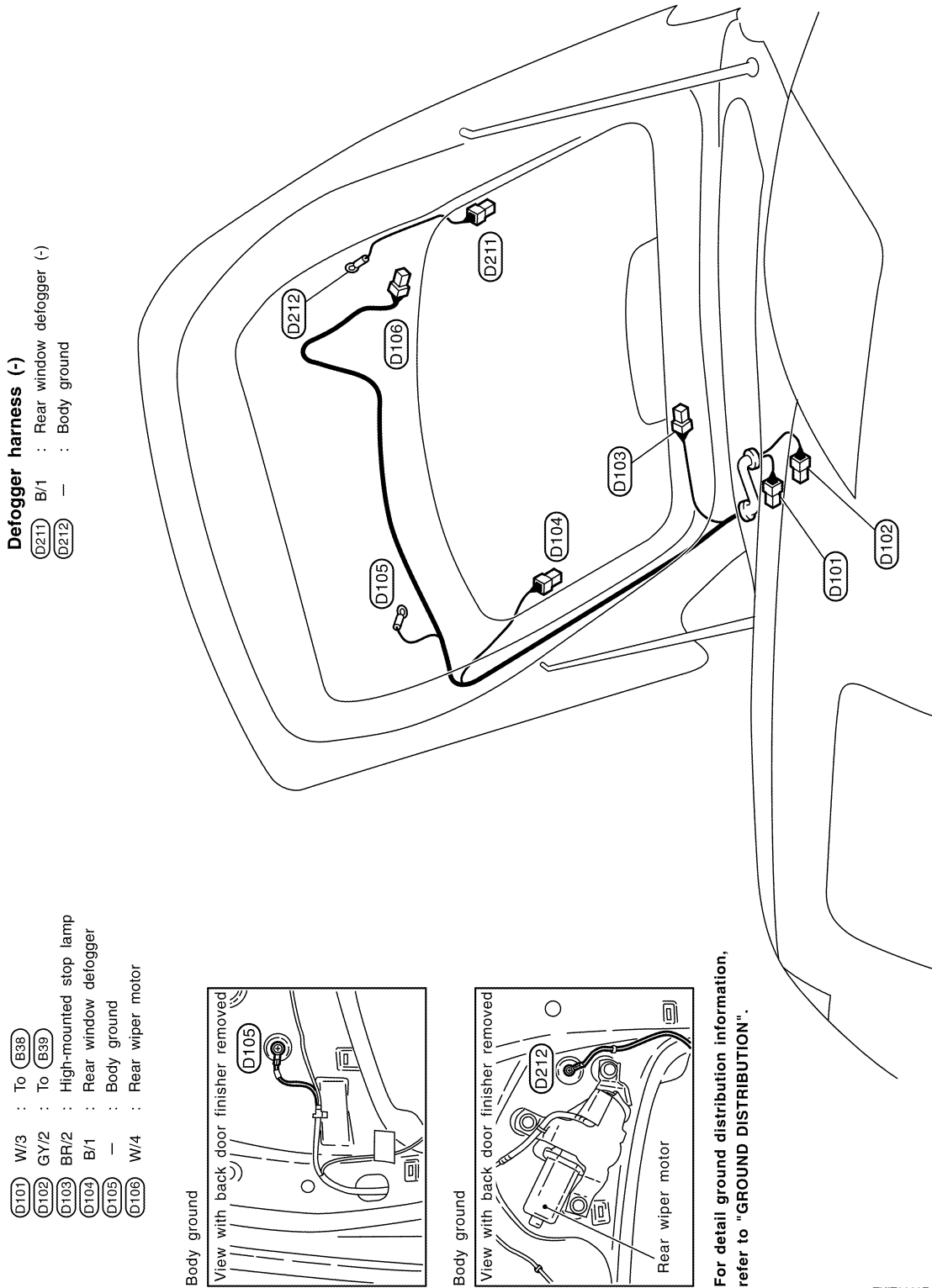
TKIT0564E

A
B
C
D
E
F
G
H
I
J
PG
L
M
N
O
P

HARNESS

< SERVICE INFORMATION >

Back Door



TKIT0068E

INFOID:000000004657922

Wiring Diagram Codes (Cell Codes)

Use the chart below to find out what each wiring diagram code stands for. Refer to the wiring diagram code in the alphabetical index to find the location (page number) of each wiring diagram.

HARNESSES

< SERVICE INFORMATION >

Code	Section	Wiring Diagram Name	
3METER	DI	Triple Meter	A
ABS	BRC	Anti-Lock Braking System	
A/C	ATC	Air Conditioner	B
AF1B1	EC	Air Fuel Ratio Sensor 1 (Bank 1)	
AF1B2	EC	Air Fuel Ratio Sensor 1 (Bank 2)	C
AF1HB1	EC	Air Fuel Ratio Sensor 1 Heater (Bank 1)	
AF1HB2	EC	Air Fuel Ratio Sensor 1 Heater (Bank 2)	
APPS1	EC	Accelerator Pedal Position Sensor	D
APPS2	EC	Accelerator Pedal Position Sensor	
APPS3	EC	Accelerator Pedal Position Sensor	
ASC/BS	EC	Automatic Speed Control Device (ASCD) Brake Switch	E
ASC/SW	EC	Automatic Speed Control Device (ASCD) Steering Switch	
ASCBOF	EC	Automatic Speed Control Device (ASCD) Brake Switch	F
ASCIND	EC	Automatic Speed Control Device (ASCD) Indicator	
AT/IND	DI	A/T Indicator Lamp	
AUDIO	AV	Audio	G
BACK/L	LT	Back-Up Lamp	
BRK/SW	EC	Brake Switch	H
CAN	AT	CAN Communication Line	
CAN	EC	CAN Communication Line	
CAN	LAN	CAN System	I
CHARGE	SC	Charging System	
CHIME	DI	Warning Chime	J
COMBSW	LT	Combination Switch	
COMM	AV	Audio Visual Communication Line	PG
COOL/F	EC	Cooling Fan Control	
DEF	GW	Rear Window Defogger	
D/LOCK	BL	Power Door Lock	L
DTRL	LT	Headlamp - With Daytime Light System	
ECM/PW	EC	ECM Power Supply for Back-Up	
ECTS	EC	Engine Coolant Temperature Sensor	M
EOTS	EC	Engine Oil Temperature Sensor	
EPS	STC	Electric Controlled Power Steering System	
ETC1B1	EC	Electric Throttle Control Function (Bank 1)	N
ETC1B2	EC	Electric Throttle Control Function (Bank 2)	
ETC2B1	EC	Electric Throttle Control Motor Relay (Bank 1)	O
ETC2B2	EC	Electric Throttle Control Motor Relay (Bank 2)	
ETC3B1	EC	Electric Throttle Control Motor (Bank 1)	
ETC3B2	EC	Electric Throttle Control Motor (Bank 2)	P
EVCB1	EC	Exhaust Valve Timing Control Magnet Retarder (Bank 1)	
EVCB2	EC	Exhaust Valve Timing Control Magnet Retarder (Bank 2)	
EVCSB1	EC	Exhaust Valve Timing Control Position Sensor (Bank 1)	
EVCSB2	EC	Exhaust Valve Timing Control Position Sensor (Bank 2)	
F/LID	BL	Fuel Lid Opener	

HARNESSES

< SERVICE INFORMATION >

Code	Section	Wiring Diagram Name
F/PUMP	EC	Fuel Pump
F/ROOF	RF	Soft Top
FTS	AT	A/T Fluid Temperature Sensor Circuit
FTTS	EC	Fuel Tank Temperature Sensor
FUELB1	EC	Fuel Injection System Function (Bank 1)
FUELB2	EC	Fuel Injection System Function (Bank 2)
H/LAMP	LT	Headlamp
H/PHON	AV	Handsfree Telephone System
HORN	WW	Horn
HSEAT	SE	Heated Seat
IATSB1	EC	Intake Air Temperature Sensor (Bank 1)
IGNSYS	EC	Ignition System
ILL	LT	Illumination
I/MIRR	GW	Inside Mirror (Auto Anti-Dazzling Mirror)
INJECT	EC	Injector
IVCB1	EC	Intake Valve Timing Control Solenoid Valve (Bank 1)
IVCB2	EC	Intake Valve Timing Control Solenoid Valve (Bank 2)
KEYLES	BL	Remote Keyless Entry System
KSB1	EC	Knock Sensor (Bank 1)
KSB2	EC	Knock Sensor (Bank 2)
MAFSB1	EC	Mass Air Flow Sensor (Bank 1)
MAFSB2	EC	Mass Air Flow Sensor (Bank 2)
MAIN	AT	Main Power Supply and Ground Circuit
MAIN	EC	Main Power Supply and Ground Circuit
M/ANT	AV	Manual Antenna
METER	DI	Speedometer, Tachometer, Temp. and Fuel Gauges
MIL/DL	EC	MIL & Data Link Connector
MIRROR	GW	Power Door Mirror
MMSW	AT	Manual Mode Switch
NATS	BL	Nissan Anti-Theft System
NAVI	AV	Navigation System
NONDTC	AT	Non-Detective Items
O2H2B1	EC	Heated Oxygen Sensor 2 Heater (Bank 1)
O2H2B2	EC	Heated Oxygen Sensor 2 Heater (Bank 2)
O2S2B1	EC	Heated Oxygen Sensor 2 (Bank 1)
O2S2B2	EC	Heated Oxygen Sensor 2 (Bank 2)
PGC/V	EC	EVAP Canister Purge Volume Control Solenoid Valve
PHSB1	EC	Camshaft Position Sensor (PHASE) (Bank 1)
PHSB2	EC	Camshaft Position Sensor (PHASE) (Bank 2)
PNP/SW	AT	Park/Neutral Position Switch
PNP/SW	EC	Park/Neutral Position Switch
POS	EC	Crankshaft Position Sensor (CKPS) (POS)
POWER	PG	Power Supply Routing
PRE/SE	EC	EVAP Control System Pressure Sensor

HARNESS

< SERVICE INFORMATION >

Code	Section	Wiring Diagram Name	
P/SCKT	WW	Power Socket	A
PS/SEN	EC	Power Steering Pressure Sensor	
ROOM/L	LT	Interior Room Lamp	B
RP/SEN	EC	Refrigerant Pressure Sensor	
SEAT	SE	Power Seat	
SEN/PW	EC	Sensor Power Supply	C
SHIFT	AT	A/T Shift Lock System	
SRS	SRS	Supplemental Restraint System	D
START	SC	Starting System	
STOP/L	LT	Stop Lamp	
STSIG	AT	Start Signal Circuit	E
TAIL/L	LT	Parking, License and Tail Lamps	
TCS	BRC	Traction Control System	F
TLID	BL	Trunk Lid Opener	
TPS1B1	EC	Throttle Position Sensor (Sensor 1) (Bank 1)	
TPS1B2	EC	Throttle Position Sensor (Sensor 1) (Bank 2)	G
TPS2B1	EC	Throttle Position Sensor (Sensor 2) (Bank 1)	
TPS2B2	EC	Throttle Position Sensor (Sensor 2) (Bank 2)	
TPS3B1	EC	Throttle Position Sensor (Bank 1)	H
TPS3B2	EC	Throttle Position Sensor (Bank 2)	
TRNSCV	BL	Homelink Universal Transceiver	I
TURN	LT	Turn Signal and Hazard Warning Lamp	
T/WARN	WT	Low Tire Pressure Warning System	J
VDC	BRC	Vehicle Dynamics Control System	
VEHSEC	BL	Vehicle Security System	
VENT/V	EC	EVAP Canister Vent Control Valve	PG
VSSA/T	AT	Vehicle Speed Sensor A/T (Revolution Sensor)	
WARN	DI	Warning Lamps	
WINDOW	GW	Power Window	L
WIPER	WW	Front Wiper and Washer	
WIP/R	WW	Rear Wiper and Washer	M

ELECTRICAL UNITS LOCATION

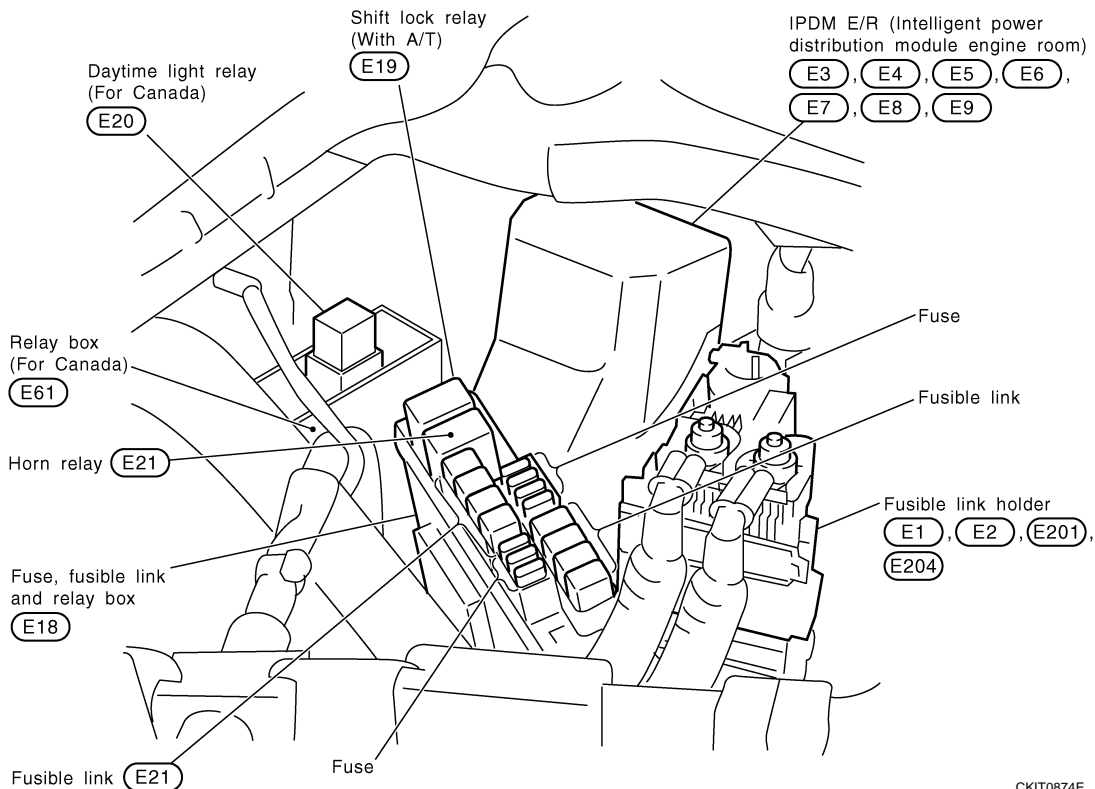
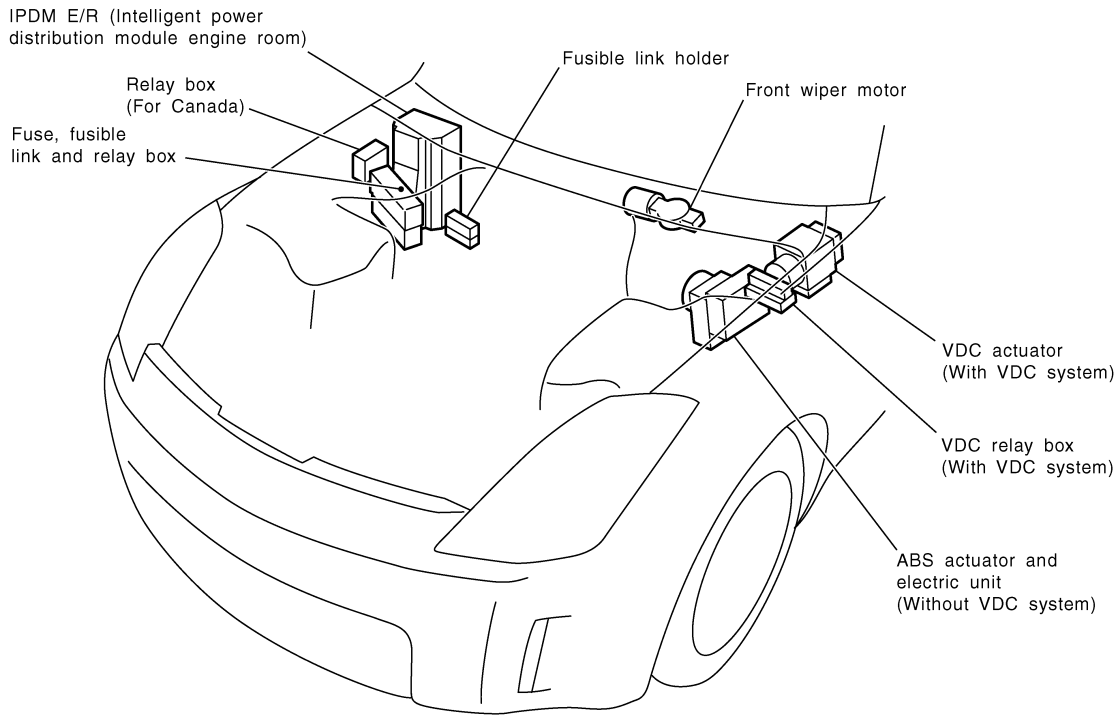
< SERVICE INFORMATION >

ELECTRICAL UNITS LOCATION

Electrical Units Location

INFOID:000000004657923

ENGINE COMPARTMENT

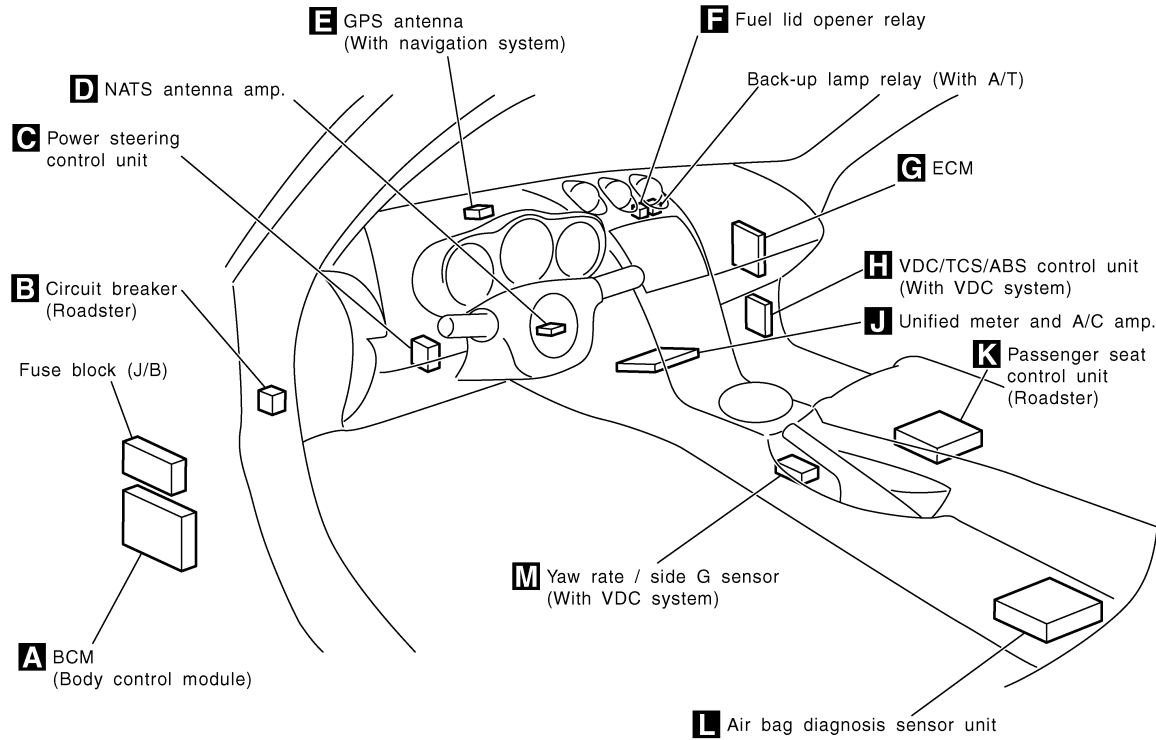


CKIT0874E

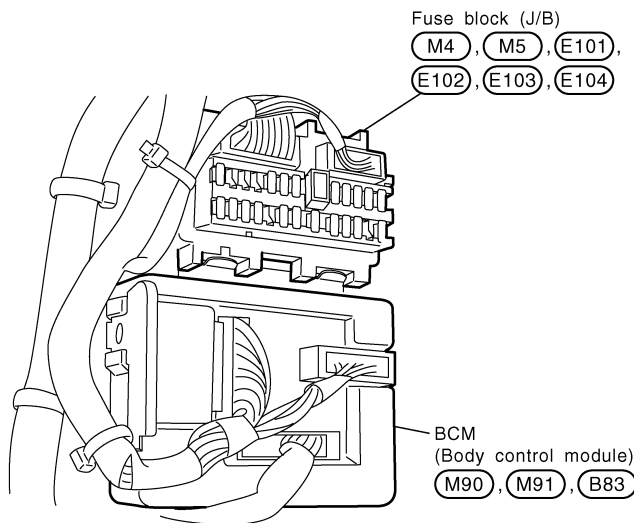
ELECTRICAL UNITS LOCATION

< SERVICE INFORMATION >

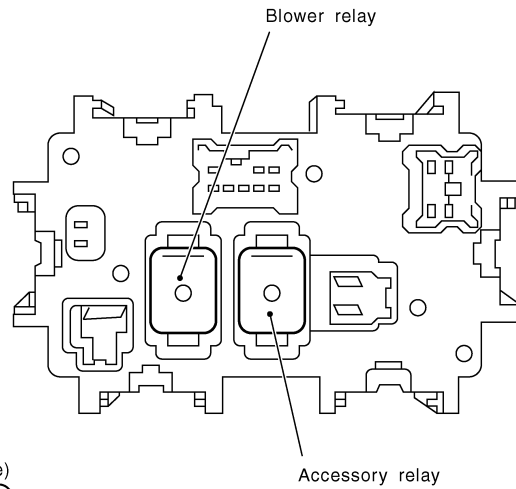
PASSENGER COMPARTMENT



A Behind dash side lower LH finisher



Fuse block (J/B) rear view



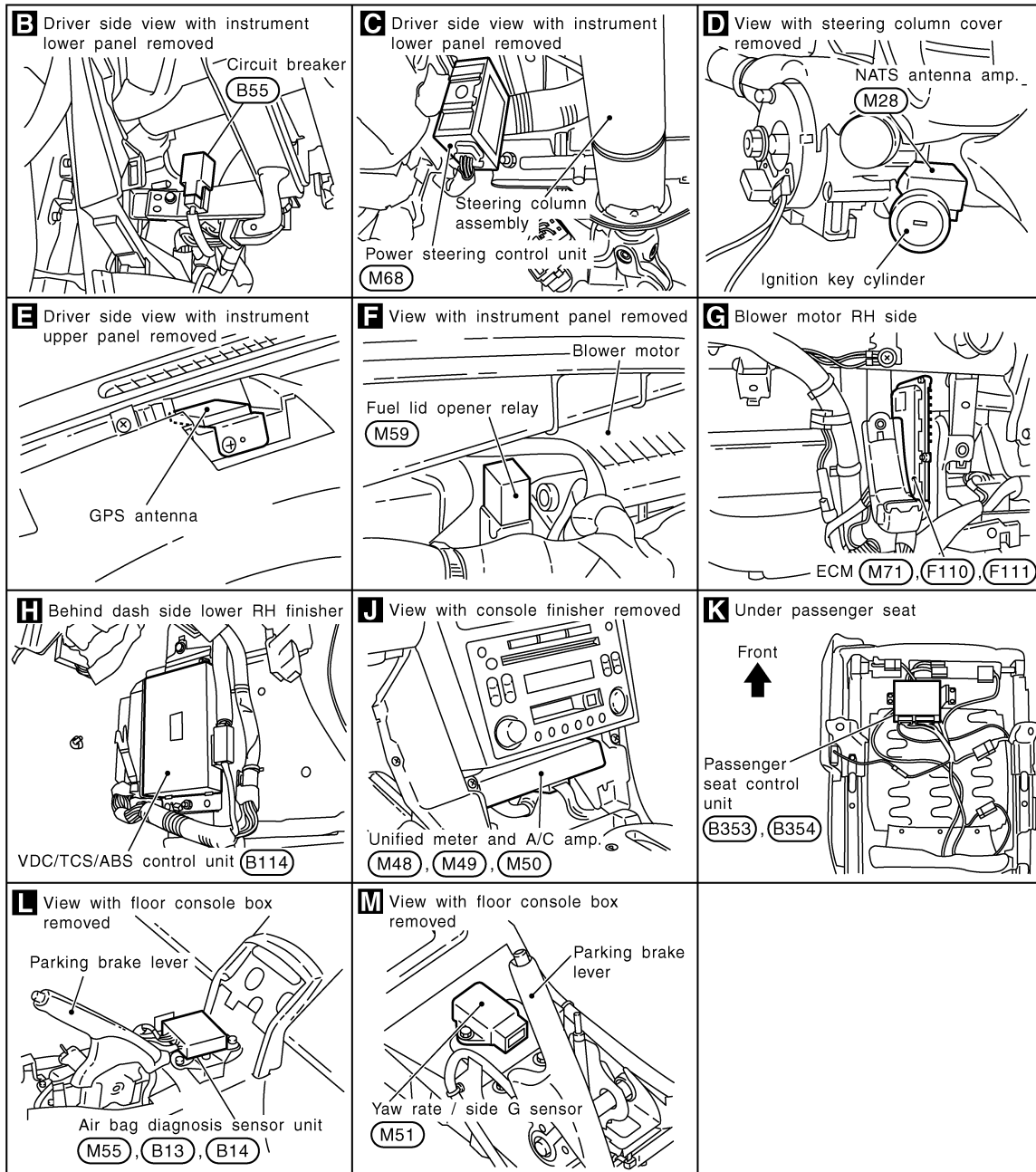
CKIT0860E

A
B
C
D
E
F
G
H
I
J
L
M
N
O
P

PG

ELECTRICAL UNITS LOCATION

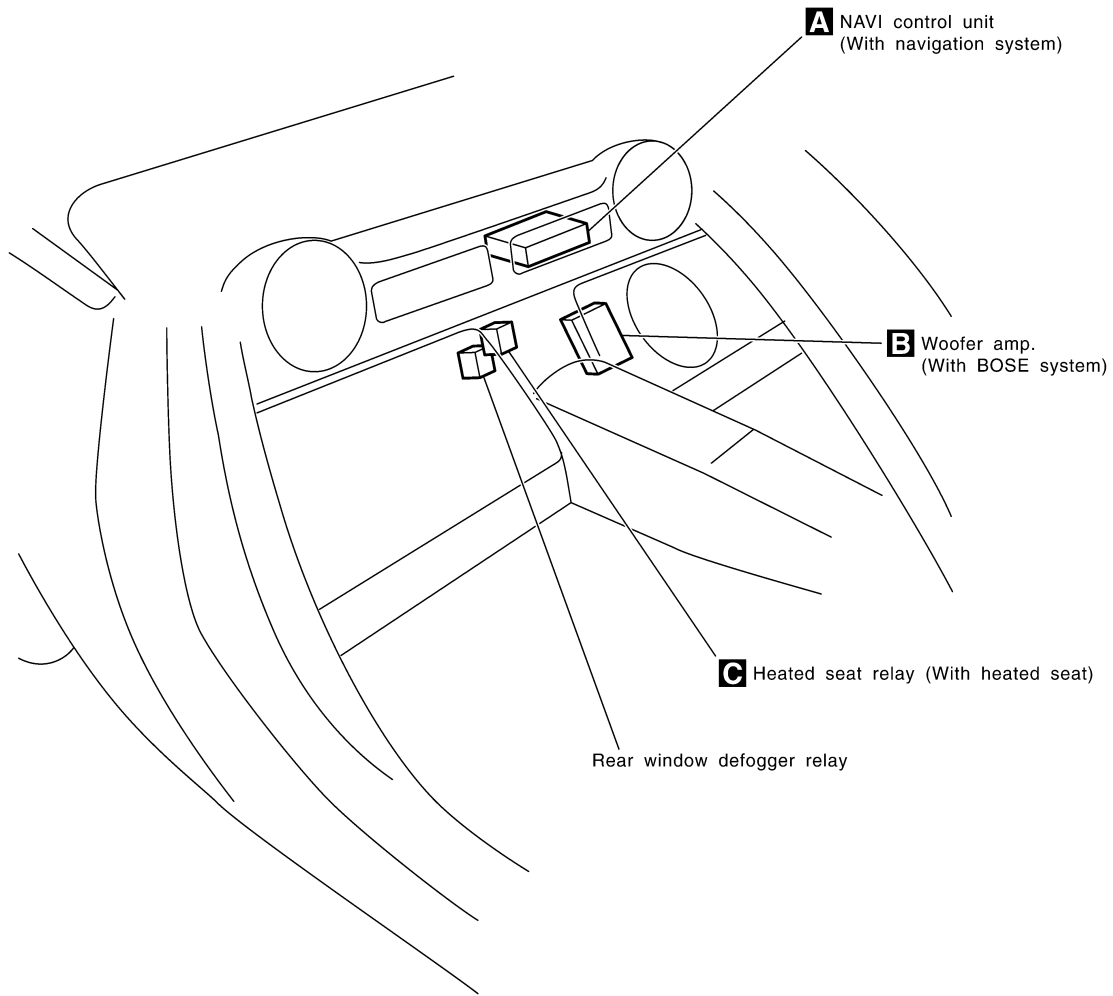
< SERVICE INFORMATION >



CKIT0875E

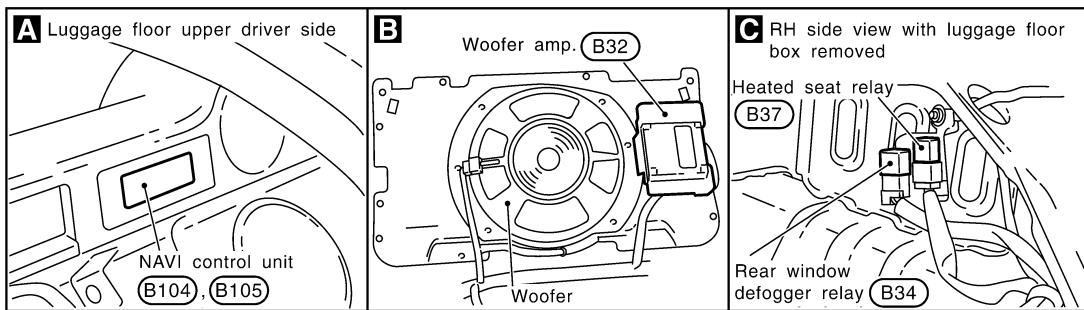
ELECTRICAL UNITS LOCATION

< SERVICE INFORMATION >



A
B
C
D
E
F
G
H
I
J

PG



L
M
N
O
P

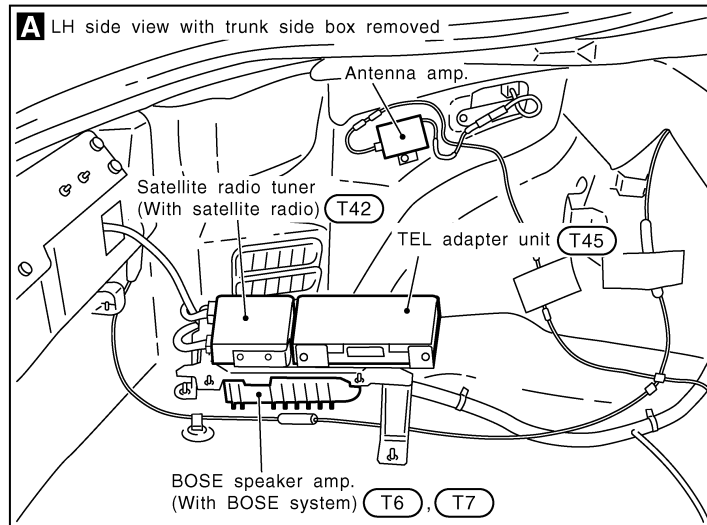
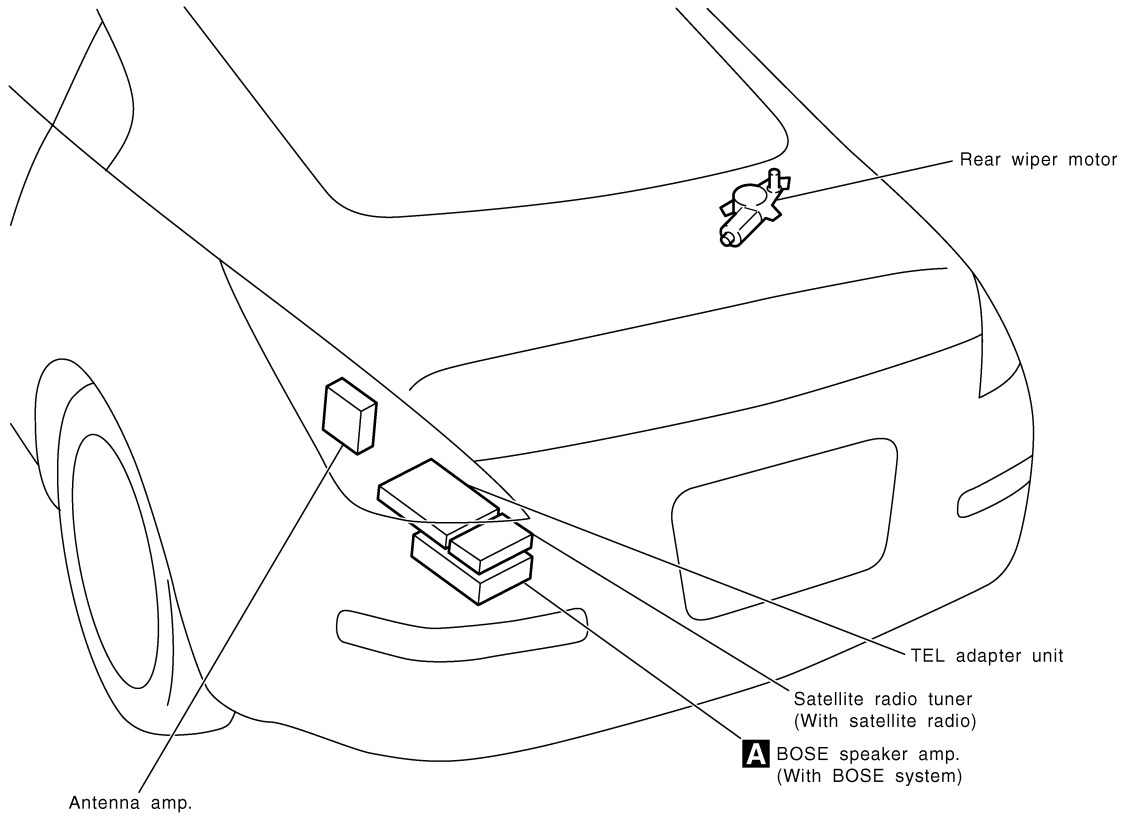
CKIT0349E

LUGGAGE COMPARTMENT

ELECTRICAL UNITS LOCATION

< SERVICE INFORMATION >

Coupe Models

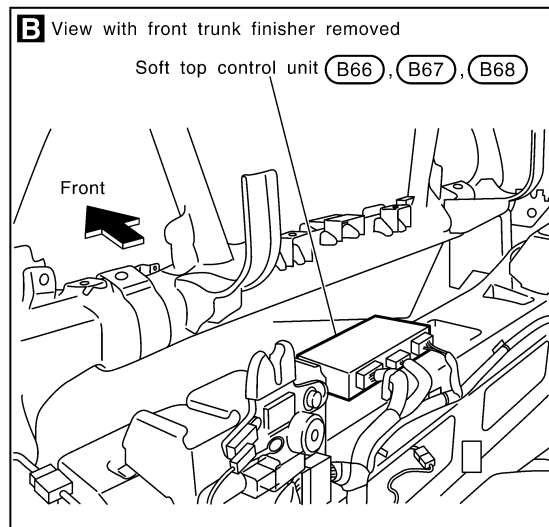
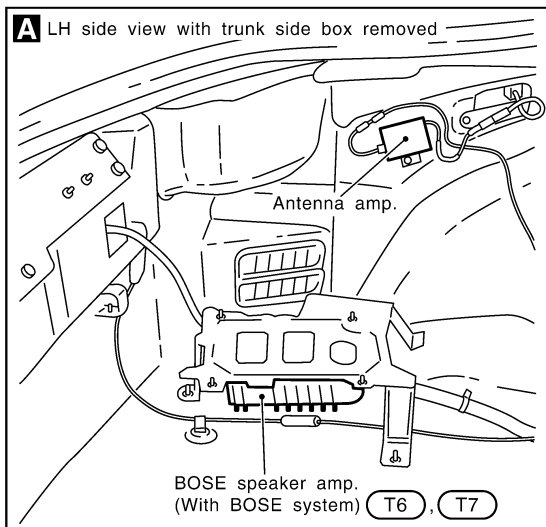
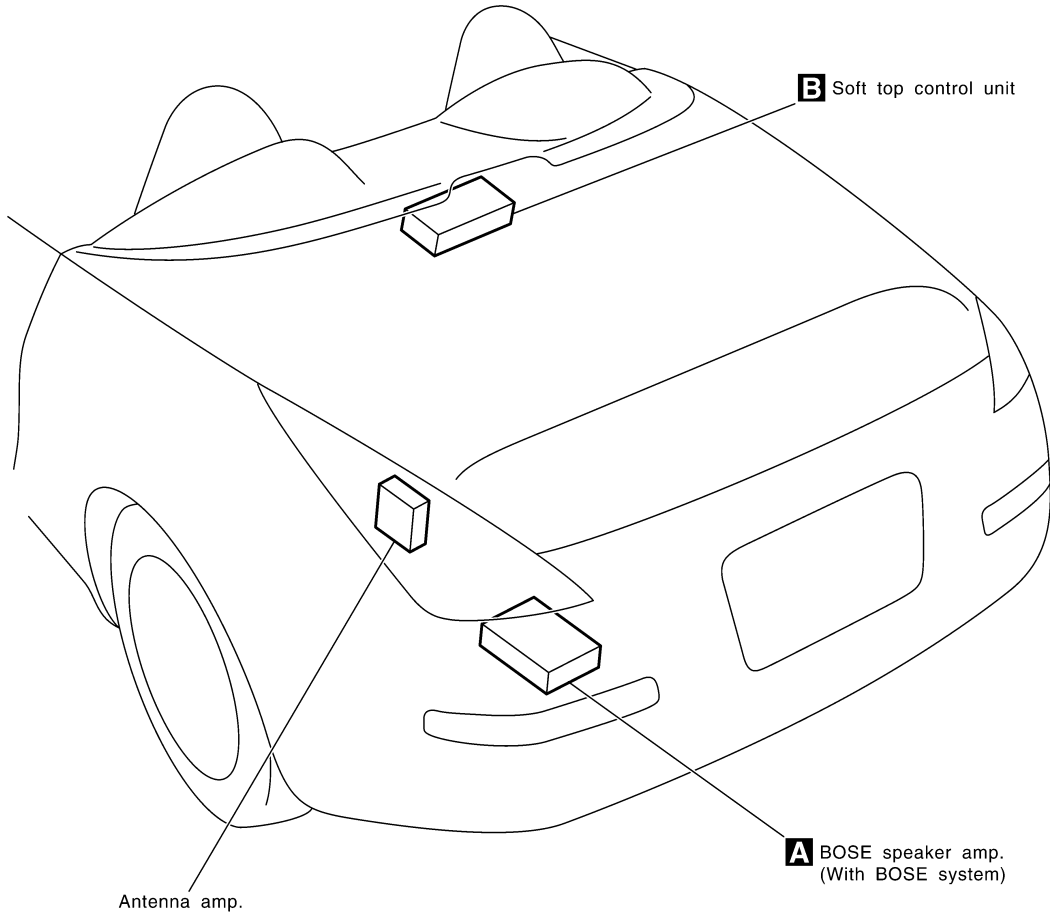


CKIT0878E

ELECTRICAL UNITS LOCATION

< SERVICE INFORMATION >

Roadster Models



CKIT0350E

A
B
C
D
E
F
G
H
I
J
PG
L
M
N
O
P

HARNESS CONNECTOR

< SERVICE INFORMATION >

HARNESS CONNECTOR

Description

INFOID:000000004657924

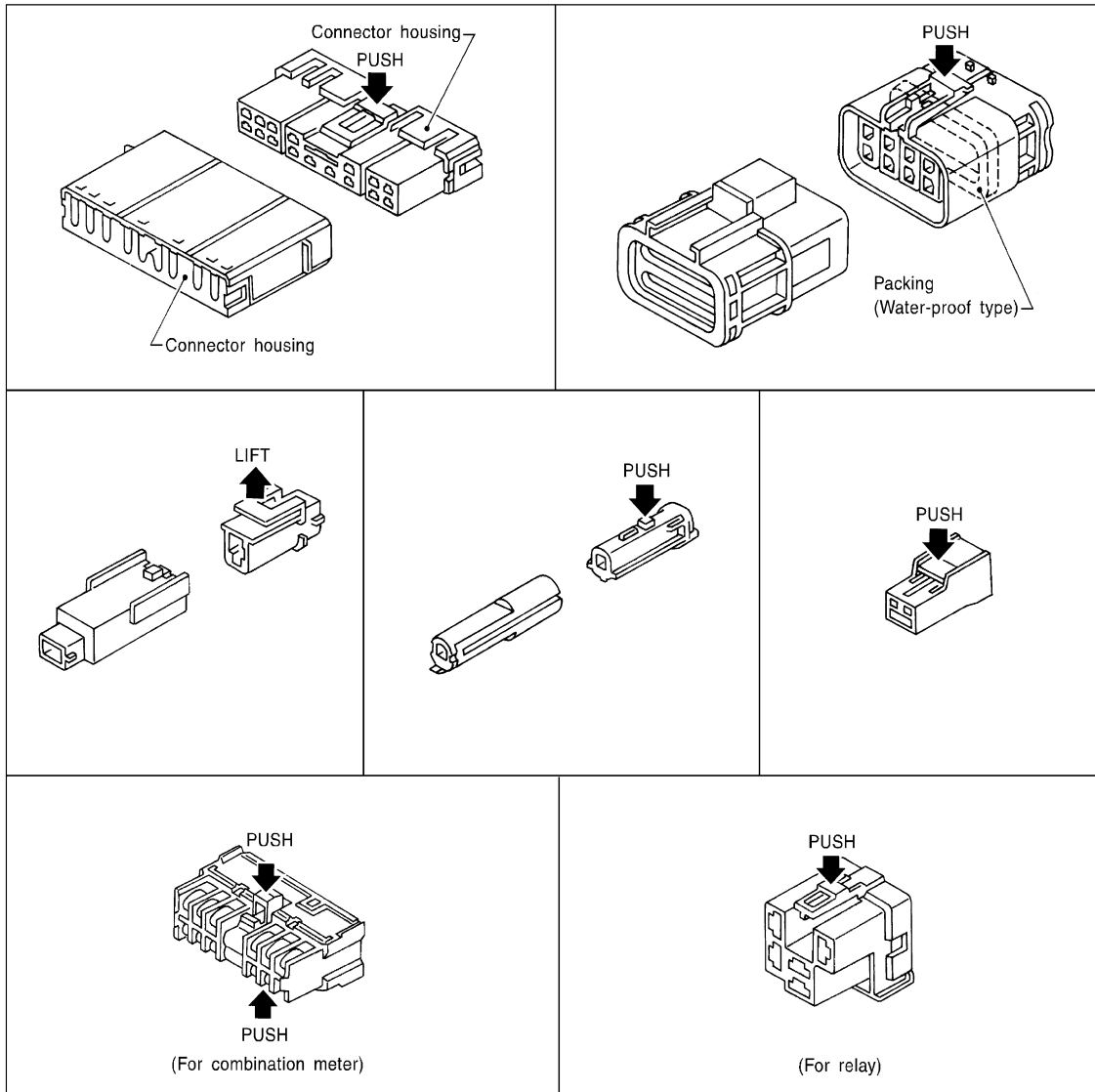
HARNESS CONNECTOR (TAB-LOCKING TYPE)

- The tab-locking type connectors help prevent accidental looseness or disconnection.
- The tab-locking type connectors are disconnected by pushing or lifting the locking tab(s). Refer to the figure below.

CAUTION:

Never pull the harness or wires when disconnecting the connector.

[Example]



SEL769DA

HARNESS CONNECTOR (SLIDE-LOCKING TYPE)

- A new style slide-locking type connector is used on certain systems and components, especially those related to OBD.
- The slide-locking type connectors help prevent incomplete locking and accidental looseness or disconnection.
- The slide-locking type connectors are disconnected by pushing or pulling the slider. Refer to the figure below.

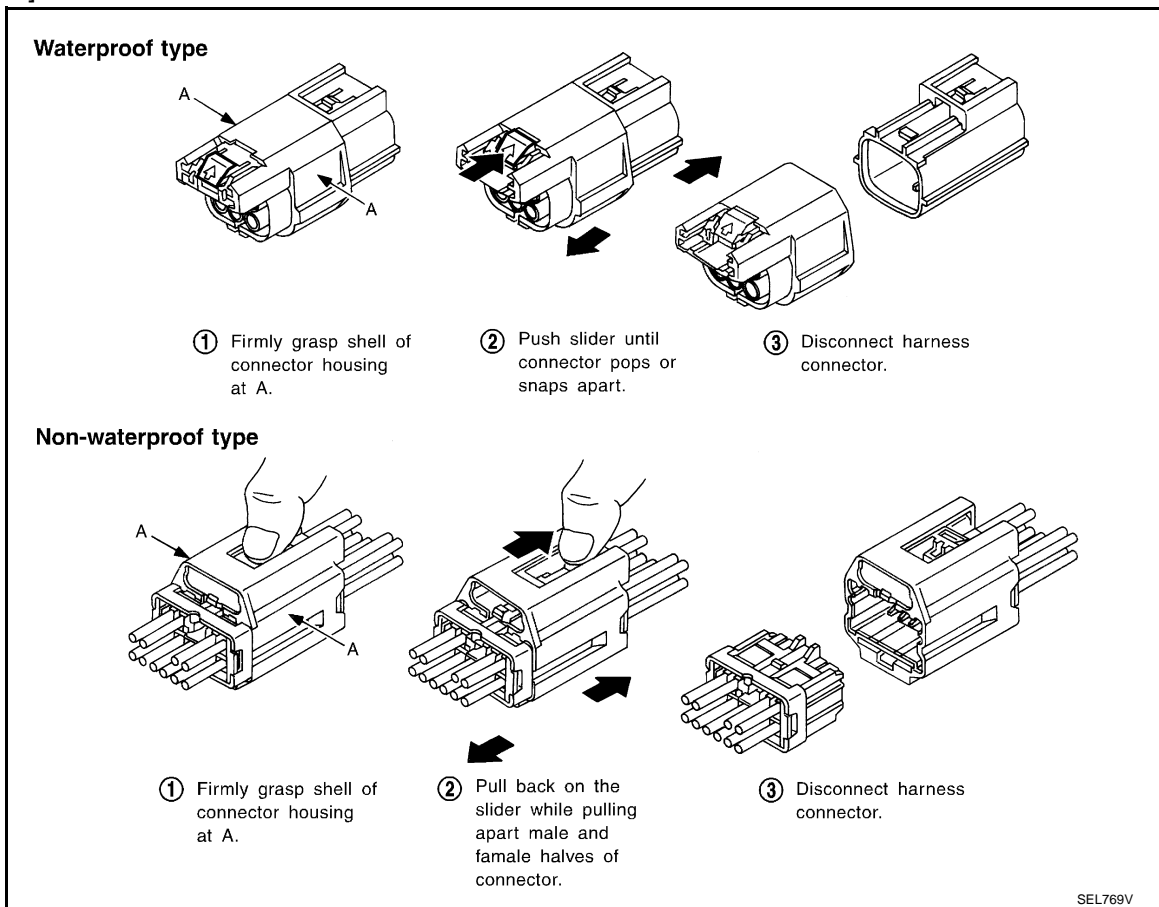
HARNESS CONNECTOR

< SERVICE INFORMATION >

CAUTION:

- Never pull the harness or wires when disconnecting the connector.
- Be careful not to damage the connector support bracket when disconnecting the connector.

[Example]



HARNESS CONNECTOR (LEVER LOCKING TYPE)

- Lever locking type harness connectors are used on certain control units and control modules such as ECM, ABS actuator and electric unit (control unit), etc.
- Lever locking type harness connectors are also used on super multiple junction (SMJ) connectors.
- Always confirm the lever is fully locked in place by moving the lever as far as it will go to ensure full connection.

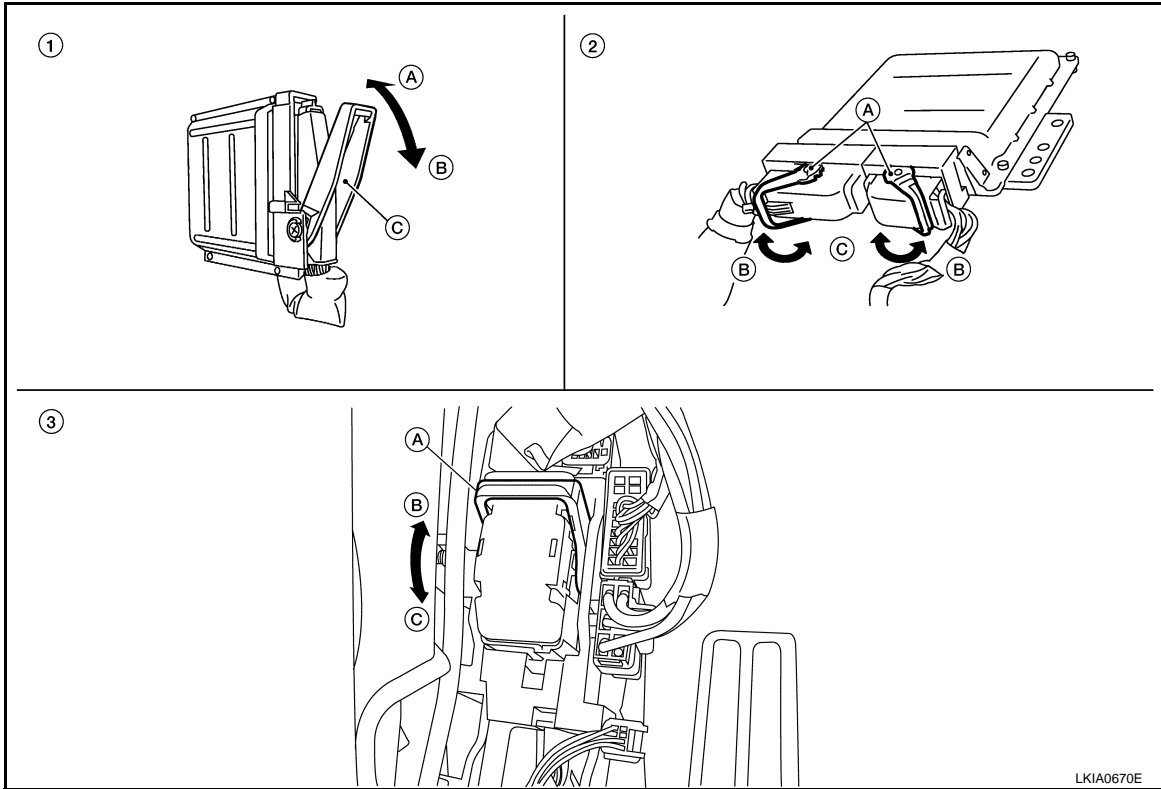
CAUTION:

A
B
C
D
E
F
G
H
I
J
PG
L
M
N
O
P

HARNES CONNECTOR

< SERVICE INFORMATION >

Always confirm the lever is fully released (loosened) before attempting to disconnect or connect these connectors to avoid damage to the connector housing or terminals.



- | | | |
|-----------------------------------|----------------------------------|------------------|
| 1. Control unit with single lever | 2. Control unit with dual levers | 3. SMJ connector |
| A. Fasten | A. Levers | A. Lever |
| B. Loosen | B. Fasten | B. Fasten |
| C. Lever | C. Loosen | C. Loosen |

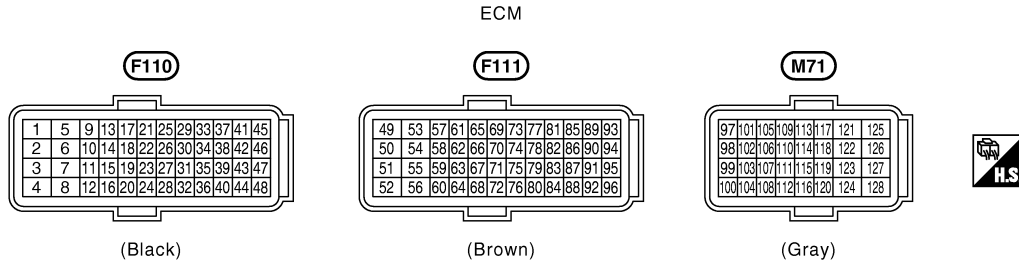
ELECTRICAL UNITS

< SERVICE INFORMATION >

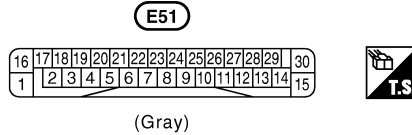
ELECTRICAL UNITS

Terminal Arrangement

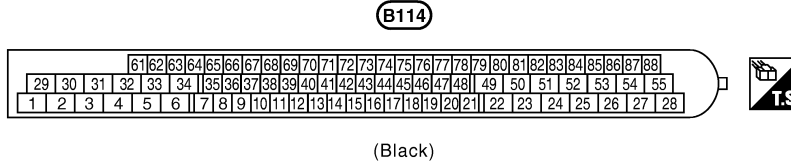
INFOID:000000004657925



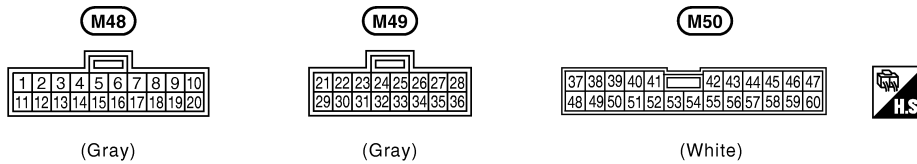
ABS ACTUATOR AND ELECTRIC UNIT (CONTROL UNIT)



VDC/TCS/ABS CONTROL UNIT



UNIFIED METER AND A/C AMP.

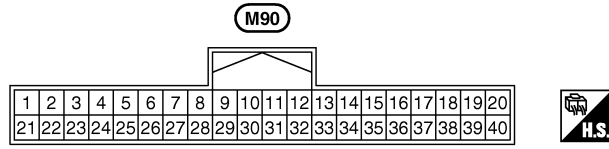


CKIT0876E

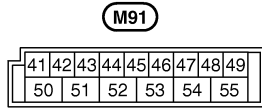
ELECTRICAL UNITS

< SERVICE INFORMATION >

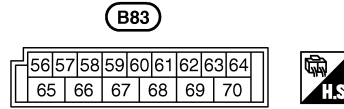
BCM (BODY CONTROL MODULE)



(White)



(Black)



(White)

CKIT0647E

SMJ (SUPER MULTIPLE JUNCTION)

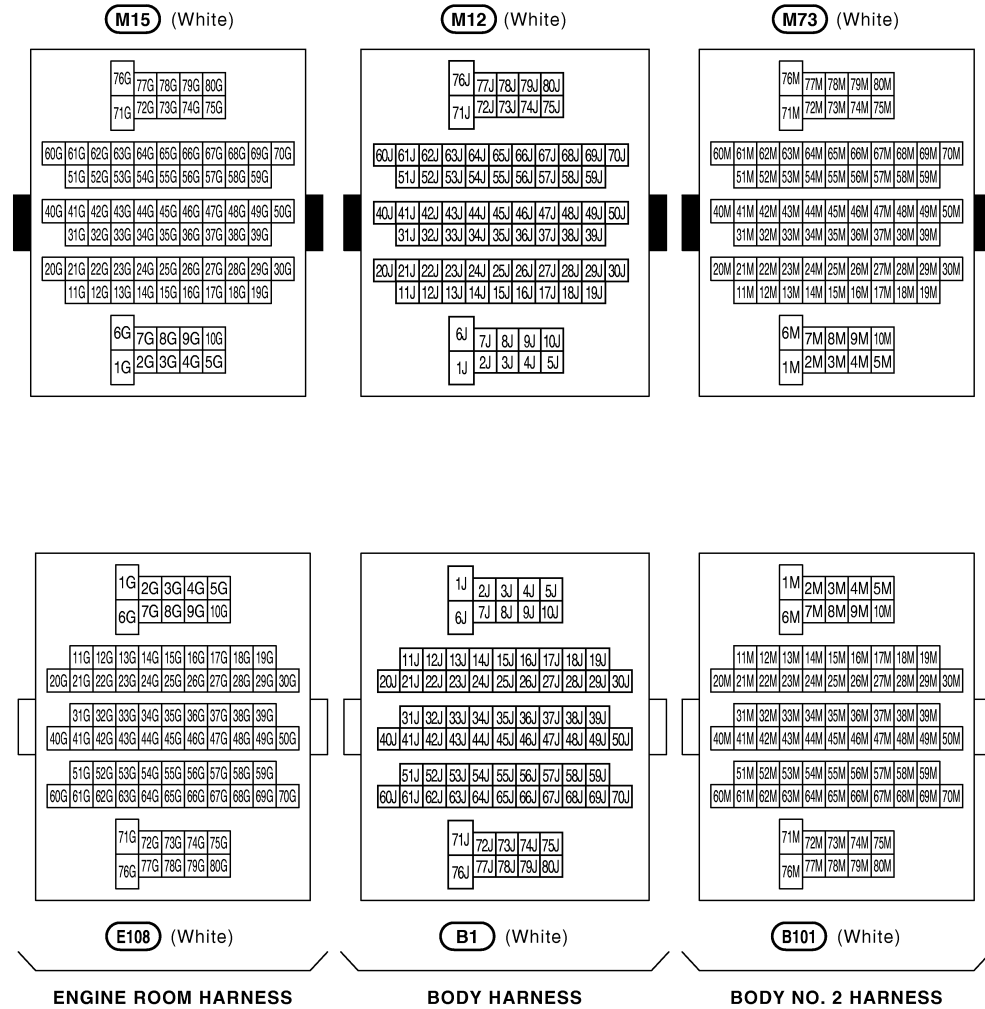
< SERVICE INFORMATION >

SMJ (SUPER MULTIPLE JUNCTION)

Terminal Arrangement

INFOID:000000004657926

MAIN HARNESS

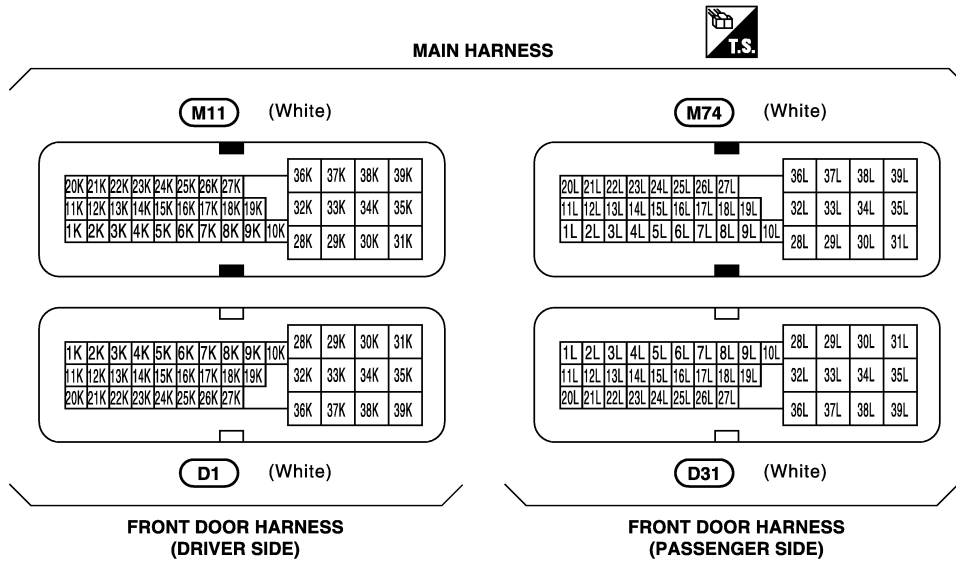
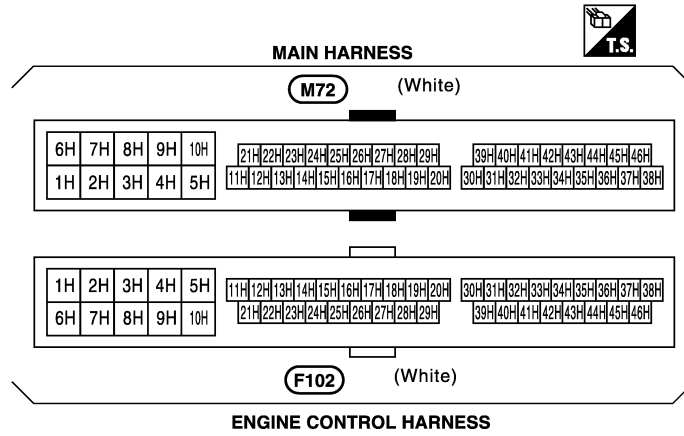


A
B
C
D
E
F
G
H
I
J
PG
L
M
N
O
P

CKIT0743E

SMJ (SUPER MULTIPLE JUNCTION)

< SERVICE INFORMATION >



CKIT0158E

STANDARDIZED RELAY

< SERVICE INFORMATION >

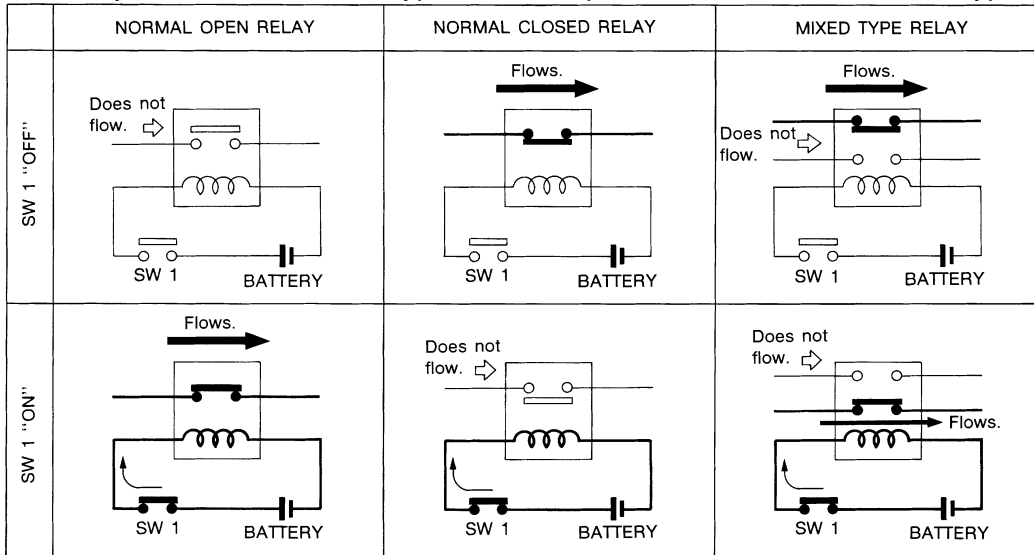
STANDARDIZED RELAY

Description

INFOID:000000004657927

NORMAL OPEN, NORMAL CLOSED AND MIXED TYPE RELAYS

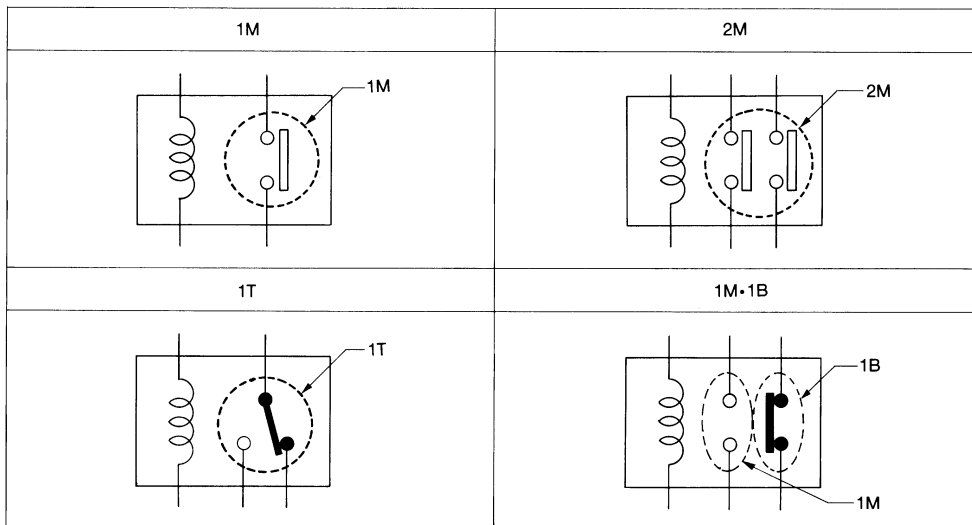
Relays can mainly be divided into three types: normal open, normal closed and mixed type relays.



SEL881H

TYPE OF STANDARDIZED RELAYS

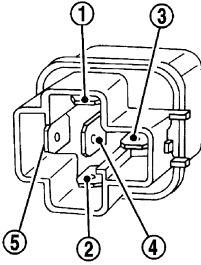
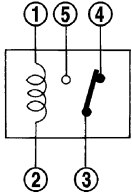
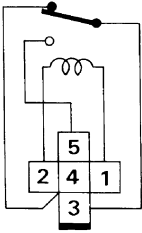
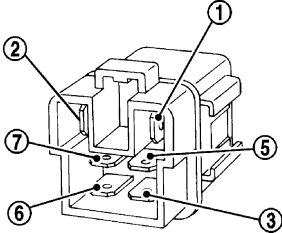
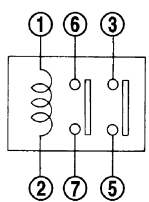
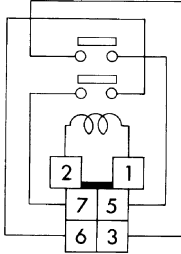
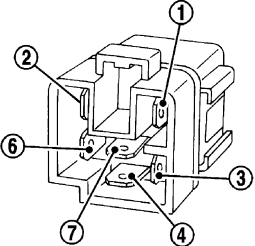
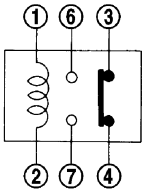
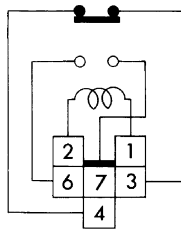
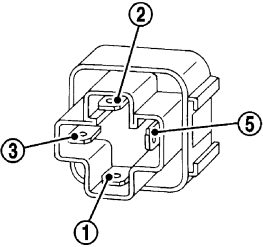
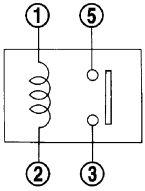
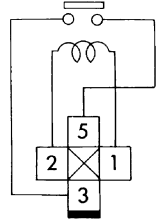
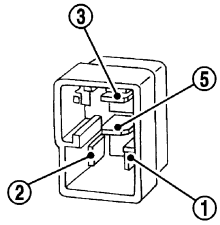
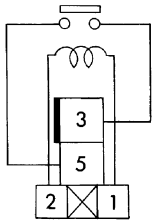
- 1M 1 Make
- 1T 1 Transfer
- 2M 2 Make
- 1M-1B 1 Make 1 Break



SEL882H

STANDARDIZED RELAY

< SERVICE INFORMATION >

Type	Outer view	Circuit	Connector symbol and connection	Case color
1T				BLACK
2M				BROWN
1M•1B				GRAY
1M				BLUE
				

The arrangement of terminal numbers on the actual relays may differ from those shown above.

SEL188W

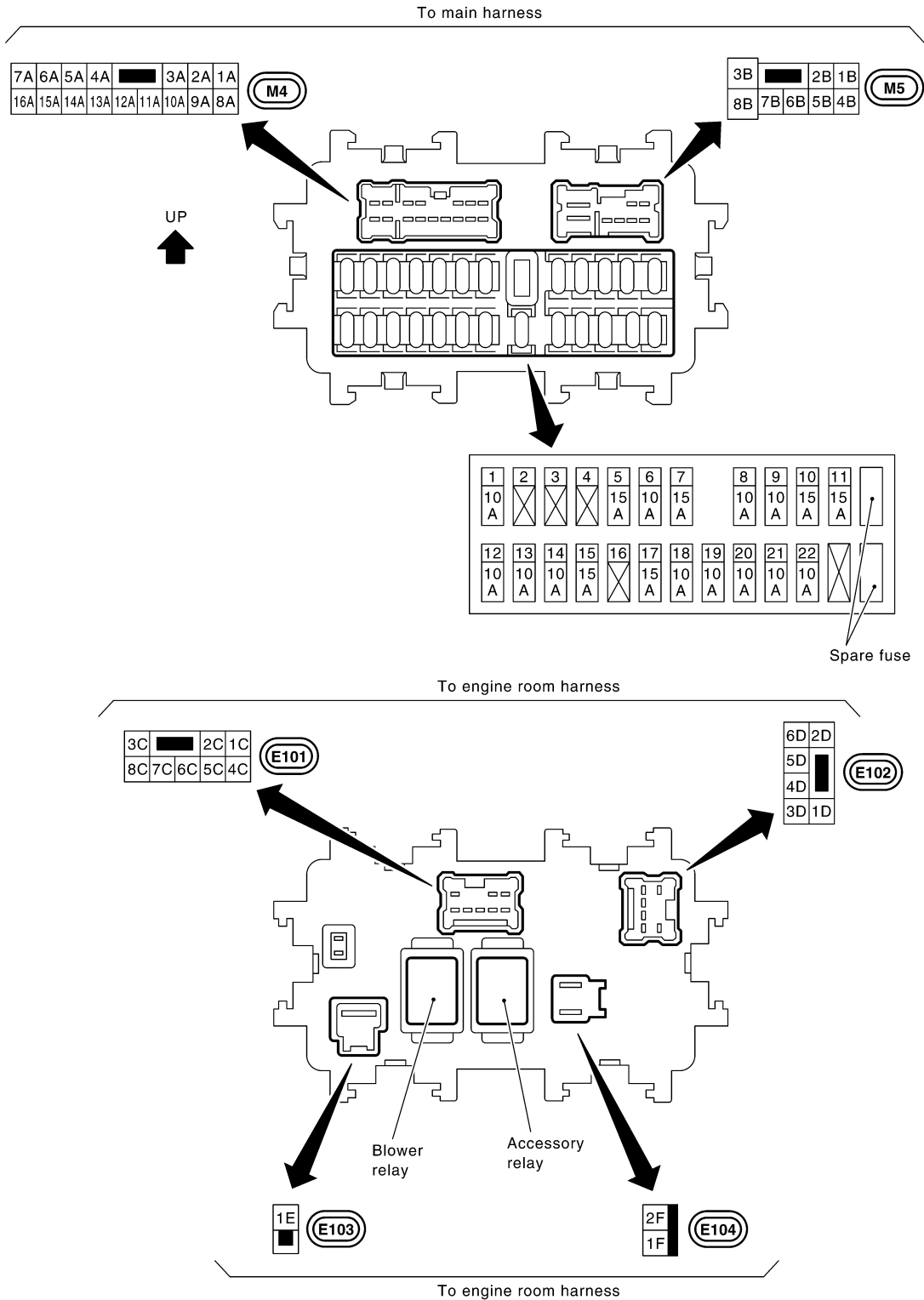
FUSE BLOCK - JUNCTION BOX (J/B)

< SERVICE INFORMATION >

FUSE BLOCK - JUNCTION BOX (J/B)

Terminal Arrangement

INFOID:000000004657928



CKIT0363E

A
B
C
D
E
F
G
H
I
J
PG
L
M
N
O
P

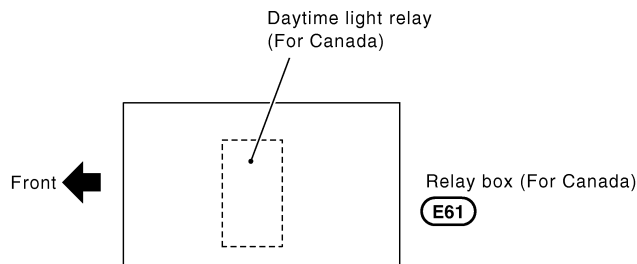
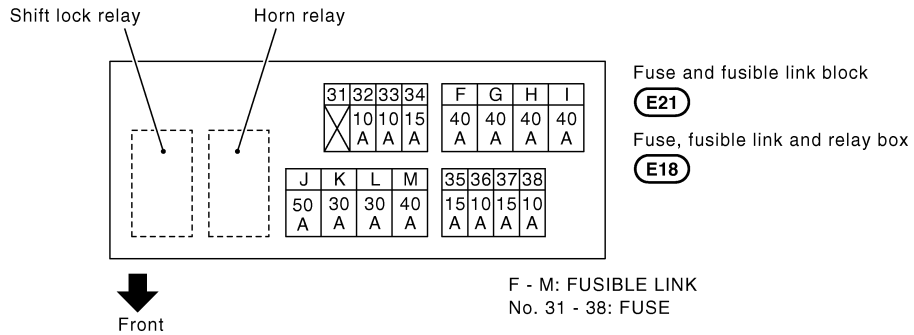
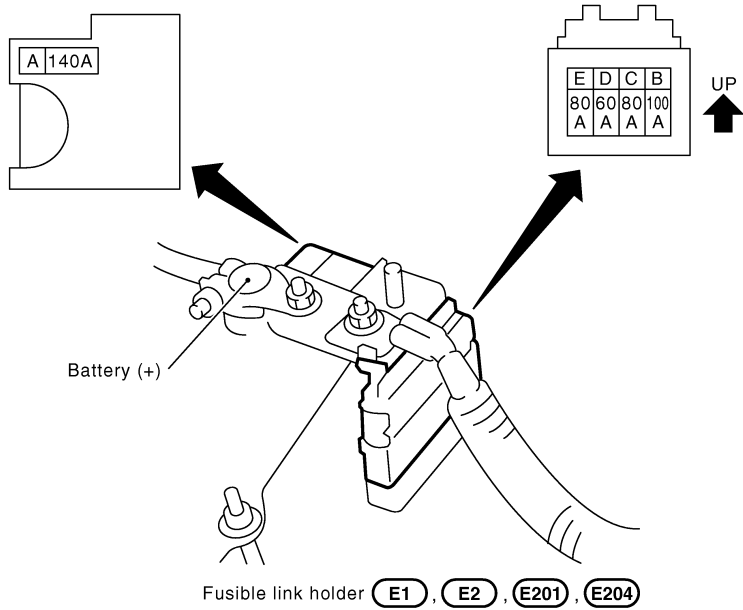
FUSE, FUSIBLE LINK AND RELAY BOX

< SERVICE INFORMATION >

FUSE, FUSIBLE LINK AND RELAY BOX

Terminal Arrangement

INFOID:000000004657929



CKIT0877E