

SECTION **EX**  
EXHAUST SYSTEM



CONTENTS

<b>SERVICE INFORMATION</b> .....	2	<b>EXHAUST SYSTEM</b> .....	3
<b>PREPARATION</b> .....	2	Checking Exhaust System .....	3
Commercial Service Tool .....	2	Removal and Installation .....	3

# PREPARATION

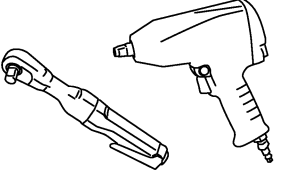
< SERVICE INFORMATION >

## SERVICE INFORMATION

### PREPARATION

#### Commercial Service Tool

INFOID:000000004656767

(Kent-Moore No.) Tool name	Description
<p data-bbox="162 445 272 466">Power tool</p>  <p data-bbox="852 661 922 676">PBIC0190E</p>	<p data-bbox="1010 445 1263 466">Loosening nuts and bolts</p>

# EXHAUST SYSTEM

< SERVICE INFORMATION >

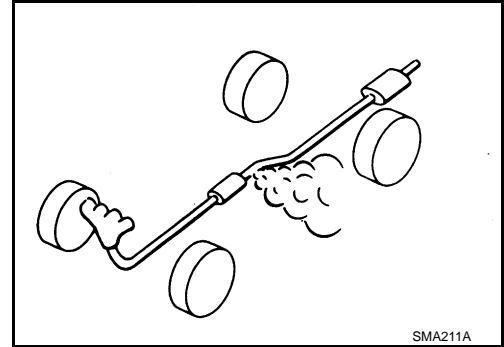
## EXHAUST SYSTEM

### Checking Exhaust System

INFOID:000000004656768

Check exhaust pipes, muffler and mounting for improper attachment, leaks, cracks, damage or deterioration.

- If anything is found, repair or replace damaged parts.

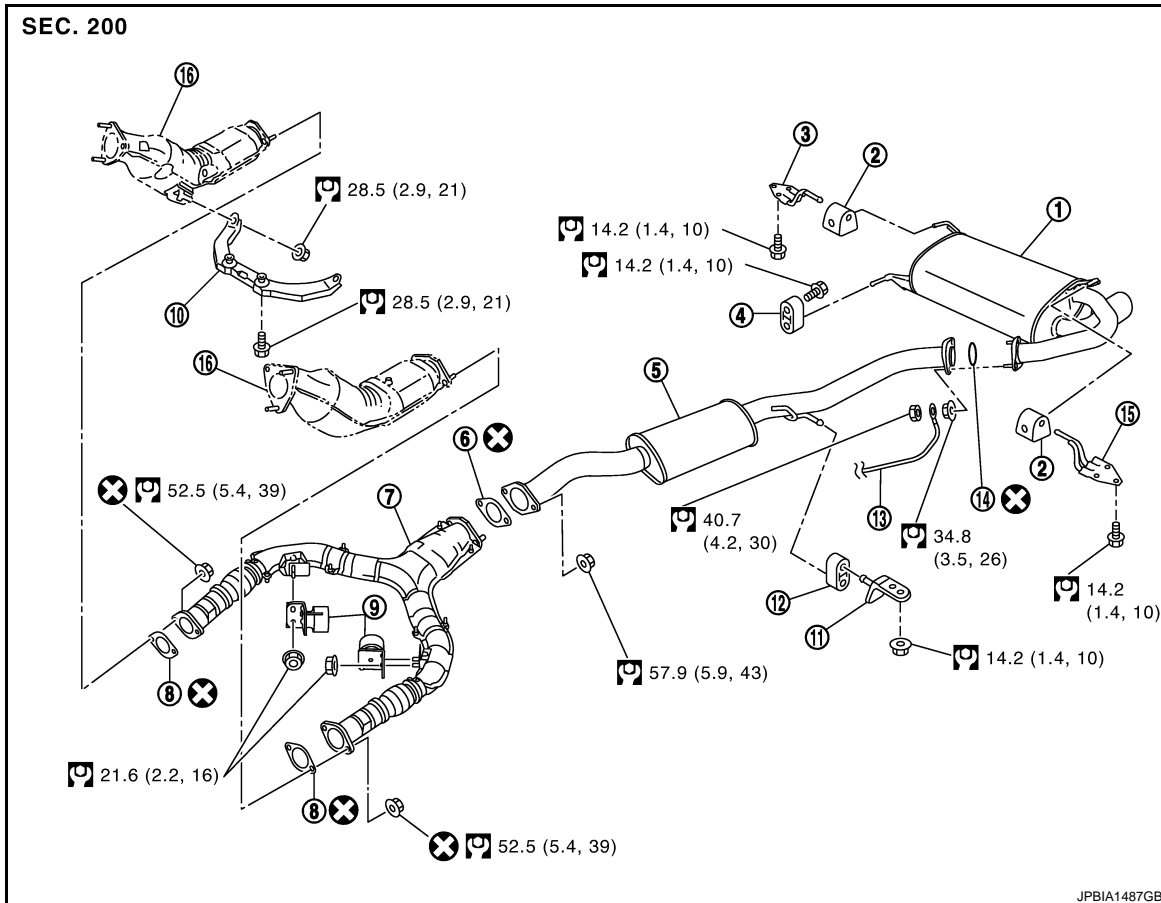


### Removal and Installation

INFOID:000000004656769

#### CAUTION:

- Be sure to use genuine exhaust system parts or equivalents which are specially designed for heat resistance, corrosion resistance, and shape.
- Perform the operation with the exhaust system fully cooled down because the system will be hot just after engine stops.
- Be careful not to cut your hand on the insulator edge.



- |                       |                      |                     |
|-----------------------|----------------------|---------------------|
| 1. Main muffler       | 2. Mounting rubber   | 3. Mounting bracket |
| 4. Mounting rubber    | 5. Center muffler    | 6. Gasket           |
| 7. Exhaust front tube | 8. Gasket            | 9. Dynamic damper   |
| 10. Mounting bracket  | 11. Mounting bracket | 12. Mounting rubber |

# EXHAUST SYSTEM

## < SERVICE INFORMATION >

- 13. Ground cable
- 14. Ring gasket
- 15. Mounting bracket
- 16. Three way catalyst

- Refer to [GI-8, "Component"](#) for symbol marks in the figure.

### REMOVAL

- Disconnect each joint and mounting with power tool.
- When removing main muffler, remove main muffler mounting bracket bolts.
- For removing and installing parts around propeller shaft, be careful of the following caution.

#### CAUTION:

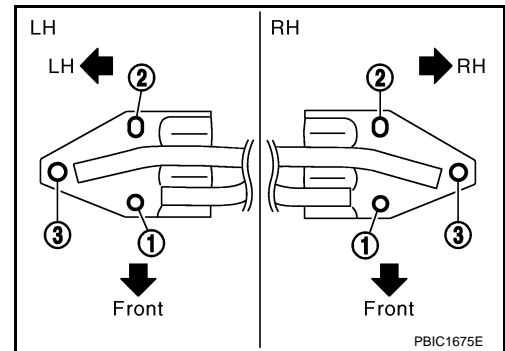
**Be sure to prevent propeller shaft from interfering parts and tools. If necessary, install protector to propeller shaft to prevent damage.**

**For propeller shaft protector, refer to [PR-5](#).**

### INSTALLATION

Note the following, and install in the reverse order of removal.

- Tighten main muffler mounting bracket bolts in numerical order as shown in the figure.

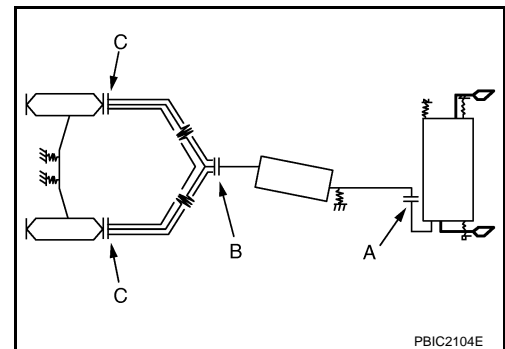


When reassembling main muffler only.

1. Temporarily tighten connecting flange (A).
2. Move main muffler front/rear/left/right so that clearance between tail tube and bumper is even.
3. Tighten connecting flange (A) to the specified torque.

When reassembling center muffler.

1. Temporarily tighten connecting flanges in order of (A) and (B).
2. Move main muffler front/rear/left/right so that clearance between tail tube and bumper is even.
3. Tighten connecting flanges in order of (A) and (B) to the specified torque.



When reassembling exhaust front tube.

1. Temporarily tighten connecting flanges of center muffler in order of (B) and (C).
2. Move main muffler front/rear/left/right so that clearance between tail tube and bumper is even.
3. Tighten connecting flanges in order of (B) and (C) to the specified torque.

#### CAUTION:

- **Always replace exhaust tube gaskets with new ones when reassembling.**
- **If heat insulator is badly deformed, repair or replace it. If deposits such as mud pile up on heat insulator, remove them.**
- **When installing heat insulator avoid large gaps or interference between heat insulator and each exhaust pipe.**
- **Remove deposits from the sealing surface of each connection. Connect them securely to avoid gas leakage.**
- **Temporarily tighten mounting nuts on the exhaust manifold side and mounting bolts on the vehicle side. Check each part for unusual interference, and then tighten them to the specified torque.**
- **When installing each mounting rubber, avoid twisting or unusual extension in up/down and right/left directions.**

### INSPECTION AFTER INSTALLATION

- Check that clearance between tail tube and bumper is even.
- With engine running, check exhaust tube joints for gas leakage and unusual noises.

# EXHAUST SYSTEM

## < SERVICE INFORMATION >

---

- Check that mounting brackets and mounting rubbers are installed properly and free from undue stress. Improper installation could result in excessive noise and vibration.

A

EX

C

D

E

F

G

H

I

J

K

L

M

N

O

P