

SECTION **PB**
PARKING BRAKE SYSTEM

A
B
C
D
E
PB
G
H
I
J
K
L
M
N
O
P

CONTENTS

SERVICE INFORMATION	2	Removal and Installation	4
PREPARATION	2	PARKING BRAKE SHOE	5
Commercial Service Tool	2	Component	5
PARKING BRAKE SYSTEM	3	Removal and Installation	5
On-Vehicle Service	3	SERVICE DATA AND SPECIFICATIONS	
PARKING BRAKE CONTROL	4	(SDS)	7
Component	4	Parking Drum Brake	7
		Parking Brake Control	7

PREPARATION

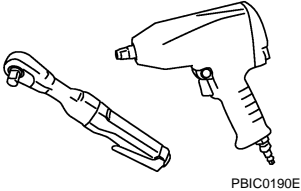
< SERVICE INFORMATION >

SERVICE INFORMATION

PREPARATION

Commercial Service Tool

INFOID:000000004655678

Tool name	Description
Power tool 	Loosening bolts and nuts

PARKING BRAKE SYSTEM

< SERVICE INFORMATION >

PARKING BRAKE SYSTEM

On-Vehicle Service

INFOID:000000004655679

LEVER STROKE

- When parking brake lever is operated with a force of 196 N (20 kg, 44 lb), check that the stroke is within the specified number of notches. (Check it by listening and counting the ratchet clicks.)

Lever stroke : 6 to 7 notches

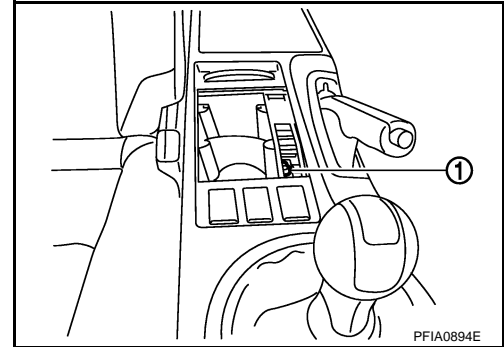
INSPECT COMPONENTS

- Make sure the components are attached properly (check for looseness, backlash, etc.).
- Check parking lever assembly for bend, damage and cracks, and replace if necessary.
- Check that there is no wear or damage to the cable, and replace if there is.
- Inspecting brake warning lamp switch is inspected and exchange if there is a faulty.

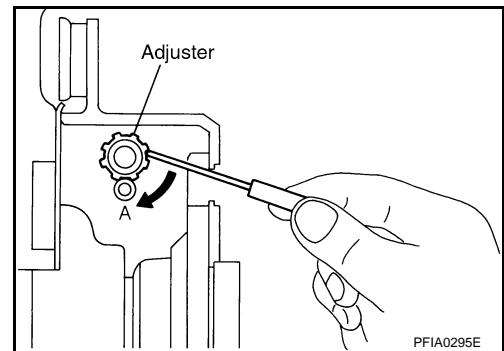
ADJUSTMENT

- To perform adjustment operations, remove tire from the vehicle with power tool.

1. Remove the coin pocket. Insert a deep socket wrench to rotate adjusting nut (1) and loosen the cable sufficiently. Then, return the lever.
2. Using wheel nuts, fix the disc rotor to the hub and prevent it from tilting.



3. Remove adjusting hole plug installed on the disc. Using a flat-bladed screwdriver, turn the disc in direction "A" as shown in the figure until the disc is locked. After locking, turn the adjuster in the opposite direction by 5 or 6 notches.
4. Rotate the disc to make sure there is no drag. Install the adjusting hole plug.
5. Adjust cable as follows:
 - a. Operate lever 10 or more times with a force of 294 N (30 kg, 66 lb).
 - b. Rotate adjusting nut with deep socket to adjust lever stroke.



CAUTION:

Do not reuse the adjusting nut after removing it.

- c. When parking brake lever is operated with a force of 196 N (20 kg, 44 lb), check that the stroke is within the specified number of notches. (Check it by listening and counting the ratchet clicks.)

Lever stroke : 6 to 7 notches

- d. With the lever completely returned, make sure there is no drag on the rear brake.

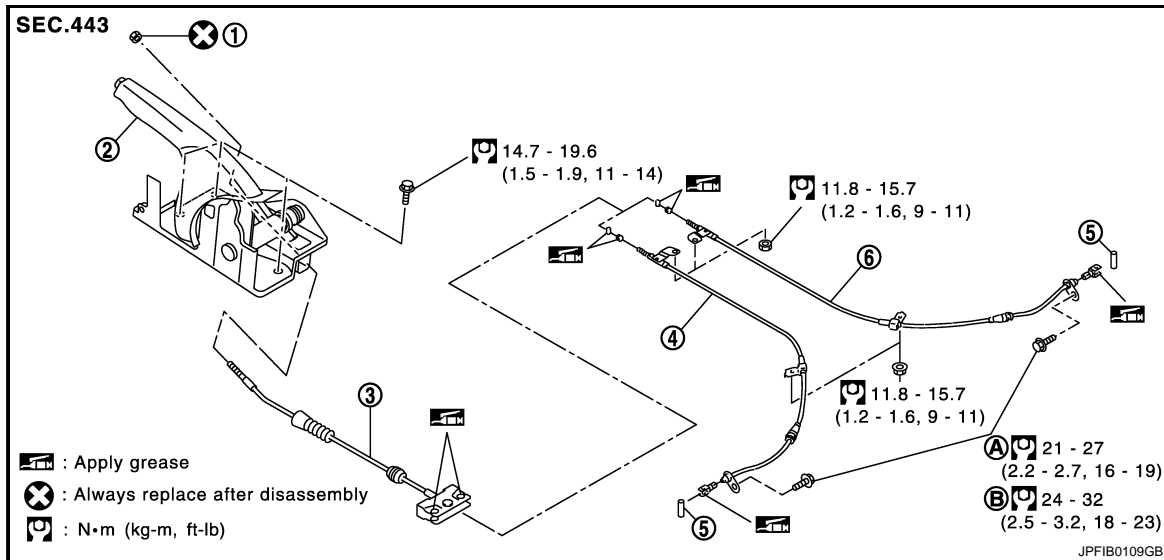
PARKING BRAKE CONTROL

< SERVICE INFORMATION >

PARKING BRAKE CONTROL

Component

INFOID:000000004655680



- | | | |
|----------------------------------|----------------------------------|---------------------|
| 1. Adjusting nut | 2. Device assembly | 3. Front cable |
| 4. Rear left cable | 5. Pin | 6. Rear right cable |
| A. Hexagon size: 14 mm (0.55 in) | B. Hexagon size: 16 mm (0.63 in) | |

Removal and Installation

INFOID:000000004655681

REMOVAL

1. Remove center console. Refer to [IP-12](#).
 2. Remove adjusting nut from device assembly.
 3. Remove center muffler. Refer to [EX-3](#).
 4. Remove propeller shaft. Refer to [PR-5](#).
- CAUTION:**
Do not impact or damage propeller shaft tube.
5. Remove rear disc caliper and disc rotors. Refer to [BR-46, "Removal and Installation of Brake Caliper Assembly \(Other than Brembo Calipers\)"](#) or [BR-46, "Removal and Installation of Brake Caliper Assembly \(With Brembo Calipers\)"](#).
 6. Remove parking brake shoe, and remove rear cable from toggle lever. Refer to [PB-5, "Component"](#).
 7. Remove cable mounting nuts and bolts.
 8. Remove right and left rear cables.
 9. Remove front cable.
 10. Remove device assembly mounting bolts and remove device assembly from vehicle.

INSTALLATION

1. Refer to "Component Parts Location" for tightening torque. Install in the reverse order of removal.
CAUTION:
Since the adjusting nut is not a reusable part, do not reuse it.
2. Adjust parking brake. Refer to [PB-3, "On-Vehicle Service"](#).

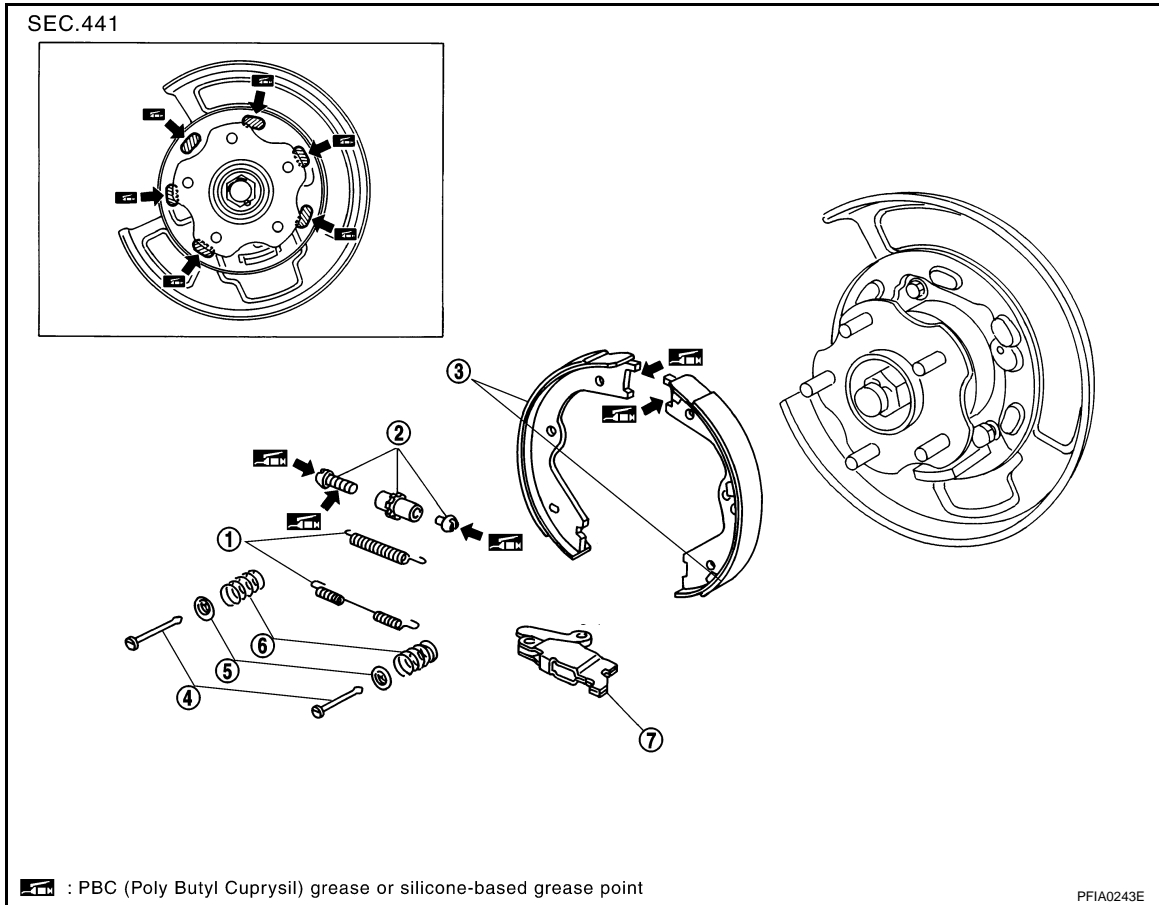
PARKING BRAKE SHOE

< SERVICE INFORMATION >

PARKING BRAKE SHOE

Component

INFOID:000000004655682



- | | | |
|--------------------|----------------------|-----------------------|
| 1. Return spring | 2. Adjuster assembly | 3. Shoe |
| 4. Anti-rattle pin | 5. Retainer | 6. Anti-rattle spring |
| 7. Toggle lever | | |

Removal and Installation

INFOID:000000004655683

REMOVAL

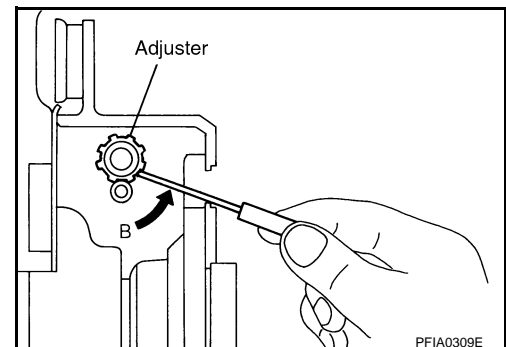
WARNING:

Clean brakes with a vacuum dust collector to minimize the hazard of air borne particles or other materials.

Be careful of the following:

- Remove the disc rotor only with the parking brake lever completely in the returned position.
- If disc rotor cannot be removed, remove as follows:

1. Fix the disc rotor in place with wheel nuts and remove disc rotor plug. Using a flat-bladed screwdriver, rotate star wheel on the adjuster assembly in direction "B" to retract and loosen brake shoes.



PARKING BRAKE SHOE

< SERVICE INFORMATION >

INSPECTION AFTER REMOVAL

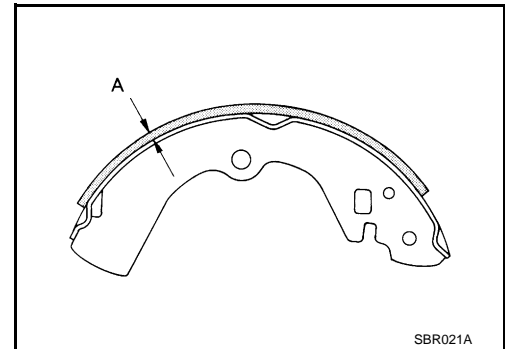
Lining Thickness Inspection

- Check the thickness of the lining.

Standard

Standard thickness "A" : 3.2 mm (0.126 in)

Wear limit thickness "A" : 1.5 mm (0.059 in)



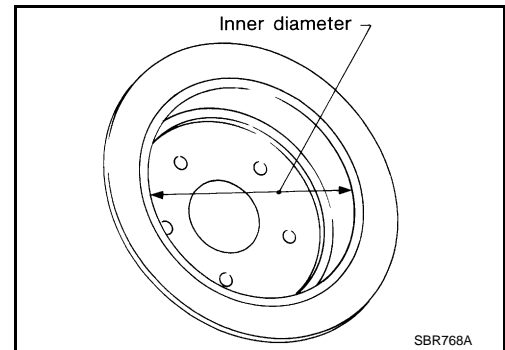
Drum Inner Diameter Inspection

- Check the inner diameter of the drum.

Standard

Standard inner diameter : 172 mm (6.77 in) dia.

Wear limit of inner diameter : 173 mm (6.81 in) dia.



Other Inspections

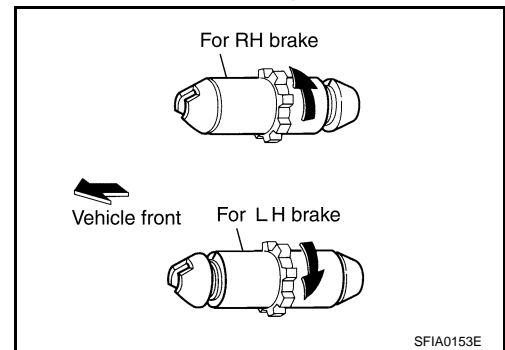
- Check shoe sliding surface for excessive wear and damage.
- Check anti-rattle pin for excessive wear and corrosion.
- Check return spring for sagging.
- Does the adjuster move smoothly?
- Check either visually or with a vernier caliper to see if there is any excessive wear, cracks, or damage inside the drum.

INSTALLATION

Be careful of the following:

- Refer to "Component Parts Location" and apply brake grease to the specified points during assembly.
- Orientation of the adjuster is different from left to right. Assemble the adjuster so that threaded part expands when rotating it in the direction shown by the arrow.
- Collapse the adjuster to assemble
- When disassembling the adjuster, apply PBC (Poly Butyl Cuprysil) grease or silicone-based grease to the threads.
- After replacing brake shoes or disc rotors, or if brakes do not function well, perform break-in operation as follows.

1. Adjust the parking brake lever stroke to the specified stroke.
2. Perform parking brake break-in (drag run) operation by driving the vehicle under the following conditions:



Drive forward

- **Perform the following.**
 - **Vehicle speed approx. 30 ± 5 km/h (19 ± 3 MPH) set (forward)**
 - **Parking brake operating force approx. 294 ± 49 N (30 ± 5 kg, 67 ± 11 lb) set**
 - **Time (other than breembo): Approx. 30 sec.**
 - **Time (made by breembo): Approx. 60 sec.**
3. After break-in operation, check lever stroke of the parking brake. Readjust if it is no longer at the specified stroke.
 - To prevent the lining from getting too hot, allow a cool off period of approximately 5 minutes after every break-in operation.
 - Do not perform excessive break-in operations, because it may cause uneven or early wear of the lining.

SERVICE DATA AND SPECIFICATIONS (SDS)

< SERVICE INFORMATION >

SERVICE DATA AND SPECIFICATIONS (SDS)

Parking Drum Brake

INFOID:000000004655684

Brake lining	Standard thickness (new)	3.2 mm (0.126 in)
	Wear limit thickness	1.5 mm (0.059 in)
Drum (disc)	Standard inner diameter (new)	172 mm (6.77 in) dia.
	Wear limit of inner diameter	173 mm (6.81 in) dia.

Parking Brake Control

INFOID:000000004655685

Control type	Center lever
Number of notches [under force of 196 N (20 kg,44 lb)]	6 – 7 notches
Number of notches when brake warning lamp comes on	1 notch

A

B

C

D

E

PB

G

H

I

J

K

L

M

N

O

P