

SECTION **RAX**
REAR AXLE

A
B
C

RAX

CONTENTS

E

SERVICE INFORMATION	2	WHEEL HUB	6	F
PRECAUTIONS	2	On-Vehicle Inspection	6	
Caution	2	Removal and Installation	6	
PREPARATION	3	Disassembly and Assembly	7	G
Special Service Tool	3	REAR DRIVE SHAFT	10	
Commercial Service Tool	4	Removal and Installation	10	H
NOISE, VIBRATION AND HARSHNESS		Disassembly and Assembly	10	
(NVH) TROUBLESHOOTING	5	SERVICE DATA AND SPECIFICATIONS		
NVH Troubleshooting Chart	5	(SDS)	17	I
		Wheel Bearing	17	
		Drive Shaft	17	

J

K

L

M

N

O

P

PRECAUTIONS

< SERVICE INFORMATION >

SERVICE INFORMATION

PRECAUTIONS

Caution

INFOID:000000004657350

Observe the following precautions when disassembling and servicing drive shaft.

- Joint sub-assembly does not disassemble because it is non-overhaul parts.
- Perform work in a location which is as dust-free as possible.
- Before disassembling and servicing, clean the outside of parts.
- Prevention of the entry of foreign objects must be taken into account during disassembly of the service location.
- Disassembled parts must be carefully reassembled in the correct order. If work is interrupted, a clean cover must be placed over parts.
- Paper shop cloths must be used. Fabric shop cloths must not be used because of the danger of lint adhering to parts.
- Disassembled parts (except for rubber parts) should be cleaned with kerosene which shall be removed by blowing with air or wiping with paper shop cloths.

PREPARATION

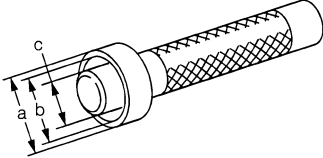
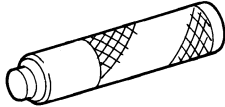
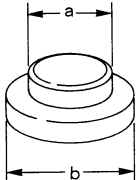
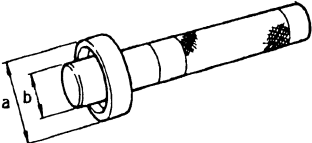
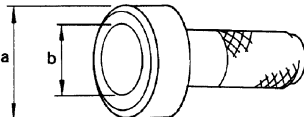
< SERVICE INFORMATION >

PREPARATION

Special Service Tool

INFOID:000000004657351

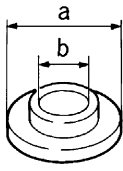
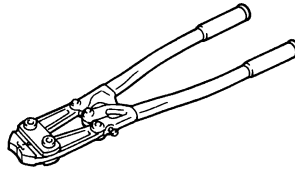
The actual shapes of Kent-Moore tools may differ from those of special service tools illustrated here.

Tool number (Kent-Moore No.) Tool name	Description
ST33220000 (—) Drift a: 37 mm (1.46 in) dia. b: 31 mm (1.22 in) dia. c: 22 mm (0.87 in) dia.  <p style="text-align: right;">ZZA1046D</p>	<ul style="list-style-type: none"> • Removing wheel hub • Removing wheel bearing outer side inner race • Inspection of wheel bearing rotating torque
ST33251000 (—)  <p style="text-align: right;">ZZA0982D</p>	Installing wheel hub
ST35300000 (—) Drift a: 45 mm (1.77 in) dia. b: 59 mm (2.32 in) dia.  <p style="text-align: right;">ZZA0881D</p>	<ul style="list-style-type: none"> • Installing wheel hub • Inspection of wheel bearing rotating torque
KV40100900 (—) Drift a: 52 mm (2.05 in) dia. b: —  <p style="text-align: right;">ZZA0539D</p>	Wheel bearing rotating torque inspection
KV38100500 (—) Drift a: 80 mm (3.15 in) dia. b: 60 mm (2.36 in) dia.  <p style="text-align: right;">ZZA0701D</p>	Installing drive shaft plug

A
B
C
RAX
E
F
G
H
I
J
K
L
M
N
O
P

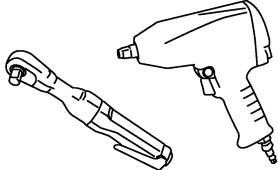
PREPARATION

< SERVICE INFORMATION >

Tool number (Kent-Moore No.) Tool name	Description
KV38102200 (—) Drift a: 90 mm (3.54 in) dia. b: 31 mm (1.22 in) dia.	Installing drive shaft plug
 <p style="text-align: right; margin-right: 50px;">ZZA0920D</p>	
KV40107300 (—) Boot band crimping tool	Installing boot band
 <p style="text-align: right; margin-right: 50px;">ZZA1229D</p>	

Commercial Service Tool

INFOID:000000004657352

Tool name	Description
Power tool	Loosening bolts and nuts
 <p style="text-align: right; margin-right: 50px;">PBIC0190E</p>	

NOISE, VIBRATION AND HARSHNESS (NVH) TROUBLESHOOTING

< SERVICE INFORMATION >

NOISE, VIBRATION AND HARSHNESS (NVH) TROUBLESHOOTING

NVH Troubleshooting Chart

INFOID:000000004657353

Use chart below to help you find the cause of the symptom. If necessary, repair or replace these parts.

Symptom		Possible cause and SUSPECTED PARTS	Reference page												
			Excessive joint angle	Joint sliding resistance	Imbalance	Improper installation, looseness	Parts interference	PROPELLER SHAFT	DIFFERENTIAL	REAR AXLE AND REAR SUSPENSION	REAR AXLE	TIRES	ROAD WHEEL	DRIVE SHAFT	BRAKES
DRIVE SHAFT	Noise		x	x				x	x	x	x	x	x	x	x
	Shake		x		x			x		x	x	x		x	x
REAR AXLE	Noise					x	x	x	x	x	x	x	x	x	x
	Shake					x	x	x		x	x	x	x	x	x
	Vibration					x	x	x		x		x		x	x
	Shimmy					x	x			x	x		x	x	x
	Judder					x				x	x		x	x	x
Poor quality ride or handling						x	x			x	x				

x: Applicable

A
B
C
RAX
E
F
G
H
I
J
K
L
M
N
O
P

WHEEL HUB

< SERVICE INFORMATION >

WHEEL HUB

On-Vehicle Inspection

INFOID:000000004657354

Make sure the mounting conditions (looseness, back lash) of each component and component status (wear, damage) are normal.

WHEEL BEARING INSPECTION

- Move wheel hub in the axial direction by hand. Make sure there is no looseness of wheel bearing.

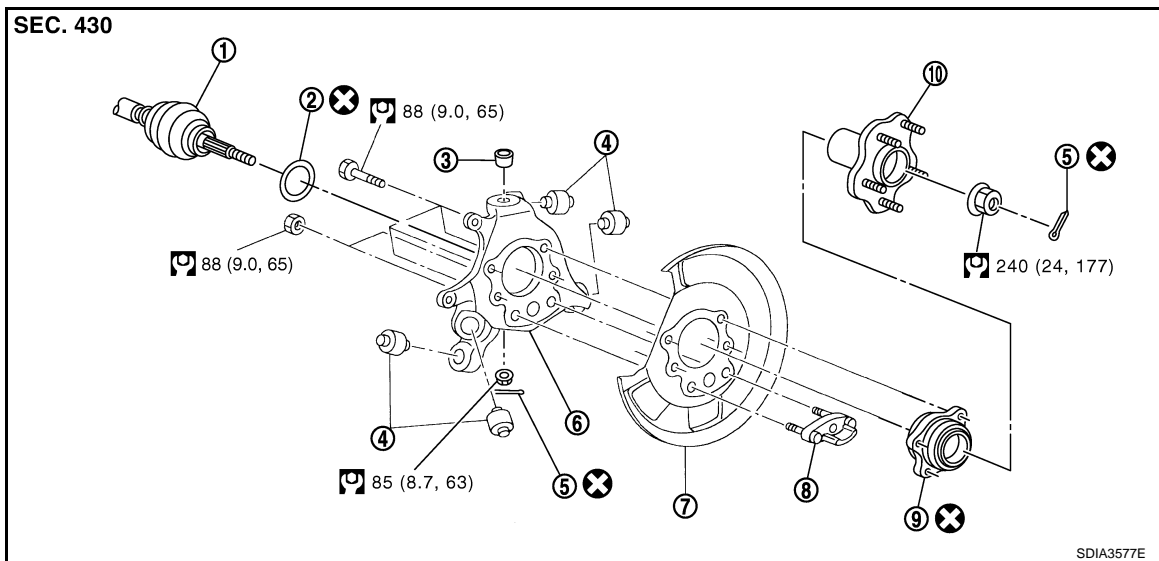
Axial end play : 0.05 mm (0.002 in) or less

- Rotate wheel hub and make sure there is no unusual noise or other irregular conditions. If there are any irregular conditions, replace wheel bearings.

Removal and Installation

INFOID:000000004657355

COMPONENT



- | | | |
|----------------|-----------------|------------------|
| 1. Drive shaft | 2. Dust shield | 3. Ball seat |
| 4. Bushing | 5. Cotter pin | 6. Axle housing |
| 7. Back plate | 8. Anchor block | 9. Wheel bearing |
| 10. Wheel hub | | |

Refer to [GI-8, "Component"](#), for the symbols in the figure.

REMOVAL

1. Remove tires from vehicle with power tool.
2. Remove cotter pin. Then remove lock nut from drive shaft.
3. Remove brake caliper with power tool. Hang it in a place where it will not interfere with work. Refer to [BR-41](#).

NOTE:

Avoid depressing brake pedal while brake caliper is removed.

4. Remove disc rotor and remove parking cable and parking brake shoe from back plate. Refer to [PB-4](#), [PB-5](#).
5. Remove fixing bolts and nuts in axle side of radius rod, front lower link with power tool.
6. Remove fixing bolt and nut in axle side of rear lower link with power tool. Then remove coil spring. Refer to [RSU-15](#).
7. Remove fixing bolt and nut in axle side of shock absorber with power tool.
8. Using a puller (suitable tool), remove axle from drive shaft.

CAUTION:

WHEEL HUB

< SERVICE INFORMATION >

- When removing axle, do not apply an excessive angle to drive shaft joint. Also be careful not to excessively extend slide joint.
 - Do not allow drive shaft to hang down without support for counter shaft, wheel joints, and other parts.
9. Remove suspension arm and cotter pin at axle, then loosen mounting nut.
10. Use a ball joint remover (suitable tool) to remove suspension arm from axle. Be careful not to damage ball joint boot.
- CAUTION:**
Tighten temporarily mounting nut to prevent damage to threads and to prevent ball joint remover (suitable tool) from coming off.

INSPECTION AFTER REMOVAL

Ball Joint Inspection

- Check for boot breakage, axial looseness, and torque of suspension arm ball joint. Refer to [RSU-11](#).

INSTALLATION

- Refer to "Removal and Installation" for tightening torque. Install in the reverse order of removal.

NOTE:

Refer to component parts location and do not reuse non-reusable parts.

Disassembly and Assembly

INFOID:000000004657356

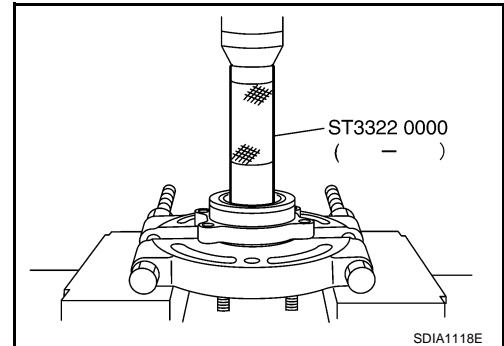
DISASSEMBLY

Wheel Bearing

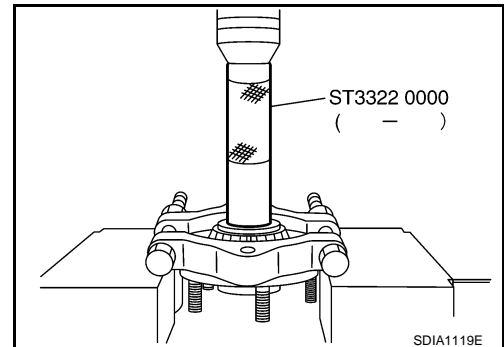
CAUTION:

Do not disassemble if wheel bearing has no trouble.

1. Remove wheel bearing fixing bolts and anchor block fixing nuts, and remove wheel hub and bearing assembly, back plate and anchor block from axle.
2. Using a drift (SST) and a puller (suitable tool), press wheel hub out to remove from wheel bearing.



3. Using a drift (SST) and a puller (suitable tool), press wheel bearing outer side inner race out to remove from wheel hub.



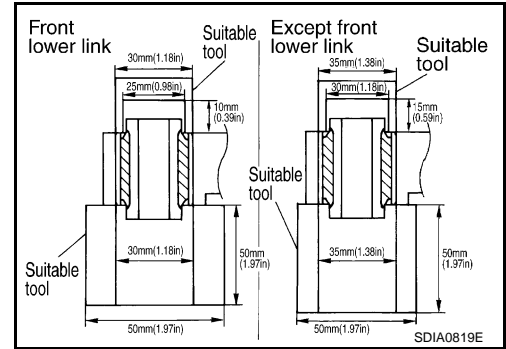
Bushing

A
B
C
RAX
E
F
G
H
I
J
K
L
M
N
O
P

WHEEL HUB

< SERVICE INFORMATION >

- Using a suitable drift, remove each bushing from axle.



INSPECTION AFTER DISASSEMBLY

Check for deformity, cracks and damage of each parts, replace if necessary.

Wheel Hub

- Inspect wheel hub for deformation, cracks, and other damage. If any irregular conditions are found, replace wheel hub.

Axle

- Inspect axle for deformation, cracks, and other damage. If any irregular conditions are found, replace axle.

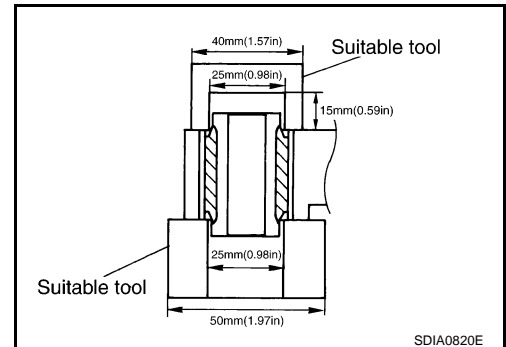
Back Plate

- Inspect back plate for deformation, cracks, and other damage. If any irregular conditions are found, replace back plate.

ASSEMBLY

Bushing

- Using a suitable drift to install each bushing onto axle.



Wheel Bearing

- Press fit a wheel hub into wheel bearing with a drift (SST).

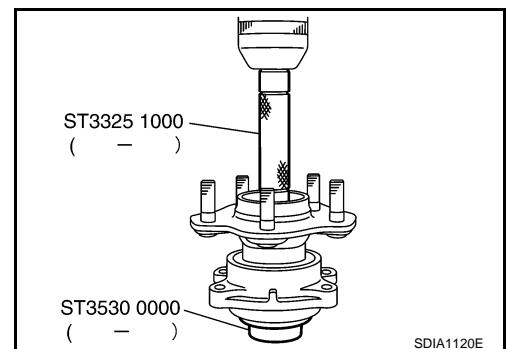
CAUTION:

- Press fit a drift (SST) while holding it against wheel bearing inner side inner race.
- Wheel bearing cannot be reused. Do not attempt to reuse it.

NOTE:

Final press load guideline 49,033 N (5,000 kg, 11,000 lb)

- Install back plate and wheel hub and bearing assembly.
- Install anchor block onto axle.



INSPECTION AFTER ASSEMBLY

- With wheel bearing pressed into axle housing, apply 49,033 N (5,000 kg, 11,000 lb) to wheel hub and rotate both clockwise and counterclockwise 10 times to minimize resistance.

WHEEL HUB

< SERVICE INFORMATION >

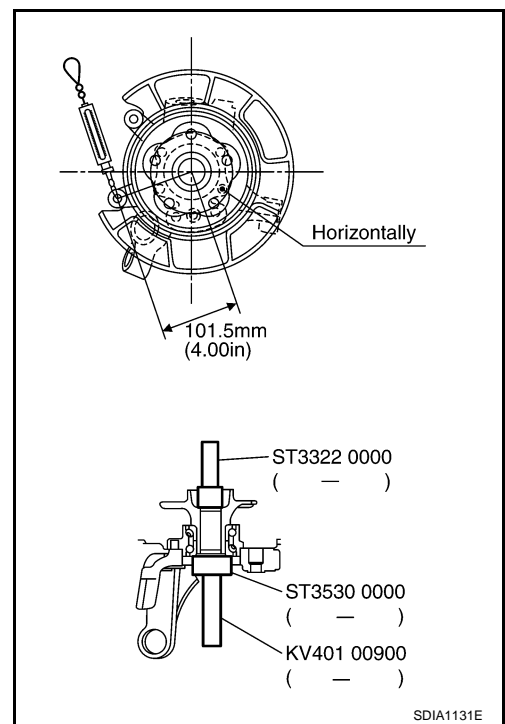
2. Attach spring balance in the position shown in illustration and pull at a rate of 10 ± 2 rpm to measure rotating torque.

Rotating torque:

Less than 1.88 N·m (0.19 kg·m, 17 in·lb)

Spring balance reading:

Less than 18.5 N (1.89 kg, 4.16 lb)



A
B
C
RAX
E
F
G
H
I
J
K
L
M
N
O
P

REAR DRIVE SHAFT

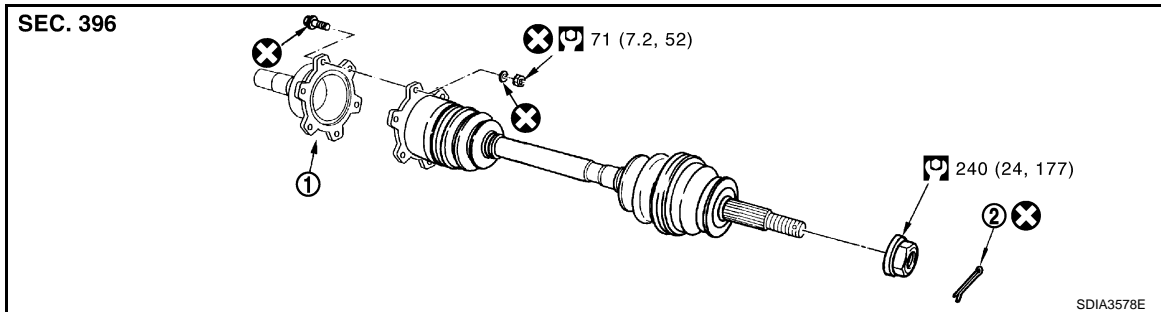
< SERVICE INFORMATION >

REAR DRIVE SHAFT

Removal and Installation

INFOID:000000004657357

COMPONENTS



1. Side flange
2. Cotter pin

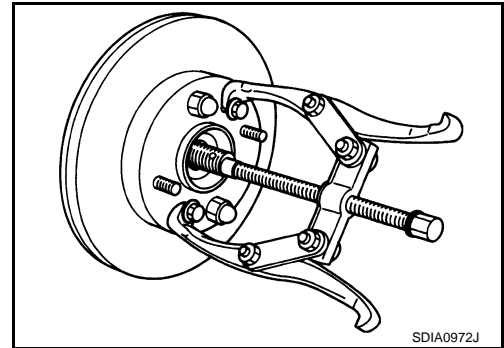
Refer to [GI-8, "Component"](#), for the symbols in the figure.

REMOVAL

1. Remove tires from vehicle with power tool.
2. Remove cotter pin. Then remove lock nut from drive shaft.
3. Remove stabilizer connecting rod mounting bracket bolt and free stabilizer connecting rod.
4. Remove fixing nuts and bolts between side flange and drive shaft with power tool.
5. Using a puller (suitable tool), remove drive shaft from axle.

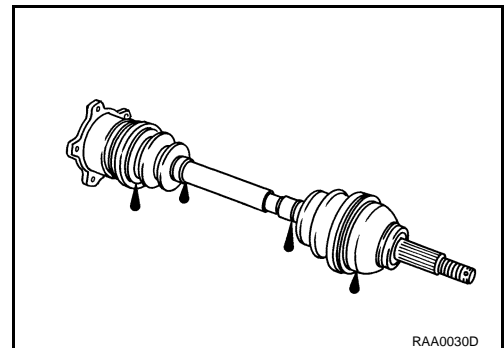
CAUTION:

- When removing drive shaft, do not apply an excessive angle to drive shaft joint. Also be careful not to excessively extend slide joint.



INSPECTION AFTER REMOVAL

- Move joint up/down, left/right, and in the axial direction. Check for any rough movement or significant looseness.
- Check boot for cracks or other damage, and also for grease leakage.
- If a trouble is found, disassemble drive shaft, and then replace with new one.



INSTALLATION

- Refer to "COMPONENTS" for tightening torque. Install in the reverse order of removal.

NOTE:

Refer to component parts location and do not reuse non-reusable parts.

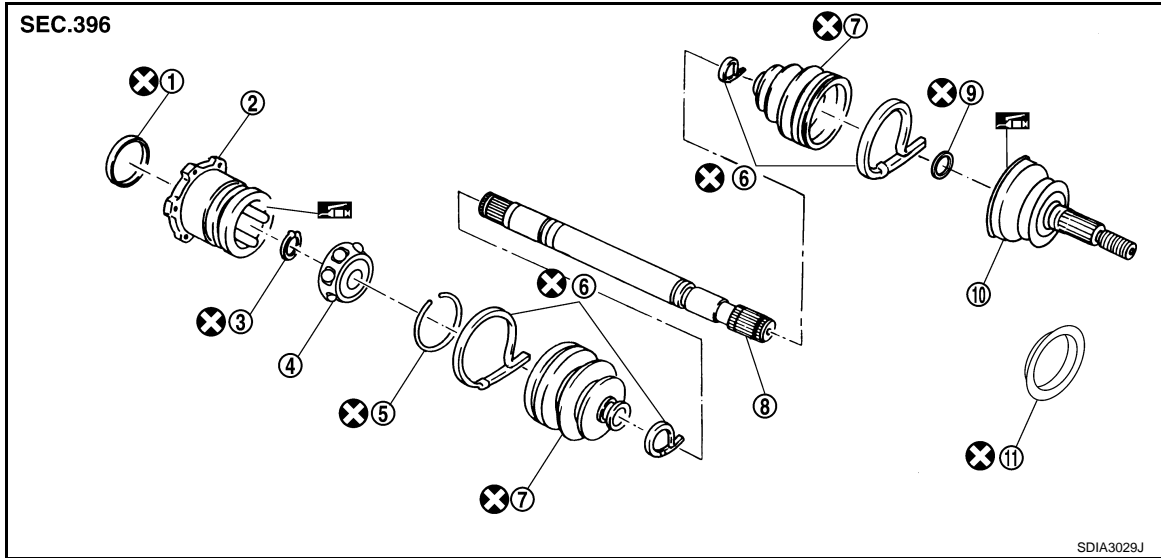
Disassembly and Assembly

INFOID:000000004657358

COMPONENTS


REAR DRIVE SHAFT

< SERVICE INFORMATION >



- | | | |
|---|-----------------|------------------|
| 1. Plug | 2. Housing | 3. Snap ring |
| 4. Ball cage/Steel ball/Inner race assembly | 5. Stopper ring | 6. Boot band |
| 7. Boot | 8. Shaft | 9. Circular clip |
| 10. Joint sub-assembly | 11. Dust shield | |

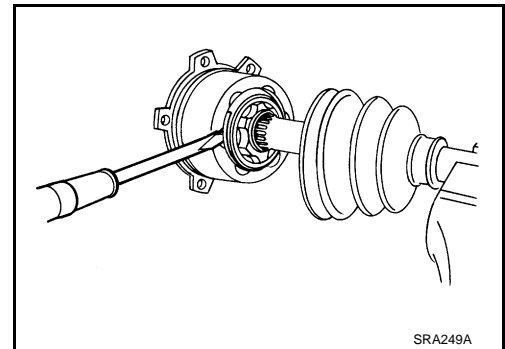
Refer to [GI-8, "Component"](#) and the followings for the symbols in the figure.

 : Fill NISSAN genuine grease or equivalent.

DISASSEMBLY

Final Drive Side

1. Press shaft in a vice.
CAUTION:
When retaining drive shaft in a vice, always use copper or aluminum plates between vise and shaft.
2. Remove boot bands.
3. If plug needs to be removed, move boot to wheel side, and drive it out with a plastic hammer.
4. Remove stopper ring with a flat-bladed screwdriver, and pull out housing.

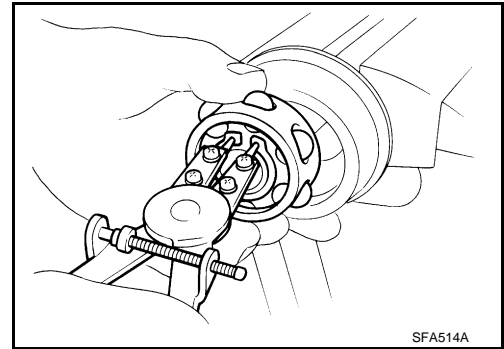


A
B
C
RAX
E
F
G
H
I
J
K
L
M
N
O
P

REAR DRIVE SHAFT

< SERVICE INFORMATION >

5. Remove snap ring, then remove ball cage/steel ball/inner race assembly from shaft.
6. Remove boot from shaft.
7. Remove old grease on housing with paper towels.



Wheel Side

1. Place shaft in a vice.

CAUTION:

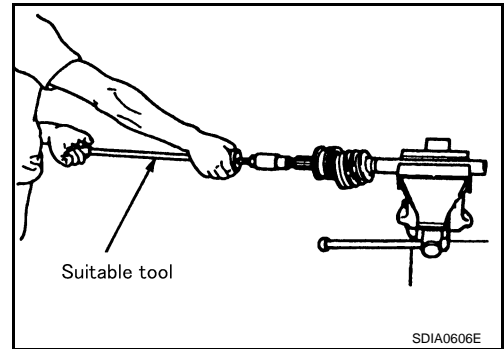
When retaining drive shaft in a vice, always use copper or aluminum plates between vise and shaft.

2. Remove boot bands. Then remove boot from joint sub-assembly.
3. Screw a drive shaft puller 30 mm (1.18 in) or more into threaded part of joint sub-assembly. Pull joint sub-assembly out of shaft.

CAUTION:

- If joint sub-assembly cannot be removed after five or more unsuccessful attempts, replace shaft and joint sub-assembly as a set.
- Align sliding hammer and drive shaft and remove them by pulling directly.

4. Remove boot from shaft.
5. Remove circular clip from shaft.
6. While rotating ball cage, remove old grease on joint sub-assembly with paper towels.



INSPECTION AFTER DISASSEMBLY

Shaft

- Replace shaft if there is any runout, cracking, or other damage.

Joint sub-assembly (Wheel Side)

- Make sure there is no rough rotation or unusual axial looseness.
- Make sure there is no foreign material inside joint.
- Check joint sub-assembly for compression scars, cracks, fractures.

CAUTION:

If there are any irregular conditions of joint sub-assembly components, replace the entire joint sub-assembly.

Housing (Final Drive Side)

- Make sure there are compression scars, cracks, fractures or unusual wear of ball rolling surface.
- Make sure there is no damage to shaft screws.
- Make sure there is no deformation of boot installation parts.

Ball Cage

- Make sure there are compression scars, cracks, fractures of sliding surface.

Steel Ball

- Make sure there are compression scars, cracks, fractures or unusual wear.

Inner Race

- Check ball sliding surface for compression scars, cracks or fractures.
- Make sure there is no damage to serrated part.

CAUTION:

If there are any irregular conditions in the component, replace with a new set of housing, ball cage, steel ball and inner race.

ASSEMBLY

REAR DRIVE SHAFT

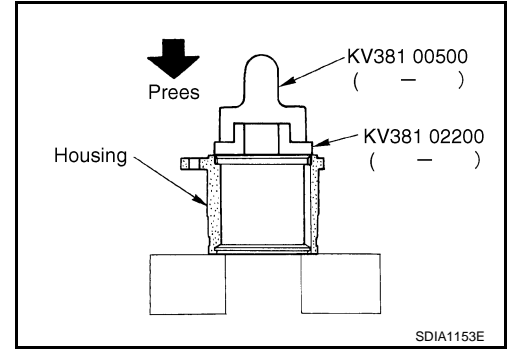
< SERVICE INFORMATION >

Final Drive Side

1. If plug has been removed, use a drift (SST) to press in a new one.

NOTE:

Discard old plug; replace with new one.

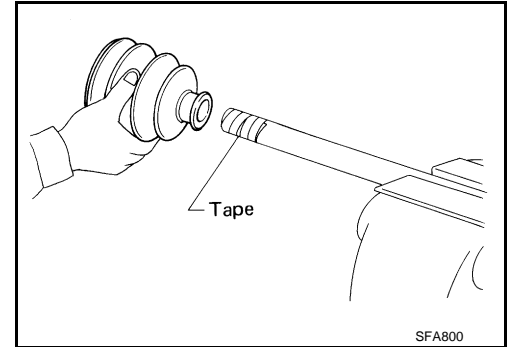


2. Wind serrated part of shaft with tape. Install boot band and boot to shaft. Be careful not to damage boot.

NOTE:

Discard old boot band and boot; replace with new one.

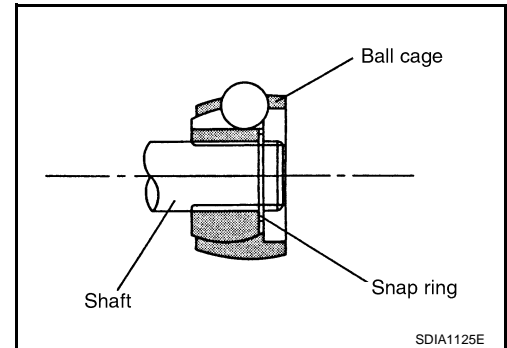
3. Remove protective tape wound around serrated part of shaft.



4. Install ball cage/steel ball/inner race assembly to shaft, and secure them tightly with a snap ring.

NOTE:

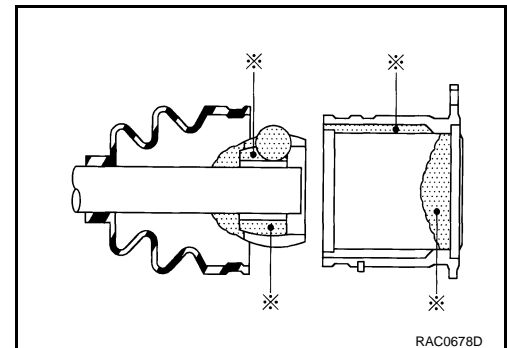
Discard old snap ring; replace with new one.



5. Insert the amount grease (NISSAN genuine grease or equivalent) onto housing (* point) to the quantity mentioned below, and install it to shaft.

Grease amount : 124 – 134 g (4.37 – 4.73 oz)

6. Install stopper ring to housing.
7. After installed, pull shaft to check engagement between joint sub-assembly and stopper ring.



A
B
C
RAX
E
F
G
H
I
J
K
L
M
N
O
P

REAR DRIVE SHAFT

< SERVICE INFORMATION >

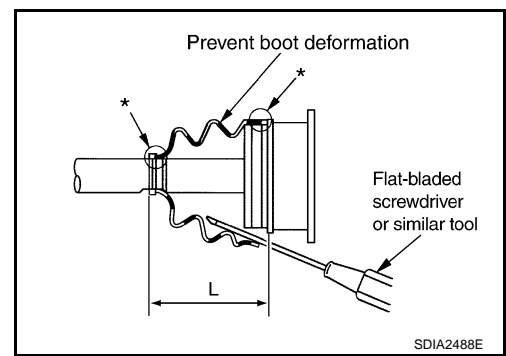
8. Install boot securely into grooves (indicated by * marks) shown in the figure.

CAUTION:

If there is grease on boot mounting surfaces (indicated by * marks) of shaft and housing, boot may come off. Remove all grease from surfaces.

9. Make sure boot installation length "L" is the length indicated below. Insert a flat-bladed screwdriver or similar tool into smaller side of boot. Bleed air from boot to prevent boot deformation.

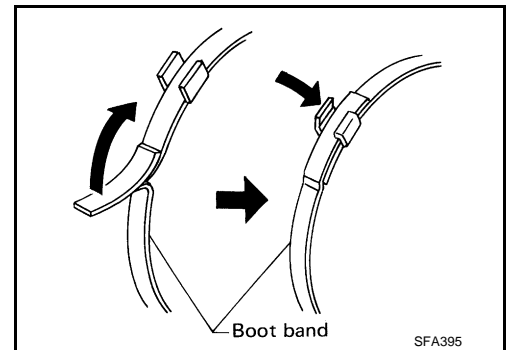
Boot installation Length "L" : 93.9 mm (3.697 in)



CAUTION:

- Boot may break if boot installation length is less than standard value.
- Take care not to touch the tip of screwdriver to inside of boot.

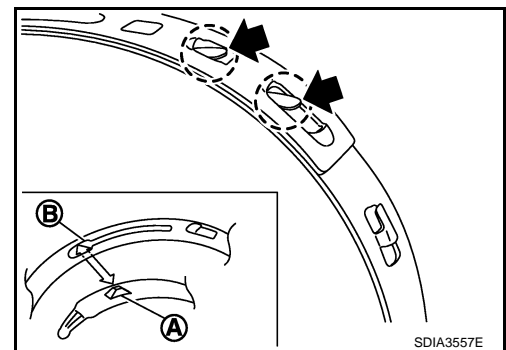
10. Install new larger and smaller boot bands securely.
- For one-touch clamp band.
 - Secure the large and small ends of boot with new boot bands as shown in the figure.



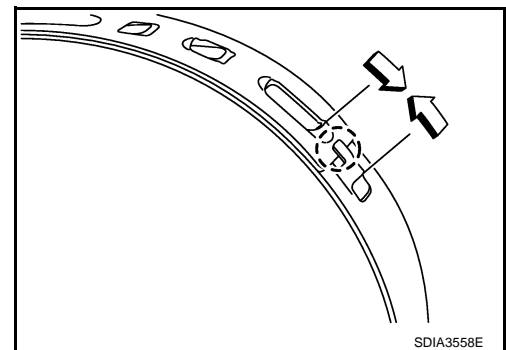
- For low profile type band.
- Put boot band in the groove on drive shaft boot. Then fit pawls (←) into holes to temporary installation.

NOTE:

For the large diameter side, fit projection (A) and guide slit (B) at first.



- Pinch projection on the band with suitable pliers to tighten band.
 - Insert tip of band below end of the pawl.
11. Align matching marks painted when housing was removed.
12. Secure housing and shaft, and then make sure that they are in the correct position when rotating boot. Install them with new boot band when the mounting positions become incorrect.
13. Install dust cover to housing. (RH side)

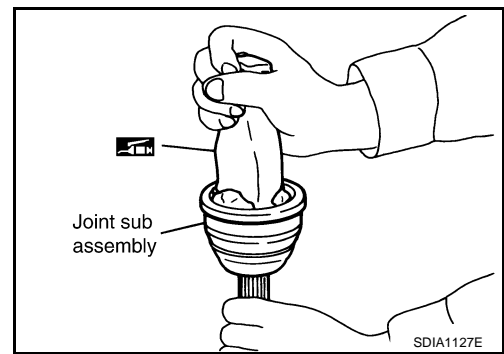


Wheel Side

REAR DRIVE SHAFT

< SERVICE INFORMATION >

1. Insert the amount grease (NISSAN genuine grease or equivalent) into joint sub-assembly serration hole until grease begins to ooze from ball groove and serration hole. After insert grease, use a shop cloth to wipe off old grease that has oozed out.

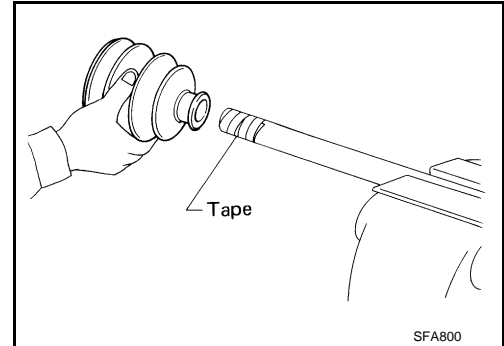


2. Wind serrated part of shaft with tape. Install boot band and boot to shaft. Be careful not to damage boot.

NOTE:

Discard old boot band and boot; replace with each new one.

3. Remove protective tape wound around serrated part of shaft.



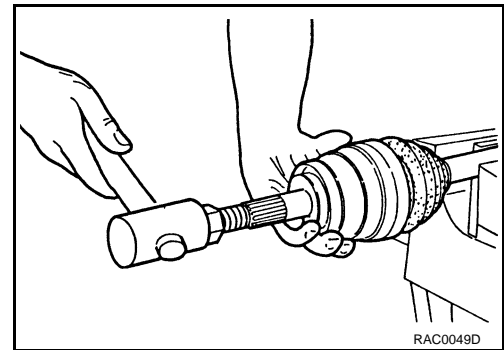
4. Attach circular clip to shaft. At this time, circular clip must fit securely into shaft groove. Attach nut to joint sub-assembly. Use a wooden hammer to press-fit.

NOTE:

Discard old circular clip; replace with new one.

5. Insert the amount grease (NISSAN genuine grease or equivalent) listed below into housing from large end of boot.

Grease amount : 86 – 96 g (3.03 – 3.39 oz)



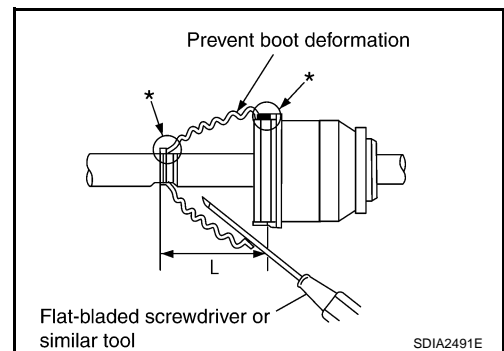
6. Install boot securely into grooves (indicated by * marks) shown in the figure.

CAUTION:

If there is grease on boot mounting surfaces (indicated by* marks) of shaft and housing, boot may come off. Remove all grease from surfaces.

7. Make sure boot installation length "L" is the length indicated below. Insert a flat-bladed screwdriver or similar tool into smaller side of boot. Bleed air from boot to prevent boot deformation.

Boot installation length "L" : 97.0 mm (3.819 in)



CAUTION:

- Boot may brake if boot installation length is less than standard value.
- Be careful that screwdriver tip does not contact inside surface of boot.

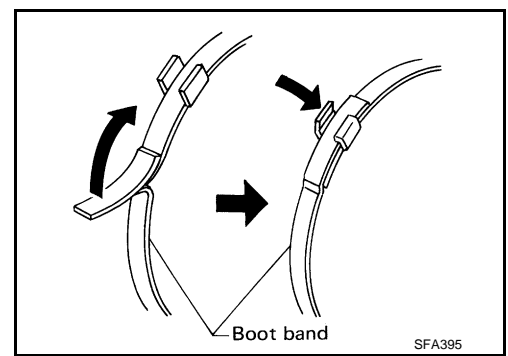
8. Install new larger and smaller boot bands securely.
 - a. For one-touch clamp band.

A
B
C
RAX
E
F
G
H
I
J
K
L
M
N
O
P

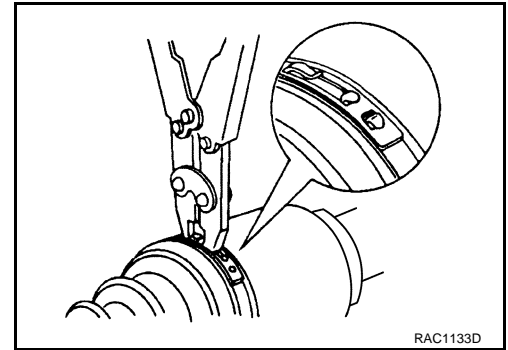
REAR DRIVE SHAFT

< SERVICE INFORMATION >

- i. Secure the large and small ends of boot with new boot bands as shown in the figure.



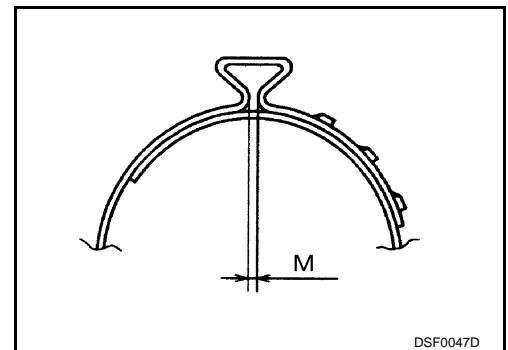
- b. For low profile type band.
 - i. Secure the large and small ends of the boot with new boot bands using the boot band crimping tool [SST: KV40107300 (—)] as shown in the figure.



NOTE:

Secure boot band so that dimension "M" meets the specification as shown.

Dimension "M" : 2.0 – 3.0 mm (0.079 – 0.118 in)



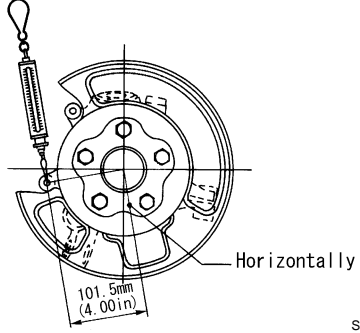
SERVICE DATA AND SPECIFICATIONS (SDS)

< SERVICE INFORMATION >

SERVICE DATA AND SPECIFICATIONS (SDS)

Wheel Bearing

INFOID:000000004657359

Axial end play	0.05 mm (0.002 in) or less
Rotating torque	At a load of 49,033 N (5,000 kg, 11,000 lb) Less than 1.88 N·m (0.19 kg·m, 17 in·lb)
Measurement of spring balance	Less than 18.5 N (1.89 kg, 4.16 lb)
Measuring point (Brake caliper installation points)	 <p style="text-align: right;">SDIA0801E</p>

Drive Shaft

INFOID:000000004657360

Joint	Wheel side	Final drive side
Grease quantity	86 – 96 g (3.03 – 3.39 oz)	124 – 134 g (4.37 – 4.73 oz)
Boots installed length	97.0 mm (3.819 in)	93.9 mm (3.697 in)

A
B
C
RAX
E
F
G
H
I
J
K
L
M
N
O
P