

SECTION **BRC**

BRAKE CONTROL SYSTEM

A
B
C
D
E

CONTENTS

VDC/TCS/ABS		
BASIC INSPECTION	4	
DIAGNOSIS AND REPAIR WORKFLOW	4	
Work Flow	4	
Diagnostic Work Sheet	7	
INSPECTION AND ADJUSTMENT	8	
ADDITIONAL SERVICE WHEN REPLACING CONTROL UNIT	8	
ADDITIONAL SERVICE WHEN REPLACING CONTROL UNIT : Description	8	
ADDITIONAL SERVICE WHEN REPLACING CONTROL UNIT : Special Repair Requirement	8	
ADJUSTMENT OF STEERING ANGLE SENSOR NEUTRAL POSITION	8	
ADJUSTMENT OF STEERING ANGLE SENSOR NEUTRAL POSITION : Description	8	
ADJUSTMENT OF STEERING ANGLE SENSOR NEUTRAL POSITION : Special Repair Requirement	8	
SYSTEM DESCRIPTION	10	
VDC	10	
System Diagram	10	
System Description	10	
Component Parts Location	11	
Component Description	11	
TCS	13	
System Diagram	13	
System Description	13	
Component Parts Location	14	
Component Description	14	
ABS	16	
System Diagram	16	
System Description	16	
Component Parts Location	17	
Component Description	17	
EBD	19	
System Diagram	19	
System Description	19	
Component Parts Location	20	
Component Description	20	
DIAGNOSIS SYSTEM [ABS ACTUATOR AND ELECTRIC UNIT (CONTROL UNIT)]	22	
CONSULT-III Function	22	
DTC/CIRCUIT DIAGNOSIS	27	
C1101, C1102, C1103, C1104 WHEEL SENSOR	27	
Description	27	
DTC Logic	27	
Diagnosis Procedure	27	
Special Repair Requirement	28	
C1105, C1106, C1107, C1108 WHEEL SENSOR	30	
Description	30	
DTC Logic	30	
Diagnosis Procedure	30	
Special Repair Requirement	31	
C1109 POWER AND GROUND SYSTEM	33	
Description	33	
DTC Logic	33	
Diagnosis Procedure	33	
Special Repair Requirement	34	
C1110, C1153, C1170 ABS ACTUATOR AND ELECTRIC UNIT (CONTROL UNIT)	35	
DTC Logic	35	
Diagnosis Procedure	35	
Special Repair Requirement	35	

BRC

G
H
I
J
K
L
M
N
O
P

C1111 ABS MOTOR, MOTOR RELAY SYSTEM	36	C1145, C1146 YAW RATE/SIDE G SENSOR...	55
Description	36	Description	55
DTC Logic	36	DTC Logic	55
Diagnosis Procedure	36	Diagnosis Procedure	55
Special Repair Requirement	37	Special Repair Requirement	56
C1114 ACTUATOR RELAY SYSTEM	38	C1147, C1148, C1149, C1150 USV/HSV LINE..	58
Description	38	Description	58
DTC Logic	38	DTC Logic	58
Diagnosis Procedure	38	Diagnosis Procedure	58
Special Repair Requirement	39	Special Repair Requirement	59
C1115 WHEEL SENSOR	40	C1155 BRAKE FLUID LEVEL SWITCH	60
Description	40	Description	60
DTC Logic	40	DTC Logic	60
Diagnosis Procedure	40	Diagnosis Procedure	60
Special Repair Requirement	41	Component Inspection	61
C1116 STOP LAMP SWITCH	42	Special Repair Requirement	61
Description	42	U1000 CAN COMM CIRCUIT	62
DTC Logic	42	Description	62
Diagnosis Procedure	42	DTC Logic	62
Component Inspection	43	Diagnosis Procedure	62
Special Repair Requirement	44	Special Repair Requirement	62
C1120, C1122, C1124, C1126 IN ABS SOL	45	U1002 SYSTEM COMM (CAN)	63
Description	45	Description	63
DTC Logic	45	DTC Logic	63
Diagnosis Procedure	45	Diagnosis Procedure	63
Special Repair Requirement	46	Special Repair Requirement	64
C1121, C1123, C1125, C1127 OUT ABS SOL..	47	POWER SUPPLY AND GROUND CIRCUIT	65
Description	47	Description	65
DTC Logic	47	Diagnosis Procedure	65
Diagnosis Procedure	47	PARKING BRAKE SWITCH	67
Special Repair Requirement	48	Description	67
C1130 ENGINE SIGNAL	49	Diagnosis Procedure	67
Description	49	Component Inspection	67
DTC Logic	49	VDC OFF SWITCH	69
Diagnosis Procedure	49	Description	69
Special Repair Requirement	49	Diagnosis Procedure	69
C1142 PRESS SENSOR	50	Component Inspection	70
Description	50	Special Repair Requirement	70
DTC Logic	50	ABS WARNING LAMP	71
Diagnosis Procedure	50	Description	71
Special Repair Requirement	51	Component Function Check	71
C1143 STEERING ANGLE SENSOR	52	Diagnosis Procedure	71
Description	52	Special Repair Requirement	71
DTC Logic	52	BRAKE WARNING LAMP	72
Diagnosis Procedure	52	Description	72
Special Repair Requirement	53	Component Function Check	72
C1144 INCOMPLETE STEERING ANGLE		Diagnosis Procedure	72
SENSOR ADJUSTMENT	54	Special Repair Requirement	72
DTC Logic	54	VDC OFF INDICATOR LAMP	73
Diagnosis Procedure	54	Description	73
Special Repair Requirement	54	Component Function Check	73

Diagnosis Procedure	73	Precaution for Procedure without Cowl Top Cover...	92	
Special Repair Requirement	73	Precaution for Brake System	92	A
SLIP INDICATOR LAMP	74	Precaution for Brake Control	93	
Description	74	Precautions for Harness Repair	93	
Component Function Check	74	PREPARATION	94	B
Diagnosis Procedure	74	PREPARATION	94	
Special Repair Requirement	74	Special Service Tool	94	C
ECU DIAGNOSIS INFORMATION	75	REMOVAL AND INSTALLATION	95	
ABS ACTUATOR AND ELECTRIC UNIT		WHEEL SENSOR	95	D
(CONTROL UNIT)	75	FRONT WHEEL SENSOR	95	
Reference Value	75	FRONT WHEEL SENSOR : Exploded View	95	E
Wiring Diagram - BRAKE CONTROL SYSTEM -	79	FRONT WHEEL SENSOR : Removal and Instal-		
Fail-Safe	82	lation	95	
DTC Inspection Priority Chart	83	REAR WHEEL SENSOR	96	
DTC Index	84	REAR WHEEL SENSOR : Exploded View	96	
SYMPTOM DIAGNOSIS	85	REAR WHEEL SENSOR : Removal and Installa-		
EXCESSIVE ABS FUNCTION OPERATION		tion	96	BRC
FREQUENCY	85	SENSOR ROTOR	97	
Diagnosis Procedure	85	FRONT SENSOR ROTOR	97	
UNEXPECTED PEDAL REACTION	86	FRONT SENSOR ROTOR : Exploded View	97	H
Diagnosis Procedure	86	FRONT SENSOR ROTOR : Removal and Instal-		
THE BRAKING DISTANCE IS LONG	87	lation	97	I
Diagnosis Procedure	87	REAR SENSOR ROTOR	97	
ABS FUNCTION DOES NOT OPERATE	88	REAR SENSOR ROTOR : Exploded View	97	
Diagnosis Procedure	88	REAR SENSOR ROTOR : Removal and Installa-		
PEDAL VIBRATION OR ABS OPERATION		tion	97	J
SOUND OCCURS	89	ABS ACTUATOR AND ELECTRIC UNIT		
Diagnosis Procedure	89	(CONTROL UNIT)	98	K
VEHICLE JERKS DURING VDC/TCS/ABS		Exploded View	98	
CONTROL	90	Removal and Installation	98	
Diagnosis Procedure	90	YAW RATE/SIDE G SENSOR	100	L
NORMAL OPERATING CONDITION	91	Exploded View	100	
Description	91	Removal and Installation	100	M
PRECAUTION	92	STEERING ANGLE SENSOR	101	
PRECAUTIONS	92	Exploded View	101	
Precaution for Supplemental Restraint System		Removal and Installation	101	N
(SRS) "AIR BAG" and "SEAT BELT PRE-TEN-		VDC OFF SWITCH	102	
SIONER"	92	Removal and Installation	102	O

BASIC INSPECTION

DIAGNOSIS AND REPAIR WORKFLOW

Work Flow

INFOID:000000004497232

PRECAUTIONS FOR DIAGNOSIS

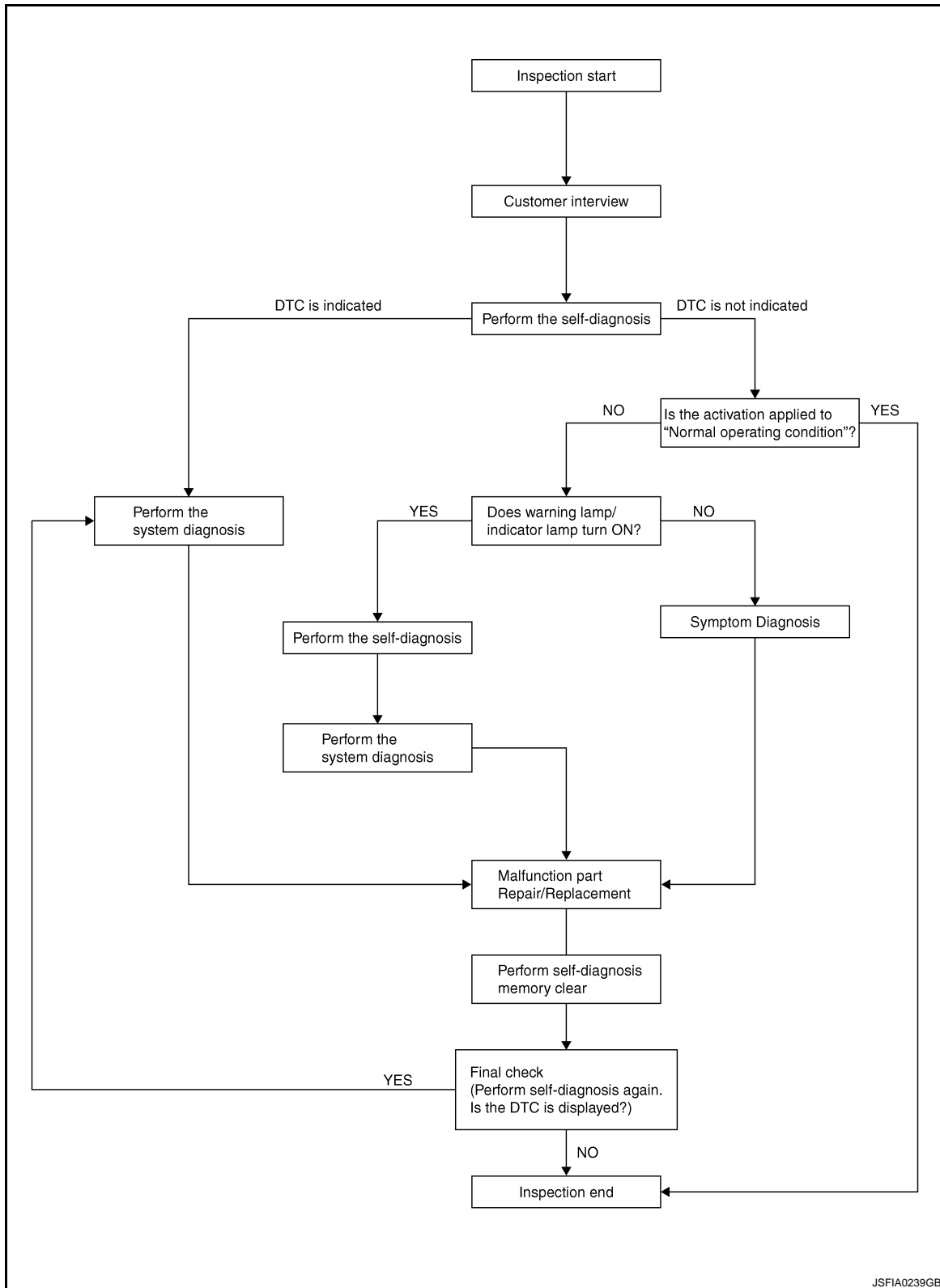
If steering angle sensor, steering system parts, suspension system parts, ABS actuator and electric unit (control unit) or tires have been replaced, or if wheel alignment has been adjusted, be sure to adjust neutral position of steering angle sensor before driving. Refer to [BRC-8, "ADJUSTMENT OF STEERING ANGLE SENSOR NEUTRAL POSITION : Description"](#).

DIAGNOSIS AND REPAIR WORKFLOW

< BASIC INSPECTION >

[VDC/TCS/ABS]

OVERALL SEQUENCE



A
B
C
D
E
BRC
G
H
I
J
K
L
M
N
O
P

DETAILED FLOW

1. COLLECT THE INFORMATION FROM THE CUSTOMER

Get the detailed information from the customer about the symptom (the condition and the environment when the incident/malfunction occurred) using the diagnosis work sheet. Refer to [BRC-7, "Diagnostic Work Sheet"](#).

>> GO TO 2.

DIAGNOSIS AND REPAIR WORKFLOW

[VDC/TCS/ABS]

< BASIC INSPECTION >

2. PERFORM THE SELF-DIAGNOSIS

Check the DTC display with the self-diagnosis function.

Is there any DTC displayed?

YES >> GO TO 3.

NO >> GO TO 4.

3. PERFORM THE SYSTEM DIAGNOSIS

Perform the diagnosis applicable to the displayed DTC. Refer to [BRC-84, "DTC Index"](#).

>> GO TO 7.

4. CHECK THE SYMPTOM THAT IS NOT CONSIDERED A SYSTEM MALFUNCTION

Check that the symptom is a normal operation that is not considered a system malfunction. Refer to [BRC-91, "Description"](#).

Is the symptom a normal operation?

YES >> INSPECTION END

NO >> GO TO 5.

5. CHECK THE WARNING LAMP AND INDICATOR LAMP FOR ILLUMINATION

Check that the warning lamp and indicator lamp illuminate.

- ABS warning lamp: refer to [BRC-71, "Description"](#).
- Brake warning lamp: refer to [BRC-72, "Description"](#).
- VDC OFF indicator lamp: refer to [BRC-73, "Description"](#).
- SLIP indicator lamp: refer to [BRC-74, "Description"](#).

Is ON/OFF timing normal?

YES >> GO TO 6.

NO >> GO TO 2.

6. PERFORM THE DIAGNOSIS BY SYMPTOM

Perform the diagnosis applicable to the symptom.

>> GO TO 7.

7. REPAIR OR REPLACE THE MALFUNCTIONING PARTS

Repair or replace the specified malfunctioning parts.

>> GO TO 8.

8. MEMORY CLEAR

Perform self-diagnosis memory clear.

>> GO TO 9.

9. FINAL CHECK

Perform the self-diagnosis again, and check that the malfunction is repaired completely.

Is no other DTC present and the repair completed?

YES >> INSPECTION END

NO >> GO TO 3.

DIAGNOSIS AND REPAIR WORKFLOW

< BASIC INSPECTION >

[VDC/TCS/ABS]

Diagnostic Work Sheet

INFOID:000000004497233

Customer name MR/MS	Model & Year	VIN	
Engine #	Trans.	Mileage	
Incident Date	Manuf. Date	In Service Date	
Symptoms	<input type="checkbox"/> Noise and vibration (from engine compartment) <input type="checkbox"/> Noise and vibration (from axle)	<input type="checkbox"/> Warning / Indicator activate	<input type="checkbox"/> Firm pedal operation Large stroke pedal operation
	<input type="checkbox"/> TCS does not work (Rear wheels slip when accelerating)	<input type="checkbox"/> ABS does not work (Wheels lock when braking)	<input type="checkbox"/> Lack of sense of acceleration
Engine conditions	<input type="checkbox"/> When starting <input type="checkbox"/> After starting		
Road conditions	<input type="checkbox"/> Low friction road (<input type="checkbox"/> Snow <input type="checkbox"/> Gravel <input type="checkbox"/> Other) <input type="checkbox"/> Bumps / potholes		
Driving conditions	<input type="checkbox"/> Full-acceleration <input type="checkbox"/> High speed cornering <input type="checkbox"/> Vehicle speed: Greater than 10 km/h (6 MPH) <input type="checkbox"/> Vehicle speed: 10 km/h (6 MPH) or less <input type="checkbox"/> Vehicle is stopped		
Applying brake conditions	<input type="checkbox"/> Suddenly <input type="checkbox"/> Gradually		
Other conditions	<input type="checkbox"/> Operation of electrical equipment <input type="checkbox"/> Shift change <input type="checkbox"/> Other descriptions		

SFIA3265E

A
B
C
D
E
BRC
G
H
I
J
K
L
M
N
O
P

INSPECTION AND ADJUSTMENT

< BASIC INSPECTION >

[VDC/TCS/ABS]

INSPECTION AND ADJUSTMENT

ADDITIONAL SERVICE WHEN REPLACING CONTROL UNIT

ADDITIONAL SERVICE WHEN REPLACING CONTROL UNIT : Description

INFOID:000000004497234

After replacing the ABS actuator and electric unit (control unit), perform the neutral position adjustment for the steering angle sensor.

ADDITIONAL SERVICE WHEN REPLACING CONTROL UNIT : Special Repair Requirement

INFOID:000000004497235

1. PERFORM THE NEUTRAL POSITION ADJUSTMENT FOR THE STEERING ANGLE SENSOR

Perform the neutral position adjustment for the steering angle sensor.

>> Refer to [BRC-8, "ADJUSTMENT OF STEERING ANGLE SENSOR NEUTRAL POSITION : Special Repair Requirement"](#).

ADJUSTMENT OF STEERING ANGLE SENSOR NEUTRAL POSITION

ADJUSTMENT OF STEERING ANGLE SENSOR NEUTRAL POSITION : Description

INFOID:000000004497236

When doing work that applies to the list below, make sure to adjust neutral position of steering angle sensor before running vehicle.

×: Required –: Not required

Situation	Adjustment of steering angle sensor neutral position
Removing/Installing ABS actuator and electric unit (control unit)	—
Replacing ABS actuator and electric unit (control unit)	×
Removing/Installing steering angle sensor	×
Replacing steering angle sensor	×
Removing/Installing steering components	×
Replacing steering components	×
Removing/Installing suspension components	×
Replacing suspension components	×
Removing/Installing tire	—
Change tires to new ones	—
Tire rotation	—
Adjusting wheel alignment	×

ADJUSTMENT OF STEERING ANGLE SENSOR NEUTRAL POSITION : Special Repair Requirement

INFOID:000000004497237

ADJUSTMENT OF STEERING ANGLE SENSOR NEUTRAL POSITION

CAUTION:

To adjust neutral position of steering angle sensor, make sure to use CONSULT-III. (Adjustment cannot be done without CONSULT-III.)

1. ALIGN THE VEHICLE STATUS

Stop vehicle with front wheels in straight-ahead position.

>> GO TO 2.

2. PERFORM THE NEUTRAL POSITION ADJUSTMENT FOR THE STEERING ANGLE SENSOR

INSPECTION AND ADJUSTMENT

[VDC/TCS/ABS]

< BASIC INSPECTION >

1. On the CONSULT-III screen, touch "WORK SUPPORT" and "ST ANGLE SENSOR ADJUSTMENT" in order. A
 2. Touch "START".
- CAUTION:**
Never touch steering wheel while adjusting steering angle sensor.
3. After approximately 10 seconds, touch "END". B
- NOTE:**
After approximately 60 seconds, it ends automatically.
4. Turn the ignition switch OFF, then turn it ON again. C
- CAUTION:**
Be sure to perform above operation.

>> GO TO 3. D

3. CHECK DATA MONITOR

1. Run the vehicle with front wheels in straight-ahead position, then stop. E
2. Select "STR ANGLE SIG" in "DATA MONITOR" and check steering angle sensor signal.

STR ANGLE SIG : 0±2.5°

Is the steering angle within the specified range?

YES >> GO TO 4.

NO >> Perform the neutral position adjustment for the steering angle sensor again, GO TO 1.

4. ERASE THE SELF-DIAGNOSIS MEMORY

Erase the self-diagnosis memories of the ABS actuator and electric unit (control unit), and ECM. H

- ABS actuator and electric unit (control unit): refer to [BRC-22, "CONSULT-III Function"](#).
- ECM: refer to [EC-115, "Diagnosis Description"](#).

Are the memories erased?

YES >> INSPECTION END

NO >> Check the items indicated by the self-diagnosis.

BRC

G

H

I

J

K

L

M

N

O

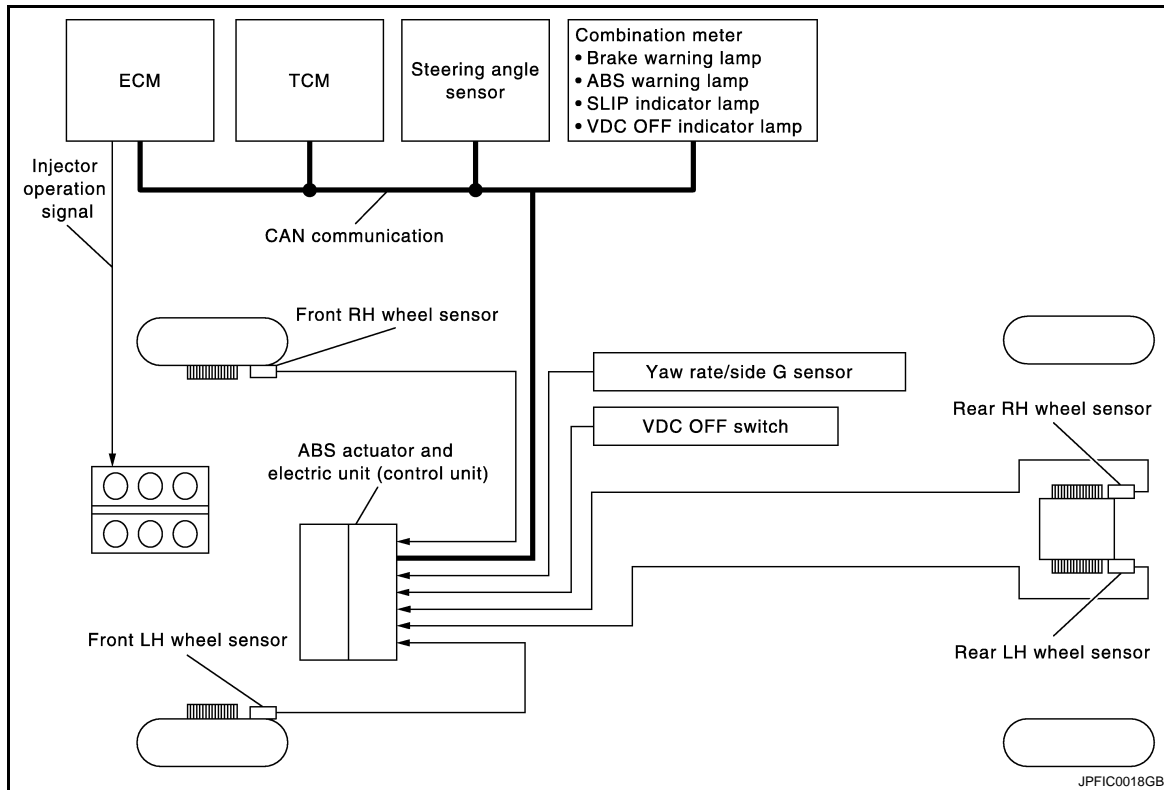
P

SYSTEM DESCRIPTION

VDC

System Diagram

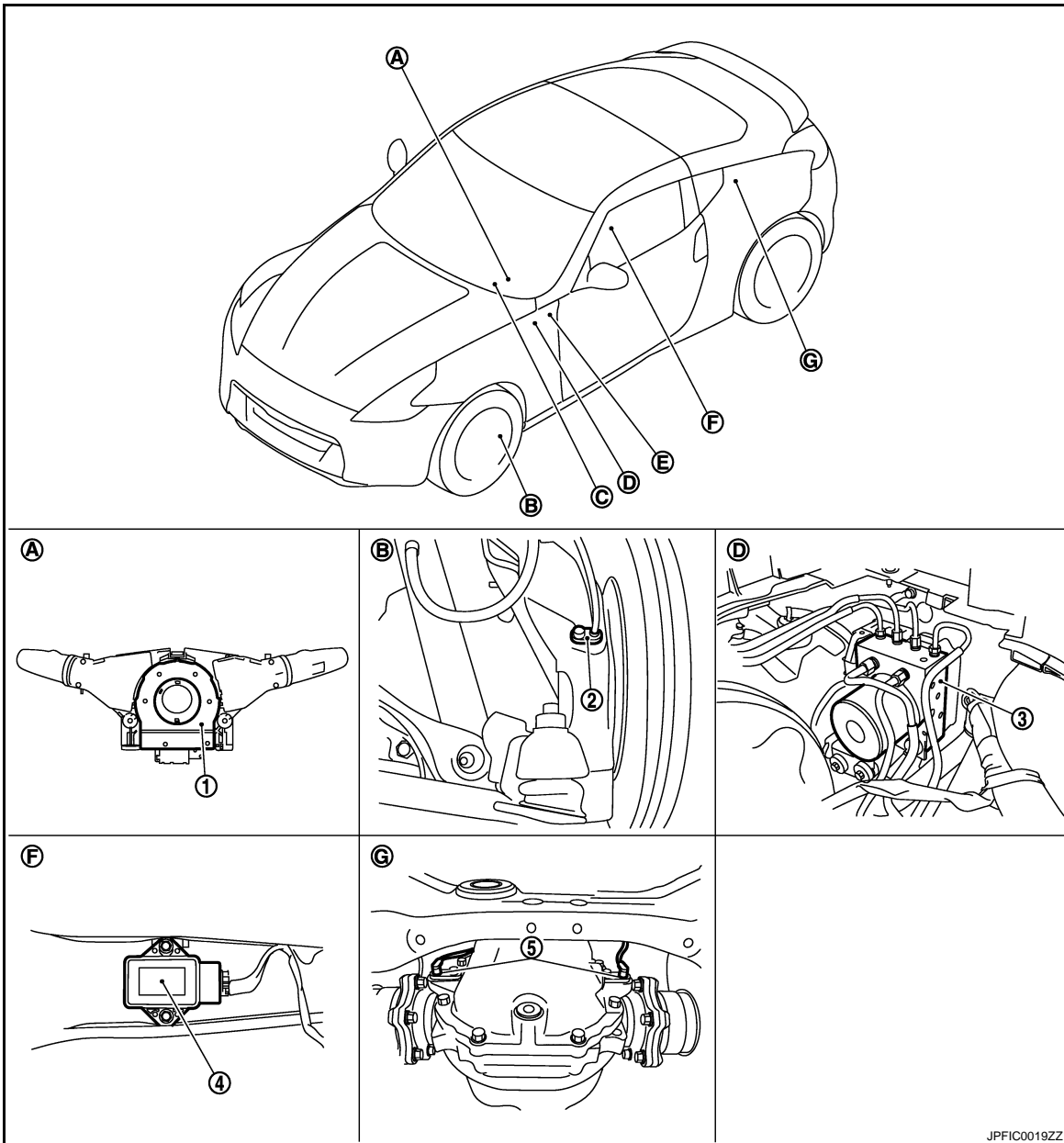
INFOID:000000004497238



System Description

INFOID:000000004497239

- Vehicle Dynamics Control system detects driver's steering operation amount and brake pedal travel from steering angle sensor and pressure sensor. Using information from yaw rate/side G sensor and wheel sensor, VDC judges driving condition (conditions of under steer and over steer) to improve vehicle driving stability by controlling brake application to 4 wheels and engine output.
- During VDC operation, it informs driver of system operation by flashing SLIP indicator lamp.
- Electrical system diagnosis by CONSULT-III is available.



A
B
C
D
E
BRC
G
H
I
J
K
L
M
N
O
P

- | | | |
|---------------------------------------|---|--|
| 1. Steering angle sensor | 2. Front wheel sensor | 3. ABS actuator and electric unit (control unit) |
| 4. Yaw rate/side G sensor | 5. Rear wheel sensor | |
| A. Back of spiral cable assembly | B. Steering knuckle | C. ABS warning lamp, brake warning lamp, VDC OFF indicator lamp, SLIP indicator lamp: MWI-6, "METER SYSTEM : System Description" |
| D. Inside brake master cylinder cover | E. VDC OFF switch: IP-12, "Exploded View" | F. Under center console |
| G. Rear final drive assembly | | |

Component Description

VDC

< SYSTEM DESCRIPTION >

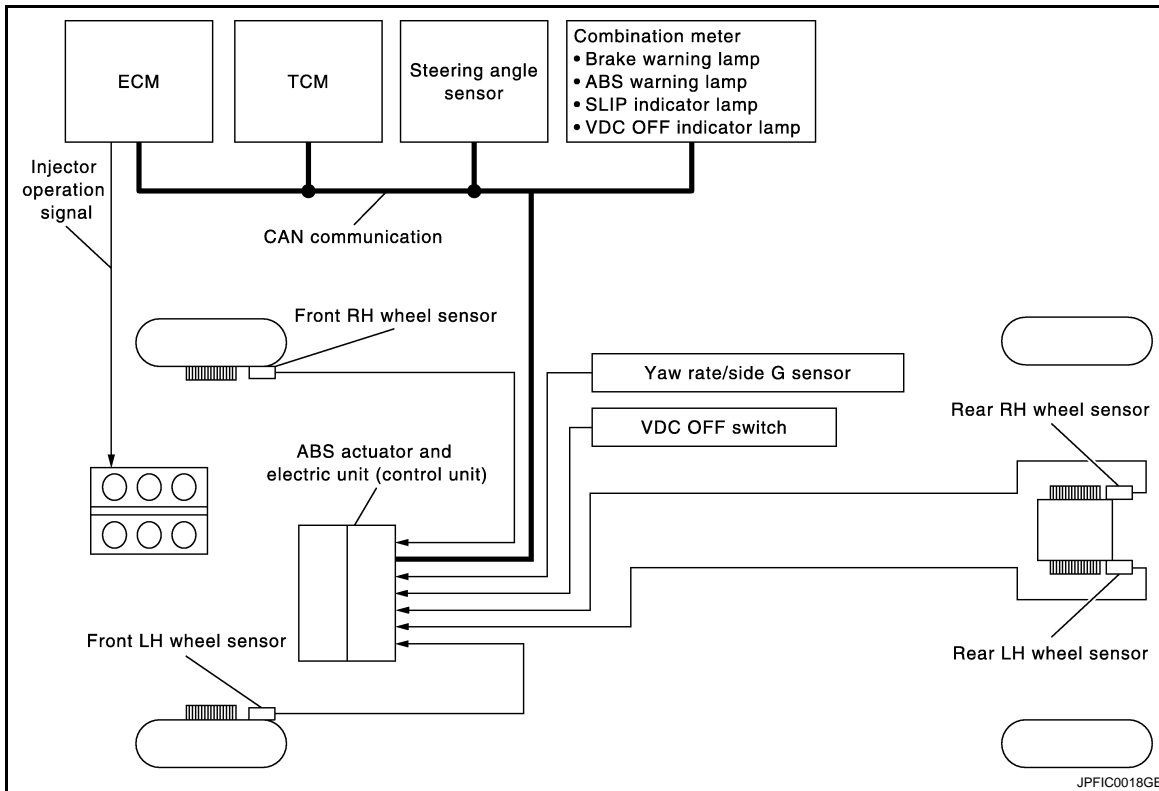
[VDC/TCS/ABS]

Component parts		Reference
ABS actuator and electric unit (control unit)	Pump	BRC-36. "Description"
	Motor	
	Actuator relay (main relay)	BRC-38. "Description"
	Solenoid valve	BRC-45. "Description" , BRC-47. "Description"
	Pressure sensor	BRC-50. "Description"
	VDC switch-over valve (USV1, USV2, HSV1, HSV2)	BRC-58. "Description"
Wheel sensor		BRC-27. "Description"
Yaw rate/side G sensor		BRC-55. "Description"
Steering angle sensor		BRC-52. "Description"
VDC OFF switch		BRC-69. "Description"
ABS warning lamp		BRC-71. "Description"
Brake warning lamp		BRC-72. "Description"
VDC OFF indicator lamp		BRC-73. "Description"
SLIP indicator lamp		BRC-74. "Description"

TCS

System Diagram

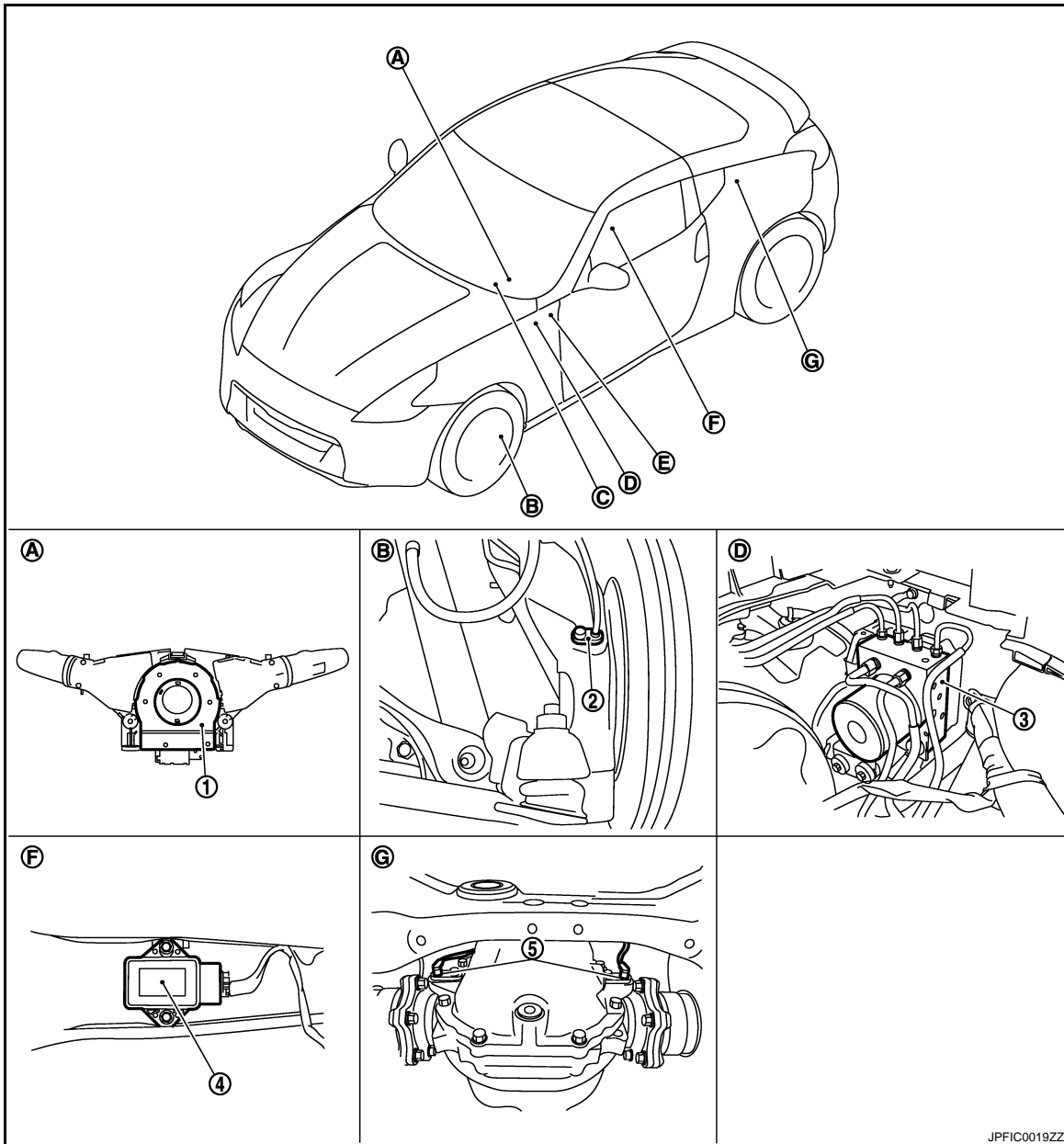
INFOID:000000004512083



System Description

INFOID:000000004497243

- Traction Control System is a function that electronically controls engine torque, brake fluid pressure and A/T gear position to ensure the optimum slippage ratio at drive wheels by computing wheel speed signals from 4 wheel sensors. When ABS actuator and electric unit (control unit) detects a spin at drive wheels (rear wheels), it compares wheel speed signals from all 4 wheels. At this time, LH and RH rear brake fluid pressure are controlled, while fuel being cut to engine and throttle valve being closed to reduce engine torque by the control unit. Further more, throttle position is continuously controlled to ensure the optimum engine torque at all times.
- During TCS operation, TCS informs driver of system operation by flashing SLIP indicator lamp.
- Electrical system diagnosis by CONSULT-III is available.



JPFIC0019ZZ

- | | | |
|---------------------------------------|---|--|
| 1. Steering angle sensor | 2. Front wheel sensor | 3. ABS actuator and electric unit (control unit) |
| 4. Yaw rate/side G sensor | 5. Rear wheel sensor | |
| A. Back of spiral cable assembly | B. Steering knuckle | C. ABS warning lamp, brake warning lamp, VDC OFF indicator lamp, SLIP indicator lamp: MWI-6. "METER SYSTEM : System Description" |
| D. Inside brake master cylinder cover | E. VDC OFF switch: IP-12. "Exploded View" | F. Under center console |
| G. Rear final drive assembly | | |

Component Description

TCS

< SYSTEM DESCRIPTION >

[VDC/TCS/ABS]

Component parts	Reference		
ABS actuator and electric unit (control unit)	Pump	BRC-36, "Description"	A
	Motor		B
	Actuator relay (main relay)	BRC-38, "Description"	B
	Solenoid valve	BRC-45, "Description" , BRC-47, "Description"	C
	Pressure sensor	BRC-50, "Description"	C
	VDC switch-over valve (USV1, USV2, HSV1, HSV2)	BRC-58, "Description"	D
Wheel sensor	BRC-27, "Description"	D	
Yaw rate/side G sensor	BRC-55, "Description"	D	
Steering angle sensor	BRC-52, "Description"	E	
VDC OFF switch	BRC-69, "Description"	E	
ABS warning lamp	BRC-71, "Description"	BRC	
Brake warning lamp	BRC-72, "Description"		
VDC OFF indicator lamp	BRC-73, "Description"		
SLIP indicator lamp	BRC-74, "Description"		

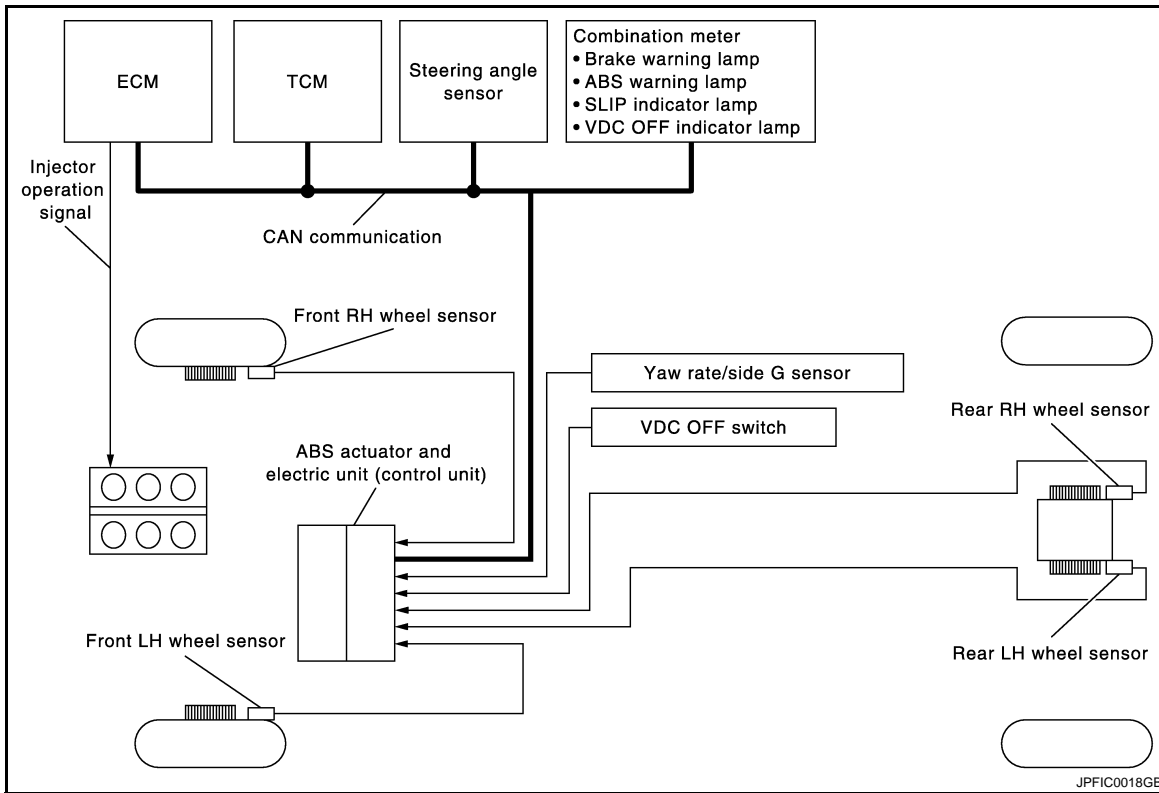
BRC

G
H
I
J
K
L
M
N
O
P

ABS

System Diagram

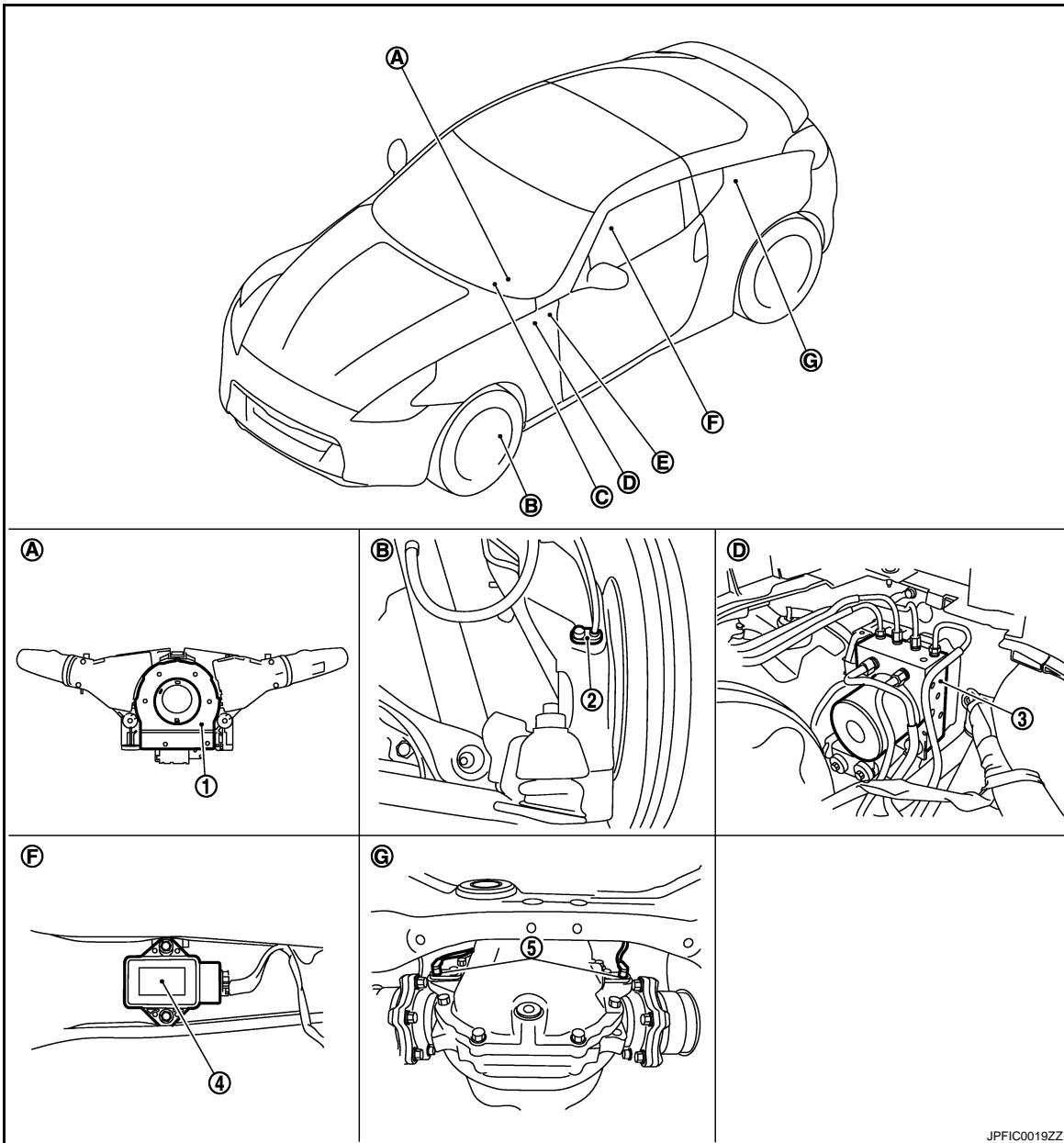
INFOID:000000004512086



System Description

INFOID:000000004497247

- Anti-Lock Braking System detects wheel revolution while braking, electronically controls braking force, and prevents wheel locking during sudden braking. It improves handling stability and maneuverability for avoiding obstacles.
- Electrical system diagnosis by CONSULT-III is available.



A
B
C
D
E
BRC
G
H
I
J
K
L
M
N
O
P

- 1. Steering angle sensor
- 2. Front wheel sensor
- 3. ABS actuator and electric unit (control unit)
- 4. Yaw rate/side G sensor
- 5. Rear wheel sensor
- A. Back of spiral cable assembly
- B. Steering knuckle
- C. ABS warning lamp, brake warning lamp, VDC OFF indicator lamp, SLIP indicator lamp: [MWI-6, "METER SYSTEM : System Description"](#)
- D. Inside brake master cylinder cover
- E. VDC OFF switch: [IP-12, "Exploded View"](#)
- F. Under center console
- G. Rear final drive assembly

Component Description

ABS

< SYSTEM DESCRIPTION >

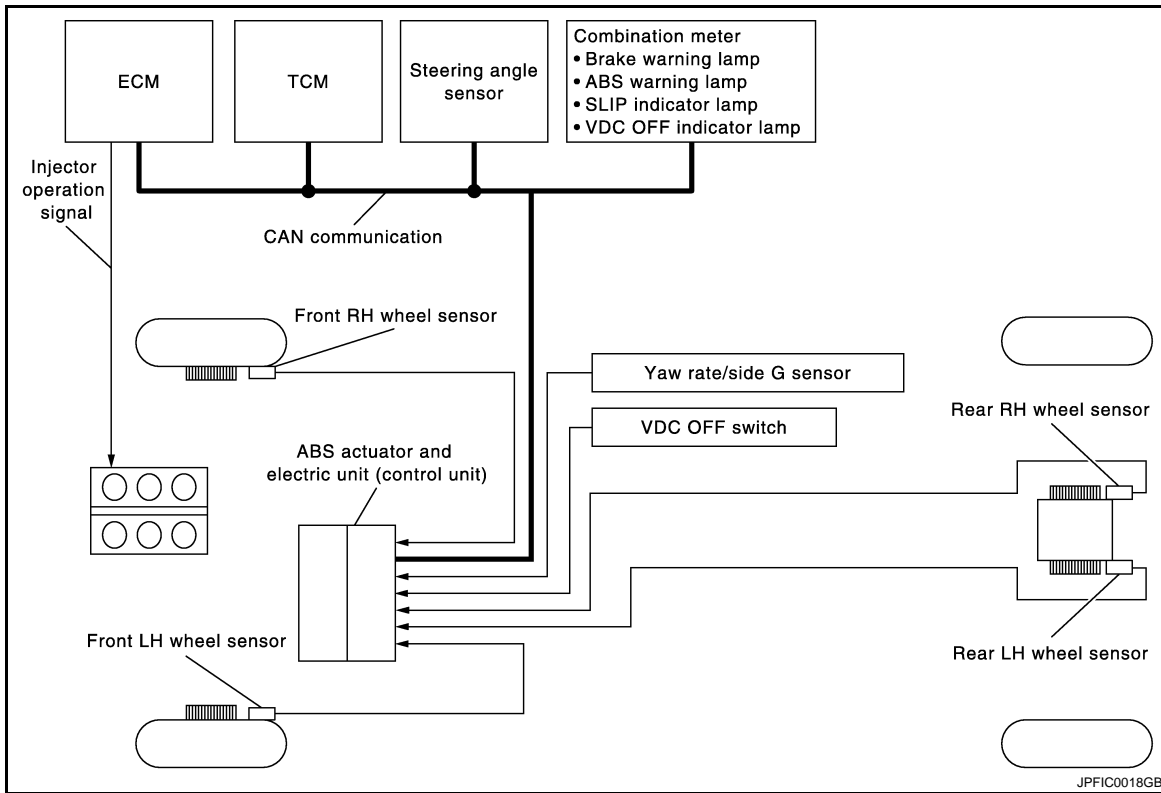
[VDC/TCS/ABS]

Component parts		Reference
ABS actuator and electric unit (control unit)	Pump	BRC-36. "Description"
	Motor	
	Actuator relay (main relay)	BRC-38. "Description"
	Solenoid valve	BRC-45. "Description" , BRC-47. "Description"
	Pressure sensor	BRC-50. "Description"
	VDC switch-over valve (USV1, USV2, HSV1, HSV2)	BRC-58. "Description"
Wheel sensor	BRC-27. "Description"	
Yaw rate/side G sensor	BRC-55. "Description"	
Steering angle sensor	BRC-52. "Description"	
VDC OFF switch	BRC-69. "Description"	
ABS warning lamp	BRC-71. "Description"	
Brake warning lamp	BRC-72. "Description"	
VDC OFF indicator lamp	BRC-73. "Description"	
SLIP indicator lamp	BRC-74. "Description"	

EBD

System Diagram

INFOID:000000004512089

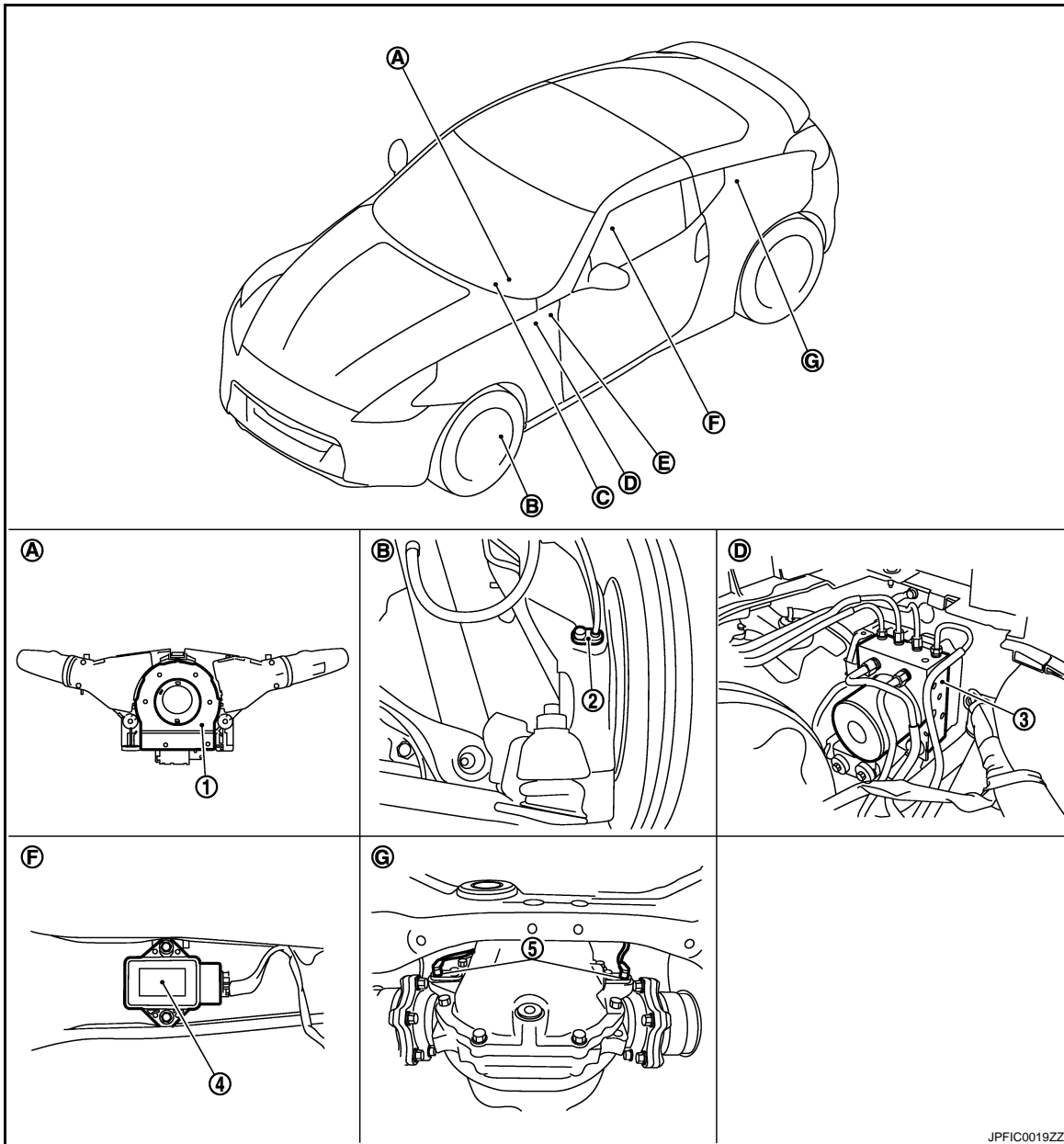


A
B
C
D
E
BRC
G
H
I
J
K
L
M
N
O
P

System Description

INFOID:000000004497251

- Electric Brake force Distribution is a following function. ABS actuator and electric unit (control unit) detects subtle slippages between the front and rear wheels during braking. Then is electronically controls the rear braking force (brake fluid pressure) to reducing and reduces rear wheel slippage. Accordingly it improves vehicle stability.
- Electrical system diagnosis by CONSULT-III is available.



JPFIC0019ZZ

- | | | |
|---------------------------------------|---|--|
| 1. Steering angle sensor | 2. Front wheel sensor | 3. ABS actuator and electric unit (control unit) |
| 4. Yaw rate/side G sensor | 5. Rear wheel sensor | |
| A. Back of spiral cable assembly | B. Steering knuckle | C. ABS warning lamp, brake warning lamp, VDC OFF indicator lamp, SLIP indicator lamp: MWI-6. "METER SYSTEM : System Description" |
| D. Inside brake master cylinder cover | E. VDC OFF switch: IP-12. "Exploded View" | F. Under center console |
| G. Rear final drive assembly | | |

Component Description

EBD

< SYSTEM DESCRIPTION >

[VDC/TCS/ABS]

Component parts	Reference	
ABS actuator and electric unit (control unit)	Pump	BRC-36, "Description"
	Motor	
	Actuator relay (main relay)	BRC-38, "Description"
	Solenoid valve	BRC-45, "Description" , BRC-47, "Description"
	Pressure sensor	BRC-50, "Description"
	VDC switch-over valve (USV1, USV2, HSV1, HSV2)	BRC-58, "Description"
Wheel sensor	BRC-27, "Description"	A
Yaw rate/side G sensor	BRC-55, "Description"	B
Steering angle sensor	BRC-52, "Description"	C
VDC OFF switch	BRC-69, "Description"	D
ABS warning lamp	BRC-71, "Description"	E
Brake warning lamp	BRC-72, "Description"	F
VDC OFF indicator lamp	BRC-73, "Description"	G
SLIP indicator lamp	BRC-74, "Description"	H

BRC

I
J
K
L
M
N
O
P

DIAGNOSIS SYSTEM [ABS ACTUATOR AND ELECTRIC UNIT (CONTROL UNIT)]

< SYSTEM DESCRIPTION >

[VDC/TCS/ABS]

DIAGNOSIS SYSTEM [ABS ACTUATOR AND ELECTRIC UNIT (CONTROL UNIT)]

CONSULT-III Function

INFOID:000000004497254

FUNCTION

CONSULT-III can display each diagnostic item using the diagnostic test modes shown following.

Diagnostic test mode	Function
Work support	This mode enables a technician to adjust some devices faster and more accurately by following the indications on CONSULT-III.
Self diagnostic result	Self-diagnostic results can be read and erased quickly.
Data monitor	Input/Output data in the ABS actuator and electric unit (control unit) can be read.
Active test	CONSULT-III drives some actuators apart from ABS actuator and electric unit (control unit) and also shifts some parameters in a specified range.
ECU identification	ABS actuator and electric unit (control unit) part number can be read.

WORK SUPPORT

Item	Description
ST ANGLE SENSOR ADJUSTMENT	Adjusts the neutral position of the steering angle sensor.

SELF DIAGNOSTIC RESULT

Operation Procedure

Before performing the self-diagnosis, start engine and drive vehicle at 30 km/h (19 MPH) or more for approximately 1 minute.

Display Item List

Refer to [BRC-84. "DTC Index"](#).

How to Erase Self-diagnosis Results

After erasing DTC memory, start the engine and drive the vehicle at 30 km/h (19 MPH) or more for approximately 1 minute as the final inspection, and make sure that the ABS warning lamp, VDC OFF indicator lamp, SLIP indicator lamp and brake warning lamp turn OFF.

CAUTION:

If memory cannot be erased, perform applicable diagnosis.

NOTE:

- When the wheel sensor malfunctions, after inspecting the wheel sensor system, ABS warning lamp, VDC OFF indicator lamp, SLIP indicator lamp and brake warning lamp will not turn OFF even when the system is normal unless the vehicle is driven at approximately 30 km/h (19 MPH) or more for approximately 1 minute.
- Brake warning lamp will turn ON in case of parking brake operation (when switch is ON) or in case of brake fluid level switch operation (when brake fluid is insufficient).
- VDC OFF switch should not stay "ON" position.

DATA MONITOR MODE

Display Item List

DIAGNOSIS SYSTEM [ABS ACTUATOR AND ELECTRIC UNIT (CONTROL UNIT)]

< SYSTEM DESCRIPTION >

[VDC/TCS/ABS]

×: Applicable ▼: Optional item

Monitor item (Unit)	SELECT MONITOR ITEM		Remarks	
	ECU INPUT SIGNALS	MAIN SIGNALS		
FR LH SENSOR [km/h (MPH)]	×	×	Wheel speed	A
FR RH SENSOR [km/h (MPH)]	×	×		B
RR LH SENSOR [km/h (MPH)]	×	×		C
RR RH SENSOR [km/h (MPH)]	×	×		D
FR RH IN SOL (On/Off) (Note 1)	▼	×	Operation status of each solenoid valve	E
FR RH OUT SOL (On/Off) (Note 1)	▼	×		
FR LH IN SOL (On/Off) (Note 1)	▼	×		BRC
FR LH OUT SOL (On/Off) (Note 1)	▼	×		G
RR RH IN SOL (On/Off) (Note 1)	▼	×		H
RR RH OUT SOL (On/Off) (Note 1)	▼	×		I
RR LH IN SOL (On/Off) (Note 1)	▼	×		
RR LH OUT SOL (On/Off) (Note 1)	▼	×		
STOP LAMP SW (On/Off)	×	×	Stop lamp switch signal status	J
MOTOR RELAY (On/Off)	▼	×	Motor and motor relay operation	K
ACTUATOR RLY (On/Off) (Note 1)	▼	×	Actuator relay operation	L
ABS WARN LAMP (On/Off)	▼	×	ABS warning lamp	M
OFF LAMP (On/Off)	▼	×	VDC OFF indicator lamp	N
OFF SW (On/Off)	×	×	VDC OFF switch	O
SLIP/VDC LAMP (On/Off)	▼	×	SLIP indicator lamp	P
BATTERY VOLT (V)	×	×	Battery voltage supplied to the ABS actuator and electric unit (control unit)	
YAW RATE SEN (d/s)	×	×	Yaw rate detected by yaw rate/side G sensor	
ACCEL POS SIG (%)	×	▼	Throttle actuator opening/closing is displayed (Linked with accelerator pedal)	
SIDE G-SENSOR (m/s ²)	×	▼	Transverse G detected by yaw rate/side G sensor	
STR ANGLE SIG (°)	×	▼	Steering angle detected by steering angle sensor	
PRESS SENSOR (bar)	×	▼	Brake fluid pressure detected by pressure sensor	

DIAGNOSIS SYSTEM [ABS ACTUATOR AND ELECTRIC UNIT (CONTROL UNIT)]

< SYSTEM DESCRIPTION >

[VDC/TCS/ABS]

Monitor item (Unit)	SELECT MONITOR ITEM		Remarks
	ECU INPUT SIGNALS	MAIN SIGNALS	
EBD SIGNAL (On/Off)	▼	▼	EBD operation
ABS SIGNAL (On/Off)	▼	▼	ABS operation
TCS SIGNAL (On/Off)	▼	▼	TCS operation
VDC SIGNAL (On/Off)	▼	▼	VDC operation
EBD FAIL SIG (On/Off)	▼	▼	EBD fail-safe signal
ABS FAIL SIG (On/Off)	▼	▼	ABS fail-safe signal
TCS FAIL SIG (On/Off)	▼	▼	TCS fail-safe signal
VDC FAIL SIG (On/Off)	▼	▼	VDC fail-safe signal
CRANKING SIG (On/Off)	▼	▼	Crank operation
FLUID LEV SW (On/Off)	×	▼	Brake fluid level switch signal status
PARK BRAKE SW (On/Off)	×	▼	Parking brake switch signal status
USV [FR-RL] (On/Off)	▼	▼	VDC switch-over valve
USV [FL-RR] (On/Off)	▼	▼	
HSV [FR-RL] (On/Off)	▼	▼	
HSV [FL-RR] (On/Off)	▼	▼	
V/R OUTPUT (On/Off)	▼	▼	Solenoid valve relay activated
M/R OUTPUT (On/Off)	▼	▼	Actuator motor and motor relay activated
ENGINE RPM [tr/min (rpm)]	×	▼	Engine speed

NOTE:

1: A brief moment of On/Off condition occurs every 20 seconds after ignition switch turned ON. This is not malfunction because it is a operation for checking.

ACTIVE TEST MODE

CAUTION:

- **Never perform active test while driving vehicle.**
- **Make sure to completely bleed air from brake system.**
- **The active test cannot be started when ABS warning lamp, VDC OFF indicator lamp, SLIP indicator lamp and brake warning lamp are ON.**
- **ABS warning lamp, VDC OFF indicator lamp, SLIP indicator lamp and brake warning lamp are ON during active test.**

NOTE:

- When active test is performed while depressing the pedal, the pedal depression amount will change. This is normal. (Only solenoid valve and ABS motor.)
- "TEST IS STOPPED" is displayed 10 seconds after operation start.
- After "TEST IS STOPPED" is displayed, to perform test again.

DIAGNOSIS SYSTEM [ABS ACTUATOR AND ELECTRIC UNIT (CONTROL UNIT)]

< SYSTEM DESCRIPTION >

[VDC/TCS/ABS]

Test Item

ABS SOLENOID VALVE

- Touch “Up”, “Keep” and “Down”. Then use screen monitor to check that solenoid valve operates as shown in the table below.

Test item	Display item	Display (Note)		
		Up	Keep	Down
FR RH SOL	FR RH IN SOL	Off	On	On
	FR RH OUT SOL	Off	Off	On*
	USV [FR-RL]	Off	Off	Off
	HSV [FR-RL]	Off	Off	Off
FR LH SOL	FR LH IN SOL	Off	On	On
	FR LH OUT SOL	Off	Off	On*
	USV [FL-RR]	Off	Off	Off
	HSV [FL-RR]	Off	Off	Off
RR RH SOL	RR RH IN SOL	Off	On	On
	RR RH OUT SOL	Off	Off	On*
	USV [FL-RR]	Off	Off	Off
	HSV [FL-RR]	Off	Off	Off
RR LH SOL	RR LH IN SOL	Off	On	On
	RR LH OUT SOL	Off	Off	On*
	USV [FR-RL]	Off	Off	Off
	HSV [FR-RL]	Off	Off	Off

A
B
C
D
E
BRC
G
H
I

*: On for 1 to 2 seconds after the touch, and then Off.

NOTE:

A brief moment of On/Off condition occurs every 20 seconds after ignition switch turned ON. This is not malfunction because it is an operation for checking.

ABS SOLENOID VALVE (ACT)

- Touch “Up”, “ACT UP” and “ACT KEEP”. Then use screen monitor to check that solenoid valve operates as shown in the table below.

Test item	Display item	Display (Note)		
		Up	ACT UP	ACT KEEP
FR RH ABS SOLENOID (ACT)	FR RH IN SOL	Off	Off	Off
	FR RH OUT SOL	Off	Off	Off
	USV [FR-RL]	Off	On	On
	HSV [FR-RL]	Off	On*	Off
FR LH ABS SOLENOID (ACT)	FR LH IN SOL	Off	Off	Off
	FR LH OUT SOL	Off	Off	Off
	USV [FL-RR]	Off	On	On
	HSV [FL-RR]	Off	On*	Off
RR RH ABS SOLENOID (ACT)	RR RH IN SOL	Off	Off	Off
	RR RH OUT SOL	Off	Off	Off
	USV [FL-RR]	Off	On	On
	HSV [FL-RR]	Off	On*	Off

J
K
L
M
N
O
P

DIAGNOSIS SYSTEM [ABS ACTUATOR AND ELECTRIC UNIT (CONTROL UNIT)]

< SYSTEM DESCRIPTION >

[VDC/TCS/ABS]

Test item	Display item	Display (Note)		
		Up	ACT UP	ACT KEEP
RR LH ABS SOLENOID (ACT)	RR LH IN SOL	Off	Off	Off
	RR LH OUT SOL	Off	Off	Off
	USV [FR-RL]	Off	On	On
	HSV [FR-RL]	Off	On*	Off

*: On for 1 to 2 seconds after the touch, and then Off.

NOTE:

A brief moment of On/Off condition occurs every 20 seconds after ignition switch turned ON. This is not malfunction because it is an operation for checking.

ABS MOTOR

- Touch "On" and "Off" on screen. Make sure motor relay and actuator relay operates as shown in table below.

Test item	Display item	Display	
		On	Off
ABS MOTOR	MOTOR RELAY	On	Off
	ACTUATOR RLY (Note)	On	On

NOTE:

A brief moment of On/Off condition occurs every 20 seconds after ignition switch turned ON. This is not malfunction because it is an operation for checking.

ECU IDENTIFICATION

ABS actuator and electric unit (control unit) part number can be read.

C1101, C1102, C1103, C1104 WHEEL SENSOR

< DTC/CIRCUIT DIAGNOSIS >

[VDC/TCS/ABS]

DTC/CIRCUIT DIAGNOSIS

C1101, C1102, C1103, C1104 WHEEL SENSOR

Description

INFOID:000000004497255

When the sensor rotor rotates, the magnetic field changes. It converts the magnetic field changes to current signals (rectangular wave) and transmits them to the ABS actuator and electric unit (control unit).

DTC Logic

INFOID:000000004497256

DTC DETECTION LOGIC

DTC	Display item	Malfunction detected condition	Possible cause
C1101	RR RH SENSOR-1	Circuit of rear RH wheel sensor is open. Or when the sensor power voltage is outside the standard.	<ul style="list-style-type: none">• Harness or connector• Wheel sensor• ABS actuator and electric unit (control unit)
C1102	RR LH SENSOR-1	Circuit of rear LH wheel sensor is open. Or when the sensor power voltage is outside the standard.	
C1103	FR RH SENSOR-1	Circuit of front RH wheel sensor is open. Or when the sensor power voltage is outside the standard.	
C1104	FR LH SENSOR-1	Circuit of front LH wheel sensor is open. Or when the sensor power voltage is outside the standard.	

DTC CONFIRMATION PROCEDURE

1. DTC REPRODUCTION PROCEDURE

1. Start the engine and drive the vehicle at 30 km/h (19 MPH) or more for approximately 1 minute.
2. Perform ABS actuator and electric unit (control unit) self-diagnosis.

Is DTC "C1101", "C1102", "C1103" or "C1104" detected?

- YES >> Proceed to diagnosis procedure. Refer to [BRC-27, "Diagnosis Procedure"](#).
NO >> INSPECTION END

Diagnosis Procedure

INFOID:000000004497257

CAUTION:

Never check between wheel sensor harness connector terminals.

1. CHECK TIRES

Check air pressure, wear and size. Refer to [WT-100, "Tire Air Pressure"](#).

Is the inspection result normal?

- YES >> GO TO 2.
NO >> Adjust air pressure or replace error-detected parts.

2. CHECK SENSOR AND SENSOR ROTOR

- Check sensor rotor for damage.
 - Front: refer to [BRC-97, "FRONT SENSOR ROTOR : Exploded View"](#).
 - Rear: refer to [BRC-97, "REAR SENSOR ROTOR : Exploded View"](#).
- Check wheel sensor for damage, disconnection or looseness.

Is the inspection result normal?

- YES >> GO TO 3.
NO >> Repair wheel sensor mount or replace sensor rotor.

3. CHECK CONNECTOR

1. Turn the ignition switch OFF.
2. Disconnect ABS actuator and electric unit (control unit) harness connector.
3. Disconnect wheel sensor harness connector.
4. Check connector and terminal to see if it is deformed, disconnected, looseness, etc.

Is the inspection result normal?

C1101, C1102, C1103, C1104 WHEEL SENSOR

[VDC/TCS/ABS]

< DTC/CIRCUIT DIAGNOSIS >

- YES >> GO TO 4.
 NO >> Repair or replace error-detected parts.

4.CHECK WHEEL SENSOR HARNESS

1. Check the continuity between ABS actuator and electric unit (control unit) harness connector and wheel sensor harness connector. (Also check continuity when steering wheel is turned right and left and when sensor harness inside the wheel house is moved.)

Measurement connector and terminal for power supply circuit

ABS actuator and electric unit (control unit)		Wheel sensor		Continuity
Connector	Terminal	Connector	Terminal	
E41	9	E27 (Front RH)	1	Existed
	26	E60 (Front LH)		
	7	B33 (Rear RH)		
	6	B34 (Rear LH)		

Measurement connector and terminal for signal circuit

ABS actuator and electric unit (control unit)		Wheel sensor		Continuity
Connector	Terminal	Connector	Terminal	
E41	10	E27 (Front RH)	2	Existed
	5	E60 (Front LH)		
	29	B33 (Rear RH)		
	27	B34 (Rear LH)		

2. Check the continuity between ABS actuator and electric unit (control unit) harness connector.

ABS actuator and electric unit (control unit)				Continuity
Connector	Terminal	Connector	Terminal	
E41	9, 10	E41	1, 4	Not existed
	26, 5			
	7, 29			
	6, 27			

Is the inspection result normal?

- YES >> GO TO 5.
 NO >> Repair or replace error-detected parts.

5.REPLACE WHEEL SENSOR

1. Replace wheel sensor.
2. Erase ABS actuator and electric unit (control unit) self-diagnosis results.
3. Turn the ignition switch OFF.
4. Turn the ignition switch ON.

CAUTION:

Never start the engine.

5. Perform ABS actuator and electric unit (control unit) self-diagnosis.

Is DTC "C1101", "C1102", "C1103" or "C1104" detected?

- YES >> Replace ABS actuator and electric unit (control unit). Refer to [BRC-98. "Exploded View"](#)
 NO >> INSPECTION END

Special Repair Requirement

INFOID:000000004497259

1.AJUSTMENT OF STEERING ANGLE SENSOR NEUTRAL POSITION

Always perform the neutral position adjustment for the steering angle sensor, when replacing the ABS actuator and electric unit (control unit) or steering angle sensor and removing steering angle sensor. Refer to [BRC-8. "ADJUSTMENT OF STEERING ANGLE SENSOR NEUTRAL POSITION : Special Repair Requirement"](#)

C1101, C1102, C1103, C1104 WHEEL SENSOR

< DTC/CIRCUIT DIAGNOSIS >

[VDC/TCS/ABS]

>> END

A

B

C

D

E

BRC

G

H

I

J

K

L

M

N

O

P

C1105, C1106, C1107, C1108 WHEEL SENSOR

< DTC/CIRCUIT DIAGNOSIS >

[VDC/TCS/ABS]

C1105, C1106, C1107, C1108 WHEEL SENSOR

Description

INFOID:000000004497260

When the sensor rotor rotates, the magnetic field changes. It converts the magnetic field changes to current signals (rectangular wave) and transmits them to the ABS actuator and electric unit (control unit).

DTC Logic

INFOID:000000004497261

DTC DETECTION LOGIC

DTC	Display item	Malfunction detected condition	Possible cause
C1105	RR RH SENSOR-2	When the circuit in the rear RH wheel sensor is short-circuited. Or when the distance between the wheel sensor and sensor rotor is too large and the sensor pulse cannot be recognized by the control unit.	<ul style="list-style-type: none">• Harness or connector• Wheel sensor• ABS actuator and electric unit (control unit)
C1106	RR LH SENSOR-2	When the circuit in the rear LH wheel sensor is short-circuited. Or when the distance between the wheel sensor and sensor rotor is too large and the sensor pulse cannot be recognized by the control unit.	
C1107	FR RH SENSOR-2	When the circuit in the front RH wheel sensor is short-circuited. Or when the distance between the wheel sensor and sensor rotor is too large and the sensor pulse cannot be recognized by the control unit.	
C1108	FR LH SENSOR-2	When the circuit in the front LH wheel sensor is short-circuited. Or when the distance between the wheel sensor and sensor rotor is too large and the sensor pulse cannot be recognized by the control unit.	

DTC CONFIRMATION PROCEDURE

1. DTC REPRODUCTION PROCEDURE

1. Start the engine and drive the vehicle at 30 km/h (19 MPH) or more for approximately 1 minute.
2. Perform ABS actuator and electric unit (control unit) self-diagnosis.

Is DTC "C1105", "C1106", "C1107", or "C1108" detected?

- YES >> Proceed to diagnosis procedure. Refer to [BRC-30, "Diagnosis Procedure"](#).
NO >> INSPECTION END

Diagnosis Procedure

INFOID:000000004513170

CAUTION:

Never check between wheel sensor harness connector terminals.

1. CHECK TIRES

Check air pressure, wear and size. Refer to [WT-100, "Tire Air Pressure"](#).

Is the inspection result normal?

- YES >> GO TO 2.
NO >> Adjust air pressure or replace error-detected parts.

2. CHECK SENSOR AND SENSOR ROTOR

- Check sensor rotor for damage.
 - Front: refer to [BRC-97, "FRONT SENSOR ROTOR : Exploded View"](#).
 - Rear: refer to [BRC-97, "REAR SENSOR ROTOR : Exploded View"](#).
- Check wheel sensor for damage, disconnection or looseness.

Is the inspection result normal?

- YES >> GO TO 3.
NO >> Repair wheel sensor mount or replace sensor rotor.

3. CHECK CONNECTOR

1. Turn the ignition switch OFF.

C1105, C1106, C1107, C1108 WHEEL SENSOR

[VDC/TCS/ABS]

< DTC/CIRCUIT DIAGNOSIS >

2. Disconnect ABS actuator and electric unit (control unit) harness connector.
3. Disconnect wheel sensor harness connector.
4. Check connector and terminal to see if it is deformed, disconnected, looseness, etc.

Is the inspection result normal?

YES >> GO TO 4.

NO >> Repair or replace error-detected parts.

4. CHECK WHEEL SENSOR HARNESS

1. Check the continuity between ABS actuator and electric unit (control unit) harness connector and wheel sensor harness connector. (Also check continuity when steering wheel is turned right and left and when sensor harness inside the wheel house is moved.)

Measurement connector and terminal for power supply circuit

ABS actuator and electric unit (control unit)		Wheel sensor		Continuity
Connector	Terminal	Connector	Terminal	
E41	9	E27 (Front RH)	1	Existed
	26	E60 (Front LH)		
	7	B33 (Rear RH)		
	6	B34 (Rear LH)		

Measurement connector and terminal for signal circuit

ABS actuator and electric unit (control unit)		Wheel sensor		Continuity
Connector	Terminal	Connector	Terminal	
E41	10	E27 (Front RH)	2	Existed
	5	E60 (Front LH)		
	29	B33 (Rear RH)		
	27	B34 (Rear LH)		

2. Check the continuity between ABS actuator and electric unit (control unit) harness connector.

ABS actuator and electric unit (control unit)				Continuity
Connector	Terminal	Connector	Terminal	
E41	9, 10	E41	1, 4	Not existed
	26, 5			
	7, 29			
	6, 27			

Is the inspection result normal?

YES >> GO TO 5.

NO >> Repair or replace error-detected parts.

5. REPLACE WHEEL SENSOR

1. Replace wheel sensor.
2. Erase ABS actuator and electric unit (control unit) self-diagnosis results.
3. Turn the ignition switch OFF.
4. Turn the ignition switch ON.

CAUTION:

Never start the engine.

5. Perform ABS actuator and electric unit (control unit) self-diagnosis.

Is DTC "C1105", "C1106", "C1107" or "C1108" detected?

YES >> Replace ABS actuator and electric unit (control unit). Refer to [BRC-98, "Exploded View"](#)

NO >> INSPECTION END

Special Repair Requirement

INFOID:000000004512093

1. ADJUSTMENT OF STEERING ANGLE SENSOR NEUTRAL POSITION

C1105, C1106, C1107, C1108 WHEEL SENSOR

< DTC/CIRCUIT DIAGNOSIS >

[VDC/TCS/ABS]

Always perform the neutral position adjustment for the steering angle sensor, when replacing the ABS actuator and electric unit (control unit) or steering angle sensor and removing steering angle sensor. Refer to [BRC-8. "ADJUSTMENT OF STEERING ANGLE SENSOR NEUTRAL POSITION : Special Repair Requirement"](#)

>> END

C1109 POWER AND GROUND SYSTEM

< DTC/CIRCUIT DIAGNOSIS >

[VDC/TCS/ABS]

C1109 POWER AND GROUND SYSTEM

Description

INFOID:000000004497265

Supplies electric power to the ABS actuator and electric unit (control unit).

DTC Logic

INFOID:000000004497266

DTC DETECTION LOGIC

DTC	Display item	Malfunction detected condition	Possible cause
C1109	BATTERY VOLTAGE [ABNORMAL]	When the ABS actuator and electric unit (control unit) power supply voltage is lower than normal.	<ul style="list-style-type: none"> • Harness or connector • ABS actuator and electric unit (control unit) • IPDM E/R

DTC CONFIRMATION PROCEDURE

1. DTC REPRODUCTION PROCEDURE

1. Turn the ignition switch ON.
2. Perform ABS actuator and electric unit (control unit) self-diagnosis.

Is DTC "C1109" detected?

- YES >> Proceed to diagnosis procedure. Refer to [BRC-33, "Diagnosis Procedure"](#).
 NO >> INSPECTION END

Diagnosis Procedure

INFOID:000000004497267

1. CHECK ABS ACTUATOR AND ELECTRIC UNIT (CONTROL UNIT) POWER SUPPLY

1. Turn the ignition switch OFF.
2. Disconnect ABS actuator and electric unit (control unit) harness connector.
3. Check the voltage between ABS actuator and electric unit (control unit) harness connector and ground.

ABS actuator and electric unit (control unit)		—	Condition	Voltage
Connector	Terminal			
E41	28	Ground	Ignition switch: OFF	Approx. 0 V

4. Turn the ignition switch ON.
CAUTION:
Never start the engine.
5. Check the voltage between ABS actuator and electric unit (control unit) harness connector and ground.

ABS actuator and electric unit (control unit)		—	Condition	Voltage
Connector	Terminal			
E41	28	Ground	Ignition switch: ON	Battery voltage

Is the inspection result normal?

- YES >> GO TO 3.
 NO >> GO TO 2.

2. CHECK ABS ACTUATOR AND ELECTRIC UNIT (CONTROL UNIT) POWER SUPPLY CIRCUIT

1. Turn the ignition switch OFF.
2. Disconnect IPDM E/R harness connector.
3. Check continuity between ABS actuator and electric unit (control unit) harness connector and IPDM E/R harness connector.

ABS actuator and electric unit (control unit)		IPDM E/R		Continuity
Connector	Terminal	Connector	Terminal	
E41	28	E5	25	Existed

C1109 POWER AND GROUND SYSTEM

[VDC/TCS/ABS]

< DTC/CIRCUIT DIAGNOSIS >

Is the inspection result normal?

YES >> Perform the trouble diagnosis for ignition power supply circuit. Refer to [PG-42, "Wiring Diagram - IGNITION POWER SUPPLY -"](#).

NO >> Repair or replace error-detected parts.

3.CHECK ABS ACTUATOR AND ELECTRIC UNIT (CONTROL UNIT) GROUND

Check continuity between ABS actuator and electric unit (control unit) harness connector and ground.

ABS actuator and electric unit (control unit)		—	Continuity
Connector	Terminal		
E41	1	Ground	Existed
	4		

Is the inspection result normal?

YES >> Replace ABS actuator electric unit (control unit). Refer to [BRC-98, "Exploded View"](#).

NO >> Repair or replace error-detected parts.

Special Repair Requirement

INFOID:000000004512094

1.AJUSTMENT OF STEERING ANGLE SENSOR NEUTRAL POSITION

Always perform the neutral position adjustment for the steering angle sensor, when replacing the ABS actuator and electric unit (control unit) or steering angle sensor and removing steering angle sensor. Refer to [BRC-8, "ADJUSTMENT OF STEERING ANGLE SENSOR NEUTRAL POSITION : Special Repair Requirement"](#)

>> END

C1110, C1153, C1170 ABS ACTUATOR AND ELECTRIC UNIT (CONTROL UNIT)

DTC Logic

INFOID:000000004497269

DTC DETECTION LOGIC

DTC	Display item	Malfunction detected condition	Possible cause
C1110	CONTROLLER FAILURE	When there is an internal malfunction in the ABS actuator and electric unit (control unit).	ABS actuator and electric unit (control unit)
C1153	EMERGENCY BRAKE	When ABS actuator and electric unit (control unit) is malfunctioning. (Pressure increase is too much or too little)	
C1170	VARIANT CODING	In a case where VARIANT CODING is different.	

DTC CONFIRMATION PROCEDURE

1. DTC REPRODUCTION PROCEDURE

1. Turn the ignition switch ON.
2. Perform ABS actuator and electric unit (control unit) self-diagnosis.

Is DTC "C1110", "C1153" or "C1170" detected?

- YES >> Proceed to diagnosis procedure. Refer to [BRC-35. "Diagnosis Procedure"](#).
 NO >> INSPECTION END

Diagnosis Procedure

INFOID:000000004497270

1. REPLACE ABS ACTUATOR AND ELECTRIC UNIT (CONTROL UNIT)

CAUTION:

Replace ABS actuator and electric unit (control unit) when self-diagnostic result shows items other than those applicable.

>> Replace ABS actuator and electric unit (control unit). Refer to [BRC-98. "Exploded View"](#).

Special Repair Requirement

INFOID:000000004512095

1. ADJUSTMENT OF STEERING ANGLE SENSOR NEUTRAL POSITION

Always perform the neutral position adjustment for the steering angle sensor, when replacing the ABS actuator and electric unit (control unit) or steering angle sensor and removing steering angle sensor. Refer to [BRC-8. "ADJUSTMENT OF STEERING ANGLE SENSOR NEUTRAL POSITION : Special Repair Requirement"](#)

>> END

C1111 ABS MOTOR, MOTOR RELAY SYSTEM

< DTC/CIRCUIT DIAGNOSIS >

[VDC/TCS/ABS]

C1111 ABS MOTOR, MOTOR RELAY SYSTEM

Description

INFOID:000000004497272

PUMP

The pump returns the brake fluid stored in the reservoir to the master cylinder by reducing the pressure.

MOTOR

The motor drives the pump according to the signals transmitted by the ABS actuator and electric unit (control unit).

MOTOR RELAY

Activates or deactivates motor according to the signals transmitted by the ABS actuator and electric unit (control unit).

DTC Logic

INFOID:000000004497273

DTC DETECTION LOGIC

DTC	Display item	Malfunction detected condition	Possible cause
C1111	PUMP MOTOR	During the actuator motor operating with ON, when the actuator motor turns OFF, or when the control line for actuator motor relay is open.	<ul style="list-style-type: none">• Harness or connector• ABS actuator and electric unit (control unit)
		During the actuator motor operating with OFF, when the actuator motor turns ON, or when the control line for relay is shorted to ground.	

DTC CONFIRMATION PROCEDURE

1. DTC REPRODUCTION PROCEDURE

1. Turn the ignition switch ON.
2. Perform ABS actuator and electric unit (control unit) self-diagnosis.

Is DTC "C1111" detected?

- YES >> Proceed to diagnosis procedure. Refer to [BRC-36, "Diagnosis Procedure"](#).
NO >> INSPECTION END

Diagnosis Procedure

INFOID:000000004497274

1. CHECK ABS MOTOR AND MOTOR RELAY POWER SUPPLY

1. Turn the ignition switch OFF.
2. Disconnect ABS actuator and electric unit (control unit) harness connector.
3. Check the 50A fuse (H).
4. Check voltage between the ABS actuator and electric unit (control unit) harness connector and ground.

ABS actuator and electric unit (control unit)		—	Voltage
Connector	Terminal		
E41	2	Ground	Battery voltage

Is the inspection result normal?

- YES >> GO TO 2.
NO >> Repair or replace error-detected parts.

2. CHECK ABS ACTUATOR AND ELECTRIC UNIT (CONTROL UNIT) GROUND

Check continuity between ABS actuator and electric unit (control unit) harness connector and ground.

C1111 ABS MOTOR, MOTOR RELAY SYSTEM

< DTC/CIRCUIT DIAGNOSIS >

[VDC/TCS/ABS]

ABS actuator and electric unit (control unit)		—	Continuity
Connector	Terminal		
E41	1	Ground	Existed
	4		

Is the inspection result normal?

YES >> Replace ABS actuator and electric unit (control unit). Refer to [BRC-98, "Exploded View"](#).

NO >> Repair or replace error-detected parts.

Special Repair Requirement

INFOID:000000004512096

1. ADJUSTMENT OF STEERING ANGLE SENSOR NEUTRAL POSITION

Always perform the neutral position adjustment for the steering angle sensor, when replacing the ABS actuator and electric unit (control unit) or steering angle sensor and removing steering angle sensor. Refer to [BRC-8, "ADJUSTMENT OF STEERING ANGLE SENSOR NEUTRAL POSITION : Special Repair Requirement"](#)

>> END

BRC

G

H

I

J

K

L

M

N

O

P

C1114 ACTUATOR RELAY SYSTEM

< DTC/CIRCUIT DIAGNOSIS >

[VDC/TCS/ABS]

C1114 ACTUATOR RELAY SYSTEM

Description

INFOID:000000004497277

Activates or deactivates each solenoid valve according to the signals transmitted by the ABS actuator and electric unit (control unit).

DTC Logic

INFOID:000000004497278

DTC DETECTION LOGIC

DTC	Display item	Malfunction detected condition	Possible cause
C1114	MAIN RELAY	During the actuator relay operating with OFF, when the actuator relay turns ON, or when the control line for the relay is shorted to the ground.	<ul style="list-style-type: none">• Harness or connector• ABS actuator and electric unit (control unit)
		During the actuator relay operating with ON, when the actuator relay turns ON, or when the control line for the relay is open.	

DTC CONFIRMATION PROCEDURE

1. DTC REPRODUCTION PROCEDURE

1. Turn the ignition switch ON.
2. Perform ABS actuator and electric unit (control unit) self-diagnosis.

Is DTC "C1114" detected?

- YES >> Proceed to diagnosis procedure. Refer to [BRC-38, "Diagnosis Procedure"](#).
NO >> INSPECTION END

Diagnosis Procedure

INFOID:000000004497279

1. CHECK ACTUATOR RELAY POWER SUPPLY

1. Turn the ignition switch OFF.
2. Disconnect ABS actuator and electric unit (control unit) harness connector.
3. Check voltage between ABS actuator and electric unit (control unit) harness connector and ground.

ABS actuator and electric unit (control unit)		—	Voltage
Connector	Terminal		
E41	3	Ground	Battery voltage

Is the inspection result normal?

- YES >> GO TO 2.
NO >> Repair or replace error-detected parts.

2. CHECK ACTUATOR RELAY GROUND

Check continuity between ABS actuator and electric unit (control unit) harness connector and ground.

ABS actuator and electric unit (control unit)		—	Continuity
Connector	Terminal		
E41	1	Ground	Existed
	4		

Is the inspection result normal?

- YES >> Replace ABS actuator and electric unit (control unit). Refer to [BRC-98, "Exploded View"](#).
NO >> Repair or replace error-detected parts.

C1114 ACTUATOR RELAY SYSTEM

< DTC/CIRCUIT DIAGNOSIS >

[VDC/TCS/ABS]

Special Repair Requirement

INFOID:000000004512097

1. ADJUSTMENT OF STEERING ANGLE SENSOR NEUTRAL POSITION

Always perform the neutral position adjustment for the steering angle sensor, when replacing the ABS actuator and electric unit (control unit) or steering angle sensor and removing steering angle sensor. Refer to [BRC-8. "ADJUSTMENT OF STEERING ANGLE SENSOR NEUTRAL POSITION : Special Repair Requirement"](#)

>> END

A
B
C
D
E
G
H
I
J
K
L
M
N
O
P

BRC

C1115 WHEEL SENSOR

[VDC/TCS/ABS]

< DTC/CIRCUIT DIAGNOSIS >

C1115 WHEEL SENSOR

Description

INFOID:000000004497282

When the sensor rotor rotates, the magnetic field changes. It converts the magnetic field changes to current signals (rectangular wave) and transmits them to the ABS actuator and electric unit (control unit).

DTC Logic

INFOID:000000004497283

DTC DETECTION LOGIC

DTC	Display item	Malfunction detected condition	Possible cause
C1115	ABS SENSOR [ABNORMAL SIGNAL]	When wheel sensor input signal is malfunctioning.	<ul style="list-style-type: none">• Harness or connector• Wheel sensor• ABS actuator and electric unit (control unit)

DTC CONFIRMATION PROCEDURE

1. DTC REPRODUCTION PROCEDURE

1. Start the engine and drive the vehicle at 30 km/h (19 MPH) or more for approximately 1 minute.
2. Perform ABS actuator and electric unit (control unit) self-diagnosis.

Is DTC "C1115" detected?

- YES >> Proceed to diagnosis procedure. Refer to [BRC-40. "Diagnosis Procedure"](#).
NO >> INSPECTION END

Diagnosis Procedure

INFOID:000000004513172

CAUTION:

Never check between wheel sensor harness connector terminals.

1. CHECK TIRES

Check air pressure, wear and size. Refer to [WT-100. "Tire Air Pressure"](#).

Is the inspection result normal?

- YES >> GO TO 2.
NO >> Adjust air pressure or replace error-detected parts.

2. CHECK SENSOR AND SENSOR ROTOR

- Check sensor rotor for damage.
 - Front: refer to [BRC-97. "FRONT SENSOR ROTOR : Exploded View"](#).
 - Rear: refer to [BRC-97. "REAR SENSOR ROTOR : Exploded View"](#).
- Check wheel sensor for damage, disconnection or looseness.

Is the inspection result normal?

- YES >> GO TO 3.
NO >> Repair wheel sensor mount or replace sensor rotor.

3. CHECK CONNECTOR

1. Turn the ignition switch OFF.
2. Disconnect ABS actuator and electric unit (control unit) harness connector.
3. Disconnect wheel sensor harness connector.
4. Check connector and terminal to see if it is deformed, disconnected, looseness, etc.

Is the inspection result normal?

- YES >> GO TO 4.
NO >> Repair or replace error-detected parts.

4. CHECK WHEEL SENSOR HARNESS

1. Check the continuity between ABS actuator and electric unit (control unit) harness connector and wheel sensor harness connector. (Also check continuity when steering wheel is turned right and left and when sensor harness inside the wheel house is moved.)

C1115 WHEEL SENSOR

[VDC/TCS/ABS]

< DTC/CIRCUIT DIAGNOSIS >

Measurement connector and terminal for power supply circuit				
ABS actuator and electric unit (control unit)		Wheel sensor		Continuity
Connector	Terminal	Connector	Terminal	
E41	9	E27 (Front RH)	1	Existed
	26	E60 (Front LH)		
	7	B33 (Rear RH)		
	6	B34 (Rear LH)		

Measurement connector and terminal for signal circuit				
ABS actuator and electric unit (control unit)		Wheel sensor		Continuity
Connector	Terminal	Connector	Terminal	
E41	10	E27 (Front RH)	2	Existed
	5	E60 (Front LH)		
	29	B33 (Rear RH)		
	27	B34 (Rear LH)		

2. Check the continuity between ABS actuator and electric unit (control unit) harness connector.

ABS actuator and electric unit (control unit)				Continuity
Connector	Terminal	Connector	Terminal	
E41	9, 10	E41	1, 4	Not existed
	26, 5			
	7, 29			
	6, 27			

Is the inspection result normal?

YES >> GO TO 5.

NO >> Repair or replace error-detected parts.

5. REPLACE WHEEL SENSOR

1. Replace wheel sensor.
2. Erase ABS actuator and electric unit (control unit) self-diagnosis results.
3. Turn the ignition switch OFF.
4. Turn the ignition switch ON.

CAUTION:

Never start the engine.

5. Perform ABS actuator and electric unit (control unit) self-diagnosis.

Is DTC "C1115" detected?

YES >> Replace ABS actuator and electric unit (control unit). Refer to [BRC-98, "Exploded View"](#)

NO >> INSPECTION END

Special Repair Requirement

INFOID:000000004512098

1. ADJUSTMENT OF STEERING ANGLE SENSOR NEUTRAL POSITION

Always perform the neutral position adjustment for the steering angle sensor, when replacing the ABS actuator and electric unit (control unit) or steering angle sensor and removing steering angle sensor. Refer to [BRC-8, "ADJUSTMENT OF STEERING ANGLE SENSOR NEUTRAL POSITION : Special Repair Requirement"](#)

>> END

C1116 STOP LAMP SWITCH

< DTC/CIRCUIT DIAGNOSIS >

[VDC/TCS/ABS]

C1116 STOP LAMP SWITCH

Description

INFOID:000000004497287

The stop lamp switch transmits the stop lamp switch signal (ON/OFF) to the ABS actuator and electric unit (control unit).

DTC Logic

INFOID:000000004497288

DTC DETECTION LOGIC

DTC	Display item	Malfunction detected condition	Possible cause
C1116	STOP LAMP SW	When stop lamp switch circuit is open.	<ul style="list-style-type: none">• Harness or connector• Stop lamp switch• ABS actuator and electric unit (control unit)

DTC CONFIRMATION PROCEDURE

1. DTC REPRODUCTION PROCEDURE

1. Turn the ignition switch ON.
2. Perform ABS actuator and electric unit (control unit) self-diagnosis.

Is DTC "C1116" detected?

- YES >> Proceed to diagnosis procedure. Refer to [BRC-42, "Diagnosis Procedure"](#).
NO >> INSPECTION END

Diagnosis Procedure

INFOID:000000004497289

1. CHECK CONNECTOR

1. Turn the ignition switch OFF.
2. Disconnect ABS actuator and electric unit (control unit) harness connector.
3. Disconnect stop lamp switch harness connector.
4. Check terminal for deformation, disconnection, looseness, etc.
5. Reconnect ABS actuator and electric unit (control unit) and stop lamp switch connectors securely.
6. Start the engine.
7. Repeat pumping brake pedal carefully several times, and perform ABS actuator and electric unit (control unit) self-diagnosis.

Is inspection result normal?

- YES >> GO TO 2.
NO >> Poor connection of connector terminal. Repair or replace error-detected parts.

2. CHECK STOP LAMP SWITCH CLEARANCE

Check stop lamp switch clearance. Refer to [BR-7, "Inspection and Adjustment"](#).

Is the inspection result normal?

- YES >> GO TO 3.
NO >> Adjust stop lamp switch clearance. Refer to [BR-7, "Inspection and Adjustment"](#).

3. CHECK STOP LAMP SWITCH SIGNAL

1. Turn the ignition switch OFF.
2. Disconnect ABS actuator and electric unit (control unit) harness connector.
3. Check voltage between ABS actuator and electric unit (control unit) harness connector and ground.

ABS actuator and electric unit (control unit)		Condition	Voltage
Connector	Terminal		
E41	30	Brake pedal is depressed	Battery voltage
		Brake pedal is released	Approx. 0 V

Is the inspection result normal?

C1116 STOP LAMP SWITCH

[VDC/TCS/ABS]

< DTC/CIRCUIT DIAGNOSIS >

- YES >> Replace ABS actuator and electric unit (control unit). Refer to [BRC-98. "Exploded View"](#).
NO >> GO TO 4.

4.CHECK STOP LAMP SWITCH

Check stop lamp switch. Refer to [BRC-43. "Component Inspection"](#).

Is the inspection result normal?

- YES >> GO TO 5.
NO >> Repair stop lamp switch. Refer to [BR-18. "Exploded View"](#).

5.CHECK STOP LAMP SWITCH CIRCUIT (1)

Check continuity between stop lamp switch harness connector and ABS actuator electric unit (control unit) harness connector.

Stop lamp switch		ABS actuator electric unit (control unit)		Continuity
Connector	Terminal	Connector	Terminal	
E110	2	E41	30	Existed

Is the inspection result normal?

- YES >> GO TO 6.
NO >> Repair or replace error-detected parts.

6.CHECK STOP LAMP SWITCH CIRCUIT (2)

1. Check the 10A fuse (#7).
2. Check continuity between stop lamp switch harness connector and battery positive terminal.
3. Disconnect fuse block connector M1.
4. Check the harness for open between stop lamp switch harness connector and fuse block harness connector.

Stop lamp switch		Fuse block		Continuity
Connector	Terminal	Connector	Terminal	
E110	1	M1	8F	Existed

Is the inspection result normal?

- YES >> Perform the trouble diagnosis for power supply circuit. Refer to [PG-6. "Wiring Diagram - BATTERY POWER SUPPLY -"](#).
NO >> Repair or replace error-detected parts.

Component Inspection

INFOID:000000004497290

1.CHECK STOP LAMP SWITCH

1. Turn the ignition switch OFF.
2. Disconnect stop lamp switch harness connector.
3. Check continuity between stop lamp switch harness connector terminals.

Stop lamp switch	Condition	Continuity
Terminal		
1 - 2	Release stop lamp switch (When brake pedal is depressed.)	Existed
	Push stop lamp switch (When brake pedal is released.)	Not existed

Is the inspection result normal?

- YES >> INSPECTION END
NO >> Replace stop lamp switch. Refer to [BR-18. "Exploded View"](#).

C1116 STOP LAMP SWITCH

< DTC/CIRCUIT DIAGNOSIS >

[VDC/TCS/ABS]

Special Repair Requirement

INFOID:000000004512099

1. ADJUSTMENT OF STEERING ANGLE SENSOR NEUTRAL POSITION

Always perform the neutral position adjustment for the steering angle sensor, when replacing the ABS actuator and electric unit (control unit) or steering angle sensor and removing steering angle sensor. Refer to [BRC-8. "ADJUSTMENT OF STEERING ANGLE SENSOR NEUTRAL POSITION : Special Repair Requirement"](#)

>> END

C1120, C1122, C1124, C1126 IN ABS SOL

< DTC/CIRCUIT DIAGNOSIS >

[VDC/TCS/ABS]

C1120, C1122, C1124, C1126 IN ABS SOL

Description

INFOID:000000004497292

The solenoid valve increases, holds or decreases the fluid pressure of each brake caliper according to the signals transmitted by the ABS actuator and electric unit (control unit).

DTC Logic

INFOID:000000004497293

DTC DETECTION LOGIC

DTC	Display item	Malfunction detected condition	Possible cause
C1120	FR LH IN ABS SOL	When the control unit detects a malfunction in the front LH inlet solenoid circuit.	ABS actuator and electric unit (control unit)
C1122	FR RH IN ABS SOL	When the control unit detects a malfunction in the front RH inlet solenoid circuit.	
C1124	RR LH IN ABS SOL	When the control unit detects a malfunction in the rear LH inlet solenoid circuit.	
C1126	RR RH IN ABS SOL	When the control unit detects a malfunction in the rear RH inlet solenoid circuit.	

DTC CONFIRMATION PROCEDURE

1. DTC REPRODUCTION PROCEDURE

1. Turn the ignition switch ON.
2. Perform ABS actuator and electric unit (control unit) self-diagnosis.

Is DTC "C1120", "C1122", "C1124" or "C1126" detected?

- YES >> Proceed to diagnosis procedure. Refer to [BRC-45, "Diagnosis Procedure"](#).
NO >> INSPECTION END

Diagnosis Procedure

INFOID:000000004515372

1. CHECK SOLENOID POWER SUPPLY

1. Turn the ignition switch OFF.
2. Disconnect ABS actuator and electric unit (control unit) harness connector.
3. Check voltage between ABS actuator and electric unit (control unit) harness connector and ground.

ABS actuator and electric unit (control unit)		—	Voltage
Connector	Terminal		
E41	3	Ground	Battery voltage

Is the inspection result normal?

- YES >> GO TO 2.
NO >> Repair or replace error-detected parts.

2. CHECK SOLENOID GROUND

Check continuity between ABS actuator and electric unit (control unit) harness connector and ground.

ABS actuator and electric unit (control unit)		—	Continuity
Connector	Terminal		
E41	1	Ground	Existed
	4		

Is the inspection result normal?

- YES >> Replace ABS actuator and electric unit (control unit). Refer to [BRC-98, "Exploded View"](#).
NO >> Repair or replace error-detected parts.

C1120, C1122, C1124, C1126 IN ABS SOL

< DTC/CIRCUIT DIAGNOSIS >

[VDC/TCS/ABS]

Special Repair Requirement

INFOID:000000004535409

1. ADJUSTMENT OF STEERING ANGLE SENSOR NEUTRAL POSITION

Always perform the neutral position adjustment for the steering angle sensor, when replacing the ABS actuator and electric unit (control unit) or steering angle sensor and removing steering angle sensor. Refer to [BRC-8. "ADJUSTMENT OF STEERING ANGLE SENSOR NEUTRAL POSITION : Special Repair Requirement"](#)

>> END

C1121, C1123, C1125, C1127 OUT ABS SOL

< DTC/CIRCUIT DIAGNOSIS >

[VDC/TCS/ABS]

C1121, C1123, C1125, C1127 OUT ABS SOL

Description

INFOID:000000004497297

The solenoid valve increases, holds or decreases the fluid pressure of each brake caliper according to the signals transmitted by the ABS actuator and electric unit (control unit).

DTC Logic

INFOID:000000004497298

DTC DETECTION LOGIC

DTC	Display item	Malfunction detected condition	Possible cause
C1121	FR LH OUT ABS SOL	When the control unit detects a malfunction in the front LH outlet solenoid circuit.	<ul style="list-style-type: none"> ABS actuator and electric unit (control unit)
C1123	FR RH OUT ABS SOL	When the control unit detects a malfunction in the front RH outlet solenoid circuit.	
C1125	RR LH OUT ABS SOL	When the control unit detects a malfunction in the rear LH outlet solenoid circuit.	
C1127	RR RH OUT ABS SOL	When the control unit detects a malfunction in the rear RH outlet solenoid circuit.	

DTC CONFIRMATION PROCEDURE

1. DTC REPRODUCTION PROCEDURE

- Turn the ignition switch ON.
- Perform ABS actuator and electric unit (control unit) self-diagnosis.

Is DTC "C1121", "C1123", "C1125" or "C1127" detected?

- YES >> Proceed to diagnosis procedure. Refer to [BRC-47, "Diagnosis Procedure"](#).
 NO >> INSPECTION END

Diagnosis Procedure

INFOID:000000004535488

1. CHECK SOLENOID POWER SUPPLY

- Turn the ignition switch OFF.
- Disconnect ABS actuator and electric unit (control unit) harness connector.
- Check voltage between ABS actuator and electric unit (control unit) harness connector and ground.

ABS actuator and electric unit (control unit)		—	Voltage
Connector	Terminal		
E41	3	Ground	Battery voltage

Is the inspection result normal?

- YES >> GO TO 2.
 NO >> Repair or replace error-detected parts.

2. CHECK SOLENOID GROUND

Check continuity between ABS actuator and electric unit (control unit) harness connector and ground.

ABS actuator and electric unit (control unit)		—	Continuity
Connector	Terminal		
E41	1	Ground	Existed
	4		

Is the inspection result normal?

- YES >> Replace ABS actuator and electric unit (control unit). Refer to [BRC-98, "Exploded View"](#).
 NO >> Repair or replace error-detected parts.

C1121, C1123, C1125, C1127 OUT ABS SOL

< DTC/CIRCUIT DIAGNOSIS >

[VDC/TCS/ABS]

Special Repair Requirement

INFOID:000000004512100

1. ADJUSTMENT OF STEERING ANGLE SENSOR NEUTRAL POSITION

Always perform the neutral position adjustment for the steering angle sensor, when replacing the ABS actuator and electric unit (control unit) or steering angle sensor and removing steering angle sensor. Refer to [BRC-8. "ADJUSTMENT OF STEERING ANGLE SENSOR NEUTRAL POSITION : Special Repair Requirement"](#)

>> END

C1130 ENGINE SIGNAL

Description

INFOID:000000004497302

ABS actuator and electric unit (control unit) and ECM exchange the engine signal with CAN communication line.

DTC Logic

INFOID:000000004497303

DTC DETECTION LOGIC

DTC	Display item	Malfunction detected condition	Possible cause
C1130	ENGINE SIGNAL 1	Major engine components are malfunctioning.	<ul style="list-style-type: none"> • Harness or connector • ABS actuator and electric unit (control unit) • ECM • CAN communication line

DTC CONFIRMATION PROCEDURE

1. DTC REPRODUCTION PROCEDURE

1. Turn the ignition switch ON.
2. Perform ABS actuator and electric unit (control unit) self-diagnosis.

Is DTC "C1130" detected?

- YES >> Proceed to diagnosis procedure. Refer to [BRC-49, "Diagnosis Procedure"](#).
 NO >> INSPECTION END

Diagnosis Procedure

INFOID:000000004497304

1. PERFORM ECM SELF-DIAGNOSIS

Perform ECM self-diagnosis.

Is any DTC detected?

- YES >> Check the DTC.
 NO >> GO TO 2.

2. PERFORM ABS ACTUATOR AND ELECTRIC UNIT (CONTROL UNIT) SELF-DIAGNOSIS

1. Erase ABS actuator and electric unit (control unit) self-diagnosis results.
2. Turn the ignition switch OFF.
3. Start the engine. Drive the vehicle for a while.
4. Make sure that malfunction indicator lamp (MIL) turns OFF.
5. Stop the engine. Perform ABS actuator and electric unit (control unit) self-diagnosis.

Is DTC "C1130" detected?

- YES >> Replace ABS actuator and electric unit (control unit). Refer to [BRC-98, "Exploded View"](#).
 NO >> Check ABS actuator and electric unit (control unit) harness connector terminals for damage or loose connection with harness connector. If any items are damaged, repair or replace error-detected parts.

Special Repair Requirement

INFOID:000000004512800

1. ADJUSTMENT OF STEERING ANGLE SENSOR NEUTRAL POSITION

Always perform the neutral position adjustment for the steering angle sensor, when replacing the ABS actuator and electric unit (control unit) or steering angle sensor and removing steering angle sensor. Refer to [BRC-8, "ADJUSTMENT OF STEERING ANGLE SENSOR NEUTRAL POSITION : Special Repair Requirement"](#)

>> END

C1142 PRESS SENSOR

[VDC/TCS/ABS]

< DTC/CIRCUIT DIAGNOSIS >

C1142 PRESS SENSOR

Description

INFOID:000000004497310

The pressure sensor converts the brake fluid pressure to an electric signal and transmits it to the ABS actuator and electric unit (control unit). [The pressure sensor is integrated in the ABS actuator and electric unit (control unit).]

DTC Logic

INFOID:000000004497311

DTC DETECTION LOGIC

DTC	Display item	Malfunction detected condition	Possible cause
C1142	PRESS SEN CIRCUIT	Pressure sensor signal line is open or shorted, or pressure sensor is malfunctioning.	<ul style="list-style-type: none">• Harness or connector• Stop lamp switch• ABS actuator and electric unit (control unit)

DTC CONFIRMATION PROCEDURE

1. DTC REPRODUCTION PROCEDURE

1. Turn the ignition switch ON.
2. Perform ABS actuator and electric unit (control unit) self-diagnosis.

Is DTC "C1142" detected?

- YES >> Proceed to diagnosis procedure. Refer to [BRC-50. "Diagnosis Procedure"](#).
NO >> INSPECTION END

Diagnosis Procedure

INFOID:000000004497312

1. CHECK STOP LAMP SWITCH

Check stop lamp switch system. Refer to [BRC-42. "Diagnosis Procedure"](#).

Is the inspection result normal?

- YES >> GO TO 2.
NO >> Repair or replace error-detected parts.

2. CHECK BRAKE SYSTEM

1. Check brake fluid leakage: refer to [BR-10. "Inspection"](#).
2. Check brake piping: refer to [BR-24. "FRONT : Inspection"](#) (front), [BR-28. "REAR : Inspection"](#) (rear).
3. Check brake pedal: refer to [BR-7. "Inspection and Adjustment"](#).
4. Check master cylinder: refer to [BR-12. "Inspection"](#).
5. Check brake booster: refer to [BR-13. "Inspection"](#).
6. Check front disc brake: refer to [BR-44. "BRAKE CALIPER ASSEMBLY \(2 PISTON TYPE\) : Inspection"](#) (2 piston type), [BR-48. "BRAKE CALIPER ASSEMBLY \(4 PISTON TYPE\) : Inspection"](#) (4 piston type).
7. Check rear disc brake: refer to [BR-58. "BRAKE CALIPER ASSEMBLY \(1 PISTON TYPE\) : Inspection"](#) (1 piston type), [BR-62. "BRAKE CALIPER ASSEMBLY \(2 PISTON TYPE\) : Inspection"](#) (2 piston type).

Is the inspection result normal?

- YES >> GO TO 3.
NO >> Repair or replace error-detected parts.

3. PERFORM SELF-DIAGNOSIS

Perform ABS actuator and electric unit (control unit) self-diagnosis.

Is the inspection result normal?

- YES >> Replace ABS actuator and electric unit (control unit). Refer to [BRC-98. "Exploded View"](#).
NO >> Check ABS actuator and electric unit (control unit) harness connector terminals for damage or loose connection with harness connector. If any items are damaged, repair or replace error-detected parts.

C1142 PRESS SENSOR

< DTC/CIRCUIT DIAGNOSIS >

[VDC/TCS/ABS]

Special Repair Requirement

INFOID:000000004512802

1. ADJUSTMENT OF STEERING ANGLE SENSOR NEUTRAL POSITION

Always perform the neutral position adjustment for the steering angle sensor, when replacing the ABS actuator and electric unit (control unit) or steering angle sensor and removing steering angle sensor. Refer to [BRC-8. "ADJUSTMENT OF STEERING ANGLE SENSOR NEUTRAL POSITION : Special Repair Requirement"](#)

>> END

A
B
C
D
E
F
G
H
I
J
K
L
M
N
O
P

BRC

C1143 STEERING ANGLE SENSOR

< DTC/CIRCUIT DIAGNOSIS >

[VDC/TCS/ABS]

C1143 STEERING ANGLE SENSOR

Description

INFOID:000000004497315

The steering angle sensor detects the rotation amount, angular velocity and direction of the steering wheel, and transmits the data to the ABS actuator and electric unit (control unit) via CAN communication.

DTC Logic

INFOID:000000004497316

DTC DETECTION LOGIC

DTC	Display item	Malfunction detected condition	Possible cause
C1143	ST ANG SEN CIRCUIT	Steering angle sensor is malfunctioning.	<ul style="list-style-type: none">• Harness or connector• Steering angle sensor• ABS actuator and electric unit (control unit)

DTC CONFIRMATION PROCEDURE

1. DTC REPRODUCTION PROCEDURE

1. Turn the ignition switch ON.
2. Perform ABS actuator and electric unit (control unit) self-diagnosis.

Is DTC "C1143" detected?

- YES >> Proceed to diagnosis procedure. Refer to [BRC-52. "Diagnosis Procedure"](#).
NO >> INSPECTION END

Diagnosis Procedure

INFOID:000000004497317

1. CHECK STEERING ANGLE SENSOR POWER SUPPLY

1. Turn the ignition switch OFF.
2. Disconnect steering angle sensor harness connector.
3. Check the voltage between steering angle sensor harness connector and ground.

Steering angle sensor		—	Condition	Voltage
Connector	Terminal			
M37	8	Ground	Ignition switch: OFF	Approx. 0 V

4. Turn the ignition switch ON.
CAUTION:
Never start the engine.
5. Check the voltage between steering angle sensor harness connector and ground.

Steering angle sensor		—	Condition	Voltage
Connector	Terminal			
M37	8	Ground	Ignition switch: ON	Battery voltage

Is the inspection result normal?

- YES >> GO TO 3.
NO >> GO TO 2.

2. CHECK STEERING ANGLE SENSOR CIRCUIT

1. Turn the ignition switch OFF.
2. Disconnect IPDM E/R harness connector.
3. Check continuity between steering angle sensor harness connector and IPDM E/R harness connector.

C1143 STEERING ANGLE SENSOR

< DTC/CIRCUIT DIAGNOSIS >

[VDC/TCS/ABS]

Steering angle sensor		IPDM E/R		Continuity
Connector	Terminal	Connector	Terminal	
M37	8	E5	25	Existed

Is the inspection result normal?

YES >> Perform the trouble diagnosis for ignition power supply circuit. Refer to [PG-42. "Wiring Diagram - IGNITION POWER SUPPLY -"](#)

NO >> Repair or replace error-detected parts.

3.CHECK STEERING ANGLE SENSOR GROUND

Check continuity between steering angle sensor harness connector and ground.

Steering angle sensor		—	Continuity
Connector	Terminal		
M37	7	Ground	Existed

Is the inspection result normal?

YES >> GO TO 4.

NO >> Repair or replace error-detected parts.

4.CHECK DATA LINE

Check "STRG BRANCH LINE CIRCUIT". Refer to [LAN-53. "Diagnosis Procedure"](#).

Is the inspection result normal?

YES >> Replace ABS actuator and electric unit (control unit). Refer to [BRC-98. "Exploded View"](#).

NO >> Repair or replace error-detected parts. Refer to [BRC-93. "Precautions for Harness Repair"](#).

Special Repair Requirement

INFOID:000000004513176

1.ADJUSTMENT OF STEERING ANGLE SENSOR NEUTRAL POSITION

Always perform the neutral position adjustment for the steering angle sensor, when replacing the ABS actuator and electric unit (control unit) or steering angle sensor and removing steering angle sensor. Refer to [BRC-8. "ADJUSTMENT OF STEERING ANGLE SENSOR NEUTRAL POSITION : Special Repair Requirement"](#)

>> END

C1144 INCOMPLETE STEERING ANGLE SENSOR ADJUSTMENT

< DTC/CIRCUIT DIAGNOSIS >

[VDC/TCS/ABS]

C1144 INCOMPLETE STEERING ANGLE SENSOR ADJUSTMENT

DTC Logic

INFOID:000000004512950

DTC DETECTION LOGIC

DTC	Display item	Malfunction detected condition	Possible cause
C1144	ST ANG SEN SIGNAL	Neutral position of steering angle sensor is not finished.	<ul style="list-style-type: none">• Harness or connector• Steering angle sensor• ABS actuator and electric unit (control unit)

DTC CONFIRMATION PROCEDURE

1. DTC REPRODUCTION PROCEDURE

1. Turn the ignition switch ON.
2. Select "ST ANG SEN ADJUSTMENT" in "WORK SUPPORT", and perform adjust the neutral position of steering angle sensor.
3. Perform ABS actuator and electric unit (control unit) self-diagnosis.

Is DTC "C1144" detected?

- YES >> Proceed to diagnosis procedure. Refer to [BRC-54. "Diagnosis Procedure"](#).
NO >> INSPECTION END

Diagnosis Procedure

INFOID:000000004512951

1. CHECK STEERING ANGLE SENSOR

Check steering angle sensor. Refer to [BRC-52. "Diagnosis Procedure"](#).

Is the inspection result normal?

- YES >> Replace ABS actuator and electric unit (control unit).
NO >> Repair or replace error-detected parts.

Special Repair Requirement

INFOID:000000004513174

1. ADJUSTMENT OF STEERING ANGLE SENSOR NEUTRAL POSITION

Always perform the neutral position adjustment for the steering angle sensor, when replacing the ABS actuator and electric unit (control unit) or steering angle sensor and removing steering angle sensor. Refer to [BRC-8. "ADJUSTMENT OF STEERING ANGLE SENSOR NEUTRAL POSITION : Special Repair Requirement"](#)

>> END

C1145, C1146 YAW RATE/SIDE G SENSOR

< DTC/CIRCUIT DIAGNOSIS >

[VDC/TCS/ABS]

C1145, C1146 YAW RATE/SIDE G SENSOR

Description

INFOID:000000004497320

The yaw rate/side G sensor detects the yaw rate/side G affecting the vehicle, and transmits the data to the ABS actuator and electric unit (control unit) as an analog voltage signal.

DTC Logic

INFOID:000000004497321

DTC DETECTION LOGIC

DTC	Display item	Malfunction detected condition	Possible cause
C1145	YAW RATE SENSOR	Yaw rate sensor is malfunctioning, or the yaw rate sensor signal line is open or shorted.	<ul style="list-style-type: none"> • Harness or connector • ABS actuator and electric unit (control unit) • Yaw rate/side G sensor
C1146	SIDE G-SEN CIRCUIT	Side G sensor is malfunctioning, or circuit of side G sensor is open or shorted.	

DTC CONFIRMATION PROCEDURE

1. DTC REPRODUCTION PROCEDURE

1. Turn the ignition switch ON.
2. Perform ABS actuator and electric unit (control unit) self-diagnosis.

Is DTC "C1145" or "C1146" detected?

- YES >> Proceed to diagnosis procedure. Refer to [BRC-55, "Diagnosis Procedure"](#).
 NO >> INSPECTION END

Diagnosis Procedure

INFOID:000000004497322

CAUTION:

- Sudden turns (such as spin turns, acceleration turns), drifting, etc., when VDC function is off (VDC OFF switch "ON") may cause yaw rate/side G sensor system to indicate a malfunction. However, this is not a malfunction, if normal operation can be resumed after restarting engine. Then erase memory of self-diagnosis.
- If vehicle is on turn-table at entrance to parking garage, or on other moving surface, VDC OFF indicator lamp may illuminate and CONSULT-III self-diagnosis may indicate yaw rate sensor system malfunction. However, in this case there is no malfunction in yaw rate sensor system. Take vehicle off of turn-table or other moving surface, and start the engine. Results will return to normal.

INSPECTION PROCEDURE

1. CHECK YAW RATE/SIDE G SENSOR POWER SUPPLY

1. Turn the ignition switch OFF.
2. Disconnect yaw rate/side G sensor harness connector.
3. Check voltage between yaw rate/side G sensor harness connector and ground.

Yaw rate/side G sensor		—	Condition	Voltage
Connector	Terminal			
M143	4	Ground	Ignition switch: OFF	Approx. 0 V

4. Turn the ignition switch ON.

CAUTION:

Never start the engine.

5. Check voltage between yaw rate/side G sensor harness connector and ground.

Yaw rate/side G sensor		—	Condition	Voltage
Connector	Terminal			
M143	4	Ground	Ignition switch: ON	Battery voltage

Is the inspection result normal?

- YES >> GO TO 3.

C1145, C1146 YAW RATE/SIDE G SENSOR

< DTC/CIRCUIT DIAGNOSIS >

[VDC/TCS/ABS]

NO >> GO TO 2.

2.CHECK YAW RATE/SIDE G SENSOR CIRCUIT

1. Turn the ignition switch OFF.
2. Disconnect IPDM E/R harness connector.
3. Check continuity between yaw rate/side G sensor harness connector and IPDM E/R harness connector.

Yaw rate/side G sensor		IPDM E/R		Continuity
Connector	Terminal	Connector	Terminal	
M143	4	E5	25	Existed

Is the inspection result normal?

YES >> Perform the trouble diagnosis for ignition power supply circuit. Refer to [PG-42, "Wiring Diagram - IGNITION POWER SUPPLY -"](#).

NO >> Repair or replace error-detected parts.

3.CHECK YAW RATE/SIDE G SENSOR GROUND

Check continuity between yaw rate/side G sensor harness connector and ground.

Yaw rate/side G sensor		—	Continuity
Connector	Terminal		
M143	1	Ground	Existed

Is the inspection result normal?

YES >> GO TO 4.

NO >> Repair or replace error-detected parts.

4.CHECK YAW RATE/SIDE G SENSOR CIRCUIT

Check continuity between yaw rate/side G sensor harness connector and ABS actuator electric unit (control unit) harness connector.

Yaw rate/side G sensor		ABS actuator electric unit (control unit)		Continuity
Connector	Terminal	Connector	Terminal	
M143	2	E41	25	Existed
	3		45	

Is the inspection result normal?

YES >> GO TO 5.

NO >> Repair or replace error-detected parts.

5.REPLACE YAW RATE/SIDE G SENSOR

1. Replace yaw rate/side G sensor. Refer to [BRC-100, "Exploded View"](#).
2. Erase ABS actuator and electric unit (control unit) self-diagnosis results.
3. Turn the ignition switch OFF.
4. Turn the ignition switch ON.

CAUTION:

Never start the engine.

5. Perform ABS actuator and electric unit (control unit) self-diagnosis.

Is DTC "C1145" or "C1146" detected?

YES >> Replace ABS actuator and electric unit (control unit). Refer to [BRC-98, "Exploded View"](#).

NO >> INSPECTION END

Special Repair Requirement

INFOID:000000004512803

1.AJUSTMENT OF STEERING ANGLE SENSOR NEUTRAL POSITION

Always perform the neutral position adjustment for the steering angle sensor, when replacing the ABS actuator and electric unit (control unit) or steering angle sensor and removing steering angle sensor. Refer to [BRC-8, "ADJUSTMENT OF STEERING ANGLE SENSOR NEUTRAL POSITION : Special Repair Requirement"](#)

C1145, C1146 YAW RATE/SIDE G SENSOR

< DTC/CIRCUIT DIAGNOSIS >

[VDC/TCS/ABS]

>> END

A

B

C

D

E

BRC

G

H

I

J

K

L

M

N

O

P

C1147, C1148, C1149, C1150 USV/HSV LINE

< DTC/CIRCUIT DIAGNOSIS >

[VDC/TCS/ABS]

C1147, C1148, C1149, C1150 USV/HSV LINE

Description

INFOID:000000004497325

USV1, USV2 (CUT VALVE)

The cut valve shuts off the normal brake fluid path from the master cylinder, when VDC/TCS is activated.

HSV1, HSV2 (SUCTION VALVE)

The suction valve supplies the brake fluid from the master cylinder to the pump, when VDC/TCS is activated.

DTC Logic

INFOID:000000004497326

DTC DETECTION LOGIC

DTC	Display item	Malfunction detected condition	Possible cause
C1147	USV LINE [FL-RR]	VDC switch-over solenoid valve (USV1) on the primary side is open circuit or shorted, or the control line is open or shorted to the power supply or the ground.	<ul style="list-style-type: none">• Harness or connector• ABS actuator and electric unit (control unit)
C1148	USV LINE [FR-RL]	VDC switch-over solenoid valve (USV2) on the primary side is open circuit or shorted, or the control line is open or shorted to the power supply or the ground.	
C1149	HSV LINE [FL-RR]	VDC switch-over solenoid valve (HSV1) on the primary side is open circuit or shorted, or the control line is open or shorted to the power supply or the ground.	
C1150	HSV LINE [FR-RL]	VDC switch-over solenoid valve (HSV2) on the primary side is open circuit or shorted, or the control line is open or shorted to the power supply or the ground.	

DTC CONFIRMATION PROCEDURE

1. DTC REPRODUCTION PROCEDURE

1. Turn the ignition switch ON.
2. Perform ABS actuator and electric unit (control unit) self-diagnosis.

Is DTC "C1147", "C1148", "C1149" or "C1150" detected?

- YES >> Proceed to diagnosis procedure. Refer to [BRC-58, "Diagnosis Procedure"](#).
NO >> INSPECTION END

Diagnosis Procedure

INFOID:000000004516999

1. CHECK ACTUATOR RELAY POWER SUPPLY

1. Turn the ignition switch OFF.
2. Disconnect ABS actuator and electric unit (control unit) harness connector.
3. Check voltage between ABS actuator and electric unit (control unit) harness connector and ground.

ABS actuator and electric unit (control unit)		—	Voltage
Connector	Terminal		
E41	3	Ground	Battery voltage

Is the inspection result normal?

- YES >> GO TO 2.
NO >> Repair or replace error-detected parts.

2. CHECK ACTUATOR RELAY GROUND

Check continuity between ABS actuator and electric unit (control unit) harness connector and ground.

C1147, C1148, C1149, C1150 USV/HSV LINE

< DTC/CIRCUIT DIAGNOSIS >

[VDC/TCS/ABS]

ABS actuator and electric unit (control unit)		—	Continuity
Connector	Terminal		
E41	1	Ground	Existed
	4		

Is the inspection result normal?

YES >> Replace ABS actuator and electric unit (control unit). Refer to [BRC-98, "Exploded View"](#).

NO >> Repair or replace error-detected parts.

Special Repair Requirement

INFOID:000000004512805

1. ADJUSTMENT OF STEERING ANGLE SENSOR NEUTRAL POSITION

Always perform the neutral position adjustment for the steering angle sensor, when replacing the ABS actuator and electric unit (control unit) or steering angle sensor and removing steering angle sensor. Refer to [BRC-8, "ADJUSTMENT OF STEERING ANGLE SENSOR NEUTRAL POSITION : Special Repair Requirement"](#)

>> END

BRC

G

H

I

J

K

L

M

N

O

P

C1155 BRAKE FLUID LEVEL SWITCH

< DTC/CIRCUIT DIAGNOSIS >

[VDC/TCS/ABS]

C1155 BRAKE FLUID LEVEL SWITCH

Description

INFOID:000000004497330

The brake fluid level switch converts the brake fluid level to an electric signal and transmits it to the ABS actuator and electric unit (control unit).

DTC Logic

INFOID:000000004497331

DTC DETECTION LOGIC

DTC	Display item	Malfunction detected condition	Possible cause
C1155	BR FLUID LEVEL LOW	Brake fluid level is low or communication line between the ABS actuator and electric unit (control unit) and brake fluid level switch is open or shorted.	<ul style="list-style-type: none">• Harness or connector• Brake fluid level switch• Combination meter

DTC CONFIRMATION PROCEDURE

1. DTC REPRODUCTION PROCEDURE

1. Turn the ignition switch ON.
2. Perform ABS actuator and electric unit (control unit) self-diagnosis.

Is DTC "C1155" detected?

- YES >> Proceed to diagnosis procedure. Refer to [BRC-60, "Diagnosis Procedure"](#).
NO >> INSPECTION END

Diagnosis Procedure

INFOID:000000004497332

1. PERFORM COMBINATION METER SELF-DIAGNOSIS

Perform combination meter self-diagnosis. Refer to [MWI-33, "CONSULT-III Function \(METER/M&A\)"](#).

Is any DTC detected?

- YES >> Check the DTC.
NO >> GO TO 2.

2. CHECK THE BRAKE FLUID LEVEL

Check the brake fluid level. Refer to [BR-10, "Inspection"](#).

Is the inspection result normal?

- YES >> GO TO 3.
NO >> Refill the brake fluid. Refer to [BR-10, "Refilling"](#).

3. CHECK BRAKE FLUID LEVEL SWITCH CIRCUIT

Check continuity between brake fluid level switch harness connector and combination meter harness connector.

Combination meter		Brake fluid level switch		Continuity
Connector	Terminal	Connector	Terminal	
M53	27	E47	1	Existed

Brake fluid level switch		—	Continuity
Connector	Terminal		
E47	1	Ground	Not existed

Brake fluid level switch		—	Continuity
Connector	Terminal		
E47	2	Ground	Existed

C1155 BRAKE FLUID LEVEL SWITCH

[VDC/TCS/ABS]

< DTC/CIRCUIT DIAGNOSIS >

Is the inspection result normal?

- YES >> GO TO 4.
- NO >> Repair or replace error-detected parts.

4.CHECK BRAKE FLUID LEVEL SWITCH

Check brake fluid level switch. Refer to [BRC-61, "Component Inspection"](#).

Is the inspection result normal?

- YES >> Check combination meter. Refer to [MWI-32, "Diagnosis Description"](#).
- NO >> Replace reservoir tank. Refer to [BR-29, "Exploded View"](#).

Component Inspection

INFOID:000000004497333

1.CHECK BRAKE FLUID LEVEL SWITCH

1. Turn the ignition switch OFF.
2. Disconnect brake fluid level switch harness connector.
3. Check continuity between brake fluid level switch harness connector.

Brake fluid level switch Terminal	Condition	Continuity
1 - 2	When brake fluid is full in the reservoir tank.	Not existed
	When brake fluid is empty in the reservoir tank.	Existed

Is the inspection result normal?

- YES >> INSPECTION END
- NO >> Replace reservoir tank. Refer to [BR-29, "Exploded View"](#).

Special Repair Requirement

INFOID:000000004512806

1.AJUSTMENT OF STEERING ANGLE SENSOR NEUTRAL POSITION

Always perform the neutral position adjustment for the steering angle sensor, when replacing the ABS actuator and electric unit (control unit) or steering angle sensor and removing steering angle sensor. Refer to [BRC-8, "ADJUSTMENT OF STEERING ANGLE SENSOR NEUTRAL POSITION : Special Repair Requirement"](#)

>> END

U1000 CAN COMM CIRCUIT

< DTC/CIRCUIT DIAGNOSIS >

[VDC/TCS/ABS]

U1000 CAN COMM CIRCUIT

Description

INFOID:000000004497339

CAN (Controller Area Network) is a serial communication line for real time application. It is an on-vehicle multiplex communication line with high data communication speed and excellent error detection ability. Many electronic control units are equipped onto a vehicle, and each control unit shares information and links with other control units during operation (not independent). In CAN communication, control units are connected with 2 communication lines (CAN-H line, CAN-L line) allowing a high rate of information transmission with less wiring. Each control unit transmits/receives data but selectively reads required data only.

DTC Logic

INFOID:000000004519193

DTC DETECTION LOGIC

DTC	Display item	Malfunction detected condition	Possible cause
U1000	CAN COMM CIRCUIT	When ABS actuator and electric unit (control unit) is not transmitting or receiving CAN communication signal for 2 seconds or more.	<ul style="list-style-type: none">CAN communication lineABS actuator and electric unit (control unit)

DTC CONFIRMATION PROCEDURE

1. DTC REPRODUCTION PROCEDURE

1. Turn the ignition switch ON.
2. Perform ABS actuator and electric unit (control unit) self-diagnosis.

Is DTC "U1000" detected?

- YES >> Proceed to diagnosis procedure. Refer to [BRC-62. "Diagnosis Procedure"](#).
NO >> INSPECTION END

Diagnosis Procedure

INFOID:000000004519194

1. PERFORM ABS ACTUATOR AND ELECTRIC UNIT (CONTROL UNIT)

Perform ABS actuator and electric unit (control unit) self-diagnosis.

Is DTC "U1000" detected?

- YES >> Proceed to diagnosis procedure. Refer to [LAN-14. "Trouble Diagnosis Flow Chart"](#).
NO >> INSPECTION END

Special Repair Requirement

INFOID:000000004512949

1. ADJUSTMENT OF STEERING ANGLE SENSOR NEUTRAL POSITION

Always perform the neutral position adjustment for the steering angle sensor, when replacing the ABS actuator and electric unit (control unit) or steering angle sensor and removing steering angle sensor. Refer to [BRC-8. "ADJUSTMENT OF STEERING ANGLE SENSOR NEUTRAL POSITION : Special Repair Requirement"](#)

>> END

U1002 SYSTEM COMM (CAN)

Description

INFOID:000000005906111

CAN (Controller Area Network) is a serial communication line for real time application. It is an on-vehicle multiplex communication line with high data communication speed and excellent error detection ability. Many electronic control units are equipped onto a vehicle, and each control unit shares information and links with other control units during operation (not independent). In CAN communication, control units are connected with 2 communication lines (CAN-H line, CAN-L line) allowing a high rate of information transmission with less wiring. Each control unit transmits/receives data but selectively reads required data only.

DTC Logic

INFOID:000000005906108

DTC DETECTION LOGIC

DTC	Display item	Malfunction detected condition	Possible cause
U1002	SYSTEM COMM	When ABS actuator and electric unit (control unit) is not transmitting or receiving CAN communication signal for 2 seconds or less.	<ul style="list-style-type: none"> • CAN communication line • ABS actuator and electric unit (control unit)

A
B
C
D
E
BRC

DTC CONFIRMATION PROCEDURE

1. DTC REPRODUCTION PROCEDURE

1. Turn the ignition switch ON.
2. Perform self-diagnosis for "ABS" with CONSULT-III.

Is DTC "U1002" detected?

- YES >> Proceed to diagnosis procedure. Refer to [BRC-63, "Diagnosis Procedure"](#).
 NO >> INSPECTION END

Diagnosis Procedure

INFOID:000000005906109

CAUTION:

- **Never apply 7.0 V or more to the measurement terminal.**
- **Use a tester with open terminal voltage of 7.0 V or less.**
- **Turn the ignition switch OFF and disconnect the battery cable from the negative terminal when checking the harness.**

1. CHECK CAN DIAGNOSIS SUPPORT MONITOR

1. Select "ABS" and "CAN Diagnosis Support Monitor" in order with CONSULT-III.
2. Check malfunction history between each control unit connected to ABS actuator and electric unit (control unit).

Check the result of "PAST"?

- All items are "OK">>INSPECTION END
 "TRANSMIT DIAG" is other than "OK">>GO TO 2.
 A control unit other than ABS actuator and electric unit (control unit) is anything other than "OK">>GO TO 3.

2. CHECK TRANSMITTING SIDE UNIT

Check the ABS actuator and electric unit (control unit) harness connector terminals No. 14 and 35 for damage or loose connection.

Is the inspection result normal?

- YES >> Erase self-diagnosis results. Then perform self-diagnosis for "ABS" with CONSULT-III.
 NO >> Recheck terminals for damage or loose connection. Refer to [LAN-4, "Precautions for Harness Repair"](#).

3. CHECK APPLICABLE CONTROL UNIT

Check terminals of each CAN communication line harness connector for damage or loose connection.

Is the inspection result normal?

- YES >> Erase self-diagnosis results. Then perform self-diagnosis for applicable control unit with CONSULT-III.

U1002 SYSTEM COMM (CAN)

[VDC/TCS/ABS]

< DTC/CIRCUIT DIAGNOSIS >

NO >> Recheck terminals for damage or loose connection. Refer to [LAN-4. "Precautions for Harness Repair"](#).

Special Repair Requirement

INFOID:000000005906112

1. ADJUSTMENT OF STEERING ANGLE SENSOR NEUTRAL POSITION

Always perform the neutral position adjustment for the steering angle sensor, when replacing the ABS actuator and electric unit (control unit) or steering angle sensor and removing steering angle sensor. Refer to [BRC-8. "ADJUSTMENT OF STEERING ANGLE SENSOR NEUTRAL POSITION : Special Repair Requirement"](#)

>> END

POWER SUPPLY AND GROUND CIRCUIT

< DTC/CIRCUIT DIAGNOSIS >

[VDC/TCS/ABS]

POWER SUPPLY AND GROUND CIRCUIT

Description

INFOID:000000004539417

Supplies power to ABS actuator and electric unit (control unit).

Diagnosis Procedure

INFOID:000000004539418

1. CHECK ABS ACTUATOR AND ELECTRIC UNIT (CONTROL UNIT) IGNITION POWER SUPPLY

1. Turn the ignition switch OFF.
2. Disconnect ABS actuator and electric unit (control unit) harness connector.
3. Check the voltage between ABS actuator and electric unit (control unit) harness connector and ground.

ABS actuator and electric unit (control unit)		—	Voltage
Connector	Terminal		
E41	28	Ground	Approx. 0 V

4. Turn the ignition switch ON.
CAUTION:
Never start the engine.
5. Check the voltage between ABS actuator and electric unit (control unit) harness connector and ground.

ABS actuator and electric unit (control unit)		—	Voltage
Connector	Terminal		
E41	28	Ground	Battery voltage

Is the inspection result normal?

- YES >> GO TO 3.
NO >> GO TO 2.

2. CHECK ABS ACTUATOR AND ELECTRIC UNIT (CONTROL UNIT) POWER SUPPLY CIRCUIT

1. Check the 10A fuse (45).
2. Disconnect IPDM E/R harness connector.
3. Check the continuity between ABS actuator and electric unit (control unit) harness connector and IPDM E/R harness connector.

ABS actuator and electric unit (control unit)		IPDM E/R		Continuity
Connector	Terminal	Connector	Terminal	
E41	28	E5	25	Existed

4. Check the continuity between ABS actuator and electric unit (control unit) harness connector and ground.

ABS actuator and electric unit (control unit)		—	Continuity
Connector	Terminal		
E41	28	Ground	No existed

Is the inspection result normal?

- YES >> Perform the trouble diagnosis for ignition power supply circuit. Refer to [PG-42, "Wiring Diagram - IGNITION POWER SUPPLY -"](#).
- NO >> Repair or replace error-detected parts.

3. CHECK ABS ACTUATOR AND ELECTRIC UNIT (CONTROL UNIT) POWER SUPPLY

1. Turn the ignition switch OFF.
2. Check the voltage between ABS actuator and electric unit (control unit) harness connector and ground.

A
B
C
D
E
BRC
G
H
I
J
K
L
M
N
O
P

POWER SUPPLY AND GROUND CIRCUIT

< DTC/CIRCUIT DIAGNOSIS >

[VDC/TCS/ABS]

ABS actuator and electric unit (control unit)		—	Voltage
Connector			
E41	3	Ground	Battery voltage

Is the inspection result normal?

YES >> GO TO 4.

NO >> Perform the trouble diagnosis for power supply circuit.

4.CHECK ABS ACTUATOR AND ELECTRIC UNIT (CONTROL UNIT) GROUND

Check the continuity between ABS actuator and electric unit (control unit) harness connector and ground.

ABS actuator and electric unit (control unit)		—	Continuity
Connector	Terminal		
E41	1	Ground	Existed
	4		

Is the inspection result normal?

YES >> INSPECTION END

NO >> Repair or replace error-detected parts.

PARKING BRAKE SWITCH

< DTC/CIRCUIT DIAGNOSIS >

[VDC/TCS/ABS]

PARKING BRAKE SWITCH

Description

INFOID:000000004539452

Operate the parking brake lever, and brake warning lamp in the combination meter turns ON/OFF correctly.

Diagnosis Procedure

INFOID:000000004497345

1.CHECK PARKING BRAKE SWITCH CIRCUIT

1. Turn the ignition switch OFF.
2. Disconnect parking brake switch harness connector.
3. Disconnect combination meter harness connector.
4. Check continuity between parking brake switch harness connector and combination meter harness connector.

Parking brake switch		Combination meter		Continuity
Connector	Terminal	Connector	Terminal	
M68	1	M53	26	Existed

Parking brake switch		—	Continuity
Connector	Terminal		
M68	1	Ground	Not existed

Is the inspection result normal?

- YES >> GO TO 2.
NO >> Repair or replace error-detected parts.

2.CHECK PARKING BRAKE SWITCH

Check continuity between parking brake switch. Refer to [BRC-67. "Component Inspection"](#).

Is the inspection result normal?

- YES >> GO TO 3.
NO >> Replace parking brake switch. Refer to [PB-6. "Exploded View"](#).

3.CHECK CONNECTOR

Check connector and terminal for deformation, disconnection, looseness, etc.

Is the inspection result normal?

- YES >> GO TO 4.
NO >> Repair or replace error-detected parts.

4.CHECK PARKING BRAKE SWITCH SIGNAL

On "DATA MONITOR", select "PARK BRAKE SW" and perform the parking brake switch inspection.

Condition	PARK BRAKE SW (DATA MONITOR)
Parking brake lever is active	On
Parking brake lever is inactive	Off

Is the inspection result normal?

- YES >> INSPECTION END
NO >> Check combination meter. Refer to [MWI-33. "CONSULT-III Function \(METER/M&A\)"](#).

Component Inspection

INFOID:000000004497346

1.CHECK PARKING BRAKE SWITCH

1. Turn the ignition switch OFF.
2. Disconnect parking brake switch harness connector.
3. Check continuity between parking brake switch harness connector.

PARKING BRAKE SWITCH

< DTC/CIRCUIT DIAGNOSIS >

[VDC/TCS/ABS]

Parking brake switch		—	Condition	Continuity
Connector	Terminal			
M68	1	Ground	When the parking brake switch is operated.	Existed
			When the parking brake switch is not operated.	Not existed

Is the inspection result normal?

YES >> INSPECTION END

NO >> Replace parking brake switch. Refer to [PB-6, "Exploded View"](#).

VDC OFF SWITCH

< DTC/CIRCUIT DIAGNOSIS >

[VDC/TCS/ABS]

VDC OFF SWITCH

Description

INFOID:000000004521009

VDC OFF switch can deactivate (turn OFF) the VDC/TCS function by pressing the VDC OFF switch.

Diagnosis Procedure

INFOID:000000004521011

1.CHECK VDC OFF SWITCH CIRCUIT

1. Turn the ignition switch OFF.
2. Disconnect ABS actuator and electric unit (control unit) harness connector.
3. Disconnect VDC OFF switch harness connector.
4. Check the continuity between VDC OFF switch harness connector and ABS actuator and electric unit (control unit) harness connector.

ABS actuator and electric unit (control unit)		VDC OFF switch		Continuity
Connector	Terminal	Connector	Terminal	
E41	31	M19	1	Existed

5. Check the continuity between VDC OFF switch harness connector and ground.

VDC OFF switch		—	Continuity
Connector	Terminal		
M19	1	Ground	Not existed
	2		Existed

Is the inspection result normal?

- YES >> GO TO 2.
 NO >> Repair or replace error-detected parts.

2.CHECK VDC OFF SWITCH

Check VDC OFF switch. Refer to [BRC-70, "Component Inspection"](#).

Is the inspection result normal?

- YES >> GO TO 3.
 NO >> Replace VDC OFF switch.

3.CHECK CONNECTOR

1. Disconnect combination meter harness connector.
2. Check connector and terminal for deformation, disconnection, looseness, etc.

Is the inspection result normal?

- YES >> GO TO 4.
 NO >> Repair or replace error-detected parts.

4.CHECK VDC OFF SWITCH SIGNAL

ON "DATA MONITOR", select "OFF SW" and perform the VDC OFF switch inspection.

Condition	OFF SW (DATA MONITOR)
Press the VDC OFF switch when VDC OFF indicator lamp is OFF.	On
Press the VDC OFF switch when VDC OFF indicator lamp is ON.	Off

Is the inspection result normal?

- YES >> INSPECTION END
 NO >> Replace ABS actuator and electric unit (control unit). Refer to [BRC-98, "Exploded View"](#).

VDC OFF SWITCH

< DTC/CIRCUIT DIAGNOSIS >

[VDC/TCS/ABS]

Component Inspection

INFOID:000000004521012

1. CHECK VDC OFF SWITCH

1. Turn the ignition switch OFF.
2. Disconnect VDC OFF switch harness connector.
3. Check the continuity between VDC OFF switch harness connector.

VDC OFF switch Terminal	Condition	Continuity
1 - 2	When VDC OFF switch is hold pressed.	Existed
	When releasing VDC OFF switch.	Not existed

Is the inspection result normal?

- YES >> INSPECTION END
NO >> Replace VDC OFF switch.

Special Repair Requirement

INFOID:000000004540014

1. ADJUSTMENT OF STEERING ANGLE SENSOR NEUTRAL POSITION

Always perform the neutral position adjustment for the steering angle sensor, when replacing the ABS actuator and electric unit (control unit) or steering angle sensor and removing steering angle sensor. Refer to [BRC-8, "ADJUSTMENT OF STEERING ANGLE SENSOR NEUTRAL POSITION : Special Repair Requirement"](#)

>> END

ABS WARNING LAMP

< DTC/CIRCUIT DIAGNOSIS >

[VDC/TCS/ABS]

ABS WARNING LAMP

Description

INFOID:000000004521946

×: ON –: OFF

Condition	ABS warning lamp
Ignition switch OFF	–
For 3 seconds after turning ignition switch ON	×
3 seconds later after turning ignition switch ON	–
ABS function is malfunctioning.	×
EBD function is malfunctioning.	×

Component Function Check

INFOID:000000004521947

1. CHECK ABS WARNING LAMP OPERATION

Check that the lamp illuminates for approximately 3 seconds after the ignition switch is turned ON.

Is the inspection result normal?

YES >> INSPECTION END

NO >> Proceed to diagnosis procedure. Refer to [BRC-71, "Diagnosis Procedure"](#).

Diagnosis Procedure

INFOID:000000004521948

1. PERFORM SELF-DIAGNOSIS

Perform ABS actuator and electric unit (control unit) self-diagnosis.

Is any DTC detected?

YES >> Check the DTC.

NO >> GO TO 2.

2. CHECK COMBINATION METER

Check if the indication and operation of combination meter are normal. Refer to [MWI-32, "Diagnosis Description"](#).

Is the inspection result normal?

YES >> Replace ABS actuator and electric unit (control unit). Refer to [BRC-98, "Exploded View"](#).

NO >> Repair or replace error-detected parts.

Special Repair Requirement

INFOID:000000004521958

1. ADJUSTMENT OF STEERING ANGLE SENSOR NEUTRAL POSITION

Always perform the neutral position adjustment for the steering angle sensor, when replacing the ABS actuator and electric unit (control unit) or steering angle sensor and removing steering angle sensor. Refer to [BRC-8, "ADJUSTMENT OF STEERING ANGLE SENSOR NEUTRAL POSITION : Special Repair Requirement"](#)

>> END

BRAKE WARNING LAMP

Description

INFOID:000000004521949

×: ON –: OFF

Condition	Brake warning lamp (Note 1)
Ignition switch OFF	–
For 3 seconds after turning ignition switch ON	× (Note 2)
3 seconds later after turning ignition switch ON	× (Note 2)
EBD function is malfunctioning.	×

NOTE:

- 1: Brake warning lamp will turn on in case of parking brake operation (when switch is ON) or of brake fluid level switch operation (when brake fluid is insufficient).
- 2: After starting the engine, brake warning lamp is turned off.

Component Function Check

INFOID:000000004521950

1. BRAKE WARNING LAMP OPERATION CHECK 1

Check that the lamp illuminates for approximately 3 seconds after the ignition switch is turned ON.

Is the inspection result normal?

YES >> GO TO 2.

NO >> Proceed to diagnosis procedure. Refer to [BRC-72, "Diagnosis Procedure"](#).

2. BRAKE WARNING LAMP OPERATION CHECK 2

Check that the brake warning lamp in the combination meter turns ON/OFF correctly when operating the parking brake pedal.

Is the inspection result normal?

YES >> INSPECTION END

NO >> Check parking brake switch. Refer to [BRC-67, "Component Inspection"](#).

Diagnosis Procedure

INFOID:000000004521951

1. PERFORM SELF-DIAGNOSIS

Perform ABS actuator and electric unit (control unit) self-diagnosis.

Is any DTC detected?

YES >> Check the DTC.

NO >> GO TO 2.

2. CHECK COMBINATION METER

Check if the indication and operation of combination meter are normal. Refer to [MWI-32, "Diagnosis Description"](#).

Is the inspection result normal?

YES >> Replace ABS actuator and electric unit (control unit). Refer to [BRC-98, "Exploded View"](#).

NO >> Repair or replace error-detected parts.

Special Repair Requirement

INFOID:000000004521959

1. ADJUSTMENT OF STEERING ANGLE SENSOR NEUTRAL POSITION

Always perform the neutral position adjustment for the steering angle sensor, when replacing the ABS actuator and electric unit (control unit) or steering angle sensor and removing steering angle sensor. Refer to [BRC-8, "ADJUSTMENT OF STEERING ANGLE SENSOR NEUTRAL POSITION : Special Repair Requirement"](#)

>> END

VDC OFF INDICATOR LAMP

< DTC/CIRCUIT DIAGNOSIS >

[VDC/TCS/ABS]

VDC OFF INDICATOR LAMP

Description

INFOID:000000004521952

x: ON –: OFF

Condition	VDC OFF indicator lamp
Ignition switch OFF	–
For 3 seconds after turning ignition switch ON	x
3 seconds later after turning ignition switch ON	–
VDC OFF switch turned ON. (VDC function is OFF.)	x
VDC/TCS function is malfunctioning.	x
ABS function is malfunctioning.	x
EBD function is malfunctioning.	x

Component Function Check

INFOID:000000004521953

1.VDC OFF INDICATOR LAMP OPERATION CHECK 1

Check that the lamp illuminates for approximately 3 seconds after the ignition switch is turned ON.

Is the inspection result normal?

YES >> GO TO 2.

NO >> Proceed to diagnosis procedure. Refer to [BRC-73, "Diagnosis Procedure"](#).

2.VDC OFF INDICATOR LAMP OPERATION CHECK 2

Check that the VDC OFF indicator lamp in the combination meter turns ON/OFF correctly when operating the VDC OFF switch.

Is the inspection result normal?

YES >> INSPECTION END

NO >> Check VDC OFF switch. Refer to [BRC-70, "Component Inspection"](#).

Diagnosis Procedure

INFOID:000000004521954

1.PERFORM SELF-DIAGNOSIS

Perform ABS actuator and electric unit (control unit) self-diagnosis.

Is any DTC detected?

YES >> Check the DTC.

NO >> GO TO 2.

2.CHECK COMBINATION METER

Check if the indication and operation of combination meter are normal. Refer to [MWI-32, "Diagnosis Description"](#).

Is the inspection result normal?

YES >> Replace ABS actuator and electric unit (control unit). Refer to [BRC-98, "Exploded View"](#).

NO >> Repair or replace error-detected parts.

Special Repair Requirement

INFOID:000000004521960

1.AJUSTMENT OF STEERING ANGLE SENSOR NEUTRAL POSITION

Always perform the neutral position adjustment for the steering angle sensor, when replacing the ABS actuator and electric unit (control unit) or steering angle sensor and removing steering angle sensor. Refer to [BRC-8, "ADJUSTMENT OF STEERING ANGLE SENSOR NEUTRAL POSITION : Special Repair Requirement"](#)

>> END

SLIP INDICATOR LAMP

< DTC/CIRCUIT DIAGNOSIS >

[VDC/TCS/ABS]

SLIP INDICATOR LAMP

Description

INFOID:000000004521955

×: ON △: Blink -: OFF

Condition	SLIP indicator lamp
Ignition switch OFF	-
For 3 seconds after turning ignition switch ON	×
3 seconds later after turning ignition switch ON	-
VDC/TCS is activated while driving	△
VDC/TCS function is malfunctioning.	×
ABS function is malfunctioning.	×
EBD function is malfunctioning.	×

Component Function Check

INFOID:000000004521956

1. CHECK SLIP INDICATOR LAMP OPERATION

Check that the lamp illuminates for approximately 3 seconds after the ignition switch is turned ON.

Is the inspection result normal?

YES >> INSPECTION END

NO >> Proceed to diagnosis procedure. Refer to [BRC-74, "Diagnosis Procedure"](#).

Diagnosis Procedure

INFOID:000000004521957

1. PERFORM SELF-DIAGNOSIS

Perform ABS actuator and electric unit (control unit) self-diagnosis.

Is any DTC detected?

YES >> Check the DTC.

NO >> GO TO 2.

2. CHECK COMBINATION METER

Check if the indication and operation of combination meter are normal. Refer to [MWI-32, "Diagnosis Description"](#).

Is the inspection result normal?

YES >> Replace ABS actuator and electric unit (control unit). Refer to [BRC-98, "Exploded View"](#).

NO >> Repair or replace error-detected parts.

Special Repair Requirement

INFOID:000000004521961

1. ADJUSTMENT OF STEERING ANGLE SENSOR NEUTRAL POSITION

Always perform the neutral position adjustment for the steering angle sensor, when replacing the ABS actuator and electric unit (control unit) or steering angle sensor and removing steering angle sensor. Refer to [BRC-8, "ADJUSTMENT OF STEERING ANGLE SENSOR NEUTRAL POSITION : Special Repair Requirement"](#)

>> END

ABS ACTUATOR AND ELECTRIC UNIT (CONTROL UNIT)

< ECU DIAGNOSIS INFORMATION >

[VDC/TCS/ABS]

ECU DIAGNOSIS INFORMATION

ABS ACTUATOR AND ELECTRIC UNIT (CONTROL UNIT)

Reference Value

INFOID:000000004497363

VALUES ON THE DIAGNOSIS TOOL

CAUTION:

The display shows the control unit calculation data, so a normal value might be displayed even in the event the output circuit (harness) is open or short-circuited.

Monitor item	Display content	Data monitor	
		Condition	Reference value in normal operation
FR LH SENSOR	Wheel speed	Vehicle stopped	0 [km/h (MPH)]
		Vehicle running (Note 1)	Nearly matches the speedometer display (± 10% or less)
FR RH SENSOR	Wheel speed	Vehicle stopped	0 [km/h (MPH)]
		Vehicle running (Note 1)	Nearly matches the speedometer display (± 1% or less)
RR LH SENSOR	Wheel speed	Vehicle stopped	0 [km/h (MPH)]
		Vehicle running (Note 1)	Nearly matches the speedometer display (± 10% or less)
RR RH SENSOR	Wheel speed	Vehicle stopped	0 [km/h (MPH)]
		Vehicle running (Note 1)	Nearly matches the speedometer display (± 10% or less)
FR RH IN SOL	Operation status of each solenoid valve	Actuator (solenoid valve) is active ("ACTIVE TEST" with CONSULT-III)	On
		When the actuator (solenoid valve) is not active and actuator relay is active (ignition switch ON)	Off
FR RH OUT SOL	Operation status of each solenoid valve	Actuator (solenoid valve) is active ("ACTIVE TEST" with CONSULT-III)	On
		When the actuator (solenoid valve) is not active and actuator relay is active (ignition switch ON)	Off
FR LH IN SOL	Operation status of each solenoid valve	Actuator (solenoid valve) is active ("ACTIVE TEST" with CONSULT-III)	On
		When the actuator (solenoid valve) is not active and actuator relay is active (ignition switch ON)	Off
FR LH OUT SOL	Operation status of each solenoid valve	Actuator (solenoid valve) is active ("ACTIVE TEST" with CONSULT-III)	On
		When the actuator (solenoid valve) is not active and actuator relay is active (ignition switch ON)	Off
RR RH IN SOL	Operation status of each solenoid valve	Actuator (solenoid valve) is active ("ACTIVE TEST" with CONSULT-III)	On
		When the actuator (solenoid valve) is not active and actuator relay is active (ignition switch ON)	Off

A
B
C
D
E
BRC
G
H
I
J
K
L
M
N
O
P

ABS ACTUATOR AND ELECTRIC UNIT (CONTROL UNIT)

< ECU DIAGNOSIS INFORMATION >

[VDC/TCS/ABS]

Monitor item	Display content	Data monitor	
		Condition	Reference value in normal operation
RR RH OUT SOL	Operation status of each solenoid valve	Actuator (solenoid valve) is active ("ACTIVE TEST" with CONSULT-III)	On
		When the actuator (solenoid valve) is not active and actuator relay is active (ignition switch ON)	Off
RR LH IN SOL	Operation status of each solenoid valve	Actuator (solenoid valve) is active ("ACTIVE TEST" with CONSULT-III)	On
		When the actuator (solenoid valve) is not active and actuator relay is active (ignition switch ON)	Off
RR LH OUT SOL	Operation status of each solenoid valve	Actuator (solenoid valve) is active ("ACTIVE TEST" with CONSULT-III)	On
		When the actuator (solenoid valve) is not active and actuator relay is active (ignition switch ON)	Off
STOP LAMP SW	Stop lamp switch signal status	When brake pedal is depressed	On
		When brake pedal is not depressed	Off
MOTOR RELAY	Motor and motor relay operation	When the motor relay and motor are operating	On
		When the motor relay and motor are not operating	Off
ACTUATOR RLY (Note 2)	Actuator relay operation	When the actuator relay is operating	On
		When the actuator relay is not operating	Off
ABS WARN LAMP	ABS warning lamp (Note 3)	When ABS warning lamp is ON	On
		When ABS warning lamp is OFF	Off
OFF LAMP	VDC OFF indicator lamp (Note 3)	When VDC OFF indicator lamp is ON	On
		When VDC OFF indicator lamp is OFF	Off
OFF SW	VDC OFF switch ON/OFF	VDC OFF switch ON (When VDC OFF indicator lamp is ON)	On
		VDC OFF switch OFF (When VDC OFF indicator lamp is OFF)	Off
SLIP/VDC LAMP	SLIP indicator lamp (Note 3)	When SLIP indicator lamp is ON	On
		When SLIP indicator lamp is OFF	Off
BATTERY VOLT	Battery voltage supplied to the ABS actuator and electric unit (control unit)	Ignition switch ON	10 – 16 V
YAW RATE SEN	Yaw rate detected by yaw rate/side G sensor	Vehicle stopped	Approx. 0 d/s
		Turning right	Negative value
		Turning left	Positive value
ACCEL POS SIG	Throttle actuator opening/closing is displayed (linked with accelerator pedal)	Accelerator pedal not depressed (ignition switch is ON)	0 %
		Depress accelerator pedal (ignition switch is ON)	0 - 100 %
SIDE G-SENSOR	Transverse G detected by side G sensor	Vehicle stopped	Approx. 0 m/s ²
		Turning right	Negative value
		Turning left	Positive value
STR ANGLE SIG	Steering angle detected by steering angle sensor	Driving straight	±2.5°
		Turn 90° to right	Approx. +90°
		Turn 90° to left	Approx. -90°

ABS ACTUATOR AND ELECTRIC UNIT (CONTROL UNIT)

< ECU DIAGNOSIS INFORMATION >

[VDC/TCS/ABS]

Monitor item	Display content	Data monitor		
		Condition	Reference value in normal operation	
PRESS SENSOR	Brake fluid pressure detected by pressure sensor	With ignition switch turned ON and brake pedal released	Approx. 0 bar	A
		With ignition switch turned ON and brake pedal depressed	-40 to 300 bar	B
EBD SIGNAL	EBD operation	EBD is active	On	C
		EBD is inactive	Off	
ABS SIGNAL	ABS operation	ABS is active	On	D
		ABS is inactive	Off	
TCS SIGNAL	TCS operation	TCS is active	On	E
		TCS is inactive	Off	
VDC SIGNAL	VDC operation	VDC is active	On	BRC
		VDC is inactive	Off	
EBD FAIL SIG	EBD fail-safe signal	In EBD fail-safe	On	
		EBD is normal	Off	
ABS FAIL SIG	ABS fail-safe signal	In ABS fail-safe	On	G
		ABS is normal	Off	
TCS FAIL SIG	TCS fail-safe signal	In TCS fail-safe	On	H
		TCS is normal	Off	
VDC FAIL SIG	VDC fail-safe signal	In VDC fail-safe	On	I
		VDC is normal	Off	
CRANKING SIG	Crank operation	Crank is active	On	
		Crank is inactive	Off	
FLUID LEV SW	Brake fluid level switch signal status	When brake fluid level switch ON	On	J
		When brake fluid level switch OFF	Off	
PARK BRAKE SW	Parking brake switch signal status	Parking brake switch is active	On	K
		Parking brake switch is inactive	Off	
USV [FL-RR] (Note 2)	VDC switch-over valve	When actuator (switch-over valve) is active ("ACTIVE TEST" with CONSULT-III)	On	L
		When actuator (switch-over valve) is not active and actuator relay is active (ignition switch ON)	Off	
USV [FR-RL] (Note 2)	VDC switch-over valve	When actuator (switch-over valve) is active ("ACTIVE TEST" with CONSULT-III)	On	M
		When actuator (switch-over valve) is not active and actuator relay is active (ignition switch ON)	Off	N
HSV [FL-RR] (Note 2)	VDC switch-over valve	When actuator (switch-over valve) is active ("ACTIVE TEST" with CONSULT-III)	On	O
		When actuator (switch-over valve) is not active and actuator relay is active (ignition switch ON)	Off	P
HSV [FR-RL] (Note 2)	VDC switch-over valve	When actuator (switch-over valve) is active ("ACTIVE TEST" with CONSULT-III)	On	
		When actuator (switch-over valve) is not active and actuator relay is active (ignition switch ON)	Off	

ABS ACTUATOR AND ELECTRIC UNIT (CONTROL UNIT)

< ECU DIAGNOSIS INFORMATION >

[VDC/TCS/ABS]

Monitor item	Display content	Data monitor	
		Condition	Reference value in normal operation
V/R OUTPUT (Note 2)	Solenoid valve relay activated	When the solenoid valve relay is active (When ignition switch OFF)	On
		When the solenoid valve relay is not active (in the fail-safe mode)	Off
M/R OUTPUT	Actuator motor and motor relay activated	When the actuator motor and motor relay are active ("ACTIVE TEST" with CONSULT-III)	On
		When the actuator motor and motor relay are inactive	Off
ENGINE RPM	With engine running	With engine stopped	0 [tr/min (rpm)]
		Engine running	Almost in accordance with tachometer display

NOTE:

- 1: Confirm tire pressure is normal.
- 2: A brief moment of On/Off condition occurs every 20 seconds after ignition switch turned ON. This is not malfunction because it is an operation for checking.
- 3: On and off timing for warning lamp and indicator lamp.
 - ABS warning lamp: refer to [BRC-71, "Description"](#).
 - Brake warning lamp: refer to [BRC-72, "Description"](#).
 - VDC OFF indicator lamp: refer to [BRC-73, "Description"](#).
 - SLIP indicator lamp: refer to [BRC-74, "Description"](#).

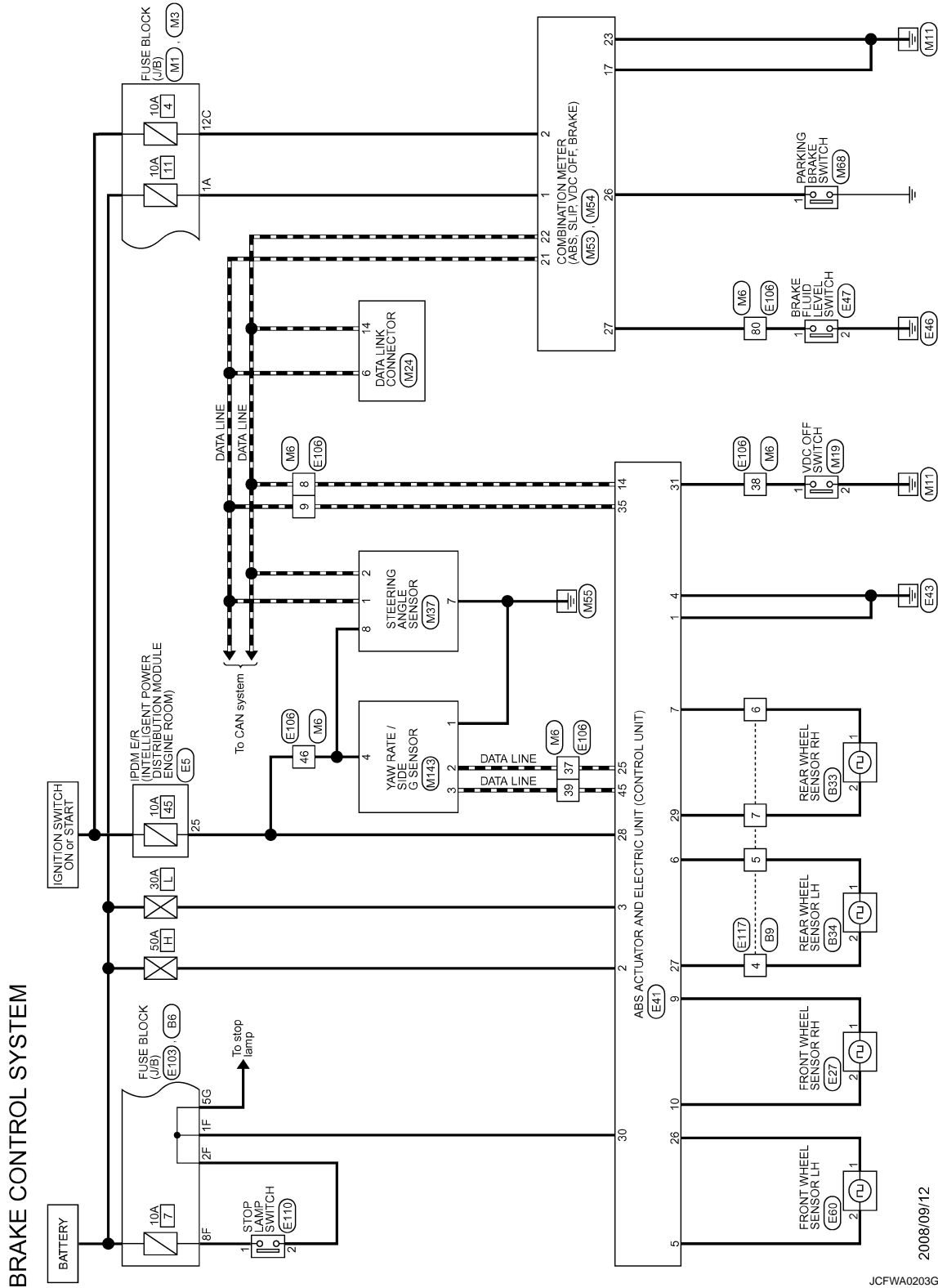
ABS ACTUATOR AND ELECTRIC UNIT (CONTROL UNIT)

< ECU DIAGNOSIS INFORMATION >

[VDC/TCS/ABS]

Wiring Diagram - BRAKE CONTROL SYSTEM -

INFOID:000000004497364



2008/09/12

JCFWA0203GE

A
B
C
D
E
F
G
H
I
J
K
L
M
N
O
P

BRC

ABS ACTUATOR AND ELECTRIC UNIT (CONTROL UNIT)

< ECU DIAGNOSIS INFORMATION >

[VDC/TCS/ABS]

BRAKE CONTROL SYSTEM

Connector No.	B6
Connector Name	FUSE BLOCK (J/B)
Connector Type	NS12FBR-CS



Terminal No.	Color of Wire	Signal Name [Specification]
5G	LG	—

Connector No.	B9
Connector Name	WIRE TO WIRE
Connector Type	NSD8FW-CS



Terminal No.	Color of Wire	Signal Name [Specification]
4	GR	—
5	O	—
6	BR	—
7	LG	—

Connector No.	B33
Connector Name	REAR WHEEL SENSOR RH
Connector Type	AAZ02FB1



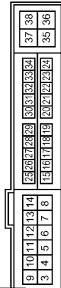
Terminal No.	Color of Wire	Signal Name [Specification]
1	BR	—
2	LG	—

Connector No.	B34
Connector Name	REAR WHEEL SENSOR LH
Connector Type	AAZ02FB2



Terminal No.	Color of Wire	Signal Name [Specification]
1	O	—
2	GR	—

Connector No.	E5
Connector Name	IPDM E/R (INTELLIGENT POWER DISTRIBUTION MODULE ENGINE ROOM)
Connector Type	TH20FW, CS/2, M4-1Y



Terminal No.	Color of Wire	Signal Name [Specification]
25	G	—

Connector No.	E27
Connector Name	FRONT WHEEL SENSOR RH
Connector Type	AAZ02FB1



Terminal No.	Color of Wire	Signal Name [Specification]
1	B	—
2	W	—

Connector No.	E41
Connector Name	ABS ACTUATOR AND ELECTRIC UNIT (CONTROL UNIT)
Connector Type	BAA42FB-ANZ4-LH



Terminal No.	Color of Wire	Signal Name [Specification]
1	B	GND
2	G	UBMR
3	R	UBVR
4	B	GND
5	Y	DS FL
6	O	DP RL
7	BR	DP RR
9	B	DS FR
10	W	DS FR
14	P	CAN-L
25	Y	BUS-L

Terminal No.	Color of Wire	Signal Name [Specification]
26	LG	DP FL
27	GR	DS RL
28	G	UZ
29	D	DS RR
30	SB	BLS
31	R	VDC OFF SW
35	L	CAN-H
45	B	BUS-H

ABS ACTUATOR AND ELECTRIC UNIT (CONTROL UNIT)

< ECU DIAGNOSIS INFORMATION >

[VDC/TCS/ABS]

BRAKE CONTROL SYSTEM

Connector No.	E47
Connector Name	BRAKE FLUID LEVEL SWITCH
Connector Type	YV2FCY



Terminal No.	Color of Wire	Signal Name [Specification]
1	W	-
2	B	-

Connector No.	E60
Connector Name	FRONT WHEEL SENSOR LH
Connector Type	A4Z02FB1



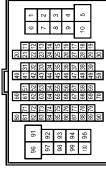
Terminal No.	Color of Wire	Signal Name [Specification]
1	LG	-
2	Y	-

Connector No.	E103
Connector Name	FUSE BLOCK (J/B)
Connector Type	NS16FW-CS



Terminal No.	Color of Wire	Signal Name [Specification]
1F	SB	-
2F	W	-
8F	L	-

Connector No.	E106
Connector Name	WIRE TO WIRE
Connector Type	TH86FW-CS16-TM4



Terminal No.	Color of Wire	Signal Name [Specification]
8	P	-
9	L	-
37	Y	-
38	R	-
39	B	-
46	W	-
80	W	-

Connector No.	E110
Connector Name	STOP LAMP SWITCH
Connector Type	TM04FW-LC



Terminal No.	Color of Wire	Signal Name [Specification]
1	L	-
2	W	-

Connector No.	E117
Connector Name	WIRE TO WIRE
Connector Type	NSD8MW-CS



Terminal No.	Color of Wire	Signal Name [Specification]
4	GR	-
5	O	-
6	BR	-
7	P	-

Connector No.	M1
Connector Name	FUSE BLOCK (J/B)
Connector Type	NS06FW-M2



Terminal No.	Color of Wire	Signal Name [Specification]
1A	V	-

Connector No.	M3
Connector Name	FUSE BLOCK (J/B)
Connector Type	NS12FW-CS



Terminal No.	Color of Wire	Signal Name [Specification]
12C	O	-

A
B
C
D
E
BRC
G
H
I
J
K
L
M
N
O
P

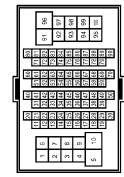
ABS ACTUATOR AND ELECTRIC UNIT (CONTROL UNIT)

< ECU DIAGNOSIS INFORMATION >

[VDC/TCS/ABS]

BRAKE CONTROL SYSTEM

Connector No.	M6
Connector Name	WIRE TO WIRE
Connector Type	TH80MW-GS16-TM4



Terminal No.	Color of Wire	Signal Name [Specification]
8	P	-
9	L	-
37	Y	-
38	LG	-
39	SB	-
46	G	-
80	LG	-



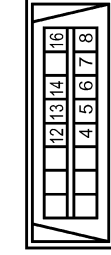
Connector No.	M19
Connector Name	VDC OFF SWITCH
Connector Type	TK04FW



Terminal No.	Color of Wire	Signal Name [Specification]
1	LG	-
2	B	-



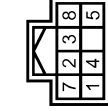
Connector No.	M24
Connector Name	DATA LINK CONNECTOR
Connector Type	BD18FW



Terminal No.	Color of Wire	Signal Name [Specification]
6	L	-
14	P	-



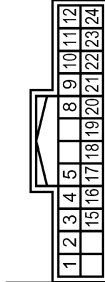
Connector No.	M37
Connector Name	STEERING ANGLE SENSOR
Connector Type	TH88FW-NH



Terminal No.	Color of Wire	Signal Name [Specification]
1	L	CAN-H
2	P	CAN-L
7	B	GND
8	G	IGN



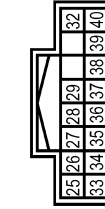
Connector No.	M63
Connector Name	COMBINATION METER
Connector Type	TH24FW-NH



Terminal No.	Color of Wire	Signal Name [Specification]
1	V	BATTERY POWER SUPPLY
2	O	IGNITION SIGNAL
17	B	GROUND
21	L	CAN-H
22	P	CAN-L
23	B	GROUND



Connector No.	M64
Connector Name	COMBINATION METER
Connector Type	TH18FW-NH



Terminal No.	Color of Wire	Signal Name [Specification]
26	O	PARKING BRAKE SWITCH SIGNAL
27	LG	BRAKE FLUID LEVEL SWITCH SIGNAL



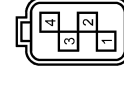
Connector No.	M68
Connector Name	PARKING BRAKE SWITCH
Connector Type	F01FB-A



Terminal No.	Color of Wire	Signal Name [Specification]
1	O	-



Connector No.	M143
Connector Name	YAW RATE / SIDE G SENSOR
Connector Type	AA204FB



Terminal No.	Color of Wire	Signal Name [Specification]
1	B	GND
2	Y	BUS-L
3	SB	BUS-H
4	G	12V



Fail-Safe

ABS, EBD SYSTEM

If ABS malfunction electrically, ABS warning lamp, VDC OFF indicator lamp, SLIP indicator lamp will turn on. If EBD malfunction electrically, brake warning lamp, ABS warning lamp, VDC OFF indicator lamp and SLIP indicator lamp will turn on. Simultaneously, the VDC/TCS/ABS become one of the following conditions of the fail-safe function.

JCFWA0206GE

INFOID:000000004497365

ABS ACTUATOR AND ELECTRIC UNIT (CONTROL UNIT)

< ECU DIAGNOSIS INFORMATION >

[VDC/TCS/ABS]

- For malfunction of ABS, only the EBD is activated and the condition of vehicle is the same condition of vehicles without TCS/ABS system.

NOTE:

ABS self-diagnosis sound may be heard. That is a normal condition because a self-diagnosis for “Ignition switch ON” and “The first starting” are being performed.

- For malfunction of EBD, EBD and ABS become inoperative, and the condition of vehicle is the same as the condition of vehicles without TCS/ABS, EBD system.

VDC, TCS

If VDC/TCS/ABS system malfunction electrically, VDC OFF indicator lamp, SLIP indicator lamp are turned on, and the condition of vehicle is the same as the condition of vehicles without VDC and TCS control.

CAUTION:

If the Fail-Safe function is activated, then perform self-diagnosis for VDC/TCS/ABS control system.

DTC Inspection Priority Chart

INFOID:000000004541102

If some DTCs are displayed at the same time, perform inspections one by one based on the following priority chart.

Priority	Detected items (DTC)
1	<ul style="list-style-type: none"> • U1000 CAN COMM CIRCUIT • U1002 SYSTEM COOM
2	<ul style="list-style-type: none"> • C1110 CONTROLLER FAILURE • C1153 EMERGENCY BRAKE • C1170 VARIANT CORDING
3	<ul style="list-style-type: none"> • C1130 ENGINE SIGNAL 1 • C1144 ST ANG SEN SIGNAL
4	<ul style="list-style-type: none"> • C1109 BATTERY VOLTAGE [ABNORMAL] • C1111 PUMP MOTOR • C1114 MAIN RELAY
5	<ul style="list-style-type: none"> • C1101 RR RH SENSOR-1 • C1102 RR LH SENSOR-1 • C1103 FR RH SENSOR-1 • C1104 FR LH SENSOR-1 • C1105 RR RH SENSOR-2 • C1106 RR LH SENSOR-2 • C1107 FR RH SENSOR-2 • C1108 FR LH SENSOR-2 • C1115 ABS SENSOR [ABNORMAL SIGNAL] • C1116 STOP LAMP SW • C1120 FR LH IN ABS SOL • C1121 FR LH OUT ABS SOL • C1122 FR RH IN ABS SOL • C1123 FR RH OUT ABS SOL • C1124 RR LH IN ABS SOL • C1125 RR LH OUT ABS SOL • C1126 RR RH IN ABS SOL • C1127 RR RH OUT ABS SOL • C1142 PRESS SEN CIRCUIT • C1143 ST ANG SEN CIRCUIT • C1145 YAW RATE SENSOR • C1146 SIDE G-SEN CIRCUIT • C1147 USV LINE [FL-RR] • C1148 USV LINE [FR-RL] • C1149 HSV LINE [FL-RR] • C1150 HSV LINE [FR-RL]
6	<ul style="list-style-type: none"> • C1155 BR FLUID LEVEL LOW

A
B
C
D
E
G
H
I
J
K
L
M
N
O
P

BRC

ABS ACTUATOR AND ELECTRIC UNIT (CONTROL UNIT)

< ECU DIAGNOSIS INFORMATION >

[VDC/TCS/ABS]

DTC Index

INFOID:000000004497366

DTC	Items (CONSULT screen terms)	Reference
C1101	RR RH SENSOR-1	BRC-27, "DTC Logic"
C1102	RR LH SENSOR-1	
C1103	FR RH SENSOR-1	
C1104	FR LH SENSOR-1	
C1105	RR RH SENSOR-2	BRC-30, "DTC Logic"
C1106	RR LH SENSOR-2	
C1107	FR RH SENSOR-2	
C1108	FR LH SENSOR-2	
C1109	BATTERY VOLTAGE [ABNORMAL]	BRC-33, "DTC Logic"
C1110	CONTROLLER FAILURE	BRC-35, "DTC Logic"
C1111	PUMP MOTOR	BRC-36, "DTC Logic"
C1114	MAIN RELAY	BRC-38, "DTC Logic"
C1115	ABS SENSOR [ABNORMAL SIGNAL]	BRC-40, "DTC Logic"
C1116	STOP LAMP SW	BRC-42, "DTC Logic"
C1120	FR LH IN ABS SOL	BRC-45, "DTC Logic"
C1121	FR LH OUT ABS SOL	BRC-47, "DTC Logic"
C1122	FR RH IN ABS SOL	BRC-45, "DTC Logic"
C1123	FR RH OUT ABS SOL	BRC-47, "DTC Logic"
C1124	RR LH IN ABS SOL	BRC-45, "DTC Logic"
C1125	RR LH OUT ABS SOL	BRC-47, "DTC Logic"
C1126	RR RH IN ABS SOL	BRC-45, "DTC Logic"
C1127	RR RH OUT ABS SOL	BRC-47, "DTC Logic"
C1130	ENGINE SIGNAL 1	BRC-49, "DTC Logic"
C1142	PRESS SEN CIRCUIT	BRC-50, "DTC Logic"
C1143	ST ANG SEN CIRCUIT	BRC-52, "DTC Logic"
C1144	ST ANG SEN SIGNAL	
C1145	YAW RATE SENSOR	
C1146	SIDE G-SEN CIRCUIT	BRC-55, "DTC Logic"
C1147	USV LINE [FL-RR]	BRC-58, "DTC Logic"
C1148	USV LINE [FR-RL]	
C1149	HSV LINE [FL-RR]	
C1150	HSV LINE [FR-RL]	
C1153	EMERGENCY BRAKE	BRC-35, "DTC Logic"
C1155	BR FLUID LEVEL LOW	BRC-60, "DTC Logic"
C1170	VARIANT CORDING	BRC-35, "DTC Logic"
U1000	CAN COMM CIRCUIT	BRC-62, "DTC Logic"
U1002	SYSTEM COMM	BRC-63, "DTC Logic"

EXCESSIVE ABS FUNCTION OPERATION FREQUENCY

< SYMPTOM DIAGNOSIS >

[VDC/TCS/ABS]

SYMPTOM DIAGNOSIS

EXCESSIVE ABS FUNCTION OPERATION FREQUENCY

Diagnosis Procedure

INFOID:000000004497367

1. CHECK START

Check front and rear brake force distribution using a brake tester. Refer to [BR-63. "General Specifications"](#).

Is the inspection result normal?

YES >> GO TO 2.

NO >> Check brake system.

2. CHECK FRONT AND REAR AXLE

Make sure that there is no excessive play in the front and rear axles.

• Front: refer to [FAX-6. "Inspection"](#).

• Rear: refer to [RAX-6. "Inspection"](#).

Is the inspection result normal?

YES >> GO TO 3.

NO >> Repair or replace error-detected parts.

3. CHECK WHEEL SENSOR AND SENSOR ROTOR

Check the following.

- Wheel sensor installation for damage.
- Sensor rotor installation for damage.
- Wheel sensor harness connector connection.
- Wheel sensor harness inspection.

Is the inspection result normal?

YES >> GO TO 4.

NO >> • Replace wheel sensor or sensor rotor.

- Front wheel sensor: refer to [BRC-95. "FRONT WHEEL SENSOR : Exploded View"](#).

- Rear wheel sensor: refer to [BRC-96. "REAR WHEEL SENSOR : Exploded View"](#).

- Front sensor rotor: refer to [BRC-97. "FRONT SENSOR ROTOR : Exploded View"](#).

- Rear sensor rotor: refer to [BRC-97. "REAR SENSOR ROTOR : Exploded View"](#).

4. CHECK ABS WARNING LAMP DISPLAY

Make sure that the ABS warning lamp is turned off after the ignition switch is turned ON or when driving.

Is the ABS warning lamp illuminated?

YES >> Perform self-diagnosis.

NO >> Normal

A
B
C
D
E
BRC
G
H
I
J
K
L
M
N
O
P

UNEXPECTED PEDAL REACTION

< SYMPTOM DIAGNOSIS >

[VDC/TCS/ABS]

UNEXPECTED PEDAL REACTION

Diagnosis Procedure

INFOID:000000004497368

1. CHECK BRAKE PEDAL STROKE

Check brake pedal stroke. Refer to [BR-7, "Inspection and Adjustment"](#).

Is the stroke too large?

- YES >>
- Bleed air from brake tube and hose. Refer to [BR-11, "Bleeding Brake System"](#).
 - Check brake pedal, brake booster, and master cylinder for mount play, looseness, brake system fluid leakage, etc.
 - Brake fluid: refer to [BR-10, "Inspection"](#).
 - Brake pedal: refer to [BR-7, "Inspection and Adjustment"](#).
 - Brake master cylinder: refer to [BR-12, "Inspection"](#).
 - Brake booster: refer to [BR-13, "Inspection"](#).
 - Front disc brake: refer to [BR-44, "BRAKE CALIPER ASSEMBLY \(2 PISTON TYPE\) : Inspection"](#) (2 piston type), [BR-48, "BRAKE CALIPER ASSEMBLY \(4 PISTON TYPE\) : Inspection"](#) (4 piston type).
 - Rear disc brake: refer to [BR-58, "BRAKE CALIPER ASSEMBLY \(1 PISTON TYPE\) : Inspection"](#) (1 piston type), [BR-62, "BRAKE CALIPER ASSEMBLY \(2 PISTON TYPE\) : Inspection"](#) (2 piston type).
- NO >> GO TO 2.

2. CHECK FUNCTION

Disconnect ABS actuator and electric unit (control unit) harness connector to deactivate ABS. Check if braking force is normal in this condition. Connect harness connector after inspection.

Is the inspection result normal?

- YES >> Normal
NO >> Check brake system.

THE BRAKING DISTANCE IS LONG

< SYMPTOM DIAGNOSIS >

[VDC/TCS/ABS]

THE BRAKING DISTANCE IS LONG

Diagnosis Procedure

INFOID:000000004497369

CAUTION:

The stopping distance on slippery road surfaces might be longer when the ABS is operating than when the ABS is not operating.

1. CHECK FUNCTION

1. Turn the ignition switch OFF
2. Disconnect ABS actuator and electric unit (control unit) harness connector to deactivate ABS. In this condition, check stopping distance. After inspection, connect harness connector.

Is the inspection result normal?

- YES >> Normal
NO >> Check brake system.

A
B
C
D
E
G
H
I
J
K
L
M
N
O
P

BRC

ABS FUNCTION DOES NOT OPERATE

< SYMPTOM DIAGNOSIS >

[VDC/TCS/ABS]

ABS FUNCTION DOES NOT OPERATE

Diagnosis Procedure

INFOID:000000004497370

CAUTION:

ABS does not operate when speed is 10 km/h (6 MPH) or lower.

1.CHECK ABS WARNING LAMP DISPLAY

Make sure that the ABS warning lamp turns OFF after ignition switch is turned ON or when driving.

Is the inspection result normal?

YES >> Normal

NO >> Perform self-diagnosis.

PEDAL VIBRATION OR ABS OPERATION SOUND OCCURS

< SYMPTOM DIAGNOSIS >

[VDC/TCS/ABS]

PEDAL VIBRATION OR ABS OPERATION SOUND OCCURS

Diagnosis Procedure

INFOID:000000004497371

CAUTION:

Under the following conditions, ABS is activated and vibration is felt when brake pedal is lightly depressed (just place a foot on it). However, this is normal.

- When shifting gears
- When driving on slippery road
- During cornering at high speed
- When passing over bumps or grooves [at approximately 50 mm (1.97 in) or more]
- When pulling away just after starting engine [at approximately 10 km/h (6 MPH) or higher]

1. SYMPTOM CHECK 1

Check that there are pedal vibrations when the engine is started.

Do vibrations occur?

YES >> GO TO 2.

NO >> Inspect the brake pedal.

2. SYMPTOM CHECK 2

Check that there are ABS operation noises when the engine is started.

Do the operation noises occur?

YES >> GO TO 3.

NO >> Perform self -diagnosis.

3. SYMPTOM CHECK 3

Check symptoms when electrical component (headlamps, etc.) switches are operated.

Do symptoms occur?

YES >> Check if there is a radio, antenna, antenna lead wire, or wiring close to the control unit. If there is, move it farther away.

NO >> Normal

A
B
C
D
E
F
G
H
I
J
K
L
M
N
O
P

BRC

VEHICLE JERKS DURING VDC/TCS/ABS CONTROL

< SYMPTOM DIAGNOSIS >

[VDC/TCS/ABS]

VEHICLE JERKS DURING VDC/TCS/ABS CONTROL

Diagnosis Procedure

INFOID:000000004497372

1.SYMPTOM CHECK

Check if the vehicle jerks during VDC/TCS/ABS control.

Is the inspection result normal?

- YES >> Normal.
- NO >> GO TO 2.

2.CHECK SELF-DIAGNOSIS RESULTS

Perform self-diagnostic of ABS actuator and electric unit (control unit).

Are self-diagnosis results indicated?

- YES >> Check corresponding items, make repairs, and perform ABS actuator and electric unit (control unit) self-diagnosis.
- NO >> GO TO 3.

3.CHECK CONNECTOR

1. Turn the ignition switch OFF.
2. Disconnect ABS actuator and electric unit (control unit) harness connector, and terminal for deformation, disconnection, looseness, etc.
3. Securely connect harness connectors and perform ABS actuator and electric unit (control unit) self-diagnosis.

Are self-diagnosis results indicated?

- YES >> If poor contact, damage, open or short circuit of harness connector is found, repair or replace.
- NO >> GO TO 4.

4.CHECK ECM AND TCM SELF-DIAGNOSIS RESULTS

Perform ECM self-diagnosis and TCM self-diagnosis.

Are self-diagnosis results indicated?

- YES >> Check the corresponding items.
- NO >> Replace ABS actuator and electric unit (control unit). Refer to [BRC-98, "Exploded View"](#).

NORMAL OPERATING CONDITION

< SYMPTOM DIAGNOSIS >

[VDC/TCS/ABS]

NORMAL OPERATING CONDITION

Description

INFOID:000000004497373

Symptom	Result
Slight vibrations are felt on the brake pedal and the operation noises occur, when VDC, TCS or ABS is activated.	This is a normal condition due to the VDC, TCS or ABS activation.
Stopping distance is longer than that of vehicles without ABS when the vehicle drives on rough, gravel, or snow-covered (fresh, deep snow) roads.	
The brake pedal moves and generates noises, when TCS or VDC is activated due to rapid acceleration or sharp turn.	
The brake pedal vibrates and motor operation noises occur from the engine room, after the engine starts and just after the vehicle starts.	This is a normal, and it is caused by the ABS operation check.
Depending on the road conditions, the driver may experience a sluggish feel.	This is normal, because TCS places the highest priority on the optimum traction (stability).
TCS may activate momentarily if wheel speed changes when driving over location where friction coefficient varies, when downshifting, or when fully depressing accelerator pedal.	
The ABS warning lamp, VDC OFF indicator lamp and SLIP indicator lamp may turn ON when the vehicle is subject to strong shaking or large vibration, such as when the vehicle is rotating on a turntable or located on a ship while the engine is running.	In this case, restart the engine on a normal road. If the normal condition is restored, there is no malfunction. At that time, erase the self-diagnosis memory.
VDC may not operate normally or the ABS warning lamp, VDC OFF indicator lamp, and SLIP indicator lamp may illuminate, when running on a special road that is extremely slanted (e.g. bank in a circuit course).	
A malfunction may occur in the yaw rate/side G sensor system, when the vehicle turns sharply, such as during a spin turn, axle turn, or drift driving, while the VDC function is off (VDC OFF indicator lamp illuminated).	
The vehicle speed will not increase even though the accelerator pedal is depressed, when inspecting the speedometer on a 2-wheel chassis dynamometer.	Normal (Deactivate the VDC/TCS function before performing an inspection on a chassis dynamometer.)
VDC OFF indicator lamp and SLIP indicator lamp may simultaneously turn on when low tire pressure warning lamp turns on.	This is not a VDC system error but results from characteristic change of tire.

A
B
C
D
E
G
H
I
J
K
L
M
N
O
P

BRC

PRECAUTION

PRECAUTIONS

Precaution for Supplemental Restraint System (SRS) "AIR BAG" and "SEAT BELT PRE-TENSIONER"

INFOID:000000004685467

The Supplemental Restraint System such as "AIR BAG" and "SEAT BELT PRE-TENSIONER", used along with a front seat belt, helps to reduce the risk or severity of injury to the driver and front passenger for certain types of collision. This system includes seat belt switch inputs and dual stage front air bag modules. The SRS system uses the seat belt switches to determine the front air bag deployment, and may only deploy one front air bag, depending on the severity of a collision and whether the front occupants are belted or unbelted. Information necessary to service the system safely is included in the "SRS AIR BAG" and "SEAT BELT" of this Service Manual.

WARNING:

- To avoid rendering the SRS inoperative, which could increase the risk of personal injury or death in the event of a collision which would result in air bag inflation, all maintenance must be performed by an authorized NISSAN/INFINITI dealer.
- Improper maintenance, including incorrect removal and installation of the SRS, can lead to personal injury caused by unintentional activation of the system. For removal of Spiral Cable and Air Bag Module, see the "SRS AIR BAG".
- Do not use electrical test equipment on any circuit related to the SRS unless instructed to in this Service Manual. SRS wiring harnesses can be identified by yellow and/or orange harnesses or harness connectors.

PRECAUTIONS WHEN USING POWER TOOLS (AIR OR ELECTRIC) AND HAMMERS

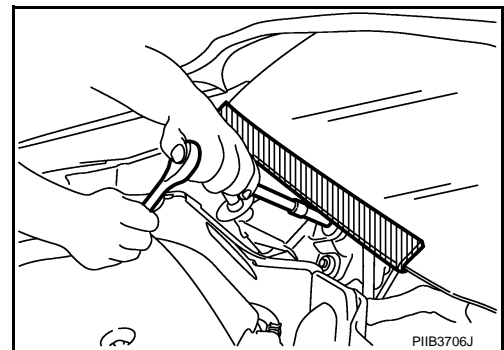
WARNING:

- When working near the Air Bag Diagnosis Sensor Unit or other Air Bag System sensors with the ignition ON or engine running, DO NOT use air or electric power tools or strike near the sensor(s) with a hammer. Heavy vibration could activate the sensor(s) and deploy the air bag(s), possibly causing serious injury.
- When using air or electric power tools or hammers, always switch the ignition OFF, disconnect the battery, and wait at least 3 minutes before performing any service.

Precaution for Procedure without Cowl Top Cover

INFOID:000000004685468

When performing the procedure after removing cowl top cover, cover the lower end of windshield with urethane, etc.



Precaution for Brake System

INFOID:000000004497376

WARNING:

Clean any dust from the front brake and rear brake with a vacuum dust collector. Never blow with compressed air.

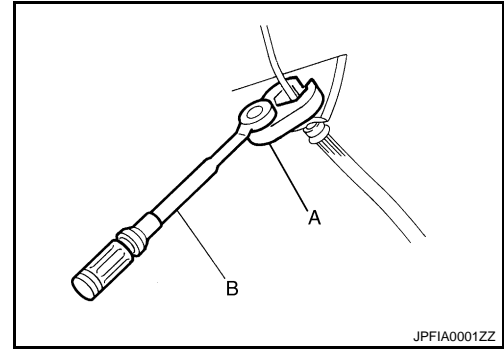
- Only use "DOT 3" brake fluid. Refer to [MA-14, "FOR NORTH AMERICA : Fluids and Lubricants"](#) (for North America), [MA-15, "EXCEPT FOR NORTH AMERICA : Fluids and Lubricants"](#) (except for North America).
- Never reuse drained brake fluid.
- Never spill or splash brake fluid on painted surfaces. Brake fluid may seriously damage paint. Wipe it off immediately and wash with water if it gets on a painted surface.
- Never use mineral oils such as gasoline or light oil. They may damage rubber parts and cause improper operation.

PRECAUTIONS

[VDC/TCS/ABS]

< PRECAUTION >

- Always loosen the brake tube flare nut with a flare nut wrench.
- Tighten the brake tube flare nut to the specified torque with a crow-foot (A) and torque wrench (B).
- Always conform the specified tightening torque when installing the brake pipes.
- Brake system is an important safety part. If a brake fluid leak is detected, always disassemble the affected part. If a malfunction is detected, replace part with a new one.
- Turn the ignition switch OFF and disconnect the ABS actuator and electric unit (control unit) harness connector or the battery negative terminal before performing the work.



Precaution for Brake Control

INFOID:000000004497377

- When starting engine or when starting vehicle just after starting engine, brake pedal may vibrate or motor operating noise may be heard from engine compartment. This is normal condition.
- When an error is indicated by ABS or another warning lamp, collect all necessary information from customer (what symptoms are present under what conditions) and check for estimate causes before starting diagnostic servicing. Besides electrical system inspection, check brake booster operation, brake fluid level, and oil leaks.
- If tire size and type are used in an improper combination, or brake pads are not Genuine NISSAN parts, stopping distance or steering stability may deteriorate.
- ABS might be out of order or malfunctions by putting a radio (wiring inclusive), an antenna and a lead-in wire near the control unit.
- If aftermarket parts (car stereo, CD player, etc.) have been installed, check for incidents such as harness pinches, open circuits, and improper wiring.
- VDC system may not operate normally or a VDC OFF indicator lamp or SLIP indicator lamp may light.
- When replacing the following parts with parts other than genuine parts or making modifications: Suspension related parts (shock absorber, spring, bushing, etc.), tires, wheels (other than specified sizes), brake-related parts (pad, rotor, caliper, etc.), engine-related parts (muffler, ECM, etc.) and body reinforcement-related parts (roll bar, tower bar, etc.).
- When driving with worn or deteriorated suspension, tires and brake-related parts.

Precautions for Harness Repair

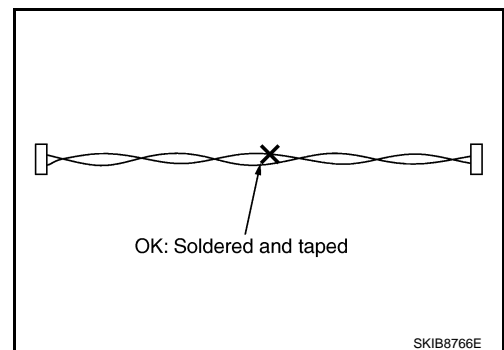
INFOID:000000004523215

COMMUNICATION LINE

- Solder the repaired area and wrap tape around the soldered area.

NOTE:

A fray of twisted lines must be within 110 mm (4.33 in).

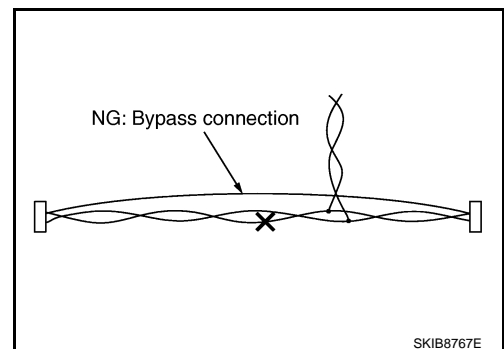


- Bypass connection is never allowed at the repaired area.

NOTE:

Bypass connection may cause communication error as spliced wires that are separate from the main line or twisted lines lose noise immunity.

- Replace the applicable harness as an assembly if error is detected on the shield lines of communication line.



< PREPARATION >

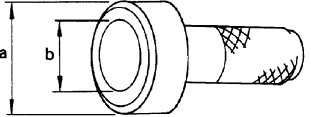
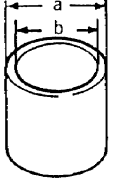
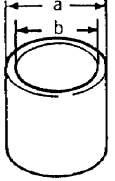
PREPARATION

PREPARATION

Special Service Tool

INFOID:000000004497378

The actual shapes of Kent-Moore tools may differ from those of special service tools illustrated here.

Tool number (Kent-Moore No.) Tool name	Description
ST30720000 (J-25405) Drift a: 77 mm (3.03 in) dia. b: 55.5 mm (2.185 in) dia.	 <p style="text-align: right;">ZZA0701D</p>
ST27863000 (—) Drift a: 74.5 mm (2.933 in) dia. b: 62.5 mm (2.461 in) dia.	 <p style="text-align: right;">ZZA0832D</p>
KV40104710 (—) a: 76.3 mm (3.004 in) dia. b: 67.9 mm (2.673 in) dia.	 <p style="text-align: right;">ZZA0832D</p>

Installing rear sensor rotor

WHEEL SENSOR

< REMOVAL AND INSTALLATION >

[VDC/TCS/ABS]

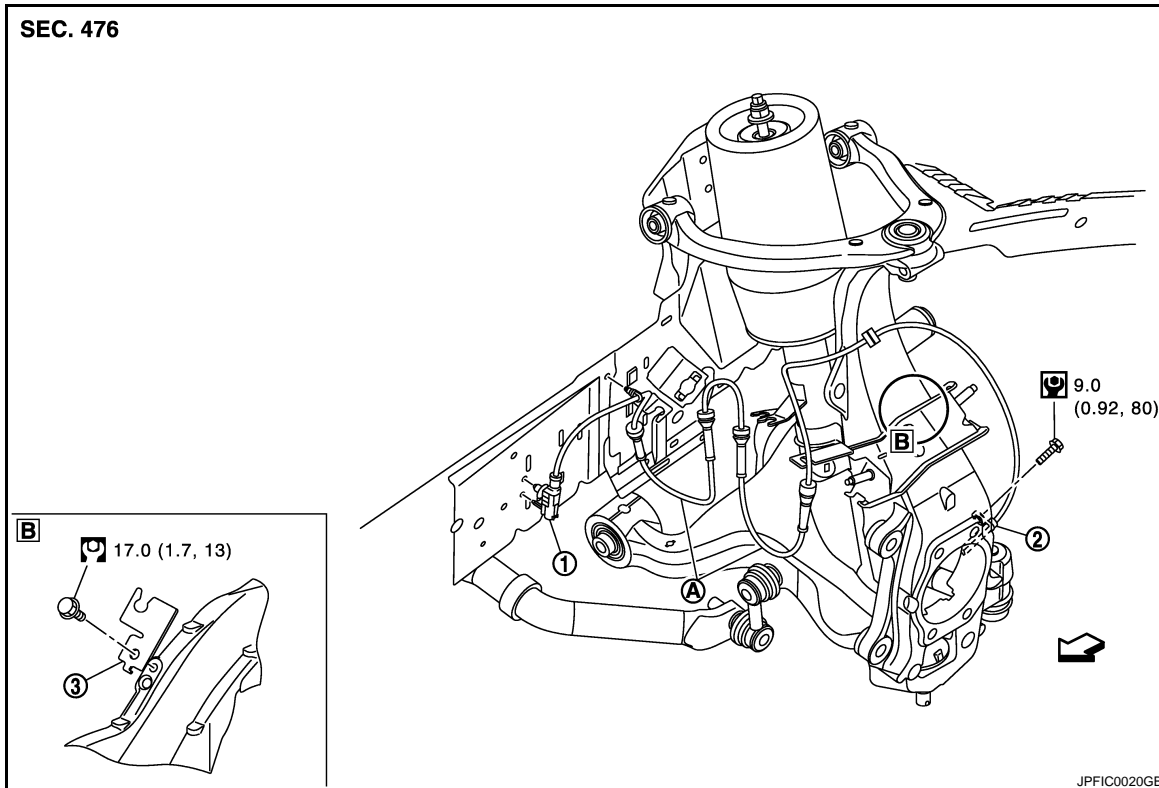
REMOVAL AND INSTALLATION

WHEEL SENSOR

FRONT WHEEL SENSOR

FRONT WHEEL SENSOR : Exploded View

INFOID:000000004497380



1. Front LH wheel sensor harness connector 2. Front LH wheel sensor 3. Bracket

A. Color line

←: Vehicle front

Refer to [GI-4, "Components"](#) for symbols in the figure.

NOTE:

The above figure (front side) shows left side. Right side is the mirror image.

FRONT WHEEL SENSOR : Removal and Installation

INFOID:000000004497381

REMOVAL

Note the following, and when removing wheel sensor.

- Never twist sensor harness as much as possible, when removing it. Pull wheel sensors out without pulling sensor harness.
- Be careful to avoid damaging sensor edges or rotor teeth. Remove wheel sensor first before removing front wheel hub and bearing assembly. This is to avoid damage to wheel sensor wiring and loss of wheel sensor function.

INSTALLATION

Note the following, and when installing wheel sensor. Tighten installation bolts to the specified torques.

- When installing, make sure there is no foreign material such as iron chips on and in the mounting hole of the wheel sensor. Make sure no foreign material has been caught in the sensor rotor. Remove any foreign material and clean the mount.

WHEEL SENSOR

[VDC/TCS/ABS]

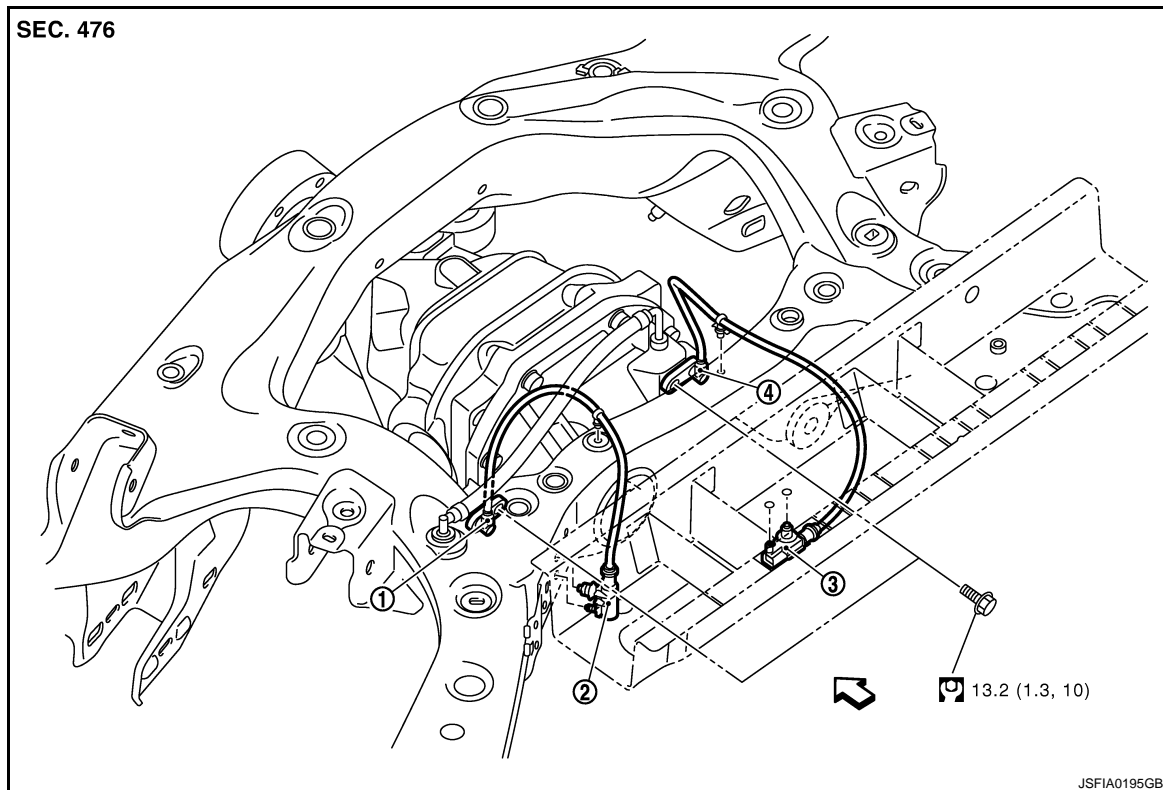
< REMOVAL AND INSTALLATION >

- When installing wheel sensor, be sure to press rubber grommets in until they lock at locations shown above in the figure. When installed, harness must not be twisted.
- When you see the harness of the wheel sensor from the front side of the vehicle ensure that the color lines (A) are not twisted.

REAR WHEEL SENSOR

REAR WHEEL SENSOR : Exploded View

INFOID:000000004523216



1. Rear LH wheel sensor
2. Rear LH wheel sensor harness connector
3. Rear RH wheel sensor harness connector
4. Rear RH wheel sensor

← Vehicle front

Refer to [GI-4. "Components"](#) for symbols in the figure.

REAR WHEEL SENSOR : Removal and Installation

INFOID:000000004523217

REMOVAL

Note the following, when removing sensor harness.

- Never twist sensor harness as much as possible, when removing it. Pull wheel sensors out without pulling sensor harness.
- Be careful to avoid damaging sensor edges or rotor teeth. Remove wheel sensor first before removing side flange. This is to avoid damage to sensor wiring and loss of sensor function.

INSTALLATION

Note the following, when installing wheel sensor. Tighten installation bolts to the specified torques.

- When installing, make sure there is no foreign material such as iron chips on and in the mounting hole of the wheel sensor. Make sure no foreign material has been caught in the sensor rotor. Remove any foreign material and clean the mount.
- When installing wheel sensor, be sure to press rubber grommets in until they lock at locations shown above in the figure. When installed, harness must not be twisted.

SENSOR ROTOR

< REMOVAL AND INSTALLATION >

[VDC/TCS/ABS]

SENSOR ROTOR FRONT SENSOR ROTOR

FRONT SENSOR ROTOR : Exploded View

INFOID:000000004497382

Refer to [FAX-7, "Exploded View"](#).

FRONT SENSOR ROTOR : Removal and Installation

INFOID:000000004497383

REMOVAL

Sensor rotor cannot be disassembled. Remove the sensor rotor together with hub bearing assembly. Refer to [FAX-7, "Exploded View"](#).

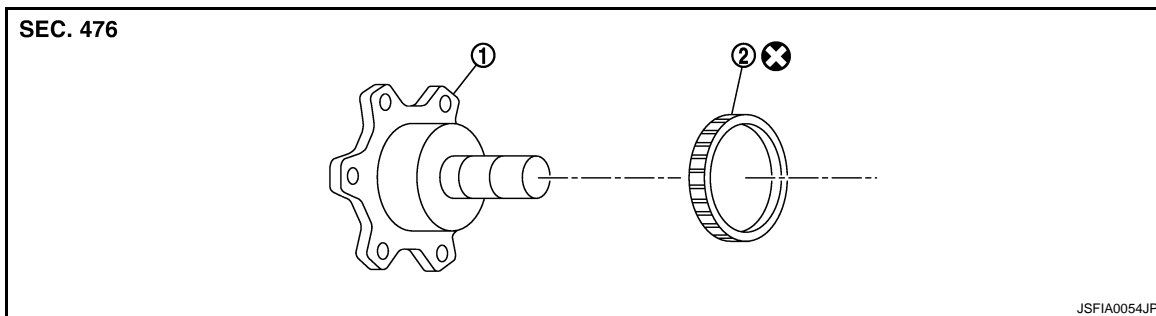
INSTALLATION

Sensor rotor cannot be disassembled. Remove the sensor rotor together with hub bearing assembly. Refer to [FAX-7, "Exploded View"](#).

REAR SENSOR ROTOR

REAR SENSOR ROTOR : Exploded View

INFOID:000000004497384



1. Side flange
2. Rear wheel sensor rotor

Refer to [GI-4, "Components"](#) for symbols in the figure.

REAR SENSOR ROTOR : Removal and Installation

INFOID:000000004497385

REMOVAL

- Follow the procedure below to remove rear sensor rotor.
- Remove side flange. Refer to [DLN-28, "Exploded View"](#) (R200), [DLN-68, "Exploded View"](#) (R200V).
- Using a bearing replacer (suitable tool) and puller (suitable tool), remove sensor rotor from side flange.

INSTALLATION

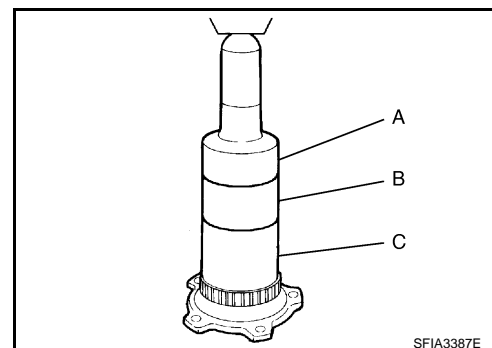
CAUTION:

Never reuse sensor rotor.

- Follow the procedure below to install rear sensor rotor.
- Using a drifts, press rear sensor rotor onto side flange.

- A : Drift [SST: ST30720000 (J-25405)]
- B : Drift [SST: ST27863000 (—)]
- C : Drift [SST: KV40104710 (—)]

- Install side flange. Refer to [DLN-28, "Exploded View"](#) (R200), [DLN-68, "Exploded View"](#) (R200V).



ABS ACTUATOR AND ELECTRIC UNIT (CONTROL UNIT)

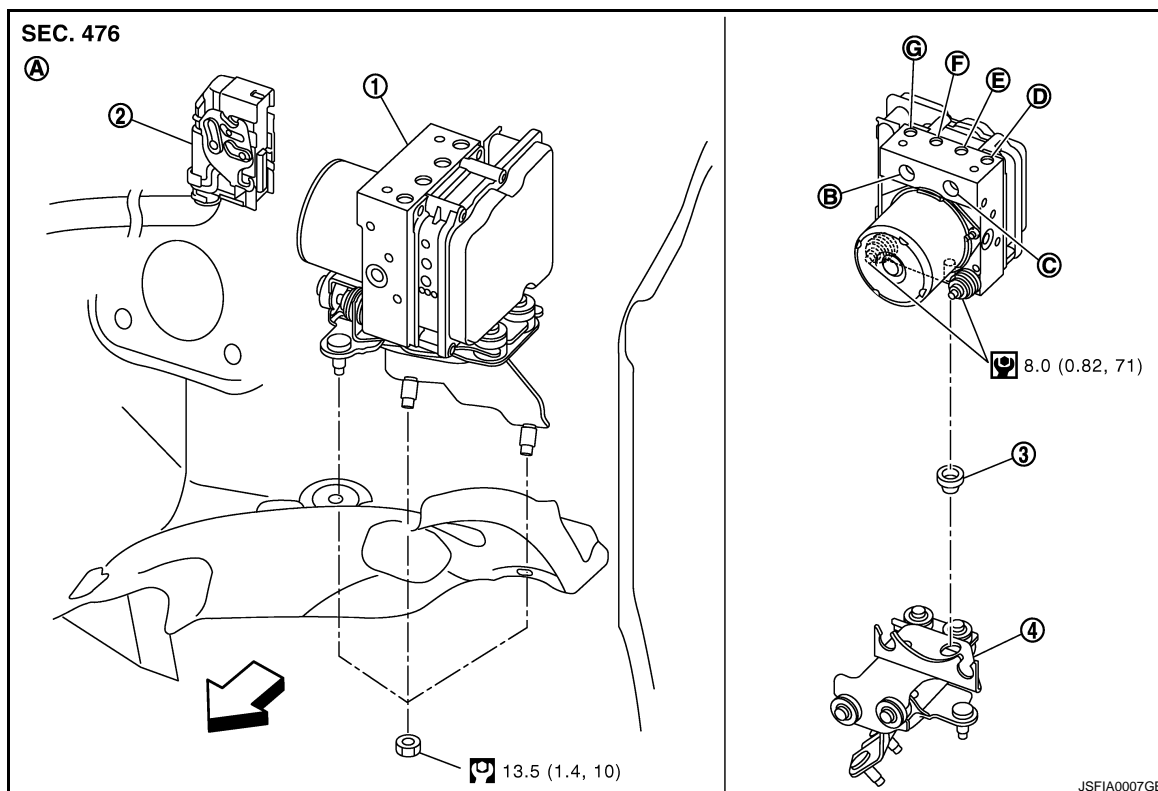
< REMOVAL AND INSTALLATION >

[VDC/TCS/ABS]

ABS ACTUATOR AND ELECTRIC UNIT (CONTROL UNIT)

Exploded View

INFOID:000000004497386



- | | | |
|--|--|--------------------------------------|
| 1. ABS actuator and electric unit (control unit) | 2. Harness connector | 3. Bushing |
| 4. Bracket | | |
| A. Left side of dash panel | B. From master cylinder secondary side | C. From master cylinder primary side |
| D. To front LH brake caliper | E. To rear RH brake caliper | F. To Rear LH brake caliper |
| G. To front RH brake caliper | | |

←: Vehicle front

Refer to [GI-4, "Components"](#) for symbols in the figure.

Removal and Installation

INFOID:000000004497387

REMOVAL

1. Disconnect the battery cable from negative terminal.
2. Remove cowl top cover. Refer to [EXT-21, "Exploded View"](#).
3. Drain brake fluid. Refer to [BR-10, "Draining"](#).
4. Disconnect ABS actuator and electric unit (control unit) harness connector.
5. Remove brake booster pressure sensor mounting bracket. Hang brake booster pressure sensor mounting bracket not to interfere with work.
6. Loosen brake tube flare nuts, then remove brake tubes from ABS actuator and electric unit (control unit). Refer to [BR-20, "FRONT : Exploded View"](#).
7. Remove brake tube form between ABS actuator and electric unit (control unit) and master cylinder assembly. Refer to [BR-20, "FRONT : Exploded View"](#).
8. Remove tire (front LH side).
9. Remove fender protector (rear): (front LH side). Refer to [EXT-24, "FENDER PROTECTOR : Exploded View"](#).

ABS ACTUATOR AND ELECTRIC UNIT (CONTROL UNIT)

< REMOVAL AND INSTALLATION >

[VDC/TCS/ABS]

10. Remove ABS actuator and electric unit (control unit) bracket mounting nut.

11. Remove ABS actuator and electric unit (control unit) from vehicle.

CAUTION:

- **Never apply excessive impact to ABS actuator and electric unit (control unit), such as dropping it.**
- **Never remove actuator by holding harness.**

INSTALLATION

Note the following, and install in the reverse order of removal.

- Install, use flare nut crowfoot and torque wrench. Refer to [BR-20, "FRONT : Exploded View"](#).
- Never apply excessive impact to ABS actuator and electric unit (control unit), such as dropping it.
- Never install actuator by holding harness.
- After work is completed, bleed air from brake tube. Refer to [BR-11, "Bleeding Brake System"](#).
- After installing harness connector in the ABS actuator and electric unit (control unit), make sure harness connector is securely locked.
- When replacing ABS actuator and electric unit (control unit), make sure to adjust neutral position of steering angle sensor. Refer to [BRC-8, "ADJUSTMENT OF STEERING ANGLE SENSOR NEUTRAL POSITION : Description"](#).

A
B
C
D
E
G
H
I
J
K
L
M
N
O
P

BRC

YAW RATE/SIDE G SENSOR

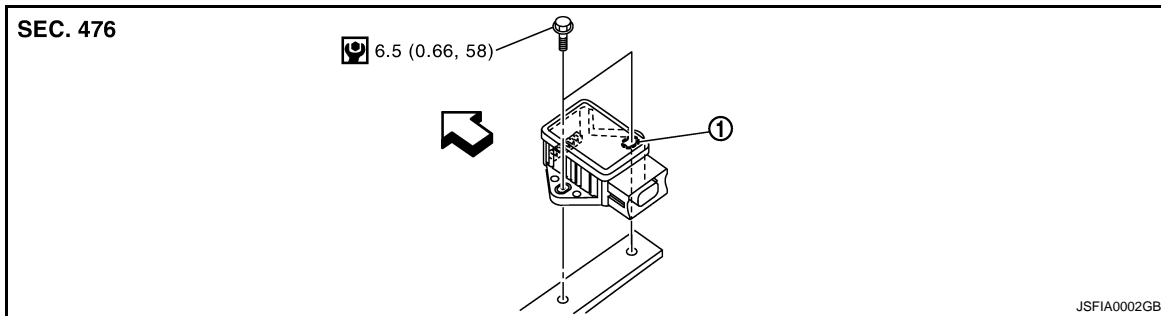
< REMOVAL AND INSTALLATION >

[VDC/TCS/ABS]

YAW RATE/SIDE G SENSOR

Exploded View

INFOID:000000004497388



1. Yaw rate/side G sensor

↔: Vehicle front

Refer to [GI-4, "Components"](#) for symbols in the figure.

Removal and Installation

INFOID:000000004497389

REMOVAL

CAUTION:

- Never drop or strike yaw rate/side G sensor, or never use power tool etc., because yaw rate/side G sensor is sensitive to the impact.

1. Remove center console. Refer to [IP-23, "Exploded View"](#).
2. Disconnect yaw rate/side G sensor harness connector.
3. Remove mounting bolts. Remove yaw rate/side G sensor.

INSTALLATION

Note the following, and install in the reverse order of removal.

- Never drop or strike yaw rate/side G sensor, or never use power tool etc., because yaw rate/side G sensor is sensitive to the impact.

STEERING ANGLE SENSOR

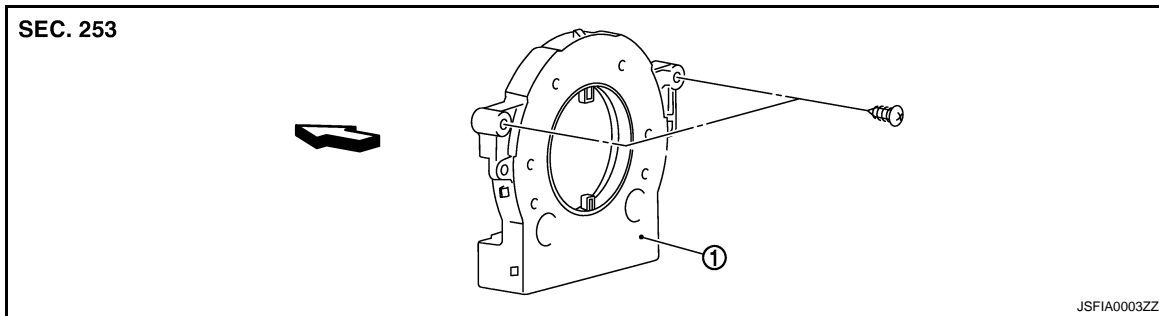
< REMOVAL AND INSTALLATION >

[VDC/TCS/ABS]

STEERING ANGLE SENSOR

Exploded View

INFOID:000000004497390



1. Steering angle sensor

↩: Vehicle front

Removal and Installation

INFOID:000000004497391

REMOVAL

1. Remove spiral cable assembly. Refer to [SR-14. "Exploded View"](#).
2. Remove steering angle sensor from spiral cable assembly.

INSTALLATION

Note the following, and install in the reverse order of removal.

- Never reuse steering angle sensor.
- After work, make sure to adjust neutral position of steering angle sensor. Refer to [BRC-8. "ADJUSTMENT OF STEERING ANGLE SENSOR NEUTRAL POSITION : Description"](#).

A
B
C
D
E
G
H
I
J
K
L
M
N
O
P

BRC

VDC OFF SWITCH

< REMOVAL AND INSTALLATION >

[VDC/TCS/ABS]

VDC OFF SWITCH

Removal and Installation

INFOID:000000004735935

REMOVAL

1. Remove Instrument lower panel LH. Refer to [IP-12. "Exploded View"](#).
2. Remove VDC OFF switch.

INSTALLATION

Install in the reverse order of removal.