

SECTION **PWO**  
POWER OUTLET

A  
B  
C  
D  
E  
F  
G  
H  
I  
J  
K  
L  
N  
O  
P

CONTENTS

<b>DTC/CIRCUIT DIAGNOSIS</b> .....	2	<b>REMOVAL AND INSTALLATION</b> .....	5
<b>POWER SOCKET</b> .....	2	<b>POWER SOCKET</b> .....	5
Wiring Diagram - POWER SOCKET - .....	2	<b>FRONT POWER SOCKET</b> .....	5
<b>PRECAUTION</b> .....	4	FRONT POWER SOCKET : Exploded View .....	5
<b>PRECAUTIONS</b> .....	4	FRONT POWER SOCKET : Removal and Instal- lation .....	5
Precaution for Supplemental Restraint System (SRS) "AIR BAG" and "SEAT BELT PRE-TEN- SIONER" .....	4	<b>CONSOLE POWER SOCKET</b> .....	5
Precaution for Battery Service .....	4	CONSOLE POWER SOCKET : Exploded View .....	6
		CONSOLE POWER SOCKET : Removal and In- stallation .....	6

PWO

# POWER SOCKET

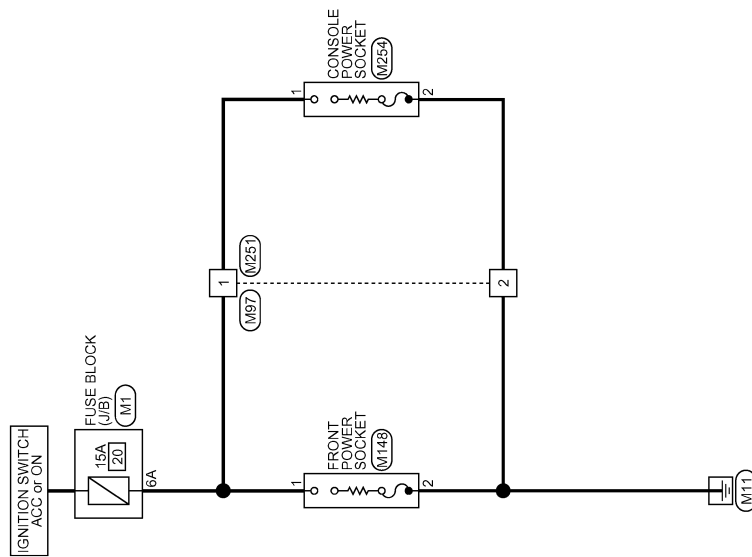
< DTC/CIRCUIT DIAGNOSIS >

## DTC/CIRCUIT DIAGNOSIS

### POWER SOCKET

Wiring Diagram - POWER SOCKET -

INFOID:000000004490844



POWER SOCKET

2008/09/12

JCMWA3233GF

# POWER SOCKET

< DTC/CIRCUIT DIAGNOSIS >

## POWER SOCKET

Connector No.	M1
Connector Name	FUSE BLOCK (J/B)
Connector Type	HS06FW-M2



Terminal No.	Color of Wire	Signal Name [Specification]
6A	Y	-

Connector No.	M97
Connector Name	WIRE TO WIRE
Connector Type	IM2MB-P-LC



Terminal No.	Color of Wire	Signal Name [Specification]
1	Y	-
2	B	-

Connector No.	M148
Connector Name	FRONT POWER SOCKET
Connector Type	P02FB-Z



Terminal No.	Color of Wire	Signal Name [Specification]
1	Y	-
2	B	-

Connector No.	M251
Connector Name	WIRE TO WIRE
Connector Type	IM2FB-LC



Terminal No.	Color of Wire	Signal Name [Specification]
1	Y	-
2	B	-

Connector No.	M254
Connector Name	CONSOLE POWER SOCKET
Connector Type	P02FB-Z



Terminal No.	Color of Wire	Signal Name [Specification]
1	Y	-
2	B	-

A  
B  
C  
D  
E  
F  
G  
H  
I  
J  
K  
L  
N  
O  
P

PWO

JCMWA3234GE

# PRECAUTIONS

< PRECAUTION >

## PRECAUTION

### PRECAUTIONS

#### Precaution for Supplemental Restraint System (SRS) "AIR BAG" and "SEAT BELT PRE-TENSIONER"

INFOID:000000004694404

The Supplemental Restraint System such as "AIR BAG" and "SEAT BELT PRE-TENSIONER", used along with a front seat belt, helps to reduce the risk or severity of injury to the driver and front passenger for certain types of collision. This system includes seat belt switch inputs and dual stage front air bag modules. The SRS system uses the seat belt switches to determine the front air bag deployment, and may only deploy one front air bag, depending on the severity of a collision and whether the front occupants are belted or unbelted. Information necessary to service the system safely is included in the "SRS AIR BAG" and "SEAT BELT" of this Service Manual.

#### **WARNING:**

- To avoid rendering the SRS inoperative, which could increase the risk of personal injury or death in the event of a collision which would result in air bag inflation, all maintenance must be performed by an authorized NISSAN/INFINITI dealer.
- Improper maintenance, including incorrect removal and installation of the SRS, can lead to personal injury caused by unintentional activation of the system. For removal of Spiral Cable and Air Bag Module, see the "SRS AIR BAG".
- Do not use electrical test equipment on any circuit related to the SRS unless instructed to in this Service Manual. SRS wiring harnesses can be identified by yellow and/or orange harnesses or harness connectors.

#### PRECAUTIONS WHEN USING POWER TOOLS (AIR OR ELECTRIC) AND HAMMERS

#### **WARNING:**

- When working near the Air Bag Diagnosis Sensor Unit or other Air Bag System sensors with the ignition ON or engine running, DO NOT use air or electric power tools or strike near the sensor(s) with a hammer. Heavy vibration could activate the sensor(s) and deploy the air bag(s), possibly causing serious injury.
- When using air or electric power tools or hammers, always switch the ignition OFF, disconnect the battery, and wait at least 3 minutes before performing any service.

#### Precaution for Battery Service

INFOID:000000004694620

Before disconnecting the battery, lower both the driver and passenger windows. This will prevent any interference between the window edge and the vehicle when the door is opened/closed. During normal operation, the window slightly raises and lowers automatically to prevent any window to vehicle interference. The automatic window function will not work with the battery disconnected.

# POWER SOCKET

< REMOVAL AND INSTALLATION >

## REMOVAL AND INSTALLATION

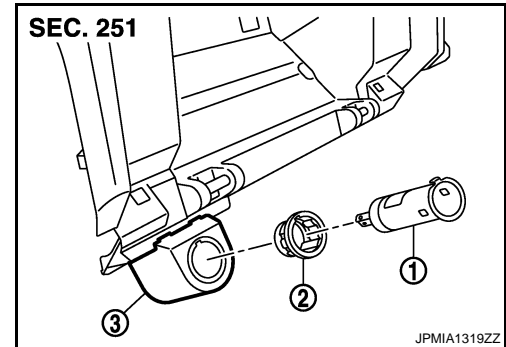
### POWER SOCKET

#### FRONT POWER SOCKET

#### FRONT POWER SOCKET : Exploded View

INFOID:000000004490846

- 1 : Inner socket
- 2 : Ring
- 3 : Power socket finisher



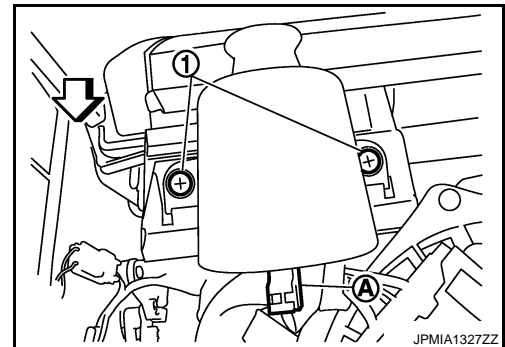
#### FRONT POWER SOCKET : Removal and Installation

INFOID:000000004490847

#### REMOVAL

1. Remove the screws (1) and disconnect power socket connector (A).

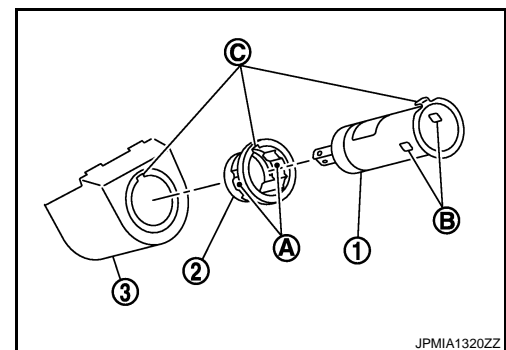
⇐ : Vehicle front



2. Pull out inner socket (1) by pushing the ring pawl (A) from the inner socket hole (square) (B).

C : Cut out

3. Remove ring (2) from power socket finisher (3).



#### INSTALLATION

Install in the reverse order of removal.

#### NOTE:

Align the cut outs of inner socket, ring, and power socket finisher.

#### CONSOLE POWER SOCKET

A  
B  
C  
D  
E  
F  
G  
H  
I  
J  
K  
L  
PWO  
N  
O  
P

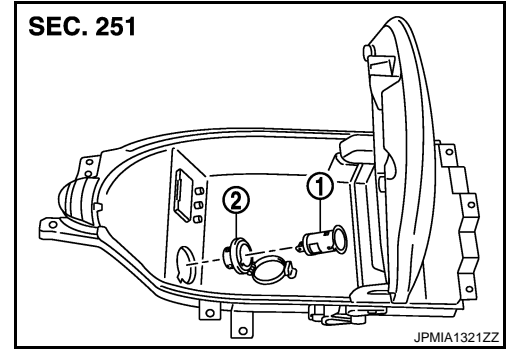
# POWER SOCKET

< REMOVAL AND INSTALLATION >

## CONSOLE POWER SOCKET : Exploded View

INFOID:000000004490848

- 1 : Inner socket
- 2 : Ring



## CONSOLE POWER SOCKET : Removal and Installation

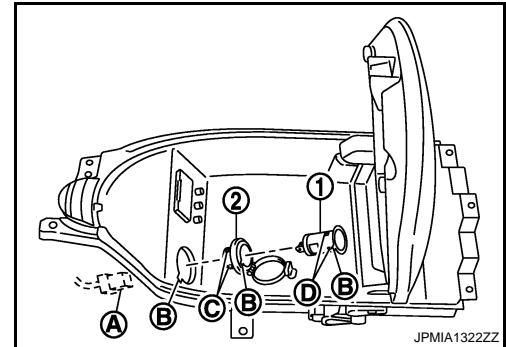
INFOID:000000004490849

### REMOVAL

1. Remove console pocket assembly. Refer to [IP-23, "Exploded View"](#).
2. Disconnect power socket connector (A).

B : Cut out

3. Pull out inner socket (1) by pushing the ring pawl (C) from the inner socket hole (square) (D).
4. Remove ring (2) from console pocket assembly while pressing pawls.



### INSTALLATION

Install in the reverse order of removal.

#### NOTE:

Align the cut outs of inner socket, ring, and console pocket assembly.