

SECTION **MIR**  
MIRRORS

A  
B  
C  
D  
E  
F  
G  
H  
I  
J  
K  
M  
N  
O  
P

CONTENTS

<b>PRECAUTION</b> .....	2	<b>DOOR MIRROR</b> .....	9
<b>PRECAUTIONS</b> .....	2	Wiring Diagram .....	9
<b>FOR USA AND CANADA</b> .....	2	<b>AUTO ANTI-DAZZLING INSIDE MIRROR SYSTEM</b> .....	12
FOR USA AND CANADA : Precaution for Supplemental Restraint System (SRS) "AIR BAG" and "SEAT BELT PRE-TENSIONER" .....	2	Wiring Diagram .....	12
FOR USA AND CANADA : Precaution Necessary for Steering Wheel Rotation after Battery Disconnect .....	2	<b>SYMPTOM DIAGNOSIS</b> .....	14
FOR USA AND CANADA : Precaution for Battery Service .....	3	<b>SQUEAK AND RATTLE TROUBLE DIAGNOSES</b> .....	14
<b>FOR MEXICO</b> .....	3	Work Flow .....	14
FOR MEXICO : Precaution for Supplemental Restraint System (SRS) "AIR BAG" and "SEAT BELT PRE-TENSIONER" .....	3	Inspection Procedure .....	16
FOR MEXICO : Precaution Necessary for Steering Wheel Rotation after Battery Disconnect .....	3	Diagnostic Worksheet .....	18
FOR MEXICO : Precaution for Battery Service .....	4	<b>REMOVAL AND INSTALLATION</b> .....	20
<b>PREPARATION</b> .....	5	<b>INSIDE MIRROR</b> .....	20
<b>PREPARATION</b> .....	5	Exploded View .....	20
Commercial Service Tools .....	5	Removal and Installation .....	20
<b>SYSTEM DESCRIPTION</b> .....	6	<b>OUTSIDE MIRROR</b> .....	21
<b>DOOR MIRROR SYSTEM</b> .....	6	<b>DOOR MIRROR ASSEMBLY</b> .....	21
Component Description .....	6	DOOR MIRROR ASSEMBLY : Exploded View .....	21
<b>INSIDE MIRROR SYSTEM</b> .....	7	DOOR MIRROR ASSEMBLY : Removal and Installation .....	21
System Description .....	7	<b>GLASS MIRROR</b> .....	22
Component Description .....	7	GLASS MIRROR : Exploded View .....	22
<b>DTC/CIRCUIT DIAGNOSIS</b> .....	8	GLASS MIRROR : Disassembly and Assembly .....	22
<b>DOOR MIRROR REMOTE CONTROL SWITCH (MIRROR SWITCH/CHANGEVER SWITCH)</b> .....	8	<b>DOOR MIRROR COVER</b> .....	23
Component Inspection .....	8	DOOR MIRROR COVER : Exploded View .....	23
		DOOR MIRROR COVER : Disassembly and Assembly .....	23
		<b>DOOR MIRROR REMOTE CONTROL SWITCH</b> .....	25
		Exploded View .....	25
		Removal and Installation .....	25

MIR

# PRECAUTIONS

< PRECAUTION >

## PRECAUTION

### PRECAUTIONS

#### FOR USA AND CANADA

#### FOR USA AND CANADA : Precaution for Supplemental Restraint System (SRS) "AIR BAG" and "SEAT BELT PRE-TENSIONER"

INFOID:000000005532114

The Supplemental Restraint System such as "AIR BAG" and "SEAT BELT PRE-TENSIONER", used along with a front seat belt, helps to reduce the risk or severity of injury to the driver and front passenger for certain types of collision. This system includes seat belt switch inputs and dual stage front air bag modules. The SRS system uses the seat belt switches to determine the front air bag deployment, and may only deploy one front air bag, depending on the severity of a collision and whether the front occupants are belted or unbelted.

Information necessary to service the system safely is included in the "SRS AIR BAG" and "SEAT BELT" of this Service Manual.

#### **WARNING:**

- To avoid rendering the SRS inoperative, which could increase the risk of personal injury or death in the event of a collision which would result in air bag inflation, all maintenance must be performed by an authorized NISSAN/INFINITI dealer.
- Improper maintenance, including incorrect removal and installation of the SRS, can lead to personal injury caused by unintentional activation of the system. For removal of Spiral Cable and Air Bag Module, see the "SRS AIR BAG".
- Do not use electrical test equipment on any circuit related to the SRS unless instructed to in this Service Manual. SRS wiring harnesses can be identified by yellow and/or orange harnesses or harness connectors.

#### PRECAUTIONS WHEN USING POWER TOOLS (AIR OR ELECTRIC) AND HAMMERS

#### **WARNING:**

- When working near the Air Bag Diagnosis Sensor Unit or other Air Bag System sensors with the ignition ON or engine running, DO NOT use air or electric power tools or strike near the sensor(s) with a hammer. Heavy vibration could activate the sensor(s) and deploy the air bag(s), possibly causing serious injury.
- When using air or electric power tools or hammers, always switch the ignition OFF, disconnect the battery, and wait at least 3 minutes before performing any service.

#### FOR USA AND CANADA : Precaution Necessary for Steering Wheel Rotation after Battery Disconnect

INFOID:000000005234697

#### **NOTE:**

- Before removing and installing any control units, first turn the push-button ignition switch to the LOCK position, then disconnect both battery cables.
- After finishing work, confirm that all control unit connectors are connected properly, then re-connect both battery cables.
- Always use CONSULT-III to perform self-diagnosis as a part of each function inspection after finishing work. If a DTC is detected, perform trouble diagnosis according to self-diagnosis results.

For vehicle with steering lock unit, if the battery is disconnected or discharged, the steering wheel will lock and cannot be turned.

If turning the steering wheel is required with the battery disconnected or discharged, follow the operation procedure below before starting the repair operation.

#### OPERATION PROCEDURE

1. Connect both battery cables.

#### **NOTE:**

Supply power using jumper cables if battery is discharged.

2. Turn the push-button ignition switch to ACC position.  
(At this time, the steering lock will be released.)
3. Disconnect both battery cables. The steering lock will remain released with both battery cables disconnected and the steering wheel can be turned.
4. Perform the necessary repair operation.

# PRECAUTIONS

## < PRECAUTION >

5. When the repair work is completed, re-connect both battery cables. With the brake pedal released, turn the push-button ignition switch from ACC position to ON position, then to LOCK position. (The steering wheel will lock when the push-button ignition switch is turned to LOCK position.)
6. Perform self-diagnosis check of all control units using CONSULT-III.

### FOR USA AND CANADA : Precaution for Battery Service

INFOID:000000005234698

Before disconnecting the battery, lower both the driver and passenger windows. This will prevent any interference between the window edge and the vehicle when the door is opened/closed. During normal operation, the window slightly raises and lowers automatically to prevent any window to vehicle interference. The automatic window function will not work with the battery disconnected.

### FOR MEXICO

### FOR MEXICO : Precaution for Supplemental Restraint System (SRS) "AIR BAG" and "SEAT BELT PRE-TENSIONER"

INFOID:000000005532116

The Supplemental Restraint System such as "AIR BAG" and "SEAT BELT PRE-TENSIONER", used along with a front seat belt, helps to reduce the risk or severity of injury to the driver and front passenger for certain types of collision. Information necessary to service the system safely is included in the "SRS AIR BAG" and "SEAT BELT" of this Service Manual.

#### **WARNING:**

- To avoid rendering the SRS inoperative, which could increase the risk of personal injury or death in the event of a collision which would result in air bag inflation, all maintenance must be performed by an authorized NISSAN/INFINITI dealer.
- Improper maintenance, including incorrect removal and installation of the SRS, can lead to personal injury caused by unintentional activation of the system. For removal of Spiral Cable and Air Bag Module, see the "SRS AIR BAG".
- Do not use electrical test equipment on any circuit related to the SRS unless instructed to in this Service Manual. SRS wiring harnesses can be identified by yellow and/or orange harnesses or harness connectors.

### PRECAUTIONS WHEN USING POWER TOOLS (AIR OR ELECTRIC) AND HAMMERS

#### **WARNING:**

- When working near the Air Bag Diagnosis Sensor Unit or other Air Bag System sensors with the ignition ON or engine running, DO NOT use air or electric power tools or strike near the sensor(s) with a hammer. Heavy vibration could activate the sensor(s) and deploy the air bag(s), possibly causing serious injury.
- When using air or electric power tools or hammers, always switch the ignition OFF, disconnect the battery, and wait at least 3 minutes before performing any service.

### FOR MEXICO : Precaution Necessary for Steering Wheel Rotation after Battery Disconnect

INFOID:000000005532120

#### **NOTE:**

- Before removing and installing any control units, first turn the push-button ignition switch to the LOCK position, then disconnect both battery cables.
- After finishing work, confirm that all control unit connectors are connected properly, then re-connect both battery cables.
- Always use CONSULT-III to perform self-diagnosis as a part of each function inspection after finishing work. If a DTC is detected, perform trouble diagnosis according to self-diagnosis results.

For vehicle with steering lock unit, if the battery is disconnected or discharged, the steering wheel will lock and cannot be turned.

If turning the steering wheel is required with the battery disconnected or discharged, follow the operation procedure below before starting the repair operation.

### OPERATION PROCEDURE

1. Connect both battery cables.

#### **NOTE:**

Supply power using jumper cables if battery is discharged.

2. Turn the push-button ignition switch to ACC position.

# PRECAUTIONS

## < PRECAUTION >

---

(At this time, the steering lock will be released.)

3. Disconnect both battery cables. The steering lock will remain released with both battery cables disconnected and the steering wheel can be turned.
4. Perform the necessary repair operation.
5. When the repair work is completed, re-connect both battery cables. With the brake pedal released, turn the push-button ignition switch from ACC position to ON position, then to LOCK position. (The steering wheel will lock when the push-button ignition switch is turned to LOCK position.)
6. Perform self-diagnosis check of all control units using CONSULT-III.

## FOR MEXICO : Precaution for Battery Service

INFOID:000000005532121

Before disconnecting the battery, lower both the driver and passenger windows. This will prevent any interference between the window edge and the vehicle when the door is opened/closed. During normal operation, the window slightly raises and lowers automatically to prevent any window to vehicle interference. The automatic window function will not work with the battery disconnected.

# PREPARATION

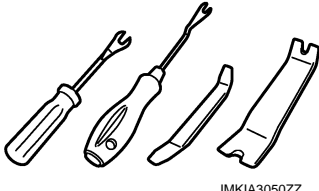
< PREPARATION >

## PREPARATION

### PREPARATION

#### Commercial Service Tools

INFOID:000000005234699

Tool name	Description
Remover tool  JMKIA3050ZZ	Removes the clips, pawls and metal clips

A  
B  
C  
D  
E  
F  
G  
H  
I  
J  
K  
M  
N  
O  
P

MIR

# DOOR MIRROR SYSTEM

< SYSTEM DESCRIPTION >

## SYSTEM DESCRIPTION

### DOOR MIRROR SYSTEM

#### Component Description

INFOID:000000005234688

Component	Function
Door mirror remote control switch	It supplies power to mirror motor through mirror switch and changeover switch.
Door mirror	It makes mirror face operate from side to side and up and down with the mirror control switch operation.

# INSIDE MIRROR SYSTEM

< SYSTEM DESCRIPTION >

## INSIDE MIRROR SYSTEM

### System Description

INFOID:000000005234689

The sensor built in inside mirror detects the headlight of the vehicle behind and automatically changes the light transmission to decrease the brightness.

### Component Description

INFOID:000000005234690

Component	Function
Auto anti-dazzling inside mirror	It automatically changes the light transmittance according to the brightness of the light from the headlight of the vehicle behind.

A  
B  
C  
D  
E  
F  
G  
H  
I  
J  
K  
M  
N  
O  
P

MIR

# DOOR MIRROR REMOTE CONTROL SWITCH (MIRROR SWITCH/ CHANGEOVER SWITCH)

< DTC/CIRCUIT DIAGNOSIS >

## DTC/CIRCUIT DIAGNOSIS

### DOOR MIRROR REMOTE CONTROL SWITCH (MIRROR SWITCH/ CHANGEOVER SWITCH)

#### Component Inspection

INFOID:000000005550874

#### 1. CHECK MIRROR SWITCH & CHANGEOVER SWITCH

1. Turn ignition switch OFF.
2. Disconnect door mirror remote control switch connector.
3. Check door mirror remote control switch.

[Door mirror (driver side)]

Door mirror remote control switch		Mirror switch condition	Continuity	
Connector	Terminal			
D7	7	10	RIGHT	Existed
	1	14		
	7	14	LEFT	
	1	10		
	7	16	UP	
	1	10		
	7	10	DOWN	
	1	16		

[Door mirror (passenger side)]

Door mirror remote control switch		Mirror switch condition	Continuity	
Connector	Terminal			
D7	7	12	RIGHT	Existed
	1	13		
	7	13	LEFT	
	1	12		
	7	15	UP	
	1	12		
	7	12	DOWN	
	1	15		

Is the inspection result normal?

YES >> INSPECTION END.

NO >> Replace door mirror remote control switch. Refer to [MIR-25. "Removal and Installation"](#).



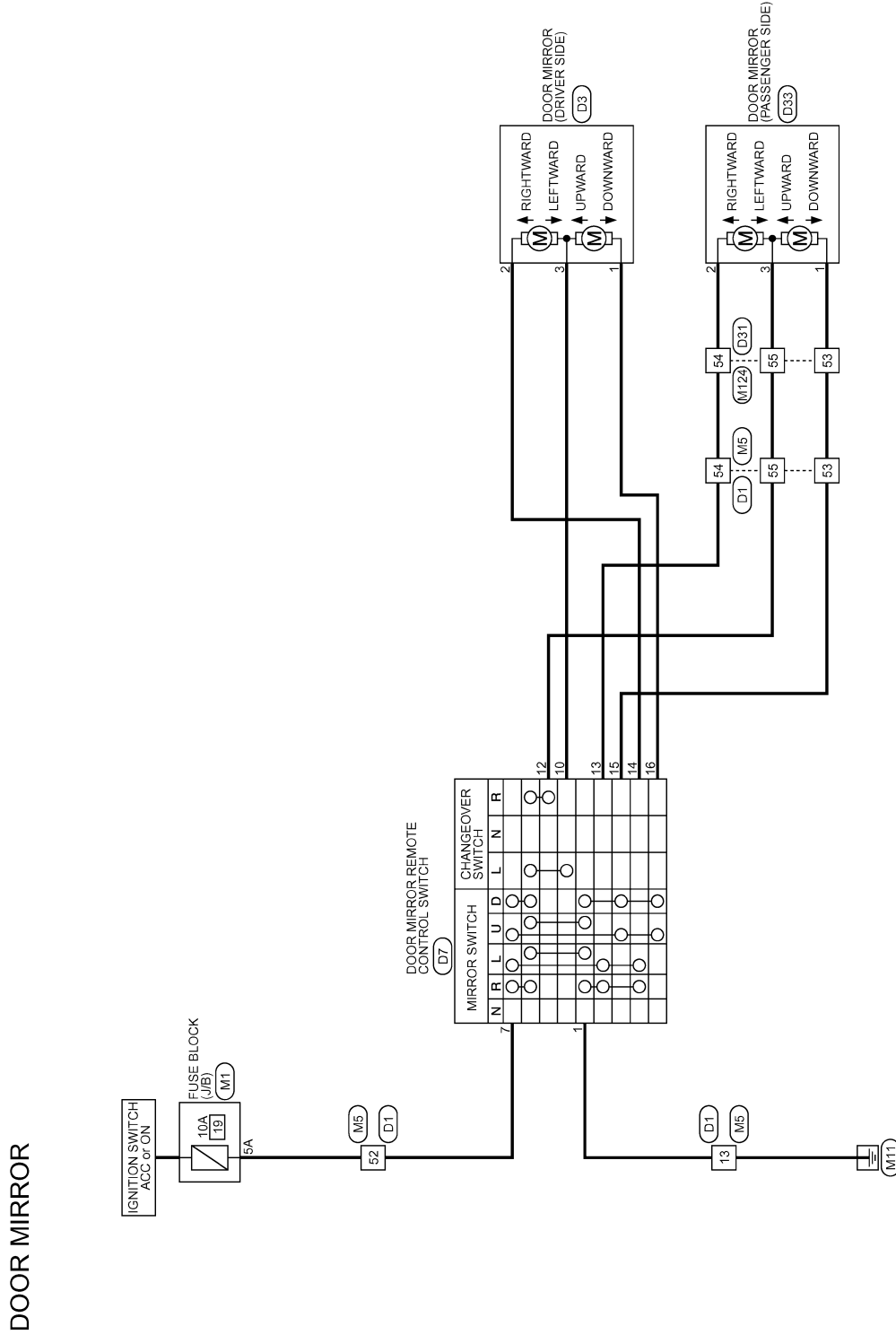
# DOOR MIRROR

< DTC/CIRCUIT DIAGNOSIS >

## DOOR MIRROR

### Wiring Diagram

INFOID:000000005234691



A  
B  
C  
D  
E  
F  
G  
H  
I  
J  
K  
L  
M  
N  
O  
P

MIR

2008/09/12

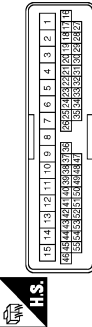
JCLWA2600GB

# DOOR MIRROR

## < DTC/CIRCUIT DIAGNOSIS >

### DOOR MIRROR

Connector No.	D1
Connector Name	WIRE TO WIRE
Connector Type	TH40FW-CS15



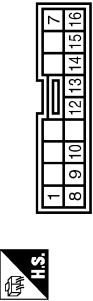
Terminal No.	Color of Wire	Signal Name [Specification]
7	Y	-
8	Y	-
9	G	-
10	BG	- [Coupe models] - [Roadster models]
11	P	- [With BOSE system] - [Without BOSE system]
12	L	-
13	B	-
14	SB	- [Coupe models] - [Roadster models]
15	W	-
19	G	-
23	R	-
44	L	-
47	B	-
48	SB	-
49	W	-
50	LG	-
51	R	-
52	V	-
53	BG	- [Coupe models] - [Roadster models]
54	GR	-
55	G	-

Connector No.	D3
Connector Name	DOOR MIRROR (DRIVER SIDE)
Connector Type	TH68MW-NH



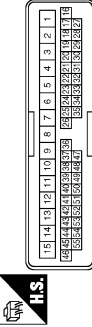
Terminal No.	Color of Wire	Signal Name [Specification]
1	BR	-
2	L	-
3	Y	-
4	L	-
8	B	-

Connector No.	D7
Connector Name	DOOR MIRROR REMOTE CONTROL SWITCH
Connector Type	TK1BFW



Terminal No.	Color of Wire	Signal Name [Specification]
1	B	-
7	V	-
8	LG	-
9	R	-
10	Y	-
12	G	-
13	GR	-
14	L	-
15	BG	- [Coupe models] - [Roadster models]
15	O	-
16	BR	-

Connector No.	D31
Connector Name	WIRE TO WIRE
Connector Type	TH40FW-CS15



Terminal No.	Color of Wire	Signal Name [Specification]
10	V	-
11	LG	-
12	P	- [With BOSE system] - [Without BOSE system]
12	LG	-
13	V	- [Coupe models without BOSE system]
13	L	- [Except for coupe models without BOSE system]
14	B	-
15	W	-
19	P	-
23	L	-
44	L	-
50	Y	-
51	Y	-
52	G	-
53	BG	- [Coupe models] - [Roadster models]
53	O	-
54	GR	-
55	L	-

Connector No.	D33
Connector Name	DOOR MIRROR (PASSENGER SIDE)
Connector Type	TH68MW-NH



Terminal No.	Color of Wire	Signal Name [Specification]
1	BG	- [Coupe models] - [Roadster models]
2	GR	-
3	L	-

4	L	-
8	B	-

Connector No.	M1
Connector Name	FUSE BLOCK (J/B)
Connector Type	NS30FW-M2



Terminal No.	Color of Wire	Signal Name [Specification]
1A	V	-
2A	G	-
3A	L	-
4A	P	-
5A	L	-
6A	Y	-
7A	BR	-
8A	L	-

# DOOR MIRROR

< DTC/CIRCUIT DIAGNOSIS >

## DOOR MIRROR

Connector No.	M5
Connector Name	WIRE TO WIRE
Connector Type	TH40MW-CS15



1	2	3	4	5	6	7	8	9	10	11	12	13	14	15
16	17	18	19	20	21	22	23	24	25	26	27	28	29	30

Terminal No.	Color of Wire	Signal Name [Specification]
7	Y	-
8	Y	-
9	G	-
10	V	-
11	V	-
12	L	-
13	B	-
14	Y	-
15	W	-
19	Y	-
23	Y/B	-
44	L	-
47	B	-
48	SB	-
49	SB	- [Roaster models with M/T]
49	Y	- [Except for roaster models with M/T]
50	W	-
51	R	-
52	L	-
53	W	-
54	G	-
55	R	-

Connector No.	M124
Connector Name	WIRE TO WIRE
Connector Type	TH40MW-CS15



1	2	3	4	5	6	7	8	9	10	11	12	13	14	15
16	17	18	19	20	21	22	23	24	25	26	27	28	29	30

Terminal No.	Color of Wire	Signal Name [Specification]
--------------	---------------	-----------------------------

10	G	- [Coupe models]
10	V	- [Roaster models]
11	V	- [Coupe models]
11	LG	- [Roaster models]
12	LG	-
13	V	-
14	B	-
15	W	-
19	Y	-
23	Y/B	-
44	R	- [Coupe models]
44	O	- [Roaster models]
50	Y	-
51	Y	-
52	G	- [Roaster models with M/T]
52	GR	- [Except for roaster models with M/T]
53	W	-
54	G	-
55	R	-

A  
B  
C  
D  
E  
F  
G  
H  
I  
J  
K  
M  
N  
O  
P

MIR

# AUTO ANTI-DAZZLING INSIDE MIRROR SYSTEM

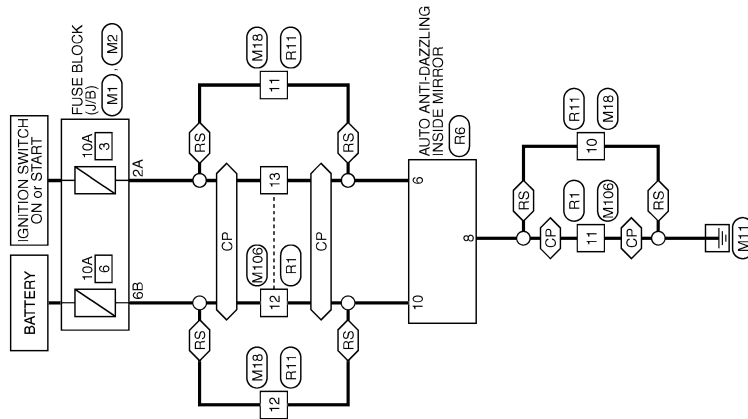
< DTC/CIRCUIT DIAGNOSIS >

## AUTO ANTI-DAZZLING INSIDE MIRROR SYSTEM

### Wiring Diagram

INFOID:000000005234692

CP: Coupe models  
RS: Roadster models



INSIDE MIRROR

2009/07/10

JCLWM4047GB

# AUTO ANTI-DAZZLING INSIDE MIRROR SYSTEM

## < DTC/CIRCUIT DIAGNOSIS >

### INSIDE MIRROR

Connector No. M1	FUSE BLOCK (J/B) NS8FW-M2	Connector No. R11	WIRE TO WIRE TH12FW-NH
Terminal No. 1A 2A 3A 4A 5A 6A 7A 8A	Color of Wire V G L P L Y BR L	Terminal No. 1 2 3 4 5 6 7 8 9 10 11 12	Color of Wire SB B R B V R SHIELD R G B G G Y
Signal Name [Specification]	Signal Name [Specification]	Signal Name [Specification]	Signal Name [Specification]
3A 2A 1A 8A 7A 6A 5A 4A 3A 2A 1A	2A 1A 8A 7A 6A 5A 4A 3A 2A 1A	6 5 4 3 2 1 12 11 10 9 8 7	6 5 4 3 2 1 12 11 10 9 8 7
Connector No. M2	FUSE BLOCK (J/B) NS10FW-CS	Connector No. R6	AUTO ANTI-DAZZLING INSIDE MIRROR TH10FB-NH
Terminal No. 1B 2B 3B 4B 5B 6B 7B 8B 9B	Color of Wire Y P G O Y R SB	Terminal No. 1 2 3 4 5 6 7 8 9 10	Color of Wire B/R B/W B/Y
Signal Name [Specification]	Signal Name [Specification]	Signal Name [Specification]	Signal Name [Specification]
4B 3B 2B 1B 8B 7B 6B 5B 4B 3B 2B 1B	4B 3B 2B 1B 8B 7B 6B 5B 4B 3B 2B 1B	5 4 3 2 1 10 9 8 7 6	5 4 3 2 1 10 9 8 7 6
Connector No. M18	WIRE TO WIRE TH12MP-NH	Connector No. R1	WIRE TO WIRE TH10FW-NH
Terminal No. 1 2 3 4 5 6 7 8 9 10 11 12	Color of Wire B B R B V R SHIELD R G B G Y	Terminal No. 1 2 3 4 5 6 7 8 9 10 11 12	Color of Wire B R B V R SHIELD R G B G Y
Signal Name [Specification]	Signal Name [Specification]	Signal Name [Specification]	Signal Name [Specification]
1 2 3 4 5 6 7 8 9 10 11 12	1 2 3 4 5 6 7 8 9 10 11 12	8 7 6 5 4 3 2 1 16 15 14 13 12 11 10 9	8 7 6 5 4 3 2 1 16 15 14 13 12 11 10 9
Connector No. M106	WIRE TO WIRE TH10MW-NH	Connector No. R8	AUTO ANTI-DAZZLING INSIDE MIRROR TH10FB-NH
Terminal No. 1 2 3 4 5 6 7 8 9 10 11 12 13 14 15	Color of Wire W R B P Y B G SHIELD R	Terminal No. 1 2 3 4 5 6 7 8 9 10	Color of Wire B/Y
Signal Name [Specification]	Signal Name [Specification]	Signal Name [Specification]	Signal Name [Specification]
1 2 3 4 5 6 7 8 9 10 11 12 13 14 15	1 2 3 4 5 6 7 8 9 10 11 12 13 14 15	1 2 3 4 5 6 7 8 9 10	1 2 3 4 5 6 7 8 9 10

JCLWM4048GB

A  
B  
C  
D  
E  
F  
G  
H  
I  
J  
K  
L  
M  
N  
O  
P

MIR

# SQUEAK AND RATTLE TROUBLE DIAGNOSES

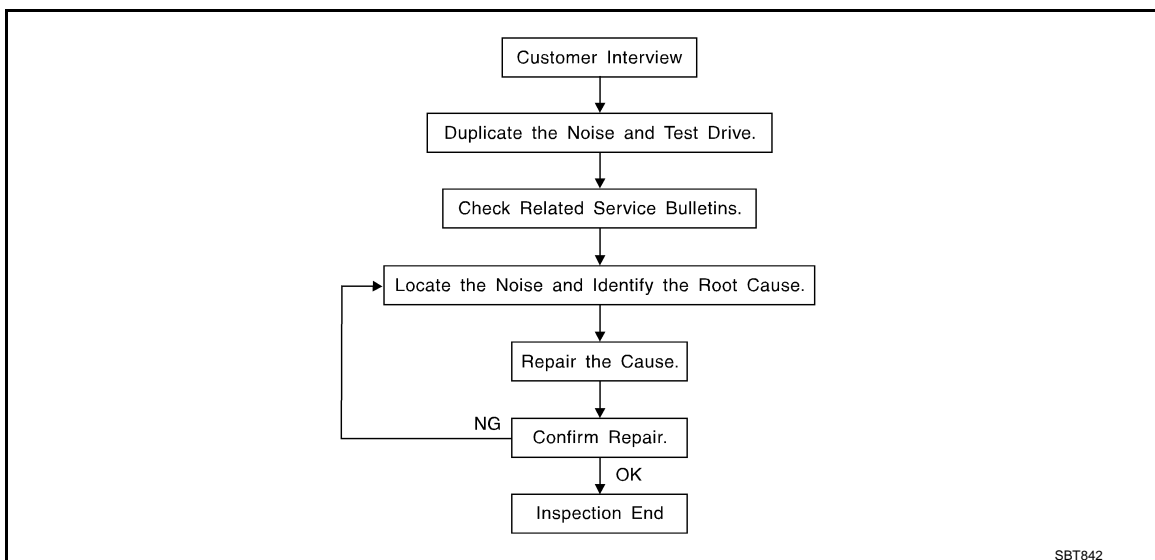
< SYMPTOM DIAGNOSIS >

## SYMPTOM DIAGNOSIS

### SQUEAK AND RATTLE TROUBLE DIAGNOSES

#### Work Flow

INFOID:000000005234693



#### CUSTOMER INTERVIEW

Interview the customer if possible, to determine the conditions that exist when the noise occurs. Use the Diagnostic Worksheet during the interview to document the facts and conditions when the noise occurs and any of customer's comments; refer to [MIR-18, "Diagnostic Worksheet"](#). This information is necessary to duplicate the conditions that exist when the noise occurs.

- The customer may not be able to provide a detailed description or the location of the noise. Attempt to obtain all the facts and conditions that exist when the noise occurs (or does not occur).
- If there is more than one noise in the vehicle, perform a diagnosis and repair the noise that the customer is concerned about. This can be accomplished by performing a cruise test on the vehicle with the customer.
- After identifying the type of noise, isolate the noise in terms of its characteristics. The noise characteristics are provided so the customer, service adviser and technician are all speaking the same language when defining the noise.
- Squeak – (Like tennis shoes on a clean floor)  
Squeak characteristics include the light contact/fast movement/brought on by road conditions/hard surfaces = higher pitch noise/softer surfaces = lower pitch noises/edge to surface = chirping
- Creak – (Like walking on an old wooden floor)  
Creak characteristics include firm contact/slow movement/twisting with a rotational movement/pitch dependent on materials/often brought on by activity.
- Rattle – (Like shaking a baby rattle)  
Rattle characteristics include the fast repeated contact/vibration or similar movement/loose parts/missing clip or fastener/incorrect clearance.
- Knock – (Like a knock on a door)  
Knock characteristics include hollow sounding/sometimes repeating/often brought on by driver action.
- Tick – (Like a clock second hand)  
Tick characteristics include gentle contacting of light materials/loose components/can be caused by driver action or road conditions.
- Thump – (Heavy, muffled knock noise)  
Thump characteristics include softer knock/dead sound often brought on by activity.
- Buzz – (Like a bumblebee)  
Buzz characteristics include high frequency rattle/firm contact.
- Often the degree of acceptable noise level will vary depending up on the person. A noise that a technician may judge as acceptable may be very irritating to the customer.
- Weather conditions, especially humidity and temperature, may have a great effect on noise level.

#### DUPLICATE THE NOISE AND TEST DRIVE

# SQUEAK AND RATTLE TROUBLE DIAGNOSES

## < SYMPTOM DIAGNOSIS >

If possible, drive the vehicle with the customer until the noise is duplicated. Note any additional information on the Diagnostic Worksheet regarding the conditions or location of the noise. This information can be used to duplicate the same conditions when the repair is reconfirmed.

If the noise can be duplicated easily during the test drive, to help identify the source of the noise, try to duplicate the noise with the vehicle stopped by doing one or all of the following:

- 1) Close a door.
  - 2) Tap or push/pull around the area where the noise appears to be coming from.
  - 3) Rev the engine.
  - 4) Use a floor jack to recreate vehicle "twist".
  - 5) At idle, apply engine load (electrical load, half-clutch on M/T models, drive position on A/T models).
  - 6) Raise the vehicle on a hoist and hit a tire with a rubber hammer.
- Drive the vehicle and attempt to duplicate the conditions the customer states exist when the noise occurs.
  - If it is difficult to duplicate the noise, drive the vehicle slowly on an undulating or rough road to stress the vehicle body.

## CHECK RELATED SERVICE BULLETINS

After verifying the customer concern or symptom, check ASIST for Technical Service Bulletins (TSBs) related to that concern or symptom.

If a TSB relates to the symptom, follow the procedure to repair the noise.

## LOCATE THE NOISE AND IDENTIFY THE ROOT CAUSE

1. Narrow down the noise to a general area. To help pinpoint the source of the noise, use a listening tool (Chassis ear: J-39570, Engine ear and mechanics stethoscope).
2. Narrow down the noise to a more specific area and identify the cause of the noise by:
  - Removing the components in the area that is are suspected to be the cause of the noise. Do not use too much force when removing clips and fasteners, otherwise clips and fastener can be broken or lost during the repair, resulting in the creation of new noise.
  - Tapping or pushing/pulling the component that is are suspected to be the cause of the noise. Do not tap or push/pull the component with excessive force, otherwise the noise will be eliminated only temporarily.
  - Feeling for a vibration by hand by touching the component(s) that is are suspected to be the cause of the noise.
  - Placing a piece of paper between components that are suspected to be the cause of the noise.
  - Looking for loose components and contact marks.  
Refer to [MIR-16. "Inspection Procedure"](#).

## REPAIR THE CAUSE

- If the cause is a loose component, tighten the component securely.
- If the cause is insufficient clearance between components:
  - Separate components by repositioning or loosening and retightening the component, if possible.
  - Insulate components with a suitable insulator such as urethane pads, foam blocks, felt cloth tape or urethane tape. A Nissan Squeak and Rattle Kit (J-43980) is available through the authorized Nissan Parts Department.

### **CAUTION:**

**Never use excessive force as many components are constructed of plastic and may be damaged.**

### **NOTE:**

Always check with the Parts Department for the latest parts information.

The following materials are contained in the Nissan Squeak and Rattle Kit (J-43980). Each item can be ordered separately as needed.

URETHANE PADS [1.5 mm (0.059 in) thick]

Insulates connectors, harness, etc.

76268-9E005: 100 × 135 mm (3.94 × 5.31 in)/76884-71L01: 60 × 85 mm (2.36 × 3.35 in)/76884-71L02: 15 × 25 mm (0.59 × 0.98 in)

INSULATOR (Foam blocks)

Insulates components from contact. Can be used to fill space behind a panel.

73982-9E000: 45 mm (1.77 in) thick, 50 × 50 mm (1.97 × 1.97 in)/73982-

50Y00: 10 mm (0.39 in) thick, 50 × 50 mm (1.97 × 1.97 in)

INSULATOR (Light foam block)

80845-71L00: 30 mm (1.18 in) thick, 30 × 50 mm (1.18 × 1.97in)

FELT CLOTHTAPE

Used to insulate where movement does not occur. Ideal for instrument panel applications.

# SQUEAK AND RATTLE TROUBLE DIAGNOSES

## < SYMPTOM DIAGNOSIS >

68370-4B000: 15 × 25 mm (0.59 × 0.98 in) pad/68239-13E00: 5 mm (0.20 in) wide tape roll

The following materials, not found in the kit, can also be used to repair squeaks and rattles.

### UHMW (TEFLON) TAPE

Insulates where slight movement is present. Ideal for instrument panel applications.

### SILICONE GREASE

Used in place of UHMW tape that is be visible or does not fit. Will only last a few months.

### SILICONE SPRAY

Used when grease cannot be applied.

### DUCT TAPE

Used to eliminate movement.

## CONFIRM THE REPAIR

Confirm that the cause of a noise is repaired by test driving the vehicle. Operate the vehicle under the same conditions as when the noise originally occurred. Refer to the notes on the Diagnostic Worksheet.

## Inspection Procedure

INFOID:000000005234694

Refer to Table of Contents for specific component removal and installation information.

## INSTRUMENT PANEL

Most incidents are caused by contact and movement between:

1. The cluster lid A and instrument panel
2. Acrylic lens and combination meter housing
3. Instrument panel to front pillar garnish
4. Instrument panel to windshield
5. Instrument panel mounting pins
6. Wiring harnesses behind the combination meter
7. A/C defroster duct and duct joint

These incidents can usually be located by tapping or moving the components to duplicate the noise or by pressing on the components while driving to stop the noise. Most of these incidents can be repaired by applying felt cloth tape or silicon spray (in hard to reach areas). Urethane pads can be used to insulate wiring harness.

### **CAUTION:**

**Never use silicone spray to isolate a squeak or rattle. If the area is saturated with silicone, the recheck of repair becomes impossible.**

## CENTER CONSOLE

Components to pay attention to include:

1. Shifter assembly cover to finisher
2. A/C control unit and cluster lid C
3. Wiring harnesses behind audio and A/C control unit

The instrument panel repair and isolation procedures also apply to the center console.

## DOORS

Pay attention to the following:

1. Finisher and inner panel making a slapping noise
2. Inside handle escutcheon to door finisher
3. Wiring harnesses tapping
4. Door striker out of alignment causing a popping noise on starts and stops

Tapping or moving the components or pressing on them while driving to duplicate the conditions can isolate many of these incidents. The areas can usually be insulated with felt cloth tape or insulator foam blocks from the Nissan Squeak and Rattle Kit (J-43980) to repair the noise.

## TRUNK

Trunk noises are often caused by a loose jack or loose items put into the trunk by the customer.

In addition look for the following:

1. Trunk lid dumpers out of adjustment
2. Trunk lid striker out of adjustment



# SQUEAK AND RATTLE TROUBLE DIAGNOSES

## < SYMPTOM DIAGNOSIS >

---

3. The trunk lid torsion bars knocking together

4. A loose license plate or bracket

Most of these incidents can be repaired by adjusting, securing or insulating the item(s) or component(s) causing the noise.

### SUNROOF/HEADLINING

Noises in the sunroof/headlining area can often be traced to one of the following:

1. Sunroof lid, rail, linkage or seals making a rattle or light knocking noise

2. Sunvisor shaft shaking in the holder

3. Front or rear windshield touching headlining and squeaking

Again, pressing on the components to stop the noise while duplicating the conditions can isolate most of these incidents. Repairs usually consist of insulating with felt cloth tape.

### SEATS

When isolating seat noise it's important to note the position the seats in and the load placed on the seat when the noise occurs. These conditions should be duplicated when verifying and isolating the cause of the noise.

Cause of seat noise include:

1. Headrest rods and holder

2. A squeak between the seat pad cushion and frame

3. The rear seatback lock and bracket

These noises can be isolated by moving or pressing on the suspected components while duplicating the conditions under which the noise occurs. Most of these incidents can be repaired by repositioning the component or applying urethane tape to the contact area.

### UNDERHOOD

Some interior noise may be caused by components under the hood or on the engine wall. The noise is then transmitted into the passenger compartment.

Causes of transmitted underhood noise include:

1. Any component mounted to the engine wall

2. Components that pass through the engine wall

3. Engine wall mounts and connectors

4. Loose radiator mounting pins

5. Hood bumpers out of adjustment

6. Hood striker out of adjustment

These noises can be difficult to isolate since they cannot be reached from the interior of the vehicle. The best method is to secure, move or insulate one component at a time and test drive the vehicle. Also, engine RPM or load can be changed to isolate the noise. Repairs can usually be made by moving, adjusting, securing, or insulating the component causing the noise.

A

B

C

D

E

F

G

H

I

J

K

MIR

M

N

O

P

# SQUEAK AND RATTLE TROUBLE DIAGNOSES

< SYMPTOM DIAGNOSIS >

## Diagnostic Worksheet

INFOID:000000005234695



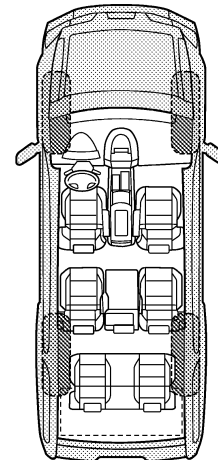
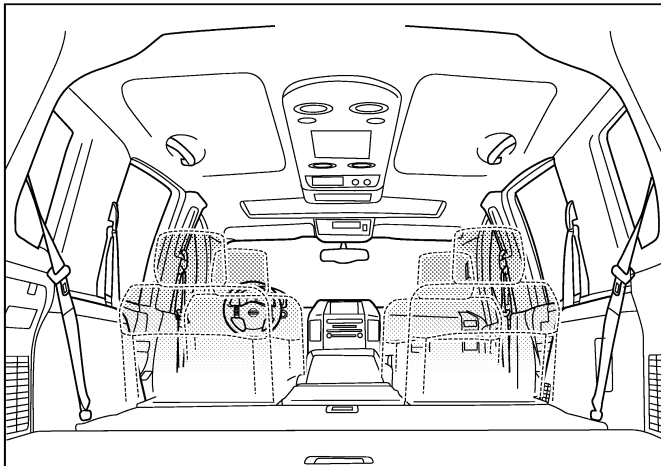
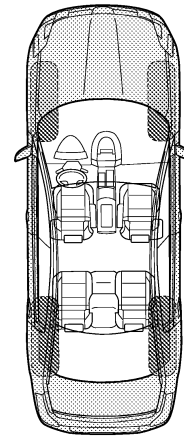
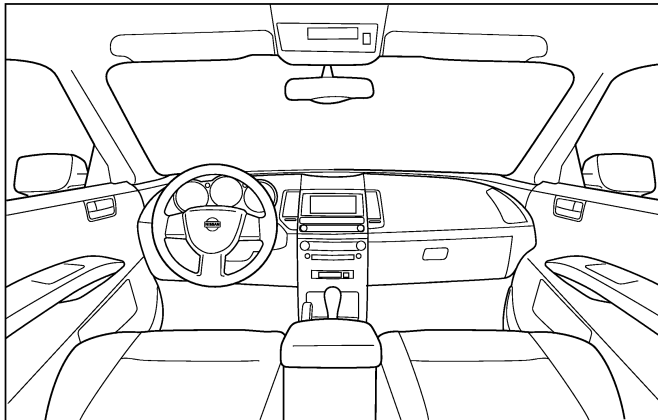
### SQUEAK & RATTLE DIAGNOSTIC WORKSHEET

Dear Nissan Customer:

We are concerned about your satisfaction with your Nissan vehicle. Repairing a squeak or rattle sometimes can be very difficult. To help us fix your Nissan right the first time, please take a moment to note the area of the vehicle where the squeak or rattle occurs and under what conditions. You may be asked to take a test drive with a service advisor or technician to ensure we confirm the noise you are hearing.

#### I. WHERE DOES THE NOISE COME FROM? (circle the area of the vehicle)

The illustrations are for reference only, and may not reflect the actual configuration of your vehicle.



Continue to page 2 of the worksheet and briefly describe the location of the noise or rattle. In addition, please indicate the conditions which are present when the noise occurs.

PIIB8740E

# SQUEAK AND RATTLE TROUBLE DIAGNOSES

< SYMPTOM DIAGNOSIS >

## SQUEAK & RATTLE DIAGNOSTIC WORKSHEET - page 2

Briefly describe the location where the noise occurs:

\_\_\_\_\_  
\_\_\_\_\_

### II. WHEN DOES IT OCCUR? (please check the boxes that apply)

- |   |  |
|---|--|
| <input type="checkbox"/> anytime                      | <input type="checkbox"/> after sitting out in the rain |
| <input type="checkbox"/> 1st time in the morning      | <input type="checkbox"/> when it is raining or wet     |
| <input type="checkbox"/> only when it is cold outside | <input type="checkbox"/> dry or dusty conditions       |
| <input type="checkbox"/> only when it is hot outside  | <input type="checkbox"/> other:                        |

### III. WHEN DRIVING:

- through driveways
- over rough roads
- over speed bumps
- only about \_\_\_\_ mph
- on acceleration
- coming to a stop
- on turns: left, right or either (circle)
- with passengers or cargo
- other: \_\_\_\_\_
- after driving \_\_\_\_ miles or \_\_\_\_ minutes

### IV. WHAT TYPE OF NOISE

- squeak (like tennis shoes on a clean floor)
- creak (like walking on an old wooden floor)
- rattle (like shaking a baby rattle)
- knock (like a knock at the door)
- tick (like a clock second hand)
- thump (heavy, muffled knock noise)
- buzz (like a bumble bee)

### TO BE COMPLETED BY DEALERSHIP PERSONNEL

#### Test Drive Notes:

\_\_\_\_\_  
\_\_\_\_\_  
\_\_\_\_\_

	YES	NO	Initials of person performing
Vehicle test driven with customer	<input type="checkbox"/>	<input type="checkbox"/>	_____
- Noise verified on test drive	<input type="checkbox"/>	<input type="checkbox"/>	_____
- Noise source located and repaired	<input type="checkbox"/>	<input type="checkbox"/>	_____
- Follow up test drive performed to confirm repair	<input type="checkbox"/>	<input type="checkbox"/>	_____

VIN: \_\_\_\_\_ Customer Name: \_\_\_\_\_  
W.O.# \_\_\_\_\_ Date: \_\_\_\_\_

This form must be attached to Work Order

PIIB8742E

A  
B  
C  
D  
E  
F  
G  
H  
I  
J  
K  
M  
N  
O  
P

MIR

# INSIDE MIRROR

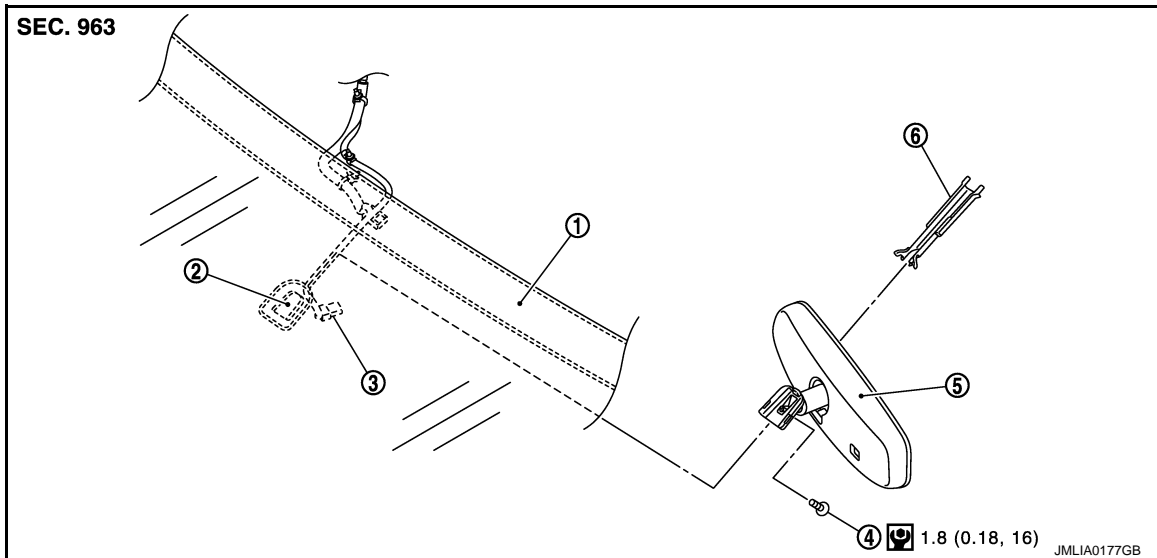
< REMOVAL AND INSTALLATION >

## REMOVAL AND INSTALLATION

### INSIDE MIRROR

Exploded View

INFOID:000000005234700



- |                     |                  |                        |
|---------------------|------------------|------------------------|
| 1. Windshield glass | 2. Mirror base   | 3. Harness connector   |
| 4. TORX bolt        | 5. Inside mirror | 6. Inside mirror cover |

Refer to [GI-4, "Components"](#) for symbols in the figure.

### Removal and Installation

INFOID:000000005234701

#### REMOVAL

1. Remove the inside mirror cover.
2. Remove TORX bolt.
3. Disconnect harness connector from inside mirror.
4. Slide the inside mirror upward to remove.

#### INSTALLATION

Install in the reverse order of removal.

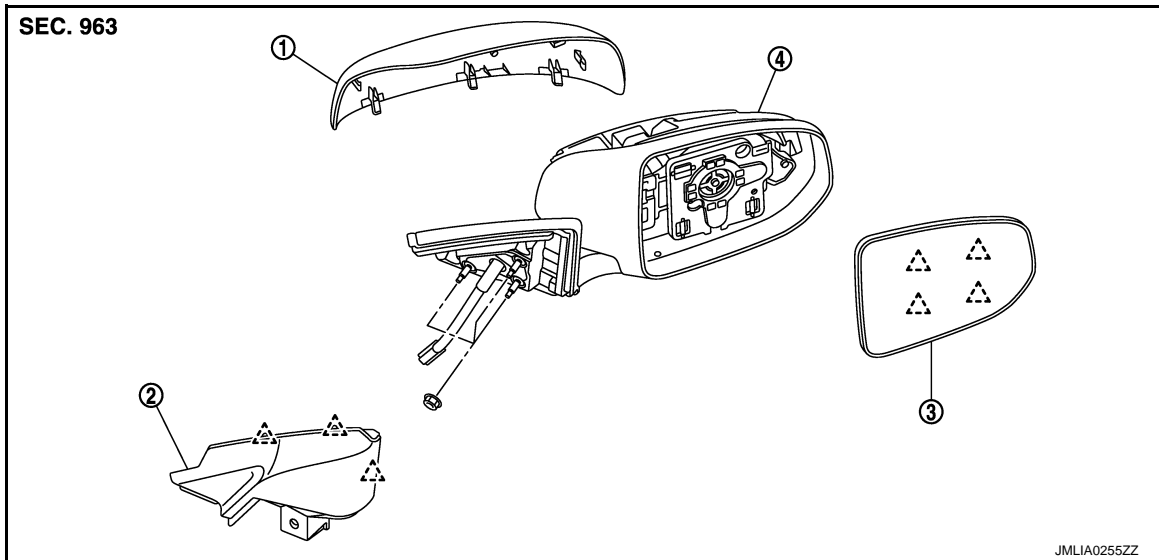
# OUTSIDE MIRROR

< REMOVAL AND INSTALLATION >


## OUTSIDE MIRROR DOOR MIRROR ASSEMBLY

### DOOR MIRROR ASSEMBLY : Exploded View

INFOID:000000005234702



1. Door mirror cover                      2. Door mirror corner cover                      3. Glass mirror  
4. Door mirror assembly

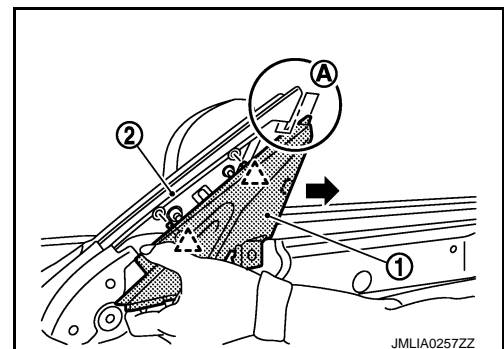
 : Pawl

### DOOR MIRROR ASSEMBLY : Removal and Installation

INFOID:000000005234703

#### REMOVAL

1. Remove door finisher.
  - Coupe models: Refer to [INT-14, "Removal and Installation"](#).
  - Roadster models: Refer to [INT-43, "Removal and Installation"](#).
2. Remove door mirror corner cover (1).
  - Hold lower portion of door mirror corner cover by a hand, and then disconnect 2 pawls.
  - Remove door weather-strip (2) from door mirror corner cover (A) portion.
  - Pull door mirror corner cover toward vehicle rear, and then remove.



3. Disconnect door mirror harness connector.

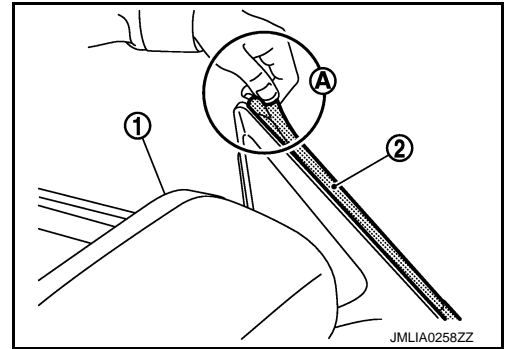
A  
B  
C  
D  
E  
F  
G  
H  
I  
J  
K  
M  
N  
O  
P

MIR

# OUTSIDE MIRROR

## < REMOVAL AND INSTALLATION >

4. Remove door weather-strip (2) from door mirror assembly (1) (A) portion.



5. Remove door mirror mounting nuts, and remove door mirror assembly.

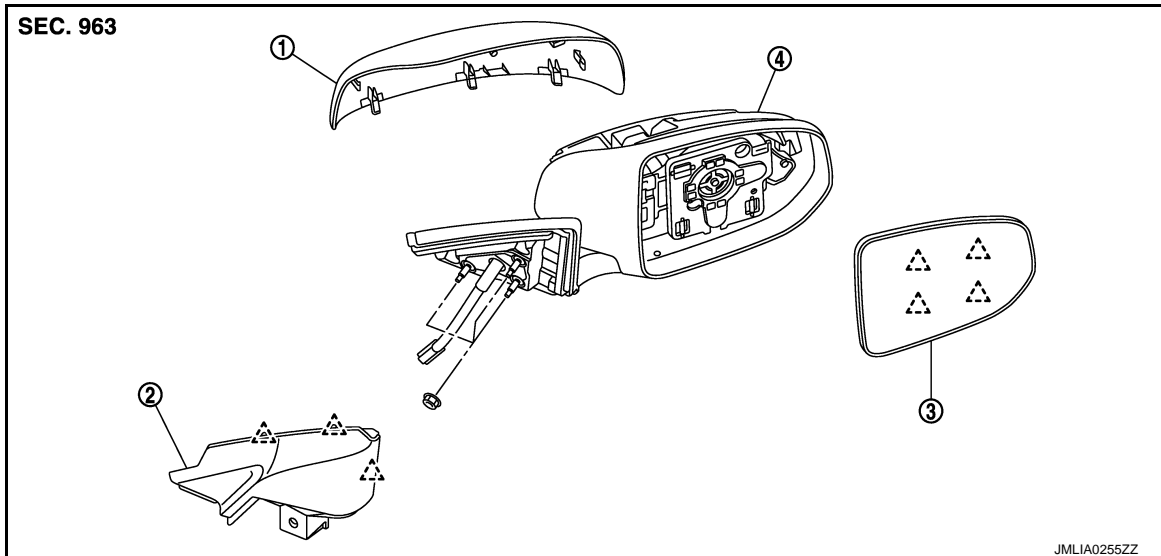
## INSTALLATION

Install in the reverse order of removal.

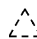
## GLASS MIRROR

### GLASS MIRROR : Exploded View

INFOID:000000005234704



1. Door mirror cover
2. Door mirror corner cover
3. Glass mirror
4. Door mirror assembly

 : Pawl

### GLASS MIRROR : Disassembly and Assembly

INFOID:000000005234705

#### DISASSEMBLY

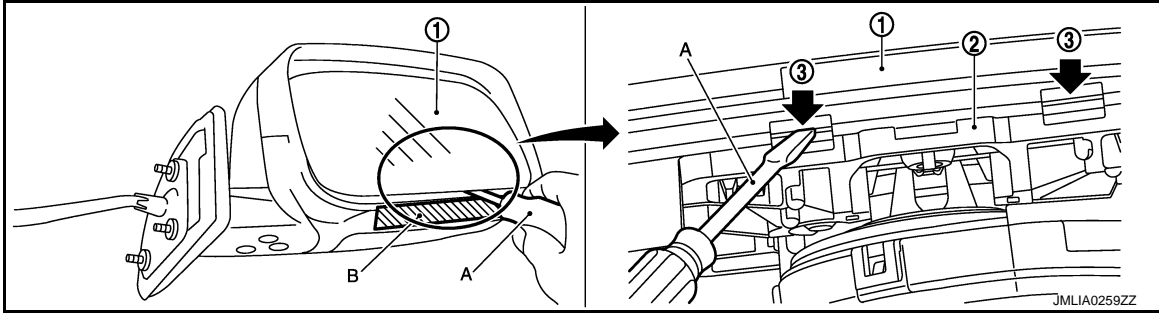
1. Place the glass mirror upward.
2. Put a strip of protective tape (B) on housing assembly.
3. As shown in the figure, insert a small flat-bladed screwdriver (A) between glass mirror (1) and actuator (2). Push up both pawls simultaneously to remove glass mirror lower half side.

**NOTE:**

# OUTSIDE MIRROR

## < REMOVAL AND INSTALLATION >

Insert flat-bladed screwdriver into recesses (3), and push up while rotating (twisting) to make work easier.



4. Remove two terminals of mirror heater attachment.
5. Lightly lift up lower side of glass mirror, and detach both pawls of upper side as if pulling it out to disassemble glass mirror from actuator.

### NOTE:

Be careful not to allow grease on sealing agent in center of mirror or back side of glass mirror.

### ASSEMBLY

Assemble in the reverse order of disassembly.

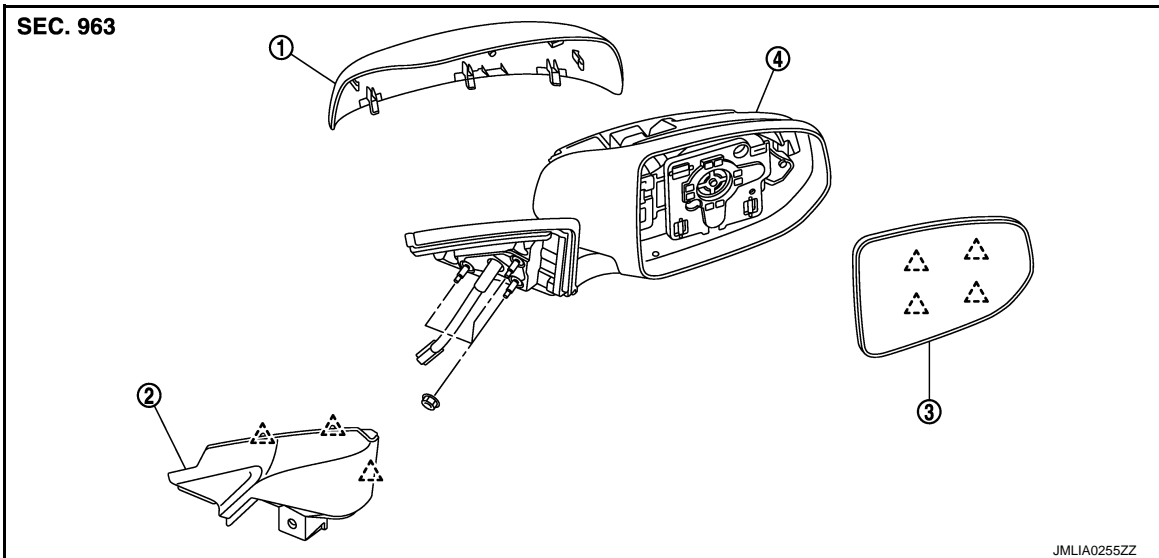
### CAUTION:

After installation, visually check that pawls are securely engaged.


## DOOR MIRROR COVER

### DOOR MIRROR COVER : Exploded View

INFOID:000000005234706



- |                         |                             |                 |
|-------------------------|-----------------------------|-----------------|
| 1. Door mirror cover    | 2. Door mirror corner cover | 3. Glass mirror |
| 4. Door mirror assembly |                             |                 |

 : Pawl

## DOOR MIRROR COVER : Disassembly and Assembly

INFOID:000000005234707

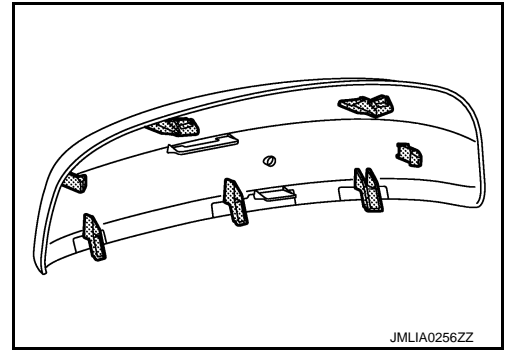
### DISASSEMBLY

1. Remove the glass mirror. Refer to [MIR-22. "GLASS MIRROR : Disassembly and Assembly"](#).

## OUTSIDE MIRROR

### < REMOVAL AND INSTALLATION >

2. Remove the pawls, and disassemble the door mirror cover from the mirror assembly.



### ASSEMBLY

Assemble in the reverse order of disassembly.

#### **CAUTION:**

**After installation, visually check that pawls are securely engaged.**



# DOOR MIRROR REMOTE CONTROL SWITCH

< REMOVAL AND INSTALLATION >

## DOOR MIRROR REMOTE CONTROL SWITCH

### Exploded View

INFOID:000000005234708


Refer to [INT-14, "Exploded View"](#)

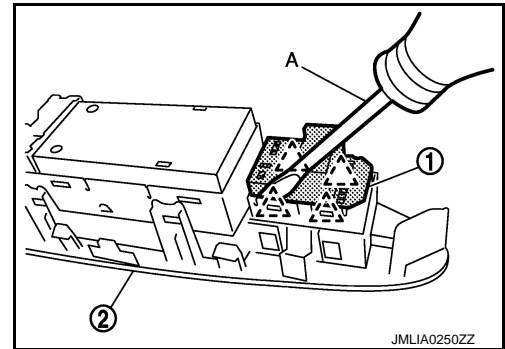
### Removal and Installation

INFOID:000000005234709

#### REMOVAL

1. Remove the driver side door finisher.
  - Coupe models: Refer to [INT-14, "Removal and Installation"](#).
  - Roadster models: Refer to [INT-43, "Removal and Installation"](#).
2. Remove door mirror remote control switch (1) from driver side door finisher (2) using flat-bladed screwdriver (A).

 : Pawl



#### INSTALLATION

Install in the reverse order of removal.

A  
B  
C  
D  
E  
F  
G  
H  
I  
J  
K  
L  
M  
N  
O  
P

MIR