

A
STR
C
D
E
F
G
H
I
J
K
L
M
N
O
P

SECTION STR

STARTING SYSTEM

CONTENTS

BASIC INSPECTION	PRECAUTIONS	17
DIAGNOSIS AND REPAIR WORKFLOW	EXCEPT FOR MEXICO	17
Work Flow	EXCEPT FOR MEXICO : Precaution for Supplemental Restraint System (SRS) "AIR BAG" and "SEAT BELT PRE-TENSIONER"	17
SYSTEM DESCRIPTION	EXCEPT FOR MEXICO : Precaution for Battery Service	17
STARTING SYSTEM	FOR MEXICO	17
M/T	FOR MEXICO : Precaution for Supplemental Restraint System (SRS) "AIR BAG" and "SEAT BELT PRE-TENSIONER"	17
M/T : System Diagram	FOR MEXICO : Precaution for Battery Service	18
M/T : System Description	PREPARATION	19
M/T : Component Parts Location	PREPARATION	19
M/T : Component Description	Special Service Tools	19
A/T	Commercial Service Tools	19
A/T : System Diagram	REMOVAL AND INSTALLATION	20
A/T : System Description	STARTER MOTOR	20
A/T : Component Parts Location	Exploded View	20
A/T : Component Description	M/T	21
DTC/CIRCUIT DIAGNOSIS	M/T : Removal and Installation	21
B TERMINAL CIRCUIT	A/T	22
Description	A/T : Removal and Installation	22
Diagnosis Procedure	Inspection	23
S CONNECTOR CIRCUIT	SERVICE DATA AND SPECIFICATIONS (SDS)	24
Description	SERVICE DATA AND SPECIFICATIONS (SDS)	24
Diagnosis Procedure	Starter Motor	24
STARTING SYSTEM		
Wiring Diagram - STARTING SYSTEM -		
SYMPTOM DIAGNOSIS		
STARTING SYSTEM		
Symptom Table		
PRECAUTION		

DIAGNOSIS AND REPAIR WORKFLOW

< BASIC INSPECTION >

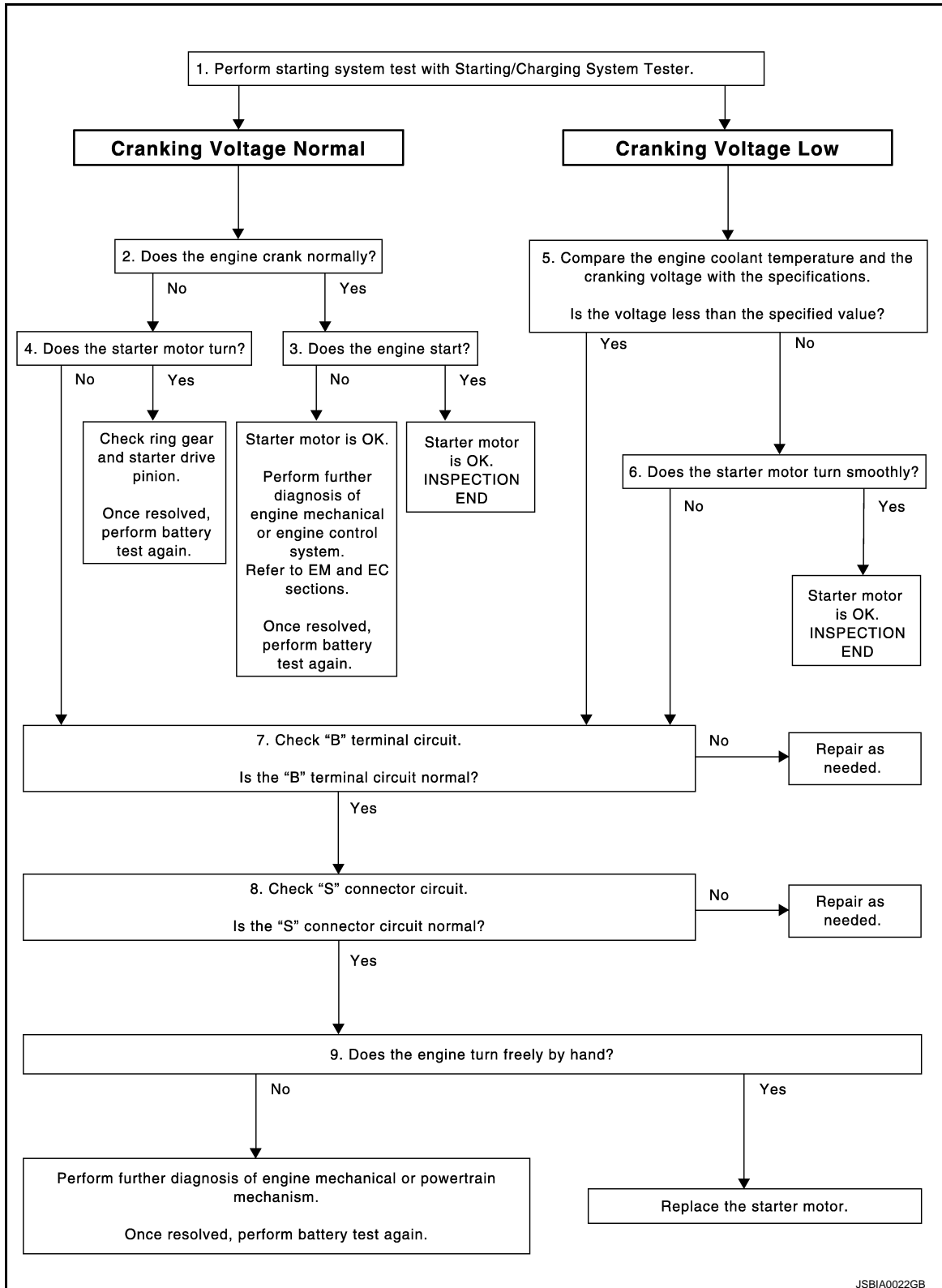
BASIC INSPECTION

DIAGNOSIS AND REPAIR WORKFLOW

Work Flow

INFOID:000000005239318

OVERALL SEQUENCE



JSBIA0022GB

DETAILED FLOW

DIAGNOSIS AND REPAIR WORKFLOW

< BASIC INSPECTION >

NOTE:

To ensure a complete and thorough diagnosis, the battery, starter motor and alternator test segments must be done as a set from start to finish.

1. DIAGNOSIS WITH STARTING/CHARGING SYSTEM TESTER

Perform the starting system test with Starting/Charging System Tester (SST: J-44373). For details and operating instructions, refer to Technical Service Bulletin.

Test result

CRANKING VOLTAGE NORMAL>>GO TO 2.

CRANKING VOLTAGE LOW>>GO TO 5.

CHARGE BATTERY>>Perform the slow battery charging procedure. (Initial rate of charge is 10A for 12 hours.) Perform battery test again. Refer to Technical Service Bulletin.

REPLACE BATTERY>>Before replacing battery, clean the battery cable clamps and battery posts. Perform battery test again. Refer to Technical Service Bulletin. If second test result is "REPLACE BATTERY", then do so. Perform battery test again to confirm repair.

2. CRANKING CHECK

Check that the starter motor operates correctly.

Does the engine crank normally?

YES >> GO TO 3.

NO >> GO TO 4.

3. ENGINE START CHECK

Check that the engine starts.

Does the engine start?

YES >> Starter motor is OK. INSPECTION END

NO >> Starter motor is OK. Perform further diagnosis of engine mechanical or engine control system. Refer EM and EC sections. Once resolved, perform battery test again.

4. STARTER MOTOR ACTIVATION

Check that the starter motor operates.

Does the starter motor turn?

YES >> Check ring gear and starter motor drive pinion. Once resolved, perform battery test again.

NO >> GO TO 7.

5. COMPARISON BETWEEN ENGINE COOLANT AND CRANKING VOLTAGE

Compare the engine coolant temperature and the cranking voltage with the specifications.

Minimum Specification of Cranking Voltage Referencing Coolant Temperature

Engine coolant temperature [°C (°F)]	Voltage [V]
-30 to -20 (-22 to -4)	8.6
-19 to -10 (-2 to 14)	9.1
-9 to 0 (16 to 32)	9.5
More than 1 (More than 34)	9.9

Is the voltage less than the specified value?

YES >> GO TO 7.

NO >> GO TO 6.

6. STARTER OPERATION

Check the starter operation status.

Does the starter motor turn smoothly?

YES >> Starter motor is OK. INSPECTION END

NO >> GO TO 7.

7. "B" TERMINAL CIRCUIT INSPECTION

Check "B" terminal circuit. Refer to [STR-9, "Diagnosis Procedure"](#).

Is "B" terminal circuit normal?

A

STR

C

D

E

F

G

H

I

J

K

L

M

N

O

P

DIAGNOSIS AND REPAIR WORKFLOW

< BASIC INSPECTION >

- YES >> GO TO 8.
- NO >> Repair as needed.

8. "S" CONNECTOR CIRCUIT INSPECTION

Check "S" connector circuit. Refer to [STR-10. "Diagnosis Procedure"](#).

Is "S" connector circuit normal?

- YES >> GO TO 9.
- NO >> Repair as needed.

9. ENGINE ROTATION STATUS

Check that the engine can be rotated by hand.

Does the engine turn freely by hand?

- YES >> Replace starter motor.
- NO >> Perform further diagnosis of engine mechanical or powertrain mechanism. Once resolved, perform battery test again. Refer to Technical Service Bulletin.

STARTING SYSTEM

< SYSTEM DESCRIPTION >

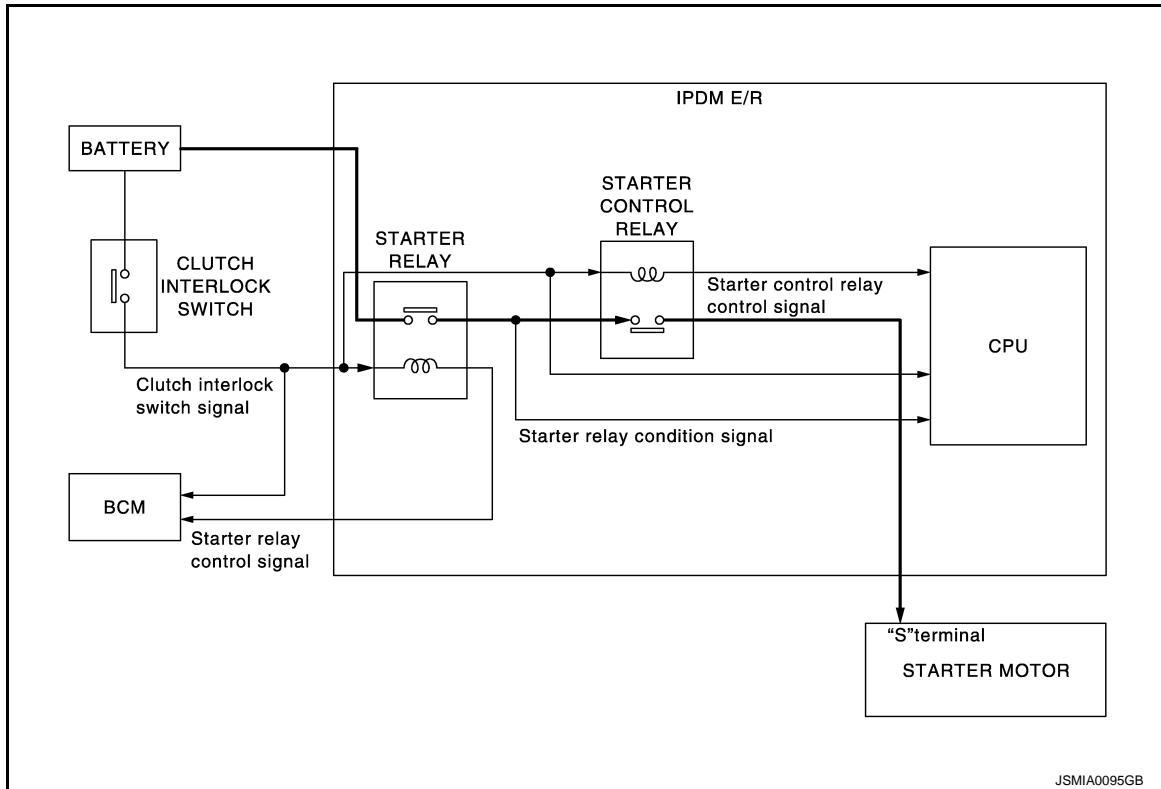
SYSTEM DESCRIPTION

STARTING SYSTEM

M/T

M/T : System Diagram

INFOID:000000005239319



M/T : System Description

INFOID:000000005239320

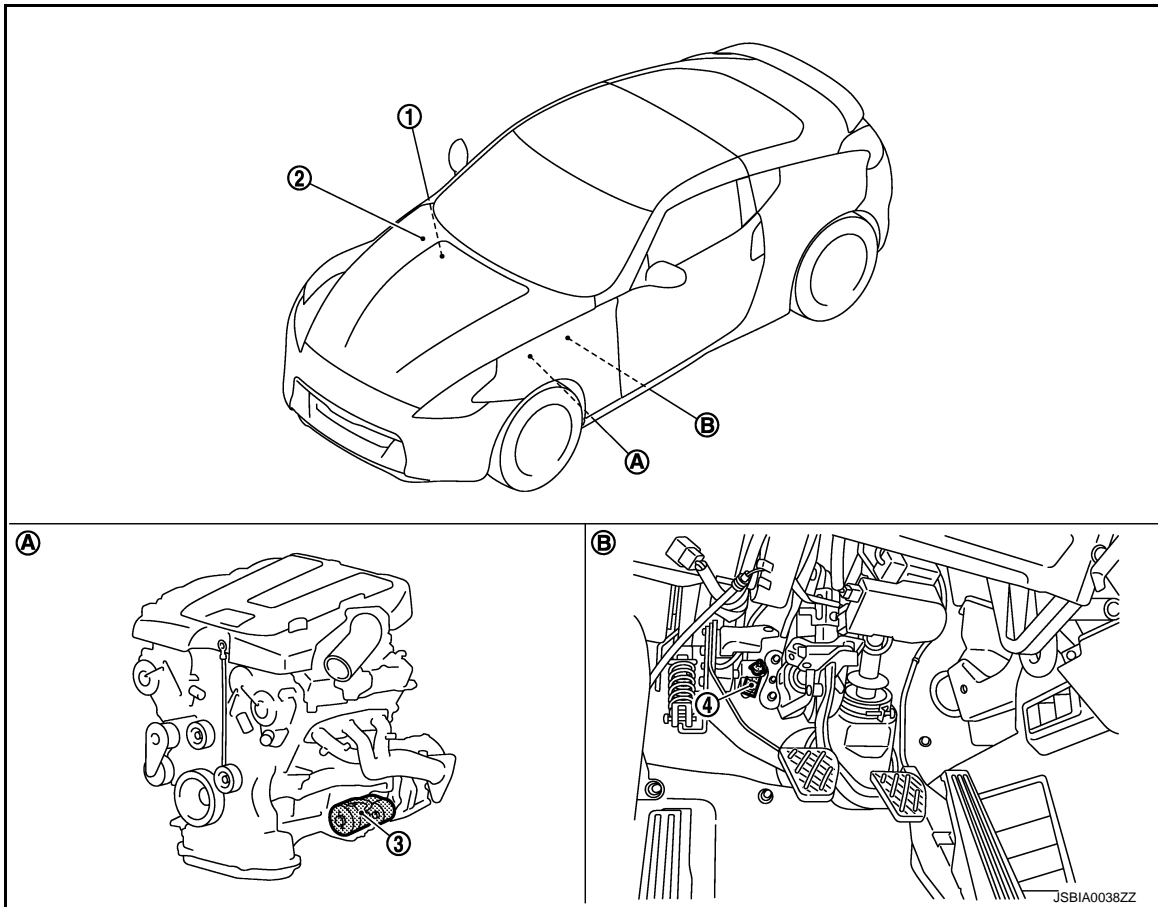
- When the clutch interlock switch is turned ON, power is supplied to starter relay and starter control relay. And BCM and IPDM E/R (CPU) detect clutch interlock switch condition by the inputted signal.
- When starter operating condition is satisfied, IPDM E/R turns starter control relay ON by starter control relay control signal.
- When engine cranking condition is satisfied, BCM turns starter relay ON by starter relay control signal.
- Then battery power is supplied to starter motor ("S" terminal) through starter control relay and starter relay. And IPDM E/R (CPU) detect starter relay condition by the inputted signal.

STARTING SYSTEM

< SYSTEM DESCRIPTION >

M/T : Component Parts Location

INFOID:000000005239321



- | | | |
|--|---|------------------|
| 1. BCM
Refer to BCS-9. "Component Parts Location" . | 2. IPDM E/R
Refer to PCS-6. "Component Parts Location" . | 3. Starter motor |
| 4. Clutch interlock switch | A. Engine | B. Clutch pedal |

M/T : Component Description

INFOID:000000005239322

Component part	Description
Clutch interlock switch	The switch turns ON and electric power is supplied to the starter relay and starter control relay inside IPDM E/R when the clutch pedal is depressed.
BCM	BCM controls the starter relay inside IPDM E/R.
IPDM E/R	CPU inside IPDM E/R controls the starter control relay.
Starter motor	The starter motor plunger closes and the motor is supplied with battery power, which in turn cranks the engine, when the "S" terminal is supplied with electric power.

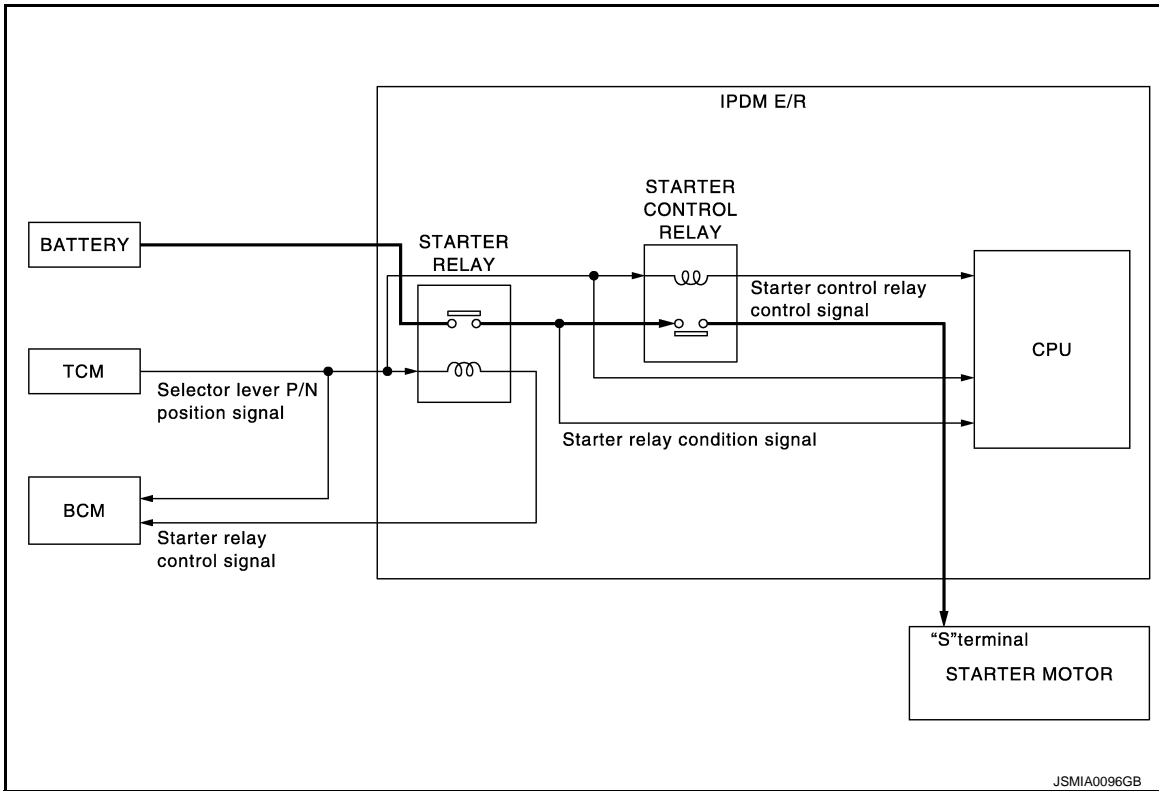
A/T

STARTING SYSTEM

< SYSTEM DESCRIPTION >

A/T : System Diagram

INFOID:000000005239323



JSMIA0096GB

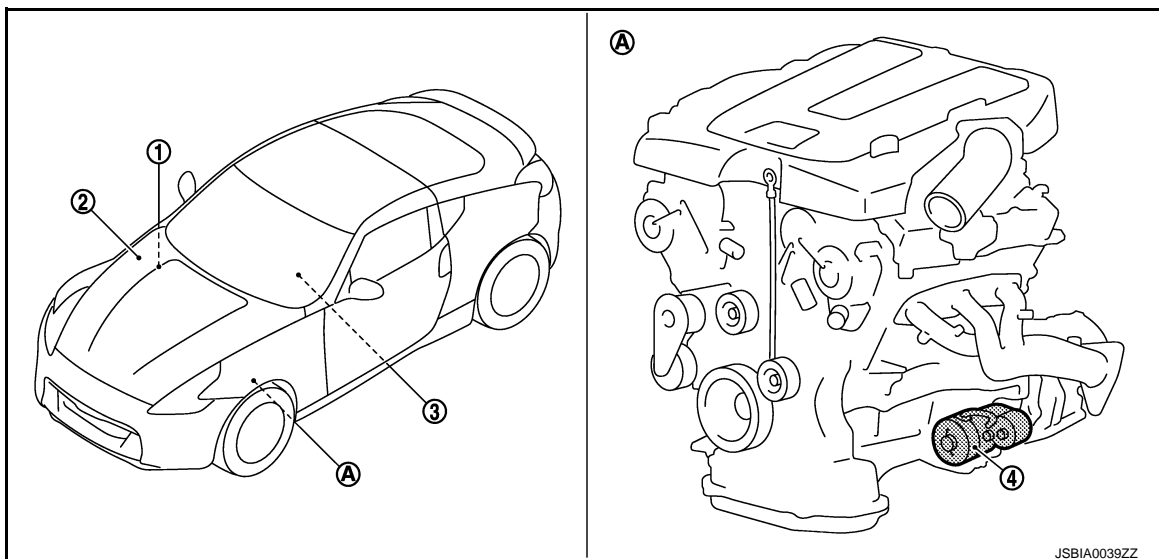
A/T : System Description

INFOID:000000005239324

- When selector lever is P or N, power is supplied to starter relay and starter control relay by TCM. And BCM and IPDM E/R (CPU) detect selector lever P/N condition by the inputted signal.
- When starter operating condition is satisfied, IPDM E/R turns starter control relay ON by starter control relay control signal.
- When engine cranking condition is satisfied, BCM turns starter relay ON by starter relay control signal.
- Then battery power is supplied to starter motor ("S" terminal) through starter control relay and starter relay. And IPDM E/R (CPU) detect starter relay condition by the inputted signal.

A/T : Component Parts Location

INFOID:000000005239325



JSBIA0039ZZ

STARTING SYSTEM

< SYSTEM DESCRIPTION >

1. BCM
Refer to [BCS-9, "Component Parts Location"](#).
2. IPDM E/R
Refer to [PCS-6, "Component Parts Location"](#).
3. TCM
Refer to [TM-154, "Component Description"](#).
4. Starter motor
- A. Engine

A/T : Component Description

INFOID:000000005239326

Component part	Description
TCM	TCM supplies power to the starter relay and starter control relay inside IPDM E/R when the selector lever is shifted to the P or N position.
BCM	BCM controls the starter relay inside IPDM E/R.
IPDM E/R	CPU inside IPDM E/R controls the starter control relay.
Starter motor	The starter motor plunger closes and the motor is supplied with battery power, which in turn cranks the engine, when the "S" terminal is supplied with electric power.

B TERMINAL CIRCUIT

< DTC/CIRCUIT DIAGNOSIS >

DTC/CIRCUIT DIAGNOSIS

B TERMINAL CIRCUIT

Description

INFOID:000000005239327

STR

The "B" terminal is constantly supplied with battery power.

Diagnosis Procedure

INFOID:000000005239328

CAUTION:

Perform diagnosis under the condition that engine cannot start by the following procedure.

1. Remove fuel pump fuse.
2. Crank or start the engine (where possible) until the fuel pressure is released.

1. CHECK "B" TERMINAL CIRCUIT

1. Turn ignition switch OFF.
2. Check that starter motor "B" terminal connection is clean and tight.
3. Check voltage between starter motor "B" terminal and ground.

Terminals		Voltage (Approx.)
(+)	(-)	
Starter motor "B" terminal	Terminal	Battery voltage
E204	2	
	Ground	

Is the inspection result normal?

YES >> GO TO 2.

NO >> Check harness between battery and starter motor for open circuit.

2. CHECK BATTERY CABLE CONNECTION STATUS (VOLTAGE DROP TEST)

1. Shift A/T selector lever to "P" or "N" position. (A/T models)
Keep depressing clutch pedal fully. (M/T models)
2. Check voltage between battery positive terminal and starter motor "B" terminal.

Terminals		Condition	Voltage (Approx.)
(+)	(-)		
	Starter motor "B" terminal	When the ignition switch is in START position	Less than 0.5 V
	Terminal		
Battery positive terminal	E204		
	2		

Is the inspection result normal?

YES >> GO TO 3.

NO >> Check harness between the battery and the starter motor for poor continuity.

3. CHECK GROUND CIRCUIT STATUS (VOLTAGE DROP TEST)

1. Shift A/T selector lever to "P" or "N" position. (A/T models)
Keep depressing clutch pedal fully. (M/T models)
2. Check voltage between starter motor case and battery negative terminal.

Terminals		Condition	Voltage (Approx.)
(+)	(-)		
Starter motor case	Battery negative terminal	When the ignition switch is in START position	Less than 0.2 V

Is the inspection result normal?

YES >> "B" terminal circuit is OK. Further inspection is necessary. Refer to [STR-2, "Work Flow"](#).

NO >> Check the starter motor case and ground for poor continuity.

S CONNECTOR CIRCUIT

< DTC/CIRCUIT DIAGNOSIS >

S CONNECTOR CIRCUIT

Description

INFOID:000000005239329

The starter motor magnetic switch is supplied with power when the ignition switch is turned to the START position while the selector lever is in the P or N position for A/T models or the clutch pedal is depressed for M/T models.

Diagnosis Procedure

INFOID:000000005239330

CAUTION:

Perform diagnosis under the condition that engine cannot start by the following procedure.

1. Remove fuel pump fuse.
2. Crank or start the engine (where possible) until the fuel pressure is released.

1. CHECK "S" CONNECTOR CIRCUIT

1. Turn ignition switch OFF.
2. Disconnect starter motor connector.
3. Shift A/T selector lever to "P" or "N" position. (A/T models)
Keep depressing clutch pedal fully. (M/T models)
4. Check voltage between starter motor harness connector and ground.

Terminals		Condition	Voltage (Approx.)
(+)	(-)		
Starter motor harness connector	Terminal		
F52	1	When the ignition switch is in START position	Battery voltage

Is the inspection result normal?

- YES >> "S" connector circuit is OK. Further inspection is necessary. Refer to [STR-2, "Work Flow"](#).
NO >> GO TO 2.

2. CHECK HARNESS CONTINUITY (OPEN CIRCUIT)

1. Disconnect IPDM E/R connector.
2. Check continuity between starter motor harness connector and IPDM E/R harness connector.

Starter motor harness connector		IPDM E/R harness connector		Continuity
Connector No.	Terminal No.	Connector No.	Terminal No.	
F52	1	E7	80	Existed

Is the inspection result normal?

- YES >> Further inspection is necessary. Refer to [STR-2, "Work Flow"](#).
NO >> Repair the harness.

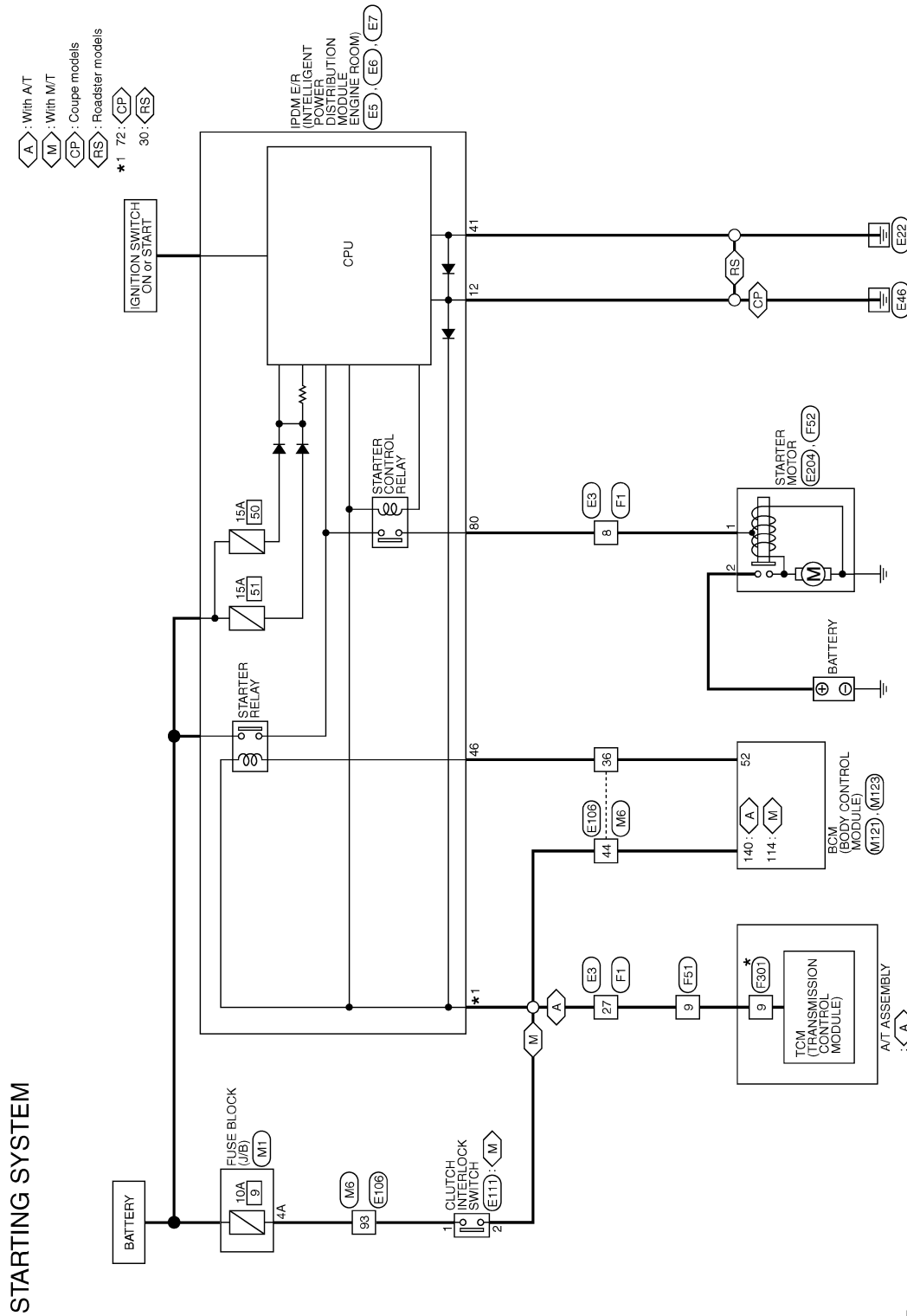
STARTING SYSTEM

< DTC/CIRCUIT DIAGNOSIS >

STARTING SYSTEM

Wiring Diagram - STARTING SYSTEM -

INFOID:000000005607442



*: This connector is not shown in "Harness Layout".

2009/07/10

JCBWM1515GB

A
STR
C
D
E
F
G
H
I
J
K
L
M
N
O
P

STARTING SYSTEM

< DTC/CIRCUIT DIAGNOSIS >

STARTING SYSTEM

Connector No.	E3
Connector Name	WIRE TO WIRE
Connector Type	SA33MB FSS-SH2B

1	2	3	4	5	6	7	8	9	10	11	12
13	14	15	16	17	18	19	20	21	22	23	24
25	26	27	28	29	30	31	32	33	34	35	36



Terminal No.	Color of Wire	Signal Name [Specification]
1	L/Y	-
2	SHIELD	-
3	L/B	-
4	SHIELD	-
5	BR	-
6	G	-
7	W	-
8	W	-
9	W	-
10	Y	-
11	Y	-
12	SB	-
13	L	-
14	G	-
15	R	-
16	LG	-
17	GR	-
18	Y	-
19	OG	- [Coupe models]
20	B	- [Roadster models]
21	SB	-
22	W	-
23	SB	-
24	GR	-
25	V	-
27	GR	-
28	V	-
29	P	-
30	R	-
31	BR	-
32	Y	-
33	G	-
34	BG	- [Coupe models]
35	O	- [Roadster models]
36	GR	-
37	SHIELD	-
38	L	-
39	P	-

40	R	-
41	W	-
42	LG	-
43	G	-
44	SB	-
46	SHIELD	-
47	W	-
48	BR	-
49	G	-
50	G	-
51	SB	-
52	R	-

Connector No.	E5
Connector Name	ENGINE R INTELLIGENT POWER DISTRIBUTION MODULE (ENGINE ROOM)
Connector Type	TH20FW-CS12-M4-1V



1	2	3	4	5	6	7	8	9	10	11	12	13	14	15	16	17	18	19	20	21	22	23	24	25	26	27	28	29	30	31	32	33	34	35	36
---	---	---	---	---	---	---	---	---	----	----	----	----	----	----	----	----	----	----	----	----	----	----	----	----	----	----	----	----	----	----	----	----	----	----	----

Terminal No.	Color of Wire	Signal Name [Specification]
4	V	-
5	L	-
6	R	-
7	R	-
11	BR	-
12	B/W	-
13	Y	-
16	LG	-
19	W	-
23	G	-
27	Y	-
28	L	-
30	GR	-
32	L	-
33	P	-
36	G	-

Connector No.	E6
Connector Name	ENGINE R INTELLIGENT POWER DISTRIBUTION MODULE (ENGINE ROOM)
Connector Type	TH20FW-1H1



42	41	40	39
46	45	44	43

Terminal No.	Color of Wire	Signal Name [Specification]
39	P	-
40	L	-
41	B/W	-
42	Y	-
43	SB	-
44	W	-
45	G	-
46	V	-

Connector No.	E7
Connector Name	ENGINE R INTELLIGENT POWER DISTRIBUTION MODULE (ENGINE ROOM)
Connector Type	TH20FW-CS12-M4



53	54	55	56	57	58	59	60	61	62	63	64	65	66	67	68	69	70	71	72	73	74	75	76	77	78	79	80
----	----	----	----	----	----	----	----	----	----	----	----	----	----	----	----	----	----	----	----	----	----	----	----	----	----	----	----

Terminal No.	Color of Wire	Signal Name [Specification]
48	L	-
49	BG	- [Coupe models]
49	O	- [Roadster models]
51	Y	-
53	W	-
54	V	-
55	SB	-
56	LG	-
57	G	-
58	P	-
69	BR	-
70	BG	- [Coupe models]
70	O	- [Roadster models]
72	GR	-

73	GR	-
74	G	-
75	SB	-
76	V	-
77	R	-
80	W	-

STARTING SYSTEM

< DTC/CIRCUIT DIAGNOSIS >

STARTING SYSTEM

Connector No.	E106
Connector Name	WIRE TO WIRE
Connector Type	TH80PV-CS16-TM4



Terminal No.	Color of Wire	Signal Name [Specification]
1	Y	-
3	L	-
4	L	-
7	B	-
8	P	-
9	L	- [Coupe models]
9	B	- [Roadster models]
11	V	-
12	R	-
13	L	-
14	GR	-
15	P	-
16	W	-
17	SB	-
20	LG	-
21	BR	- [Coupe models]
21	G	- [Roadster models]
31	L	-
32	Y	-
33	P	-
34	L	-
36	BR	-
36	V	-
37	Y	-
38	R	-
38	B	-
40	W	-
41	LG	-
42	SB	-
43	G	-
44	R	- [Roadster models with M/T]
44	GR	- [Except for roadster models with M/T]
45	BG	- [Coupe models]
45	O	- [Roadster models]
46	W	-
47	P	-
58	SHIELD	-
58	L	-

70	P	-
80	W	-
81	P	-
82	G	-
83	V	-
84	L	-
85	BG	- [Coupe models]
85	O	- [Roadster models]
86	LG	-
87	R	-
89	P	-
91	W	-
92	L	-
93	G	-
94	Y	-
96	Y	-
97	BR	-
98	GR	-
99	LG	-
100	BG	- [Coupe models]
100	O	- [Roadster models]

Connector No.	E111
Connector Name	CLUTCH INTERLOCK SWITCH
Connector Type	ISD2FL



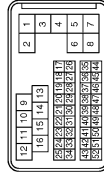
Terminal No.	Color of Wire	Signal Name [Specification]
1	G	-
2	GR	-

Connector No.	E204
Connector Name	STARTER MOTOR
Connector Type	24348-31E61



Terminal No.	Color of Wire	Signal Name [Specification]
2	B/Y	-

Connector No.	F1
Connector Name	WIRE TO WIRE
Connector Type	54A38FB-RSS-S1Z8



Terminal No.	Color of Wire	Signal Name [Specification]
1	L/Y	-
2	SHIELD	-
3	L/B	-
4	SHIELD	-
5	BR	-
7	G	-
8	W	-
9	W	-
10	G	-
11	R	-
12	P	-
13	BG	- [Coupe models]
13	O	- [Roadster models]
14	LG	-
15	BR	-
16	Y	-
17	W	-
18	LG	-
19	P	-
20	BG	- [Coupe models]
20	O	- [Roadster models]

21	BR	-
22	G	-
23	Y	-
24	LG	-
25	V	-
27	GR	-
28	BR	-
29	L	-
30	R	-
31	P	-
32	W	-
33	SB	-
34	BG	- [Coupe models]
34	O	- [Roadster models]
36	GR	-
37	SHIELD	- [Coupe models]
37	B	- [Roadster models]
38	W	-
39	Y	-
40	G	-
41	B	-
42	GR	-
43	R	-
45	SB	-
46	SHIELD	-
47	W/L	-
48	LG	-
49	O/L	-
50	L/Y	-
51	W	-
52	L/G	-

A

STR

C

D

E

F

G

H

I

J

K

L

M

N

O

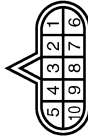
P

STARTING SYSTEM

< DTC/CIRCUIT DIAGNOSIS >

STARTING SYSTEM

Connector No.	F51
Connector Name	A/T ASSEMBLY
Connector Type	RK10FG-DGY

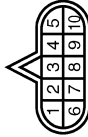


Terminal No.	Color of Wire	Signal Name [Specification]
1	Y	-
2	BR	-
3	L	-
4	V	-
5	B	-
6	Y	-
7	W	-
8	P	-
9	GR	-
10	B	-



Connector No.	F52
Connector Name	STARTER MOTOR
Connector Type	X01MGY

Connector No.	F301
Connector Name	TGM (TRANSMISSION CONTROL MODULE)
Connector Type	SP10FG



Terminal No.	Color of Wire	Signal Name [Specification]
1	W	VIGN
2	B	BATT
3	R	CAN-H
4	O	K-LINE
5	G	GND
6	GR	VIGN
7	W	REV LAMP RLY
8	BR	CAN-L
9	Y	STARTER RLY
10	W/B	GND



Connector No.	M1
Connector Name	FUSE BLOCK (J/B)
Connector Type	NS06FW-M2

Terminal No.	Color of Wire	Signal Name [Specification]
1A	V	-
2A	G	-
3A	L	-
4A	P	-
5A	L	-
6A	Y	-
7A	BR	-
8A	L	-

Connector No.	M6
Connector Name	WIRE TO WIRE
Connector Type	TH03MW-CS16-TM4



Terminal No.	Color of Wire	Signal Name [Specification]
1	Y	-
3	L	-
4	L	-
7	B	-
8	P	-
9	L	- [Coupe models] - [Roadster models]
11	GR	-
12	R	-
13	L	-
14	G	-
15	P	-
16	W	-
17	BR	-
20	GR	-
21	R	- [Coupe models] - [Roadster models]
21	R	- [Roadster models with M/T]
31	BR	- [Roadster models with M/T]
32	Y	- [Roadster models with M/T]
32	V	- [Roadster models with M/T]
33	P	- [Except for roadster models with M/T]
33	L	-
34	L	-
35	BR	-
36	SB	-
37	Y	-
38	LG	-
39	SB	-
40	W	-
41	LG	-
42	R	-
43	G	-
44	G	- [With A/T] - [With M/T]
44	R	-
45	O	-
46	G	-
47	BR	-
48	BR	-
58	SHIELD	-

59	L	-
70	R	-
80	LG	-
81	GR	-
82	V	-
83	V	-
84	L	-
85	BR	-
86	Y	-
87	V	- [Roadster models with M/T]
87	G	- [Except for roadster models with M/T]
89	P	-
91	W	-
92	P	-
93	P	-
94	Y	-
96	P	-
97	GR	-
98	O	-
99	W	-
100	R	-

STARTING SYSTEM

< DTC/CIRCUIT DIAGNOSIS >

A

STR

C

D

E

F

G

H

I

J

K

L

M

N

O

P

STARTING SYSTEM

Connector No.	M121
Connector Name	BCM BODY CONTROL MODULE
Connector Type	TH40FG-NH



17	18	19	20	21	22	23	24	25	26	27	28	29	30	31	32
----	----	----	----	----	----	----	----	----	----	----	----	----	----	----	----

Terminal No.	Color of Wire	Signal Name [Specification]
34	SB	LUGGAGE ROOM ANT- [Roadster models with M/T]
35	G	LUGGAGE ROOM ANT- [Except for roadster models with M/T]
36	V	LUGGAGE ROOM ANT+ [Roadster models with M/T]
37	R	LUGGAGE ROOM ANT+ [Except for roadster models with M/T]
38	B	BACK DOOR ANT-
39	W	BACK DOOR ANT+
47	Y	IGN RELAY (DOWN) E-RLY CONT. [Roadster models with M/T]
48	V	IGN RELAY (UP) E-RLY CONT. [Except for roadster models with M/T]
52	SB	STARTER RELAY CONT-
61	W	BACK DOOR REQUEST SW [Coupe models]
61	W	TRUNK LID REQUEST SW [Roadster models]
64	V	I-KEY WARN BUZZER (RING ROOM) [Roadster models with M/T]
64	G	I-KEY WARN BUZZER (RING ROOM) [Except for roadster models with M/T]
66	R	BACK DOOR SW [Coupe models]
66	R	TRUNK ROOM LAMP SW [Roadster models]
67	GR	BACK DOOR OPENER SW [Coupe models]
67	GR	TRUNK LID OPENER SW [Roadster models]



17	18	19	20	21	22	23	24	25	26	27	28	29	30	31	32
----	----	----	----	----	----	----	----	----	----	----	----	----	----	----	----

Connector No.	M123
Connector Name	BCM BODY CONTROL MODULE
Connector Type	TH40FG-NH

Terminal No.	Color of Wire	Signal Name [Specification]
113	O	OPTICAL SENSOR
114	R	CLUTCH INTERLOCK SW
115	O	SHOCK SENSOR
116	SB	STOP LAMP SW 1
118	P	STOP LAMP SW 2

119	SB	DR DOOR UNLOCK SENSOR
121	R	KEY SLOT SW
122	W	IGN E/B
124	LG	PASSENGER DOOR SW
128	O	TRUNK LID OPENER CANCEL SW
130	L	REAR DEFOGGER SW
132	Y	POWER WINDOW SW COMM [Coupe models]
132	V	P/W SW & SOFT TOP C/L COMM [Roadster models]
133	R	PUSH BUTTON DOWN SW ALL POWER [Roadster models with M/T]
133	G	PUSH BUTTON DOWN SW ALL POWER [Except for roadster models with M/T]
134	GR	LOCK IND
137	O	RECEIVER-SENSOR GND [Roadster models with M/T]
137	P	RECEIVER-SENSOR AND EXCEPT FOR ROADSTER MODELS WITH M/T
138	V	RECEIVER / SENSOR POWER SUPPLY
139	L	TIRE PRESS-KYLS ENT (REAR) (RECEV) COMM
140	G	SHIFT M/P (WRH A/T)
140	G	P/M POSITION SW (WRH M/T)
141	Y	SECURITY INDICATOR
142	O	COMBI SW OUTPUT 5
143	P	COMBI SW OUTPUT 1
144	G	COMBI SW OUTPUT 2
145	L	COMBI SW OUTPUT 3
146	SB	COMBI SW OUTPUT 4
149	W	TIRE PRESSURE WARN CHECK SW
150	GR	DRIVER DOOR SW
151	G	REAR WINDOW DEFOGGER RELAY CONT

STARTING SYSTEM

< SYMPTOM DIAGNOSIS >

SYMPTOM DIAGNOSIS

STARTING SYSTEM

Symptom Table

INFOID:000000005239332

Symptom	Reference
No normal cranking	Refer to STR-2, "Work Flow" .
Starter motor does not rotate	

PRECAUTIONS

< PRECAUTION >

PRECAUTION

PRECAUTIONS EXCEPT FOR MEXICO

EXCEPT FOR MEXICO : Precaution for Supplemental Restraint System (SRS) "AIR BAG" and "SEAT BELT PRE-TENSIONER"

INFOID:000000005653416

The Supplemental Restraint System such as "AIR BAG" and "SEAT BELT PRE-TENSIONER", used along with a front seat belt, helps to reduce the risk or severity of injury to the driver and front passenger for certain types of collision. This system includes seat belt switch inputs and dual stage front air bag modules. The SRS system uses the seat belt switches to determine the front air bag deployment, and may only deploy one front air bag, depending on the severity of a collision and whether the front occupants are belted or unbelted. Information necessary to service the system safely is included in the "SRS AIR BAG" and "SEAT BELT" of this Service Manual.

WARNING:

- To avoid rendering the SRS inoperative, which could increase the risk of personal injury or death in the event of a collision which would result in air bag inflation, all maintenance must be performed by an authorized NISSAN/INFINITI dealer.
- Improper maintenance, including incorrect removal and installation of the SRS, can lead to personal injury caused by unintentional activation of the system. For removal of Spiral Cable and Air Bag Module, see the "SRS AIR BAG".
- Do not use electrical test equipment on any circuit related to the SRS unless instructed to in this Service Manual. SRS wiring harnesses can be identified by yellow and/or orange harnesses or harness connectors.

PRECAUTIONS WHEN USING POWER TOOLS (AIR OR ELECTRIC) AND HAMMERS

WARNING:

- When working near the Air Bag Diagnosis Sensor Unit or other Air Bag System sensors with the ignition ON or engine running, DO NOT use air or electric power tools or strike near the sensor(s) with a hammer. Heavy vibration could activate the sensor(s) and deploy the air bag(s), possibly causing serious injury.
- When using air or electric power tools or hammers, always switch the ignition OFF, disconnect the battery, and wait at least 3 minutes before performing any service.

EXCEPT FOR MEXICO : Precaution for Battery Service

INFOID:000000005653419

Before disconnecting the battery, lower both the driver and passenger windows. This will prevent any interference between the window edge and the vehicle when the door is opened/closed. During normal operation, the window slightly raises and lowers automatically to prevent any window to vehicle interference. The automatic window function will not work with the battery disconnected.

FOR MEXICO

FOR MEXICO : Precaution for Supplemental Restraint System (SRS) "AIR BAG" and "SEAT BELT PRE-TENSIONER"

INFOID:000000005653420

The Supplemental Restraint System such as "AIR BAG" and "SEAT BELT PRE-TENSIONER", used along with a front seat belt, helps to reduce the risk or severity of injury to the driver and front passenger for certain types of collision. Information necessary to service the system safely is included in the "SRS AIR BAG" and "SEAT BELT" of this Service Manual.

WARNING:

- To avoid rendering the SRS inoperative, which could increase the risk of personal injury or death in the event of a collision which would result in air bag inflation, all maintenance must be performed by an authorized NISSAN/INFINITI dealer.
- Improper maintenance, including incorrect removal and installation of the SRS, can lead to personal injury caused by unintentional activation of the system. For removal of Spiral Cable and Air Bag Module, see the "SRS AIR BAG".

PRECAUTIONS

< PRECAUTION >

- Do not use electrical test equipment on any circuit related to the SRS unless instructed to in this Service Manual. SRS wiring harnesses can be identified by yellow and/or orange harnesses or harness connectors.

PRECAUTIONS WHEN USING POWER TOOLS (AIR OR ELECTRIC) AND HAMMERS

WARNING:

- When working near the Air Bag Diagnosis Sensor Unit or other Air Bag System sensors with the ignition ON or engine running, DO NOT use air or electric power tools or strike near the sensor(s) with a hammer. Heavy vibration could activate the sensor(s) and deploy the air bag(s), possibly causing serious injury.
- When using air or electric power tools or hammers, always switch the ignition OFF, disconnect the battery, and wait at least 3 minutes before performing any service.

FOR MEXICO : Precaution for Battery Service

INFOID:000000005653422

Before disconnecting the battery, lower both the driver and passenger windows. This will prevent any interference between the window edge and the vehicle when the door is opened/closed. During normal operation, the window slightly raises and lowers automatically to prevent any window to vehicle interference. The automatic window function will not work with the battery disconnected.

PREPARATION

< PREPARATION >

PREPARATION

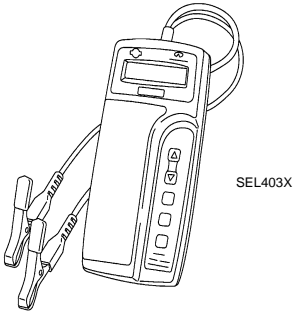
PREPARATION

Special Service Tools

INFOID:000000005239335

A

STR

Tool number (Kent-Moore No.) Tool name	Description
<p>— (J-44373 Model MCR620) Starting/Charging System Tester</p>  <p>SEL403X</p>	<p>Tests starting and charging systems. For operating instructions, refer to Technical Service Bulletin.</p>

C

D

E

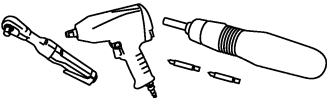
F

G

Commercial Service Tools

INFOID:000000005239336

H

Tool name	Description
<p>Power tool</p>  <p>PIIB1407E</p>	<p>Loosening bolts, nuts and screws</p>

I

J

K

L

M

N

O

P

STARTER MOTOR

< REMOVAL AND INSTALLATION >

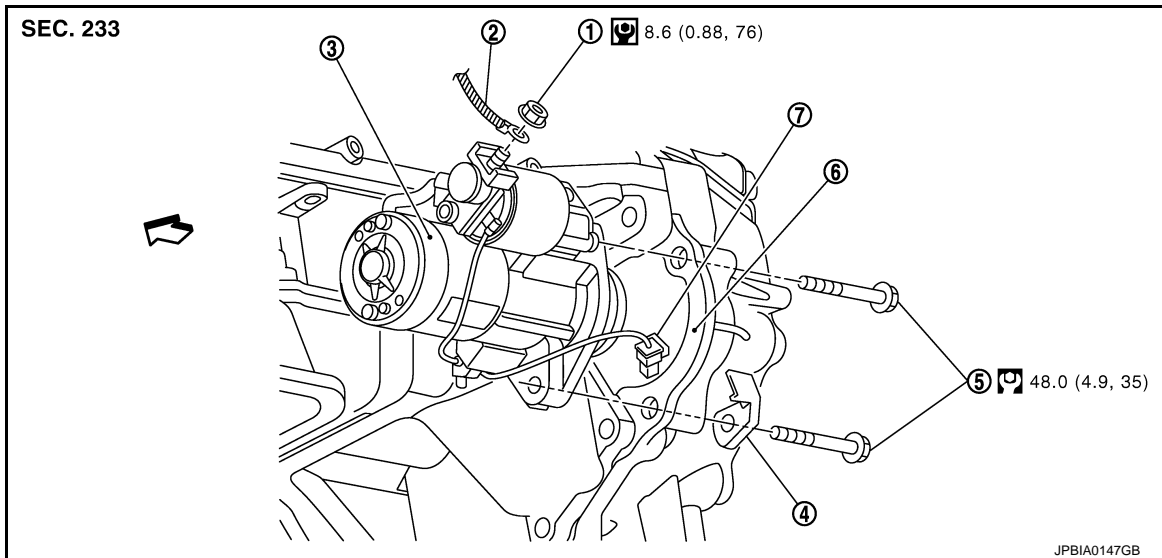
REMOVAL AND INSTALLATION

STARTER MOTOR

Exploded View

INFOID:000000005239337

REMOVAL



- | | | |
|-------------------------|--------------------------------|---|
| 1. "B" terminal nut | 2. "B" terminal harness | 3. Starter motor |
| 4. Harness clip bracket | 5. Starter motor mounting bolt | 6. Converter housing (A/T models)
Transmission case (M/T models) |
| 7. "S" connector | | |

↙: Engine front

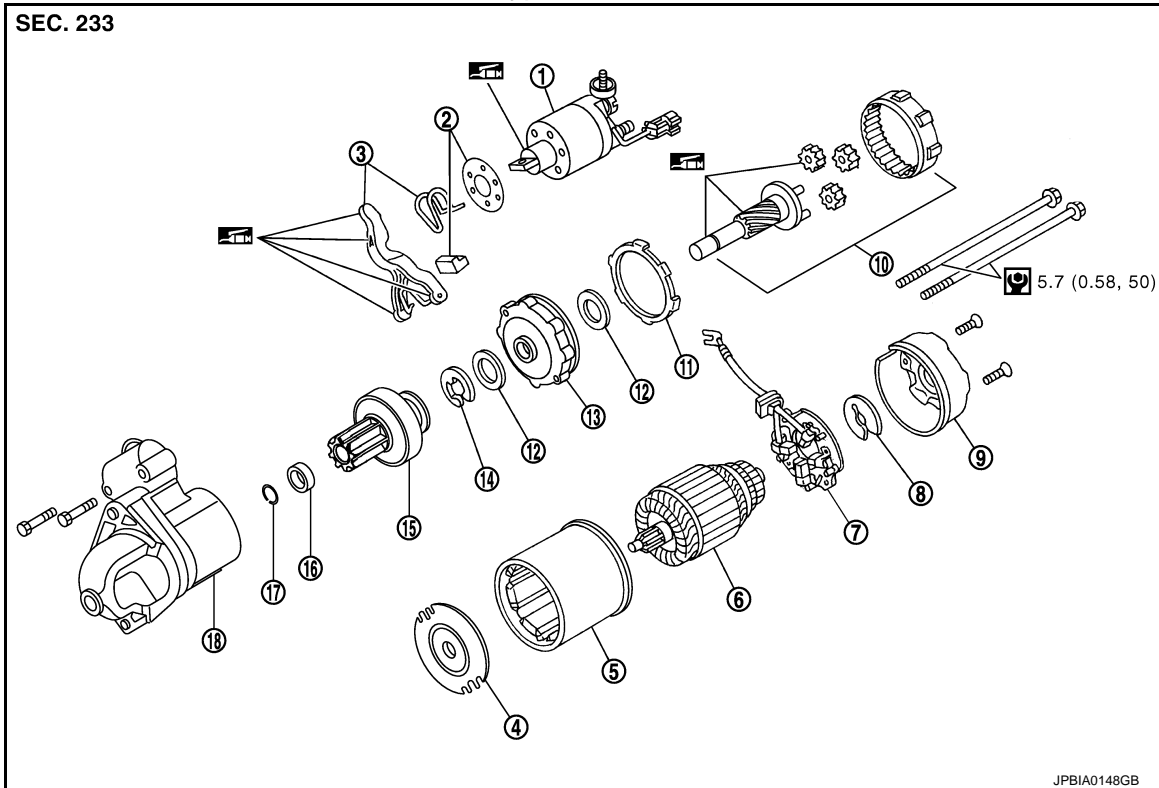
Refer to [GI-4, "Components"](#) for symbols in the figure.

DISASSEMBLY

STARTER MOTOR

< REMOVAL AND INSTALLATION >

Type: 114-932



- | | | |
|-----------------------------|-------------------------|------------------------|
| 1. Magnetic switch assembly | 2. Dust cover kit | 3. Shift lever set |
| 4. Center bracket (A) | 5. Yoke assembly | 6. Armature assembly |
| 7. Brush holder assembly | 8. Thrust washer | 9. Rear cover assembly |
| 10. Shaft gear assembly | 11. Packing | 12. Thrust washer |
| 13. Center bracket (P) | 14. E-ring | 15. Pinion assembly |
| 16. Pinion stopper | 17. Pinion stopper clip | 18. Gear case assembly |

: High-temperature grease point

Refer to [GI-4. "Components"](#) for symbols not described on the above.

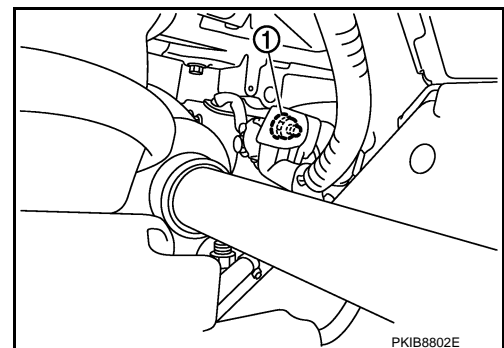
M/T

M/T : Removal and Installation

INFOID:000000005239338

Removal

1. Disconnect the battery cable from the negative terminal.
2. Remove engine undercover using power tools.
3. Remove "B" terminal nut (1).

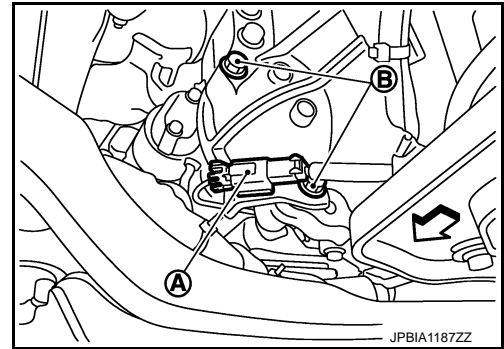


STARTER MOTOR

< REMOVAL AND INSTALLATION >

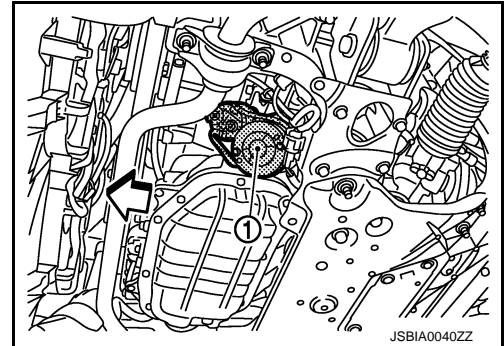
4. Disconnect "S" connector (A).
5. Remove starter motor mounting bolts (B) and harness bracket, using power tools.

⇐ : Vehicle front



6. Remove starter motor (1) forward from the vehicle.

⇐ : Vehicle front



INSTALLATION

Install in the reverse order of removal.

CAUTION:

Be sure to tighten "B" terminal nut carefully.

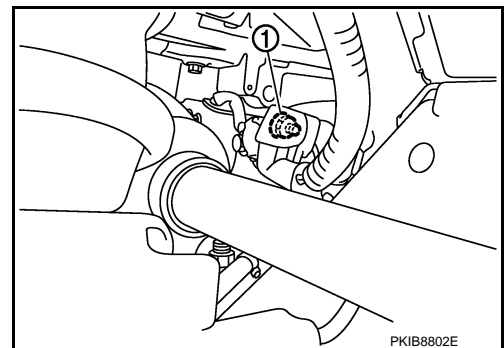
A/T

A/T : Removal and Installation

INFOID:000000005239339

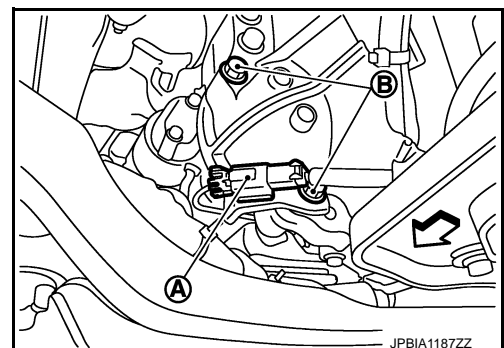
Removal

1. Disconnect the battery cable from the negative terminal.
2. Remove engine undercover using power tools.
3. Remove "B" terminal nut (1).



4. Disconnect "S" connector (A).
5. Remove starter motor mounting bolts (B) and harness bracket, using power tools.

⇐ : Vehicle front

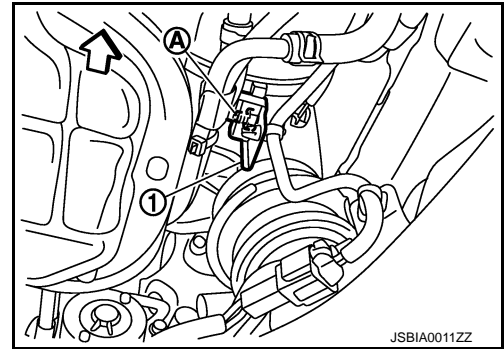


STARTER MOTOR

< REMOVAL AND INSTALLATION >

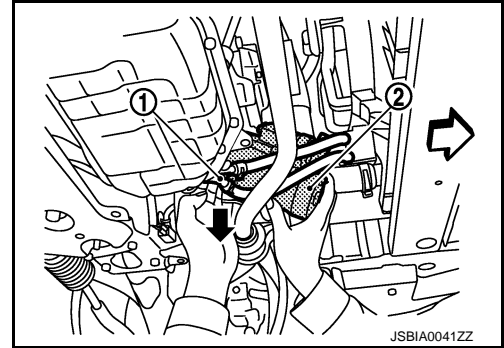
6. Remove the bolt (A) and remove the harness bracket (1).

↔ : Vehicle front



7. Remove A/T fluid cooler tube clip bolts and bracket. Refer to [TM-315, "Exploded View"](#).
8. Move A/T fluid cooler tube (1) downward.
9. Remove starter motor (2) forward from the vehicle.

↔ : Vehicle front



INSTALLATION

Install in the reverse order of removal.

CAUTION:

Be sure to tighten "B" terminal nut carefully.

Inspection

INFOID:000000005239340

INSPECTION AFTER DISASSEMBLY

Pinion/Clutch Check

1. Inspect pinion teeth.
 - Replace pinion if teeth are worn or damaged. (Also check condition of ring gear teeth.)
2. Inspect reduction gear teeth.
 - Replace reduction gear if teeth are worn or damaged. (Also check condition of armature shaft gear teeth.)
3. Check to see if pinion locks in one direction and rotates smoothly in the opposite direction.
 - If it locks or rotates in both directions, or unusual resistance is evident, replace.

SERVICE DATA AND SPECIFICATIONS (SDS)

< SERVICE DATA AND SPECIFICATIONS (SDS)

SERVICE DATA AND SPECIFICATIONS (SDS)

SERVICE DATA AND SPECIFICATIONS (SDS)

Starter Motor

INFOID:000000005239341

Type	S114-932		
	HITACHI make		
	Reduction gear type		
System voltage	[V]	12	
No-load	Terminal voltage	[V]	11
	Current	[A]	Less than 110
	Revolution	[rpm]	More than 2,700
Minimum diameter of commutator	[mm (in)]	28.0 (1.102)	
Minimum length of brush	[mm (in)]	10.5 (0.413)	
Brush spring tension	[N (kg, lb)]	16.2 (1.65, 3.6)	
Clearance between bearing metal and armature shaft	[mm (in)]	Less than 0.2 (0.008)	
Clearance between pinion front edge and pinion stopper	[mm (in)]	0.3 - 2.5 (0.012 – 0.098)	