

CONTENTS

| | | | | |
|---|---|--|----|---|
| SYSTEM DESCRIPTION | 2 | Inspection | 9 | F |
| DESCRIPTION | 2 | REMOVAL AND INSTALLATION | 10 | |
| Engine Lubrication System | 2 | OIL PUMP | 10 | G |
| Engine Lubrication System Schematic | 2 | Exploded View | 10 | |
| PRECAUTION | 3 | Removal and Installation | 10 | H |
| PRECAUTIONS | 3 | Inspection | 10 | |
| Liquid Gasket | 3 | UNIT DISASSEMBLY AND ASSEMBLY ... | 11 | I |
| PREPARATION | 4 | OIL PUMP | 11 | |
| PREPARATION | 4 | Disassembly | 11 | J |
| Special Service Tools | 4 | Assembly | 11 | |
| Commercial Service Tools | 4 | Inspection | 11 | |
| PERIODIC MAINTENANCE | 6 | SERVICE DATA AND SPECIFICATIONS | | K |
| ENGINE OIL | 6 | (SDS) | 13 | |
| Inspection | 6 | SERVICE DATA AND SPECIFICATIONS | | L |
| Draining | 7 | (SDS) | 13 | |
| Refilling | 8 | Periodical Maintenance Specification | 13 | M |
| OIL FILTER | 9 | Engine Oil Pressure | 13 | |
| Removal and Installation | 9 | Oil Pump | 13 | |
| | | Regulator Valve | 13 | |

DESCRIPTION

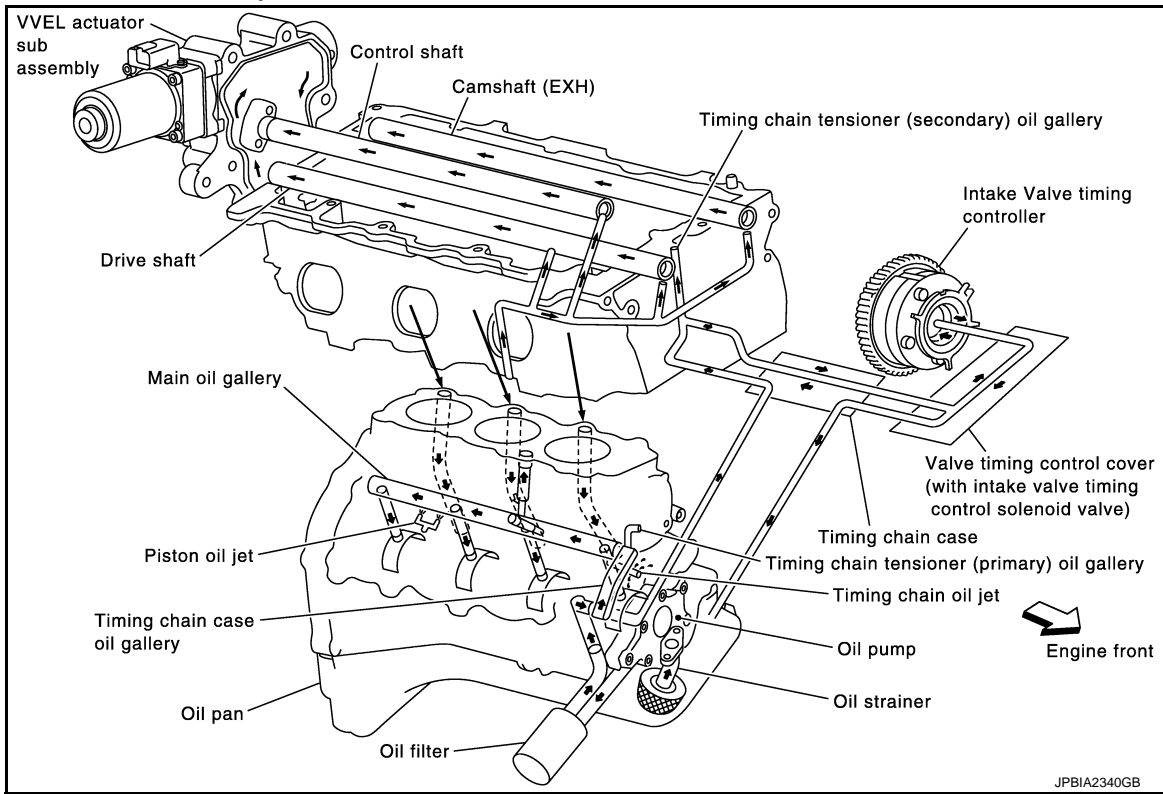
< SYSTEM DESCRIPTION >

SYSTEM DESCRIPTION

DESCRIPTION

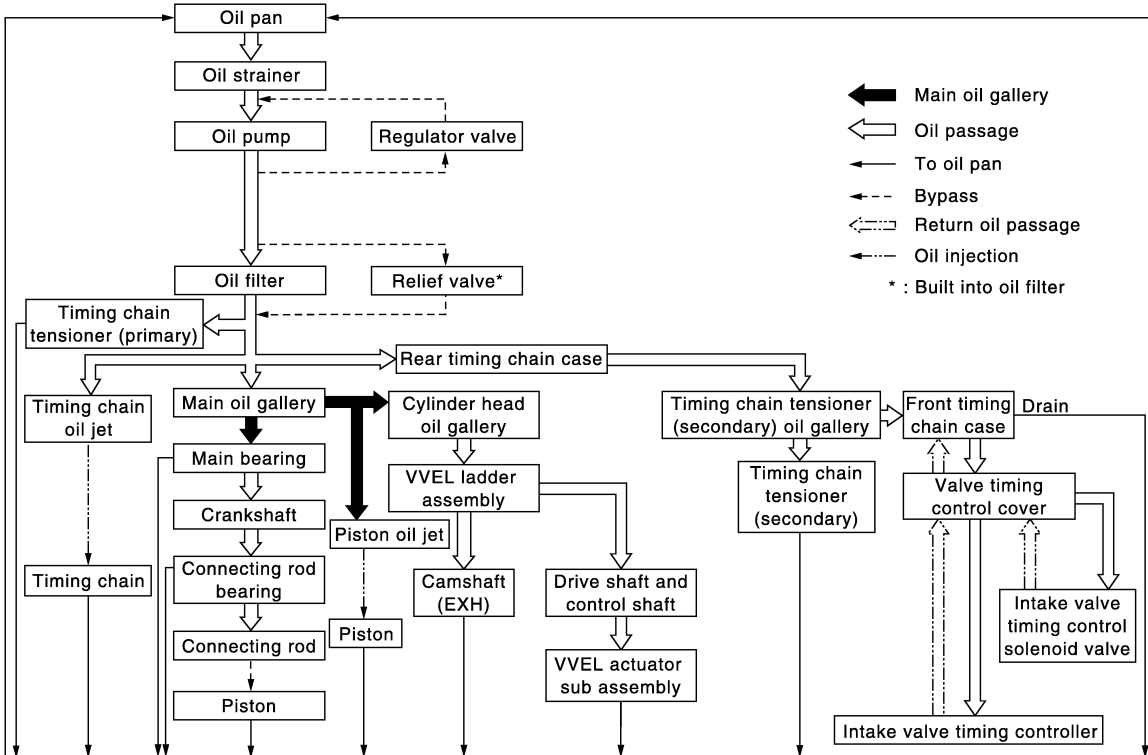
Engine Lubrication System

INFOID:000000006351117



Engine Lubrication System Schematic

INFOID:000000006351118



PRECAUTIONS

< PRECAUTION >

PRECAUTION

PRECAUTIONS

Liquid Gasket

INFOID:000000006351119

A

LU

LIQUID GASKET APPLICATION PROCEDURE

1. Remove old liquid gasket adhering to the liquid gasket application surface and the mating surface.
 - Remove liquid gasket completely from the liquid gasket application surface, mounting bolts, and bolt holes.
2. Wipe the liquid gasket application surface and the mating surface with white gasoline (lighting and heating use) to remove adhering moisture, grease and foreign materials.
3. Apply liquid gasket to the liquid gasket application surface.
Use Genuine RTV Silicone Sealant or equivalent. Refer to [GI-22. "Recommended Chemical Products and Sealants"](#).
 - Within five minutes of liquid gasket application, install the mating component.
 - If liquid gasket protrudes, wipe it off immediately.
 - Do not retighten mounting bolts or nuts after the installation.
 - After 30 minutes or more have passed from the installation, fill engine oil and engine coolant.

C

D

E

F

G

H

I

J

K

L

M

N

O

P

PREPARATION

< PREPARATION >

PREPARATION

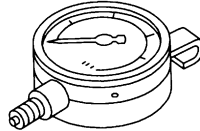
PREPARATION

Special Service Tools

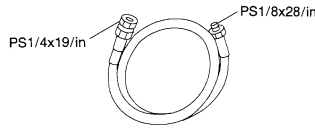
INFOID:000000006351120

The actual shapes of Kent-Moore tools may differ from those of special service tools illustrated here.

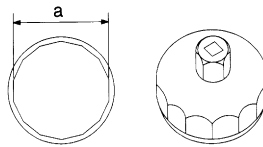
| Tool number (Kent-Moore No.) Tool name | Description |
|---|---|
| ST25051001 (J-25695-1) Oil pressure gauge | Measuring oil pressure Maximum measuring range: 2,452 kPa (25 kg/cm², 356 psi) |
| ST25052000 (J-25695-2) Hose | Adapting oil pressure gauge to oil pan (upper) |
| KV10115801 (J-38956) Oil filter wrench | Removing and installing oil filter a: 64.3 mm (2.531 in) |



NT050



S-NT559

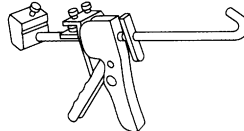


S-NT375

Commercial Service Tools

INFOID:000000006351121

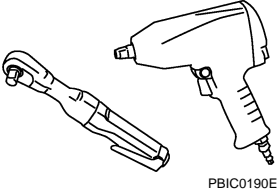
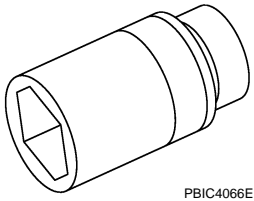
| Tool name | Description |
|--------------|--------------------------------|
| Tube presser | Pressing tube of liquid gasket |



NT052

PREPARATION

< PREPARATION >

| Tool name | Description |
|--|---|
| Power tools  | Loosening bolts and nuts |
| Deep socket  | Removing and installing oil pressure switch 27 mm (1.06 in) |

A

LU

C

D

E

F

G

H

I

J

K

L

M

N

O

P

ENGINE OIL

< PERIODIC MAINTENANCE >

PERIODIC MAINTENANCE

ENGINE OIL

Inspection

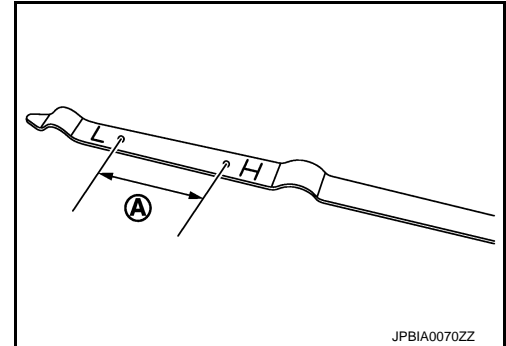
INFOID:000000006351122

ENGINE OIL LEVEL

NOTE:

Before starting engine, put vehicle horizontally and check the engine oil level. If engine is already started, stop it and allow 10 minutes before checking.

1. Pull out oil level gauge and wipe it clean.
2. Insert oil level gauge and check the engine oil level is within the range (A) shown in the figure.
3. If it is out of range, adjust it.

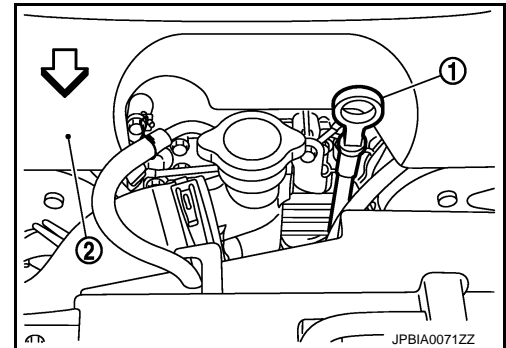


NOTE:

When checking the engine oil level, insert oil level gauge (1) with its tip aligned with oil level gauge guide.

2 : Engine cover

⇐ : Engine front



ENGINE OIL APPEARANCE

- Check engine oil for white turbidity or heavy contamination.
- If engine oil becomes turbid and white, it is highly probable that it is contaminated with engine coolant. Repair or replace damaged parts.

ENGINE OIL LEAKAGE

Check for engine oil leakage around the following areas:

- Oil pans (lower and upper)
- Oil pan drain plug
- Oil pressure switch
- Oil temperature sensor
- Oil filter
- Valve timing control cover
- Mating surface between cylinder head and rocker cover
- Mating surface between front timing chain case and rear timing chain case
- Mating surface between rear timing chain case and cylinder head
- Mating surface between rear timing chain case and cylinder block
- Mating surface between rear timing chain case and oil pan (upper)
- Mating surface between cylinder block and cylinder head
- Mating surface between lower cylinder block and cylinder block
- Crankshaft oil seals (front and rear)
- Camshaft position sensor (PHASE) and intake valve timing control solenoid valve

OIL PRESSURE CHECK

ENGINE OIL

< PERIODIC MAINTENANCE >

WARNING:

- Be careful not to get burn yourself, as engine oil may be hot.
- Oil pressure check should be done in "Neutral position" (M/T models) or "Parking position" (A/T models).

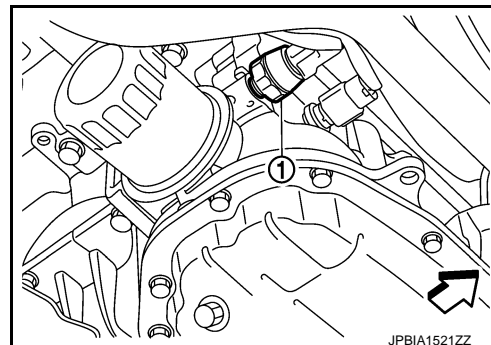
1. Check the engine oil level.
2. Remove engine undercover with power tool.
3. Disconnect harness connector at oil pressure switch, and remove oil pressure switch using deep socket (commercial service tool).

1 : Oil pressure switch

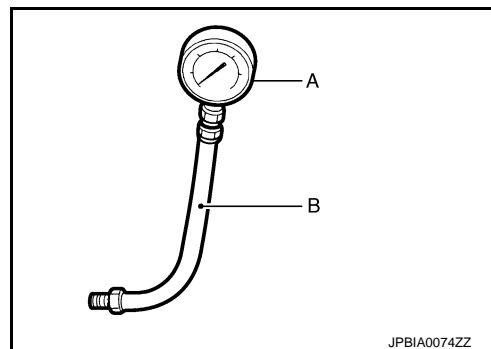
↶ : Engine front

CAUTION:

Never drop or shock oil pressure switch.



4. Install the oil pressure gauge [SST: ST25051001 (J-25695-1)] (A) and hose [SST: ST25052000 (J-25695-2)] (B).



5. Start the engine and warm it up to normal operating temperature.
6. Check the engine oil pressure with engine running under no-load.

NOTE:

When the engine oil temperature is low, the engine oil pressure becomes high.

Engine oil pressure : Refer to [LU-13, "Engine Oil Pressure"](#).

If difference is extreme, check engine oil passage and oil pump for engine oil leakage.

7. After the inspections, install oil pressure switch as follows:
 - a. Remove old liquid gasket adhering to oil pressure switch and the mating surface.
 - b. Apply liquid gasket and tighten oil pressure switch to the specification.
Use Genuine RTV Silicone Sealant or equivalent. Refer to [GI-22, "Recommended Chemical Products and Sealants"](#).

Tightening torque : Refer to [EM-49, "Exploded View"](#).

- c. After warming up engine, check there is no leakage of engine oil with running engine.

Draining

INFOID:000000006351123

WARNING:

- Be careful not to get burn yourself, as engine oil may be hot.
- Prolonged and repeated contact with used engine oil may cause skin cancer. Try to avoid direct skin contact with used engine oil. If skin contact is made, wash thoroughly with soap or hand cleaner as soon as possible.

1. Warm up the engine, and check for engine oil leakage from engine components. Refer to [LU-6, "Inspection"](#).
2. Stop the engine and wait for 10 minutes.

ENGINE OIL

< PERIODIC MAINTENANCE >

3. Loosen oil filler cap.
4. Remove undercover with power tool.
5. Remove drain plug and then drain engine oil.

Refilling

INFOID:000000006351124

1. Install drain plug with new washer. Refer to [EM-49, "Exploded View"](#).

CAUTION:

Be sure to clean drain plug and install with new washer.

Tightening torque : Refer to [EM-49, "Exploded View"](#).

2. Refill with new engine oil.

Engine oil specification and viscosity: Refer to [MA-15, "FOR NORTH AMERICA : Fluids and Lubricants"](#) (FOR AMERICA) or [MA-16, "FOR MEXICO : Fluids and Lubricants"](#) (EXCEPT FOR NORTH AMERICA).

Engine oil capacity : Refer to [LU-13, "Periodical Maintenance Specification"](#).

CAUTION:

- **When filling engine oil, do not pull out oil level gauge.**
 - **The refill capacity depends on the engine oil temperature and drain time. Use these specifications for reference only.**
 - **Always use oil level gauge to determine the proper amount of engine oil in engine.**
3. Warm up the engine and check area around drain plug and oil filter for engine oil leakage.
 4. Stop the engine and wait for 10 minutes.
 5. Check the engine oil level. Refer to [LU-6, "Inspection"](#).

OIL FILTER

< PERIODIC MAINTENANCE >

OIL FILTER

Removal and Installation

INFOID:000000006351125

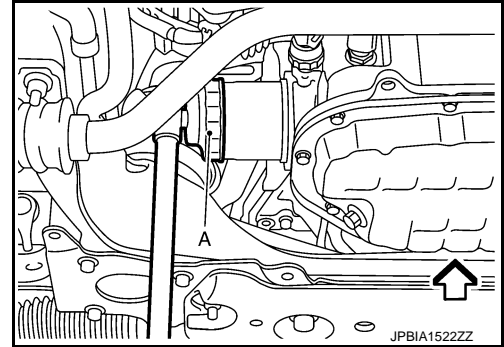
REMOVAL

CAUTION:

- Oil filter is provided with relief valve. Use genuine NISSAN oil filter or equivalent.
- Be careful not to get burned when engine and engine oil may be hot.
- When removing, prepare a shop cloth to absorb any engine oil leakage or spillage.
- Never allow engine oil to adhere to drive belt.
- Completely wipe off any engine oil that adheres to engine and vehicle.

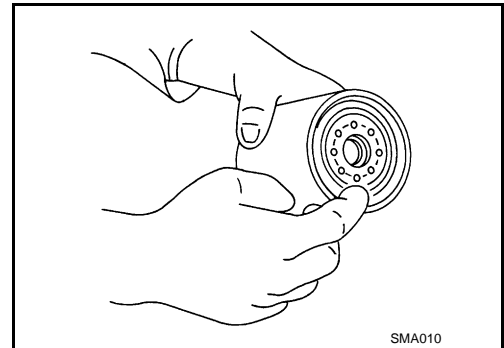
1. Remove engine undercover with power tool.
2. Using oil filter wrench [SST: KV10115801 (J-38956)] (A), remove oil filter.

← : Engine front



INSTALLATION

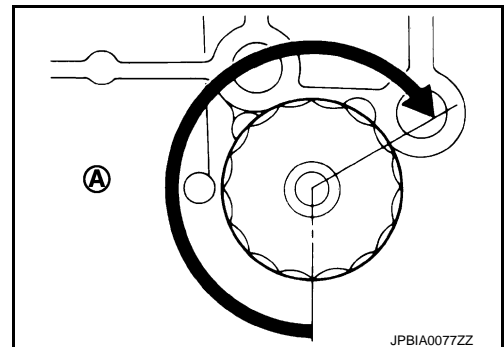
1. Remove foreign materials adhering to oil filter installation surface.
2. Apply engine oil to the oil seal contact surface of new oil filter.



3. Screw oil filter manually until it touches the installation surface, then tighten it by 2/3 turn (A). Or tighten to the specification.

Oil filter:

: 17.7 N·m (1.8 kg·m, 13 ft·lb)



Inspection

INFOID:000000006351126

INSPECTION AFTER INSTALLATION

1. Check the engine oil level. Refer to [LU-6. "Inspection"](#).
2. Start the engine, and check there is no leakage of engine oil.
3. Stop the engine and wait for 10 minutes.
4. Check the engine oil level, and adjust the level. Refer to [LU-6. "Inspection"](#).

A
LU
C
D
E
F
G
H
I
J
K
L
M
N
O
P

OIL PUMP

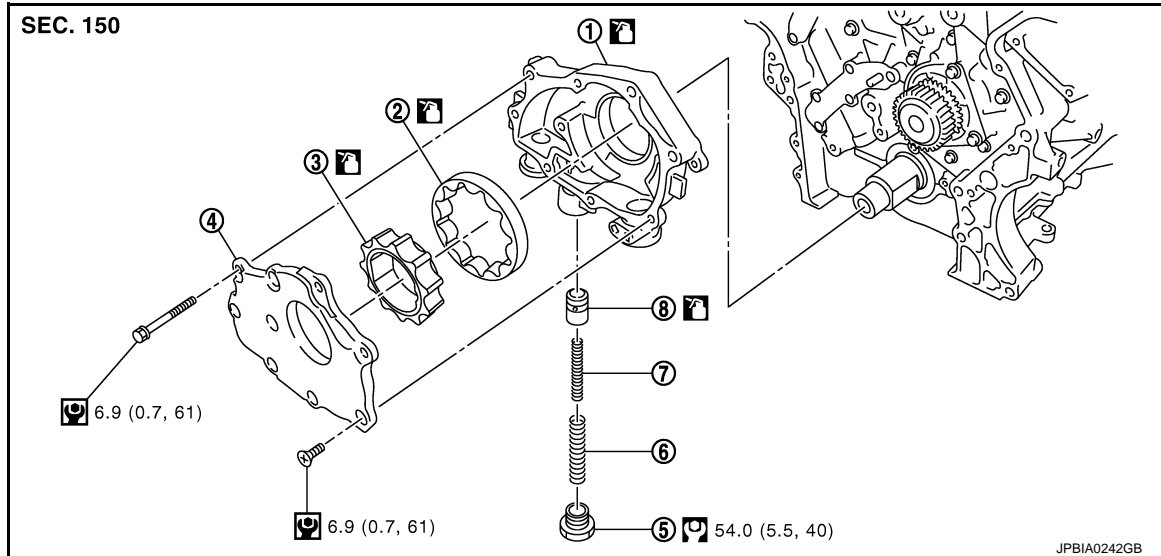
< REMOVAL AND INSTALLATION >

REMOVAL AND INSTALLATION

OIL PUMP

Exploded View

INFOID:000000006351127



- | | | |
|---------------------------|-------------------------|---------------------------|
| 1. Oil pump body | 2. Oil pump outer rotor | 3. Oil pump inner rotor |
| 4. Oil pump cover | 5. Regulator valve plug | 6. Regulator valve spring |
| 7. Regulator valve spring | 8. Regulator valve | |

Refer to [GI-4, "Components"](#) for symbols in the figure.

Removal and Installation

INFOID:000000006351128

REMOVAL

1. Remove oil pan (upper and lower) and oil strainer. Refer to [EM-82, "Exploded View"](#).
2. Remove front timing chain case and timing chain (primary). Refer to [EM-55, "Exploded View"](#).
3. Remove oil pump assembly.

INSTALLATION

CAUTION:

Before installation, apply new engine oil to the parts as instructed in the figure.

Note the following, and install in the reverse order of removal.

- When installing, align crankshaft flat faces with oil pump inner rotor flat faces.

Inspection

INFOID:000000006351129

INSPECTION AFTER INSTALLATION

1. Check the engine oil level. Refer to [LU-6, "Inspection"](#).
2. Start the engine, and check there is no leakage of engine oil.
3. Stop the engine and wait for 10 minutes.
4. Check the engine oil level and adjust the level. Refer to [LU-6, "Inspection"](#).

OIL PUMP

< UNIT DISASSEMBLY AND ASSEMBLY >

UNIT DISASSEMBLY AND ASSEMBLY

OIL PUMP

Disassembly

INFOID:000000006351130

1. Remove oil pump cover.
2. Remove oil pump inner rotor and oil pump outer rotor from oil pump body.
3. After removing regulator valve plug, remove regulator valve spring and regulator valve.

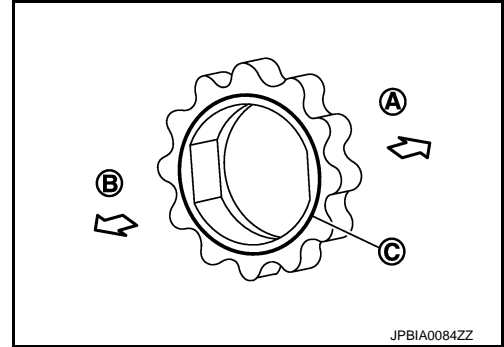
Assembly

INFOID:000000006351131

Note the following, and assemble in the reverse order of disassembly.

- Install oil pump inner rotor with the groove faced to oil pump cover side.

- A : Oil pump body side
- B : Oil pump cover side
- C : Groove



Inspection

INFOID:000000006351132

INSPECTION AFTER DISASSEMBLY

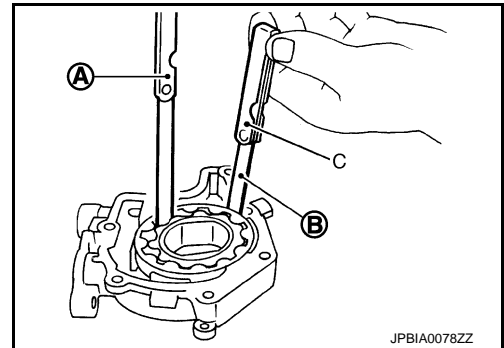
Oil Pump Clearance

- Measure the clearance with feeler gauge (C).
- Clearance between oil pump outer rotor and oil pump body [position (B)]

Standard : Refer to [LU-13, "Oil Pump"](#).

- Tip clearance between oil pump inner rotor and oil pump outer rotor [position (A)]

Standard : Refer to [LU-13, "Oil Pump"](#).

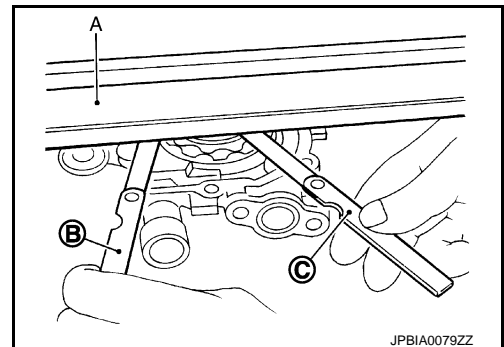


- Measure the clearance with feeler gauge and straightedge (A).
- Side clearance between oil pump inner rotor and oil pump body [position (C)]

Standard : Refer to [LU-13, "Oil Pump"](#).

- Side clearance between oil pump outer rotor and oil pump body [position (B)]

Standard : Refer to [LU-13, "Oil Pump"](#).



- Calculate the clearance between oil pump inner rotor and oil pump body as follows:

OIL PUMP BODY INNER DIAMETER

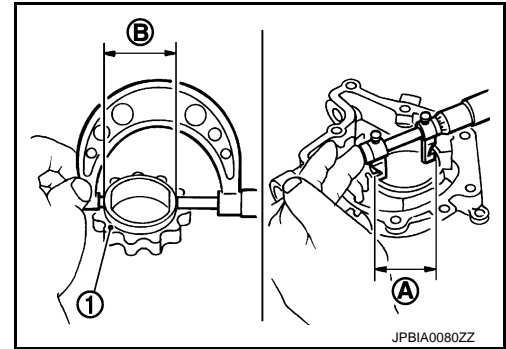
OIL PUMP

< UNIT DISASSEMBLY AND ASSEMBLY >

- Measure the inner diameter of oil pump body with inside micrometer. [position (A)]

OIL PUMP INNER ROTOR OUTER DIAMETER

- Measure the outer diameter of protruded portion of oil pump inner rotor (1) with micrometer. [position (B)]



OIL PUMP INNER ROTOR TO OIL PUMP BODY CLEARANCE

- (Clearance) = (Oil pump body inner diameter) – (Oil pump inner rotor outer diameter)

Standard : Refer to [LU-13, "Oil Pump"](#).

- If measured/calculated values are out of the standard, replace oil pump assembly.

Regulator Valve Clearance

- (Clearance) = (Regulator valve hole diameter) – (Regulator valve outer diameter)

1 : Regulator valve

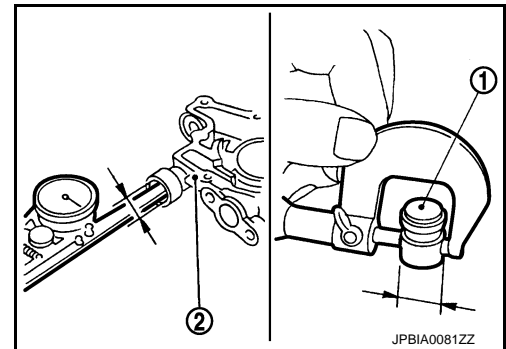
2 : Oil pump body

Standard : Refer to [LU-13, "Regulator Valve"](#).

- If the calculated value is out of the standard, replace oil pump assembly.

CAUTION:

- Coat regulator valve with engine oil.
- Check that it falls smoothly into valve hole by its own weight.



SERVICE DATA AND SPECIFICATIONS (SDS)

< SERVICE DATA AND SPECIFICATIONS (SDS)

SERVICE DATA AND SPECIFICATIONS (SDS)

SERVICE DATA AND SPECIFICATIONS (SDS)

Periodical Maintenance Specification

INFOID:0000000006351133

ENGINE OIL CAPACITY (APPROXIMATE)

Unit: ℓ (US qt, Imp qt)

| | | |
|-----------------------|---------------------------|--------------------|
| Drain and refill | With oil filter change | 4.9 (5-1/8, 4-1/4) |
| | Without oil filter change | 4.6 (4-7/8, 4) |
| Dry engine (Overhaul) | | 5.7 (6, 5) |

Engine Oil Pressure

INFOID:0000000006351134

Unit: kPa (kg/cm², psi)

| Engine speed | Approximate discharge pressure* |
|--------------|---------------------------------|
| Idle speed | More than 98 (1.0, 14) |
| 2,000 rpm | More than 294 (3.0, 43) |

*: Engine oil temperature at 80°C (176°F)

Oil Pump

INFOID:0000000006351135

Unit: mm (in)

| | |
|---|---------------------------------|
| Oil pump body to oil pump outer rotor radial clearance | 0.114 - 0.260 (0.0045 - 0.0102) |
| Oil pump inner rotor to oil pump outer rotor tip clearance | Below 0.180 (0.0071) |
| Oil pump body to oil pump inner rotor axial clearance | 0.030 - 0.070 (0.0012 - 0.0028) |
| Oil pump body to oil pump outer rotor axial clearance | 0.030 - 0.090 (0.0012 - 0.0035) |
| Oil pump inner rotor to brazed portion of housing clearance | 0.045 - 0.091 (0.0018 - 0.0036) |

Regulator Valve

INFOID:0000000006351136

Unit: mm (in)

| | |
|---|---------------------------------|
| Regulator valve to oil pump cover clearance | 0.040 - 0.097 (0.0016 - 0.0038) |
|---|---------------------------------|