

# SECTION **BCS**

## BODY CONTROL SYSTEM

A  
B  
C  
D  
E  
F  
G  
H  
I  
J  
K  
L  
N  
O  
P

### CONTENTS

<b>BASIC INSPECTION</b> .....	<b>COMMON ITEM</b> .....	
<b>INSPECTION AND ADJUSTMENT</b> .....	COMMON ITEM : CONSULT Function (BCM - COMMON ITEM) .....	19
<b>ADDITIONAL SERVICE WHEN REPLACING CONTROL UNIT (BCM)</b> .....	<b>DOOR LOCK</b> .....	20
ADDITIONAL SERVICE WHEN REPLACING CONTROL UNIT (BCM) : Description .....	DOOR LOCK : CONSULT Function (BCM - DOOR LOCK) (For Coupe) .....	20
ADDITIONAL SERVICE WHEN REPLACING CONTROL UNIT (BCM) : Work Procedure .....	DOOR LOCK : CONSULT Function (BCM - DOOR LOCK) (For Roadster) .....	21
<b>CONFIGURATION (BCM)</b> .....	<b>REAR WINDOW DEFOGGER</b> .....	22
CONFIGURATION (BCM) : Description .....	REAR WINDOW DEFOGGER : CONSULT Function (BCM - REAR DEFOGGER) .....	23
CONFIGURATION (BCM) : Work Procedure .....	<b>BUZZER</b> .....	23
CONFIGURATION (BCM) : Configuration list .....	BUZZER : CONSULT Function (BCM - BUZZER).....	23
<b>TRANSIT MODE CANCEL OPERATION</b> .....	<b>INT LAMP</b> .....	24
Description .....	INT LAMP : CONSULT Function (BCM - INT LAMP) (Coupe Models) .....	24
Work Procedure .....	INT LAMP : CONSULT Function (BCM - INT LAMP) (Roadster Models) .....	26
<b>SYSTEM DESCRIPTION</b> .....	<b>HEADLAMP</b> .....	27
<b>BODY CONTROL SYSTEM</b> .....	HEADLAMP : CONSULT Function (BCM - HEAD LAMP) .....	27
System Description .....	<b>WIPER</b> .....	29
Component Parts Location .....	WIPER : CONSULT Function (BCM - WIPER) .....	29
<b>COMBINATION SWITCH READING SYSTEM</b> .....	<b>FLASHER</b> .....	30
System Diagram .....	FLASHER : CONSULT Function (BCM - FLASHER) .....	30
System Description .....	<b>COMB SW</b> .....	31
<b>SIGNAL BUFFER SYSTEM</b> .....	COMB SW : CONSULT Function (BCM - COMB SW) .....	31
System Diagram .....	<b>INTELLIGENT KEY</b> .....	32
System Description .....	INTELLIGENT KEY : CONSULT Function (BCM - INTELLIGENT KEY) (For Coupe) .....	32
Component Parts Location .....	INTELLIGENT KEY : CONSULT Function (BCM - INTELLIGENT KEY) (For Roadster) .....	35
<b>POWER CONSUMPTION CONTROL SYSTEM</b> .....		
System Diagram .....		
System Description .....		
Component Parts Location .....		
<b>DIAGNOSIS SYSTEM (BCM)</b> .....		

BCS

<b>BCM</b> .....	<b>39</b>	<b>POWER SUPPLY AND GROUND CIRCUIT</b> ....	<b>50</b>
BCM : CONSULT Function (BCM - BCM) .....	39	Diagnosis Procedure .....	50
<b>IMMU</b> .....	<b>39</b>	<b>COMBINATION SWITCH INPUT CIRCUIT</b> .....	<b>51</b>
IMMU : CONSULT Function (BCM - IMMU) .....	39	Diagnosis Procedure .....	51
<b>BATTERY SAVER</b> .....	<b>39</b>	<b>COMBINATION SWITCH OUTPUT CIRCUIT</b> ...	<b>53</b>
BATTERY SAVER : CONSULT Function (BCM -		Diagnosis Procedure .....	53
BATTERY SAVER) (Coupe Models) .....	39	<b>ECU DIAGNOSIS INFORMATION</b> .....	<b>55</b>
BATTERY SAVER : CONSULT Function (BCM -		<b>BCM (BODY CONTROL MODULE)</b> .....	<b>55</b>
BATTERY SAVER) (Roadster Models) .....	40	Reference Value .....	55
<b>TRUNK</b> .....	<b>42</b>	Wiring Diagram - BCM - .....	79
TRUNK : CONSULT Function (BCM - TRUNK)		Fail-safe .....	83
(For Coupe) .....	42	DTC Inspection Priority Chart .....	84
TRUNK : CONSULT Function (BCM - TRUNK)		DTC Index .....	85
(For Roadster) .....	42	<b>SYMPTOM DIAGNOSIS</b> .....	<b>88</b>
<b>THEFT ALM</b> .....	<b>43</b>	<b>COMBINATION SWITCH SYSTEM SYMP-</b>	
THEFT ALM : CONSULT Function (BCM -		<b>TOMS</b> .....	<b>88</b>
THEFT) .....	43	Symptom Table .....	88
<b>RETAINED PWR</b> .....	<b>44</b>	<b>NORMAL OPERATING CONDITION</b> .....	<b>89</b>
RETAINED PWR : CONSULT Function (BCM -		Description .....	89
RETAINED PWR) .....	44	<b>PRECAUTION</b> .....	<b>90</b>
<b>SIGNAL BUFFER</b> .....	<b>44</b>	<b>PRECAUTIONS</b> .....	<b>90</b>
SIGNAL BUFFER : CONSULT Function (BCM -		<b>EXCEPT FOR MEXICO</b> .....	<b>90</b>
SIGNAL BUFFER) .....	44	EXCEPT FOR MEXICO : Precaution for Supple-	
<b>AIR PRESSURE MONITOR</b> .....	<b>44</b>	mental Restraint System (SRS) "AIR BAG" and	
AIR PRESSURE MONITOR : CONSULT Function		"SEAT BELT PRE-TENSIONER" .....	90
.....	44	EXCEPT FOR MEXICO : Precaution for Battery	
<b>DTC/CIRCUIT DIAGNOSIS</b> .....	<b>46</b>	Service .....	90
<b>U1000 CAN COMM</b> .....	<b>46</b>	<b>FOR MEXICO</b> .....	<b>90</b>
Description .....	46	FOR MEXICO : Precaution for Supplemental Re-	
DTC Logic .....	46	straint System (SRS) "AIR BAG" and "SEAT BELT	
Diagnosis Procedure .....	46	PRE-TENSIONER" .....	90
<b>U1010 CONTROL UNIT (CAN)</b> .....	<b>47</b>	FOR MEXICO : Precaution for Battery Service	90
DTC Logic .....	47	<b>REMOVAL AND INSTALLATION</b> .....	<b>92</b>
Diagnosis Procedure .....	47	<b>BCM (BODY CONTROL MODULE)</b> .....	<b>92</b>
<b>U0415 VEHICLE SPEED SIG</b> .....	<b>48</b>	Exploded View .....	92
Description .....	48	Removal and Installation .....	92
DTC Logic .....	48	<b>COMBINATION SWITCH</b> .....	<b>93</b>
Diagnosis Procedure .....	48	Exploded View .....	93
<b>B2562 LOW VOLTAGE</b> .....	<b>49</b>	Removal and Installation .....	93
DTC Logic .....	49		
Diagnosis Procedure .....	49		

# INSPECTION AND ADJUSTMENT

< BASIC INSPECTION >

## BASIC INSPECTION

### INSPECTION AND ADJUSTMENT

#### ADDITIONAL SERVICE WHEN REPLACING CONTROL UNIT (BCM)

#### ADDITIONAL SERVICE WHEN REPLACING CONTROL UNIT (BCM) : Description

INFOID:000000007804813

##### BEFORE REPLACEMENT

When replacing BCM, save or print current vehicle specification with CONSULT configuration before replacement.

##### NOTE:

If "READ CONFIGURATION" can not be used, use the "WRITE CONFIGURATION - Manual selection" after replacing BCM.

##### AFTER REPLACEMENT

##### CAUTION:

When replacing BCM, always perform "WRITE CONFIGURATION" with CONSULT. Or not doing so, BCM control function does not operate normally.

- Complete the procedure of "WRITE CONFIGURATION" in order.
- Configuration is different for each vehicle model. Confirm configuration of each vehicle model.
- If you set incorrect "WRITE CONFIGURATION", incidents might occur.

##### NOTE:

When replacing BCM, perform the system initialization (NATS) (if equipped).

#### ADDITIONAL SERVICE WHEN REPLACING CONTROL UNIT (BCM) : Work Procedure

INFOID:000000007804814

#### 1. SAVING VEHICLE SPECIFICATION

##### ⓂCONSULT Configuration

Perform "READ CONFIGURATION" to save or print current vehicle specification. Refer to [BCS-4, "CONFIGURATION \(BCM\) : Description"](#).

##### NOTE:

If "READ CONFIGURATION" can not be used, use the "WRITE CONFIGURATION - Manual selection" after replacing BCM.

>> GO TO 2.

#### 2. REPLACE BCM

Replace BCM. Refer to [BCS-92, "Removal and Installation"](#).

>> GO TO 3.

#### 3. WRITING VEHICLE SPECIFICATION

##### ⓂCONSULT Configuration

Perform "WRITE CONFIGURATION - Config file" or "WRITE CONFIGURATION - Manual selection" to write vehicle specification. Refer to [BCS-4, "CONFIGURATION \(BCM\) : Work Procedure"](#).

>> GO TO 4.

#### 4. INITIALIZE BCM (NATS) (IF EQUIPPED)

Perform BCM initialization. (NATS)

>> WORK END

#### CONFIGURATION (BCM)

A  
B  
C  
D  
E  
F  
G  
H  
I  
J  
K  
L

BCS

N  
O  
P

# INSPECTION AND ADJUSTMENT

< BASIC INSPECTION >

## CONFIGURATION (BCM) : Description

INFOID:000000007804815

Vehicle specification needs to be written with CONSULT because it is not written after replacing BCM. Configuration has three functions as follows.

Function	Description
READ CONFIGURATION	<ul style="list-style-type: none"><li>• Reads the vehicle configuration of current BCM.</li><li>• Saves the read vehicle configuration.</li></ul>
WRITE CONFIGURATION - Manual selection	Writes the vehicle configuration with manual selection.
WRITE CONFIGURATION - Config file	Writes the vehicle configuration with saved data.

### NOTE:

Manual setting item: Items which need selection by vehicle specifications

Automatic setting item: Items which are written in automatically (Setting can not be changed)

For some models and specifications, the automatic setting item may not be displayed.

### CAUTION:

**When replacing BCM, always perform "WRITE CONFIGURATION" with CONSULT. Or not doing so, BCM control function does not operate normally.**

- Complete the procedure of "WRITE CONFIGURATION" in order.
- Configuration is different for each vehicle model. Confirm configuration of each vehicle model.
- Never perform "WRITE CONFIGURATION" except for new BCM.
- If you set incorrect "WRITE CONFIGURATION", incidents might occur.

## CONFIGURATION (BCM) : Work Procedure

INFOID:000000007804816

### 1. WRITING MODE SELECTION

ⓂCONSULT Configuration

Select "CONFIGURATION" of BCM.

When writing saved data>>GO TO 2.

When writing manually>>GO TO 3.

### 2. PERFORM "WRITE CONFIGURATION - CONFIG FILE"

ⓂCONSULT Configuration

Perform "WRITE CONFIGURATION - Config file".

>> WORK END

### 3. PERFORM "WRITE CONFIGURATION - MANUAL SELECTION"

ⓂCONSULT Configuration

1. Select "WRITE CONFIGURATION - Manual selection".
2. Identify the correct model and configuration list. Refer to [BCS-5. "CONFIGURATION \(BCM\) : Configuration list"](#).
3. Confirm and/or change setting value for each item.

#### CAUTION:

**Thoroughly read and understand the vehicle specification. ECU control may not operate normally if the setting is not correct.**

#### NOTE:

If items are not displayed, touch "SETTING". Refer to [BCS-5. "CONFIGURATION \(BCM\) : Configuration list"](#) for written items and setting value.

4. Select "SETTING".

#### CAUTION:

**Make sure to select "SETTING" even if the indicated configuration of brand new BCM is same as the desirable configuration. If not, configuration which is set automatically by selecting vehicle model can not be memorized.**

5. When "COMMAND FINISHED", select "END".

# INSPECTION AND ADJUSTMENT

< BASIC INSPECTION >

>> GO TO 4.

## 4. OPERATION CHECK

Confirm that each function controlled by BCM operates normally.

>> WORK END

## CONFIGURATION (BCM) : Configuration list

INFOID:000000007623061

### CAUTION:

Thoroughly read and understand the vehicle specification. ECU control may not operate normally if the setting is not correct.

### COUPE MODELS EXCEPT FOR MEXICO

MANUAL SETTING ITEM		NOTE
Items	Setting value	
AV C/U	WITH ⇔ WITHOUT	—
DTRL	WITH ⇔ WITHOUT	—
TRANSMISSION	AT with ABS ⇔ MT with ABS	—
ASCD CANCEL SW TYPE	MODE1 ⇔ MODE2	<ul style="list-style-type: none"> <li>• MODE1: M/T models with SynchroRev Match mode</li> <li>• MODE2: Except M/T models with SynchroRev Match mode</li> </ul>

⇔: Items which confirm vehicle specifications

AUTO SETTING ITEM		NOTE
Items	Setting value	
P-POS WARN	MODE1	—
ROOF FUNCTION	W/O REQ SW	—
BATTERY SAVER FUNCTION	MODE1	—
AUTO BACK DOOR	WITHOUT	—
Trunk/Glass Hatch select	Glass Hatch	"Glass Hatch" is indicated also for vehicles without a glass hatch.
TR OPEN SW (INT)	MODE1	—
DI LMP VARIAT	MODE2	—
LIGHT RECOG	MODE7	—
RAIN SENSOR CONFIG	WITHOUT	—
HAZARD SW TYPE	MODE1	—
TR CANCEL SW	WITHOUT	—
BCM AC CONTROL	MODE1	—
Key Fob Type	MODE9	—

### COUPE MODELS FOR MEXICO

MANUAL SETTING ITEM		NOTE
Items	Setting value	
AV C/U	WITH ⇔ WITHOUT	—
TRANSMISSION	AT with ABS ⇔ MT with ABS	—

⇔: Items which confirm vehicle specifications

# INSPECTION AND ADJUSTMENT

## < BASIC INSPECTION >

AUTO SETTING ITEM		NOTE
Items	Setting value	
P-POS WARN	MODE1	—
ROOF FUNCTION	W/O REQ SW	—
BATTERY SAVER FUNCTION	MODE1	—
AUTO BACK DOOR	WITHOUT	—
Trunk/Glass Hatch select	Glass Hatch	"Glass Hatch" is indicated also for vehicles without a glass hatch.
TR OPEN SW (INT)	MODE1	—
DTRL	WITHOUT	—
DI LMP VARIAT	MODE2	—
LIGHT RECOG	MODE7	—
RAIN SENSOR CONFIG	WITHOUT	—
HAZARD SW TYPE	MODE1	—
TR CANCEL SW	WITHOUT	—
BCM AC CONTROL	MODE1	—
ASCD CANCEL SW TYPE	MODE2	—
Key Fob Type	MODE9	—

## ROADSTER MODELS

MANUAL SETTING ITEM		NOTE
Items	Setting value	
AV C/U	WITH ⇔ WITHOUT	—
DTRL	WITH ⇔ WITHOUT	—
TRANSMISSION	AT with ABS ⇔ MT with ABS	—
ASCD CANCEL SW TYPE	MODE1 ⇔ MODE2	<ul style="list-style-type: none"> <li>• MODE1: M/T models with SynchroRev Match mode</li> <li>• MODE2: Except M/T models with SynchroRev Match mode</li> </ul>
TIRE PRESSURE	240kpa ⇔ 260kpa	<ul style="list-style-type: none"> <li>• 240kpa: With 19 inch tire</li> <li>• 260kpa: With 18 inch tire</li> </ul>

⇔: Items which confirm vehicle specifications

AUTO SETTING ITEM		NOTE
Items	Setting value	
P-POS WARN	MODE1	—
BATTERY SAVER FUNCTION	MODE1	—
AUTO BACK DOOR	WITHOUT	—
Trunk/Glass Hatch select	Glass Hatch	"Glass Hatch" is indicated also for vehicles without a glass hatch.
TR OPEN SW (INT)	MODE1	—
DI LMP VARIAT	MODE2	—
LIGHT RECOG	MODE7	—
RAIN SENSOR CONFIG	WITHOUT	—
HAZARD SW TYPE	MODE1	—
BCM AC CONTROL	MODE1	—
Key Fob Type	MODE9	—

# TRANSIT MODE CANCEL OPERATION

< BASIC INSPECTION >

---

## TRANSIT MODE CANCEL OPERATION

### Description

INFOID:000000007804776

- BCM is in transit mode if turn signal indicator on combination meter turns ON for 1 minute when ignition switch is turned from OFF to ON.
- In this case, cancel operation must be performed.

#### **NOTE:**

Do not cancel transit mode during storage of the vehicle. Always cancel transit mode before delivery of the vehicle to customer.

### Work Procedure

INFOID:000000007804777

#### 1. TRANSIT MODE CANCEL OPERATION

---

1. Turn ignition switch OFF.
2. Turn and hold front wiper switch to HI, and then operate turn signal switch to RH or LH.

>> GO TO 2.

#### 2. TRANSIT MODE CANCEL CHECK

---

1. Turn front wiper switch and turn signal switch OFF.
2. Turn ignition switch ON.
3. Check that turn signal indicator on combination meter does not turn ON.

>> WORK END

A  
B  
C  
D  
E  
F  
G  
H  
I  
J  
K  
L

BCS

N  
O  
P

# BODY CONTROL SYSTEM

< SYSTEM DESCRIPTION >

## SYSTEM DESCRIPTION

### BODY CONTROL SYSTEM

#### System Description

INFOID:000000007623062

#### OUTLINE

- BCM (Body Control Module) controls the various electrical components. It inputs the information required to the control from CAN communication and the signal received from each switch and sensor.
- BCM has combination switch reading function for reading the operation status of combination switches (light, turn signal, wiper and washer) in addition to a function for controlling the operation of various electrical components. It also has the signal transmission function as the passed point of signal and the power saving control function that reduces the power consumption with the ignition switch OFF.
- BCM is equipped with the diagnosis function that performs the diagnosis with CONSULT and various settings.

#### BCM control function list

System	Refer to
Combination switch reading system	<a href="#">BCS-10, "System Diagram"</a>
Signal buffer system	<a href="#">BCS-14, "System Diagram"</a>
Power consumption control system	<a href="#">BCS-16, "System Diagram"</a>
Auto light system	<a href="#">EXL-17, "AUTO LIGHT SYSTEM : System Diagram"</a>
Turn signal and hazard warning lamp system	<a href="#">EXL-19, "TURN SIGNAL AND HAZARD WARNING LAMP SYSTEM : System Diagram"</a>
Headlamp system	<a href="#">EXL-16, "HEADLAMP SYSTEM : System Diagram"</a>
Parking, license plate, side marker and tail lamps system	<ul style="list-style-type: none"> <li>• <a href="#">EXL-20, "PARKING, LICENSE PLATE AND TAIL LAMP SYSTEM (WITHOUT DTRL) : System Diagram"</a> (Without daytime running light system)</li> <li>• <a href="#">EXL-20, "PARKING, LICENSE PLATE AND TAIL LAMP SYSTEM (WITH DTRL) : System Diagram"</a> (With daytime running light system)</li> </ul>
Rear fog lamp system	<a href="#">EXL-21, "REAR FOG LAMP SYSTEM : System Diagram"</a>
Exterior lamp battery saver system	<a href="#">EXL-22, "EXTERIOR LAMP BATTERY SAVER SYSTEM : System Diagram"</a>
Daytime running light system	<a href="#">EXL-18, "DAYTIME RUNNING LIGHT SYSTEM : System Diagram"</a>
Interior room lamp control system	<a href="#">INL-9, "INTERIOR ROOM LAMP CONTROL SYSTEM : System Diagram"</a>
Luggage room lamp system	
Interior room lamp battery saver system	<a href="#">INL-11, "INTERIOR ROOM LAMP BATTERY SAVER SYSTEM : System Diagram"</a>
Front wiper and washer system	<a href="#">WW-6, "System Diagram"</a>
Warning chime system	<a href="#">WCS-5, "WARNING CHIME SYSTEM : System Diagram"</a>
Door lock system	<a href="#">DLK-21, "System Diagram"</a>
Back door opener system (Coupe models)	<a href="#">DLK-37, "System Diagram"</a>
Trunk lid opener system (Roadster models)	<a href="#">DLK-203, "System Diagram"</a>
Nissan Vehicle Immobilizer System (NVIS) - NATS	<a href="#">SEC-15, "System Diagram"</a>
Vehicle security system	<a href="#">SEC-20, "System Diagram"</a>
Panic alarm	<a href="#">DLK-29, "REMOTE KEYLESS ENTRY FUNCTION : System Description"</a>
Rear window defogger system	<ul style="list-style-type: none"> <li>• <a href="#">DEF-75, "WITH NAVIGATION : System Diagram"</a> (With NAVI)</li> <li>• <a href="#">DEF-77, "WITHOUT NAVIGATION : System Diagram"</a> (Without NAVI)</li> </ul>



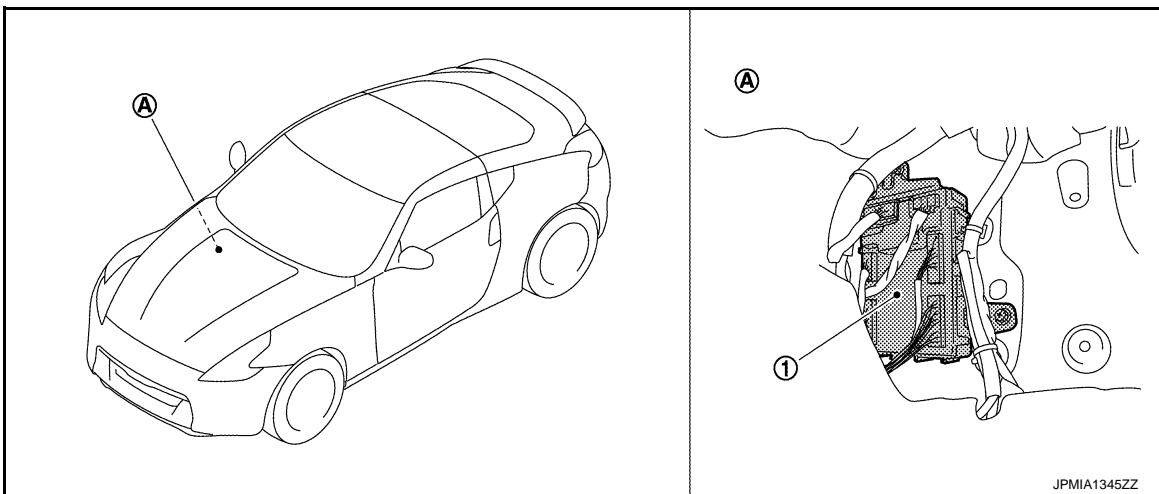
# BODY CONTROL SYSTEM

## < SYSTEM DESCRIPTION >

System	Refer to	
Intelligent Key system/engine start system	Door lock function	<a href="#">DLK-24. "INTELLIGENT KEY SYSTEM : System Diagram"</a>
	Back door open function	
	Remote keyless entry function	
	Key reminder function	
	Warning function	
	Engine start function	
Power window system	<a href="#">PWC-9. "System Diagram"</a>	
Retained accessory power (RAP) system	<a href="#">PWC-9. "System Description"</a>	
Tire pressure monitor system (TPMS) - AIR PRESSURE MONITOR	<a href="#">WT-8. "System Description"</a>	

## Component Parts Location

INFOID:000000007623063



- 1. BCM
- A. Dash side lower (passenger side)

BCS

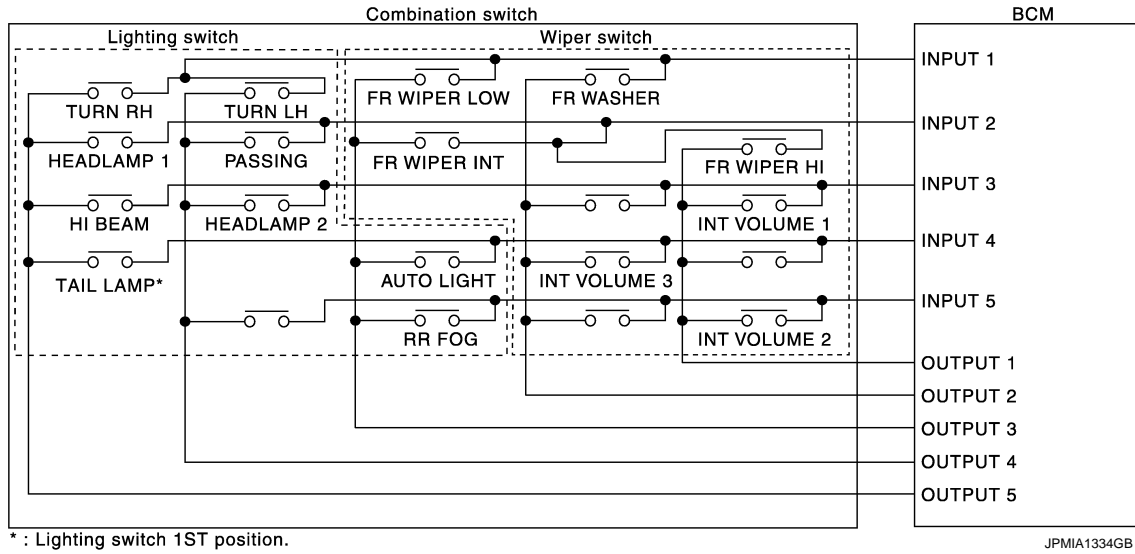
# COMBINATION SWITCH READING SYSTEM

< SYSTEM DESCRIPTION >

## COMBINATION SWITCH READING SYSTEM

### System Diagram

INFOID:000000007623064



### System Description

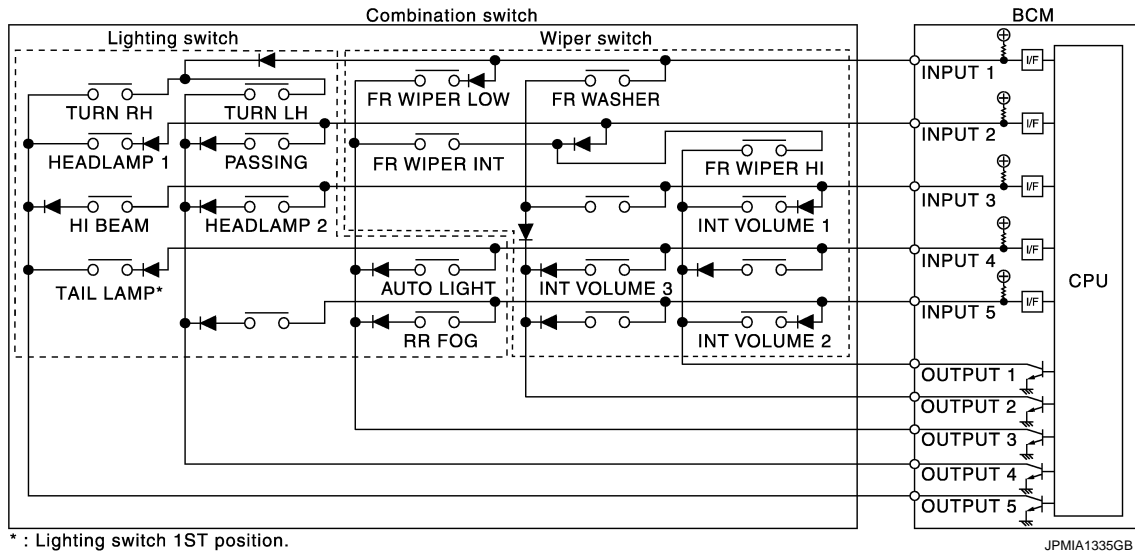
INFOID:000000007623065

#### OUTLINE

- BCM reads the status of the combination switch (light, turn signal, wiper and washer) and recognizes the status of each switch.
- BCM is a combination of 5 output terminals (OUTPUT 1 - 5) and 5 input terminals (INPUT 1 - 5). It reads a maximum of 20 switch status.

#### COMBINATION SWITCH MATRIX

##### Combination switch circuit



Combination switch INPUT-OUTPUT system list

System	OUTPUT 1	OUTPUT 2	OUTPUT 3	OUTPUT 4	OUTPUT 5
INPUT 1	—	FR WASHER	FR WIPER LOW	TURN LH	TURN RH
INPUT 2	FR WIPER HI	—	FR WIPER INT	PASSING	HEADLAMP 1
INPUT 3	INT VOLUME 1	—	—	HEADLAMP 2	HI BEAM

# COMBINATION SWITCH READING SYSTEM

## < SYSTEM DESCRIPTION >

System	OUTPUT 1	OUTPUT 2	OUTPUT 3	OUTPUT 4	OUTPUT 5
INPUT 4	—	INT VOLUME 3	AUTO LIGHT	—	TAIL LAMP
INPUT 5	INT VOLUME 2	—	RR FOG	—	—

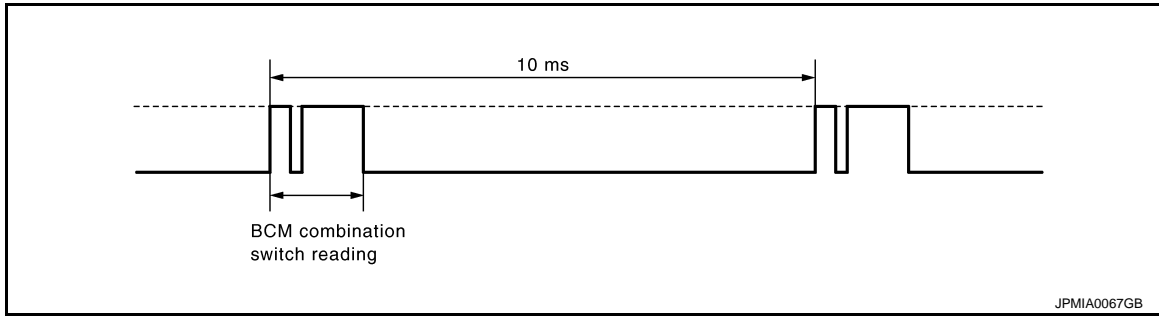
### NOTE:

Headlamp has a dual system switch.

## COMBINATION SWITCH READING FUNCTION

### Description

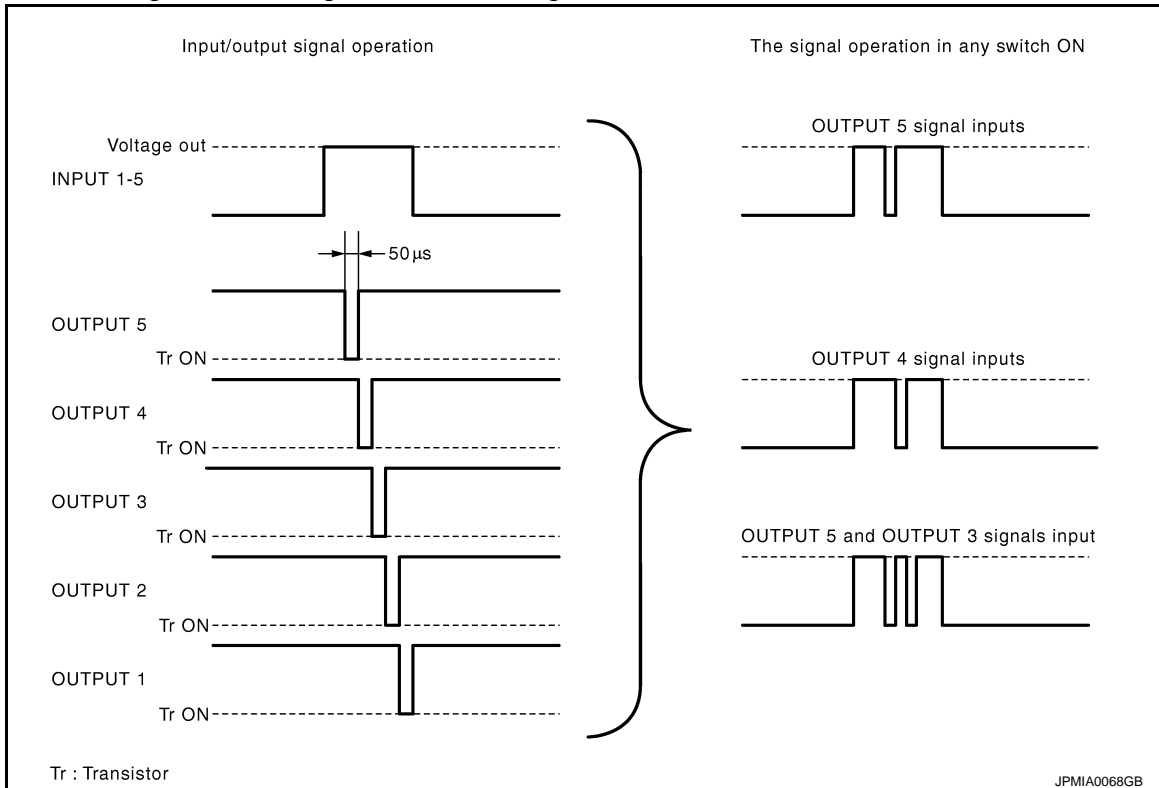
- BCM reads the status of the combination switch at 10 ms interval normally.



### NOTE:

BCM reads the status of the combination switch at 60 ms interval when BCM is controlled at low power consumption mode.

- BCM operates as follows and judges the status of the combination switch.
  - INPUT 1 - 5 outputs the voltage waveforms of 5 systems simultaneously.
  - It operates the transistor on OUTPUT side in the following order: OUTPUT 5 → 4 → 3 → 2 → 1.
  - The voltage waveform of INPUT corresponding to the formed circuit changes according to the operation of the transistor on OUTPUT side if any (1 or more) switches are ON.
  - It reads this change of the voltage as the status signal of the combination switch.



### Operation Example

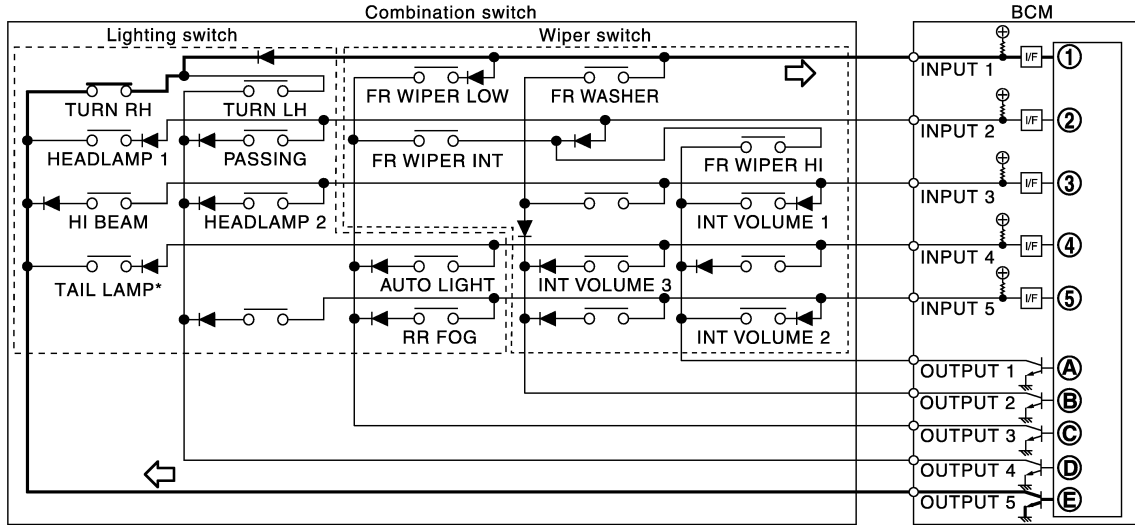
In the following operation example, the combination of the status signals of the combination switch is replaced as follows: INPUT 1 - 5 to "1 - 5" and OUTPUT 1 - 5 to "A - E".

Example 1: When a switch (TURN RH switch) is turned ON

# COMBINATION SWITCH READING SYSTEM

## < SYSTEM DESCRIPTION >

- The circuit between INPUT 1 and OUTPUT 5 is formed when the TURN RH switch is turned ON.

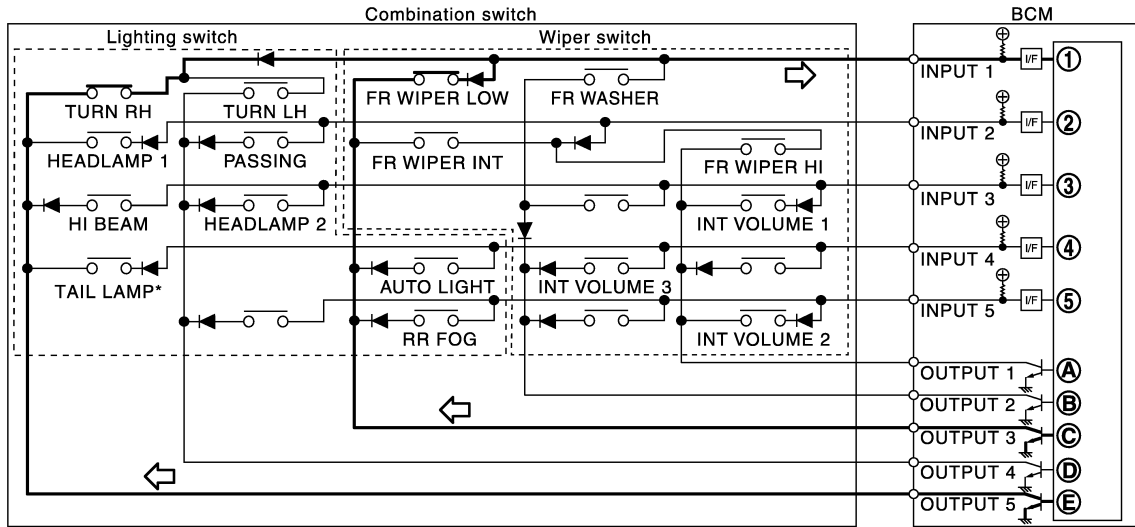


\* : Lighting switch 1ST position.

- BCM detects the combination switch status signal "1E" when the signal of OUTPUT 5 is input to INPUT 1.
- BCM judges that the TURN RH switch is ON when the signal "1E" is detected.

Example 2: When some switches (turn RH switch, front wiper LO switch) are turned ON

- The circuits between INPUT 1 and OUTPUT 5 and between INPUT 1 and OUTPUT 3 are formed when the TURN RH switch and FR WIPER LOW switch are turned ON.



\* : Lighting switch 1ST position.

- BCM detects the combination switch status signal "1CE" when the signals of OUTPUT 3 and OUTPUT 5 are input to INPUT 1.
- BCM judges that the TURN RH switch and FR WIPER LOW switch are ON when the signal "1CE" is detected.

## WIPER INTERMITTENT DIAL POSITION

BCM judges the wiper intermittent dial 1 - 7 by the status of INT VOLUME 1, 2 and 3 switches.

Wiper intermittent dial position	Switch status		
	INT VOLUME 1	INT VOLUME 2	INT VOLUME 3
1	ON	ON	ON
2	ON	ON	OFF
3	ON	OFF	OFF
4	OFF	OFF	OFF
5	OFF	OFF	ON

# COMBINATION SWITCH READING SYSTEM

## < SYSTEM DESCRIPTION >

Wiper intermittent dial position	Switch status		
	INT VOLUME 1	INT VOLUME 2	INT VOLUME 3
6	OFF	ON	ON
7	OFF	ON	OFF

**NOTE:**

For details of wiper intermittent dial position, refer to [WW-6, "System Description"](#)

A  
B  
C  
D  
E  
F  
G  
H  
I  
J  
K  
L  
N  
O  
P

BCS

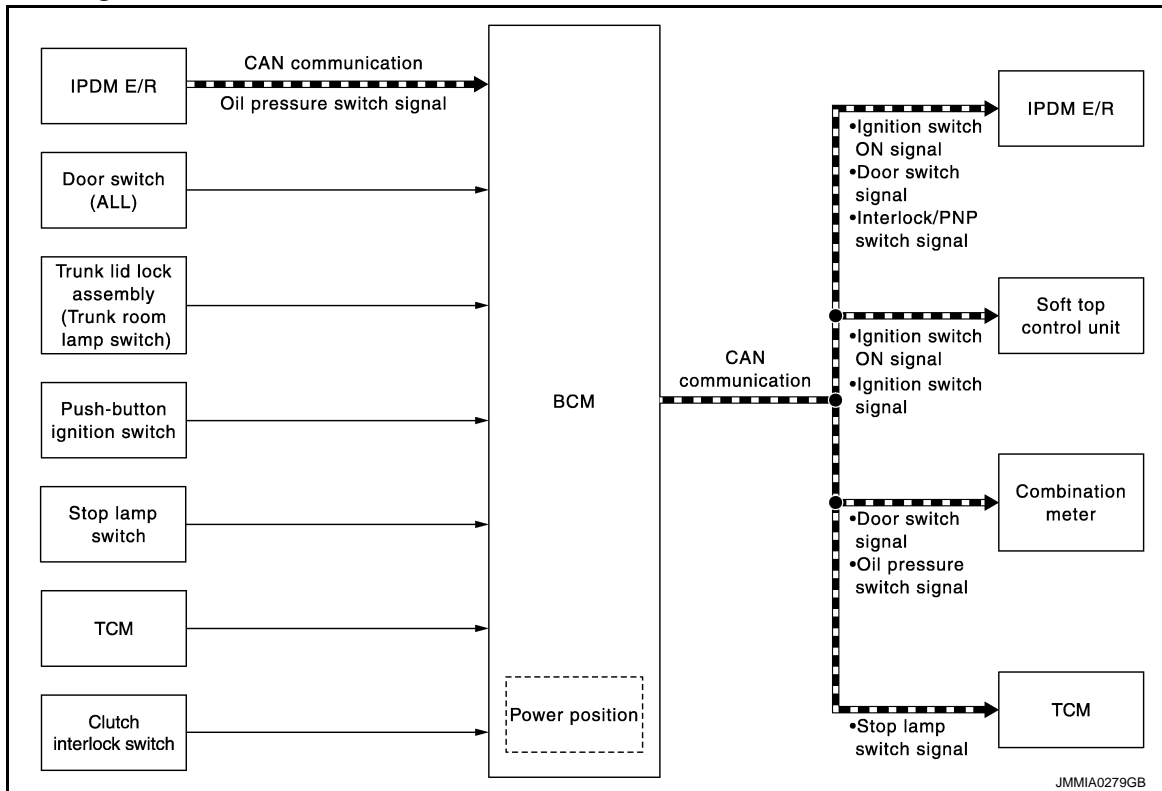
# SIGNAL BUFFER SYSTEM

< SYSTEM DESCRIPTION >

## SIGNAL BUFFER SYSTEM

### System Diagram

INFOID:000000007623066



JMMIA0279GB

### System Description

INFOID:000000007623067

#### OUTLINE

BCM has the signal transmission function that outputs/transmits each input/received signal to each unit.

#### Signal transmission function list

Signal name	Input	Output	Description
<ul style="list-style-type: none"> <li>Ignition switch ON signal</li> <li>Ignition switch signal</li> </ul>	Push-button ignition switch (Push switch)	<ul style="list-style-type: none"> <li>IPDM E/R (CAN)</li> <li>Soft top control unit (CAN)</li> </ul>	Inputs the push-button ignition switch (push switch) signal and transmits the ignition switch status judged with BCM via CAN communication.
Door switch signal (Trunk switch signal)	<ul style="list-style-type: none"> <li>Any door switch</li> <li>Trunk room lamp switch</li> </ul>	<ul style="list-style-type: none"> <li>Combination meter (CAN)</li> <li>IPDM E/R (CAN)</li> </ul>	Inputs the door switch signal and trunk room lamp switch signal, and transmits door switch signal (trunk switch signal) via CAN communication.
Oil pressure switch signal	IPDM E/R (CAN)	Combination meter (CAN)	Transmits the received oil pressure switch signal via CAN communication.
Stop lamp switch signal	Stop lamp switch	TCM (CAN)	Inputs the stop lamp switch 1 signal and stop lamp switch 2 signal, and transmits the stop lamp switch signal via CAN communication.

# SIGNAL BUFFER SYSTEM

## < SYSTEM DESCRIPTION >

Signal name	Input	Output	Description
Interlock/PNP switch signal	TCM	IPDM E/R (CAN)	Inputs the selector lever P/N position signal, and transmits the interlock/PNP switch signal via CAN communication.
	Clutch interlock switch		Inputs the clutch interlock switch signal, and transmits the interlock/PNP switch signal via CAN communication.

A  
B  
C  
D  
E  
F  
G  
H  
I  
J  
K  
L  
N  
O  
P

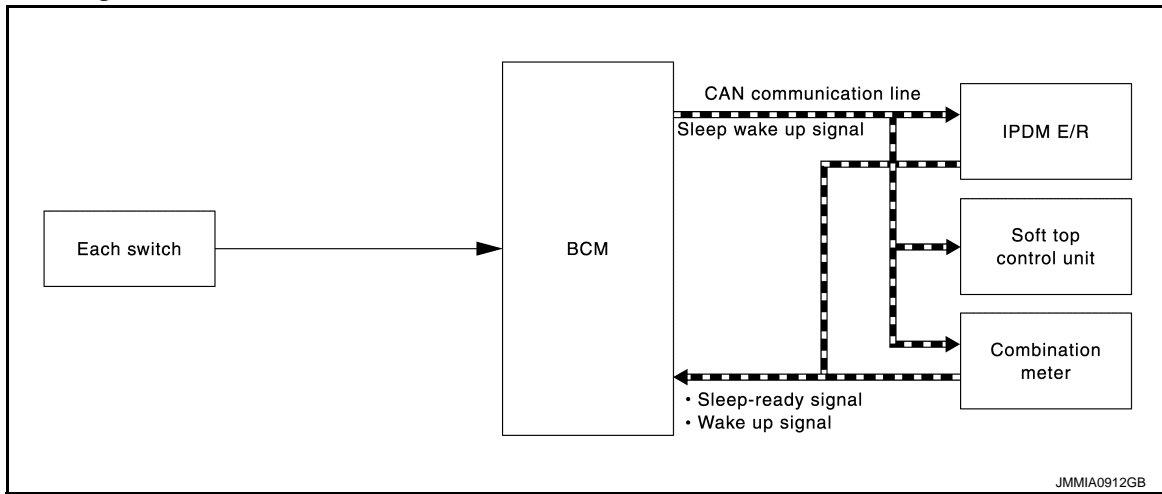
**BCS**

# POWER CONSUMPTION CONTROL SYSTEM

< SYSTEM DESCRIPTION >

## POWER CONSUMPTION CONTROL SYSTEM

### System Diagram



### System Description

INFOID:000000007623069

#### OUTLINE

- BCM incorporates a power saving control function that reduces the power consumption according to the vehicle status.
- BCM switches the status (control mode) by itself with the power saving control function. It performs the sleep request to each unit (IPDM E/R, combination meter and soft top control unit) that operates with the ignition switch OFF.

#### Normal mode (wake-up)

- CAN communication is normally performed with other units
- Each control with BCM is operating properly

#### CAN communication sleep mode (CAN sleep)

- CAN transmission is stopped
- Control with BCM only is operating

#### Low power consumption mode (BCM sleep)

- Low power consumption control is active
- CAN transmission is stopped

#### LOW POWER CONSUMPTION CONTROL WITH BCM

BCM reduces the power consumption with the following operation in the low power consumption mode.

- The reading interval of the each switches changes from 10 ms interval to 60 ms interval.

#### Sleep mode activation

- BCM receives the sleep-ready signal (ready) from IPDM E/R and combination meter via CAN communication.
- BCM transmits the sleep wake up signal (sleep) to each unit when all of the CAN sleep conditions are fulfilled.
- Each unit stops the transmission of CAN communication with the sleep wake up signal. BCM is in CAN communication sleep mode.
- BCM is in the low power consumption mode and perform the low power consumption control when all of the BCM sleep conditions are fulfilled with CAN sleep condition.



# POWER CONSUMPTION CONTROL SYSTEM

## < SYSTEM DESCRIPTION >

### Sleep condition

CAN sleep condition	BCM sleep condition	
<ul style="list-style-type: none"> <li>Receiving the sleep-ready signal (ready) from all units</li> <li>Ignition switch: OFF</li> <li>Vehicle security system and panic alarm: Not operation</li> <li>Warning chime: Not operation</li> <li>Intelligent Key system buzzer: Not operation</li> <li>Trunk room lamp switch status: No change</li> <li>Stop lamp switch: OFF</li> <li>Key slot (card switch) status: No change</li> <li>Turn signal indicator lamp: Not operation</li> <li>Exterior lamp: OFF</li> <li>Door lock status: No change</li> <li>CONSULT communication status: Not communication</li> <li>Meter display signal: Non-transmission</li> <li>Door switch status: No change</li> <li>Rear window defogger: OFF</li> </ul>	<ul style="list-style-type: none"> <li>Interior room lamp battery saver: Time out</li> <li>RAP system: OFF</li> <li>Power window switch and soft top control unit communication: No transmission</li> <li>Push-button ignition switch illumination: OFF</li> <li>Nissan Vehicle Immobilizer System (NVIS) - NATS: Not operation</li> <li>Remote keyless entry receiver communication status: No communication</li> <li>Tire pressure monitor system (TPMS) - AIR PRESSURE MONITOR: Stop</li> <li>LOCK indicator lamp: OFF</li> <li>ACC indicator lamp: OFF</li> <li>ON indicator lamp: OFF</li> </ul>	A
		B
		C
		D
		E

### Wake-up operation

- BCM changes from the low power consumption mode to the CAN communication sleep mode when the any of the BCM wake-up conditions is fulfilled. Only the control with BCM is activated.
- BCM transmits the sleep wake up signal (wake up) to each unit when any of the CAN wake-up conditions is fulfilled. It changes from the low power consumption mode or the CAN communication sleep mode to the normal mode.
- Each unit starts the transmission of CAN communication with the sleep wake up signal. In addition, the combination meter transmits the wake up signal to BCM via CAN communication to report the CAN communication start.

### Wake-up condition

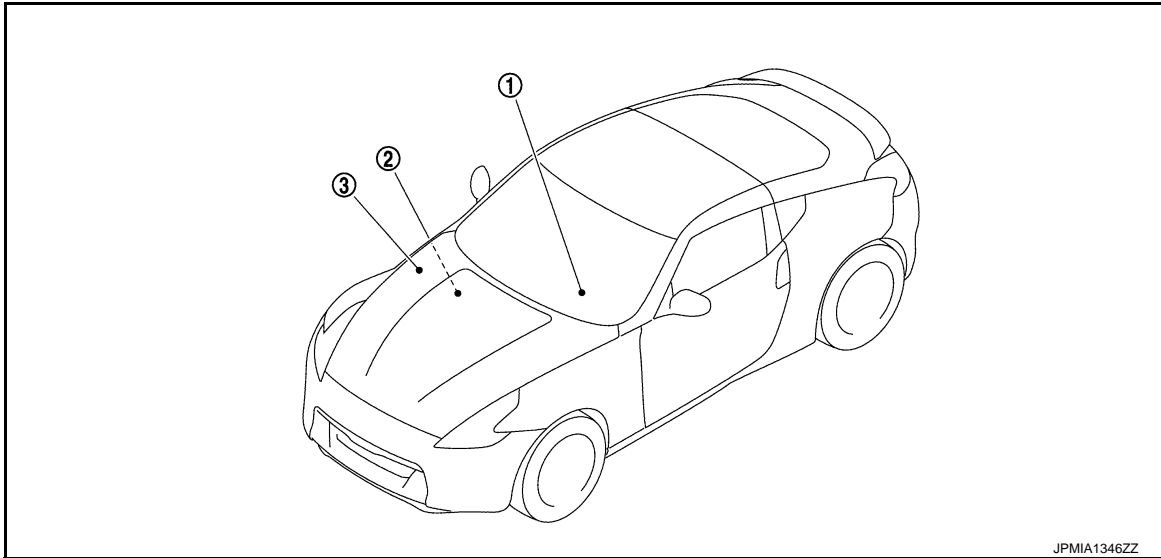
BCM wake-up condition	CAN wake-up condition	
<ul style="list-style-type: none"> <li>Power window switch and soft top control unit communication: Receiving</li> <li>Remote keyless entry receiver: Receiving</li> </ul>	<ul style="list-style-type: none"> <li>Receiving the sleep-ready signal (Not-ready) from any units</li> <li>Key slot (key switch): OFF → ON, ON → OFF</li> <li>Push-button ignition switch (push switch): OFF → ON</li> <li>Hazard switch: OFF → ON</li> <li>PASSING switch: OFF → ON, ON → OFF</li> <li>TAIL LAMP switch: OFF → ON</li> <li>RR FOG switch: OFF → ON</li> <li>Driver door switch: OFF → ON, ON → OFF</li> <li>Passenger door switch: OFF → ON, ON → OFF</li> <li>Back door switch: OFF → ON, ON → OFF</li> <li>Trunk room lamp switch: OFF → ON, ON → OFF</li> <li>Driver door request switch: OFF → ON</li> <li>Passenger door request switch: OFF → ON</li> <li>Back door request switch: OFF → ON</li> <li>Trunk lid door request switch: OFF → ON</li> <li>Stop lamp switch: ON</li> <li>Clutch interlock switch: OFF → ON</li> </ul>	J
		K
		L
		<b>BCS</b>
		N

# POWER CONSUMPTION CONTROL SYSTEM

< SYSTEM DESCRIPTION >

## Component Parts Location

INFOID:000000007623070



JPMIA1346ZZ

1. Combination meter

2. BCM  
Refer to [BCS-9, "Component Parts Location"](#).

3. IPDM E/R  
Refer to [PCS-5, "Component Parts Location"](#).

# DIAGNOSIS SYSTEM (BCM)

< SYSTEM DESCRIPTION >

## DIAGNOSIS SYSTEM (BCM)

### COMMON ITEM

#### COMMON ITEM : CONSULT Function (BCM - COMMON ITEM)

INFOID:000000007623071

#### APPLICATION ITEM

CONSULT performs the following functions via CAN communication with BCM.

Diagnosis mode	Function Description
Work Support	Changes the setting for each system function.
Self Diagnostic Result	Displays the diagnosis results judged by BCM.
CAN Diag Support Monitor	Monitors the reception status of CAN communication viewed from BCM.
Data Monitor	The BCM input/output signals are displayed.
Active Test	The signals used to activate each device are forcibly supplied from BCM.
Ecu Identification	The BCM part number is displayed.
Configuration	<ul style="list-style-type: none"> <li>• Read and save the vehicle specification.</li> <li>• Write the vehicle specification when replacing BCM.</li> </ul>

#### SYSTEM APPLICATION

BCM can perform the following functions for each system.

#### NOTE:

It can perform the diagnosis modes except the following for all sub system selection items.

×: Applicable item

System	Sub system selection item	Diagnosis mode		
		Work Support	Data Monitor	Active Test
Door lock	DOOR LOCK	×	×	×
Rear window defogger	REAR DEFOGGER		×	×
Warning chime	BUZZER		×	×
Interior room lamp timer	INT LAMP	×	×	×
Exterior lamp	HEAD LAMP	×	×	×
Wiper and washer	WIPER	×	×	×
Turn signal and hazard warning lamps	FLASHER	×	×	×
—	AIR CONDITONER*			
<ul style="list-style-type: none"> <li>• Intelligent Key system</li> <li>• Engine start system</li> </ul>	INTELLIGENT KEY	×	×	×
Combination switch	COMB SW		×	
Body control system	BCM	×		
NVIS - NATS	IMMU		×	×
Interior room lamp battery saver	BATTERY SAVER	×	×	×
Back door/Trunk lid open	TRUNK		×	×
Vehicle security system	THEFT ALM	×	×	×
RAP system	RETAINED PWR		×	
Signal buffer system	SIGNAL BUFFER		×	×
TPMS	TPMS (AIR PRESSURE MONITOR)	×	×	×

#### NOTE:

\*: This item is displayed, but is not used.

#### FREEZE FRAME DATA (FFD)

The BCM records the following vehicle condition at the time a particular DTC is detected, and displays on CONSULT.

# DIAGNOSIS SYSTEM (BCM)

## < SYSTEM DESCRIPTION >

CONSULT screen item	Indication/Unit	Description	
Vehicle Speed	km/h	Vehicle speed of the moment a particular DTC is detected	
Odo/Trip Meter	km	Total mileage (Odometer value) of the moment a particular DTC is detected	
Vehicle Condition	SLEEP>LOCK	Power supply position status of the moment a particular DTC is detected	While turning BCM status from low power consumption mode to normal mode (Power supply position is "LOCK"*)
	SLEEP>OFF		While turning BCM status from low power consumption mode to normal mode (Power supply position is "OFF".)
	LOCK>ACC		While turning power supply position from "LOCK"* to "ACC"
	ACC>ON		While turning power supply position from "ACC" to "IGN"
	RUN>ACC		While turning power supply position from "RUN" to "ACC" (Except emergency stop operation)
	CRANK>RUN		While turning power supply position from "CRANKING" to "RUN" (From cranking up the engine to run it)
	RUN>URGENT		While turning power supply position from "RUN" to "ACC" (Emergency stop operation)
	ACC>OFF		While turning power supply position from "ACC" to "OFF"
	OFF>LOCK		While turning power supply position from "OFF" to "LOCK"*
	OFF>ACC		While turning power supply position from "OFF" to "ACC"
	ON>CRANK		While turning power supply position from "IGN" to "CRANKING"
	OFF>SLEEP		While turning BCM status from normal mode (Power supply position is "OFF".) to low power consumption mode
	LOCK>SLEEP		While turning BCM status from normal mode (Power supply position is "LOCK"*. ) to low power consumption mode
	LOCK		Power supply position is "LOCK"*
	OFF		Power supply position is "OFF" (Ignition switch OFF)
	ACC		Power supply position is "ACC" (Ignition switch ACC)
	ON		Power supply position is "IGN" (Ignition switch ON with engine stopped)
ENGINE RUN	Power supply position is "RUN" (Ignition switch ON with engine running)		
CRANKING	Power supply position is "CRANKING" (At engine cranking)		
IGN Counter	0 - 39	The number of times that ignition switch is turned ON after DTC is detected <ul style="list-style-type: none"> <li>• The number is 0 when a malfunction is detected now.</li> <li>• The number increases like 1 → 2 → 3...38 → 39 after returning to the normal condition whenever ignition switch OFF → ON.</li> <li>• The number is fixed to 39 until the self-diagnosis results are erased if it is over 39.</li> </ul>	

### NOTE:

\*: Power supply position shifts to "LOCK" from "OFF", when ignition switch is in the OFF position, selector lever is in the P position (A/T models), and any of the following conditions are met.

- Closing door
- Opening door
- Door is locked using door request switch
- Door is locked using Intelligent Key

The power supply position shifts to "ACC" when the push-button ignition switch (push switch) is pushed at "LOCK".

## DOOR LOCK

### DOOR LOCK : CONSULT Function (BCM - DOOR LOCK) (For Coupe)

INFOID:000000007804779

### WORK SUPPORT

# DIAGNOSIS SYSTEM (BCM)

## < SYSTEM DESCRIPTION >

Monitor item	Description
DOOR LOCK-UNLOCK SET	Selective unlock function mode can be changed to operate (ON) or not operate (OFF) with this mode
AUTOMATIC DOOR LOCK SELECT	Automatic door lock function mode can be selected from the following in this mode <ul style="list-style-type: none"> <li>VH SPD: All doors are locked when vehicle speed more than 24 km/h (15 MPH)</li> <li>P RANGE*: All doors are locked when shifting the selector lever from P position to other than the P position</li> </ul>
AUTOMATIC DOOR UNLOCK SELECT	Automatic door unlock function mode can be selected from the following in the mode <ul style="list-style-type: none"> <li>MODE 1: All doors are unlocked when the power supply position is changed from ON to OFF</li> <li>MODE 2*: All doors are unlocked when shifting the selector lever from any position other than the P to P position</li> <li>MODE 3: Driver side door is unlocked when the power supply position is changed from ON to OFF</li> <li>MODE 4*: Driver side door is unlocked when shifting the selector lever from any position other than the P to P position</li> </ul>
AUTOMATIC LOCK/UNLOCK SET	Automatic door lock/unlock function mode can be selected from the following in this mode <ul style="list-style-type: none"> <li>Off: non-operational</li> <li>Unlock Only: door unlock operation only</li> <li>Lock Only: door lock operation only</li> <li>Lock/Unlock: lock/unlock operation</li> </ul>

\*: P range interlock door lock can be selected for M/T models, but automatic door lock/unlock function does not operate.

## DATA MONITOR

Monitor Item	Contents
REQ SW-DR	Indicated [On/Off] condition of door request switch (driver side)
REQ SW-AS	Indicated [On/Off] condition of door request switch (passenger side)
REQ SW-BD/TR	Indicated [On/Off] condition of back door request switch/door request switch (trunk lid)
DOOR SW-DR	Indicated [On/Off] condition of front door switch (driver side)
DOOR SW-AS	Indicated [On/Off] condition of front door switch (passenger side)
DOOR SW-RR	<b>NOTE:</b> This item is displayed, but cannot be monitored
DOOR SW-RL	<b>NOTE:</b> This item is displayed, but cannot be monitored
DOOR SW-BK	Indicated [On/Off] condition of back door switch/ trunk room lamp switch*
CDL LOCK SW	Indicated [On/Off] condition of lock signal from door lock unlock switch
CDL UNLOCK SW	Indicated [On/Off] condition of unlock signal from door lock unlock switch
KEY CYL LK-SW	Indicated [On/Off] condition of lock signal from door key cylinder
KEY CYL UN-SW	Indicated [On/Off] condition of unlock signal from door key cylinder

\*: For roadster models

## ACTIVE TEST

Test item	Description
DOOR LOCK	This test is able to check door lock/unlock operation <ul style="list-style-type: none"> <li>The all door lock actuators are locked when "ALL LCK" on CONSULT screen is touched</li> <li>The all door lock actuators are unlocked when "ALL UNLK" on CONSULT screen is touched</li> <li>The door lock actuator (driver side) is unlocked when "DR UNLK" on CONSULT screen is touched</li> <li>The door lock actuator (passenger side) is unlocked when "AS UNLK" on CONSULT screen is touched</li> <li>"OTR ULK" item is displayed, but cannot be monitored</li> </ul>

DOOR LOCK : CONSULT Function (BCM - DOOR LOCK) (For Roadster) INFOID:000000007804846

## WORK SUPPORT

# DIAGNOSIS SYSTEM (BCM)

## < SYSTEM DESCRIPTION >

Monitor item	Description
DOOR LOCK-UNLOCK SET	Selective unlock function mode can be changed to operate (ON) or not operate (OFF) with this mode
AUTOMATIC DOOR LOCK SELECT	Automatic door lock function mode can be selected from the following in this mode <ul style="list-style-type: none"> <li>• VH SPD: All doors are locked when vehicle speed more than 24 km/h (15 MPH)</li> <li>• P RANGE*: All doors are locked when shifting the selector lever from P position to other than the P position</li> </ul>
AUTOMATIC DOOR UNLOCK SELECT	Automatic door unlock function mode can be selected from the following in the mode <ul style="list-style-type: none"> <li>• MODE 1: All doors are unlocked when the power supply position is changed from ON to OFF</li> <li>• MODE 2*: All doors are unlocked when shifting the selector lever from any position other than the P to P position</li> <li>• MODE 3: Driver side door is unlocked when the power supply position is changed from ON to OFF</li> <li>• MODE 4*: Driver side door is unlocked when shifting the selector lever from any position other than the P to P position</li> </ul>
AUTOMATIC LOCK/UNLOCK SET	Automatic door lock/unlock function mode can be selected from the following in this mode <ul style="list-style-type: none"> <li>• Off: non-operational</li> <li>• Unlock Only: door unlock operation only</li> <li>• Lock Only: door lock operation only</li> <li>• Lock/Unlock: lock/unlock operation</li> </ul>

\*: P range interlock door lock can be selected for M/T models, but automatic door lock/unlock function does not operate.

## DATA MONITOR

Monitor Item	Contents
REQ SW-DR	Indicated [On/Off] condition of door request switch (driver side)
REQ SW-AS	Indicated [On/Off] condition of door request switch (passenger side)
REQ SW-BD/TR	Indicated [On/Off] condition of back door request switch/door request switch (trunk lid)
DOOR SW-DR	Indicated [On/Off] condition of front door switch (driver side)
DOOR SW-AS	Indicated [On/Off] condition of front door switch (passenger side)
DOOR SW-RR	<b>NOTE:</b> This item is displayed, but cannot be monitored
DOOR SW-RL	<b>NOTE:</b> This item is displayed, but cannot be monitored
DOOR SW-BK	Indicated [On/Off] condition of back door switch/ trunk room lamp switch*
CDL LOCK SW	Indicated [On/Off] condition of lock signal from door lock unlock switch
CDL UNLOCK SW	Indicated [On/Off] condition of unlock signal from door lock unlock switch
KEY CYL LK-SW	Indicated [On/Off] condition of lock signal from door key cylinder
KEY CYL UN-SW	Indicated [On/Off] condition of unlock signal from door key cylinder

\*: For roadster models

## ACTIVE TEST

Test item	Description
DOOR LOCK	This test is able to check door lock/unlock operation <ul style="list-style-type: none"> <li>• The all door lock actuators are locked when "ALL LCK" on CONSULT screen is touched</li> <li>• The all door lock actuators are unlocked when "ALL UNLK" on CONSULT screen is touched</li> <li>• The door lock actuator (driver side) is unlocked when "DR UNLK" on CONSULT screen is touched</li> <li>• The door lock actuator (passenger side) is unlocked when "AS UNLK" on CONSULT screen is touched</li> <li>• "OTR ULK" item is displayed, but cannot be monitored</li> </ul>

## REAR WINDOW DEFOGGER

# DIAGNOSIS SYSTEM (BCM)

< SYSTEM DESCRIPTION >

## REAR WINDOW DEFOGGER : CONSULT Function (BCM - REAR DEFOGGER)

INFOID:000000007804781

### Data monitor

Monitor Item	Description
REAR DEF SW	<ul style="list-style-type: none"><li>Without navigation: Displays "Press (ON)/other (OFF)" status determined with the rear window defogger switch</li><li>With navigation: This is displayed even when it is not equipped</li></ul>
PUSH SW	Indicates [ON/OFF] condition of push switch

### ACTIVE TEST

Test Item	Description
REAR DEFOGGER	Rear window defogger operates when "ON" on CONSULT screen is touched

## BUZZER

### BUZZER : CONSULT Function (BCM - BUZZER)

INFOID:000000007804783

### CONSULT APPLICATION ITEMS

Test item	Diagnosis mode	Description
BUZZER	Data Monitor	Displays BCM input data in real time.
	Active Test	Operation of electrical loads can be checked by sending driving signal to them.

### DATA MONITOR

Display item [Unit]	Description
PUSH SW [On/Off]	Status of push-button ignition switch judged by BCM.
UNLK SEN-DR [On/Off]	Status of unlock sensor judged by BCM.
VEH SPEED 1 [km/h]	Value of vehicle speed signal received from ABS actuator and electric unit (control unit) with CAN communication line.
KEY SW-SLOT [On/Off]	Status of key slot judged by BCM.
TAIL LAMP SW [On/Off]	Status of each switch judged by BCM using the combination switch readout function.
FR FOG SW [On/Off]	Status of front fog lamp switch judged by BCM.
DOOR SW-DR [On/Off]	Status of driver side door switch judged by BCM.

### ACTIVE TEST

Display item [Unit]	Description
IGN KEY WARN ALM	The key warning chime operation can be checked by operating the relevant function (On/Off).
SEAT BELT WARN TEST	The seat belt warning chime operation can be checked by operating the relevant function (On/Off).
ID REGIST WARNING	The ID regist warning chime operation can be checked by operating the relevant function (On/Off).
LIGHT WARN ALM	The light warning chime operation can be checked by operating the relevant function (On/Off).
RUN FLAT/T WARN BUZZER	The run-flat tire warning chime operation can be checked by operating the relevant function (On/Off).
KEY REMINDER WARN	The key reminder warning chime operation can be checked by operating the relevant function (On/Off).

# DIAGNOSIS SYSTEM (BCM)

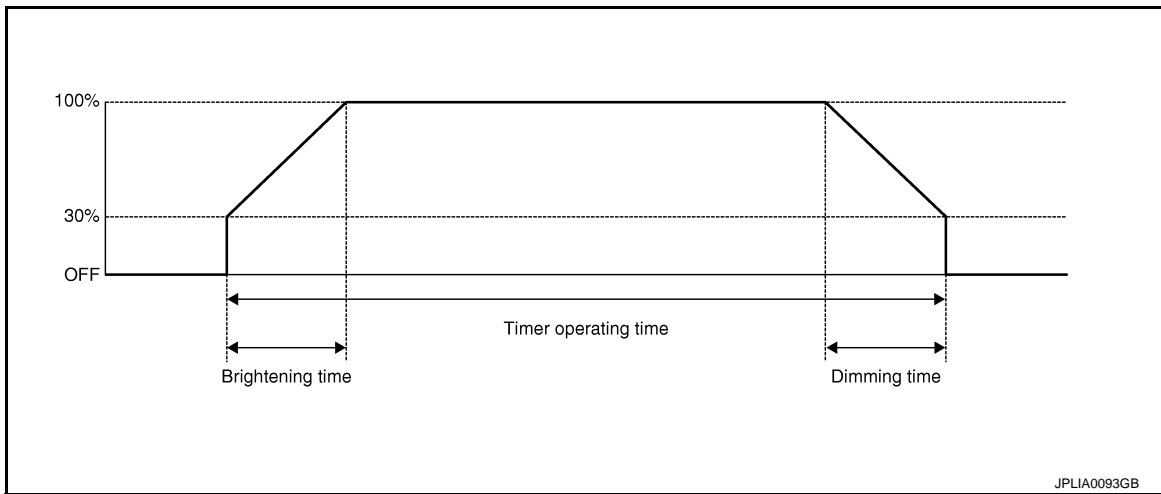
< SYSTEM DESCRIPTION >

## INT LAMP

INT LAMP : CONSULT Function (BCM - INT LAMP) (Coupe Models)

INFOID:000000007804792

### WORK SUPPORT



JPLIA0093GB

Service item	Setting item	Setting
SET I/L D-UNLCK INTCON	ON*	With the interior room lamp timer function
	OFF	Without the interior room lamp timer function
ROOM LAMP TIMER SET	MODE 2	7.5 sec.
	MODE 3*	15 sec.
	MODE 4	30 sec.
ROOM LAMP ON TIME SET	MODE 1	0.5 sec.
	MODE 2*	1 sec.
	MODE 3	2 sec.
	MODE 4	3 sec.
	MODE 5	0 sec.
ROOM LAMP OFF TIME SET	MODE 1	0.5 sec.
	MODE 2	1 sec.
	MODE 3	2 sec.
	MODE 4*	3 sec.
	MODE 5	0 sec.
R LAMP TIMER LOGIC SET	MODE 1*	Interior room lamp timer activates with synchronizing all doors.
	MODE 2	Interior room lamp timer activates with synchronizing the driver door only.

\*: Factory setting

### DATA MONITOR

Monitor item [Unit]	Description
REQ SW-DR [On/Off]	The switch status input from request switch (driver side)
REQ SW-AS [On/Off]	The switch status input from front request switch (passenger side)



# DIAGNOSIS SYSTEM (BCM)

## < SYSTEM DESCRIPTION >

Monitor item [Unit]	Description	
REQ SW-RR [On/Off]	<b>NOTE:</b> The item is indicated, but not monitored.	A
REQ SW-RL [On/Off]		B
PUSH SW [On/Off]	The switch status input from push-button ignition switch	C
ACC RLY-F/B [On/Off]	<b>NOTE:</b> The item is indicated, but not monitored.	
UNLK SEN-DR [On/Off]	Driver door unlock status input from unlock sensor	D
KEY SW-SLOT [On/Off]	Key switch status input from key slot	E
DOOR SW-DR [On/Off]	The switch status input from driver side door switch	
DOOR SW-AS [On/Off]	The switch status input from passenger side door switch	F
DOOR SW-RR [On/Off]	<b>NOTE:</b> The item is indicated, but not monitored.	G
DOOR SW-RL [On/Off]		
DOOR SW-BK [On/Off]	The switch status input from back door switch	H
CDL LOCK SW [On/Off]	Lock switch status received from the door lock and unlock switch	I
CDL UNLOCK SW [On/Off]	Unlock switch status received from the door lock and unlock switch	
KEY CYL LK-SW [On/Off]	Lock switch status received from key cylinder switch	J
KEY CYL UN-SW [On/Off]	Unlock switch status received from key cylinder switch	K
TRNK/HAT MNTR [On/Off]	<b>NOTE:</b> The item is indicated, but not monitored.	
RKE-LOCK [On/Off]	Lock signal status received from remote keyless entry receiver	L
RKE-UNLOCK [On/Off]	Unlock signal status received from remote keyless entry receiver	

BCS

## ACTIVE TEST

Test item	Operation	Description	
INT LAMP	On	Outputs the interior room lamp control signal to turn map lamp ON (Map lamp switch is in DOOR position).	N
	Off	Stops the interior room lamp control signal to turn map lamp OFF.	O
STEP LAMP TEST	On	<b>NOTE:</b> The item is displayed, but cannot be tested.	P
	Off		
LUGGAGE LAMP TEST	On	Outputs the luggage room lamp control signal to turn the luggage room lamp ON.	
	Off	Stops the luggage room lamp control signal to turn the luggage room lamp OFF.	

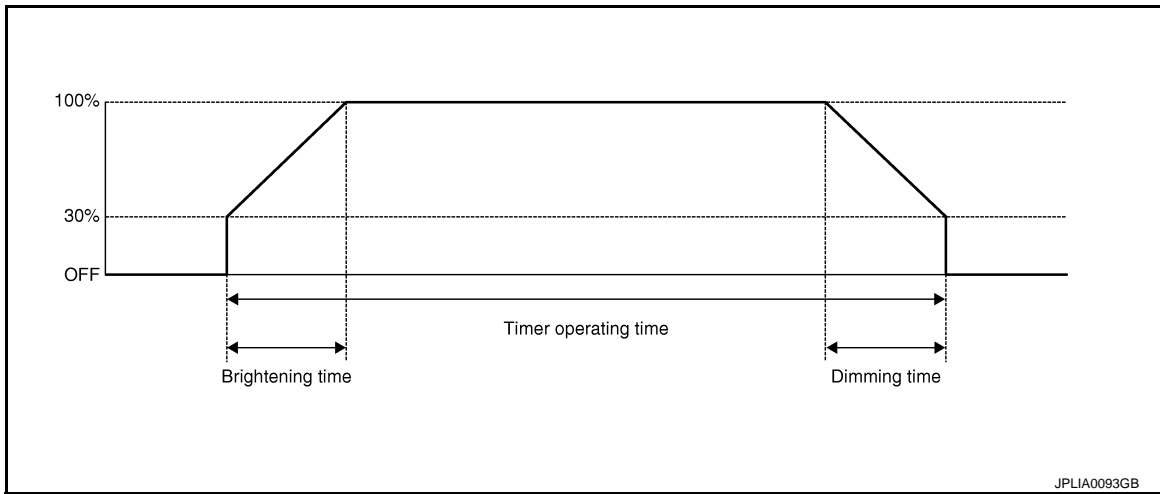
# DIAGNOSIS SYSTEM (BCM)

< SYSTEM DESCRIPTION >

## INT LAMP : CONSULT Function (BCM - INT LAMP) (Roadster Models)

INFOID:000000007804797

### WORK SUPPORT



Service item	Setting item	Setting	
SET I/L D-UNLCK INTCON	ON*	With the interior room lamp timer function	
	OFF	Without the interior room lamp timer function	
ROOM LAMP TIMER SET	MODE 2	7.5 sec.	Sets the interior room lamp ON time. (Timer operating time)
	MODE 3*	15 sec.	
	MODE 4	30 sec.	
ROOM LAMP ON TIME SET	MODE 1	0.5 sec.	Sets the interior room lamp gradual brightening time.
	MODE 2*	1 sec.	
	MODE 3	2 sec.	
	MODE 4	3 sec.	
	MODE 5	0 sec.	
ROOM LAMP OFF TIME SET	MODE 1	0.5 sec.	Sets the interior room lamp gradual dimming time.
	MODE 2	1 sec.	
	MODE 3	2 sec.	
	MODE 4*	3 sec.	
	MODE 5	0 sec.	
R LAMP TIMER LOGIC SET	MODE 1*	Interior room lamp timer activates with synchronizing all doors.	
	MODE 2	Interior room lamp timer activates with synchronizing the driver door only.	

\*: Factory setting

### DATA MONITOR

Monitor item [Unit]	Description
REQ SW-DR [On/Off]	The switch status input from request switch (driver side)
REQ SW-AS [On/Off]	The switch status input from front request switch (passenger side)
REQ SW-RR [On/Off]	<b>NOTE:</b> The item is indicated, but not monitored.
REQ SW-RL [On/Off]	

# DIAGNOSIS SYSTEM (BCM)

## < SYSTEM DESCRIPTION >

Monitor item [Unit]	Description	
PUSH SW [On/Off]	The switch status input from push-button ignition switch	A
ACC RLY-F/B [On/Off]	<b>NOTE:</b> The item is indicated, but not monitored.	B
UNLK SEN-DR [On/Off]	Driver door unlock status input from unlock sensor	C
KEY SW-SLOT [On/Off]	Key switch status input from key slot	
DOOR SW-DR [On/Off]	The switch status input from driver side door switch	D
DOOR SW-AS [On/Off]	The switch status input from passenger side door switch	E
DOOR SW-RR [On/Off]	<b>NOTE:</b> The item is indicated, but not monitored.	F
DOOR SW-RL [On/Off]		
DOOR SW-BK [On/Off]	The switch status input from trunk room lamp switch	G
CDL LOCK SW [On/Off]	Lock switch status received from the door lock and unlock switch	
CDL UNLOCK SW [On/Off]	Unlock switch status received from the door lock and unlock switch	H
KEY CYL LK-SW [On/Off]	Lock switch status received from key cylinder switch	I
KEY CYL UN-SW [On/Off]	Unlock switch status received from key cylinder switch	
TRNK/HAT MNTR [On/Off]	<b>NOTE:</b> The item is indicated, but not monitored.	J
RKE-LOCK [On/Off]	Lock signal status received from remote keyless entry receiver	K
RKE-UNLOCK [On/Off]	Unlock signal status received from remote keyless entry receiver	

## ACTIVE TEST

Test item	Operation	Description	
INT LAMP	On	Outputs the interior room lamp control signal to turn map lamp and cargo area courtesy light ON (Map lamp switch is in DOOR position).	BCS
	Off	Stops the interior room lamp control signal to turn map lamp and cargo area courtesy light OFF.	
STEP LAMP TEST	On	<b>NOTE:</b> The item is displayed, but cannot be tested.	N
	Off		
LUGGAGE LAMP TEST	On	Outputs the trunk room lamp control signal to turn the trunk room lamp ON.	O
	Off	Stops the trunk room lamp control signal to turn the trunk room lamp OFF.	

## HEADLAMP

### HEADLAMP : CONSULT Function (BCM - HEAD LAMP)

INFOID:000000007804844

## WORK SUPPORT

# DIAGNOSIS SYSTEM (BCM)

## < SYSTEM DESCRIPTION >

Service item	Setting item	Setting	
BATTERY SAVER SET	On*	With the exterior lamp battery saver function	
	Off	Without the exterior lamp battery saver function	
ILL DELAY SET	MODE 1*	45 sec.	Sets delay timer function timer operation time. (All doors closed)
	MODE 2	Without the function	
	MODE 3	30 sec.	
	MODE 4	60 sec.	
	MODE 5	90 sec.	
	MODE 6	120 sec.	
	MODE 7	150 sec.	
	MODE 8	180 sec.	
CUSTOM A/LIGHT SETTING	MODE 1*	Normal	
	MODE 2	More sensitive setting than normal setting (Turns ON earlier than normal operation.)	
	MODE 3	More sensitive setting than MODE 2 (Turns ON earlier than MODE 2.)	
	MODE 4	Less sensitive setting than normal setting (Turns ON later than normal operation.)	

\*: Factory setting

## DATA MONITOR

Monitor item [Unit]	Description	
PUSH SW [On/Off]	The switch status input from push-button ignition switch	
ENGINE STATE [Stop/Stall/Crank/Run]	The engine status received from ECM with CAN communication	
VEH SPEED 1 [km/h]	The value of the vehicle speed received from combination meter with CAN communication	
KEY SW-SLOT [On/Off]	Key switch status input from key slot	
TURN SIGNAL R [On/Off]	Each switch status that BCM judges from the combination switch reading function	
TURN SIGNAL L [On/Off]		
TAIL LAMP SW [On/Off]		
HI BEAM SW [On/Off]		
HEAD LAMP SW1 [On/Off]		
HEAD LAMP SW2 [On/Off]		
PASSING SW [On/Off]		
AUTO LIGHT SW [On/Off]		
FR FOG SW [On/Off]		<b>NOTE:</b> The item is indicated, but not monitored.
RR FOG SW [On/Off]		Each switch status that BCM judges from the combination switch reading function
DOOR SW-DR [On/Off]	The switch status input from driver side door switch	

# DIAGNOSIS SYSTEM (BCM)

## < SYSTEM DESCRIPTION >

Monitor item [Unit]	Description
DOOR SW-AS [On/Off]	The switch status input from passenger side door switch
DOOR SW-RR [On/Off]	<b>NOTE:</b> The item is indicated, but not monitored.
DOOR SW-RL [On/Off]	
DOOR SW-BK [On/Off]	
OPTICAL SENSOR [V]	The value of exterior brightness voltage input from the optical sensor

## ACTIVE TEST

Test item	Operation	Description
TAIL LAMP	On	Transmits the position light request signal to IPDM E/R with CAN communication to turn the tail lamp ON.
	Off	Stops the position light request signal transmission.
HEAD LAMP	Hi	Transmits the high beam request signal with CAN communication to turn the headlamp (HI).
	Low	Transmits the low beam request signal with CAN communication to turn the headlamp (LO).
	Off	Stops the high & low beam request signal transmission.
FR FOG LAMP	On	<b>NOTE:</b> The item is indicated, but cannot be tested.
	Off	
RR FOG LAMP	On	<ul style="list-style-type: none"> <li>Outputs the voltage to turn the rear fog lamp ON.</li> <li>Transmits the rear fog lamp status signal to the combination meter with CAN communication to turn the rear fog lamp indicator lamp ON.</li> </ul>
	Off	<ul style="list-style-type: none"> <li>Stops the voltage to turn the rear fog lamp OFF.</li> <li>Stops the rear fog lamp status signal transmission.</li> </ul>
DAYTIME RUNNING LIGHT	On	Transmits the low beam request signal and the daytime running light request signal with CAN communication to turn the headlamp (LO), parking, license plate, tail and side marker lamps ON.
	Off	Stops the low beam request signal and the daytime running light request signal transmission.
CORNERING LAMP	RH	<b>NOTE:</b> The item is indicated, but cannot be tested.
	LH	
	Off	
ILL DIM SIGNAL	On	<b>NOTE:</b> The item is indicated, but cannot be tested.
	Off	

## WIPER

### WIPER : CONSULT Function (BCM - WIPER)

INFOID:000000007804799

## WORK SUPPORT

Service item	Setting item	Description
WIPER SPEED SETTING	On	With vehicle speed (Front wiper intermittent time linked with the vehicle speed and wiper intermittent dial position)
	Off*	Without vehicle speed (Front wiper intermittent time linked with the wiper intermittent dial position)

\*:Factory setting

# DIAGNOSIS SYSTEM (BCM)

## < SYSTEM DESCRIPTION >

### DATA MONITOR

Monitor Item [Unit]	Description
PUSH SW [Off/On]	The switch status input from push-button ignition switch.
VEH SPEED 1 [km/h]	The value of the vehicle speed signal received from combination meter with CAN communication.
FR WIPER HI [Off/On]	Each switch status that BCM judges from the combination switch reading function.
FR WIPER LOW [Off/On]	
FR WASHER SW [Off/On]	
FR WIPER INT [Off/On]	
FR WIPER STOP [Off/On]	Front wiper motor (stop position) status received from IPDM E/R with CAN communication.
INT VOLUME [1 - 7]	Each switch status that BCM judges from the combination switch reading function.

### ACTIVE TEST

Test item	Operation	Description
FR WIPER	Hi	Transmits the front wiper request signal (HI) to IPDM E/R with CAN communication to operate the front wiper HI operation.
	Lo	Transmits the front wiper request signal (LO) to IPDM E/R with CAN communication to operate the front wiper LO operation.
	INT	Transmits the front wiper request signal (INT) to IPDM E/R with CAN communication to operate the front wiper INT operation.
	Off	Stops transmitting the front wiper request signal to stop the front wiper operation.

### FLASHER

### FLASHER : CONSULT Function (BCM - FLASHER)

INFOID:000000007804845

### WORK SUPPORT

Service item	Setting item	Setting	
HAZARD ANSWER BACK	Lock Only*	With locking only	Sets the hazard warning lamp answer back function when the door is lock/unlock with the request switch or the key fob.
	Unlk Only	With unlocking only	
	Lock/Unlk	With locking/unlocking	
	Off	Without the function	

\*: Factory setting

### DATA MONITOR

Monitor item [Unit]	Description
REQ SW-DR [On/Off]	The switch status input from the request switch (driver side)
REQ SW-AS [On/Off]	The switch status input from the request switch (passenger side)
PUSH SW [On/Off]	The switch status input from the push-button ignition switch

# DIAGNOSIS SYSTEM (BCM)

## < SYSTEM DESCRIPTION >

Monitor item [Unit]	Description
TURN SIGNAL R [On/Off]	Each switch condition that BCM judges from the combination switch reading function
TURN SIGNAL L [On/Off]	
HAZARD SW [On/Off]	The switch status input from the hazard switch
RKE-LOCK [On/Off]	Lock signal status received from the remote keyless entry receiver
RKE-UNLOCK [On/Off]	Unlock signal status received from the remote keyless entry receiver
RKE-PANIC [On/Off]	Panic alarm signal status received from the remote keyless entry receiver

## ACTIVE TEST

Test item	Operation	Description
FLASHER	RH	Outputs the voltage to blink the right side turn signal lamps.
	LH	Outputs the voltage to blink the left side turn signal lamps.
	Off	Stops the voltage to turn the turn signal lamps OFF.

## COMB SW

### COMB SW : CONSULT Function (BCM - COMB SW)

INFOID:000000007623080

## DATA MONITOR

Monitor item [UNIT]	Description
FR WIPER HI [Off/On]	Displays the status of the FR WIPER HI switch in combination switch judged by BCM with the combination switch reading function.
FR WIPER LOW [Off/On]	Displays the status of the FR WIPER LOW switch in combination switch judged by BCM with the combination switch reading function.
FR WASHER SW [Off/On]	Displays the status of the FR WASHER switch in combination switch judged by BCM with the combination switch reading function.
FR WIPER INT [Off/On]	Displays the status of the FR WIPER INT switch in combination switch judged by BCM with the combination switch reading function.
FR WIPER STOP [Off/On]	Displays the status of the front wiper stop position signal received from IPDM E/R via CAN communication.
INT VOLUME [1 - 7]	Displays the status of wiper intermittent dial position judged by BCM with the combination switch reading function.
TURN SIGNAL R [Off/On]	Displays the status of the TURN RH switch in combination switch judged by BCM with the combination switch reading function.
TURN SIGNAL L [Off/On]	Displays the status of the TURN LH switch in combination switch judged by BCM with the combination switch reading function.
TAIL LAMP SW [Off/On]	Displays the status of the TAIL LAMP switch in combination switch judged by BCM with the combination switch reading function.
HI BEAM SW [Off/On]	Displays the status of the HI BEAM switch in combination switch judged by BCM with the combination switch reading function.
HEAD LAMP SW 1 [Off/On]	Displays the status of the HEADLAMP 1 switch in combination switch judged by BCM with the combination switch reading function.
HEAD LAMP SW 2 [Off/On]	Displays the status of the HEADLAMP 2 switch in combination switch judged by BCM with the combination switch reading function.
PASSING SW [Off/On]	Displays the status of the PASSING switch in combination switch judged by BCM with the combination switch reading function.

# DIAGNOSIS SYSTEM (BCM)

## < SYSTEM DESCRIPTION >

Monitor item [UNIT]	Description
AUTO LIGHT SW [Off/On]	Displays the status of the AUTO LIGHT switch in combination switch judged by BCM with the combination switch reading function.
FR FOG SW [Off/On]	<b>NOTE:</b> The item is indicated, but not monitored.
RR FOG SW [Off/On]	Displays the status of the RR FOG switch in combination switch judged by BCM with the combination switch reading function.

## INTELLIGENT KEY

### INTELLIGENT KEY : CONSULT Function (BCM - INTELLIGENT KEY) (For Coupe)

INFOID:000000007804800

## WORK SUPPORT

Monitor item	Description
CONFIRM KEY FOB ID	It can be checked whether Intelligent Key ID code is registered or not in this mode
AUTO LOCK SET	Auto door lock time can be changed in this mode <ul style="list-style-type: none"> <li>• MODE 1: 1 minute</li> <li>• MODE 2: 5 minutes</li> <li>• MODE 3: 30 seconds</li> <li>• MODE 4: 2 minutes</li> </ul>
LOCK/UNLOCK BY I-KEY	Door lock/unlock function by door request switch (driver side, passenger side and back door side/trunk lid*) mode can be changed to operate (On) or not operate (Off) in this mode
ENGINE START BY I-KEY	Engine start function mode can be changed to operate (On) or not operate (Off) with this mode
TRUNK/GLASS HATCH OPEN	Buzzer reminder function mode by back door opener switch/ trunk lid opener switch* can be changed to operate (ON) or not operate (OFF) with this mode
PANIC ALARM SET	Panic alarm button pressing time on Intelligent Key remote control button can be selected from the following with this mode <ul style="list-style-type: none"> <li>• MODE 1: 0.5 sec.</li> <li>• MODE 2: Non-operation</li> <li>• MODE 3: 1.5 sec.</li> </ul>
TAKE OUT FROM WIN WARN	<b>NOTE:</b> This item is displayed, but cannot be monitored
PW DOWN SET	Unlock button pressing time on Intelligent Key button can be selected from the following with this mode <ul style="list-style-type: none"> <li>• MODE 1: 3 sec.</li> <li>• MODE 2: Non-operation</li> <li>• MODE 3: 5 sec.</li> </ul>
TRUNK OPEN DELAY	<b>NOTE:</b> This item is displayed, but cannot be supported
LO- BATT OF KEY FOB WARN	Intelligent Key low battery warning mode can be changed to operate (On) or not operate (Off) with this mode
ANTI KEY LOCK IN FUNCTI	Key reminder function mode can be changed to operate (On) or not operate (Off) with this mode
HAZARD ANSWER BACK	Hazard reminder function mode can be selected from the following with this mode <ul style="list-style-type: none"> <li>• LOCK ONLY: Door lock operation only</li> <li>• UNLOCK ONLY: Door unlock operation only</li> <li>• LOCK/UNLOCK: Lock/unlock operation</li> <li>• OFF: Non-operation</li> </ul>
ANS BACK I-KEY LOCK	Buzzer reminder function (lock operation) mode by door request switch (driver side, passenger side and back door side/trunk lid*) can be selected from the following with this mode <ul style="list-style-type: none"> <li>• Horn chirp: Sound horn</li> <li>• Buzzer: Sound Intelligent Key warning buzzer</li> <li>• OFF: Non-operation</li> </ul>
ANS BACK I-KEY UNLOCK	Buzzer reminder function (unlock operation) mode by door request switch (driver side, passenger side and back door side/trunk lid*) can be changed to operate (On) or not operate (Off) with this mode



# DIAGNOSIS SYSTEM (BCM)

## < SYSTEM DESCRIPTION >

Monitor item	Description
SHORT CRANKING OUTPUT	Starter motor can be forcibly activated
INSIDE ANT DIAGNOSIS	This function allows inside key antenna self-diagnosis
HORN WITH KEYLESS LOCK	Horn reminder function mode by Intelligent Key button can be changed to operate (On) or not operate (Off) with this mode

\*: For roadster models

## SELF-DIAG RESULT

Refer to [BCS-85, "DTC Index"](#).

## DATA MONITOR

Monitor Item	Condition
REQ SW -DR	Indicates [On/Off] condition of driver side door request switch
REQ SW -AS	Indicates [On/Off] condition of passenger side door request switch
REQ SW -BD/TR	Indicates [On/Off] condition of back door request switch/trunk lid door request switch <sup>4</sup>
PUSH SW	Indicates [On/Off] condition of push-button ignition switch
IGN RLY2 -F/B	<b>NOTE:</b> This item is displayed, but cannot be monitored
ACC RLY-F/B	<b>NOTE:</b> This item is displayed, but cannot be monitored
CLUCH SW* <sup>1</sup>	Indicates [On/Off] condition of clutch switch
BRAKE SW 1	Indicates [On/Off] <sup>3</sup> condition of brake switch power supply
BRAKE SW 2	Indicates [On/Off] condition of brake switch
DETE/CANCL SW* <sup>2</sup>	Indicates [On/Off] condition of P position
SFT PN/N SW* <sup>2</sup>	Indicates [On/Off] condition of P or N position
S/L -LOCK	<b>NOTE:</b> This item is displayed, but cannot be monitored
S/L -UNLOCK	<b>NOTE:</b> This item is displayed, but cannot be monitored
S/L RELAY -F/B	<b>NOTE:</b> This item is displayed, but cannot be monitored
UNLK SEN -DR	Indicates [On/Off] condition of driver door UNLOCK status
PUSH SW -IPDM	Indicates [On/Off] condition of push-button ignition switch
IGN RLY1 -F/B	Indicates [On/Off] condition of ignition relay 1
DETE SW -IPDM* <sup>2</sup>	Indicates [On/Off] condition of P position
SFT PN -IPDM* <sup>2</sup>	Indicates [On/Off] condition of P or N position
SFT P -MET* <sup>2</sup>	Indicates [On/Off] condition of P position
SFT N -MET* <sup>2</sup>	Indicates [On/Off] condition of N position
ENGINE STATE	Indicates [STOP/STALL/CRANK/RUN] condition of engine states
S/L LOCK-IPDM	<b>NOTE:</b> This item is displayed, but cannot be monitored
S/L UNLK-IPDM	<b>NOTE:</b> This item is displayed, but cannot be monitored
S/L RELAY-REQ	<b>NOTE:</b> This item is displayed, but cannot be monitored
VEH SPEED 1	Display the vehicle speed signal received from combination meter by numerical value [km/h]
VEH SPEED 2	Display the vehicle speed signal received from ABS or VDC or TCM by numerical value [km/h]
DOOR STAT-DR	Indicates [LOCK/READY/UNLOCK] condition of driver side door status

A  
B  
C  
D  
E  
F  
G  
H  
I  
J  
K  
L  
N  
O  
P

BCS

# DIAGNOSIS SYSTEM (BCM)

## < SYSTEM DESCRIPTION >

Monitor Item	Condition
DOOR STAT-AS	Indicates [LOCK/READY/UNLOCK] condition of passenger side door status
ID OK FLAG	Indicates [Set/Reset] condition of key ID
PRMT ENG STRT	Indicates [Set/Reset] condition of engine start possibility
PRMT RKE STRT	<b>NOTE:</b> This item is displayed, but cannot be monitored
KEY SW -SLOT	Indicates [On/Off] condition of key slot
TRNK/HAT MNTR	<b>NOTE:</b> This item is displayed, but cannot be monitored
RKE-LOCK	Indicates [On/Off] condition of LOCK signal from Intelligent Key
RKE-UNLOCK	Indicates [On/Off] condition of UNLOCK signal from Intelligent Key
RKE-TR/BD	<b>NOTE:</b> This item is displayed, but cannot be monitored
RKE-PANIC	Indicates [On/Off] condition of PANIC button of Intelligent Key
RKE-P/W OPEN	Indicates [On/Off] condition of P/W DOWN signal from Intelligent Key
RKE-MODE CHG	Indicates [On/Off] condition of MODE CHANGE signal from Intelligent Key
RKE OPE COUN1	When remote keyless entry receiver (front) receives the signal transmitted while operating on Intelligent Key, the numerical value start changing
RKE OPE COUN2	<b>NOTE:</b> This item is displayed, but cannot be monitored
REVERSE SW*1	Indicates [On/Off] condition of R position

\*1: It is displayed but does not operate on A/T models.

\*2: It is displayed but does not operate on M/T models.

\*3: OFF is displayed when brake pedal is depressed while brake switch power supply is OFF.

\*4: For roadster models

## ACTIVE TEST

Test item	Description
BATTERY SAVER	This test is able to check interior room lamp operation The interior room lamp is activated after "On" on CONSULT screen is touched
PW REMOTO DOWN SET	This test is able to check power window down operation The power window down is activated after "On" on CONSULT screen is touched
OUTSIDE BUZZER	This test is able to check Intelligent Key warning buzzer operation The Intelligent Key warning buzzer is activated after "On" on CONSULT screen is touched
INSIDE BUZZER	This test is able to check warning chime in combination meter operation <ul style="list-style-type: none"> <li>• Take away warning chime sounds when "Take out" on CONSULT screen is touched</li> <li>• Key warning chime sounds when "Key" on CONSULT screen is touched</li> <li>• OFF position warning chime sounds when "Knob" on CONSULT screen is touched</li> </ul>
INDICATOR	This test is able to check warning lamp operation <ul style="list-style-type: none"> <li>• "KEY" Warning lamp illuminates when "Key on" on CONSULT screen is touched</li> <li>• "KEY" Warning lamp blinks when "Key ind" on CONSULT screen is touched</li> </ul>
INT LAMP	This test is able to check interior room lamp operation The interior room lamp is activated after "On" on CONSULT screen is touched

# DIAGNOSIS SYSTEM (BCM)

## < SYSTEM DESCRIPTION >

Test item	Description
LCD	This test is able to check meter display information <ul style="list-style-type: none"> <li>• Engine start information displays when "BP N" on CONSULT screen is touched</li> <li>• Engine start information displays when "BP I" on CONSULT screen is touched</li> <li>• Key ID warning displays when "ID NG" on CONSULT screen is touched</li> <li>• ROTAT: This item is displayed, but cannot be tested.</li> <li>• P position warning displays when "SFT P" on CONSULT screen is touched</li> <li>• Intelligent Key insert information displays when "INSRT" on CONSULT screen is touched</li> <li>• Intelligent Key low battery warning displays when "BATT" on CONSULT screen is touched</li> <li>• Take away through window warning displays when "NO KY" on CONSULT screen is touched</li> <li>• Take away warning display when "OUTKEY" on CONSULT screen is touched</li> <li>• OFF position warning display when "LK WN" on CONSULT screen is touched</li> </ul>
TRUNK/GLASS HATCH	<b>NOTE:</b> This item is displayed, but cannot be tested
FLASHER	This test is able to check hazard warning lamp operation The hazard warning lamps are activated after "LH/RH/Off" on CONSULT screen is touched
HORN	This test is able to check horn operation The horn is activated after "On" on CONSULT screen is touched
P RANGE*1	This test is able to check A/T shift selector power supply A/T shift selector power is supplied when "On" on CONSULT screen is touched
ENGINE SW ILLUMI	This test is able to check push-ignition switch illumination operation Push-ignition switch illumination illuminates when "On" on CONSULT screen is touched
LOCK INDICATOR	This test is able to check LOCK indicator in push-ignition switch operation LOCK indicator in push-ignition switch illuminates when "On" on CONSULT screen is touched
ACC INDICATOR	This test is able to check ACC indicator in push-ignition switch operation ACC indicator in push-ignition switch illuminates when "On" on CONSULT screen is touched
IGNITION ON IND	This test is able to check ON indicator in push-ignition switch operation ON indicator in push-ignition switch illuminates when "On" on CONSULT screen is touched
KEY SLOT ILLUMI	This test is able to check key slot illumination operation Key slot illumination blinks when "On" on CONSULT screen is touched
TRUNK/BACK DOOR	This test is able to check back door opener actuator/ trunk lid opener actuator*2 open operation This actuator opens when "Open" on CONSULT screen is touched

\*1: It is displayed but does not operate on M/T models.

\*2: For roadster models

## INTELLIGENT KEY : CONSULT Function (BCM - INTELLIGENT KEY) (For Roadster)

INFOID:000000007804847

### WORK SUPPORT

Monitor item	Description
CONFIRM KEY FOB ID	It can be checked whether Intelligent Key ID code is registered or not in this mode
AUTO LOCK SET	Auto door lock time can be changed in this mode <ul style="list-style-type: none"> <li>• MODE 1: 1 minute</li> <li>• MODE 2: 5 minutes</li> <li>• MODE 3: 30 seconds</li> <li>• MODE 4: 2 minutes</li> </ul>
LOCK/UNLOCK BY I-KEY	Door lock/unlock function by door request switch (driver side, passenger side and back door side/trunk lid*) mode can be changed to operate (On) or not operate (Off) in this mode
ENGINE START BY I-KEY	Engine start function mode can be changed to operate (On) or not operate (Off) with this mode
TRUNK/GLASS HATCH OPEN	Buzzer reminder function mode by back door opener switch/ trunk lid opener switch* can be changed to operate (ON) or not operate (OFF) with this mode

A  
B  
C  
D  
E  
F  
G  
H  
I  
J  
K  
L

**BCS**

N  
O  
P

## DIAGNOSIS SYSTEM (BCM)

### < SYSTEM DESCRIPTION >

Monitor item	Description
PANIC ALARM SET	Panic alarm button pressing time on Intelligent Key remote control button can be selected from the following with this mode <ul style="list-style-type: none"> <li>• MODE 1: 0.5 sec.</li> <li>• MODE 2: Non-operation</li> <li>• MODE 3: 1.5 sec.</li> </ul>
TAKE OUT FROM WIN WARN	<b>NOTE:</b> This item is displayed, but cannot be monitored
PW DOWN SET	Unlock button pressing time on Intelligent Key button can be selected from the following with this mode <ul style="list-style-type: none"> <li>• MODE 1: 3 sec.</li> <li>• MODE 2: Non-operation</li> <li>• MODE 3: 5 sec.</li> </ul>
TRUNK OPEN DELAY	<b>NOTE:</b> This item is displayed, but cannot be supported
LO- BATT OF KEY FOB WARN	Intelligent Key low battery warning mode can be changed to operate (On) or not operate (Off) with this mode
ANTI KEY LOCK IN FUNCTI	Key reminder function mode can be changed to operate (On) or not operate (Off) with this mode
HAZARD ANSWER BACK	Hazard reminder function mode can be selected from the following with this mode <ul style="list-style-type: none"> <li>• LOCK ONLY: Door lock operation only</li> <li>• UNLOCK ONLY: Door unlock operation only</li> <li>• LOCK/UNLOCK: Lock/unlock operation</li> <li>• OFF: Non-operation</li> </ul>
ANS BACK I-KEY LOCK	Buzzer reminder function (lock operation) mode by door request switch (driver side, passenger side and back door side/trunk lid*) can be selected from the following with this mode <ul style="list-style-type: none"> <li>• Horn chirp: Sound horn</li> <li>• Buzzer: Sound Intelligent Key warning buzzer</li> <li>• OFF: Non-operation</li> </ul>
ANS BACK I-KEY UNLOCK	Buzzer reminder function (unlock operation) mode by door request switch (driver side, passenger side and back door side/trunk lid*) can be changed to operate (On) or not operate (Off) with this mode
SHORT CRANKING OUTPUT	Starter motor can be forcibly activated
INSIDE ANT DIAGNOSIS	This function allows inside key antenna self-diagnosis
HORN WITH KEYLESS LOCK	Horn reminder function mode by Intelligent Key button can be changed to operate (On) or not operate (Off) with this mode

\*: For roadster models

### SELF-DIAG RESULT

Refer to [BCS-85, "DTC Index"](#).

### DATA MONITOR

Monitor Item	Condition
REQ SW -DR	Indicates [On/Off] condition of driver side door request switch
REQ SW -AS	Indicates [On/Off] condition of passenger side door request switch
REQ SW -BD/TR	Indicates [On/Off] condition of back door request switch/trunk lid door request switch* <sup>4</sup>
PUSH SW	Indicates [On/Off] condition of push-button ignition switch
IGN RLY2 -F/B	<b>NOTE:</b> This item is displayed, but cannot be monitored
ACC RLY-F/B	<b>NOTE:</b> This item is displayed, but cannot be monitored
CLUCH SW* <sup>1</sup>	Indicates [On/Off] condition of clutch switch
BRAKE SW 1	Indicates [On/Off]* <sup>3</sup> condition of brake switch power supply
BRAKE SW 2	Indicates [On/Off] condition of brake switch

# DIAGNOSIS SYSTEM (BCM)

## < SYSTEM DESCRIPTION >

Monitor Item	Condition	
DETE/CANCL SW*2	Indicates [On/Off] condition of P position	A
SFT PN/N SW*2	Indicates [On/Off] condition of P or N position	
S/L -LOCK	<b>NOTE:</b> This item is displayed, but cannot be monitored	B
S/L -UNLOCK	<b>NOTE:</b> This item is displayed, but cannot be monitored	C
S/L RELAY -F/B	<b>NOTE:</b> This item is displayed, but cannot be monitored	
UNLK SEN -DR	Indicates [On/Off] condition of driver door UNLOCK status	D
PUSH SW -IPDM	Indicates [On/Off] condition of push-button ignition switch	
IGN RLY1 -F/B	Indicates [On/Off] condition of ignition relay 1	E
DETE SW -IPDM*2	Indicates [On/Off] condition of P position	
SFT PN -IPDM*2	Indicates [On/Off] condition of P or N position	F
SFT P -MET*2	Indicates [On/Off] condition of P position	
SFT N -MET*2	Indicates [On/Off] condition of N position	G
ENGINE STATE	Indicates [STOP/STALL/CRANK/RUN] condition of engine states	
S/L LOCK-IPDM	<b>NOTE:</b> This item is displayed, but cannot be monitored	H
S/L UNLK-IPDM	<b>NOTE:</b> This item is displayed, but cannot be monitored	I
S/L RELAY-REQ	<b>NOTE:</b> This item is displayed, but cannot be monitored	J
VEH SPEED 1	Display the vehicle speed signal received from combination meter by numerical value [km/h]	
VEH SPEED 2	Display the vehicle speed signal received from ABS or VDC or TCM by numerical value [km/h]	K
DOOR STAT-DR	Indicates [LOCK/READY/UNLOCK] condition of driver side door status	
DOOR STAT-AS	Indicates [LOCK/READY/UNLOCK] condition of passenger side door status	L
ID OK FLAG	Indicates [Set/Reset] condition of key ID	
PRMT ENG STRT	Indicates [Set/Reset] condition of engine start possibility	BCS
PRMT RKE STRT	<b>NOTE:</b> This item is displayed, but cannot be monitored	
KEY SW -SLOT	Indicates [On/Off] condition of key slot	N
TRNK/HAT MNTR	<b>NOTE:</b> This item is displayed, but cannot be monitored	O
RKE-LOCK	Indicates [On/Off] condition of LOCK signal from Intelligent Key	
RKE-UNLOCK	Indicates [On/Off] condition of UNLOCK signal from Intelligent Key	P
RKE-TR/BD	<b>NOTE:</b> This item is displayed, but cannot be monitored	
RKE-PANIC	Indicates [On/Off] condition of PANIC button of Intelligent Key	
RKE-P/W OPEN	Indicates [On/Off] condition of P/W DOWN signal from Intelligent Key	
RKE-MODE CHG	Indicates [On/Off] condition of MODE CHANGE signal from Intelligent Key	
RKE OPE COUN1	When remote keyless entry receiver (front) receives the signal transmitted while operating on Intelligent Key, the numerical value start changing	
RKE OPE COUN2	<b>NOTE:</b> This item is displayed, but cannot be monitored	
REVERSE SW*1	Indicates [On/Off] condition of R position	

\*1: It is displayed but does not operate on A/T models.

\*2: It is displayed but does not operate on M/T models.

## DIAGNOSIS SYSTEM (BCM)

### < SYSTEM DESCRIPTION >

\*3: OFF is displayed when brake pedal is depressed while brake switch power supply is OFF.

\*4: For roadster models

### ACTIVE TEST

Test item	Description
BATTERY SAVER	This test is able to check interior room lamp operation The interior room lamp is activated after "On" on CONSULT screen is touched
PW REMOTO DOWN SET	This test is able to check power window down operation The power window down is activated after "On" on CONSULT screen is touched
OUTSIDE BUZZER	This test is able to check Intelligent Key warning buzzer operation The Intelligent Key warning buzzer is activated after "On" on CONSULT screen is touched
INSIDE BUZZER	This test is able to check warning chime in combination meter operation <ul style="list-style-type: none"> <li>• Take away warning chime sounds when "Take out" on CONSULT screen is touched</li> <li>• Key warning chime sounds when "Key" on CONSULT screen is touched</li> <li>• OFF position warning chime sounds when "Knob" on CONSULT screen is touched</li> </ul>
INDICATOR	This test is able to check warning lamp operation <ul style="list-style-type: none"> <li>• "KEY" Warning lamp illuminates when "Key on" on CONSULT screen is touched</li> <li>• "KEY" Warning lamp blinks when "Key ind" on CONSULT screen is touched</li> </ul>
INT LAMP	This test is able to check interior room lamp operation The interior room lamp is activated after "On" on CONSULT screen is touched
LCD	This test is able to check meter display information <ul style="list-style-type: none"> <li>• Engine start information displays when "BP N" on CONSULT screen is touched</li> <li>• Engine start information displays when "BP I" on CONSULT screen is touched</li> <li>• Key ID warning displays when "ID NG" on CONSULT screen is touched</li> <li>• ROTAT: This item is displayed, but cannot be tested.</li> <li>• P position warning displays when "SFT P" on CONSULT screen is touched</li> <li>• Intelligent Key insert information displays when "INSRT" on CONSULT screen is touched</li> <li>• Intelligent Key low battery warning displays when "BATT" on CONSULT screen is touched</li> <li>• Take away through window warning displays when "NO KY" on CONSULT screen is touched</li> <li>• Take away warning display when "OUTKEY" on CONSULT screen is touched</li> <li>• OFF position warning display when "LK WN" on CONSULT screen is touched</li> </ul>
TRUNK/GLASS HATCH	<b>NOTE:</b> This item is displayed, but cannot be tested
FLASHER	This test is able to check hazard warning lamp operation The hazard warning lamps are activated after "LH/RH/Off" on CONSULT screen is touched
HORN	This test is able to check horn operation The horn is activated after "On" on CONSULT screen is touched
P RANGE*1	This test is able to check A/T shift selector power supply A/T shift selector power is supplied when "On" on CONSULT screen is touched
ENGINE SW ILLUMI	This test is able to check push-ignition switch illumination operation Push-ignition switch illumination illuminates when "On" on CONSULT screen is touched
LOCK INDICATOR	This test is able to check LOCK indicator in push-ignition switch operation LOCK indicator in push-ignition switch illuminates when "On" on CONSULT screen is touched
ACC INDICATOR	This test is able to check ACC indicator in push-ignition switch operation ACC indicator in push-ignition switch illuminates when "On" on CONSULT screen is touched
IGNITION ON IND	This test is able to check ON indicator in push-ignition switch operation ON indicator in push-ignition switch illuminates when "On" on CONSULT screen is touched
KEY SLOT ILLUMI	This test is able to check key slot illumination operation Key slot illumination blinks when "On" on CONSULT screen is touched
TRUNK/BACK DOOR	This test is able to check back door opener actuator/ trunk lid opener actuator*2 open operation This actuator opens when "Open" on CONSULT screen is touched

\*1: It is displayed but does not operate on M/T models.

\*2: For roadster models

# DIAGNOSIS SYSTEM (BCM)

< SYSTEM DESCRIPTION >

## BCM

BCM : CONSULT Function (BCM - BCM)

INFOID:000000007623082

### WORK SUPPORT

Item	Description
RESET SETTING VALUE	Return a value set with Work Support of each system to a default value in factory shipment.

## IMMU

IMMU : CONSULT Function (BCM - IMMU)

INFOID:000000007804802

### DATA MONITOR

Monitor item	Content
CONFIRM ID ALL	Indicates [YET] at all time. Switches to [DONE] when a registered Intelligent Key is inserted into the key slot.
CONFIRM ID4	
CONFIRM ID3	
CONFIRM ID2	
CONFIRM ID1	
TP 4	Indicates the number of IDs that are registered.
TP 3	
TP 2	
TP 1	
PUSH SW	Indicates [ON/OFF] condition of push-button ignition switch.
KEY SW -SLOT	Indicates [ON/OFF] condition of key slot.

### ACTIVE TEST

Test item	Description
THEFT IND	This test is able to check security indicator lamp operation. The lamp is turned on when "ON" on CONSULT screen touched.

## BATTERY SAVER

BATTERY SAVER : CONSULT Function (BCM - BATTERY SAVER) (Coupe Models)

INFOID:000000007804803

### WORK SUPPORT

Service item	Setting item	Setting
BATTERY SAVER SET	On*	With the exterior lamp battery saver function
	Off	Without the exterior lamp battery saver function
ROOM LAMP BAT SAV SET	On*	With the interior room lamp battery saver function
	Off	Without the interior room lamp battery saver function
ROOM LAMP TIMER SET	MODE 1	30 min.
	MODE 2	60 min.
	MODE 3*	15 min.
		Sets the interior room lamp battery saver timer operating time.

\*: Factory setting

### DATA MONITOR

A  
B  
C  
D  
E  
F  
G  
H  
I  
J  
K  
L  
N  
O  
P

BCS

# DIAGNOSIS SYSTEM (BCM)

## < SYSTEM DESCRIPTION >

Monitor item [Unit]	Description
REQ SW-DR [On/Off]	The switch status input from request switch (driver side)
REQ SW-AS [On/Off]	The switch status input from front request switch (passenger side)
REQ SW-RR [On/Off]	<b>NOTE:</b> The item is indicated, but not monitored.
REQ SW-RL [On/Off]	
PUSH SW [On/Off]	The switch status input from push-button ignition switch
ACC RLY-F/B [On/Off]	<b>NOTE:</b> The item is indicated, but not monitored.
KEY SW-SLOT [On/Off]	Key switch status input from key slot
UNLK SEN-DR [On/Off]	Driver door unlock status input from unlock sensor
DOOR SW-DR [On/Off]	The switch status input driver side front door switch
DOOR SW-AS [On/Off]	The switch status input from passenger side door switch
DOOR SW-RR [On/Off]	<b>NOTE:</b> The item is indicated, but not monitored.
DOOR SW-RL [On/Off]	
DOOR SW-BK [On/Off]	The switch status input from back door switch
CDL LOCK SW [On/Off]	Lock switch status received from the door lock and unlock switch
CDL UNLOCK SW [On/Off]	Unlock switch status received from the door lock and unlock switch
KEY CYL LK-SW [On/Off]	Lock switch status received from key cylinder switch
KEY CYL UN-SW [On/Off]	Unlock switch status received from key cylinder switch
TRNK/HAT MNTR [On/Off]	<b>NOTE:</b> The item is indicated, but not monitored.
RKE-LOCK [On/Off]	Lock signal status received from remote keyless entry receiver
RKE-UNLOCK [On/Off]	Unlock signal status received from remote keyless entry receiver

## ACTIVE TEST

Test item	Operation	Description
BATTERY SAVER	Off	Cuts the interior room lamp power supply to turn interior room lamp OFF.
	On	Outputs the interior room lamp power supply to turn interior room lamp ON.*

\*: Each lamp switch is in ON position.

**BATTERY SAVER : CONSULT Function (BCM - BATTERY SAVER) (Roadster Models)**

INFOID:000000007804804

## WORK SUPPORT



# DIAGNOSIS SYSTEM (BCM)

## < SYSTEM DESCRIPTION >

Service item	Setting item	Setting	
BATTERY SAVER SET	On*	With the exterior lamp battery saver function	
	Off	Without the exterior lamp battery saver function	
ROOM LAMP BAT SAV SET	On*	With the interior room lamp battery saver function	
	Off	Without the interior room lamp battery saver function	
ROOM LAMP TIMER SET	MODE 1	30 min.	Sets the interior room lamp battery saver timer operating time.
	MODE 2	60 min.	
	MODE 3*	15 min.	

\*: Factory setting

## DATA MONITOR

Monitor item [Unit]	Description
REQ SW-DR [On/Off]	The switch status input from request switch (driver side)
REQ SW-AS [On/Off]	The switch status input from front request switch (passenger side)
REQ SW-RR [On/Off]	<b>NOTE:</b> The item is indicated, but not monitored.
REQ SW-RL [On/Off]	
PUSH SW [On/Off]	The switch status input from push-button ignition switch
ACC RLY-F/B [On/Off]	<b>NOTE:</b> The item is indicated, but not monitored.
KEY SW-SLOT [On/Off]	Key switch status input from key slot
UNLK SEN-DR [On/Off]	Driver door unlock status input from unlock sensor
DOOR SW-DR [On/Off]	The switch status input driver side front door switch
DOOR SW-AS [On/Off]	The switch status input from passenger side door switch
DOOR SW-RR [On/Off]	<b>NOTE:</b> The item is indicated, but not monitored.
DOOR SW-RL [On/Off]	
DOOR SW-BK [On/Off]	The switch status input from trunk room lamp switch
CDL LOCK SW [On/Off]	Lock switch status received from the door lock and unlock switch
CDL UNLOCK SW [On/Off]	Unlock switch status received from the door lock and unlock switch
KEY CYL LK-SW [On/Off]	Lock switch status received from key cylinder switch
KEY CYL UN-SW [On/Off]	Unlock switch status received from key cylinder switch
TRNK/HAT MNTR [On/Off]	<b>NOTE:</b> The item is indicated, but not monitored.

A  
B  
C  
D  
E  
F  
G  
H  
I  
J  
K  
L  
N  
O  
P

BCS

# DIAGNOSIS SYSTEM (BCM)

## < SYSTEM DESCRIPTION >

Monitor item [Unit]	Description
RKE-LOCK [On/Off]	Lock signal status received from remote keyless entry receiver
RKE-UNLOCK [On/Off]	Unlock signal status received from remote keyless entry receiver

## ACTIVE TEST

Test item	Operation	Description
BATTERY SAVER	Off	Cuts the interior room lamp power supply to turn interior room lamp OFF.
	On	Outputs the interior room lamp power supply to turn interior room lamp ON.*

\*: Each lamp switch is in ON position.

## TRUNK

### TRUNK : CONSULT Function (BCM - TRUNK) (For Coupe)

INFOID:000000007804807

## DATA MONITOR

Monitor Item	Contents
PUSH SW	Indicates [On/Off] condition of push-button ignition switch
UNLK SEN -DR	Indicates [On/Off] condition of driver door UNLOCK status
VEH SPEED 1	Indicates [km/h] condition of vehicle speed signal from combination meter
KEY CYL SW-TR	<b>NOTE:</b> This item is displayed, but cannot be monitored
TR CANCEL SW*1	Indicates [On/Off] condition of trunk lid cancel switch
TR/BD OPEN SW	Indicates [On/Off] condition of back door opener switch/trunk lid opener switch*2
TRNK/HAT MNTR	<b>NOTE:</b> This item is displayed, but cannot be monitored
RKE-TR/BD	<b>NOTE:</b> This item is displayed, but cannot be monitored

\*1: It is displayed but does not operate on coupe models.

\*2: For roadster models

## ACTIVE TEST

Test item	Description
TRUNK/GLASS HATCH	<b>NOTE:</b> This item is displayed, but cannot be tested

### TRUNK : CONSULT Function (BCM - TRUNK) (For Roadster)

INFOID:000000007804848

## DATA MONITOR

Monitor Item	Contents
PUSH SW	Indicates [On/Off] condition of push-button ignition switch
UNLK SEN -DR	Indicates [On/Off] condition of driver door UNLOCK status
VEH SPEED 1	Indicates [km/h] condition of vehicle speed signal from combination meter
KEY CYL SW-TR	<b>NOTE:</b> This item is displayed, but cannot be monitored
TR CANCEL SW*1	Indicates [On/Off] condition of trunk lid cancel switch
TR/BD OPEN SW	Indicates [On/Off] condition of back door opener switch/trunk lid opener switch*2

# DIAGNOSIS SYSTEM (BCM)

## < SYSTEM DESCRIPTION >

Monitor Item	Contents
TRNK/HAT MNTR	<b>NOTE:</b> This item is displayed, but cannot be monitored
RKE-TR/BD	<b>NOTE:</b> This item is displayed, but cannot be monitored

\*1: It is displayed but does not operate on coupe models.

\*2: For roadster models

## ACTIVE TEST

Test item	Description
TRUNK/GLASS HATCH	<b>NOTE:</b> This item is displayed, but cannot be tested

## THEFT ALM

### THEFT ALM : CONSULT Function (BCM - THEFT)

INFOID:000000007804809

## DATA MONITOR

Monitored Item	Description
REQ SW -DR	Indicates [ON/OFF] condition of door request switch (driver side).
REQ SW -AS	Indicates [ON/OFF] condition of door request switch (passenger side).
REQ SW -RR	<b>NOTE:</b> This is displayed even when it is not equipped.
REQ SW -RL	<b>NOTE:</b> This is displayed even when it is not equipped.
REQ SW -BD/TR	Indicates [ON/OFF] condition of back door request switch.
PUSH SW	Indicates [ON/OFF] condition of push-button ignition switch
UNLK SEN -DR	Indicates [ON/OFF] condition of driver door UNLOCK status.
KEY SW -SLOT	Indicates [ON/OFF] condition of key slot.
DOOR SW-DR	Indicates [ON/OFF] condition of driver side door switch.
DOOR SW-AS	Indicates [ON/OFF] condition of passenger side door switch.
DOOR SW-RR	<b>NOTE:</b> This is displayed even when it is not equipped.
DOOR SW-RL	<b>NOTE:</b> This is displayed even when it is not equipped.
DOOR SW-BK	Indicates [ON/OFF] condition of back door switch.
CDL LOCK SW	Indicates [ON/OFF] condition of lock signal from door lock/unlock switch LH and RH.
CDL UNLOCK SW	Indicates [ON/OFF] condition of unlock signal from door lock/unlock switch LH and RH.
TR/BD OPEN SW	Indicates [ON/OFF] condition of back door opener switch.
TRNK/HAT MNTR	<b>NOTE:</b> This is displayed even when it is not equipped.
RKE-LOCK	Indicates [ON/OFF] condition of LOCK signal from Intelligent Key.
RKE-UNLOCK	Indicates [ON/OFF] condition of UNLOCK signal from Intelligent Key.
RKE-TR/BD	<b>NOTE:</b> This is displayed even when it is not equipped.

## WORK SUPPORT

# DIAGNOSIS SYSTEM (BCM)

## < SYSTEM DESCRIPTION >

Test Item	Description
SECURITY ALARM SET	This mode is able to confirm and change security alarm ON-OFF setting.
THEFT ALM TRG	The switch which triggered vehicle security alarm is recorded. This mode is able to confirm and erase the record of vehicle security alarm. The trigger data can be erased by touching "CLEAR" on CONSULT screen.

## ACTIVE TEST

Test Item	Description
THEFT IND	This test is able to check security indicator lamp operation. The lamp is turned on when "ON" on CONSULT screen is touched.
VEHICLE SECURITY HORN	This test is able to check vehicle security horn operation. The horns are activated for 0.5 seconds after "ON" on CONSULT screen is touched.
HEADLAMP(HI)	This test is able to check vehicle security lamp operation. The headlamps are activated for 0.5 seconds after "ON" on CONSULT screen is touched.
FLASHER	This test is able to check vehicle security hazard lamp operation. The hazard lamps are activated after "ON" on CONSULT screen is touched.

## RETAINED PWR

### RETAINED PWR : CONSULT Function (BCM - RETAINED PWR)

INFOID:000000007804810

#### Data monitor

Monitor Item	Description
DOOR SW-DR	Indicates [ON/OFF] condition of driver side door switch.
DOOR SW-AS	Indicates [ON/OFF] condition of passenger side door switch.

## SIGNAL BUFFER

### SIGNAL BUFFER : CONSULT Function (BCM - SIGNAL BUFFER)

INFOID:000000007623089

#### DATA MONITOR

Monitor item [UNIT]	Description
PUSH SW [Off/On]	Displays the status of the push-button ignition switch (push switch) judged by BCM.

## ACTIVE TEST

Test item	Operation	Description
OIL PRESSURE SW	Off	OFF
	On	BCM transmits the oil pressure switch signal to the combination meter via CAN communication, which illuminates the oil pressure warning lamp in the combination meter.

## AIR PRESSURE MONITOR

### AIR PRESSURE MONITOR : CONSULT Function

INFOID:000000007804812

#### FUNCTION

The diagnosis functions (main functions) include the following: "WORK SUPPORT", "SELF DIAGNOSTIC RESULT", "DATA MONITOR" and "ACTIVE TEST".

# DIAGNOSIS SYSTEM (BCM)

## < SYSTEM DESCRIPTION >

Diagnostic test mode	Function
Work support	In this mode, it is possible to make quick and accurate adjustments by following the instructions on the CONSULT display.
Self diagnostic result	Receives self-diagnosis results from the BCM, and indicates DTCs and the number of malfunctions.
Data monitor	Receives input/output signals from the BCM and indicates and stores them to facilitate locating the causes of malfunctions.
Active test	Transmits command to the BCM to change output signals and check operation of output system.

### WORK SUPPORT MODE

Refer to [WT-18, "Work Procedure"](#).

### SELF-DIAG RESULTS MODE

Refer to [BCS-85, "DTC Index"](#).

### DATA MONITOR MODE

Screen of data monitor mode is displayed.

#### NOTE:

When malfunction is detected, CONSULT perform REAL-TIME DIAGNOSIS.  
Also, any malfunction detected while in this mode will be displayed at real time.

Monitor item (Unit)	Remark
AIR PRESS FL (kPa), (kg/cm <sup>2</sup> ), (Psi)	Air pressure of tires
AIR PRESS FR (kPa), (kg/cm <sup>2</sup> ), (Psi)	
AIR PRESS RR (kPa), (kg/cm <sup>2</sup> ), (Psi)	
AIR PRESS RL (kPa), (kg/cm <sup>2</sup> ), (Psi)	
ID REGST FL1	ID is registered: Done ID is not registered: Yet
ID REGST FR1	
ID REGST RR1	
ID REGST RL1	
WARNING LAMP	Low tire pressure warning lamp ON: On Low tire pressure warning lamp OFF: Off
BUZZER	Combination meter buzzer ON: On Combination meter buzzer OFF: Off

#### NOTE:

Before performing the self-diagnosis, be sure to register the ID, or erase the actual malfunction location may be different from that displayed on CONSULT.

### ACTIVE TEST MODE

#### NOTE:

Before performing the self-diagnosis, be sure to register the ID, or erase the actual malfunction may be different from that displayed on CONSULT.

### TEST ITEM LIST

Test item	Content
WARNING LAMP	This test is able to check to check that the low tire pressure warning lamp turns on.
ID REGIST WARNING	This test is able to check to check that the buzzer sounds or the low tire pressure warning lamp turns on.
FLASHER	This test is able to check to check that each turn signal lamp turns on.
HORN	This test is able to check to check that the horn sounds.

# U1000 CAN COMM

< DTC/CIRCUIT DIAGNOSIS >

## DTC/CIRCUIT DIAGNOSIS

### U1000 CAN COMM

#### Description

INFOID:000000007623091

CAN (Controller Area Network) is a serial communication line for real time applications. It is an on-vehicle multiplex communication line with high data communication speed and excellent error detection ability. Modern vehicle is equipped with many electronic control unit, and each control unit shares information and links with other control units during operation (not independent). In CAN communication, control units are connected with 2 communication lines (CAN H-line, CAN L-line) allowing a high rate of information transmission with less wiring. Each control unit transmits/receives data but selectively reads required data only.  
CAN Communication Signal Chart. Refer to [LAN-25, "CAN Communication Signal Chart"](#).

#### DTC Logic

INFOID:000000007623092

#### DTC DETECTION LOGIC

DTC	CONSULT display description	DTC Detection Condition	Possible cause
U1000	CAN COMM	When BCM cannot communicate CAN communication signal continuously for 2 seconds or more.	CAN communication system

#### Diagnosis Procedure

INFOID:000000007623093

#### 1. PERFORM SELF DIAGNOSTIC

1. Turn ignition switch ON and wait for 2 seconds or more.
2. Check "Self Diagnostic Result".

Is DTC "U1000" displayed?

- YES >> Refer to [LAN-15, "Trouble Diagnosis Flow Chart"](#).  
NO >> Refer to [GI-44, "Intermittent Incident"](#).

# U1010 CONTROL UNIT (CAN)

< DTC/CIRCUIT DIAGNOSIS >

## U1010 CONTROL UNIT (CAN)

### DTC Logic

INFOID:000000007623094

### DTC DETECTION LOGIC

DTC	CONSULT display description	DTC Detection Condition	Possible cause
U1010	CONTROL UNIT(CAN)	BCM detected internal CAN communication circuit malfunction.	BCM

### Diagnosis Procedure

INFOID:000000007623095

#### 1.REPLACE BCM

When DTC "U1010" is detected, replace BCM.

>> Replace BCM. Refer to [BCS-92. "Exploded View"](#).

A  
B  
C  
D  
E  
F  
G  
H  
I  
J  
K  
L

BCS

N  
O  
P

# U0415 VEHICLE SPEED SIG

< DTC/CIRCUIT DIAGNOSIS >

## U0415 VEHICLE SPEED SIG

### Description

INFOID:000000007623096

U0415 is displayed if any unusual condition is present in the reception status of the vehicle speed signal from the ABS actuator and electric unit (control unit).

### DTC Logic

INFOID:000000007623097

### DTC DETECTION LOGIC

DTC	CONSULT display description	DTC Detection Condition	Probable cause
U0415	VEHICLE SPEED	When the vehicle speed signal received from the ABS actuator and electric unit (control unit) remains abnormal for 2 seconds or more.	<ul style="list-style-type: none"><li>• ABS actuator and electric unit (control unit)</li><li>• BCM</li></ul>

### DTC CONFIRMATION PROCEDURE

#### 1. DTC CONFIRMATION

1. Erase the DTC.
2. Turn ignition switch OFF.
3. Perform the "Self Diagnostic Result" of CONSULT, when passed 2 seconds or more after the ignition switch is turned ON.

#### Is any DTC detected?

- YES >> Refer to [BCS-48, "Diagnosis Procedure"](#).  
NO >> INSPECTION END

### Diagnosis Procedure

INFOID:000000007623098

#### 1. ABS ACTUATOR AND ELECTRIC UNIT (CONTROL UNIT) SELF-DIAG RESULTS

Perform "Self-Diagnostic Result" of ABS actuator and electric unit (control unit) with CONSULT. Refer to [BRC-22, "CONSULT Function"](#).

#### Is any DTC detected?

- YES >> Repair or replace the malfunctioning part.  
NO >> Replace BCM. Refer to [BCS-92, "Exploded View"](#).



# B2562 LOW VOLTAGE

< DTC/CIRCUIT DIAGNOSIS >

## B2562 LOW VOLTAGE

### DTC Logic

INFOID:000000007623099

### DTC DETECTION LOGIC

DTC	CONSULT display description	DTC Detection Condition	Possible cause
B2562	LOW VOLTAGE	When the power supply voltage to BCM remains less than 8.8 V for 120 seconds or more	Harness or connector (power supply circuit)

### DTC CONFIRMATION PROCEDURE

#### 1. DTC CONFIRMATION

1. Erase DTC.
2. Turn ignition switch OFF.
3. Perform the "Self Diagnostic Result" of CONSULT, when passed 120 seconds or more after the ignition switch is turned ON.

#### Is any DTC detected?

- YES >> Refer to [BCS-49, "Diagnosis Procedure"](#).  
NO >> INSPECTION END

### Diagnosis Procedure

INFOID:000000007623100

#### 1. CHECK POWER SUPPLY CIRCUIT

Check BCM power supply circuit. Refer to [BCS-50, "Diagnosis Procedure"](#).

#### Is the circuit normal?

- YES >> Replace BCM. Refer to [BCS-92, "Exploded View"](#).  
NO >> Repair the malfunctioning part.

A  
B  
C  
D  
E  
F  
G  
H  
I  
J  
K  
L

BCS

N  
O  
P

# POWER SUPPLY AND GROUND CIRCUIT

< DTC/CIRCUIT DIAGNOSIS >

## POWER SUPPLY AND GROUND CIRCUIT

### Diagnosis Procedure

INFOID:000000007623101

#### 1. CHECK FUSE AND FUSIBLE LINK

Check that the following fuse and fusible link are not blown.

Signal name	Fuse and fusible link No.
Battery power supply	K
	10

#### Is the fuse fusing?

- YES >> Replace the blown fuse or fusible link after repairing the affected circuit if a fuse or fusible link is blown.  
NO >> GO TO 2.

#### 2. CHECK POWER SUPPLY CIRCUIT

1. Turn ignition switch OFF.
2. Disconnect BCM connectors.
3. Check voltage between BCM harness connector and ground.

Terminals		Voltage (Approx.)
(+)	(-)	
BCM		Ground  Battery voltage
Connector	Terminal	
M118	1	
M119	11	

#### Is the measurement value normal?

- YES >> GO TO 3.  
NO >> Repair harness or connector.

#### 3. CHECK GROUND CIRCUIT

Check continuity between BCM harness connector and ground.

BCM		Ground	Continuity
Connector	Terminal		
M119	13		Existed

#### Does continuity exist?

- YES >> INSPECTION END  
NO >> Repair harness or connector.

# COMBINATION SWITCH INPUT CIRCUIT

< DTC/CIRCUIT DIAGNOSIS >

## COMBINATION SWITCH INPUT CIRCUIT

### Diagnosis Procedure

INFOID:000000007623102

#### 1. CHECK INPUT 1 - 5 SYSTEM CIRCUIT FOR OPEN

1. Turn the ignition switch OFF.
2. Disconnect the BCM and combination switch connectors.
3. Check continuity between BCM harness connector and combination switch harness connector.

System	BCM		Combination switch		Continuity
	Connector	Terminal	Connector	Terminal	
INPUT 1	M122	107	M33	11	Existed
INPUT 2		109		9	
INPUT 3		88		7	
INPUT 4		108		10	
INPUT 5		87		13	

Does continuity exist?

YES >> GO TO 2.

NO >> Repair the harnesses or connectors.

#### 2. CHECK INPUT 1 - 5 SYSTEM CIRCUIT FOR SHORT

Check for continuity between BCM harness connector and ground.

System	BCM		Ground	Continuity
	Connector	Terminal		
INPUT 1	M122	107	Ground	Not existed
INPUT 2		109		
INPUT 3		88		
INPUT 4		108		
INPUT 5		87		

Does continuity exist?

YES >> Repair the harnesses or connectors.

NO >> GO TO 3.

#### 3. CHECK BCM OUTPUT VOLTAGE

1. Connect the BCM connector.
2. Check voltage between BCM harness connector and ground.

System	Terminals		Ground	Voltage (Approx.)	
	(+)				(-)
	Connector	Terminal			
INPUT 1	M122	107	Ground	Refer to <a href="#">BCS-55, "Reference Value"</a> .	
INPUT 2		109			
INPUT 3		88			
INPUT 4		108			
INPUT 5		87			

Is the measurement value normal?

YES >> GO TO 4.

NO >> Replace BCM. Refer to [BCS-92, "Exploded View"](#).

A

B

C

D

E

F

G

H

I

J

K

L

BCS

N

O

P

# COMBINATION SWITCH INPUT CIRCUIT

< DTC/CIRCUIT DIAGNOSIS >

## 4. CHECK BCM INPUT SIGNAL

1. Connect the combination switch connector.
2. Turn ON any switch in the system that is malfunctioning.
3. Check voltage between BCM harness connector and ground.

System	Terminals		Voltage (Approx.)
	(+)	(-)	
	BCM		
	Connector	Terminal	
INPUT 1	M122	107	Ground
INPUT 2		109	
INPUT 3		88	
INPUT 4		108	
INPUT 5		87	

Refer to [BCS-55](#), "Reference Value".

Is the measurement value normal when any of the switches is turned ON?

- YES >> Replace BCM. Refer to [BCS-92](#), "Exploded View".  
NO >> Replace the combination switch.

# COMBINATION SWITCH OUTPUT CIRCUIT

< DTC/CIRCUIT DIAGNOSIS >

## COMBINATION SWITCH OUTPUT CIRCUIT

### Diagnosis Procedure

INFOID:000000007623103

#### 1. CHECK OUTPUT 1 - 5 SYSTEM CIRCUIT FOR OPEN

1. Turn the ignition switch OFF.
2. Disconnect the BCM and combination switch connectors.

**NOTE:**

BCM connector disconnects M123 only.

3. Check continuity between BCM harness connector and combination switch harness connector.

System	BCM		Combination switch		Continuity
	Connector	Terminal	Connector	Terminal	
OUTPUT 1	M123	143	M33	12	Existed
OUTPUT 2		144		14	
OUTPUT 3		145		5	
OUTPUT 4		146		2	
OUTPUT 5		142		8	

Does continuity exist?

YES >> GO TO 2.

NO >> Repair the harnesses or connectors.

#### 2. CHECK OUTPUT 1 - 5 SYSTEM CIRCUIT FOR SHORT

Check for continuity between BCM harness connector and ground.

System	BCM		Continuity
	Connector	Terminal	
OUTPUT 1	M123	143	Ground Not existed
OUTPUT 2		144	
OUTPUT 3		145	
OUTPUT 4		146	
OUTPUT 5		142	

Does continuity exist?

YES >> Repair the harnesses or connectors.

NO >> GO TO 3.

#### 3. CHECK COMBINATION SWITCH INTERNAL CIRCUIT

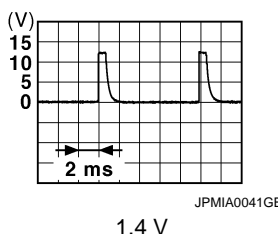
1. Connect the combination switch connector.
2. Turn ON any switch in the system that is malfunctioning.
3. Check voltage between combination switch harness connector and ground.

**NOTE:**

Check that the combination switch outputs a signal from combination switch input system.

# COMBINATION SWITCH OUTPUT CIRCUIT

< DTC/CIRCUIT DIAGNOSIS >

System	Terminals		Value (Approx.)	
	(+)			Ground
	Combination switch			
	Connector	Terminal		
OUTPUT 1	M33	12		
OUTPUT 2		14		
OUTPUT 3		5		
OUTPUT 4		2		
OUTPUT 5		8		

Is the measurement value normal when any of the switches is turned ON?

- YES >> Replace BCM. Refer to [BCS-92, "Exploded View"](#).
- NO >> Replace the combination switch.

# BCM (BODY CONTROL MODULE)

< ECU DIAGNOSIS INFORMATION >

## ECU DIAGNOSIS INFORMATION

### BCM (BODY CONTROL MODULE)

Reference Value

INFOID:000000007623104

#### VALUES ON THE DIAGNOSIS TOOL

##### CONSULT MONITOR ITEM

Monitor Item	Condition	Value/Status
FR WIPER HI	Other than front wiper switch HI	Off
	Front wiper switch HI	On
FR WIPER LOW	Other than front wiper switch LO	Off
	Front wiper switch LO	On
FR WASHER SW	Front washer switch OFF	Off
	Front washer switch ON	On
FR WIPER INT	Other than front wiper switch INT	Off
	Front wiper switch INT	On
FR WIPER STOP	Front wiper is not in STOP position	Off
	Front wiper is in STOP position	On
INT VOLUME	Wiper intermittent dial is in a dial position 1 - 7	Wiper intermittent dial position
TURN SIGNAL R	Other than turn signal switch RH	Off
	Turn signal switch RH	On
TURN SIGNAL L	Other than turn signal switch LH	Off
	Turn signal switch LH	On
TAIL LAMP SW	Other than lighting switch 1ST and 2ND	Off
	Lighting switch 1ST or 2ND	On
HI BEAM SW	Other than lighting switch HI	Off
	Lighting switch HI	On
HEAD LAMP SW 1	Other than lighting switch 2ND	Off
	Lighting switch 2ND	On
HEAD LAMP SW 2	Other than lighting switch 2ND	Off
	Lighting switch 2ND	On
PASSING SW	Other than lighting switch PASS	Off
	Lighting switch PASS	On
AUTO LIGHT SW	Other than lighting switch AUTO	Off
	Lighting switch AUTO	On
FR FOG SW	<b>NOTE:</b> The item is indicated, but not monitored.	Off
RR FOG SW	Rear fog lamp switch OFF	Off
	Rear fog lamp switch ON	On
DOOR SW-DR	Driver door closed	Off
	Driver door opened	On
DOOR SW-AS	Passenger door closed	Off
	Passenger door opened	On
DOOR SW-RR	<b>NOTE:</b> The item is indicated, but not monitored.	Off

## BCM (BODY CONTROL MODULE)

### < ECU DIAGNOSIS INFORMATION >

Monitor Item	Condition	Value/Status
DOOR SW-RL	<b>NOTE:</b> The item is indicated, but not monitored.	Off
DOOR SW-BK	<ul style="list-style-type: none"> <li>• Back door closed (Coupe models)</li> <li>• Trunk lid closed (Roadster models)</li> </ul>	Off
	<ul style="list-style-type: none"> <li>• Back door opened (Coupe models)</li> <li>• Trunk lid opened (Roadster models)</li> </ul>	On
CDL LOCK SW	Other than door lock and unlock switch LOCK	Off
	Door lock and unlock switch LOCK	On
CDL UNLOCK SW	Other than door lock and unlock switch UNLOCK	Off
	Door lock and unlock switch UNLOCK	On
KEY CYL LK-SW	Other than driver door key cylinder LOCK position	Off
	Driver door key cylinder LOCK position	On
KEY CYL UN-SW	Other than driver door key cylinder UNLOCK position	Off
	Driver door key cylinder UNLOCK position	On
KEY CYL SW-TR	<b>NOTE:</b> The item is indicated, but not monitored.	Off
HAZARD SW	Hazard switch is OFF	Off
	Hazard switch is ON	On
REAR DEF SW <b>NOTE:</b> For models with NAVI this item is not monitored.	Rear window defogger switch OFF	Off
	Rear window defogger switch ON	On
H/L WASH SW	<b>NOTE:</b> The item is indicated, but not monitored.	Off
TR CANCEL SW	Trunk lid opener cancel switch OFF	Off
	Trunk lid opener cancel switch ON	On
TR/BD OPEN SW	<ul style="list-style-type: none"> <li>• Back door opener switch OFF (Coupe models)</li> <li>• Trunk lid opener switch OFF (Roadster models)</li> </ul>	Off
	<ul style="list-style-type: none"> <li>• While the back door opener switch is turned ON (Coupe models)</li> <li>• While the trunk lid opener switch is turned ON (Roadster models)</li> </ul>	On
TRNK/HAT MNTR	<b>NOTE:</b> The item is indicated, but not monitored.	Off
RKE-LOCK	LOCK button of the Intelligent Key is not pressed	Off
	LOCK button of the Intelligent Key is pressed	On
RKE-UNLOCK	UNLOCK button of the Intelligent Key is not pressed	Off
	UNLOCK button of the Intelligent Key is pressed	On
RKE-TR/BD <b>NOTE:</b> For Coupe models this item is not monitored.	TRUNK OPEN button of the Intelligent Key is not pressed	Off
	TRUNK OPEN of the Intelligent Key is pressed	On
RKE-PANIC	PANIC button of the Intelligent Key is not pressed	Off
	PANIC button of the Intelligent Key is pressed	On
RKE-P/W OPEN	UNLOCK button of the Intelligent Key is not pressed	Off
	UNLOCK button of the Intelligent Key is pressed and held	On
RKE-MODE CHG	LOCK/UNLOCK button of the Intelligent Key is not pressed and held simultaneously	Off
	LOCK/UNLOCK button of the Intelligent Key is pressed and held simultaneously	On



## BCM (BODY CONTROL MODULE)

### < ECU DIAGNOSIS INFORMATION >

Monitor Item	Condition	Value/Status	
OPTICAL SENSOR	Bright outside of the vehicle	Close to 5 V	A
	Dark outside of the vehicle	Close to 0 V	
REQ SW -DR	Driver door request switch is not pressed	Off	B
	Driver door request switch is pressed	On	
REQ SW -AS	Passenger door request switch is not pressed	Off	C
	Passenger door request switch is pressed	On	
REQ SW -RR	<b>NOTE:</b> The item is indicated, but not monitored.	Off	D
REQ SW -RL	<b>NOTE:</b> The item is indicated, but not monitored.	Off	D
REQ SW -BD/TR	<ul style="list-style-type: none"> <li>• Back door request switch is not pressed (Coupe models)</li> <li>• Trunk lid door request switch is not pressed (Roadster models)</li> </ul>	Off	E
	<ul style="list-style-type: none"> <li>• Back door request switch is pressed (Coupe models)</li> <li>• Trunk lid door request switch is pressed (Roadster models)</li> </ul>	On	
PUSH SW	Push-button ignition switch (push switch) is not pressed	Off	F
	Push-button ignition switch (push switch) is pressed	On	
IGN RLY2 -F/B	<b>NOTE:</b> The item is indicated, but not monitored.	Off	G
ACC RLY -F/B	<b>NOTE:</b> The item is indicated, but not monitored.	Off	H
CLUCH SW <b>NOTE:</b> For A/T models this item is not monitored.	The clutch pedal is not depressed	Off	H
	The clutch pedal is depressed	On	I
BRAKE SW 1	The brake pedal is depressed when No. 7 fuse is blown	Off	I
	The brake pedal is not depressed when No. 7 fuse is blown, or No. 7 fuse is normal	On	J
BRAKE SW 2	The brake pedal is not depressed	Off	J
	The brake pedal is depressed	On	K
DETE/CANCL SW <b>NOTE:</b> For M/T models with Synchro-Rev Match mode this item is not monitored.	<ul style="list-style-type: none"> <li>• Selector lever in P position (A/T models)</li> <li>• The clutch pedal is depressed (M/T models without SynchroRev Match mode)</li> </ul>	Off	K
	<ul style="list-style-type: none"> <li>• Selector lever in any position other than P (A/T models)</li> <li>• The clutch pedal is not depressed (M/T models without SynchroRev Match mode)</li> </ul>	On	L
SFT PN/N SW <b>NOTE:</b> For roadster M/T models and coupe M/T models without SynchroRev Match mode this item is not monitored.	<ul style="list-style-type: none"> <li>• Selector lever in any position other than P and N (A/T models)</li> <li>• Control lever in any position other than neutral position (Coupe M/T models with SynchroRev Match mode)</li> </ul>	Off	BCS
	<ul style="list-style-type: none"> <li>• Selector lever in P or N position (A/T models)</li> <li>• Control lever in neutral position (Coupe M/T models with SynchroRev Match mode)</li> </ul>	On	N
S/L -LOCK	<b>NOTE:</b> The item is indicated but not monitored.	Off	O
S/L -UNLOCK	<b>NOTE:</b> The item is indicated but not monitored.	Off	P
S/L RELAY-F/B	<b>NOTE:</b> The item is indicated but not monitored.	Off	P
UNLK SEN -DR	Driver door is unlocked	Off	
	Driver door is locked	On	
PUSH SW -IPDM	Push-button ignition switch (push-switch) is not pressed	Off	
	Push-button ignition switch (push-switch) is pressed	On	

## BCM (BODY CONTROL MODULE)

### < ECU DIAGNOSIS INFORMATION >

Monitor Item	Condition	Value/Status
IGN RLY1 -F/B	Ignition switch in OFF or ACC position	Off
	Ignition switch in ON position	On
DETE SW -IPDM	Selector lever in any position other than P	Off
	Selector lever in P position	On
SFT PN -IPDM	<ul style="list-style-type: none"> <li>• Selector lever in any position other than P and N (A/T models)</li> <li>• The clutch pedal is not depressed (M/T models)</li> </ul>	Off
	<ul style="list-style-type: none"> <li>• Selector lever in P or N position (A/T models)</li> <li>• The clutch pedal is depressed (M/T models)</li> </ul>	On
SFT P -MET	Selector lever in any position other than P	Off
	Selector lever in P position	On
SFT N -MET	Selector lever in any position other than N	Off
	Selector lever in N position	On
ENGINE STATE	Engine stopped	Stop
	While the engine stalls	Stall
	At engine cranking	Crank
	Engine running	Run
S/L LOCK-IPDM	<b>NOTE:</b> The item is indicated but not monitored.	Off
S/L UNLK-IPDM	<b>NOTE:</b> The item is indicated but not monitored.	Off
S/L RELAY-REQ	<b>NOTE:</b> The item is indicated but not monitored.	Off
VEH SPEED 1	While driving	Equivalent to speedometer reading
VEH SPEED 2	While driving	Equivalent to speedometer reading
DOOR STAT-DR	Driver door is locked	LOCK
	Wait with selective UNLOCK operation (60 seconds)	READY
	Driver door is unlocked	UNLOCK
DOOR STAT-AS	Passenger door is locked	LOCK
	Wait with selective UNLOCK operation (60 seconds)	READY
	Passenger door is unlocked	UNLOCK
ID OK FLAG	Driver side door is open after ignition switch is turned OFF (Shift position is in the P position)	Reset
	Ignition switch ON	Set
PRMT ENG STRT	The engine start is prohibited	Reset
	The engine start is permitted	Set
PRMT RKE STRT	<b>NOTE:</b> The item is indicated, but not monitored.	Reset
KEY SW -SLOT	The Intelligent Key is not inserted into key slot	Off
	The Intelligent Key is inserted into key slot	On
RKE OPE COUN1	During the operation of the Intelligent Key	Operation frequency of the Intelligent Key
RKE OPE COUN2	During the operation of the Intelligent Key	Operation frequency of the Intelligent Key

## BCM (BODY CONTROL MODULE)

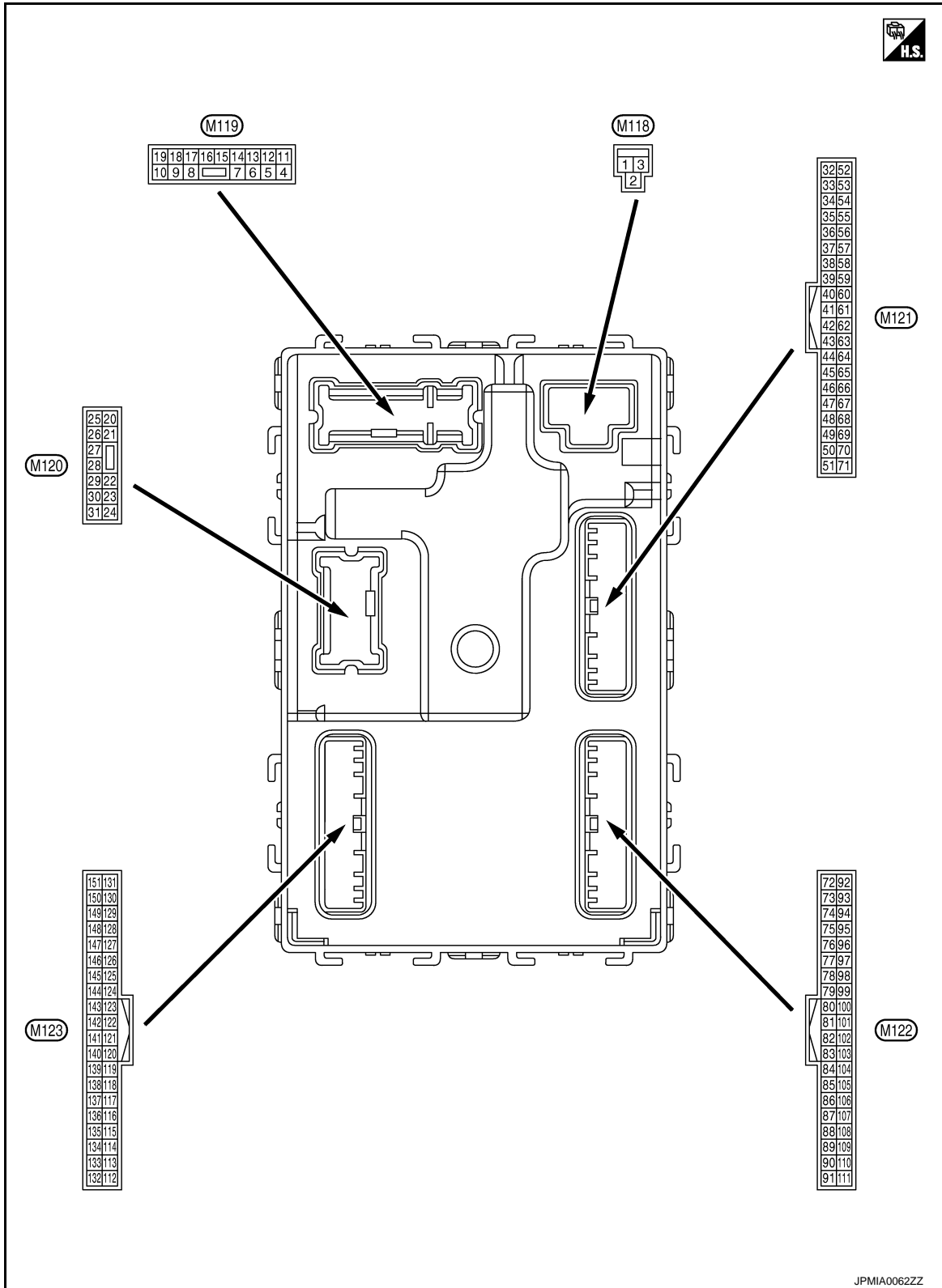
### < ECU DIAGNOSIS INFORMATION >

Monitor Item	Condition	Value/Status	
CONFIRM ID ALL	The key ID that the key slot receives is not recognized by any key ID registered to BCM.	Yet	A
	The key ID that the key slot receives is recognized by any key ID registered to BCM.	Done	B
CONFIRM ID4	The key ID that the key slot receives is not recognized by the fourth key ID registered to BCM.	Yet	C
	The key ID that the key slot receives is recognized by the fourth key ID registered to BCM.	Done	D
CONFIRM ID3	The key ID that the key slot receives is not recognized by the third key ID registered to BCM.	Yet	E
	The key ID that the key slot receives is recognized by the third key ID registered to BCM.	Done	F
CONFIRM ID2	The key ID that the key slot receives is not recognized by the second key ID registered to BCM.	Yet	G
	The key ID that the key slot receives is recognized by the second key ID registered to BCM.	Done	H
CONFIRM ID1	The key ID that the key slot receives is not recognized by the first key ID registered to BCM.	Yet	I
	The key ID that the key slot receives is recognized by the first key ID registered to BCM.	Done	J
TP 4	The ID of fourth Intelligent Key is not registered to BCM	Yet	K
	The ID of fourth Intelligent Key is registered to BCM	Done	L
TP 3	The ID of third Intelligent Key is not registered to BCM	Yet	
	The ID of third Intelligent Key is registered to BCM	Done	
TP 2	The ID of second Intelligent Key is not registered to BCM	Yet	
	The ID of second Intelligent Key is registered to BCM	Done	
TP 1	The ID of first Intelligent Key is not registered to BCM	Yet	
	The ID of first Intelligent Key is registered to BCM	Done	
AIR PRESS FL	Ignition switch ON (Only when the signal from the transmitter is received)	Air pressure of front LH tire	
AIR PRESS FR	Ignition switch ON (Only when the signal from the transmitter is received)	Air pressure of front RH tire	
AIR PRESS RR	Ignition switch ON (Only when the signal from the transmitter is received)	Air pressure of rear RH tire	
AIR PRESS RL	Ignition switch ON (Only when the signal from the transmitter is received)	Air pressure of rear LH tire	BCS
ID REGST FL1	ID of front LH tire transmitter is registered	Done	
	ID of front LH tire transmitter is not registered	Yet	
ID REGST FR1	ID of front RH tire transmitter is registered	Done	N
	ID of front RH tire transmitter is not registered	Yet	
ID REGST RR1	ID of rear RH tire transmitter is registered	Done	O
	ID of rear RH tire transmitter is not registered	Yet	
ID REGST RL1	ID of rear LH tire transmitter is registered	Done	P
	ID of rear LH tire transmitter is not registered	Yet	
WARNING LAMP	Tire pressure indicator OFF	Off	
	Tire pressure indicator ON	On	
BUZZER	Tire pressure warning alarm is not sounding	Off	
	Tire pressure warning alarm is sounding	On	

# BCM (BODY CONTROL MODULE)

< ECU DIAGNOSIS INFORMATION >

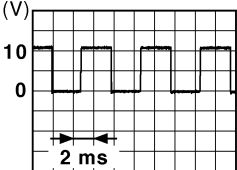
## TERMINAL LAYOUT



## PHYSICAL VALUES

# BCM (BODY CONTROL MODULE)

## < ECU DIAGNOSIS INFORMATION >

Terminal No. (Wire color)		Description		Condition		Value (Approx.)
+	-	Signal name	Input/ Output			
1 (W)	Ground	Battery power supply	Input	Ignition switch OFF		Battery voltage
2 (W)	Ground	P/W power supply (BAT)	Output	Ignition switch OFF		12 V
3 (Y)	Ground	P/W power supply (IGN)	Output	Ignition switch ON		12 V
4 (R)	Ground	Interior room lamp power supply	Output	Interior room lamp battery saver is activated. (Cuts the interior room lamp power supply)		0 V
				Interior room lamp battery saver is not activated. (Outputs the interior room lamp power supply)		12 V
5 (G)	Ground	Passenger door UN- LOCK	Output	Passenger door	UNLOCK (Actuator is activated)	12 V
					Other than UNLOCK (Ac- tuator is not activated)	0 V
8 (V)	Ground	All doors, fuel lid LOCK	Output	All doors, fuel lid	LOCK (Actuator is activated)	12 V
					Other than LOCK (Actuator is not activated)	0 V
9 (G)	Ground	Driver door, fuel lid UNLOCK	Output	Driver door, fuel lid	UNLOCK (Actuator is activated)	12 V
					Other than UNLOCK (Actuator is not activated)	0 V
11 (BR)	Ground	Battery power supply	Input	Ignition switch OFF		Battery voltage
13 (B)	Ground	Ground	—	Ignition switch ON		0 V
14 (R)	Ground	Push-button ignition switch illumination ground	Output	Tail lamp	OFF	0 V
					ON	<p><b>NOTE:</b> When the illumination brighten- ing/dimming level is in the neutral position.</p>  <p style="text-align: right; font-size: small;">JSNIA0010GB</p>
15 (Y)	Ground	ACC indicator lamp	Output	Ignition switch	OFF (LOCK indicator is not illuminated)	Battery voltage
					ACC	0 V

A  
B  
C  
D  
E  
F  
G  
H  
I  
J  
K  
L  
N  
O  
P

BCS

# BCM (BODY CONTROL MODULE)

## < ECU DIAGNOSIS INFORMATION >

Terminal No. (Wire color)		Description		Condition	Value (Approx.)
+	-	Signal name	Input/ Output		
17 (W)	Ground	Turn signal RH (Front and side)	Output	Ignition switch OFF	0 V
				Ignition switch ON	Turn signal switch RH
18 (O)	Ground	Turn signal LH (Front and side)	Output	Ignition switch OFF	0 V
				Ignition switch ON	Turn signal switch LH
19 (P)	Ground	Interior room lamp control	Output	Interior room lamp OFF	12 V
				Interior room lamp ON	0 V
20 (V)	Ground	Turn signal RH (Rear)	Output	Ignition switch OFF	0 V
				Ignition switch ON	Turn signal switch RH
23 (L)*1 (Y)*2	Ground	Back door/Trunk lid open	Output	Back door/Trunk lid OPEN (Back door/Trunk lid opener actuator is activated)	12 V
				Back door/Trunk lid Other than OPEN (Back door/Trunk lid opener actuator is not activated)	0 V
24*8 (O)	Ground	Rear fog lamp	Output	Rear fog lamp OFF	0 V
				Rear fog lamp ON	12 V
25 (LG)	Ground	Turn signal LH (Rear)	Output	Ignition switch OFF	0 V
				Ignition switch ON	Turn signal switch LH
30 (R)	Ground	Luggage room/Trunk room lamp	Output	Luggage room/Trunk room lamp ON	0 V
				Luggage room/Trunk room lamp OFF	12 V

# BCM (BODY CONTROL MODULE)

## < ECU DIAGNOSIS INFORMATION >

Terminal No. (Wire color)		Description		Condition	Value (Approx.)
+	-	Signal name	Input/ Output		
34 (G)	Ground	Luggage room/Trunk room antenna (-)	Output	Ignition switch OFF	
				When Intelligent Key is not in the passenger compart- ment	
35 (R)	Ground	Luggage room/Trunk room antenna (+)	Output	Ignition switch OFF	
				When Intelligent Key is not in the passenger compart- ment	
38 (B)	Ground	Rear bumper anten- na (-)	Output	When the back door/trunk lid door request switch is oper- ated with igni- tion switch OFF	
				When Intelligent Key is not in the antenna detection area	

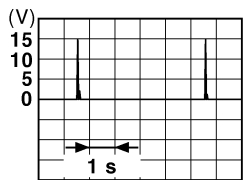
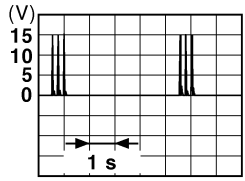
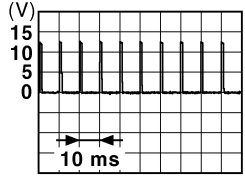
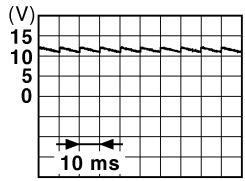
A  
B  
C  
D  
E  
F  
G  
H  
I  
J  
K  
L

**BCS**

N  
O  
P

# BCM (BODY CONTROL MODULE)

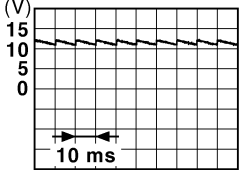
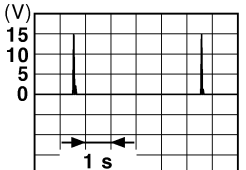
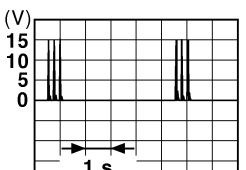
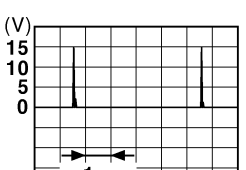
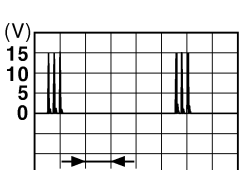
## < ECU DIAGNOSIS INFORMATION >

Terminal No. (Wire color)		Description		Condition	Value (Approx.)
+	-	Signal name	Input/ Output		
39 (W)	Ground	Rear bumper antenna (+)	Output	When the back door/trunk lid door request switch is operated with ignition switch OFF	 <p style="text-align: right; font-size: small;">JMkia0062GB</p>
				When Intelligent Key is not in the antenna detection area	 <p style="text-align: right; font-size: small;">JMkia0063GB</p>
47 (V)	Ground	Ignition relay (IPDM E/R) control	Output	Ignition switch	OFF or ACC: 12 V ON: 0 V
52 (SB)	Ground	Starter relay control	Output	Ignition switch ON (A/T models)	When selector lever is in P or N position: 12 V
					When selector lever is not in P or N position: 0 V
				Ignition switch ON (M/T models)	When the clutch pedal is depressed: Battery voltage
					When the clutch pedal is not depressed: 0 V
60 (BR)	Ground	Push-button ignition switch (Push switch)	Input	Push-button ignition switch (push switch)	Pressed: 0 V Not pressed: Battery voltage
				61 (W)	Ground
OFF (Not pressed)	 <p style="text-align: right; font-size: small;">JPMIA0016GB</p>				
					1.0 V
64 (G)	Ground	Intelligent Key warning buzzer	Output	Intelligent Key warning buzzer	Sounding: 0 V Not sounding: 12 V
				66 (R)	Ground
 <p style="text-align: right; font-size: small;">JPMIA0011GB</p>					
11.8 V					
					ON (Door open): 0 V



# BCM (BODY CONTROL MODULE)

## < ECU DIAGNOSIS INFORMATION >

Terminal No. (Wire color)		Description		Condition	Value (Approx.)
+	-	Signal name	Input/ Output		
67 (GR)	Ground	Back door/Trunk lid opener switch	Input	Back door/ Trunk lid open- er switch	Pressed 0 V
				Not pressed	 <p style="text-align: right; font-size: small;">JPMIA0011GB 11.8 V</p>
72 (L)	Ground	Room antenna 2 (-) (Center console)	Output	Ignition switch OFF	When Intelligent Key is in the passenger compart- ment  <p style="text-align: right; font-size: small;">JMKIA0062GB</p>
				When Intelligent Key is not in the passenger compart- ment  <p style="text-align: right; font-size: small;">JMKIA0063GB</p>	
73 (P)	Ground	Room antenna 2 (+) (Center console)	Output	Ignition switch OFF	When Intelligent Key is in the passenger compart- ment  <p style="text-align: right; font-size: small;">JMKIA0062GB</p>
				When Intelligent Key is not in the passenger compart- ment  <p style="text-align: right; font-size: small;">JMKIA0063GB</p>	

A  
B  
C  
D  
E  
F  
G  
H  
I  
J  
K  
L  
BCS  
N  
O  
P

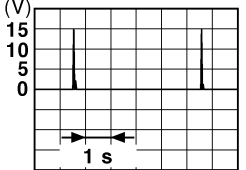
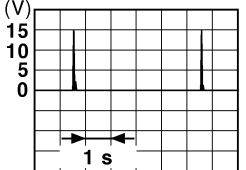
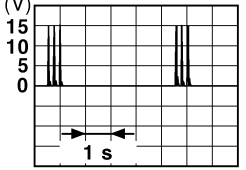
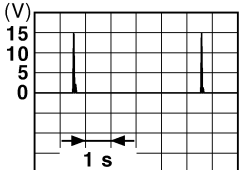
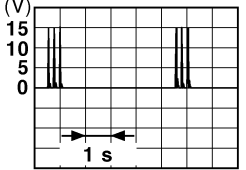
# BCM (BODY CONTROL MODULE)

## < ECU DIAGNOSIS INFORMATION >

Terminal No. (Wire color)		Description		Condition	Value (Approx.)
+	-	Signal name	Input/ Output		
74 (SB)	Ground	Passenger door antenna (-)	Output	When Intelligent Key is in the antenna detection area	<p style="text-align: right; font-size: small;">JMKIA0062GB</p>
				When the passenger door request switch is operated with ignition switch OFF	<p style="text-align: right; font-size: small;">JMKIA0063GB</p>
75 (BR)	Ground	Passenger door antenna (+)	Output	When Intelligent Key is in the antenna detection area	<p style="text-align: right; font-size: small;">JMKIA0062GB</p>
				When the passenger door request switch is operated with ignition switch OFF	<p style="text-align: right; font-size: small;">JMKIA0063GB</p>
76 (V)	Ground	Driver door antenna (-)	Output	When Intelligent Key is in the antenna detection area	<p style="text-align: right; font-size: small;">JMKIA0062GB</p>
				When the driver door request switch is operated with ignition switch OFF	<p style="text-align: right; font-size: small;">JMKIA0063GB</p>

# BCM (BODY CONTROL MODULE)

## < ECU DIAGNOSIS INFORMATION >

Terminal No. (Wire color)		Description		Condition	Value (Approx.)
+	-	Signal name	Input/ Output		
77 (LG)	Ground	Driver door antenna (+)	Output	When Intelligent Key is in the antenna detection area	 JMkia0062GB
				When the driver door request switch is operated with ignition switch OFF	When Intelligent Key is not in the antenna detection area
78*2 (L)	Ground	Room antenna 1 (-) (Instrument panel)	Output	Ignition switch OFF	 JMkia0062GB
				When Intelligent Key is not in the passenger compart- ment	 JMkia0063GB
79*2 (R)	Ground	Room antenna 1 (+) (Instrument panel)	Output	Ignition switch OFF	 JMkia0062GB
				When Intelligent Key is not in the passenger compart- ment	 JMkia0063GB

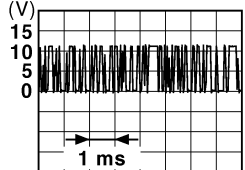
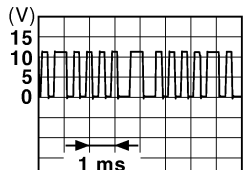


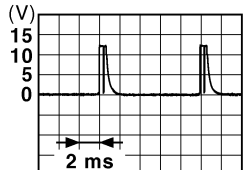
A  
B  
C  
D  
E  
F  
G  
H  
I  
J  
K  
L

BCS

N  
O  
P

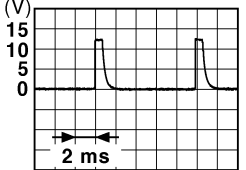

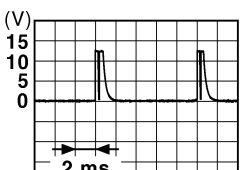

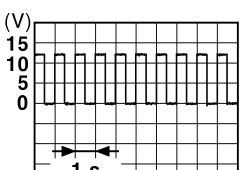
# BCM (BODY CONTROL MODULE)

## < ECU DIAGNOSIS INFORMATION >

Terminal No. (Wire color)		Description		Condition		Value (Approx.)
+	-	Signal name	Input/ Output			
80 (GR)	Ground	NATS antenna amp.	Input/ Output	During waiting	Ignition switch is pressed while inserting the Intelligent Key into the key slot.	Just after pressing ignition switch. Pointer of tester should move.
81 (W)	Ground	NATS antenna amp.	Input/ Output	During waiting	Ignition switch is pressed while inserting the Intelligent Key into the key slot.	Just after pressing ignition switch. Pointer of tester should move.
82 (R)	Ground	Ignition relay [Fuse block (J/B)] control	Output	Ignition switch	OFF or ACC	0 V
					ON	12 V
83 (GR)	Ground	Remote keyless entry receiver (front) communication	Input/ Output	During waiting		 <p style="text-align: right; font-size: small;">JMKIA0064GB</p>
				When operating either button on the Intelligent Key		 <p style="text-align: right; font-size: small;">JMKIA0065GB</p>
87 (BR)	Ground	Combination switch INPUT 5	Input	Combination switch	All switches OFF (Wiper intermittent dial 4)	 <p style="text-align: right; font-size: small;">JPMIA0041GB</p> <p style="text-align: center;">1.4 V</p>
					Rear fog lamp switch ON (Wiper intermittent dial 4)	 <p style="text-align: right; font-size: small;">JPMIA0038GB</p> <p style="text-align: center;">1.3 V</p>
					Any of the conditions below with all switches OFF <ul style="list-style-type: none"> <li>• Wiper intermittent dial 1</li> <li>• Wiper intermittent dial 2</li> <li>• Wiper intermittent dial 6</li> <li>• Wiper intermittent dial 7</li> </ul>	 <p style="text-align: right; font-size: small;">JPMIA0040GB</p> <p style="text-align: center;">1.3 V</p>

# BCM (BODY CONTROL MODULE)

## < ECU DIAGNOSIS INFORMATION >

Terminal No. (Wire color)		Description		Condition	Value (Approx.)	
+	-	Signal name	Input/ Output			
88 (V)	Ground	Combination switch INPUT 3	Input	Combination switch	All switches OFF (Wiper intermittent dial 4)	 <p style="text-align: right; font-size: small;">JPMAI0041GB</p> <p style="text-align: center;">1.4 V</p>
					Lighting switch HI (Wiper intermittent dial 4)	 <p style="text-align: right; font-size: small;">JPMAI0036GB</p> <p style="text-align: center;">1.3 V</p>
					Lighting switch 2ND (Wiper intermittent dial 4)	 <p style="text-align: right; font-size: small;">JPMAI0037GB</p> <p style="text-align: center;">1.3 V</p>
					Any of the conditions below with all switches OFF <ul style="list-style-type: none"> <li>• Wiper intermittent dial 1</li> <li>• Wiper intermittent dial 2</li> <li>• Wiper intermittent dial 3</li> </ul>	 <p style="text-align: right; font-size: small;">JPMAI0040GB</p> <p style="text-align: center;">1.3 V</p>
90 (P)	Ground	CAN-L	Input/ Output	—	—	
91 (L)	Ground	CAN-H	Input/ Output	—	—	
92 (LG)	Ground	Key slot illumination	Output	Key slot illumina- tion	OFF	0 V
					Blinking	 <p style="text-align: right; font-size: small;">JPMAI0015GB</p> <p style="text-align: center;">6.5 V</p>
93 (V)	Ground	ON indicator lamp	Output	Ignition switch	OFF (LOCK indicator is not illuminated)	Battery voltage
					ON	0 V

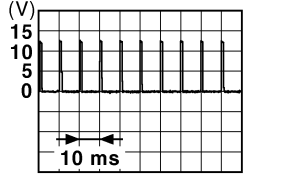
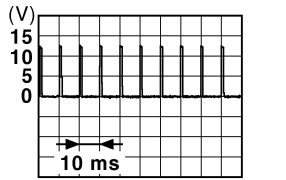
A  
B  
C  
D  
E  
F  
G  
H  
I  
J  
K  
L

BCS

N  
O  
P

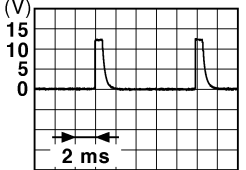

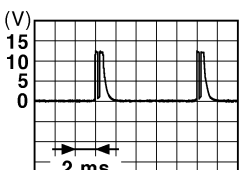

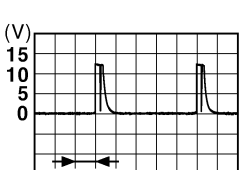
# BCM (BODY CONTROL MODULE)

## < ECU DIAGNOSIS INFORMATION >

Terminal No. (Wire color)		Description		Condition		Value (Approx.)
+	-	Signal name	Input/ Output			
95 (O)	Ground	ACC relay control	Output	Ignition switch	OFF	0 V
					ACC or ON	12 V
96*3 (Y)	Ground	A/T shift selector (Detention switch) power supply	Output	—		12 V
99*6 (R)	Ground	Selector lever P position switch (A/T models)	Input	Selector lever	P position	0 V
					Any position other than P	12 V
		Clutch pedal position switch (M/T models without SynchroRev Match mode)		Clutch pedal position switch	OFF (Clutch pedal is depressed)	0 V
					ON (Clutch pedal is not depressed)	Battery voltage
100 (GR)	Ground	Passenger door request switch	Input	Passenger door request switch	ON (Pressed)	0 V
					OFF (Not pressed)	 <p style="text-align: center;">1.0 V</p>
101 (Y)	Ground	Driver door request switch	Input	Driver door request switch	ON (Pressed)	0 V
					OFF (Not pressed)	 <p style="text-align: center;">1.0 V</p>
102 (O)	Ground	Blower fan motor relay control	Output	Ignition switch	OFF or ACC	0 V
					ON	12 V
103 (LG)	Ground	Remote keyless entry receiver (front) power supply	Output	Ignition switch OFF		12 V

# BCM (BODY CONTROL MODULE)

## < ECU DIAGNOSIS INFORMATION >

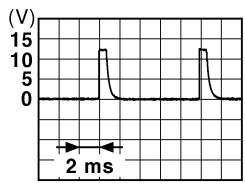
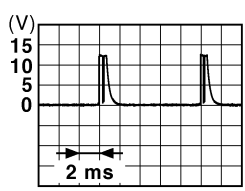
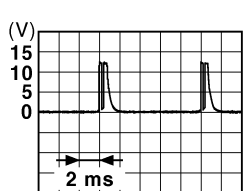
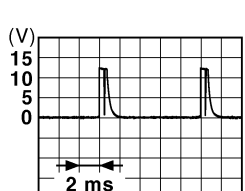
Terminal No. (Wire color)		Description		Condition	Value (Approx.)	
		Signal name	Input/ Output			
+	-					
107 (LG)	Ground	Combination switch INPUT 1	Input	Combination switch (Wiper intermit- tent dial 4)	All switches OFF	 <p style="text-align: right; margin-right: 50px;">JPMAI0041GB</p> <p style="text-align: center;">1.4 V</p>
					Turn signal switch LH	 <p style="text-align: right; margin-right: 50px;">JPMAI0037GB</p> <p style="text-align: center;">1.3 V</p>
					Turn signal switch RH	 <p style="text-align: right; margin-right: 50px;">JPMAI0036GB</p> <p style="text-align: center;">1.3 V</p>
					Front wiper switch LO	 <p style="text-align: right; margin-right: 50px;">JPMAI0038GB</p> <p style="text-align: center;">1.3 V</p>
					Front washer switch ON	 <p style="text-align: right; margin-right: 50px;">JPMAI0039GB</p> <p style="text-align: center;">1.3 V</p>

A  
B  
C  
D  
E  
F  
G  
H  
I  
J  
K  
L  
N  
O  
P

BCS

# BCM (BODY CONTROL MODULE)

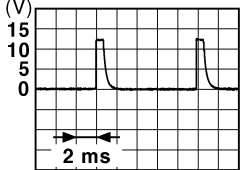

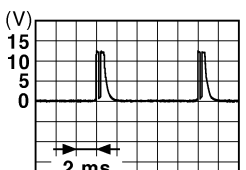
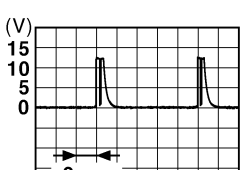
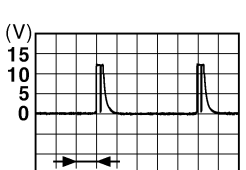
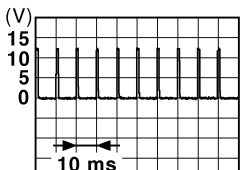
## < ECU DIAGNOSIS INFORMATION >

Terminal No. (Wire color)		Description		Condition	Value (Approx.)
+	-	Signal name	Input/ Output		
108 (R)	Ground	Combination switch INPUT 4	Input	Combination switch	All switches OFF (Wiper intermittent dial 4) <div style="text-align: right;">  <p style="font-size: small; margin: 0;">JPMIA0041GB</p> <p style="margin: 0;">1.4 V</p> </div>
				Lighting switch AUTO (Wiper intermittent dial 4)	Lighting switch AUTO (Wiper intermittent dial 4) <div style="text-align: right;">  <p style="font-size: small; margin: 0;">JPMIA0038GB</p> <p style="margin: 0;">1.3 V</p> </div>
				Lighting switch 1ST (Wiper intermittent dial 4)	Lighting switch 1ST (Wiper intermittent dial 4) <div style="text-align: right;">  <p style="font-size: small; margin: 0;">JPMIA0036GB</p> <p style="margin: 0;">1.3 V</p> </div>
				Any of the conditions below with all switches OFF	Any of the conditions below with all switches OFF <ul style="list-style-type: none"> <li>• Wiper intermittent dial 1</li> <li>• Wiper intermittent dial 5</li> <li>• Wiper intermittent dial 6</li> </ul> <div style="text-align: right;">  <p style="font-size: small; margin: 0;">JPMIA0039GB</p> <p style="margin: 0;">1.3 V</p> </div>



# BCM (BODY CONTROL MODULE)

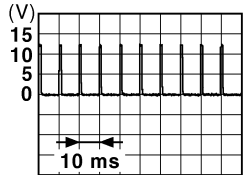
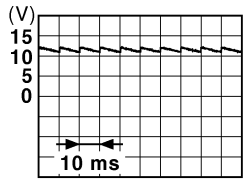
## < ECU DIAGNOSIS INFORMATION >

Terminal No. (Wire color)		Description		Condition	Value (Approx.)		
		Signal name	Input/ Output				
+	-						
109 (Y)	Ground	Combination switch INPUT 2	Input	Combination switch (Wiper intermittent dial 4)	All switches OFF	 1.4 V	A
					Lighting switch PASS	 1.3 V	B
					Lighting switch 2ND	 1.3 V	C
					Front wiper switch INT	 1.3 V	D
					Front wiper switch HI	 1.3 V	E
					ON	0 V	F
110 (P)	Ground	Hazard switch	Input	Hazard switch	OFF	 1.1 V	G
				OFF	1.1 V	H	

BCS

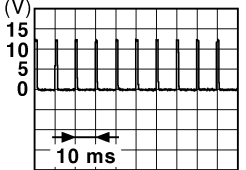
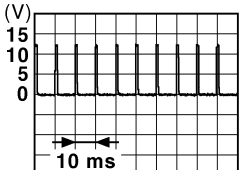

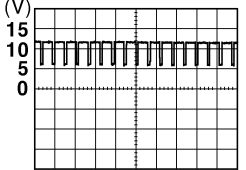
# BCM (BODY CONTROL MODULE)

## < ECU DIAGNOSIS INFORMATION >

Terminal No. (Wire color)		Description		Condition		Value (Approx.)
		Signal name	Input/ Output			
+	-					
113 (O)	Ground	Optical sensor	Input	Ignition switch ON	When bright outside of the vehicle	Close to 5 V
					When dark outside of the vehicle	Close to 0 V
114*4 (R)	Ground	Clutch interlock switch	Input	Clutch interlock switch	OFF (Clutch pedal is not depressed)	0 V
					ON (Clutch pedal is de- pressed)	Battery voltage
115*9 (O)	—	—	—	—	—	—
116 (SB)	Ground	Stop lamp switch 1	Input	—	—	Battery voltage
118 (P)	Ground	Stop lamp switch 2	Input	Stop lamp switch	OFF (Brake pedal is not depressed)	0 V
					ON (Brake pedal is de- pressed)	Battery voltage
119 (SB)	Ground	Driver side door lock assembly (Unlock sensor)	Input	Driver door	LOCK status (Unlock sensor switch OFF)	 <p style="text-align: right; font-size: small;">JPMA0012GB</p>
					UNLOCK status (Unlock switch sensor ON)	0 V
121 (R)	Ground	Key slot switch	Input	When the Intelligent Key is inserted into key slot	12 V	
				When the Intelligent Key is not inserted into key slot	0 V	
123 (W)	Ground	IGN feedback	Input	Ignition switch	OFF or ACC	0 V
					ON	Battery voltage
124 (LG)	Ground	Passenger door switch	Input	Passenger door switch	OFF (Door close)	 <p style="text-align: right; font-size: small;">JPMA0011GB</p>
					ON (Door open)	0 V

# BCM (BODY CONTROL MODULE)

## < ECU DIAGNOSIS INFORMATION >

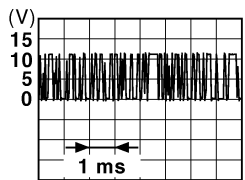
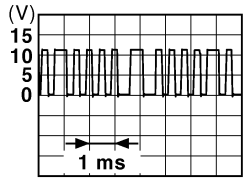
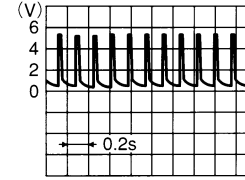
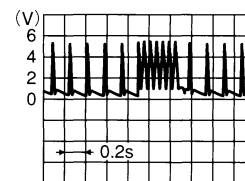
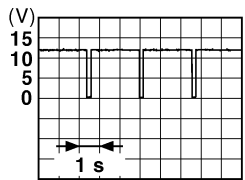
Terminal No. (Wire color)		Description		Condition	Value (Approx.)	
		Signal name	Input/ Output			
+	-					
129*2 (O)	Ground	Trunk lid opener cancel switch	Input	Trunk lid opener cancel switch	CANCEL	 <small>JPMIA0012GB</small> 1.1 V
				ON	0 V	
130*7 (L)	Ground	Rear window defogger switch	Input	Ignition switch ON	Rear window defogger switch OFF	 <small>JPMIA0012GB</small> 1.1 V
				Rear window defogger switch ON	0 V	
132 (Y)*1 (V)*2	Ground	Power window switch and soft top control unit communication	Input/ Output	Ignition switch ON	Ignition switch ON	 <small>JPMIA0013GB</small> 10.2 V
				Ignition switch OFF or ACC	12 V	
133 (G)	Ground	Push-button ignition switch illumination	Output	Push-button ignition switch illumination	ON (Tail lamps OFF)	9.5 V
					ON (Tail lamps ON)	<p style="text-align: center;"><b>NOTE:</b> The pulse width of this wave is varied by the illumination brightening/dimming level.</p>  <small>JPMIA0159GB</small>
134 (GR)	Ground	LOCK indicator lamp	Output	LOCK indicator lamp	OFF	Battery voltage
					ON	0 V
137 (P)	Ground	Receiver and sensor ground	Input	Ignition switch ON	Ignition switch ON	0 V
138 (V)	Ground	Receiver and sensor power supply	Output	Ignition switch	OFF	0 V
					ACC or ON	5.0 V

A  
B  
C  
D  
E  
F  
G  
H  
I  
J  
K  
L  
N  
O  
P

BCS

# BCM (BODY CONTROL MODULE)

## < ECU DIAGNOSIS INFORMATION >

Terminal No. (Wire color)		Description		Condition	Value (Approx.)		
		Signal name	Input/ Output				
+	-						
139 (L)	Ground	Tire pressure receiver communication	Input/ Output	Ignition switch OFF (Remote key-less entry receiver communication)	During waiting	 <small>JMKIA0064GB</small>	
				Ignition switch ON (Tire pressure receiver communication)	When operating either button on the Intelligent Key	 <small>JMKIA0065GB</small>	
				Ignition switch ON (Tire pressure receiver communication)	Standby state	 <small>OCC3881D</small>	
				Ignition switch ON (Tire pressure receiver communication)	When receiving the signal from the transmitter	 <small>OCC3880D</small>	
140 <sup>+5</sup> (G)	Ground	Selector lever P/N position (A/T models)	Input	Selector lever	P or N position	12 V	
		Park/neutral position switch (Coupe M/T models with Synchro-Rev Match mode)		Ignition switch ON	Except P and N positions	0 V	
				Control lever in neutral position	Battery voltage		
				Control lever in any position other than neutral	0 V		
141 (Y)	Ground	Security indicator lamp	Output	Security indicator lamp	ON	0 V	
					Blinking	 <small>JPMIA0014GB</small>	
					OFF	11.3 V	
					12 V		

# BCM (BODY CONTROL MODULE)

## < ECU DIAGNOSIS INFORMATION >

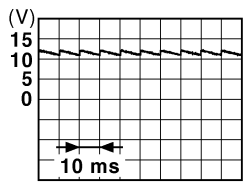
Terminal No. (Wire color)		Description		Condition	Value (Approx.)
+	-	Signal name	Input/ Output		
142 (O)	Ground	Combination switch OUTPUT 5	Output	Combination switch (Wiper intermittent dial 4)	0 V
				All switches OFF	
				Lighting switch 1ST	
				Lighting switch HI	
				Turn signal switch RH	10.7 V
143 (P)	Ground	Combination switch OUTPUT 1	Output	Combination switch	0 V
				All switches OFF (Wiper intermittent dial 4)	
				Front wiper switch HI (Wiper intermittent dial 4)	
				Any of the conditions below with all switches OFF	
				<ul style="list-style-type: none"> <li>• Wiper intermittent dial 1</li> <li>• Wiper intermittent dial 2</li> <li>• Wiper intermittent dial 3</li> <li>• Wiper intermittent dial 6</li> <li>• Wiper intermittent dial 7</li> </ul>	
144 (G)	Ground	Combination switch OUTPUT 2	Output	Combination switch	0 V
				All switches OFF (Wiper intermittent dial 4)	
				Front washer switch ON (Wiper intermittent dial 4)	
				Any of the conditions below with all switches OFF	
				<ul style="list-style-type: none"> <li>• Wiper intermittent dial 1</li> <li>• Wiper intermittent dial 5</li> <li>• Wiper intermittent dial 6</li> </ul>	
145 (L)	Ground	Combination switch OUTPUT 3	Output	Combination switch (Wiper intermittent dial 4)	0 V
				All switches OFF	
				Front wiper switch INT	
				Front wiper switch LO	
Lighting switch AUTO					
				Rear fog lamp switch ON	10.7 V
146 (SB)	Ground	Combination switch OUTPUT 4	Output	Combination switch (Wiper intermittent dial 4)	0 V
				All switches OFF	
				Lighting switch 2ND	
				Lighting switch PASS	
				Turn signal switch LH	

A  
B  
C  
D  
E  
F  
G  
H  
I  
J  
K  
L  
N  
O  
P

BCS

# BCM (BODY CONTROL MODULE)

## < ECU DIAGNOSIS INFORMATION >

Terminal No. (Wire color)		Description		Condition	Value (Approx.)	
		Signal name	Input/ Output			
+	-					
150 (GR)	Ground	Driver door switch	Input	Driver door switch	OFF (Door close)	 11.8 V
				ON (Door open)	0 V	
151 (G)	Ground	Rear window defogger relay control	Output	Rear window defogger	Active	0 V
				Not activated	Battery voltage	

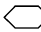
- \*1: Coupe models
- \*2: Roadster models
- \*3: A/T models
- \*4: M/T models
- \*5: With A/T or coupe models with M/T and SynchroRev Match mode
- \*6: With A/T or with M/T without SynchroRev Match mode
- \*7: Without NAVI
- \*8: With rear fog lamp
- \*9: BCM does not use this terminal for control.

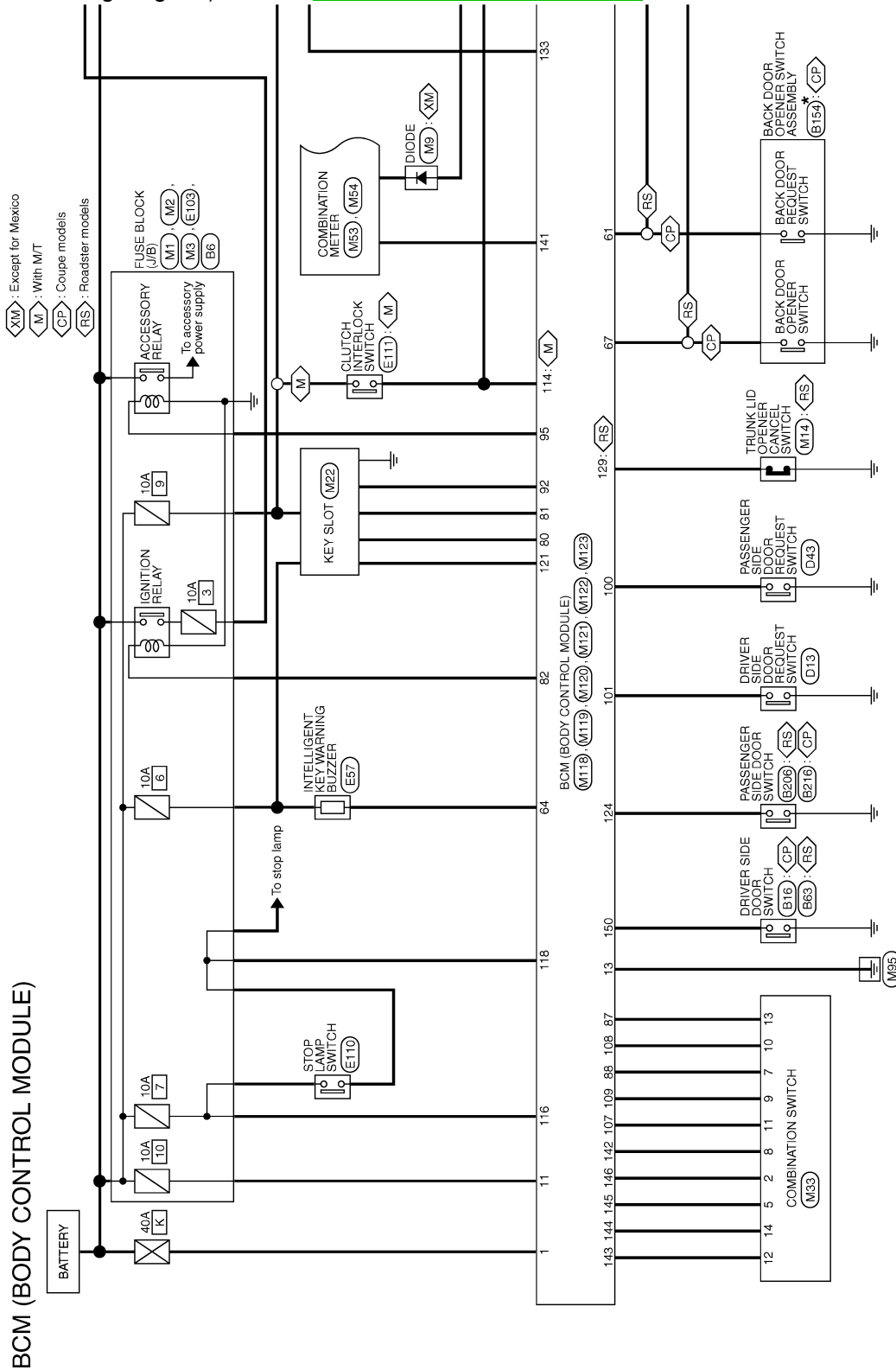
# BCM (BODY CONTROL MODULE)

< ECU DIAGNOSIS INFORMATION >

## Wiring Diagram - BCM -

INFOID:000000007623105

For connector terminal arrangements, and alphabets in a  (option abbreviation; if not described in wiring diagram), refer to [GI-12, "Connector Information"](#).



\*: This connector is not shown in "Harness Layout".

2011/07/19

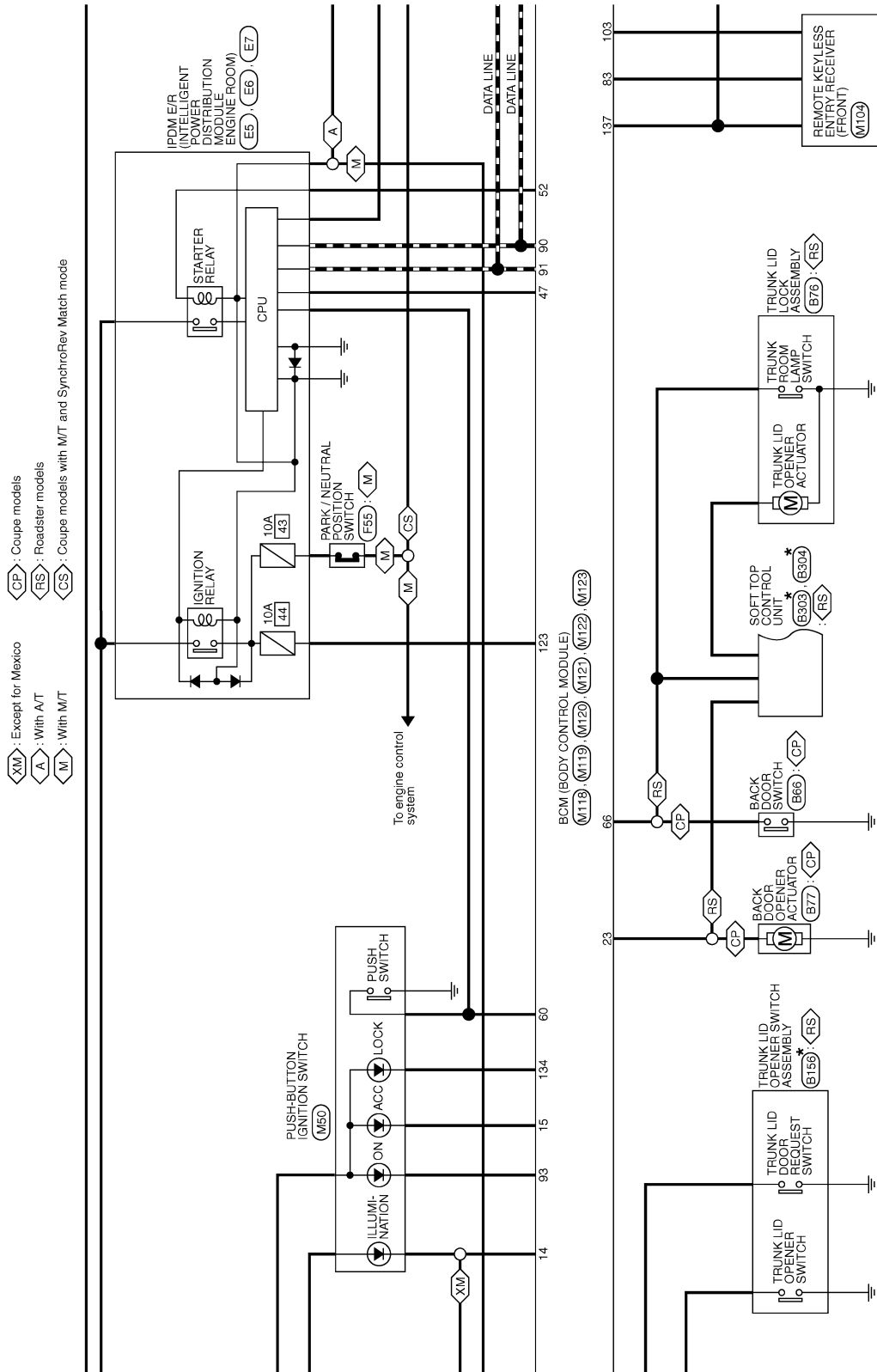
JRMWC4658GB

A  
B  
C  
D  
E  
F  
G  
H  
I  
J  
K  
L  
N  
O  
P

BCS

# BCM (BODY CONTROL MODULE)

< ECU DIAGNOSIS INFORMATION >



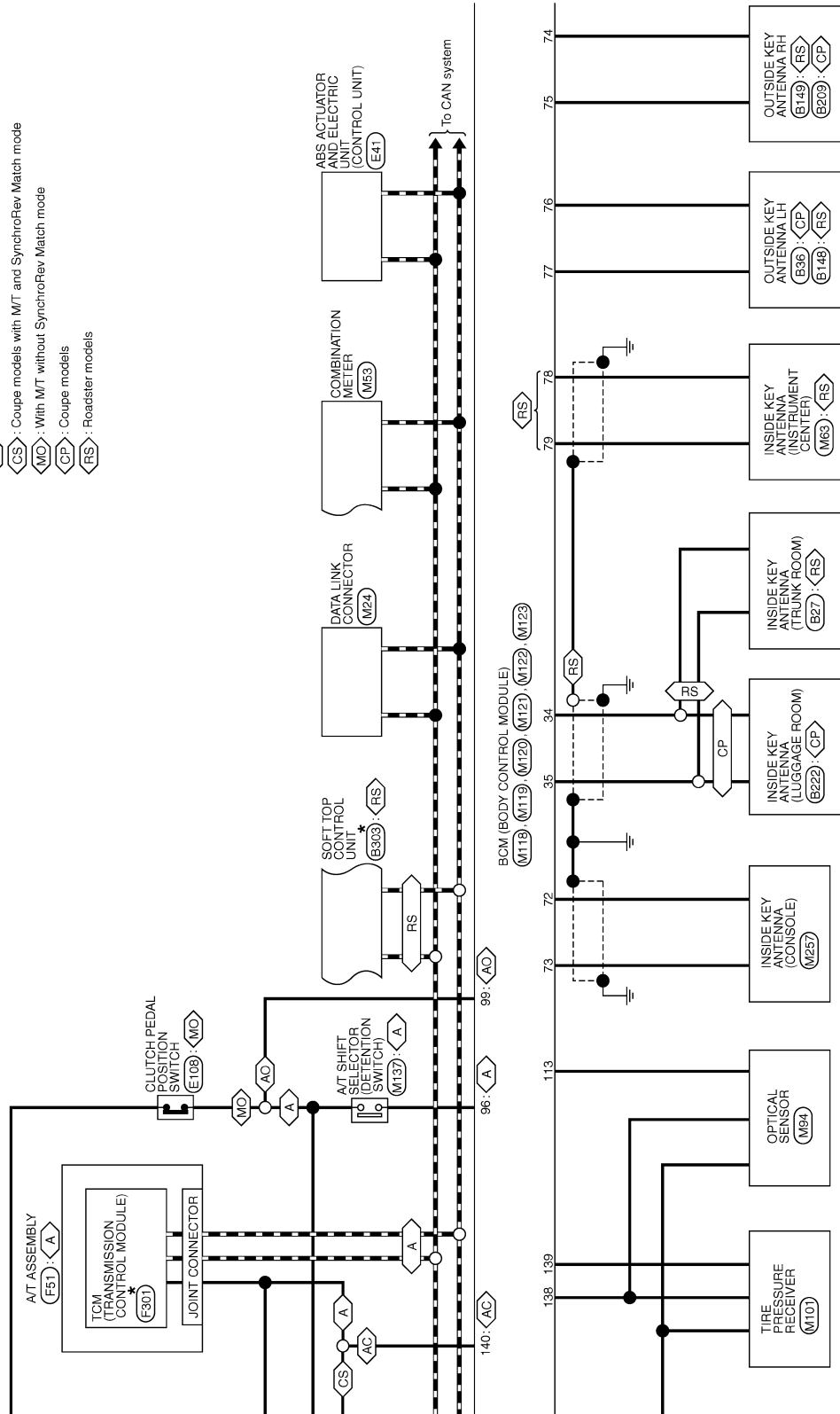
JRMWC4659GB



# BCM (BODY CONTROL MODULE)

< ECU DIAGNOSIS INFORMATION >

- ◊A◊ : With A/T
- ◊AC◊ : With A/T or coupe models with M/T and SynchroRev Match mode
- ◊AO◊ : With A/T or with M/T without SynchroRev Match mode
- ◊CS◊ : Coupe models with M/T and SynchroRev Match mode
- ◊MC◊ : With M/T without SynchroRev Match mode
- ◊CP◊ : Coupe models
- ◊RS◊ : Roadster models



\*: This connector is not shown in "Harness Layout".

JRMWC4660GB

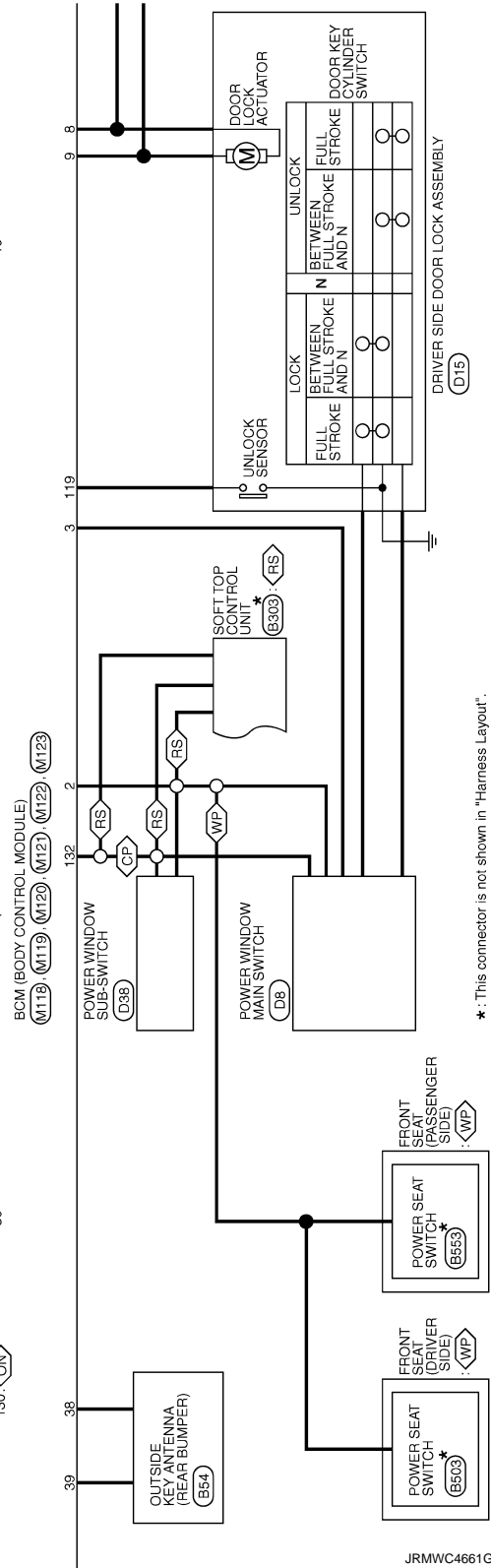
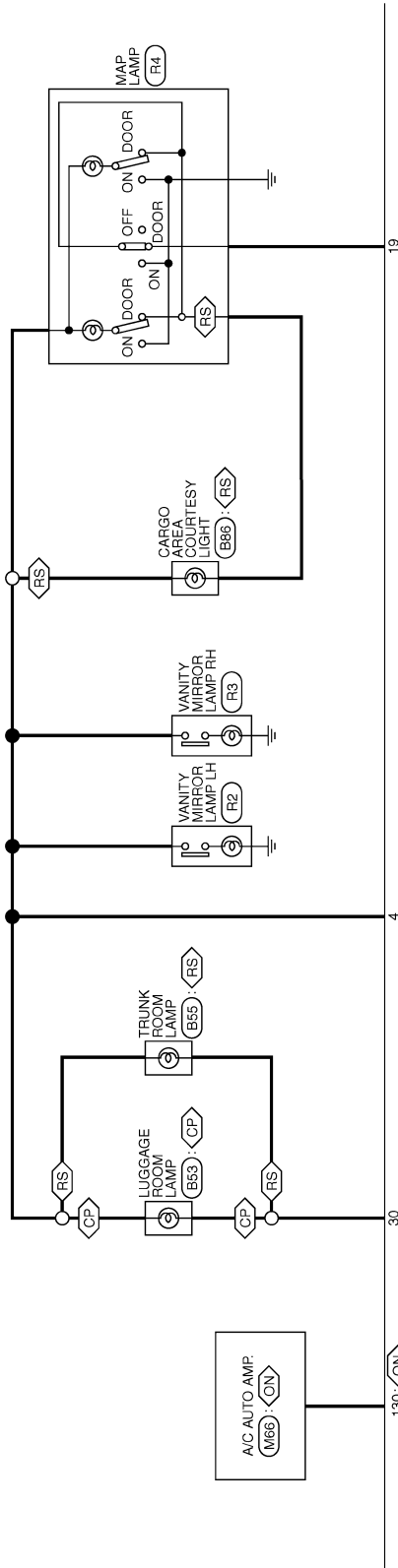
A  
B  
C  
D  
E  
F  
G  
H  
I  
J  
K  
L  
N  
O  
P

BCS

# BCM (BODY CONTROL MODULE)

< ECU DIAGNOSIS INFORMATION >

- ◊CP◊ : Coupe models
- ◊RS◊ : Roadster models
- ◊WP◊ : With power seat
- ◊ON◊ : Without NAVI



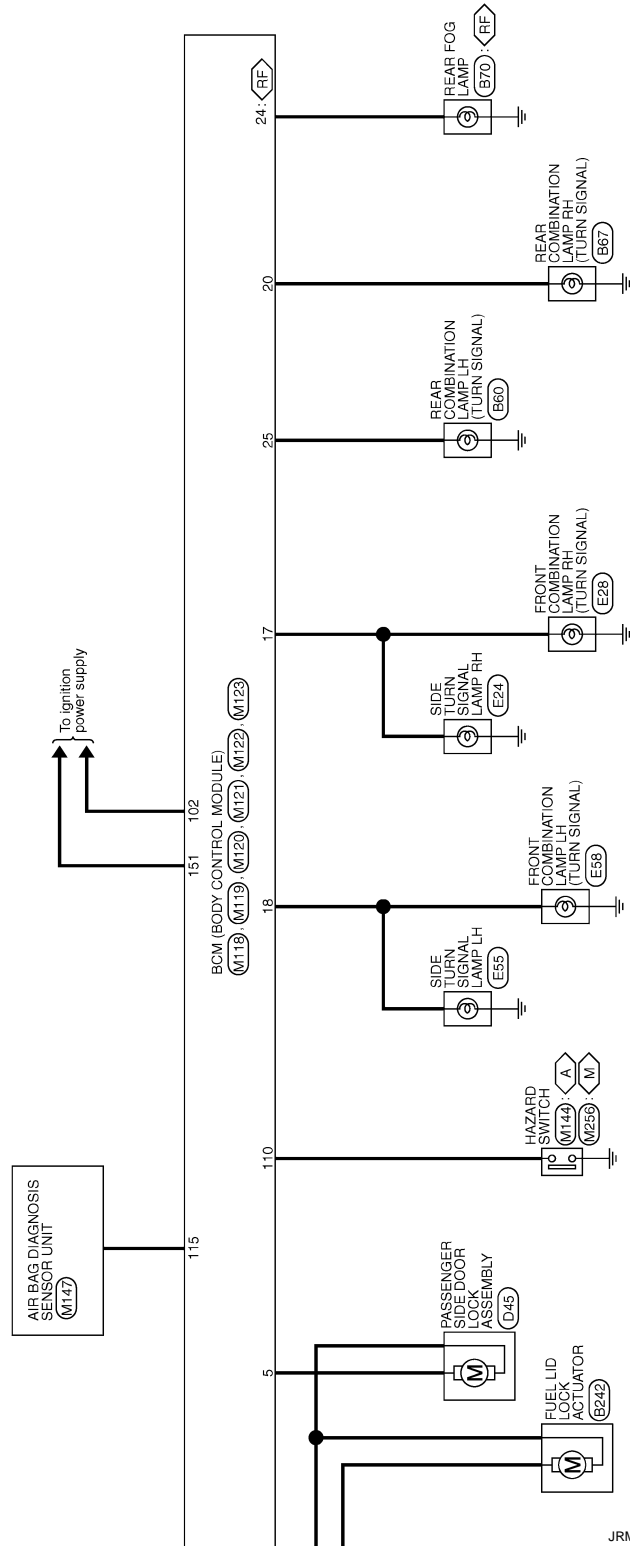
\*: This connector is not shown in "Harness Layout".

JRMWC4661GB

# BCM (BODY CONTROL MODULE)

< ECU DIAGNOSIS INFORMATION >

- : With A/T
- : With M/T
- : With rear fog lamp



JRMWC4662GB

INFOID:000000007623106

## Fail-safe

### FAIL-SAFE CONTROL BY DTC

BCM performs fail-safe control when any DTC are detected.

A  
B  
C  
D  
E  
F  
G  
H  
I  
J  
K  
L  
BCS  
N  
O  
P

# BCM (BODY CONTROL MODULE)

## < ECU DIAGNOSIS INFORMATION >

Display contents of CONSULT	Fail-safe	Cancellation
B2190: NATS ANTENNA AMP	Inhibit engine cranking	Erase DTC
B2191: DIFFERENCE OF KEY	Inhibit engine cranking	Erase DTC
B2192: ID DISCORD BCM-ECM	Inhibit engine cranking	Erase DTC
B2193: CHAIN OF BCM-ECM	Inhibit engine cranking	Erase DTC
B2195: ANTI SCANNING	Inhibit engine cranking	Ignition switch ON → OFF
B2560: STARTER CONT RELAY	Inhibit engine cranking	500 ms after the following CAN signal communication status becomes consistent <ul style="list-style-type: none"> <li>• Starter control relay signal</li> <li>• Starter relay status signal</li> </ul>
B2608: STARTER RELAY	Inhibit engine cranking	500 ms after the following signal communication status becomes consistent <ul style="list-style-type: none"> <li>• Starter motor relay control signal</li> <li>• Starter relay status signal (CAN)</li> </ul>
B260A: IGNITION RELAY	Inhibit engine cranking	500 ms after the following conditions are fulfilled <ul style="list-style-type: none"> <li>• IGN relay (IPDM E/R) control signal: OFF (Battery voltage)</li> <li>• Ignition ON signal (CAN to IPDM E/R): OFF (Request signal)</li> <li>• Ignition ON signal (CAN from IPDM E/R): OFF (Condition signal)</li> </ul>
B260F: ENG STATE SIG LOST	Maintains the power supply position attained at the time of DTC detection	When any of the following conditions are fulfilled <ul style="list-style-type: none"> <li>• Power position changes to ACC</li> <li>• Receives engine status signal (CAN)</li> </ul>
B2617: STARTER RELAY CIRC	Inhibit engine cranking	1 second after the starter motor relay control inside BCM becomes normal
B2618: BCM	Inhibit engine cranking	1 second after the ignition relay (IPDM E/R) control inside BCM becomes normal
B261E: VEHICLE TYPE	Inhibit engine cranking	BCM initialization
B26E8: CLUTCH SW	Inhibit engine cranking	When any of the following BCM recognition conditions are fulfilled <ul style="list-style-type: none"> <li>• Status 1 <ul style="list-style-type: none"> <li>- Clutch switch signal (CAN from ECM): ON</li> <li>- Clutch interlock switch signal: OFF (0 V)</li> </ul> </li> <li>• Status 2 <ul style="list-style-type: none"> <li>- Clutch switch signal (CAN from ECM): OFF</li> <li>- Clutch interlock switch signal: ON (Battery voltage)</li> </ul> </li> </ul>

## DTC Inspection Priority Chart

INFOID:000000007623107

If some DTCs are displayed at the same time, perform inspections one by one based on the following priority chart.

Priority	DTC
1	B2562: LOW VOLTAGE
2	<ul style="list-style-type: none"> <li>• U1000: CAN COMM CIRCUIT</li> <li>• U1010: CONTROL UNIT (CAN)</li> </ul>
3	<ul style="list-style-type: none"> <li>• B2190: NATS ANTENNA AMP</li> <li>• B2191: DIFFERENCE OF KEY</li> <li>• B2192: ID DISCORD BCM-ECM</li> <li>• B2193: CHAIN OF BCM-ECM</li> <li>• B2195: ANTI SCANNING</li> </ul>

# BCM (BODY CONTROL MODULE)

## < ECU DIAGNOSIS INFORMATION >

Priority	DTC	
4	• B2553: IGNITION RELAY	A
	• B2555: STOP LAMP	
	• B2556: PUSH-BTN IGN SW	
	• B2557: VEHICLE SPEED	B
	• B2560: STARTER CONT RELAY	
	• B2601: SHIFT POSITION	
	• B2602: SHIFT POSITION	
	• B2603: SHIFT POSI STATUS	C
	• B2604: PNP SW	
	• B2605: PNP SW	
	• B2608: STARTER RELAY	
	• B260A: IGNITION RELAY	D
	• B260F: ENG STATE SIG LOST	
	• B2614: BCM	
	• B2615: BCM	
	• B2616: BCM	E
	• B2617: BCM	
	• B2618: BCM	
	• B261A: PUSH-BTN IGN SW	
	• B261E: VEHICLE TYPE	F
• B26E8: CLUTCH SW		
• B26EA: KEY REGISTRATION		
• C1729: VHCL SPEED SIG ERR	G	
• U0415: VEHICLE SPEED SIG		
5	• C1704: LOW PRESSURE FL	
	• C1705: LOW PRESSURE FR	H
	• C1706: LOW PRESSURE RR	
	• C1707: LOW PRESSURE RL	
	• C1708: [NO DATA] FL	
	• C1709: [NO DATA] FR	I
	• C1710: [NO DATA] RR	
	• C1711: [NO DATA] RL	
	• C1716: [PRESSDATA ERR] FL	
	• C1717: [PRESSDATA ERR] FR	J
	• C1718: [PRESSDATA ERR] RR	
	• C1719: [PRESSDATA ERR] RL	
	• C1734: CONTROL UNIT	K
6	• B2621: INSIDE ANTENNA	
	• B2622: INSIDE ANTENNA	
	• B2623: INSIDE ANTENNA	L

### DTC Index

INFOID:000000007623108

#### NOTE:

The details of time display are as follows.

- CRNT: A malfunction is detected now.
- PAST: A malfunction was detected in the past.

IGN counter is displayed on Freeze Frame Data. For details of Freeze Frame Data, refer to [BCS-19. "COMMON ITEM : CONSULT Function \(BCM - COMMON ITEM\)"](#).

CONSULT display	Fail-safe	Freeze Frame Data •Vehicle Speed •Odo/Trip Meter •Vehicle condition	Intelligent Key warning lamp ON	Tire pressure monitor warning lamp ON	Reference
No DTC is detected. further testing may be required.	—	—	—	—	—
U1000: CAN COMM CIRCUIT	—	—	—	—	<a href="#">BCS-46</a>
U1010: CONTROL UNIT (CAN)	—	—	—	—	<a href="#">BCS-47</a>
U0415: VEHICLE SPEED SIG	—	—	—	—	<a href="#">BCS-48</a>

## BCM (BODY CONTROL MODULE)

### < ECU DIAGNOSIS INFORMATION >

CONSULT display	Fail-safe	Freeze Frame Data •Vehicle Speed •Odo/Trip Meter •Vehicle condition	Intelligent Key warning lamp ON	Tire pressure monitor warning lamp ON	Reference
B2190: NATS ANTENNA AMP	×	—	—	—	<a href="#">SEC-42</a>
B2191: DIFFERENCE OF KEY	×	—	—	—	<a href="#">SEC-45</a>
B2192: ID DISCORD BCM-ECM	×	—	—	—	<a href="#">SEC-46</a>
B2193: CHAIN OF BCM-ECM	×	—	—	—	<a href="#">SEC-48</a>
B2195: ANTI SCANNING	×	—	—	—	<a href="#">SEC-49</a>
B2553: IGNITION RELAY	—	×	—	—	<a href="#">PCS-48</a>
B2555: STOP LAMP	—	×	—	—	<a href="#">SEC-50</a>
B2556: PUSH-BTN IGN SW	—	×	×	—	<a href="#">SEC-52</a>
B2557: VEHICLE SPEED	×	×	×	—	<a href="#">SEC-54</a>
B2560: STARTER CONT RELAY	×	×	×	—	<a href="#">SEC-55</a>
B2562: LOW VOLTAGE	—	×	—	—	<a href="#">BCS-49</a>
B2601: SHIFT POSITION	×	×	×	—	<a href="#">SEC-56</a>
B2602: SHIFT POSITION	×	×	×	—	<a href="#">SEC-59</a>
B2603: SHIFT POSI STATUS	×	×	×	—	<a href="#">SEC-62</a>
B2604: PNP SW	×	×	×	—	<a href="#">SEC-65</a>
B2605: PNP SW	×	×	×	—	<a href="#">SEC-67</a>
B2608: STARTER RELAY	×	×	×	—	<a href="#">SEC-69</a>
B260A: IGNITION RELAY	×	×	×	—	<a href="#">PCS-50</a>
B260F: ENG STATE SIG LOST	×	×	×	—	<a href="#">SEC-71</a>
B2614: BCM	—	×	×	—	<a href="#">PCS-52</a>
B2615: BCM	—	×	×	—	<a href="#">PCS-55</a>
B2616: BCM	—	×	×	—	<a href="#">PCS-58</a>
B2617: BCM	×	×	×	—	<a href="#">SEC-75</a>
B2618: BCM	×	×	×	—	<a href="#">PCS-61</a>
B261A: PUSH-BTN IGN SW	—	×	×	—	<a href="#">PCS-62</a>
B261E: VEHICLE TYPE	×	×	× (Turn ON for 15 seconds)	—	<a href="#">SEC-78</a>
B2621: INSIDE ANTENNA	—	×	—	—	<a href="#">DLK-228</a>
B2622: INSIDE ANTENNA	—	×	—	—	• <a href="#">DLK-59</a> (Coupe) • <a href="#">DLK-230</a> (Roadster)
B2623: INSIDE ANTENNA	—	×	—	—	• <a href="#">DLK-61</a> (Coupe) • <a href="#">DLK-232</a> (Roadster)
B26E8: CLUTCH SW	×	×	×	—	<a href="#">SEC-72</a>
B26EA: KEY REGISTRATION	—	×	× (Turn ON for 15 seconds)	—	<a href="#">SEC-74</a>
C1704: LOW PRESSURE FL	—	—	—	×	<a href="#">WT-20</a>
C1705: LOW PRESSURE FR	—	—	—	×	
C1706: LOW PRESSURE RR	—	—	—	×	
C1707: LOW PRESSURE RL	—	—	—	×	

## BCM (BODY CONTROL MODULE)

### < ECU DIAGNOSIS INFORMATION >

CONSULT display	Fail-safe	Freeze Frame Data •Vehicle Speed •Odo/Trip Meter •Vehicle condition	Intelligent Key warning lamp ON	Tire pressure monitor warn- ing lamp ON	Reference	A
C1708: [NO DATA] FL	—	—	—	×	<a href="#">WT-22</a>	B
C1709: [NO DATA] FR	—	—	—	×		
C1710: [NO DATA] RR	—	—	—	×		C
C1711: [NO DATA] RL	—	—	—	×		
C1716: [PRESSDATA ERR] FL	—	—	—	×	<a href="#">WT-25</a>	D
C1717: [PRESSDATA ERR] FR	—	—	—	×		
C1718: [PRESSDATA ERR] RR	—	—	—	×		E
C1719: [PRESSDATA ERR] RL	—	—	—	×		
C1729: VHCL SPEED SIG ERR	—	—	—	×	<a href="#">WT-27</a>	F
C1734: CONTROL UNIT	—	—	—	×	<a href="#">WT-29</a>	G
						H
						I
						J
						K
						L
						N
						O
						P

BCS

# COMBINATION SWITCH SYSTEM SYMPTOMS

< SYMPTOM DIAGNOSIS >

## SYMPTOM DIAGNOSIS

### COMBINATION SWITCH SYSTEM SYMPTOMS

#### Symptom Table

INFOID:000000007623109

1. Perform "Data Monitor" of CONSULT to check for any malfunctioning item.
2. Check the malfunction combinations.

Malfunction item: ×

Malfunction combination	Data monitor item													
	FR WIPER HI	FR WIPER LOW	FR WASHER SW	FR WIPER INT	INT VOLUME	TURN SIGNAL R	TURN SIGNAL L	TAIL LAMP SW	HI BEAM SW	HEAD LAMP SW 1	HEAD LAMP SW 2	PASSING SW	AUTO LIGHT SW	RR FOG SW
A		×	×			×	×							
B	×			×						×		×		
C					×				×		×			
D					×			×					×	
E					×									×
F	×				×									
G			×		×									
H		×		×									×	×
I							×				×	×		
J						×		×	×	×				
K	All Items													
L	If only one item is detected or the item is not applicable to the combinations A to K													

3. Identify the malfunctioning part from the agreed combination and repair or replace the part.

Malfunction combination	Malfunctioning part	Repair or replace
A	Combination switch INPUT 1 circuit	Inspect the combination switch input circuit applicable to the malfunctioning part. Refer to <a href="#">BCS-51, "Diagnosis Procedure"</a> .
B	Combination switch INPUT 2 circuit	
C	Combination switch INPUT 3 circuit	
D	Combination switch INPUT 4 circuit	
E	Combination switch INPUT 5 circuit	
F	Combination switch OUTPUT 1 circuit	Inspect the combination switch output circuit applicable to the malfunctioning part. Refer to <a href="#">BCS-53, "Diagnosis Procedure"</a> .
G	Combination switch OUTPUT 2 circuit	
H	Combination switch OUTPUT 3 circuit	
I	Combination switch OUTPUT 4 circuit	
J	Combination switch OUTPUT 5 circuit	
K	BCM	Replace BCM. Refer to <a href="#">BCS-92, "Exploded View"</a> .
L	Combination switch	Replace the combination switch.



# NORMAL OPERATING CONDITION

< SYMPTOM DIAGNOSIS >

## NORMAL OPERATING CONDITION

### Description

INFOID:000000007804778

#### TRANSIT MODE

- Transit mode inhibits battery power consumption during transportation or storage of the vehicle.
- BCM is set to transit mode before delivery.
- In transit mode, remote keyless entry function, headlamp ON/OFF function, theft warning alarm function, and other BCM control functions do not operate normally.
- Therefore, cancel operation must be performed so that the vehicle is used in normal status.
- For transit mode cancel operation, refer to [BCS-7, "Description"](#).

#### NOTE:

Do not cancel transit mode during storage of the vehicle. Always cancel transit mode before delivery of the vehicle to customer.

A  
B  
C  
D  
E  
F  
G  
H  
I  
J  
K  
L

BCS

N  
O  
P

# PRECAUTIONS

< PRECAUTION >

## PRECAUTION

### PRECAUTIONS

#### EXCEPT FOR MEXICO

#### EXCEPT FOR MEXICO : Precaution for Supplemental Restraint System (SRS) "AIR BAG" and "SEAT BELT PRE-TENSIONER"

INFOID:000000007623110

The Supplemental Restraint System such as "AIR BAG" and "SEAT BELT PRE-TENSIONER", used along with a front seat belt, helps to reduce the risk or severity of injury to the driver and front passenger for certain types of collision. This system includes seat belt switch inputs and dual stage front air bag modules. The SRS system uses the seat belt switches to determine the front air bag deployment, and may only deploy one front air bag, depending on the severity of a collision and whether the front occupants are belted or unbelted.

Information necessary to service the system safely is included in the "SRS AIR BAG" and "SEAT BELT" of this Service Manual.

#### **WARNING:**

**Always observe the following items for preventing accidental activation.**

- **To avoid rendering the SRS inoperative, which could increase the risk of personal injury or death in the event of a collision that would result in air bag inflation, all maintenance must be performed by an authorized NISSAN/INFINITI dealer.**
- **Improper maintenance, including incorrect removal and installation of the SRS, can lead to personal injury caused by unintentional activation of the system. For removal of Spiral Cable and Air Bag Module, see "SRS AIR BAG".**
- **Never use electrical test equipment on any circuit related to the SRS unless instructed to in this Service Manual. SRS wiring harnesses can be identified by yellow and/or orange harnesses or harness connectors.**

#### PRECAUTIONS WHEN USING POWER TOOLS (AIR OR ELECTRIC) AND HAMMERS

#### **WARNING:**

**Always observe the following items for preventing accidental activation.**

- **When working near the Air Bag Diagnosis Sensor Unit or other Air Bag System sensors with the ignition ON or engine running, never use air or electric power tools or strike near the sensor(s) with a hammer. Heavy vibration could activate the sensor(s) and deploy the air bag(s), possibly causing serious injury.**
- **When using air or electric power tools or hammers, always switch the ignition OFF, disconnect the battery, and wait at least 3 minutes before performing any service.**

#### EXCEPT FOR MEXICO : Precaution for Battery Service

INFOID:000000007623111

Before disconnecting the battery, lower both the driver and passenger windows. This will prevent any interference between the window edge and the vehicle when the door is opened/closed. During normal operation, the window slightly raises and lowers automatically to prevent any window to vehicle interference. The automatic window function will not work with the battery disconnected.

#### FOR MEXICO

#### FOR MEXICO : Precaution for Supplemental Restraint System (SRS) "AIR BAG" and "SEAT BELT PRE-TENSIONER"

INFOID:000000007623112

The Supplemental Restraint System such as "AIR BAG" and "SEAT BELT PRE-TENSIONER", used along with a front seat belt, helps to reduce the risk or severity of injury to the driver and front passenger for certain types of collision. Information necessary to service the system safely is included in the "SRS AIR BAG" and "SEAT BELT" of this Service Manual.

#### **WARNING:**

**Always observe the following items for preventing accidental activation.**

- **To avoid rendering the SRS inoperative, which could increase the risk of personal injury or death in the event of a collision that would result in air bag inflation, all maintenance must be performed by an authorized NISSAN/INFINITI dealer.**

# PRECAUTIONS

## < PRECAUTION >

- **Improper maintenance, including incorrect removal and installation of the SRS, can lead to personal injury caused by unintentional activation of the system. For removal of Spiral Cable and Air Bag Module, see “SRS AIR BAG”.**
- **Never use electrical test equipment on any circuit related to the SRS unless instructed to in this Service Manual. SRS wiring harnesses can be identified by yellow and/or orange harnesses or harness connectors.**

## PRECAUTIONS WHEN USING POWER TOOLS (AIR OR ELECTRIC) AND HAMMERS

### **WARNING:**

**Always observe the following items for preventing accidental activation.**

- **When working near the Air Bag Diagnosis Sensor Unit or other Air Bag System sensors with the ignition ON or engine running, never use air or electric power tools or strike near the sensor(s) with a hammer. Heavy vibration could activate the sensor(s) and deploy the air bag(s), possibly causing serious injury.**
- **When using air or electric power tools or hammers, always switch the ignition OFF, disconnect the battery, and wait at least 3 minutes before performing any service.**

## FOR MEXICO : Precaution for Battery Service

INFOID:000000007623113

Before disconnecting the battery, lower both the driver and passenger windows. This will prevent any interference between the window edge and the vehicle when the door is opened/closed. During normal operation, the window slightly raises and lowers automatically to prevent any window to vehicle interference. The automatic window function will not work with the battery disconnected.

A  
B  
C  
D  
E  
F  
G  
H  
I  
J  
K  
L

BCS

N  
O  
P

## BCM (BODY CONTROL MODULE)

< REMOVAL AND INSTALLATION >

# REMOVAL AND INSTALLATION

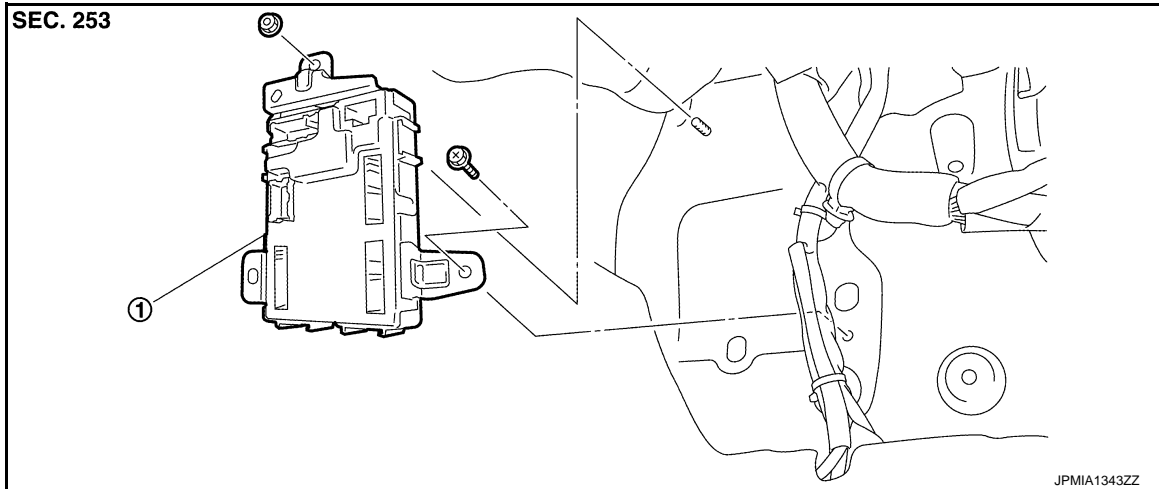
## BCM (BODY CONTROL MODULE)

### Exploded View

INFOID:000000007623114

#### NOTE:

Before replacing BCM, perform "READ CONFIGURATION" to save or print current vehicle specification. Refer to [BCS-3, "ADDITIONAL SERVICE WHEN REPLACING CONTROL UNIT \(BCM\) : Description"](#).



1. BCM

### Removal and Installation

INFOID:000000007623115

#### NOTE:

Before replacing BCM, perform "READ CONFIGURATION" to save or print current vehicle specification. Refer to [BCS-3, "ADDITIONAL SERVICE WHEN REPLACING CONTROL UNIT \(BCM\) : Description"](#).

#### REMOVAL

1. Remove dash side finisher (passenger side). Refer to [INT-18, "Exploded View"](#).
2. Remove bolt and nut.
3. Remove BCM and disconnect the connector.

#### INSTALLATION

Install in the reverse order of removal.

#### CAUTION:

**Be sure to perform "WRITE CONFIGURATION" when replacing BCM. Or not doing so, BCM control function does not operate normally.**

#### NOTE:

Be sure to perform the system initialization (NATS) when replacing BCM. Refer to [BCS-3, "ADDITIONAL SERVICE WHEN REPLACING CONTROL UNIT \(BCM\) : Work Procedure"](#).

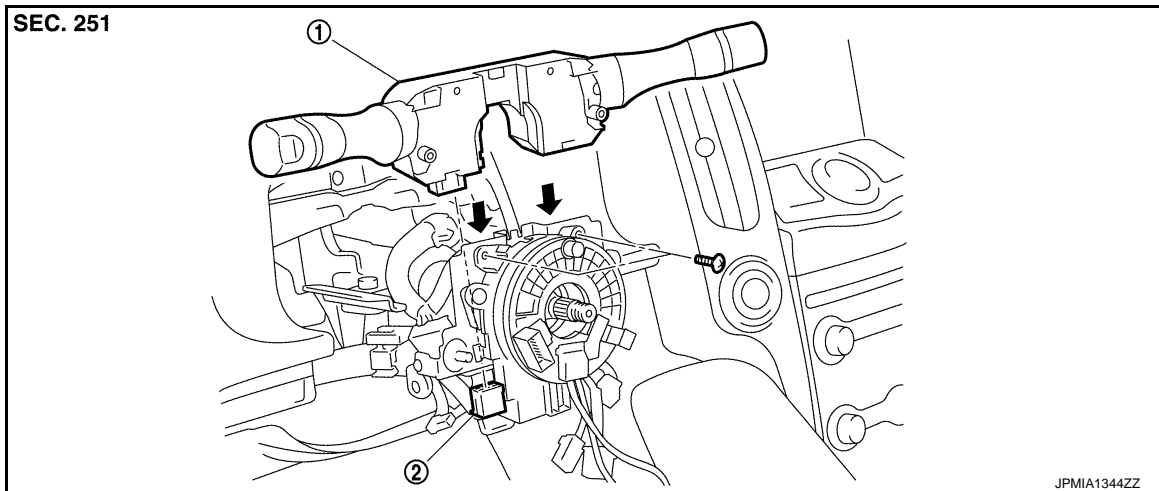
# COMBINATION SWITCH

< REMOVAL AND INSTALLATION >

## COMBINATION SWITCH

### Exploded View

INFOID:000000007623116



1. Combination switch

2. Combination switch connector

### Removal and Installation

INFOID:000000007623117

#### REMOVAL

1. Remove steering column cover. Refer to [IP-14. "Exploded View"](#).
2. Remove screws.
3. Disconnect the connector.
4. Pull up the combination switch to remove it.

#### INSTALLATION

Install in the reverse order of removal.

A  
B  
C  
D  
E  
F  
G  
H  
I  
J  
K  
L

BCS

N  
O  
P