

SECTION **VTL**
VENTILATION SYSTEM

A
B
C

CONTENTS

SYSTEM DESCRIPTION	2	FRONT DEFROSTER GRILLE : Removal and Installation	7	F
VENTILATION SYSTEM	2	SIDE DEFROSTER GRILLE	7	G
System Description	2	SIDE DEFROSTER GRILLE : Removal and Installation	8	
PRECAUTION	3	VENTILATOR DUCT	8	H
PRECAUTIONS	3	VENTILATOR DUCT : Removal and Installation	8	
FOR USA AND CANADA	3	SIDE VENTILATOR DUCT	8	VTL
FOR USA AND CANADA : Precaution for Supplemental Restraint System (SRS) "AIR BAG" and "SEAT BELT PRE-TENSIONER"	3	SIDE VENTILATOR DUCT : Removal and Installation	8	
FOR USA AND CANADA : Precaution for Battery Service	3	FRONT DEFROSTER NOZZLE	8	J
FOR MEXICO	3	FRONT DEFROSTER NOZZLE : Removal and Installation	8	
FOR MEXICO : Precaution for Supplemental Restraint System (SRS) "AIR BAG" and "SEAT BELT PRE-TENSIONER"	3	SIDE DEFROSTER NOZZLE	9	K
FOR MEXICO : Precaution for Battery Service	4	SIDE DEFROSTER NOZZLE : Removal and Installation	9	
PREPARATION	5	FOOT GRILLE	9	L
PREPARATION	5	FOOT GRILLE : Removal and Installation	9	
Commercial Service Tool	5	FOOT DUCT	9	M
REMOVAL AND INSTALLATION	6	FOOT DUCT : Removal and Installation	9	
DUCT AND GRILLE	6	BLOWER UNIT	11	N
Exploded View	6	Exploded View	11	
CENTER VENTILATOR GRILLE	6	BLOWER UNIT	12	O
CENTER VENTILATOR GRILLE : Removal and Installation	6	BLOWER UNIT : Removal and Installation	12	
SIDE VENTILATOR GRILLE	7	BLOWER MOTOR	13	P
SIDE VENTILATOR GRILLE : Removal and Installation	7	BLOWER MOTOR : Removal and Installation	13	
FRONT DEFROSTER GRILLE	7	IN-CABIN MICROFILTER	14	
		Exploded View	14	
		Removal and Installation	14	
		Replacement	14	

VENTILATION SYSTEM

< SYSTEM DESCRIPTION >

SYSTEM DESCRIPTION

VENTILATION SYSTEM

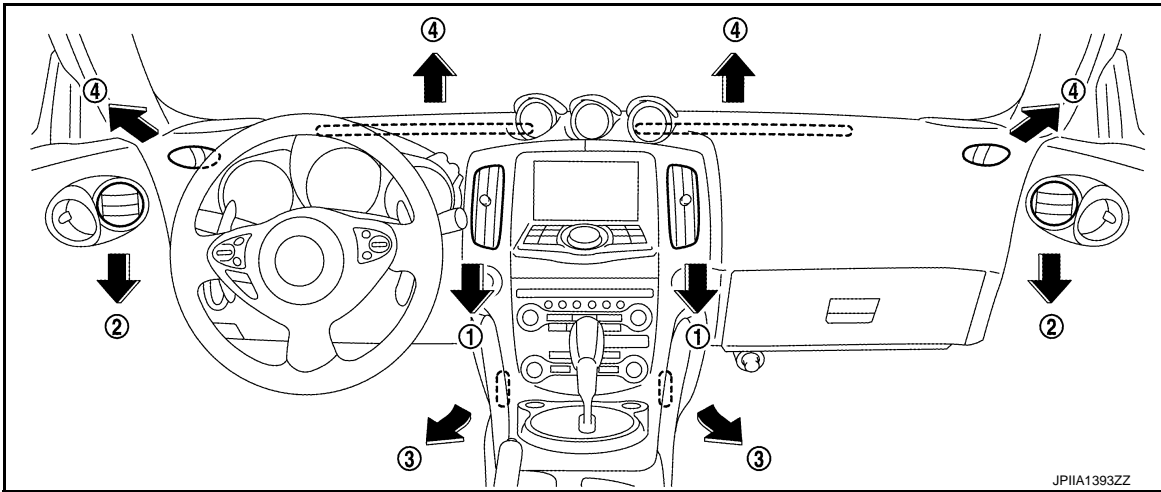
System Description

INFOID:000000007623029

OUTLINE

Ventilation system is controlled by A/C auto amp. For details of automatic air conditioner system, refer to [HAC-15. "System Description"](#) (WITHOUT 7 INCH DISPLAY) or [HAC-100. "System Description"](#) (WITH 7 INCH DISPLAY).

AIR FLOW



×: Applicable

MODE/DEF position indication	AIR OUTLET			
	Ventilator (1)	Ventilator (2)	Foot (3)	Defroster (4)
	×	×	—	—
	×	×	×	—
	×	×	×	×
	×	×	×	×
	—	—	—	×

PRECAUTIONS

< PRECAUTION >

PRECAUTION

PRECAUTIONS FOR USA AND CANADA

FOR USA AND CANADA : Precaution for Supplemental Restraint System (SRS) "AIR BAG" and "SEAT BELT PRE-TENSIONER"

INFOID:000000007804820

The Supplemental Restraint System such as "AIR BAG" and "SEAT BELT PRE-TENSIONER", used along with a front seat belt, helps to reduce the risk or severity of injury to the driver and front passenger for certain types of collision. This system includes seat belt switch inputs and dual stage front air bag modules. The SRS system uses the seat belt switches to determine the front air bag deployment, and may only deploy one front air bag, depending on the severity of a collision and whether the front occupants are belted or unbelted. Information necessary to service the system safely is included in the "SRS AIR BAG" and "SEAT BELT" of this Service Manual.

WARNING:

Always observe the following items for preventing accidental activation.

- To avoid rendering the SRS inoperative, which could increase the risk of personal injury or death in the event of a collision that would result in air bag inflation, all maintenance must be performed by an authorized NISSAN/INFINITI dealer.
- Improper maintenance, including incorrect removal and installation of the SRS, can lead to personal injury caused by unintentional activation of the system. For removal of Spiral Cable and Air Bag Module, see "SRS AIR BAG".
- Never use electrical test equipment on any circuit related to the SRS unless instructed to in this Service Manual. SRS wiring harnesses can be identified by yellow and/or orange harnesses or harness connectors.

PRECAUTIONS WHEN USING POWER TOOLS (AIR OR ELECTRIC) AND HAMMERS

WARNING:

Always observe the following items for preventing accidental activation.

- When working near the Air Bag Diagnosis Sensor Unit or other Air Bag System sensors with the ignition ON or engine running, never use air or electric power tools or strike near the sensor(s) with a hammer. Heavy vibration could activate the sensor(s) and deploy the air bag(s), possibly causing serious injury.
- When using air or electric power tools or hammers, always switch the ignition OFF, disconnect the battery, and wait at least 3 minutes before performing any service.

FOR USA AND CANADA : Precaution for Battery Service

INFOID:000000007804822

Before disconnecting the battery, lower both the driver and passenger windows. This will prevent any interference between the window edge and the vehicle when the door is opened/closed. During normal operation, the window slightly raises and lowers automatically to prevent any window to vehicle interference. The automatic window function will not work with the battery disconnected.

FOR MEXICO

FOR MEXICO : Precaution for Supplemental Restraint System (SRS) "AIR BAG" and "SEAT BELT PRE-TENSIONER"

INFOID:000000007804821

The Supplemental Restraint System such as "AIR BAG" and "SEAT BELT PRE-TENSIONER", used along with a front seat belt, helps to reduce the risk or severity of injury to the driver and front passenger for certain types of collision. Information necessary to service the system safely is included in the "SRS AIR BAG" and "SEAT BELT" of this Service Manual.

WARNING:

Always observe the following items for preventing accidental activation.

- To avoid rendering the SRS inoperative, which could increase the risk of personal injury or death in the event of a collision that would result in air bag inflation, all maintenance must be performed by an authorized NISSAN/INFINITI dealer.

A
B
C
D
E
F
G
H
VTL
J
K
L
M
N
O
P

PRECAUTIONS

< PRECAUTION >

- **Improper maintenance, including incorrect removal and installation of the SRS, can lead to personal injury caused by unintentional activation of the system. For removal of Spiral Cable and Air Bag Module, see “SRS AIR BAG”.**
- **Never use electrical test equipment on any circuit related to the SRS unless instructed to in this Service Manual. SRS wiring harnesses can be identified by yellow and/or orange harnesses or harness connectors.**

PRECAUTIONS WHEN USING POWER TOOLS (AIR OR ELECTRIC) AND HAMMERS

WARNING:

Always observe the following items for preventing accidental activation.

- **When working near the Air Bag Diagnosis Sensor Unit or other Air Bag System sensors with the ignition ON or engine running, never use air or electric power tools or strike near the sensor(s) with a hammer. Heavy vibration could activate the sensor(s) and deploy the air bag(s), possibly causing serious injury.**
- **When using air or electric power tools or hammers, always switch the ignition OFF, disconnect the battery, and wait at least 3 minutes before performing any service.**

FOR MEXICO : Precaution for Battery Service

INFOID:000000007804823

Before disconnecting the battery, lower both the driver and passenger windows. This will prevent any interference between the window edge and the vehicle when the door is opened/closed. During normal operation, the window slightly raises and lowers automatically to prevent any window to vehicle interference. The automatic window function will not work with the battery disconnected.

PREPARATION

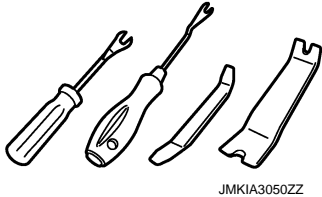
< PREPARATION >

PREPARATION

PREPARATION

Commercial Service Tool

INFOID:000000007623036

Tool name	Description
Remover tool  JMKIA3050ZZ	Remove clips, pawls and metal clips

A

B

C

D

E

F

G

H

VTL

J

K

L

M

N

O

P

DUCT AND GRILLE

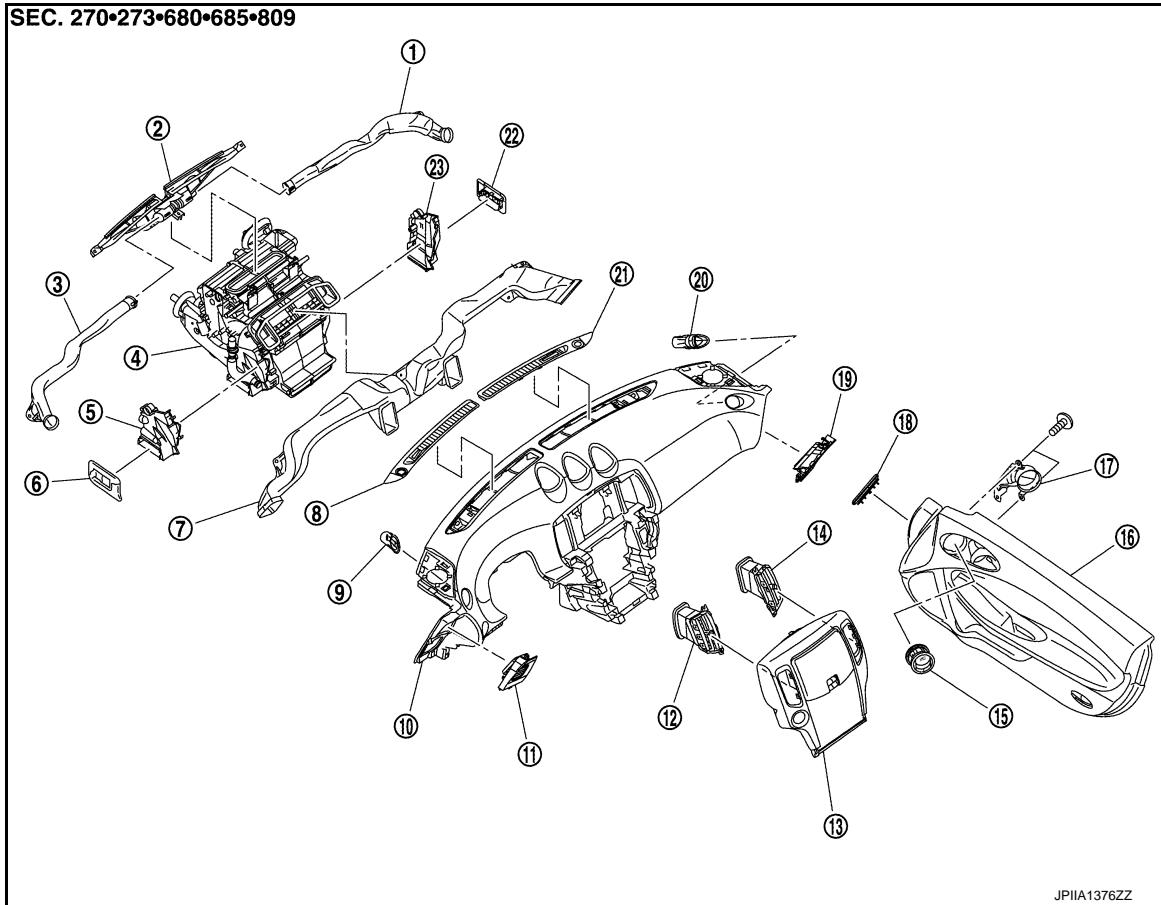
< REMOVAL AND INSTALLATION >

REMOVAL AND INSTALLATION

DUCT AND GRILLE

Exploded View

INFOID:000000007623037



- | | | |
|-----------------------------------|---------------------------------|---------------------------------|
| 1. Side defroster nozzle RH | 2. Front defroster nozzle | 3. Side defroster nozzle LH |
| 4. Heater & cooling unit assembly | 5. Foot duct LH | 6. Foot grille LH |
| 7. Ventilator duct | 8. Front defroster grille LH | 9. Side defroster grille LH |
| 10. Instrument panel assembly | 11. Instrument side finisher LH | 12. Center ventilator grille LH |
| 13. Cluster lid C | 14. Center ventilator grille RH | 15. Side ventilator grille RH |
| 16. Door finisher RH | 17. Side ventilator duct RH | 18. Seal |
| 19. Instrument side finisher RH | 20. Side defroster grille RH | 21. Front defroster grille RH |
| 22. Foot grille RH | 23. Foot duct RH | |

CENTER VENTILATOR GRILLE

CENTER VENTILATOR GRILLE : Removal and Installation

INFOID:000000007623038

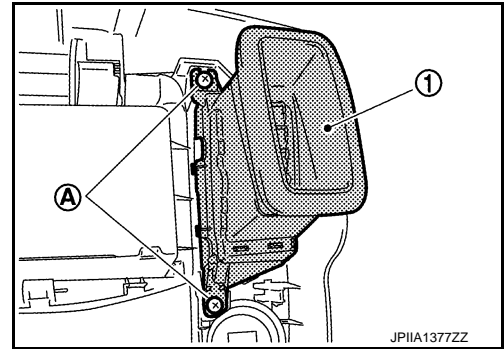
REMOVAL

1. Remove cluster lid C. Refer to [IP-14, "Exploded View"](#).

DUCT AND GRILLE

< REMOVAL AND INSTALLATION >

2. Remove fixing screws (A), and then remove center ventilator grille (1).



INSTALLATION

Install in the reverse order of removal.


SIDE VENTILATOR GRILLE

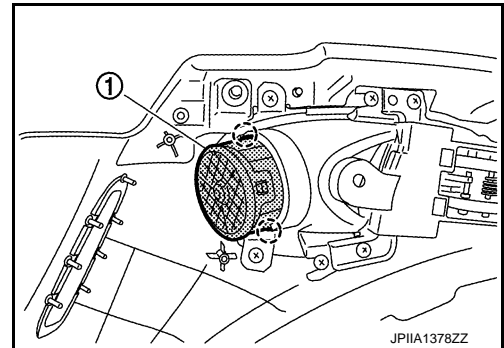
SIDE VENTILATOR GRILLE : Removal and Installation

INFOID:000000007623039

REMOVAL

1. Remove side ventilator duct. Refer to [VTL-6. "Exploded View"](#).
2. Disengage fixing pawls, and then remove side ventilator grille (1).

 : Pawl



INSTALLATION

Install in the reverse order of removal.

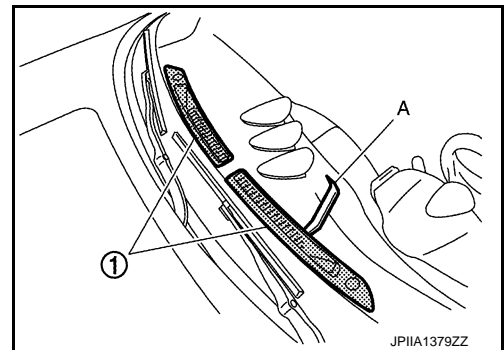
FRONT DEFROSTER GRILLE

FRONT DEFROSTER GRILLE : Removal and Installation

INFOID:000000007623040

REMOVAL

1. Remove front defroster grilles (1), using a remover tool (A).



2. Remove sensors from front defroster grilles.

INSTALLATION

Install in the reverse order of removal.

SIDE DEFROSTER GRILLE

DUCT AND GRILLE

< REMOVAL AND INSTALLATION >

SIDE DEFROSTER GRILLE : Removal and Installation

INFOID:000000007623041

REMOVAL

Remove side defroster grille from instrument panel assembly.

INSTALLATION

Install in the reverse order of removal.

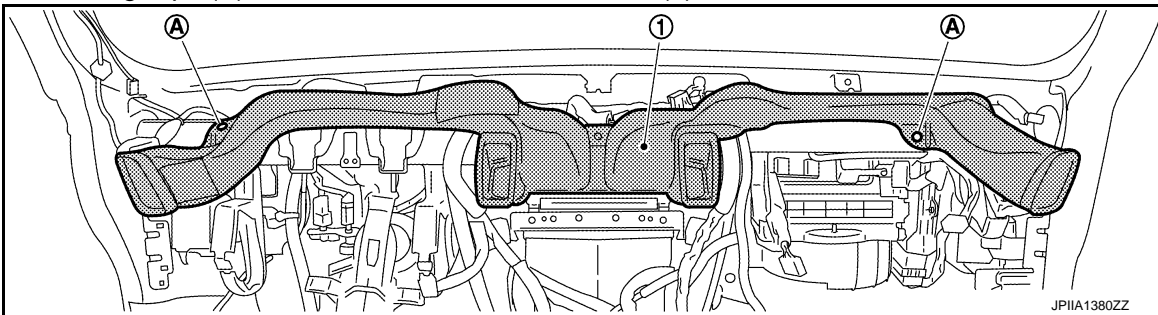
VENTILATOR DUCT

VENTILATOR DUCT : Removal and Installation

INFOID:000000007623042

REMOVAL

1. Remove instrument panel assembly. Refer to [IP-14. "Exploded View"](#).
2. Remove front defroster nozzle. Refer to [VTL-6. "Exploded View"](#).
3. Remove fixing clips (A), and then remove ventilator duct (1).



INSTALLATION

Install in the reverse order of removal.

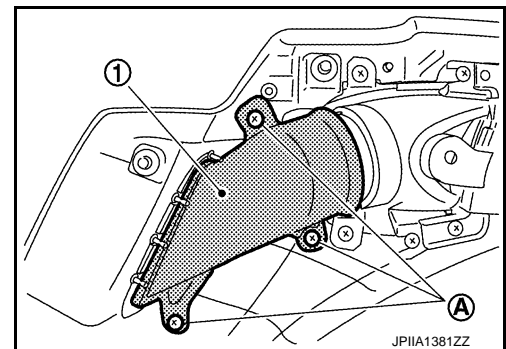
SIDE VENTILATOR DUCT

SIDE VENTILATOR DUCT : Removal and Installation

INFOID:000000007623043

REMOVAL

1. Remove door finisher. Refer to [INT-15. "Exploded View"](#).
2. Remove fixing screws (A), and then remove side ventilator duct (1).



INSTALLATION

Install in the reverse order of removal.

FRONT DEFROSTER NOZZLE

FRONT DEFROSTER NOZZLE : Removal and Installation

INFOID:000000007623044

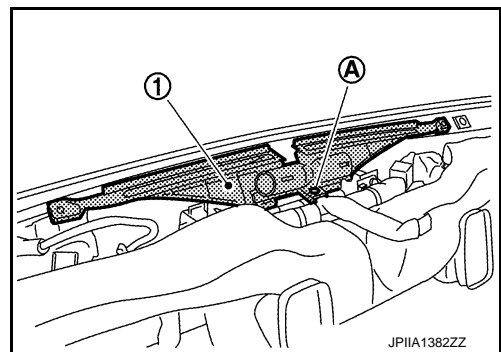
REMOVAL

1. Remove side defroster nozzles. Refer to [VTL-6. "Exploded View"](#).

DUCT AND GRILLE

< REMOVAL AND INSTALLATION >

2. Remove fixing screw (A), and then remove front defroster nozzle (1).



INSTALLATION

Install in the reverse order of removal.

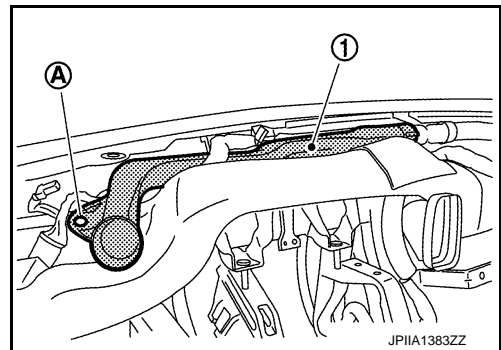
SIDE DEFROSTER NOZZLE

SIDE DEFROSTER NOZZLE : Removal and Installation

INFOID:000000007623045

REMOVAL

1. Remove instrument panel assembly. Refer to [JP-14, "Exploded View"](#).
2. Remove fixing clip (A), and then remove side defroster nozzle (1).



INSTALLATION

Install in the reverse order of removal.


FOOT GRILLE

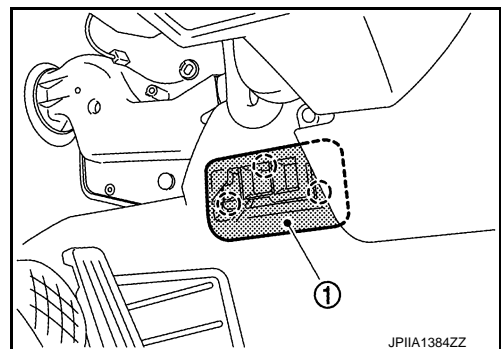
FOOT GRILLE : Removal and Installation

INFOID:000000007623046

REMOVAL

Disengage fixing pawls, and then remove foot grille (1).

 : Pawl



INSTALLATION

Install in the reverse order of removal.

FOOT DUCT

FOOT DUCT : Removal and Installation

INFOID:000000007623047

REMOVAL


A
B
C
D
E
F
G
H
VTL
J
K
L
M
N
O
P

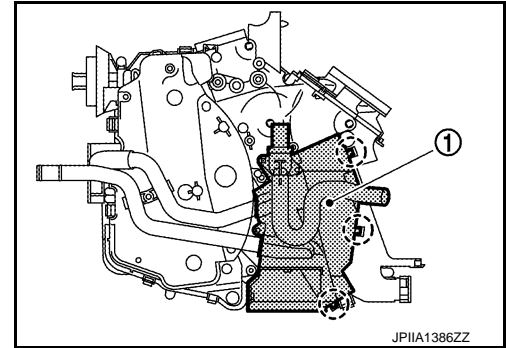
DUCT AND GRILLE

< REMOVAL AND INSTALLATION >

Driver Side

1. Remove heater & cooling unit assembly. Refer to [HA-48, "Exploded View"](#).
2. Remove heater pipe cover. Refer to [HA-48, "Exploded View"](#).
3. Disengage fixing pawls, and then remove foot duct LH (1).

 : Pawl




Passenger Side

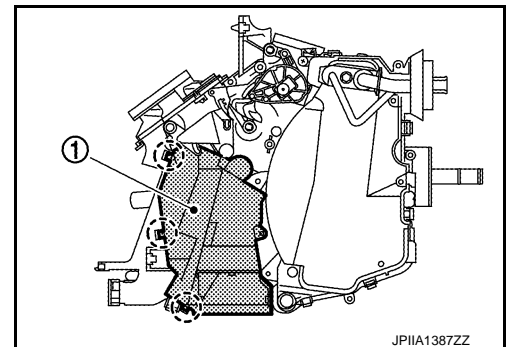
1. Set the temperature at full cold.

CAUTION:

The angle may be out, when installing the air mix door motor to the air mix door, unless the above procedure is performed.

2. Disconnect the battery cable from the negative terminal.
3. Remove heater & cooling unit assembly. Refer to [HA-48, "Exploded View"](#).
4. Remove air mix door motor and mode door motor. Refer to the following.
 - Refer to [HAC-88, "Exploded View"](#). (WITHOUT 7 INCH DISPLAY)
 - Refer to [HAC-172, "Exploded View"](#). (WITH 7 INCH DISPLAY)
5. Remove evaporator cover. Refer to [HA-53, "Exploded View"](#).
6. Disengage fixing pawls, and then remove foot duct RH (1).

 : Pawl



INSTALLATION

Install in the reverse order of removal.

BLOWER UNIT

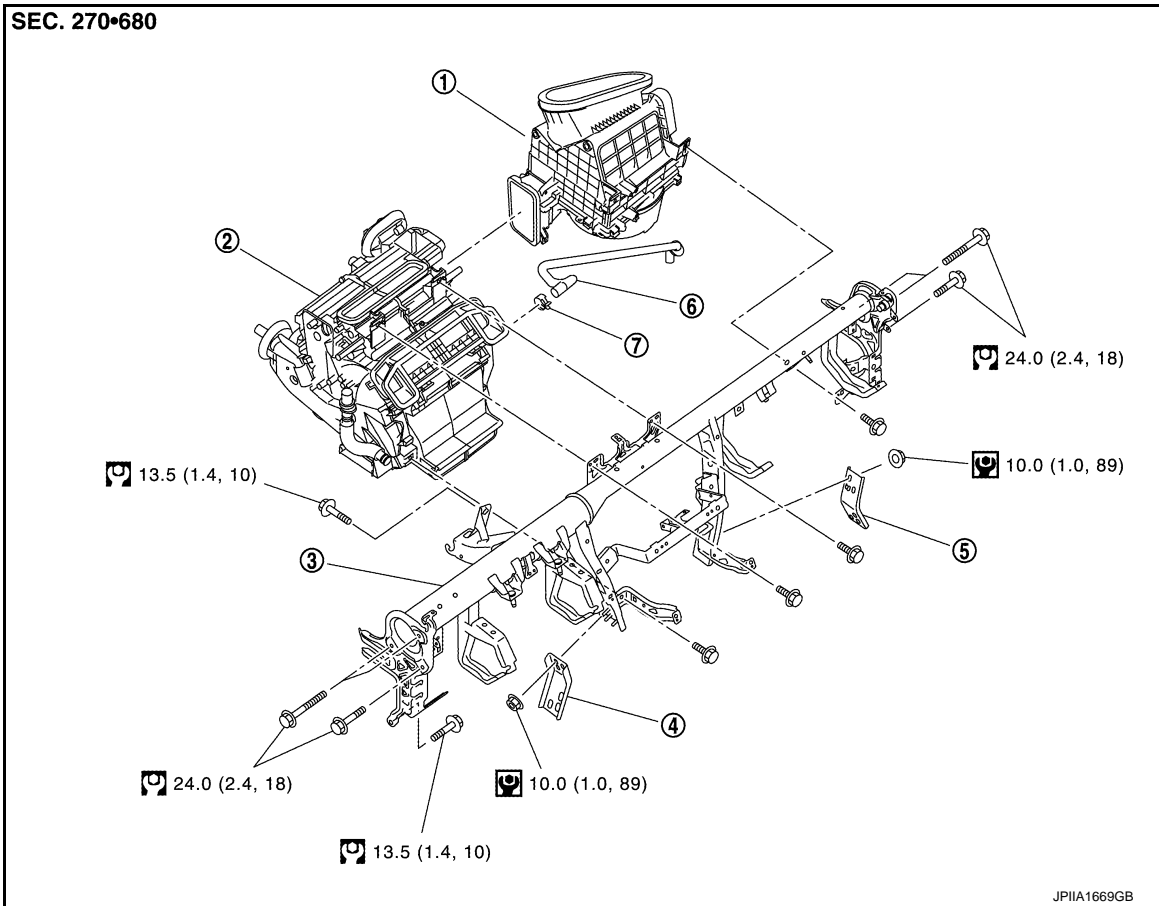
< REMOVAL AND INSTALLATION >

BLOWER UNIT

Exploded View

INFOID:000000007623048

REMOVAL



- | | | |
|-------------------------|-----------------------------------|--------------------|
| 1. Blower unit assembly | 2. Heater & cooling unit assembly | 3. Steering member |
| 4. Instrument stay LH | 5. Instrument stay RH | 6. Drain hose |
| 7. Clamp | | |

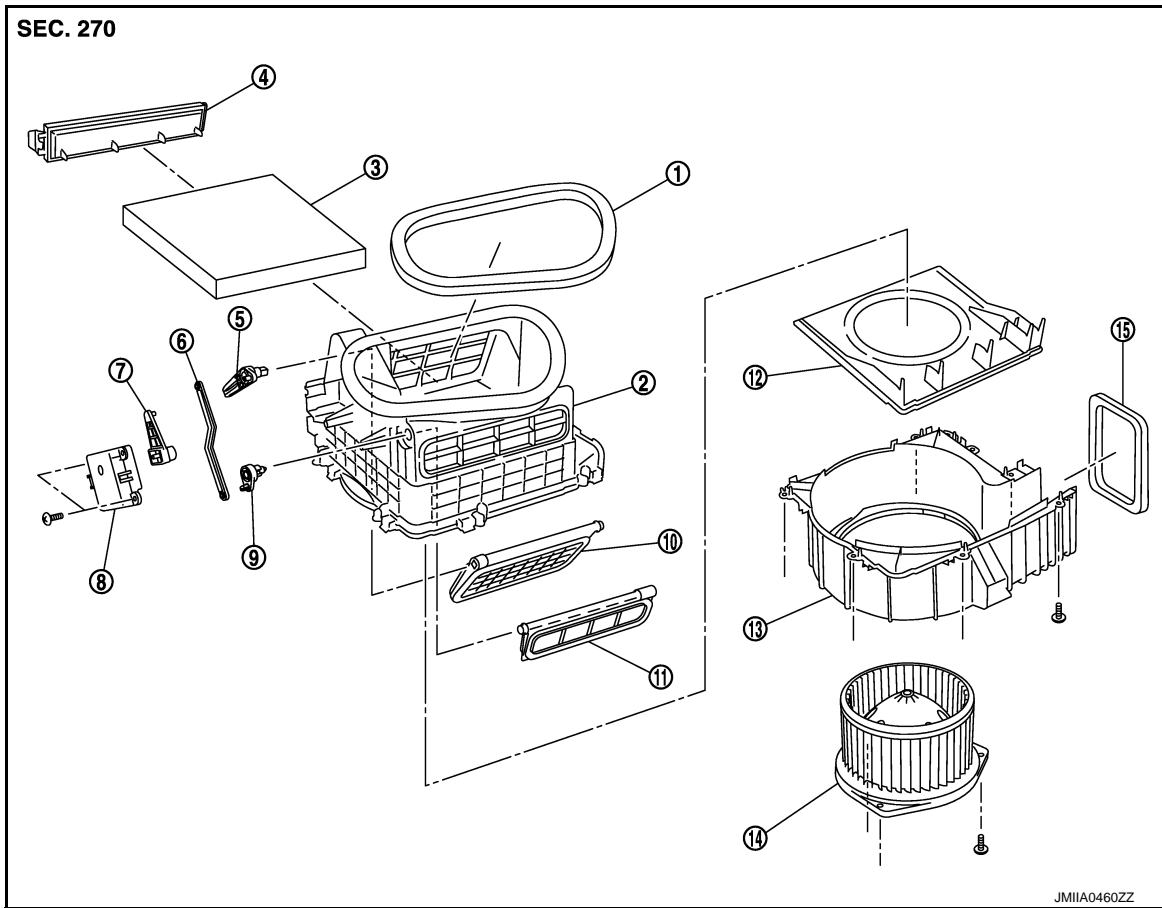
Refer to [GI-4, "Components"](#) for symbols in the figure.

DISASSEMBLY

A
B
C
D
E
F
G
H
VTL
J
K
L
M
N
O
P

BLOWER UNIT

< REMOVAL AND INSTALLATION >



- | | | |
|------------------------|---------------------------|--|
| 1. Seal | 2. Intake upper case | 3. In-cabin microfilter
(Air conditioner filter)* |
| 4. Filter cover | 5. Intake door lever 1 | 6. Intake door link |
| 7. Intake door lever 2 | 8. Intake door motor | 9. Intake door lever 3 |
| 10. Intake door 2 | 11. Intake door 1 | 12. Intake bell mouth |
| 13. Intake lower case | 14. Blower motor assembly | 15. Seal |

*: Moels for MEXICO only

BLOWER UNIT

BLOWER UNIT : Removal and Installation

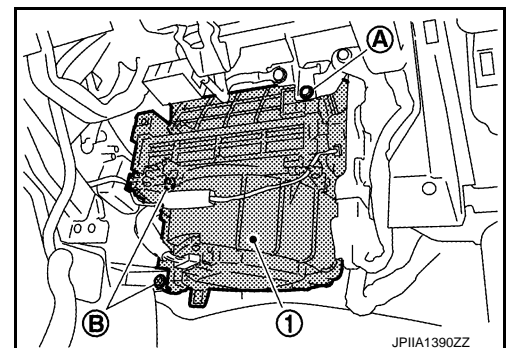
INFOID:000000007623049

REMOVAL

1. Remove instrument lower panel RH. Refer to [IP-14, "Exploded View"](#).
2. Disconnect intake door motor connector.
3. Disconnect blower motor connector.
4. Remove mounting bolt (A) and fixing screws (B), and then remove blower unit assembly (1).

CAUTION:

Move blower unit assembly rightward, and remove locating pin (1 part) and joint. Then remove blower unit assembly downward.



BLOWER UNIT

< REMOVAL AND INSTALLATION >

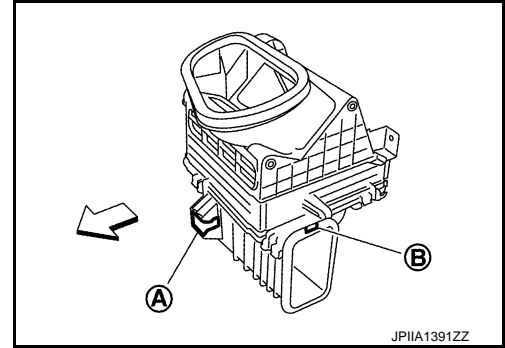
INSTALLATION

Note the following item, and then install in the reverse order of removal.

CAUTION:

Check locating pin (A) and joint (B) are securely inserted.

← : Vehicle front



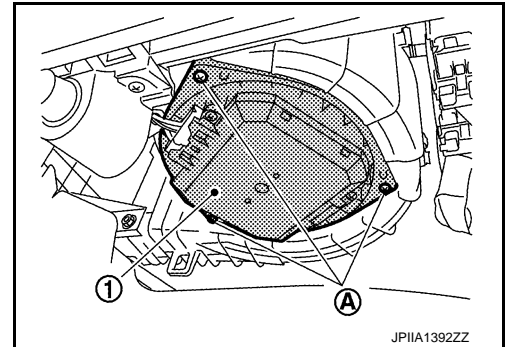
BLOWER MOTOR

BLOWER MOTOR : Removal and Installation

INFOID:000000007623050

REMOVAL

1. Disconnect blower motor connector.
2. Remove fixing screws (A), and then remove blower motor (1).



INSTALLATION

Install in the reverse order of removal.

A
B
C
D
E
F
G
H
VTL
J
K
L
M
N
O
P

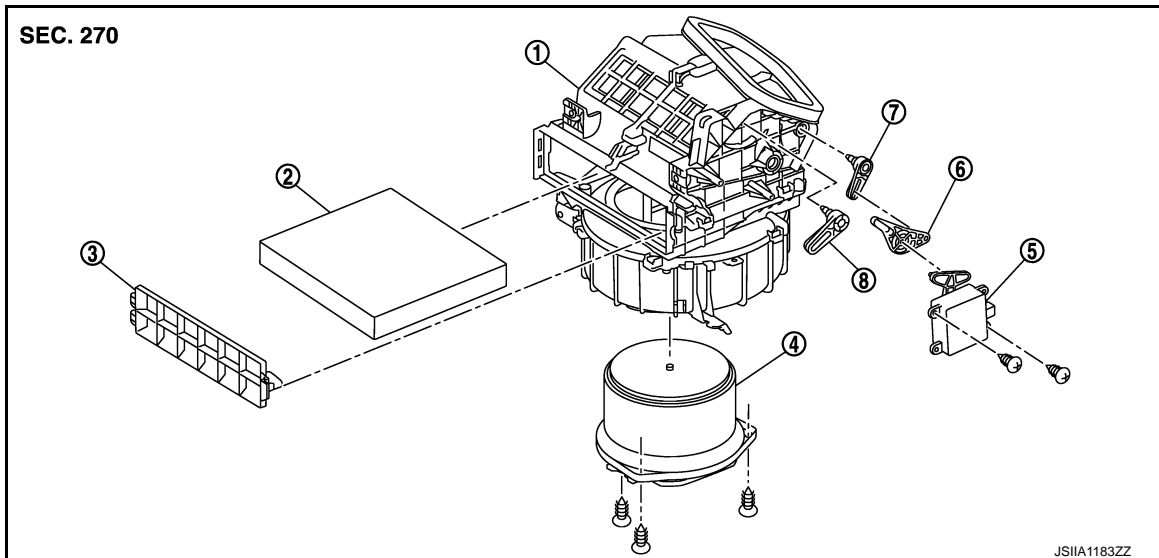
IN-CABIN MICROFILTER

< REMOVAL AND INSTALLATION >

IN-CABIN MICROFILTER

Exploded View

INFOID:000000007623051



- | | | |
|--------------------------|--|---------------------|
| 1. Blower unit | 2. In-cabin microfilter
(Air conditioner filter)* | 3. Filter cover |
| 4. Blower motor assembly | 5. Intake door motor | 6. Intake door link |
| 7. Intake door lever 1 | 8. Intake door lever 2 | |

*: Models for MEXICO only

Removal and Installation

INFOID:000000007623052

REMOVAL

1. Remove instrument lower panel RH. Refer to [IP-14, "Exploded View"](#).
2. Remove filter cover, and then remove in-cabin microfilter or air conditioner filter.

INSTALLATION

Note the following items, and then install in the reverse order of removal.

CAUTION:

- If the filter is deformed/damaged when removing, replace it with a new one. Deformed/damaged filter may deteriorate the duct collecting performance.
- When installing, handle the filter with extreme care to avoid deforming/damaging.

Replacement

INFOID:000000007623053

Replace in-cabin microfilter or air conditioner filter. Refer to the following.

Models for NOATH AMERICA: Refer to [MA-8, "FOR NORTH AMERICA : Schedule 1"](#) and [MA-10, "FOR NORTH AMERICA : Schedule 2"](#).

Models for MEXICO: Refer to [MA-11, "FOR MEXICO : Periodic Maintenance"](#).

Affix a caution label inside the glove box when replacing filter.