

SECTION **DLK**
DOOR & LOCK

A
B
C

CONTENTS

D
E

COUPE

PRECAUTION	11	INTELLIGENT KEY SYSTEM :	
PRECAUTIONS	11	Component Parts Location	16
FOR USA AND CANADA	11	INTELLIGENT KEY SYSTEM :	
FOR USA AND CANADA : Precaution for Supplemental Restraint System (SRS) "AIR BAG" and "SEAT BELT PRE-TENSIONER"	11	Component Description	18
FOR USA AND CANADA : Precaution for Battery Service	11	BACK DOOR OPENER SYSTEM	18
FOR USA AND CANADA : Precaution for Procedure without Cowl Top Cover	11	BACK DOOR OPENER SYSTEM :	
FOR USA AND CANADA : Precaution for Work	12	Component Parts Location	19
FOR MEXICO	12	BACK DOOR OPENER SYSTEM :	
FOR MEXICO : Precaution for Supplemental Restraint System (SRS) "AIR BAG" and "SEAT BELT PRE-TENSIONER"	12	Component Description	19
FOR MEXICO : Precaution for Battery Service	12	INTEGRATED HOMELINK TRANSMITTER	19
FOR MEXICO : Precaution for Procedure without Cowl Top Cover	12	INTEGRATED HOMELINK TRANSMITTER :	
FOR MEXICO : Precaution for Work	12	Component Description	19
PREPARATION	14	Door Lock Actuator	19
PREPARATION	14	Fuel Lid Lock Actuator	19
Special Service Tools	14	Back Door Opener Actuator	19
Commercial Service Tools	14	Intelligent Key	19
SYSTEM DESCRIPTION	15	Remote Keyless Entry Receiver	20
COMPONENT PARTS	15	Outside Key Antenna	20
POWER DOOR LOCK SYSTEM	15	Inside Key Antenna	20
POWER DOOR LOCK SYSTEM :		Door Lock And Unlock Switch	20
Component Parts Location	15	Door Request Switch	20
POWER DOOR LOCK SYSTEM :		Back Door Opener Switch	20
Component Description	15	Door Key Cylinder Switch	20
INTELLIGENT KEY SYSTEM	16	Door Switch	20
		Unlock Sensor	20
		Key Slot	20
		Combination Meter	20
		Hazard Warning Lamp	20
		Intelligent Key Warning Buzzer	20
		SYSTEM (POWER DOOR LOCK SYSTEM)	21
		System Diagram	21
		System Description	21
		SYSTEM (INTELLIGENT KEY SYSTEM)	24
		INTELLIGENT KEY SYSTEM	24
		INTELLIGENT KEY SYSTEM : System Diagram	24
		INTELLIGENT KEY SYSTEM : System Description	24

F
G

H
I

J
K

DLK

L
M

N
O

P

DOOR LOCK FUNCTION	25	BACK DOOR OPENER SYSTEM	53
DOOR LOCK FUNCTION : System Diagram	25	Wiring Diagram	53
DOOR LOCK FUNCTION : System Description	25	INTEGRATED HOMELINK TRANSMITTER	
BACK DOOR OPEN FUNCTION	27	SYSTEM	54
BACK DOOR OPEN FUNCTION : System Dia-		Wiring Diagram	54
gram	27	BASIC INSPECTION	55
BACK DOOR OPEN FUNCTION : System De-		DIAGNOSIS AND REPAIR WORK FLOW	55
scription	27	Work Flow	55
REMOTE KEYLESS ENTRY FUNCTION	29	INSPECTION AND ADJUSTMENT	58
REMOTE KEYLESS ENTRY FUNCTION : Sys-		ADDITIONAL SERVICE WHEN REPLACING	
tem Diagram	29	CONTROL UNIT	58
REMOTE KEYLESS ENTRY FUNCTION : Sys-		ADDITIONAL SERVICE WHEN REPLACING	
tem Description	29	CONTROL UNIT : Description	58
KEY REMINDER FUNCTION	31	DTC/CIRCUIT DIAGNOSIS	59
KEY REMINDER FUNCTION : System Diagram ...	31	B2622 INSIDE ANTENNA	59
KEY REMINDER FUNCTION : System Descrip-		DTC Logic	59
tion	31	Diagnosis Procedure	59
WARNING FUNCTION	32	B2623 INSIDE ANTENNA	61
WARNING FUNCTION : System Description	32	DTC Logic	61
SYSTEM (BACK DOOR OPENER SYSTEM) ...	37	Diagnosis Procedure	61
System Diagram	37	DOOR SWITCH	63
System Description	37	Component Function Check	63
SYSTEM (INTEGRATED HOMELINK		Diagnosis Procedure	63
TRANSMITTER)	38	Component Inspection	64
System Description	38	DOOR LOCK AND UNLOCK SWITCH	66
DIAGNOSIS SYSTEM (BCM)	39	DRIVER SIDE	66
COMMON ITEM	39	DRIVER SIDE : Component Function Check	66
COMMON ITEM : CONSULT Function (BCM -		DRIVER SIDE : Diagnosis Procedure	66
COMMON ITEM)	39	PASSENGER SIDE	66
DOOR LOCK	40	PASSENGER SIDE :	
DOOR LOCK : CONSULT Function (BCM -		Component Function Check	66
DOOR LOCK) (For Coupe)	40	PASSENGER SIDE : Diagnosis Procedure	66
INTELLIGENT KEY	42	DOOR LOCK ACTUATOR	68
INTELLIGENT KEY : CONSULT Function (BCM -		DRIVER SIDE	68
INTELLIGENT KEY) (For Coupe)	42	DRIVER SIDE : Component Function Check	68
TRUNK	45	DRIVER SIDE : Diagnosis Procedure	68
TRUNK : CONSULT Function (BCM - TRUNK)		PASSENGER SIDE	69
(For Coupe)	45	PASSENGER SIDE :	
ECU DIAGNOSIS INFORMATION	46	Component Function Check	69
BCM	46	PASSENGER SIDE : Diagnosis Procedure	69
List of ECU Reference	46	FUEL LID LOCK ACTUATOR	71
WIRING DIAGRAM	47	Component Function Check	71
POWER DOOR LOCK SYSTEM	47	Diagnosis Procedure	71
Wiring Diagram	47	BACK DOOR OPENER ACTUATOR	73
INTELLIGENT KEY SYSTEM	49	Component Function Check	73
Wiring Diagram	49	Diagnosis Procedure	73

DOOR KEY CYLINDER SWITCH	74	Component Function Check	98	
Component Function Check	74	Diagnosis Procedure	98	A
Diagnosis Procedure	74			
Component Inspection	75	HAZARD FUNCTION	99	
REMOTE KEYLESS ENTRY RECEIVER	76	Component Function Check	99	B
Component Function Check	76	Diagnosis Procedure	99	
Diagnosis Procedure	76	INTEGRATED HOMELINK TRANSMITTER ..	100	C
BACK DOOR OPENER SWITCH	79	Component Function Check	100	
Component Function Check	79	Diagnosis Procedure	100	
Diagnosis Procedure	79	SYMPTOM DIAGNOSIS	102	D
Component Inspection	80	DOOR DOES NOT LOCK/UNLOCK WITH		
DOOR REQUEST SWITCH	81	DOOR LOCK AND UNLOCK SWITCH	102	E
Component Function Check	81	ALL DOOR	102	
Diagnosis Procedure	81	ALL DOOR : Description	102	
Component Inspection	82	ALL DOOR : Diagnosis Procedure	102	F
BACK DOOR REQUEST SWITCH	83	DRIVER SIDE	102	
Component Function Check	83	DRIVER SIDE : Description	102	G
Diagnosis Procedure	83	DRIVER SIDE : Diagnosis Procedure	102	
Component Inspection	84	PASSENGER SIDE	102	
UNLOCK SENSOR	85	PASSENGER SIDE : Description	103	H
Component Function Check	85	PASSENGER SIDE : Diagnosis Procedure	103	
Diagnosis Procedure	85	DOOR DOES NOT LOCK/UNLOCK WITH		
Component Inspection	86	DOOR KEY CYLINDER OPERATION	104	I
OUTSIDE KEY ANTENNA	87	Diagnosis Procedure	104	
Component Function Check	87	DOOR DOES NOT LOCK/UNLOCK WITH		
Diagnosis Procedure	87	DOOR REQUEST SWITCH	105	J
INTELLIGENT KEY WARNING BUZZER	89	ALL DOOR	105	
Component Function Check	89	ALL DOOR : Description	105	
Diagnosis Procedure	89	ALL DOOR : Diagnosis Procedure	105	DLK
Component Inspection	90	DRIVER SIDE	105	
INTELLIGENT KEY	91	DRIVER SIDE : Description	105	L
Component Function Check	91	DRIVER SIDE : Diagnosis Procedure	105	
Diagnosis Procedure	91	PASSENGER SIDE	106	
KEY SLOT	92	PASSENGER SIDE : Description	106	M
Component Function Check	92	PASSENGER SIDE : Diagnosis Procedure	106	
Diagnosis Procedure	92	BACK DOOR	106	
Component Inspection	93	BACK DOOR : Description	106	N
KEY SLOT INDICATOR	94	BACK DOOR : Diagnosis Procedure	106	
Component Function Check	94	DOOR DOES NOT LOCK/UNLOCK WITH IN-		
Diagnosis Procedure	94	TELLIGENT KEY	107	O
Component Inspection	95	Diagnosis Procedure	107	
COMBINATION METER DISPLAY FUNC-		SELECTIVE UNLOCK FUNCTION DOES		
TION	96	NOT OPERATE	108	P
Component Function Check	96	Diagnosis Procedure	108	
Diagnosis Procedure	96	VEHICLE SPEED SENSING AUTO LOCK		
BUZZER (COMBINATION METER)	97	OPERATION DOES NOT OPERATE	109	
Component Function Check	97	Diagnosis Procedure	109	
Diagnosis Procedure	97			
KEY WARNING LAMP	98			

IGN OFF INTERLOCK DOOR UNLOCK FUNCTION DOES NOT OPERATE	110	DOOR LOCK OPERATION WARNING DOES NOT OPERATE	127
Diagnosis Procedure	110	Diagnosis Procedure	127
P RANGE INTERLOCK DOOR LOCK/UNLOCK FUNCTION DOES NOT OPERATE	111	KEY ID WARNING DOES NOT OPERATE	128
Diagnosis Procedure	111	Diagnosis Procedure	128
AUTO DOOR LOCK OPERATION DOES NOT OPERATE	112	KEY WARNING LAMP DOES NOT ILLUMINATE	129
Diagnosis Procedure	112	Diagnosis Procedure	129
BACK DOOR DOES NOT OPEN	113	INTEGRATED HOMELINK TRANSMITTER DOES NOT OPERATE	130
Diagnosis Procedure	113	Diagnosis Procedure	130
FUEL LID LOCK ACTUATOR DOES NOT OPERATE	114	SQUEAK AND RATTLE TROUBLE DIAGNOSES	131
Diagnosis Procedure	114	Work Flow	131
HAZARD AND HORN REMINDER DOES NOT OPERATE	115	Inspection Procedure	133
Diagnosis Procedure	115	Diagnostic Worksheet	135
HAZARD AND BUZZER REMINDER DOES NOT OPERATE	116	REMOVAL AND INSTALLATION	137
Diagnosis Procedure	116	HOOD	137
KEY REMINDER FUNCTION DOES NOT OPERATE	117	HOOD ASSEMBLY	137
INTELLIGENT KEY SYSTEM	117	HOOD ASSEMBLY : Exploded View	137
INTELLIGENT KEY SYSTEM : Description	117	HOOD ASSEMBLY : Removal and Installation ...	137
INTELLIGENT KEY SYSTEM : Diagnosis Procedure	117	HOOD ASSEMBLY : Adjustment	138
POWER DOOR LOCK SYSTEM	117	HOOD HINGE	139
POWER DOOR LOCK SYSTEM : Description	117	HOOD HINGE : Exploded View	140
POWER DOOR LOCK SYSTEM : Diagnosis Procedure	117	HOOD HINGE : Removal and Installation	140
KEY WARNING DOES NOT OPERATE	119	HOOD SUPPORT ROD	140
Diagnosis Procedure	119	HOOD SUPPORT ROD : Exploded View	141
OFF POSITION WARNING DOES NOT OPERATE	120	HOOD SUPPORT ROD : Removal and Installation	141
Diagnosis Procedure	120	RADIATOR CORE SUPPORT	142
P POSITION WARNING DOES NOT OPERATE	121	Exploded View	142
Diagnosis Procedure	121	Removal and Installation	142
ACC WARNING DOES NOT OPERATE	123	FRONT FENDER	145
Diagnosis Procedure	123	Exploded View	145
TAKE AWAY WARNING DOES NOT OPERATE	124	Removal and Installation	145
Diagnosis Procedure	124	DOOR	147
INTELLIGENT KEY LOW BATTERY WARNING DOES NOT OPERATE	126	DOOR ASSEMBLY	147
Diagnosis Procedure	126	DOOR ASSEMBLY : Exploded View	147
		DOOR ASSEMBLY : Removal and Installation ...	147
		DOOR ASSEMBLY : Adjustment	148
		DOOR STRIKER	149
		DOOR STRIKER : Exploded View	149
		DOOR STRIKER : Removal and Installation	149
		DOOR HINGE	149
		DOOR HINGE : Exploded View	150
		DOOR HINGE : Removal and Installation	150
		DOOR CHECK LINK	150

DOOR CHECK LINK : Exploded View	151	BACK DOOR OPENER SWITCH ASSEMBLY	
DOOR CHECK LINK : Removal and Installation ..	151	Removal and Installation	172
BACK DOOR	152	INSIDE KEY ANTENNA	173
BACK DOOR ASSEMBLY	152	CONSOLE	173
BACK DOOR ASSEMBLY : Exploded View	152	CONSOLE : Removal and Installation	173
BACK DOOR ASSEMBLY : Removal and Installation	152	LUGGAGE ROOM	173
BACK DOOR ASSEMBLY : Adjustment	154	LUGGAGE ROOM : Removal and Installation	173
BACK DOOR HINGE	155	OUTSIDE KEY ANTENNA	174
BACK DOOR HINGE : Exploded View	155	LH	174
BACK DOOR HINGE : Removal and Installation ..	155	LH : Removal and Installation	174
BACK DOOR STAY	156	REAR BUMPER	174
BACK DOOR STAY : Exploded View	156	REAR BUMPER : Removal and Installation	174
BACK DOOR STAY : Removal and Installation ...	156	INTELLIGENT KEY WARNING BUZZER	175
BACK DOOR STAY : Disposal	157	Removal and Installation	175
BACK DOOR WEATHER-STRIP	157	REMOTE KEYLESS ENTRY RECEIVER	176
BACK DOOR WEATHER-STRIP : Exploded View ..	158	Removal and Installation	176
BACK DOOR WEATHER-STRIP : Removal and Installation	158	INTELLIGENT KEY BATTERY	177
HOOD LOCK	159	Removal and Installation	177
Exploded View	159	ROADSTER	
Removal and Installation	159	PRECAUTION	178
Inspection	161	PRECAUTIONS	178
DOOR LOCK	162	FOR USA AND CANADA	178
DOOR LOCK	162	FOR USA AND CANADA : Precaution for Supplemental Restraint System (SRS) "AIR BAG" and "SEAT BELT PRE-TENSIONER"	178
DOOR LOCK : Exploded View	162	FOR USA AND CANADA : Precaution for Battery Service	178
DOOR LOCK : Removal and Installation	162	FOR USA AND CANADA : Precaution for Procedure without Cowl Top Cover	178
INSIDE HANDLE	162	FOR USA AND CANADA : Precaution for Work ..	179
INSIDE HANDLE : Exploded View	163	FOR MEXICO	179
INSIDE HANDLE : Removal and Installation	163	FOR MEXICO : Precaution for Supplemental Restraint System (SRS) "AIR BAG" and "SEAT BELT PRE-TENSIONER"	179
OUTSIDE HANDLE	163	FOR MEXICO : Precaution for Battery Service	179
OUTSIDE HANDLE : Exploded View	164	FOR MEXICO : Precaution for Procedure without Cowl Top Cover	179
OUTSIDE HANDLE : Removal and Installation ...	164	FOR MEXICO : Precaution for Work	179
BACK DOOR LOCK	166	PREPARATION	181
BACK DOOR LOCK	166	PREPARATION	181
BACK DOOR LOCK : Exploded View	166	Special Service Tools	181
BACK DOOR LOCK : Removal and Installation ..	166	Commercial Service Tools	181
BACK DOOR STRIKER	167	SYSTEM DESCRIPTION	182
BACK DOOR STRIKER : Exploded View	167	COMPONENT PARTS	182
BACK DOOR STRIKER : Removal and Installation	168		
FUEL FILLER LID OPENER	169		
Exploded View	169		
Removal and Installation	169		
DOOR SWITCH	171		
Removal and Installation	171		

DOOR LOCK	182	System Description	203
DOOR LOCK : Component Parts Location	182		
DOOR LOCK : Component Description	184		
INTEGRATED HOMELINK TRANSMITTER	184	SYSTEM (INTEGRATED HOMELINK TRANSMITTER)	204
INTEGRATED HOMELINK TRANSMITTER :		System Description	204
Component Description	184	DIAGNOSIS SYSTEM (BCM)	205
Door Lock Actuator	184		
Fuel Lid Lock Actuator	184	COMMON ITEM	205
Trunk Lid Opener Actuator	185	COMMON ITEM : CONSULT Function (BCM - COMMON ITEM)	205
Intelligent Key	185	DOOR LOCK	206
Remote Keyless Entry Receiver	185	DOOR LOCK : CONSULT Function (BCM - DOOR LOCK) (For Roadster)	206
Outside Key Antenna	185	INTELLIGENT KEY	208
Inside Key Antenna	185	INTELLIGENT KEY : CONSULT Function (BCM - INTELLIGENT KEY) (For Roadster)	208
Door Lock And Unlock Switch	185	TRUNK	211
Door Request Switch	185	TRUNK : CONSULT Function (BCM - TRUNK) (For Roadster)	211
Trunk Lid Opener Switch	185	DIAGNOSIS SYSTEM (SOFT TOP CONTROL UNIT)	212
Trunk Lid Opener Cancel Switch	185	CONSULT Function	212
Door Key Cylinder Switch	185	ECU DIAGNOSIS INFORMATION	215
Door Switch	185	BCM, SOFT TOP CONTROL UNIT	215
Unlock Sensor	185	List of ECU Reference	215
Trunk Room Lamp Switch	185	WIRING DIAGRAM	216
Key Slot	185	POWER DOOR LOCK SYSTEM	216
Combination Meter	186	Wiring Diagram	216
Hazard Warning Lamp	186	INTELLIGENT KEY SYSTEM	218
Intelligent Key Warning Buzzer	186	Wiring Diagram	218
SYSTEM (POWER DOOR LOCK SYSTEM) ..	187	TRUNK LID OPENER SYSTEM	222
System Diagram	187	Wiring Diagram	222
System Description	187	INTEGRATED HOMELINK TRANSMITTER SYSTEM	223
SYSTEM (INTELLIGENT KEY SYSTEM)	190	Wiring Diagram	223
INTELLIGENT KEY SYSTEM	190	BASIC INSPECTION	224
INTELLIGENT KEY SYSTEM : System Diagram ..	190	DIAGNOSIS AND REPAIR WORK FLOW	224
INTELLIGENT KEY SYSTEM : System Description ..	190	Work Flow	224
DOOR LOCK FUNCTION	191	INSPECTION AND ADJUSTMENT	227
DOOR LOCK FUNCTION : System Diagram	191	ADDITIONAL SERVICE WHEN REPLACING CONTROL UNIT	227
DOOR LOCK FUNCTION : System Description ..	192	ADDITIONAL SERVICE WHEN REPLACING CONTROL UNIT : Description	227
TRUNK OPEN FUNCTION	193	DTC/CIRCUIT DIAGNOSIS	228
TRUNK OPEN FUNCTION : System Diagram	194	B2621 INSIDE ANTENNA	228
TRUNK OPEN FUNCTION : System Description ..	194	DTC Logic	228
REMOTE KEYLESS ENTRY FUNCTION	195		
REMOTE KEYLESS ENTRY FUNCTION : System Diagram	195		
REMOTE KEYLESS ENTRY FUNCTION : System Description	196		
KEY REMINDER FUNCTION	197		
KEY REMINDER FUNCTION : System Diagram ..	198		
KEY REMINDER FUNCTION : System Description ..	198		
WARNING FUNCTION	198		
WARNING FUNCTION : System Description	198		
SYSTEM (TRUNK LID OPENER SYSTEM) ...	203		
System Diagram	203		

Diagnosis Procedure	228	TRUNK LID OPENER CANCEL SWITCH	254	
B2622 INSIDE ANTENNA	230	Component Function Check	254	A
DTC Logic	230	Diagnosis Procedure	254	
Diagnosis Procedure	230	Component Inspection	255	
B2623 INSIDE ANTENNA	232	DOOR REQUEST SWITCH	256	B
DTC Logic	232	Component Function Check	256	
Diagnosis Procedure	232	Diagnosis Procedure	256	
DOOR SWITCH	234	Component Inspection	257	C
Component Function Check	234	UNLOCK SENSOR	259	
Diagnosis Procedure	234	Component Function Check	259	D
Component Inspection	235	Diagnosis Procedure	259	
DOOR LOCK AND UNLOCK SWITCH	236	Component Inspection	260	
DRIVER SIDE	236	OUTSIDE KEY ANTENNA	261	E
DRIVER SIDE : Component Function Check	236	Component Function Check	261	
DRIVER SIDE : Diagnosis Procedure	236	Diagnosis Procedure	261	
PASSENGER SIDE	236	INTELLIGENT KEY WARNING BUZZER	263	F
PASSENGER SIDE :		Component Function Check	263	
Component Function Check	236	Diagnosis Procedure	263	G
PASSENGER SIDE : Diagnosis Procedure	236	Component Inspection	264	
DOOR LOCK ACTUATOR	238	INTELLIGENT KEY	265	H
DRIVER SIDE	238	Component Function Check	265	
DRIVER SIDE : Component Function Check	238	Diagnosis Procedure	265	
DRIVER SIDE : Diagnosis Procedure	238	KEY SLOT	266	I
PASSENGER SIDE	239	Component Function Check	266	
PASSENGER SIDE :		Diagnosis Procedure	266	
Component Function Check	239	Component Inspection	267	J
PASSENGER SIDE : Diagnosis Procedure	239	KEY SLOT INDICATOR	268	
FUEL LID LOCK ACTUATOR	241	Component Function Check	268	
Component Function Check	241	Diagnosis Procedure	268	
Diagnosis Procedure	241	Component Inspection	269	DLK
TRUNK LID OPENER ACTUATOR	243	COMBINATION METER DISPLAY FUNC-	270	L
Component Function Check	243	TION	270	
Diagnosis Procedure	243	Component Function Check	270	
DOOR KEY CYLINDER SWITCH	245	Diagnosis Procedure	270	
Component Function Check	245	BUZZER (COMBINATION METER)	271	M
Diagnosis Procedure	245	Component Function Check	271	
Component Inspection	246	Diagnosis Procedure	271	
TRUNK ROOM LAMP SWITCH	247	KEY WARNING LAMP	272	N
Component Function Check	247	Component Function Check	272	
Diagnosis Procedure	247	Diagnosis Procedure	272	
Component Inspection	248	HAZARD FUNCTION	273	O
REMOTE KEYLESS ENTRY RECEIVER	249	Component Function Check	273	
Component Function Check	249	Diagnosis Procedure	273	P
Diagnosis Procedure	249	INTEGRATED HOMELINK TRANSMITTER ..	274	
TRUNK LID OPENER SWITCH	252	Component Function Check	274	
Component Function Check	252	Diagnosis Procedure	274	
Diagnosis Procedure	252	SYMPTOM DIAGNOSIS	276	
Component Inspection	253			

DOOR DOES NOT LOCK/UNLOCK WITH DOOR LOCK AND UNLOCK SWITCH	276	AUTO DOOR LOCK OPERATION DOES NOT OPERATE	287
ALL DOOR	276	Diagnosis Procedure	287
ALL DOOR : Description	276	TRUNK LID DOES NOT OPEN	288
ALL DOOR : Diagnosis Procedure	276	Diagnosis Procedure	288
DRIVER SIDE	276	FUEL LID LOCK ACTUATOR DOES NOT OPERATE	289
DRIVER SIDE : Description	276	Diagnosis Procedure	289
DRIVER SIDE : Diagnosis Procedure	276	HAZARD AND HORN REMINDER DOES NOT OPERATE	290
PASSENGER SIDE	276	Diagnosis Procedure	290
PASSENGER SIDE : Description	277	HAZARD AND BUZZER REMINDER DOES NOT OPERATE	291
PASSENGER SIDE : Diagnosis Procedure	277	Diagnosis Procedure	291
DOOR DOES NOT LOCK/UNLOCK WITH DOOR KEY CYLINDER OPERATION	278	KEY REMINDER FUNCTION DOES NOT OPERATE	292
Diagnosis Procedure	278	INTELLIGENT KEY SYSTEM	292
DOOR DOES NOT LOCK/UNLOCK WITH DOOR REQUEST SWITCH	279	INTELLIGENT KEY SYSTEM : Description	292
ALL DOOR	279	INTELLIGENT KEY SYSTEM : Diagnosis Procedure	292
ALL DOOR : Description	279	POWER DOOR LOCK SYSTEM	292
ALL DOOR : Diagnosis Procedure	279	POWER DOOR LOCK SYSTEM : Description	293
DRIVER SIDE	279	POWER DOOR LOCK SYSTEM : Diagnosis Procedure	293
DRIVER SIDE : Description	279	KEY WARNING DOES NOT OPERATE	294
DRIVER SIDE : Diagnosis Procedure	279	Diagnosis Procedure	294
PASSENGER SIDE	280	OFF POSITION WARNING DOES NOT OPERATE	295
PASSENGER SIDE : Description	280	Diagnosis Procedure	295
PASSENGER SIDE : Diagnosis Procedure	280	P POSITION WARNING DOES NOT OPERATE	296
TRUNK LID	280	Diagnosis Procedure	296
TRUNK LID : Description	280	ACC WARNING DOES NOT OPERATE	298
TRUNK LID : Diagnosis Procedure	280	Diagnosis Procedure	298
DOOR DOES NOT LOCK/UNLOCK WITH INTELLIGENT KEY	281	TAKE AWAY WARNING DOES NOT OPERATE	299
Diagnosis Procedure	281	Diagnosis Procedure	299
ALL DOORS DO NOT UNLOCK WHEN ROOF IS OPEN BY DOOR REQUEST SWITCH OPERATION	282	INTELLIGENT KEY LOW BATTERY WARNING DOES NOT OPERATE	301
Diagnosis Procedure	282	Diagnosis Procedure	301
SELECTIVE UNLOCK FUNCTION DOES NOT OPERATE	283	DOOR LOCK OPERATION WARNING DOES NOT OPERATE	302
Diagnosis Procedure	283	Diagnosis Procedure	302
VEHICLE SPEED SENSING AUTO LOCK OPERATION DOES NOT OPERATE	284	KEY ID WARNING DOES NOT OPERATE	303
Diagnosis Procedure	284	Diagnosis Procedure	303
IGN OFF INTERLOCK DOOR UNLOCK FUNCTION DOES NOT OPERATE	285		
Diagnosis Procedure	285		
P RANGE INTERLOCK DOOR LOCK/UNLOCK FUNCTION DOES NOT OPERATE	286		
Diagnosis Procedure	286		

KEY WARNING LAMP DOES NOT ILLUMI- NATE	304	BACK DOOR	152	A
Diagnosis Procedure	304	TRUNK LID ASSEMBLY	328	B
INTEGRATED HOMELINK TRANSMITTER DOES NOT OPERATE	305	TRUNK LID ASSEMBLY : Exploded View	328	B
Diagnosis Procedure	305	TRUNK LID ASSEMBLY : Removal and Installa- tion	328	B
SQUEAK AND RATTLE TROUBLE DIAG- NOSES	306	TRUNK LID ASSEMBLY : Adjustment	329	C
Work Flow	306	TRUNK LID HINGE	330	C
Inspection Procedure	308	TRUNK LID HINGE : Exploded View	330	D
Diagnostic Worksheet	310	TRUNK LID HINGE : Removal and Installation	331	D
REMOVAL AND INSTALLATION	312	TRUNK LID STAY	331	E
HOOD	312	TRUNK LID STAY : Exploded View	331	E
HOOD ASSEMBLY	312	TRUNK LID STAY : Removal and Installation	331	E
HOOD ASSEMBLY : Exploded View	312	TRUNK LID STAY : Disposal	332	F
HOOD ASSEMBLY : Removal and Installation	312	TRUNK LID WEATHER-STRIP	332	F
HOOD ASSEMBLY : Adjustment	313	TRUNK LID WEATHER-STRIP : Exploded View ..	332	F
HOOD HINGE	314	TRUNK LID WEATHER-STRIP : Removal and In- stallation	333	G
HOOD HINGE : Exploded View	315	HOOD LOCK	334	G
HOOD HINGE : Removal and Installation	315	Exploded View	334	G
HOOD SUPPORT ROD	315	Removal and Installation	334	H
HOOD SUPPORT ROD : Exploded View	316	Inspection	336	H
HOOD SUPPORT ROD : Removal and Installa- tion	316	DOOR LOCK	337	I
RADIATOR CORE SUPPORT	317	DOOR LOCK	337	I
Exploded View	317	DOOR LOCK : Exploded View	337	I
Removal and Installation	317	DOOR LOCK : Removal and Installation	337	J
FRONT FENDER	320	INSIDE HANDLE	337	J
Exploded View	320	INSIDE HANDLE : Exploded View	338	J
Removal and Installation	320	INSIDE HANDLE : Removal and Installation	338	J
DOOR	322	OUTSIDE HANDLE	338	DLK
DOOR ASSEMBLY	322	OUTSIDE HANDLE : Exploded View	339	DLK
DOOR ASSEMBLY : Exploded View	322	OUTSIDE HANDLE : Removal and Installation	339	L
DOOR ASSEMBLY : Removal and Installation	322	TRUNK LID LOCK	341	L
DOOR ASSEMBLY : Adjustment	323	TRUNK LID LOCK	341	M
DOOR STRIKER	324	TRUNK LID LOCK : Exploded View	341	M
DOOR STRIKER : Exploded View	324	TRUNK LID LOCK : Removal and Installation	341	M
DOOR STRIKER : Removal and Installation	324	TRUNK LID STRIKER	342	N
DOOR HINGE	325	TRUNK LID STRIKER : Exploded View	342	N
DOOR HINGE : Exploded View	325	TRUNK LID STRIKER : Removal and Installation.	343	N
DOOR HINGE : Removal and Installation	325	FUEL FILLER LID OPENER	344	O
DOOR CHECK LINK	325	Exploded View	344	O
DOOR CHECK LINK : Exploded View	326	Removal and Installation	344	O
DOOR CHECK LINK : Removal and Installation ..	326	DOOR SWITCH	346	P
DOVETAIL	326	Removal and Installation	346	P
DOVETAIL : Exploded View	327	TRUNK LID OPENER SWITCH ASSEMBLY .	347	P
DOVETAIL : Removal and Installation	327	Removal and Installation	347	P
		TRUNK LID OPENER CANCEL SWITCH	348	
		Removal and Installation	348	

INSIDE KEY ANTENNA	349	LH	350
		LH : Removal and Installation	350
INSTRUMENT CENTER	349	REAR BUMPER	350
INSTRUMENT CENTER : Removal and Installation	349	REAR BUMPER : Removal and Installation	350
CONSOLE	349	INTELLIGENT KEY WARNING BUZZER	351
CONSOLE : Removal and Installation	349	Removal and Installation	351
TRUNK ROOM	349	REMOTE KEYLESS ENTRY RECEIVER	352
TRUNK ROOM : Removal and Installation	349	Removal and Installation	352
OUTSIDE KEY ANTENNA	350	INTELLIGENT KEY BATTERY	353
		Removal and Installation	353

PRECAUTION

PRECAUTIONS
FOR USA AND CANADA

FOR USA AND CANADA : Precaution for Supplemental Restraint System (SRS) "AIR BAG" and "SEAT BELT PRE-TENSIONER"

INFOID:000000008196007

The Supplemental Restraint System such as "AIR BAG" and "SEAT BELT PRE-TENSIONER", used along with a front seat belt, helps to reduce the risk or severity of injury to the driver and front passenger for certain types of collision. This system includes seat belt switch inputs and dual stage front air bag modules. The SRS system uses the seat belt switches to determine the front air bag deployment, and may only deploy one front air bag, depending on the severity of a collision and whether the front occupants are belted or unbelted. Information necessary to service the system safely is included in the "SRS AIR BAG" and "SEAT BELT" of this Service Manual.

WARNING:

Always observe the following items for preventing accidental activation.

- To avoid rendering the SRS inoperative, which could increase the risk of personal injury or death in the event of a collision that would result in air bag inflation, all maintenance must be performed by an authorized NISSAN/INFINITI dealer.
- Improper maintenance, including incorrect removal and installation of the SRS, can lead to personal injury caused by unintentional activation of the system. For removal of Spiral Cable and Air Bag Module, see "SRS AIR BAG".
- Never use electrical test equipment on any circuit related to the SRS unless instructed to in this Service Manual. SRS wiring harnesses can be identified by yellow and/or orange harnesses or harness connectors.

PRECAUTIONS WHEN USING POWER TOOLS (AIR OR ELECTRIC) AND HAMMERS

WARNING:

Always observe the following items for preventing accidental activation.

- When working near the Air Bag Diagnosis Sensor Unit or other Air Bag System sensors with the ignition ON or engine running, never use air or electric power tools or strike near the sensor(s) with a hammer. Heavy vibration could activate the sensor(s) and deploy the air bag(s), possibly causing serious injury.
- When using air or electric power tools or hammers, always switch the ignition OFF, disconnect the battery, and wait at least 3 minutes before performing any service.

FOR USA AND CANADA : Precaution for Battery Service

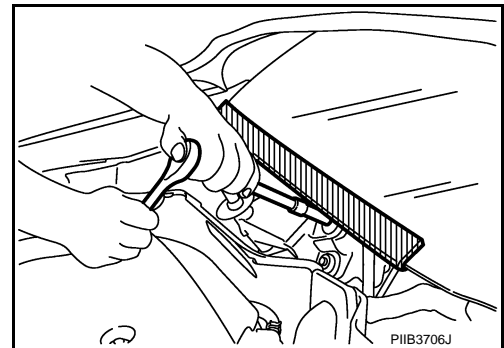
INFOID:000000008196008

Before disconnecting the battery, lower both the driver and passenger windows. This will prevent any interference between the window edge and the vehicle when the door is opened/closed. During normal operation, the window slightly raises and lowers automatically to prevent any window to vehicle interference. The automatic window function will not work with the battery disconnected.

FOR USA AND CANADA : Precaution for Procedure without Cowl Top Cover

INFOID:000000008196009

When performing the procedure after removing cowl top cover, cover the lower end of windshield with urethane, etc to prevent damage to windshield.



A
B
C
D
E
F
G
H
I
J
DLK
L
M
N
O
P

PRECAUTIONS

< PRECAUTION >

[COUPE]

FOR USA AND CANADA : Precaution for Work

INFOID:000000008196010

- After removing and installing the opening/closing parts, be sure to carry out fitting adjustments to check their operation.
- Check the lubrication level, damage, and wear of each part. If necessary, grease or replace it.

FOR MEXICO

FOR MEXICO : Precaution for Supplemental Restraint System (SRS) "AIR BAG" and "SEAT BELT PRE-TENSIONER"

INFOID:000000008196011

The Supplemental Restraint System such as "AIR BAG" and "SEAT BELT PRE-TENSIONER", used along with a front seat belt, helps to reduce the risk or severity of injury to the driver and front passenger for certain types of collision. Information necessary to service the system safely is included in the "SRS AIR BAG" and "SEAT BELT" of this Service Manual.

WARNING:

Always observe the following items for preventing accidental activation.

- **To avoid rendering the SRS inoperative, which could increase the risk of personal injury or death in the event of a collision that would result in air bag inflation, all maintenance must be performed by an authorized NISSAN/INFINITI dealer.**
- **Improper maintenance, including incorrect removal and installation of the SRS, can lead to personal injury caused by unintentional activation of the system. For removal of Spiral Cable and Air Bag Module, see "SRS AIR BAG".**
- **Never use electrical test equipment on any circuit related to the SRS unless instructed to in this Service Manual. SRS wiring harnesses can be identified by yellow and/or orange harnesses or harness connectors.**

PRECAUTIONS WHEN USING POWER TOOLS (AIR OR ELECTRIC) AND HAMMERS

WARNING:

Always observe the following items for preventing accidental activation.

- **When working near the Air Bag Diagnosis Sensor Unit or other Air Bag System sensors with the ignition ON or engine running, never use air or electric power tools or strike near the sensor(s) with a hammer. Heavy vibration could activate the sensor(s) and deploy the air bag(s), possibly causing serious injury.**
- **When using air or electric power tools or hammers, always switch the ignition OFF, disconnect the battery, and wait at least 3 minutes before performing any service.**

FOR MEXICO : Precaution for Battery Service

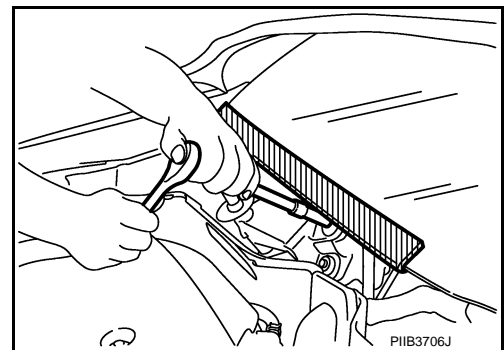
INFOID:000000008196012

Before disconnecting the battery, lower both the driver and passenger windows. This will prevent any interference between the window edge and the vehicle when the door is opened/closed. During normal operation, the window slightly raises and lowers automatically to prevent any window to vehicle interference. The automatic window function will not work with the battery disconnected.

FOR MEXICO : Precaution for Procedure without Cowl Top Cover

INFOID:000000008196013

When performing the procedure after removing cowl top cover, cover the lower end of windshield with urethane, etc to prevent damage to windshield.



FOR MEXICO : Precaution for Work

INFOID:000000008196014

- After removing and installing the opening/closing parts, be sure to carry out fitting adjustments to check their operation.

PRECAUTIONS

< PRECAUTION >

[COUPE]

- Check the lubrication level, damage, and wear of each part. If necessary, grease or replace it.

A

B

C

D

E

F

G

H

I

J

DLK

L

M

N

O

P

PREPARATION

< PREPARATION >

[COUPE]

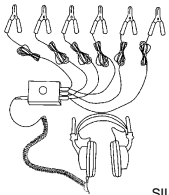
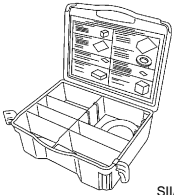
PREPARATION

PREPARATION

Special Service Tools

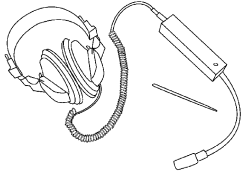
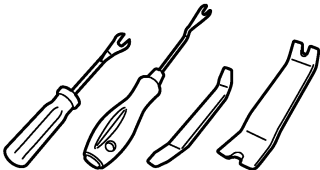

INFOID:000000008196015

The actual shapes of Kent-Moore tools may differ from those of special service tools illustrated here.

Tool number (Kent-Moore No.) Tool name	Description
<p>(J-39570) Chassis ear</p>  <p>SIIA0993E</p>	<p>Locates the noise</p>
<p>(J-43980) NISSAN Squeak and Rattle Kit</p>  <p>SIIA0994E</p>	<p>Repairs the cause of noise</p>

Commercial Service Tools

INFOID:000000008196016

Tool name	Description
<p>Engine ear</p>  <p>SIIA0995E</p>	<p>Locates the noise</p>
<p>Remover tool</p>  <p>JMKIA3050ZZ</p>	<p>Removes the clips, pawls, and metal clips</p>
<p>Power tool</p>  <p>PIIB1407E</p>	

COMPONENT PARTS

< SYSTEM DESCRIPTION >

[COUPE]

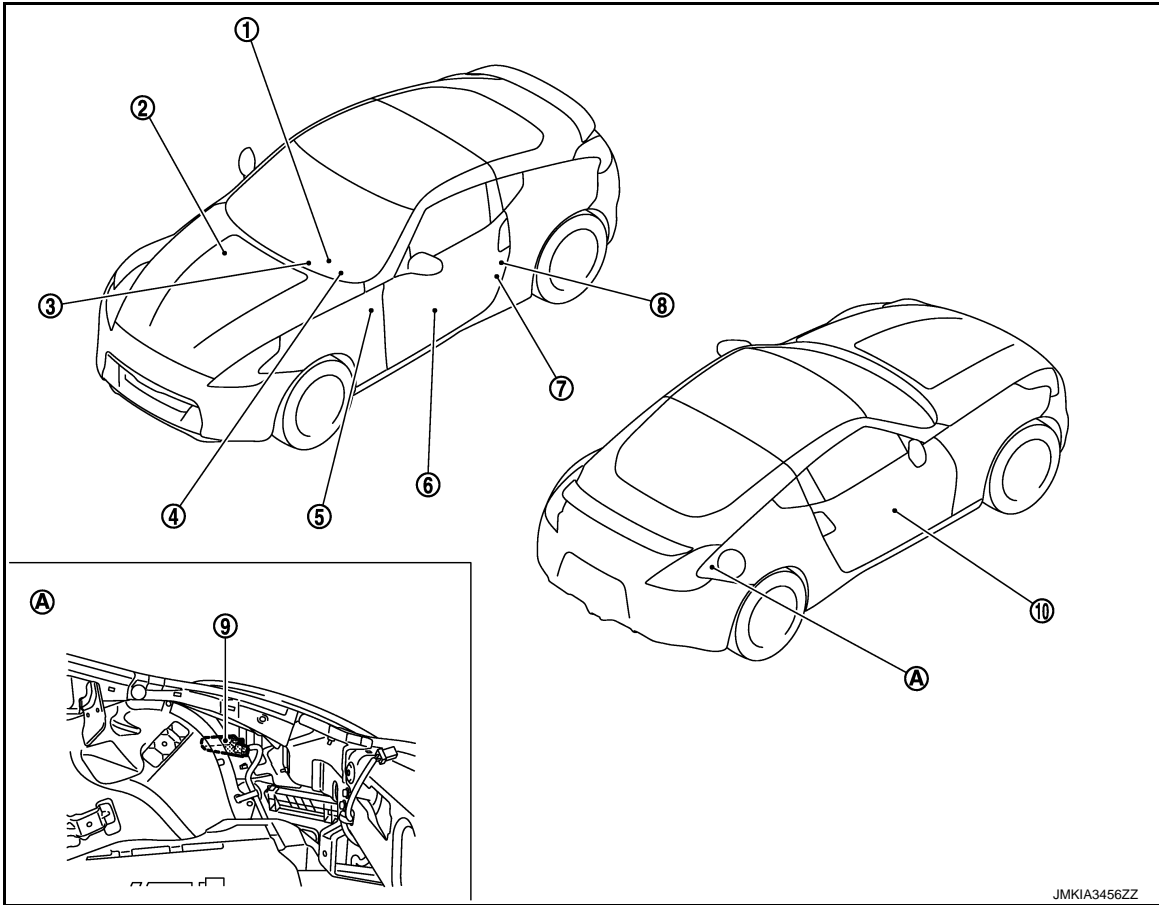
SYSTEM DESCRIPTION

COMPONENT PARTS

POWER DOOR LOCK SYSTEM

POWER DOOR LOCK SYSTEM : Component Parts Location

INFOID:000000008196017



- | | | |
|--|--|---|
| 1. A/T assembly* (TCM) Refer to TM-153, "Component Parts Location" | 2. BCM Refer to BCS-10, "Component Parts Location" | 3. Push-button ignition switch |
| 4. Combination meter | 5. Key slot | 6. Power window main switch (door lock and unlock switch) |
| 7. Driver side door switch | 8. Driver side door lock assembly | 9. Fuel lid lock actuator |
| 10. Power window sub-switch (door lock and unlock switch) | | |
| A. View with luggage side finisher lower (RH) removed | | |

*: With A/T models

POWER DOOR LOCK SYSTEM : Component Description

INFOID:000000008196018

Item	Function
BCM	Controls the door lock function
TCM*	Transmits shift position signal to BCM via CAN communication line
Door lock actuator	Refer to DLK-19, "Door Lock Actuator"
Fuel lid lock actuator	Refer to DLK-19, "Fuel Lid Lock Actuator"

A
B
C
D
E
F
G
H
I
J
L
M
N
O
P

DLK

COMPONENT PARTS

[COUPE]

< SYSTEM DESCRIPTION >

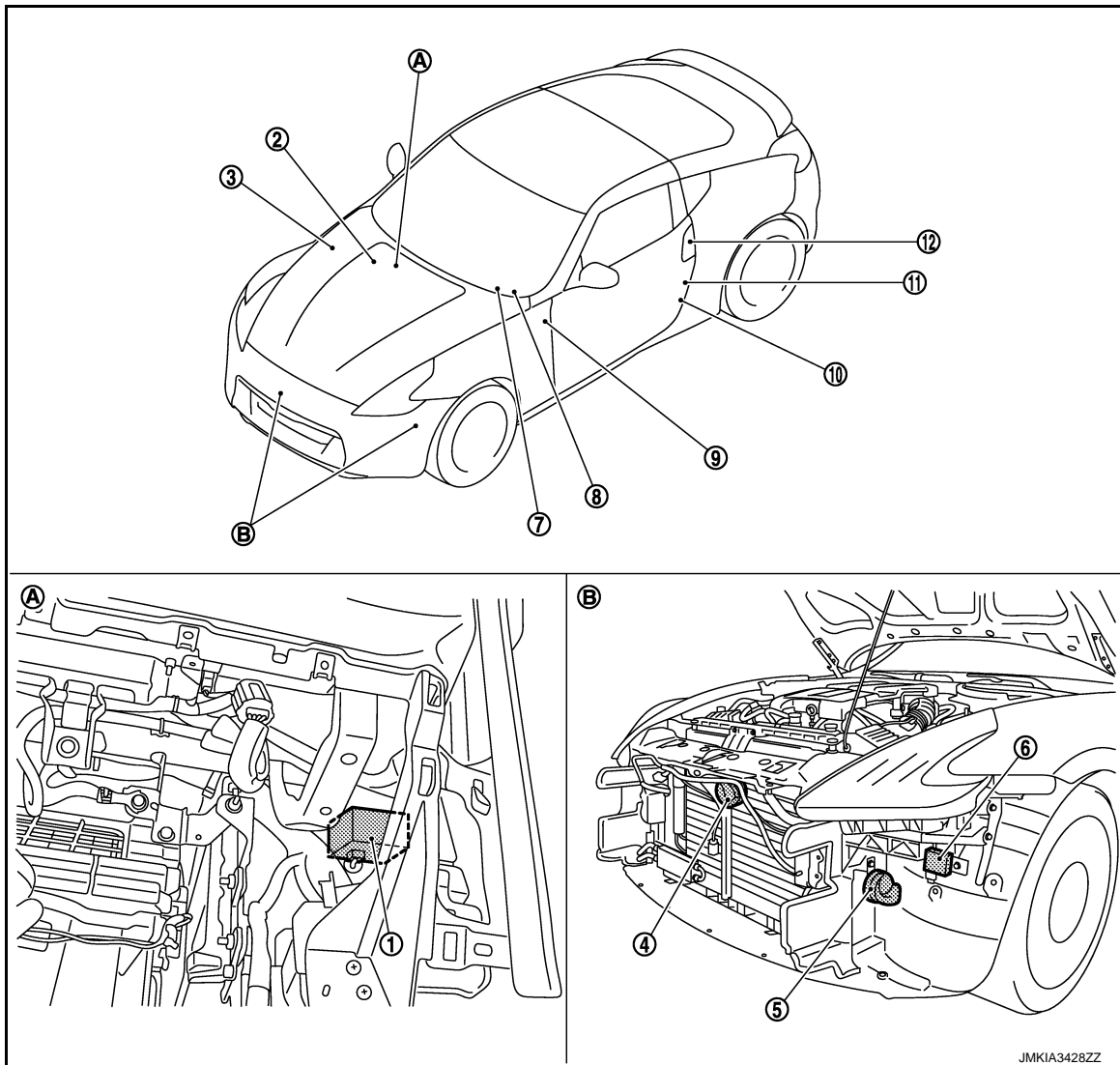
Item	Function
Door lock and unlock switch	Refer to DLK-20, "Door Lock And Unlock Switch"
Door key cylinder switch	Refer to DLK-20, "Door Key Cylinder Switch"
Door switch	Refer to DLK-20, "Door Switch"
Push-button ignition switch	Refer to PCS-40, "Component Description"
Key slot	Refer to DLK-20, "Key Slot"
Combination meter	Refer to DLK-20, "Combination Meter"

*: With A/T models

INTELLIGENT KEY SYSTEM

INTELLIGENT KEY SYSTEM : Component Parts Location

INFOID:000000008196019

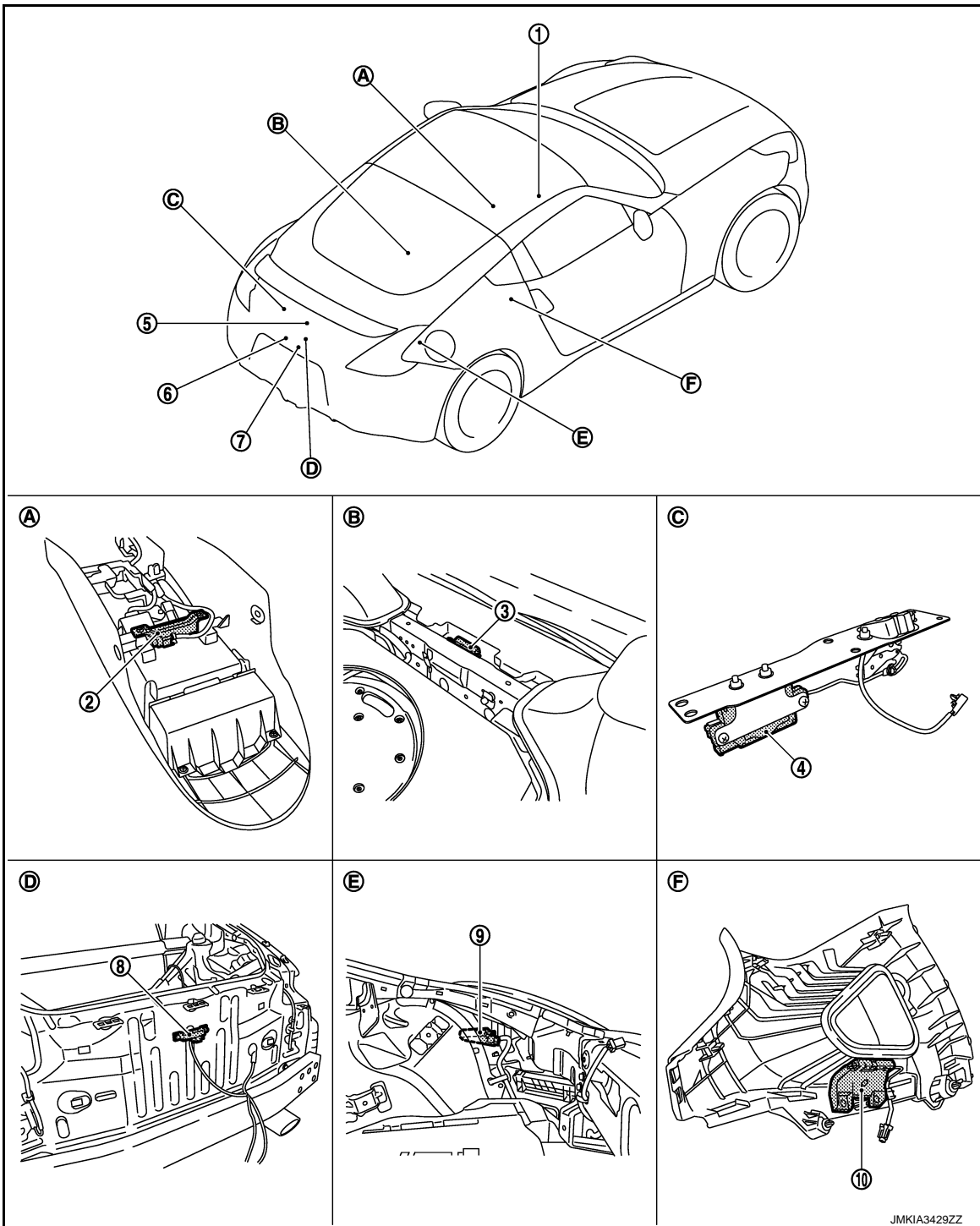


- | | | |
|--|---|---|
| 1. Remote keyless entry receiver (front) | 2. BCM
Refer to BCS-10, "Component Parts Location" | 3. IPDM E/R
Refer to PCS-5, "Component Parts Location" |
| 4. Horn (low) | 5. Horn (high) | 6. Intelligent Key warning buzzer |
| 7. Push-button ignition switch (push switch) | 8. Combination meter | 9. Key slot |
| 10. Driver side door switch | 11. Driver side door lock assembly | 12. Driver side door request switch |
| A. Dash side lower (passenger side) | B. View with front bumper removed | |

COMPONENT PARTS

< SYSTEM DESCRIPTION >

[COUPE]



A
B
C
D
E
F
G
H
I
J
K
L
M
N
O
P

DLK

- | | | |
|---|--------------------------------------|---|
| 1. A/T shift selector*
(detention switch)
Refer to SEC-12, "Component Parts Location" | 2. Inside key antenna (console) | 3. Inside key antenna (luggage room) |
| 4. Back door opener actuator | 5. Back door switch | 6. Back door opener switch assembly
(back door request switch) |
| 7. Back door opener switch assembly
(back door opener switch) | 8. Outside key antenna (rear bumper) | 9. Fuel lid lock actuator |
| 10. Outside key antenna RH | | |

JMKIA3429ZZ

COMPONENT PARTS

[COUPE]

< SYSTEM DESCRIPTION >

- | | | |
|--|---|--|
| A. View with center console assembly removed | B. View with luggage floor finisher front removed | C. View with luggage rear plate removed |
| D. View with rear bumper removed | E. View with luggage side finisher lower RH removed | F. View with rear pillar finisher RH removed |

*: With A/T models

INTELLIGENT KEY SYSTEM : Component Description

INFOID:000000008196020

Item	Function
BCM	Controls the Intelligent Key system
IPDM E/R	Sounds horn and blinks headlamp via CAN communication between BCM
TCM*	Transmits shift position signal to BCM via CAN communication line
Door lock actuator	Refer to DLK-19, "Door Lock Actuator"
Back door opener actuator	Refer to DLK-19, "Back Door Opener Actuator"
Fuel lid lock actuator	Refer to DLK-19, "Fuel Lid Lock Actuator"
Intelligent Key	Refer to DLK-19, "Intelligent Key"
Remote keyless entry receiver	Refer to DLK-20, "Remote Keyless Entry Receiver"
Door request switch	Refer to DLK-20, "Door Request Switch"
Back door opener switch	Refer to DLK-20, "Back Door Opener Switch"
Key slot	Refer to DLK-20, "Key Slot"
Door switch	Refer to DLK-20, "Door Switch"
Outside key antenna	Refer to DLK-20, "Outside Key Antenna"
Inside key antenna	Refer to DLK-20, "Inside Key Antenna"
Unlock sensor	Refer to DLK-20, "Unlock Sensor"
A/T shift selector (detention switch)*	Refer to TM-154, "Component Description"
Combination meter	Refer to DLK-20, "Combination Meter"
Push-button ignition switch	Refer to PCS-40, "Component Description"
Intelligent Key warning buzzer	Refer to DLK-20, "Intelligent Key Warning Buzzer"
Hazard warning lamp	Refer to DLK-20, "Hazard Warning Lamp"

*: With A/T models

BACK DOOR OPENER SYSTEM

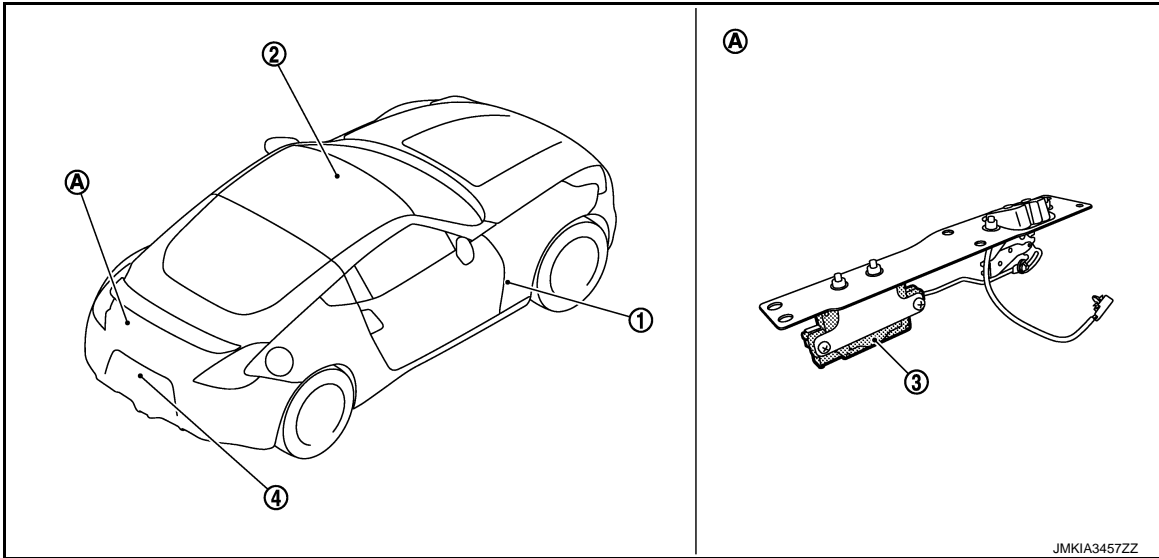
COMPONENT PARTS

< SYSTEM DESCRIPTION >

[COUPE]

BACK DOOR OPENER SYSTEM : Component Parts Location

INFOID:000000008196021



- 1. BCM
- 2. Combination meter
- 3. Back door opener actuator
- 4. Back door opener switch assembly (back door opener switch)
- A. View with luggage rear plate removed

BACK DOOR OPENER SYSTEM : Component Description

INFOID:000000008196022

Item	Function
BCM	Controls the back door opener function
Back door opener actuator	Refer to DLK-19, "Back Door Opener Actuator"
Back door opener switch	Refer to DLK-20, "Back Door Opener Switch"
Combination meter	Refer to DLK-20, "Combination Meter"

INTEGRATED HOMELINK TRANSMITTER

INTEGRATED HOMELINK TRANSMITTER : Component Description

INFOID:000000008196023

Item	Function
Integrated homelink transmitter	A maximum of 3 radio signals can be stored and transmitted to operate the garage door, etc.

Door Lock Actuator

INFOID:000000008196024

Inputs lock/unlock signal from BCM and locks/unlocks each door

Fuel Lid Lock Actuator

INFOID:000000008196025

Inputs lock/unlock signal from BCM and lock/unlocks fuel filler lid

Back Door Opener Actuator

INFOID:000000008196026

Opens the back door with the back door open signal from BCM.

Intelligent Key

INFOID:000000008196027

The following functions are available when having and carrying electronic ID.

COMPONENT PARTS

[COUPE]

< SYSTEM DESCRIPTION >

- Door lock/unlock
- Engine start
- Remote control entry function is available when operating on button.

Remote Keyless Entry Receiver

INFOID:000000008196028

- Installed in the dash side lower.
- Receives Intelligent Key operation and transmits to BCM.

Outside Key Antenna

INFOID:000000008196029

- Detects whether Intelligent Key is outside the vehicle.
- Integrated in rear pillar finisher (LH and RH) and installed in rear bumper.

Inside Key Antenna

INFOID:000000008196030

- Detects whether Intelligent Key is inside the vehicle
- Installed in the console and luggage room.

Door Lock And Unlock Switch

INFOID:000000008196031

Transmits door lock/unlock operation to BCM.

Door Request Switch

INFOID:000000008196032

Transmits door lock/unlock operation to BCM.

Back Door Opener Switch

INFOID:000000008196033

Inputs back door opener switch operation signal to BCM.

Door Key Cylinder Switch

INFOID:000000008196034

Built-in driver side door lock assembly.

- Inputs door key cylinder lock/unlock signal to power window main switch.
- Power window main switch transmits door key cylinder lock/unlock signal to BCM.

Door Switch

INFOID:000000008196035

Detects door open/close condition.

Unlock Sensor

INFOID:000000008196036

Detects door lock condition of driver side door.

Key Slot

INFOID:000000008196037

- Detects whether Intelligent Key is inserted.
- Immobilizer antenna amp checks Intelligent Key transponder.
- Blinks when Intelligent Key insertion is required.

Combination Meter

INFOID:000000008196038

- Displays each operation method guide and warning for system malfunction.
- Performs operation method guide and warning with buzzer.
- Transmits vehicle speed signal to BCM via CAN communication line.

Hazard Warning Lamp

INFOID:000000008196039

Performs answer-back for each operation with number of blinks.

Intelligent Key Warning Buzzer

INFOID:000000008196040

Answers back and warns for an inappropriate operation.

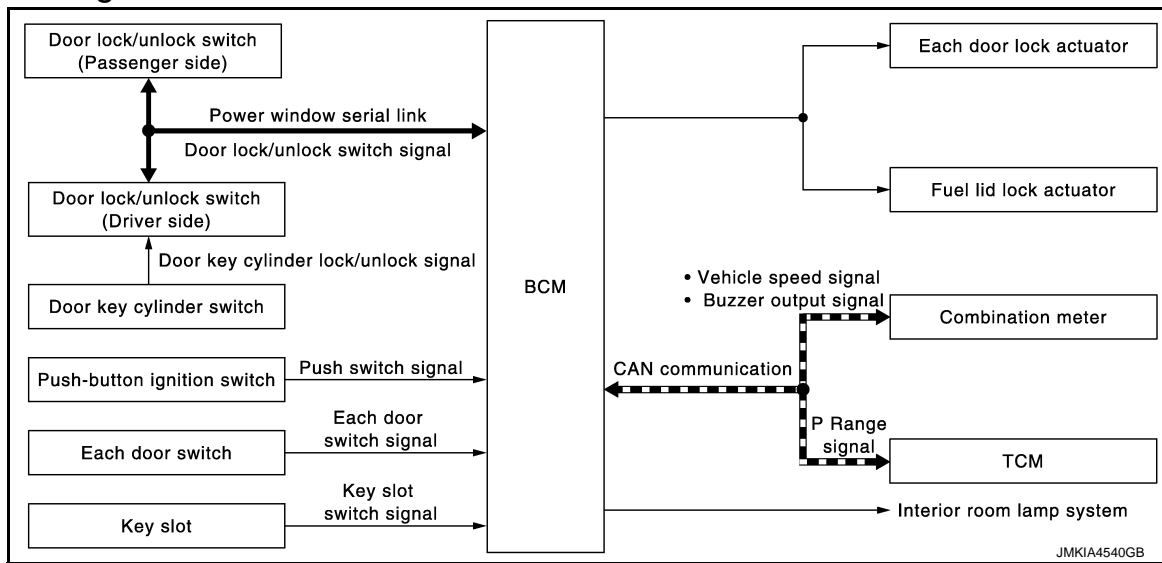
SYSTEM (POWER DOOR LOCK SYSTEM)

< SYSTEM DESCRIPTION >

[COUPE]

SYSTEM (POWER DOOR LOCK SYSTEM)

System Diagram



System Description

INFOID:000000008196042

DOOR LOCK FUNCTION

Door Lock and Unlock Switch

- The door lock and unlock switch (driver side) is build into power window main switch.
- The door lock and unlock switch (passenger side) is build into power window sub-switch.
- Interlocked with the locking operation of door lock and unlock switch, door lock actuators of all doors and fuel lid lock actuator are locked.
- Interlocked with the unlocking operation of door lock and unlock switch, door lock actuators of all doors and fuel lid lock actuator are unlocked.

Door Key Cylinder Switch

- With the door key inserted in the door key cylinder on driver side, turning it to “LOCK”, locks door lock actuator of all doors and fuel lid lock actuator.
- With the door key inserted in the door key cylinder on driver side, turning it to “UNLOCK” once unlocks the driver side door and fuel lid lock actuator, turning it to “UNLOCK” again within 60 seconds after the first unlock operation unlocks all of the other doors actuator. - (SELECTIVE UNLOCK OPERATION)

Selective unlock operation mode can be changed using “DOOR LOCK-UNLOCK SET” mode in “WORK SUPPORT”. Refer to [DLK-40. "DOOR LOCK : CONSULT Function \(BCM - DOOR LOCK\) \(For Coupe\)".](#)

KEY REMINDER FUNCTION

When door lock and unlock switch are operated while Intelligent Key is inserted into key slot and any door is open, door locks once but immediately unlocks. This operation prevents Intelligent Key from being left in the vehicle.

DOOR KEY CYLINDER SWITCH POWER WINDOW FUNCTION

Driver side door key cylinder LOCK/UNLOCK operation can activate driver side and passenger side power window UP/DOWN operation. Refer to [PWC-9. "System Description".](#)

AUTOMATIC DOOR LOCK/UNLOCK FUNCTION (LOCK OPERATION)

The interlock door lock function is the function that locks all doors linked with the vehicle speed or shift position. It has 2 types as per the following items.

Vehicle Speed Sensing Auto Door Lock*¹

All doors are locked when the vehicle speed reaches 24 km/h (15 MPH) or more.

BCM outputs the lock signal to all door lock actuators when it detects that the ignition switch is turned ON, all doors are closed and the vehicle speed received from the combination meter via CAN communication becomes 24 km/h (15 MPH) or more.

SYSTEM (POWER DOOR LOCK SYSTEM)

[COUPE]

< SYSTEM DESCRIPTION >

P Range Interlock Door Lock*2

All doors are locked when shifting the selector lever from the P position to any position other than P. BCM outputs the lock signal to all door lock actuators when it detects that the ignition switch is in the ON position and the shift signal received from the TCM via CAN communication is shifted from the P position to any position other than P.

Setting change of Automatic Door Lock/Unlock Function

The lock operation setting of the automatic door lock/unlock function can be changed.

NOTE:

P range interlock door lock can be selected for M/T models, but automatic door lock/unlock function does not operate.

With CONSULT

The ON/OFF switching of the automatic door lock function and the type selection of the automatic door lock/unlock function can be performed at the WORK SUPPORT setting of CONSULT.

Without CONSULT

The automatic door lock function ON/OFF can be switched by performing the following operation.

1. Close all doors (door switch OFF)
2. Turn ignition switch ON
3. Press and hold the door lock and unlock switch for 5 seconds or more in the lock direction within 20 seconds after turning the ignition switch ON.
4. The switching is complete when the hazard lamp blinks.

OFF → ON : 2 blinks

ON → OFF : 1 blink

*1: This function is set to ON before delivery.

*2: This function does not operate on M/T models.

AUTOMATIC DOOR LOCK/UNLOCK FUNCTION (UNLOCK OPERATION)

The automatic door lock/unlock function is the function that unlocks all doors linked with the key position or shift position. It has 2 types as per the following items.

IGN OFF Interlock Door Unlock*1

All doors are unlocked when the power supply position is changed from ON to OFF. BCM outputs the unlock signal to all door lock actuators when it detects that the power supply position is changed from ignition switch ON to OFF.

P Range Interlock Door Unlock*2

All doors are unlocked when shifting the selector lever from any position other than the P to P position. BCM outputs the unlock signal to all door lock actuators when it detects that the ignition switch is in the ON position and the shift signal received from TCM via CAN communication is shifted from any position other than the P to P position.

Setting change of Automatic Door Lock/Unlock Function

The unlock operation setting of the automatic door lock/unlock function can be changed.

NOTE:

P range interlock door lock can be selected for M/T models, but automatic door lock/unlock function does not operate.

With CONSULT

The ON/OFF switching of the automatic door lock/unlock function and the type selection of the automatic door lock/unlock function can be performed at the WORK SUPPORT setting of CONSULT.

Without CONSULT

The automatic door lock/unlock function ON/OFF can be switched by performing the following operation.

1. Close all doors below (door switch OFF)
2. Turn ignition switch ON
3. Press and hold the door lock and unlock switch for 5 seconds or more in the unlock direction within 20 seconds after turning the ignition switch ON.
4. The switching is complete when the hazard lamp blinks.

SYSTEM (POWER DOOR LOCK SYSTEM)

[COUPE]

< SYSTEM DESCRIPTION >

OFF → ON : 2 blinks

ON → OFF : 1 blink

*1: This function is set to ON before delivery.

*2: This function does not operate on M/T models.

INTERIOR ROOM LAMP CONTROL FUNCTION

Interior room lamp is controlled according to door lock/unlock state, refer to [INL-11, "INTERIOR ROOM LAMP BATTERY SAVER SYSTEM : System Description"](#).

A

B

C

D

E

F

G

H

I

J

DLK

L

M

N

O

P

SYSTEM (INTELLIGENT KEY SYSTEM)

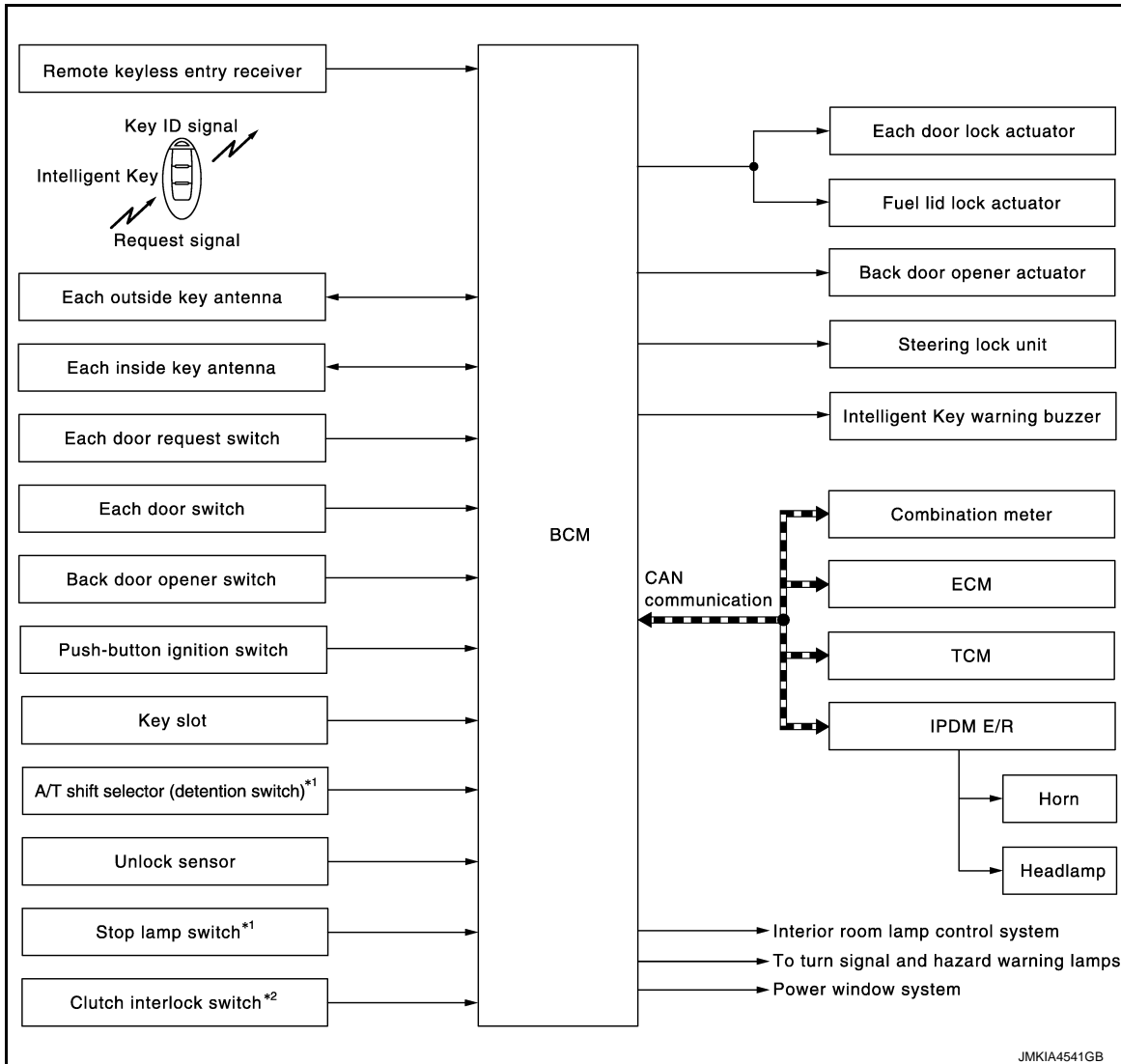
< SYSTEM DESCRIPTION >

[COUPE]

SYSTEM (INTELLIGENT KEY SYSTEM) INTELLIGENT KEY SYSTEM

INTELLIGENT KEY SYSTEM : System Diagram

INFOID:000000008196043



*1: With A/T models

*2: With M/T models

INTELLIGENT KEY SYSTEM : System Description

INFOID:000000008196044

- The Intelligent Key system is a system that makes it possible to lock and unlock the door locks (door lock/unlock function) by carrying the Intelligent Key, which operates based on the results of electronic ID verification using two-way communication between the Intelligent Key and the vehicle (BCM).

CAUTION:

The driver should always carry the Intelligent Key

- The settings for each function can be changed with CONSULT.
- If an Intelligent Key is lost, a new Intelligent Key can be registered. A maximum of 4 Intelligent Keys can be registered.
- It is possible to perform a diagnosis on the system and register an Intelligent Key with CONSULT.

Function	Description	Refer
Door lock function	Lock/unlock can be performed by pressing the door request switch	DLK-25
Remote keyless entry function	Lock/unlock can be performed by pressing the button of the Intelligent Key	DLK-29

SYSTEM (INTELLIGENT KEY SYSTEM)

< SYSTEM DESCRIPTION >

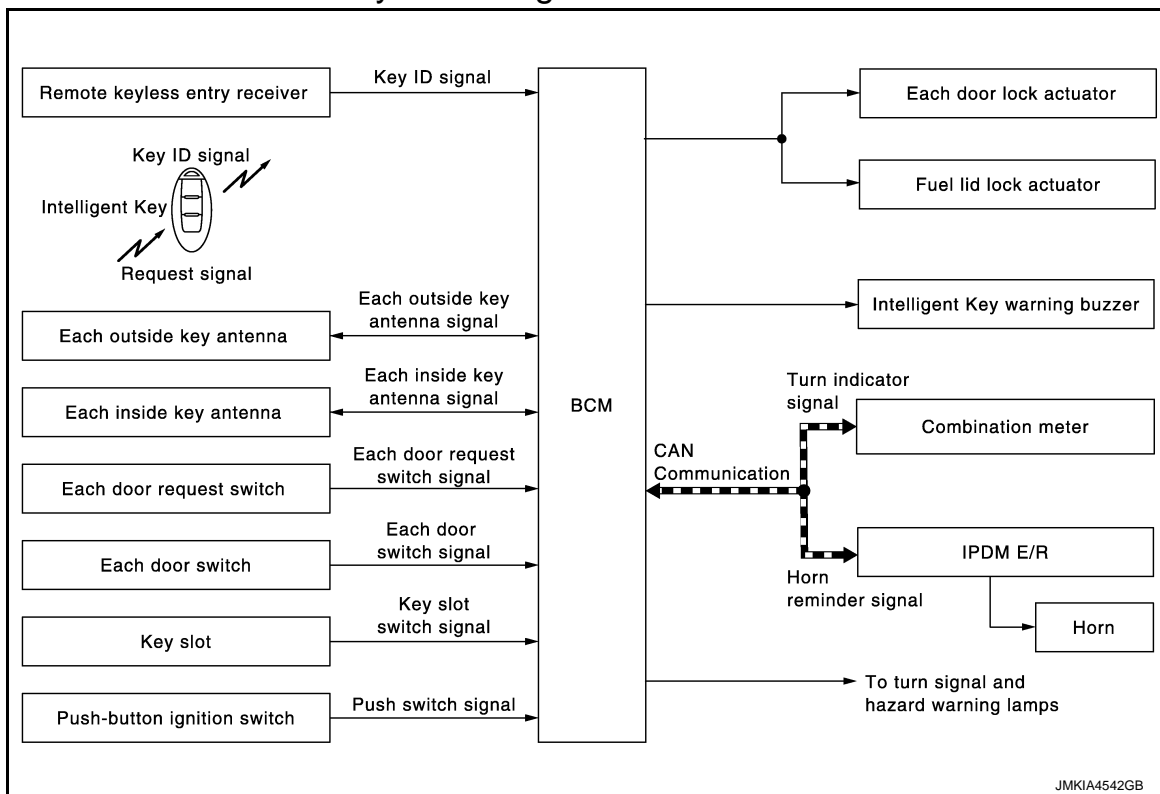
[COUPE]

Function	Description	Refer
Back door open function	The back door can be opened by carrying the Intelligent Key and pressing the back door opener switch	DLK-27
Key reminder function	The key reminder buzzer sounds a warning if the door is locked with the key left inside the vehicle	DLK-31
Warning function	If an action that does not meet the operating condition of the Intelligent Key system is taken, the buzzer goes off to inform the drive	DLK-32
Engine start function	The engine can be turned on while carrying the Intelligent Key	SEC-9
Panic alarm function	When Intelligent Key panic alarm button is pressed, horn sounds and headlamp blinks	SEC-20
Interior room lamp control function	Interior room lamp is controlled according to door lock/unlock state	INL-9
Power window function	Power window can be operated by Intelligent Key button operation	PWC-9

DOOR LOCK FUNCTION

DOOR LOCK FUNCTION : System Diagram

INFOID:000000008196045



DOOR LOCK FUNCTION : System Description

INFOID:000000008196046

Only when pressing the door request switch, it is possible to lock and unlock the door by carrying the Intelligent Key.

OPERATION DESCRIPTION

- When the BCM detects that each door request switch is pressed, it starts the outside key antenna and inside key antenna corresponding to the pressed door request switch and transmits the request signal to the Intelligent Key. Then, check that the Intelligent Key is near the door.
- If the Intelligent Key is within the outside key antenna detection area, it receives the request signal and transmits the key ID signal to the BCM via remote keyless entry receiver.
- BCM receives the key ID signal and compares it with the registered key ID.
- BCM lock/unlock each door (except back door) and fuel lid and sounds Intelligent Key warning buzzer (lock: 2 times, unlock: 1 time) at the same time as a reminder.

OPERATION CONDITION

SYSTEM (INTELLIGENT KEY SYSTEM)

[COUPE]

< SYSTEM DESCRIPTION >

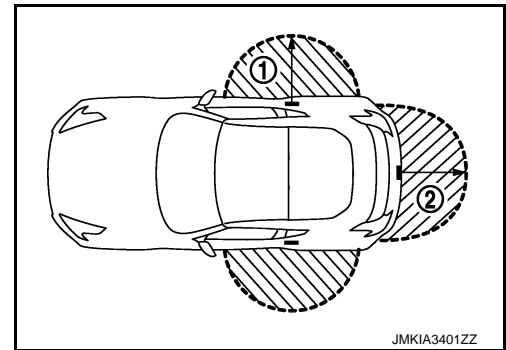
If the following conditions are satisfied, door lock/unlock operation is performed if the door request switch is operated.

Each door request switch operation	Operation condition
Lock operation	<ul style="list-style-type: none"> • All doors are closed • P position warning is not activated • Panic alarm is not activated • Intelligent Key is outside the vehicle • Intelligent Key is within outside key antenna detection area
Unlock operation	<ul style="list-style-type: none"> • Panic alarm is not activated • Intelligent Key is outside the vehicle • Intelligent Key is within outside key antenna detection area *

*: Even with a registered Intelligent Key remaining inside the vehicle, door locks can be unlocked from outside of the vehicle with a spare Intelligent Key as long as key IDs are different.

OUTSIDE KEY ANTENNA DETECTION AREA

The outside key antenna detection area of door lock/unlock function is in the range of approximately 80 cm (31.50 in) surrounding the rear pillar LH/RH (1) and the back door request switch (2). However, this operating range depends on the ambient conditions.



SELECTIVE UNLOCK FUNCTION

Lock Operation

When an LOCK signal is sent from door request switch (driver side, passenger side, back door), all doors and fuel lid are locked.

Unlock Operation

- When an UNLOCK signal from driver side door request switch is transmitted, driver side door and fuel lid unlocks. When another UNLOCK signal is transmitted within 60 seconds, all other doors unlocks.
- When an UNLOCK signal from passenger side door request switch is transmitted, passenger side door unlocks. When another UNLOCK signal is transmitted within 60 seconds, all other doors and fuel lid unlocks.
- When an UNLOCK signal from back door request switch is transmitted, back door open permission is set. When another UNLOCK signal is transmitted within 60 seconds, all doors (except back door) and fuel lid unlock.

Selective unlock operation mode can be changed using “DOOR LOCK-UNLOCK SET” mode in “WORK SUPPORT”. Refer to [DLK-40, "DOOR LOCK : CONSULT Function \(BCM - DOOR LOCK\) \(For Coupe\)"](#).

AUTO DOOR LOCK FUNCTION

After door is unlocked by door request switch operation and if 60 seconds or more passes without performing the following operation, all doors and fuel filler lid are automatically locked. However, operation check function does not activate.

Operating condition	<ul style="list-style-type: none"> • Door switch is ON (door is open) • Door is locked • Push switch is pressed • Intelligent Key is inserted in key slot
---------------------	---

Auto door lock mode can be changed by the “AUTO LOCK SET” mode in “WORK SUPPORT”. Refer to [DLK-42, "INTELLIGENT KEY : CONSULT Function \(BCM - INTELLIGENT KEY\) \(For Coupe\)"](#).

HAZARD AND BUZZER REMINDER FUNCTION

During lock or unlock operation by each door request switch, the hazard warning lamps blink and Intelligent Key warning buzzer or horn sounds as a reminder.

When doors are locked or unlocked by each door request switch, BCM sounds Intelligent Key warning buzzer or horn and blinks hazard warning lamps as a reminder.

SYSTEM (INTELLIGENT KEY SYSTEM)

[COUPE]

< SYSTEM DESCRIPTION >

Operating Function of Hazard and Buzzer Reminder

Operation	Hazard warning lamp blinks	Intelligent Key warning buzzer sounds	Horn sounds
Unlock	Once	Once	—
Lock	Twice	Twice	Once

Hazard and buzzer reminder does not operate in the following conditions.

- Ignition switch position is ON
- Door is open (only lock operation)

How to Change Hazard and Buzzer Reminder Mode

Refer to [DLK-42. "INTELLIGENT KEY : CONSULT Function \(BCM - INTELLIGENT KEY\) \(For Coupe\)"](#).

LIST OF OPERATION RELATED PARTS

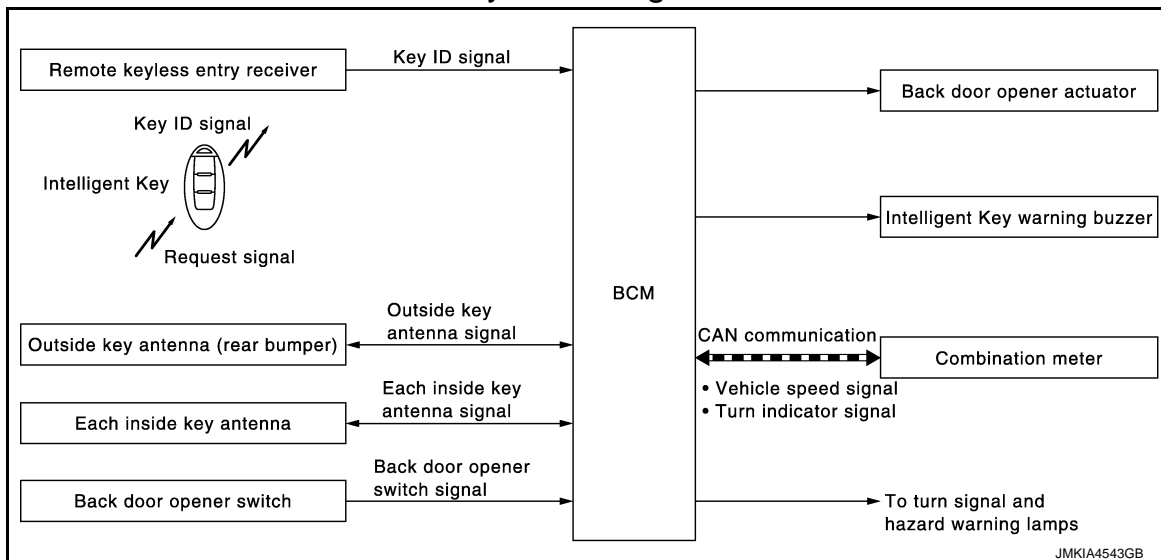
Parts marked with × are the parts related to operation.

Function	Intelligent Key	Key slot	Remote keyless entry receiver	Door switch	Door request switch	Door lock actuator and fuel lid lock actuator	Inside key antenna	Outside key antenna	Intelligent Key warning buzzer	CAN communication system	BCM	Hazard warning lamp	Push-button ignition switch	Combination meter
Door lock/unlock function	×	×	×	×	×	×	×	×			×			
Hazard and buzzer reminder function									×	×	×	×		×
Selective unlock function	×				×	×	×	×			×			
Auto door lock function	×	×		×	×	×					×		×	

BACK DOOR OPEN FUNCTION

BACK DOOR OPEN FUNCTION : System Diagram

INFOID:000000008196047



BACK DOOR OPEN FUNCTION : System Description

INFOID:000000008196048

This section describes the operation of the back door opener switch. The operation of the back door request switch is the same as the door lock function. Refer to [DLK-25. "DOOR LOCK FUNCTION : System Description"](#).

SYSTEM (INTELLIGENT KEY SYSTEM)

[COUPE]

< SYSTEM DESCRIPTION >

- The back door open function can open the back door by pressing the back door opener switch while carrying the Intelligent Key and all doors are locked.
- The back door open function enables the back door to be opened by pressing back door opener switch after BCM transmits UNLOCK signal to each door. Refer to [DLK-37. "System Description"](#).

OPERATION DESCRIPTION

- When the BCM detects that back door opener switch is pressed, it starts the outside key antenna (back door) and inside key antenna and transmits the request signal to the Intelligent Key. Then, check that the Intelligent Key is near the back door.
- If the Intelligent Key is within the outside key antenna detection area, it receives the request signal and transmits the key ID signal to the BCM via remote keyless entry receiver.
- BCM receives the key ID signal and compares it with the registered key ID.
- BCM opens back door, and at the same time blinks hazard warning lamp and sounds Intelligent Key warning buzzer.

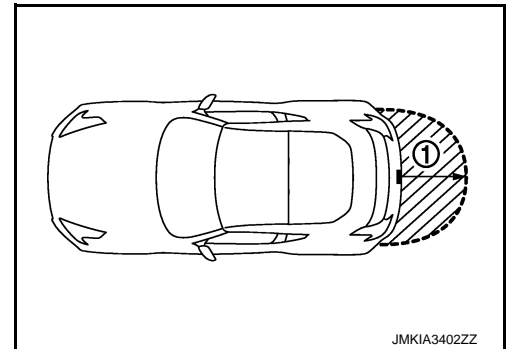
OPERATION CONDITION

If the following conditions are satisfied, the back door can be opened.

Back door opener switch operation	Operation condition
Back door open	<ul style="list-style-type: none"> • Vehicle speed is less than 5 km/h (3 MPH) • 3 seconds or more after BCM outputs all doors lock signal • Intelligent Key is outside of vehicle • Intelligent Key is within outside key antenna detection area

OUTSIDE KEY ANTENNA DETECTION AREA

The outside key antenna detection area of back door open function is in the range of approximately 80 cm (31.50 in) surrounding the back door opener switch (1). However, this operating range depends on the ambient conditions.



JMKIA3402ZZ

HAZARD AND BUZZER REMINDER FUNCTION

Back door opening operation by back door opener switch, the hazard warning lamps and horn blinks or honk as a reminder.

NOTE:

Hazard and buzzer reminder function is only operated at the first back door opening operation after BCM transmits LOCK signal to each door.

LIST OF OPERATION RELATED PARTS

Parts marked with × are the parts related to operation.

Back door open function	Intelligent Key	Key slot	Remote keyless entry receiver	Door switch	Door request switch	Door lock actuator and fuel lid lock actuator	Inside key antenna	Outside key antenna (Rear bumper)	Intelligent Key warning buzzer	CAN communication system	BCM	Hazard warning lamp	Back door opener switch	Combination meter
Back door open function (Carrying Intelligent Key)	×	×	×	×	×	×	×	×		×	×		×	×
Hazard and buzzer reminder function									×	×	×	×		×

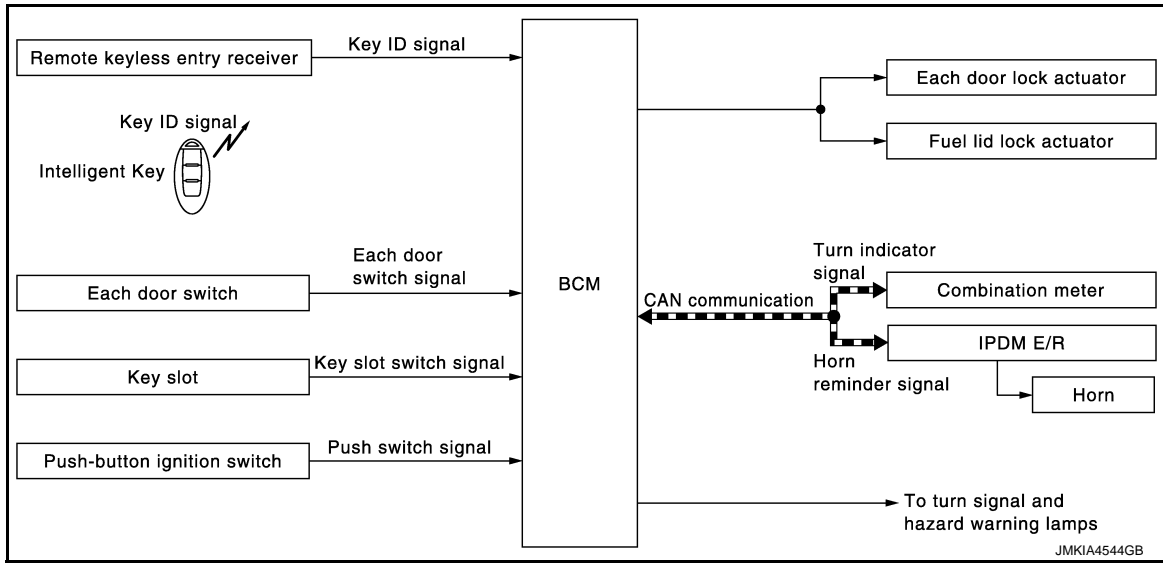
SYSTEM (INTELLIGENT KEY SYSTEM)

[COUPE]

< SYSTEM DESCRIPTION >

REMOTE KEYLESS ENTRY FUNCTION

REMOTE KEYLESS ENTRY FUNCTION : System Diagram



REMOTE KEYLESS ENTRY FUNCTION : System Description

INFOID:000000008196050

The Intelligent Key has the same functions as the remote control entry system. Therefore, it can be used in the same manner as the Intelligent Key by operating the door lock/unlock button.

OPERATION

Remote keyless entry system controls operation of the following items.

- Door lock/unlock
- Selective unlock
- Hazard and horn reminder
- Auto door lock

OPERATION AREA

To check that the Intelligent Key works normally, use within 1 m (3 ft) range of each door, however the operable range may differ according to surroundings.

DOOR LOCK/UNLOCK FUNCTION

- When door lock/unlock button of the Intelligent Key is pressed, lock signal or unlock signal is transmitted from Intelligent Key to BCM via remote keyless entry receiver.
- When BCM receives the door lock/unlock signal, it operates all door lock actuators and fuel lid lock actuator, blinks the hazard lamp (lock: 2 times, unlock: 1 time) and horn chirp signal to IPDM E/R at the same time as a reminder.
- IPDM E/R honks horn (lock: 2 times) as a reminder

OPERATION CONDITION

Remote controller operation	Operation condition
Lock	<ul style="list-style-type: none"> • More than 3 seconds are passed since Intelligent Key removed from key slot • Panic alarm is not activated • P position warning is not activated
Unlock	<ul style="list-style-type: none"> • More than 3 seconds are passed since Intelligent Key removed from key slot • Panic alarm is not activated

SELECTIVE UNLOCK FUNCTION

When an LOCK signal is transmitted from Intelligent Key, all doors and fuel lid are locked.
 When an UNLOCK signal is transmitted from Intelligent Key once, driver side door and fuel lid are unlocked.
 Then, if an UNLOCK signal is transmitted from Intelligent Key again within 60 seconds, all other doors are unlocked.

SYSTEM (INTELLIGENT KEY SYSTEM)

[COUPE]

< SYSTEM DESCRIPTION >

Selective unlock operation mode can be changed using “DOOR LOCK-UNLOCK SET” mode in “WORK SUPPORT”. Refer to [DLK-40, "DOOR LOCK : CONSULT Function \(BCM - DOOR LOCK\) \(For Coupe\)"](#).

AUTO DOOR LOCK FUNCTION

After door is unlocked by Intelligent Key button operation and if 60 seconds or more passes without performing the following operation, all doors and fuel filler lid are automatically locked. However, operation check function does not activate.

Operating condition	<ul style="list-style-type: none"> • Door switch is ON (door is open) • Door is locked • Push switch is pressed • Intelligent Key is inserted in key slot
---------------------	---

Auto door lock mode can be changed by the “AUTO LOCK SET” mode in “WORK SUPPORT”. Refer to [DLK-42, "INTELLIGENT KEY : CONSULT Function \(BCM - INTELLIGENT KEY\) \(For Coupe\)"](#).

HAZARD AND HORN REMINDER FUNCTION

When doors are locked or unlocked by Intelligent Key, BCM blinks hazard warning lamps as a reminder. The hazard and horn reminder has a horn chirp mode (C mode) and a non-horn chirp mode (S mode).

Operating Function of Hazard and Horn Reminder

	C mode		S mode	
	Lock	Unlock	Lock	Unlock
Intelligent Key operation	Lock	Unlock	Lock	Unlock
Hazard warning lamp blinks	Twice	Once	Twice	—
Horn sound	Once	—	—	—

Hazard and horn reminder does not operate in the following conditions.

- Ignition switch position is ON.
- Door is open (only lock operation)

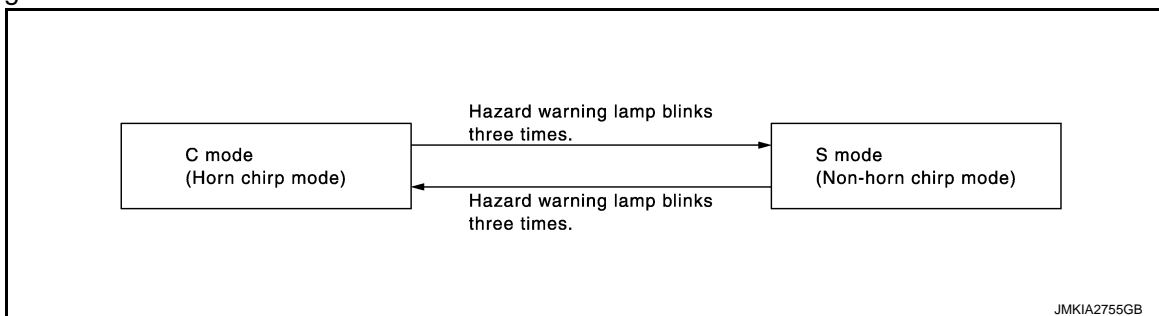
How to Change Hazard and Horn Reminder Mode

☐ With CONSULT

Refer to [DLK-42, "INTELLIGENT KEY : CONSULT Function \(BCM - INTELLIGENT KEY\) \(For Coupe\)"](#).

⊗ Without CONSULT

When LOCK and UNLOCK signals are sent from the Intelligent Key for more than 2 seconds at the same time, the hazard and horn reminder mode is changed and hazard warning lamp blinks and horn sounds as per the following items:



LIST OF OPERATION RELATED PARTS

Parts marked with × are the parts related to operation.

SYSTEM (INTELLIGENT KEY SYSTEM)

< SYSTEM DESCRIPTION >

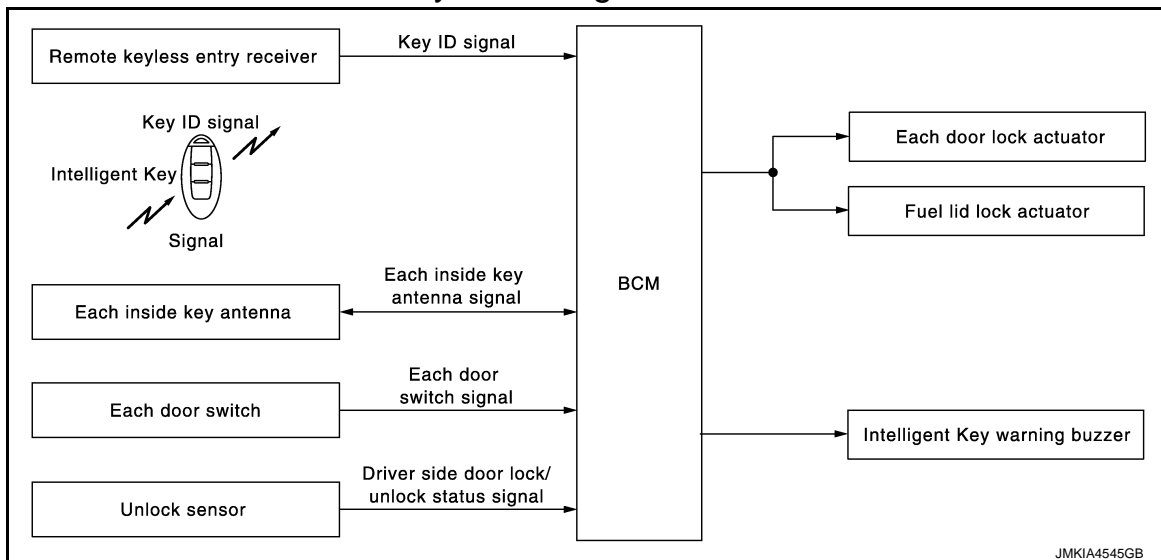
[COUPE]

Remote keyless entry functions	Intelligent Key	Key slot	Door request switch	Door switch	Door lock actuator and fuel lid lock actuator	CAN communication system	BCM	Combination meter	Hazard warning lamp	Horn	IPDM E/R
Door lock/unlock function	×	×		×	×		×				
Hazard and horn reminder function	×					×	×	×	×	×	×
Selective unlock function	×			×	×		×				
Auto door lock function	×	×		×			×				

KEY REMINDER FUNCTION

KEY REMINDER FUNCTION : System Diagram

INFOID:000000008196051



KEY REMINDER FUNCTION : System Description

INFOID:000000008196052

Key reminder is the function that prevents the key from being left in the vehicle. Key reminder has the following 3 functions.

Key remainder function	Operation condition	Operation
Driver door closed*	Right after driver side door is closed under the following conditions <ul style="list-style-type: none"> • Door lock operation is performed • Driver side door is open • Driver side door is in lock state 	All doors and fuel lid unlock
Door is open or closed	Right after all doors are closed under the following conditions <ul style="list-style-type: none"> • Intelligent Key is inside the vehicle • Any door is open • All doors are locked by door lock and unlock switch 	<ul style="list-style-type: none"> • All doors and fuel lid unlock • Honk Intelligent Key warning buzzer
Back door is closed	Right after back door is closed under the following conditions <ul style="list-style-type: none"> • Intelligent Key is inside vehicle • All doors (except back door) are closed • All doors (except back door) are locked 	<ul style="list-style-type: none"> • All doors and fuel lid unlock • Back door can open with back door opener switch • Honk Intelligent Key warning buzzer

*:If the door closing impact shocks the door lock knob, or contacts against baggage with the door lock knob might activate the door locks accidentally but unlock operation is perform in these cases.

SYSTEM (INTELLIGENT KEY SYSTEM)

< SYSTEM DESCRIPTION >

[COUPE]

CAUTION:

The above function operates when the Intelligent Key is inside the vehicle. However, there may be times when the Intelligent Key cannot be detected, and this function does not operate when the Intelligent Key is on the instrument panel, or in the glove box. Also, this system sometimes does not operate if the Intelligent Key is in the door pocket for the open door.

WARNING FUNCTION

WARNING FUNCTION : System Description

INFOID:000000008196053

OPERATION DESCRIPTION

The warning functions are as per the following items and are given to the user as warning information and warnings using combinations of Intelligent Key warning buzzer, combination meter, KEY warning lamp, key slot indicator and information display in combination meter.

- Intelligent Key system malfunction
- OFF position warning
- P position warning
- ACC warning
- Take away warning
- Door lock operation warning
- Key warning
- Intelligent Key insert information
- Engine start information
- Intelligent Key low battery warning
- Key ID warning

OPERATION CONDITION

Once the following condition from below is established, alert or warning is executed.

Warning/Information functions		Operation procedure
Intelligent Key system malfunction		When a malfunction is detected on BCM, "KEY" warning lamp illuminates
OFF position warning	For internal	When condition A, B or condition C is satisfied <ul style="list-style-type: none"> • Condition A <ul style="list-style-type: none"> - Ignition switch: ACC position - Door switch (driver side): ON (Door is open) • Condition B <ul style="list-style-type: none"> - Turn ignition switch from ON to OFF while door is open • Condition C <ul style="list-style-type: none"> - Intelligent Key is inserted in key slot - Door switch (driver side): ON (Door is open)
	For external*	OFF position warning (For internal) is in active mode, driver side door is closed NOTE: OFF position (For external) active only when each of the sequences occurs as below: P position warning → ACC warning → OFF position warning (For internal) → OFF position warning (For internal)
P position warning*	For internal	<ul style="list-style-type: none"> • Shift position: Except P position • Engine is running to stopped (Ignition switch is ON to OFF)
	For external	Warning is activated when driver door is closed from the open position while the P position warning (for inside vehicle) is ON
ACC warning*		<ul style="list-style-type: none"> • When P position warning is in active mode, shift position changes P position • Ignition switch: ACC position

SYSTEM (INTELLIGENT KEY SYSTEM)

< SYSTEM DESCRIPTION >

[COUPE]

Warning/Information functions		Operation procedure
Take away warning	Door is open to close	<ul style="list-style-type: none"> Ignition switch: Except LOCK position Door switch: ON to OFF (Door is open to close) Intelligent Key cannot be detected inside the vehicle
	Door is open	<ul style="list-style-type: none"> Door switch: ON (Door is open) Key ID verification every 5 seconds when registered Intelligent Key cannot be detected inside the vehicle
	Push button-ignition switch operation	<ul style="list-style-type: none"> Ignition switch: Except LOCK position Press push-button ignition switch Intelligent Key cannot be detected inside the vehicle
	Intelligent Key is removed from key slot	<ul style="list-style-type: none"> When Intelligent Key is removed from key slot Intelligent Key cannot be detected inside the vehicle Ignition switch: Except LOCK position When intelligent Key is low battery
Door lock operation warning		When door lock operation is requested while door lock operating condition of door request switch is not satisfied
Key warning		<ul style="list-style-type: none"> Ignition switch is OFF position Driver side door switch: ON (Driver side door is open) Intelligent Key is inserted in key slot
Intelligent Key insert information		<ul style="list-style-type: none"> Door switch: ON to OFF (Door is open to close) Intelligent Key is out of key slot Intelligent Key cannot be detected inside the vehicle
Engine start information	Ignition switch is ON position	<ul style="list-style-type: none"> Ignition switch: ON position Shift position: P position* Engine is stopped
	Ignition switch is except ON position	<ul style="list-style-type: none"> Ignition switch: Except ON position Shift position: P position* Intelligent Key is inserted in key slot or Intelligent Key can be detected inside the vehicle
Intelligent Key low battery warning		When Intelligent Key is low battery, BCM is detected after ignition switch is turned ON
Key ID warning		When registered intelligent Key cannot be detected inside the vehicle after ignition switch is turned ON


*: M/T models do not apply.

WARNING METHOD

The following table shows the alarm or warning methods with chime.

Information display (combination meter), "KEY" indicator or key slot indicator when the warning conditions are met.

Warning/Information functions	"KEY" warning lamp	Information display (combination meter)	Key slot indicator	Warning chime	
				Combination meter buzzer	Intelligent Key warning buzzer
Intelligent Key system malfunction	Illuminate	—	—	—	—
OFF position warning	For internal	—	—	Activate	—
	For external*	—	—	—	Activate
P position warning*	For internal	—	—	Activate	—
	For external	—	—	—	Active

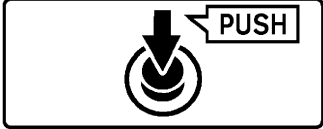






JMK1A0037GB

SYSTEM (INTELLIGENT KEY SYSTEM)

< SYSTEM DESCRIPTION >


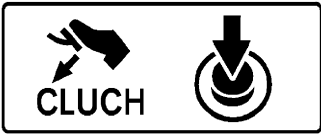
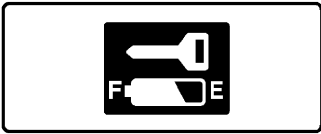
[COUPE]

Warning/Information functions		"KEY" warning lamp	Information display (combination meter)	Key slot indicator	Warning chime	
					Combination meter buzzer	Intelligent Key warning buzzer
ACC warning*		—	 <small>JMKIA0047GB</small>	—	—	—
Take away warning	Door is open to close	—	 <small>JMKIA0036GB</small>	Blink	Activate	Activate
	Door is open	—		Blink	—	—
	Push-ignition switch operation	—		Blink	Activate	—
	Intelligent Key is removed from key slot	—		Blink	—	—
Door lock operation warning	Request switch operation	—	—	—	—	Activate
	Intelligent Key operation	—	—	—	—	Activate
Key ID warning		—	 <small>JMKIA0036GB</small>	—	—	—
Key warning		—	 <small>JMKIA0035GB</small>	Blink	Activate	—
Intelligent Key insert information		—	 <small>JMKIA0034GB</small>	Illuminate	—	—

SYSTEM (INTELLIGENT KEY SYSTEM)

< SYSTEM DESCRIPTION >

[COUPE]

Warning/Information functions		"KEY" warning lamp	Information display (combination meter)	Key slot indicator	Warning chime	
					Combination meter buzzer	Intelligent Key warning buzzer
Engine start information	Automatic transmission models	—	 BRAKE <small>JMKIA0032GB</small>	—	—	—
	Manual transmission models	—	 CLUCH <small>JMKIA0049GB</small>	—	—	—
Intelligent Key low battery warning		—	 <small>JMKIA3049ZZ</small>	—	—	—

*: M/T models do not apply.

LIST OF OPERATION RELATED PARTS

Parts marked with × are the parts related to operation.

Warning function		Intelligent Key	Key slot	Ignition switch	Door switch	Door request switch	Inside key antenna	Outside key antenna	Intelligent Key warning buzzer	Combination meter warning buzzer	CAN communication system	BCM	Combination meter display	Key slot indicator	Detention switch	"KEY" warning lamp
		Intelligent Key system malfunction											×	×		
OFF position warning	For internal				×					×	×	×				
	For external				×				×			×				
P position warning				×						×	×	×	×		×	
ACC warning				×						×	×	×	×		×	
Take away warning	Door is open or close	×			×		×		×	×	×	×	×	×		
	Door is open	×			×		×				×	×	×	×		
	Push-button ignition	×		×			×		×	×	×	×	×	×		
	Intelligent Key is removed from key slot	×	×				×				×	×	×	×		
Door lock operation warning		×	×		×	×	×	×	×			×				

SYSTEM (INTELLIGENT KEY SYSTEM)

< SYSTEM DESCRIPTION >

[COUPE]

Warning function		Intelligent Key	Key slot	Ignition switch	Door switch	Door request switch	Inside key antenna	Outside key antenna	Intelligent Key warning buzzer	Combination meter warning buzzer	CAN communication system	BCM	Combination meter display	Key slot indicator	Detention switch	"KEY" warning lamp
Key ID warning		×	×	×			×				×	×	×			
Key warning		×	×		×					×	×	×	×	×		
Intelligent Key insert information		×	×	×	×		×				×	×	×	×		
Engine start information	Ignition switch is ON position	×	×	×			×				×	×	×		×	
	Ignition switch is except ON position	×	×	×			×				×	×	×			
Intelligent Key low battery warning		×					×				×	×	×			

SYSTEM (BACK DOOR OPENER SYSTEM)

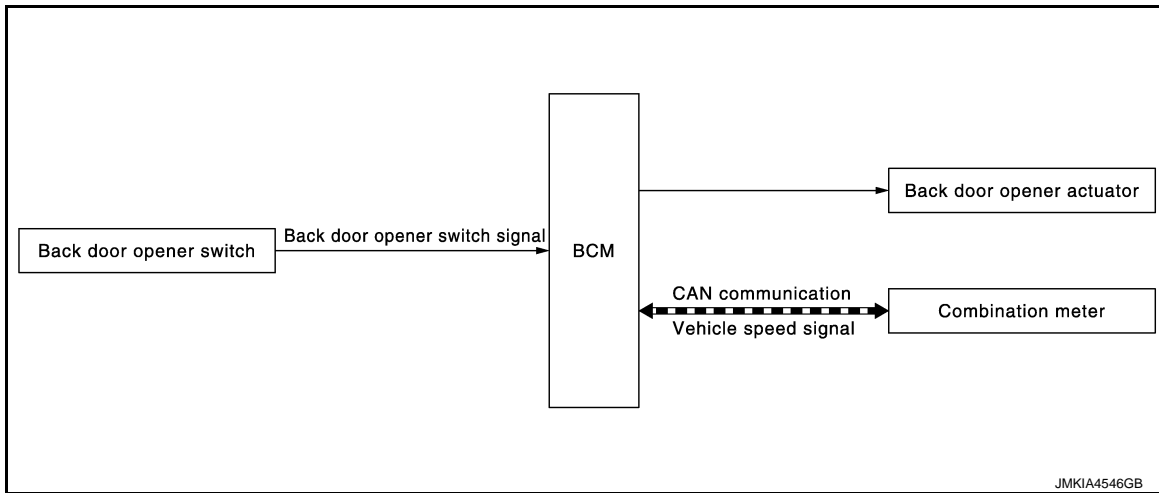
< SYSTEM DESCRIPTION >

[COUPE]

SYSTEM (BACK DOOR OPENER SYSTEM)

System Diagram

INFOID:000000008196054



JMKIA4546GB

System Description

INFOID:000000008196055

BACK DOOR OPENER OPERATION

When back door opener switch is pressed, BCM opens back door opener actuator.

NOTE:

Back door opener actuator is not for locking the back door. The function is only to open the back door.

OPERATION CONDITION

If the following conditions are satisfied, back door opener operation is performed.

Back door opener switch operation	Operation condition
Back door open	<ul style="list-style-type: none"> When back door is unlocked using back door request switch (selective unlock mode), or after BCM outputs all doors unlock signal Vehicle speed is less than 5 km/h (3 MPH)

NOTE:

- When battery terminal is disconnected and reconnected during all doors unlock state, back door may not open.
- Regardless of door lock actuator state, BCM resets recognition of all doors unlock state approximately 30 seconds after battery terminal is disconnected and BCM recognizes that all doors are in lock state.
- When battery terminal is reconnected and back door does not open, have BCM recognize that all doors are in unlock state.

A
B
C
D
E
F
G
H
I
J
L
M
N
O
P

DLK

SYSTEM (INTEGRATED HOMELINK TRANSMITTER)

< SYSTEM DESCRIPTION >

[COUPE]

SYSTEM (INTEGRATED HOMELINK TRANSMITTER)

System Description

INFOID:000000008196056

- Integrated homelink transmitter can store and transmit a maximum of 3 radio signals.
- Allows operation of garage doors, gates, home and office lighting, entry door locks and security system, etc.
- Integrated homelink transmitter power supply uses vehicle battery, which enables it to maintain every program in case battery is discharged or removed.

DIAGNOSIS SYSTEM (BCM)

[COUPE]

< SYSTEM DESCRIPTION >

DIAGNOSIS SYSTEM (BCM)

COMMON ITEM

COMMON ITEM : CONSULT Function (BCM - COMMON ITEM)

INFOID:000000008671151

APPLICATION ITEM

CONSULT performs the following functions via CAN communication with BCM.

Diagnosis mode	Function Description
Work Support	Changes the setting for each system function.
Self Diagnostic Result	Displays the diagnosis results judged by BCM.
CAN Diag Support Monitor	Monitors the reception status of CAN communication viewed from BCM.
Data Monitor	The BCM input/output signals are displayed.
Active Test	The signals used to activate each device are forcibly supplied from BCM.
Ecu Identification	The BCM part number is displayed.
Configuration	<ul style="list-style-type: none"> Read and save the vehicle specification. Write the vehicle specification when replacing BCM.

SYSTEM APPLICATION

BCM can perform the following functions for each system.

NOTE:

It can perform the diagnosis modes except the following for all sub system selection items.

x: Applicable item

System	Sub system selection item	Diagnosis mode		
		Work Support	Data Monitor	Active Test
Door lock	DOOR LOCK	x	x	x
Rear window defogger	REAR DEFOGGER		x	x
Warning chime	BUZZER		x	x
Interior room lamp timer	INT LAMP	x	x	x
Exterior lamp	HEAD LAMP	x	x	x
Wiper and washer	WIPER	x	x	x
Turn signal and hazard warning lamps	FLASHER	x	x	x
—	AIR CONDITONER*			
<ul style="list-style-type: none"> Intelligent Key system Engine start system 	INTELLIGENT KEY	x	x	x
Combination switch	COMB SW		x	
Body control system	BCM	x		
NVIS - NATS	IMMU		x	x
Interior room lamp battery saver	BATTERY SAVER	x	x	x
Back door/Trunk lid open	TRUNK		x	x
Vehicle security system	THEFT ALM	x	x	x
RAP system	RETAINED PWR		x	
Signal buffer system	SIGNAL BUFFER		x	x
TPMS	TPMS (AIR PRESSURE MONITOR)	x	x	x

NOTE:

*: This item is displayed, but is not used.

FREEZE FRAME DATA (FFD)

The BCM records the following vehicle condition at the time a particular DTC is detected, and displays on CONSULT.

DIAGNOSIS SYSTEM (BCM)

< SYSTEM DESCRIPTION >

[COUPE]

CONSULT screen item	Indication/Unit	Description	
Vehicle Speed	km/h	Vehicle speed of the moment a particular DTC is detected	
Odo/Trip Meter	km	Total mileage (Odometer value) of the moment a particular DTC is detected	
Vehicle Condition	SLEEP>LOCK	Power supply position status of the moment a particular DTC is detected	While turning BCM status from low power consumption mode to normal mode (Power supply position is "LOCK"*)
	SLEEP>OFF		While turning BCM status from low power consumption mode to normal mode (Power supply position is "OFF".)
	LOCK>ACC		While turning power supply position from "LOCK"* to "ACC"
	ACC>ON		While turning power supply position from "ACC" to "IGN"
	RUN>ACC		While turning power supply position from "RUN" to "ACC" (Except emergency stop operation)
	CRANK>RUN		While turning power supply position from "CRANKING" to "RUN" (From cranking up the engine to run it)
	RUN>URGENT		While turning power supply position from "RUN" to "ACC" (Emergency stop operation)
	ACC>OFF		While turning power supply position from "ACC" to "OFF"
	OFF>LOCK		While turning power supply position from "OFF" to "LOCK"*
	OFF>ACC		While turning power supply position from "OFF" to "ACC"
	ON>CRANK		While turning power supply position from "IGN" to "CRANKING"
	OFF>SLEEP		While turning BCM status from normal mode (Power supply position is "OFF".) to low power consumption mode
	LOCK>SLEEP		While turning BCM status from normal mode (Power supply position is "LOCK"*.) to low power consumption mode
	LOCK		Power supply position is "LOCK"*
	OFF		Power supply position is "OFF" (Ignition switch OFF)
	ACC		Power supply position is "ACC" (Ignition switch ACC)
	ON		Power supply position is "IGN" (Ignition switch ON with engine stopped)
	ENGINE RUN		Power supply position is "RUN" (Ignition switch ON with engine running)
CRANKING	Power supply position is "CRANKING" (At engine cranking)		
IGN Counter	0 - 39	The number of times that ignition switch is turned ON after DTC is detected <ul style="list-style-type: none"> • The number is 0 when a malfunction is detected now. • The number increases like 1 → 2 → 3...38 → 39 after returning to the normal condition whenever ignition switch OFF → ON. • The number is fixed to 39 until the self-diagnosis results are erased if it is over 39. 	

NOTE:

*: Power supply position shifts to "LOCK" from "OFF", when ignition switch is in the OFF position, selector lever is in the P position (A/T models), and any of the following conditions are met.

- Closing door
- Opening door
- Door is locked using door request switch
- Door is locked using Intelligent Key

The power supply position shifts to "ACC" when the push-button ignition switch (push switch) is pushed at "LOCK".

DOOR LOCK

DOOR LOCK : CONSULT Function (BCM - DOOR LOCK) (For Coupe)

INFOID:000000008196058

WORK SUPPORT

DIAGNOSIS SYSTEM (BCM)

< SYSTEM DESCRIPTION >

[COUPE]

Monitor item	Description
DOOR LOCK-UNLOCK SET	Selective unlock function mode can be changed to operate (ON) or not operate (OFF) with this mode
AUTOMATIC DOOR LOCK SELECT	Automatic door lock function mode can be selected from the following in this mode <ul style="list-style-type: none"> • VH SPD: All doors are locked when vehicle speed more than 24 km/h (15 MPH) • P RANGE*: All doors are locked when shifting the selector lever from P position to other than the P position
AUTOMATIC DOOR UNLOCK SELECT	Automatic door unlock function mode can be selected from the following in the mode <ul style="list-style-type: none"> • MODE 1: All doors are unlocked when the power supply position is changed from ON to OFF • MODE 2*: All doors are unlocked when shifting the selector lever from any position other than the P to P position • MODE 3: Driver side door is unlocked when the power supply position is changed from ON to OFF • MODE 4*: Driver side door is unlocked when shifting the selector lever from any position other than the P to P position
AUTOMATIC LOCK/UNLOCK SET	Automatic door lock/unlock function mode can be selected from the following in this mode <ul style="list-style-type: none"> • Off: non-operational • Unlock Only: door unlock operation only • Lock Only: door lock operation only • Lock/Unlock: lock/unlock operation

*: P range interlock door lock can be selected for M/T models, but automatic door lock/unlock function does not operate.

DATA MONITOR

NOTE:

The following table includes information (items) inapplicable to this vehicle. For information (items) applicable to this vehicle, refer to CONSULT display items.

Monitor Item	Contents
REQ SW-DR	Indicated [On/Off] condition of door request switch (driver side)
REQ SW-AS	Indicated [On/Off] condition of door request switch (passenger side)
REQ SW-BD/TR	Indicated [On/Off] condition of back door request switch/door request switch (trunk lid)
DOOR SW-DR	Indicated [On/Off] condition of front door switch (driver side)
DOOR SW-AS	Indicated [On/Off] condition of front door switch (passenger side)
DOOR SW-RR	NOTE: This item is displayed, but cannot be monitored
DOOR SW-RL	NOTE: This item is displayed, but cannot be monitored
DOOR SW-BK	Indicated [On/Off] condition of back door switch/ trunk room lamp switch*
CDL LOCK SW	Indicated [On/Off] condition of lock signal from door lock unlock switch
CDL UNLOCK SW	Indicated [On/Off] condition of unlock signal from door lock unlock switch
KEY CYL LK-SW	Indicated [On/Off] condition of lock signal from door key cylinder
KEY CYL UN-SW	Indicated [On/Off] condition of unlock signal from door key cylinder

*: For roadster models

ACTIVE TEST

Test item	Description
DOOR LOCK	This test is able to check door lock/unlock operation <ul style="list-style-type: none"> • The all door lock actuators are locked when "ALL LCK" on CONSULT screen is touched • The all door lock actuators are unlocked when "ALL UNLK" on CONSULT screen is touched • The door lock actuator (driver side) is unlocked when "DR UNLK" on CONSULT screen is touched • The door lock actuator (passenger side) is unlocked when "AS UNLK" on CONSULT screen is touched • "OTR ULK" item is displayed, but cannot be monitored

DIAGNOSIS SYSTEM (BCM)

< SYSTEM DESCRIPTION >

[COUPE]

INTELLIGENT KEY

INTELLIGENT KEY : CONSULT Function (BCM - INTELLIGENT KEY) (For Coupe)

INFOID:000000008196059

WORK SUPPORT

Monitor item	Description
CONFIRM KEY FOB ID	It can be checked whether Intelligent Key ID code is registered or not in this mode
AUTO LOCK SET	Auto door lock time can be changed in this mode <ul style="list-style-type: none"> • MODE 1: 1 minute • MODE 2: 5 minutes • MODE 3: 30 seconds • MODE 4: 2 minutes
LOCK/UNLOCK BY I-KEY	Door lock/unlock function by door request switch (driver side, passenger side and back door side/trunk lid*) mode can be changed to operate (On) or not operate (Off) in this mode
ENGINE START BY I-KEY	Engine start function mode can be changed to operate (On) or not operate (Off) with this mode
TRUNK/GLASS HATCH OPEN	Buzzer reminder function mode by back door opener switch/ trunk lid opener switch* can be changed to operate (ON) or not operate (OFF) with this mode
PANIC ALARM SET	Panic alarm button pressing time on Intelligent Key remote control button can be selected from the following with this mode <ul style="list-style-type: none"> • MODE 1: 0.5 sec. • MODE 2: Non-operation • MODE 3: 1.5 sec.
TAKE OUT FROM WIN WARN	NOTE: This item is displayed, but cannot be monitored
PW DOWN SET	Unlock button pressing time on Intelligent Key button can be selected from the following with this mode <ul style="list-style-type: none"> • MODE 1: 3 sec. • MODE 2: Non-operation • MODE 3: 5 sec.
TRUNK OPEN DELAY	NOTE: This item is displayed, but cannot be supported
LO- BATT OF KEY FOB WARN	Intelligent Key low battery warning mode can be changed to operate (On) or not operate (Off) with this mode
ANTI KEY LOCK IN FUNCTI	Key reminder function mode can be changed to operate (On) or not operate (Off) with this mode
HAZARD ANSWER BACK	Hazard reminder function mode can be selected from the following with this mode <ul style="list-style-type: none"> • LOCK ONLY: Door lock operation only • UNLOCK ONLY: Door unlock operation only • LOCK/UNLOCK: Lock/unlock operation • OFF: Non-operation
ANS BACK I-KEY LOCK	Buzzer reminder function (lock operation) mode by door request switch (driver side, passenger side and back door side/trunk lid*) can be selected from the following with this mode <ul style="list-style-type: none"> • Horn chirp: Sound horn • Buzzer: Sound Intelligent Key warning buzzer • OFF: Non-operation
ANS BACK I-KEY UNLOCK	Buzzer reminder function (unlock operation) mode by door request switch (driver side, passenger side and back door side/trunk lid*) can be changed to operate (On) or not operate (Off) with this mode
SHORT CRANKING OUTPUT	Starter motor can be forcibly activated
INSIDE ANT DIAGNOSIS	This function allows inside key antenna self-diagnosis
HORN WITH KEYLESS LOCK	Horn reminder function mode by Intelligent Key button can be changed to operate (On) or not operate (Off) with this mode

*: For roadster models

SELF-DIAG RESULT

DIAGNOSIS SYSTEM (BCM)

[COUPE]

< SYSTEM DESCRIPTION >

Refer to [BCS-88, "DTC Index"](#).

DATA MONITOR

NOTE:

The following table includes information (items) inapplicable to this vehicle. For information (items) applicable to this vehicle, refer to CONSULT display items.

Monitor Item	Condition
REQ SW -DR	Indicates [On/Off] condition of driver side door request switch
REQ SW -AS	Indicates [On/Off] condition of passenger side door request switch
REQ SW -BD/TR	Indicates [On/Off] condition of back door request switch/trunk lid door request switch ^{*4}
PUSH SW	Indicates [On/Off] condition of push-button ignition switch
IGN RLY2 -F/B	NOTE: This item is displayed, but cannot be monitored
ACC RLY-F/B	NOTE: This item is displayed, but cannot be monitored
CLUCH SW*1	Indicates [On/Off] condition of clutch switch
BRAKE SW 1	Indicates [On/Off] ^{*3} condition of brake switch power supply
BRAKE SW 2	Indicates [On/Off] condition of brake switch
DETE/CANCL SW*2	Indicates [On/Off] condition of P position
SFT PN/N SW*2	Indicates [On/Off] condition of P or N position
S/L -LOCK	NOTE: This item is displayed, but cannot be monitored
S/L -UNLOCK	NOTE: This item is displayed, but cannot be monitored
S/L RELAY -F/B	NOTE: This item is displayed, but cannot be monitored
UNLK SEN -DR	Indicates [On/Off] condition of driver door UNLOCK status
PUSH SW -IPDM	Indicates [On/Off] condition of push-button ignition switch
IGN RLY1 -F/B	Indicates [On/Off] condition of ignition relay 1
DETE SW -IPDM*2	Indicates [On/Off] condition of P position
SFT PN -IPDM*2	Indicates [On/Off] condition of P or N position
SFT P -MET*2	Indicates [On/Off] condition of P position
SFT N -MET*2	Indicates [On/Off] condition of N position
ENGINE STATE	Indicates [STOP/STALL/CRANK/RUN] condition of engine states
S/L LOCK-IPDM	NOTE: This item is displayed, but cannot be monitored
S/L UNLK-IPDM	NOTE: This item is displayed, but cannot be monitored
S/L RELAY-REQ	NOTE: This item is displayed, but cannot be monitored
VEH SPEED 1	Display the vehicle speed signal received from combination meter by numerical value [km/h]
VEH SPEED 2	Display the vehicle speed signal received from ABS or VDC or TCM by numerical value [km/h]
DOOR STAT-DR	Indicates [LOCK/READY/UNLOCK] condition of driver side door status
DOOR STAT-AS	Indicates [LOCK/READY/UNLOCK] condition of passenger side door status
ID OK FLAG	Indicates [Set/Reset] condition of key ID
PRMT ENG STRT	Indicates [Set/Reset] condition of engine start possibility
PRMT RKE STRT	NOTE: This item is displayed, but cannot be monitored

A
B
C
D
E
F
G
H
I
J
K
L
M
N
O
P

DLK

DIAGNOSIS SYSTEM (BCM)

< SYSTEM DESCRIPTION >

[COUPE]

Monitor Item	Condition
KEY SW -SLOT	Indicates [On/Off] condition of key slot
TRNK/HAT MNTR	NOTE: This item is displayed, but cannot be monitored
RKE-LOCK	Indicates [On/Off] condition of LOCK signal from Intelligent Key
RKE-UNLOCK	Indicates [On/Off] condition of UNLOCK signal from Intelligent Key
RKE-TR/BD	NOTE: This item is displayed, but cannot be monitored
RKE-PANIC	Indicates [On/Off] condition of PANIC button of Intelligent Key
RKE-P/W OPEN	Indicates [On/Off] condition of P/W DOWN signal from Intelligent Key
RKE-MODE CHG	Indicates [On/Off] condition of MODE CHANGE signal from Intelligent Key
RKE OPE COUN1	When remote keyless entry receiver (front) receives the signal transmitted while operating on Intelligent Key, the numerical value start changing
RKE OPE COUN2	NOTE: This item is displayed, but cannot be monitored
REVERSE SW*1	Indicates [On/Off] condition of R position

*1: It is displayed but does not operate on A/T models.

*2: It is displayed but does not operate on M/T models.

*3: OFF is displayed when brake pedal is depressed while brake switch power supply is OFF.

*4: For roadster models

ACTIVE TEST

Test item	Description
BATTERY SAVER	This test is able to check interior room lamp operation The interior room lamp is activated after "On" on CONSULT screen is touched
PW REMOTO DOWN SET	This test is able to check power window down operation The power window down is activated after "On" on CONSULT screen is touched
OUTSIDE BUZZER	This test is able to check Intelligent Key warning buzzer operation The Intelligent Key warning buzzer is activated after "On" on CONSULT screen is touched
INSIDE BUZZER	This test is able to check warning chime in combination meter operation <ul style="list-style-type: none"> • Take away warning chime sounds when "Take out" on CONSULT screen is touched • Key warning chime sounds when "Key" on CONSULT screen is touched • OFF position warning chime sounds when "Knob" on CONSULT screen is touched
INDICATOR	This test is able to check warning lamp operation <ul style="list-style-type: none"> • "KEY" Warning lamp illuminates when "Key on" on CONSULT screen is touched • "KEY" Warning lamp blinks when "Key ind" on CONSULT screen is touched
INT LAMP	This test is able to check interior room lamp operation The interior room lamp is activated after "On" on CONSULT screen is touched
LCD	This test is able to check meter display information <ul style="list-style-type: none"> • Engine start information displays when "BP N" on CONSULT screen is touched • Engine start information displays when "BP I" on CONSULT screen is touched • Key ID warning displays when "ID NG" on CONSULT screen is touched • ROTAT: This item is displayed, but cannot be tested. • P position warning displays when "SFT P" on CONSULT screen is touched • Intelligent Key insert information displays when "INSRT" on CONSULT screen is touched • Intelligent Key low battery warning displays when "BATT" on CONSULT screen is touched • Take away through window warning displays when "NO KY" on CONSULT screen is touched • Take away warning display when "OUTKEY" on CONSULT screen is touched • OFF position warning display when "LK WN" on CONSULT screen is touched
TRUNK/GLASS HATCH	NOTE: This item is displayed, but cannot be tested
FLASHER	This test is able to check hazard warning lamp operation The hazard warning lamps are activated after "LH/RH/Off" on CONSULT screen is touched

DIAGNOSIS SYSTEM (BCM)

< SYSTEM DESCRIPTION >

[COUPE]

Test item	Description
HORN	This test is able to check horn operation The horn is activated after "On" on CONSULT screen is touched
P RANGE*1	This test is able to check A/T shift selector power supply A/T shift selector power is supplied when "On" on CONSULT screen is touched
ENGINE SW ILLUMI	This test is able to check push-ignition switch illumination operation Push-ignition switch illumination illuminates when "On" on CONSULT screen is touched
LOCK INDICATOR	This test is able to check LOCK indicator in push-ignition switch operation LOCK indicator in push-ignition switch illuminates when "On" on CONSULT screen is touched
ACC INDICATOR	This test is able to check ACC indicator in push-ignition switch operation ACC indicator in push-ignition switch illuminates when "On" on CONSULT screen is touched
IGNITION ON IND	This test is able to check ON indicator in push-ignition switch operation ON indicator in push-ignition switch illuminates when "On" on CONSULT screen is touched
KEY SLOT ILLUMI	This test is able to check key slot illumination operation Key slot illumination blinks when "On" on CONSULT screen is touched
TRUNK/BACK DOOR	This test is able to check back door opener actuator/ trunk lid opener actuator*2 open operation This actuator opens when "Open" on CONSULT screen is touched

*1: It is displayed but does not operate on M/T models.

*2: For roadster models

TRUNK

TRUNK : CONSULT Function (BCM - TRUNK) (For Coupe)

INFOID:000000008196060

DATA MONITOR

NOTE:

The following table includes information (items) inapplicable to this vehicle. For information (items) applicable to this vehicle, refer to CONSULT display items.

Monitor Item	Contents
PUSH SW	Indicates [On/Off] condition of push-button ignition switch
UNLK SEN -DR	Indicates [On/Off] condition of driver door UNLOCK status
VEH SPEED 1	Indicates [km/h] condition of vehicle speed signal from combination meter
KEY CYL SW-TR	NOTE: This item is displayed, but cannot be monitored
TR CANCEL SW*1	Indicates [On/Off] condition of trunk lid cancel switch
TR/BD OPEN SW	Indicates [On/Off] condition of back door opener switch/trunk lid opener switch*2
TRNK/HAT MNTR	NOTE: This item is displayed, but cannot be monitored
RKE-TR/BD	NOTE: This item is displayed, but cannot be monitored

*1: It is displayed but does not operate on coupe models.

*2: For roadster models

ACTIVE TEST

Test item	Description
TRUNK/GLASS HATCH	NOTE: This item is displayed, but cannot be tested

ECU DIAGNOSIS INFORMATION

BCM

List of ECU Reference

INFOID:000000008196061

ECU	Reference
BCM	BCS-58, "Reference Value"
	BCS-86, "Fail-safe"
	BCS-87, "DTC Inspection Priority Chart"
	BCS-88, "DTC Index"

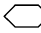
< WIRING DIAGRAM >

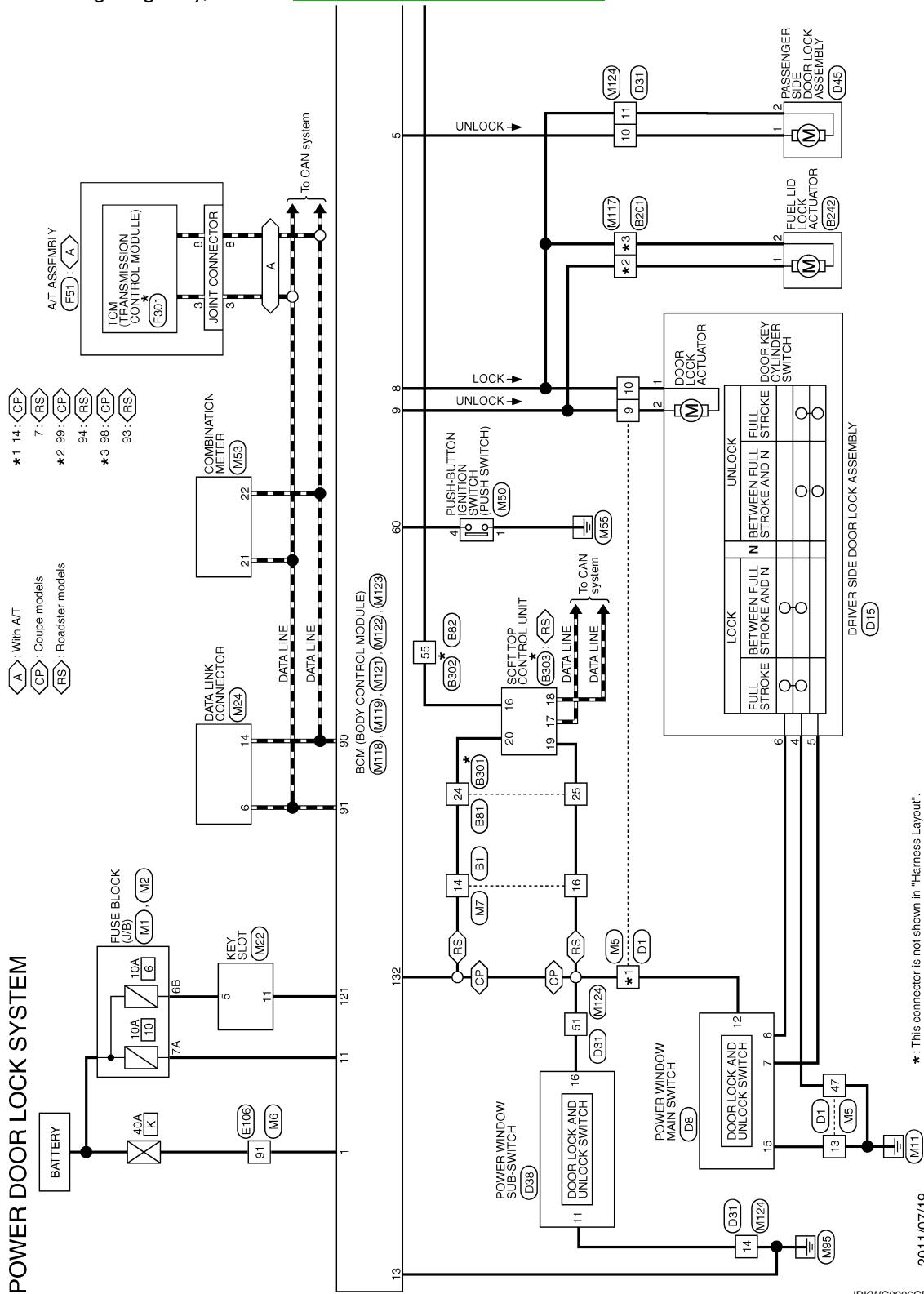
WIRING DIAGRAM

POWER DOOR LOCK SYSTEM

Wiring Diagram

INFOID:000000008196062

For connector terminal arrangements, harness layouts, and alphabets in a  (option abbreviation; if not described in wiring diagram), refer to [GI-12. "Connector Information"](#).



* : This connector is not shown in "Harness Layout".

2011/07/19

JRKWC0906GB

A
B
C
D
E
F
G
H
I
J
K
L
M
N
O
P

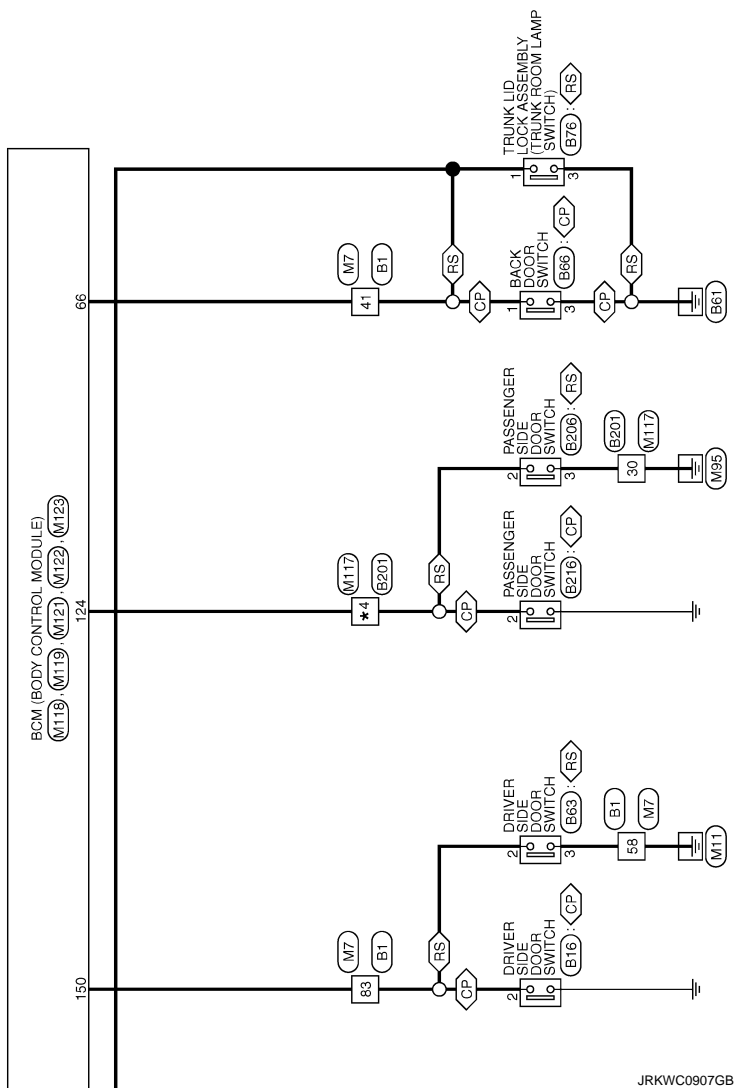
DLK

POWER DOOR LOCK SYSTEM

< WIRING DIAGRAM >

[COUPE]

◊ CP : Coupe models
 ◊ RS : Roadster models
 *4 97 : ◊ CP ◊ RS
 92 : ◊ RS

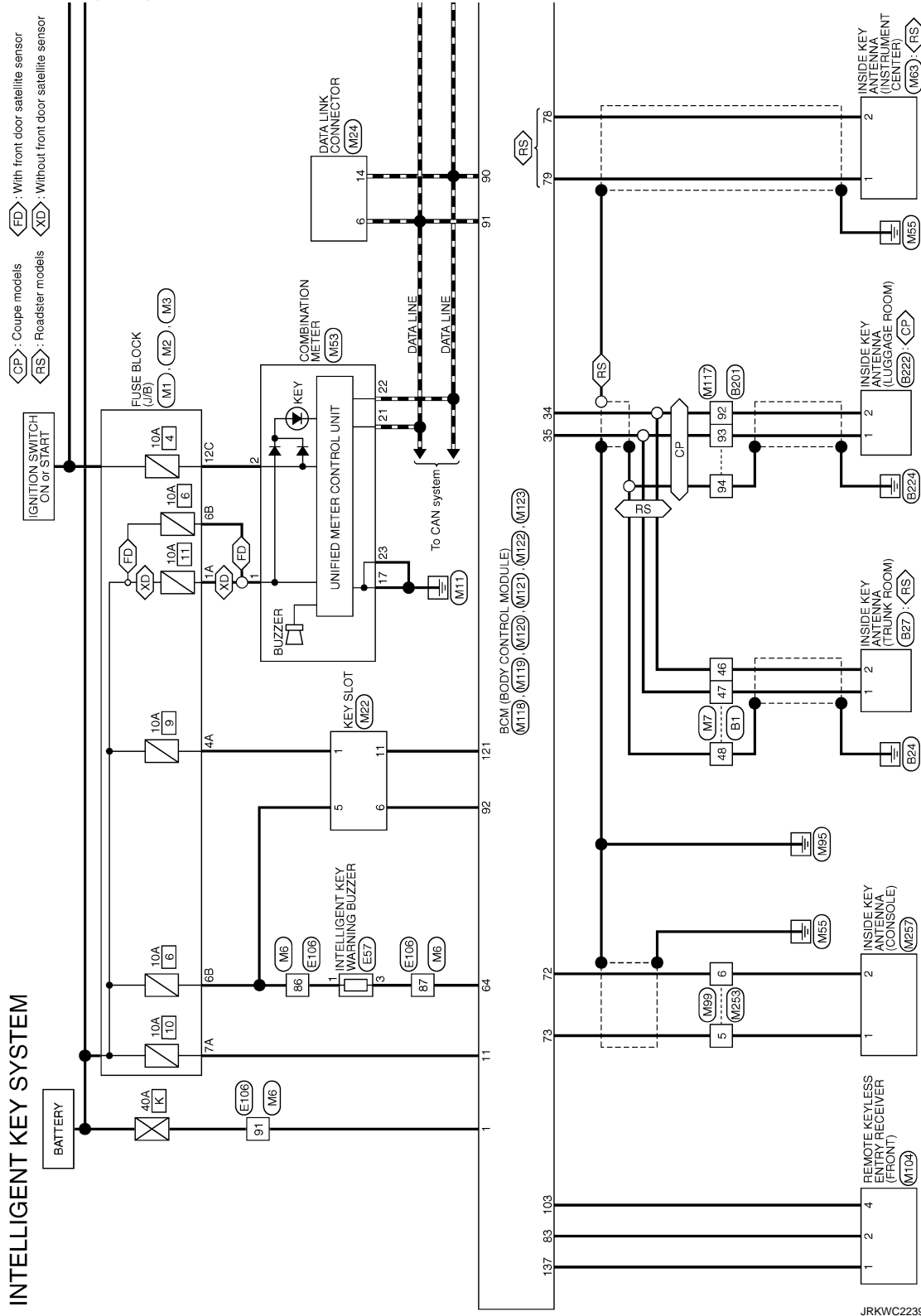


INTELLIGENT KEY SYSTEM

Wiring Diagram

INFOID:000000008196063

For connector terminal arrangements, harness layouts, and alphabets in a (option abbreviation; if not described in wiring diagram), refer to [GI-12, "Connector Information"](#).



A
B
C
D
E
F
G
H
I
J
K
L
M
N
O
P

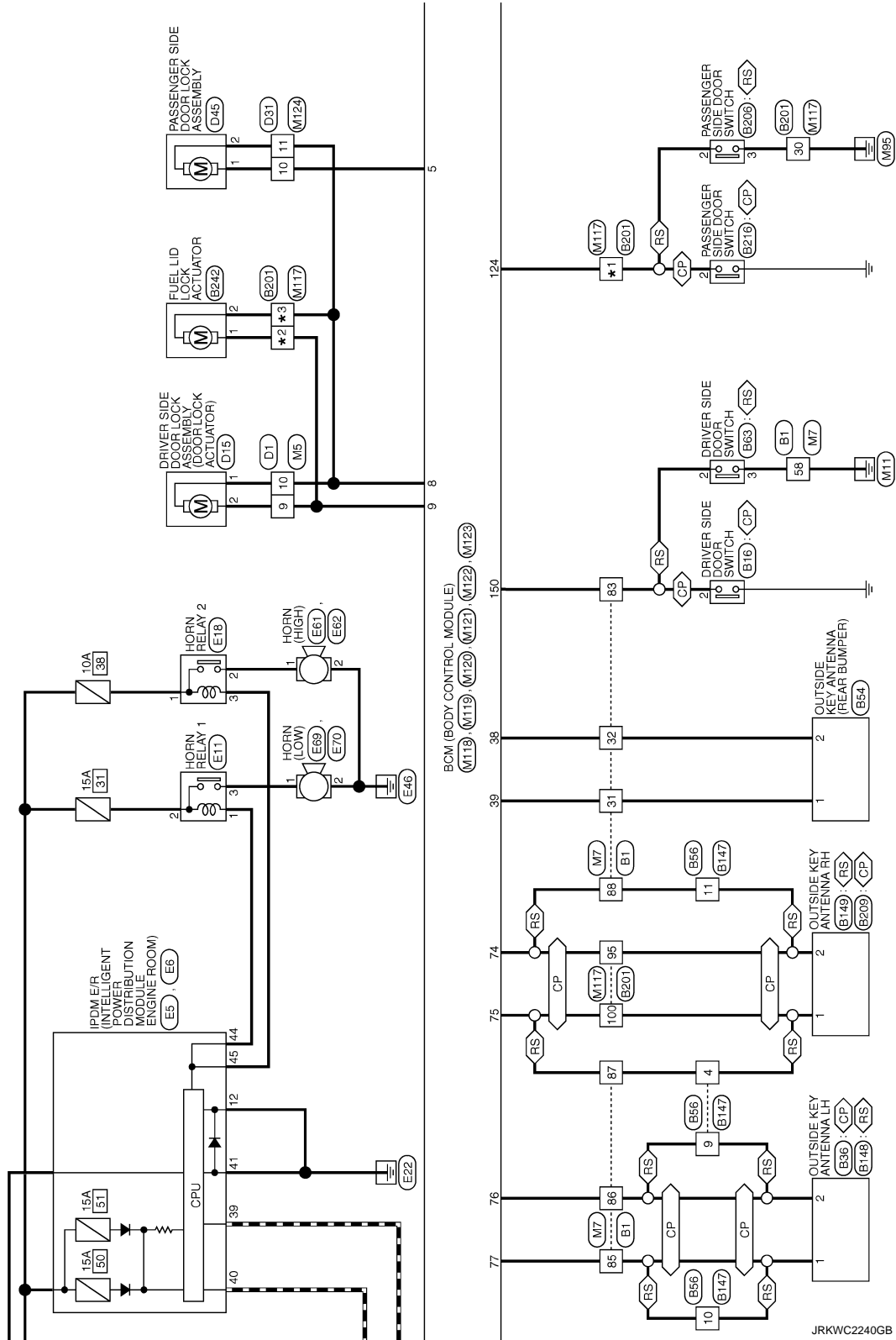
DLK

INTELLIGENT KEY SYSTEM

< WIRING DIAGRAM >

[COUPE]

- *1 97: <CP> 92: <RS>
- *2 99: <CP> 94: <RS>
- *3 98: <CP> 93: <RS>
- CP: Coupe models
- RS: Roadster models

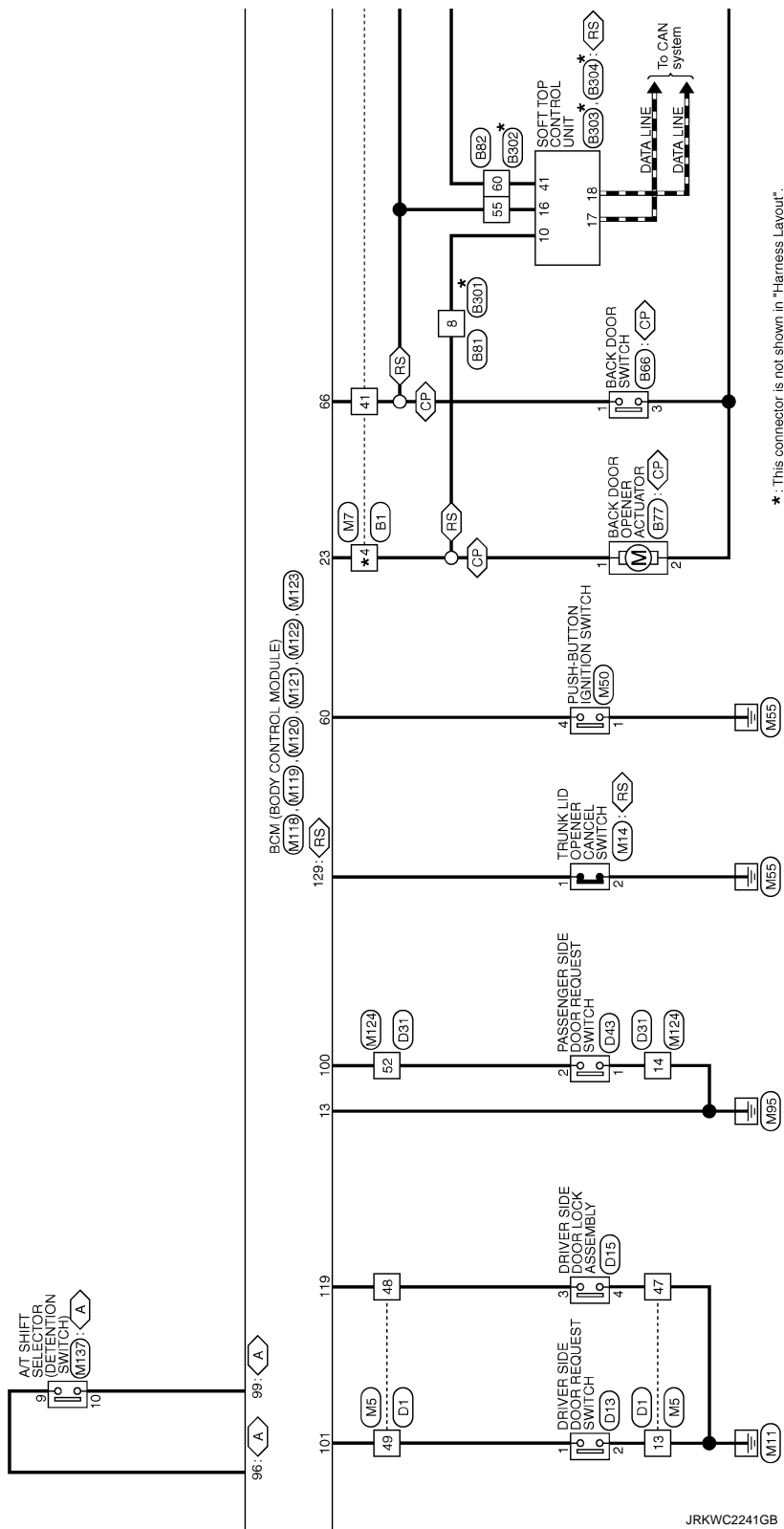


INTELLIGENT KEY SYSTEM

< WIRING DIAGRAM >

[COUPE]

- * 4 40: CP: With A/T
- 11: RS: Coupe models
- RS: Roadster models



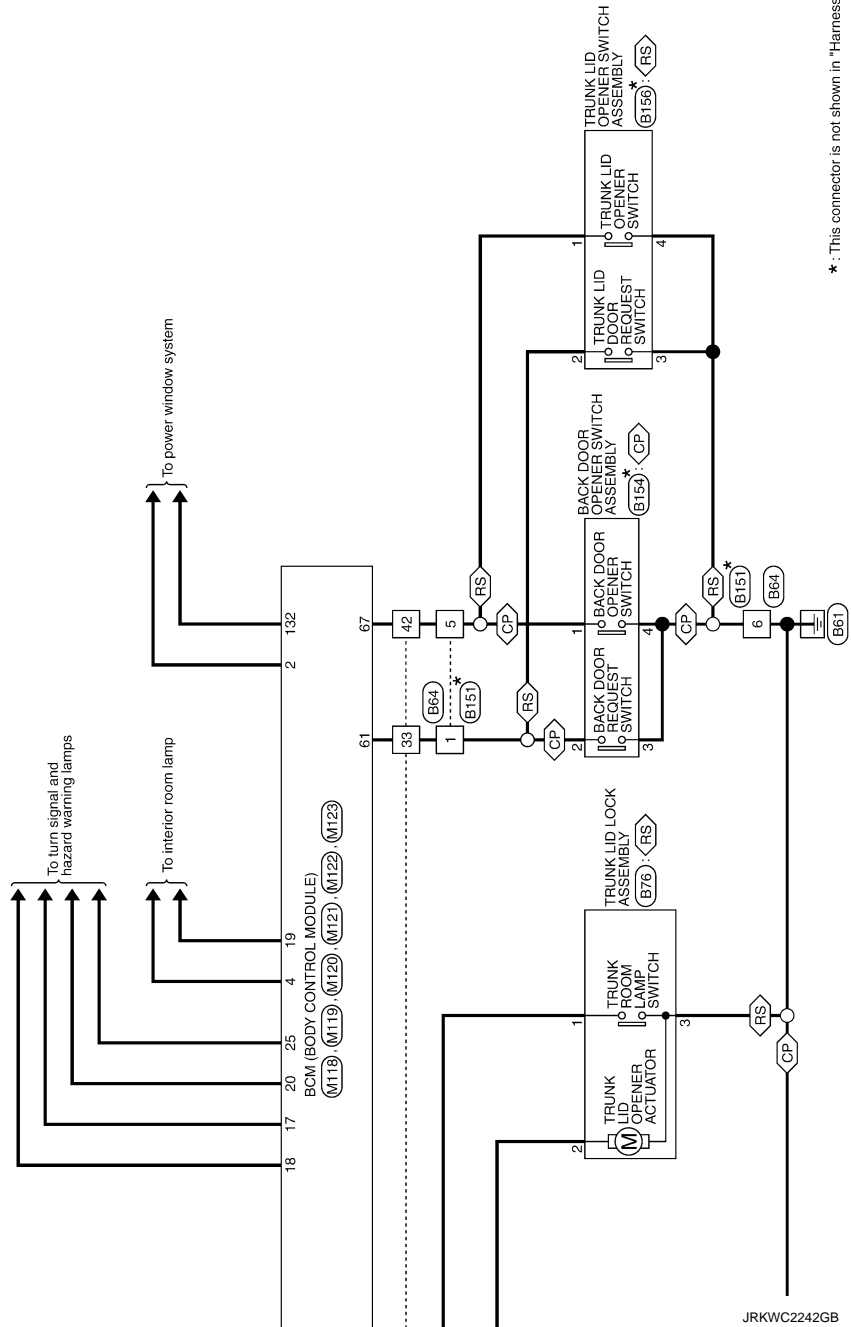
A
B
C
D
E
F
G
H
I
J
DLK
L
M
N
O
P

INTELLIGENT KEY SYSTEM

< WIRING DIAGRAM >

[COUPE]

CP : Coupe models
RS : Roadster models



BACK DOOR OPENER SYSTEM

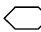
< WIRING DIAGRAM >

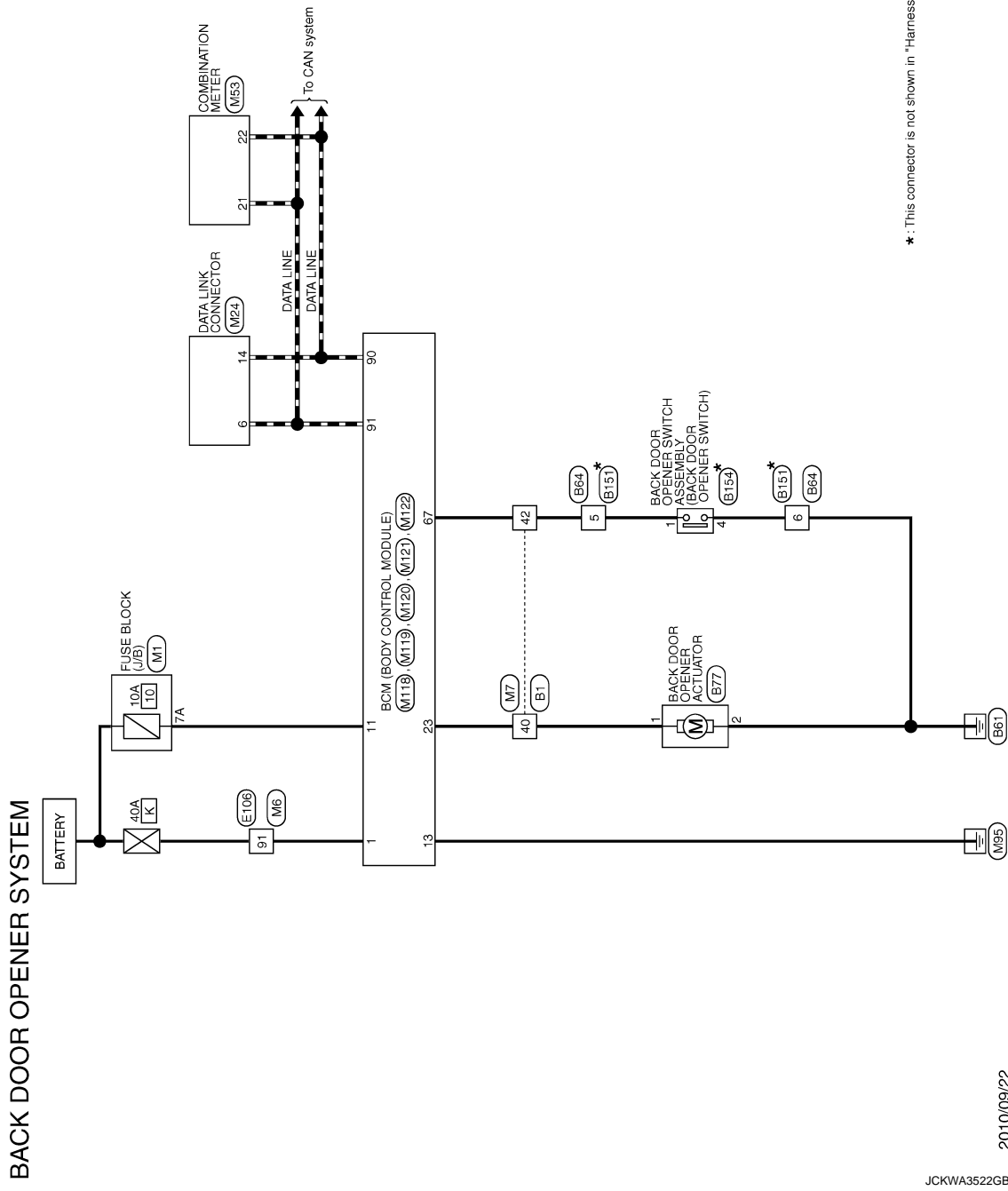
[COUPE]

BACK DOOR OPENER SYSTEM

Wiring Diagram

INFOID:000000008196064

For connector terminal arrangements, harness layouts, and alphabets in a  (option abbreviation; if not described in wiring diagram), refer to [GI-12, "Connector Information"](#).



* : This connector is not shown in "Harness Layout".

2010/09/22

JCKWA3522GB

DLK

INTEGRATED HOMELINK TRANSMITTER SYSTEM

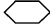
< WIRING DIAGRAM >


[COUPE]

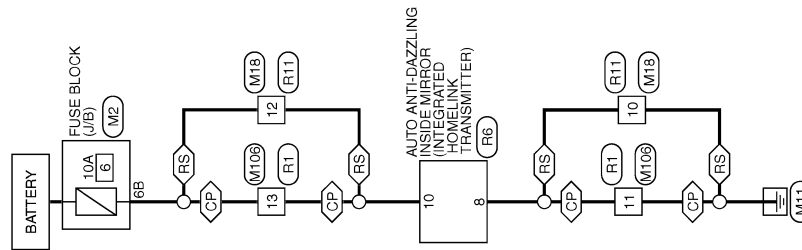
INTEGRATED HOMELINK TRANSMITTER SYSTEM

Wiring Diagram

INFOID:000000008196065

For connector terminal arrangements, harness layouts, and alphabets in a  (option abbreviation; if not described in wiring diagram), refer to [GI-12, "Connector Information"](#).

 : Coupe models
 : Roadster models



INTEGRATED HOMELINK TRANSMITTER

2011/07/19

JRKWC0912GB

DIAGNOSIS AND REPAIR WORK FLOW

< BASIC INSPECTION >

[COUPE]

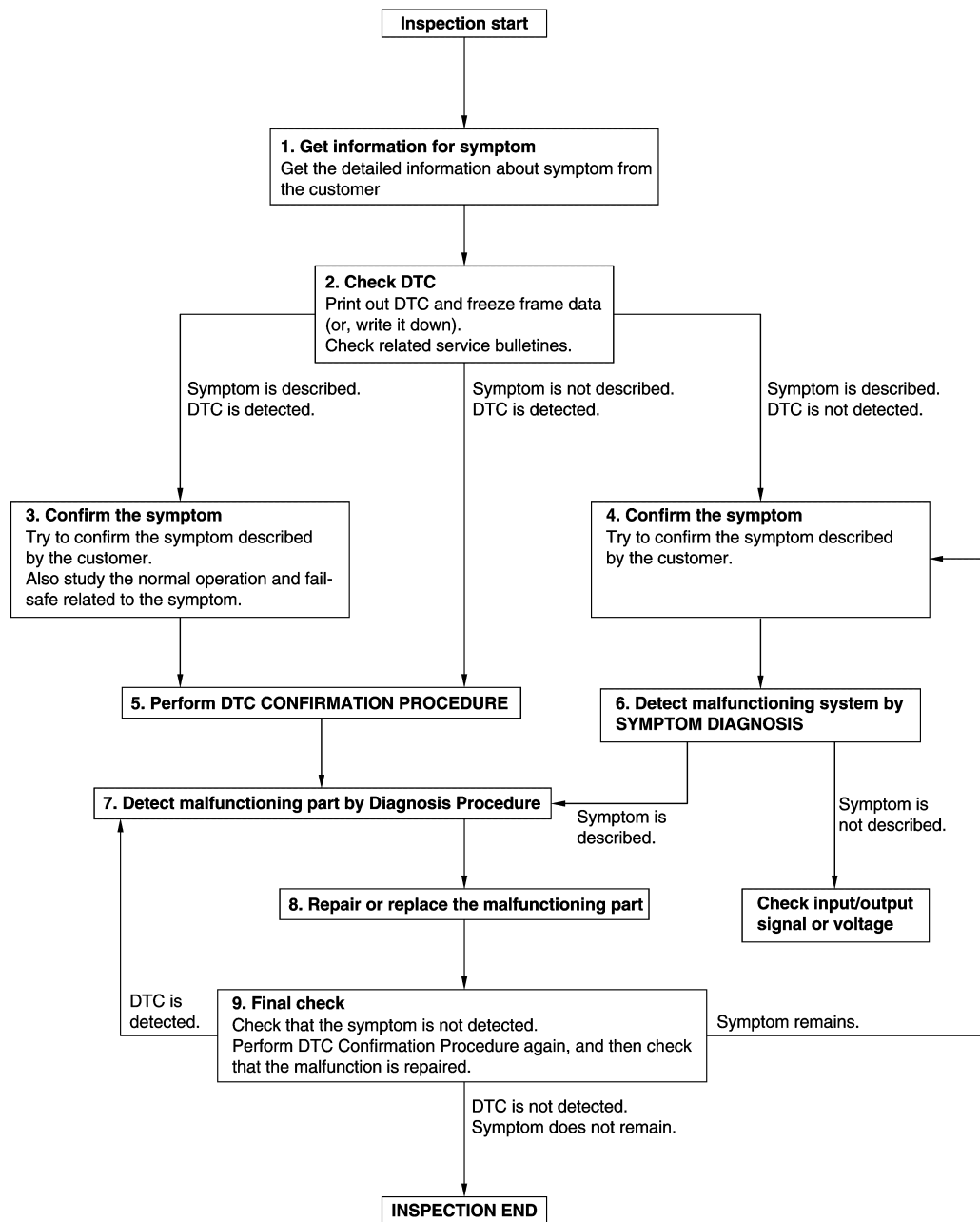
BASIC INSPECTION

DIAGNOSIS AND REPAIR WORK FLOW

Work Flow

INFOID:000000008196066

OVERALL SEQUENCE



DETAILED FLOW

JMKIA8652GB

DIAGNOSIS AND REPAIR WORK FLOW

[COUPE]

< BASIC INSPECTION >

1. GET INFORMATION FOR SYMPTOM

1. Get detailed information from the customer about the symptom (the condition and the environment when the incident/malfunction occurs).
2. Check operation condition of the function that is malfunctioning.

>> GO TO 2.

2. CHECK DTC

1. Check DTC.
2. Perform the following procedure if DTC is detected.
 - Record DTC and freeze frame data (Print them out using CONSULT).
 - Erase DTC.
 - Study the relationship between the cause detected by DTC and the symptom described by the customer.
3. Check related service bulletins for information.

Are any symptoms described or any DTC detected?

Symptom is described, DTC is displayed>>GO TO 3.

Symptom is described, DTC is not displayed>>GO TO 4.

Symptom is not described, DTC is displayed>>GO TO 5.

3. CONFIRM THE SYMPTOM

Try to confirm the symptom described by the customer.

Also study the normal operation and fail-safe related to the symptom.

Verify relation between the symptom and the condition when the symptom is detected.

>> GO TO 5.

4. CONFIRM THE SYMPTOM

Try to confirm the symptom described by the customer.

Verify relation between the symptom and the condition when the symptom is detected.

>> GO TO 6.

5. PERFORM DTC CONFIRMATION PROCEDURE

Perform DTC CONFIRMATION PROCEDURE for the detected DTC, and then check that DTC is detected again. At this time, always connect CONSULT to the vehicle, and check diagnostic results in real time.

If two or more DTCs are detected, refer to [BCS-87. "DTC Inspection Priority Chart"](#) (BCM), and determine trouble diagnosis order.

NOTE:

- Freeze frame data is useful if the DTC is not detected.
- Perform Component Function Check if DTC CONFIRMATION PROCEDURE is not included on Service Manual. This simplified check procedure is an effective alternative though DTC cannot be detected during this check.
If the result of Component Function Check is NG, it is the same as the detection of DTC by DTC CONFIRMATION PROCEDURE.

Is DTC detected?

YES >> GO TO 7.

NO >> Check according to [GI-45. "Intermittent Incident"](#).

6. DETECT MALFUNCTIONING SYSTEM BY SYMPTOM DIAGNOSIS

Detect malfunctioning system according to SYMPTOM DIAGNOSIS based on the confirmed symptom in step 4, and determine the trouble diagnosis order based on possible causes and symptoms.

Is the symptom described?

Yes >> GO TO 7.

No >> Monitor input data from related sensors or check voltage of related module terminals using CONSULT.

7. DETECT MALFUNCTIONING PART BY DIAGNOSIS PROCEDURE

DIAGNOSIS AND REPAIR WORK FLOW

[COUPE]

< BASIC INSPECTION >

Inspect according to Diagnosis Procedure of the system.

Is malfunctioning part detected?

YES >> GO TO 8.

NO >> Check according to [GI-45. "Intermittent Incident"](#).

8. REPAIR OR REPLACE THE MALFUNCTIONING PART

1. Repair or replace the malfunctioning part.
2. Reconnect parts or connectors disconnected during Diagnosis Procedure again after repair and replacement.
3. Check DTC. If DTC is displayed, erase it.

>> GO TO 9.

9. FINAL CHECK

When DTC is detected in step 2, perform DTC CONFIRMATION PROCEDURE again, and then check that the malfunction is repaired securely.

When symptom is described by the customer, refer to confirmed symptom in step 3 or 4, and check that the symptom is not detected.

Is DTC detected and does symptom remain?

YES-1 >> DTC is detected: GO TO 7.

YES-2 >> Symptom remains: GO TO 4.

NO >> Before returning the vehicle to the customer, always erase DTC.

A
B
C
D
E
F
G
H
I
J
L
M
N
O
P

DLK

INSPECTION AND ADJUSTMENT

< BASIC INSPECTION >

[COUPE]

INSPECTION AND ADJUSTMENT

ADDITIONAL SERVICE WHEN REPLACING CONTROL UNIT

ADDITIONAL SERVICE WHEN REPLACING CONTROL UNIT : Description

INFOID:000000008196067

Perform the system initialization when replacing BCM, replacing Intelligent Key or registering an additional Intelligent Key.

B2622 INSIDE ANTENNA

< DTC/CIRCUIT DIAGNOSIS >

[COUPE]

DTC/CIRCUIT DIAGNOSIS

B2622 INSIDE ANTENNA

DTC Logic

INFOID:000000008196068

DTC DETECTION LOGIC

DTC	CONSULT display description	DTC detecting condition	Possible cause
B2622	INSIDE ANTENNA	An excessive high or low voltage from inside antenna (console) is sent to BCM	<ul style="list-style-type: none"> Inside key antenna (console) Between BCM ~ Inside key antenna (console)

DTC CONFIRMATION PROCEDURE

1. PERFORM DTC CONFIRMATION PROCEDURE

1. Select "INTELLIGENT KEY" of "BCM" using CONSULT.
2. Select "INSIDE ANT DIAGNOSIS" in "WORK SUPPORT" mode.
3. Perform inside key antenna ("INSIDE ANT DIAGNOSIS") on "Work Support" of "INTELLIGENT KEY".
4. Check BCM for DTC.

Is inside key antenna DTC detected?

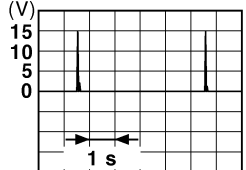
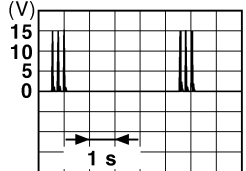
- YES >> Refer to [DLK-59, "Diagnosis Procedure"](#).
- NO >> Inside key antenna (console) is OK.

Diagnosis Procedure

INFOID:000000008196069

1. CHECK INSIDE KEY ANTENNA INPUT SIGNAL 1

1. Turn ignition switch OFF.
2. Check signal between BCM harness connector and ground using oscilloscope.

(+)		(-)	Condition	Signal (Reference value)
BCM				
Connector	Terminal			
Console	M122	72, 73	Ground	When Intelligent Key is in the passenger compartment  <p style="text-align: right; font-size: small;">JMKIA0062GB</p>
				When Intelligent Key is not in the passenger compartment  <p style="text-align: right; font-size: small;">JMKIA0063GB</p>

Is the inspection result normal?

- YES >> GO TO 4.
- NO >> GO TO 2.

2. CHECK INSIDE KEY ANTENNA CIRCUIT

1. Disconnect BCM connector and inside key antenna (console) connector.
2. Check continuity between BCM harness connector and inside key antenna (console) harness connector.

B2622 INSIDE ANTENNA

< DTC/CIRCUIT DIAGNOSIS >

[COUPE]

BCM		Inside key antenna (console)		Continuity
Connector	Terminal	Connector	Terminal	
M122	72	M257	2	Existed
	73		1	

3. Check continuity between BCM harness connector and ground.

BCM		Ground	Continuity
Connector	Terminal		
M122	72		Not existed
	73		

Is the inspection result normal?

YES >> GO TO 3.

NO >> Repair or replace harness.

3.CHECK INSIDE KEY ANTENNA INPUT SIGNAL 2

1. Replace inside key antenna (console). (New antenna or other antenna).
2. Connect BCM connector and inside key antenna (console) connector.
3. Check signal between BCM harness connector and ground using oscilloscope.

(+)			(-)	Condition	Signal (Reference value)
BCM		Terminal			
Connector	Terminal				
Console	M122	72, 73	Ground	When Intelligent Key is in the passenger compartment	
				When Intelligent Key is not in the passenger compartment	

Is the inspection result normal?

YES >> Replace inside key antenna (console).

NO >> Replace BCM. Refer to [BCS-95, "Removal and Installation"](#).

4.CHECK INTERMITTENT INCIDENT

Refer to [GI-45, "Intermittent Incident"](#).

>> INSPECTION END

B2623 INSIDE ANTENNA

< DTC/CIRCUIT DIAGNOSIS >

[COUPE]

B2623 INSIDE ANTENNA

DTC Logic

INFOID:000000008196070

DTC DETECTION LOGIC

DTC	CONSULT display description	DTC detecting condition	Possible cause
B2623	INSIDE ANTENNA	An excessive high or low voltage from inside antenna (luggage room) is sent to BCM	<ul style="list-style-type: none"> Inside key antenna (luggage room) Between BCM – Inside key antenna (luggage room)

DTC CONFIRMATION PROCEDURE

1. PERFORM DTC CONFIRMATION PROCEDURE

1. Select "INTELLIGENT KEY" of "BCM" using CONSULT.
2. Select "INSIDE ANT DIAGNOSIS" in "WORK SUPPORT" mode.
3. Perform inside key antenna ("INSIDE ANT DIAGNOSIS") on "Work Support" of "INTELLIGENT KEY".
4. Check BCM for DTC.

Is inside key antenna DTC detected?

- YES >> Refer to [DLK-61. "Diagnosis Procedure"](#).
 NO >> Inside key antenna (luggage room) is OK.

Diagnosis Procedure

INFOID:000000008196071

1. CHECK INSIDE KEY ANTENNA INPUT SIGNAL 1

1. Turn ignition switch OFF.
2. Check signal between BCM harness connector and ground using oscilloscope.

(+)			(-)	Condition	Signal (Reference value)
BCM					
Connector	Terminal				
Luggage room	M121	34, 35	Ground	When Intelligent Key is in the passenger compartment	
				When Intelligent Key is not in the passenger compartment	

Is the inspection result normal?

- YES >> GO TO 4.
 NO >> GO TO 2.

2. CHECK INSIDE KEY ANTENNA CIRCUIT

1. Disconnect BCM connector and inside key antenna (luggage room) connector.
2. Check continuity between BCM harness connector and inside key antenna (luggage room) harness connector.

B2623 INSIDE ANTENNA

< DTC/CIRCUIT DIAGNOSIS >

[COUPE]

BCM		Inside key antenna (luggage room)		Continuity
Connector	Terminal	Connector	Terminal	
M121	34	B222	2	Existed
	35		1	

3. Check continuity between BCM harness connector and ground.

BCM		Ground	Continuity
Connector	Terminal		
M121	34		Not existed
	35		

Is the inspection result normal?

YES >> GO TO 3.

NO >> Repair or replace harness.

3. CHECK INSIDE KEY ANTENNA INPUT SIGNAL 2

1. Replace inside key antenna (luggage room). (New antenna or other antenna).
2. Connect BCM and inside key antenna (luggage room) connector.
3. Check signal between BCM harness connector and ground using oscilloscope.

(+) BCM			(-)	Condition	Signal (Reference value)
Connector	Terminal				
Luggage room	M121	34, 35	Ground	When Intelligent Key is in the passenger compartment	
				When Intelligent Key is not in the passenger compartment	

Is the inspection result normal?

YES >> Replace inside key antenna (luggage room).

NO >> Replace BCM. Refer to [BCS-95. "Removal and Installation"](#).

4. CHECK INTERMITTENT INCIDENT

Refer to [GI-45. "Intermittent Incident"](#).

>> INSPECTION END

DOOR SWITCH

< DTC/CIRCUIT DIAGNOSIS >

[COUPE]

DOOR SWITCH

Component Function Check

INFOID:000000008196072

1.CHECK FUNCTION

1. Select "DOOR LOCK" of "BCM" using CONSULT.
2. Select "DOOR SW-DR", "DOOR SW-AS", "DOOR SW-BK" in "DATA MONITOR" mode.
3. Check that the function operates normally according to the following conditions.

Monitor item	Condition		Status
DOOR SW-DR	Driver side door	Open	On
		Closed	Off
DOOR SW-AS	Passenger side door	Open	On
		Closed	Off
DOOR SW-BK	Back door	Open	On
		Closed	Off

Is the inspection result normal?

YES >> Door switch is OK.

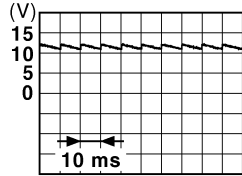
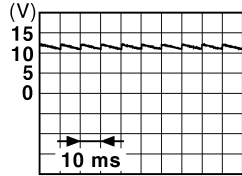
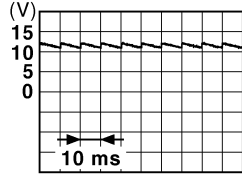
NO >> Refer to [DLK-63. "Diagnosis Procedure"](#).

Diagnosis Procedure

INFOID:000000008196073

1.CHECK DOOR SWITCH INPUT SIGNAL

1. Turn ignition switch OFF.
2. Disconnect malfunctioning door switch connector.
3. Check signal between malfunctioning door switch harness connector and ground using oscilloscope.

(+)			(-)	Signal (Reference value)
Door switch				
Connector	Terminal			
Driver side	B16	2	Ground	 <p>JPMIA0011GB</p>
Passenger side	B216	2		 <p>JPMIA0011GB</p>
Back door	B66	1		 <p>JPMIA0011GB</p>

Is the inspection result normal?

DLK

DOOR SWITCH

[COUPE]

< DTC/CIRCUIT DIAGNOSIS >

- YES-1 >> Back door: GO TO 3.
- YES-2 >> Other doors: GO TO 4.
- NO >> GO TO 2.

2.CHECK DOOR SWITCH CIRCUIT

1. Disconnect BCM connector.
2. Check continuity between door switch harness connector and BCM harness connector.

Door switch		BCM		Continuity
Connector	Terminal	Connector	Terminal	
Driver side	B16	M123	150	Existed
Passenger side	B216		124	
Back door	B66	M121	66	

3. Check continuity between door switch harness connector and ground.

Door switch		Ground	Continuity
Connector	Terminal		
Driver side	B16	Ground	Not existed
Passenger side	B216		
Back door	B66		

Is the inspection result normal?

- YES >> Replace BCM. Refer to [BCS-95. "Removal and Installation"](#).
- NO >> Repair or replace harness.

3.CHECK BACK DOOR SWITCH GROUND CIRCUIT

Check continuity between back door switch harness connector and ground.

Back door switch		Ground	Continuity
Connector	Terminal		
B66	3		Existed

Is the inspection result normal?

- YES >> GO TO 4.
- NO >> Repair or replace harness.

4.CHECK DOOR SWITCH

Refer to [DLK-64. "Component Inspection"](#).

Is the inspection result normal?

- YES >> GO TO 5.
- NO >> Replace malfunctioning door switch.

5.CHECK INTERMITTENT INCIDENT

Refer to [GI-45. "Intermittent Incident"](#).

>> INSPECTION END

Component Inspection

INFOID:000000008196074

1.CHECK DOOR SWITCH

1. Turn ignition switch OFF.
2. Disconnect malfunctioning door switch connector.
3. Check continuity between door switch terminals.

DOOR SWITCH

< DTC/CIRCUIT DIAGNOSIS >

[COUPE]

Door switch			Condition	Continuity
Terminal				
Each door	2	Ground part of door switch	Pressed	Not existed
			Released	Existed
Back door	1	3	Pressed	Not existed
			Released	Existed

Is the inspection result normal?

- YES >> INSPECTION END
- NO >> Replace malfunction door switch.

A
B
C
D
E
F
G
H
I
J
L
M
N
O
P

DLK

DOOR LOCK AND UNLOCK SWITCH

< DTC/CIRCUIT DIAGNOSIS >

[COUPE]

DOOR LOCK AND UNLOCK SWITCH

DRIVER SIDE

DRIVER SIDE : Component Function Check

INFOID:000000008196075

1.CHECK FUNCTION

1. Select "DOOR LOCK" of "BCM" using CONSULT.
2. Select "CDL LOCK SW", "CDL UNLOCK SW" in "DATA MONITOR" mode.
3. Check that the function operates normally according to the following conditions.

Monitor item	Condition	Status
CDL LOCK SW	Lock	On
	Unlock	Off
CDL UNLOCK SW	Lock	Off
	Unlock	On

Is the inspection result normal?

YES >> Door lock and unlock switch is OK.

NO >> Refer to [DLK-66, "DRIVER SIDE : Diagnosis Procedure"](#).

DRIVER SIDE : Diagnosis Procedure

INFOID:000000008196076

1.CHECK POWER WINDOW SWITCH

1. Turn ignition switch ON.
2. Check power window operation.

Does power window operate?

YES >> Replace power window main switch. Refer to [PWC-89, "Removal and Installation"](#).

NO >> Refer to [PWC-75, "Diagnosis Procedure"](#).

PASSENGER SIDE

PASSENGER SIDE : Component Function Check

INFOID:000000008196077

1.CHECK FUNCTION

1. Select "DOOR LOCK" of "BCM" using CONSULT.
2. Select "CDL LOCK SW", "CDL UNLOCK SW" in "DATA MONITOR" mode.
3. Check that the function operates normally according to the following conditions.

Monitor item	Condition	Status
CDL LOCK SW	Lock	On
	Unlock	Off
CDL UNLOCK SW	Lock	Off
	Unlock	On

Is the inspection result normal?

YES >> Door lock and unlock switch is OK.

NO >> Refer to [PWC-76, "WHEN POWER WINDOW SUB-SWITCH IS OPERATED : Diagnosis Procedure"](#).

PASSENGER SIDE : Diagnosis Procedure

INFOID:000000008196078

1.CHECK POWER WINDOW SWITCH

1. Turn ignition switch ON.
2. Check passenger side power window operation.

Does power window operate?

YES >> Replace power window sub-switch. Refer to [PWC-89, "Removal and Installation"](#).

DOOR LOCK AND UNLOCK SWITCH

[COUPE]

< DTC/CIRCUIT DIAGNOSIS >

NO >> Refer to [PWC-76. "WHEN POWER WINDOW SUB-SWITCH IS OPERATED : Diagnosis Procedure"](#).

- A
- B
- C
- D
- E
- F
- G
- H
- I
- J
- DLK**
- L
- M
- N
- O
- P

DOOR LOCK ACTUATOR

< DTC/CIRCUIT DIAGNOSIS >

[COUPE]

DOOR LOCK ACTUATOR DRIVER SIDE

DRIVER SIDE : Component Function Check

INFOID:000000008196079

1. CHECK FUNCTION

1. Select "DOOR LOCK" of "BCM" using CONSULT.
2. Select "DOOR LOCK" in "ACTIVE TEST" mode.
3. Touch "ALL LCK" or "ALL UNLK" to check that it works normally.

Is the inspection result normal?

YES >> Door lock actuator is OK.

NO >> Refer to [DLK-68. "DRIVER SIDE : Diagnosis Procedure"](#).

DRIVER SIDE : Diagnosis Procedure

INFOID:000000008196080

1. CHECK DOOR LOCK ACTUATOR INPUT SIGNAL

1. Turn ignition switch OFF.
2. Disconnect driver side door lock assembly connector.
3. Check voltage between driver side door lock assembly harness connector and ground.

(+)		(-)	Condition	Voltage (V) (Approx.)
Connector	Terminal			
D15	1	Ground	Door lock and unlock switch Lock	0 → 12 → 0
	2		Unlock	0 → 12 → 0

Is the inspection result normal?

YES >> Replace driver side door lock assembly.

NO >> GO TO 2.

2. CHECK DOOR LOCK ACTUATOR CIRCUIT

1. Disconnect BCM connector, passenger side door lock assembly connector and fuel lid lock actuator connector.
2. Check continuity between BCM harness connector and driver side door lock assembly harness connector.

BCM		Driver side door lock assembly		Continuity
Connector	Terminal	Connector	Terminal	
M119	8	D15	1	Existed
	9		2	

3. Check continuity between BCM harness connector and ground.

BCM		Ground	Continuity
Connector	Terminal		
M119	8		Not existed
	9		

Is the inspection result normal?

YES >> GO TO 3.

NO >> Repair or replace harness.

3. CHECK BCM OUTPUT SIGNAL

1. Connect BCM connector.
2. Check voltage between BCM harness connector and ground.

DOOR LOCK ACTUATOR

< DTC/CIRCUIT DIAGNOSIS >

[COUPE]

(+)		(-)	Condition	Voltage (Approx.)
BCM				
Connector	Terminal			
M119	8	Ground	Door lock and unlock switch	Lock
	9		Door lock and unlock switch	Unlock
12 V				

Is the inspection result normal?

YES >> Check for internal short of each door lock actuator and fuel lid lock actuator.

NO >> Replace BCM. Refer to [BCS-95. "Removal and Installation"](#).

PASSENGER SIDE

PASSENGER SIDE : Component Function Check

INFOID:000000008196081

1.CHECK FUNCTION

1. Select "DOOR LOCK" of "BCM" using CONSULT.
2. Select "DOOR LOCK" in "ACTIVE TEST" mode.
3. Touch "ALL LCK" or "ALL UNLK" to check that it works normally.

Is the inspection result normal?

YES >> Door lock actuator is OK.

NO >> Refer to [DLK-69. "PASSENGER SIDE : Diagnosis Procedure"](#).

PASSENGER SIDE : Diagnosis Procedure

INFOID:000000008196082

1.CHECK DOOR LOCK ACTUATOR INPUT SIGNAL

1. Turn ignition switch OFF.
2. Disconnect passenger side door lock assembly connector.
3. Check voltage between passenger side door lock assembly harness connector and ground.

(+)		(-)	Condition	Voltage (V) (Approx.)
Passenger side door lock assembly				
Connector	Terminal			
D45	1	Ground	Door lock and unlock switch	Unlock
	2		Door lock and unlock switch	Lock
				0 → 12 → 0
				0 → 12 → 0

Is the inspection result normal?

YES >> Replace passenger side door lock assembly.

NO >> GO TO 2.

2.CHECK DOOR LOCK ACTUATOR CIRCUIT

1. Disconnect BCM connector, driver side door lock assembly connector and fuel lid lock actuator connector.
2. Check continuity between BCM harness connector and passenger side door lock assembly harness connector.

BCM		Passenger side door lock assembly		Continuity
Connector	Terminal	Connector	Terminal	
M119	5	D45	1	Existed
	8		2	

3. Check continuity between BCM harness connector and ground.

BCM		Ground	Continuity
Connector	Terminal		
M119	5		Not existed
	8		

DOOR LOCK ACTUATOR

[COUPE]

< DTC/CIRCUIT DIAGNOSIS >

Is the inspection result normal?

YES >> GO TO 3.

NO >> Repair or replace harness.

3. CHECK BCM OUTPUT SIGNAL

1. Connect BCM connector.
2. Check voltage between BCM harness connector and ground.

(+)		(-)	Condition		Voltage (Approx.)
BCM					
Connector	Terminal	Ground	Door lock and unlock switch	Unlock	12 V
M119	5			Ground	
	8	Lock			

Is the inspection result normal?

YES >> Check for internal short of each door lock actuator and fuel lid lock actuator.

NO >> Replace BCM. Refer to [BCS-95. "Removal and Installation"](#).

FUEL LID LOCK ACTUATOR

< DTC/CIRCUIT DIAGNOSIS >

[COUPE]

FUEL LID LOCK ACTUATOR

Component Function Check

INFOID:000000008196083

1.CHECK FUNCTION

1. Select "DOOR LOCK" of "BCM" using CONSULT.
2. Select "DOOR LOCK" in "ACTIVE TEST" mode.
3. Touch "ALL LCK" or "ALL UNLK" to check that it works normally.

Is the inspection result normal?

- YES >> Fuel lid lock actuator is OK.
 NO >> Refer to [DLK-71. "Diagnosis Procedure"](#).

Diagnosis Procedure

INFOID:000000008196084

1.CHECK FUEL LID LOCK ACTUATOR INPUT SIGNAL

1. Turn ignition switch OFF.
2. Disconnect fuel lid lock actuator connector.
3. Check voltage between fuel lid lock actuator harness connector and ground.

(+)		(-)	Condition	Voltage (V) (Approx.)
Connector	Terminal			
B242	1	Ground	Door lock and unlock switch	0 → 12 → 0
	2		Unlock	0 → 12 → 0
			Lock	0 → 12 → 0

Is the inspection result normal?

- YES >> Replace fuel lid lock actuator.
 NO >> GO TO 2.

2.CHECK FUEL LID LOCK ACTUATOR CIRCUIT

1. Disconnect BCM connector and all door lock assembly connector.
2. Check continuity between BCM harness connector and fuel lid lock actuator harness connector.

BCM		Fuel lid lock actuator		Continuity
Connector	Terminal	Connector	Terminal	
M119	8	B242	2	Existed
	9		1	

3. Check continuity between BCM harness connector and ground.

BCM		Ground	Continuity
Connector	Terminal		
M119	8		Not existed
	9		

Is the inspection result normal?

- YES >> GO TO 3.
 NO >> Repair or replace harness.

3.CHECK BCM OUTPUT SIGNAL

1. Connect BCM connector.
2. Check voltage between BCM harness connector and ground.

FUEL LID LOCK ACTUATOR

< DTC/CIRCUIT DIAGNOSIS >

[COUPE]

(+) BCM		(-)	Condition		Voltage (Approx.)
Connector	Terminal				
M119	8	Ground	Door lock and unlock switch	Lock	12 V
	9			Unlock	

Is the inspection result normal?

YES >> Check for internal short of each door lock actuator.

NO >> Replace BCM. Refer to [BCS-95. "Removal and Installation"](#).

BACK DOOR OPENER ACTUATOR

< DTC/CIRCUIT DIAGNOSIS >

[COUPE]

BACK DOOR OPENER ACTUATOR

Component Function Check

INFOID:000000008196085

1.CHECK FUNCTION

1. Select "INTELLIGENT KEY" of "BCM" using CONSULT.
2. Select "TRUNK/BACK DOOR" in "ACTIVE TEST" mode.
3. Touch "Open" to check that it works normally.

Is the inspection result normal?

- YES >> Back door opener actuator is OK.
 NO >> Refer to [DLK-73. "Diagnosis Procedure"](#).

Diagnosis Procedure

INFOID:000000008196086

1.CHECK BACK DOOR OPENER ACTUATOR INPUT SIGNAL

1. Turn ignition switch OFF.
2. Disconnect back door opener actuator connector.
3. Check voltage between back door opener actuator connector harness connector and ground.

(+)		(-)	Condition		Voltage (V) (Approx.)
Back door opener actuator Connector	Terminal				
B77	1	Ground	Back door opener switch	Pressed	0 → 12 → 0

Is the inspection result normal?

- YES >> GO TO 3.
 NO >> GO TO 2.

2.CHECK BACK DOOR OPENER ACTUATOR CIRCUIT

1. Disconnect BCM connector.
2. Check continuity between BCM harness connector and back door opener actuator harness connector.

BCM		Back door opener actuator		Continuity
Connector	Terminal	Connector	Terminal	
M120	23	B77	1	Existed

3. Check continuity between BCM harness connector and ground.

BCM		Ground	Continuity
Connector	Terminal		
M120	23		Not existed

Is the inspection result normal?

- YES >> Replace BCM. Refer to [BCS-95. "Removal and Installation"](#).
 NO >> Repair or replace harness.

3.CHECK BACK DOOR OPENER ACTUATOR GROUND CIRCUIT

Check continuity between back door opener actuator harness connector and ground.

Back door opener actuator		Ground	Continuity
Connector	Terminal		
B77	2		Existed

Is the inspection normal?

- YES >> Replace back door opener actuator.
 NO >> Repair or replace harness.

DOOR KEY CYLINDER SWITCH

< DTC/CIRCUIT DIAGNOSIS >

[COUPE]

DOOR KEY CYLINDER SWITCH

Component Function Check

INFOID:000000008196087

1. CHECK FUNCTION

1. Select "DOOR LOCK" of "BCM" using CONSULT.
2. Select "KEY CYL LK-SW", "KEY CYL UN-SW" in "DATA MONITOR" mode.
3. Check that the function operates normally according to the following conditions.

Monitor item	Condition	Status
KEY CYL LK-SW	Lock	On
	Neutral / Unlock	Off
KEY CYL UN-SW	Unlock	On
	Neutral / Lock	Off

Is the inspection result normal?

- YES >> Door key cylinder switch is OK.
NO >> Refer to [DLK-74, "Diagnosis Procedure"](#).

Diagnosis Procedure

INFOID:000000008196088

1. CHECK DOOR KEY CYLINDER SWITCH INPUT SIGNAL

1. Turn ignition switch OFF.
2. Disconnect driver side door lock assembly connector.
3. Check voltage between driver side door lock assembly harness connector and ground.

(+)		(-)	Voltage (V) (Approx.)
Connector	Terminal		
D15	5	Ground	5
	6		

Is the inspection result normal?

- YES >> GO TO 3.
NO >> GO TO 2.

2. CHECK DOOR KEY CYLINDER SWITCH SIGNAL CIRCUIT

1. Disconnect power window main switch connector.
2. Check continuity between power window main switch harness connector and driver side door lock assembly harness connector.

Power window main switch		Driver side door lock assembly		Continuity
Connector	Terminal	Connector	Terminal	
D8	6	D15	6	Existed
	7		5	

3. Check continuity between power window main switch harness connector and ground.

Power window main switch		Ground	Continuity
Connector	Terminal		
D8	6		Not existed
	7		

Is the inspection result normal?

- YES >> Replace power window main switch. Refer to [PWC-89, "Removal and Installation"](#).

DOOR KEY CYLINDER SWITCH

[COUPE]

< DTC/CIRCUIT DIAGNOSIS >

NO >> Repair or replace harness.

3.CHECK DOOR KEY CYLINDER SWITCH GROUND CIRCUIT

Check continuity between driver side door lock assembly harness connector and ground.

Driver side door lock assembly		Ground	Continuity
Connector	Terminal		
D15	4		Existed

Is the inspection result normal?

YES >> GO TO 4.

NO >> Repair or replace harness.

4.CHECK DOOR KEY CYLINDER SWITCH

Refer to [DLK-75. "Component Inspection"](#).

Is the inspection result normal?

YES >> GO TO 5.

NO >> Replace driver side door lock assembly.

5.CHECK INTERMITTENT INCIDENT

Refer to [GI-45. "Intermittent Incident"](#).

>> INSPECTION END

Component Inspection

INFOID:000000008196089

1.CHECK DOOR KEY CYLINDER SWITCH

1. Turn ignition switch OFF.
2. Disconnect driver side door lock assembly connector.
3. Check continuity between driver side door lock assembly terminals.

Driver side door lock assembly		Condition	Continuity	
Terminal				
5	4	Driver side door key cylinder	Unlock	Existed
			Neutral / Lock	Not existed
6			Lock	Existed
			Neutral / Unlock	Not existed

Is the inspection result normal?

YES >> INSPECTION END

NO >> Replace driver side door lock assembly.

A
B
C
D
E
F
G
H
I
J
L
M
N
O
P

DLK

REMOTE KEYLESS ENTRY RECEIVER

< DTC/CIRCUIT DIAGNOSIS >

[COUPE]

REMOTE KEYLESS ENTRY RECEIVER

Component Function Check

INFOID:000000008627946

1.CHECK FUNCTION

1. Select "INTELLIGENT KEY" of "BCM" using CONSULT.
2. Select "RKE OPE COUN1" in "DATA MONITOR" mode.
3. Check that the function operates normally according to the following conditions.

Monitor item	Condition
RKE OPE COUN1	Checks whether value changes when operating Intelligent Key

Is the inspection result normal?

- YES >> Remote keyless entry receiver is OK.
NO >> Refer to [DLK-76, "Diagnosis Procedure"](#).

Diagnosis Procedure

INFOID:000000008627947

1.CHECK REMOTE KEYLESS ENTRY RECEIVER POWER SUPPLY

1. Turn ignition switch OFF.
2. Disconnect remote keyless entry receiver connector.
3. Check voltage between remote keyless entry receiver harness connector and ground.

(+)		(-)	Voltage (V) (Approx.)
Remote keyless entry receiver Connector	Terminal		
M104	4	Ground	12

Is the inspection result normal?

- YES >> GO TO 3.
NO >> GO TO 2.

2.CHECK REMOTE KEYLESS ENTRY RECEIVER POWER SUPPLYCIRCUIT

1. Disconnect BCM connector.
2. Check continuity between BCM harness connector and remote keyless entry receiver harness connector.

BCM		Remote keyless entry receiver		Continuity
Connector	Terminal	Connector	Terminal	
M122	103	M104	4	Existed

3. Check continuity between BCM harness connector and ground.

BCM		Ground	Continuity
Connector	Terminal		
M122	103		Not existed

Is the inspection result normal?

- YES >> Replace BCM. Refer to [BCS-95, "Removal and Installation"](#).
NO >> Repair or replace harness.

3.CHECK REMOTE KEYLESS ENTRY RECEIVER GROUND CIRCUIT

1. Disconnect BCM connector.
2. Check continuity between BCM harness connector and remote keyless entry receiver harness connector.

BCM		Remote keyless entry receiver		Continuity
Connector	Terminal	Connector	Terminal	
M123	137	M104	1	Existed

REMOTE KEYLESS ENTRY RECEIVER

[COUPE]

< DTC/CIRCUIT DIAGNOSIS >

3. Check continuity between BCM harness connector and ground.

BCM		Ground	Continuity
Connector	Terminal		
M123	137		Not existed

Is the inspection result normal?

- YES >> GO TO 4.
NO >> Repair or replace harness.

4.CHECK BCM SIGNAL

1. Reconnect BCM connector.
2. Check voltage between remote keyless entry receiver harness connector and ground.

(+)		(-)	Voltage (V) (Approx.)
Remote keyless entry receiver			
Connector	Terminal		
M104	2	Ground	12

Is the inspection result normal?

- YES >> GO TO 6.
NO >> GO TO 5.

5.CHECK REMOTE KEYLESS ENTRY RECEIVER CIRCUIT

1. Disconnect BCM connector.
2. Check continuity between BCM harness connector and remote keyless entry receiver harness connector.

BCM		Remote keyless entry receiver		Continuity
Connector	Terminal	Connector	Terminal	
M122	83	M104	2	Existed

3. Check continuity between BCM harness connector and ground.

BCM		Ground	Continuity
Connector	Terminal		
M122	83		Not existed

Is the inspection result normal?

- YES >> Replace BCM. Refer to [BCS-95, "Removal and Installation"](#).
NO >> Repair or replace harness.

6.CHECK REMOTE KEYLESS ENTRY RECEIVER SIGNAL

1. Reconnect keyless entry receiver connector.
2. Check signal between remote keyless entry receiver harness connector and ground using oscilloscope.

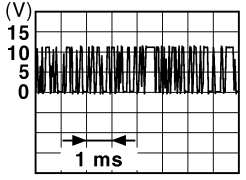
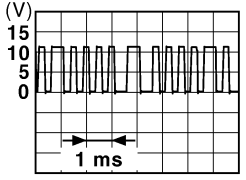
A
B
C
D
E
F
G
H
I
J
L
M
N
O
P

DLK

REMOTE KEYLESS ENTRY RECEIVER

< DTC/CIRCUIT DIAGNOSIS >

[COUPE]

(+)		(-)	Condition	Signal (Reference value)
Remote keyless entry receiver				
Connector	Terminal			
M104	2	Ground	During waiting	
			When operating either button on the Intelligent Key	

Is the inspection result normal?

YES >> GO TO 7.

NO >> Replace remote keyless entry receiver. Refer to [DLK-176, "Removal and Installation"](#).

7. CHECK INTERMITTENT INCIDENT

Refer to [GI-45, "Intermittent Incident"](#).

>> INSPECTION END

BACK DOOR OPENER SWITCH

< DTC/CIRCUIT DIAGNOSIS >

[COUPE]

BACK DOOR OPENER SWITCH

Component Function Check

INFOID:000000008196092

1.CHECK FUNCTION

1. Select "TRUNK" of "BCM" using CONSULT.
2. Select "TR/BD OPEN SW" in "DATA MONITOR" mode.
3. Check that the function operates normally according to the following conditions.

Monitor item	Condition		Status
TR/BD OPEN SW	Back door opener switch	Pressed	On
		Released	Off

Is the inspection result normal?

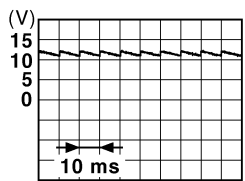
- YES >> Back door opener switch is OK.
 NO >> Refer to [DLK-79. "Diagnosis Procedure"](#).

Diagnosis Procedure

INFOID:000000008196093

1.CHECK BACK DOOR OPENER SWITCH INPUT SIGNAL

1. Turn ignition switch OFF.
2. Disconnect back door opener switch assembly connector.
3. Check signal between back door opener switch assembly harness connector and ground using oscilloscope.

(+)		(-)	Signal (Reference value)
Connector	Terminal		
B154	1	Ground	 <p>JPMIA0011GB</p>

Is the inspection result normal?

- YES >> GO TO 3.
 NO >> GO TO 2.

2.CHECK BACK DOOR OPENER SWITCH CIRCUIT

1. Disconnect BCM connector.
2. Check continuity between BCM harness connector and back door opener switch assembly harness connector.

BCM		Back door opener switch assembly		Continuity
Connector	Terminal	Connector	Terminal	
M121	67	B154	1	Existed

3. Check continuity between BCM harness connector and ground.

BCM		Ground	Continuity
Connector	Terminal		
M121	67		Not existed

Is the inspection result normal?

- YES >> Replace BCM. Refer to [BCS-95. "Removal and Installation"](#).

BACK DOOR OPENER SWITCH

[COUPE]

< DTC/CIRCUIT DIAGNOSIS >

NO >> Repair or replace harness.

3.CHECK BACK DOOR OPENER SWITCH GROUND CIRCUIT

Check continuity between back door opener switch assembly harness connector and ground.

Back door opener switch assembly		Ground	Continuity
Connector	Terminal		
B154	4		Existed

Is the inspection result normal?

YES >> GO TO 4.

NO >> Repair or replace harness.

4.CHECK BACK DOOR OPENER SWITCH

Refer to [DLK-80, "Component Inspection"](#).

Is the inspection result normal?

YES >> GO TO 5.

NO >> Replace back door opener switch assembly.

5.CHECK INTERMITTENT INCIDENT

Refer to [GI-45, "Intermittent Incident"](#).

>> INSPECTION END

Component Inspection

INFOID:000000008196094

1.CHECK BACK DOOR OPENER SWITCH

1. Turn ignition switch OFF.
2. Disconnect back door opener switch assembly connector.
3. Check continuity between back door opener switch assembly terminals.

Back door opener switch assembly		Condition	Continuity
Terminal			
1	4	Back door opener switch	Pressed Existed
			Released Not existed

Is the inspection result normal?

YES >> INSPECTION END

NO >> Replace back door opener switch assembly.

DOOR REQUEST SWITCH

< DTC/CIRCUIT DIAGNOSIS >

[COUPE]

DOOR REQUEST SWITCH

Component Function Check

INFOID:000000008196095

1.CHECK FUNCTION

1. Select "INTELLIGENT KEY" of "BCM" using CONSULT.
2. Select "REQ SW -DR", "REQ SW -AS" in "DATA MONITOR" mode.
3. Check that the function operates normally according to the following conditions.

Monitor item	Condition		Status
REQ SW -DR	Driver side door request switch	Pressed	On
		Released	Off
REQ SW -AS	Passenger side door request switch	Pressed	On
		Released	Off

Is the inspection result normal?

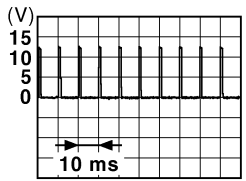
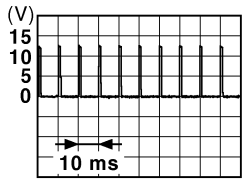
- YES >> Door request switch is OK.
 NO >> Refer to [DLK-81, "Diagnosis Procedure"](#).

Diagnosis Procedure

INFOID:000000008196096

1.CHECK DOOR REQUEST SWITCH INPUT SIGNAL

1. Turn ignition switch OFF.
2. Disconnect malfunctioning door request switch connector.
3. Check signal between malfunctioning door request switch harness connector and ground using oscilloscope.

(+)			(-)	Signal (Reference value)
Door request switch				
	Connector	Terminal		
Driver side	D13	1	Ground	 <p>JPMIA0016GB</p>
Passenger side	D43	2		 <p>JPMIA0016GB</p>

Is the inspection result normal?

- YES >> GO TO 3.
 NO >> GO TO 2.

2.CHECK DOOR REQUEST SWITCH CIRCUIT

1. Disconnect BCM connector.
2. Check continuity between malfunctioning door request switch harness connector and BCM harness connector.

DOOR REQUEST SWITCH

< DTC/CIRCUIT DIAGNOSIS >

[COUPE]

Door request switch			BCM		Continuity
Connector		Terminal	Connector	Terminal	
Driver side	D13	1	M122	101	Existed
Passenger side	D43	2		100	

3. Check continuity between door request switch harness connector and ground.

Door request switch			Ground	Continuity
Connector		Terminal		
Driver side	D13	1		Not existed
Passenger side	D43	2		

Is the inspection result normal?

YES >> Replace BCM. Refer to [BCS-95. "Removal and Installation"](#).

NO >> Repair or replace harness.

3.CHECK DOOR REQUEST SWITCH GROUND CIRCUIT

Check continuity between malfunctioning door request switch harness connector and ground.

Door request switch			Ground	Continuity
Connector		Terminal		
Driver side	D13	2		Existed
Passenger side	D43	1		

Is the inspection result normal?

YES >> GO TO 4.

NO >> Repair or replace harness.

4.CHECK DOOR REQUEST SWITCH

Refer to [DLK-82. "Component Inspection"](#).

Is the inspection result normal?

YES >> GO TO 5.

NO >> Replace malfunctioning door request switch (outside handle).

5.CHECK INTERMITTENT INCIDENT

Refer to [GI-45. "Intermittent Incident"](#).

>> INSPECTION END

Component Inspection

INFOID:000000008196097

1.CHECK DOOR REQUEST SWITCH

1. Turn ignition switch OFF.
2. Disconnect malfunctioning door request switch connector.
3. Check continuity between malfunctioning door request switch terminals.

Door request switch		Condition	Continuity
Terminal			
1	2	Door request switch Pressed	Existed
		Released	Not existed

Is the inspection result normal?

YES >> INSPECTION END

NO >> Replace malfunctioning door request switch (outside handle).

BACK DOOR REQUEST SWITCH

< DTC/CIRCUIT DIAGNOSIS >

[COUPE]

BACK DOOR REQUEST SWITCH

Component Function Check

INFOID:000000008196098

1. CHECK FUNCTION

1. Select "INTELLIGENT KEY" of "BCM" using CONSULT.
2. Select "REQ SW -BD/TR" in "DATA MONITOR" mode.
3. Check that the function operates normally according to the following conditions.

Monitor item	Condition		Status
REQ SW -BD/TR	Back door request switch	Pressed	On
		Released	Off

Is the inspection result normal?

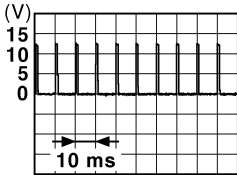
- YES >> Back door request switch is OK.
 NO >> Refer to [DLK-83, "Diagnosis Procedure"](#).

Diagnosis Procedure

INFOID:000000008196099

1. CHECK BACK DOOR REQUEST SWITCH INPUT SIGNAL

1. Turn ignition switch OFF.
2. Disconnect back door opener switch assembly connector.
3. Check signal between back door opener switch assembly harness connector and ground using oscilloscope.

(+)		(-)	Signal (Reference value)
Connector	Terminal		
B154	2	Ground	 <p style="text-align: right; font-size: small;">JPMA0016GB</p>

Is the inspection result normal?

- YES >> GO TO 3.
 NO >> GO TO 2.

2. CHECK BACK DOOR REQUEST SWITCH CIRCUIT

1. Disconnect BCM connector.
2. Check continuity between BCM harness connector and back door opener switch assembly harness connector.

BCM		Back door opener switch assembly		Continuity
Connector	Terminal	Connector	Terminal	
M121	61	B154	2	Existed

3. Check continuity between BCM harness connector and ground.

BCM		Ground	Continuity
Connector	Terminal		
M121	61		Not existed

Is the inspection result normal?

- YES >> Replace BCM. Refer to [BCS-95, "Removal and Installation"](#).

BACK DOOR REQUEST SWITCH

[COUPE]

< DTC/CIRCUIT DIAGNOSIS >

NO >> Repair or replace harness.

3.CHECK BACK DOOR REQUEST SWITCH GROUND CIRCUIT

Check continuity between back door request switch assembly harness connector and ground.

Back door opener switch assembly		Ground	Continuity
Connector	Terminal		
B154	3		Existed

Is the inspection result normal?

YES >> GO TO 4.

NO >> Repair or replace harness.

4.CHECK BACK DOOR REQUEST SWITCH

Refer to [DLK-84, "Component Inspection"](#).

Is the inspection result normal?

YES >> GO TO 5.

NO >> Replace back door opener switch assembly.

5.CHECK INTERMITTENT INCIDENT

Refer to [GI-45, "Intermittent Incident"](#).

>> INSPECTION END

Component Inspection

INFOID:000000008196100

1.CHECK BACK DOOR REQUEST SWITCH

1. Turn ignition switch OFF.
2. Disconnect back door opener switch assembly connector.
3. Check continuity between back door opener switch assembly terminals.

Back door opener switch assembly		Condition	Continuity
Terminal			
2	3	Back door request switch	Pressed Existed
			Released Not existed

Is the inspection result normal?

YES >> INSPECTION END

NO >> Replace back door opener switch assembly.

UNLOCK SENSOR

< DTC/CIRCUIT DIAGNOSIS >

[COUPE]

UNLOCK SENSOR

Component Function Check

INFOID:000000008196101

1. CHECK FUNCTION

1. Select "INTELLIGENT KEY" of "BCM" using CONSULT.
2. Select "UNLK SEN -DR" in "DATA MONITOR" mode.
3. Check that the function operates normally according to the following conditions.

Monitor item	Condition		Status
UNLK SEN -DR	Driver side door	Lock	Off
		Unlock	On

Is the inspection result normal?

YES >> Unlock sensor is OK.

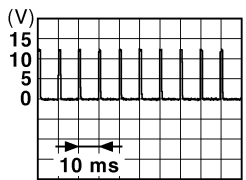
NO >> Refer to [DLK-85, "Diagnosis Procedure"](#).

Diagnosis Procedure

INFOID:000000008196102

1. CHECK UNLOCK SENSOR INPUT SIGNAL

1. Turn ignition switch OFF.
2. Disconnect driver side door lock assembly connector.
3. Check signal between driver side door lock assembly harness connector and ground using oscilloscope.

(+)		(-)	Signal (Reference value)
Driver side door lock assembly			
Connector	Terminal	Ground	
D15	3		

Is the inspection result normal?

YES >> GO TO 3.

NO >> GO TO 2.

2. CHECK UNLOCK SENSOR CIRCUIT

1. Disconnect BCM connector.
2. Check continuity between BCM harness connector and driver side door lock assembly harness connector.

BCM		Driver side door lock assembly		Continuity
Connector	Terminal	Connector	Terminal	
M123	119	D15	3	Existed

3. Check continuity between BCM harness connector and ground.

BCM		Ground	Continuity
Connector	Terminal		
M123	119	Ground	Not existed

Is the inspection result normal?

YES >> Replace BCM. Refer to [BCS-95, "Removal and Installation"](#).

NO >> Repair or replace harness.

UNLOCK SENSOR

[COUPE]

< DTC/CIRCUIT DIAGNOSIS >

3.CHECK UNLOCK SENSOR GROUND CIRCUIT

Check continuity between driver side assembly harness connector and ground.

Driver side door lock assembly		Ground	Continuity
Connector	Terminal		
D15	4		Existed

Is the inspection result normal?

YES >> GO TO 4.

NO >> Repair or replace harness.

4.CHECK UNLOCK SENSOR

Refer to [DLK-86, "Component Inspection"](#).

Is the inspection result normal?

YES >> GO TO 5.

NO >> Replace driver side door lock assembly.

5.CHECK INTERMITTENT INCIDENT

Refer to [GI-45, "Intermittent Incident"](#).

>> INSPECTION END

Component Inspection

INFOID:000000008196103

1.CHECK UNLOCK SENSOR

1. Turn ignition switch OFF.
2. Disconnect driver side door lock assembly connector.
3. Check continuity between driver side door lock assembly terminals.

Driver side door lock assembly		Condition		Continuity
Terminal				
3	4	Driver side door	Unlock	Existed
			Lock	Not existed

Is the inspection result normal?

YES >> INSPECTION END

NO >> Replace driver side door lock assembly.

OUTSIDE KEY ANTENNA

< DTC/CIRCUIT DIAGNOSIS >

[COUPE]

OUTSIDE KEY ANTENNA

Component Function Check

INFOID:000000008196104

1.CHECK DOOR REQUEST SWITCH

Check door request switch.

- Back door request switch: Refer to [DLK-83, "Component Function Check"](#).
- Other door request switches: Refer to [DLK-81, "Component Function Check"](#).

Is the inspection result normal?

YES >> GO TO 2.

NO-1 >> Check back door request switch. Refer to [DLK-83, "Diagnosis Procedure"](#).

NO-2 >> Check other door request switches. Refer to [DLK-81, "Diagnosis Procedure"](#).

2.CHECK FUNCTION

Be sure that Intelligent Key is in each outside key antenna detection area.

Does door lock/unlock when each door request switch is pressed?

YES >> Outside key antenna is OK.

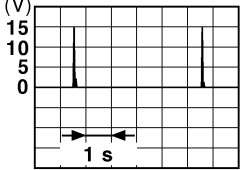
NO >> Refer to [DLK-87, "Diagnosis Procedure"](#).

Diagnosis Procedure

INFOID:000000008196105

1.CHECK OUTSIDE KEY ANTENNA INPUT SIGNAL 1

1. Turn ignition switch OFF.
2. Check signal between BCM harness connector and ground using oscilloscope.

(+)		(-)	Condition	Signal (Reference value)
BCM				
Connector	Terminal			
LH		Ground	Door request switch is pressed	 <p style="text-align: right; font-size: small;">JMKIA0062GB</p>
RH	M122			
Rear bumper	M121		38, 39	When Intelligent Key is not in the antenna detection area

Is the inspection result normal?

YES >> Replace BCM. Refer to [BCS-95, "Removal and Installation"](#)

NO >> GO TO 2.

2.CHECK OUTSIDE KEY ANTENNA CIRCUIT

1. Disconnect BCM connector and malfunctioning outside key antenna connector.
2. Check continuity between malfunctioning outside key antenna harness connector and BCM harness connector.

OUTSIDE KEY ANTENNA

< DTC/CIRCUIT DIAGNOSIS >

[COUPE]

Outside key antenna			BCM		Continuity
Connector		Terminal	Connector	Terminal	
LH	B36	1	M122	77	Existed
		2		76	
RH	B209	1		75	
		2		74	
Rear bumper	B54	1	M121	39	
		2		38	

3. Check continuity between malfunctioning outside key antenna harness connector and ground.

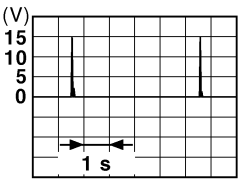
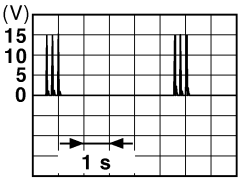
Outside key antenna			Ground	Continuity
Connector		Terminal		
LH	B36	1	Ground	Not existed
		2		
RH	B209	1		
		2		
Rear bumper	B54	1		
		2		

Is the inspection result normal?

- YES >> GO TO 3.
- NO >> Repair or replace harness.

3. CHECK OUTSIDE KEY ANTENNA INPUT SIGNAL 2

1. Replace malfunctioning outside key antenna. (New antenna or other antenna)
2. Connect BCM connector and malfunctioning outside key antenna (New antenna or other antenna) connector.
3. Check signal between BCM harness connector and ground using oscilloscope.

(+)		(-)	Condition	Signal (Reference value)	
BCM					
Connector	Terminal				
LH	M122	Ground	When Intelligent Key is in the antenna detection area		
RH					76, 77
RH	74, 75		Door request switch is pressed	When Intelligent Key is not in the antenna detection area	
Rear bumper	M121				

Is the inspection result normal?

- YES >> Replace malfunctioning outside key antenna.
- NO >> Replace BCM. Refer to [BCS-95. "Removal and Installation"](#).

INTELLIGENT KEY WARNING BUZZER

< DTC/CIRCUIT DIAGNOSIS >

[COUPE]

INTELLIGENT KEY WARNING BUZZER

Component Function Check

INFOID:000000008196106

1.CHECK FUNCTION

1. Select "INTELLIGENT KEY" of "BCM" using CONSULT.
2. Select "OUTSIDE BUZZER" in "ACTIVE TEST" mode.
3. Touch "On" to check that it works normally.

Is the inspection result normal?

- YES >> Intelligent Key warning buzzer is OK.
 NO >> Refer to [DLK-89. "Diagnosis Procedure"](#).

Diagnosis Procedure

INFOID:000000008196107

1.CHECK FUSE

1. Turn ignition switch OFF.
2. Check 10 A fuse, [No.6, located in fuse block (J/B)].

Is the inspection result normal?

- YES >> GO TO 2.
 NO >> Replace the blown fuse after repairing the affected circuit if a fuse is blown.

2.CHECK INTELLIGENT KEY WARNING BUZZER POWER SUPPLY CIRCUIT

1. Disconnect Intelligent Key warning buzzer connector.
2. Check voltage between Intelligent Key warning buzzer harness connector and ground.

(+)		(-)	Voltage (V) (Approx.)
Connector	Terminal		
E57	1	Ground	Battery voltage

Is the inspection result normal?

- YES >> GO TO 3.
 NO >> Repair or replace harness.

3.CHECK INTELLIGENT KEY WARNING BUZZER CIRCUIT

1. Disconnect BCM connector.
2. Check continuity between BCM harness connector and Intelligent Key warning buzzer harness connector.

BCM		Intelligent Key warning buzzer		Continuity
Connector	Terminal	Connector	Terminal	
M121	64	E57	3	Existed

3. Check continuity between BCM harness connector and ground.

BCM		Ground	Continuity
Connector	Terminal		
M121	64		Not existed

Is the inspection result normal?

- YES >> GO TO 4.
 NO >> Repair or replace harness.

4.CHECK INTELLIGENT KEY WARNING BUZZER

Refer to [DLK-90. "Component Inspection"](#).

Is the inspection result normal?

- YES >> Replace BCM. Refer to [BCS-95. "Removal and Installation"](#).
 NO >> Replace Intelligent Key warning buzzer.

A
B
C
D
E
F
G
H
I
J
L
M
N
O
P

DLK

INTELLIGENT KEY WARNING BUZZER

< DTC/CIRCUIT DIAGNOSIS >

[COUPE]

Component Inspection

INFOID:000000008196108

1. CHECK INTELLIGENT KEY WARNING BUZZER

1. Turn ignition switch OFF.
2. Disconnect Intelligent Key warning buzzer connector.
3. Connect battery power supply directly to Intelligent Key warning buzzer terminals and check the operation.

Intelligent Key warning buzzer		Operation
Terminal		
(+)	(-)	
1	3	Buzzer sounds

Is the inspection result normal?

YES >> INSPECTION END

NO >> Replace Intelligent Key warning buzzer.

INTELLIGENT KEY

< DTC/CIRCUIT DIAGNOSIS >

[COUPE]

INTELLIGENT KEY

Component Function Check

INFOID:000000008196109

1.CHECK FUNCTION

1. Select "INTELLIGENT KEY" of "BCM" using CONSULT.
2. Select "RKE OPE COUN1" in "DATA MONITOR" mode.
3. Check that the function operates normally according to the following conditions.

Monitor item	Condition
RKE OPE COUN1	Check that the numerical value is changing while operating on the Intelligent Key

Is the inspection result normal?

- YES >> Intelligent Key is OK.
NO >> Refer to [DLK-91. "Diagnosis Procedure"](#).

Diagnosis Procedure

INFOID:000000008196110

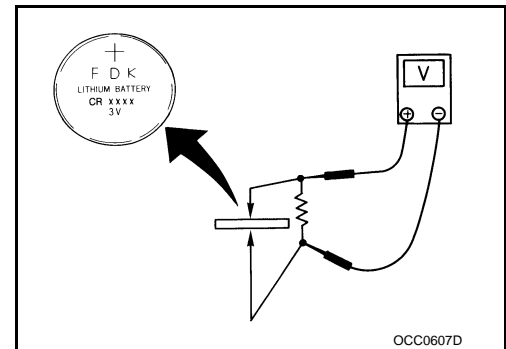
1.CHECK INTELLIGENT KEY BATTERY

Check by connecting a resistance (approximately 300Ω) so that the current value becomes about 10 mA. Refer to [DLK-177. "Removal and Installation"](#).

Standard : Approx. 2.5 - 3.0V

Is the measurement value within the specification?

- YES >> Replace Intelligent Key.
NO >> Replace Intelligent Key battery.



A
B
C
D
E
F
G
H
I
J
L
M
N
O
P

DLK

KEY SLOT

< DTC/CIRCUIT DIAGNOSIS >

[COUPE]

KEY SLOT

Component Function Check

INFOID:000000008196111

1.CHECK FUNCTION

1. Select "INTELLIGENT KEY" of "BCM" using CONSULT.
2. Select "KEY SW-SLOT" in "DATA MONITOR" mode.
3. Check that the function operates normally according to the following conditions.

Monitor item	Condition		Status
KEY SW-SLOT	Intelligent Key	Inserted in key slot	On
		Removed from key slot	Off

Is the inspection result normal?

YES >> Key slot is OK.

NO >> Refer to [DLK-92. "Diagnosis Procedure"](#).

Diagnosis Procedure

INFOID:000000008196112

1.CHECK FUSE

1. Turn ignition switch OFF.
2. Check 10 A fuse, [No.9, located in fuse block (J/B)].

Is the inspection result normal?

YES >> GO TO 2.

NO >> Replace the blown fuse after repairing the affected circuit if a fuse is blown.

2.CHECK KEY SLOT POWER SUPPLY CIRCUIT

1. Disconnect key slot connector.
2. Check voltage between key slot harness connector and ground.

(+)		(-)	Voltage (V) (Approx.)
Key slot			
Connector	Terminal	Ground	Battery voltage
M22	1		

Is the inspection result normal?

YES >> GO TO 3.

NO >> Repair or replace harness.

3.CHECK KEY SLOT CIRCUIT

1. Disconnect BCM connector.
2. Check continuity between BCM harness connector and key slot harness connector.

BCM		Key slot		Continuity
Connector	Terminal	Connector	Terminal	
M123	121	M22	11	Existed

3. Check continuity between BCM harness connector and ground.

BCM		Ground	Continuity
Connector	Terminal		
M123	121		Not existed

Is the inspection result normal?

YES >> GO TO 4.

NO >> Repair or replace harness.

KEY SLOT

[COUPE]

< DTC/CIRCUIT DIAGNOSIS >

4.CHECK KEY SLOT

Refer to [DLK-93. "Component Inspection"](#).

Is the inspection result normal?

- YES >> Replace BCM. Refer to [BCS-95. "Removal and Installation"](#).
- NO >> Replace key slot.

Component Inspection

INFOID:000000008196113

1.CHECK KEY SLOT

1. Turn ignition switch OFF.
2. Disconnect key slot connector.
3. Check continuity between key slot terminals.

Key slot		Condition	Continuity	
Terminal				
1	11	Intelligent Key	Inserted in key slot	Existed
			Removed in key slot	Not existed

Is the inspection result normal?

- YES >> INSPECTION END
- NO >> Replace key slot.

A
B
C
D
E
F
G
H
I
J
L
M
N
O
P

DLK

KEY SLOT INDICATOR

[COUPE]

< DTC/CIRCUIT DIAGNOSIS >

KEY SLOT INDICATOR

Component Function Check

INFOID:000000008196114

1.CHECK FUNCTION

1. Select "INTELLIGENT KEY" of "BCM" using CONSULT.
2. Select "KEY SLOT ILLUMI" in "ACTIVE TEST" mode.
3. Touch "On" to check that it works normally.

Is the inspection result normal?

- YES >> Key slot is OK.
NO >> Refer to [DLK-94, "Diagnosis Procedure"](#).

Diagnosis Procedure

INFOID:000000008196115

1.CHECK FUSE

1. Turn ignition switch OFF.
2. Check 10 A fuse, [No. 6, located in fuse block (J/B)].

Is the inspection result normal?

- YES >> GO TO 2.
NO >> Replace the blown fuse after repairing the affected circuit if a fuse is blown.

2.CHECK KEY SLOT POWER SUPPLY CIRCUIT

1. Disconnect key slot connector.
2. Check voltage between key slot harness connector and ground.

(+)		(-)	Voltage (V) (Approx.)
Key slot			
Connector	Terminal	Ground	Battery voltage
M22	5		

Is the inspection result normal?

- YES >> GO TO 3.
NO >> Repair or replace harness.

3.CHECK KEY SLOT CIRCUIT

1. Disconnect BCM connector.
2. Check continuity between BCM harness connector and key slot harness connector.

BCM		Key slot		Continuity
Connector	Terminal	Connector	Terminal	
M122	92	M22	6	Existed

3. Check continuity between BCM harness connector and ground.

BCM		Ground	Continuity
Connector	Terminal		
M122	92		Not existed

Is the inspection result normal?

- YES >> GO TO 4.
NO >> Repair or replace harness.

4.CHECK KEY SLOT

Refer to [DLK-95, "Component Inspection"](#).

Is the inspection result normal?

- YES >> Replace BCM. Refer to [BCS-95, "Removal and Installation"](#).
NO >> Replace key slot.

KEY SLOT INDICATOR

< DTC/CIRCUIT DIAGNOSIS >

[COUPE]

Component Inspection

INFOID:000000008196116

1. CHECK KEY SLOT INDICATOR

1. Turn ignition switch OFF.
2. Disconnect key slot connector.
3. Connect battery power supply directly to key slot terminals and check the operation.

Key slot		Operation
Terminal		
(+)	(-)	
5	6	Key slot illuminates

Is the inspection result normal?

- YES >> INSPECTION END
NO >> Replace key slot.

A
B
C
D
E
F
G
H
I
J
L
M
N
O
P

DLK

COMBINATION METER DISPLAY FUNCTION

< DTC/CIRCUIT DIAGNOSIS >

[COUPE]

COMBINATION METER DISPLAY FUNCTION

Component Function Check

INFOID:000000008196117

1.CHECK FUNCTION

1. Select "INTELLIGENT KEY" of "BCM" using CONSULT.
2. Select "LCD" in "ACTIVE TEST" mode.
3. Check each warning display on meter display.

Is the inspection result normal?

- YES >> Combination meter display function is OK.
NO >> Refer to [DLK-96, "Diagnosis Procedure"](#).

Diagnosis Procedure

INFOID:000000008196118

1.CHECK COMBINATION METER

Check combination meter.

Refer to [MWI-67, "DTC Index"](#).

Is the inspection result normal?

- YES >> GO TO 2.
NO >> Check combination meter. Refer to [MWI-4, "Work flow"](#).

2.CHECK INTERMITTENT INCIDENT

Refer to [GI-45, "Intermittent Incident"](#).

>> INSPECTION END

BUZZER (COMBINATION METER)

< DTC/CIRCUIT DIAGNOSIS >

[COUPE]

BUZZER (COMBINATION METER)

Component Function Check

INFOID:000000008196119

1.CHECK FUNCTION

1. Select "INTELLIGENT KEY" of "BCM" using CONSULT.
2. Select "INSIDE BUZZER" in "ACTIVE TEST" mode.
3. Touch "Take out", "Knob" or "Key" to check that it works normally.

Is the inspection result normal?

- Yes >> Warning buzzer into combination meter is OK.
No >> Refer to [DLK-97. "Diagnosis Procedure"](#).

Diagnosis Procedure

INFOID:000000008196120

1.CHECK METER BUZZER CIRCUIT

Check meter buzzer circuit.
Refer to [WCS-20. "Component Function Check"](#).

Is the inspection result normal?

- Yes >> GO TO 2.
No >> Repair or replace the malfunctioning parts.

2.CHECK INTERMITTENT INCIDENT

Refer to [GI-45. "Intermittent Incident"](#).

>> INSPECTION END

A
B
C
D
E
F
G
H
I
J
L
M
N
O
P

DLK

KEY WARNING LAMP

< DTC/CIRCUIT DIAGNOSIS >

[COUPE]

KEY WARNING LAMP

Component Function Check

INFOID:000000008196121

1.CHECK FUNCTION

1. Select "INTELLIGENT KEY" of "BCM" using CONSULT.
2. Select "INDICATOR" in "ACTIVE TEST" mode.
3. Touch "Key ind" or "Key on" to check that it works normally.

Is the inspection result normal?

- YES >> Key warning lamp is OK.
- NO >> Refer to [DLK-98, "Diagnosis Procedure"](#).

Diagnosis Procedure

INFOID:000000008196122

1.CHECK KEY WARNING LAMP

Check key warning lamp.
Refer to [MWI-4, "Work flow"](#).

Is the inspection result normal?

- YES >> GO TO 2.
- NO >> Repair or replace the malfunctioning parts.

2.CHECK INTERMITTENT INCIDENT

Refer to [GI-45, "Intermittent Incident"](#).

>> INSPECTION END

HAZARD FUNCTION

< DTC/CIRCUIT DIAGNOSIS >

[COUPE]

HAZARD FUNCTION

Component Function Check

INFOID:000000008196123

1.CHECK FUNCTION

1. Select "INTELLIGENT KEY" of "BCM" using CONSULT.
2. Select "FLASHER" in "ACTIVE TEST" mode.
3. Touch "LH" or "RH" to check that it works normally.

Is the inspection result normal?

- YES >> Hazard warning lamp circuit is OK.
NO >> Refer to [DLK-99. "Diagnosis Procedure"](#).

Diagnosis Procedure

INFOID:000000008196124

1.CHECK HAZARD SWITCH CIRCUIT

Check hazard switch circuit
Refer to [EXL-34. "Wiring Diagram"](#).

Is the inspection result normal?

- YES >> GO TO 2.
NO >> Repair or replace the malfunctioning parts.

2.CHECK INTERMITTENT INCIDENT

Refer to [GI-45. "Intermittent Incident"](#).

>> INSPECTION END

A
B
C
D
E
F
G
H
I
J
L
M
N
O
P

DLK

INTEGRATED HOMELINK TRANSMITTER

< DTC/CIRCUIT DIAGNOSIS >

[COUPE]

INTEGRATED HOMELINK TRANSMITTER

Component Function Check

INFOID:000000008196125

1.CHECK FUNCTION

Check that system receiver (garage door opener, etc.) operates with original hand-held transmitter.

Is the inspection result normal?

- YES >> GO TO 2.
- NO >> Receiver or hand-held transmitter is malfunctioning.

2.CHECK ILLUMINATE

1. Turn ignition switch OFF.
2. Does red light of transmitter illuminate when any transmitter button is pressed?

Is the inspection result normal?

- YES >> GO TO 3.
- NO >> Refer to [DLK-100. "Diagnosis Procedure"](#).

3.CHECK TRANSMITTER

Check transmitter with Tool*.

*:For details, refer to Technical Service Bulletin.

Is the inspection result normal?

- YES >> Receiver or hand-held transmitter malfunction, not vehicle related.
- NO >> Replace auto anti-dazzling inside mirror (integrated homelink transmitter).

Diagnosis Procedure

INFOID:000000008196126

1.CHECK POWER SUPPLY

1. Turn ignition switch OFF.
2. Disconnect auto anti-dazzling inside mirror (integrated homelink transmitter) connector.
3. Check voltage between auto anti-dazzling inside mirror (integrated homelink transmitter) harness connector and ground.

(+)		(-)	Voltage (V) (Approx.)
Auto anti-dazzling inside mirror (Integrated homelink transmitter)			
Connector	Terminal		
R6	10	Ground	Battery voltage

Is the inspection result normal?

- YES >> GO TO 2.
- NO-1 >> Check 10 A fuse [No. 6 located in the fuse block (J/B)].
- NO-2 >> Harness for open or short between fuse and auto anti-dazzling inside mirror (integrated homelink transmitter).

2.CHECK GROUND CIRCUIT

Check continuity between auto anti-dazzling inside mirror (integrated homelink transmitter) harness connector and ground.

Auto anti-dazzling inside mirror (Integrated homelink transmitter)		Ground	Continuity
Connector	Terminal		
R6	8		Existed

Is the inspection result normal?

- YES >> GO TO 3.
- NO >> Repair or replace harness.

INTEGRATED HOMELINK TRANSMITTER

< DTC/CIRCUIT DIAGNOSIS >

[COUPE]

3.CHECK INTERMITTENT INCIDENT

Refer to [GI-45. "Intermittent Incident"](#).

>> INSPECTION END

A

B

C

D

E

F

G

H

I

J

DLK

L

M

N

O

P

SYMPTOM DIAGNOSIS

DOOR DOES NOT LOCK/UNLOCK WITH DOOR LOCK AND UNLOCK SWITCH

ALL DOOR

ALL DOOR : Description

INFOID:000000008196127

All doors do not lock/unlock using door lock and unlock switch.

ALL DOOR : Diagnosis Procedure

INFOID:000000008196128

1.CHECK DOOR LOCK AND UNLOCK SWITCH

Check door lock and unlock switch.

- Driver side: Refer to [DLK-66, "DRIVER SIDE : Component Function Check"](#).
- Passenger side: Refer to [DLK-66, "PASSENGER SIDE : Component Function Check"](#).

Is the inspection result normal?

YES >> GO TO 2.

NO >> Repair or replace the malfunctioning parts.

2.CHECK DOOR LOCK ACTUATOR CIRCUIT

Check door lock actuator (driver side).

Refer to [DLK-68, "DRIVER SIDE : Component Function Check"](#).

Is the inspection result normal?

YES >> GO TO 3.

NO >> Repair or replace the malfunctioning parts.

3.CONFIRM THE OPERATION

Confirm the operation again.

Is the result normal?

YES >> Check intermittent incident. Refer to [GI-45, "Intermittent Incident"](#).

NO >> GO TO 1.

DRIVER SIDE

DRIVER SIDE : Description

INFOID:000000008196129

Driver side door does not lock/unlock using door lock and unlock switch.

DRIVER SIDE : Diagnosis Procedure

INFOID:000000008196130

1.CHECK DOOR LOCK ACTUATOR

Check door lock actuator (driver side).

Refer to [DLK-68, "DRIVER SIDE : Component Function Check"](#).

Is the inspection result normal?

YES >> GO TO 2.

NO >> Repair or replace the malfunctioning parts.

2.CONFIRM THE OPERATION

Confirm the operation again.

Is the result normal?

YES >> Check intermittent incident. Refer to [GI-45, "Intermittent Incident"](#).

NO >> GO TO 1.

PASSENGER SIDE

DOOR DOES NOT LOCK/UNLOCK WITH DOOR LOCK AND UNLOCK SWITCH

< SYMPTOM DIAGNOSIS >

[COUPE]

PASSENGER SIDE : Description

INFOID:000000008196131

Passenger side door does not lock/unlock using door lock and unlock switch.

PASSENGER SIDE : Diagnosis Procedure

INFOID:000000008196132

1.CHECK DOOR LOCK ACTUATOR

Check door lock actuator (passenger side).

Refer to [DLK-69, "PASSENGER SIDE : Component Function Check"](#).

Is the inspection result normal?

YES >> GO TO 2.

NO >> Repair or replace the malfunctioning parts.

2.CONFIRM THE OPERATION

Confirm the operation again.

Is the result normal?

YES >> Check intermittent incident. Refer to [GI-45, "Intermittent Incident"](#).

NO >> GO TO 1.

A
B
C
D
E
F
G
H
I
J
L
M
N
O
P

DLK

DOOR DOES NOT LOCK/UNLOCK WITH DOOR KEY CYLINDER OPERATION

[COUPE]

< SYMPTOM DIAGNOSIS >

DOOR DOES NOT LOCK/UNLOCK WITH DOOR KEY CYLINDER OPERATION

Diagnosis Procedure

INFOID:000000008196133

1. CHECK POWER DOOR LOCK OPERATION

Check power door lock operation.

Does door lock/unlock with door lock and unlock switch?

YES >> GO TO 2.

NO >> Refer to [DLK-102, "ALL DOOR : Diagnosis Procedure"](#).

2. CHECK DOOR KEY CYLINDER SWITCH

Check door key cylinder switch.

Refer to [DLK-74, "Component Function Check"](#).

Is the inspection result normal?

YES >> GO TO 3.

NO >> Repair or replace the malfunctioning parts.

3. CONFIRM THE OPERATION

Confirm the operation again.

Is the result normal?

YES >> Check intermittent incident. Refer to [GI-45, "Intermittent Incident"](#).

NO >> GO TO 1.

DOOR DOES NOT LOCK/UNLOCK WITH DOOR REQUEST SWITCH

< SYMPTOM DIAGNOSIS >

[COUPE]

DOOR DOES NOT LOCK/UNLOCK WITH DOOR REQUEST SWITCH ALL DOOR

ALL DOOR : Description

INFOID:000000008196134

All doors do not lock/unlock using all door request switches.

ALL DOOR : Diagnosis Procedure

INFOID:000000008196135

1. CHECK REMOTE KEYLESS ENTRY FUNCTION

Check remote keyless entry function.

Does door lock/unlock with Intelligent Key button?

YES >> GO TO 2.

NO >> Refer to [DLK-107, "Diagnosis Procedure"](#).

2. CHECK "LOCK/UNLOCK BY I-KEY" SETTING IN "WORK SUPPORT"

1. Select "INTELLIGENT KEY" of "BCM" using CONSULT.

2. Select "LOCK/UNLOCK BY I-KEY" in "WORK SUPPORT" mode.

3. Check "LOCK/UNLOCK BY I-KEY" in "WORK SUPPORT".

Refer to [DLK-42, "INTELLIGENT KEY : CONSULT Function \(BCM - INTELLIGENT KEY\) \(For Coupe\)"](#).

Is the inspection result normal?

YES >> GO TO 3.

NO >> Set "LOCK/UNLOCK BY I-KEY" in "WORK SUPPORT".

3. CONFIRM THE OPERATION

Confirm the operation again.

Is the result normal?

YES >> Check intermittent incident. Refer to [GI-45, "Intermittent Incident"](#).

NO >> GO TO 1.

DRIVER SIDE

DRIVER SIDE : Description

INFOID:000000008196136

All doors do not lock/unlock using driver side door request switch.

DRIVER SIDE : Diagnosis Procedure

INFOID:000000008196137

1. CHECK DRIVER SIDE DOOR REQUEST SWITCH

Check driver side door request switch.

Refer to [DLK-81, "Component Function Check"](#).

Is the inspection result normal?

YES >> GO TO 2.

NO >> Repair or replace the malfunctioning parts.

2. CHECK OUTSIDE KEY ANTENNA LH

Check outside key antenna LH.

Refer to [DLK-87, "Component Function Check"](#).

Is the inspection result normal?

YES >> GO TO 3.

NO >> Repair or replace the malfunctioning parts.

3. CONFIRM THE OPERATION

Confirm the operation again.

Is the result normal?

YES >> Check Intermittent Incident. Refer to [GI-45, "Intermittent Incident"](#).

NO >> GO TO 1.

DOOR DOES NOT LOCK/UNLOCK WITH DOOR REQUEST SWITCH

< SYMPTOM DIAGNOSIS >

[COUPE]

PASSENGER SIDE

PASSENGER SIDE : Description

INFOID:000000008196138

All doors do not lock/unlock using passenger side door request switch.

PASSENGER SIDE : Diagnosis Procedure

INFOID:000000008196139

1.CHECK PASSENGER SIDE DOOR REQUEST SWITCH

Check passenger side door request switch.
Refer to [DLK-81, "Component Function Check"](#).

Is the inspection result normal?

- YES >> GO TO 2.
- NO >> Repair or replace the malfunctioning parts.

2.CHECK OUTSIDE KEY ANTENNA RH

Check outside key antenna RH.
Refer to [DLK-87, "Component Function Check"](#).

Is the inspection result normal?

- YES >> GO TO 3.
- NO >> Repair or replace the malfunctioning parts.

3.CONFIRM THE OPERATION

Confirm the operation again.

Is the result normal?

- YES >> Check Intermittent Incident. Refer to [GI-45, "Intermittent Incident"](#).
- NO >> GO TO 1.

BACK DOOR

BACK DOOR : Description

INFOID:000000008196140

All doors do not lock/unlock using back door request switch.

BACK DOOR : Diagnosis Procedure

INFOID:000000008196141

1.CHECK BACK DOOR REQUEST SWITCH

Check back door request switch.
Refer to [DLK-83, "Component Function Check"](#).

Is the inspection result normal?

- YES >> GO TO 2.
- NO >> Repair or replace the malfunctioning parts.

2.CHECK OUTSIDE KEY ANTENNA (REAR BUMPER)

Check outside key antenna (rear bumper).
Refer to [DLK-87, "Component Function Check"](#).

Is the inspection result normal?

- YES >> GO TO 3.
- NO >> Repair or replace the malfunctioning parts.

3.CONFIRM THE OPERATION

Confirm the operation again.

Is the result normal?

- YES >> Check Intermittent Incident. Refer to [GI-45, "Intermittent Incident"](#).
- NO >> GO TO 1.

DOOR DOES NOT LOCK/UNLOCK WITH INTELLIGENT KEY

< SYMPTOM DIAGNOSIS >

[COUPE]

DOOR DOES NOT LOCK/UNLOCK WITH INTELLIGENT KEY

Diagnosis Procedure

INFOID:000000008196142

1.CHECK POWER DOOR LOCK OPERATION

Check power door lock operation.

Does door lock/unlock with door lock and unlock switch?

YES >> GO TO 2.

NO >> Refer to [DLK-102, "ALL DOOR : Diagnosis Procedure"](#).

2.CHECK REMOTE KEYLESS ENTRY RECEIVER

Check remote keyless entry receiver.

Refer to [DLK-76, "Component Function Check"](#).

Is the inspection result normal?

YES >> GO TO 3.

NO >> Repair or replace the malfunctioning parts.

3.CHECK INTELLIGENT KEY

Check Intelligent Key.

Refer to [DLK-92, "Component Function Check"](#).

Is the inspection result normal?

YES >> GO TO 4.

NO >> Repair or replace the malfunctioning parts.

4.CHECK KEY SLOT

Check key slot.

Refer to [DLK-92, "Component Function Check"](#).

Is the inspection result normal?

YES >> GO TO 5.

NO >> Repair or replace the malfunctioning parts.

5.CONFIRM THE OPERATION

Confirm the operation again.

Is the result normal?

YES >> Check intermittent incident. Refer to [GI-45, "Intermittent Incident"](#).

NO >> GO TO 1.

A
B
C
D
E
F
G
H
I
J
DLK
L
M
N
O
P

SELECTIVE UNLOCK FUNCTION DOES NOT OPERATE

< SYMPTOM DIAGNOSIS >

[COUPE]

SELECTIVE UNLOCK FUNCTION DOES NOT OPERATE

Diagnosis Procedure

INFOID:000000008196143

1. CHECK "DOOR LOCK-UNLOCK SET" SETTING IN "WORK SUPPORT"

1. Select "DOOR LOCK" of "BCM" using CONSULT.
2. Select "DOOR LOCK-UNLOCK SET" in "WORK SUPPORT" mode.
3. Check "DOOR LOCK-UNLOCK SET" setting in "WORK SUPPORT".
Refer to [DLK-40, "DOOR LOCK : CONSULT Function \(BCM - DOOR LOCK\) \(For Coupe\)"](#).

Is the inspection result normal?

- YES >> GO TO 2.
NO >> Set "DOOR LOCK-UNLOCK SET" in "WORK SUPPORT".

2. REPLACE BCM

- Replace BCM. Refer to [BCS-95, "Removal and Installation"](#).
- Confirm the operation after replacement.

Is the result normal?

- YES >> INSPECTION END
NO >> Check intermittent incident. Refer to [GI-45, "Intermittent Incident"](#).

VEHICLE SPEED SENSING AUTO LOCK OPERATION DOES NOT OPERATE

< SYMPTOM DIAGNOSIS >

[COUPE]

VEHICLE SPEED SENSING AUTO LOCK OPERATION DOES NOT OPERATE

Diagnosis Procedure

INFOID:000000008196144

1. CHECK POWER DOOR LOCK OPERATION

Check power door lock operation.

Does door lock/unlock with door lock and unlock switch?

YES >> GO TO 2.

NO >> Refer to [DLK-102, "ALL DOOR : Diagnosis Procedure"](#).

2. CHECK "AUTOMATIC LOCK/UNLOCK SELECT" SETTING IN "WORK SUPPORT"

1. Select "DOOR LOCK" of "BCM" using CONSULT.

2. Select "AUTOMATIC LOCK/UNLOCK SELECT" in "WORK SUPPORT" mode.

3. Check "AUTOMATIC LOCK/UNLOCK SELECT" in "WORK SUPPORT".

Refer to [DLK-40, "DOOR LOCK : CONSULT Function \(BCM - DOOR LOCK\) \(For Coupe\)"](#).

Is the inspection result normal?

YES >> GO TO 3.

NO >> Set "AUTOMATIC LOCK/UNLOCK SELECT" in "WORK SUPPORT".

3. CHECK "AUTOMATIC DOOR LOCK SELECT" SETTING IN "WORK SUPPORT"

1. Select "DOOR LOCK" of "BCM" using CONSULT.

2. Select "AUTOMATIC DOOR LOCK SELECT" in "WORK SUPPORT" mode.

3. Check "AUTOMATIC DOOR LOCK SELECT" in "WORK SUPPORT".

Refer to [DLK-40, "DOOR LOCK : CONSULT Function \(BCM - DOOR LOCK\) \(For Coupe\)"](#).

Is the inspection result normal?

YES >> GO TO 4.

NO >> Set "AUTOMATIC DOOR LOCK SELECT" in "WORK SUPPORT".

4. CHECK VEHICLE SPEED SIGNAL

Check combination meter.

Refer to [MWI-67, "DTC Index"](#).

Is the inspection result normal?

YES >> GO TO 5.

NO >> Repair or replace the malfunctioning parts.

5. REPLACE BCM

• Replace BCM. Refer to [BCS-95, "Removal and Installation"](#).

• Confirm the operation after replacement.

Is the result normal?

YES >> INSPECTION END

NO >> Check intermittent incident. Refer to [GI-45, "Intermittent Incident"](#).

IGN OFF INTERLOCK DOOR UNLOCK FUNCTION DOES NOT OPERATE

< SYMPTOM DIAGNOSIS >

[COUPE]

IGN OFF INTERLOCK DOOR UNLOCK FUNCTION DOES NOT OPERATE

Diagnosis Procedure

INFOID:00000008196145

1. CHECK POWER DOOR LOCK OPERATION

Check power door lock operation.

Does door lock/unlock with door lock and unlock switch?

YES >> GO TO 2.

NO >> Refer to [DLK-102, "ALL DOOR : Diagnosis Procedure"](#).

2. CHECK "AUTOMATIC LOCK/UNLOCK SELECT" SETTING IN "WORK SUPPORT"

1. Select "DOOR LOCK" of "BCM" using CONSULT.

2. Select "AUTOMATIC LOCK/UNLOCK SELECT" in "WORK SUPPORT" mode.

3. Check "AUTOMATIC LOCK/UNLOCK SELECT" in "WORK SUPPORT".

Refer to [DLK-40, "DOOR LOCK : CONSULT Function \(BCM - DOOR LOCK\) \(For Coupe\)"](#).

Is the inspection result normal?

YES >> GO TO 3.

NO >> Set "AUTOMATIC LOCK/UNLOCK SELECT" in "WORK SUPPORT".

3. CHECK "AUTOMATIC DOOR UNLOCK SELECT" SETTING IN "WORK SUPPORT"

1. Select "DOOR LOCK" of "BCM" using CONSULT.

2. Select "AUTOMATIC DOOR UNLOCK SELECT" in "WORK SUPPORT" mode.

3. Check "AUTOMATIC DOOR UNLOCK SELECT" in "WORK SUPPORT".

Refer to [DLK-40, "DOOR LOCK : CONSULT Function \(BCM - DOOR LOCK\) \(For Coupe\)"](#).

Is the inspection result normal?

YES >> GO TO 4.

NO >> Set "AUTOMATIC DOOR UNLOCK SELECT" in "WORK SUPPORT".

4. CHECK BCM

Check BCM for DTC.

Refer to [BCS-88, "DTC Index"](#).

Is the inspection result normal?

YES >> GO TO 5.

NO >> Repair or replace the malfunctioning parts.

5. REPLACE BCM

• Replace BCM. Refer to [BCS-95, "Removal and Installation"](#).

• Confirm the operation after replacement.

Is the result normal?

YES >> INSPECTION END

NO >> Check intermittent incident. Refer to [GI-45, "Intermittent Incident"](#).

P RANGE INTERLOCK DOOR LOCK/UNLOCK FUNCTION DOES NOT OPERATE

< SYMPTOM DIAGNOSIS >

[COUPE]

P RANGE INTERLOCK DOOR LOCK/UNLOCK FUNCTION DOES NOT OPERATE

Diagnosis Procedure

INFOID:000000008196146

1. CHECK POWER DOOR LOCK OPERATION

Check power door lock operation.

Does door lock/unlock with door lock and unlock switch?

YES >> GO TO 2.

NO >> Refer to [DLK-102, "ALL DOOR : Diagnosis Procedure"](#).

2. CHECK "AUTOMATIC LOCK/UNLOCK SELECT" SETTING IN "WORK SUPPORT"

1. Select "DOOR LOCK" of "BCM" using CONSULT.

2. Select "AUTOMATIC LOCK/UNLOCK SELECT" in "WORK SUPPORT" mode.

3. Check "AUTOMATIC LOCK/UNLOCK SELECT" in "WORK SUPPORT".

Refer to [DLK-40, "DOOR LOCK : CONSULT Function \(BCM - DOOR LOCK\) \(For Coupe\)"](#).

Is the inspection result normal?

YES >> GO TO 3.

NO >> Set "AUTOMATIC LOCK/UNLOCK SELECT" in "WORK SUPPORT".

3. CHECK "AUTOMATIC DOOR LOCK SELECT" SETTING IN "WORK SUPPORT"

1. Select "DOOR LOCK" of "BCM" using CONSULT.

2. Select "AUTOMATIC DOOR LOCK SELECT" in "WORK SUPPORT" mode.

3. Check "AUTOMATIC DOOR LOCK SELECT" in "WORK SUPPORT".

Refer to [DLK-40, "DOOR LOCK : CONSULT Function \(BCM - DOOR LOCK\) \(For Coupe\)"](#).

Is the inspection result normal?

YES >> GO TO 4.

NO >> Set "AUTOMATIC DOOR LOCK SELECT" in "WORK SUPPORT".

4. CHECK "AUTOMATIC DOOR UNLOCK SELECT" SETTING IN "WORK SUPPORT"

1. Select "DOOR LOCK" of "BCM" using CONSULT.

2. Select "AUTOMATIC DOOR UNLOCK SELECT" in "WORK SUPPORT" mode.

3. Check "AUTOMATIC DOOR UNLOCK SELECT" in "WORK SUPPORT".

Refer to [DLK-40, "DOOR LOCK : CONSULT Function \(BCM - DOOR LOCK\) \(For Coupe\)"](#).

Is the inspection result normal?

YES >> GO TO 5.

NO >> Set "AUTOMATIC DOOR UNLOCK SELECT" in "WORK SUPPORT".

5. CHECK TCM

Check TCM for DTC.

Refer to [TM-290, "DTC Index"](#).

Is the inspection result normal?

YES >> GO TO 6.

NO >> Repair or replace the malfunctioning parts.

6. REPLACE BCM

• Replace BCM. Refer to [BCS-95, "Removal and Installation"](#).

• Confirm the operation after replacement.

Is the result normal?

YES >> INSPECTION END

NO >> Check intermittent incident. Refer to [GI-45, "Intermittent Incident"](#).

AUTO DOOR LOCK OPERATION DOES NOT OPERATE

< SYMPTOM DIAGNOSIS >

[COUPE]

AUTO DOOR LOCK OPERATION DOES NOT OPERATE

Diagnosis Procedure

INFOID:000000008196147

1. CHECK "AUTO LOCK SET" SETTING IN "WORK SUPPORT"

1. Select "INTELLIGENT KEY" of "BCM" using CONSULT.
2. Select "AUTO LOCK SET" in "WORK SUPPORT" mode.
3. Check "AUTO LOCK SET" setting in "WORK SUPPORT".
Refer to [DLK-42. "INTELLIGENT KEY : CONSULT Function \(BCM - INTELLIGENT KEY\) \(For Coupe\)"](#).

Is the inspection result normal?

- YES >> GO TO 2.
NO >> Set "AUTO LOCK SET" setting in "WORK SUPPORT".

2. REPLACE BCM

- Replace BCM. Refer to [BCS-95. "Removal and Installation"](#).
- Confirm the operation after replacement.

Is the result normal?

- YES >> INSPECTION END
NO >> Check intermittent incident. Refer to [GI-45. "Intermittent Incident"](#).

BACK DOOR DOES NOT OPEN

[COUPE]

< SYMPTOM DIAGNOSIS >

BACK DOOR DOES NOT OPEN

Diagnosis Procedure

INFOID:000000008196148

1.CHECK POWER DOOR LOCK OPERATION

Check power door lock operation.

Does door lock/unlock with door lock and unlock switch?

YES >> GO TO 2.

NO >> Refer to [DLK-102, "ALL DOOR : Diagnosis Procedure"](#).

2.CHECK BACK DOOR OPENER SWITCH

Check back door opener switch.

Refer to [DLK-79, "Component Function Check"](#).

Is the inspection result normal?

YES >> GO TO 3.

NO >> Repair or replace the malfunctioning parts.

3.CHECK BACK DOOR OPENER ACTUATOR

Check back door opener actuator.

Refer to [DLK-73, "Component Function Check"](#).

Is the inspection result normal?

YES >> GO TO 4.

NO >> Repair or replace the malfunctioning parts.

4.CHECK VEHICLE SPEED SIGNAL

Check combination meter.

Refer to [MWI-4, "Work flow"](#).

Is the inspection result normal?

YES >> GO TO 5.

NO >> Repair or replace the malfunctioning parts.

5.CONFIRM THE OPERATION

Confirm the operation again.

Is the result normal?

YES >> Check intermittent incident. Refer to [GI-45, "Intermittent Incident"](#).

NO >> GO TO 1.

A
B
C
D
E
F
G
H
I
J
L
M
N
O
P

DLK

FUEL LID LOCK ACTUATOR DOES NOT OPERATE

[COUPE]

< SYMPTOM DIAGNOSIS >

FUEL LID LOCK ACTUATOR DOES NOT OPERATE

Diagnosis Procedure

INFOID:000000008196149

1.CHECK FUEL LID OPENER ACTUATOR

Check fuel lid opener actuator.

Refer to [DLK-71, "Component Function Check"](#).

Is the inspection result normal?

YES >> GO TO 2.

NO >> Repair or replace the malfunctioning parts.

2.CONFIRM THE OPERATION

Confirm the operation again.

Is the result normal?

YES >> Check intermittent incident. Refer to [GI-45, "Intermittent Incident"](#).

NO >> GO TO 1.

HAZARD AND HORN REMINDER DOES NOT OPERATE

< SYMPTOM DIAGNOSIS >

[COUPE]

HAZARD AND HORN REMINDER DOES NOT OPERATE

Diagnosis Procedure

INFOID:000000008196150

1. CHECK "HAZARD ANSWER BACK" SETTING IN "WORK SUPPORT"

1. Select "INTELLIGENT KEY" of "BCM" using CONSULT.
2. Select "HAZARD ANSWER BACK" in "WORK SUPPORT" mode.
3. Check the "HAZARD ANSWER BACK" setting in "WORK SUPPORT".
Refer to [DLK-42, "INTELLIGENT KEY : CONSULT Function \(BCM - INTELLIGENT KEY\) \(For Coupe\)"](#).

Is the inspection result normal?

- YES >> GO TO 2.
NO >> Set the "HAZARD ANSWER BACK" setting in "WORK SUPPORT".

2. CHECK "HORN WITH KEYLESS LOCK" SETTING IN "WORK SUPPORT"

1. Select "INTELLIGENT KEY" of "BCM" using CONSULT.
2. Select "HORN WITH KEYLESS LOCK" in "WORK SUPPORT" mode.
3. Check the "HORN WITH KEYLESS LOCK" setting in "WORK SUPPORT".
Refer to [DLK-42, "INTELLIGENT KEY : CONSULT Function \(BCM - INTELLIGENT KEY\) \(For Coupe\)"](#).

Is the inspection result normal?

- YES >> GO TO 3.
NO >> Set the "HORN WITH KEYLESS LOCK" setting in "WORK SUPPORT".

3. CHECK HAZARD FUNCTION

Check hazard function.
Refer to [DLK-99, "Component Function Check"](#).

Is the inspection result normal?

- YES >> GO TO 4.
NO >> Repair or replace the malfunctioning parts.

4. CHECK HORN FUNCTION

Check horn function.
Refer to [SEC-101, "Component Function Check"](#).

Is the inspection result normal?

- YES >> GO TO 5.
NO >> Repair or replace the malfunctioning parts.

5. CONFIRM THE OPERATION

Confirm the operation again.

Is the result normal?

- YES >> Check intermittent incident. Refer to [GI-45, "Intermittent Incident"](#).
NO >> GO TO 1.

A
B
C
D
E
F
G
H
I
J
L
M
N
O
P

DLK

HAZARD AND BUZZER REMINDER DOES NOT OPERATE

[COUPE]

< SYMPTOM DIAGNOSIS >

HAZARD AND BUZZER REMINDER DOES NOT OPERATE

Diagnosis Procedure

INFOID:000000008196151

1. CHECK "HAZARD ANSWER BACK" SETTING IN "WORK SUPPORT"

1. Select "INTELLIGENT KEY" of "BCM" using CONSULT.
2. Select "HAZARD ANSWER BACK" in "WORK SUPPORT" mode.
3. Check the "HAZARD ANSWER BACK" setting in "WORK SUPPORT".
Refer to [DLK-42, "INTELLIGENT KEY : CONSULT Function \(BCM - INTELLIGENT KEY\) \(For Coupe\)"](#).

Is the inspection result normal?

YES >> GO TO 2.

NO >> Set the λ "HAZARD ANSWER BACK" setting in "WORK SUPPORT".

2. CHECK "ANS BACK I-KEY LOCK" SETTING IN "WORK SUPPORT"

1. Select "INTELLIGENT KEY" of "BCM" using CONSULT.
2. Select "ANS BACK I-KEY LOCK" in "WORK SUPPORT" mode.
3. Check the "ANS BACK I-KEY LOCK" setting in "WORK SUPPORT".
Refer to [DLK-42, "INTELLIGENT KEY : CONSULT Function \(BCM - INTELLIGENT KEY\) \(For Coupe\)"](#).

Is the inspection result normal?

YES >> GO TO 3.

NO >> Set the "ANS BACK I-KEY" LOCK setting in "WORK SUPPORT".

3. CHECK "ANS BACK I-KEY UNLOCK" SETTING IN "WORK SUPPORT"

1. Select "INTELLIGENT KEY" of "BCM" using CONSULT.
2. Select "ANS BACK I-KEY UNLOCK" in "WORK SUPPORT" mode.
3. Check the "ANS BACK I-KEY UNLOCK" setting in "WORK SUPPORT".
Refer to [DLK-42, "INTELLIGENT KEY : CONSULT Function \(BCM - INTELLIGENT KEY\) \(For Coupe\)"](#).

Is the inspection result normal?

YES >> GO TO 4.

NO >> Set the "ANS BACK I-KEY UNLOCK" setting in "WORK SUPPORT".

4. CHECK HAZARD FUNCTION

Check hazard function.

Refer to [DLK-99, "Component Function Check"](#).

Is the inspection result normal?

YES >> GO TO 5.

NO >> Repair or replace the malfunctioning parts.

5. CHECK INTELLIGENT KEY WARNING BUZZER

Check Intelligent Key warning buzzer.

Refer to [DLK-89, "Component Function Check"](#).

Is the inspection result normal?

YES >> GO TO 6.

NO >> Repair or replace the malfunctioning parts.

6. CONFIRM THE OPERATION

Confirm the operation again.

Is the result normal?

YES >> Check intermittent incident. Refer to [GI-45, "Intermittent Incident"](#).

NO >> GO TO 1.

KEY REMINDER FUNCTION DOES NOT OPERATE

[COUPE]

< SYMPTOM DIAGNOSIS >

KEY REMINDER FUNCTION DOES NOT OPERATE INTELLIGENT KEY SYSTEM

INTELLIGENT KEY SYSTEM : Description

INFOID:000000008196152

Key reminder function is not operated by intelligent Key system.

INTELLIGENT KEY SYSTEM : Diagnosis Procedure

INFOID:000000008196153

1. CHECK "ANTI KEY LOCK IN FUNCTI" SETTING IN "WORK SUPPORT"

1. Select "INTELLIGENT KEY" of "BCM" using CONSULT.
2. Select "ANTI KEY LOCK IN FUNCTI" in "WORK SUPPORT" mode.
3. Check "ANTI KEY LOCK IN FUNCTI" setting in "WORK SUPPORT".
Refer to [DLK-42, "INTELLIGENT KEY : CONSULT Function \(BCM - INTELLIGENT KEY\) \(For Coupe\)"](#).

Is the inspection result normal?

YES >> GO TO 2.

NO >> Set "ANTI KEY LOCK IN FUNCTI" setting in "WORK SUPPORT".

2. CHECK DOOR SWITCH

Check door switch.

Refer to [DLK-63, "Component Function Check"](#).

Is the inspection result normal?

YES >> GO TO 3.

NO >> Repair or replace the malfunctioning parts.

3. CHECK INSIDE KEY ANTENNA

Check inside key antenna.

- Console: Refer to [DLK-59, "DTC Logic"](#).
- Luggage room: Refer to [DLK-61, "DTC Logic"](#).

Is the inspection result normal?

YES >> GO TO 4.

NO >> Repair or replace the malfunctioning parts.

4. CHECK UNLOCK SENSOR

Check unlock sensor.

Refer to [DLK-85, "Component Function Check"](#).

Is the inspection result normal?

YES >> GO TO 5.

NO >> Repair or replace the malfunctioning parts.

5. CONFIRM THE OPERATION

Confirm the operation again.

Is the result normal?

YES >> Check intermittent incident. Refer to [GI-45, "Intermittent Incident"](#).

NO >> GO TO 1.

POWER DOOR LOCK SYSTEM

POWER DOOR LOCK SYSTEM : Description

INFOID:000000008196154

Key reminder function is not operated by power door lock system.

POWER DOOR LOCK SYSTEM : Diagnosis Procedure

INFOID:000000008196155

1. CHECK KEY SLOT

Check key slot.

Refer to [DLK-92, "Component Function Check"](#).

Is the inspection result normal?

A
B
C
D
E
F
G
H
I
J
DLK
L
M
N
O
P

KEY REMINDER FUNCTION DOES NOT OPERATE

[COUPE]

< SYMPTOM DIAGNOSIS >

- YES >> GO TO 2.
- NO >> Repair or replace the malfunctioning parts.

2.CHECK DOOR SWITCH

Check door switch.

Refer to [DLK-63, "Component Function Check"](#).

Is the inspection result normal?

- YES >> GO TO 3.
- NO >> Repair or replace the malfunctioning parts.

3.CONFIRM THE OPERATION

Confirm the operation again.

Is the result normal?

- YES >> Check intermittent incident. Refer to [GI-45, "Intermittent Incident"](#).
- NO >> GO TO 1.

KEY WARNING DOES NOT OPERATE

[COUPE]

< SYMPTOM DIAGNOSIS >

KEY WARNING DOES NOT OPERATE

Diagnosis Procedure

INFOID:000000008196156

1.CHECK BUZZER (COMBINATION METER)

Check buzzer (combination meter).

Refer to [DLK-97, "Component Function Check"](#).

Is the inspection result normal?

YES >> GO TO 2.

NO >> Repair or replace the malfunctioning parts.

2.CHECK DOOR SWITCH

Check door switch (driver side).

Refer to [DLK-63, "Component Function Check"](#).

Is the inspection result normal?

YES >> GO TO 3.

NO >> Repair or replace the malfunctioning parts.

3.CHECK KEY SLOT

Check key slot.

Refer to [DLK-92, "Component Function Check"](#).

Is the inspection result normal?

YES >> GO TO 4.

NO >> Repair or replace the malfunctioning parts.

4.CHECK COMBINATION METER DISPLAY

Check combination meter display.

Refer to [DLK-96, "Component Function Check"](#).

Is the inspection result normal?

YES >> GO TO 5.

NO >> Repair or replace the malfunctioning parts.

5.CHECK KEY SLOT INDICATOR

Check key slot indicator.

Refer to [DLK-94, "Component Function Check"](#).

Is the inspection result normal?

YES >> GO TO 6.

NO >> Repair or replace the malfunctioning parts.

6.CONFIRM THE OPERATION

Confirm the operation again.

Is the result normal?

YES >> Check intermittent incident. Refer to [GI-45, "Intermittent Incident"](#).

NO >> GO TO 1.

A
B
C
D
E
F
G
H
I
J
DLK
L
M
N
O
P

OFF POSITION WARNING DOES NOT OPERATE

[COUPE]

< SYMPTOM DIAGNOSIS >

OFF POSITION WARNING DOES NOT OPERATE

Diagnosis Procedure

INFOID:000000008196157

1.CHECK POWER POSITION

Check if ignition switch position is changing or not.

Does ignition switch position change?

YES >> GO TO 2.

NO >> Check BCM for DTC. Refer to [BCS-88, "DTC Index"](#).

2.CHECK BUZZER (COMBINATION METER)

Check buzzer (combination meter).

Refer to [DLK-97, "Component Function Check"](#).

Is the inspection result normal?

YES >> GO TO 3.

NO >> Repair or replace the malfunctioning parts.

3.CHECK INTELLIGENT KEY WARNING BUZZER

Check Intelligent Key warning buzzer.

Refer to [DLK-89, "Component Function Check"](#).

Is the inspection result normal?

YES >> GO TO 4.

NO >> Repair or replace the malfunctioning parts.

4.CHECK DOOR SWITCH

Check door switch (driver side).

Refer to [DLK-63, "Component Function Check"](#).

Is the inspection result normal?

YES >> GO TO 5.

NO >> Repair or replace the malfunctioning parts.

5.CONFIRM THE OPERATION

Confirm the operation again.

Is the result normal?

YES >> Check intermittent incident. Refer to [GI-45, "Intermittent Incident"](#).

NO >> GO TO 1.

P POSITION WARNING DOES NOT OPERATE

< SYMPTOM DIAGNOSIS >

[COUPE]

P POSITION WARNING DOES NOT OPERATE

Diagnosis Procedure

INFOID:000000008196158

1.CHECK POWER POSITION

Check if ignition switch position is changing or not.

Does ignition switch position change?

YES >> GO TO 2.

NO >> Check BCM for DTC. Refer to [BCS-88, "DTC Index"](#).

2.CHECK DETENTION SWITCH

Check BCM for DTC.

Refer to [BCS-88, "DTC Index"](#).

Is the inspection result normal?

YES >> GO TO 3.

NO >> Repair or replace the malfunctioning parts.

3.CHECK INTELLIGENT KEY WARNING BUZZER

Check Intelligent Key warning buzzer.

Refer to [DLK-89, "Component Function Check"](#).

Is the inspection result normal?

YES >> GO TO 4.

NO >> Repair or replace the malfunctioning parts.

4.CHECK BUZZER (COMBINATION METER)

Check buzzer (combination meter).

Refer to [DLK-97, "Component Function Check"](#).

Is the inspection result normal?

YES >> GO TO 5.

NO >> Repair or replace the malfunctioning parts.

5.CHECK DOOR SWITCH

Check door switch (driver side).

Refer to [DLK-63, "Component Function Check"](#).

Is the inspection result normal?

YES >> GO TO 6.

NO >> Repair or replace the malfunctioning parts.

6.CHECK INSIDE KEY ANTENNA

Check inside key antenna.

• Console: Refer to [DLK-59, "DTC Logic"](#).

• Luggage room: Refer to [DLK-61, "DTC Logic"](#).

Is the inspection result normal?

YES >> GO TO 7.

NO >> Repair or replace the malfunctioning parts.

7.CHECK COMBINATION METER DISPLAY

Check combination meter display.

Refer to [DLK-96, "Component Function Check"](#).

Is the inspection result normal?

YES >> GO TO 8.

NO >> Repair or replace the malfunctioning parts.

8.CONFIRM THE OPERATION

Confirm the operation again.

Is the result normal?

A

B

C

D

E

F

G

H

I

J

DLK

L

M

N

O

P

P POSITION WARNING DOES NOT OPERATE

< SYMPTOM DIAGNOSIS >

[COUPE]

YES >> Check intermittent incident. Refer to [GI-45. "Intermittent Incident"](#).
NO >> GO TO 1.

ACC WARNING DOES NOT OPERATE

[COUPE]

< SYMPTOM DIAGNOSIS >

ACC WARNING DOES NOT OPERATE

Diagnosis Procedure

INFOID:000000008196159

1.CHECK POWER POSITION

Check if ignition switch position is changing or not.

Does ignition switch position change?

YES >> GO TO 2.

NO >> Check BCM for DTC. Refer to [BCS-88, "DTC Index"](#).

2.CHECK BUZZER (COMBINATION METER)

Check buzzer (combination meter).

Refer to [DLK-97, "Component Function Check"](#).

Is the inspection result normal?

YES >> GO TO 3.

NO >> Repair or replace the malfunctioning parts.

3.CHECK COMBINATION METER DISPLAY FUNCTION

Check combination meter display function.

Refer to [DLK-96, "Component Function Check"](#).

Is the inspection result normal?

YES >> GO TO 4.

NO >> Repair or replace the malfunctioning parts.

4.CONFIRM THE OPERATION

Confirm the operation again.

Is the result normal?

YES >> Check intermittent incident. Refer to [GI-45, "Intermittent Incident"](#).

NO >> GO TO 1.

A
B
C
D
E
F
G
H
I
J
L
M
N
O
P

DLK

TAKE AWAY WARNING DOES NOT OPERATE

[COUPE]

< SYMPTOM DIAGNOSIS >

TAKE AWAY WARNING DOES NOT OPERATE

Diagnosis Procedure

INFOID:000000008196160

1.CHECK POWER POSITION

Check if ignition switch position is changing or not.

Does ignition switch position change?

YES >> GO TO 2.

NO >> Check BCM for DTC. Refer to [BCS-88, "DTC Index"](#).

2.CHECK DOOR SWITCH

Check door switch.

Refer to [DLK-63, "Component Function Check"](#).

Is the inspection result normal?

YES >> GO TO 3.

NO >> Repair or replace the malfunctioning parts.

3.CHECK KEY SLOT

Check key slot.

Refer to [DLK-92, "Component Function Check"](#).

Is the inspection result normal?

YES >> GO TO 4.

NO >> Repair or replace the malfunctioning parts.

4.CHECK INSIDE KEY ANTENNA

Check inside key antenna.

• Console: Refer to [DLK-59, "DTC Logic"](#).

• Luggage room: Refer to [DLK-61, "DTC Logic"](#).

Is the inspection result normal?

YES >> GO TO 5.

NO >> Repair or replace the malfunctioning parts.

5.CHECK BUZZER (COMBINATION METER)

Check buzzer (combination meter).

Refer to [DLK-97, "Component Function Check"](#).

Is the inspection result normal?

YES >> GO TO 6.

NO >> Repair or replace the malfunctioning parts.

6.CHECK COMBINATION METER DISPLAY

Check combination meter display.

Refer to [DLK-96, "Component Function Check"](#).

Is the inspection result normal?

YES >> GO TO 7.

NO >> Repair or replace the malfunctioning parts.

7.CHECK INTELLIGENT KEY WARNING BUZZER

Check Intelligent Key warning buzzer.

Refer to [DLK-89, "Component Function Check"](#).

Is the inspection result normal?

YES >> GO TO 8.

NO >> Repair or replace the malfunctioning parts.

8.CHECK KEY SLOT INDICATOR

Check key slot indicator.

Refer to [DLK-94, "Component Function Check"](#).

TAKE AWAY WARNING DOES NOT OPERATE

[COUPE]

< SYMPTOM DIAGNOSIS >

Is the inspection result normal?

YES >> GO TO 9.

NO >> Repair or replace the malfunctioning parts.

9.CONFIRM THE OPERATION

Confirm the operation again.

Is the result normal?

YES >> Check intermittent incident. Refer to [GI-45. "Intermittent Incident"](#).

NO >> GO TO 1.

A

B

C

D

E

F

G

H

I

J

DLK

L

M

N

O

P

INTELLIGENT KEY LOW BATTERY WARNING DOES NOT OPERATE

< SYMPTOM DIAGNOSIS >

[COUPE]

INTELLIGENT KEY LOW BATTERY WARNING DOES NOT OPERATE

Diagnosis Procedure

INFOID:000000008196161

1. CHECK "LO- BATT OF KEY FOB WARN" SETTING IN "WORK SUPPORT"

1. Select "INTELLIGENT KEY" of "BCM" using CONSULT.
2. Select "LO- BATT OF KEY FOB WARN" in "WORK SUPPORT" mode.
3. Check "LO- BATT OF KEY FOB WARN" setting in "WORK SUPPORT".
Refer to [DLK-42, "INTELLIGENT KEY : CONSULT Function \(BCM - INTELLIGENT KEY\) \(For Coupe\)"](#).

Is the inspection result normal?

- YES >> GO TO 2.
NO >> Set "LO- BATT OF KEY FOB WARN" setting in "WORK SUPPORT".

2. CHECK INTELLIGENT KEY

Check Intelligent Key.

Refer to [DLK-91, "Component Function Check"](#).

Is the inspection result normal?

- YES >> GO TO 3.
NO >> Repair or replace the malfunctioning parts.

3. CHECK COMBINATION METER DISPLAY

Check combination meter display.

Refer to [DLK-96, "Component Function Check"](#).

Is the inspection result normal?

- YES >> GO TO 4.
NO >> Repair or replace the malfunctioning parts.

4. CHECK INSIDE KEY ANTENNA

Check inside key antenna.

- Console: Refer to [DLK-59, "DTC Logic"](#).
- Luggage room: Refer to [DLK-61, "DTC Logic"](#).

Is the inspection result normal?

- YES >> GO TO 5.
NO >> Repair or replace the malfunctioning parts.

5. CONFIRM THE OPERATION

Confirm the operation again.

Is the result normal?

- YES >> Check intermittent incident. Refer to [GI-45, "Intermittent Incident"](#).
NO >> GO TO 1.

DOOR LOCK OPERATION WARNING DOES NOT OPERATE

< SYMPTOM DIAGNOSIS >

[COUPE]

DOOR LOCK OPERATION WARNING DOES NOT OPERATE

Diagnosis Procedure

INFOID:000000008196162

1.CHECK DOOR LOCK FUNCTION

Check door lock function.

Does door lock/unlock using door request switch?

YES >> GO TO 2.

NO >> Refer to [DLK-105, "ALL DOOR : Diagnosis Procedure"](#).

2.CHECK INTELLIGENT KEY WARNING BUZZER

Check Intelligent Key warning buzzer.

Refer to [DLK-89, "Component Function Check"](#).

Is the inspection result normal?

YES >> GO TO 3.

NO >> Repair or replace the malfunctioning parts.

3.CONFIRM THE OPERATION

Confirm the operation again.

Is the result normal?

YES >> Check intermittent incident. Refer to [GI-45, "Intermittent Incident"](#).

NO >> GO TO 1.

A
B
C
D
E
F
G
H
I
J
L
M
N
O
P

DLK

KEY ID WARNING DOES NOT OPERATE

[COUPE]

< SYMPTOM DIAGNOSIS >

KEY ID WARNING DOES NOT OPERATE

Diagnosis Procedure

INFOID:000000008196163

1.CHECK INTELLIGENT KEY

Check Intelligent Key.

Refer to [DLK-91, "Component Function Check"](#).

Is the inspection result normal?

YES >> GO TO 2.

NO >> Repair or replace the malfunctioning parts.

2.CHECK COMBINATION METER DISPLAY FUNCTION

Check combination meter display function.

Refer to [DLK-96, "Component Function Check"](#).

Is the inspection result normal?

YES >> GO TO 3.

NO >> Repair or replace the malfunctioning parts.

3.CONFIRM THE OPERATION

Confirm the operation again.

Is the result normal?

YES >> Check intermittent incident. Refer to [GI-45, "Intermittent Incident"](#).

NO >> GO TO 1.

KEY WARNING LAMP DOES NOT ILLUMINATE

< SYMPTOM DIAGNOSIS >

[COUPE]

KEY WARNING LAMP DOES NOT ILLUMINATE

Diagnosis Procedure

INFOID:000000008196164

1.CHECK KEY WARNING LAMP

Check key warning lamp.

Refer to [DLK-98, "Component Function Check"](#).

Is the inspection result normal?

YES >> GO TO 2.

NO >> Repair or replace the malfunctioning parts.

2.CONFIRM THE OPERATION

Confirm the operation again.

Is the result normal?

YES >> Check intermittent incident. Refer to [GI-45, "Intermittent Incident"](#).

NO >> GO TO 1.

A
B
C
D
E
F
G
H
I
J
L
M
N
O
P

DLK

INTEGRATED HOMELINK TRANSMITTER DOES NOT OPERATE

< SYMPTOM DIAGNOSIS >

[COUPE]

INTEGRATED HOMELINK TRANSMITTER DOES NOT OPERATE

Diagnosis Procedure

INFOID:000000008196165

1.CHECK INTEGRATED HOMELINK TRANSMITTER

Check integrated homelink transmitter.

Refer to [DLK-100, "Component Function Check"](#).

Is the inspection result normal?

YES >> GO TO 2.

NO >> Repair or replace the malfunctioning parts.

2.CONFIRM THE OPERATION

Confirm the operation again.

Is the result normal?

YES >> Check intermittent incident. Refer to [GI-45, "Intermittent Incident"](#).

NO >> GO TO 1.

SQUEAK AND RATTLE TROUBLE DIAGNOSES

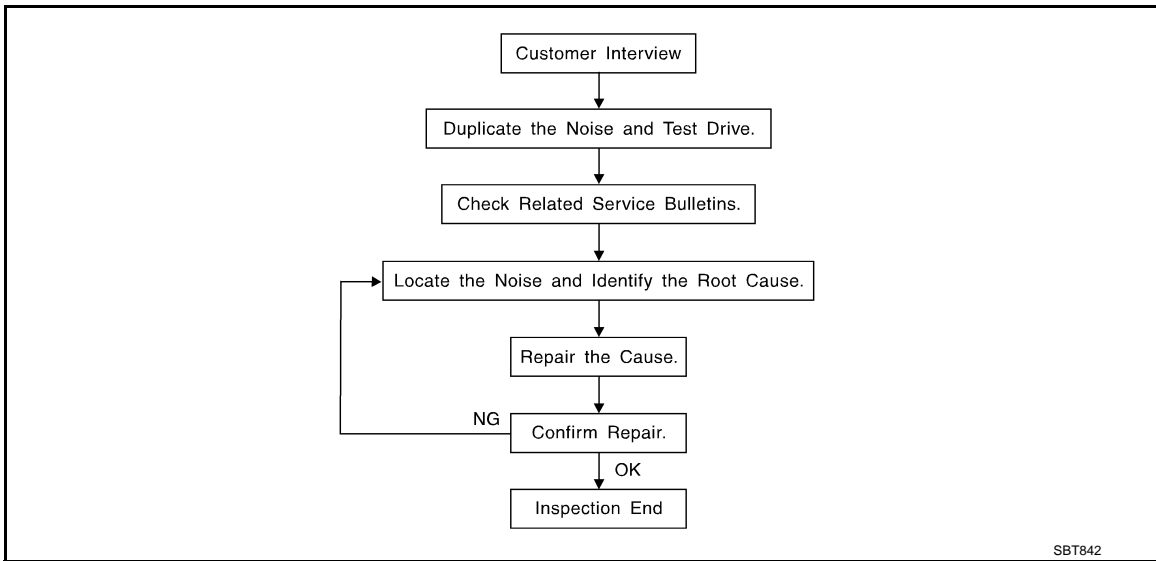
< SYMPTOM DIAGNOSIS >

[COUPE]

SQUEAK AND RATTLE TROUBLE DIAGNOSES

Work Flow

INFOID:000000008196166



CUSTOMER INTERVIEW

Interview the customer if possible, to determine the conditions that exist when the noise occurs. Use the Diagnostic Worksheet during the interview to document the facts and conditions when the noise occurs and any of customer's comments; refer to [DLK-135, "Diagnostic Worksheet"](#). This information is necessary to duplicate the conditions that exist when the noise occurs.

- The customer may not be able to provide a detailed description or the location of the noise. Attempt to obtain all the facts and conditions that exist when the noise occurs (or does not occur).
- If there is more than one noise in the vehicle, perform a diagnosis and repair the noise that the customer is concerned about. This can be accomplished by performing a cruise test on the vehicle with the customer.
- After identifying the type of noise, isolate the noise in terms of its characteristics. The noise characteristics are provided so the customer, service adviser and technician are all speaking the same language when defining the noise.
- Squeak – (Like tennis shoes on a clean floor)
Squeak characteristics include the light contact/fast movement/brought on by road conditions/hard surfaces = higher pitch noise/softer surfaces = lower pitch noises/edge to surface = chirping
- Creak – (Like walking on an old wooden floor)
Creak characteristics include firm contact/slow movement/twisting with a rotational movement/pitch dependent on materials/often brought on by activity.
- Rattle – (Like shaking a baby rattle)
Rattle characteristics include the fast repeated contact/vibration or similar movement/loose parts/missing clip or fastener/incorrect clearance.
- Knock – (Like a knock on a door)
Knock characteristics include hollow sounding/sometimes repeating/often brought on by driver action.
- Tick – (Like a clock second hand)
Tick characteristics include gentle contacting of light materials/loose components/can be caused by driver action or road conditions.
- Thump – (Heavy, muffled knock noise)
Thump characteristics include softer knock/dead sound often brought on by activity.
- Buzz – (Like a bumblebee)
Buzz characteristics include high frequency rattle/firm contact.
- Often the degree of acceptable noise level will vary depending up on the person. A noise that a technician may judge as acceptable may be very irritating to the customer.
- Weather conditions, especially humidity and temperature, may have a great effect on noise level.

DUPLICATE THE NOISE AND TEST DRIVE

If possible, drive the vehicle with the customer until the noise is duplicated. Note any additional information on the Diagnostic Worksheet regarding the conditions or location of the noise. This information can be used to duplicate the same conditions when the repair is reconfirmed.

SQUEAK AND RATTLE TROUBLE DIAGNOSES

[COUPE]

< SYMPTOM DIAGNOSIS >

If the noise can be duplicated easily during the test drive, to help identify the source of the noise, try to duplicate the noise with the vehicle stopped by doing one or all of the following:

- 1) Close a door.
 - 2) Tap or push/pull around the area where the noise appears to be coming from.
 - 3) Rev the engine.
 - 4) Use a floor jack to recreate vehicle "twist".
 - 5) At idle, apply engine load (electrical load, half-clutch on M/T models, drive position on A/T models).
 - 6) Raise the vehicle on a hoist and hit a tire with a rubber hammer.
- Drive the vehicle and attempt to duplicate the conditions the customer states exist when the noise occurs.
 - If it is difficult to duplicate the noise, drive the vehicle slowly on an undulating or rough road to stress the vehicle body.

CHECK RELATED SERVICE BULLETINS

After verifying the customer concern or symptom, check ASIST for Technical Service Bulletins (TSBs) related to that concern or symptom.

If a TSB relates to the symptom, follow the procedure to repair the noise.

LOCATE THE NOISE AND IDENTIFY THE ROOT CAUSE

1. Narrow down the noise to a general area. To help pinpoint the source of the noise, use a listening tool (Chassis ear: J-39570, Engine ear and mechanics stethoscope).
2. Narrow down the noise to a more specific area and identify the cause of the noise by:
 - Removing the components in the area that is are suspected to be the cause of the noise.
Do not use too much force when removing clips and fasteners, otherwise clips and fastener can be broken or lost during the repair, resulting in the creation of new noise.
 - Tapping or pushing/pulling the component that is are suspected to be the cause of the noise.
Do not tap or push/pull the component with excessive force, otherwise the noise will be eliminated only temporarily.
 - Feeling for a vibration by hand by touching the component(s) that is are suspected to be the cause of the noise.
 - Placing a piece of paper between components that are suspected to be the cause of the noise.
 - Looking for loose components and contact marks.
Refer to [DLK-133, "Inspection Procedure"](#).

REPAIR THE CAUSE

- If the cause is a loose component, tighten the component securely.
- If the cause is insufficient clearance between components:
 - Separate components by repositioning or loosening and retightening the component, if possible.
 - Insulate components with a suitable insulator such as urethane pads, foam blocks, felt cloth tape or urethane tape. A Nissan Squeak and Rattle Kit (J-43980) is available through the authorized Nissan Parts Department.

CAUTION:

Never use excessive force as many components are constructed of plastic and may be damaged.

NOTE:

Always check with the Parts Department for the latest parts information.

The following materials are contained in the Nissan Squeak and Rattle Kit (J-43980). Each item can be ordered separately as needed.

URETHANE PADS [1.5 mm (0.059 in) thick]

Insulates connectors, harness, etc.

76268-9E005: 100 × 135 mm (3.94 × 5.31 in)/76884-71L01: 60 × 85 mm (2.36 × 3.35 in)/76884-71L02: 15 × 25 mm (0.59 × 0.98 in)

INSULATOR (Foam blocks)

Insulates components from contact. Can be used to fill space behind a panel.

73982-9E000: 45 mm (1.77 in) thick, 50 × 50 mm (1.97 × 1.97 in)/73982-

50Y00: 10 mm (0.39 in) thick, 50 × 50 mm (1.97 × 1.97 in)

INSULATOR (Light foam block)

80845-71L00: 30 mm (1.18 in) thick, 30 × 50 mm (1.18 × 1.97in)

FELT CLOTHTAPE

Used to insulate where movement does not occur. Ideal for instrument panel applications.

68370-4B000: 15 × 25 mm (0.59 × 0.98 in) pad/68239-13E00: 5 mm (0.20 in) wide tape roll

The following materials, not found in the kit, can also be used to repair squeaks and rattles.

UHMW (TEFLON) TAPE

SQUEAK AND RATTLE TROUBLE DIAGNOSES

[COUPE]

< SYMPTOM DIAGNOSIS >

Insulates where slight movement is present. Ideal for instrument panel applications.

SILICONE GREASE

Used in place of UHMW tape that is be visible or does not fit. Will only last a few months.

SILICONE SPRAY

Used when grease cannot be applied.

DUCT TAPE

Used to eliminate movement.

CONFIRM THE REPAIR

Confirm that the cause of a noise is repaired by test driving the vehicle. Operate the vehicle under the same conditions as when the noise originally occurred. Refer to the notes on the Diagnostic Worksheet.

Inspection Procedure

INFOID:000000008196167

Refer to Table of Contents for specific component removal and installation information.

INSTRUMENT PANEL

Most incidents are caused by contact and movement between:

1. The cluster lid A and instrument panel
2. Acrylic lens and combination meter housing
3. Instrument panel to front pillar garnish
4. Instrument panel to windshield
5. Instrument panel mounting pins
6. Wiring harnesses behind the combination meter
7. A/C defroster duct and duct joint

These incidents can usually be located by tapping or moving the components to duplicate the noise or by pressing on the components while driving to stop the noise. Most of these incidents can be repaired by applying felt cloth tape or silicon spray (in hard to reach areas). Urethane pads can be used to insulate wiring harness.

CAUTION:

Never use silicone spray to isolate a squeak or rattle. If the area is saturated with silicone, the recheck of repair becomes impossible.

CENTER CONSOLE

Components to pay attention to include:

1. Shifter assembly cover to finisher
2. A/C control unit and cluster lid C
3. Wiring harnesses behind audio and A/C control unit

The instrument panel repair and isolation procedures also apply to the center console.

DOORS

Pay attention to the following:

1. Finisher and inner panel making a slapping noise
2. Inside handle escutcheon to door finisher
3. Wiring harnesses tapping
4. Door striker out of alignment causing a popping noise on starts and stops

Tapping or moving the components or pressing on them while driving to duplicate the conditions can isolate many of these incidents. The areas can usually be insulated with felt cloth tape or insulator foam blocks from the Nissan Squeak and Rattle Kit (J-43980) to repair the noise.

TRUNK

Trunk noises are often caused by a loose jack or loose items put into the trunk by the customer.

In addition look for the following:

1. Trunk lid dumpers out of adjustment
2. Trunk lid striker out of adjustment
3. The trunk lid torsion bars knocking together
4. A loose license plate or bracket

A

B

C

D

E

F

G

H

I

J

DLK

L

M

N

O

P

SQUEAK AND RATTLE TROUBLE DIAGNOSES

[COUPE]

< SYMPTOM DIAGNOSIS >

Most of these incidents can be repaired by adjusting, securing or insulating the item(s) or component(s) causing the noise.

SUNROOF/HEADLINING

Noises in the sunroof/headlining area can often be traced to one of the following:

1. Sunroof lid, rail, linkage or seals making a rattle or light knocking noise
2. Sunvisor shaft shaking in the holder
3. Front or rear windshield touching headlining and squeaking

Again, pressing on the components to stop the noise while duplicating the conditions can isolate most of these incidents. Repairs usually consist of insulating with felt cloth tape.

SEATS

When isolating seat noise it's important to note the position the seats in and the load placed on the seat when the noise occurs. These conditions should be duplicated when verifying and isolating the cause of the noise.

Cause of seat noise include:

1. Headrest rods and holder
2. A squeak between the seat pad cushion and frame
3. The rear seatback lock and bracket

These noises can be isolated by moving or pressing on the suspected components while duplicating the conditions under which the noise occurs. Most of these incidents can be repaired by repositioning the component or applying urethane tape to the contact area.

UNDERHOOD

Some interior noise may be caused by components under the hood or on the engine wall. The noise is then transmitted into the passenger compartment.

Causes of transmitted underhood noise include:

1. Any component mounted to the engine wall
2. Components that pass through the engine wall
3. Engine wall mounts and connectors
4. Loose radiator mounting pins
5. Hood bumpers out of adjustment
6. Hood striker out of adjustment

These noises can be difficult to isolate since they cannot be reached from the interior of the vehicle. The best method is to secure, move or insulate one component at a time and test drive the vehicle. Also, engine RPM or load can be changed to isolate the noise. Repairs can usually be made by moving, adjusting, securing, or insulating the component causing the noise.

SQUEAK AND RATTLE TROUBLE DIAGNOSES

< SYMPTOM DIAGNOSIS >

[COUPE]

Diagnostic Worksheet

INFOID:000000008196168



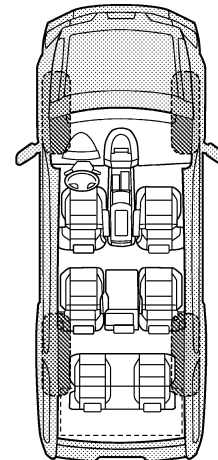
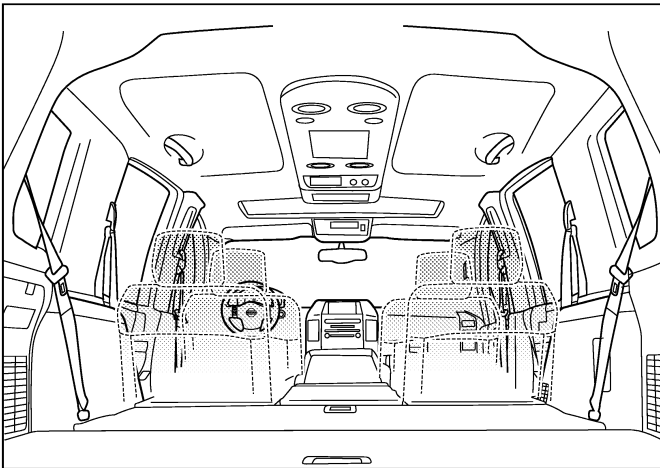
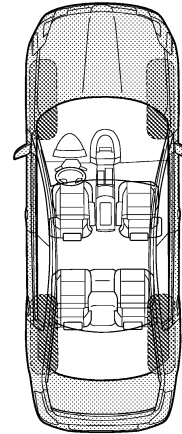
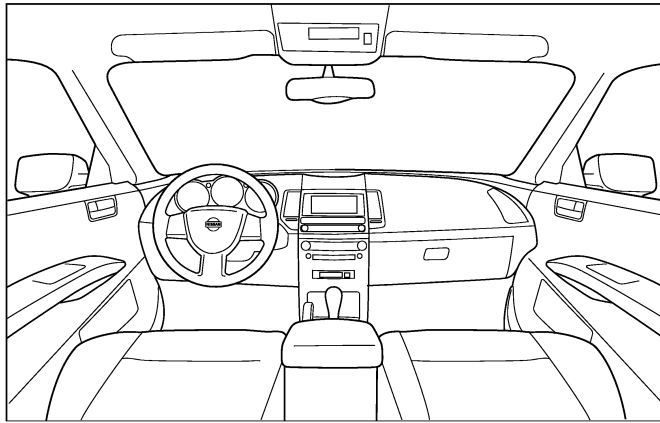
SQUEAK & RATTLE DIAGNOSTIC WORKSHEET

Dear Nissan Customer:

We are concerned about your satisfaction with your Nissan vehicle. Repairing a squeak or rattle sometimes can be very difficult. To help us fix your Nissan right the first time, please take a moment to note the area of the vehicle where the squeak or rattle occurs and under what conditions. You may be asked to take a test drive with a service advisor or technician to ensure we confirm the noise you are hearing.

I. WHERE DOES THE NOISE COME FROM? (circle the area of the vehicle)

The illustrations are for reference only, and may not reflect the actual configuration of your vehicle.



Continue to page 2 of the worksheet and briefly describe the location of the noise or rattle. In addition, please indicate the conditions which are present when the noise occurs.

PIIB8740E

A
B
C
D
E
F
G
H
I
J
DLK
L
M
N
O
P

SQUEAK AND RATTLE TROUBLE DIAGNOSES

< SYMPTOM DIAGNOSIS >

[COUPE]

SQUEAK & RATTLE DIAGNOSTIC WORKSHEET - page 2

Briefly describe the location where the noise occurs:

II. WHEN DOES IT OCCUR? (please check the boxes that apply)

- | | |
|---|--|
| <input type="checkbox"/> anytime | <input type="checkbox"/> after sitting out in the rain |
| <input type="checkbox"/> 1st time in the morning | <input type="checkbox"/> when it is raining or wet |
| <input type="checkbox"/> only when it is cold outside | <input type="checkbox"/> dry or dusty conditions |
| <input type="checkbox"/> only when it is hot outside | <input type="checkbox"/> other: |

III. WHEN DRIVING:

- through driveways
- over rough roads
- over speed bumps
- only about ____ mph
- on acceleration
- coming to a stop
- on turns: left, right or either (circle)
- with passengers or cargo
- other: _____
- after driving ____ miles or ____ minutes

IV. WHAT TYPE OF NOISE

- squeak (like tennis shoes on a clean floor)
- creak (like walking on an old wooden floor)
- rattle (like shaking a baby rattle)
- knock (like a knock at the door)
- tick (like a clock second hand)
- thump (heavy, muffled knock noise)
- buzz (like a bumble bee)

TO BE COMPLETED BY DEALERSHIP PERSONNEL

Test Drive Notes:

	YES	NO	Initials of person performing
Vehicle test driven with customer	<input type="checkbox"/>	<input type="checkbox"/>	_____
- Noise verified on test drive	<input type="checkbox"/>	<input type="checkbox"/>	_____
- Noise source located and repaired	<input type="checkbox"/>	<input type="checkbox"/>	_____
- Follow up test drive performed to confirm repair	<input type="checkbox"/>	<input type="checkbox"/>	_____

VIN: _____ Customer Name: _____
W.O.# _____ Date: _____

This form must be attached to Work Order

PIIB8742E

HOOD

< REMOVAL AND INSTALLATION >

[COUPE]

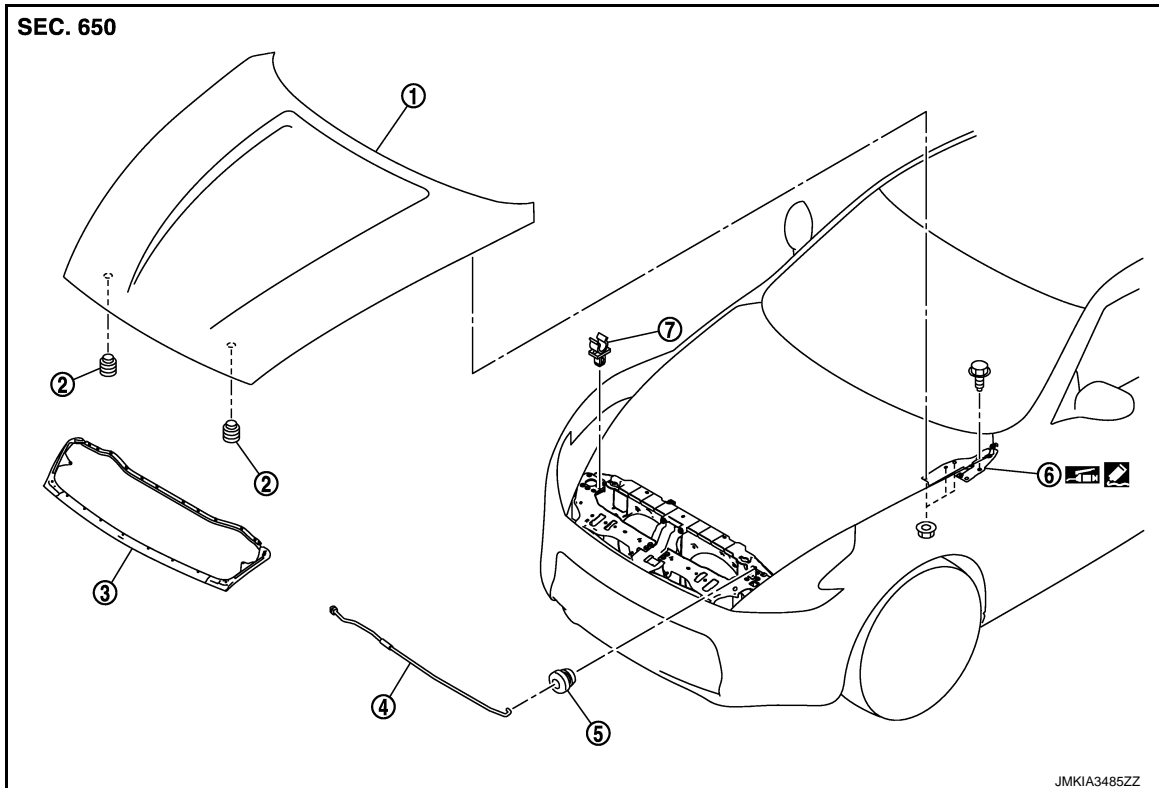
REMOVAL AND INSTALLATION

HOOD

HOOD ASSEMBLY

HOOD ASSEMBLY : Exploded View

INFOID:000000008196169



- | | | |
|---------------------|-----------------------|----------------------|
| 1. Hood assembly | 2. Hood bumper rubber | 3. Hood seal (front) |
| 4. Hood support rod | 5. Grommet | 6. Hood hinge |
| 7. Clamp | | |

Refer to [GI-4, "Components"](#) for symbols in the figure.

HOOD ASSEMBLY : Removal and Installation

INFOID:000000008196170

CAUTION:

- Operate with 2 workers, because of its heavy weight.
- Use protective tape or shop cloth to protect from damage during removal and installation.

REMOVAL

1. Remove washer nozzle (LH/RH) and washer tube. Refer to [WW-86, "Removal and Installation"](#).
2. Support hood assembly with a suitable material to prevent it from falling.

WARNING:

Bodily injury may occur if no supporting rod is holding the hood open when removing the hood stay.

3. Remove hood hinge mounting bolts on the hood to remove the hood assembly.

INSTALLATION

Install in the reverse order of removal.

CAUTION:

- Apply anticorrosive agent onto the mounting surface.
- Check hood hinge rotating part for poor lubrication. If necessary, apply body grease.
- After installation, check hood open/close, lock/unlock operation.

A
B
C
D
E
F
G
H
I
J

DLK

L
M
N
O
P

HOOD

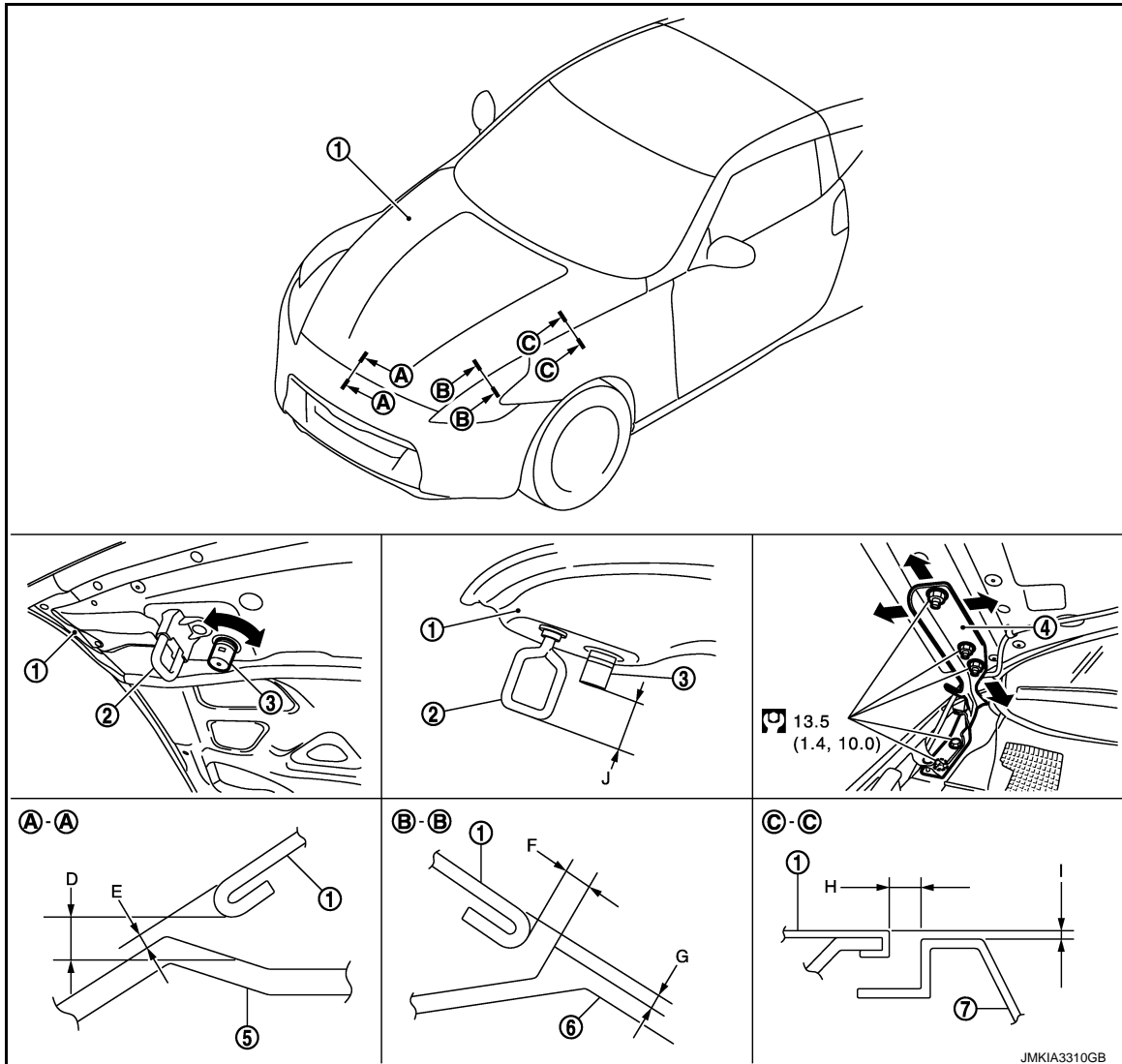
[COUPE]

< REMOVAL AND INSTALLATION >

- After installation, adjust the following parts.
- Hood: Refer to [DLK-138, "HOOD ASSEMBLY : Adjustment"](#).
- Washer nozzle (LH/RH) and washer tube: Refer to [WW-86, "Removal and Installation"](#).
- After installation, apply touch-up paint (the body color) onto the heads of hood hinge mounting bolts and nuts.

HOOD ASSEMBLY : Adjustment

INFOID:000000008196171



- | | | |
|------------------|------------------------|---------------------------|
| 1. Hood assembly | 2. Hood striker | 3. Hood bumper rubber |
| 4. Hood hinge | 5. Front bumper fascia | 6. Front combination lamp |
| 7. Front fender | | |

Refer to [GI-4, "Components"](#) for symbols in the figure.

Check the clearance and the surface height between hood and each part by seeing and touching. Fitting standard dimension in the table below should be satisfied.

If the clearance and the surface height are out of specification, adjust them according to the procedures shown below.

HOOD

< REMOVAL AND INSTALLATION >

[COUPE]

Unit: mm (in)

Portion			Standard	Difference (LH/RH, MAX)
Hood – Front bumper fascia	A – A	D	2.9 – 6.9 (0.114 – 0.272)	—
		E	-1.0 – 3.0 (-0.039 – 0.118)	—
Hood – Front combination lamp	B – B	F	1.5 – 5.5 (0.059 – 0.217)	2.2 (0.087)
		G	-1.0 – 3.0 (-0.039 – 0.118)	3.0 (0.118)
Hood – Front fender	C – C	H	2.5 – 4.5 (-0.098 – 0.177)	2.0 (0.079)
		I	-0.75 – 1.25 (-0.030 – 0.049)	2.0 (0.079)
Hood striker – Hood bumper rubber	—	J	35.7 – 36.7 (1.406 – 1.445)	—

- Remove striker and adjust the surface height of hood, front bumper fascia and front fender according to the fitting standard dimension, by rotating hood bumper rubber.
- Adjust the height difference of striker, hood bumper rubber according to the fitting standard dimension.
- Loosen hood hinge mounting nuts on the hood.
- Adjust the clearance of hood, front bumper fascia and front fender according to the fitting standard dimension, for the hood.
- Check that hood lock primary latch is securely engaged with striker by dropping hood from approximately 200 mm (7.874 in) height or pressing lightly on the hood.

CAUTION:

Never drop hood from a height of 300 mm (11.811 in) or more.

- Install as static closing force of hood is 94 – 490 N (9.6 – 50.0 kg, 21.1 – 110 lb).

NOTE:

- Exercise vertical force on right side and left side of hood lock.
- Do not simultaneously press both sides.

- After adjustment, tighten hood hinge mounting nuts to the specified torque.

CAUTION:

- Apply anticorrosive agent onto the mounting surface.
- Check hood hinge rotating part for poor lubrication. If necessary, apply body grease.
- After installation, apply touch-up paint (the body color) onto the heads of hood hinge mounting bolts and nuts.

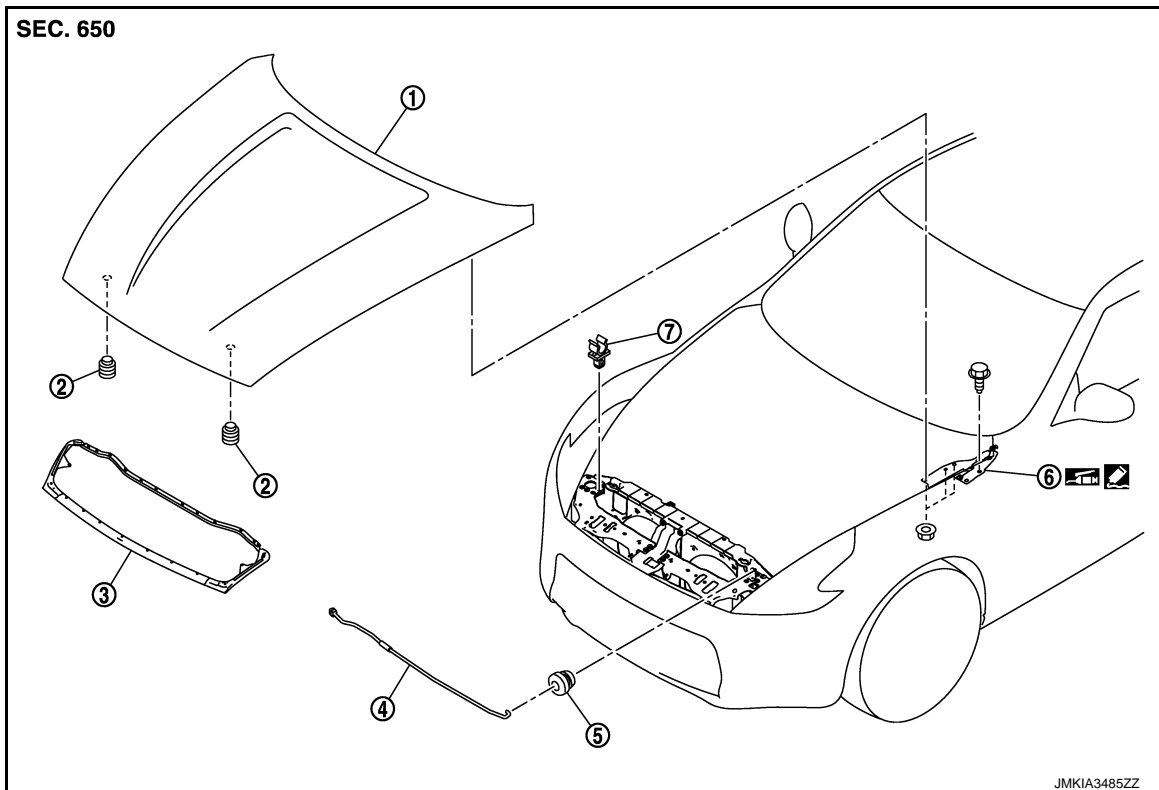
HOOD HINGE

A
B
C
D
E
F
G
H
I
J
L
M
N
O
P

DLK

HOOD HINGE : Exploded View

INFOID:000000008196172



- | | | |
|---------------------|-----------------------|----------------------|
| 1. Hood assembly | 2. Hood bumper rubber | 3. Hood seal (front) |
| 4. Hood support rod | 5. Grommet | 6. Hood hinge |
| 7. Clamp | | |

Refer to [GI-4. "Components"](#) for symbols in the figure.

HOOD HINGE : Removal and Installation

INFOID:000000008196173

REMOVAL

1. Remove hood assembly. Refer to [DLK-137. "HOOD ASSEMBLY : Removal and Installation"](#).
2. Remove hood hinge mounting bolts, and then remove hood hinge.

INSTALLATION

Install in the reverse order of removal.

CAUTION:

- Apply anticorrosive agent onto the mounting surface.
- Check hood hinge rotating part for poor lubrication. If necessary, apply body grease.
- After installation, check hood open/close, lock/unlock operation.
- After installation, apply touch-up paint (the body color) onto the heads of hood hinge mounting bolts and nuts.
- After installation, perform the fitting adjustment. Refer to [DLK-138. "HOOD ASSEMBLY : Adjustment"](#).

HOOD SUPPORT ROD

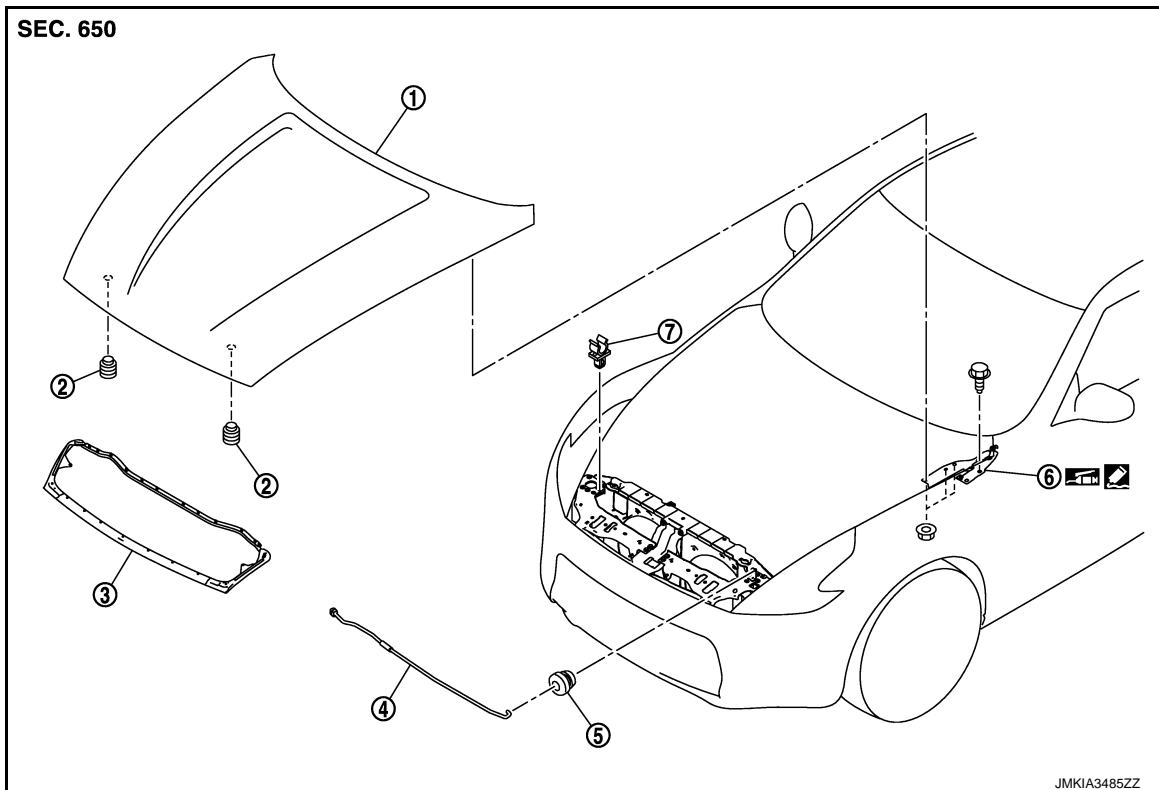
HOOD

< REMOVAL AND INSTALLATION >

[COUPE]

HOOD SUPPORT ROD : Exploded View

INFOID:000000008196174



- | | | |
|---------------------|-----------------------|----------------------|
| 1. Hood assembly | 2. Hood bumper rubber | 3. Hood seal (front) |
| 4. Hood support rod | 5. Grommet | 6. Hood hinge |
| 7. Clamp | | |

Refer to [GI-4. "Components"](#) for symbols in the figure.

HOOD SUPPORT ROD : Removal and Installation

INFOID:000000008196175

DLK

REMOVAL

1. Support hood assembly with a suitable material to prevent it from falling.

WARNING:

Bodily injury may occur if no supporting rod is holding the hood open when removing the hood support rod.

2. Pull hood support rod from grommet and remove.

INSTALLATION

Install in the reverse order of removal.

A
B
C
D
E
F
G
H
I
J
L
M
N
O
P

RADIATOR CORE SUPPORT

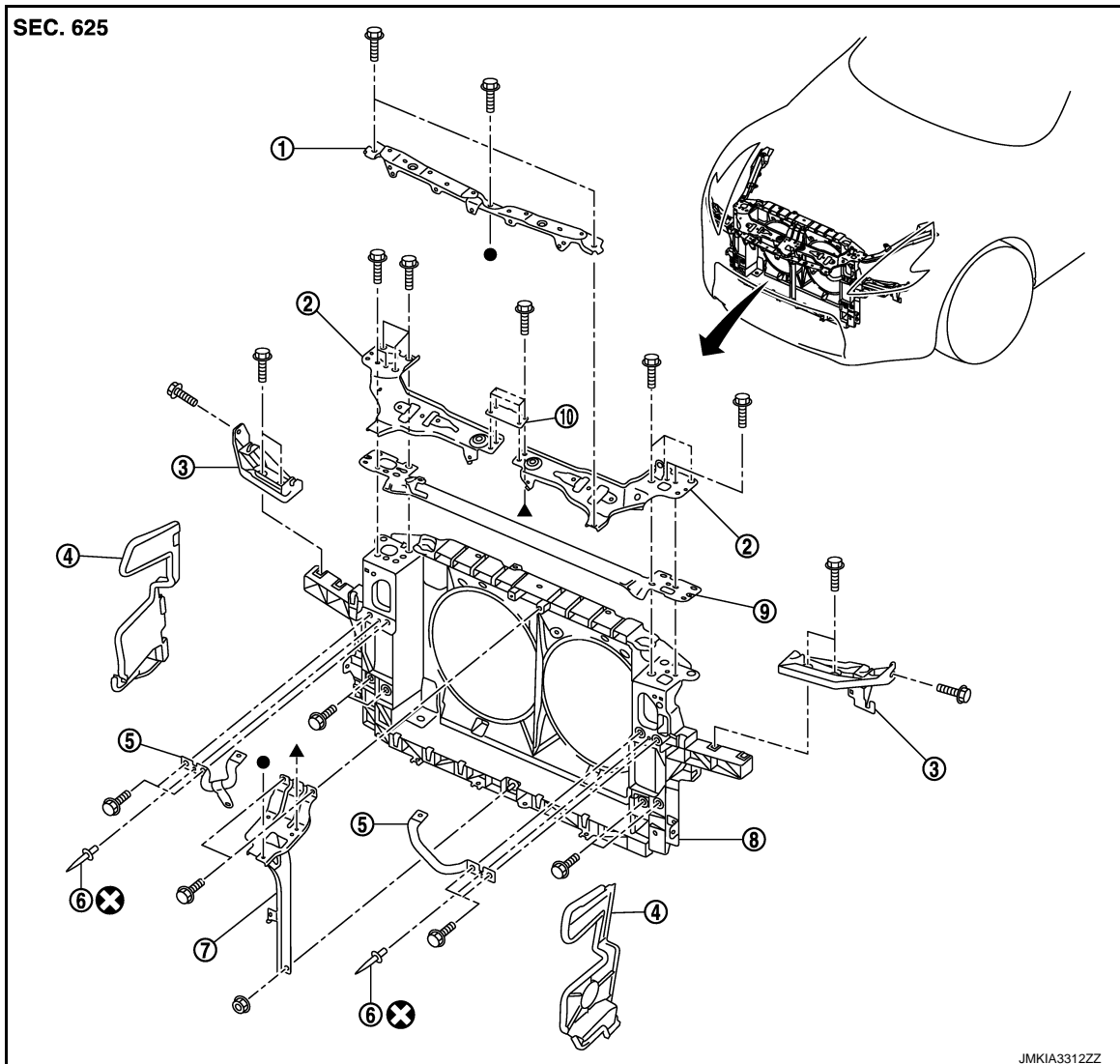
< REMOVAL AND INSTALLATION >

[COUPE]

RADIATOR CORE SUPPORT

Exploded View

INFOID:000000008196176



- | | | |
|--------------------------------|-----------------------------------|--|
| 1. Front bumper retainer | 2. Hood lock bracket (LH/RH) | 3. Head lamp bracket (LH/RH) |
| 4. Air guide (LH/RH) | 5. Hood lock stay (LH/RH) | 6. Rivet |
| 7. Hood lock stay assembly | 8. Radiator core support assembly | 9. Radiator core support reinforcement |
| 10. Hood lock bracket (center) | | |

Refer to [GI-4, "Components"](#) for symbols in the figure.

Removal and Installation

INFOID:000000008196177

REMOVAL

1. Remove front bumper fascia, energy absorber, and bumper reinforcement. Refer to [EXT-14, "Removal and Installation"](#).
2. Remove engine under cover. Refer to [EXT-30, "FLOOR UNDER COVER : Removal and Installation"](#).
3. Drain engine coolant from radiator. Refer to [CO-10, "Draining"](#).
4. Use refrigerant collecting equipment to discharge the refrigerant. Refer to [HA-28, "Recycle Refrigerant"](#).
5. Remove air guide (LH/RH).
6. Remove bumper center upper finisher. Refer to [EXT-13, "Exploded View"](#).

RADIATOR CORE SUPPORT

[COUPE]

< REMOVAL AND INSTALLATION >

7. Disconnect harness clips and hood lock control cable clips from bumper retainer.
8. Remove bumper retainer.
9. Remove horn (HIGH/LOW). Refer to [HRN-5, "Removal and Installation"](#).
10. Remove hood lock (LH/RH). Refer to [DLK-159, "Removal and Installation"](#).
11. Remove front combination lamp (LH/RH). Refer to [EXL-76, "Removal and Installation"](#).
12. Support hood assembly with a suitable material to prevent it from falling.

WARNING:

Bodily injury may occur if no supporting rod is holding the hood open when removing the hood support rod.

13. Remove hood lock bracket (center).
14. Remove hood lock bracket (LH/RH).

NOTE:

Remove hood lock bracket RH and washer inlet at the same time.

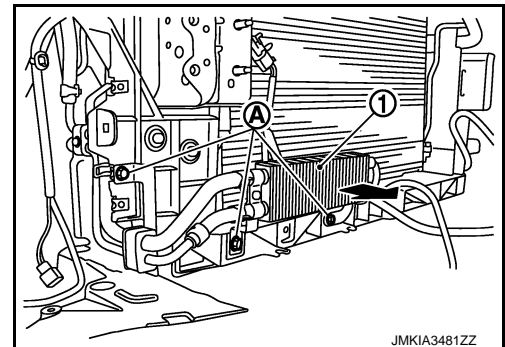
15. Remove ambient sensor. Refer to [HAC-82, "Removal and Installation"](#).
16. Remove hood lock stay assembly.
17. Remove radiator core support reinforcement.
18. Remove washer tank. Refer to [WW-83, "Removal and Installation"](#).
19. Remove Intelligent Key warning buzzer. Refer to [DLK-175, "Removal and Installation"](#).
20. Remove head lamp bracket (LH/RH).
21. Remove air cleaner case assembly (LH/RH). Refer to [EM-31, "Removal and Installation"](#).
22. Remove air duct (LH/RH). Refer to [EM-31, "Removal and Installation"](#).
23. Disconnect condenser pipe assembly at one touch joint. Refer to [HA-45, "CONDENSER PIPE ASSEMBLY : Removal and Installation"](#).
24. Remove the radiator reservoir tank. Refer to [CO-16, "Exploded View"](#).
25. Remove radiator upper hose. Refer to [CO-16, "Exploded View"](#).
26. Disconnect harness connector of refrigerant pressure sensor. Refer to [HA-44, "Exploded View"](#).
27. Remove crash zone sensor. Refer to [SR-26, "Removal and Installation"](#).
28. Disconnect harness connector of cooling fan. Refer to [CO-20, "Removal and Installation"](#).
29. Remove upper mount bracket, and then tilt radiator toward vehicle front. Refer to [CO-16, "Exploded View"](#).

30. Disconnect all harness clips from radiator core support assembly.

CAUTION:

Never damage radiator.

31. Remove radiator lower hose at radiator side.
32. Disconnect A/T fluid cooler hose.
33. Remove mounting bolts (A), and then move power steering fluid cooler assembly (1) toward vehicle front.



34. Remove hood lock stay (LH/RH).
 - Remove the rivets, and then remove the hood lock stay (LH/RH) from the radiator core support assembly.

NOTE:

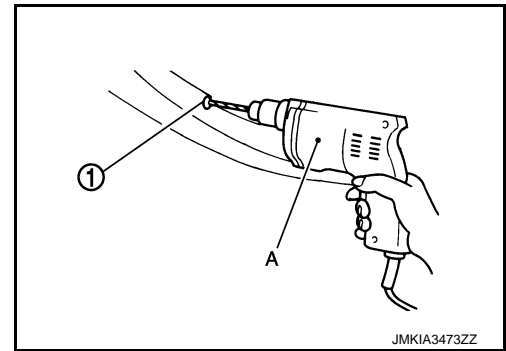
Removal of rivet.

RADIATOR CORE SUPPORT

[COUPE]

< REMOVAL AND INSTALLATION >

Grind the head of rivet (1) with a drill (A) [bit of 4.0 - ϕ 4.5 mm (0.157 - ϕ 0.177 in)] and then remove the hood lock stay (LH/RH).



35. Remove mounting bolts, and then remove radiator core support assembly.

CAUTION:

- Operate with 2 workers, because of its heavy weight.
- Never damage power steering oil cooler pipe.

36. Remove the following parts after removing radiator core support assembly.

- Cooling fan (LH/RH). Refer to [CO-20. "Removal and Installation"](#).
- Radiator and condenser assembly. Refer to [CO-17. "Removal and Installation"](#).

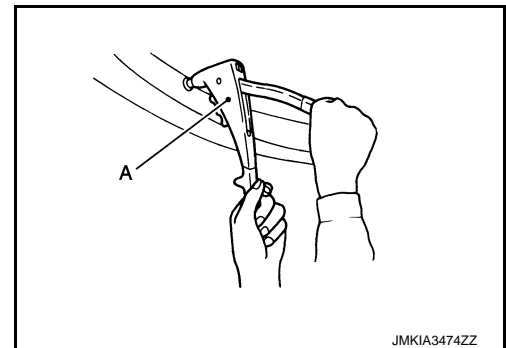
INSTALLATION

Install in the reverse order of removal.

NOTE:

Securely crimp the hood lock stay (LH/RH) with the radiator core support assembly with a hand riveter (A).

Hood lock stay (LH/RH)	
Used rivet head diameter	: ϕ 9.6 mm (ϕ 0.378 in)



CAUTION:

- After installation, fill the following parts.
 - Refrigerant: Refer to [HA-28. "Charge Refrigerant"](#).
 - Engine coolant: Refer to [CO-11. "Refilling"](#).
 - A/T fluid: Refer to [TM-309. "Changing"](#).
- After installation, adjust the following parts.
 - Front combination lamp: Refer to [EXL-73. "Description"](#).

FRONT FENDER

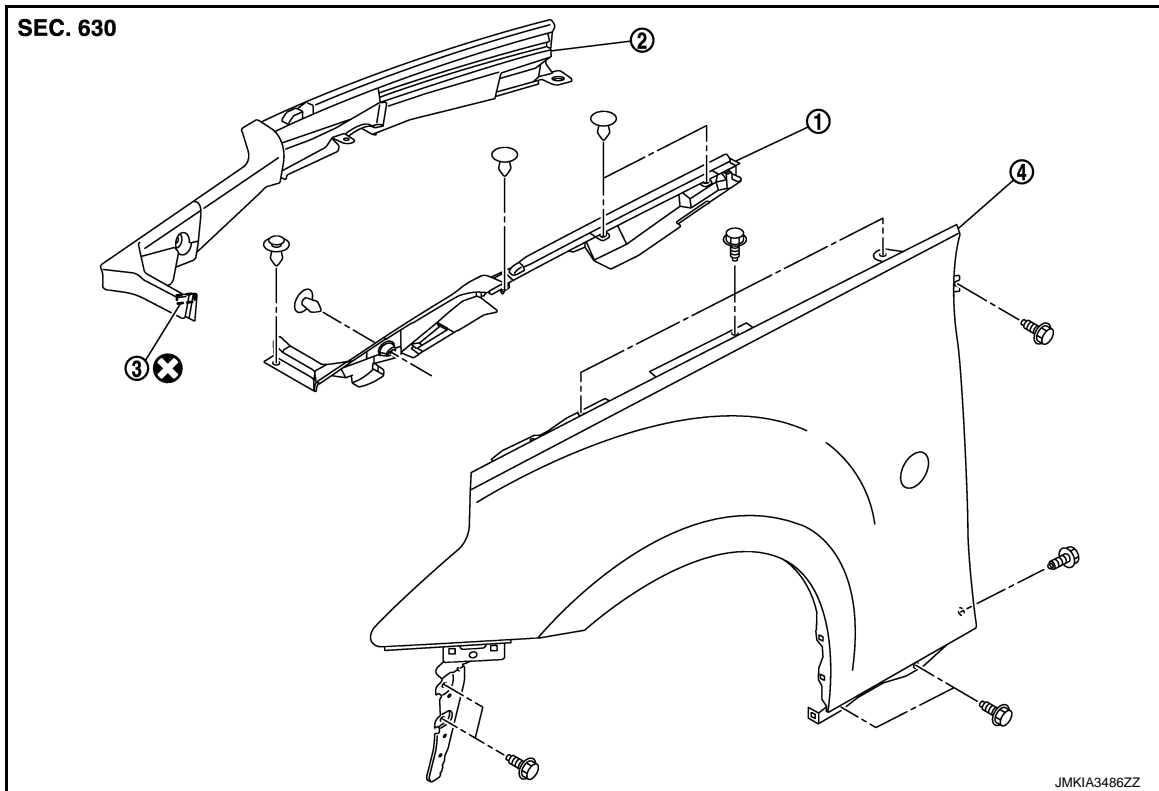
< REMOVAL AND INSTALLATION >

[COUPE]

FRONT FENDER

Exploded View

INFOID:000000008196178



- 1. Hood seal (side) (LH)
- 2. Hood seal (side) (RH)
- 3. Double-faced adhesive tape [t: 2.0mm (0.079in)]
- 4. Front fender assembly

Refer to [GI-4, "Components"](#) for symbols in the figure.

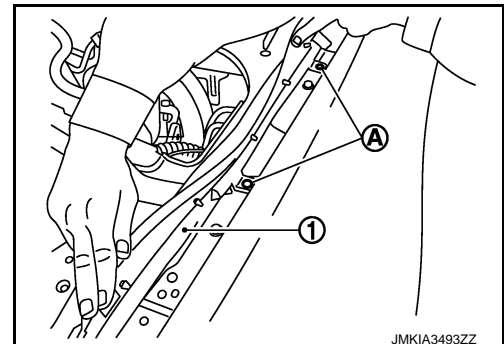
Removal and Installation

INFOID:000000008196179

CAUTION:
Use protective tape or shop cloth to protect from damage during removal and installation.

REMOVAL

1. Remove front bumper fascia. Refer to [EXT-14, "Removal and Installation"](#).
2. Remove front combination lamp. Refer to [EXL-76, "Removal and Installation"](#).
3. Remove side turn signal lamp. Refer to [EXL-83, "Removal and Installation"](#).
4. Remove clips (A) of hood seal (side) (1).



5. Remove clips and screws of fender protector. Refer to [EXT-25, "FENDER PROTECTOR : Removal and Installation"](#).

A
B
C
D
E
F
G
H
I
J

DLK

L
M
N
O
P

FRONT FENDER

[COUPE]

< REMOVAL AND INSTALLATION >

6. Remove center mud guard. Refer to [EXT-27, "Removal and Installation"](#).
7. Remove mounting bolts and remove front fender.

INSTALLATION

Install in the reverse order of removal.

CAUTION:

- After installation, apply the touch-up paint (the body color) onto the head of front fender mounting bolts.
- After installation, adjust the following parts.
 - Hood assembly: Refer to [DLK-138, "HOOD ASSEMBLY : Adjustment"](#).
 - Door: Refer to [DLK-148, "DOOR ASSEMBLY : Adjustment"](#).
 - Front combination lamp: Refer to [EXL-73, "Description"](#).

DOOR

[COUPE]

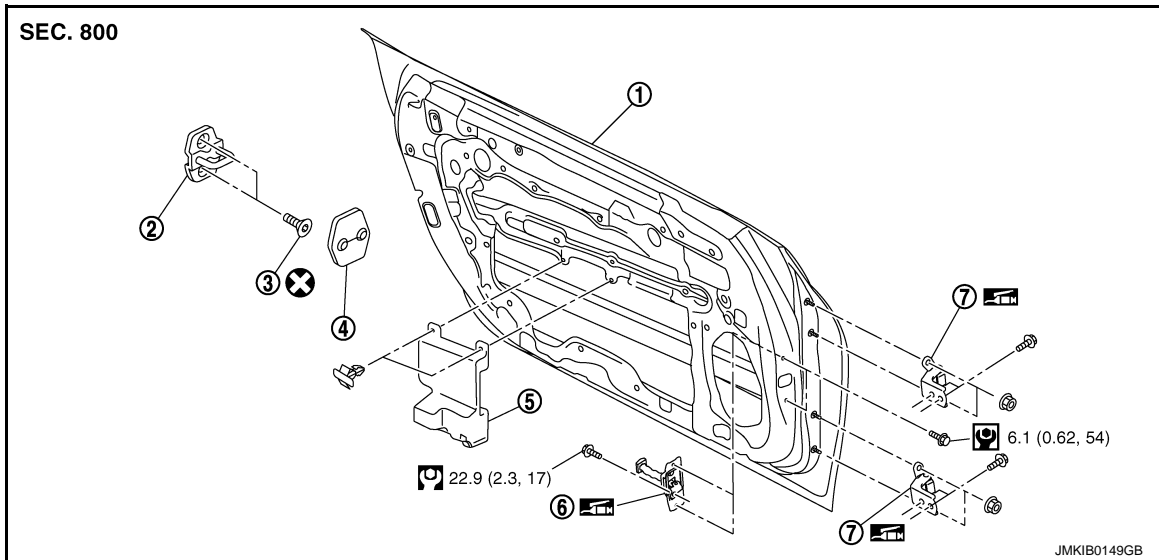
< REMOVAL AND INSTALLATION >

DOOR

DOOR ASSEMBLY

DOOR ASSEMBLY : Exploded View

INFOID:000000008196180



- | | | |
|-----------------------------|-----------------|--------------------|
| 1. Door panel | 2. Door striker | 3. TORX bolt |
| 4. Door striker cover | 5. Door pad | 6. Door check link |
| 7. Door hinge (upper/lower) | | |

Refer to [GI-4, "Components"](#) for symbols in the figure.

DOOR ASSEMBLY : Removal and Installation

INFOID:000000008196181

CAUTION:

- Operate with 2 workers, because of its heavy weight.
- Use protective tape or shop cloth to protect from damage during removal and installation.

REMOVAL

1. Remove mounting bolts of door check link on the vehicle.
2. Disconnect door harness connector.
3. Remove door hinge mounting nuts (door side), and then remove door assembly.

INSTALLATION

Install in the reverse order of removal.

CAUTION:

- Apply anticorrosive agent onto the mounting surface.
- Check door hinge rotating part for poor lubrication. If necessary, apply body grease.
- After installation, check door open/close, and lock/unlock operation.
- After installation, perform the fitting adjustment. Refer to [DLK-148, "DOOR ASSEMBLY : Adjustment"](#).
- After installation, apply touch-up paint (the body color) onto the head of door hinge mounting bolts and nuts.

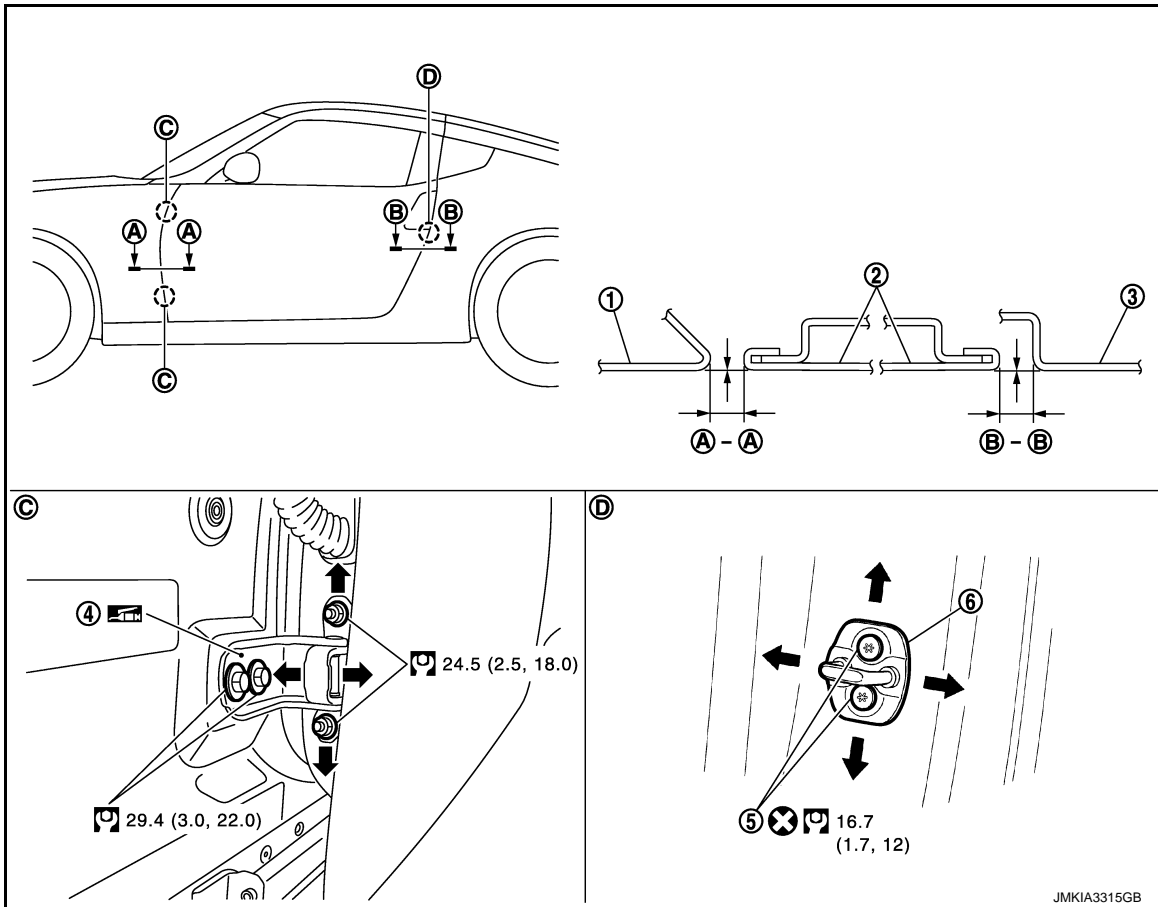
DOOR

< REMOVAL AND INSTALLATION >

[COUPE]

DOOR ASSEMBLY : Adjustment

INFOID:00000008196182



- | | | |
|-----------------------------|---------------|-----------------|
| 1. Front fender | 2. Door panel | 3. Rear fender |
| 4. Door hinge (upper/lower) | 5. TORX bolt | 6. Door striker |

Refer to [GI-4. "Components"](#) for symbols in the figure.

Check the clearance and surface height between door and each part by seeing and touching. If the clearance and surface height are out of specification, adjust them according to the procedures shown below.

Unit: mm (in)

Portion		Clearance	Surface height
Front fender – Door	A – A	3.0 – 5.0 (0.118 – 0.197)	-1.0 – 1.0 (-0.039 – 0.039)
Door – Rear fender	B – B	3.0 – 5.0 (0.118 – 0.197)	-0.5 – 1.0 (-0.020 – 0.039)

- Remove front fender. Refer to [DLK-145. "Removal and Installation"](#).
- Loosen door hinge mounting nuts on door side.
- Adjust the surface height of door according to the fitting standard dimension.
- Temporarily tighten door hinge mounting nuts on door side.
- Loosen door hinge mounting bolts on body side.
- Raise front at rear end to adjust clearance of the door according to the fitting standard dimension.
- Tighten each bolt and nut to the specified torque.

CAUTION:

- Apply anticorrosive agent onto the mounting surface.
- Check door hinge rotating part for poor lubrication. If necessary, apply body grease.
- After installation, check door open/close, and lock/unlock operation.

DOOR

[COUPE]

< REMOVAL AND INSTALLATION >

- After installation, apply touch-up paint (the body color) onto the head of door hinge mounting bolts and nuts.

8. Install front fender. Refer to [DLK-145. "Removal and Installation"](#).

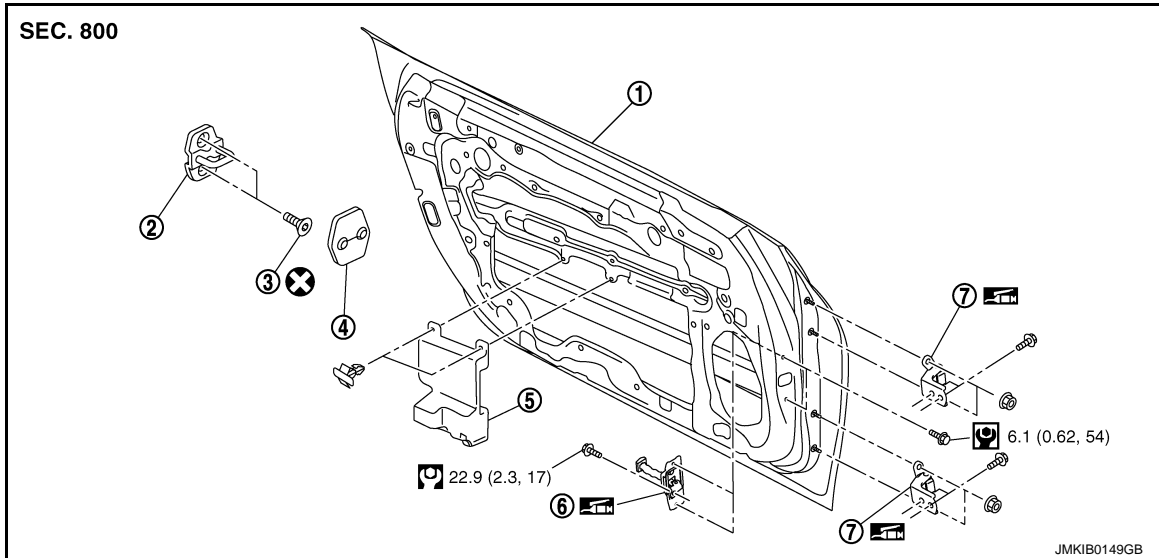
DOOR STRIKER ADJUSTMENT

Adjust door striker so that it becomes parallel with door lock insertion direction.

DOOR STRIKER

DOOR STRIKER : Exploded View

INFOID:000000008656191



- | | | |
|-----------------------------|-----------------|--------------------|
| 1. Door panel | 2. Door striker | 3. TORX bolt |
| 4. Door striker cover | 5. Door pad | 6. Door check link |
| 7. Door hinge (upper/lower) | | |

Refer to [GI-4. "Components"](#) for symbols in the figure.


DOOR STRIKER : Removal and Installation

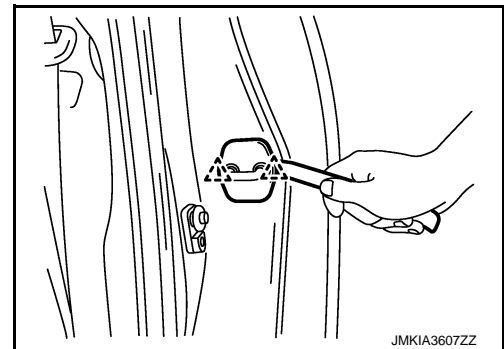
INFOID:000000008196184

DLK

REMOVAL

1. Remove door striker cover.

 : Pawl



2. Remove TORX bolts, and then remove door striker.

INSTALLATION

Install in the reverse order of removal.

CAUTION:

- After installation, check door open/close, and lock/unlock operation.
- After installation, perform the fitting adjustment. Refer to [DLK-148. "DOOR ASSEMBLY : Adjustment"](#).

DOOR HINGE

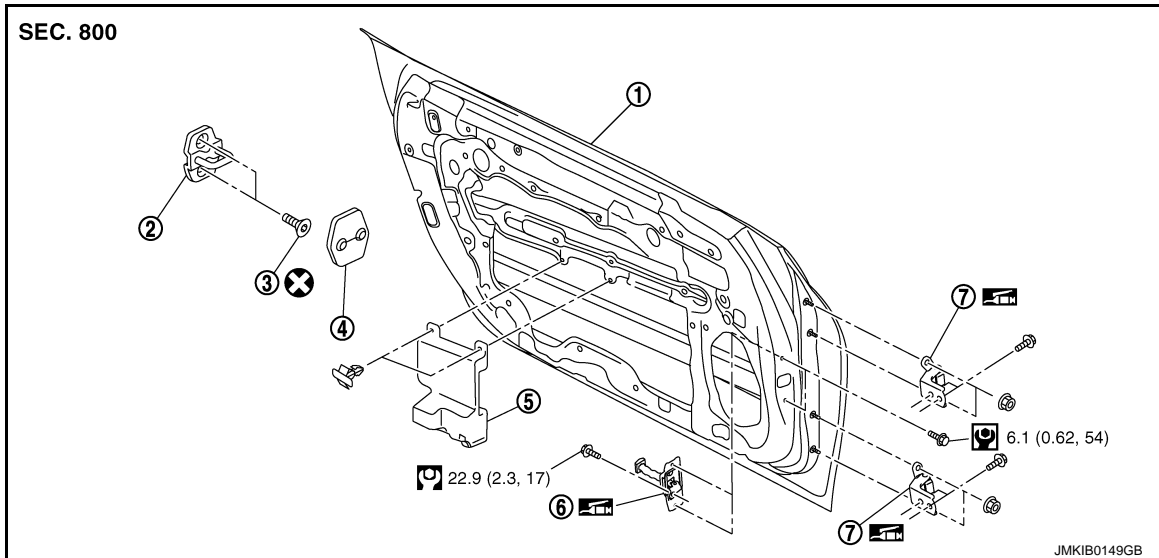
DOOR

< REMOVAL AND INSTALLATION >

[COUPE]

DOOR HINGE : Exploded View

INFOID:000000008656194



- | | | |
|-----------------------------|-----------------|--------------------|
| 1. Door panel | 2. Door striker | 3. TORX bolt |
| 4. Door striker cover | 5. Door pad | 6. Door check link |
| 7. Door hinge (upper/lower) | | |

Refer to [GI-4, "Components"](#) for symbols in the figure.

DOOR HINGE : Removal and Installation

INFOID:000000008196186

REMOVAL

1. Remove door assembly. Refer to [DLK-147, "DOOR ASSEMBLY : Removal and Installation"](#).
2. Remove door hinge mounting bolts, and then remove door hinge.

INSTALLATION

Install in the reverse order of removal.

CAUTION:

- Apply anticorrosive agent onto the mounting surface.
- Check door hinge rotating part for poor lubrication. If necessary, apply body grease.
- After installation, check door open/close, and lock/unlock operation.
- After installation, perform the fitting adjustment. Refer to [DLK-148, "DOOR ASSEMBLY : Adjustment"](#).
- After installation, apply touch-up paint (the body color) onto the head of door hinge mounting bolts and nuts.

DOOR CHECK LINK

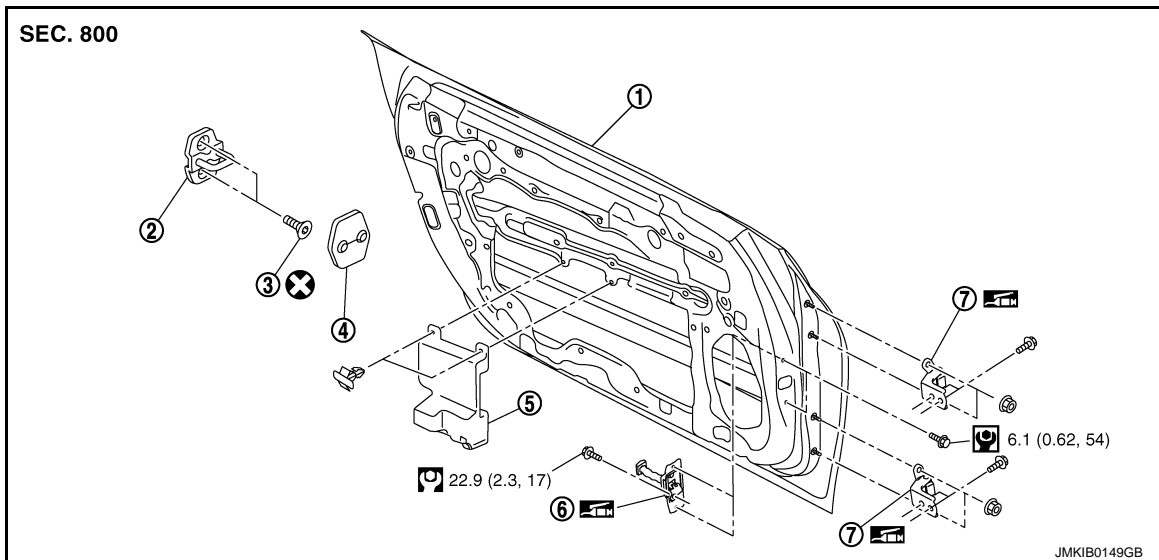
DOOR

< REMOVAL AND INSTALLATION >

[COUPE]

DOOR CHECK LINK : Exploded View

INFOID:000000008656195



- | | | |
|-----------------------------|-----------------|--------------------|
| 1. Door panel | 2. Door striker | 3. TORX bolt |
| 4. Door striker cover | 5. Door pad | 6. Door check link |
| 7. Door hinge (upper/lower) | | |

Refer to [GI-4, "Components"](#) for symbols in the figure.

DOOR CHECK LINK : Removal and Installation

INFOID:000000008196188

REMOVAL

1. Remove door finisher. Refer to [INT-15, "Removal and Installation"](#).
2. Fully close the door window.
3. Remove door speaker. Refer to [AV-107, "Removal and Installation"](#) (without navigation) or [AV-246, "Removal and Installation"](#) (with navigation).
4. Remove mounting bolts of door check link on the vehicle.
5. Remove mounting bolts of door check link on door panel.
6. Take door check link out from the hole of door panel.

INSTALLATION

Install in the reverse order of removal.

CAUTION:

After installation, check door open/close operation.

A
B
C
D
E
F
G
H
I
J
L
M
N
O
P

DLK

BACK DOOR

< REMOVAL AND INSTALLATION >

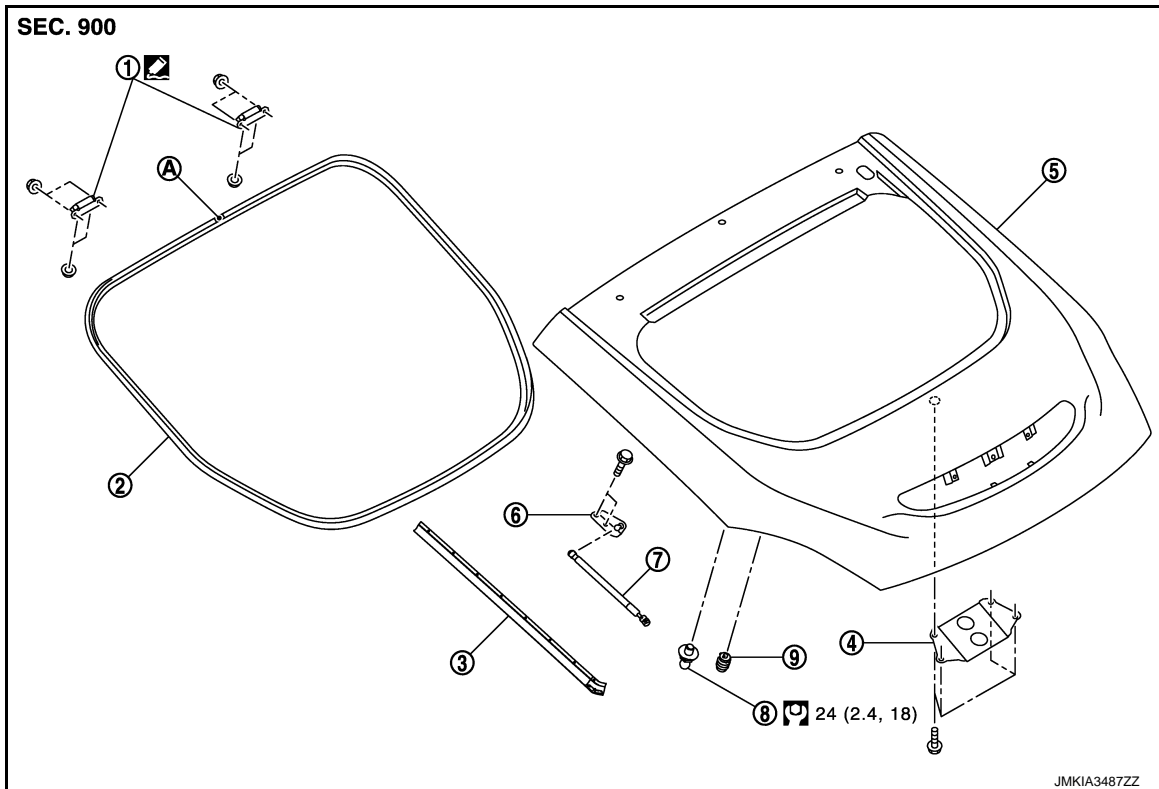
[COUPE]

BACK DOOR

BACK DOOR ASSEMBLY

BACK DOOR ASSEMBLY : Exploded View

INFOID:000000008196189



- | | | |
|---------------------|----------------------------|----------------------------|
| 1. Back door hinge | 2. Back door weather-strip | 3. Back door side seal |
| 4. Back door damper | 5. Back door assembly | 6. Back door stay bracket |
| 7. Back door stay | 8. Stud ball | 9. Back door bumper rubber |
- A : Center mark

Refer to [GI-4. "Components"](#) for symbols in the figure.

BACK DOOR ASSEMBLY : Removal and Installation

INFOID:000000008196190

CAUTION:

- Operate with 2 workers, because of its heavy weight.
- Use protective tape or shop cloth to protect from damage during removal and installation.

REMOVAL

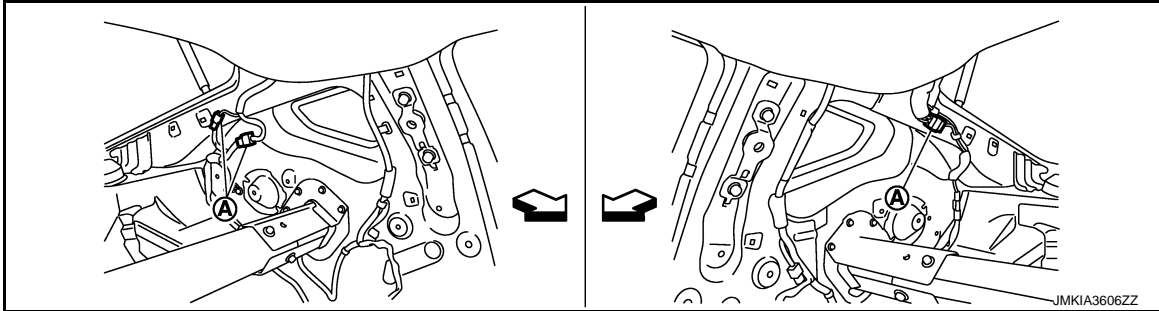
1. Remove back door finisher upper. Refer to [INT-33. "Removal and Installation"](#).
2. Remove luggage side finisher upper (LH/RH). Refer to [INT-32. "Removal and Installation"](#).
3. Remove rear pillar finisher (LH/RH). Refer to [INT-18. "FRONT PILLAR GARNISH : Removal and Installation"](#).
4. Remove clips of headlining at rear end. Refer to [INT-28. "Removal and Installation"](#).

BACK DOOR

< REMOVAL AND INSTALLATION >

[COUPE]

5. Disconnect back door harness connectors (A) at body side.



← : Vehicle front

6. Back door, and then pull harness out of vehicle at roof panel hole.
7. Support back door lock with the suitable material to prevent it from falling.

WARNING:

Bodily injury may occur if no supporting rod is holding the back door open when removing the back door stay.

8. Remove back door stay (LH/RH). Refer to [DLK-156. "BACK DOOR STAY : Removal and Installation"](#).
9. Remove back door hinge (LH/RH) mounting nuts on back door and remove back door assembly.

INSTALLATION

Install in the reverse order of removal.

CAUTION:

- Check back door hinge rotating part for poor lubrication. If necessary, apply body grease.
- After installation, check back door open/close, lock/unlock operation.
- After installation, perform the fitting adjustment. Refer to [DLK-154. "BACK DOOR ASSEMBLY : Adjustment"](#).

A
B
C
D
E
F
G
H
I
J
L
M
N
O
P

DLK

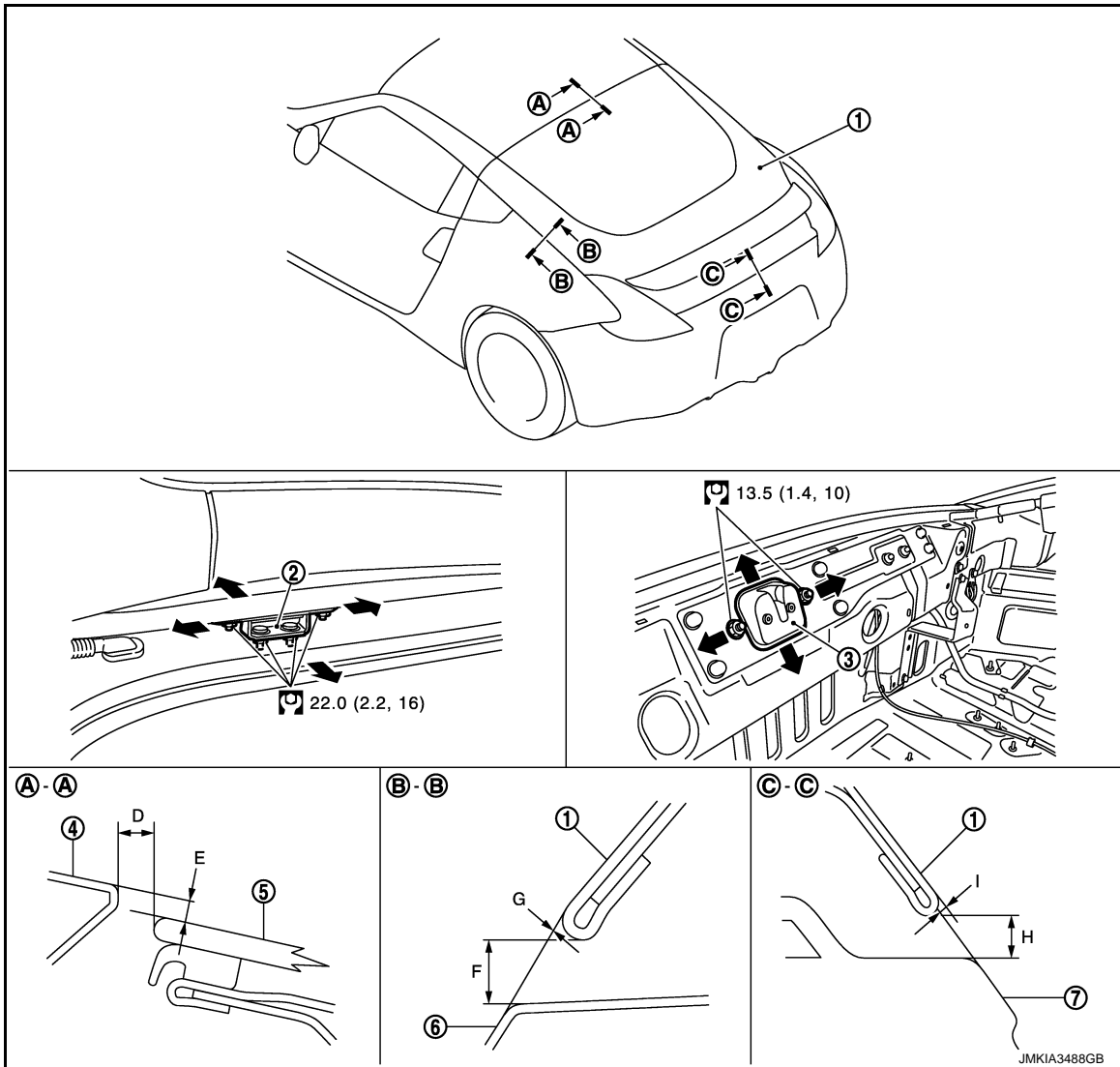
BACK DOOR

< REMOVAL AND INSTALLATION >

[COUPE]

BACK DOOR ASSEMBLY : Adjustment

INFOID:000000008196191



- | | | |
|-----------------------|--------------------|-------------------|
| 1. Back door assembly | 2. Back door hinge | 3. Back door lock |
| 4. Roof | 5. Back door glass | 6. Rear fender |
| 7. Rear bumper fascia | | |

Refer to [GI-4, "Components"](#) for symbols in the figure.

Check the clearance and the surface height between back door and each part by seeing and touching. If the clearance and the surface height are out of specification, adjust them according to the procedures shown below.

Unit: mm (in)

Portion		Standard	
Back door – Roof	A – A	D	Clearance 3.0 – 7.0 (0.118 – 0.276)
		E	Surface height –0.1 – 4.1 (–0.004 – 0.161)
Back door – Rear fender	B – B	F	Clearance 3.0 – 7.0 (0.118 – 0.276)
		G	Surface height –1.2 – 2.8 (–0.047 – 0.110)
Back door – Rear bumper	C – C	H	Clearance 3.0 – 7.0 (0.118 – 0.276)
		I	Surface height –1.0 – 3.0 (–0.039 – 0.118)

BACK DOOR

[COUPE]

< REMOVAL AND INSTALLATION >

1. Remove back door weather-strip. Refer to [DLK-158. "BACK DOOR WEATHER-STRIP : Removal and Installation"](#).
2. Remove the luggage rear plate. Refer to [INT-32. "Removal and Installation"](#).
3. Loosen the back door lock mounting bolts. Raise the back door lock to the top position, and temporarily tighten the back door lock mounting bolts at the position.
4. Close the back door lightly and adjust the surface height, then open the back door to finally tighten the back door lock mounting bolts to the specified torque.

CAUTION:

- Check back door hinge rotating part for poor lubrication. If necessary, apply body grease.
- After installation, check back door open/close, lock/unlock operation.

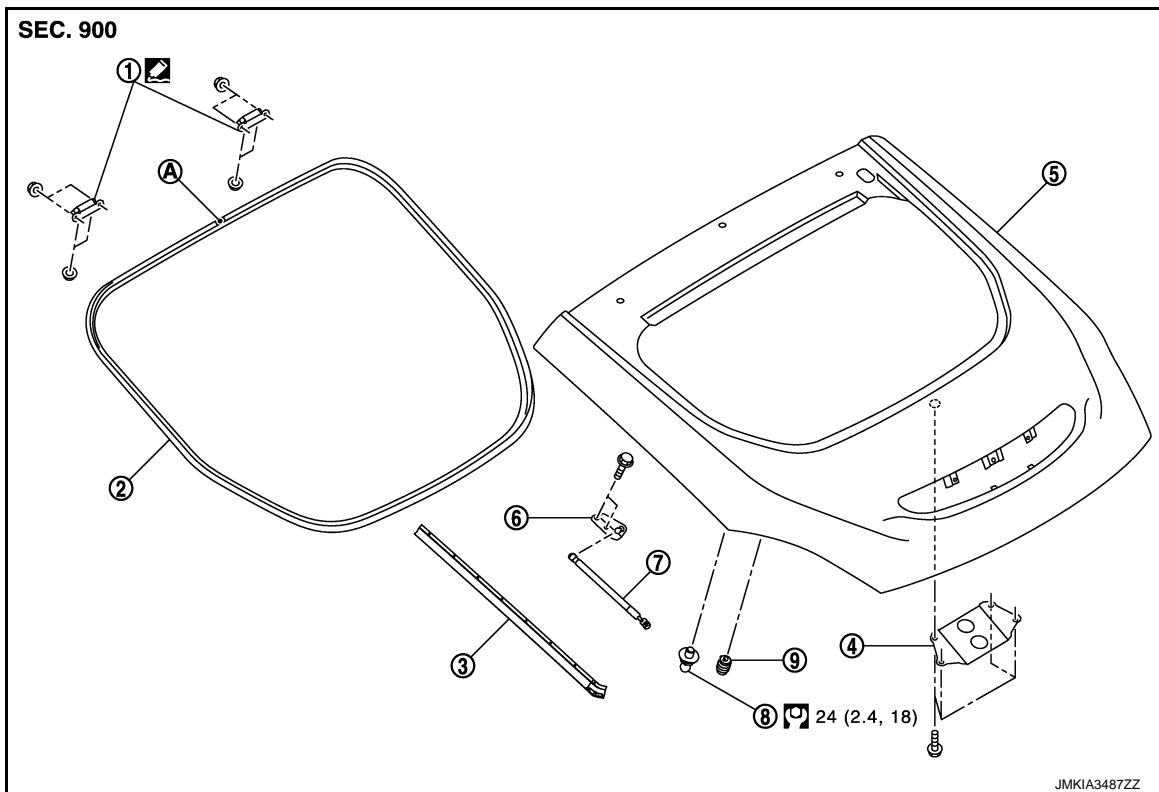
BACK DOOR STRIKER ADJUSTMENT

Adjust back door striker so that it becomes parallel with back door lock insertion direction.

BACK DOOR HINGE

BACK DOOR HINGE : Exploded View

INFOID:000000008196192



- | | | |
|---------------------|----------------------------|----------------------------|
| 1. Back door hinge | 2. Back door weather-strip | 3. Back door side seal |
| 4. Back door damper | 5. Back door assembly | 6. Back door stay bracket |
| 7. Back door stay | 8. Stud ball | 9. Back door bumper rubber |
- A : Center mark

Refer to [GI-4. "Components"](#) for symbols in the figure.

BACK DOOR HINGE : Removal and Installation

INFOID:000000008196193

REMOVAL

1. Remove back door assembly. Refer to [DLK-152. "BACK DOOR ASSEMBLY : Removal and Installation"](#).
2. Remove luggage side finisher upper (LH/RH). Refer to [INT-32. "Removal and Installation"](#).
3. Remove rear pillar finisher (LH/RH). Refer to [INT-18. "FRONT PILLAR GARNISH : Removal and Installation"](#).
4. Remove clips of headlining at rear end. Refer to [INT-28. "Removal and Installation"](#).

BACK DOOR

[COUPE]

< REMOVAL AND INSTALLATION >

5. Remove back door hinge mounting nuts (body side), and then remove back door hinge.

INSTALLATION

Install in the reverse order of removal.

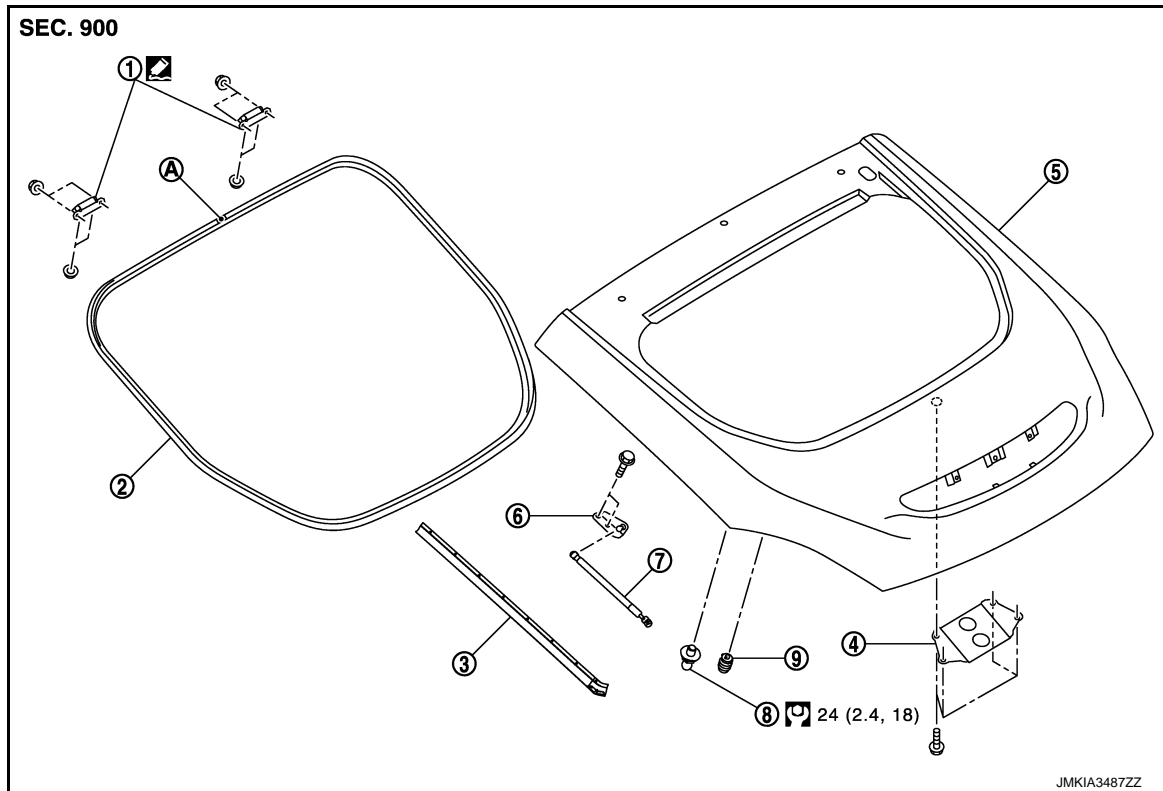
CAUTION:

- Check back door hinge rotating part for poor lubrication. If necessary, apply body grease.
- After installation, check back door open/close, lock/unlock operation.
- After installation, perform the fitting adjustment. Refer to [DLK-154, "BACK DOOR ASSEMBLY : Adjustment"](#).

BACK DOOR STAY

BACK DOOR STAY : Exploded View

INFOID:000000008196194



- | | | |
|---------------------|----------------------------|----------------------------|
| 1. Back door hinge | 2. Back door weather-strip | 3. Back door side seal |
| 4. Back door damper | 5. Back door assembly | 6. Back door stay bracket |
| 7. Back door stay | 8. Stud ball | 9. Back door bumper rubber |

A : Center mark

Refer to [GI-4, "Components"](#) for symbols in the figure.

BACK DOOR STAY : Removal and Installation

INFOID:000000008196195

REMOVAL

1. Support back door lock with the suitable material to prevent it from falling.

WARNING:

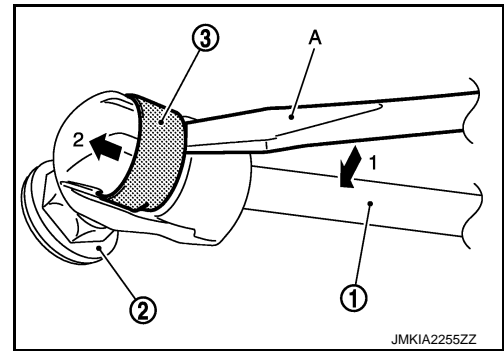
Bodily injury may occur if no supporting rod is holding the back door open when removing the back door stay.

BACK DOOR

[COUPE]

< REMOVAL AND INSTALLATION >

- Remove the metal clip (3) located on the connection between the back door stay (1) and the stud ball (2) (back door side) by using a flat-bladed screwdriver (A).
- Remove back door stay (back door side).



- In the same way, remove back door stay (body side).

INSTALLATION

Install in the reverse order of removal.

CAUTION:

After installation, check back door open/close operation.

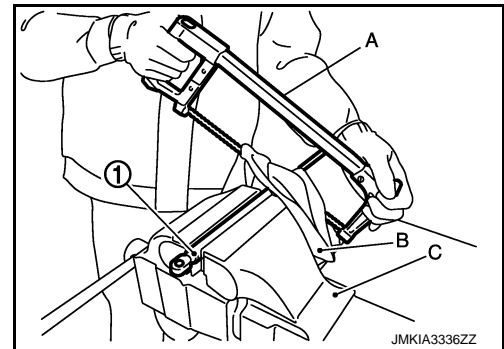
BACK DOOR STAY : Disposal

INFOID:000000008196196

- Fix back door stay (1) using a vise (C).
- Using hacksaw (A) slowly make 2 holes in the back door stay, in numerical order as shown in the figure.

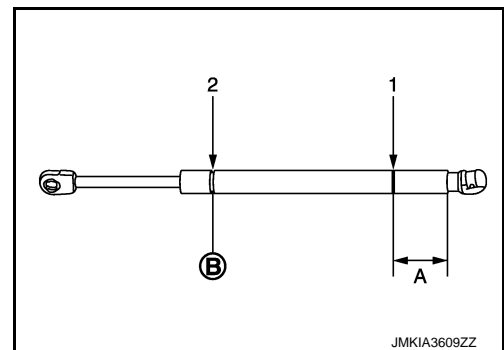
CAUTION:

- When cutting a hole on back door stay, always cover a hacksaw using a shop cloth (B) to avoid scattering metal fragments or oil.
- Wear eye protection (safety glasses).
- Wear gloves.



A: 20 mm (0.787 in)

B: Cut at the groove.



BACK DOOR WEATHER-STRIP

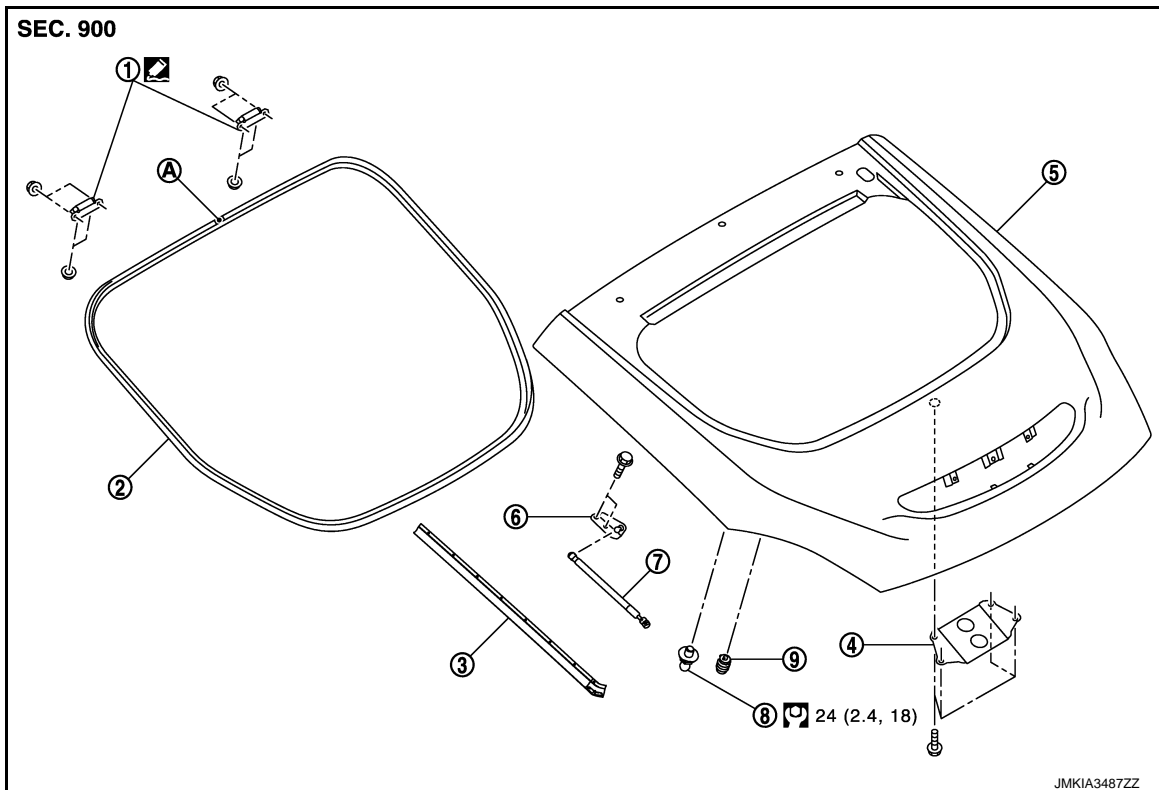
BACK DOOR

< REMOVAL AND INSTALLATION >

[COUPE]

BACK DOOR WEATHER-STRIP : Exploded View

INFOID:000000008196197



- | | | |
|---------------------|----------------------------|----------------------------|
| 1. Back door hinge | 2. Back door weather-strip | 3. Back door side seal |
| 4. Back door damper | 5. Back door assembly | 6. Back door stay bracket |
| 7. Back door stay | 8. Stud ball | 9. Back door bumper rubber |

A : Center mark

Refer to [GI-4. "Components"](#) for symbols in the figure.

BACK DOOR WEATHER-STRIP : Removal and Installation

INFOID:000000008196198

REMOVAL

Pull up and remove engagement with body from weather-strip joint.

CAUTION:

Never pull strongly on weather-strip.

INSTALLATION

1. Working from the upper section, align weather-strip center mark with vehicle center position mark and install weather-strip onto the vehicle.
2. Pull weather-strip gently to check that a section is not loose.

NOTE:

Check that weather-strip fits tightly in each corner and luggage rear plate.

HOOD LOCK

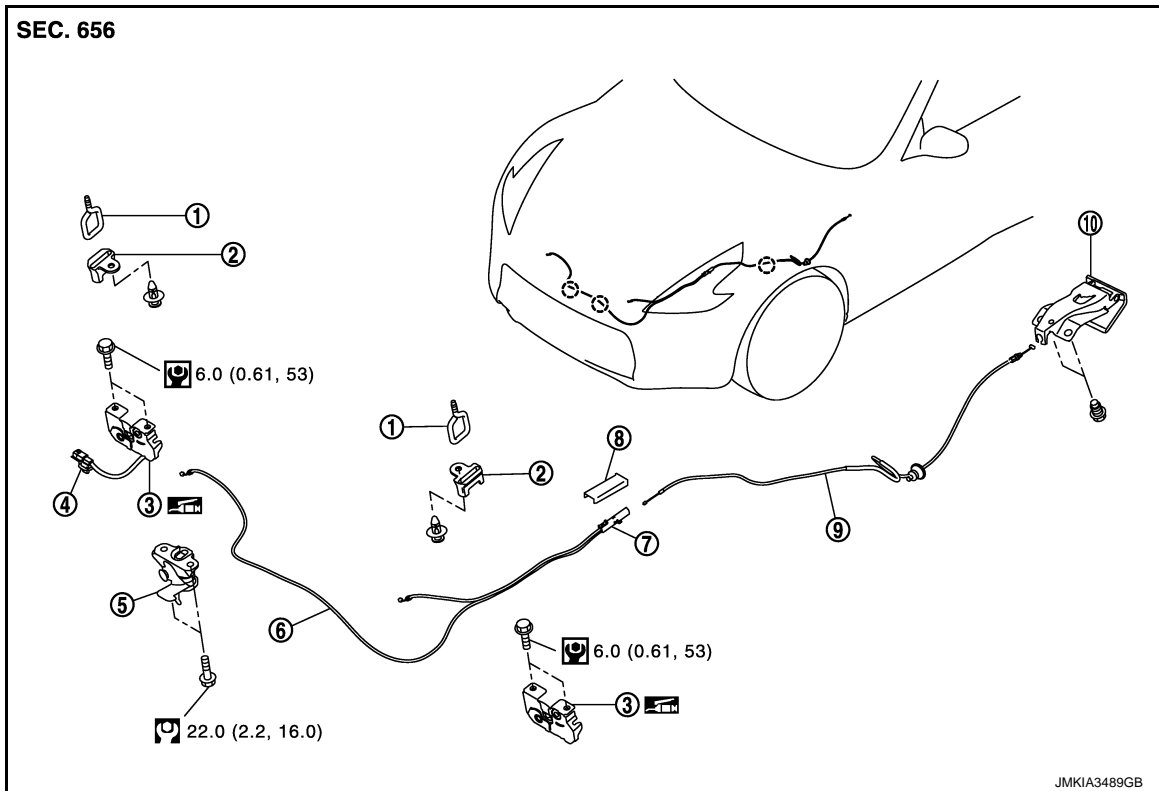
< REMOVAL AND INSTALLATION >

[COUPE]

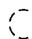
HOOD LOCK

Exploded View

INFOID:000000008196199



- | | | |
|--------------------------------------|--|------------------------------------|
| 1. Hood striker | 2. Hood cover | 3. Hood lock |
| 4. Hood switch | 5. Secondary latch | 6. Hood lock control cable (front) |
| 7. Hood lock control cable protector | 8. Hood lock control cable protector cover | 9. Hood lock control cable (rear) |
| 10. Hood lock opener | | |

 : Clip

Refer to [GI-4, "Components"](#) for symbols in the figure.

Removal and Installation

INFOID:000000008196200

REMOVAL

CAUTION:

Before removal, confirm how the hood lock control cable is allocated and connected.

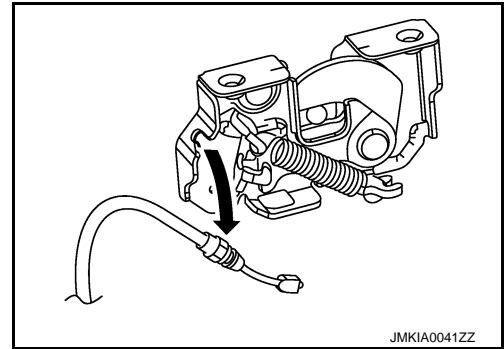
1. Remove bumper center upper finisher. Refer to [EXT-13, "Exploded View"](#).
2. Remove fender protector (LH). Refer to [EXT-25, "FENDER PROTECTOR : Removal and Installation"](#).
3. Disconnect hood lock switch (RH side) harness connector.
4. Disconnect the hood lock control cable clips on front bumper retainer.
5. Remove the hood lock mounting bolts, and disassemble the hood lock from the hood lock bracket (LH/RH). Refer to [DLK-142, "Exploded View"](#).
6. Remove mounting bolts and remove hood lock bracket (LH/RH).
7. Disassembly hood lock from hood lock bracket (LH/RH).

HOOD LOCK

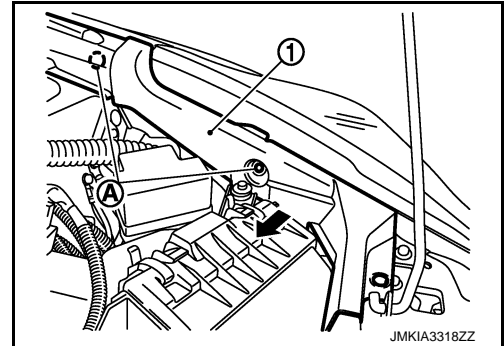
[COUPE]

< REMOVAL AND INSTALLATION >


8. Disconnect the hood lock control cable (front) from the hood lock.

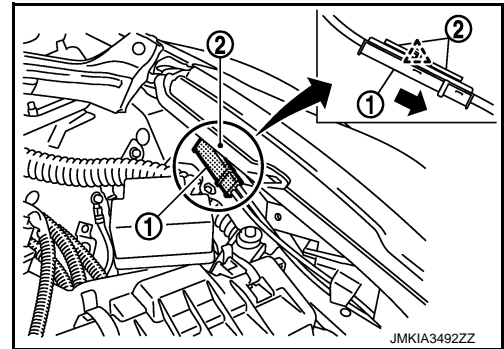


9. Disconnect clip (A) of hood seal assembly (side) (1), and then move toward vehicle inside.



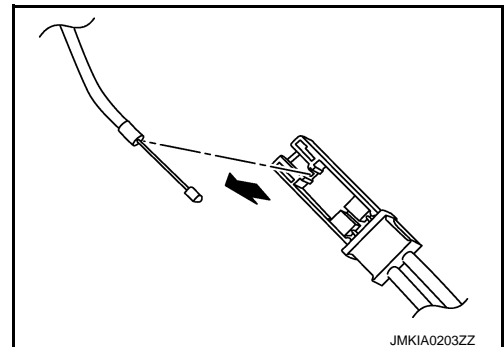
10. Remove the hood lock control cable protector (1) from the head-lamp assembly (2).

 : Pawl



11. Remove the hood lock control cable cover from hood lock control cable protector.

12. Disconnect the hood lock control cable (rear) from hood lock control cable protector.



13. Remove hood lock control cable from hood lock opener.

14. Remove the grommet on the dash-board, and pull the hood lock control cable (rear) toward the passenger compartment.

CAUTION:

While pulling, never damage (peeling) the outside of the hood lock control cable.

INSTALLATION

Install in the reverse order of removal.

CAUTION:

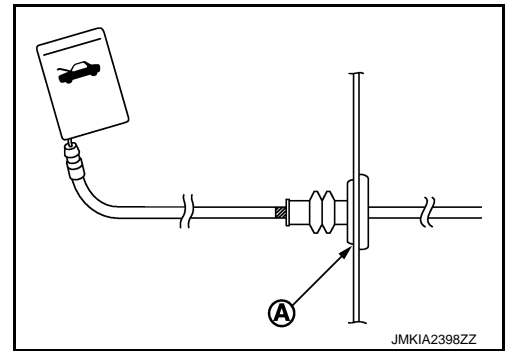
- **Never bend cable too much. Keep the radius 100 mm (3.937 in) or more.**

HOOD LOCK

[COUPE]

< REMOVAL AND INSTALLATION >

- Check cable is not offset from the positioning grommet, and apply the sealant to the grommet (A) normally.



- Check that hood lock control cable is normally engaged with hood lock.
- After installation, perform the fitting adjustment. Refer to [DLK-138, "HOOD ASSEMBLY : Adjustment"](#).
- After installation, perform the inspection. Refer to [DLK-161, "Inspection"](#).

Inspection

INFOID:000000008196201

NOTE:

If the hood lock cable is bent or deformed, replace it.

1. Check that secondary latch is normally engaged with secondary striker [6.8 mm (0.268 in)] by hood weight.
2. While operating hood opener, carefully check that the front end of hood is raised by approximately 20 mm (0.787 in). Also check that hood opener returns to the original position.
3. Check that hood opener operating is condition 49 N (5.0 kg, 11.0 lb) or less.
4. Install so that static closing force of hood is 94 – 490 N (9.6 – 50.0 kg, 21.1 – 110 lb).

NOTE:

- Exert vertical force on right side and left side of hood lock.
 - Do not simultaneously press both sides.
5. Check the hood lock lubrication condition. If necessary, apply body grease to hood lock.

A
B
C
D
E
F
G
H
I
J
L
M
N
O
P

DLK

DOOR LOCK

< REMOVAL AND INSTALLATION >

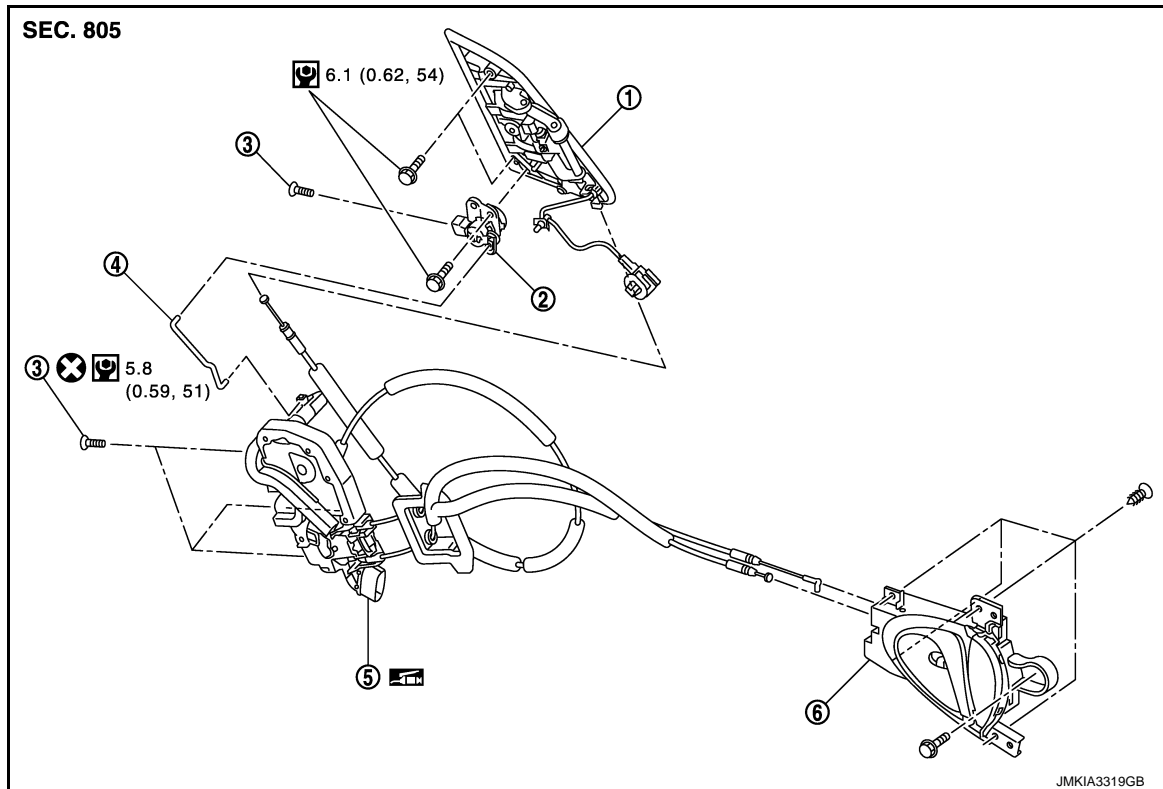
[COUPE]

DOOR LOCK

DOOR LOCK

DOOR LOCK : Exploded View

INFOID:000000008196202



- | | | |
|--------------------------|---|------------------|
| 1. Outside handle | 2. Door key cylinder assembly (driver side) | 3. TORX bolt |
| 4. Key rod (driver side) | 5. Door lock assembly | 6. Inside handle |

Refer to [GI-4. "Components"](#) for symbols in the figure.

DOOR LOCK : Removal and Installation

INFOID:000000008196203

REMOVAL

1. Remove door finisher. Refer to [INT-15. "Removal and Installation"](#).
2. Remove door glass. Refer to [GW-20. "Removal and Installation"](#).
3. Remove door module assembly. Refer to [GW-23. "Removal and Installation"](#).
4. Disconnect key rod (driver side) and outside handle cable from outside handle assembly.
5. Remove door lock assembly TORX bolts.
6. Disconnect door lock actuator connector, and then remove door lock assembly.

INSTALLATION

Install in the reverse order of removal.

CAUTION:

- Check that door lock cables are normally engaged with inside handle and outside handle.
- When installing key rod, rotate key rod holder until a click is felt.
- After installation, check door open/close, and lock/unlock operation.

INSIDE HANDLE

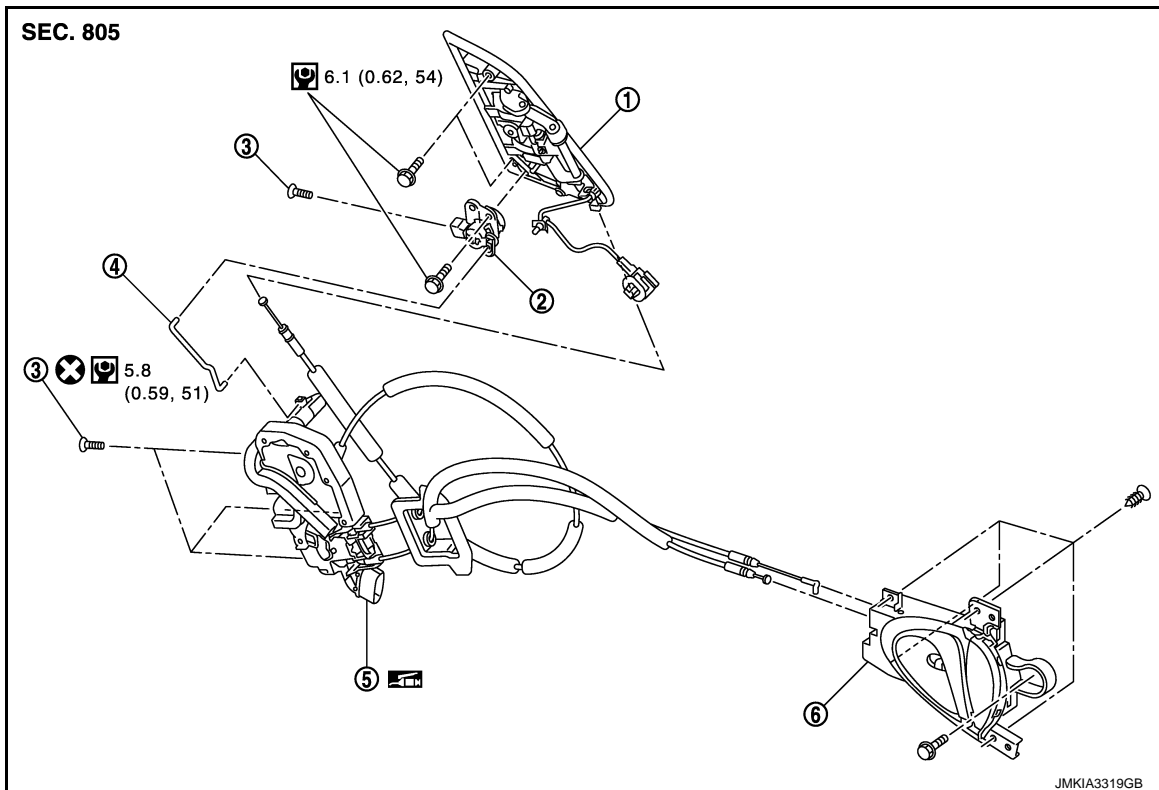
DOOR LOCK

< REMOVAL AND INSTALLATION >

[COUPE]

INSIDE HANDLE : Exploded View

INFOID:000000008196204



- | | | |
|--------------------------|---|------------------|
| 1. Outside handle | 2. Door key cylinder assembly (driver side) | 3. TORX bolt |
| 4. Key rod (driver side) | 5. Door lock assembly | 6. Inside handle |

Refer to [GI-4. "Components"](#) for symbols in the figure.

INSIDE HANDLE : Removal and Installation

INFOID:000000008196205

DLK

REMOVAL

1. Remove door finisher. Refer to [INT-15. "Removal and Installation"](#).
2. Remove inside handle mounting screws, and then remove the inside handle.

INSTALLATION

Install in the reverse order of removal.

CAUTION:

- Check that door lock cables are normally engaged with inside handle.
- After installation, check door open/close, and lock/unlock operation.

OUTSIDE HANDLE

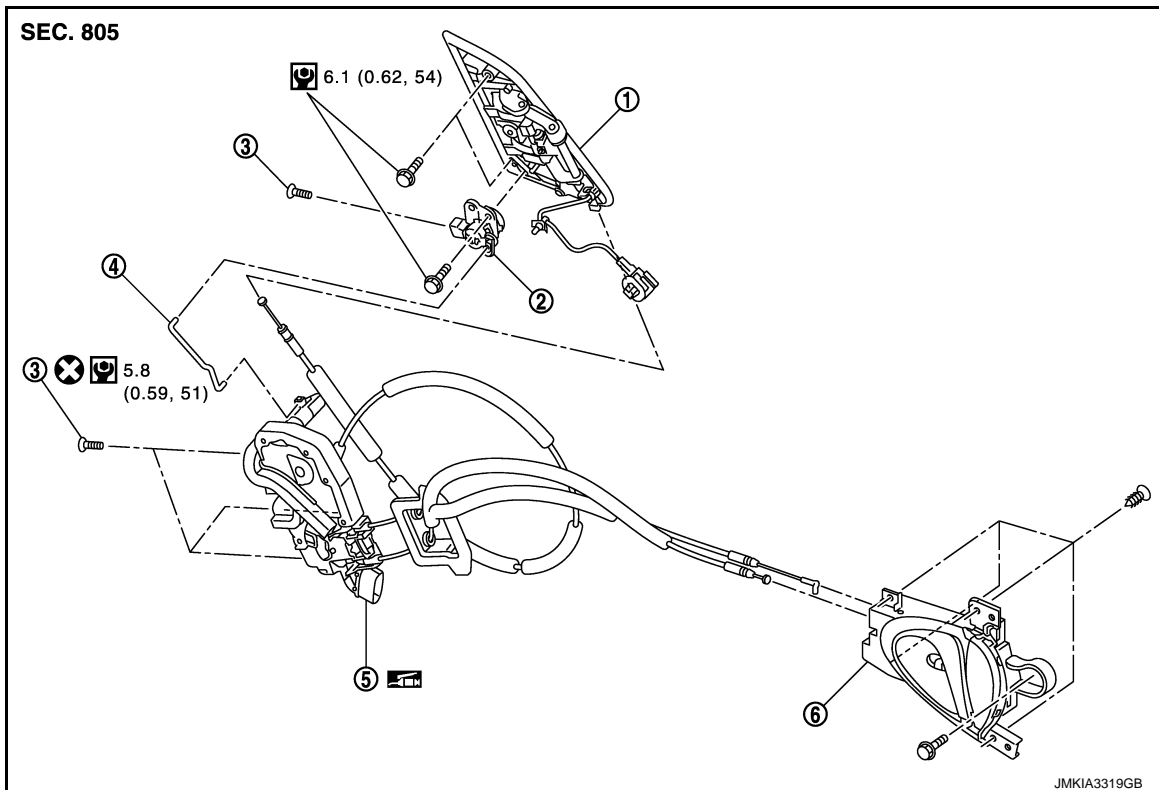
DOOR LOCK

< REMOVAL AND INSTALLATION >

[COUPE]

OUTSIDE HANDLE : Exploded View

INFOID:000000008196206



- | | | |
|--------------------------|---|------------------|
| 1. Outside handle | 2. Door key cylinder assembly (driver side) | 3. TORX bolt |
| 4. Key rod (driver side) | 5. Door lock assembly | 6. Inside handle |

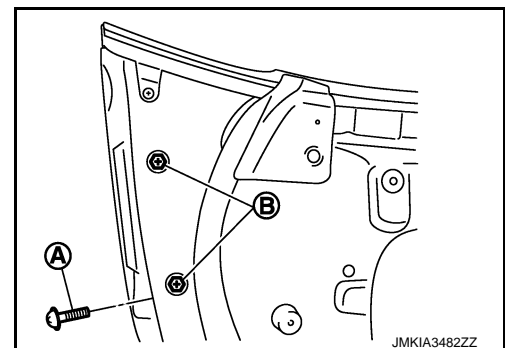
Refer to [GI-4. "Components"](#) for symbols in the figure.

OUTSIDE HANDLE : Removal and Installation

INFOID:000000008196207

REMOVAL

1. Remove door finisher. Refer to [INT-15. "Removal and Installation"](#).
2. Remove door glass. Refer to [GW-20. "Removal and Installation"](#).
3. Remove door module assembly. Refer to [GW-23. "Removal and Installation"](#).
4. Disconnect key rod (driver side) and outside handle cable.
5. Disconnect door request switch connector, and then disconnect harness clamp.
6. Remove TORX bolt (A) from door key cylinder assembly (driver side).
7. Remove door side grommet, and then remove outside handle mounting bolts (B) through grommet hole.

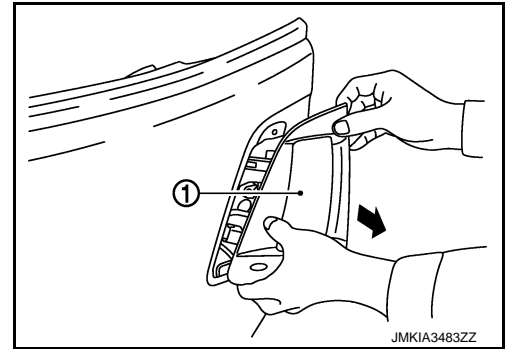


DOOR LOCK

< REMOVAL AND INSTALLATION >

[COUPE]

8. Pull and remove outside handle assembly (1).



INSTALLATION

Install in the reverse order of removal.

CAUTION:

- When installing key rod, rotate key rod holder until a click is felt.
- Check that door lock cable is normally engaged with outside handle.
- After installation, check door open/close, and lock/unlock operation.

A
B
C
D
E
F
G
H
I
J
L
M
N
O
P

DLK

BACK DOOR LOCK

< REMOVAL AND INSTALLATION >

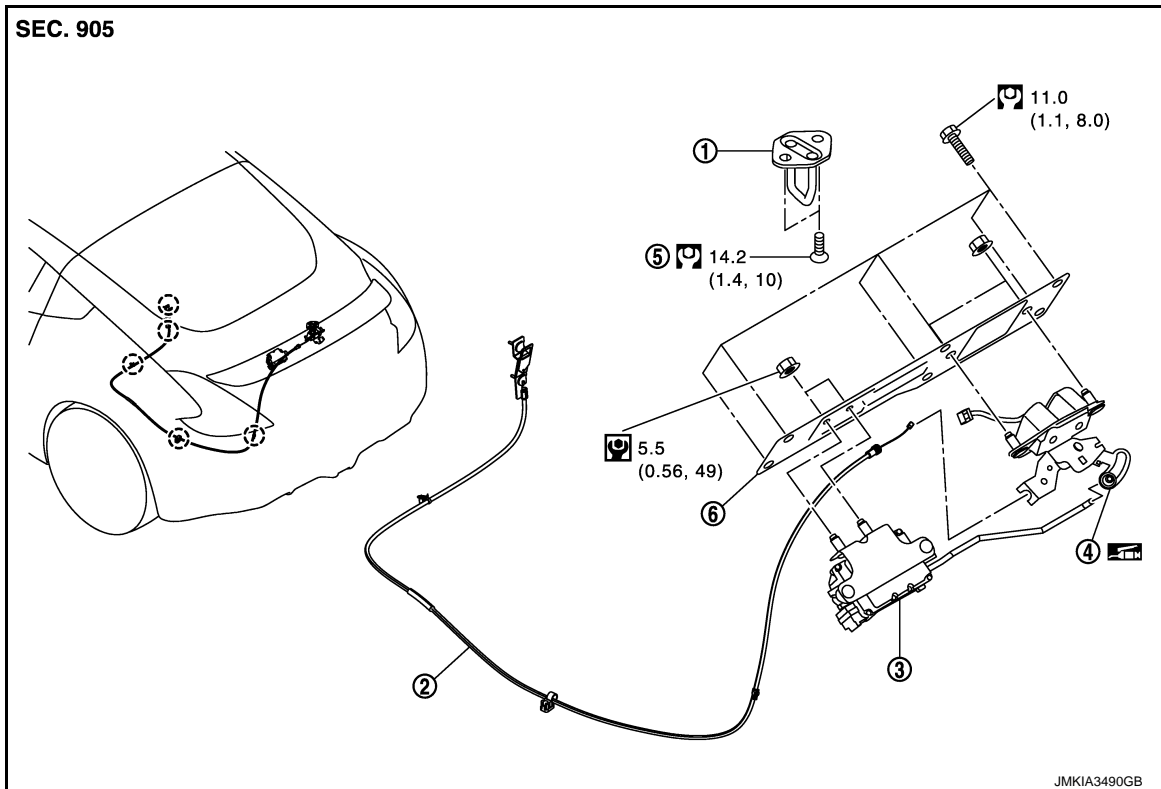
[COUPE]

BACK DOOR LOCK

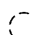
BACK DOOR LOCK

BACK DOOR LOCK : Exploded View

INFOID:000000008196208



- | | | |
|----------------------|---------------------------|--|
| 1. Back door striker | 2. Inside handle assembly | 3. Back door opener actuator |
| 4. Back door lock | 5. TORX bolt | 6. Back door lock and actuator bracket |

 : Clip

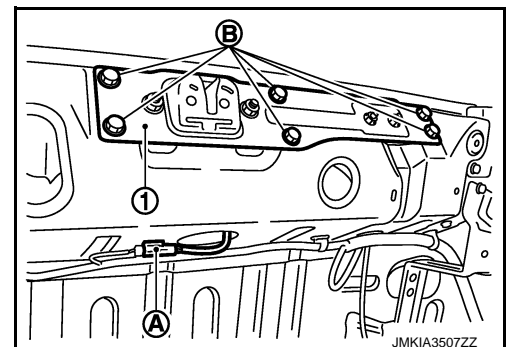
Refer to [GI-4, "Components"](#) for symbols in the figure.

BACK DOOR LOCK : Removal and Installation

INFOID:000000008196209

REMOVAL

1. Remove back door weather-strip. Refer to [DLK-158, "BACK DOOR WEATHER-STRIP : Removal and Installation"](#).
2. Remove luggage rear plate. Refer to [INT-32, "Removal and Installation"](#).
3. Disconnect harness connector (A) of back door lock and remove the harness clip.
4. Remove mounting bolts (B) of back door lock and actuator bracket (1).



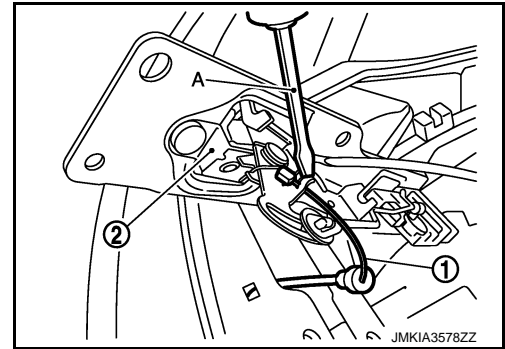
5. Disconnect connector of back door opener actuator.

BACK DOOR LOCK

[COUPE]

< REMOVAL AND INSTALLATION >

6. Using a flat-bladed screwdriver (A) disconnect inside handle cable (1) from back door lock (2).



7. Remove back door lock and actuator bracket assembly.
8. Disconnect back door lock and back door opener actuator from back door lock and actuator bracket.
9. Remove following parts. Refer to [INT-32, "Removal and Installation"](#).
 - Luggage floor carpet assembly
 - Spare tire cover
 - Luggage side finisher upper LH
 - Luggage floor spacer center rear (without BOSE audio)
 - Luggage spacer
 - Luggage side box assembly LH
 - Luggage rear plate
 - Woofer (with BOSE audio)10. Remove clips and remove inside handle assembly.

INSTALLATION

Install in the reverse order of removal.

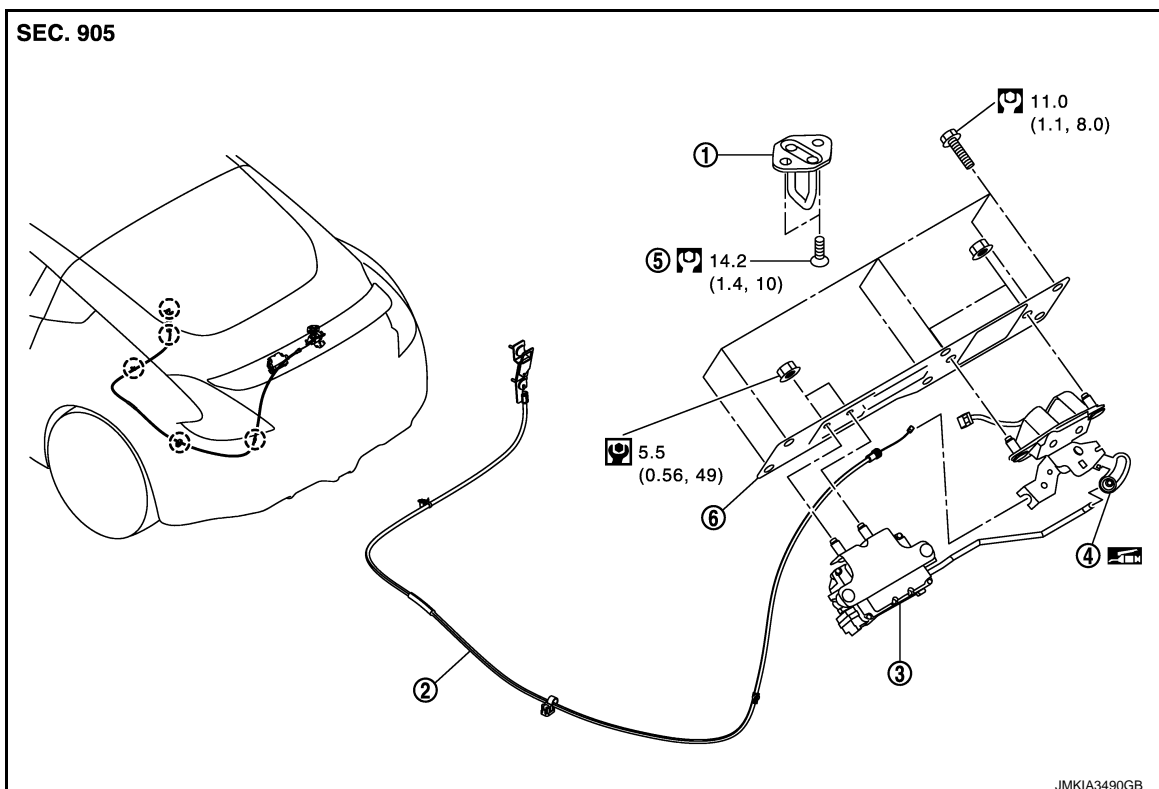
CAUTION:

After installation, check back door open/close, lock/unlock operation.

BACK DOOR STRIKER

BACK DOOR STRIKER : Exploded View

INFOID:000000008196210



A
B
C
D
E
F
G
H
I
J
L
M
N
O
P


DLK

BACK DOOR LOCK

[COUPE]

< REMOVAL AND INSTALLATION >

1. Back door striker
2. Inside handle assembly
3. Back door opener actuator
4. Back door lock
5. TORX bolt
6. Back door lock and actuator bracket

 : Clip

Refer to [GI-4, "Components"](#) for symbols in the figure.

BACK DOOR STRIKER : Removal and Installation

INFOID:000000008196211

REMOVAL

1. Remove back door finisher lower. Refer to [INT-33, "Removal and Installation"](#).
2. Remove mounting bolts, and then remove back door striker.

INSTALLATION

Install in the reverse order of removal.

CAUTION:

- After installation, check back door open/close, lock/unlock operation.
- After installation, perform the fitting adjustment. Refer to [DLK-154, "BACK DOOR ASSEMBLY : Adjustment"](#).

FUEL FILLER LID OPENER

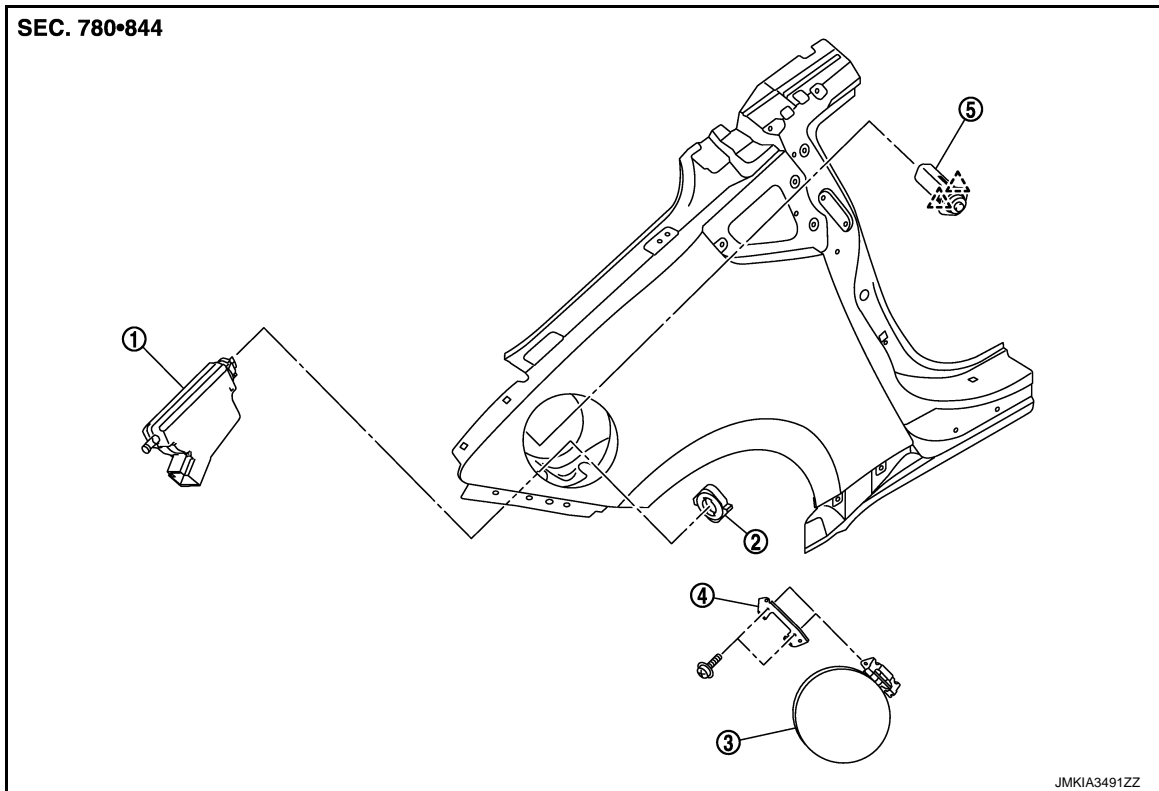
< REMOVAL AND INSTALLATION >

[COUPE]


FUEL FILLER LID OPENER

Exploded View

INFOID:000000008196212



- 1. Fuel filler lid opener actuator
- 2. Lock nut
- 3. Fuel filler lid assembly
- 4. Cover
- 5. Lock and rod assembly

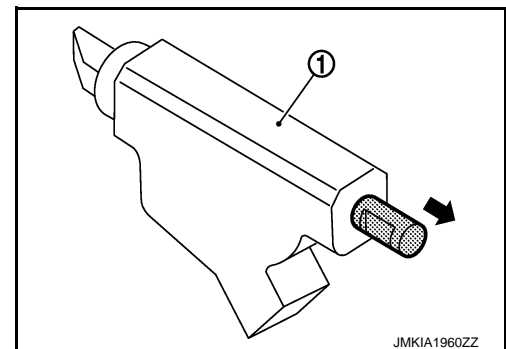
 : Pawl

Removal and Installation

INFOID:000000008196213

NOTE:

When fuel filler lid lock actuator (1) is a defective operation, pull the rod to open fuel filler lid.



REMOVAL

1. Remove luggage side finisher upper (RH). Refer to [INT-32. "Removal and Installation"](#).
2. Pull and remove lock and rod assembly forward, while pushing the pawls.
3. Rotate lock nut counterclockwise, and then remove lock nut.
4. Push fuel filler lid opener actuator behind the vehicle, while pushing the pawl.
5. Disconnect harness connector and remove fuel filler lid opener actuator.
6. Remove mounting screws, and then remove fuel filler lid.

FUEL FILLER LID OPENER

< REMOVAL AND INSTALLATION >

[COUPE]

INSTALLATION

Install in the reverse order of removal.

DOOR SWITCH

< REMOVAL AND INSTALLATION >

[COUPE]

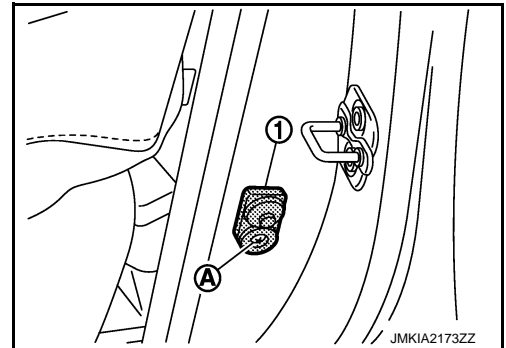
DOOR SWITCH

Removal and Installation

INFOID:000000008196214

REMOVAL

1. Remove the door switch mounting screw (A), and then remove door switch (1).



INSTALLATION

Install in the reverse order of removal.

A
B
C
D
E
F
G
H
I
J
DLK
L
M
N
O
P

DLK

BACK DOOR OPENER SWITCH ASSEMBLY

[COUPE]

< REMOVAL AND INSTALLATION >


BACK DOOR OPENER SWITCH ASSEMBLY

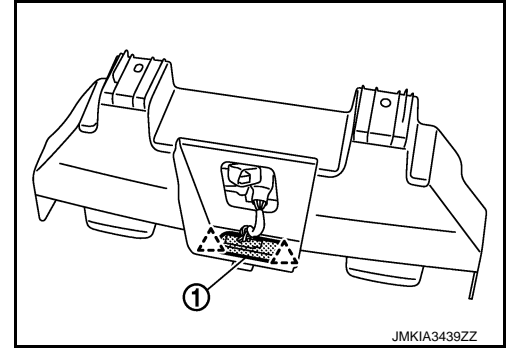
Removal and Installation

INFOID:000000008196215

REMOVAL

1. Remove the license plate lamp bracket. Refer to [EXT-17. "Removal and Installation"](#).
2. Remove the back door opener switch assembly (1), and then remove pawl.

 : Pawl



INSTALLATION

Install in the reverse order of removal.

INSIDE KEY ANTENNA

< REMOVAL AND INSTALLATION >

[COUPE]

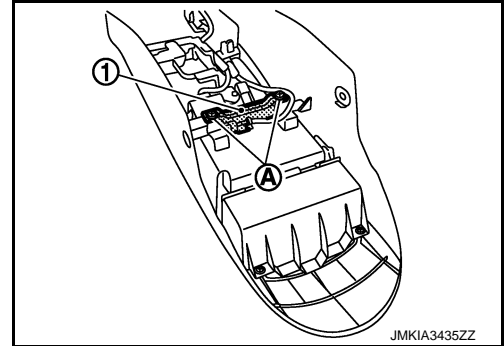
INSIDE KEY ANTENNA CONSOLE

CONSOLE : Removal and Installation

INFOID:000000008196216

REMOVAL

1. Remove the center console assembly. Refer to [IP-26. "Removal and Installation"](#).
2. Remove the inside key antenna mounting screw (A), and then remove inside key antenna (console) (1).



INSTALLATION

Install in the reverse order of removal.

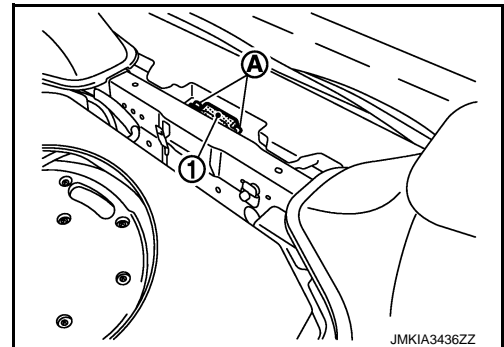
LUGGAGE ROOM

LUGGAGE ROOM : Removal and Installation

INFOID:000000008196217

REMOVAL

1. Remove the luggage floor finisher front. Refer to [INT-32. "Removal and Installation"](#).
2. Remove the inside key antenna (luggage room) mounting clips (A), and then remove inside key antenna (luggage room) (1).



INSTALLATION

Install in the reverse order of removal.

A
B
C
D
E
F
G
H
I
J
DLK
L
M
N
O
P

OUTSIDE KEY ANTENNA

< REMOVAL AND INSTALLATION >

[COUPE]

OUTSIDE KEY ANTENNA

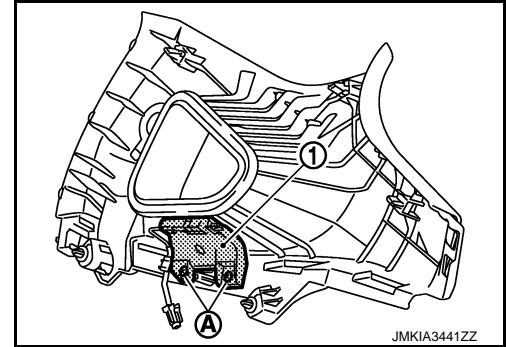
LH

LH : Removal and Installation

INFOID:000000008196218

REMOVAL

1. Remove the rear pillar finisher LH. Refer to [INT-18, "FRONT PILLAR GARNISH : Removal and Installation"](#).
2. Remove the outside key antenna mounting screw (A), and then remove outside key antenna LH (1).



NOTE:

The same procedure is also performed for RH.

INSTALLATION

Install in the reverse order of removal.

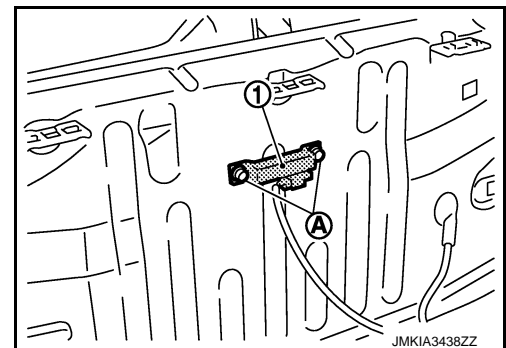
REAR BUMPER

REAR BUMPER : Removal and Installation

INFOID:000000008196219

REMOVAL

1. Remove the rear bumper. Refer to [EXT-17, "Removal and Installation"](#).
2. Remove the outside key antenna (rear bumper) mounting clips (A), and then remove outside key antenna (rear bumper) (1).



INSTALLATION

Install in the reverse order of removal.

INTELLIGENT KEY WARNING BUZZER

< REMOVAL AND INSTALLATION >

[COUPE]

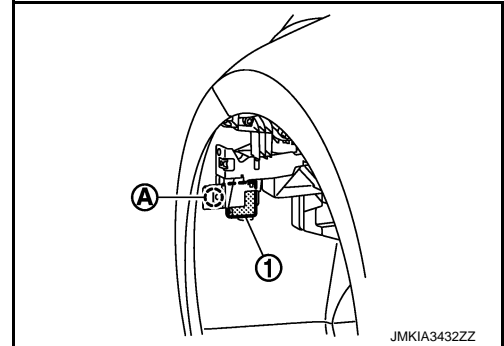
INTELLIGENT KEY WARNING BUZZER

Removal and Installation

INFOID:000000008196220

REMOVAL

1. Remove the fender protector LH. Refer to [EXT-25. "FENDER PROTECTOR : Removal and Installation"](#).
2. Remove the Intelligent Key warning buzzer mounting bolt (A), and then remove the Intelligent Key warning buzzer (1).



INSTALLATION

Install in the reverse order of removal.

A
B
C
D
E
F
G
H
I
J
L
M
N
O
P

DLK

REMOTE KEYLESS ENTRY RECEIVER

< REMOVAL AND INSTALLATION >

[COUPE]

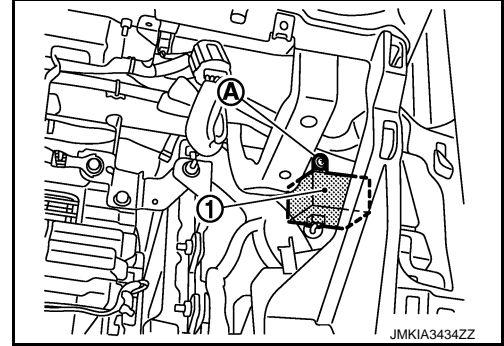
REMOTE KEYLESS ENTRY RECEIVER

Removal and Installation

INFOID:000000008196221

REMOVAL

1. Remove the instrument lower panel RH. Refer to [IP-15. "Removal and Installation"](#).
2. Remove the remote keyless entry receiver (front) mounting screw (A), and then remove remote keyless entry receiver (front) (1).



INSTALLATION

Install in the reverse order of removal.

INTELLIGENT KEY BATTERY

< REMOVAL AND INSTALLATION >

[COUPE]

INTELLIGENT KEY BATTERY

Removal and Installation

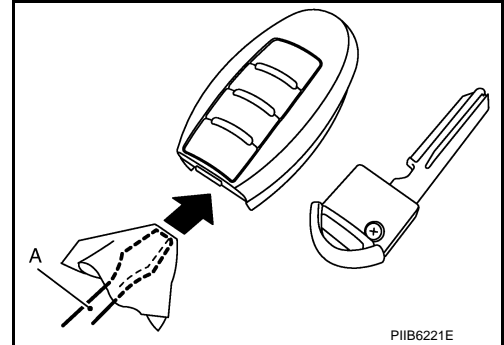
INFOID:000000008196222

1. Release the lock knob at the back of the Intelligent Key and remove the mechanical key.

2. Insert a remover tool (A) wrapped with a cloth into the slit of the corner and twist it to separate the upper part from the lower part.

CAUTION:

- Never touch the circuit board or battery terminal.
- The key fob is water-resistant. However, if it does get wet, immediately wipe it dry.



3. Replace the battery with new one.

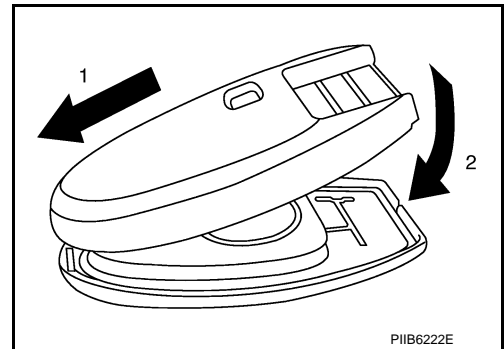
Battery replacement

:Coin-type lithium battery (CR2032)

4. Align the tips of the upper and lower parts, and then push them together until it is securely closed.

CAUTION:

- When replacing battery, keep dirt, grease, and other foreign materials off the electrode contact area.
- After replacing the battery, check that all Intelligent Key functions work normally.



A
B
C
D
E
F
G
H
I
J
DLK
L
M
N
O
P

PRECAUTION

PRECAUTIONS FOR USA AND CANADA

FOR USA AND CANADA : Precaution for Supplemental Restraint System (SRS) "AIR BAG" and "SEAT BELT PRE-TENSIONER"

INFOID:000000008196223

The Supplemental Restraint System such as "AIR BAG" and "SEAT BELT PRE-TENSIONER", used along with a front seat belt, helps to reduce the risk or severity of injury to the driver and front passenger for certain types of collision. This system includes seat belt switch inputs and dual stage front air bag modules. The SRS system uses the seat belt switches to determine the front air bag deployment, and may only deploy one front air bag, depending on the severity of a collision and whether the front occupants are belted or unbelted. Information necessary to service the system safely is included in the "SRS AIR BAG" and "SEAT BELT" of this Service Manual.

WARNING:

Always observe the following items for preventing accidental activation.

- **To avoid rendering the SRS inoperative, which could increase the risk of personal injury or death in the event of a collision that would result in air bag inflation, all maintenance must be performed by an authorized NISSAN/INFINITI dealer.**
- **Improper maintenance, including incorrect removal and installation of the SRS, can lead to personal injury caused by unintentional activation of the system. For removal of Spiral Cable and Air Bag Module, see "SRS AIR BAG".**
- **Never use electrical test equipment on any circuit related to the SRS unless instructed to in this Service Manual. SRS wiring harnesses can be identified by yellow and/or orange harnesses or harness connectors.**

PRECAUTIONS WHEN USING POWER TOOLS (AIR OR ELECTRIC) AND HAMMERS

WARNING:

Always observe the following items for preventing accidental activation.

- **When working near the Air Bag Diagnosis Sensor Unit or other Air Bag System sensors with the ignition ON or engine running, never use air or electric power tools or strike near the sensor(s) with a hammer. Heavy vibration could activate the sensor(s) and deploy the air bag(s), possibly causing serious injury.**
- **When using air or electric power tools or hammers, always switch the ignition OFF, disconnect the battery, and wait at least 3 minutes before performing any service.**

FOR USA AND CANADA : Precaution for Battery Service

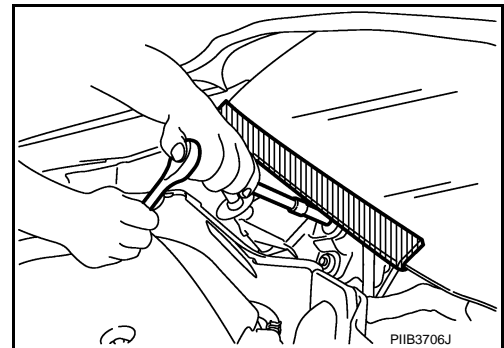
INFOID:000000008196224

Before disconnecting the battery, lower both the driver and passenger windows. This will prevent any interference between the window edge and the vehicle when the door is opened/closed. During normal operation, the window slightly raises and lowers automatically to prevent any window to vehicle interference. The automatic window function will not work with the battery disconnected.

FOR USA AND CANADA : Precaution for Procedure without Cowl Top Cover

INFOID:000000008196225

When performing the procedure after removing cowl top cover, cover the lower end of windshield with urethane, etc to prevent damage to windshield.



PRECAUTIONS

[ROADSTER]

< PRECAUTION >

FOR USA AND CANADA : Precaution for Work

INFOID:000000008196226

- After removing and installing the opening/closing parts, be sure to carry out fitting adjustments to check their operation.
- Check the lubrication level, damage, and wear of each part. If necessary, grease or replace it.

FOR MEXICO

FOR MEXICO : Precaution for Supplemental Restraint System (SRS) "AIR BAG" and "SEAT BELT PRE-TENSIONER"

INFOID:000000008196227

The Supplemental Restraint System such as "AIR BAG" and "SEAT BELT PRE-TENSIONER", used along with a front seat belt, helps to reduce the risk or severity of injury to the driver and front passenger for certain types of collision. Information necessary to service the system safely is included in the "SRS AIR BAG" and "SEAT BELT" of this Service Manual.

WARNING:

Always observe the following items for preventing accidental activation.

- To avoid rendering the SRS inoperative, which could increase the risk of personal injury or death in the event of a collision that would result in air bag inflation, all maintenance must be performed by an authorized NISSAN/INFINITI dealer.
- Improper maintenance, including incorrect removal and installation of the SRS, can lead to personal injury caused by unintentional activation of the system. For removal of Spiral Cable and Air Bag Module, see "SRS AIR BAG".
- Never use electrical test equipment on any circuit related to the SRS unless instructed to in this Service Manual. SRS wiring harnesses can be identified by yellow and/or orange harnesses or harness connectors.

PRECAUTIONS WHEN USING POWER TOOLS (AIR OR ELECTRIC) AND HAMMERS

WARNING:

Always observe the following items for preventing accidental activation.

- When working near the Air Bag Diagnosis Sensor Unit or other Air Bag System sensors with the ignition ON or engine running, never use air or electric power tools or strike near the sensor(s) with a hammer. Heavy vibration could activate the sensor(s) and deploy the air bag(s), possibly causing serious injury.
- When using air or electric power tools or hammers, always switch the ignition OFF, disconnect the battery, and wait at least 3 minutes before performing any service.

FOR MEXICO : Precaution for Battery Service

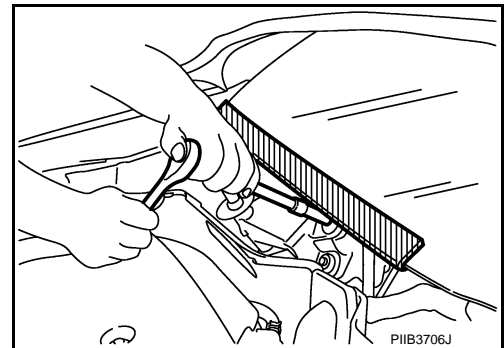
INFOID:000000008196228

Before disconnecting the battery, lower both the driver and passenger windows. This will prevent any interference between the window edge and the vehicle when the door is opened/closed. During normal operation, the window slightly raises and lowers automatically to prevent any window to vehicle interference. The automatic window function will not work with the battery disconnected.

FOR MEXICO : Precaution for Procedure without Cowl Top Cover

INFOID:000000008196229

When performing the procedure after removing cowl top cover, cover the lower end of windshield with urethane, etc to prevent damage to windshield.



FOR MEXICO : Precaution for Work

INFOID:000000008196230

- After removing and installing the opening/closing parts, be sure to carry out fitting adjustments to check their operation.

A
B
C
D
E
F
G
H
I
J
K
L
M
N
O
P

DLK

PRECAUTIONS

[ROADSTER]

< PRECAUTION >

-
- Check the lubrication level, damage, and wear of each part. If necessary, grease or replace it.

PREPARATION

< PREPARATION >

[ROADSTER]

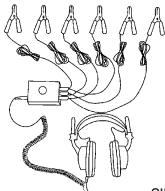
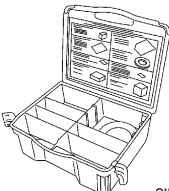
PREPARATION

PREPARATION

Special Service Tools

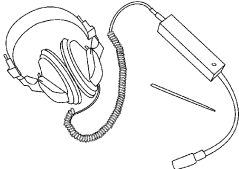
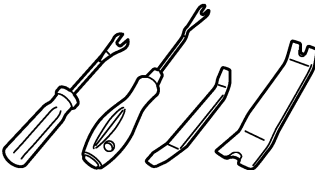

INFOID:000000008196231

The actual shapes of Kent-Moore tools may differ from those of special service tools illustrated here.

Tool number (Kent-Moore No.) Tool name	Description
<p>(J-39570) Chassis ear</p>  <p>SIIA0993E</p>	<p>Locates the noise</p>
<p>(J-43980) NISSAN Squeak and Rattle Kit</p>  <p>SIIA0994E</p>	<p>Repairs the cause of noise</p>

Commercial Service Tools

INFOID:000000008196232

Tool name	Description
<p>Engine ear</p>  <p>SIIA0995E</p>	<p>Locates the noise</p>
<p>Remover tool</p>  <p>JMKIA3050ZZ</p>	<p>Removes the clips, pawls, and metal clips</p>
<p>Power tool</p>  <p>PIIB1407E</p>	

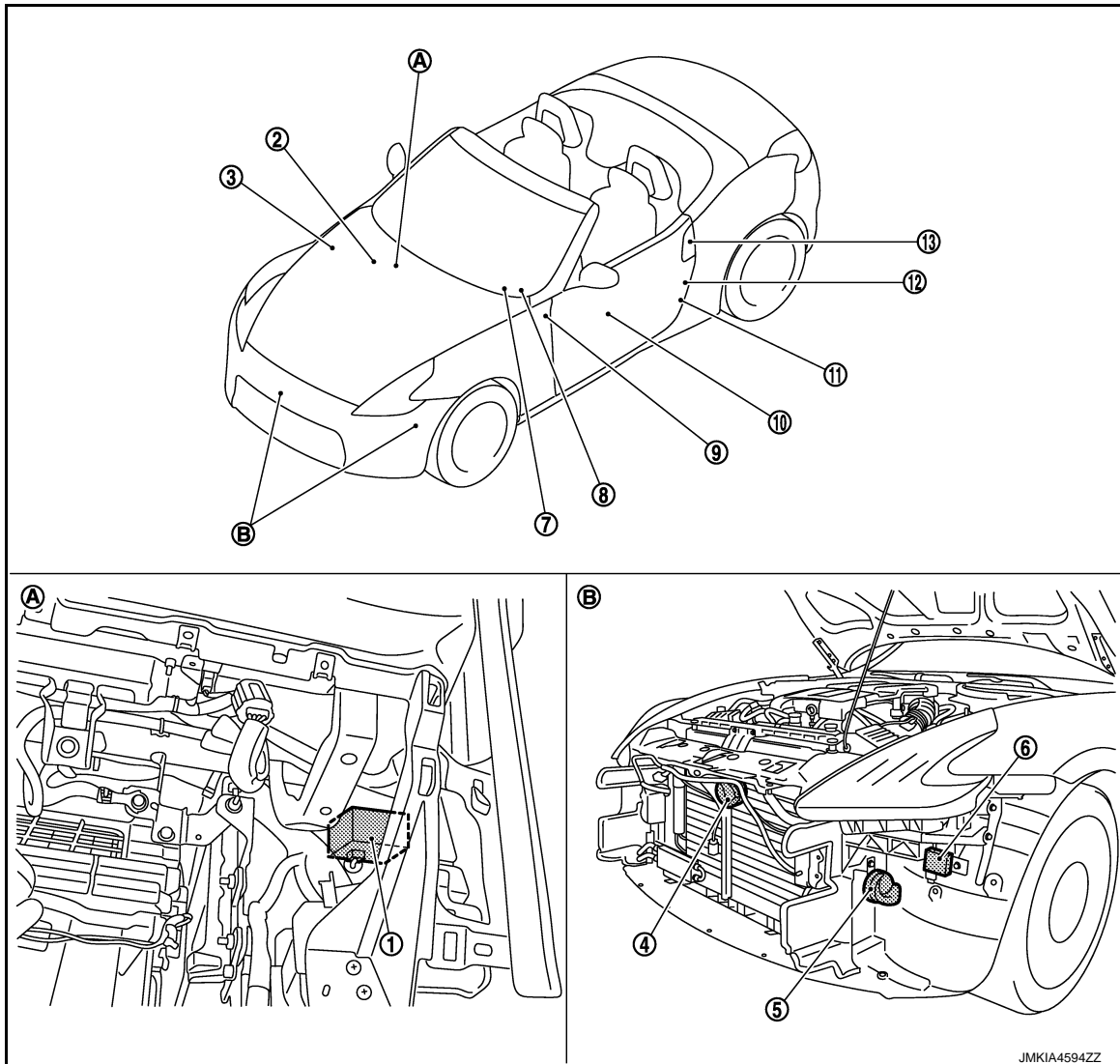
SYSTEM DESCRIPTION

COMPONENT PARTS

DOOR LOCK

DOOR LOCK : Component Parts Location

INFOID:000000008196233

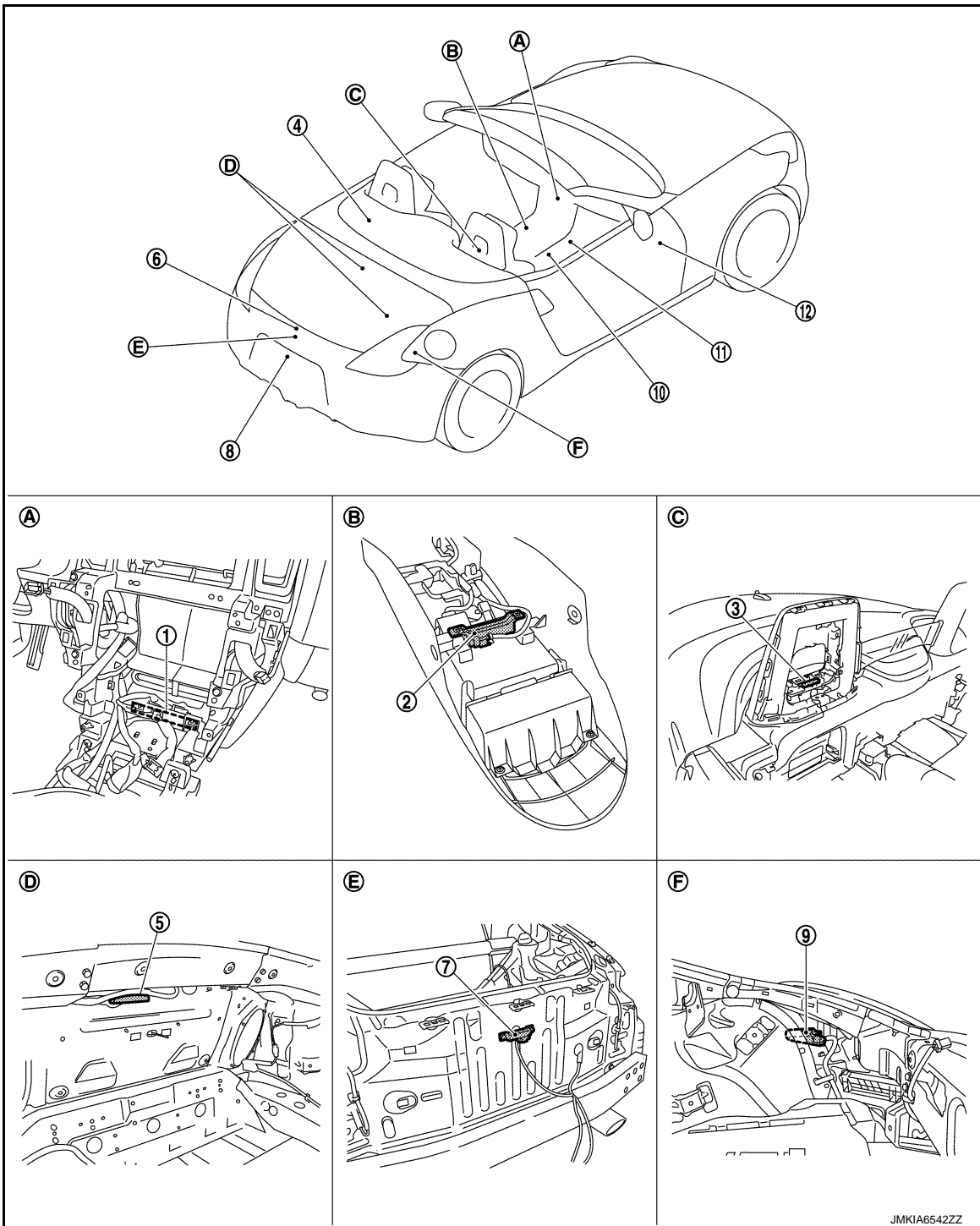


- | | | |
|--|---|---|
| 1. Remote keyless entry receiver (front) | 2. BCM
Refer to BCS-10. "Component Parts Location" | 3. IPDM E/R
Refer to PCS-5. "Component Parts Location" |
| 4. Horn (low) | 5. Horn (high) | 6. Intelligent Key warning buzzer |
| 7. Push-button ignition switch (push switch) | 8. Combination meter | 9. Key slot |
| 10. Door lock and unlock switch | 11. Driver side door switch | 12. Driver side door lock assembly |
| 13. Driver side door request switch | | |
| A. Dash side lower (passenger side) | B. View with front bumper removed | |

COMPONENT PARTS

< SYSTEM DESCRIPTION >

[ROADSTER]



- | | | |
|---|---|------------------------------------|
| 1. Inside key antenna (instrument center) | 2. Inside key antenna (console) | 3. Outside key antenna RH |
| 4. Soft top control unit
Refer to RF-11, "Component Parts Location" | 5. Inside key antenna (trunk room) | 6. Trunk lid lock assembly |
| 7. Outside key antenna (rear bumper) | 8. Trunk lid opener switch assembly | 9. Fuel lid lock actuator |
| 10. A/T shift selector* (detention switch)
Refer to SEC-12, "Component Parts Location" | 11. TCM*
Refer to TM-153, "Component Parts Location" | 12. Trunk lid opener cancel switch |

A
B
C
D
E
F
G
H
I
J
K
L
M
N
O
P

DLK

COMPONENT PARTS

[ROADSTER]

< SYSTEM DESCRIPTION >

- | | | |
|---------------------------------|--|--|
| A. View with audio unit removed | B. View with center console assembly removed | C. View with guard frame protector front removed |
| D. View with trunk room | E. View with rear bumper removed | F. View with trunk side finisher RH removed |

*: With A/T models

DOOR LOCK : Component Description

INFOID:000000008196234

Item	Function
BCM	Controls the door lock system
IPDM E/R	Sounds horn and blinks headlamp via CAN communication between BCM
Soft top control unit	Controls the soft top system
TCM*	Transmits shift position signal to BCM via CAN communication line
Door lock and unlock switch	Refer to DLK-185, "Door Lock And Unlock Switch"
Door key cylinder switch	Refer to DLK-185, "Door Key Cylinder Switch"
Door lock actuator	Refer to DLK-184, "Door Lock Actuator"
Trunk lid opener actuator	Refer to DLK-185, "Trunk Lid Opener Actuator"
Fuel lid lock actuator	Refer to DLK-184, "Fuel Lid Lock Actuator"
Intelligent Key	Refer to DLK-185, "Intelligent Key"
Remote keyless entry receiver	Refer to DLK-185, "Remote Keyless Entry Receiver"
Door request switch	Refer to DLK-185, "Door Request Switch"
Trunk lid opener switch	Refer to DLK-185, "Trunk Lid Opener Switch"
Trunk lid opener cancel switch	Refer to DLK-185, "Trunk Lid Opener Cancel Switch"
Key slot	Refer to DLK-185, "Key Slot"
Door switch	Refer to DLK-185, "Door Switch"
Outside key antenna	Refer to DLK-185, "Outside Key Antenna"
Inside key antenna	Refer to DLK-185, "Inside Key Antenna"
Unlock sensor	Refer to DLK-185, "Unlock Sensor"
A/T shift selector (detention switch)*	Refer to SEC-12, "Component Parts Location"
Combination meter	Refer to DLK-186, "Combination Meter"
Push-button ignition switch	Refer to SEC-12, "Component Parts Location"
Intelligent Key warning buzzer	Refer to DLK-186, "Intelligent Key Warning Buzzer"
Hazard warning lamp	Refer to DLK-186, "Hazard Warning Lamp"

*: With A/T models

INTEGRATED HOMELINK TRANSMITTER

INTEGRATED HOMELINK TRANSMITTER : Component Description

INFOID:000000008196235

Item	Function
Integrated homelink transmitter	A maximum of 3 radio signals can be stored and transmitted to operate the garage door, etc

Door Lock Actuator

INFOID:000000008196236

Inputs lock/unlock signal from BCM and locks/unlocks each door

Fuel Lid Lock Actuator

INFOID:000000008196237

Inputs lock/unlock signal from BCM and lock/unlocks fuel filler lid

COMPONENT PARTS

< SYSTEM DESCRIPTION >

[ROADSTER]

Trunk Lid Opener Actuator

INFOID:000000008196238

A

Opens trunk lid by signal from BCM via soft top control unit.

Intelligent Key

INFOID:000000008196239

B

The following functions are available when having and carrying electronic ID.

- Door lock/unlock
- Engine start
- Remote control entry function is available when operating on button.

C

Remote Keyless Entry Receiver

INFOID:000000008196240

D

- Installed in the dash side lower (passenger side).
- Receives Intelligent Key operation and transmits to BCM.

Outside Key Antenna

INFOID:000000008196241

E

- Detects whether Intelligent Key is outside the vehicle.
- Integrated in guard frame protector (LH and RH) and installed in rear bumper.

F

Inside Key Antenna

INFOID:000000008196242

G

- Detects whether Intelligent Key is inside the vehicle
- Installed in the instrument center, console and trunk room.

Door Lock And Unlock Switch

INFOID:000000008196243

H

Transmits door lock/unlock operation to BCM.

Door Request Switch

INFOID:000000008196244

I

Transmits door lock/unlock operation to BCM.

Trunk Lid Opener Switch

INFOID:000000008196245

J

Transmits trunk lid open signal to BCM.

Trunk Lid Opener Cancel Switch

INFOID:000000008196246

DLK

Cancels trunk lid open operation.

Door Key Cylinder Switch

INFOID:000000008196247

L

- Built-in driver side door lock assembly.
- Inputs door key cylinder lock/unlock signal to power window main switch.
- Power window main switch transmits door key cylinder lock/unlock signal to BCM.

M

Door Switch

INFOID:000000008196248

N

Detects door open/close condition.

Unlock Sensor

INFOID:000000008196249

O

Detects door lock condition of driver side door.

Trunk Room Lamp Switch

INFOID:000000008196250

P

It detects engagement of trunk lid lock assembly and trunk lid striker.

Key Slot

INFOID:000000008196251

- Detects whether Intelligent Key is inserted.
- Immobilizer antenna amp checks Intelligent Key transponder.
- Blinks when Intelligent Key insertion is required.

COMPONENT PARTS

< SYSTEM DESCRIPTION >

[ROADSTER]

Combination Meter

INFOID:000000008196252

- Displays each operation method guide and warning for system malfunction.
- Performs operation method guide and warning with buzzer.
- Transmits vehicle speed signal to BCM via CAN communication line.

Hazard Warning Lamp

INFOID:000000008196253

Performs answer-back for each operation with number of blinks.

Intelligent Key Warning Buzzer

INFOID:000000008196254

Answers back and warns for an inappropriate operation.

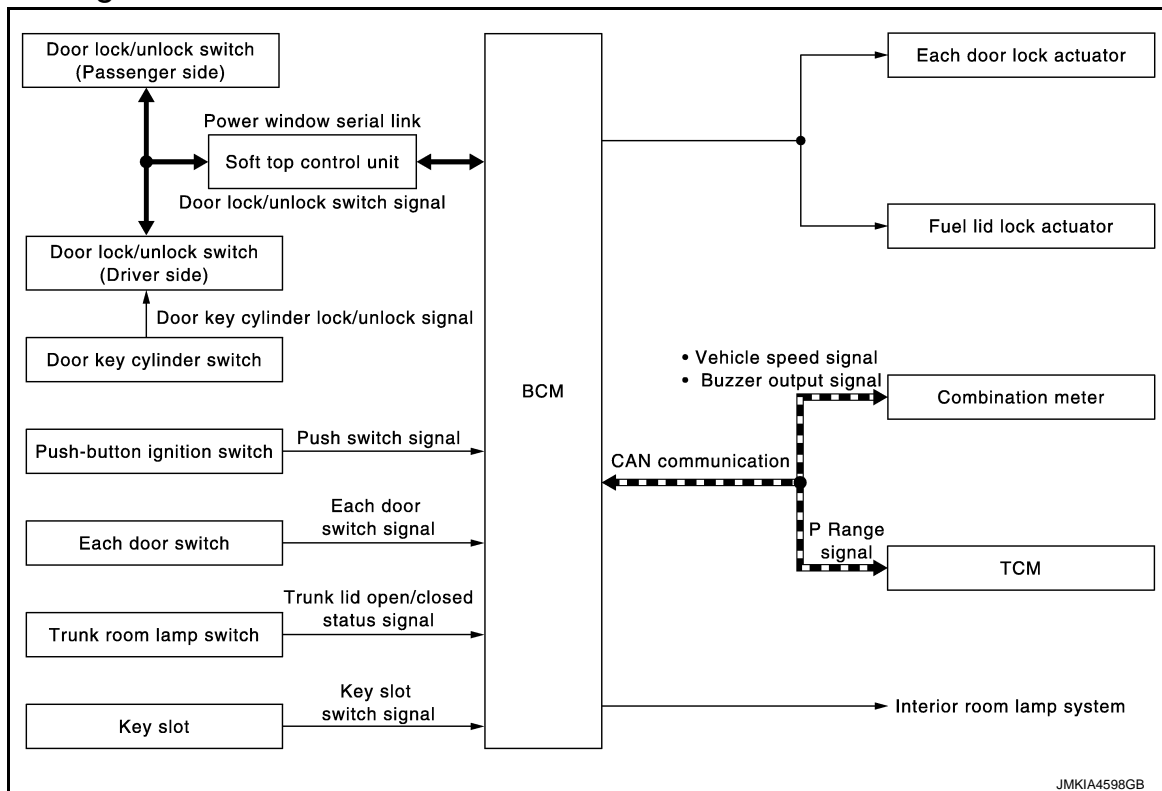
SYSTEM (POWER DOOR LOCK SYSTEM)

< SYSTEM DESCRIPTION >

[ROADSTER]

SYSTEM (POWER DOOR LOCK SYSTEM)

System Diagram



System Description

INFOID:000000008196256

DOOR LOCK FUNCTION

Door Lock and Unlock Switch

- The door lock and unlock switch (driver side) is built into power window main switch.
- The door lock and unlock switch (passenger side) is built into power window sub-switch.
- Interlocked with the locking operation of door lock and unlock switch, door lock actuators of all doors and fuel lid lock actuator are locked.
- Interlocked with the unlocking operation of door lock and unlock switch, door lock actuators of all doors and fuel lid lock actuator are unlocked.

Door Key Cylinder Switch

- With the door key inserted in the door key cylinder on driver side, turning it to "LOCK", locks door lock actuator of all doors and fuel lid lock actuator.
- With the door key inserted in the door key cylinder on driver side, turning it to "UNLOCK" once unlocks the driver side door and fuel lid lock actuator, turning it to "UNLOCK" again within 60 seconds after the first unlock operation unlocks all of the other doors actuator. - (SELECTIVE UNLOCK OPERATION)

Selective unlock operation mode can be changed using "DOOR LOCK-UNLOCK SET" mode in "WORK SUPPORT". Refer to [DLK-206. "DOOR LOCK : CONSULT Function \(BCM - DOOR LOCK\) \(For Roadster\)".](#)

KEY REMINDER FUNCTION

When door lock and unlock switch are operated while Intelligent Key is inserted into key slot any door or trunk lid is open, door locks once but immediately unlocks. This operation prevents Intelligent Key from being left in the vehicle.

DOOR KEY CYLINDER SWITCH POWER WINDOW FUNCTION

Driver side door key cylinder LOCK/UNLOCK operation can activate driver side and passenger side power window UP/DOWN operation. Refer to [PWC-9. "System Description"](#).

AUTOMATIC DOOR LOCK/UNLOCK FUNCTION (LOCK OPERATION)

A
B
C
D
E
F
G
H
I

J

DLK

L

M

N

O

P

SYSTEM (POWER DOOR LOCK SYSTEM)

[ROADSTER]

< SYSTEM DESCRIPTION >

The interlock door lock function is the function that locks all doors linked with the vehicle speed or shift position. It has 2 types as per the following items.

Vehicle Speed Sensing Auto Door Lock*1

All doors are locked when the vehicle speed reaches 24 km/h (15 MPH) or more.

BCM outputs the lock signal to all door lock actuators when it detects that the ignition switch is turned ON, all doors are closed and the vehicle speed received from the combination meter via CAN communication becomes 24 km/h (15 MPH) or more.

P Range Interlock Door Lock*2

All doors are locked when shifting the selector lever from the P position to any position other than P.

BCM outputs the lock signal to all door lock actuators when it detects that the ignition switch is in the ON position and the shift signal received from the TCM via CAN communication is shifted from the P position to any position other than P.

Setting change of Automatic Door Lock/Unlock Function

The lock operation setting of the automatic door lock/unlock function can be changed.

NOTE:

P range interlock door lock can be selected for M/T models, but automatic door lock/unlock function does not operate.

With CONSULT

The ON/OFF switching of the automatic door lock function and the type selection of the automatic door lock/unlock function can be performed at the WORK SUPPORT setting of CONSULT.

Without CONSULT

The automatic door lock function ON/OFF can be switched by performing the following operation.

1. Close all doors (door switch OFF)
2. Turn ignition switch ON
3. Press and hold the door lock and unlock switch for 5 seconds or more in the lock direction within 20 seconds after turning the ignition switch ON.
4. The switching is complete when the hazard lamp blinks.

OFF → ON : 2 blinks

ON → OFF : 1 blink

*1: This function is set to ON before delivery.

*2: This function does not operate on M/T models.

AUTOMATIC DOOR LOCK/UNLOCK FUNCTION (UNLOCK OPERATION)

The automatic door lock/unlock function is the function that unlocks all doors linked with the key position or shift position. It has 2 types as per the following items.

IGN OFF Interlock Door Unlock*1

All doors are unlocked when the power supply position is changed from ON to OFF.

BCM outputs the unlock signal to all door lock actuators when it detects that the power supply position is changed from ignition switch ON to OFF.

P Range Interlock Door Unlock*2

All doors are unlocked when shifting the selector lever from any position other than the P to P position.

BCM outputs the unlock signal to all door lock actuators when it detects that the ignition switch is in the ON position and the shift signal received from TCM via CAN communication is shifted from any position other than the P to P position.

Setting change of Automatic Door Lock/Unlock Function

The unlock operation setting of the automatic door lock/unlock function can be changed.

NOTE:

P range interlock door lock can be selected for M/T models, but automatic door lock/unlock function does not operate.

With CONSULT

The ON/OFF switching of the automatic door lock/unlock function and the type selection of the automatic door lock/unlock function can be performed at the WORK SUPPORT setting of CONSULT.

Without CONSULT

SYSTEM (POWER DOOR LOCK SYSTEM)

[ROADSTER]

< SYSTEM DESCRIPTION >

The automatic door lock/unlock function ON/OFF can be switched by performing the following operation.

1. Close all doors below (door switch OFF) A
2. Turn ignition switch ON
3. Press and hold the door lock and unlock switch for 5 seconds or more in the unlock direction within 20 seconds after turning the ignition switch ON. B
4. The switching is complete when the hazard lamp blinks.

OFF → ON : 2 blinks C

ON → OFF : 1 blink

*1: This function is set to ON before delivery. D

*2: This function does not operate on M/T models.

INTERIOR ROOM LAMP CONTROL FUNCTION

Interior room lamp is controlled according to door lock/unlock state, refer to [INL-11. "INTERIOR ROOM LAMP BATTERY SAVER SYSTEM : System Description"](#). E

F

G

H

I

J

DLK

L

M

N

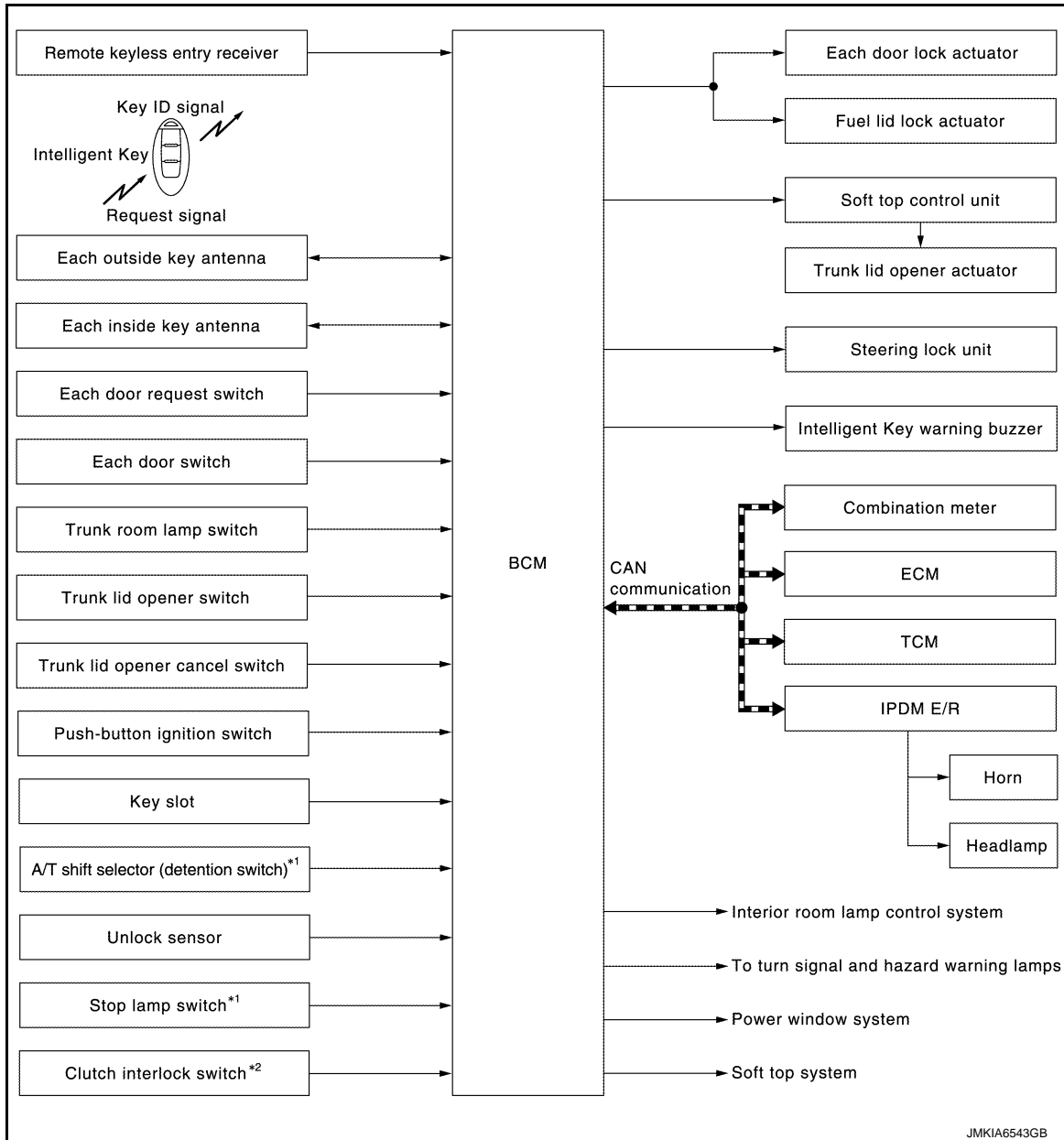
O

P

SYSTEM (INTELLIGENT KEY SYSTEM) INTELLIGENT KEY SYSTEM

INTELLIGENT KEY SYSTEM : System Diagram

INFOID:000000008196257



*1: With A/T models

*2: With M/T models

INTELLIGENT KEY SYSTEM : System Description

INFOID:000000008196258

- The Intelligent Key system is a system that makes it possible to lock and unlock the door locks (door lock/unlock function) by carrying the Intelligent Key, which operates based on the results of electronic ID verification using two-way communication between the Intelligent Key and the vehicle (BCM).

CAUTION:

The driver should always carry the Intelligent Key

- The settings for each function can be changed with CONSULT.
- If an Intelligent Key is lost, a new Intelligent Key can be registered. A maximum of 4 Intelligent Keys can be registered.
- It is possible to perform a diagnosis on the system and register an Intelligent Key with CONSULT.

SYSTEM (INTELLIGENT KEY SYSTEM)

< SYSTEM DESCRIPTION >

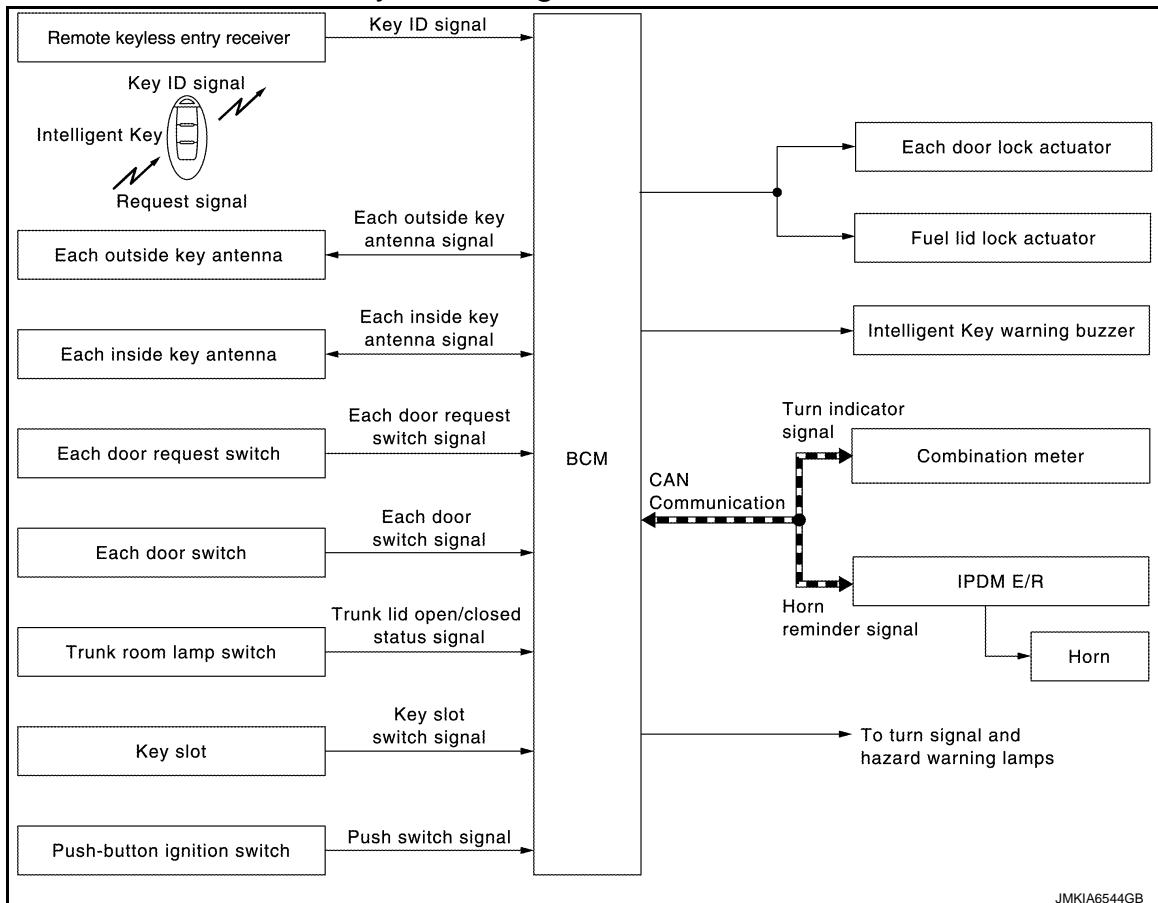
[ROADSTER]

Function	Description	Refer
Door lock function	Lock/unlock can be performed by pressing the door request switch	DLK-192
Remote keyless entry function	Lock/unlock can be performed by pressing the button of the Intelligent Key	DLK-196
Trunk open function	The trunk lid can be opened by carrying the Intelligent Key and pressing the trunk lid opener switch	DLK-194
Key reminder function	The key reminder buzzer sounds a warning if the door is locked with the key left inside the vehicle	DLK-198
Warning function	If an action that does not meet the operating condition of the Intelligent Key system is taken, the buzzer goes off to inform the drive	DLK-198
Engine start function	The engine can be turned on while carrying the Intelligent Key	SEC-9
Panic alarm function	When Intelligent Key panic alarm button is pressed, horn sounds and headlamp blinks	SEC-20
Interior room lamp control function	Interior room lamp is controlled according to door lock/unlock state	INL-9
Power window function	Power window can be operated by Intelligent Key button operation	PWC-9
Soft top function	Soft top system can be operated by door request switch operation	RF-16

DOOR LOCK FUNCTION

DOOR LOCK FUNCTION : System Diagram

INFOID:000000008196259



DLK

SYSTEM (INTELLIGENT KEY SYSTEM)

[ROADSTER]

< SYSTEM DESCRIPTION >

DOOR LOCK FUNCTION : System Description

INFOID:00000008196260

Only when pressing the door request switch, it is possible to lock and unlock the door by carrying the Intelligent Key.

OPERATION DESCRIPTION

- When the BCM detects that each door request switch is pressed, it starts the outside key antenna and inside key antenna corresponding to the pressed door request switch and transmits the request signal to the Intelligent Key. Then, check that the Intelligent Key is near the door.
- If the Intelligent Key is within the outside key antenna detection area, it receives the request signal and transmits the key ID signal to the BCM via remote keyless entry receiver.
- BCM receives the key ID signal and compares it with the registered key ID.
- BCM lock/unlock each door and fuel lid and sounds Intelligent Key warning buzzer (lock: 2 times, unlock: 1 time) at the same time as a reminder.

NOTE:

All doors unlock when soft top opening operation is performed by door request switch operation. But hazard and buzzer reminder function does not operate.

For soft top system, refer to [RF-16. "SOFT TOP SYSTEM : Door Request Switch Control"](#).

OPERATION CONDITION

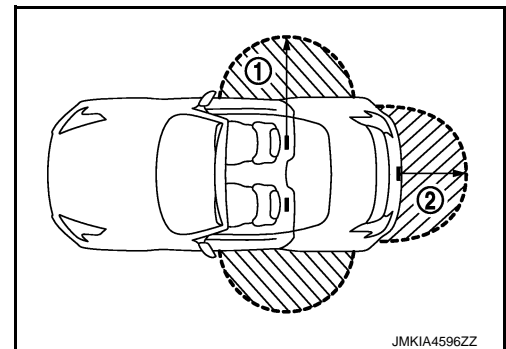
If the following conditions are satisfied, door lock/unlock operation is performed if the door request switch is operated.

Each door request switch operation	Operation condition
Lock operation	<ul style="list-style-type: none">• All doors are closed• Trunk lid is closed• P position warning is not activated• Panic alarm is not activated• Intelligent Key is outside the vehicle• Intelligent Key is within outside key antenna detection area• Soft top is not operated by door request switch operation
Unlock operation	<ul style="list-style-type: none">• Panic alarm is not activated• Intelligent Key is outside the vehicle• Intelligent Key is within outside key antenna detection area*• Soft top is not operated by door request switch operation

*: Even with a registered Intelligent Key remaining inside the vehicle, door locks can be unlocked from outside of the vehicle with a spare Intelligent Key as long as key IDs are different.

OUTSIDE KEY ANTENNA DETECTION AREA

The outside key antenna detection area of door lock/unlock function is in the range of approximately 80 cm (31.50 in) surrounding the LH and RH outside key antennas (1) and the outside key antenna (rear bumper) (2). However, this operating range depends on the ambient conditions.



SELECTIVE UNLOCK FUNCTION

Lock Operation

When an LOCK signal is sent from door request switch (driver side, passenger side, trunk lid), all doors and fuel lid are locked.

Unlock Operation

- When an UNLOCK signal from driver side door request switch is transmitted, driver side door and fuel lid unlocks. When another UNLOCK signal is transmitted within 60 seconds, all other doors unlocks.
- When an UNLOCK signal from passenger side door request switch is transmitted, passenger side door unlocks. When another UNLOCK signal is transmitted within 60 seconds, all other doors and fuel lid unlocks.

SYSTEM (INTELLIGENT KEY SYSTEM)

[ROADSTER]

< SYSTEM DESCRIPTION >

- When an UNLOCK signal from trunk lid side door request switch is transmitted, trunk lid open permission is set. When another UNLOCK signal is transmitted within 60 seconds, all doors (except trunk lid) and fuel lid unlock.

Selective unlock operation mode can be changed using "DOOR LOCK-UNLOCK SET" mode in "WORK SUPPORT". Refer to [DLK-206, "DOOR LOCK : CONSULT Function \(BCM - DOOR LOCK\) \(For Roadster\)"](#).

AUTO DOOR LOCK FUNCTION

After door is unlocked by door request switch operation and if 60 seconds or more passes without performing the following operation, all doors and fuel filler lid are automatically locked. However, operation check function does not activate.

Operating condition	<ul style="list-style-type: none"> Door switch is ON (door is open) Trunk room lamp switch is ON (trunk lid is open) Door is locked Push switch is pressed Intelligent Key is inserted in key slot
---------------------	---

Auto door lock mode can be changed by the "AUTO LOCK SET" mode in "WORK SUPPORT". Refer to [DLK-208, "INTELLIGENT KEY : CONSULT Function \(BCM - INTELLIGENT KEY\) \(For Roadster\)"](#).

HAZARD AND BUZZER REMINDER FUNCTION

During lock or unlock operation by each door request switch, the hazard warning lamps blink and Intelligent Key warning buzzer or horn sounds as a reminder.

When doors are locked or unlocked by each door request switch, BCM sounds Intelligent Key warning buzzer or horn and blinks hazard warning lamps as a reminder.

Operating Function of Hazard and Buzzer Reminder

Operation	Hazard warning lamp blinks	Intelligent Key warning buzzer sounds	Horn sounds
Unlock	Once	Once	—
Lock	Twice	Twice	Once

Hazard and buzzer reminder does not operate in the following conditions.

- Ignition switch position is ON
- Door is open (only lock operation)

How to Change Hazard and Buzzer Reminder Mode

Refer to [DLK-208, "INTELLIGENT KEY : CONSULT Function \(BCM - INTELLIGENT KEY\) \(For Roadster\)"](#).

LIST OF OPERATION RELATED PARTS

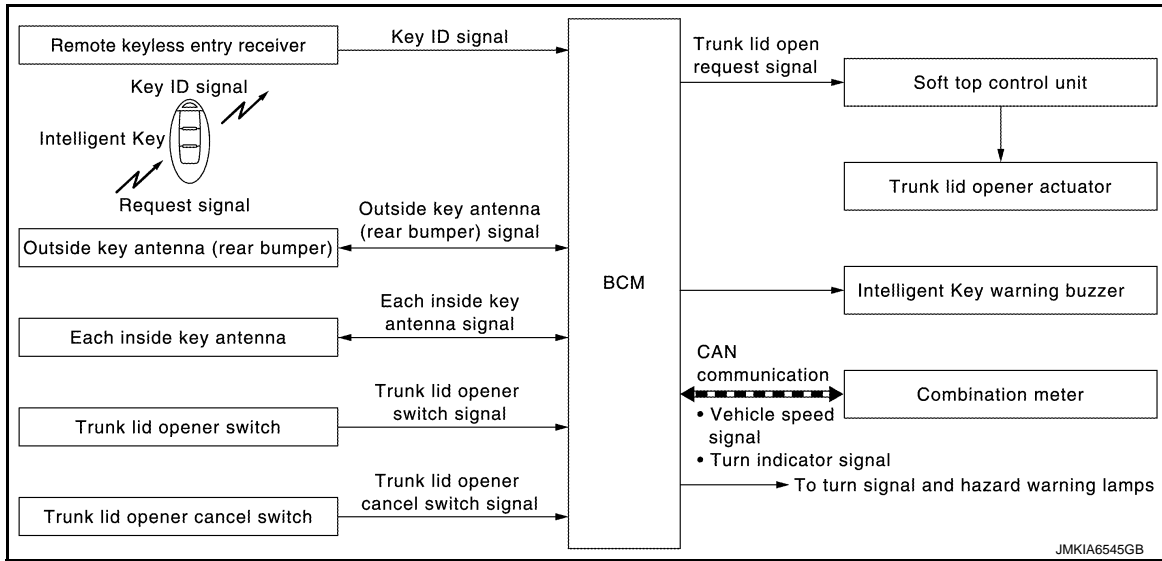
Parts marked with × are the parts related to operation.

Function	Intelligent Key	Key slot	Remote keyless entry receiver	Door switch	Trunk room lamp switch	Door request switch	Door lock actuator and fuel lid lock actuator	Inside key antenna	Outside key antenna	Intelligent Key warning buzzer	CAN communication system	BCM	Hazard warning lamp	Push-button ignition switch	Combination meter
Door lock/unlock function	×	×	×	×	×	×	×	×	×			×			
Hazard and buzzer reminder function				×	×					×	×	×	×		×
Selective unlock function	×					×	×	×	×			×			
Auto door lock function	×	×		×	×	×	×					×		×	

TRUNK OPEN FUNCTION

TRUNK OPEN FUNCTION : System Diagram

INFOID:000000008196261



TRUNK OPEN FUNCTION : System Description

INFOID:000000008196262

This section describes the operation of the trunk lid opener switch.

- The trunk lid open function can open the trunk lid by pressing the trunk lid opener switch while carrying the Intelligent Key and all doors are locked.
- The trunk lid open function enables the trunk lid to be opened by pressing trunk lid opener switch after BCM transmits UNLOCK signal to each door. Refer to [DLK-203. "System Description"](#).

OPERATION DESCRIPTION

- When the BCM detects that trunk lid opener switch is pressed, it starts the outside key antenna (rear bumper) and inside key antenna and transmits the request signal to the Intelligent Key. Then, check that the Intelligent Key is near the trunk lid.
- If the Intelligent Key is within the outside key antenna detection area, it receives the request signal and transmits the key ID signal to the BCM via remote keyless entry receiver.
- BCM receives the key ID signal and compares it with the registered key ID.
- BCM transmits trunk lid open request signal to soft top control unit, at the same time, blinks hazard warning lamp, and sounds Intelligent Key warning buzzer.
- Soft top control unit transmits trunk lid open request signal to trunk lid opener actuator and opens trunk lid.

OPERATION CONDITION

If the following conditions are satisfied, the trunk lid can be opened.

Trunk lid opener switch operation	Operation condition
Trunk lid open	<ul style="list-style-type: none"> • Vehicle speed is less than 5 km/h (3 MPH) • Trunk lid opener cancel switch is ON (CANCEL) • 3 seconds or more after BCM outputs all doors lock signal • Intelligent Key is outside of vehicle • Intelligent Key is within outside key antenna detection area • Soft top is not operated

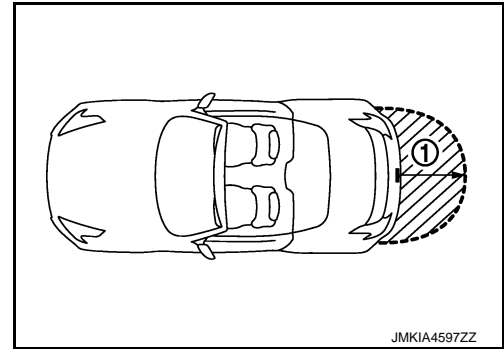
OUTSIDE KEY ANTENNA DETECTION AREA

SYSTEM (INTELLIGENT KEY SYSTEM)

[ROADSTER]

< SYSTEM DESCRIPTION >

The outside key antenna detection area of trunk lid open function is in the range of approximately 80 cm (31.50 in) surrounding the outside key antenna (rear bumper) (1). However, this operating range depends on the ambient conditions.



JMKIA4597ZZ

HAZARD AND BUZZER REMINDER FUNCTION

Trunk lid opening operation by trunk lid opener switch, the hazard warning lamps and horn blinks or honk as a reminder.

NOTE:

Hazard and buzzer reminder function is only operated at the first trunk lid opening operation after BCM transmits LOCK signal to each door.

LIST OF OPERATION RELATED PARTS

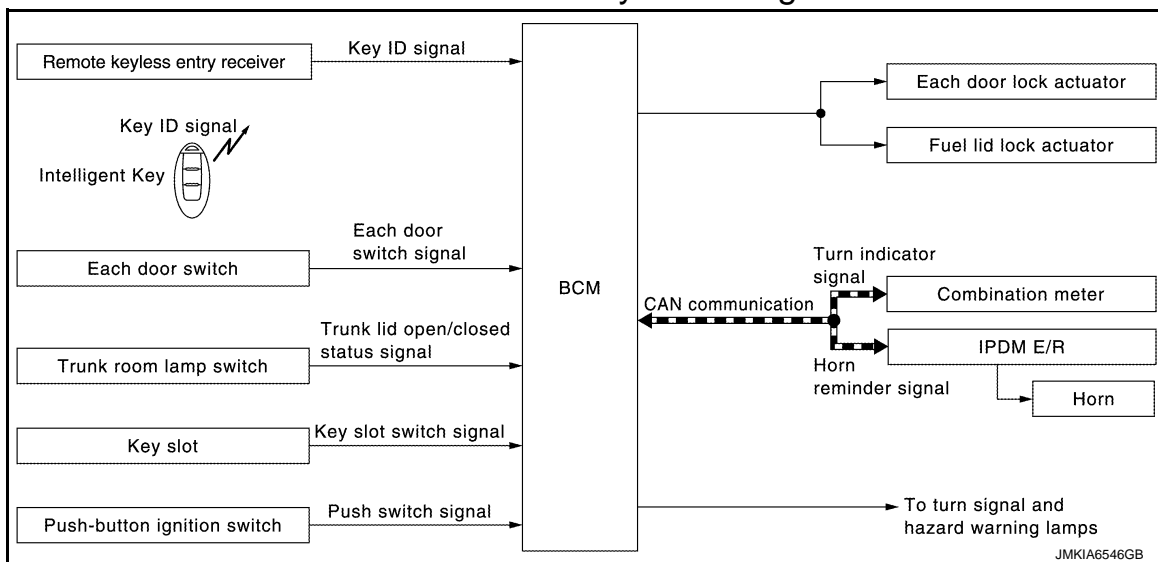
Parts marked with × are the parts related to operation.

Function	Intelligent Key	Key slot	Remote keyless entry receiver	Door switch	Door request switch	Door lock actuator and fuel lid lock actuator	Inside key antenna	Outside key antenna (Rear bumper)	Intelligent Key warning buzzer	CAN communication system	BCM	Hazard warning lamp	Trunk lid opener switch	Trunk lid opener cancel switch	Combination meter	Soft top control unit
Trunk open function	×	×	×	×	×	×	×	×		×	×		×	×	×	×
Hazard and buzzer reminder function									×	×	×	×			×	

REMOTE KEYLESS ENTRY FUNCTION

REMOTE KEYLESS ENTRY FUNCTION : System Diagram

INFOID:000000008196263



JMKIA6546GB

SYSTEM (INTELLIGENT KEY SYSTEM)

< SYSTEM DESCRIPTION >

[ROADSTER]

REMOTE KEYLESS ENTRY FUNCTION : System Description

INFOID:000000008196264

The Intelligent Key has the same functions as the remote control entry system. Therefore, it can be used in the same manner as the Intelligent Key by operating the door lock/unlock button.

OPERATION

Remote keyless entry system controls operation of the following items.

- Door lock/unlock
- Selective unlock
- Hazard and horn reminder
- Auto door lock

OPERATION AREA

To check that the Intelligent Key works normally, use within 1 m (3 ft) range of each door, however the operable range may differ according to surroundings.

DOOR LOCK/UNLOCK FUNCTION

- When door lock/unlock button of the Intelligent Key is pressed, lock signal or unlock signal is transmitted from Intelligent Key to BCM via remote keyless entry receiver.
- When BCM receives the door lock/unlock signal, it operates all door lock actuators and fuel lid lock actuator, blinks the hazard lamp (lock: 2 times, unlock: 1 time) and horn chirp signal to IPDM E/R at the same time as a reminder.
- IPDM E/R honks horn (lock: 2 times) as a reminder

OPERATION CONDITION

Remote controller operation	Operation condition
Lock	<ul style="list-style-type: none">• More than 3 seconds are passed since Intelligent Key removed from key slot• Panic alarm is not activated• P position warning is not activated
Unlock	<ul style="list-style-type: none">• More than 3 seconds are passed since Intelligent Key removed from key slot• Panic alarm is not activated

SELECTIVE UNLOCK FUNCTION

When an LOCK signal is transmitted from Intelligent Key, all doors and fuel lid are locked.

When an UNLOCK signal is transmitted from Intelligent Key once, driver side door and fuel lid are unlocked. Then, if an UNLOCK signal is transmitted from Intelligent Key again within 60 seconds, all other doors are unlocked.

Selective unlock operation mode can be changed using "DOOR LOCK-UNLOCK SET" mode in "WORK SUPPORT". Refer to [DLK-206, "DOOR LOCK : CONSULT Function \(BCM - DOOR LOCK\) \(For Roadster\)"](#).

AUTO DOOR LOCK FUNCTION

After door is unlocked by Intelligent Key button operation and if 60 seconds or more passes without performing the following operation, all doors and fuel filler lid are automatically locked. However, operation check function does not activate.

Operating condition	<ul style="list-style-type: none">• Door switch is ON (door is open)• Trunk room lamp switch is ON (trunk lid is open)• Door is locked• Push switch is pressed• Intelligent Key is inserted in key slot
---------------------	---

Auto door lock mode can be changed by the "AUTO LOCK SET" mode in "WORK SUPPORT". Refer to [DLK-208, "INTELLIGENT KEY : CONSULT Function \(BCM - INTELLIGENT KEY\) \(For Roadster\)"](#).

HAZARD AND HORN REMINDER FUNCTION

When doors are locked or unlocked by Intelligent Key, BCM blinks hazard warning lamps as a reminder. The hazard and horn reminder has a horn chirp mode (C mode) and a non-horn chirp mode (S mode).

Operating Function of Hazard and Horn Reminder

SYSTEM (INTELLIGENT KEY SYSTEM)

< SYSTEM DESCRIPTION >

[ROADSTER]

	C mode		S mode	
	Lock	Unlock	Lock	Unlock
Intelligent Key operation	Lock	Unlock	Lock	Unlock
Hazard warning lamp blinks	Twice	Once	Twice	—
Horn sound	Once	—	—	—

Hazard and horn reminder does not operate in the following conditions.

- Ignition switch position is ON.
- Door or trunk lid is open (only lock operation)

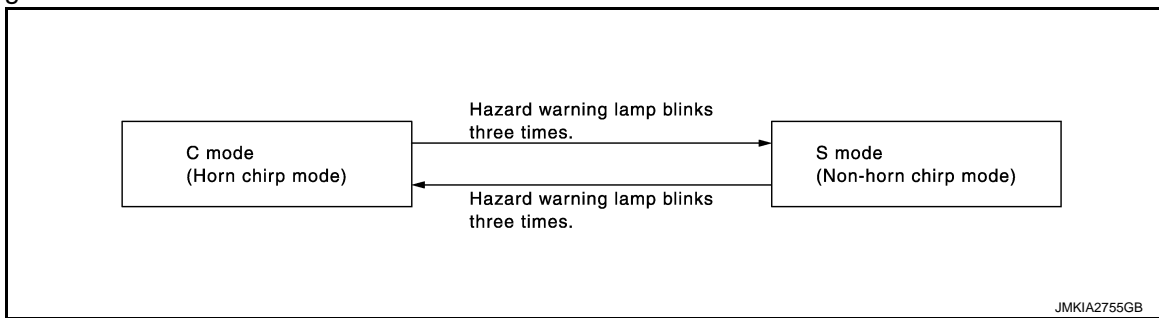
How to Change Hazard and Horn Reminder Mode

🔑 With CONSULT

Refer to [DLK-208. "INTELLIGENT KEY : CONSULT Function \(BCM - INTELLIGENT KEY\) \(For Roadster\)"](#).

⊗ Without CONSULT

When LOCK and UNLOCK signals are sent from the Intelligent Key for more than 2 seconds at the same time, the hazard and horn reminder mode is changed and hazard warning lamp blinks and horn sounds as per the following items:



LIST OF OPERATION RELATED PARTS

Parts marked with × are the parts related to operation.

Remote keyless entry functions	Intelligent Key	Key slot	Door request switch	Door switch	Door lock actuator and fuel lid lock actuator	CAN communication system	BCM	Combination meter	Hazard warning lamp	Horn	IPDM E/R
Door lock/unlock function	×	×		×	×		×				
Hazard and horn reminder function	×					×	×	×	×	×	×
Selective unlock function	×			×	×		×				
Auto door lock function	×	×		×			×				

KEY REMINDER FUNCTION

DLK

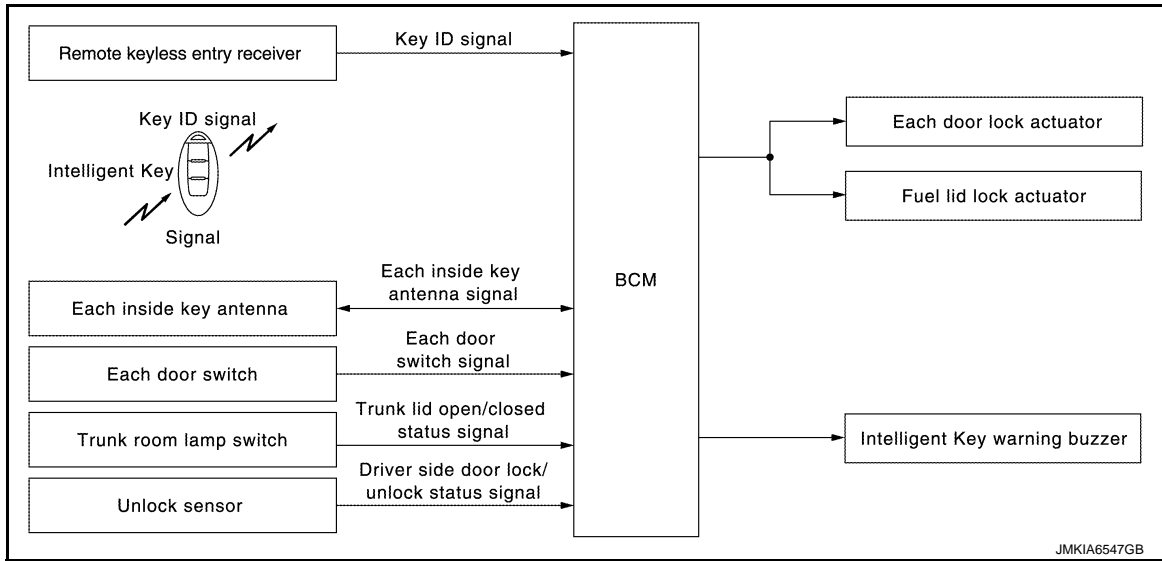
SYSTEM (INTELLIGENT KEY SYSTEM)

< SYSTEM DESCRIPTION >

[ROADSTER]

KEY REMINDER FUNCTION : System Diagram

INFOID:000000008196265



KEY REMINDER FUNCTION : System Description

INFOID:000000008196266

Key reminder is the function that prevents the key from being left in the vehicle. Key reminder has the following 3 functions.

Key remainder function	Operation condition	Operation
Driver door closed*	Right after driver side door is closed under the following conditions <ul style="list-style-type: none"> • Door lock operation is performed • Driver side door is open • Driver side door is in lock state 	All doors and fuel lid unlock
Door is open or closed	Right after all doors are closed under the following conditions <ul style="list-style-type: none"> • Intelligent Key is inside the vehicle • Any door is open • All doors are locked by door lock and unlock switch 	<ul style="list-style-type: none"> • All doors and fuel lid unlock • Honk Intelligent Key warning buzzer
Trunk lid is closed	Right after trunk lid is closed under the following conditions <ul style="list-style-type: none"> • Intelligent Key is inside vehicle • All doors are closed • All doors are locked 	<ul style="list-style-type: none"> • All doors and fuel lid unlock • Trunk lid can open with trunk lid opener switch • Honk Intelligent Key warning buzzer

*:If the door closing impact shocks the door lock knob, or contacts against baggage with the door lock knob might activate the door locks accidentally but unlock operation is perform in these cases.

CAUTION:

The above function operates when the Intelligent Key is inside the vehicle. However, there may be times when the Intelligent Key cannot be detected, and this function does not operate when the Intelligent Key is on the instrument panel, or in the glove box. Also, this system sometimes does not operate if the Intelligent Key is in the door pocket for the open door.

WARNING FUNCTION

WARNING FUNCTION : System Description

INFOID:000000008196267

OPERATION DESCRIPTION

The warning functions are as per the following items and are given to the user as warning information and warnings using combinations of Intelligent Key warning buzzer, combination meter, KEY warning lamp, key slot indicator and information display in combination meter.

- Intelligent Key system malfunction
- OFF position warning
- P position warning
- ACC warning
- Take away warning

SYSTEM (INTELLIGENT KEY SYSTEM)

[ROADSTER]

< SYSTEM DESCRIPTION >

- Door lock operation warning
- Key warning
- Intelligent Key insert information
- Engine start information
- Intelligent Key low battery warning
- Key ID warning

OPERATION CONDITION

Once the following condition from below is established, alert or warning is executed.

Warning/Information functions		Operation procedure
Intelligent Key system malfunction		When a malfunction is detected on BCM, "KEY" warning lamp illuminates
OFF position warning	For internal	When condition A, B or condition C is satisfied <ul style="list-style-type: none"> • Condition A <ul style="list-style-type: none"> - Ignition switch: ACC position - Door switch (driver side): ON (Door is open) • Condition B <ul style="list-style-type: none"> - Turn ignition switch from ON to OFF while door is open • Condition C <ul style="list-style-type: none"> - Intelligent Key is inserted in key slot - Door switch (driver side): ON (Door is open)
	For external*	OFF position warning (For internal) is in active mode, driver side door is closed NOTE: OFF position (For external) active only when each of the sequences occurs as below: P position warning → ACC warning → OFF position warning (For internal) → OFF position warning (For internal)
P position warning*	For internal	<ul style="list-style-type: none"> • Shift position: Except P position • Engine is running to stopped (Ignition switch is ON to OFF)
	For external	Warning is activated when driver door is closed from the open position while the P position warning (for inside vehicle) is ON
ACC warning*		<ul style="list-style-type: none"> • When P position warning is in active mode, shift position changes P position • Ignition switch: ACC position
Take away warning	Door is open to close	<ul style="list-style-type: none"> • Ignition switch: Except LOCK position • Door switch: ON to OFF (Door is open to close) • Intelligent Key cannot be detected inside the vehicle
	Door is open	<ul style="list-style-type: none"> • Door switch: ON (Door is open) • Key ID verification every 5 seconds when registered Intelligent Key cannot be detected inside the vehicle
	Push button-ignition switch operation	<ul style="list-style-type: none"> • Ignition switch: Except LOCK position • Press push-button ignition switch • Intelligent Key cannot be detected inside the vehicle
	Intelligent Key is removed from key slot	<ul style="list-style-type: none"> • When Intelligent Key is removed from key slot • Intelligent Key cannot be detected inside the vehicle • Ignition switch: Except LOCK position • When intelligent Key is low battery
Door lock operation warning		When door lock operation is requested while door lock operating condition of door request switch is not satisfied
Key warning		<ul style="list-style-type: none"> • Ignition switch is OFF position • Driver side door switch: ON (Driver side door is open) • Intelligent Key is inserted in key slot
Intelligent Key insert information		<ul style="list-style-type: none"> • Door switch: ON to OFF (Door is open to close) • Intelligent Key is out of key slot • Intelligent Key cannot be detected inside the vehicle

A
B
C
D
E
F
G
H
I
J
L
M
N
O
P

DLK

SYSTEM (INTELLIGENT KEY SYSTEM)

< SYSTEM DESCRIPTION >


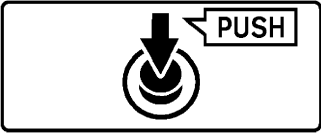

[ROADSTER]

Warning/Information functions		Operation procedure
Engine start information	Ignition switch is ON position	<ul style="list-style-type: none"> Ignition switch: ON position Shift position: P position* Engine is stopped
	Ignition switch is except ON position	<ul style="list-style-type: none"> Ignition switch: Except ON position Shift position: P position* Intelligent Key is inserted in key slot or Intelligent Key can be detected inside the vehicle
Intelligent Key low battery warning		When Intelligent Key is low battery, BCM is detected after ignition switch is turned ON
Key ID warning		When registered intelligent Key cannot be detected inside the vehicle after ignition switch is turned ON

*: M/T models do not apply.

WARNING METHOD





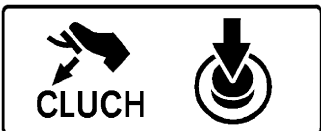

The following table shows the alarm or warning methods with chime. Information display (combination meter), "KEY" indicator or key slot indicator when the warning conditions are met.

Warning/Information functions		"KEY" warning lamp	Information display (combination meter)	Key slot indicator	Warning chime	
					Combination meter buzzer	Intelligent Key warning buzzer
Intelligent Key system malfunction		Illuminate	—	—	—	—
OFF position warning	For internal	—	—	—	Activate	—
	For external*	—	—	—	—	Activate
P position warning*	For internal	—	 <small>JMKIA0037GB</small>	—	Activate	—
	For external	—		—	—	Active
ACC warning*		—	 <small>JMKIA0047GB</small>	—	—	—
Take away warning	Door is open to close	—	 <small>JMKIA0036GB</small>	Blink	Activate	Activate
	Door is open	—		Blink	—	—
	Push-ignition switch operation	—		Blink	Activate	—
	Intelligent Key is removed from key slot	—		Blink	—	—
Door lock operation warning	Request switch operation	—	—	—	—	Activate
	Intelligent Key operation	—	—	—	—	Activate

SYSTEM (INTELLIGENT KEY SYSTEM)

< SYSTEM DESCRIPTION >

[ROADSTER]

Warning/Information functions	“KEY” warning lamp	Information display (combination meter)	Key slot indicator	Warning chime		A
				Combination meter buzzer	Intelligent Key warning buzzer	
Key ID warning	—	 <small>JMKIA0036GB</small>	—	—	—	C
Key warning	—	 <small>JMKIA0035GB</small>	Blink	Activate	—	D E F
Intelligent Key insert information	—	 <small>JMKIA0034GB</small>	Illuminate	—	—	G H
Engine start information	Automatic transmission models	 <small>JMKIA0032GB</small>	—	—	—	I J DLK
	Manual transmission models	 <small>JMKIA0049GB</small>	—	—	—	L M
Intelligent Key low battery warning	—	 <small>JMKIA3049ZZ</small>	—	—	—	N O P

*: M/T models do not apply.

LIST OF OPERATION RELATED PARTS

Parts marked with × are the parts related to operation.

SYSTEM (INTELLIGENT KEY SYSTEM)

< SYSTEM DESCRIPTION >

[ROADSTER]

Warning function		Intelligent Key	Key slot	Ignition switch	Door switch	Door request switch	Inside key antenna	Outside key antenna	Intelligent Key warning buzzer	Combination meter warning buzzer	CAN communication system	BCM	Combination meter display	Key slot indicator	Detention switch	"KEY" warning lamp
Intelligent Key system malfunction											×	×				×
OFF position warning	For internal				×					×	×	×				
	For external				×				×			×				
P position warning				×						×	×	×	×		×	
ACC warning				×						×	×	×	×		×	
Take away warning	Door is open or close	×			×		×		×	×	×	×	×	×		
	Door is open	×			×		×				×	×	×	×		
	Push-button ignition	×		×			×			×	×	×	×	×		
	Intelligent Key is removed from key slot	×	×				×				×	×	×	×		
Door lock operation warning		×	×		×	×	×	×	×			×				
Key ID warning		×	×	×			×				×	×	×			
Key warning		×	×		×					×	×	×	×	×		
Intelligent Key insert information		×	×	×	×		×				×	×	×	×		
Engine start information	Ignition switch is ON position	×	×	×			×				×	×	×		×	
	Ignition switch is except ON position	×	×	×			×				×	×	×			
Intelligent Key low battery warning		×					×				×	×	×			

SYSTEM (TRUNK LID OPENER SYSTEM)

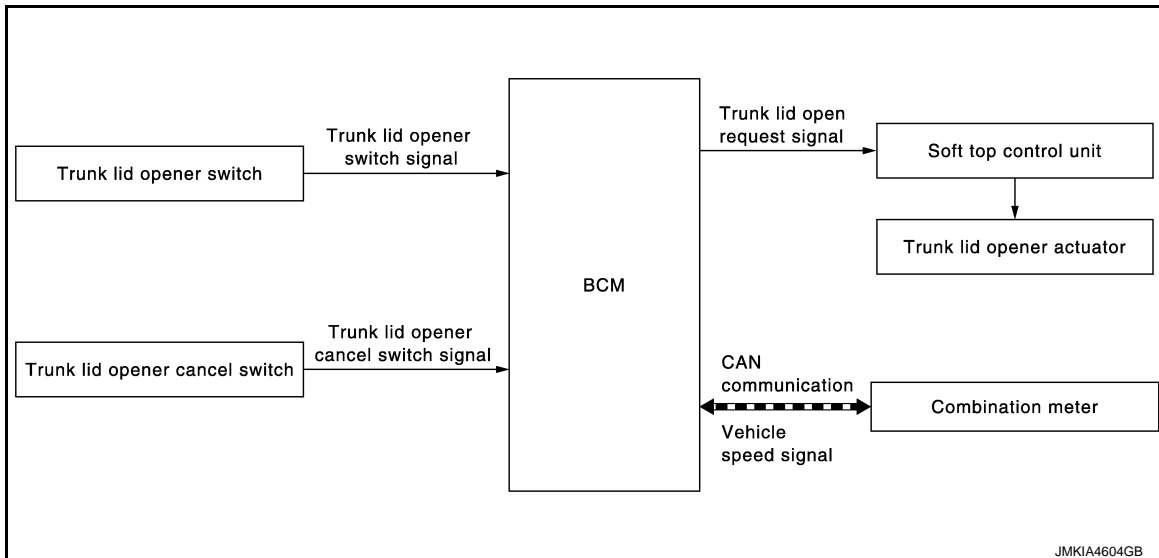
< SYSTEM DESCRIPTION >

[ROADSTER]

SYSTEM (TRUNK LID OPENER SYSTEM)

System Diagram

INFOID:000000008196268



JMKIA4604GB

System Description

INFOID:000000008196269

TRUNK LID OPENER OPERATION

- When trunk lid opener switch turns ON, BCM transmits trunk lid open request signal to soft top control unit.
- Soft top control unit transmits trunk lid open request signal to trunk lid opener actuator. Trunk lid is open.

NOTE:

Trunk lid opener actuator is not for locking the trunk lid. The function is only to open the trunk lid.

OPERATION CONDITION

If the following conditions are satisfied, trunk lid opener operation is performed.

Trunk lid opener switch operation	Operation condition
Trunk lid open	<ul style="list-style-type: none"> • When trunk lid is unlocked using trunk lid door request switch in the selective unlock mode, or after BCM outputs all doors unlock signal • Vehicle speed is less than 5 km/h (3 MPH) • Trunk lid opener cancel switch is ON (CANCEL) • Soft top is not operated

NOTE:

- When battery terminal is disconnected and reconnected during all doors unlock state, trunk lid may not open.
- Regardless of door lock actuator state, BCM resets recognition of all doors unlock state approximately 30 seconds after battery terminal is disconnected and BCM recognizes that all doors are in lock state.
- When battery terminal is reconnected and trunk lid does not open, have BCM recognize that all doors are in unlock state.

SYSTEM (INTEGRATED HOMELINK TRANSMITTER)

[ROADSTER]

< SYSTEM DESCRIPTION >

SYSTEM (INTEGRATED HOMELINK TRANSMITTER)

System Description

INFOID:000000008196270

- Integrated homelink transmitter can store and transmit a maximum of 3 radio signals.
- Allows operation of garage doors, gates, home and office lighting, entry door locks and security system, etc.
- Integrated homelink transmitter power supply uses vehicle battery, which enables it to maintain every program in case battery is discharged or removed.

DIAGNOSIS SYSTEM (BCM)

[ROADSTER]

< SYSTEM DESCRIPTION >

DIAGNOSIS SYSTEM (BCM)

COMMON ITEM

COMMON ITEM : CONSULT Function (BCM - COMMON ITEM)

INFOID:000000008671152

APPLICATION ITEM

CONSULT performs the following functions via CAN communication with BCM.

Diagnosis mode	Function Description
Work Support	Changes the setting for each system function.
Self Diagnostic Result	Displays the diagnosis results judged by BCM.
CAN Diag Support Monitor	Monitors the reception status of CAN communication viewed from BCM.
Data Monitor	The BCM input/output signals are displayed.
Active Test	The signals used to activate each device are forcibly supplied from BCM.
Ecu Identification	The BCM part number is displayed.
Configuration	<ul style="list-style-type: none"> Read and save the vehicle specification. Write the vehicle specification when replacing BCM.

SYSTEM APPLICATION

BCM can perform the following functions for each system.

NOTE:

It can perform the diagnosis modes except the following for all sub system selection items.

×: Applicable item

System	Sub system selection item	Diagnosis mode		
		Work Support	Data Monitor	Active Test
Door lock	DOOR LOCK	×	×	×
Rear window defogger	REAR DEFOGGER		×	×
Warning chime	BUZZER		×	×
Interior room lamp timer	INT LAMP	×	×	×
Exterior lamp	HEAD LAMP	×	×	×
Wiper and washer	WIPER	×	×	×
Turn signal and hazard warning lamps	FLASHER	×	×	×
—	AIR CONDITONER*			
<ul style="list-style-type: none"> Intelligent Key system Engine start system 	INTELLIGENT KEY	×	×	×
Combination switch	COMB SW		×	
Body control system	BCM	×		
NVIS - NATS	IMMU		×	×
Interior room lamp battery saver	BATTERY SAVER	×	×	×
Back door/Trunk lid open	TRUNK		×	×
Vehicle security system	THEFT ALM	×	×	×
RAP system	RETAINED PWR		×	
Signal buffer system	SIGNAL BUFFER		×	×
TPMS	TPMS (AIR PRESSURE MONITOR)	×	×	×

NOTE:

*: This item is displayed, but is not used.

FREEZE FRAME DATA (FFD)

The BCM records the following vehicle condition at the time a particular DTC is detected, and displays on CONSULT.

DIAGNOSIS SYSTEM (BCM)

[ROADSTER]

< SYSTEM DESCRIPTION >

CONSULT screen item	Indication/Unit	Description	
Vehicle Speed	km/h	Vehicle speed of the moment a particular DTC is detected	
Odo/Trip Meter	km	Total mileage (Odometer value) of the moment a particular DTC is detected	
Vehicle Condition	SLEEP>LOCK	Power supply position status of the moment a particular DTC is detected	While turning BCM status from low power consumption mode to normal mode (Power supply position is "LOCK"*)
	SLEEP>OFF		While turning BCM status from low power consumption mode to normal mode (Power supply position is "OFF".)
	LOCK>ACC		While turning power supply position from "LOCK"* to "ACC"
	ACC>ON		While turning power supply position from "ACC" to "IGN"
	RUN>ACC		While turning power supply position from "RUN" to "ACC" (Except emergency stop operation)
	CRANK>RUN		While turning power supply position from "CRANKING" to "RUN" (From cranking up the engine to run it)
	RUN>URGENT		While turning power supply position from "RUN" to "ACC" (Emergency stop operation)
	ACC>OFF		While turning power supply position from "ACC" to "OFF"
	OFF>LOCK		While turning power supply position from "OFF" to "LOCK"*
	OFF>ACC		While turning power supply position from "OFF" to "ACC"
	ON>CRANK		While turning power supply position from "IGN" to "CRANKING"
	OFF>SLEEP		While turning BCM status from normal mode (Power supply position is "OFF".) to low power consumption mode
	LOCK>SLEEP		While turning BCM status from normal mode (Power supply position is "LOCK"*.) to low power consumption mode
	LOCK		Power supply position is "LOCK"*
	OFF		Power supply position is "OFF" (Ignition switch OFF)
	ACC		Power supply position is "ACC" (Ignition switch ACC)
	ON		Power supply position is "IGN" (Ignition switch ON with engine stopped)
	ENGINE RUN		Power supply position is "RUN" (Ignition switch ON with engine running)
CRANKING	Power supply position is "CRANKING" (At engine cranking)		
IGN Counter	0 - 39	The number of times that ignition switch is turned ON after DTC is detected <ul style="list-style-type: none"> • The number is 0 when a malfunction is detected now. • The number increases like 1 → 2 → 3...38 → 39 after returning to the normal condition whenever ignition switch OFF → ON. • The number is fixed to 39 until the self-diagnosis results are erased if it is over 39. 	

NOTE:

*: Power supply position shifts to "LOCK" from "OFF", when ignition switch is in the OFF position, selector lever is in the P position (A/T models), and any of the following conditions are met.

- Closing door
- Opening door
- Door is locked using door request switch
- Door is locked using Intelligent Key

The power supply position shifts to "ACC" when the push-button ignition switch (push switch) is pushed at "LOCK".

DOOR LOCK

DOOR LOCK : CONSULT Function (BCM - DOOR LOCK) (For Roadster)

INFOID:000000008196272

WORK SUPPORT

DIAGNOSIS SYSTEM (BCM)

< SYSTEM DESCRIPTION >

[ROADSTER]

Monitor item	Description
DOOR LOCK-UNLOCK SET	Selective unlock function mode can be changed to operate (ON) or not operate (OFF) with this mode
AUTOMATIC DOOR LOCK SELECT	Automatic door lock function mode can be selected from the following in this mode <ul style="list-style-type: none"> • VH SPD: All doors are locked when vehicle speed more than 24 km/h (15 MPH) • P RANGE*: All doors are locked when shifting the selector lever from P position to other than the P position
AUTOMATIC DOOR UNLOCK SELECT	Automatic door unlock function mode can be selected from the following in the mode <ul style="list-style-type: none"> • MODE 1: All doors are unlocked when the power supply position is changed from ON to OFF • MODE 2*: All doors are unlocked when shifting the selector lever from any position other than the P to P position • MODE 3: Driver side door is unlocked when the power supply position is changed from ON to OFF • MODE 4*: Driver side door is unlocked when shifting the selector lever from any position other than the P to P position
AUTOMATIC LOCK/UNLOCK SET	Automatic door lock/unlock function mode can be selected from the following in this mode <ul style="list-style-type: none"> • Off: non-operational • Unlock Only: door unlock operation only • Lock Only: door lock operation only • Lock/Unlock: lock/unlock operation

*: P range interlock door lock can be selected for M/T models, but automatic door lock/unlock function does not operate.

DATA MONITOR

NOTE:

The following table includes information (items) inapplicable to this vehicle. For information (items) applicable to this vehicle, refer to CONSULT display items.

Monitor Item	Contents
REQ SW-DR	Indicated [On/Off] condition of door request switch (driver side)
REQ SW-AS	Indicated [On/Off] condition of door request switch (passenger side)
REQ SW-BD/TR	Indicated [On/Off] condition of back door request switch/door request switch (trunk lid)
DOOR SW-DR	Indicated [On/Off] condition of front door switch (driver side)
DOOR SW-AS	Indicated [On/Off] condition of front door switch (passenger side)
DOOR SW-RR	NOTE: This item is displayed, but cannot be monitored
DOOR SW-RL	NOTE: This item is displayed, but cannot be monitored
DOOR SW-BK	Indicated [On/Off] condition of back door switch/ trunk room lamp switch*
CDL LOCK SW	Indicated [On/Off] condition of lock signal from door lock unlock switch
CDL UNLOCK SW	Indicated [On/Off] condition of unlock signal from door lock unlock switch
KEY CYL LK-SW	Indicated [On/Off] condition of lock signal from door key cylinder
KEY CYL UN-SW	Indicated [On/Off] condition of unlock signal from door key cylinder

*: For roadster models

ACTIVE TEST

Test item	Description
DOOR LOCK	This test is able to check door lock/unlock operation <ul style="list-style-type: none"> • The all door lock actuators are locked when "ALL LCK" on CONSULT screen is touched • The all door lock actuators are unlocked when "ALL UNLK" on CONSULT screen is touched • The door lock actuator (driver side) is unlocked when "DR UNLK" on CONSULT screen is touched • The door lock actuator (passenger side) is unlocked when "AS UNLK" on CONSULT screen is touched • "OTR ULK" item is displayed, but cannot be monitored

DIAGNOSIS SYSTEM (BCM)

[ROADSTER]

< SYSTEM DESCRIPTION >

INTELLIGENT KEY

INTELLIGENT KEY : CONSULT Function (BCM - INTELLIGENT KEY) (For Roadster)

INFOID:000000008196273

WORK SUPPORT

Monitor item	Description
CONFIRM KEY FOB ID	It can be checked whether Intelligent Key ID code is registered or not in this mode
AUTO LOCK SET	Auto door lock time can be changed in this mode <ul style="list-style-type: none"> • MODE 1: 1 minute • MODE 2: 5 minutes • MODE 3: 30 seconds • MODE 4: 2 minutes
LOCK/UNLOCK BY I-KEY	Door lock/unlock function by door request switch (driver side, passenger side and back door side/trunk lid*) mode can be changed to operate (On) or not operate (Off) in this mode
ENGINE START BY I-KEY	Engine start function mode can be changed to operate (On) or not operate (Off) with this mode
TRUNK/GLASS HATCH OPEN	Buzzer reminder function mode by back door opener switch/ trunk lid opener switch* can be changed to operate (ON) or not operate (OFF) with this mode
PANIC ALARM SET	Panic alarm button pressing time on Intelligent Key remote control button can be selected from the following with this mode <ul style="list-style-type: none"> • MODE 1: 0.5 sec. • MODE 2: Non-operation • MODE 3: 1.5 sec.
TAKE OUT FROM WIN WARN	NOTE: This item is displayed, but cannot be monitored
PW DOWN SET	Unlock button pressing time on Intelligent Key button can be selected from the following with this mode <ul style="list-style-type: none"> • MODE 1: 3 sec. • MODE 2: Non-operation • MODE 3: 5 sec.
TRUNK OPEN DELAY	NOTE: This item is displayed, but cannot be supported
LO- BATT OF KEY FOB WARN	Intelligent Key low battery warning mode can be changed to operate (On) or not operate (Off) with this mode
ANTI KEY LOCK IN FUNCTI	Key reminder function mode can be changed to operate (On) or not operate (Off) with this mode
HAZARD ANSWER BACK	Hazard reminder function mode can be selected from the following with this mode <ul style="list-style-type: none"> • LOCK ONLY: Door lock operation only • UNLOCK ONLY: Door unlock operation only • LOCK/UNLOCK: Lock/unlock operation • OFF: Non-operation
ANS BACK I-KEY LOCK	Buzzer reminder function (lock operation) mode by door request switch (driver side, passenger side and back door side/trunk lid*) can be selected from the following with this mode <ul style="list-style-type: none"> • Horn chirp: Sound horn • Buzzer: Sound Intelligent Key warning buzzer • OFF: Non-operation
ANS BACK I-KEY UNLOCK	Buzzer reminder function (unlock operation) mode by door request switch (driver side, passenger side and back door side/trunk lid*) can be changed to operate (On) or not operate (Off) with this mode
SHORT CRANKING OUTPUT	Starter motor can be forcibly activated
INSIDE ANT DIAGNOSIS	This function allows inside key antenna self-diagnosis
HORN WITH KEYLESS LOCK	Horn reminder function mode by Intelligent Key button can be changed to operate (On) or not operate (Off) with this mode

*: For roadster models

SELF-DIAG RESULT

DIAGNOSIS SYSTEM (BCM)

[ROADSTER]

< SYSTEM DESCRIPTION >

Refer to [BCS-88, "DTC Index"](#).

DATA MONITOR

NOTE:

The following table includes information (items) inapplicable to this vehicle. For information (items) applicable to this vehicle, refer to CONSULT display items.

Monitor Item	Condition
REQ SW -DR	Indicates [On/Off] condition of driver side door request switch
REQ SW -AS	Indicates [On/Off] condition of passenger side door request switch
REQ SW -BD/TR	Indicates [On/Off] condition of back door request switch/trunk lid door request switch ^{*4}
PUSH SW	Indicates [On/Off] condition of push-button ignition switch
IGN RLY2 -F/B	NOTE: This item is displayed, but cannot be monitored
ACC RLY-F/B	NOTE: This item is displayed, but cannot be monitored
CLUCH SW* ¹	Indicates [On/Off] condition of clutch switch
BRAKE SW 1	Indicates [On/Off] ^{*3} condition of brake switch power supply
BRAKE SW 2	Indicates [On/Off] condition of brake switch
DETE/CANCL SW* ²	Indicates [On/Off] condition of P position
SFT PN/N SW* ²	Indicates [On/Off] condition of P or N position
S/L -LOCK	NOTE: This item is displayed, but cannot be monitored
S/L -UNLOCK	NOTE: This item is displayed, but cannot be monitored
S/L RELAY -F/B	NOTE: This item is displayed, but cannot be monitored
UNLK SEN -DR	Indicates [On/Off] condition of driver door UNLOCK status
PUSH SW -IPDM	Indicates [On/Off] condition of push-button ignition switch
IGN RLY1 -F/B	Indicates [On/Off] condition of ignition relay 1
DETE SW -IPDM* ²	Indicates [On/Off] condition of P position
SFT PN -IPDM* ²	Indicates [On/Off] condition of P or N position
SFT P -MET* ²	Indicates [On/Off] condition of P position
SFT N -MET* ²	Indicates [On/Off] condition of N position
ENGINE STATE	Indicates [STOP/STALL/CRANK/RUN] condition of engine states
S/L LOCK-IPDM	NOTE: This item is displayed, but cannot be monitored
S/L UNLK-IPDM	NOTE: This item is displayed, but cannot be monitored
S/L RELAY-REQ	NOTE: This item is displayed, but cannot be monitored
VEH SPEED 1	Display the vehicle speed signal received from combination meter by numerical value [km/h]
VEH SPEED 2	Display the vehicle speed signal received from ABS or VDC or TCM by numerical value [km/h]
DOOR STAT-DR	Indicates [LOCK/READY/UNLOCK] condition of driver side door status
DOOR STAT-AS	Indicates [LOCK/READY/UNLOCK] condition of passenger side door status
ID OK FLAG	Indicates [Set/Reset] condition of key ID
PRMT ENG STRT	Indicates [Set/Reset] condition of engine start possibility
PRMT RKE STRT	NOTE: This item is displayed, but cannot be monitored

A
B
C
D
E
F
G
H
I
J
K
L
M
N
O
P

DLK

DIAGNOSIS SYSTEM (BCM)

< SYSTEM DESCRIPTION >

[ROADSTER]

Monitor Item	Condition
KEY SW -SLOT	Indicates [On/Off] condition of key slot
TRNK/HAT MNTR	NOTE: This item is displayed, but cannot be monitored
RKE-LOCK	Indicates [On/Off] condition of LOCK signal from Intelligent Key
RKE-UNLOCK	Indicates [On/Off] condition of UNLOCK signal from Intelligent Key
RKE-TR/BD	NOTE: This item is displayed, but cannot be monitored
RKE-PANIC	Indicates [On/Off] condition of PANIC button of Intelligent Key
RKE-P/W OPEN	Indicates [On/Off] condition of P/W DOWN signal from Intelligent Key
RKE-MODE CHG	Indicates [On/Off] condition of MODE CHANGE signal from Intelligent Key
RKE OPE COUN1	When remote keyless entry receiver (front) receives the signal transmitted while operating on Intelligent Key, the numerical value start changing
RKE OPE COUN2	NOTE: This item is displayed, but cannot be monitored
REVERSE SW*1	Indicates [On/Off] condition of R position

*1: It is displayed but does not operate on A/T models.

*2: It is displayed but does not operate on M/T models.

*3: OFF is displayed when brake pedal is depressed while brake switch power supply is OFF.

*4: For roadster models

ACTIVE TEST

Test item	Description
BATTERY SAVER	This test is able to check interior room lamp operation The interior room lamp is activated after "On" on CONSULT screen is touched
PW REMOTO DOWN SET	This test is able to check power window down operation The power window down is activated after "On" on CONSULT screen is touched
OUTSIDE BUZZER	This test is able to check Intelligent Key warning buzzer operation The Intelligent Key warning buzzer is activated after "On" on CONSULT screen is touched
INSIDE BUZZER	This test is able to check warning chime in combination meter operation <ul style="list-style-type: none"> • Take away warning chime sounds when "Take out" on CONSULT screen is touched • Key warning chime sounds when "Key" on CONSULT screen is touched • OFF position warning chime sounds when "Knob" on CONSULT screen is touched
INDICATOR	This test is able to check warning lamp operation <ul style="list-style-type: none"> • "KEY" Warning lamp illuminates when "Key on" on CONSULT screen is touched • "KEY" Warning lamp blinks when "Key ind" on CONSULT screen is touched
INT LAMP	This test is able to check interior room lamp operation The interior room lamp is activated after "On" on CONSULT screen is touched
LCD	This test is able to check meter display information <ul style="list-style-type: none"> • Engine start information displays when "BP N" on CONSULT screen is touched • Engine start information displays when "BP I" on CONSULT screen is touched • Key ID warning displays when "ID NG" on CONSULT screen is touched • ROTAT: This item is displayed, but cannot be tested. • P position warning displays when "SFT P" on CONSULT screen is touched • Intelligent Key insert information displays when "INSRT" on CONSULT screen is touched • Intelligent Key low battery warning displays when "BATT" on CONSULT screen is touched • Take away through window warning displays when "NO KY" on CONSULT screen is touched • Take away warning display when "OUTKEY" on CONSULT screen is touched • OFF position warning display when "LK WN" on CONSULT screen is touched
TRUNK/GLASS HATCH	NOTE: This item is displayed, but cannot be tested
FLASHER	This test is able to check hazard warning lamp operation The hazard warning lamps are activated after "LH/RH/Off" on CONSULT screen is touched

DIAGNOSIS SYSTEM (BCM)

< SYSTEM DESCRIPTION >

[ROADSTER]

Test item	Description
HORN	This test is able to check horn operation The horn is activated after "On" on CONSULT screen is touched
P RANGE*1	This test is able to check A/T shift selector power supply A/T shift selector power is supplied when "On" on CONSULT screen is touched
ENGINE SW ILLUMI	This test is able to check push-ignition switch illumination operation Push-ignition switch illumination illuminates when "On" on CONSULT screen is touched
LOCK INDICATOR	This test is able to check LOCK indicator in push-ignition switch operation LOCK indicator in push-ignition switch illuminates when "On" on CONSULT screen is touched
ACC INDICATOR	This test is able to check ACC indicator in push-ignition switch operation ACC indicator in push-ignition switch illuminates when "On" on CONSULT screen is touched
IGNITION ON IND	This test is able to check ON indicator in push-ignition switch operation ON indicator in push-ignition switch illuminates when "On" on CONSULT screen is touched
KEY SLOT ILLUMI	This test is able to check key slot illumination operation Key slot illumination blinks when "On" on CONSULT screen is touched
TRUNK/BACK DOOR	This test is able to check back door opener actuator/ trunk lid opener actuator*2 open operation This actuator opens when "Open" on CONSULT screen is touched

*1: It is displayed but does not operate on M/T models.

*2: For roadster models

TRUNK

TRUNK : CONSULT Function (BCM - TRUNK) (For Roadster)

INFOID:000000008196274

DATA MONITOR

NOTE:

The following table includes information (items) inapplicable to this vehicle. For information (items) applicable to this vehicle, refer to CONSULT display items.

Monitor Item	Contents
PUSH SW	Indicates [On/Off] condition of push-button ignition switch
UNLK SEN -DR	Indicates [On/Off] condition of driver door UNLOCK status
VEH SPEED 1	Indicates [km/h] condition of vehicle speed signal from combination meter
KEY CYL SW-TR	NOTE: This item is displayed, but cannot be monitored
TR CANCEL SW*1	Indicates [On/Off] condition of trunk lid cancel switch
TR/BD OPEN SW	Indicates [On/Off] condition of back door opener switch/trunk lid opener switch*2
TRNK/HAT MNTR	NOTE: This item is displayed, but cannot be monitored
RKE-TR/BD	NOTE: This item is displayed, but cannot be monitored

*1: It is displayed but does not operate on coupe models.

*2: For roadster models

ACTIVE TEST

Test item	Description
TRUNK/GLASS HATCH	NOTE: This item is displayed, but cannot be tested

DIAGNOSIS SYSTEM (SOFT TOP CONTROL UNIT)

< SYSTEM DESCRIPTION >

[ROADSTER]

DIAGNOSIS SYSTEM (SOFT TOP CONTROL UNIT)

CONSULT Function

INFOID:000000008671153

APPLICATION ITEM

CONSULT performs the following functions via CAN communication with soft top control unit.

Diagnosis mode	Function Description
ECU Identification	The soft top control unit part number is displayed.
Self Diagnostic Result	Displays the diagnosis results judged by soft top control unit.
Freeze Frame Data	The soft top control unit records the vehicle condition at the time when the DTC is detected, and displays.
Data Monitor	The soft top control unit input/output signals are displayed.
Active Test	The signals used to activate each device are forcibly supplied from soft top control unit.
CAN Diag Support Monitor	Monitors the reception status of CAN communication viewed from soft top control unit. Refer to CONSULT operation manual.

SELF-DIAG RESULT

Refer to [RF-40, "DTC Index"](#).

Freeze Frame Data

The soft top control unit records the following vehicle condition at the time when the DTC is detected, and displays on CONSULT.

CONSULT display		Description
Item	Indication	
ROOF SW (OPEN)	ON/OFF	OPEN input state of roof open/close switch is displayed.
ROOF SW (CLOSE)	ON/OFF	CLOSE input state of roof open/close switch is displayed.
ROOF LATCHED LH	ON/OFF	Input state of roof striker sensor LH is displayed.
ROOF LATCHED RH	ON/OFF	Input state of roof striker sensor RH is displayed.
F/CENTER LOCK	ON/OFF	Input state of roof latch lock sensor is displayed.
R/RAIL RAISED LH	ON/OFF	Input state of roof status sensor LH is displayed.
R/RAIL RAISED RH	ON/OFF	Input state of roof status sensor RH is displayed.
R/RAIL LOWERED	ON/OFF	Input state of roof status sensor LH is displayed.
5BOW LOWERED	ON/OFF	Input state of 5th bow status sensor LH is displayed.
5BOW RAISED	ON/OFF	Input state of 5th bow status sensor RH is displayed.
TRUNK STATUS SEN	ON/OFF	Input state of trunk status sensor is displayed.
S/LID OPEN LH	ON/OFF	Input state of storage lid status sensor LH is displayed.
S/LID OPEN RH	ON/OFF	Input state of storage lid status sensor RH is displayed.
S/LID CLOSE RH	ON/OFF	Input state of storage lid status sensor RH is displayed.
5TH BOW LATCH OP	ON/OFF	Input state of 5th bow latch open sensor is displayed.
5TH BOW LATCH CL	ON/OFF	Input state of 5th bow latch close sensor is displayed.
5BOW STRIK LATCH	ON/OFF	Input state of 5th bow striker sensor is displayed.
FLPD LIMIT SW(DWN)	ON/OFF	Input state of flipper door limit switch (DOWN) is displayed.
SWITCH VALVE 1	ON/OFF	Output state to switching valve 1 is displayed.
SWITCH VALVE 2	ON/OFF	Output state to switching valve 2 is displayed.
SWITCH VALVE 3	ON/OFF	Output state to switching valve 3 is displayed.
SWITCH VALVE 4	ON/OFF	Output state to switching valve 4 is displayed.
SWITCH VALVE 5	ON/OFF	Output state to switching valve 5 is displayed.

DIAGNOSIS SYSTEM (SOFT TOP CONTROL UNIT)

[ROADSTER]

< SYSTEM DESCRIPTION >

CONSULT display		Description
Item	Indication	
PUMP OUT (LH)	ON/OFF	Right rotation output state to hydraulic motor is displayed.
PUMP OUT (RH)	ON/OFF	Left rotation output state to hydraulic motor is displayed.

DATA MONITOR

NOTE:

The following table includes information (items) inapplicable to this vehicle. For information (items) applicable to this vehicle, refer to CONSULT display items.

CONSULT display		Description
Item	Indication/Unit	
ROOF LATCHED LH	ON/OFF/NG	Input state of roof striker sensor LH is displayed.
ROOF LATCHED RH	ON/OFF/NG	Input state of roof striker sensor RH is displayed.
F/CENTER LOCK	ON/OFF/NG	Input state of roof latch lock sensor is displayed.
R/RAIL RAISED LH	ON/OFF/NG	Input state of roof status sensor LH is displayed.
R/RAIL RAISED RH	ON/OFF/NG	Input state of roof status sensor RH is displayed.
R/RAIL LOWERED	ON/OFF/NG	Input state of roof status sensor LH is displayed.
5TH BOW LOWERED	ON/OFF/NG	Input state of 5th bow status sensor LH is displayed.
5TH BOW RAISED	ON/OFF/NG	Input state of 5th bow status sensor RH is displayed.
S/LID OPEN LH	ON/OFF/NG	Input state of storage lid status sensor LH is displayed.
S/LID OPEN RH	ON/OFF/NG	Input state of storage lid status sensor RH is displayed.
S/LID CLOSE RH	ON/OFF/NG	Input state of storage lid status sensor RH is displayed.
5TH BOW LATCH OP	ON/OFF/NG	Input state of 5th bow latch open sensor is displayed.
SWITCHING VALVE 1	ON/OFF/NG	Output state to switching valve 1 is displayed.
SWITCHING VALVE 2	ON/OFF/NG	Output state to switching valve 2 is displayed.
SWITCHING VALVE 3	ON/OFF/NG	Output state to switching valve 3 is displayed.
SWITCHING VALVE 4	ON/OFF/NG	Output state to switching valve 4 is displayed.
SWITCHING VALVE 5	ON/OFF/NG	Output state to switching valve 5 is displayed.
PUMP OUT (RH)	ON/OFF/NG	Right rotation output state to hydraulic motor is displayed.
PUMP OUT (LH)	ON/OFF/NG	Left rotation output state to hydraulic motor is displayed.
5TH BOW LATCH CL	ON/OFF/NG	Input state of 5th bow latch close sensor is displayed.
ROOF SW (OPEN)	ON/OFF	OPEN input state of roof open/close switch is displayed.
ROOF SW (CLOSE)	ON/OFF	CLOSE input state of roof open/close switch is displayed.
SHIFT R SIGNAL	ON/OFF	Input state of shift position (R position) is displayed.
TRUNK OPEN OUT	ON/OFF	Output state to trunk open signal is displayed.
THER PROTEC PUMP	OK/NG	Non-operation state of thermo protection (hydraulic pump) is displayed.
THER PROTEC RCU	OK/NG	Non-operation state of thermo protection (soft top control unit) is displayed.
PWR COND RCU	OK/NG	Diagnosis result of power supply (soft top control unit) is displayed.
PWR COND P/W	OK/NG	Diagnosis result of power supply (power window) is displayed.
LOCAL COMM 1	NG/SLEEP/NG	State of serial link 1 is displayed.
LOCAL COMM 2	NG/SLEEP/NG	State of serial link 2 is displayed.
REAR DEF OUT	OK/NG	Output state to rear window defogger is displayed.
5BOW STRIK LATCH	ON/OFF/NG	Input state of 5th bow striker sensor is displayed.
P/W OP REQ SW SIG	ON/OFF	Input state of power window open signal from request switch is displayed.
PROHIBIT P/W UP	ON/OFF	Output state to power window operation prohibition signal is displayed.

DIAGNOSIS SYSTEM (SOFT TOP CONTROL UNIT)

[ROADSTER]

< SYSTEM DESCRIPTION >

CONSULT display		Description
Item	Indication/Unit	
IGN ON SIG (BCM)	ON/OFF	Receiving state of ignition ON signal from BCM is displayed.
RF OP REQ SW SIG	ON/OFF	Input state of soft top open signal from request switch is displayed.

ACTIVE TEST

CONSULT display		Description
Item	Indication	
ROOF LATCHED LH/RH	LOCK	Roof lock assembly performs lock operation.
	UNLOCK	Roof lock assembly performs unlock operation.
STORAGE LID	OPEN	Storage lid performs open operation.
	CLOSE	Storage lid performs close operation.
SOFT TOP SYSTEM	UP	Soft top performs close operation.
	DOWN	Soft top performs open operation.
ROOF SYSTEM	OPEN	Soft top system performs open operation.
	CLOSE	Soft top system performs close operation.
5TH BOW SYSTEM	OPEN	1st bow and 5th bow performs fold operation.
	CLOSE	1st bow and 5th bow performs spread operation.
HYDRAULIC PRESSURE RELEASE	ON	Switching valve performs OFF operation.
TRUNK OPENER	ON	Trunk lid opener actuator performs unlock operation.
ROOF STATE OUTPUT (AUDIO)	ON	Full open position signal of roof is transmitted to audio unit.
	OFF	Full close position signal of roof is transmitted to audio unit.
POWER WINDOW (LH/RH)	UP	Power window (LH/RH) performs close operation.
	DOWN	Power window (LH/RH) performs open operation.
REAR WINDOW DEFOGGER	ON	Rear window defogger performs ON operation.
	OFF	Rear window defogger performs OFF operation.

ECU DIAGNOSIS INFORMATION

BCM, SOFT TOP CONTROL UNIT

List of ECU Reference

INFOID:000000008196276

ECU	Reference
BCM	BCS-58, "Reference Value"
	BCS-86, "Fail-safe"
	BCS-87, "DTC Inspection Priority Chart"
	BCS-88, "DTC Index"
Soft top control unit	RF-31, "Reference Value"
	RF-38, "Fail-safe"
	RF-39, "DTC Inspection Priority Chart"
	RF-40, "DTC Index"

A
B
C
D
E
F
G
H
I
J
L
M
N
O
P

DLK

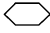
< WIRING DIAGRAM >

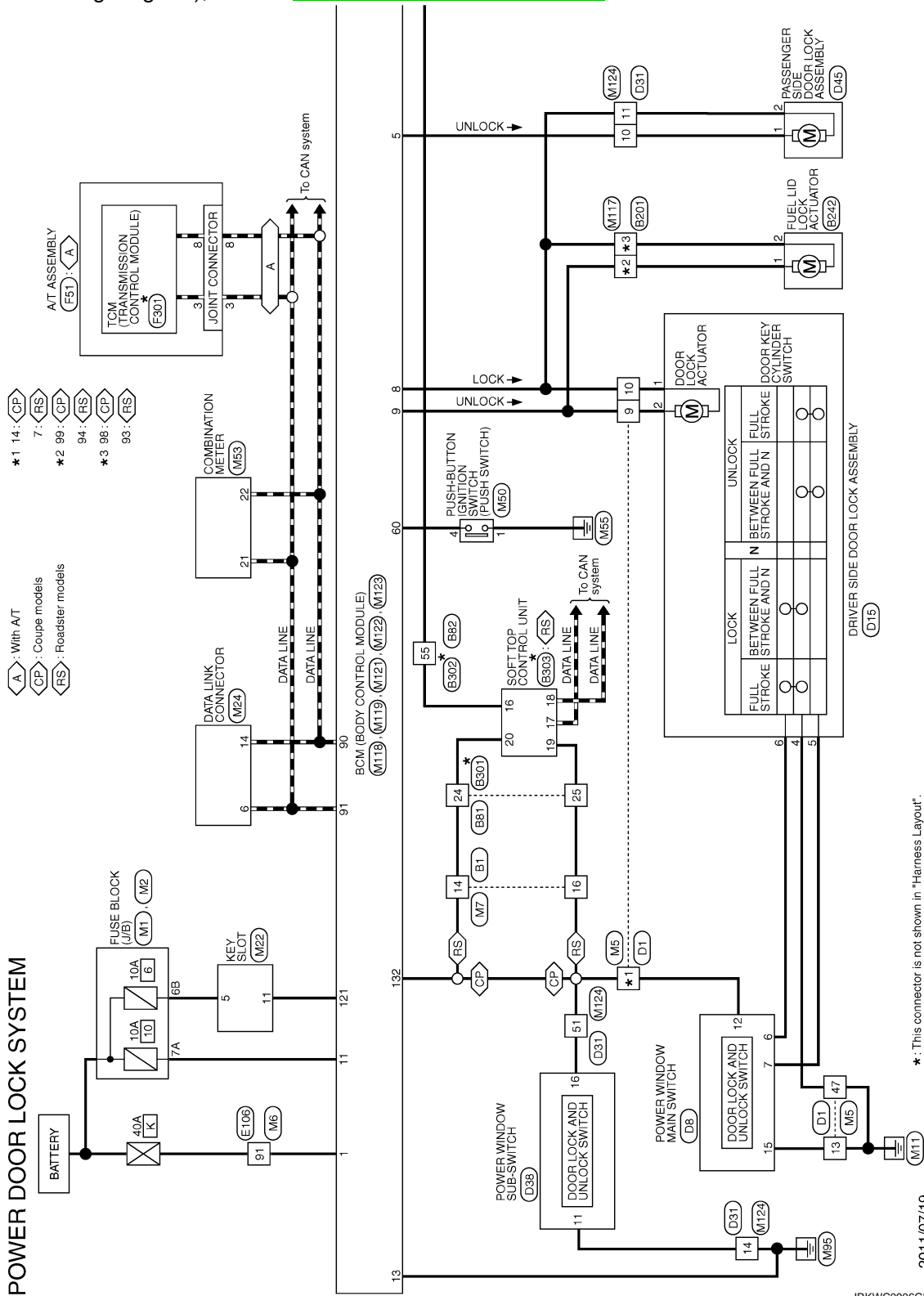
WIRING DIAGRAM

POWER DOOR LOCK SYSTEM

Wiring Diagram

INFOID:000000008196277

For connector terminal arrangements, harness layouts, and alphabets in a  (option abbreviation; if not described in wiring diagram), refer to [GI-12. "Connector Information"](#).

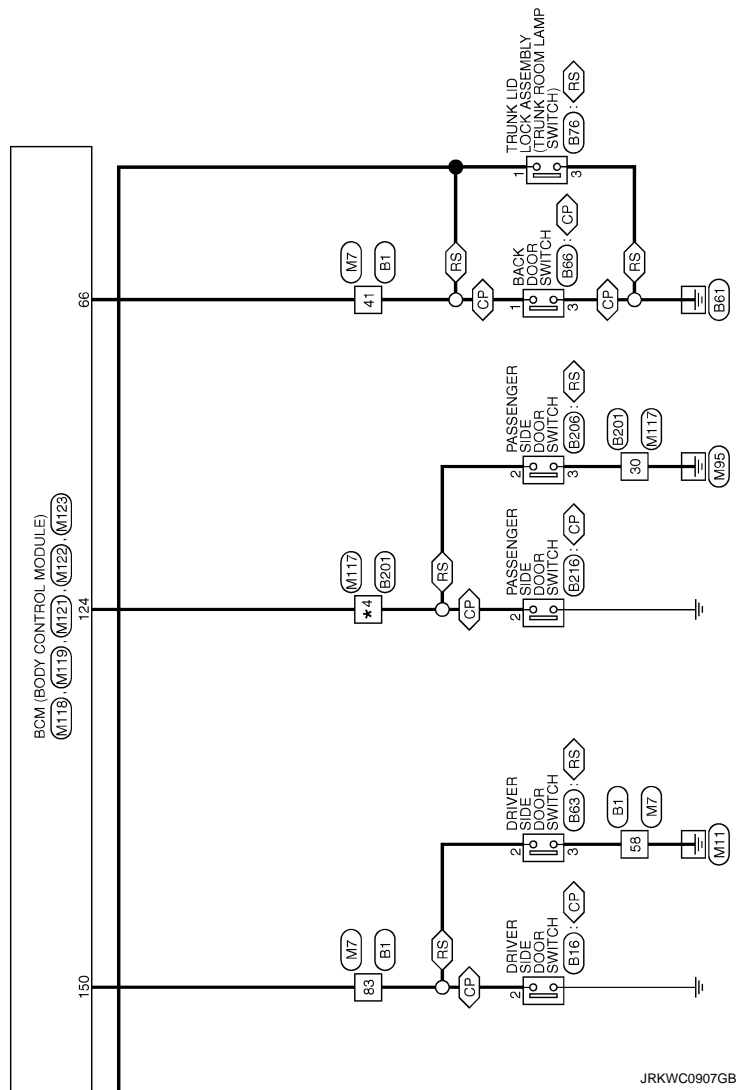


POWER DOOR LOCK SYSTEM

< WIRING DIAGRAM >

[ROADSTER]

◊CP◊ : Coupe models
 ◊RS◊ : Roadster models
 *4 97◊CP◊ 92◊RS◊



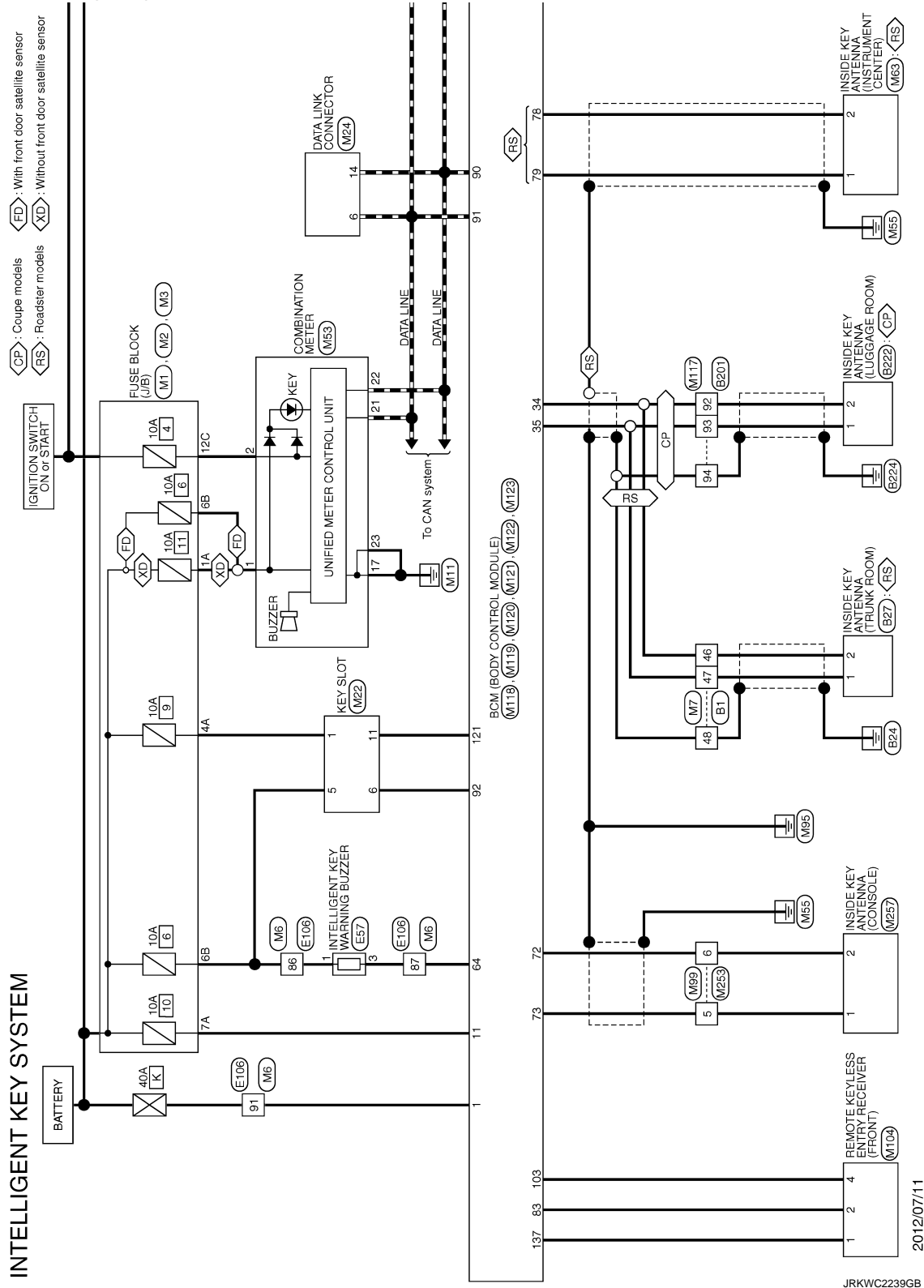
A
B
C
D
E
F
G
H
I
J
DLK
L
M
N
O
P

INTELLIGENT KEY SYSTEM

Wiring Diagram

INFOID:00000008196278

For connector terminal arrangements, harness layouts, and alphabets in a (option abbreviation; if not described in wiring diagram), refer to [GI-12, "Connector Information"](#).

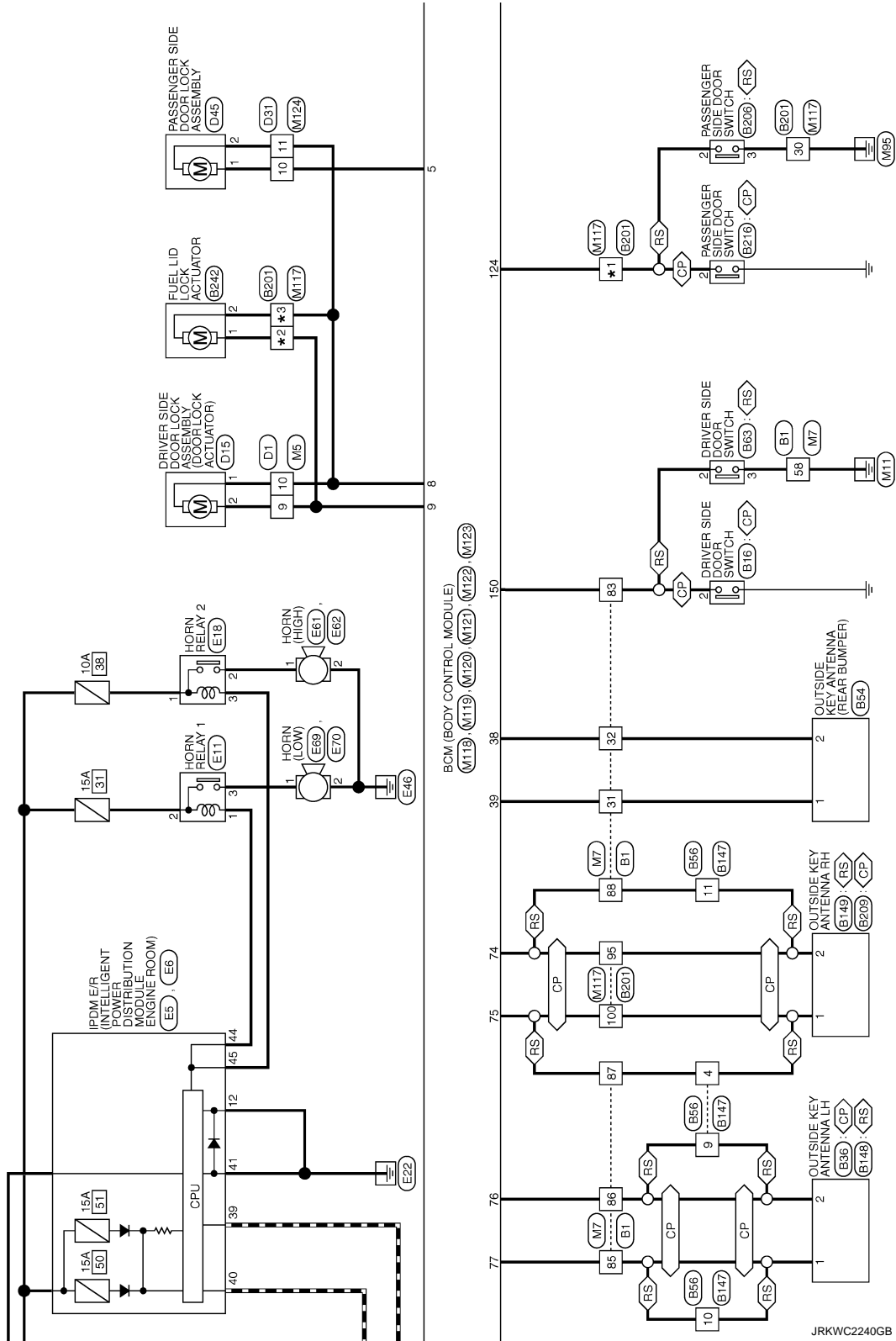


INTELLIGENT KEY SYSTEM

< WIRING DIAGRAM >

[ROADSTER]

- *1 97: <CP> 92: <RS>
- *2 99: <CP> 94: <RS>
- *3 98: <CP> 93: <RS>
- <CP> : Coupe models
- <RS> : Roadster models

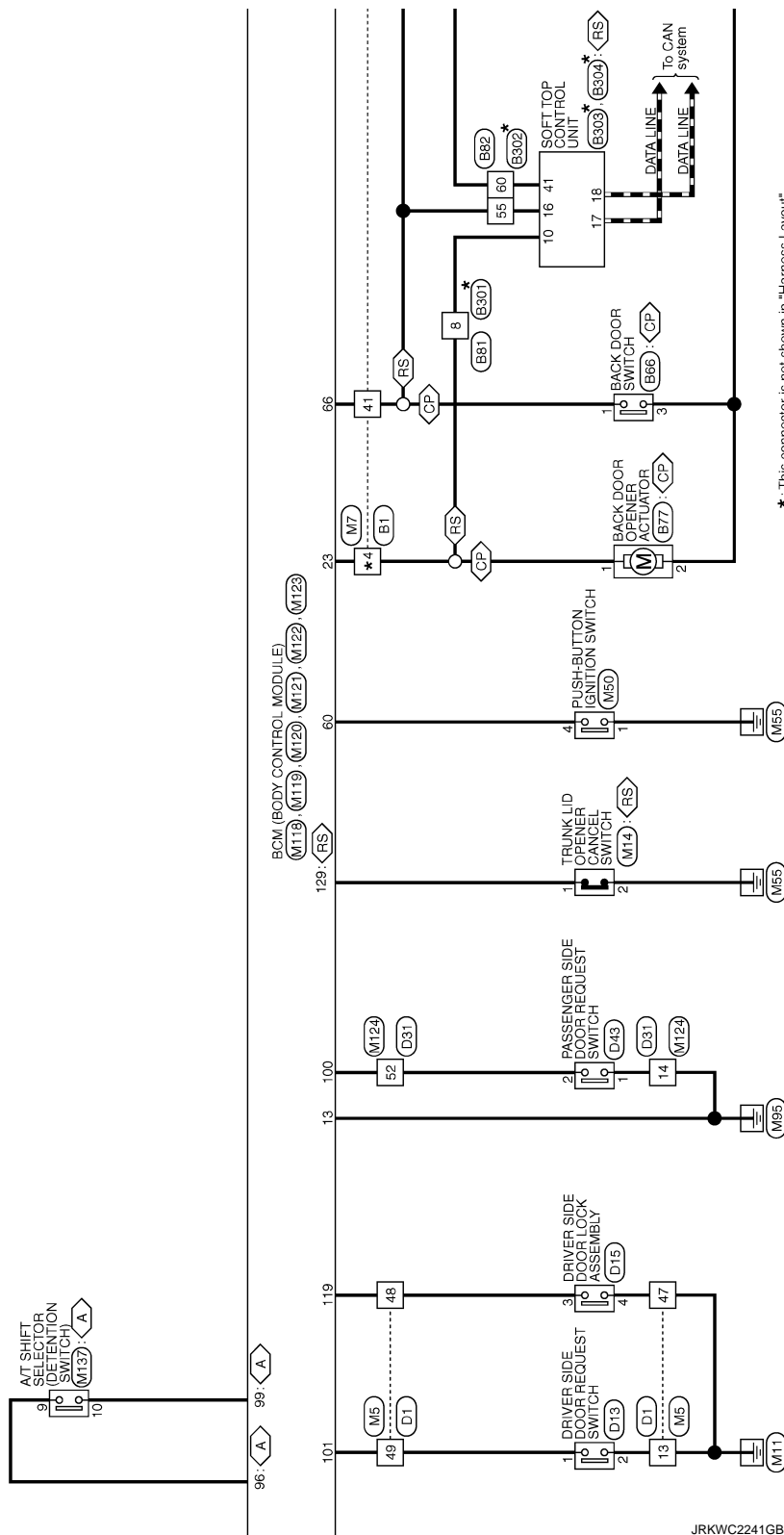


A
B
C
D
E
F
G
H
I
J
K
L
M
N
O
P

DLK

JRKWC2240GB

★ 4 40: CP: With A/T
 11: RS: Coupe models
 RS: Roadster models



*: This connector is not shown in "Harness Layout".

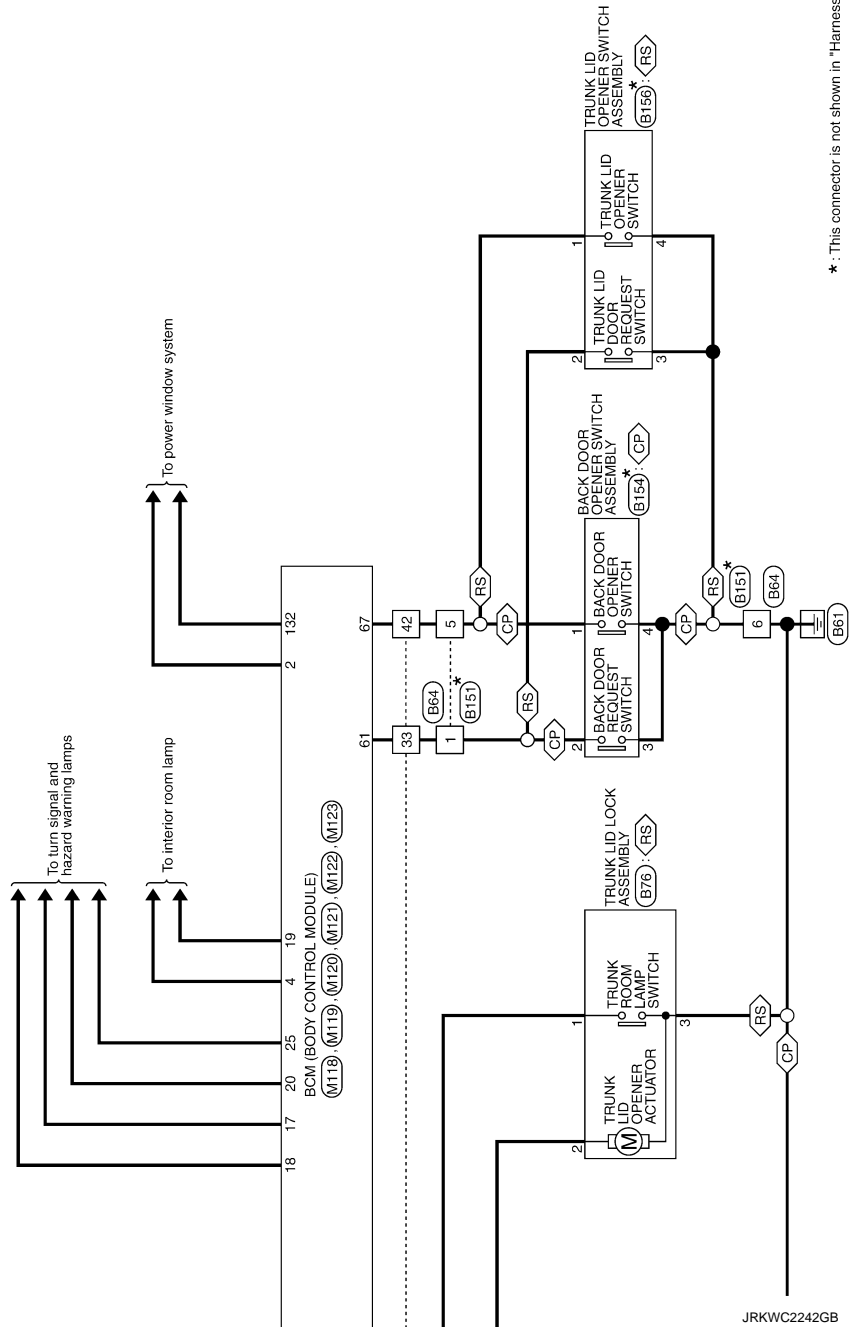
JRKWC2241GB

INTELLIGENT KEY SYSTEM

< WIRING DIAGRAM >

[ROADSTER]

CP : Coupe models
RS : Roadster models



*: This connector is not shown in "Harness Layout".

A
B
C
D
E
F
G
H
I
J
K
L
M
N
O
P

DLK

TRUNK LID OPENER SYSTEM

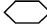
< WIRING DIAGRAM >

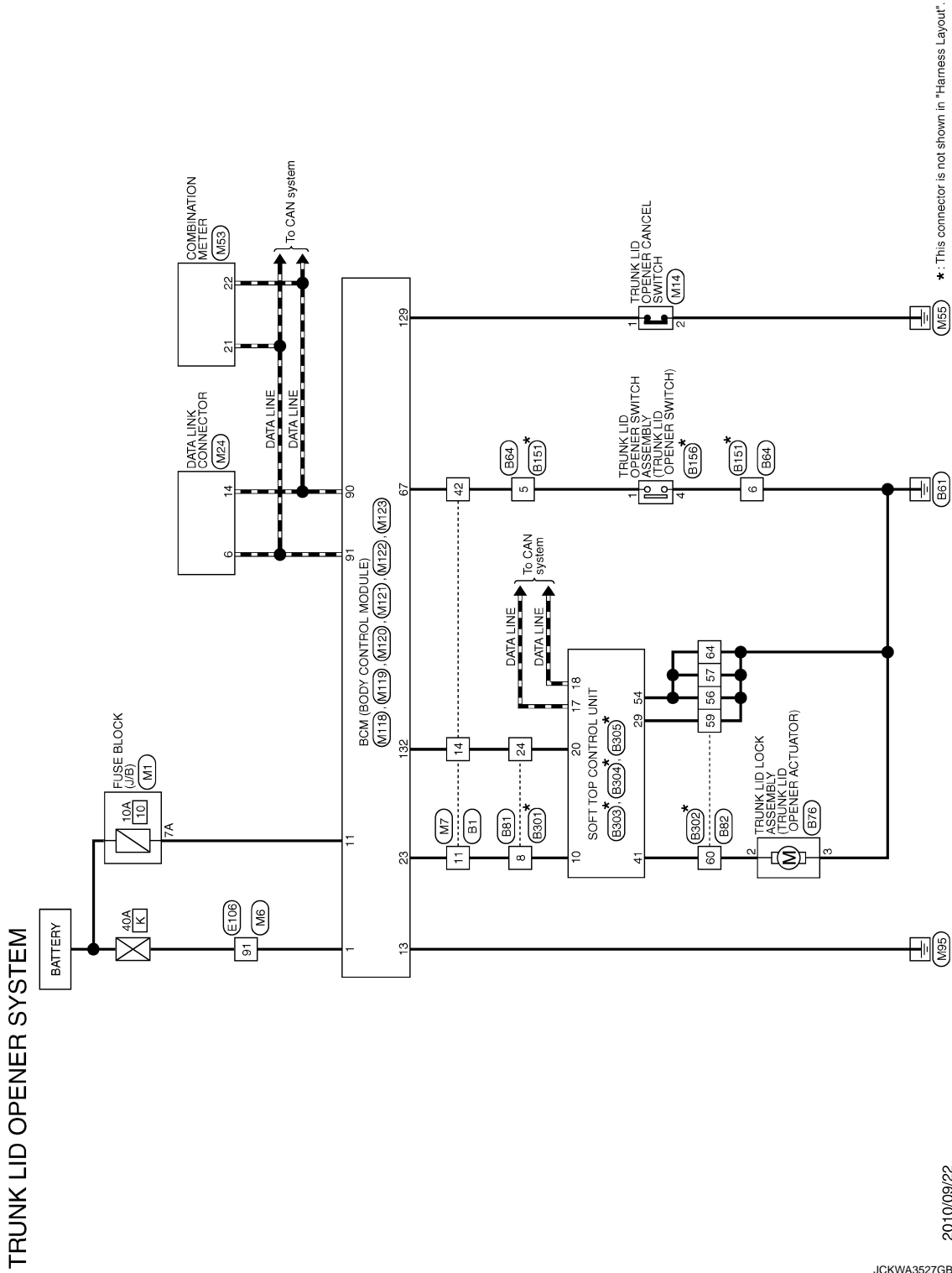
[ROADSTER]

TRUNK LID OPENER SYSTEM

Wiring Diagram

INFOID:000000008196279

For connector terminal arrangements, harness layouts, and alphabets in a  (option abbreviation; if not described in wiring diagram), refer to [GI-12, "Connector Information"](#).



INTEGRATED HOMELINK TRANSMITTER SYSTEM

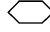
< WIRING DIAGRAM >

[ROADSTER]

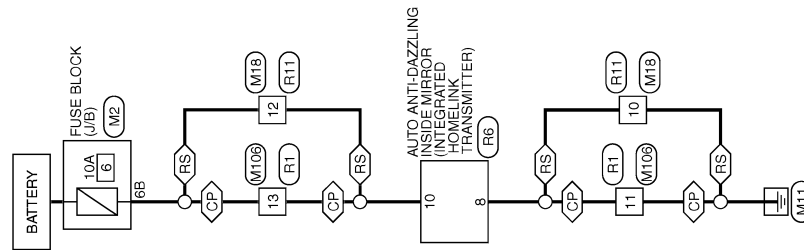
INTEGRATED HOMELINK TRANSMITTER SYSTEM

Wiring Diagram

INFOID:000000008196280

For connector terminal arrangements, harness layouts, and alphabets in a  (option abbreviation; if not described in wiring diagram), refer to [GI-12, "Connector Information"](#).

CP: Coupe models
FS: Roadster models



INTEGRATED HOMELINK TRANSMITTER

DLK

2011/07/19

JRKWC0912GB

DIAGNOSIS AND REPAIR WORK FLOW

< BASIC INSPECTION >

[ROADSTER]

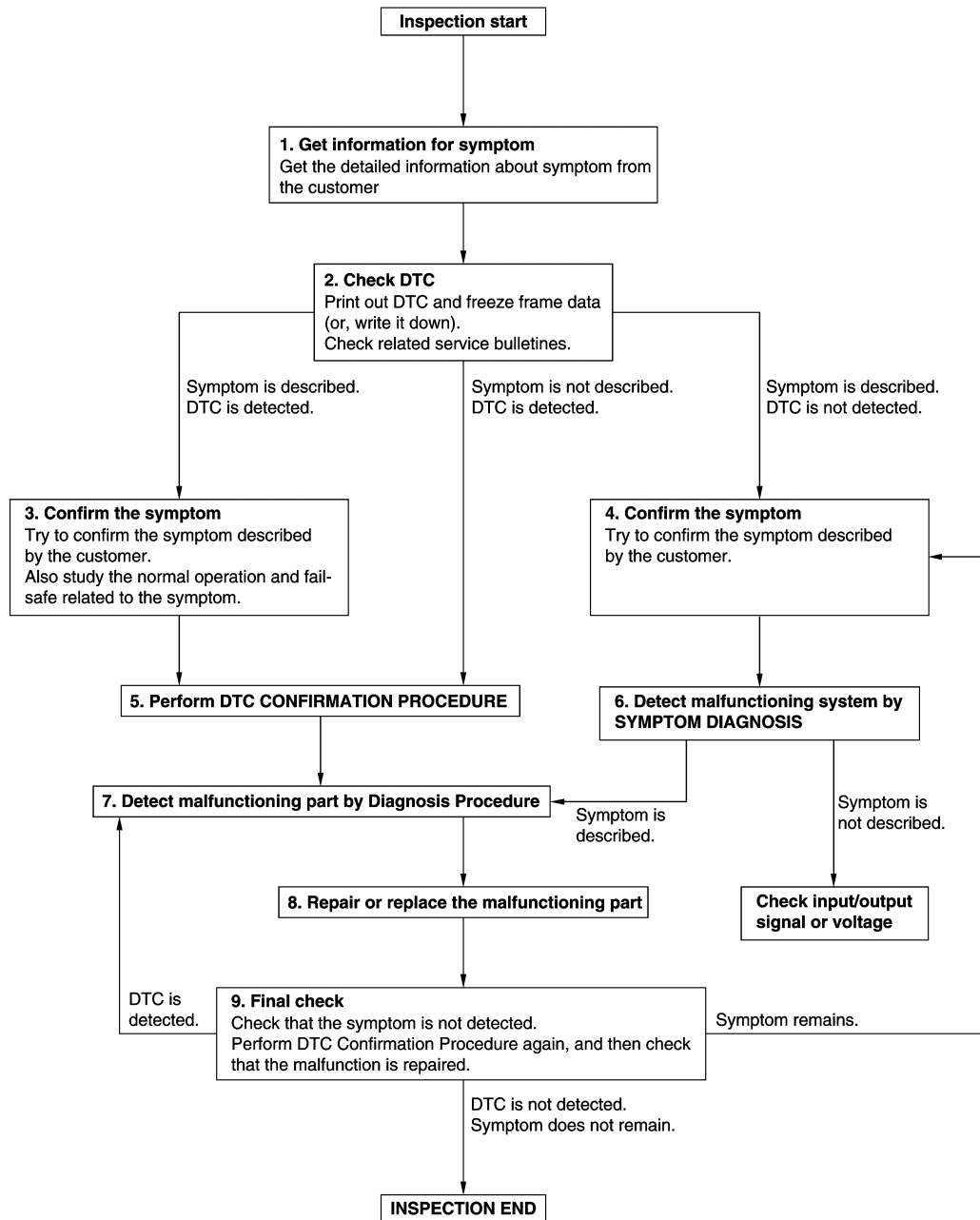
BASIC INSPECTION

DIAGNOSIS AND REPAIR WORK FLOW

Work Flow

INFOID:000000008196281

OVERALL SEQUENCE



JMKIA8652GB

DETAILED FLOW

Revision: 2012 August

DLK-224

2013 370Z

DIAGNOSIS AND REPAIR WORK FLOW

[ROADSTER]

< BASIC INSPECTION >

1.GET INFORMATION FOR SYMPTOM

1. Get detailed information from the customer about the symptom (the condition and the environment when the incident/malfunction occurs).
2. Check operation condition of the function that is malfunctioning.

>> GO TO 2.

2.CHECK DTC

1. Check DTC.
2. Perform the following procedure if DTC is detected.
 - Record DTC and freeze frame data (Print them out using CONSULT).
 - Erase DTC.
 - Study the relationship between the cause detected by DTC and the symptom described by the customer.
3. Check related service bulletins for information.

Are any symptoms described or any DTC detected?

- Symptom is described, DTC is displayed>>GO TO 3.
- Symptom is described, DTC is not displayed>>GO TO 4.
- Symptom is not described, DTC is displayed>>GO TO 5.

3.CONFIRM THE SYMPTOM

Try to confirm the symptom described by the customer.
Also study the normal operation and fail-safe related to the symptom.
Verify relation between the symptom and the condition when the symptom is detected.

>> GO TO 5.

4.CONFIRM THE SYMPTOM

Try to confirm the symptom described by the customer.
Verify relation between the symptom and the condition when the symptom is detected.

>> GO TO 6.

5.PERFORM DTC CONFIRMATION PROCEDURE

Perform DTC CONFIRMATION PROCEDURE for the detected DTC, and then check that DTC is detected again. At this time, always connect CONSULT to the vehicle, and check diagnostic results in real time. If two or more DTCs are detected, refer to [BCS-87. "DTC Inspection Priority Chart"](#) (BCM), and determine trouble diagnosis order.

NOTE:

- Freeze frame data is useful if the DTC is not detected.
- Perform Component Function Check if DTC CONFIRMATION PROCEDURE is not included on Service Manual. This simplified check procedure is an effective alternative though DTC cannot be detected during this check.
If the result of Component Function Check is NG, it is the same as the detection of DTC by DTC CONFIRMATION PROCEDURE.

Is DTC detected?

- YES >> GO TO 7.
- NO >> Check according to [GI-45. "Intermittent Incident"](#).

6.DETECT MALFUNCTIONING SYSTEM BY SYMPTOM DIAGNOSIS

Detect malfunctioning system according to SYMPTOM DIAGNOSIS based on the confirmed symptom in step 4, and determine the trouble diagnosis order based on possible causes and symptoms.

Is the symptom described?

- Yes >> GO TO 7.
- No >> Monitor input data from related sensors or check voltage of related module terminals using CONSULT.

7.DETECT MALFUNCTIONING PART BY DIAGNOSIS PROCEDURE

A
B
C
D
E
F
G
H
I
J
L
M
N
O
P

DLK

DIAGNOSIS AND REPAIR WORK FLOW

[ROADSTER]

< BASIC INSPECTION >

Inspect according to Diagnosis Procedure of the system.

Is malfunctioning part detected?

YES >> GO TO 8.

NO >> Check according to [GI-45. "Intermittent Incident"](#).

8. REPAIR OR REPLACE THE MALFUNCTIONING PART

1. Repair or replace the malfunctioning part.
2. Reconnect parts or connectors disconnected during Diagnosis Procedure again after repair and replacement.
3. Check DTC. If DTC is displayed, erase it.

>> GO TO 9.

9. FINAL CHECK

When DTC is detected in step 2, perform DTC CONFIRMATION PROCEDURE again, and then check that the malfunction is repaired securely.

When symptom is described by the customer, refer to confirmed symptom in step 3 or 4, and check that the symptom is not detected.

Is DTC detected and does symptom remain?

YES-1 >> DTC is detected: GO TO 7.

YES-2 >> Symptom remains: GO TO 4.

NO >> Before returning the vehicle to the customer, always erase DTC.

INSPECTION AND ADJUSTMENT

< BASIC INSPECTION >

[ROADSTER]

INSPECTION AND ADJUSTMENT

ADDITIONAL SERVICE WHEN REPLACING CONTROL UNIT

A

ADDITIONAL SERVICE WHEN REPLACING CONTROL UNIT : Description

INFOID:000000008196282

B

Perform the system initialization when replacing BCM, replacing Intelligent Key or registering an additional Intelligent Key.

C

D

E

F

G

H

I

J

DLK

L

M

N

O

P

DTC/CIRCUIT DIAGNOSIS

B2621 INSIDE ANTENNA

DTC Logic

INFOID:000000008196283

DTC DETECTION LOGIC

DTC	CONSULT display description	DTC detecting condition	Possible cause
B2621	INSIDE ANTENNA	An excessive high or low voltage from inside antenna (instrument center) is sent to BCM	<ul style="list-style-type: none"> Inside key antenna (instrument center) Between BCM ~ Inside key antenna (instrument center)

DTC CONFIRMATION PROCEDURE

1. PERFORM DTC CONFIRMATION PROCEDURE

1. Select "INTELLIGENT KEY" of "BCM" using CONSULT.
2. Select "INSIDE ANT DIAGNOSIS" in "WORK SUPPORT" mode.
3. Perform inside key antenna ("INSIDE ANT DIAGNOSIS") on "Work Support" of "INTELLIGENT KEY".
4. Check BCM for DTC.

Is inside key antenna DTC detected?

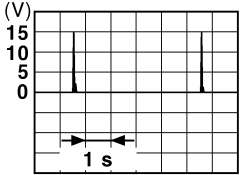
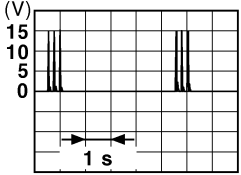
- YES >> Refer to [DLK-228, "Diagnosis Procedure"](#).
- NO >> Inside key antenna (instrument center) is OK.

Diagnosis Procedure

INFOID:000000008196284

1. CHECK INSIDE KEY ANTENNA INPUT SIGNAL 1

1. Turn ignition switch OFF.
2. Check signal between BCM harness connector and ground using oscilloscope.

(+)		(-)	Condition	Signal (Reference value)
BCM				
Connector	Terminal			
Instrument center	M122	78, 79	Ground	When Intelligent Key is in the passenger compartment 
				When Intelligent Key is not in the passenger compartment 

Is the inspection result normal?

- YES >> GO TO 4.
- NO >> GO TO 2.

2. CHECK INSIDE KEY ANTENNA CIRCUIT

1. Disconnect BCM connector and inside key antenna (instrument center) connector.

B2621 INSIDE ANTENNA

[ROADSTER]

< DTC/CIRCUIT DIAGNOSIS >

- Check continuity between BCM harness connector and inside key antenna (instrument center) harness connector.

BCM		Inside key antenna (instrument center)		Continuity
Connector	Terminal	Connector	Terminal	
M122	78	M63	2	Existed
	79		1	

- Check continuity between BCM harness connector and ground.

BCM		Ground	Continuity
Connector	Terminal		
M122	78		Not existed
	79		

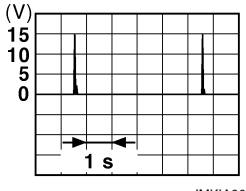
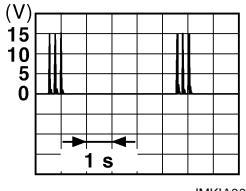
Is the inspection result normal?

YES >> GO TO 3.

NO >> Repair or replace harness.

3.CHECK INSIDE KEY ANTENNA INPUT SIGNAL 2

- Replace inside key antenna (instrument center). (New antenna or other antenna)
- Connect BCM connector and inside key antenna (instrument center) connector.
- Check signal between BCM harness connector and ground using oscilloscope.

(+)			(-)	Condition	Signal (Reference value)
BCM					
Connector	Terminal				
Instrument center	M122	78, 79	Ground	When Intelligent Key is in the passenger compartment	
				When Intelligent Key is not in the passenger compartment	

Is the inspection result normal?

YES >> Replace inside key antenna (instrument center).

NO >> Replace BCM. Refer to [BCS-95, "Removal and Installation"](#).

4.CHECK INTERMITTENT INCIDENT

Refer to [GI-45, "Intermittent Incident"](#).

>> INSPECTION END

B2622 INSIDE ANTENNA

DTC Logic

INFOID:000000008196285

DTC DETECTION LOGIC

DTC	CONSULT display description	DTC detecting condition	Possible cause
B2622	INSIDE ANTENNA	An excessive high or low voltage from inside antenna (console) is sent to BCM	<ul style="list-style-type: none"> Inside key antenna (console) Between BCM ~ Inside key antenna (console)

DTC CONFIRMATION PROCEDURE

1. PERFORM DTC CONFIRMATION PROCEDURE

1. Select "INTELLIGENT KEY" of "BCM" using CONSULT.
2. Select "INSIDE ANT DIAGNOSIS" in "WORK SUPPORT" mode.
3. Perform inside key antenna ("INSIDE ANT DIAGNOSIS") on "Work Support" of "INTELLIGENT KEY".
4. Check BCM for DTC.

Is inside key antenna DTC detected?

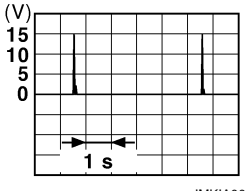
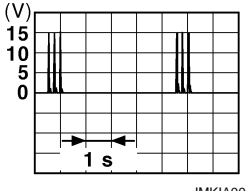
- YES >> Refer to [DLK-230, "Diagnosis Procedure"](#).
- NO >> Inside key antenna (console) is OK.

Diagnosis Procedure

INFOID:000000008196286

1. CHECK INSIDE KEY ANTENNA INPUT SIGNAL 1

1. Turn ignition switch OFF.
2. Check signal between BCM harness connector and ground using oscilloscope.

(+)		(-)	Condition	Signal (Reference value)
BCM				
Connector	Terminal			
Console	M122	72, 73	Ground	<p>When Intelligent Key is in the passenger compartment</p>  <p style="text-align: right; font-size: small;">JMKIA0062GB</p>
				<p>When Intelligent Key is not in the passenger compartment</p>  <p style="text-align: right; font-size: small;">JMKIA0063GB</p>

Is the inspection result normal?

- YES >> GO TO 4.
- NO >> GO TO 2.

2. CHECK INSIDE KEY ANTENNA CIRCUIT

1. Disconnect BCM connector and inside key antenna (console) connector.
2. Check continuity between BCM harness connector and inside key antenna (console) harness connector.

B2622 INSIDE ANTENNA

< DTC/CIRCUIT DIAGNOSIS >

[ROADSTER]

BCM		Inside key antenna (console)		Continuity
Connector	Terminal	Connector	Terminal	
M122	72	M257	2	Existed
	73		1	

3. Check continuity between BCM harness connector and ground.

BCM		Ground	Continuity
Connector	Terminal		
M122	72		Not existed
	73		

Is the inspection result normal?

YES >> GO TO 3.

NO >> Repair or replace harness.

3.CHECK INSIDE KEY ANTENNA INPUT SIGNAL 2

1. Replace inside key antenna (console). (New antenna or other antenna).
2. Connect BCM connector and inside key antenna (console) connector.
3. Check signal between BCM harness connector and ground using oscilloscope.

(+)			(-)	Condition	Signal (Reference value)
BCM		Terminal			
Connector					
Console	M122	72, 73	Ground	When Intelligent Key is in the passenger compartment	
				When Intelligent Key is not in the passenger compartment	

Is the inspection result normal?

YES >> Replace inside key antenna (console).

NO >> Replace BCM. Refer to [BCS-95. "Removal and Installation"](#).

4.CHECK INTERMITTENT INCIDENT

Refer to [GI-45. "Intermittent Incident"](#).

>> INSPECTION END

B2623 INSIDE ANTENNA

DTC Logic

INFOID:000000008196287

DTC DETECTION LOGIC

DTC	CONSULT display description	DTC detecting condition	Possible cause
B2623	INSIDE ANTENNA	An excessive high or low voltage from inside antenna (trunk room) is sent to BCM.	<ul style="list-style-type: none"> Inside key antenna (trunk room) Between BCM – Inside key antenna (trunk room)

DTC CONFIRMATION PROCEDURE

1. PERFORM DTC CONFIRMATION PROCEDURE

1. Select "INTELLIGENT KEY" of "BCM" using CONSULT.
2. Select "INSIDE ANT DIAGNOSIS" in "WORK SUPPORT" mode.
3. Perform inside key antenna ("INSIDE ANT DIAGNOSIS") on "Work Support" of "INTELLIGENT KEY".
4. Check BCM for DTC.

Is inside key antenna DTC detected?

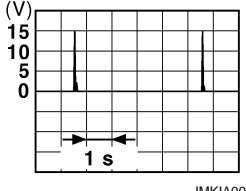
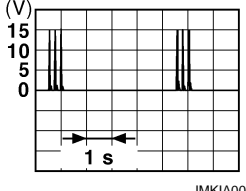
- YES >> Refer to [DLK-232. "Diagnosis Procedure"](#).
- NO >> Inside key antenna (trunk room) is OK.

Diagnosis Procedure

INFOID:000000008196288

1. CHECK INSIDE KEY ANTENNA INPUT SIGNAL 1

1. Turn ignition switch OFF.
2. Check signal between BCM harness connector and ground using oscilloscope.

(+)			(-)	Condition	Signal (Reference value)
BCM		Terminal			
Connector	Terminal				
Trunk room	M121	34, 35	Ground	When Intelligent Key is in the passenger compartment	
				When Intelligent Key is not in the passenger compartment	

Is the inspection result normal?

- YES >> GO TO 4.
- NO >> GO TO 2.

2. CHECK INSIDE KEY ANTENNA CIRCUIT

1. Disconnect BCM connector and inside key antenna (trunk room) connector.
2. Check continuity between BCM harness connector and inside key antenna (trunk room) harness connector.

B2623 INSIDE ANTENNA

< DTC/CIRCUIT DIAGNOSIS >

[ROADSTER]

BCM		Inside key antenna (trunk room)		Continuity
Connector	Terminal	Connector	Terminal	
M121	34	B27	2	Existed
	35		1	

3. Check continuity between BCM harness connector and ground.

BCM		Ground	Continuity
Connector	Terminal		
M121	34		Not existed
	35		

Is the inspection result normal?

YES >> GO TO 3.

NO >> Repair or replace harness.

3. CHECK INSIDE KEY ANTENNA INPUT SIGNAL 2

1. Replace inside key antenna (trunk room). (New antenna or other antenna).
2. Connect BCM and inside key antenna (trunk room) connector.
3. Check signal between BCM harness connector and ground using oscilloscope.

(+)			(-)	Condition	Signal (Reference value)
BCM		Terminal			
Connector	Terminal				
Trunk room	M121	34, 35	Ground	When Intelligent Key is in the passenger compartment	
				When Intelligent Key is not in the passenger compartment	

Is the inspection result normal?

YES >> Replace inside key antenna (trunk room).

NO >> Replace BCM. Refer to [BCS-95, "Removal and Installation"](#).

4. CHECK INTERMITTENT INCIDENT

Refer to [GI-45, "Intermittent Incident"](#).

>> INSPECTION END

DOOR SWITCH

< DTC/CIRCUIT DIAGNOSIS >

[ROADSTER]

DOOR SWITCH

Component Function Check

INFOID:000000008196289

1.CHECK FUNCTION

1. Select "DOOR LOCK" of "BCM" using CONSULT.
2. Select "DOOR SW-DR", "DOOR SW-AS" in "DATA MONITOR" mode.
3. Check that the function operates normally according to the following conditions.

Monitor item	Condition		Status
DOOR SW-DR	Driver side door	Open	On
		Closed	Off
DOOR SW-AS	Passenger side door	Open	On
		Closed	Off

Is the inspection result normal?

- YES >> Door switch is OK.
 NO >> Refer to [DLK-234, "Diagnosis Procedure"](#).

Diagnosis Procedure

INFOID:000000008196290

1.CHECK DOOR SWITCH INPUT SIGNAL

1. Turn ignition switch OFF.
2. Disconnect malfunctioning door switch connector.
3. Check signal between malfunctioning door switch harness connector and ground using oscilloscope.

(+)			(-)	Signal (Reference value)
Door switch				
	Connector	Terminal		
Driver side	B63	2	Ground	
Passenger side	B206	2		

Is the inspection result normal?

- YES >> GO TO 3.
 NO >> GO TO 2.

2.CHECK DOOR SWITCH CIRCUIT

1. Disconnect BCM connector.
2. Check continuity between door switch harness connector and BCM harness connector.

DOOR SWITCH

< DTC/CIRCUIT DIAGNOSIS >

[ROADSTER]

Door switch		BCM		Continuity
Connector	Terminal	Connector	Terminal	
Driver side	B63	M123	150	Existed
Passenger side	B206		124	

3. Check continuity between door switch harness connector and ground.

Door switch		Ground	Continuity
Connector	Terminal		
Driver side	B63	2	Not existed
Passenger side	B206		

Is the inspection result normal?

YES >> Replace BCM. Refer to [BCS-95. "Removal and Installation"](#).

NO >> Repair or replace harness.

3.CHECK DOOR SWITCH GROUND CIRCUIT

Check continuity between malfunctioning door switch harness connector and ground.

Door switch		Ground	Continuity
Connector	Terminal		
Driver side	B63	3	Existed
Passenger side	B206		

Is the inspection result normal?

YES >> GO TO 4.

NO >> Repair or replace harness.

4.CHECK DOOR SWITCH

Refer to [DLK-235. "Component Inspection"](#).

Is the inspection result normal?

YES >> GO TO 5.

NO >> Replace malfunctioning door switch.

5.CHECK INTERMITTENT INCIDENT

Refer to [GI-45. "Intermittent Incident"](#).

>> INSPECTION END

Component Inspection

INFOID:000000008196291

1.CHECK DOOR SWITCH

1. Turn ignition switch OFF.
2. Disconnect malfunctioning door switch connector.
3. Check continuity between door switch terminals.

Door switch		Condition	Continuity
Terminal			
2	3	Door switch	Not existed
			Existed

Is the inspection result normal?

YES >> INSPECTION END

NO >> Replace malfunction door switch.

DOOR LOCK AND UNLOCK SWITCH

< DTC/CIRCUIT DIAGNOSIS >

[ROADSTER]

DOOR LOCK AND UNLOCK SWITCH

DRIVER SIDE

DRIVER SIDE : Component Function Check

INFOID:000000008196292

1.CHECK FUNCTION

1. Select "DOOR LOCK" of "BCM" using CONSULT.
2. Select "CDL LOCK SW", "CDL UNLOCK SW" in "DATA MONITOR" mode.
3. Check that the function operates normally according to the following conditions.

Monitor item	Condition	Status
CDL LOCK SW	Lock	On
	Unlock	Off
CDL UNLOCK SW	Lock	Off
	Unlock	On

Is the inspection result normal?

- YES >> Door lock and unlock switch is OK.
NO >> Refer to [DLK-236, "DRIVER SIDE : Diagnosis Procedure"](#).

DRIVER SIDE : Diagnosis Procedure

INFOID:000000008196293

1.CHECK POWER WINDOW SWITCH

1. Turn ignition switch ON.
2. Check power window operation.

Does power window operate?

- YES >> Replace power window main switch. Refer to [PWC-89, "Removal and Installation"](#).
NO >> Refer to [PWC-75, "Diagnosis Procedure"](#).

PASSENGER SIDE

PASSENGER SIDE : Component Function Check

INFOID:000000008196294

1.CHECK FUNCTION

1. Select "DOOR LOCK" of "BCM" using CONSULT.
2. Select "CDL LOCK SW", "CDL UNLOCK SW" in "DATA MONITOR" mode.
3. Check that the function operates normally according to the following conditions.

Monitor item	Condition	Status
CDL LOCK SW	Lock	On
	Unlock	Off
CDL UNLOCK SW	Lock	Off
	Unlock	On

Is the inspection result normal?

- YES >> Door lock and unlock switch is OK.
NO >> Refer to [PWC-76, "WHEN POWER WINDOW SUB-SWITCH IS OPERATED : Diagnosis Procedure"](#).

PASSENGER SIDE : Diagnosis Procedure

INFOID:000000008196295

1.CHECK POWER WINDOW SWITCH

1. Turn ignition switch ON.
2. Check passenger side power window operation.

Does power window operate?

- YES >> Replace power window sub-switch. Refer to [PWC-89, "Removal and Installation"](#).

DOOR LOCK AND UNLOCK SWITCH

< DTC/CIRCUIT DIAGNOSIS >

[ROADSTER]

NO >> Refer to [PWC-76. "WHEN POWER WINDOW SUB-SWITCH IS OPERATED : Diagnosis Procedure"](#).

- A
- B
- C
- D
- E
- F
- G
- H
- I
- J
- DLK**
- L
- M
- N
- O
- P

DOOR LOCK ACTUATOR

< DTC/CIRCUIT DIAGNOSIS >

[ROADSTER]

DOOR LOCK ACTUATOR DRIVER SIDE

DRIVER SIDE : Component Function Check

INFOID:000000008196296

1.CHECK FUNCTION

1. Select "DOOR LOCK" of "BCM" using CONSULT.
2. Select "DOOR LOCK" in "ACTIVE TEST" mode.
3. Touch "ALL LCK" or "ALL UNLK" to check that it works normally.

Is the inspection result normal?

YES >> Door lock actuator is OK.

NO >> Refer to [DLK-238, "DRIVER SIDE : Diagnosis Procedure"](#).

DRIVER SIDE : Diagnosis Procedure

INFOID:000000008196297

1.CHECK DOOR LOCK ACTUATOR INPUT SIGNAL

1. Turn ignition switch OFF.
2. Disconnect driver side door lock assembly connector.
3. Check voltage between driver side door lock assembly harness connector and ground.

(+)		(-)	Condition	Voltage (V) (Approx.)	
Connector	Terminal				
D15	1	Ground	Door lock and unlock switch	Lock	0 → 12 → 0
	2		Unlock	0 → 12 → 0	

Is the inspection result normal?

YES >> Replace driver side door lock assembly.

NO >> GO TO 2.

2.CHECK DOOR LOCK ACTUATOR CIRCUIT

1. Disconnect BCM connector, passenger side door lock assembly connector and fuel lid lock actuator connector.
2. Check continuity between BCM harness connector and driver side door lock assembly harness connector.

BCM		Driver side door lock assembly		Continuity
Connector	Terminal	Connector	Terminal	
M119	8	D15	1	Existed
	9		2	

3. Check continuity between BCM harness connector and ground.

BCM		Ground	Continuity
Connector	Terminal		
M119	8		Not existed
	9		

Is the inspection result normal?

YES >> GO TO 3.

NO >> Repair or replace harness.

3.CHECK BCM OUTPUT SIGNAL

1. Connect BCM connector.
2. Check voltage between BCM harness connector and ground.

DOOR LOCK ACTUATOR

< DTC/CIRCUIT DIAGNOSIS >

[ROADSTER]

(+)		(-)	Condition	Voltage (Approx.)
BCM				
Connector	Terminal			
M119	8	Ground	Door lock and unlock switch	Lock
	9		Unlock	12 V

Is the inspection result normal?

YES >> Check for internal short of each door lock actuator and fuel lid lock actuator.

NO >> Replace BCM. Refer to [BCS-95. "Removal and Installation"](#).

PASSENGER SIDE

PASSENGER SIDE : Component Function Check

INFOID:000000008196298

1.CHECK FUNCTION

1. Select "DOOR LOCK" of "BCM" using CONSULT.
2. Select "DOOR LOCK" in "ACTIVE TEST" mode.
3. Touch "ALL LCK" or "ALL UNLK" to check that it works normally.

Is the inspection result normal?

YES >> Door lock actuator is OK.

NO >> Refer to [DLK-239. "PASSENGER SIDE : Diagnosis Procedure"](#).

PASSENGER SIDE : Diagnosis Procedure

INFOID:000000008196299

1.CHECK DOOR LOCK ACTUATOR INPUT SIGNAL

1. Turn ignition switch OFF.
2. Disconnect passenger side door lock assembly connector.
3. Check voltage between passenger side door lock assembly harness connector and ground.

(+)		(-)	Condition	Voltage (V) (Approx.)
Passenger side door lock assembly				
Connector	Terminal			
D45	1	Ground	Door lock and unlock switch	Unlock 0 → 12 → 0
	2		Lock 0 → 12 → 0	

Is the inspection result normal?

YES >> Replace passenger side door lock assembly.

NO >> GO TO 2.

2.CHECK DOOR LOCK ACTUATOR CIRCUIT

1. Disconnect BCM connector, driver side door lock assembly connector and fuel lid lock actuator connector.
2. Check continuity between BCM harness connector and passenger side door lock assembly harness connector.

BCM		Passenger side door lock assembly		Continuity
Connector	Terminal	Connector	Terminal	
M119	5	D45	1	Existed
	8		2	

3. Check continuity between BCM harness connector and ground.

BCM		Ground	Continuity
Connector	Terminal		
M119	5	Ground	Not existed
	8		

DOOR LOCK ACTUATOR

[ROADSTER]

< DTC/CIRCUIT DIAGNOSIS >

Is the inspection result normal?

YES >> GO TO 3.

NO >> Repair or replace harness.

3. CHECK BCM OUTPUT SIGNAL

1. Connect BCM connector.
2. Check voltage between BCM harness connector and ground.

(+)		(-)	Condition		Voltage (Approx.)
BCM					
Connector	Terminal	Ground	Door lock and unlock switch	Unlock	12 V
M119	5			Ground	
	8	Lock			

Is the inspection result normal?

YES >> Check for internal short of each door lock actuator and fuel lid lock actuator.

NO >> Replace BCM. Refer to [BCS-95. "Removal and Installation"](#).

FUEL LID LOCK ACTUATOR

< DTC/CIRCUIT DIAGNOSIS >

[ROADSTER]

FUEL LID LOCK ACTUATOR

Component Function Check

INFOID:000000008196300

1.CHECK FUNCTION

1. Select "DOOR LOCK" of "BCM" using CONSULT.
2. Select "DOOR LOCK" in "ACTIVE TEST" mode.
3. Touch "ALL LCK" or "ALL UNLK" to check that it works normally.

Is the inspection result normal?

- YES >> Fuel lid lock actuator is OK.
NO >> Refer to [DLK-241. "Diagnosis Procedure"](#).

Diagnosis Procedure

INFOID:000000008196301

1.CHECK FUEL LID LOCK ACTUATOR INPUT SIGNAL

1. Turn ignition switch OFF.
2. Disconnect fuel lid lock actuator connector.
3. Check voltage between fuel lid lock actuator harness connector and ground.

(+)		(-)	Condition	Voltage (V) (Approx.)	
Connector	Terminal				
B242	1	Ground	Door lock and unlock switch	Unlock	0 → 12 → 0
	2		Lock	0 → 12 → 0	

Is the inspection result normal?

- YES >> Replace fuel lid lock actuator.
NO >> GO TO 2.

2.CHECK FUEL LID LOCK ACTUATOR CIRCUIT

1. Disconnect BCM connector and all door lock assembly connector.
2. Check continuity between BCM harness connector and fuel lid lock actuator harness connector.

BCM		Fuel lid lock actuator		Continuity
Connector	Terminal	Connector	Terminal	
M119	8	B242	2	Existed
	9		1	

3. Check continuity between BCM harness connector and ground.

BCM		Ground	Continuity
Connector	Terminal		
M119	8		Not existed
	9		

Is the inspection result normal?

- YES >> GO TO 3.
NO >> Repair or replace harness.

3.CHECK BCM OUTPUT SIGNAL

1. Connect BCM connector.
2. Check voltage between BCM harness connector and ground.

FUEL LID LOCK ACTUATOR

< DTC/CIRCUIT DIAGNOSIS >

[ROADSTER]

(+)		(-)	Condition		Voltage (Approx.)
BCM					
Connector	Terminal				
M119	8	Ground	Door lock and unlock switch	Lock	12 V
	9			Unlock	

Is the inspection result normal?

YES >> Check for internal short of each door lock actuator.

NO >> Replace BCM. Refer to [BCS-95. "Removal and Installation"](#).

TRUNK LID OPENER ACTUATOR

< DTC/CIRCUIT DIAGNOSIS >

[ROADSTER]

TRUNK LID OPENER ACTUATOR

Component Function Check

INFOID:000000008196302

1.CHECK TRUNK LID OPENER CANCEL SWITCH

Check trunk lid opener cancel switch position.

Does trunk lid opener cancel switch turn OFF (CANCEL)?

- YES >> Turn on trunk lid opener cancel switch.
- NO >> GO TO 2.

2.CHECK SOFT TOP SYSTEM

Check that soft top system operates normally.

Refer to [RF-16. "SOFT TOP SYSTEM : System Description"](#).

Is the inspection result normal?

- YES >> GO TO 3.
- NO >> Refer to [RF-47. "Work Flow"](#).

3.CHECK FUNCTION

1. Select "INTELLIGENT KEY" of "BCM" using CONSULT.
2. Select "TRUNK/BACK DOOR" in "ACTIVE TEST" mode.
3. Touch "Open" to check that it works normally.

Is the inspection result normal?

- YES >> Trunk lid opener actuator is OK.
- NO >> Refer to [DLK-243. "Diagnosis Procedure"](#).

Diagnosis Procedure

INFOID:000000008196303

1.CHECK SELF-DIAGNOSIS OF CONVERTIBLE ROOF

Perform self-diagnosis of "CONVERTIBLE ROOF" using CONSULT and check that DTC "B1778" is displayed.

Is DTC "B1778" displayed?

- YES >> Refer to [RF-125. "DTC Logic"](#).
- NO >> GO TO 2.

2.CHECK TRUNK LID OPENER ACTUATOR INPUT SIGNAL

1. Turn ignition switch OFF.
2. Disconnect trunk lid lock assembly connector.
3. Turn ignition switch ON.
4. Select "CONVERTIBLE ROOF" using CONSULT.
5. Select "TRUNK OPENER" in "ACTIVE TEST" mode.
6. Touch "ON" to check voltage between trunk lid lock assembly harness connector and ground.

DLK

(+)		(-)	CONSULT Active Test condition		Voltage (V) (Approx.)
Trunk lid lock assembly Connector	Terminal				
B76	2	Ground	TRUNK OPENER	ON	0 → Battery voltage → 0

Is the inspection result normal?

- YES >> GO TO 3.
- NO >> Replace soft top control unit. Refer to [RF-235. "Removal and Installation"](#).

3.CHECK TRUNK LID OPENER ACTUATOR GROUND

Check continuity between trunk lid lock assembly harness connector and ground.

Trunk lid lock assembly		Ground	Continuity
Connector	Terminal		
B76	3		Existed

TRUNK LID OPENER ACTUATOR

[ROADSTER]

< DTC/CIRCUIT DIAGNOSIS >

Is the inspection result normal?

- YES >> Replace trunk lid lock assembly.
- NO >> GO TO 4.

4. CHECK TRUNK LID OPEN REQUEST SIGNAL

1. Turn ignition switch OFF.
2. Disconnect soft top control unit connector.
3. Turn ignition switch ON.
4. Select "INTELLIGENT KEY" of "BCM" using CONSULT.
5. Select "TRUNK/BACK DOOR" in "ACTIVE TEST" mode.
6. Touch "Open" to check voltage between soft top control unit harness connector and ground.

(+)		(-)	CONSULT Active Test condition		Voltage (V) (Approx.)
Soft top control unit					
Connector	Terminal	Ground	TRUNK/BACK DOOR	Open	0 → 12 → 0
B303	10				

Is the inspection result normal?

- YES >> Replace soft top control unit. Refer to [RF-235. "Removal and Installation"](#).
- NO >> GO TO 5.

5. CHECK TRUNK LID OPEN REQUEST SIGNAL CIRCUIT

1. Disconnect BCM connector.
2. Check continuity between BCM harness connector and soft top control unit harness connector.

BCM		Soft top control unit		Continuity
Connector	Terminal	Connector	Terminal	
M120	23	B303	10	Existed

3. Check continuity between BCM harness connector and ground.

BCM		Ground	Continuity
Connector	Terminal		
M120	23		Not existed

Is the inspection result normal?

- YES >> Replace BCM. Refer to [BCS-95. "Removal and Installation"](#).
- NO >> Repair or replace harness.

DOOR KEY CYLINDER SWITCH

< DTC/CIRCUIT DIAGNOSIS >

[ROADSTER]

DOOR KEY CYLINDER SWITCH

Component Function Check

INFOID:000000008196304

1. CHECK FUNCTION

1. Select "DOOR LOCK" of "BCM" using CONSULT.
2. Select "KEY CYL LK-SW", "KEY CYL UN-SW" in "DATA MONITOR" mode.
3. Check that the function operates normally according to the following conditions.

Monitor item	Condition	Status
KEY CYL LK-SW	Lock	On
	Neutral / Unlock	Off
KEY CYL UN-SW	Unlock	On
	Neutral / Lock	Off

Is the inspection result normal?

- YES >> Door key cylinder switch is OK.
 NO >> Refer to [DLK-245. "Diagnosis Procedure"](#).

Diagnosis Procedure

INFOID:000000008196305

1. CHECK DOOR KEY CYLINDER SWITCH INPUT SIGNAL

1. Turn ignition switch OFF.
2. Disconnect driver side door lock assembly connector.
3. Check voltage between driver side door lock assembly harness connector and ground.

(+)		(-)	Voltage (V) (Approx.)
Driver side door lock assembly			
Connector	Terminal	Ground	5
D15	5		
	6		

Is the inspection result normal?

- YES >> GO TO 3.
 NO >> GO TO 2.

2. CHECK DOOR KEY CYLINDER SWITCH SIGNAL CIRCUIT

1. Disconnect power window main switch connector.
2. Check continuity between power window main switch harness connector and driver side door lock assembly harness connector.

Power window main switch		Driver side door lock assembly		Continuity
Connector	Terminal	Connector	Terminal	
D8	6	D15	6	Existed
	7		5	

3. Check continuity between power window main switch harness connector and ground.

Power window main switch		Ground	Continuity
Connector	Terminal		
D8	6	Ground	Not existed
	7		

Is the inspection result normal?

- YES >> Replace power window main switch. Refer to [PWC-89. "Removal and Installation"](#).

DOOR KEY CYLINDER SWITCH

[ROADSTER]

< DTC/CIRCUIT DIAGNOSIS >

NO >> Repair or replace harness.

3.CHECK DOOR KEY CYLINDER SWITCH GROUND CIRCUIT

Check continuity between driver side door lock assembly harness connector and ground.

Driver side door lock assembly		Ground	Continuity
Connector	Terminal		
D15	4		Existed

Is the inspection result normal?

YES >> GO TO 4.

NO >> Repair or replace harness.

4.CHECK DOOR KEY CYLINDER SWITCH

Refer to [DLK-246, "Component Inspection"](#).

Is the inspection result normal?

YES >> GO TO 5.

NO >> Replace driver side door lock assembly.

5.CHECK INTERMITTENT INCIDENT

Refer to [GI-45, "Intermittent Incident"](#).

>> INSPECTION END

Component Inspection

INFOID:000000008196306

1.CHECK DOOR KEY CYLINDER SWITCH

1. Turn ignition switch OFF.
2. Disconnect driver side door lock assembly connector.
3. Check continuity between driver side door lock assembly terminals.

Driver side door lock assembly		Condition	Continuity
Terminal			
5	4	Driver side door key cylinder	Unlock Existed
		Neutral / Lock Not existed	
6		Lock Existed	
		Neutral / Unlock Not existed	

Is the inspection result normal?

YES >> INSPECTION END

NO >> Replace driver side door lock assembly.

TRUNK ROOM LAMP SWITCH

< DTC/CIRCUIT DIAGNOSIS >

[ROADSTER]

TRUNK ROOM LAMP SWITCH

Component Function Check

INFOID:000000008196307

1. CHECK FUNCTION

1. Select "DOOR LOCK" of "BCM" using CONSULT.
2. Select "DOOR SW-BK" in "DATA MONITOR" mode.
3. Check that the function operates normally according to the following conditions.

Monitor item	Condition	Status
DOOR SW-BK	Trunk lid Open	ON
	Closed	OFF

Is the inspection result normal?

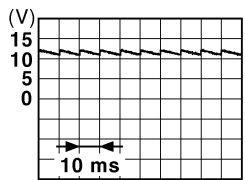
- YES >> Trunk room lamp switch is OK.
 NO >> Refer to [DLK-247, "Diagnosis Procedure"](#).

Diagnosis Procedure

INFOID:000000008196308

1. CHECK TRUNK ROOM LAMP SWITCH INPUT SIGNAL

1. Turn ignition switch OFF.
2. Disconnect trunk lid lock assembly connector.
3. Check signal between trunk lid lock assembly harness connector and ground using oscilloscope.

(+)		(-)	Signal (Reference value)
Connector	Terminal		
B76	1	Ground	 <p style="text-align: right;">JPMIA0011GB</p>

Is the inspection result normal?

- YES >> GO TO 3.
 NO >> GO TO 2.

2. CHECK TRUNK ROOM LAMP SWITCH CIRCUIT

1. Disconnect BCM connector and soft top control unit connector.
2. Check continuity between BCM harness connector and trunk lid lock assembly harness connector.

BCM		Trunk lid lock assembly		Continuity
Connector	Terminal	Connector	Terminal	
M121	66	B76	1	Existed

3. Check continuity between BCM harness connector and ground.

BCM		Ground	Continuity
Connector	Terminal		
M121	66		Not existed

Is the inspection result normal?

- YES >> Replace BCM. Refer to [BCS-95, "Removal and Installation"](#).
 NO >> Repair harness or connector.

A
B
C
D
E
F
G
H
I
J
K
L
M
N
O
P

DLK

TRUNK ROOM LAMP SWITCH

< DTC/CIRCUIT DIAGNOSIS >

[ROADSTER]

3.CHECK TRUNK ROOM LAMP SWITCH GROUND

Check continuity between trunk lid lock assembly harness connector and ground.

Trunk lid lock assembly		Ground	Continuity
Connector	Terminal		
B76	3		Existed

Is the inspection result normal?

YES >> GO TO 4.

NO >> Repair or replace harness.

4.CHECK TRUNK ROOM LAMP SWITCH

Refer to [DLK-248, "Component Inspection"](#).

Is the inspection result normal?

YES >> GO TO 5.

NO >> Replace trunk lid lock assembly.

5.CHECK INTERMITTENT INCIDENT

Refer to [GI-45, "Intermittent Incident"](#).

>> INSPECTION END

Component Inspection

INFOID:000000008196309

1.CHECK TRUNK ROOM LAMP SWITCH

1. Turn ignition switch OFF.
2. Disconnect trunk lid lock assembly connector.
3. Check continuity between trunk lid lock assembly terminals.

Trunk lid lock assembly		Condition	Continuity
Terminal			
1	3	Trunk lid lock assembly Unlocked	Existed
		Locked	Not existed

Is the inspection result normal?

YES >> INSPECTION END

NO >> Replace trunk lid lock assembly.

REMOTE KEYLESS ENTRY RECEIVER

< DTC/CIRCUIT DIAGNOSIS >

[ROADSTER]

REMOTE KEYLESS ENTRY RECEIVER

Component Function Check

INFOID:000000008627948

1.CHECK FUNCTION

1. Select "INTELLIGENT KEY" of "BCM" using CONSULT.
2. Select "RKE OPE COUN1" in "DATA MONITOR" mode.
3. Check that the function operates normally according to the following conditions.

Monitor item	Condition
RKE OPE COUN1	Checks whether value changes when operating Intelligent Key

Is the inspection result normal?

- YES >> Remote keyless entry receiver is OK.
NO >> Refer to [DLK-249. "Diagnosis Procedure"](#).

Diagnosis Procedure

INFOID:000000008627949

1.CHECK REMOTE KEYLESS ENTRY RECEIVER POWER SUPPLY

1. Turn ignition switch OFF.
2. Disconnect remote keyless entry receiver connector.
3. Check voltage between remote keyless entry receiver harness connector and ground.

(+)		(-)	Voltage (V) (Approx.)
Remote keyless entry receiver Connector	Terminal		
M104	4	Ground	12

Is the inspection result normal?

- YES >> GO TO 3.
NO >> GO TO 2.

2.CHECK REMOTE KEYLESS ENTRY RECEIVER POWER SUPPLY CIRCUIT

1. Disconnect BCM connector.
2. Check continuity between BCM harness connector and remote keyless entry receiver harness connector.

BCM		Remote keyless entry receiver		Continuity
Connector	Terminal	Connector	Terminal	
M122	103	M104	4	Existed

3. Check continuity between BCM harness connector and ground.

BCM		Ground	Continuity
Connector	Terminal		
M122	103		Not existed

Is the inspection result normal?

- YES >> Replace BCM. Refer to [BCS-95. "Removal and Installation"](#).
NO >> Repair or replace harness.

3.CHECK REMOTE KEYLESS ENTRY RECEIVER GROUND CIRCUIT

1. Disconnect BCM connector.
2. Check continuity between BCM harness connector and remote keyless entry receiver harness connector.

BCM		Remote keyless entry receiver		Continuity
Connector	Terminal	Connector	Terminal	
M123	137	M104	1	Existed

A
B
C
D
E
F
G
H
I
J
L
M
N
O
P

DLK

REMOTE KEYLESS ENTRY RECEIVER

[ROADSTER]

< DTC/CIRCUIT DIAGNOSIS >

3. Check continuity between BCM harness connector and ground.

BCM		Ground	Continuity
Connector	Terminal		
M123	137		Not existed

Is the inspection result normal?

- YES >> GO TO 4.
NO >> Repair or replace harness.

4.CHECK BCM SIGNAL

1. Reconnect BCM connector.
2. Check voltage between remote keyless entry receiver harness connector and ground.

(+)		(-)	Voltage (V) (Approx.)
Remote keyless entry receiver			
Connector	Terminal		
M104	2	Ground	12

Is the inspection result normal?

- YES >> GO TO 6.
NO >> GO TO 5.

5.CHECK REMOTE KEYLESS ENTRY RECEIVER CIRCUIT

1. Disconnect BCM connector.
2. Check continuity between BCM harness connector and remote keyless entry receiver harness connector.

BCM		Remote keyless entry receiver		Continuity
Connector	Terminal	Connector	Terminal	
M122	83	M104	2	Existed

3. Check continuity between BCM harness connector and ground.

BCM		Ground	Continuity
Connector	Terminal		
M122	83		Not existed

Is the inspection result normal?

- YES >> Replace BCM. Refer to [BCS-95. "Removal and Installation"](#).
NO >> Repair or replace harness.

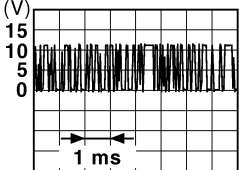
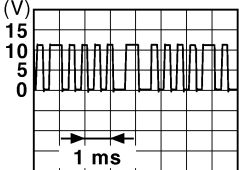
6.CHECK REMOTE KEYLESS ENTRY RECEIVER SIGNAL

1. Reconnect keyless entry receiver connector.
2. Check signal between remote keyless entry receiver harness connector and ground using oscilloscope.

REMOTE KEYLESS ENTRY RECEIVER

< DTC/CIRCUIT DIAGNOSIS >

[ROADSTER]

(+)		(-)	Condition	Signal (Reference value)
Remote keyless entry receiver				
Connector	Terminal			
M104	2	Ground	During waiting	
			When operating either button on the Intelligent Key	

Is the inspection result normal?

YES >> GO TO 7.

NO >> Replace remote keyless entry receiver. Refer to [DLK-352. "Removal and Installation"](#).

7. CHECK INTERMITTENT INCIDENT

Refer to [GI-45. "Intermittent Incident"](#).

>> INSPECTION END

A
B
C
D
E
F
G
H
I
J
L
M
N
O
P

DLK

TRUNK LID OPENER SWITCH

< DTC/CIRCUIT DIAGNOSIS >

[ROADSTER]

TRUNK LID OPENER SWITCH

Component Function Check

INFOID:000000008196312

1. CHECK FUNCTION

1. Select "TRUNK" of "BCM" using CONSULT.
2. Select "TR/BD OPEN SW" in "DATA MONITOR" mode.
3. Check that the function operates normally according to the following conditions.

Monitor item	Condition		Status
TR/BD OPEN SW	Trunk lid opener switch	Pressed	On
		Released	Off

Is the inspection result normal?

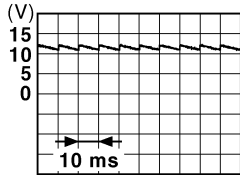
- YES >> Trunk lid opener switch is OK.
 NO >> Refer to [DLK-252. "Diagnosis Procedure"](#).

Diagnosis Procedure

INFOID:000000008196313

1. CHECK TRUNK LID OPENER SWITCH INPUT SIGNAL

1. Turn ignition switch OFF.
2. Disconnect trunk lid opener switch assembly connector.
3. Check signal between trunk lid opener switch assembly harness connector and ground using oscilloscope.

(+)		(-)	Signal (Reference value)
Trunk lid opener switch assembly			
Connector	Terminal		
B156	1	Ground	 <p style="text-align: right;">JPMAI0011GB</p>

Is the inspection result normal?

- YES >> GO TO 3.
 NO >> GO TO 2.

2. CHECK TRUNK LID OPENER SWITCH CIRCUIT

1. Disconnect BCM connector.
2. Check continuity between BCM harness connector and trunk lid opener switch assembly harness connector.

BCM		Trunk lid opener switch assembly		Continuity
Connector	Terminal	Connector	Terminal	
M121	67	B156	1	Existed

3. Check continuity between BCM harness connector and ground.

BCM		Ground	Continuity
Connector	Terminal		
M121	67		Not existed

Is the inspection result normal?

- YES >> Replace BCM. Refer to [BCS-95. "Removal and Installation"](#).

TRUNK LID OPENER SWITCH

[ROADSTER]

< DTC/CIRCUIT DIAGNOSIS >

NO >> Repair or replace harness.

3.CHECK TRUNK LID OPENER SWITCH GROUND CIRCUIT

Check continuity between trunk lid opener switch assembly harness connector and ground.

Trunk lid opener switch assembly		Ground	Continuity
Connector	Terminal		
B156	4		Existed

Is the inspection result normal?

YES >> GO TO 4.

NO >> Repair or replace harness.

4.CHECK TRUNK LID OPENER SWITCH

Refer to [DLK-253. "Component Inspection"](#).

Is the inspection result normal?

YES >> GO TO 5.

NO >> Replace trunk lid opener switch assembly.

5.CHECK INTERMITTENT INCIDENT

Refer to [GI-45. "Intermittent Incident"](#).

>> INSPECTION END

Component Inspection

INFOID:000000008196314

1.CHECK TRUNK LID OPENER SWITCH

1. Turn ignition switch OFF.
2. Disconnect trunk lid opener switch assembly connector.
3. Check continuity between trunk lid opener switch assembly terminals.

Trunk lid opener switch assembly		Condition	Continuity
Terminal			
1	4	Trunk lid opener switch	Pressed Existed
			Released Not existed

Is the inspection result normal?

YES >> INSPECTION END

NO >> Replace trunk lid opener switch assembly.

A
B
C
D
E
F
G
H
I
J
L
M
N
O
P

DLK

TRUNK LID OPENER CANCEL SWITCH

< DTC/CIRCUIT DIAGNOSIS >

[ROADSTER]

TRUNK LID OPENER CANCEL SWITCH

Component Function Check

INFOID:000000008196315

1.CHECK FUNCTION

1. Select "TRUNK" of "BCM" using CONSULT.
2. Select "TR CANCEL SW" in "DATA MONITOR" mode.
3. Check that the function operates normally according to the following conditions.

Monitor item	Condition		Status
TR CANCEL SW	Trunk lid opener cancel switch	ON	ON
		OFF (Cancel)	OFF

Is the inspection result normal?

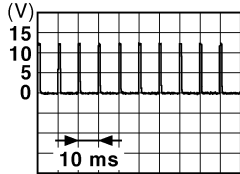
- YES >> Trunk lid opener cancel switch is OK.
 NO >> Refer to [DLK-254, "Diagnosis Procedure"](#).

Diagnosis Procedure

INFOID:000000008196316

1.CHECK TRUNK LID OPENER CANCEL SWITCH INPUT SIGNAL

1. Turn ignition switch OFF.
2. Disconnect trunk lid opener cancel switch connector.
3. Check signal between trunk lid opener cancel switch harness connector and ground using oscilloscope.

(+)		(-)	Signal (Reference value)
Connector	Terminal		
M14	1	Ground	 <p style="text-align: right; font-size: small;">JPMAI0012GB</p>

Is the inspection result normal?

- YES >> GO TO 3.
 NO >> GO TO 2.

2.CHECK TRUNK LID OPENER CANCEL SWITCH CIRCUIT

1. Disconnect BCM connector.
2. Check continuity between BCM harness connector and trunk lid opener cancel switch harness connector.

BCM		Trunk lid opener cancel switch		Continuity
Connector	Terminal	Connector	Terminal	
M123	129	M14	1	Existed

3. Check continuity between BCM harness connector and ground.

BCM		Ground	Continuity
Connector	Terminal		
M123	129		Not existed

Is the inspection result normal?

- YES >> Replace BCM. Refer to [BCS-95, "Removal and Installation"](#).
 NO >> Repair harness or connector.

TRUNK LID OPENER CANCEL SWITCH

< DTC/CIRCUIT DIAGNOSIS >

[ROADSTER]

3.CHECK TRUNK LID OPENER CANCEL SWITCH GROUND

Check continuity between trunk lid opener cancel switch harness connector and ground.

Trunk lid opener cancel switch		Ground	Continuity
Connector	Terminal		
M14	2		Existed

Is the inspection result normal?

YES >> GO TO 4.

NO >> Repair or replace harness.

4.CHECK TRUNK LID OPENER CANCEL SWITCH

Refer to [DLK-255, "Component Inspection"](#).

Is the inspection result normal?

YES >> GO TO 5.

NO >> Replace trunk lid opener cancel switch.

5.CHECK INTERMITTENT INCIDENT

Refer to [GI-45, "Intermittent Incident"](#).

>> INSPECTION END

Component Inspection

INFOID:000000008196317

1.CHECK TRUNK LID OPENER CANCEL SWITCH

1. Turn ignition switch OFF.
2. Disconnect trunk lid opener cancel switch connector.
3. Check continuity between trunk lid opener cancel switch terminals.

Trunk lid opener cancel switch		Condition	Continuity
Terminal			
1	2	Trunk lid opener cancel switch ON	Existed
		Trunk lid opener cancel switch OFF (Cancel)	Not existed

Is the inspection result normal?

YES >> INSPECTION END

NO >> Replace trunk lid opener cancel switch.

A
B
C
D
E
F
G
H
I
J
L
M
N
O
P

DLK

DOOR REQUEST SWITCH

< DTC/CIRCUIT DIAGNOSIS >

[ROADSTER]

DOOR REQUEST SWITCH

Component Function Check

INFOID:000000008196318

1.CHECK FUNCTION

1. Select "INTELLIGENT KEY" of "BCM" using CONSULT.
2. Select "REQ SW -DR", "REQ SW -AS", "REQ SW -BD/TR" in "DATA MONITOR" mode.
3. Check that the function operates normally according to the following conditions.

Monitor item	Condition		Status
REQ SW -DR	Driver side door request switch	Pressed	On
		Released	Off
REQ SW -AS	Passenger side door request switch	Pressed	On
		Released	Off
REQ SW -BD/TR	Trunk lid door request switch	Pressed	On
		Released	Off

Is the inspection result normal?

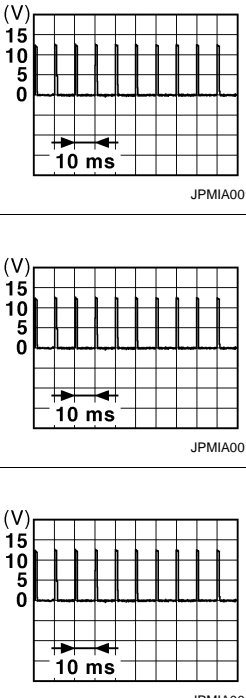
- YES >> Door request switch is OK.
 NO >> Refer to [DLK-256. "Diagnosis Procedure"](#).

Diagnosis Procedure

INFOID:000000008196319

1.CHECK DOOR REQUEST SWITCH INPUT SIGNAL

1. Turn ignition switch OFF.
2. Disconnect malfunctioning door request switch/trunk lid opener switch assembly connector.
3. Check signal between malfunctioning door request switch/trunk lid opener switch assembly harness connector and ground using oscilloscope.

(+)			(-)	Signal (Reference value)
Door request switch/Trunk lid opener switch assembly				
Connector	Terminal		Ground	
Driver side	D13	1		
Passenger side	D43	2		
Trunk lid	B156	2		

DOOR REQUEST SWITCH

[ROADSTER]

< DTC/CIRCUIT DIAGNOSIS >

Is the inspection result normal?

- YES >> GO TO 3.
- NO >> GO TO 2.

2.CHECK DOOR REQUEST SWITCH CIRCUIT

1. Disconnect BCM connector.
2. Check continuity between malfunctioning door request switch/trunk lid opener switch assembly harness connector and BCM harness connector.

Door request switch/Trunk lid opener switch assembly			BCM		Continuity
Connector		Terminal	Connector	Terminal	
Driver side	D13	1	M122	101	Existed
Passenger side	D43	2		100	
Trunk lid	B156	2	M121	61	

3. Check continuity between door request switch/trunk lid opener switch assembly harness connector and ground.

Door request switch/Trunk lid opener switch assembly			Ground	Continuity
Connector		Terminal		
Driver side	D13	1	Ground	Not existed
Passenger side	D43	2		
Trunk lid	B156	2		

Is the inspection result normal?

- YES >> Replace BCM. Refer to [BCS-95, "Removal and Installation"](#).
- NO >> Repair or replace harness.

3.CHECK DOOR REQUEST SWITCH GROUND CIRCUIT

Check continuity between malfunctioning door request switch/trunk lid opener switch assembly harness connector and ground.

Door request switch/Trunk lid opener switch assembly			Ground	Continuity
Connector		Terminal		
Driver side	D13	2	Ground	Existed
Passenger side	D43	1		
Trunk lid	B156	3		

Is the inspection result normal?

- YES >> GO TO 4.
- NO >> Repair or replace harness.

4.CHECK DOOR REQUEST SWITCH

Refer to [DLK-257, "Component Inspection"](#).

Is the inspection result normal?

- YES >> GO TO 5.
- NO >> Replace malfunctioning door request switch/trunk lid opener switch assembly.

5.CHECK INTERMITTENT INCIDENT

Refer to [GI-45, "Intermittent Incident"](#).

>> INSPECTION END

Component Inspection

INFOID:000000008196320

1.CHECK DOOR REQUEST SWITCH

DOOR REQUEST SWITCH

[ROADSTER]

< DTC/CIRCUIT DIAGNOSIS >

1. Turn ignition switch OFF.
2. Disconnect malfunctioning door request switch/trunk lid opener switch assembly connector.
3. Check continuity between malfunctioning door request switch/trunk lid opener switch assembly terminals.

Door request switch/Trunk lid opener switch assembly			Condition		Continuity
Terminal					
Driver side/Passenger side	1	2	Door request switch	Pressed	Existed
Trunk lid	2	3		Released	Not existed

Is the inspection result normal?

YES >> INSPECTION END

NO >> Replace malfunctioning door request switch/trunk lid opener switch assembly.

UNLOCK SENSOR

< DTC/CIRCUIT DIAGNOSIS >

[ROADSTER]

UNLOCK SENSOR

Component Function Check

INFOID:000000008196321

1.CHECK FUNCTION

1. Select "INTELLIGENT KEY" of "BCM" using CONSULT.
2. Select "UNLK SEN -DR" in "DATA MONITOR" mode.
3. Check that the function operates normally according to the following conditions.

Monitor item	Condition		Status
UNLK SEN -DR	Driver side door	Lock	Off
		Unlock	On

Is the inspection result normal?

YES >> Unlock sensor is OK.

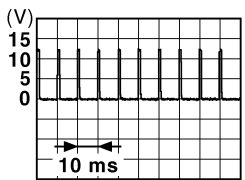
NO >> Refer to [DLK-259, "Diagnosis Procedure"](#).

Diagnosis Procedure

INFOID:000000008196322

1.CHECK UNLOCK SENSOR INPUT SIGNAL

1. Turn ignition switch OFF.
2. Disconnect driver side door lock assembly connector.
3. Check signal between driver side door lock assembly harness connector and ground using oscilloscope.

(+)		(-)	Signal (Reference value)
Driver side door lock assembly			
Connector	Terminal	Ground	
D15	3		

Is the inspection result normal?

YES >> GO TO 3.

NO >> GO TO 2.

2.CHECK UNLOCK SENSOR CIRCUIT

1. Disconnect BCM connector.
2. Check continuity between BCM harness connector and driver side door lock assembly harness connector.

BCM		Driver side door lock assembly		Continuity
Connector	Terminal	Connector	Terminal	
M123	119	D15	3	Existed

3. Check continuity between BCM harness connector and ground.

BCM		Ground	Continuity
Connector	Terminal		
M123	119	Ground	Not existed

Is the inspection result normal?

YES >> Replace BCM. Refer to [BCS-95, "Removal and Installation"](#).

NO >> Repair or replace harness.

UNLOCK SENSOR

< DTC/CIRCUIT DIAGNOSIS >

[ROADSTER]

3.CHECK UNLOCK SENSOR GROUND CIRCUIT

Check continuity between driver side assembly harness connector and ground.

Driver side door lock assembly		Ground	Continuity
Connector	Terminal		
D15	4		Existed

Is the inspection result normal?

YES >> GO TO 4.

NO >> Repair or replace harness.

4.CHECK UNLOCK SENSOR

Refer to [DLK-260, "Component Inspection"](#).

Is the inspection result normal?

YES >> GO TO 5.

NO >> Replace driver side door lock assembly.

5.CHECK INTERMITTENT INCIDENT

Refer to [GI-45, "Intermittent Incident"](#).

>> INSPECTION END

Component Inspection

INFOID:000000008196323

1.CHECK UNLOCK SENSOR

1. Turn ignition switch OFF.
2. Disconnect driver side door lock assembly connector.
3. Check continuity between driver side door lock assembly terminals.

Driver side door lock assembly		Condition		Continuity
Terminal				
3	4	Driver side door	Unlock	Existed
			Lock	Not existed

Is the inspection result normal?

YES >> INSPECTION END

NO >> Replace driver side door lock assembly.

OUTSIDE KEY ANTENNA

< DTC/CIRCUIT DIAGNOSIS >

[ROADSTER]

OUTSIDE KEY ANTENNA

Component Function Check

INFOID:000000008196324

1.CHECK DOOR REQUEST SWITCH

Check door request switch. Refer to [DLK-256, "Component Function Check"](#)

Is the inspection result normal?

YES >> GO TO 2.

NO >> Check door request switch. Refer to [DLK-256, "Diagnosis Procedure"](#).

2.CHECK FUNCTION

Be sure that Intelligent Key is in each outside key antenna detection area.

Does door lock/unlock when each door request switch is pressed?

YES >> Outside key antenna is OK.

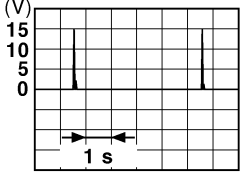
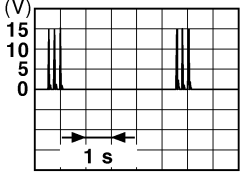
NO >> Refer to [DLK-261, "Diagnosis Procedure"](#).

Diagnosis Procedure

INFOID:000000008196325

1.CHECK OUTSIDE KEY ANTENNA INPUT SIGNAL 1

1. Turn ignition switch OFF.
2. Check signal between BCM harness connector and ground using oscilloscope.

(+)		(-)	Condition	Signal (Reference value)	
BCM					
Connector	Terminal				
LH		Ground	Door request switch is pressed		
RH	M122				76, 77
					74, 75
Rear bumper	M121		When Intelligent Key is not in the antenna detection area		

Is the inspection result normal?

YES >> Replace BCM. Refer to [BCS-95, "Removal and Installation"](#)

NO >> GO TO 2.

2.CHECK OUTSIDE KEY ANTENNA CIRCUIT

1. Disconnect BCM connector and malfunctioning outside key antenna connector.
2. Check continuity between malfunctioning outside key antenna harness connector and BCM harness connector.

A
B
C
D
E
F
G
H
I
J
L
M
N
O
P

DLK

OUTSIDE KEY ANTENNA

< DTC/CIRCUIT DIAGNOSIS >

[ROADSTER]

Outside key antenna			BCM		Continuity
Connector		Terminal	Connector	Terminal	
LH	B148	1	M122	77	Existed
		2		76	
RH	B149	1		75	
		2		74	
Rear bumper	B54	1	M121	39	
		2		38	

3. Check continuity between malfunctioning outside key antenna harness connector and ground.

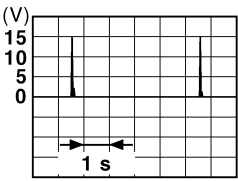
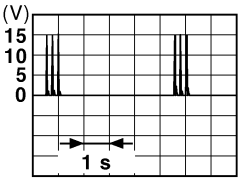
Outside key antenna			Ground	Continuity
Connector		Terminal		
LH	B148	1	Ground	Not existed
		2		
RH	B149	1		
		2		
Rear bumper	B54	1		
		2		

Is the inspection result normal?

- YES >> GO TO 3.
- NO >> Repair or replace harness.

3. CHECK OUTSIDE KEY ANTENNA INPUT SIGNAL 2

1. Replace malfunctioning outside key antenna. (New antenna or other antenna)
2. Connect BCM connector and malfunctioning outside key antenna (New antenna or other antenna) connector.
3. Check signal between BCM harness connector and ground using oscilloscope.

(+)		(-)	Condition	Signal (Reference value)	
BCM					
Connector	Terminal				
LH	M122	Ground	When Intelligent Key is in the antenna detection area		
RH					76, 77
RH	74, 75		Door request switch is pressed	When Intelligent Key is not in the antenna detection area	
Rear bumper	38, 39				

Is the inspection result normal?

- YES >> Replace malfunctioning outside key antenna.
- NO >> Replace BCM. Refer to [BCS-95. "Removal and Installation"](#).

INTELLIGENT KEY WARNING BUZZER

< DTC/CIRCUIT DIAGNOSIS >

[ROADSTER]

INTELLIGENT KEY WARNING BUZZER

Component Function Check

INFOID:000000008196326

1.CHECK FUNCTION

1. Select "INTELLIGENT KEY" of "BCM" using CONSULT.
2. Select "OUTSIDE BUZZER" in "ACTIVE TEST" mode.
3. Touch "On" to check that it works normally.

Is the inspection result normal?

- YES >> Intelligent Key warning buzzer is OK.
 NO >> Refer to [DLK-263. "Diagnosis Procedure"](#).

Diagnosis Procedure

INFOID:000000008196327

1.CHECK FUSE

1. Turn ignition switch OFF.
2. Check 10 A fuse, [No.6, located in fuse block (J/B)].

Is the inspection result normal?

- YES >> GO TO 2.
 NO >> Replace the blown fuse after repairing the affected circuit if a fuse is blown.

2.CHECK INTELLIGENT KEY WARNING BUZZER POWER SUPPLY CIRCUIT

1. Disconnect Intelligent Key warning buzzer connector.
2. Check voltage between Intelligent Key warning buzzer harness connector and ground.

(+)		(-)	Voltage (V) (Approx.)
Connector	Terminal		
E57	1	Ground	Battery voltage

Is the inspection result normal?

- YES >> GO TO 3.
 NO >> Repair or replace harness.

3.CHECK INTELLIGENT KEY WARNING BUZZER CIRCUIT

1. Disconnect BCM connector.
2. Check continuity between BCM harness connector and Intelligent Key warning buzzer harness connector.

BCM		Intelligent Key warning buzzer		Continuity
Connector	Terminal	Connector	Terminal	
M121	64	E57	3	Existed

3. Check continuity between BCM harness connector and ground.

BCM		Ground	Continuity
Connector	Terminal		
M121	64		Not existed

Is the inspection result normal?

- YES >> GO TO 4.
 NO >> Repair or replace harness.

4.CHECK INTELLIGENT KEY WARNING BUZZER

Refer to [DLK-264. "Component Inspection"](#).

Is the inspection result normal?

- YES >> Replace BCM. Refer to [BCS-95. "Removal and Installation"](#).
 NO >> Replace Intelligent Key warning buzzer.

A
B
C
D
E
F
G
H
I
J
L
M
N
O
P

DLK

INTELLIGENT KEY WARNING BUZZER

< DTC/CIRCUIT DIAGNOSIS >

[ROADSTER]

Component Inspection

INFOID:000000008196328

1. CHECK INTELLIGENT KEY WARNING BUZZER

1. Turn ignition switch OFF.
2. Disconnect Intelligent Key warning buzzer connector.
3. Connect battery power supply directly to Intelligent Key warning buzzer terminals and check the operation.

Intelligent Key warning buzzer		Operation
Terminal		
(+)	(-)	
1	3	Buzzer sounds

Is the inspection result normal?

YES >> INSPECTION END

NO >> Replace Intelligent Key warning buzzer.

INTELLIGENT KEY

Component Function Check

INFOID:000000008196329

1. CHECK FUNCTION

1. Select "INTELLIGENT KEY" of "BCM" using CONSULT.
2. Select "RKE OPE COUN1" in "DATA MONITOR" mode.
3. Check that the function operates normally according to the following conditions.

Monitor item	Condition
RKE OPE COUN1	Check that the numerical value is changing while operating on the Intelligent Key
RKE OPE COUN2	

Is the inspection result normal?

- YES >> Intelligent Key is OK.
 NO >> Refer to [DLK-265, "Diagnosis Procedure"](#).

Diagnosis Procedure

INFOID:000000008196330

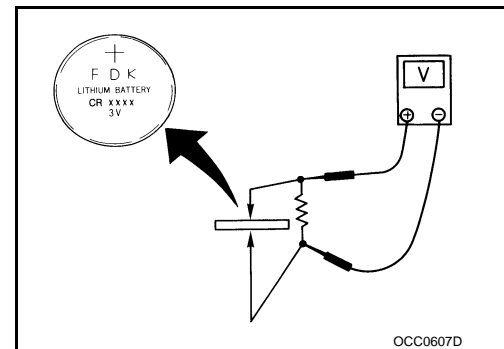
1. CHECK INTELLIGENT KEY BATTERY

Check by connecting a resistance (approximately 300Ω) so that the current value becomes about 10 mA. Refer to [DLK-353, "Removal and Installation"](#).

Standard : Approx. 2.5 - 3.0V

Is the measurement value within the specification?

- YES >> Replace Intelligent Key.
 NO >> Replace Intelligent Key battery.



A
B
C
D
E
F
G
H
I
J
L
M
N
O
P

DLK

KEY SLOT

< DTC/CIRCUIT DIAGNOSIS >

[ROADSTER]

KEY SLOT

Component Function Check

INFOID:000000008196331

1.CHECK FUNCTION

1. Select "INTELLIGENT KEY" of "BCM" using CONSULT.
2. Select "KEY SW-SLOT" in "DATA MONITOR" mode.
3. Check that the function operates normally according to the following conditions.

Monitor item	Condition		Status
KEY SW-SLOT	Intelligent Key	Inserted in key slot	On
		Removed from key slot	Off

Is the inspection result normal?

YES >> Key slot is OK.

NO >> Refer to [DLK-266. "Diagnosis Procedure"](#).

Diagnosis Procedure

INFOID:000000008196332

1.CHECK FUSE

1. Turn ignition switch OFF.
2. Check 10 A fuse, [No.9, located in fuse block (J/B)].

Is the inspection result normal?

YES >> GO TO 2.

NO >> Replace the blown fuse after repairing the affected circuit if a fuse is blown.

2.CHECK KEY SLOT POWER SUPPLY CIRCUIT

1. Disconnect key slot connector.
2. Check voltage between key slot harness connector and ground.

(+)		(-)	Voltage (V) (Approx.)
Key slot			
Connector	Terminal	Ground	Battery voltage
M22	1		

Is the inspection result normal?

YES >> GO TO 3.

NO >> Repair or replace harness.

3.CHECK KEY SLOT CIRCUIT

1. Disconnect BCM connector.
2. Check continuity between BCM harness connector and key slot harness connector.

BCM		Key slot		Continuity
Connector	Terminal	Connector	Terminal	
M123	121	M22	11	Existed

3. Check continuity between BCM harness connector and ground.

BCM		Ground	Continuity
Connector	Terminal		
M123	121		Not existed

Is the inspection result normal?

YES >> GO TO 4.

NO >> Repair or replace harness.

KEY SLOT

< DTC/CIRCUIT DIAGNOSIS >

[ROADSTER]

4.CHECK KEY SLOT

Refer to [DLK-267. "Component Inspection"](#).

Is the inspection result normal?

- YES >> Replace BCM. Refer to [BCS-95. "Removal and Installation"](#).
- NO >> Replace key slot.

Component Inspection

INFOID:000000008196333

1.CHECK KEY SLOT

1. Turn ignition switch OFF.
2. Disconnect key slot connector.
3. Check continuity between key slot terminals.

Key slot		Condition	Continuity	
Terminal				
1	11	Intelligent Key	Inserted in key slot	Existed
			Removed in key slot	Not existed

Is the inspection result normal?

- YES >> INSPECTION END
- NO >> Replace key slot.

A
B
C
D
E
F
G
H
I
J
L
M
N
O
P

DLK

KEY SLOT INDICATOR

< DTC/CIRCUIT DIAGNOSIS >

[ROADSTER]

KEY SLOT INDICATOR

Component Function Check

INFOID:000000008196334

1.CHECK FUNCTION

1. Select "INTELLIGENT KEY" of "BCM" using CONSULT.
2. Select "KEY SLOT ILLUMI" in "ACTIVE TEST" mode.
3. Touch "On" to check that it works normally.

Is the inspection result normal?

- YES >> Key slot is OK.
NO >> Refer to [DLK-268, "Diagnosis Procedure"](#).

Diagnosis Procedure

INFOID:000000008196335

1.CHECK FUSE

1. Turn ignition switch OFF.
2. Check 10 A fuse, [No. 6, located in fuse block (J/B)].

Is the inspection result normal?

- YES >> GO TO 2.
NO >> Replace the blown fuse after repairing the affected circuit if a fuse is blown.

2.CHECK KEY SLOT POWER SUPPLY CIRCUIT

1. Disconnect key slot connector.
2. Check voltage between key slot harness connector and ground.

(+)		(-)	Voltage (V) (Approx.)
Key slot			
Connector	Terminal	Ground	Battery voltage
M22	5		

Is the inspection result normal?

- YES >> GO TO 3.
NO >> Repair or replace harness.

3.CHECK KEY SLOT CIRCUIT

1. Disconnect BCM connector.
2. Check continuity between BCM harness connector and key slot harness connector.

BCM		Key slot		Continuity
Connector	Terminal	Connector	Terminal	
M122	92	M22	6	Existed

3. Check continuity between BCM harness connector and ground.

BCM		Ground	Continuity
Connector	Terminal		
M122	92		Not existed

Is the inspection result normal?

- YES >> GO TO 4.
NO >> Repair or replace harness.

4.CHECK KEY SLOT

Refer to [DLK-269, "Component Inspection"](#).

Is the inspection result normal?

- YES >> Replace BCM. Refer to [BCS-95, "Removal and Installation"](#).
NO >> Replace key slot.

KEY SLOT INDICATOR

< DTC/CIRCUIT DIAGNOSIS >

[ROADSTER]

Component Inspection

INFOID:000000008196336

1. CHECK KEY SLOT INDICATOR

1. Turn ignition switch OFF.
2. Disconnect key slot connector.
3. Connect battery power supply directly to key slot terminals and check the operation.

Key slot		Operation
Terminal		
(+)	(-)	
5	6	Key slot illuminates

Is the inspection result normal?

- YES >> INSPECTION END
NO >> Replace key slot.

A
B
C
D
E
F
G
H
I
J
L
M
N
O
P

DLK

COMBINATION METER DISPLAY FUNCTION

< DTC/CIRCUIT DIAGNOSIS >

[ROADSTER]

COMBINATION METER DISPLAY FUNCTION

Component Function Check

INFOID:000000008196337

1.CHECK FUNCTION

1. Select "INTELLIGENT KEY" of "BCM" using CONSULT.
2. Select "LCD" in "ACTIVE TEST" mode.
3. Check each warning display on meter display.

Is the inspection result normal?

- YES >> Combination meter display function is OK.
NO >> Refer to [DLK-270, "Diagnosis Procedure"](#).

Diagnosis Procedure

INFOID:000000008196338

1.CHECK COMBINATION METER

Check combination meter.

Refer to [MWI-67, "DTC Index"](#).

Is the inspection result normal?

- YES >> GO TO 2.
NO >> Check combination meter. Refer to [MWI-4, "Work flow"](#).

2.CHECK INTERMITTENT INCIDENT

Refer to [GI-45, "Intermittent Incident"](#).

>> INSPECTION END

BUZZER (COMBINATION METER)

< DTC/CIRCUIT DIAGNOSIS >

[ROADSTER]

BUZZER (COMBINATION METER)

Component Function Check

INFOID:000000008196339

1.CHECK FUNCTION

1. Select "INTELLIGENT KEY" of "BCM" using CONSULT.
2. Select "INSIDE BUZZER" in "ACTIVE TEST" mode.
3. Touch "Take out", "Knob" or "Key" to check that it works normally.

Is the inspection result normal?

- Yes >> Warning buzzer into combination meter is OK.
No >> Refer to [DLK-271. "Diagnosis Procedure"](#).

Diagnosis Procedure

INFOID:000000008196340

1.CHECK METER BUZZER CIRCUIT

Check meter buzzer circuit.
Refer to [WCS-20. "Component Function Check"](#).

Is the inspection result normal?

- Yes >> GO TO 2.
No >> Repair or replace the malfunctioning parts.

2.CHECK INTERMITTENT INCIDENT

Refer to [GI-45. "Intermittent Incident"](#).

>> INSPECTION END

A
B
C
D
E
F
G
H
I
J
L
M
N
O
P

DLK

KEY WARNING LAMP

< DTC/CIRCUIT DIAGNOSIS >

[ROADSTER]

KEY WARNING LAMP

Component Function Check

INFOID:000000008196341

1.CHECK FUNCTION

1. Select "INTELLIGENT KEY" of "BCM" using CONSULT.
2. Select "INDICATOR" in "ACTIVE TEST" mode.
3. Touch "Key ind" or "Key on" to check that it works normally.

Is the inspection result normal?

- YES >> Key warning lamp is OK.
- NO >> Refer to [DLK-272, "Diagnosis Procedure"](#).

Diagnosis Procedure

INFOID:000000008196342

1.CHECK KEY WARNING LAMP

Check key warning lamp.
Refer to [WCS-3, "Work Flow"](#).

Is the inspection result normal?

- YES >> GO TO 2.
- NO >> Repair or replace the malfunctioning parts.

2.CHECK INTERMITTENT INCIDENT

Refer to [GI-45, "Intermittent Incident"](#).

>> INSPECTION END

< DTC/CIRCUIT DIAGNOSIS >

HAZARD FUNCTION

Component Function Check

INFOID:000000008196343

1.CHECK FUNCTION

1. Select "INTELLIGENT KEY" of "BCM" using CONSULT.
2. Select "FLASHER" in "ACTIVE TEST" mode.
3. Touch "LH" or "RH" to check that it works normally.

Is the inspection result normal?

YES >> Hazard warning lamp circuit is OK.

NO >> Refer to [DLK-273. "Diagnosis Procedure"](#).

Diagnosis Procedure

INFOID:000000008196344

1.CHECK HAZARD SWITCH CIRCUIT

Check hazard switch circuit

Refer to [EXL-34. "Wiring Diagram"](#).Is the inspection result normal?

YES >> GO TO 2.

NO >> Repair or replace the malfunctioning parts.

2.CHECK INTERMITTENT INCIDENTRefer to [GI-45. "Intermittent Incident"](#).

>> INSPECTION END

A

B

C

D

E

F

G

H

I

J

DLK

L

M

N

O

P

INTEGRATED HOMELINK TRANSMITTER

< DTC/CIRCUIT DIAGNOSIS >

[ROADSTER]

INTEGRATED HOMELINK TRANSMITTER

Component Function Check

INFOID:000000008196345

1.CHECK FUNCTION

Check that system receiver (garage door opener, etc.) operates with original hand-held transmitter.

Is the inspection result normal?

YES >> GO TO 2.

NO >> Receiver or hand-held transmitter is malfunctioning.

2.CHECK ILLUMINATE

1. Turn ignition switch OFF.

2. Does red light of transmitter illuminate when any transmitter button is pressed?

Is the inspection result normal?

YES >> GO TO 3.

NO >> Refer to [DLK-274. "Diagnosis Procedure"](#).

3.CHECK TRANSMITTER

Check transmitter with Tool*.

*:For details, refer to Technical Service Bulletin.

Is the inspection result normal?

YES >> Receiver or hand-held transmitter malfunction, not vehicle related.

NO >> Replace auto anti-dazzling inside mirror (integrated homelink transmitter).

Diagnosis Procedure

INFOID:000000008196346

1.CHECK POWER SUPPLY

1. Turn ignition switch OFF.

2. Disconnect auto anti-dazzling inside mirror (integrated homelink transmitter) connector.

3. Check voltage between auto anti-dazzling inside mirror (integrated homelink transmitter) harness connector and ground.

(+)		(-)	Voltage (V) (Approx.)
Auto anti-dazzling inside mirror (Integrated homelink transmitter)			
Connector	Terminal		
R6	10	Ground	Battery voltage

Is the inspection result normal?

YES >> GO TO 2.

NO-1 >> Check 10 A fuse [No. 6 located in the fuse block (J/B)].

NO-2 >> Harness for open or short between fuse and auto anti-dazzling inside mirror (integrated homelink transmitter).

2.CHECK GROUND CIRCUIT

Check continuity between auto anti-dazzling inside mirror (integrated homelink transmitter) harness connector and ground.

Auto anti-dazzling inside mirror (Integrated homelink transmitter)		Ground	Continuity
Connector	Terminal		
R6	8		Existed

Is the inspection result normal?

YES >> GO TO 3.

NO >> Repair or replace harness.

INTEGRATED HOMELINK TRANSMITTER

< DTC/CIRCUIT DIAGNOSIS >

[ROADSTER]

3.CHECK INTERMITTENT INCIDENT

Refer to [GI-45. "Intermittent Incident"](#).

>> INSPECTION END

A
B
C
D
E
F
G
H
I
J
DLK
L
M
N
O
P

SYMPTOM DIAGNOSIS

DOOR DOES NOT LOCK/UNLOCK WITH DOOR LOCK AND UNLOCK SWITCH

ALL DOOR

ALL DOOR : Description

INFOID:000000008196347

All doors do not lock/unlock using door lock and unlock switch.

ALL DOOR : Diagnosis Procedure

INFOID:000000008196348

1.CHECK DOOR LOCK AND UNLOCK SWITCH

Check door lock and unlock switch.

- Driver side: Refer to [DLK-236, "DRIVER SIDE : Component Function Check"](#).
- Passenger side: Refer to [DLK-236, "PASSENGER SIDE : Component Function Check"](#).

Is the inspection result normal?

YES >> GO TO 2.

NO >> Repair or replace the malfunctioning parts.

2.CHECK DOOR LOCK ACTUATOR CIRCUIT

Check door lock actuator (driver side).

Refer to [DLK-238, "DRIVER SIDE : Component Function Check"](#).

Is the inspection result normal?

YES >> GO TO 3.

NO >> Repair or replace the malfunctioning parts.

3.CONFIRM THE OPERATION

Confirm the operation again.

Is the result normal?

YES >> Check intermittent incident. Refer to [GI-45, "Intermittent Incident"](#).

NO >> GO TO 1.

DRIVER SIDE

DRIVER SIDE : Description

INFOID:000000008196349

Driver side door does not lock/unlock using door lock and unlock switch.

DRIVER SIDE : Diagnosis Procedure

INFOID:000000008196350

1.CHECK DOOR LOCK ACTUATOR

Check door lock actuator (driver side).

Refer to [DLK-238, "DRIVER SIDE : Component Function Check"](#).

Is the inspection result normal?

YES >> GO TO 2.

NO >> Repair or replace the malfunctioning parts.

2.CONFIRM THE OPERATION

Confirm the operation again.

Is the result normal?

YES >> Check intermittent incident. Refer to [GI-45, "Intermittent Incident"](#).

NO >> GO TO 1.

PASSENGER SIDE

DOOR DOES NOT LOCK/UNLOCK WITH DOOR LOCK AND UNLOCK SWITCH

[ROADSTER]

< SYMPTOM DIAGNOSIS >

PASSENGER SIDE : Description

INFOID:000000008196351

Passenger side door does not lock/unlock using door lock and unlock switch.

PASSENGER SIDE : Diagnosis Procedure

INFOID:000000008196352

1.CHECK DOOR LOCK ACTUATOR

Check door lock actuator (passenger side).

Refer to [DLK-239, "PASSENGER SIDE : Component Function Check"](#).

Is the inspection result normal?

YES >> GO TO 2.

NO >> Repair or replace the malfunctioning parts.

2.CONFIRM THE OPERATION

Confirm the operation again.

Is the result normal?

YES >> Check intermittent incident. Refer to [GI-45, "Intermittent Incident"](#).

NO >> GO TO 1.

A
B
C
D
E
F
G
H
I
J
L
M
N
O
P

DLK

DOOR DOES NOT LOCK/UNLOCK WITH DOOR KEY CYLINDER OPERATION

Diagnosis Procedure

INFOID:000000008196353

1.CHECK POWER DOOR LOCK OPERATION

Check power door lock operation.

Does door lock/unlock with door lock and unlock switch?

YES >> GO TO 2.

NO >> Refer to [DLK-276, "ALL DOOR : Diagnosis Procedure"](#).

2.CHECK DOOR KEY CYLINDER SWITCH

Check door key cylinder switch.

Refer to [DLK-245, "Component Function Check"](#).

Is the inspection result normal?

YES >> GO TO 3.

NO >> Repair or replace the malfunctioning parts.

3.CONFIRM THE OPERATION

Confirm the operation again.

Is the result normal?

YES >> Check intermittent incident. Refer to [GI-45, "Intermittent Incident"](#).

NO >> GO TO 1.

DOOR DOES NOT LOCK/UNLOCK WITH DOOR REQUEST SWITCH

< SYMPTOM DIAGNOSIS >

[ROADSTER]

DOOR DOES NOT LOCK/UNLOCK WITH DOOR REQUEST SWITCH

ALL DOOR

ALL DOOR : Description

INFOID:000000008196354

All doors do not lock/unlock using all door request switches.

ALL DOOR : Diagnosis Procedure

INFOID:000000008196355

1.CHECK REMOTE KEYLESS ENTRY FUNCTION

Check remote keyless entry function.

Does door lock/unlock with Intelligent Key button?

YES >> GO TO 2.

NO >> Refer to [DLK-281, "Diagnosis Procedure"](#).

2.CHECK "LOCK/UNLOCK BY I-KEY" SETTING IN "WORK SUPPORT"

1. Select "INTELLIGENT KEY" of "BCM" using CONSULT.

2. Select "LOCK/UNLOCK BY I-KEY" in "WORK SUPPORT" mode.

3. Check "LOCK/UNLOCK BY I-KEY" in "WORK SUPPORT".

Refer to [DLK-208, "INTELLIGENT KEY : CONSULT Function \(BCM - INTELLIGENT KEY\) \(For Roadster\)"](#).

Is the inspection result normal?

YES >> GO TO 3.

NO >> Set "LOCK/UNLOCK BY I-KEY" in "WORK SUPPORT".

3.CONFIRM THE OPERATION

Confirm the operation again.

Is the result normal?

YES >> Check intermittent incident. Refer to [GI-45, "Intermittent Incident"](#).

NO >> GO TO 1.

DRIVER SIDE

DRIVER SIDE : Description

INFOID:000000008196356

All doors do not lock/unlock using driver side door request switch.

DRIVER SIDE : Diagnosis Procedure

INFOID:000000008196357

1.CHECK DRIVER SIDE DOOR REQUEST SWITCH

Check driver side door request switch.

Refer to [DLK-256, "Component Function Check"](#).

Is the inspection result normal?

YES >> GO TO 2.

NO >> Repair or replace the malfunctioning parts.

2.CHECK OUTSIDE KEY ANTENNA LH

Check outside key antenna LH.

Refer to [DLK-261, "Component Function Check"](#).

Is the inspection result normal?

YES >> GO TO 3.

NO >> Repair or replace the malfunctioning parts.

3.CONFIRM THE OPERATION

Confirm the operation again.

Is the result normal?

YES >> Check Intermittent Incident. Refer to [GI-45, "Intermittent Incident"](#).

NO >> GO TO 1.

A

B

C

D

E

F

G

H

I

J

DLK

L

M

N

O

P

DOOR DOES NOT LOCK/UNLOCK WITH DOOR REQUEST SWITCH

[ROADSTER]

< SYMPTOM DIAGNOSIS >

PASSENGER SIDE

PASSENGER SIDE : Description

INFOID:000000008196358

All doors do not lock/unlock using passenger side door request switch.

PASSENGER SIDE : Diagnosis Procedure

INFOID:000000008196359

1.CHECK PASSENGER SIDE DOOR REQUEST SWITCH

Check passenger side door request switch.
Refer to [DLK-256, "Component Function Check"](#).

Is the inspection result normal?

- YES >> GO TO 2.
- NO >> Repair or replace the malfunctioning parts.

2.CHECK OUTSIDE KEY ANTENNA RH

Check outside key antenna RH.
Refer to [DLK-261, "Component Function Check"](#).

Is the inspection result normal?

- YES >> GO TO 3.
- NO >> Repair or replace the malfunctioning parts.

3.CONFIRM THE OPERATION

Confirm the operation again.

Is the result normal?

- YES >> Check Intermittent Incident. Refer to [GI-45, "Intermittent Incident"](#).
- NO >> GO TO 1.

TRUNK LID

TRUNK LID : Description

INFOID:000000008196360

All doors do not lock/unlock using trunk lid door request switch.

TRUNK LID : Diagnosis Procedure

INFOID:000000008196361

1.CHECK TRUNK LID DOOR REQUEST SWITCH

Check trunk lid door request switch.
Refer to [DLK-256, "Component Function Check"](#).

Is the inspection result normal?

- YES >> GO TO 2.
- NO >> Repair or replace the malfunctioning parts.

2.CHECK OUTSIDE KEY ANTENNA (REAR BUMPER)

Check outside key antenna (rear bumper).
Refer to [DLK-261, "Component Function Check"](#).

Is the inspection result normal?

- YES >> GO TO 3.
- NO >> Repair or replace the malfunctioning parts.

3.CONFIRM THE OPERATION

Confirm the operation again.

Is the result normal?

- YES >> Check Intermittent Incident. Refer to [GI-45, "Intermittent Incident"](#).
- NO >> GO TO 1.

DOOR DOES NOT LOCK/UNLOCK WITH INTELLIGENT KEY

< SYMPTOM DIAGNOSIS >

[ROADSTER]

DOOR DOES NOT LOCK/UNLOCK WITH INTELLIGENT KEY

Diagnosis Procedure

INFOID:000000008196362

1.CHECK POWER DOOR LOCK OPERATION

Check power door lock operation.

Does door lock/unlock with door lock and unlock switch?

YES >> GO TO 2.

NO >> Refer to [DLK-276, "ALL DOOR : Diagnosis Procedure"](#).

2.CHECK REMOTE KEYLESS ENTRY RECEIVER

Check remote keyless entry receiver.

Refer to [DLK-249, "Component Function Check"](#).

Is the inspection result normal?

YES >> GO TO 3.

NO >> Repair or replace the malfunctioning parts.

3.CHECK INTELLIGENT KEY

Check Intelligent Key.

Refer to [DLK-266, "Component Function Check"](#).

Is the inspection result normal?

YES >> GO TO 4.

NO >> Repair or replace the malfunctioning parts.

4.CHECK KEY SLOT

Check key slot.

Refer to [DLK-266, "Component Function Check"](#).

Is the inspection result normal?

YES >> GO TO 5.

NO >> Repair or replace the malfunctioning parts.

5.CHECK DOOR SWITCH

Check door switch.

Refer to [DLK-234, "Component Function Check"](#).

Is the inspection result normal?

YES >> GO TO 6.

NO >> Repair or replace the malfunctioning parts.

6.CHECK TRUNK ROOM LAMP SWITCH

Check trunk room lamp switch.

Refer to [DLK-247, "Component Function Check"](#).

Is the inspection result normal?

YES >> GO TO 7.

NO >> Repair or replace the malfunctioning parts.

7.CONFIRM THE OPERATION

Confirm the operation again.

Is the result normal?

YES >> Check intermittent incident. Refer to [GI-45, "Intermittent Incident"](#).

NO >> GO TO 1.

A
B
C
D
E
F
G
H
I
J
L
M
N
O
P

DLK

ALL DOORS DO NOT UNLOCK WHEN ROOF IS OPEN BY DOOR REQUEST SWITCH OPERATION

< SYMPTOM DIAGNOSIS >

[ROADSTER]

ALL DOORS DO NOT UNLOCK WHEN ROOF IS OPEN BY DOOR REQUEST SWITCH OPERATION

Diagnosis Procedure

INFOID:000000008196363

1.CHECK POWER DOOR LOCK OPERATION

Check power door lock operation.

Does door lock/unlock with door request switch?

YES >> GO TO 2.

NO >> Refer to [DLK-279, "ALL DOOR : Diagnosis Procedure"](#).

2.REPLACE BCM

- Replace BCM.Refer to [BCS-95, "Removal and Installation"](#).
- Confirm the operation after replacement.

Is the result normal?

YES >> INSPECTION END

NO >> Check intermittent incident. Refer to [GI-45, "Intermittent Incident"](#).

SELECTIVE UNLOCK FUNCTION DOES NOT OPERATE

< SYMPTOM DIAGNOSIS >

[ROADSTER]

SELECTIVE UNLOCK FUNCTION DOES NOT OPERATE

Diagnosis Procedure

INFOID:000000008196364

1. CHECK "DOOR LOCK-UNLOCK SET" SETTING IN "WORK SUPPORT"

1. Select "DOOR LOCK" of "BCM" using CONSULT.
2. Select "DOOR LOCK-UNLOCK SET" in "WORK SUPPORT" mode.
3. Check "DOOR LOCK-UNLOCK SET" setting in "WORK SUPPORT".
Refer to [DLK-206, "DOOR LOCK : CONSULT Function \(BCM - DOOR LOCK\) \(For Roadster\)"](#).

Is the inspection result normal?

- YES >> GO TO 2.
NO >> Set "DOOR LOCK-UNLOCK SET" in "WORK SUPPORT".

2. REPLACE BCM

- Replace BCM. Refer to [BCS-95, "Removal and Installation"](#).
- Confirm the operation after replacement.

Is the result normal?

- YES >> INSPECTION END
NO >> Check intermittent incident. Refer to [GI-45, "Intermittent Incident"](#).

A
B
C
D
E
F
G
H
I
J
L
M
N
O
P

DLK

VEHICLE SPEED SENSING AUTO LOCK OPERATION DOES NOT OPERATE

[ROADSTER]

< SYMPTOM DIAGNOSIS >

VEHICLE SPEED SENSING AUTO LOCK OPERATION DOES NOT OPERATE

Diagnosis Procedure

INFOID:000000008196365

1. CHECK POWER DOOR LOCK OPERATION

Check power door lock operation.

Does door lock/unlock with door lock and unlock switch?

YES >> GO TO 2.

NO >> Refer to [DLK-276, "ALL DOOR : Diagnosis Procedure"](#).

2. CHECK "AUTOMATIC LOCK/UNLOCK SELECT" SETTING IN "WORK SUPPORT"

1. Select "DOOR LOCK" of "BCM" using CONSULT.

2. Select "AUTOMATIC LOCK/UNLOCK SELECT" in "WORK SUPPORT" mode.

3. Check "AUTOMATIC LOCK/UNLOCK SELECT" in "WORK SUPPORT".

Refer to [DLK-206, "DOOR LOCK : CONSULT Function \(BCM - DOOR LOCK\) \(For Roadster\)"](#).

Is the inspection result normal?

YES >> GO TO 3.

NO >> Set "AUTOMATIC LOCK/UNLOCK SELECT" in "WORK SUPPORT".

3. CHECK "AUTOMATIC DOOR LOCK SELECT" SETTING IN "WORK SUPPORT"

1. Select "DOOR LOCK" of "BCM" using CONSULT.

2. Select "AUTOMATIC DOOR LOCK SELECT" in "WORK SUPPORT" mode.

3. Check "AUTOMATIC DOOR LOCK SELECT" in "WORK SUPPORT".

Refer to [DLK-206, "DOOR LOCK : CONSULT Function \(BCM - DOOR LOCK\) \(For Roadster\)"](#).

Is the inspection result normal?

YES >> GO TO 4.

NO >> Set "AUTOMATIC DOOR LOCK SELECT" in "WORK SUPPORT".

4. CHECK VEHICLE SPEED SIGNAL

Check combination meter.

Refer to [MWI-67, "DTC Index"](#).

Is the inspection result normal?

YES >> GO TO 5.

NO >> Repair or replace the malfunctioning parts.

5. REPLACE BCM

• Replace BCM. Refer to [BCS-95, "Removal and Installation"](#).

• Confirm the operation after replacement.

Is the result normal?

YES >> INSPECTION END

NO >> Check intermittent incident. Refer to [GI-45, "Intermittent Incident"](#).

IGN OFF INTERLOCK DOOR UNLOCK FUNCTION DOES NOT OPERATE

< SYMPTOM DIAGNOSIS >

[ROADSTER]

IGN OFF INTERLOCK DOOR UNLOCK FUNCTION DOES NOT OPERATE

Diagnosis Procedure

INFOID:000000008196366

1. CHECK POWER DOOR LOCK OPERATION

Check power door lock operation.

Does door lock/unlock with door lock and unlock switch?

YES >> GO TO 2.

NO >> Refer to [DLK-276, "ALL DOOR : Diagnosis Procedure"](#).

2. CHECK "AUTOMATIC LOCK/UNLOCK SELECT" SETTING IN "WORK SUPPORT"

1. Select "DOOR LOCK" of "BCM" using CONSULT.

2. Select "AUTOMATIC LOCK/UNLOCK SELECT" in "WORK SUPPORT" mode.

3. Check "AUTOMATIC LOCK/UNLOCK SELECT" in "WORK SUPPORT".

Refer to [DLK-206, "DOOR LOCK : CONSULT Function \(BCM - DOOR LOCK\) \(For Roadster\)"](#).

Is the inspection result normal?

YES >> GO TO 3.

NO >> Set "AUTOMATIC LOCK/UNLOCK SELECT" in "WORK SUPPORT".

3. CHECK "AUTOMATIC DOOR UNLOCK SELECT" SETTING IN "WORK SUPPORT"

1. Select "DOOR LOCK" of "BCM" using CONSULT.

2. Select "AUTOMATIC DOOR UNLOCK SELECT" in "WORK SUPPORT" mode.

3. Check "AUTOMATIC DOOR UNLOCK SELECT" in "WORK SUPPORT".

Refer to [DLK-206, "DOOR LOCK : CONSULT Function \(BCM - DOOR LOCK\) \(For Roadster\)"](#).

Is the inspection result normal?

YES >> GO TO 4.

NO >> Set "AUTOMATIC DOOR UNLOCK SELECT" in "WORK SUPPORT".

4. CHECK BCM

Check BCM for DTC.

Refer to [BCS-88, "DTC Index"](#).

Is the inspection result normal?

YES >> GO TO 5.

NO >> Repair or replace the malfunctioning parts.

5. REPLACE BCM

• Replace BCM. Refer to [BCS-95, "Removal and Installation"](#).

• Confirm the operation after replacement.

Is the result normal?

YES >> INSPECTION END

NO >> Check intermittent incident. Refer to [GI-45, "Intermittent Incident"](#).

A
B
C
D
E
F
G
H
I
J
L
M
N
O
P

DLK

P RANGE INTERLOCK DOOR LOCK/UNLOCK FUNCTION DOES NOT OPERATE

[ROADSTER]

< SYMPTOM DIAGNOSIS >

P RANGE INTERLOCK DOOR LOCK/UNLOCK FUNCTION DOES NOT OPERATE

Diagnosis Procedure

INFOID:000000008196367

1. CHECK POWER DOOR LOCK OPERATION

Check power door lock operation.

Does door lock/unlock with door lock and unlock switch?

YES >> GO TO 2.

NO >> Refer to [DLK-276, "ALL DOOR : Diagnosis Procedure"](#).

2. CHECK "AUTOMATIC LOCK/UNLOCK SELECT" SETTING IN "WORK SUPPORT"

1. Select "DOOR LOCK" of "BCM" using CONSULT.

2. Select "AUTOMATIC LOCK/UNLOCK SELECT" in "WORK SUPPORT" mode.

3. Check "AUTOMATIC LOCK/UNLOCK SELECT" in "WORK SUPPORT".

Refer to [DLK-206, "DOOR LOCK : CONSULT Function \(BCM - DOOR LOCK\) \(For Roadster\)"](#).

Is the inspection result normal?

YES >> GO TO 3.

NO >> Set "AUTOMATIC LOCK/UNLOCK SELECT" in "WORK SUPPORT".

3. CHECK "AUTOMATIC DOOR LOCK SELECT" SETTING IN "WORK SUPPORT"

1. Select "DOOR LOCK" of "BCM" using CONSULT.

2. Select "AUTOMATIC DOOR LOCK SELECT" in "WORK SUPPORT" mode.

3. Check "AUTOMATIC DOOR LOCK SELECT" in "WORK SUPPORT".

Refer to [DLK-206, "DOOR LOCK : CONSULT Function \(BCM - DOOR LOCK\) \(For Roadster\)"](#).

Is the inspection result normal?

YES >> GO TO 4.

NO >> Set "AUTOMATIC DOOR LOCK SELECT" in "WORK SUPPORT".

4. CHECK "AUTOMATIC DOOR UNLOCK SELECT" SETTING IN "WORK SUPPORT"

1. Select "DOOR LOCK" of "BCM" using CONSULT.

2. Select "AUTOMATIC DOOR UNLOCK SELECT" in "WORK SUPPORT" mode.

3. Check "AUTOMATIC DOOR UNLOCK SELECT" in "WORK SUPPORT".

Refer to [DLK-206, "DOOR LOCK : CONSULT Function \(BCM - DOOR LOCK\) \(For Roadster\)"](#).

Is the inspection result normal?

YES >> GO TO 5.

NO >> Set "AUTOMATIC DOOR UNLOCK SELECT" in "WORK SUPPORT".

5. CHECK TCM

Check TCM for DTC.

Refer to [TM-290, "DTC Index"](#).

Is the inspection result normal?

YES >> GO TO 6.

NO >> Repair or replace the malfunctioning parts.

6. REPLACE BCM

• Replace BCM. Refer to [BCS-95, "Removal and Installation"](#).

• Confirm the operation after replacement.

Is the result normal?

YES >> INSPECTION END

NO >> Check intermittent incident. Refer to [GI-45, "Intermittent Incident"](#).

AUTO DOOR LOCK OPERATION DOES NOT OPERATE

< SYMPTOM DIAGNOSIS >

[ROADSTER]

AUTO DOOR LOCK OPERATION DOES NOT OPERATE

Diagnosis Procedure

INFOID:000000008196368

1. CHECK "AUTO LOCK SET" SETTING IN "WORK SUPPORT"

1. Select "INTELLIGENT KEY" of "BCM" using CONSULT.
2. Select "AUTO LOCK SET" in "WORK SUPPORT" mode.
3. Check "AUTO LOCK SET" setting in "WORK SUPPORT".
Refer to [DLK-208, "INTELLIGENT KEY : CONSULT Function \(BCM - INTELLIGENT KEY\) \(For Roadster\)"](#).

Is the inspection result normal?

- YES >> GO TO 2.
NO >> Set "AUTO LOCK SET" setting in "WORK SUPPORT".

2. REPLACE BCM

- Replace BCM. Refer to [BCS-95, "Removal and Installation"](#).
- Confirm the operation after replacement.

Is the result normal?

- YES >> INSPECTION END
NO >> Check intermittent incident. Refer to [GI-45, "Intermittent Incident"](#).

A
B
C
D
E
F
G
H
I
J
L
M
N
O
P

DLK

TRUNK LID DOES NOT OPEN

[ROADSTER]

< SYMPTOM DIAGNOSIS >

TRUNK LID DOES NOT OPEN

Diagnosis Procedure

INFOID:000000008196369

1. CHECK POWER DOOR LOCK OPERATION

Check power door lock operation.

Does door lock/unlock with door lock and unlock switch?

YES >> GO TO 2.

NO >> Refer to [DLK-276, "ALL DOOR : Diagnosis Procedure"](#).

2. CHECK TRUNK LID OPENER SWITCH

Check trunk lid opener switch.

Refer to [DLK-252, "Component Function Check"](#).

Is the inspection result normal?

YES >> GO TO 3.

NO >> Repair or replace the malfunctioning parts.

3. CHECK TRUNK LID OPENER CANCEL SWITCH

Check trunk lid opener cancel switch.

Refer to [DLK-254, "Component Function Check"](#).

Is the inspection result normal?

YES >> GO TO 4.

NO >> Repair or replace the malfunctioning parts.

4. CHECK TRUNK LID OPENER ACTUATOR

Check trunk lid opener actuator.

Refer to [DLK-243, "Component Function Check"](#).

Is the inspection result normal?

YES >> GO TO 5.

NO >> Repair or replace the malfunctioning parts.

5. CHECK VEHICLE SPEED SIGNAL

Check combination meter.

Refer to [MWI-67, "DTC Index"](#).

Is the inspection result normal?

YES >> GO TO 6.

NO >> Repair or replace the malfunctioning parts.

6. CONFIRM THE OPERATION

Confirm the operation again.

Is the result normal?

YES >> Check intermittent incident. Refer to [GI-45, "Intermittent Incident"](#).

NO >> GO TO 1.

FUEL LID LOCK ACTUATOR DOES NOT OPERATE

< SYMPTOM DIAGNOSIS >

[ROADSTER]

FUEL LID LOCK ACTUATOR DOES NOT OPERATE

Diagnosis Procedure

INFOID:000000008196370

1. CHECK FUEL LID OPENER ACTUATOR

Check fuel lid opener actuator.

Refer to [DLK-241, "Component Function Check"](#).

Is the inspection result normal?

YES >> GO TO 2.

NO >> Repair or replace the malfunctioning parts.

2. CONFIRM THE OPERATION

Confirm the operation again.

Is the result normal?

YES >> Check intermittent incident. Refer to [GI-45, "Intermittent Incident"](#).

NO >> GO TO 1.

A
B
C
D
E
F
G
H
I
J
L
M
N
O
P

DLK

HAZARD AND HORN REMINDER DOES NOT OPERATE

< SYMPTOM DIAGNOSIS >

[ROADSTER]

HAZARD AND HORN REMINDER DOES NOT OPERATE

Diagnosis Procedure

INFOID:000000008196371

1. CHECK "HAZARD ANSWER BACK" SETTING IN "WORK SUPPORT"

1. Select "INTELLIGENT KEY" of "BCM" using CONSULT.
2. Select "HAZARD ANSWER BACK" in "WORK SUPPORT" mode.
3. Check the "HAZARD ANSWER BACK" setting in "WORK SUPPORT".
Refer to [DLK-208, "INTELLIGENT KEY : CONSULT Function \(BCM - INTELLIGENT KEY\) \(For Roadster\)"](#).

Is the inspection result normal?

- YES >> GO TO 2.
NO >> Set the "HAZARD ANSWER BACK" setting in "WORK SUPPORT".

2. CHECK "HORN WITH KEYLESS LOCK" SETTING IN "WORK SUPPORT"

1. Select "INTELLIGENT KEY" of "BCM" using CONSULT.
2. Select "HORN WITH KEYLESS LOCK" in "WORK SUPPORT" mode.
3. Check the "HORN WITH KEYLESS LOCK" setting in "WORK SUPPORT".
Refer to [DLK-208, "INTELLIGENT KEY : CONSULT Function \(BCM - INTELLIGENT KEY\) \(For Roadster\)"](#).

Is the inspection result normal?

- YES >> GO TO 3.
NO >> Set the "HORN WITH KEYLESS LOCK" setting in "WORK SUPPORT".

3. CHECK HAZARD FUNCTION

Check hazard function.

Refer to [DLK-273, "Component Function Check"](#).

Is the inspection result normal?

- YES >> GO TO 4.
NO >> Repair or replace the malfunctioning parts.

4. CHECK HORN FUNCTION

Check horn function.

Refer to [SEC-101, "Component Function Check"](#).

Is the inspection result normal?

- YES >> GO TO 5.
NO >> Repair or replace the malfunctioning parts.

5. CONFIRM THE OPERATION

Confirm the operation again.

Is the result normal?

- YES >> Check intermittent incident. Refer to [GI-45, "Intermittent Incident"](#).
NO >> GO TO 1.

HAZARD AND BUZZER REMINDER DOES NOT OPERATE

< SYMPTOM DIAGNOSIS >

[ROADSTER]

HAZARD AND BUZZER REMINDER DOES NOT OPERATE

Diagnosis Procedure

INFOID:000000008196372

1. CHECK "HAZARD ANSWER BACK" SETTING IN "WORK SUPPORT"

1. Select "INTELLIGENT KEY" of "BCM" using CONSULT.
2. Select "HAZARD ANSWER BACK" in "WORK SUPPORT" mode.
3. Check the "HAZARD ANSWER BACK" setting in "WORK SUPPORT".
Refer to [DLK-208, "INTELLIGENT KEY : CONSULT Function \(BCM - INTELLIGENT KEY\) \(For Roadster\)"](#).

Is the inspection result normal?

- YES >> GO TO 2.
NO >> Set the λ HAZARD ANSWER BACK" setting in "WORK SUPPORT".

2. CHECK "ANS BACK I-KEY LOCK" SETTING IN "WORK SUPPORT"

1. Select "INTELLIGENT KEY" of "BCM" using CONSULT.
2. Select "ANS BACK I-KEY LOCK" in "WORK SUPPORT" mode.
3. Check the "ANS BACK I-KEY LOCK" setting in "WORK SUPPORT".
Refer to [DLK-208, "INTELLIGENT KEY : CONSULT Function \(BCM - INTELLIGENT KEY\) \(For Roadster\)"](#).

Is the inspection result normal?

- YES >> GO TO 3.
NO >> Set the "ANS BACK I-KEY" LOCK setting in "WORK SUPPORT".

3. CHECK "ANS BACK I-KEY UNLOCK" SETTING IN "WORK SUPPORT"

1. Select "INTELLIGENT KEY" of "BCM" using CONSULT.
2. Select "ANS BACK I-KEY UNLOCK" in "WORK SUPPORT" mode.
3. Check the "ANS BACK I-KEY UNLOCK" setting in "WORK SUPPORT".
Refer to [DLK-208, "INTELLIGENT KEY : CONSULT Function \(BCM - INTELLIGENT KEY\) \(For Roadster\)"](#).

Is the inspection result normal?

- YES >> GO TO 4.
NO >> Set the "ANS BACK I-KEY UNLOCK" setting in "WORK SUPPORT".

4. CHECK HAZARD FUNCTION

Check hazard function.
Refer to [DLK-273, "Component Function Check"](#).

Is the inspection result normal?

- YES >> GO TO 5.
NO >> Repair or replace the malfunctioning parts.

5. CHECK INTELLIGENT KEY WARNING BUZZER

Check Intelligent Key warning buzzer.
Refer to [DLK-263, "Component Function Check"](#).

Is the inspection result normal?

- YES >> GO TO 6.
NO >> Repair or replace the malfunctioning parts.

6. CONFIRM THE OPERATION

Confirm the operation again.

Is the result normal?

- YES >> Check intermittent incident. Refer to [GI-45, "Intermittent Incident"](#).
NO >> GO TO 1.

A
B
C
D
E
F
G
H
I
J
L
M
N
O
P

DLK

KEY REMINDER FUNCTION DOES NOT OPERATE

[ROADSTER]

< SYMPTOM DIAGNOSIS >

KEY REMINDER FUNCTION DOES NOT OPERATE INTELLIGENT KEY SYSTEM

INTELLIGENT KEY SYSTEM : Description

INFOID:000000008196373

Key reminder function is not operated by intelligent Key system.

INTELLIGENT KEY SYSTEM : Diagnosis Procedure

INFOID:000000008196374

1. CHECK "ANTI KEY LOCK IN FUNCTI" SETTING IN "WORK SUPPORT"

1. Select "INTELLIGENT KEY" of "BCM" using CONSULT.
2. Select "ANTI KEY LOCK IN FUNCTI" in "WORK SUPPORT" mode.
3. Check "ANTI KEY LOCK IN FUNCTI" setting in "WORK SUPPORT".
Refer to [DLK-208. "INTELLIGENT KEY : CONSULT Function \(BCM - INTELLIGENT KEY\) \(For Roadster\)"](#).

Is the inspection result normal?

- YES >> GO TO 2.
NO >> Set "ANTI KEY LOCK IN FUNCTI" setting in "WORK SUPPORT".

2. CHECK DOOR SWITCH

Check door switch.

Refer to [DLK-234. "Component Function Check"](#).

Is the inspection result normal?

- YES >> GO TO 3.
NO >> Repair or replace the malfunctioning parts.

3. CHECK TRUNK ROOM LAMP SWITCH

Check trunk room lamp switch.

Refer to [DLK-247. "Component Function Check"](#).

Is the inspection result normal?

- YES >> GO TO 4.
NO >> Repair or replace the malfunctioning parts.

4. CHECK INSIDE KEY ANTENNA

Check inside key antenna.

- Instrument center: Refer to [DLK-228. "DTC Logic"](#).
- Console: Refer to [DLK-230. "DTC Logic"](#).
- Trunk room: Refer to [DLK-232. "DTC Logic"](#).

Is the inspection result normal?

- YES >> GO TO 5.
NO >> Repair or replace the malfunctioning parts.

5. CHECK UNLOCK SENSOR

Check unlock sensor.

Refer to [DLK-259. "Component Function Check"](#).

Is the inspection result normal?

- YES >> GO TO 6.
NO >> Repair or replace the malfunctioning parts.

6. CONFIRM THE OPERATION

Confirm the operation again.

Is the result normal?

- YES >> Check intermittent incident. Refer to [GI-45. "Intermittent Incident"](#).
NO >> GO TO 1.

POWER DOOR LOCK SYSTEM

KEY REMINDER FUNCTION DOES NOT OPERATE

< SYMPTOM DIAGNOSIS >

[ROADSTER]

POWER DOOR LOCK SYSTEM : Description

INFOID:000000008196375

Key reminder function is not operated by power door lock system.

POWER DOOR LOCK SYSTEM : Diagnosis Procedure

INFOID:000000008196376

1.CHECK KEY SLOT

Check key slot.

Refer to [DLK-266, "Component Function Check"](#).

Is the inspection result normal?

YES >> GO TO 2.

NO >> Repair or replace the malfunctioning parts.

2.CHECK DOOR SWITCH

Check door switch.

Refer to [DLK-234, "Component Function Check"](#).

Is the inspection result normal?

YES >> GO TO 3.

NO >> Repair or replace the malfunctioning parts.

3.CHECK TRUNK ROOM LAMP SWITCH

Check trunk room lamp switch.

Refer to [DLK-247, "Component Function Check"](#).

Is the inspection result normal?

YES >> GO TO 4.

NO >> Repair or replace the malfunctioning parts.

4.CONFIRM THE OPERATION

Confirm the operation again.

Is the result normal?

YES >> Check intermittent incident. Refer to [GI-45, "Intermittent Incident"](#).

NO >> GO TO 1.

A
B
C
D
E
F
G
H
I
J
L
M
N
O
P

DLK

KEY WARNING DOES NOT OPERATE

[ROADSTER]

< SYMPTOM DIAGNOSIS >

KEY WARNING DOES NOT OPERATE

Diagnosis Procedure

INFOID:000000008196377

1.CHECK BUZZER (COMBINATION METER)

Check buzzer (combination meter).

Refer to [DLK-271, "Component Function Check"](#).

Is the inspection result normal?

YES >> GO TO 2.

NO >> Repair or replace the malfunctioning parts.

2.CHECK DOOR SWITCH

Check door switch (driver side).

Refer to [DLK-234, "Component Function Check"](#).

Is the inspection result normal?

YES >> GO TO 3.

NO >> Repair or replace the malfunctioning parts.

3.CHECK KEY SLOT

Check key slot.

Refer to [DLK-266, "Component Function Check"](#).

Is the inspection result normal?

YES >> GO TO 4.

NO >> Repair or replace the malfunctioning parts.

4.CHECK COMBINATION METER DISPLAY

Check combination meter display.

Refer to [DLK-270, "Component Function Check"](#).

Is the inspection result normal?

YES >> GO TO 5.

NO >> Repair or replace the malfunctioning parts.

5.CHECK KEY SLOT INDICATOR

Check key slot indicator.

Refer to [DLK-268, "Component Function Check"](#).

Is the inspection result normal?

YES >> GO TO 6.

NO >> Repair or replace the malfunctioning parts.

6.CONFIRM THE OPERATION

Confirm the operation again.

Is the result normal?

YES >> Check intermittent incident. Refer to [GI-45, "Intermittent Incident"](#).

NO >> GO TO 1.

OFF POSITION WARNING DOES NOT OPERATE

< SYMPTOM DIAGNOSIS >

[ROADSTER]

OFF POSITION WARNING DOES NOT OPERATE

Diagnosis Procedure

INFOID:000000008196378

1.CHECK POWER POSITION

Check if ignition switch position is changing or not.

Does ignition switch position change?

YES >> GO TO 2.

NO >> Check BCM for DTC. Refer to [BCS-88, "DTC Index"](#).

2.CHECK BUZZER (COMBINATION METER)

Check buzzer (combination meter).

Refer to [DLK-271, "Component Function Check"](#).

Is the inspection result normal?

YES >> GO TO 3.

NO >> Repair or replace the malfunctioning parts.

3.CHECK INTELLIGENT KEY WARNING BUZZER

Check Intelligent Key warning buzzer.

Refer to [DLK-263, "Component Function Check"](#).

Is the inspection result normal?

YES >> GO TO 4.

NO >> Repair or replace the malfunctioning parts.

4.CHECK DOOR SWITCH

Check door switch (driver side).

Refer to [DLK-234, "Component Function Check"](#).

Is the inspection result normal?

YES >> GO TO 5.

NO >> Repair or replace the malfunctioning parts.

5.CONFIRM THE OPERATION

Confirm the operation again.

Is the result normal?

YES >> Check intermittent incident. Refer to [GI-45, "Intermittent Incident"](#).

NO >> GO TO 1.

A
B
C
D
E
F
G
H
I
J
L
M
N
O
P

DLK

P POSITION WARNING DOES NOT OPERATE

[ROADSTER]

< SYMPTOM DIAGNOSIS >

P POSITION WARNING DOES NOT OPERATE

Diagnosis Procedure

INFOID:000000008196379

1. CHECK POWER POSITION

Check if ignition switch position is changing or not.

Does ignition switch position change?

YES >> GO TO 2.

NO >> Check BCM for DTC. Refer to [BCS-88, "DTC Index"](#).

2. CHECK DETENTION SWITCH

Check BCM for DTC.

Refer to [BCS-88, "DTC Index"](#).

Is the inspection result normal?

YES >> GO TO 3.

NO >> Repair or replace the malfunctioning parts.

3. CHECK INTELLIGENT KEY WARNING BUZZER

Check Intelligent Key warning buzzer.

Refer to [DLK-263, "Component Function Check"](#).

Is the inspection result normal?

YES >> GO TO 4.

NO >> Repair or replace the malfunctioning parts.

4. CHECK BUZZER (COMBINATION METER)

Check buzzer (combination meter).

Refer to [DLK-271, "Component Function Check"](#).

Is the inspection result normal?

YES >> GO TO 5.

NO >> Repair or replace the malfunctioning parts.

5. CHECK DOOR SWITCH

Check door switch (driver side).

Refer to [DLK-234, "Component Function Check"](#).

Is the inspection result normal?

YES >> GO TO 6.

NO >> Repair or replace the malfunctioning parts.

6. CHECK INSIDE KEY ANTENNA

Check inside key antenna.

• Instrument center: Refer to [DLK-228, "DTC Logic"](#).

• Console: Refer to [DLK-230, "DTC Logic"](#).

• Trunk room: Refer to [DLK-232, "DTC Logic"](#).

Is the inspection result normal?

YES >> GO TO 7.

NO >> Repair or replace the malfunctioning parts.

7. CHECK COMBINATION METER DISPLAY

Check combination meter display.

Refer to [DLK-270, "Component Function Check"](#).

Is the inspection result normal?

YES >> GO TO 8.

NO >> Repair or replace the malfunctioning parts.

8. CONFIRM THE OPERATION

Confirm the operation again.

P POSITION WARNING DOES NOT OPERATE

< SYMPTOM DIAGNOSIS >

[ROADSTER]

Is the result normal?

YES >> Check intermittent incident. Refer to [GI-45, "Intermittent Incident"](#).

NO >> GO TO 1.

A

B

C

D

E

F

G

H

I

J

DLK

L

M

N

O

P

ACC WARNING DOES NOT OPERATE

[ROADSTER]

< SYMPTOM DIAGNOSIS >

ACC WARNING DOES NOT OPERATE

Diagnosis Procedure

INFOID:000000008196380

1.CHECK POWER POSITION

Check if ignition switch position is changing or not.

Does ignition switch position change?

YES >> GO TO 2.

NO >> Check BCM for DTC. Refer to [BCS-88, "DTC Index"](#).

2.CHECK BUZZER (COMBINATION METER)

Check buzzer (combination meter).

Refer to [DLK-271, "Component Function Check"](#).

Is the inspection result normal?

YES >> GO TO 3.

NO >> Repair or replace the malfunctioning parts.

3.CHECK COMBINATION METER DISPLAY FUNCTION

Check combination meter display function.

Refer to [DLK-270, "Component Function Check"](#).

Is the inspection result normal?

YES >> GO TO 4.

NO >> Repair or replace the malfunctioning parts.

4.CONFIRM THE OPERATION

Confirm the operation again.

Is the result normal?

YES >> Check intermittent incident. Refer to [GI-45, "Intermittent Incident"](#).

NO >> GO TO 1.

TAKE AWAY WARNING DOES NOT OPERATE

[ROADSTER]

< SYMPTOM DIAGNOSIS >

TAKE AWAY WARNING DOES NOT OPERATE

Diagnosis Procedure

INFOID:000000008196381

1.CHECK POWER POSITION

Check if ignition switch position is changing or not.

Does ignition switch position change?

YES >> GO TO 2.

NO >> Check BCM for DTC. Refer to [BCS-88, "DTC Index"](#).

2.CHECK DOOR SWITCH

Check door switch.

Refer to [DLK-234, "Component Function Check"](#).

Is the inspection result normal?

YES >> GO TO 3.

NO >> Repair or replace the malfunctioning parts.

3.CHECK TRUNK ROOM LAMP SWITCH

Check trunk room lamp switch.

Refer to [DLK-247, "Component Function Check"](#).

Is the inspection result normal?

YES >> GO TO 4.

NO >> Repair or replace the malfunctioning parts.

4.CHECK KEY SLOT

Check key slot.

Refer to [DLK-266, "Component Function Check"](#).

Is the inspection result normal?

YES >> GO TO 5.

NO >> Repair or replace the malfunctioning parts.

5.CHECK INSIDE KEY ANTENNA

Check inside key antenna.

• Instrument center: Refer to [DLK-228, "DTC Logic"](#).

• Console: Refer to [DLK-230, "DTC Logic"](#).

• Trunk room: Refer to [DLK-232, "DTC Logic"](#).

Is the inspection result normal?

YES >> GO TO 6.

NO >> Repair or replace the malfunctioning parts.

6.CHECK BUZZER (COMBINATION METER)

Check buzzer (combination meter).

Refer to [DLK-271, "Component Function Check"](#).

Is the inspection result normal?

YES >> GO TO 7.

NO >> Repair or replace the malfunctioning parts.

7.CHECK COMBINATION METER DISPLAY

Check combination meter display.

Refer to [DLK-270, "Component Function Check"](#).

Is the inspection result normal?

YES >> GO TO 8.

NO >> Repair or replace the malfunctioning parts.

8.CHECK INTELLIGENT KEY WARNING BUZZER

Check Intelligent Key warning buzzer.

Refer to [DLK-263, "Component Function Check"](#).

A

B

C

D

E

F

G

H

I

J

DLK

L

M

N

O

P

TAKE AWAY WARNING DOES NOT OPERATE

[ROADSTER]

< SYMPTOM DIAGNOSIS >

Is the inspection result normal?

YES >> GO TO 9.

NO >> Repair or replace the malfunctioning parts.

9.CHECK KEY SLOT INDICATOR

Check key slot indicator.

Refer to [DLK-268, "Component Function Check"](#).

Is the inspection result normal?

YES >> GO TO 10.

NO >> Repair or replace the malfunctioning parts.

10.CONFIRM THE OPERATION

Confirm the operation again.

Is the result normal?

YES >> Check intermittent incident. Refer to [GI-45, "Intermittent Incident"](#).

NO >> GO TO 1.

INTELLIGENT KEY LOW BATTERY WARNING DOES NOT OPERATE

< SYMPTOM DIAGNOSIS >

[ROADSTER]

INTELLIGENT KEY LOW BATTERY WARNING DOES NOT OPERATE

Diagnosis Procedure

INFOID:000000008196382

1. CHECK "LO- BATT OF KEY FOB WARN" SETTING IN "WORK SUPPORT"

1. Select "INTELLIGENT KEY" of "BCM" using CONSULT.
2. Select "LO- BATT OF KEY FOB WARN" in "WORK SUPPORT" mode.
3. Check "LO- BATT OF KEY FOB WARN" setting in "WORK SUPPORT".
Refer to [DLK-208, "INTELLIGENT KEY : CONSULT Function \(BCM - INTELLIGENT KEY\) \(For Roadster\)"](#).

Is the inspection result normal?

YES >> GO TO 2.

NO >> Set "LO- BATT OF KEY FOB WARN" setting in "WORK SUPPORT".

2. CHECK INTELLIGENT KEY

Check Intelligent Key.

Refer to [DLK-265, "Component Function Check"](#).

Is the inspection result normal?

YES >> GO TO 3.

NO >> Repair or replace the malfunctioning parts.

3. CHECK COMBINATION METER DISPLAY

Check combination meter display.

Refer to [DLK-270, "Component Function Check"](#).

Is the inspection result normal?

YES >> GO TO 4.

NO >> Repair or replace the malfunctioning parts.

4. CHECK INSIDE KEY ANTENNA

Check inside key antenna.

- Instrument center: Refer to [DLK-228, "DTC Logic"](#).
- Console: Refer to [DLK-230, "DTC Logic"](#).
- Trunk room: Refer to [DLK-232, "DTC Logic"](#).

Is the inspection result normal?

YES >> GO TO 5.

NO >> Repair or replace the malfunctioning parts.

5. CONFIRM THE OPERATION

Confirm the operation again.

Is the result normal?

YES >> Check intermittent incident. Refer to [GI-45, "Intermittent Incident"](#).

NO >> GO TO 1.

A
B
C
D
E
F
G
H
I
J
L
M
N
O
P

DLK

DOOR LOCK OPERATION WARNING DOES NOT OPERATE

< SYMPTOM DIAGNOSIS >

[ROADSTER]

DOOR LOCK OPERATION WARNING DOES NOT OPERATE

Diagnosis Procedure

INFOID:000000008196383

1.CHECK DOOR LOCK FUNCTION

Check door lock function.

Does door lock/unlock using door request switch?

YES >> GO TO 2.

NO >> Refer to [DLK-256, "Component Function Check"](#).

2.CHECK INTELLIGENT KEY WARNING BUZZER

Check Intelligent Key warning buzzer.

Refer to [DLK-263, "Component Function Check"](#).

Is the inspection result normal?

YES >> GO TO 3.

NO >> Repair or replace the malfunctioning parts.

3.CONFIRM THE OPERATION

Confirm the operation again.

Is the result normal?

YES >> Check intermittent incident. Refer to [GI-45, "Intermittent Incident"](#).

NO >> GO TO 1.

KEY ID WARNING DOES NOT OPERATE

< SYMPTOM DIAGNOSIS >

[ROADSTER]

KEY ID WARNING DOES NOT OPERATE

Diagnosis Procedure

INFOID:000000008196384

1.CHECK INTELLIGENT KEY

Check Intelligent Key.

Refer to [DLK-265, "Component Function Check"](#).

Is the inspection result normal?

YES >> GO TO 2.

NO >> Repair or replace the malfunctioning parts.

2.CHECK COMBINATION METER DISPLAY FUNCTION

Check combination meter display function.

Refer to [DLK-270, "Component Function Check"](#).

Is the inspection result normal?

YES >> GO TO 3.

NO >> Repair or replace the malfunctioning parts.

3.CONFIRM THE OPERATION

Confirm the operation again.

Is the result normal?

YES >> Check intermittent incident. Refer to [GI-45, "Intermittent Incident"](#).

NO >> GO TO 1.

A
B
C
D
E
F
G
H
I
J
L
M
N
O
P

DLK

KEY WARNING LAMP DOES NOT ILLUMINATE

[ROADSTER]

< SYMPTOM DIAGNOSIS >

KEY WARNING LAMP DOES NOT ILLUMINATE

Diagnosis Procedure

INFOID:000000008196385

1. CHECK KEY WARNING LAMP

Check key warning lamp.

Refer to [DLK-272, "Component Function Check"](#).

Is the inspection result normal?

YES >> GO TO 2.

NO >> Repair or replace the malfunctioning parts.

2. CONFIRM THE OPERATION

Confirm the operation again.

Is the result normal?

YES >> Check intermittent incident. Refer to [GI-45, "Intermittent Incident"](#).

NO >> GO TO 1.

INTEGRATED HOMELINK TRANSMITTER DOES NOT OPERATE

< SYMPTOM DIAGNOSIS >

[ROADSTER]

INTEGRATED HOMELINK TRANSMITTER DOES NOT OPERATE

Diagnosis Procedure

INFOID:000000008196386

1. CHECK INTEGRATED HOMELINK TRANSMITTER

Check integrated homelink transmitter.
Refer to [DLK-274, "Component Function Check"](#).

Is the inspection result normal?

- YES >> GO TO 2.
- NO >> Repair or replace the malfunctioning parts.

2. CONFIRM THE OPERATION

Confirm the operation again.

Is the result normal?

- YES >> Check intermittent incident. Refer to [GI-45, "Intermittent Incident"](#).
- NO >> GO TO 1.

A
B
C
D
E
F
G
H
I
J
L
M
N
O
P

DLK

SQUEAK AND RATTLE TROUBLE DIAGNOSES

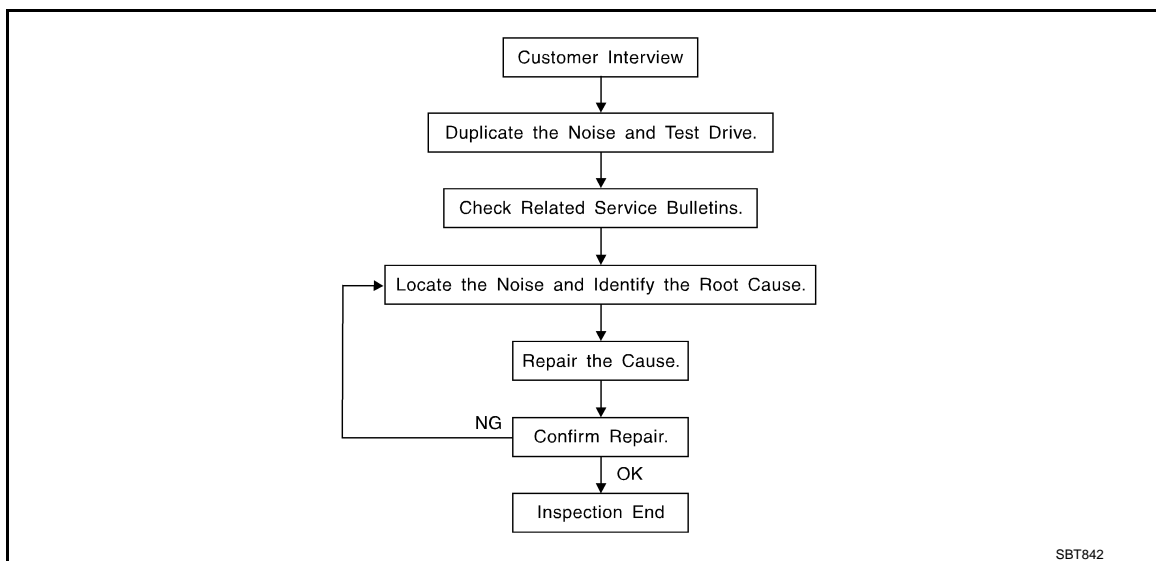
< SYMPTOM DIAGNOSIS >

[ROADSTER]

SQUEAK AND RATTLE TROUBLE DIAGNOSES

Work Flow

INFOID:00000008196387



CUSTOMER INTERVIEW

Interview the customer if possible, to determine the conditions that exist when the noise occurs. Use the Diagnostic Worksheet during the interview to document the facts and conditions when the noise occurs and any of customer's comments; refer to [DLK-310, "Diagnostic Worksheet"](#). This information is necessary to duplicate the conditions that exist when the noise occurs.

- The customer may not be able to provide a detailed description or the location of the noise. Attempt to obtain all the facts and conditions that exist when the noise occurs (or does not occur).
- If there is more than one noise in the vehicle, perform a diagnosis and repair the noise that the customer is concerned about. This can be accomplished by performing a cruise test on the vehicle with the customer.
- After identifying the type of noise, isolate the noise in terms of its characteristics. The noise characteristics are provided so the customer, service adviser and technician are all speaking the same language when defining the noise.
- Squeak – (Like tennis shoes on a clean floor)
Squeak characteristics include the light contact/fast movement/brought on by road conditions/hard surfaces = higher pitch noise/softer surfaces = lower pitch noises/edge to surface = chirping
- Creak – (Like walking on an old wooden floor)
Creak characteristics include firm contact/slow movement/twisting with a rotational movement/pitch dependent on materials/often brought on by activity.
- Rattle – (Like shaking a baby rattle)
Rattle characteristics include the fast repeated contact/vibration or similar movement/loose parts/missing clip or fastener/incorrect clearance.
- Knock – (Like a knock on a door)
Knock characteristics include hollow sounding/sometimes repeating/often brought on by driver action.
- Tick – (Like a clock second hand)
Tick characteristics include gentle contacting of light materials/loose components/can be caused by driver action or road conditions.
- Thump – (Heavy, muffled knock noise)
Thump characteristics include softer knock/dead sound often brought on by activity.
- Buzz – (Like a bumblebee)
Buzz characteristics include high frequency rattle/firm contact.
- Often the degree of acceptable noise level will vary depending up on the person. A noise that a technician may judge as acceptable may be very irritating to the customer.
- Weather conditions, especially humidity and temperature, may have a great effect on noise level.

DUPLICATE THE NOISE AND TEST DRIVE

If possible, drive the vehicle with the customer until the noise is duplicated. Note any additional information on the Diagnostic Worksheet regarding the conditions or location of the noise. This information can be used to duplicate the same conditions when the repair is reconfirmed.

SQUEAK AND RATTLE TROUBLE DIAGNOSES

[ROADSTER]

< SYMPTOM DIAGNOSIS >

If the noise can be duplicated easily during the test drive, to help identify the source of the noise, try to duplicate the noise with the vehicle stopped by doing one or all of the following:

- 1) Close a door.
 - 2) Tap or push/pull around the area where the noise appears to be coming from.
 - 3) Rev the engine.
 - 4) Use a floor jack to recreate vehicle "twist".
 - 5) At idle, apply engine load (electrical load, half-clutch on M/T models, drive position on A/T models).
 - 6) Raise the vehicle on a hoist and hit a tire with a rubber hammer.
- Drive the vehicle and attempt to duplicate the conditions the customer states exist when the noise occurs.
 - If it is difficult to duplicate the noise, drive the vehicle slowly on an undulating or rough road to stress the vehicle body.

CHECK RELATED SERVICE BULLETINS

After verifying the customer concern or symptom, check ASIST for Technical Service Bulletins (TSBs) related to that concern or symptom.

If a TSB relates to the symptom, follow the procedure to repair the noise.

LOCATE THE NOISE AND IDENTIFY THE ROOT CAUSE

1. Narrow down the noise to a general area. To help pinpoint the source of the noise, use a listening tool (Chassis ear: J-39570, Engine ear and mechanics stethoscope).
2. Narrow down the noise to a more specific area and identify the cause of the noise by:
 - Removing the components in the area that is are suspected to be the cause of the noise.
Do not use too much force when removing clips and fasteners, otherwise clips and fastener can be broken or lost during the repair, resulting in the creation of new noise.
 - Tapping or pushing/pulling the component that is are suspected to be the cause of the noise.
Do not tap or push/pull the component with excessive force, otherwise the noise will be eliminated only temporarily.
 - Feeling for a vibration by hand by touching the component(s) that is are suspected to be the cause of the noise.
 - Placing a piece of paper between components that are suspected to be the cause of the noise.
 - Looking for loose components and contact marks.
Refer to [DLK-308. "Inspection Procedure"](#).

REPAIR THE CAUSE

- If the cause is a loose component, tighten the component securely.
- If the cause is insufficient clearance between components:
 - Separate components by repositioning or loosening and retightening the component, if possible.
 - Insulate components with a suitable insulator such as urethane pads, foam blocks, felt cloth tape or urethane tape. A Nissan Squeak and Rattle Kit (J-43980) is available through the authorized Nissan Parts Department.

CAUTION:

Never use excessive force as many components are constructed of plastic and may be damaged.

NOTE:

Always check with the Parts Department for the latest parts information.

The following materials are contained in the Nissan Squeak and Rattle Kit (J-43980). Each item can be ordered separately as needed.

URETHANE PADS [1.5 mm (0.059 in) thick]

Insulates connectors, harness, etc.

76268-9E005: 100 × 135 mm (3.94 × 5.31 in)/76884-71L01: 60 × 85 mm (2.36 × 3.35 in)/76884-71L02: 15 × 25 mm (0.59 × 0.98 in)

INSULATOR (Foam blocks)

Insulates components from contact. Can be used to fill space behind a panel.

73982-9E000: 45 mm (1.77 in) thick, 50 × 50 mm (1.97 × 1.97 in)/73982-

50Y00: 10 mm (0.39 in) thick, 50 × 50 mm (1.97 × 1.97 in)

INSULATOR (Light foam block)

80845-71L00: 30 mm (1.18 in) thick, 30 × 50 mm (1.18 × 1.97in)

FELT CLOTHTAPE

Used to insulate where movement does not occur. Ideal for instrument panel applications.

68370-4B000: 15 × 25 mm (0.59 × 0.98 in) pad/68239-13E00: 5 mm (0.20 in) wide tape roll

The following materials, not found in the kit, can also be used to repair squeaks and rattles.

UHMW (TEFLON) TAPE

SQUEAK AND RATTLE TROUBLE DIAGNOSES

[ROADSTER]

< SYMPTOM DIAGNOSIS >

Insulates where slight movement is present. Ideal for instrument panel applications.

SILICONE GREASE

Used in place of UHMW tape that is be visible or does not fit. Will only last a few months.

SILICONE SPRAY

Used when grease cannot be applied.

DUCT TAPE

Used to eliminate movement.

CONFIRM THE REPAIR

Confirm that the cause of a noise is repaired by test driving the vehicle. Operate the vehicle under the same conditions as when the noise originally occurred. Refer to the notes on the Diagnostic Worksheet.

Inspection Procedure

INFOID:000000008196388

Refer to Table of Contents for specific component removal and installation information.

INSTRUMENT PANEL

Most incidents are caused by contact and movement between:

1. The cluster lid A and instrument panel
2. Acrylic lens and combination meter housing
3. Instrument panel to front pillar garnish
4. Instrument panel to windshield
5. Instrument panel mounting pins
6. Wiring harnesses behind the combination meter
7. A/C defroster duct and duct joint

These incidents can usually be located by tapping or moving the components to duplicate the noise or by pressing on the components while driving to stop the noise. Most of these incidents can be repaired by applying felt cloth tape or silicon spray (in hard to reach areas). Urethane pads can be used to insulate wiring harness.

CAUTION:

Never use silicone spray to isolate a squeak or rattle. If the area is saturated with silicone, the recheck of repair becomes impossible.

CENTER CONSOLE

Components to pay attention to include:

1. Shifter assembly cover to finisher
2. A/C control unit and cluster lid C
3. Wiring harnesses behind audio and A/C control unit

The instrument panel repair and isolation procedures also apply to the center console.

DOORS

Pay attention to the following:

1. Finisher and inner panel making a slapping noise
2. Inside handle escutcheon to door finisher
3. Wiring harnesses tapping
4. Door striker out of alignment causing a popping noise on starts and stops

Tapping or moving the components or pressing on them while driving to duplicate the conditions can isolate many of these incidents. The areas can usually be insulated with felt cloth tape or insulator foam blocks from the Nissan Squeak and Rattle Kit (J-43980) to repair the noise.

TRUNK

Trunk noises are often caused by a loose jack or loose items put into the trunk by the customer.

In addition look for the following:

1. Trunk lid dumpers out of adjustment
2. Trunk lid striker out of adjustment
3. The trunk lid torsion bars knocking together
4. A loose license plate or bracket

SQUEAK AND RATTLE TROUBLE DIAGNOSES

< SYMPTOM DIAGNOSIS >

[ROADSTER]

Most of these incidents can be repaired by adjusting, securing or insulating the item(s) or component(s) causing the noise.

SUNROOF/HEADLINING

Noises in the sunroof/headlining area can often be traced to one of the following:

1. Sunroof lid, rail, linkage or seals making a rattle or light knocking noise
2. Sunvisor shaft shaking in the holder
3. Front or rear windshield touching headlining and squeaking

Again, pressing on the components to stop the noise while duplicating the conditions can isolate most of these incidents. Repairs usually consist of insulating with felt cloth tape.

SEATS

When isolating seat noise it's important to note the position the seats in and the load placed on the seat when the noise occurs. These conditions should be duplicated when verifying and isolating the cause of the noise.

Cause of seat noise include:

1. Headrest rods and holder
2. A squeak between the seat pad cushion and frame
3. The rear seatback lock and bracket

These noises can be isolated by moving or pressing on the suspected components while duplicating the conditions under which the noise occurs. Most of these incidents can be repaired by repositioning the component or applying urethane tape to the contact area.

UNDERHOOD

Some interior noise may be caused by components under the hood or on the engine wall. The noise is then transmitted into the passenger compartment.

Causes of transmitted underhood noise include:

1. Any component mounted to the engine wall
2. Components that pass through the engine wall
3. Engine wall mounts and connectors
4. Loose radiator mounting pins
5. Hood bumpers out of adjustment
6. Hood striker out of adjustment

These noises can be difficult to isolate since they cannot be reached from the interior of the vehicle. The best method is to secure, move or insulate one component at a time and test drive the vehicle. Also, engine RPM or load can be changed to isolate the noise. Repairs can usually be made by moving, adjusting, securing, or insulating the component causing the noise.

A
B
C
D
E
F
G
H
I
J
DLK
L
M
N
O
P

SQUEAK AND RATTLE TROUBLE DIAGNOSES

< SYMPTOM DIAGNOSIS >

[ROADSTER]

Diagnostic Worksheet

INFOID:000000008196389



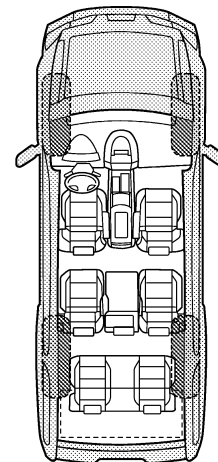
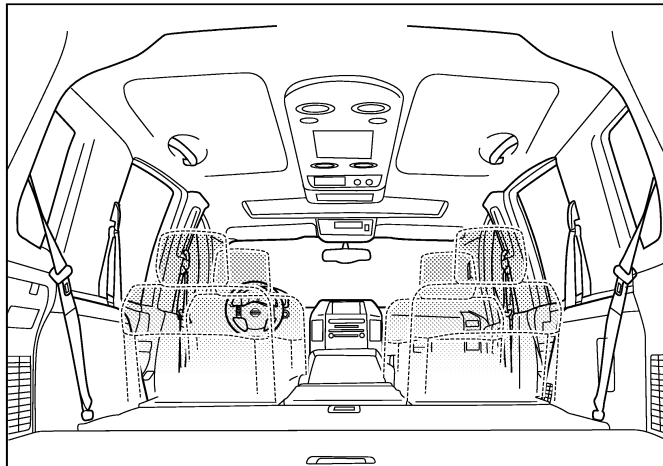
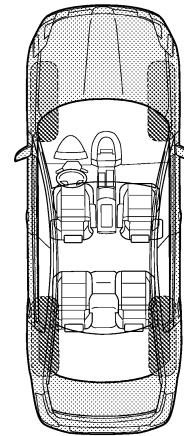
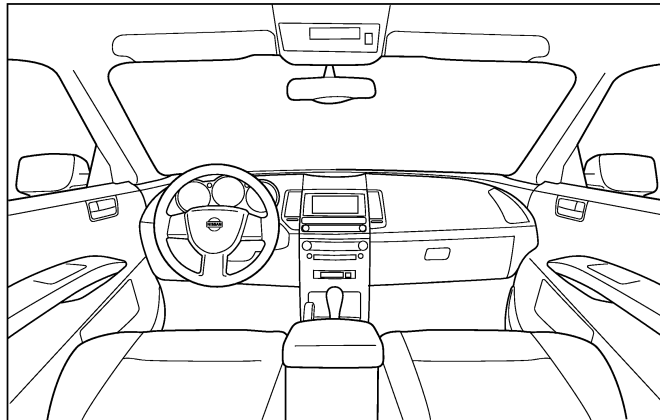
SQUEAK & RATTLE DIAGNOSTIC WORKSHEET

Dear Nissan Customer:

We are concerned about your satisfaction with your Nissan vehicle. Repairing a squeak or rattle sometimes can be very difficult. To help us fix your Nissan right the first time, please take a moment to note the area of the vehicle where the squeak or rattle occurs and under what conditions. You may be asked to take a test drive with a service advisor or technician to ensure we confirm the noise you are hearing.

I. WHERE DOES THE NOISE COME FROM? (circle the area of the vehicle)

The illustrations are for reference only, and may not reflect the actual configuration of your vehicle.



Continue to page 2 of the worksheet and briefly describe the location of the noise or rattle. In addition, please indicate the conditions which are present when the noise occurs.

PIIB8740E

SQUEAK AND RATTLE TROUBLE DIAGNOSES

< SYMPTOM DIAGNOSIS >

[ROADSTER]

SQUEAK & RATTLE DIAGNOSTIC WORKSHEET - page 2

Briefly describe the location where the noise occurs:

II. WHEN DOES IT OCCUR? (please check the boxes that apply)

- | | |
|---|--|
| <input type="checkbox"/> anytime | <input type="checkbox"/> after sitting out in the rain |
| <input type="checkbox"/> 1st time in the morning | <input type="checkbox"/> when it is raining or wet |
| <input type="checkbox"/> only when it is cold outside | <input type="checkbox"/> dry or dusty conditions |
| <input type="checkbox"/> only when it is hot outside | <input type="checkbox"/> other: |

III. WHEN DRIVING:

- through driveways
- over rough roads
- over speed bumps
- only about ____ mph
- on acceleration
- coming to a stop
- on turns: left, right or either (circle)
- with passengers or cargo
- other: _____
- after driving ____ miles or ____ minutes

IV. WHAT TYPE OF NOISE

- squeak (like tennis shoes on a clean floor)
- creak (like walking on an old wooden floor)
- rattle (like shaking a baby rattle)
- knock (like a knock at the door)
- tick (like a clock second hand)
- thump (heavy, muffled knock noise)
- buzz (like a bumble bee)

TO BE COMPLETED BY DEALERSHIP PERSONNEL

Test Drive Notes:

	YES	NO	Initials of person performing
Vehicle test driven with customer	<input type="checkbox"/>	<input type="checkbox"/>	_____
- Noise verified on test drive	<input type="checkbox"/>	<input type="checkbox"/>	_____
- Noise source located and repaired	<input type="checkbox"/>	<input type="checkbox"/>	_____
- Follow up test drive performed to confirm repair	<input type="checkbox"/>	<input type="checkbox"/>	_____

VIN: _____ Customer Name: _____
 W.O.# _____ Date: _____

This form must be attached to Work Order

PIIB8742E

A
B
C
D
E
F
G
H
I
J
L
M
N
O
P

DLK

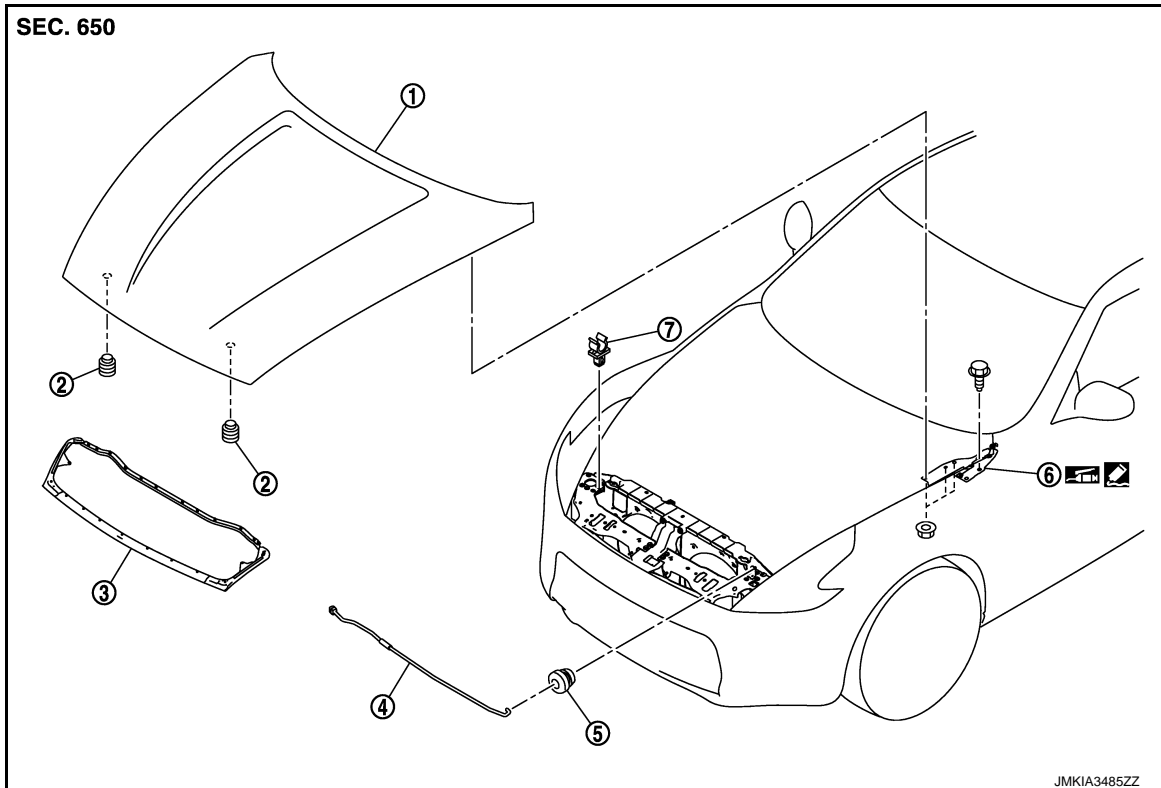
REMOVAL AND INSTALLATION

HOOD

HOOD ASSEMBLY

HOOD ASSEMBLY : Exploded View

INFOID:000000008196390



- | | | |
|---------------------|-----------------------|----------------------|
| 1. Hood assembly | 2. Hood bumper rubber | 3. Hood seal (front) |
| 4. Hood support rod | 5. Grommet | 6. Hood hinge |
| 7. Clamp | | |

Refer to [GI-4, "Components"](#) for symbols in the figure.

HOOD ASSEMBLY : Removal and Installation

INFOID:000000008196391

CAUTION:

- Operate with 2 workers, because of its heavy weight.
- Use protective tape or shop cloth to protect from damage during removal and installation.

REMOVAL

1. Remove washer nozzle (LH/RH) and washer tube. Refer to [WW-86, "Removal and Installation"](#).
2. Support hood assembly with a suitable material to prevent it from falling.

WARNING:

Bodily injury may occur if no supporting rod is holding the hood open when removing the hood stay.

3. Remove hood hinge mounting bolts on the hood to remove the hood assembly.

INSTALLATION

Install in the reverse order of removal.

CAUTION:

- Apply anticorrosive agent onto the mounting surface.
- Check hood hinge rotating part for poor lubrication. If necessary, apply body grease.
- After installation, check hood open/close, lock/unlock operation.

HOOD

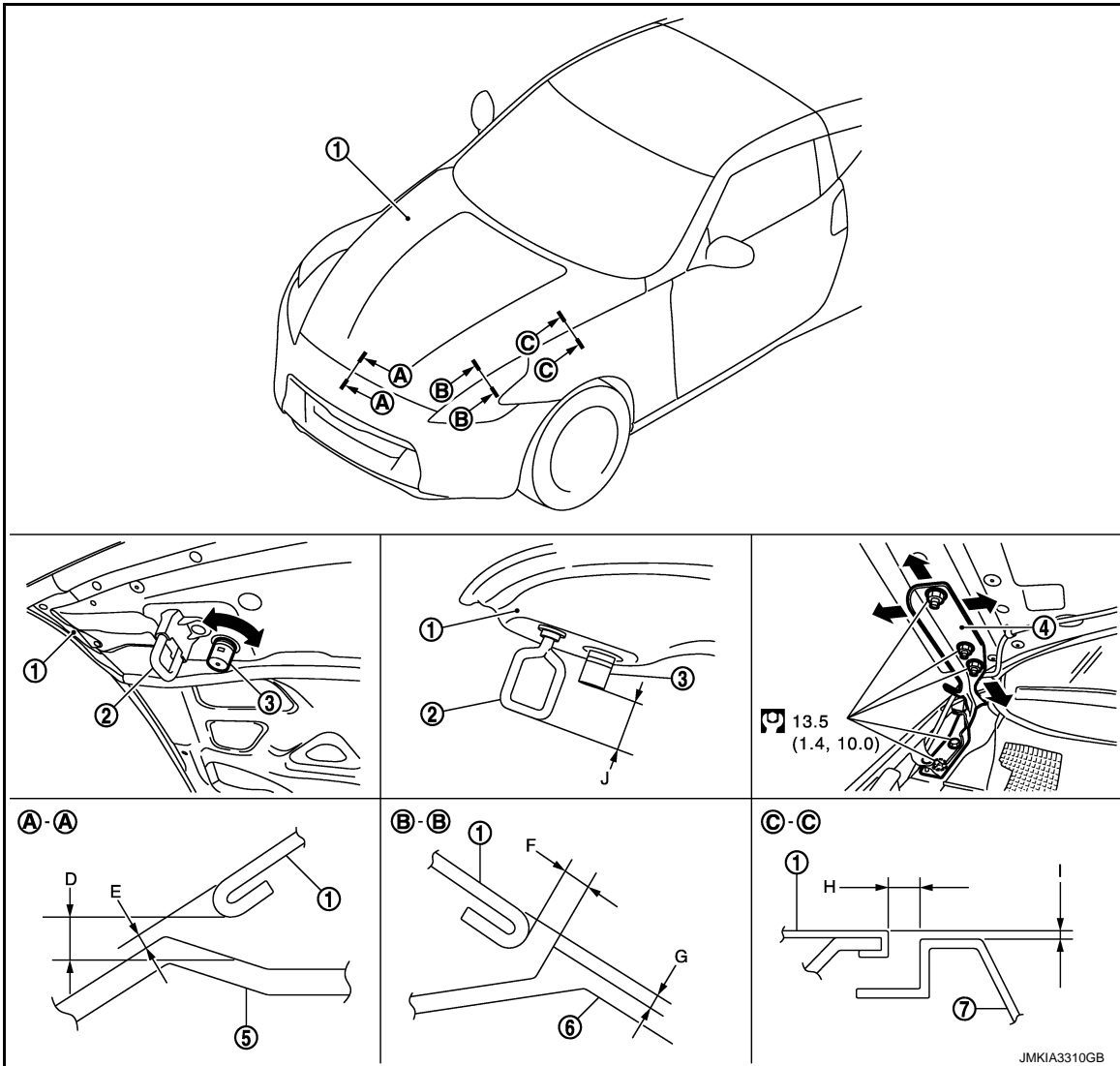
[ROADSTER]

< REMOVAL AND INSTALLATION >

- After installation, adjust the following parts.
- Hood: Refer to [DLK-313, "HOOD ASSEMBLY : Adjustment"](#).
- Washer nozzle (LH/RH) and washer tube: Refer to [WW-86, "Removal and Installation"](#).
- After installation, apply touch-up paint (the body color) onto the heads of hood hinge mounting bolts and nuts.

HOOD ASSEMBLY : Adjustment

INFOID:000000008196392



- | | | |
|------------------|------------------------|---------------------------|
| 1. Hood assembly | 2. Hood striker | 3. Hood bumper rubber |
| 4. Hood hinge | 5. Front bumper fascia | 6. Front combination lamp |
| 7. Front fender | | |

Refer to [GI-4, "Components"](#) for symbols in the figure.

Check the clearance and the surface height between hood and each part by seeing and touching. Fitting standard dimension in the table below should be satisfied.

If the clearance and the surface height are out of specification, adjust them according to the procedures shown below.

HOOD

< REMOVAL AND INSTALLATION >

[ROADSTER]

Unit: mm (in)

Portion			Standard	Difference (LH/RH, MAX)
Hood – Front bumper fascia	A – A	D	2.9 – 6.9 (0.114 – 0.272)	—
		E	-1.0 – 3.0 (-0.039 – 0.118)	—
Hood – Front combination lamp	B – B	F	1.5 – 5.5 (0.059 – 0.217)	2.2 (0.087)
		G	-1.0 – 3.0 (-0.039 – 0.118)	3.0 (0.118)
Hood – Front fender	C – C	H	2.5 – 4.5 (-0.098 – 0.177)	2.0 (0.079)
		I	-0.75 – 1.25 (-0.030 – 0.049)	2.0 (0.079)
Hood striker – Hood bumper rubber	—	J	35.7 – 36.7 (1.406 – 1.445)	—

1. Remove striker and adjust the surface height of hood, front bumper fascia and front fender according to the fitting standard dimension, by rotating hood bumper rubber.
2. Adjust the height difference of striker, hood bumper rubber according to the fitting standard dimension.
3. Loosen hood hinge mounting nuts on the hood.
4. Adjust the clearance of hood, front bumper fascia and front fender according to the fitting standard dimension, for the hood.
5. Check that hood lock primary latch is securely engaged with striker by dropping hood from approximately 200 mm (7.874 in) height or pressing lightly on the hood.

CAUTION:

Never drop hood from a height of 300 mm (11.811 in) or more.

6. Install as static closing force of hood is 94 – 490 N (9.6 – 50.0 kg, 21.1 – 110 lb).

NOTE:

- Exercise vertical force on right side and left side of hood lock.
- Do not simultaneously press both sides.

7. After adjustment, tighten hood hinge mounting nuts to the specified torque.

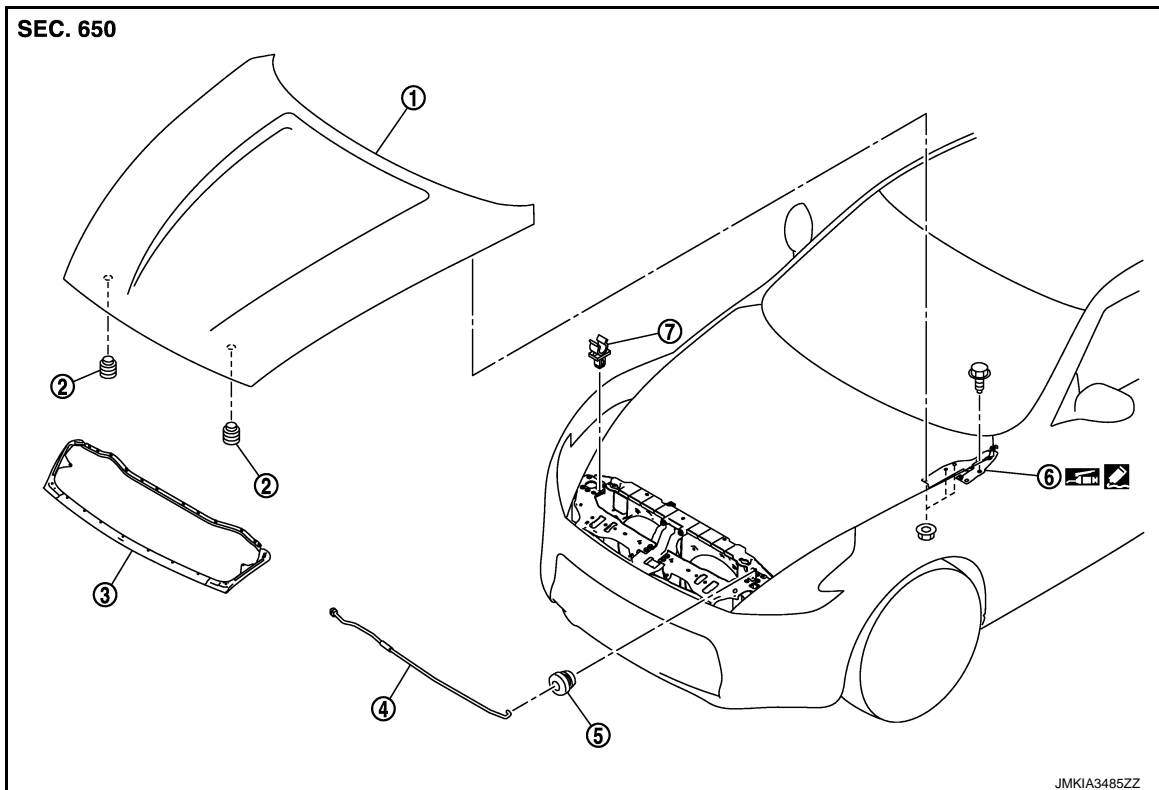
CAUTION:

- Apply anticorrosive agent onto the mounting surface.
- Check hood hinge rotating part for poor lubrication. If necessary, apply body grease.
- After installation, apply touch-up paint (the body color) onto the heads of hood hinge mounting bolts and nuts.

HOOD HINGE

HOOD HINGE : Exploded View

INFOID:000000008196393



- | | | |
|---------------------|-----------------------|----------------------|
| 1. Hood assembly | 2. Hood bumper rubber | 3. Hood seal (front) |
| 4. Hood support rod | 5. Grommet | 6. Hood hinge |
| 7. Clamp | | |

Refer to [GI-4. "Components"](#) for symbols in the figure.

HOOD HINGE : Removal and Installation

INFOID:000000008196394

REMOVAL

1. Remove hood assembly. Refer to [DLK-312. "HOOD ASSEMBLY : Removal and Installation"](#).
2. Remove hood hinge mounting bolts, and then remove hood hinge.

INSTALLATION

Install in the reverse order of removal.

CAUTION:

- Apply anticorrosive agent onto the mounting surface.
- Check hood hinge rotating part for poor lubrication. If necessary, apply body grease.
- After installation, check hood open/close, lock/unlock operation.
- After installation, apply touch-up paint (the body color) onto the heads of hood hinge mounting bolts and nuts.
- After installation, perform the fitting adjustment. Refer to [DLK-313. "HOOD ASSEMBLY : Adjustment"](#).

HOOD SUPPORT ROD

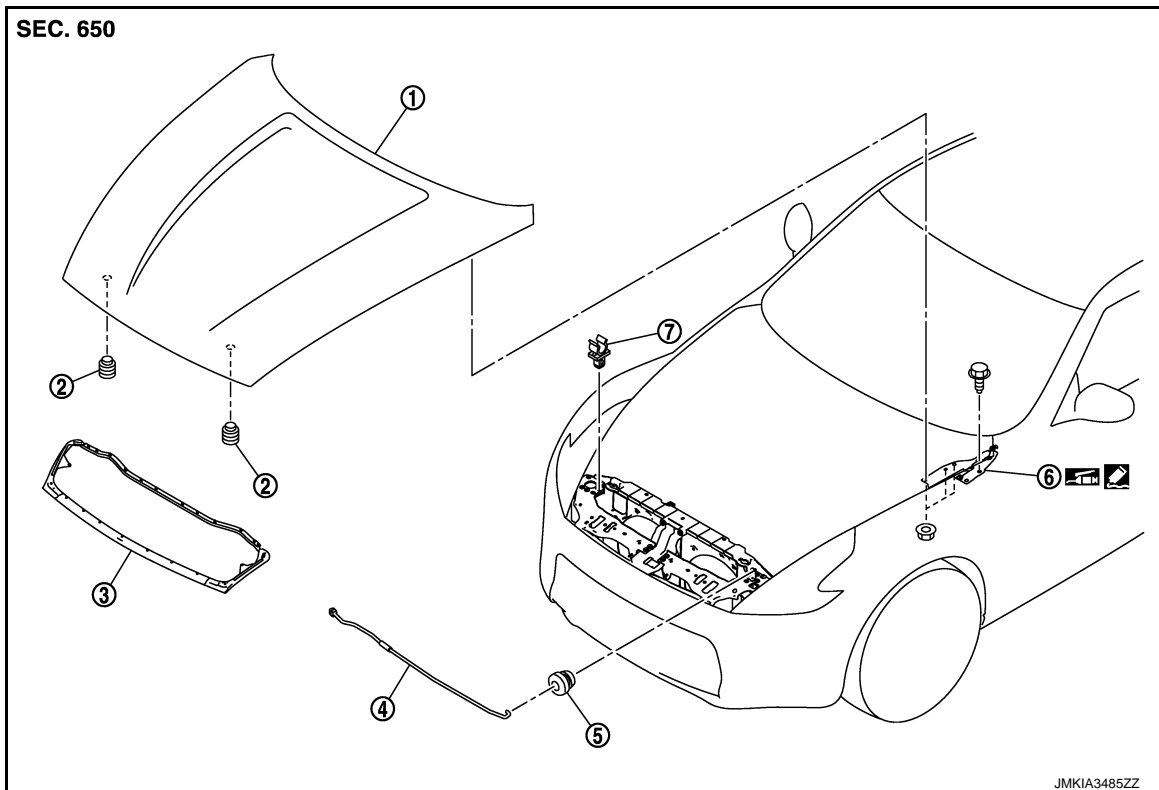
HOOD

< REMOVAL AND INSTALLATION >

[ROADSTER]

HOOD SUPPORT ROD : Exploded View

INFOID:000000008196395



- | | | |
|---------------------|-----------------------|----------------------|
| 1. Hood assembly | 2. Hood bumper rubber | 3. Hood seal (front) |
| 4. Hood support rod | 5. Grommet | 6. Hood hinge |
| 7. Clamp | | |

Refer to [GI-4. "Components"](#) for symbols in the figure.

HOOD SUPPORT ROD : Removal and Installation

INFOID:000000008196396

REMOVAL

1. Support hood assembly with a suitable material to prevent it from falling.

WARNING:

Bodily injury may occur if no supporting rod is holding the hood open when removing the hood support rod.

2. Pull hood support rod from grommet and remove.

INSTALLATION

Install in the reverse order of removal.

RADIATOR CORE SUPPORT

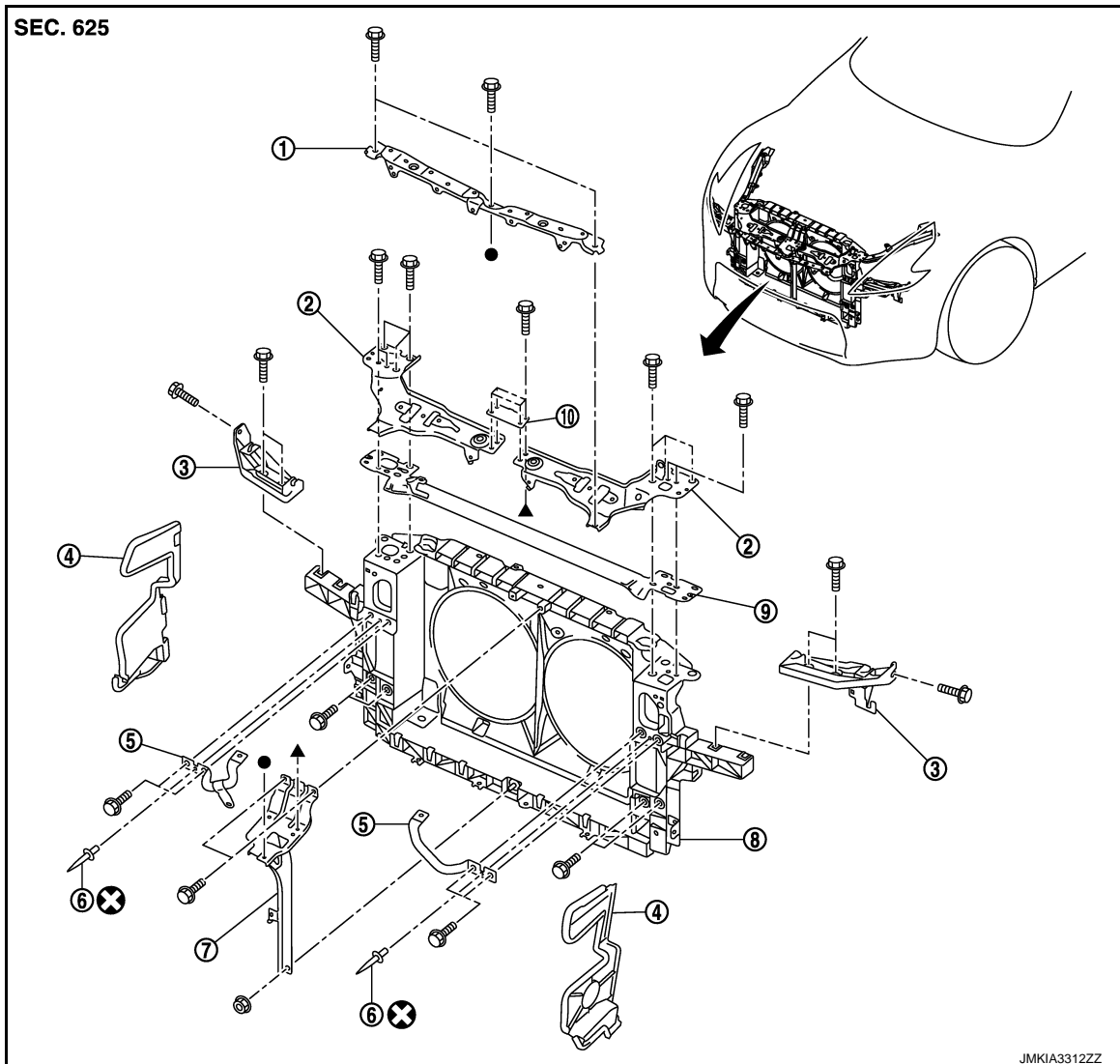
< REMOVAL AND INSTALLATION >

[ROADSTER]

RADIATOR CORE SUPPORT

Exploded View

INFOID:000000008196397



- | | | |
|--------------------------------|-----------------------------------|--|
| 1. Front bumper retainer | 2. Hood lock bracket (LH/RH) | 3. Head lamp bracket (LH/RH) |
| 4. Air guide (LH/RH) | 5. Hood lock stay (LH/RH) | 6. Rivet |
| 7. Hood lock stay assembly | 8. Radiator core support assembly | 9. Radiator core support reinforcement |
| 10. Hood lock bracket (center) | | |

Refer to [GI-4, "Components"](#) for symbols in the figure.

Removal and Installation

INFOID:000000008196398

REMOVAL

1. Remove front bumper fascia, energy absorber, and bumper reinforcement. Refer to [EXT-14, "Removal and Installation"](#).
2. Remove engine under cover. Refer to [EXT-30, "FLOOR UNDER COVER : Removal and Installation"](#).
3. Drain engine coolant from radiator. Refer to [CO-10, "Draining"](#).
4. Use refrigerant collecting equipment to discharge the refrigerant. Refer to [HA-28, "Recycle Refrigerant"](#).
5. Remove air guide (LH/RH).
6. Remove bumper center upper finisher. Refer to [EXT-13, "Exploded View"](#).

RADIATOR CORE SUPPORT

[ROADSTER]

< REMOVAL AND INSTALLATION >

7. Disconnect harness clips and hood lock control cable clips from bumper retainer.
8. Remove bumper retainer.
9. Remove horn (HIGH/LOW). Refer to [HRN-5, "Removal and Installation"](#).
10. Remove hood lock (LH/RH). Refer to [DLK-334, "Removal and Installation"](#).
11. Remove front combination lamp (LH/RH). Refer to [EXL-76, "Removal and Installation"](#).
12. Support hood assembly with a suitable material to prevent it from falling.

WARNING:

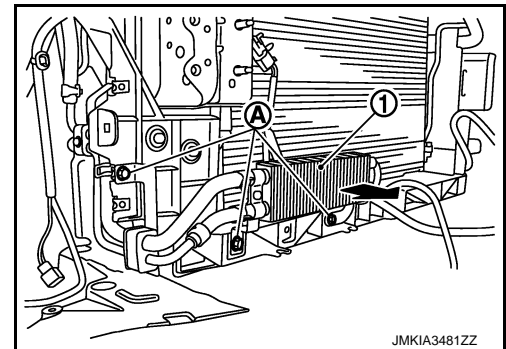
Bodily injury may occur if no supporting rod is holding the hood open when removing the hood support rod.

13. Remove hood lock bracket (center).
14. Remove hood lock bracket (LH/RH).
NOTE:
Remove hood lock bracket RH and washer inlet at the same time.
15. Remove ambient sensor. Refer to [HAC-82, "Removal and Installation"](#).
16. Remove hood lock stay assembly.
17. Remove radiator core support reinforcement.
18. Remove washer tank. Refer to [WW-83, "Removal and Installation"](#).
19. Remove Intelligent Key warning buzzer. Refer to [DLK-351, "Removal and Installation"](#).
20. Remove head lamp bracket (LH/RH).
21. Remove air cleaner case assembly (LH/RH). Refer to [EM-31, "Removal and Installation"](#).
22. Remove air duct (LH/RH). Refer to [EM-31, "Removal and Installation"](#).
23. Disconnect condenser pipe assembly at one touch joint. Refer to [HA-45, "CONDENSER PIPE ASSEMBLY : Removal and Installation"](#).
24. Remove the radiator reservoir tank. Refer to [CO-16, "Exploded View"](#).
25. Remove radiator upper hose. Refer to [CO-16, "Exploded View"](#).
26. Disconnect harness connector of refrigerant pressure sensor. Refer to [HA-44, "Exploded View"](#).
27. Remove crash zone sensor. Refer to [SR-26, "Removal and Installation"](#).
28. Disconnect harness connector of cooling fan. Refer to [CO-20, "Removal and Installation"](#).
29. Remove upper mount bracket, and then tilt radiator toward vehicle front. Refer to [CO-16, "Exploded View"](#).
30. Disconnect all harness clips from radiator core support assembly.

CAUTION:

Never damage radiator.

31. Remove radiator lower hose at radiator side.
32. Disconnect A/T fluid cooler hose.
33. Remove mounting bolts (A), and then move power steering fluid cooler assembly (1) toward vehicle front.



JMKIA3481ZZ

34. Remove hood lock stay (LH/RH).
 - Remove the rivets, and then remove the hood lock stay (LH/RH) from the radiator core support assembly.

NOTE:

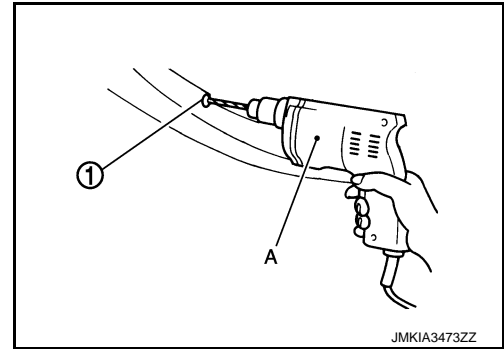
Removal of rivet.

RADIATOR CORE SUPPORT

[ROADSTER]

< REMOVAL AND INSTALLATION >

Grind the head of rivet (1) with a drill (A) [bit of 4.0 - ϕ 4.5 mm (0.157 - ϕ 0.177 in)] and then remove the hood lock stay (LH/RH).



35. Remove mounting bolts, and then remove radiator core support assembly.

CAUTION:

- Operate with 2 workers, because of its heavy weight.
- Never damage power steering oil cooler pipe.

36. Remove the following parts after removing radiator core support assembly.

- Cooling fan (LH/RH). Refer to [CO-20. "Removal and Installation"](#).
- Radiator and condenser assembly. Refer to [CO-17. "Removal and Installation"](#).

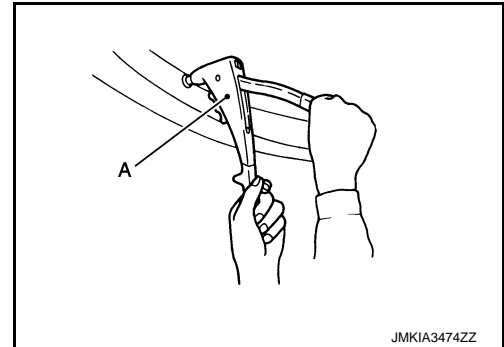
INSTALLATION

Install in the reverse order of removal.

NOTE:

Securely crimp the hood lock stay (LH/RH) with the radiator core support assembly with a hand riveter (A).

Hood lock stay (LH/RH)	
Used rivet head diameter	: ϕ 9.6 mm (ϕ 0.378 in)



CAUTION:

- After installation, fill the following parts.
 - Refrigerant: Refer to [HA-28. "Charge Refrigerant"](#).
 - Engine coolant: Refer to [CO-11. "Refilling"](#).
 - A/T fluid: Refer to [TM-309. "Changing"](#).
- After installation, adjust the following parts.
 - Front combination lamp: Refer to [EXL-73. "Description"](#).

A
B
C
D
E
F
G
H
I
J
DLK
L
M
N
O
P

FRONT FENDER

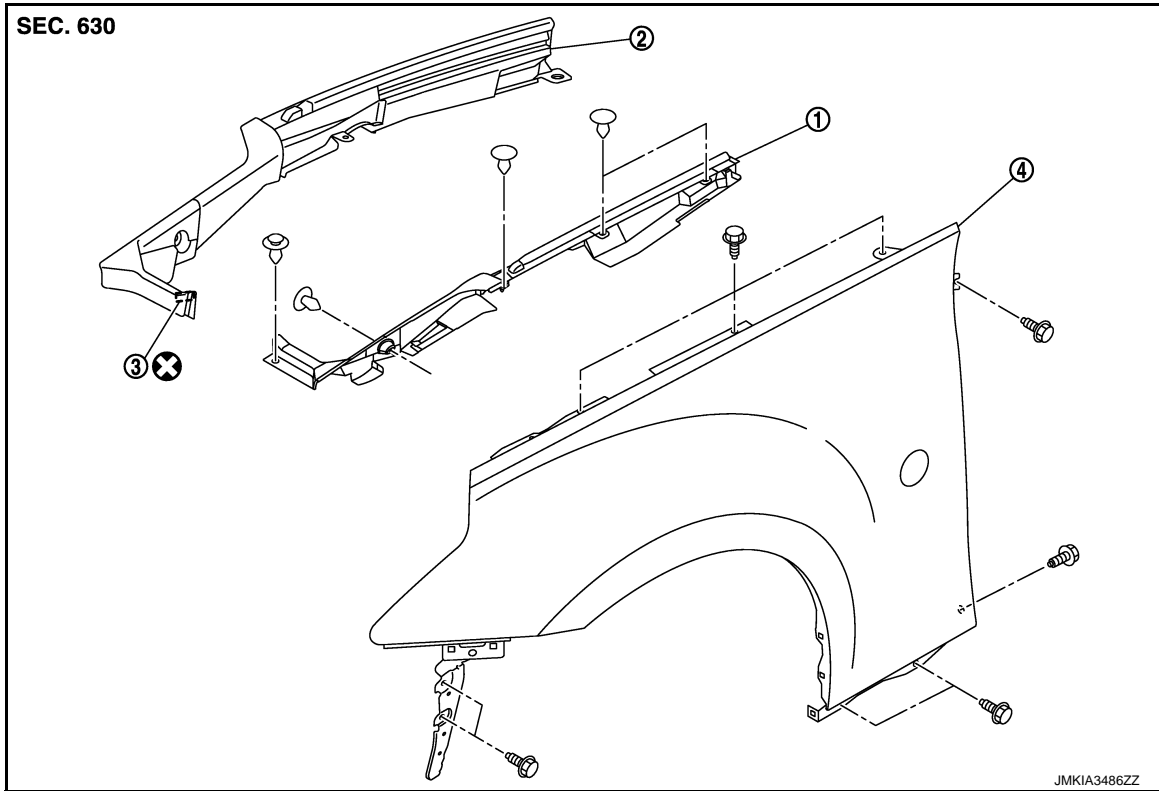
< REMOVAL AND INSTALLATION >

[ROADSTER]

FRONT FENDER

Exploded View

INFOID:000000008196399



1. Hood seal (side) (LH)
2. Hood seal (side) (RH)
3. Double-faced adhesive tape [t: 2.0mm (0.079in)]

4. Front fender assembly

Refer to [GI-4, "Components"](#) for symbols in the figure.

Removal and Installation

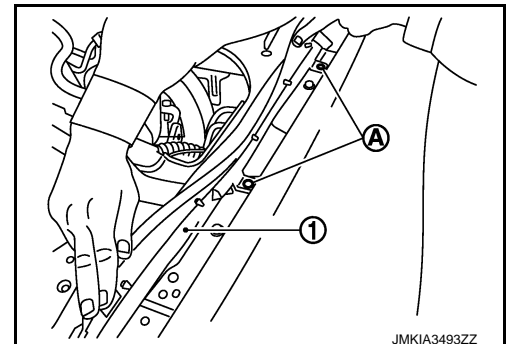
INFOID:000000008196400

CAUTION:

Use protective tape or shop cloth to protect from damage during removal and installation.

REMOVAL

1. Remove front bumper fascia. Refer to [EXT-14, "Removal and Installation"](#).
2. Remove front combination lamp. Refer to [EXL-76, "Removal and Installation"](#).
3. Remove side turn signal lamp. Refer to [EXL-83, "Removal and Installation"](#).
4. Remove clips (A) of hood seal (side) (1).



5. Remove clips and screws of fender protector. Refer to [EXT-25, "FENDER PROTECTOR : Removal and Installation"](#).

FRONT FENDER

[ROADSTER]

< REMOVAL AND INSTALLATION >

6. Remove center mud guard. Refer to [EXT-27, "Removal and Installation"](#).
7. Remove mounting bolts and remove front fender.

INSTALLATION

Install in the reverse order of removal.

CAUTION:

- After installation, apply the touch-up paint (the body color) onto the head of front fender mounting bolts.
- After installation, adjust the following parts.
 - Hood assembly: Refer to [DLK-313, "HOOD ASSEMBLY : Adjustment"](#).
 - Door: Refer to [DLK-323, "DOOR ASSEMBLY : Adjustment"](#).
 - Front combination lamp: Refer to [EXL-73, "Description"](#).

A
B
C
D
E
F
G
H
I
J
L
M
N
O
P

DLK

DOOR

< REMOVAL AND INSTALLATION >

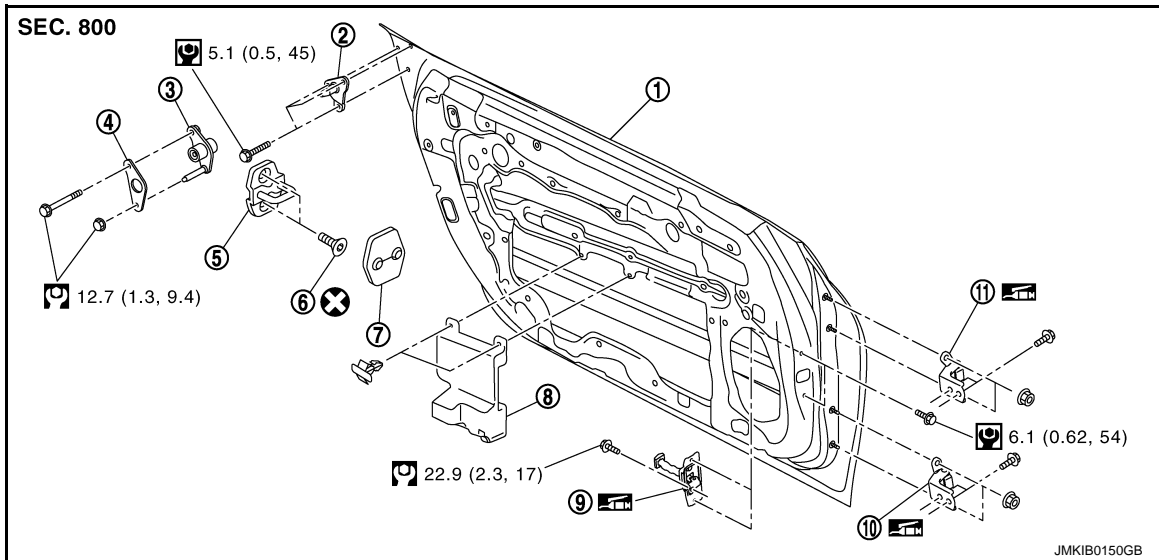
[ROADSTER]

DOOR

DOOR ASSEMBLY

DOOR ASSEMBLY : Exploded View

INFOID:000000008196401



- | | | |
|------------------------------|------------------------------|--------------------|
| 1. Door panel | 2. Dovetail male | 3. Dovetail female |
| 4. Rubber seal | 5. Door striker | 6. TORX bolt |
| 7. Door striker cover | 8. Door pad | 9. Door check link |
| 10. Door hinge (upper/lower) | 11. Door hinge (upper/lower) | |

Refer to [GI-4, "Components"](#) for symbols in the figure.

DOOR ASSEMBLY : Removal and Installation

INFOID:000000008196402

CAUTION:

- Operate with 2 workers, because of its heavy weight.
- Use protective tape or shop cloth to protect from damage during removal and installation.

REMOVAL

1. Remove mounting bolts of door check link on the vehicle.
2. Disconnect door harness connector.
3. Remove door hinge mounting nuts (door side), and then remove door assembly.

INSTALLATION

Install in the reverse order of removal.

CAUTION:

- Apply anticorrosive agent onto the mounting surface.
- Check door hinge rotating part for poor lubrication. If necessary, apply body grease.
- After installation, check door open/close, and lock/unlock operation.
- After installation, perform the fitting adjustment. Refer to [DLK-323, "DOOR ASSEMBLY : Adjustment"](#).
- After installation, apply touch-up paint (the body color) onto the head of door hinge mounting bolts and nuts.

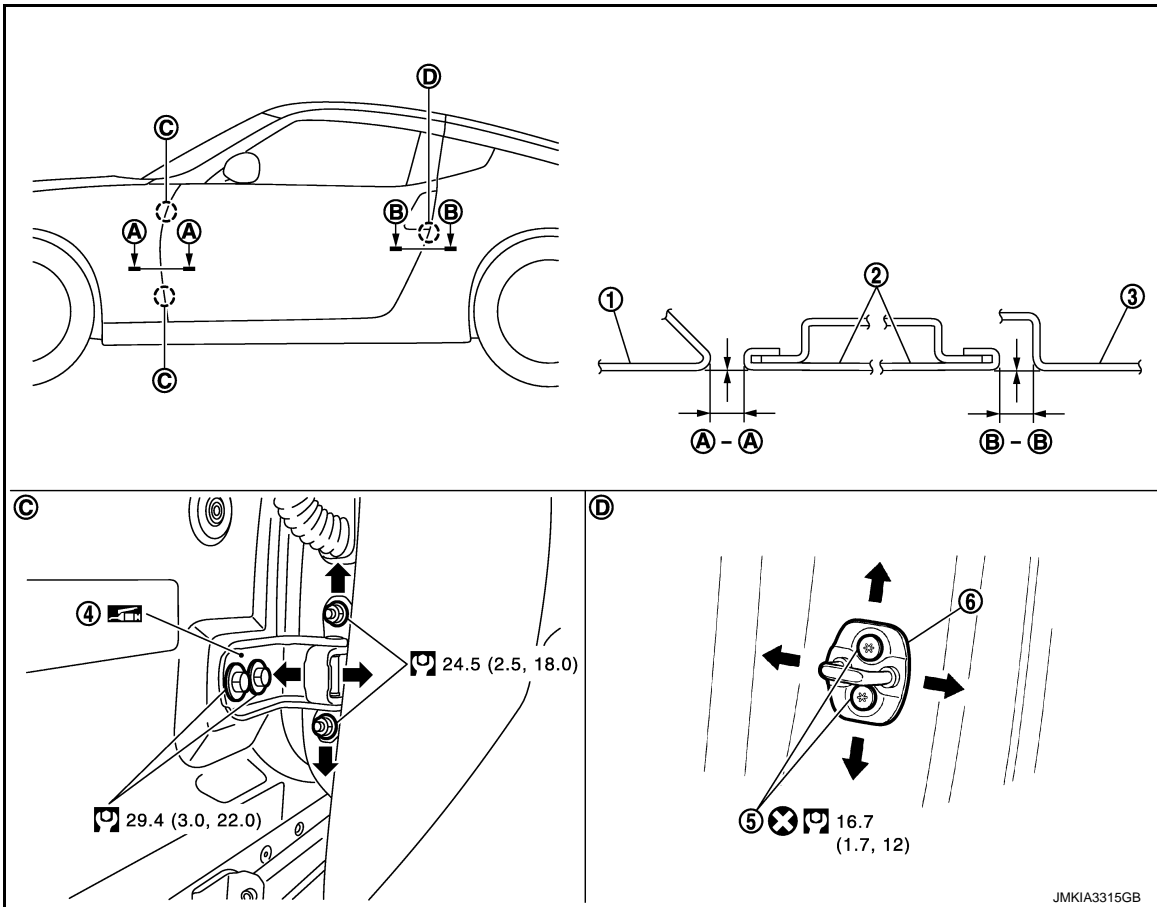
DOOR

< REMOVAL AND INSTALLATION >

[ROADSTER]

DOOR ASSEMBLY : Adjustment

INFOID:000000008196403



- | | | |
|-----------------------------|---------------|-----------------|
| 1. Front fender | 2. Door panel | 3. Rear fender |
| 4. Door hinge (upper/lower) | 5. TORX bolt | 6. Door striker |

Refer to [GI-4, "Components"](#) for symbols in the figure.

Check the clearance and surface height between door and each part by seeing and touching. If the clearance and surface height are out of specification, adjust them according to the procedures shown below.

Unit: mm (in)

Portion		Clearance	Surface height
Front fender – Door	A – A	3.0 – 5.0 (0.118 – 0.197)	-1.0 – 1.0 (-0.039 – 0.039)
Door – Rear fender	B – B	3.0 – 5.0 (0.118 – 0.197)	-0.5 – 1.0 (-0.020 – 0.039)

- Remove front fender. Refer to [DLK-320, "Removal and Installation"](#).
- Loosen door hinge mounting nuts on door side.
- Adjust the surface height of door according to the fitting standard dimension.
- Temporarily tighten door hinge mounting nuts on door side.
- Loosen door hinge mounting bolts on body side.
- Raise front at rear end to adjust clearance of the door according to the fitting standard dimension.
- Tighten each bolt and nut to the specified torque.

CAUTION:

- Apply anticorrosive agent onto the mounting surface.
- Check door hinge rotating part for poor lubrication. If necessary, apply body grease.
- After installation, check door open/close, and lock/unlock operation.

DOOR

< REMOVAL AND INSTALLATION >

[ROADSTER]

- After installation, apply touch-up paint (the body color) onto the head of door hinge mounting bolts and nuts.

8. Install front fender. Refer to [DLK-320, "Removal and Installation"](#).

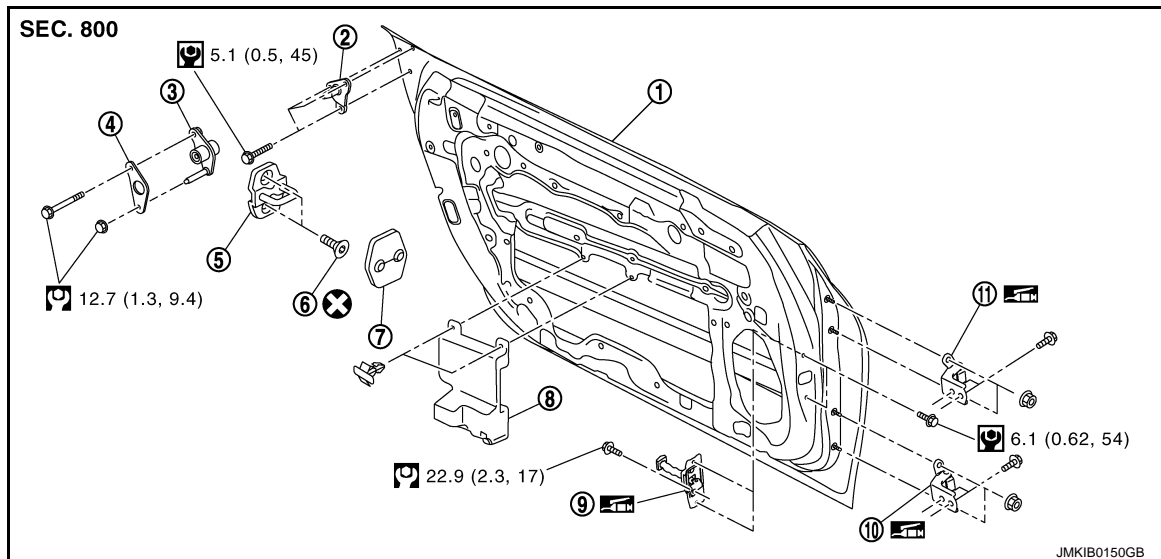
DOOR STRIKER ADJUSTMENT

Adjust door striker so that it becomes parallel with door lock insertion direction.

DOOR STRIKER

DOOR STRIKER : Exploded View

INFOID:000000008656183



- | | | |
|------------------------------|------------------------------|--------------------|
| 1. Door panel | 2. Dovetail male | 3. Dovetail female |
| 4. Rubber seal | 5. Door striker | 6. TORX bolt |
| 7. Door striker cover | 8. Door pad | 9. Door check link |
| 10. Door hinge (upper/lower) | 11. Door hinge (upper/lower) | |

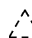
Refer to [GI-4, "Components"](#) for symbols in the figure.

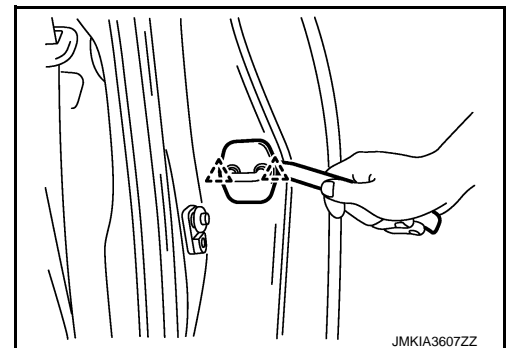
DOOR STRIKER : Removal and Installation

INFOID:000000008196405

REMOVAL

1. Remove door striker cover.

 : Pawl



2. Remove TORX bolts, and then remove door striker.

INSTALLATION

Install in the reverse order of removal.

CAUTION:

- After installation, check door open/close, and lock/unlock operation.
- After installation, perform the fitting adjustment. Refer to [DLK-323, "DOOR ASSEMBLY : Adjustment"](#).

DOOR

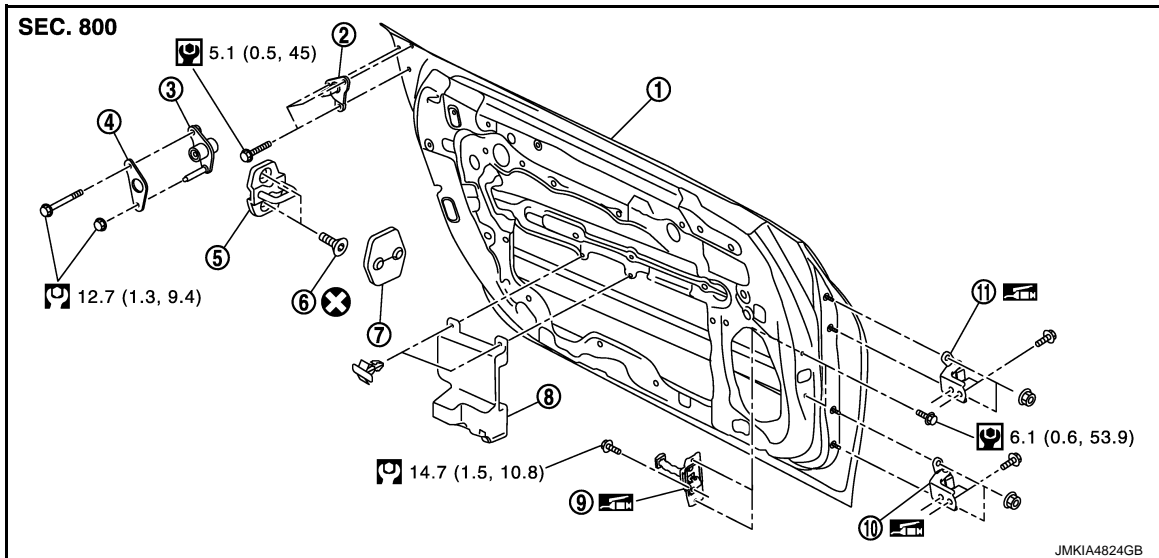
< REMOVAL AND INSTALLATION >

[ROADSTER]

DOOR HINGE

DOOR HINGE : Exploded View

INFOID:000000008656184



- | | | |
|------------------------------|------------------------------|--------------------|
| 1. Door panel | 2. Dovetail male | 3. Dovetail female |
| 4. Rubber seal | 5. Door striker | 6. TORX bolt |
| 7. Door striker cover | 8. Door pad | 9. Door check link |
| 10. Door hinge (upper/lower) | 11. Door hinge (upper/lower) | |

Refer to [GI-4. "Components"](#) for symbols in the figure.

DOOR HINGE : Removal and Installation

INFOID:000000008196407

REMOVAL

1. Remove door assembly. Refer to [DLK-322. "DOOR ASSEMBLY : Removal and Installation"](#).
2. Remove door hinge mounting bolts, and then remove door hinge.

INSTALLATION

Install in the reverse order of removal.

CAUTION:

- Apply anticorrosive agent onto the mounting surface.
- Check door hinge rotating part for poor lubrication. If necessary, apply body grease.
- After installation, check door open/close, and lock/unlock operation.
- After installation, perform the fitting adjustment. Refer to [DLK-323. "DOOR ASSEMBLY : Adjustment"](#).
- After installation, apply touch-up paint (the body color) onto the head of door hinge mounting bolts and nuts.

DOOR CHECK LINK

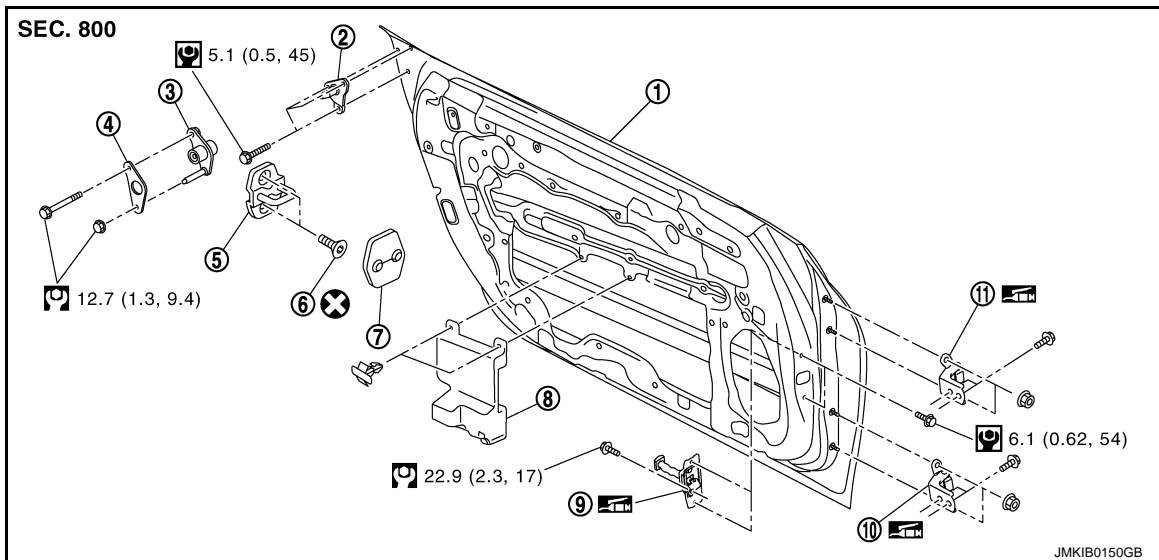
DOOR

< REMOVAL AND INSTALLATION >

[ROADSTER]

DOOR CHECK LINK : Exploded View

INFOID:000000008656185



- | | | |
|------------------------------|------------------------------|--------------------|
| 1. Door panel | 2. Dovetail male | 3. Dovetail female |
| 4. Rubber seal | 5. Door striker | 6. TORX bolt |
| 7. Door striker cover | 8. Door pad | 9. Door check link |
| 10. Door hinge (upper/lower) | 11. Door hinge (upper/lower) | |

Refer to [GI-4, "Components"](#) for symbols in the figure.

DOOR CHECK LINK : Removal and Installation

INFOID:000000008196409

REMOVAL

1. Remove door finisher. Refer to [INT-15, "Removal and Installation"](#).
2. Fully close the door window.
3. Remove door speaker. Refer to [AV-107, "Removal and Installation"](#) (without navigation) or [AV-246, "Removal and Installation"](#) (with navigation).
4. Remove mounting bolts of door check link on the vehicle.
5. Remove mounting bolts of door check link on door panel.
6. Take door check link out from the hole of door panel.

INSTALLATION

Install in the reverse order of removal.

CAUTION:

After installation, check door open/close operation.

DOVETAIL

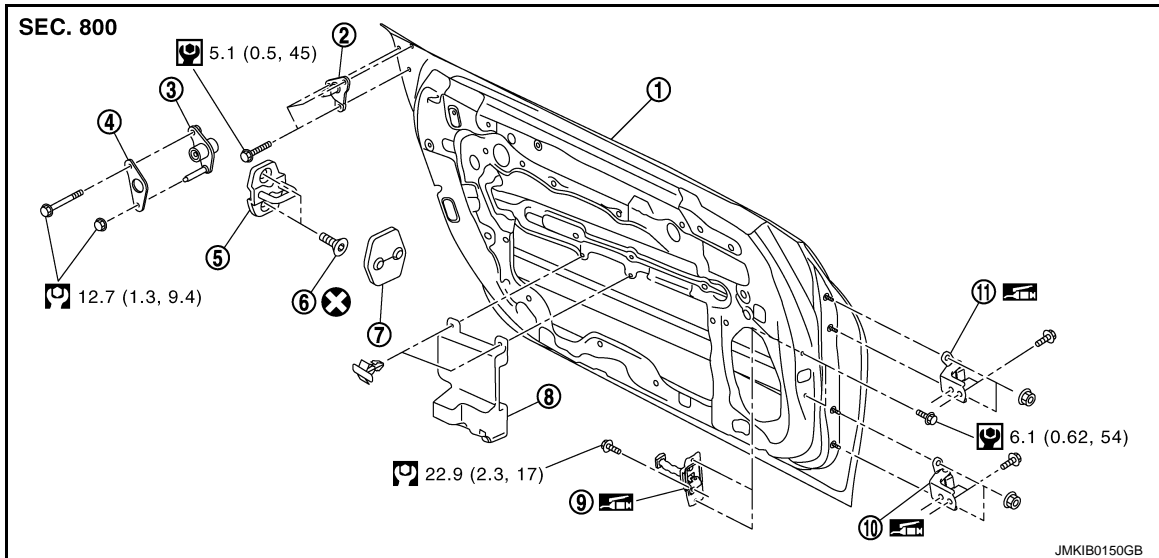
DOOR

< REMOVAL AND INSTALLATION >

[ROADSTER]

DOVETAIL : Exploded View

INFOID:000000008656186



- | | | |
|------------------------------|------------------------------|--------------------|
| 1. Door panel | 2. Dovetail male | 3. Dovetail female |
| 4. Rubber seal | 5. Door striker | 6. TORX bolt |
| 7. Door striker cover | 8. Door pad | 9. Door check link |
| 10. Door hinge (upper/lower) | 11. Door hinge (upper/lower) | |

Refer to [GI-4, "Components"](#) for symbols in the figure.

DOVETAIL : Removal and Installation

INFOID:000000008196411

REMOVAL

Dovetail male

1. Remove the TORX bolts, and then remove dovetail male.

Dovetail female

1. Remove body side weather-strip. Refer to [EXT-37, "FRONT PILLAR FINISHER \(Roadster\) : Exploded View"](#).
2. Remove rear side finisher. Refer to [INT-54, "REAR SIDE FINISHER : Removal and Installation"](#).
3. Remove mounting bolt and nut, and then remove dovetail female.

INSTALLATION

Install in the reverse order of removal.

CAUTION:

Check the engagement between dovetail female and dovetail male for noise or looseness when closing the door.

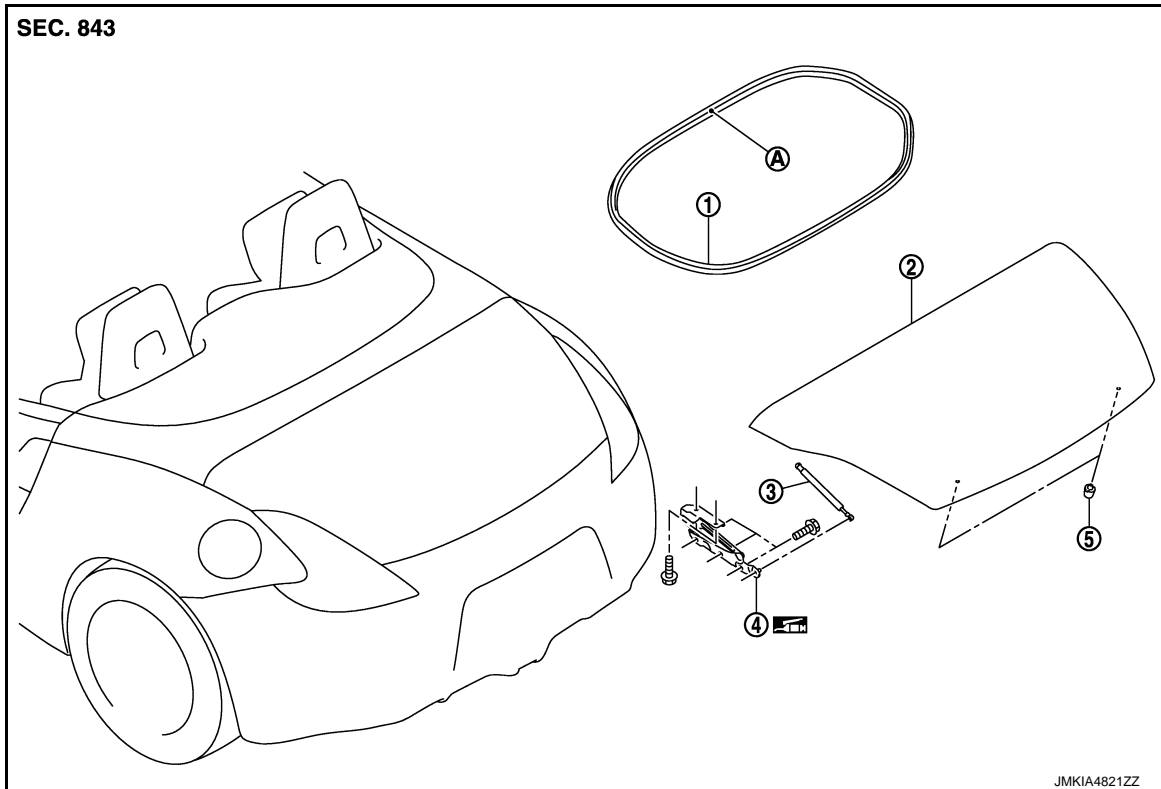
TRUNK LID

TRUNK LID ASSEMBLY

TRUNK LID ASSEMBLY : Exploded View

INFOID:000000008196412

REMOVAL



- | | | |
|--------------------|----------------------------|-------------------|
| 1. Trunk lid | 2. Trunk lid weather-strip | 3. Trunk lid stay |
| 4. Trunk lid hinge | 5. Bumper rubber | |
- A : Center mark

Refer to [GI-4, "Components"](#) for symbols in the figure.

TRUNK LID ASSEMBLY : Removal and Installation

INFOID:000000008196413

CAUTION:

Operate with two workers, because of its heavy weight.

REMOVAL

1. Remove the trunk side finisher. Refer to [INT-77, "TRUNK SIDE FINISHER : Removal and Installation"](#)
2. Disconnect the connectors in the trunk lid, and remove the harness clamps to pull the harness out of the trunk lid.
3. Remove trunk lid stay at trunk lid side. Refer to [DLK-331, "TRUNK LID STAY : Removal and Installation"](#).
4. Remove the trunk lid hinge mounting bolts on trunk lid side and remove the trunk lid assembly.

INSTALLATION

Install in the reverse order of removal.

CAUTION:

- After installing, apply touch-up paint (the body color) onto the head of the hinge mounting bolts.
- Check trunk lid open/close, lock/unlock operation after installation.
- After installation, perform fitting adjustment. Refer to [DLK-329, "TRUNK LID ASSEMBLY : Adjustment"](#).

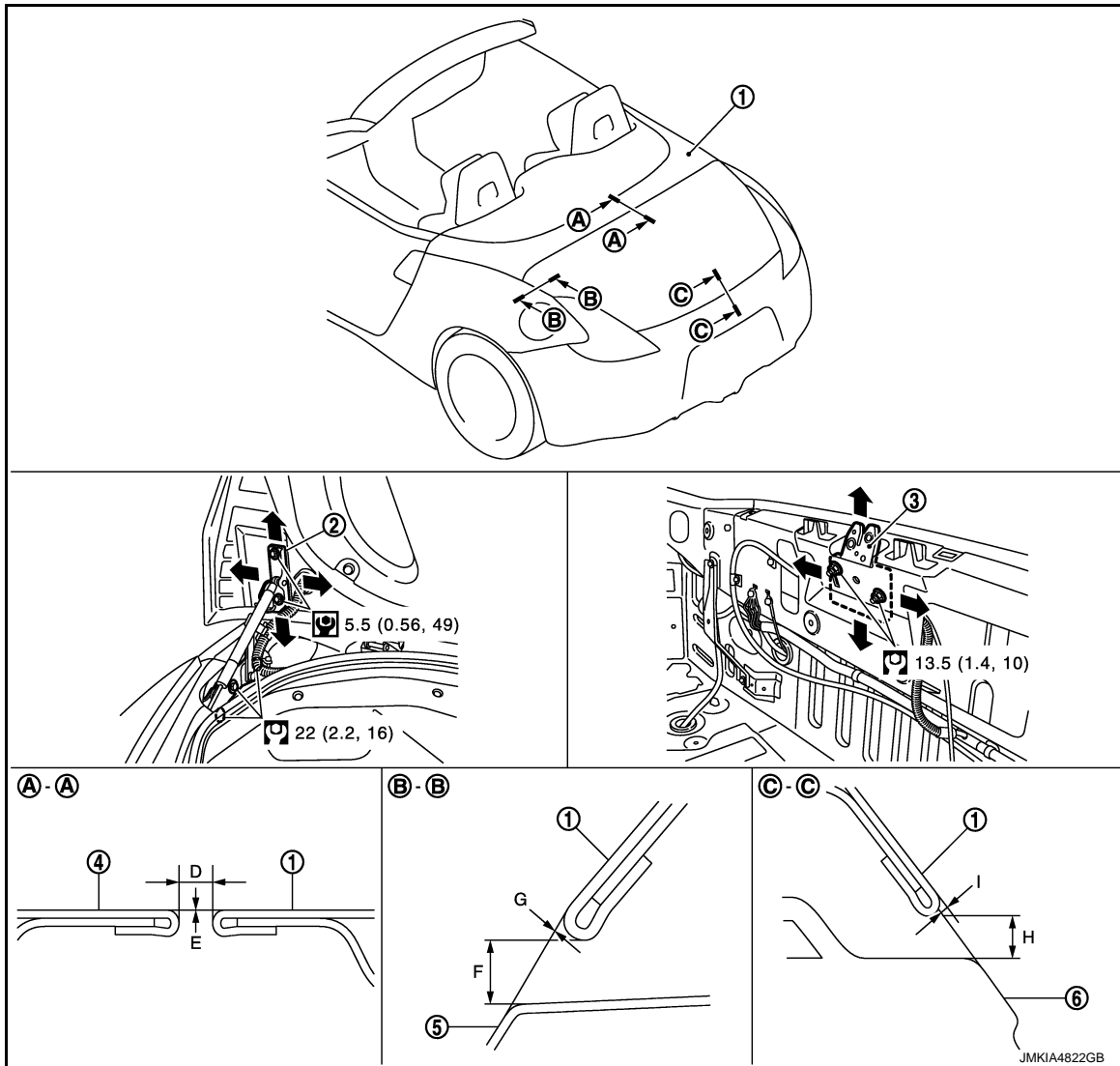
TRUNK LID

< REMOVAL AND INSTALLATION >

[ROADSTER]

TRUNK LID ASSEMBLY : Adjustment

INFOID:000000008196414



- 1. Trunk lid assembly
- 2. Trunk lid hinge
- 3. Trunk lid striker
- 4. Body side outer
- 5. Rear combination lamp
- 6. Rear bumper fascia

Refer to [GI-4, "Components"](#) for symbols in the figure.

Check the clearance and surface height between trunk lid and each part by visually and touching. If the clearance and surface height are out of specification, adjust them according to the procedures shown below.

Unit: mm (in)

Portion				Standard	Difference (RH/LH, MAX)
Trunk lid – Storage lid	A – A	D	Clearance	3.0 – 7.0 (0.118 – 0.276)	—
		E	Surface height	-1.0 – 1.5 (-0.039 – 0.060)	—
Trunk lid – Rear fender	B – B	F	Clearance	3.0 – 7.0 (0.118 – 0.276)	2.0 (0.079)
		G	Surface height	-1.7 – 2.3 (-0.067 – 0.091)	—

A
B
C
D
E
F
G
H
I
J
DLK

L
M
N
O
P

TRUNK LID

< REMOVAL AND INSTALLATION >

[ROADSTER]

Portion			Standard	Difference (RH/LH, MAX)
Trunk lid – Rear bumper fascia	C – C	H	3.0 – 7.0 (0.118 – 0.276)	—
		I	-1.0 – 3.0 (-0.039 – 0.118)	—

1. Loosen trunk lid hinge mounting bolts (trunk lid side).
2. Remove trunk rear plate. Refer to [INT-76. "TRUNK REAR PLATE : Removal and Installation"](#).
3. Loosen trunk lid striker mounting bolts.
4. Lift up trunk lid approximately 100 – 150 mm (3.937 – 5.906 in) height then close it lightly and check that it is engaged firmly with trunk lid closed.
5. Check the clearance and surface height.
6. Finally tighten trunk lid hinge and trunk lid striker.
7. Install trunk rear plate. Refer to [INT-76. "TRUNK REAR PLATE : Removal and Installation"](#).

TRUNK LID STRIKER ADJUSTMENT

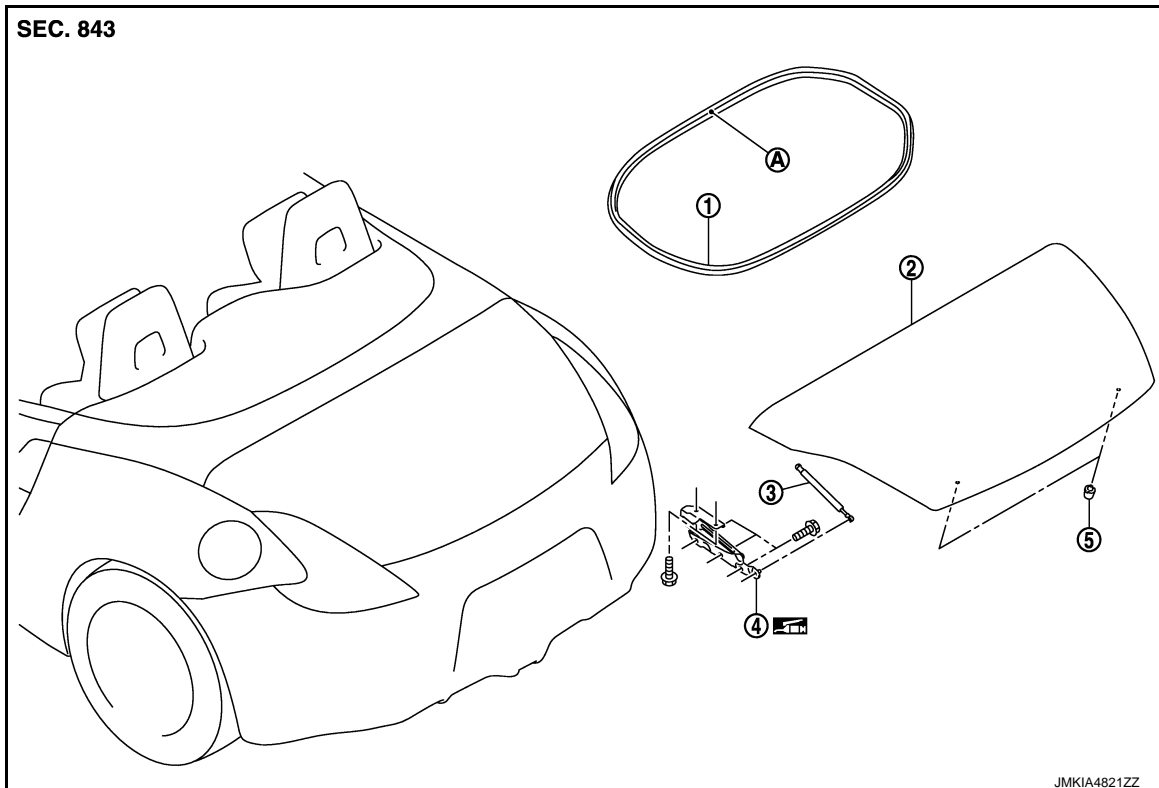
Adjust trunk lid striker so that it becomes parallel with trunk lid lock insertion direction.

TRUNK LID HINGE

TRUNK LID HINGE : Exploded View

INFOID:000000008196415

REMOVAL



- | | | |
|--------------------|----------------------------|-------------------|
| 1. Trunk lid | 2. Trunk lid weather-strip | 3. Trunk lid stay |
| 4. Trunk lid hinge | 5. Bumper rubber | |
- A : Center mark

Refer to [GI-4. "Components"](#) for symbols in the figure.

TRUNK LID

< REMOVAL AND INSTALLATION >

[ROADSTER]

TRUNK LID HINGE : Removal and Installation

INFOID:000000008196416

REMOVAL

1. Remove trunk lid assembly. Refer to [DLK-328. "TRUNK LID ASSEMBLY : Removal and Installation"](#).
2. Remove trunk lid hinge mounting nuts (body side), and then remove trunk lid hinge.
3. Remove trunk lid stay from trunk lid hinge. Refer to [DLK-331. "TRUNK LID STAY : Removal and Installation"](#).

INSTALLATION

Install in the reverse order of removal.

CAUTION:

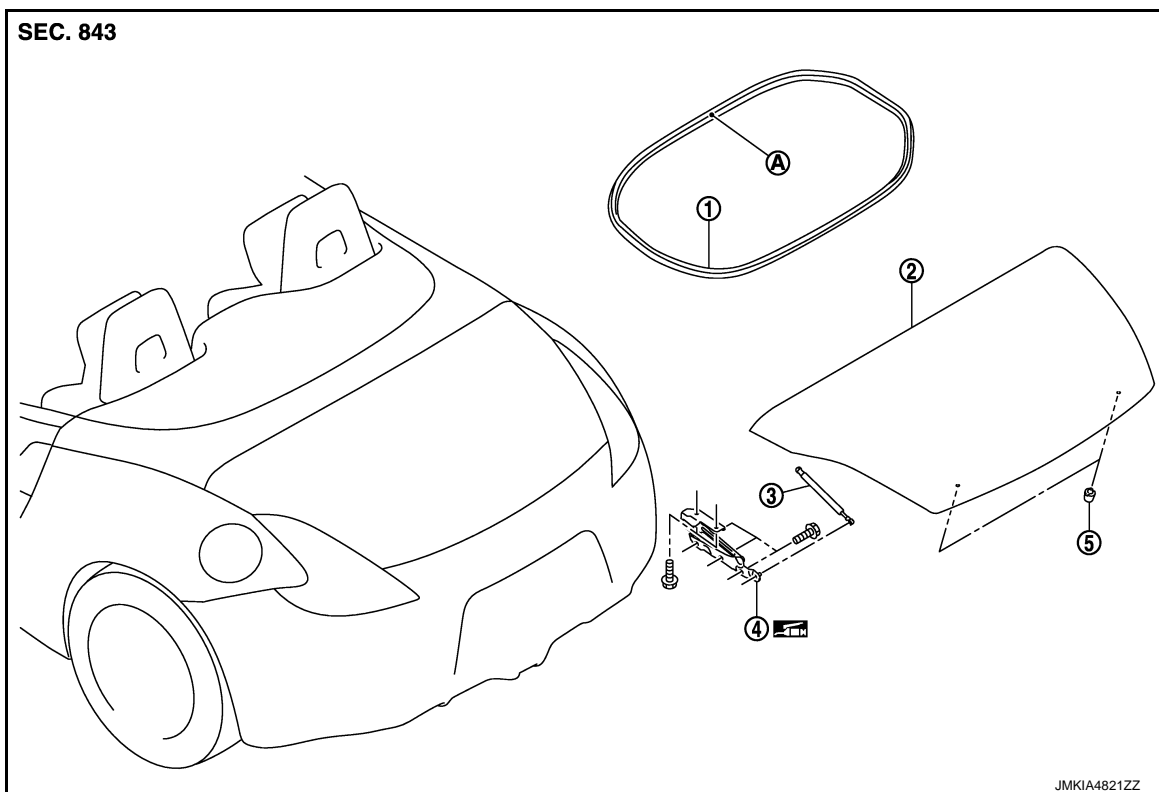
- Check trunk lid open/close, lock/unlock operation after installation.
- Check trunk lid hinge rotating part for poor lubrication. If necessary, apply body grease.
- When removing and installing trunk lid assembly, perform the fitting adjustment. Refer to [DLK-329. "TRUNK LID ASSEMBLY : Adjustment"](#).
- After installation, apply touch-up paint (the body color) onto the head of trunk lid hinge mounting bolts.

TRUNK LID STAY

TRUNK LID STAY : Exploded View

INFOID:000000008196417

REMOVAL



1. Trunk lid
 2. Trunk lid weather-strip
 3. Trunk lid stay
 4. Trunk lid hinge
 5. Bumper rubber
- A : Center mark

Refer to [GI-4. "Components"](#) for symbols in the figure.

TRUNK LID STAY : Removal and Installation

INFOID:000000008196418

REMOVAL

1. Support trunk lid with the proper material to prevent it from falling.

TRUNK LID

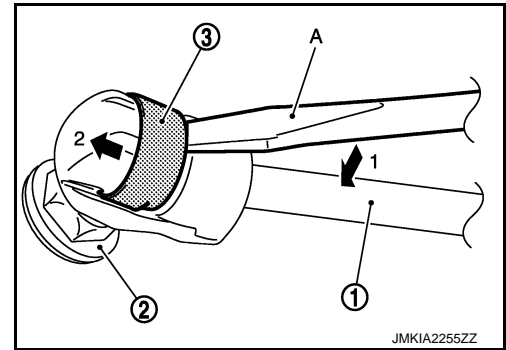
< REMOVAL AND INSTALLATION >

[ROADSTER]

WARNING:

Bodily injury may occur if no supporting rod is holding the trunk lid open when removing the trunk lid stay.

2. Remove the metal clip (3) located on the connection between the trunk lid stay (1) and the stud ball (2) (trunk lid side) by using a flat-bladed screwdriver (A).
3. Remove trunk lid stay (trunk lid side).



4. In the same way, remove trunk lid stay (body side).

INSTALLATION

Install in the reverse order of removal.

CAUTION:

Check trunk lid open/close operation after installation.

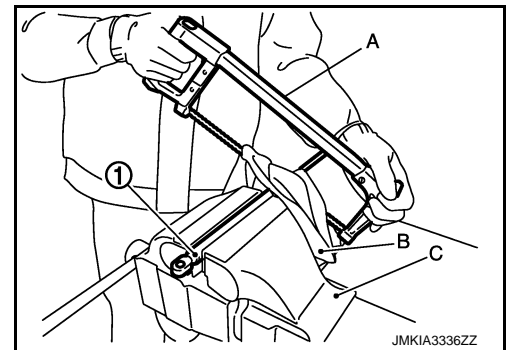
TRUNK LID STAY : Disposal

INFOID:000000008196419

1. Fix back door stay (1) using a vise (C).
2. Using hacksaw (A) slowly make 2 holes in the back door stay, in numerical order as shown in the figure.

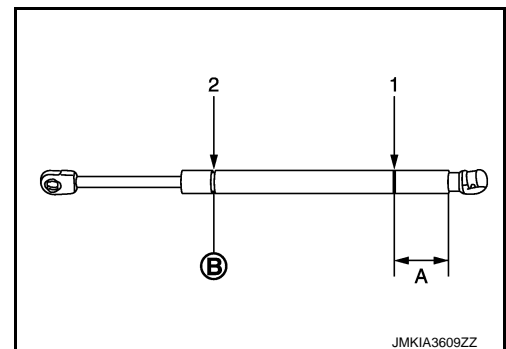
CAUTION:

- When cutting a hole on back door stay, always cover a hacksaw using a shop cloth (B) to avoid scattering metal fragments or oil.
- Wear eye protection (safety glasses).
- Wear gloves.



A: 20 mm (0.787 in)

B: Cut at the groove.



TRUNK LID WEATHER-STRIP

TRUNK LID WEATHER-STRIP : Exploded View

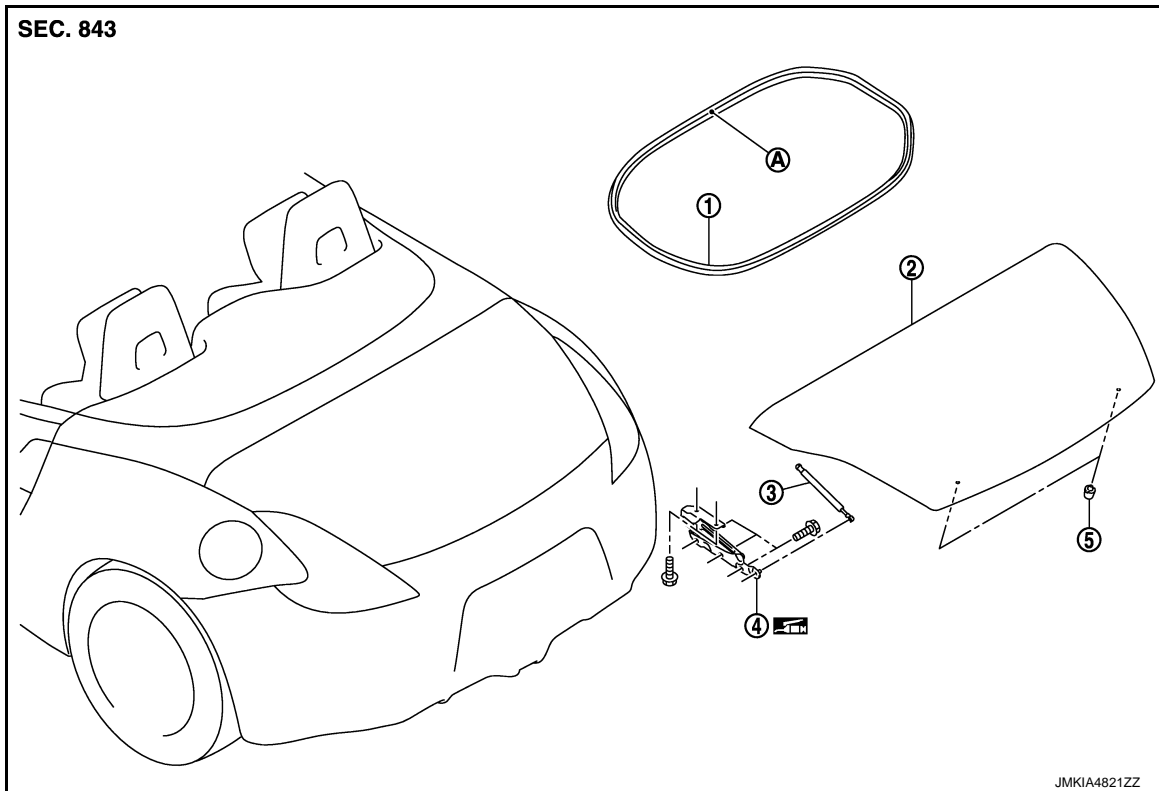
INFOID:000000008196420

REMOVAL

TRUNK LID

< REMOVAL AND INSTALLATION >

[ROADSTER]



- 1. Trunk lid
- 2. Trunk lid weather-strip
- 3. Trunk lid stay
- 4. Trunk lid hinge
- 5. Bumper rubber

A : Center mark

Refer to [GI-4, "Components"](#) for symbols in the figure.

TRUNK LID WEATHER-STRIP : Removal and Installation

INFOID:000000008196421

REMOVAL

Pull up and remove engagement with body from weather-strip joint.

CAUTION:

Never pull strongly on weather-strip.

INSTALLATION

1. Working from the upper section, align weather-strip center mark (upper) with vehicle center position mark and install weather-strip onto the vehicle.
2. For the lower section, align weather-strip center mark (lower) with center of trunk lid striker.
3. Pull weather-strip gently to ensure that there is no loose section.

NOTE:

Check that weather-strip fits tightly in each corner.

A
B
C
D
E
F
G
H
I
J
DLK
L
M
N
O
P

HOOD LOCK

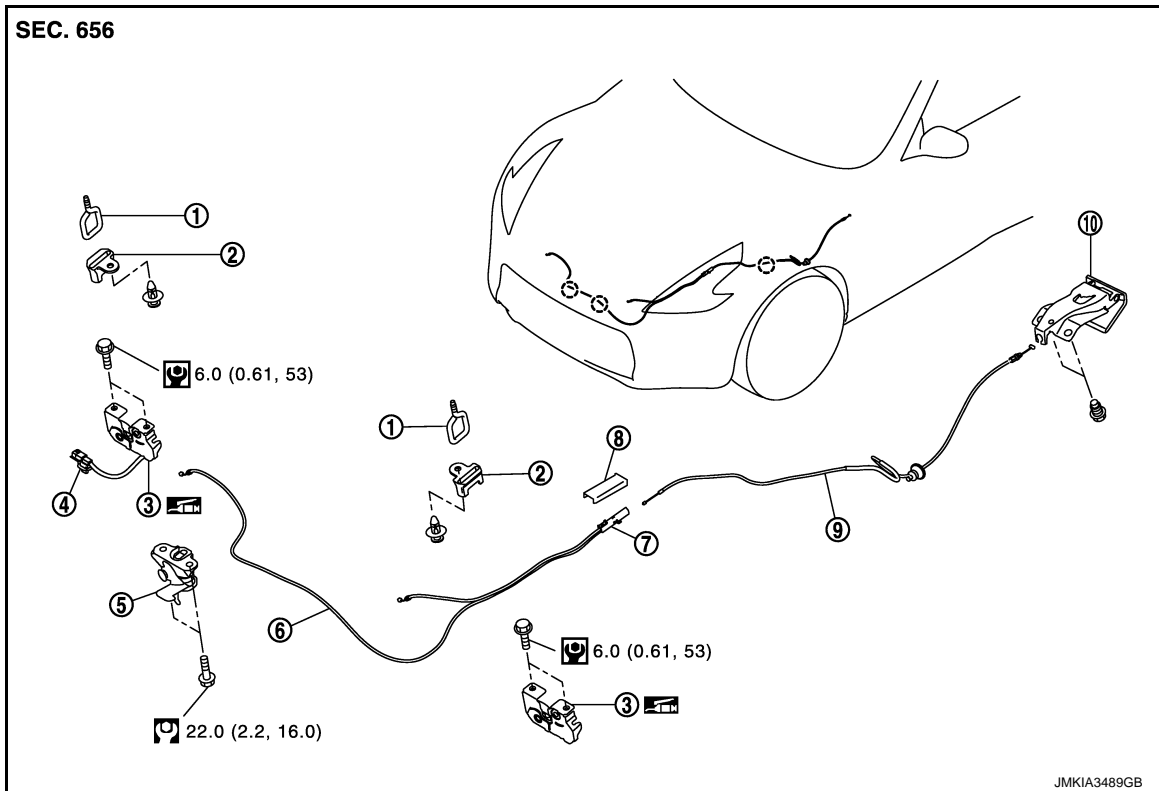
< REMOVAL AND INSTALLATION >

[ROADSTER]

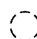
HOOD LOCK

Exploded View

INFOID:000000008196422



- | | | |
|--------------------------------------|--|------------------------------------|
| 1. Hood striker | 2. Hood cover | 3. Hood lock |
| 4. Hood switch | 5. Secondary latch | 6. Hood lock control cable (front) |
| 7. Hood lock control cable protector | 8. Hood lock control cable protector cover | 9. Hood lock control cable (rear) |
| 10. Hood lock opener | | |

 : Clip

Refer to [GI-4. "Components"](#) for symbols in the figure.

Removal and Installation

INFOID:000000008196423

REMOVAL

CAUTION:

Before removal, confirm how the hood lock control cable is allocated and connected.

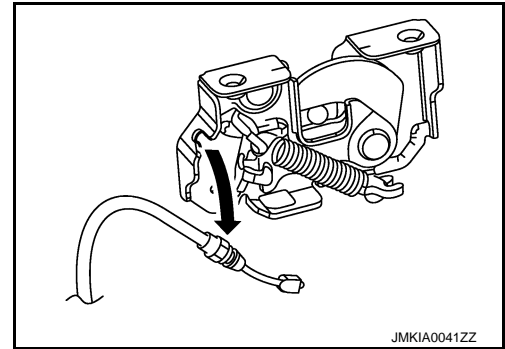
1. Remove bumper center upper finisher. Refer to [EXT-13. "Exploded View"](#).
2. Remove fender protector (LH). Refer to [EXT-25. "FENDER PROTECTOR : Removal and Installation"](#).
3. Disconnect hood lock switch (RH side) harness connector.
4. Disconnect the hood lock control cable clips on front bumper retainer.
5. Remove the hood lock mounting bolts, and disassemble the hood lock from the hood lock bracket (LH/RH). Refer to [DLK-317. "Exploded View"](#).
6. Remove mounting bolts and remove hood lock bracket (LH/RH).
7. Disassembly hood lock from hood lock bracket (LH/RH).

HOOD LOCK

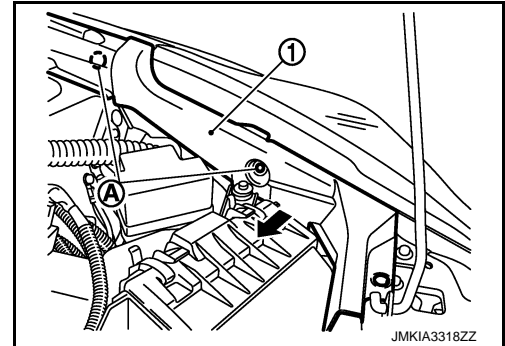
[ROADSTER]

< REMOVAL AND INSTALLATION >


8. Disconnect the hood lock control cable (front) from the hood lock.

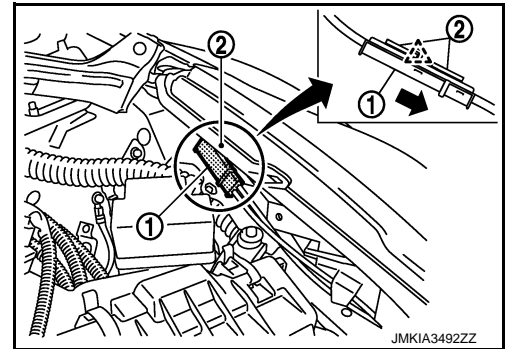


9. Disconnect clip (A) of hood seal assembly (side) (1), and then move toward vehicle inside.



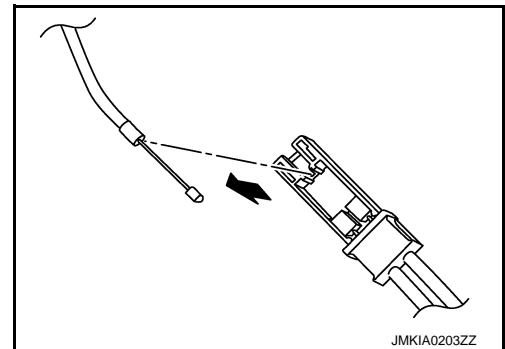
10. Remove the hood lock control cable protector (1) from the headlamp assembly (2).

 : Pawl



11. Remove the hood lock control cable cover from hood lock control cable protector.

12. Disconnect the hood lock control cable (rear) from hood lock control cable protector.



13. Remove hood lock control cable from hood lock opener.

14. Remove the grommet on the dash-board, and pull the hood lock control cable (rear) toward the passenger compartment.

CAUTION:

While pulling, never damage (peeling) the outside of the hood lock control cable.

INSTALLATION

Install in the reverse order of removal.

CAUTION:

- Never bend cable too much. Keep the radius 100 mm (3.937 in) or more.

A
B
C
D
E
F
G
H
I
J

DLK

L
M
N
O

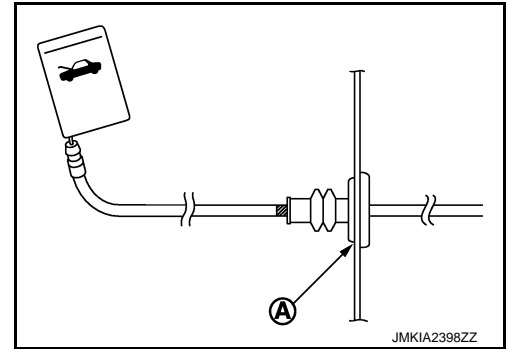
P

HOOD LOCK

< REMOVAL AND INSTALLATION >

[ROADSTER]

- Check cable is not offset from the positioning grommet, and apply the sealant to the grommet (A) normally.



- Check that hood lock control cable is normally engaged with hood lock.
- After installation, perform the fitting adjustment. Refer to [DLK-313, "HOOD ASSEMBLY : Adjustment"](#).
- After installation, perform the inspection. Refer to [DLK-336, "Inspection"](#).

Inspection

INFOID:000000008196424

NOTE:

If the hood lock cable is bent or deformed, replace it.

1. Check that secondary latch is normally engaged with secondary striker [6.8 mm (0.268 in)] by hood weight.
2. While operating hood opener, carefully check that the front end of hood is raised by approximately 20 mm (0.787 in). Also check that hood opener returns to the original position.
3. Check that hood opener operating is condition 49 N (5.0 kg, 11.0 lb) or less.
4. Install so that static closing force of hood is 94 – 490 N (9.6 – 50.0 kg, 21.1 – 110 lb).

NOTE:

- Exert vertical force on right side and left side of hood lock.
 - Do not simultaneously press both sides.
5. Check the hood lock lubrication condition. If necessary, apply body grease to hood lock.

DOOR LOCK

< REMOVAL AND INSTALLATION >

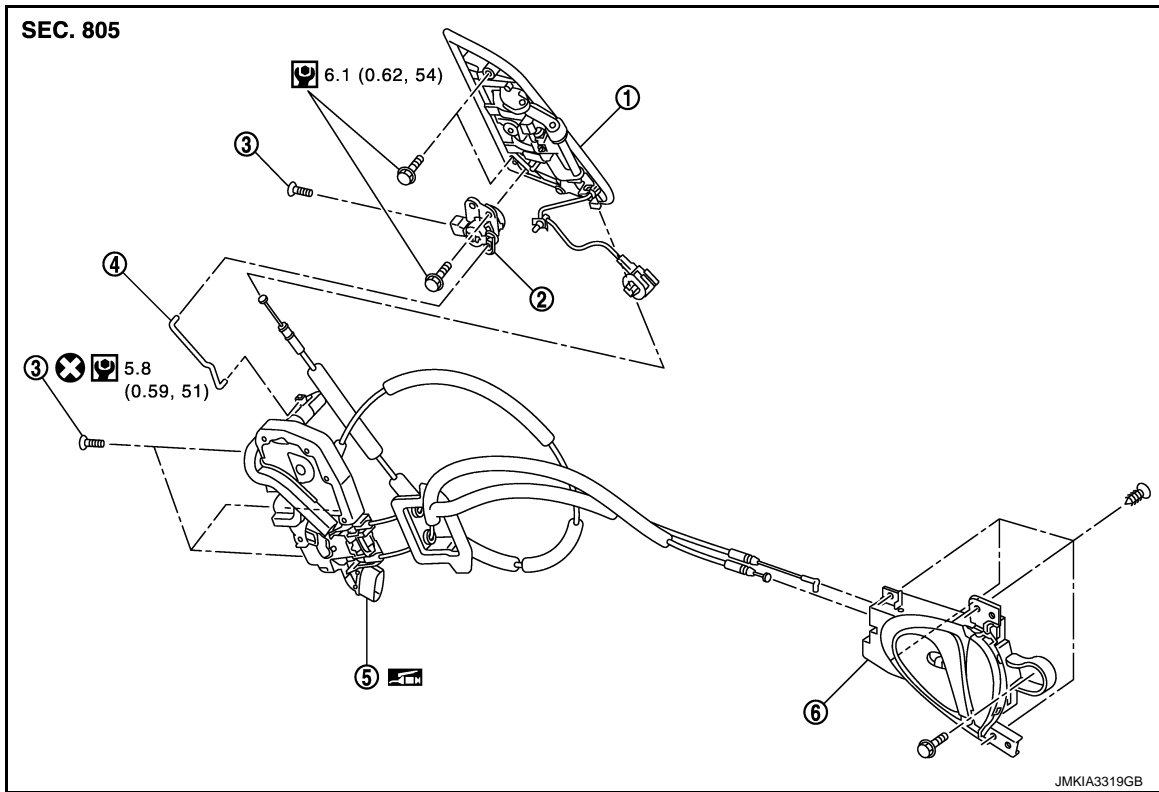
[ROADSTER]

DOOR LOCK

DOOR LOCK

DOOR LOCK : Exploded View

INFOID:000000008196425



- | | | |
|--------------------------|---|------------------|
| 1. Outside handle | 2. Door key cylinder assembly (driver side) | 3. TORX bolt |
| 4. Key rod (driver side) | 5. Door lock assembly | 6. Inside handle |

Refer to [GI-4, "Components"](#) for symbols in the figure.

DOOR LOCK : Removal and Installation

INFOID:000000008196426

REMOVAL

1. Remove door finisher. Refer to [INT-15, "Removal and Installation"](#).
2. Remove door glass. Refer to [GW-20, "Removal and Installation"](#).
3. Remove door module assembly. Refer to [GW-23, "Removal and Installation"](#).
4. Disconnect key rod (driver side) and outside handle cable from outside handle assembly.
5. Remove door lock assembly TORX bolts.
6. Disconnect door lock actuator connector, and then remove door lock assembly.

INSTALLATION

Install in the reverse order of removal.

CAUTION:

- Check that door lock cables are normally engaged with inside handle and outside handle.
- When installing key rod, rotate key rod holder until a click is felt.
- After installation, check door open/close, and lock/unlock operation.

INSIDE HANDLE

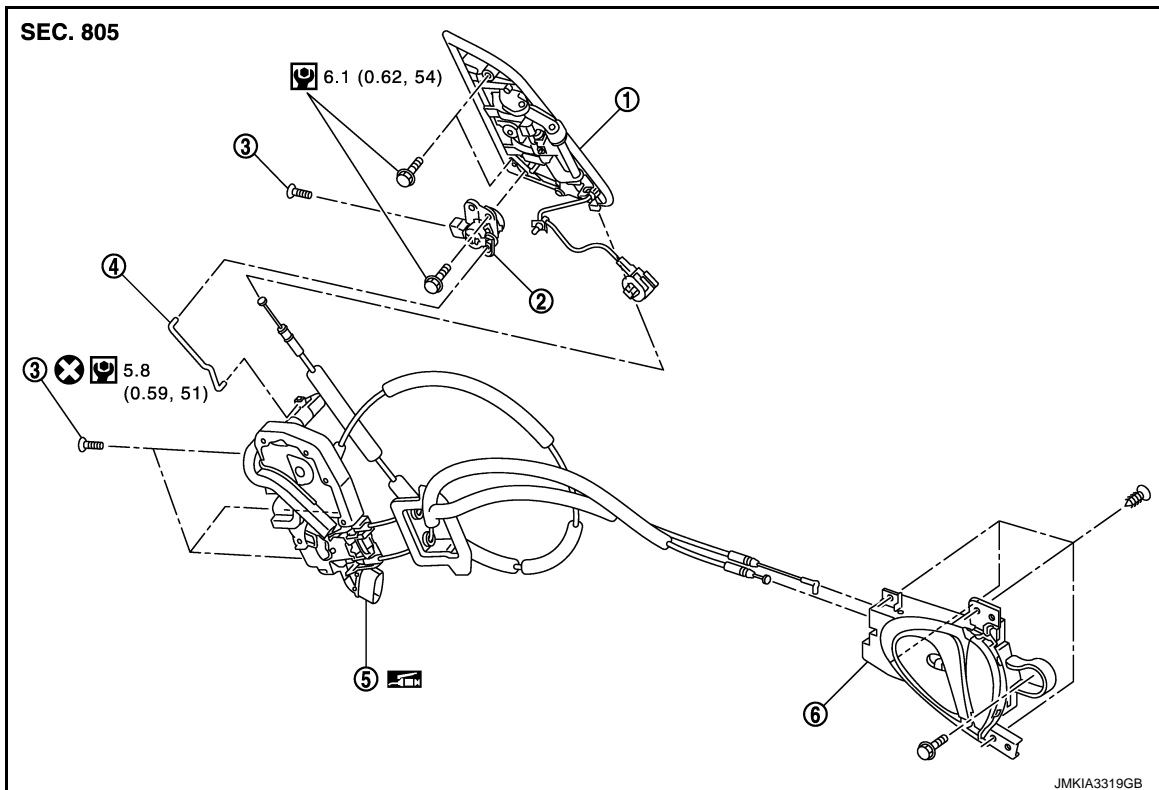
DOOR LOCK

< REMOVAL AND INSTALLATION >

[ROADSTER]

INSIDE HANDLE : Exploded View

INFOID:000000008196427



- | | | |
|--------------------------|---|------------------|
| 1. Outside handle | 2. Door key cylinder assembly (driver side) | 3. TORX bolt |
| 4. Key rod (driver side) | 5. Door lock assembly | 6. Inside handle |

Refer to [GI-4. "Components"](#) for symbols in the figure.

INSIDE HANDLE : Removal and Installation

INFOID:000000008196428

REMOVAL

1. Remove door finisher. Refer to [INT-15. "Removal and Installation"](#).
2. Remove inside handle mounting screws, and then remove the inside handle.

INSTALLATION

Install in the reverse order of removal.

CAUTION:

- Check that door lock cables are normally engaged with inside handle.
- After installation, check door open/close, and lock/unlock operation.

OUTSIDE HANDLE

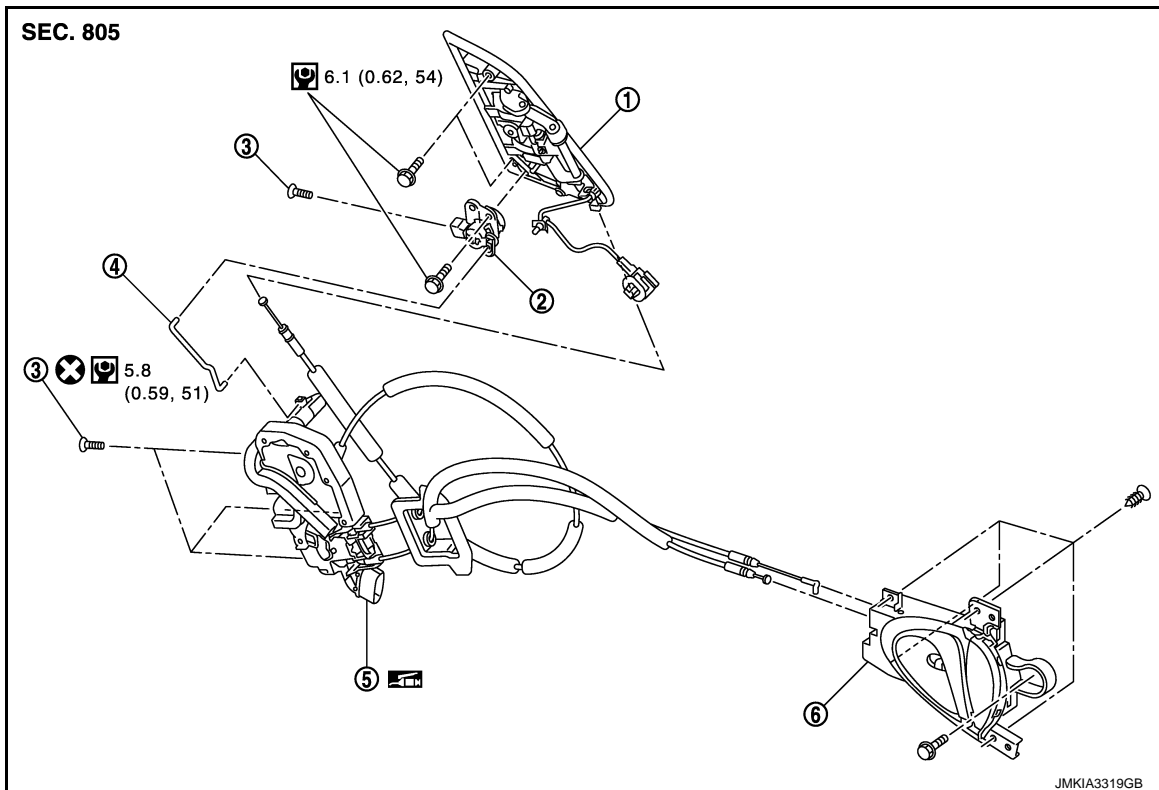
DOOR LOCK

< REMOVAL AND INSTALLATION >

[ROADSTER]

OUTSIDE HANDLE : Exploded View

INFOID:000000008196429



- | | | |
|--------------------------|---|------------------|
| 1. Outside handle | 2. Door key cylinder assembly (driver side) | 3. TORX bolt |
| 4. Key rod (driver side) | 5. Door lock assembly | 6. Inside handle |

Refer to [GI-4. "Components"](#) for symbols in the figure.

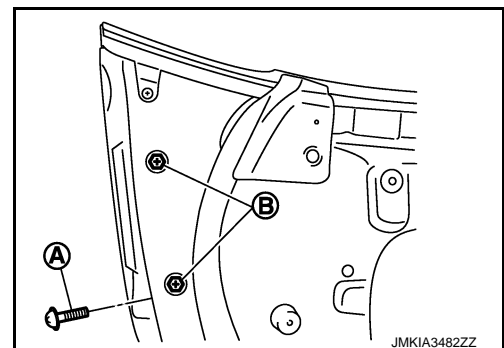
OUTSIDE HANDLE : Removal and Installation

INFOID:000000008196430

DLK

REMOVAL

1. Remove door finisher. Refer to [INT-15. "Removal and Installation"](#).
2. Remove door glass. Refer to [GW-20. "Removal and Installation"](#).
3. Remove door module assembly. Refer to [GW-23. "Removal and Installation"](#).
4. Disconnect key rod (driver side) and outside handle cable.
5. Disconnect door request switch connector, and then disconnect harness clamp.
6. Remove TORX bolt (A) from door key cylinder assembly (driver side).
7. Remove door side grommet, and then remove outside handle mounting bolts (B) through grommet hole.

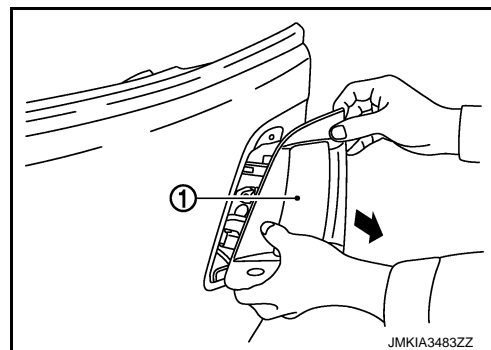


DOOR LOCK

[ROADSTER]

< REMOVAL AND INSTALLATION >

8. Pull and remove outside handle assembly (1).



INSTALLATION

Install in the reverse order of removal.

CAUTION:

- When installing key rod, rotate key rod holder until a click is felt.
- Check that door lock cable is normally engaged with outside handle.
- After installation, check door open/close, and lock/unlock operation.

TRUNK LID LOCK

< REMOVAL AND INSTALLATION >

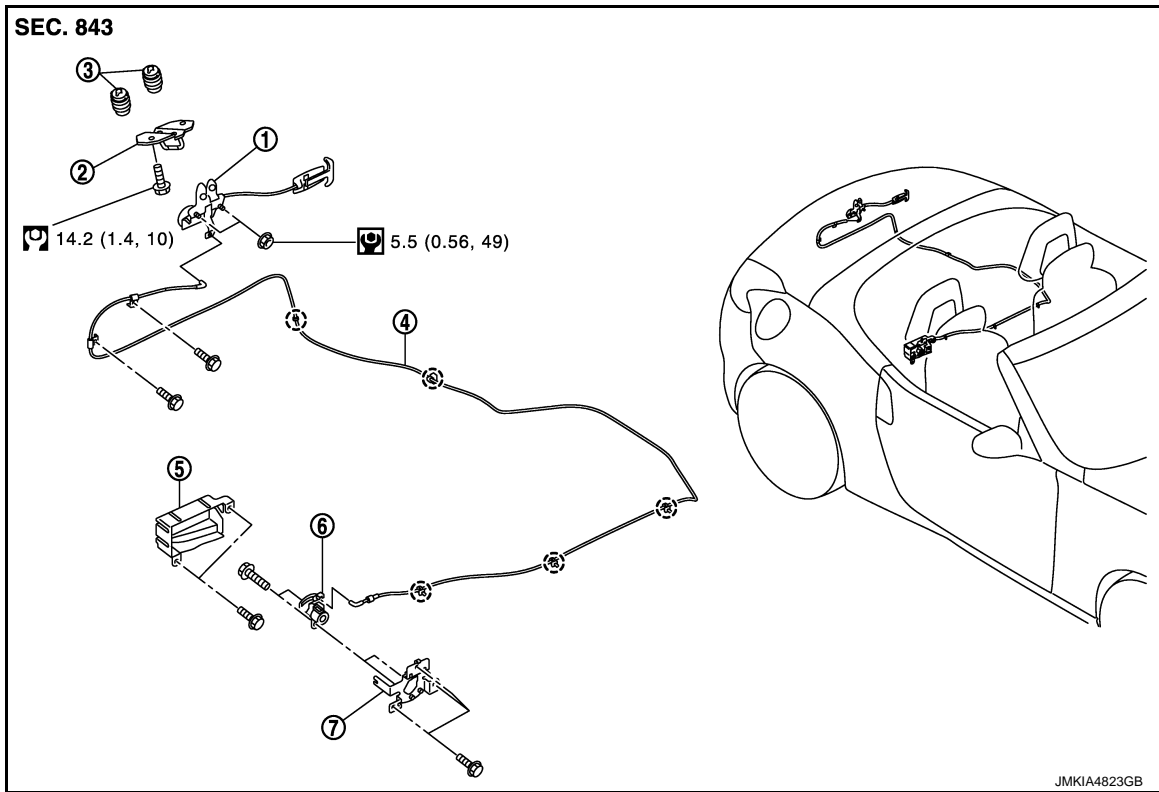
[ROADSTER]

TRUNK LID LOCK


TRUNK LID LOCK

TRUNK LID LOCK : Exploded View

INFOID:000000008196431



- | | | |
|--|--|---|
| 1. Trunk lid lock assembly | 2. Trunk lid striker | 3. Lift spring |
| 4. Trunk lid opener cable | 5. Trunk lid opener key cylinder cover | 6. Trunk lid opener key cylinder assembly |
| 7. Trunk lid opener key cylinder bracket | | |

 : Clip

Refer to [GI-4, "Components"](#) for symbols in the figure.

TRUNK LID LOCK : Removal and Installation

INFOID:000000008196432

REMOVAL

1. Remove trunk lid weather-strip. Refer to [DLK-333, "TRUNK LID WEATHER-STRIP : Removal and Installation"](#).
2. Remove trunk lid rear plate. Refer to [INT-76, "TRUNK REAR PLATE : Removal and Installation"](#).
3. Remove bolts from trunk lid opener cable.
4. Remove mounting nuts, and then remove trunk lid lock assembly.
5. Disconnect trunk lid opener actuator connector.
6. Using a flat-bladed screwdriver disconnect trunk lid opener cable from trunk lid lock assembly.
7. Remove trunk lid side finisher. Refer to [INT-77, "TRUNK SIDE FINISHER : Removal and Installation"](#).
8. Remove rear parcel shelf finisher assembly. Refer to [INT-67, "REAR PARCEL SHELF FINISHER ASSEMBLY : Removal and Installation"](#).
9. Remove bolts, and then remove trunk lid opener key cylinder cover.
10. Remove bolts, and then remove trunk lid opener key cylinder assembly.
11. Remove bolts, and then remove trunk lid opener key cylinder from trunk lid opener key cylinder bracket.
12. Disconnect trunk lid opener cable from trunk lid opener key cylinder.

A
B
C
D
E
F
G
H
I
J

DLK

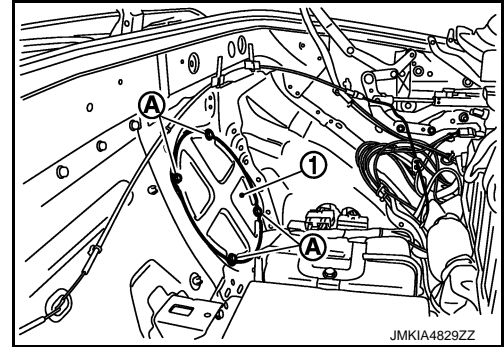
L
M
N
O
P

TRUNK LID LOCK

[ROADSTER]

< REMOVAL AND INSTALLATION >

13. Remove storage room finisher. Refer to [INT-77. "STORAGE ROOM FINISHER : Removal and Installation"](#).
14. Remove rear speaker. Refer to [AV-109. "Removal and Installation"](#). (with rear speaker)
15. Remove mounting bolts (A), and then remove side parcel shelf cover LH (1). (without rear speaker)



16. Disconnect clips, and then remove trunk lid opener cable.

INSTALLATION

Install in the reverse order of removal.

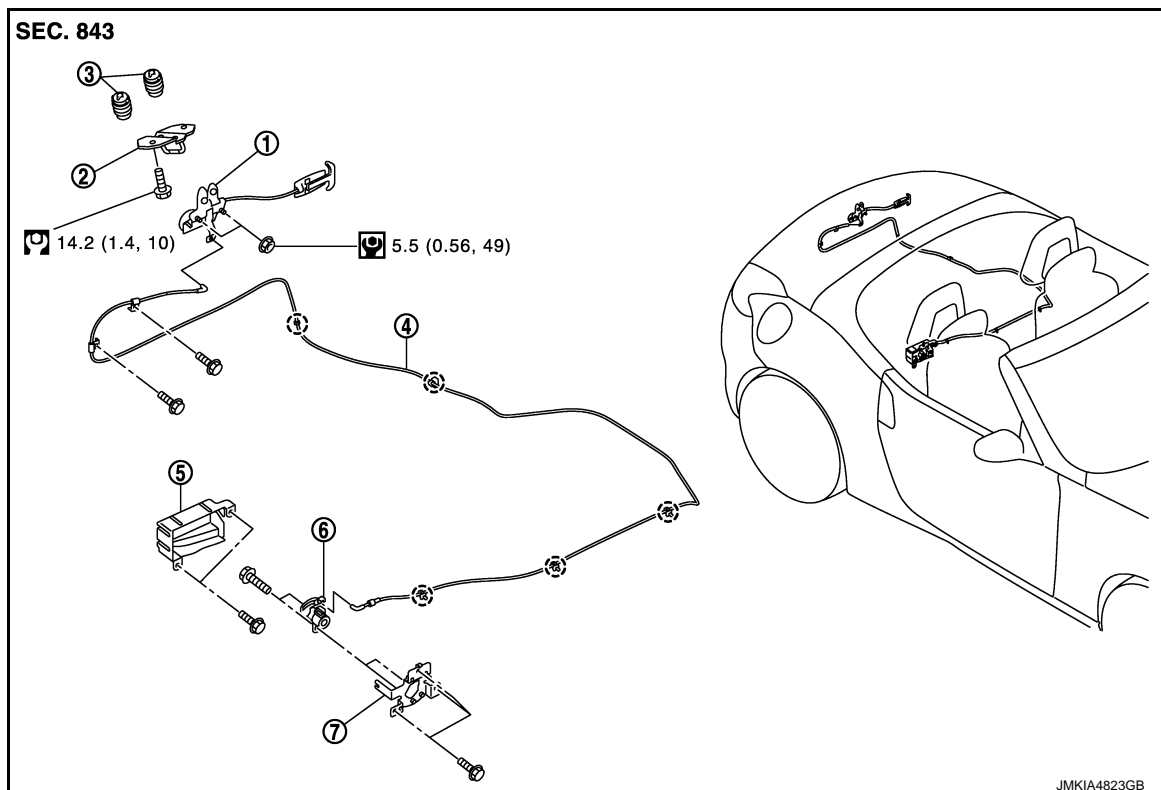
CAUTION:

After installation, check back door open/close, lock/unlock operation.

TRUNK LID STRIKER

TRUNK LID STRIKER : Exploded View

INFOID:000000008196433



- | | | |
|--|--|---|
| 1. Trunk lid lock assembly | 2. Trunk lid striker | 3. Lift spring |
| 4. Trunk lid opener cable | 5. Trunk lid opener key cylinder cover | 6. Trunk lid opener key cylinder assembly |
| 7. Trunk lid opener key cylinder bracket | | |

○ : Clip

Refer to [GI-4. "Components"](#) for symbols in the figure.

TRUNK LID LOCK

< REMOVAL AND INSTALLATION >

[ROADSTER]

TRUNK LID STRIKER : Removal and Installation

INFOID:000000008196434

REMOVAL

Remove mounting bolts, and then remove trunk lid striker.

INSTALLATION

Install in the reverse order of removal.

CAUTION:

- Check trunk lid open/close, lock/unlock operation after installation.
- When removing and installing trunk lid striker, perform the fitting adjustment. Refer to [DLK-329](#), "[TRUNK LID ASSEMBLY : Adjustment](#)".

A

B

C

D

E

F

G

H

I

J

DLK

L

M

N

O

P

FUEL FILLER LID OPENER

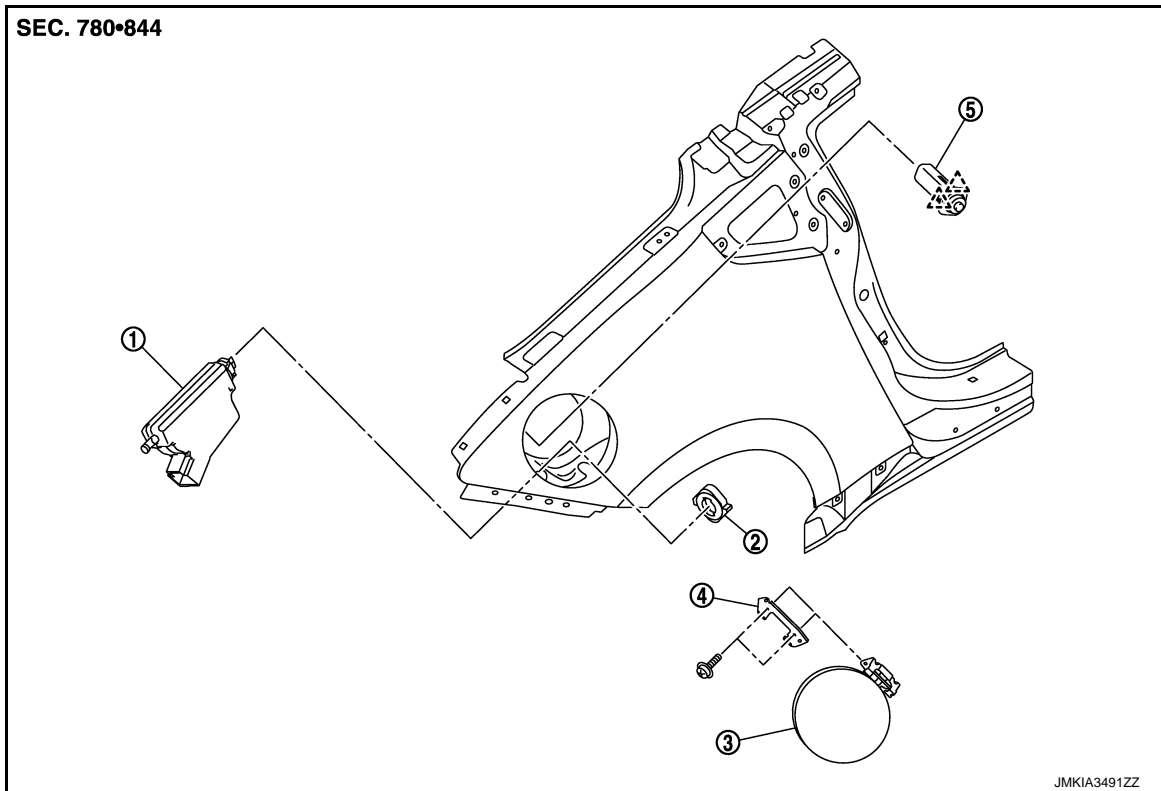
< REMOVAL AND INSTALLATION >

[ROADSTER]

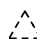
FUEL FILLER LID OPENER

Exploded View

INFOID:000000008196435



- | | | |
|------------------------------------|--------------------------|-----------------------------|
| 1. Fuel filler lid opener actuator | 2. Lock nut | 3. Fuel filler lid assembly |
| 4. Cover | 5. Lock and rod assembly | |

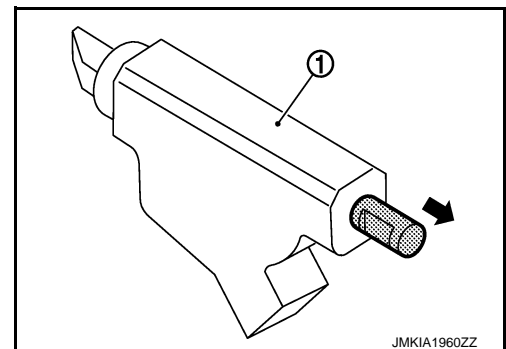
 : Pawl

Removal and Installation

INFOID:000000008196436

NOTE:

When fuel filler lid lock actuator (1) is a defective operation, pull the rod to open fuel filler lid.



REMOVAL

1. Remove trunk side finisher (RH). Refer to [INT-77. "TRUNK SIDE FINISHER : Removal and Installation"](#).
2. Pull and remove lock and rod assembly forward, while pushing the pawls.
3. Rotate lock nut counterclockwise, and then remove lock nut.
4. Push fuel filler lid opener actuator behind the vehicle, while pushing the pawl.
5. Disconnect harness connector and remove fuel filler lid opener actuator.
6. Remove mounting screws, and then remove fuel filler lid.

FUEL FILLER LID OPENER

< REMOVAL AND INSTALLATION >

[ROADSTER]

INSTALLATION

Install in the reverse order of removal.

A

B

C

D

E

F

G

H

I

J

DLK

L

M

N

O

P

DOOR SWITCH

< REMOVAL AND INSTALLATION >

[ROADSTER]

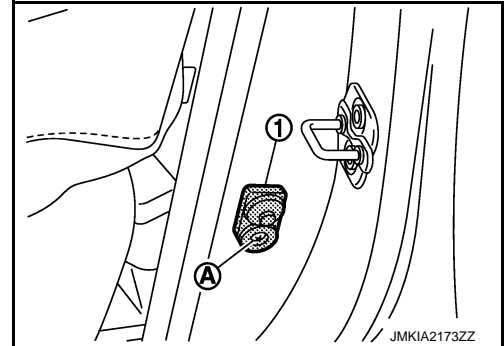
DOOR SWITCH

Removal and Installation

INFOID:000000008196437

REMOVAL

1. Remove the door switch mounting screw (A), and then remove door switch (1).



INSTALLATION

Install in the reverse order of removal.

TRUNK LID OPENER SWITCH ASSEMBLY

< REMOVAL AND INSTALLATION >

[ROADSTER]


TRUNK LID OPENER SWITCH ASSEMBLY

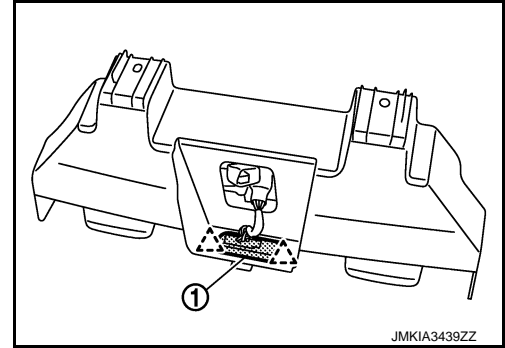
Removal and Installation

INFOID:000000008196438

REMOVAL

1. Remove the license plate lamp bracket. Refer to [EXT-17. "Removal and Installation"](#).
2. Remove the trunk lid opener switch assembly (1), and then remove pawls.

 : Pawl



INSTALLATION

Install in the reverse order of removal.

A
B
C
D
E
F
G
H
I
J
DLK
L
M
N
O
P

DLK

TRUNK LID OPENER CANCEL SWITCH

[ROADSTER]

< REMOVAL AND INSTALLATION >

TRUNK LID OPENER CANCEL SWITCH

Removal and Installation

INFOID:000000008196439

REMOVAL

1. Remove the instrument assist lower panel. Refer to [IP-15. "Removal and Installation"](#).
2. Remove the trunk lid opener cancel switch from instrument assist lower panel, and then remove pawl. Press trunk lid opener cancel switch back side to disengage from instrument assist lower panel.

INSTALLATION

Install in the reverse order of removal.

INSIDE KEY ANTENNA

< REMOVAL AND INSTALLATION >

[ROADSTER]

INSIDE KEY ANTENNA INSTRUMENT CENTER

INSTRUMENT CENTER : Removal and Installation

INFOID:000000008196440

REMOVAL

1. Remove the audio unit. Refer to [AV-30. "Removal and Installation"](#).
2. Remove the inside key antenna mounting screw, and then remove inside key antenna (instrument center).

INSTALLATION

Install in the reverse order of removal.

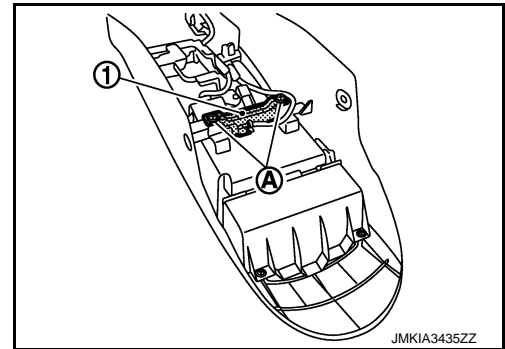
CONSOLE

CONSOLE : Removal and Installation

INFOID:000000008196441

REMOVAL

1. Remove the center console assembly. Refer to [IP-26. "Removal and Installation"](#).
2. Remove the inside key antenna mounting screws (A), and then remove inside key antenna (console) (1).



INSTALLATION

Install in the reverse order of removal.

TRUNK ROOM

TRUNK ROOM : Removal and Installation

INFOID:000000008196442

REMOVAL

1. Remove trunk floor carpet and trunk front finisher. Refer to [INT-76. "TRUNK FINISHER FRONT : Removal and Installation"](#).
2. Remove the inside key antenna mounting clips, and then remove inside key antenna (trunk room).

INSTALLATION

Install in the reverse order of removal.

A
B
C
D
E
F
G
H
I
J
DLK
L
M
N
O
P

OUTSIDE KEY ANTENNA

< REMOVAL AND INSTALLATION >

[ROADSTER]

OUTSIDE KEY ANTENNA

LH

LH : Removal and Installation

INFOID:000000008196443

REMOVAL

1. Remove the guard frame protector front LH. Refer to [INT-18. "FRONT PILLAR GARNISH : Removal and Installation"](#).
2. Remove the outside key antenna mounting screw, and then remove outside key antenna LH.

NOTE:

The same procedure is also performed for RH.

INSTALLATION

Install in the reverse order of removal.

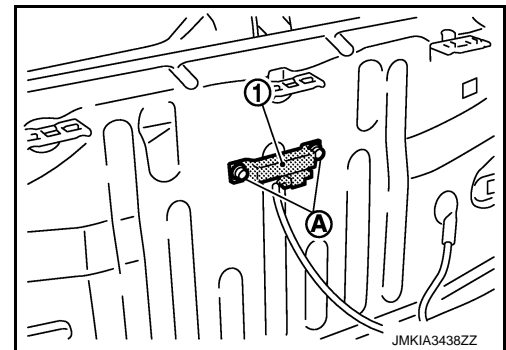
REAR BUMPER

REAR BUMPER : Removal and Installation

INFOID:000000008196444

REMOVAL

1. Remove the rear bumper. Refer to [EXT-17. "Removal and Installation"](#).
2. Remove the outside key antenna (rear bumper) mounting clips (A), and then remove outside key antenna (rear bumper) (1).



INSTALLATION

Install in the reverse order of removal.

INTELLIGENT KEY WARNING BUZZER

< REMOVAL AND INSTALLATION >

[ROADSTER]

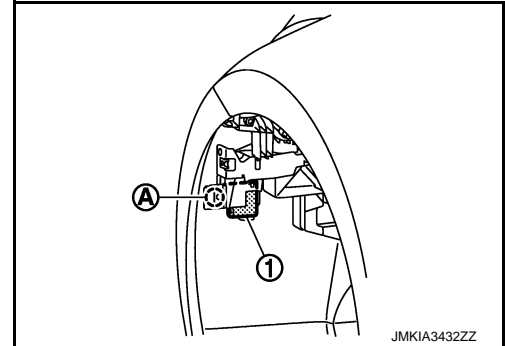
INTELLIGENT KEY WARNING BUZZER

Removal and Installation

INFOID:000000008196445

REMOVAL

1. Remove the fender protector LH. Refer to [EXT-25. "FENDER PROTECTOR : Removal and Installation"](#).
2. Remove the Intelligent Key warning buzzer mounting bolt (A), and then remove the Intelligent Key warning buzzer (1).



INSTALLATION

Install in the reverse order of removal.

A
B
C
D
E
F
G
H
I
J
L
M
N
O
P

DLK

REMOTE KEYLESS ENTRY RECEIVER

< REMOVAL AND INSTALLATION >

[ROADSTER]

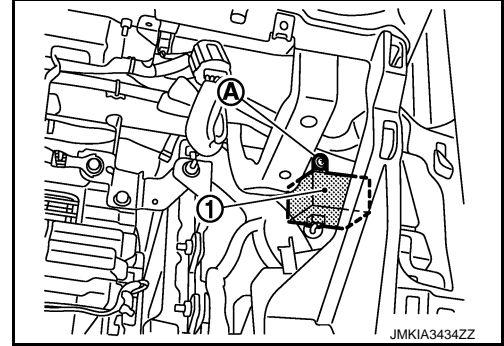
REMOTE KEYLESS ENTRY RECEIVER

Removal and Installation

INFOID:000000008196446

REMOVAL

1. Remove the instrument lower panel RH. Refer to [IP-15. "Removal and Installation"](#).
2. Remove the remote keyless entry receiver (front) mounting screw (A), and then remove remote keyless entry receiver (front) (1).



INSTALLATION

Install in the reverse order of removal.

INTELLIGENT KEY BATTERY

< REMOVAL AND INSTALLATION >

[ROADSTER]

INTELLIGENT KEY BATTERY

Removal and Installation

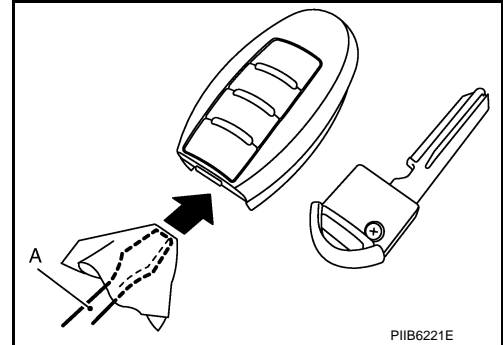
INFOID:000000008196447

1. Release the lock knob at the back of the Intelligent Key and remove the mechanical key.

2. Insert a flat-bladed screwdriver (A) wrapped with a cloth into the slit of the corner and twist it to separate the upper part from the lower part.

CAUTION:

- Never touch the circuit board or battery terminal.
- The key fob is water-resistant. However, if it does get wet, immediately wipe it dry.



3. Replace the battery with new one.

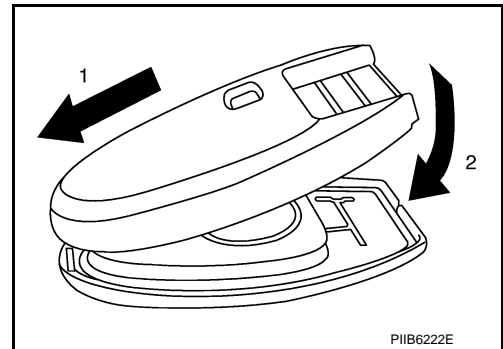
Battery replacement

:Coin-type lithium battery (CR2032)

4. Align the tips of the upper and lower parts, and then push them together until it is securely closed.

CAUTION:

- When replacing battery, keep dirt, grease, and other foreign materials off the electrode contact area.
- After replacing the battery, check that all Intelligent Key functions work normally.



A
B
C
D
E
F
G
H
I
J
DLK
L
M
N
O
P