

SECTION **EXT**
EXTERIOR

A
B
C
D
E
F
G
H
I
J
L
M
N
O
P

CONTENTS

REGULAR GRADE		Commercial Service Tools12
SYMPTOM DIAGNOSIS	3	REMOVAL AND INSTALLATION13
SQUEAK AND RATTLE TROUBLE DIAG- NOSES	3	FRONT BUMPER
Work Flow	3	Exploded View
Inspection Procedure	5	Removal and Installation
Diagnostic Worksheet	7	REAR BUMPER
PRECAUTION	9	Exploded View
PRECAUTIONS	9	Removal and Installation
FOR USA AND CANADA	9	FRONT SPOILER
FOR USA AND CANADA : Precaution for Supple- mental Restraint System (SRS) "AIR BAG" and "SEAT BELT PRE-TENSIONER"	9	Exploded View
FOR USA AND CANADA : Precautions Neces- sary for Steering Wheel Rotation After Battery Dis- connection	9	Removal and Installation
FOR USA AND CANADA : Precaution for Proce- dure without Cowl Top Cover	10	COWL TOP
FOR USA AND CANADA : Precaution for Battery Service	10	Exploded View
FOR USA AND CANADA : Precaution for Work	10	Removal and Installation
FOR MEXICO	10	FENDER PROTECTOR
FOR MEXICO : Precaution for Supplemental Re- straint System (SRS) "AIR BAG" and "SEAT BELT PRE-TENSIONER"	10	FENDER PROTECTOR
FOR MEXICO : Precautions Necessary for Steer- ing Wheel Rotation After Battery Disconnection	11	FENDER PROTECTOR : Exploded View
FOR MEXICO : Precaution for Procedure without Cowl Top Cover	11	FENDER PROTECTOR : Removal and Installa- tion
FOR MEXICO : Precaution for Battery Service	11	SILL COVER
FOR MEXICO : Precaution for Work	11	Exploded View
PREPARATION	12	Removal and Installation
PREPARATION	12	FLOOR SIDE FAIRING
Special Service Tools	12	ENGINE UNDER COVER
		ENGINE UNDER COVER : Exploded View
		ENGINE UNDER COVER : Removal and Installa- tion
		FLOOR UNDER COVER
		FLOOR UNDER COVER : Exploded View
		FLOOR UNDER COVER : Removal and Installa- tion
		DOOR OUTSIDE MOLDING

EXT

Exploded View	32	DOOR FINISHER	47
Removal and Installation	32	Door Finisher	47
FRONT PILLAR FINISHER	34	EMBLEM	48
FRONT PILLAR FINISHER (COUPE)	34	nismo EMBLEM	48
FRONT PILLAR FINISHER (Coupe) : Exploded View	34	BACK DOOR	49
FRONT PILLAR FINISHER (Coupe) : Removal and Installation	35	Back Door	49
FRONT PILLAR FINISHER (ROADSTER)	36	REMOVAL AND INSTALLATION	50
FRONT PILLAR FINISHER (Roadster) : Exploded View	37	FRONT BUMPER ASSEMBLY	50
FRONT PILLAR FINISHER (Roadster) : Removal and Installation	37	Exploded View	50
REAR SPOILER	41	Removal and Installation	51
Exploded View	41	Disassembly and Assembly	51
Removal and Installation	41	LICENSE PLATE BRACKET	53
Nismo 370Z		Exploded View	53
SPEC CHANGE INFORMATION	43	Removal and Installation	53
FRONT BUMPER WITH AERODYNAMIC SPLITTER	43	REAR BUMPER WITH AERODYNAMIC DIF- FUSER	54
Paint and Adhesive Tape	43	Exploded View	54
REAR BUMPER WITH AERODYNAMIC DIF- FUSER	44	Removal and Installation	55
Paint and Adhesive Tape	44	Disassembly and Assembly	56
SIDE SILL EXTENSIONS	45	SIDE SILL EXTENSIONS	58
Paint and Adhesive Tape	45	Exploded View	58
REAR SPOILER	46	Removal and Installation	58
Paint and Adhesive Tape	46	FRONT UNDER COVER	59
		Exploded View	59
		Removal and Installation	59
		REAR SPOILER	60
		Exploded View	60
		Removal and Installation	60
		Disassembly and Assembly	62

SQUEAK AND RATTLE TROUBLE DIAGNOSES

< SYMPTOM DIAGNOSIS >

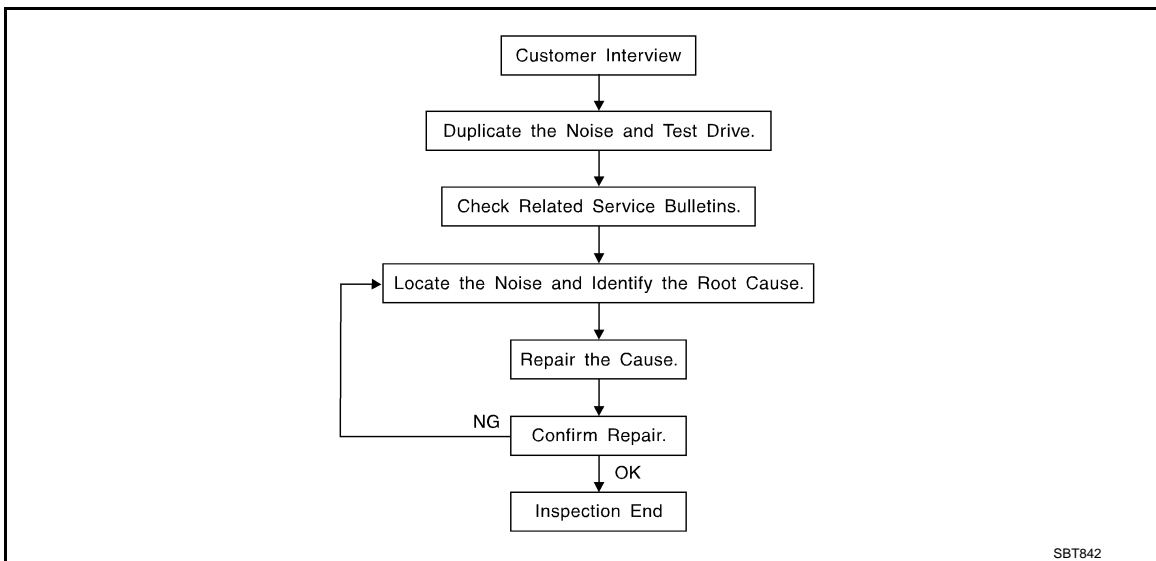
[REGULAR GRADE]

SYMPTOM DIAGNOSIS

SQUEAK AND RATTLE TROUBLE DIAGNOSES

Work Flow

INFOID:000000008195611



CUSTOMER INTERVIEW

Interview the customer if possible, to determine the conditions that exist when the noise occurs. Use the Diagnostic Worksheet during the interview to document the facts and conditions when the noise occurs and any of customer's comments; refer to [EXT-7, "Diagnostic Worksheet"](#). This information is necessary to duplicate the conditions that exist when the noise occurs.

- The customer may not be able to provide a detailed description or the location of the noise. Attempt to obtain all the facts and conditions that exist when the noise occurs (or does not occur).
- If there is more than one noise in the vehicle, perform a diagnosis and repair the noise that the customer is concerned about. This can be accomplished by performing a cruise test on the vehicle with the customer.
- After identifying the type of noise, isolate the noise in terms of its characteristics. The noise characteristics are provided so the customer, service adviser and technician are all speaking the same language when defining the noise.
- Squeak – (Like tennis shoes on a clean floor)
Squeak characteristics include the light contact/fast movement/brought on by road conditions/hard surfaces = higher pitch noise/softer surfaces = lower pitch noises/edge to surface = chirping
- Creak – (Like walking on an old wooden floor)
Creak characteristics include firm contact/slow movement/twisting with a rotational movement/pitch dependent on materials/often brought on by activity.
- Rattle – (Like shaking a baby rattle)
Rattle characteristics include the fast repeated contact/vibration or similar movement/loose parts/missing clip or fastener/incorrect clearance.
- Knock – (Like a knock on a door)
Knock characteristics include hollow sounding/sometimes repeating/often brought on by driver action.
- Tick – (Like a clock second hand)
Tick characteristics include gentle contacting of light materials/loose components/can be caused by driver action or road conditions.
- Thump – (Heavy, muffled knock noise)
Thump characteristics include softer knock/dead sound often brought on by activity.
- Buzz – (Like a bumblebee)
Buzz characteristics include high frequency rattle/firm contact.
- Often the degree of acceptable noise level will vary depending up on the person. A noise that a technician may judge as acceptable may be very irritating to the customer.
- Weather conditions, especially humidity and temperature, may have a great effect on noise level.

DUPLICATE THE NOISE AND TEST DRIVE

SQUEAK AND RATTLE TROUBLE DIAGNOSES

< SYMPTOM DIAGNOSIS >

[REGULAR GRADE]

If possible, drive the vehicle with the customer until the noise is duplicated. Note any additional information on the Diagnostic Worksheet regarding the conditions or location of the noise. This information can be used to duplicate the same conditions when the repair is reconfirmed.

If the noise can be duplicated easily during the test drive, to help identify the source of the noise, try to duplicate the noise with the vehicle stopped by doing one or all of the following:

- 1) Close a door.
 - 2) Tap or push/pull around the area where the noise appears to be coming from.
 - 3) Rev the engine.
 - 4) Use a floor jack to recreate vehicle "twist".
 - 5) At idle, apply engine load (electrical load, half-clutch on M/T models, drive position on A/T models).
 - 6) Raise the vehicle on a hoist and hit a tire with a rubber hammer.
- Drive the vehicle and attempt to duplicate the conditions the customer states exist when the noise occurs.
 - If it is difficult to duplicate the noise, drive the vehicle slowly on an undulating or rough road to stress the vehicle body.

CHECK RELATED SERVICE BULLETINS

After verifying the customer concern or symptom, check ASIST for Technical Service Bulletins (TSBs) related to that concern or symptom.

If a TSB relates to the symptom, follow the procedure to repair the noise.

LOCATE THE NOISE AND IDENTIFY THE ROOT CAUSE

1. Narrow down the noise to a general area. To help pinpoint the source of the noise, use a listening tool (Chassis ear: J-39570, Engine ear and mechanics stethoscope).
2. Narrow down the noise to a more specific area and identify the cause of the noise by:
 - Removing the components in the area that is are suspected to be the cause of the noise.
Do not use too much force when removing clips and fasteners, otherwise clips and fastener can be broken or lost during the repair, resulting in the creation of new noise.
 - Tapping or pushing/pulling the component that is are suspected to be the cause of the noise.
Do not tap or push/pull the component with excessive force, otherwise the noise will be eliminated only temporarily.
 - Feeling for a vibration by hand by touching the component(s) that is are suspected to be the cause of the noise.
 - Placing a piece of paper between components that are suspected to be the cause of the noise.
 - Looking for loose components and contact marks.
Refer to [EXT-5. "Inspection Procedure"](#).

REPAIR THE CAUSE

- If the cause is a loose component, tighten the component securely.
- If the cause is insufficient clearance between components:
 - Separate components by repositioning or loosening and retightening the component, if possible.
 - Insulate components with a suitable insulator such as urethane pads, foam blocks, felt cloth tape or urethane tape. A Nissan Squeak and Rattle Kit (J-43980) is available through the authorized Nissan Parts Department.

CAUTION:

Never use excessive force as many components are constructed of plastic and may be damaged.

NOTE:

Always check with the Parts Department for the latest parts information.

The following materials are contained in the Nissan Squeak and Rattle Kit (J-43980). Each item can be ordered separately as needed.

URETHANE PADS [1.5 mm (0.059 in) thick]

Insulates connectors, harness, etc.

76268-9E005: 100 × 135 mm (3.94 × 5.31 in)/76884-71L01: 60 × 85 mm (2.36 × 3.35 in)/76884-71L02: 15 × 25 mm (0.59 × 0.98 in)

INSULATOR (Foam blocks)

Insulates components from contact. Can be used to fill space behind a panel.

73982-9E000: 45 mm (1.77 in) thick, 50 × 50 mm (1.97 × 1.97 in)/73982-

50Y00: 10 mm (0.39 in) thick, 50 × 50 mm (1.97 × 1.97 in)

INSULATOR (Light foam block)

80845-71L00: 30 mm (1.18 in) thick, 30 × 50 mm (1.18 × 1.97in)

FELT CLOTHTAPE

Used to insulate where movement does not occur. Ideal for instrument panel applications.

SQUEAK AND RATTLE TROUBLE DIAGNOSES

< SYMPTOM DIAGNOSIS >

[REGULAR GRADE]

68370-4B000: 15 × 25 mm (0.59 × 0.98 in) pad/68239-13E00: 5 mm (0.20 in) wide tape roll

The following materials, not found in the kit, can also be used to repair squeaks and rattles.

UHMW (TEFLON) TAPE

Insulates where slight movement is present. Ideal for instrument panel applications.

SILICONE GREASE

Used in place of UHMW tape that is be visible or does not fit. Will only last a few months.

SILICONE SPRAY

Used when grease cannot be applied.

DUCT TAPE

Used to eliminate movement.

CONFIRM THE REPAIR

Confirm that the cause of a noise is repaired by test driving the vehicle. Operate the vehicle under the same conditions as when the noise originally occurred. Refer to the notes on the Diagnostic Worksheet.

Inspection Procedure

INFOID:000000008195612

Refer to Table of Contents for specific component removal and installation information.

INSTRUMENT PANEL

Most incidents are caused by contact and movement between:

1. The cluster lid A and instrument panel
2. Acrylic lens and combination meter housing
3. Instrument panel to front pillar garnish
4. Instrument panel to windshield
5. Instrument panel mounting pins
6. Wiring harnesses behind the combination meter
7. A/C defroster duct and duct joint

These incidents can usually be located by tapping or moving the components to duplicate the noise or by pressing on the components while driving to stop the noise. Most of these incidents can be repaired by applying felt cloth tape or silicon spray (in hard to reach areas). Urethane pads can be used to insulate wiring harness.

CAUTION:

Never use silicone spray to isolate a squeak or rattle. If the area is saturated with silicone, the recheck of repair becomes impossible.

CENTER CONSOLE

Components to pay attention to include:

1. Shifter assembly cover to finisher
2. A/C control unit and cluster lid C
3. Wiring harnesses behind audio and A/C control unit

The instrument panel repair and isolation procedures also apply to the center console.

DOORS

Pay attention to the following:

1. Finisher and inner panel making a slapping noise
2. Inside handle escutcheon to door finisher
3. Wiring harnesses tapping
4. Door striker out of alignment causing a popping noise on starts and stops

Tapping or moving the components or pressing on them while driving to duplicate the conditions can isolate many of these incidents. The areas can usually be insulated with felt cloth tape or insulator foam blocks from the Nissan Squeak and Rattle Kit (J-43980) to repair the noise.

TRUNK

Trunk noises are often caused by a loose jack or loose items put into the trunk by the customer.

In addition look for the following:

1. Trunk lid dumpers out of adjustment
2. Trunk lid striker out of adjustment

A

B

C

D

E

F

G

H

I

J

EXT

L

M

N

O

P

SQUEAK AND RATTLE TROUBLE DIAGNOSES

< SYMPTOM DIAGNOSIS >

[REGULAR GRADE]

3. The trunk lid torsion bars knocking together
4. A loose license plate or bracket

Most of these incidents can be repaired by adjusting, securing or insulating the item(s) or component(s) causing the noise.

SUNROOF/HEADLINING

Noises in the sunroof/headlining area can often be traced to one of the following:

1. Sunroof lid, rail, linkage or seals making a rattle or light knocking noise
2. Sunvisor shaft shaking in the holder
3. Front or rear windshield touching headlining and squeaking

Again, pressing on the components to stop the noise while duplicating the conditions can isolate most of these incidents. Repairs usually consist of insulating with felt cloth tape.

SEATS

When isolating seat noise it's important to note the position the seats in and the load placed on the seat when the noise occurs. These conditions should be duplicated when verifying and isolating the cause of the noise.

Cause of seat noise include:

1. Headrest rods and holder
2. A squeak between the seat pad cushion and frame
3. The rear seatback lock and bracket

These noises can be isolated by moving or pressing on the suspected components while duplicating the conditions under which the noise occurs. Most of these incidents can be repaired by repositioning the component or applying urethane tape to the contact area.

UNDERHOOD

Some interior noise may be caused by components under the hood or on the engine wall. The noise is then transmitted into the passenger compartment.

Causes of transmitted underhood noise include:

1. Any component mounted to the engine wall
2. Components that pass through the engine wall
3. Engine wall mounts and connectors
4. Loose radiator mounting pins
5. Hood bumpers out of adjustment
6. Hood striker out of adjustment

These noises can be difficult to isolate since they cannot be reached from the interior of the vehicle. The best method is to secure, move or insulate one component at a time and test drive the vehicle. Also, engine RPM or load can be changed to isolate the noise. Repairs can usually be made by moving, adjusting, securing, or insulating the component causing the noise.

SQUEAK AND RATTLE TROUBLE DIAGNOSES

< SYMPTOM DIAGNOSIS >

[REGULAR GRADE]

Diagnostic Worksheet

INFOID:000000008195613



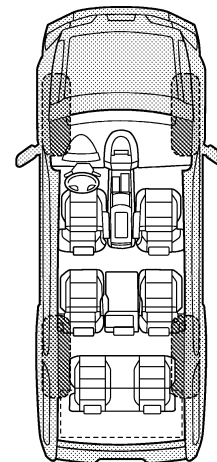
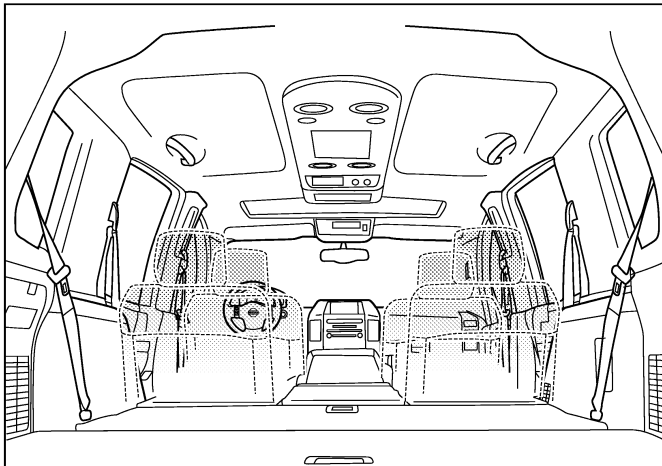
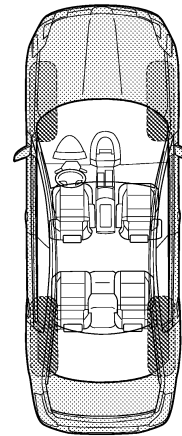
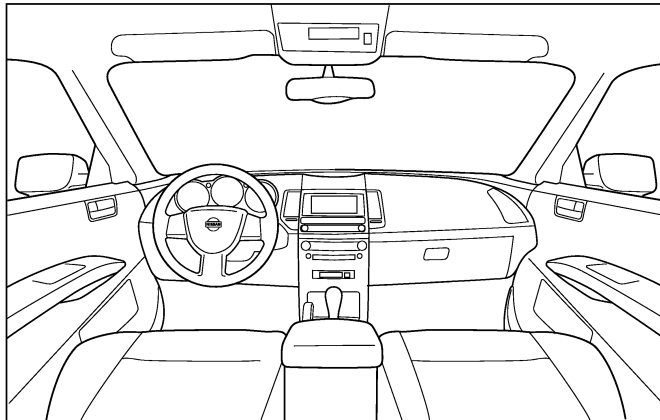
SQUEAK & RATTLE DIAGNOSTIC WORKSHEET

Dear Nissan Customer:

We are concerned about your satisfaction with your Nissan vehicle. Repairing a squeak or rattle sometimes can be very difficult. To help us fix your Nissan right the first time, please take a moment to note the area of the vehicle where the squeak or rattle occurs and under what conditions. You may be asked to take a test drive with a service advisor or technician to ensure we confirm the noise you are hearing.

I. WHERE DOES THE NOISE COME FROM? (circle the area of the vehicle)

The illustrations are for reference only, and may not reflect the actual configuration of your vehicle.



Continue to page 2 of the worksheet and briefly describe the location of the noise or rattle. In addition, please indicate the conditions which are present when the noise occurs.

PIIB8740E

A
B
C
D
E
F
G
H
I
J
EXT
L
M
N
O
P

SQUEAK AND RATTLE TROUBLE DIAGNOSES

< SYMPTOM DIAGNOSIS >

[REGULAR GRADE]

SQUEAK & RATTLE DIAGNOSTIC WORKSHEET - page 2

Briefly describe the location where the noise occurs:

II. WHEN DOES IT OCCUR? (please check the boxes that apply)

- | | |
|---|--|
| <input type="checkbox"/> anytime | <input type="checkbox"/> after sitting out in the rain |
| <input type="checkbox"/> 1st time in the morning | <input type="checkbox"/> when it is raining or wet |
| <input type="checkbox"/> only when it is cold outside | <input type="checkbox"/> dry or dusty conditions |
| <input type="checkbox"/> only when it is hot outside | <input type="checkbox"/> other: |

III. WHEN DRIVING:

- through driveways
- over rough roads
- over speed bumps
- only about ____ mph
- on acceleration
- coming to a stop
- on turns: left, right or either (circle)
- with passengers or cargo
- other: _____
- after driving ____ miles or ____ minutes

IV. WHAT TYPE OF NOISE

- squeak (like tennis shoes on a clean floor)
- creak (like walking on an old wooden floor)
- rattle (like shaking a baby rattle)
- knock (like a knock at the door)
- tick (like a clock second hand)
- thump (heavy, muffled knock noise)
- buzz (like a bumble bee)

TO BE COMPLETED BY DEALERSHIP PERSONNEL

Test Drive Notes:

	YES	NO	Initials of person performing
Vehicle test driven with customer	<input type="checkbox"/>	<input type="checkbox"/>	_____
- Noise verified on test drive	<input type="checkbox"/>	<input type="checkbox"/>	_____
- Noise source located and repaired	<input type="checkbox"/>	<input type="checkbox"/>	_____
- Follow up test drive performed to confirm repair	<input type="checkbox"/>	<input type="checkbox"/>	_____

VIN: _____ Customer Name: _____
W.O.# _____ Date: _____

This form must be attached to Work Order

PIIB8742E

PRECAUTION

PRECAUTIONS
FOR USA AND CANADA

FOR USA AND CANADA : Precaution for Supplemental Restraint System (SRS) "AIR BAG" and "SEAT BELT PRE-TENSIONER"

INFOID:000000008195614

The Supplemental Restraint System such as "AIR BAG" and "SEAT BELT PRE-TENSIONER", used along with a front seat belt, helps to reduce the risk or severity of injury to the driver and front passenger for certain types of collision. This system includes seat belt switch inputs and dual stage front air bag modules. The SRS system uses the seat belt switches to determine the front air bag deployment, and may only deploy one front air bag, depending on the severity of a collision and whether the front occupants are belted or unbelted. Information necessary to service the system safely is included in the "SRS AIR BAG" and "SEAT BELT" of this Service Manual.

WARNING:

Always observe the following items for preventing accidental activation.

- To avoid rendering the SRS inoperative, which could increase the risk of personal injury or death in the event of a collision that would result in air bag inflation, all maintenance must be performed by an authorized NISSAN/INFINITI dealer.
- Improper maintenance, including incorrect removal and installation of the SRS, can lead to personal injury caused by unintentional activation of the system. For removal of Spiral Cable and Air Bag Module, see "SRS AIR BAG".
- Never use electrical test equipment on any circuit related to the SRS unless instructed to in this Service Manual. SRS wiring harnesses can be identified by yellow and/or orange harnesses or harness connectors.

PRECAUTIONS WHEN USING POWER TOOLS (AIR OR ELECTRIC) AND HAMMERS

WARNING:

Always observe the following items for preventing accidental activation.

- When working near the Air Bag Diagnosis Sensor Unit or other Air Bag System sensors with the ignition ON or engine running, never use air or electric power tools or strike near the sensor(s) with a hammer. Heavy vibration could activate the sensor(s) and deploy the air bag(s), possibly causing serious injury.
- When using air or electric power tools or hammers, always switch the ignition OFF, disconnect the battery, and wait at least 3 minutes before performing any service.

FOR USA AND CANADA : Precautions Necessary for Steering Wheel Rotation After Battery Disconnection

INFOID:000000008195615

CAUTION:

Comply with the following cautions to prevent any error and malfunction.

- Before removing and installing any control units, first turn the ignition switch to the LOCK position, then disconnect both battery cables.
- After finishing work, confirm that all control unit connectors are connected properly, then re-connect both battery cables.
- Always use CONSULT to perform self-diagnosis as a part of each function inspection after finishing work. If a DTC is detected, perform trouble diagnosis according to self-diagnosis results.

For vehicle with steering lock unit, if the battery is disconnected or discharged, the steering wheel will lock and cannot be turned.

If turning the steering wheel is required with the battery disconnected or discharged, follow the operation procedure below before starting the repair operation.

OPERATION PROCEDURE

1. Connect both battery cables.
NOTE:
Supply power using jumper cables if battery is discharged.
2. Turn the ignition switch to ACC position.
(At this time, the steering lock will be released.)

A
B
C
D
E
F
G
H
I
J
EXT
L
M
N
O
P

PRECAUTIONS

[REGULAR GRADE]

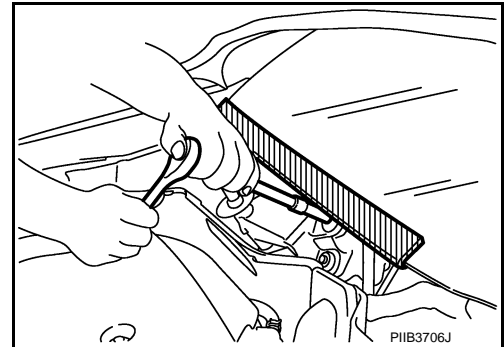
< PRECAUTION >

3. Disconnect both battery cables. The steering lock will remain released with both battery cables disconnected and the steering wheel can be turned.
4. Perform the necessary repair operation.
5. When the repair work is completed, re-connect both battery cables. With the brake pedal released, turn the ignition switch from ACC position to ON position, then to LOCK position. (The steering wheel will lock when the ignition switch is turned to LOCK position.)
6. Perform self-diagnosis check of all control units using CONSULT.

FOR USA AND CANADA : Precaution for Procedure without Cowl Top Cover

INFOID:000000008195616

When performing the procedure after removing cowl top cover, cover the lower end of windshield with urethane, etc to prevent damage to windshield.



FOR USA AND CANADA : Precaution for Battery Service

INFOID:000000008195617

Before disconnecting the battery, lower both the driver and passenger windows. This will prevent any interference between the window edge and the vehicle when the door is opened/closed. During normal operation, the window slightly raises and lowers automatically to prevent any window to vehicle interference. The automatic window function will not work with the battery disconnected.

FOR USA AND CANADA : Precaution for Work

INFOID:000000008195618

- After removing and installing the opening/closing parts, be sure to carry out fitting adjustments to check their operation.
- Check the lubrication level, damage, and wear of each part. If necessary, grease or replace it.

FOR MEXICO

FOR MEXICO : Precaution for Supplemental Restraint System (SRS) "AIR BAG" and "SEAT BELT PRE-TENSIONER"

INFOID:000000008195619

The Supplemental Restraint System such as "AIR BAG" and "SEAT BELT PRE-TENSIONER", used along with a front seat belt, helps to reduce the risk or severity of injury to the driver and front passenger for certain types of collision. Information necessary to service the system safely is included in the "SRS AIR BAG" and "SEAT BELT" of this Service Manual.

WARNING:

Always observe the following items for preventing accidental activation.

- **To avoid rendering the SRS inoperative, which could increase the risk of personal injury or death in the event of a collision that would result in air bag inflation, all maintenance must be performed by an authorized NISSAN/INFINITI dealer.**
- **Improper maintenance, including incorrect removal and installation of the SRS, can lead to personal injury caused by unintentional activation of the system. For removal of Spiral Cable and Air Bag Module, see "SRS AIR BAG".**
- **Never use electrical test equipment on any circuit related to the SRS unless instructed to in this Service Manual. SRS wiring harnesses can be identified by yellow and/or orange harnesses or harness connectors.**

PRECAUTIONS WHEN USING POWER TOOLS (AIR OR ELECTRIC) AND HAMMERS

WARNING:

Always observe the following items for preventing accidental activation.

- **When working near the Air Bag Diagnosis Sensor Unit or other Air Bag System sensors with the ignition ON or engine running, never use air or electric power tools or strike near the sensor(s) with**

PRECAUTIONS

< PRECAUTION >

[REGULAR GRADE]

a hammer. Heavy vibration could activate the sensor(s) and deploy the air bag(s), possibly causing serious injury.

- When using air or electric power tools or hammers, always switch the ignition OFF, disconnect the battery, and wait at least 3 minutes before performing any service.

FOR MEXICO : Precautions Necessary for Steering Wheel Rotation After Battery Disconnection

INFOID:000000008195620

CAUTION:

Comply with the following cautions to prevent any error and malfunction.

- Before removing and installing any control units, first turn the ignition switch to the LOCK position, then disconnect both battery cables.
- After finishing work, confirm that all control unit connectors are connected properly, then re-connect both battery cables.
- Always use CONSULT to perform self-diagnosis as a part of each function inspection after finishing work. If a DTC is detected, perform trouble diagnosis according to self-diagnosis results.

For vehicle with steering lock unit, if the battery is disconnected or discharged, the steering wheel will lock and cannot be turned.

If turning the steering wheel is required with the battery disconnected or discharged, follow the operation procedure below before starting the repair operation.

OPERATION PROCEDURE

1. Connect both battery cables.

NOTE:

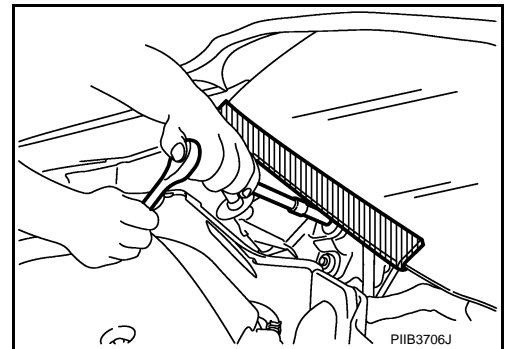
Supply power using jumper cables if battery is discharged.

2. Turn the ignition switch to ACC position.
(At this time, the steering lock will be released.)
3. Disconnect both battery cables. The steering lock will remain released with both battery cables disconnected and the steering wheel can be turned.
4. Perform the necessary repair operation.
5. When the repair work is completed, re-connect both battery cables. With the brake pedal released, turn the ignition switch from ACC position to ON position, then to LOCK position. (The steering wheel will lock when the ignition switch is turned to LOCK position.)
6. Perform self-diagnosis check of all control units using CONSULT.

FOR MEXICO : Precaution for Procedure without Cowl Top Cover

INFOID:000000008195621

When performing the procedure after removing cowl top cover, cover the lower end of windshield with urethane, etc to prevent damage to windshield.



FOR MEXICO : Precaution for Battery Service

INFOID:000000008195622

Before disconnecting the battery, lower both the driver and passenger windows. This will prevent any interference between the window edge and the vehicle when the door is opened/closed. During normal operation, the window slightly raises and lowers automatically to prevent any window to vehicle interference. The automatic window function will not work with the battery disconnected.

FOR MEXICO : Precaution for Work

INFOID:000000008195623

- After removing and installing the opening/closing parts, be sure to carry out fitting adjustments to check their operation.
- Check the lubrication level, damage, and wear of each part. If necessary, grease or replace it.

A
B
C
D
E
F
G
H
I
J

EXT

L
M
N
O

P

PREPARATION

< PREPARATION >

[REGULAR GRADE]

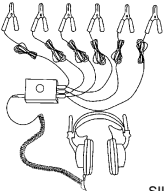
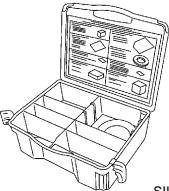
PREPARATION

PREPARATION

Special Service Tools

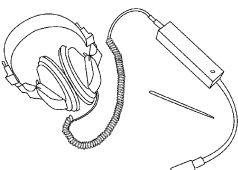
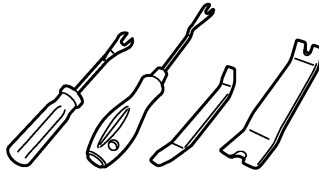
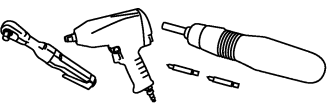
INFOID:000000008195624

The actual shapes of Kent-Moore tools may differ from those of special service tools illustrated here.

	Tool number (Kent-Moore No.) Tool name	Description
(J-39570) Chassis ear	 <p>SIIA0993E</p>	Locates the noise
(J-43980) NISSAN Squeak and Rattle Kit	 <p>SIIA0994E</p>	Repairs the cause of noise

Commercial Service Tools

INFOID:000000008195625

	Tool name	Description
Engine ear	 <p>SIIA0995E</p>	Locates the noise
Remover tool	 <p>JMKIA3050ZZ</p>	Removes clips, pawls, and metal clips
Power tool	 <p>PIIB1407E</p>	

FRONT BUMPER

< REMOVAL AND INSTALLATION >

[REGULAR GRADE]

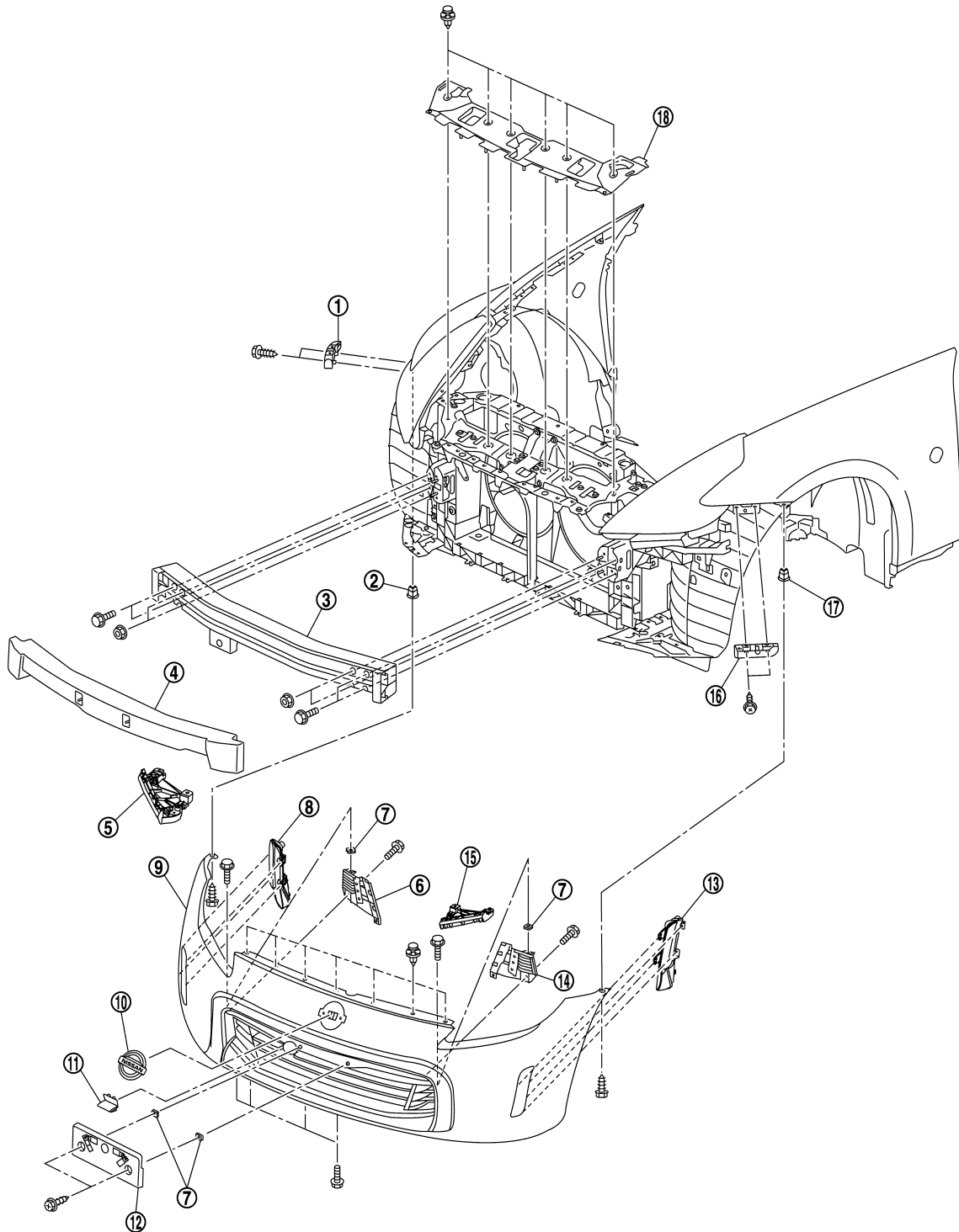
REMOVAL AND INSTALLATION

FRONT BUMPER

Exploded View

INFOID:000000008195626

SEC. 620



A
B
C
D
E
F
G
H
I
J
EXT
L
M
N
O
P

JSKIA2782ZZ

FRONT BUMPER

< REMOVAL AND INSTALLATION >

[REGULAR GRADE]

- | | | |
|---------------------------------------|--------------------------------------|----------------------------------|
| 1. Bumper side bracket RH | 2. Bumper side grommet RH | 3. Bumper reinforcement |
| 4. Energy absorber | 5. Clip front bumper RH | 6. Bumper sight shield RH |
| 7. Spring nut | 8. Day time running lamp assembly RH | 9. Bumper fascia assembly |
| 10. Front emblem | 11. Bumper finisher | 12. License plate bracket |
| 13. Day time running lamp assembly LH | 14. Bumper sight shield LH | 15. Clip front bumper LH |
| 16. Bumper side bracket LH | 17. Bumper side grommet LH | 18. Bumper center upper finisher |

Removal and Installation

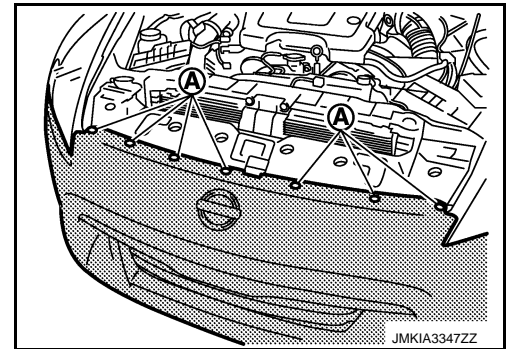
INFOID:000000008195627

REMOVAL

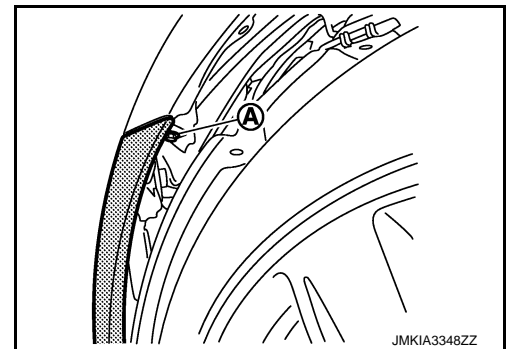
CAUTION:

Bumper fascia is made of resin. Never apply strong force to it, and be careful to prevent contact with oil.

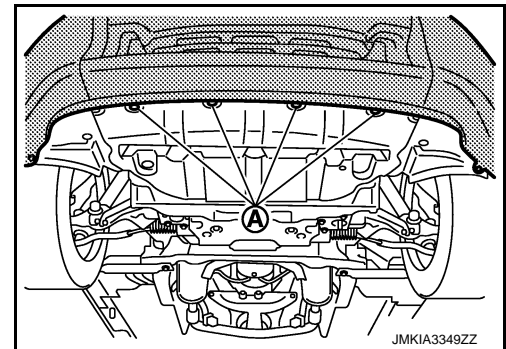
1. Fully open hood assembly.
2. Remove front bumper fascia assembly upper side fixing clips (A).



3. Remove fender protector (front) fixing clips and screws to access bumper fascia assembly fixing screw (A), and then remove bumper fascia fixing screws (LH/RH).



4. Remove bumper fascia assembly fixing bolts (A) from bumper fascia assembly lower side.




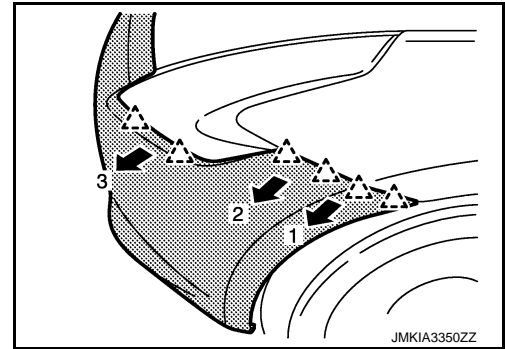
FRONT BUMPER

< REMOVAL AND INSTALLATION >

[REGULAR GRADE]

- Pull bumper fascia assembly side toward the vehicle side as shown by the arrow in the figure, and then disengage bumper fascia assembly from bumper side brackets (LH/RH).

 : Pawl



- Disconnect the day time running lamp harness connector.
- Remove bumper fascia assembly.

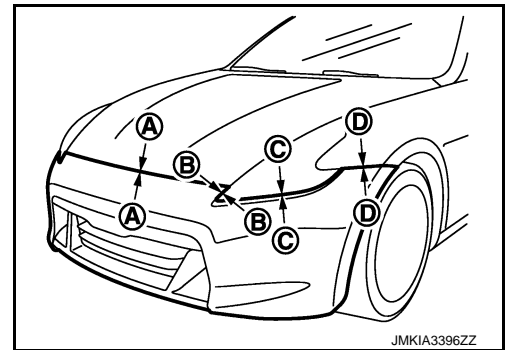
CAUTION:
When removing bumper fascia, 2 workers are required so as to prevent it from dropping.
- Remove the following parts after removing bumper fascia.
 - Bumper sight shields (LH/RH)
 - Bumper finisher
 - Bumper side brackets (LH/RH)
 - Front spoiler. Refer to [EXT-20. "Removal and Installation"](#).
 - License plate bracket
 - Day time running lamps (LH/RH)
- Remove bumper energy absorber.
- Remove bumper reinforcement mounting nuts and bolts, and then remove bumper reinforcement with power tool.

INSTALLATION

Note the following item, and then install in the reverse order of removal.

NOTE:

After installing, perform fitting adjustment.



Portion		Clearance	Surface height difference
Front bumper – Hood	A – A	2.9 – 6.9 mm (0.114 – 0.272 in)	-1.0 – 3.0 mm (-0.039 – 0.118 in)
Front bumper – Front combination lamp	B – B	1.8 – 5.2 mm (0.071 – 0.205 in)	—
Front bumper – Front combination lamp	C – C	0.0 – 3.0 mm (0.000 – 0.118 in)	—
Front bumper – Front fender	D – D	0.0 – 0.8 mm (0.000 – 0.031 in)	-0.25 – 1.75 mm (-0.010 – 0.069 in)

REAR BUMPER

< REMOVAL AND INSTALLATION >

[REGULAR GRADE]

- | | | |
|------------------------------|---------------------------|----------------------------|
| 10. Bumper brace LH | 11. Rivet | 12. Bumper fascia assembly |
| 13. Reflex reflector bracket | 14. Reflex reflector | 15. Rear fog lamp |
| 16. Rear fog lamp bracket | 17. Bumper lower retainer | 18. Bumper cover |
| 19. U-nut | 20. Rear emblem | 21. Bumper brace RH |
| 22. Bumper closing RH | 23. Bumper stay RH | 24. Bumper side bracket RH |
| 25. Bumper side grommet RH | | |

Refer to [GI-4, "Components"](#) for symbols in the figure.

Removal and Installation


INFOID:000000008195629

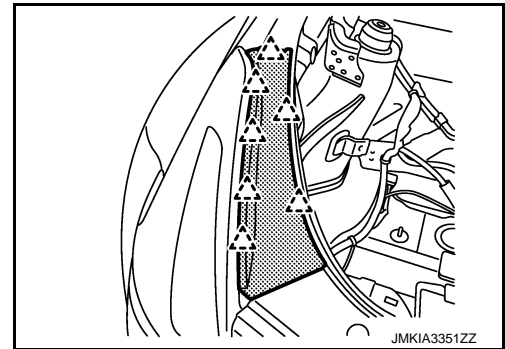
REMOVAL

CAUTION:

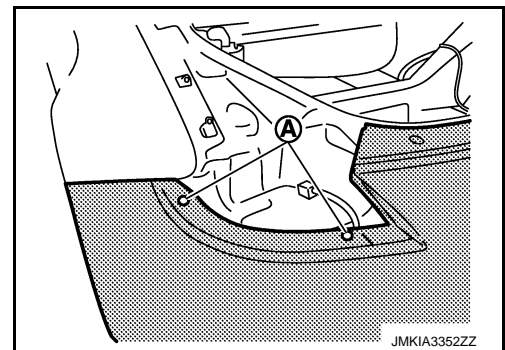
Bumper fascia is made of resin. Never apply strong force to it, and be careful to prevent contact with oil.

1. Fully open back door.
2. Remove rear combination lamp finishers (LH/RH).

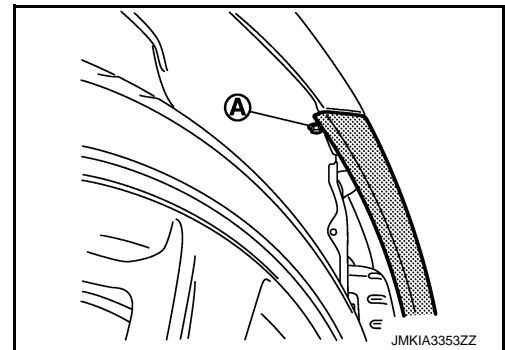
 : Pawl



3. Remove rear combination lamps (LH/RH). Refer to [EXL-84, "Removal and Installation"](#).
4. Remove clips (A) (LH/RH) located under rear combination lamps (LH/RH).



5. Remove bumper closings (LH/RH).
6. Remove bumper fascia assembly fixing screws (A) (LH/RH).



7. Remove bumper fascia assembly fixing clip and screws from bumper fascia assembly lower side.


A
B
C
D
E
F
G
H
I
J
EXT
L
M
N
O
P

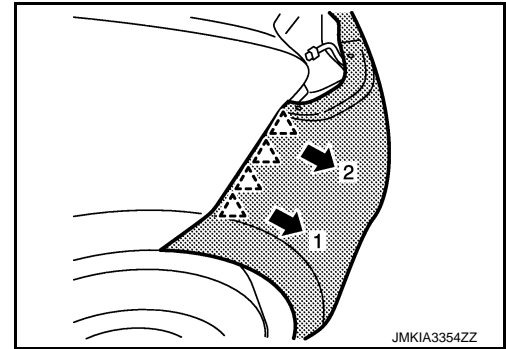
REAR BUMPER

< REMOVAL AND INSTALLATION >

[REGULAR GRADE]

8. Pull bumper fascia assembly toward the vehicle out side as shown by the arrows in the figure, and then disengage the bumper fascia assembly from bumper side brackets (LH/RH).

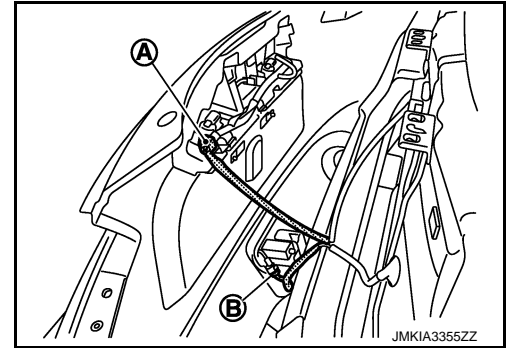
 : Pawl



9. Remove bumper fascia assembly, after disconnect license lamp bracket assembly harness connector (A) and rear fog lamp harness connector (B) (If equipped).

CAUTION:

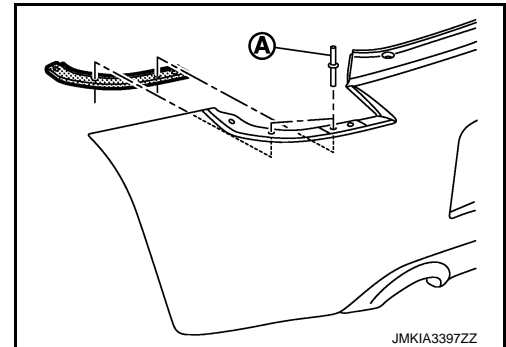
When removing bumper fascia, 2 workers are required so as to prevent it from dropping and severing harness connectors.



10. Remove the following parts after removing bumper fascia assembly.

- License lamp bracket
- Back view camera (If equipped)
- Rear fog lamp (If equipped)
- Reflector (If equipped)
- Bumper cover
- Drafter ducts (LH/RH)
- Drafter guards (LH/RH)
- Bumper side bracket (LH/RH)
- Bumper spacers
- Bumper brace (LH/RH)

Remove the rivets (A), and then remove the bumper brace from the bumper fascia assembly.



NOTE:

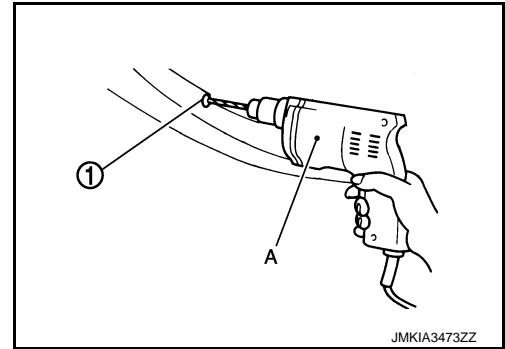
Removal of rivet.

REAR BUMPER

< REMOVAL AND INSTALLATION >

[REGULAR GRADE]

Grind the head of rivet (1) with a drill (A) [bit of 4.0 – ϕ 4.5 mm (0.157 – ϕ 0.177 in)] and then remove the bumper brace.



11. Remove bumper energy absorber.
12. Remove bumper reinforcement mounting nuts and bolts, and then remove bumper reinforcement.
13. Remove bumper stay mounting bolts, and then remove bumper stays (LH/RH).

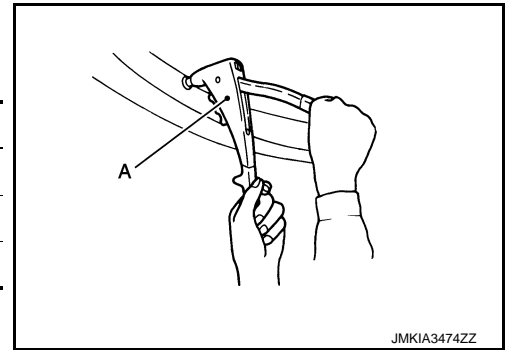
INSTALLATION

Note the following items, and then install in the reverse order of removal.

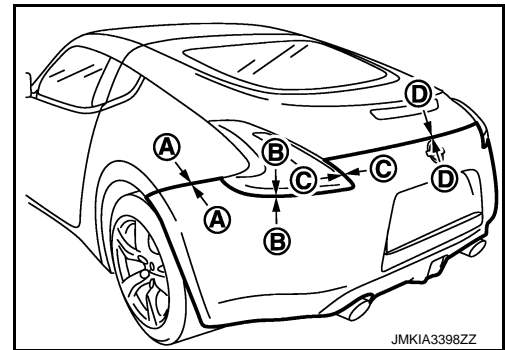
NOTE:

- Securely crimp the bumper brace with the bumper fascia assembly with a hand riveter (A).

Bumper brace	
Crimping thickness	: 1.2 – 6.4 mm (0.047 – 0.252 in)
Prepared hole diameter	: 4.1 – ϕ 4.4 mm (0.161 – ϕ 0.173 in)
Used rivet head diameter	: ϕ 12.0 mm (ϕ 0.472 in)



- After installing, perform fitting adjustment.



Portion		Clearance	Surface height difference
Rear bumper – Rear fender	A – A	0.0 – 0.8 mm (0.000 – 0.031 in)	-0.2 – 1.8 mm (-0.008 – 0.071 in)
Rear bumper – Rear combination lamp	B – B	0.0 – 3.0 mm (0.000 – 0.118 in)	—
Rear bumper – Rear combination lamp	C – C	3.5 – 6.5 mm (0.138 – 0.256 in)	—
Rear bumper – Back door (COUPE models)	D – D	3.0 – 7.0 mm (0.118 – 0.276 in)	-1.0 – 3.0 mm (-0.039 – 0.118 in)
Rear bumper – Trunk lid (ROADSTAR models)	D – D	3.0 – 7.0 mm (0.118 – 0.276 in)	-1.0 – 3.0 mm (-0.039 – 0.118 in)

FRONT SPOILER

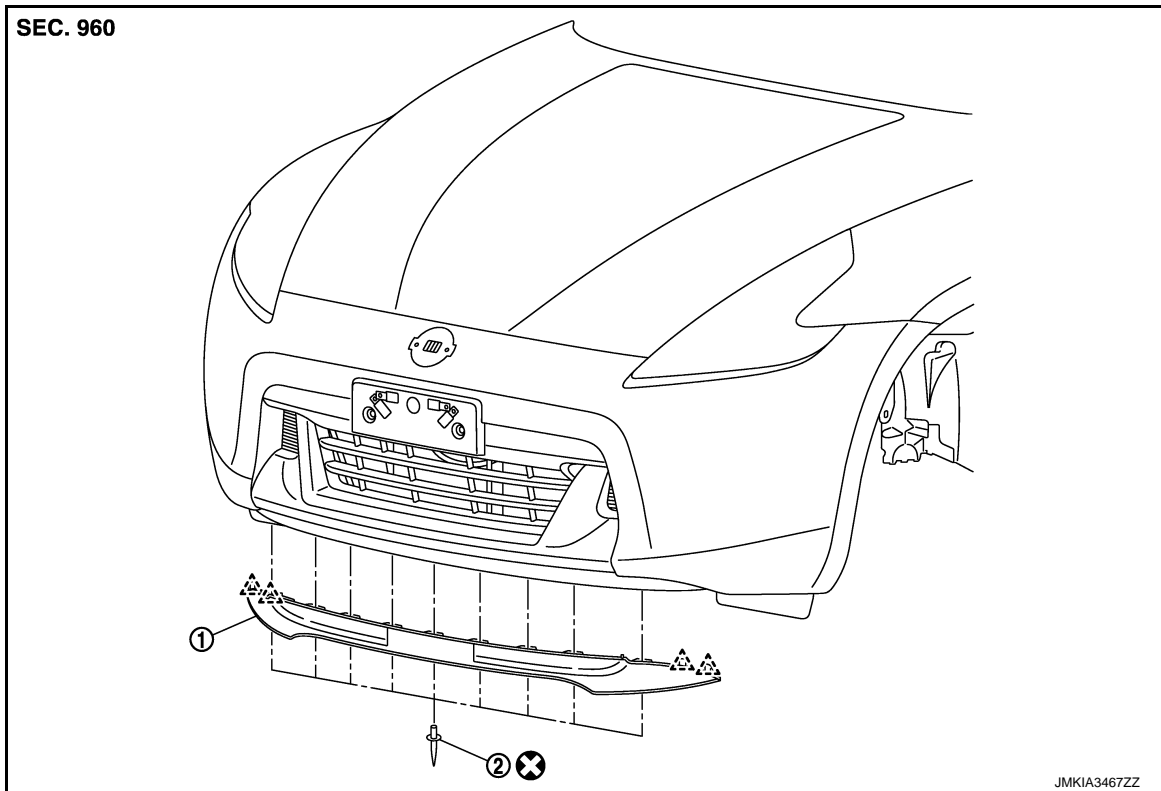
< REMOVAL AND INSTALLATION >

[REGULAR GRADE]

FRONT SPOILER

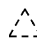
Exploded View

INFOID:000000008195630



1. Front spoiler assembly

2. Rivet

 : Pawl

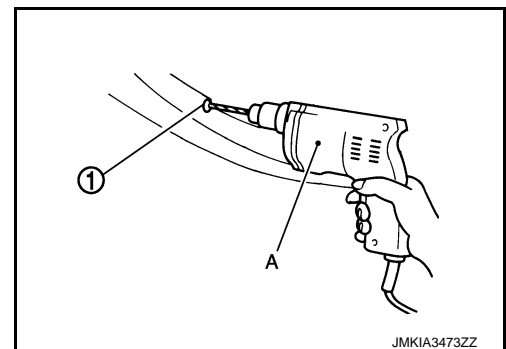
Refer to [GI-4, "Components"](#) for symbols in the figure.

Removal and Installation

INFOID:000000008195631

REMOVAL

1. Lift up the vehicle.
2. Grind the head of rivet (1) with a drill (A) [bit of 4.0 - ϕ 5.0mm (0.157 - ϕ 0.197 in)] and remove the front spoiler.



INSTALLATION

Note the following item, and then install in the reverse order of removal.

NOTE:

Installation of rivet.

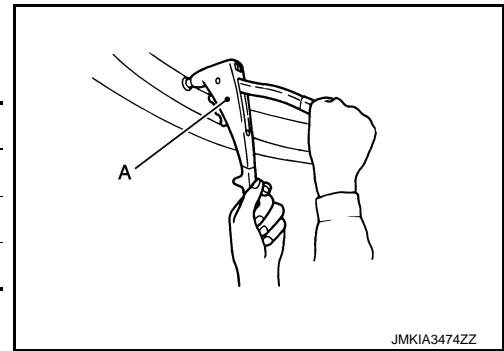
FRONT SPOILER

< REMOVAL AND INSTALLATION >

[REGULAR GRADE]

Securely crimp the front spoiler with the bumper fascia assembly with a hand riveter (A).

Front spoiler	
Crimping thickness	: 0.5 – 6.4 mm (0.020 – 0.252 in)
Prepared hole diameter	: 5.1 – ϕ 5.3 mm (0.201 – ϕ 0.209 in)
Used rivet head diameter	: ϕ 15.0 mm (ϕ 0.591 in)



JMKIA3474ZZ

A
B
C
D
E
F
G
H
I
J
L
M
N
O
P

EXT

COWL TOP

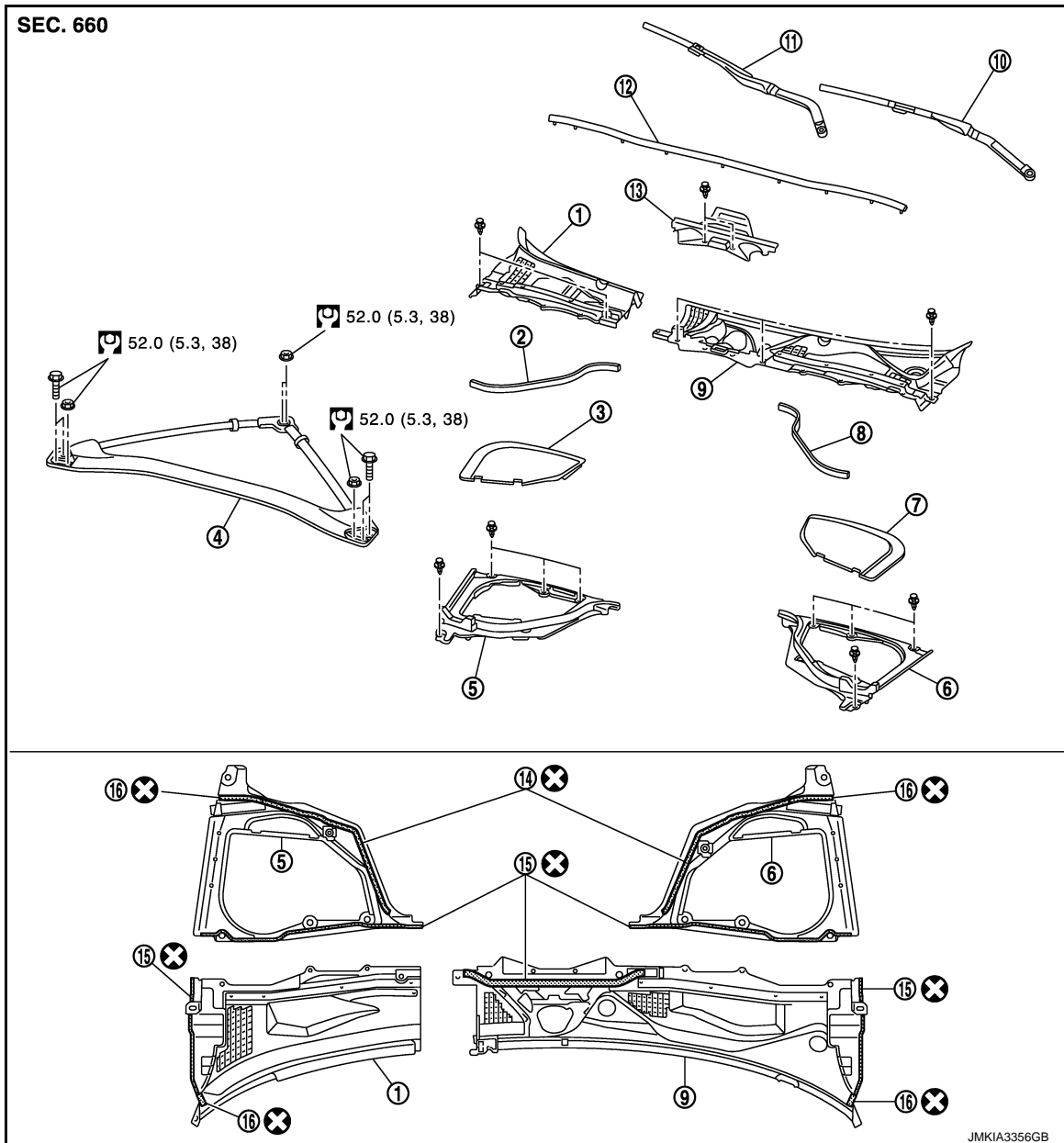
< REMOVAL AND INSTALLATION >

[REGULAR GRADE]

COWL TOP

Exploded View

INFOID:000000008195632



- | | | |
|--|---------------------------------------|--------------------------------------|
| 1. Cowl top cover RH | 2. Cowl top cover seal RH | 3. Battery cover |
| 4. Front tower bar assembly | 5. Hoodledge cover RH | 6. Hoodledge cover LH |
| 7. Brake master cylinder cover | 8. Cowl top cover seal LH | 9. Cowl top cover LH |
| 10. Wiper arm and blade LH | 11. Wiper arm and blade RH | 12. Cowl top cover seal |
| 13. Cowl top cover center | 14. EPT sealer [t: 5.0 mm (0.197 in)] | 15. EPT sealer [t:3.0 mm (0.118 in)] |
| 16. EPT sealer [t: 10.0 mm (0.394 in)] | | |

Refer to [GI-4, "Components"](#) for symbols in the figure.

Removal and Installation

INFOID:000000008195633

REMOVAL

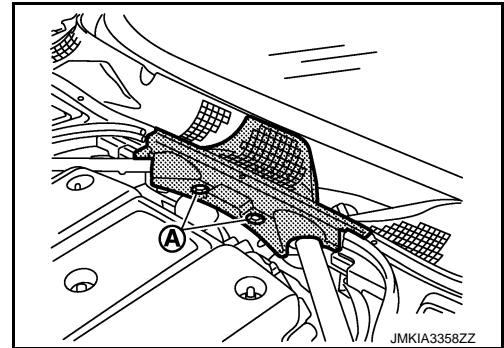
1. Fully open hood assembly.

COWL TOP

< REMOVAL AND INSTALLATION >

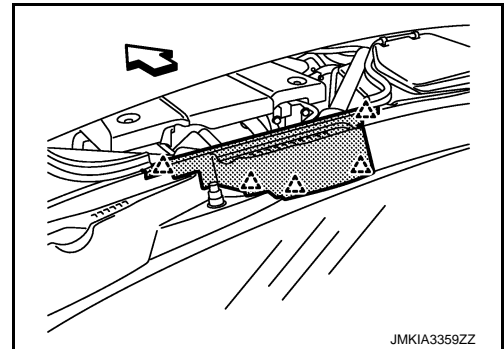
[REGULAR GRADE]

2. Remove battery cover and brake master cylinder cover.
3. Remove hoodledge covers (LH/RH) fixing clips, and then remove hoodledge covers.
4. Remove front wiper arms and blades (LH/RH). Refer to [WW-88. "Removal and Installation"](#).
5. Remove cowl top cover seal.
6. Remove cowl top cover center.
 1. Remove cowl top cover center fixing clips (A).



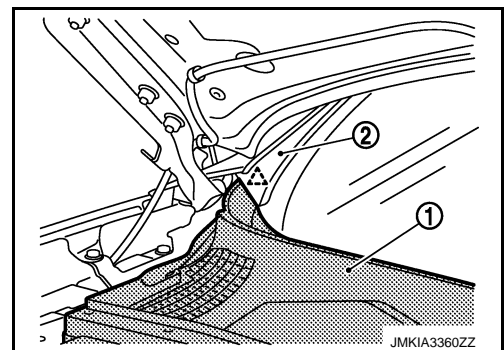
2. Disengage cowl top cover center fixing pawls, and then remove cowl top cover center.

- △ : Pawl
← : Vehicle front

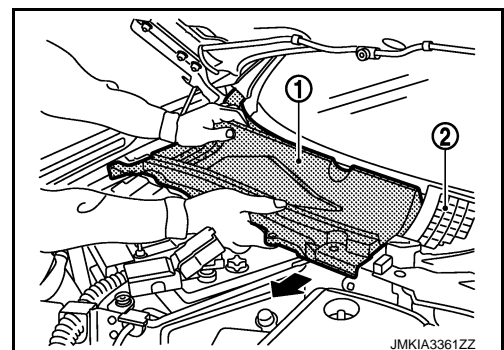


7. Remove front tower bar assembly.
8. Remove cowl top cover RH.
 1. Remove cowl top cover RH fixing clips.
 2. Disengage cowl top cover RH (1) and front pillar finisher (2) fixing pawl.

- △ : Pawl



3. Pull cowl top cover RH toward arrow direction, and then disengage cowl top cover RH (1) and cowl top cover LH (2).



9. Remove cowl top cover LH.

A
B
C
D
E
F
G
H
I
J

EXT


L
M
N
O
P

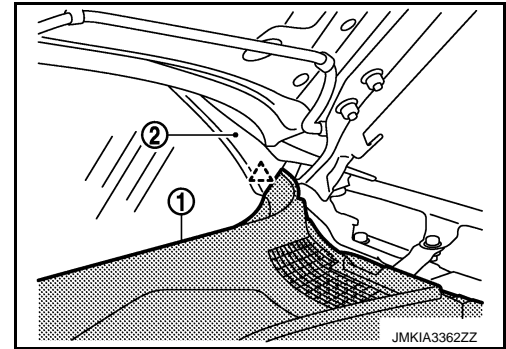
COWL TOP

< REMOVAL AND INSTALLATION >

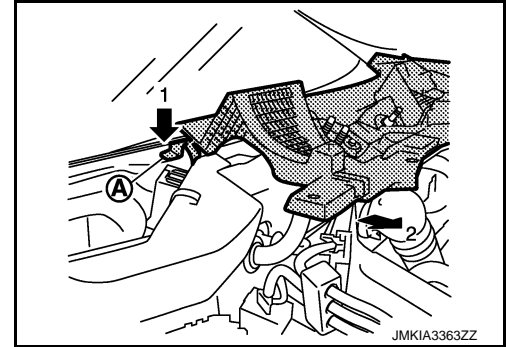
[REGULAR GRADE]

1. Disengage cowl top cover LH (1) and front pillar finisher (2) fixing pawl.

 : Pawl



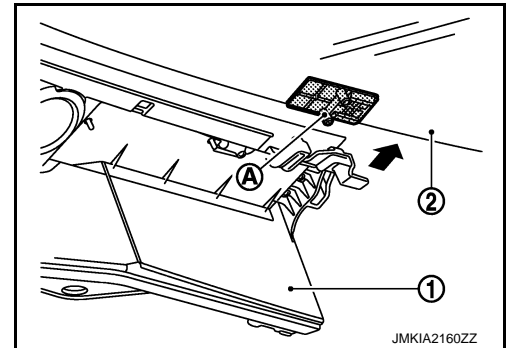
2. Press pawl (A) and pull cowl top cover LH toward vehicle front as shown by the arrow in the figure, and then remove cowl top cover LH.



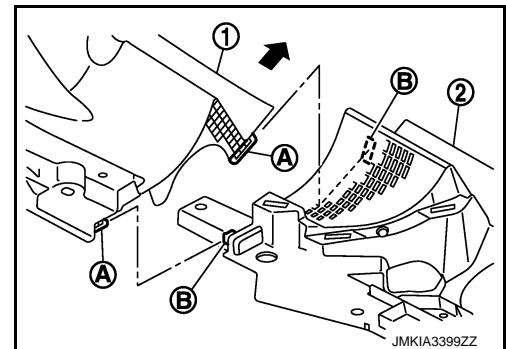
INSTALLATION

Note the following items, and install in the reverse order of removal.

- Align concave of cowl top cover LH (1) to windshield glass (2) pin (A) as shown in the figure when installing.



- Slide cowl top cover RH (1) toward the arrow direction to engage pawls (A) into concave part (B) of cowl top cover LH (2).



CAUTION:

- Always replace EPT sealers with a new one, if the cowl top cover is reused.
- After installing, perform adjustment of wiper arm. Refer to [WW-88. "Adjustment"](#).

FENDER PROTECTOR

< REMOVAL AND INSTALLATION >

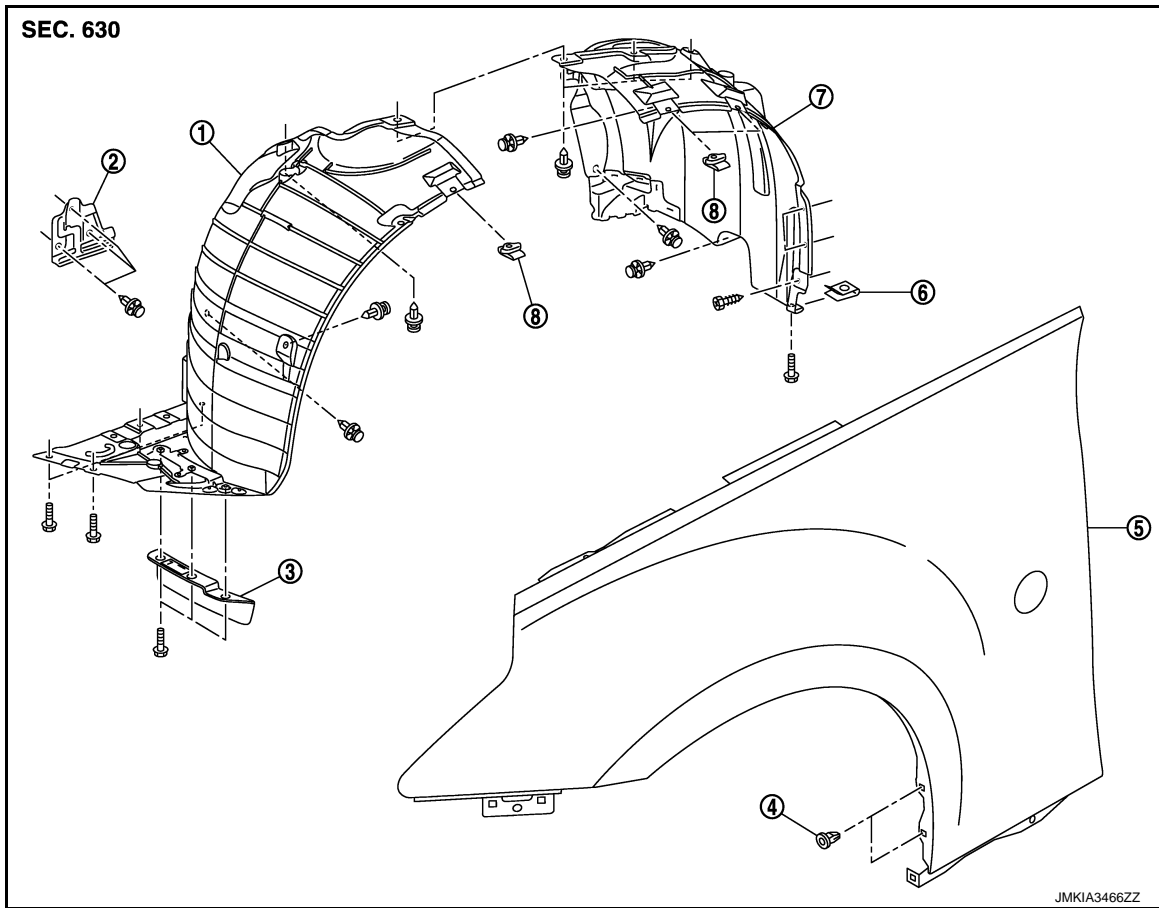
[REGULAR GRADE]

FENDER PROTECTOR

FENDER PROTECTOR

FENDER PROTECTOR : Exploded View

INFOID:000000008195634



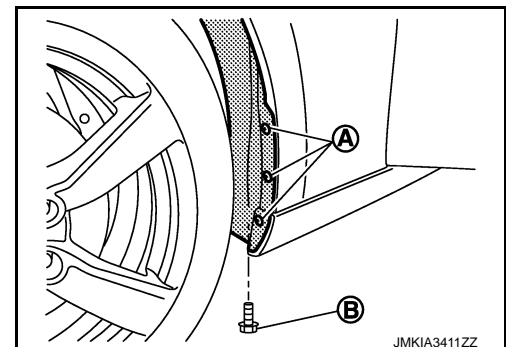
- | | | |
|-----------------------------|-----------------|--------------|
| 1. Fender protector (front) | 2. Splash guard | 3. Air guide |
| 4. Grommet | 5. Front fender | 6. J-nut |
| 7. Fender protector (rear) | 8. Fender clip | |

FENDER PROTECTOR : Removal and Installation

INFOID:000000008195635

REMOVAL

1. Remove front road wheel.
2. Remove splash guard.
3. Remove fender protectors (rear side) fixing screws (A) and bolt (B).



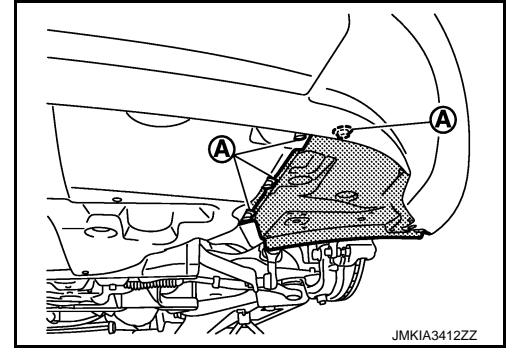
4. Remove fender protector (rear) fixing clips, and then remove fender protector (rear).

FENDER PROTECTOR

< REMOVAL AND INSTALLATION >

[REGULAR GRADE]

5. Remove air guide.
6. Remove fender protector (front) fixing bolts (A).



7. Remove fender protector (front) fixing clips, and then remove fender protector (front).
8. Remove the following parts after removing fender protector.
 - Fender clips
 - J-nut

INSTALLATION

Install in the reverse order of removal.

SILL COVER

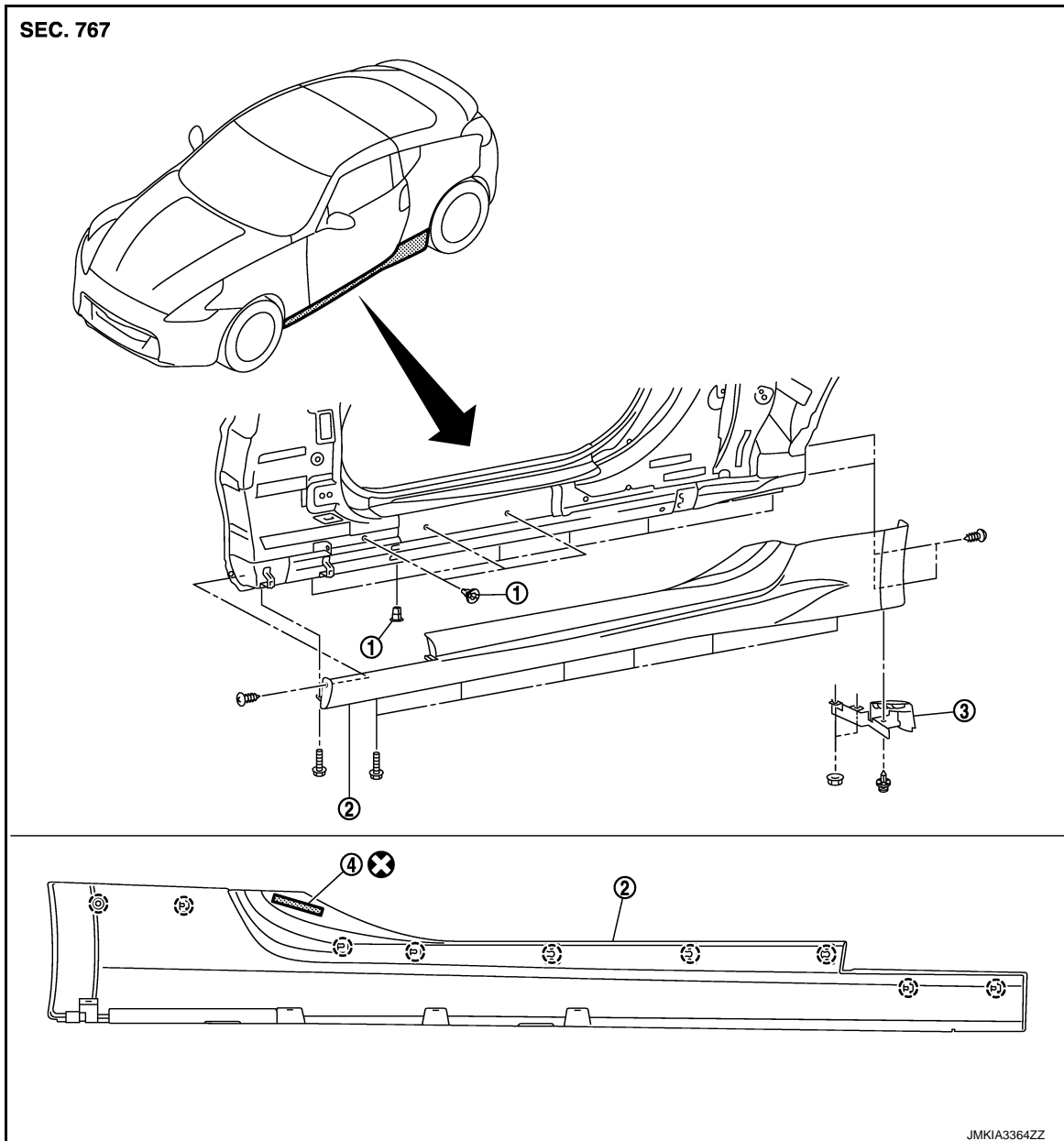
< REMOVAL AND INSTALLATION >

[REGULAR GRADE]

SILL COVER

Exploded View

INFOID:000000008195636



- 1. Grommet
- 2. Center mud guard
- 3. Wind deflector
- 4. Double-faced adhesive tape [t: 2.5mm (0.098in)]

⊗ : Clip

Refer to [GI-4. "Components"](#) for symbols in the figure.

Removal and Installation

INFOID:000000008195637

REMOVAL

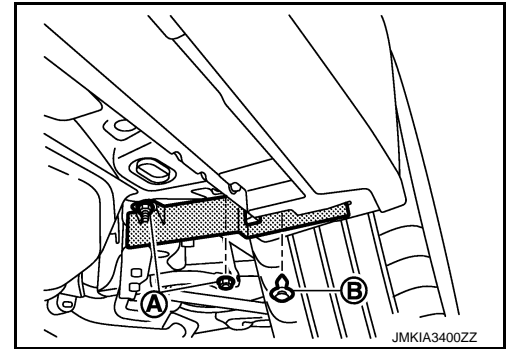
A
B
C
D
E
F
G
H
I
J
EXT
L
M
N
O
P

SILL COVER

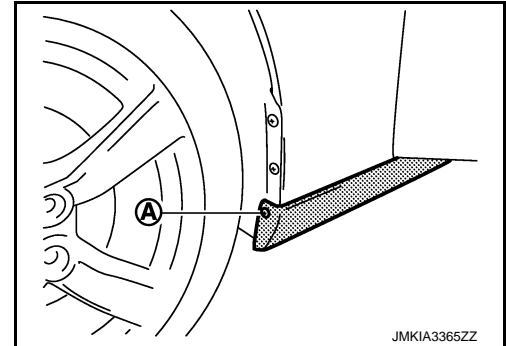
< REMOVAL AND INSTALLATION >

[REGULAR GRADE]

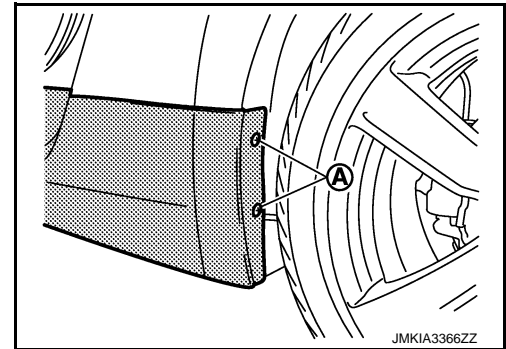
1. Remove nuts (A) and clip (B) and then remove wind deflector.




2. Remove center mud guard front end fixing screw (A).



3. Remove center mud guard rear end fixing screws (A).

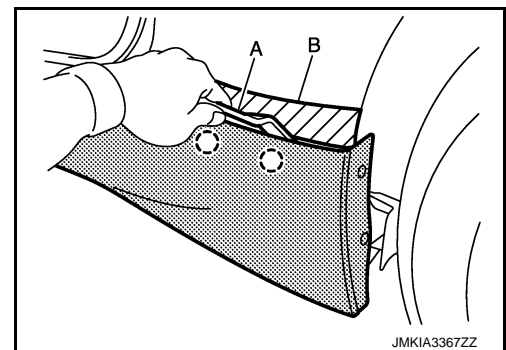


4. Remove center mud guard fixing screws from center mud guard lower side.
5. Fully open front door.
6. Remove clips from center mud guard back side with a remover tool (A).

 : Clip

CAUTION:

- Apply protective tape (B) on the body to protect the painted surface from damage.
- Never use an item as a remover tool that could damage body panel.
- Disengage the clips slowly and carefully.
- Never pull the center mud guard strongly.



7. Remove center mud guard from body side.

INSTALLATION

Note the following items, and then install in the reverse order of removal.

CAUTION:

- Visually check the clips for deformation and damage during installation. Replace with new ones if necessary.
- When installing center mud guard, check that clips are securely fitted in body panel holes, and then press them in.

FLOOR SIDE FAIRING

< REMOVAL AND INSTALLATION >

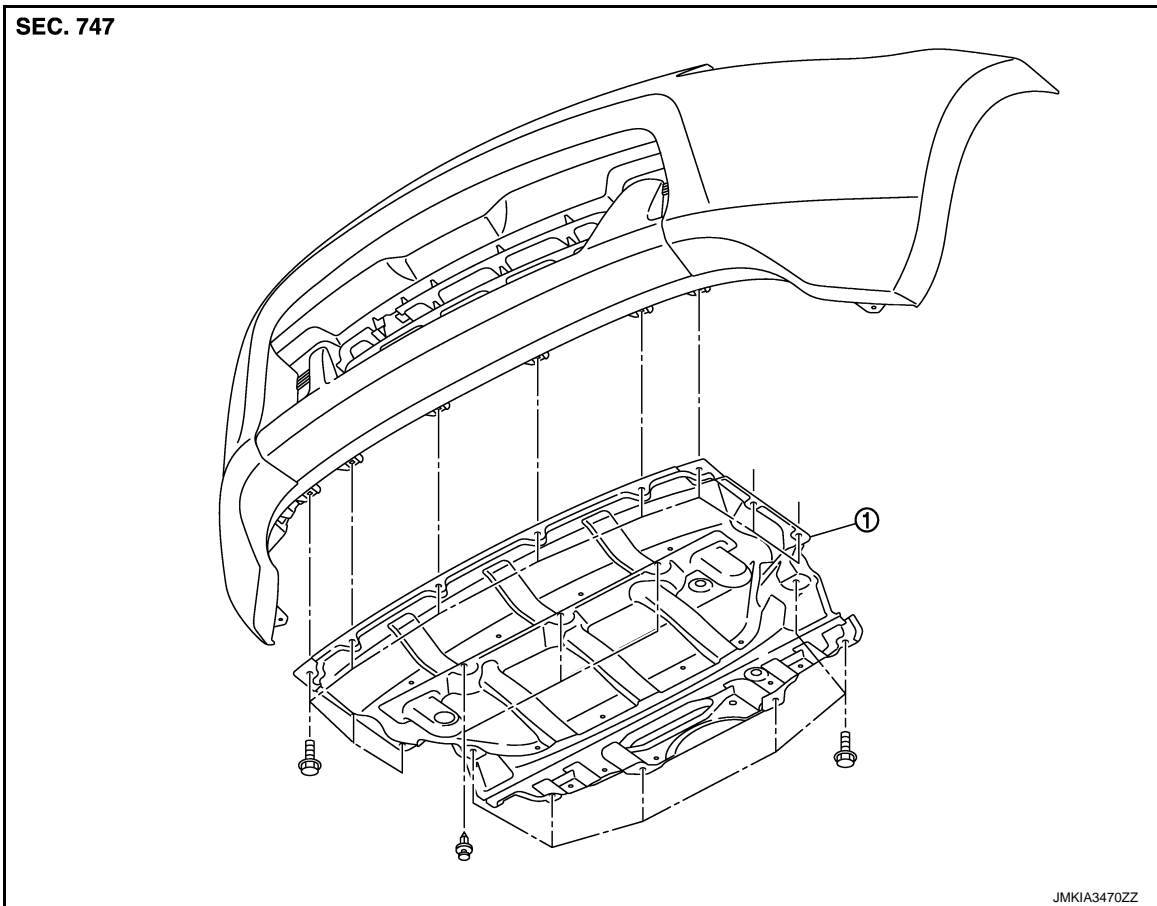
[REGULAR GRADE]

FLOOR SIDE FAIRING

ENGINE UNDER COVER

ENGINE UNDER COVER : Exploded View

INFOID:000000008195638



1. Floor under cover

ENGINE UNDER COVER : Removal and Installation

INFOID:000000008195639

REMOVAL

1. Lift up the vehicle.
2. Remove front under cover fixing clips and bolts.
3. Remove front under cover.

CAUTION:

When removing engine under cover, 2 workers are required so as to prevent it from dropping.

INSTALLATION

Install in the reverse order of removal.

FLOOR UNDER COVER

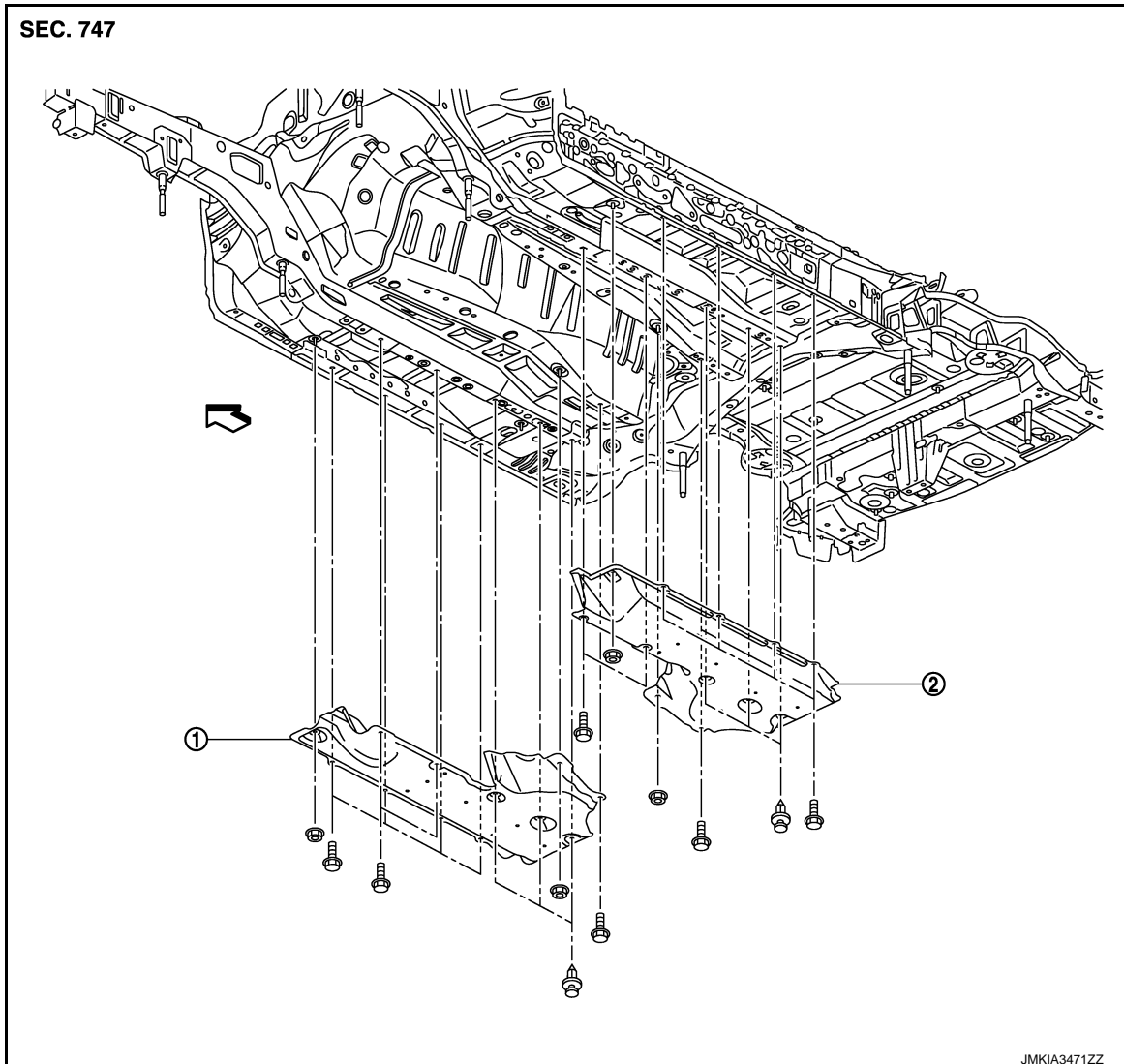
FLOOR SIDE FAIRING

< REMOVAL AND INSTALLATION >

[REGULAR GRADE]

FLOOR UNDER COVER : Exploded View

INFOID:000000008195640



1. Floor under cover RH

2. Floor under cover LH

↔ : Vehicle front

FLOOR UNDER COVER : Removal and Installation

INFOID:000000008195641

REMOVAL

FLOOR UNDER COVER LH

1. Lift up the vehicle.
2. Remove floor under cover LH mounting bolts, nuts and clips.
3. Remove floor under cover LH.

CAUTION:

When removing floor under cover LH, 2 workers are required so as to prevent it from dropping.

FLOOR UNDER COVER RH

1. Lift up the vehicle.
2. Remove floor under cover RH mounting bolts, nuts, and clips.
3. Remove floor under cover RH.

CAUTION:

When removing floor under cover RH, 2 workers are required so as to prevent it from dropping.

INSTALLATION

FLOOR SIDE FAIRING

< REMOVAL AND INSTALLATION >

[REGULAR GRADE]

Install in the reverse order of removal.

- A
- B
- C
- D
- E
- F
- G
- H
- I
- J
- EXT**
- L
- M
- N
- O
- P

DOOR OUTSIDE MOLDING

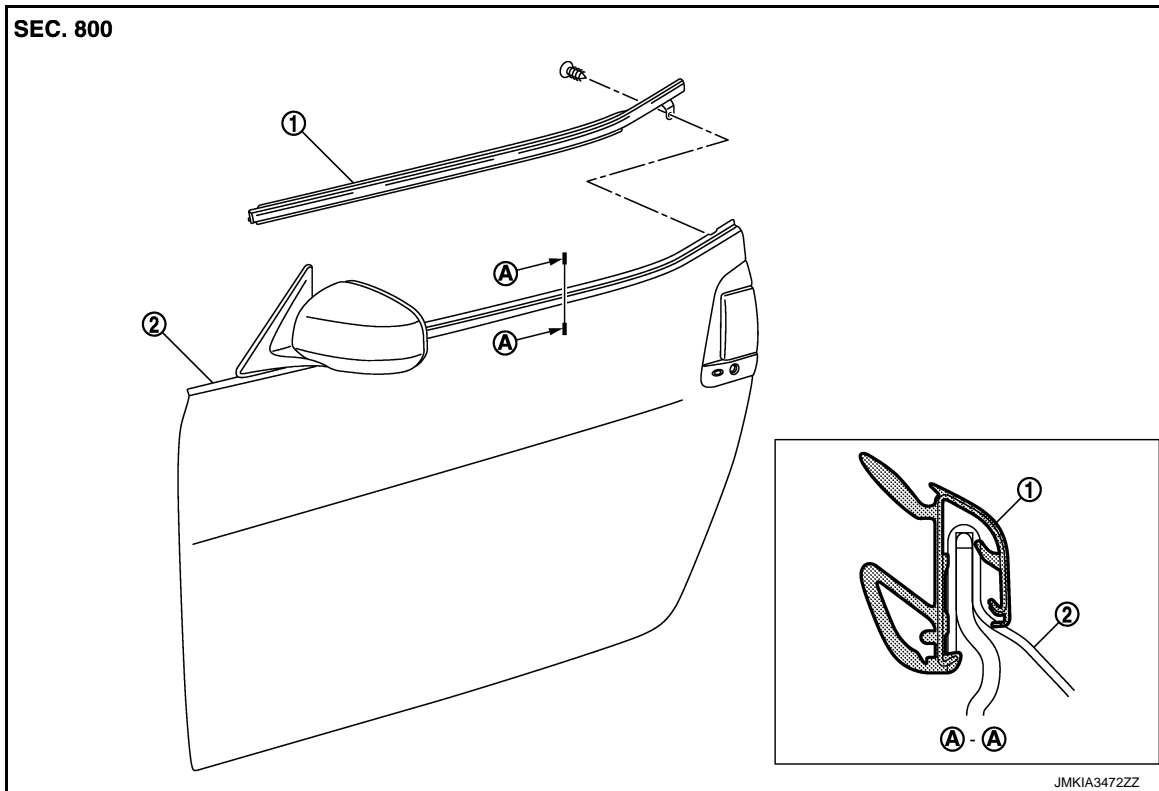
< REMOVAL AND INSTALLATION >

[REGULAR GRADE]

DOOR OUTSIDE MOLDING

Exploded View

INFOID:000000008195642



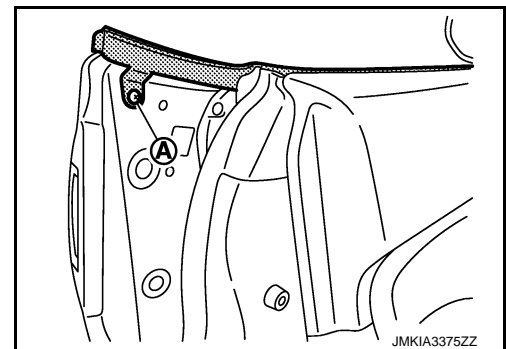
- 1. Front door outside molding
- 2. Front door panel

Removal and Installation

INFOID:000000008195643

REMOVAL

- 1. Fully open door window.
- 2. Remove door outside molding fixing screw (A).

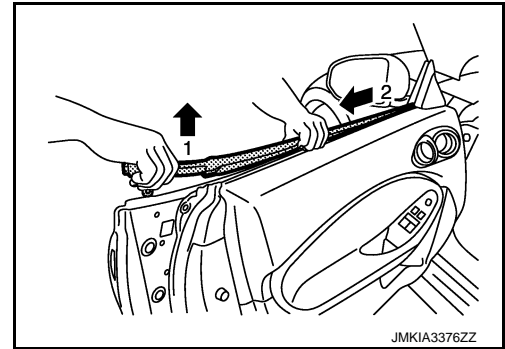


DOOR OUTSIDE MOLDING

< REMOVAL AND INSTALLATION >

[REGULAR GRADE]

3. Pull up door outside molding, and then slide door outside molding toward door rear side as shown by the arrow in the figure.



INSTALLATION

Install in the reverse order of removal.

A
B
C
D
E
F
G
H
I
J
L
M
N
O
P

EXT

FRONT PILLAR FINISHER

< REMOVAL AND INSTALLATION >

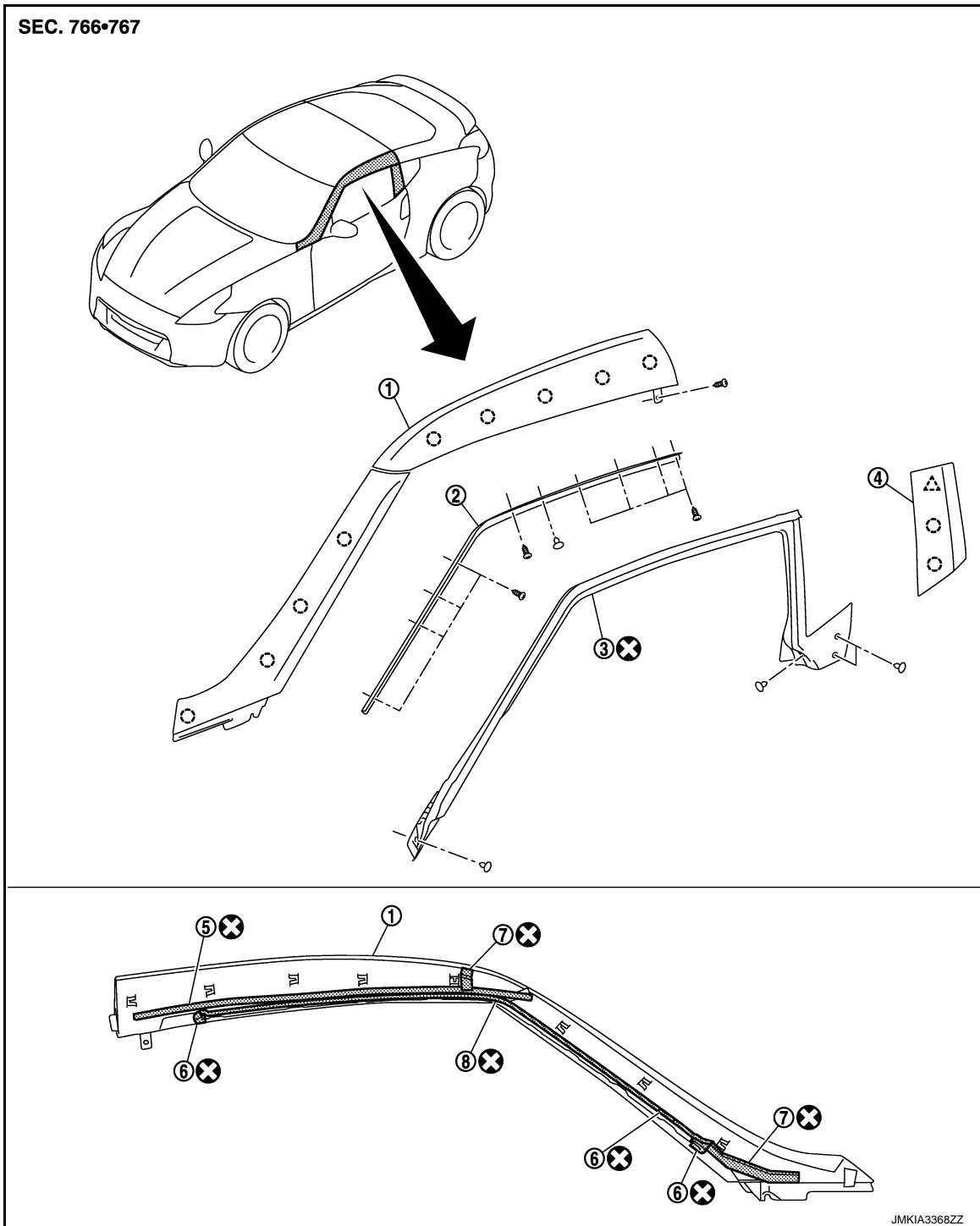
[REGULAR GRADE]

FRONT PILLAR FINISHER

FRONT PILLAR FINISHER (Coupe)

FRONT PILLAR FINISHER (Coupe) : Exploded View

INFOID:000000008195644




- | | | |
|--------------------------------------|-------------------------------------|-------------------------------------|
| 1. Front pillar finisher | 2. Body side weather-strip retainer | 3. Body side weather-strip |
| 4. Lock pillar finisher | 5. EPT sealer [t:7.0 mm (0.276 in)] | 6. EPT sealer [t:3.0 mm (0.118 in)] |
| 7. EPT sealer [t:17.0 mm (0.669 in)] | 8. EPT sealer [t:2.0 mm (0.079 in)] | |

○ : Clip

FRONT PILLAR FINISHER

< REMOVAL AND INSTALLATION >

[REGULAR GRADE]

 : Pawl


Refer to [GI-4, "Components"](#) for symbols in the figure.


FRONT PILLAR FINISHER (Coupe) : Removal and Installation

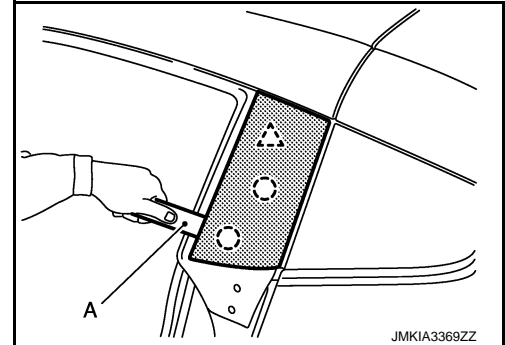
INFOID:000000008195645

REMOVAL

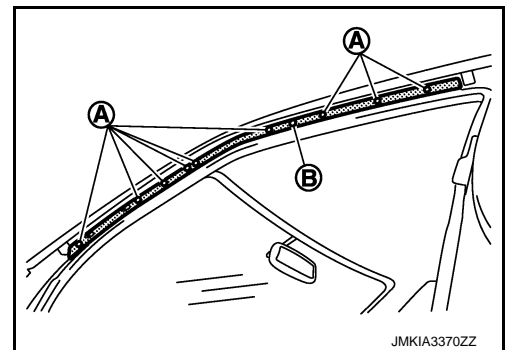
1. Disengage clips and pawl with remover tool (A), and then remove lock pillar finisher.

 : Clip

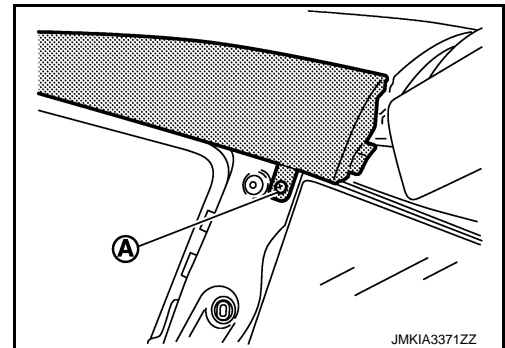
 : Pawl



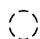
2. Remove body side weather-strip.
3. Remove screws (A) and clip (B), and then remove body side weather-strip retainer.

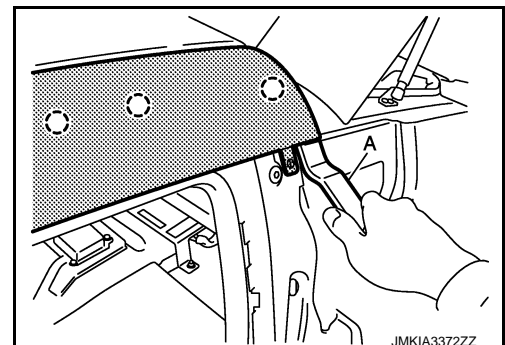


4. Remove front pillar finisher fixing screw (A).



5. Fully open back door.
6. Disengage front pillar finisher fixing clips with remover tool (A).

 : Clip



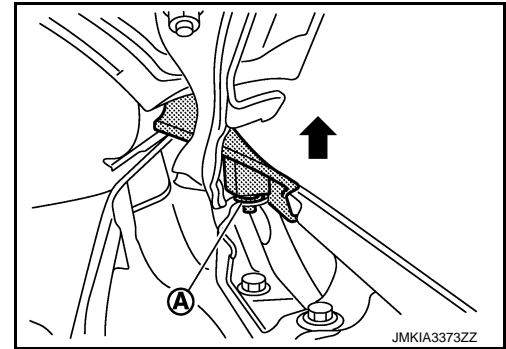
A
B
C
D
E
F
G
H
I
J
EXT
L
M
N
O
P

FRONT PILLAR FINISHER

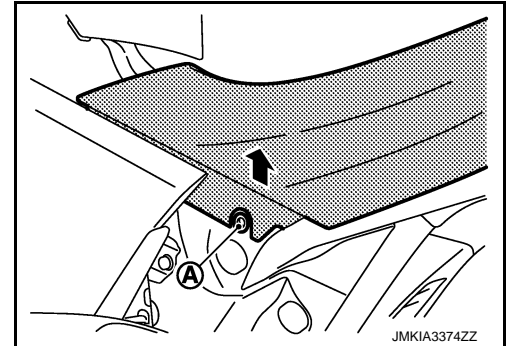
< REMOVAL AND INSTALLATION >

[REGULAR GRADE]

7. Disengage front pillar finisher fixing clip (A).



8. Pull up front pillar finisher to release portion (A) as shown by the arrow in the figure, and then remove front pillar finisher.



INSTALLATION

Note the following items, and then install in the reverse order of removal.

CAUTION:

- Visually check the clips for deformation and damage during installation. Replace with new ones if necessary.
- When installing front pillar finisher, check that clips are securely fitted in body panel holes, and press them in.

FRONT PILLAR FINISHER (Roadster)

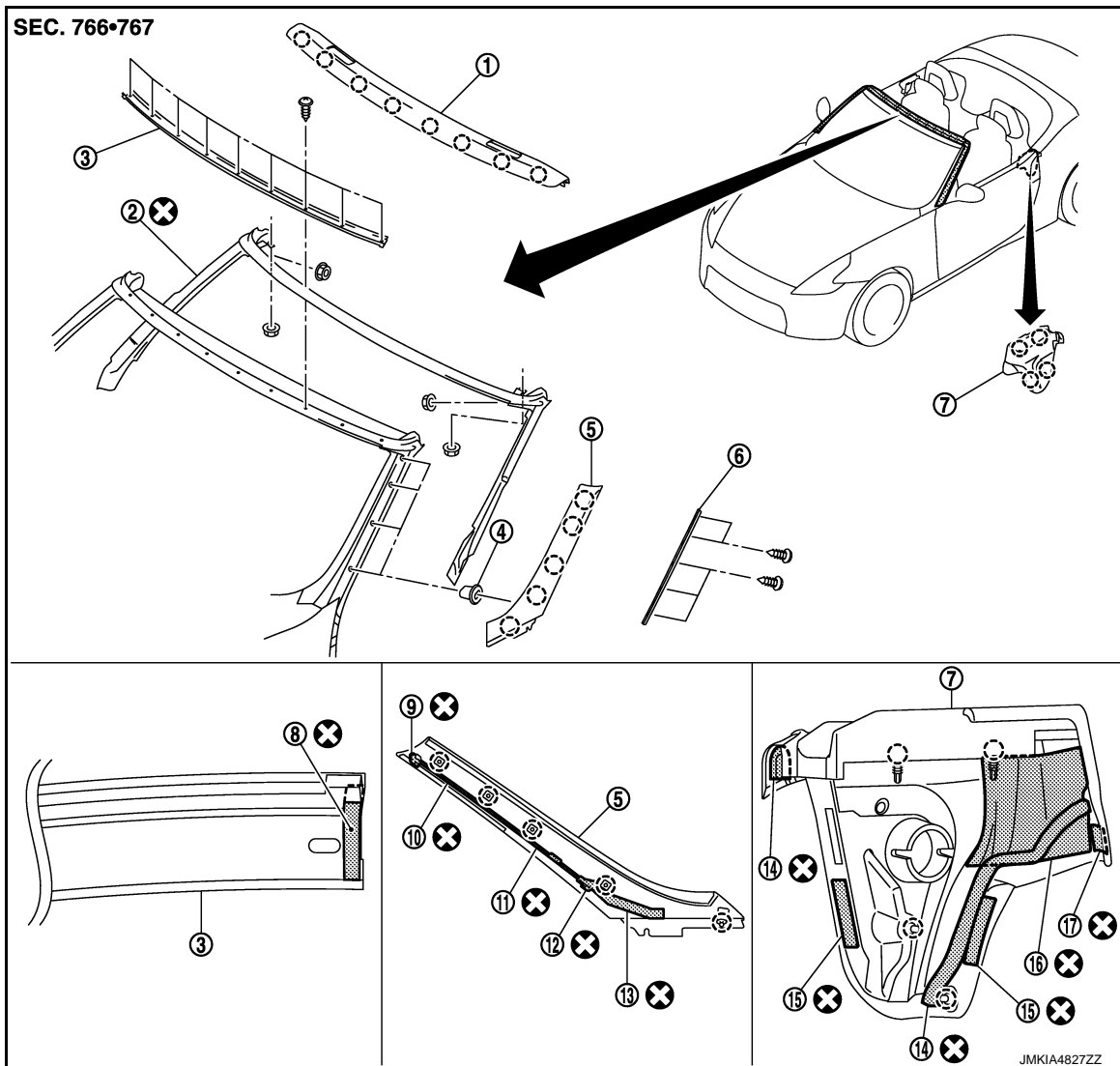
FRONT PILLAR FINISHER

< REMOVAL AND INSTALLATION >

[REGULAR GRADE]

FRONT PILLAR FINISHER (Roadster) : Exploded View

INFOID:000000008195646



- | | | |
|---------------------------------------|--------------------------------------|--|
| 1. Front roof cover | 2. Front side glass run assembly | 3. Front roof rail retainer |
| 4. Grommet | 5. Front pillar finisher | 6. Front side glass run assembly retainer |
| 7. Body side weather-strip | 8. EPT sealer [t:3.0 mm (0.118 in)] | 9. EPT sealer [t:5.0 mm (0.197 in)] |
| 10. EPT sealer [t:2.0 mm (0.079 in)] | 11. EPT sealer [t:3.0 mm (0.118 in)] | 12. EPT sealer [t:3.0 mm (0.118 in)] |
| 13. EPT sealer [t:17.0 mm (0.669 in)] | 14. EPT sealer [t:5.0 mm (0.197 in)] | 15. Double faced adhesive tape [t:1.2 mm (0.047 in)] |
| 16. EPT sealer [t:2.0 mm (0.079 in)] | 17. Butyl tape [t:1.0 mm (0.039 in)] | |

⊗ : Clip

Refer to [GI-4, "Components"](#) for symbols in the figure.

FRONT PILLAR FINISHER (Roadster) : Removal and Installation

INFOID:000000008195647

REMOVAL AND INSTALLATION OF FRONT ROOF COVER

Removal

Insert the remover tool between front roof cover and front roof rail, lift up the front roof cover, and then disengage the clips.

Installation

A
B
C
D
E
F
G
H
I
J
EXT
L
M
N
O
P

FRONT PILLAR FINISHER

[REGULAR GRADE]

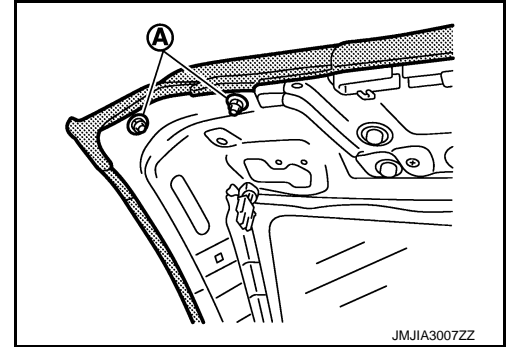
< REMOVAL AND INSTALLATION >

Install in the reverse order of removal.


REMOVAL AND INSTALLATION OF FRONT PILLAR FINISHER

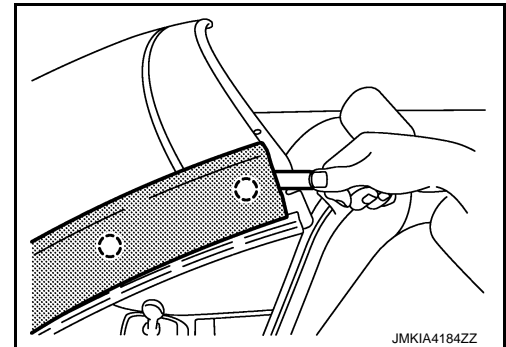
Removal

1. Remove front pillar garnish. Refer to [INT-51, "FRONT PILLAR GARNISH : Removal and Installation"](#).
2. Remove fixing clips, and then remove front roof cover.
3. Remove front roof finisher. Refer to [INT-71, "Removal and Installation"](#).
4. Remove front side glass run assembly mounting nuts (A), and then remove front side glass run assembly.

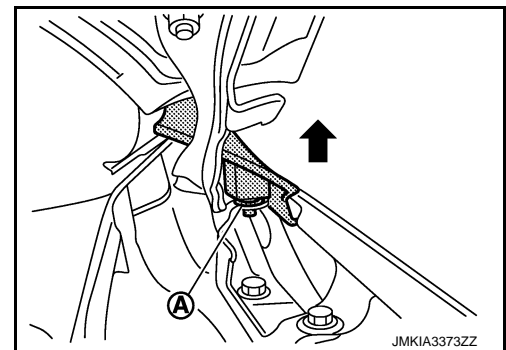


5. Remove front side glass run assembly retainer mounting screws, and then remove body side weather-strip retainer.
6. Remove front pillar finisher fixing clips with remover tool.

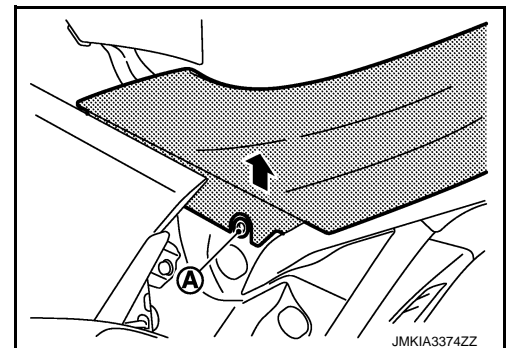
 : Clip



7. Disengage front pillar finisher fixing clip (A).



8. Pull up front pillar finisher to release portion (A) as shown by the arrow in the figure, and then remove front pillar finisher.



FRONT PILLAR FINISHER

< REMOVAL AND INSTALLATION >

[REGULAR GRADE]

Installation

Note the following items, and then install in the reverse order of removal.

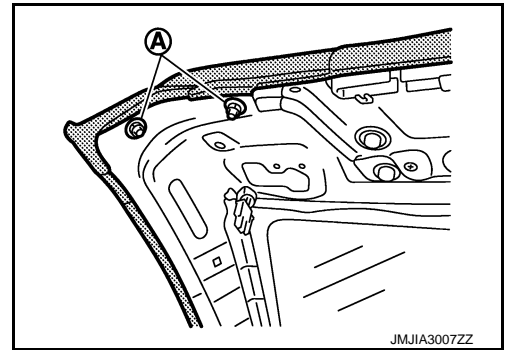
CAUTION:

- Visually check the clips for deformation and damage during installation. Replace with new ones if necessary.
- When installing front pillar finisher, check that clips are securely fitted in body panel holes, and press them in.


REMOVAL AND INSTALLATION OF FRONT SIDE GLASS RUN ASSEMBLY

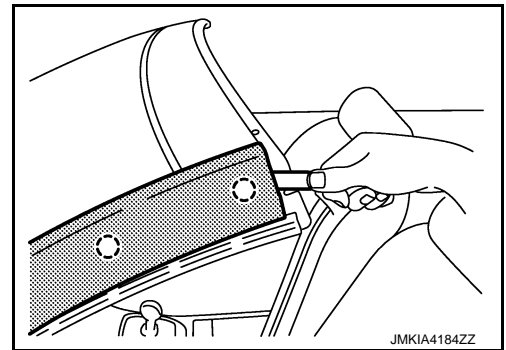
Removal

1. Remove front pillar garnish (LH/RH). Refer to [INT-51, "FRONT PILLAR GARNISH : Removal and Installation"](#).
2. Remove fixing clips, and then remove front roof cover.
3. Remove front roof finisher. Refer to [INT-71, "Removal and Installation"](#).
4. Remove front side glass run assembly mounting nuts (A) (LH/RH).

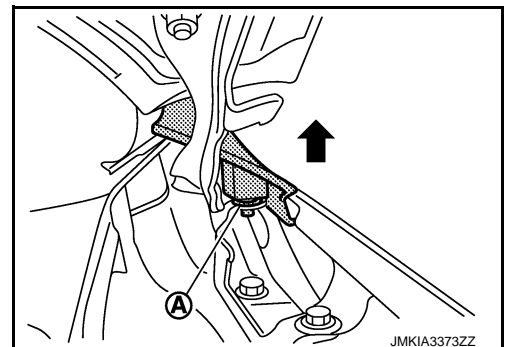


5. Remove front side glass run assembly retainer mounting screws, and then remove body side weather-strip retainer.
6. Remove front pillar finisher fixing clips with remover tool (A).

 : Clip



7. Disengage front pillar finisher fixing clip (A).



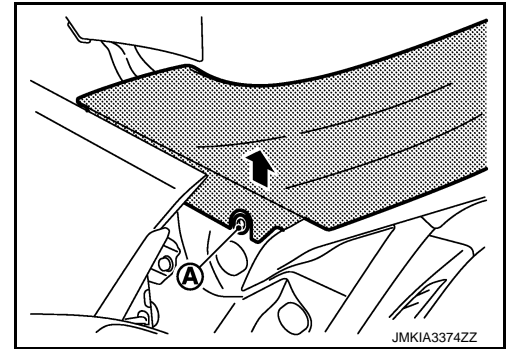
A
B
C
D
E
F
G
H
I
J
EXT
L
M
N
O
P

FRONT PILLAR FINISHER

< REMOVAL AND INSTALLATION >

[REGULAR GRADE]

8. Pull up front pillar finisher to release portion (A) as shown by the arrow in the figure, and then remove front pillar finisher.



9. Remove front side glass run assembly from vehicle.

Installation

Install in the reverse order of removal.

REMOVAL AND INSTALLATION OF BODY SIDE WEATHER-STRIP

Removal

Remove body side weather-strip fixing clips, and then remove body side weather-strip.

Installation

Install in the reverse order of removal.

REAR SPOILER

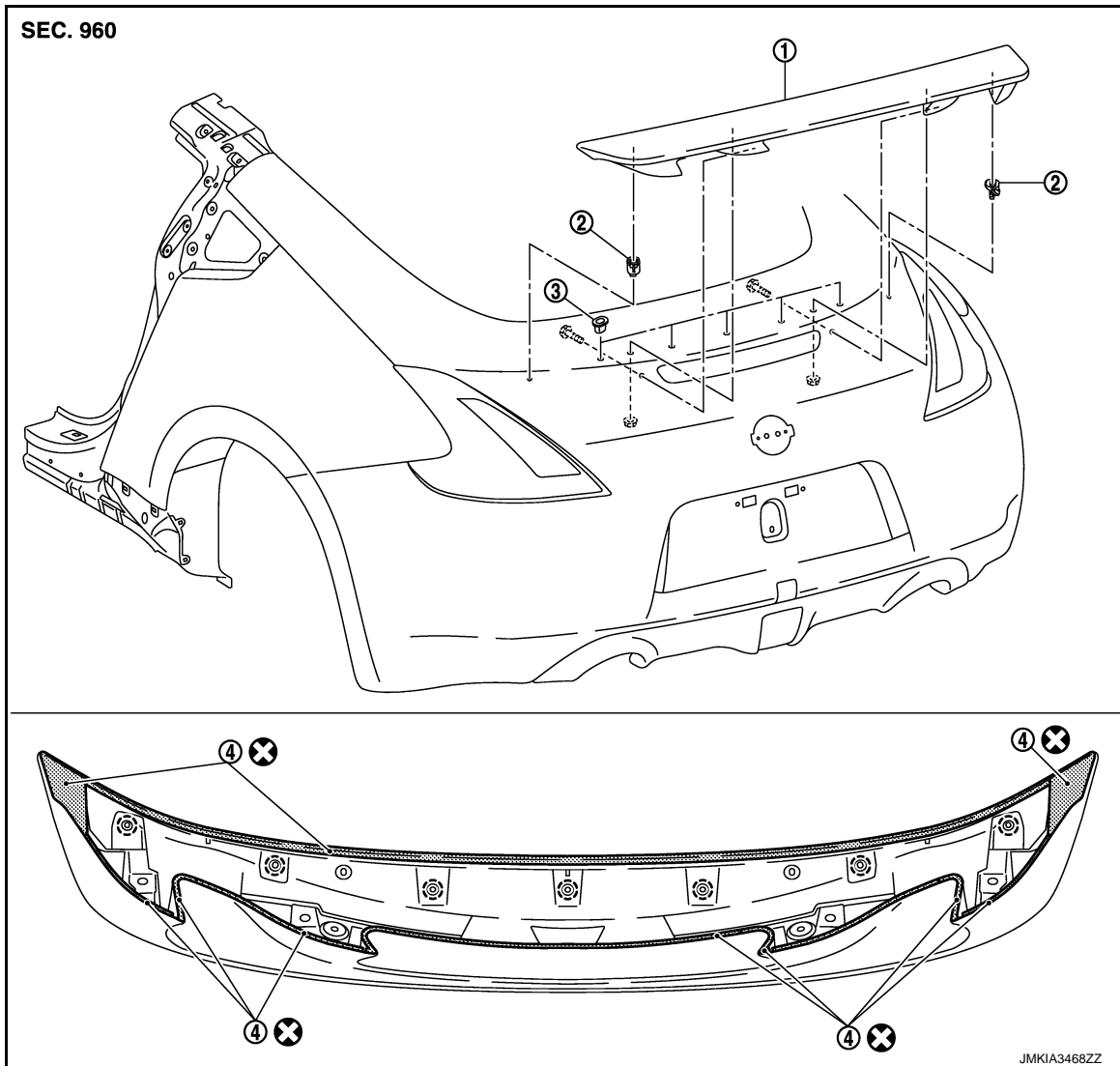
< REMOVAL AND INSTALLATION >

[REGULAR GRADE]

REAR SPOILER

Exploded View

INFOID:000000008195648



- 1. Rear spoiler assembly
- 2. Rear spoiler spacer
- 3. Grommet
- 4. Double-faced adhesive tape
[t: 2.0mm (0.079 in)]

○ : Clip

Refer to [GI-4, "Components"](#) for symbols in the figure.

Removal and Installation

INFOID:000000008195649

REMOVAL

1. Remove back door trim. Refer to [INT-33, "Removal and Installation"](#).
2. Remove rear spoiler mounting nuts and bolts.
3. Disengage the clips with remover tool while peeling the double-faced adhesive tape with threads, and then remove rear spoiler.

CAUTION:

Apply protective tape around the outer edge of mating surface between rear spoiler and back door to prevent damage.

4. Remove the following parts after removing rear spoiler.

A

B

C

D

E

F

G

H

I

J

EXT

L

M

N

O

P

REAR SPOILER

< REMOVAL AND INSTALLATION >

[REGULAR GRADE]

- Rear spoiler spacers
- Grommets

INSTALLATION

Note the following items, and then install in the reverse order of removal.

CAUTION:

- **Be careful no to damage the back door.**
- **Always replace double-faced adhesive tape with a new one, if rear spoiler is reused.**
- **Remove double-faced adhesive tape remaining on back door panel and back of rear spoiler with a double-faced adhesive tape remover, after removing rear spoiler.**
- **When installing, visually check the rear spoiler and the clips, then replace them with new parts if they are damaged.**
- **When installing rear spoiler, check that clips and bolts are securely fitted in back door panel holes, and then press them in.**
- **Never wash the vehicle within 24 hours after installing so as to keep adhesive.**

FRONT BUMPER WITH AERODYNAMIC SPLITTER

< SPEC CHANGE INFORMATION >

[Nismo 370Z]

SPEC CHANGE INFORMATION

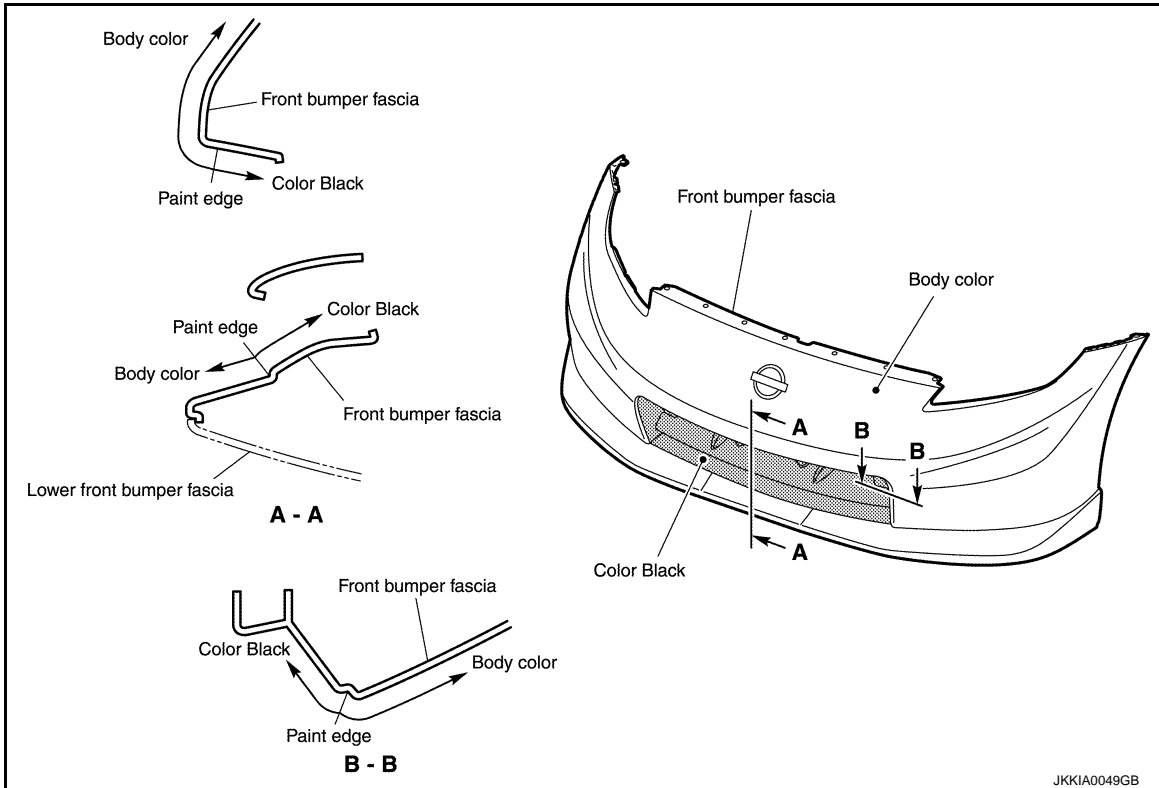
FRONT BUMPER WITH AERODYNAMIC SPLITTER

Paint and Adhesive Tape

INFOID:000000008195650

PAINT COLOR

Location	Body color				
	G41	NAM	QAB	KAD	K23
Front bumper fascia					
Front bumper fascia (opening)	Black (G01)	Black (G01)	Black (G01)	Black (G01)	Black (G01)



CAUTION:

- Use environmentally friendly paint and adhesive tape.
- It is ok to use natural drying, but for artificial drying, be careful not to allow the ambient air temperature at the paint surface to exceed 80°C (176°F). If the drying temperature exceeds 80°C (176°F), it could cause plastic parts to deform or adhesives to come loose.

REAR BUMPER WITH AERODYNAMIC DIFFUSER

< SPEC CHANGE INFORMATION >

[Nismo 370Z]

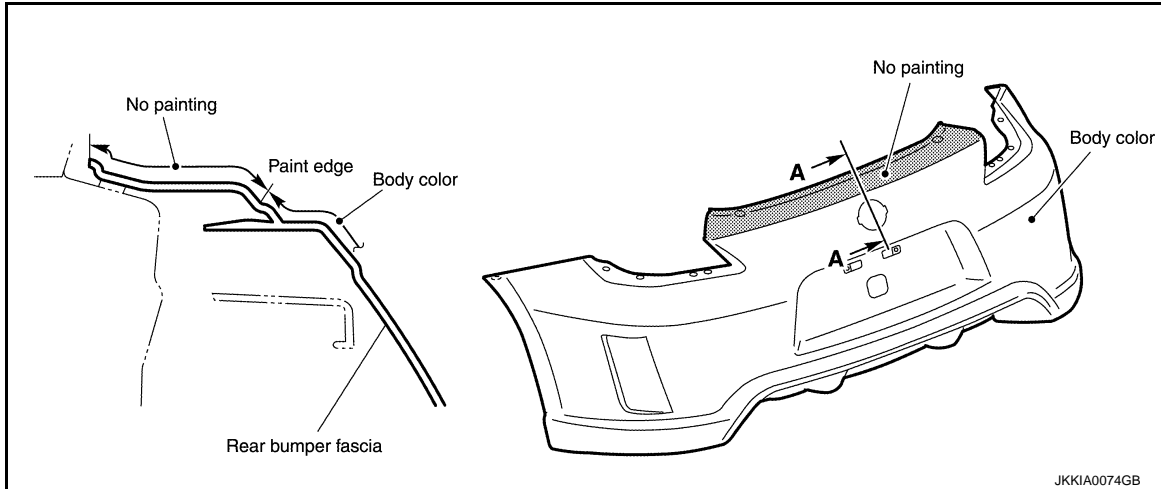
REAR BUMPER WITH AERODYNAMIC DIFFUSER

Paint and Adhesive Tape

INFOID:000000008195651

PAINT COLOR

Location	Body color				
Rear bumper fascia	G41	NAM	QAB	KAD	K23



CAUTION:

- Use environmentally friendly paint and adhesive tape.
- It is ok to use natural drying, but for artificial drying, be careful not to allow the ambient air temperature at the paint surface to exceed 80°C (176°F). If the drying temperature exceeds 80°C (176°F), it could cause plastic parts to deform or adhesives to come loose.

SIDE SILL EXTENSIONS

< SPEC CHANGE INFORMATION >

[Nismo 370Z]

SIDE SILL EXTENSIONS

Paint and Adhesive Tape

INFOID:000000008195652

PAINT COLOR

Location	Body color				
Side sill extensions	G41	NAM	QAB	KAD	K23

CAUTION:

- Use environmentally friendly paint and adhesive tape.
- It is ok to use natural drying, but for artificial drying, be careful not to allow the ambient air temperature at the paint surface to exceed 80°C (176°F). If the drying temperature exceeds 80°C (176°F), it could cause plastic parts to deform or adhesives to come loose.

A
B
C
D
E
F
G
H
I
J
L
M
N
O
P

EXT

REAR SPOILER

< SPEC CHANGE INFORMATION >

[Nismo 370Z]

REAR SPOILER

Paint and Adhesive Tape

INFOID:000000008195653

PAINT COLOR

Location	Body color				
Rear spoiler	G41	NAM	QAB	KAD	K23

CAUTION:

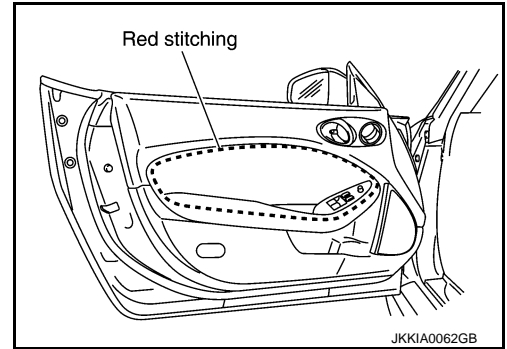
- Use environmentally friendly paint and adhesive tape.
- Natural drying is an acceptable method for drying, but for artificial drying, be careful not to allow the ambient air temperature at the paint surface to exceed 80°C (176°F). If the drying temperature exceeds 80°C (176°F), it could cause plastic parts to deform or adhesives to come loose.

DOOR FINISHER

Door Finisher

Red stitching is incorporated on a door finisher.

INFOID:000000008195654



A
B
C
D
E
F
G
H
I
J
L
M
N
O
P

EXT

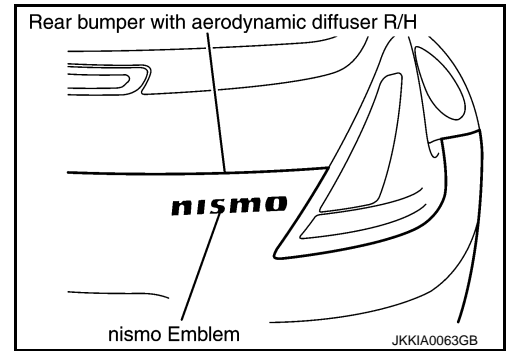
< SPEC CHANGE INFORMATION >

EMBLEM

nismo EMBLEM

INFOID:000000008195655

The nismo EMBLEM is used on the Rear bumper with aerodynamic diffuser R/H.



BACK DOOR

< SPEC CHANGE INFORMATION >

[Nismo 370Z]

BACK DOOR

Back Door

INFOID:000000008195656

Because the rear spoiler has gotten bigger, the gas stay is changed to the model that has the reaction force.

- A
- B
- C
- D
- E
- F
- G
- H
- I
- J
- EXT
- L
- M
- N
- O
- P

FRONT BUMPER ASSEMBLY

< REMOVAL AND INSTALLATION >

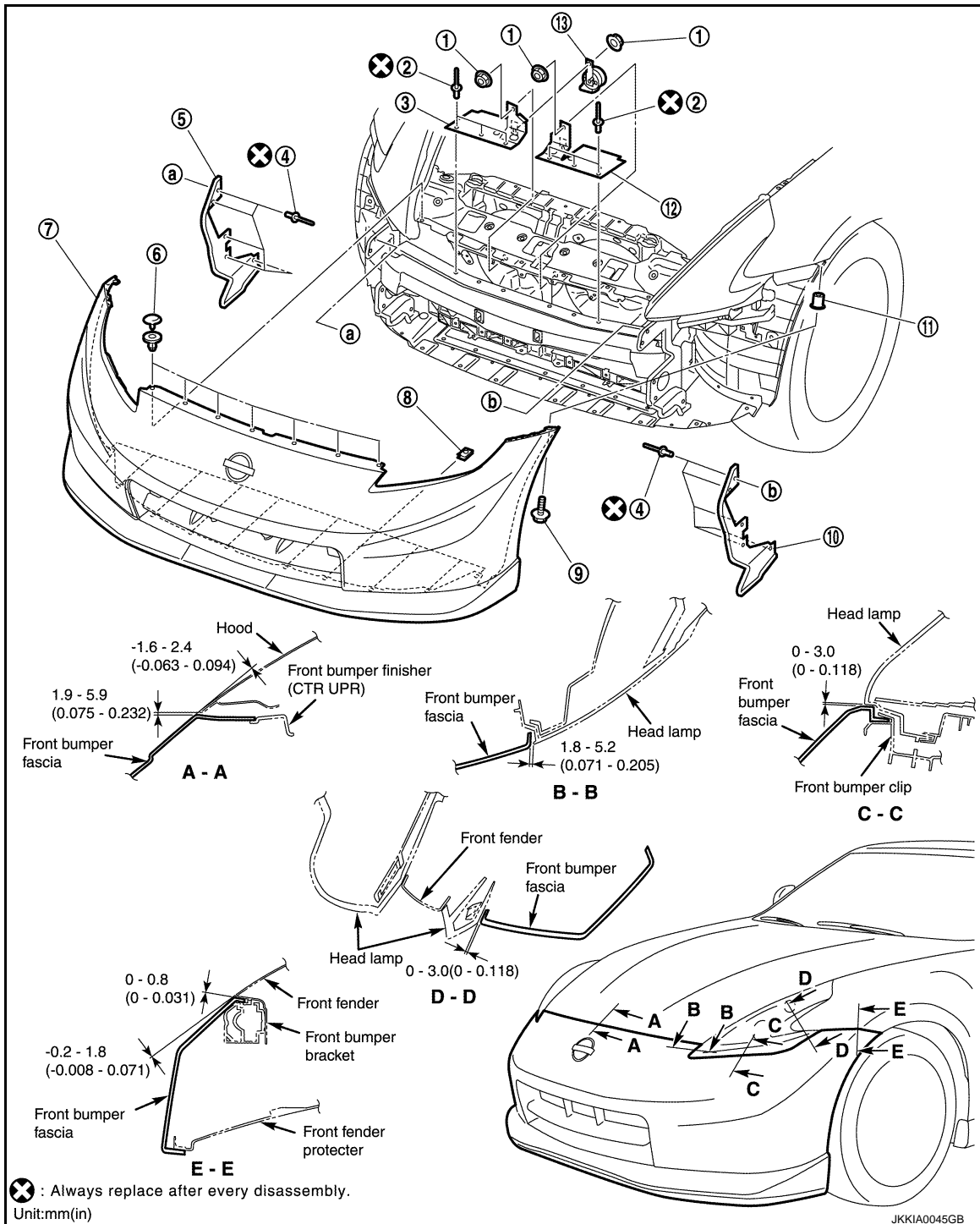
[Nismo 370Z]

REMOVAL AND INSTALLATION

FRONT BUMPER ASSEMBLY

Exploded View

INFOID:000000008195657



- | | | |
|------------------------------------|---|--|
| 1. Nut (3) | 2. Rivet (3 each left and right) | 3. Protector-food control cable (LH) |
| 4. Rivet (5 each left and right) | 5. Extension-seal, condenser (LH) | 6. Clip (7) |
| 7. Front bumper fascia assembly | 8. U nut (10) | 9. Tapping screw (1 each left and right) |
| 10. Extension-seal, condenser (RH) | 11. Screw grommet (1 each left and right) | 12. Protector-food control cable (RH) |
| 13. Horn assembly-low | | |

FRONT BUMPER ASSEMBLY

< REMOVAL AND INSTALLATION >

[Nismo 370Z]

Removal and Installation

INFOID:000000008195658

CAUTION:

- Front bumper fascia is made of resin. Do not apply strong force to it, and be careful to prevent contact with oil.

REMOVAL

1. Fully open the hood assembly.
2. Remove the front under cover.
3. Remove the tapping screws from the left and right of the front bumper fascia.
4. Remove the clips from the top of front bumper fascia and then remove the front bumper fascia assembly.
5. Remove the rivets from protector-food control cable left and right.
6. Remove the rivets from extension-seal, condenser left and right.

CAUTION:

- Two people shall perform the work to remove the Front bumper fascia so that it is not dropped.

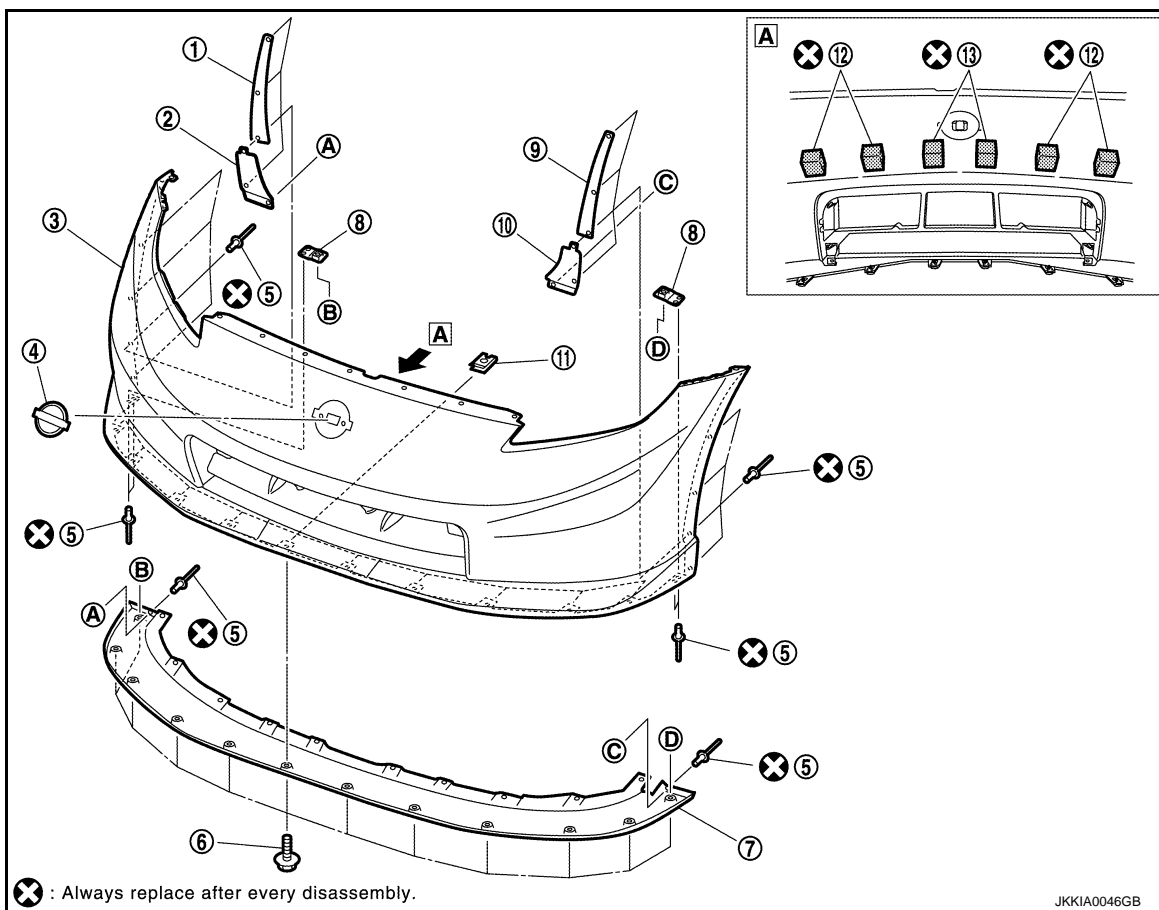
INSTALLATION

Installation is the reverse order of removal.

- Check the clearance when installing the Front bumper fascia assembly.

Disassembly and Assembly

INFOID:000000008195659



- | | | |
|------------------------------------|------------------------------------|------------------------------------|
| 1. Front bumper protector (RH UPR) | 2. Front bumper protector (RH LWR) | 3. Front bumper fascia |
| 4. NISSAN emblem | 5. Rivet (14) | 6. Screw (12) |
| 7. Lower front bumper fascia | 8. Front bumper bracket (2) | 9. Front bumper protector (LH UPR) |

FRONT BUMPER ASSEMBLY

[Nismo 370Z]

< REMOVAL AND INSTALLATION >

- | | | |
|---|----------------|---|
| 10. Front bumper protector (LH LWR) | 11. U nut (20) | 12. Front bumper spacer (the sponge tape) (4) |
| 13. Front bumper spacer (the sponge tape) (2) | | |

REMOVAL

1. Remove the NISSAN emblem.
2. Remove the rivets from the left and right of the front bumper fascia and then remove the front bumper protector (RH, UPR) and the front bumper protector (LH, UPR) and the front bumper protector (RH, LWR) and the front bumper protector (LH, LWR).
3. Remove the Screws from the bottom of the front bumper fascia and then remove the lower front bumper fascia.
4. Remove the rivets from the left and right of the front bumper fascia and then remove the front bumper bracket.
5. Remove the front bumper spacer (the sponge tape) from the back side of front bumper fascia.

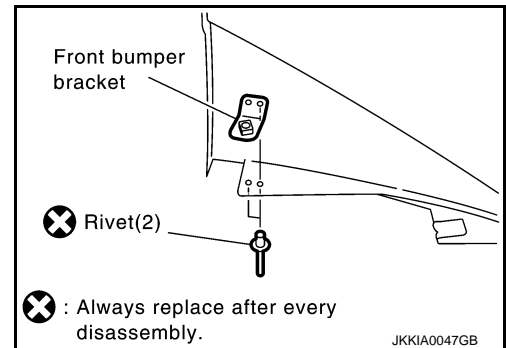
INSTALLATION

Install in the reverse order of removal.

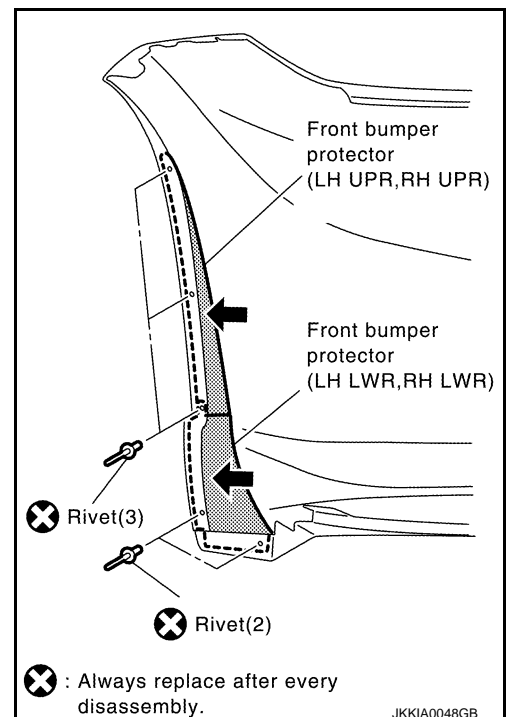
CAUTION:

- The sponge tape cannot be reused. Replace it with new tape.
- Remove the oil and grease from the attachment surface and clean it.

1. Attach the front bumper spacer (the sponge tape) along the mark-off line on the underside of the front bumper fascia.
2. Use the rivets to fasten the front bumper bracket on the left and right of the front bumper fascia.



3. Fasten the lower front bumper fascia with screws.
4. Press the front bumper protector (RH UPR) and the front bumper protector (LH UPR) and the front bumper protector (RH LWR) and the front bumper protector (LH LWR) against the front bumper fascia at the left and right while fastening them with rivets. Be careful not to leave any space in between.



LICENSE PLATE BRACKET

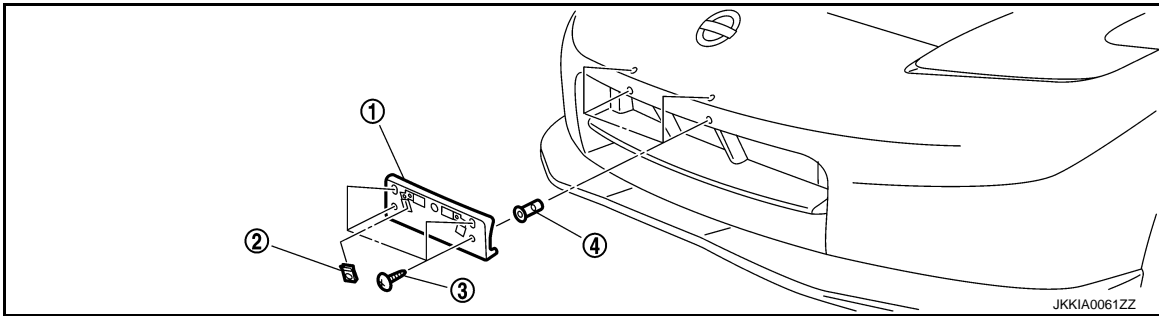
< REMOVAL AND INSTALLATION >

[Nismo 370Z]

LICENSE PLATE BRACKET

Exploded View

INFOID:000000008195660



1. License plate bracket

2. Spring nut (2)

3. Tapping screw (4)

4. Grommet (4)

Removal and Installation

INFOID:000000008195661

REMOVAL

1. Remove the spring nuts.
2. Remove the tapping screws and then remove the license plate bracket.

INSTALLATION

Install in the reverse order of removal.

A
B
C
D
E
F
G
H
I
J
L
M
N
O
P

EXT

REAR BUMPER WITH AERODYNAMIC DIFFUSER

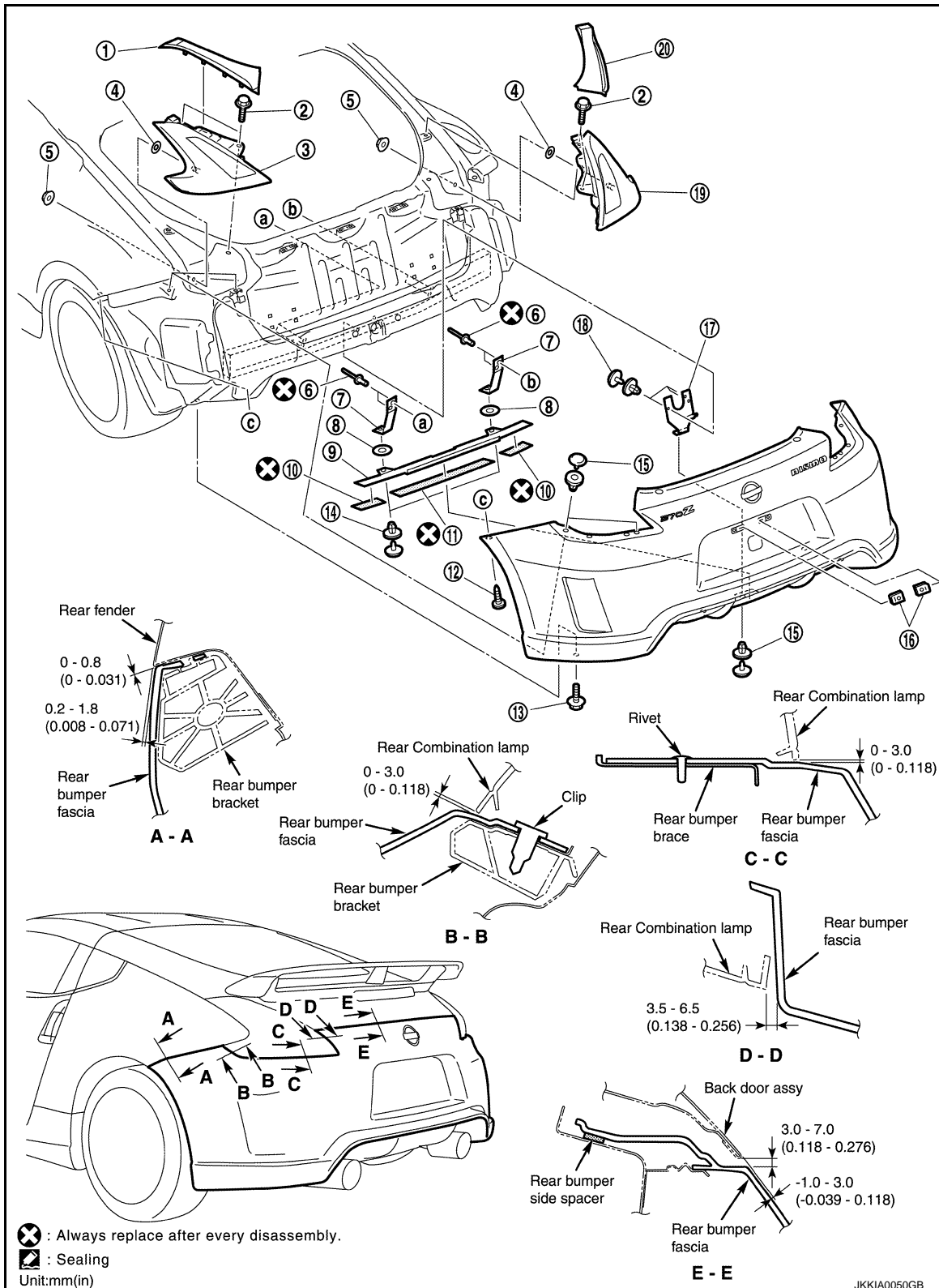
< REMOVAL AND INSTALLATION >

[Nismo 370Z]

REAR BUMPER WITH AERODYNAMIC DIFFUSER

Exploded View

INFOID:000000008195662



JKKIA0050GB

- | | | |
|---|---|------------------------------------|
| 1. Rear combination lamp finisher (LH) | 2. Bolt (2 each left and right) | 3. Rear combination lamp (LH) |
| 4. Seal packing (1 each left and right) | 5. Nut (1 each left and right) | 6. Rivet (2 each left and right) |
| 7. Rear bumper retainer (LWR, LH) (2) | 8. Nylon washer (1 each left and right) | 9. Rear bumper retainer (LWR, CTR) |

REAR BUMPER WITH AERODYNAMIC DIFFUSER

< REMOVAL AND INSTALLATION >

[Nismo 370Z]

- | | | |
|----------------------------------|---|---|
| 10. Double-sided tape A (2) | 11. Double-sided tape B | 12. Tapping screw (1 each left and right) |
| 13. Bolt (1 each left and right) | 14. Clip (2) | 15. Clip (5) |
| 16. U nut (2) | 17. Rear bumper retainer (LWR, CTR) | 18. Clip (3) |
| 19. Rear combination lamp (RH) | 20. Rear combination lamp finisher (RH) | |

Removal and Installation

INFOID:000000008195663

CAUTION:

Rear bumper fascia is made of resin. Do not apply strong force to it, and be careful to prevent contact with oil.

REMOVAL

1. Fully open the back door.
2. Remove the rear combination lamp finisher (RH) and the rear combination lamp finisher (LH) and the rear combination lamp (RH) and the rear combination lamp (LH).
3. Remove the rear bumper fascia bottom bolts and clips.
4. Remove the tapping screws from the left and right of the rear bumper fascia.
5. Remove the clips from the bottom of the rear bumper fascia.
6. Remove the clips and connector of license lamp assembly from the left and right of the rear bumper fascia, and remove the rear bumper fascia assembly.

CAUTION:

- Two people shall perform the work to remove the Rear bumper fascia assembly that it is not dropped.

INSTALLATION

Install in the reverse order of removal.

- Check the clearance when installing the Rear bumper fascia assembly.

A
B
C
D
E
F
G
H
I
J
L
M
N
O
P

EXT

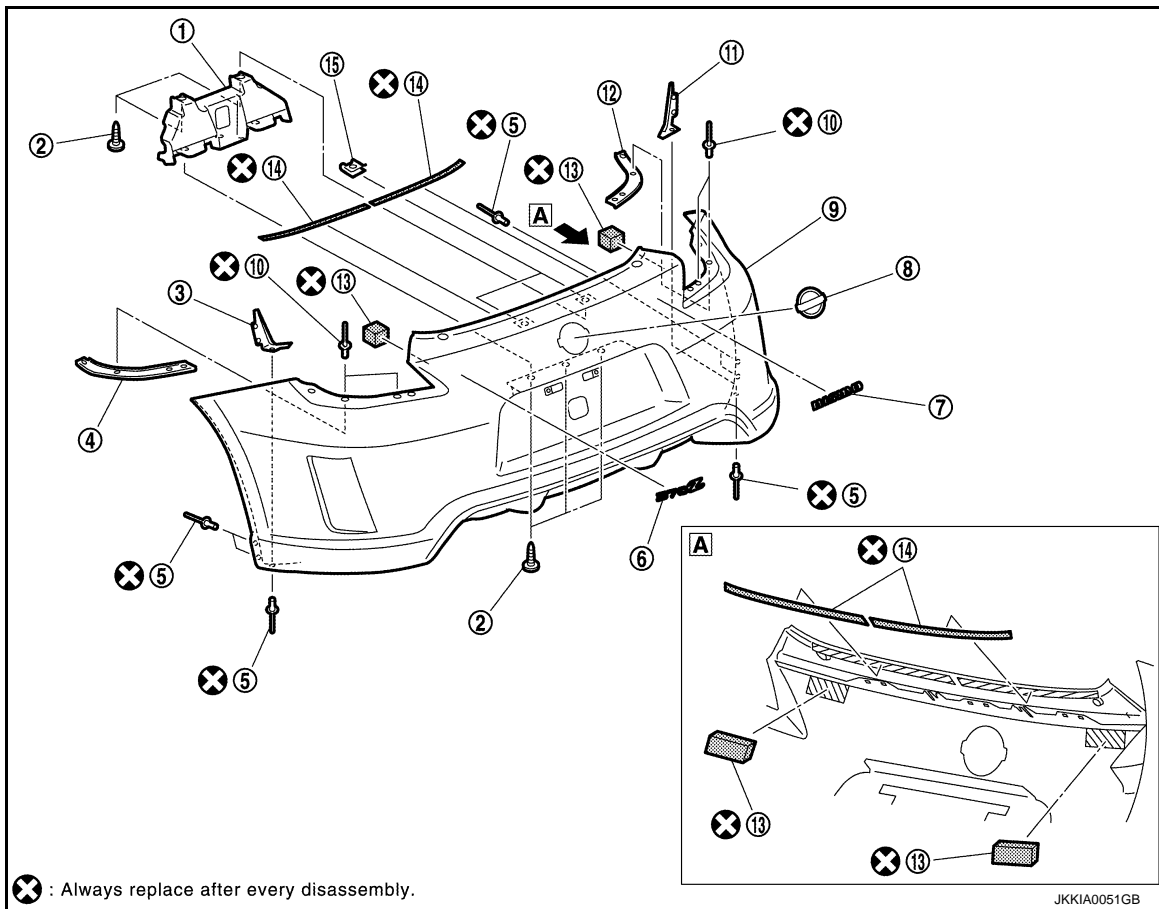
REAR BUMPER WITH AERODYNAMIC DIFFUSER

< REMOVAL AND INSTALLATION >

[Nismo 370Z]

Disassembly and Assembly

INFOID:000000008195664



- | | | |
|-----------------------------------|----------------------------------|-------------------------------|
| 1. Rear license lamp assembly | 2. Tapping screw (5) | 3. Rear bumper protector (LH) |
| 4. Rear bumper brace (LH) | 5. Rivet (3 each left and right) | 6. Emblem (370Z) |
| 7. Emblem (NISMO) | 8. Emblem (NISSAN) | 9. Rear bumper fascia |
| 10. Rivet (2 each left and right) | 11. Rear bumper protector (RH) | 12. Rear bumper brace (RH) |
| 13. Spacer (2) | 14. Rear bumper side spacer (2) | 15. Nut spring (2) |

REMOVAL

1. Remove the emblem (NISSAN) and the emblem (370Z) and the emblem (NISMO).
2. Remove the tapping screws and then remove the rear license lamp assembly.
3. Remove the rivets from the left and right of the rear bumper fascia and then remove the rear bumper brace (RH) and the rear bumper brace (LH).
4. Remove the rivets from the left and right of the rear bumper fascia and then remove the rear bumper protector (RH) and the rear bumper protector (LH).
5. Remove the rear bumper side spacer and the spacer from the back side of rear bumper fascia.

INSTALLATION

Install in the reverse order of removal.

CAUTION:

- Remove the oil and grease from the attachment surface and clean it.

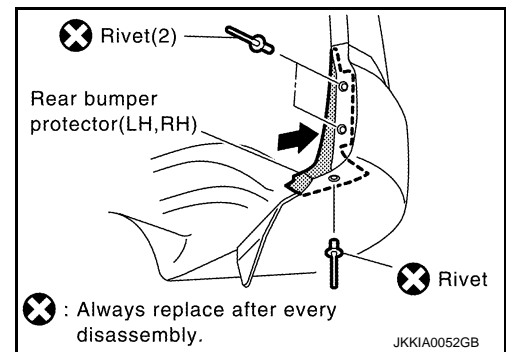
1. Attach the rear bumper side spacer and the spacer to the underside of the rear bumper fascia.

REAR BUMPER WITH AERODYNAMIC DIFFUSER

[Nismo 370Z]

< REMOVAL AND INSTALLATION >

2. Press the rear bumper protector (RH) and the rear bumper protector (LH) against the rear bumper fascia at the left and right while fastening them with rivets. Be careful not to leave any space in between.



3. Attach the rear bumper brace (RH) and the rear bumper brace (LH) to the rear bumper fascia at the left and right.
4. Install the rear license lamp assembly.
5. Install the emblem (NISSAN) and the emblem (370Z) and the emblem (NISMO).

A
B
C
D
E
F
G
H
I
J
L
M
N
O
P

EXT

SIDE SILL EXTENSIONS

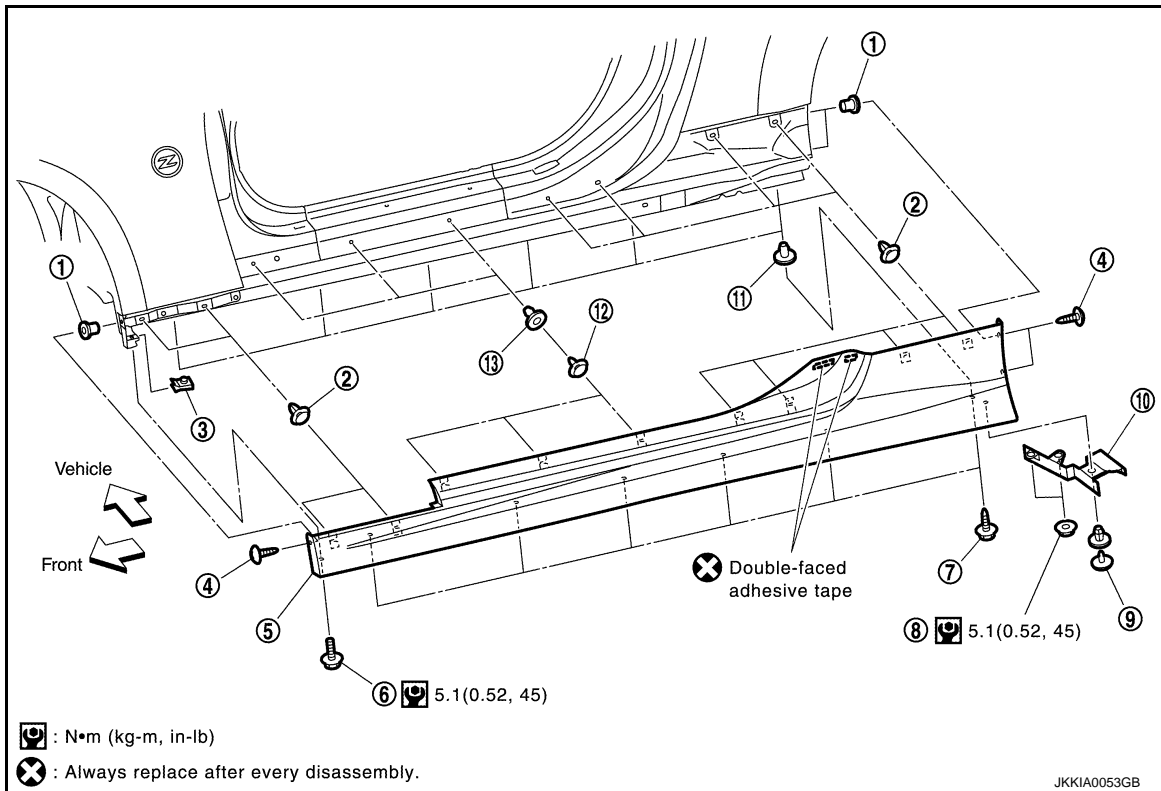
< REMOVAL AND INSTALLATION >

[Nismo 370Z]

SIDE SILL EXTENSIONS

Exploded View

INFOID:000000008195665



- | | | |
|--|---|--------------------------------------|
| 1. Grommet (3 each left and right) | 2. Clip (6 each left and right) | 3. U nut (1 each left and right) |
| 4. Tapping screw (3 each left and right) | 5. Side sill extensions assembly (LH, RH) | 6. Bolt (1 each left and right) |
| 7. Tapping screw (6 each left and right) | 8. Nut (2 each left and right) | 9. Trim clip (1 each left and right) |
| 10. Rear deflector mudguard (LH, RH) | 11. Grommet (6 each left and right) | 12. Clip (3 each left and right) |
| 13. Grommet (3 each left and right) | | |

Removal and Installation

INFOID:000000008195666

REMOVAL

1. Remove the nuts and trim clips and then remove the rear deflector mudguard (LH).
2. Remove the bolts and tapping screws.
3. Remove the side sill extensions assembly (LH) while separating the grommet and clip joint.
4. Use the same procedure to remove the side sill extensions assembly (RH).

INSTALLATION

Install in the reverse order of removal.

CAUTION:

- The double-sided tape cannot be reused. Replace it with new tape.
- Remove the oil and grease from the attachment surface and clean it.

FRONT UNDER COVER

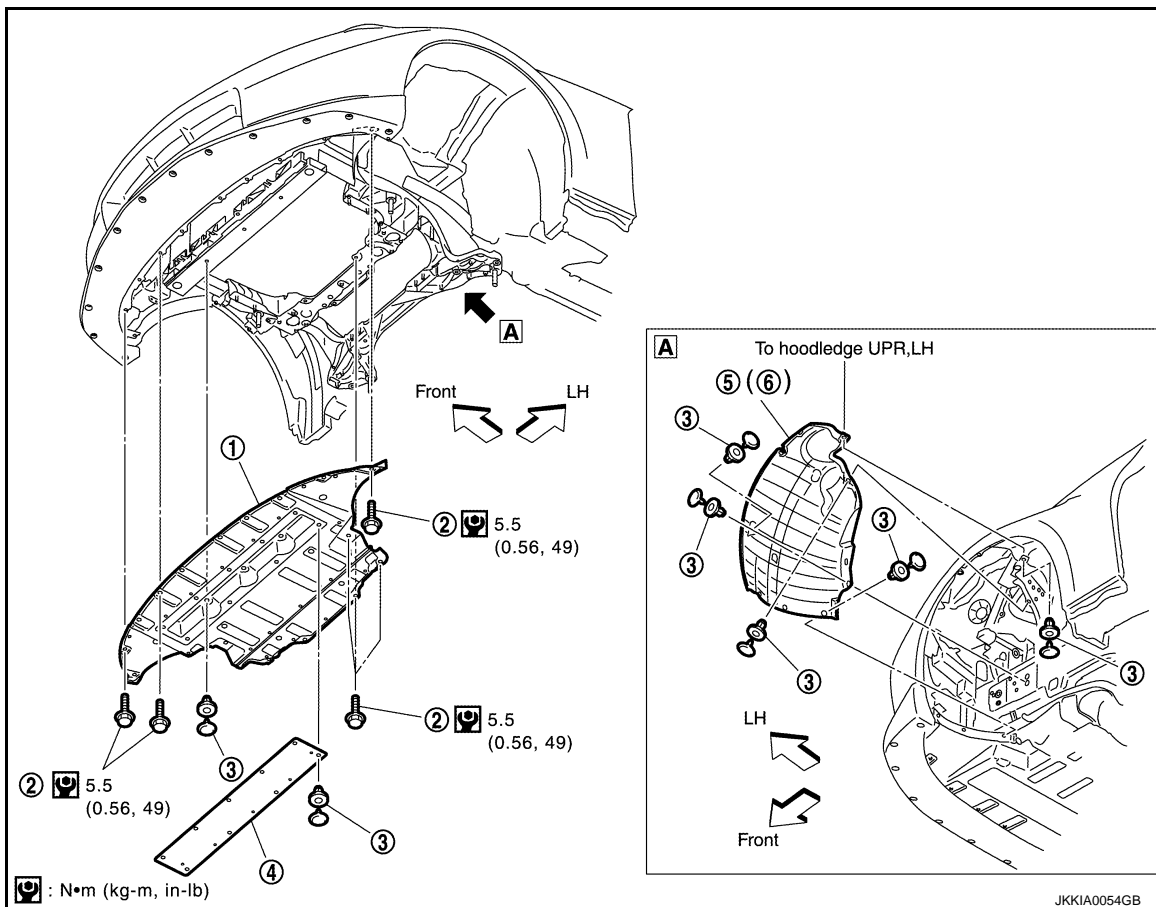
< REMOVAL AND INSTALLATION >

[Nismo 370Z]

FRONT UNDER COVER

Exploded View

INFOID:000000008195667



- | | | |
|--------------------------------|-----------------------------------|-----------------------------------|
| 1. Front under cover | 2. Bolt (16) | 3. Trim clip (26) |
| 4. Front under cover protector | 5. Front fender protector (RH FR) | 6. Front fender protector (LH FR) |

Removal and Installation

INFOID:000000008195668

CAUTION:

Front under cover is made of resin. Do not apply strong force to it, and be careful to prevent contact with oil.

REMOVAL

1. Remove the trim clips and then remove the front fender protector (RH FR) and the front fender protector (LH FR).
2. Remove the trim clips and then remove the front under cover protector.
3. Remove the trim clips and bolts and then remove the front under cover.

INSTALLATION

Installation is the reverse order of removal.

REAR SPOILER

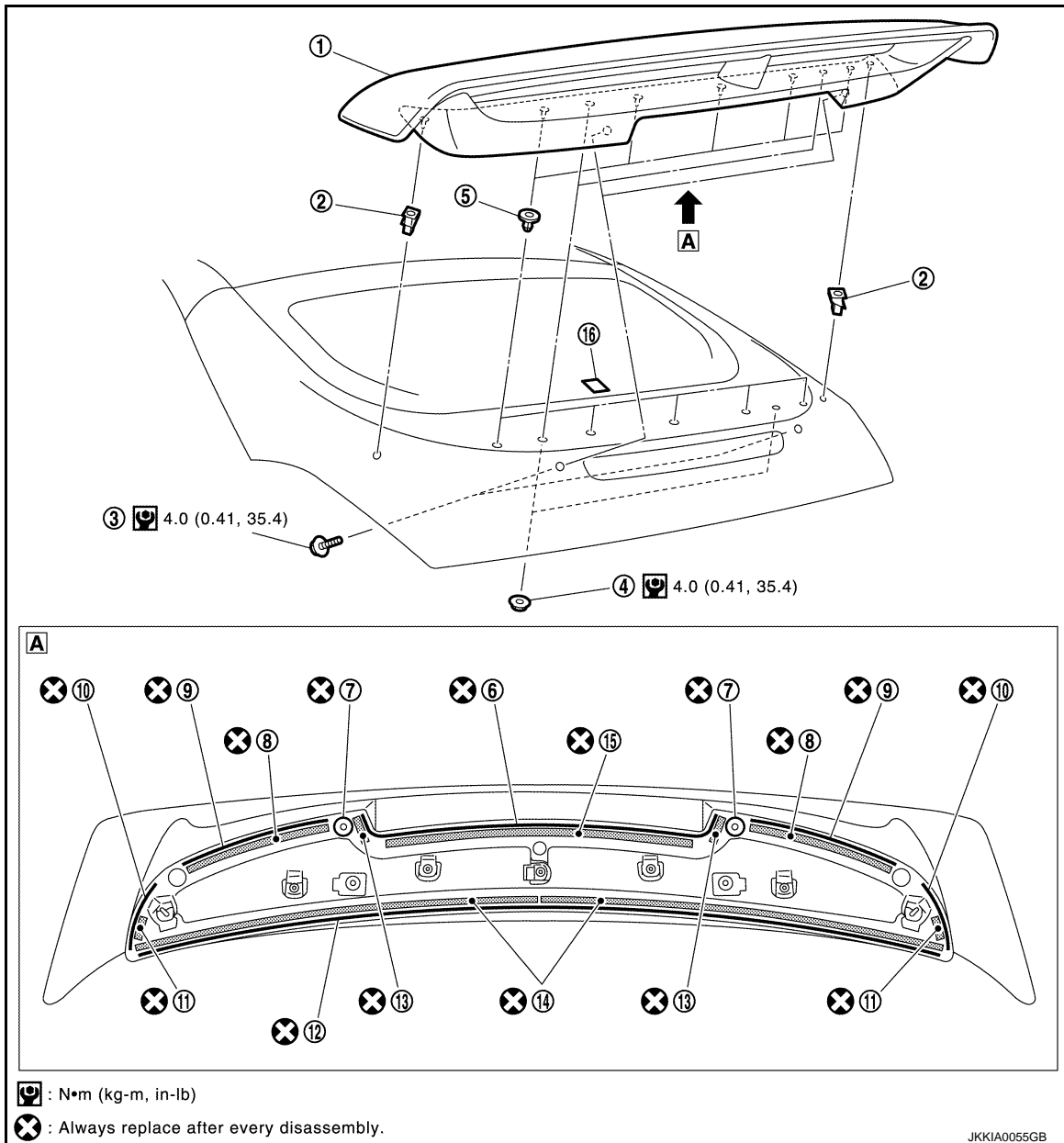
< REMOVAL AND INSTALLATION >

[Nismo 370Z]

REAR SPOILER

Exploded View

INFOID:000000008195669



- | | | |
|-----------------------------|-----------------------------|-------------------------|
| 1. Rear spoiler assembly | 2. Grommet (2) | 3. Bolt (2) |
| 4. Nut (2) | 5. Grommet (5) | 6. EPT seal A |
| 7. Sealing washer | 8. Double-sided tape C (2) | 9. EPT seal B (2) |
| 10. EPT seal C (2) | 11. Double-sided tape D (2) | 12. EPT seal D |
| 13. Double-sided tape B (2) | 14. Double-sided tape E (2) | 15. Double-sided tape A |
| 16. Caution label | | |

Removal and Installation

INFOID:000000008195670

CAUTION:

Rear spoiler is made of resin. Do not apply strong force to it, and be careful to prevent contact with oil.

REMOVAL

1. Remove the back door finisher.

REAR SPOILER

< REMOVAL AND INSTALLATION >

[Nismo 370Z]

2. Remove the bolts and nuts.
3. Remove the grommets and using a plastic putty knife or similar tool, remove the rear spoiler assembly while removing the double-sided tape.

CAUTION:

- Two people should perform removal of the rear spoiler assembly to keep from dropping it.
- Be careful not to damage the painted surface.
- After removal, degrease and clean the mounting surface.

4. Use a plastic putty knife or similar tool to peel off the EPT seal and double-sided tape from the rear spoiler assembly.
5. Peel off the sealing washers.

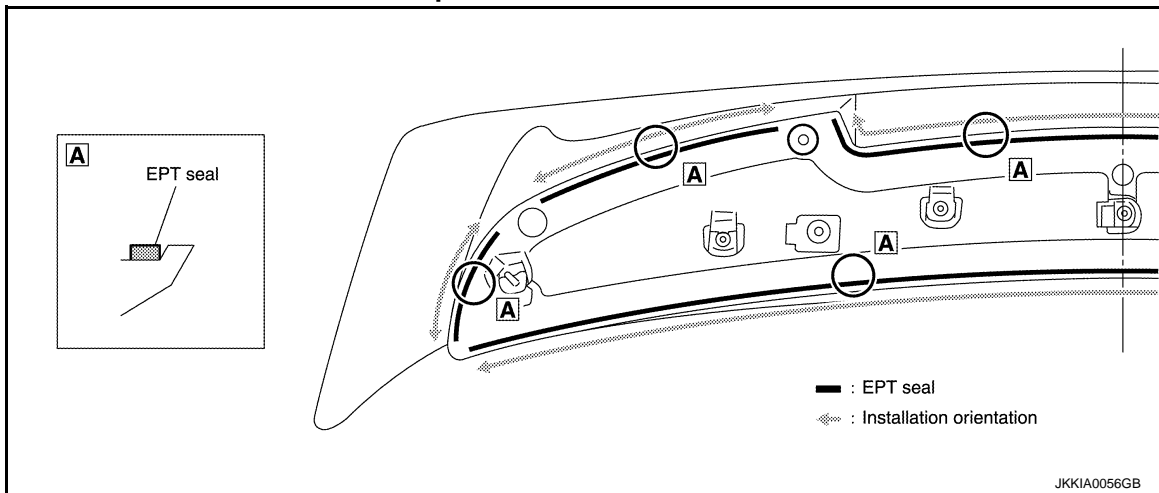
INSTALLATION

Install in the reverse order of removal.

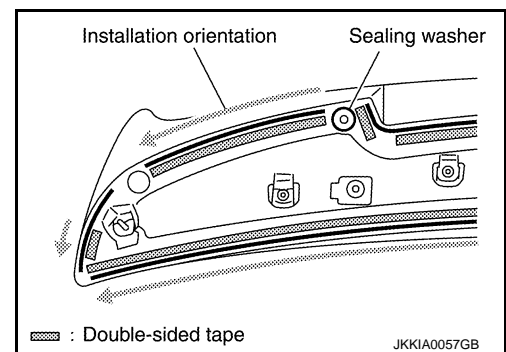
1. Degrease and clean the rear spoiler assembly mounting surfaces for the sealing washer, EPT seal, and double-sided tape.
2. Use the marking lines as a guide for the starting position of each affixing and then apply the EPT seal facing in the direction shown by the arrow.

CAUTION:

- Make sure that the EPT seal does not protrude.



3. Install the sealing washers.
4. Attach double-sided tape in the direction of the arrows.



5. Install the Rear spoiler assembly.
6. Attach the bolts and nuts, and attach the back door finisher.

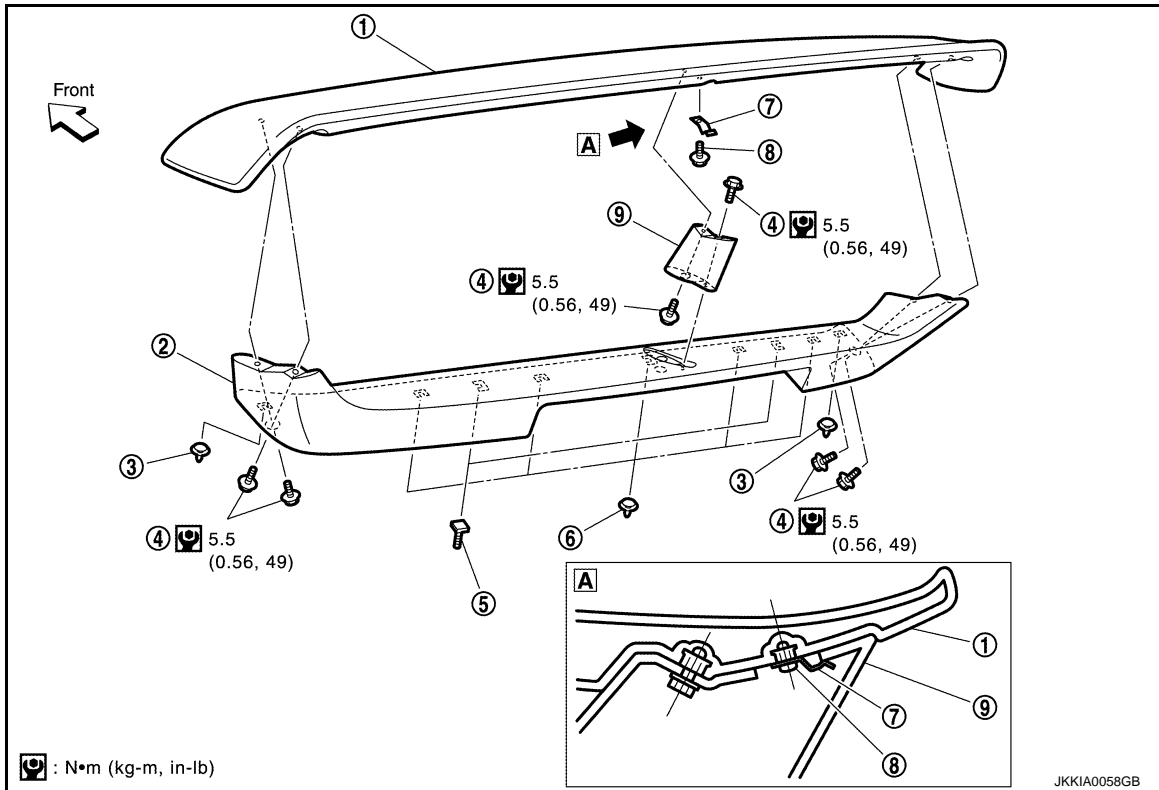
REAR SPOILER

< REMOVAL AND INSTALLATION >

[Nismo 370Z]

Disassembly and Assembly

INFOID:000000008195671



- | | | |
|-----------------------|---------------------------------------|---------------------------------|
| 1. Rear spoiler (UPR) | 2. Rear spoiler (LWR) | 3. Clip (1 each left and right) |
| 4. Bolt (6) | 5. Slide bolt (1 each left and right) | 6. Clip (5) |
| 7. Bracket | 8. Bolt | 9. Rear spoiler (CTR) |

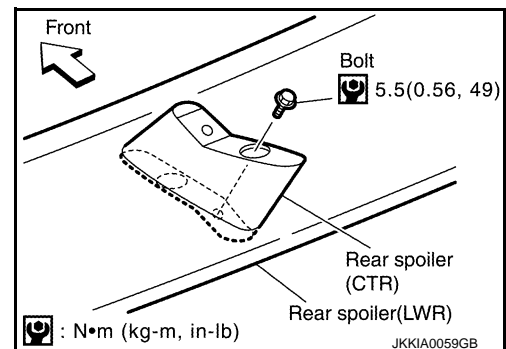
REMOVAL

1. Remove the clips and the slide bolts from the back side of rear spoiler (LWR).
2. Remove the bolts from the left and right of the rear spoiler (LWR).
3. Remove the bolts from the center of the rear spoiler (LWR) and then remove the rear spoiler (UPR).
4. Remove the bolts from the center of the rear spoiler (LWR) and then remove the rear spoiler (CTR).
5. Remove the bolts from the center of the rear spoiler (UPR) and then remove the Bracket.

INSTALLATION

Assembly is the reverse order of disassembly.

1. Attach the bracket in the center of the rear spoiler (UPR).
2. Attach the rear spoiler (CTR) in the center of the rear spoiler (LWR).

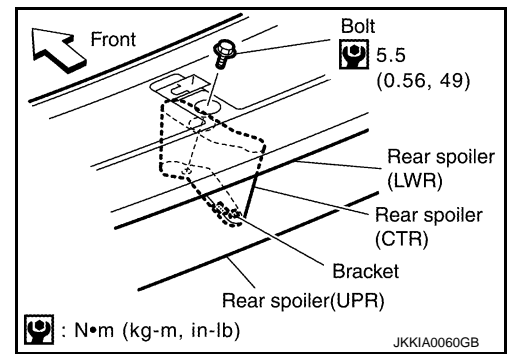


REAR SPOILER

< REMOVAL AND INSTALLATION >

[Nismo 370Z]

3. Fit the edge of the rear spoiler (CTR) under the bracket at the rear spoiler (UPR) while attaching the rear spoiler (LWR) to the rear spoiler (UPR), and secure the rear spoiler (LWR) with the bolt in the center.



4. Fasten the rear spoiler (LWR) with bolts at the left and right.
5. Attach the clips and slide bolts to the underside of the rear spoiler.

A
B
C
D
E
F
G
H
I
J
L
M
N
O
P

EXT