

TM
SECTION
TRANSAXLE & TRANSMISSION

A
B
C

TM

CONTENTS

E

6MT: FS6R31A	
PRECAUTION	PARK/NEUTRAL POSITION SWITCH18
PRECAUTIONS	Component Inspection18
FOR USA AND CANADA	SYMPTOM DIAGNOSIS19
FOR USA AND CANADA : Precaution for Supplemental Restraint System (SRS) "AIR BAG" and "SEAT BELT PRE-TENSIONER"	NOISE, VIBRATION AND HARSHNESS (NVH) TROUBLESHOOTING19
FOR USA AND CANADA : Precaution for Battery Service	NVH Troubleshooting Chart19
FOR USA AND CANADA : Service Notice or Precautions for Manual Transmission	PERIODIC MAINTENANCE20
FOR MEXICO	GEAR OIL20
FOR MEXICO : Precaution for Supplemental Restraint System (SRS) "AIR BAG" and "SEAT BELT PRE-TENSIONER"	Inspection20
FOR MEXICO : Precaution for Battery Service	Draining20
FOR MEXICO : Service Notice or Precautions for Manual Transmission	Refilling20
PREPARATION	REMOVAL AND INSTALLATION21
PREPARATION	REAR OIL SEAL21
Special Service Tools	Removal and Installation21
Commercial Service Tools	Inspection21
SYSTEM DESCRIPTION	SHIFT CONTROL22
COMPONENT PARTS	Exploded View22
Component Parts Location	Removal and Installation22
STRUCTURE AND OPERATION	Inspection27
Sectional View	AIR BREATHER HOSE28
Synchronizer Mechanism	Exploded View28
DTC/CIRCUIT DIAGNOSIS	Removal and Installation28
BACK-UP LAMP SWITCH	BACK-UP LAMP SWITCH30
Component Inspection	Exploded View30
	Removal and Installation31
	PARK/NEUTRAL POSITION SWITCH33
	Exploded View33
	Removal and Installation34
	INPUT SPEED SENSOR36
	Exploded View36
	Removal and Installation36

F
G
H
I
J
K
L
M
N
O
P

Component Parts Location	173	P0725 ENGINE SPEED	224	
Component Description	174	Description	224	A
SHIFT MECHANISM	175	DTC Logic	224	
Cross-Sectional View	175	Diagnosis Procedure	224	B
System Diagram	176	P0729 6GR INCORRECT RATIO	226	
System Description	176	Description	226	C
Component Parts Location	199	DTC Logic	226	
Component Description	199	Diagnosis Procedure	227	
SHIFT LOCK SYSTEM	200	P0730 INCORRECT GEAR RATIO	228	TM
System Description	200	Description	228	
Component Parts Location	201	DTC Logic	228	
Component Description	202	Diagnosis Procedure	228	
ON BOARD DIAGNOSTIC (OBD) SYSTEM ...	203	P0731 1GR INCORRECT RATIO	230	E
Diagnosis Description	203	Description	230	
DIAGNOSIS SYSTEM (TCM)	204	DTC Logic	230	F
CONSULT Function	204	Diagnosis Procedure	231	
DTC/CIRCUIT DIAGNOSIS	211	P0732 2GR INCORRECT RATIO	232	G
U0100 LOST COMMUNICATION (ECM A)	211	Description	232	
DTC Logic	211	DTC Logic	232	H
Diagnosis Procedure	211	Diagnosis Procedure	233	
U0300 CAN COMMUNICATION DATA	212	P0733 3GR INCORRECT RATIO	234	I
Description	212	Description	234	
DTC Logic	212	DTC Logic	234	J
Diagnosis Procedure	212	Diagnosis Procedure	235	
U1000 CAN COMM CIRCUIT	213	P0734 4GR INCORRECT RATIO	236	K
Description	213	Description	236	
DTC Logic	213	DTC Logic	236	L
Diagnosis Procedure	213	Diagnosis Procedure	237	
P0615 STARTER RELAY	214	P0735 5GR INCORRECT RATIO	238	M
Description	214	Description	238	
DTC Logic	214	DTC Logic	238	N
Diagnosis Procedure	214	Diagnosis Procedure	239	
P0705 TRANSMISSION RANGE SWITCH A ..	216	P0740 TORQUE CONVERTER	240	O
Description	216	Description	240	
DTC Logic	216	DTC Logic	240	P
Diagnosis Procedure	216	Diagnosis Procedure	240	
P0710 TRANSMISSION FLUID TEMPERA-		P0744 TORQUE CONVERTER	242	
TURE SENSOR A	218	Description	242	
Description	218	DTC Logic	242	
DTC Logic	218	Diagnosis Procedure	242	
Diagnosis Procedure	219	P0745 PRESSURE CONTROL SOLENOID A.	244	
P0717 INPUT SPEED SENSOR A	220	Description	244	
Description	220	DTC Logic	244	
DTC Logic	220	Diagnosis Procedure	244	
Diagnosis Procedure	220	P0750 SHIFT SOLENOID A	245	
P0720 OUTPUT SPEED SENSOR	222	Description	245	
Description	222	DTC Logic	245	
DTC Logic	222	Diagnosis Procedure	245	
Diagnosis Procedure	223	P0775 PRESSURE CONTROL SOLENOID B.	246	
		Description	246	

DTC Logic	246	Diagnosis Procedure	267
Diagnosis Procedure	246		
P0780 SHIFT	247	MAIN POWER SUPPLY AND GROUND CIR-	CUIT
Description	247	Description	268
DTC Logic	247	Diagnosis Procedure	268
Diagnosis Procedure	247		
P0795 PRESSURE CONTROL SOLENOID C. 249		SHIFT POSITION INDICATOR CIRCUIT	271
Description	249	Description	271
DTC Logic	249	Component Function Check	271
Diagnosis Procedure	249	Diagnosis Procedure	271
P1705 TP SENSOR	250	SHIFT LOCK SYSTEM	272
Description	250	Description	272
DTC Logic	250	Wiring Diagram - A/T SHIFT LOCK SYSTEM - ...	273
Diagnosis Procedure	250	Component Function Check	273
		Diagnosis Procedure	274
		Component Inspection (Shift Lock Unit)	276
		Component Inspection (Stop Lamp Switch)	276
P1721 VEHICLE SPEED SIGNAL	252	ECU DIAGNOSIS INFORMATION	278
Description	252		
DTC Logic	252	TCM	278
Diagnosis Procedure	253	Reference Value	278
		Wiring Diagram - A/T CONTROL SYSTEM -	285
P1730 INTERLOCK	254	Fail-Safe	286
Description	254	Protection Control	288
DTC Logic	254	DTC Inspection Priority Chart	289
Judgment of A/T Interlock	254	DTC Index	290
Diagnosis Procedure	255		
P1734 7GR INCORRECT RATIO	256	SYMPTOM DIAGNOSIS	292
Description	256		
DTC Logic	256	SYSTEM SYMPTOM	292
Diagnosis Procedure	257	Symptom Table	292
P1815 M-MODE SWITCH	258	PRECAUTION	302
Description	258		
DTC Logic	258	PRECAUTIONS	302
Diagnosis Procedure	258		
Component Inspection (Manual Mode Switch)	262	FOR USA AND CANADA	302
Component Inspection [Paddle Shifter (Shift-up)]	262	FOR USA AND CANADA : Precaution for Supple-	
Component Inspection [Paddle Shifter (Shift-		mental Restraint System (SRS) "AIR BAG" and	
down)]	262	"SEAT BELT PRE-TENSIONER"	302
		FOR USA AND CANADA : Precaution for Battery	
P2713 PRESSURE CONTROL SOLENOID D. 264		Service	302
Description	264	FOR USA AND CANADA : On Board Diagnostic	
DTC Logic	264	(OBD) System of Engine and A/T	302
Diagnosis Procedure	264	FOR USA AND CANADA : General Precautions .	303
		FOR USA AND CANADA : Service Notice or Pre-	
P2722 PRESSURE CONTROL SOLENOID E. 265		caution	303
Description	265		
DTC Logic	265	FOR MEXICO	304
Diagnosis Procedure	265	FOR MEXICO : Precaution for Supplemental Re-	
		straint System (SRS) "AIR BAG" and "SEAT BELT	
P2731 PRESSURE CONTROL SOLENOID F. 266		PRE-TENSIONER"	304
Description	266	FOR MEXICO : Precaution for Battery Service ...	304
DTC Logic	266	FOR MEXICO : On Board Diagnostic (OBD) Sys-	
Diagnosis Procedure	266	tem of Engine and A/T	304
		FOR MEXICO : General Precautions	305
P2807 PRESSURE CONTROL SOLENOID G. 267		FOR MEXICO : Service Notice or Precaution	305
Description	267		
DTC Logic	267		

PREPARATION	307	Removal and Installation	339	
PREPARATION	307	FLUID COOLER SYSTEM	340	A
Special Service Tool	307	Exploded View	340	
Commercial Service Tool	308	Removal and Installation	340	B
PERIODIC MAINTENANCE	309	Inspection and Adjustment	342	
A/T FLUID	309	UNIT REMOVAL AND INSTALLATION ...	343	C
Inspection	309	TRANSMISSION ASSEMBLY	343	
Changing	309	Exploded View	343	
Adjustment	311	Removal and Installation	343	TM
A/T FLUID COOLER	312	Inspection and Adjustment	345	
Cleaning	312	UNIT DISASSEMBLY AND ASSEMBLY .	346	E
Inspection	314	TRANSMISSION ASSEMBLY	346	
STALL TEST	315	Exploded View	346	
Inspection and Judgment	315	Oil Channel	352	F
A/T POSITION	316	Location of Needle Bearings and Bearing Races..	353	
Inspection and Adjustment	316	Location of Snap Rings	354	G
REMOVAL AND INSTALLATION	317	Disassembly	354	
A/T SHIFT SELECTOR	317	Assembly	369	
Exploded View	317	Inspection	391	
Removal and Installation	318	OIL PUMP, 2346 BRAKE, FRONT BRAKE		H
Disassembly and Assembly	318	PISTON	393	
Inspection and Adjustment	319	Exploded View	393	
CONTROL ROD	320	Disassembly	393	I
Exploded View	320	Assembly	397	
Removal and Installation	320	Inspection and Adjustment	400	J
Inspection and Adjustment	320	UNDER DRIVE CARRIER, FRONT BRAKE		
PADDLE SHIFTER	321	HUB	402	K
Exploded View	321	Exploded View	402	
Removal and Installation	321	Disassembly	402	
CONTROL VALVE & TCM	322	Assembly	403	L
Exploded View	322	Inspection	403	
Removal and Installation	322	FRONT CARRIER, INPUT CLUTCH, REAR		
Inspection and Adjustment	326	INTERNAL GEAR	405	M
PARKING COMPONENTS	327	Exploded View	405	
Exploded View	327	Disassembly	406	
Removal and Installation	327	Assembly	407	N
Inspection and Adjustment	331	Inspection	409	
REAR OIL SEAL	332	MID SUN GEAR, REAR SUN GEAR, HIGH		
Exploded View	332	AND LOW REVERSE CLUTCH HUB	410	O
Removal and Installation	332	Exploded View	410	
Inspection and Adjustment	332	Disassembly	410	
OUTPUT SPEED SENSOR	334	Assembly	412	
Exploded View	334	Inspection	414	P
Removal and Installation	334	HIGH AND LOW REVERSE CLUTCH	415	
Inspection	338	Exploded View	415	
AIR BREATHER HOSE	339	Disassembly	415	
Exploded View	339	Assembly	416	
		Inspection	416	
		DIRECT CLUTCH	417	
		Exploded View		

Disassembly	417	Vehicle Speed at Which Gear Shifting Occurs	419
Assembly	417	Vehicle Speed at Which Lock-up Occurs/Releas-	
Inspection	418	es	420
SERVICE DATA AND SPECIFICATIONS		Stall Speed	420
(SDS)	419	Torque Converter	420
SERVICE DATA AND SPECIFICATIONS		Total End Play	420
(SDS)	419	Reverse Brake Clearance	420
General Specification	419	Front Brake Clearance	420
		2346 Brake Clearance	421

PRECAUTION

PRECAUTIONS
FOR USA AND CANADA

FOR USA AND CANADA : Precaution for Supplemental Restraint System (SRS) "AIR BAG" and "SEAT BELT PRE-TENSIONER"

INFOID:000000008192886

The Supplemental Restraint System such as "AIR BAG" and "SEAT BELT PRE-TENSIONER", used along with a front seat belt, helps to reduce the risk or severity of injury to the driver and front passenger for certain types of collision. This system includes seat belt switch inputs and dual stage front air bag modules. The SRS system uses the seat belt switches to determine the front air bag deployment, and may only deploy one front air bag, depending on the severity of a collision and whether the front occupants are belted or unbelted. Information necessary to service the system safely is included in the "SRS AIR BAG" and "SEAT BELT" of this Service Manual.

WARNING:

Always observe the following items for preventing accidental activation.

- To avoid rendering the SRS inoperative, which could increase the risk of personal injury or death in the event of a collision that would result in air bag inflation, all maintenance must be performed by an authorized NISSAN/INFINITI dealer.
- Improper maintenance, including incorrect removal and installation of the SRS, can lead to personal injury caused by unintentional activation of the system. For removal of Spiral Cable and Air Bag Module, see "SRS AIR BAG".
- Never use electrical test equipment on any circuit related to the SRS unless instructed to in this Service Manual. SRS wiring harnesses can be identified by yellow and/or orange harnesses or harness connectors.

PRECAUTIONS WHEN USING POWER TOOLS (AIR OR ELECTRIC) AND HAMMERS

WARNING:

Always observe the following items for preventing accidental activation.

- When working near the Air Bag Diagnosis Sensor Unit or other Air Bag System sensors with the ignition ON or engine running, never use air or electric power tools or strike near the sensor(s) with a hammer. Heavy vibration could activate the sensor(s) and deploy the air bag(s), possibly causing serious injury.
- When using air or electric power tools or hammers, always switch the ignition OFF, disconnect the battery, and wait at least 3 minutes before performing any service.

FOR USA AND CANADA : Precaution for Battery Service

INFOID:000000008192887

Before disconnecting the battery, lower both the driver and passenger windows. This will prevent any interference between the window edge and the vehicle when the door is opened/closed. During normal operation, the window slightly raises and lowers automatically to prevent any window to vehicle interference. The automatic window function will not work with the battery disconnected.

FOR USA AND CANADA : Service Notice or Precautions for Manual Transmission

INFOID:000000008192888

CAUTION:

- Never reuse CSC (Concentric Slave Cylinder) body and CSC tube. Because CSC slides back to the original position every time when removing transmission assembly. At this timing, dust on the sliding parts may damage a seal of CSC and may cause clutch fluid leakage. Refer to [CL-18. "Removal and Installation"](#).
- Never reuse drained gear oil.
- Check the oil level or replace oil with vehicle on level ground.
- During removal or installation, keep inside of transmission clear of dust or dirt.
- Check for the correct installation status prior to removal or disassembly. If matching marks are required, be certain they never interfere with the function of the parts they are applied.
- In principle, tighten bolts or nuts gradually in several steps working diagonally from inside to outside. If tightening sequence is specified, observe it.
- Never damage sliding surfaces and mating surfaces.

A
B
C
TM
E
F
G
H
I
J
K
L
M
N
O
P

PRECAUTIONS

< PRECAUTION >

[6MT: FS6R31A]

- Never hold control lever housing to prevent the bushing of control lever housing from deformation when moving transmission assembly.
- Never touch lip of oil seal.

FOR MEXICO

FOR MEXICO : Precaution for Supplemental Restraint System (SRS) "AIR BAG" and "SEAT BELT PRE-TENSIONER"

INFOID:000000008192889

The Supplemental Restraint System such as "AIR BAG" and "SEAT BELT PRE-TENSIONER", used along with a front seat belt, helps to reduce the risk or severity of injury to the driver and front passenger for certain types of collision. Information necessary to service the system safely is included in the "SRS AIR BAG" and "SEAT BELT" of this Service Manual.

WARNING:

Always observe the following items for preventing accidental activation.

- To avoid rendering the SRS inoperative, which could increase the risk of personal injury or death in the event of a collision that would result in air bag inflation, all maintenance must be performed by an authorized NISSAN/INFINITI dealer.
- Improper maintenance, including incorrect removal and installation of the SRS, can lead to personal injury caused by unintentional activation of the system. For removal of Spiral Cable and Air Bag Module, see "SRS AIR BAG".
- Never use electrical test equipment on any circuit related to the SRS unless instructed to in this Service Manual. SRS wiring harnesses can be identified by yellow and/or orange harnesses or harness connectors.

PRECAUTIONS WHEN USING POWER TOOLS (AIR OR ELECTRIC) AND HAMMERS

WARNING:

Always observe the following items for preventing accidental activation.

- When working near the Air Bag Diagnosis Sensor Unit or other Air Bag System sensors with the ignition ON or engine running, never use air or electric power tools or strike near the sensor(s) with a hammer. Heavy vibration could activate the sensor(s) and deploy the air bag(s), possibly causing serious injury.
- When using air or electric power tools or hammers, always switch the ignition OFF, disconnect the battery, and wait at least 3 minutes before performing any service.

FOR MEXICO : Precaution for Battery Service

INFOID:000000008192890

Before disconnecting the battery, lower both the driver and passenger windows. This will prevent any interference between the window edge and the vehicle when the door is opened/closed. During normal operation, the window slightly raises and lowers automatically to prevent any window to vehicle interference. The automatic window function will not work with the battery disconnected.

FOR MEXICO : Service Notice or Precautions for Manual Transmission

INFOID:000000008192891

CAUTION:

- Never reuse CSC (Concentric Slave Cylinder) body and CSC tube. Because CSC slides back to the original position every time when removing transmission assembly. At this timing, dust on the sliding parts may damage a seal of CSC and may cause clutch fluid leakage. Refer to [CL-18. "Removal and Installation"](#).
- Never reuse drained gear oil.
- Check the oil level or replace oil with vehicle on level ground.
- During removal or installation, keep inside of transmission clear of dust or dirt.
- Check for the correct installation status prior to removal or disassembly. If matching marks are required, be certain they never interfere with the function of the parts they are applied.
- In principle, tighten bolts or nuts gradually in several steps working diagonally from inside to outside. If tightening sequence is specified, observe it.
- Never damage sliding surfaces and mating surfaces.
- Never hold control lever housing to prevent the bushing of control lever housing from deformation when moving transmission assembly.
- Never touch lip of oil seal.

PREPARATION

< PREPARATION >

[6MT: FS6R31A]

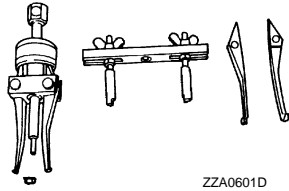
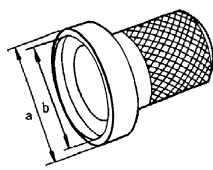
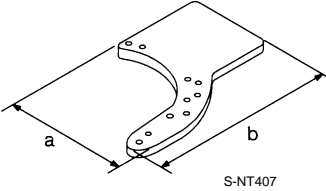
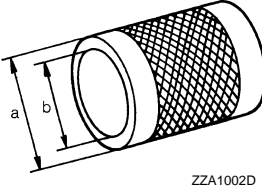
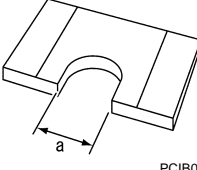
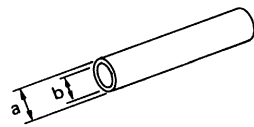
PREPARATION

PREPARATION

Special Service Tools

INFOID:000000008192892

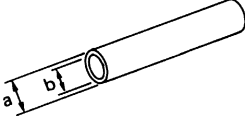
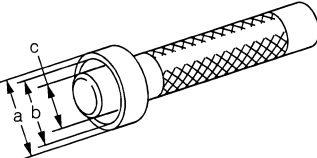
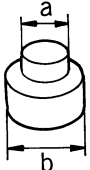
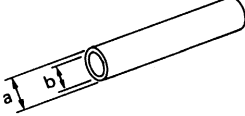
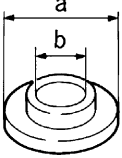
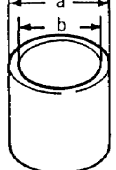
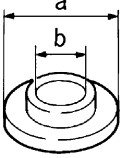
The actual shapes of Kent-Moore tools may differ from those of special service tools illustrated here.

Tool number (Kent-Moore No.) Tool name	Description
KV381054S0 (J-34286) Puller  ZZA0601D	Removing rear oil seal TM
ST33400001 (J-26082) Drift a: 60 mm (2.36 in) dia. b: 47 mm (1.85 in) dia.  ZZA0814D	Installing rear oil seal F
ST22490000 (-) Adapter setting plate a: 156 mm (6.14 in) b: 220 mm (8.66 in)  S-NT407	Holding an adapter plate I
ST33200000 (J-26082) Drift a: 60 mm (2.36 in) dia. b: 44.5 mm (1.752 in) dia.  ZZA1002D	Installing counter rear bearing K
KV32103300 (J-46529) Press plate a: 73 mm (2.87 in)  PCB0165J	Installing reverse synchronizer hub assembly N
ST01530000 (-) Drift a: 50 mm (1.97 in) dia. b: 41 mm (1.61 in) dia.  ZZA0534D	Installing reverse synchronizer hub assembly P

PREPARATION

< PREPARATION >

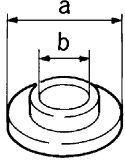
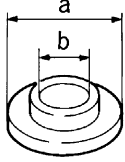
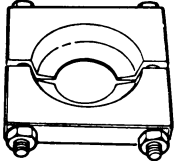
[6MT: FS6R31A]

Tool number (Kent-Moore No.) Tool name	Description
ST23860000 (-) Drift a: 38 mm (1.50 in) dia. b: 33 mm (1.30 in) dia.	Installing reverse counter gear
 <p style="text-align: center;">ZZA0534D</p>	
KV38102100 (J-25803-01) Drift a: 44 mm (1.73 in) dia. b: 36 mm (1.42 in) dia. c: 24.5 mm (0.965 in) dia.	Installing front oil seal
 <p style="text-align: center;">ZZA1046D</p>	
ST33061000 (J-8107-2) Drift a: 28.5 mm (1.122 in) dia. b: 38 mm (1.50 in) dia.	Installing striking rod oil seal
 <p style="text-align: center;">ZZA1023D</p>	
KV32102700 (-) Drift a: 48.6 mm (1.913 in) dia. b: 41.6 mm (1.638 in) dia.	Installing main drive gear bearing
 <p style="text-align: center;">ZZA0534D</p>	
ST30911000 (-) Inserter a: 98 mm (3.86 in) dia. b: 40.5 mm (1.594 in) dia.	<ul style="list-style-type: none"> • Installing 5th-6th synchronizer hub assembly • Installing mainshaft bearing • Installing reverse main gear bushing • Installing 3rd gear bushing • Installing 3rd-4th synchronizer hub assembly
 <p style="text-align: center;">ZZA0920D</p>	
ST27861000 (-) Support ring a: 62 mm (2.44 in) dia. b: 52 mm (2.05 in) dia.	<ul style="list-style-type: none"> • Installing 1st-2nd synchronizer hub assembly • Installing 1st gear bushing
 <p style="text-align: center;">ZZA0832D</p>	
ST30022000 (-) Inserter a: 110 mm (4.33 in) dia. b: 46 mm (1.81 in) dia.	<ul style="list-style-type: none"> • Installing 3rd main gear • Installing 4th main gear
 <p style="text-align: center;">ZZA0920D</p>	

PREPARATION

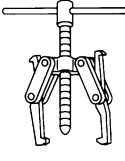
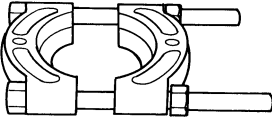
< PREPARATION >

[6MT: FS6R31A]

Tool number (Kent-Moore No.) Tool name	Description	
KV40100630 (J-26092) Inserter a: 67.5 mm (2.657 in) dia. b: 38.5 mm (1.516 in) dia.	 <p style="text-align: center; font-size: small;">ZZA0920D</p>	A B C
ST30032000 (J-26010-01) Inserter a: 80 mm (3.15 in) dia. b: 31 mm (1.22 in) dia.	 <p style="text-align: center; font-size: small;">ZZA0920D</p>	TM E F
ST30031000 (J-22912-01) Puller	 <p style="text-align: center; font-size: small;">ZZA0537D</p>	G H

Commercial Service Tools

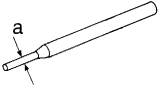
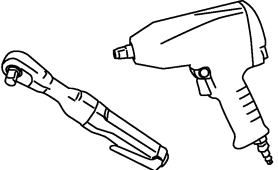
INFOID:000000008192893

Tool name	Description	
Puller	 <p style="text-align: center; font-size: x-small;">NT077</p>	J K L
Puller	 <p style="text-align: center; font-size: x-small;">ZZB0823D</p>	M N O P

PREPARATION

< PREPARATION >

[6MT: FS6R31A]

Tool name	Description
<p data-bbox="159 199 381 252">Pin punch a: 6 mm (0.24 in) dia.</p>  <p data-bbox="828 415 876 436">NT410</p>	<p data-bbox="1015 199 1437 226">Removing and installing each retaining pin</p>
<p data-bbox="159 451 267 478">Power tool</p>  <p data-bbox="828 667 901 688">PBIC0190E</p>	<p data-bbox="1015 451 1258 478">Loosening bolts and nuts</p>

< SYSTEM DESCRIPTION >

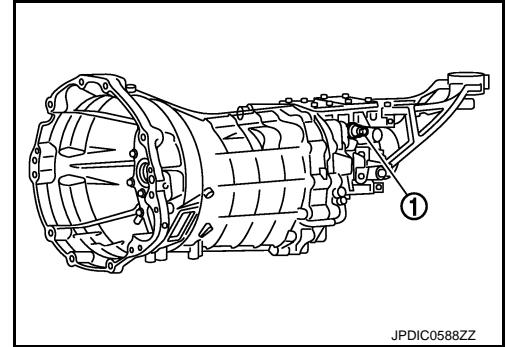
SYSTEM DESCRIPTION

COMPONENT PARTS

Component Parts Location

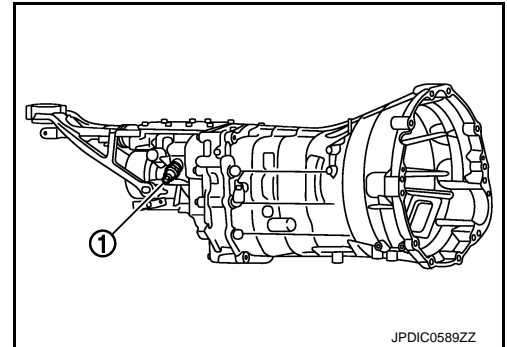
BACK-UP LAMP SWITCH

1 : Back-up lamp switch



PARK/NEUTRAL POSITION (PNP) SWITCH

1 : Park/Neutral position (PNP) switch



A
B
C
TM
E
F
G
H
I
J
K
L
M
N
O
P

STRUCTURE AND OPERATION

< SYSTEM DESCRIPTION >

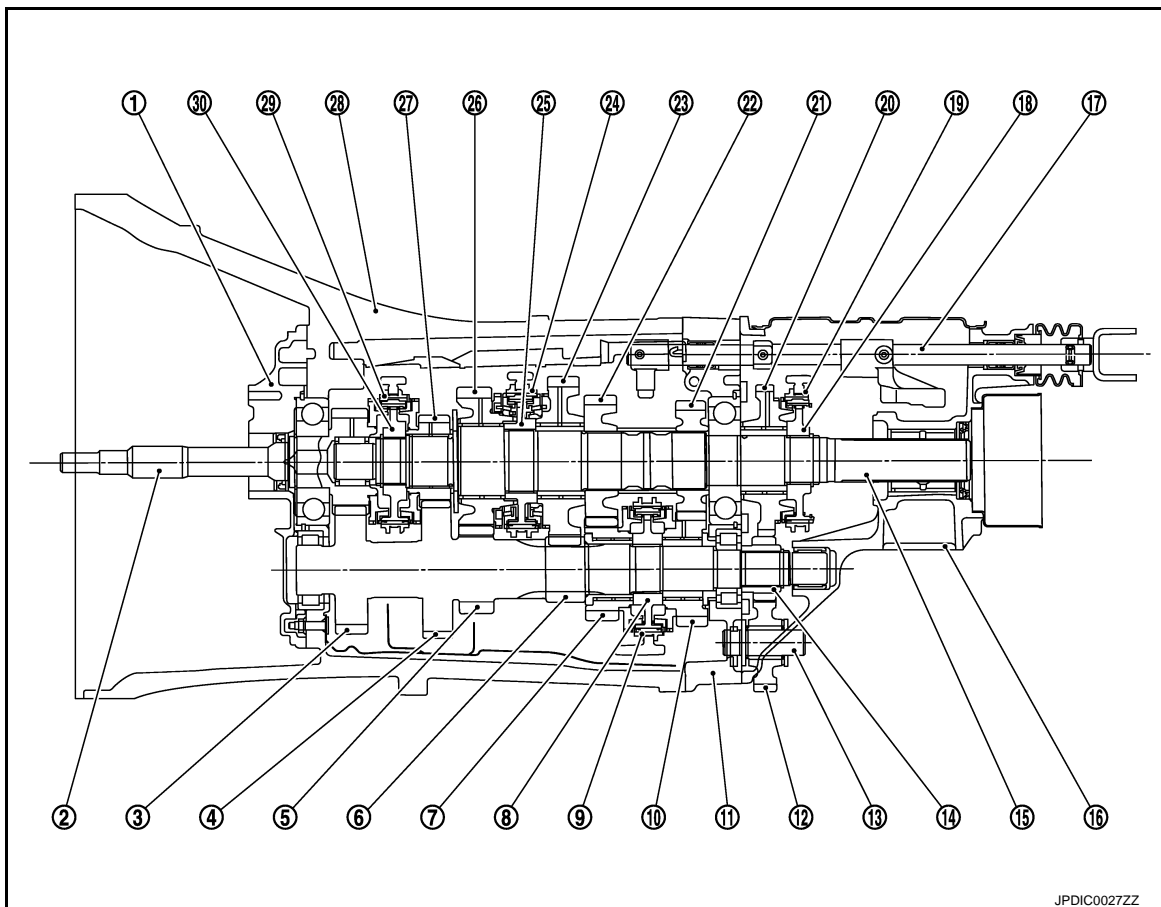
[6MT: FS6R31A]

STRUCTURE AND OPERATION

Sectional View

INFOID:000000008192895

Without S-MODE



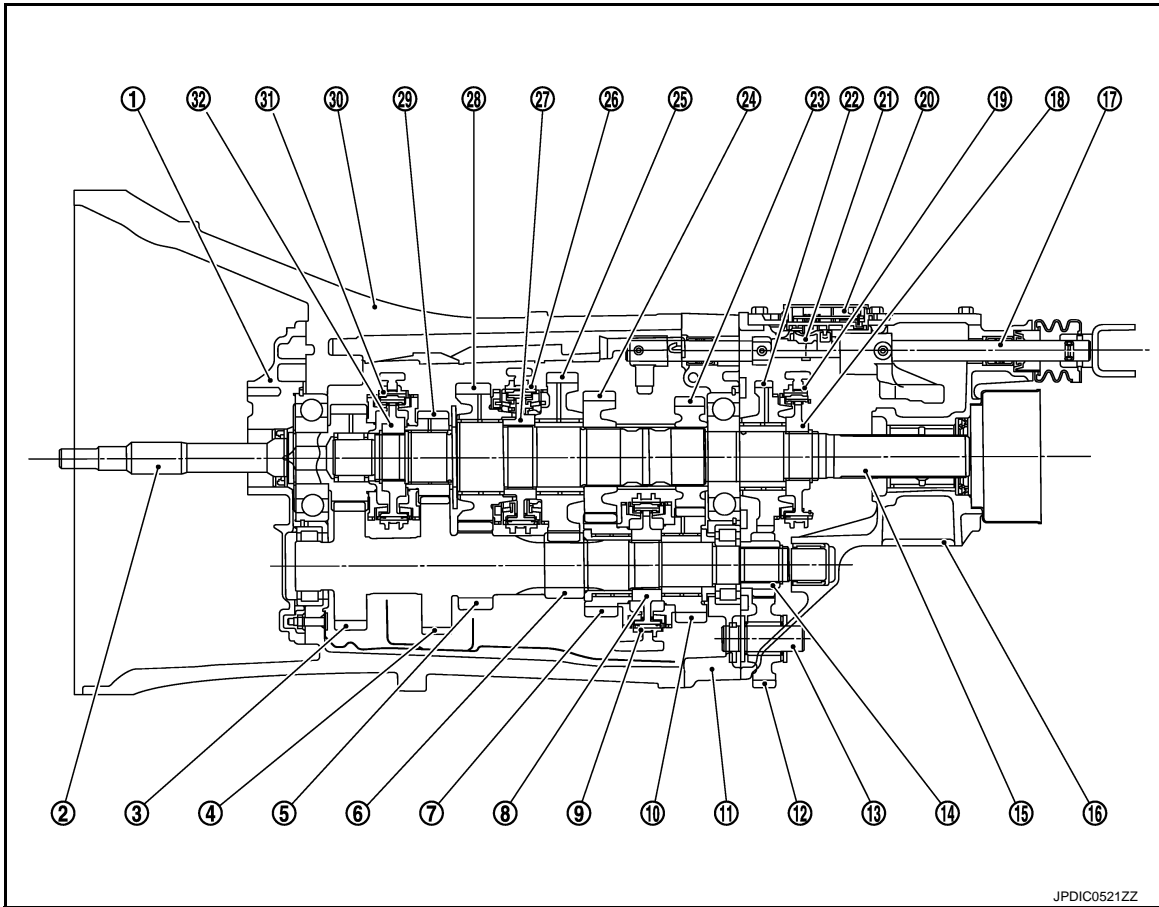
- | | | |
|------------------------------|-----------------------------|------------------------------|
| 1. Front cover | 2. Main drive gear | 3. Counter shaft |
| 4. 6th counter gear | 5. 2nd counter gear | 6. 1st counter gear |
| 7. 3rd counter gear | 8. 3rd-4th synchronizer hub | 9. 3rd-4th coupling sleeve |
| 10. 4th counter gear | 11. Adapter plate | 12. Reverse idler gear |
| 13. Reverse idler shaft | 14. Reverse counter gear | 15. Mainshaft |
| 16. Rear extension | 17. Striking rod | 18. Reverse synchronizer hub |
| 19. Reverse coupling sleeve | 20. Reverse main gear | 21. 4th main gear |
| 22. 3rd main gear | 23. 1st main gear | 24. 1st-2nd coupling sleeve |
| 25. 1st-2nd synchronizer hub | 26. 2nd main gear | 27. 6th main gear |
| 28. Transmission case | 29. 5th-6th coupling sleeve | 30. 5th-6th synchronizer hub |

STRUCTURE AND OPERATION

< SYSTEM DESCRIPTION >

[6MT: FS6R31A]

With S-MODE



- | | | |
|-----------------------------|--------------------------------|---------------------------------------|
| 1. Front cover | 2. Main drive gear | 3. Counter shaft |
| 4. 6th counter gear | 5. 2nd counter gear | 6. 1st counter gear |
| 7. 3rd counter gear | 8. 3rd-4th synchronizer hub | 9. 3rd-4th coupling sleeve |
| 10. 4th counter gear | 11. Adapter plate | 12. Reverse idler gear |
| 13. Reverse idler shaft | 14. Reverse counter gear | 15. Mainshaft |
| 16. Rear extension | 17. Striking rod | 18. Reverse synchronizer hub |
| 19. Reverse coupling sleeve | 20. Gear lever position sensor | 21. Gear lever position sensor magnet |
| 22. Reverse main gear | 23. 4th main gear | 24. 3rd main gear |
| 25. 1st main gear | 26. 1st-2nd coupling sleeve | 27. 1st-2nd synchronizer hub |
| 28. 2nd main gear | 29. 6th main gear | 30. Transmission case |
| 31. 5th-6th coupling sleeve | 32. 5th-6th synchronizer hub | |

Synchronizer Mechanism

INFOID:000000008192896

DOUBLE-CONE SYNCHRONIZER

The 4th gear is equipped with a double-cone synchronizer to reduce the operating force of the control lever.

TRIPLE-CONE SYNCHRONIZER

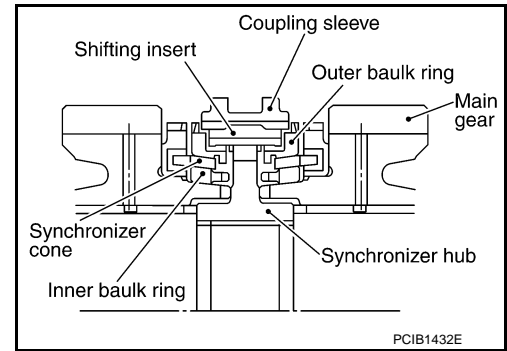
A
B
C
TM
E
F
G
H
I
J
K
L
M
N
O
P

STRUCTURE AND OPERATION

< SYSTEM DESCRIPTION >

[6MT: FS6R31A]

The 1st, 2nd, and 3rd gears are equipped with a triple-cone synchronizer to reduce the operating force of the control lever.



REVERSE GEAR NOISE PREVENTION FUNCTION

Reverse gear noise prevention makes smooth operation possible and restrains the gear's grating noise by stopping the rotation of each gear when gear is shifted to reverse position.

BACK-UP LAMP SWITCH

< DTC/CIRCUIT DIAGNOSIS >

[6MT: FS6R31A]

DTC/CIRCUIT DIAGNOSIS

BACK-UP LAMP SWITCH

Component Inspection

INFOID:000000008192897

1. CHECK BACK-UP LAMP SWITCH

1. Disconnect back-up lamp switch connector. Refer to [TM-31, "Removal and Installation"](#).
2. Check continuity between back-up lamp switch terminals.

Terminal		Condition	Continuity
1	2	Reverse gear position	Existed
		Except reverse gear position	Not existed

Is the inspection result normal?

YES >> INSPECTION END

NO >> Replace back-up lamp switch. Refer to [TM-31, "Removal and Installation"](#).

A
B
C
TM
E
F
G
H
I
J
K
L
M
N
O
P

PARK/NEUTRAL POSITION SWITCH

< DTC/CIRCUIT DIAGNOSIS >

[6MT: FS6R31A]

PARK/NEUTRAL POSITION SWITCH

Component Inspection

INFOID:000000008192898

1. CHECK PARK/NEUTRAL POSITION (PNP) SWITCH

1. Disconnect park/neutral position (PNP) switch connector. Refer to [TM-34, "Removal and Installation"](#).
2. Check continuity between park/neutral position (PNP) switch terminals.

Terminal		Condition	Continuity
1	2	Neutral position	Existed
		Except neutral position	Not existed

Is the inspection result normal?

YES >> INSPECTION END

NO >> Replace park/neutral position (PNP) switch. Refer to [TM-34, "Removal and Installation"](#).

NOISE, VIBRATION AND HARSHNESS (NVH) TROUBLESHOOTING

< SYMPTOM DIAGNOSIS >

[6MT: FS6R31A]

SYMPTOM DIAGNOSIS

NOISE, VIBRATION AND HARSHNESS (NVH) TROUBLESHOOTING

NVH Troubleshooting Chart

INFOID:000000008192899

Use the chart below to find the cause of the symptom. The numbers indicate the order of the inspection. If necessary, repair or replace these parts.

SYMPTOMS		SUSPECTED PARTS (Possible cause)											
		OIL (Oil level is low)	OIL (Wrong oil)	OIL (Oil level is high)	GASKET (Damaged)	OIL SEAL (Worn or damaged)	SHIFT CONTROL LINKAGE (Worn)	CHECK PLUG RETURN SPRING AND CHECK BALL (Worn or damaged)	SHIFT FORK (Worn)	GEAR (Worn or damaged)	BEARING (Worn or damaged)	BAULK RING (Worn or damaged)	INSERT SPRING (Damaged)
Reference			TM-20		TM-49 (Without S-MODE) or TM-81 (With S-MODE)		TM-22		TM-49 (Without S-MODE) or TM-81 (With S-MODE)				
Symptoms	Noise	1	2							3	3		
	Oil leakage		3	1	2	2							
	Hard to shift or will not shift		1	1			2					2	2
	Jumps out of gear						1	1	2	2			

A
B
C
E
F
G
H
I
J
K
L
M
N
O
P

TM

PERIODIC MAINTENANCE

GEAR OIL

Inspection

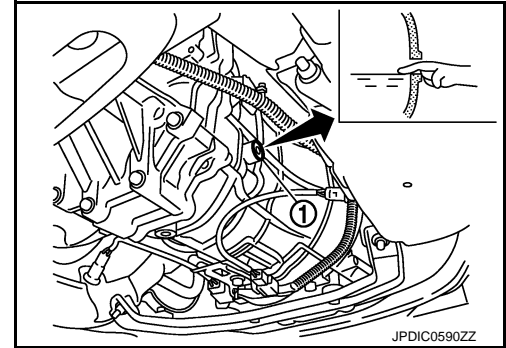
INFOID:000000008192900

OIL LEAKAGE

Make sure that gear oil is not leaking from transmission or around it.

OIL LEVEL

1. Remove filler plug (1) and gasket from transmission case.
2. Check the oil level from filler plug mounting hole as shown in the figure.
CAUTION:
Never start engine while checking oil level.
3. Set a gasket on filler plug and then install it to transmission case.
CAUTION:
Never reuse gasket.
4. Tighten filler plug to the specified torque. Refer to [TM-49, "WITHOUT S-MODE : Exploded View"](#) (Without S-MODE) or [TM-81, "WITH S-MODE : Exploded View"](#) (With S-MODE).



JPDIC0590ZZ

Draining

INFOID:000000008192901

1. Start the engine and let it run to warm up transmission.
2. Stop the engine.
3. Remove drain plug and gasket from transmission case and then drain gear oil.
4. Set a gasket on drain plug and install it to transmission case.
CAUTION:
Never reuse gasket.
5. Tighten drain plug to the specified torque. Refer to [TM-49, "WITHOUT S-MODE : Exploded View"](#) (Without S-MODE) or [TM-81, "WITH S-MODE : Exploded View"](#) (With S-MODE).

Refilling

INFOID:000000008192902

1. Remove filler plug (1) and gasket from transmission case.
2. Fill with new gear oil to transmission as shown in the figure.

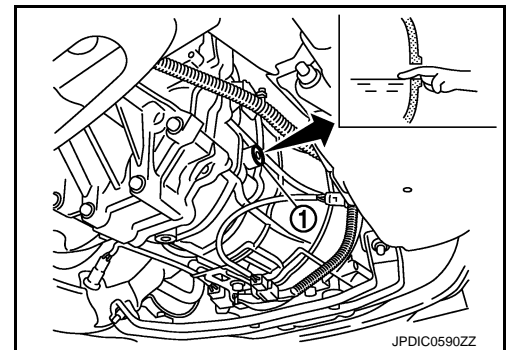
Oil grade and viscosity : Refer to [MA-16, "FOR NORTH AMERICA : Fluids and Lubricants"](#) (For North America) or [MA-17, "FOR MEXICO : Fluids and Lubricants"](#) (For Mexico).

Oil capacity : Refer to [TM-147, "General Specification"](#).

CAUTION:

Never reuse drained gear oil.

3. After refilling gear oil, check the oil level. Refer to [TM-20, "Inspection"](#).
4. Set a gasket on filler plug and then install it to transmission case.
CAUTION:
Never reuse gasket.
5. Tighten filler plug to the specified torque. Refer to [TM-49, "WITHOUT S-MODE : Exploded View"](#) (Without S-MODE) or [TM-81, "WITH S-MODE : Exploded View"](#) (With S-MODE).



JPDIC0590ZZ

REAR OIL SEAL

< REMOVAL AND INSTALLATION >

[6MT: FS6R31A]

REMOVAL AND INSTALLATION

REAR OIL SEAL

Removal and Installation

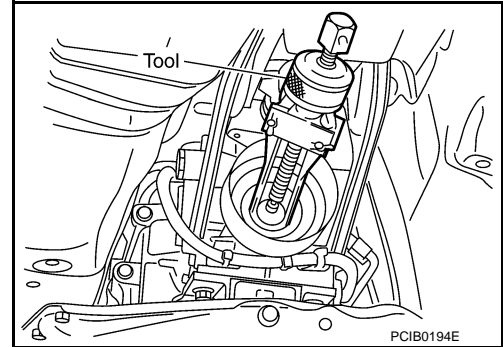
INFOID:000000008192903

REMOVAL

1. Separate propeller shaft assembly. Refer to [DLN-7. "Removal and Installation"](#).
2. Remove rear oil seal from rear extension, using the puller [SST: KV381054S0 (J-34286)].

CAUTION:

Never damage rear extension.



INSTALLATION

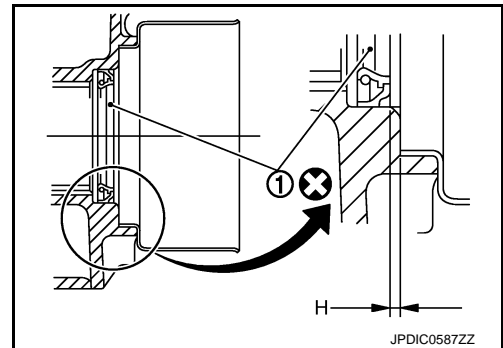
1. Install rear oil seal (1) to rear extension, using the drift [SST: ST33400001 (J-26082)].

Dimension "H" : 1.2 – 2.2 mm (0.047 – 0.087 in)

CAUTION:

Never incline rear oil seal.

2. Install propeller shaft assembly. Refer to [DLN-7. "Removal and Installation"](#).



Inspection

INFOID:000000008192904

INSPECTION AFTER INSTALLATION

Check the oil leakage and the oil level. Refer to [TM-20. "Inspection"](#).

SHIFT CONTROL

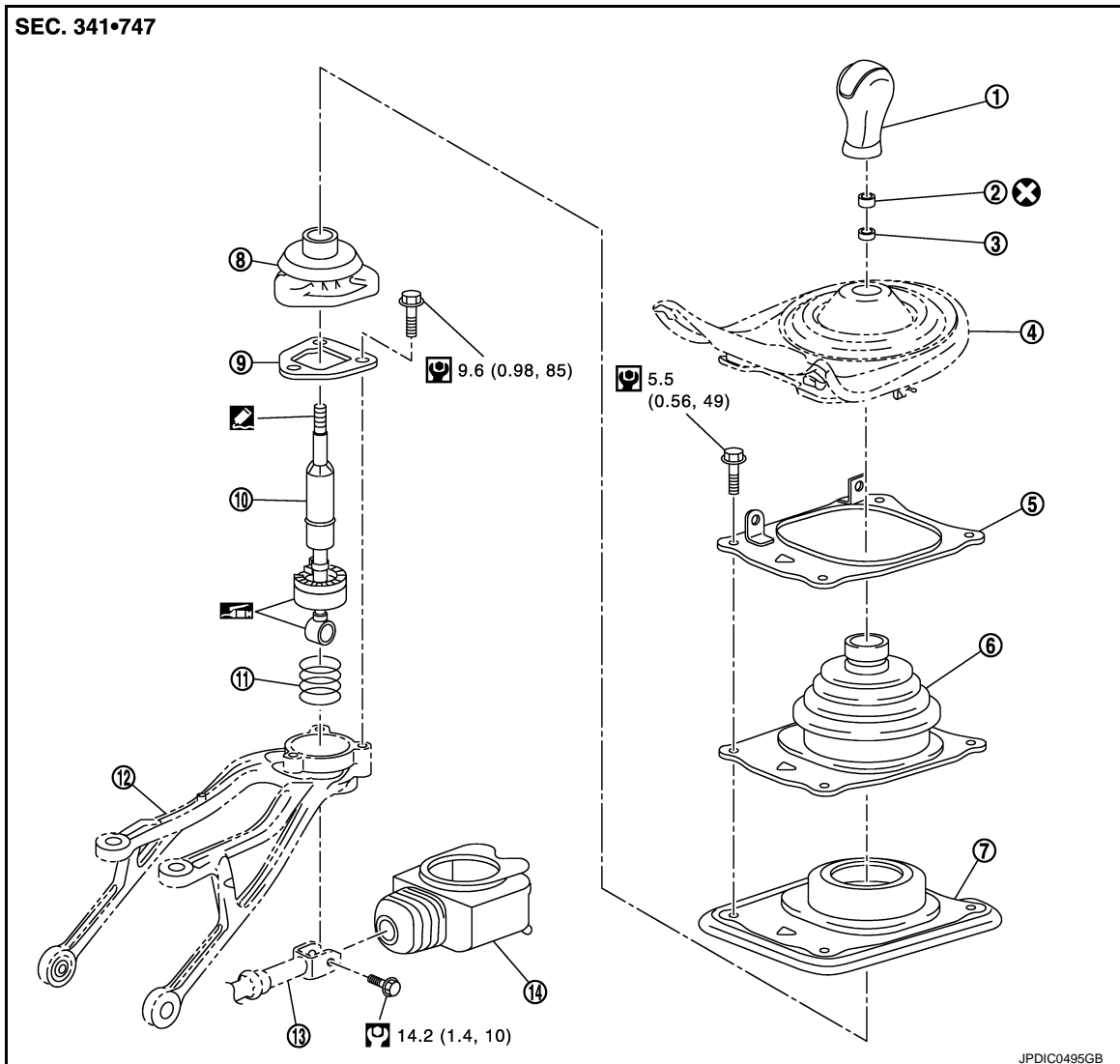
< REMOVAL AND INSTALLATION >

[6MT: FS6R31A]

SHIFT CONTROL

Exploded View

INFOID:000000008192905



- | | | |
|------------------------------|--------------------------|---------------------------|
| 1. Shift knob | 2. Insulator | 3. Seat |
| 4. Console finisher assembly | 5. Hole cover | 6. Control lever boot B |
| 7. Hole insulator | 8. Control lever boot A | 9. Guide plate |
| 10. Control lever | 11. Control lever spring | 12. Control lever housing |
| 13. Control rod | 14. Control rod boot | |

Apply multi-purpose grease.

Apply Genuine Medium Strength Thread Locking Sealant or an equivalent. Refer to [GI-22, "Recommended Chemical Products and Sealants"](#).

Refer to [GI-4, "Components"](#) for symbols not described on the above.

Removal and Installation

INFOID:000000008192906

REMOVAL

1. Remove shift knob with the following procedure.
 - a. Release metal clips on console finisher assembly. Refer to [IP-26, "Removal and Installation"](#).

SHIFT CONTROL

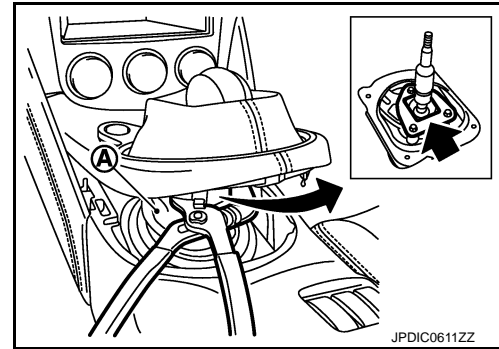
< REMOVAL AND INSTALLATION >

[6MT: FS6R31A]

- b. Lift console finisher assembly and then set suitable pliers to control lever.

CAUTION:

Put waste cloth (A) between a suitable pliers and control lever to avoid damaging control lever.



- c. Set suitable pliers to shift knob.

CAUTION:

Put waste cloth (A) between a suitable pliers and shift knob to avoid damaging shift knob.

- d. Keeping control lever in place with a suitable pliers, loosen shift knob with a suitable pliers.

NOTE:

Remove shift knob from control lever keeping a suitable pliers in place because a certain power to turn shift knob is still necessary even after adhesive is peeled.

- e. Remove shift knob from control lever.

- f. Remove insulator from shift knob.

2. Remove seat from control lever.

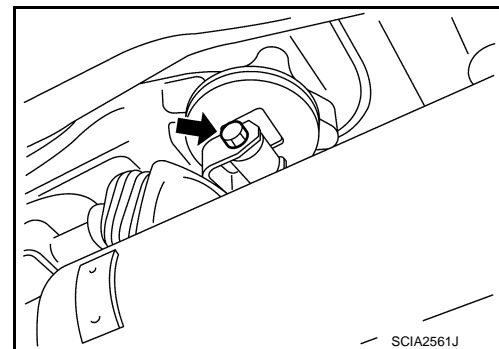
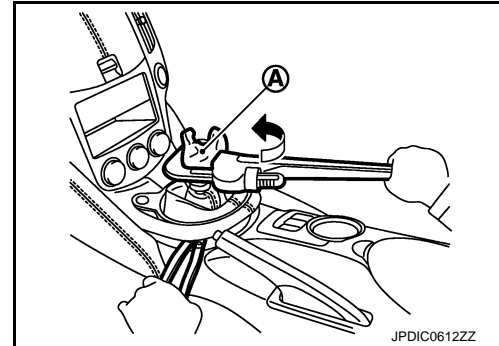
CAUTION:

Never lose seat.

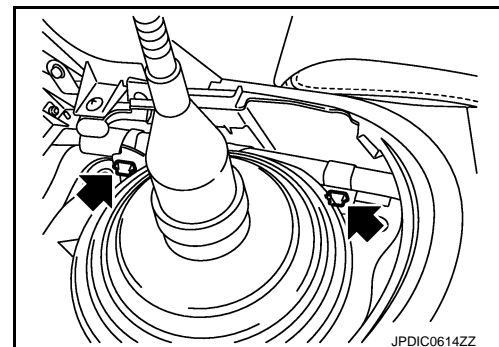
3. Remove console finisher assembly.

4. Release control rod boot from control lever housing.

5. Remove mounting bolt (←) and then separate control lever and control rod.



6. Remove clips (←) from hole cover.



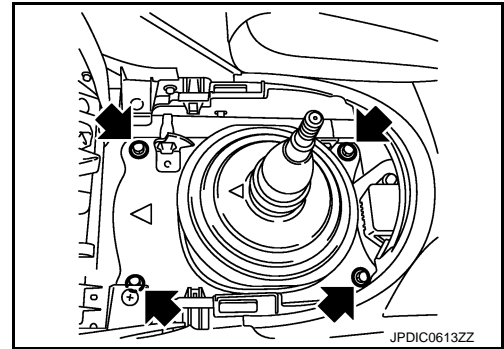
A
B
C
TM
E
F
G
H
I
J
K
L
M
N
O
P

SHIFT CONTROL

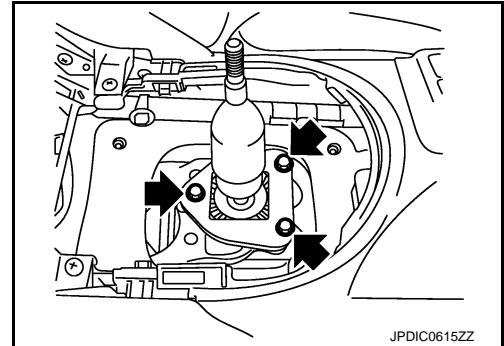
< REMOVAL AND INSTALLATION >

[6MT: FS6R31A]

7. Remove mounting bolts (←) and then remove hole cover.
CAUTION:
Never damage center console assembly.
8. Remove control lever boot B, hole insulator, and control lever boot A.



9. Remove mounting bolts (←) while holding guide plate.
10. Remove guide plate, control lever, and control lever spring from control lever housing.

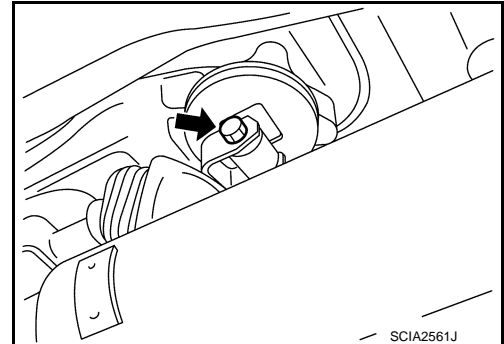


INSTALLATION

1. Apply multi-purpose grease to sliding surface of control lever.
2. Install control lever spring, control lever, and guide plate to control lever housing.
3. Temporarily tighten guide plate mounting bolts while holding guide plate.
4. Install control lever to control rod and then tighten mounting bolt (←) to the specified torque.
5. Install control rod boot to control lever housing.

CAUTION:

Fit control rod boot to the groove on control lever housing.



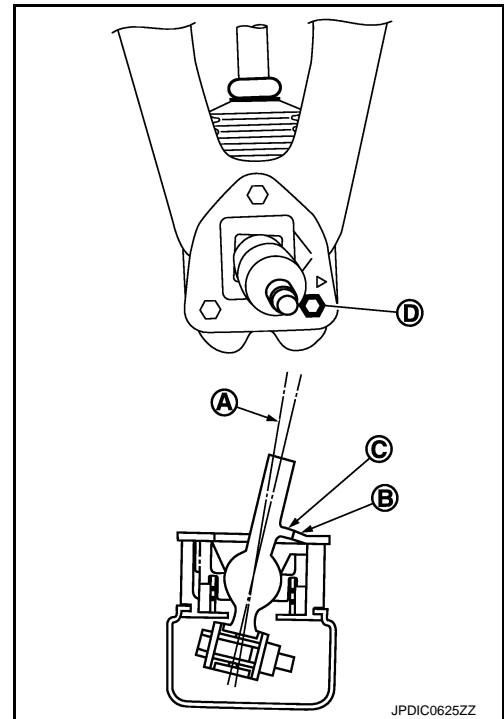
6. Install guide plate with the following procedure.

SHIFT CONTROL

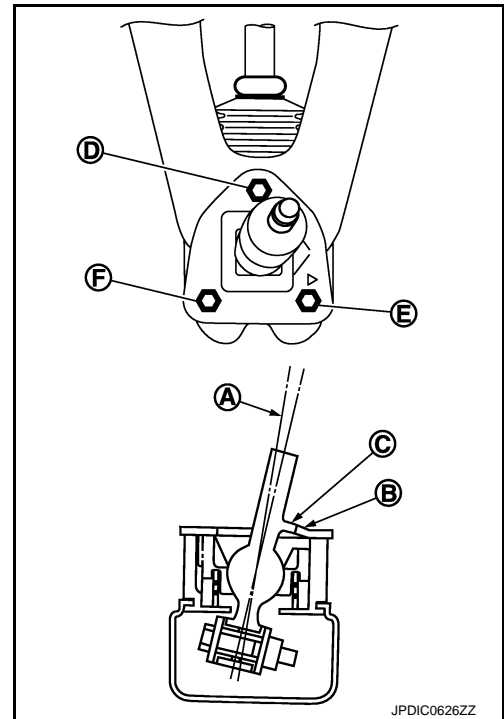
< REMOVAL AND INSTALLATION >

[6MT: FS6R31A]

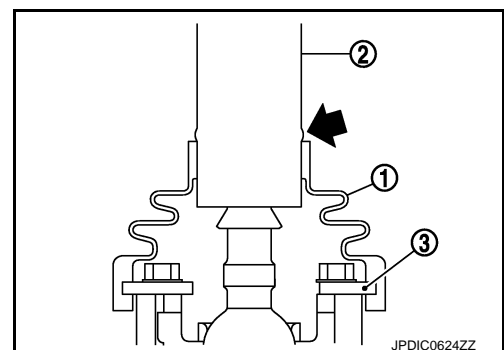
- a. Shift the control lever to 6th gear position (A).
- b. Lightly shift control lever to the reverse gear direction until it stops, and keep control lever in this position.
- c. Set guide plate so that guide plate portion (B) contacts control lever portion (C).
- d. Temporarily tighten mounting bolt (D).



- e. Shift the control lever to 5th gear position (A).
- f. Lightly shift control lever to the reverse gear direction until it stops, and keep control lever in this position.
- g. Set guide plate so that guide plate portion (B) contacts control lever portion (C).
- h. Tighten mounting bolt (D) to the specified torque.
- i. Tighten mounting bolts (E) and (F) to the specified torque.



7. Install control lever boot A (1) to control lever (2).
CAUTION:
 - Check that groove of control lever boot A is engaged to guide plate (3).
 - Be careful that control lever boot A is installed according to the specified location (←).
8. Install hole insulator and control lever boot B.
CAUTION:
Be careful with the orientation of hole insulator and control lever boot B.



A
B
C
TM
E
F
G
H
I
J
K
L
M
N
O
P

SHIFT CONTROL

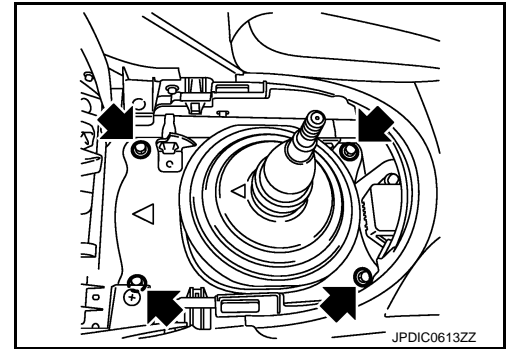
[6MT: FS6R31A]

< REMOVAL AND INSTALLATION >

9. Install hole cover and then tighten mounting bolts (←) to the specified torque.

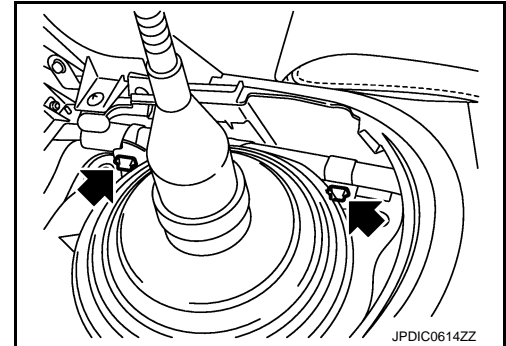
CAUTION:

- Never damage center console assembly.
- Be careful with the orientation of hole cover.



10. Install clips (←) to hole cover.

11. Install console finisher assembly. Refer to [IP-26, "Removal and Installation"](#).



12. Install seat (1) and insulator (2) to control lever (3).

CAUTION:

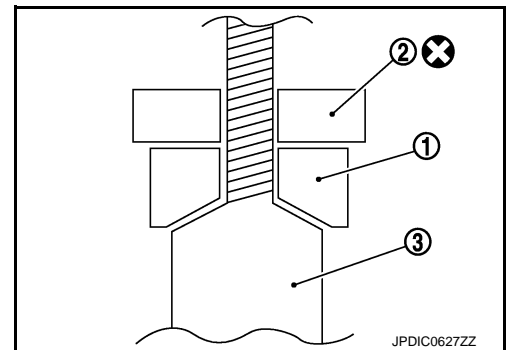
- Be careful with the orientation of seat.
- Never lose seat.

13. Apply thread locking sealant to control lever threads and then install shift knob to control lever.

- Use Genuine Medium Strength Thread Locking Sealant or an equivalent. Refer to [GI-22, "Recommended Chemical Products and Sealants"](#).

CAUTION:

Remove the remaining adhesive on control lever and shift knob threads.



14. Set shift knob in the correct position with the following procedure.

SHIFT CONTROL

< REMOVAL AND INSTALLATION >

[6MT: FS6R31A]

- a. When tightening shift knob, if shift knob comes to the proper position within 1/2 turn from the position at which resistance begins to be felt, tighten it 1 more turn to set it in the proper position.

↔ : Vehicle front

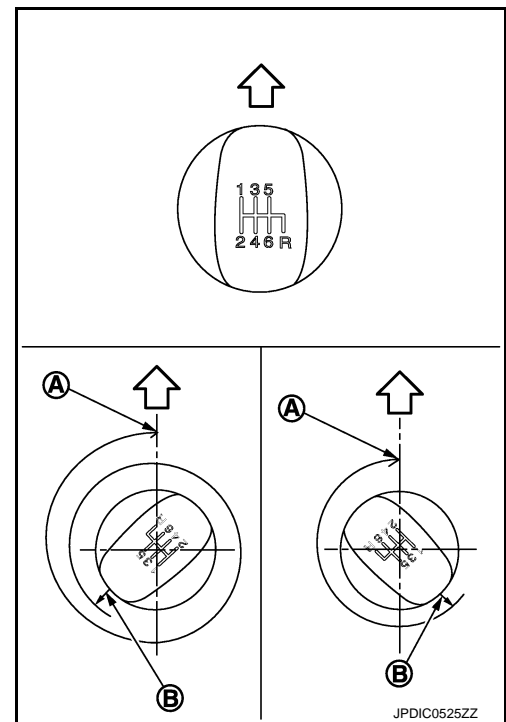
A : Proper position

B : Start position on reaction force

- b. If it takes more than 1/2 turn from the position at which resistance begins to be felt, tighten it to set it in the proper position.

CAUTION:

- Never adjust shift knob with loosening.
- After adjusting to the proper position, until 30 minutes pass, never operate the shift knob intensely such as screwing or turning shift knob to opposite direction since a locking sealant becomes stiff.



Inspection

INFOID:000000008192907

INSPECTION AFTER INSTALLATION

Control Lever

- When control lever is shifted to each gear position, check that there is no interference or boot disengagement.
- When control lever is shifted to each gear position, check that there is no binding, noise, or backlash that disturbs shifting.
- When control lever is shifted to the 5th or 6th gear position by being pressed in the right side direction without being pressed downward, check that there is no binding or poor gear engagement.
- When control lever is shifted to the 1st-2nd side and released, check that control lever returns smoothly to the neutral position.
- When control lever is shifted to the 5th-6th side and released, check that control lever returns smoothly to the neutral position.
- When control lever is in a position other than the reverse gear position, check that control lever can be pressed downward.
- When control lever is pressed and held downward, check that control lever can be shifted to the reverse gear position.
- When control lever is shifted from the reverse gear position to the neutral position, check that control lever returns smoothly to the neutral position with spring power.
- When control lever is not pressed downward, check that control lever cannot be shifted to the reverse gear position.

Shift Knob

Check that there is no shift knob dislocation.

Boot

Check that there is no damage, twist, or dislocation of boot.

AIR BREATHER HOSE

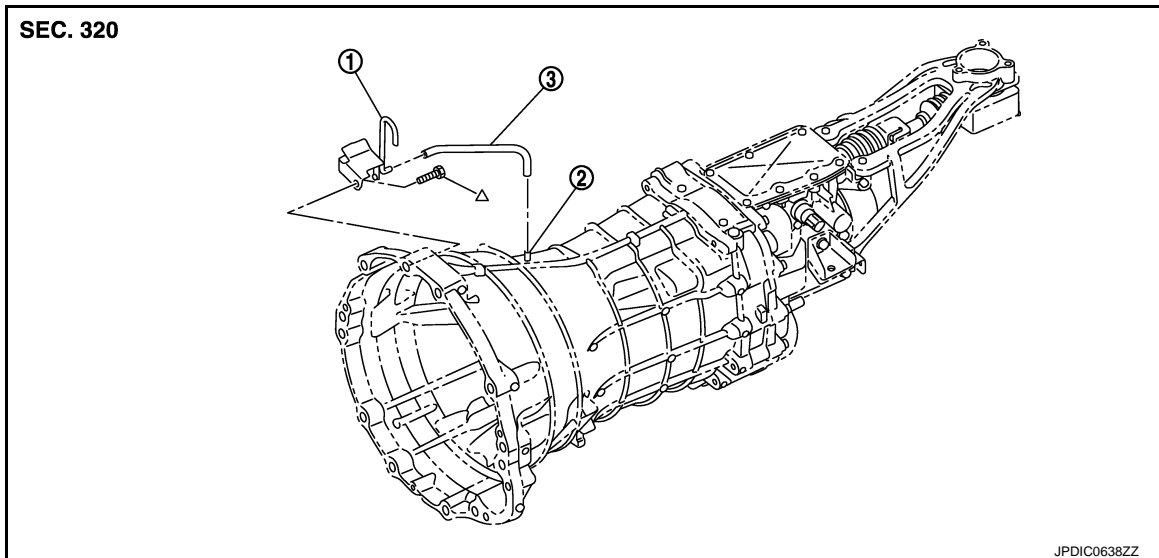
< REMOVAL AND INSTALLATION >

[6MT: FS6R31A]

AIR BREATHER HOSE

Exploded View

INFOID:000000008192908



1. Air breather tube

2. Breather tube

3. Air breather hose

△: Refer to "INSTALLATION" in [TM-38, "WITHOUT S-MODE : Removal and Installation"](#) (Without S-MODE) or [TM-41, "WITH S-MODE : Removal and Installation"](#) (With S-MODE) for the tightening torque.

Removal and Installation

INFOID:000000008192909

REMOVAL

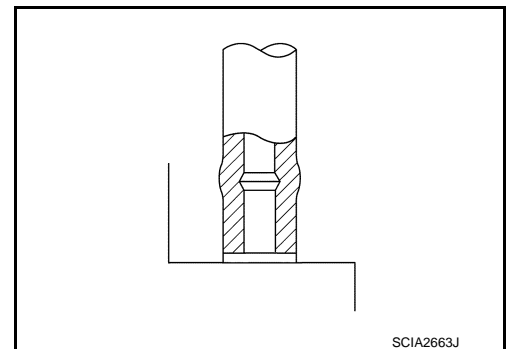
Refer to [TM-28, "Exploded View"](#) for removal procedure.

INSTALLATION

Note the following, and refer to [TM-28, "Exploded View"](#) for installation procedure.

CAUTION:

- Make sure there are no pinched or restricted areas on the air breather hose caused by bending or winding when installing it.
- Be sure to insert air breather hose into breather tube until hose end reaches the tube's base.

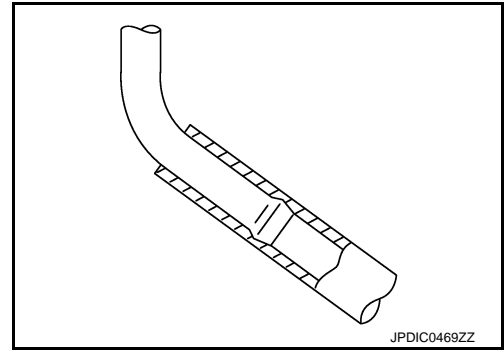


AIR BREATHER HOSE

< REMOVAL AND INSTALLATION >

[6MT: FS6R31A]

- Be sure to insert air breather hose into air breather tube until hose end reaches the radius curve end.



A
B
C

TM

E
F
G
H
I
J
K
L
M
N
O
P

BACK-UP LAMP SWITCH

< REMOVAL AND INSTALLATION >

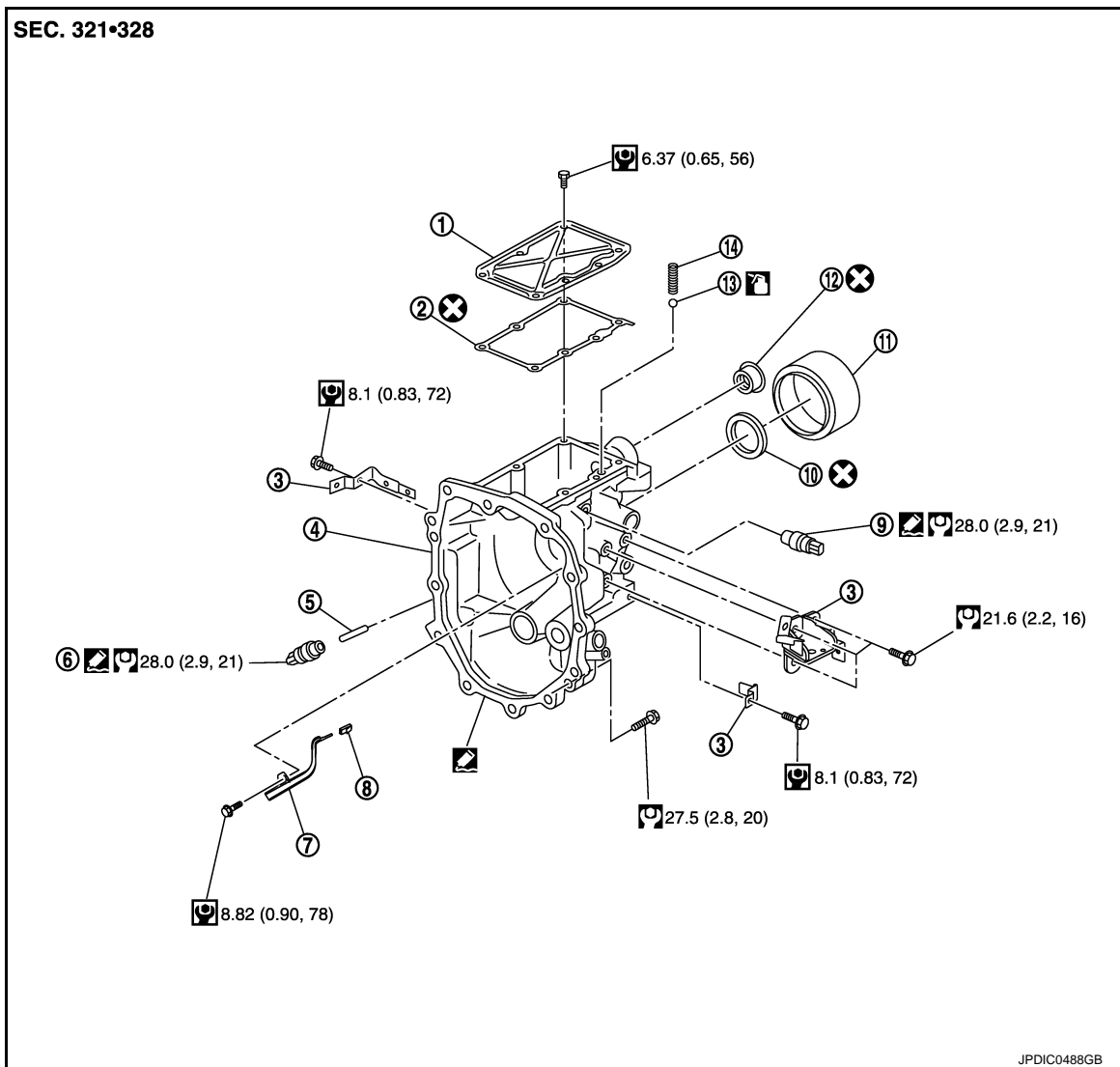
[6MT: FS6R31A]

BACK-UP LAMP SWITCH

Exploded View

INFOID:000000008192910

Without S-MODE



- | | | |
|-------------------------------|--------------------------------------|---------------------------------------|
| 1. Rear extension upper cover | 2. Rear extension upper cover gasket | 3. Bracket |
| 4. Rear extension | 5. Plunger | 6. Park/Neutral position (PNP) switch |
| 7. Oil gutter | 8. Cap | 9. Back-up lamp switch |
| 10. Rear oil seal | 11. Dust cover | 12. Striking rod oil seal |
| 13. Check ball | 14. Check select spring | |

: Apply gear oil.

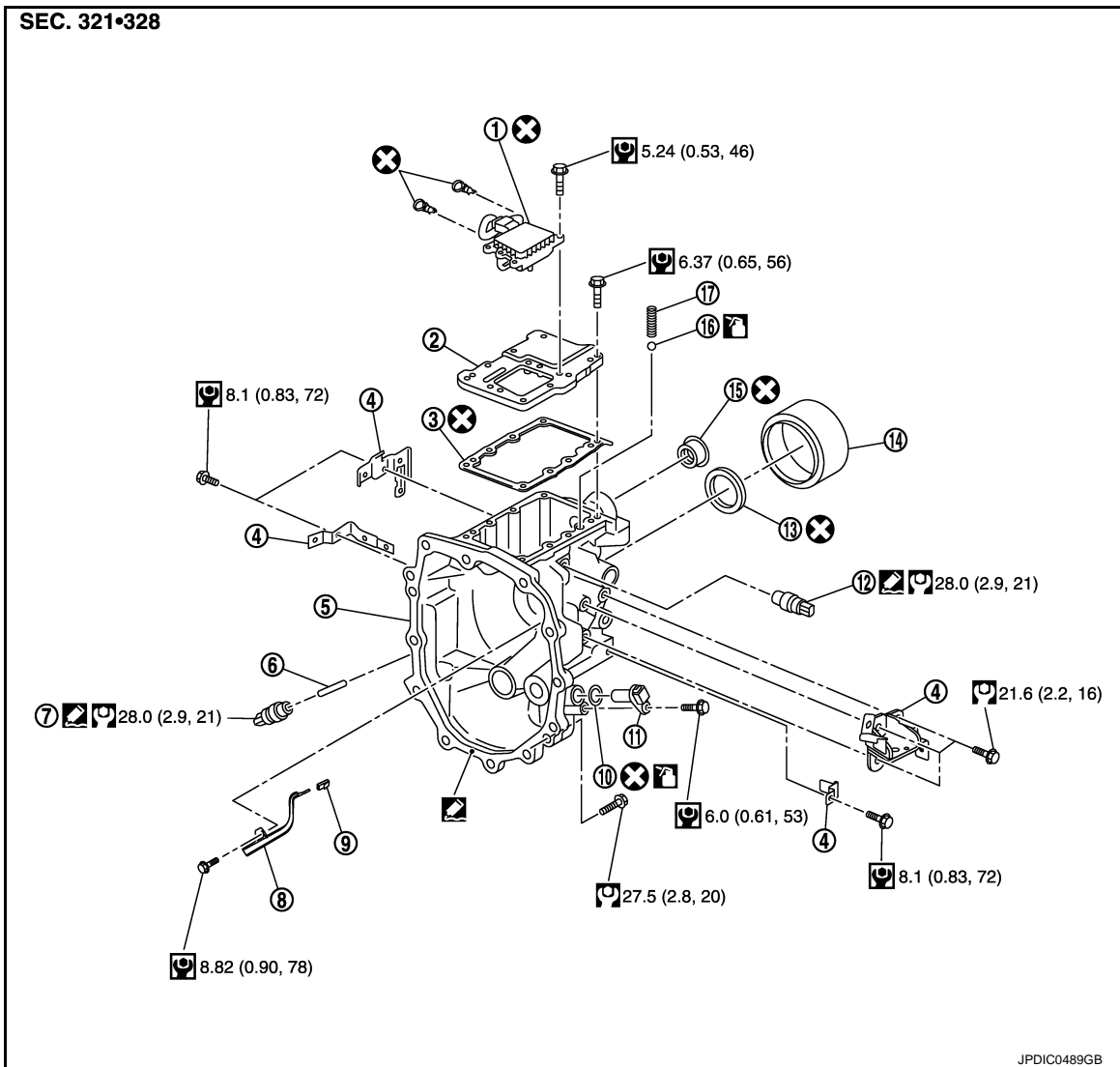
: Apply Genuine Silicone RTV or an equivalent. Refer to [GI-22, "Recommended Chemical Products and Sealants"](#). Refer to [GI-4, "Components"](#) for symbols not described on the above.

BACK-UP LAMP SWITCH

< REMOVAL AND INSTALLATION >

[6MT: FS6R31A]

With S-MODE



- | | | |
|---------------------------------------|-------------------------------|--------------------------------------|
| 1. Gear lever position sensor | 2. Rear extension upper cover | 3. Rear extension upper cover gasket |
| 4. Bracket | 5. Rear extension | 6. Plunger |
| 7. Park/Neutral position (PNP) switch | 8. Oil gutter | 9. Cap |
| 10. O-ring | 11. Input speed sensor | 12. Back-up lamp switch |
| 13. Rear oil seal | 14. Dust cover | 15. Striking rod oil seal |
| 16. Check ball | 17. Check select spring | |

: Apply gear oil.

: Apply Genuine Silicone RTV or an equivalent. Refer to [GI-22, "Recommended Chemical Products and Sealants"](#).

Refer to [GI-4, "Components"](#) for symbols not described on the above.

Removal and Installation

INFOID:000000008192911

REMOVAL

1. Disconnect the battery cable from the negative terminal.

BACK-UP LAMP SWITCH

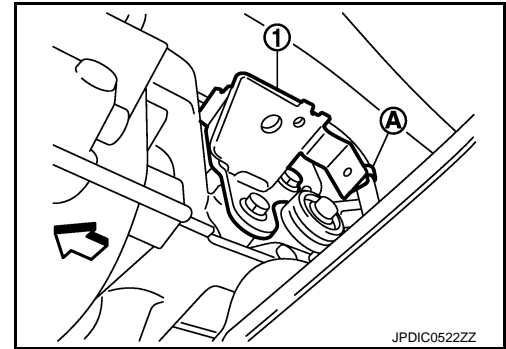
[6MT: FS6R31A]

< REMOVAL AND INSTALLATION >

2. Disconnect clip (A) from bracket (1).

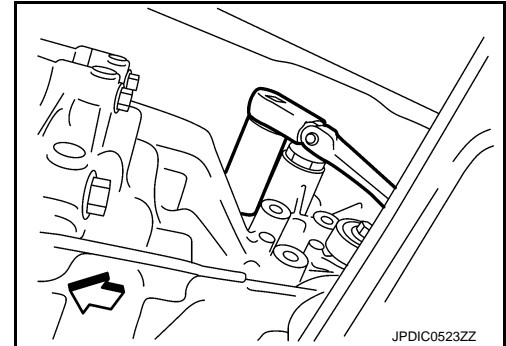
⇐ : Vehicle front

3. Remove bracket from rear extension.
4. Disconnect back-up lamp switch connector.



5. Remove back-up lamp switch from rear extension.

⇐ : Vehicle front



INSTALLATION

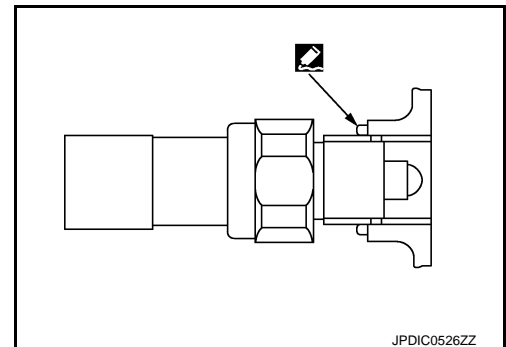
1. Temporarily tighten back-up lamp switch onto rear extension by rotating once or twice.

CAUTION:

Remove old sealant and oil adhering to threads.

2. Apply recommended sealant to threads of back-up lamp switch as shown in the figure.

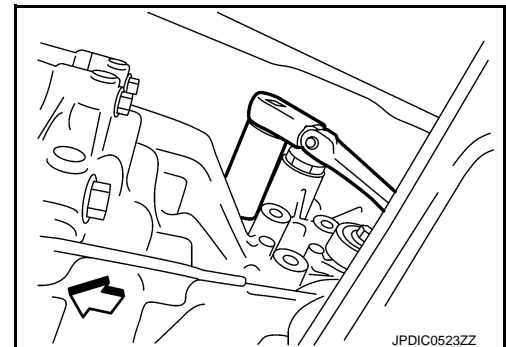
• **Use Genuine Silicone RTV or an equivalent. Refer to [GI-22, "Recommended Chemical Products and Sealants"](#).**



3. Tighten back-up lamp switch to the specified torque.

⇐ : Vehicle front

4. For the next step and after, install in the reverse order of removal.



PARK/NEUTRAL POSITION SWITCH

< REMOVAL AND INSTALLATION >

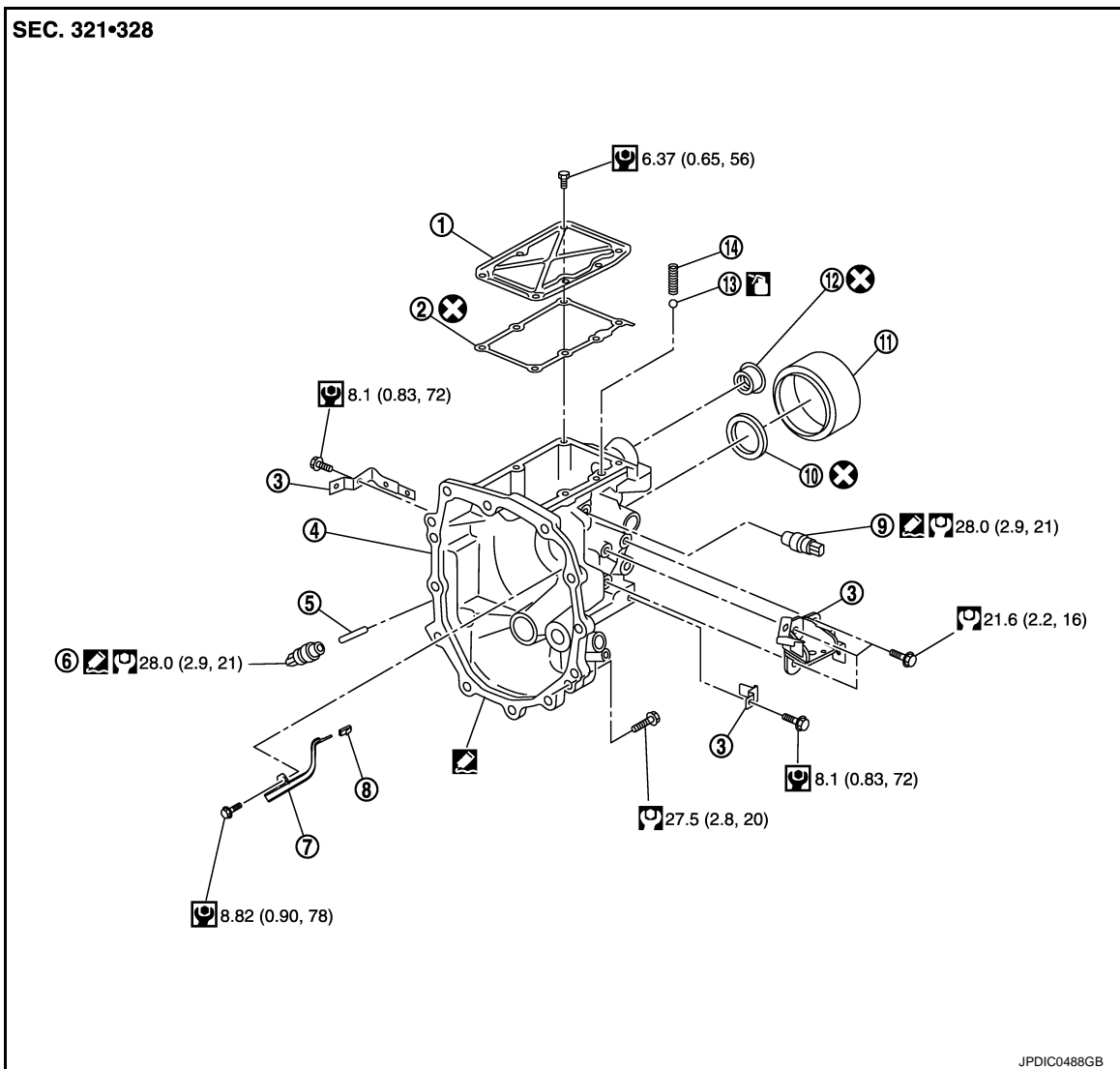
[6MT: FS6R31A]

PARK/NEUTRAL POSITION SWITCH

Exploded View

INFOID:000000008192912

Without S-MODE



- | | | |
|-------------------------------|--------------------------------------|---------------------------------------|
| 1. Rear extension upper cover | 2. Rear extension upper cover gasket | 3. Bracket |
| 4. Rear extension | 5. Plunger | 6. Park/Neutral position (PNP) switch |
| 7. Oil gutter | 8. Cap | 9. Back-up lamp switch |
| 10. Rear oil seal | 11. Dust cover | 12. Striking rod oil seal |
| 13. Check ball | 14. Check select spring | |

: Apply gear oil.

: Apply Genuine Silicone RTV or an equivalent. Refer to [GI-22, "Recommended Chemical Products and Sealants"](#).

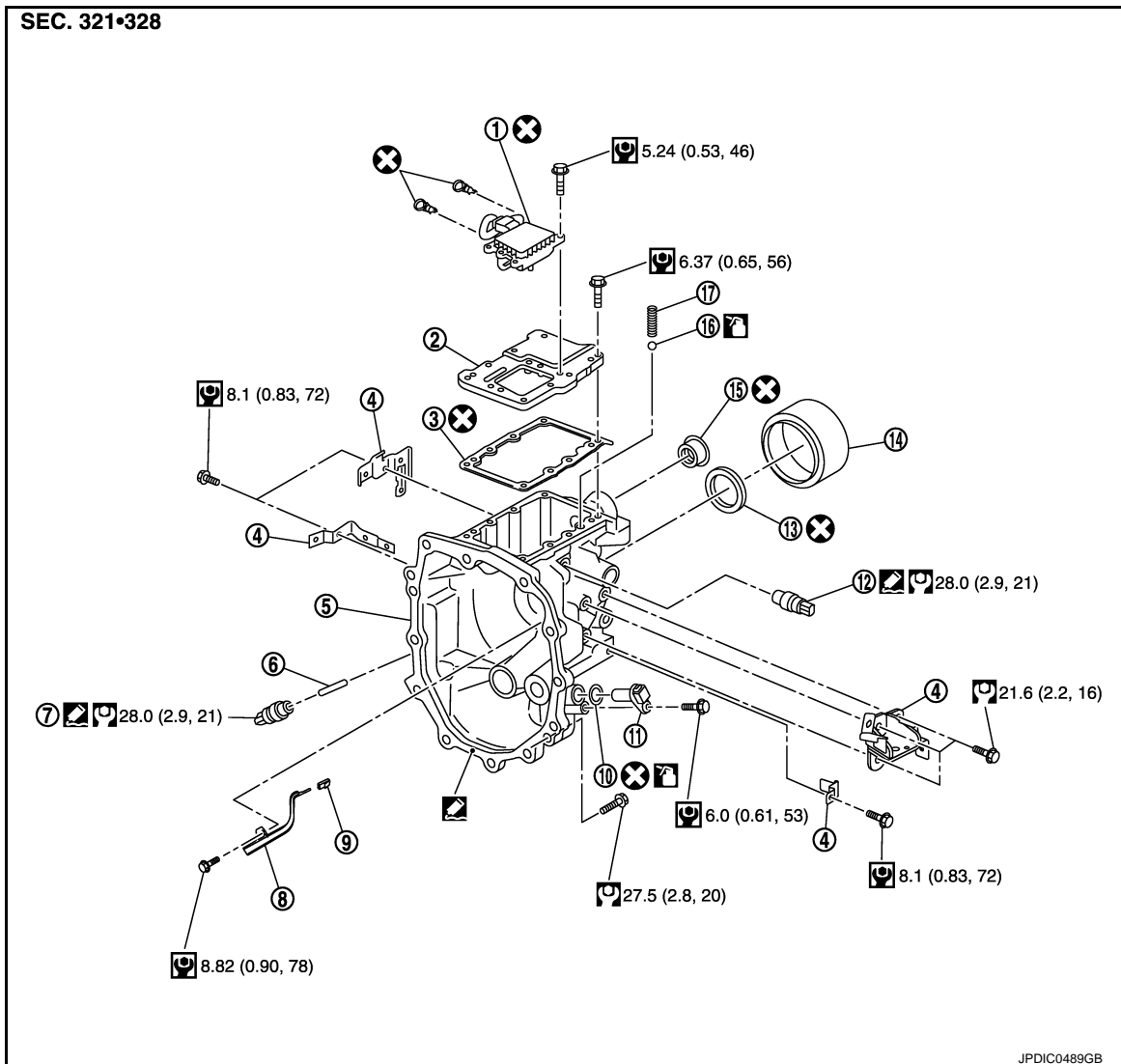
Refer to [GI-4, "Components"](#) for symbols not described on the above.

PARK/NEUTRAL POSITION SWITCH

< REMOVAL AND INSTALLATION >

[6MT: FS6R31A]

With S-MODE



- | | | |
|---------------------------------------|-------------------------------|--------------------------------------|
| 1. Gear lever position sensor | 2. Rear extension upper cover | 3. Rear extension upper cover gasket |
| 4. Bracket | 5. Rear extension | 6. Plunger |
| 7. Park/Neutral position (PNP) switch | 8. Oil gutter | 9. Cap |
| 10. O-ring | 11. Input speed sensor | 12. Back-up lamp switch |
| 13. Rear oil seal | 14. Dust cover | 15. Striking rod oil seal |
| 16. Check ball | 17. Check select spring | |

: Apply gear oil.

: Apply Genuine Silicone RTV or an equivalent. Refer to [GI-22, "Recommended Chemical Products and Sealants"](#).

Refer to [GI-4, "Components"](#) for symbols not described on the above.

Removal and Installation

INFOID:000000008192913

REMOVAL

1. Disconnect the battery cable from the negative terminal.
2. Disconnect park/neutral position (PNP) switch connector.

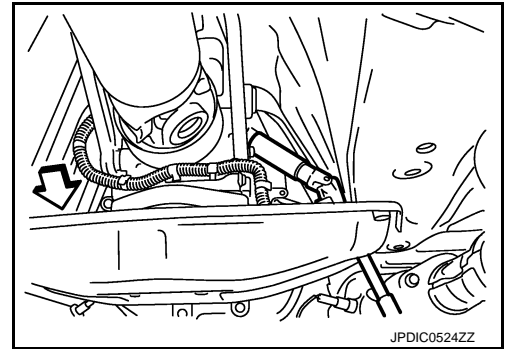
PARK/NEUTRAL POSITION SWITCH

< REMOVAL AND INSTALLATION >

[6MT: FS6R31A]

3. Remove park/neutral position (PNP) switch and plunger from rear extension.

← : Vehicle front

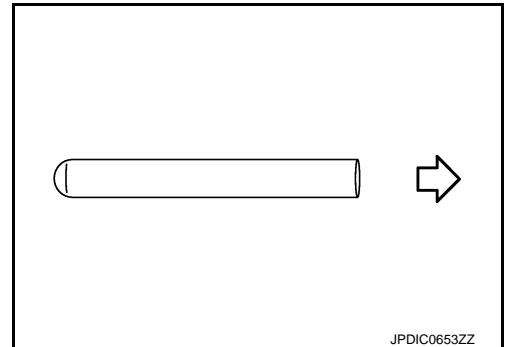


INSTALLATION

1. Install plunger to rear extension.

CAUTION:
Be careful with orientation of plunger.

← : Park/Neutral position (PNP) switch side



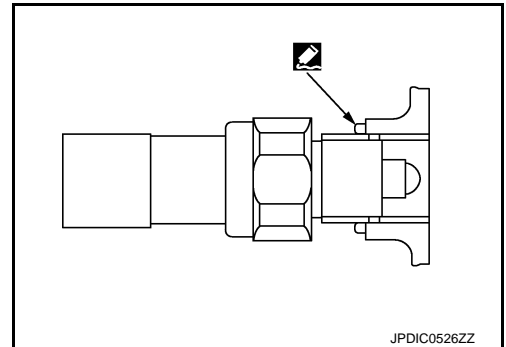
2. Temporarily tighten park/neutral position (PNP) switch onto rear extension by rotating once or twice.

CAUTION:
Remove old sealant and oil adhering to threads.

3. Apply recommended sealant to threads of park/neutral position (PNP) switch as shown in the figure.

• Use Genuine Silicone RTV or an equivalent. Refer to [GL-22, "Recommended Chemical Products and Sealants"](#).

4. Tighten park/neutral position (PNP) switch to the specified torque.
5. For the next step and after, install in the reverse order of removal.



INPUT SPEED SENSOR

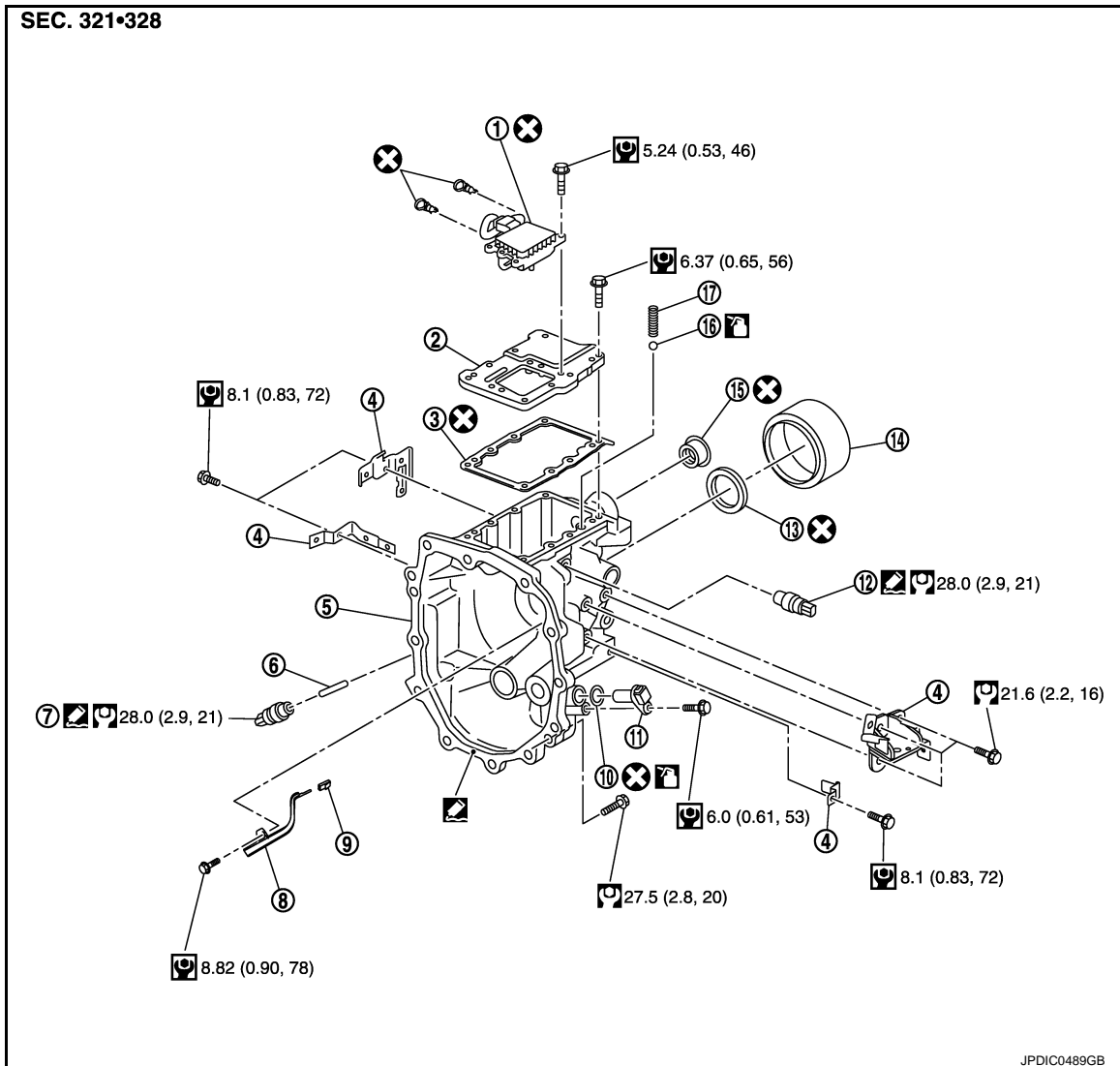
< REMOVAL AND INSTALLATION >

[6MT: FS6R31A]

INPUT SPEED SENSOR

Exploded View

INFOID:000000008192914



- | | | |
|---------------------------------------|-------------------------------|--------------------------------------|
| 1. Gear lever position sensor | 2. Rear extension upper cover | 3. Rear extension upper cover gasket |
| 4. Bracket | 5. Rear extension | 6. Plunger |
| 7. Park/Neutral position (PNP) switch | 8. Oil gutter | 9. Cap |
| 10. O-ring | 11. Input speed sensor | 12. Back-up lamp switch |
| 13. Rear oil seal | 14. Dust cover | 15. Striking rod oil seal |
| 16. Check ball | 17. Check select spring | |

: Apply gear oil.

: Apply Genuine Silicone RTV or an equivalent. Refer to [GI-22. "Recommended Chemical Products and Sealants"](#).
Refer to [GI-4. "Components"](#) for symbols not described on the above.

Removal and Installation

INFOID:000000008192915

REMOVAL

1. Disconnect the battery cable from the negative terminal.
2. Disconnect input speed sensor connector.
3. Remove input speed sensor from rear extension.

INPUT SPEED SENSOR

< REMOVAL AND INSTALLATION >

[6MT: FS6R31A]

CAUTION:

- Never disassemble input speed sensor.
- Never impact input speed sensor by dropping or others.
- Never place input speed sensor near magnetic materials.

4. Remove O-ring from input speed sensor.

INSTALLATION

1. Apply gear oil to O-ring.

CAUTION:

Never reuse O-ring.

2. Install O-ring to input speed sensor.

3. Install input speed sensor to rear extension.

CAUTION:

- Never disassemble input speed sensor.
- Never impact input speed sensor by dropping or others.
- Never place input speed sensor near magnetic materials.
- Never allow foreign matter on input speed sensor.

4. For the next step and after, install in the reverse order of removal.

A

B

C

TM

E

F

G

H

I

J

K

L

M

N

O

P

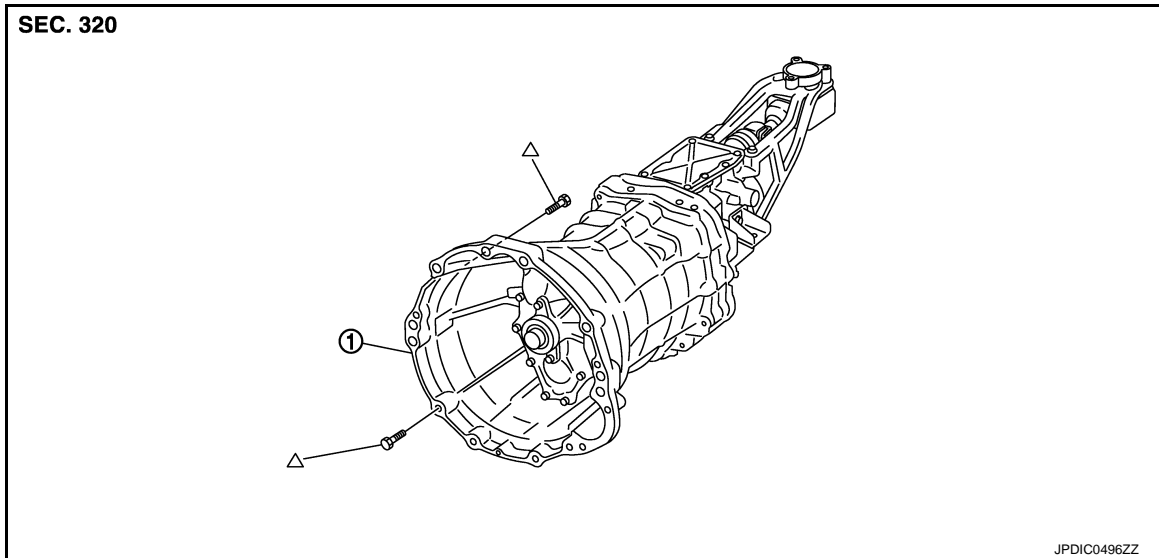
UNIT REMOVAL AND INSTALLATION

TRANSMISSION ASSEMBLY

WITHOUT S-MODE

WITHOUT S-MODE : Exploded View

INFOID:000000008192916



1. Transmission assembly

Δ: Refer to "INSTALLATION" in [TM-38, "WITHOUT S-MODE : Removal and Installation"](#) for the locations and tightening torque.

WITHOUT S-MODE : Removal and Installation

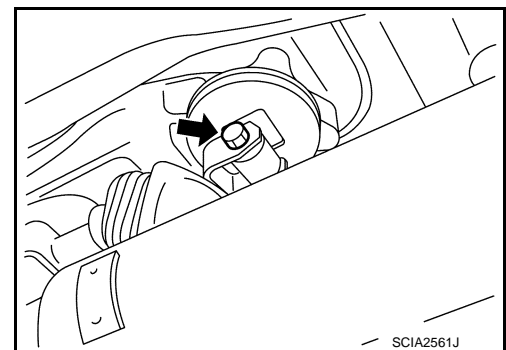
INFOID:000000008192917

CAUTION:

Never reuse CSC (Concentric Slave Cylinder) body and CSC tube. Because CSC slides back to the original position every time when removing transmission assembly. At this timing, dust on the sliding parts may damage a seal of CSC and may cause clutch fluid leakage. Refer to [CL-18, "Removal and Installation"](#).

REMOVAL

1. Disconnect the battery cable from the negative terminal.
2. Remove engine cover (front) and engine cover (rear). Refer to [EM-29, "Removal and Installation"](#).
3. Remove control lever with the following procedure.
 - a. Remove mounting bolt (←) and then separate control lever from control rod.

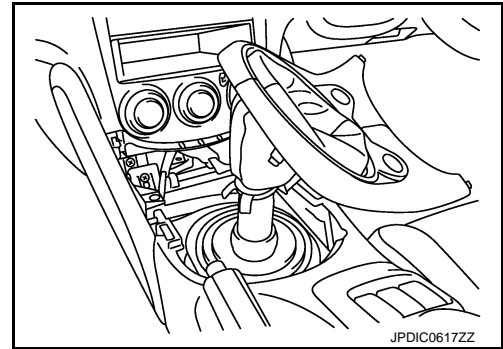


TRANSMISSION ASSEMBLY

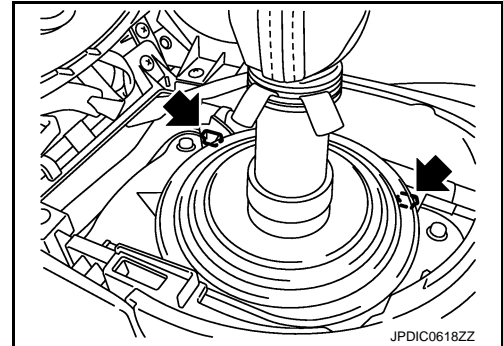
< UNIT REMOVAL AND INSTALLATION >

[6MT: FS6R31A]

- b. Remove console finisher assembly as shown in the figure. Refer to [IP-26, "Removal and Installation"](#).



- c. Remove clips (↔) from hole cover.

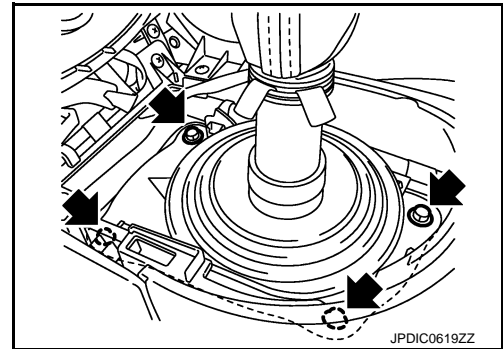


- d. Remove mounting bolts (↔) and then remove hole cover.

CAUTION:

Never damage center console assembly.

- e. Remove control lever boot B, hole insulator, and control lever boot A.



- f. Remove mounting bolts (↔) while holding guide plate.

- g. Remove guide plate, control lever, and control lever spring from control lever housing.

4. Remove exhaust front tube and center muffler. Refer to [EX-6, "Removal and Installation"](#).

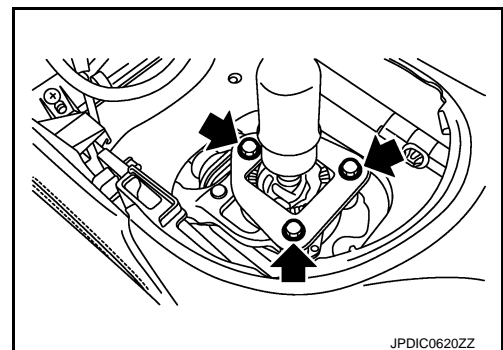
5. Separate propeller shaft assembly. Refer to [DLN-7, "Removal and Installation"](#).

NOTE:

Insert a suitable plug to rear oil seal of transmission assembly after removing propeller shaft assembly.

6. Remove exhaust mounting bracket. Refer to [EX-6, "Removal and Installation"](#).

7. Remove suspension member stay. Refer to [FSU-21, "Removal and Installation"](#).



A
B
C
TM
E
F
G
H
I
J
K
L
M
N
O
P

TRANSMISSION ASSEMBLY

< UNIT REMOVAL AND INSTALLATION >

[6MT: FS6R31A]

8. Remove clutch tube (1), clutch hose (2), and lock plate (3). Refer to [CL-17, "Removal and Installation"](#).

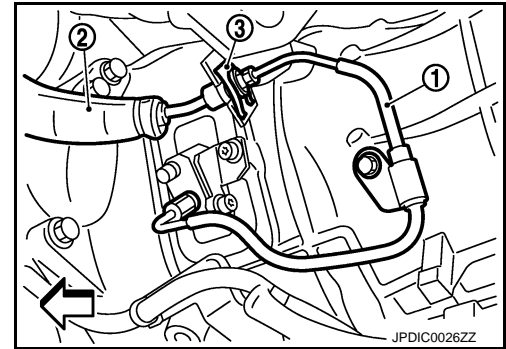
← : Vehicle front

CAUTION:

- Keep painted surface on the body or other parts free of clutch fluid. If it spills, wipe up immediately and wash the affected area with water.
- Never depress clutch pedal during removal procedure.

NOTE:

Insert a suitable plug to clutch hose and CSC tube after removing clutch tube.



9. Remove crankshaft position sensor. Refer to [EM-73, "Removal and Installation"](#).
10. Remove starter motor. Refer to [STR-19, "M/T : Removal and Installation"](#).
11. Remove rear plate cover. Refer to [EM-49, "Removal and Installation"](#).
12. Disconnect park/neutral position (PNP) switch connector.
13. Disconnect heated oxygen sensor 2 (bank 1) and heated oxygen sensor 2 (bank 2) connectors. Refer to [EX-6, "Removal and Installation"](#).
14. Set a suitable jack to the transmission assembly.

CAUTION:

When setting a suitable jack, be careful so that it does not contact with the wire harness.

NOTE:

By placing wooden block between oil pan (upper) and front suspension member, the removal of transmission assembly from engine becomes easier.

15. Remove engine mounting insulator (rear) mounting nuts. Refer to [EM-73, "Removal and Installation"](#).
16. Remove rear engine mounting member. Refer to [EM-73, "Removal and Installation"](#).
17. Remove engine and transmission mounting bolts, using a power tool [Commercial service tool].
18. Lower a suitable jack to the position where the back-up lamp switch connector can be disconnect. Then disconnect back-up lamp switch connector.
19. Remove harness and harness brackets and then temporarily secure it to a position where it will not inhibit work.
20. Remove transmission assembly from the engine.
- CAUTION:**
- Secure transmission assembly to a suitable jack while removing it.
 - The transmission assembly must not interfere with the three way catalyst (right bank) and three way catalyst (left bank).
 - The transmission assembly must not interfere with the wire harnesses and clutch hose.
 - The main drive gear must not interfere with the clutch cover.
 - Never hold control lever housing to prevent the bushing of control lever housing from deformation when moving transmission assembly.
21. Remove CSC body and CSC tube. Refer to [CL-18, "Removal and Installation"](#).

INSTALLATION

Note the following, and install in the reverse order of removal.

CAUTION:

- Secure transmission assembly to a suitable jack while installing it.
- The transmission assembly must not interfere with the three way catalyst (right bank) and three way catalyst (left bank).
- The transmission assembly must not interfere with the wire harnesses and clutch hose.
- The main drive gear must not interfere with the clutch cover.
- Never hold control lever housing to prevent the bushing of control lever housing from deformation when moving transmission assembly.

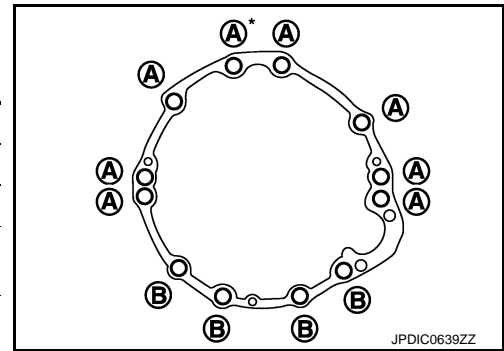
TRANSMISSION ASSEMBLY

< UNIT REMOVAL AND INSTALLATION >

[6MT: FS6R31A]

- Tighten transmission assembly mounting bolts to the specified torque. The figure is the view from the vehicle forward.

Bolt symbol	A	B
Insertion direction	Transmission to engine	Engine to transmission
Number of bolts	8	4
Bolt length mm (in)	65 (2.56)	35 (1.38)
Tightening torque N·m (kg·m, ft·lb)	75 (7.7, 55)	46.6 (4.8, 34)



A
B
C
TM

*: Tightening the bolt with air breather tube.

- If flywheel is removed, align dowel pin with the smallest hole of flywheel. Refer to [EM-118, "Disassembly and Assembly"](#).

WITHOUT S-MODE : Inspection

INFOID:000000008192918

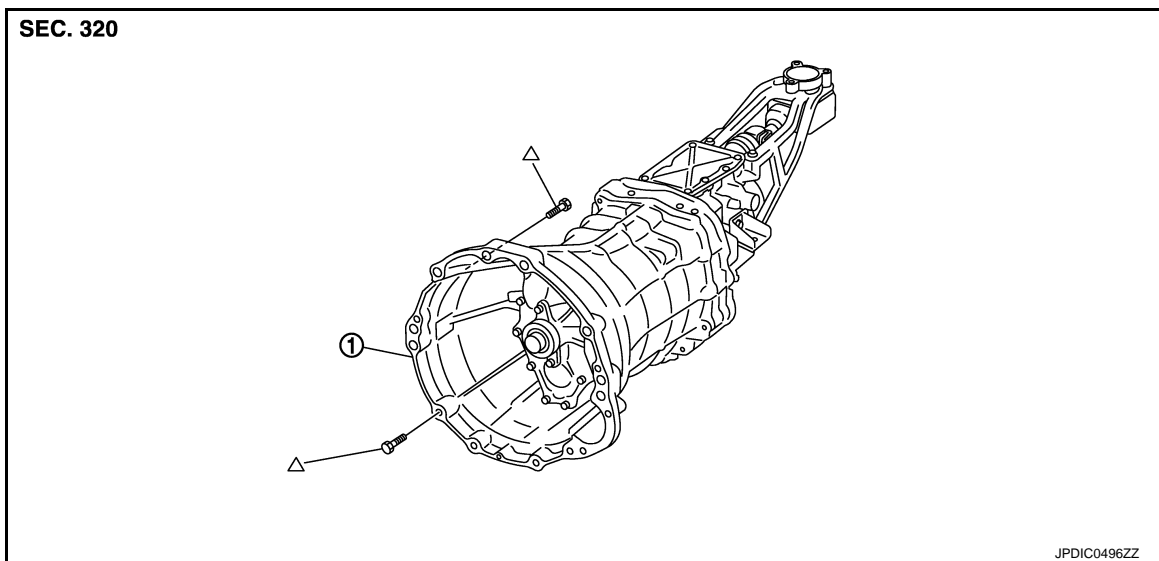
INSPECTION AFTER INSTALLATION

- Check the shift control. Refer to [TM-27, "Inspection"](#).
- Check the oil leakage and the oil level. Refer to [TM-20, "Inspection"](#).

WITH S-MODE

WITH S-MODE : Exploded View

INFOID:000000008192919



E
F
G
H
I
J
K
L
M
N

1. Transmission assembly

Δ: Refer to "INSTALLATION" in [TM-41, "WITH S-MODE : Removal and Installation"](#) for the locations and tightening torque.

WITH S-MODE : Removal and Installation

INFOID:000000008192920

CAUTION:

Never reuse CSC (Concentric Slave Cylinder) body and CSC tube. Because CSC slides back to the original position every time when removing transmission assembly. At this timing, dust on the sliding parts may damage a seal of CSC and may cause clutch fluid leakage. Refer to [CL-18, "Removal and Installation"](#).

REMOVAL

1. Disconnect the battery cable from the negative terminal.
2. Remove engine cover (front) and engine cover (rear). Refer to [EM-29, "Removal and Installation"](#).
3. Remove control lever with the following procedure.

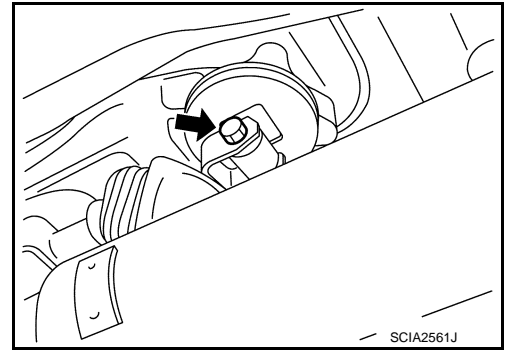
O
P

TRANSMISSION ASSEMBLY

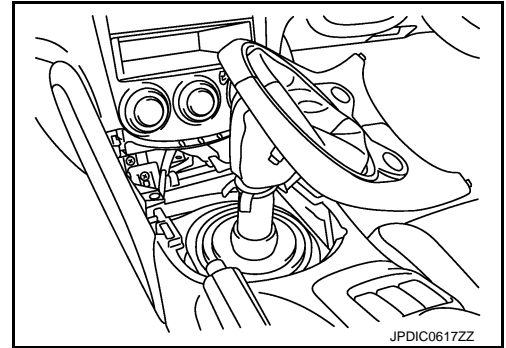
< UNIT REMOVAL AND INSTALLATION >

[6MT: FS6R31A]

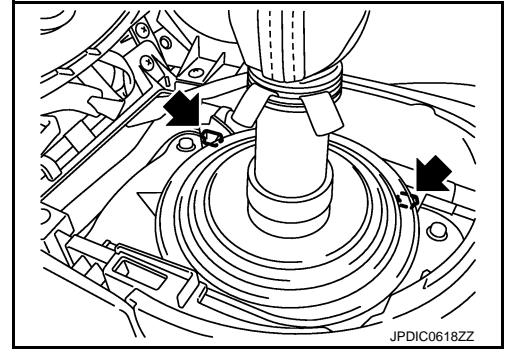
- a. Remove mounting bolt (↔) and then separate control lever from control rod.



- b. Remove console finisher assembly as shown in the figure. Refer to [IP-26, "Removal and Installation"](#).



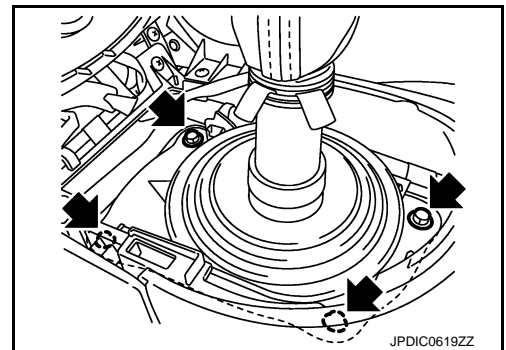
- c. Remove clips (↔) from hole cover.



- d. Remove mounting bolts (↔) and then remove hole cover.

CAUTION:
Never damage center console assembly.

- e. Remove control lever boot B, hole insulator, and control lever boot A.



- f. Remove mounting bolts (↔) while holding guide plate.

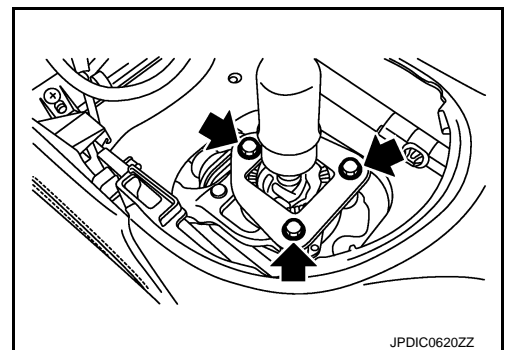
- g. Remove guide plate, control lever, and control lever spring from control lever housing.

4. Remove exhaust front tube and center muffler. Refer to [EX-6, "Removal and Installation"](#).

5. Separate propeller shaft assembly. Refer to [DLN-7, "Removal and Installation"](#).

NOTE:

Insert a suitable plug to rear oil seal of transmission assembly after removing propeller shaft assembly.



TRANSMISSION ASSEMBLY

[6MT: FS6R31A]

< UNIT REMOVAL AND INSTALLATION >

6. Remove exhaust mounting bracket. Refer to [EX-6, "Removal and Installation"](#).
7. Remove suspension member stay. Refer to [FSU-21, "Removal and Installation"](#).
8. Remove clutch tube (1), clutch hose (2), and lock plate (3). Refer to [CL-17, "Removal and Installation"](#).

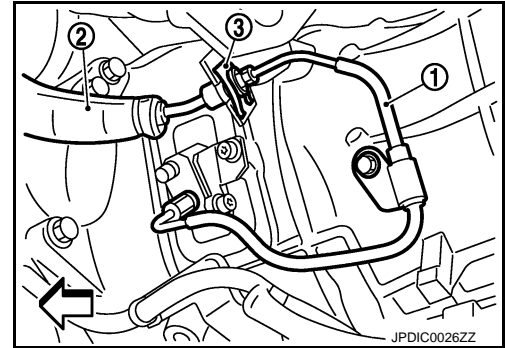
← : Vehicle front

CAUTION:

- Keep painted surface on the body or other parts free of clutch fluid. If it spills, wipe up immediately and wash the affected area with water.
- Never depress clutch pedal during removal procedure.

NOTE:

Insert a suitable plug to clutch hose and CSC tube after removing clutch tube.



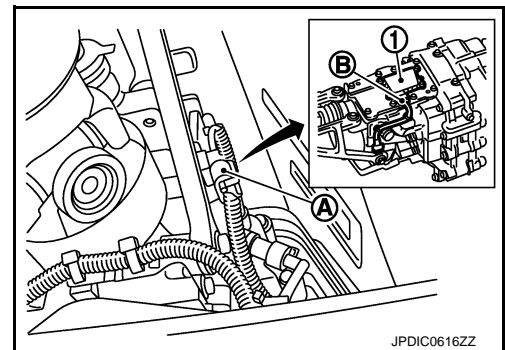
9. Remove crankshaft position sensor. Refer to [EM-73, "Removal and Installation"](#).
10. Remove starter motor. Refer to [STR-19, "M/T : Removal and Installation"](#).
11. Remove rear plate cover. Refer to [EM-49, "Removal and Installation"](#).
12. Disconnect park/neutral position (PNP) switch connector.
13. Disconnect gear lever position sensor connector (A).

1 : Gear lever position sensor

CAUTION:

Never remove connector (B).

14. Disconnect input speed sensor connector.
15. Disconnect heated oxygen sensor 2 (bank 1) and heated oxygen sensor 2 (bank 2) connectors. Refer to [EX-6, "Removal and Installation"](#).
16. Set a suitable jack to the transmission assembly.



CAUTION:

When setting a suitable jack, be careful so that it does not contact with the wire harness.

NOTE:

By placing wooden block between oil pan (upper) and front suspension member, the removal of transmission assembly from engine becomes easier.

17. Remove engine mounting insulator (rear) mounting nuts. Refer to [EM-73, "Removal and Installation"](#).
18. Remove rear engine mounting member. Refer to [EM-73, "Removal and Installation"](#).
19. Remove engine and transmission mounting bolts, using a power tool [Commercial service tool].
20. Lower a suitable jack to the position where the back-up lamp switch connector can be disconnect. Then disconnect back-up lamp switch connector.
21. Remove harness and harness brackets and then temporarily secure it to a position where it will not inhibit work.
22. Remove transmission assembly from the engine.

CAUTION:

- Secure transmission assembly to a suitable jack while removing it.
- The transmission assembly must not interfere with the three way catalyst (right bank) and three way catalyst (left bank).
- The transmission assembly must not interfere with the wire harnesses and clutch hose.
- The main drive gear must not interfere with the clutch cover.
- Never hold control lever housing to prevent the bushing of control lever housing from deformation when moving transmission assembly.

23. Remove CSC body and CSC tube. Refer to [CL-18, "Removal and Installation"](#).

INSTALLATION

Note the following, and install in the reverse order of removal.

CAUTION:

- Secure transmission assembly to a suitable jack while installing it.

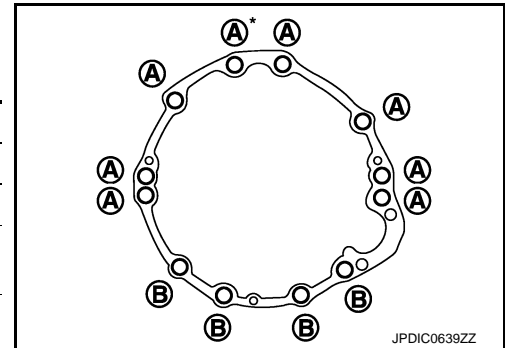
TRANSMISSION ASSEMBLY

< UNIT REMOVAL AND INSTALLATION >

[6MT: FS6R31A]

- The transmission assembly must not interfere with the three way catalyst (right bank) and three way catalyst (left bank).
- The transmission assembly must not interfere with the wire harnesses and clutch hose.
- The main drive gear must not interfere with the clutch cover.
- Never hold control lever housing to prevent the bushing of control lever housing from deformation when moving transmission assembly.
- Tighten transmission assembly mounting bolts to the specified torque. The figure is the view from the vehicle forward.

Bolt symbol	A	B
Insertion direction	Transmission to engine	Engine to transmission
Number of bolts	8	4
Bolt length mm (in)	65 (2.56)	35 (1.38)
Tightening torque N·m (kg·m, ft·lb)	75 (7.7, 55)	46.6 (4.8, 34)



*: Tightening the bolt with air breather tube.

- If flywheel is removed, align dowel pin with the smallest hole of flywheel. Refer to [EM-118, "Disassembly and Assembly"](#).

WITH S-MODE : Inspection and Adjustment

INFOID:000000008192921

INSPECTION AFTER INSTALLATION

- Check the shift control. Refer to [TM-27, "Inspection"](#).
- Check the oil leakage and the oil level. Refer to [TM-20, "Inspection"](#).

ADJUSTMENT AFTER INSTALLATION

When replacing the gear lever position sensor, perform the M/T neutral position learning. Refer to [EC-24, "M/T NEUTRAL POSITION LEARNING : Special Repair Requirement"](#).

FRONT OIL SEAL

< UNIT REMOVAL AND INSTALLATION >

[6MT: FS6R31A]

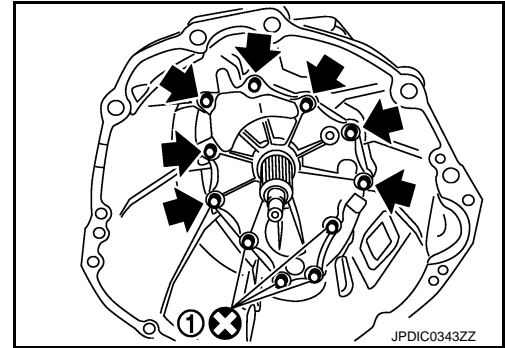
FRONT OIL SEAL

Removal and Installation

INFOID:00000008192922

REMOVAL

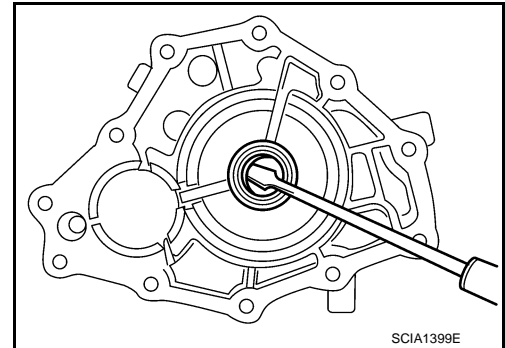
1. Drain gear oil. Refer to [TM-20, "Draining"](#).
2. Remove transmission assembly. Refer to [TM-38, "WITHOUT S-MODE : Removal and Installation"](#) (Without S-MODE) or [TM-41, "WITH S-MODE : Removal and Installation"](#) (With S-MODE).
3. Remove mounting bolts (←) and sealing bolts (1).
4. Remove front cover and front cover gasket from transmission case.



5. Remove front oil seal from front cover, using a flat-bladed screwdriver.

CAUTION:

Never damage front cover.



INSTALLATION

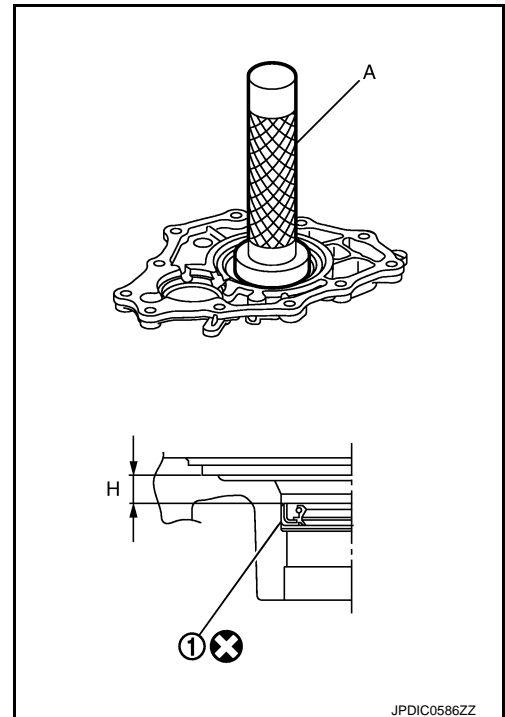
1. Install front oil seal (1) to front cover, using the drift (A) [SST: KV38102100 (J-25803-01)].

Dimension "H" : 8.55 – 9.55 mm (0.3366 – 0.3760 in)

CAUTION:

Never incline front oil seal.

2. Install front cover gasket and front cover to transmission case.
CAUTION:
 - Never reuse front cover gasket.
 - Never damage front oil seal.
 - Remove any moisture, oil, or foreign material adhering to both mating surfaces.

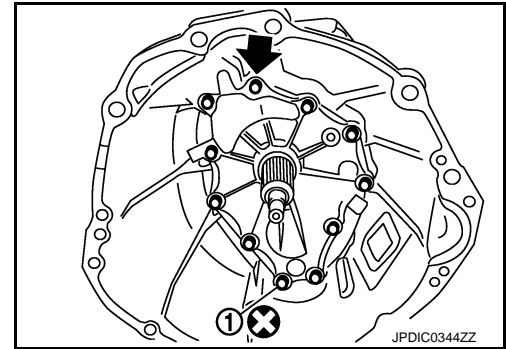


FRONT OIL SEAL

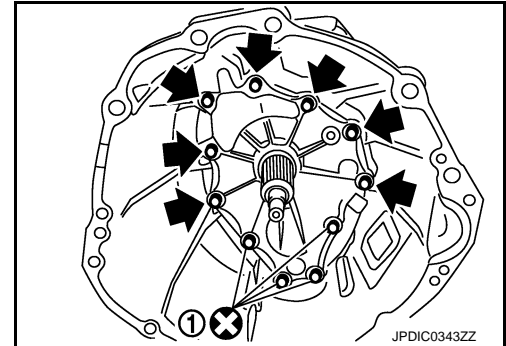
< UNIT REMOVAL AND INSTALLATION >

[6MT: FS6R31A]

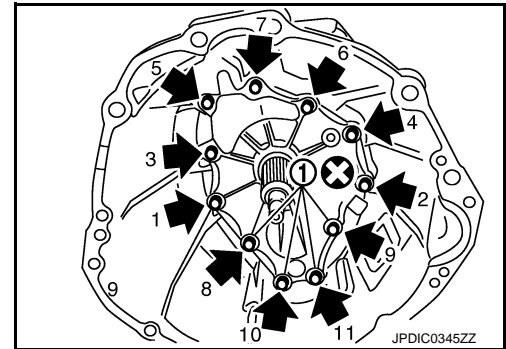
3. Temporarily tighten mounting bolt (↔) and sealing bolt (1).



4. Temporarily tighten mounting bolts (↔) and sealing bolts (1).



5. Tighten mounting bolts (↔) and sealing bolts (1) to the specified torque in the numerical order as shown in the figure.
6. Install transmission assembly. Refer to [TM-38. "WITHOUT S-MODE : Removal and Installation"](#) (Without S-MODE) or [TM-41. "WITH S-MODE : Removal and Installation"](#) (With S-MODE).
7. Refill gear oil. Refer to [TM-20. "Refilling"](#).



Inspection

INFOID:000000008192923

INSPECTION AFTER INSTALLATION

Check the oil leakage and the oil level. Refer to [TM-20. "Inspection"](#).

GEAR LEVER POSITION SENSOR

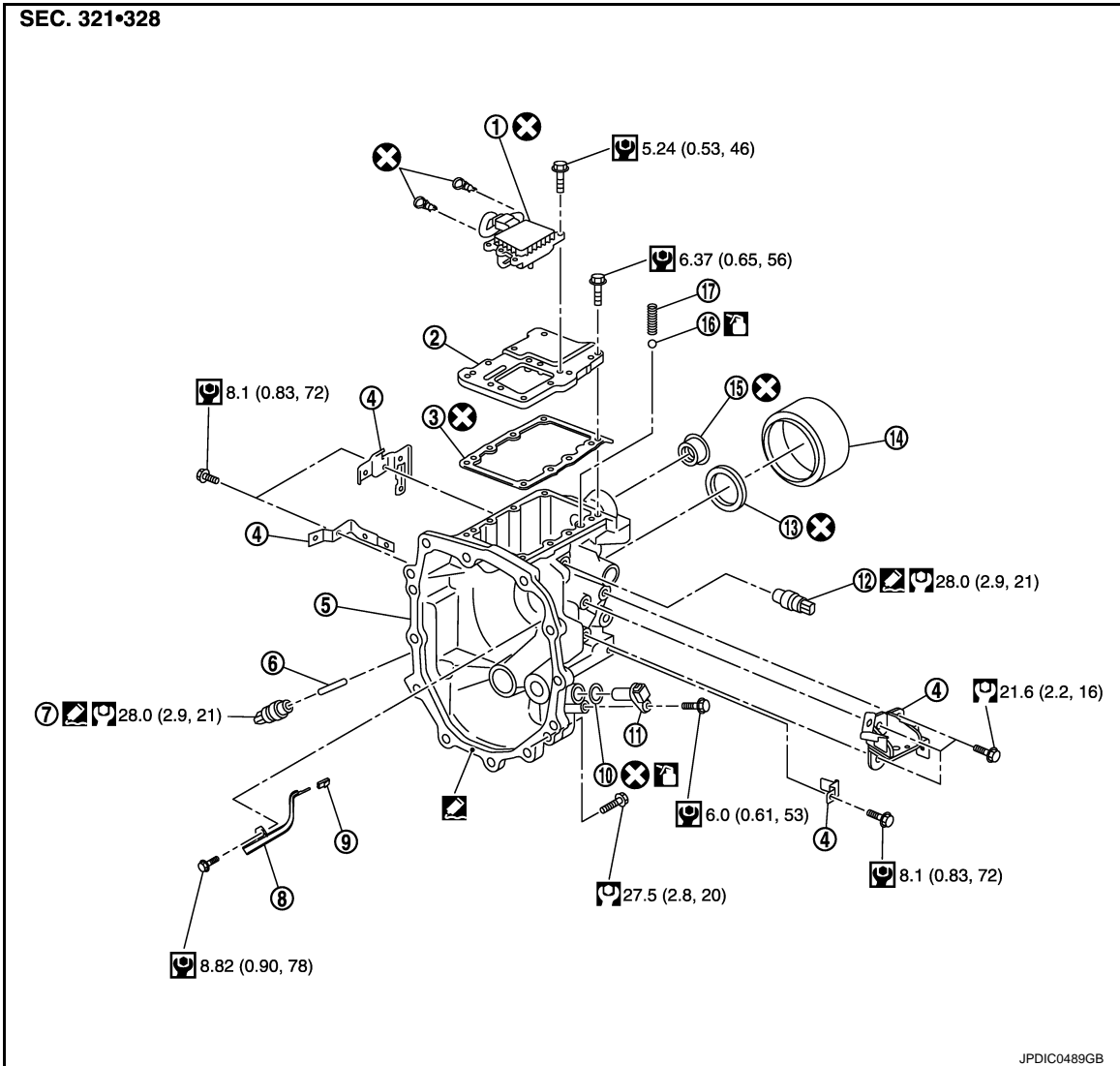
< UNIT REMOVAL AND INSTALLATION >

[6MT: FS6R31A]

GEAR LEVER POSITION SENSOR

Exploded View

INFOID:000000008192924



- | | | |
|---------------------------------------|-------------------------------|--------------------------------------|
| 1. Gear lever position sensor | 2. Rear extension upper cover | 3. Rear extension upper cover gasket |
| 4. Bracket | 5. Rear extension | 6. Plunger |
| 7. Park/Neutral position (PNP) switch | 8. Oil gutter | 9. Cap |
| 10. O-ring | 11. Input speed sensor | 12. Back-up lamp switch |
| 13. Rear oil seal | 14. Dust cover | 15. Striking rod oil seal |
| 16. Check ball | 17. Check select spring | |

: Apply gear oil.

: Apply Genuine Silicone RTV or an equivalent. Refer to [GI-22. "Recommended Chemical Products and Sealants"](#). Refer to [GI-4. "Components"](#) for symbols not described on the above.

Removal and Installation

INFOID:000000008192925

REMOVAL

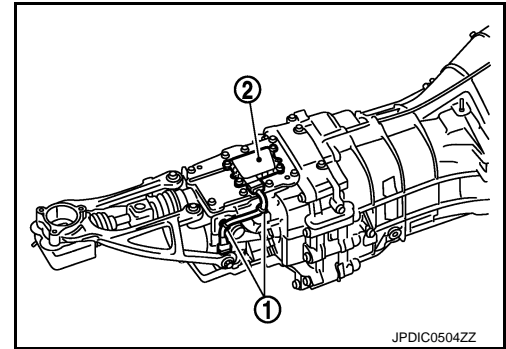
1. Remove transmission assembly. Refer to [TM-41. "WITH S-MODE : Removal and Installation"](#).

GEAR LEVER POSITION SENSOR

[6MT: FS6R31A]

< UNIT REMOVAL AND INSTALLATION >

2. Remove clips (1) from gear lever position sensor (2) harness and bracket.
3. Remove gear lever position sensor harness from bracket.
4. Remove gear lever position sensor from rear extension upper cover.

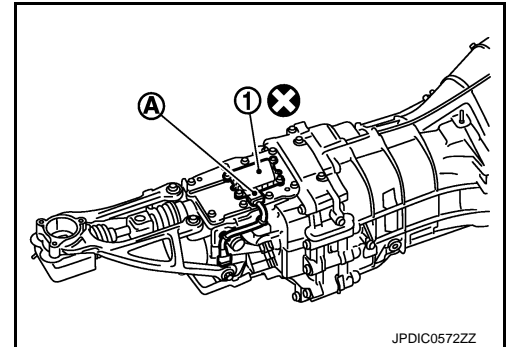


INSTALLATION

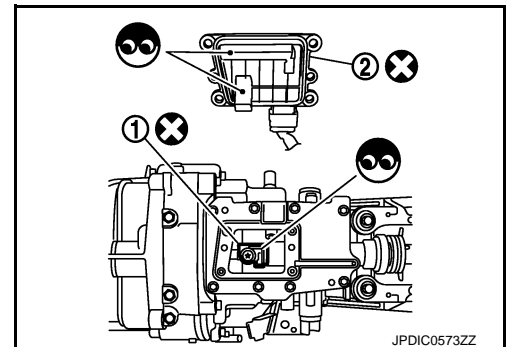
1. Install gear lever position sensor (1) to rear extension upper cover.

CAUTION:

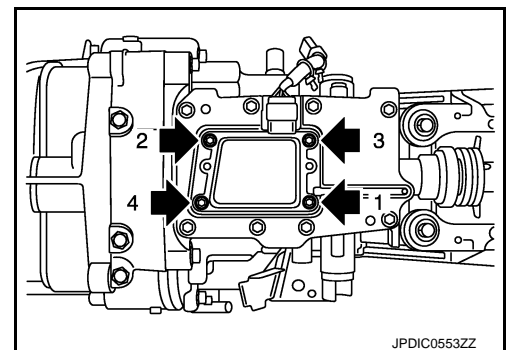
- Never disassemble gear lever position sensor.
- Never impact gear lever position sensor by dropping or others.
- Never place gear lever position sensor near magnetic materials.
- Never remove connector (A).



- Never allow foreign matter on gear lever position sensor magnet (1) and gear lever position sensor (2).



2. Tighten mounting bolts (↔) to the specified torque in the numerical order as shown in the figure.
3. Install clips to gear lever position sensor harness.
CAUTION:
Never reuse clip.
4. Install gear lever position sensor harness to bracket.
5. Install transmission assembly. Refer to [TM-41, "WITH S-MODE : Removal and Installation"](#).



Inspection and Adjustment

INFOID:000000008192926

INSPECTION AFTER INSTALLATION

Check the oil leakage and the oil level. Refer to [TM-20, "Inspection"](#).

ADJUSTMENT AFTER INSTALLATION

Perform the M/T neutral position learning. Refer to [EC-24, "M/T NEUTRAL POSITION LEARNING : Special Repair Requirement"](#).

TRANSMISSION ASSEMBLY

< UNIT DISASSEMBLY AND ASSEMBLY >

[6MT: FS6R31A]

UNIT DISASSEMBLY AND ASSEMBLY

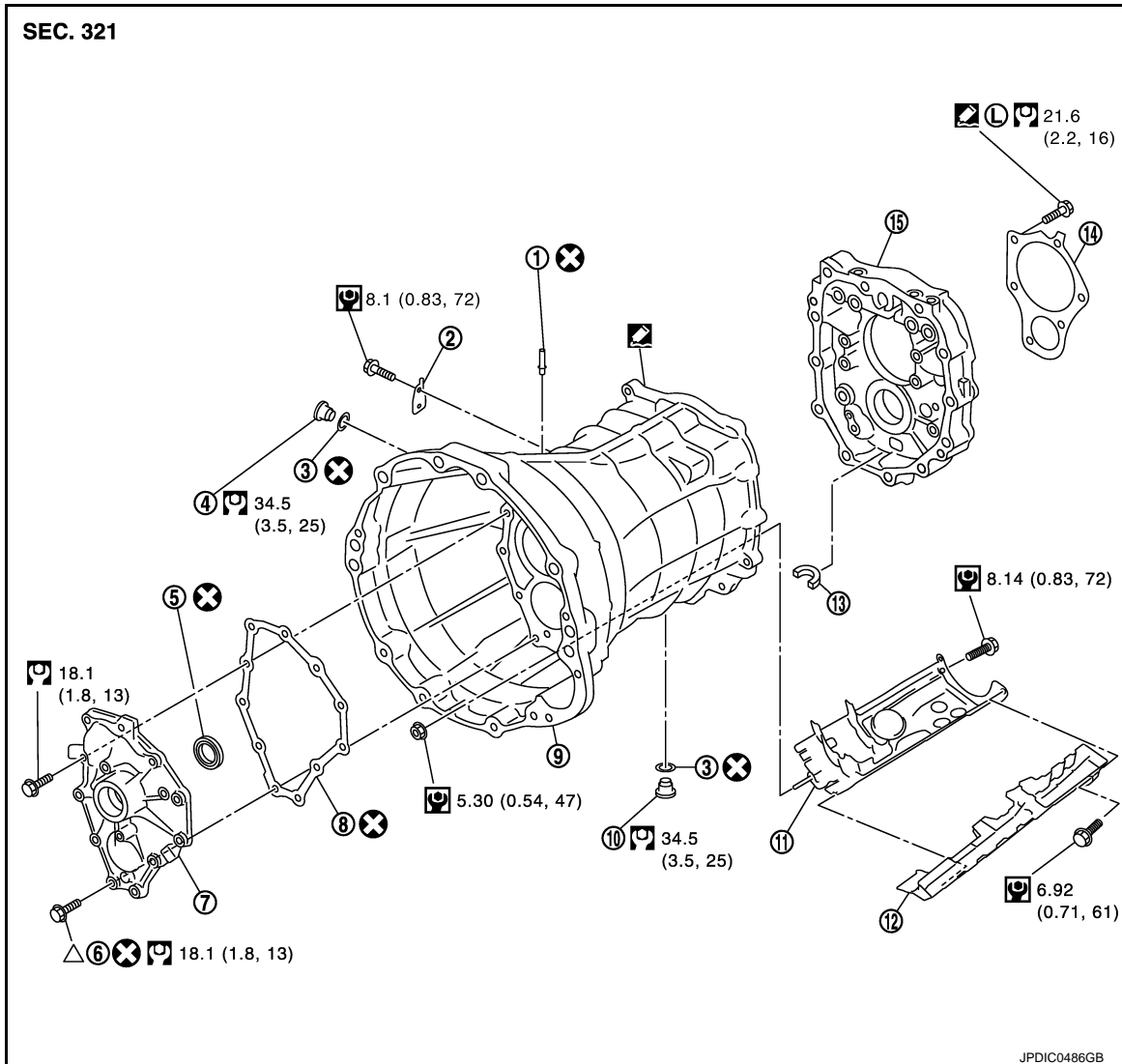
TRANSMISSION ASSEMBLY

WITHOUT S-MODE

WITHOUT S-MODE : Exploded View

INFOID:000000008192927

CASE AND EXTENSION



- | | | |
|------------------|-----------------------|----------------------|
| 1. Breather tube | 2. Bracket | 3. Gasket |
| 4. Filler plug | 5. Front oil seal | 6. Sealing bolt |
| 7. Front cover | 8. Front cover gasket | 9. Transmission case |
| 10. Drain plug | 11. Baffle plate | 12. Oil gutter |
| 13. Magnet | 14. Bearing retainer | 15. Adapter plate |

: Apply Genuine Silicone RTV or an equivalent. Refer to [GI-22, "Recommended Chemical Products and Sealants"](#).

: Apply Genuine Medium Strength Thread Locking Sealant or an equivalent. Refer to [GI-22, "Recommended Chemical Products and Sealants"](#).

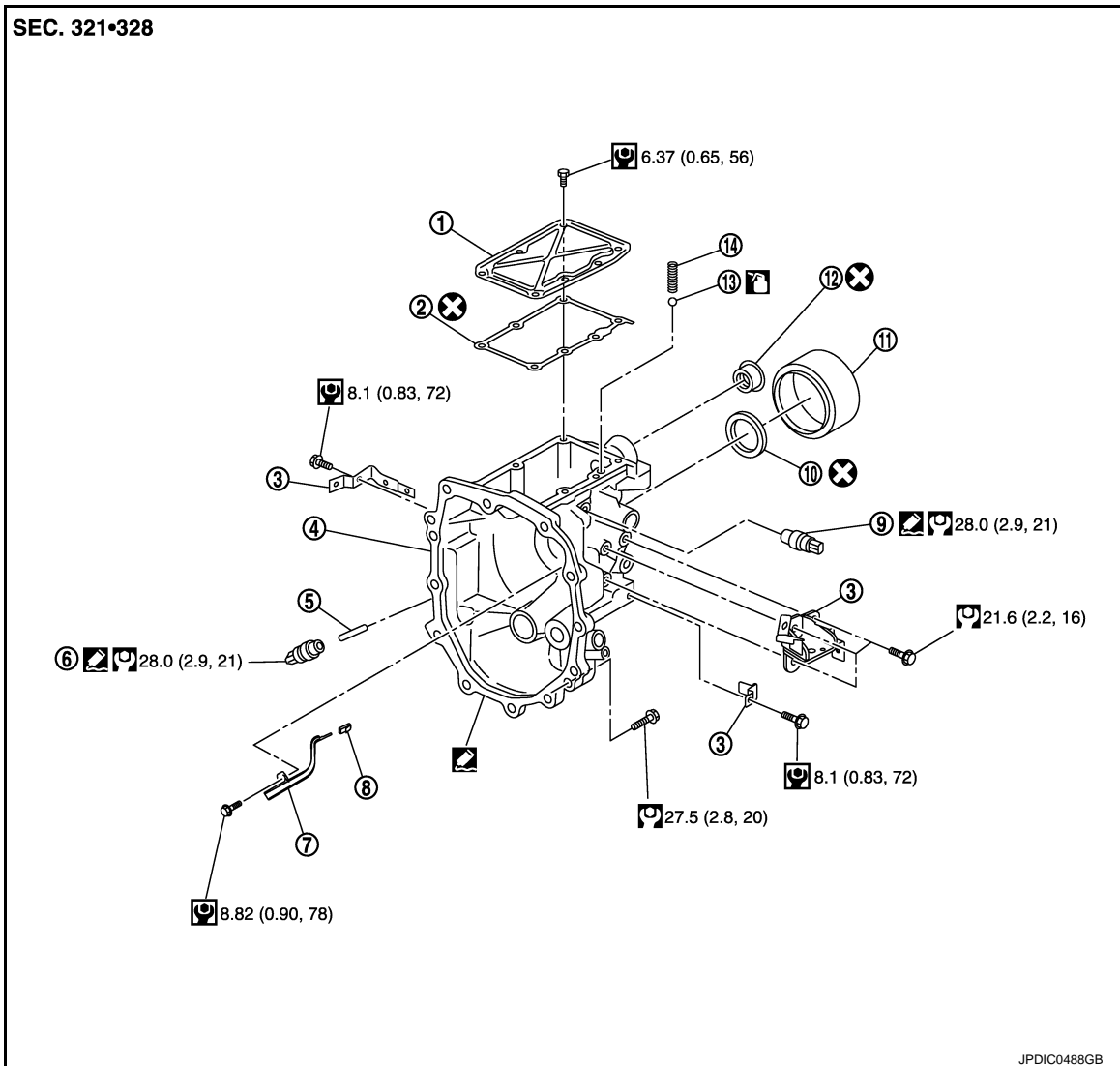
: Refer to "CASE AND EXTENSION" in [TM-63, "WITHOUT S-MODE : Assembly"](#) for the locations.

Refer to [GI-4, "Components"](#) for symbols not described on the above.

TRANSMISSION ASSEMBLY

< UNIT DISASSEMBLY AND ASSEMBLY >

[6MT: FS6R31A]



- | | | |
|-------------------------------|--------------------------------------|---------------------------------------|
| 1. Rear extension upper cover | 2. Rear extension upper cover gasket | 3. Bracket |
| 4. Rear extension | 5. Plunger | 6. Park/Neutral position (PNP) switch |
| 7. Oil gutter | 8. Cap | 9. Back-up lamp switch |
| 10. Rear oil seal | 11. Dust cover | 12. Striking rod oil seal |
| 13. Check ball | 14. Check select spring | |

: Apply gear oil.

: Apply Genuine Silicone RTV or an equivalent. Refer to [GI-22. "Recommended Chemical Products and Sealants"](#).

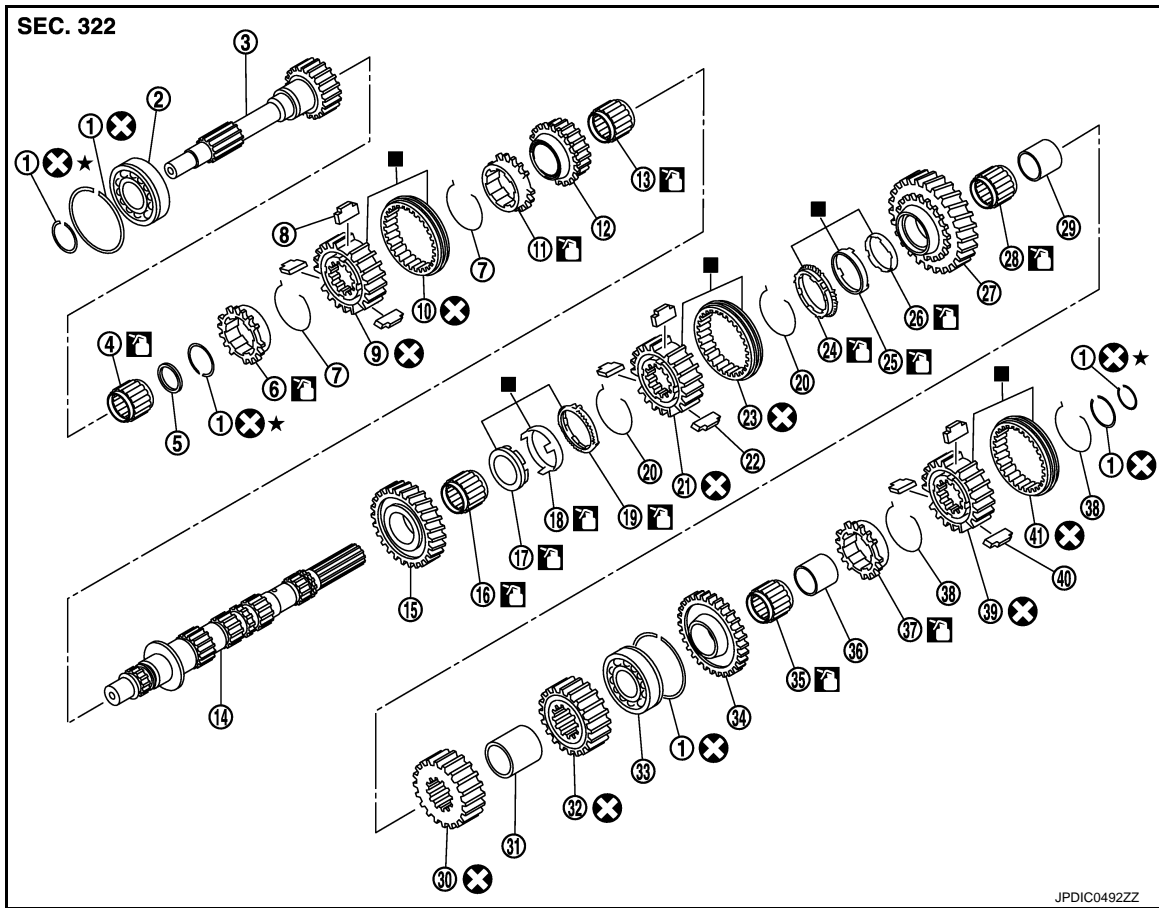
Refer to [GI-4. "Components"](#) for symbols not described on the above.

SHAFT AND GEAR

TRANSMISSION ASSEMBLY

< UNIT DISASSEMBLY AND ASSEMBLY >

[6MT: FS6R31A]



- | | | |
|-----------------------------|-----------------------------|-------------------------------|
| 1. Snap ring | 2. Main drive gear bearing | 3. Main drive gear |
| 4. Main pilot bearing | 5. Pilot bearing spacer | 6. 5th baulk ring |
| 7. 5th-6th spread spring | 8. 5th-6th shifting insert | 9. 5th-6th synchronizer hub |
| 10. 5th-6th coupling sleeve | 11. 6th baulk ring | 12. 6th main gear |
| 13. 6th needle bearing | 14. Mainshaft | 15. 2nd main gear |
| 16. 2nd needle bearing | 17. 2nd inner baulk ring | 18. 2nd synchronizer cone |
| 19. 2nd outer baulk ring | 20. 1st-2nd spread spring | 21. 1st-2nd synchronizer hub |
| 22. 1st-2nd shifting insert | 23. 1st-2nd coupling sleeve | 24. 1st outer baulk ring |
| 25. 1st synchronizer cone | 26. 1st inner baulk ring | 27. 1st main gear |
| 28. 1st needle bearing | 29. 1st gear bushing | 30. 3rd main gear |
| 31. 3rd-4th main spacer | 32. 4th main gear | 33. Mainshaft bearing |
| 34. Reverse main gear | 35. Reverse needle bearing | 36. Reverse main gear bushing |
| 37. Reverse baulk ring | 38. Reverse spread spring | 39. Reverse synchronizer hub |
| 40. Reverse shifting insert | 41. Reverse coupling sleeve | |

■: Replace the parts as a set.

🛢️: Apply gear oil.

Refer to [GI-4, "Components"](#) for symbols not described on the above.

- Apply gear oil to gears, shafts, synchronizers, and bearings when assembling.

A

B

C

TM

E

F

G

H

I

J

K

L

M

N

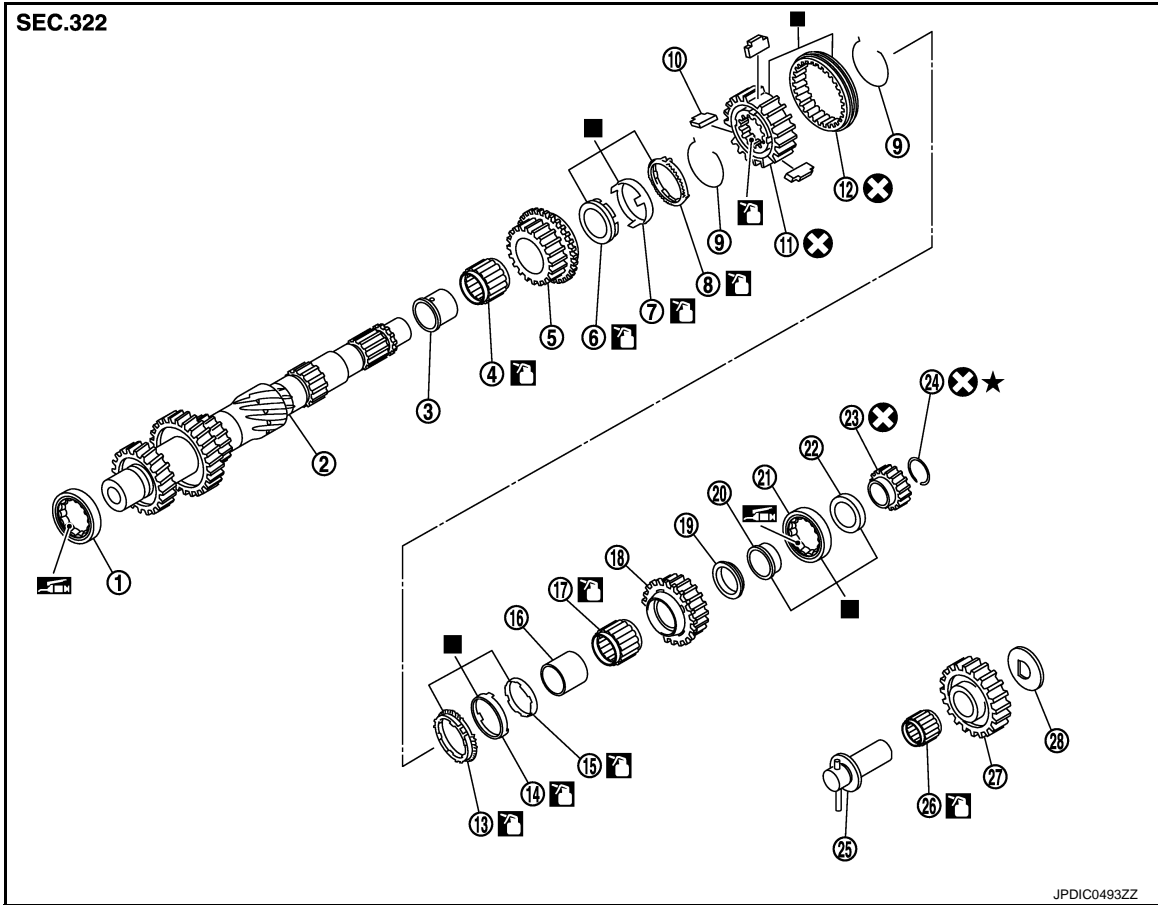
O

P

TRANSMISSION ASSEMBLY

< UNIT DISASSEMBLY AND ASSEMBLY >

[6MT: FS6R31A]



- | | | |
|------------------------------------|-------------------------------------|-----------------------------|
| 1. Counter front bearing | 2. Counter shaft | 3. 3rd gear bushing |
| 4. 3rd needle bearing | 5. 3rd counter gear | 6. 3rd inner baulk ring |
| 7. 3rd synchronizer cone | 8. 3rd outer baulk ring | 9. 3rd-4th spread spring |
| 10. 3rd-4th shifting insert | 11. 3rd-4th synchronizer hub | 12. 3rd-4th coupling sleeve |
| 13. 4th outer baulk ring | 14. 4th synchronizer cone | 15. 4th inner baulk ring |
| 16. 4th gear bushing | 17. 4th needle bearing | 18. 4th counter gear |
| 19. 4th counter gear thrust washer | 20. Counter rear bearing inner race | 21. Counter rear bearing |
| 22. Counter rear bearing spacer | 23. Reverse counter gear | 24. Snap ring |
| 25. Reverse idler shaft | 26. Reverse idler needle bearing | 27. Reverse idler gear |
| 28. Reverse idler thrust washer | | |

■: Replace the parts as a set.

🛢️: Apply gear oil.

🛢️: Apply lithium-based grease including molybdenum disulphide.

Refer to [GI-4, "Components"](#) for symbols not described on the above.

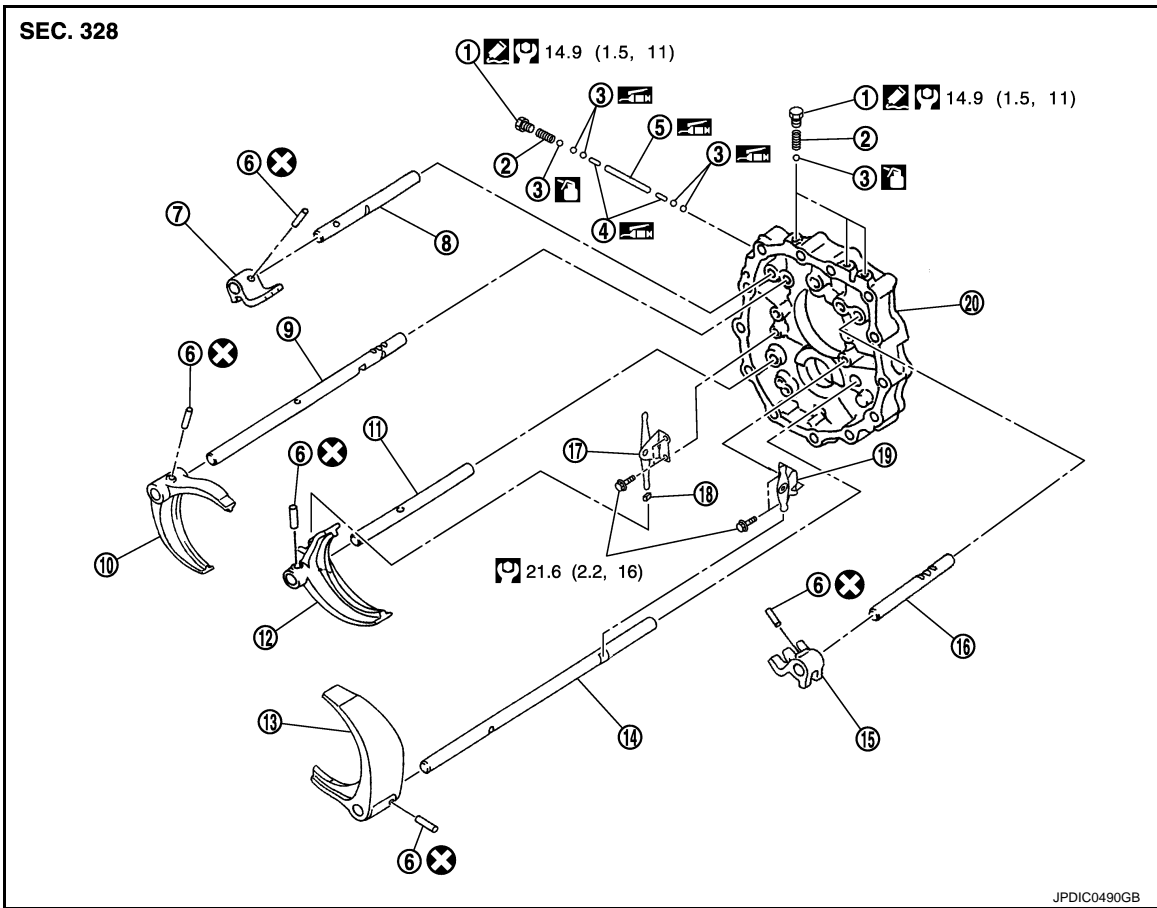
- Apply gear oil to gears, shafts, synchronizers, and bearings when assembling.

SHIFT FORK AND FORK ROD

TRANSMISSION ASSEMBLY

< UNIT DISASSEMBLY AND ASSEMBLY >

[6MT: FS6R31A]



- | | | |
|-----------------------------|--------------------------------------|------------------------------|
| 1. Check ball plug | 2. Check ball spring | 3. Check ball |
| 4. Interlock pin | 5. Interlock plunger | 6. Retaining pin |
| 7. 3rd-4th fork rod bracket | 8. 3rd-4th fork rod | 9. 1st-2nd fork rod |
| 10. 1st-2nd shift fork | 11. 3rd-4th fork rod (reversal side) | 12. 3rd-4th shift fork |
| 13. 5th-6th shift fork | 14. 5th-6th fork rod (reversal side) | 15. 5th-6th fork rod bracket |
| 16. 5th-6th fork rod | 17. 3rd-4th control lever | 18. Shifter cap |
| 19. 5th-6th control lever | 20. Adapter plate | |

: Apply gear oil.

: Apply lithium-based grease including molybdenum disulphide.

: Apply Genuine Silicone RTV or an equivalent. Refer to [GI-22, "Recommended Chemical Products and Sealants"](#).

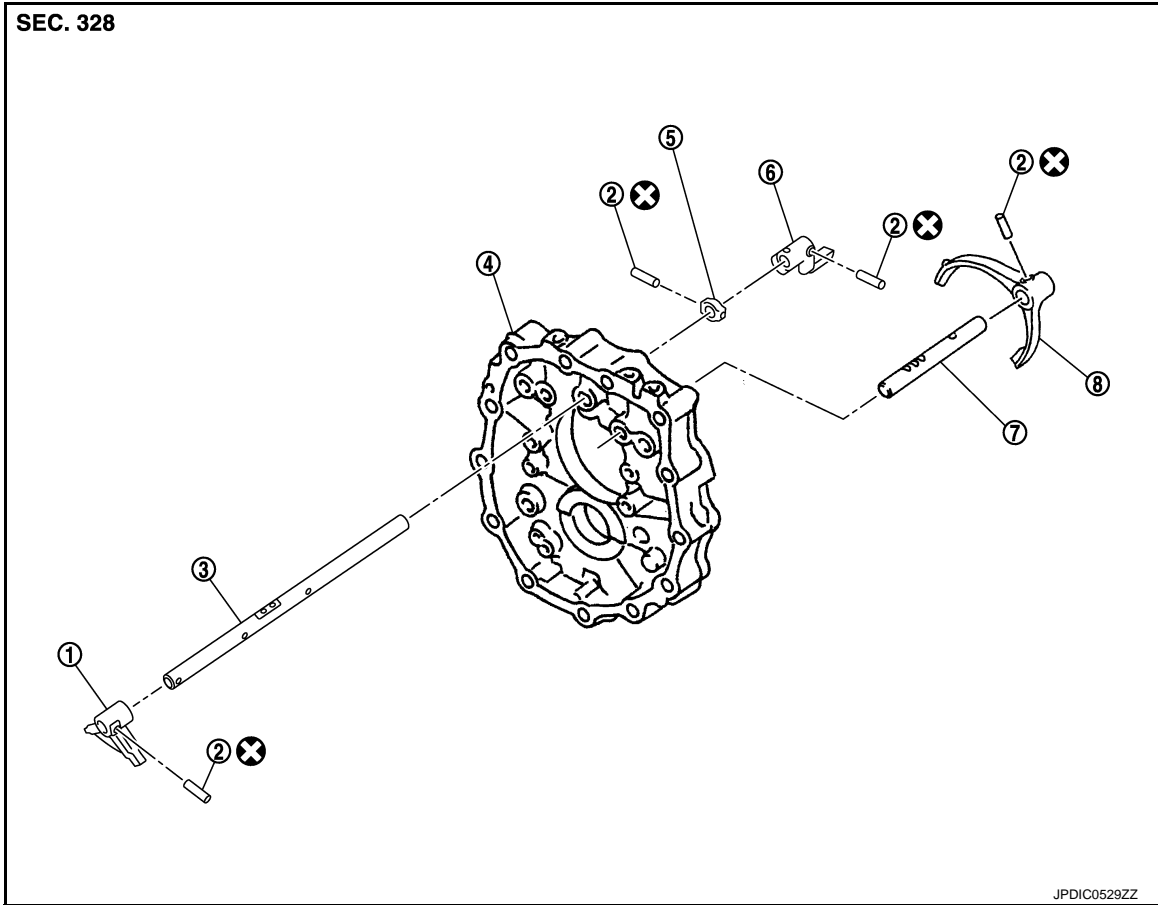
Refer to [GI-4, "Components"](#) for symbols not described on the above.

A
B
C
TM
E
F
G
H
I
J
K
L
M
N
O
P

TRANSMISSION ASSEMBLY

< UNIT DISASSEMBLY AND ASSEMBLY >

[6MT: FS6R31A]



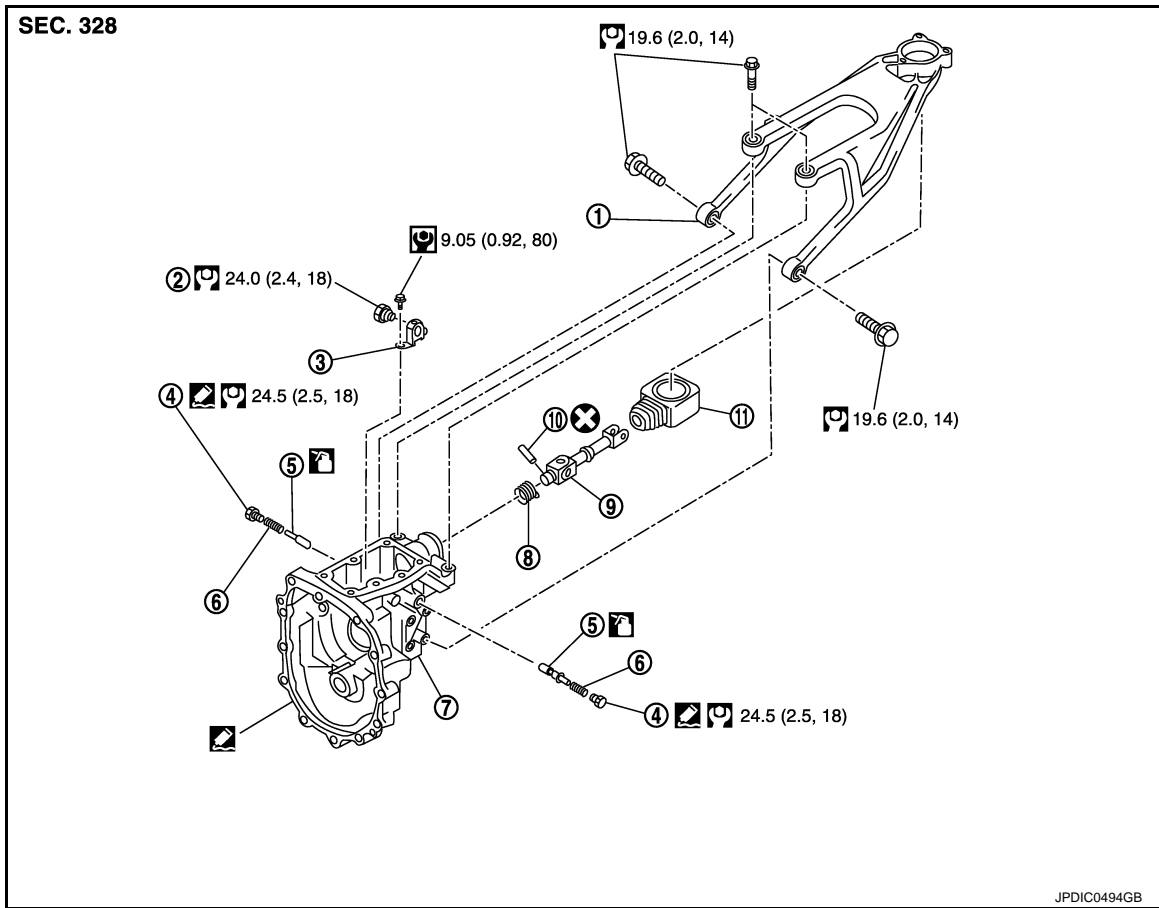
- | | | |
|---------------------|-----------------------|---------------------------|
| 1. Striking lever | 2. Retaining pin | 3. Striking rod |
| 4. Adapter plate | 5. Stopper ring | 6. Low/high control lever |
| 7. Reverse fork rod | 8. Reverse shift fork | |

Refer to [GI-4, "Components"](#) for the symbols in the figure.

TRANSMISSION ASSEMBLY

< UNIT DISASSEMBLY AND ASSEMBLY >

[6MT: FS6R31A]



- | | | |
|--------------------------|--------------------------|--------------------|
| 1. Control lever housing | 2. Check shift pin | 3. Control bracket |
| 4. Return spring plug | 5. Return spring plunger | 6. Return spring |
| 7. Rear extension | 8. Boot | 9. Control rod |
| 10. Retaining pin | 11. Control rod boot | |

: Apply gear oil.

: Apply Genuine Silicone RTV or an equivalent. Refer to [GI-22. "Recommended Chemical Products and Sealants"](#).

Refer to [GI-4. "Components"](#) for symbols not described on the above.

WITHOUT S-MODE : Disassembly

INFOID:000000008192928

CASE AND EXTENSION

1. Remove drain plug and gasket from transmission case and then drain gear oil.
2. Remove filler plug and gasket from transmission case.
3. Remove rear extension upper cover with the following procedure.
 - a. Remove rear extension upper cover mounting bolts while holding rear extension upper cover.
 - b. Remove rear extension upper cover and rear extension upper cover gasket from rear extension.

TRANSMISSION ASSEMBLY

< UNIT DISASSEMBLY AND ASSEMBLY >

[6MT: FS6R31A]

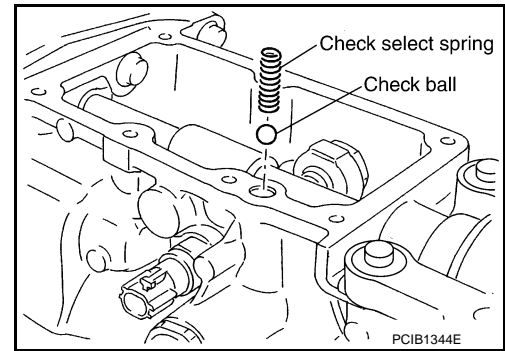
4. Remove check select spring and check ball from rear extension.

CAUTION:

Never drop check ball.

5. Remove control rod with the following procedure.

- a. Remove control rod boot from control rod.



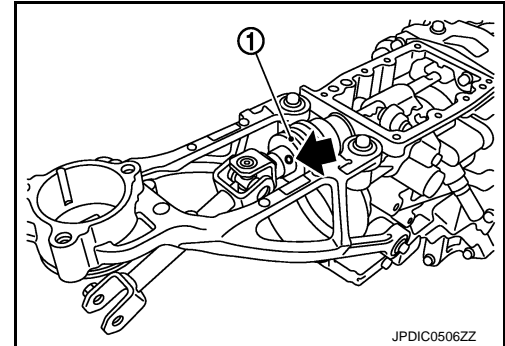
- b. Remove boot (1) from control rod as shown in the figure.

- c. Remove retaining pin (←) from control rod, using a pin punch [Commercial service tool] and then remove control rod from striking rod.

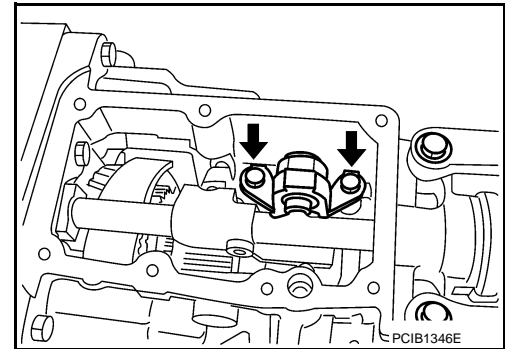
- d. Remove boot from striking rod oil seal.

6. Remove park/neutral position (PNP) switch and plunger from rear extension.

7. Remove back-up lamp switch from rear extension.



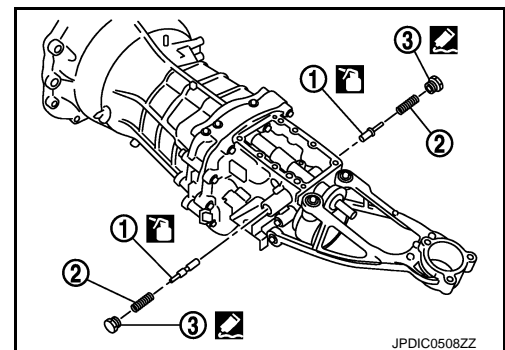
8. Remove mounting bolts (←) and then remove control bracket from rear extension.



9. Remove return spring plungers (1), return springs (2), and return spring plugs (3) from rear extension.

CAUTION:

Return spring and return spring plunger have different lengths for right and left sides. Identify right and left side and then store.



10. Remove rear oil seal from rear extension, using the puller [SST: KV381054S0 (J-34286)].

CAUTION:

Never damage rear extension.

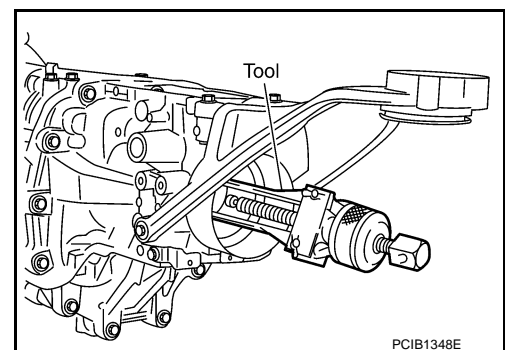
11. Remove brackets from rear extension.

12. Remove control lever housing from rear extension.

CAUTION:

Never hold control lever housing to prevent the bushing of control lever housing from deformation when moving transmission assembly.

13. Remove rear extension from adapter plate, using a soft hammer.



TRANSMISSION ASSEMBLY

< UNIT DISASSEMBLY AND ASSEMBLY >

[6MT: FS6R31A]

CAUTION:

Never drop reverse idler thrust washer.

14. Remove striking rod oil seal from rear extension.

CAUTION:

Never damage rear extension.

15. Remove dust cover from rear extension.

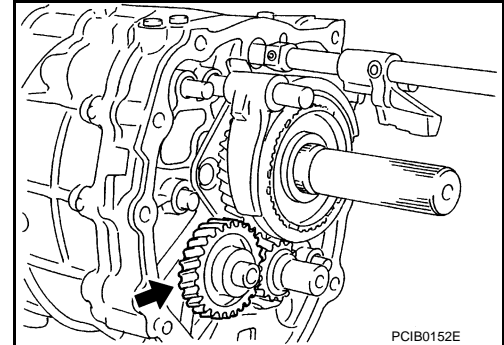
CAUTION:

Never damage rear extension.

16. Remove oil gutter with the following procedure.

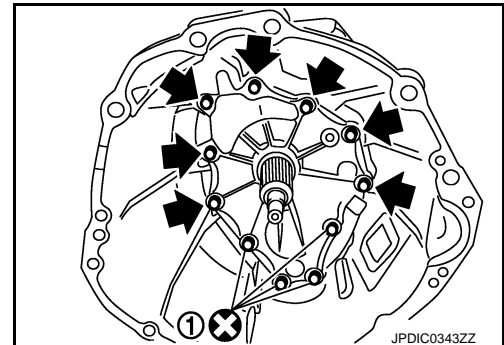
- a. Remove oil gutter from rear extension.
- b. Remove cap from oil gutter.

17. Remove reverse idler shaft assembly (←) from adapter plate.



18. Remove front cover with the following procedure.

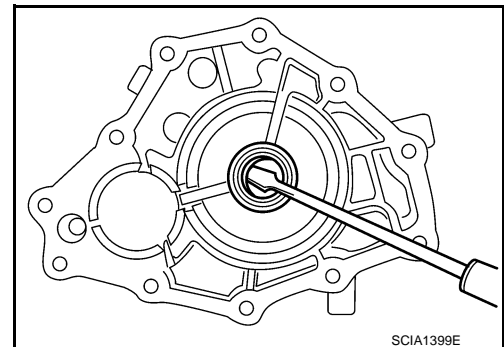
- a. Remove mounting bolts (←) and sealing bolts (1).
- b. Remove front cover and front cover gasket from transmission case.



- c. Remove front oil seal from front cover, using a flat-bladed screwdriver.

CAUTION:

Never damage front cover.



19. Remove transmission case with the following procedure.

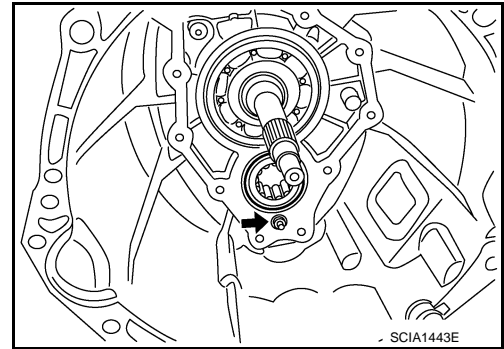
A
B
C
TM
E
F
G
H
I
J
K
L
M
N
O
P

TRANSMISSION ASSEMBLY

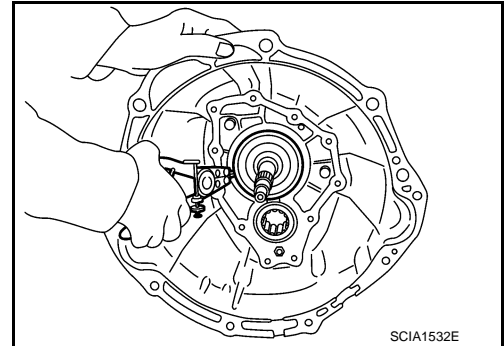
< UNIT DISASSEMBLY AND ASSEMBLY >

[6MT: FS6R31A]

- a. Remove mounting nut (←) from transmission case.



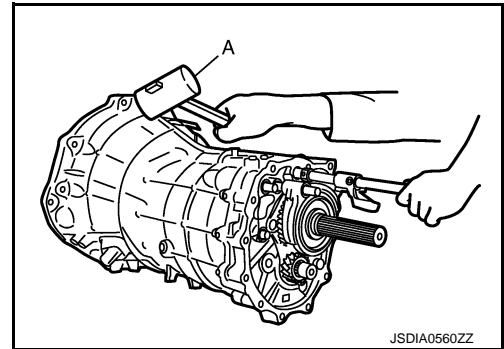
- b. Remove snap ring from main drive gear bearing, using snap ring pliers.



- c. Carefully tap transmission case, using a soft hammer (A) and then separate adapter plate and transmission case.

CAUTION:

Never drop counter front bearing.



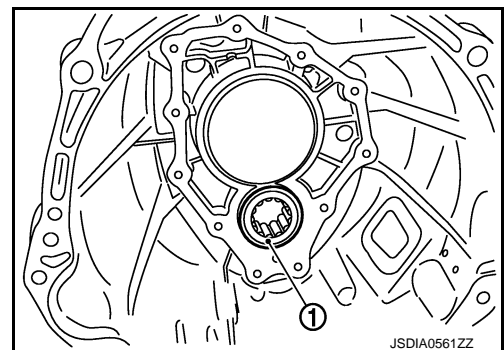
20. Remove counter front bearing (1) from transmission case.

21. Remove breather tube from transmission case.

CAUTION:

Never damage transmission case.

22. Remove bracket from transmission case.



SHIFT FORK AND FORK ROD

TRANSMISSION ASSEMBLY

< UNIT DISASSEMBLY AND ASSEMBLY >

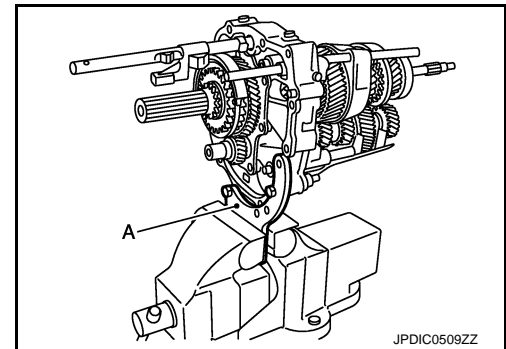
[6MT: FS6R31A]

1. Install adapter setting plate (A) [SST: ST22490000 (-)] to adapter plate and then fixing in adapter setting plate [SST: ST22490000 (-)], using a vise.

CAUTION:

Never directly secure the surface in a vise.

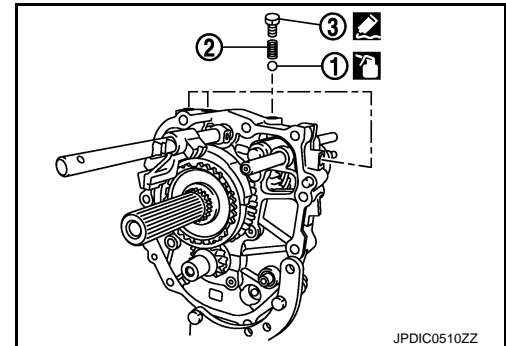
2. Remove baffle plate and oil gutter from adapter plate.
3. Remove magnet from adapter plate.



4. Remove check balls (1), check ball springs (2), and check ball plugs (3) from adapter plate.

CAUTION:

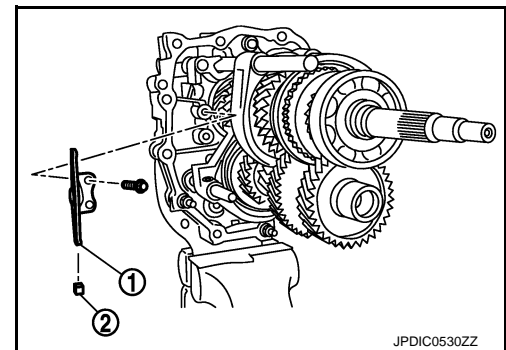
Never drop check ball.



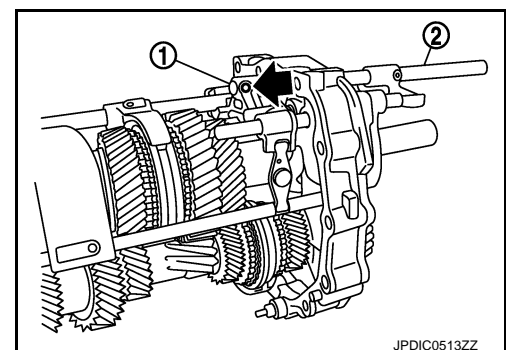
5. Remove 3rd-4th control lever (1) and shifter cap (2) from adapter plate.

CAUTION:

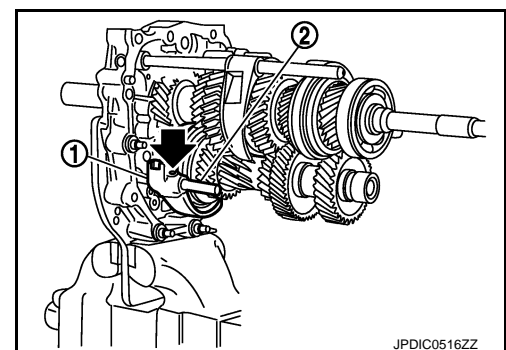
Never lose shifter cap.



6. Remove retaining pin (←), using a pin punch [Commercial service tool] and then remove striking lever (1) and striking rod (2).



7. Remove retaining pin (←), using a pin punch [Commercial service tool] and then remove 3rd-4th shift fork (1) and 3rd-4th fork rod (reversal side) (2).



A

B

C

TM

E

F

G

H

I

J

K

L

M

N

O

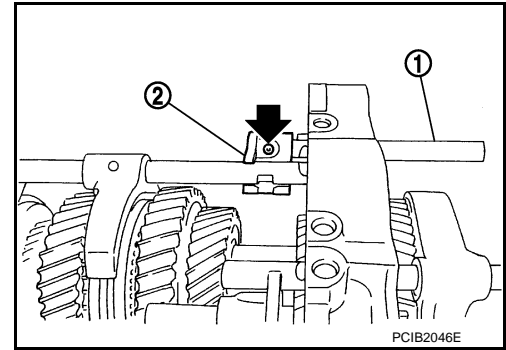
P

TRANSMISSION ASSEMBLY

< UNIT DISASSEMBLY AND ASSEMBLY >

[6MT: FS6R31A]

8. Remove retaining pin (←), using a pin punch [Commercial service tool] and then remove 3rd-4th fork rod (1) and 3rd-4th fork rod bracket (2).



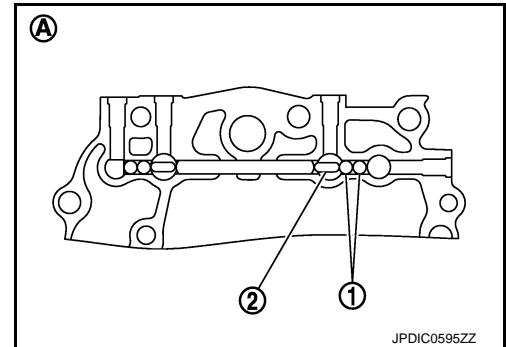
9. Remove check balls (1) from adapter plate.

A : View from transmission rear side

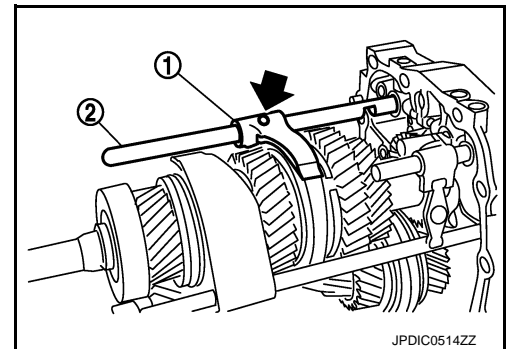
CAUTION:
Never drop check ball.

10. Remove interlock pin (2) from 1st-2nd fork rod.

CAUTION:
Never drop interlock pin.



11. Remove retaining pin (←), using a pin punch [Commercial service tool] and then remove 1st-2nd shift fork (1) and 1st-2nd fork rod (2).

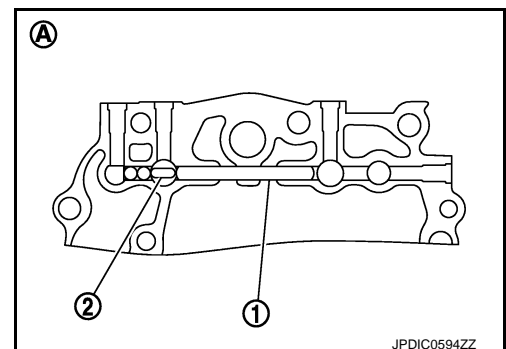


12. Remove interlock plunger (1) from adapter plate.

A : View from transmission rear side

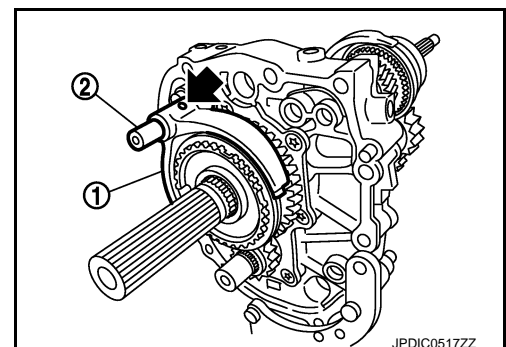
13. Remove interlock pin (2) from reverse fork rod.

CAUTION:
Never drop interlock pin.



14. Remove retaining pin (←), using a pin punch [Commercial service tool] and then remove reverse shift fork (1) and reverse fork rod (2).

CAUTION:
Never drop reverse coupling sleeve.



TRANSMISSION ASSEMBLY

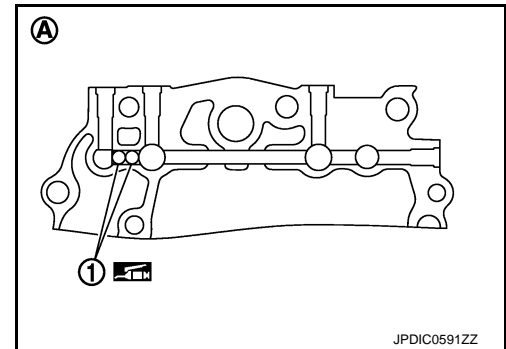
< UNIT DISASSEMBLY AND ASSEMBLY >

[6MT: FS6R31A]

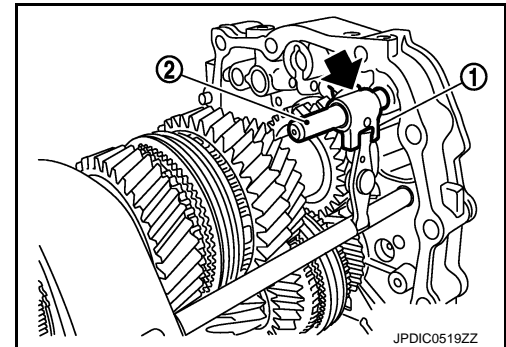
15. Remove check balls (1) from adapter plate.

A : View from transmission rear side

CAUTION:
Never drop check ball.

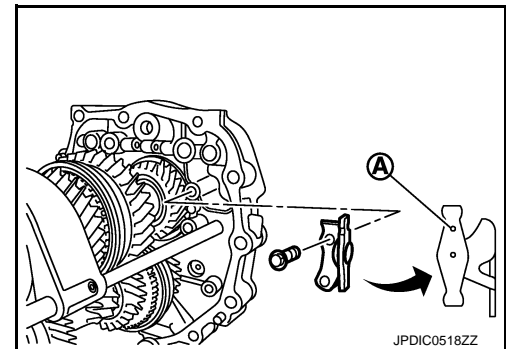


16. Remove retaining pin (←), using a pin punch [Commercial service tool] and then remove 5th-6th fork rod bracket (1) and 5th-6th fork rod (2).

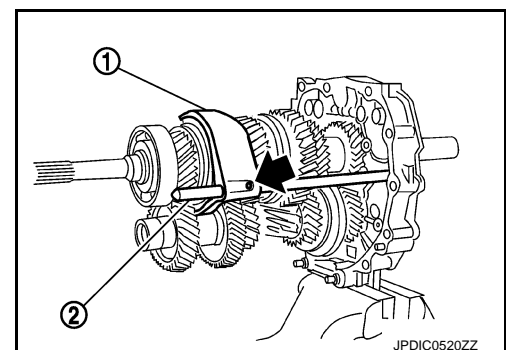


17. Remove 5th-6th control lever from adapter plate.

A : Projection



18. Remove retaining pin (←), using a pin punch [Commercial service tool] and then remove 5th-6th shift fork (1) and 5th-6th fork rod (reversal side) (2).



SHAFT AND GEAR

1. Remove reverse synchronizer hub with the following procedure.
 - a. Remove snap ring from mainshaft.
 - b. Remove snap ring from reverse synchronizer hub.
 - c. Remove reverse spread spring, reverse shifting inserts, and reverse coupling sleeve from reverse synchronizer hub.

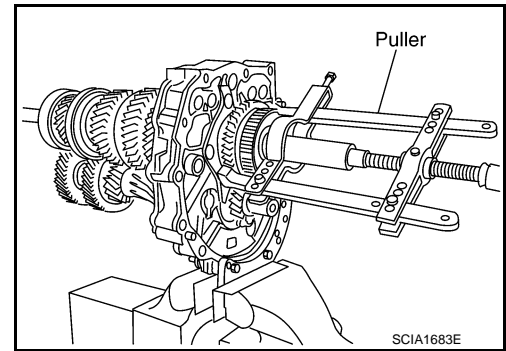
A
B
C
TM
E
F
G
H
I
J
K
L
M
N
O
P

TRANSMISSION ASSEMBLY

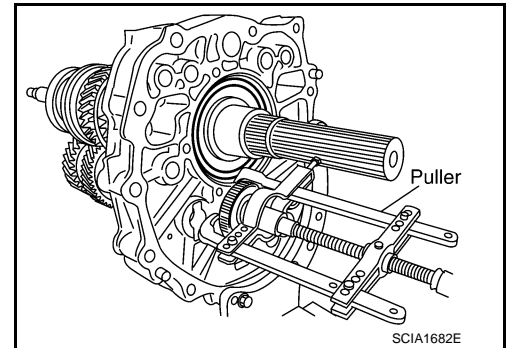
< UNIT DISASSEMBLY AND ASSEMBLY >

[6MT: FS6R31A]

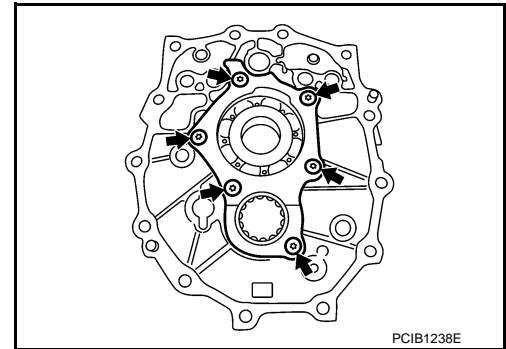
- d. Set a puller [Commercial service tool] to reverse main gear.
- e. Remove reverse synchronizer hub together with reverse main gear, reverse baulk ring, and reverse spread spring from mainshaft, using a puller [Commercial service tool].
2. Remove reverse needle bearing from mainshaft.
3. Remove reverse counter gear with the following procedure.
 - a. Remove snap ring from counter shaft.



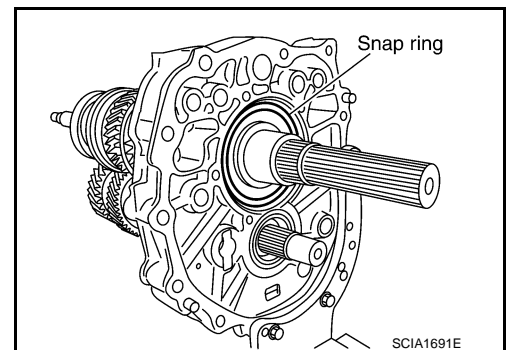
- b. Remove reverse counter gear from counter shaft, using a puller [Commercial service tool].
4. Remove counter rear bearing spacer from counter shaft.



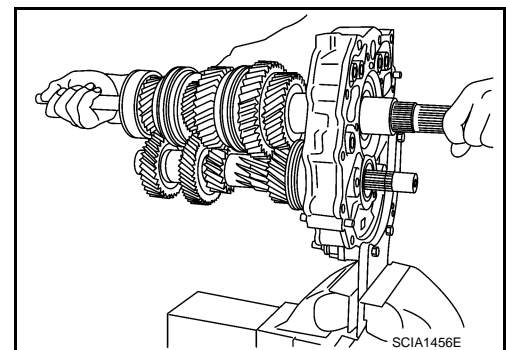
5. Remove mounting bolts (←) and then remove bearing retainer from adapter plate.



6. Remove snap ring from mainshaft bearing.



7. Carefully tap mainshaft with a plastic hammer and then remove mainshaft assembly, main drive gear assembly, and counter shaft assembly combined in one unit from adapter plate.

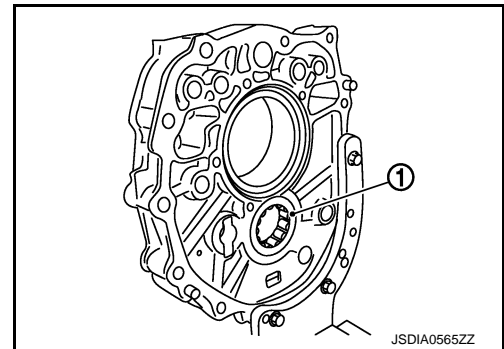


TRANSMISSION ASSEMBLY

< UNIT DISASSEMBLY AND ASSEMBLY >

[6MT: FS6R31A]

8. Remove counter rear bearing (1) from adapter plate.
9. Remove adapter plate from adapter setting plate [SST: ST22490000 (-)].

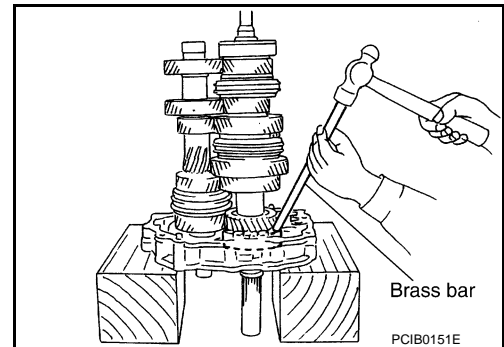


WITHOUT S-MODE : Assembly

INFOID:000000008192929

SHAFT AND GEAR

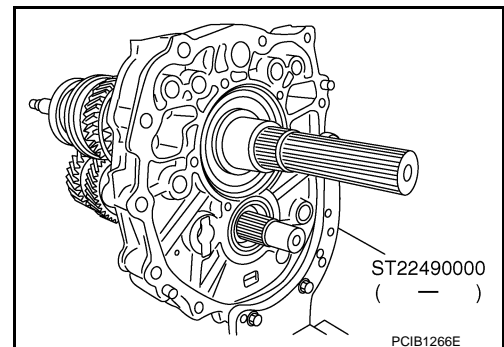
1. Install main drive gear assembly, mainshaft assembly, and counter shaft assembly combined in one unit to adapter plate, using a brass bar.



2. Install the adapter setting plate [SST] to adapter plate and then fixing in adapter setting plate [SST], using a vise.

CAUTION:

Never directly secure the surface in a vise.

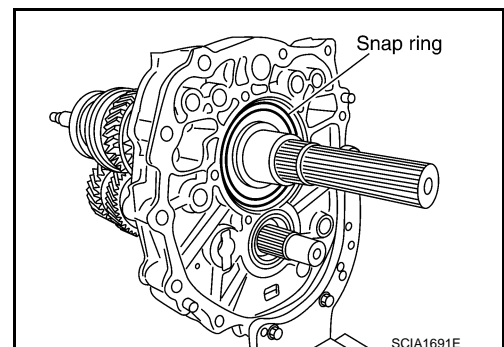


3. Install snap ring to mainshaft bearing.

CAUTION:

Never reuse snap ring.

4. Apply recommended grease to roller of counter rear bearing.



A
B
C
TM
E
F
G
H
I
J
K
L
M
N
O
P

TRANSMISSION ASSEMBLY

< UNIT DISASSEMBLY AND ASSEMBLY >

[6MT: FS6R31A]

5. Install counter rear bearing to adapter plate, using the drift [SST].

CAUTION:

Replace counter rear bearing inner race, counter rear bearing, and counter rear bearing spacer as a set.

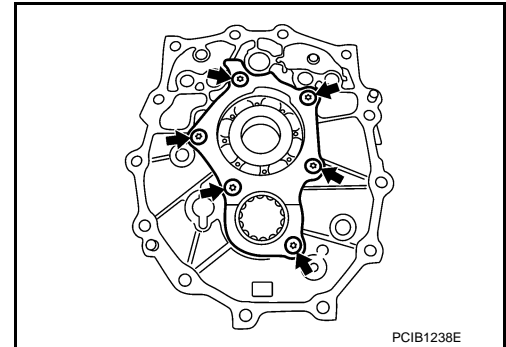
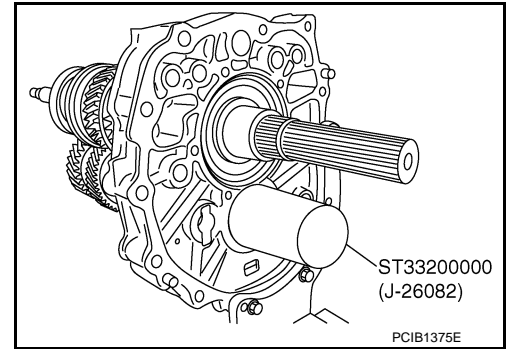
6. Install bearing retainer with the following procedure.
 - a. Apply thread locking sealant to the end of bearing retainer mounting bolts (first 3 to 4 threads).

- Use Genuine Medium Strength Thread Locking Sealant or an equivalent. Refer to [GI-22. "Recommended Chemical Products and Sealants"](#).

CAUTION:

Remove old sealant and oil adhering to threads.

- b. Install bearing retainer to adapter plate and then tighten mounting bolts (↔) to the specified torque.
7. Install reverse synchronizer hub with the following procedure.
 - a. Install reverse coupling sleeve and reverse shifting inserts to reverse synchronizer hub.

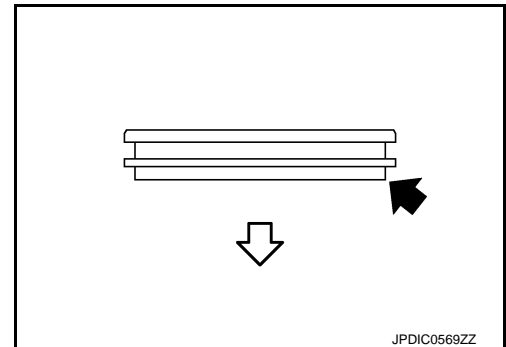


CAUTION:

- Be careful with the orientation of reverse coupling sleeve.

↔ : Reverse main gear side

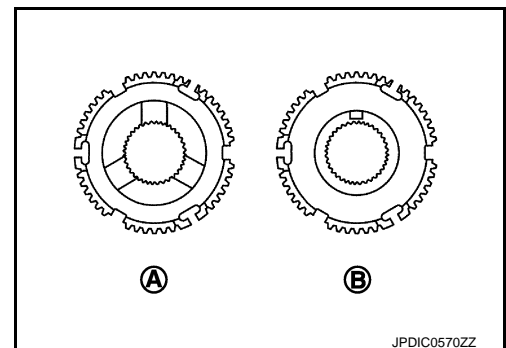
- Never reuse reverse coupling sleeve and reverse synchronizer hub.
- Replace reverse coupling sleeve and reverse synchronizer hub as a set.



- Be careful with the orientation of reverse synchronizer hub.

A : Reverse main gear side

B : Snap ring side

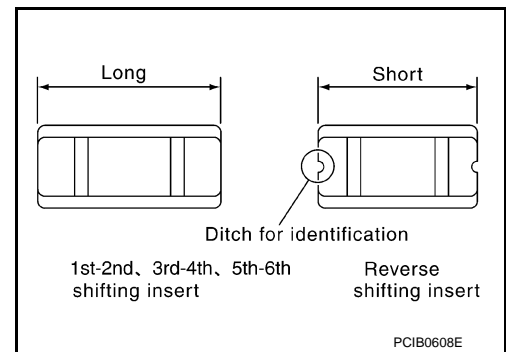


TRANSMISSION ASSEMBLY

< UNIT DISASSEMBLY AND ASSEMBLY >

[6MT: FS6R31A]

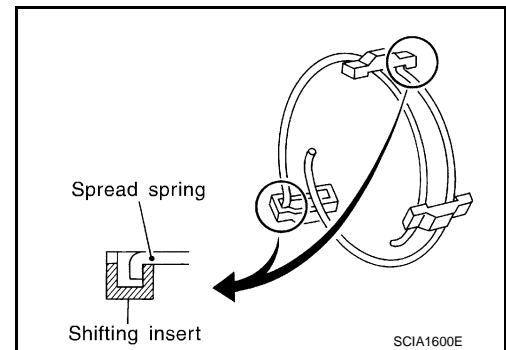
- Be careful with the shape of reverse shifting insert.



- b. Install reverse spread springs to reverse shifting inserts.

CAUTION:

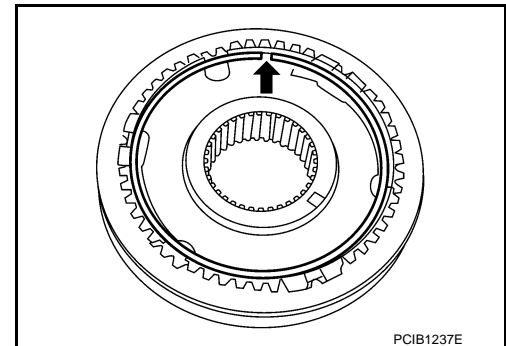
Never install reverse spread spring hook onto the same reverse shifting insert.



- c. Install snap ring to reverse synchronizer hub.

CAUTION:

- Never reuse snap ring.
- Never align snap ring notch (←) with synchronizer hub groove when assembling.



A
B
C
TM
E
F
G
H
I
J
K
L
M
N
O
P

TRANSMISSION ASSEMBLY

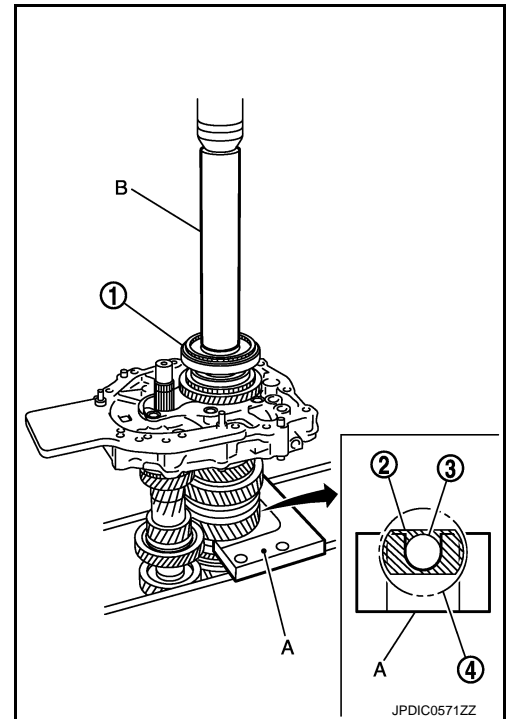
< UNIT DISASSEMBLY AND ASSEMBLY >

[6MT: FS6R31A]

8. Install reverse synchronizer hub assembly (1) with the following procedure.

- 2 : Collar of mainshaft
- 3 : 6th main gear
- 4 : 2nd main gear
- B : Drift [SST: ST01530000 (-)]

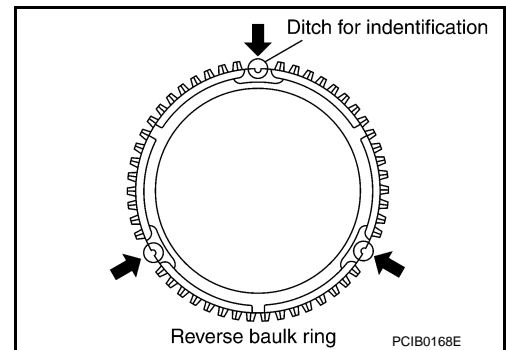
- a. Set the press plate (A) [SST: KV32103300 (J-46529)] to mainshaft as shown in the figure.
- b. Apply gear oil to reverse needle bearing and reverse baulk ring.
- c. Install reverse needle bearing, reverse main gear, and reverse baulk ring to mainshaft.



NOTE:

Reverse baulk ring has three spaces that two gear teeth are missing, and each space has small ditch for identification as shown in the figure.

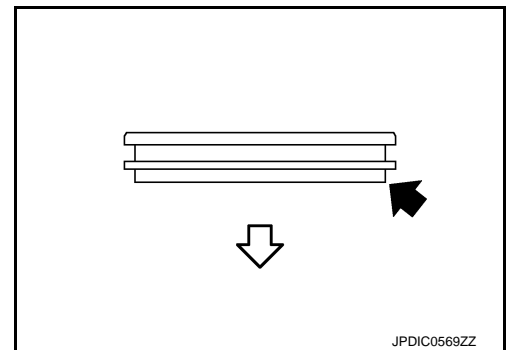
- d. Install reverse synchronizer hub assembly to mainshaft with a pressing machine, using the drift [SST: ST01530000 (-)].



CAUTION:

Be careful with the orientation of reverse coupling sleeve.

- ⇐ : Reverse main gear side



TRANSMISSION ASSEMBLY

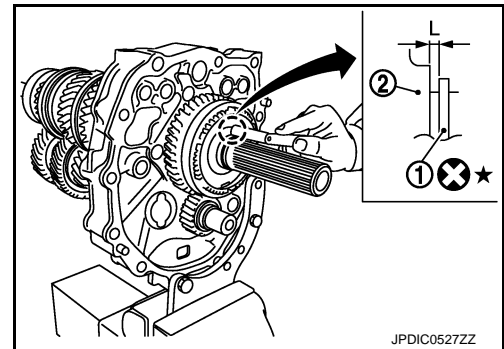
< UNIT DISASSEMBLY AND ASSEMBLY >

[6MT: FS6R31A]

9. Select and install snap ring (1) so that the end play "L" of mainshaft is adjusted to the standard value. For selecting snap ring, refer to the latest parts information.

2 : Reverse synchronizer hub

End play "L" : Refer to [TM-148. "End Play"](#).



10. Install reverse counter gear with the following procedure.

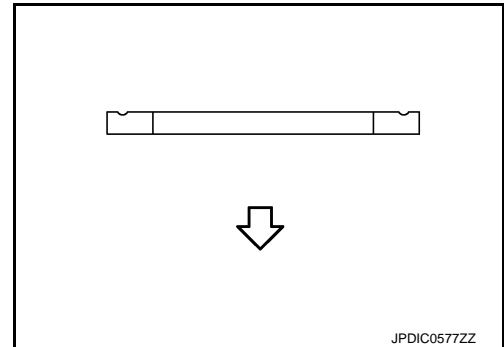
- a. Install counter rear bearing spacer to counter shaft.

CAUTION:

- Be careful with the orientation of counter rear bearing spacer.

⇐ : Counter rear bearing side

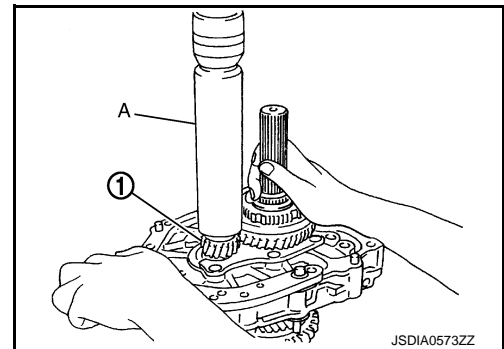
- Replace counter rear bearing inner race, counter rear bearing, and counter rear bearing spacer as a set.



- b. Install reverse counter gear (1) to counter shaft with a pressing machine, using the drift (A) [SST: ST23860000 (-)].

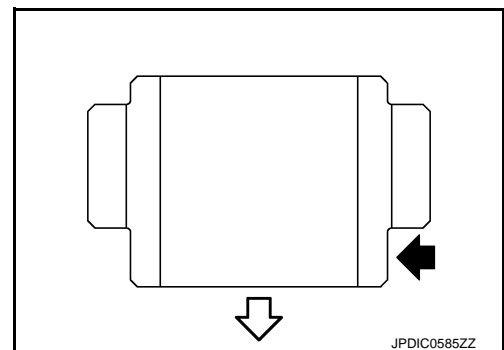
CAUTION:

- Never reuse reverse counter gear.



- Be careful with the orientation of reverse counter gear.

⇐ : Counter rear bearing side



A
B
C
TM
E
F
G
H
I
J
K
L
M
N
O
P

TRANSMISSION ASSEMBLY

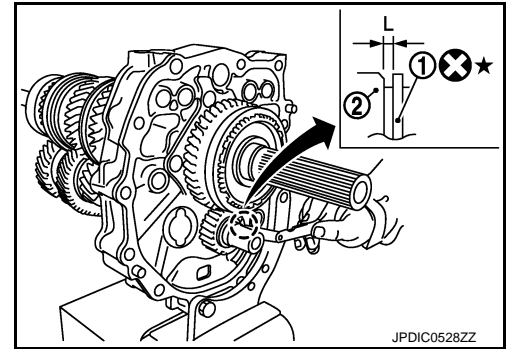
< UNIT DISASSEMBLY AND ASSEMBLY >

[6MT: FS6R31A]

11. Select and install snap ring (1) so that the end play "L" of counter shaft is adjusted to the standard value. For selecting snap ring, refer to the latest parts information.

2 : Reverse counter gear

End play "L" : Refer to [TM-148, "End Play"](#).

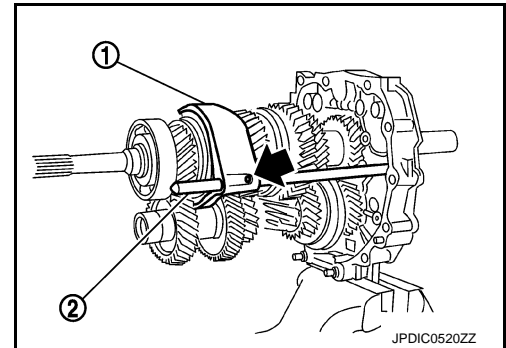


SHIFT FORK AND FORK ROD

1. Install 5th-6th shift fork (1) and 5th-6th fork rod (reversal side) (2) and then install retaining pin (←) to 5th-6th shift fork, using a pin punch [Commercial service tool].

CAUTION:

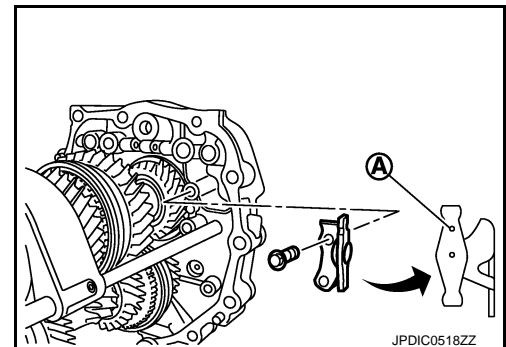
- Never reuse retaining pin.
- Be careful with the orientation of 5th-6th shift fork and 5th-6th fork rod (reversal side).
- Assemble retaining pin from the direction shown by the arrow in the figure until it becomes flush with the end surface of 5th-6th shift fork.



2. Install 5th-6th control lever to adapter plate and then tighten mounting bolts to the specified torque.

CAUTION:

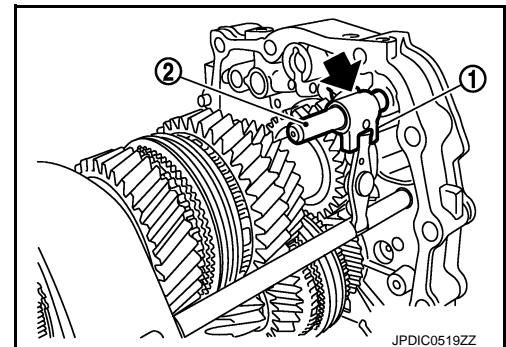
Set the projection (A) upward.



3. Install 5th-6th fork rod bracket (1) and 5th-6th fork rod (2) and then install retaining pin (←) to 5th-6th fork rod bracket, using a pin punch [Commercial service tool].

CAUTION:

- Never reuse retaining pin.
- Be careful with the orientation of 5th-6th fork rod bracket and 5th-6th fork rod.
- Assemble retaining pin from the direction shown by the arrow in the figure until it becomes flush with the end surface of 5th-6th fork rod bracket.



TRANSMISSION ASSEMBLY

< UNIT DISASSEMBLY AND ASSEMBLY >

[6MT: FS6R31A]

4. Apply recommended grease to check balls (1) and then install its to adapter plate.

A : View from transmission rear side

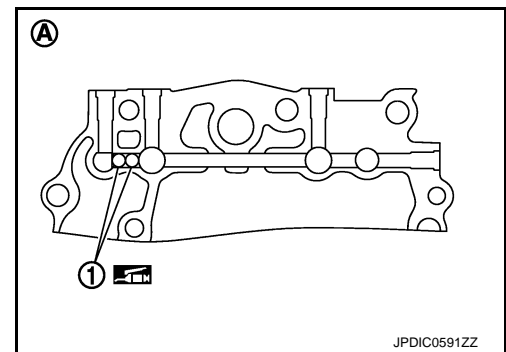
CAUTION:

Never drop check ball.

5. Apply recommended grease to interlock pin and then install it to reverse fork rod.

CAUTION:

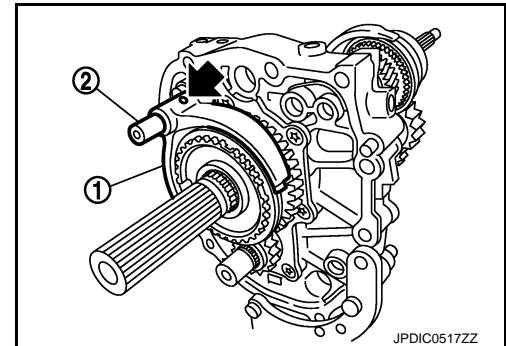
Never drop interlock pin.



6. Install reverse shift fork (1) and reverse fork rod (2) and then install retaining pin (←) to reverse shift fork, using a pin punch [Commercial service tool].

CAUTION:

- Never reuse retaining pin.
- Be careful with the orientation of reverse shift fork and reverse fork rod.
- Assemble retaining pin from the direction shown by the arrow in the figure until it becomes flush with the end surface of reverse shift fork.
- Never drop reverse coupling sleeve.



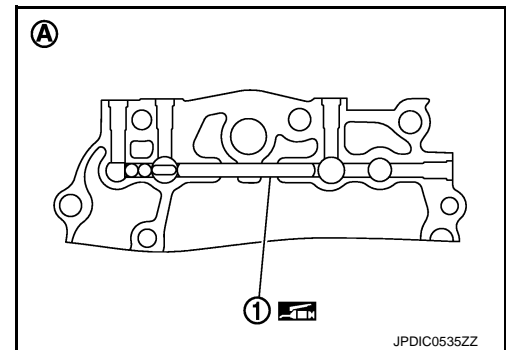
7. Apply recommended grease to interlock plunger (1) and then install it to adapter plate.

A : View from transmission rear side

8. Apply recommended grease to interlock pin and then install it to 1st-2nd fork rod.

CAUTION:

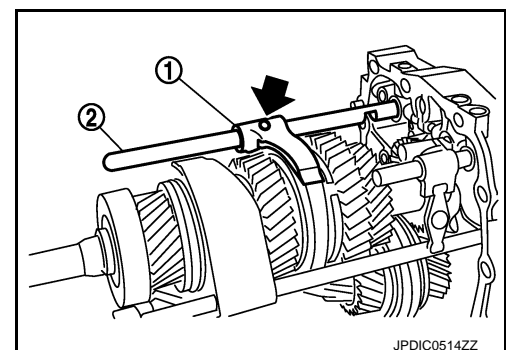
Never drop interlock pin.



9. Install 1st-2nd shift fork (1) and 1st-2nd fork rod (2) and then install retaining pin (←) to 1st-2nd shift fork, using a pin punch [Commercial service tool].

CAUTION:

- Never reuse retaining pin.
- Be careful with the orientation of 1st-2nd shift fork and 1st-2nd fork rod.
- Assemble retaining pin from the direction shown by the arrow in the figure until it becomes flush with the end surface of 1st-2nd shift fork.

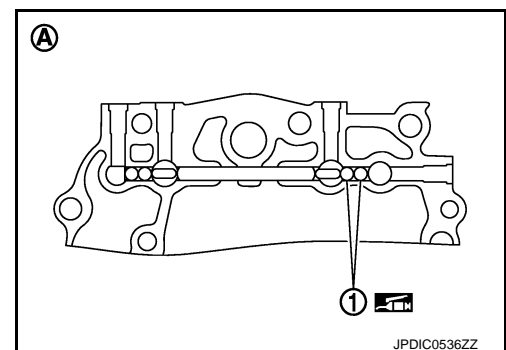


10. Apply recommended grease to check balls (1) and then install its to adapter plate.

A : View from transmission rear side

CAUTION:

Never drop check ball.



A
B
C
TM
E
F
G
H
I
J
K
L
M
N
O
P

TRANSMISSION ASSEMBLY

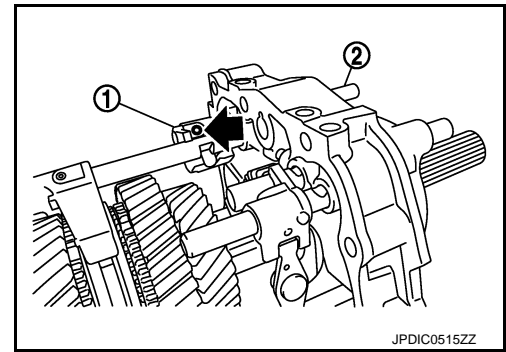
< UNIT DISASSEMBLY AND ASSEMBLY >

[6MT: FS6R31A]

11. Install 3rd-4th fork rod bracket (1) and 3rd-4th fork rod (2) and then install retaining pin (←) to 3rd-4th fork rod bracket, using a pin punch [Commercial service tool].

CAUTION:

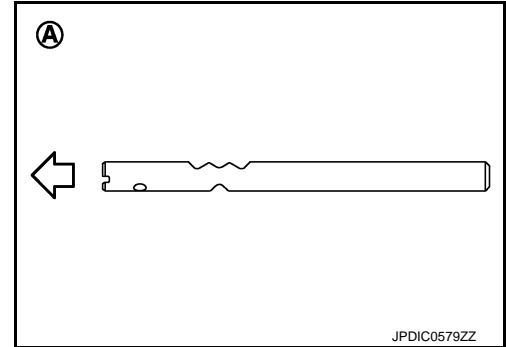
- Never reuse retaining pin.
- Be careful with the orientation of 3rd-4th fork rod bracket.
- Assemble retaining pin from the direction shown by the arrow in the figure until it becomes flush with the end surface of 3rd-4th fork rod bracket.



- Be careful with the orientation of 3rd-4th fork rod.

← : Transmission front

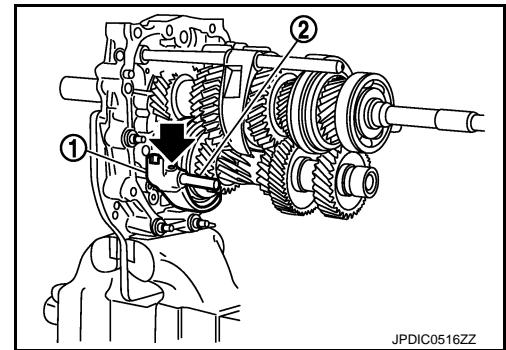
A : View from transmission top side



12. Install 3rd-4th shift fork (1) and 3rd-4th fork rod (reversal side) (2) and then install retaining pin (←) to 3rd-4th shift fork, using a pin punch [Commercial service tool].

CAUTION:

- Never reuse retaining pin.
- Be careful with the orientation of 3rd-4th shift fork.
- Assemble retaining pin from the direction shown by the arrow in the figure until it becomes flush with the end surface of 3rd-4th shift fork.

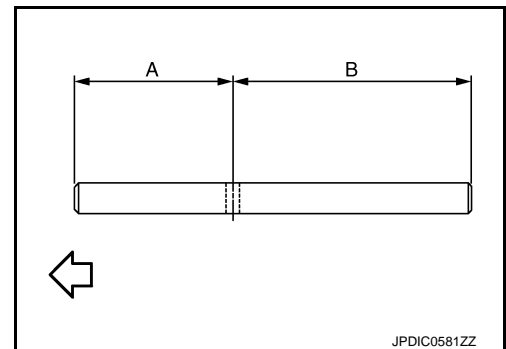


- Be careful with the orientation of 3rd-4th fork rod (reversal side).

← : Transmission front

A : Short

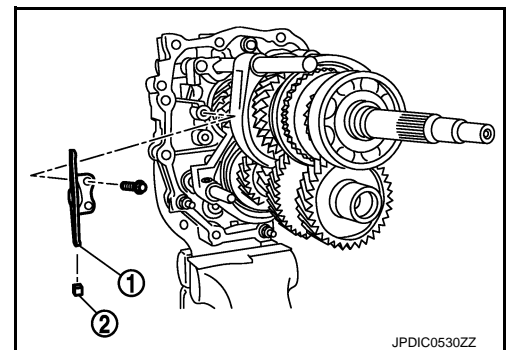
B : Long



13. Install 3rd-4th control lever (1) and shifter cap (2) to adapter plate and then tighten mounting bolts to the specified torque.

CAUTION:

- Be careful with the orientation of 3rd-4th control lever.
- Never lose shifter cap.



TRANSMISSION ASSEMBLY

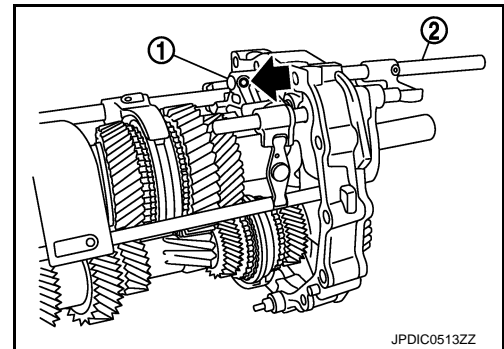
< UNIT DISASSEMBLY AND ASSEMBLY >

[6MT: FS6R31A]

14. Install striking lever (1) and striking rod (2) and then install retaining pin (←) to striking lever, using a pin punch [Commercial service tool].

CAUTION:

- Never reuse retaining pin.
- Be careful with the orientation of striking lever and striking rod.
- Assemble retaining pin from the direction shown by the arrow in the figure until it becomes flush with the end surface of striking lever.



15. Apply gear oil to check balls (1) and then install check balls and check ball springs (2) to adapter plate.

CAUTION:

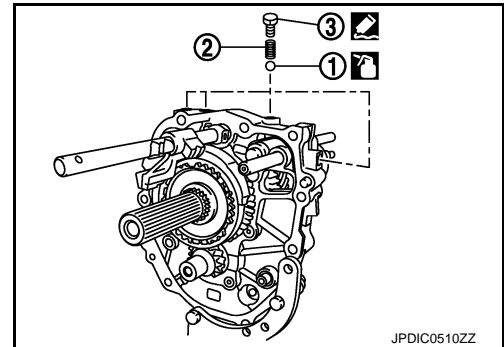
Never drop check ball.

16. Apply recommended sealant to threads of check ball plugs (3) and then tighten its to the specified torque.

- Use Genuine Silicone RTV or an equivalent. Refer to [GI-22, "Recommended Chemical Products and Sealants"](#).

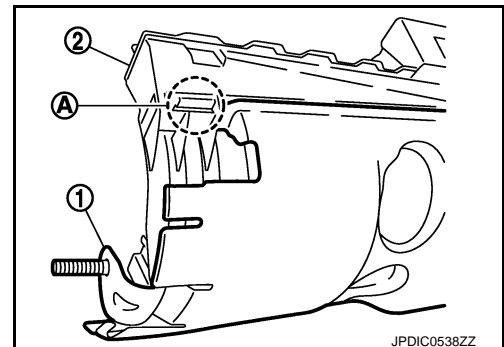
CAUTION:

Remove old sealant and oil adhering to threads.

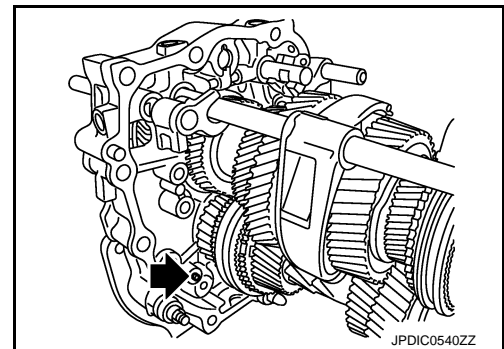


17. Install baffle plate with the following procedure.

- a. Insert baffle plate (1) until its projection contacts groove (A) of oil gutter (2).



- b. Align baffle plate hole to adapter plate dowel pin (←).



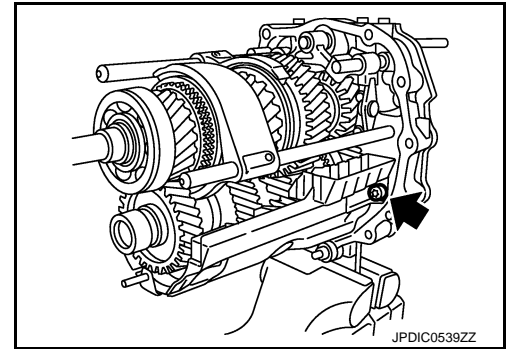
A
B
C
TM
E
F
G
H
I
J
K
L
M
N
O
P

TRANSMISSION ASSEMBLY

< UNIT DISASSEMBLY AND ASSEMBLY >

[6MT: FS6R31A]

- c. Install mounting bolt (←) to adapter plate and then tighten mounting bolt to the specified torque.
18. Remove adapter plate assembly from vise.
CAUTION:
Never damage baffle plate.
19. Remove adapter setting plate [SST: ST22490000 (-)] from adapter plate.

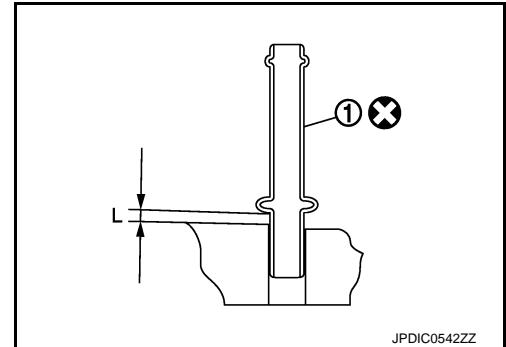


CASE AND EXTENSION

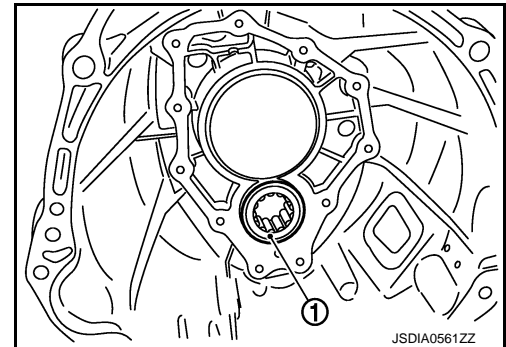
1. Install breather tube (1) to transmission case.

Dimension "L" : 2 mm (0.08 in) or less

CAUTION:
Never bend breather tube.



2. Install transmission case with the following procedure.
 - a. Install counter front bearing (1) to transmission case.
 - b. Apply recommended grease to roller of counter front bearing.



TRANSMISSION ASSEMBLY

< UNIT DISASSEMBLY AND ASSEMBLY >

[6MT: FS6R31A]

- c. Apply recommended sealant to mating surface of transmission case as shown in the figure.

A : Start and finish point shall be in the center of two bolts.

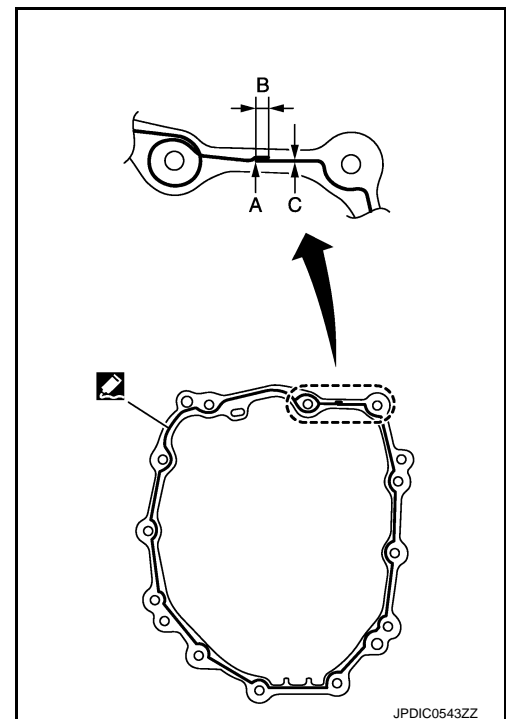
Dimension "B" : 3 – 5 mm (0.12 – 0.20 in)
Sealant width "C" : 1 – 2 mm (0.04 – 0.08 in)
Sealant height "C" : 0.4 – 1 mm (0.016 – 0.04 in)

- Use Genuine Silicone RTV or an equivalent. Refer to [Gl-22, "Recommended Chemical Products and Sealants"](#).

CAUTION:

- Remove old sealant adhering to the mounting surfaces. Also remove any moisture, oil, or foreign material adhering to both mounting surfaces.
- Apply sealant so as not to break the bead.

- d. Install magnet to adapter plate.



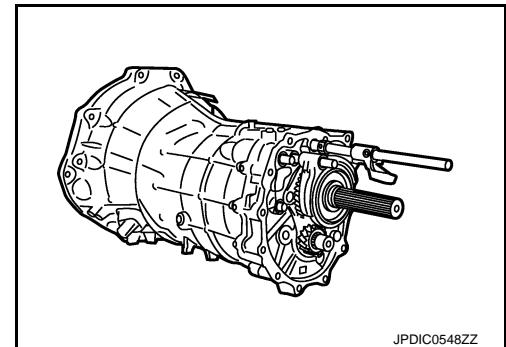
- e. Install transmission case to adapter plate.

CAUTION:

- Check for baffle plate weld bolt location while installing.
- Check that magnet is within the specified area of adapter plate while installing.
- Never drop counter front bearing.

NOTE:

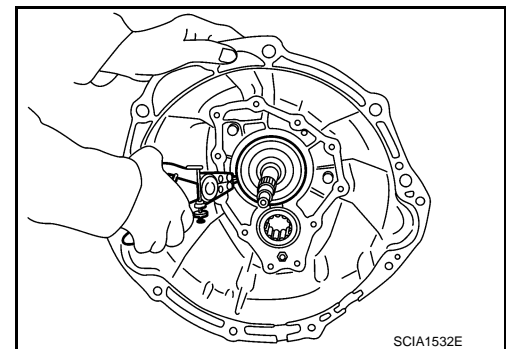
Apply grease to magnet if it is difficult to keep magnet within the specified area of adapter plate.



- f. Install snap ring to main drive gear bearing, using snap ring pliers.

CAUTION:

Never reuse snap ring.



3. Install baffle plate with the following procedure.

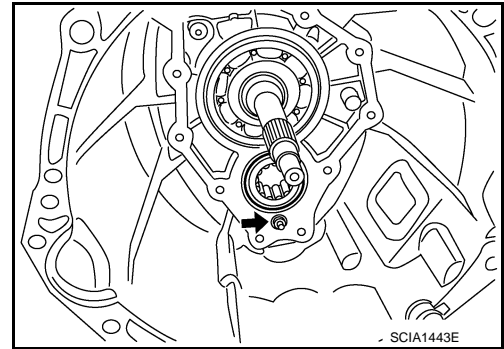
A
B
C
TM
E
F
G
H
I
J
K
L
M
N
O
P

TRANSMISSION ASSEMBLY

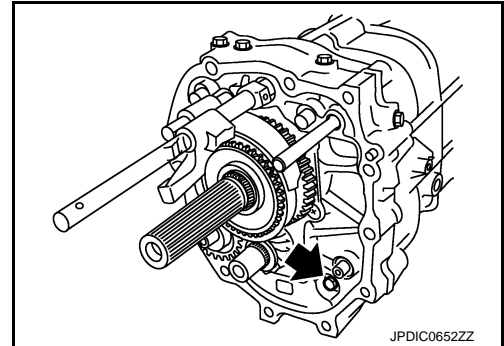
< UNIT DISASSEMBLY AND ASSEMBLY >

[6MT: FS6R31A]

- a. Tighten mounting nut (←) to the specified torque.



- b. Install mounting bolt (←) to adapter plate and then tighten mounting bolt to the specified torque.



4. Install front cover with the following procedure.

- a. Install front oil seal (1) to front cover, using the drift (A) [SST: KV38102100 (J-25803-01)].

Dimension "H" : 8.55 – 9.55 mm (0.3366 – 0.3760 in)

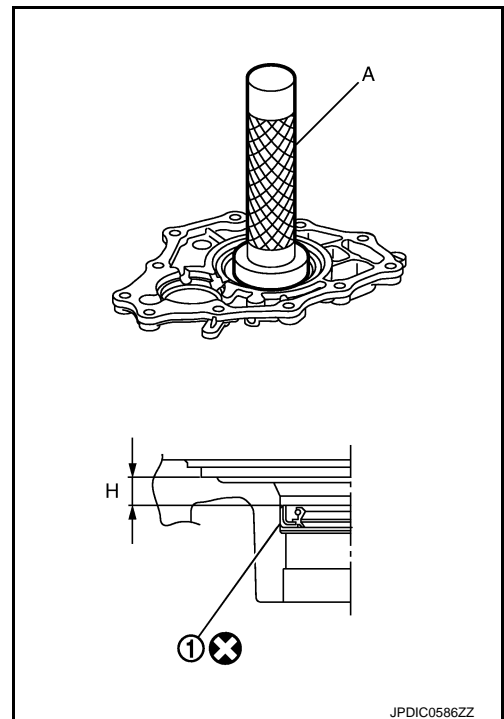
CAUTION:

Never incline front oil seal.

- b. Install front cover gasket and front cover to transmission case.

CAUTION:

- Never reuse front cover gasket.
- Never damage front oil seal.
- Remove any moisture, oil, or foreign material adhering to both mating surfaces.

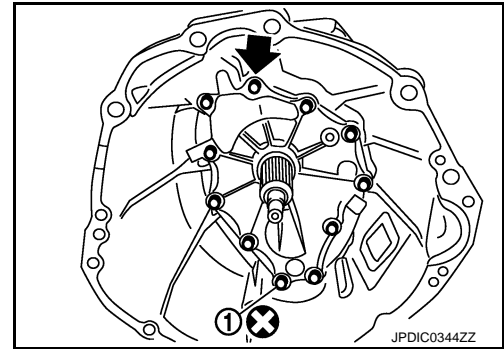


TRANSMISSION ASSEMBLY

< UNIT DISASSEMBLY AND ASSEMBLY >

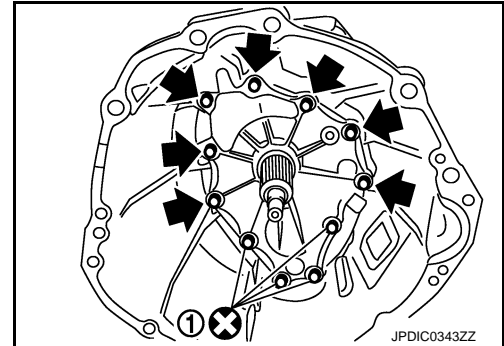
[6MT: FS6R31A]

c. Temporarily tighten mounting bolt (←) and sealing bolt (1).



A
B
C

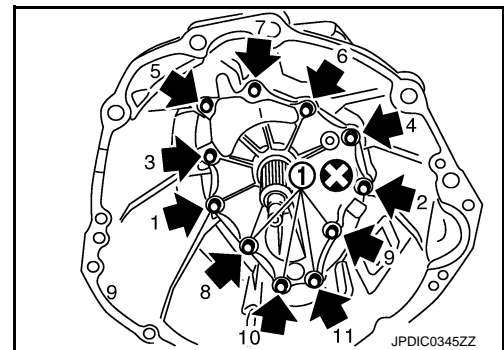
d. Temporarily tighten mounting bolts (←) and sealing bolts (1).



TM

E
F
G

e. Tighten mounting bolts (←) and sealing bolts (1) to the specified torque in the numerical order as shown in the figure.



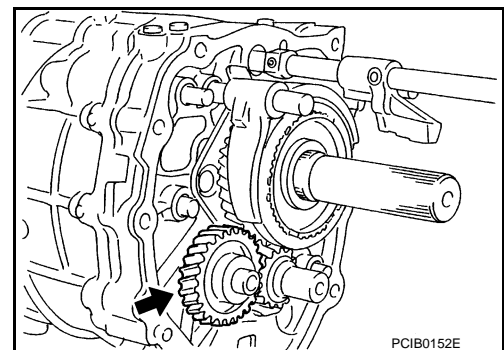
H
I
J
K

5. Install reverse idler shaft assembly (←) to adapter plate.

6. Install rear extension with the following procedure.

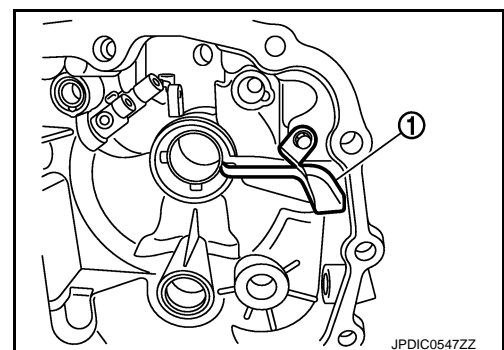
a. Install oil gutter with the following procedure.

i. Seat the prong of oil gutter in the groove on cap.



L
M
N

ii. Install oil gutter (1) to rear extension and then tighten mounting bolt to the specified torque.



O
P

TRANSMISSION ASSEMBLY

< UNIT DISASSEMBLY AND ASSEMBLY >

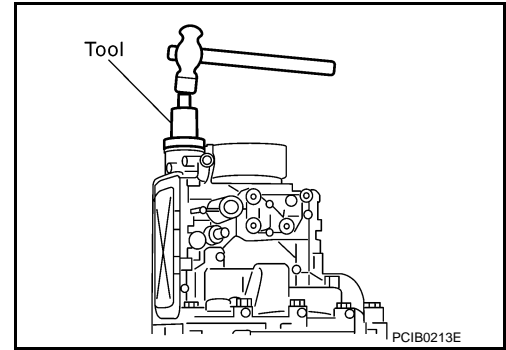
[6MT: FS6R31A]

- b. Install striking rod oil seal to rear extension, using the drift [SST: ST33061000 (J-8107-2)].

CAUTION:

- Never reuse striking rod oil seal.
- Never incline striking rod oil seal.

- c. Install dust cover to rear extension.

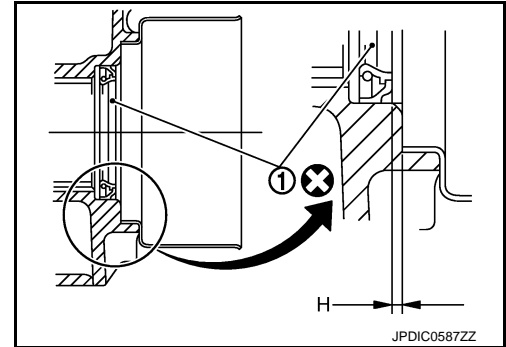


- d. Install rear oil seal (1) to rear extension, using the drift [SST: ST33400001 (J-26082)].

Dimension "H" : 1.2 – 2.2 mm (0.047 – 0.087 in)

CAUTION:

Never incline rear oil seal.



- e. Apply recommended sealant to mating surface of rear extension as shown in the figure.

A : Start and finish point shall be in the center of two bolts.

Dimension "B" : 3 – 5 mm (0.12 – 0.20 in)

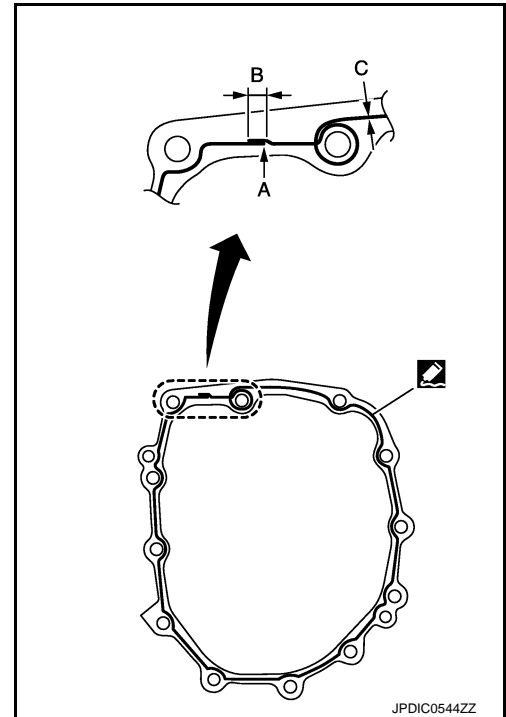
Sealant width "C" : 1 – 2 mm (0.04 – 0.08 in)

Sealant height "C" : 0.4 – 1 mm (0.016 – 0.04 in)

- Use Genuine Silicone RTV or an equivalent. Refer to [GI-22, "Recommended Chemical Products and Sealants"](#).

CAUTION:

- Remove old sealant adhering to the mounting surfaces. Also remove any moisture, oil, or foreign material adhering to both mounting surfaces.
- Apply sealant so as not to break the bead.



- f. Install rear extension to adapter plate and then tighten mounting bolts (↔) to the specified torque in the numerical order as shown in the figure.

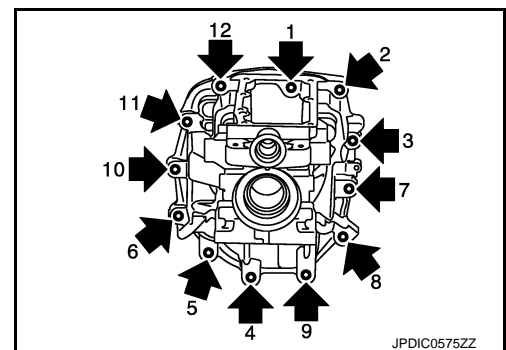
CAUTION:

Never damage rear oil seal and striking rod oil seal.

7. Install control lever housing to rear extension and then tighten mounting bolts to the specified torque.

CAUTION:

Never hold control lever housing to prevent the bushing of control lever housing from deformation when moving transmission assembly.



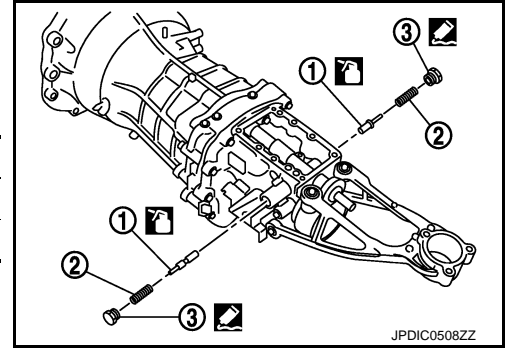
TRANSMISSION ASSEMBLY

< UNIT DISASSEMBLY AND ASSEMBLY >

[6MT: FS6R31A]

8. Install return spring plug with the following procedure.
 - a. Apply gear oil to return spring plungers (1).
 - b. Install return spring plungers and return springs (2) to rear extension.

Region	Return spring identification mark	Plunger groove
RH	Brown	Without
LH	Blue	With



CAUTION:

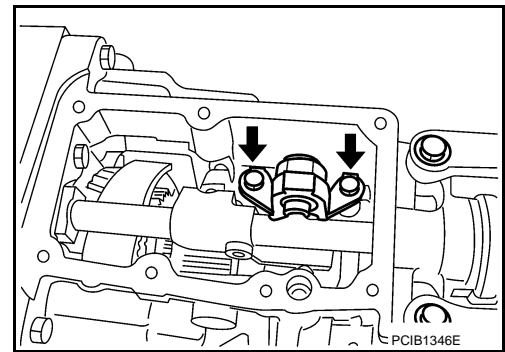
The right and left return springs and return spring plungers are different, so make sure they are installed correctly.

- c. Apply recommended sealant to threads of return spring plugs (3) and then tighten its to the specified torque.
 - Use Genuine Silicone RTV or an equivalent. Refer to [GI-22. "Recommended Chemical Products and Sealants"](#).

CAUTION:

Remove old sealant and oil adhering to threads.

9. Install control bracket to rear extension and then tighten mounting bolts (↔) to the specified torque.



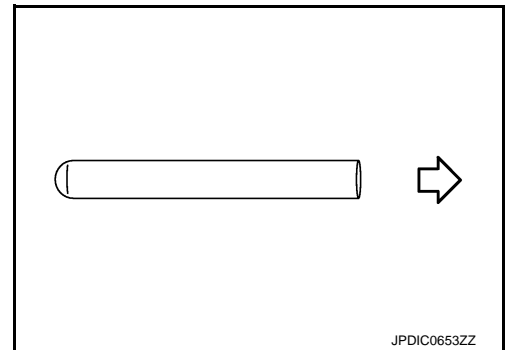
10. Install park/neutral position (PNP) switch with the following procedure.

- a. Install plunger to rear extension.

CAUTION:

Be careful with orientation of plunger.

↔ : Park/Neutral position (PNP) switch side



- b. Temporarily tighten back-up lamp switch onto rear extension by rotating once or twice.

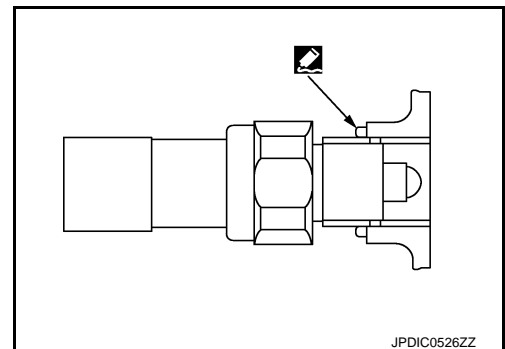
CAUTION:

Remove old sealant and oil adhering to threads.

- c. Apply recommended sealant to threads of park/neutral position (PNP) switch as shown in the figure.

- Use Genuine Silicone RTV or an equivalent. Refer to [GI-22. "Recommended Chemical Products and Sealants"](#).

- d. Tighten park/neutral position (PNP) switch to the specified torque.



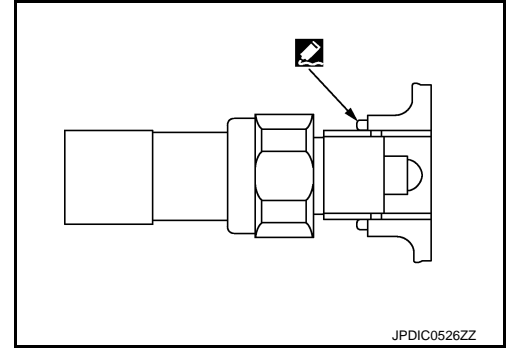
TRANSMISSION ASSEMBLY

< UNIT DISASSEMBLY AND ASSEMBLY >

[6MT: FS6R31A]

11. Install back-up lamp switch with the following procedure.
 - a. Temporarily tighten back-up lamp switch onto rear extension by rotating once or twice.

CAUTION:
Remove old sealant and oil adhering to threads.
 - b. Apply recommended sealant to threads of back-up lamp switch as shown in the figure.
 - Use Genuine Silicone RTV or an equivalent. Refer to [GI-22, "Recommended Chemical Products and Sealants"](#).
 - c. Tighten back-up lamp switch to the specified torque.



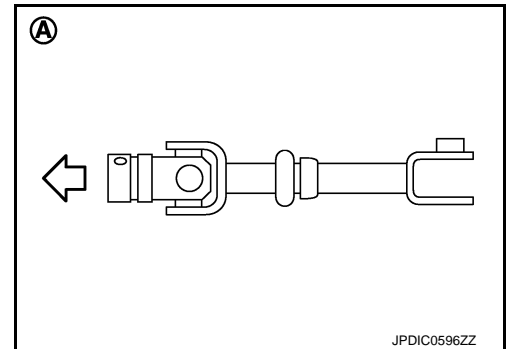
12. Install control rod with the following procedure.
 - a. Install boot to striking rod oil seal and then install control rod to striking rod.

CAUTION:

- Be careful with the orientation of control rod.

↔ : Transmission front

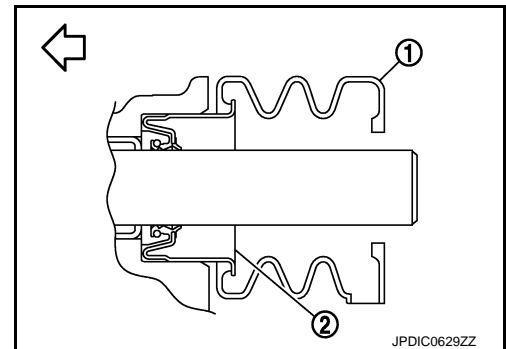
A : View from transmission top side



- Be careful with the orientation of boot (1).

↔ : Transmission front

2 : Striking rod oil seal

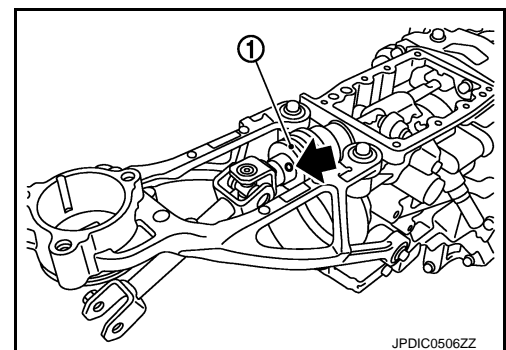


- b. Install retaining pin (↔) to control rod, using a pin punch [Commercial service tool].

1 : Boot

CAUTION:

- Never reuse retaining pin.
- Assemble retaining pin from the direction shown by the arrow in the figure until it becomes flush with the end surface of control rod.



- c. Install boot to control rod.

CAUTION:

TRANSMISSION ASSEMBLY

< UNIT DISASSEMBLY AND ASSEMBLY >

[6MT: FS6R31A]

- Be careful with the orientation of boot.

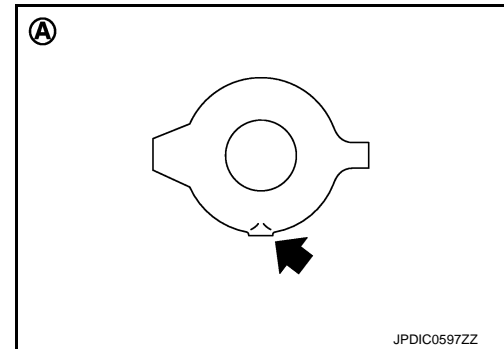
A : View from transmission rear side

- Fit control rod boot to the groove on control rod.

- Install control rod boot to control rod.

CAUTION:

Fit control rod boot to the groove on control rod.



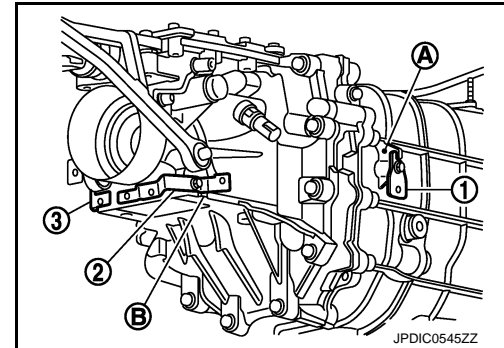
- Install brackets with the following procedure.

- Install bracket (1) so that it contacts transmission case rib (A) and then tighten mounting bolt to the specified torque.

CAUTION:

Be careful with orientation of bracket.

- Install bracket (2) so that it contacts the projection (B) of rear extension and then tighten mounting bolt to the specified torque.
- Install bracket (3) to rear extension and then tighten mounting bolt to the specified torque.
- Install bracket to rear extension and then tighten mounting bolt to the specified torque.



- Install rear extension upper cover with the following procedure.

- Apply gear oil to check ball.

CAUTION:

Never drop check ball.

- Install check ball and check select spring to rear extension.
- Install rear extension upper cover gasket and rear extension upper cover to rear extension.

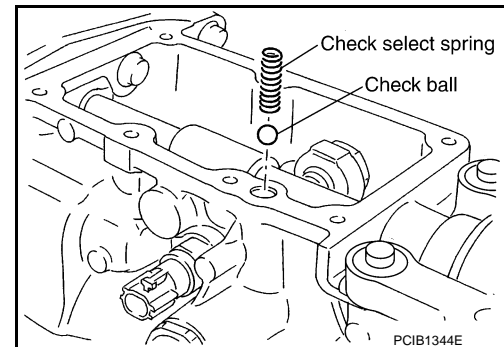
CAUTION:

- Never reuse rear extension upper cover gasket.
- Remove any moisture, oil, or foreign material adhering to both mating surfaces.

- Temporarily tighten rear extension upper cover mounting bolts while holding rear extension upper cover.

CAUTION:

Avoid tangling check select spring.



- Tighten mounting bolts (↔) to the specified torque in the numerical order as shown in the figure.

- Install drain plug with the following procedure.

- Install gasket to drain plug and then install it to transmission case.

CAUTION:

Never reuse gasket.

- Tighten drain plug to the specified torque.

- Install filler plug with the following procedure.

- Install gasket to filler plug and then install it to transmission case.

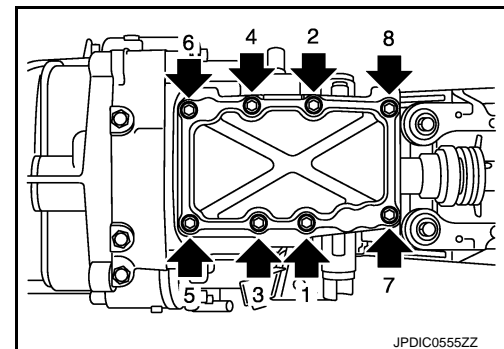
CAUTION:

Never reuse gasket.

- Tighten filler plug to the specified torque.

CAUTION:

After gear oil is filled, tighten filler plug to the specified torque.



TRANSMISSION ASSEMBLY

< UNIT DISASSEMBLY AND ASSEMBLY >

[6MT: FS6R31A]

INFOID:00000008192930

WITHOUT S-MODE : Inspection

INSPECTION BEFORE DISASSEMBLY

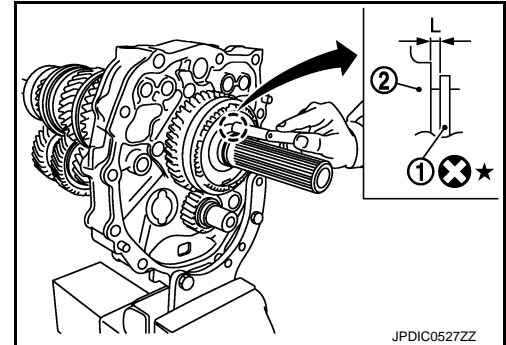
Shaft

Before disassembly, measure the end play "L" for each position. If the end play is outside the standard value, disassemble and inspect.

• Mainshaft

- 1 : Snap ring
- 2 : Reverse synchronizer hub

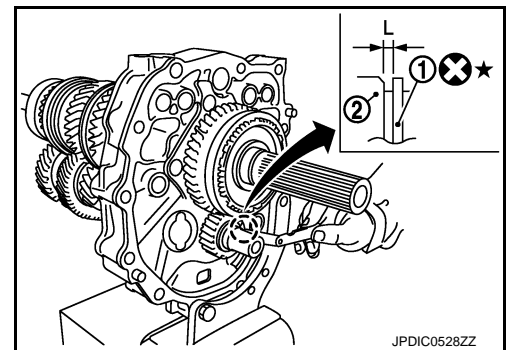
End play "L" : Refer to [TM-148. "End Play"](#).



• Counter shaft

- 1 : Snap ring
- 2 : Reverse counter gear

End play "L" : Refer to [TM-148. "End Play"](#).



INSPECTION AFTER DISASSEMBLY

Case and Plate

- Check the bearing mounting surface for wear, cracks, and damages. Replace if necessary.
- Check the mating surface for wear, cracks, and damages. Replace if necessary.

Extension and Cover

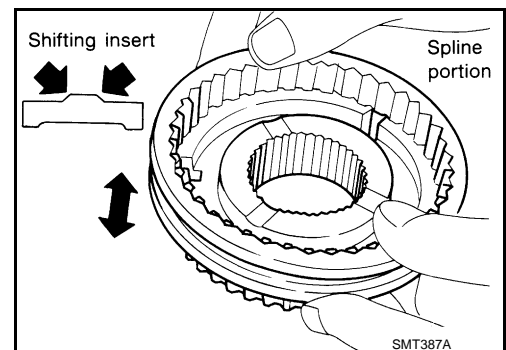
- Check the oil seal mounting surface for wear, cracks, and damages. Replace if necessary.
- Check the mating surface for wear, cracks, and damages. Replace if necessary.

Gear

Check the gears for any damage, scaling, or uneven wear. Replace if necessary.

Synchronizer Hub and Coupling Sleeve

- Check the contact surface of the coupling sleeve, synchronizer hub, and shifting inserts for damage and uneven wear. Replace if necessary.
- The coupling sleeve and synchronizer hub moves smoothly.



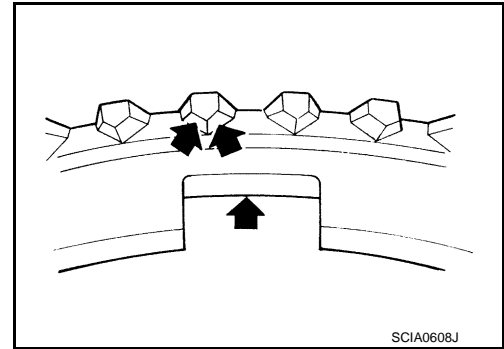
Baulk Ring and Spread Spring

TRANSMISSION ASSEMBLY

< UNIT DISASSEMBLY AND ASSEMBLY >

[6MT: FS6R31A]

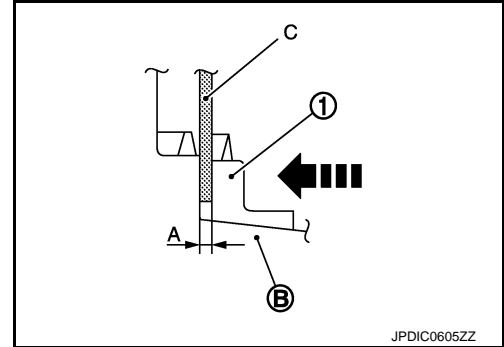
- Check the cam surface and contact surface of the baulk ring for damage and uneven wear. Replace if necessary.
- Check the spread springs for damage. Replace if necessary.



Baulk Ring Clearance for Single Cone Synchronizer (Reverse)

Measure the clearance "A" when pressing the baulk ring (1) against the cone (B) of clutch gear by hands at 2 points or more on the opposite side, using a feeler gauge (C), and then calculate the mean value. Replace if outside the limit value.

Clearance "A" : Refer to [TM-148, "Baulk Ring Clearance"](#).



Bearing

Check the bearing for damage and unsmooth rotation. Replace if necessary.

WITH S-MODE

WITH S-MODE : Exploded View

INFOID:000000008192931

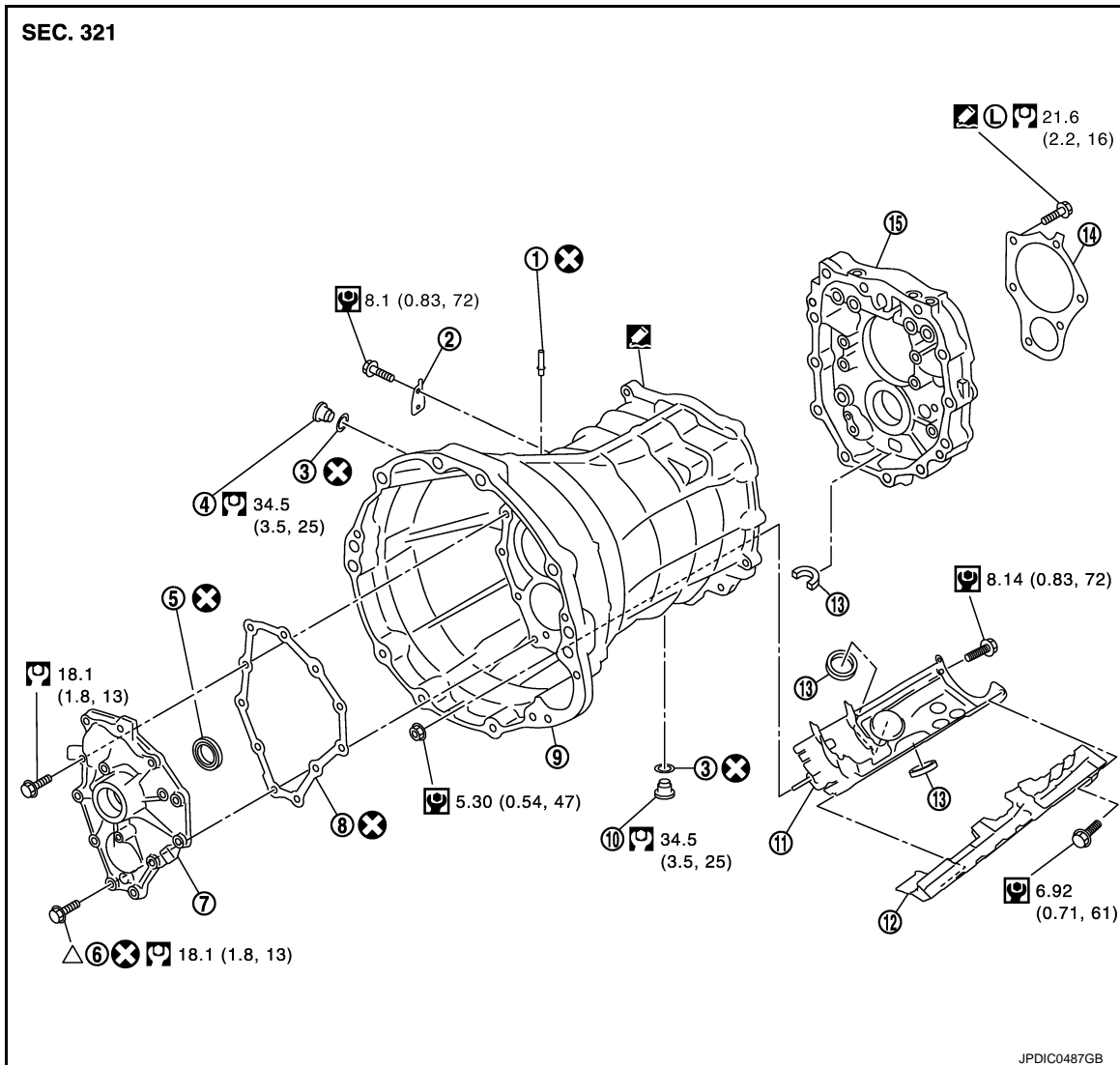
CASE AND EXTENSION

A
B
C
TM
E
F
G
H
I
J
K
L
M
N
O
P

TRANSMISSION ASSEMBLY

< UNIT DISASSEMBLY AND ASSEMBLY >

[6MT: FS6R31A]



- | | | |
|------------------|-----------------------|----------------------|
| 1. Breather tube | 2. Bracket | 3. Gasket |
| 4. Filler plug | 5. Front oil seal | 6. Sealing bolt |
| 7. Front cover | 8. Front cover gasket | 9. Transmission case |
| 10. Drain plug | 11. Baffle plate | 12. Oil gutter |
| 13. Magnet | 14. Bearing retainer | 15. Adapter plate |

: Apply Genuine Silicone RTV or an equivalent. Refer to [GI-22. "Recommended Chemical Products and Sealants"](#).

: Apply Genuine Medium Strength Thread Locking Sealant or an equivalent. Refer to [GI-22. "Recommended Chemical Products and Sealants"](#).

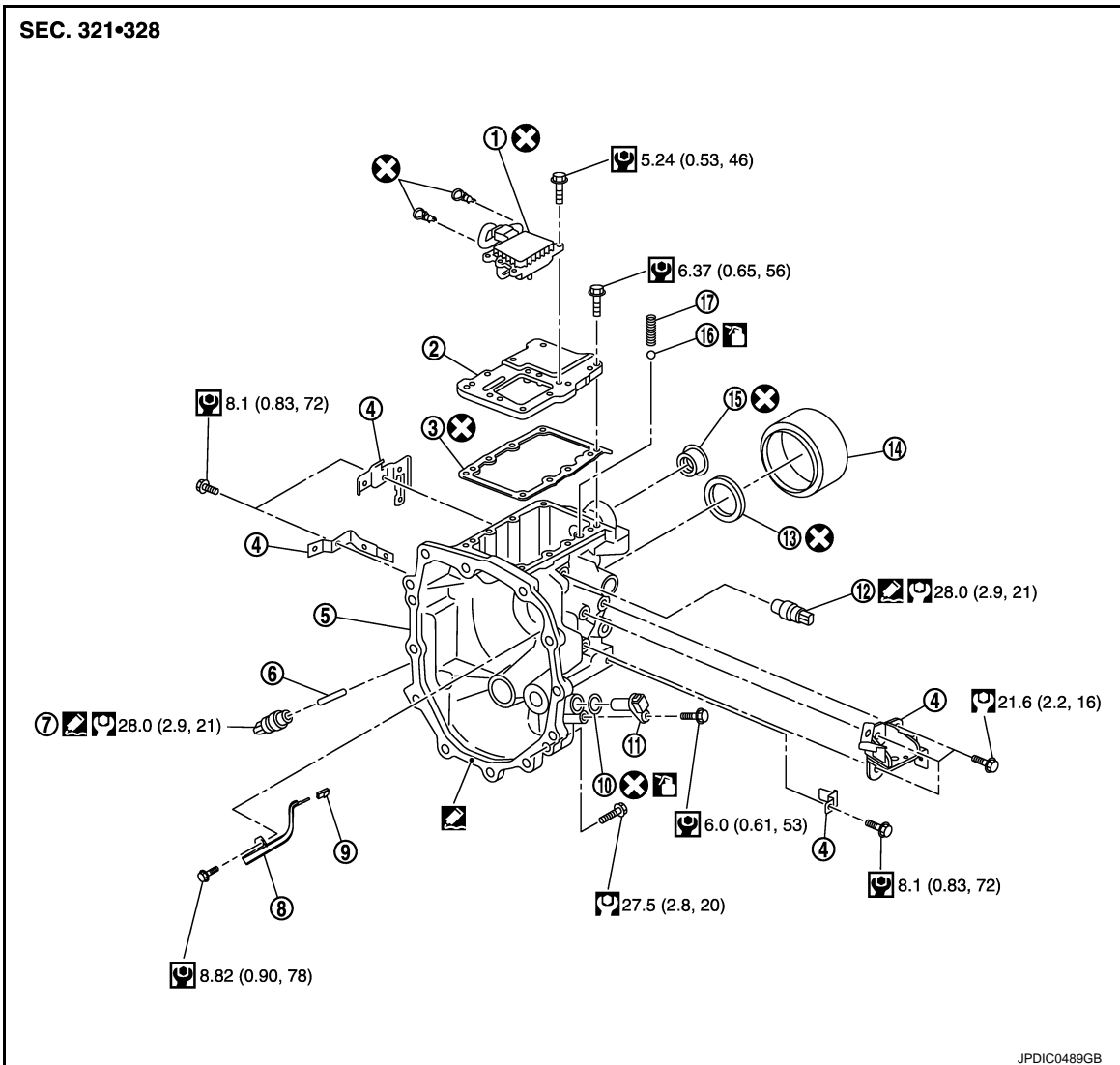
: Refer to "CASE AND EXTENSION" in [TM-96. "WITH S-MODE : Assembly"](#) for the locations.

Refer to [GI-4. "Components"](#) for symbols not described on the above.

TRANSMISSION ASSEMBLY

< UNIT DISASSEMBLY AND ASSEMBLY >

[6MT: FS6R31A]



- | | | |
|---------------------------------------|-------------------------------|--------------------------------------|
| 1. Gear lever position sensor | 2. Rear extension upper cover | 3. Rear extension upper cover gasket |
| 4. Bracket | 5. Rear extension | 6. Plunger |
| 7. Park/Neutral position (PNP) switch | 8. Oil gutter | 9. Cap |
| 10. O-ring | 11. Input speed sensor | 12. Back-up lamp switch |
| 13. Rear oil seal | 14. Dust cover | 15. Striking rod oil seal |
| 16. Check ball | 17. Check select spring | |

: Apply gear oil.

: Apply Genuine Silicone RTV or an equivalent. Refer to [GI-22, "Recommended Chemical Products and Sealants"](#).

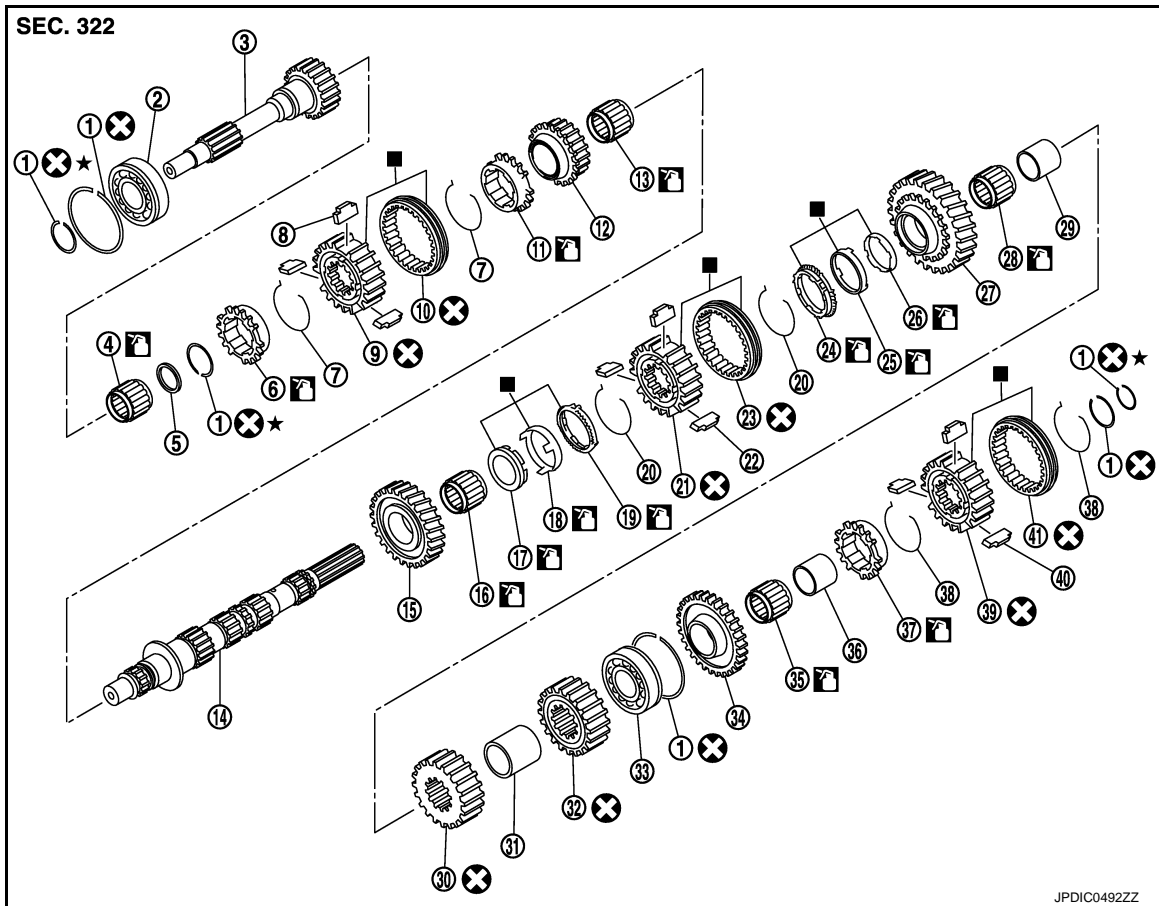
Refer to [GI-4, "Components"](#) for symbols not described on the above.

SHAFT AND GEAR

TRANSMISSION ASSEMBLY

< UNIT DISASSEMBLY AND ASSEMBLY >

[6MT: FS6R31A]



JPDIC0492ZZ

- | | | |
|-----------------------------|-----------------------------|-------------------------------|
| 1. Snap ring | 2. Main drive gear bearing | 3. Main drive gear |
| 4. Main pilot bearing | 5. Pilot bearing spacer | 6. 5th baulk ring |
| 7. 5th-6th spread spring | 8. 5th-6th shifting insert | 9. 5th-6th synchronizer hub |
| 10. 5th-6th coupling sleeve | 11. 6th baulk ring | 12. 6th main gear |
| 13. 6th needle bearing | 14. Mainshaft | 15. 2nd main gear |
| 16. 2nd needle bearing | 17. 2nd inner baulk ring | 18. 2nd synchronizer cone |
| 19. 2nd outer baulk ring | 20. 1st-2nd spread spring | 21. 1st-2nd synchronizer hub |
| 22. 1st-2nd shifting insert | 23. 1st-2nd coupling sleeve | 24. 1st outer baulk ring |
| 25. 1st synchronizer cone | 26. 1st inner baulk ring | 27. 1st main gear |
| 28. 1st needle bearing | 29. 1st gear bushing | 30. 3rd main gear |
| 31. 3rd-4th main spacer | 32. 4th main gear | 33. Mainshaft bearing |
| 34. Reverse main gear | 35. Reverse needle bearing | 36. Reverse main gear bushing |
| 37. Reverse baulk ring | 38. Reverse spread spring | 39. Reverse synchronizer hub |
| 40. Reverse shifting insert | 41. Reverse coupling sleeve | |

■: Replace the parts as a set.

🛢️: Apply gear oil.

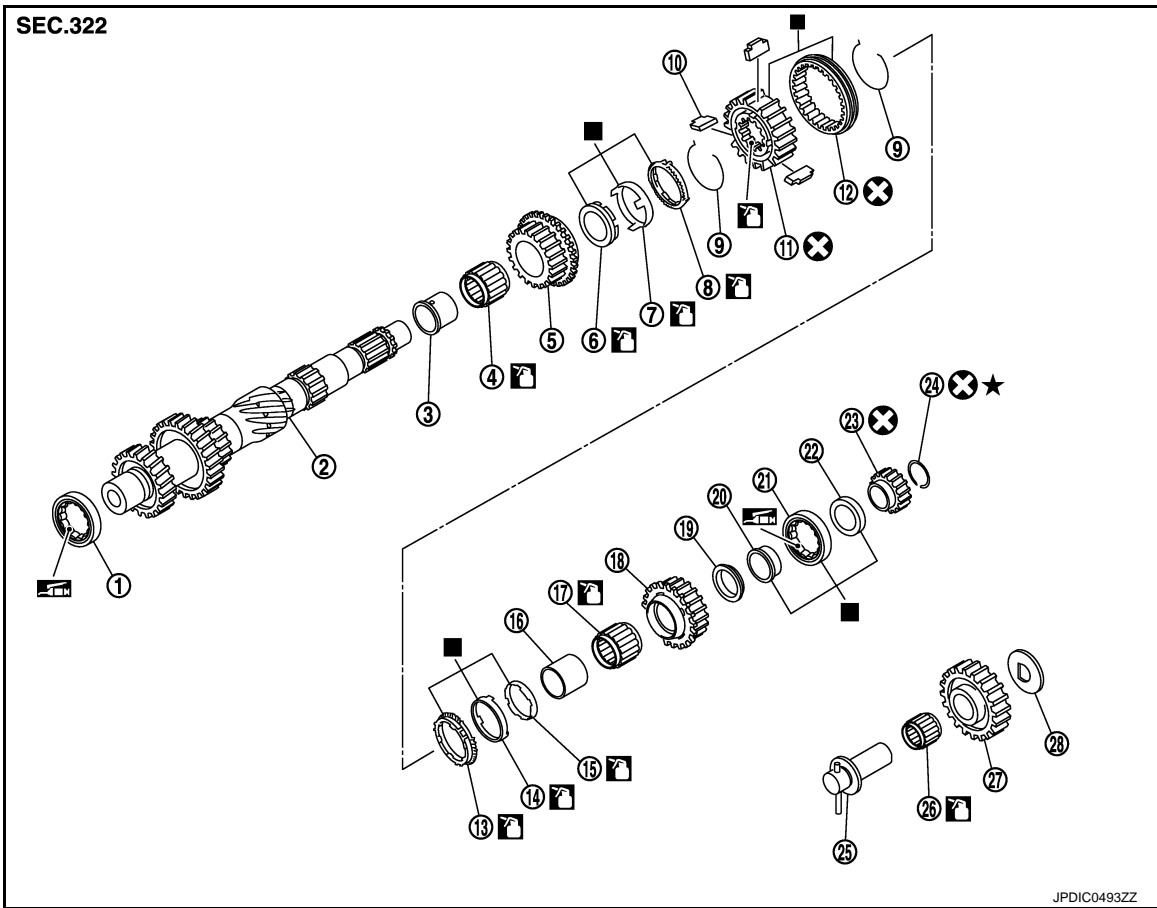
Refer to [GI-4. "Components"](#) for symbols not described on the above.

- Apply gear oil to gears, shafts, synchronizers, and bearings when assembling.

TRANSMISSION ASSEMBLY

< UNIT DISASSEMBLY AND ASSEMBLY >

[6MT: FS6R31A]



- | | | |
|------------------------------------|-------------------------------------|-----------------------------|
| 1. Counter front bearing | 2. Counter shaft | 3. 3rd gear bushing |
| 4. 3rd needle bearing | 5. 3rd counter gear | 6. 3rd inner baulk ring |
| 7. 3rd synchronizer cone | 8. 3rd outer baulk ring | 9. 3rd-4th spread spring |
| 10. 3rd-4th shifting insert | 11. 3rd-4th synchronizer hub | 12. 3rd-4th coupling sleeve |
| 13. 4th outer baulk ring | 14. 4th synchronizer cone | 15. 4th inner baulk ring |
| 16. 4th gear bushing | 17. 4th needle bearing | 18. 4th counter gear |
| 19. 4th counter gear thrust washer | 20. Counter rear bearing inner race | 21. Counter rear bearing |
| 22. Counter rear bearing spacer | 23. Reverse counter gear | 24. Snap ring |
| 25. Reverse idler shaft | 26. Reverse idler needle bearing | 27. Reverse idler gear |
| 28. Reverse idler thrust washer | | |

■: Replace the parts as a set.

🛢️: Apply gear oil.

🛢️: Apply lithium-based grease including molybdenum disulphide.

Refer to [GI-4, "Components"](#) for symbols not described on the above.

- Apply gear oil to gears, shafts, synchronizers, and bearings when assembling.

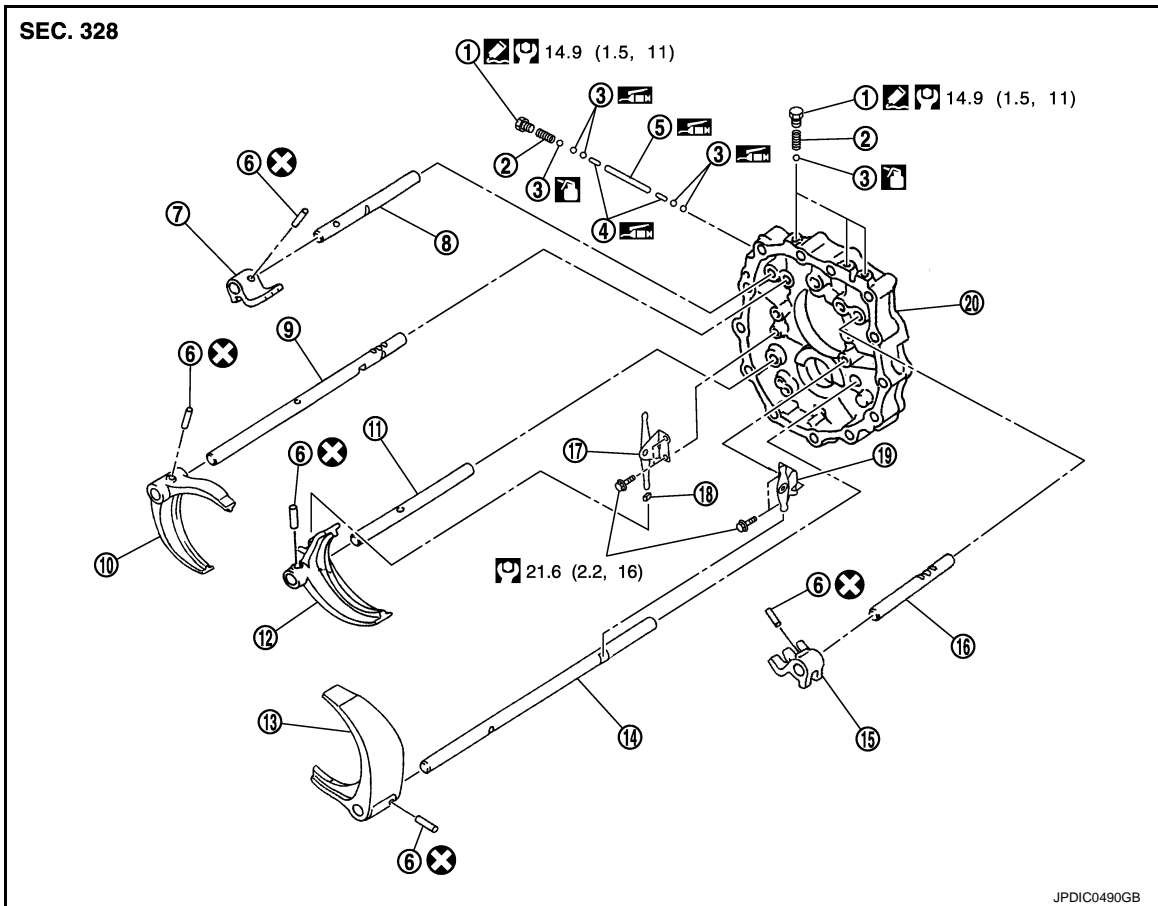
SHIFT FORK AND FORK ROD

A
B
C
TM
E
F
G
H
I
J
K
L
M
N
O
P

TRANSMISSION ASSEMBLY

< UNIT DISASSEMBLY AND ASSEMBLY >

[6MT: FS6R31A]



- | | | |
|-----------------------------|--------------------------------------|------------------------------|
| 1. Check ball plug | 2. Check ball spring | 3. Check ball |
| 4. Interlock pin | 5. Interlock plunger | 6. Retaining pin |
| 7. 3rd-4th fork rod bracket | 8. 3rd-4th fork rod | 9. 1st-2nd fork rod |
| 10. 1st-2nd shift fork | 11. 3rd-4th fork rod (reversal side) | 12. 3rd-4th shift fork |
| 13. 5th-6th shift fork | 14. 5th-6th fork rod (reversal side) | 15. 5th-6th fork rod bracket |
| 16. 5th-6th fork rod | 17. 3rd-4th control lever | 18. Shifter cap |
| 19. 5th-6th control lever | 20. Adapter plate | |

: Apply gear oil.

: Apply lithium-based grease including molybdenum disulphide.

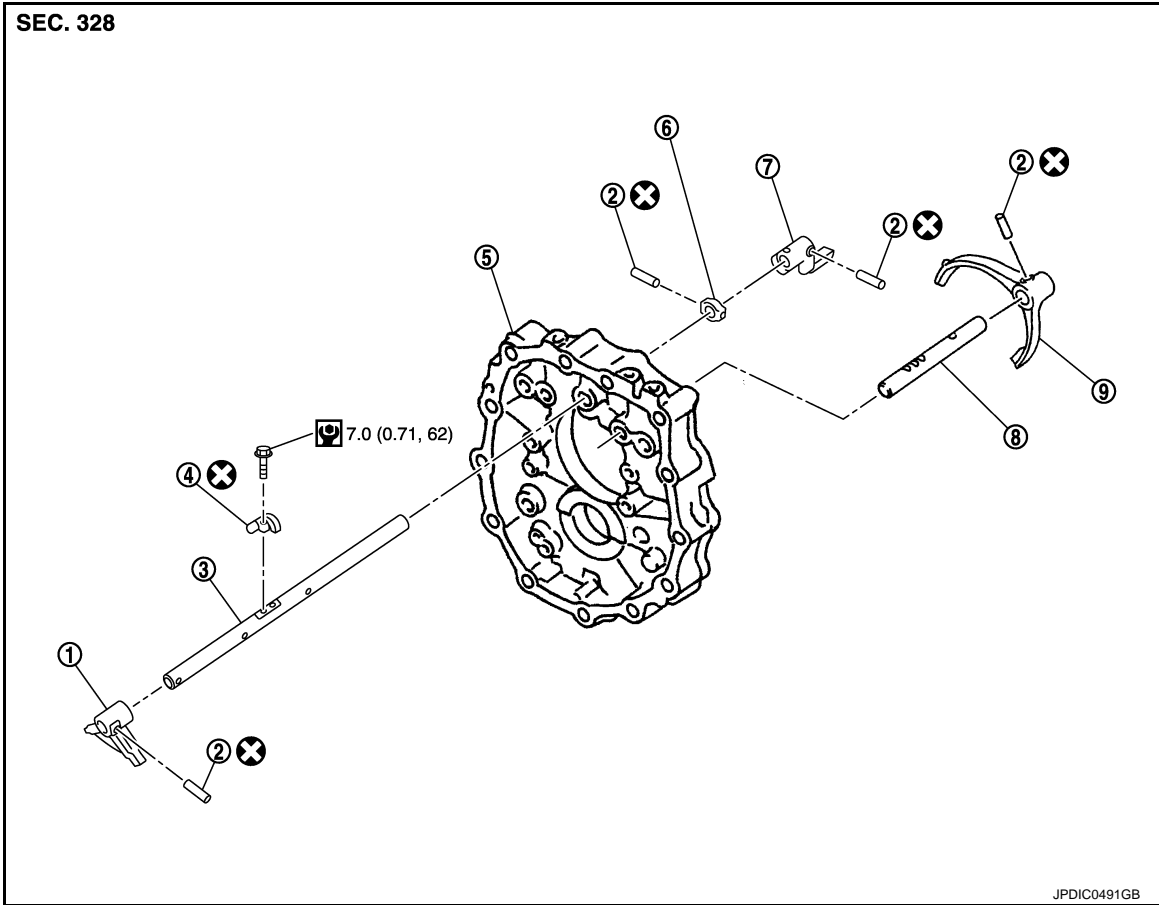
: Apply Genuine Silicone RTV or an equivalent. Refer to [GI-22, "Recommended Chemical Products and Sealants"](#).

Refer to [GI-4, "Components"](#) for symbols not described on the above.

TRANSMISSION ASSEMBLY

< UNIT DISASSEMBLY AND ASSEMBLY >

[6MT: FS6R31A]



- | | | |
|--------------------------------------|---------------------|-----------------------|
| 1. Striking lever | 2. Retaining pin | 3. Striking rod |
| 4. Gear lever position sensor magnet | 5. Adapter plate | 6. Stopper ring |
| 7. Low/high control lever | 8. Reverse fork rod | 9. Reverse shift fork |

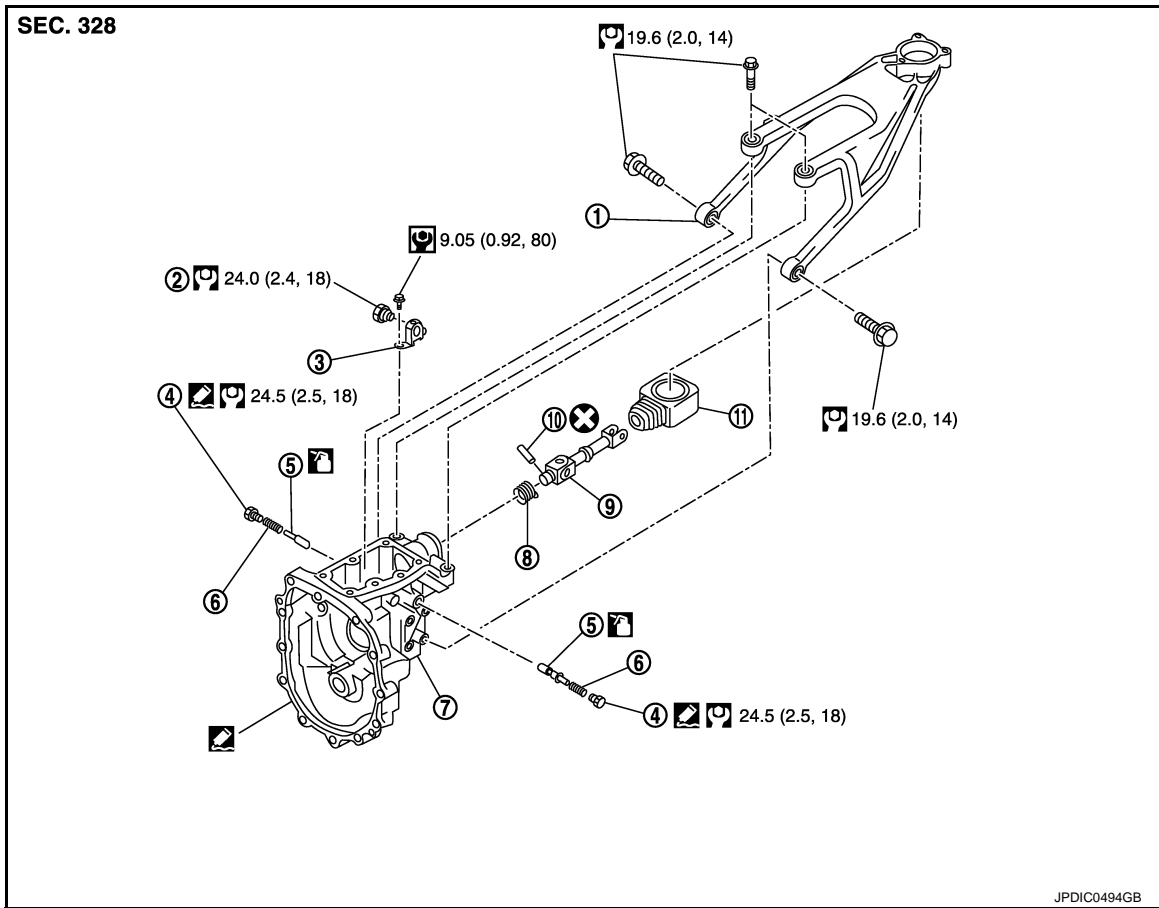
Refer to [GI-4, "Components"](#) for the symbols in the figure.

A
B
C
TM
E
F
G
H
I
J
K
L
M
N
O
P

TRANSMISSION ASSEMBLY

< UNIT DISASSEMBLY AND ASSEMBLY >

[6MT: FS6R31A]



- | | | |
|--------------------------|--------------------------|--------------------|
| 1. Control lever housing | 2. Check shift pin | 3. Control bracket |
| 4. Return spring plug | 5. Return spring plunger | 6. Return spring |
| 7. Rear extension | 8. Boot | 9. Control rod |
| 10. Retaining pin | 11. Control rod boot | |

: Apply gear oil.

: Apply Genuine Silicone RTV or an equivalent. Refer to [GI-22. "Recommended Chemical Products and Sealants"](#).

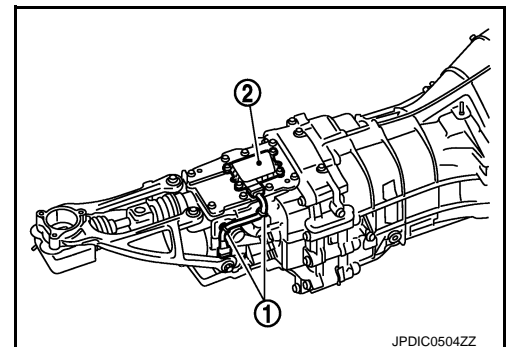
Refer to [GI-4. "Components"](#) for symbols not described on the above.

WITH S-MODE : Disassembly

INFOID:000000008192932

CASE AND EXTENSION

1. Remove drain plug and gasket from transmission case and then drain gear oil.
2. Remove filler plug and gasket from transmission case.
3. Remove gear lever position sensor with the following procedure.
 - a. Remove clips (1) from gear lever position sensor (2) harness and bracket.
 - b. Remove gear lever position sensor harness from bracket.
 - c. Remove gear lever position sensor from rear extension upper cover.



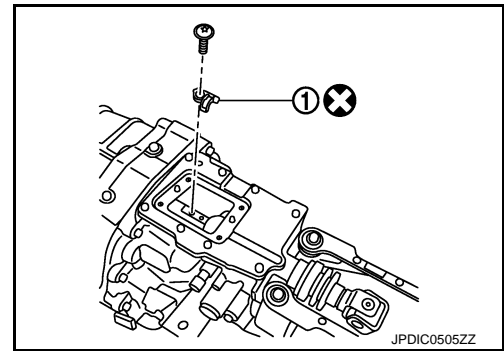
JPDIC0504ZZ

TRANSMISSION ASSEMBLY

< UNIT DISASSEMBLY AND ASSEMBLY >

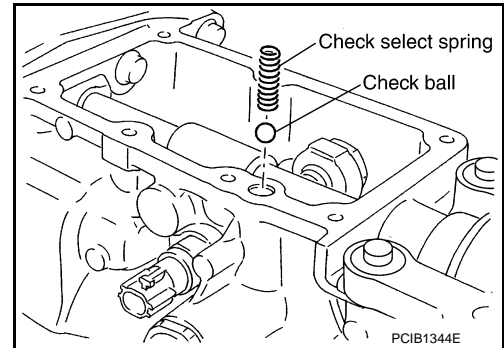
[6MT: FS6R31A]

4. Remove gear lever position sensor magnet (1) from striking rod.
5. Remove rear extension upper cover with the following procedure.
 - a. Remove rear extension upper cover mounting bolts while holding rear extension upper cover.
 - b. Remove rear extension upper cover and rear extension upper cover gasket from rear extension.

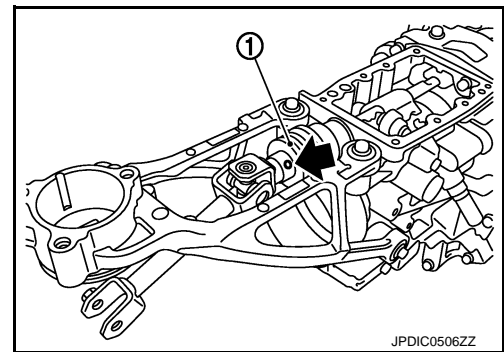


6. Remove check select spring and check ball from rear extension.

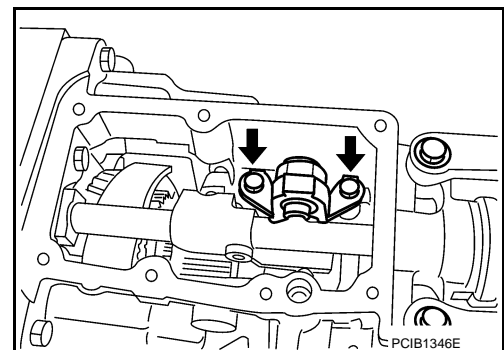
CAUTION:
Never drop check ball.
7. Remove control rod with the following procedure.
 - a. Remove control rod boot from control rod.



- b. Remove boot (1) from control rod as shown in the figure.
 - c. Remove retaining pin (←) from control rod, using a pin punch [Commercial service tool] and then remove control rod from striking rod.
 - d. Remove boot from striking rod oil seal.
8. Remove park/neutral position (PNP) switch and plunger from rear extension.
9. Remove back-up lamp switch from rear extension.

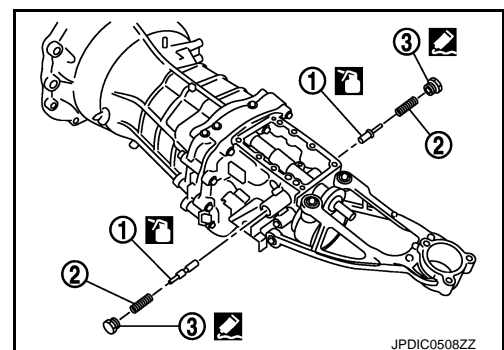


10. Remove mounting bolts (←) and then remove control bracket from rear extension.



11. Remove return spring plungers (1), return springs (2), and return spring plugs (3) from rear extension.

CAUTION:
Return spring and return spring plunger have different lengths for right and left sides. Identify right and left side and then store.



12. Remove input speed sensor with the following procedure.
 - a. Remove input speed sensor from rear extension.

- CAUTION:**
- Never disassemble input speed sensor.
 - Never impact input speed sensor by dropping or others.

A
B
C
TM
E
F
G
H
I
J
K
L
M
N
O
P

TRANSMISSION ASSEMBLY

< UNIT DISASSEMBLY AND ASSEMBLY >

[6MT: FS6R31A]

- **Never place input speed sensor near magnetic materials.**

- Remove O-ring from input speed sensor.
- Remove rear oil seal from rear extension, using the puller [SST: KV381054S0 (J-34286)].

CAUTION:

Never damage rear extension.

- Remove brackets from rear extension.
- Remove control lever housing from rear extension.

CAUTION:

Never hold control lever housing to prevent the bushing of control lever housing from deformation when moving transmission assembly.

- Remove rear extension from adapter plate, using a soft hammer.

CAUTION:

Never drop reverse idler thrust washer.

- Remove striking rod oil seal from rear extension.

CAUTION:

Never damage rear extension.

- Remove dust cover from rear extension.

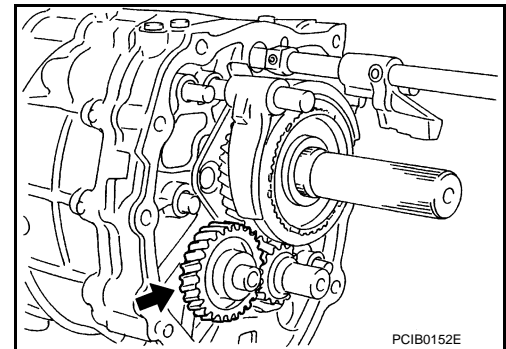
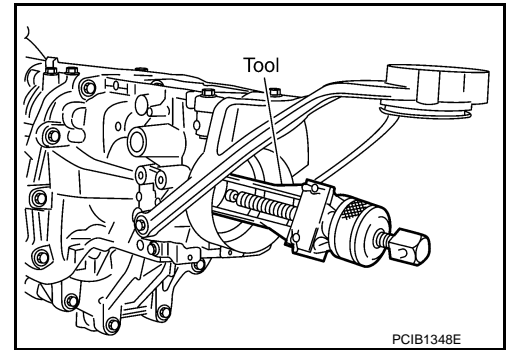
CAUTION:

Never damage rear extension.

- Remove oil gutter with the following procedure.

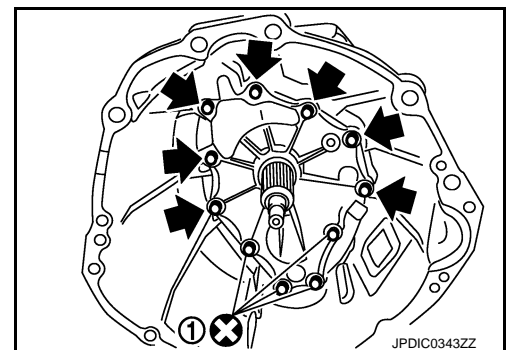
- Remove oil gutter from rear extension.
- Remove cap from oil gutter.

- Remove reverse idler shaft assembly (←) from adapter plate.



- Remove front cover with the following procedure.

- Remove mounting bolts (←) and sealing bolts (1).
- Remove front cover and front cover gasket from transmission case.



TRANSMISSION ASSEMBLY

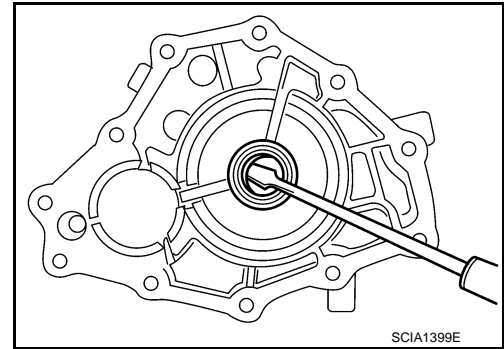
< UNIT DISASSEMBLY AND ASSEMBLY >

[6MT: FS6R31A]

- c. Remove front oil seal from front cover, using a flat-bladed screwdriver.

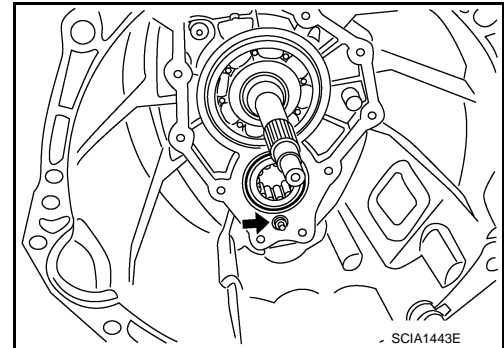
CAUTION:

Never damage front cover.

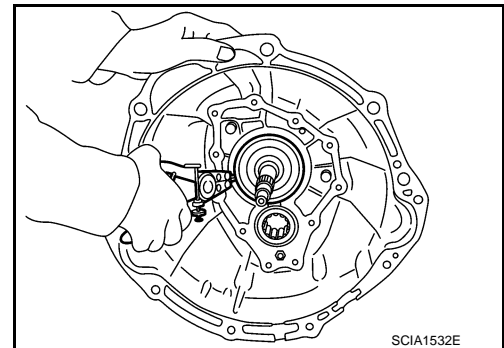


22. Remove transmission case with the following procedure.

- a. Remove mounting nut (←) from transmission case.



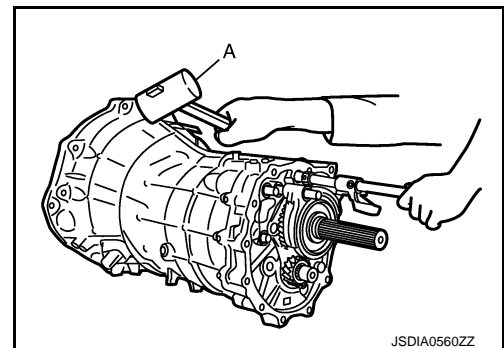
- b. Remove snap ring from main drive gear bearing, using snap ring pliers.



- c. Carefully tap transmission case, using a soft hammer (A) and then separate adapter plate and transmission case.

CAUTION:

Never drop counter front bearing.



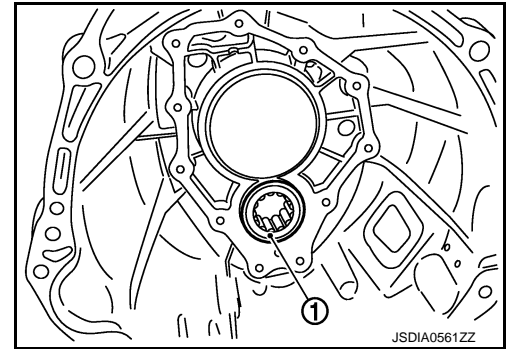
A
B
C
TM
E
F
G
H
I
J
K
L
M
N
O
P

TRANSMISSION ASSEMBLY

< UNIT DISASSEMBLY AND ASSEMBLY >

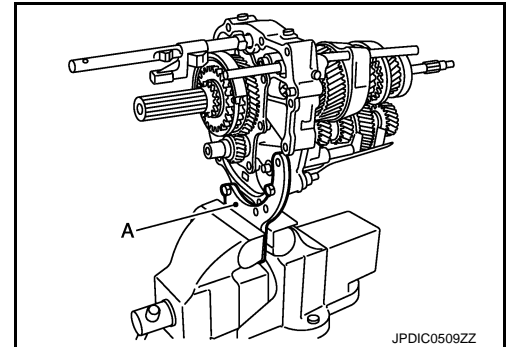
[6MT: FS6R31A]

23. Remove counter front bearing (1) from transmission case.
24. Remove breather tube from transmission case.
CAUTION:
Never damage transmission case.
25. Remove bracket from transmission case.

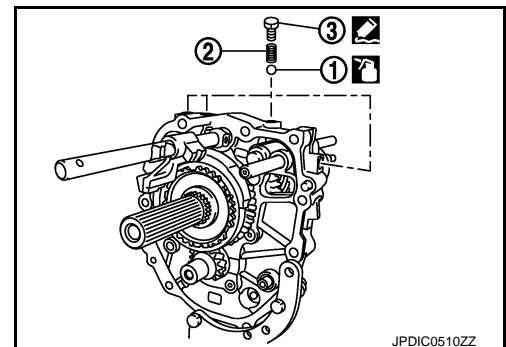


SHIFT FORK AND FORK ROD

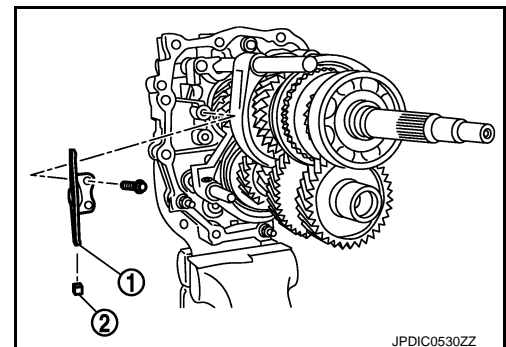
1. Install adapter setting plate (A) [SST: ST22490000 (-)] to adapter plate and then fixing in adapter setting plate [SST: ST22490000 (-)], using a vise.
CAUTION:
Never directly secure the surface in a vise.
2. Remove baffle plate and oil gutter from adapter plate.
3. Remove magnets from baffle plate.
4. Remove magnet from adapter plate.



5. Remove check balls (1), check ball springs (2), and check ball plugs (3) from adapter plate.
CAUTION:
Never drop check ball.



6. Remove 3rd-4th control lever (1) and shifter cap (2) from adapter plate.
CAUTION:
Never lose shifter cap.

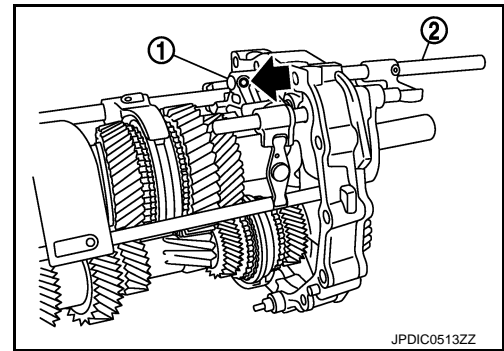


TRANSMISSION ASSEMBLY

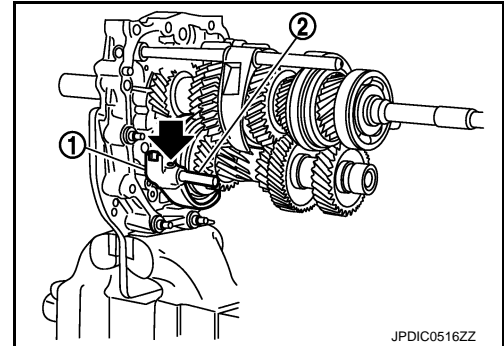
< UNIT DISASSEMBLY AND ASSEMBLY >

[6MT: FS6R31A]

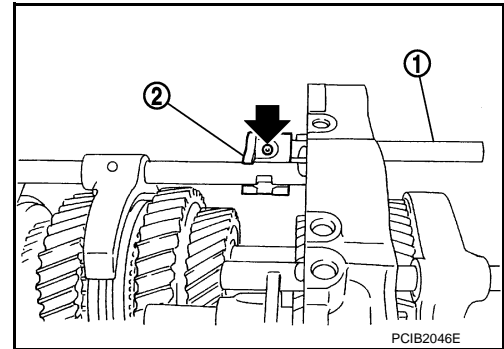
7. Remove retaining pin (←), using a pin punch [Commercial service tool] and then remove striking lever (1) and striking rod (2).



8. Remove retaining pin (←), using a pin punch [Commercial service tool] and then remove 3rd-4th shift fork (1) and 3rd-4th fork rod (reversal side) (2).



9. Remove retaining pin (←), using a pin punch [Commercial service tool] and then remove 3rd-4th fork rod (1) and 3rd-4th fork rod bracket (2).



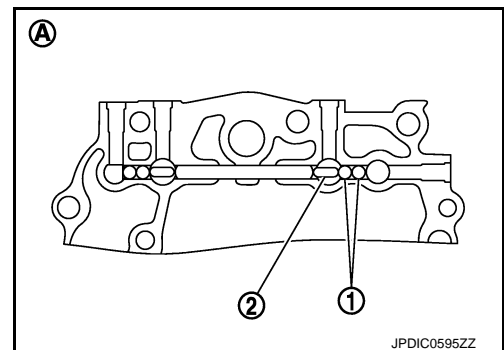
10. Remove check balls (1) from adapter plate.

A : View from transmission rear side

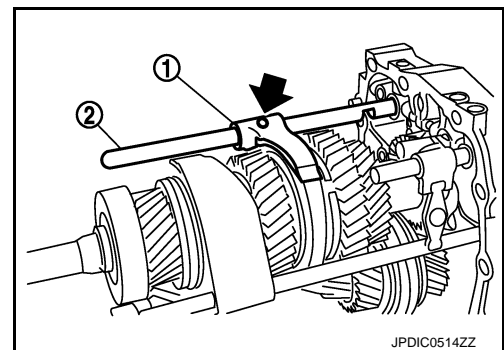
CAUTION:
Never drop check ball.

11. Remove interlock pin (2) from 1st-2nd fork rod.

CAUTION:
Never drop interlock pin.



12. Remove retaining pin (←), using a pin punch [Commercial service tool] and then remove 1st-2nd shift fork (1) and 1st-2nd fork rod (2).



A
B
C
TM
E
F
G
H
I
J
K
L
M
N
O
P

TRANSMISSION ASSEMBLY

< UNIT DISASSEMBLY AND ASSEMBLY >

[6MT: FS6R31A]

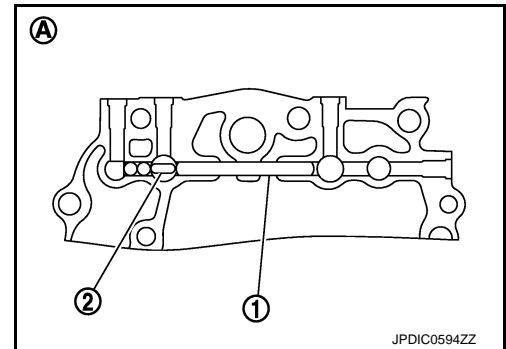
13. Remove interlock plunger (1) from adapter plate.

A : View from transmission rear side

14. Remove interlock pin (2) from reverse fork rod.

CAUTION:

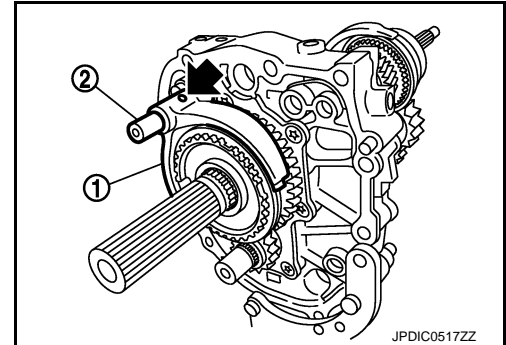
Never drop interlock pin.



15. Remove retaining pin (←), using a pin punch [Commercial service tool] and then remove reverse shift fork (1) and reverse fork rod (2).

CAUTION:

Never drop reverse coupling sleeve.

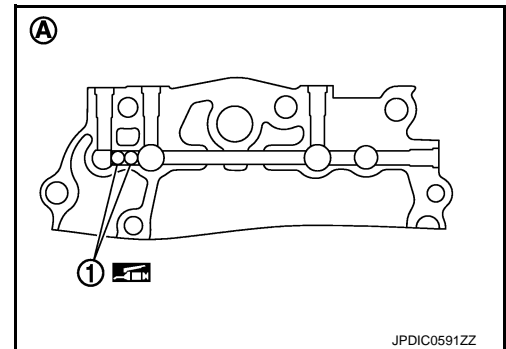


16. Remove check balls (1) from adapter plate.

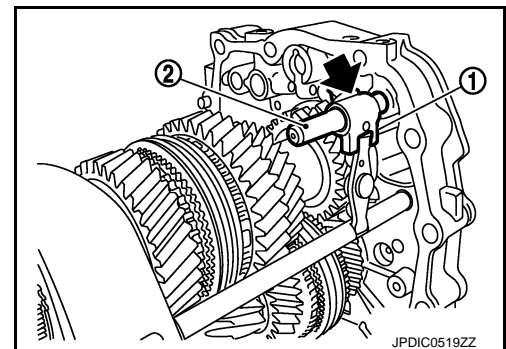
A : View from transmission rear side

CAUTION:

Never drop check ball.

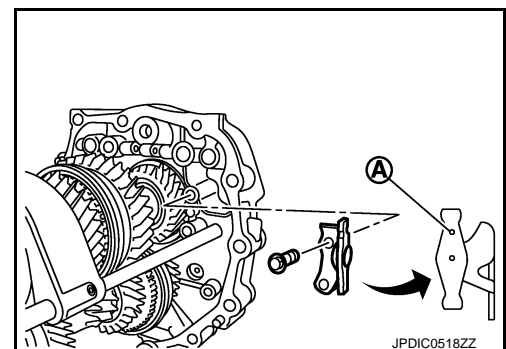


17. Remove retaining pin (←), using a pin punch [Commercial service tool] and then remove 5th-6th fork rod bracket (1) and 5th-6th fork rod (2).



18. Remove 5th-6th control lever from adapter plate.

A : Projection

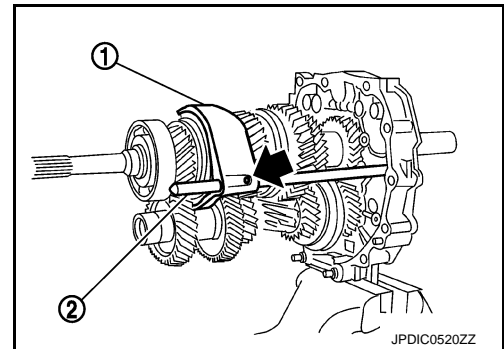


TRANSMISSION ASSEMBLY

< UNIT DISASSEMBLY AND ASSEMBLY >

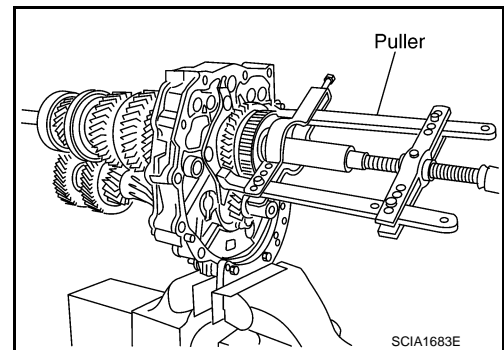
[6MT: FS6R31A]

19. Remove retaining pin (←), using a pin punch [Commercial service tool] and then remove 5th-6th shift fork (1) and 5th-6th fork rod (reversal side) (2).

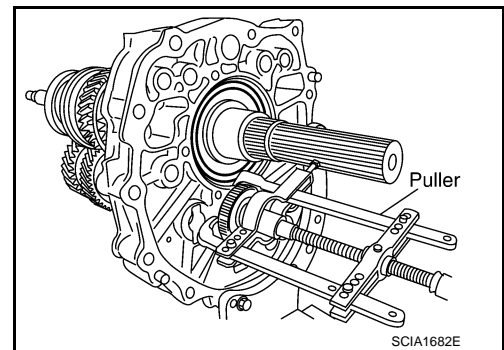


SHAFT AND GEAR

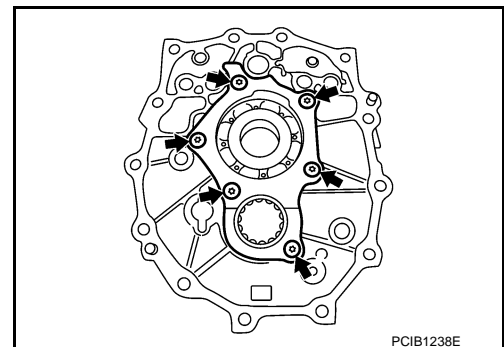
1. Remove reverse synchronizer hub with the following procedure.
 - a. Remove snap ring from mainshaft.
 - b. Remove snap ring from reverse synchronizer hub.
 - c. Remove reverse spread spring, reverse shifting inserts, and reverse coupling sleeve from reverse synchronizer hub.
 - d. Set a puller [Commercial service tool] to reverse main gear.
 - e. Remove reverse synchronizer hub together with reverse main gear, reverse baulk ring, and reverse spread spring from mainshaft, using a puller [Commercial service tool].
2. Remove reverse needle bearing from mainshaft.
3. Remove reverse counter gear with the following procedure.
 - a. Remove snap ring from counter shaft.



- b. Remove reverse counter gear from counter shaft, using a puller [Commercial service tool].
 4. Remove counter rear bearing spacer from counter shaft.



5. Remove mounting bolts (←) and then remove bearing retainer from adapter plate.



A
B
C
TM

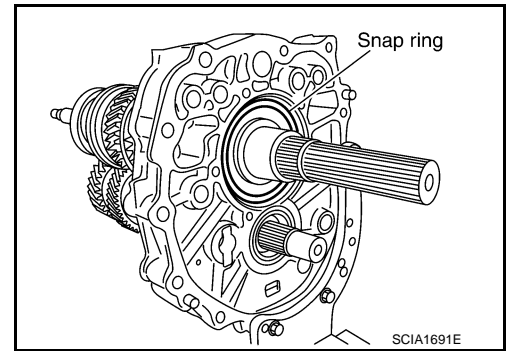
E
F
G
H
I
J
K
L
M
N
O
P

TRANSMISSION ASSEMBLY

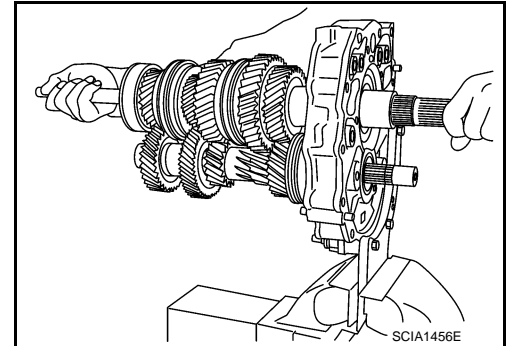
< UNIT DISASSEMBLY AND ASSEMBLY >

[6MT: FS6R31A]

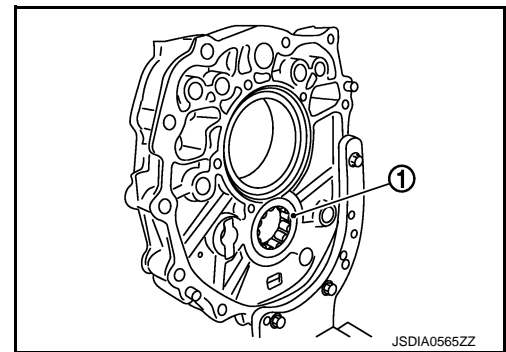
6. Remove snap ring from mainshaft bearing.



7. Carefully tap mainshaft with a plastic hammer and then remove mainshaft assembly, main drive gear assembly, and counter shaft assembly combined in one unit from adapter plate.



8. Remove counter rear bearing (1) from adapter plate.
9. Remove adapter plate from adapter setting plate [SST: ST22490000 (-)].

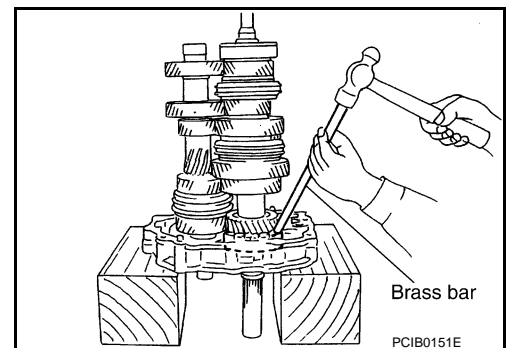


WITH S-MODE : Assembly

INFOID:000000008192933

SHAFT AND GEAR

1. Install main drive gear assembly, mainshaft assembly, and counter shaft assembly combined in one unit to adapter plate, using a brass bar.



TRANSMISSION ASSEMBLY

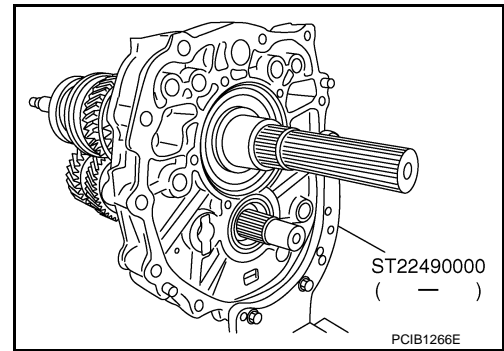
< UNIT DISASSEMBLY AND ASSEMBLY >

[6MT: FS6R31A]

2. Install the adapter setting plate [SST] to adapter plate and then fixing in adapter setting plate [SST], using a vise.

CAUTION:

Never directly secure the surface in a vise.

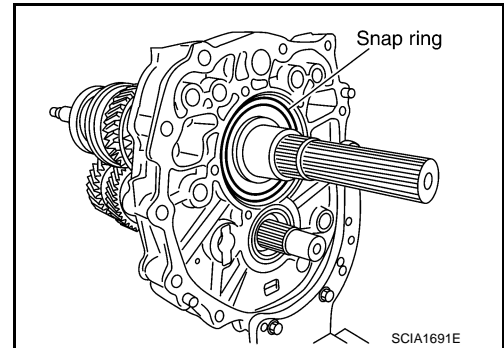


3. Install snap ring to mainshaft bearing.

CAUTION:

Never reuse snap ring.

4. Apply recommended grease to roller of counter rear bearing.



5. Install counter rear bearing to adapter plate, using the drift [SST].

CAUTION:

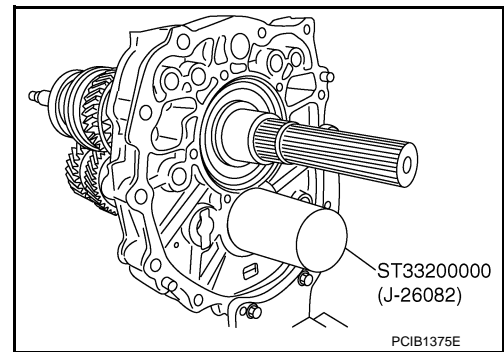
Replace counter rear bearing inner race, counter rear bearing, and counter rear bearing spacer as a set.

6. Install bearing retainer with the following procedure.
 - a. Apply thread locking sealant to the end of bearing retainer mounting bolts (first 3 to 4 threads).

- **Use Genuine Medium Strength Thread Locking Sealant or an equivalent. Refer to [GI-22, "Recommended Chemical Products and Sealants"](#).**

CAUTION:

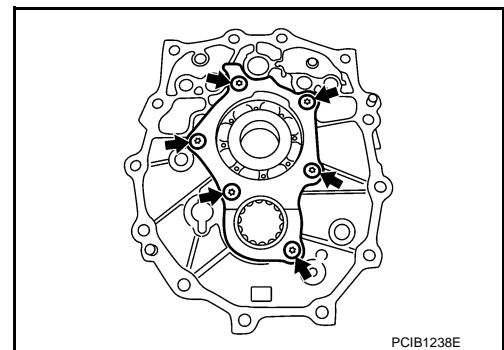
Remove old sealant and oil adhering to threads.



- b. Install bearing retainer to adapter plate and then tighten mounting bolts (↖) to the specified torque.

7. Install reverse synchronizer hub with the following procedure.

- a. Install reverse coupling sleeve and reverse shifting inserts to reverse synchronizer hub.



CAUTION:

A
B
C
TM
E
F
G
H
I
J
K
L
M
N
O
P

TRANSMISSION ASSEMBLY

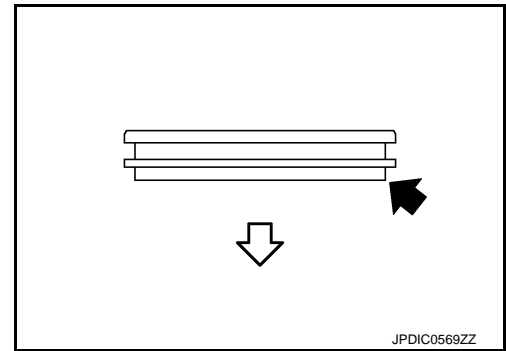
< UNIT DISASSEMBLY AND ASSEMBLY >

[6MT: FS6R31A]

- Be careful with the orientation of reverse coupling sleeve.

↔ : Reverse main gear side

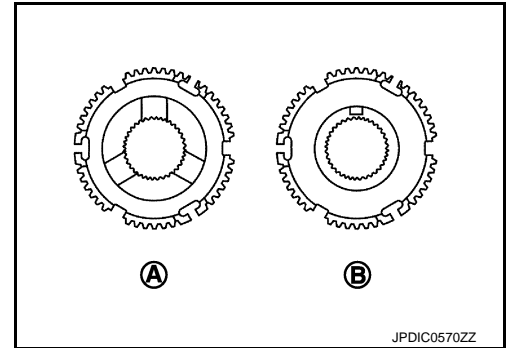
- Never reuse reverse coupling sleeve and reverse synchronizer hub.
- Replace reverse coupling sleeve and reverse synchronizer hub as a set.



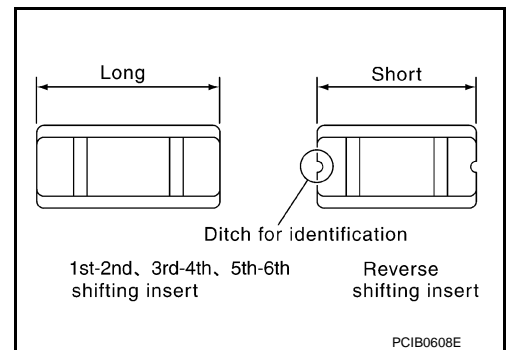
- Be careful with the orientation of reverse synchronizer hub.

A : Reverse main gear side

B : Snap ring side



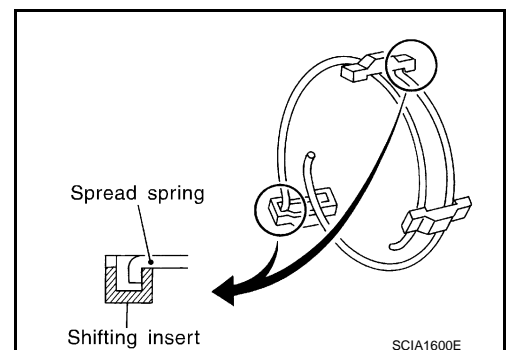
- Be careful with the shape of reverse shifting insert.



- b. Install reverse spread springs to reverse shifting inserts.

CAUTION:

Never install reverse spread spring hook onto the same reverse shifting insert.



- c. Install snap ring to reverse synchronizer hub.

CAUTION:

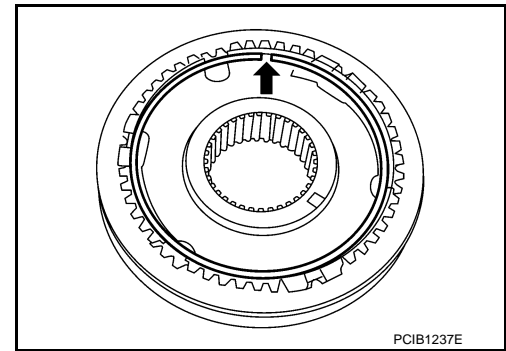
- Never reuse snap ring.

TRANSMISSION ASSEMBLY

< UNIT DISASSEMBLY AND ASSEMBLY >

[6MT: FS6R31A]

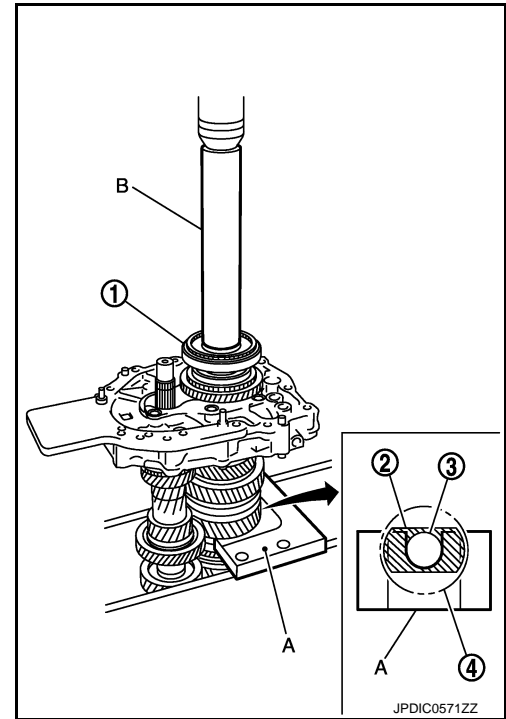
- Never align snap ring notch (←) with synchronizer hub groove when assembling.



8. Install reverse synchronizer hub assembly (1) with the following procedure.

- 2 : Collar of mainshaft
- 3 : 6th main gear
- 4 : 2nd main gear
- B : Drift [SST: ST01530000 (-)]

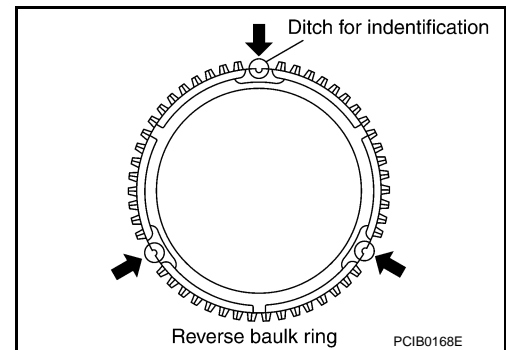
- a. Set the press plate (A) [SST: KV32103300 (J-46529)] to mainshaft as shown in the figure.
- b. Apply gear oil to reverse needle bearing and reverse baulk ring.
- c. Install reverse needle bearing, reverse main gear, and reverse baulk ring to mainshaft.



NOTE:

Reverse baulk ring has three spaces that two gear teeth are missing, and each space has small ditch for identification as shown in the figure.

- d. Install reverse synchronizer hub assembly to mainshaft with a pressing machine, using the drift [SST: ST01530000 (-)].



CAUTION:

A
B
C
TM
E
F
G
H
I
J
K
L
M
N
O
P

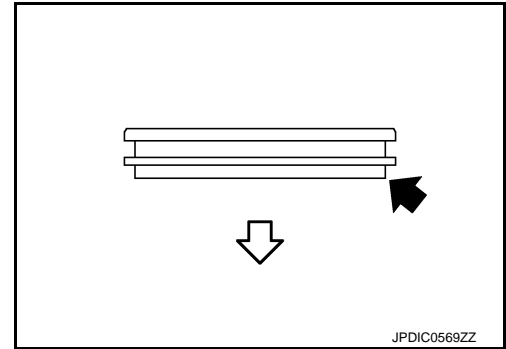
TRANSMISSION ASSEMBLY

< UNIT DISASSEMBLY AND ASSEMBLY >

[6MT: FS6R31A]

Be careful with the orientation of reverse coupling sleeve.

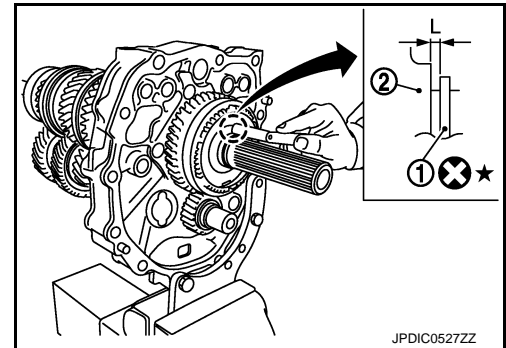
⇐ : Reverse main gear side



9. Select and install snap ring (1) so that the end play “L” of main-shaft is adjusted to the standard value. For selecting snap ring, refer to the latest parts information.

2 : Reverse synchronizer hub

End play “L” : Refer to [TM-148, "End Play"](#).



10. Install reverse counter gear with the following procedure.

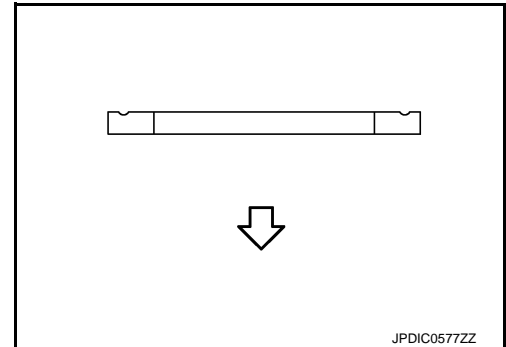
- a. Install counter rear bearing spacer to counter shaft.

CAUTION:

- Be careful with the orientation of counter rear bearing spacer.

⇐ : Counter rear bearing side

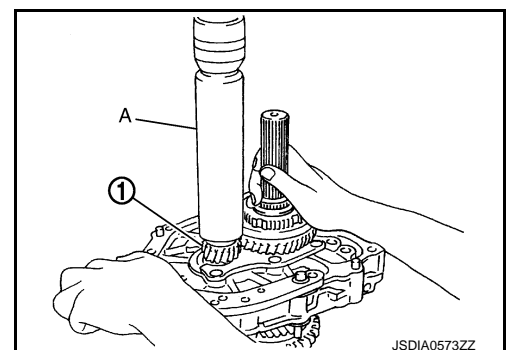
- Replace counter rear bearing inner race, counter rear bearing, and counter rear bearing spacer as a set.



- b. Install reverse counter gear (1) to counter shaft with a pressing machine, using the drift (A) [SST: ST23860000 (-)].

CAUTION:

- Never reuse reverse counter gear.



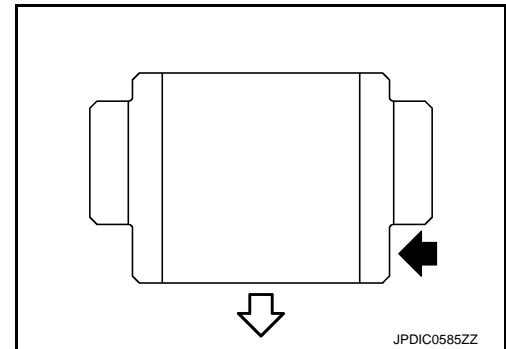
TRANSMISSION ASSEMBLY

< UNIT DISASSEMBLY AND ASSEMBLY >

[6MT: FS6R31A]

- Be careful with the orientation of reverse counter gear.

↔ : Counter rear bearing side

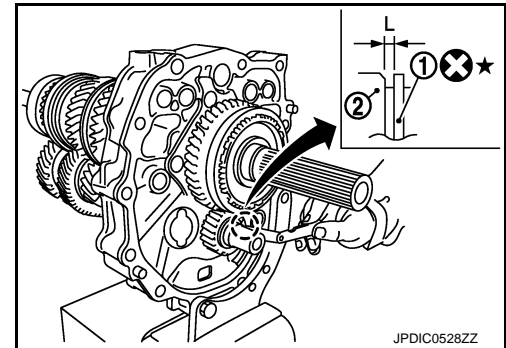


JPDIC0585ZZ

11. Select and install snap ring (1) so that the end play "L" of counter shaft is adjusted to the standard value. For selecting snap ring, refer to the latest parts information.

2 : Reverse counter gear

End play "L" : Refer to [TM-148, "End Play"](#).



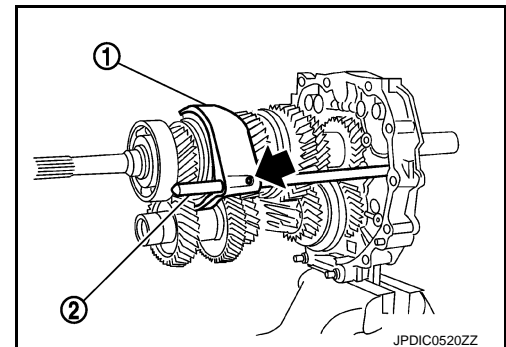
JPDIC0528ZZ

SHIFT FORK AND FORK ROD

1. Install 5th-6th shift fork (1) and 5th-6th fork rod (reversal side) (2) and then install retaining pin (↔) to 5th-6th shift fork, using a pin punch [Commercial service tool].

CAUTION:

- Never reuse retaining pin.
- Be careful with the orientation of 5th-6th shift fork and 5th-6th fork rod (reversal side).
- Assemble retaining pin from the direction shown by the arrow in the figure until it becomes flush with the end surface of 5th-6th shift fork.

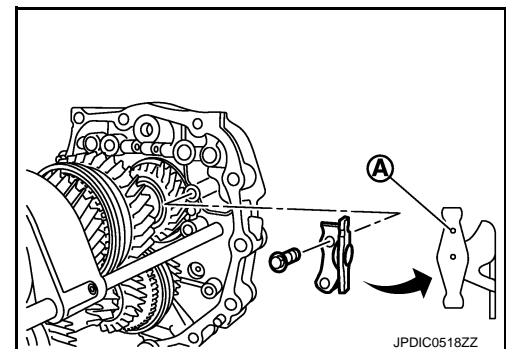


JPDIC0520ZZ

2. Install 5th-6th control lever to adapter plate and then tighten mounting bolts to the specified torque.

CAUTION:

Set the projection (A) upward.



JPDIC0518ZZ

TRANSMISSION ASSEMBLY

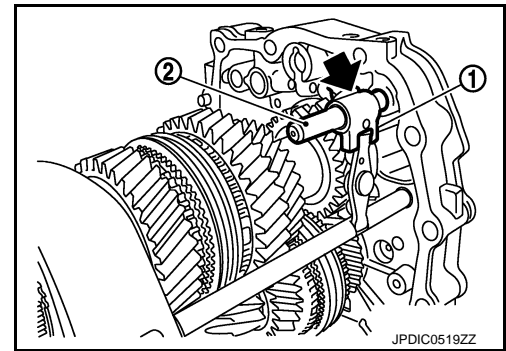
< UNIT DISASSEMBLY AND ASSEMBLY >

[6MT: FS6R31A]

3. Install 5th-6th fork rod bracket (1) and 5th-6th fork rod (2) and then install retaining pin (←) to 5th-6th fork rod bracket, using a pin punch [Commercial service tool].

CAUTION:

- Never reuse retaining pin.
- Be careful with the orientation of 5th-6th fork rod bracket and 5th-6th fork rod.
- Assemble retaining pin from the direction shown by the arrow in the figure until it becomes flush with the end surface of 5th-6th fork rod bracket.



4. Apply recommended grease to check balls (1) and then install its to adapter plate.

A : View from transmission rear side

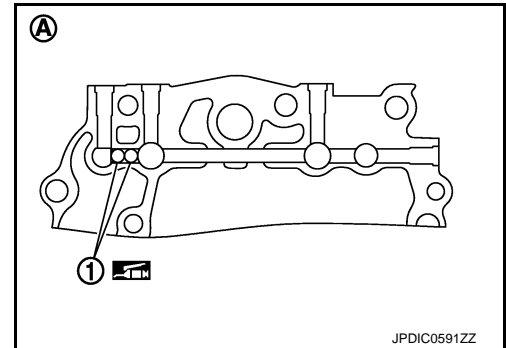
CAUTION:

Never drop check ball.

5. Apply recommended grease to interlock pin and then install it to reverse fork rod.

CAUTION:

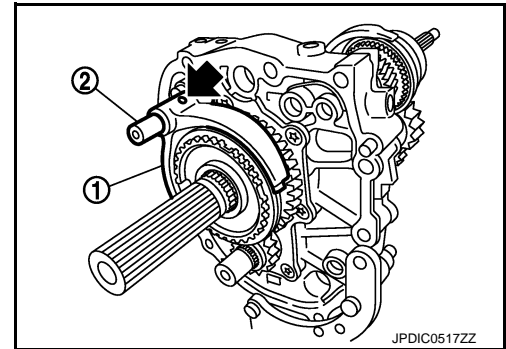
Never drop interlock pin.



6. Install reverse shift fork (1) and reverse fork rod (2) and then install retaining pin (←) to reverse shift fork, using a pin punch [Commercial service tool].

CAUTION:

- Never reuse retaining pin.
- Be careful with the orientation of reverse shift fork and reverse fork rod.
- Assemble retaining pin from the direction shown by the arrow in the figure until it becomes flush with the end surface of reverse shift fork.
- Never drop reverse coupling sleeve.



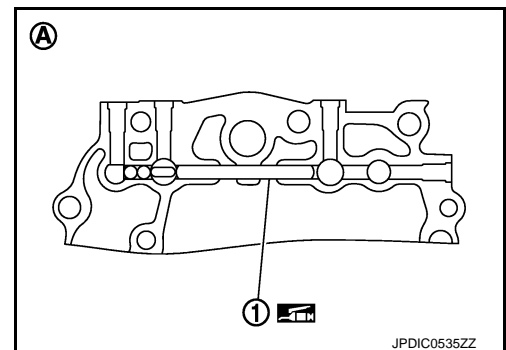
7. Apply recommended grease to interlock plunger (1) and then install it to adapter plate.

A : View from transmission rear side

8. Apply recommended grease to interlock pin and then install it to 1st-2nd fork rod.

CAUTION:

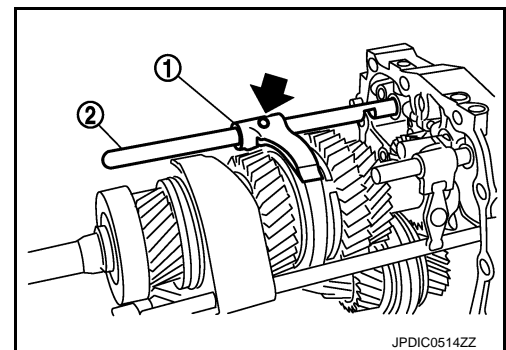
Never drop interlock pin.



9. Install 1st-2nd shift fork (1) and 1st-2nd fork rod (2) and then install retaining pin (←) to 1st-2nd shift fork, using a pin punch [Commercial service tool].

CAUTION:

- Never reuse retaining pin.
- Be careful with the orientation of 1st-2nd shift fork and 1st-2nd fork rod.
- Assemble retaining pin from the direction shown by the arrow in the figure until it becomes flush with the end surface of 1st-2nd shift fork.



TRANSMISSION ASSEMBLY

< UNIT DISASSEMBLY AND ASSEMBLY >

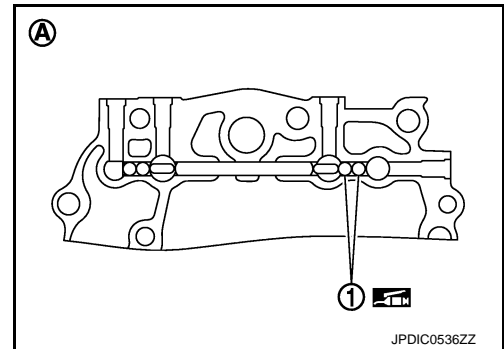
[6MT: FS6R31A]

10. Apply recommended grease to check balls (1) and then install its to adapter plate.

A : View from transmission rear side

CAUTION:

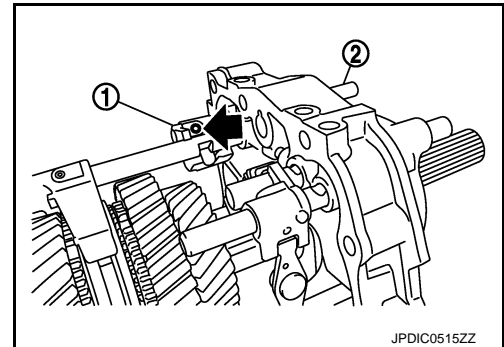
Never drop check ball.



11. Install 3rd-4th fork rod bracket (1) and 3rd-4th fork rod (2) and then install retaining pin (←) to 3rd-4th fork rod bracket, using a pin punch [Commercial service tool].

CAUTION:

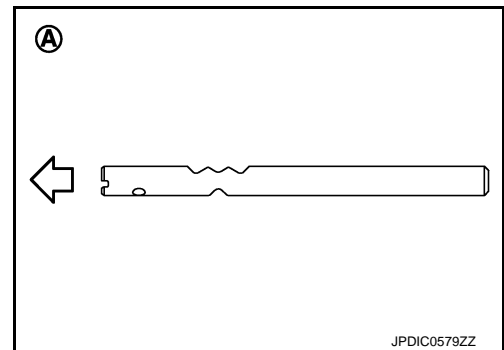
- Never reuse retaining pin.
- Be careful with the orientation of 3rd-4th fork rod bracket.
- Assemble retaining pin from the direction shown by the arrow in the figure until it becomes flush with the end surface of 3rd-4th fork rod bracket.



- Be careful with the orientation of 3rd-4th fork rod.

← : Transmission front

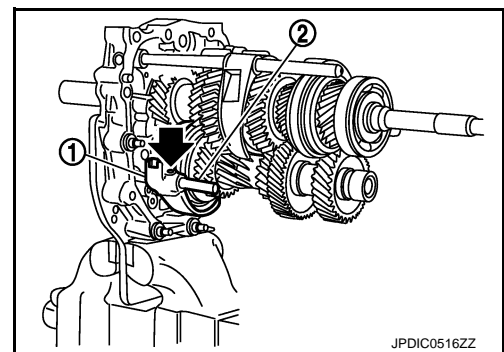
A : View from transmission top side



12. Install 3rd-4th shift fork (1) and 3rd-4th fork rod (reversal side) (2) and then install retaining pin (←) to 3rd-4th shift fork, using a pin punch [Commercial service tool].

CAUTION:

- Never reuse retaining pin.
- Be careful with the orientation of 3rd-4th shift fork.
- Assemble retaining pin from the direction shown by the arrow in the figure until it becomes flush with the end surface of 3rd-4th shift fork.



A
B
C
TM
E
F
G
H
I
J
K
L
M
N
O
P

TRANSMISSION ASSEMBLY

< UNIT DISASSEMBLY AND ASSEMBLY >

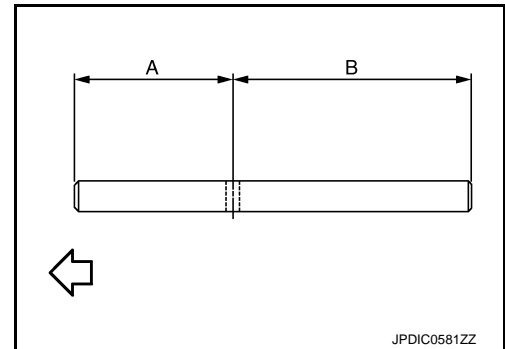
[6MT: FS6R31A]

- Be careful with the orientation of 3rd-4th fork rod (reversal side).

⇐ : Transmission front

A : Short

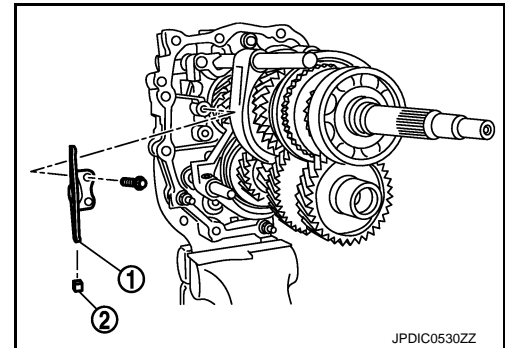
B : Long



13. Install 3rd-4th control lever (1) and shifter cap (2) to adapter plate and then tighten mounting bolts to the specified torque.

CAUTION:

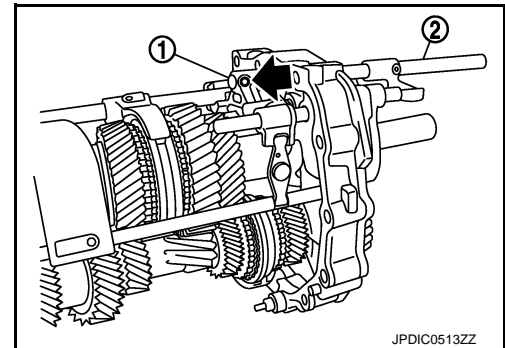
- Be careful with the orientation of 3rd-4th control lever.
- Never lose shifter cap.



14. Install striking lever (1) and striking rod (2) and then install retaining pin (⇐) to striking lever, using a pin punch [Commercial service tool].

CAUTION:

- Never reuse retaining pin.
- Be careful with the orientation of striking lever and striking rod.
- Assemble retaining pin from the direction shown by the arrow in the figure until it becomes flush with the end surface of striking lever.



15. Apply gear oil to check balls (1) and then install check balls and check ball springs (2) to adapter plate.

CAUTION:

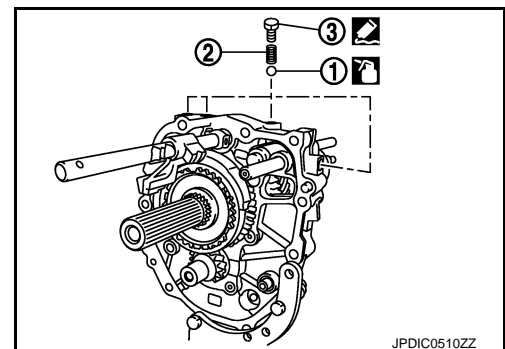
Never drop check ball.

16. Apply recommended sealant to threads of check ball plugs (3) and then tighten its to the specified torque.

- Use **Genuine Silicone RTV or an equivalent. Refer to GI-22. "Recommended Chemical Products and Sealants".**

CAUTION:

Remove old sealant and oil adhering to threads.



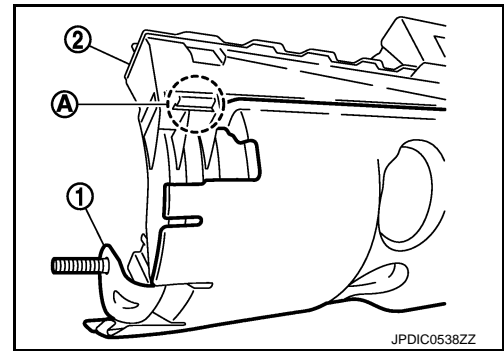
17. Install baffle plate with the following procedure.

TRANSMISSION ASSEMBLY

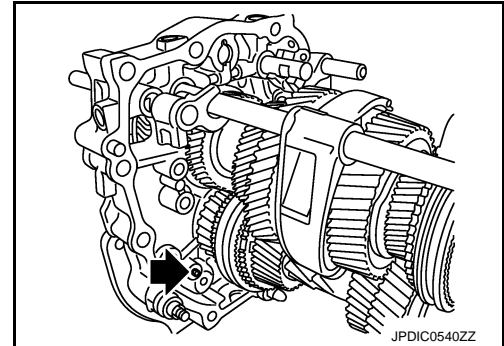
< UNIT DISASSEMBLY AND ASSEMBLY >

[6MT: FS6R31A]

- a. Insert baffle plate (1) until its projection contacts groove (A) of oil gutter (2).



- b. Align baffle plate hole to adapter plate dowel pin (←).



- c. Install mounting bolt (←) to adapter plate and then tighten mounting bolt to the specified torque.

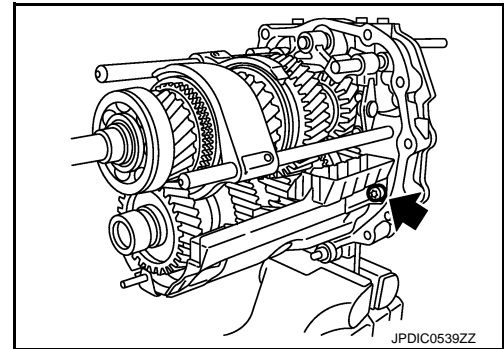
18. Install magnets to baffle plate.

19. Remove adapter plate assembly from vise.

CAUTION:

Never damage baffle plate.

20. Remove adapter setting plate [SST: ST22490000 (-)] from adapter plate.



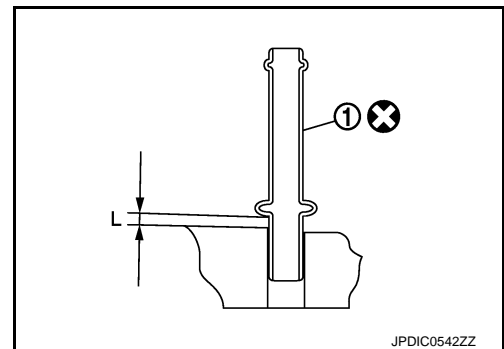
CASE AND EXTENSION

1. Install breather tube (1) to transmission case.

Dimension "L" : 2 mm (0.08 in) or less

CAUTION:

Never bend breather tube.



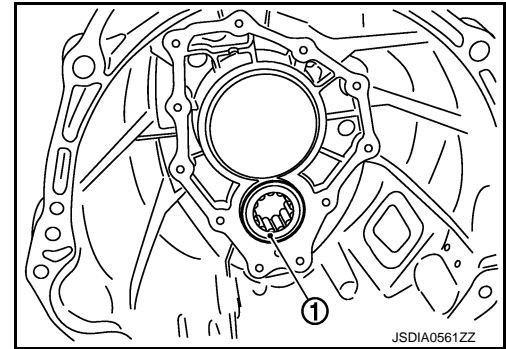
2. Install transmission case with the following procedure.

TRANSMISSION ASSEMBLY

< UNIT DISASSEMBLY AND ASSEMBLY >

[6MT: FS6R31A]

- a. Install counter front bearing (1) to transmission case.
- b. Apply recommended grease to roller of counter front bearing.



- c. Apply recommended sealant to mating surface of transmission case as shown in the figure.

A : Start and finish point shall be in the center of two bolts.

Dimension "B" : 3 – 5 mm (0.12 – 0.20 in)

Sealant width "C" : 1 – 2 mm (0.04 – 0.08 in)

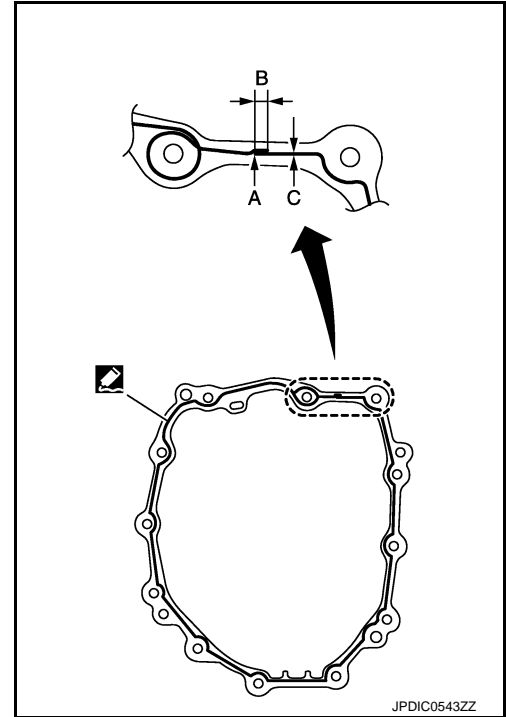
Sealant height "C" : 0.4 – 1 mm (0.016 – 0.04 in)

- Use Genuine Silicone RTV or an equivalent. Refer to [GI-22, "Recommended Chemical Products and Sealants"](#).

CAUTION:

- Remove old sealant adhering to the mounting surfaces. Also remove any moisture, oil, or foreign material adhering to both mounting surfaces.
- Apply sealant so as not to break the bead.

- d. Install magnet to adapter plate.



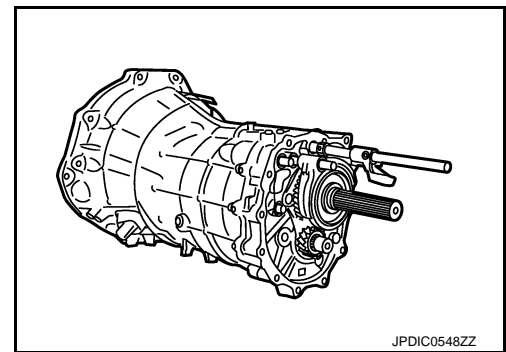
- e. Install transmission case to adapter plate.

CAUTION:

- Check for baffle plate weld bolt location while installing.
- Check that magnet is within the specified area of adapter plate while installing.
- Never drop counter front bearing.

NOTE:

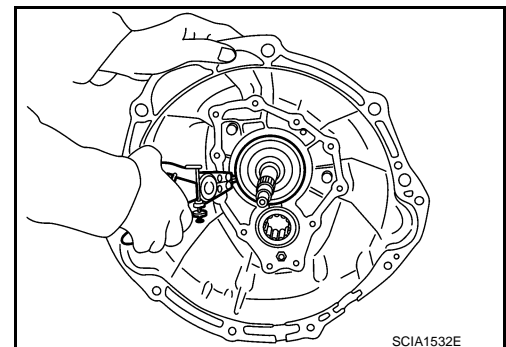
Apply grease to magnet if it is difficult to keep magnet within the specified area of adapter plate.



- f. Install snap ring to main drive gear bearing, using snap ring pliers.

CAUTION:

Never reuse snap ring.

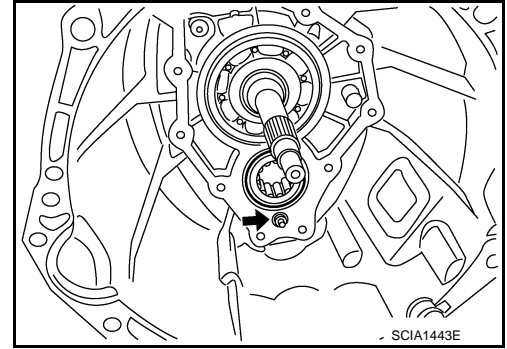


TRANSMISSION ASSEMBLY

< UNIT DISASSEMBLY AND ASSEMBLY >

[6MT: FS6R31A]

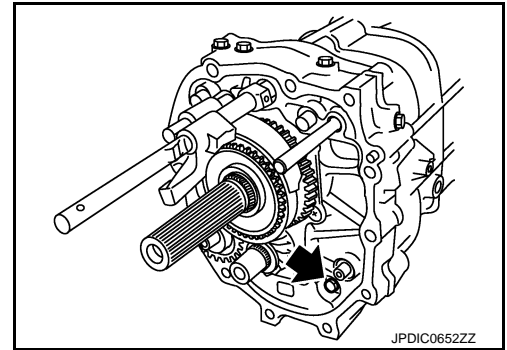
3. Install baffle plate with the following procedure.
 - a. Tighten mounting nut (←) to the specified torque.



A
B
C

TM

- b. Install mounting bolt (←) to adapter plate and then tighten mounting bolt to the specified torque.



E
F
G

H

4. Install front cover with the following procedure.
 - a. Install front oil seal (1) to front cover, using the drift (A) [SST: KV38102100 (J-25803-01)].

Dimension "H" : 8.55 – 9.55 mm (0.3366 – 0.3760 in)

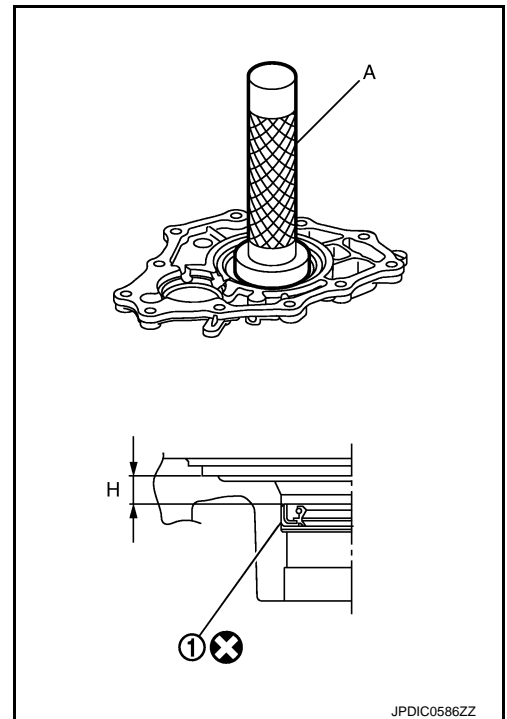
CAUTION:

Never incline front oil seal.

- b. Install front cover gasket and front cover to transmission case.

CAUTION:

- Never reuse front cover gasket.
- Never damage front oil seal.
- Remove any moisture, oil, or foreign material adhering to both mating surfaces.



I
J
K

L

M

N

O

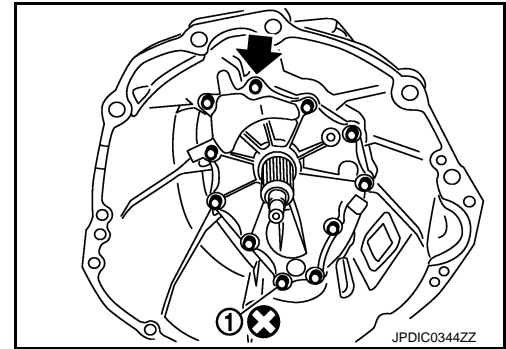
P

TRANSMISSION ASSEMBLY

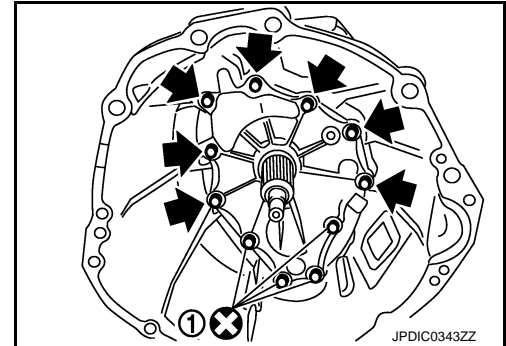
< UNIT DISASSEMBLY AND ASSEMBLY >

[6MT: FS6R31A]

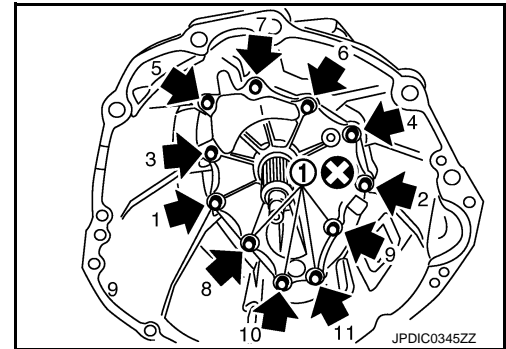
c. Temporarily tighten mounting bolt (←) and sealing bolt (1).



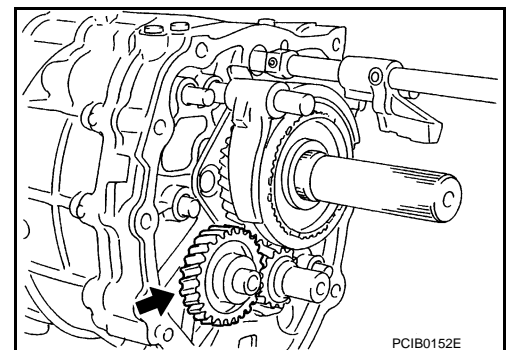
d. Temporarily tighten mounting bolts (←) and sealing bolts (1).



e. Tighten mounting bolts (←) and sealing bolts (1) to the specified torque in the numerical order as shown in the figure.



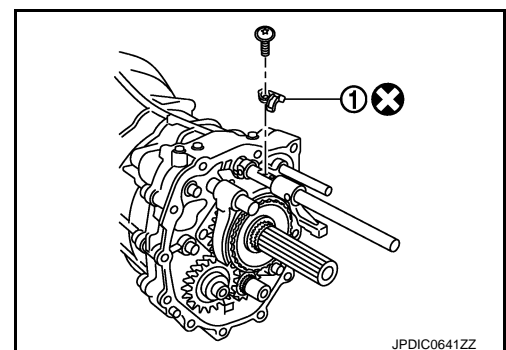
5. Install reverse idler shaft assembly (←) to adapter plate.



6. Install gear lever position sensor magnet (1) to striking rod.

CAUTION:

- Replace gear lever position sensor magnet when it is dropped.
- Never place gear lever position sensor magnet near magnetic materials.



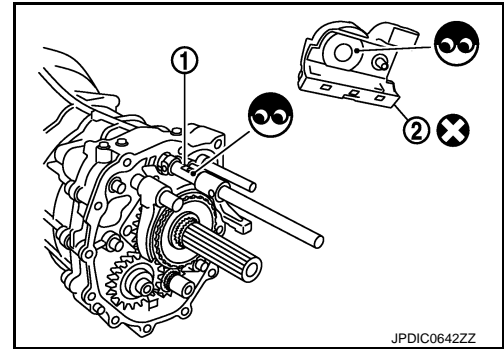
TRANSMISSION ASSEMBLY

< UNIT DISASSEMBLY AND ASSEMBLY >

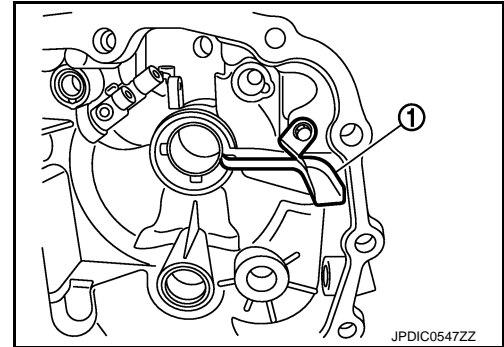
[6MT: FS6R31A]

- Never allow foreign matter on striking rod (1) mounting surface and gear lever position sensor magnet (2).

7. Install rear extension with the following procedure.
 - a. Install oil gutter with the following procedure.
 - i. Seat the prong of oil gutter in the groove on cap.



- ii. Install oil gutter (1) to rear extension and then tighten mounting bolt to the specified torque.

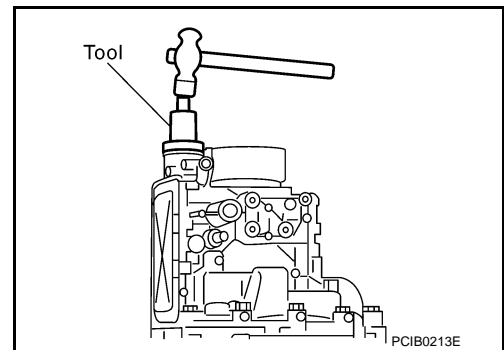


- b. Install striking rod oil seal to rear extension, using the drift [SST: ST33061000 (J-8107-2)].

CAUTION:

- Never reuse striking rod oil seal.
- Never incline striking rod oil seal.

- c. Install dust cover to rear extension.

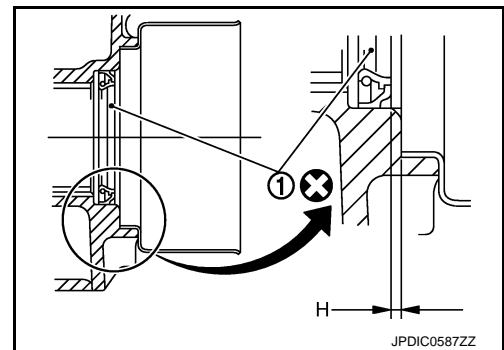


- d. Install rear oil seal (1) to rear extension, using the drift [SST: ST33400001 (J-26082)].

Dimension "H" : 1.2 – 2.2 mm (0.047 – 0.087 in)

CAUTION:

Never incline rear oil seal.



A
B
C
TM
E
F
G
H
I
J
K
L
M
N
O
P

TRANSMISSION ASSEMBLY

< UNIT DISASSEMBLY AND ASSEMBLY >

[6MT: FS6R31A]

- e. Apply recommended sealant to mating surface of rear extension as shown in the figure.

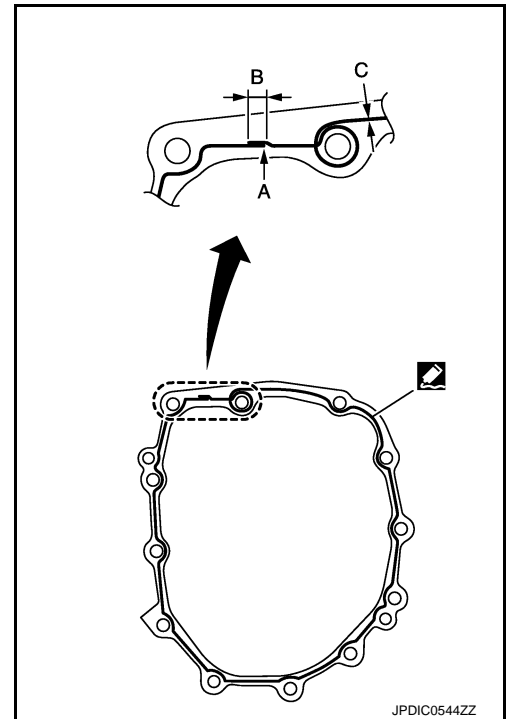
A : Start and finish point shall be in the center of two bolts.

- Dimension "B" : 3 – 5 mm (0.12 – 0.20 in)
- Sealant width "C" : 1 – 2 mm (0.04 – 0.08 in)
- Sealant height "C" : 0.4 – 1 mm (0.016 – 0.04 in)

- Use Genuine Silicone RTV or an equivalent. Refer to [GI-22, "Recommended Chemical Products and Sealants"](#).

CAUTION:

- Remove old sealant adhering to the mounting surfaces. Also remove any moisture, oil, or foreign material adhering to both mounting surfaces.
- Apply sealant so as not to break the bead.



JPDIC0544ZZ

- f. Install rear extension to adapter plate and then tighten mounting bolts (↔) to the specified torque in the numerical order as shown in the figure.

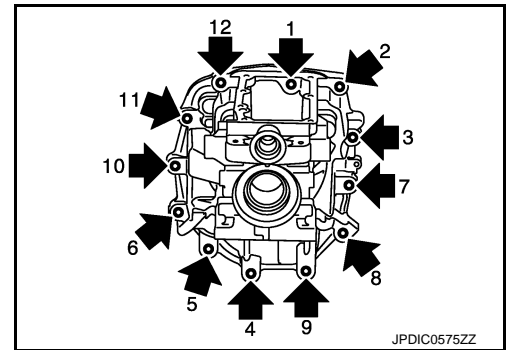
CAUTION:

- Never impact rear oil seal and striking rod oil seal.
- Never damage rear oil seal and striking rod oil seal.

8. Install control lever housing to rear extension and then tighten mounting bolts to the specified torque.

CAUTION:

Never hold control lever housing to prevent the bushing of control lever housing from deformation when moving transmission assembly.



JPDIC0575ZZ

9. Install return spring plug with the following procedure.

- a. Apply gear oil to return spring plungers (1).
- b. Install return spring plungers and return springs (2) to rear extension.

Region	Return spring identification mark	Plunger groove
RH	Brown	Without
LH	Blue	With

CAUTION:

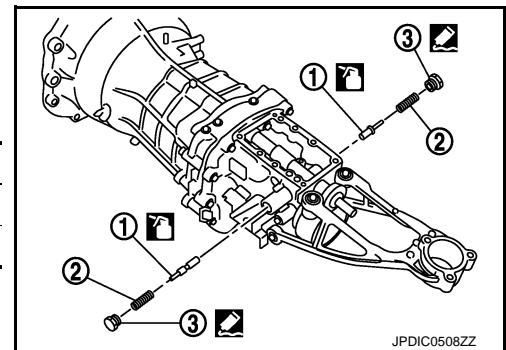
The right and left return springs and return spring plungers are different, so make sure they are installed correctly.

- c. Apply recommended sealant to threads of return spring plugs (3) and then tighten its to the specified torque.

- Use Genuine Silicone RTV or an equivalent. Refer to [GI-22, "Recommended Chemical Products and Sealants"](#).

CAUTION:

Remove old sealant and oil adhering to threads.



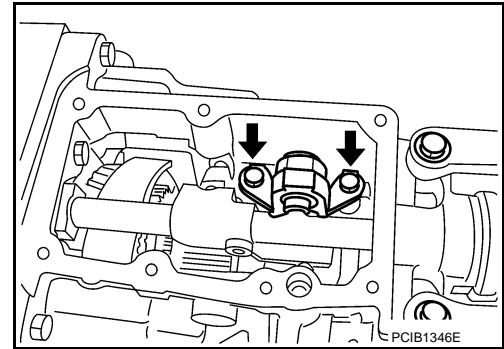
JPDIC0508ZZ

TRANSMISSION ASSEMBLY

< UNIT DISASSEMBLY AND ASSEMBLY >

[6MT: FS6R31A]

10. Install control bracket to rear extension and then tighten mounting bolts (←) to the specified torque.



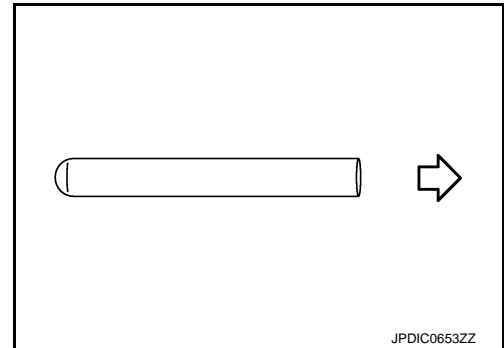
11. Install park/neutral position (PNP) switch with the following procedure.

- a. Install plunger to rear extension.

CAUTION:

Be careful with orientation of plunger.

↔ : Park/Neutral position (PNP) switch side



- b. Temporarily tighten back-up lamp switch onto rear extension by rotating once or twice.

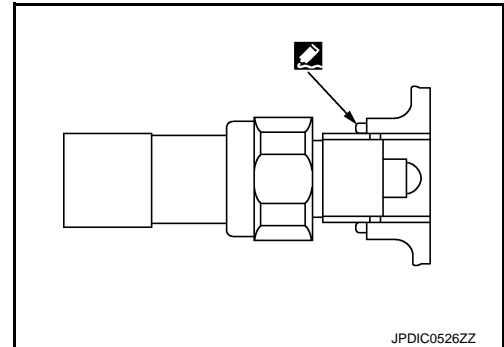
CAUTION:

Remove old sealant and oil adhering to threads.

- c. Apply recommended sealant to threads of park/neutral position (PNP) switch as shown in the figure.

• Use Genuine Silicone RTV or an equivalent. Refer to [GI-22, "Recommended Chemical Products and Sealants"](#).

- d. Tighten park/neutral position (PNP) switch to the specified torque.



12. Install back-up lamp switch with the following procedure.

- a. Temporarily tighten back-up lamp switch onto rear extension by rotating once or twice.

CAUTION:

Remove old sealant and oil adhering to threads.

- b. Apply recommended sealant to threads of back-up lamp switch as shown in the figure.

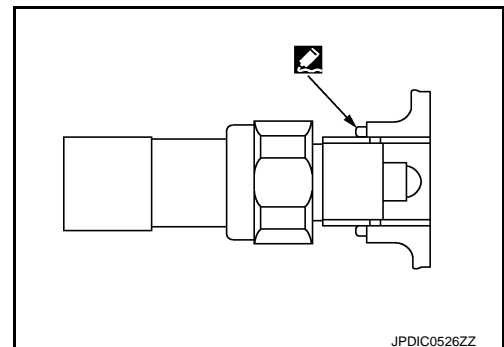
• Use Genuine Silicone RTV or an equivalent. Refer to [GI-22, "Recommended Chemical Products and Sealants"](#).

- c. Tighten back-up lamp switch to the specified torque.

13. Install control rod with the following procedure.

- a. Install boot to striking rod oil seal and then install control rod to striking rod.

CAUTION:



A
B
C
TM
E
F
G
H
I
J
K
L
M
N
O
P

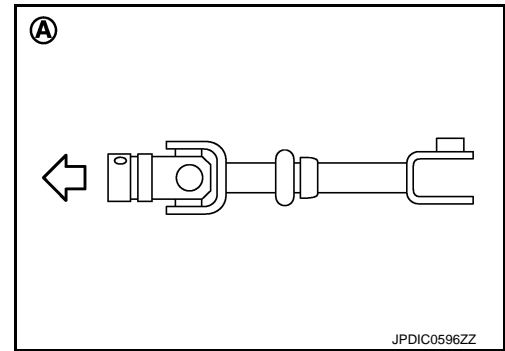
TRANSMISSION ASSEMBLY

< UNIT DISASSEMBLY AND ASSEMBLY >

[6MT: FS6R31A]

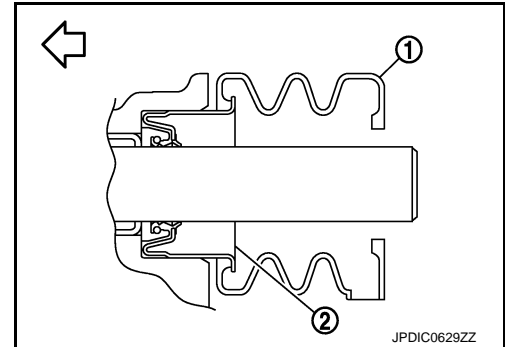
- Be careful with the orientation of control rod.

⇐ : Transmission front
A : View from transmission top side



- Be careful with the orientation of boot (1).

⇐ : Transmission front
2 : Striking rod oil seal

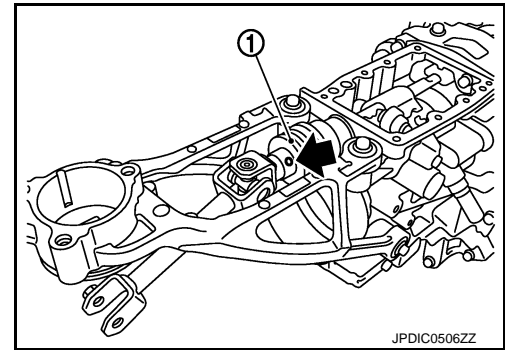


- b. Install retaining pin (⇐) to control rod, using a pin punch [Commercial service tool].

1 : Boot

CAUTION:

- Never reuse retaining pin.
- Assemble retaining pin from the direction shown by the arrow in the figure until it becomes flush with the end surface of control rod.



- c. Install boot to control rod.

CAUTION:

- Be careful with the orientation of boot.

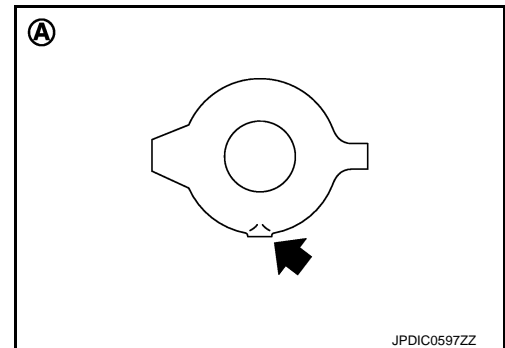
A : View from transmission rear side

- Fit control rod boot to the groove on control rod.

- d. Install control rod boot to control rod.

CAUTION:

- Fit control rod boot to the groove on control rod.



14. Install brackets with the following procedure.

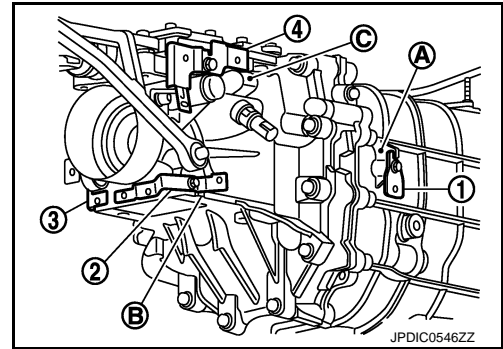
TRANSMISSION ASSEMBLY

< UNIT DISASSEMBLY AND ASSEMBLY >

[6MT: FS6R31A]

- a. Install bracket (1) so that it contacts transmission case rib (A) and then tighten mounting bolt to the specified torque.

CAUTION:
Be careful with orientation of bracket.
- b. Install bracket (2) so that it contacts the projection (B) of rear extension and then tighten mounting bolt to the specified torque.
- c. Install bracket (3) to rear extension and then tighten mounting bolt to the specified torque.
- d. Install bracket to rear extension and then tighten mounting bolt to the specified torque.
- e. Install bracket (4) so that it contacts the projection (C) of rear extension and then tighten bracket mounting bolt to the specified torque.



15. Install rear extension upper cover with the following procedure.

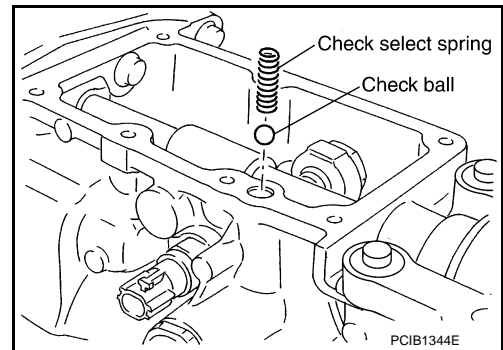
- a. Apply gear oil to check ball.

CAUTION:
Never drop check ball.
- b. Install check ball and check select spring to rear extension.
- c. Install rear extension upper cover gasket and rear extension upper cover to rear extension.

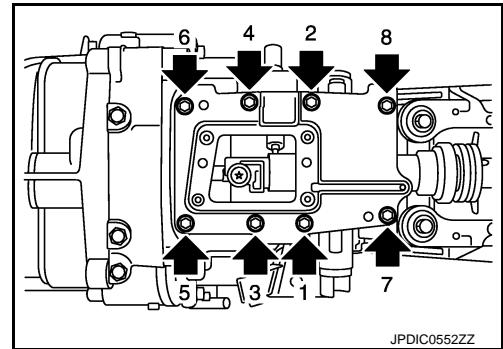
CAUTION:

 - Never reuse rear extension upper cover gasket.
 - Remove any moisture, oil, or foreign material adhering to both mating surfaces.
- d. Temporarily tighten rear extension upper cover mounting bolts while holding rear extension upper cover.

CAUTION:
Avoid tangling check select spring.



- e. Tighten mounting bolts (↔) to the specified torque in the numerical order as shown in the figure.

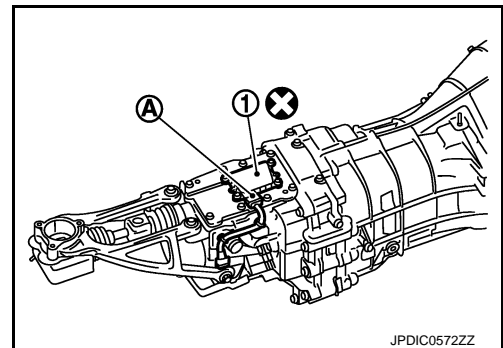


16. Install gear lever position sensor with the following procedure.

- a. Install gear lever position sensor (1) to rear extension upper cover.

CAUTION:

 - Never disassemble gear lever position sensor.
 - Never impact gear lever position sensor by dropping or others.
 - Never place gear lever position sensor near magnetic materials.
 - Never remove connector (A).



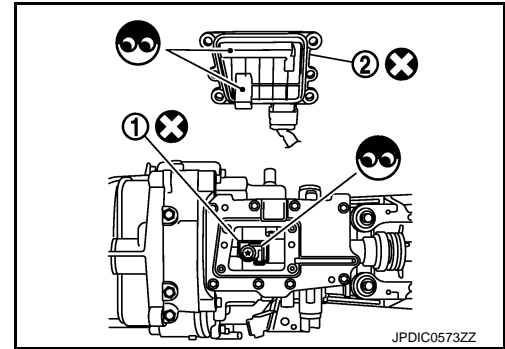
A
B
C
TM
E
F
G
H
I
J
K
L
M
N
O
P

TRANSMISSION ASSEMBLY

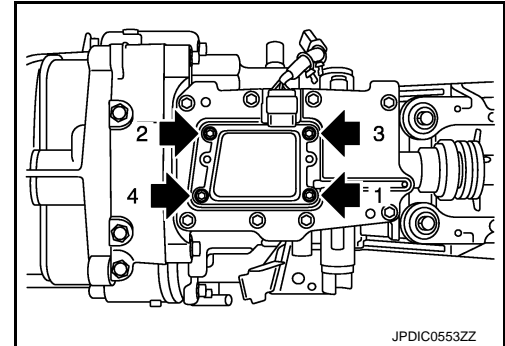
< UNIT DISASSEMBLY AND ASSEMBLY >

[6MT: FS6R31A]

- Never allow foreign matter on gear lever position sensor magnet (1) and gear lever position sensor (2).



- b. Tighten mounting bolts (↔) to the specified torque in the numerical order as shown in the figure.
 - c. Install clips to gear lever position sensor harness.
17. Install input speed sensor with the following procedure.



- a. Apply gear oil to O-ring.
CAUTION:
Never reuse O-ring.
 - b. Install O-ring to input speed sensor.
 - c. Install input speed sensor to rear extension.
CAUTION:
 - Never disassemble input speed sensor.
 - Never impact input speed sensor by dropping or others.
 - Never place input speed sensor near magnetic materials.
 - Never allow foreign matter on input speed sensor.
18. Install drain plug with the following procedure.
- a. Install gasket to drain plug and then install it to transmission case.
CAUTION:
Never reuse gasket.
 - b. Tighten drain plug to the specified torque.
19. Install filler plug with the following procedure.
- a. Install gasket to filler plug and then install it to transmission case.
CAUTION:
Never reuse gasket.
 - b. Tighten filler plug to the specified torque.
CAUTION:
After gear oil is filled, tighten filler plug to the specified torque.

WITH S-MODE : Inspection and Adjustment

INFOID:000000008192934

INSPECTION BEFORE DISASSEMBLY

Shaft

Before disassembly, measure the end play "L" for each position. If the end play is outside the standard value, disassemble and inspect.

TRANSMISSION ASSEMBLY

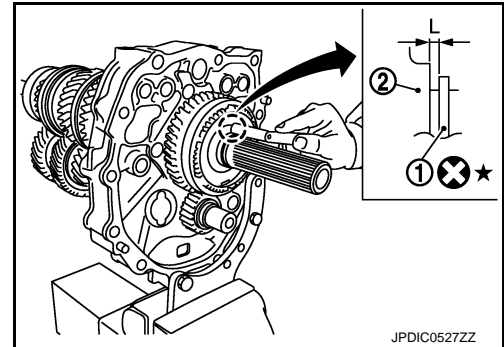
< UNIT DISASSEMBLY AND ASSEMBLY >

[6MT: FS6R31A]

• Mainshaft

- 1 : Snap ring
- 2 : Reverse synchronizer hub

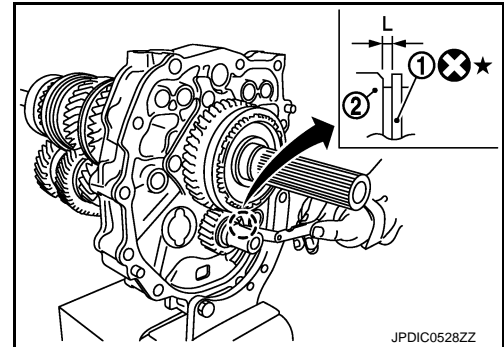
End play “L” : Refer to [TM-148, "End Play"](#).



• Counter shaft

- 1 : Snap ring
- 2 : Reverse counter gear

End play “L” : Refer to [TM-148, "End Play"](#).



INSPECTION AFTER DISASSEMBLY

Case and Plate

- Check the bearing mounting surface for wear, cracks, and damages. Replace if necessary.
- Check the mating surface for wear, cracks, and damages. Replace if necessary.

Extension and Cover

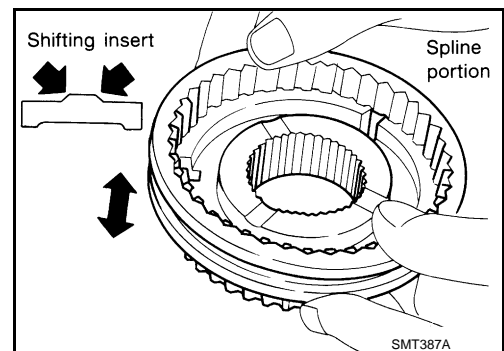
- Check the oil seal mounting surface for wear, cracks, and damages. Replace if necessary.
- Check the mating surface for wear, cracks, and damages. Replace if necessary.

Gear

Check the gears for any damage, scaling, or uneven wear. Replace if necessary.

Synchronizer Hub and Coupling Sleeve

- Check the contact surface of the coupling sleeve, synchronizer hub, and shifting inserts for damage and uneven wear. Replace if necessary.
- The coupling sleeve and synchronizer hub moves smoothly.



Baulk Ring and Spread Spring

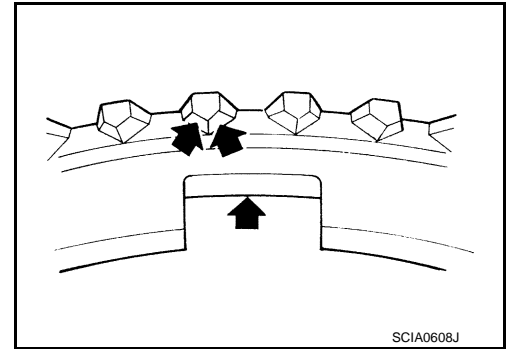
A
B
C
TM
E
F
G
H
I
J
K
L
M
N
O
P

TRANSMISSION ASSEMBLY

< UNIT DISASSEMBLY AND ASSEMBLY >

[6MT: FS6R31A]

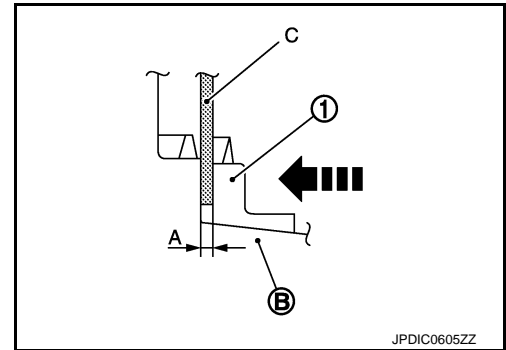
- Check the cam surface and contact surface of the baulk ring for damage and uneven wear. Replace if necessary.
- Check the spread springs for damage. Replace if necessary.



Baulk Ring Clearance for Single Cone Synchronizer (Reverse)

Measure the clearance "A" when pressing the baulk ring (1) against the cone (B) of clutch gear by hands at 2 points or more on the opposite side, using a feeler gauge (C), and then calculate the mean value. Replace if outside the limit value.

Clearance "A" : Refer to [TM-148, "Baulk Ring Clearance"](#).



Bearing

Check the bearing for damage and unsmooth rotation. Replace if necessary.

ADJUSTMENT AFTER ASSEMBLY

Gear Lever Position Sensor

When replacing the gear lever position sensor, perform the M/T neutral position learning after installing transmission assembly. Refer to [EC-24, "M/T NEUTRAL POSITION LEARNING : Special Repair Requirement"](#).

MAIN DRIVE GEAR

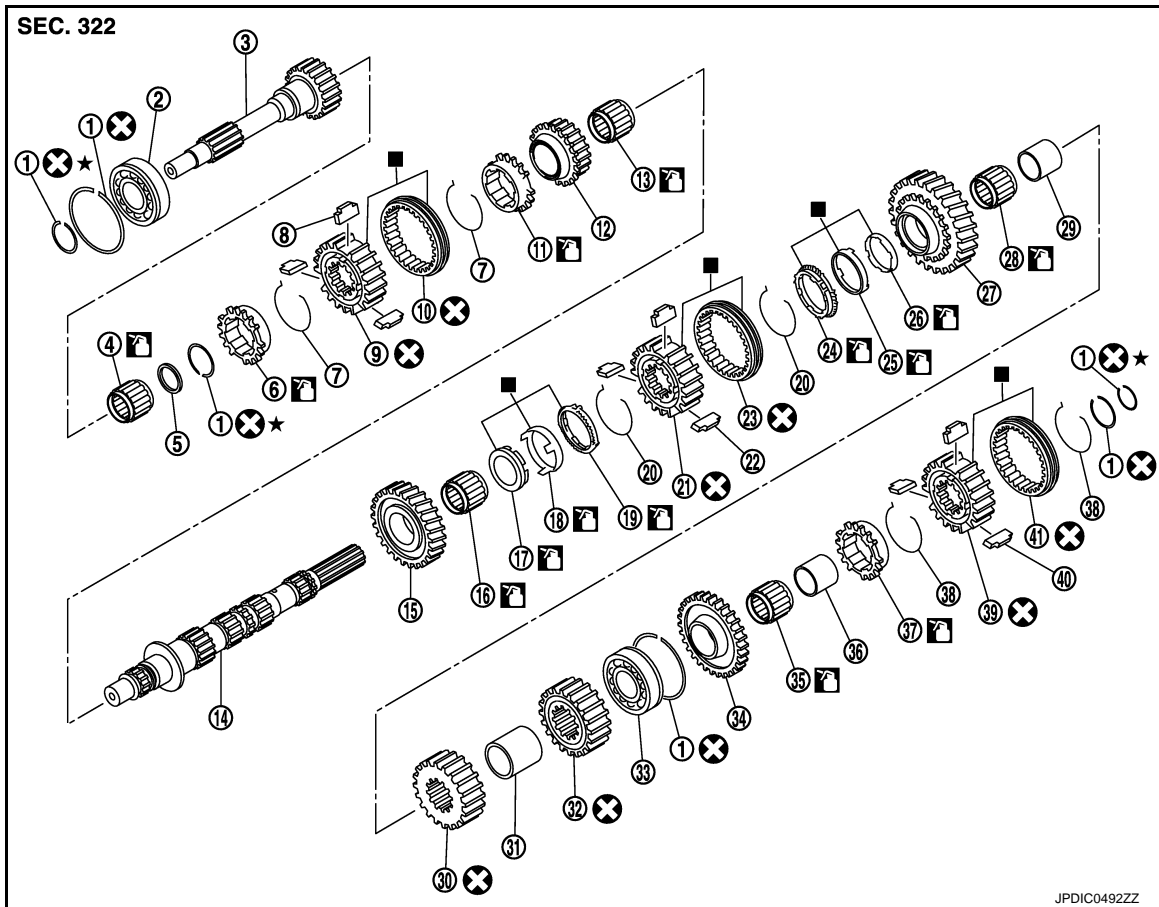
< UNIT DISASSEMBLY AND ASSEMBLY >

[6MT: FS6R31A]

MAIN DRIVE GEAR

Exploded View

INFOID:00000008192935



- | | | |
|-----------------------------|-----------------------------|-------------------------------|
| 1. Snap ring | 2. Main drive gear bearing | 3. Main drive gear |
| 4. Main pilot bearing | 5. Pilot bearing spacer | 6. 5th baulk ring |
| 7. 5th-6th spread spring | 8. 5th-6th shifting insert | 9. 5th-6th synchronizer hub |
| 10. 5th-6th coupling sleeve | 11. 6th baulk ring | 12. 6th main gear |
| 13. 6th needle bearing | 14. Mainshaft | 15. 2nd main gear |
| 16. 2nd needle bearing | 17. 2nd inner baulk ring | 18. 2nd synchronizer cone |
| 19. 2nd outer baulk ring | 20. 1st-2nd spread spring | 21. 1st-2nd synchronizer hub |
| 22. 1st-2nd shifting insert | 23. 1st-2nd coupling sleeve | 24. 1st outer baulk ring |
| 25. 1st synchronizer cone | 26. 1st inner baulk ring | 27. 1st main gear |
| 28. 1st needle bearing | 29. 1st gear bushing | 30. 3rd main gear |
| 31. 3rd-4th main spacer | 32. 4th main gear | 33. Mainshaft bearing |
| 34. Reverse main gear | 35. Reverse needle bearing | 36. Reverse main gear bushing |
| 37. Reverse baulk ring | 38. Reverse spread spring | 39. Reverse synchronizer hub |
| 40. Reverse shifting insert | 41. Reverse coupling sleeve | |

■: Replace the parts as a set.

🛢️: Apply gear oil.

Refer to [GI-4, "Components"](#) for symbols not described on the above.

- Apply gear oil to gears, shafts, synchronizers, and bearings when assembling.

A
B
C
TM
E
F
G
H
I
J
K
L
M
N
O
P

MAIN DRIVE GEAR

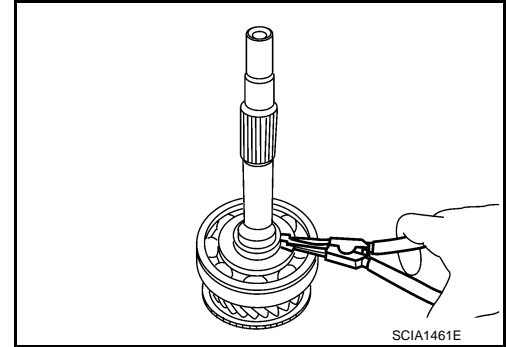
< UNIT DISASSEMBLY AND ASSEMBLY >

[6MT: FS6R31A]

Disassembly

INFOID:000000008192936

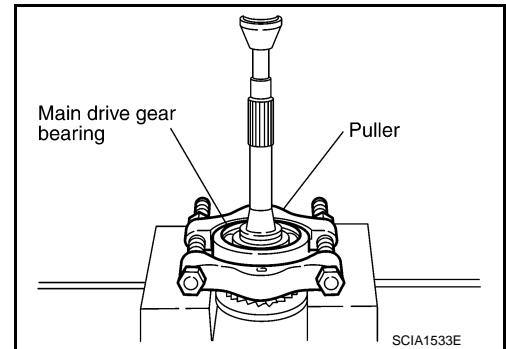
1. Remove 5th baulk ring, pilot bearing spacer, and main pilot bearing from main drive gear.
2. Remove snap ring from main drive gear, using snap ring pliers.



3. Remove main drive gear bearing with the following procedure.
 - a. Set a puller [Commercial service tool] to main drive gear bearing.
 - b. Remove main drive gear bearing from main drive gear with a pressing machine.

CAUTION:

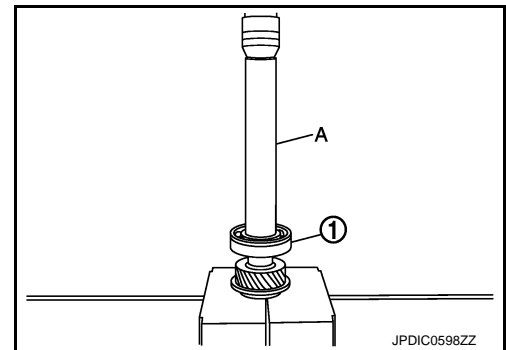
Never drop main drive gear.



Assembly

INFOID:000000008192937

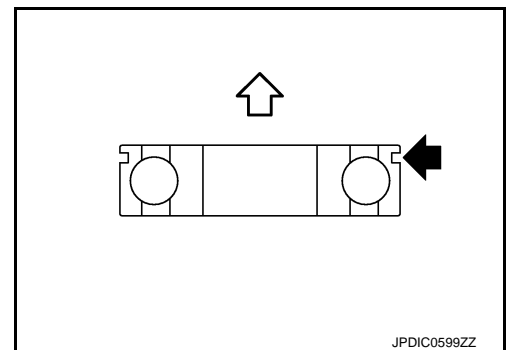
1. Install main drive gear bearing (1) to main drive gear with a pressing machine, using the drift (A) [SST: KV32102700 (-)].



CAUTION:

Be careful with the orientation of main drive gear bearing.

↔ : Snap ring side



MAIN DRIVE GEAR

< UNIT DISASSEMBLY AND ASSEMBLY >

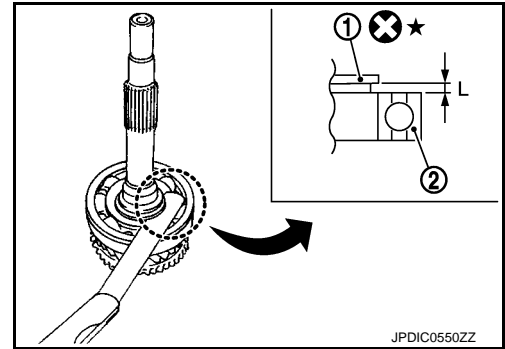
[6MT: FS6R31A]

2. Select and install snap ring (1) to main drive gear so that the end play "L" is adjusted to the standard value. For selecting snap ring, refer to the latest parts information.

2 : Main drive gear bearing

End play "L" : Refer to [TM-148, "End Play"](#).

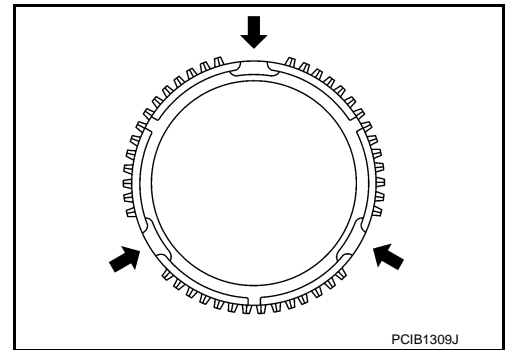
3. Apply gear oil to main pilot bearing and 5th baulk ring.



4. Install main pilot bearing, pilot bearing spacer, and 5th baulk ring to main drive gear.

NOTE:

5th and 6th baulk rings have three spaces that four gear teeth are missing as shown in the figure.



INFOID:000000008192938

Inspection

INSPECTION BEFORE DISASSEMBLY

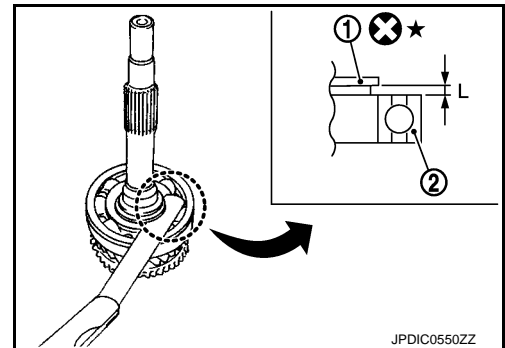
Gear

Before disassembly, measure the end play "L". If the end play is outside the standard value, disassemble and inspect.

1 : Snap ring

2 : Main drive gear bearing

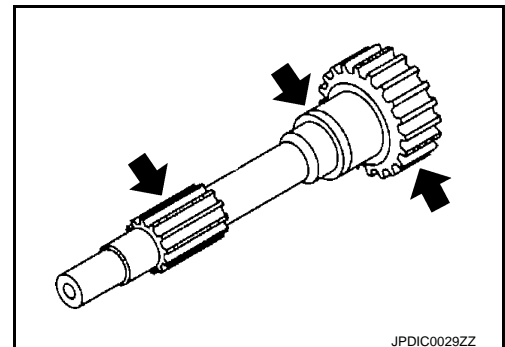
End play "L" : Refer to [TM-148, "End Play"](#).



INSPECTION AFTER DISASSEMBLY

Gear

Check the gear for any damage, scaling, or uneven wear. Replace if necessary.



Baulk Ring

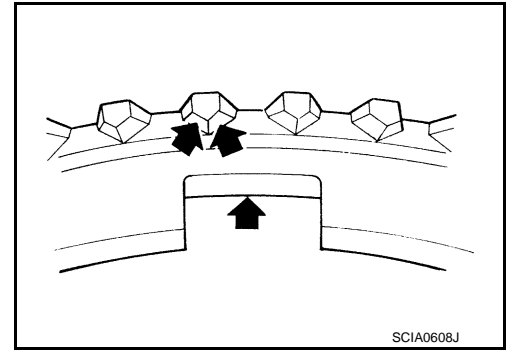
A
B
C
TM
E
F
G
H
I
J
K
L
M
N
O
P

MAIN DRIVE GEAR

< UNIT DISASSEMBLY AND ASSEMBLY >

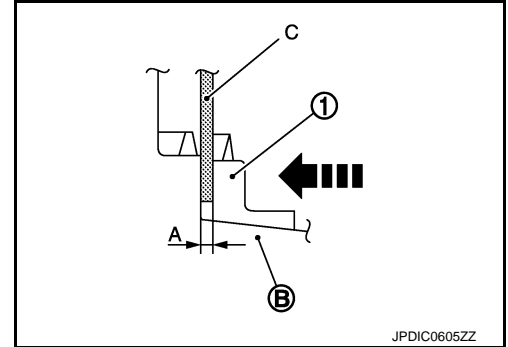
[6MT: FS6R31A]

Check the cam surface and contact surface of the baulk ring for damage and uneven wear. Replace if necessary.

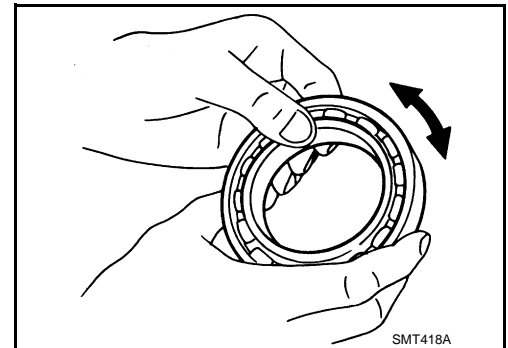


Baulk Ring Clearance for Single Cone Synchronizer (5th)
Measure the clearance "A" when pressing the baulk ring (1) against the cone (B) of clutch gear by hands at 2 points or more on the opposite side, using a feeler gauge (C), and then calculate the mean value. Replace if outside the limit value.

Clearance "A" : Refer to [TM-148, "Baulk Ring Clearance"](#).



Bearing
Check the bearing for damage and unsmooth rotation. Replace if necessary.



MAINSHAFT AND GEAR

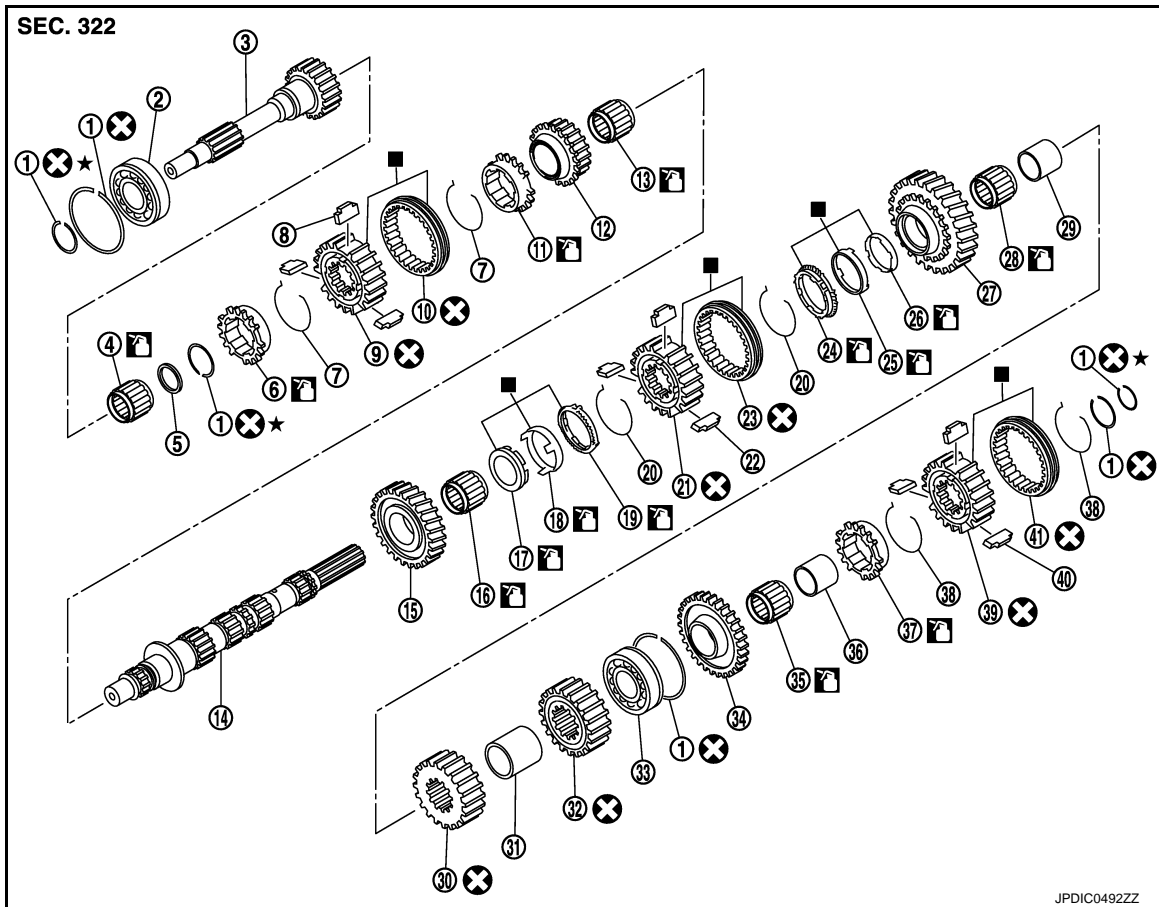
< UNIT DISASSEMBLY AND ASSEMBLY >

[6MT: FS6R31A]

MAINSHAFT AND GEAR

Exploded View

INFOID:000000008192939



- | | | |
|-----------------------------|-----------------------------|-------------------------------|
| 1. Snap ring | 2. Main drive gear bearing | 3. Main drive gear |
| 4. Main pilot bearing | 5. Pilot bearing spacer | 6. 5th baulk ring |
| 7. 5th-6th spread spring | 8. 5th-6th shifting insert | 9. 5th-6th synchronizer hub |
| 10. 5th-6th coupling sleeve | 11. 6th baulk ring | 12. 6th main gear |
| 13. 6th needle bearing | 14. Mainshaft | 15. 2nd main gear |
| 16. 2nd needle bearing | 17. 2nd inner baulk ring | 18. 2nd synchronizer cone |
| 19. 2nd outer baulk ring | 20. 1st-2nd spread spring | 21. 1st-2nd synchronizer hub |
| 22. 1st-2nd shifting insert | 23. 1st-2nd coupling sleeve | 24. 1st outer baulk ring |
| 25. 1st synchronizer cone | 26. 1st inner baulk ring | 27. 1st main gear |
| 28. 1st needle bearing | 29. 1st gear bushing | 30. 3rd main gear |
| 31. 3rd-4th main spacer | 32. 4th main gear | 33. Mainshaft bearing |
| 34. Reverse main gear | 35. Reverse needle bearing | 36. Reverse main gear bushing |
| 37. Reverse baulk ring | 38. Reverse spread spring | 39. Reverse synchronizer hub |
| 40. Reverse shifting insert | 41. Reverse coupling sleeve | |

■: Replace the parts as a set.

🛢️: Apply gear oil.

Refer to [GI-4, "Components"](#) for symbols not described on the above.

- Apply gear oil to gears, shafts, synchronizers, and bearings when assembling.

A
B
C
TM
E
F
G
H
I
J
K
L
M
N
O
P

MAINSHAFT AND GEAR

< UNIT DISASSEMBLY AND ASSEMBLY >

[6MT: FS6R31A]

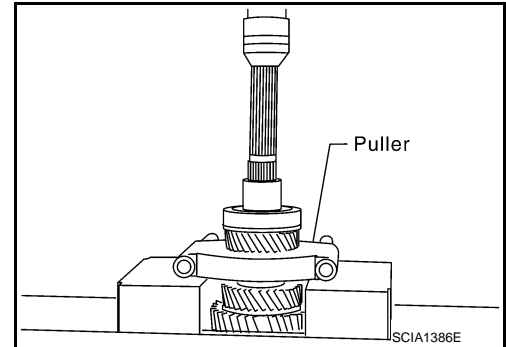
Disassembly

INFOID:00000008192940

1. Remove 4th main gear with the following procedure.
 - a. Set a puller [Commercial service tool] to 4th main gear.
 - b. Remove mainshaft bearing and reverse main gear bushing together with 4th main gear from mainshaft with a pressing machine.
2. Remove 3rd-4th main spacer from mainshaft.

CAUTION:

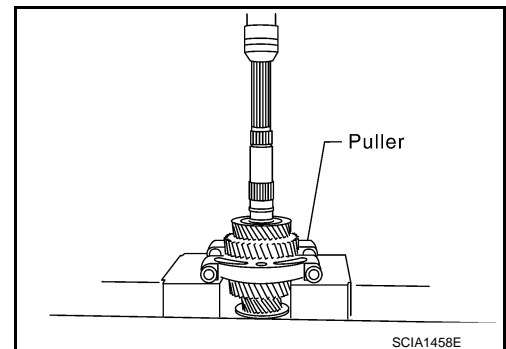
Never drop mainshaft.



3. Remove 1st main gear with the following procedure.
 - a. Set a puller [Commercial service tool] to 1st main gear.
 - b. Remove 3rd main gear together with 1st main gear from mainshaft with a pressing machine.
4. Remove 1st outer baulk ring, 1st synchronizer cone, 1st inner baulk ring, and 1st needle bearing from mainshaft.

CAUTION:

- Never damage 1st outer baulk ring.
- Never drop mainshaft.



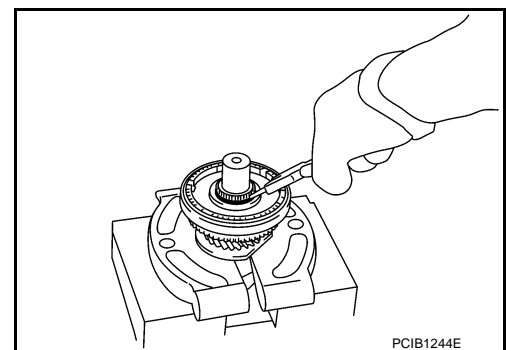
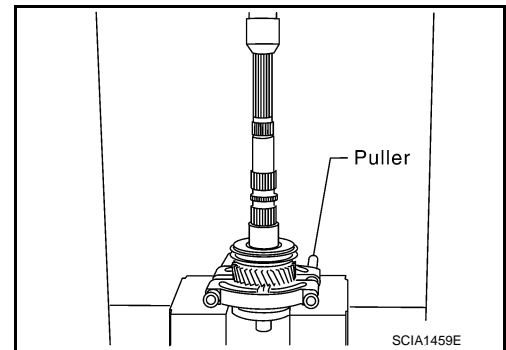
5. Remove 2nd main gear with the following procedure.
 - a. Set a puller [Commercial service tool] to 2nd main gear.
6. Remove 1st-2nd spread springs, 1st-2nd shifting inserts, and 1st-2nd coupling sleeve from 1st-2nd synchronizer hub.
7. Remove 2nd needle bearing from mainshaft.
8. Remove snap ring from mainshaft.

CAUTION:

Set V-block in the position where V-block does not contact with collar of mainshaft.

CAUTION:

- Never damage mainshaft.
- Never drop mainshaft.



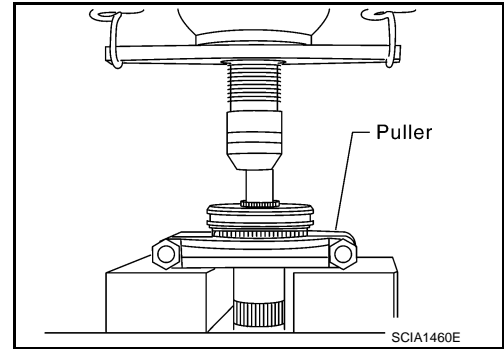
9. Remove 6th main gear with the following procedure.

MAINSHAFT AND GEAR

< UNIT DISASSEMBLY AND ASSEMBLY >

[6MT: FS6R31A]

- a. Set a puller [Commercial service tool] to 6th main gear.
CAUTION:
Set V-block in the position where V-block does not contact with collar of mainshaft.
 - b. Remove 6th baulk ring and 5th-6th synchronizer hub assembly together with 6th main gear from mainshaft with a pressing machine.
CAUTION:
 - Never damage mainshaft.
 - Never drop mainshaft.
10. Remove 5th-6th spread springs, 5th-6th shifting inserts, and 5th-6th coupling sleeve from 5th-6th synchronizer hub.
 11. Remove 6th needle bearing from mainshaft.



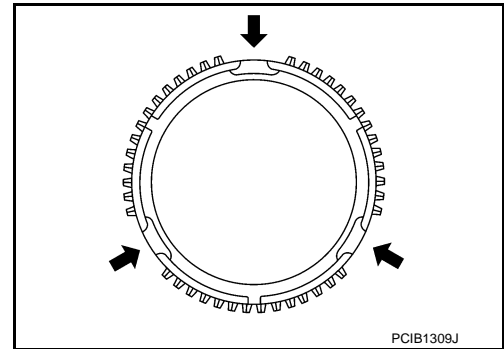
Assembly

INFOID:000000008192941

1. Apply gear oil to 6th needle bearing and 6th baulk ring.
2. Install 6th needle bearing, 6th main gear, and 6th baulk ring to mainshaft.

NOTE:

5th and 6th baulk rings have three spaces that four gear teeth are missing as shown in the figure.



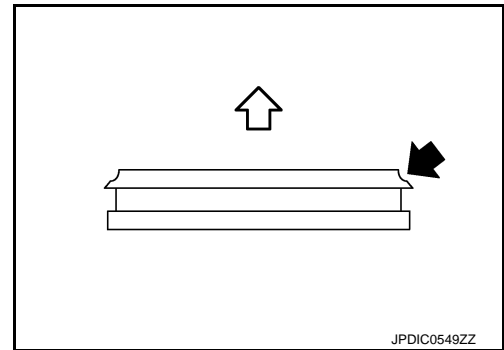
3. Install 5th-6th synchronizer hub assembly with the following procedure.
- a. Install 5th-6th coupling sleeve and 5th-6th shifting inserts to 5th-6th synchronizer hub.

CAUTION:

- Be careful with the orientation of 5th-6th coupling sleeve.

⇐ : 6th main gear side

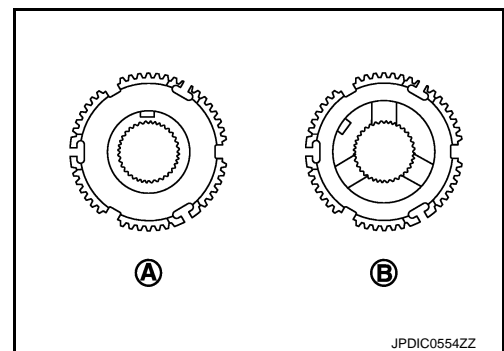
- Never reuse 5th-6th coupling sleeve and 5th-6th synchronizer hub.
- Replace 5th-6th coupling sleeve and 5th-6th synchronizer hub as a set.



- Be careful with the orientation of 5th-6th synchronizer hub.

A : 5th main gear side

B : 6th main gear side



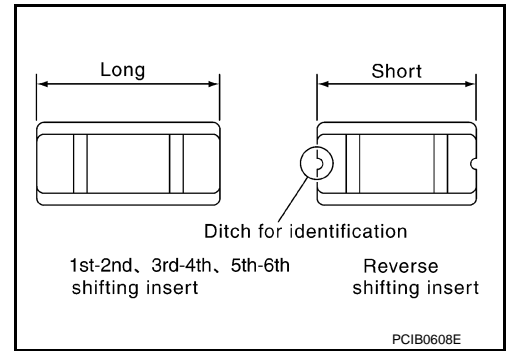
A
B
C
TM
E
F
G
H
I
J
K
L
M
N
O
P

MAINSHAFT AND GEAR

< UNIT DISASSEMBLY AND ASSEMBLY >

[6MT: FS6R31A]

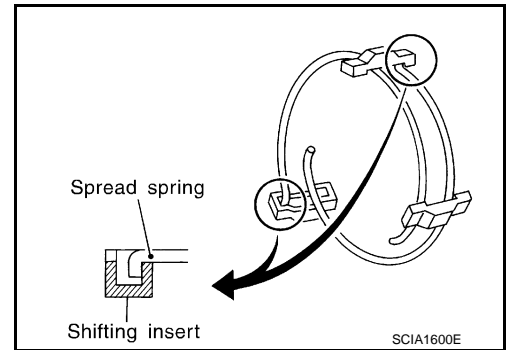
- Be careful with the shape of 5th-6th shifting insert.



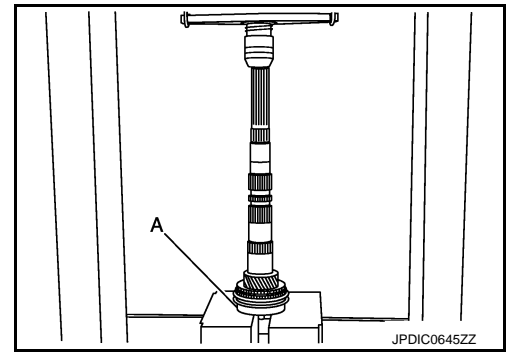
- b. Install 5th-6th spread springs to 5th-6th shifting inserts.

CAUTION:

Never install 5th-6th spread spring hook onto the same 5th-6th shifting insert.



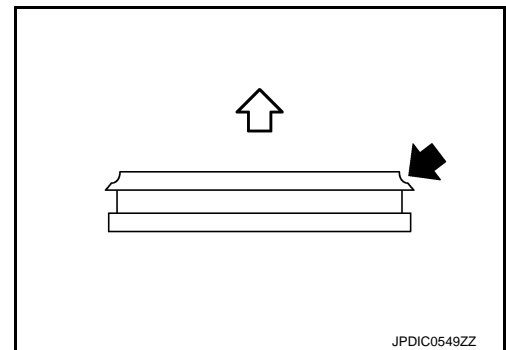
- c. Install 5th-6th synchronizer hub assembly to mainshaft with a pressing machine, using the inserter (A) [SST: ST30911000 (-)].



CAUTION:

Be careful with the orientation of 5th-6th coupling sleeve.

← : 6th main gear side



MAINSHAFT AND GEAR

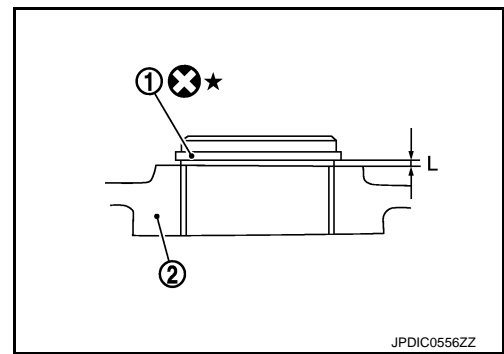
< UNIT DISASSEMBLY AND ASSEMBLY >

[6MT: FS6R31A]

4. Select and install snap ring (1) to mainshaft so that the end play "L" of mainshaft is adjusted to the standard value. For selecting snap ring, refer to the latest parts information.

2 : 5th-6th synchronizer hub

End play "L" : Refer to [TM-148, "End Play"](#).



5. Apply gear oil to 2nd needle bearing, 2nd inner baulk ring, 2nd synchronizer cone, and 2nd outer baulk ring.

CAUTION:

Replace 2nd inner baulk ring, 2nd synchronizer cone, and 2nd outer baulk ring as a set.

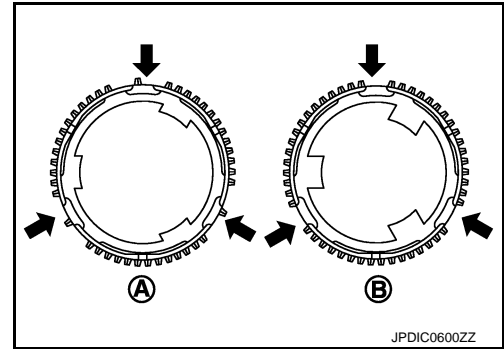
6. Install 2nd needle bearing, 2nd main gear, 2nd inner baulk ring, 2nd synchronizer cone, and 2nd outer baulk ring to mainshaft.

NOTE:

1st outer baulk ring has three spaces that four gear teeth are missing and 2nd outer baulk ring has three spaces that two gear teeth are missing.

A : 1st outer baulk ring

B : 2nd outer baulk ring



7. Install 1st-2nd synchronizer hub assembly with the following procedure.

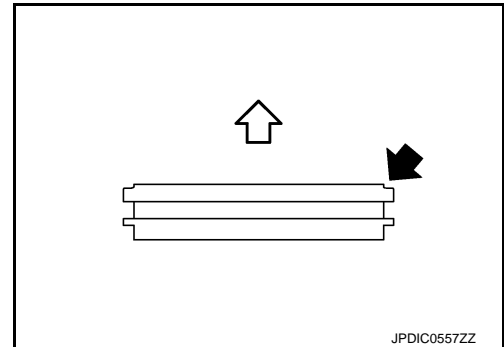
- a. Install 1st-2nd coupling sleeve and 1st-2nd shifting inserts to 1st-2nd synchronizer hub.

CAUTION:

- Be careful with the orientation of 1st-2nd coupling sleeve.

⇐ : 2nd main gear side

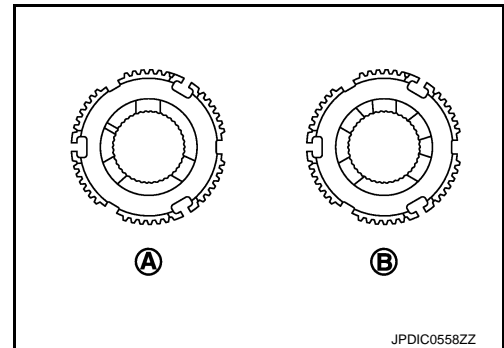
- Never reuse 1st-2nd coupling sleeve and 1st-2nd synchronizer hub.
- Replace 1st-2nd coupling sleeve and 1st-2nd synchronizer hub as a set.



- Be careful with the orientation of 1st-2nd synchronizer hub.

A : 2nd main gear side

B : 1st main gear side

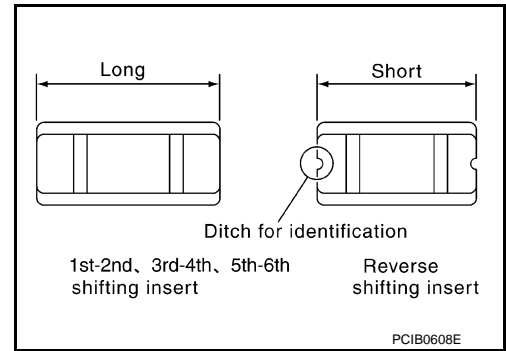


MAINSHAFT AND GEAR

< UNIT DISASSEMBLY AND ASSEMBLY >

[6MT: FS6R31A]

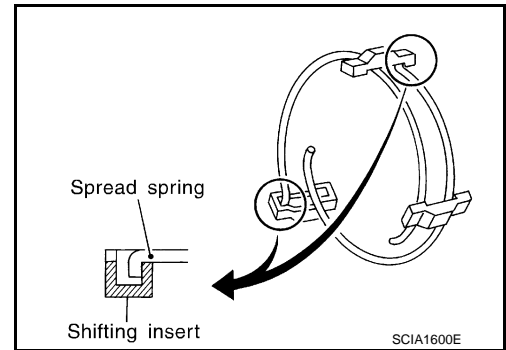
- Be careful with the shape of 1st-2nd shifting insert.



- b. Install 1st-2nd spread springs to 1st-2nd shifting inserts.

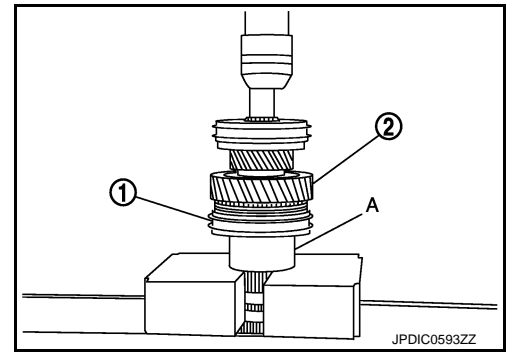
CAUTION:

Never install 1st-2nd spread spring hook onto the same 1st-2nd shifting insert.



- c. Install 1st-2nd synchronizer hub assembly (1) to mainshaft with a pressing machine, using the support ring (A) [SST: ST27861000 (-)].

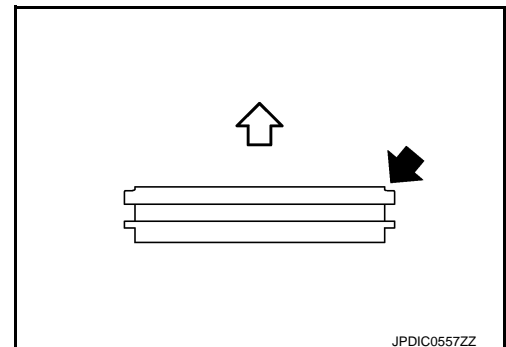
2 : 2nd main gear



CAUTION:

Be careful with the orientation of 1st-2nd coupling sleeve.

⇐ : 2nd main gear side



MAINSHAFT AND GEAR

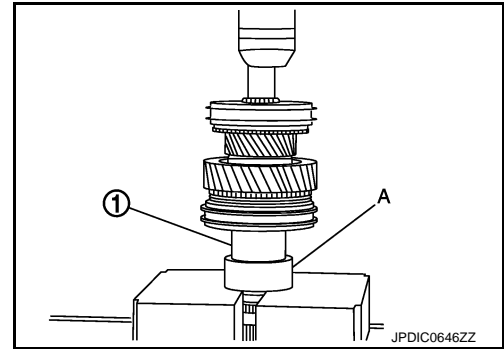
< UNIT DISASSEMBLY AND ASSEMBLY >

[6MT: FS6R31A]

8. Install 1st gear bushing (1) to mainshaft with a pressing machine, using the support ring (A) [SST: ST27861000 (-)].
9. Apply gear oil to 1st needle bearing, 1st outer baulk ring, 1st synchronizer cone, and 1st inner baulk ring.

CAUTION:

Replace 1st outer baulk ring, 1st synchronizer cone, and 1st inner baulk ring as a set.

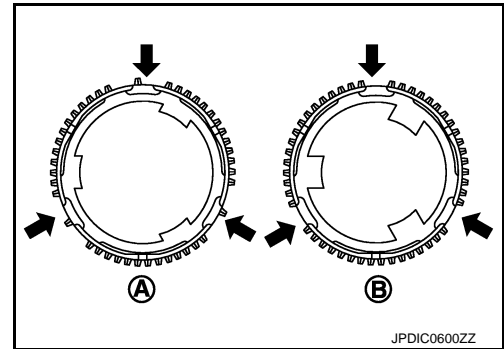


10. Install 1st outer baulk ring, 1st synchronizer cone, 1st inner baulk ring, 1st needle bearing, and 1st main gear to mainshaft.

NOTE:

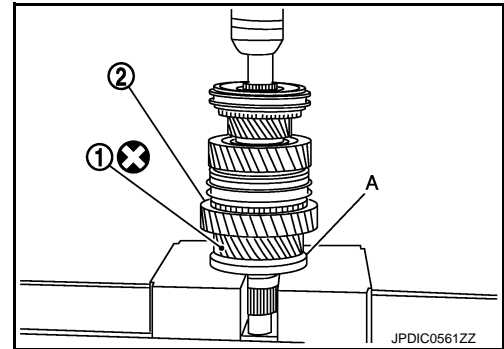
1st outer baulk ring has three spaces that four gear teeth are missing and 2nd outer baulk ring has three spaces that two gear teeth are missing.

- A : 1st outer baulk ring
- B : 2nd outer baulk ring



11. Install 3rd main gear (1) to mainshaft with a pressing machine, using the inserter (A) [SST: ST30022000 (-)].

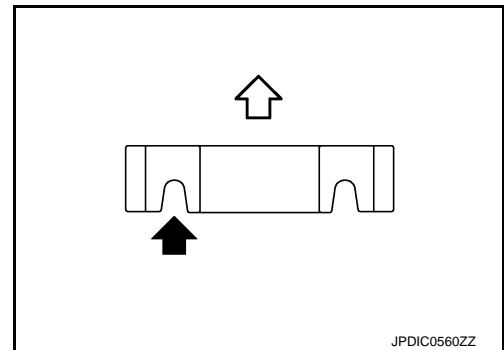
- 2 : 1st main gear



CAUTION:

Be careful with the orientation of 3rd main gear.

- ← : 1st main gear side



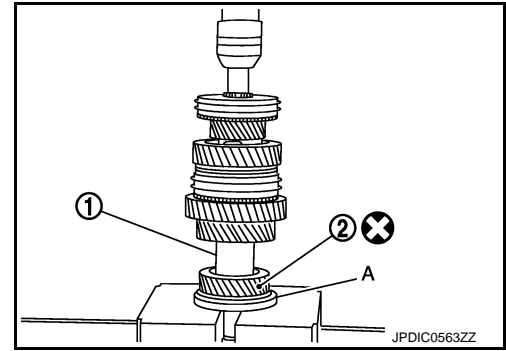
A
B
C
TM
E
F
G
H
I
J
K
L
M
N
O
P

MAINSHAFT AND GEAR

< UNIT DISASSEMBLY AND ASSEMBLY >

[6MT: FS6R31A]

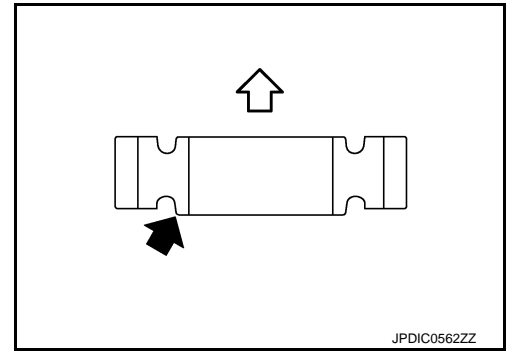
- 12. Install 3rd-4th main spacer (1) to mainshaft.
- 13. Install 4th main gear (2) to mainshaft with a pressing machine, using the inserter (A) [SST: ST30022000 (-)].



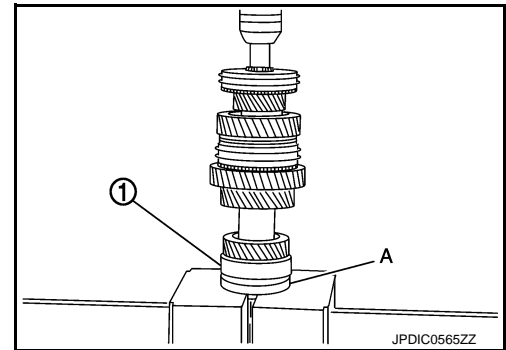
CAUTION:

Be careful with the orientation of 4th main gear.

⇐ : 3rd-4th main spacer side



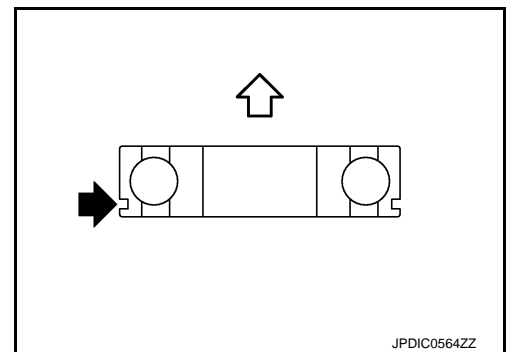
- 14. Install mainshaft bearing (1) to mainshaft with a pressing machine, using the inserter (A) [SST: ST30911000 (-)].



CAUTION:

Be careful with the orientation of mainshaft bearing.

⇐ : 4th main gear side

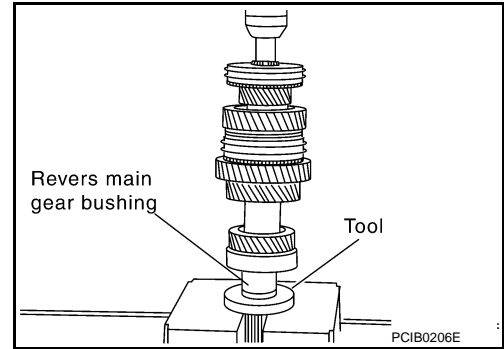


MAINSHAFT AND GEAR

< UNIT DISASSEMBLY AND ASSEMBLY >

[6MT: FS6R31A]

15. Install reverse main gear bushing to mainshaft with a pressing machine, using the inserter [SST: ST30911000 (-)].



INFOID:000000008192942

Inspection

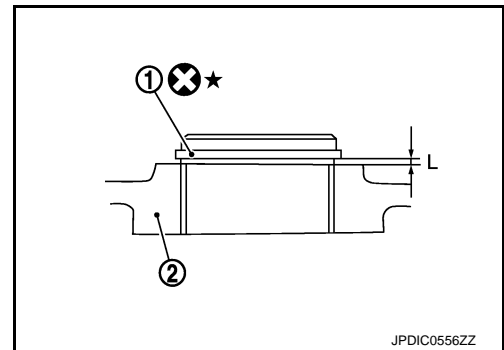
INSPECTION BEFORE DISASSEMBLY

Shaft

Before disassembly, measure the end play "L". If the end play is outside the standard value, disassemble and inspect.

- 1 : Snap ring
- 2 : 5th-6th synchronizer hub

End play "L" : Refer to [TM-148, "End Play"](#).

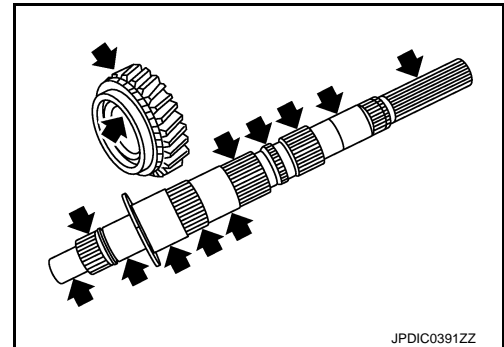


JPDIC0556ZZ

INSPECTION AFTER DISASSEMBLY

Shaft and Gear

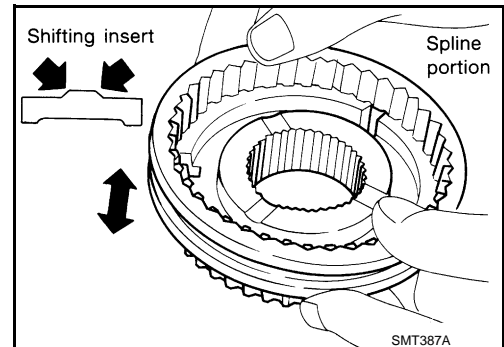
- Check the shaft for damage or bend. Replace if necessary.
- Check the gears for any damage, scaling, or uneven wear. Replace if necessary.



JPDIC0391ZZ

Synchronizer Hub and Coupling Sleeve

- Check the contact surface of the coupling sleeve, synchronizer hub, and shifting inserts for damage and uneven wear. Replace if necessary.
- The coupling sleeve and synchronizer hub moves smoothly.



SMT387A

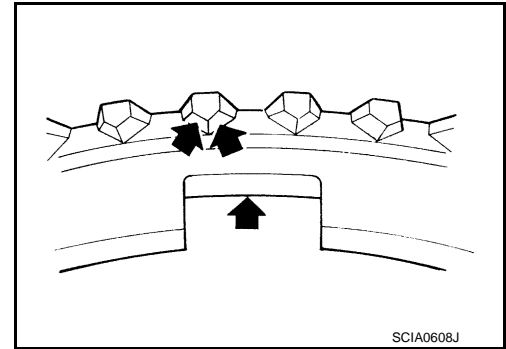
Baulk Ring and Spread Spring

MAINSHAFT AND GEAR

< UNIT DISASSEMBLY AND ASSEMBLY >

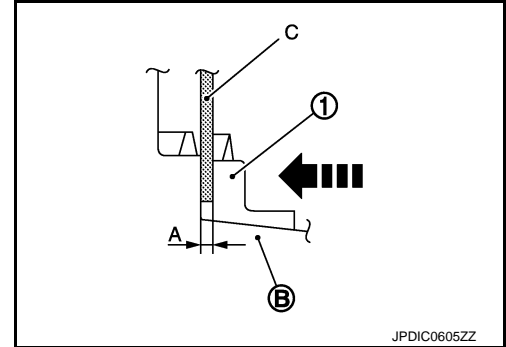
[6MT: FS6R31A]

- Check the cam surface and contact surface of the baulk ring for damage and uneven wear. Replace if necessary.
- Check the spread springs for damage. Replace if necessary.



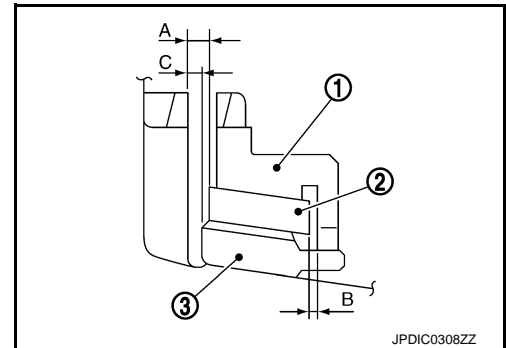
Baulk Ring Clearance for Single Cone Synchronizer (6th)
 Measure the clearance "A" when pressing the baulk ring (1) against the cone (B) of clutch gear by hands at 2 points or more on the opposite side, using a feeler gauge (C), and then calculate the mean value. Replace if outside the limit value.

Clearance "A" : Refer to [TM-148, "Baulk Ring Clearance"](#).



Baulk Ring Clearance for Triple Cone Synchronizer (1st and 2nd)
 Measure the clearance of outer baulk ring (1), synchronizer cone (2), and inner baulk ring (3) with the following procedure.

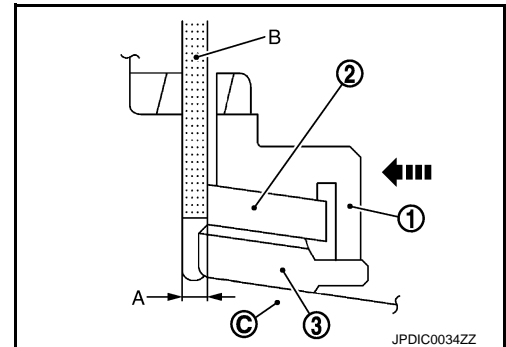
CAUTION:
 The outer baulk ring, synchronizer cone, and inner baulk ring manage the clearances "A", "B", and "C" as a set. Therefore, replace them as a set if the clearances are outside the limit value.



1. Measure the clearance "A" when pressing the outer baulk ring (1) against the cone (C) of clutch gear by hands at 2 points or more on the opposite side, using a feeler gauge (B), and then calculate the mean value.

- 2 : Synchronizer cone
- 3 : Inner baulk ring

Clearance "A" : Refer to [TM-148, "Baulk Ring Clearance"](#).



MAINSHAFT AND GEAR

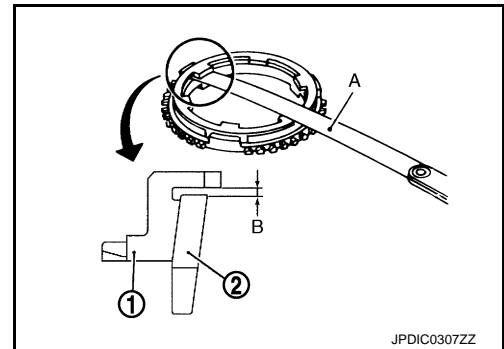
< UNIT DISASSEMBLY AND ASSEMBLY >

[6MT: FS6R31A]

2. Measure the clearance "B" at 2 points or more on the opposite side, using a feeler gauge (A), and then calculate the mean value.

- 1 : Outer baulk ring
- 2 : Synchronizer cone

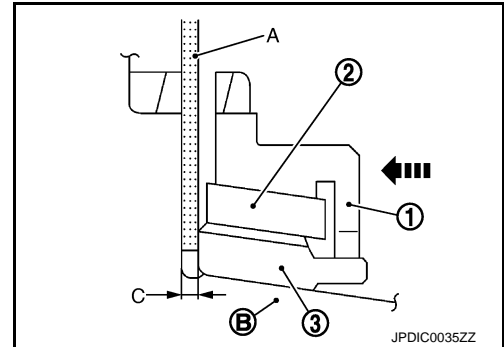
Clearance "B" : Refer to [TM-148, "Baulk Ring Clearance"](#).



3. Measure the clearance "C" when pressing the outer baulk ring (1) against the cone (B) of clutch gear by hands at 2 points or more on the opposite side, using a feeler gauge (A), and then calculate the mean value.

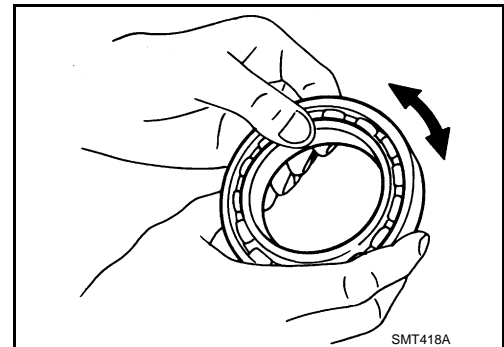
- 2 : Synchronizer cone
- 3 : Inner baulk ring

Clearance "C" : Refer to [TM-148, "Baulk Ring Clearance"](#).



Bearing

Check the bearing for damage and unsmooth rotation. Replace if necessary.



A
B
C
TM
E
F
G
H
I
J
K
L
M
N
O
P

COUNTER SHAFT AND GEAR

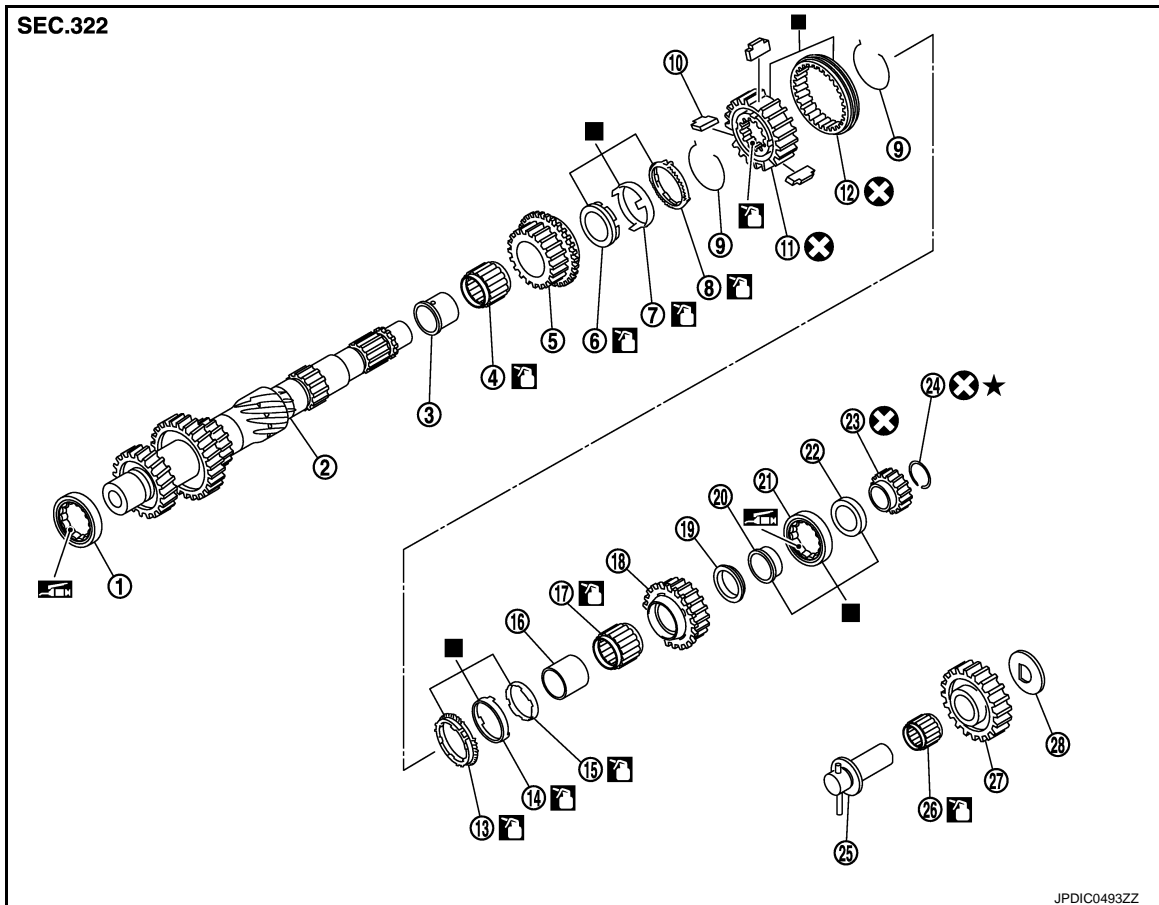
< UNIT DISASSEMBLY AND ASSEMBLY >

[6MT: FS6R31A]

COUNTER SHAFT AND GEAR

Exploded View

INFOID:000000008192943



- | | | |
|------------------------------------|-------------------------------------|-----------------------------|
| 1. Counter front bearing | 2. Counter shaft | 3. 3rd gear bushing |
| 4. 3rd needle bearing | 5. 3rd counter gear | 6. 3rd inner baulk ring |
| 7. 3rd synchronizer cone | 8. 3rd outer baulk ring | 9. 3rd-4th spread spring |
| 10. 3rd-4th shifting insert | 11. 3rd-4th synchronizer hub | 12. 3rd-4th coupling sleeve |
| 13. 4th outer baulk ring | 14. 4th synchronizer cone | 15. 4th inner baulk ring |
| 16. 4th gear bushing | 17. 4th needle bearing | 18. 4th counter gear |
| 19. 4th counter gear thrust washer | 20. Counter rear bearing inner race | 21. Counter rear bearing |
| 22. Counter rear bearing spacer | 23. Reverse counter gear | 24. Snap ring |
| 25. Reverse idler shaft | 26. Reverse idler needle bearing | 27. Reverse idler gear |
| 28. Reverse idler thrust washer | | |

■: Replace the parts as a set.

🛢️: Apply gear oil.

🛢️: Apply lithium-based grease including molybdenum disulphide.

Refer to [GI-4, "Components"](#) for symbols not described on the above.

- Apply gear oil to gears, shafts, synchronizers, and bearings when assembling.

Disassembly

INFOID:000000008192944

1. Remove 3rd counter gear with the following procedure.

COUNTER SHAFT AND GEAR

< UNIT DISASSEMBLY AND ASSEMBLY >

[6MT: FS6R31A]

- a. Set a puller [Commercial service tool] to 3rd counter gear.
- b. Remove the parts below together with 3rd counter gear from counter shaft with a pressing machine.

- Counter rear bearing inner race
- 4th counter gear thrust washer
- 4th counter gear
- 4th needle bearing
- 4th gear bushing
- 4th inner baulk ring
- 4th synchronizer cone
- 4th outer baulk ring
- 3rd-4th synchronizer hub assembly
- 3rd outer baulk ring
- 3rd synchronizer cone
- 3rd inner baulk ring

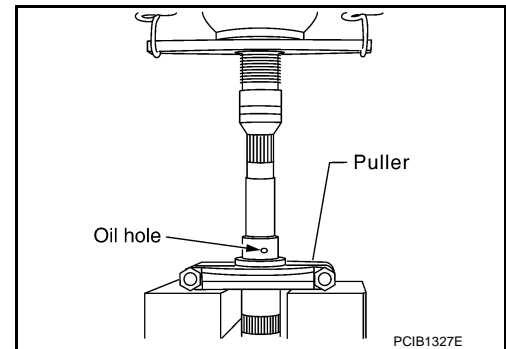
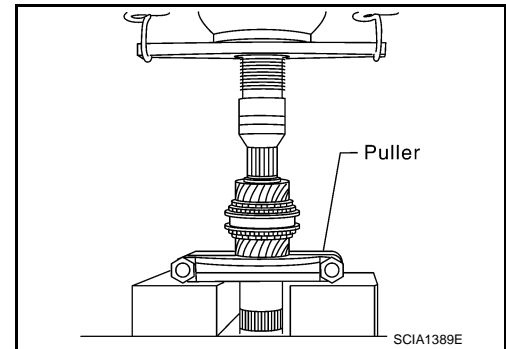
CAUTION:

Never drop counter shaft.

2. Remove 3rd-4th spread springs, 3rd-4th shifting inserts, and 3rd-4th coupling sleeve from 3rd-4th synchronizer hub.
3. Remove 3rd needle bearing from counter shaft.
4. Remove 3rd gear bushing with the following procedure.
 - a. Set a puller [Commercial service tool] to 3rd gear bushing.
 - b. Remove 3rd gear bushing from counter shaft with a pressing machine.

CAUTION:

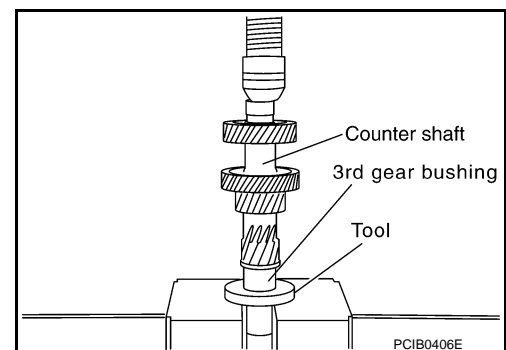
- **Never use oil hole of 3rd gear bushing when press out.**
- **Never drop counter shaft.**



INFOID:000000008192945

Assembly

1. Install 3rd gear bushing to counter shaft with a pressing machine, using the inserter [SST: ST30911000 (-)].



CAUTION:

COUNTER SHAFT AND GEAR

< UNIT DISASSEMBLY AND ASSEMBLY >

[6MT: FS6R31A]

Be careful with the orientation of 3rd gear bushing.

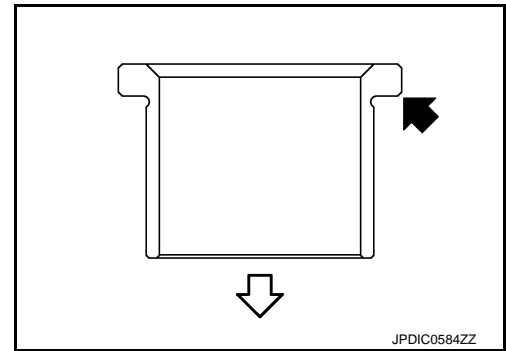
⇐ : 4th counter gear side

2. Apply gear oil to 3rd needle bearing, 3rd inner baulk ring, 3rd synchronizer cone, and 3rd outer baulk ring.

CAUTION:

Replace 3rd inner baulk ring, 3rd synchronizer cone, and 3rd outer baulk ring as a set.

3. Install 3rd needle bearing, 3rd counter gear, 3rd inner baulk ring, 3rd synchronizer cone, and 3rd outer baulk ring to counter shaft.

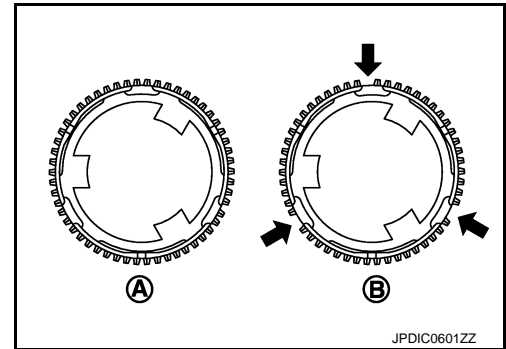


NOTE:

4th outer baulk ring has three spaces that one gear tooth is missing but 3rd outer baulk ring doesn't.

A : 3rd outer baulk ring

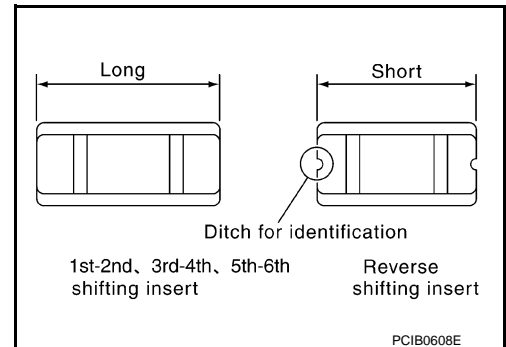
B : 4th outer baulk ring



4. Install 3rd-4th synchronizer hub assembly with the following procedure.
 - a. Install 3rd-4th coupling sleeve and 3rd-4th shifting inserts to 3rd-4th synchronizer hub.

CAUTION:

- Be careful with the shape of 3rd-4th shifting insert.
- Never reuse 3rd-4th coupling sleeve and 3rd-4th synchronizer hub.
- Replace 3rd-4th coupling sleeve and 3rd-4th synchronizer hub as a set.

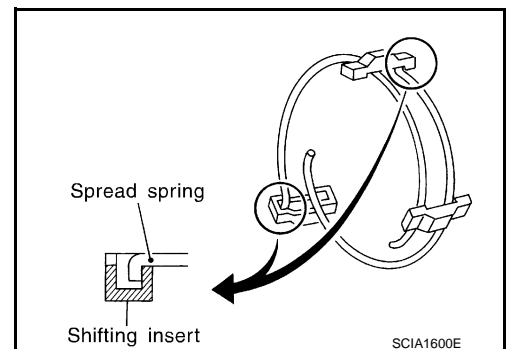


- b. Install 3rd-4th spread springs to 3rd-4th shifting inserts.

CAUTION:

Never install 3rd-4th spread spring hook onto the same 3rd-4th shifting insert.

- c. Apply gear oil to the hole spline press fitting side of 3rd-4th synchronizer hub.



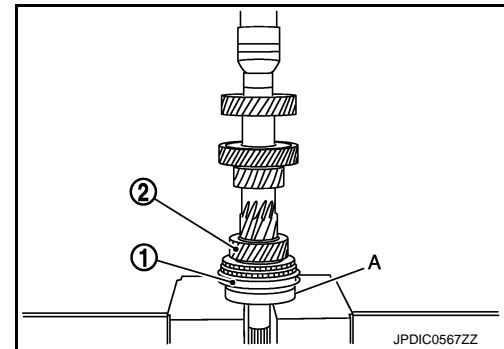
COUNTER SHAFT AND GEAR

< UNIT DISASSEMBLY AND ASSEMBLY >

[6MT: FS6R31A]

- d. Install 3rd-4th synchronizer hub assembly (1) to counter shaft with a pressing machine, using the inserter (A) [SST: ST30911000 (-)].

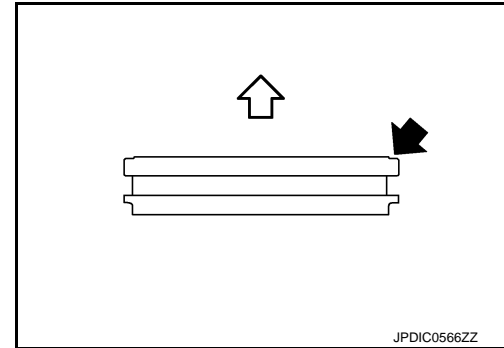
2 : 3rd counter gear



CAUTION:

Be careful with the orientation of 3rd-4th coupling sleeve.

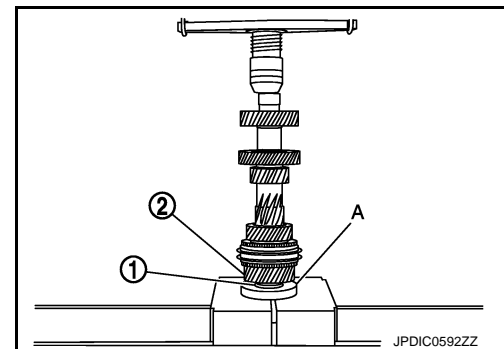
⇐ : 3rd counter gear side



5. Install 4th counter gear thrust washer with the following procedure.

- a. Set 4th counter gear thrust washer (1), 4th gear bushing, 4th needle bearing, and 4th counter gear to the inserter (A) [SST: KV40100630 (J-26092)].

2 : 4th counter gear



CAUTION:

Be careful with the orientation of 4th counter gear thrust washer.

⇐ : 4th counter gear side

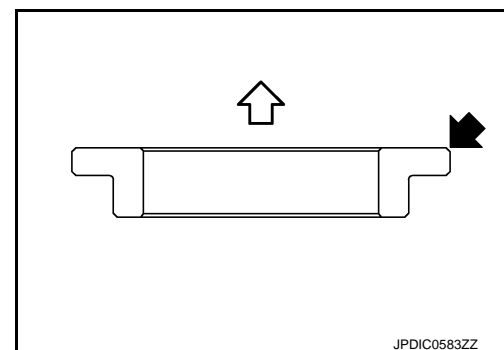
- b. Apply gear oil to 4th needle bearing, 4th outer baulk ring, 4th synchronizer cone, and 4th inner baulk ring.

CAUTION:

Replace 4th outer baulk ring, 4th synchronizer cone, and 4th inner baulk ring as a set.

- c. Install 4th outer baulk ring, 4th synchronizer cone, and 4th inner baulk ring to 4th counter gear.

NOTE:



A
B
C
TM
E
F
G
H
I
J
K
L
M
N
O
P

COUNTER SHAFT AND GEAR

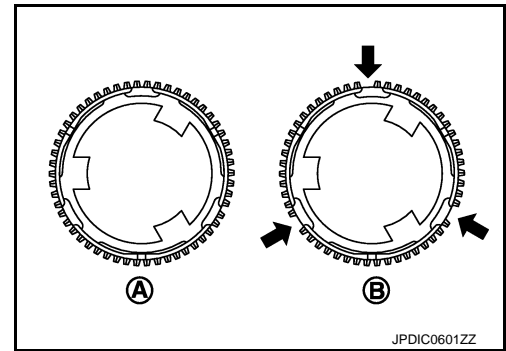
< UNIT DISASSEMBLY AND ASSEMBLY >

[6MT: FS6R31A]

4th outer baulk ring has three spaces that one gear tooth is missing but 3rd outer baulk ring doesn't.

- A : 3rd outer baulk ring
- B : 4th outer baulk ring

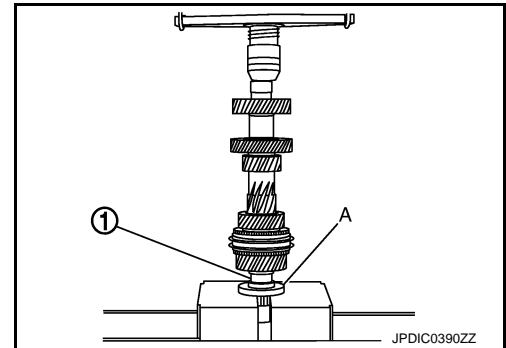
- d. Install 4th gear bushing, 4th needle bearing, and 4th counter gear together with 4th counter gear thrust washer to counter shaft with a pressing machine.



- 6. Install counter rear bearing inner race (1) to counter shaft with a pressing machine, using the inserter (A) [SST: ST30032000 (J-26010-01)].

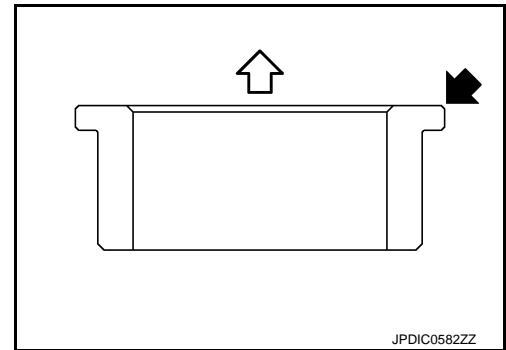
CAUTION:

- Replace counter rear bearing inner race, counter rear bearing, and counter rear bearing spacer as a set.



- Be careful with the orientation of counter rear bearing inner race.

← : 4th counter gear side



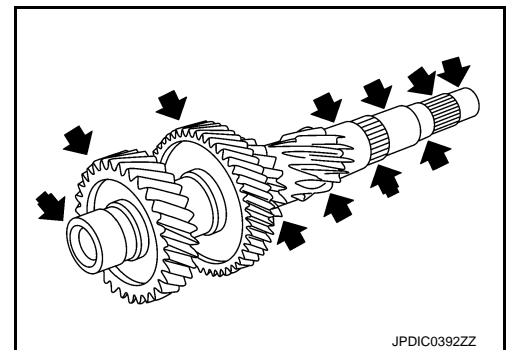
Inspection

INFOID:000000008192946

INSPECTION AFTER DISASSEMBLY

Shaft and Gear

- Check the shaft for damage or bend. Replace if necessary.
- Check the gears for any damage, scaling, or uneven wear. Replace if necessary.



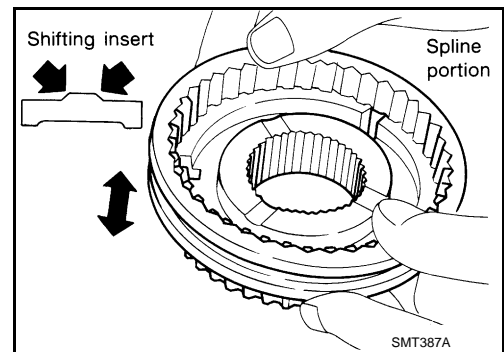
Synchronizer Hub and Coupling Sleeve

COUNTER SHAFT AND GEAR

< UNIT DISASSEMBLY AND ASSEMBLY >

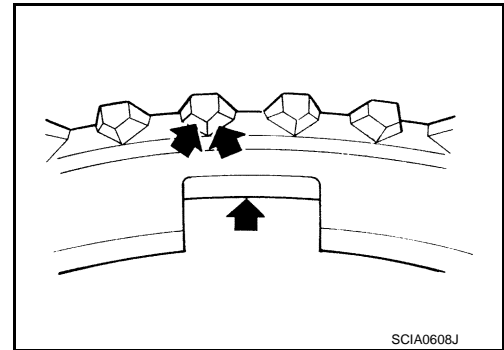
[6MT: FS6R31A]

- Check the contact surface of the coupling sleeve, synchronizer hub, and shifting inserts for damage and uneven wear. Replace if necessary.
- The coupling sleeve and synchronizer hub moves smoothly.



Baulk Ring and Spread Spring

- Check the cam surface and contact surface of the baulk ring for damage and uneven wear. Replace if necessary.
- Check the spread springs for damage. Replace if necessary.

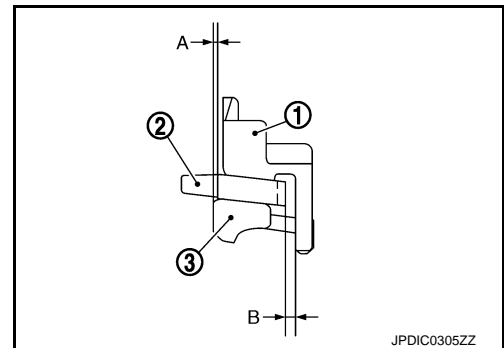


Baulk Ring Clearance for Double Cone Synchronizer (4th)

Measure the clearance of outer baulk ring (1), synchronizer cone (2), and inner baulk ring (3) with the following procedure.

CAUTION:

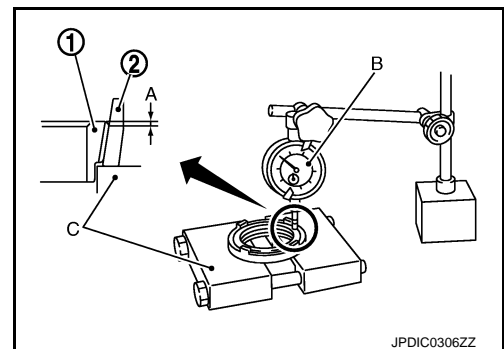
The outer baulk ring, synchronizer cone, and inner baulk ring manage the clearances "A" and "B" as a set. Therefore, replace them as a set if the clearances are outside the limit value.



1. Measure the clearance "A" at 2 points or more on the opposite side, using a dial indicator (B) and the puller (C) [SST: ST30031000 (J-22912-01)], and then calculate the mean value.

- 1 : Inner baulk ring
- 2 : Synchronizer cone

Clearance "A" : Refer to [TM-148](#). "[Baulk Ring Clearance](#)".



COUNTER SHAFT AND GEAR

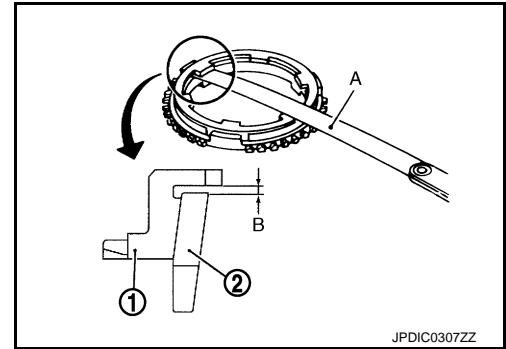
< UNIT DISASSEMBLY AND ASSEMBLY >

[6MT: FS6R31A]

2. Measure the clearance "B" at 2 points or more on the opposite side, using a feeler gauge (A), and then calculate the mean value.

- 1 : Outer baulk ring
- 2 : Synchronizer cone

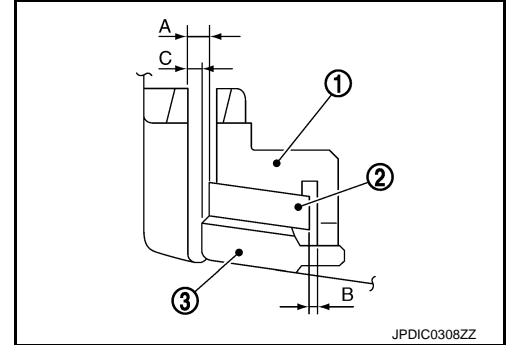
Clearance "B" : Refer to [TM-148, "Baulk Ring Clearance"](#).



Baulk Ring Clearance for Triple Cone Synchronizer (3rd)
Measure the clearance of outer baulk ring (1), synchronizer cone (2), and inner baulk ring (3) with the following procedure.

CAUTION:

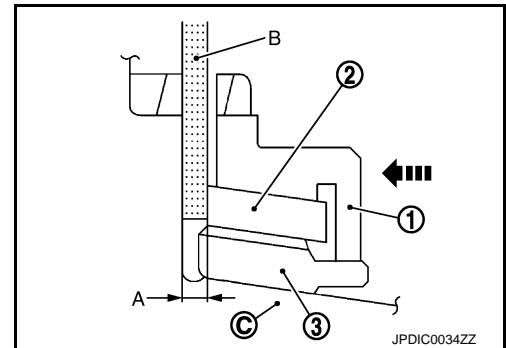
The outer baulk ring, synchronizer cone, and inner baulk ring manage the clearances "A", "B", and "C" as a set. Therefore, replace them as a set if the clearances are outside the limit value.



1. Measure the clearance "A" when pressing the outer baulk ring (1) against the cone (C) of clutch gear by hands at 2 points or more on the opposite side, using a feeler gauge (B), and then calculate the mean value.

- 2 : Synchronizer cone
- 3 : Inner baulk ring

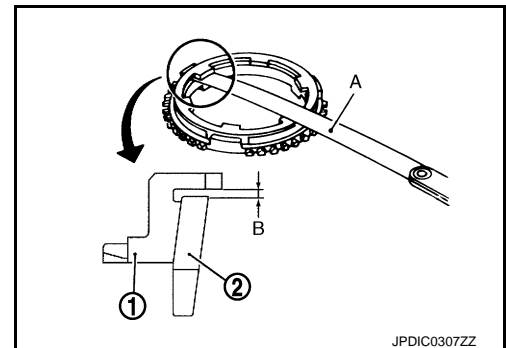
Clearance "A" : Refer to [TM-148, "Baulk Ring Clearance"](#).



2. Measure the clearance "B" at 2 points or more on the opposite side, using a feeler gauge (A), and then calculate the mean value.

- 1 : Outer baulk ring
- 2 : Synchronizer cone

Clearance "B" : Refer to [TM-148, "Baulk Ring Clearance"](#).



COUNTER SHAFT AND GEAR

< UNIT DISASSEMBLY AND ASSEMBLY >

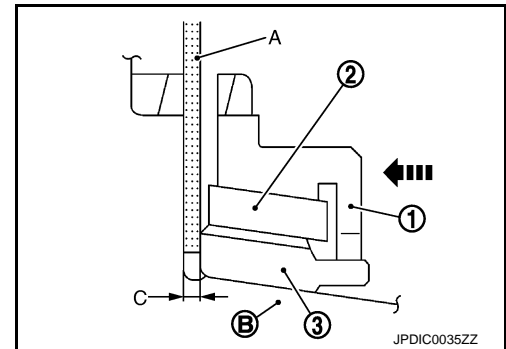
[6MT: FS6R31A]

3. Measure the clearance "C" when pressing the outer baulk ring (1) against the cone (B) of clutch gear by hands at 2 points or more on the opposite side, using a feeler gauge (A), and then calculate the mean value.

2 : Synchronizer cone

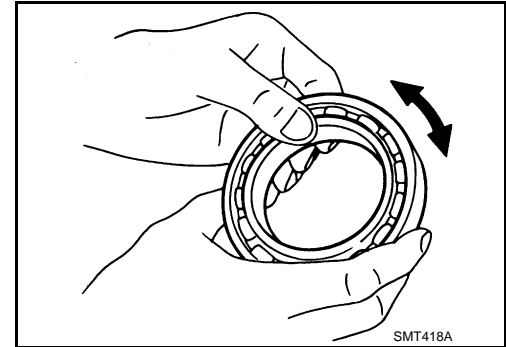
3 : Inner baulk ring

Clearance "C" : Refer to [TM-148, "Baulk Ring Clearance"](#).



Bearing

Check the bearing for damage and unsmooth rotation. Replace if necessary.



A

B

C

TM

E

F

G

H

I

J

K

L

M

N

O

P

REVERSE IDLER SHAFT AND GEAR

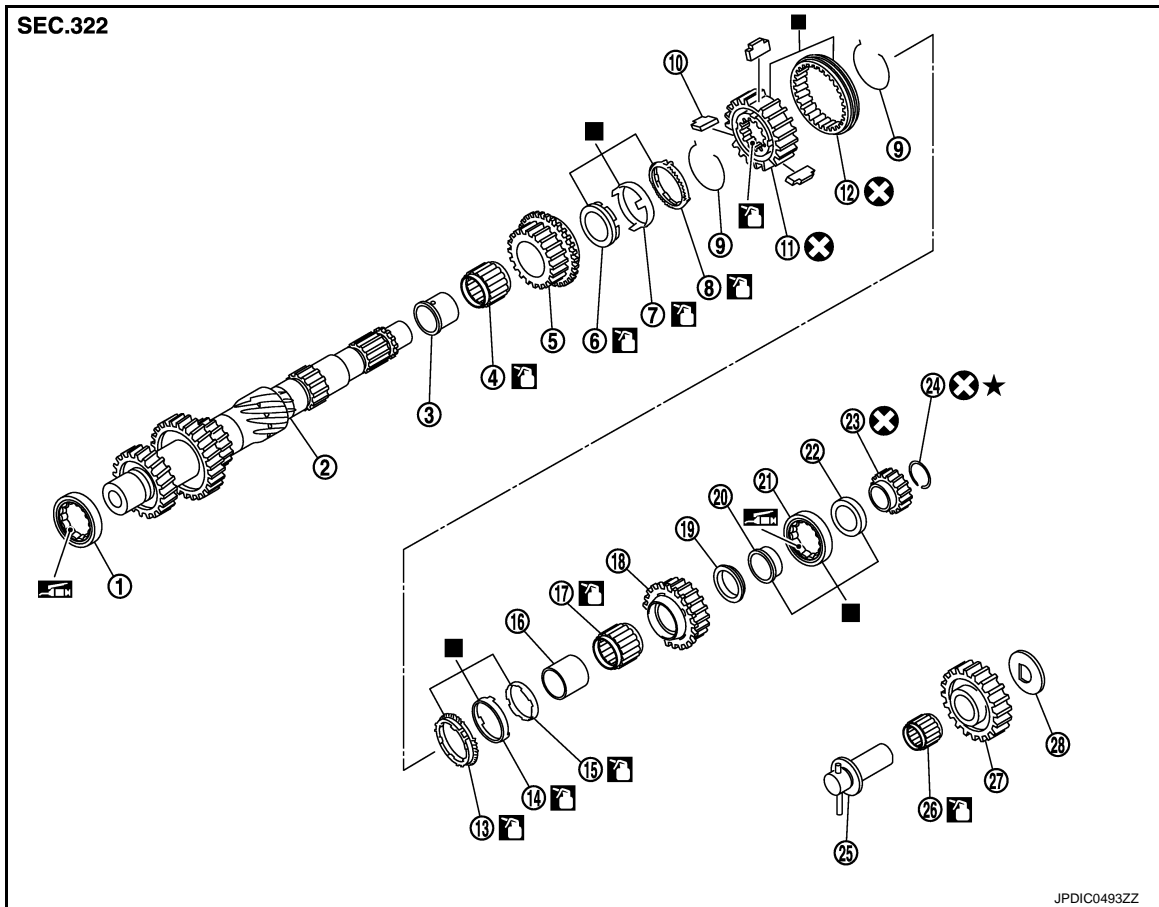
< UNIT DISASSEMBLY AND ASSEMBLY >

[6MT: FS6R31A]

REVERSE IDLER SHAFT AND GEAR

Exploded View

INFOID:000000008192947



JPDIC0493ZZ

- | | | |
|------------------------------------|-------------------------------------|-----------------------------|
| 1. Counter front bearing | 2. Counter shaft | 3. 3rd gear bushing |
| 4. 3rd needle bearing | 5. 3rd counter gear | 6. 3rd inner baulk ring |
| 7. 3rd synchronizer cone | 8. 3rd outer baulk ring | 9. 3rd-4th spread spring |
| 10. 3rd-4th shifting insert | 11. 3rd-4th synchronizer hub | 12. 3rd-4th coupling sleeve |
| 13. 4th outer baulk ring | 14. 4th synchronizer cone | 15. 4th inner baulk ring |
| 16. 4th gear bushing | 17. 4th needle bearing | 18. 4th counter gear |
| 19. 4th counter gear thrust washer | 20. Counter rear bearing inner race | 21. Counter rear bearing |
| 22. Counter rear bearing spacer | 23. Reverse counter gear | 24. Snap ring |
| 25. Reverse idler shaft | 26. Reverse idler needle bearing | 27. Reverse idler gear |
| 28. Reverse idler thrust washer | | |

■: Replace the parts as a set.

⚙️: Apply gear oil.

🛢️: Apply lithium-based grease including molybdenum disulphide.

Refer to [GI-4, "Components"](#) for symbols not described on the above.

- Apply gear oil to gears, shafts, synchronizers, and bearings when assembling.

Disassembly

INFOID:000000008192948

1. Remove reverse idler thrust washer from reverse idler shaft.
2. Remove reverse idler gear from reverse idler shaft.
3. Remove reverse idler needle bearing from reverse idler shaft.

REVERSE IDLER SHAFT AND GEAR

< UNIT DISASSEMBLY AND ASSEMBLY >

[6MT: FS6R31A]

Assembly

INFOID:000000008192949

Note the following, and assemble in the reverse order of disassembly.

CAUTION:

Apply gear oil to reverse idler needle bearing.

Inspection

INFOID:000000008192950

INSPECTION AFTER DISASSEMBLY

Shaft and Gear

- Check the shaft for damage or bend. Replace if necessary.
- Check the gear for any damage, scaling, or uneven wear. Replace if necessary.

Bearing

Check the bearing for damage and unsmooth rotation. Replace if necessary.

A

B

C

TM

E

F

G

H

I

J

K

L

M

N

O

P

SHIFT FORK AND FORK ROD

< UNIT DISASSEMBLY AND ASSEMBLY >

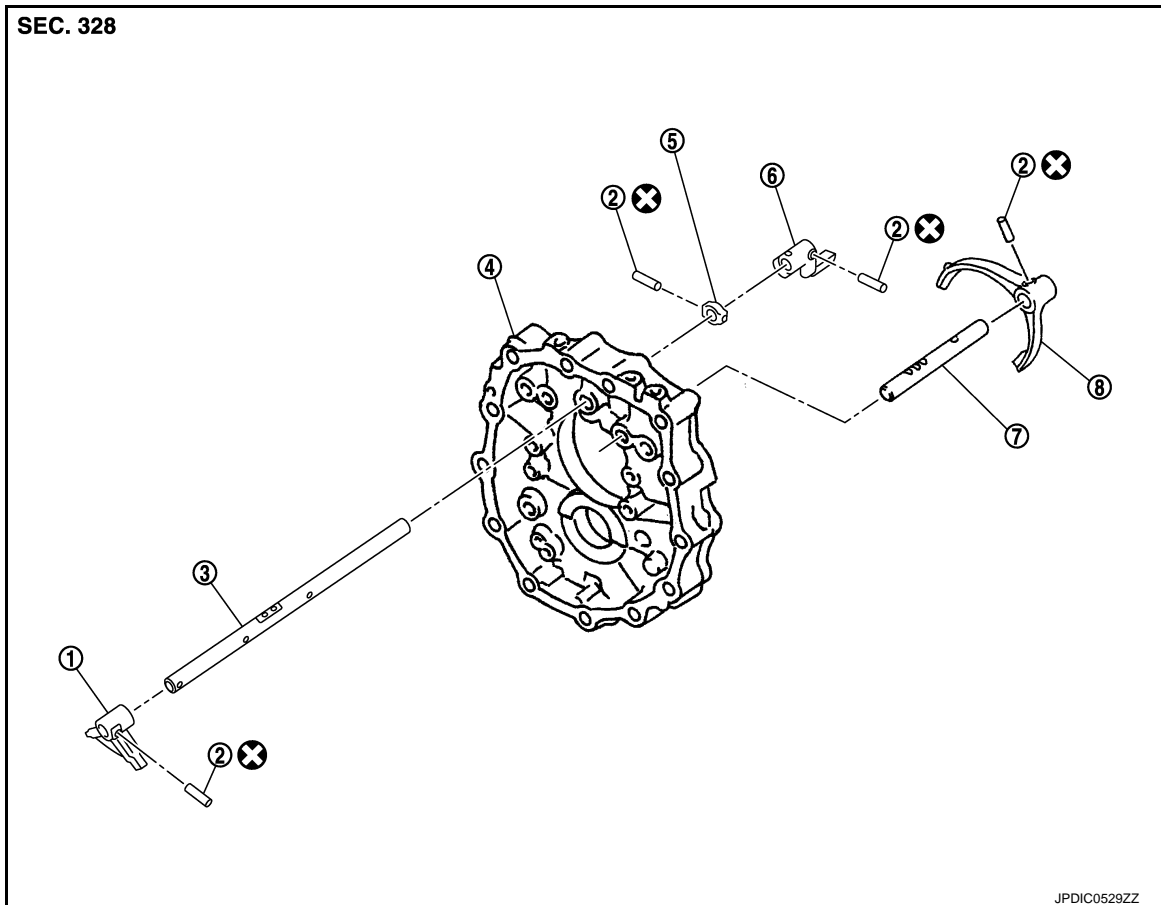
[6MT: FS6R31A]

SHIFT FORK AND FORK ROD

Exploded View

INFOID:000000008192951

Without S-MODE



- | | | |
|---------------------|-----------------------|---------------------------|
| 1. Striking lever | 2. Retaining pin | 3. Striking rod |
| 4. Adapter plate | 5. Stopper ring | 6. Low/high control lever |
| 7. Reverse fork rod | 8. Reverse shift fork | |

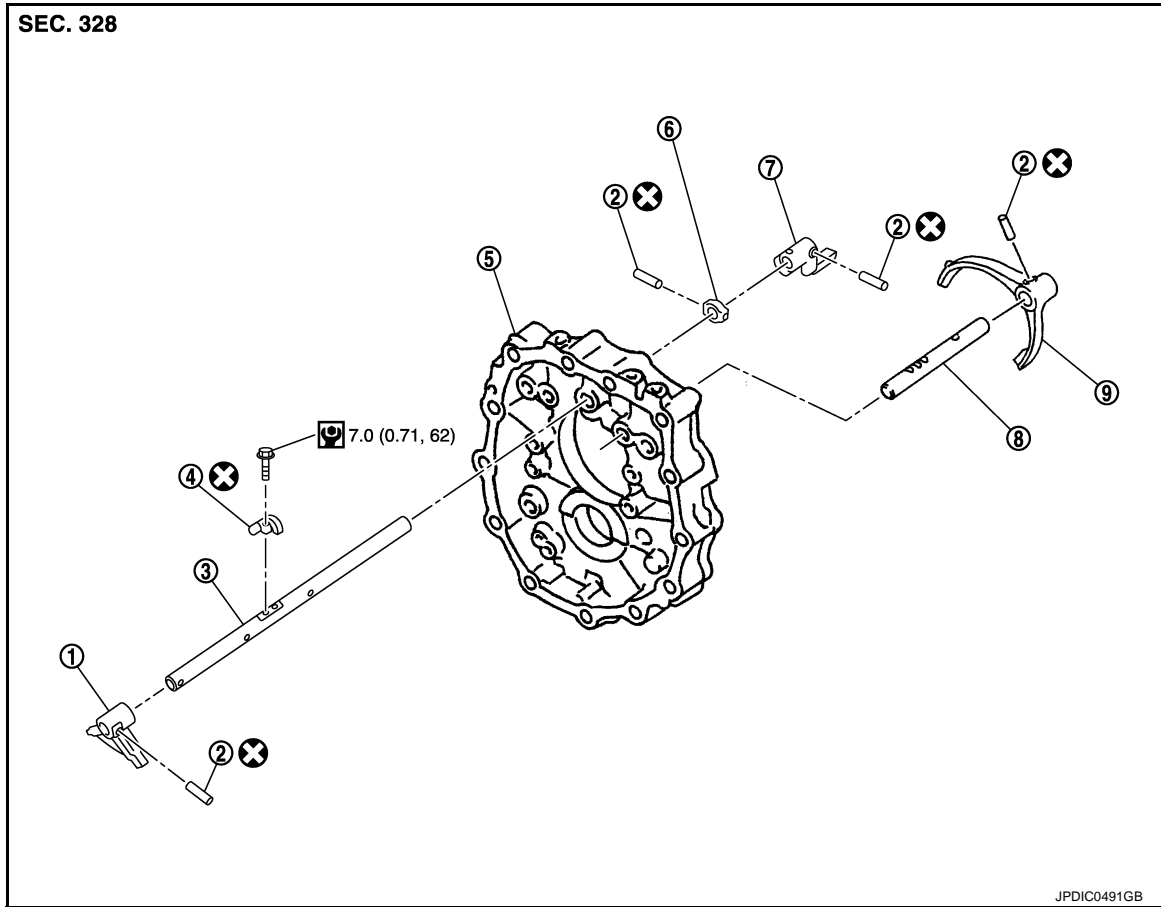
Refer to [GI-4. "Components"](#) for the symbols in the figure.

SHIFT FORK AND FORK ROD

< UNIT DISASSEMBLY AND ASSEMBLY >

[6MT: FS6R31A]

With S-MODE



- | | | |
|--------------------------------------|---------------------|-----------------------|
| 1. Striking lever | 2. Retaining pin | 3. Striking rod |
| 4. Gear lever position sensor magnet | 5. Adapter plate | 6. Stopper ring |
| 7. Low/high control lever | 8. Reverse fork rod | 9. Reverse shift fork |

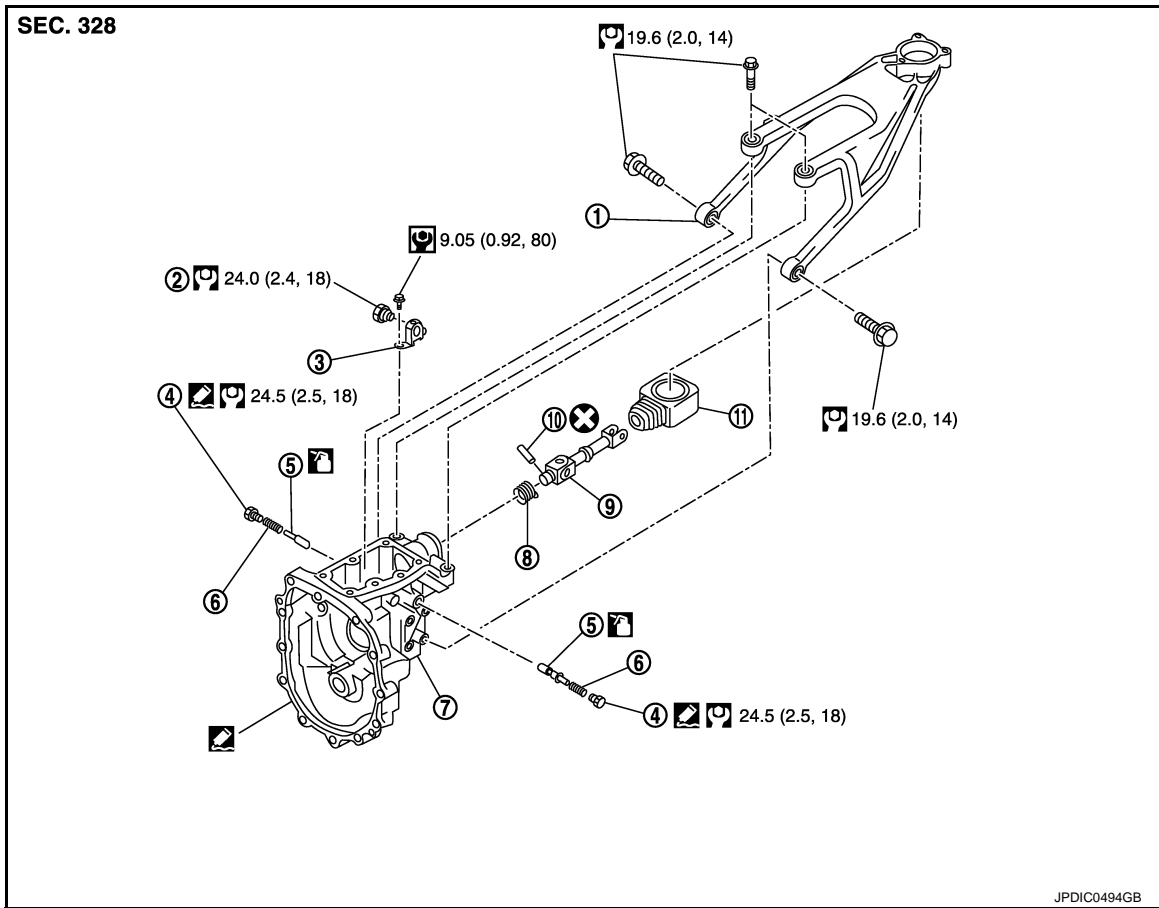
Refer to [GI-4. "Components"](#) for the symbols in the figure.

A
B
C
TM
E
F
G
H
I
J
K
L
M
N
O
P

SHIFT FORK AND FORK ROD

< UNIT DISASSEMBLY AND ASSEMBLY >

[6MT: FS6R31A]



- | | | |
|--------------------------|--------------------------|--------------------|
| 1. Control lever housing | 2. Check shift pin | 3. Control bracket |
| 4. Return spring plug | 5. Return spring plunger | 6. Return spring |
| 7. Rear extension | 8. Boot | 9. Control rod |
| 10. Retaining pin | 11. Control rod boot | |

: Apply gear oil.

: Apply Genuine Silicone RTV or an equivalent. Refer to [GI-22. "Recommended Chemical Products and Sealants"](#).

Refer to [GI-4. "Components"](#) for symbols not described on the above.

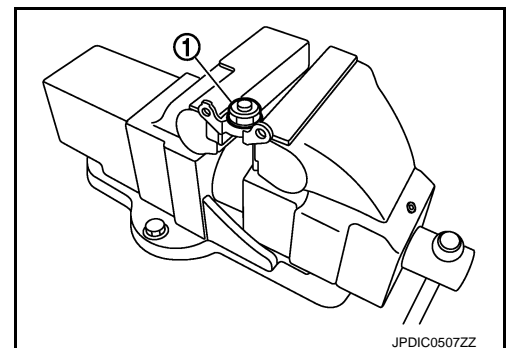
Disassembly

INFOID:000000008192952

For disassembly procedures other than the following items, refer to "SHIFT FORK AND FORK ROD" in [TM-55. "WITHOUT S-MODE : Disassembly"](#) (Without S-MODE) or [TM-88. "WITH S-MODE : Disassembly"](#) (With S-MODE).

CHECK SHIFT PIN

Set the control bracket to a vise and then remove check shift pin (1) from control bracket.



STRIKING ROD

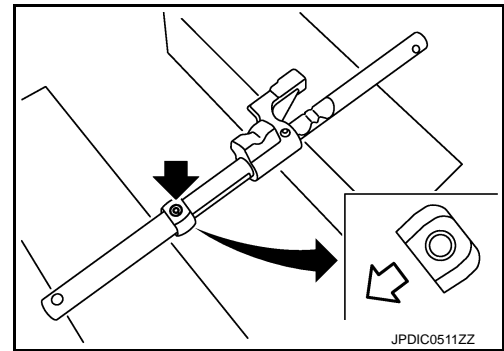
SHIFT FORK AND FORK ROD

< UNIT DISASSEMBLY AND ASSEMBLY >

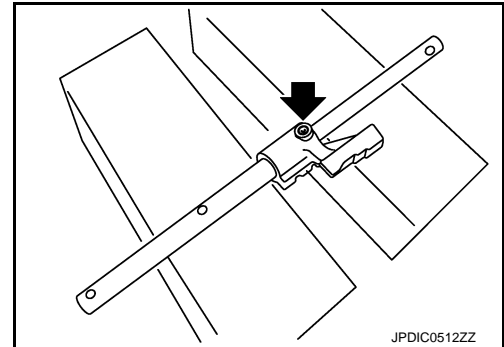
[6MT: FS6R31A]

1. Remove retaining pin (←), using a pin punch [Commercial service tool] and then remove stopper ring from striking rod.

← : Transmission front



2. Remove retaining pin (←), using a pin punch [Commercial service tool] and then remove low/high control lever from striking rod.



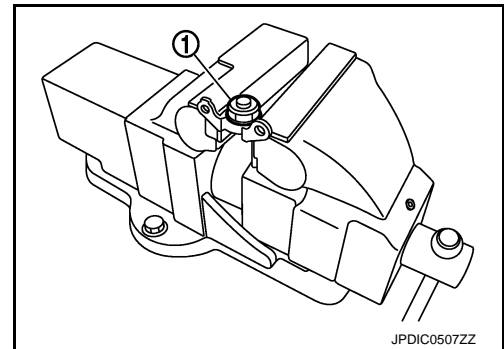
Assembly

INFOID:00000008192953

For assembly procedures other than the following items, refer to "SHIFT FORK AND FORK ROD" in [TM-63, "WITHOUT S-MODE : Assembly"](#) (Without S-MODE) or [TM-96, "WITH S-MODE : Assembly"](#) (With S-MODE).

CHECK SHIFT PIN

1. Set the control bracket to a vise and then install check shift pin (1) to control bracket.
2. Tighten check shift pin to the specified torque.

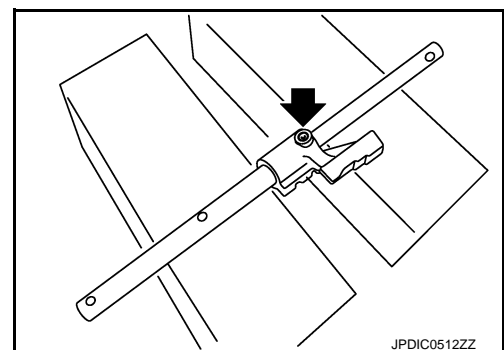


STRIKING ROD

1. Install low/high control lever to striking rod and then install retaining pin (←) to low/high control lever, using a pin punch [Commercial service tool].

CAUTION:

- Never reuse retaining pin.
- Be careful with the orientation of low/high control lever and striking rod.
- Assemble retaining pin from the direction shown by the arrow in the figure until it becomes flush with the end surface of low/high control lever.



A
B
C
TM
E
F
G
H
I
J
K
L
M
N
O
P

SHIFT FORK AND FORK ROD

< UNIT DISASSEMBLY AND ASSEMBLY >

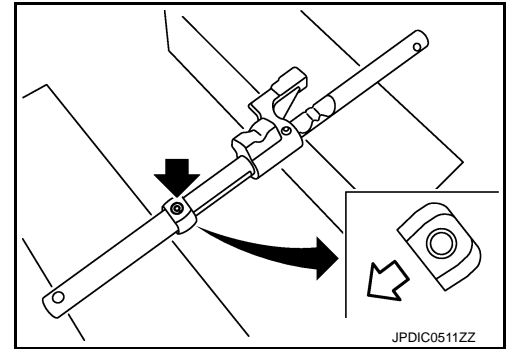
[6MT: FS6R31A]

2. Install stopper ring to striking rod and then install retaining pin (↔) to stopper ring, using a pin punch [Commercial service tool].

↔ : Transmission front

CAUTION:

- Never reuse retaining pin.
- Be careful with the orientation of stopper ring and striking rod.
- Assemble retaining pin from the direction shown by the arrow in the figure until it becomes flush with the end surface of stopper ring.



JPDIC0511ZZ

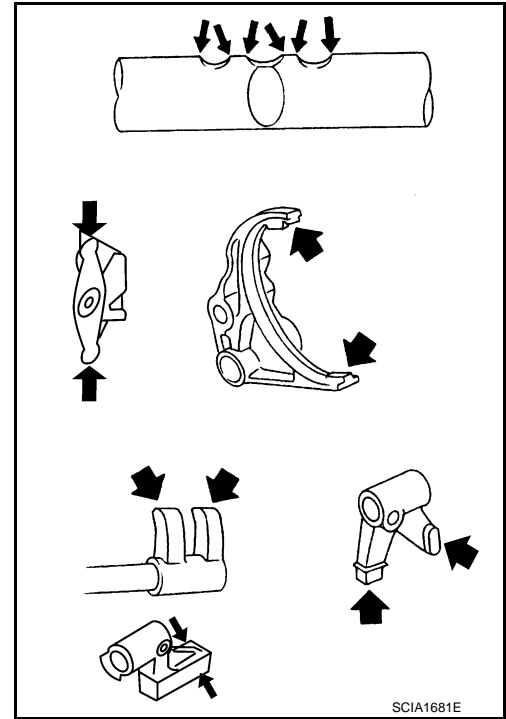
Inspection

INFOID:000000008192954

INSPECTION AFTER DISASSEMBLY

Shift Fork and Fork Rod

- Check the contact surface of each forks, rods, levers, and brackets for excessive wear, uneven wear, bend, and damage. Replace if necessary.

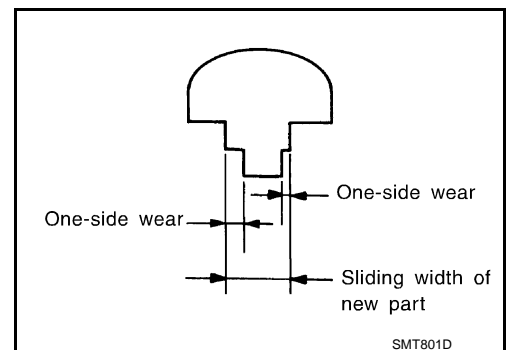


SCIA1681E

- Check if the width of shift fork hook (sliding area with coupling sleeve) is within allowable specification below.

One-side wear specification : Refer to [TM-148, "Shift Fork"](#).

Sliding width of new part : Refer to [TM-148, "Shift Fork"](#).



SMT801D

SERVICE DATA AND SPECIFICATIONS (SDS)

< SERVICE DATA AND SPECIFICATIONS (SDS)

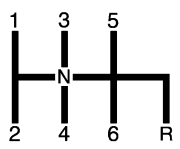
[6MT: FS6R31A]

SERVICE DATA AND SPECIFICATIONS (SDS)

SERVICE DATA AND SPECIFICATIONS (SDS)

General Specification

INFOID:000000008192955

Transmission type		FS6R31A	
Engine type		VQ37VHR	
Axle type		2WD	
Model code number		1EA0A	1EA0B
Number of speed		6	
Shift pattern		 <p style="text-align: center; font-size: small;">SCIA0955E</p>	
Synchromesh type		Warner	
Gear ratio	1st	3.794	
	2nd	2.324	
	3rd	1.624	
	4th	1.271	
	5th	1.000	
	6th	0.794	
	Reverse	3.446	
Number of teeth	Main gear	Drive	26
		1st	37
		2nd	34
		3rd	33
		4th	31
		6th	31
		Reverse	42
	Counter gear	Drive	32
		1st	12
		2nd	18
		3rd	25
		4th	30
		6th	48
		Reverse	15
Reverse idler gear		26	
Oil capacity (Reference)		ℓ (US pt, Imp pt)	Approx. 2.83 (6, 5)
Remarks	Reverse synchronizer		Installed
	Double cone synchronizer		4th
	Triple cone synchronizer		1st, 2nd, and 3rd
	SynchroRev Match mode (S-MODE)		Not installed Installed

A
B
C
TM
E
F
G
H
I
J
K
L
M
N
O
P

SERVICE DATA AND SPECIFICATIONS (SDS)

< SERVICE DATA AND SPECIFICATIONS (SDS)

[6MT: FS6R31A]

End Play

INFOID:000000008192956

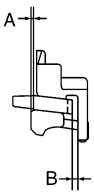
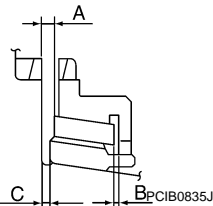
Unit: mm (in)

Item	Standard value
Counter shaft	0 – 0.1 (0 – 0.004)
Main drive gear	0 – 0.1 (0 – 0.004)
Mainshaft	0 – 0.1 (0 – 0.004)

Baulk Ring Clearance

INFOID:000000008192957

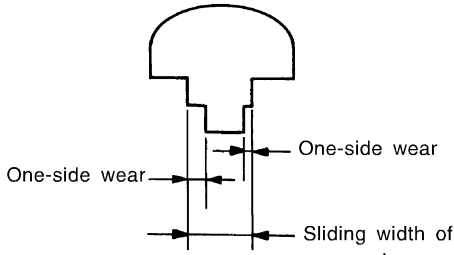
Unit: mm (in)

Measurement point	Standard value	Limit value	
4th (Double-cone synchronizer)  PCIB0249E	Clearance between synchronizer cone and inner baulk ring end face "A"	0.50 – 0.70 (0.020 – 0.028)	
	Clearance between outer baulk ring pawl and synchronizer cone "B"	0.85 – 1.35 (0.033 – 0.053)	0.7 (0.028)
1st, 2nd, and 3rd (Triple-cone synchronizer)  PCIB0835J	Clearance between synchronizer cone and clutch gear end face "A"	1st: 0.65 – 1.25 (0.026 – 0.049)	
		2nd: 0.60 – 1.30 (0.024 – 0.051)	0.3 (0.012)
		3rd: 0.60 – 1.30 (0.024 – 0.051)	0.3 (0.012)
	Clearance between outer baulk ring pawl and synchronizer cone "B"	0.85 – 1.35 (0.033 – 0.053)	0.7 (0.028)
	Clearance between inner baulk ring and clutch gear end face "C"	1st: 0.80 – 1.20 (0.031 – 0.047)	0.3 (0.012)
		2nd: 0.75 – 1.25 (0.030 – 0.049)	0.3 (0.012)
	3rd: 0.75 – 1.25 (0.030 – 0.049)	0.3 (0.012)	
5th and 6th	0.70 – 1.35 (0.028 – 0.053)	0.5 (0.020)	
Reverse	0.75 – 1.20 (0.030 – 0.047)	0.5 (0.020)	

Shift Fork

INFOID:000000008192958

Unit: mm (in)

Measurement point	One-side wear specification	Sliding width of new part
 SMT801D	1st-2nd	7.80 – 7.93 (0.3071 – 0.3122)
	3rd-4th	7.80 – 7.93 (0.3071 – 0.3122)
	5th-6th	7.80 – 7.93 (0.3071 – 0.3122)
	Reverse	7.80 – 7.93 (0.3071 – 0.3122)
	One-side wear specification	0.2 (0.008)

BASIC INSPECTION

DIAGNOSIS AND REPAIR WORK FLOW

Diagnosis Flow

INFOID:000000008192959

1. OBTAIN INFORMATION ABOUT SYMPTOM

Refer to [TM-150, "Question sheet"](#) and interview the customer to obtain the malfunction information (conditions and environment when the malfunction occurred) as much as possible when the customer brings in the vehicle.

>> GO TO 2.

2. CHECK DTC

1. Before checking the malfunction, check whether any DTC exists.
2. If DTC exists, perform the following operations.
 - Record the DTC and freeze frame data. (Print out the data using CONSULT and affix them to the Work Order Sheet.)
 - Erase DTCs.
 - Check the relationship between the cause that is clarified with DTC and the malfunction information described by the customer. [TM-292, "Symptom Table"](#) is effective.
3. Check the information of related service bulletins and others also.

Do malfunction information and DTC exist?

- Malfunction information and DTC exists. >>GO TO 3.
- Malfunction information exists, but no DTC. >>GO TO 4.
- No malfunction information, but DTC exists. >>GO TO 5.

3. REPRODUCE MALFUNCTION SYMPTOM

Check any malfunction described by a customer, except those with DTC on the vehicle. Also investigate whether the symptom is a fail-safe or normal operation. Refer to [TM-286, "Fail-Safe"](#). When a malfunction symptom is reproduced, the question sheet is effective. Refer to [TM-150, "Question sheet"](#).

Verify the relationship between the symptom and the conditions in which the malfunction described by the customer occurs.

>> GO TO 5.

4. REPRODUCE MALFUNCTION SYMPTOM

Check the malfunction described by the customer on the vehicle. Also investigate whether the symptom is a fail-safe or normal operation. Refer to [TM-286, "Fail-Safe"](#). When a malfunction symptom is reproduced, the question sheet is effective. Refer to [TM-150, "Question sheet"](#).

Verify the relationship between the symptom and the conditions in which the malfunction described by the customer occurs.

>> GO TO 6.

5. PERFORM "DTC CONFIRMATION PROCEDURE"

Perform "DTC CONFIRMATION PROCEDURE" of the appropriate DTC to check if DTC is detected again. Refer to [TM-289, "DTC Inspection Priority Chart"](#) when multiple DTCs are detected, and then determine the order for performing the diagnosis.

NOTE:

If no DTC is detected, refer to the freeze frame data.

Is any DTC detected?

- YES >> GO TO 7.
- NO >> Check according to [GI-45, "Intermittent Incident"](#).

6. IDENTIFY MALFUNCTIONING SYSTEM WITH "DIAGNOSIS CHART BY SYMPTOM"

DIAGNOSIS AND REPAIR WORK FLOW

< BASIC INSPECTION >

[7AT: RE7R01A]

Use [TM-292. "Symptom Table"](#) from the symptom inspection result in step 4. Then identify where to start performing the diagnosis based on possible causes and symptoms.

>> GO TO 8.

7. REPAIR OR REPLACE THE MALFUNCTIONING PARTS

Repair or replace the detected malfunctioning parts.

Reconnect parts or connector after repairing or replacing, and then erase DTC if necessary.

>> GO TO 8.

8. FINAL CHECK

Perform "DTC CONFIRMATION PROCEDURE" again to make sure that the repair is correctly performed. Check that malfunctions are not reproduced when obtaining the malfunction information from the customer, referring to the symptom inspection result in step 3 or 4.

Is DTC or malfunction symptom reproduced?

YES-1 (DTC is reproduced)>>GO TO 5.

YES-2 (Malfunction symptom is reproduced)>>GO TO 6.

NO >> Before delivering the vehicle to the customer, make sure that DTC is erased.

Question sheet

INFOID:000000008192960

DESCRIPTION

There are many operating conditions that may cause a malfunction of the transmission parts. By understanding those conditions properly, a quick and exact diagnosis can be achieved.

In general, customers have their own criteria for a problem. Therefore, it is important to understand the symptom and status well enough by asking the customer about the concerns carefully. In order to systemize all the information for the diagnosis, prepare the question sheet referring to the question points.

KEY POINTS

WHAT Vehicle & engine model
WHEN Date, Frequencies
WHERE..... Road conditions
HOW Operating conditions,
 Weather conditions,
 Symptoms

SEF907L

WORKSHEET SAMPLE

Question Sheet					
Customer name	MR/MS	Engine #		Manuf. Date	
		Incident Date		VIN	
		Model & Year		In Service Date	
		Trans.		Mileage	km / Mile

DIAGNOSIS AND REPAIR WORK FLOW

< BASIC INSPECTION >

[7AT: RE7R01A]

Question Sheet							
Symptoms	<input type="checkbox"/> Vehicle does not move (<input type="checkbox"/> Any position <input type="checkbox"/> Particular position) <input type="checkbox"/> No up-shift (<input type="checkbox"/> 1GR → 2GR <input type="checkbox"/> 2GR → 3GR <input type="checkbox"/> 3GR → 4GR <input type="checkbox"/> 4GR → 5GR <input type="checkbox"/> 5GR → 6GR <input type="checkbox"/> 6GR → 7GR) <input type="checkbox"/> No down-shift (<input type="checkbox"/> 7GR → 6GR <input type="checkbox"/> 6GR → 5GR <input type="checkbox"/> 5GR → 4GR <input type="checkbox"/> 4GR → 3GR <input type="checkbox"/> 3GR → 2GR <input type="checkbox"/> 2GR → 1GR) <input type="checkbox"/> Lock-up malfunction <input type="checkbox"/> Shift point too high or too low <input type="checkbox"/> Shift shock or slip <input type="checkbox"/> Noise or vibration <input type="checkbox"/> No kick down <input type="checkbox"/> No pattern select <input type="checkbox"/> Others						
Frequency	<input type="checkbox"/> All the time <input type="checkbox"/> Under certain conditions <input type="checkbox"/> Sometimes (times a day)						
Weather conditions	<input type="checkbox"/> Not affected <table border="1" style="width: 100%; border-collapse: collapse;"> <tr> <td style="width: 10%;">Weather</td> <td> <input type="checkbox"/> Fine <input type="checkbox"/> Clouding <input type="checkbox"/> Raining <input type="checkbox"/> Snowing <input type="checkbox"/> Other () </td> </tr> <tr> <td>Temp.</td> <td> <input type="checkbox"/> Hot <input type="checkbox"/> Warm <input type="checkbox"/> Cool <input type="checkbox"/> Cold <input type="checkbox"/> Temp. [Approx. °C (°F)] </td> </tr> <tr> <td>Humidity</td> <td> <input type="checkbox"/> High <input type="checkbox"/> Middle <input type="checkbox"/> Low </td> </tr> </table>	Weather	<input type="checkbox"/> Fine <input type="checkbox"/> Clouding <input type="checkbox"/> Raining <input type="checkbox"/> Snowing <input type="checkbox"/> Other ()	Temp.	<input type="checkbox"/> Hot <input type="checkbox"/> Warm <input type="checkbox"/> Cool <input type="checkbox"/> Cold <input type="checkbox"/> Temp. [Approx. °C (°F)]	Humidity	<input type="checkbox"/> High <input type="checkbox"/> Middle <input type="checkbox"/> Low
Weather	<input type="checkbox"/> Fine <input type="checkbox"/> Clouding <input type="checkbox"/> Raining <input type="checkbox"/> Snowing <input type="checkbox"/> Other ()						
Temp.	<input type="checkbox"/> Hot <input type="checkbox"/> Warm <input type="checkbox"/> Cool <input type="checkbox"/> Cold <input type="checkbox"/> Temp. [Approx. °C (°F)]						
Humidity	<input type="checkbox"/> High <input type="checkbox"/> Middle <input type="checkbox"/> Low						
Transmission conditions	<input type="checkbox"/> Not affected <input type="checkbox"/> Cold <input type="checkbox"/> During warm-up <input type="checkbox"/> After warm-up <input type="checkbox"/> Engine speed (rpm)						
Road conditions	<input type="checkbox"/> Not affected <input type="checkbox"/> In town <input type="checkbox"/> In suburbs <input type="checkbox"/> Freeway <input type="checkbox"/> Off road (Up / Down)						
Driving conditions	<input type="checkbox"/> Not affected <input type="checkbox"/> At starting <input type="checkbox"/> While idling <input type="checkbox"/> While engine racing <input type="checkbox"/> At racing <input type="checkbox"/> While cruising <input type="checkbox"/> While accelerating <input type="checkbox"/> While decelerating <input type="checkbox"/> While turning (Right / Left) <input type="checkbox"/> Vehicle speed [km/h (MPH)]						
Other conditions							

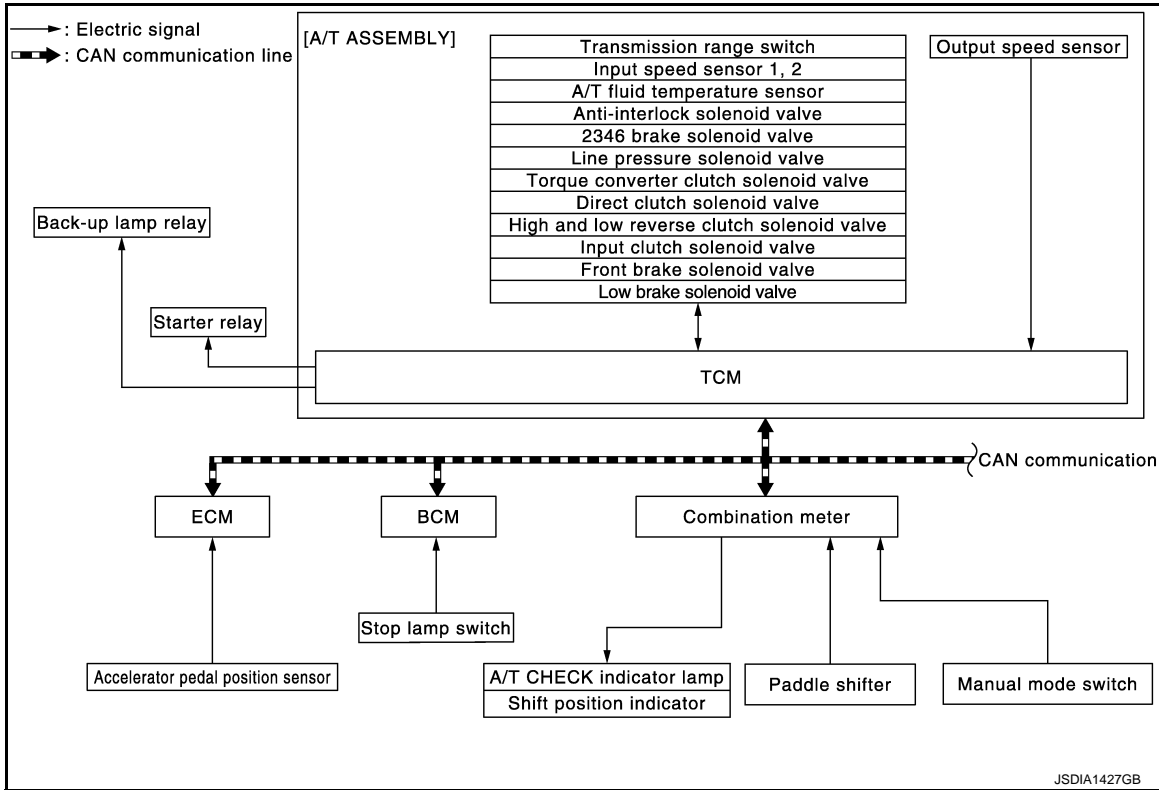
A
B
C
TM
E
F
G
H
I
J
K
L
M
N
O
P

SYSTEM DESCRIPTION

A/T CONTROL SYSTEM

System Diagram

INFOID:000000008192961



System Description

INFOID:000000008192962

INPUT/OUTPUT SIGNAL CHART

Sensor (or signal)	TCM function	Actuator
<ul style="list-style-type: none"> Transmission range switch Accelerator pedal position signal Closed throttle position signal Wide open throttle position signal Engine speed signal A/T fluid temperature sensor Output speed sensor Vehicle speed signal Manual mode switch signal Stop lamp switch signal Input speed sensor 1, 2 	<ul style="list-style-type: none"> Line pressure control (TM-155) Shift change control (TM-159) Shift pattern control <ul style="list-style-type: none"> Shift pattern (TM-164) Manual mode (TM-168) Lock-up control (TM-171) Fail-safe control (TM-286) Self-diagnosis (TM-204) CONSULT communication line (TM-204) CAN communication line (TM-213) 	<ul style="list-style-type: none"> Input clutch solenoid valve Direct clutch solenoid valve Front brake solenoid valve High and low reverse clutch solenoid valve Low brake solenoid valve Torque converter clutch solenoid valve Line pressure solenoid valve Anti-interlock solenoid valve 2346 brake solenoid valve A/T CHECK indicator lamp Back-up lamp relay Starter relay

SYSTEM DESCRIPTION

- The A/T senses vehicle operating conditions through various sensors or signals. It always controls the optimum shift position and reduces shifting and lock-up shocks.
- Receive input signals transmitted from various switches and sensors.
- Determine required line pressure, shifting point, lock-up operation, etc.
- Transmit required output signals to the respective solenoids.

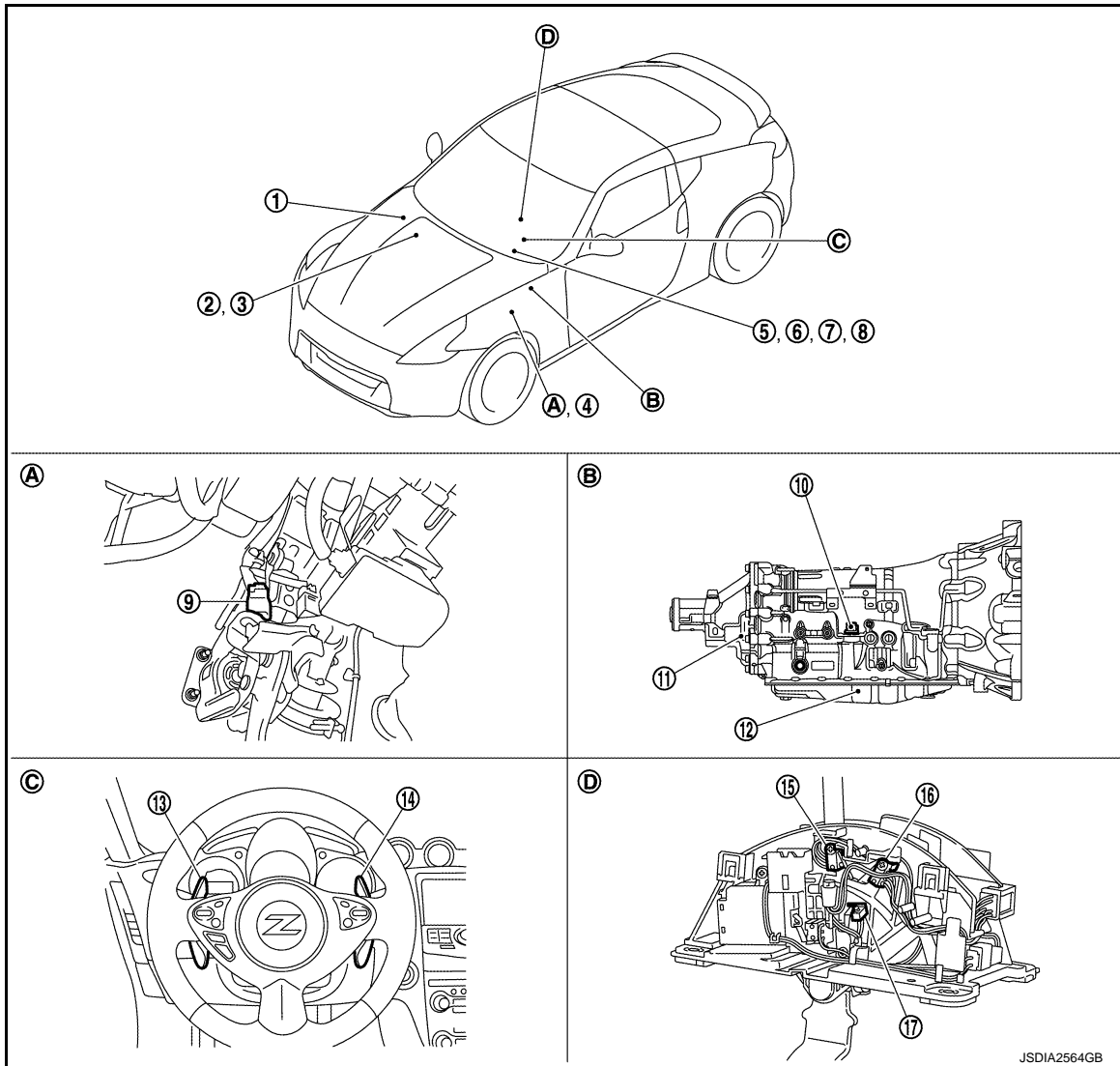
A/T CONTROL SYSTEM

< SYSTEM DESCRIPTION >

[7AT: RE7R01A]

Component Parts Location

INFOID:000000008192963



- | | | |
|--|--|---|
| 1. IPDM E/R
Refer to PCS-5, "Component Parts Location" . | 2. ECM
Refer to EC-39, "Component Parts Location" . | 3. BCM
Refer to BCS-10, "Component Parts Location" . |
| 4. Accelerator pedal position sensor
Refer to EC-39, "Component Parts Location" . | 5. Combination meter | 6. A/T CHECK indicator lamp
(On the combination meter) |
| 7. Shift position indicator
(On the combination meter) | 8. Manual mode indicator
(On the combination meter) | 9. Stop lamp switch |
| 10. Joint connector | 11. Output speed sensor | 12. Control valve & TCM* |
| 13. Paddle shifter (shift-down) | 14. Paddle shifter (shift-up) | 15. Manual mode position select switch
(shift-up) |
| 16. Manual mode position select switch
(shift-down) | 17. Manual mode select switch | |
| A. Brake pedal | B. A/T assembly | C. Steering wheel |
| D. A/T shift selector assembly | | |

*: Control valve & TCM is included in A/T assembly.

NOTE:

The following components are included in control valve & TCM.

- TCM
- Input speed sensor 1, 2

A
B
C
TM
E
F
G
H
I
J
K
L
M
N
O
P

A/T CONTROL SYSTEM

[7AT: RE7R01A]

< SYSTEM DESCRIPTION >

- A/T fluid temperature sensor
- Transmission range switch
- Direct clutch solenoid valve
- High and low reverse clutch solenoid valve
- Input clutch solenoid valve
- Front brake solenoid valve
- Low brake solenoid valve
- Anti-interlock solenoid valve
- 2346 brake solenoid valve
- Line pressure solenoid valve
- Torque converter clutch solenoid valve

Component Description

INFOID:000000008192964

Name	Function
TCM	The TCM consists of a microcomputer and connectors for signal input and output and for power supply. The TCM controls the A/T.
Transmission range switch	TM-216, "Description"
Output speed sensor	TM-222, "Description"
Input speed sensor 1	TM-220, "Description"
Input speed sensor 2	
A/T fluid temperature sensor	TM-218, "Description"
Input clutch solenoid valve	TM-246, "Description"
Front brake solenoid valve	TM-249, "Description"
Direct clutch solenoid valve	TM-267, "Description"
High and low reverse clutch solenoid valve	TM-264, "Description"
Low brake solenoid valve	TM-265, "Description"
Anti-interlock solenoid valve	TM-245, "Description"
2346 brake solenoid valve	TM-266, "Description"
Torque converter clutch solenoid valve	TM-240, "Description"
Line pressure solenoid valve	TM-244, "Description"
Accelerator pedal position sensor	TM-250, "Description"
Manual mode switch	TM-258, "Description"
Paddle shifter	TM-258, "Description"
Starter relay	TM-214, "Description"
A/T CHECK indicator lamp	When the ignition switch is pushed to the ON position, the light comes on for 2 seconds.
Stop lamp switch	TM-272, "Description"
ECM	EC-39, "System Description"
BCM	BCS-9, "System Description"
Combination meter	MWI-6, "METER SYSTEM : System Description"

LINE PRESSURE CONTROL

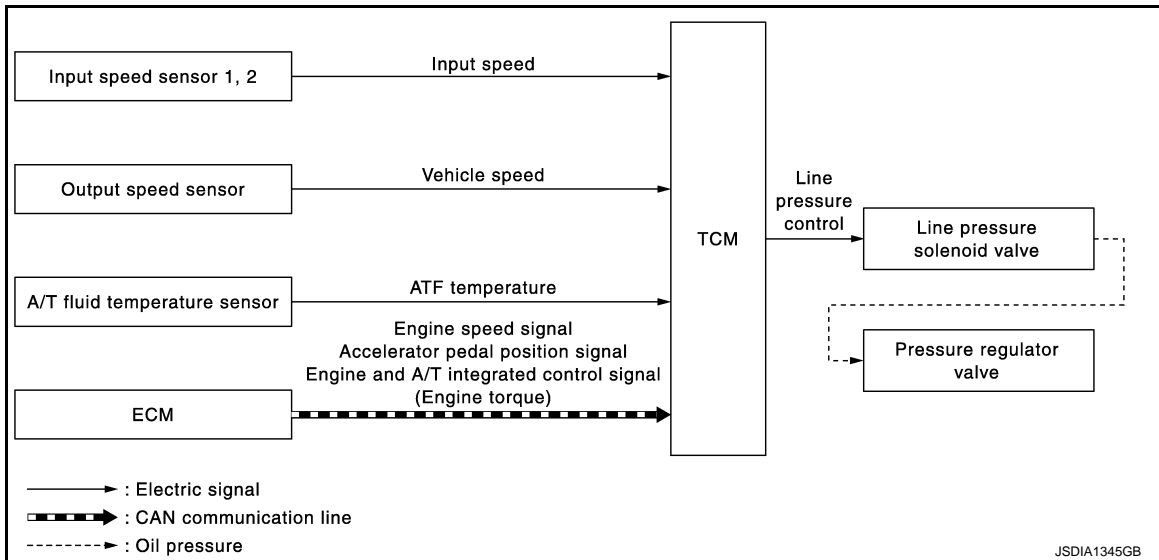
< SYSTEM DESCRIPTION >

[7AT: RE7R01A]

LINE PRESSURE CONTROL

System Diagram

INFOID:000000008192965



System Description

INFOID:000000008192966

INPUT/OUTPUT SIGNAL CHART

Sensor	Input signal to TCM	TCM function	Actuator
Input speed sensor 1, 2	Input speed	Line pressure control	Line pressure solenoid valve ↓ Pressure regulator valve
Output speed sensor	Vehicle speed		
A/T fluid temperature sensor	ATF temperature		
ECM	Engine speed signal* Accelerator pedal position signal* Engine and A/T integrated control signal (Engine torque)*		

*: This signal is transmitted via CAN communication line.

SYSTEM DESCRIPTION

- When an engine and A/T integrated control signal (engine torque) equivalent to the engine drive force is transmitted from the ECM to the TCM, the TCM controls the line pressure solenoid valve. This line pressure solenoid controls the pressure regulator valve as the signal pressure and adjusts the pressure of the operating oil discharged from the oil pump to the line pressure most appropriate to the driving state.
- The TCM has stored in memory a number of patterns for the optimum line pressure characteristic for the driving state.
- In order to obtain the most appropriate line pressure characteristic to meet the current driving state, the TCM controls the line pressure solenoid current value and thus controls the line pressure.

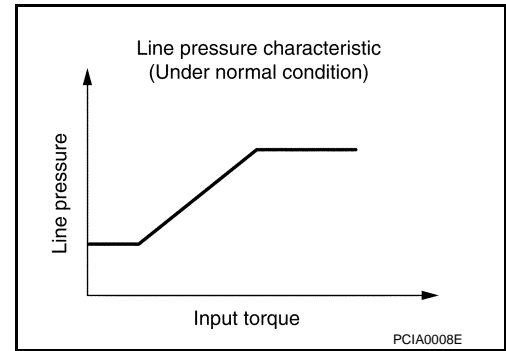
Normal Control

LINE PRESSURE CONTROL

[7AT: RE7R01A]

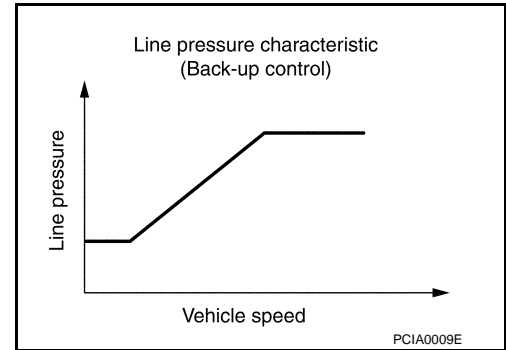
< SYSTEM DESCRIPTION >

Each clutch is adjusted to the necessary pressure to match the engine drive force.



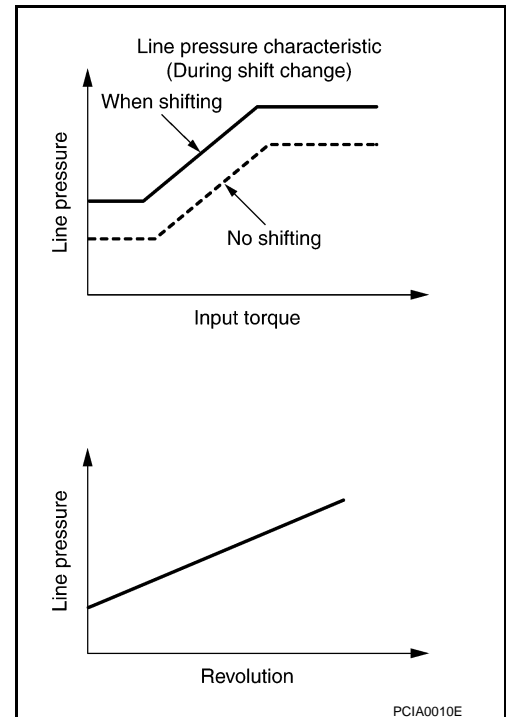
Back-up Control (Engine Brake)

When the select operation is performed during driving and the A/T is shifted down, the line pressure is set according to the vehicle speed.



During Shift Change

The necessary and adequate line pressure for shift change is set. For this reason, line pressure pattern setting corresponds to engine torque and gearshift selection. Also, line pressure characteristic corresponds to engine speed, during engine brake operation.



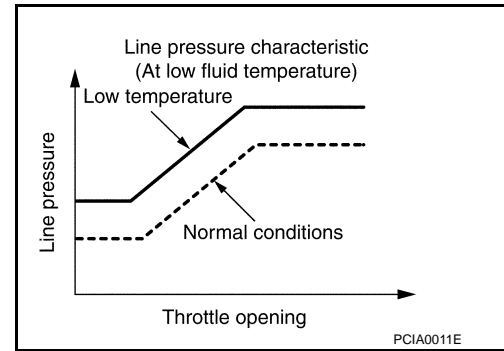
At Low Fluid Temperature

LINE PRESSURE CONTROL

< SYSTEM DESCRIPTION >

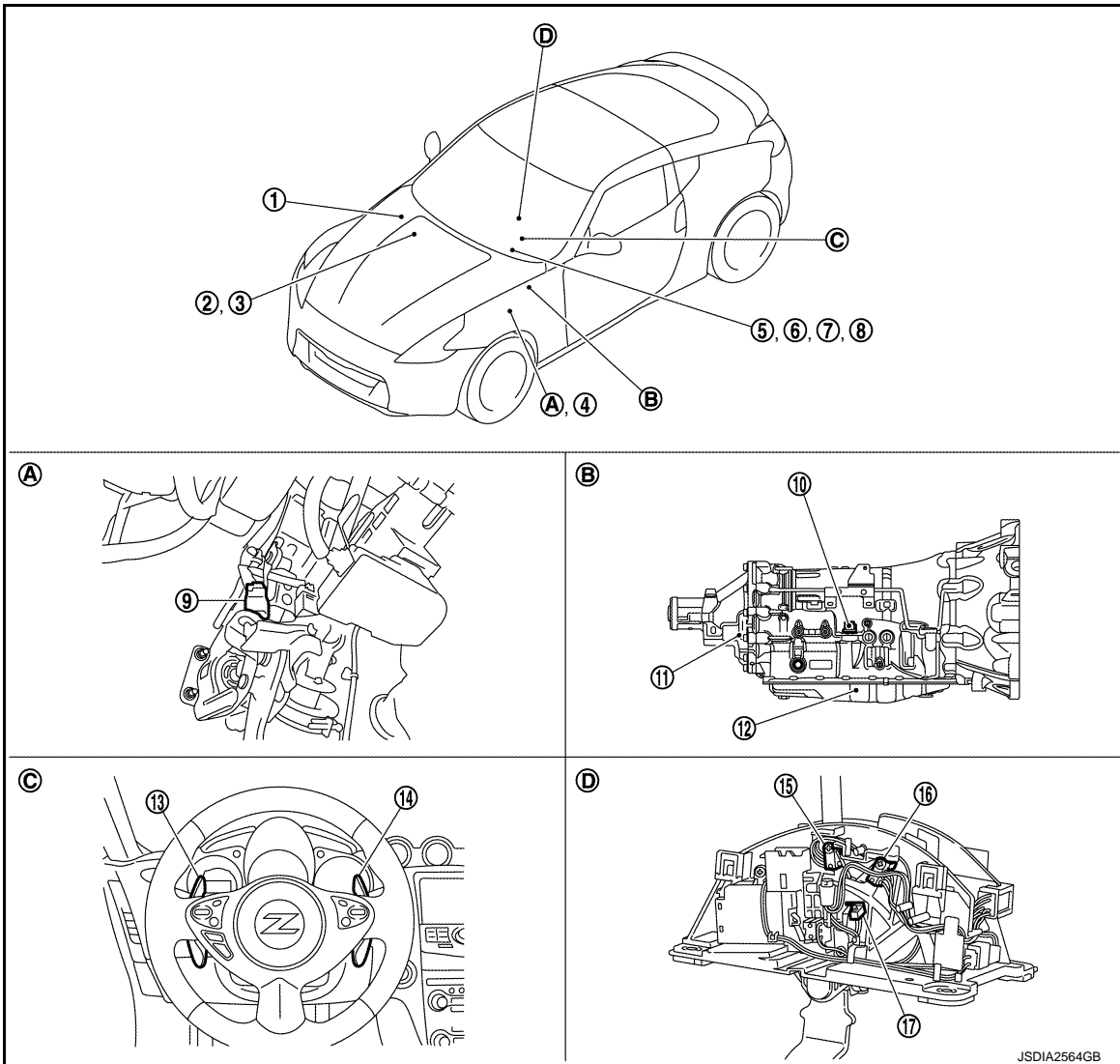
[7AT: RE7R01A]

When the A/T fluid temperature drops below the prescribed temperature, in order to speed up the action of each friction element, the line pressure is set higher than the normal line pressure characteristic.



Component Parts Location

INFOID:000000008192967



- | | | |
|--|--|---|
| 1. IPDM E/R
Refer to PCS-5, "Component Parts Location" . | 2. ECM
Refer to EC-39, "Component Parts Location" . | 3. BCM
Refer to BCS-10, "Component Parts Location" . |
| 4. Accelerator pedal position sensor
Refer to EC-39, "Component Parts Location" . | 5. Combination meter | 6. A/T CHECK indicator lamp
(On the combination meter) |
| 7. Shift position indicator
(On the combination meter) | 8. Manual mode indicator
(On the combination meter) | 9. Stop lamp switch |
| 10. Joint connector | 11. Output speed sensor | 12. Control valve & TCM* |

LINE PRESSURE CONTROL

< SYSTEM DESCRIPTION >

[7AT: RE7R01A]

- | | | |
|---|-------------------------------|---|
| 13. Paddle shifter (shift-down) | 14. Paddle shifter (shift-up) | 15. Manual mode position select switch (shift-up) |
| 16. Manual mode position select switch (shift-down) | 17. Manual mode select switch | |
| A. Brake pedal | B. A/T assembly | C. Steering wheel |
| D. A/T shift selector assembly | | |

*: Control valve & TCM is included in A/T assembly.

NOTE:

The following components are included in control valve & TCM.

- TCM
- Input speed sensor 1, 2
- A/T fluid temperature sensor
- Transmission range switch
- Direct clutch solenoid valve
- High and low reverse clutch solenoid valve
- Input clutch solenoid valve
- Front brake solenoid valve
- Low brake solenoid valve
- Anti-interlock solenoid valve
- 2346 brake solenoid valve
- Line pressure solenoid valve
- Torque converter clutch solenoid valve

Component Description

INFOID:000000008192968

Name	Function
TCM	The TCM consists of a microcomputer and connectors for signal input and output and for power supply. The TCM controls the A/T.
Output speed sensor	TM-222, "Description"
Input speed sensor 1	TM-220, "Description"
Input speed sensor 2	
A/T fluid temperature sensor	TM-218, "Description"
Line pressure solenoid valve	TM-244, "Description"
Pressure regulator valve	Adjusts the oil discharged from the oil pump to the optimum pressure (line pressure) for the driving state.
ECM	EC-39, "System Description"

SHIFT CHANGE CONTROL

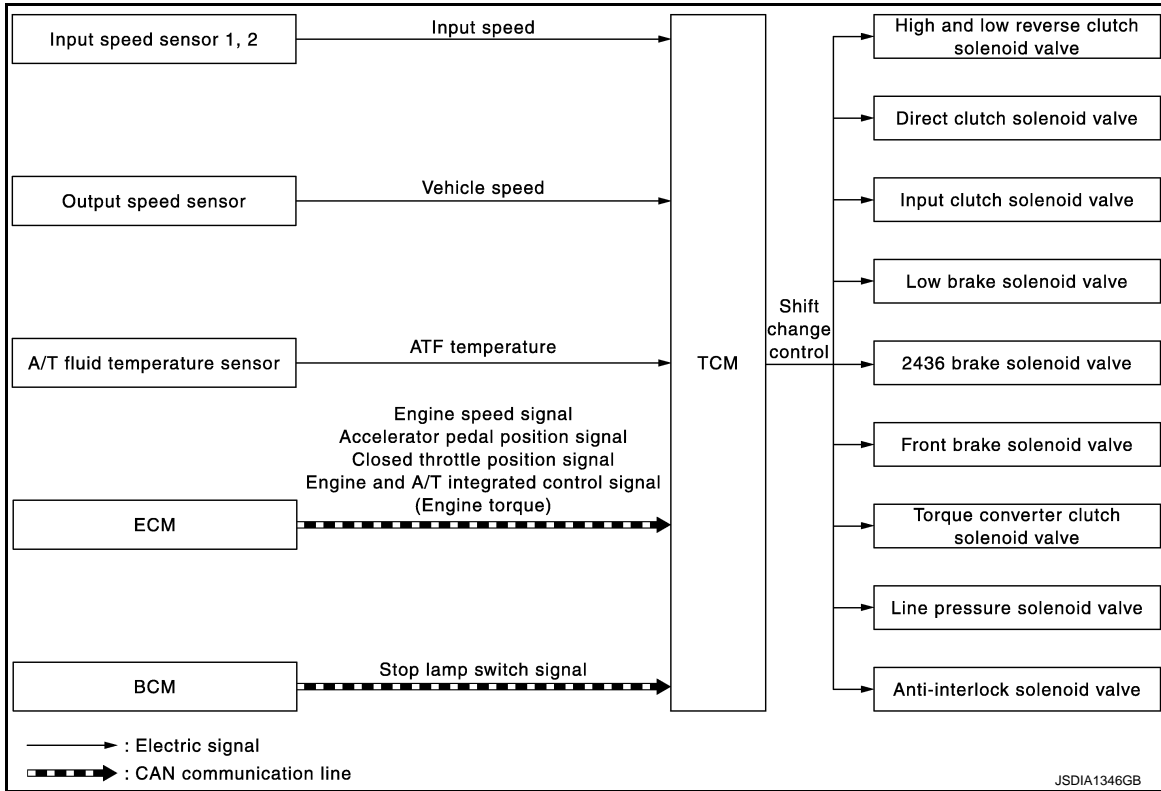
< SYSTEM DESCRIPTION >

[7AT: RE7R01A]

SHIFT CHANGE CONTROL

System Diagram

INFOID:000000008192969



System Description

INFOID:000000008192970

INPUT/OUTPUT SIGNAL CHART

Sensor	Input signal to TCM	TCM function	Actuator
Input speed sensor 1, 2	Input speed	Shift change control	<ul style="list-style-type: none"> High and low reverse clutch solenoid valve Direct clutch solenoid valve Input clutch solenoid valve Low brake solenoid valve 2346 brake solenoid valve Front brake solenoid valve Torque converter clutch solenoid valve Line pressure solenoid valve Anti-interlock solenoid valve
Output speed sensor	Vehicle speed		
A/T fluid temperature sensor	ATF temperature		
ECM	Engine speed signal*		
	Accelerator pedal position signal*		
	Closed throttle position signal*		
ECM	Engine and A/T integrated control signal (Engine torque)*		
	BCM	Stop lamp switch signal*	

*: This signal is transmitted via CAN communication line.

SYSTEM DESCRIPTION

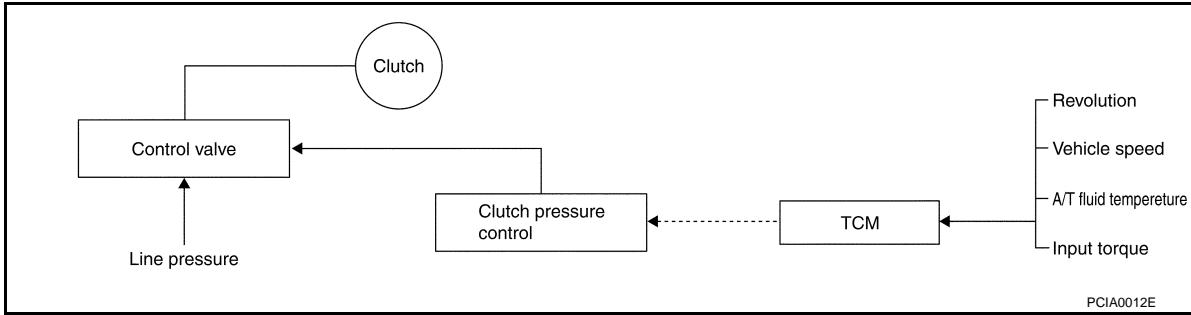
The clutch pressure control solenoid is controlled by the signals from the switches and sensors. Thus, the clutch pressure is adjusted to be appropriate to the engine load state and vehicle driving state. It becomes

SHIFT CHANGE CONTROL

< SYSTEM DESCRIPTION >

[7AT: RE7R01A]

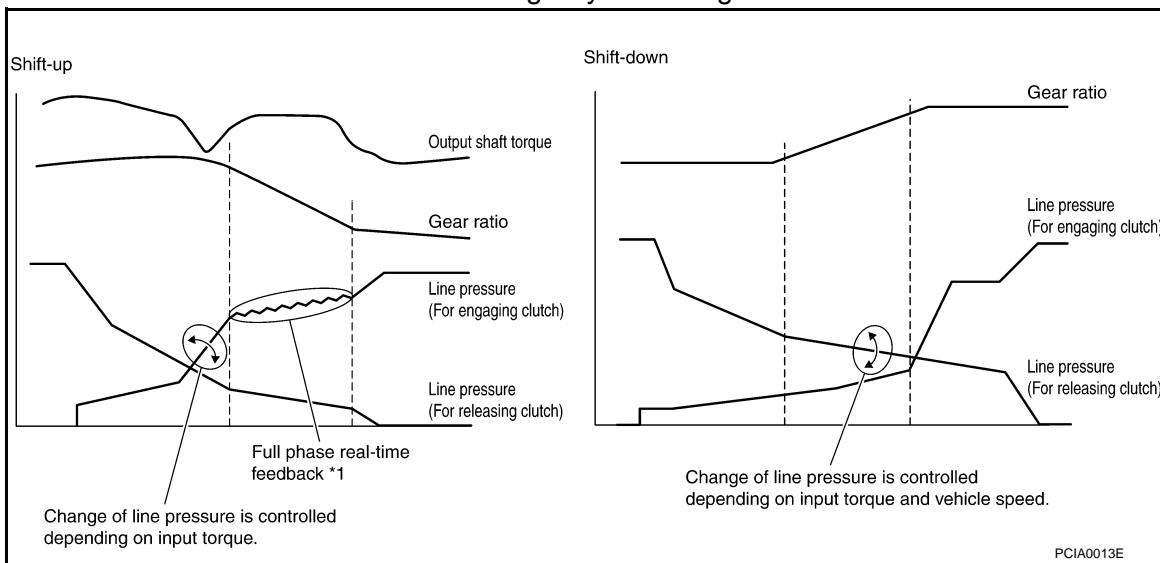
possible to finely control the clutch hydraulic pressure with high precision and a smoother shift change characteristic is attained.



Shift Change

The clutch is controlled with the optimum timing and oil pressure by the engine speed, engine torque information, etc.

Shift Change System Diagram

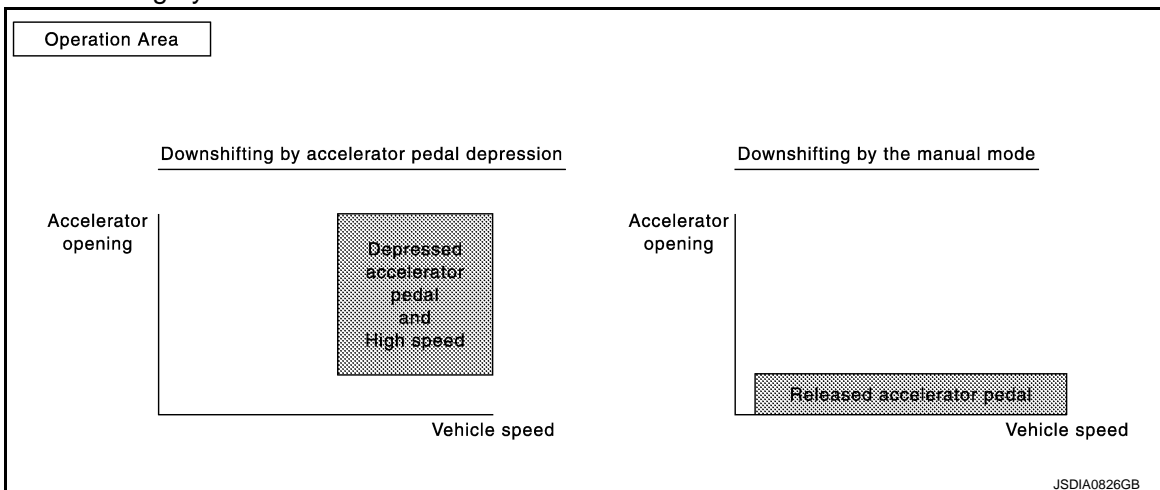


*1: Full phase real-time feedback control monitors movement of gear ratio at gear change, and controls oil pressure in real-time to achieve the best gear ratio.

Blipping Control

This system makes transmission clutch engage readily by controlling (synchronizing) engine revolution according to the (calculation of) engine revolution after shifting down.

- "BLIPPING CONTROL" functions.
- When downshifting by accelerator pedal depression.
- When downshifting by the manual mode.



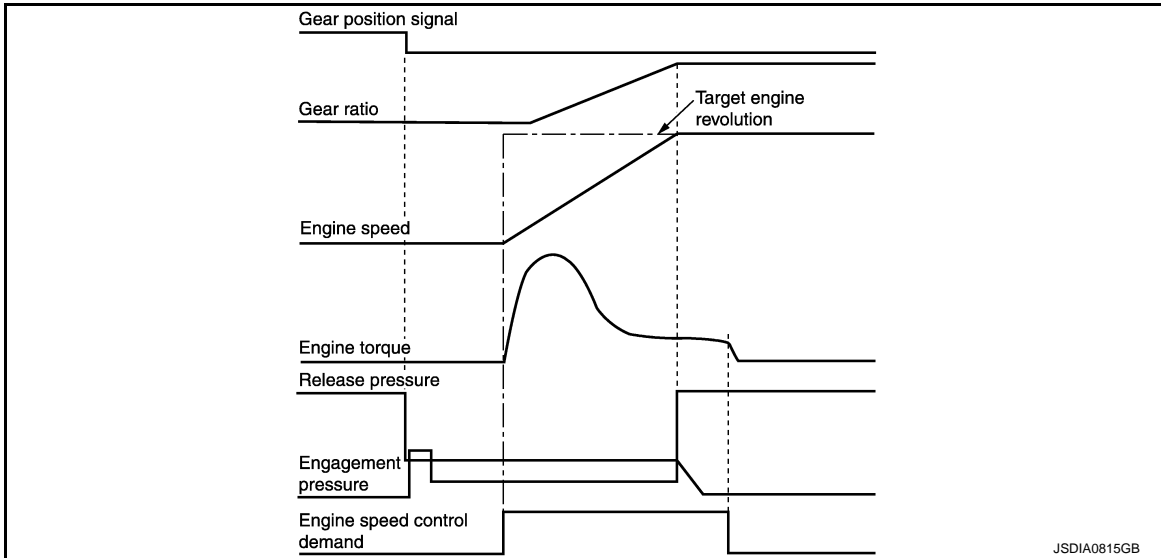
SHIFT CHANGE CONTROL

< SYSTEM DESCRIPTION >

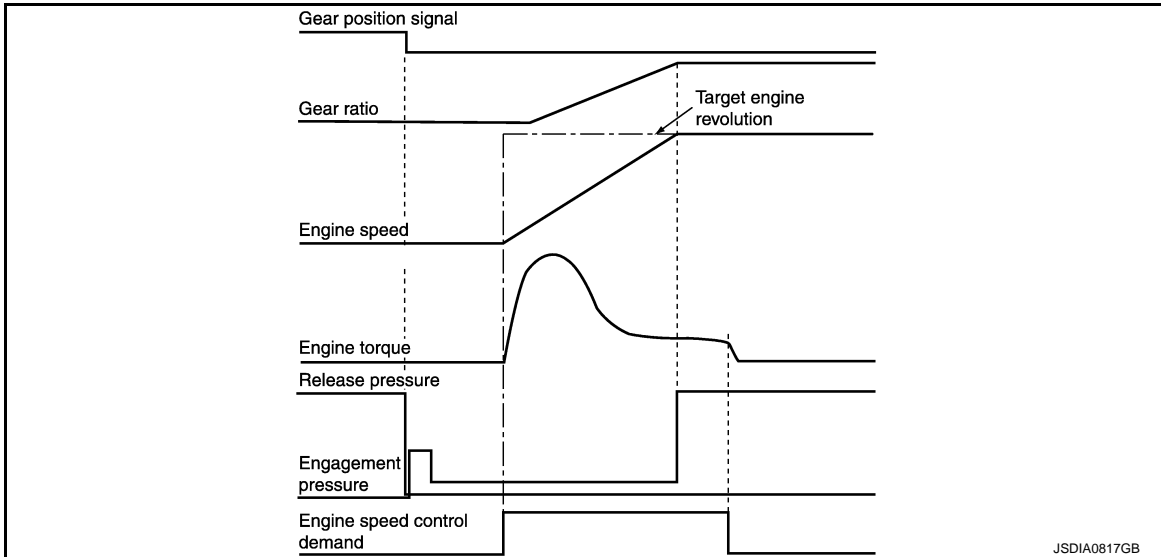
[7AT: RE7R01A]

- TCM selects “BLIPPING CONTROL” or “NORMAL SHIFT CONTROL” according to the gear position, the selector lever position, the engine torque and the speed when accelerating by pedal depression.
- Engine speed control demand signal is transmitted from TCM to ECM under “BLIPPING CONTROL”.
- ECM synchronizes the engine speed according to the engine speed control demand signal.

Downshifting by accelerator pedal depression



Downshifting by the manual mode



A
B
C
TM
E
F
G
H
I
J
K
L
M
N
O
P

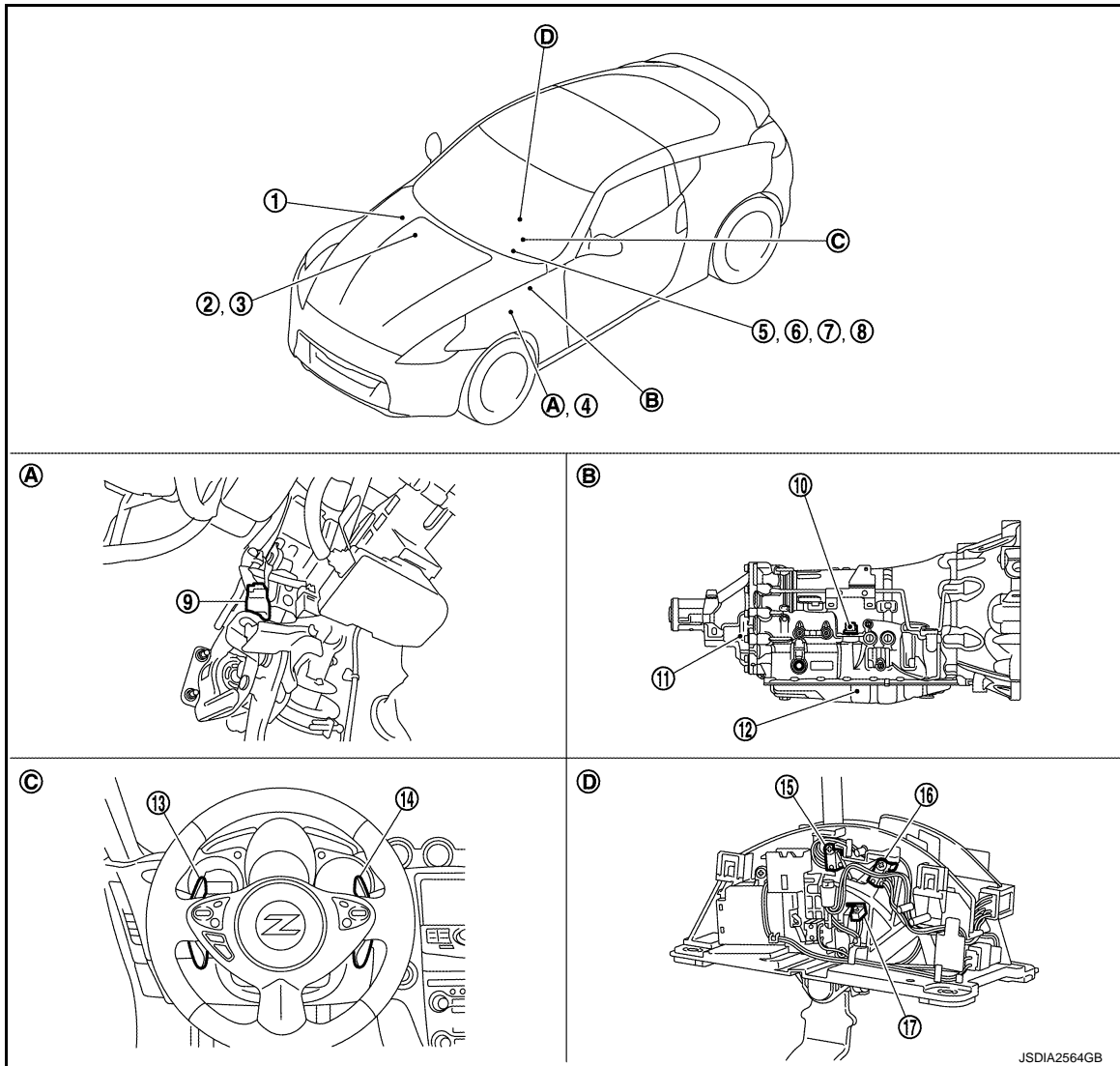
SHIFT CHANGE CONTROL

< SYSTEM DESCRIPTION >

[7AT: RE7R01A]

Component Parts Location

INFOID:000000008192971



- | | | |
|--|--|---|
| 1. IPDM E/R
Refer to PCS-5, "Component Parts Location" . | 2. ECM
Refer to EC-39, "Component Parts Location" . | 3. BCM
Refer to BCS-10, "Component Parts Location" . |
| 4. Accelerator pedal position sensor
Refer to EC-39, "Component Parts Location" . | 5. Combination meter | 6. A/T CHECK indicator lamp
(On the combination meter) |
| 7. Shift position indicator
(On the combination meter) | 8. Manual mode indicator
(On the combination meter) | 9. Stop lamp switch |
| 10. Joint connector | 11. Output speed sensor | 12. Control valve & TCM* |
| 13. Paddle shifter (shift-down) | 14. Paddle shifter (shift-up) | 15. Manual mode position select switch
(shift-up) |
| 16. Manual mode position select switch
(shift-down) | 17. Manual mode select switch | |
| A. Brake pedal | B. A/T assembly | C. Steering wheel |
| D. A/T shift selector assembly | | |

*: Control valve & TCM is included in A/T assembly.

NOTE:

The following components are included in control valve & TCM.

- TCM
- Input speed sensor 1, 2

SHIFT CHANGE CONTROL

[7AT: RE7R01A]

< SYSTEM DESCRIPTION >

- A/T fluid temperature sensor
- Transmission range switch
- Direct clutch solenoid valve
- High and low reverse clutch solenoid valve
- Input clutch solenoid valve
- Front brake solenoid valve
- Low brake solenoid valve
- Anti-interlock solenoid valve
- 2346 brake solenoid valve
- Line pressure solenoid valve
- Torque converter clutch solenoid valve

A
B
C
TM

Component Description

INFOID:000000008192972

Name	Function
TCM	The TCM consists of a microcomputer and connectors for signal input and output and for power supply. The TCM controls the A/T.
Output speed sensor	TM-222, "Description"
Input speed sensor 1	TM-220, "Description"
Input speed sensor 2	
A/T fluid temperature sensor	TM-218, "Description"
Input clutch solenoid valve	TM-246, "Description"
Front brake solenoid valve	TM-249, "Description"
Direct clutch solenoid valve	TM-267, "Description"
High and low reverse clutch solenoid valve	TM-264, "Description"
Low brake solenoid valve	TM-265, "Description"
Anti-interlock solenoid valve	TM-245, "Description"
2346 brake solenoid valve	TM-266, "Description"
Line pressure solenoid valve	TM-244, "Description"
Torque converter clutch solenoid valve	TM-240, "Description"
ECM	EC-39, "System Description"
BCM	BCS-9, "System Description"

E
F
G
H
I
J
K
L
M
N
O
P

SHIFT PATTERN CONTROL

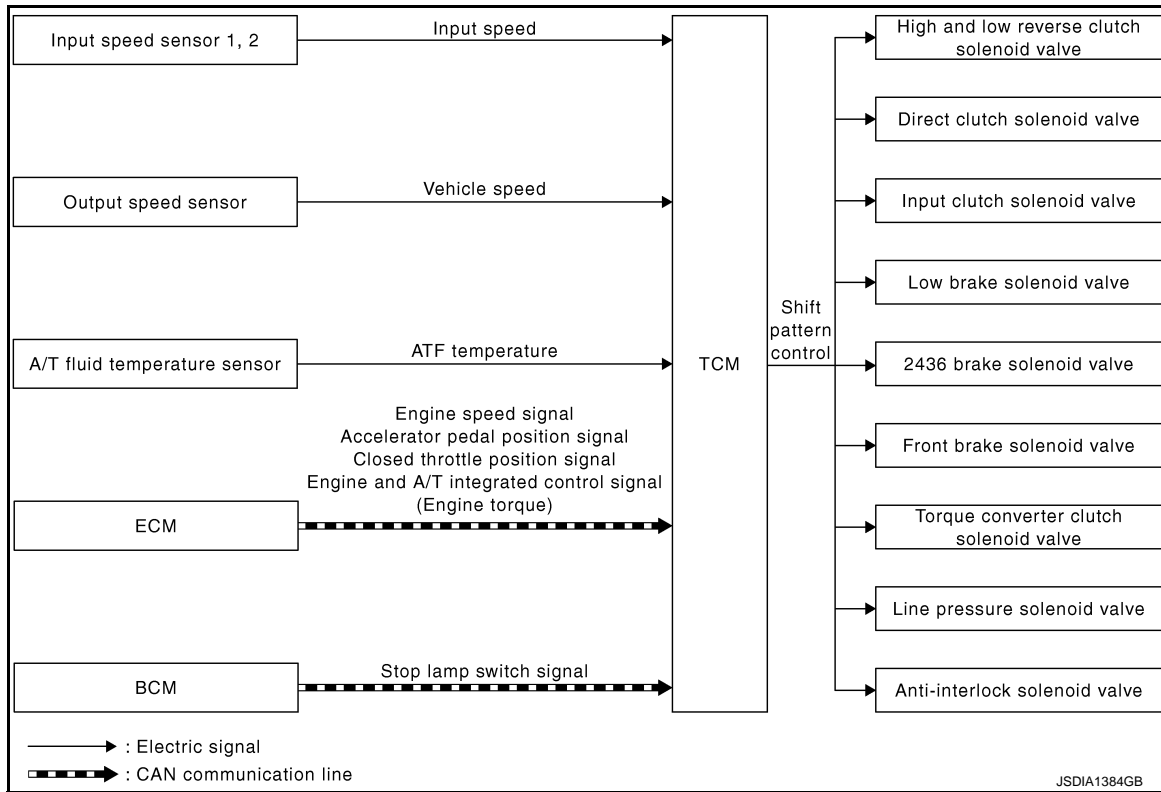
< SYSTEM DESCRIPTION >

[7AT: RE7R01A]

SHIFT PATTERN CONTROL SHIFT PATTERN

SHIFT PATTERN : System Diagram

INFOID:000000008192973



SHIFT PATTERN : System Description

INFOID:000000008192974

INPUT/OUTPUT SIGNAL CHART

Sensor	Input signal to TCM	TCM function	Actuator
Input speed sensor 1, 2	Input speed	Shift pattern control	<ul style="list-style-type: none"> • High and low reverse clutch solenoid valve • Direct clutch solenoid valve • Input clutch solenoid valve • Low brake solenoid valve • 2346 brake solenoid valve • Front brake solenoid valve • Torque converter clutch solenoid valve • Line pressure solenoid valve • Anti-interlock solenoid valve
Output speed sensor	Vehicle speed		
A/T fluid temperature sensor	ATF temperature		
ECM	Engine speed signal*		
	Accelerator pedal position signal*		
	Closed throttle position signal*		
	Engine and A/T integrated control signal (engine torque)*		
BCM	Stop lamp switch signal*		

*: This signal is transmitted via CAN communication line.

SYSTEM DESCRIPTION

It automatically selects the shift pattern (such as road environment and driving style) suitable for the various situations so as to allow the vehicle to be driven efficiently and smoothly.

TCM judges up/down slope according to engine torque data transmitted from the ECM and vehicle speed. Fixing at 4GR, 5GR or 6GR on an up-slope prevents shift hunting and controls the vehicle to gain optimum driving force. On a down-slope, automatic shift-down to 4GR, 5GR or 6GR controls to gain optimum engine brake.

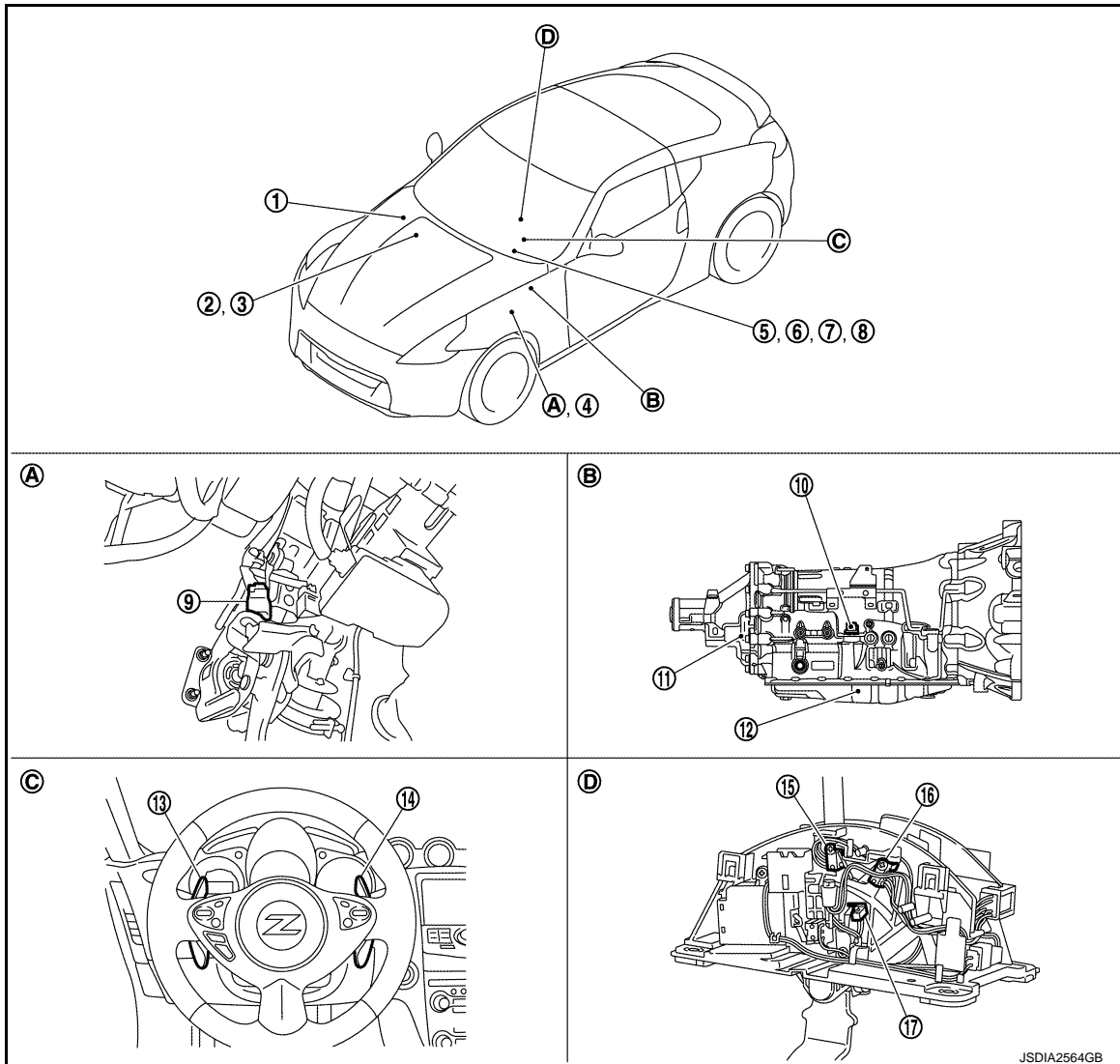
SHIFT PATTERN CONTROL

< SYSTEM DESCRIPTION >

[7AT: RE7R01A]

SHIFT PATTERN : Component Parts Location

INFOID:000000008192975



- | | | |
|--|--|---|
| 1. IPDM E/R
Refer to PCS-5, "Component Parts Location" . | 2. ECM
Refer to EC-39, "Component Parts Location" . | 3. BCM
Refer to BCS-10, "Component Parts Location" . |
| 4. Accelerator pedal position sensor
Refer to EC-39, "Component Parts Location" . | 5. Combination meter | 6. A/T CHECK indicator lamp
(On the combination meter) |
| 7. Shift position indicator
(On the combination meter) | 8. Manual mode indicator
(On the combination meter) | 9. Stop lamp switch |
| 10. Joint connector | 11. Output speed sensor | 12. Control valve & TCM* |
| 13. Paddle shifter (shift-down) | 14. Paddle shifter (shift-up) | 15. Manual mode position select switch
(shift-up) |
| 16. Manual mode position select switch
(shift-down) | 17. Manual mode select switch | |
| A. Brake pedal | B. A/T assembly | C. Steering wheel |
| D. A/T shift selector assembly | | |

*: Control valve & TCM is included in A/T assembly.

NOTE:

The following components are included in control valve & TCM.

- TCM
- Input speed sensor 1, 2

A
B
C
TM
E
F
G
H
I
J
K
L
M
N
O
P

SHIFT PATTERN CONTROL

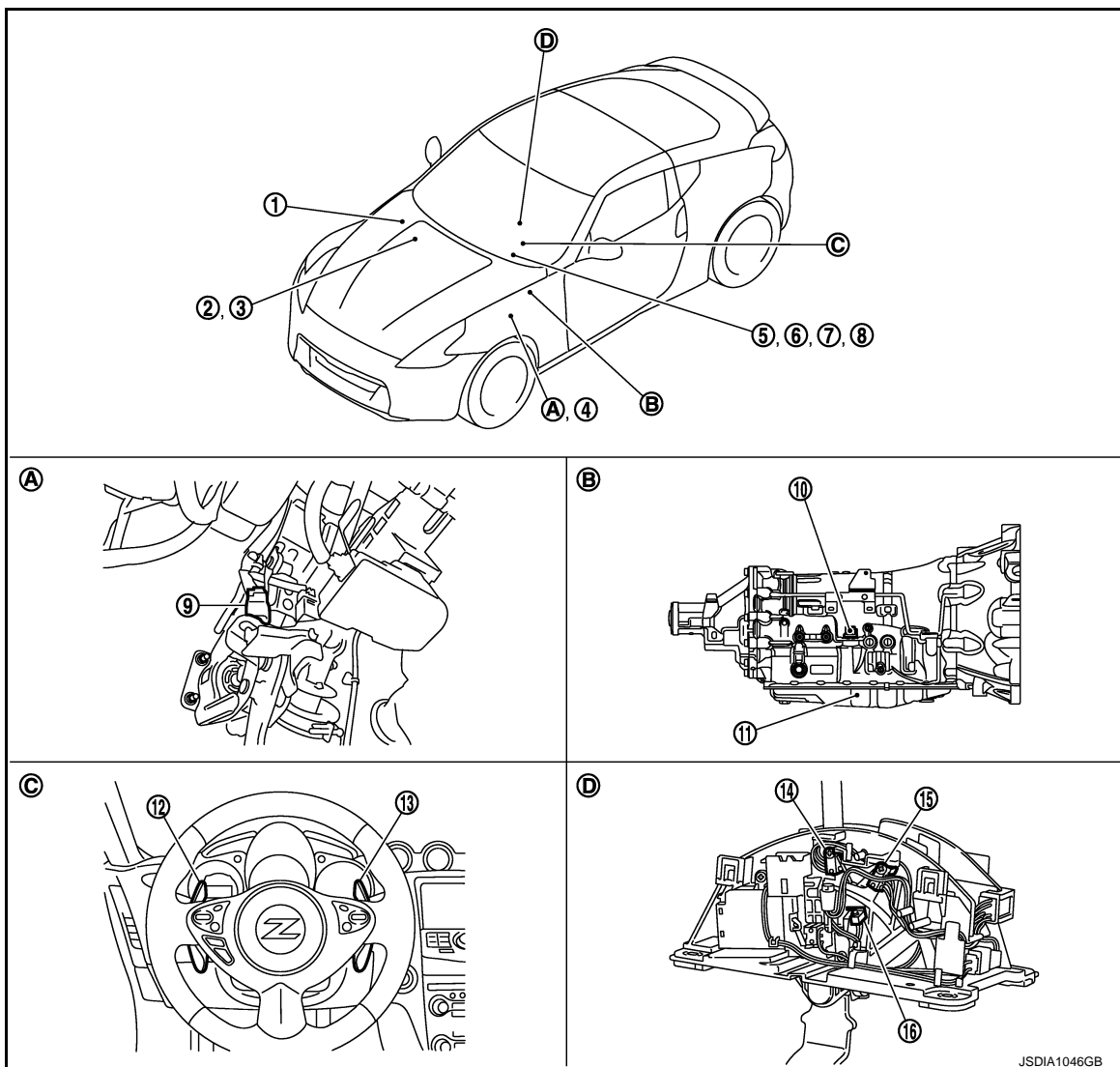
[7AT: RE7R01A]

< SYSTEM DESCRIPTION >

- A/T fluid temperature sensor
- Transmission range switch
- Direct clutch solenoid valve
- High and low reverse clutch solenoid valve
- Input clutch solenoid valve
- Front brake solenoid valve
- Low brake solenoid valve
- Anti-interlock solenoid valve
- 2346 brake solenoid valve
- Line pressure solenoid valve
- Torque converter clutch solenoid valve

SHIFT PATTERN : Component Parts Location

INFOID:000000008192976



- | | | |
|--|--|---|
| 1. IPDM E/R
Refer to PCS-5, "Component Parts Location" . | 2. ECM
Refer to EC-39, "Component Parts Location" . | 3. BCM
Refer to BCS-10, "Component Parts Location" . |
| 4. Accelerator pedal position sensor
Refer to EC-39, "Component Parts Location" . | 5. Combination meter | 6. A/T CHECK indicator lamp
(On the combination meter) |
| 7. Shift position indicator
(On the combination meter) | 8. Manual mode indicator
(On the combination meter) | 9. Stop lamp switch |

JSDIA1046GB

SHIFT PATTERN CONTROL

[7AT: RE7R01A]

< SYSTEM DESCRIPTION >

- | | | |
|--------------------------------|---|---|
| 10. Joint connector | 11. Control valve & TCM* | 12. Paddle shifter (shift-down) |
| 13. Paddle shifter (shift-up) | 14. Manual mode position select switch (shift-up) | 15. Manual mode position select switch (shift-down) |
| 16. Manual mode select switch | | |
| A. Brake pedal | B. A/T assembly | C. Steering wheel |
| D. A/T shift selector assembly | | |

NOTE:

The following components are included in control valve & TCM.

- TCM
- Input speed sensor 1, 2
- Output speed sensor
- A/T fluid temperature sensor
- Transmission range switch
- Direct clutch solenoid valve
- High and low reverse clutch solenoid valve
- Input clutch solenoid valve
- Front brake solenoid valve
- Low brake solenoid valve
- Anti-interlock solenoid valve
- 2346 brake solenoid valve
- Line pressure solenoid valve
- Torque converter clutch solenoid valve

*: Control valve & TCM is included in A/T assembly.

SHIFT PATTERN : Component Description

INFOID:000000008192977

Name	Function
TCM	The TCM consists of a microcomputer and connectors for signal input and output and for power supply. The TCM controls the A/T.
Output speed sensor	TM-222, "Description"
Input speed sensor 1	TM-220, "Description"
Input speed sensor 2	
A/T fluid temperature sensor	TM-218, "Description"
Input clutch solenoid valve	TM-246, "Description"
Front brake solenoid valve	TM-249, "Description"
Direct clutch solenoid valve	TM-267, "Description"
High and low reverse clutch solenoid valve	TM-264, "Description"
Low brake solenoid valve	TM-265, "Description"
Anti-interlock solenoid valve	TM-245, "Description"
2346 brake solenoid valve	TM-266, "Description"
Line pressure solenoid valve	TM-244, "Description"
Torque converter clutch solenoid valve	TM-240, "Description"
ECM	EC-39, "System Description"
BCM	BCS-9, "System Description"

MANUAL MODE

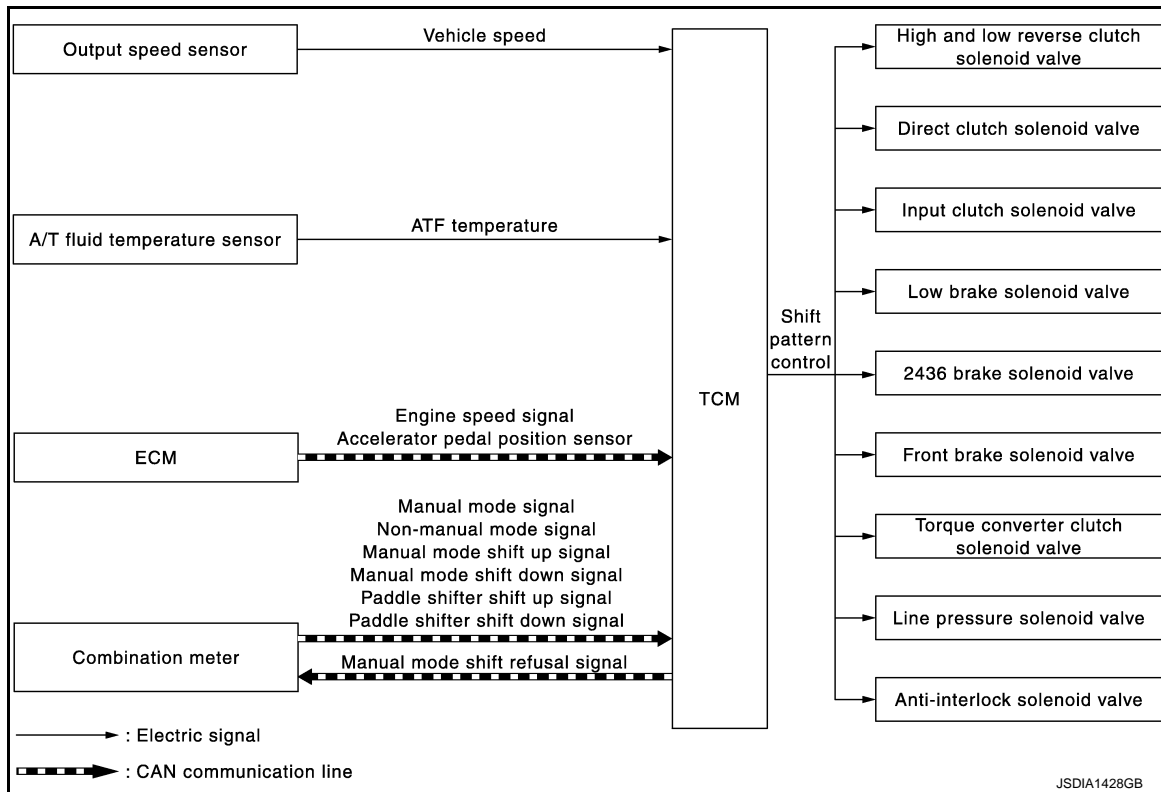
SHIFT PATTERN CONTROL

< SYSTEM DESCRIPTION >

[7AT: RE7R01A]

MANUAL MODE : System Diagram

INFOID:000000008192978



JSDIA1428GB

MANUAL MODE : System Description

INFOID:000000008192979

INPUT/OUTPUT SIGNAL CHART

Sensor	Input signal to TCM	TCM function	Actuator
Output speed sensor	Vehicle speed	Shift pattern control	<ul style="list-style-type: none"> High and low reverse clutch solenoid valve Direct clutch solenoid valve Input clutch solenoid valve Low brake solenoid valve 2436 brake solenoid valve Front brake solenoid valve Torque converter clutch solenoid valve Line pressure solenoid valve Anti-interlock solenoid valve
A/T fluid temperature sensor	ATF temperature		
ECM	Engine speed signal*		
	Accelerator pedal position signal*		
Combination meter	Manual mode signal*		
	Non-manual mode signal*		
	Manual mode shift up signal*		
	Manual mode shift down signal*		
	Paddle shifter shift up signal*		
	Paddle shifter shift down signal*		

*: This signal is transmitted via CAN communication line.

SYSTEM DESCRIPTION

Manual Mode

- The TCM receives the manual mode signal, non-manual mode signal, manual mode shift up signal, manual mode shift down signal, paddle shifter shift up signal and paddle shifter shift down signal from combination meter via CAN communication line. The TCM shifts shift pattern control to the manual mode based on these signals, and then shifts the A/T by operating each solenoid valve according to the shift operation of the driver.
- The TCM prohibits the manual mode while being in fail-safe mode due to an A/T malfunction, etc. Refer to [TM-286, "Fail-Safe"](#).

SHIFT PATTERN CONTROL

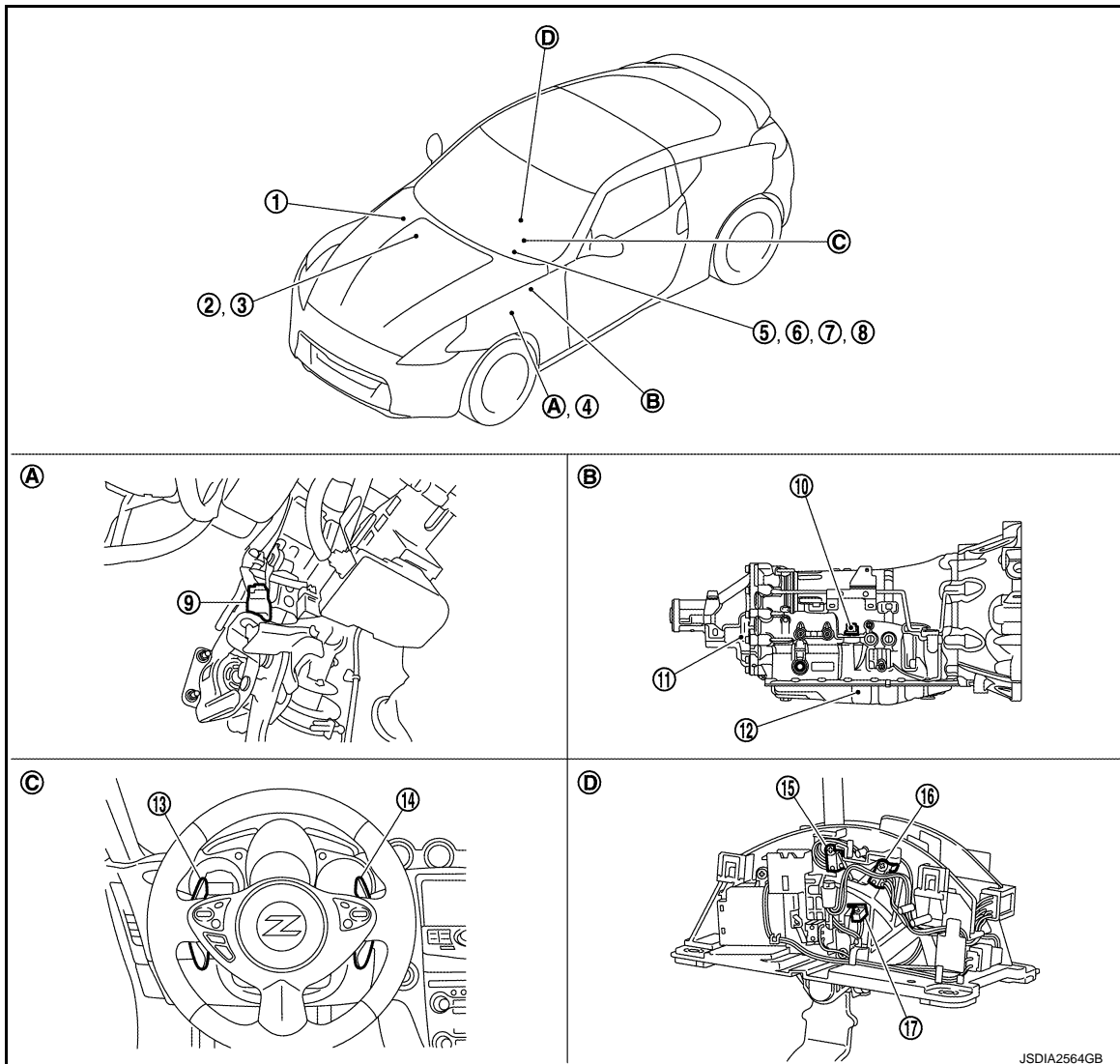
[7AT: RE7R01A]

< SYSTEM DESCRIPTION >

- The TCM transmits the manual mode shift refusal signal to the combination meter if the TCM refuses the transmission from the driving status of vehicle when the selector lever or paddle shifter shifts to "UP (+ side)" or "DOWN (- side)" side. The combination meter blinks shift indicator on the combination meter and sounds the buzzer to indicate the driver that the shifting is not performed when receiving this signal. However, the TCM does not transmit the manual mode shift refusal signal in the conditions as per the following.
 - When the selector lever or the paddle shifter shifts to "DOWN (- side)" side while driving in 1GR.
 - When the selector lever or the paddle shifter shifts to "UP (+ side)" side while driving in 7GR.

MANUAL MODE : Component Parts Location

INFOID:000000008192980



- | | | |
|--|--|---|
| 1. IPDM E/R
Refer to PCS-5, "Component Parts Location" . | 2. ECM
Refer to EC-39, "Component Parts Location" . | 3. BCM
Refer to BCS-10, "Component Parts Location" . |
| 4. Accelerator pedal position sensor
Refer to EC-39, "Component Parts Location" . | 5. Combination meter | 6. A/T CHECK indicator lamp
(On the combination meter) |
| 7. Shift position indicator
(On the combination meter) | 8. Manual mode indicator
(On the combination meter) | 9. Stop lamp switch |
| 10. Joint connector | 11. Output speed sensor | 12. Control valve & TCM* |
| 13. Paddle shifter (shift-down) | 14. Paddle shifter (shift-up) | 15. Manual mode position select switch
(shift-up) |
| 16. Manual mode position select switch
(shift-down) | 17. Manual mode select switch | |

SHIFT PATTERN CONTROL

< SYSTEM DESCRIPTION >

[7AT: RE7R01A]

- A. Brake pedal B. A/T assembly C. Steering wheel
D. A/T shift selector assembly

*: Control valve & TCM is included in A/T assembly.

NOTE:

The following components are included in control valve & TCM.

- TCM
- Input speed sensor 1, 2
- A/T fluid temperature sensor
- Transmission range switch
- Direct clutch solenoid valve
- High and low reverse clutch solenoid valve
- Input clutch solenoid valve
- Front brake solenoid valve
- Low brake solenoid valve
- Anti-interlock solenoid valve
- 2346 brake solenoid valve
- Line pressure solenoid valve
- Torque converter clutch solenoid valve

MANUAL MODE : Component Description

INFOID:000000008192981

Name	Function
TCM	The TCM consists of a microcomputer and connectors for signal input and output and for power supply. The TCM controls the A/T.
Output speed sensor	TM-222, "Description"
A/T fluid temperature sensor	TM-218, "Description"
Input clutch solenoid valve	TM-246, "Description"
Front brake solenoid valve	TM-249, "Description"
Direct clutch solenoid valve	TM-267, "Description"
High and low reverse clutch solenoid valve	TM-264, "Description"
Low brake solenoid valve	TM-265, "Description"
Anti-interlock solenoid valve	TM-245, "Description"
2346 brake solenoid valve	TM-266, "Description"
Line pressure solenoid valve	TM-244, "Description"
Torque converter clutch solenoid valve	TM-240, "Description"
ECM	EC-39, "System Description"
Combination meter	MWI-6, "METER SYSTEM : System Description"

LOCK-UP CONTROL

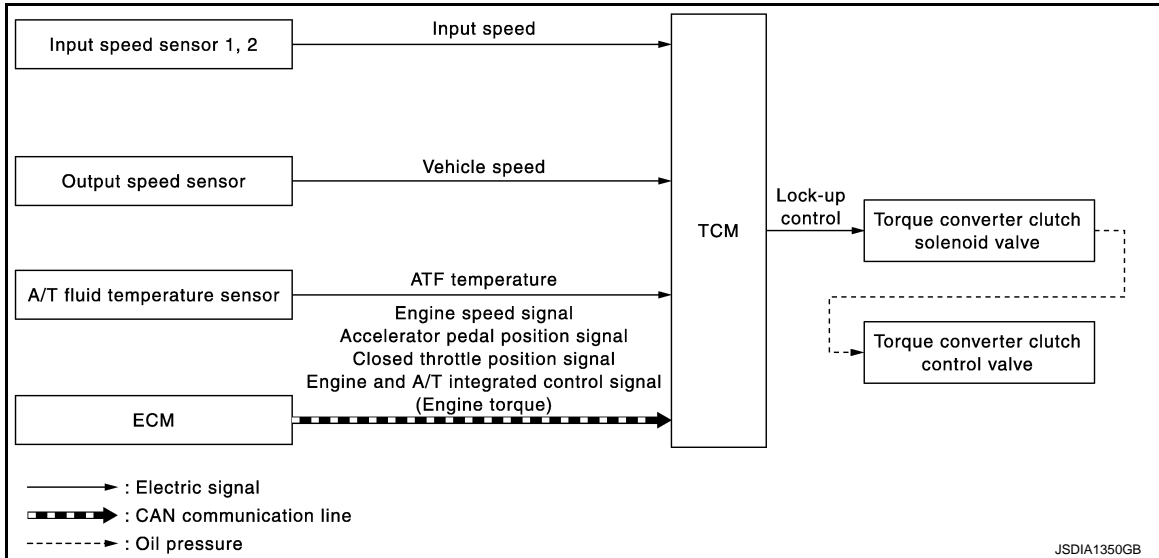
< SYSTEM DESCRIPTION >

[7AT: RE7R01A]

LOCK-UP CONTROL

System Diagram

INFOID:000000008192982



System Description

INFOID:000000008192983

INPUT/OUTPUT SIGNAL CHART

Sensor	Input signal to TCM	TCM function	Actuator
Input speed sensor 1, 2	Input speed	Lock-up control	Torque converter clutch solenoid valve ↓ Torque converter clutch control valve
Output speed sensor	Vehicle speed		
A/T fluid temperature sensor	ATF temperature		
ECM	Engine speed signal*		
	Accelerator pedal position signal*		
	Closed throttle position signal*		
	Engine and A/T integrated control signal (Engine torque)*		

*: This signal is transmitted via CAN communication line.

SYSTEM DESCRIPTION

The torque converter clutch piston in the torque converter is engaged to eliminate torque converter slip to increase power transmission efficiency.

The torque converter clutch control valve operation is controlled by the torque converter clutch solenoid valve, which is controlled by a signal from TCM, and the torque converter clutch control valve engages or releases the torque converter clutch piston.

Lock-up operation condition table

Selector lever	"D" position						"M" position					
	7	6	5	4	3	2	7	6	5	4	3	2
Lock-up	×	—	—	—	—	—	×	×	×	×	×	×
Slip lock-up	×	×	×	×	×	×	×	×	×	×	×	×

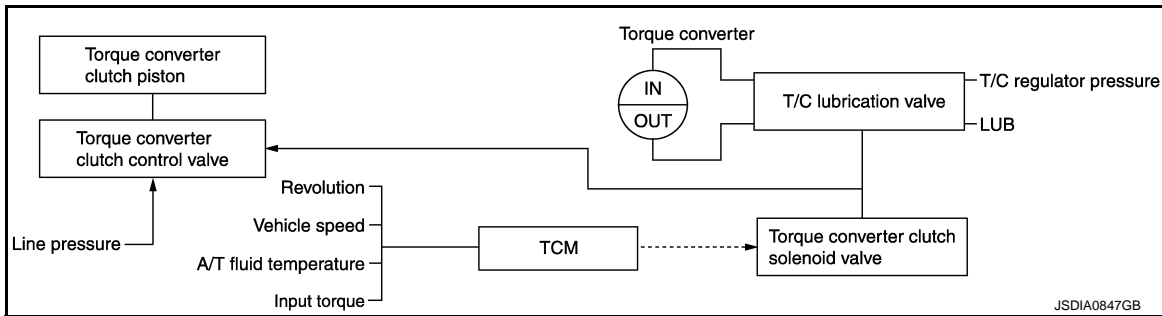
Torque Converter Clutch Control Valve Control

Lock-up control system diagram

LOCK-UP CONTROL

< SYSTEM DESCRIPTION >

[7AT: RE7R01A]



Lock-up released

- In the lock-up released state, the torque converter clutch control valve is set into the unlocked state by the torque converter clutch solenoid and the lock-up apply pressure is drained. In this way, the torque converter clutch piston is not coupled.

Lock-up Applied

- In the lock-up applied state, the torque converter clutch control valve is set into the locked state by the torque converter clutch solenoid and lock-up apply pressure is generated. In this way, the torque converter clutch piston is pressed and coupled.

Smooth Lock-up Control

When shifting from the lock-up released state to the lock-up applied state, the current output to the torque converter clutch solenoid is controlled with the TCM. In this way, when shifting to the lock-up applied state, the torque converter clutch is temporarily set to the half-clutched state to reduce the shock.

Half-clutched State

- The current output from the TCM to the torque converter clutch solenoid is varied to steadily increase the torque converter clutch solenoid pressure. In this way, the lock-up apply pressure gradually rises and while the torque converter clutch piston is put into half-clutched states, the torque converter clutch piston operating pressure is increased and the coupling is completed smoothly.

Slip Lock-up Control

- In the slip region, the torque converter clutch solenoid current is controlled with the TCM to put it into the half-clutched state. This absorbs the engine torque fluctuation and lock-up operates from low speed. This raises the fuel efficiency for 2GR, 3GR, 4GR, 5GR, 6GR and 7GR.

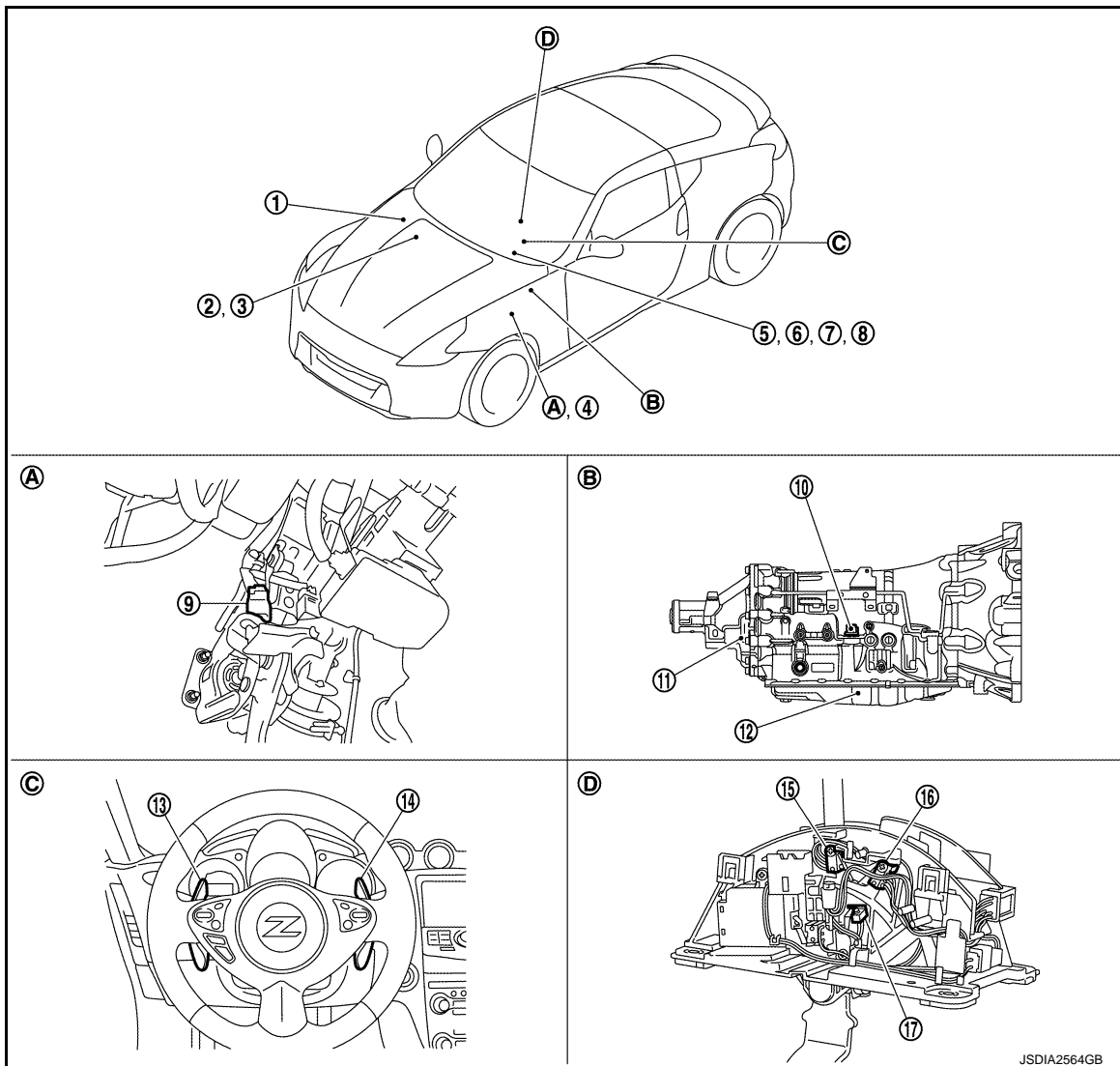
LOCK-UP CONTROL

< SYSTEM DESCRIPTION >

[7AT: RE7R01A]

Component Parts Location

INFOID:000000008192984



- | | | |
|--|--|---|
| 1. IPDM E/R
Refer to PCS-5, "Component Parts Location" . | 2. ECM
Refer to EC-39, "Component Parts Location" . | 3. BCM
Refer to BCS-10, "Component Parts Location" . |
| 4. Accelerator pedal position sensor
Refer to EC-39, "Component Parts Location" . | 5. Combination meter | 6. A/T CHECK indicator lamp
(On the combination meter) |
| 7. Shift position indicator
(On the combination meter) | 8. Manual mode indicator
(On the combination meter) | 9. Stop lamp switch |
| 10. Joint connector | 11. Output speed sensor | 12. Control valve & TCM* |
| 13. Paddle shifter (shift-down) | 14. Paddle shifter (shift-up) | 15. Manual mode position select switch
(shift-up) |
| 16. Manual mode position select switch
(shift-down) | 17. Manual mode select switch | |
| A. Brake pedal | B. A/T assembly | C. Steering wheel |
| D. A/T shift selector assembly | | |

*: Control valve & TCM is included in A/T assembly.

NOTE:

The following components are included in control valve & TCM.

- TCM
- Input speed sensor 1, 2

A
B
C
TM
E
F
G
H
I
J
K
L
M
N
O
P

LOCK-UP CONTROL

[7AT: RE7R01A]

< SYSTEM DESCRIPTION >

- A/T fluid temperature sensor
- Transmission range switch
- Direct clutch solenoid valve
- High and low reverse clutch solenoid valve
- Input clutch solenoid valve
- Front brake solenoid valve
- Low brake solenoid valve
- Anti-interlock solenoid valve
- 2346 brake solenoid valve
- Line pressure solenoid valve
- Torque converter clutch solenoid valve

Component Description

INFOID:000000008192985

Name	Function
TCM	The TCM consists of a microcomputer and connectors for signal input and output and for power supply. The TCM controls the A/T.
Output speed sensor	TM-222, "Description"
Input speed sensor 1	TM-220, "Description"
Input speed sensor 2	
A/T fluid temperature sensor	TM-218, "Description"
Torque converter clutch solenoid valve	TM-240, "Description"
Torque converter clutch control valve	Switches the lock-up to operating or released. Also, by performing the lock-up operation transiently, lock-up smoothly.
ECM	EC-39, "System Description"

SHIFT MECHANISM

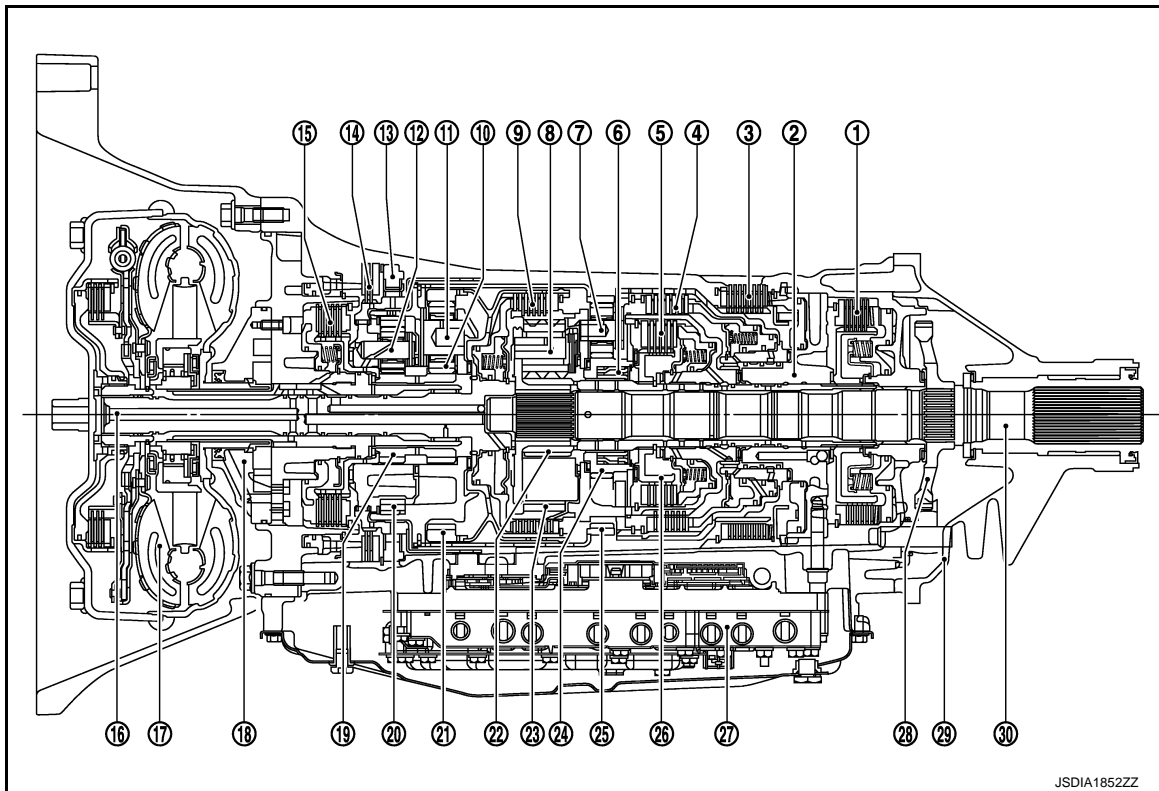
< SYSTEM DESCRIPTION >

[7AT: RE7R01A]

SHIFT MECHANISM

Cross-Sectional View

INFOID:000000008192986



JSDIA185ZZZ

- | | | |
|----------------------------|-------------------------------------|---------------------------|
| 1. Low brake | 2. Drum support | 3. Reverse brake |
| 4. Direct clutch | 5. High and low reverse clutch | 6. 2nd one-way clutch |
| 7.*1 Rear carrier | 8. Mid carrier | 9. Input clutch |
| 10.*2 Front sun gear | 11.*3 Front carrier | 12. Under drive carrier |
| 13. 1st one-way clutch | 14. Front brake | 15. 2346 brake |
| 16.*4 Input shaft | 17. Torque converter | 18. Oil pump |
| 19.*2 Under drive sun gear | 20.*3 Under drive internal gear | 21.*4 Front internal gear |
| 22. Mid sun gear | 23.*1 Mid internal gear | 24. Rear sun gear |
| 25. Rear internal gear | 26. High and low reverse clutch hub | 27. Control valve & TCM |
| 28. Parking gear | 29. Rear extension | 30. Output shaft |

*1: 7 and 23 are one unit.

*2: 10 and 19 are one unit.

*3: 11 and 20 are one unit.

*4: 16 and 21 are one unit.

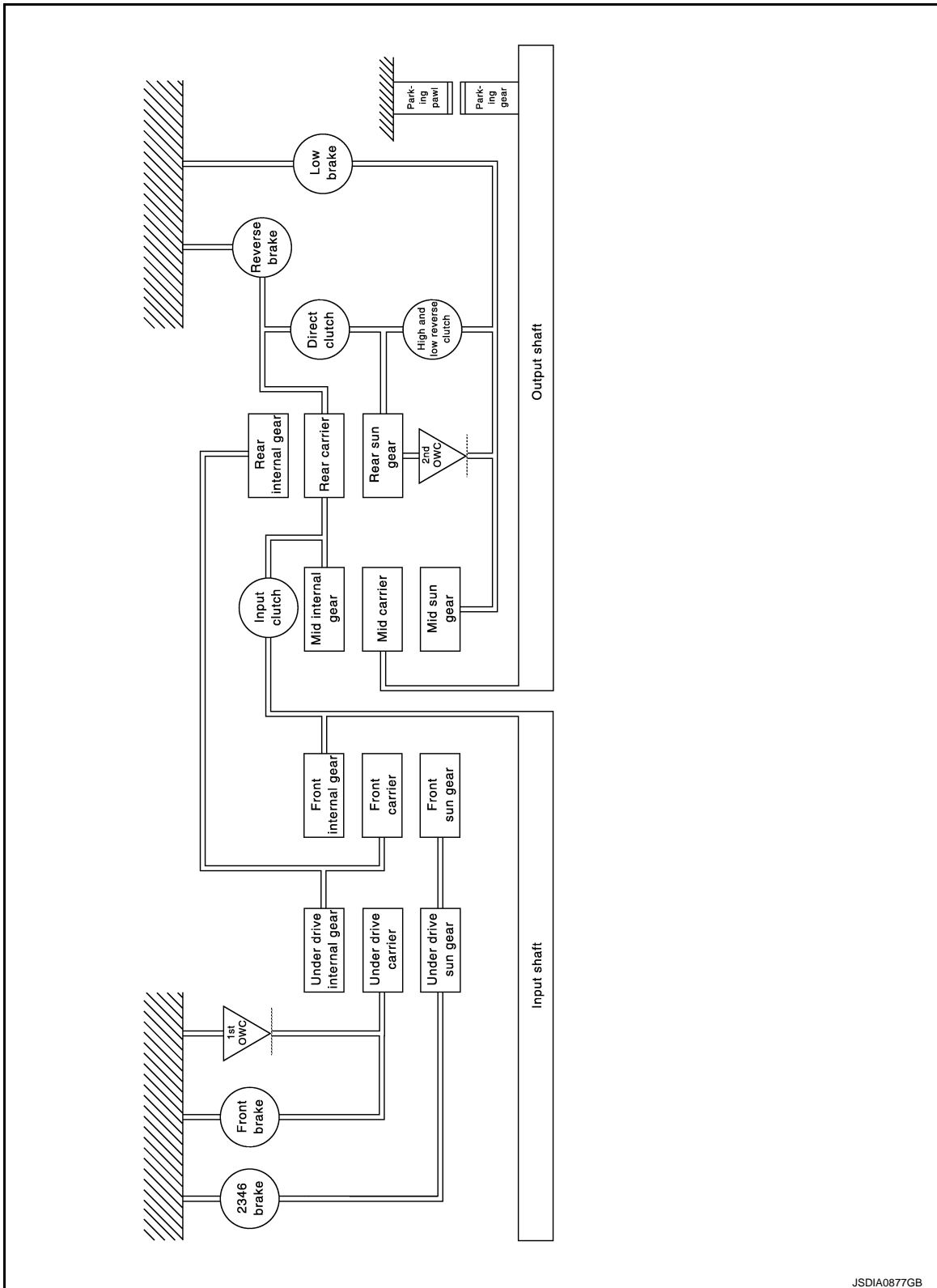
SHIFT MECHANISM

< SYSTEM DESCRIPTION >

[7AT: RE7R01A]

System Diagram

INFOID:000000008192987



JSDIA0877GB

System Description

INFOID:000000008192988

DESCRIPTION

SHIFT MECHANISM

< SYSTEM DESCRIPTION >

[7AT: RE7R01A]

With the use of 4 sets of planetary gears, A/T enables 7-speed transmission for forward and 1-speed transmission for backward, depending on the combination of 3 sets of multiple-disc clutches, 4 sets of multiple-disc brakes and 2 sets of one-way clutches.

CLUTCH AND BAND CHART

Name of the part Shift position	I/C	D/C		H&LR/C	F/B	L/B		2346/B	REV/B	1st OWC	2nd OWC	Remarks
		FRONT	REAR			INNER	OUTER					
P				△	△							Park position
R				◇	◇				○	◎	◎	Reverse position
N				△	△							Neutral position
D	1st			☆	☆	○	○			◎	◎	Automatic shift 1⇄2⇄3⇄4⇄5⇄6⇄7
	2nd					○	○	○			◎	
	3rd		○	○			○	○				
	4th		○	○	○			○				
	5th	○		○	○							
	6th	○			○			○				
	7th	○			○	○						
7M	7th	○			○	○						Locks* (held stationary) in 7GR
6M	6th	○			○			○				Locks* (held stationary) in 6GR
5M	5th	○		○	○							Locks* (held stationary) in 5GR
4M	4th		○	○	○			○				Locks* (held stationary) in 4GR
3M	3rd		○	○			○	○				Locks* (held stationary) in 3GR
2M	2nd				◇		○	○	○		◎	Locks* (held stationary) in 2GR
1M	1st				◇	◇	○	○		◎	◎	Locks (held stationary) in 1GR

- - Operates
- ◎ - Operates during "progressive" acceleration.
- ◇ - Operates and affects power transmission while coasting.
- △ - Line pressure is applied but does not affect power transmission.
- ☆ - Operates at the fixed speed or less.

*: Down shift automatically according to the vehicle speed.

JSDIA1455GB

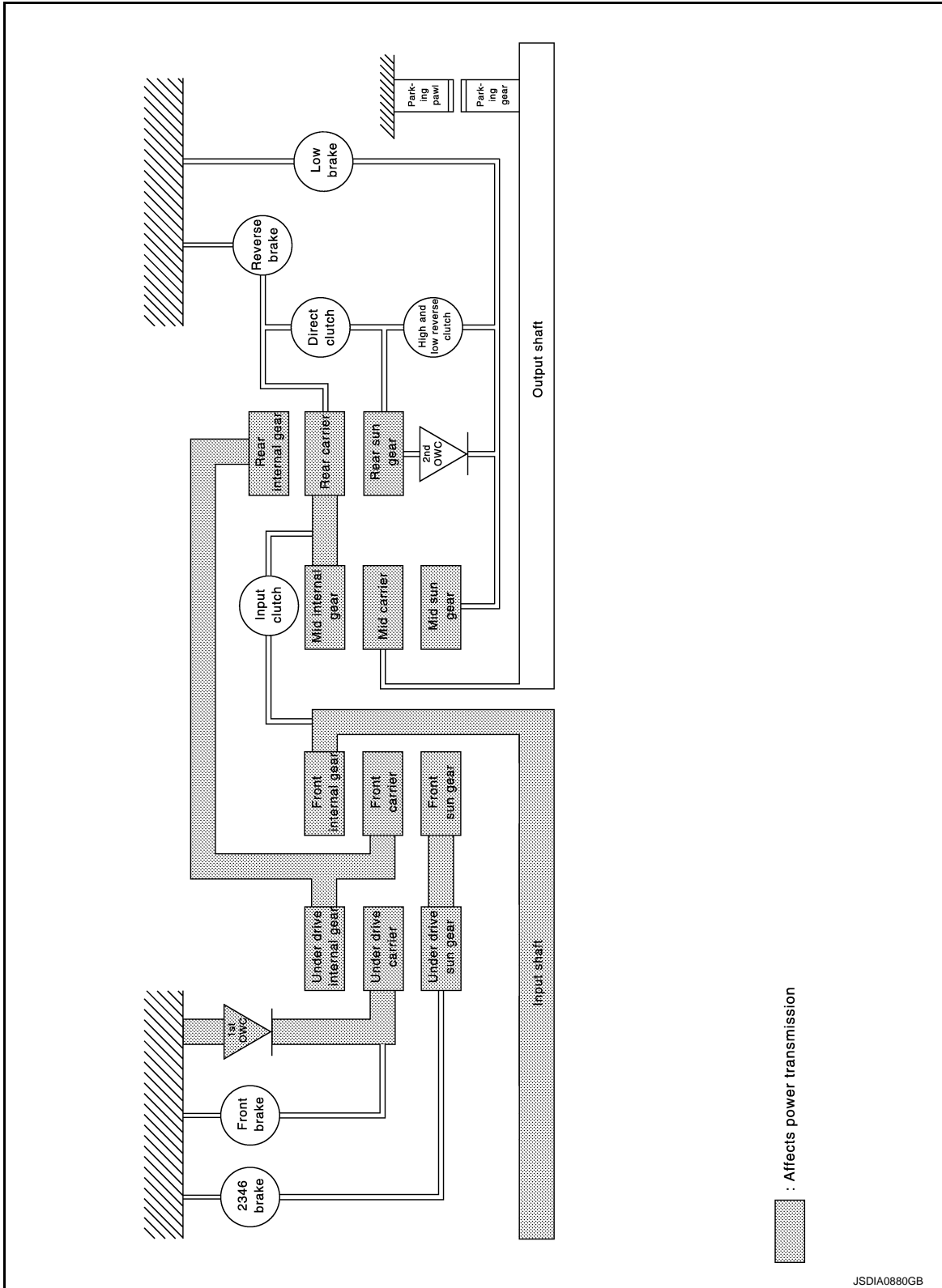
POWER TRANSMISSION

"N" Position

SHIFT MECHANISM

< SYSTEM DESCRIPTION >

[7AT: RE7R01A]



Since the low brake is released, torque from the input shaft drive is not transmitted to the output shaft.

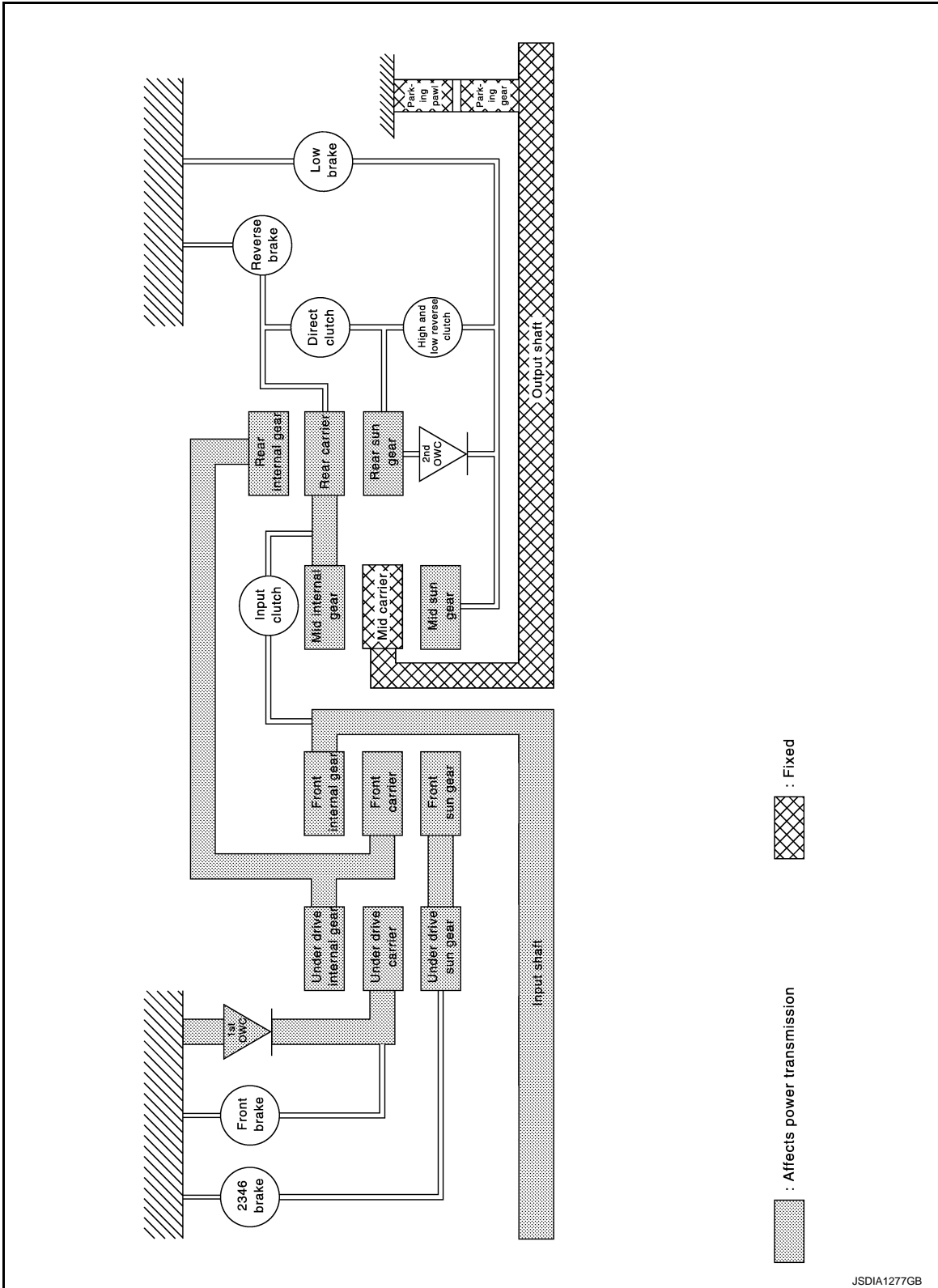
“P” Position

JSDIA0880GB

SHIFT MECHANISM

< SYSTEM DESCRIPTION >

[7AT: RE7R01A]



- The same as for the “N” position, since the low brake is released, so torque from the input shaft drive is not transmitted to the output shaft.
- The parking pawl linked with the selector lever meshes with the parking gear and fastens the output shaft mechanically.

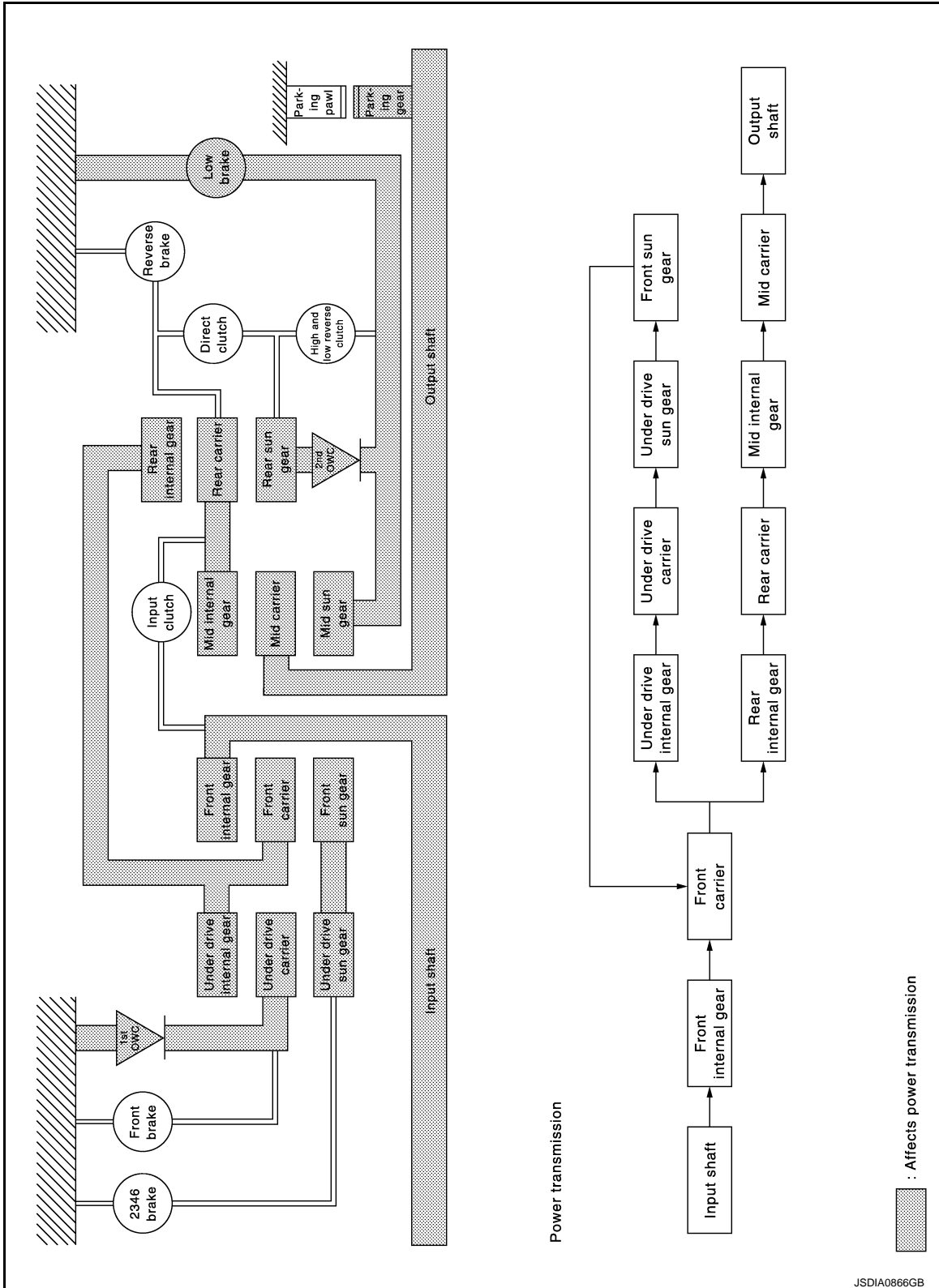
“D1” and “DS1” Positions

A
B
C
TM
E
F
G
H
I
J
K
L
M
N
O
P

SHIFT MECHANISM

< SYSTEM DESCRIPTION >

[7AT: RE7R01A]



- The 1st one-way clutch regulates counterclockwise rotation of the under drive carrier.
- The 2nd one-way clutch regulates counterclockwise rotation of the rear sun gear.
- The mid sun gear is fixed by the low brake.
- Each planetary gear enters the state described below.

SHIFT MECHANISM

< SYSTEM DESCRIPTION >

[7AT: RE7R01A]

Front planetary gear			
Name	Front sun gear	Front carrier	Front internal gear
Condition	—	Output	Input
Direction of rotation	Counterclockwise revolution	Clockwise revolution	Clockwise revolution
Number of revolutions	Deceleration from front internal gear	Deceleration from front internal gear	Same number of revolution as the input shaft
Under drive planetary gear			
Name	Under drive sun gear	Under drive carrier	Under drive internal gear
Condition	—	Fixed	Input/Output
Direction of rotation	Counterclockwise revolution	—	Clockwise revolution
Number of revolutions	Acceleration from under drive internal gear	—	Same number of revolution as the front carrier
Rear planetary gear			
Name	Rear sun gear	Rear carrier	Rear internal gear
Condition	Fixed	Output	Input
Direction of rotation	—	Clockwise revolution	Clockwise revolution
Number of revolutions	—	Deceleration from rear internal gear	Same number of revolution as the under drive internal gear
Mid planetary gear			
Name	Mid sun gear	Mid carrier	Mid internal gear
Condition	Fixed	Output	Input
Direction of rotation	—	Clockwise revolution	Clockwise revolution
Number of revolutions	—	Deceleration from mid internal gear	Same number of revolution as the rear carrier

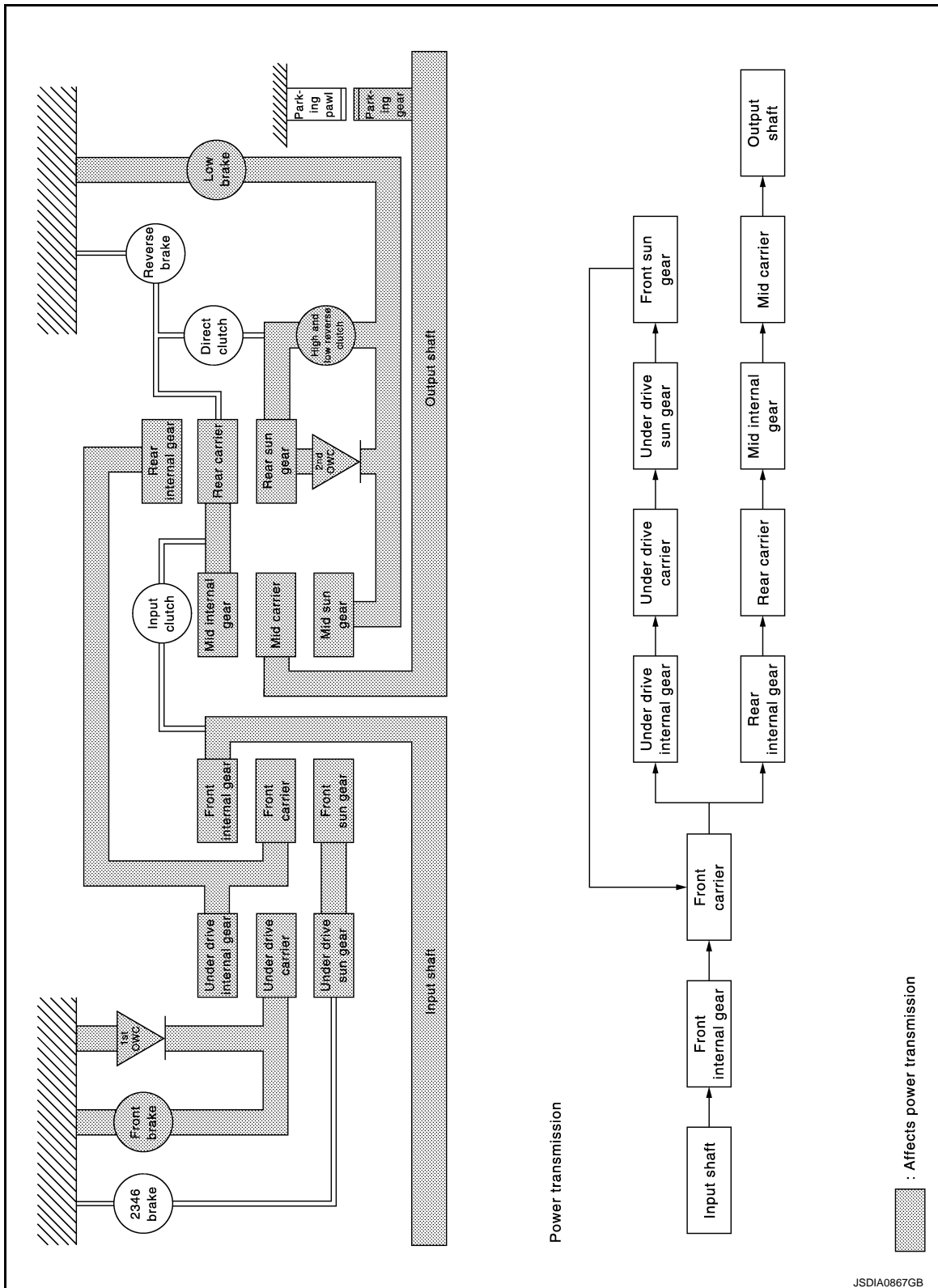
"M1" Position

A
B
C
TM
E
F
G
H
I
J
K
L
M
N
O
P

SHIFT MECHANISM

< SYSTEM DESCRIPTION >

[7AT: RE7R01A]



- The 1st one-way clutch and the front brake regulate counterclockwise rotation of the under drive carrier.

NOTE:

The front brake operates only while coasting.

- The 2nd one-way clutch and the high and low reverse clutch regulate counterclockwise rotation of the rear sun gear.

NOTE:

The high and low reverse clutch operates only while coasting.

- The mid sun gear is fixed by the low brake.

JSDIA0867GB

SHIFT MECHANISM

< SYSTEM DESCRIPTION >

[7AT: RE7R01A]

- Each planetary gear enters the state described below.

Front planetary gear			
Name	Front sun gear	Front carrier	Front internal gear
Condition	—	Output	Input
Direction of rotation	Counterclockwise revolution	Clockwise revolution	Clockwise revolution
Number of revolutions	Deceleration from front internal gear	Deceleration from front internal gear	Same number of revolution as the input shaft
Under drive planetary gear			
Name	Under drive sun gear	Under drive carrier	Under drive internal gear
Condition	—	Fixed	Input/Output
Direction of rotation	Counterclockwise revolution	—	Clockwise revolution
Number of revolutions	Acceleration from under drive internal gear	—	Same number of revolution as the front carrier
Rear planetary gear			
Name	Rear sun gear	Rear carrier	Rear internal gear
Condition	Fixed	Output	Input
Direction of rotation	—	Clockwise revolution	Clockwise revolution
Number of revolutions	—	Deceleration from rear internal gear	Same number of revolution as the under drive internal gear
Mid planetary gear			
Name	Mid sun gear	Mid carrier	Mid internal gear
Condition	Fixed	Output	Input
Direction of rotation	—	Clockwise revolution	Clockwise revolution
Number of revolutions	—	Deceleration from mid internal gear	Same number of revolution as the rear carrier

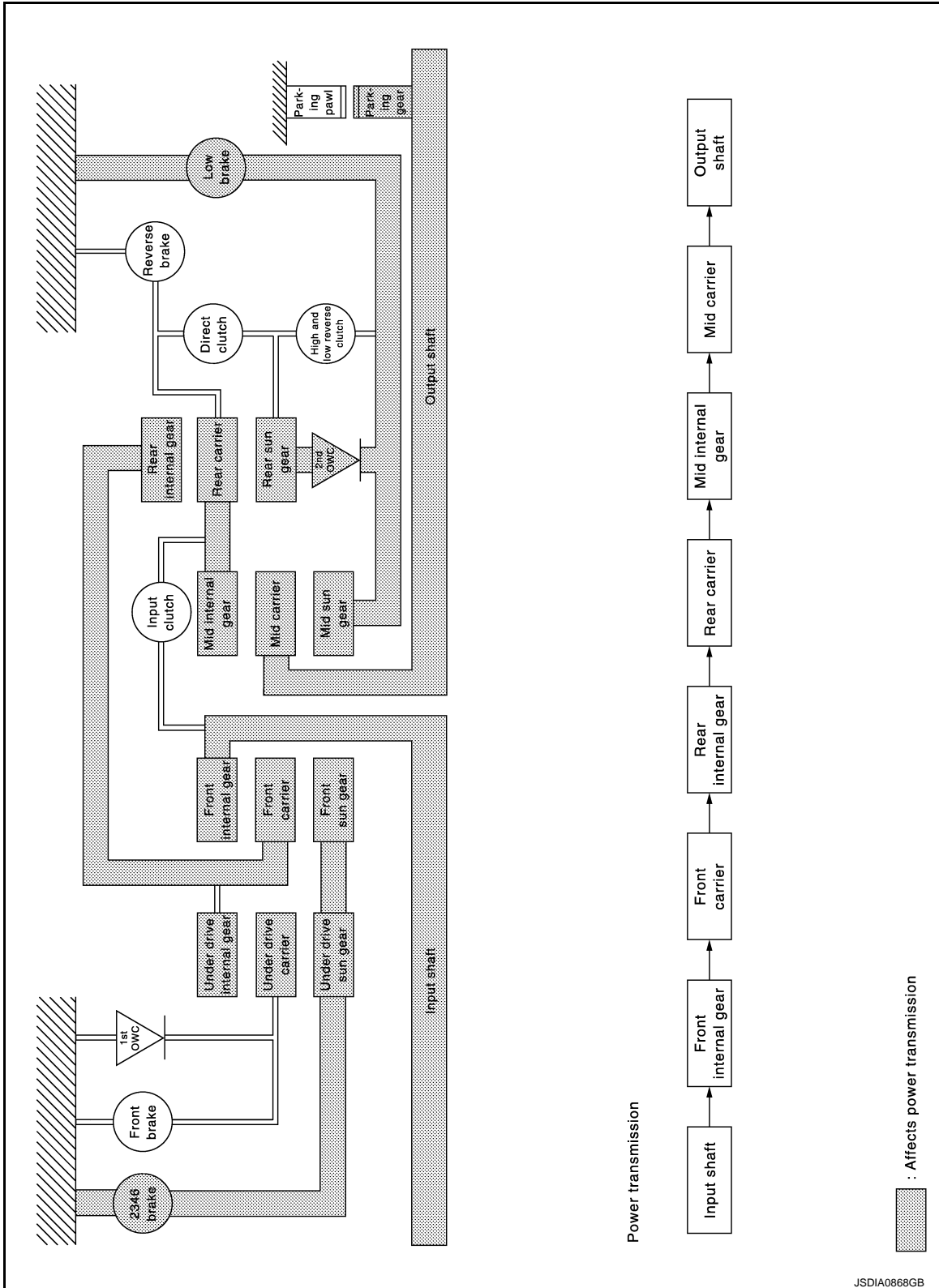
“D2” and “DS2” Positions

A
B
C
TM
E
F
G
H
I
J
K
L
M
N
O
P

SHIFT MECHANISM

< SYSTEM DESCRIPTION >

[7AT: RE7R01A]



- The front sun gear and the under drive sun gear are fixed by the 2346 brake.
- The 2nd one-way clutch regulates counterclockwise rotation of the rear sun gear.
- The mid sun gear is fixed by the low brake.
- Each planetary gear enters the state described below.

SHIFT MECHANISM

< SYSTEM DESCRIPTION >

[7AT: RE7R01A]

Front planetary gear			
Name	Front sun gear	Front carrier	Front internal gear
Condition	Fixed	Output	Input
Direction of rotation	—	Clockwise revolution	Clockwise revolution
Number of revolutions	—	Deceleration from front internal gear	Same number of revolution as the input shaft
Under drive planetary gear			
Name	Under drive sun gear	Under drive carrier	Under drive internal gear
Condition	Fixed	—	Input/Output
Direction of rotation	—	Clockwise revolution	Clockwise revolution
Number of revolutions	—	Deceleration from under drive internal gear	Same number of revolution as the front carrier
Rear planetary gear			
Name	Rear sun gear	Rear carrier	Rear internal gear
Condition	Fixed	Output	Input
Direction of rotation	—	Clockwise revolution	Clockwise revolution
Number of revolutions	—	Deceleration from rear internal gear	Same number of revolution as the under drive internal gear
Mid planetary gear			
Name	Mid sun gear	Mid carrier	Mid internal gear
Condition	Fixed	Output	Input
Direction of rotation	—	Clockwise revolution	Clockwise revolution
Number of revolutions	—	Deceleration from mid internal gear	Same number of revolution as the rear carrier

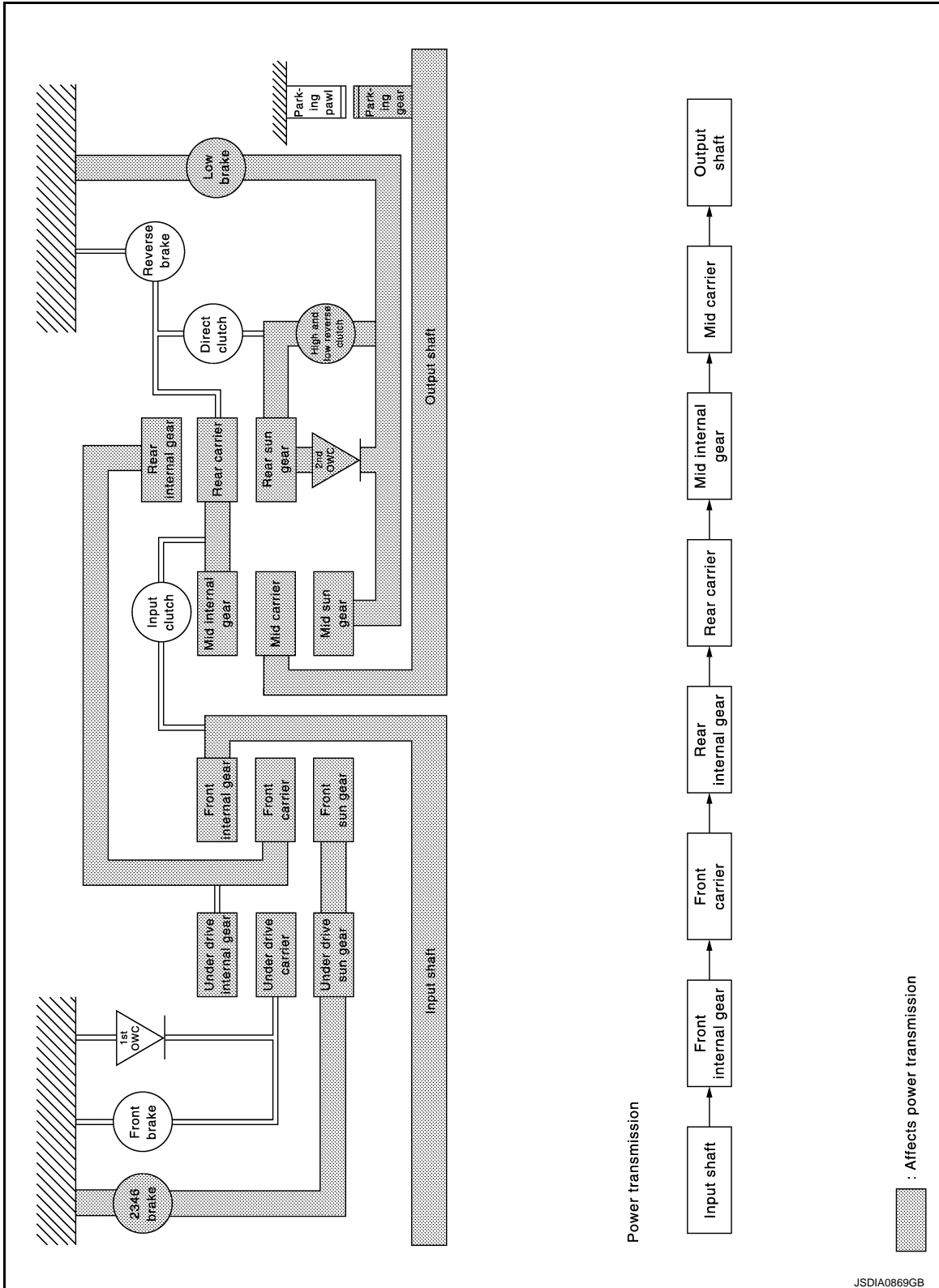
"M2" Position

A
B
C
TM
E
F
G
H
I
J
K
L
M
N
O
P

SHIFT MECHANISM

< SYSTEM DESCRIPTION >

[7AT: RE7R01A]



- The front sun gear and the under drive sun gear are fixed by the 2346 brake.
- The 2nd one-way clutch and the high and low reverse clutch regulate counterclockwise rotation of the rear sun gear.

NOTE:

- The high and low reverse clutch operates only while coasting.
- The mid sun gear is fixed by the low brake.
- Each planetary gear enters the state described below.

SHIFT MECHANISM

< SYSTEM DESCRIPTION >

[7AT: RE7R01A]

Front planetary gear			
Name	Front sun gear	Front carrier	Front internal gear
Condition	Fixed	Output	Input
Direction of rotation	—	Clockwise revolution	Clockwise revolution
Number of revolutions	—	Deceleration from front internal gear	Same number of revolution as the input shaft
Under drive planetary gear			
Name	Under drive sun gear	Under drive carrier	Under drive internal gear
Condition	Fixed	—	Input/Output
Direction of rotation	—	Clockwise revolution	Clockwise revolution
Number of revolutions	—	Deceleration from under drive internal gear	Same number of revolution as the front carrier
Rear planetary gear			
Name	Rear sun gear	Rear carrier	Rear internal gear
Condition	Fixed	Output	Input
Direction of rotation	—	Clockwise revolution	Clockwise revolution
Number of revolutions	—	Deceleration from rear internal gear	Same number of revolution as the under drive internal gear
Mid planetary gear			
Name	Mid sun gear	Mid carrier	Mid internal gear
Condition	Fixed	Output	Input
Direction of rotation	—	Clockwise revolution	Clockwise revolution
Number of revolutions	—	Deceleration from mid internal gear	Same number of revolution as the rear carrier

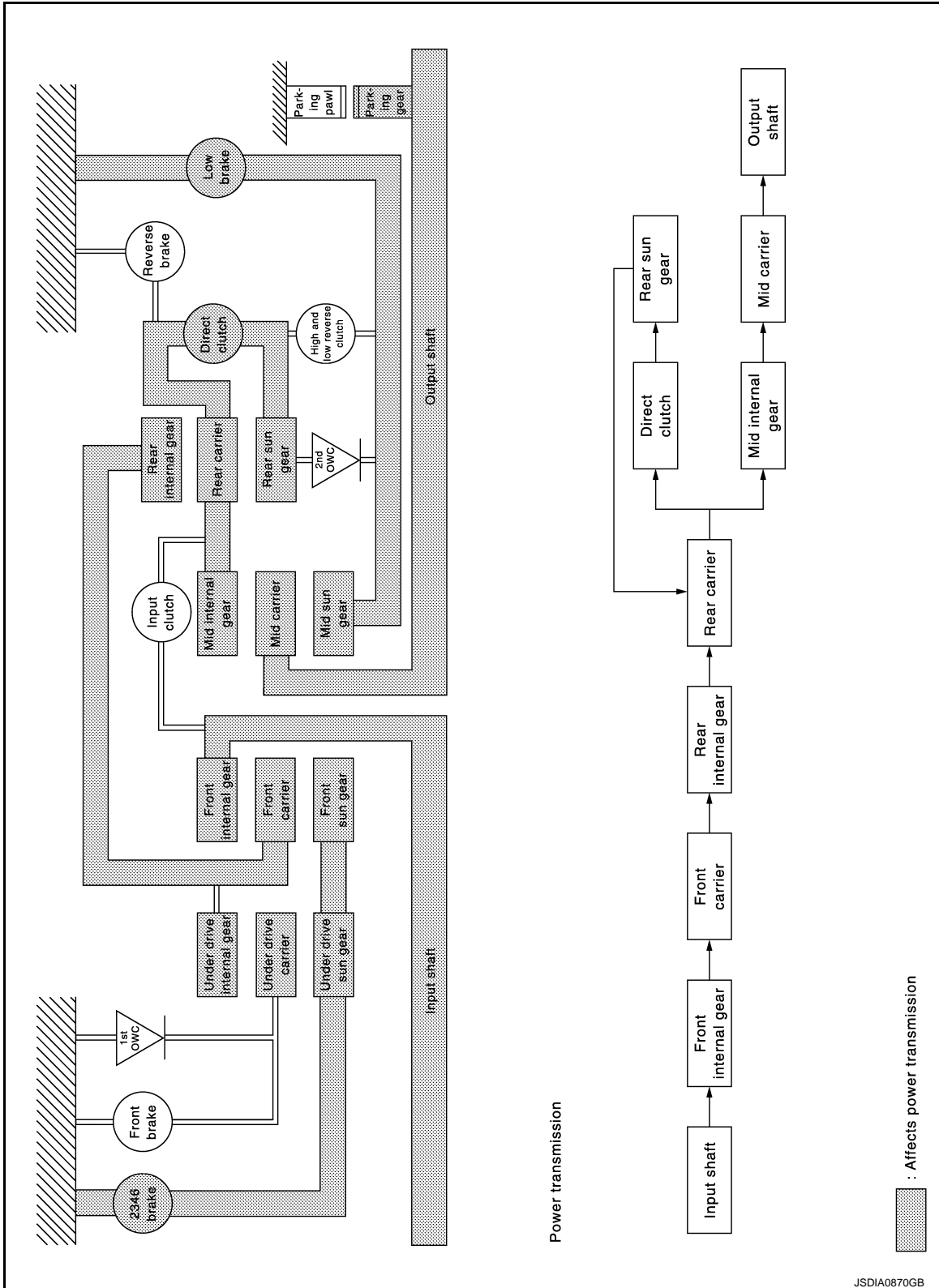
“D3”, “DS3” and “M3” Positions

A
B
C
TM
E
F
G
H
I
J
K
L
M
N
O
P

SHIFT MECHANISM

< SYSTEM DESCRIPTION >

[7AT: RE7R01A]



- The front sun gear and the under drive sun gear are fixed by the 2346 brake.
- The direct clutch gets engaged and connects the rear sun gear with the rear carrier.
- The mid sun gear is fixed by the low brake.
- Each planetary gear enters the state described below.

SHIFT MECHANISM

< SYSTEM DESCRIPTION >

[7AT: RE7R01A]

Front planetary gear			
Name	Front sun gear	Front carrier	Front internal gear
Condition	Fixed	Output	Input
Direction of rotation	—	Clockwise revolution	Clockwise revolution
Number of revolutions	—	Deceleration from front internal gear	Same number of revolution as the input shaft
Under drive planetary gear			
Name	Under drive sun gear	Under drive carrier	Under drive internal gear
Condition	Fixed	—	Input/Output
Direction of rotation	—	Clockwise revolution	Clockwise revolution
Number of revolutions	—	Deceleration from under drive internal gear	Same number of revolution as the front carrier
Rear planetary gear			
Name	Rear sun gear	Rear carrier	Rear internal gear
Condition	—	Output	Input
Direction of rotation	Clockwise revolution	Clockwise revolution	Clockwise revolution
Number of revolutions	Same number of revolution as the rear internal gear	Same number of revolution as the rear internal gear	Same number of revolution as the under drive internal gear
Mid planetary gear			
Name	Mid sun gear	Mid carrier	Mid internal gear
Condition	Fixed	Output	Input
Direction of rotation	—	Clockwise revolution	Clockwise revolution
Number of revolutions	—	Deceleration from mid internal gear	Same number of revolution as the rear carrier

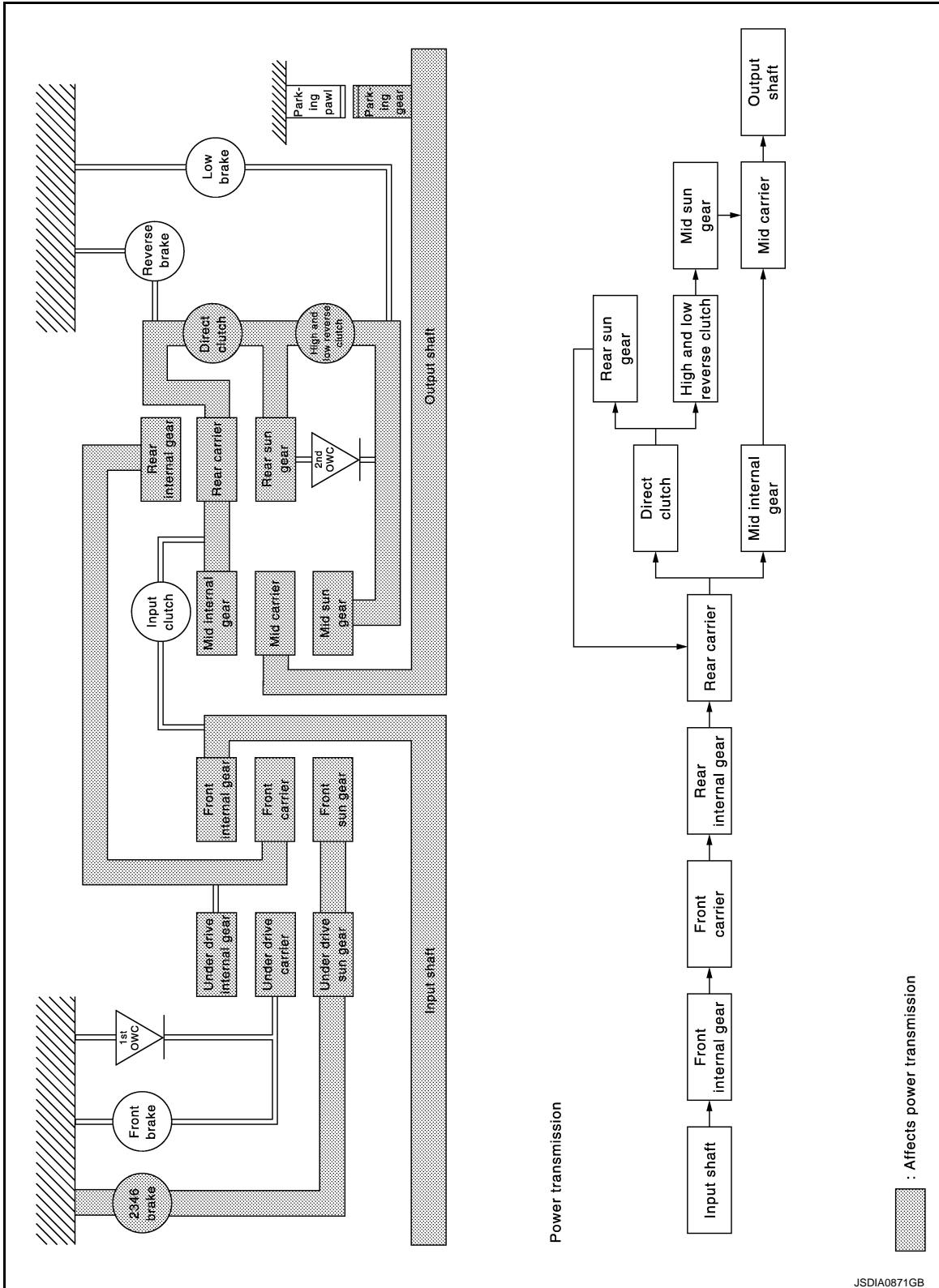
“D4”, “DS4” and “M4” Positions

A
B
C
TM
E
F
G
H
I
J
K
L
M
N
O
P

SHIFT MECHANISM

< SYSTEM DESCRIPTION >

[7AT: RE7R01A]



- The front sun gear and the under drive sun gear are fixed by the 2346 brake.
- The direct clutch gets engaged and connects the rear sun gear with the rear carrier.
- The high and low reverse clutch gets engaged and connects the rear sun gear with the mid sun gear.
- Each planetary gear enters the state described below.

SHIFT MECHANISM

< SYSTEM DESCRIPTION >

[7AT: RE7R01A]

Front planetary gear			
Name	Front sun gear	Front carrier	Front internal gear
Condition	Fixed	Output	Input
Direction of rotation	—	Clockwise revolution	Clockwise revolution
Number of revolutions	—	Deceleration from front internal gear	Same number of revolution as the input shaft
Under drive planetary gear			
Name	Under drive sun gear	Under drive carrier	Under drive internal gear
Condition	Fixed	—	Input/Output
Direction of rotation	—	Clockwise revolution	Clockwise revolution
Number of revolutions	—	Deceleration from under drive internal gear	Same number of revolution as the front carrier
Rear planetary gear			
Name	Rear sun gear	Rear carrier	Rear internal gear
Condition	—	Output	Input
Direction of rotation	Clockwise revolution	Clockwise revolution	Clockwise revolution
Number of revolutions	Same number of revolution as the rear internal gear	Same number of revolution as the rear internal gear	Same number of revolution as the under drive internal gear
Mid planetary gear			
Name	Mid sun gear	Mid carrier	Mid internal gear
Condition	—	Output	Input
Direction of rotation	Clockwise revolution	Clockwise revolution	Clockwise revolution
Number of revolutions	Same number of revolution as the mid internal gear	Same number of revolution as the mid internal gear	Same number of revolution as the rear carrier

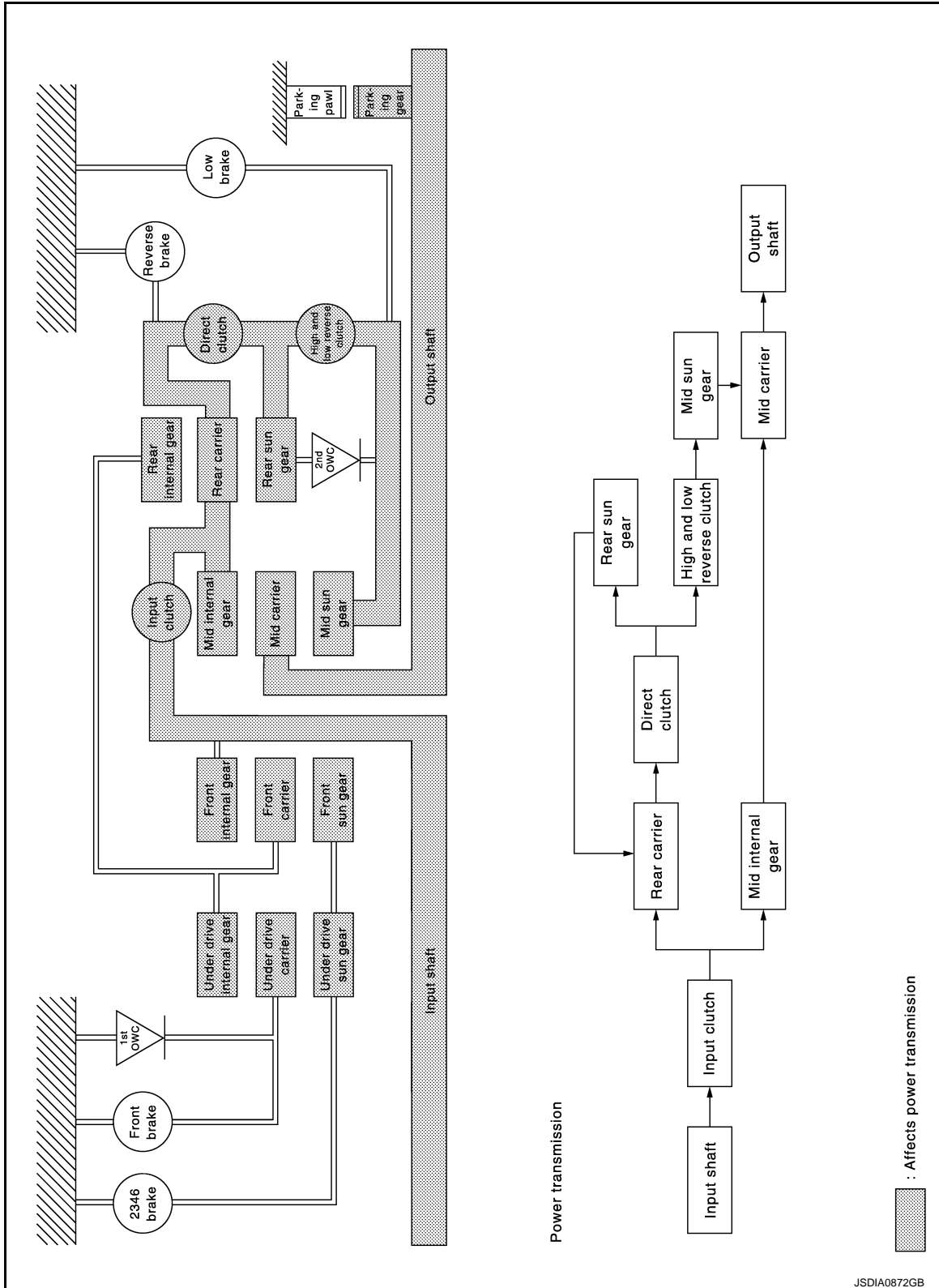
“D5”, “DS5” and “M5” Positions

A
B
C
TM
E
F
G
H
I
J
K
L
M
N
O
P

SHIFT MECHANISM

< SYSTEM DESCRIPTION >

[7AT: RE7R01A]



- The input clutch gets engaged and connects the mid internal gear with the rear carrier.
- The direct clutch gets engaged and connects the rear sun gear with the rear carrier.
- The high and low reverse clutch gets engaged and connects the rear sun gear with the mid sun gear.
- Each planetary gear enters the state described below.

SHIFT MECHANISM

< SYSTEM DESCRIPTION >

[7AT: RE7R01A]

Rear planetary gear			
Name	Rear sun gear	Rear carrier	Rear internal gear
Condition	—	input/Output	—
Direction of rotation	Clockwise revolution	Clockwise revolution	Clockwise revolution
Number of revolutions	Same number of revolution as the rear carrier	Same number of revolution as the input shaft	Same number of revolution as the rear carrier
Mid planetary gear			
Name	Mid sun gear	Mid carrier	Mid internal gear
Condition	—	Output	Input
Direction of rotation	Clockwise revolution	Clockwise revolution	Clockwise revolution
Number of revolutions	Same number of revolution as the mid internal gear	Same number of revolution as the mid internal gear	Same number of revolution as the input shaft

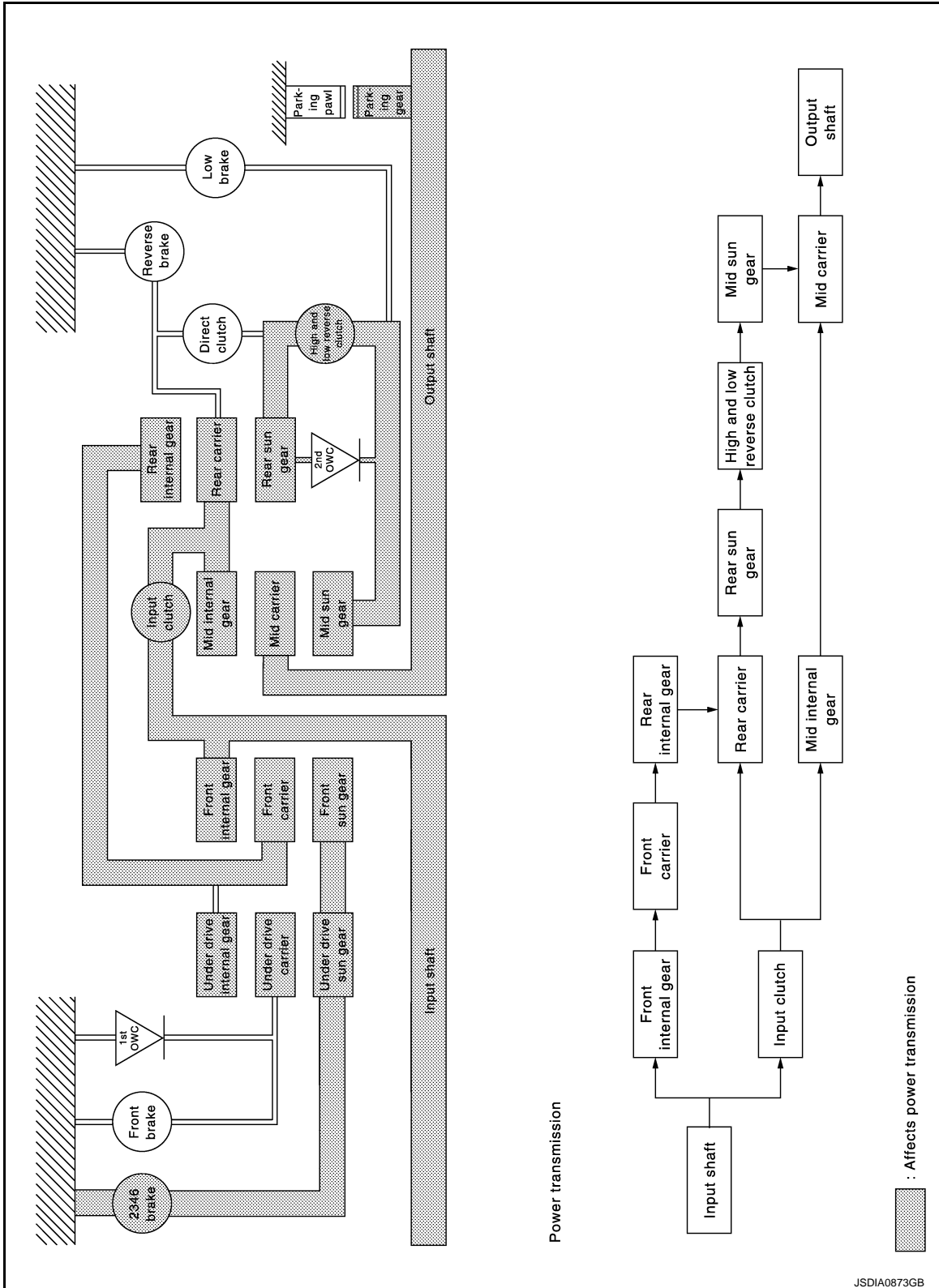
"D6", "DS6" and "M6" Positions

A
B
C
TM
E
F
G
H
I
J
K
L
M
N
O
P

SHIFT MECHANISM

< SYSTEM DESCRIPTION >

[7AT: RE7R01A]



- The front sun gear and the under drive sun gear are fixed by the 2346 brake.
- The input clutch gets engaged and connects the mid internal gear with the rear carrier.
- The high and low reverse clutch gets engaged and connects the rear sun gear with the mid sun gear.
- Each planetary gear enters the state described below.

SHIFT MECHANISM

< SYSTEM DESCRIPTION >

[7AT: RE7R01A]

Front planetary gear			
Name	Front sun gear	Front carrier	Front internal gear
Condition	Fixed	Output	Input
Direction of rotation	—	Clockwise revolution	Clockwise revolution
Number of revolutions	—	Deceleration from front internal gear	Same number of revolution as the input shaft
Rear planetary gear			
Name	Rear sun gear	Rear carrier	Rear internal gear
Condition	—	Input/Output	Input
Direction of rotation	Clockwise revolution	Clockwise revolution	Clockwise revolution
Number of revolutions	Acceleration from rear carrier	Same number of revolution as the input shaft	Same number of revolution as the front carrier
Mid planetary gear			
Name	Mid sun gear	Mid carrier	Mid internal gear
Condition	—	Output	Input
Direction of rotation	Clockwise revolution	Clockwise revolution	Clockwise revolution
Number of revolutions	Acceleration from mid internal gear	Acceleration from mid internal gear	Same number of revolution as the input shaft

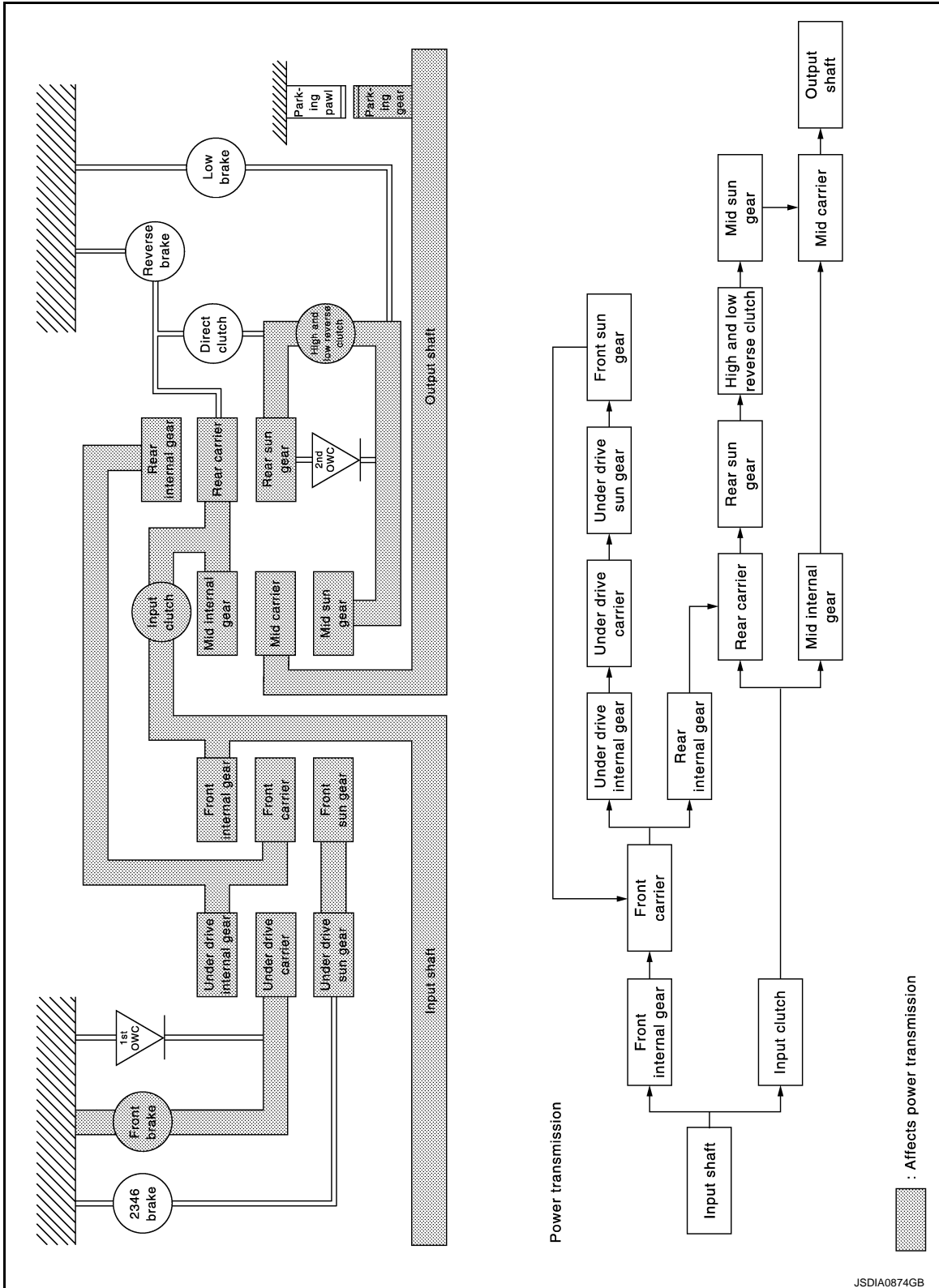
“D7”, “DS7” and “M7” Positions

A
B
C
TM
E
F
G
H
I
J
K
L
M
N
O
P

SHIFT MECHANISM

< SYSTEM DESCRIPTION >

[7AT: RE7R01A]



- The under drive carrier is fixed by the front brake.
- The input clutch gets engaged and connects the mid internal gear with the rear carrier.
- The high and low reverse clutch gets engaged and connects the rear sun gear with the mid sun gear.
- Each planetary gear enters state described below.

SHIFT MECHANISM

< SYSTEM DESCRIPTION >

[7AT: RE7R01A]

Front planetary gear			
Name	Front sun gear	Front carrier	Front internal gear
Condition	—	Output	Input
Direction of rotation	Counterclockwise revolution	Clockwise revolution	Clockwise revolution
Number of revolutions	Deceleration from front internal gear	Deceleration from front internal gear	Same number of revolution as the input shaft
Under drive planetary gear			
Name	Under drive sun gear	Under drive carrier	Under drive internal gear
Condition	—	Fixed	Input/Output
Direction of rotation	Counterclockwise revolution	—	Clockwise revolution
Number of revolutions	Acceleration from under drive internal gear	—	Same number of revolution as the front carrier
Rear planetary gear			
Name	Rear sun gear	Rear carrier	Rear internal gear
Condition	—	Input/Output	Input
Direction of rotation	Clockwise revolution	Clockwise revolution	Clockwise revolution
Number of revolutions	Acceleration from rear carrier	Same number of revolution as the input shaft	Same number of revolution as the under drive internal gear
Mid planetary gear			
Name	Mid sun gear	Mid carrier	Mid internal gear
Condition	—	Output	Input
Direction of rotation	Clockwise revolution	Clockwise revolution	Clockwise revolution
Number of revolutions	Acceleration from mid internal gear	Acceleration from mid internal gear	Same number of revolution as the input shaft

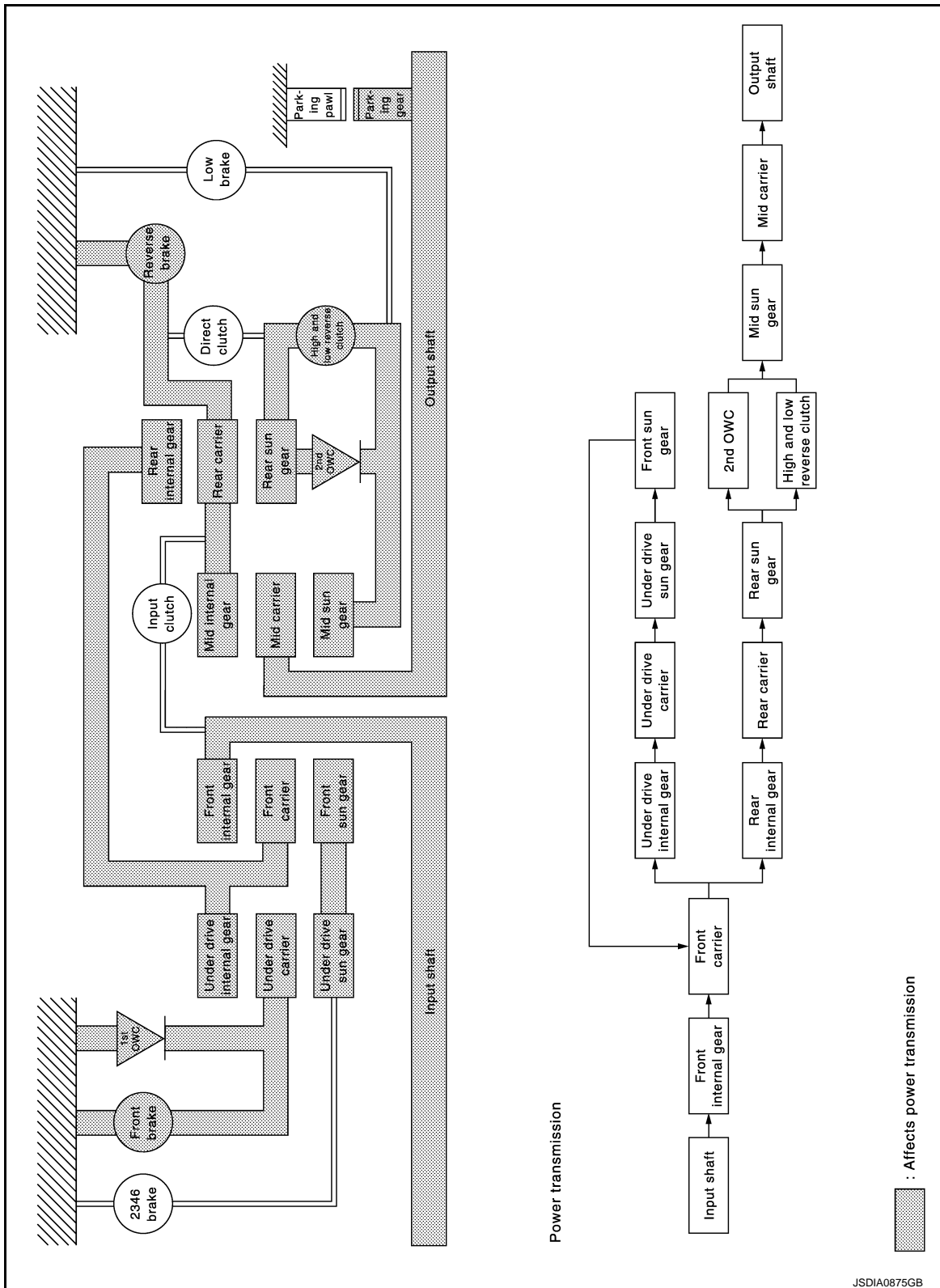
“R” Position

A
B
C
TM
E
F
G
H
I
J
K
L
M
N
O
P

SHIFT MECHANISM

< SYSTEM DESCRIPTION >

[7AT: RE7R01A]



- The 1st one-way clutch and the front brake regulate counterclockwise rotation of the under drive carrier.

NOTE:

The front brake operates at the fixed speed or less.

- The rear carrier and the mid internal gear are fixed by the reverse brake.
- The mid sun gear rotates at the same speed as the rear sun gear by operation of the 2nd one-way clutch and the high and low reverse clutch.

NOTE:

The high and low reverse clutch operates at the fixed speed or less.

JSDIA0875GB

SHIFT MECHANISM

< SYSTEM DESCRIPTION >

[7AT: RE7R01A]

- Each planetary gear enters the state described below.

Front planetary gear			
Name	Front sun gear	Front carrier	Front internal gear
Condition	—	Output	Input
Direction of rotation	Counterclockwise revolution	Clockwise revolution	Clockwise revolution
Number of revolutions	Deceleration from front internal gear	Deceleration from front internal gear	Same number of revolution as the input shaft
Under drive planetary gear			
Name	Under drive sun gear	Under drive carrier	Under drive internal gear
Condition	—	Fixed	Input/Output
Direction of rotation	Counterclockwise revolution	—	Clockwise revolution
Number of revolutions	Acceleration from under drive internal gear	—	Same number of revolution as the front carrier
Rear planetary gear			
Name	Rear sun gear	Rear carrier	Rear internal gear
Condition	Output	Fixed	Input
Direction of rotation	Counterclockwise revolution	—	Clockwise revolution
Number of revolutions	Acceleration from rear internal gear	—	Same number of revolution as the under drive internal gear
Mid planetary gear			
Name	Mid sun gear	Mid carrier	Mid internal gear
Condition	Input	Output	Fixed
Direction of rotation	Counterclockwise revolution	Counterclockwise revolution	—
Number of revolutions	Same number of revolution as the rear sun gear	Deceleration from mid sun gear	—

Component Parts Location

INFOID:000000008192989

Refer to [TM-175, "Cross-Sectional View"](#).

Component Description

INFOID:000000008192990

Name of the Part (Abbreviation)	Function
Front brake (FR/B)	Fastens the under drive carrier.
Input clutch (I/C)	Connects the input shaft, the mid internal gear and the rear carrier.
Direct clutch (D/C)	Connects the rear carrier and the rear sun gear.
High and low reverse clutch (HLR/C)	Connects the rear sun gear and the mid sun gear.
Reverse brake (R/B)	Fastens the rear carrier.
Low brake (L/B)	Fastens the mid sun gear.
2346 brake (2346/B)	Fastens the under drive sun gear.
1st one-way clutch (1st OWC)	Allows the under drive carrier to turn freely in the forward direction but fastens it for reverse rotation.
2nd one-way clutch (2nd OWC)	Allows the rear sun gear to turn freely in the forward direction but fastens it for reverse rotation.
Torque converter	Amplifies driving force the engine, and transmits it to transmission input shaft.
Oil pump	Driven by the engine, oil pump supplies oil to torque converter, control valve assembly, and each lubricating system.

SHIFT LOCK SYSTEM

< SYSTEM DESCRIPTION >

[7AT: RE7R01A]

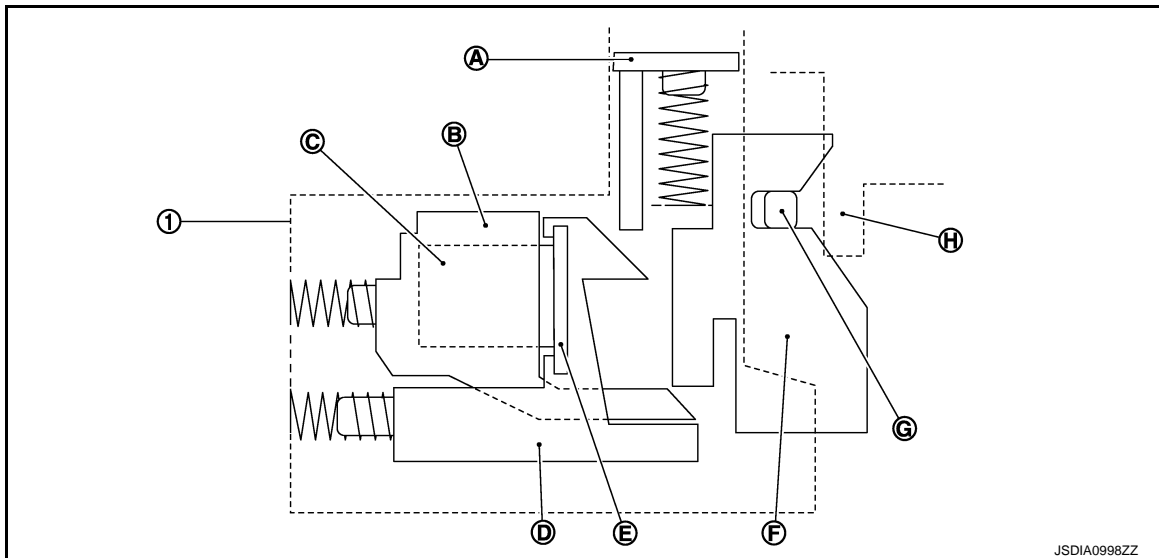
SHIFT LOCK SYSTEM

System Description

INFOID:000000008192991

- Shift lock prevents an unintentional start of the vehicle that may be caused by an incorrect operation while selector lever is in the “P” position.
- Selector lever can be shifted from the “P” position to another position when the following conditions are satisfied.
 - Ignition switch ON
 - Stop lamp switch is ON (brake pedal is depressed)
 - Selector lever knob button is pressed

SHIFT LOCK MECHANISM

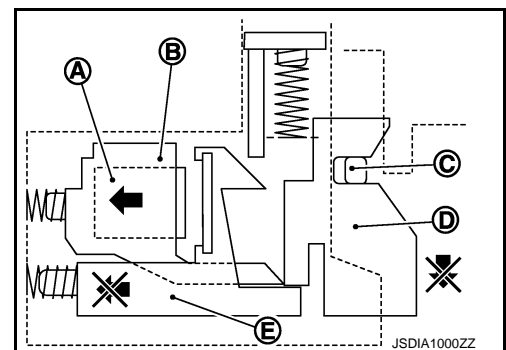


- | | | |
|------------------------------|----------------|------------------|
| 1. Shift lock unit | | |
| A. Shift lock release button | B. Slider | C. Electromagnet |
| D. Stopper | E. Iron plate | F. Plate |
| G. Detent pin | H. Detent gate | |

SHIFT LOCK OPERATION

When brake pedal is not depressed and selector lever is in “P” position. (Unable to shift selector lever.)

Without brake pedal depressed and with ignition switch ON, electromagnet (A) of slider (B) is not magnetized because of non electrical current. When selector lever knob button is pressed in this situation, detent pin (C) lowers. According to the movement of detent pin, plate (D) also lowers while pressing slider into shift lock unit. However, stopper (E) pressed by spring comes underneath plate. Plate cannot lower further when it contacts stopper, and detent pin cannot lower to the point that releases selector lever. Thus selector lever stays in the “P” position and selector lever is unable to shift.



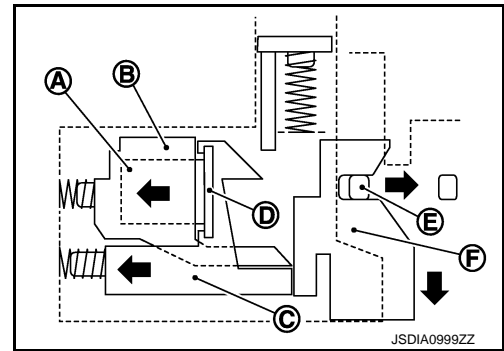
When brake pedal is depressed and selector lever is in “P” position. (Able to shift selector lever.)

SHIFT LOCK SYSTEM

< SYSTEM DESCRIPTION >

[7AT: RE7R01A]

With brake pedal depressed and with ignition switch ON, electromagnet (A) of slider (B) becomes magnetized because of live electricity. stopper (C) has an iron plate (D) to unify stopper with slider when electromagnet becomes magnetized. When selector lever knob button is pressed in this situation, detent pin (E) lowers. According to the movement of detent pin, plate (F) also lowers while pressing slider into shift lock unit. Because stopper is unified with slider, the slider unit moves into shift lock unit. Detent pin lowers to the point that releases selector lever from the "P" position and selector lever becomes able to shift.

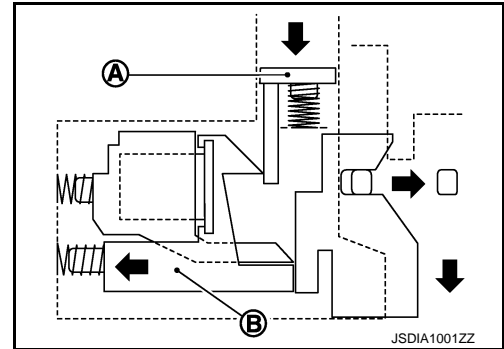


FORCIBLE RELEASE OF SHIFT LOCK

When an electrical or mechanical malfunction occurs in shift lock system, selector lever shift operation from the "P" position becomes impossible. When shift lock release button (A) is pressed in this state, stopper (B) is forcibly pressed into shift lock unit, and then it becomes possible to release shift lock. By this operation, shift operation becomes possible when a malfunction occurs in shift lock system.

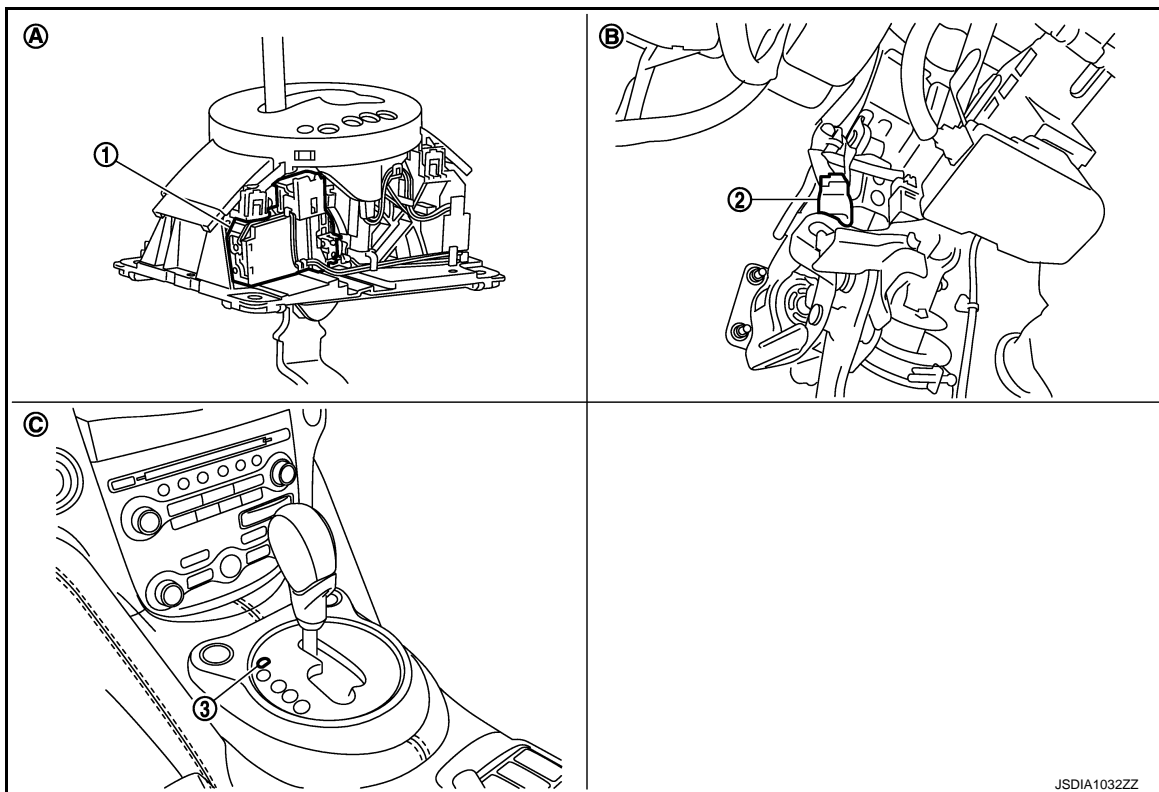
CAUTION:

Never use shift lock release button except when select lever is inoperative when depressing brake pedal while ignition switch is ON.



Component Parts Location

INFOID:000000008192992



- | | | |
|--------------------------------|-----------------------|----------------------|
| 1. Shift lock unit | 2. Stop lamp switch | 3. Shift lock cover* |
| A. A/T shift selector assembly | B. Brake pedal, upper | C. Center console |

*: Shift lock release button becomes operative by removing shift lock cover.

SHIFT LOCK SYSTEM

< SYSTEM DESCRIPTION >

[7AT: RE7R01A]

Component Description

INFOID:000000008192993

Component	Function
Slider	<ul style="list-style-type: none">• Electromagnet is built into slider.• When electromagnet of slider is magnetized, stopper is unified with slider.
Stopper	<ul style="list-style-type: none">• Iron plate is built into stopper.• Restricts plate moving.
Detent pin	Links with selector knob button and restricts selector lever shift operation.
Plate	Restricts detent pin moving.
Shift lock release button	When shift lock release button is pressed, shift lock is forcibly released.
Stop lamp switch	<ul style="list-style-type: none">• When brake pedal is depressed, stop lamp switch turns ON.• When stop lamp switch turns ON, power is supplied to shift lock unit.

ON BOARD DIAGNOSTIC (OBD) SYSTEM

< SYSTEM DESCRIPTION >

[7AT: RE7R01A]

ON BOARD DIAGNOSTIC (OBD) SYSTEM

Diagnosis Description

INFOID:000000008192994

The A/T system has two self-diagnostic systems.

The first is the emission-related on board diagnostic system (OBD-II) performed by the TCM in combination with the ECM. A malfunction is indicated by the MIL (malfunction indicator lamp) and is stored as a DTC in the ECM memory and in the TCM memory.

The second is the TCM original self-diagnosis indicated by the TCM. A malfunction history is stored in the TCM memory. The detected items are overlapped with OBD-II self-diagnostic items. For details, refer to [TM-290, "DTC Index"](#).

OBD FUNCTION

The ECM provides emission-related on board diagnostic (OBD-II) functions for the A/T system.

One function is to receive a signal from the TCM used with OBD-related parts of the A/T system. The signal is sent to the ECM when a malfunction occurs in the corresponding OBD-related part.

The other function is to indicate a diagnostic result by means of the MIL (malfunction indicator lamp) on the instrument panel. Sensors, switches and solenoid valves are used as sensing elements.

The MIL automatically illuminates in "One or Two Trip Detection Logic" when a malfunction is sensed in relation to A/T system parts. For details, refer to [EC-144, "DIAGNOSIS DESCRIPTION : 1st Trip Detection Logic and Two Trip Detection Logic"](#).

A
B
C
TM
E
F
G
H
I
J
K
L
M
N
O
P

< SYSTEM DESCRIPTION >

DIAGNOSIS SYSTEM (TCM)

CONSULT Function

INFOID:000000008192995

CONSULT APPLICATION ITEMS

Diagnostic test mode	Function
Self Diagnostic Results	Retrieve DTC from ECU and display diagnostic items.
Data Monitor	Monitor the input/output signal of the control unit in real time.
CAN Diagnosis	This mode displays a network diagnosis result about CAN by a diagram.
CAN Diagnostic Support Monitor	It monitors the status of CAN communication.
DTC work support	DTC reproduction procedure can be performed speedily and precisely.
ECU Identification	Display the ECU identification number (part number etc.) of the selected system.
CALIB DATA*	The calibration data status of TCM can be checked.

*: Although "CALIB DATA" is selectable, do not use its.

SELF DIAGNOSTIC RESULTS

Refer to [TM-290, "DTC Index"](#).

IGN Counter

IGN counter indicates the number of items that ignition switch is turned ON after DTC is detected.

- CAN malfunction
 - The number is 0 when a malfunction is detected now.
 - The number increases like 1 → 2 → 3...38 → 39 after returning to the normal condition whenever ignition switch OFF → ON.
 - The number is fixed to 39 until the self-diagnosis results are erased if it is over 39.
- Other than CAN malfunction
 - The number is 0 when a malfunction is detected now.
 - The number increases like 1 → 2 → 3...254 → 255 after returning to the normal condition whenever ignition switch OFF → ON.
 - The number is fixed to 255 until the self-diagnosis results are erased if it is over 255.

DATA MONITOR

NOTE:

The following table includes information (items) inapplicable to this vehicle. For information (items) applicable to this vehicle, refer to CONSULT display items.

X: Standard, —: Not applicable, ▼: Option

Monitored item (Unit)	Monitor Item Selection			Remarks
	ECU INPUT SIGNALS	MAIN SIGNALS	SELECTION FROM ITEM	
VHCL/S SE-A/T (km/h or mph)	X	X	▼	Displays the vehicle speed calculated by the TCM from the output shaft revolution.
ESTM VSP SIG (km/h or mph)	X	—	▼	Displays the vehicle speed signal received via CAN communication.
OUTPUT REV (rpm)	X	X	▼	Displays the output shaft revolution calculated from the pulse signal of output speed sensor.
INPUT SPEED (rpm)	X	X	▼	Displays the input speed calculated from front sun gear revolution and front carrier revolution.
F SUN GR REV (rpm)	—	—	▼	Displays the front sun gear revolution calculated from the pulse signal of input speed sensor 1.

DIAGNOSIS SYSTEM (TCM)

< SYSTEM DESCRIPTION >

[7AT: RE7R01A]

Monitored item (Unit)	Monitor Item Selection			Remarks
	ECU IN-PUT SIG-NALS	MAIN SIG-NALS	SELEC-TION FROM ITEM	
F CARR GR REV (rpm)	—	—	▼	Displays the front carrier gear revolution calculated from the pulse signal of input speed sensor 2.
ENGINE SPEED (rpm)	X	X	▼	Displays the engine speed received via CAN communication.
TC SLIP SPEED (rpm)	—	X	▼	Displays the revolution difference between input speed and engine speed.
ACCELE POSI (0.0/8)	X	—	▼	Displays the accelerator position estimated value received via CAN communication.
THROTTLE POSI (0.0/8)	X	X	▼	Displays the throttle position received via CAN communication.
ATF TEMP 1 (°C or °F)	X	X	▼	Displays the ATF temperature of oil pan calculated from the signal voltage of A/T fluid temperature sensor.
ATF TEMP 2 (°C or °F)	X	X	▼	Displays the ATF temperature estimated value of torque converter outlet calculated from the signal voltage of A/T fluid temperature sensor.
ATF TEMP SE 1 (V)	—	—	▼	Displays the signal voltage of A/T fluid temperature sensor.
BATTERY VOLT (V)	X	—	▼	Displays the power supply voltage of TCM.
LINE PRES SOL (A)	—	X	▼	Displays the command current from TCM to the line pressure solenoid.
TCC SOLENOID (A)	—	X	▼	Displays the command current from TCM to the torque converter clutch solenoid.
L/B SOLENOID (A)	—	X	▼	Displays the command current from TCM to the low brake solenoid.
FR/B SOLENOID (A)	—	X	▼	Displays the command current from TCM to the front brake solenoid.
HLR/C SOL (A)	—	X	▼	Displays the command current from TCM to the high and low reverse clutch solenoid.
I/C SOLENOID (A)	—	X	▼	Displays the command current from TCM to the input clutch solenoid.
D/C SOLENOID (A)	—	X	▼	Displays the command current from TCM to the direct clutch solenoid.
2346/B SOL (A)	—	X	▼	Displays the command current from TCM to the 2346 brake solenoid.
L/P SOL MON (A)	—	—	▼	Monitors the command current from TCM to the line pressure solenoid, and displays the monitor value.
TCC SOL MON (A)	—	—	▼	Monitors the command current from TCM to the torque converter clutch solenoid, and displays the monitor value.
L/B SOL MON (A)	—	—	▼	Monitors the command current from TCM to the low brake solenoid, and displays the monitor value.
FR/B SOL MON (A)	—	—	▼	Monitors the command current from TCM to the front brake solenoid, and displays the monitor value.

A
B
C
TM
E
F
G
H
I
J
K
L
M
N
O
P

DIAGNOSIS SYSTEM (TCM)

< SYSTEM DESCRIPTION >

[7AT: RE7R01A]

Monitored item (Unit)	Monitor Item Selection			Remarks
	ECU IN-PUT SIG-NALS	MAIN SIG-NALS	SELEC-TION FROM ITEM	
HLR/C SOL MON (A)	—	—	▼	Monitors the command current from TCM to the high and low reverse clutch solenoid, and displays the monitor value.
I/C SOL MON (A)	—	—	▼	Monitors the command current from TCM to the input clutch solenoid, and displays the monitor value.
D/C SOL MON (A)	—	—	▼	Monitors the command current from TCM to the direct clutch solenoid, and displays the monitor value.
2346/B SOL MON (A)	—	—	▼	Monitors the command current from TCM to the 2346 brake solenoid, and displays the monitor value.
GEAR RATIO	—	X	▼	Displays the gear ratio calculated from input speed and output revolution.
ENGINE TORQUE (Nm)	—	—	▼	Displays the engine torque estimated value received via CAN communication.
ENG TORQUE D (Nm)	—	—	▼	Displays the engine torque estimated value reflected the requested torque of each control unit received via CAN communication.
INPUT TRQ S (Nm)	—	—	▼	Displays the input torque using for the oil pressure calculation process of shift change control.
INPUT TRQ L/P (Nm)	—	—	▼	Displays the input torque using for the oil pressure calculation process of line pressure control.
TRGT PRES L/P (kPa, kg/cm ² or psi)	—	—	▼	Displays the target oil pressure value of torque converter clutch solenoid valve calculated by the oil pressure calculation process of lock-up control.
TRGT PRES TCC (kPa, kg/cm ² or psi)	—	—	▼	Displays the target oil pressure value of torque converter clutch solenoid valve calculated by the oil pressure calculation process of shift change control.
TRGT PRES L/B (kPa, kg/cm ² or psi)	—	—	▼	Displays the target oil pressure value of low brake solenoid valve calculated by the oil pressure calculation process of shift change control.
TRGT PRE FR/B (kPa, kg/cm ² or psi)	—	—	▼	Displays the target oil pressure value of front brake solenoid valve calculated by the oil pressure calculation process of shift change control.
TRG PRE HLR/C (kPa, kg/cm ² or psi)	—	—	▼	Displays the target oil pressure value of high and low reverse clutch solenoid valve calculated by the oil pressure calculation process of shift change control.
TRGT PRES I/C (kPa, kg/cm ² or psi)	—	—	▼	Displays the target oil pressure value of input clutch solenoid valve calculated by the oil pressure calculation process of shift change control.
TRGT PRES D/C (kPa, kg/cm ² or psi)	—	—	▼	Displays the target oil pressure value of direct clutch solenoid valve calculated by the oil pressure calculation process of shift change control.

DIAGNOSIS SYSTEM (TCM)

< SYSTEM DESCRIPTION >

[7AT: RE7R01A]

Monitored item (Unit)	Monitor Item Selection			Remarks
	ECU IN-PUT SIG-NALS	MAIN SIG-NALS	SELEC-TION FROM ITEM	
TRG PRE 2346/B (kPa, kg/cm ² or psi)	—	—	▼	Displays the target oil pressure value of 2346 brake solenoid valve calculated by the oil pressure calculation process of shift change control.
SHIFT PATTERN	—	—	▼	Displays the gear change data using the shift pattern control.
VEHICLE SPEED (km/h or mph)	—	—	▼	Displays the vehicle speed for control using the control of TCM.
RANGE SW 4 (ON/OFF)	X	—	▼	Displays the operation status of transmission range switch 4.
RANGE SW 3 (ON/OFF)	X	—	▼	Displays the operation status of transmission range switch 3.
RANGE SW 2 (ON/OFF)	X	—	▼	Displays the operation status of transmission range switch 2.
RANGE SW 1 (ON/OFF)	X	—	▼	Displays the operation status of transmission range switch 1.
SFT DWN ST SW (ON/OFF)	X	—	▼	Displays the operation status of paddle shifter (down switch).
SFT UP ST SW (ON/OFF)	X	—	▼	Displays the operation status of paddle shifter (up switch).
DOWN SW LEVER (ON/OFF)	X	—	▼	Displays the operation status of selector lever (down switch).
UP SW LEVER (ON/OFF)	X	—	▼	Displays the operation status of selector lever (up switch).
NON M-MODE SW (ON/OFF)	X	—	▼	Displays whether the selector lever is in any position other than manual shift gate position.
MANU MODE SW (ON/OFF)	X	—	▼	Displays whether the selector lever is in the manual shift gate position.
TOW MODE SW (ON/OFF)	—	—	▼	<ul style="list-style-type: none"> • Displays the reception status of tow mode switch signal received via CAN communication. • Not mounted but displayed.
DS RANGE (ON/OFF)	—	—	▼	<ul style="list-style-type: none"> • Displays whether it is the DS mode. • Not mounted but displayed.
1 POSITION SW (ON/OFF)	X	—	▼	<ul style="list-style-type: none"> • Displays the reception status of 1 position switch signal received via CAN communication. • Not mounted but displayed.
OD CONT SW (ON/OFF)	X	—	▼	<ul style="list-style-type: none"> • Displays the reception status of overdrive control switch signal received via CAN communication. • Not mounted but displayed.
BRAKESW (ON/OFF)	X	—	▼	Displays the reception status of stop lamp switch signal received via CAN communication.
POWERSHIFT SW (ON/OFF)	X	—	▼	<ul style="list-style-type: none"> • Displays the reception status of POWER mode signal received via CAN communication. • Not mounted but displayed.
ASCD-OD CUT (ON/OFF)	X	—	▼	Displays the reception status of ASCD OD cancel request signal received via CAN communication.

A
B
C
TM
E
F
G
H
I
J
K
L
M
N
O
P

DIAGNOSIS SYSTEM (TCM)

< SYSTEM DESCRIPTION >

[7AT: RE7R01A]

Monitored item (Unit)	Monitor Item Selection			Remarks
	ECU INPUT SIGNALS	MAIN SIGNALS	SELECTION FROM ITEM	
ASCD-CRUISE (ON/OFF)	X	—	▼	Displays the reception status of ASCD operation signal received via CAN communication.
ABS SIGNAL (ON/OFF)	X	—	▼	Displays the reception status of ABS operation signal received via CAN communication.
TCS GR/P KEEP (ON/OFF)	X	—	▼	Displays the reception status of TCS gear keep request signal received via CAN communication.
TCS SIGNAL 2 (ON/OFF)	X	—	▼	Displays whether the reception value of A/T shift schedule change demand signal received via CAN communication is “cold”.
TCS SIGNAL 1 (ON/OFF)	X	—	▼	Displays whether the reception value of A/T shift schedule change demand signal received via CAN communication is “warm”.
LOW/B PARTS (FAIL/NOTFAIL)	—	—	▼	Displays whether the identified malfunction point judged by TCM is the related parts of low brake.
HC/IC/FRB PARTS (FAIL/NOTFAIL)	—	—	▼	Displays whether the identified malfunction point judged by TCM is the related parts of high and low reversed clutch, input clutch or front brake.
IC/FRB PARTS (FAIL/NOTFAIL)	—	—	▼	Displays whether the identified malfunction point judged by TCM is the related parts of input clutch or front brake.
HLR/C PARTS (FAIL/NOTFAIL)	—	—	▼	Displays whether the identified malfunction point judged by TCM is the related parts of high and low reversed clutch.
W/O THL POS (ON/OFF)	X	—	▼	Displays the kickdown condition signal status received via CAN communication.
CLSD THL POS (ON/OFF)	X	—	▼	Displays the idling status signal status received via CAN communication.
DRV CST JUDGE (DRIVE/COAST)	—	—	▼	Displays the judgment results of “driving” or “coasting” judged by TCM.
SHIFT IND SIGNAL	—	—	▼	Displays the transmission value of shift position signal transmitted via CAN communication.
STARTER RELAY (ON/OFF)	—	—	▼	Displays the command status from TCM to starter relay.
F-SAFE IND/L (ON/OFF)	—	—	▼	Displays the transmission status of A/T CHECK indicator lamp signal transmitted via CAN communication.
ATF WARN LAMP (ON/OFF)	—	—	▼	<ul style="list-style-type: none"> • Displays the transmission status of ATF temperature signal transmitted via CAN communication. • Not mounted but displayed.
MANU MODE IND (ON/OFF)	—	—	▼	Displays the transmission status of manual mode signal transmitted via CAN communication.
ON OFF SOL MON (ON/OFF)	—	—	▼	Monitors the command value from TCM to the anti-interlock solenoid, and displays the monitor status.
START RLY MON (ON/OFF)	—	—	▼	Monitors the command value from TCM to the starter relay, and displays the monitor status.

DIAGNOSIS SYSTEM (TCM)

< SYSTEM DESCRIPTION >

[7AT: RE7R01A]

Monitored item (Unit)	Monitor Item Selection			Remarks
	ECU IN-PUT SIG-NALS	MAIN SIG-NALS	SELEC-TION FROM ITEM	
ON OFF SOL (ON/OFF)	—	—	▼	Displays the command status from TCM to anti-interlock solenoid.
SLCT LVR POSI	—	X	▼	Displays the shift positions recognized by TCM.
GEAR	—	X	▼	Displays the current transmission gear position recognized by TCM.
NEXT GR POSI	—	—	▼	Displays the target gear position of gear change that is calculated based on the vehicle speed information and throttle information.
SHIFT MODE	—	—	▼	Displays the transmission driving mode recognized by TCM.
D/C PARTS (FAIL/NOTFAIL)	—	—	▼	Displays whether the identified malfunction point judged by TCM is the related parts of direct clutch.
FR/B PARTS (FAIL/NOTFAIL)	—	—	▼	Displays whether the identified malfunction point judged by TCM is the related parts of front brake.
2346/B PARTS (FAIL/NOTFAIL)	—	—	▼	Displays whether the identified malfunction point judged by TCM is the related parts of 2346 brake.
2346B/DC PARTS (FAIL/NOTFAIL)	—	—	▼	Displays whether the identified malfunction point judged by TCM is the related parts of 2346 brake or direct clutch.

DTC WORK SUPPORT

A
B
C
TM
E
F
G
H
I
J
K
L
M
N
O
P

DIAGNOSIS SYSTEM (TCM)

< SYSTEM DESCRIPTION >

[7AT: RE7R01A]

Item	Description	Check item
1ST GR FNCTN P0731	Following items for "1GR incorrect ratio" can be confirmed. <ul style="list-style-type: none"> • Self-diagnosis status (whether the diagnosis is being performed or not) • Self-diagnostic results (OK or NG) 	<ul style="list-style-type: none"> • Input clutch solenoid valve • Front brake solenoid valve • Direct clutch solenoid valve • High and low reverse clutch solenoid valve • Low brake solenoid valve • 2346 brake solenoid valve • Anti-interlock solenoid valve • Each clutch and brake • Output speed sensor • Input speed sensor 1, 2 • Hydraulic control circuit
2ND GR FNCTN P0732	Following items for "2GR incorrect ratio" can be confirmed. <ul style="list-style-type: none"> • Self-diagnosis status (whether the diagnosis is being performed or not) • Self-diagnostic results (OK or NG) 	
3RD GR FNCTN P0733	Following items for "3GR incorrect ratio" can be confirmed. <ul style="list-style-type: none"> • Self-diagnosis status (whether the diagnosis is being performed or not) • Self-diagnostic results (OK or NG) 	
4TH GR FNCTN P0734	Following items for "4GR incorrect ratio" can be confirmed. <ul style="list-style-type: none"> • Self-diagnosis status (whether the diagnosis is being performed or not) • Self-diagnostic results (OK or NG) 	
5TH GR FNCTN P0735	Following items for "5GR incorrect ratio" can be confirmed. <ul style="list-style-type: none"> • Self-diagnosis status (whether the diagnosis is being performed or not) • Self-diagnostic results (OK or NG) 	
6TH GR FNCTN P0729	Following items for "6GR incorrect ratio" can be confirmed. <ul style="list-style-type: none"> • Self-diagnosis status (whether the diagnosis is being performed or not) • Self-diagnostic results (OK or NG) 	
7TH GR FNCTN P1734	Following items for "7GR incorrect ratio" can be confirmed. <ul style="list-style-type: none"> • Self-diagnosis status (whether the diagnosis is being performed or not) • Self-diagnostic results (OK or NG) 	
TCC SOL FUNCTN CHECK	Following items for "TCC solenoid function" can be confirmed. <ul style="list-style-type: none"> • Self-diagnosis status (whether the diagnosis is being performed or not) • Self-diagnostic results (OK or NG) 	<ul style="list-style-type: none"> • Harness or connectors • Torque converter clutch solenoid valve • Torque converter • Input speed sensor 1, 2 • Hydraulic control circuit

U0100 LOST COMMUNICATION (ECM A)

< DTC/CIRCUIT DIAGNOSIS >

[7AT: RE7R01A]

DTC/CIRCUIT DIAGNOSIS

U0100 LOST COMMUNICATION (ECM A)

DTC Logic

INFOID:0000000008658952

DTC DETECTION LOGIC

DTC	Trouble diagnosis name	DTC is detected if...	Possible causes
U0100	Lost Communication With ECM/PCM A	When the ignition switch is ON, TCM is unable to receive the CAN communications signal from ECM continuously for 2 seconds or more.	<ul style="list-style-type: none">• ECM• Harness or connector (CAN communication line is open or shorted)

DTC CONFIRMATION PROCEDURE

1. PREPARATION BEFORE WORK

If another "DTC CONFIRMATION PROCEDURE" occurs just before, turn ignition switch OFF and wait for at least 10 seconds, then perform the next test.

>> GO TO 2.

2. PERFORM DTC CONFIRMATION PROCEDURE

With CONSULT

1. Start the engine and wait for at least 5 seconds.
2. Check DTC.

With GST

Follow the procedure "With CONSULT".

Is "U0100" detected?

- YES >> Go to [TM-211. "Diagnosis Procedure"](#).
NO >> INSPECTION END

Diagnosis Procedure

INFOID:0000000008658953

For the diagnosis procedure, refer to [LAN-15. "Trouble Diagnosis Flow Chart"](#).

U0300 CAN COMMUNICATION DATA

< DTC/CIRCUIT DIAGNOSIS >

[7AT: RE7R01A]

U0300 CAN COMMUNICATION DATA

Description

INFOID:000000008192996

The amount of data transmitted from each control unit is read.

DTC Logic

INFOID:000000008192997

DTC DETECTION LOGIC

DTC	Trouble diagnosis name	DTC is detected if...	Possible cause
U0300	Internal Control Module Software Incompatibility	When the amount of data transmitted from each control unit is smaller than the specified amount.	Control units other than TCM.

DTC CONFIRMATION PROCEDURE

1. PRECONDITIONING

If "DTC CONFIRMATION PROCEDURE" has been previously conducted, always turn ignition switch OFF and wait at least 10 seconds before conducting the next test.

>> GO TO 2.

2. CHECK DTC DETECTION

With CONSULT

1. Turn ignition switch ON and wait 2 seconds or more.
2. Perform "Self Diagnostic Results" in "TRANSMISSION".

Is "U0300" detected?

- YES >> Go to [TM-212, "Diagnosis Procedure"](#).
NO >> INSPECTION END

Diagnosis Procedure

INFOID:000000008192998

1. CHECK CONTROL UNIT

Check the number of control units replaced before detecting "U0300".

Is the number of replaced control units one?

- YES >> Since the replaced control unit may be out of specifications, check the part number and specifications.
NO >> GO TO 2.

2. INSPECTION CONTROL UNIT

With CONSULT

1. Remove one of the replaced control units.
2. Install the previous control unit mounted before replacement.
3. Turn ignition switch ON and wait 2 seconds or more.
4. Perform "Self Diagnostic Results" in "TRANSMISSION".

Is "U0300" detected?

- YES >> Turn OFF the ignition switch to check the other control units in the same method.
NO >> Since the removed control unit may be out of specifications, check the part number and specifications.

U1000 CAN COMM CIRCUIT

Description

INFOID:000000008192999

CAN (Controller Area Network) is a serial communication line for real-time application. It is an on-vehicle multiplex communication line with high data communication speed and excellent malfunction detection ability. Many electronic control units are equipped onto a vehicle, and each control unit shares information and links with other control units during operation (not independently). In CAN communication, control units are connected with 2 communication lines (CAN-H line, CAN-L line) allowing a high rate of information transmission with less wiring. Each control unit transmits/receives data but selectively reads required data only.

DTC Logic

INFOID:000000008193000

DTC DETECTION LOGIC

DTC	Trouble diagnosis name	DTC is detected if...	Possible cause
U1000	CAN Communication Line	TCM cannot transmit or receive CAN communication signals continuously for 2 seconds or more when the ignition switch is ON.	<ul style="list-style-type: none"> • Harness or connectors (CAN communication line is open or shorted.) • TCM

DTC CONFIRMATION PROCEDURE

1. PRECONDITIONING

If "DTC CONFIRMATION PROCEDURE" is previously conducted, always turn ignition switch OFF and wait at least 10 seconds before performing the next test.

>> GO TO 2.

2. CHECK DTC DETECTION

With CONSULT

1. Start the engine.
2. Run engine for at least 2 consecutive seconds at idle speed.
3. Perform "Self Diagnostic Results" in "TRANSMISSION".

With GST

Follow the procedure "With CONSULT"

Is "U1000" detected?

- YES >> Go to [TM-213, "Diagnosis Procedure"](#).
- NO >> INSPECTION END

Diagnosis Procedure

INFOID:000000008193001

Go to [LAN-15, "Trouble Diagnosis Flow Chart"](#).

P0615 STARTER RELAY

< DTC/CIRCUIT DIAGNOSIS >

[7AT: RE7R01A]

P0615 STARTER RELAY

Description

INFOID:000000008193002

The TCM prohibits cranking other than at "P" or "N" position.

DTC Logic

INFOID:000000008193003

DTC DETECTION LOGIC

DTC	Trouble diagnosis name	DTC is detected if...	Possible cause
P0615	Starter Relay Circuit	The starter monitor value is OFF when the ignition switch is ON at the "P" and "N" positions.	<ul style="list-style-type: none"> Harness or connectors (Starter relay and TCM circuit is open or shorted.) Starter relay circuit

DTC CONFIRMATION PROCEDURE

1. PRECONDITIONING

If "DTC CONFIRMATION PROCEDURE" is previously conducted, always turn ignition switch OFF and wait at least 10 seconds before performing the next test.

>> GO TO 2.

2. CHECK DTC DETECTION

With CONSULT

- Shift the selector lever to "P" and "N" positions.
- Turn ignition switch ON and wait 2 seconds or more.
- Perform "Self Diagnostic Results" in "TRANSMISSION".

Is "P0615" detected?

- YES >> Go to [TM-214, "Diagnosis Procedure"](#).
 NO >> INSPECTION END

Diagnosis Procedure

INFOID:000000008193004

1. CHECK STARTER RELAY SIGNAL

- Turn ignition switch ON.
- Check voltage between IPDM E/R connector terminal and ground.

IPDM E/R connector			Condition	Voltage (Approx.)
Connector	Terminal			
E5*1	30*1	Ground	Selector lever in "P" and "N" positions.	Battery voltage
			Selector lever in other positions.	0 V
E7*2	72*2		Selector lever in "P" and "N" positions.	Battery voltage
			Selector lever in other positions.	0 V

*1: Roadster models

*2: Coupe models

Is the inspection result normal?

- YES >> Check starter relay circuit. Refer to [STR-13, "Wiring Diagram - STARTING SYSTEM -"](#).
 NO >> GO TO 2.

2. CHECK HARNESS BETWEEN A/T ASSEMBLY AND IPDM E/R (PART 1)

- Turn ignition switch OFF.

P0615 STARTER RELAY

< DTC/CIRCUIT DIAGNOSIS >

[7AT: RE7R01A]

2. Disconnect A/T assembly connector and IPDM E/R connector.
3. Check continuity between A/T assembly vehicle side harness connector terminal and IPDM E/R vehicle side harness connector terminal.

A/T assembly vehicle side harness connector		IPDM E/R vehicle side harness connector		Continuity
Connector	Terminal	Connector	Terminal	
F51	9	E5 ^{*1}	30 ^{*1}	Existed
		E7 ^{*2}	72 ^{*2}	

*1: Roadster models

*2: Coupe models

Is the inspection result normal?

YES >> GO TO 3.

NO >> Repair or replace damaged parts.

3. CHECK HARNESS BETWEEN A/T ASSEMBLY AND IPDM E/R (PART 2)

Check continuity between A/T assembly vehicle side harness connector terminal and ground.

A/T assembly vehicle side harness connector		Ground	Continuity
Connector	Terminal		
F51	9		Not existed

Is the inspection result normal?

YES >> GO TO 4.

NO >> Repair or replace damaged parts.

4. CHECK JOINT CONNECTOR

1. Remove joint connector. Refer to [TM-322, "Exploded View"](#).
2. Check the continuity between joint connector terminals.

A/T assembly harness connector side	TCM harness connector side	Continuity
Terminal	Terminal	
9	9	Existed

Is the inspection result normal?

YES >> GO TO 5.

NO >> Repair or replace damaged parts.

5. CHECK INTERMITTENT INCIDENT

Refer to [GI-45, "Intermittent Incident"](#).

Is the inspection result normal?

YES >> Replace control valve & TCM. Refer to [TM-322, "Exploded View"](#).

NO >> Repair or replace damaged parts.

P0705 TRANSMISSION RANGE SWITCH A

< DTC/CIRCUIT DIAGNOSIS >

[7AT: RE7R01A]

P0705 TRANSMISSION RANGE SWITCH A

Description

INFOID:000000008193005

- The transmission range switch incorporates four contact switches. Each contact switch transmits an ON/OFF signal to the TCM.
- The TCM judges a select lever position from a combination of ON/OFF signals transmitted from each contact switch.

Select lever position	Transmission range switch			
	SW1	SW2	SW3	SW4
P	OFF	OFF	OFF	OFF
R	ON	OFF	OFF	ON
N	ON	ON	OFF	OFF
D and M	ON	ON	ON	ON

DTC Logic

INFOID:000000008193006

DTC DETECTION LOGIC

DTC	Trouble diagnosis name	DTC is detected if...	Possible cause
P0705	Transmission Range Sensor A Circuit (PRNDL Input)	The TCM detects an ON/OFF combination pattern other than that of the transmission range switches 1, 2, 3 and 4.	<ul style="list-style-type: none">• Harness or connectors (Transmission range switches 1, 2, 3, 4 and TCM circuit is open or shorted.)• Transmission range switches 1, 2, 3 and 4

DTC CONFIRMATION PROCEDURE

1. PRECONDITIONING

If "DTC CONFIRMATION PROCEDURE" is previously conducted, always turn ignition switch OFF and wait at least 10 seconds before performing the next test.

>> GO TO 2.

2. CHECK DTC DETECTION

With CONSULT

1. Start the engine.
2. Select "ACCELE POSI" and "VHCL/S SE-A/T" in "Data Monitor" in "TRANSMISSION".
3. Shift the selector lever throughout the entire shift position from "P" to "D". (Hold the selector lever at each position for 2 seconds or more)
4. Drive vehicle and maintain the following conditions for 2 seconds or more.

ACCELE POSI : More than 1.0/8

VHCL/S SE-A/T : 10 km/h (7 MPH) or more

5. Perform "Self Diagnostic Results" in "TRANSMISSION".

With GST

Follow the procedure "With CONSULT".

Is "P0705" detected?

- YES >> Go to [TM-216, "Diagnosis Procedure"](#).
NO >> INSPECTION END

Diagnosis Procedure

INFOID:000000008193007

1. CHECK INTERMITTENT INCIDENT

Refer to [GI-45, "Intermittent Incident"](#).

P0705 TRANSMISSION RANGE SWITCH A

< DTC/CIRCUIT DIAGNOSIS >

[7AT: RE7R01A]

Is the inspection result normal?

YES >> Replace control valve & TCM. Refer to [TM-322, "Exploded View"](#).

NO >> Repair or replace damaged parts.

A

B

C

TM

E

F

G

H

I

J

K

L

M

N

O

P

P0710 TRANSMISSION FLUID TEMPERATURE SENSOR A

< DTC/CIRCUIT DIAGNOSIS >

[7AT: RE7R01A]

P0710 TRANSMISSION FLUID TEMPERATURE SENSOR A

Description

INFOID:000000008193008

The A/T fluid temperature sensor detects the A/T fluid temperature and transmits a signal to the TCM.

DTC Logic

INFOID:000000008193009

DTC DETECTION LOGIC

DTC	Trouble diagnosis name	DTC is detected if...	Possible cause
P0710	Transmission Fluid Temperature Sensor A Circuit	TCM judges that the A/T fluid temperature is -40 °C (-40 °F) or less continuously for 5 seconds while driving at 10 km/h (7 MPH) or more.	<ul style="list-style-type: none">• Harness or connectors (Sensor circuit is open.)• A/T fluid temperature sensor
		TCM judges that the A/T fluid temperature is 180 °C (356 °F) or more continuously for 5 seconds.	<ul style="list-style-type: none">• Harness or connectors (Sensor circuit is short.)• A/T fluid temperature sensor
		A/T fluid temperature does not rise to the specified temperature after driving for a certain period of time with the TCM-received fluid temperature sensor value between -40°C (-40°F) and 20°C (68°F).	<ul style="list-style-type: none">• Harness or connectors (Sensor circuit is stuck.)• A/T fluid temperature sensor
		The following conditions are maintained for 5 minutes after the completion of engine diagnosis P0111, P0116, and P0196: <ul style="list-style-type: none">• A/T fluid temperature – Engine coolant temperature > 33°C (91.4°F)• A/T fluid temperature – Engine coolant temperature < -19°C (-2.2°F)	A/T fluid temperature sensor

DTC CONFIRMATION PROCEDURE

CAUTION:

Always drive vehicle at a safe speed.

1. PRECONDITIONING

If "DTC CONFIRMATION PROCEDURE" is previously conducted, always turn ignition switch OFF and wait at least 10 seconds before performing the next test.

>> GO TO 2.

2. CHECK DTC DETECTION

With CONSULT

1. Cool the ATF until the same temperature as the outside temperature.
2. Start the engine.
3. Select "SLCT LVR POSI" and "VHCL/S SE-A/T" in "Data Monitor" in "TRANSMISSION".
4. Drive vehicle and maintain the following conditions for 14 minutes or more.

SLCT LVR POSI : D

VHCL/S SE-A/T : 10 km/h (7 MPH) or more

5. Perform "Self Diagnostic Results" in "TRANSMISSION".

With GST

Follow the procedure "With CONSULT".

Is "P0710" detected?

- YES >> Go to [TM-219. "Diagnosis Procedure"](#).
NO >> GO TO 3.

3. CHECK A/T FLUID TEMPERATURE SENSOR FUNCTION

With CONSULT

P0710 TRANSMISSION FLUID TEMPERATURE SENSOR A

< DTC/CIRCUIT DIAGNOSIS >

[7AT: RE7R01A]

1. Select "ATF TEMP 1" in "Data Monitor" in "TRANSMISSION".
2. Select "COOLANT TEMP/S" in "Data Monitor" in "ENGINE".
3. Check temperature difference between A/T fluid and engine coolant.

With GST

1. Complete engine diagnoses P0111, P0116, and P0196.
2. After starting the engine start, run the engine at idle for 5 minutes.

Is the temperature calculated by subtracting engine coolant temperature from A/T fluid temperature more than 33°C (91.4°F) or is it less than -19°C (-2.2°F)? (With CONSULT)/Is "P0710" detected? (With GST)

- YES >> Go to [TM-219, "Diagnosis Procedure"](#).
NO >> INSPECTION END.

Diagnosis Procedure

INFOID:000000008193010

TM

1. CHECK INTERMITTENT INCIDENT

Refer to [GI-45, "Intermittent Incident"](#).

Is the inspection result normal?

- YES >> Replace control valve & TCM. Refer to [TM-322, "Exploded View"](#).
NO >> Repair or replace damaged parts.

A
B
C
E
F
G
H
I
J
K
L
M
N
O
P

P0717 INPUT SPEED SENSOR A

< DTC/CIRCUIT DIAGNOSIS >

[7AT: RE7R01A]

P0717 INPUT SPEED SENSOR A

Description

INFOID:000000008193011

The input speed sensor detects input shaft rpm (revolutions per minute). It is located on the input side of the A/T. Monitors revolution of sensor 1 and sensor 2 for non-standard conditions.

DTC Logic

INFOID:000000008193012

DTC DETECTION LOGIC

DTC	Trouble diagnosis name	DTC is detected if...	Possible cause
P0717	Input/Turbine Speed Sensor A Circuit No Signal	The revolution of input speed sensor 1 and/or 2 is 270 rpm or less.	<ul style="list-style-type: none">• Harness or connectors (Sensor circuit is open.)• Input speed sensor 1 and/or 2

DTC CONFIRMATION PROCEDURE

CAUTION:

Always drive vehicle at a safe speed.

1. PRECONDITIONING

If "DTC CONFIRMATION PROCEDURE" is previously conducted, always turn ignition switch OFF and wait at least 10 seconds before performing the next test.

>> GO TO 2.

2. CHECK DTC DETECTION

With CONSULT

1. Start the engine.
2. Select "SLCT LVR POSI", "GEAR", "VHCL/S SE-A/T", "CLSD THL POS" and "ENGINE SPEED" in "Data Monitor" in "TRANSMISSION".
3. Drive vehicle and maintain the following conditions for 5 seconds or more.

CAUTION:

Keep the same gear position.

NOTE:

Driving the vehicle uphill (increased engine load) will help maintain the driving conditions required for this test.

SLCT LVR POSI	: D
GEAR	: 2nd, 3rd, 4th, 5th or 6th
VHCL/S SE-A/T	: More than 40 km/h (25 MPH)
CLSD THL POS	: OFF
ENGINE SPEED	: More than 1,500 rpm

4. Perform "Self Diagnostic Results" in "TRANSMISSION".

With GST

Follow the procedure "With CONSULT".

Is "P0717" detected?

- YES >> Go to [TM-220. "Diagnosis Procedure"](#).
NO >> INSPECTION END

Diagnosis Procedure

INFOID:000000008193013

1. CHECK INTERMITTENT INCIDENT

Refer to [GI-45. "Intermittent Incident"](#).

Is the inspection result normal?

- YES >> Replace control valve & TCM. Refer to [TM-322. "Exploded View"](#).

P0717 INPUT SPEED SENSOR A

< DTC/CIRCUIT DIAGNOSIS >

[7AT: RE7R01A]

NO >> Repair or replace damaged parts.

A

B

C

TM

E

F

G

H

I

J

K

L

M

N

O

P

P0720 OUTPUT SPEED SENSOR

< DTC/CIRCUIT DIAGNOSIS >

[7AT: RE7R01A]

P0720 OUTPUT SPEED SENSOR

Description

INFOID:000000008193014

The output speed sensor detects the revolution of the parking gear and emits a pulse signal. The pulse signal is transmitted to the TCM which converts it into vehicle speed.

DTC Logic

INFOID:000000008193015

DTC DETECTION LOGIC

DTC	Trouble diagnosis name	DTC is detected if...	Possible cause
P0720	Output Speed Sensor Circuit	<ul style="list-style-type: none">The vehicle speed detected by the output speed sensor is 5 km/h (3 MPH) or less when the vehicle speed transmitted from the combination meter to TCM is 20 km/h (13 MPH) or more. (Only when starts after the ignition switch is turned ON.)The vehicle speed transmitted from the combination meter to TCM does not decrease despite the 36 km/h (23 MPH) or more of deceleration in vehicle speed detected by the output speed sensor. when the vehicle speed detected by the output speed sensor is 36 km/h (23 MPH) or more and the vehicle speed transmitted from the combination meter to TCM is 24 km/h (15 MPH) or more.	<ul style="list-style-type: none">Harness or connectors (Sensor circuit is open.)Output speed sensor

DTC CONFIRMATION PROCEDURE

CAUTION:

- Always drive vehicle at a safe speed.
- Be careful not to rev engine into the red zone on the tachometer.

1. PRECONDITIONING

If "DTC CONFIRMATION PROCEDURE" is previously conducted, always turn ignition switch OFF and wait at least 10 seconds before performing the next test.

>> GO TO 2.

2. CHECK DTC DETECTION

With CONSULT

- Start the engine.
- Select "ESTM VSP SIG" in "Data Monitor" in "TRANSMISSION".
- Drive vehicle and maintain the following conditions for 60 seconds or more.

ESTM VSP SIG : 40 km/h (25 MPH) or more

- Perform "Self Diagnostic Results" in "TRANSMISSION".

With GST

Follow the procedure "With CONSULT".

Is "P0720" detected?

- YES >> Go to [TM-223, "Diagnosis Procedure"](#).
- NO >> INSPECTION END

P0720 OUTPUT SPEED SENSOR

< DTC/CIRCUIT DIAGNOSIS >

[7AT: RE7R01A]

Diagnosis Procedure

INFOID:000000008193016

1. CHECK INTERMITTENT INCIDENT

Refer to [GI-45, "Intermittent Incident"](#).

Is the inspection result normal?

- YES >> Replace control valve & TCM. Refer to [TM-322, "Exploded View"](#).
- NO >> Repair or replace damaged parts.

A
B
C
E
F
G
H
I
J
K
L
M
N
O
P

TM

P0725 ENGINE SPEED

< DTC/CIRCUIT DIAGNOSIS >

[7AT: RE7R01A]

P0725 ENGINE SPEED

Description

INFOID:000000008193017

The engine speed signal is transmitted from the ECM to the TCM via CAN communication line.

DTC Logic

INFOID:000000008193018

DTC DETECTION LOGIC

DTC	Trouble diagnosis name	DTC is detected if...	Possible cause
P0725	Engine Speed Input Circuit	<ul style="list-style-type: none">• TCM does not receive the CAN communication signal from the ECM.• The engine speed is more less 150 rpm even if the vehicle speed is more than 10 km/h (7 MPH).	Harness or connectors (ECM to TCM circuit is open or shorted.)

DTC CONFIRMATION PROCEDURE

CAUTION:

Always drive vehicle at a safe speed.

1. PRECONDITIONING

If "DTC CONFIRMATION PROCEDURE" is previously conducted, always turn ignition switch OFF and wait at least 10 seconds before performing the next test.

>> GO TO 2.

2. CHECK DTC DETECTION

With CONSULT

1. Start the engine.
2. Select "SLCT LVR POSI" and "VHCL/S SE-A/T" in "Data Monitor" in "TRANSMISSION".
3. Drive vehicle and maintain the following conditions for 5 seconds or more.

SLCT LVR POSI : D

VHCL/S SE-A/T : More than 10 km/h (7 MPH)

4. Perform "Self Diagnostic Results" in "TRANSMISSION".

With GST

Follow the procedure "With CONSULT".

Is "P0725" detected?

YES >> Go to [TM-224, "Diagnosis Procedure"](#).

NO >> INSPECTION END

Diagnosis Procedure

INFOID:000000008193019

1. CHECK DTC OF ECM

With CONSULT

1. Turn ignition switch ON.
2. Perform "Self Diagnostic Results" in "ENGINE".

Is any DTC detected?

YES >> Check DTC detected item. Refer to [EC-560, "DTC Index"](#).

NO >> GO TO 2.

2. CHECK DTC OF TCM

With CONSULT

Perform "Self Diagnostic Results" in "TRANSMISSION".

Is any DTC other than "P0725" detected?

P0725 ENGINE SPEED

< DTC/CIRCUIT DIAGNOSIS >

[7AT: RE7R01A]

- YES >> Check DTC detected item. Refer to [TM-290. "DTC Index"](#).
- NO >> GO TO 3.

A

3.CHECK INTERMITTENT INCIDENT

Refer to [GI-45. "Intermittent Incident"](#).

B

Is the inspection result normal?

- YES >> Replace control valve & TCM. Refer to [TM-322. "Exploded View"](#).
- NO >> Repair or replace damaged parts.

C

TM

E

F

G

H

I

J

K

L

M

N

O

P

P0729 6GR INCORRECT RATIO

< DTC/CIRCUIT DIAGNOSIS >

[7AT: RE7R01A]

P0729 6GR INCORRECT RATIO

Description

INFOID:000000008193020

This malfunction is detected when the A/T does not shift into 6GR position as instructed by TCM. This is not only caused by electrical malfunction (circuits open or shorted) but by mechanical malfunction such as control valve sticking, improper solenoid valve operation, etc.

DTC Logic

INFOID:000000008193021

DTC DETECTION LOGIC

DTC	Trouble diagnosis name	DTC is detected if...	Possible cause
P0729	Gear 6 Incorrect Ratio	The gear ratio is: <ul style="list-style-type: none">• 0.914 or more• 0.810 or less	<ul style="list-style-type: none">• Input clutch solenoid valve• Direct clutch solenoid valve• High and low reverse clutch solenoid valve• Front brake solenoid valve• Low brake solenoid valve• 2346 brake solenoid valve• Anti-interlock solenoid valve• Each clutch and brake• Output speed sensor• Input speed sensor 1, 2• Hydraulic control circuit

DTC CONFIRMATION PROCEDURE

CAUTION:

- **“[TM-227, "Diagnosis Procedure"](#)” must be performed before starting “DTC CONFIRMATION PROCEDURE”.**
- **Never perform “DTC CONFIRMATION PROCEDURE” before completing the repair, which may cause secondary malfunction.**
- **Always drive vehicle at a safe speed.**

1. PRECONDITIONING

If “DTC CONFIRMATION PROCEDURE” is previously conducted, always turn ignition switch OFF and wait at least 10 seconds before performing the next test.

>> GO TO 2.

2. CHECK ATF TEMPERATURE

With CONSULT

1. Start the engine.
2. Select “ATF TEMP 1” in “Data Monitor” in “TRANSMISSION”.
3. Check ATF temperature is in the following range.

ATF TEMP 1 : 20°C (68°F) – 140°C (284°F)

With GST

1. Start the engine.
2. Drive vehicle for approximately 5 minutes in urban areas.

Is ATF temperature within specified range?

- YES >> GO TO 3.
NO >> Drive vehicle to warm ATF or stop engine to cool ATF.

3. CHECK SYMPTOM (PART 1)

With CONSULT

1. Select “6TH GR FNCTN P0729” in “DTC & SRT confirmation” in “TRANSMISSION”.
2. Drive vehicle with manual mode and maintain the following conditions.

P0729 6GR INCORRECT RATIO

< DTC/CIRCUIT DIAGNOSIS >

[7AT: RE7R01A]

GEAR : 6th
ACCELE POSI : 0.7/8 or more
VEHICLE SPEED : 10 km/h (7 MPH) or more

3. Keep the current driving status for 2 seconds or more if CONSULT screen changes from "OUT OF CONDITION" to "TESTING".

CAUTION:

When "TESTING" is not indicated on CONSULT for a long time, check "Self Diagnostic Results" in "TRANSMISSION". When a DTC other than "P0729" is detected, check the DTC. Refer to [TM-290, "DTC Index"](#).

 **With GST**

1. Drive vehicle and maintain the following conditions for 2 seconds or more.

Selector lever : "M" position
Gear position : 6th
Accelerator pedal opening : 0.7/8 or more
Vehicle speed : 10 km/h (7 MPH) or more

2. Check DTC.

Is "OUT OF CONDITION", "STOP VEHICLE" or "COMPLETED RESULT NG" displayed? / Is "P0729" detected?

YES-1 (OUT OF CONDITION)>>Perform "Step 3" again.
YES-2 (STOP VEHICLE)>>GO TO 4.
YES-3 (COMPLETED RESULT NG)>>Go to [TM-227, "Diagnosis Procedure"](#).
YES-4 ("P0729" is detected)>>Go to [TM-227, "Diagnosis Procedure"](#).
NO >> GO TO 4.

4.CHECK SYMPTOM (PART 2)

1. Stop vehicle.
2. Drive vehicle in "D" position allowing it to shift from 1GR to 7GR and check shift timing and shift shock.

>> INSPECTION END

Diagnosis Procedure

INFOID:000000008193022

1.CHECK INTERMITTENT INCIDENT

Refer to [GI-45, "Intermittent Incident"](#).

Is the inspection result normal?

YES >> GO TO 2.
NO >> Repair or replace damaged parts.

2.DETECT MALFUNCTIONING ITEM

Disassemble the A/T assembly to check component parts. Refer to [TM-354, "Disassembly"](#).

NOTE:

Check the component parts, referring to "Possible cause" in "DTC DETECTION LOGIC". Refer to [TM-226, "DTC Logic"](#).

Is the inspection result normal?

YES >> Replace control valve & TCM. Refer to [TM-322, "Exploded View"](#).
NO >> Repair or replace damaged parts.

P0730 INCORRECT GEAR RATIO

< DTC/CIRCUIT DIAGNOSIS >

[7AT: RE7R01A]

P0730 INCORRECT GEAR RATIO

Description

INFOID:000000008193023

- The TCM detects a high-rpm state of the under drive sun gear.
- The number of revolutions of the under drive sun gear is calculated with the input speed sensor 1 and 2.

DTC Logic

INFOID:000000008193024

DTC DETECTION LOGIC

DTC	Trouble diagnosis name	DTC is detected if...	Possible cause
P0730	Incorrect Gear Ratio	The revolution of under drive sun gear is 8,000 rpm or more. NOTE: Not detected when in "P" or "N" position and during a shift to "P" or "N" position.	<ul style="list-style-type: none"> • 2346 brake solenoid valve • Front brake solenoid valve • Input speed sensor 1, 2

DTC CONFIRMATION PROCEDURE

CAUTION:

- **"[TM-228, "Diagnosis Procedure"](#)" must be performed before starting "DTC CONFIRMATION PROCEDURE"**.
- **Never perform "DTC CONFIRMATION PROCEDURE" before completing the repair, which may cause secondary malfunction.**
- **Always drive vehicle at a safe speed.**

1. PRECONDITIONING

If "DTC CONFIRMATION PROCEDURE" is previously conducted, always turn ignition switch OFF and wait at least 10 seconds before performing the next test.

>> GO TO 2.

2. CHECK DTC DETECTION

With CONSULT

1. Start the engine.
2. Select "Self Diagnostic Results" in "ENGINE".
3. Drive vehicle under the similar conditions to (1st trip) Freeze Frame Data for 10 minutes. Refer to the table below.
Hold the accelerator pedal as steady as possible.

ENGINE SPEED	Same value as the Freeze Frame Data.
VEHICLE SPEED	Same value as the Freeze Frame Data.
B/FUEL SCHDL	Same value as the Freeze Frame Data.

With GST

Follow the procedure "With CONSULT".

Is "P0730" detected?

- YES >> Go to [TM-228, "Diagnosis Procedure"](#).
- NO >> INSPECTION END

Diagnosis Procedure

INFOID:000000008193025

1. CHECK INTERMITTENT INCIDENT

Refer to [GI-45, "Intermittent Incident"](#).

Is the inspection result normal?

- YES >> GO TO 2.
- NO >> Repair or replace damaged parts.

P0730 INCORRECT GEAR RATIO

< DTC/CIRCUIT DIAGNOSIS >

[7AT: RE7R01A]

2. DETECT MALFUNCTIONING ITEM

Disassemble the A/T assembly to check component parts. Refer to [TM-354. "Disassembly"](#).

NOTE:

Check the component parts, referring to "Possible cause" in "DTC DETECTION LOGIC". Refer to [TM-228. "DTC Logic"](#).

Is the inspection result normal?

YES >> Replace control valve & TCM. Refer to [TM-322. "Exploded View"](#).

NO >> Repair or replace damaged parts.

A
B
C
E
F
G
H
I
J
K
L
M
N
O
P

TM

P0731 1GR INCORRECT RATIO

< DTC/CIRCUIT DIAGNOSIS >

[7AT: RE7R01A]

P0731 1GR INCORRECT RATIO

Description

INFOID:000000008193026

This malfunction is detected when the A/T does not shift into 1GR position as instructed by TCM. This is not only caused by electrical malfunction (circuits open or shorted) but by mechanical malfunction such as control valve sticking, improper solenoid valve operation, etc.

DTC Logic

INFOID:000000008193027

DTC DETECTION LOGIC

DTC	Trouble diagnosis name	DTC is detected if...	Possible cause
P0731	Gear 1 Incorrect Ratio	The gear ratio is: <ul style="list-style-type: none">• 5.219 or more• 4.629 or less	<ul style="list-style-type: none">• Input clutch solenoid valve• Direct clutch solenoid valve• High and low reverse clutch solenoid valve• Front brake solenoid valve• Low brake solenoid valve• 2346 brake solenoid valve• Anti-interlock solenoid valve• Each clutch and brake• Output speed sensor• Input speed sensor 1, 2• Hydraulic control circuit

DTC CONFIRMATION PROCEDURE

CAUTION:

- **“[TM-231, "Diagnosis Procedure"](#)” must be performed before starting “DTC CONFIRMATION PROCEDURE”.**
- **Never perform “DTC CONFIRMATION PROCEDURE” before completing the repair, which may cause secondary malfunction.**
- **Always drive vehicle at a safe speed.**

1. PRECONDITIONING

If “DTC CONFIRMATION PROCEDURE” is previously conducted, always turn ignition switch OFF and wait at least 10 seconds before performing the next test.

>> GO TO 2.

2. CHECK ATF TEMPERATURE

With CONSULT

1. Start the engine.
2. Select “ATF TEMP 1” in “Data Monitor” in “TRANSMISSION”.
3. Check ATF temperature is in the following range.

ATF TEMP 1 : 20°C (68°F) – 140°C (284°F)

With GST

1. Start the engine.
2. Drive vehicle for approximately 5 minutes in urban areas.

Is ATF temperature within specified range?

- YES >> GO TO 3.
NO >> Drive vehicle to warm ATF or stop engine to cool ATF.

3. CHECK SYMPTOM (PART 1)

With CONSULT

1. Select “1ST GR FNCTN P0731” in “DTC & SRT confirmation” in “TRANSMISSION”.
2. Drive vehicle with manual mode and maintain the following conditions.

P0731 1GR INCORRECT RATIO

< DTC/CIRCUIT DIAGNOSIS >

[7AT: RE7R01A]

GEAR : 1st
ACCELE POSI : 0.7/8 or more
VEHICLE SPEED : 10 km/h (7 MPH) or more

3. Keep the current driving status for 2 seconds or more if CONSULT screen changes from "OUT OF CONDITION" to "TESTING".

CAUTION:

When "TESTING" is not indicated on CONSULT for a long time, check "Self Diagnostic Results" in "TRANSMISSION". When a DTC other than "P0731" is detected, check the DTC. Refer to [TM-290, "DTC Index"](#).

 **With GST**

1. Drive vehicle and maintain the following conditions for 2 seconds or more.

Selector lever : "M" position
Gear position : 1st
Accelerator pedal opening : 0.7/8 or more
Vehicle speed : 10 km/h (7 MPH) or more

2. Check DTC.

Is "OUT OF CONDITION", "STOP VEHICLE" or "COMPLETED RESULT NG" displayed? / Is "P0731" detected?

YES-1 (OUT OF CONDITION)>>Perform "Step 3" again.

YES-2 (STOP VEHICLE)>>GO TO 4.

YES-3 (COMPLETED RESULT NG)>>Go to [TM-231, "Diagnosis Procedure"](#).

YES-4 ("P0731" is detected)>>Go to [TM-231, "Diagnosis Procedure"](#).

NO >> GO TO 4.

4.CHECK SYMPTOM (PART 2)

1. Stop vehicle.
2. Drive vehicle in "D" position allowing it to shift from 1GR to 7GR and check shift timing and shift shock.

>> INSPECTION END

Diagnosis Procedure

INFOID:000000008193028

1.CHECK INTERMITTENT INCIDENT

Refer to [GI-45, "Intermittent Incident"](#).

Is the inspection result normal?

YES >> GO TO 2.

NO >> Repair or replace damaged parts.

2.DETECT MALFUNCTIONING ITEM

Disassemble the A/T assembly to check component parts. Refer to [TM-354, "Disassembly"](#).

NOTE:

Check the component parts, referring to "Possible cause" in "DTC DETECTION LOGIC". Refer to [TM-230, "DTC Logic"](#).

Is the inspection result normal?

YES >> Replace control valve & TCM. Refer to [TM-322, "Exploded View"](#).

NO >> Repair or replace damaged parts.

P0732 2GR INCORRECT RATIO

< DTC/CIRCUIT DIAGNOSIS >

[7AT: RE7R01A]

P0732 2GR INCORRECT RATIO

Description

INFOID:000000008193029

This malfunction is detected when the A/T does not shift into 2GR position as instructed by TCM. This is not only caused by electrical malfunction (circuits open or shorted) but by mechanical malfunction such as control valve sticking, improper solenoid valve operation, etc.

DTC Logic

INFOID:000000008193030

DTC DETECTION LOGIC

DTC	Trouble diagnosis name	DTC is detected if...	Possible cause
P0732	Gear 2 Incorrect Ratio	The gear ratio is: <ul style="list-style-type: none">• 3.386 or more• 3.002 or less	<ul style="list-style-type: none">• Input clutch solenoid valve• Direct clutch solenoid valve• High and low reverse clutch solenoid valve• Front brake solenoid valve• Low brake solenoid valve• 2346 brake solenoid valve• Anti-interlock solenoid valve• Each clutch and brake• Output speed sensor• Input speed sensor 1, 2• Hydraulic control circuit

DTC CONFIRMATION PROCEDURE

CAUTION:

- **“[TM-233, "Diagnosis Procedure"](#)” must be performed before starting “DTC CONFIRMATION PROCEDURE”.**
- **Never perform “DTC CONFIRMATION PROCEDURE” before completing the repair, which may cause secondary malfunction.**
- **Always drive vehicle at a safe speed.**

1. PRECONDITIONING

If “DTC CONFIRMATION PROCEDURE” is previously conducted, always turn ignition switch OFF and wait at least 10 seconds before performing the next test.

>> GO TO 2.

2. CHECK ATF TEMPERATURE

With CONSULT

1. Start the engine.
2. Select “ATF TEMP 1” in “Data Monitor” in “TRANSMISSION”.
3. Check ATF temperature is in the following range.

ATF TEMP 1 : 20°C (68°F) – 140°C (284°F)

With GST

1. Start the engine.
2. Drive vehicle for approximately 5 minutes in urban areas.

Is ATF temperature within specified range?

- YES >> GO TO 3.
NO >> Drive vehicle to warm ATF or stop engine to cool ATF.

3. CHECK SYMPTOM (PART 1)

With CONSULT

1. Select “2ND GR FNCTN P0732” in “DTC & SRT confirmation” in “TRANSMISSION”.
2. Drive vehicle with manual mode and maintain the following conditions.

P0732 2GR INCORRECT RATIO

< DTC/CIRCUIT DIAGNOSIS >

[7AT: RE7R01A]

GEAR : 2nd
ACCELE POSI : 0.7/8 or more
VEHICLE SPEED : 10 km/h (7 MPH) or more

3. Keep the current driving status for 2 seconds or more if CONSULT screen changes from "OUT OF CONDITION" to "TESTING".

CAUTION:

When "TESTING" is not indicated on CONSULT for a long time, check "Self Diagnostic Results" in "TRANSMISSION". When a DTC other than "P0732" is detected, check the DTC. Refer to [TM-290, "DTC Index"](#).

 **With GST**

1. Drive vehicle and maintain the following conditions for 2 seconds or more.

Selector lever : "M" position
Gear position : 2nd
Accelerator pedal opening : 0.7/8 or more
Vehicle speed : 10 km/h (7 MPH) or more

2. Check DTC.

Is "OUT OF CONDITION", "STOP VEHICLE" or "COMPLETED RESULT NG" displayed? / Is "P0732" detected?

YES-1 (OUT OF CONDITION)>>Perform "Step 3" again.
YES-2 (STOP VEHICLE)>>GO TO 4.
YES-3 (COMPLETED RESULT NG)>>Go to [TM-233, "Diagnosis Procedure"](#).
YES-4 ("P0732" is detected)>>Go to [TM-233, "Diagnosis Procedure"](#).
NO >> GO TO 4.

4.CHECK SYMPTOM (PART 2)

1. Stop vehicle.
2. Drive vehicle in "D" position allowing it to shift from 1GR to 7GR and check shift timing and shift shock.

>> INSPECTION END

Diagnosis Procedure

INFOID:000000008193031

1.CHECK INTERMITTENT INCIDENT

Refer to [GI-45, "Intermittent Incident"](#).

Is the inspection result normal?

YES >> GO TO 2.
NO >> Repair or replace damaged parts.

2.DETECT MALFUNCTIONING ITEM

Disassemble the A/T assembly to check component parts. Refer to [TM-354, "Disassembly"](#).

NOTE:

Check the component parts, referring to "Possible cause" in "DTC DETECTION LOGIC". Refer to [TM-232, "DTC Logic"](#).

Is the inspection result normal?

YES >> Replace control valve & TCM. Refer to [TM-322, "Exploded View"](#).
NO >> Repair or replace damaged parts.

P0733 3GR INCORRECT RATIO

< DTC/CIRCUIT DIAGNOSIS >

[7AT: RE7R01A]

P0733 3GR INCORRECT RATIO

Description

INFOID:000000008193032

This malfunction is detected when the A/T does not shift into 3GR position as instructed by TCM. This is not only caused by electrical malfunction (circuits open or shorted) but by mechanical malfunction such as control valve sticking, improper solenoid valve operation, etc.

DTC Logic

INFOID:000000008193033

DTC DETECTION LOGIC

DTC	Trouble diagnosis name	DTC is detected if...	Possible cause
P0733	Gear 3 Incorrect Ratio	The gear ratio is: <ul style="list-style-type: none">• 2.166 or more• 1.920 or less	<ul style="list-style-type: none">• Input clutch solenoid valve• Direct clutch solenoid valve• High and low reverse clutch solenoid valve• Front brake solenoid valve• Low brake solenoid valve• 2346 brake solenoid valve• Anti-interlock solenoid valve• Each clutch and brake• Output speed sensor• Input speed sensor 1, 2• Hydraulic control circuit

DTC CONFIRMATION PROCEDURE

CAUTION:

- **“[TM-235, "Diagnosis Procedure"](#)” must be performed before starting “DTC CONFIRMATION PROCEDURE”.**
- **Never perform “DTC CONFIRMATION PROCEDURE” before completing the repair, which may cause secondary malfunction.**
- **Always drive vehicle at a safe speed.**

1. PRECONDITIONING

If “DTC CONFIRMATION PROCEDURE” is previously conducted, always turn ignition switch OFF and wait at least 10 seconds before performing the next test.

>> GO TO 2.

2. CHECK ATF TEMPERATURE

With CONSULT

1. Start the engine.
2. Select “ATF TEMP 1” in “Data Monitor” in “TRANSMISSION”.
3. Check ATF temperature is in the following range.

ATF TEMP 1 : 20°C (68°F) – 140°C (284°F)

With GST

1. Start the engine.
2. Drive vehicle for approximately 5 minutes in urban areas.

Is ATF temperature within specified range?

- YES >> GO TO 3.
NO >> Drive vehicle to warm ATF or stop engine to cool ATF.

3. CHECK SYMPTOM (PART 1)

With CONSULT

1. Select “3RD GR FNCTN P0733” in “DTC & SRT confirmation” in “TRANSMISSION”.
2. Drive vehicle with manual mode and maintain the following conditions.

P0733 3GR INCORRECT RATIO

< DTC/CIRCUIT DIAGNOSIS >

[7AT: RE7R01A]

GEAR : 3rd
ACCELE POSI : 0.7/8 or more
VEHICLE SPEED : 10 km/h (7 MPH) or more

3. Keep the current driving status for 2 seconds or more if CONSULT screen changes from "OUT OF CONDITION" to "TESTING".

CAUTION:

When "TESTING" is not indicated on CONSULT for a long time, check "Self Diagnostic Results" in "TRANSMISSION". When a DTC other than "P0733" is detected, check the DTC. Refer to [TM-290, "DTC Index"](#).

 **With GST**

1. Drive vehicle and maintain the following conditions for 2 seconds or more.

Selector lever : "M" position
Gear position : 3rd
Accelerator pedal opening : 0.7/8 or more
Vehicle speed : 10 km/h (7 MPH) or more

2. Check DTC.

Is "OUT OF CONDITION", "STOP VEHICLE" or "COMPLETED RESULT NG" displayed? / Is "P0733" detected?

YES-1 (OUT OF CONDITION)>>Perform "Step 3" again.

YES-2 (STOP VEHICLE)>>GO TO 4.

YES-3 (COMPLETED RESULT NG)>>Go to [TM-235, "Diagnosis Procedure"](#).

YES-4 ("P0733" is detected)>>Go to [TM-235, "Diagnosis Procedure"](#).

NO >> GO TO 4.

4.CHECK SYMPTOM (PART 2)

1. Stop vehicle.
2. Drive vehicle in "D" position allowing it to shift from 1GR to 7GR and check shift timing and shift shock.

>> INSPECTION END

Diagnosis Procedure

INFOID:000000008193034

1.CHECK INTERMITTENT INCIDENT

Refer to [GI-45, "Intermittent Incident"](#).

Is the inspection result normal?

YES >> GO TO 2.

NO >> Repair or replace damaged parts.

2.DETECT MALFUNCTIONING ITEM

Disassemble the A/T assembly to check component parts. Refer to [TM-354, "Disassembly"](#).

NOTE:

Check the component parts, referring to "Possible cause" in "DTC DETECTION LOGIC". Refer to [TM-234, "DTC Logic"](#).

Is the inspection result normal?

YES >> Replace control valve & TCM. Refer to [TM-322, "Exploded View"](#).

NO >> Repair or replace damaged parts.

P0734 4GR INCORRECT RATIO

< DTC/CIRCUIT DIAGNOSIS >

[7AT: RE7R01A]

P0734 4GR INCORRECT RATIO

Description

INFOID:000000008193035

This malfunction is detected when the A/T does not shift into 4GR position as instructed by TCM. This is not only caused by electrical malfunction (circuits open or shorted) but by mechanical malfunction such as control valve sticking, improper solenoid valve operation, etc.

DTC Logic

INFOID:000000008193036

DTC DETECTION LOGIC

DTC	Trouble diagnosis name	DTC is detected if...	Possible cause
P0734	Gear 4 Incorrect Ratio	The gear ratio is: <ul style="list-style-type: none">• 1.497 or more• 1.327 or less	<ul style="list-style-type: none">• Input clutch solenoid valve• Direct clutch solenoid valve• High and low reverse clutch solenoid valve• Front brake solenoid valve• Low brake solenoid valve• 2346 brake solenoid valve• Anti-interlock solenoid valve• Each clutch and brake• Output speed sensor• Input speed sensor 1, 2• Hydraulic control circuit

DTC CONFIRMATION PROCEDURE

CAUTION:

- **“[TM-237, "Diagnosis Procedure"](#)” must be performed before starting “DTC CONFIRMATION PROCEDURE”.**
- **Never perform “DTC CONFIRMATION PROCEDURE” before completing the repair, which may cause secondary malfunction.**
- **Always drive vehicle at a safe speed.**

1. PRECONDITIONING

If “DTC CONFIRMATION PROCEDURE” is previously conducted, always turn ignition switch OFF and wait at least 10 seconds before performing the next test.

>> GO TO 2.

2. CHECK ATF TEMPERATURE

With CONSULT

1. Start the engine.
2. Select “ATF TEMP 1” in “Data Monitor” in “TRANSMISSION”.
3. Check ATF temperature is in the following range.

ATF TEMP 1 : 20°C (68°F) – 140°C (284°F)

With GST

1. Start the engine.
2. Drive vehicle for approximately 5 minutes in urban areas.

Is ATF temperature within specified range?

- YES >> GO TO 3.
NO >> Drive vehicle to warm ATF or stop engine to cool ATF.

3. CHECK SYMPTOM (PART 1)

With CONSULT

1. Select “4TH GR FNCTN P0734” in “DTC & SRT confirmation” in “TRANSMISSION”.
2. Drive vehicle with manual mode and maintain the following conditions.

P0734 4GR INCORRECT RATIO

< DTC/CIRCUIT DIAGNOSIS >

[7AT: RE7R01A]

GEAR : 4th
ACCELE POSI : 0.7/8 or more
VEHICLE SPEED : 10 km/h (7 MPH) or more

3. Keep the current driving status for 2 seconds or more if CONSULT screen changes from "OUT OF CONDITION" to "TESTING".

CAUTION:

When "TESTING" is not indicated on CONSULT for a long time, check "Self Diagnostic Results" in "TRANSMISSION". When a DTC other than "P0734" is detected, check the DTC. Refer to [TM-290, "DTC Index"](#).

 **With GST**

1. Drive vehicle and maintain the following conditions for 2 seconds or more.

Selector lever : "M" position
Gear position : 4th
Accelerator pedal opening : 0.7/8 or more
Vehicle speed : 10 km/h (7 MPH) or more

2. Check DTC.

Is "OUT OF CONDITION", "STOP VEHICLE" or "COMPLETED RESULT NG" displayed? / Is "P0734" detected?

YES-1 (OUT OF CONDITION)>>Perform "Step 3" again.
YES-2 (STOP VEHICLE)>>GO TO 4.
YES-3 (COMPLETED RESULT NG)>>Go to [TM-237, "Diagnosis Procedure"](#).
YES-4 ("P0734" is detected)>>Go to [TM-237, "Diagnosis Procedure"](#).
NO >> GO TO 4.

4.CHECK SYMPTOM (PART 2)

1. Stop vehicle.
2. Drive vehicle in "D" position allowing it to shift from 1GR to 7GR and check shift timing and shift shock.

>> INSPECTION END

Diagnosis Procedure

INFOID:000000008193037

1.CHECK INTERMITTENT INCIDENT

Refer to [GI-45, "Intermittent Incident"](#).

Is the inspection result normal?

YES >> GO TO 2.
NO >> Repair or replace damaged parts.

2.DETECT MALFUNCTIONING ITEM

Disassemble the A/T assembly to check component parts. Refer to [TM-354, "Disassembly"](#).

NOTE:

Check the component parts, referring to "Possible cause" in "DTC DETECTION LOGIC". Refer to [TM-236, "DTC Logic"](#).

Is the inspection result normal?

YES >> Replace control valve & TCM. Refer to [TM-322, "Exploded View"](#).
NO >> Repair or replace damaged parts.

P0735 5GR INCORRECT RATIO

< DTC/CIRCUIT DIAGNOSIS >

[7AT: RE7R01A]

P0735 5GR INCORRECT RATIO

Description

INFOID:000000008193038

This malfunction is detected when the A/T does not shift into 5GR position as instructed by TCM. This is not only caused by electrical malfunction (circuits open or shorted) but by mechanical malfunction such as control valve sticking, improper solenoid valve operation, etc.

DTC Logic

INFOID:000000008193039

DTC DETECTION LOGIC

DTC	Trouble diagnosis name	DTC is detected if...	Possible cause
P0735	Gear 5 Incorrect Ratio	The gear ratio is: <ul style="list-style-type: none">• 1.060 or more• 0.940 or less	<ul style="list-style-type: none">• Input clutch solenoid valve• Direct clutch solenoid valve• High and low reverse clutch solenoid valve• Front brake solenoid valve• Low brake solenoid valve• 2346 brake solenoid valve• Anti-interlock solenoid valve• Each clutch and brake• Output speed sensor• Input speed sensor 1, 2• Hydraulic control circuit

DTC CONFIRMATION PROCEDURE

CAUTION:

- **“[TM-239, "Diagnosis Procedure"](#)” must be performed before starting “DTC CONFIRMATION PROCEDURE”.**
- **Never perform “DTC CONFIRMATION PROCEDURE” before completing the repair, which may cause secondary malfunction.**
- **Always drive vehicle at a safe speed.**

1. PRECONDITIONING

If “DTC CONFIRMATION PROCEDURE” is previously conducted, always turn ignition switch OFF and wait at least 10 seconds before performing the next test.

>> GO TO 2.

2. CHECK ATF TEMPERATURE

With CONSULT

1. Start the engine.
2. Select “ATF TEMP 1” in “Data Monitor” in “TRANSMISSION”.
3. Check ATF temperature is in the following range.

ATF TEMP 1 : 20°C (68°F) – 140°C (284°F)

With GST

1. Start the engine.
2. Drive vehicle for approximately 5 minutes in urban areas.

Is ATF temperature within specified range?

- YES >> GO TO 3.
NO >> Drive vehicle to warm ATF or stop engine to cool ATF.

3. CHECK SYMPTOM (PART 1)

With CONSULT

1. Select “5TH GR FNCTN P0735” in “DTC & SRT confirmation” in “TRANSMISSION”.
2. Drive vehicle with manual mode and maintain the following conditions.

P0735 5GR INCORRECT RATIO

< DTC/CIRCUIT DIAGNOSIS >

[7AT: RE7R01A]

GEAR : 5th
ACCELE POSI : 0.7/8 or more
VEHICLE SPEED : 10 km/h (7 MPH) or more

3. Keep the current driving status for 2 seconds or more if CONSULT screen changes from "OUT OF CONDITION" to "TESTING".

CAUTION:

When "TESTING" is not indicated on CONSULT for a long time, check "Self Diagnostic Results" in "TRANSMISSION". When a DTC other than "P0735" is detected, check the DTC. Refer to [TM-290, "DTC Index"](#).

 **With GST**

1. Drive vehicle and maintain the following conditions for 2 seconds or more.

Selector lever : "M" position
Gear position : 5th
Accelerator pedal opening : 0.7/8 or more
Vehicle speed : 10 km/h (7 MPH) or more

2. Check DTC.

Is "OUT OF CONDITION", "STOP VEHICLE" or "COMPLETED RESULT NG" displayed? / Is "P0735" detected?

YES-1 (OUT OF CONDITION)>>Perform "Step 3" again.

YES-2 (STOP VEHICLE)>>GO TO 4.

YES-3 (COMPLETED RESULT NG)>>Go to [TM-239, "Diagnosis Procedure"](#).

YES-4 ("P0735" is detected)>>Go to [TM-239, "Diagnosis Procedure"](#).

NO >> GO TO 4.

4.CHECK SYMPTOM (PART 2)

1. Stop vehicle.
2. Drive vehicle in "D" position allowing it to shift from 1GR to 7GR and check shift timing and shift shock.

>> INSPECTION END

Diagnosis Procedure

INFOID:000000008193040

1.CHECK INTERMITTENT INCIDENT

Refer to [GI-45, "Intermittent Incident"](#).

Is the inspection result normal?

YES >> GO TO 2.

NO >> Repair or replace damaged parts.

2.DETECT MALFUNCTIONING ITEM

Disassemble the A/T assembly to check component parts. Refer to [TM-354, "Disassembly"](#).

NOTE:

Check the component parts, referring to "Possible cause" in "DTC DETECTION LOGIC". Refer to [TM-238, "DTC Logic"](#).

Is the inspection result normal?

YES >> Replace control valve & TCM. Refer to [TM-322, "Exploded View"](#).

NO >> Repair or replace damaged parts.

P0740 TORQUE CONVERTER

< DTC/CIRCUIT DIAGNOSIS >

[7AT: RE7R01A]

P0740 TORQUE CONVERTER

Description

INFOID:000000008193041

- The torque converter clutch solenoid valve is activated, with the gear in D2, D3, D4, D5, D6, D7, M2, M3, M4, M5, M6 and M7 by the TCM in response to signals transmitted from the output speed sensor and accelerator pedal position sensor. Torque converter clutch piston operation will then be controlled.
- Lock-up operation, however, is prohibited when A/T fluid temperature is too low.
- When the accelerator pedal is depressed (less than 1.0/8) in lock-up condition, the engine speed should not change abruptly. If there is a big jump in engine speed, there is no lock-up.

DTC Logic

INFOID:000000008193042

DTC DETECTION LOGIC

DTC	Trouble diagnosis name	DTC is detected if...	Possible cause
P0740	Torque Converter Clutch Circuit/Open	The torque converter clutch solenoid valve monitor value is 0.2 A or less when the torque converter clutch solenoid valve command value is more than 0.75 A.	<ul style="list-style-type: none">• Harness or connectors (Solenoid valve circuit is open or shorted.)• Torque converter clutch solenoid valve

DTC CONFIRMATION PROCEDURE

CAUTION:

Always drive vehicle at a safe speed.

1. PRECONDITIONING

If "DTC CONFIRMATION PROCEDURE" is previously conducted, always turn ignition switch OFF and wait at least 10 seconds before performing the next test.

>> GO TO 2.

2. CHECK DTC DETECTION

With CONSULT

1. Start the engine.
2. Select "BATTERY VOLT", "MANU MODE SW", "GEAR" and "VEHICLE SPEED" in "Data Monitor" in "TRANSMISSION".
3. Drive vehicle and maintain the following conditions for 30 seconds or more.

NOTE:

Driving the vehicle uphill (increased engine load) will help maintain the driving conditions required for this test.

BATTERY VOLT : 9 V or more
MANU MODE SW : ON
GEAR : 2nd
VEHICLE SPEED : 40 km/h (25 MPH) or more

4. Perform "Self Diagnostic Results" in "TRANSMISSION".

With GST

Follow the procedure "With CONSULT".

Is "P0740" detected?

- YES >> Go to [TM-240, "Diagnosis Procedure"](#).
NO >> INSPECTION END

Diagnosis Procedure

INFOID:000000008193043

1. CHECK INTERMITTENT INCIDENT

Refer to [GI-45, "Intermittent Incident"](#).

P0740 TORQUE CONVERTER

< DTC/CIRCUIT DIAGNOSIS >

[7AT: RE7R01A]

Is the inspection result normal?

YES >> Replace control valve & TCM. Refer to [TM-322, "Exploded View"](#).

NO >> Repair or replace damaged parts.

A

B

C

TM

E

F

G

H

I

J

K

L

M

N

O

P

P0744 TORQUE CONVERTER

< DTC/CIRCUIT DIAGNOSIS >

[7AT: RE7R01A]

P0744 TORQUE CONVERTER

Description

INFOID:000000008193044

This malfunction is detected when the A/T does not lock-up. This is not only caused by electrical malfunction (circuits open or shorted) but also by mechanical malfunction such as control valve sticking, improper solenoid valve operation, etc.

DTC Logic

INFOID:000000008193045

DTC DETECTION LOGIC

DTC	Trouble diagnosis name	DTC is detected if...	Possible cause
P0744	Torque Converter Clutch Circuit Intermittent	The lock-up is not performed in spite of within the lock-up area.	<ul style="list-style-type: none">• Harness or connectors• Torque converter clutch solenoid valve• Torque converter• Input speed sensor 1, 2• Hydraulic control circuit

DTC CONFIRMATION PROCEDURE

CAUTION:

Always drive vehicle at a safe speed.

1. PRECONDITIONING

If "DTC CONFIRMATION PROCEDURE" is previously conducted, always turn ignition switch OFF and wait at least 10 seconds before performing the next test.

>> GO TO 2.

2. CHECK DTC DETECTION

With CONSULT

1. Start the engine.
2. Select "MANU MODE SW", "GEAR" and "VEHICLE SPEED" in "Data Monitor" in "TRANSMISSION".
3. Drive vehicle and maintain the following conditions for 10 seconds or more.

NOTE:

Driving the vehicle uphill (increased engine load) will help maintain the driving conditions required for this test.

MANU MODE SW : ON

GEAR : 2nd

VEHICLE SPEED : 40 km/h (25 MPH) or more

4. Perform "Self Diagnostic Results" in "TRANSMISSION".

With GST

Follow the procedure "With CONSULT".

Is "P0744" detected?

YES >> Go to [TM-242, "Diagnosis Procedure"](#).

NO >> INSPECTION END

Diagnosis Procedure

INFOID:000000008193046

1. CHECK INTERMITTENT INCIDENT

Refer to [GI-45, "Intermittent Incident"](#).

Is the inspection result normal?

YES >> GO TO 2.

NO >> Repair or replace damaged parts.

2. DETECT MALFUNCTIONING ITEM

P0744 TORQUE CONVERTER

< DTC/CIRCUIT DIAGNOSIS >

[7AT: RE7R01A]

Disassemble the A/T assembly to check component parts. Refer to [TM-354, "Disassembly"](#).

NOTE:

Check the component parts, referring to "Possible cause" in "DTC DETECTION LOGIC". Refer to [TM-242, "DTC Logic"](#).

Is the inspection result normal?

YES >> Replace control valve & TCM. Refer to [TM-322, "Exploded View"](#).

NO >> Repair or replace damaged parts.

A
B
C
E
F
G
H
I
J
K
L
M
N
O
P

TM

P0745 PRESSURE CONTROL SOLENOID A

< DTC/CIRCUIT DIAGNOSIS >

[7AT: RE7R01A]

P0745 PRESSURE CONTROL SOLENOID A

Description

INFOID:000000008193047

The line pressure solenoid valve regulates the oil pump discharge pressure to suit the driving condition in response to a signal transmitted from the TCM.

DTC Logic

INFOID:000000008193048

DTC DETECTION LOGIC

DTC	Trouble diagnosis name	DTC is detected if...	Possible cause
P0745	Pressure Control Solenoid A	The line pressure solenoid valve monitor value is 0.2 A or less when the line pressure solenoid valve command value is more than 0.75 A.	<ul style="list-style-type: none">• Harness or connectors (Solenoid valve circuit is open or shorted.)• Line pressure solenoid valve

DTC CONFIRMATION PROCEDURE

1. PRECONDITIONING

If "DTC CONFIRMATION PROCEDURE" is previously conducted, always turn ignition switch OFF and wait at least 10 seconds before performing the next test.

>> GO TO 2.

2. CHECK DTC DETECTION

With CONSULT

1. Start the engine.
2. Select "BATTERY VOLT" and "SLCT LVR POSI" in "Data Monitor" in "TRANSMISSION".
3. Shift the selector lever to "N" position.
4. Maintain the following conditions for 5 seconds or more.

BATTERY VOLT : 9 V or more

SLCT LVR POSI : N/P

5. Perform "Self Diagnostic Results" in "TRANSMISSION".

With GST

Follow the procedure "With CONSULT".

Is "P0745" detected?

YES >> Go to [TM-244, "Diagnosis Procedure"](#).

NO >> INSPECTION END

Diagnosis Procedure

INFOID:000000008193049

1. CHECK INTERMITTENT INCIDENT

Refer to [GI-45, "Intermittent Incident"](#).

Is the inspection result normal?

YES >> Replace control valve & TCM. Refer to [TM-322, "Exploded View"](#).

NO >> Repair or replace damaged parts.

P0750 SHIFT SOLENOID A

< DTC/CIRCUIT DIAGNOSIS >

[7AT: RE7R01A]

P0750 SHIFT SOLENOID A

Description

INFOID:000000008193050

- Anti-interlock solenoid valve prevents the simultaneous activation of the input clutch and the low brake.
- The anti-interlock solenoid valve is an ON/OFF type solenoid valve.

DTC Logic

INFOID:000000008193051

DTC DETECTION LOGIC

DTC	Trouble diagnosis name	DTC is detected if...	Possible cause
P0750	Shift Solenoid A	<ul style="list-style-type: none">• The anti-interlock solenoid valve monitor value is ON when the anti-interlock solenoid valve command value is OFF.• The anti-interlock solenoid valve monitor value is OFF when the anti-interlock solenoid valve command value is ON.	<ul style="list-style-type: none">• Harness or connectors (Solenoid valve circuit is open or shorted.)• Anti-interlock solenoid valve

DTC CONFIRMATION PROCEDURE

CAUTION:

Always drive vehicle at a safe speed.

1. PRECONDITIONING

If "DTC CONFIRMATION PROCEDURE" is previously conducted, always turn ignition switch OFF and wait at least 10 seconds before performing the next test.

>> GO TO 2.

2. CHECK DTC DETECTION

With CONSULT

1. Start the engine.
2. Select "BATTERY VOLT", "MANU MODE SW", "GEAR" and "VHCL/S SE-A/T" in "Data Monitor" in "TRANSMISSION".
3. Drive vehicle and maintain the following conditions for 5 seconds or more.

BATTERY VOLT : 9 V or more

MANU MODE SW : ON

GEAR : 1st

VHCL/S SE-A/T : 10 km/h (7 MPH) or more

4. Perform "Self Diagnostic Results" in "TRANSMISSION".

With GST

Follow the procedure "With CONSULT".

Is "P0750" detected?

YES >> Go to [TM-245, "Diagnosis Procedure"](#).

NO >> INSPECTION END

Diagnosis Procedure

INFOID:000000008193052

1. CHECK INTERMITTENT INCIDENT

Refer to [GI-45, "Intermittent Incident"](#).

Is the inspection result normal?

YES >> Replace control valve & TCM. Refer to [TM-322, "Exploded View"](#).

NO >> Repair or replace damaged parts.

P0775 PRESSURE CONTROL SOLENOID B

< DTC/CIRCUIT DIAGNOSIS >

[7AT: RE7R01A]

P0775 PRESSURE CONTROL SOLENOID B

Description

INFOID:000000008193053

- The Input clutch solenoid valve is controlled by the TCM in response to signals transmitted from the transmission range switch, output speed sensor and accelerator pedal position sensor. Gears will then be shifted to the optimum position.
- The Input clutch solenoid valve controls the input clutch control valve in response to a signal transmitted from the TCM.

DTC Logic

INFOID:000000008193054

DTC DETECTION LOGIC

DTC	Trouble diagnosis name	DTC is detected if...	Possible cause
P0775	Pressure Control Solenoid B	The input clutch solenoid valve monitor value is 0.4 A or less when the input clutch solenoid valve command value is more than 0.75 A.	<ul style="list-style-type: none">• Harness or connectors (Solenoid valve circuit is open or shorted.)• Input clutch solenoid valve

DTC CONFIRMATION PROCEDURE

CAUTION:

Always drive vehicle at a safe speed.

1. PRECONDITIONING

If "DTC CONFIRMATION PROCEDURE" is previously conducted, always turn ignition switch OFF and wait at least 10 seconds before performing the next test.

>> GO TO 2.

2. CHECK DTC DETECTION

With CONSULT

1. Start the engine.
2. Select "BATTERY VOLT", "MANU MODE SW", "GEAR" and "VHCL/S SE-A/T" in "Data Monitor" in "TRANSMISSION".
3. Drive vehicle and maintain the following conditions for 5 seconds or more.

BATTERY VOLT : 9 V or more
MANU MODE SW : ON
GEAR : 1st
VHCL/S SE-A/T : 10 km/h (7 MPH) or more

4. Perform "Self Diagnostic Results" in "TRANSMISSION".

With GST

Follow the procedure "With CONSULT".

Is "P0775" detected?

- YES >> Go to [TM-246, "Diagnosis Procedure"](#).
NO >> INSPECTION END

Diagnosis Procedure

INFOID:000000008193055

1. CHECK INTERMITTENT INCIDENT

Refer to [GI-45, "Intermittent Incident"](#).

Is the inspection result normal?

- YES >> Replace control valve & TCM. Refer to [TM-322, "Exploded View"](#).
NO >> Repair or replace damaged parts.

P0780 SHIFT

< DTC/CIRCUIT DIAGNOSIS >

[7AT: RE7R01A]

P0780 SHIFT

Description

INFOID:000000008193056

The TCM detects the malfunction of low brake solenoid valve. This is not only caused by electrical malfunction (circuits open or shorted) but also by mechanical malfunction such as control valve sticking, improper solenoid valve operation, etc.

DTC Logic

INFOID:000000008193057

DTC DETECTION LOGIC

DTC	Trouble diagnosis name	DTC is detected if...	Possible cause
P0780	Shift Error	<ul style="list-style-type: none"> When shifting from 3GR to 4GR with the selector lever in "D" position, the gear ratio does not shift to 1.412 (gear ratio of 4th). When shifting from 5GR to 6GR or 6GR to 7GR, the engine speed exceeds the prescribed speed. 	<ul style="list-style-type: none"> Anti-interlock solenoid valve Low brake solenoid valve Hydraulic control circuit

DTC CONFIRMATION PROCEDURE

CAUTION:

- **"[TM-247, "Diagnosis Procedure"](#)" must be performed before starting "DTC CONFIRMATION PROCEDURE".**
- **Never perform "DTC CONFIRMATION PROCEDURE" before completing the repair, which may cause secondary malfunction.**
- **Always drive vehicle at a safe speed.**

1. PRECONDITIONING

If "DTC CONFIRMATION PROCEDURE" is previously conducted, always turn ignition switch OFF and wait at least 10 seconds before performing the next test.

>> GO TO 2.

2. CHECK DTC DETECTION

With CONSULT

1. Start the engine.
2. Select "SLCT LVR POSI", "ACCELE POSI" and "GEAR" in "Data Monitor" in "TRANSMISSION".
3. Drive vehicle and maintain the following conditions.

SLCT LVR POSI : D
 ACCELE POSI : More than 1.0/8
 GEAR : 3rd → 4th or 5th → 6th → 7th

4. Perform "Self Diagnostic Results" in "TRANSMISSION".

With GST

Follow the procedure "With CONSULT".

Is "P0780" detected?

- YES >> Go to [TM-247, "Diagnosis Procedure"](#).
 NO >> INSPECTION END

Diagnosis Procedure

INFOID:000000008193058

1. CHECK INTERMITTENT INCIDENT

Refer to [GI-45, "Intermittent Incident"](#).

Is the inspection result normal?

< DTC/CIRCUIT DIAGNOSIS >

- YES >> GO TO 2.
- NO >> Repair or replace damaged parts.

2.DETECT MALFUNCTIONING ITEM

Disassemble the A/T assembly to check component parts. Refer to [TM-354, "Disassembly"](#).

NOTE:

Check the component parts, referring to "Possible cause" in "DTC DETECTION LOGIC". Refer to [TM-247, "DTC Logic"](#).

Is the inspection result normal?

- YES >> Replace control valve & TCM. Refer to [TM-322, "Exploded View"](#).
- NO >> Repair or replace damaged parts.

P0795 PRESSURE CONTROL SOLENOID C

< DTC/CIRCUIT DIAGNOSIS >

[7AT: RE7R01A]

P0795 PRESSURE CONTROL SOLENOID C

Description

INFOID:000000008193059

- The front brake solenoid valve is controlled by the TCM in response to signals transmitted from the transmission range switch, output speed sensor and accelerator pedal position sensor. Gears will then be shifted to the optimum position.
- The front brake solenoid valve controls the front brake control valve in response to a signal transmitted from the TCM.

DTC Logic

INFOID:000000008193060

DTC DETECTION LOGIC

DTC	Trouble diagnosis name	DTC is detected if...	Possible cause
P0795	Pressure Control Solenoid C	The front brake solenoid valve monitor value is 0.2 A or less when the front brake solenoid valve command value is more than 0.75 A.	<ul style="list-style-type: none">• Harness or connectors (Solenoid valve circuit is open or shorted.)• Front brake solenoid valve

DTC CONFIRMATION PROCEDURE

CAUTION:

Always drive vehicle at a safe speed.

1. PRECONDITIONING

If "DTC CONFIRMATION PROCEDURE" is previously conducted, always turn ignition switch OFF and wait at least 10 seconds before performing the next test.

>> GO TO 2.

2. CHECK DTC DETECTION

With CONSULT

1. Start the engine.
2. Select "BATTERY VOLT", "MANU MODE SW", "GEAR" and "VHCL/S SE-A/T" in "Data Monitor" in "TRANSMISSION".
3. Drive vehicle and maintain the following conditions for 5 seconds or more.

BATTERY VOLT : 9 V or more

MANU MODE SW : ON

GEAR : 7th

VHCL/S SE-A/T : 10 km/h (7 MPH) or more

4. Perform "Self Diagnostic Results" in "TRANSMISSION".

With GST

Follow the procedure "With CONSULT".

Is "P0795" detected?

YES >> Go to [TM-249, "Diagnosis Procedure"](#).

NO >> INSPECTION END

Diagnosis Procedure

INFOID:000000008193061

1. CHECK INTERMITTENT INCIDENT

Refer to [GI-45, "Intermittent Incident"](#).

Is the inspection result normal?

YES >> Replace control valve & TCM. Refer to [TM-322, "Exploded View"](#).

NO >> Repair or replace damaged parts.

P1705 TP SENSOR

< DTC/CIRCUIT DIAGNOSIS >

[7AT: RE7R01A]

P1705 TP SENSOR

Description

INFOID:000000008193062

- The accelerator pedal position sensor is installed on the upper end of the accelerator pedal assembly.
- The accelerator pedal position sensor detects the accelerator position.
- The accelerator pedal position sensor transform the accelerator pedal position into output voltage, and emit the voltage signal to the ECM.
- The TCM receives accelerator pedal position signal from the ECM via CAN communication.

DTC Logic

INFOID:000000008193063

DTC DETECTION LOGIC

DTC	Trouble diagnosis name	DTC is detected if...	Possible cause
P1705	Accelerator Pedal Position Sensor Signal Circuit	TCM detects the difference between two accelerator pedal position signals received from ECM via CAN communication.	Harness or connectors (Sensor circuit is open or shorted.)

DTC CONFIRMATION PROCEDURE

1. PRECONDITIONING

If "DTC CONFIRMATION PROCEDURE" is previously conducted, always turn ignition switch OFF and wait at least 10 seconds before performing the next test.

>> GO TO 2.

2. CHECK DTC DETECTION

With CONSULT

1. Start the engine.
2. Select "SLCT LVR POSI" and "VHCL/S SE-A/T" in "Data Monitor" in "TRANSMISSION".
3. Drive vehicle and maintain the following conditions for 5 seconds or more.

SLCT LVR POSI : D
VHCL/S SE-A/T : 5 km/h (3 MPH) or more

4. Perform "Self Diagnostic Results" in "TRANSMISSION".

Is "P1705" detected?

- YES >> Go to [TM-250, "Diagnosis Procedure"](#).
NO >> INSPECTION END

Diagnosis Procedure

INFOID:000000008193064

1. CHECK DTC OF ECM

With CONSULT

1. Turn ignition switch ON.
2. Perform "Self Diagnostic Results" in "ENGINE".

Is any DTC detected?

- YES >> Check DTC detected item. Refer to [EC-560, "DTC Index"](#).
NO >> GO TO 2.

2. CHECK DTC OF TCM

With CONSULT

Perform "Self Diagnostic Results" in "TRANSMISSION".

Is any DTC other than "P1705" detected?

- YES >> Check DTC detected item. Refer to [TM-290, "DTC Index"](#).
NO >> GO TO 3.

P1705 TP SENSOR

< DTC/CIRCUIT DIAGNOSIS >

[7AT: RE7R01A]

3.CHECK INTERMITTENT INCIDENT

Refer to [GI-45. "Intermittent Incident"](#).

Is the inspection result normal?

- YES >> Replace control valve & TCM. Refer to [TM-322. "Exploded View"](#).
- NO >> Repair or replace damaged parts.

A
B
C
E
F
G
H
I
J
K
L
M
N
O
P

TM

P1721 VEHICLE SPEED SIGNAL

< DTC/CIRCUIT DIAGNOSIS >

[7AT: RE7R01A]

P1721 VEHICLE SPEED SIGNAL

Description

INFOID:000000008193065

The vehicle speed signal is transmitted from combination meter to TCM via CAN communication line. The signal functions as an auxiliary device to the output speed sensor when it is malfunctioning. The TCM will then use the vehicle speed signal.

DTC Logic

INFOID:000000008193066

DTC DETECTION LOGIC

DTC	Trouble diagnosis name	DTC is detected if...	Possible cause
P1721	Vehicle Speed Signal Circuit	<ul style="list-style-type: none">The vehicle speed transmitted from the combination meter to TCM is 5 km/h (3 MPH) or less when the vehicle speed detected by the output speed sensor is 20 km/h (13 MPH) or more. (Only when starts after the ignition switch is turned ON.)The vehicle speed detected by the output speed sensor does not decrease despite the 36 km/h (23 MPH) or more of deceleration in vehicle speed received from the combination meter when the vehicle speed transmitted from the combination meter to TCM is 36 km/h (23 MPH) or more and the vehicle speed detected by the output speed sensor is 24 km/h (15 MPH) or more.	Harness or connectors (Sensor circuit is open or shorted.)

DTC CONFIRMATION PROCEDURE

CAUTION:

- Always drive vehicle at a safe speed.
- Be careful not to rev engine into the red zone on the tachometer.

1. PRECONDITIONING

If "DTC CONFIRMATION PROCEDURE" is previously conducted, always turn ignition switch OFF and wait at least 10 seconds before performing the next test.

>> GO TO 2.

2. CHECK DTC DETECTION

With CONSULT

- Start the engine.
- Select "ESTM VSP SIG" in "Data Monitor" in "TRANSMISSION".
- Drive vehicle and maintain the following conditions for 60 seconds or more.

ESTM VSP SIG : 40 km/h (25 MPH) or more

- Perform "Self Diagnostic Results" in "TRANSMISSION".

Is "P1721" detected?

- YES >> Go to [TM-253. "Diagnosis Procedure"](#).
NO >> INSPECTION END

P1721 VEHICLE SPEED SIGNAL

< DTC/CIRCUIT DIAGNOSIS >

[7AT: RE7R01A]

Diagnosis Procedure

INFOID:000000008193067

1. CHECK DTC OF COMBINATION METER

Ⓜ With CONSULT

1. Turn ignition switch ON.
2. Perform "Self Diagnostic Results" in "METER/M&A".

Is any DTC detected?

- YES >> Check DTC detected item. Refer to [MWI-67, "DTC Index"](#).
NO >> GO TO 2.

2. CHECK DTC OF TCM

Ⓜ With CONSULT

Perform "Self Diagnostic Results" in "TRANSMISSION".

Is any DTC other than "P1721" detected?

- YES >> Check DTC detected item. Refer to [TM-290, "DTC Index"](#).
NO >> GO TO 3.

3. CHECK INTERMITTENT INCIDENT

Refer to [GI-45, "Intermittent Incident"](#).

Is the inspection result normal?

- YES >> Replace control valve & TCM. Refer to [TM-322, "Exploded View"](#).
NO >> Repair or replace damaged parts.

A
B
C
TM
E
F
G
H
I
J
K
L
M
N
O
P

P1730 INTERLOCK

< DTC/CIRCUIT DIAGNOSIS >

[7AT: RE7R01A]

P1730 INTERLOCK

Description

INFOID:000000008193068

Fail-safe function to detect interlock conditions.

DTC Logic

INFOID:000000008193069

DTC DETECTION LOGIC

DTC	Trouble diagnosis name	DTC is detected if...	Possible cause
P1730	Interlock	The output speed sensor detects the deceleration of 12 km/h (7 MPH) or more for 1 second.	<ul style="list-style-type: none">• Harness or connectors (Solenoid valve circuit is open or shorted.)• Input clutch solenoid valve• Direct clutch solenoid valve• High and low reverse clutch solenoid valve• Front brake solenoid valve• Low brake solenoid valve• 2346 brake solenoid valve• Anti-interlock solenoid valve• Each clutch and brake• Hydraulic control circuit

NOTE:

When the vehicle is driven fixed in 2GR, a input speed sensor malfunction is displayed, but this is not a input speed sensor malfunction.

DTC CONFIRMATION PROCEDURE

CAUTION:

- **“[TM-255, "Diagnosis Procedure"](#)”** must be performed before starting “DTC CONFIRMATION PROCEDURE”.
- **Never perform “DTC CONFIRMATION PROCEDURE” before completing the repair, which may cause secondary malfunction.**
- **Always drive vehicle at a safe speed.**

1. PRECONDITIONING

If “DTC CONFIRMATION PROCEDURE” is previously conducted, always turn ignition switch OFF and wait at least 10 seconds before performing the next test.

>> GO TO 2.

2. CHECK DTC DETECTION

With CONSULT

1. Start the engine.
2. Select “SLCT LVR POSI” and “GEAR” in “Data Monitor” in “TRANSMISSION”.
3. Drive vehicle the following condition.

SLCT LVR POSI : D

GEAR : 1st through 7th

4. Perform “Self Diagnostic Results” in “TRANSMISSION”.

With GST

Follow the procedure “With CONSULT”.

Is “P1730” detected?

- YES >> Go to [TM-255, "Diagnosis Procedure"](#).
- NO >> INSPECTION END

Judgment of A/T Interlock

INFOID:000000008193070

Refer to [TM-286, "Fail-Safe"](#).

P1730 INTERLOCK

< DTC/CIRCUIT DIAGNOSIS >

[7AT: RE7R01A]

Diagnosis Procedure

INFOID:000000008193071

1. CHECK INTERMITTENT INCIDENT

Refer to [GI-45, "Intermittent Incident"](#).

Is the inspection result normal?

YES >> GO TO 2.

NO >> Repair or replace damaged parts.

2. DETECT MALFUNCTIONING ITEM

Disassemble the A/T assembly to check component parts. Refer to [TM-354, "Disassembly"](#).

NOTE:

Check the component parts, referring to "Possible cause" in "DTC DETECTION LOGIC". Refer to [TM-254, "DTC Logic"](#).

Is the inspection result normal?

YES >> Replace control valve & TCM. Refer to [TM-322, "Exploded View"](#).

NO >> Repair or replace damaged parts.

A
B
C
TM
E
F
G
H
I
J
K
L
M
N
O
P

P1734 7GR INCORRECT RATIO

< DTC/CIRCUIT DIAGNOSIS >

[7AT: RE7R01A]

P1734 7GR INCORRECT RATIO

Description

INFOID:000000008193072

This malfunction is detected when the A/T does not shift into 7GR position as instructed by TCM. This is not only caused by electrical malfunction (circuits open or shorted) but by mechanical malfunction such as control valve sticking, improper solenoid valve operation, etc.

DTC Logic

INFOID:000000008193073

DTC DETECTION LOGIC

DTC	Trouble diagnosis name	DTC is detected if...	Possible cause
P1734	Gear 7 Incorrect Ratio	The gear ratio is: <ul style="list-style-type: none">• 0.818 or more• 0.726 or less	<ul style="list-style-type: none">• Input clutch solenoid valve• Direct clutch solenoid valve• High and low reverse clutch solenoid valve• Front brake solenoid valve• Low brake solenoid valve• 2346 brake solenoid valve• Anti-interlock solenoid valve• Each clutch and brake• Output speed sensor• Input speed sensor 1, 2• Hydraulic control circuit

DTC CONFIRMATION PROCEDURE

CAUTION:

- **“[TM-257, "Diagnosis Procedure"](#)” must be performed before starting “DTC CONFIRMATION PROCEDURE”.**
- **Never perform “DTC CONFIRMATION PROCEDURE” before completing the repair, which may cause secondary malfunction.**
- **Always drive vehicle at a safe speed.**

1. PRECONDITIONING

If “DTC CONFIRMATION PROCEDURE” is previously conducted, always turn ignition switch OFF and wait at least 10 seconds before performing the next test.

>> GO TO 2.

2. CHECK ATF TEMPERATURE

With CONSULT

1. Start the engine.
2. Select “ATF TEMP 1” in “Data Monitor” in “TRANSMISSION”.
3. Check ATF temperature is in the following range.

ATF TEMP 1 : 20°C (68°F) – 140°C (284°F)

With GST

1. Start the engine.
2. Drive vehicle for approximately 5 minutes in urban areas.

Is ATF temperature within specified range?

- YES >> GO TO 3.
NO >> Drive vehicle to warm ATF or stop engine to cool ATF.

3. CHECK SYMPTOM (PART 1)

With CONSULT

1. Select “7TH GR FNCTN P1734” in “DTC & SRT confirmation” in “TRANSMISSION”.
2. Drive vehicle with manual mode and maintain the following conditions.

P1734 7GR INCORRECT RATIO

< DTC/CIRCUIT DIAGNOSIS >

[7AT: RE7R01A]

GEAR : 7th
ACCELE POSI : 0.7/8 or more
VEHICLE SPEED : 10 km/h (7 MPH) or more

3. Keep the current driving status for 2 seconds or more if CONSULT screen changes from "OUT OF CONDITION" to "TESTING".

CAUTION:

When "TESTING" is not indicated on CONSULT for a long time, check "Self Diagnostic Results" in "TRANSMISSION". When a DTC other than "P1734" is detected, check the DTC. Refer to [TM-290, "DTC Index"](#).

 **With GST**

1. Drive vehicle and maintain the following conditions for 2 seconds or more.

Selector lever : "M" position
Gear position : 7th
Accelerator pedal opening : 0.7/8 or more
Vehicle speed : 10 km/h (7 MPH) or more

2. Check DTC.

Is "OUT OF CONDITION", "STOP VEHICLE" or "COMPLETED RESULT NG" displayed? / Is "P1734" detected?

YES-1 (OUT OF CONDITION)>>Perform "Step 3" again.

YES-2 (STOP VEHICLE)>>GO TO 4.

YES-3 (COMPLETED RESULT NG)>>Go to [TM-257, "Diagnosis Procedure"](#).

YES-4 ("P1734" is detected)>>Go to [TM-257, "Diagnosis Procedure"](#).

NO >> GO TO 4.

4.CHECK SYMPTOM (PART 2)

1. Stop vehicle.
2. Drive vehicle in "D" position allowing it to shift from 1GR to 7GR and check shift timing and shift shock.

>> INSPECTION END

Diagnosis Procedure

INFOID:000000008193074

1.CHECK INTERMITTENT INCIDENT

Refer to [GI-45, "Intermittent Incident"](#).

Is the inspection result normal?

YES >> GO TO 2.

NO >> Repair or replace damaged parts.

2.DETECT MALFUNCTIONING ITEM

Disassemble the A/T assembly to check component parts. Refer to [TM-354, "Disassembly"](#).

NOTE:

Check the component parts, referring to "Possible cause" in "DTC DETECTION LOGIC". Refer to [TM-256, "DTC Logic"](#).

Is the inspection result normal?

YES >> Replace control valve & TCM. Refer to [TM-322, "Exploded View"](#).

NO >> Repair or replace damaged parts.

P1815 M-MODE SWITCH

< DTC/CIRCUIT DIAGNOSIS >

[7AT: RE7R01A]

P1815 M-MODE SWITCH

Description

INFOID:000000008193075

- The manual mode switch [manual mode select switch and manual mode position select switch (shift-up/shift-down)] is installed in the A/T shift selector assembly.
- The manual mode select switch detects the position (the main shift gate side or manual shift gate side) of the selector lever and transmits a manual mode signal or a not manual mode signal to the combination meter. Then, the TCM receives a manual mode signal or non-manual mode signal from the combination meter.
- The manual mode position select switch (shift-up) detects that the selector lever is shifted to the shift-up side of the manual shift gate and transmits a manual mode shift up signal to the combination meter. Then, the TCM receives a manual mode shift up signal from the combination meter.
- The manual mode position select switch (shift-down) detects that the selector lever is shifted to the shift-down side of the manual shift gate and transmits a manual mode shift down signal to the combination meter. Then, the TCM receives a manual mode shift down signal from the combination meter.
- The paddle shifter transmits shift up and shift down switch signals to the combination meter. Then TCM receives signals from the combination meter via CAN communication.

DTC Logic

INFOID:000000008193076

DTC DETECTION LOGIC

DTC	Trouble diagnosis name	DTC is detected if...	Possible cause
P1815	Manual Mode Switch Circuit	<ul style="list-style-type: none">• TCM monitors manual mode, non manual mode, up or down switch signal, and detects as irregular when impossible input pattern occurs 2 seconds or more.• Shift up/down signal of paddle shifter continuously remains ON for 60 seconds.	<ul style="list-style-type: none">• Harness or connectors (These switches circuit is open or shorted.)• Manual mode select switch (Into A/T shift selector)• Manual mode position select switch (Into A/T shift selector)• Paddle shifter

DTC CONFIRMATION PROCEDURE

1. PRECONDITIONING

If "DTC CONFIRMATION PROCEDURE" is previously conducted, always turn ignition switch OFF and wait at least 10 seconds before performing the next test.

>> GO TO 2.

2. CHECK DTC DETECTION

With CONSULT

1. Turn ignition switch ON.
2. Select "SLCT LVR POSI" and "MANU MODE SW" in "Data Monitor" in "TRANSMISSION".
3. Maintain the following each conditions more than 60 seconds.

SLCT LVR POSI : D

MANU MODE SW : ON

4. Perform "Self Diagnostic Results" in "TRANSMISSION".

Is "P1815" detected?

- YES >> Go to [TM-258, "Diagnosis Procedure"](#).
NO >> INSPECTION END

Diagnosis Procedure

INFOID:000000008193077

1. CHECK INPUT SIGNAL

With CONSULT

1. Turn ignition switch ON.

P1815 M-MODE SWITCH

< DTC/CIRCUIT DIAGNOSIS >

[7AT: RE7R01A]

2. Select "MANU MODE SW", "NON M MODE SW", "UP SW LEVER", "DOWN SW LEVER", "SFT UP ST SW" and "SFT DWN ST SW" in "Data Monitor" in "TRANSMISSION".
3. Check the ON/OFF operations of each monitor item.

Item	Monitor Item	Condition	Status
Manual mode switch	MANU MODE SW	Selector lever is shifted to manual shift gate side	ON
		Other than the above	OFF
	NON M-MODE SW	Selector lever is shifted to manual shift gate side	OFF
		Other than the above	ON
	UP SW LEVER	Selector lever is shifted to + side	ON
		Other than the above	OFF
DOWN SW LEVER	Selector lever is shifted to - side	ON	
	Other than the above	OFF	
Paddle shifter	SFT UP ST SW	Paddle shifter (shift-up) is pulled	ON
		Other than the above	OFF
	SFT DWN ST SW	Paddle shifter (shift-down) is pulled	ON
		Other than the above	OFF

Without CONSULT

Drive the vehicle in the manual mode, and then check that the indication of the shift position indicator matches with the actual gear position.

1. Shift the selector lever to UP side, and then accelerate from 1GR to 7GR.
2. Shift the selector lever to DOWN side, and then decelerate from 7GR to 1GR.
3. Shift the paddle shifter to UP side, and then accelerate from 1GR to 7GR.
4. Shift the paddle shifter to DOWN side, and then decelerate from 7GR to 1GR.

Which item is abnormal?

Manual mode switch>>GO TO 2.

Paddle shifter>>GO TO 7.

2.CHECK MANUAL MODE SWITCH CIRCUIT

1. Turn ignition switch OFF.
2. Disconnect A/T shift selector connector.
3. Turn ignition switch ON.
4. Check voltage between A/T shift selector vehicle side harness connector terminals.

A/T shift selector vehicle side harness connector			Voltage (Approx.)
Connector	Terminal		
		+	-
M137	1	4	Battery voltage
	2		
	3		
	5		

Is the inspection result normal?

YES >> GO TO 3.

NO >> GO TO 4.

3.CHECK MANUAL MODE SWITCH

1. Turn ignition switch OFF.
2. Check manual mode switch. Refer to [TM-262, "Component Inspection \(Manual Mode Switch\)"](#).

Is the inspection result normal?

YES >> GO TO 12.

NO >> Repair or replace damaged parts.

P1815 M-MODE SWITCH

< DTC/CIRCUIT DIAGNOSIS >

[7AT: RE7R01A]

4. CHECK GROUND CIRCUIT (MANUAL MODE SWITCH CIRCUIT)

1. Turn ignition switch OFF.
2. Check continuity between A/T shift selector vehicle side harness connector terminal and ground.

A/T shift selector vehicle side harness connector		Ground	Continuity
Connector	Terminal		
M137	4		

Is the inspection result normal?

- YES >> GO TO 5.
 NO >> Repair or replace damaged parts.

5. CHECK HARNESS BETWEEN A/T SHIFT SELECTOR AND COMBINATION METER (PART 1)

1. Disconnect combination meter connector.
2. Check continuity between A/T shift selector vehicle side harness connector terminals and combination meter vehicle side harness connector terminals.

A/T shift selector vehicle side harness connector		Combination meter vehicle side harness connector		Continuity
Connector	Terminal	Connector	Terminal	
M137	1	M54	40	Existed
	2		38	
	3		39	
	5		37	

Is the inspection result normal?

- YES >> GO TO 6.
 NO >> Repair or replace damaged parts.

6. CHECK HARNESS BETWEEN A/T SHIFT SELECTOR AND COMBINATION METER (PART 2)

Check continuity between A/T shift selector vehicle side harness connector terminals and ground.

A/T shift selector vehicle side harness connector		Ground	Continuity
Connector	Terminal		
M137	1		
	2		
	3		
	5		

Is the inspection result normal?

- YES >> GO TO 12.
 NO >> Repair or replace damaged parts.

7. CHECK PADDLE SHIFTER CIRCUIT

1. Turn ignition switch OFF.
2. Disconnect paddle shifter connectors.
3. Turn ignition switch ON.
4. Check voltage between paddle shifter vehicle side harness connector terminals.

Paddle shifter vehicle side harness connector			Voltage (Approx.)
Connector	Terminal		
	+	-	
M32	3	1	Battery voltage
M39			

Is the inspection result normal?

P1815 M-MODE SWITCH

[7AT: RE7R01A]

< DTC/CIRCUIT DIAGNOSIS >

- YES >> GO TO 8.
- NO >> GO TO 9.

8.CHECK PADDLE SHIFTER

1. Turn ignition switch OFF.
2. Check paddle shifter. Refer to [TM-262, "Component Inspection \[Paddle Shifter \(Shift-up\)\]"](#), [TM-262, "Component Inspection \[Paddle Shifter \(Shift-down\)\]"](#).

Is the inspection result normal?

- YES >> GO TO 12.
- NO >> Replace paddle shifter. Refer to [TM-262, "Component Inspection \[Paddle Shifter \(Shift-up\)\]"](#), [TM-262, "Component Inspection \[Paddle Shifter \(Shift-down\)\]"](#).

9.CHECK GROUND CIRCUIT (PADDLE SHIFTER CIRCUIT)

1. Turn ignition switch OFF.
2. Check continuity between paddle shifter vehicle side harness connector terminals and ground.

Paddle shifter vehicle side harness connector		Ground	Continuity
Connector	Terminal		
M32	1		Existed
M39			

Is the inspection result normal?

- YES >> GO TO 10.
- NO >> Repair or replace damaged parts.

10.CHECK HARNESS BETWEEN PADDLE SHIFTER AND COMBINATION METER (PART 1)

1. Disconnect combination meter connector.
2. Check continuity between paddle shifter vehicle side harness connector terminals and combination meter vehicle side harness connector terminals.

Paddle shifter vehicle side harness connector		Combination meter vehicle side harness connector		Continuity
Connector	Terminal	Connector	Terminal	
M32	3	M54	32	Existed
M39			33	

Is the inspection result normal?

- YES >> GO TO 11.
- NO >> Repair or replace damaged parts.

11.CHECK HARNESS BETWEEN PADDLE SHIFTER AND COMBINATION METER (PART 2)

Check continuity between paddle shifter vehicle side harness connector terminals and ground.

Paddle shifter vehicle side harness connector		Ground	Continuity
Connector	Terminal		
M32	3		Not existed
M39			

Is the inspection result normal?

- YES >> GO TO 12.
- NO >> Repair or replace damaged parts.

12.CHECK INTERMITTENT INCIDENT

Refer to [GI-45, "Intermittent Incident"](#).

Is the inspection result normal?

- YES >> GO TO 13.
- NO >> Repair or replace damaged parts.

13.CHECK COMBINATION METER

P1815 M-MODE SWITCH

< DTC/CIRCUIT DIAGNOSIS >

[7AT: RE7R01A]

1. Reconnect all the connectors.
2. Turn ignition switch ON.
3. Select "M RANGE SW", "NM RANGE SW", "AT SFT UP SW", "AT SFT DWN SW", "ST SFT UP SW" and "ST SFT DWN SW" in "Data Monitor" in "METER/M&A".
4. Check the ON/OFF operations of each monitor item. Refer to [MWI-57, "Reference Value"](#).

Is the inspection result normal?

- YES >> Replace control valve & TCM. Refer to [TM-322, "Exploded View"](#).
 NO >> Replace combination meter. Refer to [MWI-92, "Exploded View"](#).

Component Inspection (Manual Mode Switch)

INFOID:000000008193078

1.CHECK MANUAL MODE SWITCH

Check continuity between A/T shift selector connector terminals.

A/T shift selector connector			Condition	Continuity
Connector	Terminal			
M137	1	4	Selector lever is shifted to manual shift gate side	Existed
			Other than the above	Not existed
	2		Selector lever is shifted to - side	Existed
			Other than the above	Not existed
	3		Selector lever is shifted to + side	Existed
			Other than the above	Not existed
	5		Selector lever is shifted to manual shift gate side	Not existed
			Other than the above	Existed

Is the inspection result normal?

- YES >> INSPECTION END
 NO >> Replace A/T shift selector harness assembly. Refer to [TM-317, "Exploded View"](#).

Component Inspection [Paddle Shifter (Shift-up)]

INFOID:000000008193079

1.CHECK PADDLE SHIFTER (SHIFT-UP)

Check continuity between paddle shifter (shift-up) connector terminals.

Paddle shifter (shift-up) connector			Condition	Continuity
Connector	Terminal			
M39	1	3	Paddle shifter (shift-up) is pulled.	Existed
			Other than the above	Not existed

Is the inspection result normal?

- YES >> INSPECTION END
 NO >> Replace paddle shifter (shift-up). Refer to [TM-321, "Exploded View"](#).

Component Inspection [Paddle Shifter (Shift-down)]

INFOID:000000008193080

1.CHECK PADDLE SHIFTER (SHIFT-DOWN)

Check continuity between paddle shifter (shift-down) connector terminals.

P1815 M-MODE SWITCH

< DTC/CIRCUIT DIAGNOSIS >

[7AT: RE7R01A]

Paddle shifter (shift-down) connector		Condition	Continuity
Connector	Terminal		
M32	1	3	Paddle shifter (shift-down) is pulled.
			Other than the above
			Existed
			Not existed

Is the inspection result normal?

YES >> INSPECTION END

NO >> Replace paddle shifter (shift-down). Refer to [TM-321, "Exploded View"](#).

A
B
C
E
F
G
H
I
J
K
L
M
N
O
P



P2713 PRESSURE CONTROL SOLENOID D

< DTC/CIRCUIT DIAGNOSIS >

[7AT: RE7R01A]

P2713 PRESSURE CONTROL SOLENOID D

Description

INFOID:000000008193081

- The high and low reverse clutch solenoid valve is controlled by the TCM in response to signals transmitted from the transmission range switch, output speed sensor and accelerator pedal position sensor. Gears will then be shifted to the optimum position.
- The high and low reverse clutch solenoid valve controls the high and low reverse clutch control valve in response to a signal transmitted from the TCM.

DTC Logic

INFOID:000000008193082

DTC DETECTION LOGIC

DTC	Trouble diagnosis name	DTC is detected if...	Possible cause
P2713	Pressure Control Solenoid D	The high and low reverse clutch solenoid valve monitor value is 0.2 A or less when the high and low reverse clutch solenoid valve command value is more than 0.75 A.	<ul style="list-style-type: none">• Harness or connectors (Solenoid valve circuit is open or shorted.)• High and low reverse clutch solenoid valve

DTC CONFIRMATION PROCEDURE

CAUTION:

Always drive vehicle at a safe speed.

1. PRECONDITIONING

If "DTC CONFIRMATION PROCEDURE" is previously conducted, always turn ignition switch OFF and wait at least 10 seconds before performing the next test.

>> GO TO 2.

2. CHECK DTC DETECTION

With CONSULT

1. Start the engine.
2. Select "BATTERY VOLT", "MANU MODE SW", "GEAR" and "VHCL/S SE-A/T" in "Data Monitor" in "TRANSMISSION".
3. Drive the vehicle and maintain the following conditions for 5 seconds or more.

BATTERY VOLT : 9 V or more
MANU MODE SW : ON
GEAR : 3rd
VHCL/S SE-A/T : 10 km/h (7 MPH) or more

4. Perform "Self Diagnostic Results" in "TRANSMISSION".

With GST

Follow the procedure "With CONSULT".

Is "P2713" detected?

- YES >> Go to [TM-264, "Diagnosis Procedure"](#).
NO >> INSPECTION END

Diagnosis Procedure

INFOID:000000008193083

1. CHECK INTERMITTENT INCIDENT

Refer to [GI-45, "Intermittent Incident"](#).

Is the inspection result normal?

- YES >> Replace control valve & TCM. Refer to [TM-322, "Exploded View"](#).
NO >> Repair or replace damaged parts.

P2722 PRESSURE CONTROL SOLENOID E

< DTC/CIRCUIT DIAGNOSIS >

[7AT: RE7R01A]

P2722 PRESSURE CONTROL SOLENOID E

Description

INFOID:000000008193084

- The low brake solenoid valve is controlled by the TCM in response to signals transmitted from the transmission range switch, output speed sensor and accelerator pedal position sensor. Gears will then be shifted to the optimum position.
- The low brake solenoid valve controls the low brake control valve in response to a signal transmitted from the TCM.

DTC Logic

INFOID:000000008193085

DTC DETECTION LOGIC

DTC	Trouble diagnosis name	DTC is detected if..	Possible cause
P2722	Pressure Control Solenoid E	The low brake solenoid valve monitor value is 0.2 A or less when the low brake solenoid valve command value is more than 0.75 A.	<ul style="list-style-type: none">• Harness or connectors (Solenoid valve circuit is open or shorted.)• Low brake solenoid valve

DTC CONFIRMATION PROCEDURE

CAUTION:

Always drive vehicle at a safe speed.

1. PRECONDITIONING

If "DTC CONFIRMATION PROCEDURE" is previously conducted, always turn ignition switch OFF and wait at least 10 seconds before performing the next test.

>> GO TO 2.

2. CHECK DTC DETECTION

With CONSULT

1. Start the engine.
2. Select "BATTERY VOLT", "MANU MODE SW", "GEAR" and "VHCL/S SE-A/T" in "Data Monitor" in "TRANSMISSION".
3. Drive vehicle and maintain the following conditions for 5 seconds or more.

BATTERY VOLT : 9 V or more
MANU MODE SW : ON
GEAR : 1st
VHCL/S SE-A/T : 10 km/h (7 MPH) or more

4. Perform "Self Diagnostic Results" in "TRANSMISSION".

With GST

Follow the procedure "With CONSULT".

Is "P2722" detected?

- YES >> Go to [TM-265, "Diagnosis Procedure"](#).
NO >> INSPECTION END

Diagnosis Procedure

INFOID:000000008193086

1. CHECK INTERMITTENT INCIDENT

Refer to [GI-45, "Intermittent Incident"](#).

Is the inspection result normal?

- YES >> Replace control valve & TCM. Refer to [TM-322, "Exploded View"](#).
NO >> Repair or replace damaged parts.

P2731 PRESSURE CONTROL SOLENOID F

< DTC/CIRCUIT DIAGNOSIS >

[7AT: RE7R01A]

P2731 PRESSURE CONTROL SOLENOID F

Description

INFOID:000000008193087

- The 2346 brake solenoid valve is controlled by the TCM in response to signals transmitted from the transmission range switch, output speed sensor and accelerator pedal position sensor. Gears will then be shifted to the optimum position.
- The 2346 brake solenoid valve controls the 2346 brake control valve in response to a signal transmitted from the TCM.

DTC Logic

INFOID:000000008193088

DTC DETECTION LOGIC

DTC	Trouble diagnosis name	DTC is detected if...	Possible cause
P2731	Pressure Control Solenoid F	The 2346 brake solenoid valve monitor value is 0.2 A or less when the 2346 brake solenoid valve command value is more than 0.75 A.	<ul style="list-style-type: none"> • Harness or connectors (Solenoid valve circuit is open or shorted.) • 2346 brake solenoid valve

DTC CONFIRMATION PROCEDURE

CAUTION:

Always drive vehicle at a safe speed.

1. PRECONDITIONING

If "DTC CONFIRMATION PROCEDURE" is previously conducted, always turn ignition switch OFF and wait at least 10 seconds before performing the next test.

>> GO TO 2.

2. CHECK DTC DETECTION

With CONSULT

1. Start the engine.
2. Select "BATTERY VOLT", "MANU MODE SW", "GEAR" and "VHCL/S SE-A/T" in "Data Monitor" in "TRANSMISSION".
3. Drive vehicle and maintain the following conditions for 5 seconds or more.

BATTERY VOLT : 9 V or more
 MANU MODE SW : ON
 GEAR : 2nd
 VHCL/S SE-A/T : 10 km/h (7 MPH) or more

4. Perform "Self Diagnostic Results" in "TRANSMISSION".

With GST

Follow the procedure "With CONSULT".

Is "P2731" detected?

- YES >> Go to [TM-266, "Diagnosis Procedure"](#).
 NO >> INSPECTION END

Diagnosis Procedure

INFOID:000000008193089

1. CHECK INTERMITTENT INCIDENT

Refer to [GI-45, "Intermittent Incident"](#).

Is the inspection result normal?

- YES >> Replace control valve & TCM. Refer to [TM-322, "Exploded View"](#).
 NO >> Repair or replace damaged parts.

P2807 PRESSURE CONTROL SOLENOID G

< DTC/CIRCUIT DIAGNOSIS >

[7AT: RE7R01A]

P2807 PRESSURE CONTROL SOLENOID G

Description

INFOID:000000008193090

- The direct clutch solenoid valve is controlled by the TCM in response to signals transmitted from the transmission range switch, output speed sensor and accelerator pedal position sensor. Gears will then be shifted to the optimum position.
- The direct clutch solenoid valve controls the direct clutch control valve in response to a signal transmitted from the TCM.

DTC Logic

INFOID:000000008193091

DTC DETECTION LOGIC

DTC	Trouble diagnosis name	DTC is detected is...	Possible cause
P2807	Pressure Control Solenoid G	The direct clutch solenoid valve monitor value is 0.2 A or less when the direct clutch solenoid valve command value is more than 0.75 A.	<ul style="list-style-type: none">• Harness or connectors (Solenoid valve circuit is open or shorted.)• Direct clutch solenoid valve

DTC CONFIRMATION PROCEDURE

CAUTION:

Always drive vehicle at a safe speed.

1. PRECONDITIONING

If "DTC CONFIRMATION PROCEDURE" is previously conducted, always turn ignition switch OFF and wait at least 10 seconds before performing the next test.

>> GO TO 2.

2. CHECK DTC DETECTION

With CONSULT

1. Start the engine.
2. Select "BATTERY VOLT", "MANU MODE SW", "GEAR" and "VHCL/S SE-A/T" in "Data Monitor" in "TRANSMISSION".
3. Drive vehicle and maintain the following conditions for 5 seconds or more.

BATTERY VOLT : 9 V or more
MANU MODE SW : ON
GEAR : 1st
VHCL/S SE-A/T : 10 km/h (7 MPH) or more

4. Perform "Self Diagnostic Results" in "TRANSMISSION".

With GST

Follow the procedure "With CONSULT".

Is "P2807" detected?

- YES >> Go to [TM-267, "Diagnosis Procedure"](#).
NO >> INSPECTION END

Diagnosis Procedure

INFOID:000000008193092

1. CHECK INTERMITTENT INCIDENT

Refer to [GI-45, "Intermittent Incident"](#).

Is the inspection result normal?

- YES >> Replace control valve & TCM. Refer to [TM-322, "Exploded View"](#).
NO >> Repair or replace damaged parts.

MAIN POWER SUPPLY AND GROUND CIRCUIT

< DTC/CIRCUIT DIAGNOSIS >

[7AT: RE7R01A]

MAIN POWER SUPPLY AND GROUND CIRCUIT

Description

INFOID:000000008193093

Supply power to the TCM.

Diagnosis Procedure

INFOID:000000008193094

1. CHECK TCM POWER SOURCE (PART 1)

1. Turn ignition switch OFF.
2. Disconnect A/T assembly connector.
3. Check voltage between A/T assembly vehicle side harness connector terminal and ground.

A/T assembly vehicle side harness connector		Ground	Condition	Voltage (Approx.)
Connector	Terminal			
F51	2		Always	Battery voltage

Is the inspection result normal?

- YES >> GO TO 2.
NO >> GO TO 6.

2. CHECK TCM POWER SOURCE (PART 2)

Check voltage between A/T assembly vehicle side harness connector terminals and ground.

A/T assembly vehicle side harness connector		Ground	Condition	Voltage (Approx.)
Connector	Terminal			
F51	1	Turn ignition switch ON	Battery voltage	
		Turn ignition switch OFF	0 V	
	6	Turn ignition switch ON	Battery voltage	
		Turn ignition switch OFF	0 V	

Is the inspection result normal?

- YES >> GO TO 3.
NO >> GO TO 7.

3. CHECK TCM GROUND CIRCUIT

Check continuity between A/T assembly vehicle side harness connector terminals and ground.

A/T assembly vehicle side harness connector		Ground	Continuity
Connector	Terminal		
F51	5		Existed
	10		

Is the inspection result normal?

- YES >> GO TO 4.
NO >> Repair or replace damaged parts.

4. CHECK JOINT CONNECTOR

1. Remove joint connector. Refer to [TM-322, "Exploded View"](#).
2. Check the continuity between joint connector terminals.

MAIN POWER SUPPLY AND GROUND CIRCUIT

< DTC/CIRCUIT DIAGNOSIS >

[7AT: RE7R01A]

A/T assembly harness connector side	TCM harness connector side	Continuity
Terminal	Terminal	
1	1	Existed
2	2	
5	5	
6	6	
10	10	

Is the inspection result normal?

- YES >> GO TO 5.
- NO >> Repair or replace damaged parts.

5. CHECK INTERMITTENT INCIDENT

Refer to [GI-45. "Intermittent Incident"](#).

Is the inspection result normal?

- YES >> Replace the control valve & TCM. Refer to [TM-322. "Exploded View"](#).
- NO >> Repair or replace damaged parts.

6. DETECT MALFUNCTIONING ITEM

Check the following.

- Harness for short or open between battery positive terminal and A/T assembly vehicle side harness connector terminal 2. Refer to [PG-6. "Wiring Diagram - BATTERY POWER SUPPLY -"](#).
- Battery
- 10A fuse (No.36, located in the fuse, fusible link and relay box). Refer to [PG-108. "Fuse and Fusible Link Arrangement"](#).

Is the inspection result normal?

- YES >> Check intermittent incident. Refer to [GI-45. "Intermittent Incident"](#).
- NO >> Repair or replace damaged parts.

7. CHECK HARNESS BETWEEN IPDM E/R AND A/T ASSEMBLY (PART 1)

1. Turn ignition switch OFF.
2. Disconnect IPDM E/R connector.
3. Check continuity between IPDM E/R vehicle side harness connector terminal and A/T assembly vehicle side harness connector terminals.

IPDM E/R vehicle side harness connector		A/T assembly vehicle side harness connector		Continuity
Connector	Terminal	Connector	Terminal	
E7	58	F51	1	Existed
			6	

Is the inspection result normal?

- YES >> GO TO 8.
- NO >> Repair or replace damaged parts.

8. CHECK HARNESS BETWEEN IPDM E/R AND A/T ASSEMBLY (PART 2)

Check continuity between A/T assembly vehicle side harness connector terminal and ground.

A/T assembly vehicle side harness connector		Ground	Continuity
Connector	Terminal		
F51	1		Not existed
	6		

Is the inspection result normal?

- YES >> GO TO 9.
- NO >> Repair or replace damaged parts.

MAIN POWER SUPPLY AND GROUND CIRCUIT

< DTC/CIRCUIT DIAGNOSIS >

[7AT: RE7R01A]

9. DETECT MALFUNCTIONING ITEM

Check the following.

- Harness for short or open between ignition switch and IPDM E/R. Refer to [PG-18, "Wiring Diagram - IGNITION POWER SUPPLY -"](#).
- Ignition switch
- 10A fuse (No.43, located in the IPDM E/R). Refer to [PG-109, "Fuse, Connector and Terminal Arrangement"](#).
- IPDM E/R

Is the inspection result normal?

- YES >> Check intermittent incident. Refer to [GI-45, "Intermittent Incident"](#).
- NO >> Repair or replace damaged parts.

SHIFT POSITION INDICATOR CIRCUIT

< DTC/CIRCUIT DIAGNOSIS >

[7AT: RE7R01A]

SHIFT POSITION INDICATOR CIRCUIT

Description

INFOID:000000008193095

The TCM transmits shift position signal to the combination meter via CAN communication line.

Component Function Check

INFOID:000000008193096

1. CHECK A/T INDICATOR

CAUTION:

Always drive vehicle at a safe speed.

1. Start the engine.
2. Check the actual selector lever position ("P", "R", "N" and "D") and the indication of the shift position indicator mutually coincide.
3. Drive vehicle in the manual mode, and then check that the actual gear position and the indication of the shift position indicator mutually coincide when the selector lever is shifted to "UP (+ side)" or "DOWN (- side)" side (1GR ⇔ 7GR).

Is the inspection result normal?

YES >> INSPECTION END

NO >> Go to [TM-271, "Diagnosis Procedure"](#).

Diagnosis Procedure

INFOID:000000008193097

1. CHECK INPUT SIGNALS

With CONSULT

1. Start the engine.
2. Select "SLCT LVR POSI" in "Data Monitor" in "TRANSMISSION".
3. Check the actual selector lever position ("P", "R", "N" and "D") and the indication of the "SLCT LVR POSI" mutually coincide. Refer to [TM-278, "Reference Value"](#).
4. Drive vehicle in the manual mode, and then check that the actual gear position and the indication of the "SLCT LVR POSI" mutually coincide when the selector lever is shifted to the "UP (+ side)" or "DOWN (- side)" side (1GR ⇔ 7GR). Refer to [TM-278, "Reference Value"](#).

Is the inspection result normal?

YES >> INSPECTION END

NO-1 [The actual gear position does not change, or shifting into the manual mode is not possible (no gear shifting in the manual mode possible). Or the shift position indicator is not indicated.]>>•Check manual mode switch. Refer to [TM-262, "Component Inspection \(Manual Mode Switch\)"](#).

- Check A/T main system (Fail-safe function actuated).

- Perform "Self Diagnostic Results" in "TRANSMISSION". Refer to [TM-290, "DTC Index"](#).

NO-2 (The actual gear position changes, but the shift position indicator is not indicated.)>>Perform "Self Diagnostic Results" in "TRANSMISSION". Refer to [TM-290, "DTC Index"](#).

NO-3 (The actual gear position and the indication on the shift position indicator do not coincide.)>>Perform "Self Diagnostic Results" in "TRANSMISSION". Refer to [TM-290, "DTC Index"](#).

NO-4 (Only a specific position or positions is/are not indicated on the shift position indicator.)>>Check the combination meter. Refer to [MWI-4, "Work flow"](#).

SHIFT LOCK SYSTEM

< DTC/CIRCUIT DIAGNOSIS >

[7AT: RE7R01A]

SHIFT LOCK SYSTEM

Description

INFOID:000000008193098

Refer to [TM-200, "System Description"](#).

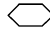
SHIFT LOCK SYSTEM

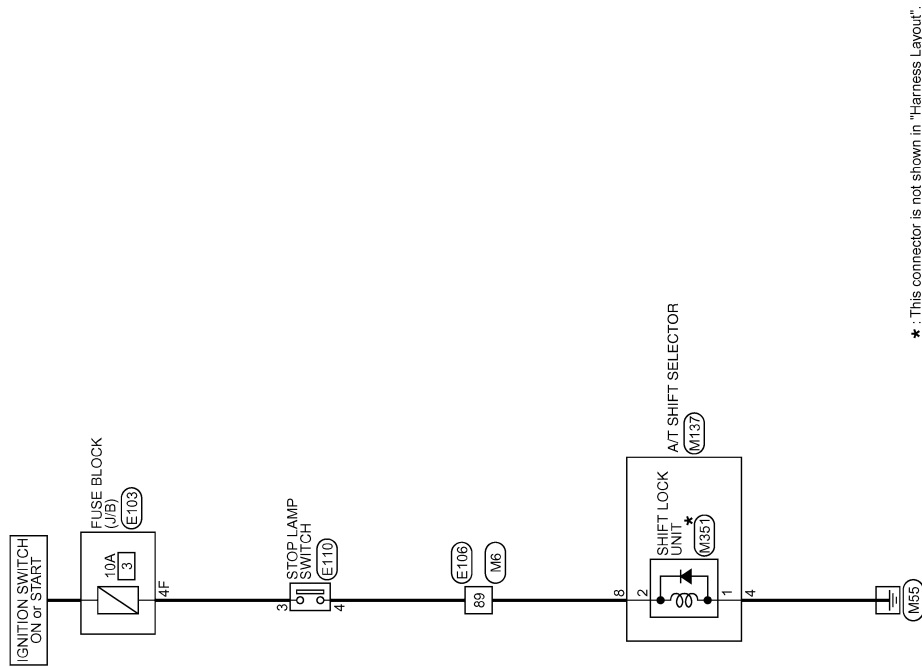
< DTC/CIRCUIT DIAGNOSIS >

[7AT: RE7R01A]

Wiring Diagram - A/T SHIFT LOCK SYSTEM -

INFOID:000000008193099

For connector terminal arrangements, harness layouts, and alphabets in a  (option abbreviation; if not described in wiring diagram), refer to [GI-12, "Connector Information"](#).



A/T SHIFT LOCK SYSTEM

2008/09/12

JCDWA0369GB

Component Function Check

INFOID:000000008193100

1. CHECK A/T SHIFT LOCK OPERATION (PART 1)

1. Turn ignition switch ON.

SHIFT LOCK SYSTEM

[7AT: RE7R01A]

< DTC/CIRCUIT DIAGNOSIS >

- Shift the selector lever to "P" position.
- Attempt to shift the selector lever to any other position with the brake pedal released.

Can the selector lever be shifted to any other position?

- YES >> Go to [TM-274, "Diagnosis Procedure"](#).
NO >> GO TO 2.

2.CHECK A/T SHIFT LOCK OPERATION (PART 2)

Attempt to shift the selector lever to any other position with the brake pedal depressed.

Can the selector lever be shifted to any other position?

- YES >> INSPECTION END
NO >> Go to [TM-274, "Diagnosis Procedure"](#).

Diagnosis Procedure

INFOID:000000008193101

1.CHECK POWER SOURCE (PART 1)

- Turn ignition switch OFF.
- Disconnect A/T shift selector connector.
- Turn ignition switch ON.
- Check voltage between A/T shift selector vehicle side harness connector terminal and ground.

A/T shift selector vehicle side harness connector		Ground	Condition	Voltage (Approx.)
Connector	Terminal		Depressed brake pedal.	Battery voltage
M137	8		Released brake pedal.	0 V

Is the inspection result normal?

- YES >> GO TO 2.
NO >> GO TO 5.

2.CHECK GROUND CIRCUIT

Check continuity between A/T shift selector vehicle side harness connector terminal and ground.

A/T shift selector vehicle side harness connector		Ground	Continuity
Connector	Terminal		Existed
M137	4		

Is the inspection result normal?

- YES >> GO TO 3.
NO >> Repair or replace damaged parts.

3.CHECK HARNESS BETWEEN A/T SHIFT SELECTOR AND SHIFT LOCK UNIT

- Disconnect shift lock unit connector.
- Check continuity between A/T shift selector connector terminals and shift lock unit A/T shift selector side connector terminals.

A/T shift selector connector		Shift lock unit A/T shift selector side connector		Continuity
Connector	Terminal	Connector	Terminal	
M137	8	M351	2	Existed
	4		1	

Is the inspection result normal?

- YES >> GO TO 4.
NO >> Repair or replace damaged parts.

4.CHECK SHIFT LOCK UNIT

- Remove shift lock unit. Refer to [TM-317, "Exploded View"](#).
- Check shift lock unit. Refer to [TM-276, "Component Inspection \(Shift Lock Unit\)"](#).

SHIFT LOCK SYSTEM

< DTC/CIRCUIT DIAGNOSIS >

[7AT: RE7R01A]

Is the inspection result normal?

YES >> Check intermittent incident. Refer to [GI-45, "Intermittent Incident"](#).

NO >> Replace shift lock unit. Refer to [TM-317, "Exploded View"](#).

5. CHECK POWER SOURCE (PART 2)

1. Turn ignition switch OFF.
2. Disconnect stop lamp switch connector.
3. Turn ignition switch ON.
4. Check voltage between stop lamp switch vehicle side harness connector terminal and ground.

Stop lamp switch vehicle side harness connector		Ground	Voltage (Approx.)
Connector	Terminal		Battery voltage
E110	3		

Is the inspection result normal?

YES >> GO TO 6.

NO >> GO TO 9.

6. CHECK STOP LAMP SWITCH (PART 1)

Check stop lamp switch. Refer to [TM-276, "Component Inspection \(Stop Lamp Switch\)"](#).

Is the inspection result normal?

YES >> GO TO 7.

NO >> GO TO 12.

7. CHECK HARNESS BETWEEN STOP LAMP SWITCH AND A/T SHIFT SELECTOR (PART 1)

Check continuity between stop lamp switch vehicle side harness connector terminal and A/T shift selector vehicle side harness connector terminal.

Stop lamp switch vehicle side harness connector		A/T shift selector vehicle side harness connector		Continuity
Connector	Terminal	Connector	Terminal	
E110	4	M137	8	Existed

Is the inspection result normal?

YES >> GO TO 8.

NO >> Repair or replace damaged parts.

8. CHECK HARNESS BETWEEN STOP LAMP SWITCH AND A/T SHIFT SELECTOR (PART 2)

Check continuity between stop lamp switch vehicle side harness connector terminal and ground.

Stop lamp switch vehicle side harness connector		Ground	Continuity
Connector	Terminal		Not existed
E110	4		

Is the inspection result normal?

YES >> Check intermittent incident. Refer to [GI-45, "Intermittent Incident"](#).

NO >> Repair or replace damaged parts.

9. CHECK HARNESS BETWEEN FUSE BLOCK (J/B) AND STOP LAMP SWITCH (PART 1)

1. Turn ignition switch OFF.
2. Disconnect fuse block (J/B) connector.
3. Check continuity between fuse block (J/B) vehicle side harness connector terminal and stop lamp switch vehicle side harness connector terminal.

Fuse block (J/B) vehicle side harness connector		Stop lamp switch vehicle side harness connector		Continuity
Connector	Terminal	Connector	Terminal	
E103	4F	E110	3	Existed

Is the inspection result normal?

SHIFT LOCK SYSTEM

< DTC/CIRCUIT DIAGNOSIS >

[7AT: RE7R01A]

- YES >> GO TO 10.
NO >> Repair or replace damaged parts.

10.CHECK HARNESS BETWEEN FUSE BLOCK (J/B) AND STOP LAMP SWITCH (PART 2)

Check continuity between fuse block (J/B) vehicle side harness connector terminal and ground.

Fuse block (J/B) vehicle side harness connector		Ground	Continuity
Connector	Terminal		
E103	4F		Not existed

Is the inspection result normal?

- YES >> GO TO 11.
NO >> Repair or replace damaged parts.

11.DETECT MALFUNCTIONING ITEM

Check the following.

- Harness for short or open between ignition switch and fuse block (J/B). Refer to [PG-18, "Wiring Diagram - IGNITION POWER SUPPLY -"](#).
- Ignition switch
- 10A fuse [No.3, located in the fuse block (J/B)]. Refer to [PG-107, "Fuse, Connector and Terminal Arrangement"](#).
- Fuse block (J/B)

Is the inspection result normal?

- YES >> Check intermittent incident. Refer to [GI-45, "Intermittent Incident"](#).
NO >> Repair or replace damaged parts.

12.CHECK INSTALLATION POSITION OF STOP LAMP SWITCH

Adjust stop lamp switch position. Refer to [BR-8, "Inspection and Adjustment"](#).

>> GO TO 13.

13.CHECK STOP LAMP SWITCH (PART 2)

Check stop lamp switch. Refer to [TM-276, "Component Inspection \(Stop Lamp Switch\)"](#).

Is the inspection result normal?

- YES >> INSPECTION END
NO >> Replace stop lamp switch. Refer to [BR-19, "Exploded View"](#).

Component Inspection (Shift Lock Unit)

INFOID:000000008193102

1.CHECK SHIFT LOCK UNIT

Apply voltage to terminals 1 and 2 of shift lock unit connector, and then check that shift lock unit is activated.

CAUTION:

Connect the fuse between the terminals when applying the voltage.

Shift lock unit connector			Condition	Status
Connector	Terminal			
	+ (fuse)	-		
M351	2	1	Apply 12 V direct current between terminals 1 and 2.	Shift lock unit operates

Can the plate be moved up and down?

- YES >> INSPECTION END
NO >> Replace shift lock unit. Refer to [TM-317, "Exploded View"](#).

Component Inspection (Stop Lamp Switch)

INFOID:000000008193103

1.CHECK STOP LAMP SWITCH

SHIFT LOCK SYSTEM

< DTC/CIRCUIT DIAGNOSIS >

[7AT: RE7R01A]

Check continuity between stop lamp switch connector terminals.

Stop lamp switch connector			Condition	Continuity
Connector	Terminal			
E110	3	4	Depressed brake pedal.	Existed
			Released brake pedal.	Not existed

Is the inspection result normal?

YES >> INSPECTION END

NO >> Replace stop lamp switch. Refer to [BR-19, "Exploded View"](#).

A
B
C
TM
E
F
G
H
I
J
K
L
M
N
O
P

ECU DIAGNOSIS INFORMATION

TCM

Reference Value

INFOID:000000008193104

VALUES ON DIAGNOSIS TOOL

NOTE:

- The following table includes information (items) inapplicable to this vehicle. For information (items) applicable to this vehicle, refer to CONSULT display items.
- The CONSULT electrically displays shift timing and lock-up timing (that is, operation timing of each solenoid).
Check for time difference between actual shift timing and the CONSULT display. If the difference is noticeable, mechanical parts (except solenoids, sensors, etc.) may be malfunctioning. Check mechanical parts in accordance with the specified diagnostic procedures.
- Shift schedule (that implies gear position) on CONSULT may slightly differ from that is described in Service Manual. This occurs because of the reasons as per the following:
 - Actual shift schedule has more or less tolerance or allowance
 - Shift schedule in Service Manual refers to the point where shifting starts
 - Gear position on CONSULT indicates the point where shifting completes
- Display of solenoid valves on CONSULT changes at the start of shifting, while gear position is displayed upon completion of shifting (which is computed by TCM).

CONSULT MONITOR ITEM

Item name	Condition	Value (Approx.) / Status
VHCL/S SE-A/T	During driving	Approximately equals the speedometer reading.
ESTM VSP SIG	During driving	Approximately equals the speedometer reading.
OUTPUT REV	During driving (lock-up ON)	Tachometer / Gear ratio
INPUT SPEED	During driving (lock-up ON)	Approximately equals the engine speed.
F SUN GR REV	During driving	Revolution of front sun gear is indicated.
F CARR GR REV	During driving	Revolution of front carrier is indicated.
ENGINE SPEED	Engine running	Closely equals the tachometer reading.
TC SLIP SPEED	During driving	Engine speed – Input speed
ACCELE POSI	Accelerator pedal is released	0.0/8
	Accelerator pedal is fully depressed	8.0/8
THROTTLE POSI	Accelerator pedal is released	0.0/8
	Accelerator pedal is fully depressed	8.0/8
ATF TEMP 1	Ignition switch ON	Temperature of ATF in the oil pan is indicated.
ATF TEMP 2	Ignition switch ON	Temperature of ATF at the exit of torque converter.
ATF TEMP SE 1	0°C (32° F) – 20°C (68°F) – 80°C (176°F)	3.3 – 2.7 – 0.9 V
BATTERY VOLT	Ignition switch ON	Battery voltage (11 V – 14 V)
LINE PRES SOL	During driving	0.2 – 0.6 A
TCC SOLENOID	Slip lock-up is active	0.2 – 0.8 A
	Lock-up is active	0.8 A
	Other than the above	0 A

TCM

< ECU DIAGNOSIS INFORMATION >

[7AT: RE7R01A]

Item name	Condition	Value (Approx.) / Status	
L/B SOLENOID	Low brake is engaged	0.6 – 0.8 A	A
	Low brake is disengaged	0 – 0.05 A	
FR/B SOLENOID	Front brake is engaged	0.6 – 0.8 A	B
	Front brake is disengaged	0 – 0.05 A	
HLR/C SOL	High and low reverse clutch is disengaged	0.6 – 0.8 A	C
	High and low reverse clutch is engaged	0 – 0.05 A	
I/C SOLENOID	Input clutch is disengaged	0.6 – 0.8 A	
	Input clutch is engaged	0 – 0.05 A	TM
D/C SOLENOID	Direct clutch is disengaged	0.6 – 0.8 A	
	Direct clutch is engaged	0 – 0.05 A	
2346/B SOL	2346 brake is engaged	0.6 – 0.8 A	E
	2346 brake is disengaged	0 – 0.05 A	
L/P SOL MON	During driving	0.2 – 0.6 A	
TCC SOL MON	Slip lock-up is active	0.2 – 0.8 A	F
	Lock-up is active	0.8 A	
	Other than the above	0 A	G
L/B SOL MON	Low brake is engaged	0.6 – 0.8 A	
	Low brake is disengaged	0 – 0.05 A	H
FR/B SOL MON	Front brake is engaged	0.6 – 0.8 A	
	Front brake is disengaged	0 – 0.05 A	I
HLR/C SOL MON	High and low reverse clutch is disengaged	0.6 – 0.8 A	
	High and low reverse clutch is engaged	0 – 0.05 A	J
I/C SOL MON	Input clutch is disengaged	0.6 – 0.8 A	
	Input clutch is engaged	0 – 0.05 A	K
D/C SOL MON	Direct clutch is disengaged	0.6 – 0.8 A	
	Direct clutch is engaged	0 – 0.05 A	L
2346/B SOL MON	2346 brake is engaged	0.6 – 0.8 A	
	2346 brake is disengaged	0 – 0.05 A	M
GEAR RATIO	Driving with 1GR	4.924	
	Driving with 2GR	3.194	
	Driving with 3GR	2.043	
	Driving with 4GR	1.412	
	Driving with 5GR	1.000	
	Driving with 6GR	0.862	N
	Driving with 7GR	0.772	
ENGINE TORQUE	During driving	Changes the value according to the acceleration or deceleration.	O
ENG TORQUE D	During driving	Changes the value according to the acceleration or deceleration.	
INPUT TRQ S	During driving	Changes the value according to the acceleration or deceleration.	P
INPUT TRQ L/P	During driving	Changes the value according to the acceleration or deceleration.	
TRGT PRES L/P	Selector lever in "P" and "N" positions	490 kPa	
	Other than the above	490 – 1370 kPa	

TCM

< ECU DIAGNOSIS INFORMATION >

[7AT: RE7R01A]

Item name	Condition	Value (Approx.) / Status
TRGT PRES TCC	Slip lock-up is active	0 – 600 kPa
	Lock-up is active	600 kPa
	Other than the above	0 kPa
TRGT PRES L/B	Low brake is engaged	1370 kPa
	Low brake is disengaged	0 kPa
TRGT PRES FR/B	Front brake is engaged	1370 kPa
	Front brake is disengaged	0 kPa
TRG PRE HLR/C	High and low reverse clutch is disengaged	1370 kPa
	High and low reverse clutch is engaged	0 kPa
TRGT PRES I/C	Input clutch is disengaged	1370 kPa
	Input clutch is engaged	0 kPa
TRGT PRES D/C	Direct clutch is disengaged	1370 kPa
	Direct clutch is engaged	0 kPa
TRG PRE 2346/B	2346 brake is engaged	1370 kPa
	2346 brake is disengaged	0 kPa
SHIFT PATTERN	During normal driving (without shift changes)	FF
VEHICLE SPEED	During driving	Approximately equals the speedometer reading.
RANGE SW 4	Selector lever in "P" and "N" positions	OFF
	Other than the above	ON
RANGE SW 3	Selector lever in "P", "R" and "N" positions	OFF
	Other than the above	ON
RANGE SW 2	Selector lever in "P" and "R" positions	OFF
	Other than the above	ON
RANGE SW 1	Selector lever in "P" position	OFF
	Other than the above	ON
SFT DWN ST SW	Paddle shifter (shift-down) is pulled	ON
	Other than the above	OFF
SFT UP ST SW	Paddle shifter (shift-up) is pulled	ON
	Other than the above	OFF
DOWN SW LEVER	Selector lever is shifted to – side	ON
	Other than the above	OFF
UP SW LEVER	Selector lever is shifted to + side	ON
	Other than the above	OFF
NON M-MODE SW	Selector lever is shifted to manual shift gate side	OFF
	Other than the above	ON
MANU MODE SW	Selector lever is shifted to manual shift gate side	ON
	Other than the above	OFF
TOW MODE SW*	Tow mode	ON
	Other than the above	OFF
DS RANGE*	Driving with DS mode	ON
	Other than the above	OFF
1 POSITION SW*	Selector lever in "1" position	ON
	Other than the above	OFF

TCM

< ECU DIAGNOSIS INFORMATION >

[7AT: RE7R01A]

Item name	Condition	Value (Approx.) / Status	
OD CONT SW*	When overdrive control switch is depressed	ON	A
	When overdrive control switch is released	OFF	
BRAKESW	Brake pedal is depressed	ON	B
	Brake pedal is released	OFF	
POWERSHIFT SW*	Power mode	ON	C
	Other than the above	OFF	
ASCD-OD CUT	When TCM receives ASCD OD cancel request signal	ON	
	Other than the above	OFF	TM
ASCD-CRUISE	ASCD operate	ON	
	Other than the above	OFF	
ABS SIGNAL	ABS operate	ON	E
	Other than the above	OFF	
TCS GR/P KEEP	When TCM receives TCS gear keep request signal	ON	F
	Other than the above	OFF	
TCS SIGNAL 2	When the reception value of A/T shift schedule change demand signal is "cold"	ON	G
	Other than the above	OFF	
TCS SIGNAL 1	When the reception value of A/T shift schedule change demand signal is "warm"	ON	H
	Other than the above	OFF	
LOW/B PARTS	At 4GR - 5GR - 6GR shift control	FAIL	I
	Other than the above	NOTFAIL	
HC/IC/FRB PARTS	At 1GR - 2GR - 3GR shift control	FAIL	J
	Other than the above	NOTFAIL	
IC/FRB PARTS	At 4GR - 5GR - 6GR shift control	FAIL	K
	Other than the above	NOTFAIL	
HLR/C PARTS	At 4GR - 5GR - 6GR shift control	FAIL	L
	Other than the above	NOTFAIL	
W/O THL POS	Accelerator pedal is fully depressed	ON	M
	Accelerator pedal is released	OFF	
CLSD THL POS	Accelerator pedal is released	ON	N
	Accelerator pedal is fully depressed	OFF	
DRV CST JUDGE	Accelerator pedal is depressed	DRIVE	O
	Accelerator pedal is released	COAST	P

TCM

< ECU DIAGNOSIS INFORMATION >

[7AT: RE7R01A]

Item name	Condition	Value (Approx.) / Status
SHIFT IND SIGNAL	When the selector lever is positioned in between each position.	OFF
	Selector lever in "P" position	P
	Selector lever in "R" position	R
	Selector lever in "N" position	N
	Selector lever in "D" position	D
	Selector lever in "D" position: 7GR	6
	Selector lever in "D" position: 6GR	5
	Selector lever in "D" position: 5GR	4
	Selector lever in "D" position: 4GR	3
	Selector lever in "D" position: 3GR	2
	Selector lever in "D" position: 2GR	1
	Selector lever in "D" position: 1GR	M1
	Selector lever in "M" position: 1GR	M2
	Selector lever in "M" position: 2GR	M3
	Selector lever in "M" position: 3GR	M4
	Selector lever in "M" position: 4GR	M5
	Selector lever in "M" position: 5GR	M6
	Selector lever in "M" position: 6GR	M7
	STARTER RELAY	Selector lever in "P" and "N" positions
Other than the above		OFF
F-SAFE IND/L	For 2 seconds after the ignition switch is turned ON	ON
	Other than the above	OFF
ATF WARN LAMP*	When TCM transmits the ATF indicator lamp signal	ON
	Other than the above	OFF
MANU MODE IND	Driving with manual mode	ON
	Other than the above	OFF
ON OFF SOL MON	Selector lever in "P" and "N" positions	ON
	Driving with 1GR to 3GR	OFF
	Other than the above	OFF
START RLY MON	Selector lever in "P" and "N" positions	ON
	Other than the above	OFF
ON OFF SOL	Selector lever in "P" and "N" positions	ON
	Driving with 1GR to 3GR	OFF
	Other than the above	OFF

TCM

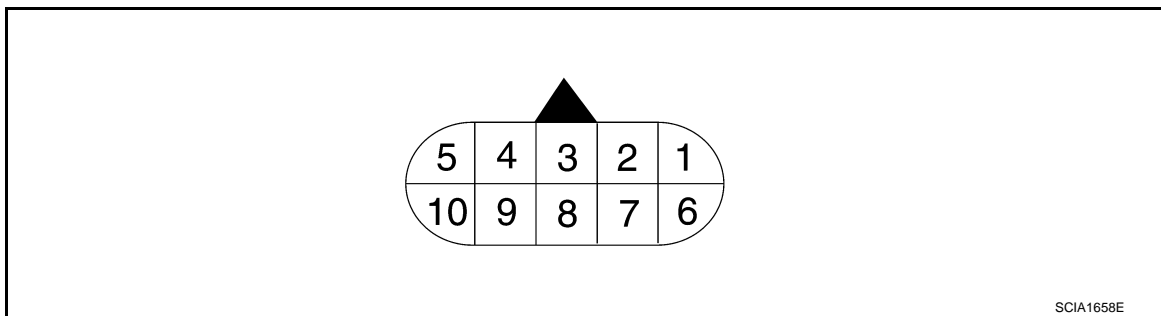
< ECU DIAGNOSIS INFORMATION >

[7AT: RE7R01A]

Item name	Condition	Value (Approx.) / Status
SLCT LVR POSI	Selector lever in "N" and "P" positions	N/P
	Selector lever in "R" position	R
	Selector lever in "D" positions	D
	Selector lever in "M" position: 7GR	
	Selector lever in "M" position: 6GR	6
	Selector lever in "M" position: 5GR	5
	Selector lever in "M" position: 4GR	4
	Selector lever in "M" position: 3GR	3
	Selector lever in "M" position: 2GR	2
	Selector lever in "M" position: 1GR	1
GEAR	During driving	1st, 2nd, 3rd, 4th, 5th, 6th, 7th
NEXT GR POSI	During driving	1st, 2nd, 3rd, 4th, 5th, 6th, 7th
SHIFT MODE	Driving with the D position	0 or 3
	Driving with the manual mode	4 or 8
D/C PARTS	At 1GR - 2GR shift control	FAIL
	Other than the above	NOTFAIL
FR/B PARTS	At control fixed to 1GR	FAIL
	Other than the above	NOTFAIL
2346/B PARTS	At control fixed to 1GR	FAIL
	Other than the above	NOTFAIL
2346B/DC PARTS	At 2GR - 3GR - 4GR shift control	FAIL
	Other than the above	NOTFAIL

*: Not mounted but always display as OFF.

TERMINAL LAYOUT



PHYSICAL VALUES

Terminal (Wire color)		Description		Condition	Value (Approx.)
+	-	Signal name	Input/Output		
1 (Y)	Ground	Power supply	Input	Ignition switch ON	Battery voltage
				Ignition switch OFF	0 V
2 (BR)	Ground	Power supply (Memory back-up)	Input	Always	Battery voltage
3 (L)	—	CAN-H	Input/Output	—	—

TCM

< ECU DIAGNOSIS INFORMATION >

[7AT: RE7R01A]

Terminal (Wire color)		Description		Condition	Value (Approx.)
+	-	Signal name	Input/ Output		
4 (V)	—	K-line	Input/ Output	—	—
5 (B)	Ground	Ground	Output	Always	0 V
6 (Y)	Ground	Power supply	Input	Ignition switch ON	Battery voltage
				Ignition switch OFF	0 V
7 (W)	Ground	Back-up lamp relay	Input	Ignition switch ON	Selector lever in "R" position. 0 V
					Selector lever in other than above. Battery voltage
8 (P)	—	CAN-L	Input/ Output	—	—
9 (GR)	Ground	Starter relay	Output	Ignition switch ON	Selector lever in "N" and "P" po- sitions. Battery voltage
10 (B)	Ground	Ground	Output	Always	0 V

Fail-Safe

INFOID:000000008193106

TCM has the electrical fail-safe mode. The mode is divided into a maximum of 3 phases (1st Fail-Safe, 2nd Fail-Safe and Final Fail-Safe) and functions so that the operation can be continued even if the signal circuit of the main electronically controlled input/output parts is damaged.

Even if the electronic circuit is normal, the fail-safe mode may start under special conditions (such as when the brake pedal is depressed suddenly from a hard wheel spin status to stop the rotation of wheels). In this case, turn the ignition switch OFF and back to ON after 5 seconds to resume the normal shift pattern.

Consequently, the customer's vehicle may already return to the normal condition. Refer to [TM-149, "Diagnosis Flow"](#).

1st fail-safe	The mode that the vehicle can stop safely, to prompt the driver to stop if the malfunction occurs and to shift to 2nd fail-safe early. It shifts to 2nd fail-safe or final fail-safe after the vehicle stopped.
2nd fail-safe	The mode that the vehicle shifts to final fail-safe without changing the behavior, by identifying the malfunctioning parts in the condition that the driving force required for the driving is secured.
Final fail-safe	<ul style="list-style-type: none"> • Selects the shifting pattern that the malfunctioning parts identified at 1st fail-safe and 2nd fail-safe are not used, and then secure the driving force that is required for the driving. • The mode that the shifting performance does not decrease by normal shift control.

FAIL-SAFE FUNCTION

DTC	Vehicle condition	Vehicle behavior for 1st fail-safe	Vehicle behavior for 2nd fail-safe	Vehicle behavior for final fail-safe
P0615	—	Starter is disabled	—	Starter is disabled
P0705	—	<ul style="list-style-type: none"> • Fixed in the "D" position (The shifting can be performed) • Lock-up is prohibited when 30 km/h (19 MPH) or less • The shifting between the gears of 3 - 4 - 5 - 6 - 7 can be performed • Manual mode is prohibited • Shift position indicator is switched OFF • Starter relay is switched OFF (starter is disabled) • Back-up lamp is OFF • Large shift shock 	—	<ul style="list-style-type: none"> • Fixed in the "D" position (The shifting can be performed) • Lock-up is prohibited when 30 km/h (19 MPH) or less • The shifting between the gears of 3 - 4 - 5 - 6 - 7 can be performed • Manual mode is prohibited • Shift position indicator is switched OFF • Starter relay is switched OFF (starter is disabled) • Back-up lamp is OFF • Large shift shock
P0710	Between the gears of 1 - 2 - 3	<ul style="list-style-type: none"> • The shifting between the gears of 1 - 2 - 3 can be performed • Manual mode is prohibited 	—	<ul style="list-style-type: none"> • The shifting between the gears of 1 - 2 - 3 can be performed • Manual mode is prohibited
	Between the gears of 4 - 5 - 6 - 7	<ul style="list-style-type: none"> • Fix the gear while driving • Manual mode is prohibited 	—	
P0717	Between the gears of 1 - 2 - 3	<ul style="list-style-type: none"> • The shifting between the gears of 1 - 2 - 3 can be performed • Manual mode is prohibited 	—	<ul style="list-style-type: none"> • The shifting between the gears of 1 - 2 - 3 can be performed • Manual mode is prohibited
	Between the gears of 4 - 5 - 6 - 7	<ul style="list-style-type: none"> • Fix the gear while driving • Manual mode is prohibited 	—	

DTC	Vehicle condition		Vehicle behavior for 1st fail-safe	Vehicle behavior for 2nd fail-safe	Vehicle behavior for final fail-safe
P0720	Between the gears of 1 - 2 - 3		<ul style="list-style-type: none"> Only downshift can be performed Manual mode is prohibited A vehicle speed signal from the unified meter and A/C amp. is regarded as an effective signal 	—	<ul style="list-style-type: none"> The shifting between the gears of 1 - 2 - 3 can be performed Manual mode is prohibited
	Between the gears of 4 - 5 - 6 - 7		<ul style="list-style-type: none"> Fix the gear at driving Manual mode is prohibited A vehicle speed signal from the unified meter and A/C amp. is regarded as an effective signal 	—	
P0729 P0731 P0732 P0733 P0734 P0735 P1734	Small gear ratio difference		Engine torque limit: Max 150 Nm	—	Engine torque limit: Max 150 Nm
	Great gear ratio difference	Neutral malfunction between the gears of 1 - 2 - 3 and 7	<ul style="list-style-type: none"> Locks in 2GR, 3GR or 4GR Manual mode is prohibited 	—	<ul style="list-style-type: none"> Locks in 1GR The shifting between the gears of 1 - 2 can be performed The shifting between the gears of 1 - 2 - 3 can be performed The shifting between the gears of 4 - 5 - 6 can be performed Manual mode is prohibited
		Other than the above	<ul style="list-style-type: none"> Locks in 1GR, 2GR, 3GR, 4GR, 5GR or 6GR Fix the gear while driving Manual mode is prohibited 	<ul style="list-style-type: none"> The shifting between the gears of 1 - 2 - 3 can be performed Manual mode is prohibited 	<ul style="list-style-type: none"> Locks in 1GR The shifting between the gears of 1 - 2 can be performed The shifting between the gears of 1 - 2 - 3 can be performed The shifting between the gears of 2 - 3 - 4 can be performed The shifting between the gears of 3 - 4 can be performed The shifting between the gears of 4 - 5 - 6 can be performed Manual mode is prohibited
P0730	—		<ul style="list-style-type: none"> Locks in 5GR, 6GR or 7GR Manual mode is prohibited 	<ul style="list-style-type: none"> The shifting between the gears of 1 - 2 - 3 can be performed Manual mode is prohibited 	<ul style="list-style-type: none"> Locks in 1GR The shifting between the gears of 1 - 2 can be performed The shifting between the gears of 1 - 2 - 3 can be performed Manual mode is prohibited
P0740	—		<ul style="list-style-type: none"> Lock-up is prohibited Slip lock-up is prohibited 	—	<ul style="list-style-type: none"> Lock-up is prohibited Slip lock-up is prohibited
P0744	—		<ul style="list-style-type: none"> Lock-up is prohibited Slip lock-up is prohibited 	—	<ul style="list-style-type: none"> Lock-up is prohibited Slip lock-up is prohibited

A
B
C
TM
E
F
G
H
I
J
K
L
M
N
O
P

TCM

< ECU DIAGNOSIS INFORMATION >

[7AT: RE7R01A]

DTC	Vehicle condition	Vehicle behavior for 1st fail-safe	Vehicle behavior for 2nd fail-safe	Vehicle behavior for final fail-safe
P0750 P0775 P0795 P2713 P2722 P2731 P2807	—	<ul style="list-style-type: none"> Locks in 2GR, 3GR, 4GR, 5GR, 6GR or 7GR Manual mode is prohibited 	—	<ul style="list-style-type: none"> Locks in 1GR The shifting between the gears of 1 - 2 - 3 can be performed The shifting between the gears of 3 - 4 - 5 can be performed The shifting between the gears of 4 - 5 - 6 can be performed The shifting between the gears of 1 - 2 - 3 - 4 - 5 - 6 can be performed Manual mode is prohibited
P0780	—	<ul style="list-style-type: none"> Locks in 3GR Manual mode is prohibited 	—	<ul style="list-style-type: none"> The shifting between the gears of 1 - 2 - 3 can be performed Manual mode is prohibited
P1705	—	<ul style="list-style-type: none"> Downshift when accelerator pedal is depressed is prohibited Upshift when accelerator pedal is released is prohibited Manual mode is prohibited 	<ul style="list-style-type: none"> Downshift when accelerator pedal is depressed is prohibited Upshift when accelerator pedal is released is prohibited Manual mode is prohibited 	<ul style="list-style-type: none"> Downshift when accelerator pedal is depressed is prohibited Upshift when accelerator pedal is released is prohibited Manual mode is prohibited
P1730	—	<ul style="list-style-type: none"> Locks in 1GR, 2GR, 3GR, 4GR, 5GR, 6GR or 7GR Manual mode is prohibited 	<ul style="list-style-type: none"> The shifting between the gears of 1 - 2 - 3 can be performed Manual mode is prohibited 	<ul style="list-style-type: none"> Locks in 1GR The shifting between the gears of 2 - 3 - 4 can be performed The shifting between the gears of 3 - 4 can be performed The shifting between the gears of 4 - 5 - 6 can be performed Manual mode is prohibited
P1815	Gate switch malfunction	Only the gate switch is prohibited	—	Only the gate switch is prohibited
	Paddle switch malfunction	Only the paddle switch is prohibited	—	Only the paddle switch is prohibited
	Malfunction of both switches	Manual mode is prohibited	—	Manual mode is prohibited
U0100 U0300 U1000	Between the gears of 1 - 2 - 3	<ul style="list-style-type: none"> The shifting between the gears of 1 - 2 - 3 can be performed Manual mode is prohibited 	—	<ul style="list-style-type: none"> The shifting between the gears of 1 - 2 - 3 can be performed Line pressure is set to the maximum hydraulic pressure Manual mode is prohibited
	Between the gears of 4 - 5 - 6 - 7	<ul style="list-style-type: none"> Fix the gear at driving Manual mode is prohibited 	—	
P0720 and P1721	—	Locks in 5GR	—	Locks in 5GR

Protection Control

INFOID:000000008193107

The TCM becomes the protection control status temporarily to protect the safety when the safety of TCM and transmission is lost. It automatically returns to the normal status if the safety is secured.

The TCM has the following protection control.

REVERSE INHIBIT CONTROL

TCM

< ECU DIAGNOSIS INFORMATION >

[7AT: RE7R01A]

Intercepts the torque transmission and shift to the neutral status if the selector lever is shifted to "R" position while the vehicle moves forward at the vehicle speed 10 km/h (7 MPH) or more.

Malfunction detection condition	Vehicle speed: 10 km/h (7 MPH) or more
Control at malfunction	Neutral
Normal return condition	<ul style="list-style-type: none"> Vehicle speed: 8 km/h (5 MPH) or less and Engine speed: 2,200 rpm or less
Vehicle behavior	<ul style="list-style-type: none"> The torque transmission cannot be performed There is a shock just before a vehicle stop

1ST ENGINE BRAKE PROTECTION CONTROL

Controls the engine brake so as not to make effective by turning the front brake solenoid output to OFF when each solenoid becomes the electricity pattern of 1st engine brake during driving at the vehicle speed 25 km/h or more in any positions other than "R" position and 1GR.

Malfunction detection condition	<ul style="list-style-type: none"> Select lever and gear: Any position other than "R" position and 1GR and Vehicle speed: More than 25 km/h (16 MPH)
Control at malfunction	Front brake solenoid output signal; OFF
Normal return condition	Other than detection condition of malfunction
Vehicle behavior	Does not exist

TCM HIGH TEMPERATURE PROTECTION CONTROL

Limit the accelerator opening and forcibly control the vehicle to the low torque driving when the electronic substrate in TCM reaches the high temperature.

Malfunction detection condition	TCM electronic substrate temperature <ul style="list-style-type: none"> 145°C (293°F) and 120 seconds or 150°C (302°F)
Control at malfunction	Accelerator opening: 0.5/8 or less
Normal return condition	<ul style="list-style-type: none"> TCM electronic substrate temperature: Less than 140°C (284°F) and Vehicle speed: 5 km/h (3 MPH) or less
Vehicle behavior	Accelerator opening: output torque of approximately 0.5/8

DTC Inspection Priority Chart

INFOID:000000008193108

If some DTCs are displayed at the same time, perform inspections one by one based on the priority as per the following list.

Priority	Detected items (DTC)	Reference
1	U0100 LOST COMM (ECM A)	TM-211, "DTC Logic"
	U1000 CAN COMM CIRCUIT	TM-213, "DTC Logic"

TCM

< ECU DIAGNOSIS INFORMATION >

[7AT: RE7R01A]

Priority	Detected items (DTC)	Reference
2	P0615 STARTER RELAY	TM-214, "DTC Logic"
	P0705 T/M RANGE SENSOR A	TM-216, "DTC Logic"
	P0710 FLUID TEMP SENSOR A	TM-218, "DTC Logic"
	P0717 INPUT SPEED SENSOR A	TM-220, "DTC Logic"
	P0720 OUTPUT SPEED SENSOR	TM-222, "DTC Logic"
	P0740 TORQUE CONVERTER	TM-240, "DTC Logic"
	P0745 PC SOLENOID A	TM-244, "DTC Logic"
	P0750 SHIFT SOLENOID A	TM-245, "DTC Logic"
	P0775 PC SOLENOID B	TM-246, "DTC Logic"
	P0795 PC SOLENOID C	TM-249, "DTC Logic"
	P2713 PC SOLENOID D	TM-264, "DTC Logic"
	P2722 PC SOLENOID E	TM-265, "DTC Logic"
	P2731 PC SOLENOID F	TM-266, "DTC Logic"
	P2807 PC SOLENOID G	TM-267, "DTC Logic"
3	P0729 6GR INCORRECT RATIO	TM-226, "DTC Logic"
	P0730 INCORRECT GR RATIO	TM-228, "DTC Logic"
	P0731 1GR INCORRECT RATIO	TM-230, "DTC Logic"
	P0732 2GR INCORRECT RATIO	TM-232, "DTC Logic"
	P0733 3GR INCORRECT RATIO	TM-234, "DTC Logic"
	P0734 4GR INCORRECT RATIO	TM-236, "DTC Logic"
	P0735 5GR INCORRECT RATIO	TM-238, "DTC Logic"
	P0744 TORQUE CONVERTER	TM-242, "DTC Logic"
	P0780 SHIFT	TM-247, "DTC Logic"
	P1730 INTERLOCK	TM-254, "DTC Logic"
	P1734 7GR INCORRECT RATIO	TM-256, "DTC Logic"
4	U0300 CAN COMM DATA	TM-212, "DTC Logic"
	P0725 ENGINE SPEED	TM-224, "DTC Logic"
	P1705 TP SENSOR	TM-250, "DTC Logic"
	P1721 VEHICLE SPEED SIGNAL	TM-252, "DTC Logic"
	P1815 M-MODE SWITCH	TM-258, "DTC Logic"

DTC Index

INFOID:000000008193109

NOTE:

If some DTCs are displayed at the same time, perform inspections one by one based on the priority as per the following list. Refer to [TM-289, "DTC Inspection Priority Chart"](#).

Items (CONSULT screen terms)	DTC ²		Reference
	MIL ¹ , "ENGINE" with CONSULT or GST	CONSULT only "TRANS- MISSION"	
STARTER RELAY	—	P0615	TM-214, "DTC Logic"
T/M RANGE SENSOR A	P0705	P0705	TM-216, "DTC Logic"
FLUID TEMP SENSOR A	P0710	P0710	TM-218, "DTC Logic"
INPUT SPEED SENSOR A	P0717	P0717	TM-220, "DTC Logic"
OUTPUT SPEED SENSOR	P0720	P0720	TM-222, "DTC Logic"
ENGINE SPEED	—	P0725	TM-224, "DTC Logic"

TCM

< ECU DIAGNOSIS INFORMATION >

[7AT: RE7R01A]

Items (CONSULT screen terms)	DTC*2		Reference
	MIL*1, "ENGINE" with CONSULT or GST	CONSULT only "TRANS- MISSION"	
6GR INCORRECT RATIO	P0729	P0729	TM-226, "DTC Logic"
INCORRECT GR RATIO	P0730	P0730	TM-228, "DTC Logic"
1GR INCORRECT RATIO	P0731	P0731	TM-230, "DTC Logic"
2 GR INCORRECT RATIO	P0732	P0732	TM-232, "DTC Logic"
3GR INCORRECT RATIO	P0733	P0733	TM-234, "DTC Logic"
4GR INCORRECT RATIO	P0734	P0734	TM-236, "DTC Logic"
5GR INCORRECT RATIO	P0735	P0735	TM-238, "DTC Logic"
TORQUE CONVERTER	P0740	P0740	TM-240, "DTC Logic"
TORQUE CONVERTER	P0744	P0744	TM-242, "DTC Logic"
PC SOLENOID A	P0745	P0745	TM-244, "DTC Logic"
SHIFT SOLENOID A	P0750	P0750	TM-245, "DTC Logic"
PC SOLENOID B	P0775	P0775	TM-246, "DTC Logic"
SHIFT	P0780	P0780	TM-247, "DTC Logic"
PC SOLENOID C	P0795	P0795	TM-249, "DTC Logic"
TP SENSOR	—	P1705	TM-250, "DTC Logic"
VEHICLE SPEED SIGNAL	—	P1721	TM-252, "DTC Logic"
INTERLOCK	P1730	P1730	TM-254, "DTC Logic"
7 GR INCORRECT RATIO	P1734	P1734	TM-256, "DTC Logic"
M-MODE SWITCH	—	P1815	TM-258, "DTC Logic"
PC SOLENOID D	P2713	P2713	TM-264, "DTC Logic"
PC SOLENOID E	P2722	P2722	TM-265, "DTC Logic"
PC SOLENOID F	P2731	P2731	TM-266, "DTC Logic"
PC SOLENOID G	P2807	P2807	TM-267, "DTC Logic"
LOST COMM (ECM A)	U0100	U0100	TM-211, "DTC Logic"
CAN COMM DATA	—	U0300	TM-212, "DTC Logic"
CAN COMM CIRCUIT	U1000	U1000	TM-213, "DTC Logic"

*1: Refer to [TM-203, "Diagnosis Description"](#).

*2: These numbers are prescribed by SAE J2012.

A
B
C
TM
E
F
G
H
I
J
K
L
M
N
O
P

SYSTEM SYMPTOM

< SYMPTOM DIAGNOSIS >

[7AT: RE7R01A]

SYMPTOM DIAGNOSIS

SYSTEM SYMPTOM

Symptom Table

INFOID:000000008193110

- The diagnostics item numbers show the sequence for inspection. Inspect in order from item 1.
- Perform diagnoses of symptom table 1 before symptom table 2.

SYMPTOM TABLE 1

Symptom			Diagnostic item																									
			TM-316	TM-222	TM-252	TM-250	TM-224	TM-220	TM-218	TM-268	TM-216	TM-258	SEC-54	TM-244	TM-242	TM-265	TM-249	TM-264	TM-246	TM-267	TM-266	TM-245	TM-214	TM-213				
Poor performance	Driving performance	Large shock	When shifting gears	Shift point is high in "D" position.	1	2		3																				
				Shift point is low in "D" position.	1	2																						
				→ "D" position	4		7	6	6	5		3	2											3			1	
				→ "R" position	4		7	6	6	5		3										2						1
				1GR ⇔ 2GR	4		2	5	4	4															3			1
				2GR ⇔ 3GR	4		2	5	4	4														3				1
		3GR ⇔ 4GR	4		2	5	4	4								3		3								1		
		4GR ⇔ 5GR	4		2	5	4	4											3			3				1		
		5GR ⇔ 6GR	4		2	5	4	4												3		3				1		
		6GR ⇔ 7GR	4		2	5	4	4									3					3				1		
						Downshift when accelerator pedal is depressed	3	2	4	3	3																1	
						Upshift when accelerator pedal is released	3	2	4	3	3																1	
					Lock-up	4	2	4	4	4					3											1		
			Judder		Lock-up		2	1	1	4					3													
	Strange noise				In "R" position	2		1																				
					In "N" position	2		1																				
In "D" position					2		1																					
Engine at idle					2		1																					

SYSTEM SYMPTOM

< SYMPTOM DIAGNOSIS >

[7AT: RE7R01A]

		Symptom	Diagnostic item																										
			TM-316	TM-222	TM-252	TM-250	TM-224	TM-220	TM-218	TM-268	TM-216	TM-258	SEC-54	TM-244	TM-242	TM-265	TM-249	TM-264	TM-246	TM-267	TM-266	TM-245	TM-214	TM-213					
Function trouble	Gear does no change	"D" position	Locks in 1GR	1													1		1		1								
			Locks in 2GR																										
			Locks in 3GR																										
			Locks in 4GR																										
			Locks in 5GR								1																		
			Locks in 6GR																										
			Locks in 7GR																										
			1GR → 2GR		1															1		1		1					
			2GR → 3GR																				1						
			3GR → 4GR			2			2	2									2	2	2	2						1	
		4GR → 5GR																				1	1						
		5GR → 6GR																				1							
		6GR → 7GR																1	1	1	1			1					
		5GR → 4GR																			1								
		4GR → 3GR																1		1				1					
		3GR → 2GR										1											1						
		2GR → 1GR										1											1	1					
		Does not lock-up			2			2	2	2	4	5		3	2	2	2	2	2	2	2	2	2	2	2	2	1		
		"M" position	1GR ⇔ 2GR		3				3	3		3	2		3	3	3	3	3	3	3	3	3	3	3	3	1		
			2GR ⇔ 3GR		3				3	3		3	2		3	3	3	3	3	3	3	3	3	3	3	3	1		
	3GR ⇔ 4GR			3				3	3		3	2		3	3	3	3	3	3	3	3	3	3	3	3	1			
	4GR ⇔ 5GR			3				3	3		3	2		3	3	3	3	3	3	3	3	3	3	3	3	1			
	5GR ⇔ 6GR			3				3	3		3	2		3	3	3	3	3	3	3	3	3	3	3	3	1			
	6GR ⇔ 7GR			3				3	3		3	2		3	3	3	3	3	3	3	3	3	3	3	3	1			

A
B
C
TM
E
F
G
H
I
J
K
L
M
N
O
P

SYSTEM SYMPTOM

< SYMPTOM DIAGNOSIS >

[7AT: RE7R01A]

				Diagnostic item																							
				Symptom	Control linkage	Output speed sensor	Vehicle speed signal	Accelerator pedal position sensor	Engine speed signal	Input speed sensor	A/T fluid temperature sensor	Battery voltage	Transmission range switch	Manual mode switch	Stop lamp switch	Line pressure solenoid valve	Torque converter clutch solenoid valve	Low brake solenoid valve	Front brake solenoid valve	High and low reverse clutch solenoid valve	Input clutch solenoid valve	Direct clutch solenoid valve	2346 brake solenoid valve	Anti-interlock solenoid valve	Starter relay	CAN communication	
Function trouble	Poor shifting	Slip	When shifting gears	1GR ⇔ 2GR	3		3	3	4				2							2			1				
			2GR ⇔ 3GR	3		3	3	4						2					2					1			
			3GR ⇔ 4GR	3		3	3	4							2	2		2			2				1		
			4GR ⇔ 5GR	3		3	3	4							2				2		2	2				1	
			5GR ⇔ 6GR	3		3	3	4							2					2	2	2				1	
			6GR ⇔ 7GR	3		3	3	4							2		2				2					1	
		Engine brake does not work	"M" position	"D" position → "M" position			5		5	5	6		4	2		3			3	3						1	
				7GR → 6GR			5		5	5	6		4	2		3			3				3				1
				6GR → 5GR			5		5	5	6		4	2		3					3	3					1
				5GR → 4GR			5		5	5	6		4	2		3				3		3					1
				4GR → 3GR			5		5	5	6		4	2		3	3		3				3				1
				3GR → 2GR			5		5	5	6		4	2		3			3		3						1
	2GR → 1GR			5		5	5	6		4	2		3			3				3					1		

SYSTEM SYMPTOM

< SYMPTOM DIAGNOSIS >

[7AT: RE7R01A]

Symptom			Diagnostic item																							
			Control linkage	Output speed sensor	Vehicle speed signal	Accelerator pedal position sensor	Engine speed signal	Input speed sensor	A/T fluid temperature sensor	Battery voltage	Transmission range switch	Manual mode switch	Stop lamp switch	Line pressure solenoid valve	Torque converter clutch solenoid valve	Low brake solenoid valve	Front brake solenoid valve	High and low reverse clutch solenoid valve	Input clutch solenoid valve	Direct clutch solenoid valve	2346 brake solenoid valve	Anti-interlock solenoid valve	Starter relay	CAN communication		
			TM-316	TM-222	TM-252	TM-250	TM-224	TM-220	TM-218	TM-268	TM-216	TM-258	SEC-54	TM-244	TM-242	TM-265	TM-249	TM-264	TM-246	TM-267	TM-266	TM-245	TM-214	TM-213		
Function trouble	Poor power transmission	Slip	With selector lever in "D" position, acceleration is extremely poor.	5	3		3	3	4					2		2						2		1		
		With selector lever in "R" position, acceleration is extremely poor.	5	3		3	3	4							2					2		2		1		
		While starting off by accelerating in 1GR, engine races.		3		3	3	4							2		2						2		1	
		While accelerating in 2GR, engine races.		3		3	3	4							2		2					2	2		1	
		While accelerating in 3GR, engine races.		3		3	3	4							2		2				2	2			1	
		While accelerating in 4GR, engine races.		3		3	3	4							2				2		2	2			1	
		While accelerating in 5GR, engine races.		3		3	3	4							2				2	2	2		2		1	
		While accelerating in 6GR, engine races.		3		3	3	4							2				2	2		2	2		1	
		While accelerating in 7GR, engine races.		3		3	3	4							2			2	2	2			2		1	
		Lock-up		3		3	3	4							2	2									1	
		No creep at all.														1	1	1	1	1	1	1	1	1		
		Extremely large creep.					1																			

A
B
C
TM
E
F
G
H
I
J
K
L
M
N
O
P

SYSTEM SYMPTOM

< SYMPTOM DIAGNOSIS >

[7AT: RE7R01A]

Symptom			Diagnostic item																								
			Control linkage	Output speed sensor	Vehicle speed signal	Accelerator pedal position sensor	Engine speed signal	Input speed sensor	A/T fluid temperature sensor	Battery voltage	Transmission range switch	Manual mode switch	Stop lamp switch	Line pressure solenoid valve	Torque converter clutch solenoid valve	Low brake solenoid valve	Front brake solenoid valve	High and low reverse clutch solenoid valve	Input clutch solenoid valve	Direct clutch solenoid valve	2346 brake solenoid valve	Anti-interlock solenoid valve	Starter relay	CAN communication			
Function trouble	Power transmission cannot be performed	Vehicle cannot run in all position.	3							2		1	1	1	1	1	1	1	1	1	1						
		Driving is not possible in "D" position.	3							2		1	1	1	1	1	1	1	1	1	1						
		Driving is not possible in "R" position.	3							2		1							1		1						
		Engine stall		4	5	5			6		3		2										1				
		Engine stalls when selector lever shifted "N" → "D" or "R".		4	5	5					3			2										1			
		Engine does not start in "N" or "P" position.		3					1	2														1			
	Poor operation	Power transmission cannot be performed	Engine starts in position other than "N" or "P".	3						2														1			
			Vehicle does not enter parking condition.	1							2																
			Parking condition is not cancelled.	1							2																
			Vehicle runs with A/T in "P" position.	1							2																
			Vehicle moves forward with the "R" position.	1							2																
			Vehicle runs with A/T in "N" position.	1							2																
		1							2																		

SYMPTOM TABLE 2

SYSTEM SYMPTOM

< SYMPTOM DIAGNOSIS >

[7AT: RE7R01A]

Symptom			Diagnostic item																
			Oil pump	Torque converter	Low brake*	Front brake	High and low reverse clutch	Input clutch	Direct clutch	2346 brake	Reverse brake	1st one-way clutch	2nd one-way clutch	gear	control valve	Parking component			
Poor performance	Driving performance	Shift point is high in "D" position.																	
		Shift point is low in "D" position.																	
		Large shock	When shifting gears	→ "D" position	1		2											2	
				→ "R" position	1							1							2
				1GR ⇔ 2GR									1						2
				2GR ⇔ 3GR								1							2
				3GR ⇔ 4GR			2	1											2
				4GR ⇔ 5GR					1		1								2
				5GR ⇔ 6GR							1	1							2
				6GR ⇔ 7GR				1					1						2
		Downshift when accelerator pedal is depressed				2	1	1	1	1		1	1				2		
		Upshift when accelerator pedal is released				2	1	1	1	1		1	1				2		
	Lock-up				1											2			
	Judder		Lock-up				1									2			
	Strange noise	In "R" position		1	1						1				1	2			
		In "N" position		1	1										1	2			
		In "D" position		1	1	1									1	2			
Engine at idle		1	1										1	2					

*: Parts behind drum support is impossible to perform inspection by disassembly. Refer to [TM-175. "Cross-Sectional View"](#).

A
B
C
TM
E
F
G
H
I
J
K
L
M
N
O
P

SYSTEM SYMPTOM

< SYMPTOM DIAGNOSIS >

[7AT: RE7R01A]

Symptom			Diagnostic item															
			Oil pump TM-393	Torque converter TM-346	Low brake* TM-346	Front brake TM-346	High and low reverse clutch TM-415	Input clutch TM-405	Direct clutch TM-417	2346 brake TM-393	Reverse brake TM-346	1st one-way clutch TM-346	2nd one-way clutch TM-410	gear TM-346	control valve TM-322	Parking component TM-327		
Function trouble	Gear does no change	"D" position	Locks in 1GR				1		1		1					2		
			Locks in 2GR														1	
			Locks in 3GR														1	
			Locks in 4GR														1	
			Locks in 5GR														1	
			Locks in 6GR														1	
			Locks in 7GR														1	
			1GR → 2GR				1		1		1						2	
			2GR → 3GR								1						2	
			3GR → 4GR			2	1	1	1								2	
			4GR → 5GR								1	1					2	
			5GR → 6GR								1						2	
			6GR → 7GR			2	1	1	1								2	
			5GR → 4GR								1						2	
			4GR → 3GR			2		1									2	
			3GR → 2GR									1			1		2	
			2GR → 1GR								1	1		1			2	
			Does not lock-up			1	2	1	1	1	1	1	1	1	1	1	2	
	"M" position	1GR ⇔ 2GR			2	1	1	1	1	1		1	1		2			
		2GR ⇔ 3GR			2	1	1	1	1	1		1	1		2			
		3GR ⇔ 4GR			2	1	1	1	1	1		1	1		2			
		4GR ⇔ 5GR			2	1	1	1	1	1		1	1		2			
		5GR ⇔ 6GR			2	1	1	1	1	1		1	1		2			
		6GR ⇔ 7GR			2	1	1	1	1	1		1	1		2			

*: Parts behind drum support is impossible to perform inspection by disassembly. Refer to [TM-175, "Cross-Sectional View"](#).

SYSTEM SYMPTOM

< SYMPTOM DIAGNOSIS >

[7AT: RE7R01A]

Symptom				Diagnostic item													
				Oil pump	Torque converter	Low brake*	Front brake	High and low reverse clutch	Input clutch	Direct clutch	2346 brake	Reverse brake	1st one-way clutch	2nd one-way clutch	gear	control valve	Parking component
Function trouble	Poor shifting	Slip	When shifting gears	1GR ⇔ 2GR	1							1		1			2
				2GR ⇔ 3GR	1					1							2
				3GR ⇔ 4GR	1		2		1								2
				4GR ⇔ 5GR	1					1		1					2
				5GR ⇔ 6GR	1						1	1					2
				6GR ⇔ 7GR	1			1				1					2
	Engine brake does not work			"M" position	"D" position → "M" position	1			1	1				1	1		2
					7GR → 6GR	1			1			1					2
					6GR → 5GR	1						1	1				2
					5GR → 4GR	1					1		1				2
					4GR → 3GR	1		2		1							2
					3GR → 2GR	1				1		1			1	1	2
					2GR → 1GR	1			1				1		1		2

A
B
C
TM
E
F
G
H
I
J
K
L
M
N
O
P

SYSTEM SYMPTOM

< SYMPTOM DIAGNOSIS >

[7AT: RE7R01A]

Symptom				Diagnostic item																	
				Oil pump	Torque converter	Low brake*	Front brake	High and low reverse clutch	Input clutch	Direct clutch	2346 brake	Reverse brake	1st one-way clutch	2nd one-way clutch	gear	control valve	Parking component				
				TM-393	TM-346	TM-346	TM-346	TM-415	TM-405	TM-417	TM-393	TM-346	TM-346	TM-410	TM-346	TM-322	TM-327				
Function trouble	Poor power transmission	Slip	With selector lever in "D" position, acceleration is extremely poor.	1	1	2								1		1	2				
			With selector lever in "R" position, acceleration is extremely poor.	1	1									1	1	1	1	2			
			While starting off by accelerating in 1GR, engine races.	1	1	2										1	1	1	2		
			While accelerating in 2GR, engine races.	1		2							1				1	1	2		
			While accelerating in 3GR, engine races.	1		2						1	1					1	2		
			While accelerating in 4GR, engine races.	1				1				1	1					1	2		
			While accelerating in 5GR, engine races.	1				1	1			1						1	2		
			While accelerating in 6GR, engine races.	1				1	1				1					1	2		
			While accelerating in 7GR, engine races.	1			1	1	1										2		
			Lock-up	1	1													1	2		
			No creep at all.	1	1	2	1	1	1	1	1	1				1	1	1	2	1	
			Extremely large creep.		1																

*: Parts behind drum support is impossible to perform inspection by disassembly. Refer to [TM-175. "Cross-Sectional View"](#).

SYSTEM SYMPTOM

< SYMPTOM DIAGNOSIS >

[7AT: RE7R01A]

Symptom		Diagnostic item													
		Oil pump TM-393	Torque converter TM-346	Low brake* TM-346	Front brake TM-346	High and low reverse clutch TM-415	Input clutch TM-405	Direct clutch TM-417	2346 brake TM-393	Reverse brake TM-346	gear TM-346	1st one-way clutch TM-410	2nd one-way clutch TM-346	control valve TM-322	Parking component TM-32Z
Function trouble	Power transmission cannot be performed	Vehicle cannot run in all position.	1	1	2	1	1	1	1	1			1	2	1
		Driving is not possible in "D" position.	1	1	2	1	1	1	1		1	1	1	2	1
		Driving is not possible in "R" position.	1							1	1	1	1	2	1
		Engine stall		1											
		Engine stalls when selector lever shifted "N" → "D" or "R".		1											
		Engine does not start in "N" or "P" position.		1											
		Engine starts in position other than "N" or "P".													
	Poor operation	Vehicle does not enter parking condition.													1
		Parking condition is not cancelled.													1
		Vehicle runs with A/T in "P" position.			2	1	1	1	1	1			2	1	
		Vehicle moves forward with the "R" position.			2	1	1	1	1				2		
		Vehicle runs with A/T in "N" position.			2	1	1	1	1	1			2		
Vehicle moves backward with the "D" position.									1				2		

*: Parts behind drum support is impossible to perform inspection by disassembly. Refer to [TM-175, "Cross-Sectional View"](#).

A
B
C
TM
E
F
G
H
I
J
K
L
M
N
O
P

PRECAUTION

PRECAUTIONS

FOR USA AND CANADA

FOR USA AND CANADA : Precaution for Supplemental Restraint System (SRS) "AIR BAG" and "SEAT BELT PRE-TENSIONER"

INFOID:000000008193111

The Supplemental Restraint System such as "AIR BAG" and "SEAT BELT PRE-TENSIONER", used along with a front seat belt, helps to reduce the risk or severity of injury to the driver and front passenger for certain types of collision. This system includes seat belt switch inputs and dual stage front air bag modules. The SRS system uses the seat belt switches to determine the front air bag deployment, and may only deploy one front air bag, depending on the severity of a collision and whether the front occupants are belted or unbelted.

Information necessary to service the system safely is included in the "SRS AIR BAG" and "SEAT BELT" of this Service Manual.

WARNING:

Always observe the following items for preventing accidental activation.

- To avoid rendering the SRS inoperative, which could increase the risk of personal injury or death in the event of a collision that would result in air bag inflation, all maintenance must be performed by an authorized NISSAN/INFINITI dealer.
- Improper maintenance, including incorrect removal and installation of the SRS, can lead to personal injury caused by unintentional activation of the system. For removal of Spiral Cable and Air Bag Module, see "SRS AIR BAG".
- Never use electrical test equipment on any circuit related to the SRS unless instructed to in this Service Manual. SRS wiring harnesses can be identified by yellow and/or orange harnesses or harness connectors.

PRECAUTIONS WHEN USING POWER TOOLS (AIR OR ELECTRIC) AND HAMMERS

WARNING:

Always observe the following items for preventing accidental activation.

- When working near the Air Bag Diagnosis Sensor Unit or other Air Bag System sensors with the ignition ON or engine running, never use air or electric power tools or strike near the sensor(s) with a hammer. Heavy vibration could activate the sensor(s) and deploy the air bag(s), possibly causing serious injury.
- When using air or electric power tools or hammers, always switch the ignition OFF, disconnect the battery, and wait at least 3 minutes before performing any service.

FOR USA AND CANADA : Precaution for Battery Service

INFOID:000000008193112

Before disconnecting the battery, lower both the driver and passenger windows. This will prevent any interference between the window edge and the vehicle when the door is opened/closed. During normal operation, the window slightly raises and lowers automatically to prevent any window to vehicle interference. The automatic window function will not work with the battery disconnected.

FOR USA AND CANADA : On Board Diagnostic (OBD) System of Engine and A/T

INFOID:000000008193113

The ECM has an on board diagnostic system. It will light up the malfunction indicator lamp (MIL) to warn the driver of a malfunction causing emission deterioration.

CAUTION:

- Be sure to turn the ignition switch OFF and disconnect the negative battery cable before any repair or inspection work. The open/short circuit of related switches, sensors, solenoid valves, etc. will cause the MIL to light up.
- Be sure to connect and lock the connectors securely after work. A loose (unlocked) connector will cause the MIL to light up due to the open circuit. (Be sure the connector is free from water, grease, dirt, bent terminals, etc.)
- Certain systems and components, especially those related to OBD, may use a new style slide-locking type harness connector. For description and how to disconnect, refer to [PG-102, "Description"](#).
- Be sure to route and secure the harnesses properly after work. The interference of the harness with a bracket, etc. may cause the MIL to light up due to the short circuit.

PRECAUTIONS

[7AT: RE7R01A]

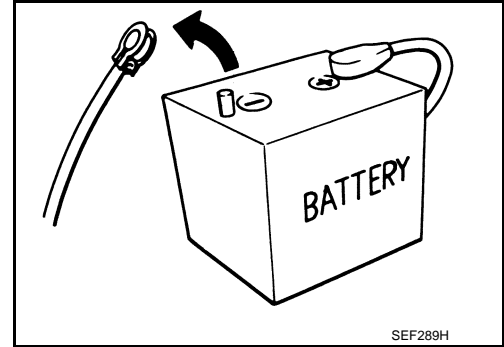
< PRECAUTION >

- Be sure to connect rubber tubes properly after work. A misconnected or disconnected rubber tube may cause the MIL to light up due to the malfunction of the EVAP system or fuel injection system, etc.
- Be sure to erase the unnecessary malfunction information (repairs completed) from the ECM and TCM (Transmission control module) before returning the vehicle to the customer.

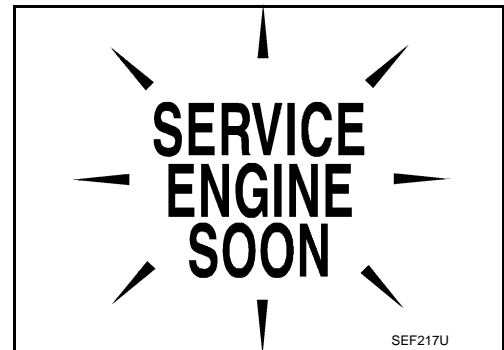
FOR USA AND CANADA : General Precautions

INFOID:000000008193114

- Turn ignition switch OFF and disconnect the battery cable from the negative terminal before connecting or disconnecting the A/T assembly connector. Because battery voltage is applied to TCM even if ignition switch is turned OFF.



- Perform "DTC (Diagnostic Trouble Code) CONFIRMATION PROCEDURE" after performing each TROUBLE DIAGNOSIS. If the repair is completed DTC should not be displayed in the "DTC CONFIRMATION PROCEDURE".
- Always use the specified brand of ATF. Refer to [MA-16, "FOR NORTH AMERICA : Fluids and Lubricants"](#).
- Use lint-free paper not cloth rags during work.
- Dispose of the waste oil using the methods prescribed by law, ordinance, etc. after replacing the ATF.
- Before proceeding with disassembly, thoroughly clean the outside of the transmission. It is important to prevent the internal parts from becoming contaminated by dirt or other foreign matter.
- Disassembly should be done in a clean work area.
- Use lint-free paper or towels for wiping parts clean. Common shop rags can leave fibers that could interfere with the operation of the transmission.
- Place disassembled parts in order for easier and proper assembly.
- All parts should be carefully cleaned with a general purpose, non-flammable solvent before inspection or reassembly.
- Gaskets, seals and O-rings should be replaced any time the A/T is disassembled.
- It is very important to perform functional tests whenever they are indicated.
- The valve body contains precision parts and requires extreme care when parts are removed and serviced. Place disassembled valve body parts in order for easier and proper assembly. Care will also prevent springs and small parts from becoming scattered or lost.
- Properly installed valves, sleeves, plugs, etc. will slide along bores in valve body under their own weight.
- Before assembly, apply a coat of recommended ATF to all parts. Apply petroleum jelly to protect O-rings and seals, or hold bearings and washers in place during assembly. Never use grease.
- Extreme care should be taken to avoid damage to O-rings, seals and gaskets when assembling.
- Clean or replace ATF cooler if excessive foreign material is found in oil pan or clogging strainer. Refer to [TM-303, "FOR USA AND CANADA : Service Notice or Precaution"](#).
- When the A/T drain plug is removed, only some of the ATF is drained. Old ATF will remain in torque converter and ATF cooling system. Always follow the procedures under "Changing" when changing ATF. Refer to [TM-309, "Changing"](#).
- Occasionally, the parking gear may be locked with the torque insufficiently released, when stopping the vehicle by shifting the selector lever from "D" or "R" to "P" position with the brake pedal depressed. In this case, the shock with a thud caused by the abrupt release of torque may occur when shifting the selector lever from "P" position to other positions. However, this symptom is not a malfunction which results in the damage of parts.



FOR USA AND CANADA : Service Notice or Precaution

INFOID:000000008193115

ATF COOLER SERVICE

PRECAUTIONS

< PRECAUTION >

[7AT: RE7R01A]

If ATF contains frictional material (clutches, bands, etc.), or if an A/T is repaired, overhauled, or replaced, inspect and clean the A/T fluid cooler mounted in the radiator or replace the radiator. Flush cooler lines using cleaning solvent and compressed air after repair. For A/T fluid cooler cleaning procedure, refer to [TM-312, "Cleaning"](#). For radiator replacement, refer to [CO-16, "Exploded View"](#).

FOR MEXICO

FOR MEXICO : Precaution for Supplemental Restraint System (SRS) "AIR BAG" and "SEAT BELT PRE-TENSIONER"

INFOID:000000008193116

The Supplemental Restraint System such as "AIR BAG" and "SEAT BELT PRE-TENSIONER", used along with a front seat belt, helps to reduce the risk or severity of injury to the driver and front passenger for certain types of collision. Information necessary to service the system safely is included in the "SRS AIR BAG" and "SEAT BELT" of this Service Manual.

WARNING:

Always observe the following items for preventing accidental activation.

- To avoid rendering the SRS inoperative, which could increase the risk of personal injury or death in the event of a collision that would result in air bag inflation, all maintenance must be performed by an authorized NISSAN/INFINITI dealer.
- Improper maintenance, including incorrect removal and installation of the SRS, can lead to personal injury caused by unintentional activation of the system. For removal of Spiral Cable and Air Bag Module, see "SRS AIR BAG".
- Never use electrical test equipment on any circuit related to the SRS unless instructed to in this Service Manual. SRS wiring harnesses can be identified by yellow and/or orange harnesses or harness connectors.

PRECAUTIONS WHEN USING POWER TOOLS (AIR OR ELECTRIC) AND HAMMERS

WARNING:

Always observe the following items for preventing accidental activation.

- When working near the Air Bag Diagnosis Sensor Unit or other Air Bag System sensors with the ignition ON or engine running, never use air or electric power tools or strike near the sensor(s) with a hammer. Heavy vibration could activate the sensor(s) and deploy the air bag(s), possibly causing serious injury.
- When using air or electric power tools or hammers, always switch the ignition OFF, disconnect the battery, and wait at least 3 minutes before performing any service.

FOR MEXICO : Precaution for Battery Service

INFOID:000000008193117

Before disconnecting the battery, lower both the driver and passenger windows. This will prevent any interference between the window edge and the vehicle when the door is opened/closed. During normal operation, the window slightly raises and lowers automatically to prevent any window to vehicle interference. The automatic window function will not work with the battery disconnected.

FOR MEXICO : On Board Diagnostic (OBD) System of Engine and A/T

INFOID:000000008193118

The ECM has an on board diagnostic system. It will light up the malfunction indicator lamp (MIL) to warn the driver of a malfunction causing emission deterioration.

CAUTION:

- Be sure to turn the ignition switch OFF and disconnect the negative battery cable before any repair or inspection work. The open/short circuit of related switches, sensors, solenoid valves, etc. will cause the MIL to light up.
- Be sure to connect and lock the connectors securely after work. A loose (unlocked) connector will cause the MIL to light up due to the open circuit. (Be sure the connector is free from water, grease, dirt, bent terminals, etc.)
- Certain systems and components, especially those related to OBD, may use a new style slide-locking type harness connector. For description and how to disconnect, refer to [PG-102, "Description"](#).
- Be sure to route and secure the harnesses properly after work. The interference of the harness with a bracket, etc. may cause the MIL to light up due to the short circuit.
- Be sure to connect rubber tubes properly after work. A misconnected or disconnected rubber tube may cause the MIL to light up due to the malfunction of the EVAP system or fuel injection system, etc.

PRECAUTIONS

< PRECAUTION >

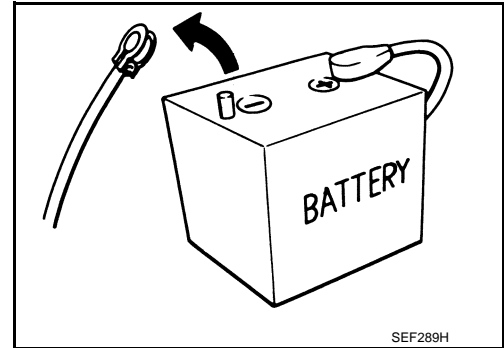
[7AT: RE7R01A]

- Be sure to erase the unnecessary malfunction information (repairs completed) from the ECM and TCM (Transmission control module) before returning the vehicle to the customer.

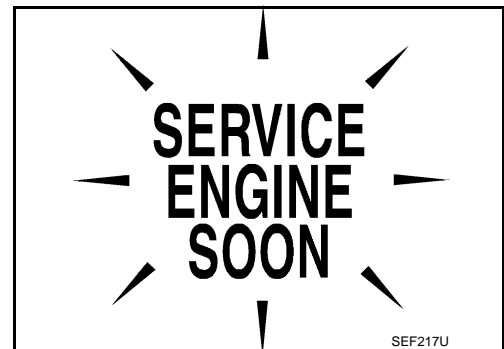
FOR MEXICO : General Precautions

INFOID:000000008193119

- Turn ignition switch OFF and disconnect the battery cable from the negative terminal before connecting or disconnecting the A/T assembly connector. Because battery voltage is applied to TCM even if ignition switch is turned OFF.



- Perform "DTC (Diagnostic Trouble Code) CONFIRMATION PROCEDURE" after performing each TROUBLE DIAGNOSIS. If the repair is completed DTC should not be displayed in the "DTC CONFIRMATION PROCEDURE".
- Always use the specified brand of ATF. Refer to [MA-17, "FOR MEXICO : Fluids and Lubricants"](#).
- Use lint-free paper not cloth rags during work.
- Dispose of the waste oil using the methods prescribed by law, ordinance, etc. after replacing the ATF.
- Before proceeding with disassembly, thoroughly clean the outside of the transmission. It is important to prevent the internal parts from becoming contaminated by dirt or other foreign matter.
- Disassembly should be done in a clean work area.
- Use lint-free paper or towels for wiping parts clean. Common shop rags can leave fibers that could interfere with the operation of the transmission.
- Place disassembled parts in order for easier and proper assembly.
- All parts should be carefully cleaned with a general purpose, non-flammable solvent before inspection or reassembly.
- Gaskets, seals and O-rings should be replaced any time the A/T is disassembled.
- It is very important to perform functional tests whenever they are indicated.
- The valve body contains precision parts and requires extreme care when parts are removed and serviced. Place disassembled valve body parts in order for easier and proper assembly. Care will also prevent springs and small parts from becoming scattered or lost.
- Properly installed valves, sleeves, plugs, etc. will slide along bores in valve body under their own weight.
- Before assembly, apply a coat of recommended ATF to all parts. Apply petroleum jelly to protect O-rings and seals, or hold bearings and washers in place during assembly. Never use grease.
- Extreme care should be taken to avoid damage to O-rings, seals and gaskets when assembling.
- Clean or replace ATF cooler if excessive foreign material is found in oil pan or clogging strainer. Refer to [TM-305, "FOR MEXICO : Service Notice or Precaution"](#).
- When the A/T drain plug is removed, only some of the ATF is drained. Old ATF will remain in torque converter and ATF cooling system. Always follow the procedures under "Changing" when changing ATF. Refer to [TM-309, "Changing"](#).
- Occasionally, the parking gear may be locked with the torque insufficiently released, when stopping the vehicle by shifting the selector lever from "D" or "R" to "P" position with the brake pedal depressed. In this case, the shock with a thud caused by the abrupt release of torque may occur when shifting the selector lever from "P" position to other positions. However, this symptom is not a malfunction which results in the damage of parts.



FOR MEXICO : Service Notice or Precaution

INFOID:000000008193120

ATF COOLER SERVICE

If ATF contains frictional material (clutches, bands, etc.), or if an A/T is repaired, overhauled, or replaced, inspect and clean the A/T fluid cooler mounted in the radiator or replace the radiator. Flush cooler lines using

PRECAUTIONS

[7AT: RE7R01A]

< PRECAUTION >

cleaning solvent and compressed air after repair. For A/T fluid cooler cleaning procedure, refer to [TM-312](#), "[Cleaning](#)". For radiator replacement, refer to [CO-16](#), "[Exploded View](#)".

PREPARATION

< PREPARATION >

[7AT: RE7R01A]

PREPARATION

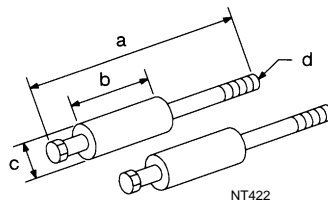
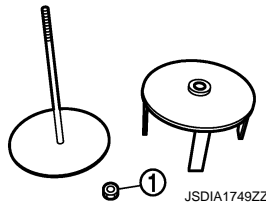
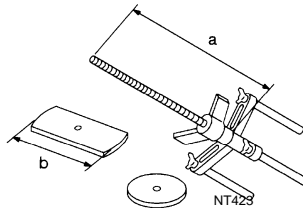
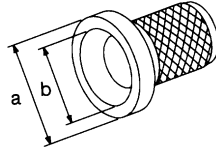
PREPARATION

Special Service Tool

INFOID:000000008193121

The actual shapes of Kent-Moore tools may differ from those of special service tools illustrated here.

Tool number (Kent-Moore No.) Tool name	Description
ST33400001 (J-26082) Drift a: 60 mm (2.36 in) dia. b: 47 mm (1.85 in) dia.	<ul style="list-style-type: none"> Installing rear oil seal Installing oil pump housing oil seal
KV31102400 (J-34285 and J-34285-87) Clutch spring compressor a: 320 mm (12.60 in) b: 174 mm (6.85 in)	<ul style="list-style-type: none"> Installing reverse brake return spring retainer Removing and installing 2346 brake spring retainer
KV31103800 Clutch spring compressor 1. M12×1.75P	Removing and installing front brake spring retainer
ST25850000 (J-25721-A) Sliding hammer a: 179 mm (7.05 in) b: 70 mm (2.76 in) c: 40 mm (1.57 in) d: M12X1.75P	Remove oil pump assembly



A
B
C
TM
E
F
G
H
I
J
K
L
M
N
O
P

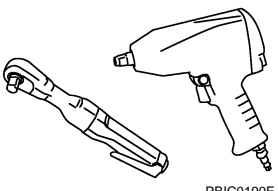
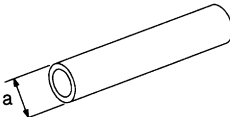
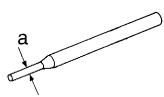
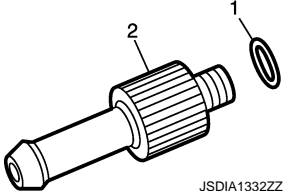
PREPARATION

< PREPARATION >

[7AT: RE7R01A]

Commercial Service Tool

INFOID:000000008193122

Tool name	Description
<p>Power tool</p>  <p>PBIC0190E</p>	<p>Loosening bolts and nuts</p>
<p>Drift a: 22 mm (0.87 in) dia.</p>  <p>NT083</p>	<p>Installing manual shaft oil seals</p>
<p>Pin punch a: 4 mm (0.16 in) dia.</p>  <p>NT410</p>	<p>Remove retaining pin</p>
<ol style="list-style-type: none"> 1. 315268E000* O-ring 2. 310811EA5A* Charging pipe  <p>JSDIA1332ZZ</p>	<p>A/T fluid changing and adjustment</p>

*: Always check with the Parts Department for the latest parts information.

PERIODIC MAINTENANCE

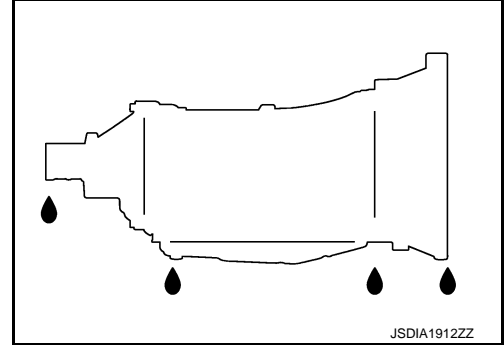
A/T FLUID

Inspection

INFOID:000000008193123

FLUID LEAKAGE

- Check transmission surrounding area (oil seal and plug etc.) for fluid leakage.
- If anything is found, repair or replace damaged parts and adjust A/T fluid level. Refer to [TM-311. "Adjustment"](#).



Changing

INFOID:000000008193124

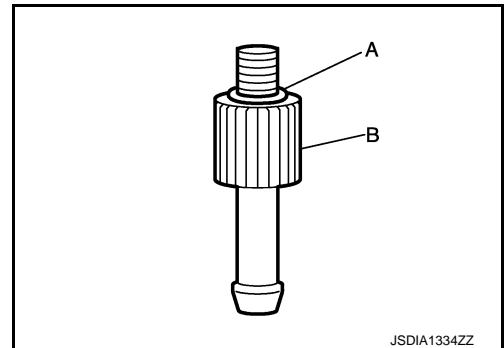
- ATF : Refer to [TM-419. "General Specification"](#).
- Fluid capacity : Refer to [TM-419. "General Specification"](#).

CAUTION:

- Use only Genuine NISSAN Matic S ATF. Never mix with other ATF.
- Using ATF other than Genuine NISSAN Matic S ATF will cause deterioration in driveability and A/T durability, and may damage the A/T, which is not covered by the NISSAN new vehicle limited warranty.
- When filling ATF, be careful not to scatter heat generating parts such as exhaust.

1. Step 1

- Install the O-ring (315268E000) (A) to the charging pipe (310811EA5A) (B).



2. Step 2

- Use CONSULT to check that the ATF temperature is 40°C (104°F) or less.
- Lift up the vehicle.
- Remove the drain plug from the oil pan, and then drain the ATF.
- When the ATF starts to drip, temporarily tighten the drain plug to the oil pan.

NOTE:

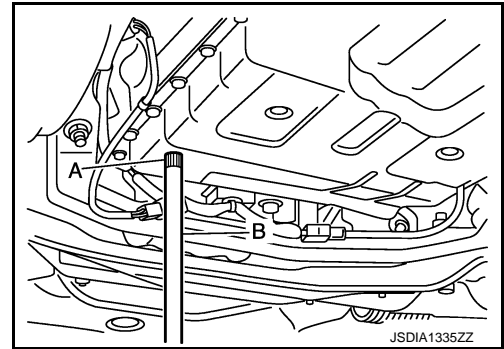
- Never replace drain plug and drain plug gasket with new ones yet.
- Remove overflow plug from oil pan.

A/T FLUID

< PERIODIC MAINTENANCE >

[7AT: RE7R01A]

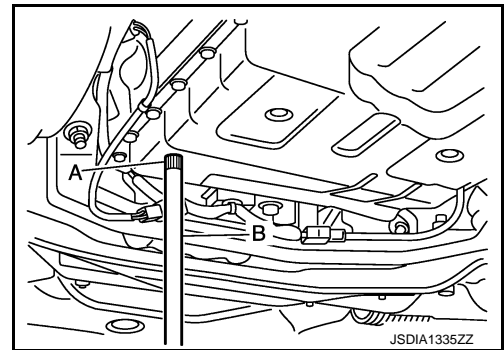
- f. Install the charging pipe (A) to the overflow plug hole.
CAUTION:
Tighten the charging pipe by hand.
- g. Install the bucket pump hose (B) to the charging pipe.
CAUTION:
Insert the bucket pump hose all the way to the end of the charging pipe.
- h. Fill approximately 3 liters (3-1/8 US qt, 2-5/8 Imp qt) of the ATF.
- i. Remove the bucket pump hose to remove the charging pipe, and then temporarily tighten the overflow plug to the oil pan.



- CAUTION:**
Quickly perform the procedure to avoid ATF leakage from the oil pan.
- j. Lift down the vehicle.
- k. Start the engine and wait for approximately 3 minutes.
- l. Stop the engine.
- 3. Step 3
- a. Repeat "Step 2".
- 4. Final Step
- a. Use CONSULT to check that the ATF temperature is 40°C (104°F) or less.
- b. Lift up the vehicle.
- c. Remove the drain plug from the oil pan, and then drain the ATF.
- d. When the ATF starts to drip, tighten the drain plug to the oil pan to the specified torque. Refer to [TM-322, "Exploded View"](#).

CAUTION:
Never reuse drain plug and drain plug gasket.

- e. Remove overflow plug from oil pan.
- f. Install the charging pipe (A) to the overflow plug hole.
CAUTION:
Tighten the charging pipe by hand.
- g. Install the bucket pump hose (B) to the charging pipe.
CAUTION:
Insert the bucket pump hose all the way to the end of the charging pipe.
- h. Fill approximately 3 liters (3-1/8 US qt, 2-5/8 Imp qt) of the ATF.
- i. Remove the bucket pump hose to remove the charging pipe, and then temporarily tighten the overflow plug to the oil pan.



CAUTION:
Quickly perform the procedure to avoid ATF leakage from the oil pan.

- j. Lift down the vehicle.
- k. Start the engine.
- l. Make the ATF temperature approximately 40°C (104°F).

NOTE:

The ATF level is greatly affected by the temperature. Always check the ATF temperature on "ATF TEMP 1" of "Data Monitor" using CONSULT.

- m. Park vehicle on level surface and set parking brake.
- n. Shift the selector lever through each gear position. Leave selector lever in "P" position.
- o. Lift up the vehicle when the ATF temperature reaches 40°C (104°F), and then remove the overflow plug from the oil pan.
- p. When the ATF starts to drip, tighten the overflow plug to the oil pan to the specified torque. Refer to [TM-322, "Exploded View"](#).

CAUTION:

Never reuse overflow plug.

Adjustment

- ATF : Refer to [TM-419. "General Specification"](#).
 Fluid capacity : Refer to [TM-419. "General Specification"](#).

CAUTION:

- Use only Genuine NISSAN Matic S ATF. Never mix with other ATF.
- Using ATF other than Genuine NISSAN Matic S ATF will cause deterioration in driveability and A/T durability, and may damage the A/T, which is not covered by the NISSAN new vehicle limited warranty.
- When filling ATF, be careful not to scatter heat generating parts such as exhaust.
- Always maintain the ATF temperature within between 35°C (95°F) and 45°C (113°F) while checking with CONSULT when the ATF level adjustment is performed.

1. Install the O-ring (315268E000) (A) to the charging pipe (310811EA5A) (B).
2. Start the engine.
3. Make the ATF temperature approximately 40°C (104°F).

NOTE:

The ATF level is greatly affected by the temperature. Always check the ATF temperature on "ATF TEMP 1" of "Data Monitor" using CONSULT.

4. Park vehicle on level surface and set parking brake.
5. Shift the selector lever through each gear position. Leave selector lever in "P" position.
6. Lift up the vehicle.
7. Check the ATF leakage from transmission.
8. Remove overflow plug from oil pan.
9. Install the charging pipe (A) to the overflow plug hole.

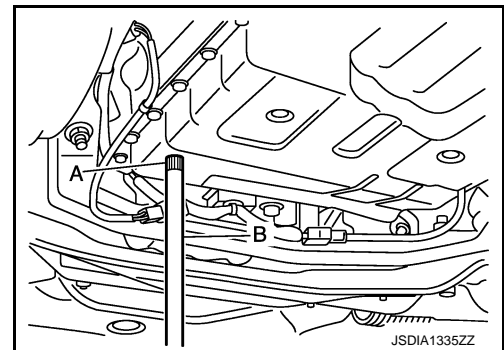
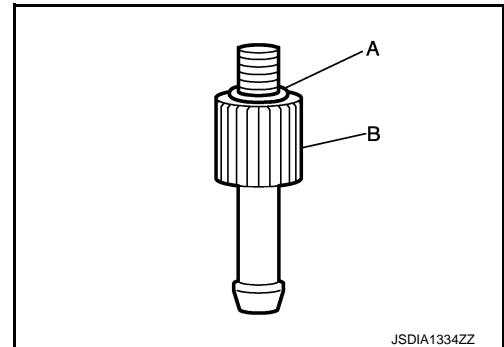
CAUTION:

Tighten the charging pipe by hand.

10. Install the bucket pump hose (B) to the charging pipe.
CAUTION:
Insert the bucket pump hose all the way to the end of the charging pipe.
11. Fill approximately 0.5 liters (1/2 US qt, 1/2 Imp qt) of the ATF.
12. Check that the ATF leaks when removing the charging pipe and the bucket pump hose. If the ATF does not leak, refill the ATF.
13. When the ATF starts to drip, tighten the overflow plug to the oil pan to the specified torque. Refer to [TM-322. "Exploded View"](#).

CAUTION:

Never reuse overflow plug.

A
B
C
TM
E
F
G
H
I
J
K
L
M
N
O
P

A/T FLUID COOLER

Cleaning

INFOID:00000008193126

Whenever an A/T is replaced, the A/T fluid cooler mounted in the radiator must be inspected and cleaned. Metal debris and friction material, if present, can become trapped in the A/T fluid cooler. This debris can contaminate the newly serviced A/T or, in severe cases, can block or restrict the flow of ATF. In either case, malfunction of the newly serviced A/T may result.

Debris, if present, may build up as ATF enters the cooler inlet. It will be necessary to back flush the cooler through the cooler outlet in order to flush out any built up debris.

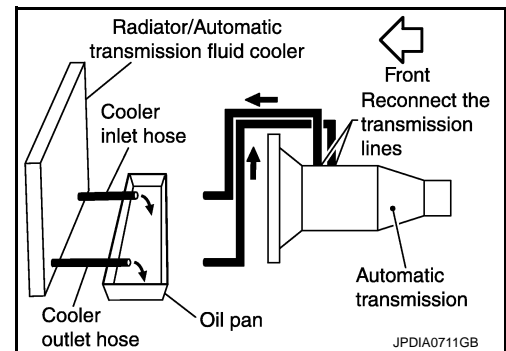
CLEANING PROCEDURE

1. Position an oil pan under the A/T inlet and outlet cooler hoses.
2. Identify the inlet and outlet fluid cooler hoses.
3. Disconnect the A/T fluid cooler inlet and outlet rubber hoses from the steel cooler tubes or by-pass valve.

NOTE:

Replace the cooler hoses if rubber material from the hose remains on the tube fitting.

4. Allow any ATF that remains in the cooler hoses to drain into the oil pan.

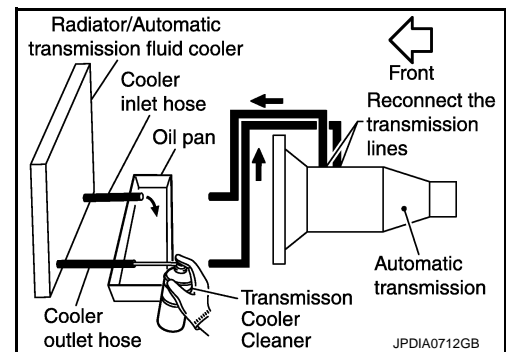


5. Insert the extension adapter hose of a can of Transmission Cooler Cleaner (Nissan P/N 999MP-AM006) into the cooler outlet hose.

CAUTION:

- Wear safety glasses and rubber gloves when spraying the Transmission Cooler Cleaner.
- Spray Transmission Cooler Cleaner only with adequate ventilation.
- Avoid contact with eyes and skin.
- Never breathe vapors or spray mist.

6. Hold the hose and can as high as possible and spray Transmission Cooler Cleaner in a continuous stream into the cooler outlet hose until ATF flows out of the cooler inlet hose for 5 seconds.



7. Insert the tip of an air gun into the end of the cooler outlet hose.
8. Wrap a shop rag around the air gun tip and of the cooler outlet hose.

9. Blow compressed air regulated to 5 to 9 kg/cm² (71 to 128 psi) through the cooler outlet hose for 10 seconds to force out any remaining ATF.

10. Repeat steps 5 through 9 three additional times.

11. Position an oil pan under the banjo bolts that connect the A/T fluid cooler steel lines to the A/T.

12. Remove the banjo bolts.

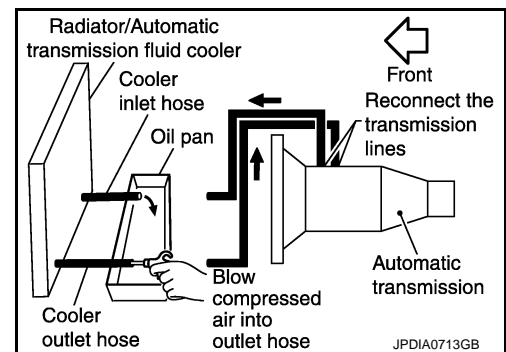
13. Flush each steel line from the cooler side back toward the A/T by spraying Transmission Cooler Cleaner in a continuous stream for 5 seconds.

14. Blow compressed air regulated to 5 to 9 kg/cm² (71 to 128 psi) through each steel line from the cooler side back toward the A/T for 10 seconds to force out any remaining ATF.

15. Ensure all debris is removed from the steel cooler lines.

16. Ensure all debris is removed from the banjo bolts and fittings.

17. Perform "DIAGNOSIS PROCEDURE".



A/T FLUID COOLER

< PERIODIC MAINTENANCE >

[7AT: RE7R01A]

DIAGNOSIS PROCEDURE

NOTE:

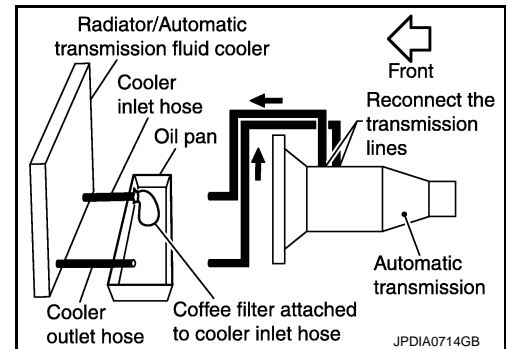
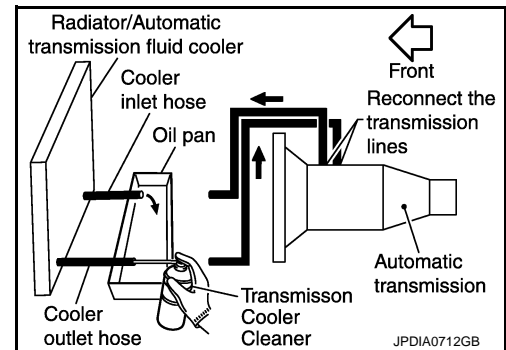
Insufficient cleaning of the cooler inlet hose exterior may lead to inaccurate debris identification.

1. Position an oil pan under the A/T inlet and outlet cooler hoses.
2. Clean the exterior and tip of the cooler inlet hose.
3. Insert the extension adapter hose of a can of Transmission Cooler Cleaner (Nissan P/N 999MP-AM006) into the cooler outlet hose.

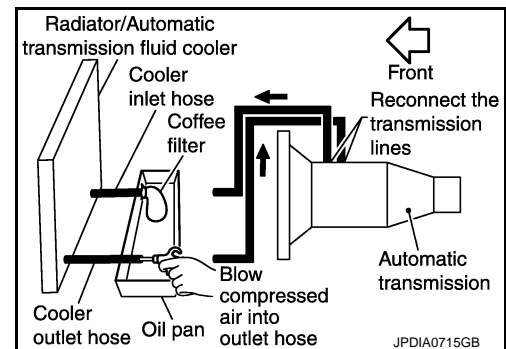
CAUTION:

- **Wear safety glasses and rubber gloves when spraying the Transmission Cooler Cleaner.**
- **Spray Transmission Cooler Cleaner only with adequate ventilation.**
- **Avoid contact with eyes and skin.**
- **Never breathe vapors or spray mist.**

4. Hold the hose and can as high as possible and spray Transmission Cooler Cleaner in a continuous stream into the cooler outlet hose until ATF flows out of the cooler inlet hose for 5 seconds.
5. Tie a common white, basket-type coffee filter to the end of the cooler inlet hose.

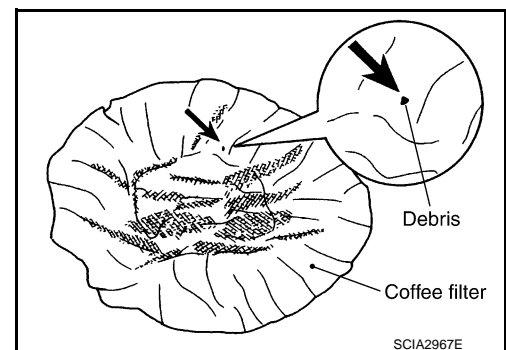


6. Insert the tip of an air gun into the end of the cooler outlet hose.
7. Wrap a shop rag around the air gun tip and end of cooler outlet hose.
8. Blow compressed air regulated to 5 to 9 kg/cm² (71 to 128 psi) through the cooler outlet hose to force any remaining ATF into the coffee filter.
9. Remove the coffee filter from the end of the cooler inlet hose.
10. Perform "INSPECTION PROCEDURE".



INSPECTION PROCEDURE

1. Inspect the coffee filter for debris.
 - a. If small metal debris less than 1 mm (0.040 in) in size or metal powder is found in the coffee filter, this is normal. If normal debris is found, the A/T fluid cooler/radiator can be re-used and the procedure is ended.

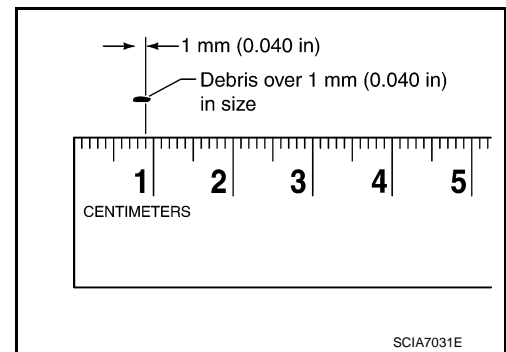


A/T FLUID COOLER

< PERIODIC MAINTENANCE >

[7AT: RE7R01A]

- b. If one or more pieces of debris are found that are over 1 mm (0.040 in) in size and/or peeled clutch facing material is found in the coffee filter, the A/T fluid cooler is not serviceable. The A/T fluid cooler/radiator must be replaced and the inspection procedure is ended. Refer to [CO-16, "Exploded View"](#).



Inspection

INFOID:000000008193127

After performing all procedures, ensure that all remaining oil is cleaned from all components.

STALL TEST

< PERIODIC MAINTENANCE >

[7AT: RE7R01A]

STALL TEST

Inspection and Judgment

INFOID:000000008193128

INSPECTION

1. Inspect the amount of engine oil. Replenish the engine oil if necessary.
2. Drive for about 10 minutes to warm up the vehicle so that the A/T fluid temperature is 50 to 80°C (122 to 176°F). Inspect the amount of ATF. Replenish if necessary.
3. Securely engage the parking brake so that the tires do not turn.
4. Start the engine, apply foot brake, and place selector lever in "D" position.
5. Gradually press down the accelerator pedal while holding down the foot brake.
6. Quickly read off the stall speed, and then quickly release the accelerator pedal.

CAUTION:

Never hold down the accelerator pedal for more than 5 seconds during this test.

Stall speed : Refer to [TM-420, "Stall Speed"](#).

7. Shift the selector lever to "N" position.
 8. Cool down the ATF.
- CAUTION:**
Run the engine at idle for at least 1 minute.
9. Repeat steps 5 through 8 with selector lever in "R" position.

JUDGMENT OF STALL TEST

	Selector lever position		Possible location of malfunction
	"D" and "M"	"R"	
Stall speed	H	O	<ul style="list-style-type: none"> • Low brake • 1st one-way clutch • 2nd one-way clutch
	O	H	<ul style="list-style-type: none"> • Reverse brake • 1st one-way clutch • 2nd one-way clutch
	L	L	<ul style="list-style-type: none"> • Engine and torque converter one-way clutch
	H	H	<ul style="list-style-type: none"> • Line pressure low

O: Stall speed within standard value position

H: Stall speed higher than standard value

L: Stall speed lower than standard value

Stall test standard value position

Does not shift-up "D" or "M" position 1 → 2	Slipping in 2GR, 3GR 4GR or 6GR	2346 brake slippage
Does not shift-up "D" or "M" position 2 → 3	Slipping in 3GR, 4GR or 5GR	Direct clutch slippage
Does not shift-up "D" or "M" position 3 → 4	Slipping in 4GR, 5GR, 6GR or 7GR	High and low reverse clutch slippage
Does not shift-up "D" or "M" position 4 → 5	Slipping in 5GR, 6GR or 7GR	Input clutch slippage
Does not shift-up "D" or "M" position 5 → 6	Slipping in 2GR, 3GR, 4GR or 6GR	2346 brake slippage
Does not shift-up "D" or "M" position 6 → 7	Slipping in 7GR	Front brake slippage

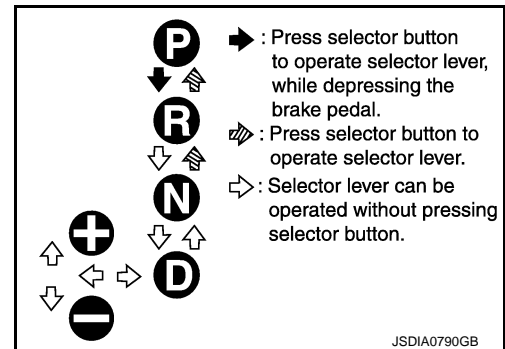
A/T POSITION

Inspection and Adjustment

INFOID:000000008193129

INSPECTION

- Place selector lever in "P" position, and turn ignition switch ON (engine stop).
- Check that selector lever can be shifted to other than "P" position when brake pedal is depressed. Also check that selector lever can be shifted from "P" position only when brake pedal is depressed.
- Shift the selector lever and check for excessive effort, sticking, noise or rattle.
- Confirm that the selector lever stops at each position by feeling the engagement when it is moved through all the positions. Check whether or not the actual position the selector lever matches the position shown by the shift position indicator and the A/T body.
- The method of operating the lever to individual positions correctly is shown in the figure.
- When selector button is pressed in "P", "R", or "N" position without applying forward/backward force to selector lever, check button operation for sticking.
- Confirm that the back-up lamps illuminate only when lever is placed in the "R" position. Confirm that the back-up lamps does not illuminate when selector lever is pushed against "R" position in the "P" or "N" position.
- Confirm that the engine can only be started with the selector lever in the "P" and "N" positions. (With selector lever in the "P" position, engine can be started even when selector lever is moved forward and backward.)
- Make sure that A/T is locked completely in "P" position.
- When selector lever is set to manual shift gate, make sure that manual mode is displayed on combination meter.
In addition, a set shift position must be changed when the selector lever is shifted to the "+" or "-" side in the manual mode. (Only while driving.)



ADJUSTMENT

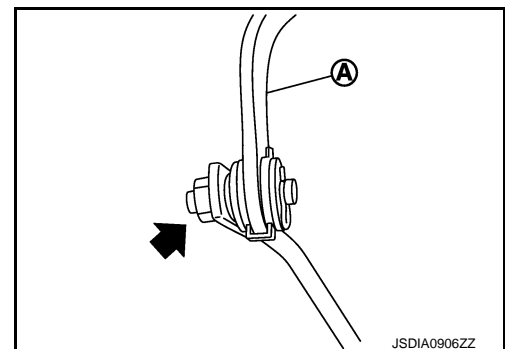
- Loosen nut (←).
- Place manual lever and selector lever in "P" position.
- While pressing lower lever (A) of A/T shift selector assembly toward rear of vehicle (in "P" position direction), tighten nut to specified torque. Refer to [TM-317. "Exploded View"](#).

CAUTION:

Be careful not to touch the control rod while pressing lower lever of A/T shift selector assembly.

NOTE:

Press lower lever of A/T shift selector assembly with a force of approximately 1 kg (9.8 N).



A/T SHIFT SELECTOR

< REMOVAL AND INSTALLATION >

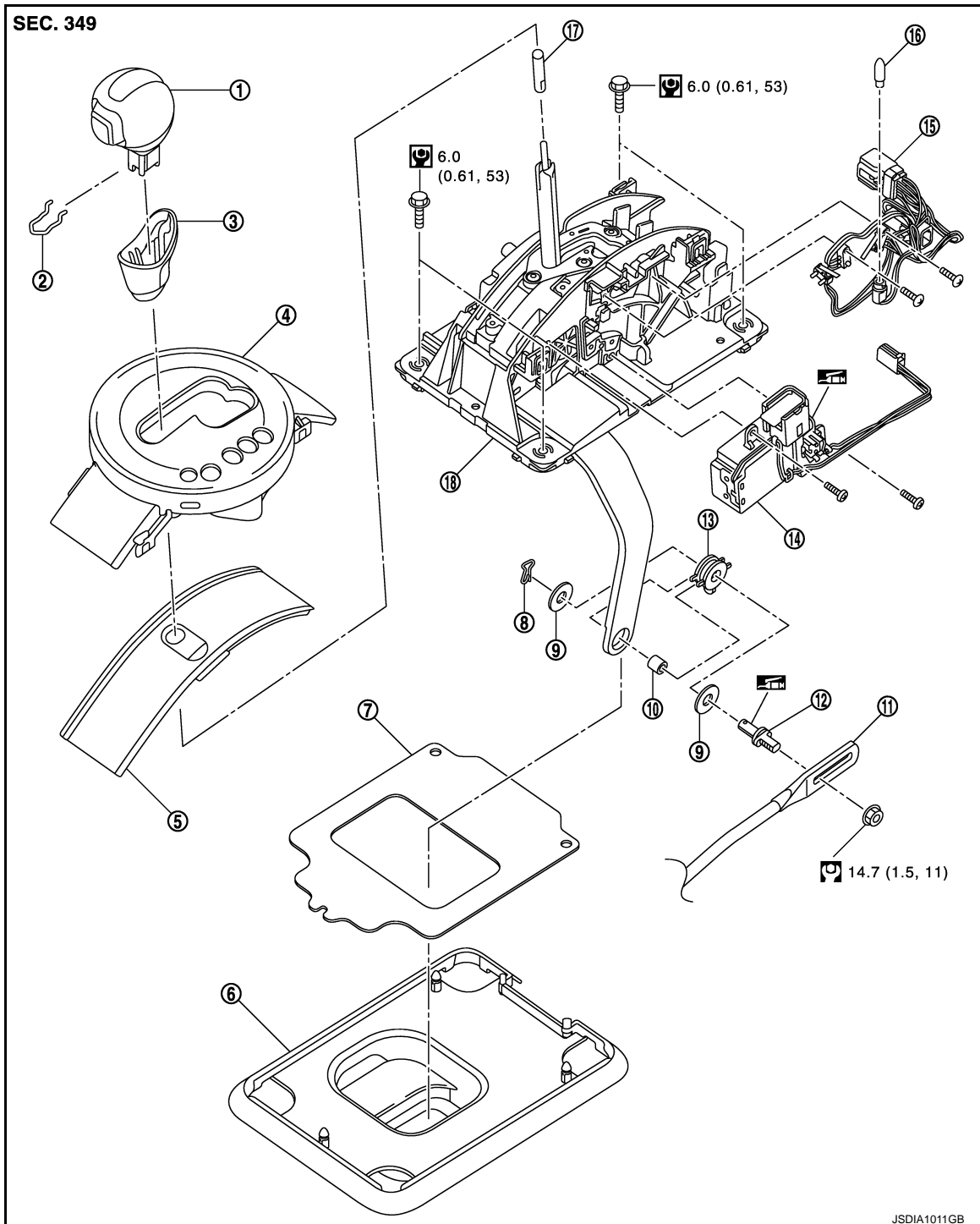
[7AT: RE7R01A]

REMOVAL AND INSTALLATION

A/T SHIFT SELECTOR

Exploded View

INFOID:000000008193130



- | | | |
|-----------------------------|---------------------|---|
| 1. Selector lever knob | 2. Lock pin | 3. Knob cover |
| 4. Position indicator plate | 5. Slide cover | 6. Dust cover |
| 7. Dust cover plate | 8. Snap pin | 9. Washer |
| 10. Collar | 11. Control rod | 12. Pivot pin |
| 13. Insulator | 14. Shift lock unit | 15. A/T shift selector harness assembly |

A
B
C
TM
E
F
G
H
I
J
K
L
M
N
O
P

A/T SHIFT SELECTOR


< REMOVAL AND INSTALLATION >

[7AT: RE7R01A]

16. Position lamp

17. Adapter

18. A/T shift selector assembly

 : Apply multi-purpose grease.

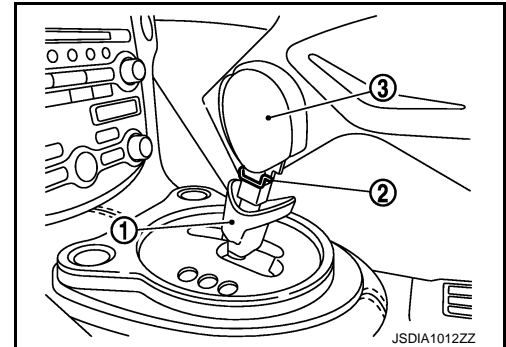
Refer to [GI-4, "Components"](#) for symbols not described on the above.

Removal and Installation

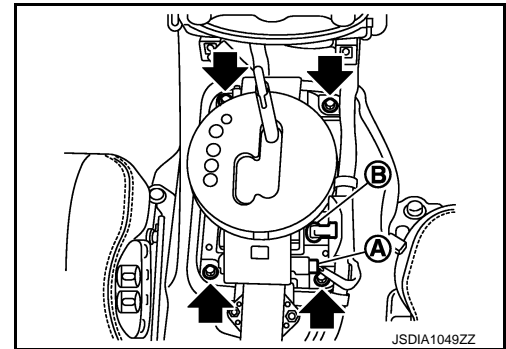
INFOID:000000008193131

REMOVAL

1. Shift the selector lever to "P" position.
2. Remove the control rod from the A/T shift selector assembly.
3. Shift the selector lever to "N" position.
4. Remove the knob cover (1) below the selector lever downward.
5. Pull the lock pin (2) out of the selector lever knob (3).
6. Remove the selector lever knob and the knob cover.
7. Remove the center console assembly. Refer to [IP-25, "Exploded View"](#).
8. Shift the selector lever to "P" position.



9. Disconnect the A/T shift selector connector (A).
10. Remove mounting bolts (←).
11. Remove the main harness clip (B).
12. Remove the A/T shift selector assembly from the vehicle.
13. Remove the snap pin, washers, insulator, collar and pivot pin from the A/T shift selector assembly.
14. Remove the dust cover and dust cover plate from the A/T shift selector assembly.



INSTALLATION

Note the following, and install in the reverse order of removal.

CAUTION:

Apply multi-purpose grease on the pin surface (that slides after installing a collar) of the pivot pin.

- Refer to the followings when installing the selector lever knob to the A/T shift selector assembly.

1. Install the lock pin to the selector lever knob.
2. Install the knob cover to the selector lever knob.
3. Insert the shift lever knob into the shift lever until it clicks.

CAUTION:

- **Install it straight, and never tap or apply any shock to install it.**
- **Never press selector button.**

Disassembly and Assembly

INFOID:000000008193132

DISASSEMBLY

1. Remove the position lamp.
2. Remove the adapter from the A/T shift selector assembly.

A/T SHIFT SELECTOR

< REMOVAL AND INSTALLATION >

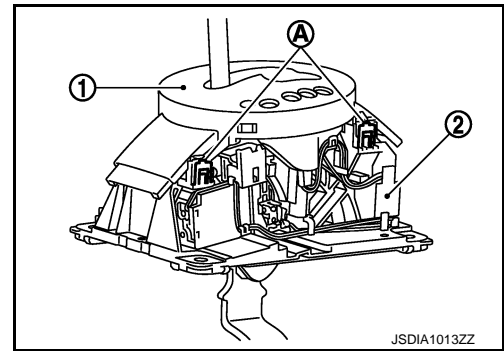
[7AT: RE7R01A]

3. Insert a flat-bladed screwdriver into pawls (A: 4 locations), and remove the position indicator plate (1) from the A/T shift selector assembly (2) while lifting it up.

CAUTION:

The pawls crack easily. Be careful when removing.

4. Remove the slide cover from the A/T shift selector assembly.



5. Remove the shift lock unit (1) from the A/T shift selector assembly.

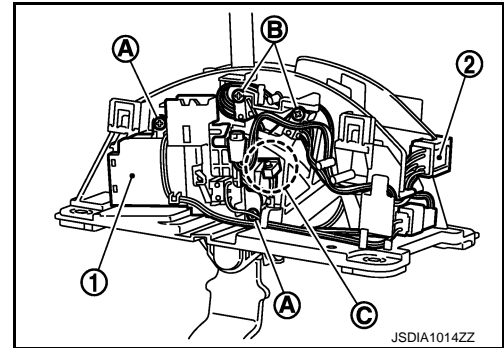
A : Screw

6. Remove the A/T shift selector harness assembly (2) from the A/T shift selector assembly.

B : Screw

CAUTION:

Be careful not to break the pawl when remove the mode select switch (C) from the A/T shift selector assembly.



ASSEMBLY

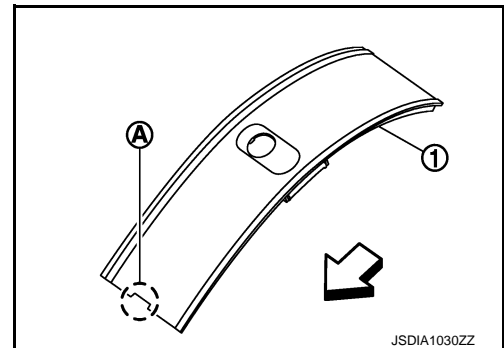
Note the following, and assembly in the reverse order of disassembly.

CAUTION:

Apply multi-purpose grease on the surface that the shift lock unit plate slides vertically.

- Face the concave (A) of the slide cover (1) forward of the A/T shift selector assembly to install.

⇐ : Front side



Inspection and Adjustment

INFOID:000000008193133

INSPECTION AFTER INSTALLATION

Check A/T position. Refer to [TM-316, "Inspection and Adjustment"](#).

ADJUSTMENT AFTER INSTALLATION

Adjust A/T position. Refer to [TM-316, "Inspection and Adjustment"](#).

CONTROL ROD

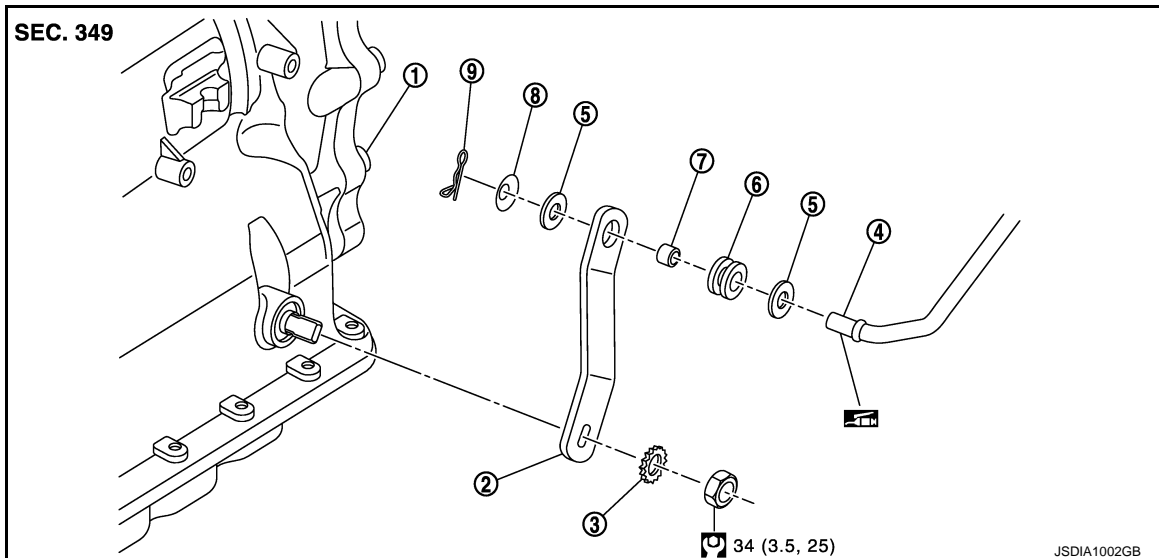
< REMOVAL AND INSTALLATION >

[7AT: RE7R01A]


CONTROL ROD

Exploded View

INFOID:000000008193134



- | | | |
|-----------------|-------------------|----------------|
| 1. A/T assembly | 2. Manual lever | 3. Lock washer |
| 4. Control rod | 5. Washer | 6. Insulator |
| 7. Collar | 8. Conical washer | 9. Snap pin |

: Apply multi-purpose grease.

Refer to [GI-4, "Components"](#) for symbols not described on the above.

Removal and Installation

INFOID:000000008193135

REMOVAL

1. Shift the selector lever to "P" position.
2. Remove the control rod from the A/T shift selector assembly. Refer to [TM-317, "Exploded View"](#).
3. Remove the manual lever from the A/T assembly.
4. Remove the control rod from the manual lever.
5. Remove the insulator and collar from manual lever.

INSTALLATION

Note the following, and install in the reverse order of removal.

CAUTION:

Apply multi-purpose grease on the pin surface (that slides after installing collar) of the tip of the control rod.

Inspection and Adjustment

INFOID:000000008193136

INSPECTION AFTER INSTALLATION

Check A/T position. Refer to [TM-316, "Inspection and Adjustment"](#).

ADJUSTMENT AFTER INSTALLATION

Adjust A/T position. Refer to [TM-316, "Inspection and Adjustment"](#).

PADDLE SHIFTER

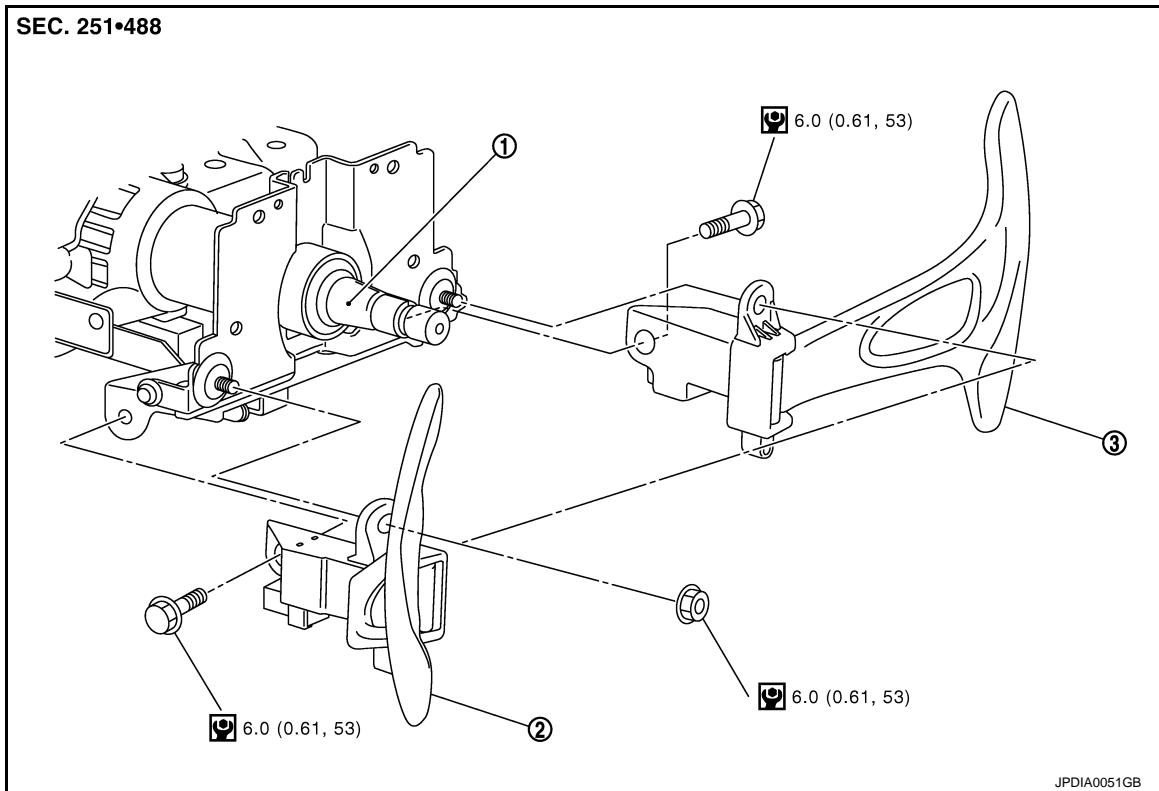
< REMOVAL AND INSTALLATION >

[7AT: RE7R01A]

PADDLE SHIFTER

Exploded View

INFOID:000000008193137



1. Steering column assembly 2. Paddle shifter (shift-down) 3. Paddle shifter (shift-up)

Refer to [GI-4. "Components"](#) for symbols in the figure.

Removal and Installation

INFOID:000000008193138

REMOVAL

1. Remove the steering column cover. Refer to [IP-14. "Exploded View"](#).
2. Disconnect the paddle shifter connectors from each paddle shifter.
3. Remove paddle shifter mounting bolts and nuts.
4. Remove each paddle shifter from the steering column assembly.

INSTALLATION

Install in the reverse order of removal.

CONTROL VALVE & TCM

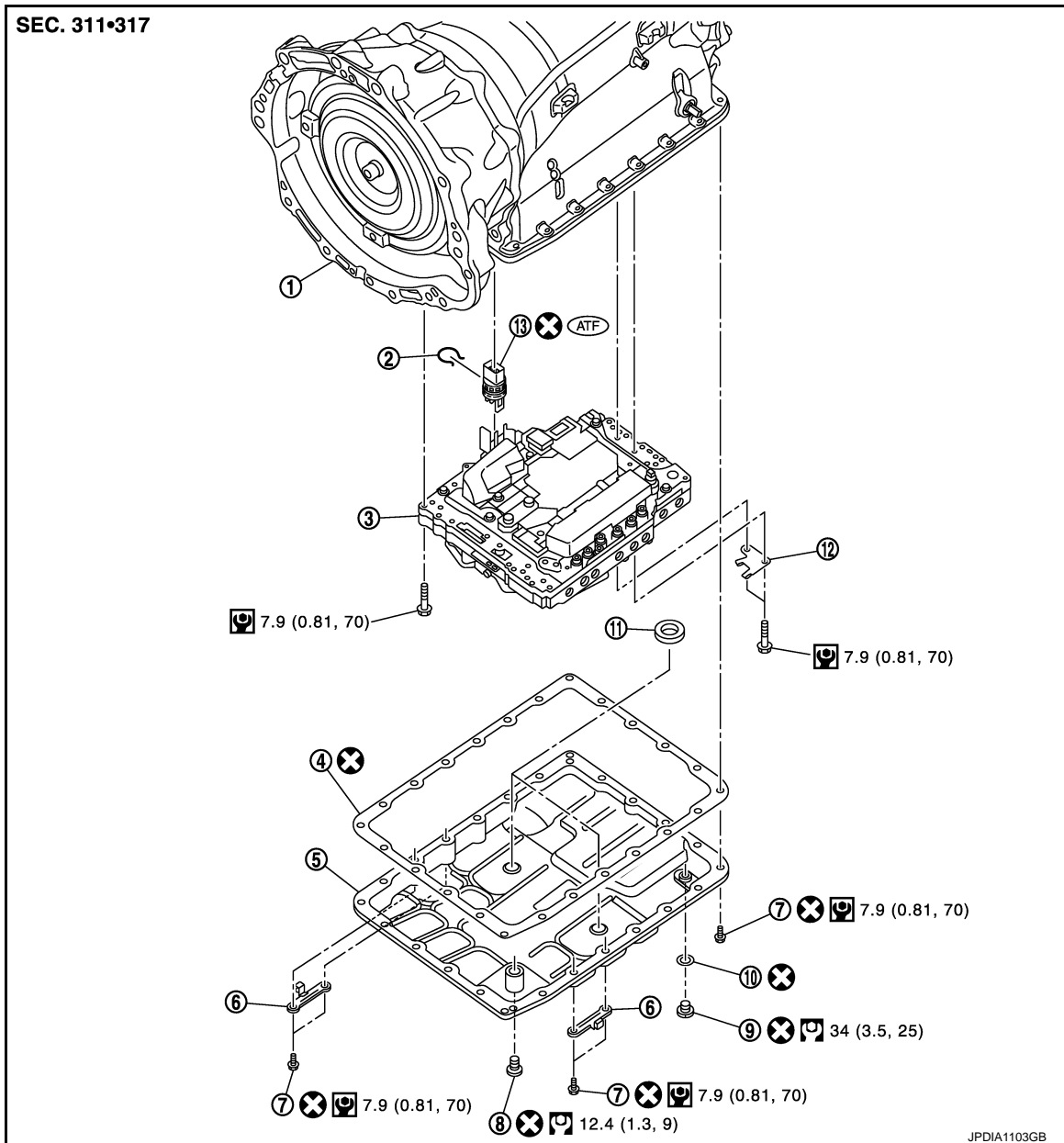
< REMOVAL AND INSTALLATION >

[7AT: RE7R01A]

CONTROL VALVE & TCM

Exploded View

INFOID:000000008193139



- | | | |
|--------------------------|------------------|------------------------|
| 1. A/T assembly | 2. Snap ring | 3. Control valve & TCM |
| 4. Oil pan gasket | 5. Oil pan | 6. Clip |
| 7. Oil pan mounting bolt | 8. Overflow plug | 9. Drain plug |
| 10. Drain plug gasket | 11. Magnet | 12. Clip |
| 13. Joint connector | | |

Refer to [GI-4. "Components"](#) for symbols in the figure.

Removal and Installation

INFOID:000000008193140

REMOVAL

1. Drain ATF through drain plug.
2. Remove exhaust mounting bracket with power tool. Refer to [EX-5. "Exploded View"](#).

CONTROL VALVE & TCM

< REMOVAL AND INSTALLATION >

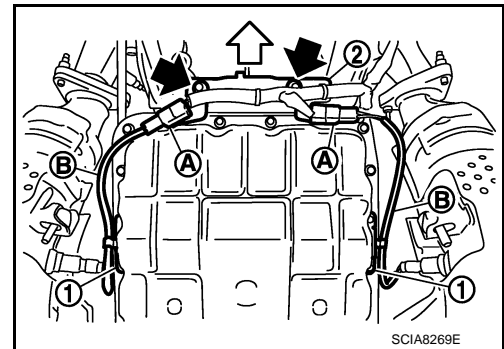
[7AT: RE7R01A]

3. Disconnect heated oxygen sensor 2 connectors (A).

⇐ : Vehicle front

← : Bolt

4. Remove heated oxygen sensor 2 harness (B) from clips (1).
5. Remove bracket (2) from A/T assembly. Refer to [TM-343](#),
["Exploded View"](#).

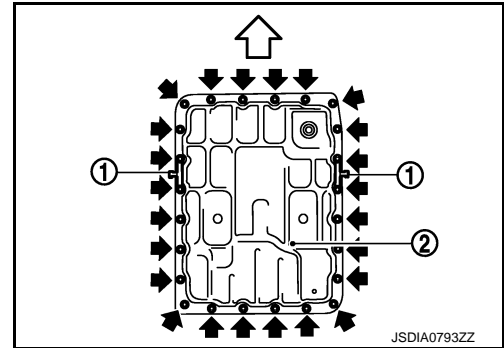


6. Remove clips (1).

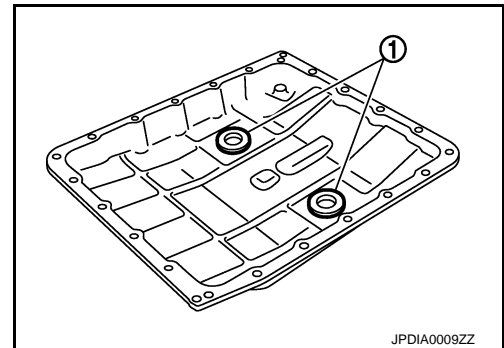
⇐ : Vehicle front

← : Oil pan mounting bolt

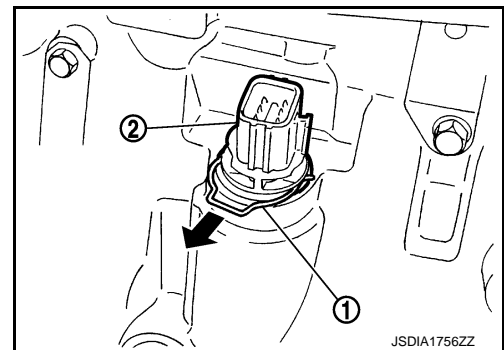
7. Remove oil pan (2) and oil pan gasket.



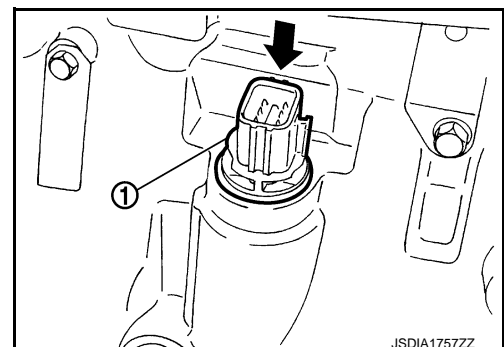
8. Remove magnets (1) from oil pan.



9. Remove snap ring (1) from joint connector (2).



10. Push joint connector (1).



A
B
C
TM
E
F
G
H
I
J
K
L
M
N
O
P

CONTROL VALVE & TCM

[7AT: RE7R01A]

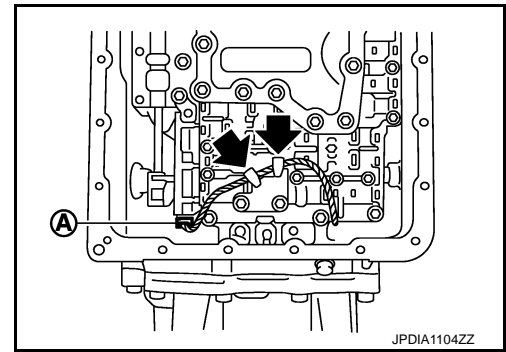
< REMOVAL AND INSTALLATION >

11. Disconnect output speed sensor connector (A).

CAUTION:

Be careful not to damage connector.

12. Disengage terminal clip (←).

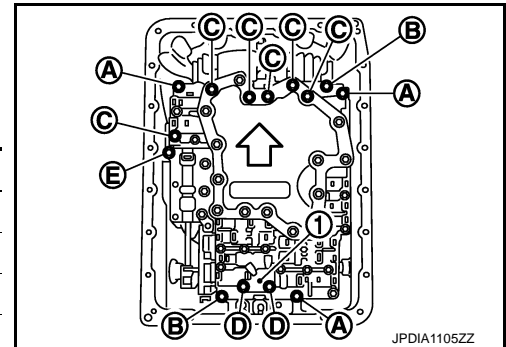


13. Remove bolts and clip (1) from the control valve & TCM.

↔ : Vehicle front

Bolt symbol	Length mm (in)	Number of bolts
A	43 (1.69)	3
B	40 (1.57)	2
C	54 (2.13)	6
D	50 (1.97)	2
E*	50 (1.97)	1

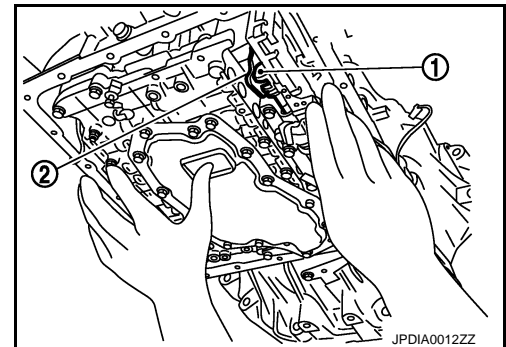
*: Reamer bolt



14. Remove the control valve & TCM from transmission case.

CAUTION:

When removing, be careful with the manual valve (1) notch and manual plate (2) height. Remove it vertically.

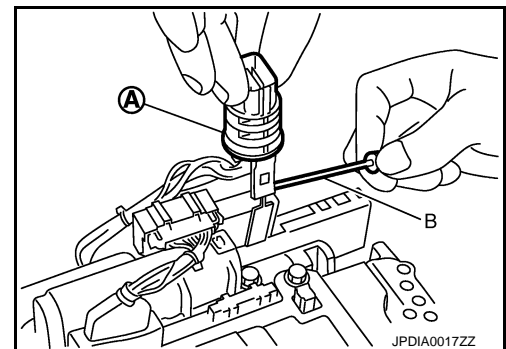


15. Remove joint connector (A) from the control valve & TCM using a flat-bladed screwdriver (B).

16. Disconnect TCM harness connector.

CAUTION:

Be careful not to damage connector.



INSTALLATION

Note the following, and install in the reverse order of removal.

CAUTION:

- Be careful not to damage connector when installing any connector.
- Never reuse joint connector.
- Apply ATF to O-ring of joint connector.
- Never reuse drain plug and drain plug gasket. In addition, install new drain plug and drain plug gasket after adjustment of A/T fluid filling.
- Refer to the following when installing the control valve & TCM to transmission case.

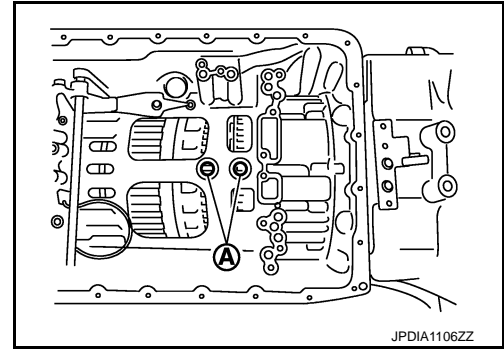
CONTROL VALVE & TCM

< REMOVAL AND INSTALLATION >

[7AT: RE7R01A]

CAUTION:

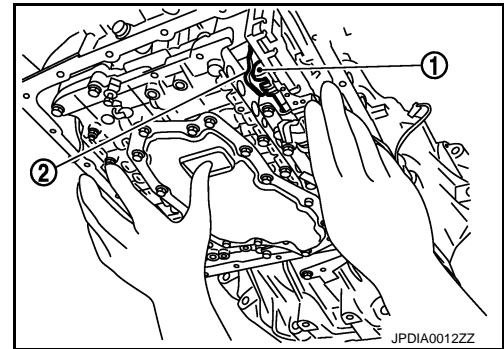
- Make sure that input speed sensor securely installs input speed sensor holes (A).
- Hang down output speed sensor harness toward outside so as not to disturb installation of the control valve & TCM.
- Adjust joint connector of the control valve & TCM to terminal hole of transmission case.



A
B
C

TM

- Assemble it so that manual valve (1) cutout is engaged with manual plate (2) projection.

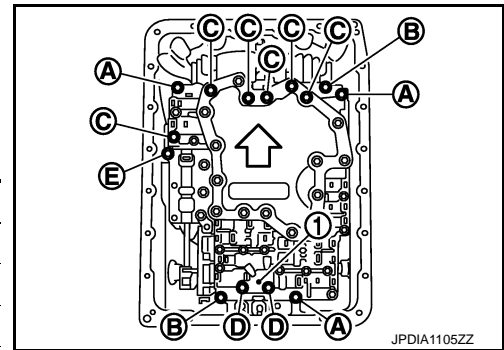


E
F
G

- Install bolts and clip (1) to the control valve & TCM. Tighten bolt (E) to the specified torque before tightening the other than bolts.

← : Vehicle front

Bolt symbol	Length mm (in)	Number of bolts
A	43 (1.69)	3
B	40 (1.57)	2
C	54 (2.13)	6
D	50 (1.97)	2
E*	50 (1.97)	1



H
I
J

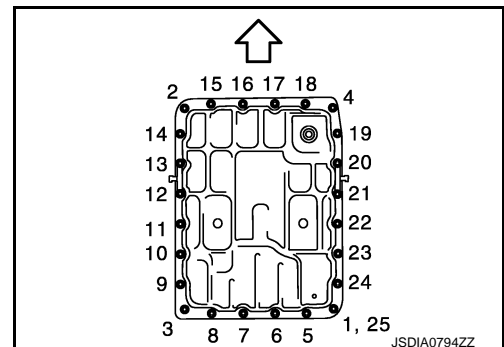
*: Reamer bolt

- Refer to the following when installing oil pan to transmission case.

CAUTION:

- Clean foreign materials (gear wear particles) that adhere on the inside of the oil pan and on the magnet, and then assembly.
 - Completely remove all moisture, oil and old gasket, etc. from oil pan gasket mounting surface of transmission case and oil pan.
 - Never reuse oil pan gasket and oil pan mounting bolts.
 - Install oil pan gasket in the direction to align hole position.
- Tighten the oil pan mounting bolts to the specified torque in the numerical order as shown in the figure after temporarily tightening them.

← : Vehicle front



K
L
M

N
O
P

CONTROL VALVE & TCM

< REMOVAL AND INSTALLATION >

[7AT: RE7R01A]

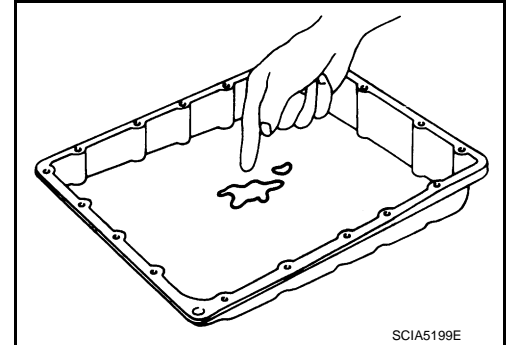
INFOID:000000008193141

Inspection and Adjustment

INSPECTION AFTER REMOVAL

Check foreign materials in oil pan to help determine causes of malfunction. If the ATF is very dark, smells burned, or contains foreign particles, the frictional material (clutches, band) may need replacement. A tacky film that will not wipe clean indicates varnish build up. Varnish can cause valves, servo, and clutches to stick and can inhibit pump pressure.

- If frictional material is detected, perform A/T fluid cooler cleaning. Refer to [TM-312. "Cleaning"](#).



INSPECTION AFTER INSTALLATION

Check A/T fluid leakage. Refer to [TM-309. "Inspection"](#).

ADJUSTMENT AFTER INSTALLATION

Adjust A/T fluid level. Refer to [TM-311. "Adjustment"](#).

PARKING COMPONENTS

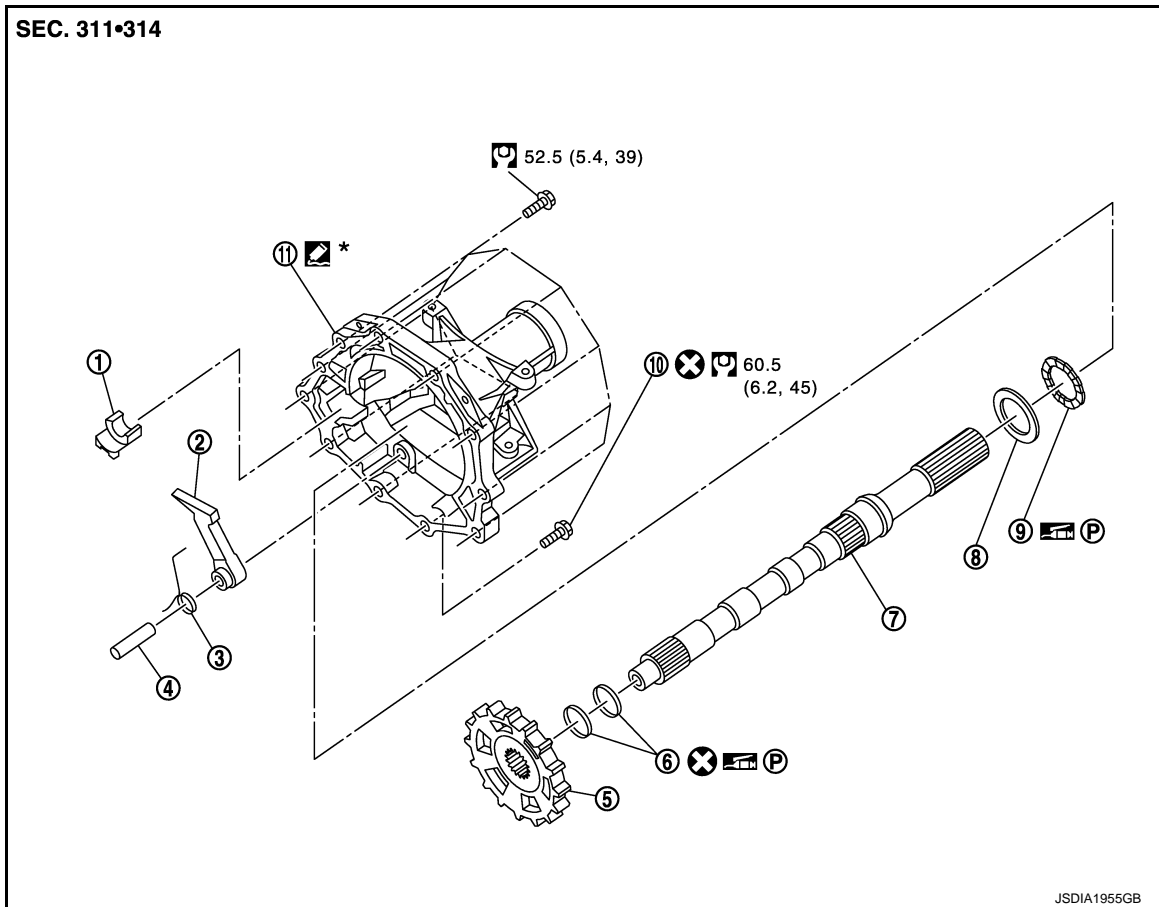
< REMOVAL AND INSTALLATION >

[7AT: RE7R01A]

PARKING COMPONENTS

Exploded View

INFOID:000000008193142



- | | | |
|-----------------------------|--------------------|-------------------|
| 1. Parking actuator support | 2. Parking pawl | 3. Return spring |
| 4. Pawl shaft | 5. Parking gear | 6. Seal ring |
| 7. Output shaft | 8. Bearing race | 9. Needle bearing |
| 10. Self-sealing bolt | 11. Rear extension | |

*: Apply Genuine Anaerobic Liquid Gasket or equivalent. Refer to [GI-22, "Recommended Chemical Products and Sealants"](#).

Refer to [GI-4, "Components"](#) for symbols not described on the above.

Removal and Installation

INFOID:000000008193143

REMOVAL

1. Drain ATF through drain plug.
2. Remove exhaust front tube and center muffler with power tool. Refer to [EX-5, "Exploded View"](#).
3. Separate propeller shaft assembly. Refer to [DLN-7, "Exploded View"](#).
4. Remove control rod. Refer to [TM-320, "Exploded View"](#).
5. Support A/T assembly with a transmission jack.

CAUTION:

When setting transmission jack, be careful not to allow it to collide against the drain plug.

6. Remove rear engine mounting member with power tool. Refer to [EM-73, "Exploded View"](#).
7. Remove engine mounting insulator (rear). Refer to [EM-73, "Exploded View"](#).

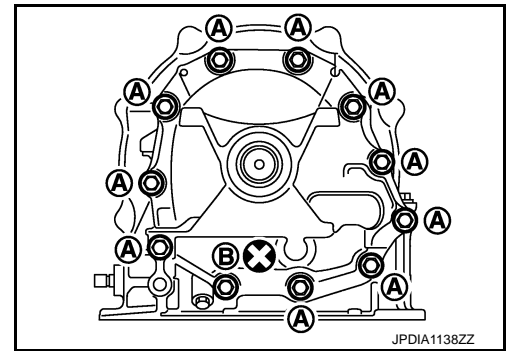
PARKING COMPONENTS

< REMOVAL AND INSTALLATION >

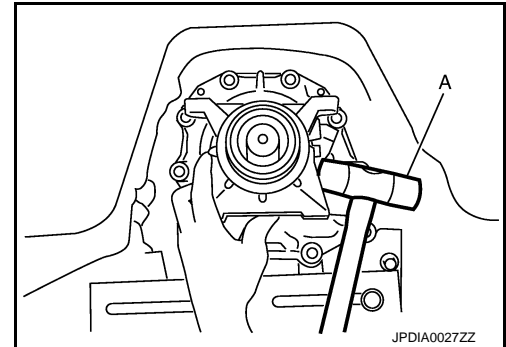
[7AT: RE7R01A]

8. Remove tightening bolts for rear extension assembly and transmission case.

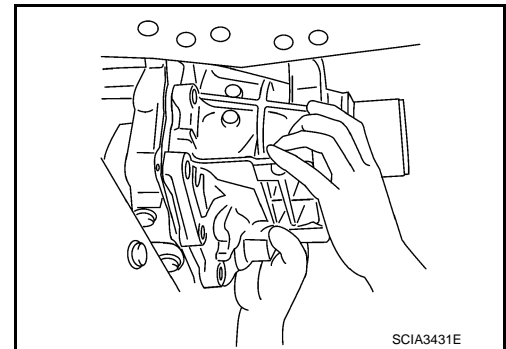
A : Bolt
B : Self-sealing bolt



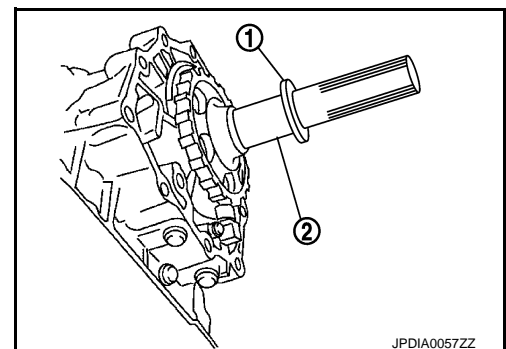
9. Tap rear extension assembly with a soft hammer (A).



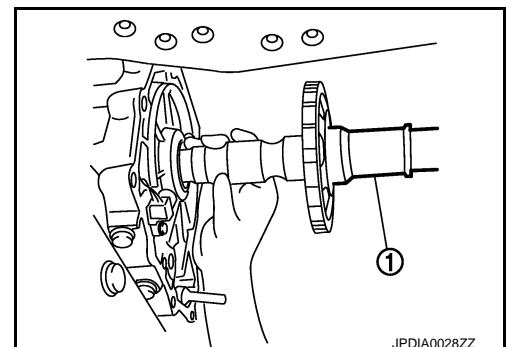
10. Remove rear extension assembly (with needle bearing) from transmission case.



11. Remove bearing race (1) from output shaft (2).



12. Remove output shaft (1) from transmission case by rotating left/right.

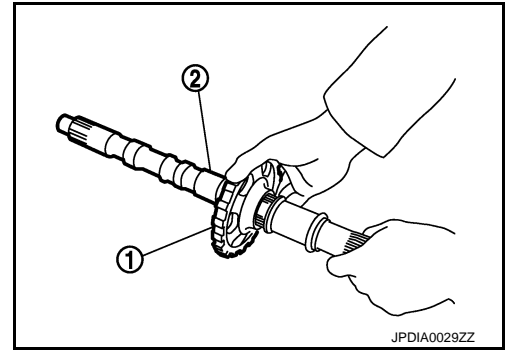


PARKING COMPONENTS

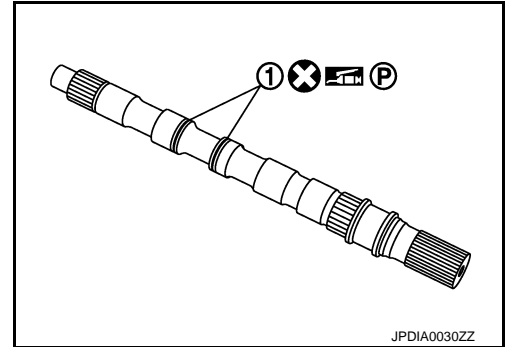
< REMOVAL AND INSTALLATION >

[7AT: RE7R01A]

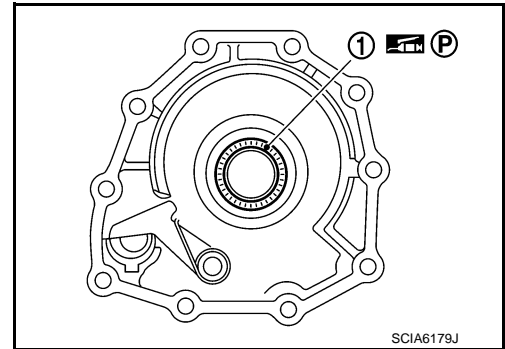
13. Remove parking gear (1) from output shaft (2).



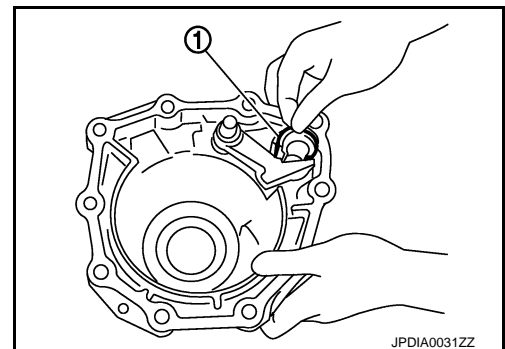
14. Remove seal rings (1) from output shaft.



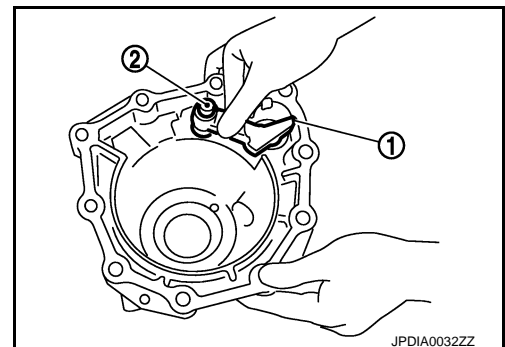
15. Remove needle bearing (1) from rear extension.



16. Remove parking actuator support (1) from rear extension.



17. Remove parking pawl (with return spring) (1) and pawl shaft (2) from rear extension.



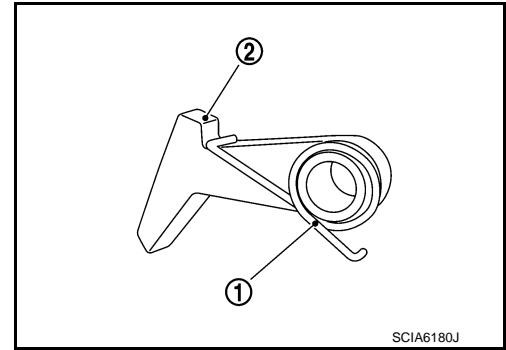
A
B
C
TM
E
F
G
H
I
J
K
L
M
N
O
P

PARKING COMPONENTS

< REMOVAL AND INSTALLATION >

[7AT: RE7R01A]

18. Remove return spring (1) from parking pawl (2).



INSTALLATION

Note the following, and install in the reverse order of removal.

CAUTION:

- Never reuse seal rings and drain plug gasket.
- Apply petroleum jelly to needle bearing and seal rings.
- Insert the tip of parking rod between the parking pawl and the parking actuator support when assembling the rear extension assembly.
- Refer to the followings installing rear extension assembly.
- Apply recommended sealant to rear extension assembly as shown in the figure.



: Genuine Anaerobic Liquid Gasket or equivalent. Refer to [GL-22. "Recommended Chemical Products and Sealants"](#).

Sealant starting point and end-point (A) : Start and finish point shall be in the center of two bolts.

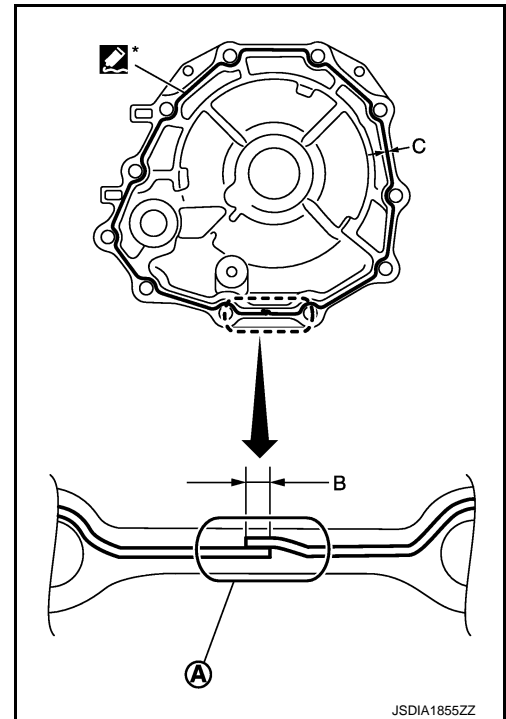
Overlap width of sealant starting point and end-point (B) : 3 – 5 mm (0.12 – 0.20 in)

Sealant width (C) : 1.0 – 2.0 mm (0.04 – 0.08 in)

Sealant height (C) : 0.4 – 1.0 mm (0.016 – 0.04 in)

CAUTION:

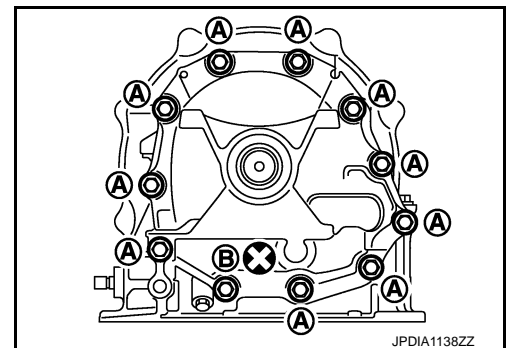
Completely remove all moisture, oil and old sealant, etc. from transmission case and rear extension assembly mounting surfaces.



- Tighten rear extension assembly bolts to the specified torque.

A : Bolt

B : Self-sealing bolt



PARKING COMPONENTS

< REMOVAL AND INSTALLATION >

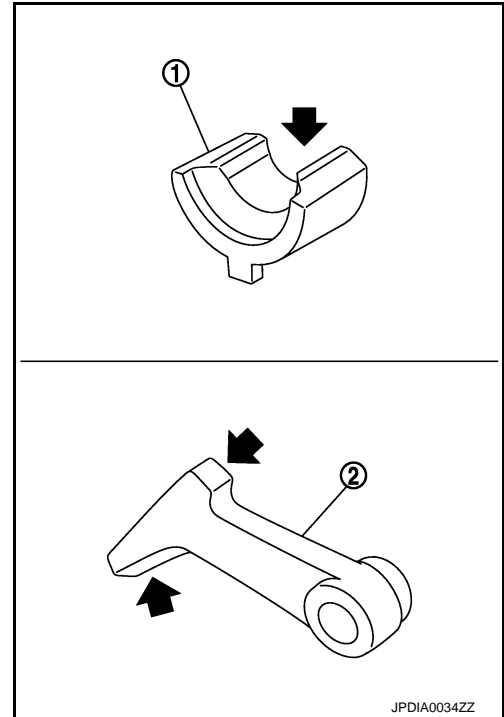
[7AT: RE7R01A]

INFOID:000000008193144

Inspection and Adjustment

INSPECTION AFTER REMOVAL

If the contact surface on parking actuator support (1), parking pawl (2) and etc. has excessive wear, abrasion, bend, or any other damage, replace the components.



INSPECTION AFTER INSTALLATION

- Check A/T fluid leakage. Refer to [TM-309, "Inspection"](#).
- Check A/T positions after adjusting A/T positions. Refer to [TM-316, "Inspection and Adjustment"](#).

ADJUSTMENT AFTER INSTALLATION

Adjust A/T positions. Refer to [TM-316, "Inspection and Adjustment"](#).

A
B
C
TM
E
F
G
H
I
J
K
L
M
N
O
P

REAR OIL SEAL

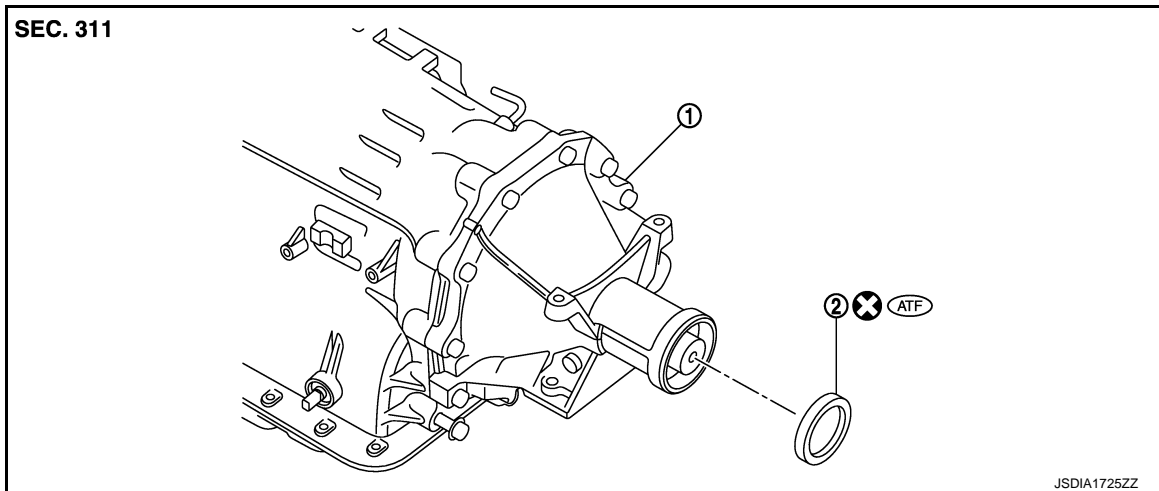
< REMOVAL AND INSTALLATION >

[7AT: RE7R01A]

REAR OIL SEAL

Exploded View

INFOID:000000008193145



1. A/T assembly
2. Rear oil seal

Refer to [GI-4. "Components"](#) for symbols in the figure.

Removal and Installation

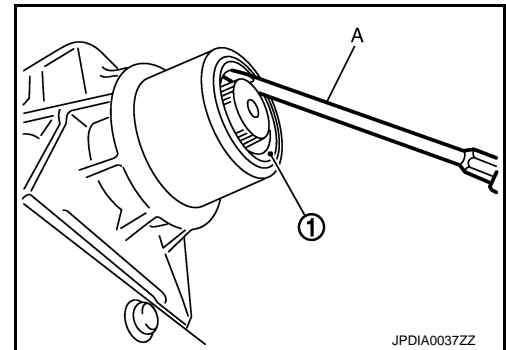
INFOID:000000008193146

REMOVAL

1. Separate propeller shaft assembly. Refer to [DLN-7. "Exploded View"](#).
2. Remove rear oil seal (1) using a flat-bladed screwdriver (A).

CAUTION:

Be careful not to scratch rear extension assembly.



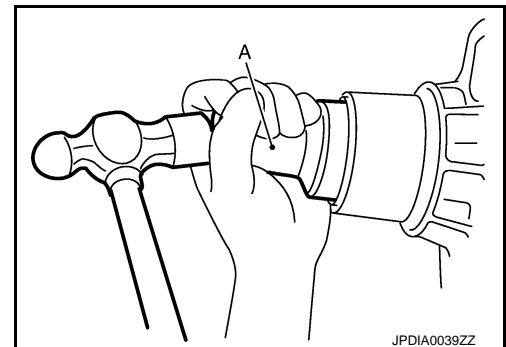
INSTALLATION

Note the following, and install in the reverse order of removal.

- As shown in the figure, use the drift (SST: ST33400001) (A) to drive rear oil seal into rear extension assembly until it is flush.

CAUTION:

- Never reuse rear oil seal.
- Apply ATF to rear oil seal.
- Never incline rear oil seal.



Inspection and Adjustment

INFOID:000000008193147

INSPECTION AFTER INSTALLATION

Check A/T fluid leakage. Refer to [TM-309. "Inspection"](#).

REAR OIL SEAL

< REMOVAL AND INSTALLATION >

[7AT: RE7R01A]

ADJUSTMENT AFTER INSTALLATION

Adjust A/T fluid level. Refer to [TM-311. "Adjustment"](#).

- A
- B
- C
- TM**
- E
- F
- G
- H
- I
- J
- K
- L
- M
- N
- O
- P

OUTPUT SPEED SENSOR

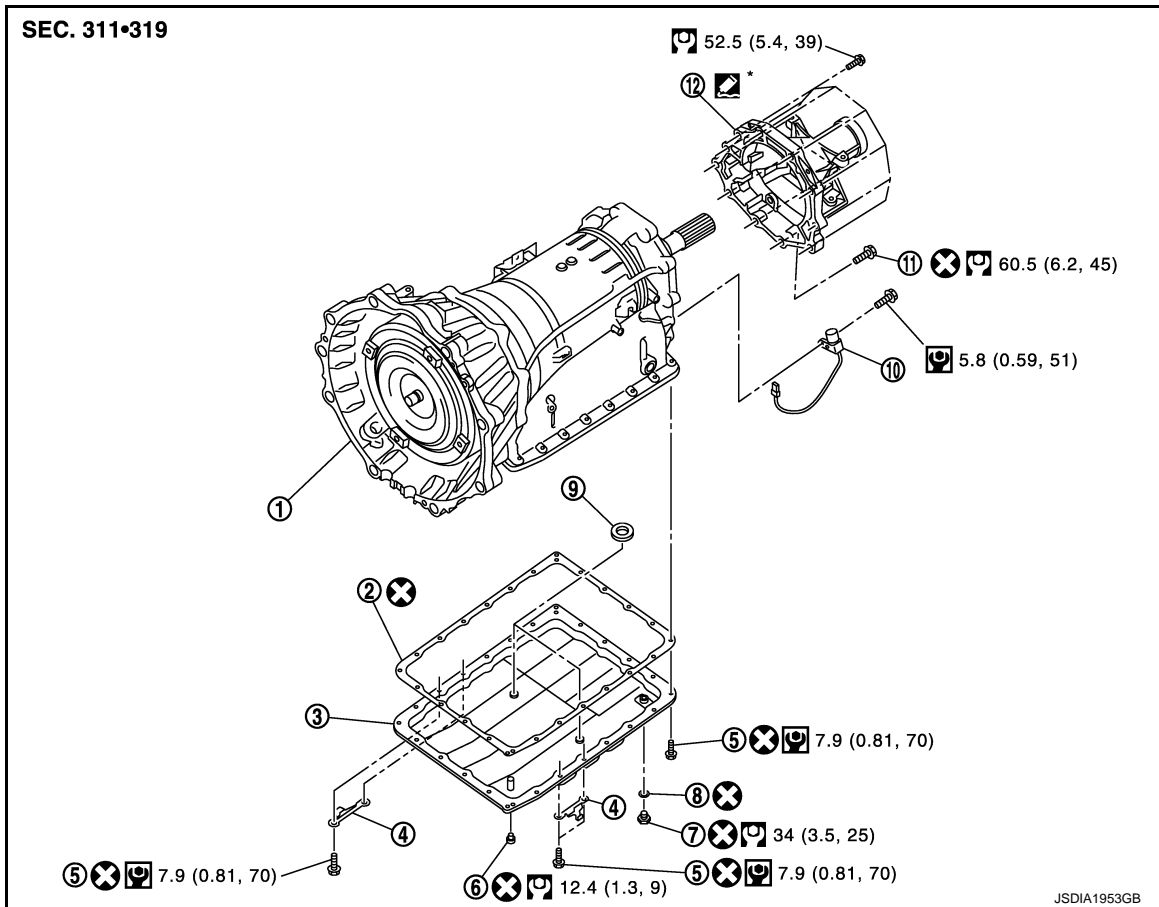
< REMOVAL AND INSTALLATION >

[7AT: RE7R01A]

OUTPUT SPEED SENSOR

Exploded View

INFOID:000000008193148



- | | | |
|--------------------------|-----------------------|------------------------|
| 1. A/T | 2. Oil pan gasket | 3. Oil pan |
| 4. Overflow plug | 5. Drain plug | 6. Drain plug gasket |
| 7. Oil pan mounting bolt | 8. Magnet | 9. Output speed sensor |
| 10. Rear extension | 11. Self-sealing bolt | |

*: Apply Genuine Anaerobic Liquid Gasket or equivalent. Refer to [GI-22, "Recommended Chemical Products and Sealants"](#).

Refer to [GI-4, "Components"](#) for symbols not described on the above.

Removal and Installation

INFOID:000000008193149

REMOVAL

1. Disconnect the battery cable from the negative terminal.
2. Drain ATF through drain plug.
3. Remove exhaust front tube and center muffler with power tool. Refer to [EX-5, "Exploded View"](#).
4. Separate propeller shaft assembly. Refer to [DLN-7, "Exploded View"](#).
5. Remove control rod. Refer to [TM-320, "Exploded View"](#).
6. Remove exhaust mounting bracket. Refer to [EX-5, "Exploded View"](#).

OUTPUT SPEED SENSOR

< REMOVAL AND INSTALLATION >

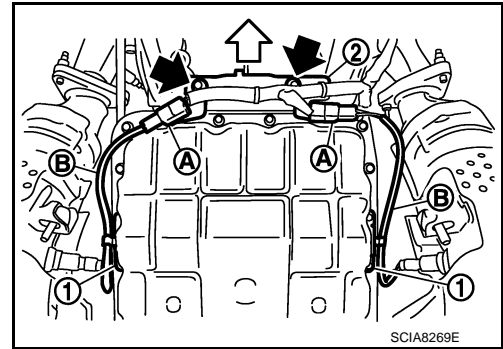
[7AT: RE7R01A]

7. Disconnect heated oxygen sensor 2 harness connectors (A).

↔ : Vehicle front

← : Bolt

8. Remove heated oxygen sensor 2 harness (B) from clips (1).
9. Remove bracket (2) from transmission assembly.



10. Remove clips (1).

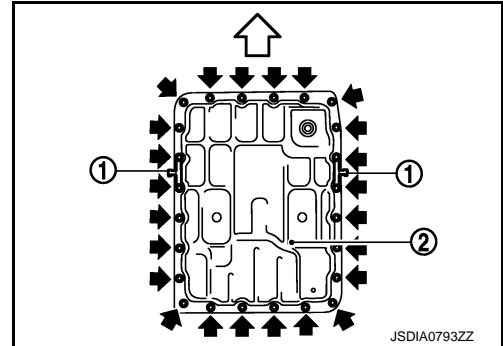
↔ : Vehicle front

← : Oil pan mounting bolt

11. Remove oil pan (2) and oil pan gasket.
12. Support A/T assembly with a transmission jack.

CAUTION:

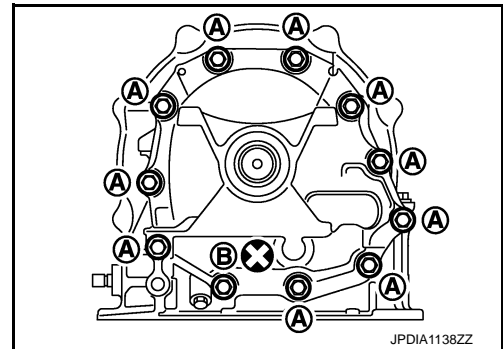
When setting transmission jack, place wooden blocks to prevent from damaging control valve & TCM and transmission case.



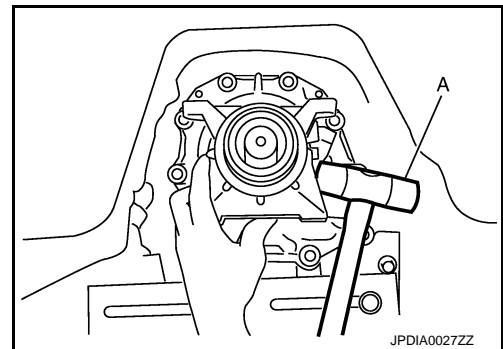
13. Remove rear engine mounting member with power tool. Refer to [EM-73. "Exploded View"](#).
14. Remove engine mounting insulator (rear). Refer to [EM-73. "Exploded View"](#).
15. Remove tightening bolts for rear extension assembly and transmission case.

A : Bolt

B : Self-sealing bolt



16. Tap rear extension assembly with a soft hammer (A).



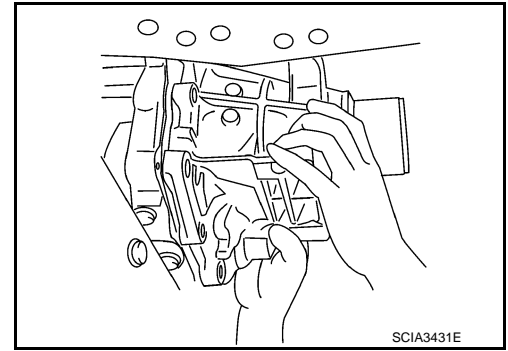
A
B
C
TM
E
F
G
H
I
J
K
L
M
N
O
P

OUTPUT SPEED SENSOR

[7AT: RE7R01A]

< REMOVAL AND INSTALLATION >

17. Remove rear extension assembly (with needle bearing) from transmission case.

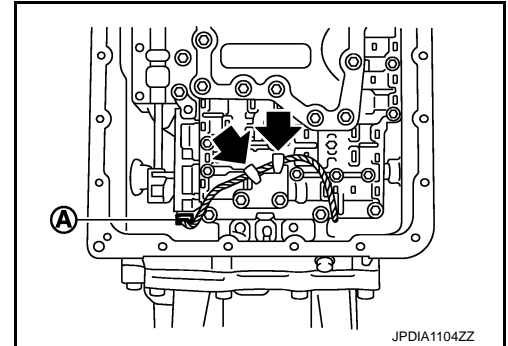


18. Disconnect output speed sensor connector (A).

CAUTION:

Be careful not to damage connector

19. Disengage terminal clips (←).

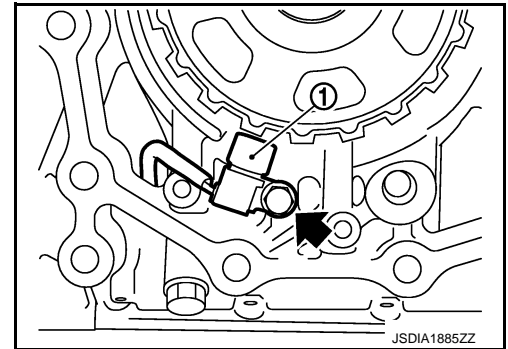


20. Remove output speed sensor (1) from transmission case.

← : Bolt

CAUTION:

- Never subject it to impact by dropping or hitting it.
- Never disassemble.
- Never allow metal filings, etc. to get on the sensor's front edge magnetic area.
- Never place in an area affected by magnetism.



INSTALLATION

Note the following, and install in the reverse order removal.

CAUTION:

- Insert the tip of parking rod between the parking pole and the parking actuator support when assembling the rear extension assembly.
- Never reuse drain plug gasket.
- Refer to the followings when installing output speed sensor.

CAUTION:

- Never subject it to impact by dropping or hitting it.
- Never disassemble.
- Never allow metal filings, etc. to get on the sensor's front edge magnetic area.
- Never place in an area affected by magnetism.
- Refer to the followings when installing rear extension assembly.

OUTPUT SPEED SENSOR

[7AT: RE7R01A]

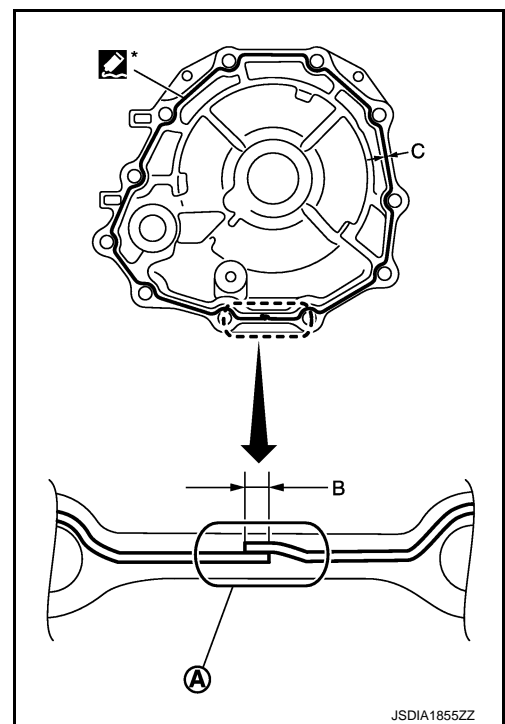
< REMOVAL AND INSTALLATION >

- Apply recommended sealant (Genuine Anaerobic Liquid Gasket or equivalent. Refer to [GI-22, "Recommended Chemical Products and Sealants."](#)) to rear extension assembly as shown in the figure.

- Sealant starting point and end-point (A) :** Start and finish point shall be in the center of two bolts.
- Overlap width of sealant starting point and end-point (B) :** 3 – 5 mm (0.12 – 0.20 in)
- Sealant width (C) :** 1.0 – 2.0 mm (0.04 – 0.08 in)
- Sealant height (C) :** 0.4 – 1.0 mm (0.016 – 0.04 in)

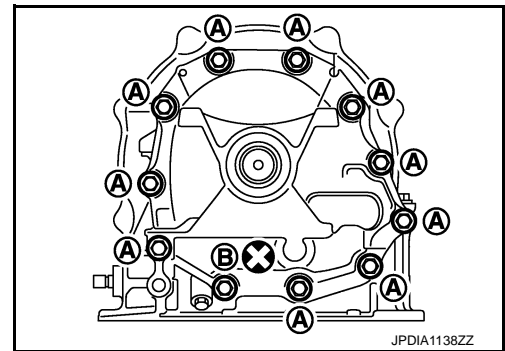
CAUTION:

Completely remove all moisture, oil and old sealant, etc. from transmission case and rear extension assembly mounting surfaces.



- Tighten rear extension assembly bolts to the specified torque.

- A : Bolt
B : Self-sealing bolt

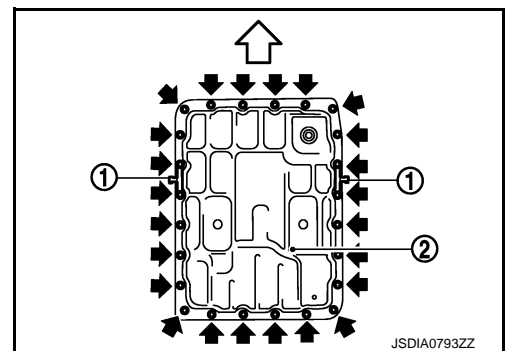


- Refer to the followings when installing oil pan (2) (with oil pan gasket) and clips (1) to transmission case.

- ⇐ : Vehicle front
⇨ : Oil pan mounting bolt

CAUTION:

- Never reuse oil pan gasket and oil pan mounting bolts.
- Install oil pan gasket in the direction to align hole position.
- Install it so that drain plug comes to the position as shown in the figure.
- Be careful not to pinch harnesses.
- Completely remove all moisture, oil and old gasket, etc. from oil pan mounting surface.



A
B
C
TM
E
F
G
H
I
J
K
L
M
N
O
P

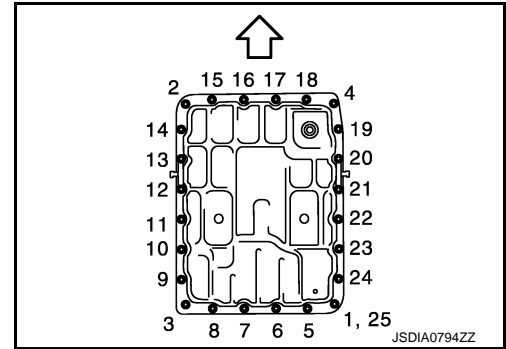
OUTPUT SPEED SENSOR

< REMOVAL AND INSTALLATION >

[7AT: RE7R01A]

- Tighten oil pan mounting bolts to the specified torque in numerical order shown in the figure after temporarily tightening them. Tighten necessary oil pan mounting bolts with specified torque.

← : Vehicle front



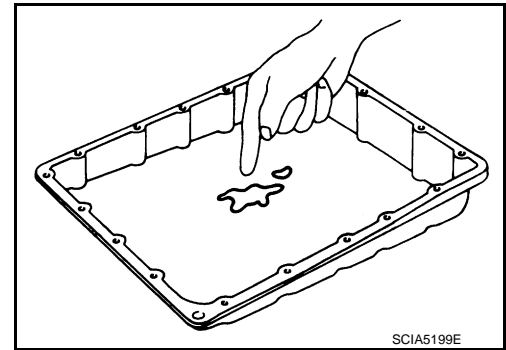
Inspection

INFOID:000000008193150

INSPECTION AFTER REMOVAL

Check foreign materials in oil pan to help determine causes of malfunction. If the ATF is very dark, smells burned, or contains foreign particles, the frictional material (clutches, band) may need replacement. A tacky film that will not wipe clean indicates varnish build up. Varnish can cause valves, servo, and clutches to stick and can inhibit pump pressure.

- If frictional material is detected, perform A/T fluid cooler cleaning. Refer to [TM-312, "Cleaning"](#).



INSPECTION AFTER INSTALLATION

- Check A/T fluid leakage. Refer to [TM-309, "Inspection"](#).
- Check A/T positions after adjusting A/T positions. Refer to [TM-316, "Inspection and Adjustment"](#).

ADJUSTMENT AFTER INSTALLATION

Adjust A/T positions. Refer to [TM-316, "Inspection and Adjustment"](#).

AIR BREATHER HOSE

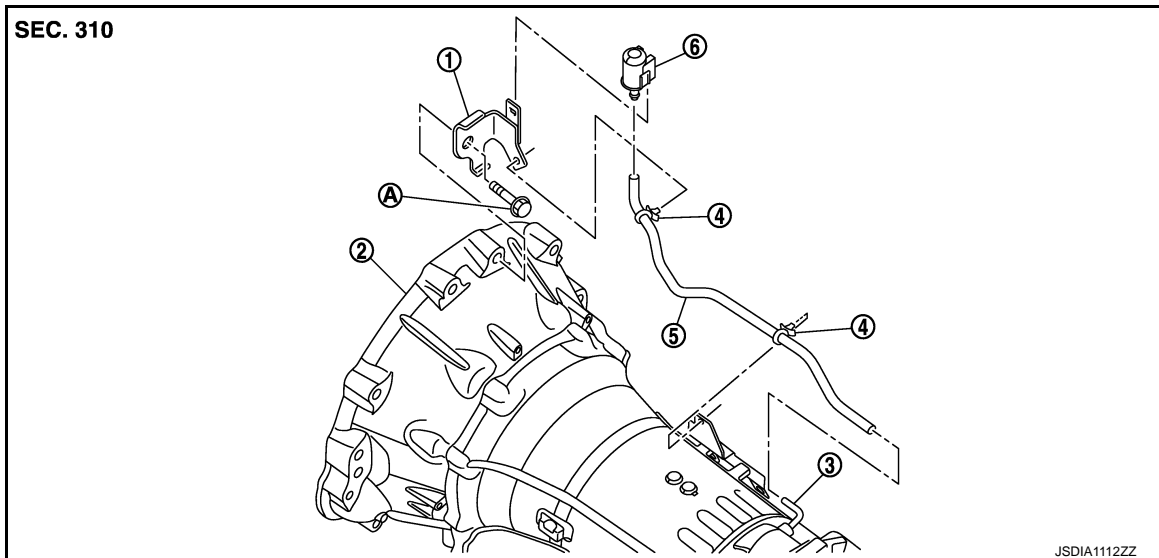
< REMOVAL AND INSTALLATION >

[7AT: RE7R01A]

AIR BREATHER HOSE

Exploded View

INFOID:000000008193151



- | | | |
|--|----------------------|----------------------|
| 1. Bracket | 2. A/T assembly | 3. Air breather tube |
| 4. Clip | 5. Air breather hose | 6. Air breather box |
| A. Tightening must be done following the installation procedure. Refer to TM-343, "Removal and Installation" . | | |

Removal and Installation

INFOID:000000008193152

REMOVAL

1. Remove the three way catalyst (bank 1). Refer to [EX-5, "Exploded View"](#).
2. Remove the clips of air breather hose from the brackets.
3. Remove the air breather box from the bracket.
4. Remove the air breather box from the air breather hose.
5. Remove the air breather hose from the A/T assembly.
6. Separate the propeller shaft assembly. Refer to [DLN-7, "Exploded View"](#).
7. Remove the control rod from the A/T shift selector assembly. Refer to [TM-317, "Exploded View"](#).
8. Support the A/T assembly with a transmission jack.

CAUTION:

Be careful not to allow it to collide against the drain plug and overflow plug when setting the transmission jack.

9. Remove the rear engine mounting member with power tool. Refer to [EM-73, "Exploded View"](#).
10. Remove the bolt fixing the A/T assembly to the engine with a power tool.
11. Remove the bracket.

INSTALLATION

Note the following, and install in the reverse order of removal.

CAUTION:

- Be careful not to be crushed or blocked by folding or bending the hose when installing the air breather hose.
- Be sure to insert it fully until its end reaches the radius curve end when inserting the air breather hose to the air breather tube.
- Be sure to insert it fully until its end reaches the stop when inserting the air breather hose to the air breather box.
- Install the air breather hose to the air breather box so that the paint mark is facing backward.
- Ensure the clips are securely installed to the brackets when installing the air breather hose to the brackets.

FLUID COOLER SYSTEM

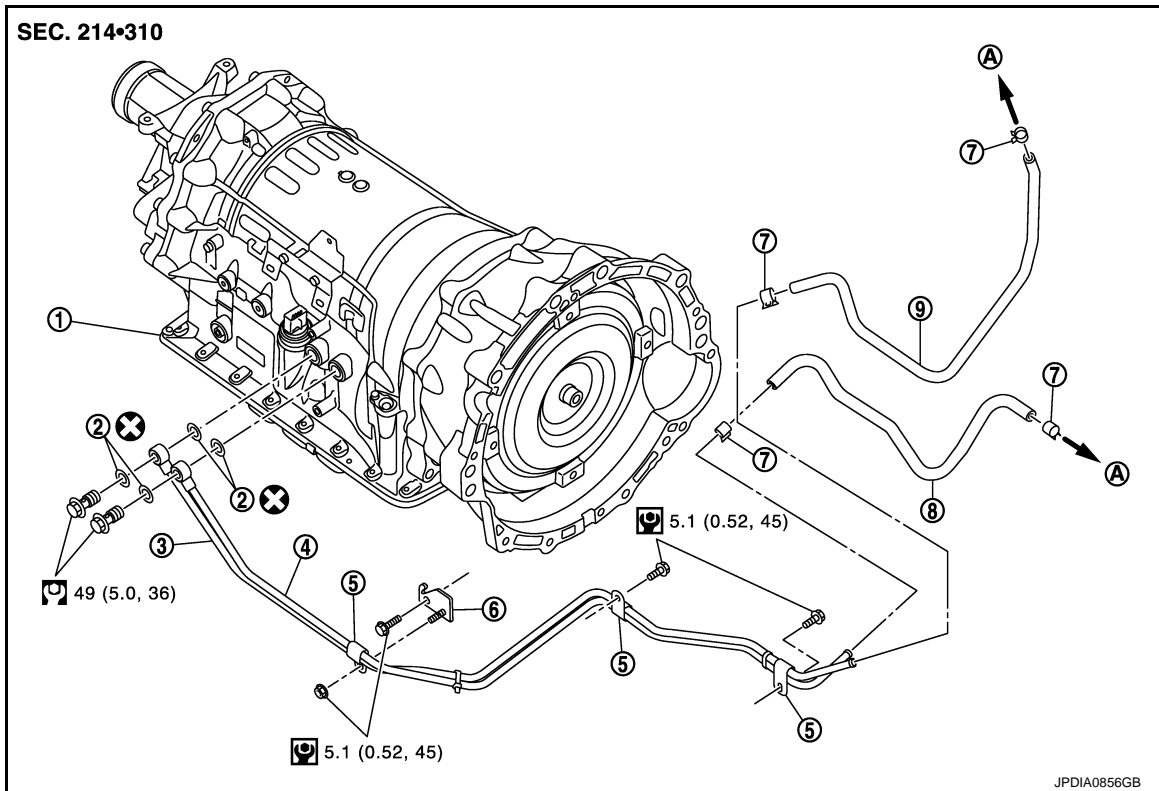
< REMOVAL AND INSTALLATION >

[7AT: RE7R01A]

FLUID COOLER SYSTEM

Exploded View

INFOID:000000008193153



- | | | |
|--------------------------|----------------------------|----------------------------|
| 1. A/T assembly | 2. Copper washer | 3. A/T fluid cooler tube |
| 4. A/T fluid cooler tube | 5. Clip | 6. Bracket |
| 7. Hose clamp | 8. A/T fluid cooler hose B | 9. A/T fluid cooler hose A |
| A. To radiator | | |

Refer to [GI-4. "Components"](#) for symbols in the figure.

Removal and Installation

INFOID:000000008193154

REMOVAL

1. Remove the air cleaner case (LH). Refer to [EM-31. "Exploded View"](#).
2. Remove the engine cover (front). Refer to [EM-29. "Exploded View"](#).
3. Remove the floor under cover with a power tool. Refer to [EXT-29. "ENGINE UNDER COVER : Exploded View"](#).
4. Remove the A/T fluid cooler hose A and A/T fluid cooler hose B.
5. Remove the exhaust mounting bracket with power tool. Refer to [EX-5. "Exploded View"](#).
6. Remove the A/T fluid cooler tube mounting bolts and bracket.
7. Remove the band fixing two A/T fluid cooler tubes.
8. Remove the stabilizer clamp from the front suspension member. Refer to [FSU-21. "Exploded View"](#).
9. Remove the lower mounting nuts for the engine mounting insulators (RH and LH). Refer to [EM-73. "Exploded View"](#).
10. Set a jack under the engine to lift it to the position where the A/T fluid cooler tube can be removed.
CAUTION:
 - Never set a jack on the engine oil pan.
 - Never pull the harnesses, hoses, etc. excessively.
11. Remove the A/T fluid cooler tubes one at a time from the vehicle.

FLUID COOLER SYSTEM

< REMOVAL AND INSTALLATION >

[7AT: RE7R01A]

CAUTION:

Be careful not to bend A/T fluid cooler tubes.

12. Plug up opening such as the A/T fluid cooler tube holes.

INSTALLATION

Note the following, and install in the reverse order of removal.

CAUTION:

Never reuse copper washers.

- Refer to the following when installing the A/T fluid cooler hoses.

Hose name	Hose end	Paint mark	Position of hose clamp*
A/T fluid cooler hose A	Radiator assembly side	Facing backward	A
	A/T fluid cooler tube side	Facing downward	B
A/T fluid cooler hose B	Radiator assembly side	Facing downward	C
	A/T fluid cooler tube side	Facing downward	B

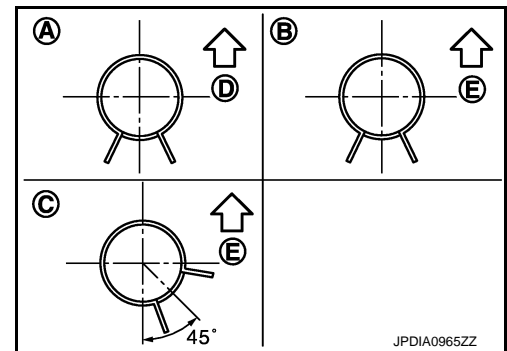
*: Refer to the illustrations for the specific position each hose clamp tab.

- The illustrations indicate the view from the hose ends.

↔ D : Vehicle front

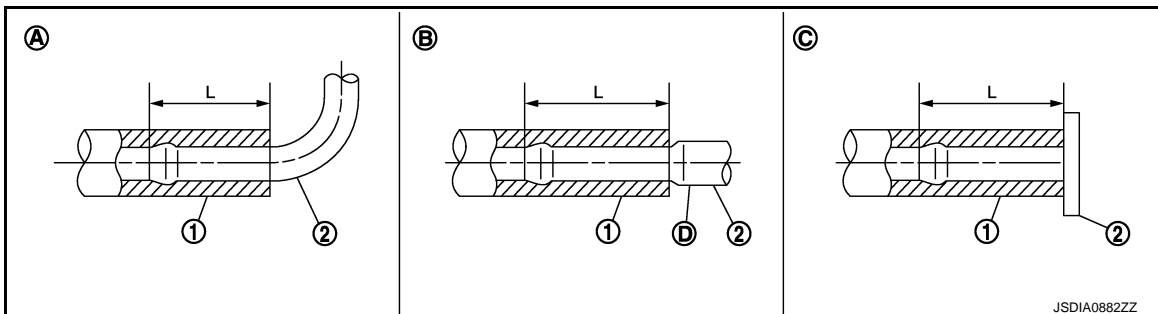
↔ E : Vehicle upper

- When installing the hose clamps center line of each hose clamp tab should be positioned as shown in the figure.



- Insert the A/T fluid cooler hoses according to dimension "L" described below.

(1)	(2)	Tube type	Dimension "L"
A/T fluid cooler hose A	Radiator assembly side	A	End reaches the radius curve end.
	A/T fluid cooler tube side	B	30 mm (1.18 in) [End reaches the 2-stage bulge (D).]
A/T fluid cooler hose B	Radiator assembly side	C	Insert the hose until the hose touches the radiator.
	A/T fluid cooler tube side	B	30 mm (1.18 in) [End reaches the 2-stage bulge (D).]



FLUID COOLER SYSTEM

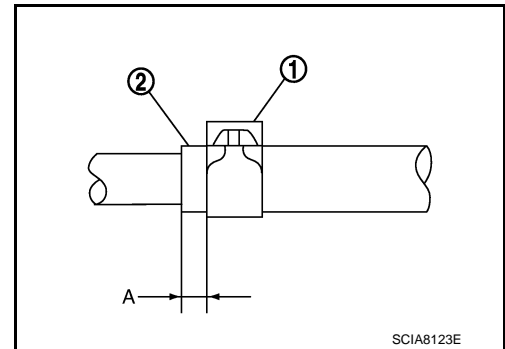
[7AT: RE7R01A]

< REMOVAL AND INSTALLATION >

- Set the hose clamps (1) at the both ends of A/T fluid cooler hoses (2) with dimension "A" from the hose edge.

Dimension "A" : 5 – 9 mm (0.20 – 0.35 in)

- The hose clamp should not interfere with the bulge of fluid cooler tube.



INFOID:000000008193155

Inspection and Adjustment

INSPECTION AFTER INSTALLATION

Check A/T fluid leakage. Refer to [TM-309, "Inspection"](#).

ADJUSTMENT AFTER INSTALLATION

Adjust A/T fluid level. Refer to [TM-311, "Adjustment"](#).

TRANSMISSION ASSEMBLY

< UNIT REMOVAL AND INSTALLATION >

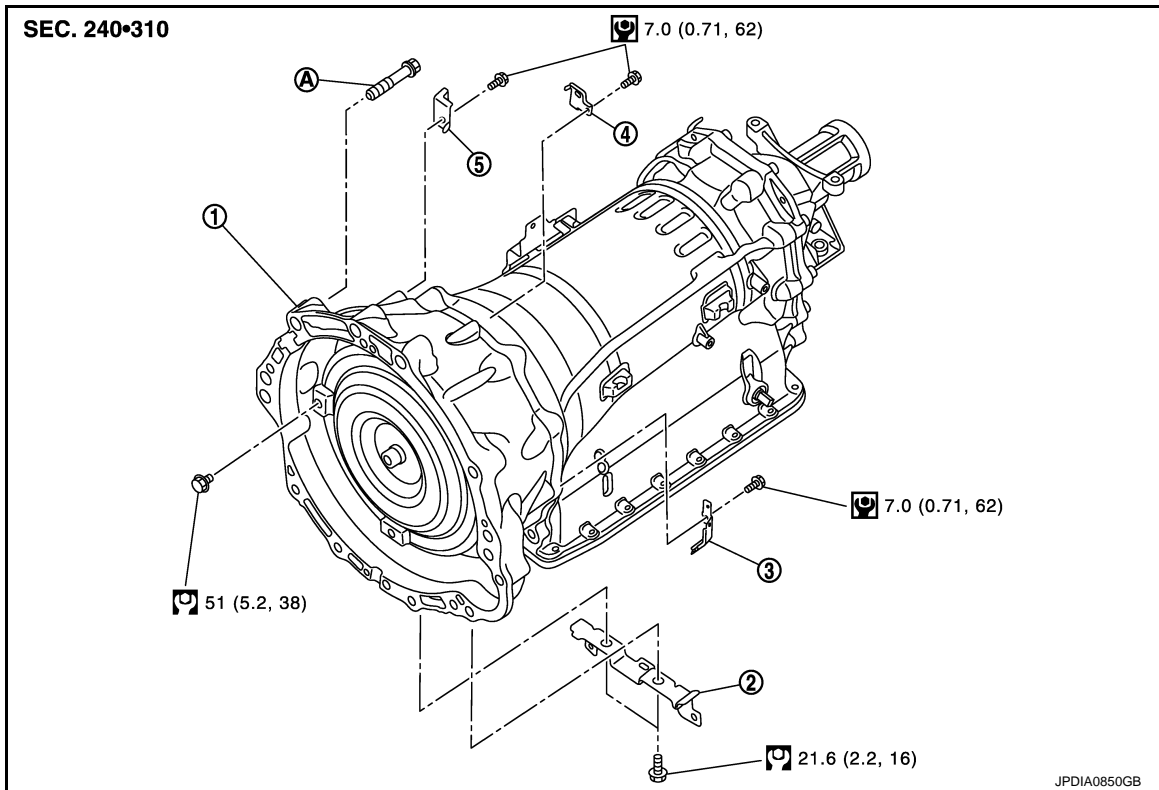
[7AT: RE7R01A]

UNIT REMOVAL AND INSTALLATION

TRANSMISSION ASSEMBLY

Exploded View

INFOID:000000008193156



- | | | |
|-----------------|------------|------------|
| 1. A/T assembly | 2. Bracket | 3. Bracket |
| 4. Bracket | 5. Bracket | |

A. Tightening must be done following the installation procedure. Refer to [TM-343, "Removal and Installation"](#).
Refer to [GI-4, "Components"](#) for symbols in the figure.

Removal and Installation

INFOID:000000008193157

REMOVAL

CAUTION:

- When removing the A/T assembly from engine, first remove the crankshaft position sensor (POS) from the A/T assembly.
- Be careful not to damage sensor edge.

1. Shift the selector lever to "P" position, and then release the parking brake.
2. Disconnect the battery cable from the negative terminal.
3. Remove the control rod from the A/T shift selector assembly. Refer to [TM-317, "Exploded View"](#).
4. Remove the engine cover (front and rear). Refer to [EM-29, "Exploded View"](#).
5. Separate the propeller shaft assembly. Refer to [DLN-7, "Exploded View"](#).
6. Remove the manual lever from the A/T assembly. Refer to [TM-320, "Exploded View"](#).
7. Remove the floor under cover with a power tool. Refer to [EXT-29, "ENGINE UNDER COVER : Exploded View"](#).
8. Remove the suspension member stay. Refer to [FSU-21, "Exploded View"](#).
9. Remove the exhaust mounting bracket with power tool. Refer to [EX-5, "Exploded View"](#).
10. Remove the crankshaft position sensor (POS) from the A/T assembly. Refer to [EM-117, "Exploded View"](#).

CAUTION:

TRANSMISSION ASSEMBLY

< UNIT REMOVAL AND INSTALLATION >

[7AT: RE7R01A]

- Never subject it to impact by dropping or hitting it.
- Never disassemble.
- Never allow metal filings, etc. to get on the sensor's front edge magnetic area.
- Never place in an area affected by magnetism.

11. Remove the starter motor. Refer to [STR-18, "Exploded View"](#).
12. Remove the rear plate cover. Refer to [EM-49, "Exploded View"](#).
13. Turn the crankshaft, and remove the tightening bolts for drive plate and torque converter.

CAUTION:

When turning the crankshaft, turn it clockwise as viewed from the front of the engine.

14. Remove the A/T fluid cooler tubes from the A/T assembly. Refer to [TM-340, "Exploded View"](#).
15. Plug up openings such as the A/T fluid cooler tube holes.
16. Support the A/T assembly with a transmission jack.

CAUTION:

Be careful not to allow it to collide against the drain plug and overflow plug when setting the transmission jack.

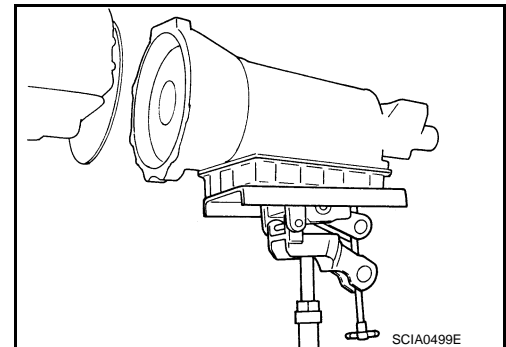
NOTE:

Be placing wooden block between oil pan (upper) and front suspension member, the removal of A/T assembly from engine becomes easier.

17. Remove the rear engine mounting member and engine mounting insulator (rear) with a power tool. Refer to [EM-73, "Exploded View"](#).
18. Disconnect the A/T assembly connector.
19. Remove the harness and brackets.
20. Remove the bolts fixing A/T assembly to the engine with a power tool.
21. Remove the air breather hose, air breather box and bracket. Refer to [TM-339, "Exploded View"](#).
22. Remove the A/T assembly from the engine.

CAUTION:

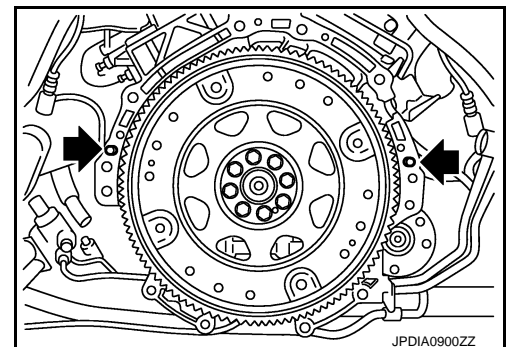
- Secure torque converter to prevent it from dropping.
- Secure A/T assembly to a transmission jack.



INSTALLATION

Note the following, and install in the reverse order of removal.

- Check fitting of the dowel pins (←→).



TRANSMISSION ASSEMBLY

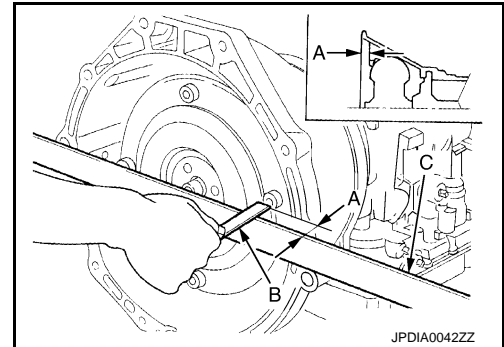
< UNIT REMOVAL AND INSTALLATION >

[7AT: RE7R01A]

- When installing the A/T assembly to the engine, be sure to check dimension "A" to ensure it is within the reference value limit.

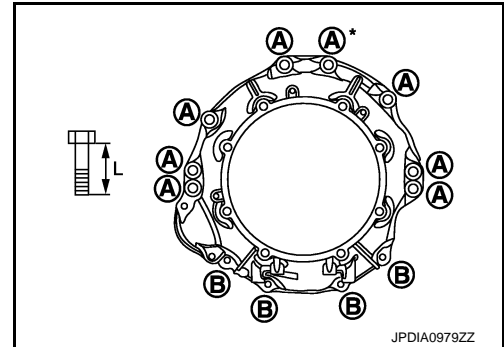
B : Scale
C : Straightedge

Dimension "A" : Refer to [TM-420, "Torque Converter"](#).



- When installing the A/T assembly to the engine, attach the fixing bolts in accordance with the following standard.

Bolt symbol	A	B
Insertion direction	A/T assembly to engine	Engine to A/T assembly
Number of bolts	8	4
Bolt length (L) mm (in)	65 (2.56)	35 (1.38)
Tightening torque N·m (kg·m, ft·lb)	75 (7.7, 55)	46.6 (4.8, 34)



*: Tightening the bolt with bracket.

- Align the positions of tightening bolts for drive plate with those of the torque converter, and temporarily tighten the bolts. Then, tighten the bolts with the specified torque.

CAUTION:

- When turning crankshaft, turn it clockwise as viewed from the front of the engine.
- When tightening the tightening bolts for the torque converter after fixing the crankshaft pulley bolts, be sure to confirm the tightening torque of the crankshaft pulley mounting bolts. Refer to [EM-55, "Exploded View"](#).
- Rotate crankshaft several turns and check to be sure that A/T rotates freely without binding after converter is installed to drive plate.

Inspection and Adjustment

INFOID:000000008193158

INSPECTION AFTER INSTALLATION

- Check A/T fluid leakage. Refer to [TM-309, "Inspection"](#).
- Check A/T position. Refer to [TM-316, "Inspection and Adjustment"](#).

ADJUSTMENT AFTER INSTALLATION

- Adjust A/T fluid level. Refer to [TM-311, "Adjustment"](#).
- Adjust A/T position. Refer to [TM-316, "Inspection and Adjustment"](#).

TRANSMISSION ASSEMBLY

< UNIT DISASSEMBLY AND ASSEMBLY >

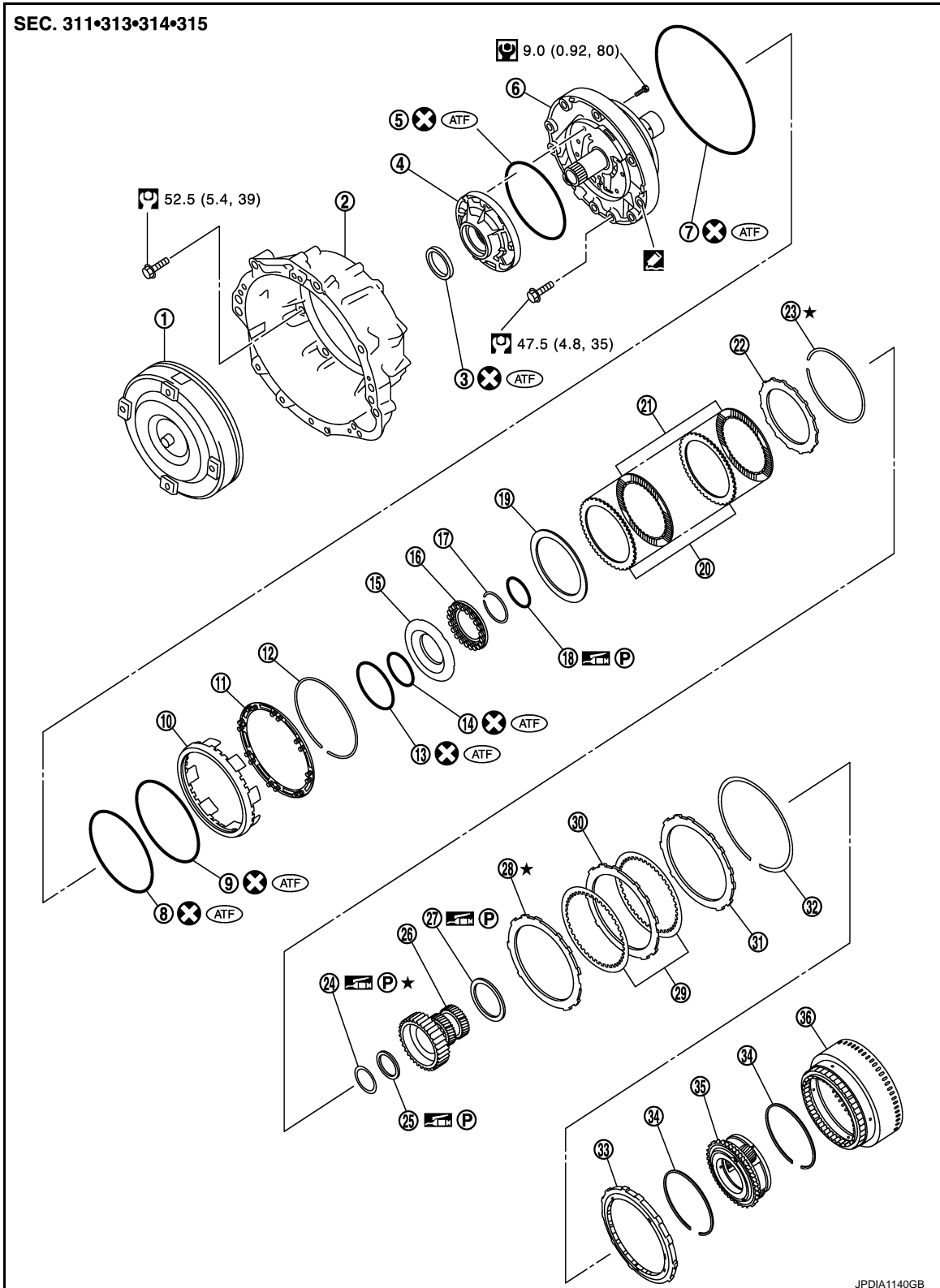
[7AT: RE7R01A]

UNIT DISASSEMBLY AND ASSEMBLY

TRANSMISSION ASSEMBLY

Exploded View

INFOID:000000008193159




JPDA1140GB

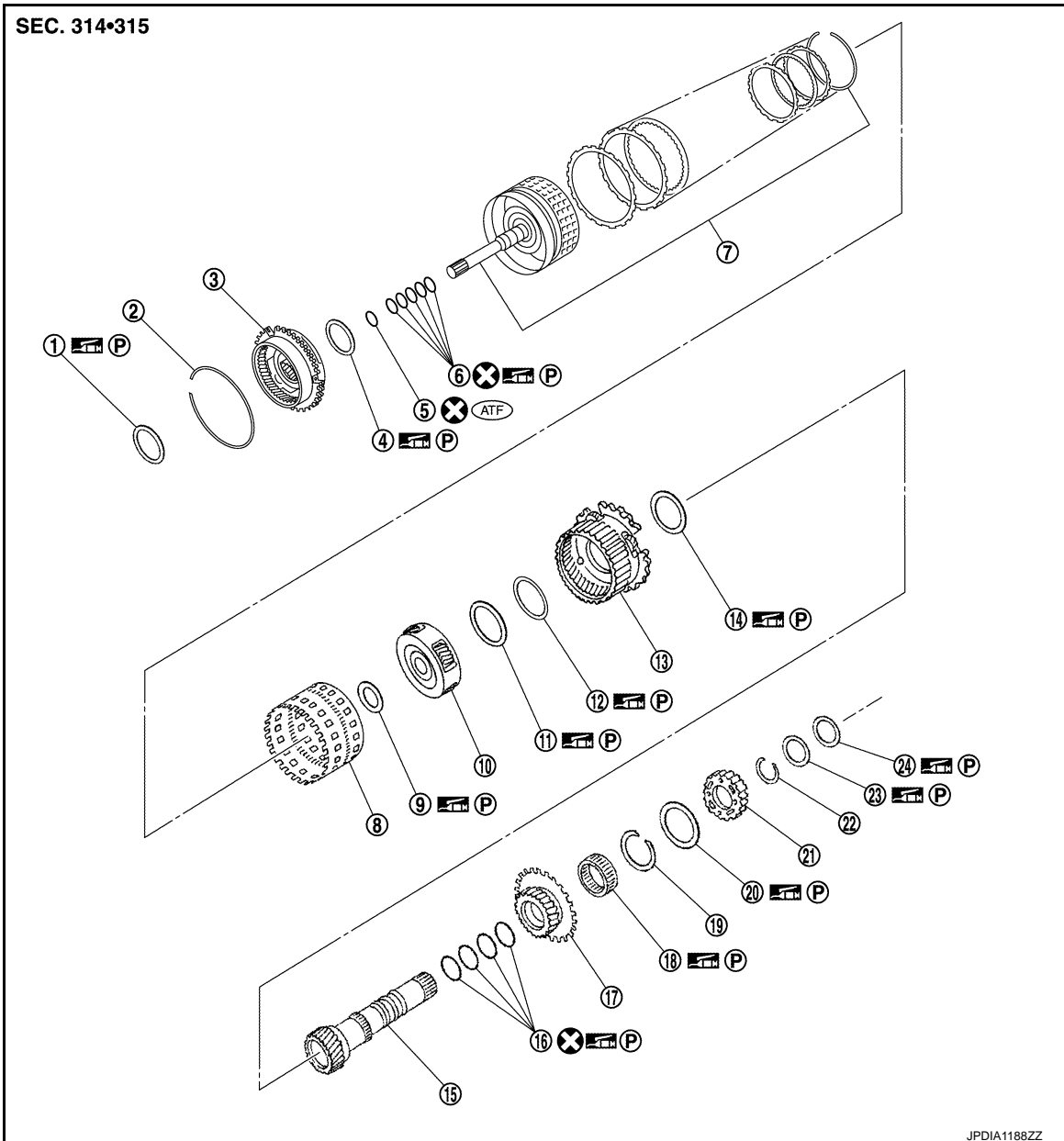
TRANSMISSION ASSEMBLY

< UNIT DISASSEMBLY AND ASSEMBLY >

[7AT: RE7R01A]

- | | | |
|---------------------------------|----------------------------------|------------------------------|
| 1. Torque converter | 2. Converter housing | 3. Oil pump housing oil seal |
| 4. Oil pump housing | 5. O-ring | 6. Oil pump cover |
| 7. O-ring | 8. D-ring | 9. D-ring |
| 10. Front brake piston | 11. Front brake spring retainer | 12. Snap ring |
| 13. D-ring | 14. D-ring | 15. 2346 brake piston |
| 16. 2346 brake spring retainer | 17. Snap ring | 18. Seal ring |
| 19. 2346 brake dish plate | 20. 2346 brake driven plate | 21. 2346 brake drive plate |
| 22. 2346 brake retaining plate | 23. Snap ring | 24. Bearing race |
| 25. Needle bearing | 26. Under drive sun gear | 27. Needle bearing |
| 28. Front brake retaining plate | 29. Front brake drive plate | 30. Front brake driven plate |
| 31. Front brake retaining plate | 32. Snap ring | 33. 1st one-way clutch |
| 34. Snap ring | 35. Under drive carrier assembly | 36. Front brake hub assembly |

 Apply Genuine RTV silicone sealant or equivalent. Refer to [GI-22. "Recommended Chemical Products and Sealants"](#). Refer to [GI-4. "Components"](#) for symbols not described on the above.



JPDIA1188ZZ

TRANSMISSION ASSEMBLY

< UNIT DISASSEMBLY AND ASSEMBLY >

[7AT: RE7R01A]

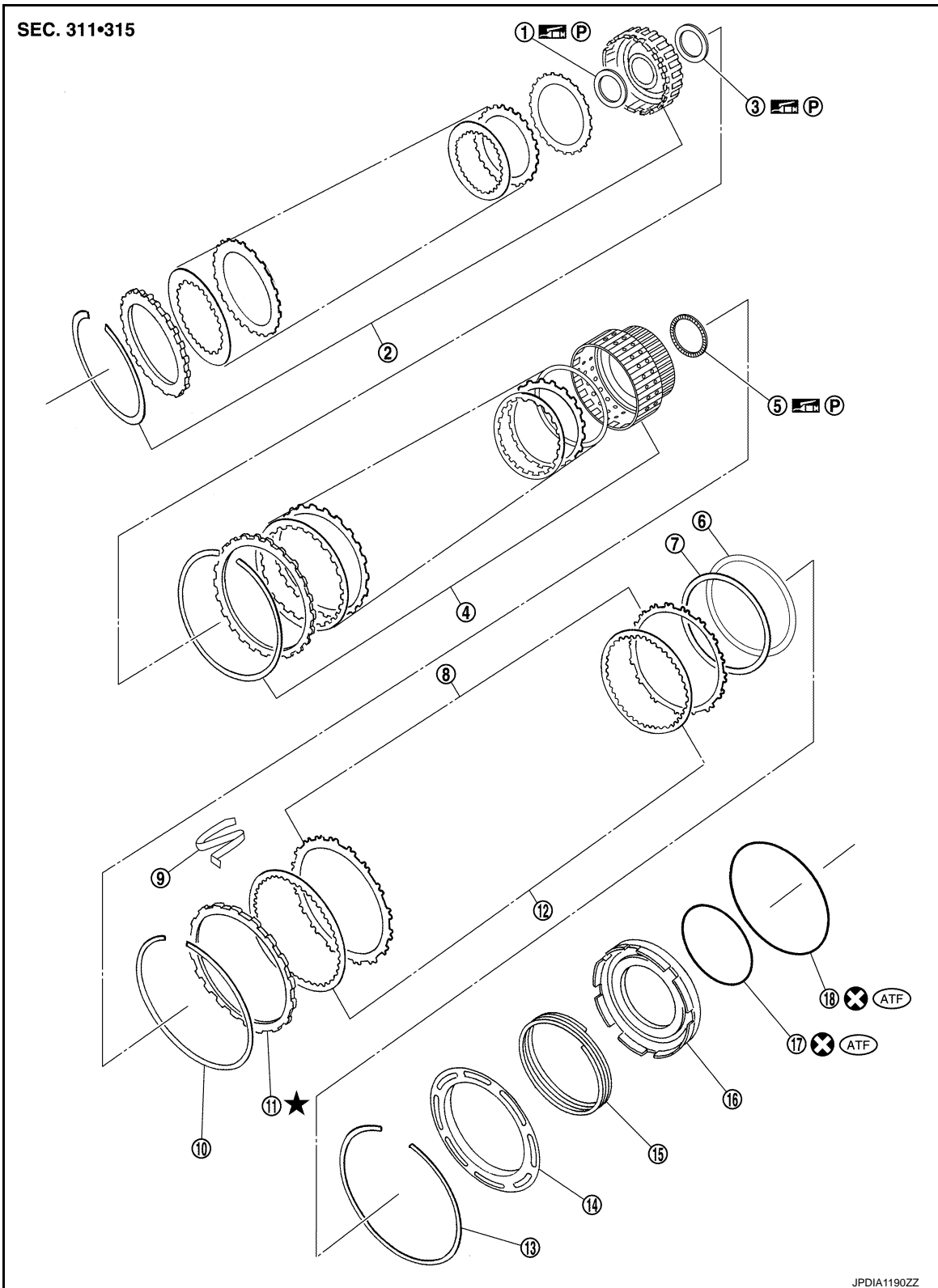
- | | | |
|---------------------------|-----------------------|-------------------------------------|
| 1. Needle bearing | 2. Snap ring | 3. Front carrier assembly |
| 4. Needle bearing | 5. O-ring | 6. Seal ring |
| 7. Input clutch assembly | 8. Rear internal gear | 9. Needle bearing |
| 10. Mid carrier assembly | 11. Needle bearing | 12. Bearing race |
| 13. Rear carrier assembly | 14. Needle bearing | 15. Mid sun gear |
| 16. Seal ring | 17. Rear sun gear | 18. 2nd one-way clutch |
| 19. Snap ring | 20. Needle bearing | 21. High and low reverse clutch hub |
| 22. Snap ring | 23. Bearing race | 24. Needle bearing |

Refer to [GI-4, "Components"](#) for symbols not described on the above.

TRANSMISSION ASSEMBLY

< UNIT DISASSEMBLY AND ASSEMBLY >

[7AT: RE7R01A]



- | | | |
|-----------------------------|---|---------------------------------|
| 1. Bearing race | 2. High and low reverse clutch assembly | 3. Needle bearing |
| 4. Direct clutch assembly | 5. Needle bearing | 6. Reverse brake dish plate |
| 7. Reverse brake dish plate | 8. Reverse brake driven plate | 9. N-spring |
| 10. Snap ring | 11. Reverse brake retaining plate | 12. Reverse brake drive plate |
| 13. Snap ring | 14. Reverse brake spring retainer | 15. Reverse brake return spring |

A
B
C
TM
E
F
G
H
I
J
K
L
M
N
O
P

TRANSMISSION ASSEMBLY

< UNIT DISASSEMBLY AND ASSEMBLY >

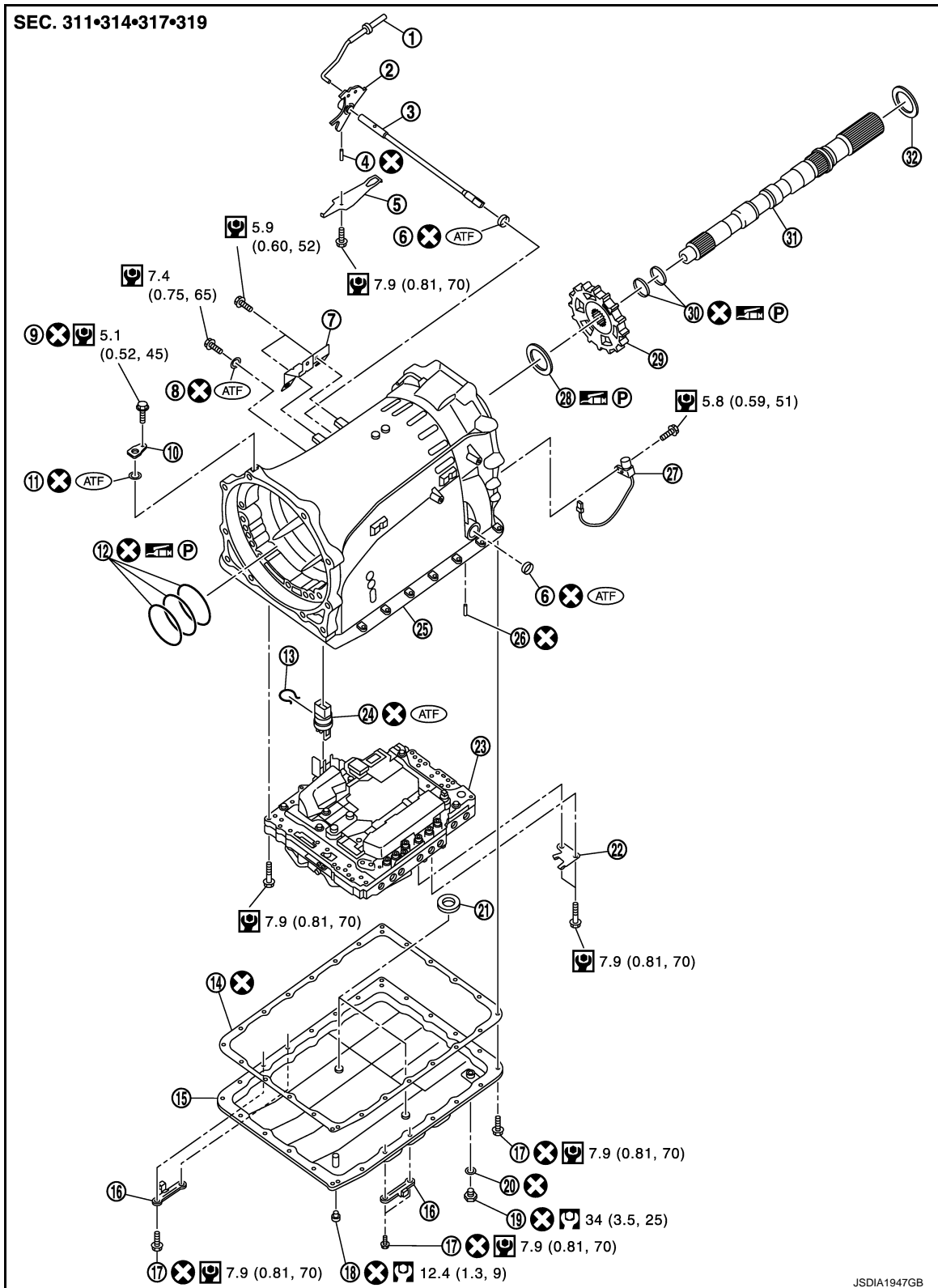
[7AT: RE7R01A]

16. Reverse brake piston

17. D-ring

18. D-ring

Refer to [GI-4, "Components"](#) for symbols in the figure.



- 1. Parking rod
- 4. Retaining pin
- 7. Bracket
- 10. Baffle plate

- 2. Manual plate
- 5. Detent spring
- 8. O-ring
- 11. O-ring

- 3. Manual shaft
- 6. Oil seal
- 9. Self-sealing bolt
- 12. Seal ring

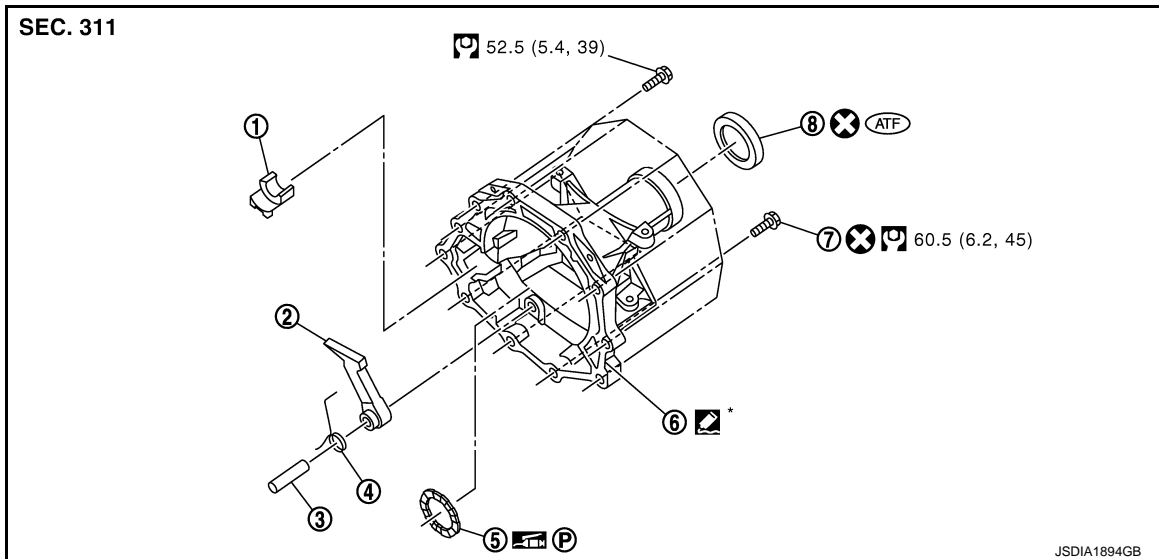
TRANSMISSION ASSEMBLY

< UNIT DISASSEMBLY AND ASSEMBLY >

[7AT: RE7R01A]

- | | | |
|-----------------------|---------------------------|-------------------------|
| 13. Snap ring | 14. Oil pan gasket | 15. Oil pan |
| 16. Clip | 17. Oil pan mounting bolt | 18. Overflow plug |
| 19. Drain plug | 20. Drain plug gasket | 21. Magnet |
| 22. Clip | 23. Control valve & TCM | 24. Joint connector |
| 25. Transmission case | 26. Retaining pin | 27. Output speed sensor |
| 28. Needle bearing | 29. Parking gear | 30. Seal ring |
| 31. Output shaft | 32. Bearing race | |

Refer to [GI-4, "Components"](#) for symbols in the figure.



- | | | |
|-----------------------------|-------------------|-------------------|
| 1. Parking actuator support | 2. Parking pawl | 3. Pawl shaft |
| 4. Return spring | 5. Needle bearing | 6. Rear extension |
| 7. Self-sealing bolt | 8. Rear oil seal | |

*: Apply Genuine Anaerobic Liquid Gasket or equivalent. Refer to [GI-22, "Recommended Chemical Products and Sealants"](#).

Refer to [GI-4, "Components"](#) for symbols in the figure.

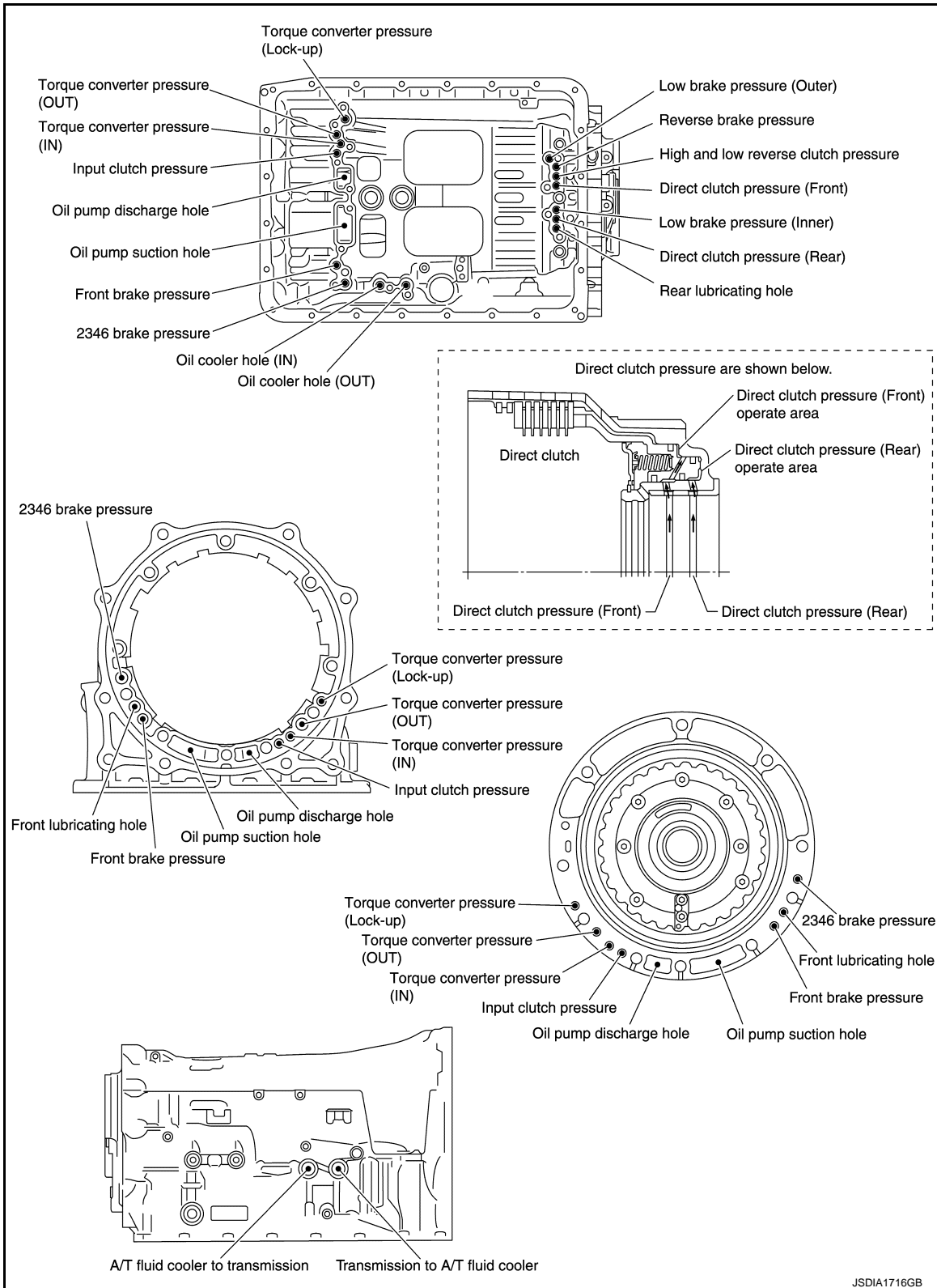
TRANSMISSION ASSEMBLY

< UNIT DISASSEMBLY AND ASSEMBLY >

[7AT: RE7R01A]

Oil Channel

INFOID:000000008193160



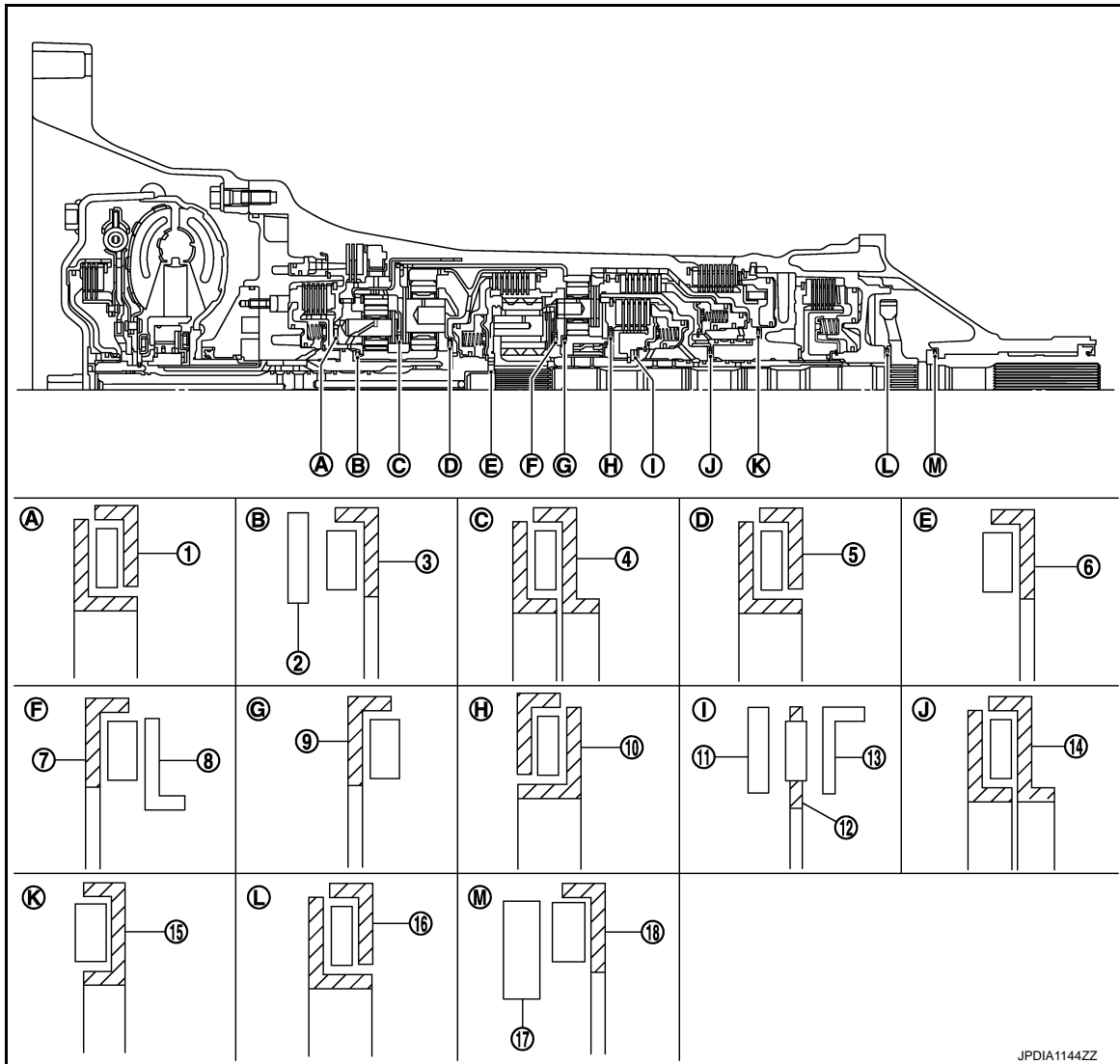
TRANSMISSION ASSEMBLY

< UNIT DISASSEMBLY AND ASSEMBLY >

[7AT: RE7R01A]

Location of Needle Bearings and Bearing Races

INFOID:000000008193161



Location	Item	Outer diameter mm (in)
A	(1) Needle bearing	94 (3.701)
B	(2) Bearing race	58.6 (2.307)
	(3) Needle bearing	60 (2.362)
C	(4) Needle bearing	84.6 (3.331)
D	(5) Needle bearing	77 (3.031)
E	(6) Needle bearing	47 (1.850)
F	(7) Needle bearing	84 (3.307)
	(8) Bearing race	82 (3.228)
G	(9) Needle bearing	80 (3.150)
H	(10) Needle bearing	92 (3.622)
I	(11) Bearing race	61.1 (2.406)
	(12) Needle bearing	60 (2.362)
	(13) Bearing race	61.9 (2.437)
J	(14) Needle bearing	62.8 (2.472)
K	(15) Needle bearing	92 (3.622)

TRANSMISSION ASSEMBLY

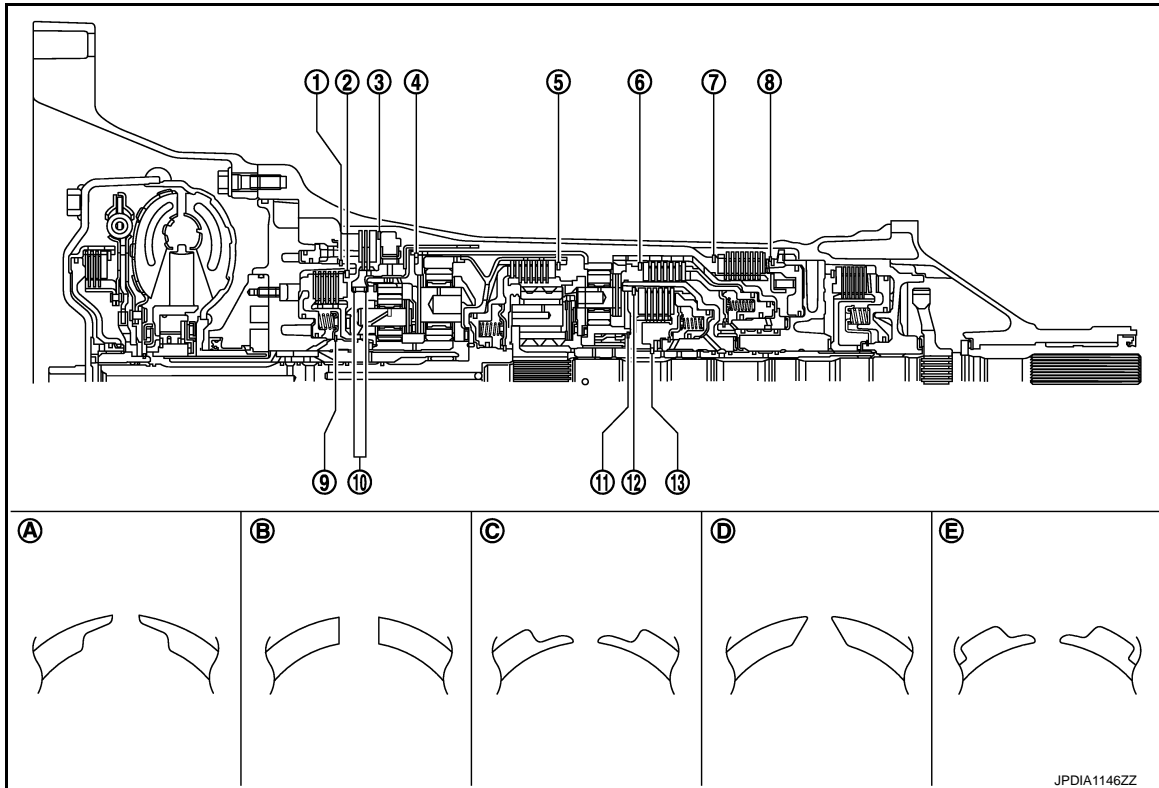
< UNIT DISASSEMBLY AND ASSEMBLY >

[7AT: RE7R01A]

Location	Item	Outer diameter mm (in)
L	(16) Needle bearing	65 (2.559)
M	(17) Bearing race	58 (2.283)
	(18) Needle bearing	60 (2.362)

Location of Snap Rings

INFOID:000000008193162



Location	Shape of snap ring	Outer diameter mm (in)
1	A	159.9 (6.295)
2	B	159 (6.260)
3	B	216 (8.504)
4	B	180.4 (7.102)
5	C	171.5 (6.752)
6	B	169 (6.654)
7	B	180.5 (7.106)
8	B	181.0 (7.126)
9	D	64.6 (2.543)
10	B	136 (5.354)
11	E	70.5 (2.776)
12	B	135 (5.315)
13	A	48.4 (1.906)

Disassembly

INFOID:000000008193163

CAUTION:

Never disassemble parts behind drum support. Refer to [TM-175, "Cross-Sectional View"](#).

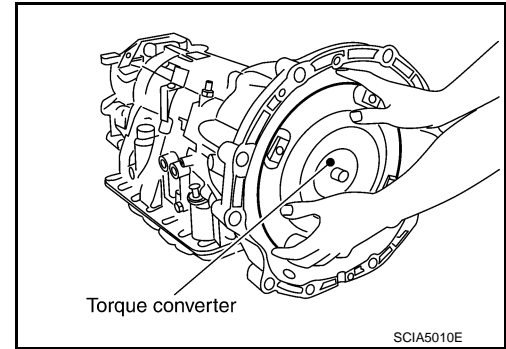
1. Drain ATF through drain plug.

TRANSMISSION ASSEMBLY

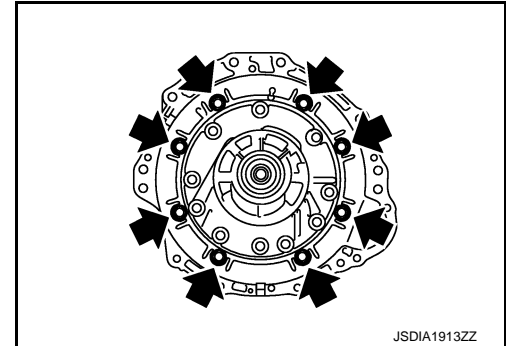
< UNIT DISASSEMBLY AND ASSEMBLY >

[7AT: RE7R01A]

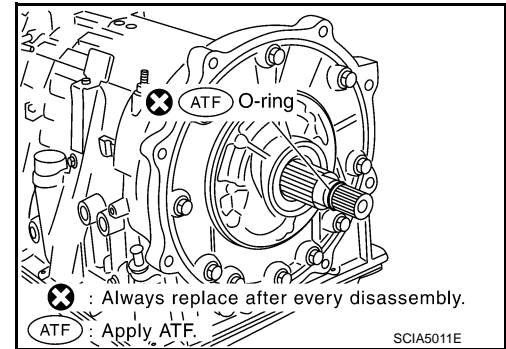
2. Remove torque converter by holding it firmly and turning while pulling straight out.



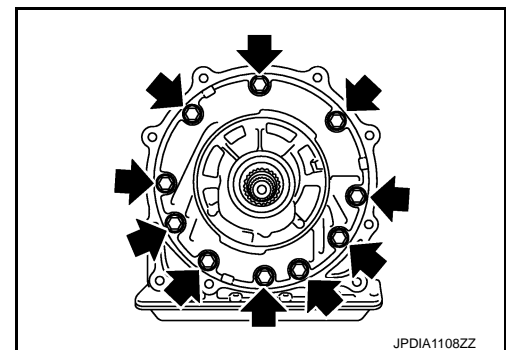
3. Remove tightening bolts (←) for converter housing and transmission case.
4. Remove converter housing from transmission case.
CAUTION:
Be careful not to scratch converter housing.



5. Remove O-ring from input clutch assembly.



6. Remove tightening bolts (←) for oil pump assembly and transmission case.



TRANSMISSION ASSEMBLY

< UNIT DISASSEMBLY AND ASSEMBLY >

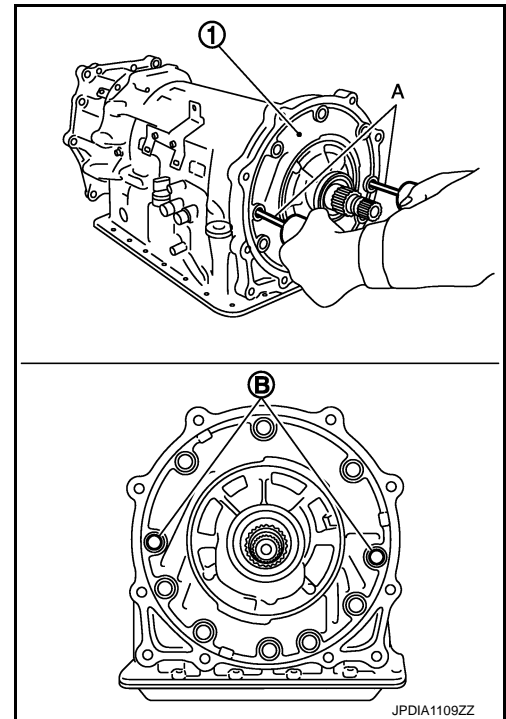
[7AT: RE7R01A]

7. Attach the sliding hammers (SST: ST25850000) (A) to oil pump assembly (1) and extract it evenly from transmission case.

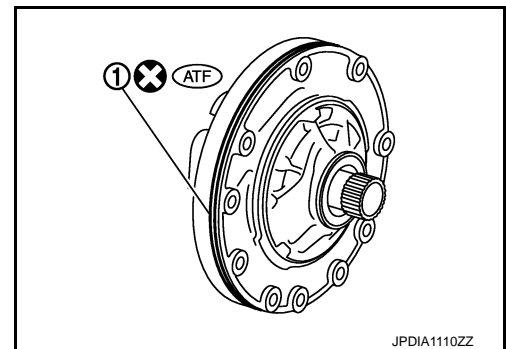
B : Sliding hammer attachment position

CAUTION:

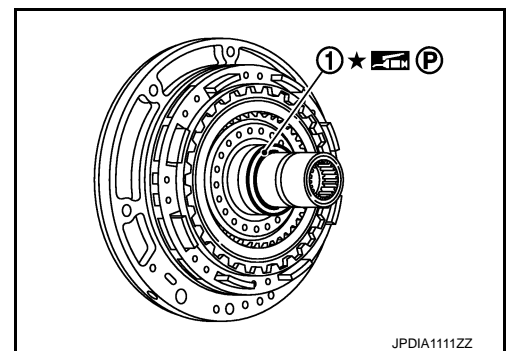
- Fully tighten the sliding hammer screws.
- Make sure that bearing race is installed to the oil pump assembly edge surface.



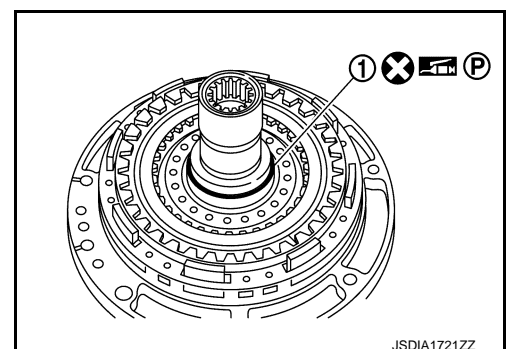
8. Remove O-ring (1) from oil pump assembly.



9. Remove bearing race (1) from oil pump assembly.



10. Remove seal ring (1) from oil pump assembly.

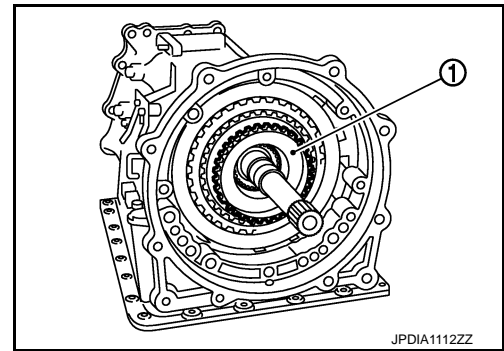


TRANSMISSION ASSEMBLY

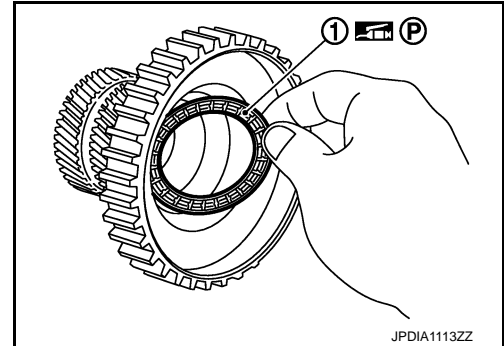
< UNIT DISASSEMBLY AND ASSEMBLY >

[7AT: RE7R01A]

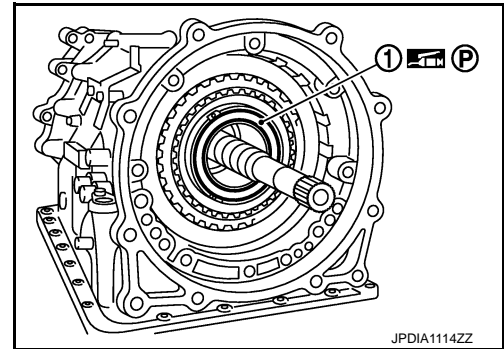
11. Remove under drive sun gear (1) from under drive carrier assembly.



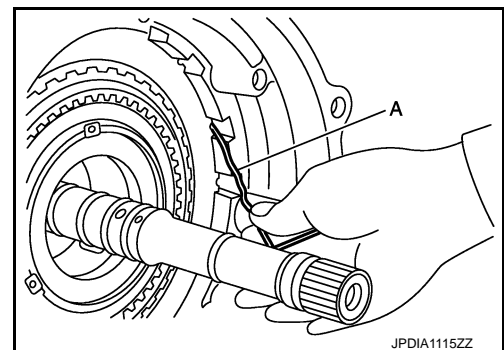
12. Remove needle bearing (1) from under drive sun gear.



13. Remove needle bearing (1) from under drive carrier assembly.



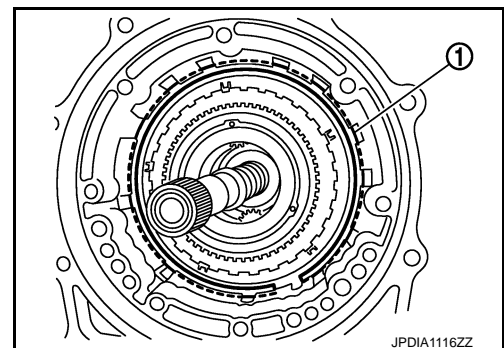
14. Remove front brake component part (retaining plates, drive plates and driven plate) from transmission case by using a wire (A) with its tip bent like a hook.



15. Remove snap ring (1) from transmission case using a flat-bladed screwdriver.

CAUTION:

- Be careful not to scratch transmission case and 1st one-way clutch.
- Be careful not to damage snap ring.



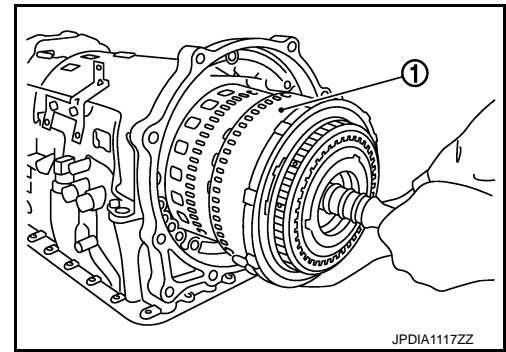
A
B
C
TM
E
F
G
H
I
J
K
L
M
N
O
P

TRANSMISSION ASSEMBLY

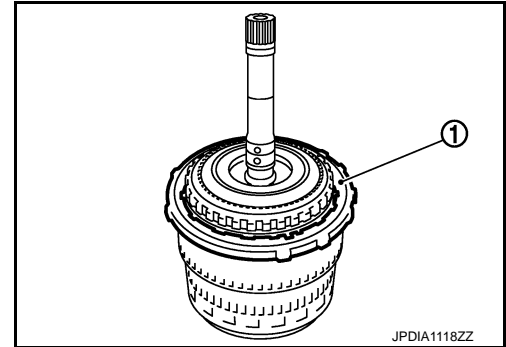
< UNIT DISASSEMBLY AND ASSEMBLY >

[7AT: RE7R01A]

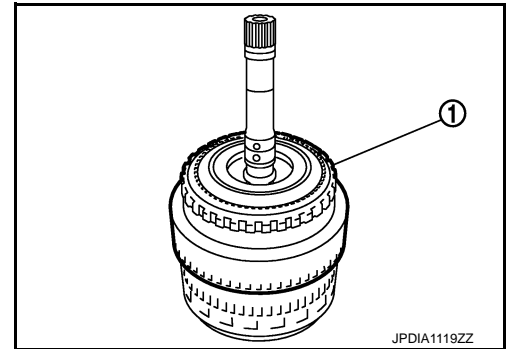
16. Remove input clutch assembly (with 1st one-way clutch, under drive carrier assembly, front brake hub, front carrier assembly, and rear internal gear) (1) from transmission case.



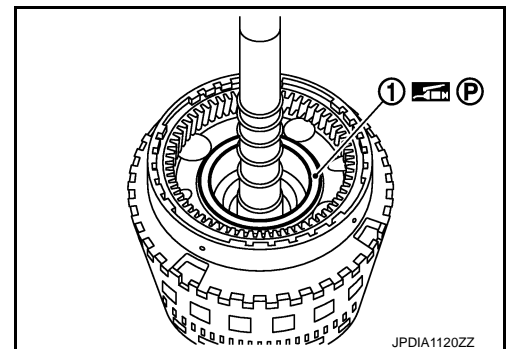
17. Remove 1st one-way clutch (1) from front brake hub.



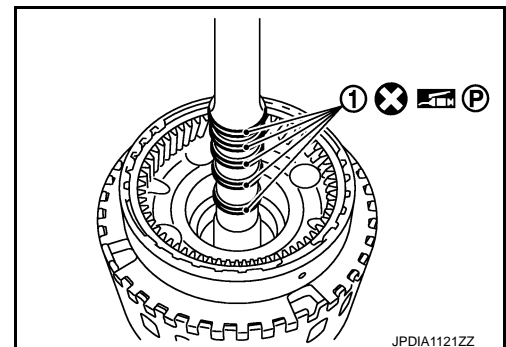
18. Remove under drive carrier assembly (with front brake hub) (1) from front carrier assembly.



19. Remove needle bearing (1) from front carrier assembly.



20. Remove seal rings (1) from input clutch assembly.

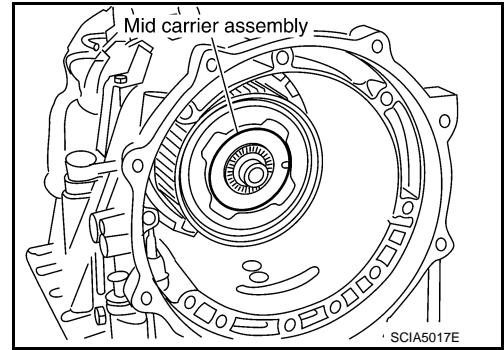


TRANSMISSION ASSEMBLY

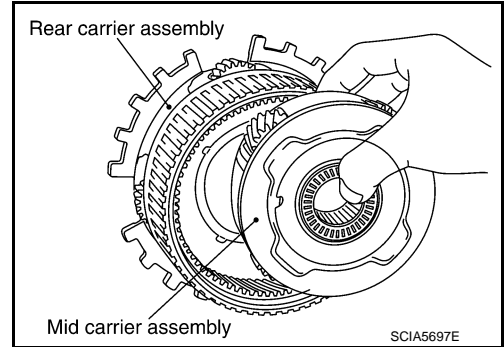
< UNIT DISASSEMBLY AND ASSEMBLY >

[7AT: RE7R01A]

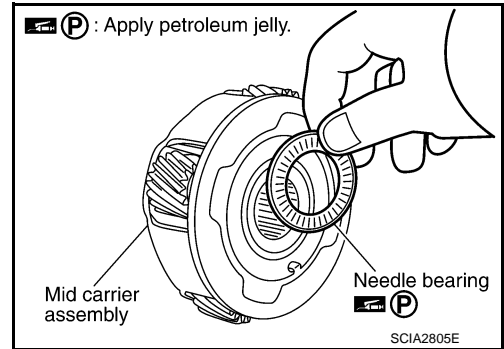
21. Remove mid carrier assembly and rear carrier assembly as a unit.



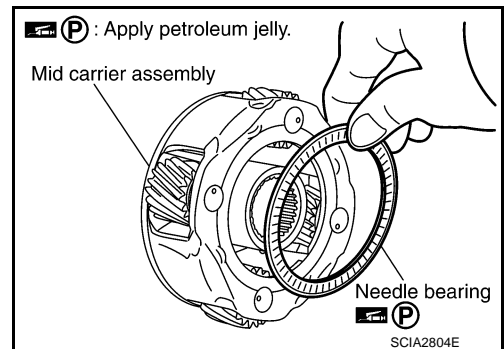
22. Remove mid carrier assembly from rear carrier assembly.



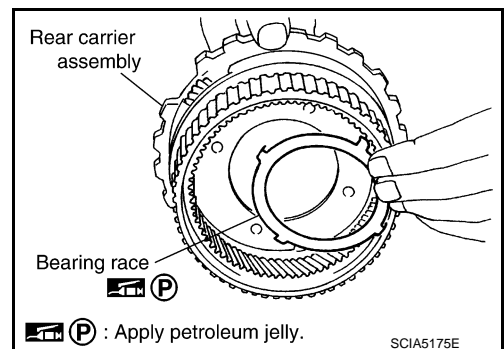
23. Remove needle bearing (front side) from mid carrier assembly.



24. Remove needle bearing (rear side) from mid carrier assembly.



25. Remove bearing race from rear carrier assembly.



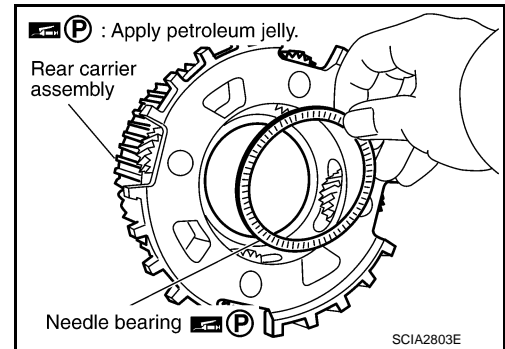
A
B
C
TM
E
F
G
H
I
J
K
L
M
N
O
P

TRANSMISSION ASSEMBLY

< UNIT DISASSEMBLY AND ASSEMBLY >

[7AT: RE7R01A]

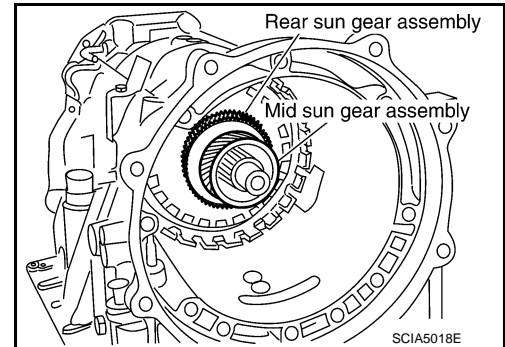
26. Remove needle bearing from rear carrier assembly.



27. Remove mid sun gear assembly, rear sun gear assembly, and high and low reverse clutch hub as a unit.

CAUTION:

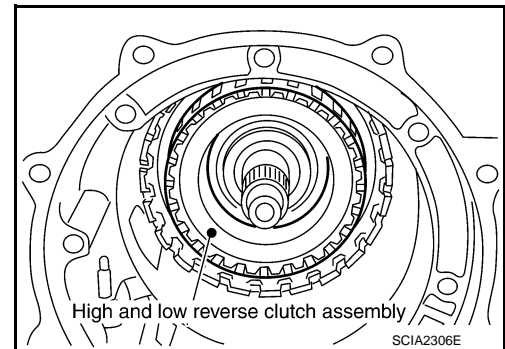
Be careful to remove them with bearing race and needle bearing.



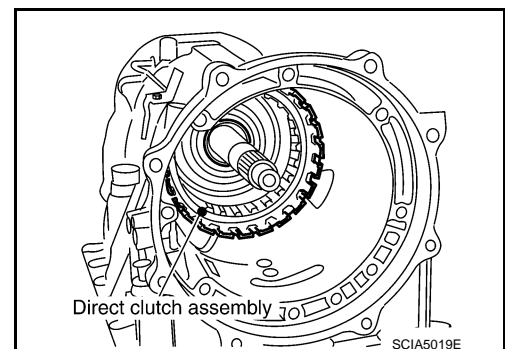
28. Remove high and low reverse clutch assembly from direct clutch assembly.

CAUTION:

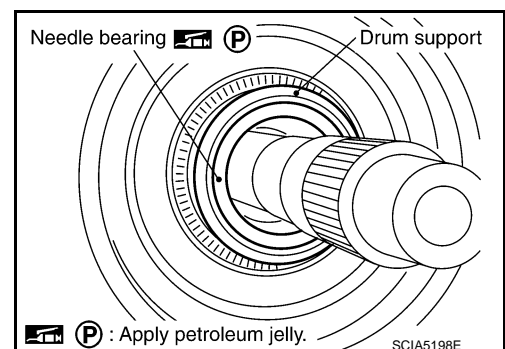
Make sure that needle bearing is installed to the high and low reverse clutch assembly edge surface.



29. Remove direct clutch assembly from reverse brake.



30. Remove needle bearing from drum support.

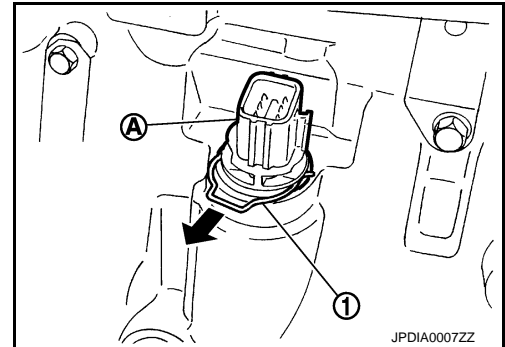


TRANSMISSION ASSEMBLY

< UNIT DISASSEMBLY AND ASSEMBLY >

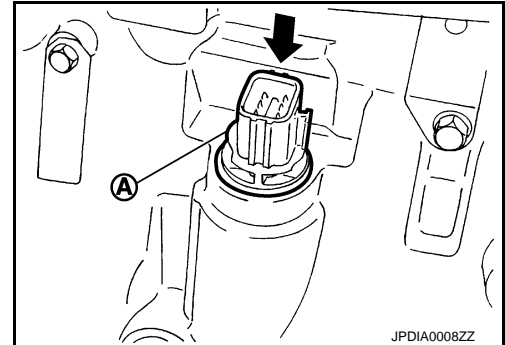
[7AT: RE7R01A]

31. Remove snap ring (1) from joint connector (A).



32. Push joint connector (A).

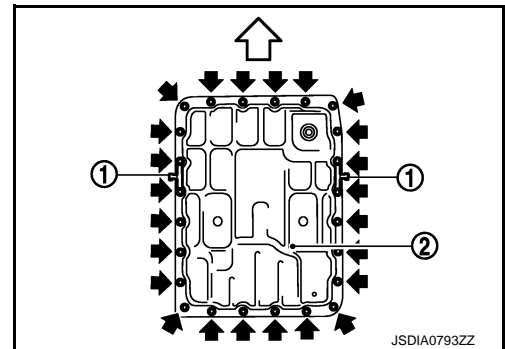
CAUTION:
Be careful not to damage connector.



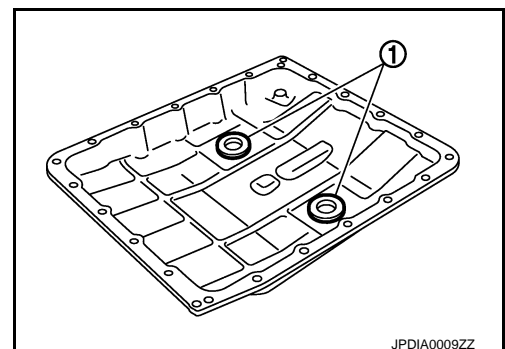
33. Remove oil pan mounting bolts (←).

1 : Clip
← : Front

34. Remove oil pan (2) and oil pan gasket.



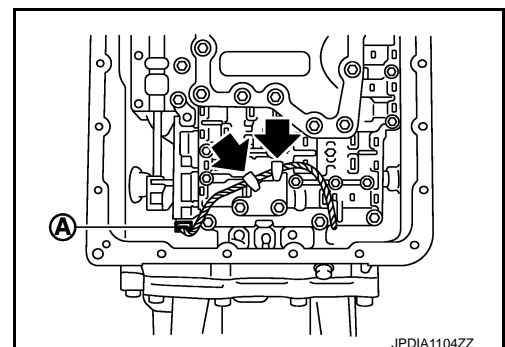
35. Remove magnets (1) from oil pan.



36. Disconnect output speed sensor connector (A).

CAUTION:
Be careful not to damage connector.

37. Disengage terminal clips (←).



A
B
C
TM
E
F
G
H
I
J
K
L
M
N
O
P

TRANSMISSION ASSEMBLY

< UNIT DISASSEMBLY AND ASSEMBLY >

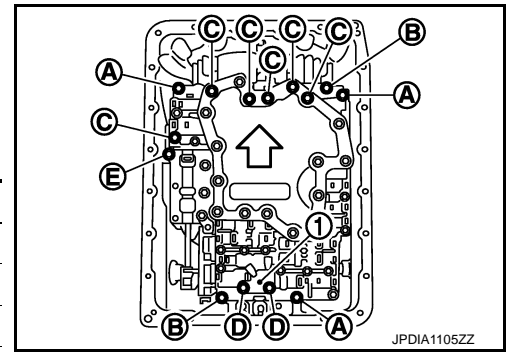
[7AT: RE7R01A]

38. Remove control valve & TCM mounting bolts and clip (1) from the control valve & TCM.

↔ : Front

Bolt symbol	Length mm (in)	Number of bolts
A	43 (1.69)	3
B	40 (1.57)	2
C	54 (2.13)	6
D	50 (1.97)	2
E*	50 (1.97)	1

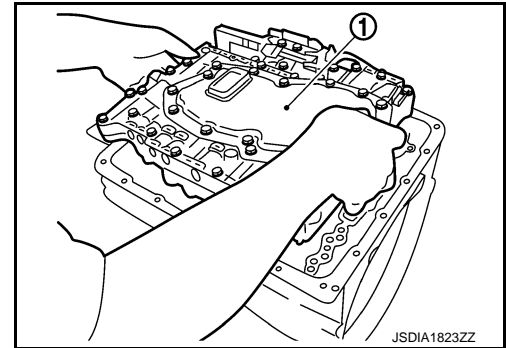
*: Reamer bolt



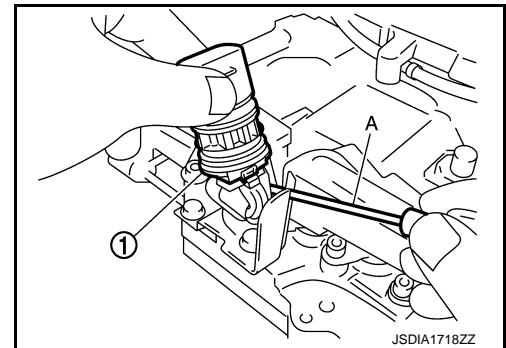
39. Remove the control valve & TCM (1) from transmission case.

CAUTION:

When removing, never with the manual valve notch and manual plate height. Remove it vertically.



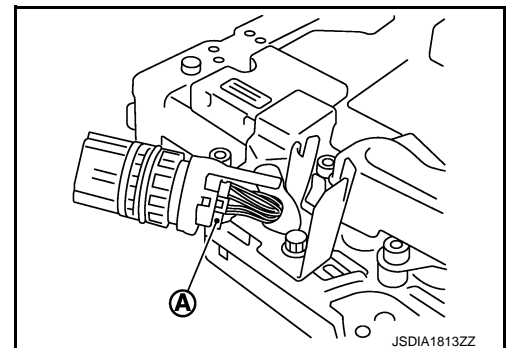
40. Remove joint connector (1) from the control valve & TCM using a flat-bladed screwdriver (A).



41. Disconnect TCM connector (A).

CAUTION:

Be careful not to damage connector.



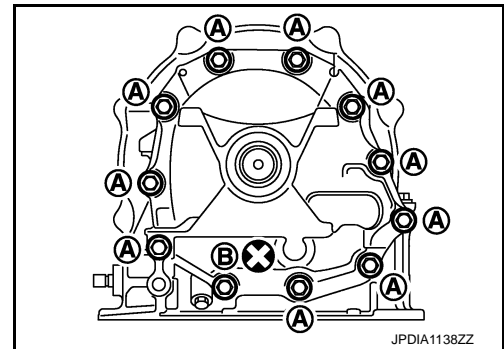
TRANSMISSION ASSEMBLY

< UNIT DISASSEMBLY AND ASSEMBLY >

[7AT: RE7R01A]

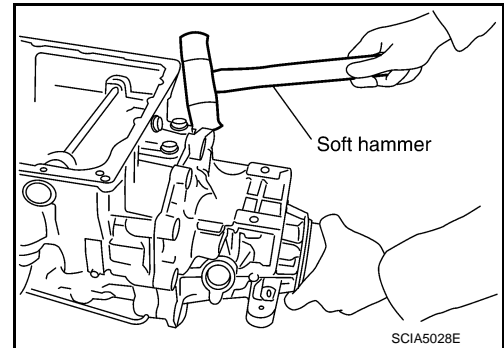
42. Remove tightening bolts for rear extension assembly and transmission case.

- A : Bolt
- B : Self-sealing bolt

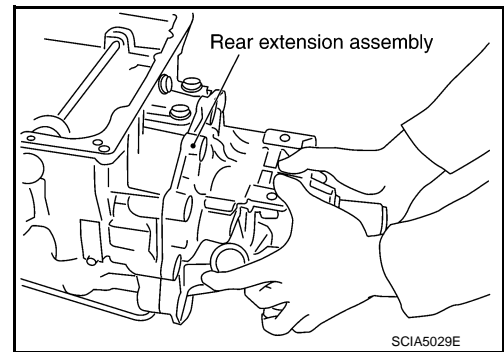


43. Tap rear extension assembly using a soft hammer.

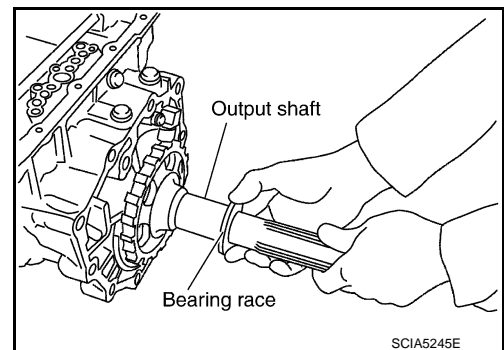
CAUTION:
Be careful not to damage rear extension.



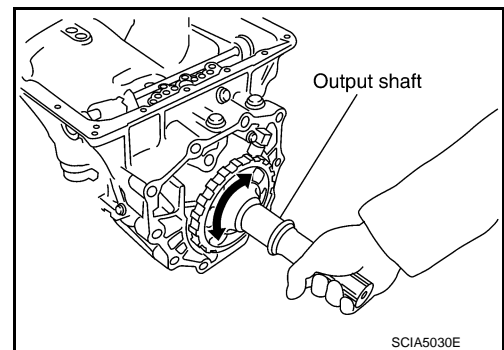
44. Remove rear extension assembly from transmission case. (With needle bearing.)



45. Remove bearing race from output shaft.



46. Remove output shaft from transmission case by rotating left/right.



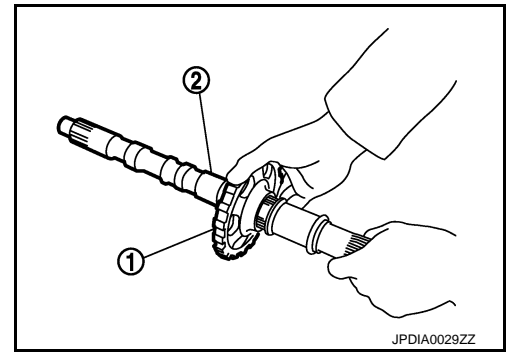
A
B
C
TM
E
F
G
H
I
J
K
L
M
N
O
P

TRANSMISSION ASSEMBLY

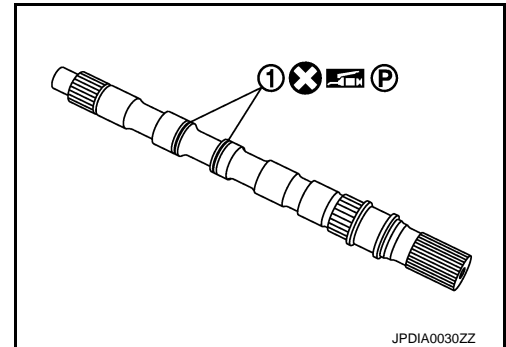
< UNIT DISASSEMBLY AND ASSEMBLY >

[7AT: RE7R01A]

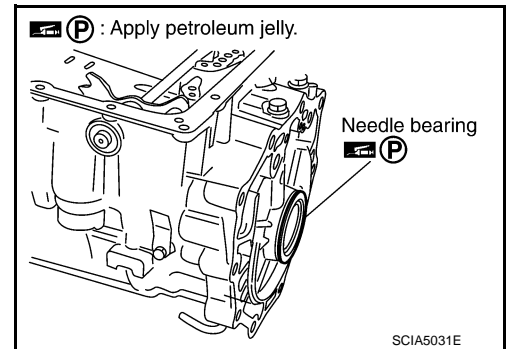
47. Remove parking gear (1) from output shaft (2).



48. Remove seal rings (1) from output shaft.



49. Remove needle bearing from transmission case.

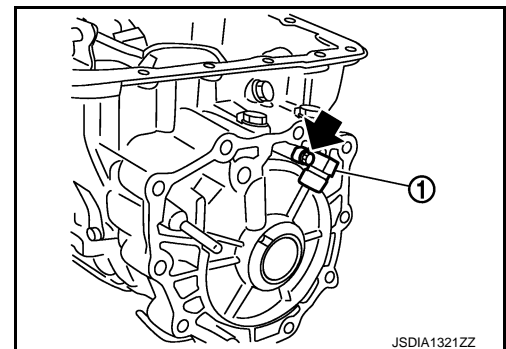


50. Remove output speed sensor (1) from transmission case.

← : Bolt

CAUTION:

- Never subject it to impact by dropping or hitting it.
- Never disassemble.
- Never allow metal filings, etc. to get on the sensor's front edge magnetic area.
- Never place in an area affected by magnetism.



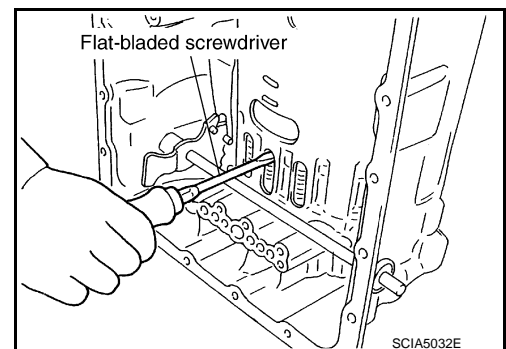
51. Remove reverse brake snap ring (fixing plate) with 2 flat-bladed screwdrivers.

CAUTION:

- Be careful not to scratch transmission case and reverse brake retaining plate.
- Be careful not to damage snap ring.

NOTE:

Press out snap ring from the transmission case oil pan side gap with a flat-bladed screwdriver, and remove it using a another screwdriver.



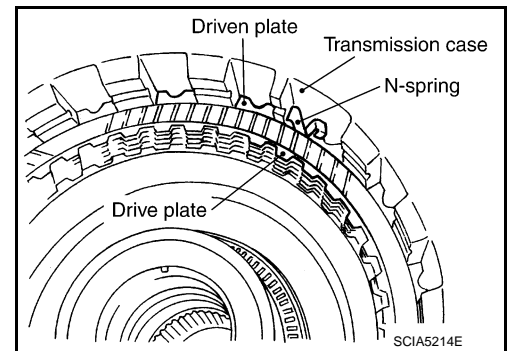
52. Remove reverse brake retaining plate from transmission case.

TRANSMISSION ASSEMBLY

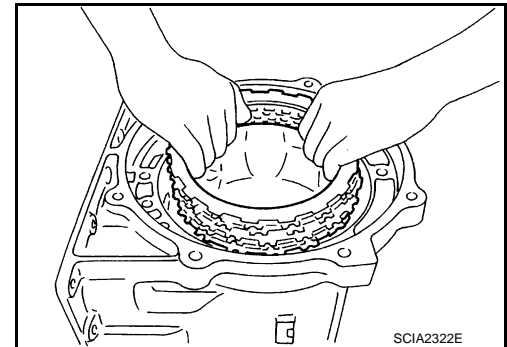
< UNIT DISASSEMBLY AND ASSEMBLY >

[7AT: RE7R01A]

53. Remove N-spring from transmission case.



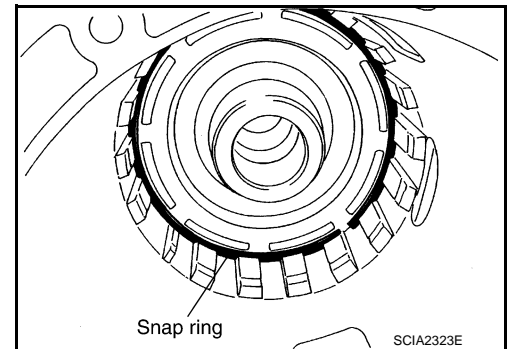
54. Remove reverse brake component part (drive plates, driven plates and dish plates) from transmission case.



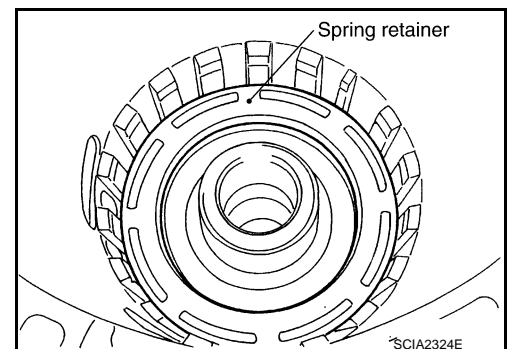
55. Remove snap ring (fixing spring retainer) using a flat-bladed screwdriver.

CAUTION:

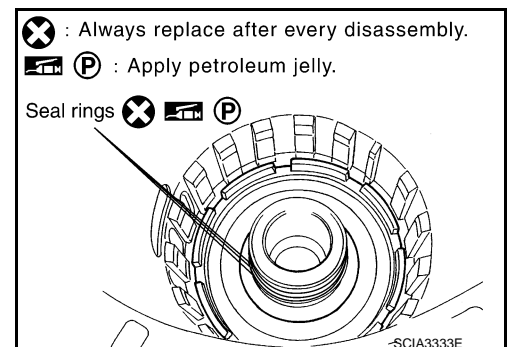
- Be careful not to scratch transmission case and spring retainer.
- Be careful not to damage snap ring.



56. Remove reverse brake spring retainer and reverse brake return spring from transmission case.



57. Remove seal rings from drum support.



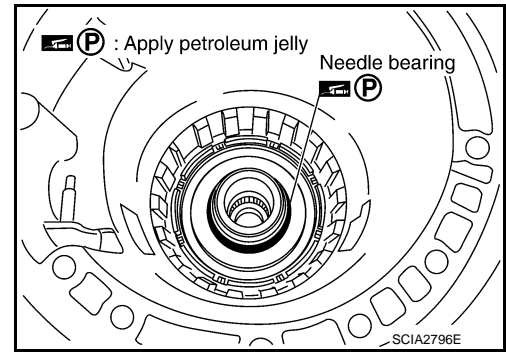
A
B
C
TM
E
F
G
H
I
J
K
L
M
N
O
P

TRANSMISSION ASSEMBLY

< UNIT DISASSEMBLY AND ASSEMBLY >

[7AT: RE7R01A]

58. Remove needle bearing from drum support edge surface.

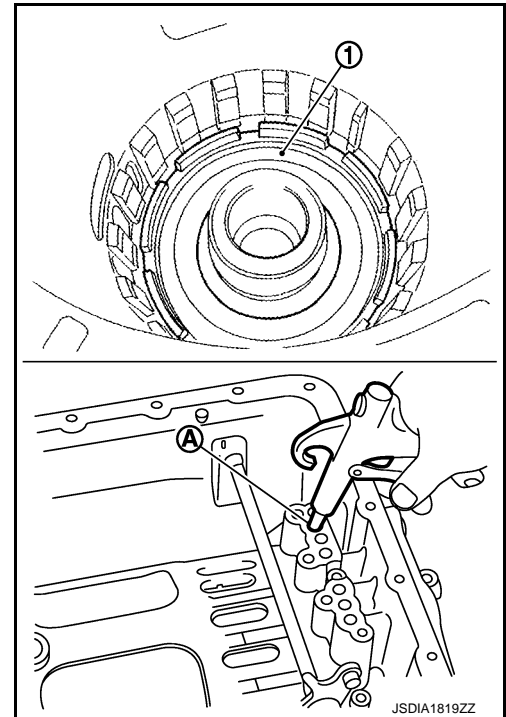


59. Remove reverse brake piston (1) from transmission case with compressed air. Refer to [TM-352, "Oil Channel"](#).

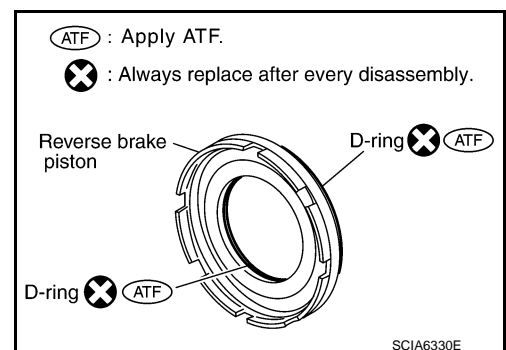
A : Reverse brake pressure hole

CAUTION:

Care should be taken not to abruptly blow air. It makes pistons incline, as the result, it becomes hard to disassemble the pistons.



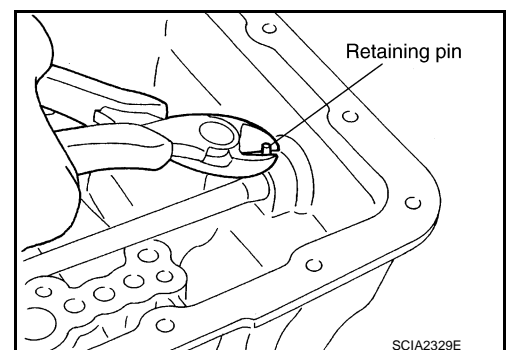
60. Remove D-rings from reverse brake piston.



61. Remove manual shaft retaining pin with pair of nippers.

CAUTION:

Be careful not to cut retaining pin.

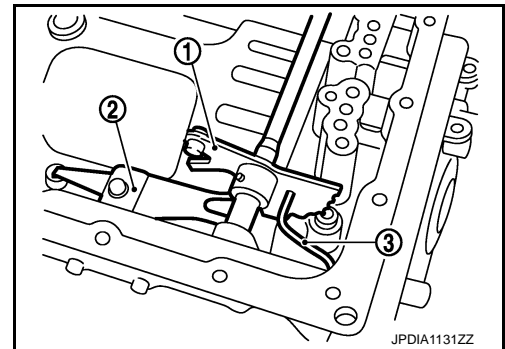


TRANSMISSION ASSEMBLY

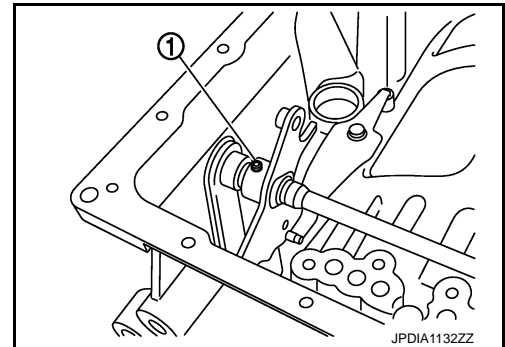
< UNIT DISASSEMBLY AND ASSEMBLY >

[7AT: RE7R01A]

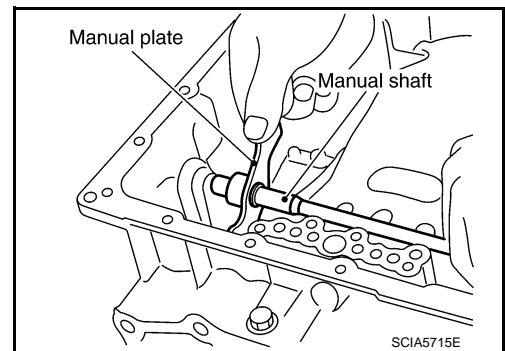
- 62. Remove manual plate (1) from detent spring (2).
- 63. Remove parking rod (3) from manual plate.
- 64. Install manual plate to detent spring.



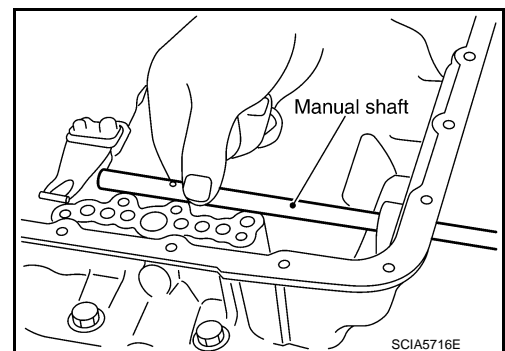
- 65. Use a pin punch [4 mm (0.16 in) dia. commercial service tool] to knock out retaining pin (1).



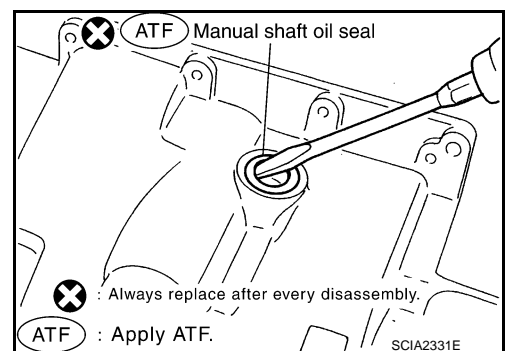
- 66. Remove manual plate from manual shaft.



- 67. Remove manual shaft from transmission case.



- 68. Remove manual shaft oil seals using a flat-bladed screwdriver.
CAUTION:
Be careful not to scratch transmission case.



A
B
C
TM
E
F
G
H
I
J
K
L
M
N
O
P

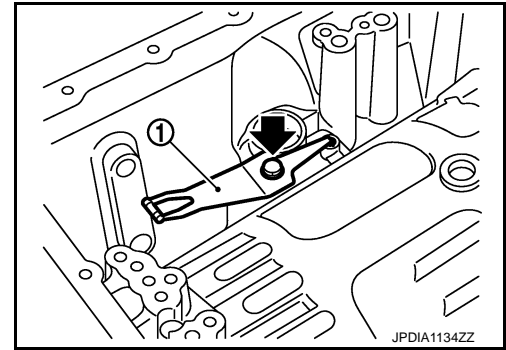
TRANSMISSION ASSEMBLY

< UNIT DISASSEMBLY AND ASSEMBLY >

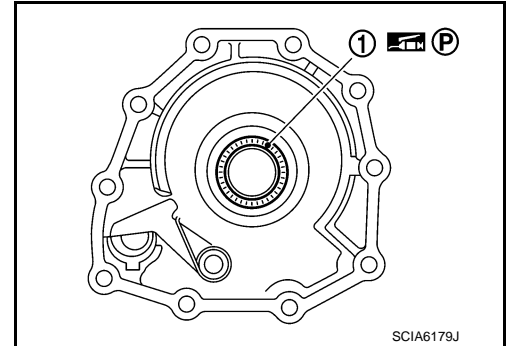
[7AT: RE7R01A]

69. Remove detent spring (1) from transmission case.

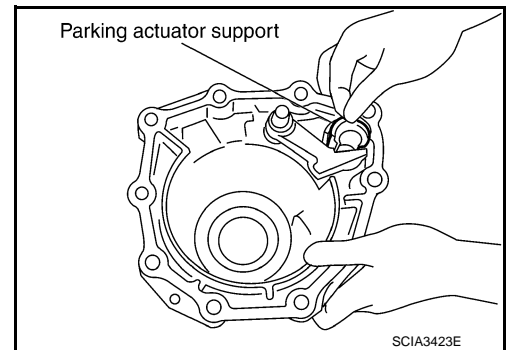
← : Bolt



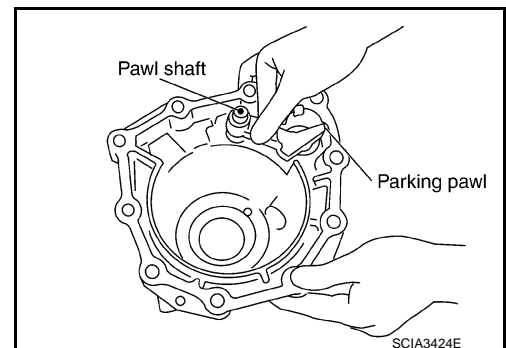
70. Remove needle bearing (1) from rear extension.



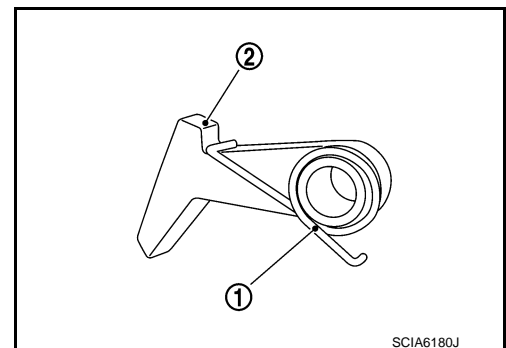
71. Remove parking actuator support from rear extension.



72. Remove parking pawl (with return spring) and pawl shaft from rear extension.



73. Remove return spring (1) from parking pawl (2).



TRANSMISSION ASSEMBLY

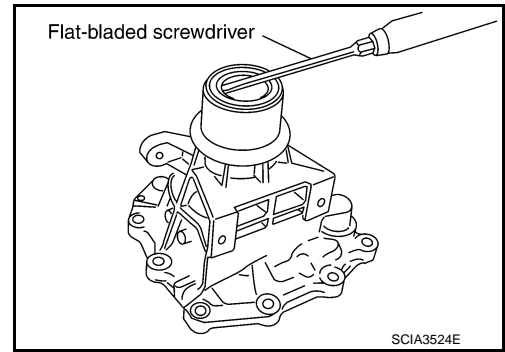
< UNIT DISASSEMBLY AND ASSEMBLY >

[7AT: RE7R01A]

74. Remove rear oil seal from rear extension using a flat-bladed screwdriver.

CAUTION:

Be careful not to scratch rear extension.



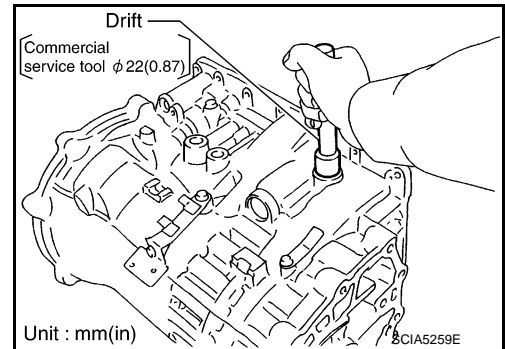
Assembly

INFOID:000000008193164

1. As shown in the figure, use a drift [22 mm (0.87 in) dia. commercial service tool] to drive manual shaft oil seals into the transmission case until it is flush.

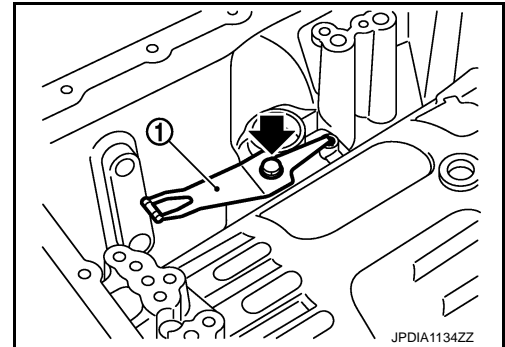
CAUTION:

- Never reuse manual shaft oil seals.
- Apply ATF to manual shaft oil seals.

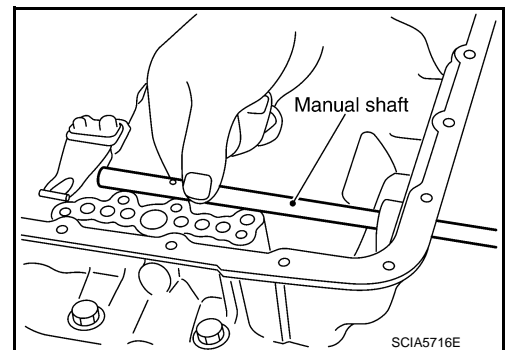


2. Install detent spring to transmission case. Tighten detent spring bolt to the specified torque.

← : Bolt



3. Install manual shaft to transmission case.



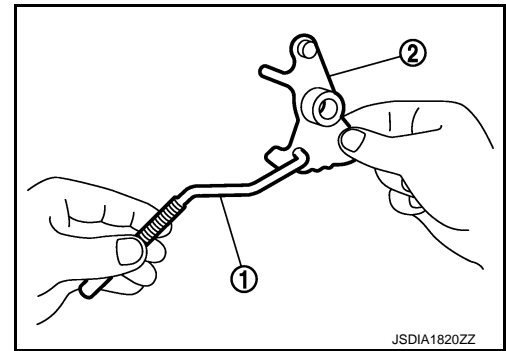
A
B
C
TM
E
F
G
H
I
J
K
L
M
N
O
P

TRANSMISSION ASSEMBLY

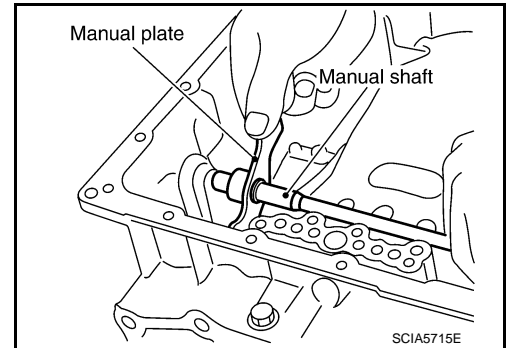
< UNIT DISASSEMBLY AND ASSEMBLY >

[7AT: RE7R01A]

4. Install parking rod (1) to manual plate (2).



5. Install manual plate (with parking rod) to manual shaft.

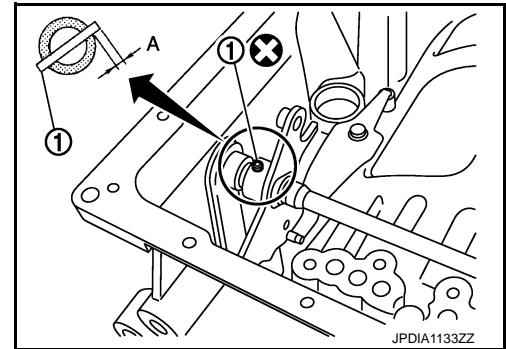


6. Install retaining pin (1) into the manual plate and manual shaft.
 - a. Fit pinhole of the manual plate to pinhole of the manual shaft with a pin punch.
 - b. Use a hammer to tap the retaining pin into the manual plate.

A : Approx. 2 mm (0.08in)

CAUTION:

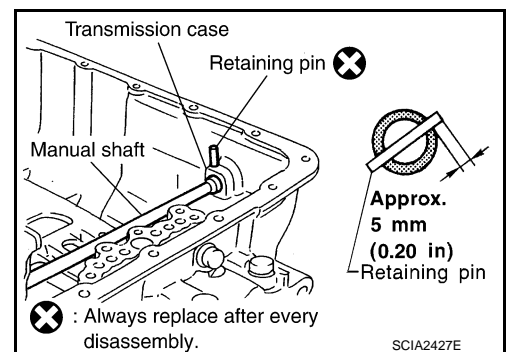
Drive retaining pin to 2 ± 0.5 mm (0.08 ± 0.020 in) over the manual plate.



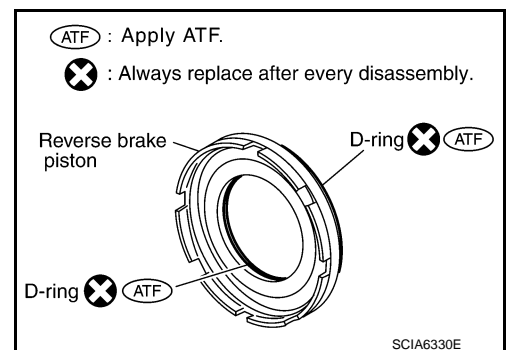
7. Install retaining pin into the transmission case and manual shaft.
 - a. Fit pinhole of the transmission case to pinhole of the manual shaft with a pin punch.
 - b. Use a hammer to tap the retaining pin into the transmission case.

CAUTION:

Drive retaining pin to 5 ± 1 mm (0.20 ± 0.04 in) over the transmission case.



8. Install D-rings to reverse brake piston.

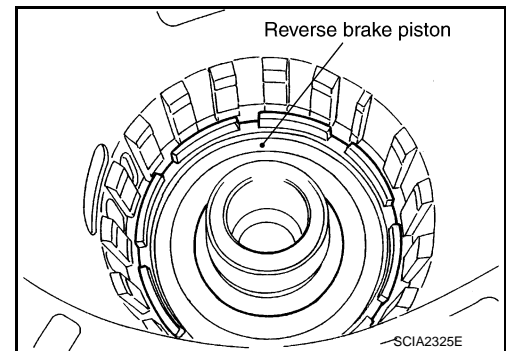


TRANSMISSION ASSEMBLY

< UNIT DISASSEMBLY AND ASSEMBLY >

[7AT: RE7R01A]

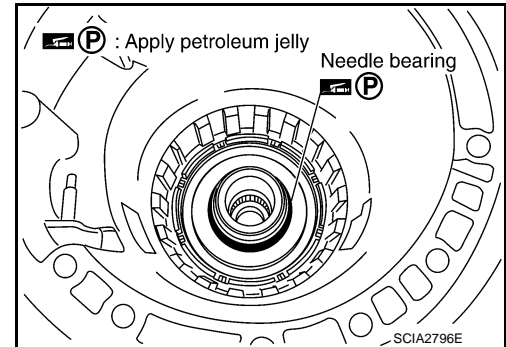
9. Install reverse brake piston to transmission case.



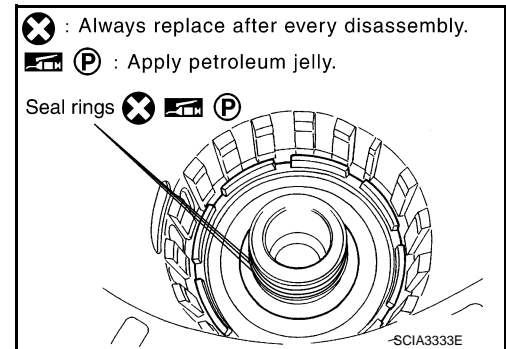
10. Install needle bearing to drum support edge surface.

CAUTION:

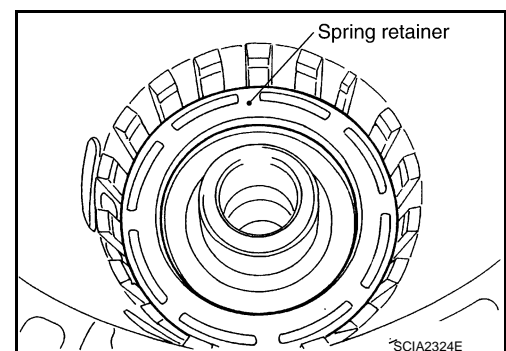
Check the direction of needle bearing. Refer to [TM-353](#), "[Location of Needle Bearings and Bearing Races](#)".



11. Install seal rings to drum support.



12. Install reverse brake spring retainer and reverse brake return spring to transmission case.



A
B
C
TM
E
F
G
H
I
J
K
L
M
N
O
P

TRANSMISSION ASSEMBLY

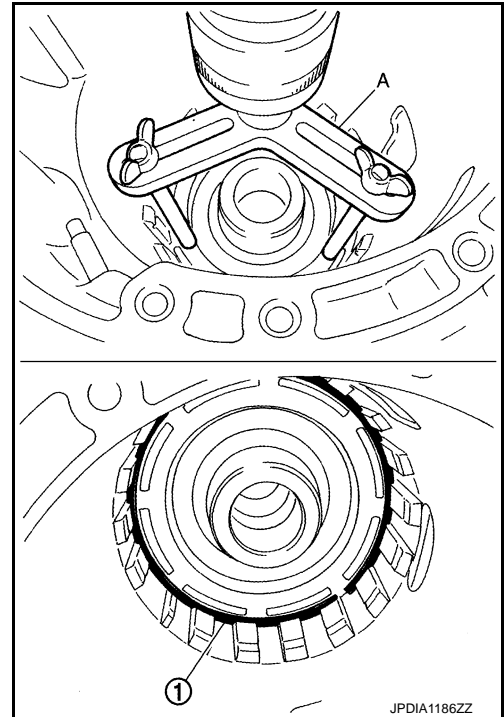
< UNIT DISASSEMBLY AND ASSEMBLY >

[7AT: RE7R01A]

13. Set the clutch spring compressor [SST: KV31102400 (J-34285 and J-34285-87)] (A) on reverse brake spring retainer and install snap ring (fixing spring retainer) (1) to transmission case while compressing return spring.

CAUTION:

- Securely assemble them using a flat-bladed screwdriver so that snap ring tension is slightly weak.
- Be careful not to damage snap ring.

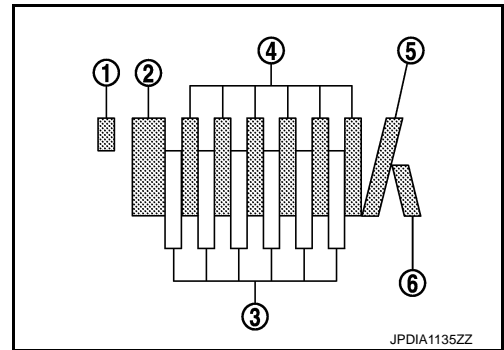


14. Install reverse brake component part (dish plates, driven plates and drive plates) to transmission case.

- 1 : Snap ring
- 2 : Retaining plate
- 3 : Drive plate (six pieces)
- 4 : Driven plate (six pieces)
- 5 : Dish plate
- 6 : Dish plate

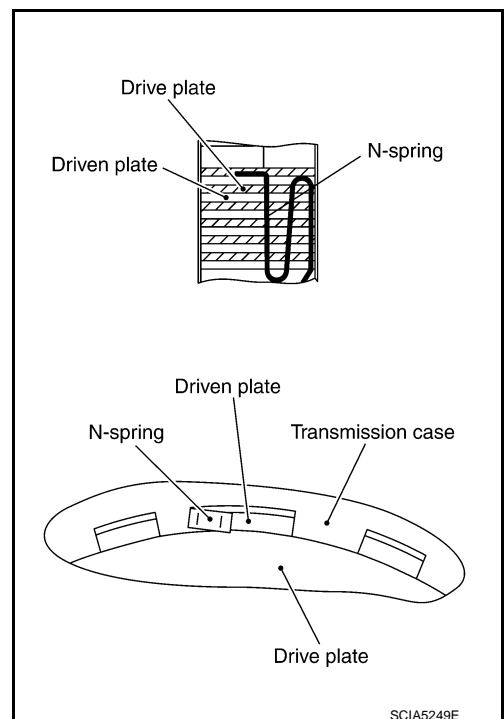
CAUTION:

Check order of plates.



15. Assemble N-spring.

16. Install reverse brake retaining plate to transmission case.



TRANSMISSION ASSEMBLY

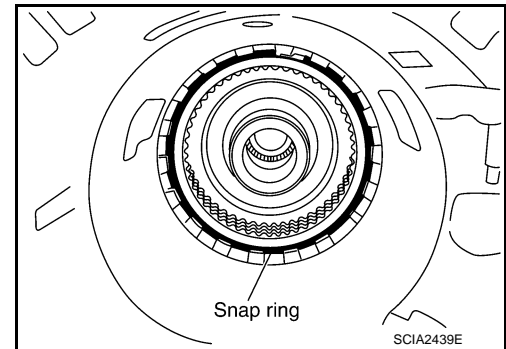
< UNIT DISASSEMBLY AND ASSEMBLY >

[7AT: RE7R01A]

17. Install snap ring to transmission case.

CAUTION:

Be careful not to damage snap ring.

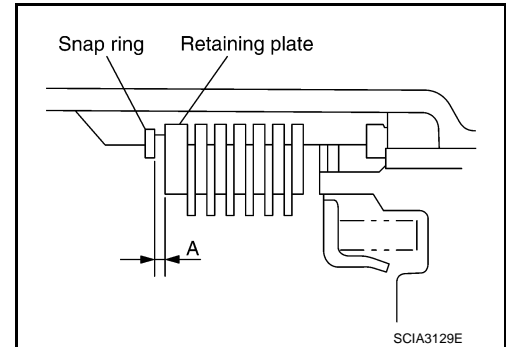


18. Measure clearance between retaining plate and snap ring. If not within specified clearance, select proper retaining plate.

Specified clearance "A"

Standard: Refer to [TM-420](#), "[Reverse Brake Clearance](#)".

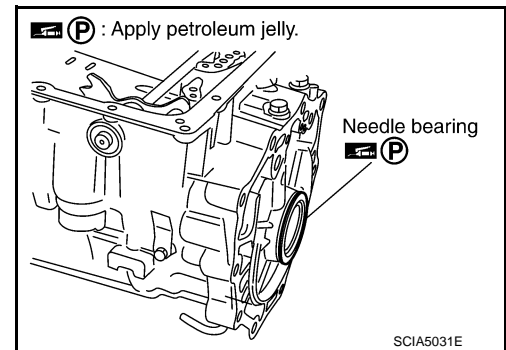
Retaining plate: Refer to [TM-420](#), "[Reverse Brake Clearance](#)".



19. Install needle bearing to transmission case.

CAUTION:

Check the direction of needle bearing. Refer to [TM-353](#), "[Location of Needle Bearings and Bearing Races](#)".

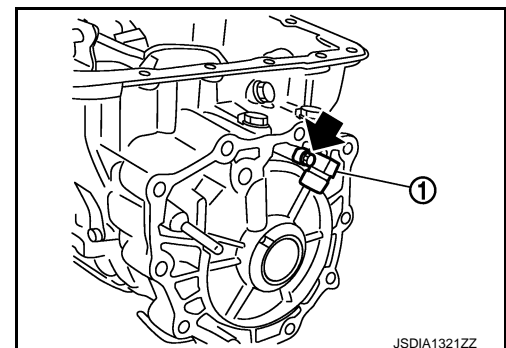


20. Install output speed sensor (1) to transmission case. Tighten revolution sensor bolt to the specified torque.

← : Bolt

CAUTION:

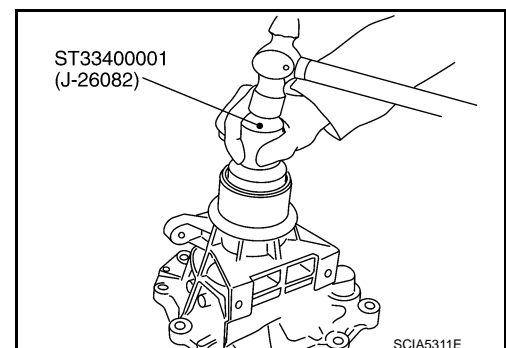
- Never subject it to impact by dropping or hitting it.
- Never disassemble.
- Never allow metal filings, etc. to get on the sensor's front edge magnetic area.
- Never place in an area affected by magnetism.



21. As shown in the figure, use the drift to drive rear oil seal into the rear extension until it is flush.

CAUTION:

- Never reuse rear oil seal.
- Apply ATF to rear oil seal.



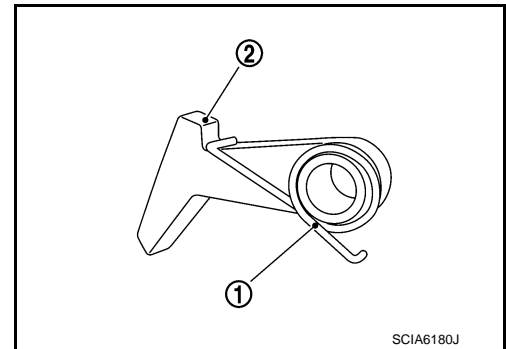
A
B
C
TM
E
F
G
H
I
J
K
L
M
N
O
P

TRANSMISSION ASSEMBLY

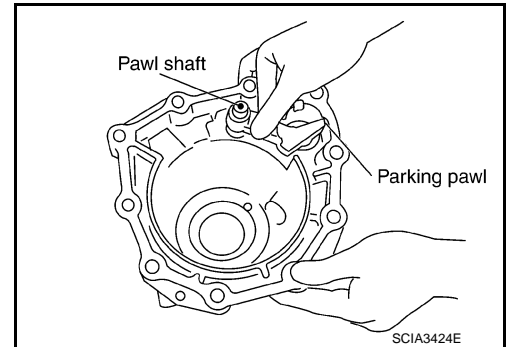
< UNIT DISASSEMBLY AND ASSEMBLY >

[7AT: RE7R01A]

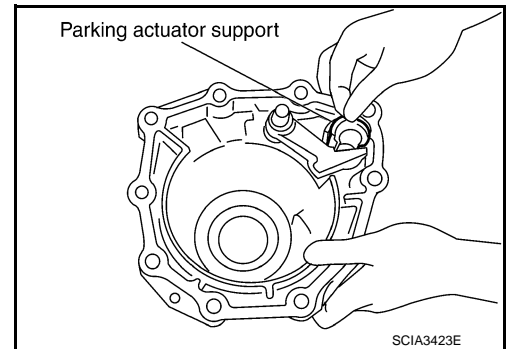
22. Install return spring (1) to parking pawl (2).



23. Install parking pawl (with return spring) and pawl shaft to rear extension.

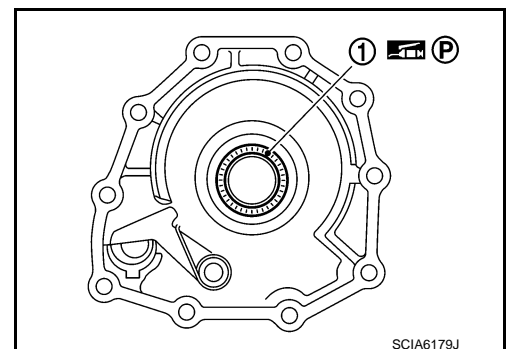


24. Install parking actuator support to rear extension.

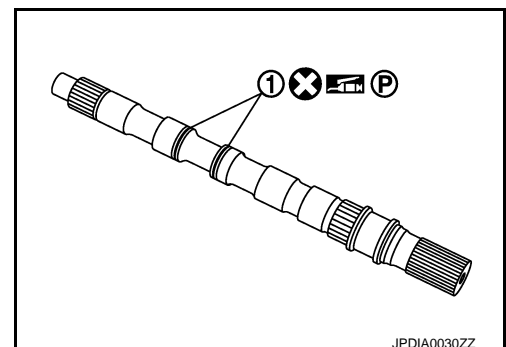


25. Install needle bearing (1) to rear extension.

CAUTION:
Check the direction of needle bearing. Refer to [TM-353](#),
["Location of Needle Bearings and Bearing Races"](#).



26. Install seal rings (1) to output shaft.

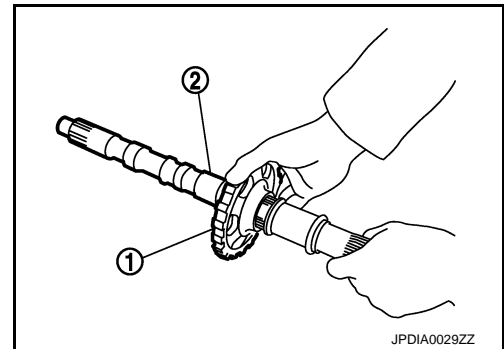


TRANSMISSION ASSEMBLY

< UNIT DISASSEMBLY AND ASSEMBLY >

[7AT: RE7R01A]

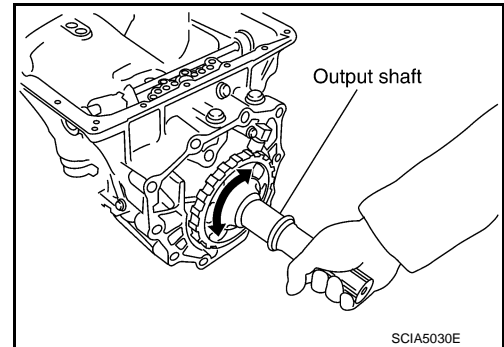
27. Install parking gear (1) to output shaft (2).



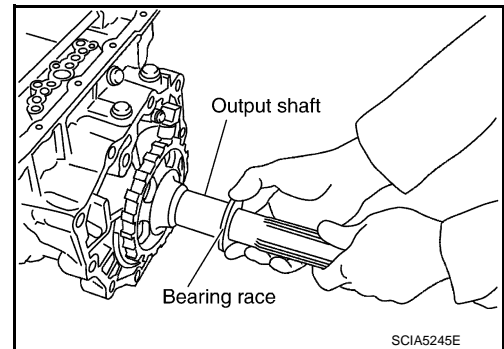
28. Install output shaft to transmission case.

CAUTION:

Be careful not to mistake front for rear because both sides looks similar. (Thinner end is front side.)



29. Install bearing race to output shaft.

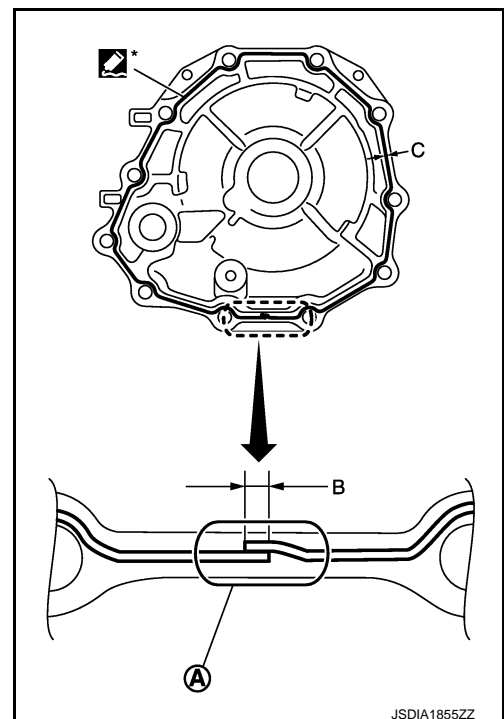


30. Apply recommended sealant (Genuine Anaerobic Liquid Gasket or equivalent. Refer to [GI-22, "Recommended Chemical Products and Sealants"](#).) to rear extension assembly as shown in the figure.

- Sealant starting point and end-point (A) : Start and finish point shall be in the center of two bolts.
- Overlap width of sealant starting point and end-point (B) : 3 – 5 mm (0.12 – 0.20 in)
- Sealant width (C) : 1.0 – 2.0 mm (0.04 – 0.08 in)
- Sealant height (C) : 0.4 – 1.0 mm (0.016 – 0.04 in)

CAUTION:

Completely remove all moisture, oil and old sealant, etc. from the transmission case and rear extension assembly mounting surfaces.



A
B
C
TM
E
F
G
H
I
J
K
L
M
N
O
P

TRANSMISSION ASSEMBLY

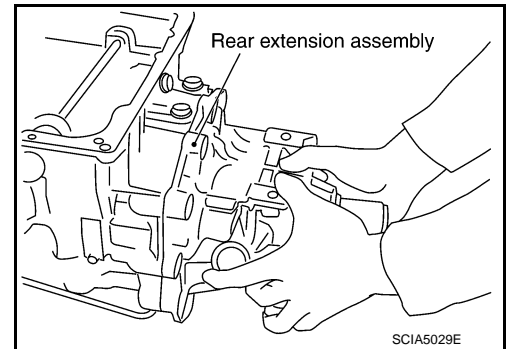
< UNIT DISASSEMBLY AND ASSEMBLY >

[7AT: RE7R01A]

31. Install rear extension assembly to transmission case.

CAUTION:

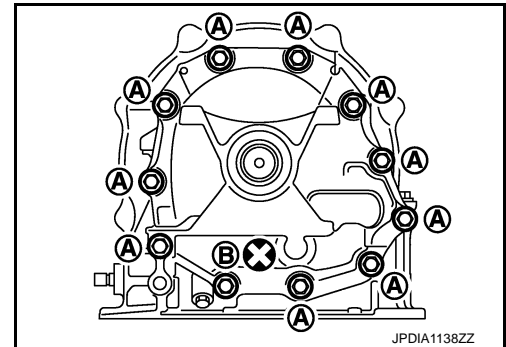
Insert the tip of parking rod between the parking pawl and the parking actuator support when assembling the rear extension assembly.



32. Tighten rear extension assembly bolts to the specified torque.

A : Bolt

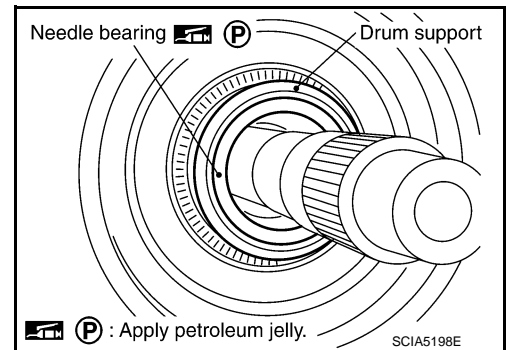
B : Self-sealing bolt



33. Install needle bearing to drum support.

CAUTION:

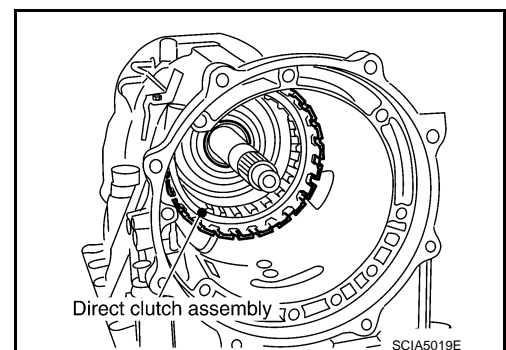
Check the direction of needle bearing. Refer to [TM-353](#), "[Location of Needle Bearings and Bearing Races](#)".



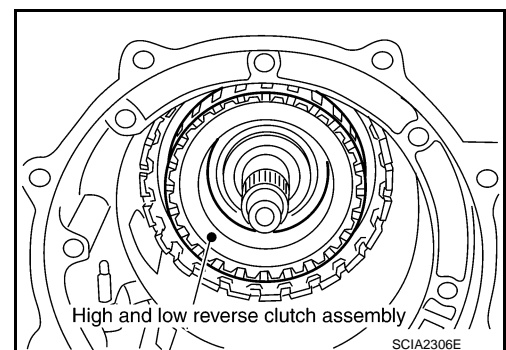
34. Install direct clutch assembly to reverse brake.

CAUTION:

Make sure that drum support edge surface and direct clutch inner boss edge surface come to almost same place.



35. Install high and low reverse clutch assembly to direct clutch.

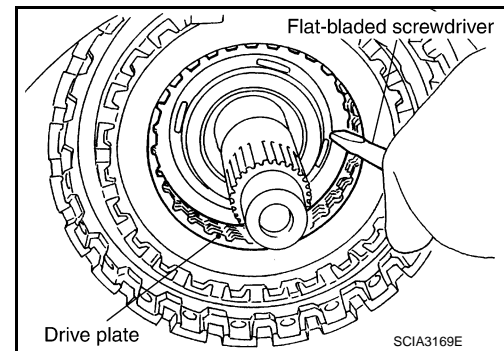


TRANSMISSION ASSEMBLY

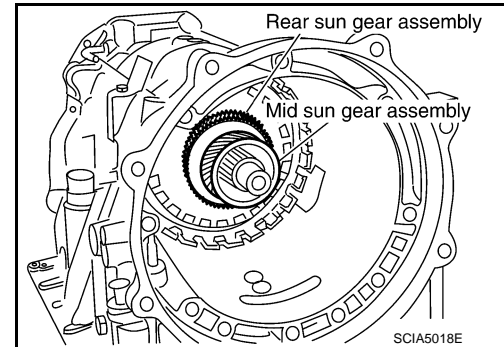
< UNIT DISASSEMBLY AND ASSEMBLY >

[7AT: RE7R01A]

36. Align the drive plate using a flat-bladed screwdriver.

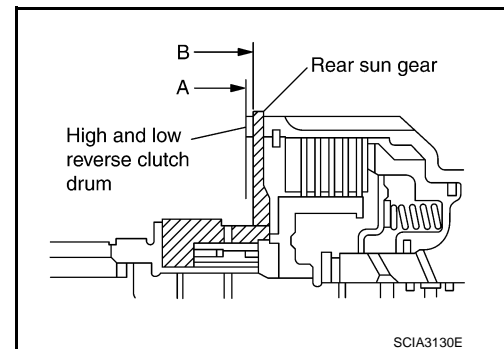


37. Install high and low reverse clutch hub, mid sun gear assembly, and rear sun gear assembly as a unit.



CAUTION:

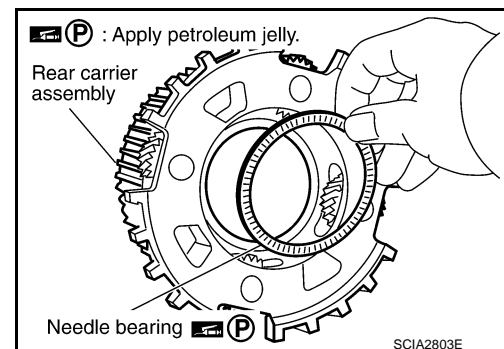
Make sure that portion "A" of high and low reverse clutch drum protrudes approximately 2 mm (0.08 in) beyond portion "B" of rear sun gear.



38. Install needle bearing to rear carrier assembly.

CAUTION:

Check the direction of needle bearing. Refer to [TM-353](#), "[Location of Needle Bearings and Bearing Races](#)".



A
B
C
TM
E
F
G
H
I
J
K
L
M
N
O
P

TRANSMISSION ASSEMBLY

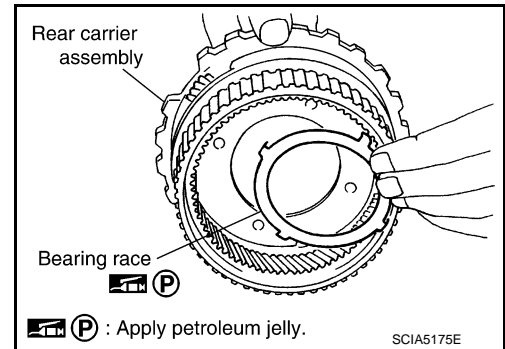
< UNIT DISASSEMBLY AND ASSEMBLY >

[7AT: RE7R01A]

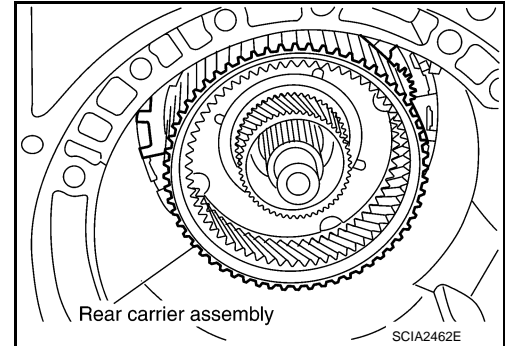
39. Install bearing race to rear carrier assembly.

CAUTION:

Check the direction of needle bearing. Refer to [TM-353](#), "[Location of Needle Bearings and Bearing Races](#)".



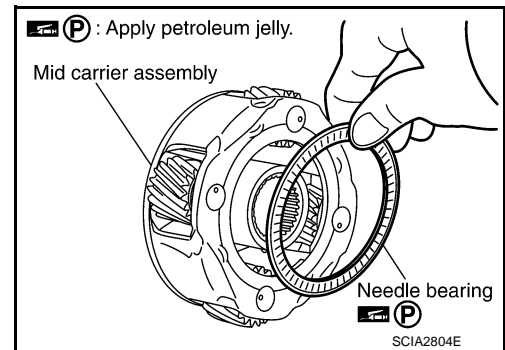
40. Install rear carrier assembly to direct clutch drum.



41. Install needle bearing (rear side) to mid carrier assembly.

CAUTION:

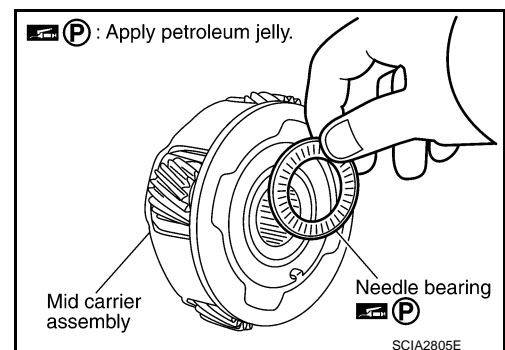
Check the direction of needle bearing. Refer to [TM-353](#), "[Location of Needle Bearings and Bearing Races](#)".



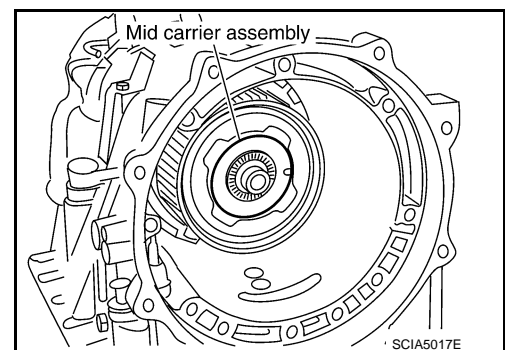
42. Install needle bearing (front side) to mid carrier assembly.

CAUTION:

Check the direction of needle bearing. Refer to [TM-353](#), "[Location of Needle Bearings and Bearing Races](#)".



43. Install mid carrier assembly to rear carrier assembly.

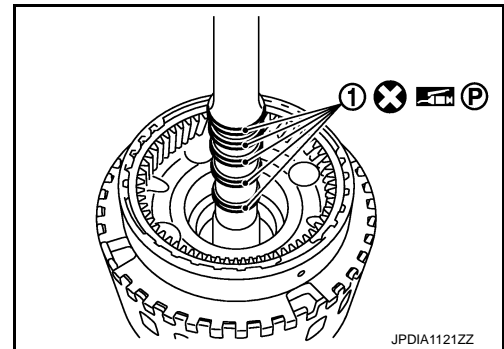


TRANSMISSION ASSEMBLY

< UNIT DISASSEMBLY AND ASSEMBLY >

[7AT: RE7R01A]

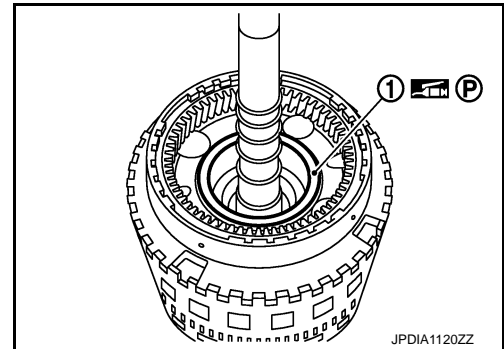
44. Install seal rings (1) to input clutch assembly.



45. Install needle bearing (1) to front carrier assembly.

CAUTION:

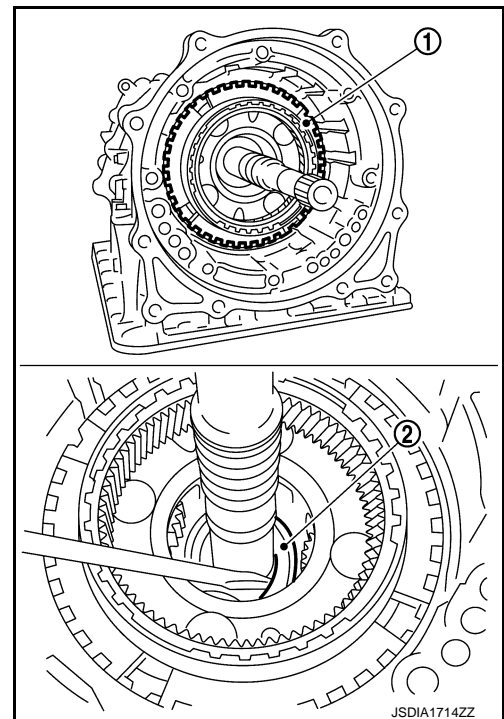
Check the direction of needle bearing. Refer to [TM-353](#).
"Location of Needle Bearings and Bearing Races".



46. Install input clutch assembly (with front carrier assembly and rear internal gear) (1) to transmission case.

CAUTION:

Check that the needle bearing (2) is securely positioned. If the needle bearing position is misaligned, adjust it to the specified position.



A
B
C
TM
E
F
G
H
I
J
K
L
M
N
O
P

TRANSMISSION ASSEMBLY

< UNIT DISASSEMBLY AND ASSEMBLY >

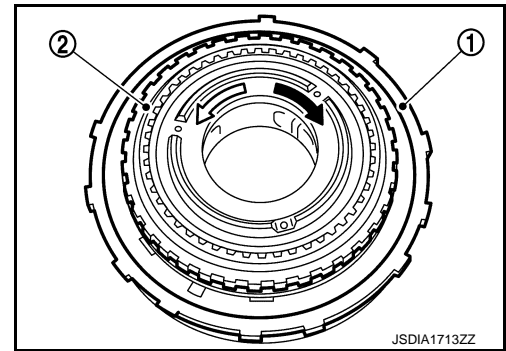
[7AT: RE7R01A]

47. Install 1st one-way clutch (1) to front brake hub (with under drive carrier) (2).
48. Check operation of 1st one-way clutch.
 - a. Hold 1st one-way clutch.
 - b. Check front brake hub for correct locking and unlocking directions.

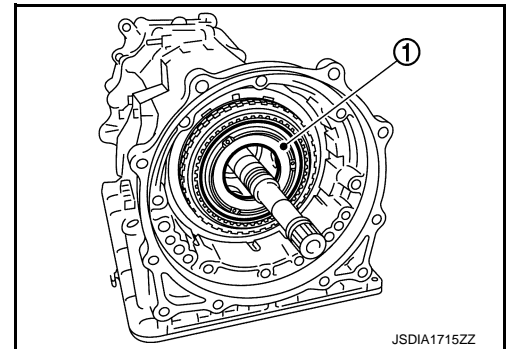
- ◀ : Unlocked
- ⇐ : Locked

CAUTION:

If not shown in figure, check installation direction of 1st one-way clutch.



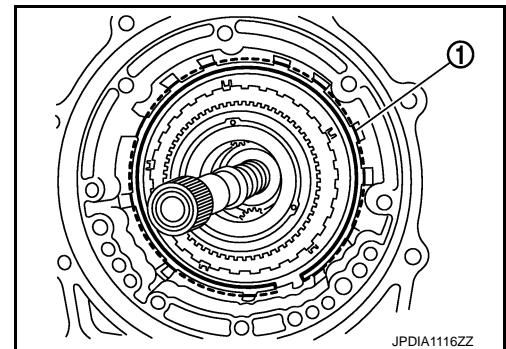
49. Install under drive carrier (with 1st one-way clutch) (1) to transmission case.



50. Install snap ring (1) to transmission case.

CAUTION:

Be careful not to damage snap ring.

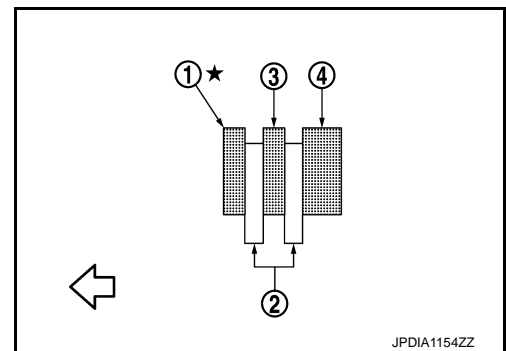


51. Install front brake component part (retaining plates, drive plates and driven plate) to transmission case.

- 1 : Retaining plate (thin)
- 2 : Drive plate
- 3 : Driven plate
- 4 : Retaining plate (thick)
- ⇐ : Front

CAUTION:

Check order of plates.



TRANSMISSION ASSEMBLY

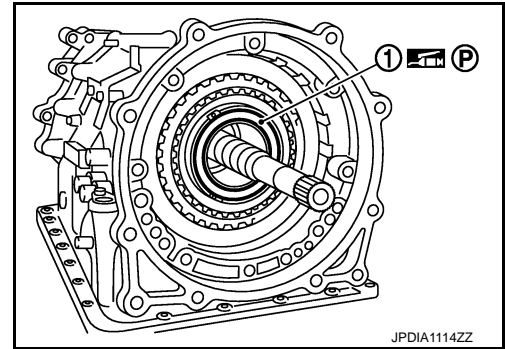
< UNIT DISASSEMBLY AND ASSEMBLY >

[7AT: RE7R01A]

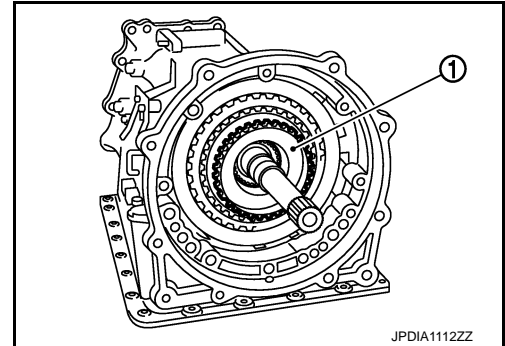
52. Install needle bearing (1) to under drive carrier assembly.

CAUTION:

Check the direction of needle bearing. Refer to [TM-353](#), "[Location of Needle Bearings and Bearing Races](#)".

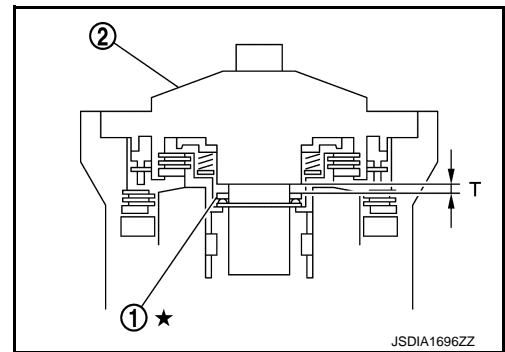


53. Install under drive sun gear (1) to under drive carrier assembly.



54. Adjustment of total end play "T".

- Measure clearance between bearing race (1) and oil pump cover (2).
- Select proper thickness of bearing race so that end play is within specifications.

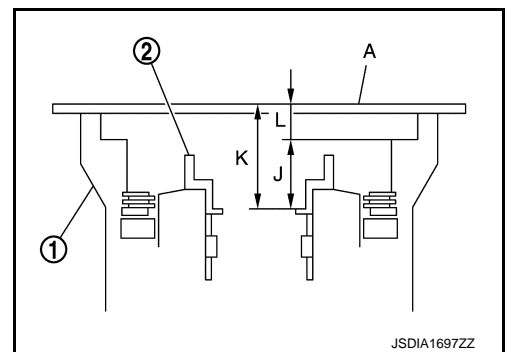


a. Measure dimensions "K" and "L", and calculate dimension "J".

- 1 : Transmission case
- 2 : Under drive sun gear
- A : Straightedge

"J" : Distance between the oil pump fitting surface of transmission case and the needle bearing mating surface of under drive sun gear.

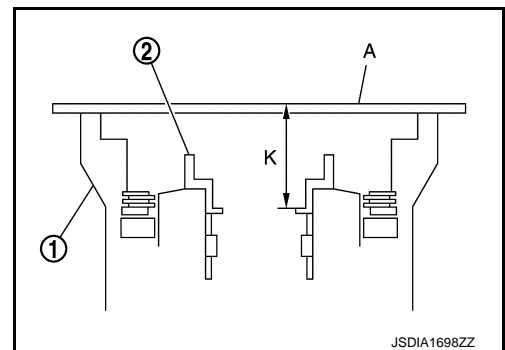
$$J = K - L$$



i. Measure dimension "K" between the converter housing fitting surface of transmission case (1) and the needle bearing mating surface of under drive sun gear (2).

CAUTION:

- Never change the straightedge (A) installation position before the completion of "L" measurement.
- Measure dimension "K" in at least three places, and take the average.



A
B
C
TM
E
F
G
H
I
J
K
L
M
N
O
P

TRANSMISSION ASSEMBLY

< UNIT DISASSEMBLY AND ASSEMBLY >

[7AT: RE7R01A]

- ii. Measure dimension “L” between the converter housing fitting surface of transmission case and the oil pump fitting surface of transmission case.

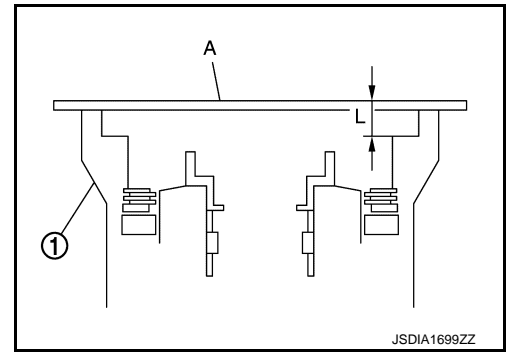
- 1 : Transmission case
- A : Straightedge

CAUTION:

Measure dimension “L” in at least three places, and take the average.

- iii. Calculate dimension “J”.

$$J = K - L$$

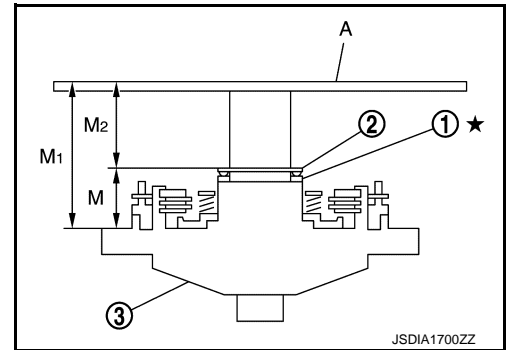


- b. Measure dimensions “M1” and “M2”, and calculate dimension “M”.

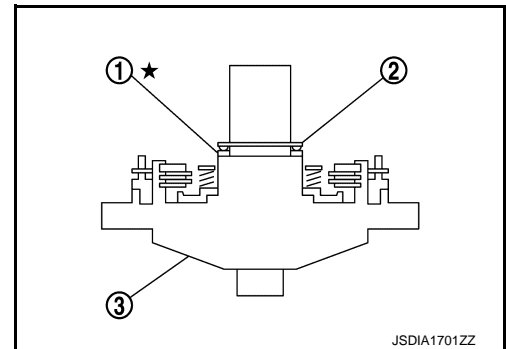
- 1 : Bearing race
- 2 : Needle bearing
- 3 : Oil pump assembly
- A : Straightedge

“M” : Distance between the transmission case fitting surface of oil pump and the needle bearing on oil pump.

$$M = M1 - M2$$



- i. Place bearing race (1) and needle bearing (2) on oil pump assembly (3).

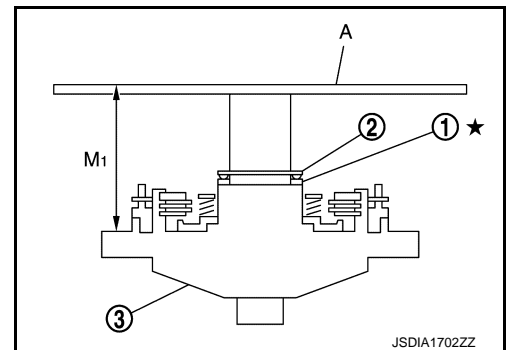


- ii. Measure dimension “M1” between the transmission case fitting surface of oil pump and the end of oil pump.

- 1 : Bearing race
- 2 : Needle bearing
- 3 : Oil pump assembly
- A : Straightedge

CAUTION:

Measure dimension “M1” in at least three places, and take the average.



TRANSMISSION ASSEMBLY

< UNIT DISASSEMBLY AND ASSEMBLY >

[7AT: RE7R01A]

iii. Measure dimension "M2" between the needle bearing on oil pump and the end of oil pump.

- 1 : Bearing race
- 2 : Needle bearing
- 3 : Oil pump assembly
- A : Straightedge

CAUTION:

Measure dimension "M2" in at least three places, and take the average.

iv. Calculate dimension "M".

$$M = M1 - M2$$

c. Adjust total end play "T".

- 1 : Bearing race
- 2 : Oil pump assembly

$$T = J - M$$

Total end play "T" : Refer to [TM-420, "Total End Play"](#).

- Select proper thickness of bearing race so that total end play is within specifications.

Bearing races : Refer to [TM-420, "Total End Play"](#).

55. Adjustment of front brake clearance "C".

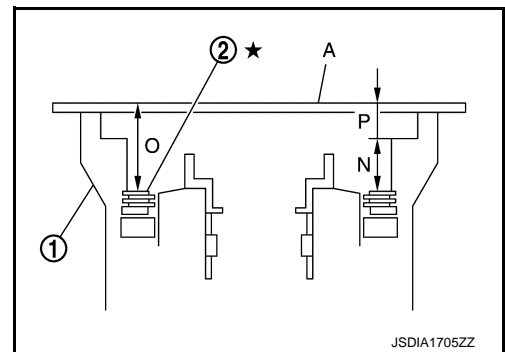
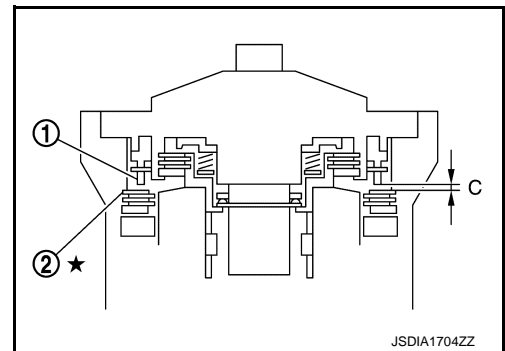
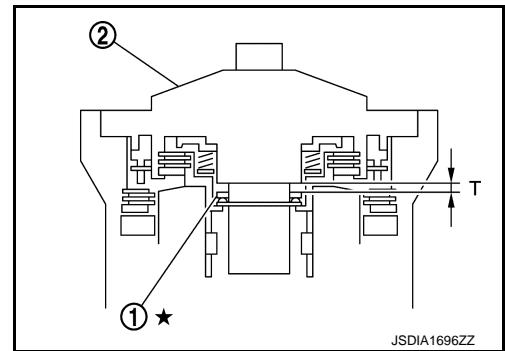
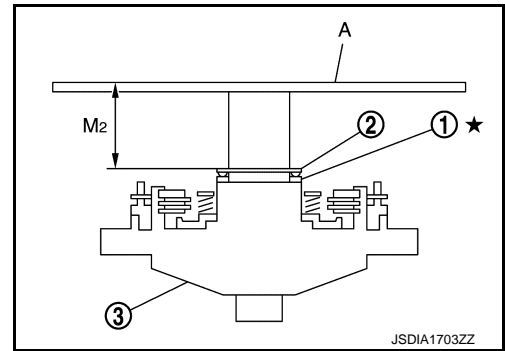
- Measure clearance between front brake piston (1) and front brake retaining plate (2).
- Select proper thickness of front brake retaining plate so that clearance is within specifications.

a. Measure dimensions "O" and "P", and calculate dimension "N".

- 1 : Transmission case
- 2 : Front brake retaining plate
- A : Straightedge

"N" : Distance between the oil pump fitting surface of transmission case and the front brake retaining plate.

$$N = O - P$$



A
B
C
TM
E
F
G
H
I
J
K
L
M
N
O
P

TRANSMISSION ASSEMBLY

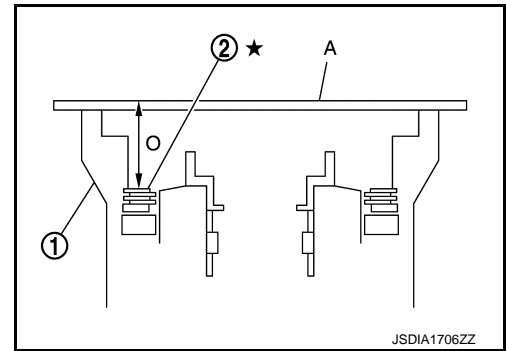
< UNIT DISASSEMBLY AND ASSEMBLY >

[7AT: RE7R01A]

- i. Measure dimension "O" between the converter housing fitting surface of transmission case (1) and the front brake retaining plate (2).

CAUTION:

- Never change the straightedge (A) installation position before the completion of "P" measurement.
- Measure dimension "O" in at least three places, and take the average.



- ii. Measure dimension "P" between the converter housing fitting surface of transmission case and the oil pump fitting surface of transmission case.

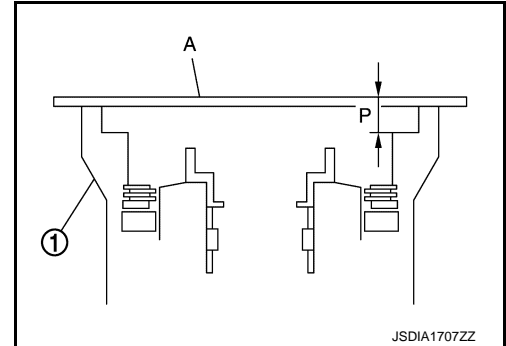
- 1 : Transmission case
A : Straightedge

CAUTION:

Measure dimension "P" in at least three places, and take the average.

- iii. Calculate dimension "N".

$$N = O - P$$

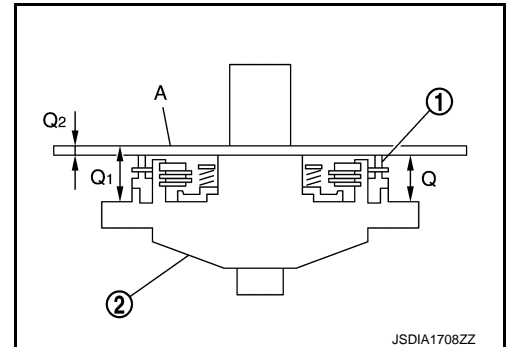


- b. Measure dimensions "Q1" and "Q2", and calculate dimension "Q".

- 1 : Front brake piston
2 : Oil pump assembly
A : Straightedge

"Q" : Distance between the transmission case fitting surface of oil pump and the front brake piston.

$$Q = Q1 - Q2$$

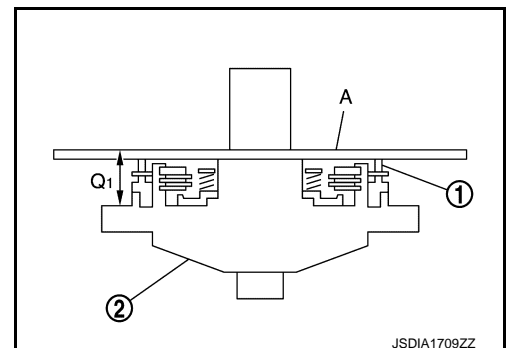


- i. Measure dimension "Q1" between the transmission case fitting surface of oil pump and the straightedge on front brake piston.

- 1 : Front brake piston
2 : Oil pump assembly
A : Straightedge

CAUTION:

Measure dimension "Q1" in at least three places, and take the average.



TRANSMISSION ASSEMBLY

< UNIT DISASSEMBLY AND ASSEMBLY >

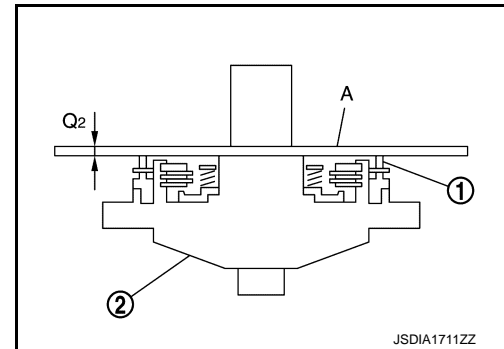
[7AT: RE7R01A]

ii. Measure dimension "Q2" of the straightedge.

- 1 : Front brake piston
- 2 : Oil pump assembly
- A : Straightedge

iii. Calculate dimension "Q".

$$Q = Q_1 - Q_2$$



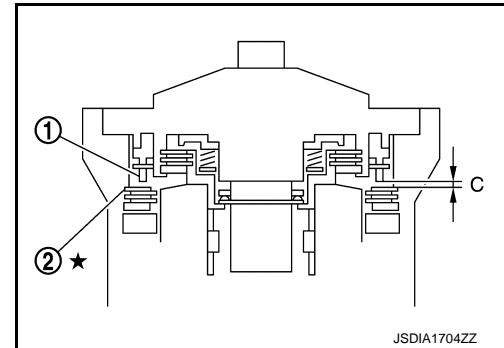
c. Adjust front brake clearance "C".

- 1 : Front brake piston
- 2 : Front brake retaining plate

$$C = N - Q$$

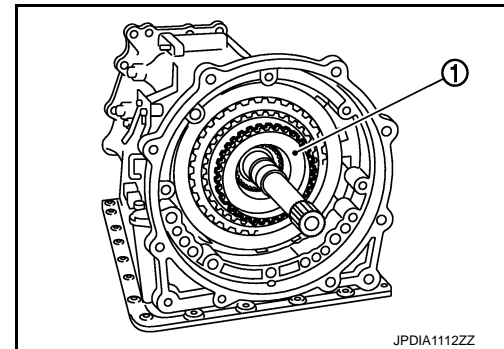
Front brake clearance "C" : Refer to [TM-420, "Front Brake Clearance"](#).

- Select proper thickness of front brake retaining plate so that front brake clearance is within specifications.



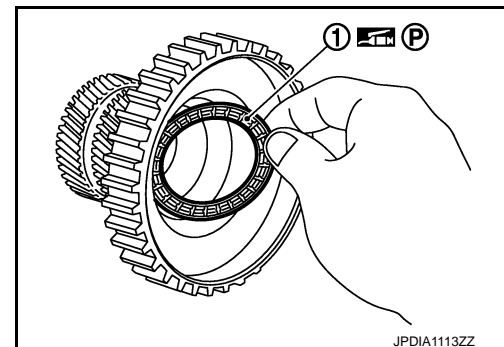
Retaining plate : Refer to [TM-420, "Front Brake Clearance"](#).

56. Remove under drive sun gear (1) from under drive carrier assembly.



57. Install needle bearing (1) to under drive sun gear.

CAUTION:
Check the direction of needle bearing. Refer to [TM-353, "Location of Needle Bearings and Bearing Races"](#).



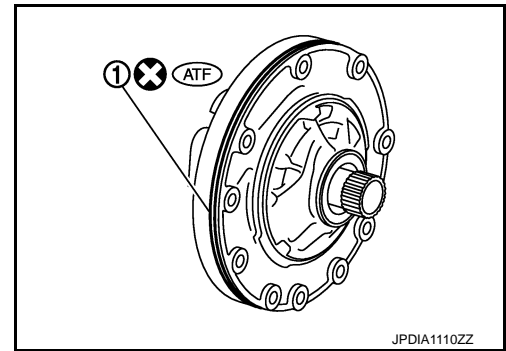
A
B
C
TM
E
F
G
H
I
J
K
L
M
N
O
P

TRANSMISSION ASSEMBLY

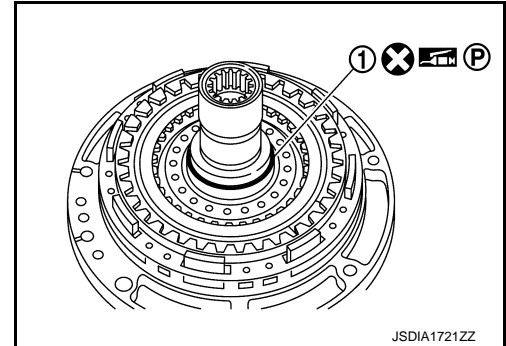
< UNIT DISASSEMBLY AND ASSEMBLY >

[7AT: RE7R01A]

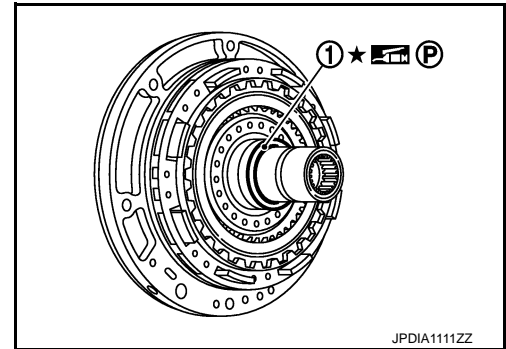
58. Install O-ring (1) to oil pump assembly.



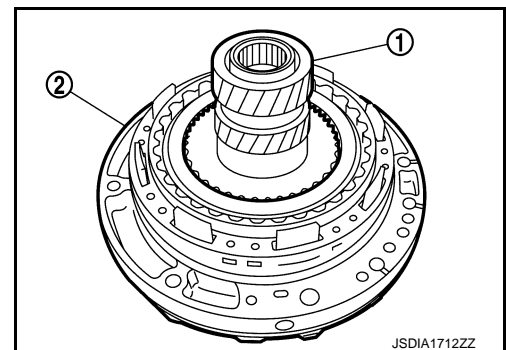
59. Install seal ring (1) to oil pump assembly.



60. Install bearing race (1) to oil pump assembly.



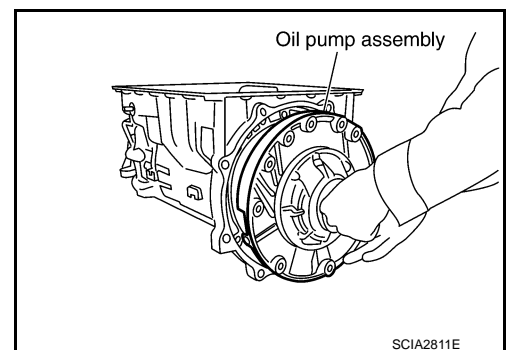
61. Install under drive sun gear (with needle bearing) (1) to oil pump assembly (2).



62. Install oil pump assembly (with under drive sun gear) to transmission case.

CAUTION:

Apply ATF to oil pump bearing.




TRANSMISSION ASSEMBLY

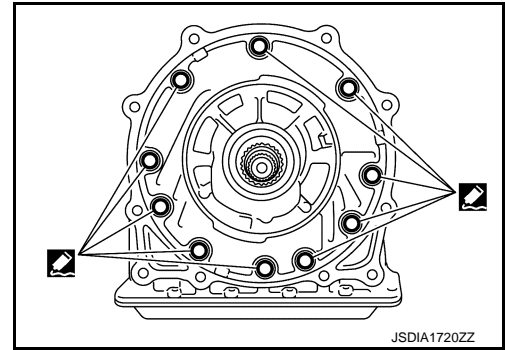
< UNIT DISASSEMBLY AND ASSEMBLY >

[7AT: RE7R01A]

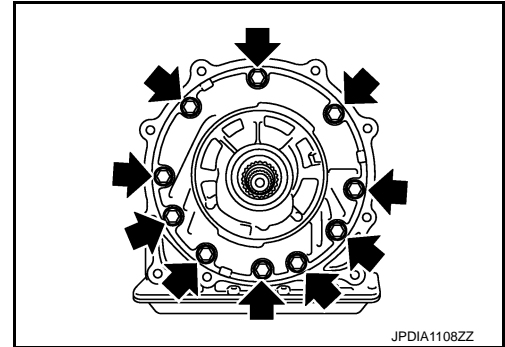
63. Apply recommended sealant to oil pump assembly as shown in the figure.

 : Genuine RTV silicone sealant or equivalent. Refer to [GI-22. "Recommended Chemical Products and Sealants"](#).

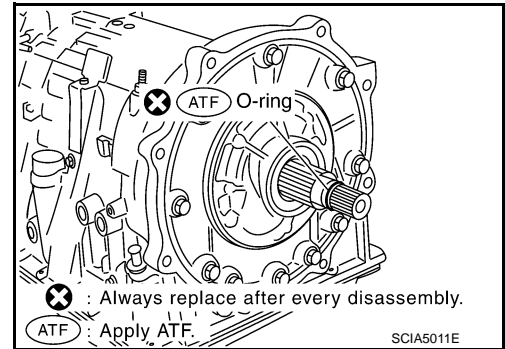
CAUTION:
Completely remove all moisture, oil and old sealant, etc. from the oil pump mounting bolts and oil pump mounting bolt mounting surfaces.

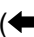


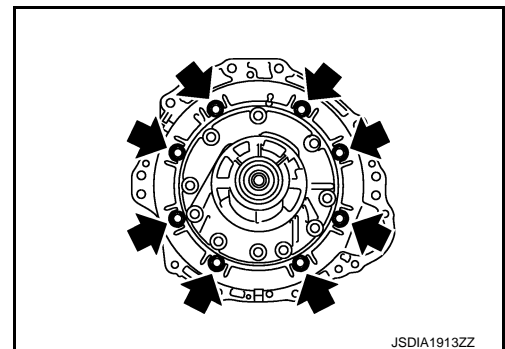
64. Tighten oil pump bolts () to the specified torque.



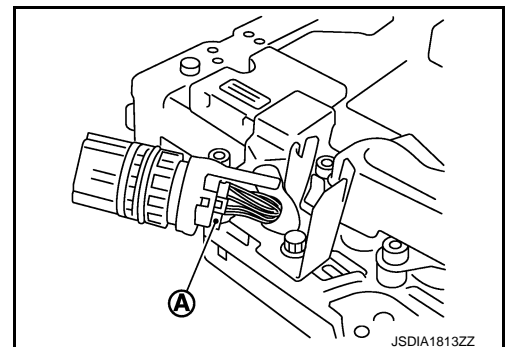
65. Install O-ring to input clutch assembly.



66. Install converter housing to transmission case, and tighten converter housing bolts () to the specified torque.



67. Connect TCM connector (A) to joint connector.



A
B
C
TM
E
F
G
H
I
J
K
L
M
N
O
P

TRANSMISSION ASSEMBLY

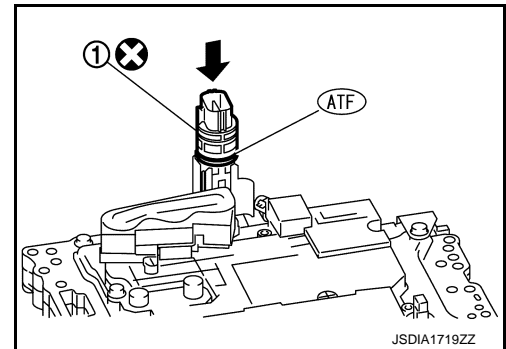
< UNIT DISASSEMBLY AND ASSEMBLY >

[7AT: RE7R01A]

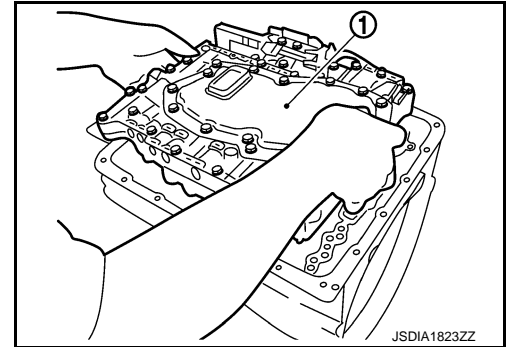
68. Install joint connector (1) to the control valve & TCM.

CAUTION:

Apply ATF to O-ring of joint connector.

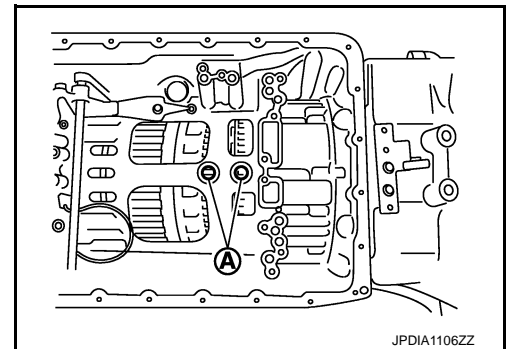


69. Install the control valve & TCM (1) to transmission case.

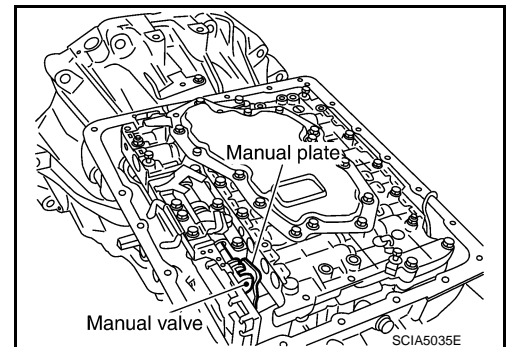


CAUTION:

- Make sure that input speed sensor securely installs input speed sensor holes (A).
- Hang down output speed sensor harness toward outside so as not to disturb installation of the control valve & TCM.
- Adjust joint connector of the control valve & TCM to terminal hole of transmission case.



- Assemble it so that manual valve cutout is engaged with manual plate projection.



TRANSMISSION ASSEMBLY

< UNIT DISASSEMBLY AND ASSEMBLY >

[7AT: RE7R01A]

70. Install bolts and clip (1) to the control valve & TCM. Tighten bolt (E) to the specified torque before tightening the other than bolts.

↶ : Front

Bolt symbol	Length mm (in)	Number of bolts
A	43 (1.69)	3
B	40 (1.57)	2
C	54 (2.13)	6
D	50 (1.97)	2
E*	50 (1.97)	1

*: Reamer bolt

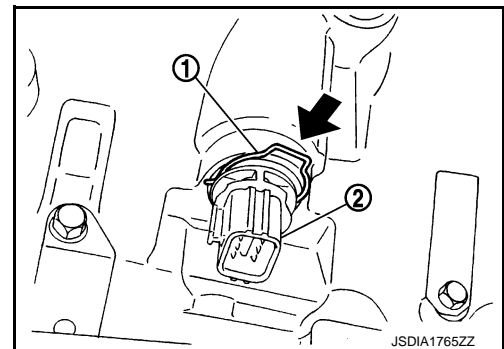
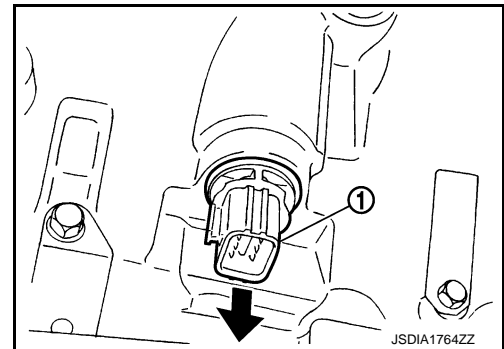
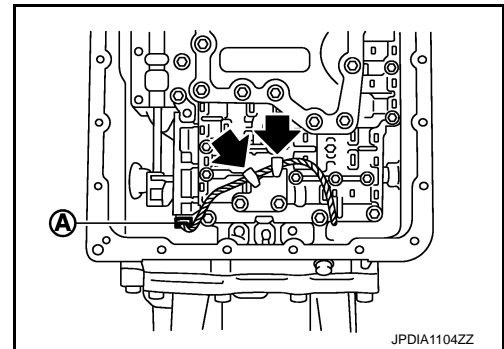
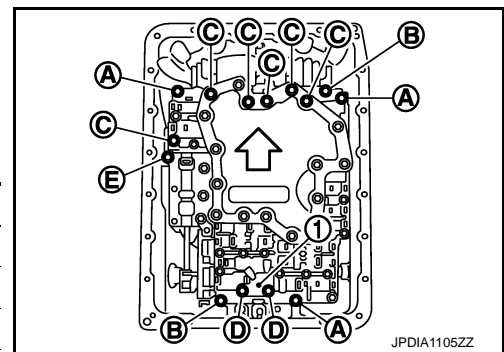
71. Connect output speed sensor connector (A).

72. Engage output speed sensor harness with terminal clips (↔).

73. Pull down joint connector (1).

CAUTION:
Be careful not to damage connector.

74. Install snap ring (1) to joint connector (2).



A
B
C
TM
E
F
G
H
I
J
K
L
M
N
O
P

TRANSMISSION ASSEMBLY

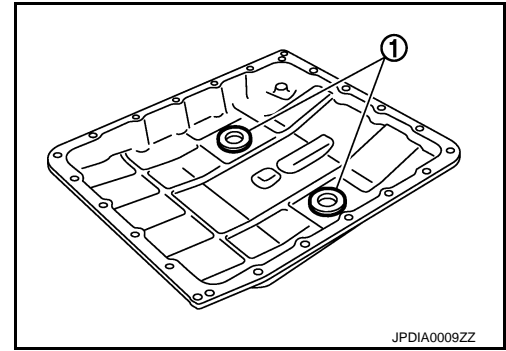
< UNIT DISASSEMBLY AND ASSEMBLY >

[7AT: RE7R01A]

- 75. Install magnets (1) to oil pan.
- 76. Install oil pan gasket to transmission case.

CAUTION:

- Never reuse oil pan gasket.
- Install it in the direction to align hole positions.
- Completely remove all moisture, oil and old gasket, etc. from oil pan gasket mounting surface.



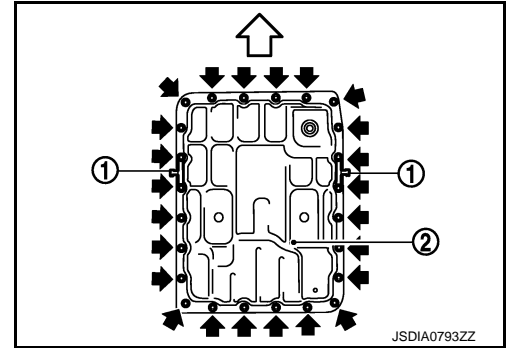
- 77. Install oil pan (2) and clips (1) to transmission case.

⇐ : Front

← : Oil pan mounting bolt

CAUTION:

- Be careful not to pinch harnesses.
- Completely remove all moisture, oil and old gasket, etc. from oil pan mounting surface.



- 78. Tighten oil pan mounting bolts to the specified torque in numerical order shown in the figure after temporarily tightening them. Tighten oil pan mounting bolts to the specified torque.

⇐ : Front

CAUTION:

Never reuse oil pan mounting bolts.

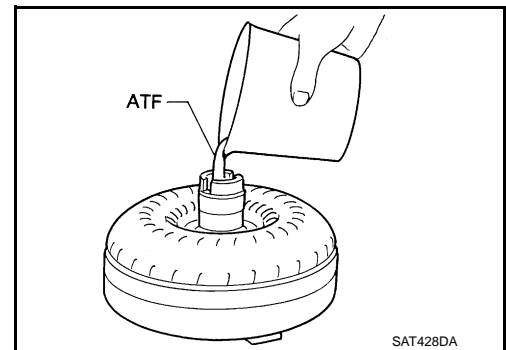
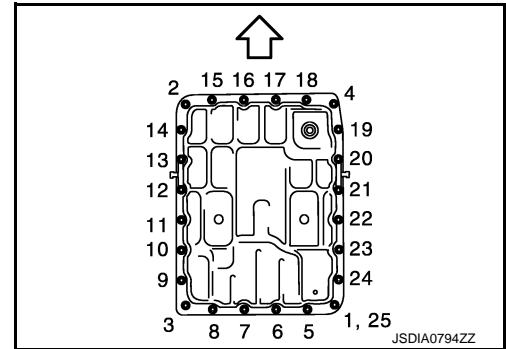
- 79. Install drain plug to oil pan. Tighten drain plug to the specified torque.

CAUTION:

Never reuse drain plug gasket.

- 80. Pour ATF into torque converter.

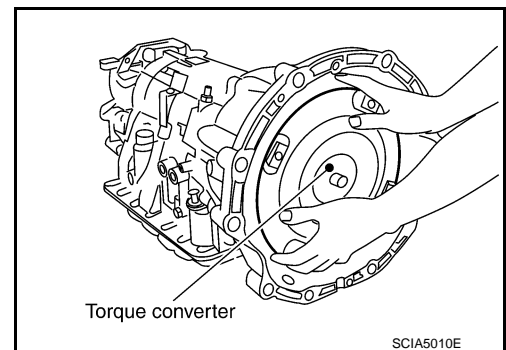
- Approximately 2 liter (2-1/8 US qt, 1-3/4 Imp qt) of ATF is required for a new torque converter.
- When reusing old torque converter, add the same amount of ATF as was drained.



- 81. Install torque converter while aligning notches of torque converter with notches of oil pump.

CAUTION:

Install torque converter while rotating it.



TRANSMISSION ASSEMBLY

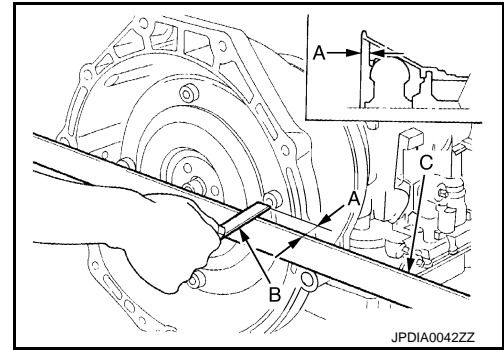
< UNIT DISASSEMBLY AND ASSEMBLY >

[7AT: RE7R01A]

82. Measure dimension "A" to make sure that torque converter is in proper position.

- B : Scale
- C : Straightedge

Dimension "A" : Refer to [TM-420, "Torque Converter"](#).



Inspection

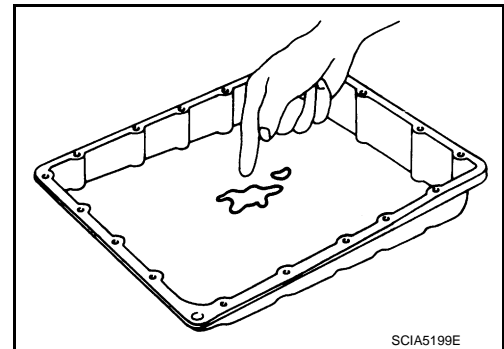
INFOID:000000008193165

INSPECTION AFTER REMOVAL

Oil Pan

Check foreign materials in oil pan to help determine causes of malfunction. If the ATF is very dark, smells burned, or contains foreign particles, the frictional material (clutches, band) may need replacement. A tacky film that will not wipe clean indicates varnish build up. Varnish can cause valves, servo, and clutches to stick and can inhibit pump pressure.

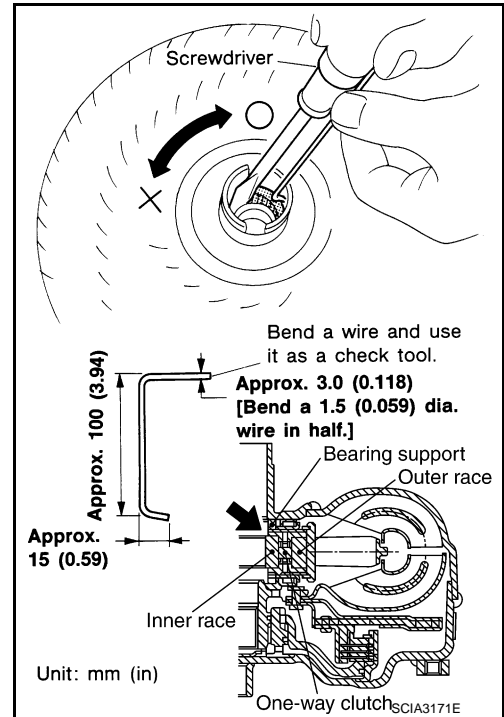
- **If frictional material is detected, perform A/T fluid cooler cleaning. Refer to [TM-312, "Cleaning"](#).**



Torque Converter

Check torque converter one-way clutch using a check tool as shown at figure.

1. Insert a check tool into the groove of bearing support built into one-way clutch outer race.
2. When fixing bearing support with a check tool, rotate one-way clutch spline using a screwdriver.
3. Make sure that inner race rotates clockwise only. If not, replace torque converter assembly.



1st One-way Clutch

TRANSMISSION ASSEMBLY

< UNIT DISASSEMBLY AND ASSEMBLY >

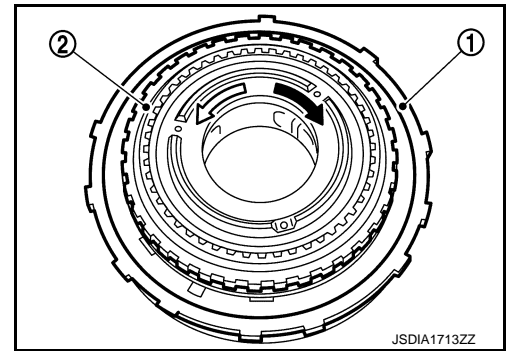
[7AT: RE7R01A]

Check operation of 1st one-way clutch.

1. Install 1st one-way clutch (1) to front brake hub (with under drive carrier).
2. Hold 1st one-way clutch.
3. Check front brake hub for correct locking and unlocking directions. If necessary, replace 1st one-way clutch.

← : Unlocked

⇐ : Locked



Under Drive Sun Gear

Check for deformation, fatigue or damage. If necessary, replace the under drive sun gear.

Mid Carrier Assembly

Check for deformation, fatigue or damage. If necessary, replace the mid carrier assembly.

Rear Carrier Assembly

Check for deformation, fatigue or damage. If necessary, replace the rear carrier assembly.

Reverse Brake Drive Plates

Check facing for burns, cracks or damage. If necessary, replace the plate.

Reverse Brake Retaining Plate, Driven Plates and Dish Plates

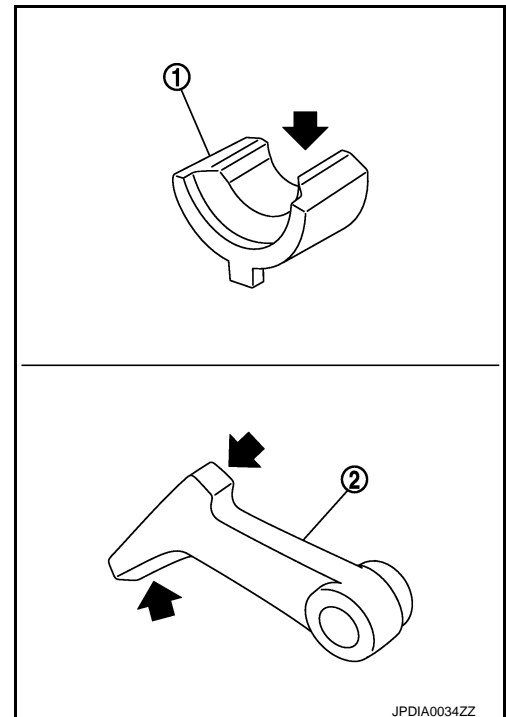
Check facing for burns, cracks or damage. If necessary, replace the plate.

Each Snap Ring

Check for deformation, fatigue or damage. If necessary, replace the snap ring.

Parking Actuator Support and Parking Pawl

If the contact surface on parking actuator support (1), parking pawl (2) and etc. has excessive wear, abrasion, bend or any other damage, replace the components.



OIL PUMP, 2346 BRAKE, FRONT BRAKE PISTON

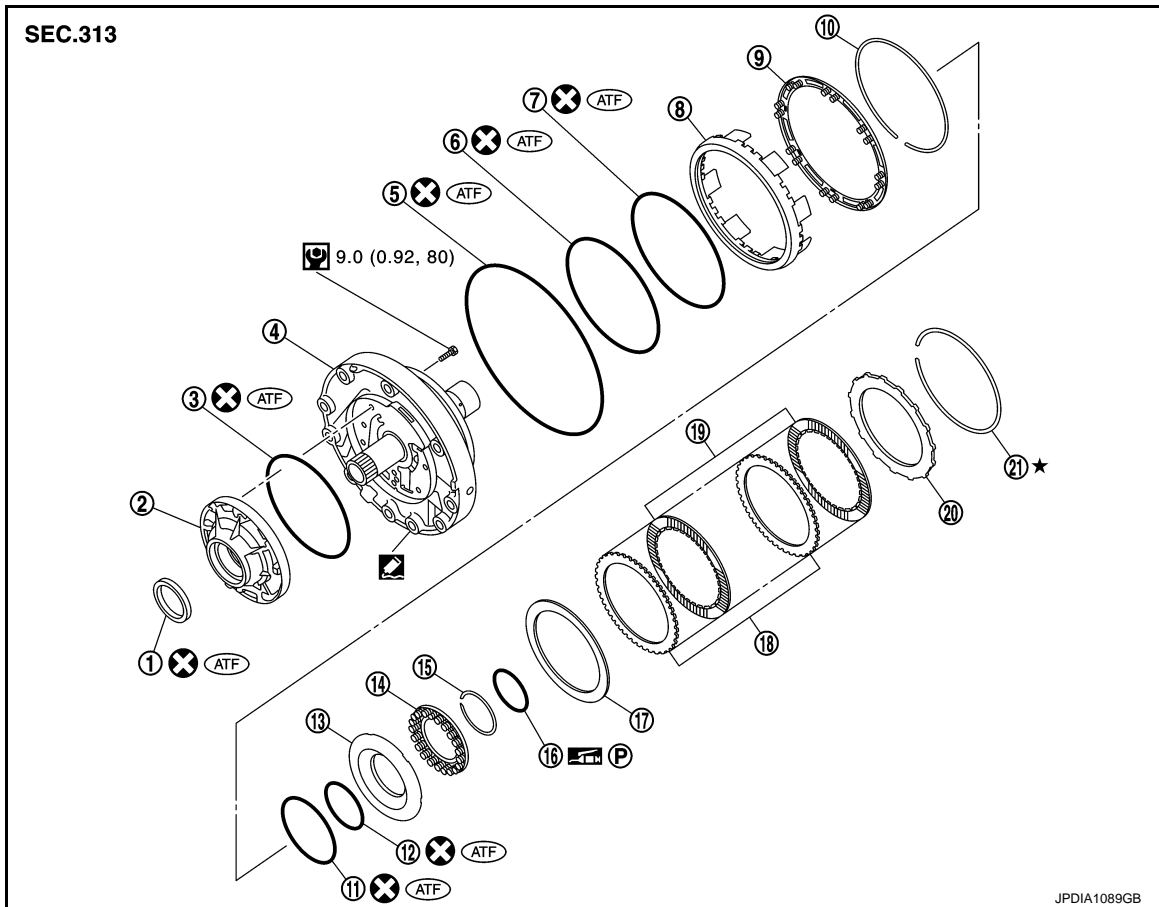
< UNIT DISASSEMBLY AND ASSEMBLY >

[7AT: RE7R01A]


OIL PUMP, 2346 BRAKE, FRONT BRAKE PISTON

Exploded View

INFOID:000000008193166



- | | | |
|------------------------------|--------------------------------|--------------------------------|
| 1. Oil pump housing oil seal | 2. Oil pump housing | 3. O-ring |
| 4. Oil pump cover | 5. O-ring | 6. D-ring |
| 7. D-ring | 8. Front brake piston | 9. Front brake spring retainer |
| 10. Snap ring | 11. D-ring | 12. D-ring |
| 13. 2346 brake piston | 14. 2346 brake spring retainer | 15. Snap ring |
| 16. Seal ring | 17. Dish plate | 18. Driven plate |
| 19. Drive plate | 20. Retaining plate | 21. Snap ring |

: Apply Genuine RTV silicone sealant or equivalent. Refer to [GI-22, "Recommended Chemical Products and Sealants"](#).

Refer to [GI-4, "Components"](#) for symbols not described on the above.

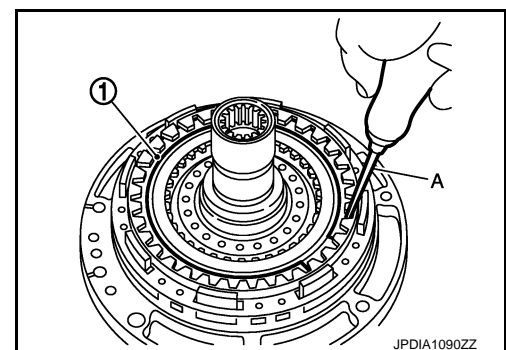
Disassembly

INFOID:000000008193167

1. Remove snap ring (1) from oil pump assembly using a flat-bladed screwdriver (A).

CAUTION:

- Be careful not to scratch oil pump cover and 2346 brake retaining plate.
- Be careful not to damage snap ring.

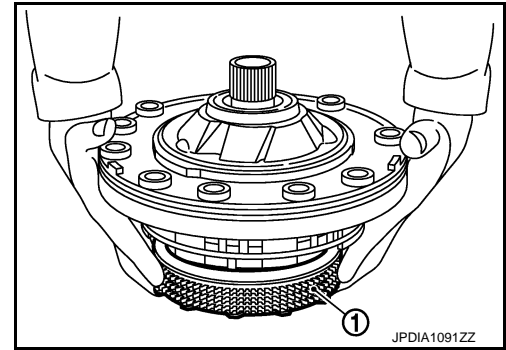


OIL PUMP, 2346 BRAKE, FRONT BRAKE PISTON

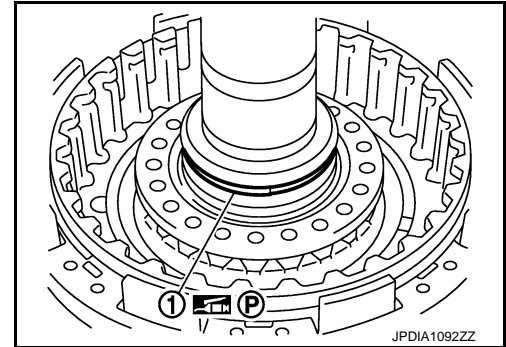
< UNIT DISASSEMBLY AND ASSEMBLY >

[7AT: RE7R01A]

2. Remove 2346 brake component part (retaining plate, drive plate, driven plate and dish plate) (1) from oil pump assembly.



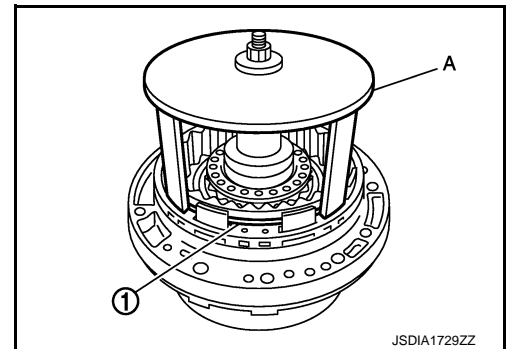
3. Remove seal ring (1) from oil pump assembly.



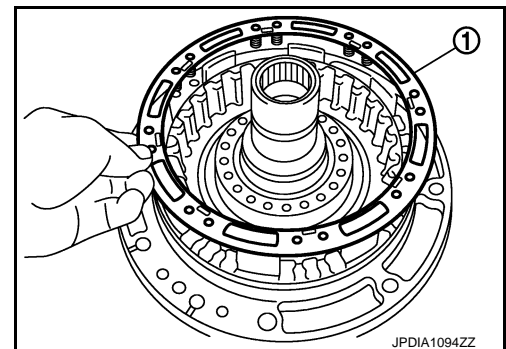
4. Set the clutch spring compressor [SST: KV31103800 (—)] (A) on front brake spring retainer and remove snap ring (fixing front brake spring retainer) (1) from oil pump assembly while compressing return spring.

CAUTION:

Be careful not to expand snap ring excessively.



5. Remove front brake spring retainer (1) from oil pump assembly.

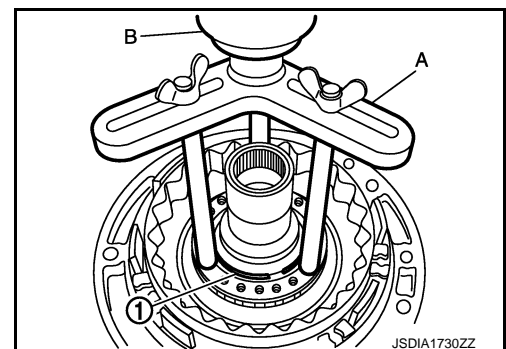


6. Set the clutch spring compressor [SST: KV31102400 (J-34285 and J-34285-87)] (A) on 2346 brake spring retainer and remove snap ring (fixing 2346 brake spring retainer) (1) from oil pump assembly while compressing return spring.

B : Press

CAUTION:

Be careful not to expand snap ring excessively.

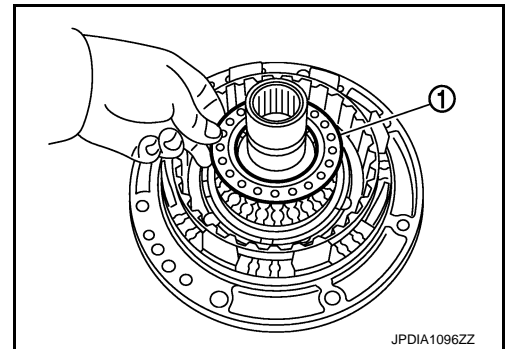


OIL PUMP, 2346 BRAKE, FRONT BRAKE PISTON

< UNIT DISASSEMBLY AND ASSEMBLY >

[7AT: RE7R01A]

7. Remove 2346 brake spring retainer (1) from oil pump assembly.

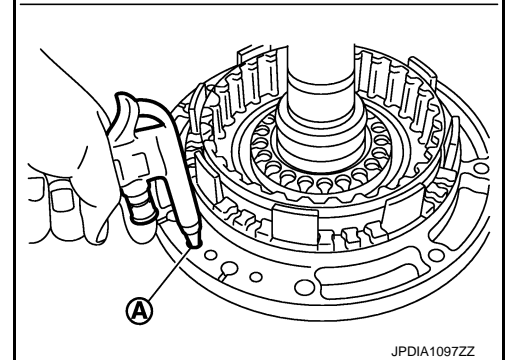
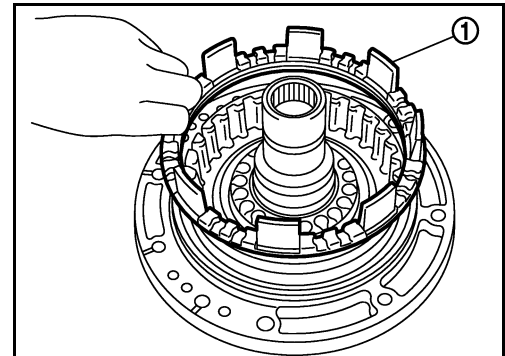


8. Remove front brake piston (1) from oil pump assembly with compressed air. Refer to [TM-352, "Oil Channel"](#).

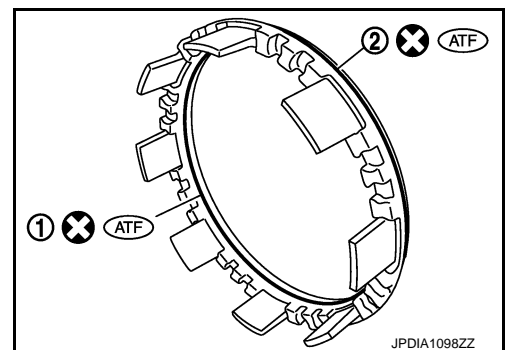
A : Front brake pressure hole

CAUTION:

Care should be taken not to abruptly blow air. It makes piston incline, as the result, it becomes hard to disassemble the piston.



9. Remove D-ring (inner) (1) and D-ring (outer) (2) from front brake piston.



A
B
C
TM
E
F
G
H
I
J
K
L
M
N
O
P

OIL PUMP, 2346 BRAKE, FRONT BRAKE PISTON

< UNIT DISASSEMBLY AND ASSEMBLY >

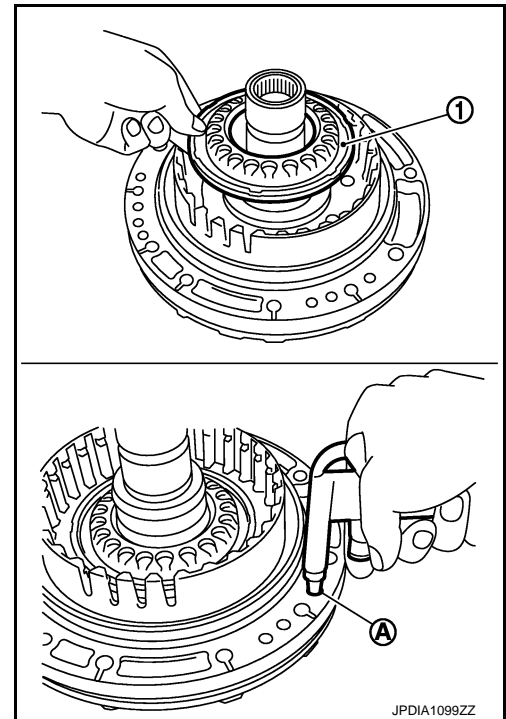
[7AT: RE7R01A]

10. Remove 2346 brake piston (1) from oil pump assembly with compressed air. Refer to [TM-352, "Oil Channel"](#).

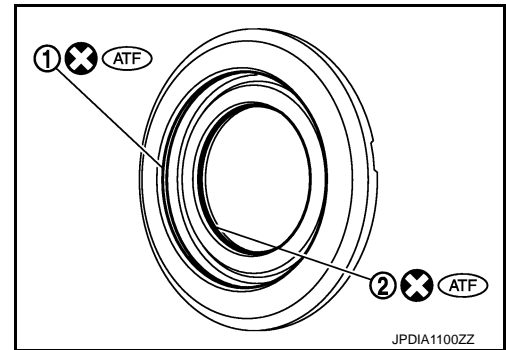
A : 2346 brake pressure hole

CAUTION:

Care should be taken not to abruptly blow air. It makes piston incline, as the result, it becomes hard to disassemble the piston.

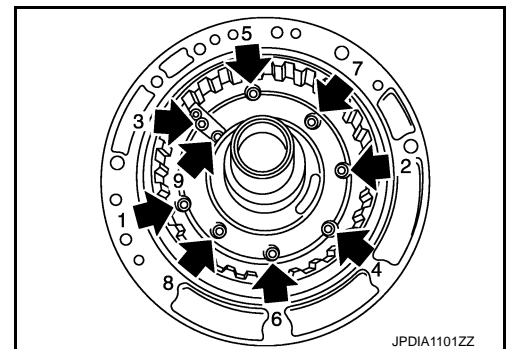


11. Remove D-ring (large) (1) and D-ring (small) (2) from 2346 brake piston.



12. Loosen bolts in numerical order shown in the figure and remove oil pump housing from oil pump cover.

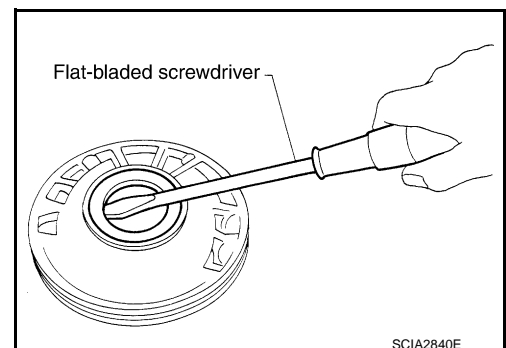
← : Bolt



13. Remove oil pump housing oil seal using a flat-bladed screwdriver.

CAUTION:

Be careful not to scratch oil pump housing.

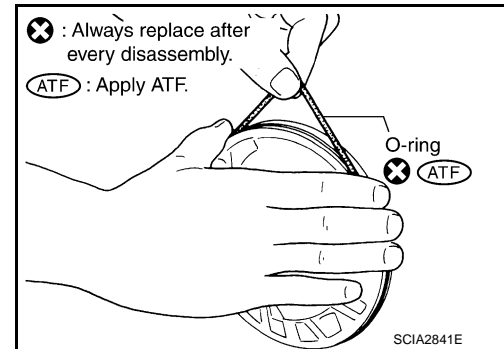


OIL PUMP, 2346 BRAKE, FRONT BRAKE PISTON

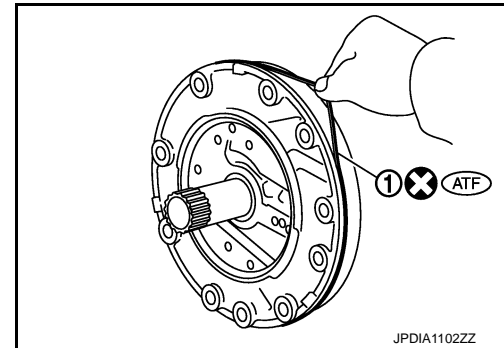
< UNIT DISASSEMBLY AND ASSEMBLY >

[7AT: RE7R01A]

14. Remove O-ring from oil pump housing.



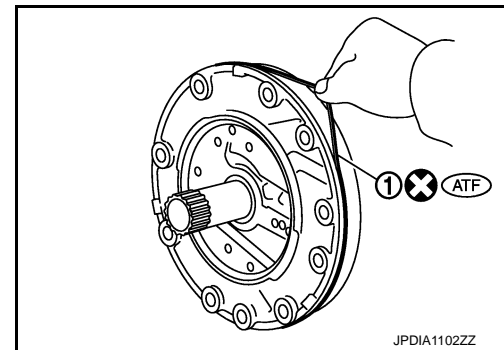
15. Remove O-ring (1) from oil pump cover.



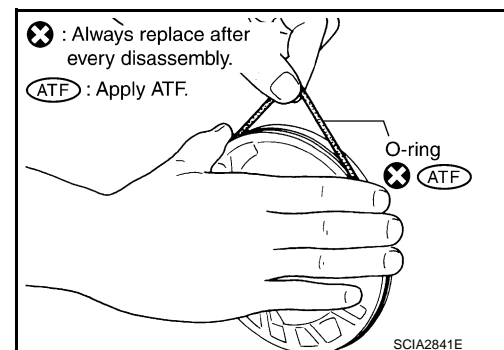
Assembly

INFOID:000000008193168

1. Install O-ring (1) to oil pump cover.



2. Install O-ring to oil pump housing.



A
B
C
TM
E
F
G
H
I
J
K
L
M
N
O
P

OIL PUMP, 2346 BRAKE, FRONT BRAKE PISTON

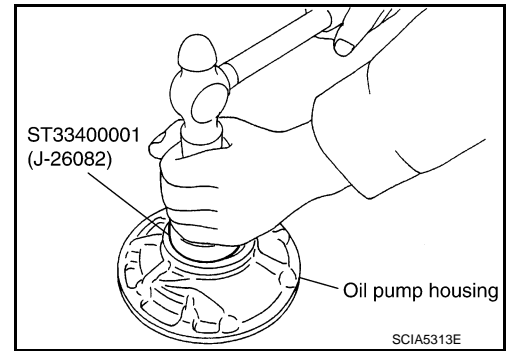
< UNIT DISASSEMBLY AND ASSEMBLY >

[7AT: RE7R01A]

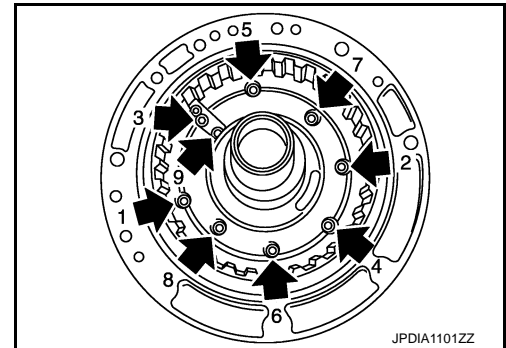
3. Using the drift (SST), install oil pump housing oil seal to the oil pump housing until it is flush.

CAUTION:

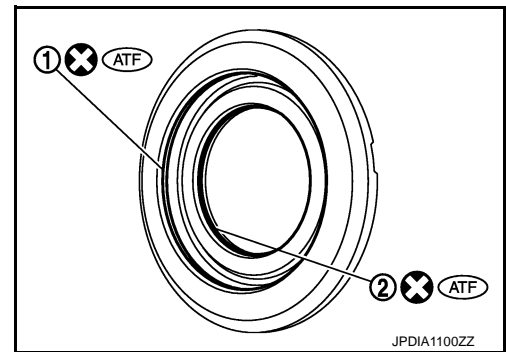
- Never reuse oil seal.
- Apply ATF to oil seal.



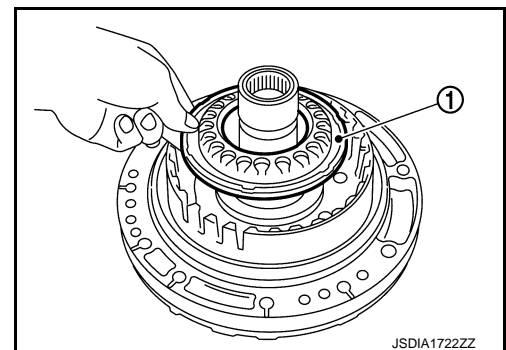
4. Install oil pump housing to oil pump cover and tighten bolts (←) to the specified torque in numerical order shown in the figure after temporarily tightening them.



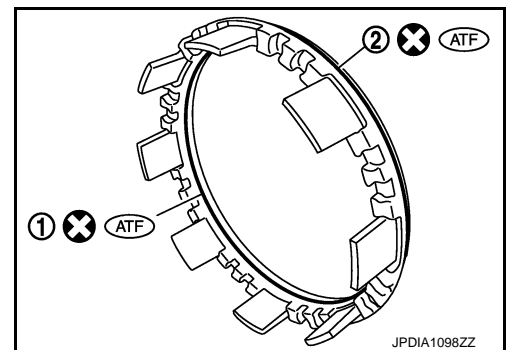
5. Install D-ring (large) (1) and D-ring (small) (2) to 2346 brake piston.



6. Install 2346 brake piston (1) to oil pump assembly.



7. Install D-ring (inner) (1) and D-ring (outer) (2) to front brake piston.

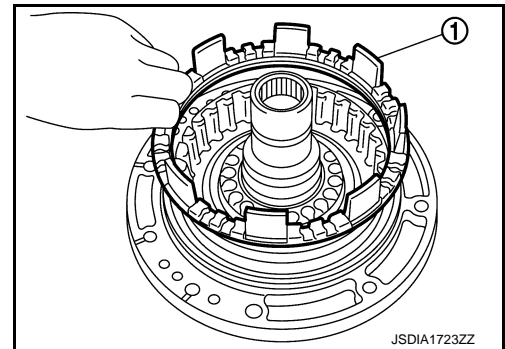


OIL PUMP, 2346 BRAKE, FRONT BRAKE PISTON

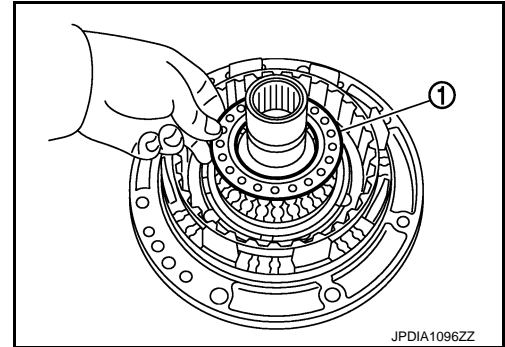
< UNIT DISASSEMBLY AND ASSEMBLY >

[7AT: RE7R01A]

8. Install front brake piston (1) to oil pump assembly.



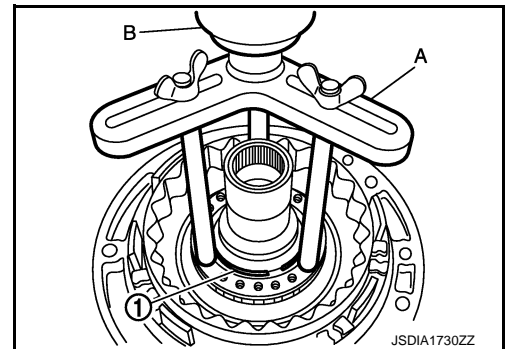
9. Install 2346 brake spring retainer (1) to oil pump assembly.



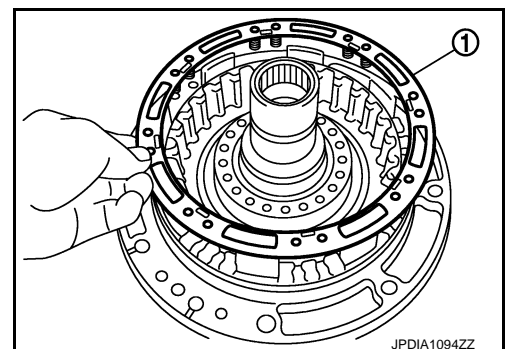
10. Set the clutch spring compressor [SST: KV31102400 (J-34285 and J-34285-87)] (A) on 2346 brake spring retainer and install snap ring (fixing 2346 brake spring retainer) (1) to oil pump assembly while compressing return spring.

B : Press

CAUTION:
Be careful not to expand snap ring excessively.

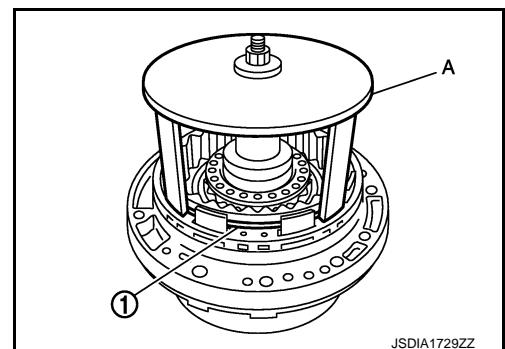


11. Install front brake spring retainer (1) to oil pump assembly.



12. Set the clutch spring compressor [SST: KV31103800 (—)] (A) on front brake spring retainer and install snap ring (fixing front brake spring retainer) (1) to oil pump assembly while compressing return spring.

CAUTION:
Be careful not to expand snap ring excessively.



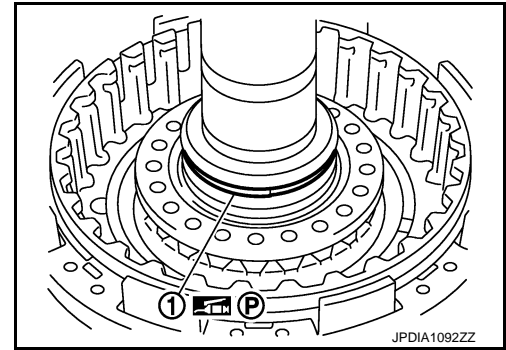
A
B
C
TM
E
F
G
H
I
J
K
L
M
N
O
P

OIL PUMP, 2346 BRAKE, FRONT BRAKE PISTON

< UNIT DISASSEMBLY AND ASSEMBLY >

[7AT: RE7R01A]

13. Install seal ring (1) to oil pump assembly.

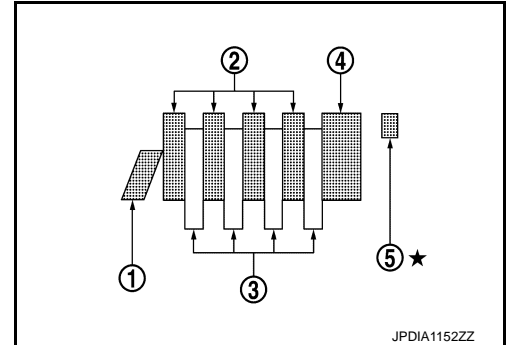


14. Install 2346 brake component part (retaining plate, drive plates, driven plates, dish plate and snap ring) to oil pump assembly.

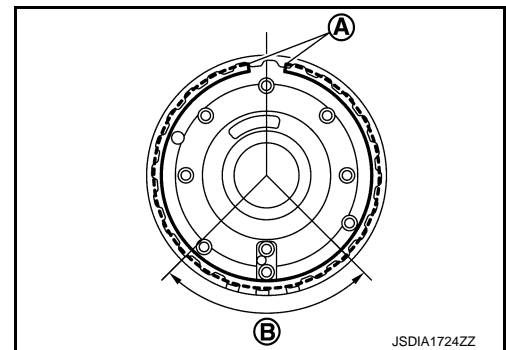
- 1 : Dish plate
- 2 : Driven plate (four pieces)
- 3 : Drive plate (four pieces)
- 4 : Retaining plate
- 5 : Snap ring

CAUTION:

- Check the order of plates.



- Never install snap ring mating part (A) to the clearance groove [(B) shown in the figure] of oil pump cover.



Inspection and Adjustment

INFOID:000000008193169

INSPECTION AFTER DISASSEMBLY

Each Snap Ring

Check for deformation, fatigue or damage. If necessary, replace snap ring.

Each Spring Retainer

Check for deformation, fatigue or damage. If necessary, replace spring retainer.

2346 Brake Drive Plates

Check facing for burns, cracks or damage. If necessary, replace drive plates and driven plates.

2346 Brake Retaining Plate, Driven Plates and Dish Plate

Check facing for burns, cracks or damage. If necessary, replace retaining plate and dish plate.

INSPECTION AFTER ASSEMBLY

2346 Brake Clearance

OIL PUMP, 2346 BRAKE, FRONT BRAKE PISTON

< UNIT DISASSEMBLY AND ASSEMBLY >

[7AT: RE7R01A]

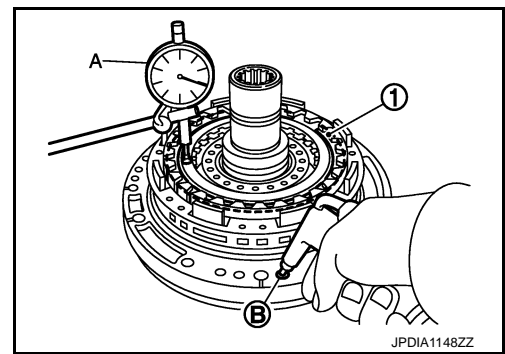
Set a dial indicator (A) as shown in the figure. Blow air into 2346 brake oil pressure hole (B), and measure 2346 brake clearance. If clearance is outside the specified value, adjust clearance by selecting an appropriate snap ring (1). Refer to [TM-352, "Oil Channel"](#).

Air pressure : 300 kPa (3.06 kg/cm², 43.5 psi)

2346 brake clearance : Refer to [TM-421, "2346 Brake Clearance"](#).

CAUTION:

Never exceed the specified air pressure value.



A
B
C

TM

E

F

G

H

I

J

K

L

M

N

O

P

UNDER DRIVE CARRIER, FRONT BRAKE HUB

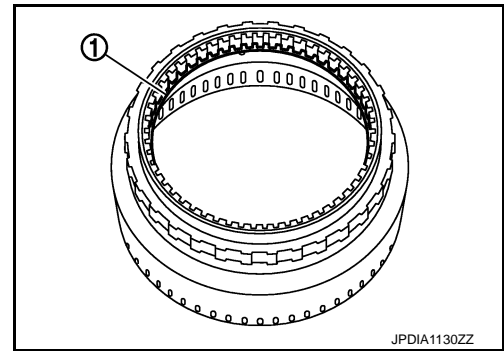
< UNIT DISASSEMBLY AND ASSEMBLY >

[7AT: RE7R01A]

3. Remove snap ring (1) from front brake hub using a flat-bladed screwdriver.

CAUTION:

- Be careful not to scratch front brake hub.
- Be careful not to damage snap ring.



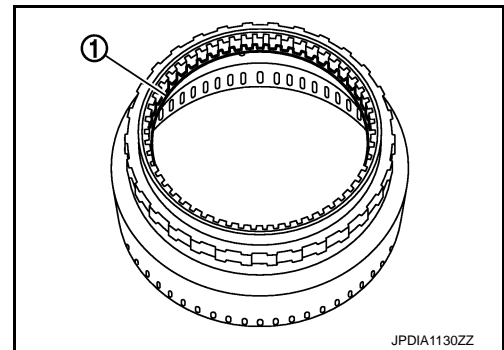
Assembly

INFOID:000000008193172

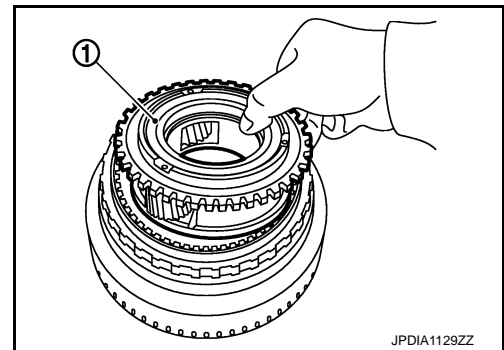
1. Install snap ring (1) to front brake hub.

CAUTION:

- Be careful not to damage snap ring.



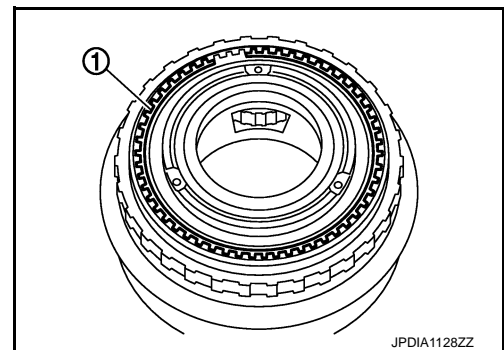
2. Install under drive carrier assembly (1) to front brake hub.



3. Install snap ring (1) to front brake hub using a flat-bladed screwdriver.

CAUTION:

- Be careful not to scratch front brake hub.
- Be careful not to damage snap ring.



Inspection

INFOID:000000008193173

INSPECTION AFTER DISASSEMBLY

- Each Snap Ring
Check for deformation, fatigue or damage. If necessary, replace snap ring.
- Under Drive Carrier Assembly
Check for deformation, fatigue or damage. If necessary, replace under drive carrier assembly.
- Front Brake Hub

A
B
C
TM
E
F
G
H
I
J
K
L
M
N
O
P

UNDER DRIVE CARRIER, FRONT BRAKE HUB

< UNIT DISASSEMBLY AND ASSEMBLY >

[7AT: RE7R01A]

Check for deformation, fatigue or damage. If necessary, replace front brake hub.

FRONT CARRIER, INPUT CLUTCH, REAR INTERNAL GEAR

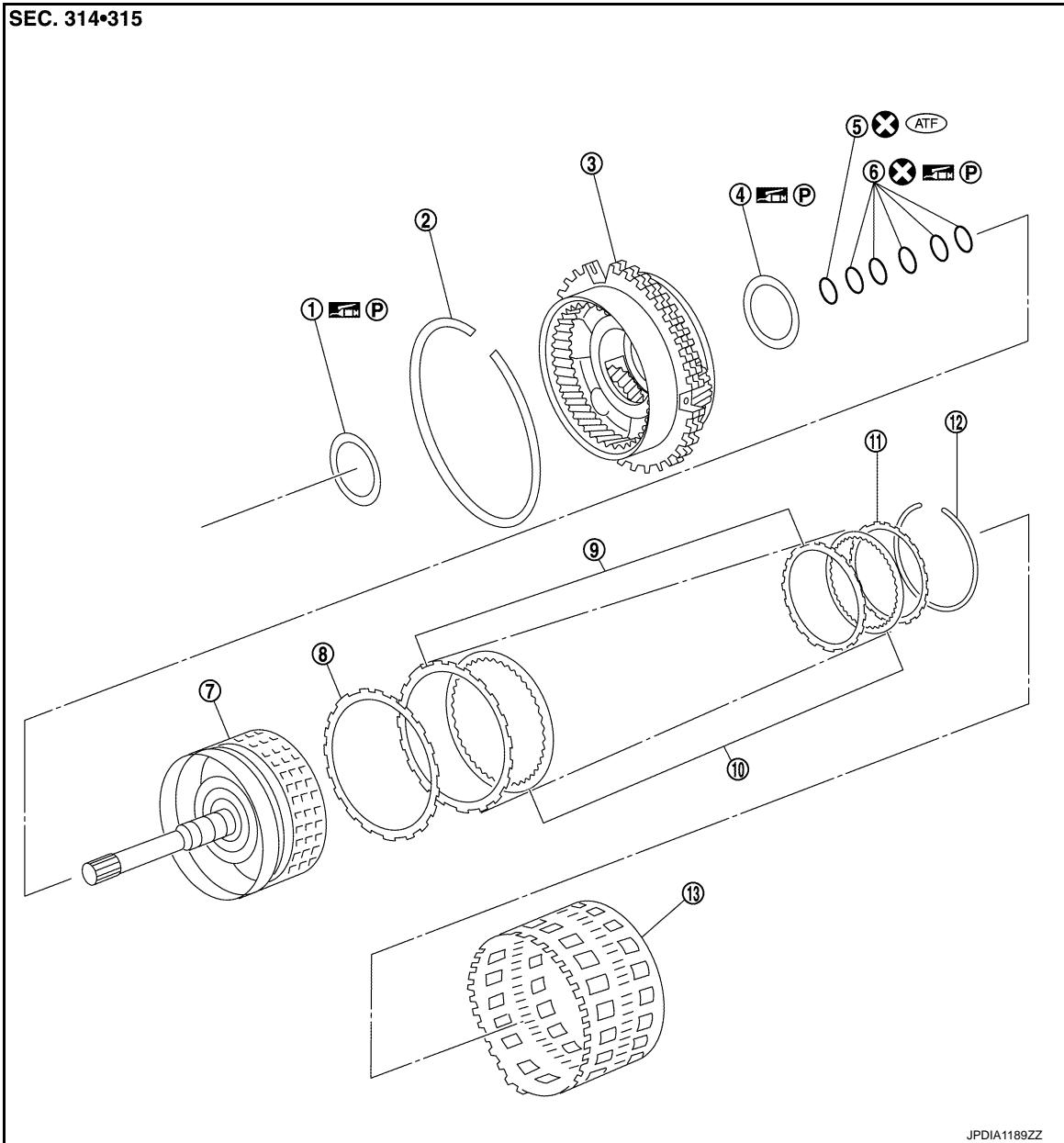
< UNIT DISASSEMBLY AND ASSEMBLY >

[7AT: RE7R01A]

FRONT CARRIER, INPUT CLUTCH, REAR INTERNAL GEAR

Exploded View

INFOID:000000008193174



- | | | |
|------------------------------|----------------------------------|------------------------------|
| 1. Needle bearing | 2. Snap ring | 3. Front carrier assembly |
| 4. Needle bearing | 5. O-ring | 6. Seal ring |
| 7. Input clutch drum | 8. Input clutch dish plate | 9. Input clutch driven plate |
| 10. Input clutch drive plate | 11. Input clutch retaining plate | 12. Snap ring |
| 13. Rear internal gear | | |

Refer to [GI-4, "Components"](#) for symbols in the figure.

A
B
C
TM
E
F
G
H
I
J
K
L
M
N
O
P

FRONT CARRIER, INPUT CLUTCH, REAR INTERNAL GEAR

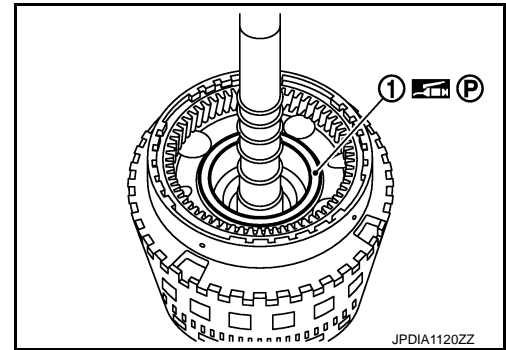
< UNIT DISASSEMBLY AND ASSEMBLY >

[7AT: RE7R01A]

INFOID:00000008193175

Disassembly

1. Remove needle bearing (1) from front carrier assembly.

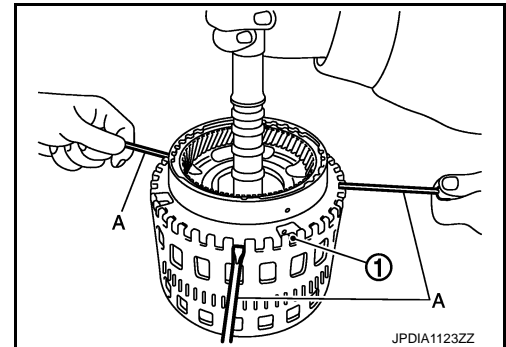


2. Compress snap ring (1) using flat-bladed screwdrivers (A).

CAUTION:

- Be careful not to scratch rear internal gear.
- Be careful not to damage snap ring.

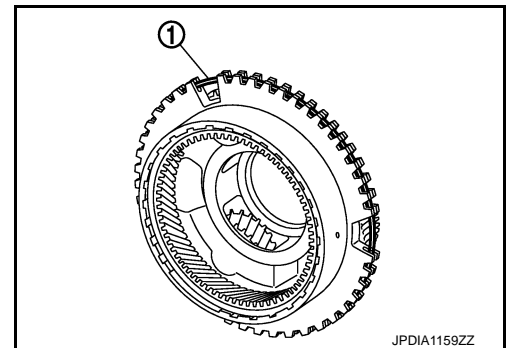
3. Remove front carrier assembly and input clutch assembly from rear internal gear.
4. Remove front carrier assembly from input clutch assembly.



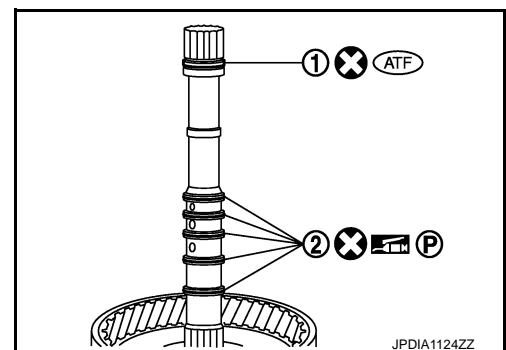
6. Remove snap ring (1) from front carrier assembly.

CAUTION:

- Be careful not to expand snap ring excessively.



7. Remove O-ring (1) and seal rings (2) from input clutch assembly.

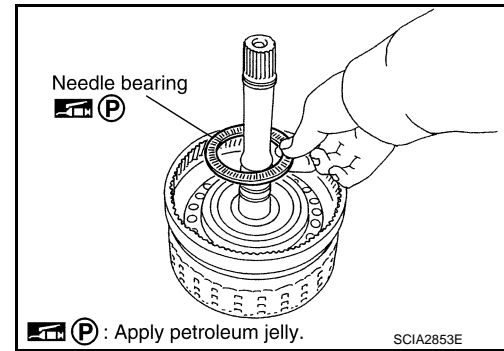


FRONT CARRIER, INPUT CLUTCH, REAR INTERNAL GEAR

< UNIT DISASSEMBLY AND ASSEMBLY >

[7AT: RE7R01A]

8. Remove needle bearing from input clutch assembly.

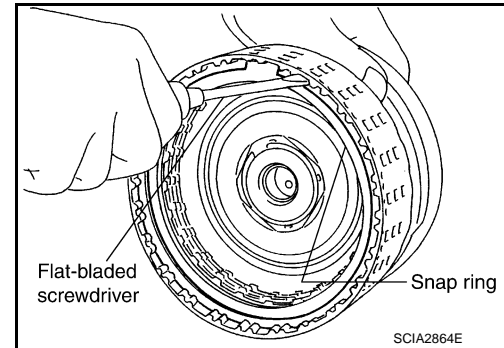


9. Remove snap ring from input clutch drum using a flat-bladed screwdriver.

CAUTION:

- Be careful not to scratch rear input clutch drum and input clutch retaining plate.
- Be careful not to damage snap ring.

10. Remove input clutch component part (drive plates, driven plates, retaining plate and dish plate) from input clutch drum.



INFOID:000000008193176

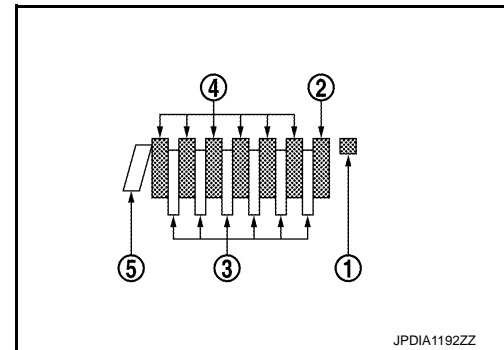
Assembly

1. Install input clutch component part (drive plates, driven plates, retaining plate and dish plate) to input clutch drum.

- 1 : Snap ring
- 2 : Retaining plate
- 3 : Drive plate (six pieces)
- 4 : Driven plate (six pieces)
- 5 : Dish plate

CAUTION:

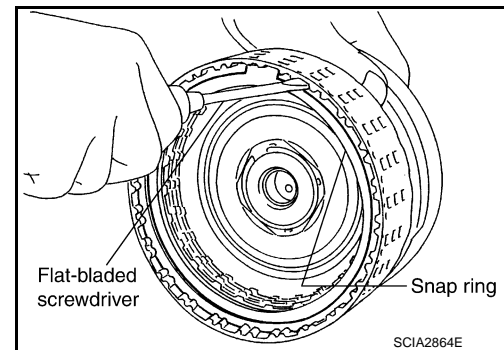
Check order of plates.



2. Install snap ring to input clutch drum using a flat-bladed screwdriver.

CAUTION:

- Be careful not to scratch input clutch drum and input clutch retaining plate.
- Be careful not to damage snap ring.



A
B
C
TM
E
F
G
H
I
J
K
L
M
N
O
P

FRONT CARRIER, INPUT CLUTCH, REAR INTERNAL GEAR

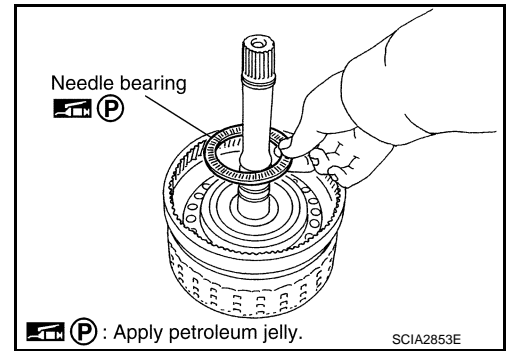
< UNIT DISASSEMBLY AND ASSEMBLY >

[7AT: RE7R01A]

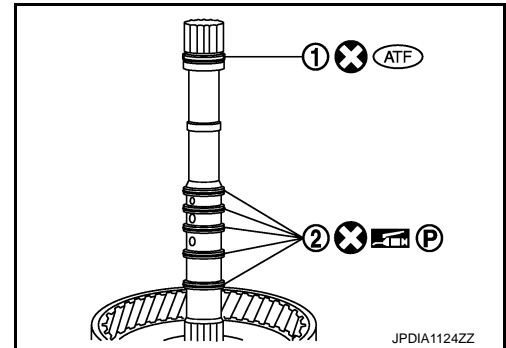
3. Install needle bearing to input clutch assembly.

CAUTION:

Check the direction of needle bearing. Refer to [TM-353](#), "[Location of Needle Bearings and Bearing Races](#)".



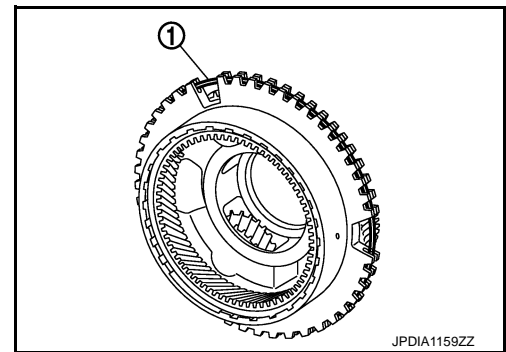
4. Install O-ring (1) and seal rings (2) to input clutch assembly.



5. Install snap ring (1) to front carrier assembly.

CAUTION:

Be careful not to expand snap ring excessively.

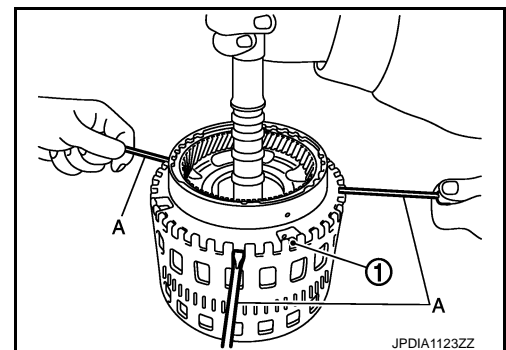


6. Compress snap ring (1) using flat-bladed screwdrivers (A).

CAUTION:

- Be careful not to scratch rear internal gear.
- Be careful not to damage snap ring.

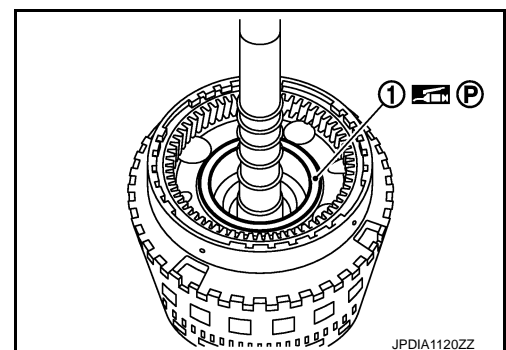
7. Install front carrier assembly and input clutch assembly to rear internal gear.



8. Install needle bearing (1) to front carrier assembly.

CAUTION:

Check the direction of needle bearing. Refer to [TM-353](#), "[Location of Needle Bearings and Bearing Races](#)".



FRONT CARRIER, INPUT CLUTCH, REAR INTERNAL GEAR

< UNIT DISASSEMBLY AND ASSEMBLY >

[7AT: RE7R01A]

Inspection

INFOID:000000008193177

INSPECTION AFTER DISASSEMBLY

Front Carrier Snap Ring

Check for deformation, fatigue or damage. If necessary, replace the snap ring.

Input Clutch Snap Ring

Check for deformation, fatigue or damage. If necessary, replace input clutch assembly.

Input Clutch Drum

Check for deformation, fatigue or damage or burns. If necessary, replace input clutch assembly.

Input Clutch Drive Plates

Check facing for burns, cracks or damage. If necessary, replace input clutch assembly.

Input Clutch Retaining Plate and Driven Plates

Check facing for burns, cracks or damage. If necessary, replace input clutch assembly.

Input Clutch Dish Plate

Check facing for burns, cracks or damage. If necessary, replace input clutch assembly.

Front Carrier

Check for deformation, fatigue or damage. If necessary, replace front carrier assembly.

Rear Internal Gear

Check for deformation, fatigue or damage. If necessary, replace rear internal gear.

A

B

C

TM

E

F

G

H

I

J

K

L

M

N

O

P

MID SUN GEAR, REAR SUN GEAR, HIGH AND LOW REVERSE CLUTCH HUB

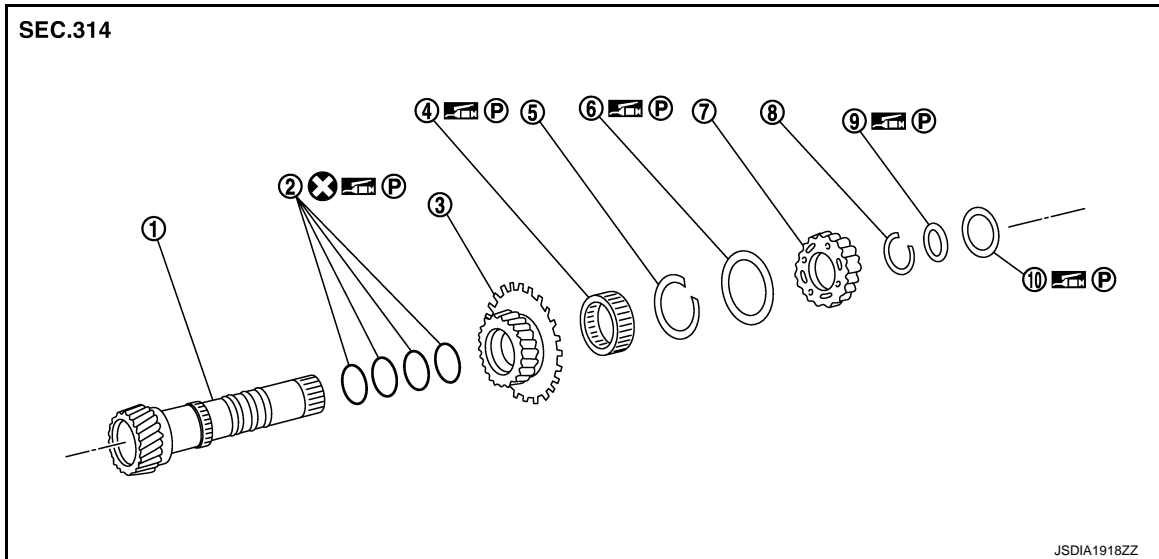
< UNIT DISASSEMBLY AND ASSEMBLY >

[7AT: RE7R01A]

MID SUN GEAR, REAR SUN GEAR, HIGH AND LOW REVERSE CLUTCH HUB

Exploded View

INFOID:000000008193178



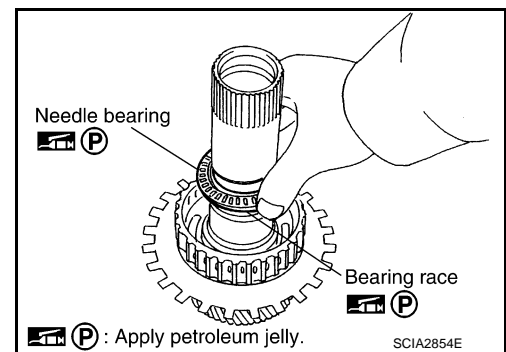
- | | | |
|------------------------------------|--------------|-------------------|
| 1. Mid sun gear | 2. Seal ring | 3. Rear sun gear |
| 4. 2nd one-way clutch | 5. Snap ring | 6. Needle bearing |
| 7. High and low reverse clutch hub | 8. Snap ring | 9. Bearing race |
| 10. Needle bearing | | |

Refer to [GI-4, "Components"](#) for symbols in the figure.

Disassembly

INFOID:000000008193179

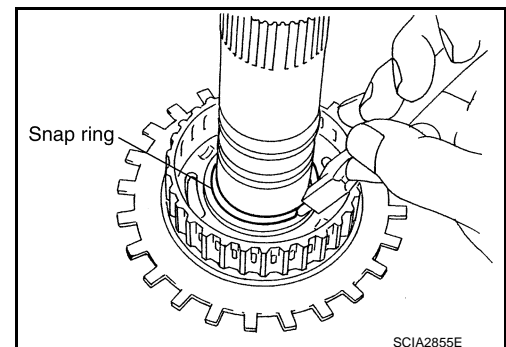
1. Remove needle bearing and bearing race from high and low reverse clutch hub.



2. Remove snap ring from mid sun gear assembly using pair of snap ring pliers.

CAUTION:

Be careful not to expand snap ring excessively.

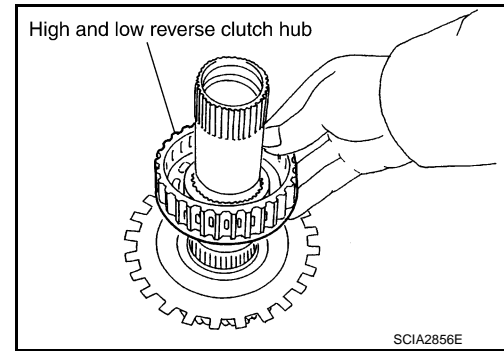


MID SUN GEAR, REAR SUN GEAR, HIGH AND LOW REVERSE CLUTCH HUB

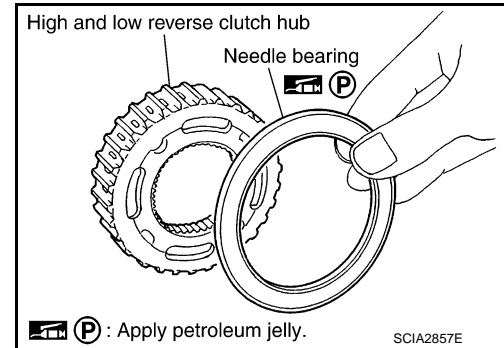
< UNIT DISASSEMBLY AND ASSEMBLY >

[7AT: RE7R01A]

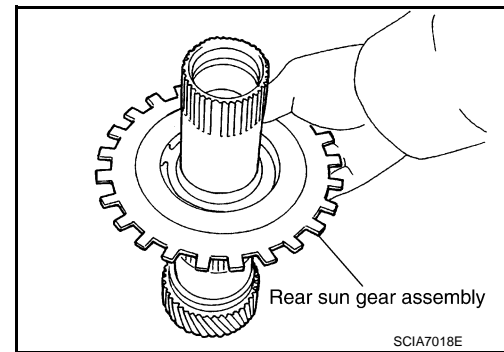
3. Remove high and low reverse clutch hub from mid sun gear assembly.



4. Remove needle bearing from high and low reverse clutch hub.



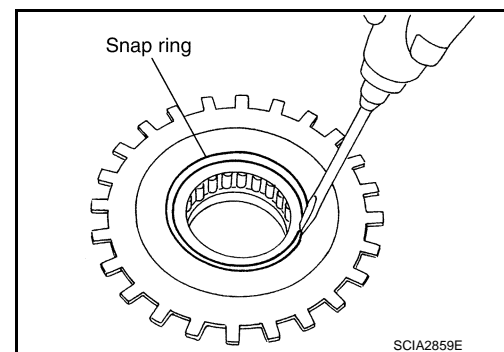
5. Remove rear sun gear assembly from mid sun gear assembly.



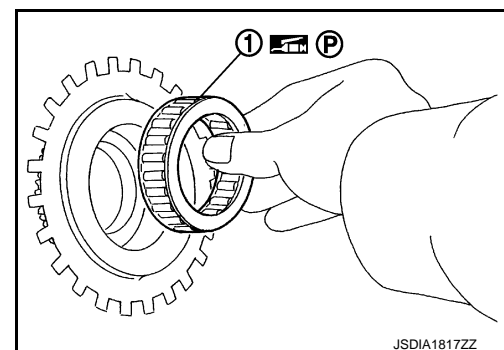
6. Remove snap ring from rear sun gear using a flat-bladed screwdriver.

CAUTION:

- Be careful not to scratch rear sun gear and 2nd one-way clutch.
- Be careful not to damage snap ring.



7. Remove 2nd one-way clutch from rear sun gear.



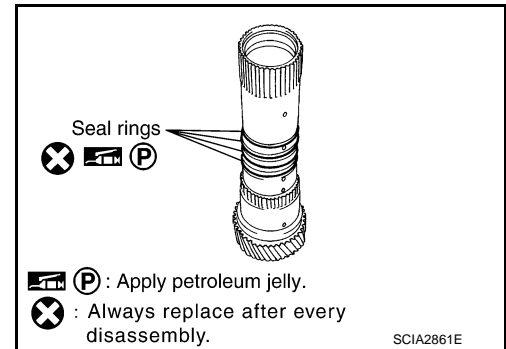
A
B
C
TM
E
F
G
H
I
J
K
L
M
N
O
P

MID SUN GEAR, REAR SUN GEAR, HIGH AND LOW REVERSE CLUTCH HUB

< UNIT DISASSEMBLY AND ASSEMBLY >

[7AT: RE7R01A]

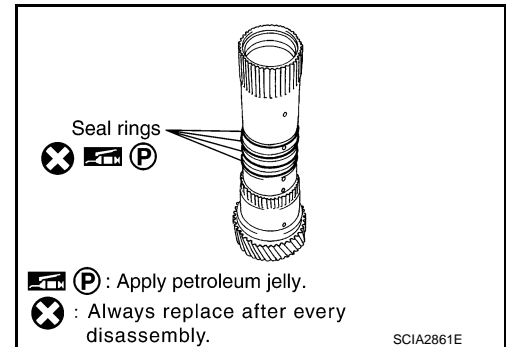
8. Remove seal rings from mid sun gear.



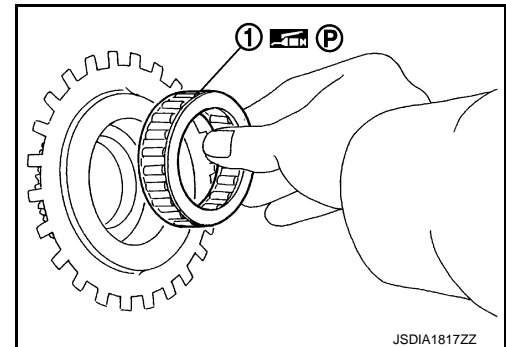
Assembly

INFOID:000000008193180

1. Install seal rings to mid sun gear.



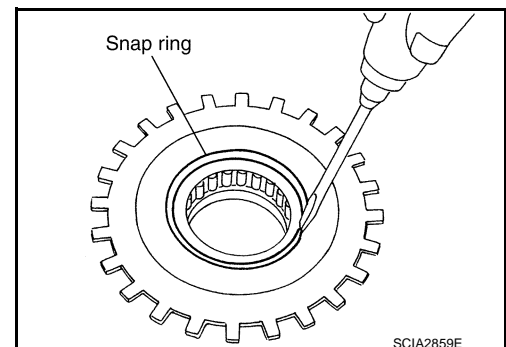
2. Install 2nd one-way clutch to rear sun gear.



3. Install snap ring to rear sun gear using a flat-bladed screwdriver.

CAUTION:

- Be careful not to scratch rear sun gear and 2nd one-way clutch.
- Be careful not to damage snap ring.

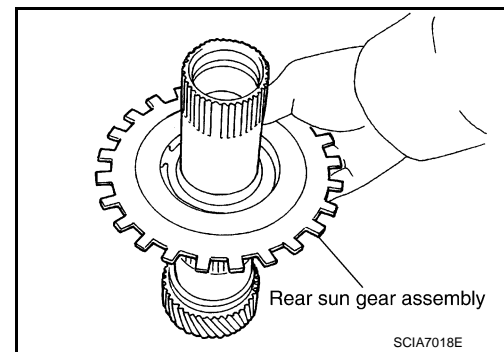


MID SUN GEAR, REAR SUN GEAR, HIGH AND LOW REVERSE CLUTCH HUB

< UNIT DISASSEMBLY AND ASSEMBLY >

[7AT: RE7R01A]

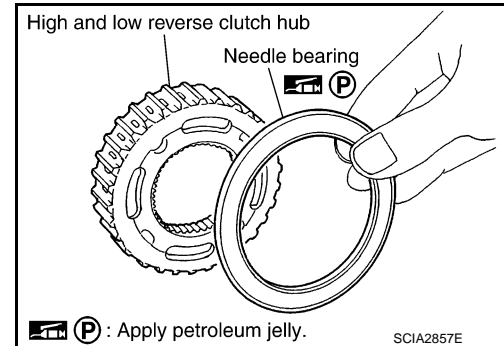
4. Install rear sun gear assembly to mid sun gear assembly.



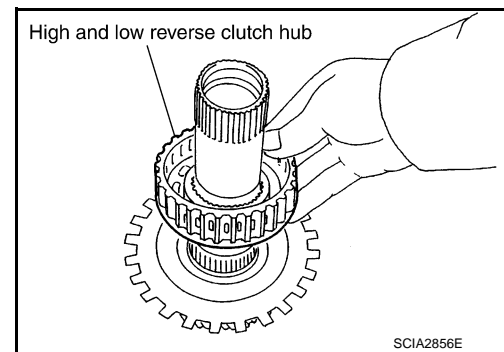
5. Install needle bearing to high and low reverse clutch hub.

CAUTION:

Check the direction of needle bearing. Refer to [TM-353](#), "[Location of Needle Bearings and Bearing Races](#)".



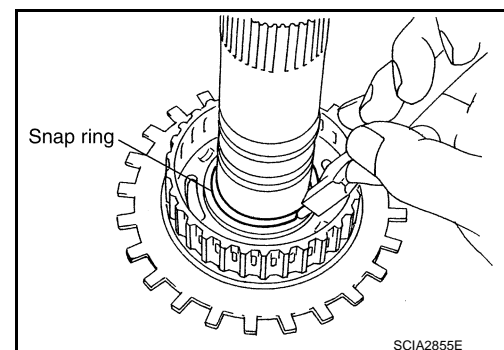
6. Install high and low reverse clutch hub to mid sun gear assembly.



7. Install snap ring to mid sun gear assembly using pair of snap ring pliers.

CAUTION:

Be careful not to expand snap ring excessively.



8. Check operation of 2nd one-way clutch.

A
B
C
TM
E
F
G
H
I
J
K
L
M
N
O
P

MID SUN GEAR, REAR SUN GEAR, HIGH AND LOW REVERSE CLUTCH HUB

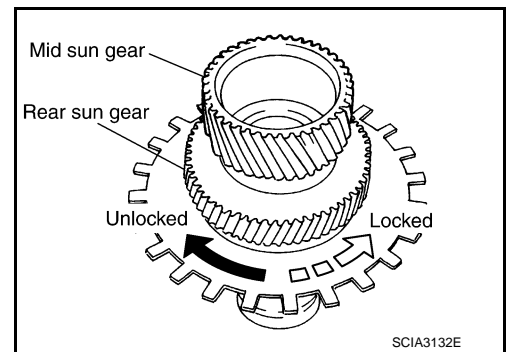
< UNIT DISASSEMBLY AND ASSEMBLY >

[7AT: RE7R01A]

- Hold mid sun gear and turn rear sun gear.
- Check 2nd one-way clutch for correct locking and unlocking directions.

CAUTION:

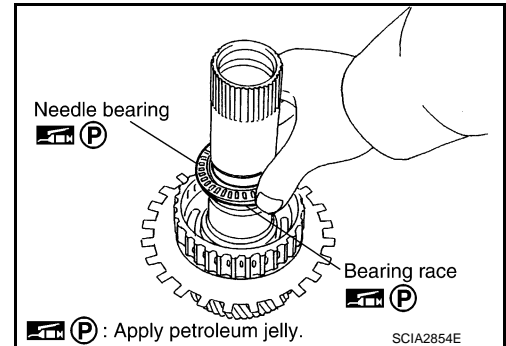
If not as shown in the figure, check installation direction of 2nd one-way clutch.



- Install needle bearing and bearing race to high and low reverse clutch hub.

CAUTION:

Check the direction of needle bearing. Refer to [TM-353](#), "[Location of Needle Bearings and Bearing Races](#)".



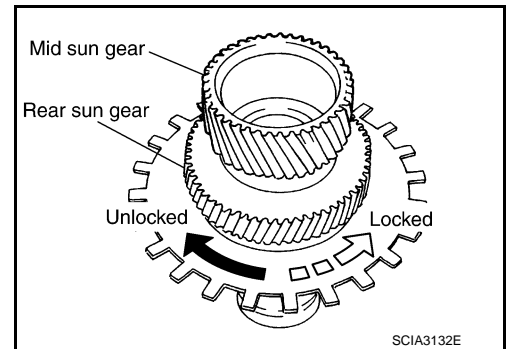
Inspection

INFOID:000000008193181

INSPECTION AFTER DISASSEMBLY

2nd One-way Clutch

- Hold mid sun gear and turn rear sun gear.
- Check 2nd one-way clutch for correct locking and unlocking directions. If necessary, replace 2nd one-way clutch.



Each Snap Ring

Check for deformation, fatigue or damage. If necessary, replace the snap ring.

2nd One-way Clutch

Check frictional surface for wear or damage. If necessary, replace the 2nd one-way clutch.

Mid Sun Gear

Check for deformation, fatigue or damage. If necessary, replace the mid sun gear.

Rear Sun Gear

Check for deformation, fatigue or damage. If necessary, replace the rear sun gear.

High and Low Reverse Clutch Hub

Check for deformation, fatigue or damage. If necessary, replace the high and low reverse clutch hub.

HIGH AND LOW REVERSE CLUTCH

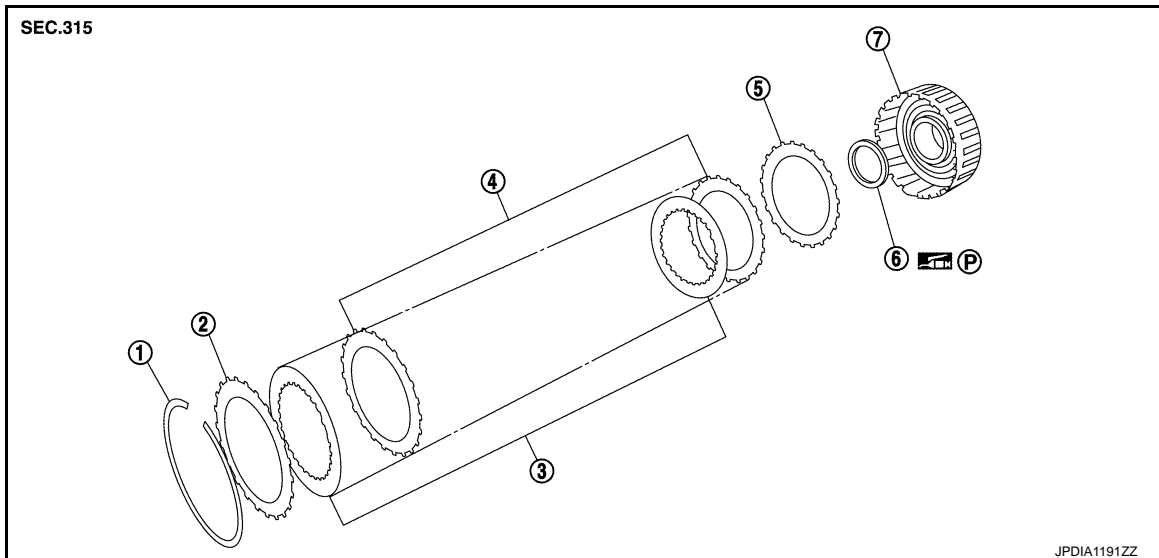
< UNIT DISASSEMBLY AND ASSEMBLY >

[7AT: RE7R01A]

HIGH AND LOW REVERSE CLUTCH

Exploded View

INFOID:000000008193182



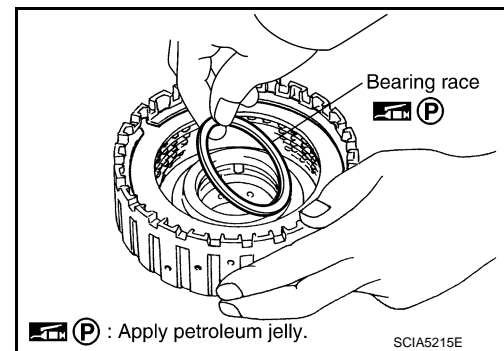
- | | | |
|-------------------------------------|---|--|
| 1. High and low reverse clutch drum | 2. High and low reverse clutch driven plate | 3. High and low reverse clutch retaining plate |
| 4. Snap ring | 5. High and low reverse clutch drive plate | 6. High and low reverse clutch dish plate |
| 7. Bearing race | | |

Refer to [GI-4, "Components"](#) for the symbols in the figure.

Disassembly

INFOID:000000008193183

1. Remove bearing race from high and low reverse clutch drum.

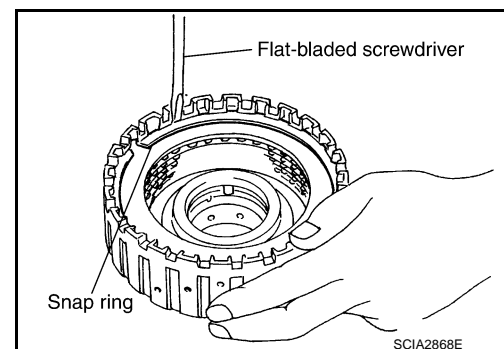


2. Remove snap ring from high and low reverse clutch drum using a flat-bladed screwdriver.

CAUTION:

- Be careful not to scratch high and low reverse clutch drum.
- Be careful not to damage snap ring.

3. Remove high and low reverse clutch component part (drive plates, driven plates, retaining plate and dish plate) from high and low reverse clutch drum.



HIGH AND LOW REVERSE CLUTCH

< UNIT DISASSEMBLY AND ASSEMBLY >

[7AT: RE7R01A]

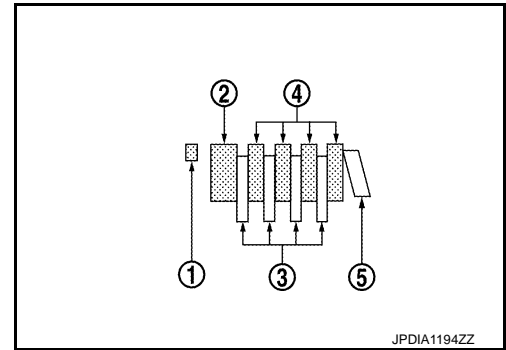
Assembly

INFOID:00000008193184

1. Install high and low reverse clutch component part (dish plate, drive plates, driven plates and retaining plate) to high and low reverse clutch drum.

- 1 : Snap ring
- 2 : Retaining plate
- 3 : Drive plate (four pieces)
- 4 : Driven plate (four pieces)
- 5 : Dish plate

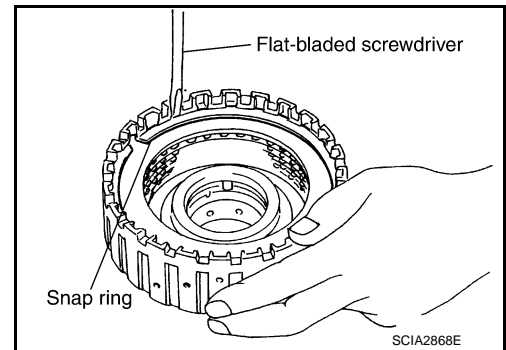
CAUTION:
Check the order of plates.



2. Install snap ring to high and low reverse clutch drum using a flat-bladed screwdriver.

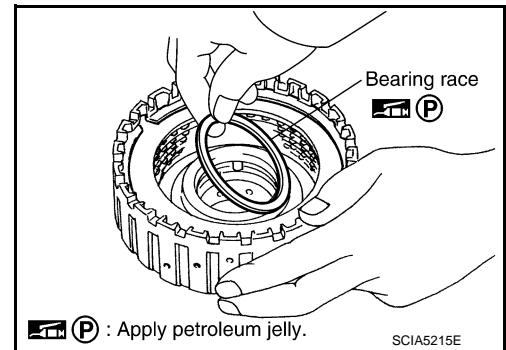
CAUTION:

- Be careful not to scratch high and low reverse clutch drum.
- Be careful not to damage snap ring.



3. Install bearing race to high and low reverse clutch drum.

CAUTION:
Check the direction of needle bearing. Refer to [TM-353](#), "[Location of Needle Bearings and Bearing Races](#)".



Inspection

INFOID:00000008193185

INSPECTION AFTER DISASSEMBLY

Check the following items. If necessary, replace high and low reverse clutch assembly.

High and Low Reverse Clutch Snap Ring

Check for deformation, fatigue or damage.

High and Low Reverse Clutch Drive Plates

Check facing for burns, cracks or damage.

High and Low Reverse Clutch Retaining Plate and Driven Plates

Check facing for burns, cracks or damage.

High and Low Reverse Clutch Dish Plate

Check facing for burns, cracks or damage.

High and Low Reverse Clutch Drum

Check for deformation, fatigue or damage or burns.

DIRECT CLUTCH

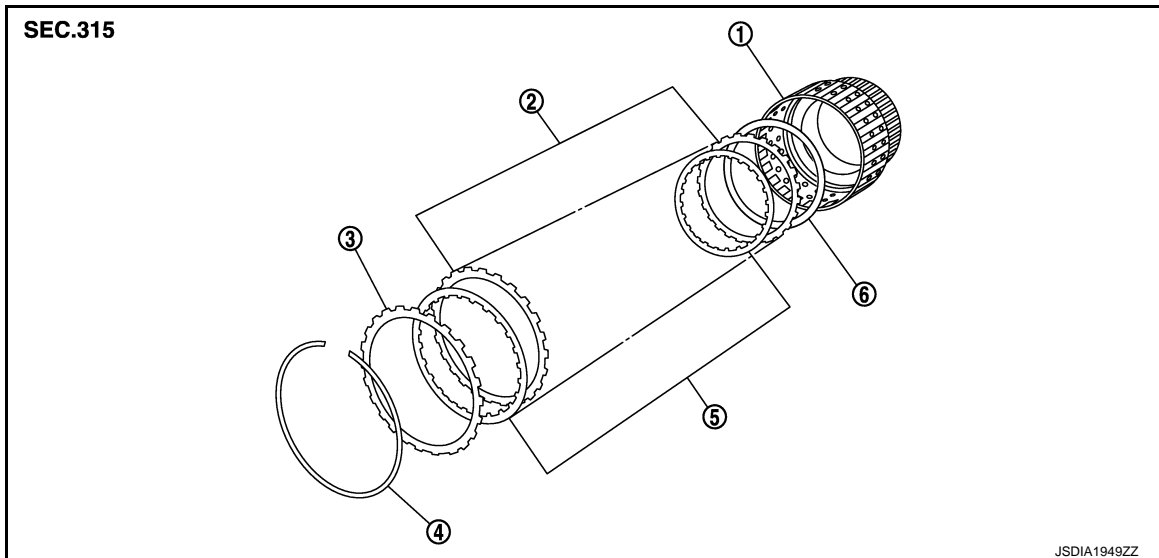
< UNIT DISASSEMBLY AND ASSEMBLY >

[7AT: RE7R01A]

DIRECT CLUTCH

Exploded View

INFOID:000000008193186

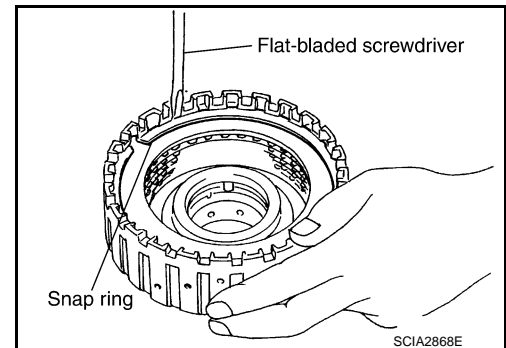


- | | | |
|-----------------------|-------------------------------|----------------------------------|
| 1. Direct clutch drum | 2. Direct clutch driven plate | 3. Direct clutch retaining plate |
| 4. Snap ring | 5. Direct clutch drive plate | 6. Direct clutch dish plate |

Disassembly

INFOID:000000008193187

1. Remove snap rings from direct clutch drum using a flat-bladed screwdriver.
CAUTION:
 - Be careful not to scratch direct clutch drum and direct clutch retaining plate.
 - Be careful not to damage snap ring.
2. Remove direct clutch component part (drive plates, driven plates, retaining plate and dish plate) from direct clutch drum.



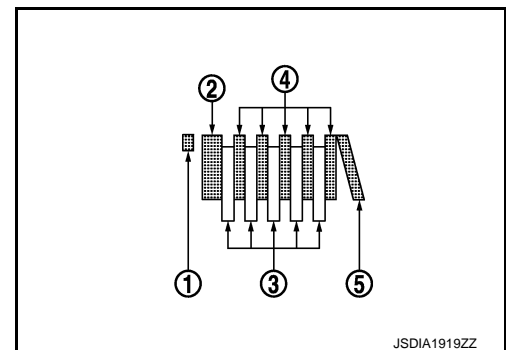
Assembly

INFOID:000000008193188

1. Install direct clutch component part (drive plates, driven plates, retaining plate and dish plate) to direct clutch drum.

- | | |
|---|------------------------------|
| 1 | : Snap ring |
| 2 | : Retaining plate |
| 3 | : Drive plate (five pieces) |
| 4 | : Driven plate (five pieces) |
| 5 | : Dish plate |

CAUTION:
Check the order of plates.



A
B
C
TM
E
F
G
H
I
J
K
L
M
N
O
P

DIRECT CLUTCH

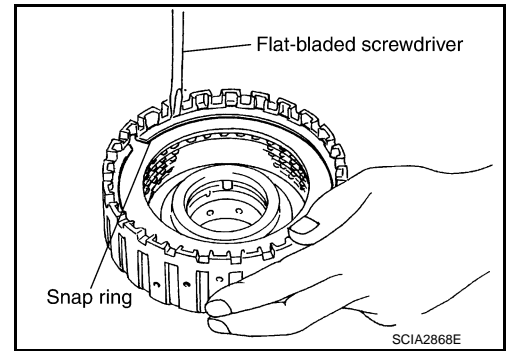
< UNIT DISASSEMBLY AND ASSEMBLY >

[7AT: RE7R01A]

2. Install snap rings to direct clutch drum using a flat-bladed screwdriver.

CAUTION:

- Be careful not to scratch direct clutch drum and direct clutch retaining plate.
- Be careful not to damage snap ring.



Inspection

INFOID:000000008193189

INSPECTION AFTER DISASSEMBLY

Check the following items. If necessary, replace direct clutch assembly.

Direct Clutch Snap Ring

Check for deformation, fatigue or damage.

Direct Clutch Drive Plates

Check facing for burns, cracks or damage.

Direct Clutch Retaining Plate and Driven Plates

Check facing for burns, cracks or damage.

Direct Clutch Dish Plate

Check facing for burns, cracks or damage.

Direct Clutch Drum

Check for deformation, fatigue or damage or burns.

SERVICE DATA AND SPECIFICATIONS (SDS)

< SERVICE DATA AND SPECIFICATIONS (SDS)

[7AT: RE7R01A]

SERVICE DATA AND SPECIFICATIONS (SDS)

SERVICE DATA AND SPECIFICATIONS (SDS)

General Specification

INFOID:000000008193190

Destination		North America, Canada		Mexico
Body type		Coupe	Roadster	Coupe
Transmission model code number		X454B	X454C	
Stall torque ratio		1.92 : 1		
Transmission gear ratio	1st	4.924		
	2nd	3.194		
	3rd	2.043		
	4th	1.412		
	5th	1.000		
	6th	0.862		
	7th	0.772		
	Reverse	3.972		
Recommended fluid		Genuine NISSAN Matic S ATF*1		
Fluid capacity		9.2 liter (9-3/4 US qt, 8-1/8 Imp qt)*2		

CAUTION:

- Use only Genuine NISSAN Matic S ATF. Never mix with other ATF.
- Using ATF other than Genuine NISSAN Matic S ATF will cause deterioration driveability and A/T durability, and may damage the A/T, which is not covered by the NISSAN new vehicle limited warranty.

• *1: Refer to [MA-16, "FOR NORTH AMERICA : Fluids and Lubricants"](#) (For North America), [MA-17, "FOR MEXICO : Fluids and Lubricants"](#) (For Mexico).

• *2: The fluid capacity is the reference value.

Vehicle Speed at Which Gear Shifting Occurs

INFOID:000000008193191

Unit: km/h (MPH)

Gear position	Throttle position	
	Full throttle	Half throttle
D1 → D2	50 – 54 (32 – 33)	38 – 42 (24 – 26)
D2 → D3	79 – 87 (50 – 54)	65 – 73 (41 – 45)
D3 → D4	124 – 134 (78 – 83)	94 – 104 (59 – 64)
D4 → D5	181 – 191 (113 – 118)	139 – 149 (87 – 92)
D5 → D6	250 – 260 (156 – 161)	182 – 192 (114 – 119)
D6 → D7	250 – 260 (156 – 161)	214 – 224 (133 – 139)
D7 → D6	240 – 250 (150 – 155)	169 – 179 (105 – 111)
D6 → D5	240 – 250 (150 – 155)	139 – 149 (87 – 92)
D5 → D4	171 – 181 (107 – 112)	69 – 79 (43 – 49)
D4 → D3	109 – 119 (68 – 73)	37 – 47 (23 – 29)
D3 → D2	52 – 60 (33 – 37)	10 – 18 (7 – 11)
D2 → D1	8 – 12 (5 – 7)	5 – 9 (4 – 5)

- At half throttle, the accelerator opening is 4/8 of the full opening.

SERVICE DATA AND SPECIFICATIONS (SDS)

< SERVICE DATA AND SPECIFICATIONS (SDS)

[7AT: RE7R01A]

Vehicle Speed at Which Lock-up Occurs/Releases

INFOID:000000008193192

Unit: km/h (MPH)

Throttle position	Vehicle speed	
	Lock-up ON	Lock-up OFF
Closed throttle	36 – 44 (23 – 27)	33 – 41 (21 – 25)
Half throttle	64 – 72 (40 – 44)	61 – 69 (38 – 42)

- At closed throttle, the accelerator opening is less than 1/8 condition. (Closed throttle position signal OFF)
- At half throttle, the accelerator opening is 4/8 of the full opening.

Stall Speed

INFOID:000000008193193

Stall speed	2,475 – 2,775 rpm
-------------	-------------------

Torque Converter

INFOID:000000008193194

Dimension between end of converter housing and torque converter	25.0 mm (0.98 in)
---	-------------------

Total End Play

INFOID:000000008193195

Unit: mm (in)

Total end play	Standard	0.25 – 0.55 (0.0098 – 0.0217)
Thickness of bearing race for adjusting total end play		1.0 (0.039)
		1.2 (0.047)
		1.4 (0.055)
		1.6 (0.063)
		1.8 (0.071)
		2.0 (0.079)
		2.2 (0.087)

Reverse Brake Clearance

INFOID:000000008193196

Unit: mm (in)

Reverse brake clearance	Standard	0.8 – 1.2 (0.031 – 0.047)
Thickness of retaining plate for adjusting reverse brake clearance		4.8 (0.189)
		5.0 (0.197)
		5.2 (0.205)
		5.4 (0.213)
		5.6 (0.220)
		5.8 (0.228)
		6.0 (0.236)

Front Brake Clearance

INFOID:000000008193197

Unit: mm (in)

Front brake clearance	Standard	0.7 – 1.1 (0.028 – 0.043)
Thickness of retaining plate for adjusting front brake clearance		2.0 (0.079)
		2.2 (0.087)
		2.4 (0.094)
		2.6 (0.102)
		2.8 (0.110)

SERVICE DATA AND SPECIFICATIONS (SDS)

< SERVICE DATA AND SPECIFICATIONS (SDS)

[7AT: RE7R01A]

2346 Brake Clearance

INFOID:000000008193198

Unit: mm (in)

2346 brake clearance	Standard	1.5 – 1.9 (0.059 – 0.075)
Thickness of snap ring for adjusting 2346 brake clearance		2.0 (0.079)
		2.2 (0.087)
		2.4 (0.094)
		2.6 (0.102)
		2.8 (0.110)
		3.0 (0.118)

A

B

C

TM

E

F

G

H

I

J

K

L

M

N

O

P