

**SECTION IP**  
**INSTRUMENT PANEL**

A  
B  
C  
D  
E  
F  
G  
H  
I  
IP  
K  
L  
M  
N  
O  
P

**CONTENTS**

<b>REGULAR GRADE</b>	
<b>PRECAUTION</b> .....	<b>Commercial Service Tools</b> ..... 5
<b>PRECAUTIONS</b> .....	<b>CLIP LIST</b> ..... 6
<b>FOR USA AND CANADA</b> .....	Clip List ..... 6
FOR USA AND CANADA : Precaution for Supplemental Restraint System (SRS) "AIR BAG" and "SEAT BELT PRE-TENSIONER" .....	<b>SYMPTOM DIAGNOSIS</b> ..... 7
FOR USA AND CANADA : Precaution for Battery Service .....	<b>SQUEAK AND RATTLE TROUBLE DIAGNOSES</b> ..... 7
FOR USA AND CANADA : Precaution for Procedure without Cowl Top Cover .....	Work Flow ..... 7
FOR USA AND CANADA : Precaution .....	Inspection Procedure ..... 9
<b>FOR MEXICO</b> .....	Diagnostic Worksheet ..... 11
FOR MEXICO : Precaution for Supplemental Restraint System (SRS) "AIR BAG" and "SEAT BELT PRE-TENSIONER" .....	<b>REMOVAL AND INSTALLATION</b> ..... 13
FOR MEXICO : Precaution for Battery Service .....	<b>INSTRUMENT PANEL ASSEMBLY</b> ..... 13
FOR MEXICO : Precaution for Procedure without Cowl Top Cover .....	Exploded View ..... 13
FOR MEXICO : Precaution .....	Removal and Installation ..... 14
<b>PREPARATION</b> .....	<b>CENTER CONSOLE ASSEMBLY</b> ..... 25
<b>PREPARATION</b> .....	Exploded View ..... 25
Special Service Tools .....	Removal and Installation ..... 26
	Disassembly and Assembly ..... 28
	<b>Nismo 370Z</b>
	<b>SPEC CHANGE INFORMATION</b> ..... 30
	<b>CENTER CONSOLE ASSEMBLY</b> ..... 30
	Center Console Assembly ..... 30

PRECAUTION

PRECAUTIONS  
FOR USA AND CANADA

FOR USA AND CANADA : Precaution for Supplemental Restraint System (SRS) "AIR BAG" and "SEAT BELT PRE-TENSIONER"

INFOID:000000010840701

The Supplemental Restraint System such as "AIR BAG" and "SEAT BELT PRE-TENSIONER", used along with a front seat belt, helps to reduce the risk or severity of injury to the driver and front passenger for certain types of collision. This system includes seat belt switch inputs and dual stage front air bag modules. The SRS system uses the seat belt switches to determine the front air bag deployment, and may only deploy one front air bag, depending on the severity of a collision and whether the front occupants are belted or unbelted. Information necessary to service the system safely is included in the "SRS AIR BAG" and "SEAT BELT" of this Service Manual.

**WARNING:**

Always observe the following items for preventing accidental activation.

- To avoid rendering the SRS inoperative, which could increase the risk of personal injury or death in the event of a collision that would result in air bag inflation, all maintenance must be performed by an authorized NISSAN/INFINITI dealer.
- Improper maintenance, including incorrect removal and installation of the SRS, can lead to personal injury caused by unintentional activation of the system. For removal of Spiral Cable and Air Bag Module, see "SRS AIR BAG".
- Never use electrical test equipment on any circuit related to the SRS unless instructed to in this Service Manual. SRS wiring harnesses can be identified by yellow and/or orange harnesses or harness connectors.

PRECAUTIONS WHEN USING POWER TOOLS (AIR OR ELECTRIC) AND HAMMERS

**WARNING:**

Always observe the following items for preventing accidental activation.

- When working near the Air Bag Diagnosis Sensor Unit or other Air Bag System sensors with the ignition ON or engine running, never use air or electric power tools or strike near the sensor(s) with a hammer. Heavy vibration could activate the sensor(s) and deploy the air bag(s), possibly causing serious injury.
- When using air or electric power tools or hammers, always switch the ignition OFF, disconnect the battery, and wait at least 3 minutes before performing any service.

FOR USA AND CANADA : Precaution for Battery Service

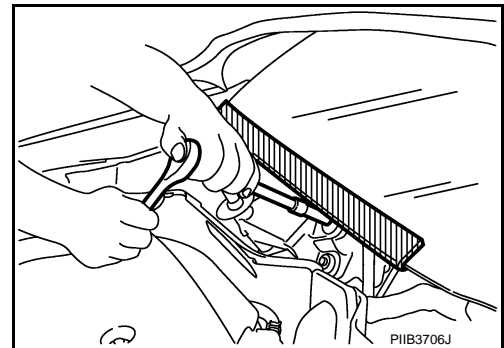
INFOID:000000010840702

Before disconnecting the battery, lower both the driver and passenger windows. This will prevent any interference between the window edge and the vehicle when the door is opened/closed. During normal operation, the window slightly raises and lowers automatically to prevent any window to vehicle interference. The automatic window function will not work with the battery disconnected.

FOR USA AND CANADA : Precaution for Procedure without Cowl Top Cover

INFOID:000000010840703

When performing the procedure after removing cowl top cover, cover the lower end of windshield with urethane, etc to prevent damage to windshield.



# PRECAUTIONS

< PRECAUTION >

[REGULAR GRADE]

## FOR USA AND CANADA : Precaution

INFOID:000000010840704

- Disconnect battery negative terminal in advance.
- Disconnect air bag system line in advance.
- Never tamper with or force air bag lid open, as this may adversely affect air bag performance.
- Be careful not to scratch pad and other parts.
- When removing or disassembling any part, be careful not to damage or deform it. Protect parts, that may get in the way with a shop cloth.
- When removing parts with a screwdriver or other tool, cover the tool surface with vinyl tape to protect parts.
- Keep removed parts protected with a shop cloth.
- If a clip is deformed or damaged, replace it.
- If an un reusable part is removed, replace it with a new one.
- Tighten bolts and nuts firmly to the specified torque.
- After reassembly is complete, check that each part functions correctly.
- Remove stains via the following procedure.

Water-soluble stains:

Dip a soft cloth in warm water, and then squeeze it tightly. After wiping off the stain, wipe with a soft dry cloth.

Oil stain:

Dissolve a synthetic detergent in warm water (density of 2 to 3%), dip the cloth, then wipe off the stain with the cloth. Next, dip the cloth in fresh water and squeeze it tightly. Then wipe off the detergent completely. Then wipe the area with a soft dry cloth.

- Never use any organic solvent, such as thinner or benzine.

## FOR MEXICO

## FOR MEXICO : Precaution for Supplemental Restraint System (SRS) "AIR BAG" and "SEAT BELT PRE-TENSIONER"

INFOID:000000010840705

The Supplemental Restraint System such as "AIR BAG" and "SEAT BELT PRE-TENSIONER", used along with a front seat belt, helps to reduce the risk or severity of injury to the driver and front passenger for certain types of collision. Information necessary to service the system safely is included in the "SRS AIR BAG" and "SEAT BELT" of this Service Manual.

### **WARNING:**

**Always observe the following items for preventing accidental activation.**

- **To avoid rendering the SRS inoperative, which could increase the risk of personal injury or death in the event of a collision that would result in air bag inflation, all maintenance must be performed by an authorized NISSAN/INFINITI dealer.**
- **Improper maintenance, including incorrect removal and installation of the SRS, can lead to personal injury caused by unintentional activation of the system. For removal of Spiral Cable and Air Bag Module, see "SRS AIR BAG".**
- **Never use electrical test equipment on any circuit related to the SRS unless instructed to in this Service Manual. SRS wiring harnesses can be identified by yellow and/or orange harnesses or harness connectors.**

## PRECAUTIONS WHEN USING POWER TOOLS (AIR OR ELECTRIC) AND HAMMERS

### **WARNING:**

**Always observe the following items for preventing accidental activation.**

- **When working near the Air Bag Diagnosis Sensor Unit or other Air Bag System sensors with the ignition ON or engine running, never use air or electric power tools or strike near the sensor(s) with a hammer. Heavy vibration could activate the sensor(s) and deploy the air bag(s), possibly causing serious injury.**
- **When using air or electric power tools or hammers, always switch the ignition OFF, disconnect the battery, and wait at least 3 minutes before performing any service.**

## FOR MEXICO : Precaution for Battery Service

INFOID:000000010840706

Before disconnecting the battery, lower both the driver and passenger windows. This will prevent any interference between the window edge and the vehicle when the door is opened/closed. During normal operation, the window slightly raises and lowers automatically to prevent any window to vehicle interference. The automatic window function will not work with the battery disconnected.

# PRECAUTIONS

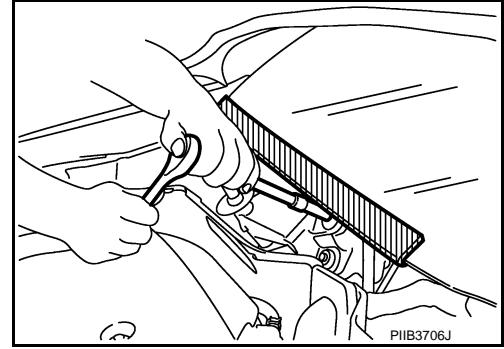
< PRECAUTION >

[REGULAR GRADE]

## FOR MEXICO : Precaution for Procedure without Cowl Top Cover

INFOID:000000010840707

When performing the procedure after removing cowl top cover, cover the lower end of windshield with urethane, etc to prevent damage to windshield.



## FOR MEXICO : Precaution

INFOID:000000010840708

- Disconnect battery negative terminal in advance.
- Disconnect air bag system line in advance.
- Never tamper with or force air bag lid open, as this may adversely affect air bag performance.
- Be careful not to scratch pad and other parts.
- When removing or disassembling any part, be careful not to damage or deform it. Protect parts, that may get in the way with a shop cloth.
- When removing parts with a screwdriver or other tool, cover the tool surface with vinyl tape to protect parts.
- Keep removed parts protected with a shop cloth.
- If a clip is deformed or damaged, replace it.
- If an un reusable part is removed, replace it with a new one.
- Tighten bolts and nuts firmly to the specified torque.
- After reassembly is complete, check that each part functions correctly.
- Remove stains via the following procedure.

Water-soluble stains:

Dip a soft cloth in warm water, and then squeeze it tightly. After wiping off the stain, wipe with a soft dry cloth.

Oil stain:

Dissolve a synthetic detergent in warm water (density of 2 to 3%), dip the cloth, then wipe off the stain with the cloth. Next, dip the cloth in fresh water and squeeze it tightly. Then wipe off the detergent completely. Then wipe the area with a soft dry cloth.

- Never use any organic solvent, such as thinner or benzene.

# PREPARATION

< PREPARATION >

[REGULAR GRADE]

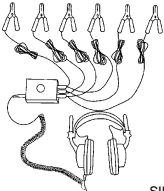
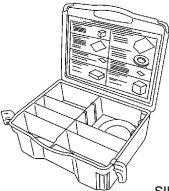
## PREPARATION

### PREPARATION

#### Special Service Tools

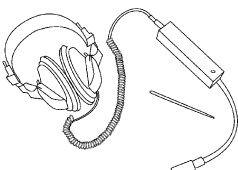
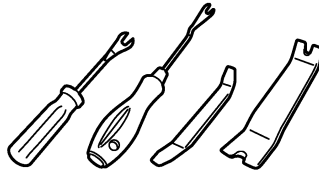
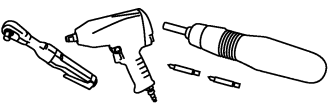
INFOID:0000000010840709

The actual shapes of Kent-Moore tools may differ from those of special service tools illustrated here.

Tool number (Kent-Moore No.) Tool name	Description
(J-39570) Chassis ear   SIIA0993E	Locates the noise
(J-50397) NISSAN Squeak and Rattle Kit   SIIA0994E	Repairs the cause of noise

#### Commercial Service Tools

INFOID:0000000010840710

Tool name	Description
Engine ear   SIIA0995E	Locates the noise
Remover tool   JMKIA3050ZZ	Removes clips, pawls and metal clips
Power tool   PIIB1407E	Loosening bolts, nuts and screws

# CLIP LIST

< PREPARATION >

[REGULAR GRADE]

## CLIP LIST

### Clip List

INFOID:000000010840711

Shapes	Removal & Installation	Shapes	Removal & Installation
	<p><b>Removal:</b> Remove by bending up with flat-bladed screwdrivers or clip remover.</p>		<p><b>Removal:</b></p>
	<p><b>Removal:</b> Remove with a clip remover.</p>		<p><b>Removal:</b></p>
	<p><b>Removal:</b> Push center pin to catching position. (Do not remove center pin by hitting it.)</p> <p><b>Installation:</b></p>		<p><b>Removal:</b> Holder portion of clip must be spread out to remove rod.</p>
	<p><b>Removal:</b> Remove by bending up with flat-bladed screwdrivers or clip remover.</p>		<p><b>Removal:</b></p> <ol style="list-style-type: none"> <li>Screw out with a Phillips screwdriver.</li> <li>Remove female portion with flat-bladed screwdriver.</li> </ol>
	<p><b>Removal:</b></p>		<p><b>Removal:</b></p> <p>Rotate 45° to remove.</p> <p><b>Installation:</b></p>
	<p><b>Removal:</b></p>		<p><b>Removal:</b></p>

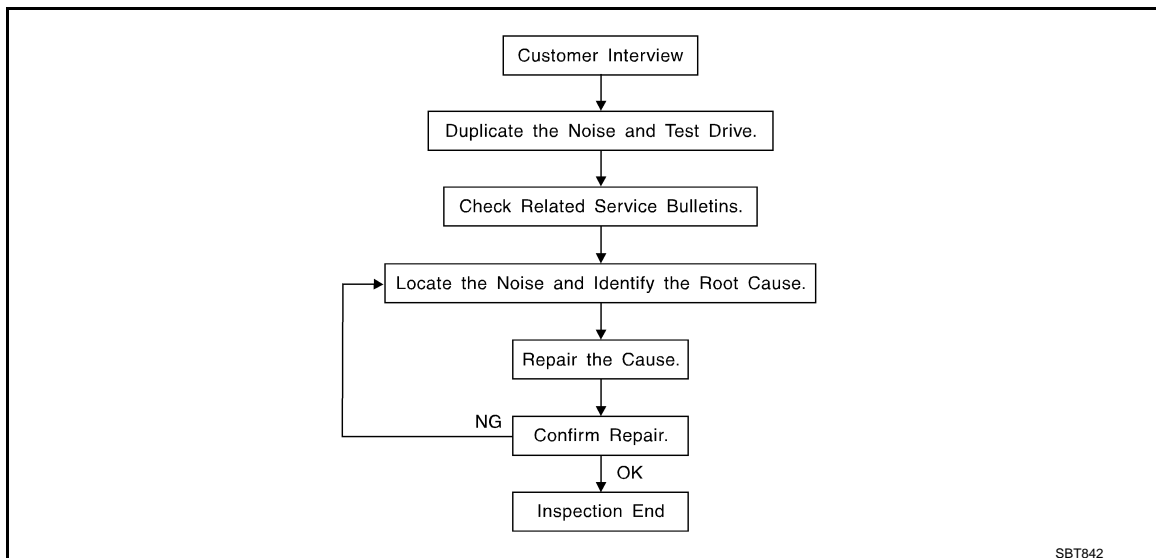
JMJIA3734GB

## SYMPTOM DIAGNOSIS

### SQUEAK AND RATTLE TROUBLE DIAGNOSES

#### Work Flow

INFOID:0000000010840712



#### CUSTOMER INTERVIEW

Interview the customer if possible, to determine the conditions that exist when the noise occurs. Use the Diagnostic Worksheet during the interview to document the facts and conditions when the noise occurs and any customer comments. Refer to [IP-11, "Diagnostic Worksheet"](#). This information is necessary to duplicate the conditions that exist when the noise occurs.

- The customer may not be able to provide a detailed description or the location of the noise. Attempt to obtain all the facts and conditions that exist when the noise occurs (or does not occur).
- If there is more than one noise in the vehicle, perform a diagnosis and repair the noise that the customer is concerned about. This can be accomplished by performing a test drive with the customer.
- After identifying the type of noise, isolate the noise in terms of its characteristics. The noise characteristics are provided so that the customer, service adviser, and technician use the same language when describing the noise.
- Squeak – (Like tennis shoes on a clean floor)  
Squeak characteristics include the light contact / fast movement / brought on by road conditions / hard surfaces = high-pitched noise / softer surfaces = low-pitched noises / edge to surface = chirping
- Creak – (Like walking on an old wooden floor)  
Creak characteristics include firm contact / slow movement/twisting with a rotational movement / pitch dependent on materials / often brought on by activity.
- Rattle – (Like shaking a baby rattle)  
Rattle characteristics include fast repeated contact / vibration or similar movement / loose parts/missing clip or fastener / incorrect clearance.
- Knock – (Like a knock on a door)  
Knock characteristics include hollow sounds / sometimes repeating / often brought on by driver action.
- Tick – (Like a clock second hand)  
Tick characteristics include gentle contacting of light materials / loose components / can be caused by driver action or road conditions.
- Thump – (Heavy, muffled knock noise)  
Thump characteristics include softer knock / dull sounds often brought on by activity.
- Buzz – (Like a bumblebee)  
Buzz characteristics include high frequency rattle / firm contact.
- Often the degree of acceptable noise level varies depending upon the person. A noise that a technician may judge as acceptable may be very irritating to a customer.
- Weather conditions, especially humidity and temperature, may have a great effect on noise level.

#### DUPLICATE THE NOISE AND TEST DRIVE

# SQUEAK AND RATTLE TROUBLE DIAGNOSES

< SYMPTOM DIAGNOSIS >

[REGULAR GRADE]

If possible, drive the vehicle with the customer until the noise is duplicated. Note any additional information on the Diagnostic Worksheet regarding the conditions or location of the noise. This information can be used to duplicate the same conditions when the repair is reconfirmed.

If the noise can be duplicated easily during the test drive, to help identify the source of the noise, try to duplicate the noise with the vehicle stopped by doing one or all of the following items:

- 1) Close a door.
  - 2) Tap or push/pull around the area where the noise appears to be coming from.
  - 3) Rev the engine.
  - 4) Use a floor jack to recreate vehicle "twist".
  - 5) At idle, apply engine load (electrical load, half-clutch on M/T models, drive position on A/T models).
  - 6) Raise the vehicle on a hoist and hit a tire with a rubber hammer.
- Drive the vehicle and attempt to duplicate the conditions the customer states exist when the noise occurs.
  - If it is difficult to duplicate the noise, drive the vehicle slowly on an undulating or rough road to stress the vehicle body.

## CHECK RELATED SERVICE BULLETINS

After verifying the customer concern or symptom, check ASIST for Technical Service Bulletins (TSBs) related to the concern or symptom.

If a TSB relates to the symptom, follow the procedure to repair the noise.

## LOCATE THE NOISE AND IDENTIFY THE ROOT CAUSE

1. Narrow down the noise to a general area. To help pinpoint the source of the noise, use a listening tool (Chassis ear: J-39570, engine ear, and mechanics stethoscope).
2. Narrow down the noise to a more specific area and identify the cause of the noise by:
  - Removing the component(s) in the area that is / are suspected to be the cause of the noise.  
Do not use too much force when removing clips and fasteners, otherwise clips and fasteners can be broken or lost during the repair, resulting in the creation of new noise.
  - Tapping or pushing/pulling the component(s) that is / are suspected to be the cause of the noise.  
Do not tap or push/pull the component(s) with excessive force, otherwise the noise is eliminated only temporarily.
  - Feeling for a vibration by hand by touching the component(s) that is / are suspected to be the cause of the noise.
  - Placing a piece of paper between components that are suspected to be the cause of the noise.
  - Looking for loose components and contact marks.  
Refer to [IP-9, "Inspection Procedure"](#).

## REPAIR THE CAUSE

- If the cause is a loose component, tighten the component securely.
- If the cause is insufficient clearance between components:
  - Separate components by repositioning or loosening and retightening the components, if possible.
  - Insulate components with a suitable insulator such as urethane pads, foam blocks, felt cloth tape, or urethane tape. A NISSAN Squeak and Rattle Kit (J-50397) is available through the authorized NISSAN Parts Department.

### CAUTION:

**Never use excessive force as many components are constructed of plastic and may be damaged.**

### NOTE:

Always check with the Parts Department for the latest parts information.

The following materials are contained in the NISSAN Squeak and Rattle Kit (J-50397) are listed on the inside cover of the kit; and can each be ordered separately as needed.

URETHANE PADS [1.5 mm (0.059 in) thick]

Insulates connectors, harness, etc.

- 76268-9E005: 100 × 135 mm (3.937 × 5.315 in)
- 76884-71L01: 60 × 85 mm (2.362 × 3.346 in)
- 76884-71L02: 15 × 25 mm (0.591 × 0.984 in)

INSULATOR (Foam blocks)

Insulates components from contact. Can be used to fill space behind a panel.

- 73982-9E000: 45 mm (1.772 in) thick, 50 × 50 mm (1.969 × 1.969 in)
- 73982-50Y00: 10 mm (0.394 in) thick, 50 × 50 mm (1.969 × 1.969 in)

INSULATOR (Light foam block)

80845-71L00: 30 mm (1.18 in) thick, 30 × 50 mm (1.181 × 1.969 in)

FELT CLOTHTAPE



# SQUEAK AND RATTLE TROUBLE DIAGNOSES

< SYMPTOM DIAGNOSIS >

[REGULAR GRADE]

Used to insulate where movement does not occur. Ideal for instrument panel applications.

- 68370-4B000: 15 × 25 mm (0.591 × 0.984 in) pad
- 68239-13E00: 5 mm (0.197 in) wide tape roll

The following materials, not found in the kit, can also be used to repair squeaks and rattles.

## UHMW (TEFLON) TAPE

Insulates where slight movement is present. Ideal for instrument panel applications.

## SILICONE GREASE

Used in place of UHMW tape that is visible or does not fit. Only lasts a few months.

## SILICONE SPRAY

Used when grease cannot be applied.

## DUCT TAPE

Used to eliminate movement.

## CONFIRM THE REPAIR

After repair is complete, test drive the vehicle to confirm that the cause of noise is repaired by test driving the vehicle. Operate the vehicle under the same conditions as when the noise originally occurred. Refer to the notes on the Diagnostic Worksheet.

## Inspection Procedure

INFOID:000000010840713

Refer to Table of Contents for specific component removal and installation information.

## INSTRUMENT PANEL

Most incidents are caused by contact and movement between:

1. The cluster lid A and instrument panel
2. Acrylic lens and combination meter housing
3. Instrument panel to front pillar garnish
4. Instrument panel to windshield
5. Instrument panel mounting pins
6. Wiring harnesses behind the combination meter
7. A/C defroster duct and duct joint

These incidents can usually be located by tapping or moving the components to duplicate the noise or by pressing on the components while driving to stop the noise. Most of these incidents can be repaired by applying felt cloth tape or silicon spray (in hard to reach areas). Urethane pads can be used to insulate wiring harness.

### **CAUTION:**

**Never use silicone spray to isolate a squeak or rattle. If the area is saturated with silicone, the recheck of repair becomes impossible.**

## CENTER CONSOLE

Components to check include:

1. Shifter assembly cover to finisher
2. A/C control unit and cluster lid C
3. Wiring harnesses behind audio and A/C control unit

The instrument panel repair and isolation procedures also apply to the center console.

## DOORS

Check the following items:

1. Finisher and inner panel making a slapping noise
2. Inside handle escutcheon connection to door finisher
3. Wiring harnesses tapping
4. Door striker out of alignment causing a popping noise on starts and stops

Tapping, moving the components, or pressing on them while driving to duplicate the conditions can isolate many of these incidents. The areas can usually be insulated with felt cloth tape or insulator foam blocks from the NISSAN Squeak and Rattle Kit (J-50397) to repair the noise.

## TRUNK

Trunk noises are often caused by a loose jack or loose items put into the trunk by the customer.

In addition check for the following items:

# SQUEAK AND RATTLE TROUBLE DIAGNOSES

< SYMPTOM DIAGNOSIS >

[REGULAR GRADE]

1. Trunk lid dumpers out of adjustment
2. Trunk lid striker out of adjustment
3. Trunk lid torsion bars knocking together
4. A loose license plate or bracket

Most of these incidents can be repaired by adjusting, securing, or insulating the item(s) or component(s) causing the noise.

## SUNROOF/HEADLINING

Noises in the sunroof / headlining area can often be traced to one of the following items:

1. Sunroof lid, rail, linkage, or seals making a rattle or light knocking noise
2. Sunvisor shaft shaking in the holder
3. Front or rear windshield touching headlining and squeaking

Again, pressing on the components to stop the noise while duplicating the conditions can isolate most of these incidents. Repairs usually consist of insulating with felt cloth tape.

## SEATS

When isolating seat noise it is important to note the position the seat is in and the load placed on the seat when the noise occurs. These conditions should be duplicated when verifying and isolating the cause of the noise.

Causes of seat noise include:

1. Headrest rods and holder
2. A squeak between the seat pad cushion and frame
3. The rear seatback lock and bracket

These noises can be isolated by moving or pressing on the suspected components while duplicating the conditions under which the noise occurs. Most of these incidents can be repaired by repositioning the component or applying urethane tape to the contact area.

## UNDERHOOD

Some interior noise may be caused by components under the hood or on the engine wall. The noise is then transmitted into the passenger compartment.

Causes of transmitted underhood noise include:

1. Any component mounted to the engine wall
2. Components that pass through the engine wall
3. Engine wall mounts and connectors
4. Loose radiator mounting pins
5. Hood bumpers out of adjustment
6. Hood striker out of adjustment

These noises can be difficult to isolate since they cannot be reached from the interior of the vehicle. The best method is to secure, move, or insulate one component at a time and test drive the vehicle. Also, engine RPM or load can be changed to isolate the noise. Repairs can usually be made by moving, adjusting, securing, or insulating the component causing the noise.

# SQUEAK AND RATTLE TROUBLE DIAGNOSES

< SYMPTOM DIAGNOSIS >

[REGULAR GRADE]

## Diagnostic Worksheet

INFOID:000000010840714



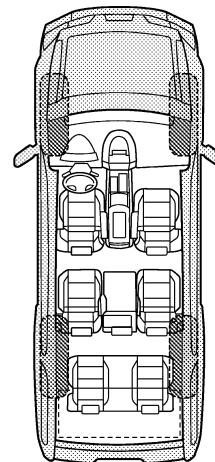
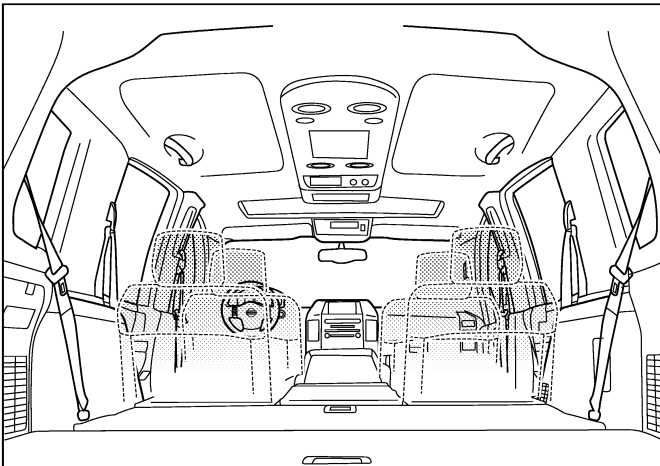
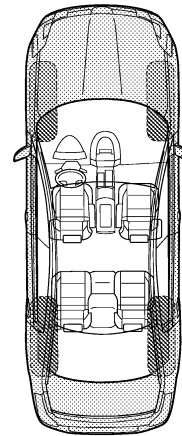
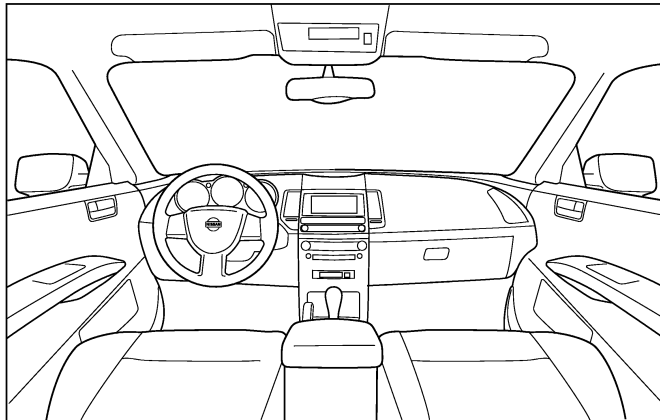
### SQUEAK & RATTLE DIAGNOSTIC WORKSHEET

Dear Nissan Customer:

We are concerned about your satisfaction with your Nissan vehicle. Repairing a squeak or rattle sometimes can be very difficult. To help us fix your Nissan right the first time, please take a moment to note the area of the vehicle where the squeak or rattle occurs and under what conditions. You may be asked to take a test drive with a service advisor or technician to ensure we confirm the noise you are hearing.

#### I. WHERE DOES THE NOISE COME FROM? (circle the area of the vehicle)

The illustrations are for reference only, and may not reflect the actual configuration of your vehicle.



Continue to page 2 of the worksheet and briefly describe the location of the noise or rattle. In addition, please indicate the conditions which are present when the noise occurs.

PIIB8740E

A  
B  
C  
D  
E  
F  
G  
H  
I  
IP  
K  
L  
M  
N  
O  
P

# SQUEAK AND RATTLE TROUBLE DIAGNOSES

< SYMPTOM DIAGNOSIS >

[REGULAR GRADE]

## SQUEAK & RATTLE DIAGNOSTIC WORKSHEET - page 2

Briefly describe the location where the noise occurs:

---

---

### II. WHEN DOES IT OCCUR? (please check the boxes that apply)

- |   |  |
|---|--|
| <input type="checkbox"/> anytime                      | <input type="checkbox"/> after sitting out in the rain |
| <input type="checkbox"/> 1st time in the morning      | <input type="checkbox"/> when it is raining or wet     |
| <input type="checkbox"/> only when it is cold outside | <input type="checkbox"/> dry or dusty conditions       |
| <input type="checkbox"/> only when it is hot outside  | <input type="checkbox"/> other:                        |

### III. WHEN DRIVING:

- through driveways
- over rough roads
- over speed bumps
- only about \_\_\_\_ mph
- on acceleration
- coming to a stop
- on turns: left, right or either (circle)
- with passengers or cargo
- other: \_\_\_\_\_
- after driving \_\_\_\_ miles or \_\_\_\_ minutes

### IV. WHAT TYPE OF NOISE

- squeak (like tennis shoes on a clean floor)
- creak (like walking on an old wooden floor)
- rattle (like shaking a baby rattle)
- knock (like a knock at the door)
- tick (like a clock second hand)
- thump (heavy, muffled knock noise)
- buzz (like a bumble bee)

### TO BE COMPLETED BY DEALERSHIP PERSONNEL

#### Test Drive Notes:

---

---

---

	YES	NO	Initials of person performing
Vehicle test driven with customer	<input type="checkbox"/>	<input type="checkbox"/>	_____
- Noise verified on test drive	<input type="checkbox"/>	<input type="checkbox"/>	_____
- Noise source located and repaired	<input type="checkbox"/>	<input type="checkbox"/>	_____
- Follow up test drive performed to confirm repair	<input type="checkbox"/>	<input type="checkbox"/>	_____

VIN: \_\_\_\_\_ Customer Name: \_\_\_\_\_  
W.O.# \_\_\_\_\_ Date: \_\_\_\_\_

This form must be attached to Work Order

PIIB8742E

# INSTRUMENT PANEL ASSEMBLY

< REMOVAL AND INSTALLATION >

[REGULAR GRADE]

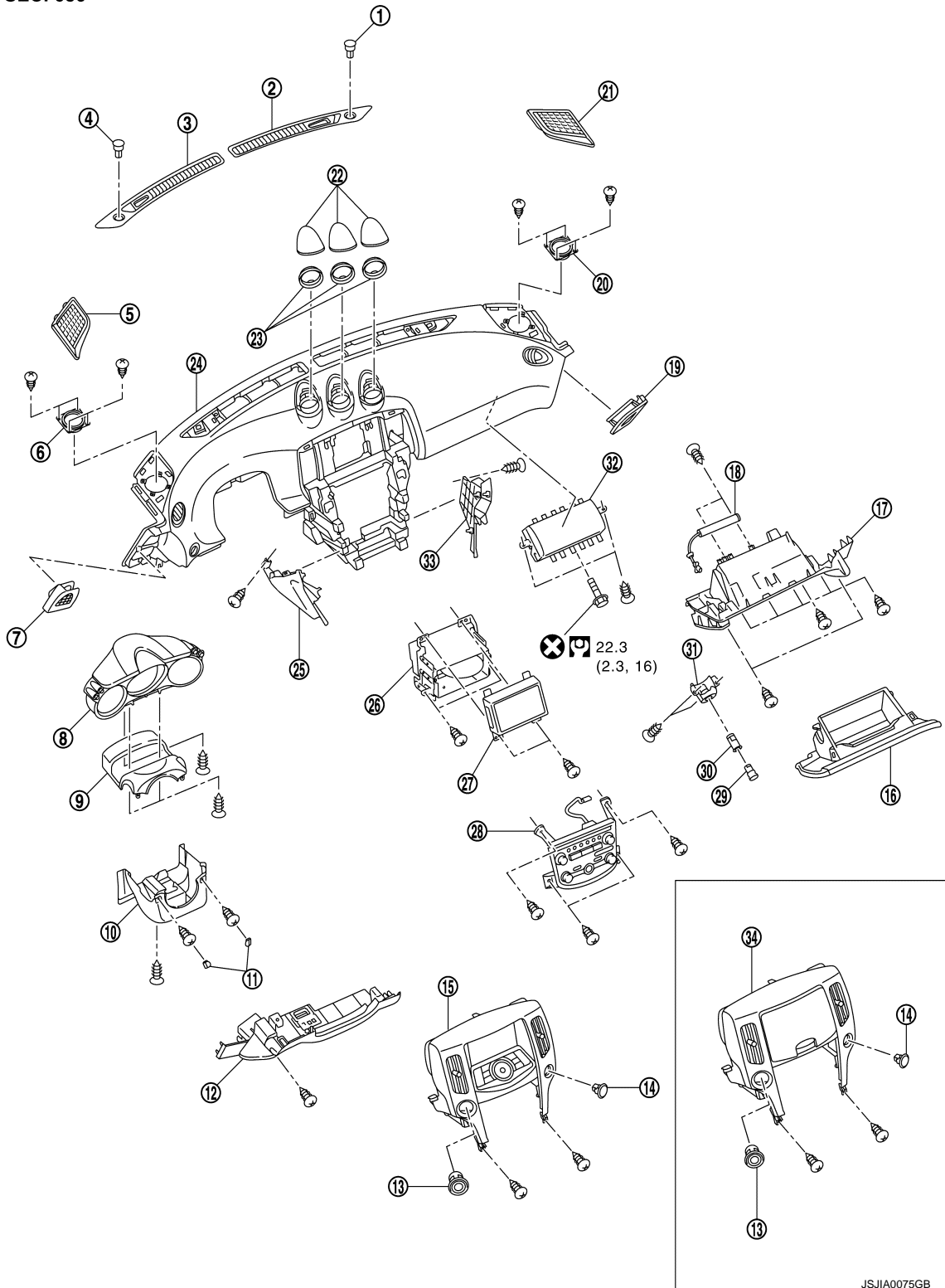
## REMOVAL AND INSTALLATION

### INSTRUMENT PANEL ASSEMBLY

Exploded View

INFOID:000000010840715

SEC. 680



A  
B  
C  
D  
E  
F  
G  
H  
I  
IP  
K  
L  
M  
N  
O  
P

JSJIA0075GB

# INSTRUMENT PANEL ASSEMBLY

< REMOVAL AND INSTALLATION >

[REGULAR GRADE]

- |                                  |                                     |                                |
|----------------------------------|-------------------------------------|--------------------------------|
| 1. Optical sensor                | 2. Front defroster grille RH        | 3. Front defroster grille LH   |
| 4. Sunload sensor                | 5. Speaker grille LH                | 6. Tweeter LH                  |
| 7. Instrument side finisher LH   | 8. Combination meter                | 9. Steering column upper cover |
| 10. Steering column lower cover  | 11. Steering column mask            | 12. Instrument lower panel LH  |
| 13. Push-button ignition switch  | 14. Passenger air bag OFF indicator | 15. Cluster lid C (with NAVI)  |
| 16. Glove box assembly           | 17. Instrument lower panel RH       | 18. Glove box dumper           |
| 19. Instrument side finisher RH  | 20. Tweeter RH                      | 21. Speaker grille RH          |
| 22. Triple meter panel           | 23. Triple meter cover              | 24. Instrument panel assembly  |
| 25. Instrument side panel LH     | 26. AV C/U (audio unit)             | 27. Display unit               |
| 28. Cluster lid C finisher       | 29. Power socket cap                | 30. Power socket inner case    |
| 31. Power socket finisher        | 32. Passenger air bag module        | 33. Instrument side panel RH   |
| 34. Cluster lid C (without NAVI) |                                     |                                |

: Always replace after every disassembly.

: N·m (kg·m, ft·lb)

## Removal and Installation

INFOID:0000000010840716

### WORK STEP

When removing instrument panel assembly, combination meter, AV C/U (audio unit), or center console assembly take steps in the order shown by the numbers below.

PARTS	INSTRUMENT PANEL ASSEMBLY	COMBINATION METER	AV C/U (audio unit)	CENTER CONSOLE ASSEMBLY
Shift knob (M/T models)	[1]		[1]	[1]
Console finisher assembly	[2]		[2]	[2]
Console panel LH	[3]		[3]	[3]
Console panel RH	[4]		[4]	[4]
Cup holder assembly	[5]			[5]
Center console assembly	[6]			[6]
Instrument lower panel LH	[7]			
Driver air bag module	[8]	[1]		
Steering wheel	[9]	[2]		
Steering column cover	[10]	[3]		
Paddle switch LH/RH	[11]			
Combination meter	[12]	[4]		
Spiral cable	[13]			
Combination switch	[14]			
Body side welt LH	[15]			
Front pillar garnish LH	[16]			
Speaker grille LH	[17]			
Tweeter LH	[18]			
Instrument side finisher LH	[19]			
Cluster lid C	[20]		[5]	
Display unit	[21]		[6]	
Cluster lid C finisher	[22]		[7]	
AV C/U (audio unit)	[23]		[8]	
Instrument lower cover LH	[24]			
Front defroster grille LH	[25]			

# INSTRUMENT PANEL ASSEMBLY

< REMOVAL AND INSTALLATION >

[REGULAR GRADE]

Front defroster grille RH	[26]				A
Body side welt RH	[27]				
Front pillar garnish RH	[28]				B
Speaker grille RH	[29]				
Tweeter RH	[30]				C
Glove box assembly	[31]				
Instrument lower panel RH	[32]				D
Instrument side finisher RH	[33]				
Instrument lower cover RH	[34]				E
Selector lever knob (A/T models)	[35]				
Shift position indicator (A/T models)	[36]				F
Instrument panel assembly	[37]				G

[ ]: Number indicates step in removal procedure.

## WARNING:

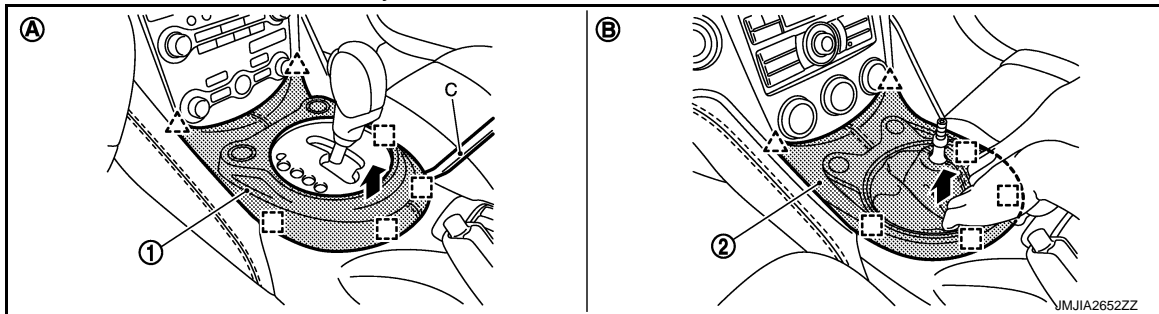
Before servicing, turn ignition switch OFF, disconnect battery negative terminal and wait 3 minutes or more.

## CAUTION:

When removing, always use a remover tool that is made of plastic.

## REMOVAL

1. Remove shift knob (M/T models). Refer to [TM-22. "Removal and Installation"](#).
2. Remove console finisher assembly.



(A) Console finisher (A/T models)

(B) Console finisher (M/T models)

△ : Pawl

□ : Metal clip

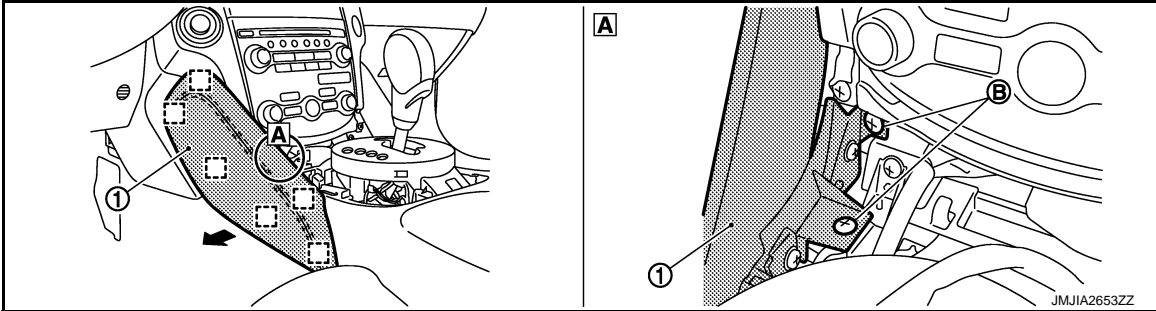
- A/T models
  - Insert remover tool (C) between console finisher (1) and center console, lift up console finisher, and then disengage metal clips and pawls.
  - Disconnect harness connectors.
- M/T models
  - Pull up console finisher (2), and then disengage metal clips and pawls.
  - Disconnect harness connector.

# INSTRUMENT PANEL ASSEMBLY

< REMOVAL AND INSTALLATION >

[REGULAR GRADE]

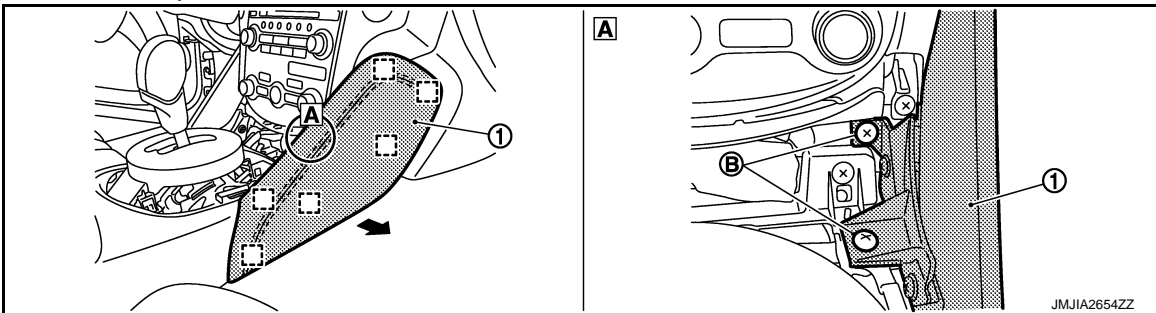
## 3. Remove console panel LH.



1. Remove console panel LH (1) fixing screws (B).
2. Pull the console panel LH crosswise.

 : Metal clip

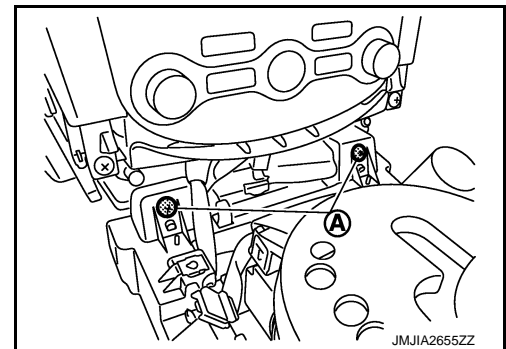
## 4. Remove console panel RH.



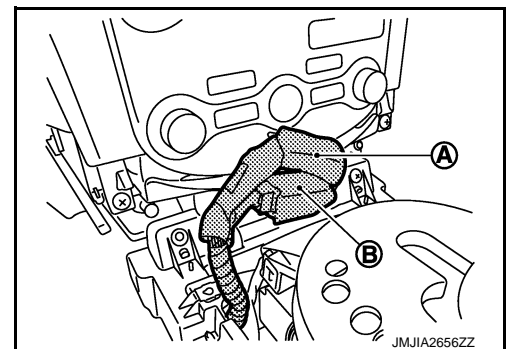
1. Remove console panel RH (1) fixing screws (B).
2. Pull the console panel RH crosswise.

 : Metal clip

## 5. Remove center console fixing screws (A).



## 6. Disconnect console sub-harness connectors (A) and (B).





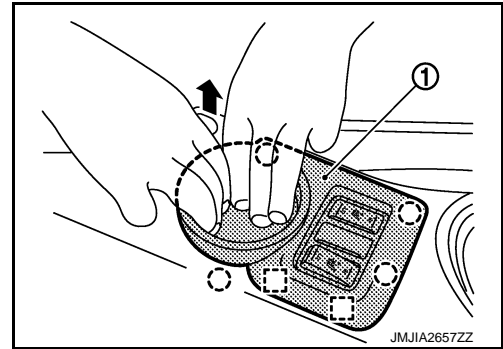
# INSTRUMENT PANEL ASSEMBLY

## < REMOVAL AND INSTALLATION >

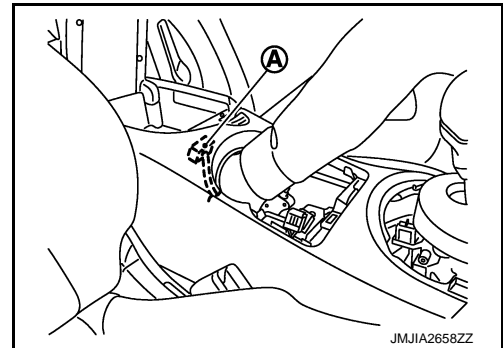
[REGULAR GRADE]

7. Remove cup holder assembly.
  1. Pull up cup holder assembly (1).
  2. Disconnect harness connectors.
  3. Remove harness clips.

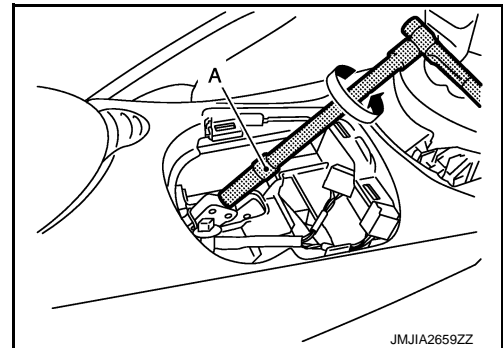
- : Clip  
□ : Metal clip



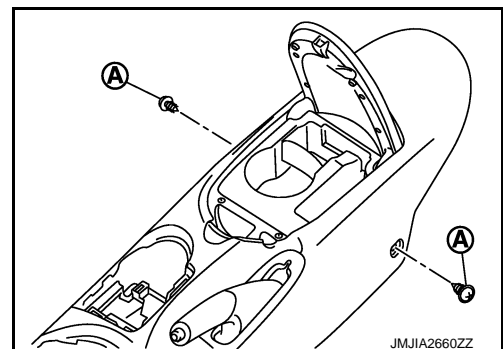
8. Disconnect USB connector harness connector (A). (if equipped)



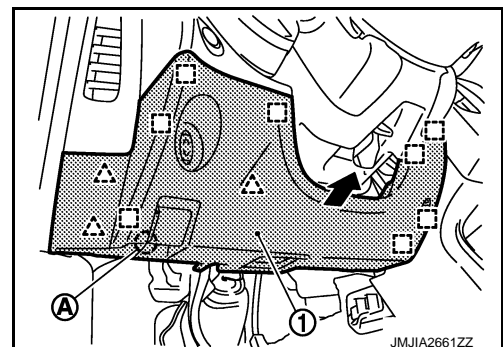
9. Insert a deep-well socket wrench (A) to rotate adjusting nut to loosen cable sufficiently.



10. Remove center console assembly.
  1. Put seat assembly (LH/RH) to the frontmost position.
  2. Remove center console fixing screws (A).
  3. Put seat assembly (LH/RH) to the rearmost position.
  4. Lift up center console assembly back side, and then remove center console assembly.



11. Remove instrument lower panel LH.
  1. Remove instrument driver lower panel (1) fixing screw (A).
  2. Pull back instrument lower panel LH.
  3. Release data link connector (pawl) then remove it from instrument lower panel LH.
  4. Release hood opener cable.  
Coupe models: Refer to [DLK-186, "Exploded View"](#).  
Roadster models: Refer to [DLK-389, "Exploded View"](#).
  5. Disconnect harness connectors and aspirator duct.

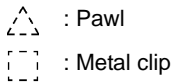


A  
B  
C  
D  
E  
F  
G  
H  
I  
IP  
K  
L  
M  
N  
O  
P

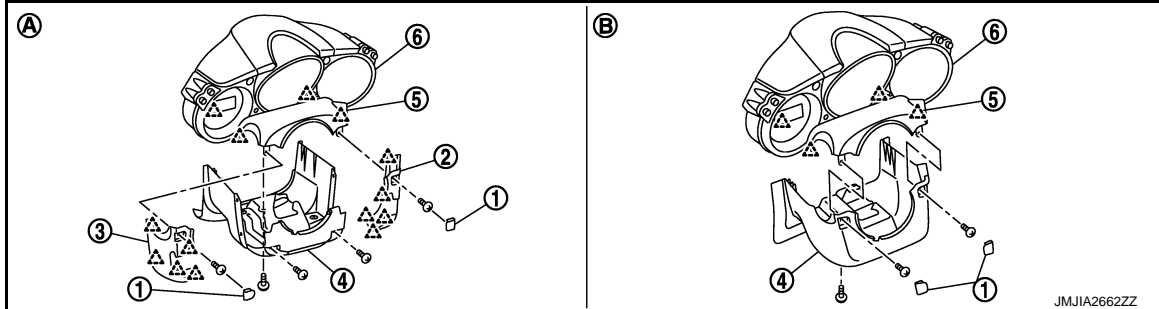
# INSTRUMENT PANEL ASSEMBLY

< REMOVAL AND INSTALLATION >

[REGULAR GRADE]



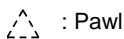
12. Remove driver air bag module. Refer to [SR-11, "Removal and Installation"](#).
13. Remove steering wheel. Refer to [ST-14, "Removal and Installation"](#).
14. Remove steering column covers.



(A) Steering column cover (with paddle shifter)

(B) Steering column cover (without paddle shifter)

- With paddle shifter
  - Remove steering column mask LH/RH (1).
  - Remove steering column side cover fixing screws.
  - Pull the steering column side cover RH (2) to the right side.
  - Pull the steering column side cover LH (3) to the left side.
  - Remove steering column lower cover (4) fixing screws.
  - Pull down steering column lower cover, and then remove steering column lower cover.
- Without paddle shifter
  - Remove steering column mask LH/RH (1).
  - Remove steering column lower cover (4) fixing screws.
  - Pull down steering column lower cover, and then remove steering column lower cover.



## NOTE:

Steering column upper cover (5) is fixed in combination meter (6) with screws.

15. Remove paddle switch LH/RH (with paddle shifter). Refer to [TM-327, "Removal and Installation"](#).
16. Remove combination meter. Refer to [MWI-103, "Removal and Installation"](#).
17. Remove spiral cable. Refer to [SR-14, "Removal and Installation"](#).
18. Remove combination switch. Refer to [BCS-107, "Removal and Installation"](#).
19. Remove body side welt LH.
  - Coupe models: Refer to [INT-21, "BODY SIDE WELT : Removal and Installation"](#).
  - Roadster models: Refer to [INT-53, "BODY SIDE WELT : Removal and Installation"](#).
20. Remove front pillar garnish LH.
  - Coupe models: Refer to [INT-18, "FRONT PILLAR GARNISH : Removal and Installation"](#).
  - Roadster models: Refer to [INT-51, "FRONT PILLAR GARNISH : Removal and Installation"](#).

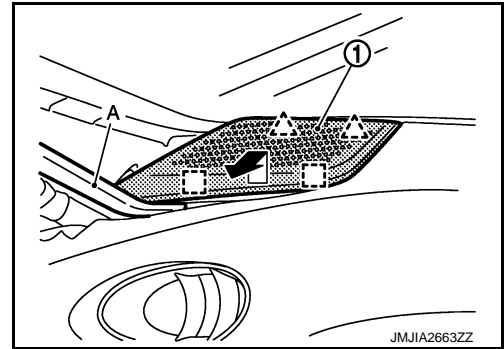
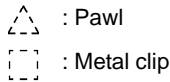
# INSTRUMENT PANEL ASSEMBLY

## < REMOVAL AND INSTALLATION >

[REGULAR GRADE]

### 21. Remove speaker grille LH.

1. Remove speaker grille LH (1) fixing metal clips with remover tool (A).
2. Pull speaker grille LH up and back.

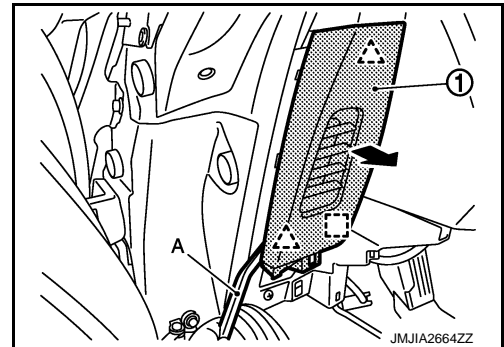
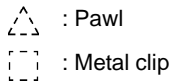


### 22. Remove tweeter LH. Refer to the following.

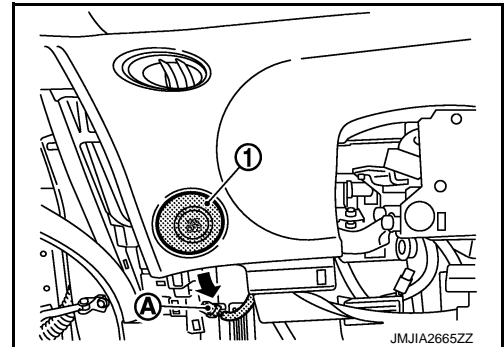
- Base audio: Refer to [AV-67, "Removal and Installation"](#).
- Bose audio with navigation: Refer to [AV-215, "Removal and Installation"](#).

### 23. Remove instrument side finisher LH.

1. Insert a remover tool (A) into lower space.
2. Pull back instrument side finisher LH (1).

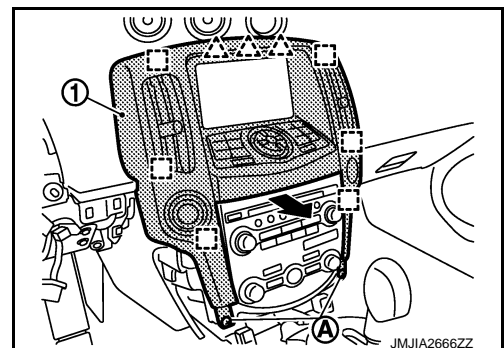
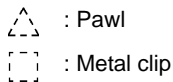


### 24. Disconnect VDC OFF switch (1) harness connector (A) from back of instrument panel assembly.



### 25. Remove cluster lid C.

1. Remove cluster lid C (1) fixing screws (A).
2. Pull back cluster lid C.
3. Disconnect harness connectors.



A  
B  
C  
D  
E  
F  
G  
H  
I  
IP  
K  
L  
M  
N  
O  
P

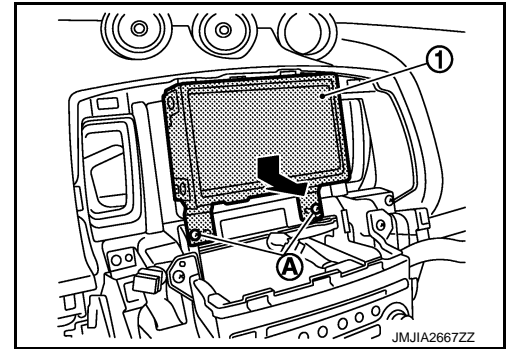
# INSTRUMENT PANEL ASSEMBLY

## < REMOVAL AND INSTALLATION >

[REGULAR GRADE]

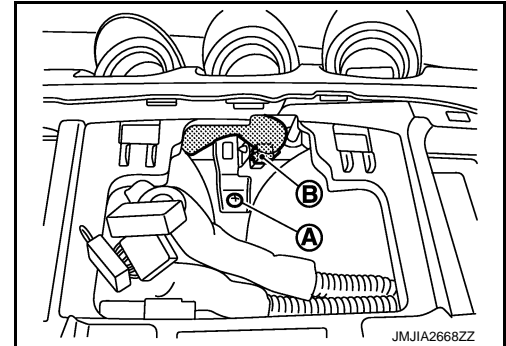
### 26. Remove display unit.

1. Remove display unit (1) fixing screws (A).
2. Pull toward the direction of the arrow.
3. Disconnect harness connectors.



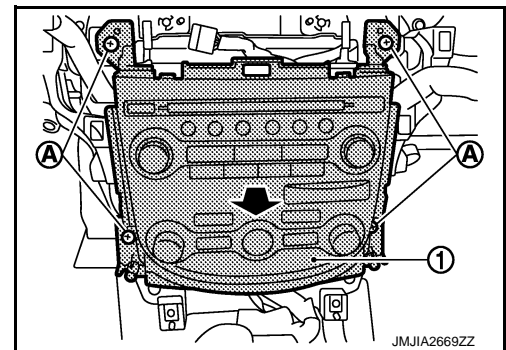
### 27. Remove instrument panel assembly fixing screw (A).

### 28. Disconnect triple meter harness connector (B).



### 29. Remove cluster lid C finisher.

1. Remove cluster lid C finisher (1) fixing screws (A).
2. Pull back cluster lid C finisher.
3. Disconnect harness connector.

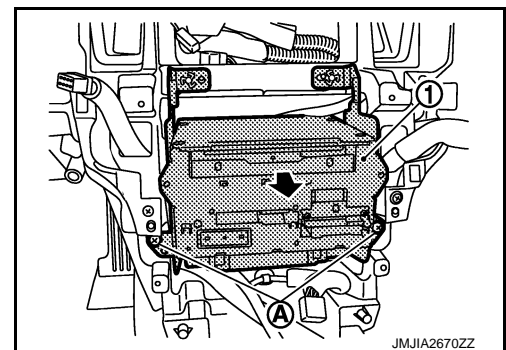


### 30. Remove AV control unit (audio unit).

1. Remove AV control unit (1) fixing screws (A).
2. Pull back AV control unit.
3. Disconnect harness connectors.

#### NOTE:

- Audio unit: Refer to [AV-65, "Removal and Installation"](#) (Base audio).
- AV control unit: Refer to [AV-211, "Removal and Installation"](#) (Bose audio with navigation).



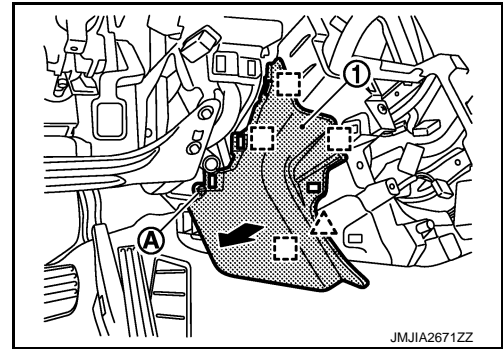
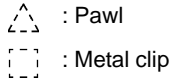
### 31. Remove inside key antenna. Refer to [DLK-404, "INSTRUMENT CENTER : Removal and Installation"](#) (Roadster models only).

# INSTRUMENT PANEL ASSEMBLY

## < REMOVAL AND INSTALLATION >

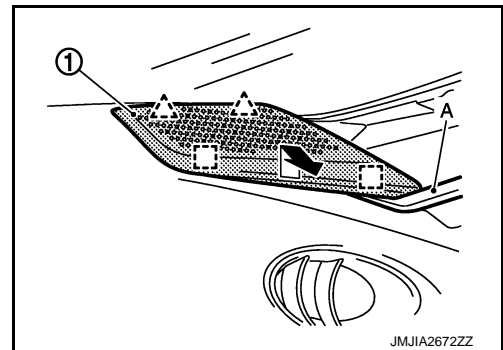
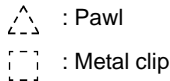
[REGULAR GRADE]

32. Remove instrument lower cover LH.
  1. Remove instrument lower cover LH (1) fixing screw (A).
  2. Pull toward the direction of the arrow.

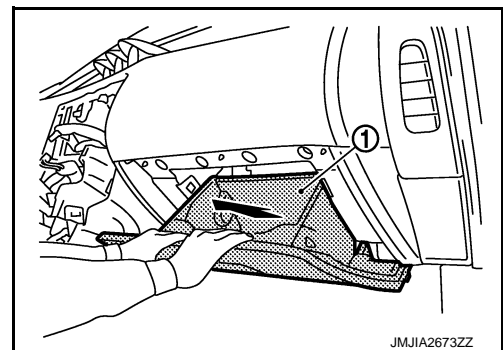


33. Remove front defroster grille LH. Refer to [VTL-9, "FRONT DEFROSTER GRILLE : Removal and Installation"](#).
34. Remove front defroster grille RH. Refer to [VTL-9, "FRONT DEFROSTER GRILLE : Removal and Installation"](#).
35. Remove body side welt RH.
  - Coupe models: Refer to [INT-21, "BODY SIDE WELT : Removal and Installation"](#).
  - Roadster models: Refer to [INT-53, "BODY SIDE WELT : Removal and Installation"](#).
36. Remove front pillar garnish RH.
  - Coupe models: Refer to [INT-18, "FRONT PILLAR GARNISH : Removal and Installation"](#).
  - Roadster models: Refer to [INT-51, "FRONT PILLAR GARNISH : Removal and Installation"](#).

37. Remove speaker grille RH.
  1. Remove speaker grille RH (1) fixing metal clips with remover tool (A).
  2. Pull speaker grille RH up and back.



38. Remove tweeter RH. Refer to the following.
  - Base audio: Refer to [AV-67, "Removal and Installation"](#).
  - Bose audio with navigation: Refer to [AV-215, "Removal and Installation"](#).
39. Remove glove box assembly.
  1. Open the glove box.
  2. Pull back glove box assembly (1).




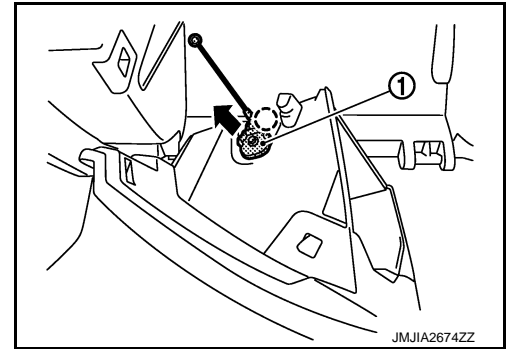
# INSTRUMENT PANEL ASSEMBLY

## < REMOVAL AND INSTALLATION >

[REGULAR GRADE]

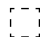
3. Remove damper pin (1) on left side.

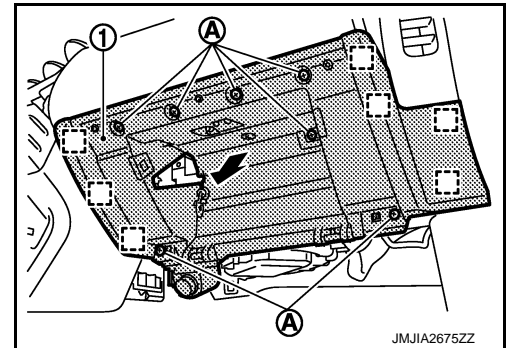
 : Clip



40. Remove instrument lower panel RH.

1. Remove instrument lower panel RH (1) fixing screws (A).
2. Pull back instrument lower panel RH.
3. Disconnect power socket harness connector.
4. Disconnect illumination lamp harness clips and harness connector.

 : Metal clip

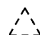


41. Disconnect passenger air bag module connector. Refer to [SR-17, "Removal and Installation"](#).

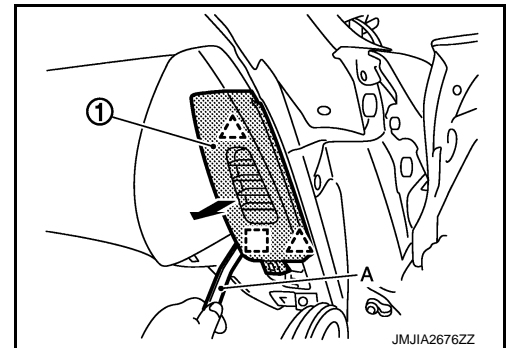
42. Remove passenger air bag module fixing bolt. Refer to [SR-17, "Exploded View"](#).

43. Remove instrument side finisher RH.

1. Insert a remover tool (A) into lower space.
2. Pull back instrument side finisher RH (1).

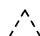
 : Pawl

 : Metal clip

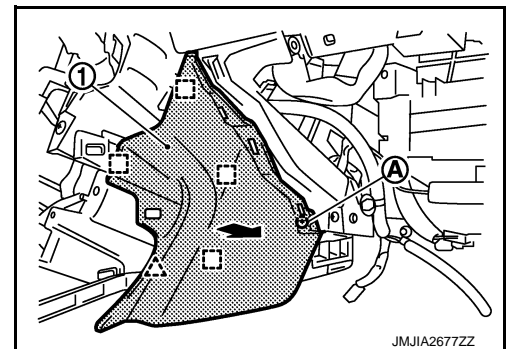


44. Remove instrument lower cover RH.

1. Remove instrument lower cover RH (1) fixing screw (A).
2. Pull toward the arrow direction.

 : Pawl

 : Metal clip

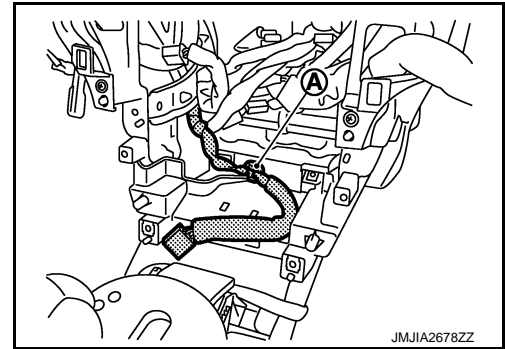


# INSTRUMENT PANEL ASSEMBLY

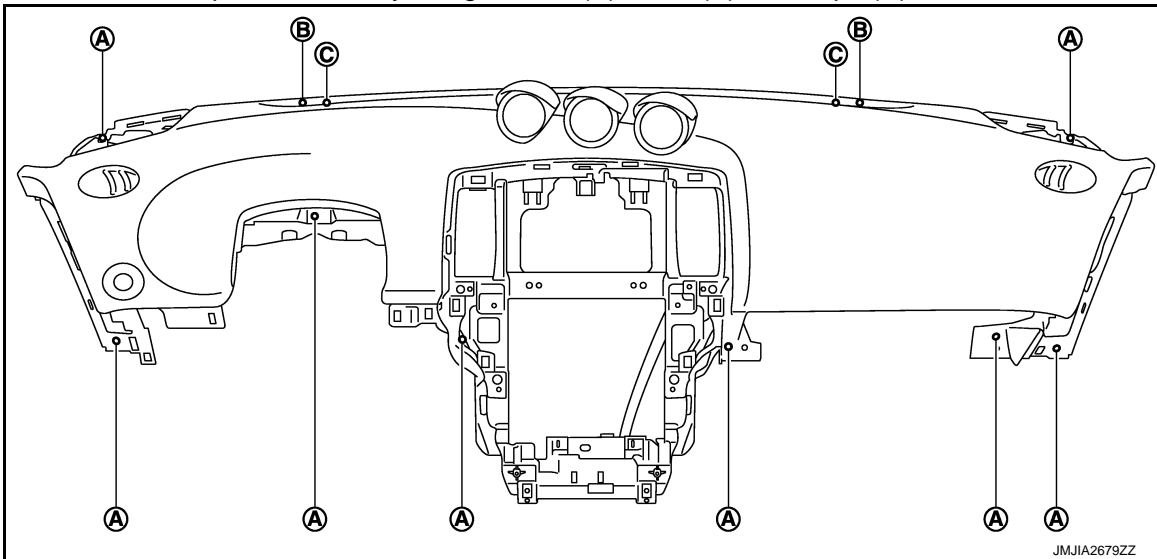
< REMOVAL AND INSTALLATION >

[REGULAR GRADE]

45. Remove harness connector clip (A) in underside of instrument panel.



46. Remove selector lever knob and shift position indicator plate (A/T models). Refer to [TM-324, "Removal and Installation"](#).
47. Remove instrument panel assembly fixing screws (A), bolts (B), and clips (C).



48. Remove instrument panel assembly.

**CAUTION:**

- Cover tool with a shop cloth to prevent windshield glass from being damaged.
- Cover center console upper surface with a shop cloth to prevent it from being damaged.
- When removing instrument panel assembly, 2 workers are required so as to prevent it from dropping.

49. Remove the following parts after removing instrument panel assembly.

- Passenger air bag module: Refer to [SR-17, "Removal and Installation"](#).
- Side ventilator grille LH/RH: Refer to [VTL-9, "SIDE VENTILATOR GRILLE : Removal and Installation"](#).
- Antenna feeder.
- Coupe models: Refer to the following .
  - Base audio: Refer to [AV-71, "COUPE : Feeder Layout"](#).
  - Bose audio with navigation: Refer to [AV-235, "COUPE : Feeder Layout"](#).
- Roadster models: Refer to the following .
  - Base audio: Refer to [AV-72, "ROADSTER : Feeder Layout"](#).
  - Bose audio with navigation: Refer to [AV-236, "ROADSTER : Feeder Layout"](#).
- GPS antenna: Refer to [AV-230, "Removal and Installation"](#). (Bose audio with navigation)
- Triple meter: Refer to [MWI-106, "Removal and Installation"](#).
- VDC OFF switch: Refer to [BRC-117, "Removal and Installation"](#).
- Triple meter panel

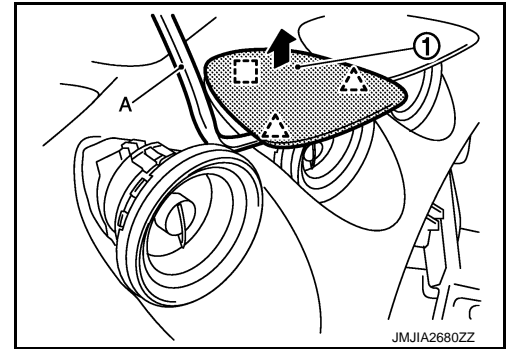
# INSTRUMENT PANEL ASSEMBLY

## < REMOVAL AND INSTALLATION >

[REGULAR GRADE]

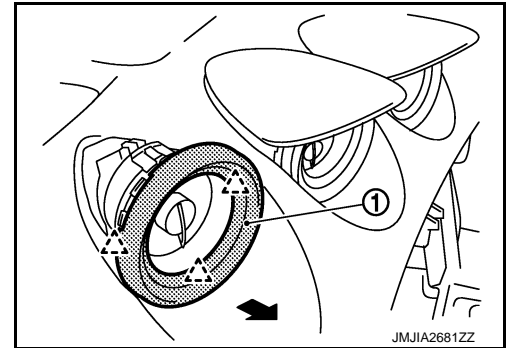
- Insert a remover tool (A) into lower space, and then disengage pawls.
- Pull up triple meter panel (1), and then disengage metal clip.

△ : Pawl  
□ : Metal clip



- Triple meter cover  
Pull back triple meter cover (1), and then disengage pawls.

△ : Pawl



## INSTALLATION

Note the following items, and then install in the reverse order of removal.

### CAUTION:

- Never use the steering wheel mounting nut after removal, replace with the new nut.
- Never use the driver air bag module mounting bolts after removal, replace with the new bolts.
- Never use the passenger air bag module mounting bolts after removal, replace with the new bolts.



# CENTER CONSOLE ASSEMBLY

< REMOVAL AND INSTALLATION >

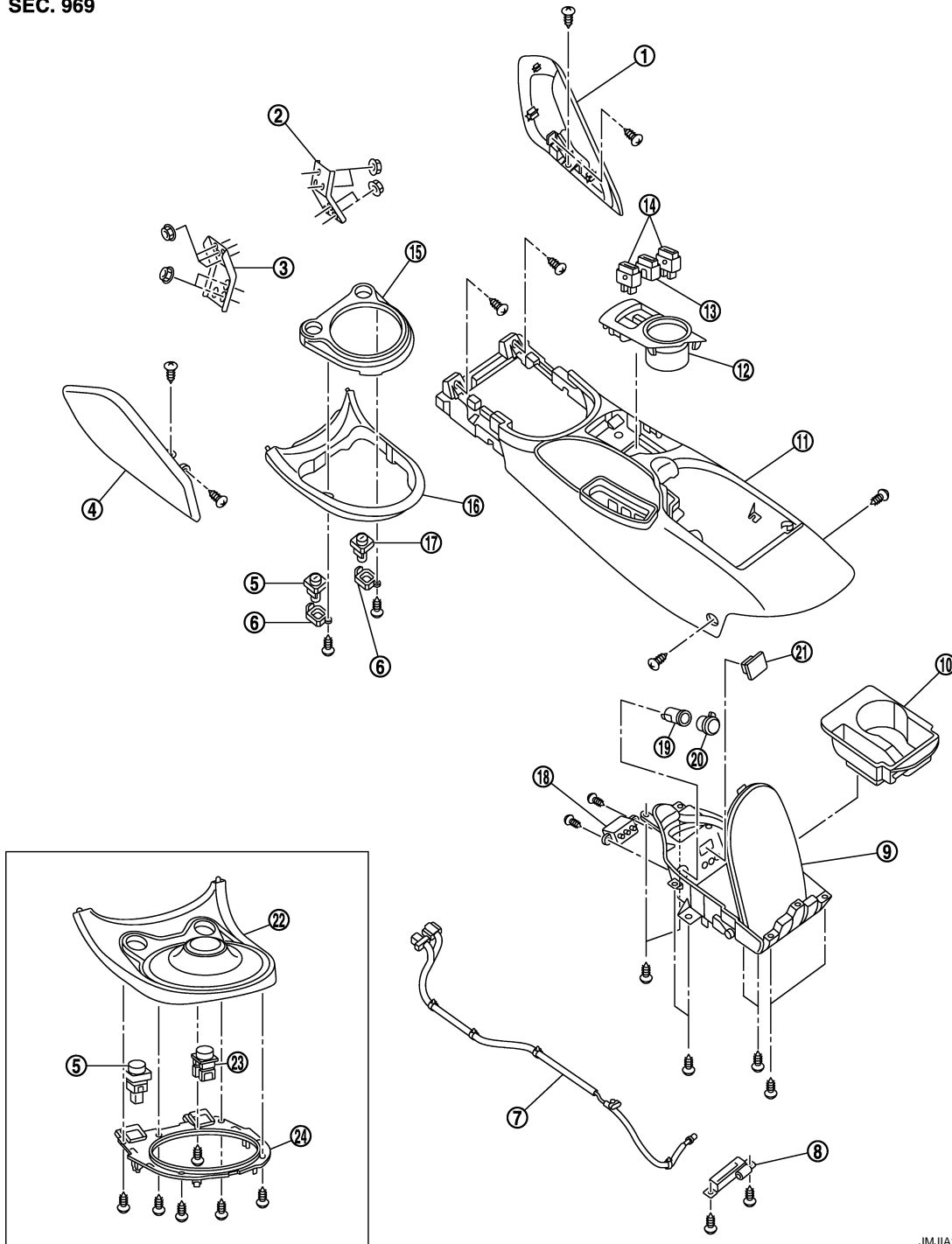
[REGULAR GRADE]

## CENTER CONSOLE ASSEMBLY

Exploded View

INFOID:000000010840717

SEC. 969



JMJIA2682ZZ

- |  |                             |  |
|--|-----------------------------|--|
| 1. Console panel RH                        | 2. Instrument stay RH       | 3. Instrument stay LH                  |
| 4. Console panel LH                        | 5. Hazard switch            | 6. Switch bracket                      |
| 7. Console sub-harness                     | 8. Inside key antenna       | 9. Console pocket assembly             |
| 10. Console tray assembly                  | 11. Center console assembly | 12. Cup holder assembly                |
| 13. Switch hole mask                       | 14. Heated seat switch      | 15. Console finisher ring (A/T models) |
| 16. Console finisher assembly (A/T models) | 17. Switch hole mask        | 18. Auxiliary input jacks              |

A  
B  
C  
D  
E  
F  
G  
H  
I  
IP  
K  
L  
M  
N  
O  
P

# CENTER CONSOLE ASSEMBLY

## < REMOVAL AND INSTALLATION >

[REGULAR GRADE]

- |  |                                       |                              |
|--|---------------------------------------|------------------------------|
| 19. Power socket inner case                | 20. Power socket cap                  | 21. USB connector            |
| 22. Console finisher assembly (M/T models) | 23. Switch hole mask or S-MODE switch | 24. Console finisher bracket |

## Removal and Installation

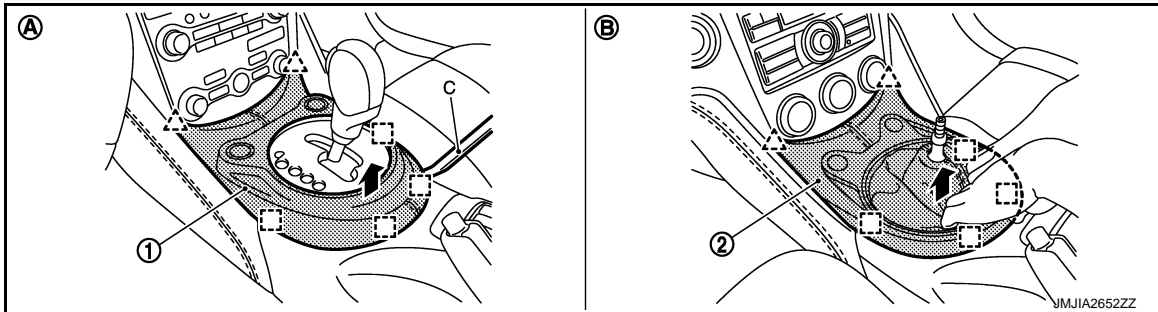
INFOID:000000010840718

### CAUTION:

When removing, always use a remover tool that is made of plastic.

### REMOVAL

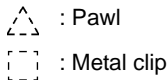
1. Remove shift knob (M/T models). Refer to [TM-22. "Removal and Installation"](#).
2. Remove console finisher assembly.



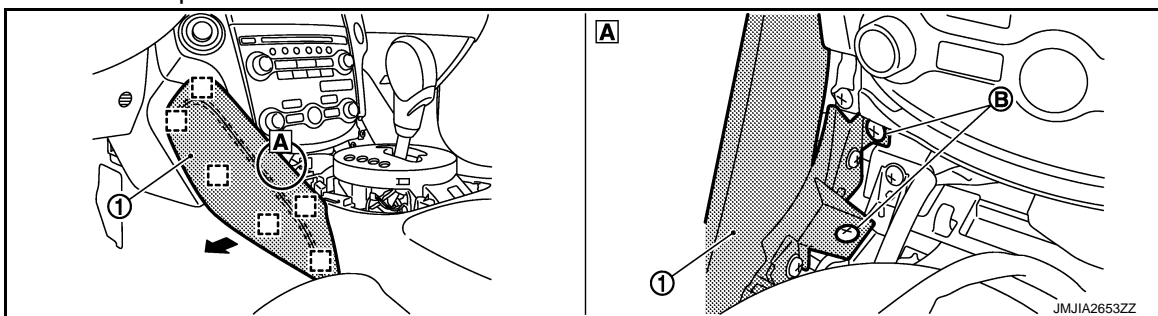
(A) Console finisher (A/T models)

(B) Console finisher (M/T models)

- A/T models
  - Insert remover tool (A) between console finisher (1) and center console, lift up console finisher, and then disengage metal clips and pawls.
  - Disconnect harness connectors.
- M/T models
  - Pull up console finisher (2), and then disengage metal clips and pawls.
  - Disconnect harness connector.



3. Remove console panel LH.



1. Remove console panel LH (1) fixing screws (B).
2. Pull the console panel LH crosswise.

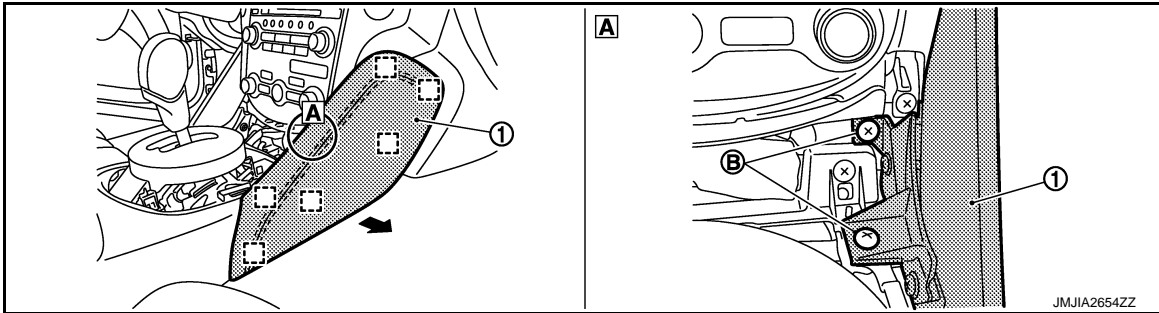


# CENTER CONSOLE ASSEMBLY

< REMOVAL AND INSTALLATION >

[REGULAR GRADE]

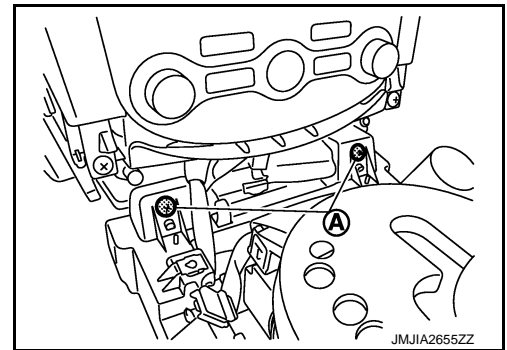
## 4. Remove console panel RH.



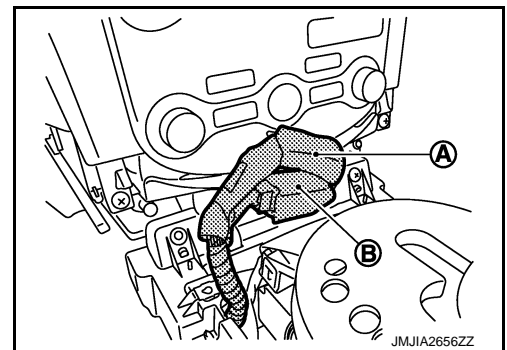
1. Remove console panel RH (1) fixing screws (B).
2. Pull the console panel RH crosswise.

 : Metal clip

## 5. Remove center console fixing screws (A).




## 6. Disconnect console sub-harness connectors (A) and (B).

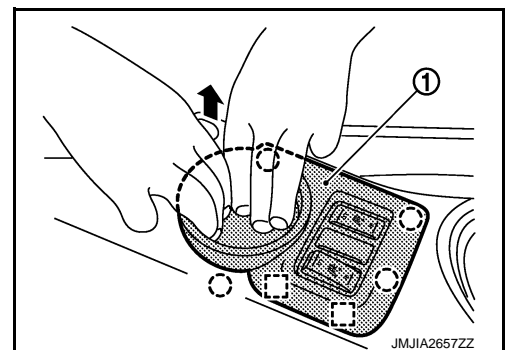


## 7. Remove cup holder assembly.

1. Pull up cup holder assembly (1).
2. Disconnect harness connectors.
3. Remove harness clip.

 : Clip

 : Metal clip



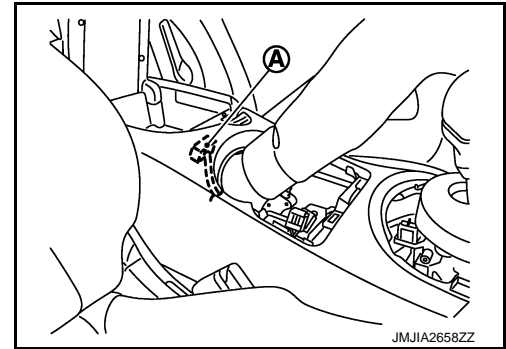
A  
B  
C  
D  
E  
F  
G  
H  
I  
IP  
K  
L  
M  
N  
O  
P

# CENTER CONSOLE ASSEMBLY

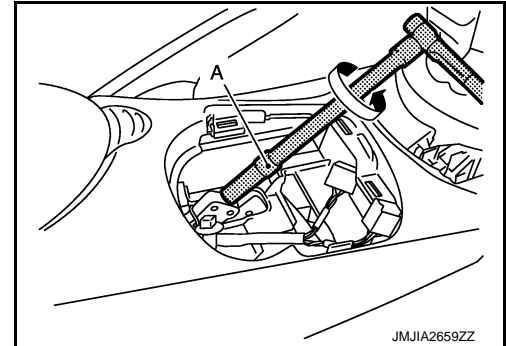
< REMOVAL AND INSTALLATION >

[REGULAR GRADE]

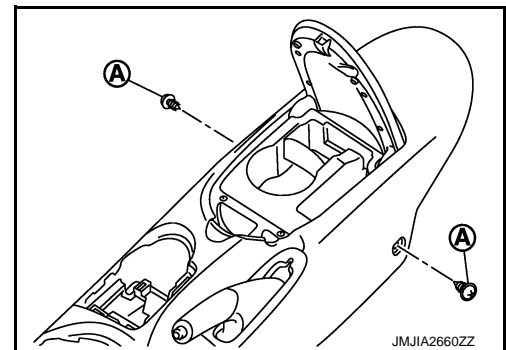
8. Disconnect USB connector harness connector (A). (if equipped)



9. Insert a deep-well socket wrench (A) to rotate adjusting nut to loosen cable sufficiently.



10. Remove center console assembly.
1. Put seat assembly (LH/RH) to the frontmost position.
  2. Remove center console fixing screws (A).
  3. Put seat assembly (LH/RH) to the rearmost position.
  4. Lift up center console assembly back side, and then remove center console assembly.



## INSTALLATION

Install in the reverse order of removal.

## Disassembly and Assembly

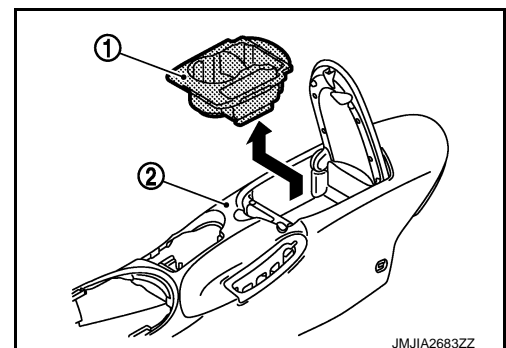
INFOID:000000010840719

### CAUTION:

When disassembling, always use a remover tool that is made of plastic.

## DISASSEMBLY

1. Open the console lid.
2. Pull up console tray assembly (1), and then remove console tray assembly from center console assembly (2).

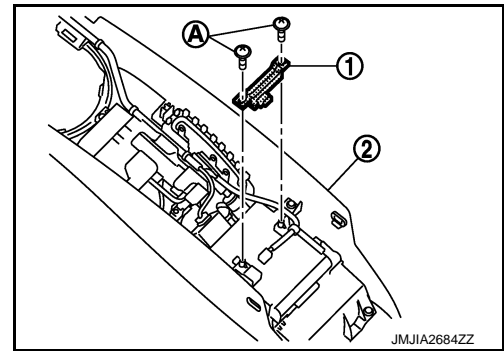


# CENTER CONSOLE ASSEMBLY

## < REMOVAL AND INSTALLATION >

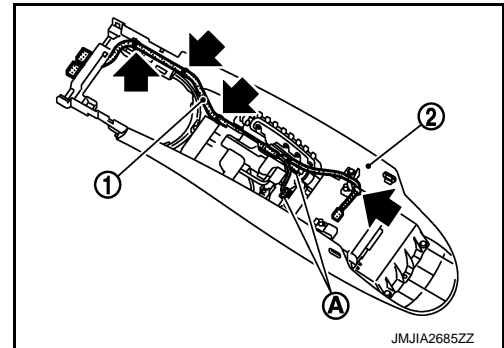
[REGULAR GRADE]

3. Remove inside key antenna.
  1. Disconnect inside key antenna harness connector.
  2. Remove inside key antenna (1) fixing screws (A).
  3. Pull up inside key antenna from center console assembly (2).

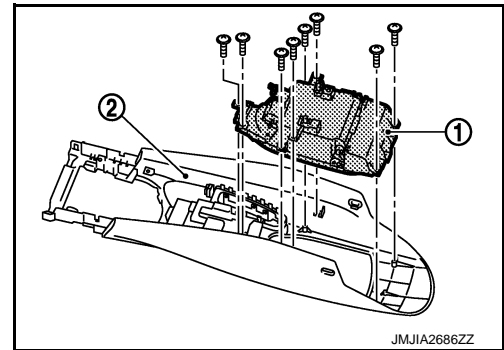


4. Remove console sub-harness.
  1. Disconnect harness connectors (A).
  2. Remove console sub-harness (1) fixing harness clips from center console assembly (2).

← : Harness clip



5. Remove console pocket assembly.
  1. Remove console pocket assembly (1) fixing screws.
  2. Pull up console pocket assembly from center console assembly (2).



6. Remove the following parts after removing console pocket assembly.
  - Console power socket: Refer to [PWO-7, "CONSOLE POWER SOCKET : Removal and Installation"](#).
  - Auxiliary input jacks (if equipped): Refer to [AV-227, "Removal and Installation"](#).
  - USB connector (if equipped): Refer to [AV-226, "Removal and Installation"](#).

## ASSEMBLY

Assemble in the reverse order of disassembly.

A  
B  
C  
D  
E  
F  
G  
H  
I  
IP  
K  
L  
M  
N  
O  
P

## SPEC CHANGE INFORMATION

### CENTER CONSOLE ASSEMBLY

#### Center Console Assembly

INFOID:000000010840720

- Red stitches adopted for dedicated console panels.
- Dedicated genuine leather adopted for the gear shifting lever knob.

