

SECTION **RSU**
 REAR SUSPENSION

A
B
C
D

RSU

CONTENTS

<p>REGULAR GRADE</p> <p>SYMPTOM DIAGNOSIS 3</p> <p>NOISE, VIBRATION AND HARSHNESS (NVH) TROUBLESHOOTING 3 NVH Troubleshooting Chart3</p> <p>PRECAUTION 4</p> <p>PRECAUTIONS 4 Precautions for Suspension4 Precautions for Removing Battery Terminal4</p> <p>PREPARATION 5</p> <p>PREPARATION 5 Special Service Tool5 Commercial Service Tool5</p> <p>PERIODIC MAINTENANCE 6</p> <p>REAR SUSPENSION ASSEMBLY 6 Inspection6</p> <p>WHEEL ALIGNMENT 7 Inspection7 Adjustment7</p> <p>REMOVAL AND INSTALLATION 9</p> <p>REAR LOWER LINK & COIL SPRING 9 Exploded View9 Removal and Installation9 Inspection 10</p> <p>REAR SHOCK ABSORBER 11 Exploded View 11 Removal and Installation 11 Disassembly and Assembly 11 Inspection 12 Disposal 12</p>	<p>SUSPENSION ARM 13 Exploded View13 Removal and Installation13 Inspection13</p> <p>RADIUS ROD 15 Exploded View15 Removal and Installation15 Inspection15</p> <p>FRONT LOWER LINK 16 Exploded View16 Removal and Installation16 Inspection16</p> <p>REAR STABILIZER 17 Exploded View17 Removal and Installation17 Inspection17</p> <p>REAR SUSPENSION MEMBER 18 Exploded View18 Removal and Installation18 Inspection19</p> <p>SERVICE DATA AND SPECIFICATIONS (SDS) 20</p> <p>SERVICE DATA AND SPECIFICATIONS (SDS) 20 Wheel Alignment20 Ball Joint20 Wheelarch Height20</p> <p style="text-align: center;">Nismo 370Z</p> <p>REMOVAL AND INSTALLATION 21</p> <p>REAR PERFORMANCE DAMPER 21 Exploded View21 Removal and Installation21</p>	<p>F G H I J K L M N O P</p>
--	---	--

SERVICE DATA AND SPECIFICATIONS	
(SDS)	23

SERVICE DATA AND SPECIFICATIONS	
(SDS)	23
Wheel Alignment	23
Ball Joint	23
Wheelarch Height	23

NOISE, VIBRATION AND HARSHNESS (NVH) TROUBLESHOOTING

< SYMPTOM DIAGNOSIS >

[REGULAR GRADE]

SYMPTOM DIAGNOSIS

NOISE, VIBRATION AND HARSHNESS (NVH) TROUBLESHOOTING

NVH Troubleshooting Chart

INFOID:0000000010841556

Use chart below to find the cause of the symptom. If necessary, repair or replace these parts.

Symptom		Possible cause and SUSPECTED PARTS																Reference
		Improper installation, looseness	Shock absorber deformation, damage or deflection	Bushing or mounting deterioration	Parts interference	Spring fatigue	Suspension looseness	Incorrect wheel alignment	Stabilizer bar fatigue	PROPELLER SHAFT	DIFFERENTIAL	REAR AXLE AND REAR SUSPENSION	TIRE	ROAD WHEEL	DRIVE SHAFT	BRAKE	STEERING	
REAR SUSPENSION	Noise	x	x	x	x	x	x			x	x	x	x	x	x	x	x	RSU-9, RSU-11, RSU-13, RSU-15, RSU-16, RSU-17, RSU-18
	Shake	x	x	x	x		x			x		x	x	x	x			RSU-9, RSU-11, RSU-13, RSU-15, RSU-16, RSU-17, RSU-18
	Vibration	x	x	x	x	x				x		x	x		x			RSU-9, RSU-11, RSU-13, RSU-15, RSU-16, RSU-17, RSU-18
	Shimmy	x	x	x	x			x				x	x	x				RSU-7
	Judder	x	x	x								x	x	x		x	x	RSU-10
	Poor quality ride or handling	x	x	x	x	x		x	x				x	x	x			RSU-7, RSU-17

x: Applicable

A
B
C
D
E
F
G
H
I
J
K
L
M
N
O
P

RSU

PRECAUTION

PRECAUTIONS

Precautions for Suspension

INFOID:0000000110841557

- When installing rubber bushings, the final tightening must be carried out under unladen conditions with tires on ground. Spilled oil might shorten the life of rubber bushings. Be sure to wipe off any spilled oil.
- Unladen conditions mean that fuel, engine coolant and lubricant are full. Spare tire, jack, hand tools and mats are in designated positions.
- After servicing suspension parts, be sure to check wheel alignment.
- Self-lock nuts are not reusable. Always use new ones when installing. Since new self-lock nuts are pre-oiled, tighten as they are.

Precautions for Removing Battery Terminal

INFOID:000000011144963

- When removing the 12V battery terminal, turn OFF the ignition switch and wait at least 30 seconds.

NOTE:

ECU may be active for several tens of seconds after the ignition switch is turned OFF. If the battery terminal is removed before ECU stops, then a DTC detection error or ECU data corruption may occur.

- For vehicles with the 2-batteries, be sure to connect the main battery and the sub battery before turning ON the ignition switch.

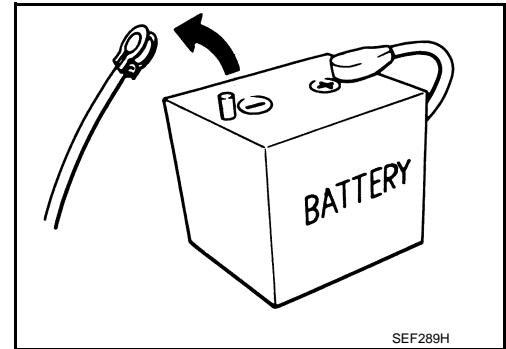
NOTE:

If the ignition switch is turned ON with any one of the terminals of main battery and sub battery disconnected, then DTC may be detected.

- After installing the 12V battery, always check "Self Diagnosis Result" of all ECUs and erase DTC.

NOTE:

The removal of 12V battery may cause a DTC detection error.



PREPARATION

< PREPARATION >

[REGULAR GRADE]

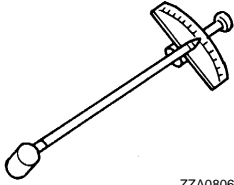
PREPARATION

PREPARATION

Special Service Tool

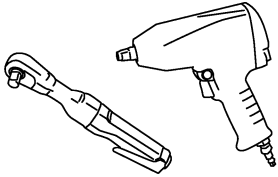
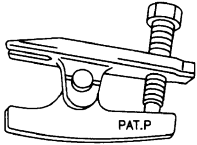
INFOID:000000010841558

The actual shapes of TechMate tools may differ from those of special service tools illustrated here.

Tool number (TechMate No.) Tool name	Description
ST3127S000 (J-25765-A) Preload gauge  <p style="text-align: center;">ZZA0806D</p>	Measuring rotating torque of ball joint

Commercial Service Tool

INFOID:000000010841559

Tool name	Description
Power tool  <p style="text-align: center;">PBIC0190E</p>	Loosening bolts and nuts
Ball joint remover  <p style="text-align: center;">PAT.P NT146</p>	Removing ball joint from axle housing

PERIODIC MAINTENANCE

REAR SUSPENSION ASSEMBLY

Inspection

INFOID:000000010841560

COMPONENT PART

Check the mounting conditions (looseness, backlash) of each component and component conditions (wear, damage) are normal.

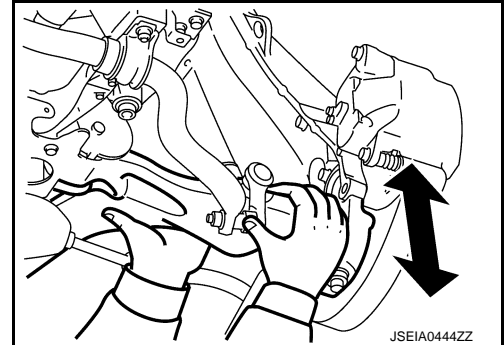
Ball Joint Axial End Play

Move axle side of suspension arm in the axial direction by hand. Check there is no end play.

Axial end play : Refer to [RSU-20, "Ball Joint"](#).

CAUTION:

- Never depress brake pedal when measuring.
- Never perform with tires on level ground.
- Be careful not to damage ball joint boot. Never damage the installation position by applying excessive force.



SHOCK ABSORBER

Check for oil leakage and damage. Replace it if necessary.

WHEEL ALIGNMENT

Inspection

INFOID:000000010841561

DESCRIPTION

Measure wheel alignment under unladen conditions.

NOTE:

“Unladen conditions” means that fuel, engine coolant, and lubricant are full. Spare tire, jack, hand tools and mats are in designated positions.

PRELIMINARY CHECK

Check the following:

- Tires for improper air pressure and wear. Refer to [WT-54. "Tire Air Pressure"](#).
- Road wheels for runout.
- Wheel bearing axial end play. Refer to [RAX-5. "Inspection"](#).
- Ball joint axial end play of suspension arm. Refer to [RSU-6. "Inspection"](#).
- Shock absorber operation.
- Each mounting point of axle and suspension for looseness and deformation.
- Each of front lower link, rear lower link, radius rod, rear suspension member, suspension arm and shock absorber for cracks, deformation, and other damage.
- Vehicle height (posture).

GENERAL INFORMATION AND RECOMMENDATIONS

- A four-wheel thrust alignment should be performed.
- This type of alignment is recommended for any NISSAN/INFINITI vehicle.
- The four-wheel “thrust” process helps ensure that the vehicle is properly aligned and the steering wheel is centered.
- The alignment rack itself should be capable of accepting any NISSAN/INFINITI vehicle.
- The rack should be checked to ensure that it is level.
- Make sure the machine is properly calibrated.
- Your alignment equipment should be regularly calibrated in order to give correct information.
- Check with the manufacturer of your specific equipment for their recommended Service/Calibration Schedule.

ALIGNMENT PROCESS

IMPORTANT:

Use only the alignment specifications listed in this Service Manual.

- When displaying the alignment settings, many alignment machines use “indicators”: (Green/red, plus or minus, Go/No Go). **Never use these indicators.**
- The alignment specifications programmed into your machine that operate these indicators may not be correct.
- This may result in an ERROR.
- Most camera-type alignment machines are equipped with both “Rolling Compensation” method and optional “Jacking Compensation” method to “compensate” the alignment targets or head units. “Rolling Compensation” is the preferred method.
- If using the “Rolling Compensation” method, after installing the alignment targets or head units, push or pull on the rear wheel to move the vehicle. **Do not push or pull on the vehicle body.**
- If using the “Jacking Compensation” method, after installing the alignment targets or head units, raise the vehicle and rotate the wheels 1/2 turn both ways.

NOTE:

- Do not use the “Rolling Compensation” method if you are using sensor-type alignment equipment.
- Follow all instructions for the alignment machine you’re using for more information.

Adjustment

INFOID:000000010841562

CAMBER

WHEEL ALIGNMENT

< PERIODIC MAINTENANCE >

[REGULAR GRADE]

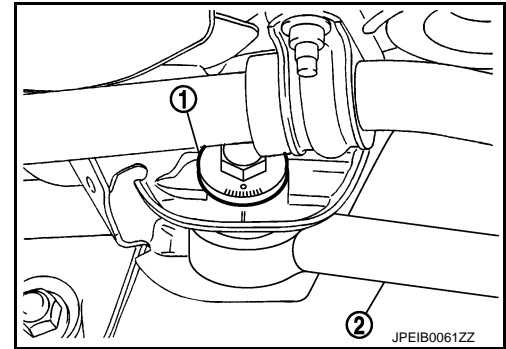
Adjust with adjusting bolt (1) in front lower link (2).

Camber: Refer to [RSU-20, "Wheel Alignment"](#).

CAUTION:

After adjusting camber, be sure to check toe-in.

- If camber is not still within the specification, inspect and replace any damaged or worn suspension parts.



TOE-IN

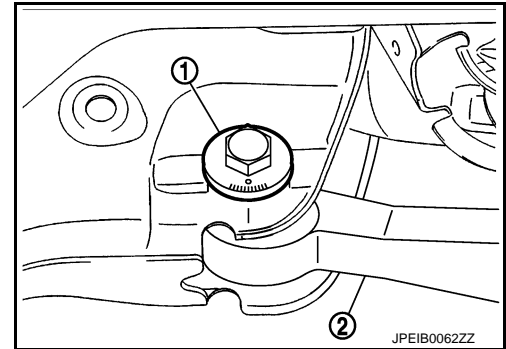
Adjust with adjusting bolt (1) in rear lower link (2).

Toe-In: Refer to [RSU-20, "Wheel Alignment"](#).

CAUTION:

Be sure to adjust equally on right and left side with adjusting bolt.

- If toe-in is not still within the specification, inspect and replace any damaged or worn suspension parts.
- After toe-in adjustment, adjust neutral position of steering angle sensor. Refer to [BRC-9, "ADJUSTMENT OF STEERING ANGLE SENSOR NEUTRAL POSITION : Special Repair Requirement"](#).



REAR LOWER LINK & COIL SPRING

< REMOVAL AND INSTALLATION >

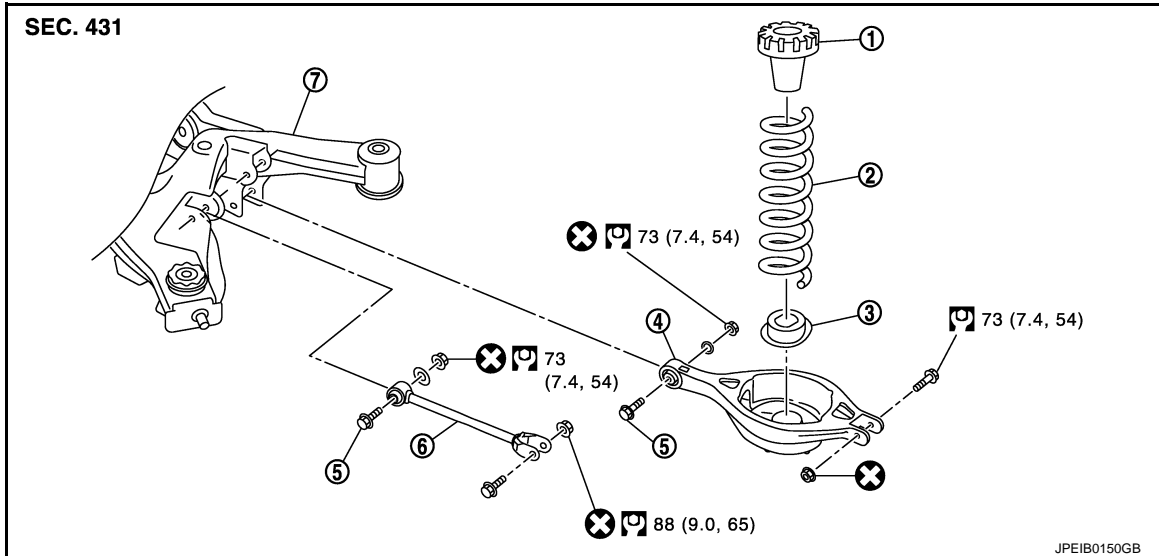
[REGULAR GRADE]

REMOVAL AND INSTALLATION

REAR LOWER LINK & COIL SPRING

Exploded View

INFOID:0000000010841563



- | | | |
|---------------------------|-------------------|---------------------|
| 1. Upper seat | 2. Coil spring | 3. Rubber seat |
| 4. Rear lower link | 5. Adjusting bolt | 6. Front lower link |
| 7. Rear suspension member | | |

Refer to [GI-4, "Components"](#) for symbols in the figure.

Removal and Installation

INFOID:0000000010841564

REMOVAL

1. Remove tires with power tool.
2. Set suitable jack under rear lower link to relieve the coil spring tension.
3. Loosen rear lower link mounting nuts (rear suspension member side).
4. Remove rear lower link (axle housing side).
5. Slowly lower jack, then remove upper seat, coil spring and rubber sheet from rear lower link.
6. Remove rear lower link.

INSTALLATION

Note the following, and install in the reverse order of removal.

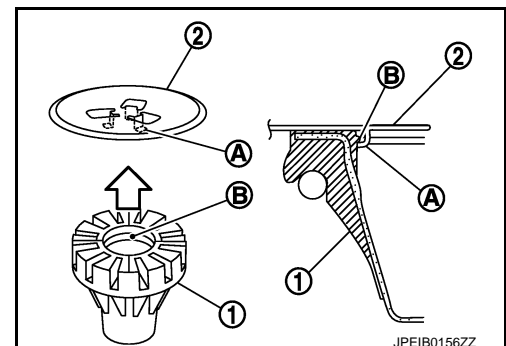
- Make sure that upper seat is attached as shown in the figure.

CAUTION:

Make sure that the projecting parts (A) of floor panel (2) is securely fitted with upper seat (1) tab (B).

← : Body side

- Match up rubber seat indentions and rear lower link grooves and attach.



REAR LOWER LINK & COIL SPRING

< REMOVAL AND INSTALLATION >

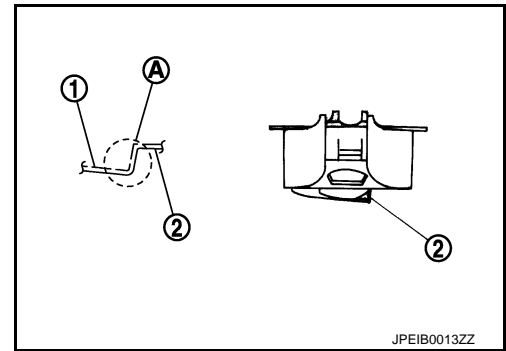
[REGULAR GRADE]

- Install the coil spring by aligning the lower end of the large diameter side to the step (A) between the rubber seat (1) and the rear lower link (2).

CAUTION:

Make sure spring is not up side down. The top and bottom are indicated by paint color.

- Perform the final tightening of rear suspension member and axle installation position (rubber bushing) under unladen condition with tires on level ground.



INFOID:000000010841565

Inspection

INSPECTION AFTER REMOVAL

Check rear lower link, bushing and coil spring for deformation, crack, and damage. Replace it if necessary.

INSPECTION AFTER INSTALLATION

1. Check wheel alignment. Refer to [RSU-7, "Inspection"](#).
2. Adjust neutral position of steering angle sensor. Refer to [BRC-9, "ADJUSTMENT OF STEERING ANGLE SENSOR NEUTRAL POSITION : Special Repair Requirement"](#).

REAR SHOCK ABSORBER

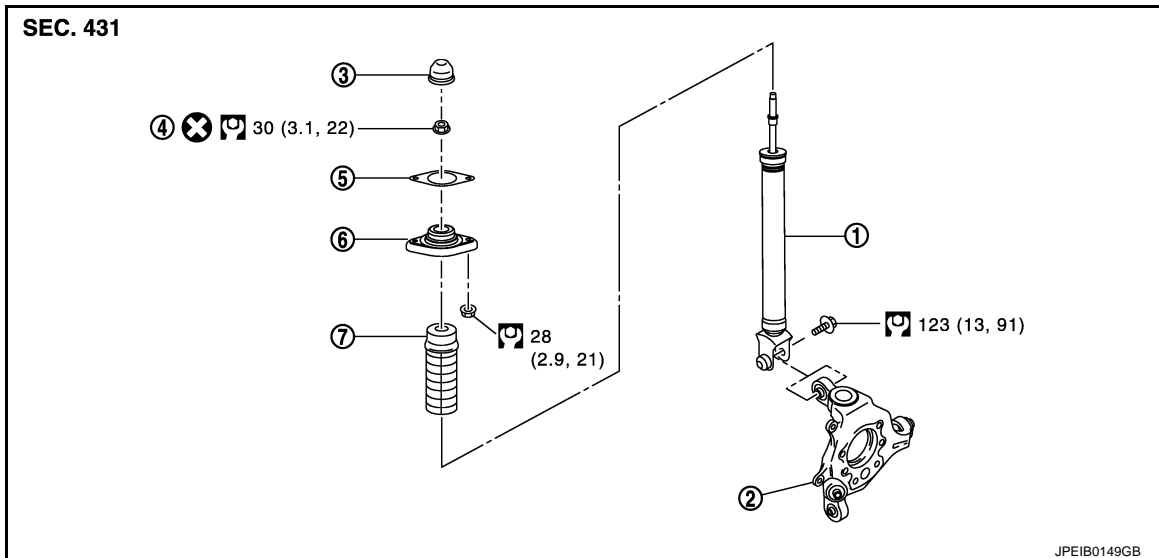
< REMOVAL AND INSTALLATION >

[REGULAR GRADE]

REAR SHOCK ABSORBER

Exploded View

INFOID:000000010841566



- | | | |
|------------------------|------------------|------------------------------------|
| 1. Shock absorber | 2. Axle housing | 3. Cap |
| 4. Piston rod lock nut | 5. Mounting seal | 6. Shock absorber mounting bracket |
| 7. Bound bumper cover | | |

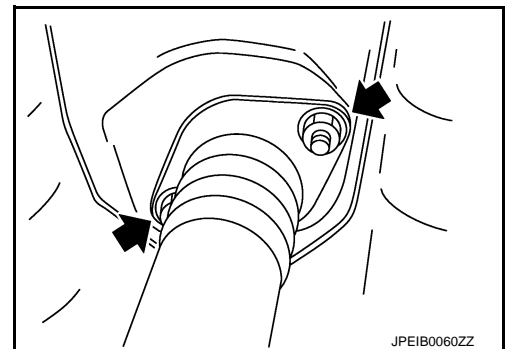
Refer to [GI-4, "Components"](#) for symbols in the figure.

Removal and Installation

INFOID:000000010841567

REMOVAL

1. Remove tires with power tool.
2. Set suitable jack under axle assembly to relieve the coil spring tension.
3. Gradually lower the jack and separate shock absorber (lower side) from axle housing.
4. Remove shock absorber assembly mounting nuts (upper side) (←), and then remove shock absorber assembly.



INSTALLATION

Note the following, and install in the reverse order of removal.

- Perform final tightening of bolts and nuts at the shock absorber lower side (rubber bushing), under unladen conditions with tires on level ground.

Disassembly and Assembly

INFOID:000000010841568

DISASSEMBLY

CAUTION:

Never damage shock absorber piston rod when removing components from shock absorber.

1. Remove cap.

REAR SHOCK ABSORBER

[REGULAR GRADE]

< REMOVAL AND INSTALLATION >

2. Wrap a shop cloth around lower side of shock absorber and fix it with a vise.
CAUTION:
Never set the cylindrical part of shock absorber with a vise.
3. Secure the piston rod tip so that piston rod does not turn, and remove piston rod lock nut.
4. Remove mounting seal, shock absorber mounting bracket and bound bumper cover from shock absorber.

ASSEMBLY

Assembly in the reverse order of disassembly.

Inspection

INFOID:000000010841569

INSPECTION AFTER REMOVAL

Check the following items, and replace the parts if necessary.

- Shock absorber assembly for deformation, cracks, damage.
- Welded and sealed areas for oil leakage.

INSPECTION AFTER DISASSEMBLY

Bound Bumper and Bushing

Check bound bumper cover and bushing for cracks and damage. Replace it if necessary.

Shock Absorber

Check the following items, and replace the part if necessary.

- Shock absorber for deformation, cracks, and other damage.
- Piston rod for damage, uneven wear, and distortion.
- Welded and sealed areas for oil leakage.

INSPECTION AFTER ASSEMBLY

Make sure piston rod on shock absorber is not damaged when attaching components to shock absorber.

INSPECTION AFTER INSTALLATION

1. Check wheel alignment. Refer to [RSU-7, "Inspection"](#).
2. Adjust neutral position of steering angle sensor. Refer to [BRC-9, "ADJUSTMENT OF STEERING ANGLE SENSOR NEUTRAL POSITION : Special Repair Requirement"](#).

Disposal

INFOID:000000010841570

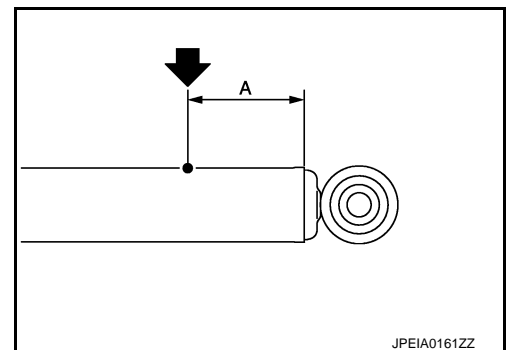
1. Set shock absorber horizontally with the piston rod fully extended.
2. Drill 2 – 3 mm (0.08 – 0.12 in) hole at the position (●) from top as shown in the figure to release gas gradually.

CAUTION:

- **Wear eye protection (safety glasses).**
- **Wear gloves.**
- **Be careful with metal chips or oil blown out by the compressed gas.**

NOTE:

- Drill vertically in this direction (←).
- Directly to the outer tube avoiding brackets.
- The gas is clear, colorless, odorless, and harmless.



A : 20 – 30 mm (0.79 – 1.18 in)

3. Position the drilled hole downward and drain oil by moving the piston rod several times.

CAUTION:

Dispose of drained oil according to the law and local regulations.

SUSPENSION ARM

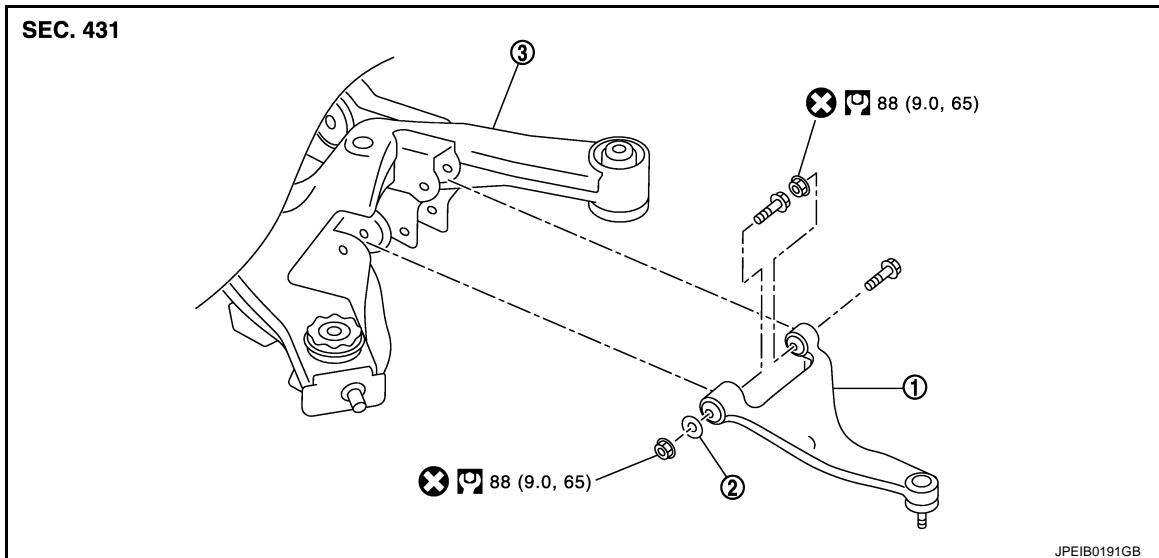
< REMOVAL AND INSTALLATION >

[REGULAR GRADE]

SUSPENSION ARM

Exploded View

INFOID:000000010841571



1. Suspension arm
2. Stopper rubber
3. Rear suspension member

Refer to [GI-4, "Components"](#) for symbols in the figure.

Removal and Installation

INFOID:000000010841572

REMOVAL

1. Remove tires with power tool.
2. Remove diag brace. Refer to [RSU-18, "Exploded View"](#).
3. Remove stabilizer connecting rod. Refer to [RSU-17, "Exploded View"](#).
4. Remove drive shaft. Refer to [RAX-10, "Exploded View"](#).
5. Remove cotter pin of suspension arm ball joint, and loosen nut. Refer to [RAX-7, "Exploded View"](#).
6. Remove suspension arm (rear suspension member side).
7. Use the ball joint remover to remove suspension arm from axle housing.

CAUTION:

- Be careful not to damage ball joint boot.
- Tighten temporarily mounting nut to prevent damage to threads and to prevent ball joint remover from coming off.

8. Remove suspension arm.

INSTALLATION

Note the following and, install in the reverse order of removal.

- Perform final tightening of rear suspension member installation position (rubber bussing), under unladen conditions with tires on level ground.

Inspection

INFOID:000000010841573

INSPECTION AFTER REMOVAL

Appearance

Check the following items, and replace the part if necessary.

- Suspension arm and bushing for deformation, cracks or damage.
- Boot of ball joint for cracks or damage, and also for grease leakage.

Ball Joint Inspection

Manually move ball stud at least ten times by hand to check for smooth movement.

SUSPENSION ARM

< REMOVAL AND INSTALLATION >

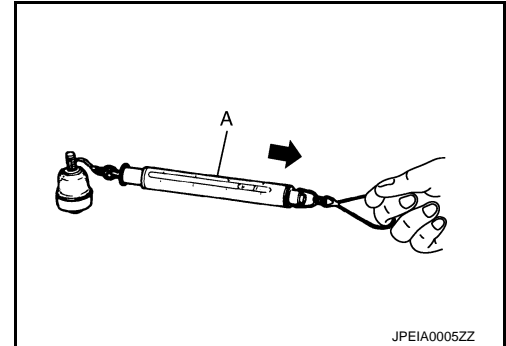
[REGULAR GRADE]

Swing Torque Inspection

1. Move the ball joint at least ten times by hand to check for smooth movement.
2. Hook spring balance (A) at cotter pin mounting hole. Confirm spring balance measurement value is within specifications when ball stud begins moving.

Swing torque : Refer to [RSU-20, "Ball Joint"](#).

- If swing torque exceeds the standard range, replace suspension arm assembly.

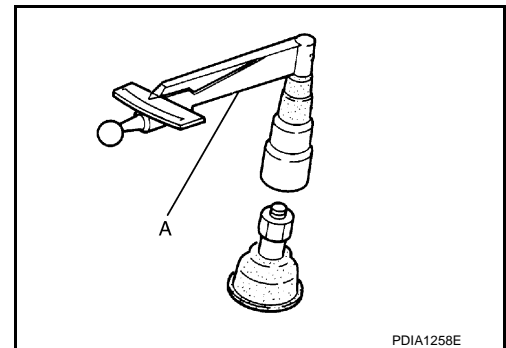


Rotating Torque Inspection

1. Move the ball joint at least ten times by hand to check for smooth movement.
2. Attach the mounting nut to ball stud. Make sure that rotating torque is within the specifications with a preload gauge (A) [SST: ST3127S000 (J-25765-A)].

Rotating torque : Refer to [RSU-20, "Ball Joint"](#).

- If rotating torque exceeds the standard range, replace suspension arm assembly.



Axial End Play Inspection

1. Move the ball joint at least ten times by hand to check for smooth movement.
2. Move tip of ball stud in axial direction to check for looseness.

Axial end play : Refer to [RSU-20, "Ball Joint"](#).

- If axial end play exceeds the standard range, replace suspension arm assembly.

INSPECTION AFTER INSTALLATION

1. Check wheel alignment. Refer to [RSU-7, "Inspection"](#).
2. Adjust neutral position of steering angle sensor. Refer to [BRC-9, "ADJUSTMENT OF STEERING ANGLE SENSOR NEUTRAL POSITION: Special Repair Requirement"](#).

RADIUS ROD

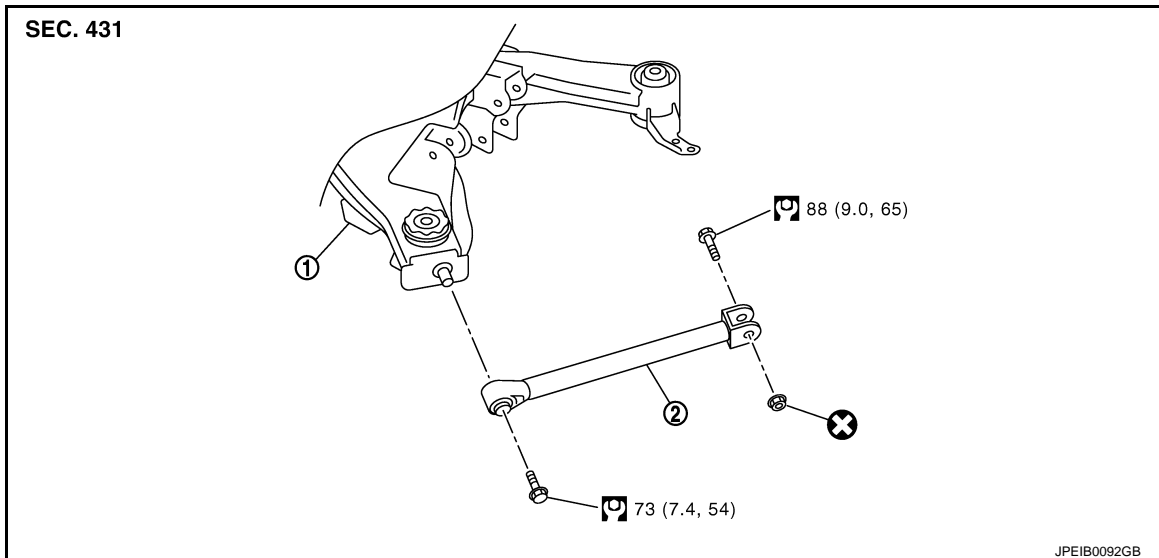
< REMOVAL AND INSTALLATION >

[REGULAR GRADE]

RADIUS ROD

Exploded View

INFOID:000000010841574



1. Rear suspension member 2. Radius rod

Refer to [GI-4. "Components"](#) for symbols in the figure.

Removal and Installation

INFOID:000000010841575

REMOVAL

1. Remove tires with power tool.
2. Remove radius rod.

INSTALLATION

Note the following, and install in the reverse order of removal.

- Perform final tightening of rear suspension member and axle installation position (rubber bushing), under unladen conditions with tires on level ground.

Inspection

INFOID:000000010841576

INSPECTION AFTER REMOVAL

Check radius rod and bushing for any deformation, cracks, or damage. Replace it if necessary.

INSPECTION AFTER INSTALLATION

1. Check wheel alignment. Refer to [RSU-7. "Inspection"](#).
2. Adjust neutral position of steering angle sensor. Refer to [BRC-9. "ADJUSTMENT OF STEERING ANGLE SENSOR NEUTRAL POSITION : Special Repair Requirement"](#).

FRONT LOWER LINK

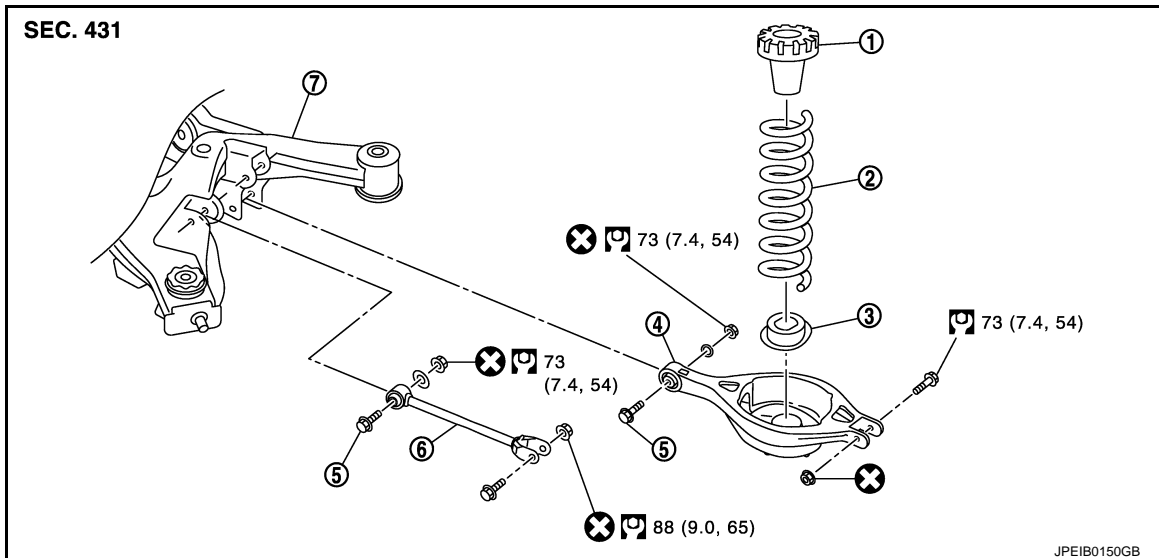
< REMOVAL AND INSTALLATION >

[REGULAR GRADE]

FRONT LOWER LINK

Exploded View

INFOID:000000010841577



- | | | |
|---------------------------|-------------------|---------------------|
| 1. Upper seat | 2. Coil spring | 3. Rubber seat |
| 4. Rear lower link | 5. Adjusting bolt | 6. Front lower link |
| 7. Rear suspension member | | |

Refer to [GI-4, "Components"](#) for symbols in the figure.

Removal and Installation

INFOID:000000010841578

REMOVAL

1. Remove tires with power tool.
2. Set suitable jack under axle assembly to relieve the coil spring tension.
3. Remove front lower link.

INSTALLATION

Note the following, and install in the reverse order of removal.

- Perform final tightening of rear suspension member and axle installation position (rubber bushing), under unladen conditions with tires on level ground.

Inspection

INFOID:000000010841579

INSPECTION AFTER REMOVAL

Check front lower link and bushing for any deformation, cracks, or damage. Replace it if necessary.

INSPECTION AFTER INSTALLATION

1. Check wheel alignment. Refer to [RSU-7, "Inspection"](#).
2. Adjust neutral position of steering angle sensor. Refer to [BRC-9, "ADJUSTMENT OF STEERING ANGLE SENSOR NEUTRAL POSITION : Special Repair Requirement"](#).

REAR STABILIZER

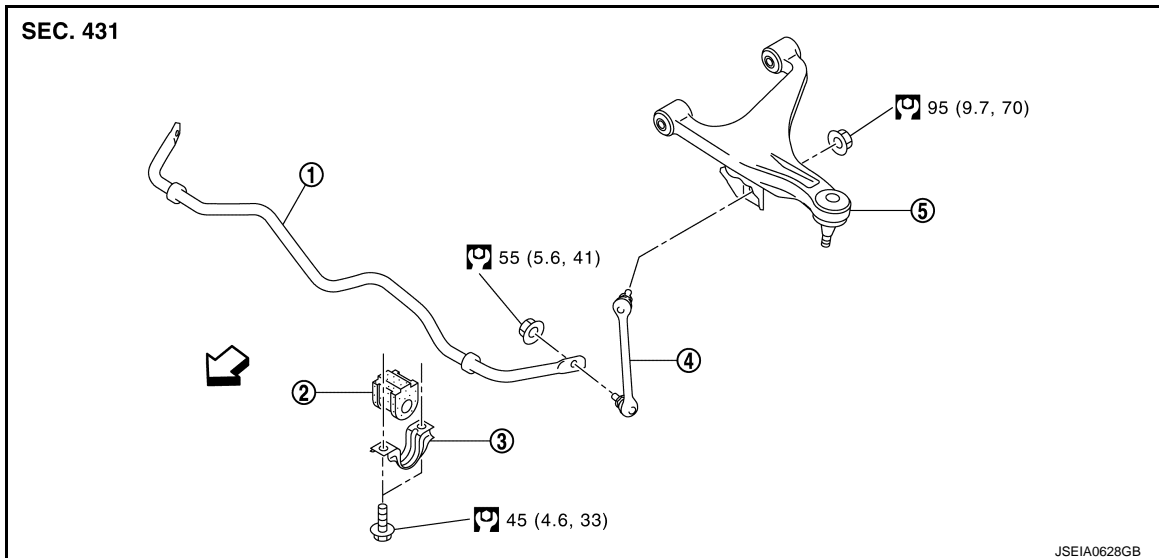
< REMOVAL AND INSTALLATION >

[REGULAR GRADE]

REAR STABILIZER

Exploded View

INFOID:000000010841580



- | | | |
|------------------------------|-----------------------|---------------------|
| 1. Stabilizer bar | 2. Stabilizer bushing | 3. Stabilizer clamp |
| 4. Stabilizer connecting rod | 5. Suspension arm | |

↔: Vehicle front

Refer to [GI-4, "Components"](#) for symbols in the figure.

Removal and Installation

INFOID:000000010841581

REMOVAL

1. Remove diag brace. Refer to [RSU-18, "Exploded View"](#).
2. Remove stabilizer connecting rods.
3. Remove stabilizer clamps, and then remove stabilizer bushings.
4. Remove stabilizer bar.

INSTALLATION

Note the following, and install in the reverse order of removal.

- Tighten the mounting nut to the specified torque while holding a hexagonal part of stabilizer connecting rod side.

Inspection

INFOID:000000010841582

INSPECTION AFTER REMOVAL

Check stabilizer bar, stabilizer connecting rod, stabilizer bushing and stabilizer clamp for deformation, cracks or damage. Replace it if necessary.

REAR SUSPENSION MEMBER

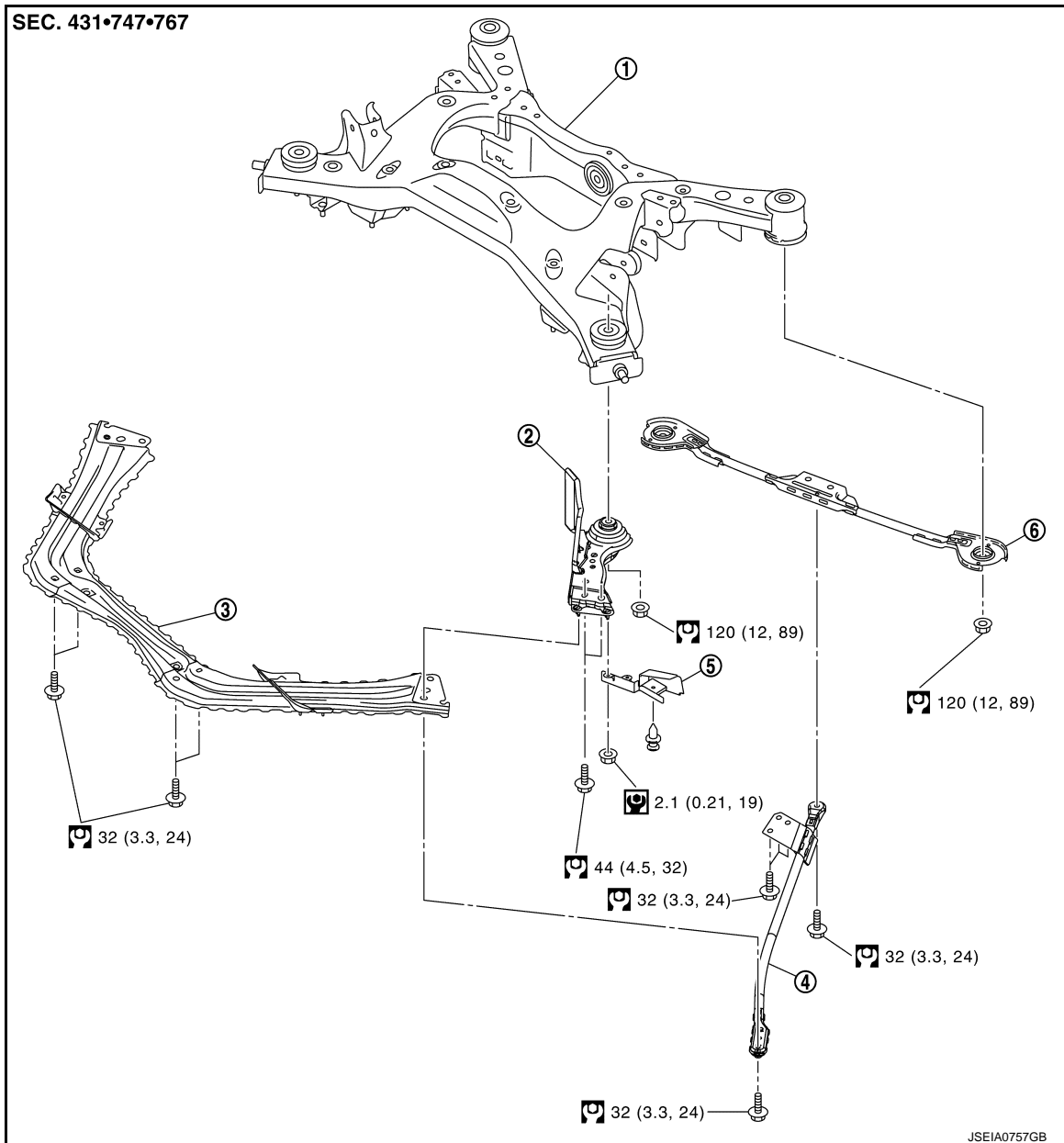
< REMOVAL AND INSTALLATION >

[REGULAR GRADE]

REAR SUSPENSION MEMBER

Exploded View

INFOID:000000010841583



- | | | |
|---------------------------|--------------------------------|----------------|
| 1. Rear suspension member | 2. Rear suspension member stay | 3. Tunnel stay |
| 4. Diag brace | 5. Deflector mudguard | 6. Pin stay |

Refer to [GI-4, "Components"](#) for symbols in the figure.

Removal and Installation

INFOID:000000010841584

REMOVAL

1. Remove tires with power tool.
2. Remove caliper assemblies. Hang caliper assembly in a place where it will not interfere with work. Refer to [BR-58, "BRAKE CALIPER ASSEMBLY \(1 PISTON TYPE\) : Exploded View"](#) (1 piston type), [BR-63, "BRAKE CALIPER ASSEMBLY \(2 PISTON TYPE\) : Exploded View"](#) (2 piston type).

CAUTION:

Avoid depressing brake pedal while brake caliper is removed.

REAR SUSPENSION MEMBER

[REGULAR GRADE]

< REMOVAL AND INSTALLATION >

3. Remove disc rotors. Refer to [BR-59, "BRAKE CALIPER ASSEMBLY \(1 PISTON TYPE\) : Removal and Installation"](#) (1 piston type), [BR-64, "BRAKE CALIPER ASSEMBLY \(2 PISTON TYPE\) : Removal and Installation"](#) (2 piston type). A
4. Remove wheel sensors and sensor harness from rear suspension member. Refer to [BRC-111, "REAR WHEEL SENSOR : Exploded View"](#). B
5. Remove diag braces.
6. Remove tunnel stay.
7. Remove center muffler and main muffler. Refer to [EX-5, "Exploded View"](#). C
8. Remove stabilizer bar. Refer to [RSU-17, "Exploded View"](#).
9. Remove drive shafts. Refer to [RAX-10, "Exploded View"](#).
10. Remove propeller shaft. Refer to [DLN-7, "Exploded View"](#). D
11. Remove final drive. Refer to [DLN-26, "Exploded View"](#) (R200), [DLN-65, "Exploded View"](#) (R200V).
12. Remove parking brake cable mounting bolts and separate parking brake cables from vehicle and rear suspension member. Refer to [PB-7, "Exploded View"](#). **RSU**
13. Separate shock absorbers (lower side) from axle housing. Refer to [RSU-11, "Exploded View"](#).
14. Remove rear lower links and coil springs. Refer to [RSU-9, "Exploded View"](#). F
15. Set suitable jack under rear suspension member.
16. Remove deflector mudguards.
17. Remove rear suspension member stay mounting bolts. G
18. Remove rear suspension member mounting nuts, then remove rear suspension member stays and pin stay.
19. Slowly lower jack, then remove rear suspension member, radius rods, suspension arms, front lower links, wheel hubs and axle housings from vehicle as a unit. H
20. Remove mounting bolts and nuts, then remove radius rods, suspension arms, front lower links, wheel hubs and axle housings from rear suspension member. Refer to [RSU-15, "Exploded View"](#), [RSU-13, "Exploded View"](#), [RSU-16, "Exploded View"](#), [RAX-7, "Exploded View"](#). I

INSTALLATION

Note the following, and install in the reverse order of the removal. J

- Perform the final tightening of each of parts under unladen conditions, which were removed when removing rear suspension assembly.
- Check wheel sensor harness for proper connection. Refer to [BRC-111, "REAR WHEEL SENSOR : Exploded View"](#). K
- Never reuse cotter pin.

Inspection

INFOID:000000010841585 L

INSPECTION AFTER REMOVAL

Check rear suspension member for deformation, cracks, or any other damage. Replace if necessary. M

INSPECTION AFTER INSTALLATION

1. Adjust parking brake operation (stroke). Refer to [PB-4, "Inspection and Adjustment"](#). N
2. Check wheel alignment. Refer to [RSU-7, "Inspection"](#).
3. Adjust neutral position of steering angle sensor. Refer to [BRC-9, "ADJUSTMENT OF STEERING ANGLE SENSOR NEUTRAL POSITION : Special Repair Requirement"](#). O

P

SERVICE DATA AND SPECIFICATIONS (SDS)

< SERVICE DATA AND SPECIFICATIONS (SDS)

[REGULAR GRADE]

SERVICE DATA AND SPECIFICATIONS (SDS)

SERVICE DATA AND SPECIFICATIONS (SDS)

Wheel Alignment

INFOID:0000000010841586

Item		Standard		
Wheel size		18 inch	19 inch	
Camber Degree minute (Decimal degree)	Minimum	-2° 10' (-2.16°)		
	Nominal	-1° 40' (-1.67°)		
	Maximum	-1° 10' (-1.17°)		
Toe-in	Total toe-in Distance	Minimum	In 2.0 mm (0.079 in)	
		Nominal	In 3.8 mm (0.150 in)	
		Maximum	In 5.6 mm (0.221 in)	
	Toe angle (left wheel or right wheel) Degree minute (Decimal degree)	Minimum	In 0° 05' (0.09°)	
		Nominal	In 0° 09' (0.15°)	
		Maximum	In 0° 13' (0.21°)	

Measure value under unladen* conditions.

*: Fuel, engine coolant and lubricant are full. Spare tire, jack, hand tools and mats are in designated positions.

Ball Joint

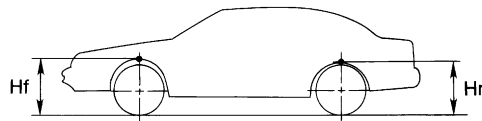
INFOID:0000000010841587

Item	Standard
Swing torque	0.5 – 3.4 N·m (0.06 – 0.34 kg-m, 5 – 30 in-lb)
Measurement on spring balance (cotter pinhole position)	8.1 – 54.8 N (0.83 – 5.59 kg, 1.83 – 12.31 lb)
Rotating torque	0.5 – 3.4 N·m (0.06 – 0.34 kg-m, 5 – 30 in-lb)
Axial end play	0 mm (0 in)

Wheelarch Height

INFOID:0000000010841588

Item	Standard	
Wheel size	18 inch	19 inch
Front (Hf)	711 mm (27.99 in)	708 mm (27.87 in)
Rear (Hr)	711 mm (27.99 in)	



SFA818A

Measure value under unladen* conditions

*: Fuel, engine coolant and lubricant are full. Spare tire, jack, hand tools and mats are in designated positions.

REAR PERFORMANCE DAMPER

< REMOVAL AND INSTALLATION >

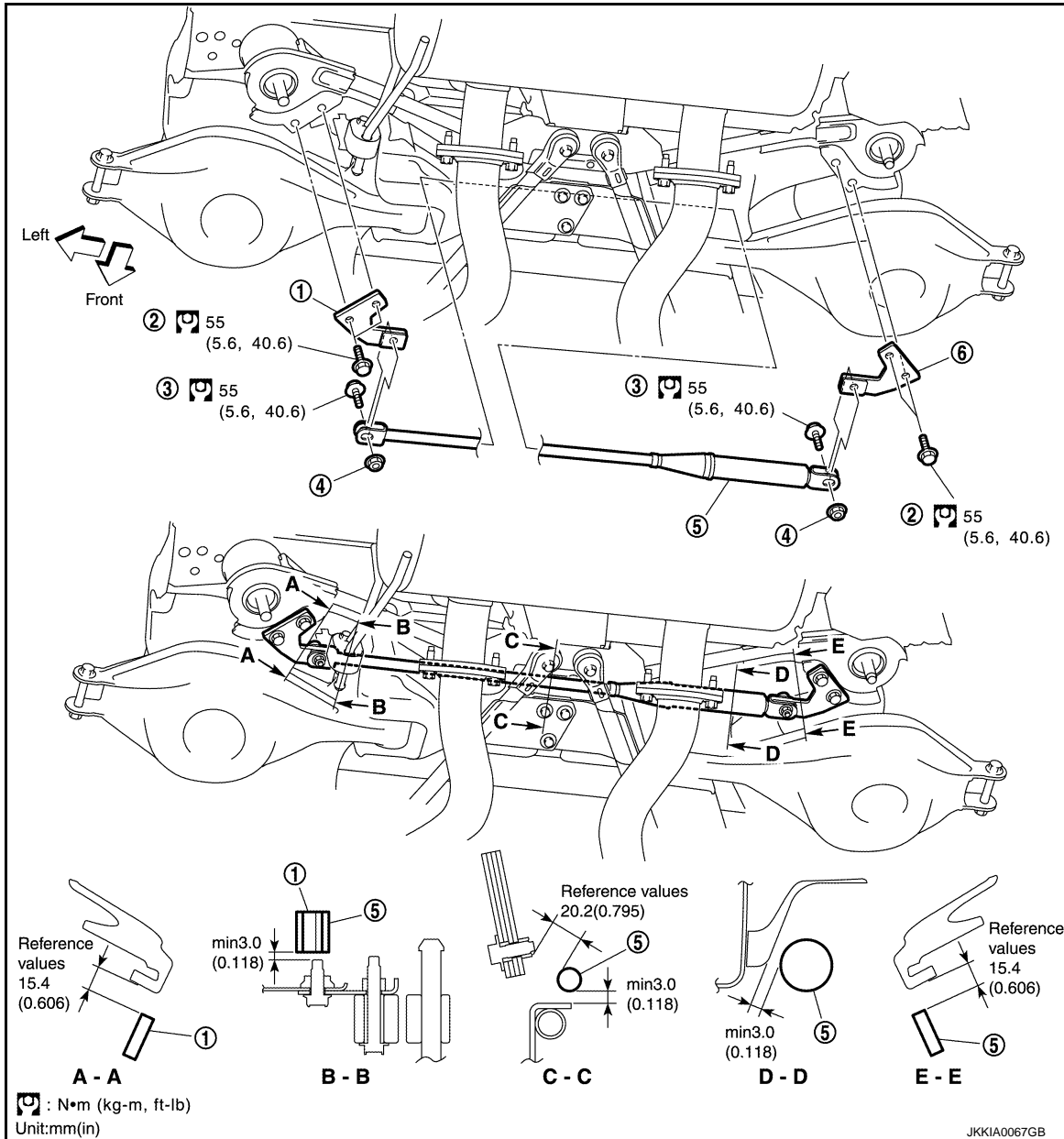
[Nismo 370Z]

REMOVAL AND INSTALLATION

REAR PERFORMANCE DAMPER

Exploded View

INFOID:000000010841589



- | | | |
|------------------------|----------------------------|------------------------|
| 1. Damper bracket (LH) | 2. Bolt (4) | 3. Bolt (2) |
| 4. Nut (2) | 5. Rear performance damper | 6. Damper bracket (RH) |

Removal and Installation

INFOID:000000010841590

REMOVAL

CAUTION:

- Perform the work in a level place while the vehicle is unladen in running order.
- Never tighten bolts while the vehicle is raised or jacked up.

1. Remove the bolts and nuts from the rear performance damper.
2. Remove the bolts and then remove the damper brackets (LH, RH).

REAR PERFORMANCE DAMPER

< REMOVAL AND INSTALLATION >

[Nismo 370Z]

INSTALLATION

Install in the reverse order of removal.

CAUTION:

When installing the front performance damper, check all clearances to make sure that there are no areas of interference.

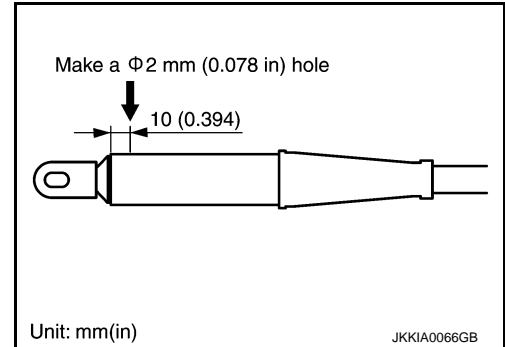
Rear performance damper disposal method

This damper includes nitrogen gas under high pressure. Dealer should let out in following manner.

- Hold the front performance damper in a vise or other device and use a 2 mm (0.078 in) drill to slowly make a hole and release the gas as shown in the figure.

CAUTION:

- **The released gas is colorless, odorless, and harmless.**
- **Metal cuttings, etc., could be blown out by the force of the released gas, so wear safety goggles when performing this task.**



SERVICE DATA AND SPECIFICATIONS (SDS)

< SERVICE DATA AND SPECIFICATIONS (SDS)

[Nismo 370Z]

SERVICE DATA AND SPECIFICATIONS (SDS)

SERVICE DATA AND SPECIFICATIONS (SDS)

Wheel Alignment

INFOID:0000000011145465

Item		Standard	
Camber Degree minute (Decimal degree)	Minimum	-2° 10' (-2.16°)	
	Nominal	-1° 40' (-1.67°)	
	Maximum	-1° 10' (-1.17°)	
Toe-in	Total toe-in Distance	Minimum	In 2.0 mm (0.079 in)
		Nominal	In 3.8 mm (0.150 in)
		Maximum	In 5.6 mm (0.221 in)
	Toe angle (left wheel or right wheel) Degree minute (Decimal degree)	Minimum	In 0° 05' (0.09°)
		Nominal	In 0° 09' (0.15°)
		Maximum	In 0° 13' (0.21°)

Measure value under unladen* conditions.

*: Fuel, engine coolant and lubricant are full. Spare tire, jack, hand tools and mats are in designated positions.

Ball Joint

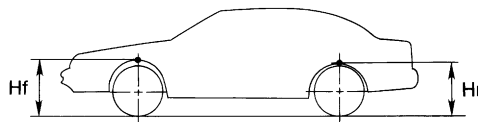
INFOID:0000000011145466

Item	Standard
Swing torque	0.5 – 3.4 N·m (0.06 – 0.34 kg-m, 5 – 30 in-lb)
Measurement on spring balance (cotter pinhole position)	8.1 – 54.8 N (0.83 – 5.59 kg, 1.83 – 12.31 lb)
Rotating torque	0.5 – 3.4 N·m (0.06 – 0.34 kg-m, 5 – 30 in-lb)
Axial end play	0 mm (0 in)

Wheelarch Height

INFOID:0000000011145467

Item	Standard
Front (Hf)	704 mm (27.72 in)
Rear (Hr)	714 mm (28.11 in)



SFA818A

Measure value under unladen* conditions

*: Fuel, engine coolant and lubricant are full. Spare tire, jack, hand tools and mats are in designated positions.