

SECTION **GW**

GLASS & WINDOW SYSTEM

A
B
C
D
E
F
G
H
I
J
GW
L
M
N
O
P

CONTENTS

<p>PRECAUTION 2</p> <p>PRECAUTIONS 2</p> <p>FOR USA AND CANADA2</p> <p style="padding-left: 20px;">FOR USA AND CANADA : Precaution for Supplemental Restraint System (SRS) "AIR BAG" and "SEAT BELT PRE-TENSIONER"2</p> <p style="padding-left: 20px;">FOR USA AND CANADA : Precaution for Battery Service2</p> <p style="padding-left: 20px;">FOR USA AND CANADA : Precaution for Procedure without Cowl Top Cover2</p> <p style="padding-left: 20px;">FOR USA AND CANADA : Precautions for Removing Battery Terminal3</p> <p style="padding-left: 20px;">FOR USA AND CANADA : Handling for Adhesive and Primer3</p> <p>FOR MEXICO3</p> <p style="padding-left: 20px;">FOR MEXICO : Precaution for Supplemental Restraint System (SRS) "AIR BAG" and "SEAT BELT PRE-TENSIONER"3</p> <p style="padding-left: 20px;">FOR MEXICO : Precaution for Battery Service4</p> <p style="padding-left: 20px;">FOR MEXICO : Precaution for Procedure without Cowl Top Cover4</p> <p style="padding-left: 20px;">FOR MEXICO : Precautions for Removing Battery Terminal4</p> <p style="padding-left: 20px;">FOR MEXICO : Handling for Adhesive and Primer.....4</p> <p>PREPARATION 5</p> <p>PREPARATION 5</p> <p style="padding-left: 20px;">Special Service Tools5</p> <p style="padding-left: 20px;">Commercial Service Tools5</p> <p>SYMPTOM DIAGNOSIS 6</p>	<p>SQUEAK AND RATTLE TROUBLE DIAGNOSES 6</p> <p style="padding-left: 20px;">Work Flow 6</p> <p style="padding-left: 20px;">Inspection Procedure 8</p> <p style="padding-left: 20px;">Diagnostic Worksheet10</p> <p>REMOVAL AND INSTALLATION12</p> <p>WINDSHIELD GLASS12</p> <p style="padding-left: 20px;">Exploded View12</p> <p style="padding-left: 20px;">Removal and Installation13</p> <p style="padding-left: 20px;">Inspection14</p> <p>SIDE WINDOW GLASS15</p> <p style="padding-left: 20px;">Exploded View15</p> <p style="padding-left: 20px;">Removal and Installation16</p> <p style="padding-left: 20px;">Inspection16</p> <p>BACK DOOR WINDOW GLASS17</p> <p style="padding-left: 20px;">Exploded View17</p> <p style="padding-left: 20px;">Removal and Installation18</p> <p style="padding-left: 20px;">Inspection18</p> <p>DOOR GLASS19</p> <p style="padding-left: 20px;">Exploded View19</p> <p style="padding-left: 20px;">Removal and Installation19</p> <p style="padding-left: 20px;">Inspection and Adjustment20</p> <p>DOOR REGULATOR22</p> <p style="padding-left: 20px;">Exploded View22</p> <p style="padding-left: 20px;">Removal and Installation22</p> <p style="padding-left: 20px;">Disassembly and Assembly23</p> <p style="padding-left: 20px;">Inspection After Removal23</p> <p style="padding-left: 20px;">Inspection and Adjustment23</p>
--	--

PRECAUTIONS

< PRECAUTION >

PRECAUTION

PRECAUTIONS

FOR USA AND CANADA

FOR USA AND CANADA : Precaution for Supplemental Restraint System (SRS) "AIR BAG" and "SEAT BELT PRE-TENSIONER"

INFOID:000000011740926

The Supplemental Restraint System such as "AIR BAG" and "SEAT BELT PRE-TENSIONER", used along with a front seat belt, helps to reduce the risk or severity of injury to the driver and front passenger for certain types of collision. This system includes seat belt switch inputs and dual stage front air bag modules. The SRS system uses the seat belt switches to determine the front air bag deployment, and may only deploy one front air bag, depending on the severity of a collision and whether the front occupants are belted or unbelted. Information necessary to service the system safely is included in the "SRS AIR BAG" and "SEAT BELT" of this Service Manual.

WARNING:

Always observe the following items for preventing accidental activation.

- To avoid rendering the SRS inoperative, which could increase the risk of personal injury or death in the event of a collision that would result in air bag inflation, all maintenance must be performed by an authorized NISSAN/INFINITI dealer.
- Improper maintenance, including incorrect removal and installation of the SRS, can lead to personal injury caused by unintentional activation of the system. For removal of Spiral Cable and Air Bag Module, see "SRS AIR BAG".
- Never use electrical test equipment on any circuit related to the SRS unless instructed to in this Service Manual. SRS wiring harnesses can be identified by yellow and/or orange harnesses or harness connectors.

PRECAUTIONS WHEN USING POWER TOOLS (AIR OR ELECTRIC) AND HAMMERS

WARNING:

Always observe the following items for preventing accidental activation.

- When working near the Air Bag Diagnosis Sensor Unit or other Air Bag System sensors with the ignition ON or engine running, never use air or electric power tools or strike near the sensor(s) with a hammer. Heavy vibration could activate the sensor(s) and deploy the air bag(s), possibly causing serious injury.
- When using air or electric power tools or hammers, always switch the ignition OFF, disconnect the battery, and wait at least 3 minutes before performing any service.

FOR USA AND CANADA : Precaution for Battery Service

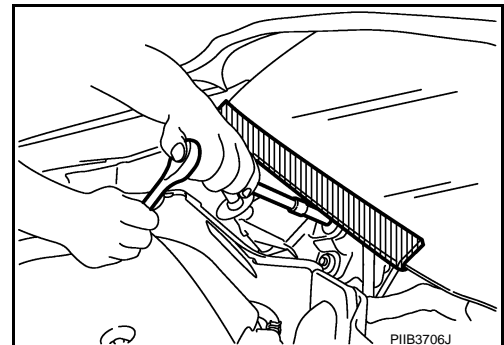
INFOID:000000011740927

Before disconnecting the battery, lower both the driver and passenger windows. This will prevent any interference between the window edge and the vehicle when the door is opened/closed. During normal operation, the window slightly raises and lowers automatically to prevent any window to vehicle interference. The automatic window function will not work with the battery disconnected.

FOR USA AND CANADA : Precaution for Procedure without Cowl Top Cover

INFOID:000000011740928

When performing the procedure after removing cowl top cover, cover the lower end of windshield with urethane, etc to prevent damage to windshield.



PRECAUTIONS

< PRECAUTION >

FOR USA AND CANADA : Precautions for Removing Battery Terminal

INFOID:000000012083680

- When removing the 12V battery terminal, turn OFF the ignition switch and wait at least 30 seconds.

NOTE:

ECU may be active for several tens of seconds after the ignition switch is turned OFF. If the battery terminal is removed before ECU stops, then a DTC detection error or ECU data corruption may occur.

- For vehicles with the 2-batteries, be sure to connect the main battery and the sub battery before turning ON the ignition switch.

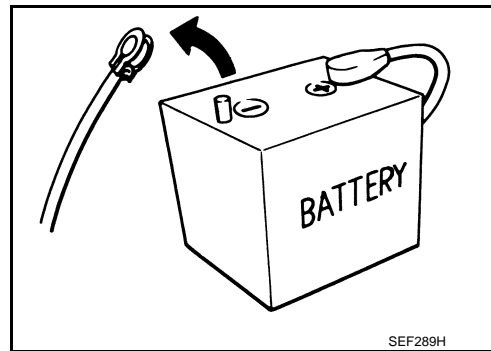
NOTE:

If the ignition switch is turned ON with any one of the terminals of main battery and sub battery disconnected, then DTC may be detected.

- After installing the 12V battery, always check "Self Diagnosis Result" of all ECUs and erase DTC.

NOTE:

The removal of 12V battery may cause a DTC detection error.



FOR USA AND CANADA : Handling for Adhesive and Primer

INFOID:000000011740929

- Never use an adhesive that is past its usable date. Shelf life of this product is limited to six months after the date of manufacture. Carefully adhere to the expiration or manufacture date printed on the box.
- Keep primers and adhesive in a cool, dry place. Ideally, they should be stored in a refrigerator.
- Open the seal of the primer and adhesive just before application. Discard the remainder.
- Before application, be sure to shake the primer container to stir the contents. If any floating material is found, do not use it.
- If any primer or adhesive contacts the skin, wipe it off with gasoline or an equivalent and wash the skin with soap.
- When using primer and adhesive, always observe the precautions in the instruction manual.

FOR MEXICO

FOR MEXICO : Precaution for Supplemental Restraint System (SRS) "AIR BAG" and "SEAT BELT PRE-TENSIONER"

INFOID:000000011740930

The Supplemental Restraint System such as "AIR BAG" and "SEAT BELT PRE-TENSIONER", used along with a front seat belt, helps to reduce the risk or severity of injury to the driver and front passenger for certain types of collision. Information necessary to service the system safely is included in the "SRS AIR BAG" and "SEAT BELT" of this Service Manual.

WARNING:

Always observe the following items for preventing accidental activation.

- To avoid rendering the SRS inoperative, which could increase the risk of personal injury or death in the event of a collision that would result in air bag inflation, all maintenance must be performed by an authorized NISSAN/INFINITI dealer.
- Improper maintenance, including incorrect removal and installation of the SRS, can lead to personal injury caused by unintentional activation of the system. For removal of Spiral Cable and Air Bag Module, see "SRS AIR BAG".
- Never use electrical test equipment on any circuit related to the SRS unless instructed to in this Service Manual. SRS wiring harnesses can be identified by yellow and/or orange harnesses or harness connectors.

PRECAUTIONS WHEN USING POWER TOOLS (AIR OR ELECTRIC) AND HAMMERS

WARNING:

Always observe the following items for preventing accidental activation.

- When working near the Air Bag Diagnosis Sensor Unit or other Air Bag System sensors with the ignition ON or engine running, never use air or electric power tools or strike near the sensor(s) with a hammer. Heavy vibration could activate the sensor(s) and deploy the air bag(s), possibly causing serious injury.
- When using air or electric power tools or hammers, always switch the ignition OFF, disconnect the battery, and wait at least 3 minutes before performing any service.

PRECAUTIONS

< PRECAUTION >

FOR MEXICO : Precaution for Battery Service

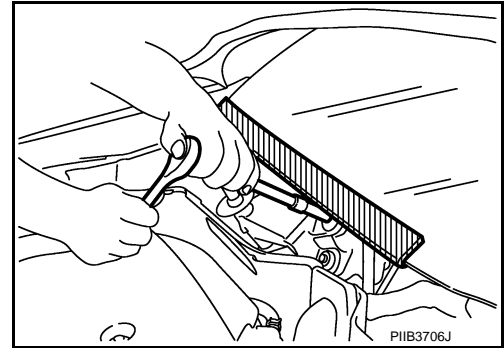
INFOID:000000011740931

Before disconnecting the battery, lower both the driver and passenger windows. This will prevent any interference between the window edge and the vehicle when the door is opened/closed. During normal operation, the window slightly raises and lowers automatically to prevent any window to vehicle interference. The automatic window function will not work with the battery disconnected.

FOR MEXICO : Precaution for Procedure without Cowl Top Cover

INFOID:000000011740932

When performing the procedure after removing cowl top cover, cover the lower end of windshield with urethane, etc to prevent damage to windshield.



FOR MEXICO : Precautions for Removing Battery Terminal

INFOID:000000012083681

- When removing the 12V battery terminal, turn OFF the ignition switch and wait at least 30 seconds.

NOTE:

ECU may be active for several tens of seconds after the ignition switch is turned OFF. If the battery terminal is removed before ECU stops, then a DTC detection error or ECU data corruption may occur.

- For vehicles with the 2-batteries, be sure to connect the main battery and the sub battery before turning ON the ignition switch.

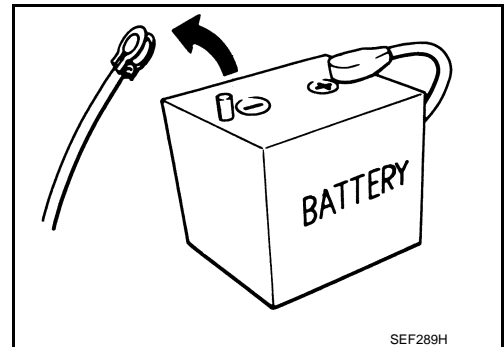
NOTE:

If the ignition switch is turned ON with any one of the terminals of main battery and sub battery disconnected, then DTC may be detected.

- After installing the 12V battery, always check "Self Diagnosis Result" of all ECUs and erase DTC.

NOTE:

The removal of 12V battery may cause a DTC detection error.



FOR MEXICO : Handling for Adhesive and Primer

INFOID:000000011740933

- Never use an adhesive that is past its usable date. Shelf life of this product is limited to six months after the date of manufacture. Carefully adhere to the expiration or manufacture date printed on the box.
- Keep primers and adhesive in a cool, dry place. Ideally, they should be stored in a refrigerator.
- Open the seal of the primer and adhesive just before application. Discard the remainder.
- Before application, be sure to shake the primer container to stir the contents. If any floating material is found, do not use it.
- If any primer or adhesive contacts the skin, wipe it off with gasoline or an equivalent and wash the skin with soap.
- When using primer and adhesive, always observe the precautions in the instruction manual.

PREPARATION

< PREPARATION >

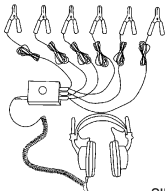
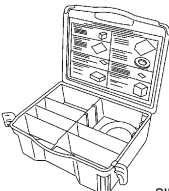
PREPARATION

PREPARATION

Special Service Tools

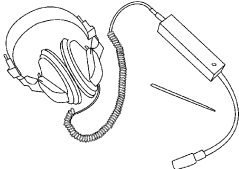
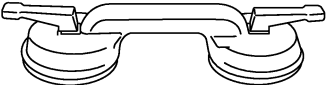
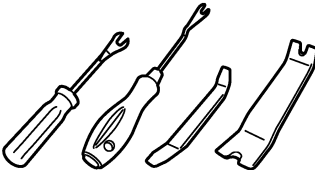
INFOID:000000011740934

The actual shapes of Kent-Moore tools may differ from those of special service tools illustrated here.

Tool number (Kent-Moore No.) Tool name	Description
<p>(J-39570) Chassis ear</p>  <p>SIIA0993E</p>	<p>Locates the noise</p>
<p>(J-50397) NISSAN Squeak and Rattle Kit</p>  <p>SIIA0994E</p>	<p>Repairs the cause of noise</p>

Commercial Service Tools

INFOID:000000011740935

Tool name	Description
<p>Engine ear</p>  <p>SIIA0995E</p>	<p>Locates the noise</p>
<p>Suction lifter</p>  <p>PIIB1805J</p>	<p>Holds the windshield glass, side window glass and back door window glass</p>
<p>Remover tools</p>  <p>JMKIA3050ZZ</p>	<p>Removes the clips, pawls and metal clips</p>

SQUEAK AND RATTLE TROUBLE DIAGNOSES

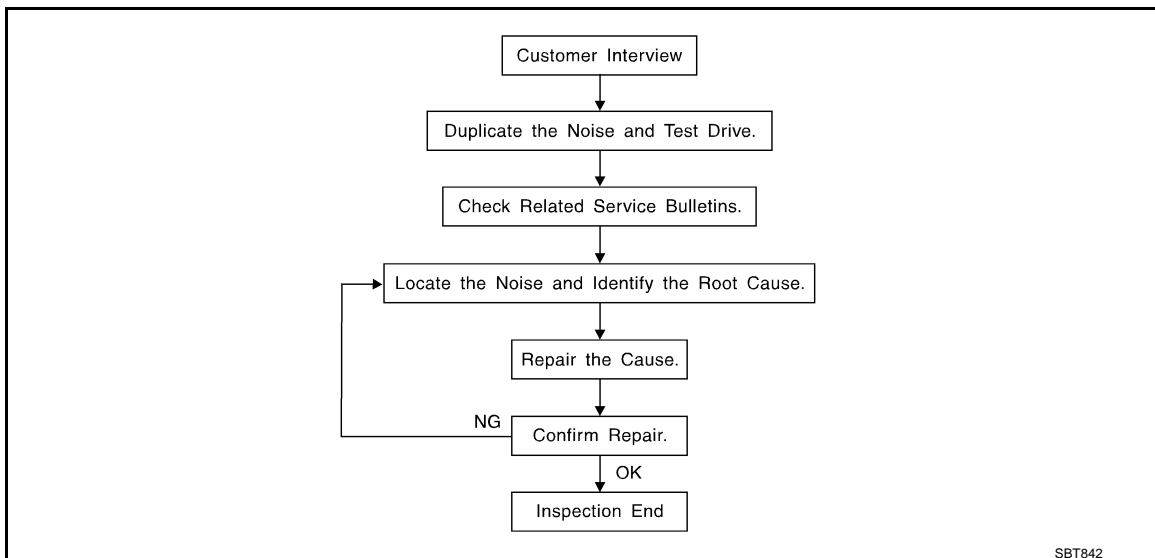
< SYMPTOM DIAGNOSIS >

SYMPTOM DIAGNOSIS

SQUEAK AND RATTLE TROUBLE DIAGNOSES

Work Flow

INFOID:000000011740936



CUSTOMER INTERVIEW

Interview the customer if possible, to determine the conditions that exist when the noise occurs. Use the Diagnostic Worksheet during the interview to document the facts and conditions when the noise occurs and any customer comments. Refer to [GW-10, "Diagnostic Worksheet"](#). This information is necessary to duplicate the conditions that exist when the noise occurs.

- The customer may not be able to provide a detailed description or the location of the noise. Attempt to obtain all the facts and conditions that exist when the noise occurs (or does not occur).
- If there is more than one noise in the vehicle, perform a diagnosis and repair the noise that the customer is concerned about. This can be accomplished by performing a test drive with the customer.
- After identifying the type of noise, isolate the noise in terms of its characteristics. The noise characteristics are provided so that the customer, service adviser, and technician use the same language when describing the noise.
- Squeak – (Like tennis shoes on a clean floor)
Squeak characteristics include the light contact / fast movement / brought on by road conditions / hard surfaces = high-pitched noise / softer surfaces = low-pitched noises / edge to surface = chirping
- Creak – (Like walking on an old wooden floor)
Creak characteristics include firm contact / slow movement/twisting with a rotational movement / pitch dependent on materials / often brought on by activity.
- Rattle – (Like shaking a baby rattle)
Rattle characteristics include fast repeated contact / vibration or similar movement / loose parts/missing clip or fastener / incorrect clearance.
- Knock – (Like a knock on a door)
Knock characteristics include hollow sounds / sometimes repeating / often brought on by driver action.
- Tick – (Like a clock second hand)
Tick characteristics include gentle contacting of light materials / loose components / can be caused by driver action or road conditions.
- Thump – (Heavy, muffled knock noise)
Thump characteristics include softer knock / dull sounds often brought on by activity.
- Buzz – (Like a bumblebee)
Buzz characteristics include high frequency rattle / firm contact.
- Often the degree of acceptable noise level varies depending upon the person. A noise that a technician may judge as acceptable may be very irritating to a customer.
- Weather conditions, especially humidity and temperature, may have a great effect on noise level.

DUPLICATE THE NOISE AND TEST DRIVE

SQUEAK AND RATTLE TROUBLE DIAGNOSES

< SYMPTOM DIAGNOSIS >

If possible, drive the vehicle with the customer until the noise is duplicated. Note any additional information on the Diagnostic Worksheet regarding the conditions or location of the noise. This information can be used to duplicate the same conditions when the repair is reconfirmed.

If the noise can be duplicated easily during the test drive, do the following with the vehicle stopped to help identify the source of the noise.

- 1) Close a door.
 - 2) Tap or push/pull around the area where the noise appears to be coming from.
 - 3) Rev the engine.
 - 4) Use a floor jack to recreate vehicle "twist".
 - 5) At idle, apply engine load (electrical load, half-clutch on M/T models, drive position on A/T models).
 - 6) Raise the vehicle on a hoist and hit a tire with a rubber hammer.
- Drive the vehicle and attempt to duplicate the conditions the customer states exist when the noise occurs.
 - If it is difficult to duplicate the noise, drive the vehicle slowly on an undulating or rough road to stress the vehicle body.

CHECK RELATED SERVICE BULLETINS

After verifying the customer concern or symptom, check ASIST for Technical Service Bulletins (TSBs) related to the concern or symptom.

If a TSB relates to the symptom, follow the procedure to repair the noise.

LOCATE THE NOISE AND IDENTIFY THE ROOT CAUSE

1. Narrow down the noise to a general area. To help pinpoint the source of the noise, use a listening tool (Chassis ear: J-39570, engine ear, and mechanics stethoscope).
2. Narrow down the noise to a more specific area and identify the cause of the noise by:
 - Removing the component(s) in the area(s) that is / are suspected to be the cause of the noise. Do not use too much force when removing clips and fasteners, otherwise clips and fasteners can be broken or lost during the repair, creating a new noise.
 - Tapping or pushing/pulling the component(s) that is / are suspected to be the cause of the noise. Do not tap or push/pull the component(s) with excessive force, otherwise the noise is eliminated only temporarily.
 - Feeling for a vibration by hand by touching the component(s) that is / are suspected to be the cause of the noise.
 - Placing a piece of paper between components that are suspected to be the cause of the noise.
 - Looking for loose components and contact marks.
Refer to [GW-8. "Inspection Procedure"](#).

REPAIR THE CAUSE

- If the cause is a loose component, tighten the component securely.
- If the cause is insufficient clearance between components:
 - Separate components by repositioning or loosening and retightening the components, if possible.
 - Insulate components with a suitable insulator such as urethane pads, foam blocks, felt cloth tape, or urethane tape. A NISSAN Squeak and Rattle Kit (J-50397) is available through the authorized NISSAN Parts Department.

CAUTION:

Never use excessive force as many components are constructed of plastic and may be damaged.

NOTE:

Always check with the Parts Department for the latest parts information.

The following materials are contained in the NISSAN Squeak and Rattle Kit (J-50397) are listed on the inside cover of the kit; and can each be ordered separately as needed.

URETHANE PADS [1.5 mm (0.059 in) thick]

Insulates connectors, harness, etc.

- 76268-9E005: 100 × 135 mm (3.937 × 5.315 in)
- 76884-71L01: 60 × 85 mm (2.362 × 3.346 in)
- 76884-71L02: 15 × 25 mm (0.591 × 0.984 in)

INSULATOR (Foam blocks)

Insulates components from contact. Can be used to fill space behind a panel.

- 73982-9E000: 45 mm (1.772 in) thick, 50 × 50 mm (1.969 × 1.969 in)
- 73982-50Y00: 10 mm (0.394 in) thick, 50 × 50 mm (1.969 × 1.969 in)

INSULATOR (Light foam block)

80845-71L00: 30 mm (1.18 in) thick, 30 × 50 mm (1.181 × 1.969in)

FELT CLOTHTAPE

SQUEAK AND RATTLE TROUBLE DIAGNOSES

< SYMPTOM DIAGNOSIS >

Used to insulate where movement does not occur. Ideal for instrument panel applications.

- 68370-4B000: 15 × 25 mm (0.591 × 0.984 in) pad
- 68239-13E00: 5 mm (0.197 in) wide tape roll

The following materials, not found in the kit, can also be used to repair squeaks and rattles.

UHMW (TEFLON) TAPE

Insulates where slight movement is present. Ideal for instrument panel applications.

SILICONE GREASE

Used in place of UHMW tape that is visible or does not fit. Only lasts a few months.

SILICONE SPRAY

Used when grease cannot be applied.

DUCT TAPE

Used to eliminate movement.

CONFIRM THE REPAIR

After repair is complete, test drive the vehicle to confirm that the cause of noise is repaired by test driving the vehicle. Operate the vehicle under the same conditions as when the noise originally occurred. Refer to the notes on the Diagnostic Worksheet.

Inspection Procedure

INFOID:000000011740937

Refer to Table of Contents for specific component removal and installation information.

INSTRUMENT PANEL

Most incidents are caused by contact and movement between:

1. The cluster lid A and instrument panel
2. Acrylic lens and combination meter housing
3. Instrument panel to front pillar garnish
4. Instrument panel to windshield
5. Instrument panel mounting pins
6. Wiring harnesses behind the combination meter
7. A/C defroster duct and duct joint

These incidents can usually be located by tapping or moving the components to duplicate the noise or by pressing on the components while driving to stop the noise. Most of these incidents can be repaired by applying felt cloth tape or silicon spray (in hard to reach areas). Urethane pads can be used to insulate wiring harness.

CAUTION:

Never use silicone spray to isolate a squeak or rattle. If the area is saturated with silicone, the recheck of repair becomes impossible.

CENTER CONSOLE

Components to check include:

1. Shifter assembly cover to finisher
2. A/C control unit and cluster lid C
3. Wiring harnesses behind audio and A/C control unit

The instrument panel repair and isolation procedures also apply to the center console.

DOORS

Check the following items:

1. Finisher and inner panel making a slapping noise
2. Inside handle escutcheon connection to door finisher
3. Wiring harnesses tapping
4. Door striker out of alignment causing a popping noise on starts and stops

Tapping, moving the components, or pressing on them while driving to duplicate the conditions can isolate many of these incidents. The areas can usually be insulated with felt cloth tape or insulator foam blocks from the NISSAN Squeak and Rattle Kit (J-50397) to repair the noise.

TRUNK

Trunk noises are often caused by a loose jack or loose items put into the trunk by the customer.

In addition check for the following items:

SQUEAK AND RATTLE TROUBLE DIAGNOSES

< SYMPTOM DIAGNOSIS >

1. Trunk lid dumpers out of adjustment
2. Trunk lid striker out of adjustment
3. Trunk lid torsion bars knocking together
4. A loose license plate or bracket

Most of these incidents can be repaired by adjusting, securing, or insulating the item(s) or component(s) causing the noise.

SUNROOF/HEADLINING

Noises in the sunroof / headlining area can often be traced to one of the following items:

1. Sunroof lid, rail, linkage, or seals making a rattle or light knocking noise
2. Sunvisor shaft shaking in the holder
3. Front or rear windshield touching headlining and squeaking

Again, pressing on the components to stop the noise while duplicating the conditions can isolate most of these incidents. Repairs usually consist of insulating with felt cloth tape.

SEATS

When isolating seat noise it is important to note the position the seat is in and the load placed on the seat when the noise occurs. These conditions should be duplicated when verifying and isolating the cause of the noise.

Causes of seat noise include:

1. Headrest rods and holder
2. A squeak between the seat pad cushion and frame
3. The rear seatback lock and bracket

These noises can be isolated by moving or pressing on the suspected components while duplicating the conditions under which the noise occurs. Most of these incidents can be repaired by repositioning the component or applying urethane tape to the contact area.

UNDERHOOD

Some interior noise may be caused by components under the hood or on the engine wall. The noise is then transmitted into the passenger compartment.

Causes of transmitted underhood noise include:

1. Any component mounted to the engine wall
2. Components that pass through the engine wall
3. Engine wall mounts and connectors
4. Loose radiator mounting pins
5. Hood bumpers out of adjustment
6. Hood striker out of adjustment

These noises can be difficult to isolate since they cannot be reached from the interior of the vehicle. The best method is to secure, move, or insulate one component at a time and test drive the vehicle. Also, engine RPM or load can be changed to isolate the noise. Repairs can usually be made by moving, adjusting, securing, or insulating the component causing the noise.

A
B
C
D
E
F
G
H
I
J
L
M
N
O
P

GW

SQUEAK AND RATTLE TROUBLE DIAGNOSES

< SYMPTOM DIAGNOSIS >

Diagnostic Worksheet

INFOID:000000011740938



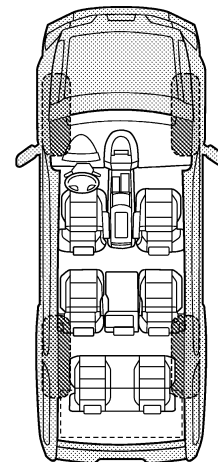
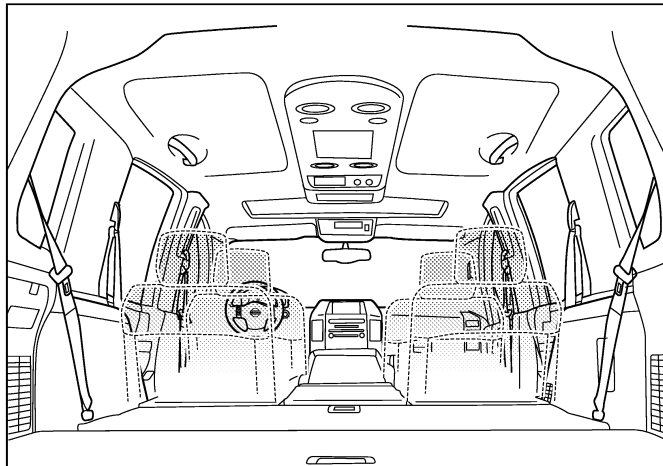
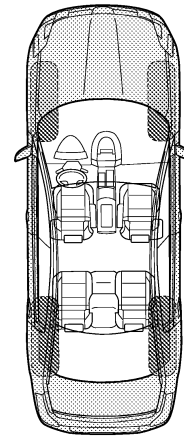
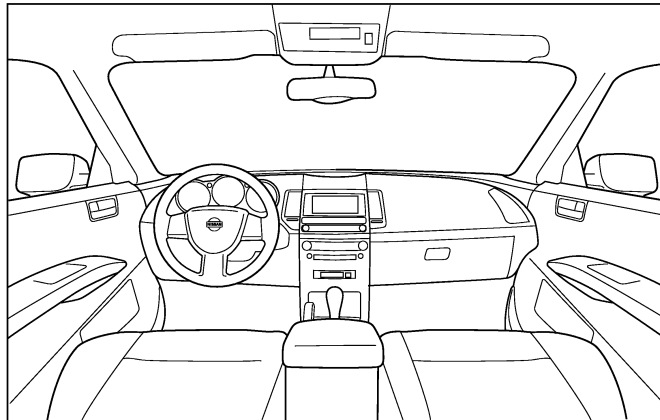
SQUEAK & RATTLE DIAGNOSTIC WORKSHEET

Dear Nissan Customer:

We are concerned about your satisfaction with your Nissan vehicle. Repairing a squeak or rattle sometimes can be very difficult. To help us fix your Nissan right the first time, please take a moment to note the area of the vehicle where the squeak or rattle occurs and under what conditions. You may be asked to take a test drive with a service advisor or technician to ensure we confirm the noise you are hearing.

I. WHERE DOES THE NOISE COME FROM? (circle the area of the vehicle)

The illustrations are for reference only, and may not reflect the actual configuration of your vehicle.



Continue to page 2 of the worksheet and briefly describe the location of the noise or rattle. In addition, please indicate the conditions which are present when the noise occurs.

PIIB8740E

SQUEAK AND RATTLE TROUBLE DIAGNOSES

< SYMPTOM DIAGNOSIS >

SQUEAK & RATTLE DIAGNOSTIC WORKSHEET - page 2

Briefly describe the location where the noise occurs:

II. WHEN DOES IT OCCUR? (please check the boxes that apply)

- | | |
|---|--|
| <input type="checkbox"/> anytime | <input type="checkbox"/> after sitting out in the rain |
| <input type="checkbox"/> 1st time in the morning | <input type="checkbox"/> when it is raining or wet |
| <input type="checkbox"/> only when it is cold outside | <input type="checkbox"/> dry or dusty conditions |
| <input type="checkbox"/> only when it is hot outside | <input type="checkbox"/> other: _____ |

III. WHEN DRIVING:

- through driveways
- over rough roads
- over speed bumps
- only about ____ mph
- on acceleration
- coming to a stop
- on turns: left, right or either (circle)
- with passengers or cargo
- other: _____
- after driving ____ miles or ____ minutes

IV. WHAT TYPE OF NOISE

- squeak (like tennis shoes on a clean floor)
- creak (like walking on an old wooden floor)
- rattle (like shaking a baby rattle)
- knock (like a knock at the door)
- tick (like a clock second hand)
- thump (heavy, muffled knock noise)
- buzz (like a bumble bee)

TO BE COMPLETED BY DEALERSHIP PERSONNEL

Test Drive Notes:

	YES	NO	Initials of person performing
Vehicle test driven with customer	<input type="checkbox"/>	<input type="checkbox"/>	_____
- Noise verified on test drive	<input type="checkbox"/>	<input type="checkbox"/>	_____
- Noise source located and repaired	<input type="checkbox"/>	<input type="checkbox"/>	_____
- Follow up test drive performed to confirm repair	<input type="checkbox"/>	<input type="checkbox"/>	_____

VIN: _____ Customer Name: _____
W.O.# _____ Date: _____

This form must be attached to Work Order

PIIB8742E

A
B
C
D
E
F
G
H
I
J
L
M
N
O
P

GW

WINDSHIELD GLASS

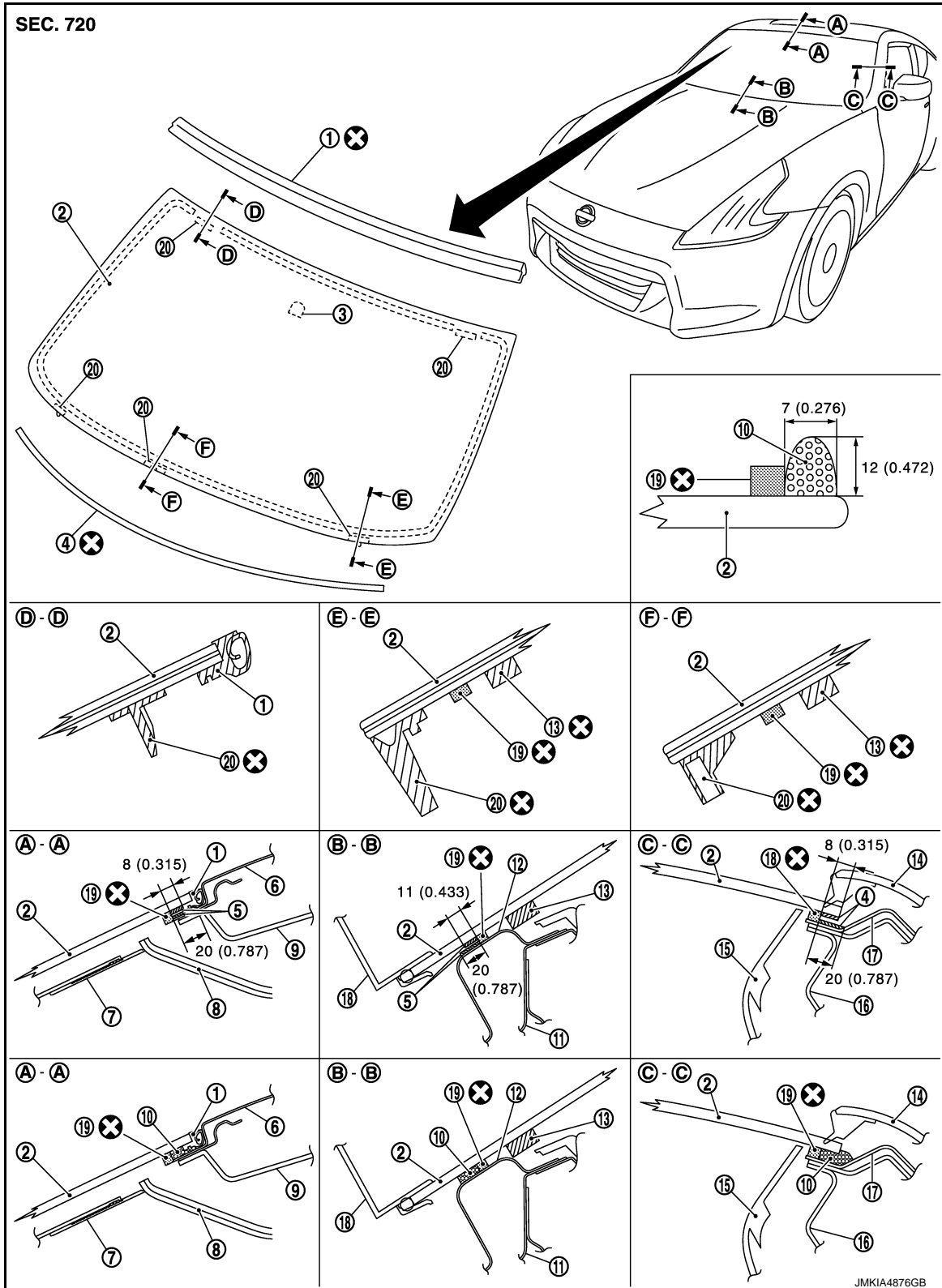
< REMOVAL AND INSTALLATION >

REMOVAL AND INSTALLATION

WINDSHIELD GLASS

Exploded View

INFOID:000000011740939



WINDSHIELD GLASS

< REMOVAL AND INSTALLATION >

- | | | |
|------------------------------|------------------------------|-----------------------------|
| 1. Windshield upper molding | 2. Windshield glass assembly | 3. Mirror base |
| 4. Windshield insulator | 5. Primer | 6. Roof assembly |
| 7. Inside mirror cover | 8. Headlining assembly | 9. Front roof rail |
| 10. Adhesive | 11. Dash side upper | 12. Dash upper cross member |
| 13. Windshield insulator | 14. Front pillar finisher | 15. Front pillar garnish |
| 16. Front pillar inner upper | 17. Front pillar outer upper | 18. Cowl top cover LH |
| 19. Dam sealant rubber | 20. Spacer | |

Unit : mm (in)

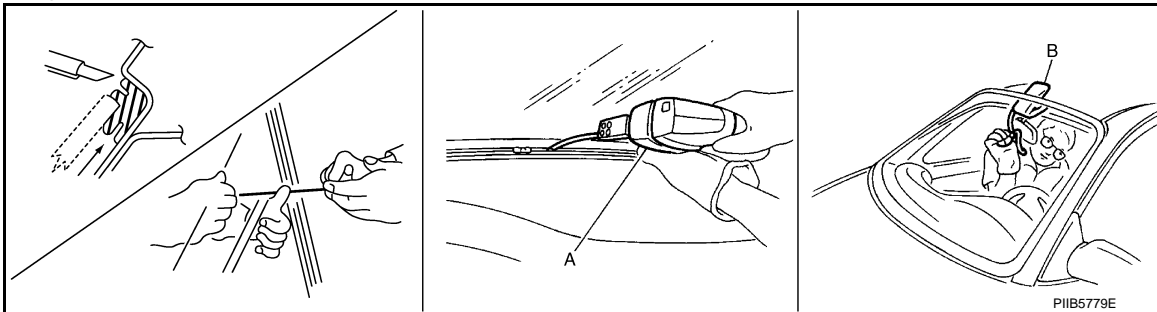
⊗ : Always replace after every disassembly.

Removal and Installation

INFOID:000000011740940

REMOVAL

1. Open the soft top. (Roadster model only)
2. Remove the front pillar garnish (LH/RH). Coupe model : Refer to [INT-18, "FRONT PILLAR GARNISH : Removal and Installation"](#). Roadster model : [INT-51, "FRONT PILLAR GARNISH : Removal and Installation"](#).
3. Disconnect the inside mirror harness connector.
4. Remove partially the headlining (front edge). (Coupe model only) Refer to [INT-28, "Removal and Installation"](#).
5. Remove the front roof finisher. (Roadster model only) Refer to [INT-71, "Removal and Installation"](#).
6. Remove the front wiper arm and blade (LH/RH). Refer to [WW-49, "Removal and Installation"](#).
7. Remove the cowl top cover (LH/RH/Center). Refer to [EXT-29, "Removal and Installation"](#).
8. Remove the front pillar finisher (LH/RH). Refer to [EXT-49, "FRONT PILLAR FINISHER \(Roadster\) : Removal and Installation"](#).
9. Apply protective tape around the windshield glass to protect the painted surface from damage.
10. Remove glass using piano wire or power cutting tool (A) and an inflatable pump bag (B) after removing moldings.



WARNING:

Always wear safety glasses and heavy gloves to help prevent injuries.

CAUTION:

Never set or stand the glass on its edge. Small chips may develop into cracks.

INSTALLATION

- The dam sealant rubber should be installed in position.
- Use a genuine Nissan Urethane Adhesive Kit (if available) or an equivalent and follow the instructions provided with it.
- Open a door window while the urethane adhesive is curing. This prevents the glass from being forced out by passenger room air pressure when all door windows are closed.
- Inform the customer that the vehicle should remain stationary until the urethane adhesive is completely cured (approximately 24 hours). Curing time varies with temperature and humidity.

WARNING:

- Keep heat and open flames away as primers and adhesive are flammable.
- The materials contained in the kit are harmful if swallowed, and may irritate skin and eyes. Never let them come in contact with the skin and eyes.

WINDSHIELD GLASS

< REMOVAL AND INSTALLATION >

- Use in an open, well ventilated location. Never breathe the vapors. They may be harmful if inhaled. Move immediately to an area with fresh air if affected by vapor inhalation.
- Driving the vehicle before the urethane adhesive is completely cured may affect the performance of the windshield in an accident.

CAUTION:

- Perform adjustment of front wiper arms stop location. Refer to [WW-49, "Adjustment"](#).
- Never use an adhesive that is past its usable term. Shelf life of this product is limited to six months after the date of manufacture. Adhere carefully to the expiration or manufacture date printed on the box.
- Keep primers and adhesive in a cool, dry place. Ideally, they should be stored in a refrigerator.
- Never leave primers or adhesive cartridge unattended with their caps open or off.
- The vehicle should not be driven for 24 hours or more or until the urethane adhesive is completely cured. Curing time varies depending on temperature and humidity. The curing time increases under lower temperature and lower humidity.

Inspection

INFOID:000000011740941

REPAIRING WATER LEAKAGE FOR WINDSHIELD GLASS

Leakage can be repaired without removing the windshield glass.

Determine the extent of leakage if water is leaking between the urethane adhesive material and body or glass.

This can be done by applying water to the windshield area while pushing glass outward.

Apply primer (if necessary) and then urethane adhesive to the leakage point to stop the leakage.

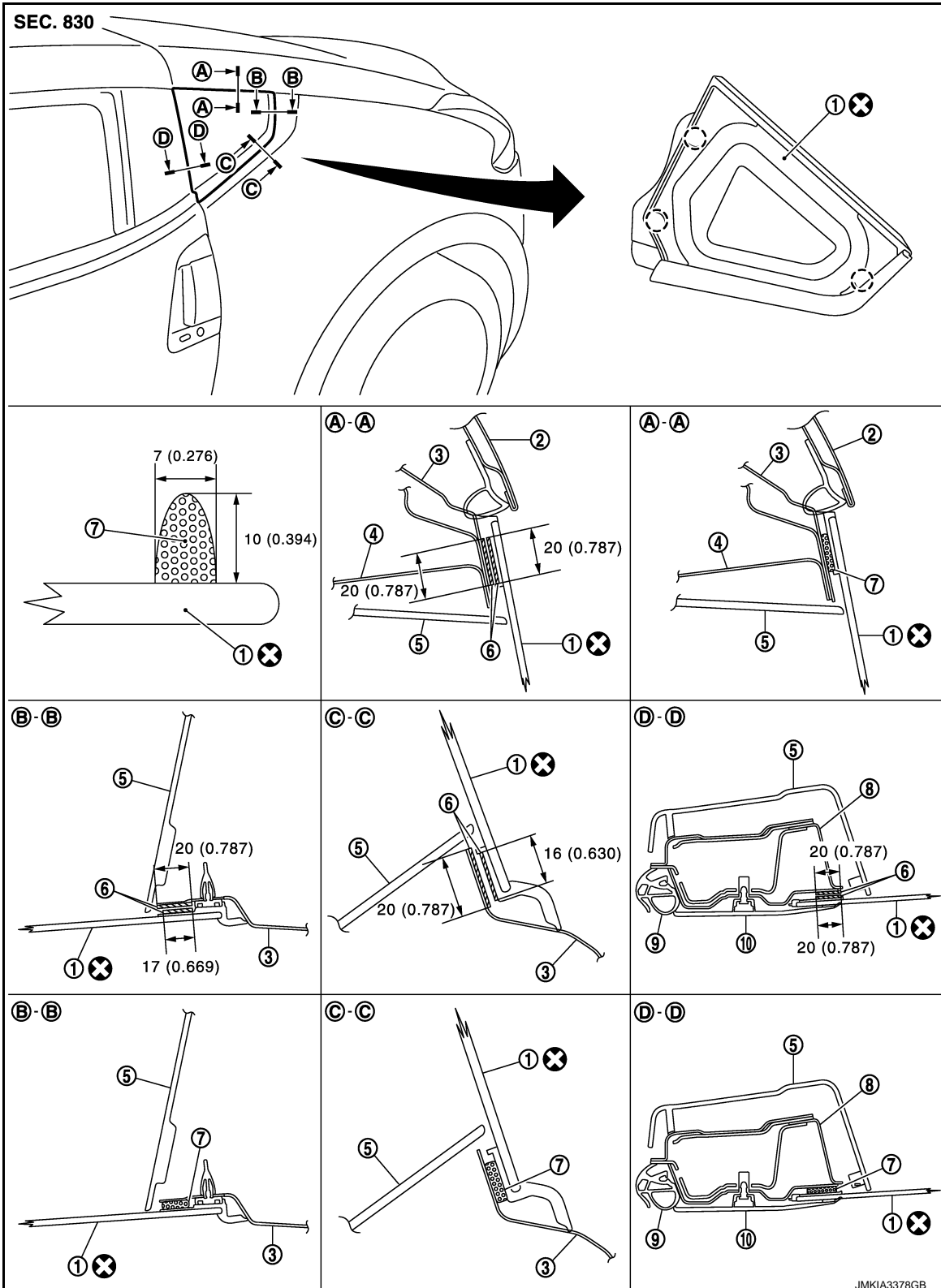
SIDE WINDOW GLASS

< REMOVAL AND INSTALLATION >

SIDE WINDOW GLASS

Exploded View

INFOID:000000011740942



- | | | |
|-------------------------------|--------------------------|----------------------------|
| 1. Side window glass assembly | 2. Back door outer panel | 3. Rear fender |
| 4. Rear pillar inner | 5. Rear pillar finisher | 6. Primer |
| 7. Adhesive | 8. Panel side inner | 9. Body side weather-strip |


A
B
C
D
E
F
G
H
I
J
L
M
N
O
P

GW


SIDE WINDOW GLASS

< REMOVAL AND INSTALLATION >

10. Lock pillar finisher

 : Clip

Unit : mm (in)

 : Always replace after every disassembly.

Removal and Installation

INFOID:000000011740943

CAUTION:

Replace the side window glass assembly with a new part after removal as it cannot be reused.

REMOVAL

1. Remove the rear pillar finisher. Refer to [INT-18, "FRONT PILLAR GARNISH : Removal and Installation"](#).
2. Remove the front pillar finisher. Refer to [EXT-49, "FRONT PILLAR FINISHER \(Roadster\) : Removal and Installation"](#).
3. Apply protective tape around the side window to protect the painted surface from damage.
4. Remove the side window glass using piano wire or power cutting tool and an inflatable pump bag.

WARNING:

Always wear safety glasses and heavy gloves to help prevent injuries.

CAUTION:

Never set or stand the glass on its edge. Small chips may develop into cracks.

INSTALLATION

- Use a genuine Nissan Urethane Adhesive Kit (if available) or an equivalent and follow the instructions provided with it.
- Open a door window while the urethane adhesive is curing. This prevents the glass from being forced out by passenger room air pressure when all door windows are closed.
- Inform the customer that the vehicle should remain stationary until the urethane adhesive is completely cured (approximately 24 hours). Curing time varies with temperature and humidity.

WARNING:

- **Keep heat and open flames away as primers and adhesive are flammable.**
- **The materials contained in the kit are harmful if swallowed, and may irritate skin and eyes. Never let them come in contact with the skin and eyes.**
- **Use in an open, well ventilated location. Never breathe the vapors. They may be harmful if inhaled. Move immediately to an area with fresh air if affected by vapor inhalation.**
- **Driving the vehicle before the urethane adhesive is completely cured may affect the performance of the side window in an accident.**

CAUTION:

- **Never use an adhesive that is past its usable term. Shelf life of this product is limited to six months after the date of manufacture. Adhere carefully to the expiration or manufacture date printed on the box.**
- **Keep primers and adhesive in a cool, dry place. Ideally, they should be stored in a refrigerator.**
- **Never leave primers or adhesive cartridge unattended with their caps open or off.**
- **The vehicle should not be driven for 24 hours or more or until the urethane adhesive is completely cured. Curing time varies depending on temperature and humidity. The curing time increases under lower temperature and lower humidity.**

Inspection

INFOID:000000011740944

REPAIRING WATER LEAKAGE FOR SIDE WINDOW GLASS

Leakage can be repaired without removing the side window glass.

Determine the extent of leakage if water is leaking between the urethane adhesive material and body or glass. This can be done by applying water to the side window glass area while pushing glass outward.

Apply primer (if necessary) and then urethane adhesive to the leakage point to stop the leakage.

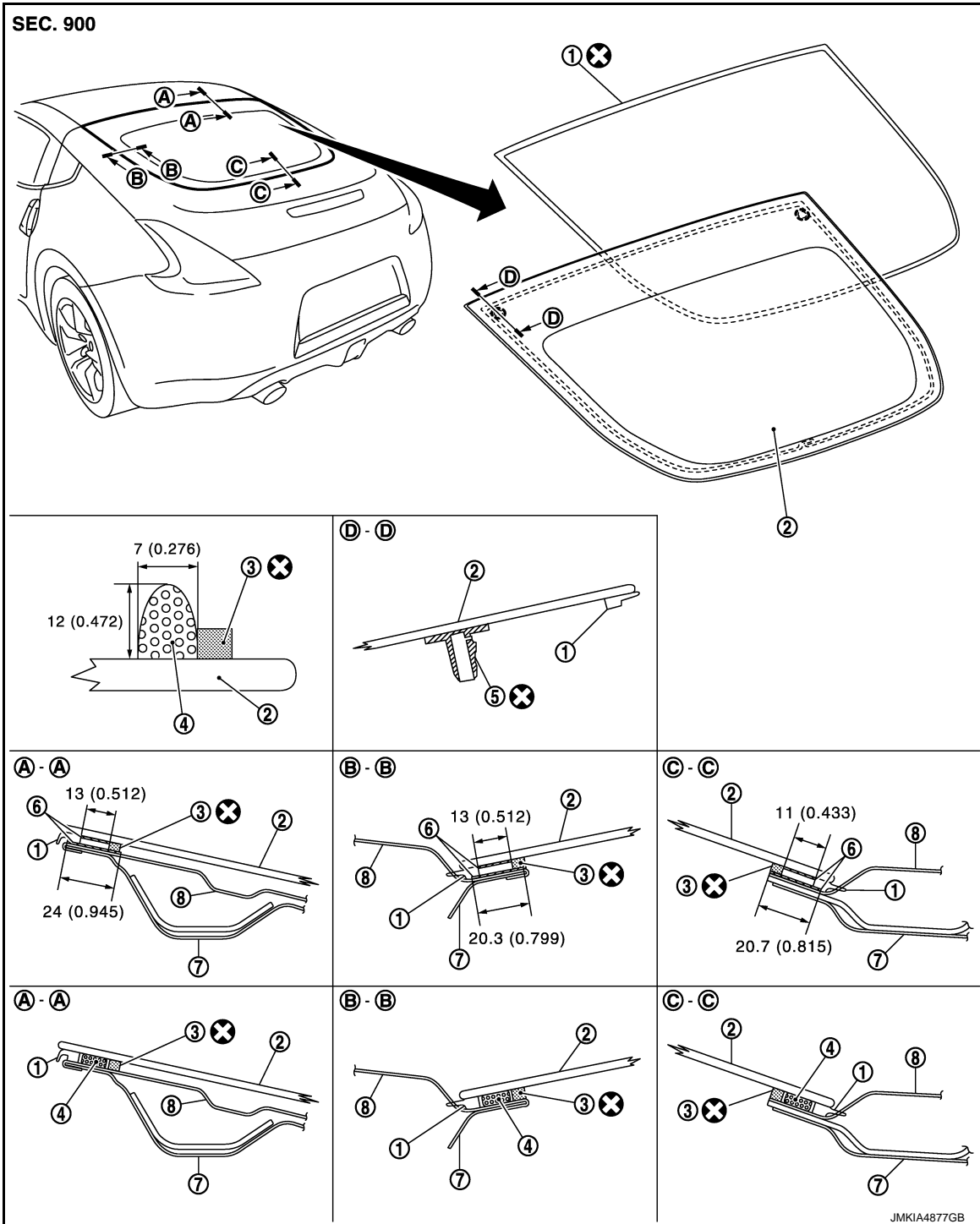
BACK DOOR WINDOW GLASS

< REMOVAL AND INSTALLATION >

BACK DOOR WINDOW GLASS

Exploded View

INFOID:000000011740945



- | | | |
|----------------------------|------------------------------------|-----------------------|
| 1. Back door glass molding | 2. Back door window glass assembly | 3. Dam sealant rubber |
| 4. Adhesive | 5. Back door glass holder | 6. Primer |
| 7. Back door inner | 8. Back door outer | |

Unit : mm (in)

⊗ : Always replace after every disassembly.

A
B
C
D
E
F
G
H
I
J
GW
L
M
N
O
P

BACK DOOR WINDOW GLASS

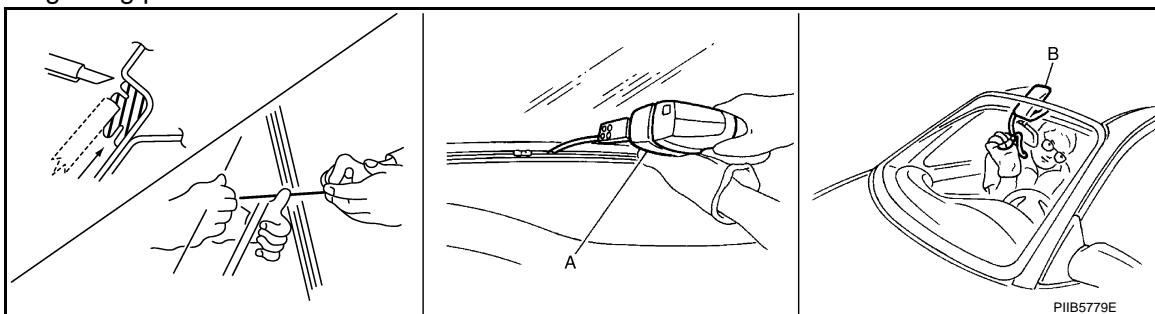
< REMOVAL AND INSTALLATION >

Removal and Installation

INFOID:000000011740946

REMOVAL

1. Remove back door finisher upper, lower and side (LH/RH). Refer to [INT-33. "Removal and Installation"](#).
2. Remove the connectors and grounds for the back door window defogger.
3. Remove glass using piano wire or power cutting tool (A) and an inflatable pump bag (B) after removing molding using pliers.



WARNING:

Always wear safety glasses and heavy gloves to help prevent injuries.

CAUTION:

Never set or stand the glass on its edge. Small chips may develop into cracks.

INSTALLATION

- The dam sealant rubber should be installed in position.
- Use a genuine Nissan Urethane Adhesive Kit (if available) or an equivalent and follow the instructions provided with it.
- Open a door window while the urethane adhesive is curing. This prevents the glass from being forced out by passenger compartment air pressure when all door windows are closed.
- The molding must be installed securely so that it is in position and leaves no clearance.
- Inform the customer that the vehicle should remain stationary until the urethane adhesive is completely cured (approximately 24 hours). Curing time varies with temperature and humidity.

WARNING:

- **Keep heat and open flames away as primers and adhesive are flammable.**
- **The materials contained in the kit are harmful if swallowed, and may irritate skin and eyes. Never let them come in contact with the skin and eyes.**
- **Use in an open, well ventilated location. Never breathe the vapors. They may be harmful if inhaled. Move immediately to an area with fresh air if affected by vapor inhalation.**
- **Driving the vehicle before the urethane adhesive is completely cured may affect the performance of the rear window in an accident.**

CAUTION:

- **Never use an adhesive that is past its usable term. Shelf life of this product is limited to six months after the date of manufacture. Adhere carefully to the expiration or manufacture date printed on the box.**
- **Keep primers and adhesive in a cool, dry place. Ideally, they should be stored in a refrigerator.**
- **Never leave primers or adhesive cartridge unattended with their caps open or off.**
- **The vehicle should not be driven for 24 hours or more or until the urethane adhesive is completely cured. Curing time varies depending on temperature and humidity. The curing time increases under lower temperature and lower humidity.**

Inspection

INFOID:000000011740947

REPAIRING WATER LEAKAGE FOR BACK DOOR WINDOW GLASS

Leakage can be repaired without removing the glass.

Determine the extent of leakage if water is leaking between the urethane adhesive material and body or glass. This can be done by applying water to the back door window glass area while pushing glass outward.

Apply primer (if necessary) and then urethane adhesive to the leakage point to stop the leakage.

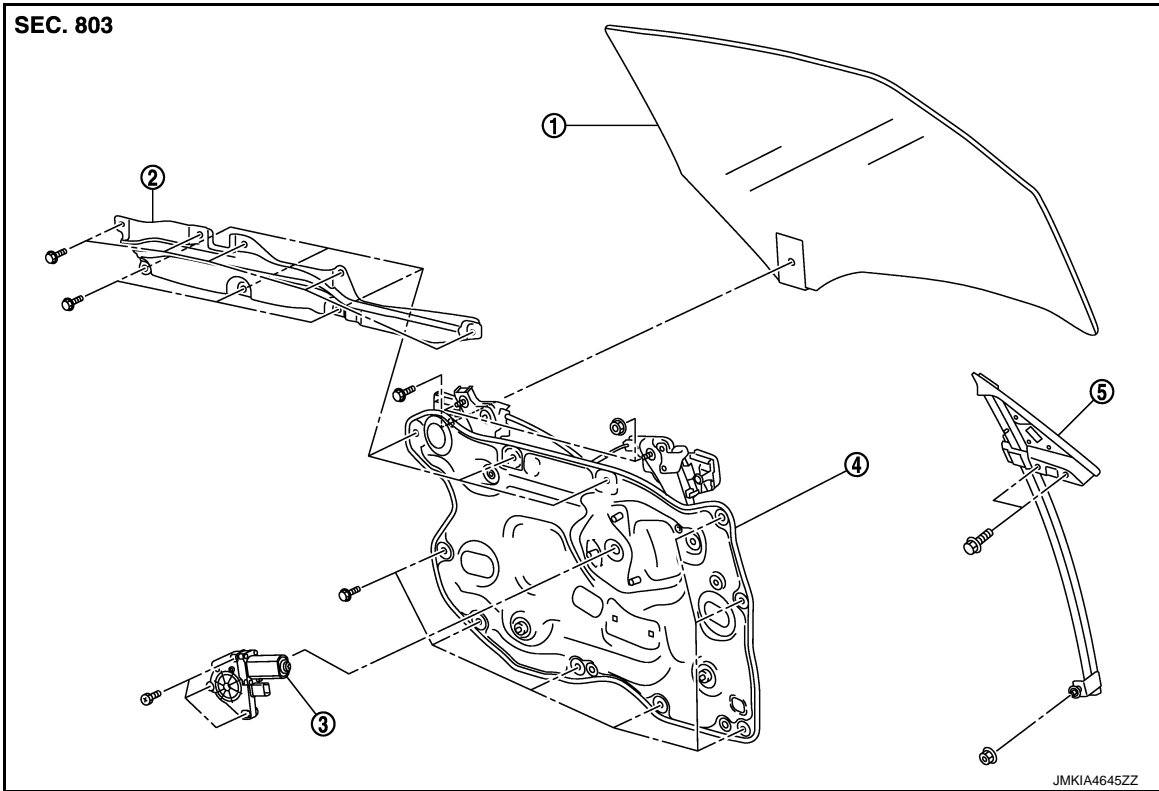
DOOR GLASS

< REMOVAL AND INSTALLATION >

DOOR GLASS

Exploded View

INFOID:000000011740948



- | | | |
|------------------------|--------------------------|-----------------------|
| 1. Door glass assembly | 2. Door inner stiffener | 3. Power window motor |
| 4. Module assembly | 5. Corner piece assembly | |

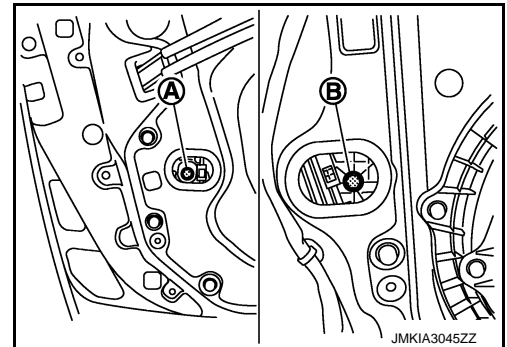
Removal and Installation

INFOID:000000011740949

GW

REMOVAL

1. Remove the door finisher. Coupe model : Refer to [INT-15, "Removal and Installation"](#). Roadster model : Refer to [INT-48, "Removal and Installation"](#).
2. Disconnect the door speaker harness connector.
3. Operate the power window main switch to raise or lower the door window until the glass mounting bolts can be seen.
4. Remove the glass mounting bolts (A) and loosen slightly the bolt (B).



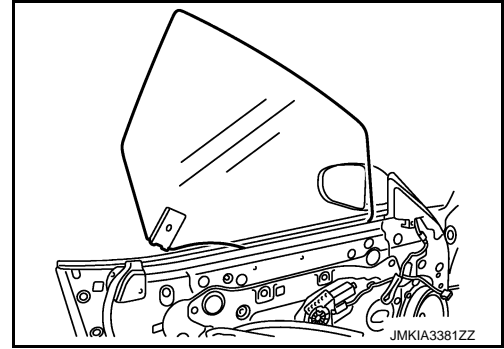
DOOR GLASS

< REMOVAL AND INSTALLATION >

5. Hold securely the door glass and pull it out of the sash to remove the door glass.

NOTE:

Never raise the glass at the top upper of the door after the door glass is removed.



6. Remove the corner piece assembly mounting bolts and nut, and then remove the corner piece assembly.

INSTALLATION

Install in the reverse order of removal.

Inspection and Adjustment

INFOID:000000011740950

SYSTEM INITIALIZATION

Initialize the system if any of the following work is complete. Coupe model : Refer to [PWC-7, "ADDITIONAL SERVICE WHEN REMOVING BATTERY NEGATIVE TERMINAL : Special Repair Requirement"](#). Roadster model : [PWC-114, "ADDITIONAL SERVICE WHEN REMOVING BATTERY NEGATIVE TERMINAL : Special Repair Requirement"](#).

- Electric power supply to power window switch or motor is interrupted by blown fuse or disconnecting battery cable, etc.
- Removal and installation of the regulator assembly.
- Removal and installation of the motor from the regulator assembly.
- Removal and installation of the harness connector of the power window switch.
- Operation of the regulator assembly as a unit.
- Removal and installation of the door glass.
- Removal and installation of the body side weather-strip and door weather-strip.
- Disconnection and connection of the minus terminal of battery.

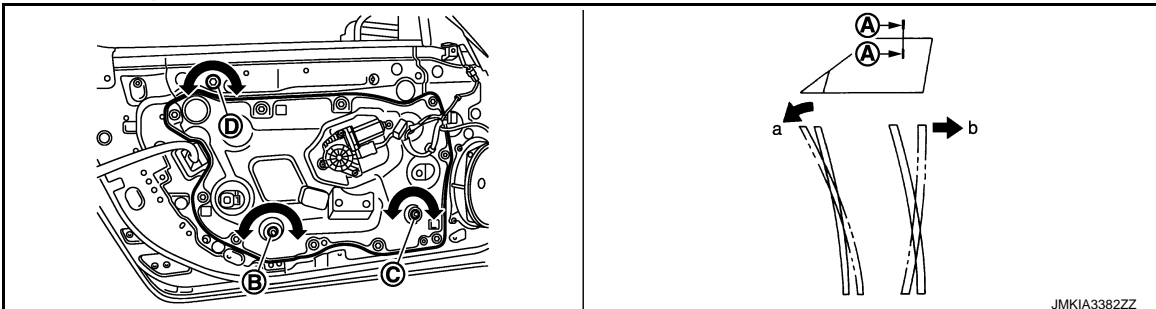
CAUTION:

The following specified operations are not performed under the non-initialized condition.

- Auto-up operation
- Anti-pinch function
- Automatic window adjustment function
- Retained power operation

FITTING INSPECTION

- Check that the glass is fit securely into the sash groove.
- Lower the glass slightly [approximately 10 to 20 mm (0.394 to 0.787 in)] and check that the clearance to the body side weather-strip is parallel. Loosen the regulator mounting bolts, guide rail mounting bolts, and glass and guide rail mounting bolts to correct the glass position if the clearance between the glass and body side weather-strip is not parallel.
- Raise the glass fully and adjust the glass top end and body side welt fitting with adjusting bolt (B), (C), or (D) as shown in the figure below.



NOTE:

- Always start at adjusting bolt (B). If the desired angle is not achieved, then proceed to adjusting bolt (C) and (D) respectively.

DOOR GLASS

< REMOVAL AND INSTALLATION >

- Turn the adjusting bolt clockwise to move the door glass upper end outward.
- Turn the adjusting bolt counterclockwise to move the door glass upper end inward.
- Adjustment process with adjusting bolt (D) is the inverse of adjusting bolt (B) and (C).
- When adjusting with adjusting bolt (D), turn the adjusting bolt clockwise to move the door glass upper end inward, then counterclockwise to move the door glass upper end outward.

CAUTION:

- When performing this operation, DTC of air bag (B1262 / B1257) may be displayed.
- When completing this operation, check that no DTC other than DTC of air bag (B1262 / B1257) is displayed and erase self-diagnosis result of air bag, using CONSULT-III.
- When DTC other than the above is detected, perform diagnosis according to each DTC.
- When DTC other than DTC of air bag (B1262 / B1257) is detected, perform diagnosis according to each DTC. Refer to [SRC-434, "DTC Index"](#).

A

B

C

D

E

F

G

H

I

J

GW

L

M

N

O

P

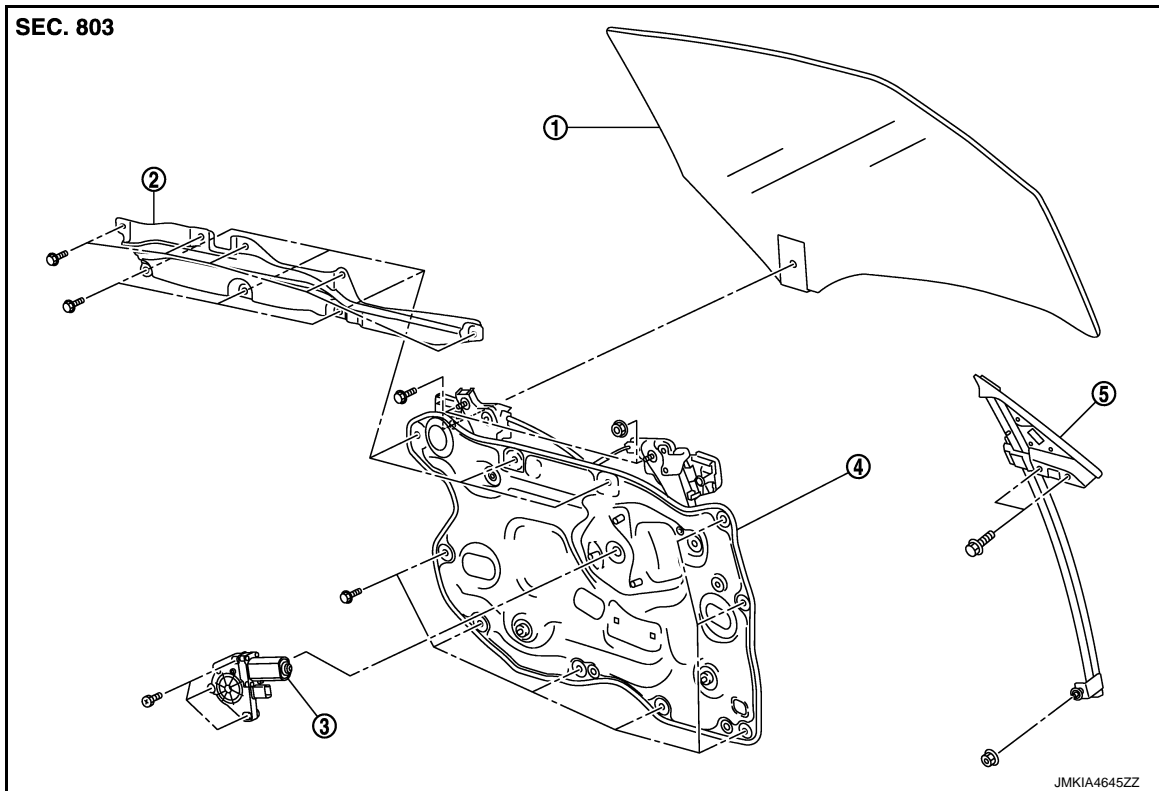
DOOR REGULATOR

< REMOVAL AND INSTALLATION >

DOOR REGULATOR

Exploded View

INFOID:000000011740951



1. Door glass assembly

2. Door inner stiffener

3. Power window motor

4. Module assembly

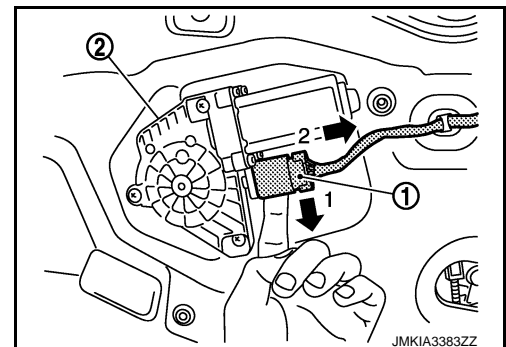
5. Corner piece assembly

Removal and Installation

INFOID:000000011740952

REMOVAL

1. Remove the door glass. Refer to [GW-19. "Removal and Installation"](#).
2. Reach the key located behind the harness connector (1), pull it down to unlock and then disconnect the power window motor (2) harness connector as shown in the figure.

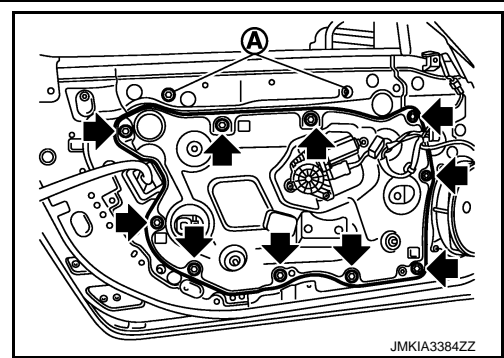


3. Remove the door inner stiffener. (Roadster model only)

DOOR REGULATOR

< REMOVAL AND INSTALLATION >

4. Remove the module assembly mounting bolts shown by the arrows and then remove both nuts (A) located under the seals.



5. Remove the module assembly from the door panel.

INSTALLATION

Install in the reverse order of removal.

Disassembly and Assembly

INFOID:0000000011740953

DISASSEMBLY

Remove the power window motor from the module assembly.

ASSEMBLY

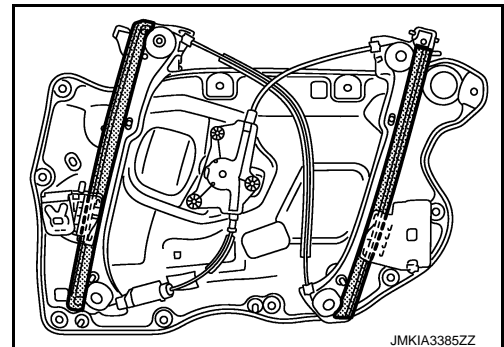
Assemble in the reverse order of disassembly.

Inspection After Removal

INFOID:0000000011740954

Check the regulator assembly for the following items. Replace or grease it if a malfunction is detected.

- Wire wear
- Regulator deformation



Inspection and Adjustment

INFOID:0000000011740955

SYSTEM INITIALIZATION

Initialize the system if any of the following work is complete. Coupe model : Refer to [PWC-7, "ADDITIONAL SERVICE WHEN REMOVING BATTERY NEGATIVE TERMINAL : Special Repair Requirement"](#). Roadster model : [PWC-114, "ADDITIONAL SERVICE WHEN REMOVING BATTERY NEGATIVE TERMINAL : Special Repair Requirement"](#).

- Electric power supply to power window switch or motor is interrupted by blown fuse or disconnecting battery cable, etc.
- Removal and installation of the regulator assembly.
- Removal and installation of the motor from the regulator assembly.
- Removal and installation of the harness connector of the power window switch.
- Operation of the regulator assembly as a unit.
- Removal and installation of the door glass.
- Removal and installation of the body side weather-strip and door weather-strip.
- Disconnection and connection of the minus terminal of battery.

CAUTION:

The following specified operations are not performed under the non-initialized condition.

- Auto-up operation
- Anti-pinch function
- Automatic window adjustment function
- Retained power operation

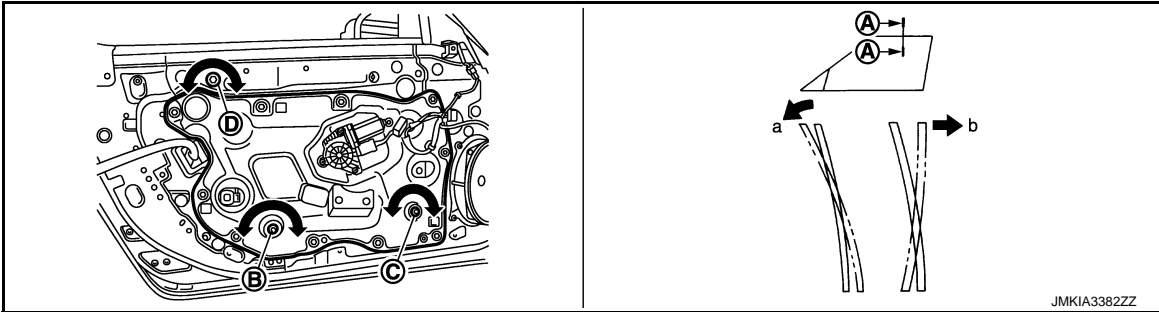
A
B
C
D
E
F
G
H
I
J
GW
L
M
N
O
P

DOOR REGULATOR

< REMOVAL AND INSTALLATION >

FITTING INSPECTION

- Check that the glass is fit securely into the sash groove.
- Lower the glass slightly [approximately 10 to 20 mm (0.394 to 0.787 in)] and check that the clearance to the body side weather-strip is parallel. Loosen the regulator mounting bolts, guide rail mounting bolts, and glass and guide rail mounting bolts to correct the glass position if the clearance between the glass and body side weather-strip is not parallel.
- Raise the glass fully and adjust the glass top end and body side welt fitting with adjusting bolt (B), (C), or (D) as shown in the figure below.



NOTE:

- Always start at adjusting bolt (B). If the desired angle is not achieved, then proceed to adjusting bolt (C) and (D) respectively.
- Turn the adjusting bolt clockwise to move the door glass upper end outward.
- Turn the adjusting bolt counterclockwise to move the door glass upper end inward.
- Adjustment process with adjusting bolt (D) is the inverse of adjusting bolt (B) and (C).
- When adjusting with adjusting bolt (D), turn the adjusting bolt clockwise to move the door glass upper end inward, then counterclockwise to move the door glass upper end outward.

CAUTION:

- When performing this operation, DTC of air bag (B1262 / B1257) may be displayed.
- When completing this operation, check that no DTC other than DTC of air bag (B1262 / B1257) is displayed and erase self-diagnosis result of air bag, using CONSULT-III.
- When DTC other than the above is detected, perform diagnosis according to each DTC.
- When DTC other than DTC of air bag (B1262 / B1257) is detected, perform diagnosis according to each DTC. Refer to [SRC-434, "DTC Index"](#).