

SECTION **PWO**
POWER OUTLET

A
B
C
D
E
F
G
H
I
J
K
L
N
O
P

CONTENTS

DTC/CIRCUIT DIAGNOSIS	2	FOR MEXICO : Precaution for Supplemental Restraint System (SRS) "AIR BAG" and "SEAT BELT PRE-TENSIONER"	4
POWER SOCKET	2	FOR MEXICO : Precautions for Removing Battery Terminal	5
Wiring Diagram - POWER SOCKET -	2	REMOVAL AND INSTALLATION	6
PRECAUTION	4	POWER SOCKET	6
PRECAUTIONS	4	FRONT POWER SOCKET	6
EXCEPT FOR MEXICO	4	FRONT POWER SOCKET : Exploded View	6
EXCEPT FOR MEXICO : Precaution for Supplemental Restraint System (SRS) "AIR BAG" and "SEAT BELT PRE-TENSIONER"	4	FRONT POWER SOCKET : Removal and Installation	6
EXCEPT FOR MEXICO : Precautions for Removing Battery Terminal	4	CONSOLE POWER SOCKET	6
FOR MEXICO	4	CONSOLE POWER SOCKET : Exploded View	7
		CONSOLE POWER SOCKET : Removal and Installation	7

PWO

POWER SOCKET

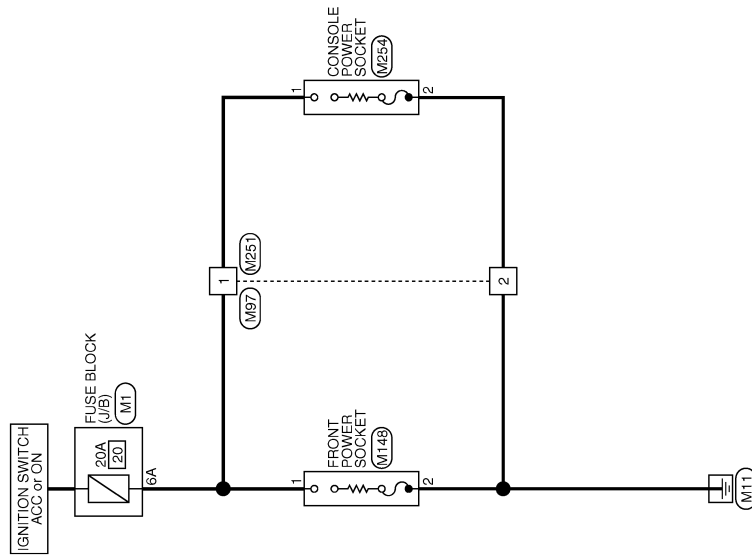
< DTC/CIRCUIT DIAGNOSIS >

DTC/CIRCUIT DIAGNOSIS

POWER SOCKET

Wiring Diagram - POWER SOCKET -

INFOID:000000011735944



POWER SOCKET

2011/07/19

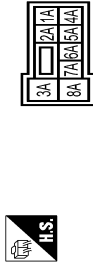
JRMWC4657GB

POWER SOCKET

< DTC/CIRCUIT DIAGNOSIS >

POWER SOCKET

Connector No.	M1
Connector Name	FUSE BLOCK (I/B)
Connector Type	NS06FM-W2



Terminal No.	Color Of Wire	Signal Name (Specification)
1A	V	-
2A	G	-
3A	L	-
4A	P	-
5A	L	-
6A	Y	-
7A	BR	-
8A	L	-

Connector No.	M07
Connector Name	WIRE TO WIRE
Connector Type	M02MB-P-1C



Terminal No.	Color Of Wire	Signal Name (Specification)
1	Y	-
2	B	-

Connector No.	M148
Connector Name	FRONT POWER SOCKET
Connector Type	P02FB-Z



Terminal No.	Color Of Wire	Signal Name (Specification)
1	Y	-
2	B	-

Connector No.	M251
Connector Name	WIRE TO WIRE
Connector Type	M02FBL-C



Terminal No.	Color Of Wire	Signal Name (Specification)
1	Y	-
2	B	-

Connector No.	M254
Connector Name	CONSOLE POWER SOCKET
Connector Type	P02FB-Z



Terminal No.	Color Of Wire	Signal Name (Specification)
1	Y	-
2	B	-

A
B
C
D
E
F
G
H
I
J
K
L
N
O
P

PWO

JRMWH3544GB

PRECAUTIONS

< PRECAUTION >

PRECAUTION

PRECAUTIONS

EXCEPT FOR MEXICO

EXCEPT FOR MEXICO : Precaution for Supplemental Restraint System (SRS) "AIR BAG" and "SEAT BELT PRE-TENSIONER"

INFOID:000000011735945

The Supplemental Restraint System such as "AIR BAG" and "SEAT BELT PRE-TENSIONER", used along with a front seat belt, helps to reduce the risk or severity of injury to the driver and front passenger for certain types of collision. This system includes seat belt switch inputs and dual stage front air bag modules. The SRS system uses the seat belt switches to determine the front air bag deployment, and may only deploy one front air bag, depending on the severity of a collision and whether the front occupants are belted or unbelted. Information necessary to service the system safely is included in the "SRS AIR BAG" and "SEAT BELT" of this Service Manual.

WARNING:

Always observe the following items for preventing accidental activation.

- To avoid rendering the SRS inoperative, which could increase the risk of personal injury or death in the event of a collision that would result in air bag inflation, all maintenance must be performed by an authorized NISSAN/INFINITI dealer.
- Improper maintenance, including incorrect removal and installation of the SRS, can lead to personal injury caused by unintentional activation of the system. For removal of Spiral Cable and Air Bag Module, see "SRS AIR BAG".
- Never use electrical test equipment on any circuit related to the SRS unless instructed to in this Service Manual. SRS wiring harnesses can be identified by yellow and/or orange harnesses or harness connectors.

PRECAUTIONS WHEN USING POWER TOOLS (AIR OR ELECTRIC) AND HAMMERS

WARNING:

Always observe the following items for preventing accidental activation.

- When working near the Air Bag Diagnosis Sensor Unit or other Air Bag System sensors with the ignition ON or engine running, never use air or electric power tools or strike near the sensor(s) with a hammer. Heavy vibration could activate the sensor(s) and deploy the air bag(s), possibly causing serious injury.
- When using air or electric power tools or hammers, always switch the ignition OFF, disconnect the battery, and wait at least 3 minutes before performing any service.

EXCEPT FOR MEXICO : Precautions for Removing Battery Terminal

INFOID:000000011735946

- When removing the 12V battery terminal, turn OFF the ignition switch and wait at least 30 seconds.

NOTE:

ECU may be active for several tens of seconds after the ignition switch is turned OFF. If the battery terminal is removed before ECU stops, then a DTC detection error or ECU data corruption may occur.

- For vehicles with the 2-batteries, be sure to connect the main battery and the sub battery before turning ON the ignition switch.

NOTE:

If the ignition switch is turned ON with any one of the terminals of main battery and sub battery disconnected, then DTC may be detected.

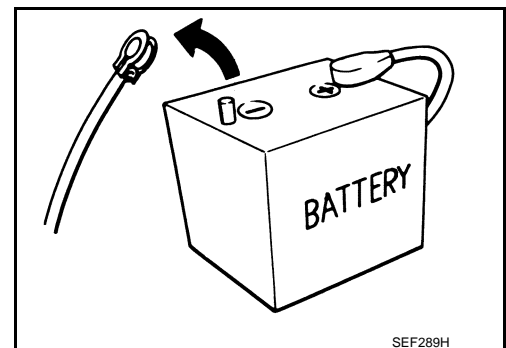
- After installing the 12V battery, always check "Self Diagnosis Result" of all ECUs and erase DTC.

NOTE:

The removal of 12V battery may cause a DTC detection error.

FOR MEXICO

FOR MEXICO : Precaution for Supplemental Restraint System (SRS) "AIR BAG" and



PRECAUTIONS

< PRECAUTION >

"SEAT BELT PRE-TENSIONER"

INFOID:000000011735947

The Supplemental Restraint System such as "AIR BAG" and "SEAT BELT PRE-TENSIONER", used along with a front seat belt, helps to reduce the risk or severity of injury to the driver and front passenger for certain types of collision. Information necessary to service the system safely is included in the "SRS AIR BAG" and "SEAT BELT" of this Service Manual.

WARNING:

Always observe the following items for preventing accidental activation.

- To avoid rendering the SRS inoperative, which could increase the risk of personal injury or death in the event of a collision that would result in air bag inflation, all maintenance must be performed by an authorized NISSAN/INFINITI dealer.
- Improper maintenance, including incorrect removal and installation of the SRS, can lead to personal injury caused by unintentional activation of the system. For removal of Spiral Cable and Air Bag Module, see "SRS AIR BAG".
- Never use electrical test equipment on any circuit related to the SRS unless instructed to in this Service Manual. SRS wiring harnesses can be identified by yellow and/or orange harnesses or harness connectors.

PRECAUTIONS WHEN USING POWER TOOLS (AIR OR ELECTRIC) AND HAMMERS

WARNING:

Always observe the following items for preventing accidental activation.

- When working near the Air Bag Diagnosis Sensor Unit or other Air Bag System sensors with the ignition ON or engine running, never use air or electric power tools or strike near the sensor(s) with a hammer. Heavy vibration could activate the sensor(s) and deploy the air bag(s), possibly causing serious injury.
- When using air or electric power tools or hammers, always switch the ignition OFF, disconnect the battery, and wait at least 3 minutes before performing any service.

FOR MEXICO : Precautions for Removing Battery Terminal

INFOID:000000011735948

- When removing the 12V battery terminal, turn OFF the ignition switch and wait at least 30 seconds.

NOTE:

ECU may be active for several tens of seconds after the ignition switch is turned OFF. If the battery terminal is removed before ECU stops, then a DTC detection error or ECU data corruption may occur.

- For vehicles with the 2-batteries, be sure to connect the main battery and the sub battery before turning ON the ignition switch.

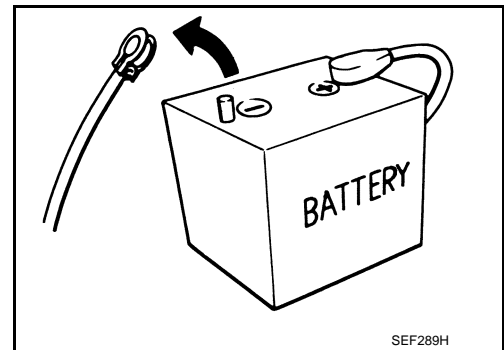
NOTE:

If the ignition switch is turned ON with any one of the terminals of main battery and sub battery disconnected, then DTC may be detected.

- After installing the 12V battery, always check "Self Diagnosis Result" of all ECUs and erase DTC.

NOTE:

The removal of 12V battery may cause a DTC detection error.



A
B
C
D
E
F
G
H
I
J
K
L

PWO

N
O
P

POWER SOCKET

< REMOVAL AND INSTALLATION >

REMOVAL AND INSTALLATION

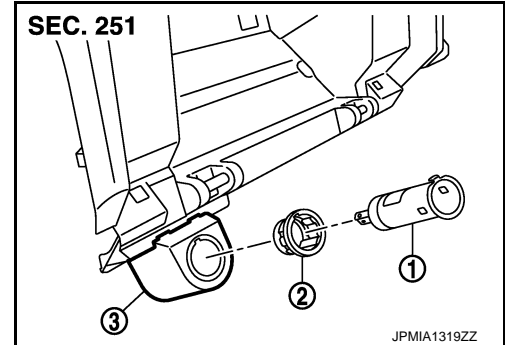
POWER SOCKET

FRONT POWER SOCKET

FRONT POWER SOCKET : Exploded View

INFOID:000000011735949

- 1 : Inner socket
- 2 : Ring
- 3 : Power socket finisher



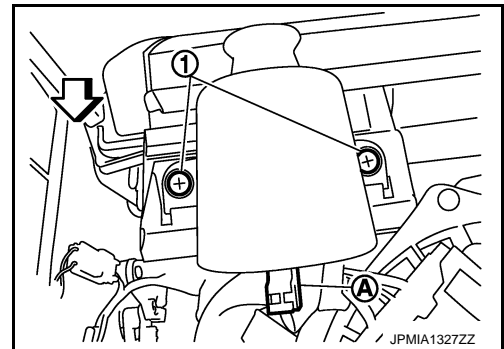
FRONT POWER SOCKET : Removal and Installation

INFOID:000000011735950

REMOVAL

1. Remove the screws (1) and disconnect power socket connector (A).

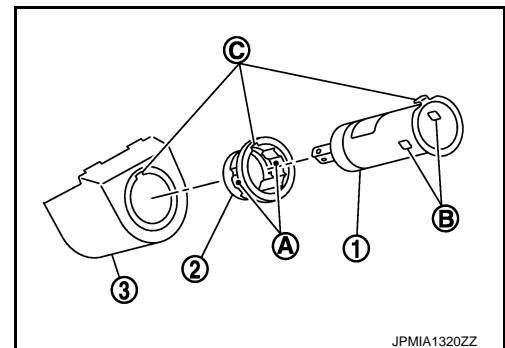
⇐ : Vehicle front



2. Pull out inner socket (1) by pushing the ring pawl (A) from the inner socket hole (square) (B).

C : Cut out

3. Remove ring (2) from power socket finisher (3).



INSTALLATION

Install in the reverse order of removal.

NOTE:

Align the cut outs of inner socket, ring, and power socket finisher.

CONSOLE POWER SOCKET

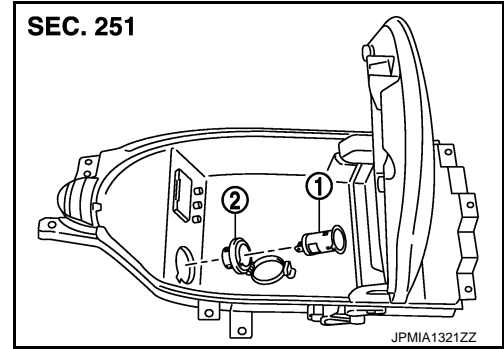
POWER SOCKET

< REMOVAL AND INSTALLATION >

CONSOLE POWER SOCKET : Exploded View

INFOID:000000011735951

- 1 : Inner socket
- 2 : Ring



CONSOLE POWER SOCKET : Removal and Installation

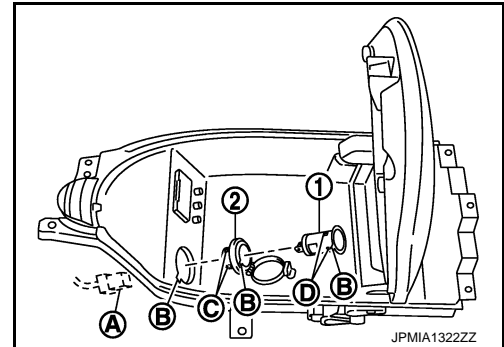
INFOID:000000011735952

REMOVAL

1. Remove console pocket assembly. Refer to [IP-25, "Exploded View"](#).
2. Disconnect power socket connector (A).

B : Cut out

3. Pull out inner socket (1) by pushing the ring pawl (C) from the inner socket hole (square) (D).
4. Remove ring (2) from console pocket assembly while pressing pawls.



INSTALLATION

Install in the reverse order of removal.

NOTE:

Align the cut outs of inner socket, ring, and console pocket assembly.

A
B
C
D
E
F
G
H
I
J
K
L

PWO