

A
B
C

VTL

SECTION

VENTILATION SYSTEM

CONTENTS

PRECAUTION	FAN CONTROL AMPLIFIER	F
3	Removal and Installation	14
PRECAUTIONS	INTAKE DOOR MOTOR	G
3	Removal and Installation	15
Precaution for Supplemental Restraint System (SRS) "AIR BAG" and "SEAT BELT PRE-TENSIONER"	IN-CABIN MICROFILTER	H
3	Removal and Installation	16
Precaution for Working with HFC-134a (R-134a).....	HEATER & COOLING UNIT ASSEMBLY	VTL
3	Removal and Installation	17
Precaution for Procedure without Cowl Top Cover.....	MODE DOOR MOTOR	J
3	Removal and Installation	19
PREPARATION	AIR MIX DOOR MOTOR	K
5	Removal and Installation	20
PREPARATION	EVAPORATOR	L
5	Removal and Installation	21
Commercial Service Tool	HEATER CORE	M
5	Removal and Installation	23
FUNCTION DIAGNOSIS	DUCTS AND GRILLES	N
6	DUCTS, NOZZLES AND GRILLES	O
IN-CABIN MICROFILTER	DUCTS, NOZZLES AND GRILLES : Components...24	P
6	CENTER VENTILATOR GRILLES	25
Description	CENTER VENTILATOR GRILLES : Removal and Installation	25
6	SIDE VENTILATOR GRILLES	25
ON-VEHICLE REPAIR	SIDE VENTILATOR GRILLES : Removal and In- stallation	26
7	UPPER VENTILATOR DUCT	26
CONTROL UNIT	UPPER VENTILATOR DUCT : Removal and In- stallation	26
7	FRONT DEFROSTER NOZZLE, SIDE DEFROST- ER NOZZLES AND VENTILATOR DUCT	26
Removal and Installation		
7		
IN-VEHICLE SENSOR		
8		
Removal and Installation		
8		
SUNLOAD SENSOR		
9		
Removal and Installation		
9		
AMBIENT SENSOR		
10		
Removal and Installation		
10		
INTAKE SENSOR		
11		
Removal and Installation		
11		
BLOWER UNIT		
12		
Removal and Installation		
12		
BLOWER MOTOR		
13		
Removal and Installation		
13		

FRONT DEFROSTER NOZZLE, SIDE DEFROSTER NOZZLES AND VENTILATOR DUCT : Removal and Installation	26	REAR VENTILATOR GRILLE : Removal and Installation	26
SIDE DEFROSTER GRILLES	26	REAR VENTILATOR DUCTS	26
SIDE DEFROSTER GRILLES : Removal and Installation	26	REAR VENTILATOR DUCTS : Removal and Installation	26
REAR VENTILATOR GRILLE	26	REAR FLOOR DUCTS	27
		REAR FLOOR DUCTS : Removal and Installation...	27

PRECAUTIONS

< PRECAUTION >

PRECAUTION

PRECAUTIONS

Precaution for Supplemental Restraint System (SRS) "AIR BAG" and "SEAT BELT PRE-TENSIONER"

INFOID:000000000993070

The Supplemental Restraint System such as "AIR BAG" and "SEAT BELT PRE-TENSIONER", used along with a front seat belt, helps to reduce the risk or severity of injury to the driver and front passenger for certain types of collision. This system includes seat belt switch inputs and dual stage front air bag modules. The SRS system uses the seat belt switches to determine the front air bag deployment, and may only deploy one front air bag, depending on the severity of a collision and whether the front occupants are belted or unbelted. Information necessary to service the system safely is included in the SRS and SB section of this Service Manual.

WARNING:

- To avoid rendering the SRS inoperative, which could increase the risk of personal injury or death in the event of a collision which would result in air bag inflation, all maintenance must be performed by an authorized NISSAN/INFINITI dealer.
- Improper maintenance, including incorrect removal and installation of the SRS, can lead to personal injury caused by unintentional activation of the system. For removal of Spiral Cable and Air Bag Module, see the SRS section.
- Do not use electrical test equipment on any circuit related to the SRS unless instructed to in this Service Manual. SRS wiring harnesses can be identified by yellow and/or orange harnesses or harness connectors.

Precaution for Working with HFC-134a (R-134a)

INFOID:000000000993071

WARNING:

- CFC-12 (R-12) refrigerant and HFC-134a (R-134a) refrigerant are not compatible. If the refrigerants are mixed compressor failure is likely to occur. Refer [HA-4, "Contaminated Refrigerant"](#). To determine the purity of HFC-134a (R-134a) in the vehicle and recovery tank, use Refrigerant Recovery/ Recycling Recharging equipment and Refrigerant Identifier.
- Use only specified oil for the HFC-134a (R-134a) A/C system and HFC-134a (R-134a) components. If oil other than that specified is used, compressor failure is likely to occur.
- The specified HFC-134a (R-134a) oil rapidly absorbs moisture from the atmosphere. The following handling precautions must be observed:
 - When removing refrigerant components from a vehicle, immediately cap (seal) the component to minimize the entry of moisture from the atmosphere.
 - When installing refrigerant components to a vehicle, do not remove the caps (unseal) until just before connecting the components. Connect all refrigerant loop components as quickly as possible to minimize the entry of moisture into system.
 - Only use the specified oil from a sealed container. Immediately reseal containers of oil. Without proper sealing, oil will become moisture saturated and should not be used.
 - Avoid breathing A/C refrigerant and oil vapor or mist. Exposure may irritate eyes, nose and throat. Remove HFC-134a (R-134a) from the A/C system using certified service equipment meeting requirements of SAE J2210 [HFC-134a (R-134a) recycling equipment], or J2209 [HFC-134a (R-134a) recycling equipment], If accidental system discharge occurs, ventilate work area before resuming service. Additional health and safety information may be obtained from refrigerant and oil manufacturers.
 - Do not allow A/C oil to come in contact with styrofoam parts. Damage may result.

Precaution for Procedure without Cowl Top Cover

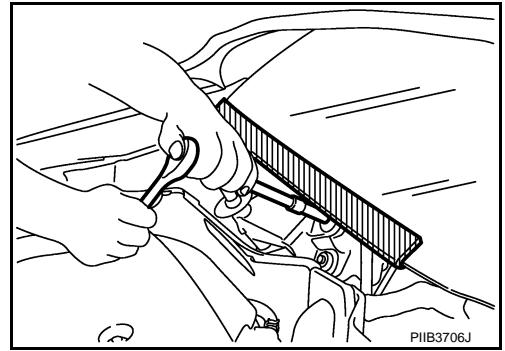
INFOID:000000000993072

A
B
C
D
E
F
G
H
VTL
J
K
L
M
N
O
P

PRECAUTIONS

< PRECAUTION >

When performing the procedure after removing cowl top cover, cover the lower end of windshield with urethane, etc.



PREPARATION

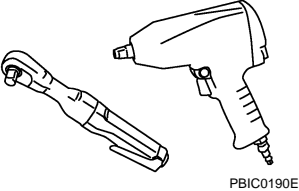
< PREPARATION >

PREPARATION

PREPARATION

Commercial Service Tool

INFOID:000000000993073

Tool number Tool name	Description
Power tool 	Removing bolts and nuts

A

B

C

D

E

F

G

H

VTL

J

K

L

M

N

O

P

IN-CABIN MICROFILTER

< FUNCTION DIAGNOSIS >

FUNCTION DIAGNOSIS

IN-CABIN MICROFILTER

Description

INFOID:000000000993074

FUNCTION

Air inside the passenger compartment is kept clean on either recirculation mode or fresh mode by installing an in-cabin microfilter into the heater and cooling unit assembly.

CONTROL UNIT

< ON-VEHICLE REPAIR >

ON-VEHICLE REPAIR

CONTROL UNIT

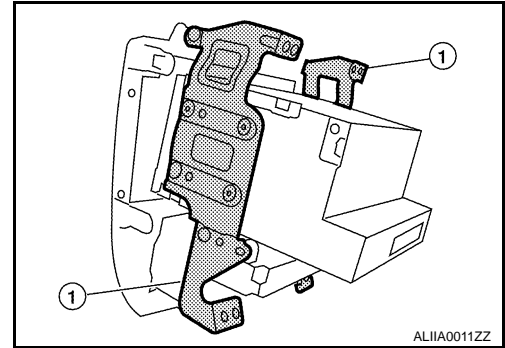
Removal and Installation

INFOID:000000000993075

FRONT AIR CONTROL

Removal

1. Remove cluster lid D. Refer to [IP-11. "Removal and Installation"](#).
2. Remove the two brackets (1) and remove the front air control.



Installation

Installation is in the reverse order of removal.

A

B

C

D

E

F

G

H

VTL

J

K

L

M

N

O

P

IN-VEHICLE SENSOR

< ON-VEHICLE REPAIR >

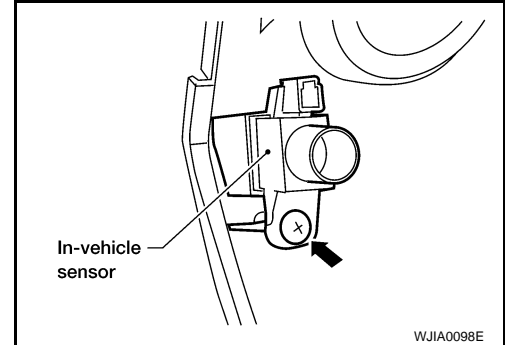
IN-VEHICLE SENSOR

Removal and Installation

INFOID:000000000993076

REMOVAL

1. Remove the instrument lower cover LH. Refer to [IP-11, "Removal and Installation"](#).
2. Remove the in-vehicle sensor screw and remove the in-vehicle sensor.



INSTALLATION

Installation is in the reverse order of removal.

- Make sure that the aspirator hose is securely attached to the in-vehicle sensor when installing the instrument lower cover LH.

SUNLOAD SENSOR

< ON-VEHICLE REPAIR >

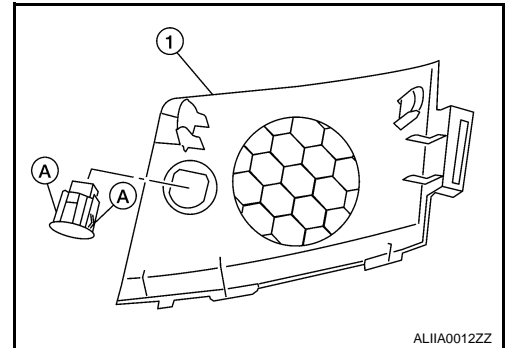
SUNLOAD SENSOR

Removal and Installation

INFOID:000000000993077

REMOVAL

1. Remove the front RH speaker grille (1). Refer to [AV-46](#), "[Removal and Installation](#)".
2. Disconnect the connector.
3. Release the sunload sensor tabs (A) to remove it from the front RH speaker grille (1).



INSTALLATION

Installation is in the reverse order of removal.

A
B
C
D
E
F
G
H
J
K
L
M
N
O
P

VTL

AMBIENT SENSOR

< ON-VEHICLE REPAIR >

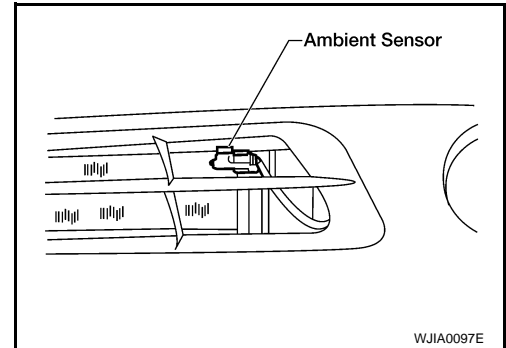
AMBIENT SENSOR

Removal and Installation

INFOID:000000000993078

REMOVAL

1. From under the vehicle, disconnect the ambient sensor connector.
2. Release the ambient sensor clip and remove the ambient sensor.



WJIA0097E

INSTALLATION

Installation is in the reverse order of removal.

INTAKE SENSOR

< ON-VEHICLE REPAIR >

INTAKE SENSOR

Removal and Installation

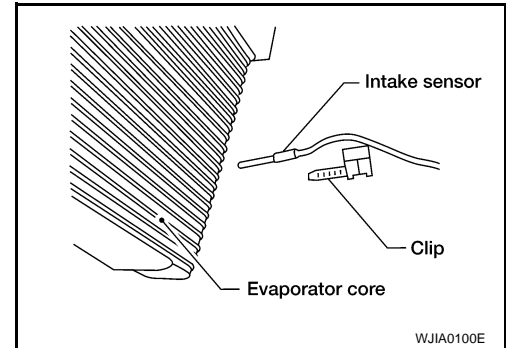
INFOID:000000000993079

REMOVAL

1. Remove the evaporator. Refer to [VTL-21. "Removal and Installation"](#).
2. Release the intake sensor clip and then remove the intake sensor.

CAUTION:

- Mark the mounting position of the intake sensor.
- Do not damage the evaporator core.



INSTALLATION

Installation is in the reverse order of removal.

A
B
C
D
E
F
G
H
J
K
L
M
N
O
P

VTL

BLOWER UNIT

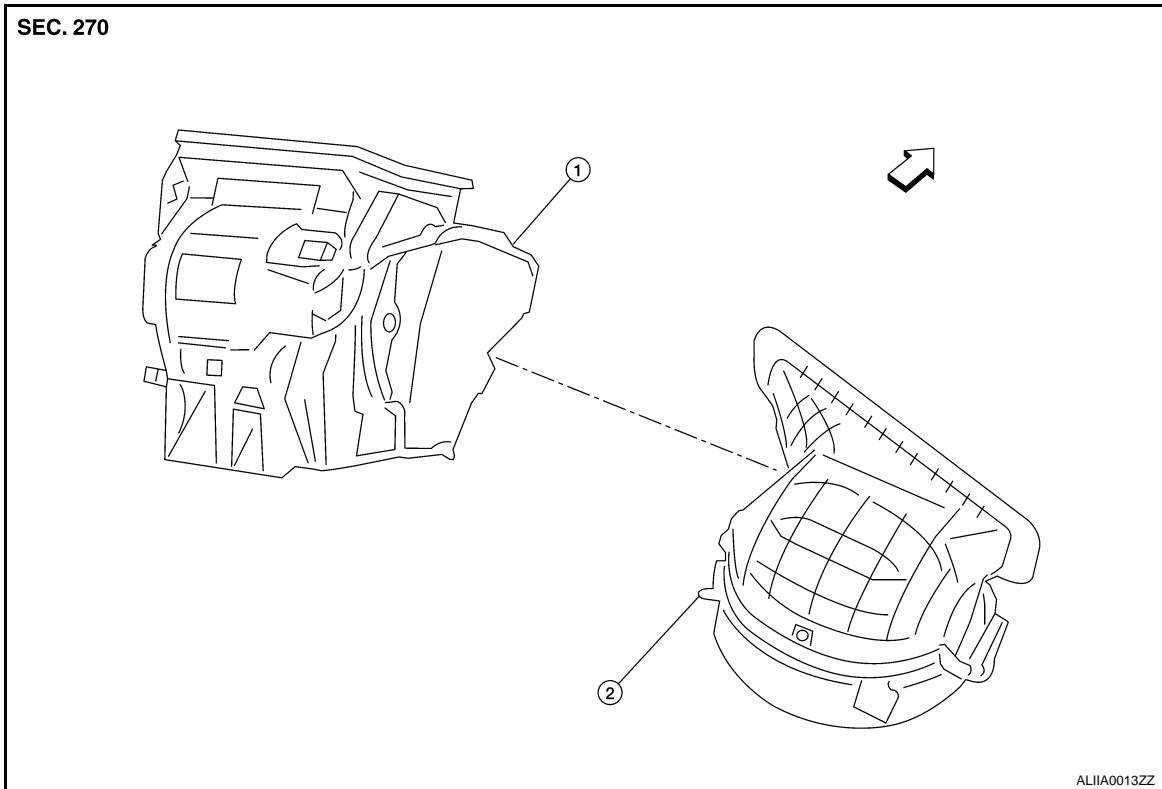
< ON-VEHICLE REPAIR >

BLOWER UNIT

Removal and Installation

INFOID:000000000993080

COMPONENTS



1. Heater and cooling unit

2. Blower unit

← Front

REMOVAL

1. Remove the heater and cooling unit assembly. Refer to [VTL-17, "Removal and Installation"](#).
2. Disconnect the blower motor connector.
3. Remove the screws from the blower unit, then remove the blower unit.

INSTALLATION

Installation is in the reverse order of removal.

BLOWER MOTOR

< ON-VEHICLE REPAIR >

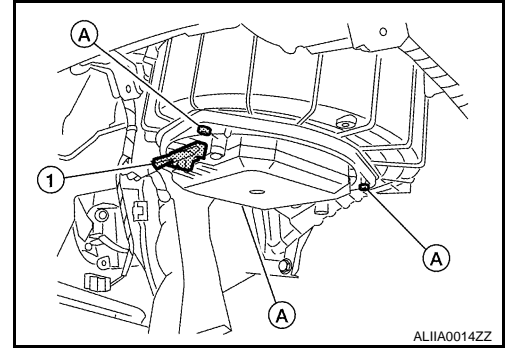
BLOWER MOTOR

Removal and Installation

INFOID:000000000993081

REMOVAL

1. Remove the glove box. Refer to [IP-11, "Removal and Installation"](#).
2. Disconnect the blower motor connector (1).
3. Remove the three blower motor screws (A) and remove the blower motor from the blower unit.



INSTALLATION

Installation is in the reverse order of removal.

A
B
C
D
E
F
G
H
J
K
L
M
N
O
P

VTL

FAN CONTROL AMPLIFIER

< ON-VEHICLE REPAIR >

FAN CONTROL AMPLIFIER

Removal and Installation

INFOID:000000000993082

The fan control amplifier is part of the blower motor. Refer to [VTL-14. "Removal and Installation"](#).

INTAKE DOOR MOTOR

< ON-VEHICLE REPAIR >

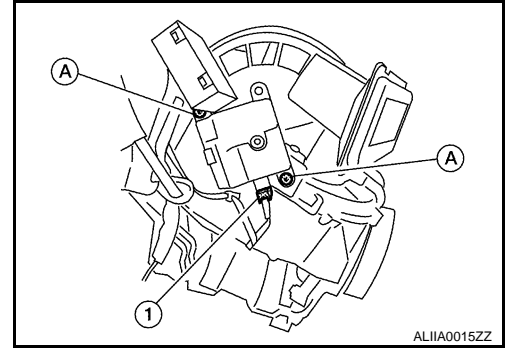
INTAKE DOOR MOTOR

Removal and Installation

INFOID:000000000993083

REMOVAL

1. Remove the instrument panel assembly. Refer to [VTL-12. "Removal and Installation"](#).
2. Disconnect the intake door motor connector (1).
3. Remove the intake door motor screws (A) and remove intake door motor from the blower unit.



INSTALLATION

Installation is in the reverse order of removal.

A
B
C
D
E
F
G
H
J
K
L
M
N
O
P

VTL

IN-CABIN MICROFILTER

< ON-VEHICLE REPAIR >

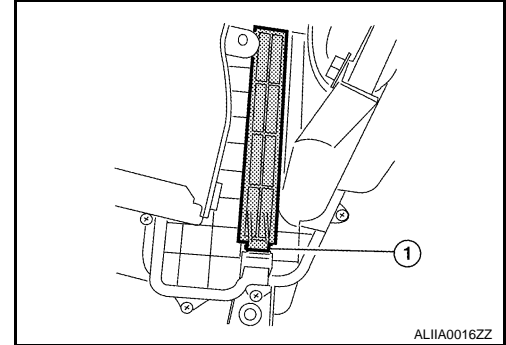
IN-CABIN MICROFILTER

Removal and Installation

INFOID:000000000993084

REMOVAL

1. Remove the glove box assembly. Refer to [IP-11, "Removal and Installation"](#).
2. Remove the console side finisher (RH). Refer to [IP-11, "Removal and Installation"](#).
3. Disengage the filter cover tab (1) to remove the filter cover.
4. Remove the in-cabin microfilter from the blower unit by using the pull tab on the bottom of the filter.



INSTALLATION

Installation is in the reverse order of removal.

HEATER & COOLING UNIT ASSEMBLY

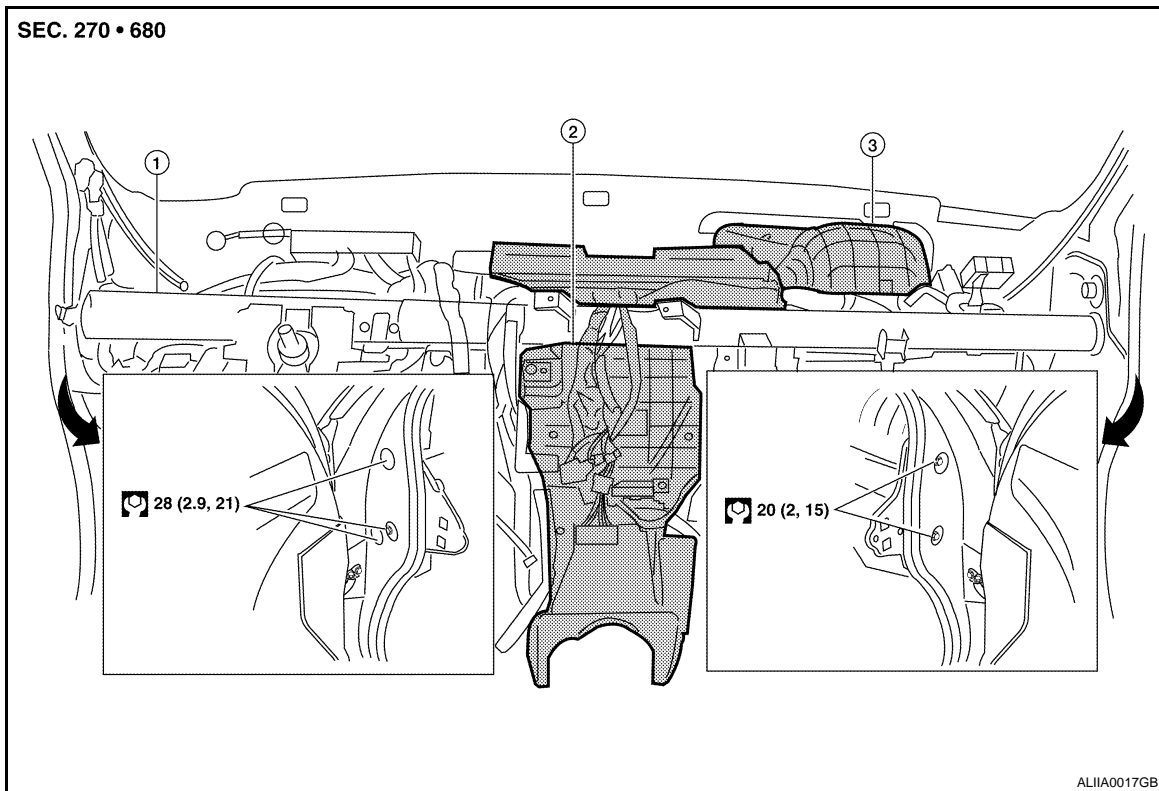
< ON-VEHICLE REPAIR >

HEATER & COOLING UNIT ASSEMBLY

Removal and Installation

INFOID:000000000993085

COMPONENTS



1. Steering member
2. Heater and cooling unit
3. Blower unit

REMOVAL

1. Discharge the refrigerant from the A/C system. Refer to [HA-25, "HFC-134a \(R-134a\) Service Procedure"](#).
2. Drain the engine coolant from the cooling system. Refer to [CO-12, "Changing Engine Coolant" \(QR25DE\)](#), [CO-33, "Changing Engine Coolant" \(VQ35DE\)](#).
3. Disconnect the negative battery terminal.
4. Remove the wiper motor and linkage. Refer to [WW-36, "FRONT WIPER DRIVE ASSEMBLY : Removal and Installation"](#).
5. Remove the upper cowl (for VQ35DE only). Refer to [EXT-17, "Removal and Installation"](#).
6. Remove the strut tower bar (for VQ35DE only). Refer to [FSU-13, "Exploded View"](#).
7. Remove the lower RH cowl (for VQ35DE only). Refer to [EXT-17, "Removal and Installation"](#).
8. Disconnect the heater hoses from the heater core pipes.
CAUTION:
Cap or wrap the pipe joint with a suitable material such as vinyl tape to avoid the entry of contaminants into the system.
9. Disconnect the refrigerant lines from the expansion valve. Refer to [HA-32, "Component"](#).
CAUTION:
Cap or wrap the line joint with a suitable material such as vinyl tape to avoid the entry of contaminants into the system.
10. Remove the instrument panel assembly. Refer to [IP-11, "Removal and Installation"](#).
11. Remove the steering column assembly. Refer to [ST-14, "Removal and Installation"](#).
12. Disconnect the drain hose.
13. Remove the heater and cooling unit assembly attached to the steering member as one assembly from the vehicle.

HEATER & COOLING UNIT ASSEMBLY

< ON-VEHICLE REPAIR >

14. Remove the blower unit from the heater and cooling unit and steering member assembly.
15. Remove the heater and cooling unit from the steering member.

INSTALLATION

Installation is in the reverse order of removal.

- Fill the radiator with the specified water and coolant mixture. Refer to [MA-11, "Fluids and Lubricants"](#).
- Recharge the A/C system. Refer to [HA-25, "HFC-134a \(R-134a\) Service Procedure"](#).

MODE DOOR MOTOR

< ON-VEHICLE REPAIR >

MODE DOOR MOTOR

Removal and Installation

INFOID:000000000993086

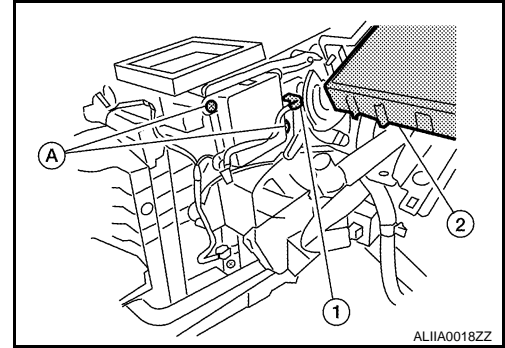
REMOVAL

1. Remove the combination meter. Refer to [MWI-64, "Removal and Installation"](#).
2. Remove the BCM (2). Refer to [BCS-76, "Removal and Installation"](#).

NOTE:

The illustration is shown with the heater and cooling unit assembly out of the vehicle for clarity.

3. Disconnect the mode door motor connector (1).
4. Remove the mode door motor screws (A) and then remove the mode door motor.



INSTALLATION

Installation is in the reverse order of removal.

A
B
C
D
E
F
G
H
J
K
L
M
N
O
P

VTL

AIR MIX DOOR MOTOR

< ON-VEHICLE REPAIR >

AIR MIX DOOR MOTOR

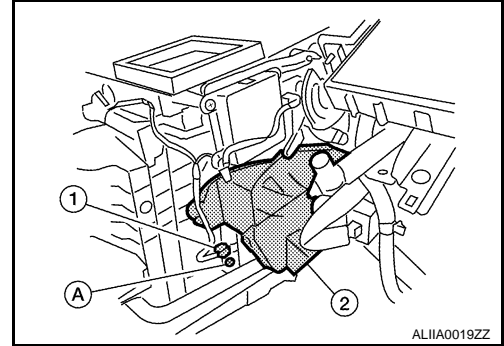
Removal and Installation

INFOID:00000000993087

AIR MIX DOOR MOTOR - LH

Removal

1. Remove the instrument lower cover LH. Refer to [IP-11, "Removal and Installation"](#).
2. Remove the center console side finisher LH. Refer to [IP-11, "Removal and Installation"](#).
3. Remove the heater and cooling unit foot duct LH (2).
4. Remove the tire pressure monitoring system receiver.
5. Disconnect the air mix door motor connector (1).
6. Remove the air mix door motor screws (A) and then remove the air mix door motor LH.



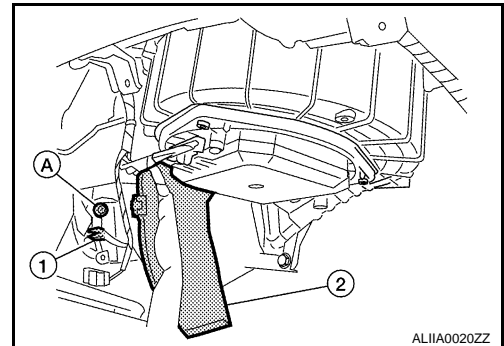
Installation

Installation is in the reverse order of removal.

AIR MIX DOOR MOTOR - RH

Removal

1. Remove the glove box. Refer to [IP-11, "Removal and Installation"](#).
2. Remove the heater and cooling unit foot duct LH (2).
3. Disconnect the air mix door motor connector (1).
4. Remove the air mix door motor screws (A) and then remove the air mix door motor RH.



Installation

Installation is in the reverse order of removal.

EVAPORATOR

< ON-VEHICLE REPAIR >

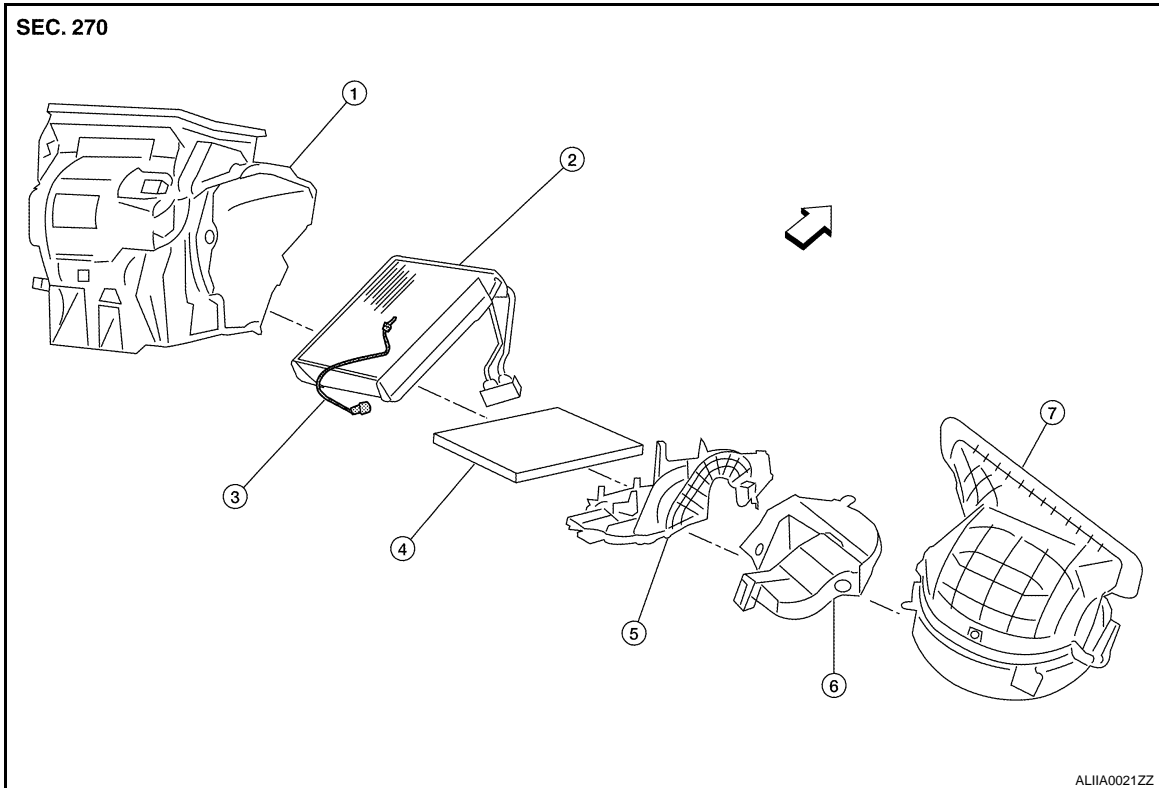
EVAPORATOR

Removal and Installation

INFOID:00000000993088

COMPONENTS

Heater and Cooling Unit

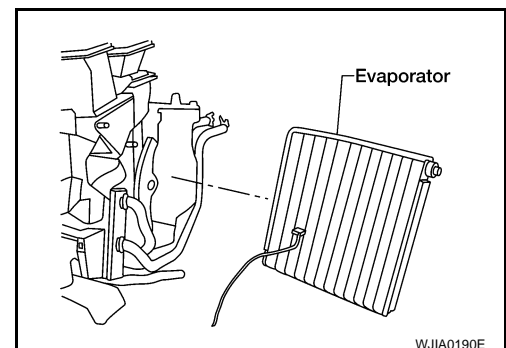


- | | | |
|---------------------------------|---------------------|---|
| 1. Heater and cooling unit case | 2. Evaporator | 3. Intake sensor |
| 4. In-cabin microfilter | 5. Evaporator cover | 6. Heater and cooling unit foot duct RH |
| 7. Blower unit | ← Front | |

REMOVAL

1. Remove the heater and cooling unit assembly. Refer to [HA-33, "HFC-134a \(R-134a\) Service Procedure"](#).
2. Remove the expansion valve.
CAUTION:
Cap or wrap the joint of the pipe with suitable material such as vinyl tape to avoid the entry of air.
3. Remove the blower unit. Refer to [VTL-12, "Removal and Installation"](#).
4. Remove the heater and cooling unit foot duct RH.
5. Remove the air mix door motor RH.
6. Remove the evaporator cover.
7. Remove the evaporator.
 - Remove the intake sensor.

CAUTION:
Mark the mounting position of the intake sensor.



EVAPORATOR

< ON-VEHICLE REPAIR >

INSTALLATION

Installation is in the reverse order of removal.

Expansion valve mounting bolts : 2.9 - 5.0 N·m (0.29 - 0.51 kg-m, 26 - 44 in-lb)

CAUTION:

- Replace the O-rings with new ones, then apply compressor oil to them when installing them.

HEATER CORE

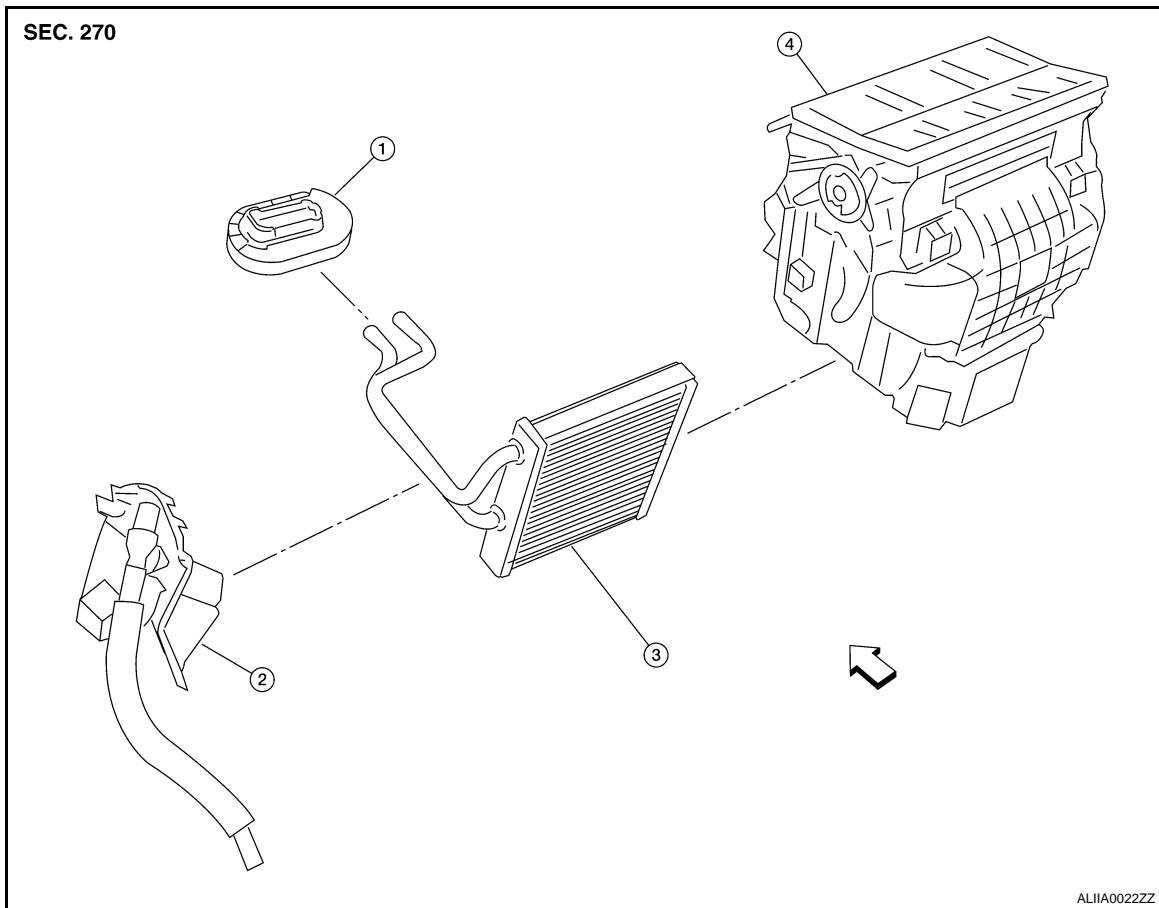
< ON-VEHICLE REPAIR >

HEATER CORE

Removal and Installation

INFOID:000000000993089

COMPONENTS



1. Heater grommet 2. heater and cooling unit foot duct LH 3. Heater core
4. Heater and cooling unit case ← Front

REMOVAL

1. Remove the heater and cooling unit assembly. Refer to [VTL-17. "Removal and Installation"](#).
2. Remove the heater grommet.
3. Remove the heater and cooling unit foot duct LH.
4. Remove the heater core.

INSTALLATION

Installation is in the reverse order of removal.

- Make sure that the aspirator hose is securely attached to the aspirator on the heater and cooling unit foot duct LH.

A
B
C
D
E
F
G
H
VTL
J
K
L
M
N
O
P

DUCTS AND GRILLES

< ON-VEHICLE REPAIR >

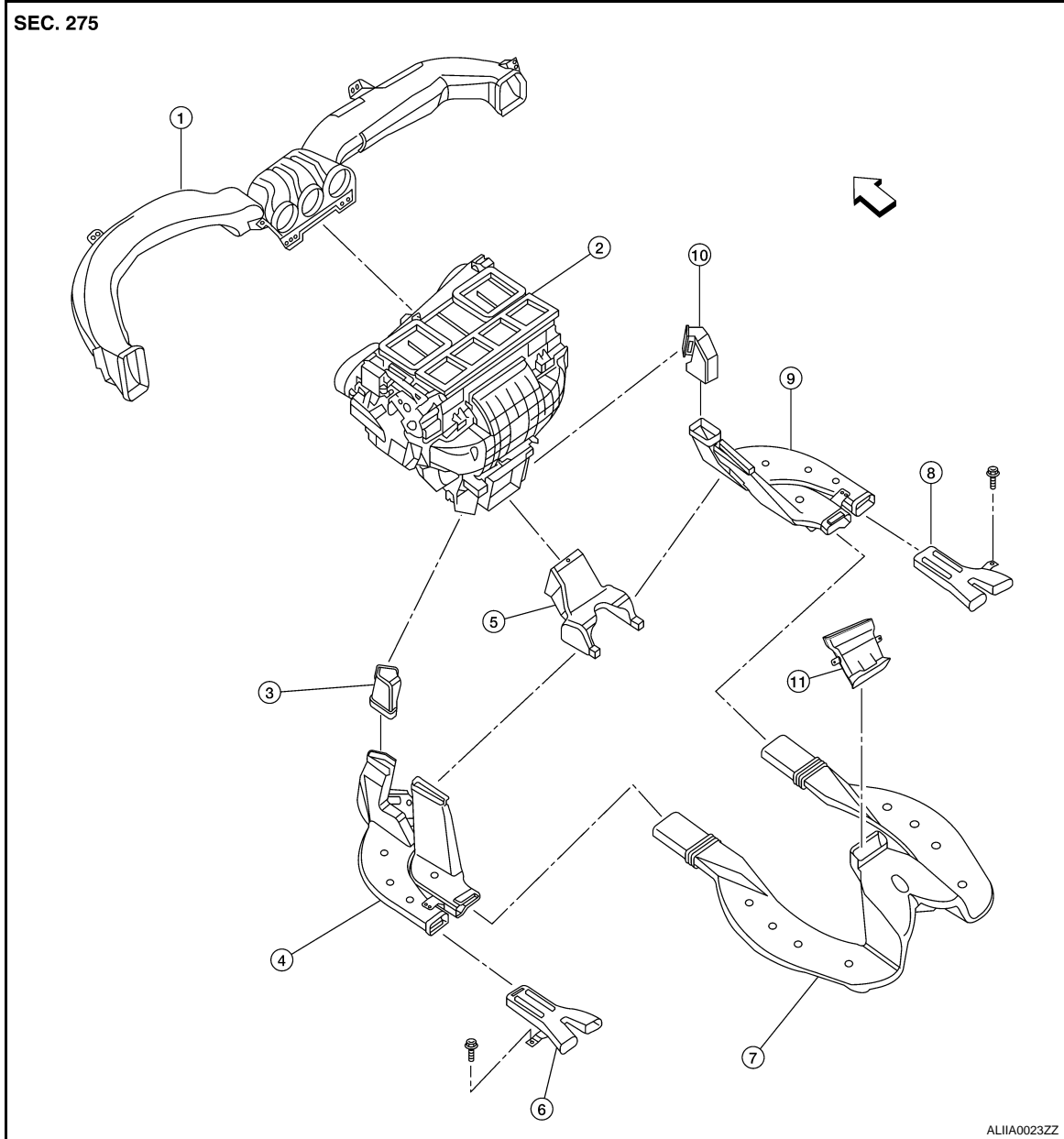
DUCTS AND GRILLES

DUCTS, NOZZLES AND GRILLES

DUCTS, NOZZLES AND GRILLES : Components

INFOID:000000000993090

Ducts

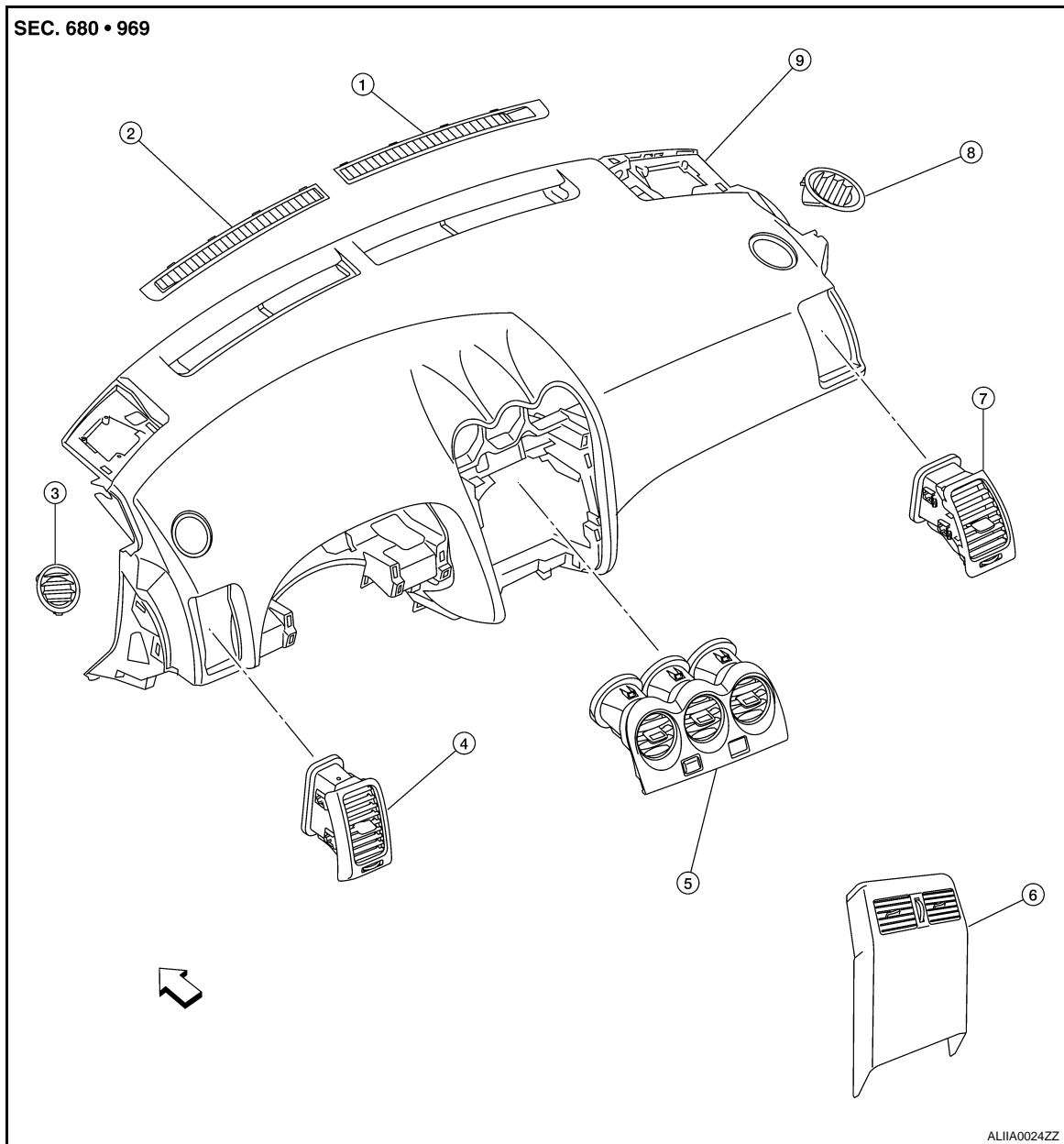


- | | | |
|----------------------------------|-------------------------------------|-------------------------------|
| 1. Upper ventilator duct | 2. Heater and cooling unit assembly | 3. Connector duct (LH) |
| 4. Floor ventilator duct (LH) | 5. Connector duct (center) | 6. Rear floor duct (LH) |
| 7. Rear ventilator duct (center) | 8. Rear floor duct (RH) | 9. Floor ventilator duct (RH) |
| 10. Connector duct (RH) | 11. Rear console duct | ← Front |

DUCTS AND GRILLES

< ON-VEHICLE REPAIR >

Grilles



- | | | |
|--------------------------------|--|---|
| 1. Front defroster grille (RH) | 2. Front defroster grille (LH) | 3. Side defroster grille (LH) |
| 4. Side ventilator grille (LH) | 5. Center ventilator grilles (part of cluster lid C) | 6. Rear ventilator grille (part of rear console finisher) |
| 7. Side ventilator grille (RH) | 8. Side defroster grille (RH) | 9. Instrument panel |
- ← Front

CENTER VENTILATOR GRILLES

CENTER VENTILATOR GRILLES : Removal and Installation

INFOID:000000000993091

REMOVAL

1. Remove cluster lid C. Refer to [IP-11, "Removal and Installation"](#).

NOTE:

The center ventilator grilles are part of cluster lid C and replaced as an assembly.

INSTALLATION

Installation is in the reverse order of removal.

SIDE VENTILATOR GRILLES

DUCTS AND GRILLES

< ON-VEHICLE REPAIR >

SIDE VENTILATOR GRILLES : Removal and Installation

INFOID:000000000993092

REMOVAL

Release the tabs and then remove the side ventilator grilles.

CAUTION:

Use a suitable tool to remove the grille to avoid damage to the instrument panel.

INSTALLATION

Installation is in the reverse order of removal.

UPPER VENTILATOR DUCT

UPPER VENTILATOR DUCT : Removal and Installation

INFOID:000000000993093

REMOVAL

1. Remove the instrument panel. Refer to [IP-11, "Removal and Installation"](#).
2. Remove the upper ventilator duct screws using power tools.
3. Remove the upper ventilator duct.

INSTALLATION

Installation is in the reverse order of removal.

FRONT DEFROSTER NOZZLE, SIDE DEFROSTER NOZZLES AND VENTILATOR DUCT

FRONT DEFROSTER NOZZLE, SIDE DEFROSTER NOZZLES AND VENTILATOR DUCT : Removal and Installation

INFOID:000000000993094

REMOVAL

Remove the front defroster grille from the instrument panel.

CAUTION:

Use a suitable tool to remove the grille to avoid damage to the instrument panel.

INSTALLATION

Installation is in the reverse order of removal.

SIDE DEFROSTER GRILLES

SIDE DEFROSTER GRILLES : Removal and Installation

INFOID:000000000993095

REMOVAL

Remove side defroster grilles using a suitable tool.

CAUTION:

Use a suitable tool to remove the grille to avoid damage to the instrument panel.

INSTALLATION

Installation is in the reverse order of removal.

REAR VENTILATOR GRILLE

REAR VENTILATOR GRILLE : Removal and Installation

INFOID:000000000993096

REMOVAL

Remove console rear finisher. Refer to [IP-10, "Exploded View"](#).

NOTE:

The rear ventilator is part of the console rear finisher.

INSTALLATION

Installation is in the reverse order of removal.

REAR VENTILATOR DUCTS

REAR VENTILATOR DUCTS : Removal and Installation

INFOID:000000000993097

DUCTS AND GRILLES

< ON-VEHICLE REPAIR >

REAR VENTILATOR DUCT (CENTER)

Removal

1. Remove the floor carpet. Refer to [INT-17. "Removal and Installation"](#).
2. Remove the rear ventilator duct (center).

Installation

Installation is in the reverse order of removal.

FLOOR VENTILATOR DUCT (RH, LH)

Removal

1. Remove the floor carpet. Refer to [INT-17. "Removal and Installation"](#).
2. Remove the floor ventilator duct (RH, LH).

Installation

Installation is in the reverse order of removal.

REAR CONSOLE DUCT

Removal

1. Remove the center console. Refer to [IP-11. "Removal and Installation"](#).
2. Remove the rear console duct screws.
3. Remove the rear console duct.

Installation

Installation is in the reverse order of removal.

REAR FLOOR DUCTS

REAR FLOOR DUCTS : Removal and Installation

INFOID:000000000993098

VTL

REMOVAL

1. Remove the floor carpet. Refer to [INT-17. "Removal and Installation"](#).
2. Remove the rear floor duct (RH, LH) clips.
3. Remove the rear floor ducts (RH, LH).

INSTALLATION

Installation is in the reverse order of removal.

J

K

L

M

N

O

P