

SECTION **PWO**  
POWER OUTLET

A  
B  
C  
D  
E  
F  
G  
H  
I  
J  
K  
L  
N  
O  
P

CONTENTS

<b>POWER SOCKET</b>		<b>WIRING DIAGRAM</b> .....	3
<b>PRECAUTION</b> .....	2	<b>POWER SOCKET</b> .....	3
<b>PRECAUTIONS</b> .....	2	Wiring Diagram .....	3
Precaution for Supplemental Restraint System (SRS) "AIR BAG" and "SEAT BELT PRE-TENSIONER" .....	2	<b>ON-VEHICLE REPAIR</b> .....	5
		<b>POWER SOCKET</b> .....	5
		Removal and Installation .....	5

**PWO**

## PRECAUTION

### PRECAUTIONS

#### Precaution for Supplemental Restraint System (SRS) "AIR BAG" and "SEAT BELT PRE-TENSIONER"

INFOID:000000005809545

The Supplemental Restraint System such as "AIR BAG" and "SEAT BELT PRE-TENSIONER", used along with a front seat belt, helps to reduce the risk or severity of injury to the driver and front passenger for certain types of collision. This system includes seat belt switch inputs and dual stage front air bag modules. The SRS system uses the seat belt switches to determine the front air bag deployment, and may only deploy one front air bag, depending on the severity of a collision and whether the front occupants are belted or unbelted. Information necessary to service the system safely is included in the SR and SB section of this Service Manual.

**WARNING:**

- To avoid rendering the SRS inoperative, which could increase the risk of personal injury or death in the event of a collision which would result in air bag inflation, all maintenance must be performed by an authorized NISSAN/INFINITI dealer.
- Improper maintenance, including incorrect removal and installation of the SRS, can lead to personal injury caused by unintentional activation of the system. For removal of Spiral Cable and Air Bag Module, see the SR section.
- Do not use electrical test equipment on any circuit related to the SRS unless instructed to in this Service Manual. SRS wiring harnesses can be identified by yellow and/or orange harnesses or harness connectors.

#### PRECAUTIONS WHEN USING POWER TOOLS (AIR OR ELECTRIC) AND HAMMERS

**WARNING:**

- When working near the Airbag Diagnosis Sensor Unit or other Airbag System sensors with the Ignition ON or engine running, DO NOT use air or electric power tools or strike near the sensor(s) with a hammer. Heavy vibration could activate the sensor(s) and deploy the air bag(s), possibly causing serious injury.
- When using air or electric power tools or hammers, always switch the Ignition OFF, disconnect the battery, and wait at least 3 minutes before performing any service.

# POWER SOCKET

< WIRING DIAGRAM >

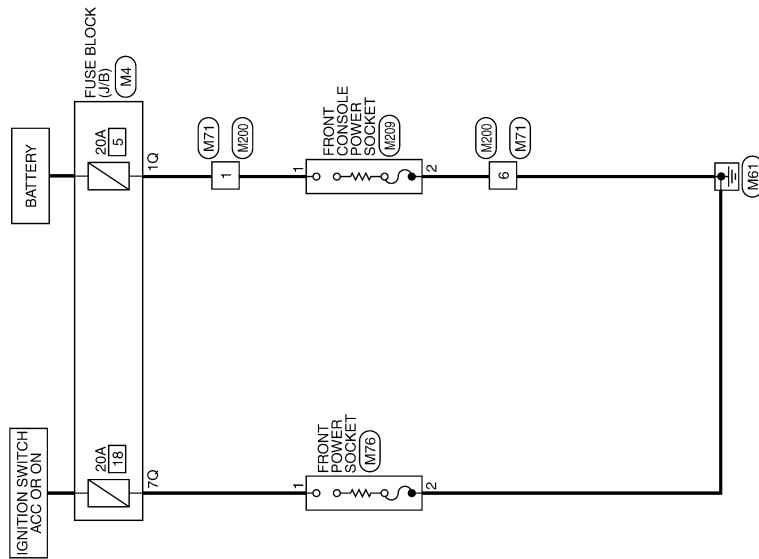
[POWER SOCKET]

## WIRING DIAGRAM

### POWER SOCKET

Wiring Diagram

INFOID:000000005806079



POWER SOCKET

PWO

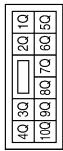
# POWER SOCKET

< WIRING DIAGRAM >

[POWER SOCKET]

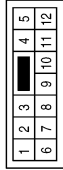
## POWER SOCKET CONNECTORS

Connector No.	M4
Connector Name	FUSE BLOCK (J/B)
Connector Color	WHITE



Terminal No.	Color of Wire	Signal Name
1Q	R/W	-
7Q	R/B	-

Connector No.	M71
Connector Name	WIRE TO WIRE
Connector Color	WHITE



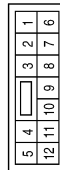
Terminal No.	Color of Wire	Signal Name
1	R/W	-
6	B	-

Connector No.	M76
Connector Name	FRONT POWER SOCKET
Connector Color	BLACK



Terminal No.	Color of Wire	Signal Name
1	R/B	+
2	B	GND

Connector No.	M200
Connector Name	WIRE TO WIRE
Connector Color	WHITE



Terminal No.	Color of Wire	Signal Name
1	R/W	-
6	B	-

Connector No.	M209
Connector Name	FRONT CONSOLE POWER SOCKET
Connector Color	BLACK



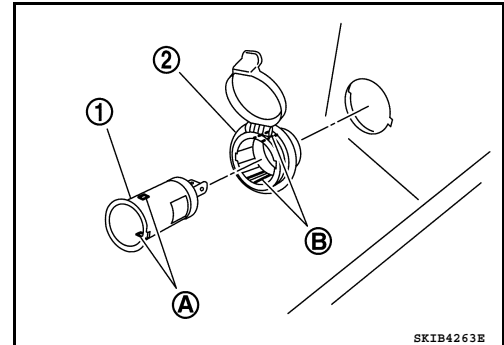
Terminal No.	Color of Wire	Signal Name
1	R/W	+
2	B	GND

**ON-VEHICLE REPAIR****POWER SOCKET****Removal and Installation**

INFOID:000000005438889

**FRONT POWER SOCKET, FRONT CONSOLE POWER SOCKET****Removal**

1. Remove the shift lever finisher and instrument panel storage bin or center console, for access to both sides of power socket. Refer to [IP-10. "Exploded View"](#) (Instrument panel), or [IP-14. "Removal and Installation"](#) (Center console).
2. Remove the inner socket (1) from the ring (2) while pressing the hooks (B) on the ring (2) out from the square holes (A).
3. Remove ring (2) from the instrument panel storage bin or center console while pressing in the pawls.

**Installation**

Installation is in the reverse order of removal.

**CAUTION:**

**Align the notches of the inner socket and ring with the instrument panel storage bin or center console when installing.**

A  
B  
C  
D  
E  
F  
G  
H  
I  
J  
K  
L

PWO