

A
B
C
D
E
F
G
H
VTL
J
K
L
M
N
O
P

SECTION VTL

VENTILATION SYSTEM

CONTENTS

| | | |
|--|--|----|
| PRECAUTION | FRONT FLOOR DUCT : Removal and Installation | |
| | - Front Floor Duct | 8 |
| PRECAUTIONS | FRONT FLOOR DUCT : Removal and Installation | |
| Precaution for Supplemental Restraint System (SRS) "AIR BAG" and "SEAT BELT PRE-TENSIONER" | - Front Floor Connecting Duct | 8 |
| Precaution for Work | FRONT FLOOR DUCT : Removal and Installation | |
| | - Front Floor Duct Nozzle | 8 |
| PREPARATION | ADAPTOR DUCT | 8 |
| | ADAPTOR DUCT : Removal and Installation - Adaptor Duct | 8 |
| PREPARATION | ADAPTOR DUCT : Removal and Installation - Adaptor Extension Duct | 9 |
| Special Service Tool | | |
| Commercial Service Tool | REAR CENTER VENTILATOR DUCT | 9 |
| PERIODIC MAINTENANCE | REAR CENTER VENTILATOR DUCT : Removal and Installation | 9 |
| IN-CABIN MICROFILTER | Exploded View | 10 |
| Removal and Installation | CENTER VENTILATOR GRILLE | 10 |
| SYSTEM DESCRIPTION | CENTER VENTILATOR GRILLE : Removal and Installation | 11 |
| IN-CABIN MICROFILTER | SIDE VENTILATOR GRILLE | 11 |
| Description | SIDE VENTILATOR GRILLE : Removal and Installation | 11 |
| REMOVAL AND INSTALLATION | SIDE DEFROSTER GRILLE | 11 |
| DUCTS AND GRILLES | SIDE DEFROSTER GRILLE : Removal and Installation | 11 |
| Exploded View | REAR CENTER VENTILATOR GRILLE | 12 |
| DEFROSTER NOZZLE | REAR CENTER VENTILATOR GRILLE : Removal and Installation | 12 |
| DEFROSTER NOZZLE : Removal and Installation | BLOWER UNIT | 13 |
| | BLOWER UNIT | 13 |
| CENTER VENTILATOR DUCT | BLOWER UNIT : Exploded View | 13 |
| CENTER VENTILATOR DUCT : Removal and Installation | BLOWER UNIT : Removal and Installation | 13 |
| SIDE DEFROSTER DUCT | BLOWER MOTOR | 13 |
| SIDE DEFROSTER DUCT : Removal and Installation | BLOWER MOTOR : Removal and Installation | 13 |
| FRONT FLOOR DUCT | | |

PRECAUTIONS

< PRECAUTION >

PRECAUTION

PRECAUTIONS

Precaution for Supplemental Restraint System (SRS) "AIR BAG" and "SEAT BELT PRE-TENSIONER"

INFOID:000000009951791

The Supplemental Restraint System such as "AIR BAG" and "SEAT BELT PRE-TENSIONER", used along with a front seat belt, helps to reduce the risk or severity of injury to the driver and front passenger for certain types of collision. Information necessary to service the system safely is included in the SR and SB section of this Service Manual.

WARNING:

- To avoid rendering the SRS inoperative, which could increase the risk of personal injury or death in the event of a collision which would result in air bag inflation, all maintenance must be performed by an authorized NISSAN/INFINITI dealer.
- Improper maintenance, including incorrect removal and installation of the SRS, can lead to personal injury caused by unintentional activation of the system. For removal of Spiral Cable and Air Bag Module, see the SR section.
- Do not use electrical test equipment on any circuit related to the SRS unless instructed to in this Service Manual. SRS wiring harnesses can be identified by yellow and/or orange harnesses or harness connectors.

PRECAUTIONS WHEN USING POWER TOOLS (AIR OR ELECTRIC) AND HAMMERS

WARNING:

- When working near the Airbag Diagnosis Sensor Unit or other Airbag System sensors with the Ignition ON or engine running, DO NOT use air or electric power tools or strike near the sensor(s) with a hammer. Heavy vibration could activate the sensor(s) and deploy the air bag(s), possibly causing serious injury.
- When using air or electric power tools or hammers, always switch the Ignition OFF, disconnect the battery and wait at least three minutes before performing any service.

Precaution for Work

INFOID:000000009461571

- When removing or disassembling each component, be careful not to damage or deform it. If a component may be subject to interference, be sure to protect it with a shop cloth.
- When removing (disengaging) components with a screwdriver or similar tool, be sure to wrap the component with a shop cloth or vinyl tape to protect it.
- Protect the removed parts with a shop cloth and prevent them from being dropped.
- Replace a deformed or damaged clip.
- If a part is specified as a non-reusable part, always replace it with a new one.
- Be sure to tighten bolts and nuts securely to the specified torque.
- After installation is complete, be sure to check that each part works properly.
- Follow the steps below to clean components:
 - Water soluble dirt:
 - Dip a soft cloth into lukewarm water, wring the water out of the cloth and wipe the dirty area.
 - Then rub with a soft, dry cloth.
 - Oily dirt:
 - Dip a soft cloth into lukewarm water with mild detergent (concentration: within 2 to 3%) and wipe the dirty area.
 - Then dip a cloth into fresh water, wring the water out of the cloth and wipe the detergent off.
 - Then rub with a soft, dry cloth.
 - Do not use organic solvent such as thinner, benzene, alcohol or gasoline.
 - For genuine leather seats, use a genuine leather seat cleaner.

PREPARATION

< PREPARATION >

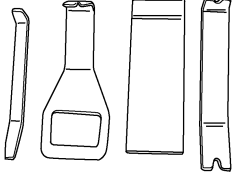
PREPARATION

PREPARATION

Special Service Tool


INFOID:000000009461572

The actual shapes of the tools may differ from those illustrated here.

| Tool number (TechMate No.) Tool name | Description |
|---|---------------------------------|
| <p>— (J-46534) Trim Tool Set</p>  <p style="text-align: center;">AWJIA0483ZZ</p> | <p>Removing trim components</p> |

Commercial Service Tool

INFOID:000000009461573

| Tool name | Description |
|---|---|
| <p>Power tool</p>  <p style="text-align: center;">PIIB1407E</p> | <p>Loosening nuts, screws and bolts</p> |

A
B
C
D
E
F
G
H
J
K
L
M
N
O
P

VTL

IN-CABIN MICROFILTER

< PERIODIC MAINTENANCE >

PERIODIC MAINTENANCE

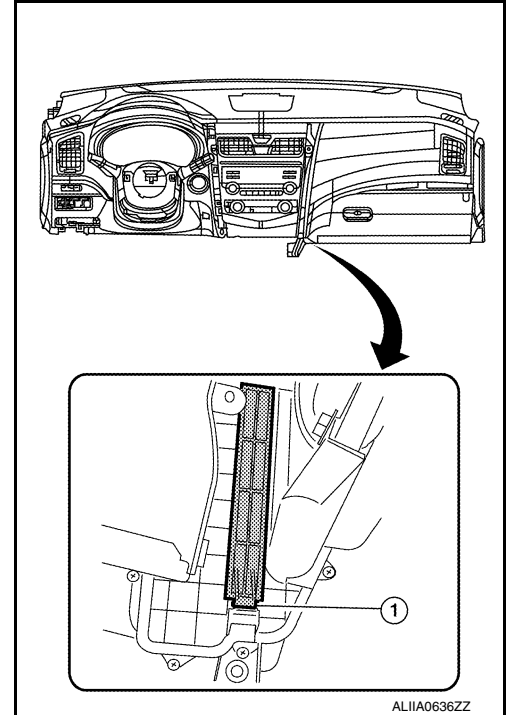
IN-CABIN MICROFILTER

Removal and Installation

INFOID:000000009461574

REMOVAL

1. Disengage the filter cover tab (1) to remove the filter cover.
CAUTION:
Use care when lifting up on the tab to avoid damaging it.



2. Remove the in-cabin microfilter from the blower unit.

INSTALLATION

Installation is in the reverse order of removal.

CAUTION:

- When installing, handle the filter with extreme care to avoid deforming or damaging the filter.
- If the filter is deformed/damaged when removing, replace it with a new one. A deformed or damaged filter may affect the dust collecting performance.

IN-CABIN MICROFILTER

< SYSTEM DESCRIPTION >

SYSTEM DESCRIPTION

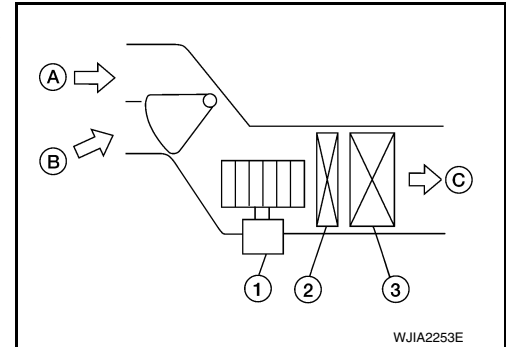
IN-CABIN MICROFILTER

Description

INFOID:000000009461575

FUNCTION

The fresh air (A) and the recirculated air (B) drawn inside the passenger compartment by the blower fan (1) is kept clean (C) on either mode by the in-cabin microfilter (2), which is located before the evaporator (3), in the heating and cooling unit assembly.



A
B
C
D
E
F
G
H
J
K
L
M
N
O
P

VTL

DUCTS AND GRILLES

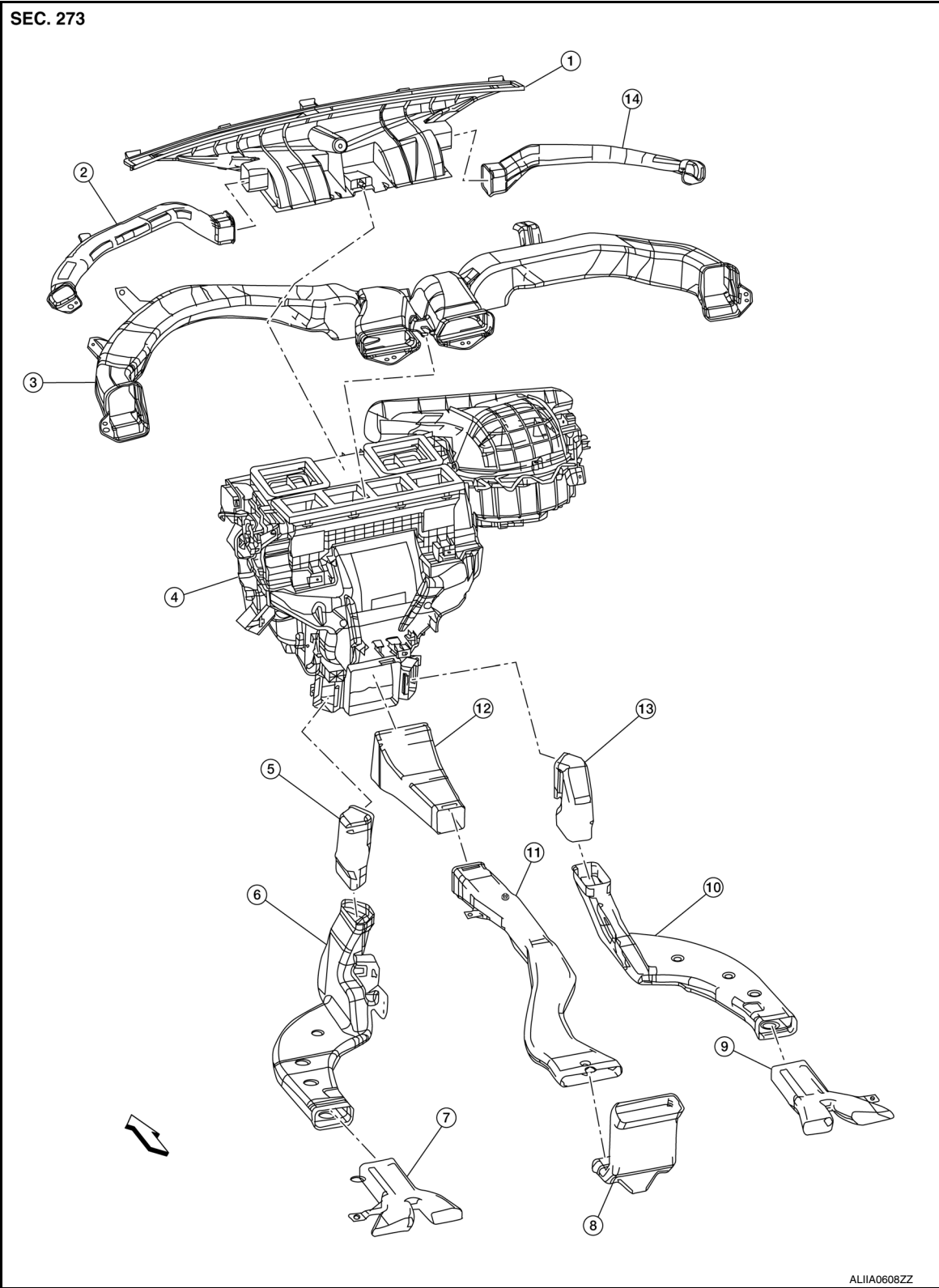
< REMOVAL AND INSTALLATION >

REMOVAL AND INSTALLATION

DUCTS AND GRILLES

Exploded View

INFOID:00000009461576



DUCTS AND GRILLES

< REMOVAL AND INSTALLATION >

- | | | | |
|--------------------------------------|-------------------------------------|---------------------------------|---|
| 1. Defroster nozzle | 2. Side defroster duct (LH) | 3. Center ventilator duct | A |
| 4. Heating and cooling unit assembly | 5. Front floor connecting duct (LH) | 6. Front floor duct (LH) | B |
| 7. Front floor duct nozzle (LH) | 8. Rear center ventilator duct | 9. Front floor duct nozzle (RH) | C |
| 10. Front floor duct (RH) | 11. Adaptor extension duct | 12. Adaptor duct | D |
| 13. Front floor connecting duct (RH) | 14. Side defroster duct (RH) | ⇐ Front | E |

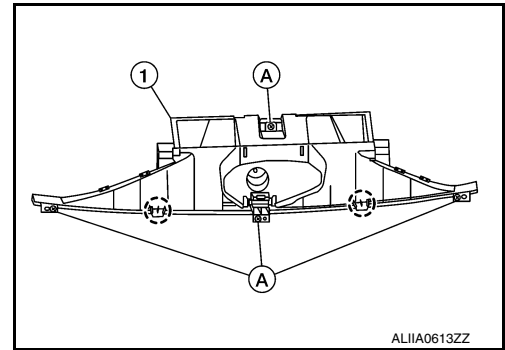
DEFROSTER NOZZLE

DEFROSTER NOZZLE : Removal and Installation

INFOID:000000009461577

REMOVAL

1. Remove the side defroster ducts (LH/RH). Refer to [VTL-7, "SIDE DEFROSTER DUCT : Removal and Installation"](#).
2. Remove the defroster nozzle screws (A).
3. Release the defroster nozzle pawls.
⊖: Pawl
4. Remove the defroster nozzle (1).



INSTALLATION

Installation is in the reverse order of removal.

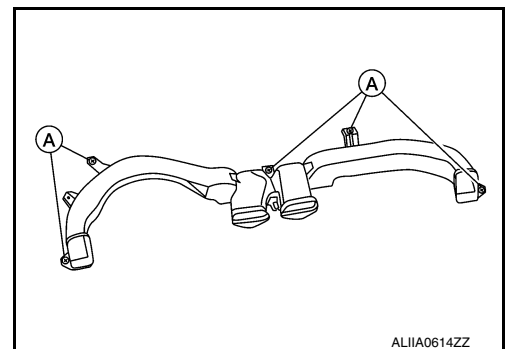
CENTER VENTILATOR DUCT

CENTER VENTILATOR DUCT : Removal and Installation

INFOID:000000009461578

REMOVAL

1. Remove the instrument panel assembly. Refer to [IP-15, "Removal and Installation"](#).
2. Remove the center ventilator duct screws (A).



3. Remove the center ventilator duct.

INSTALLATION

Installation is in the reverse order of removal.

SIDE DEFROSTER DUCT

SIDE DEFROSTER DUCT : Removal and Installation

INFOID:000000009461579

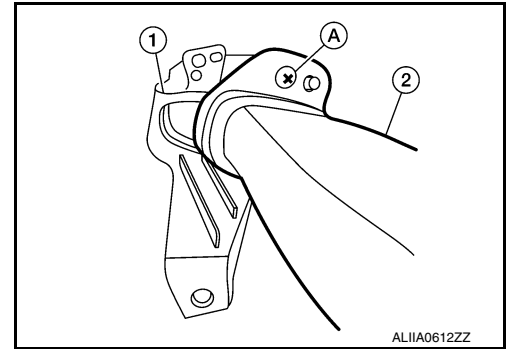
REMOVAL

1. Remove the center ventilator duct. Refer to [VTL-7, "CENTER VENTILATOR DUCT : Removal and Installation"](#).

DUCTS AND GRILLES

< REMOVAL AND INSTALLATION >

2. Remove the side defroster duct screw (A).
3. Remove the side defroster duct (2) from the side defroster grille (1).



INSTALLATION

Installation is in the reverse order of removal.

FRONT FLOOR DUCT

FRONT FLOOR DUCT : Removal and Installation - Front Floor Duct

INFOID:000000009461580

REMOVAL

1. Partially remove the front of the floor trim. Refer to [INT-27, "Removal and Installation"](#).
2. Release the front floor duct clip.
3. Remove the front floor duct.

INSTALLATION

Installation is in the reverse order of removal.

FRONT FLOOR DUCT : Removal and Installation - Front Floor Connecting Duct

INFOID:000000009461581

REMOVAL

1. Remove the instrument lower panel LH. Refer to [IP-21, "Removal and Installation"](#).
2. Remove the center console side finisher. Refer to [IP-23, "Exploded View"](#).
3. Remove the front floor connecting duct.

INSTALLATION

Installation is in the reverse order of removal.

FRONT FLOOR DUCT : Removal and Installation - Front Floor Duct Nozzle

INFOID:000000009461582

REMOVAL

1. Remove the front floor duct. Refer to [VTL-8, "FRONT FLOOR DUCT : Removal and Installation - Front Floor Duct"](#).
2. Remove the front floor duct nozzle from the front floor duct.

INSTALLATION

Installation is in the reverse order of removal.

ADAPTOR DUCT

ADAPTOR DUCT : Removal and Installation - Adaptor Duct

INFOID:000000009461583

REMOVAL

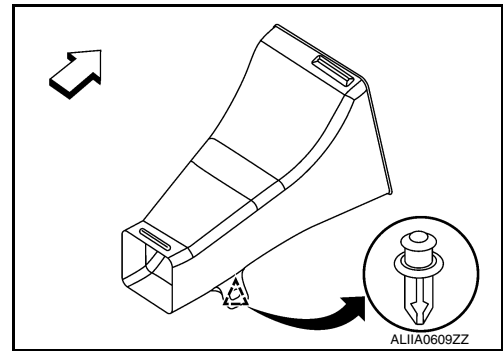
1. Remove the center console assembly. Refer to [IP-18, "Removal and Installation"](#).

DUCTS AND GRILLES

< REMOVAL AND INSTALLATION >

2. Release the adaptor duct clip.

△: Clip
↔: Front



3. Remove the adaptor duct.

INSTALLATION

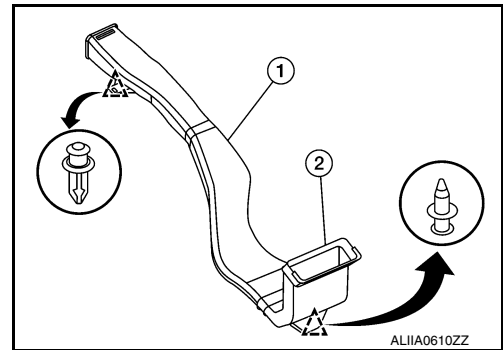
Installation is in the reverse order of removal.

ADAPTOR DUCT : Removal and Installation - Adaptor Extension Duct

INFOID:000000009461584

REMOVAL

1. Remove the center console assembly. Refer to [JP-18, "Removal and Installation"](#).
2. Release the adaptor extension duct clips.
△: Clip
3. Remove the adaptor extension duct (1).
(2): Rear center ventilator duct



INSTALLATION

Installation is in the reverse order of removal.

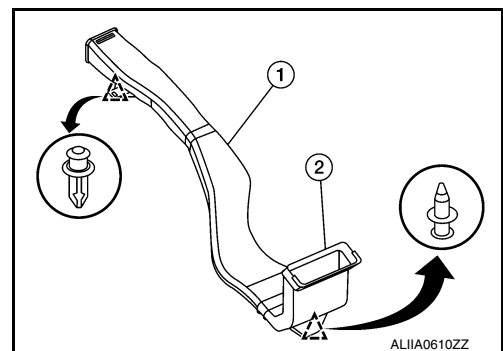
REAR CENTER VENTILATOR DUCT

REAR CENTER VENTILATOR DUCT : Removal and Installation

INFOID:000000009461585

REMOVAL

1. Remove the center console rear finisher. Refer to [JP-23, "Exploded View"](#).
2. Remove the rear center ventilator duct (2).
(1): Adaptor extension duct



INSTALLATION

Installation is in the reverse order of removal.

A
B
C
D
E
F
G
H
VTL
J
K
L
M
N
O
P

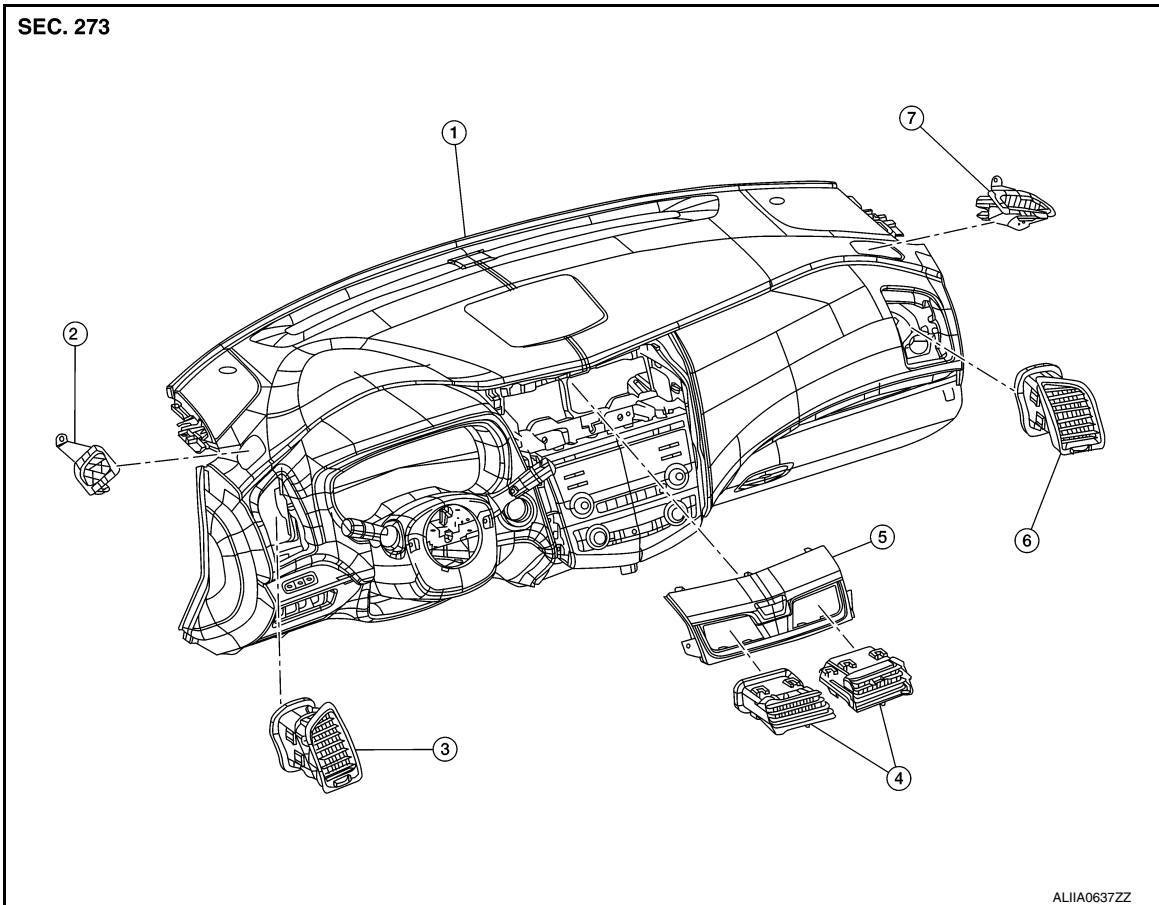
DUCTS AND GRILLES

< REMOVAL AND INSTALLATION >

Exploded View

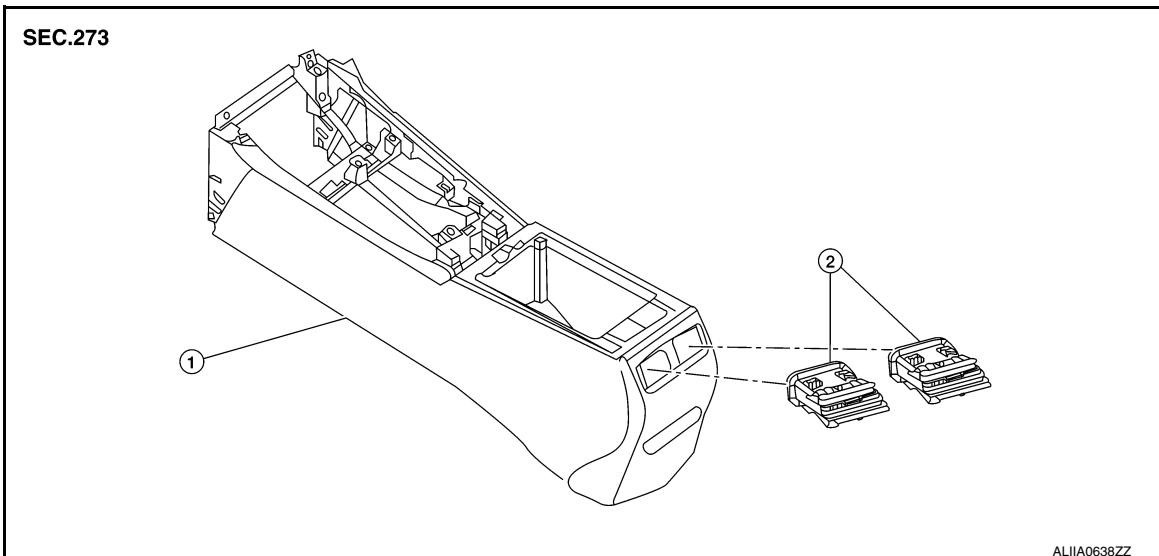
INFOID:00000009461586

FRONT



- | | | |
|-------------------------------|-------------------------------|--------------------------------|
| 1. Instrument panel | 2. Side defroster grille (LH) | 3. Side ventilator grille (LH) |
| 4. Center ventilator grille | 5. Cluster lid C | 6. Side ventilator grille (RH) |
| 7. Side defroster grille (LH) | | |

REAR



- | | |
|----------------------------|----------------------------------|
| 1. Center console assembly | 2. Rear center ventilator grille |
|----------------------------|----------------------------------|

CENTER VENTILATOR GRILLE

DUCTS AND GRILLES

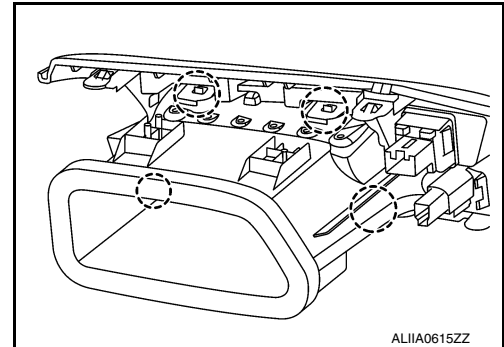
< REMOVAL AND INSTALLATION >

CENTER VENTILATOR GRILLE : Removal and Installation

INFOID:000000009461587

REMOVAL

1. Remove cluster lid C. Refer to [IP-20, "Cluster Lid C"](#).
2. Release the center ventilator grille pawls using a suitable tool.
○: Pawl



3. Remove the center ventilator grille.

INSTALLATION

Installation is in the reverse order of removal.

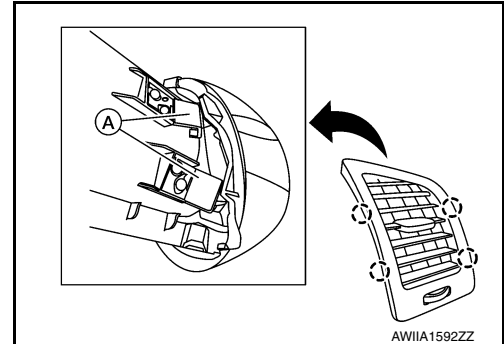
SIDE VENTILATOR GRILLE

SIDE VENTILATOR GRILLE : Removal and Installation

INFOID:000000009461588

REMOVAL

1. Remove the instrument pad LH (LH side). Refer to [IP-14, "Exploded View"](#).
2. Remove the glove box assembly (RH side). Refer to [IP-22, "Removal and Installation"](#).
3. Release the pawls (A) using a suitable tool, then remove the side ventilator grille.
○: Pawl



INSTALLATION

Installation is in the reverse order of removal.

SIDE DEFROSTER GRILLE

SIDE DEFROSTER GRILLE : Removal and Installation

INFOID:000000009461589

REMOVAL

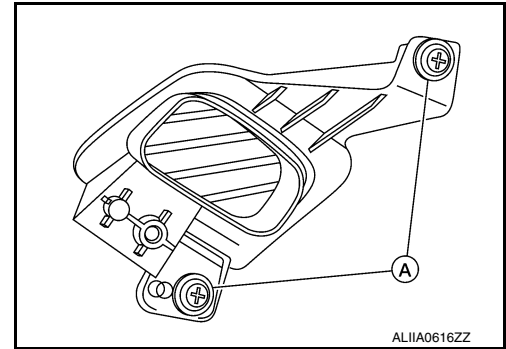
1. Remove the side defroster duct. Refer to [VTL-7, "SIDE DEFROSTER DUCT : Removal and Installation"](#).

A
B
C
D
E
F
G
H
VTL
J
K
L
M
N
O
P

DUCTS AND GRILLES

< REMOVAL AND INSTALLATION >

2. Remove the side defroster grille screws (A).



3. Remove the side defroster grille.

INSTALLATION

Installation is in the reverse order of removal.

REAR CENTER VENTILATOR GRILLE

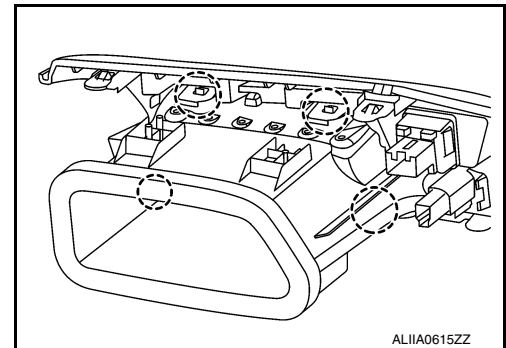
REAR CENTER VENTILATOR GRILLE : Removal and Installation

INFOID:000000009461590

REMOVAL

1. Remove the center console rear finisher. Refer to [IP-23, "Exploded View"](#).
2. Release the rear center ventilator grille pawls using a suitable tool.

○: Pawl



3. Remove the rear center ventilator grille.

INSTALLATION

Installation is in the reverse order of removal.

BLOWER UNIT

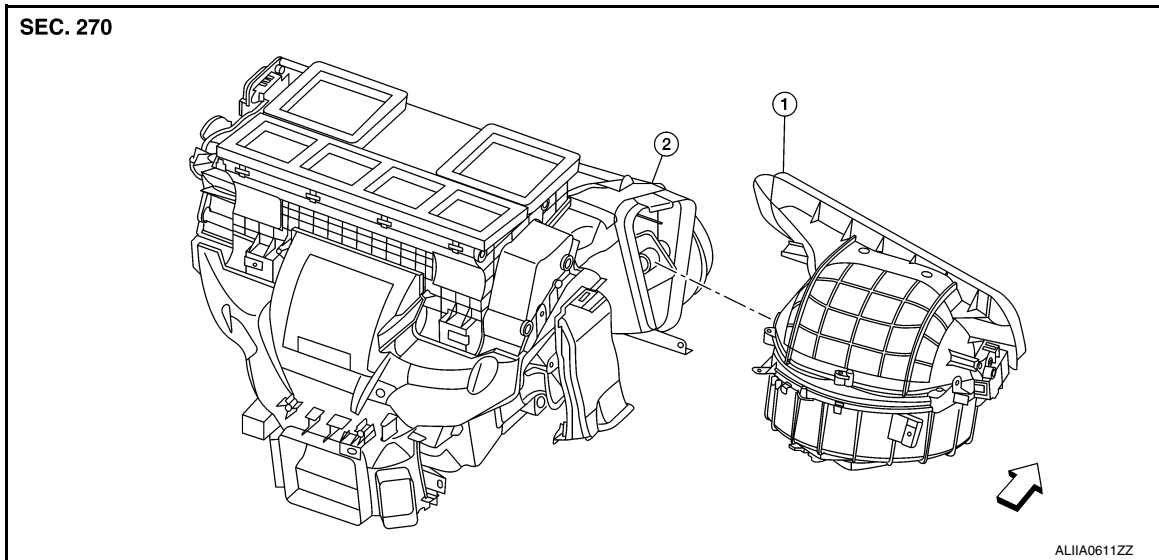
< REMOVAL AND INSTALLATION >

BLOWER UNIT

BLOWER UNIT

BLOWER UNIT : Exploded View

INFOID:000000009461591



1. Blower unit

2. Heating and cooling unit

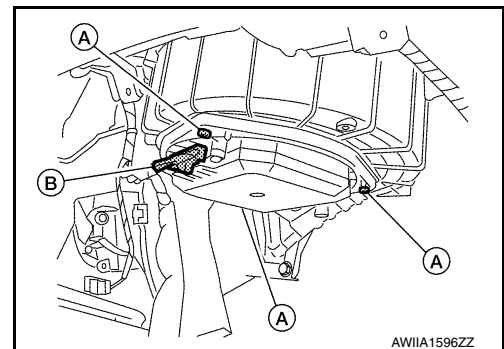
← Front

BLOWER UNIT : Removal and Installation

INFOID:000000009461592

REMOVAL

1. Remove the heating and cooling unit assembly. Refer to [HA-41. "HEATING AND COOLING UNIT ASSEMBLY : Removal and Installation"](#).
2. Disconnect the harness connector (B) from the blower motor.
3. Remove the screws from the blower unit, then remove the blower unit from the heating and cooling unit assembly.
4. Remove the three blower motor screws (A), then remove the blower motor from the blower unit (if necessary).



INSTALLATION

Installation is in the reverse order of removal.

BLOWER MOTOR

BLOWER MOTOR : Removal and Installation

INFOID:000000009461593

REMOVAL

1. Remove the glove box assembly. Refer to [IP-22. "Removal and Installation"](#).
2. Disconnect the harness connector from the blower motor.

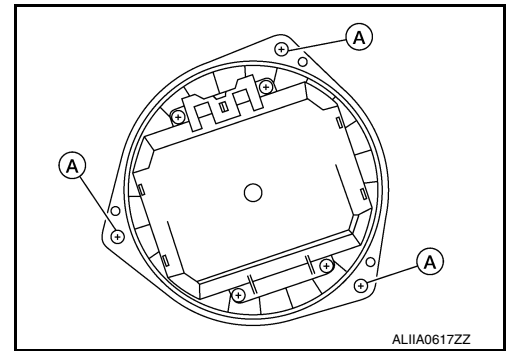
BLOWER UNIT

< REMOVAL AND INSTALLATION >

3. Remove the blower motor screws (A), and the blower motor from the blower unit.

NOTE:

Do not disassemble the blower motor to replace individual components, replace as an assembly.



INSTALLATION

Installation is in the reverse order of removal.