

**SECTION BT**

**CONTENTS**

<b>GENERAL SERVICING</b> .....	2	⑬ Side guard molding .....	24
Precautions .....	2	⑭ Center mudguard .....	25
Supplemental Restraint System "AIR BAG" .....	2	⑮ Front door parting seal .....	25
Clip and Fastener .....	3	<b>SEAT</b> .....	26
<b>BODY END</b> .....	6	Front Seat .....	26
Body Front End .....	6	Rear Seat .....	27
Removal — Front bumper assembly .....	6	<b>SUNROOF</b> .....	28
Body Rear End and Opener .....	8	Removal .....	29
Removal — Rear bumper assembly .....	8	Sunroof Lid Assembly .....	29
<b>DOOR</b> .....	10	Shade Assembly .....	29
Front Door .....	10	Sunroof Assembly .....	29
Rear Door .....	11	Link & Wire Assembly .....	29
<b>INSTRUMENT PANEL</b> .....	12	Adjustment .....	30
Removal — Instrument panel assembly .....	12	<b>WINDSHIELD AND WINDOWS</b> .....	31
<b>INTERIOR TRIM</b> .....	15	Removal .....	31
Side and Floor Trim .....	15	Installation .....	31
Door Trim .....	16	Windshield and Rear Window .....	31
Roof Trim .....	17	Repairing Water Leaks For Windshield .....	32
Luggage Room Trim .....	18	<b>MIRROR</b> .....	33
<b>EXTERIOR TRIM</b> .....	19	Door Mirror .....	33
Exterior .....	19	Removal and Installation .....	33
① Front hood insulator .....	20	Disassembly .....	33
② Cowl top grille and cowl top front sealing rubber .....	20	Rearview Mirror .....	34
③ Front windshield molding .....	20	Removal .....	34
Windshield upper and side molding .....	21	Installation .....	34
④ Sunroof lid weatherstrip .....	21	<b>REAR AIR SPOILER</b> .....	35
⑤ Body side drip weatherstrip .....	21	Rear Air Spoiler .....	35
⑥ Door weatherstrip .....	22	<b>BODY ALIGNMENT</b> .....	36
⑦ Body side welt .....	22	Engine Compartment .....	36
⑧ Door waist outside molding .....	22	Measurement .....	36
⑨ Front door corner cover .....	23	Measurement Points .....	37
⑩ Rear windshield molding .....	23	Underbody .....	38
⑪ Trunk lid weatherstrip .....	23	Measurement .....	38
⑫ Rear combination lamp .....	24	Measurement Points .....	39

# CONTENTS (Cont'd.)

When you read wiring diagrams:

- Read GI section, "HOW TO READ WIRING DIAGRAMS".
- See EL section, "POWER SUPPLY ROUTING" for power distribution circuit.

When you perform trouble diagnoses, read GI section, "HOW TO FOLLOW FLOW CHART IN TROUBLE DIAGNOSES".

GI

MA

EM

LC

EC

FE

CL

MT

AT

FA

RA

BR

ST

RS

**BT**

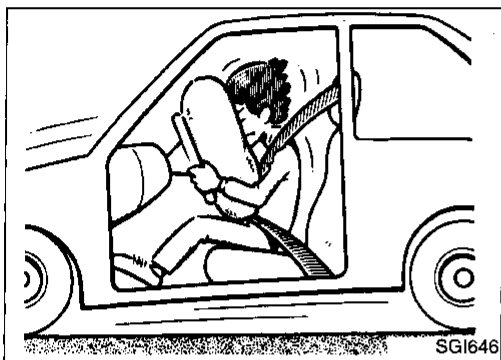
HA

EL

IDX

### Precautions

- When removing or installing various parts, place a cloth or padding on the vehicle body to prevent scratches.
- Handle trim, molding, instruments, grille, etc. carefully during removing or installation. Be careful not to soil or damage them.
- Apply sealing compound where necessary when installing parts.
- When applying sealing compound, be careful that the sealing compound does not protrude from parts.
- When replacing any metal parts (for example body outer panel, members, etc.), be sure to take rust prevention measures.



### Supplemental Restraint System "AIR BAG"

The Supplemental Restraint System "Air Bag", used along with a seat belt, helps to reduce the risk or severity of injury to the driver and front passenger in a frontal collision. The Supplemental Restraint System consists of air bag modules (located in the center of the steering wheel and on the instrument panel on the passenger side), a diagnosis sensor unit, warning lamp, wiring harness and spiral cable. Information necessary to service the system safely is included in the **RS** section of this Service Manual.



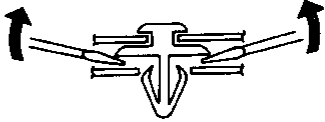

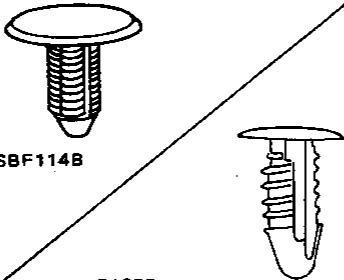
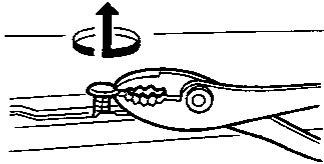

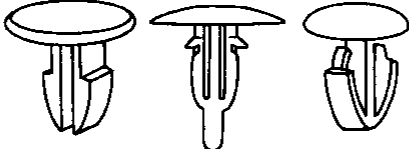
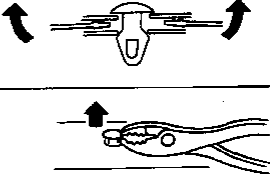
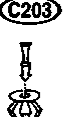
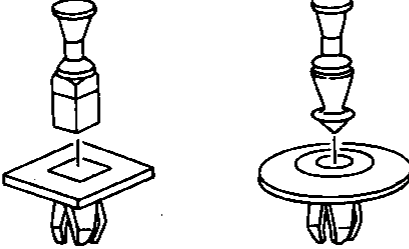
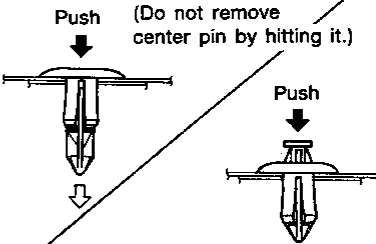
#### WARNING:

- To avoid rendering the SRS inoperative, which could increase the risk of personal injury or death in the event of a collision which would result in air bag inflation, all maintenance must be performed by an authorized NISSAN dealer.
- Improper maintenance, including incorrect removal and installation of the SRS, can lead to personal injury caused by unintentional activation of the system.
- All SRS electrical wiring harnesses and connectors are covered with yellow outer insulation. Do not use electrical test equipment on any circuit related to the SRS "Air Bag".

# GENERAL SERVICING

## Clip and Fastener



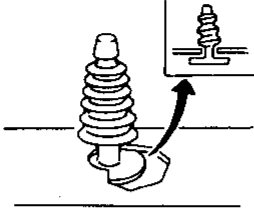
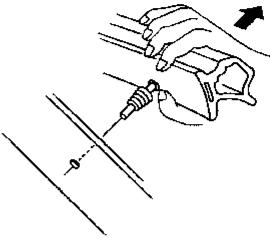


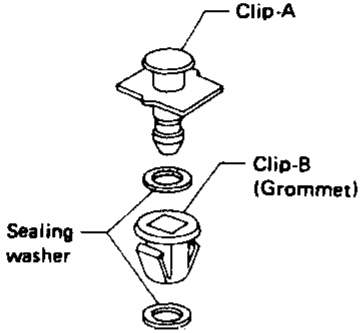
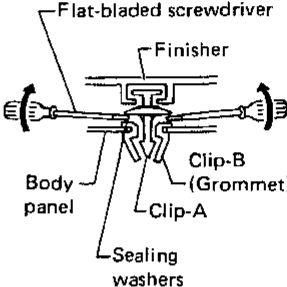


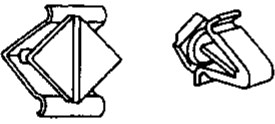
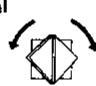
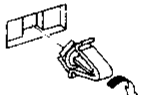

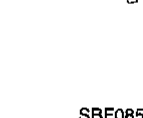
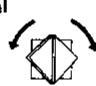
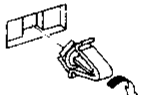

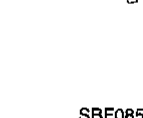
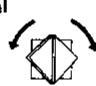
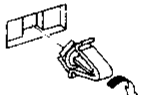

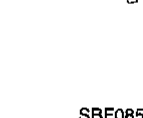


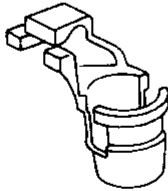
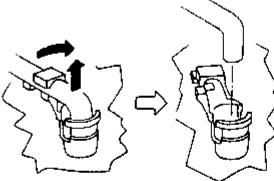


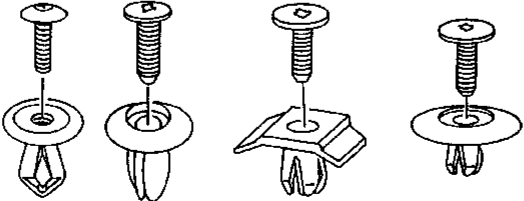
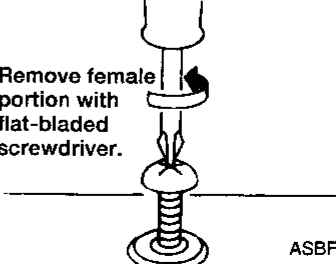
- Clips and fasteners in BT section correspond to the following numbers and symbols.
- Replace any clips and/or fasteners which are damaged during removal or installation.

Symbol No.	Shapes	Removal & Installation
	 <p style="text-align: right;">SBF256G</p>	<p><b>Removal:</b> Remove by bending up with flat-bladed screwdrivers.</p>  <p style="text-align: right;">SBF367B</p>
	 <p style="text-align: center;">SBF114B</p> <p style="text-align: center;">SBF137B</p> <p style="text-align: right;">SBF137B</p>	 <p><b>Removal:</b> Pull up by rotating.</p> <p style="text-align: right;">SBF115B</p>
	 <p style="text-align: right;">SBF257G</p>	<p><b>Removal:</b> Remove with a flat-bladed screwdriver or pliers.</p>  <p style="text-align: right;">SBF292C</p>
	 <p style="text-align: right;">SBF258G</p>	<p>Push center pin to catching position. (Do not remove center pin by hitting it.)</p>  <p><b>Installation:</b></p> <p style="text-align: right;">SBF708E</p>

GI  
MA  
EM  
LC  
EC  
FE  
CL  
MT  
AT  
FA  
RA  
BR  
ST  
RS  
BT  
HA  
EL  
IDX

# GENERAL SERVICING

## Clip and Fastener (Cont'd)

Symbol No.	Shapes	Removal & Installation				
 	 <p style="text-align: right;">SBF104B</p>	<p><b>Removal:</b></p>  <p style="text-align: right;">SBF147B</p>				
 	 <p style="text-align: right;">SBF151D</p>	<p><b>Removal:</b></p>  <p style="text-align: right;">SBF259G</p>				
 	 <p style="text-align: right;">SBF145B</p>	<table border="0" style="width: 100%;"> <tr> <td style="width: 50%; vertical-align: top;"> <p><b>Removal</b></p>  <p>Rotate 45° to remove.</p> </td> <td style="width: 50%; vertical-align: top;"> <p><b>Installation</b></p>  </td> </tr> <tr> <td style="text-align: center;">  <p><b>Removal</b></p> </td> <td style="text-align: center;">  <p><b>Installation</b></p> </td> </tr> </table> <p style="text-align: right;">SBF085B</p>	<p><b>Removal</b></p>  <p>Rotate 45° to remove.</p>	<p><b>Installation</b></p> 	 <p><b>Removal</b></p>	 <p><b>Installation</b></p>
<p><b>Removal</b></p>  <p>Rotate 45° to remove.</p>	<p><b>Installation</b></p> 					
 <p><b>Removal</b></p>	 <p><b>Installation</b></p>					
 	 <p style="text-align: right;">SBF768B</p>	<p><b>Removal:</b> Holder portion of clip must be spread out to remove rod.</p>  <p style="text-align: right;">SBF770B</p>				
 	 <p style="text-align: right;">SBF260G</p>	<p><b>Removal:</b> Screw out with a Phillips screwdriver.</p> <p>Remove female portion with flat-bladed screwdriver.</p>  <p style="text-align: right;">ASBF140B</p>				

# GENERAL SERVICING

---

## NOTE

GI

MA

EM

LC

EC

FE

CL

MT

AT

FA

RA

BR

ST

RS

**BT**

HA

EL

IDX

### Body Front End

- Bumper fascia: It is made of plastic. Do not use excessive force and keep oil away from it.
- Hood adjustment: Adjust at hinge portion.
- Hood lock adjustment: After adjusting, check hood lock operation. Apply a coat of grease to engaging mechanism.
- Hood opener: Do not attempt to bend cable forcibly. This will increase the effort required to unlock hood.

#### REMOVAL — Front bumper assembly

- ① Remove screws and clips (C203) securing left and right fender protectors to bumper fascia.
- ② Remove screws securing left and right engine undercovers to bumper fascia.
- ③ Remove nuts securing left and right front fenders to bumper fascia.
- ④ Remove screws and clips (C203) securing bumper fascia to bumper reinforcement.
- ⑤ Extract bumper fascia.
- ⑥ Remove two bolts securing bumper reinforcement.

# BODY END

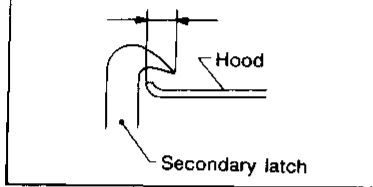
## Body Front End (Cont'd)

### Hood lock adjustment

- Adjust hood so that hood primary lock meshes at a position 1 to 1.5 mm (0.039 to 0.059 in) lower than fender.
- After hood lock adjustment, adjust bumper rubber.
- When securing hood lock, ensure it does not tilt. Striker must be positioned at the center of hood primary lock.
- After adjustment, ensure that hood primary and secondary lock operate properly.

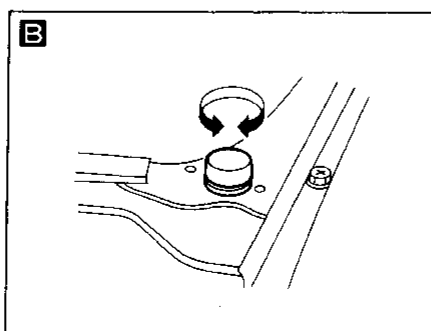
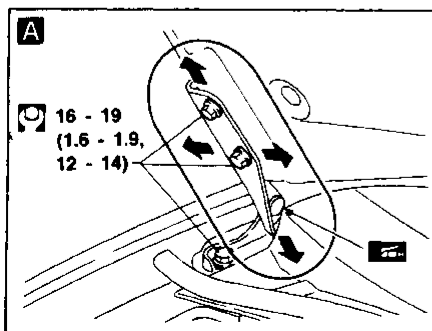
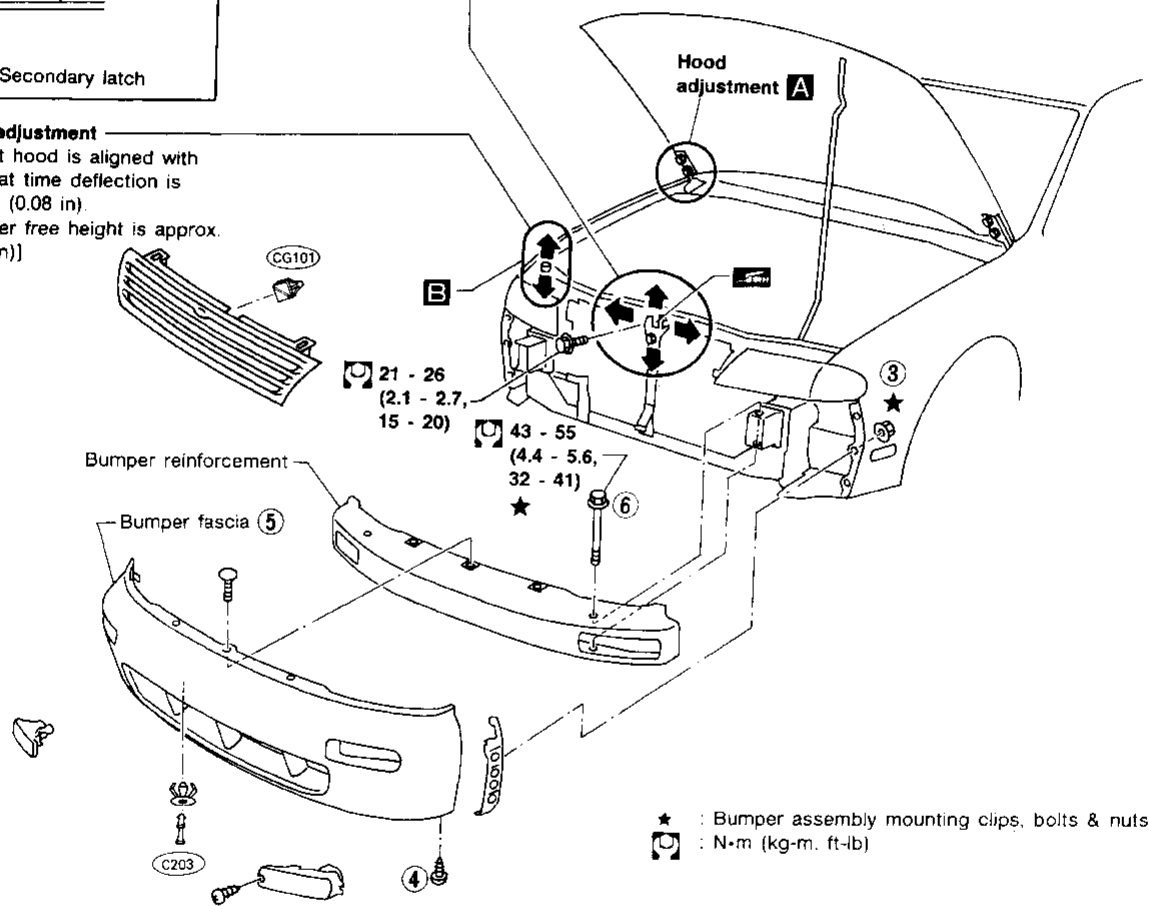
### Hood lock secondary latch hooking length

More than 5.0 mm (0.197 in)



### Bumper rubber adjustment

- Adjust so that hood is aligned with fender. At that time deflection is approx. 2 mm (0.08 in). [Bumper rubber free height is approx. 13 mm (0.51 in)]



★ : Bumper assembly mounting clips, bolts & nuts  
 □ : N·m (kg·m, ft·lb)

GI  
 MA  
 EM  
 LC  
 EC  
 FE  
 CL  
 MT  
 AT  
 FA  
 RA  
 BR  
 ST  
 RS  
 BT  
 HA  
 EL  
 IDX



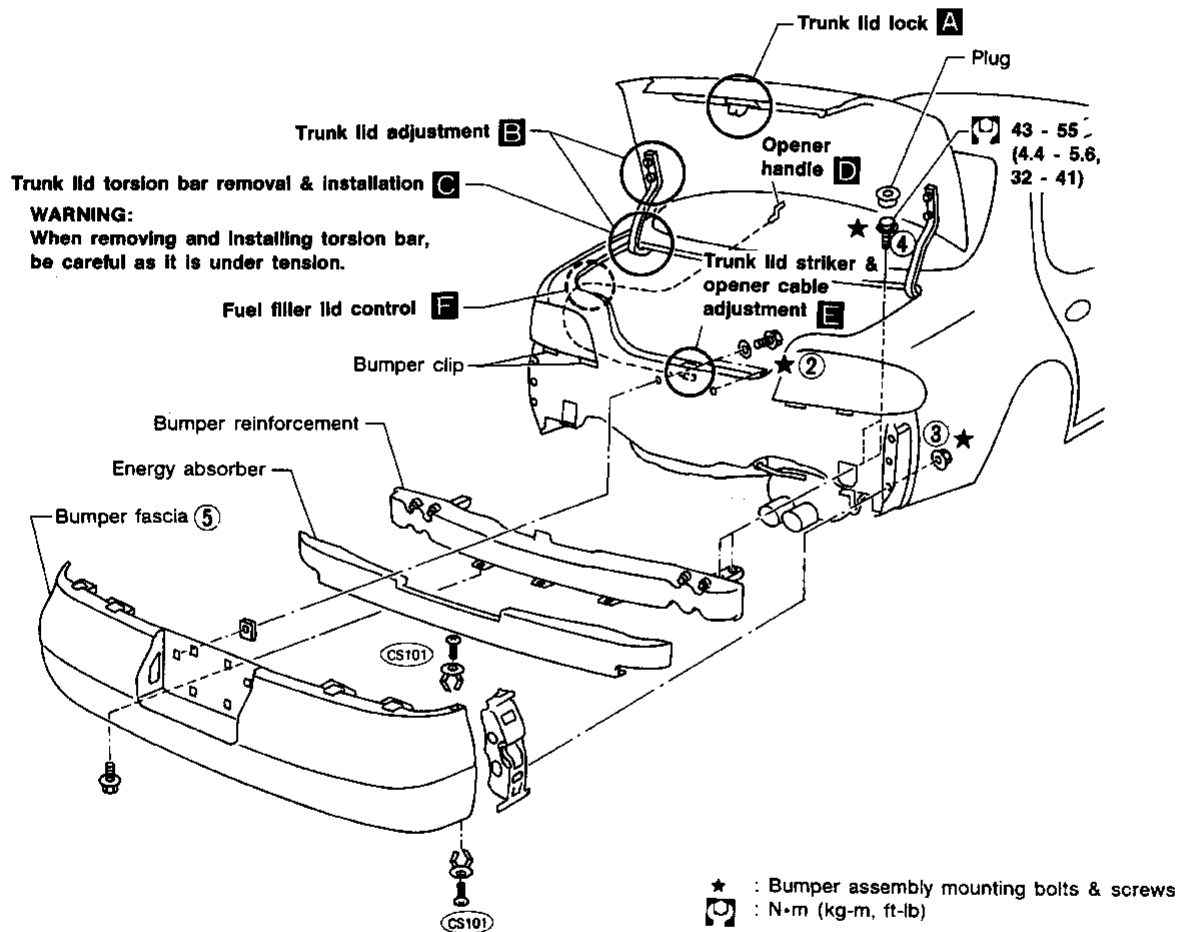
# BODY END

## Body Rear End and Opener

- Trunk lid adjustment: Adjust at hinge-trunk lid portion for proper trunk lid fit.
- Trunk lid lock system adjustment: Adjust striker so that it is in the center of the lock. After adjustment, check trunk lid lock operation.
- Opener cable: Do not attempt to bend cable forcibly.
- After installing/adjusting opener, make sure that trunk lid and fuel filler lid open.

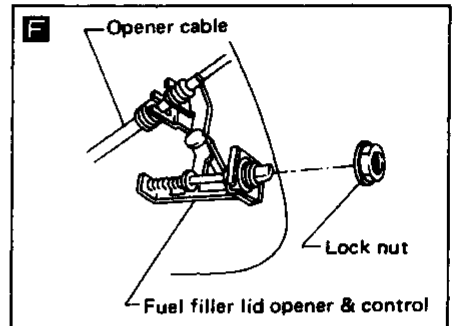
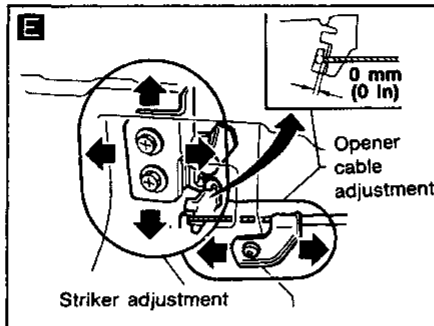
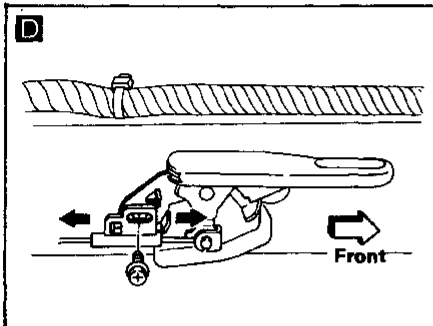
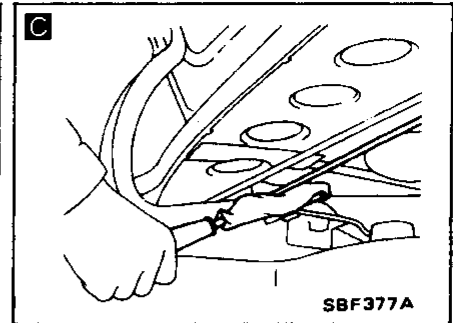
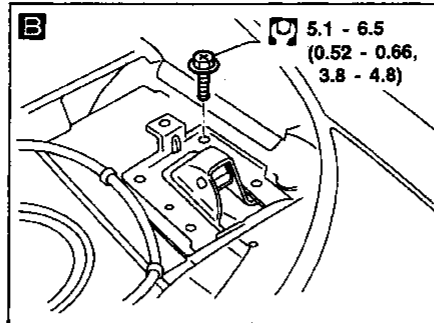
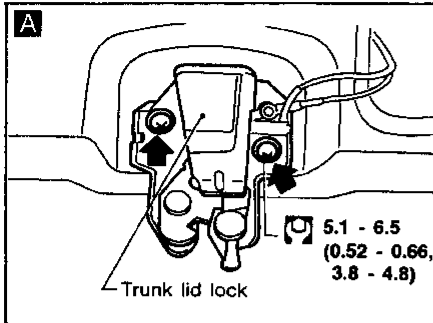
### REMOVAL — Rear bumper assembly

- ① Remove luggage room trim. Refer to BT-18.
- ② Remove the two bolts from inside of trunk room.
- ③ Working inside trunk, remove nuts securing left and right rear fenders to bumper fascia.
- ④ Working inside trunk, remove left and right plugs from floor, then remove the four bolts.
- ⑤ Extract bumper assembly.



# BODY END

## Body Rear End and Opener (Cont'd)

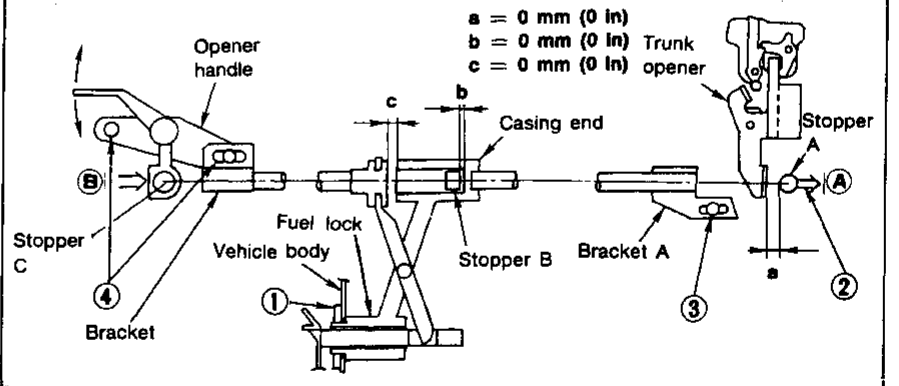


### Trunk lid and fuel filler lid opener installation

#### Installation (Refer to figure below)

- ① Temporarily route cable and secure fuel lock to vehicle body.
- ② Lightly pull stopper A (at cable end) in direction A to eliminate clearance b between stopper B and casing end.
- ③ Secure bracket A to vehicle body so that clearance a between stopper A and trunk striker is 0 mm (0 in). (At this point, do not pull striker lever.)
- ④ Attach stopper C to handle. While lightly pushing cable in direction B shown by arrow (do not allow any clearance c at fuel lock casing end to occur), secure handle to vehicle body.

Ensure that clearances a and b are eliminated after installation.

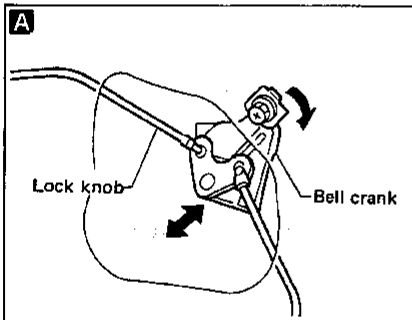
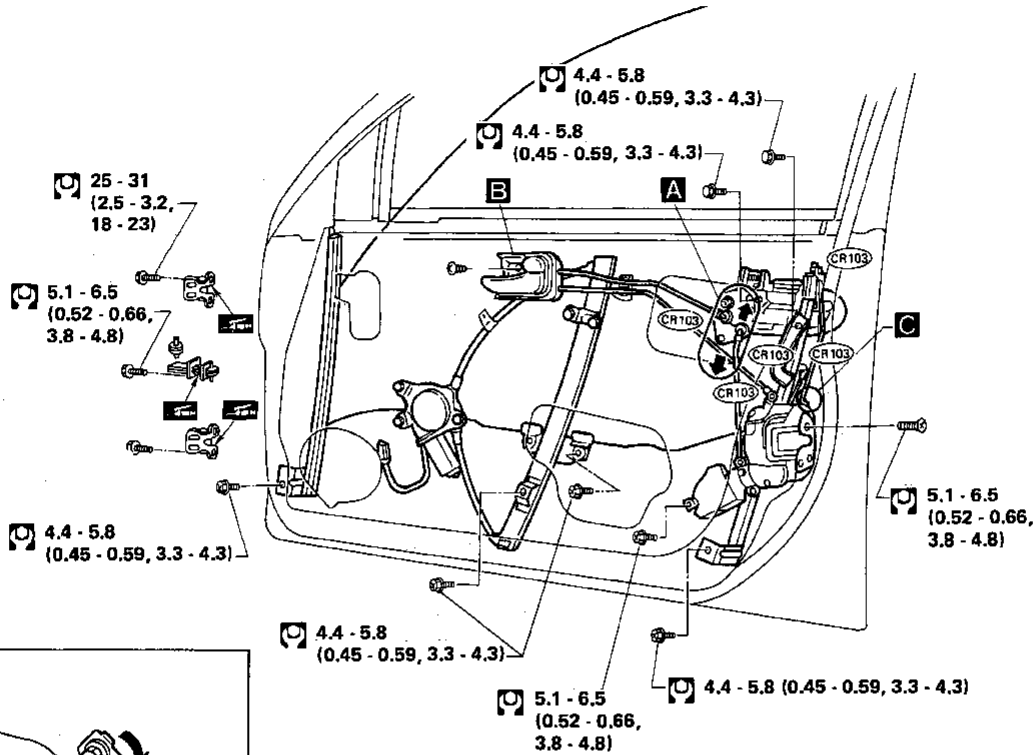


GI  
MA  
EM  
LC  
EC  
FE  
CL  
MT  
AT  
FA  
RA  
BR  
ST  
RS  
BT  
HA  
EL  
IDX

# DOOR

- For removal of door trim, refer to BT-16 ("Door Trim", "INTERIOR TRIM").
- When removing door, be sure not to scratch vehicle body.
- After adjusting door or door lock, check door lock operation.
- When disassembling rear door window, it is better to remove upper and waist roller mounting first.

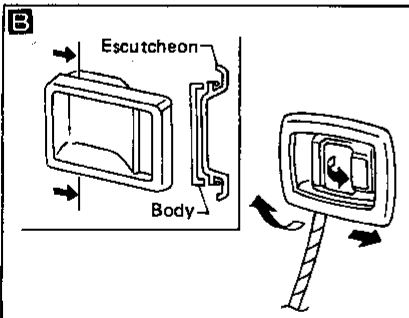
## Front Door



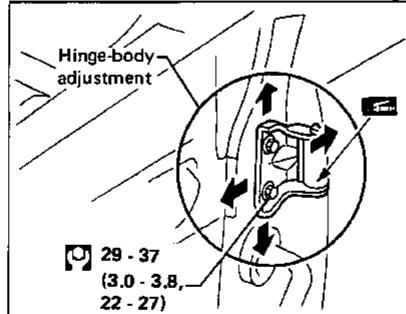
### Bell crank adjustment

Lock door after setting door lock assembly and inside handle in position.

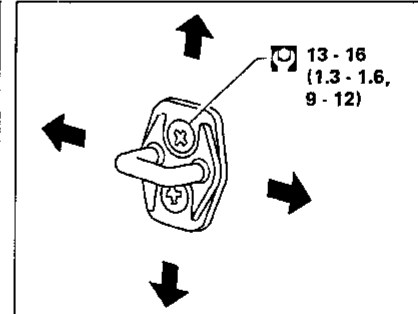
Move bell crank in direction of arrow (shown in figure at left) to take up knob free play, and secure with bolts.



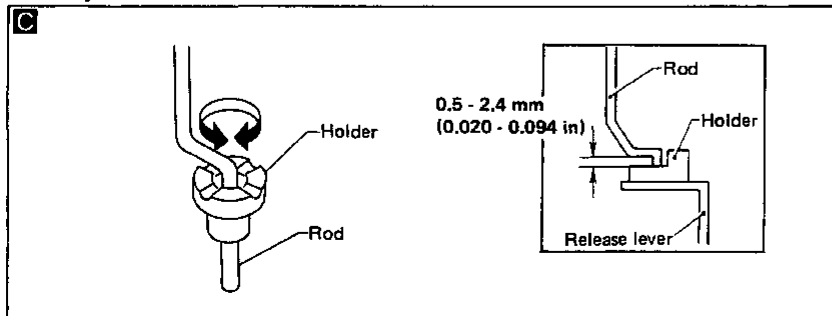
### Hinge-body adjustment



### Striker adjustment



### Door adjustment

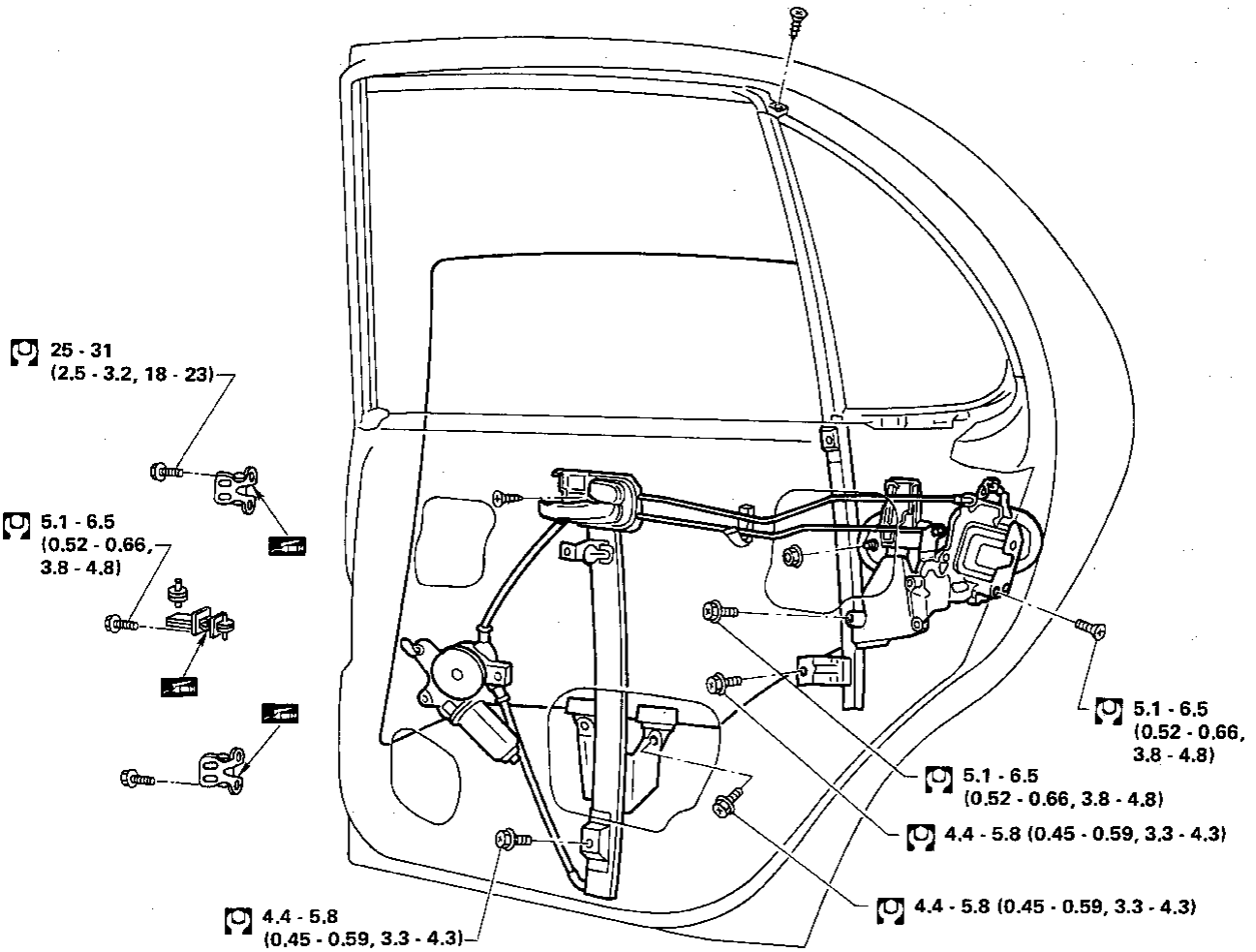


: N·m (kg·m, ft·lb)

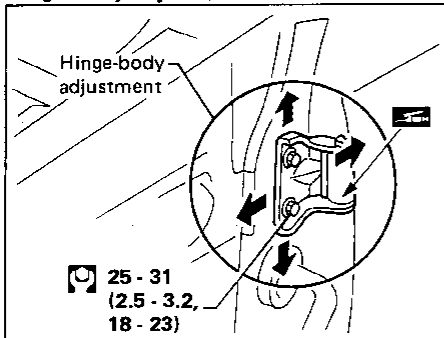
MBF553A

# DOOR

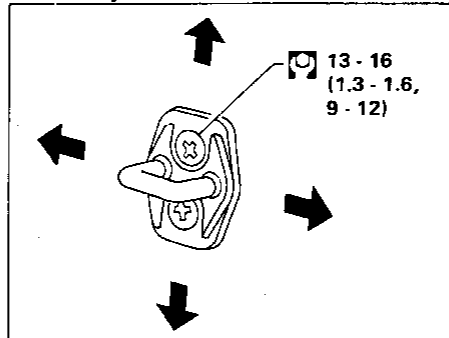
## Rear Door



### Hinge-body adjustment



### Striker adjustment



: N·m (kg·m, ft·lb)

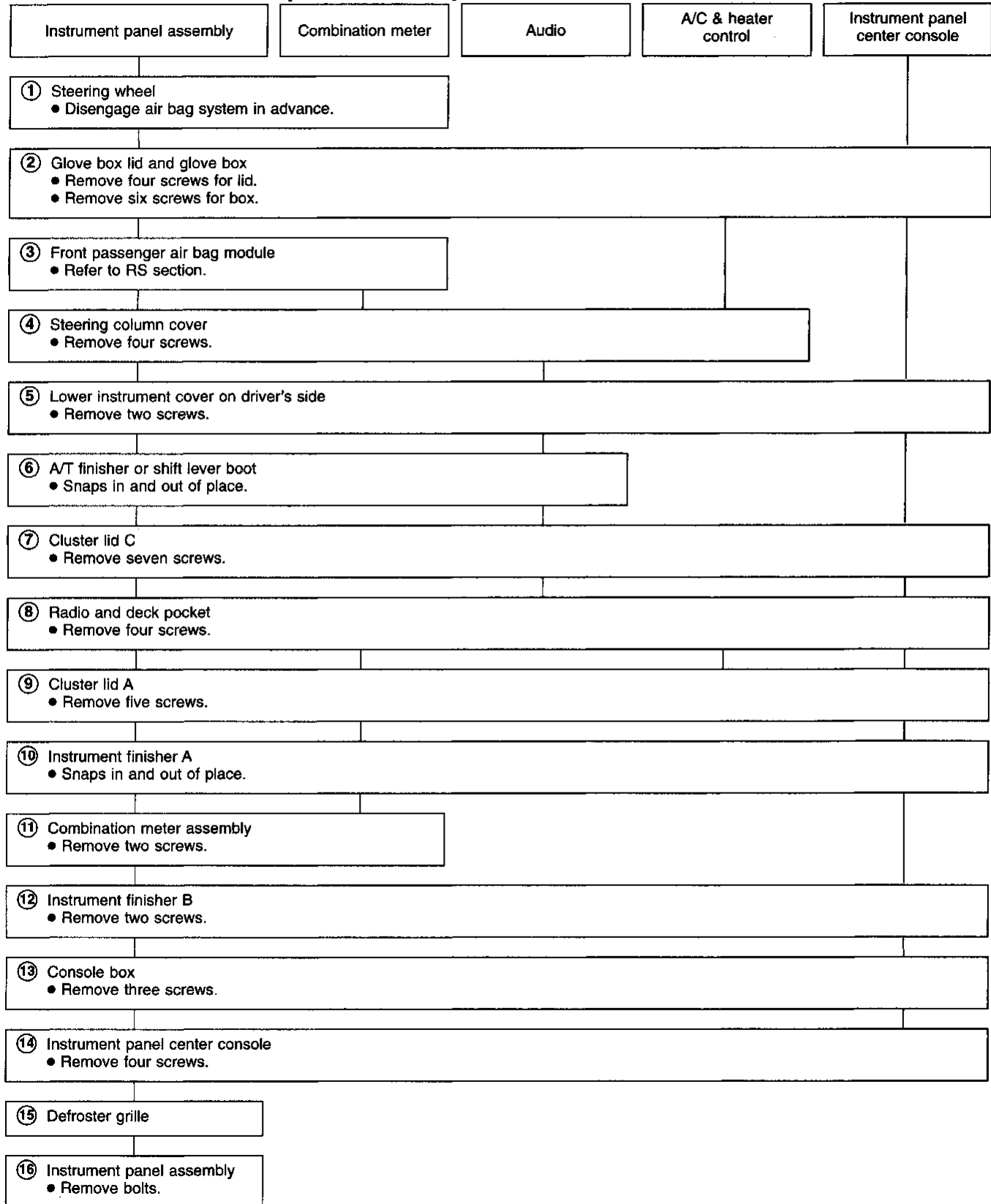
GI  
MA  
EM  
LC  
EC  
FE  
CL  
MT  
AT  
FA  
RA  
BR  
ST  
RS  
BT  
HA  
EL  
IDX

# INSTRUMENT PANEL

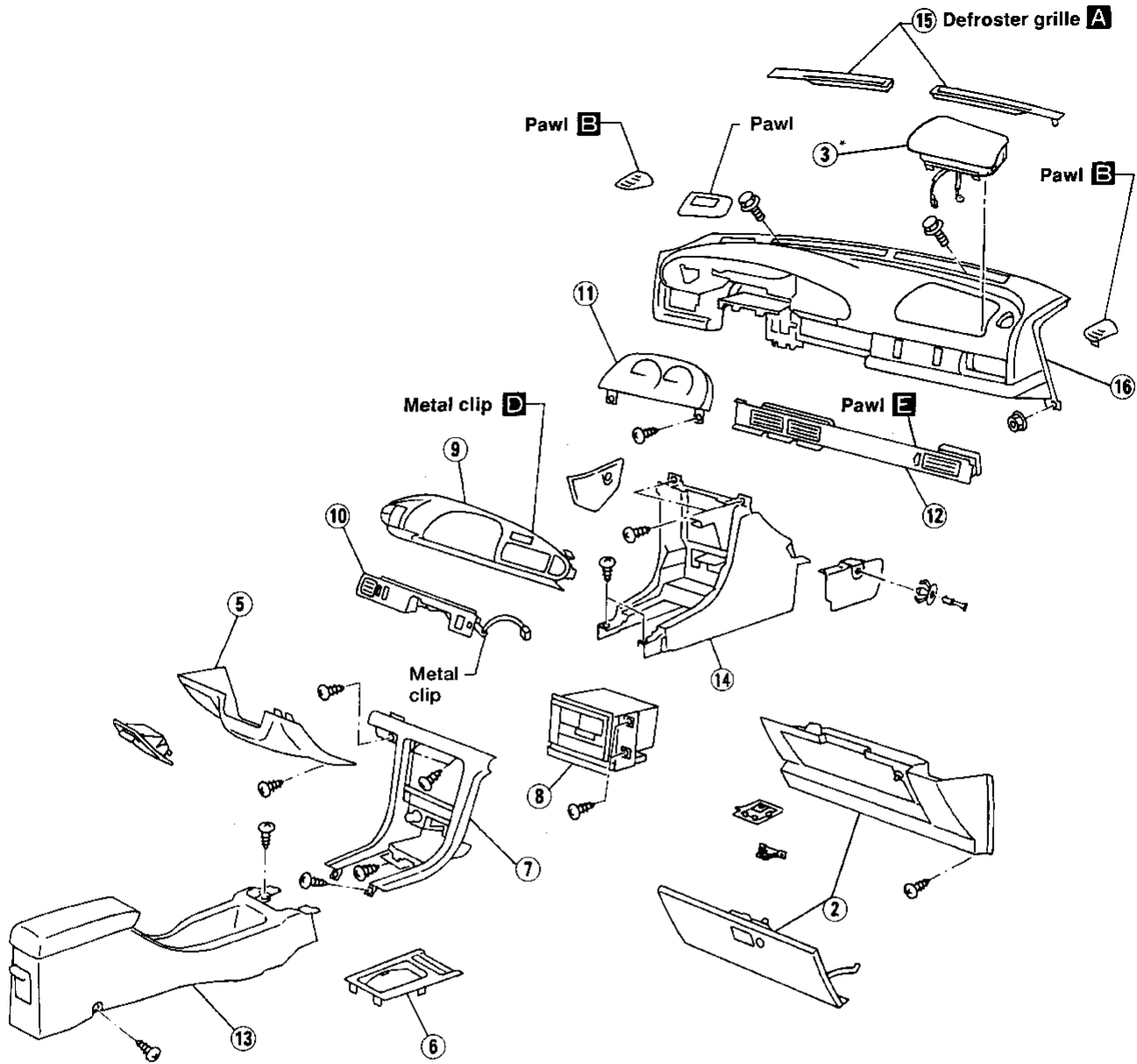
## CAUTION:

- Disconnect ground terminal from battery in advance.
- Disconnect air bag system line in advance.
- Be careful not to scratch finishers and other parts.

## REMOVAL — Instrument panel assembly



# INSTRUMENT PANEL

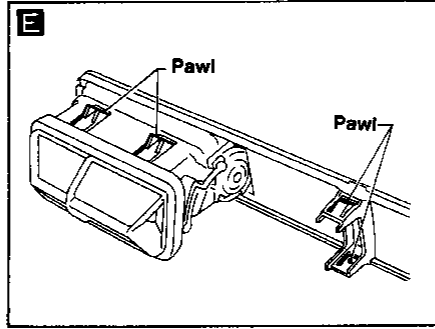
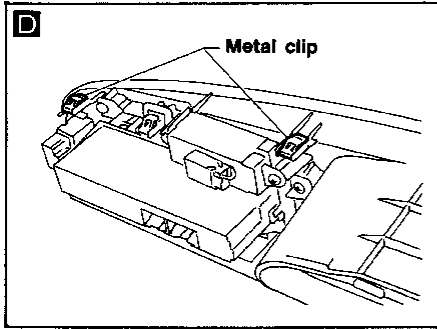
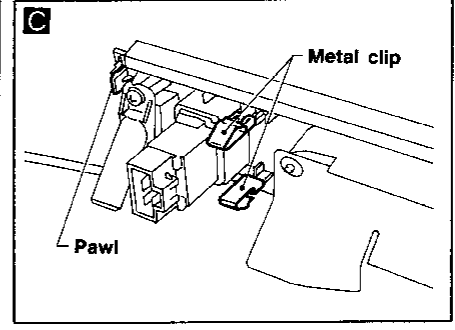
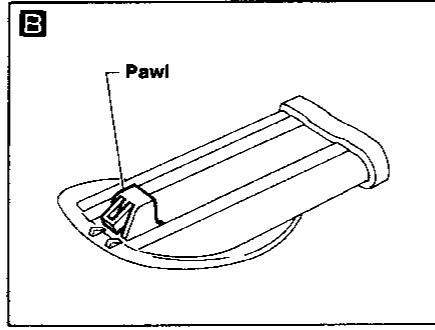
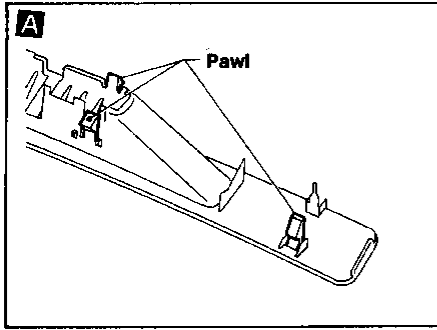


\* After an air bag inflates, the front instrument panel assembly should be replaced.

ABF191

GI  
MA  
EM  
LC  
EC  
FE  
CL  
MT  
AT  
FA  
RA  
BR  
ST  
RS  
BT  
HA  
EL  
IDX

# INSTRUMENT PANEL



MBF598A-1

# INTERIOR TRIM

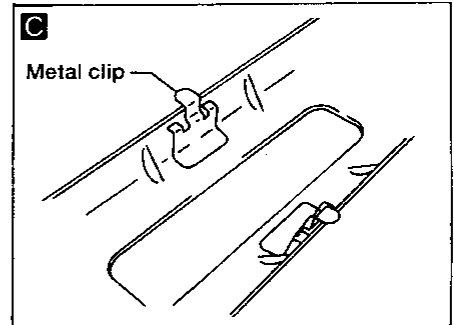
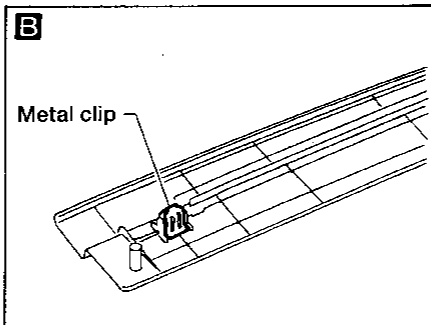
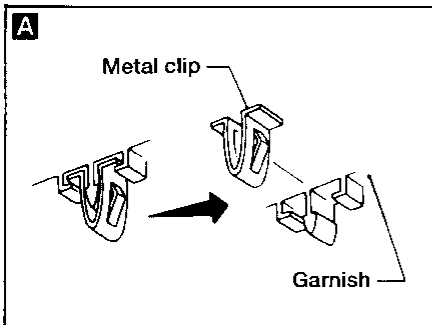
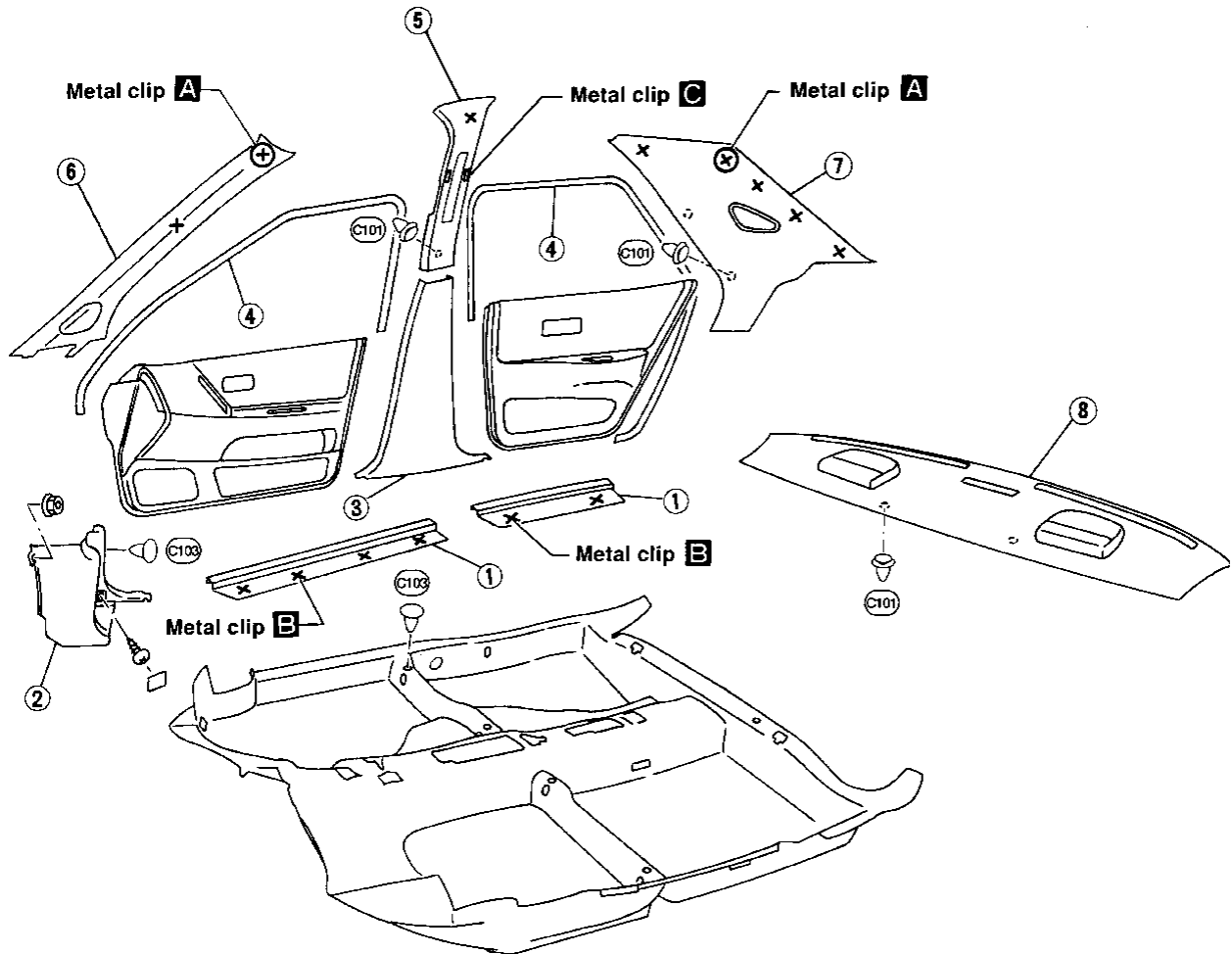
## Side and Floor Trim

### CAUTION:

Wrap the tip of flat-bladed screwdriver with a cloth when removing metal clips from garnishes.

### REMOVAL — Body side trim

- ① Remove front and rear kick plates.
- ② Remove dash side finisher.
- ③ Remove center pillar lower garnish.
- ④ Remove front and rear body side welts.
- ⑤ Remove center pillar upper garnish.
- ⑥ Remove front pillar garnish.
- ⑦ Remove rear pillar garnish.
- ⑧ Remove rear parcel shelf.



ABF192

GI

MA

EM

LC

EC

FE

CL

MT

AT

FA

RA

BR

ST

RS

BT

HA

EL

IDX

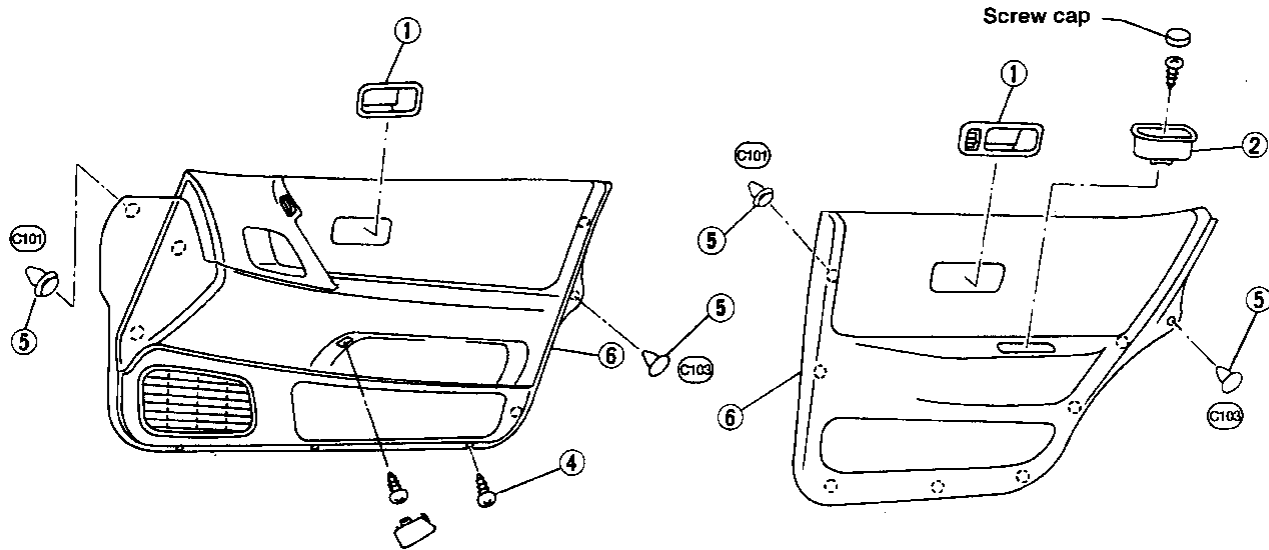


# INTERIOR TRIM

## Door Trim

### DOOR TRIM REMOVAL — Door trim

- ① Remove inside handle escutcheon. Refer to BT-10.
- ② Remove pull handle (rear door and driver door only).
- ③ Remove power window switch finisher (driver door only).
- ④ Remove screws.
- ⑤ Remove clips securing door finisher.
- ⑥ Lift out door finisher. Disconnect main and door harnesses.

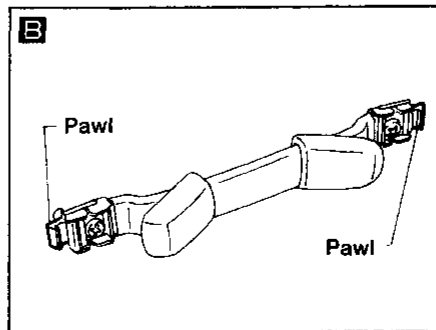
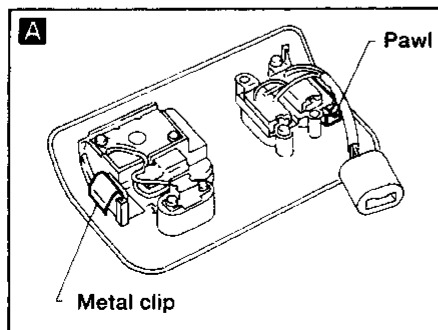
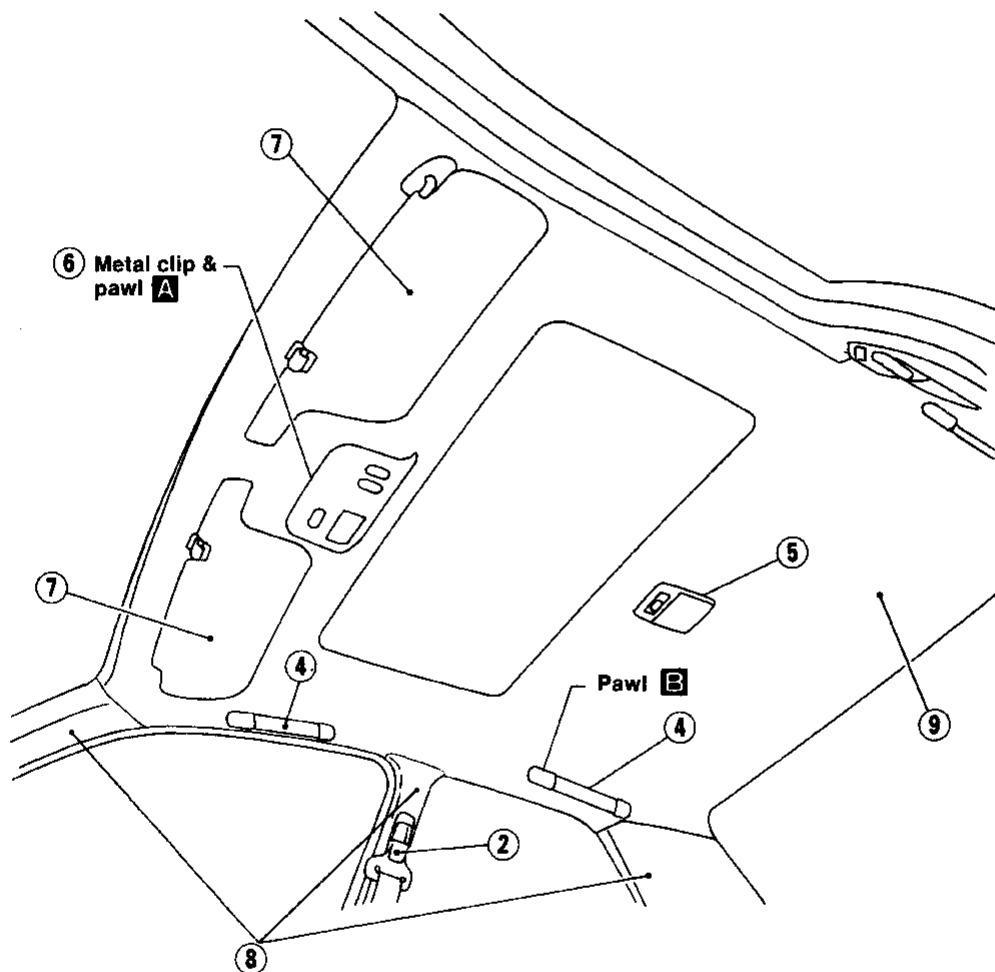


# INTERIOR TRIM

## Roof Trim

### REMOVAL — Headlining

- ① Remove rear seat.
- ② Remove front seat belts.
- ③ Remove front and rear kick plates, center pillar lower garnish, and body side welts. Refer to BT-15.
- ④ Remove assist grips (Models equipped with sunroof) or coathooks.
- ⑤ Remove interior lamp.
- ⑥ Remove sunroof switch. (Models equipped with sunroof)
- ⑦ Remove sunvisors.
- ⑧ Remove front, center upper and rear pillar garnishes. Refer to BT-15.
- ⑨ Remove headlining.



GI

MA

EM

LC

EC

FE

CL

MT

AT

FA

RA

BR

ST

RS

**BT**

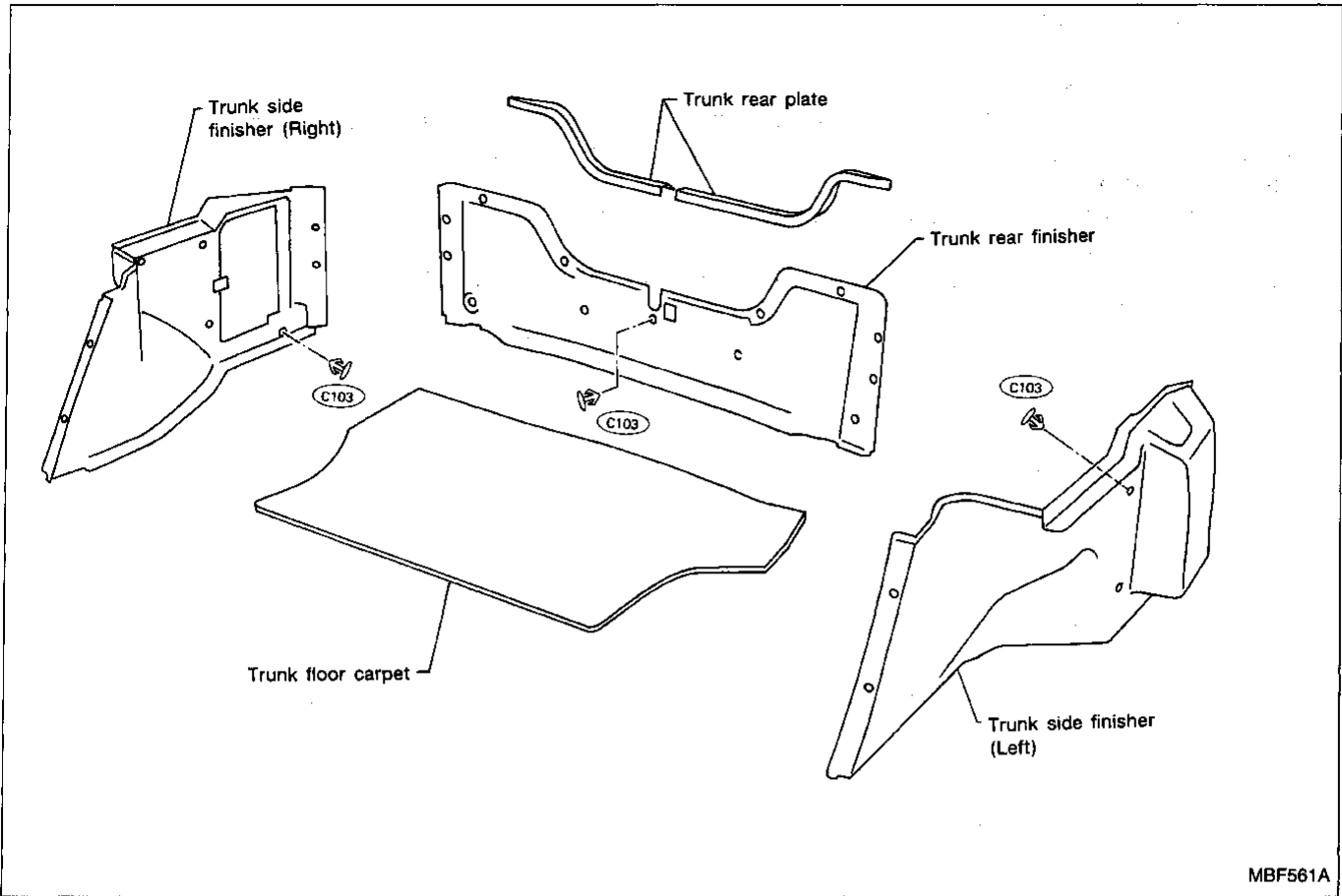
HA

EL

IDX

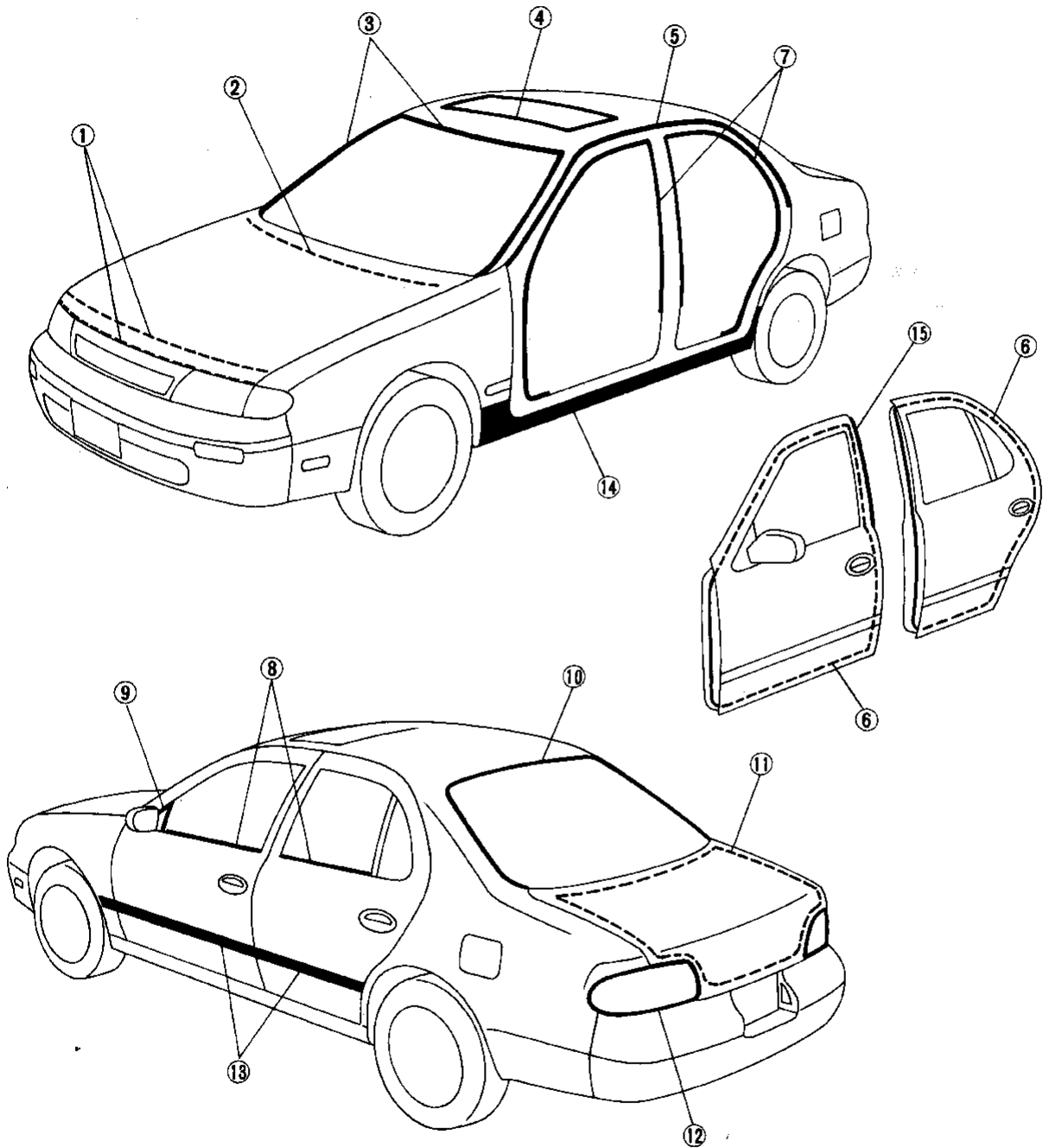
# INTERIOR TRIM

## Luggage Room Trim



# EXTERIOR TRIM

## Exterior

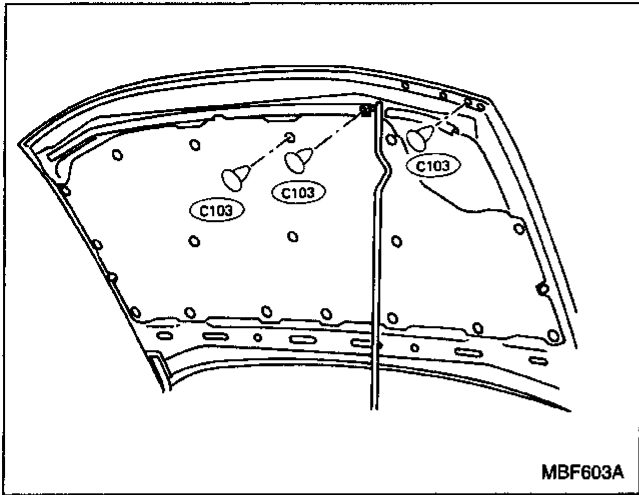


GI  
MA  
EM  
LC  
EC  
FE  
CL  
MT  
AT  
FA  
RA  
BR  
ST  
RS  
**BT**  
HA  
EL  
IDX

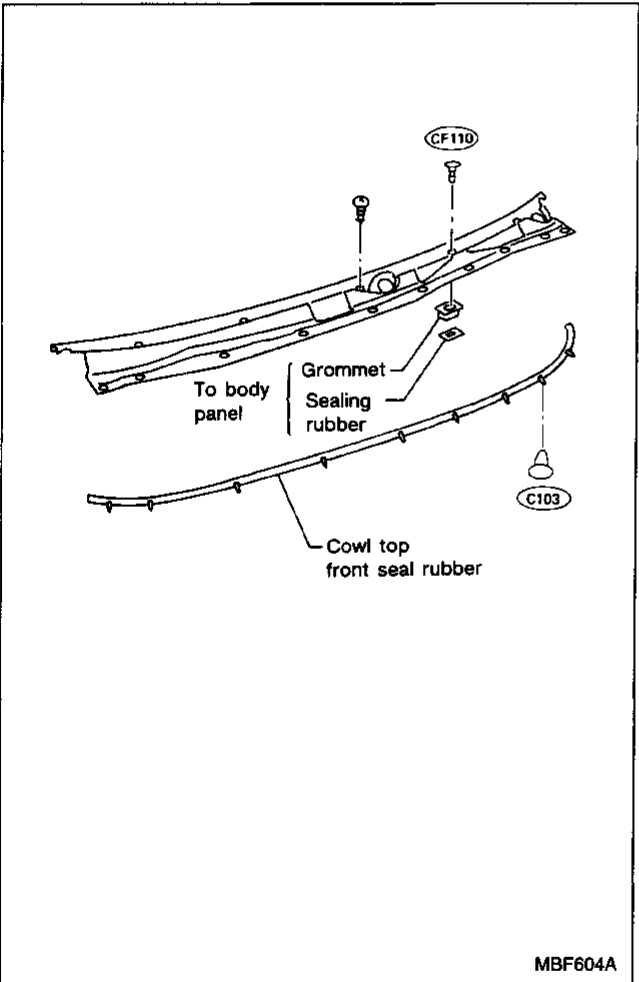
# EXTERIOR TRIM

## Exterior (Cont'd)

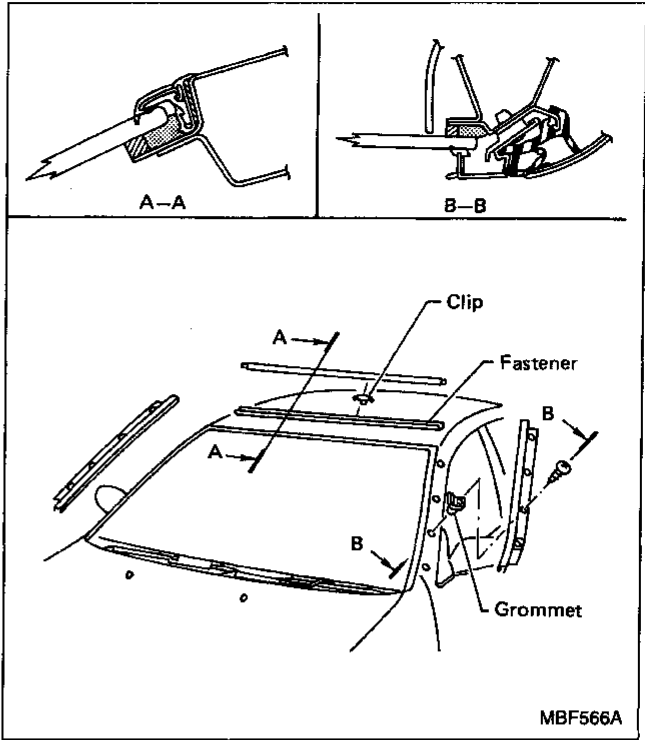
### ① Front hood insulator



### ② Cowl top grille and cowl top front sealing rubber



### ③ Front windshield molding



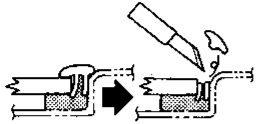
# EXTERIOR TRIM

## Exterior (Cont'd)

### Windshield upper and side molding

#### Method 1

Cut off top portion of molding and clean glass and panel surfaces.



Apply sealant to top portion of molding.



Cut off lower portion of new molding.

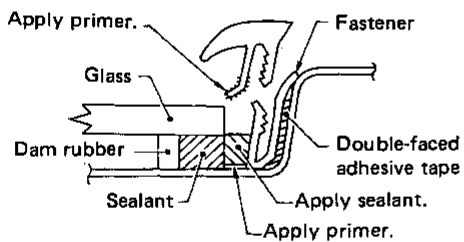


Finish well to give it a good appearance.

SBF266G

#### Method 2

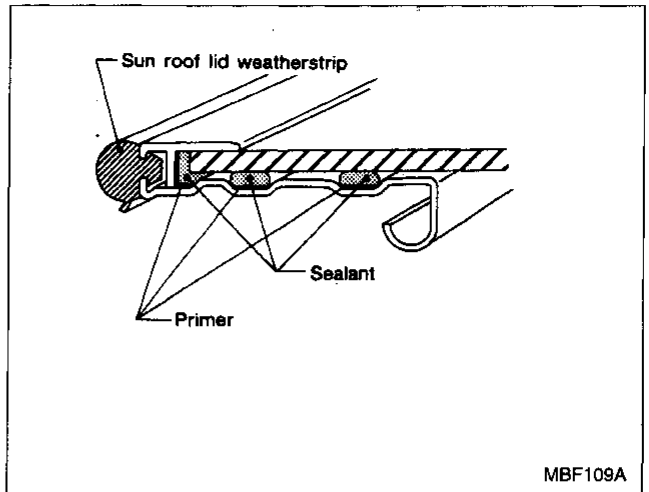
1. Cut off sealant at glass end.
2. Clean the side on which panel was mounted.
3. Set molding fastener and apply sealant to body panel, and apply primer to molding and body.



4. Install molding by aligning the molding mark located on center with vehicle center. Be sure to install tightly so that there is no gap around the corner.

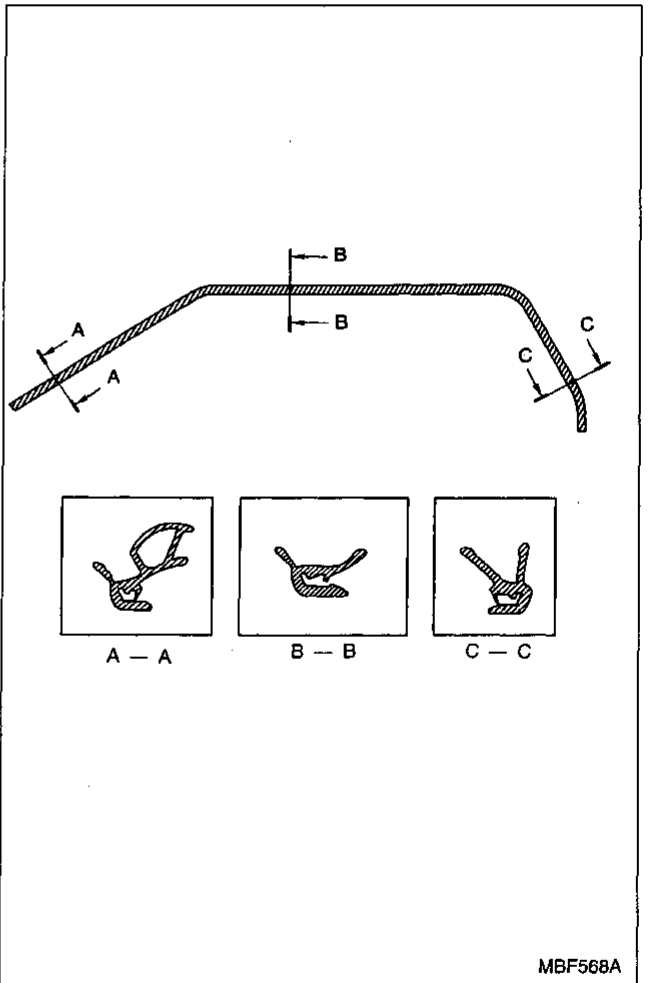
SBF267G

### ④ Sunroof lid weatherstrip



MBF109A

### ⑤ Body side drip weatherstrip



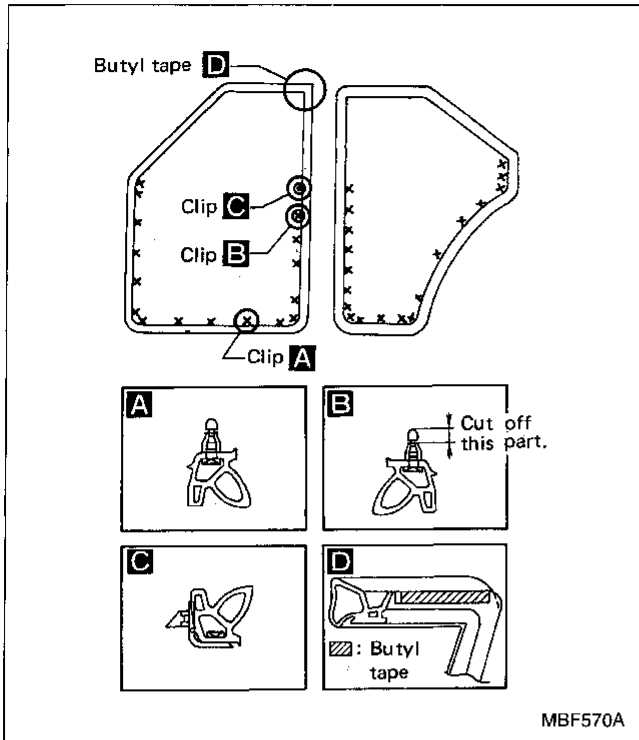
MBF568A

GI  
MA  
EM  
LC  
EC  
FE  
CL  
MT  
AT  
FA  
RA  
BR  
ST  
RS  
BT  
HA  
EL  
IDX

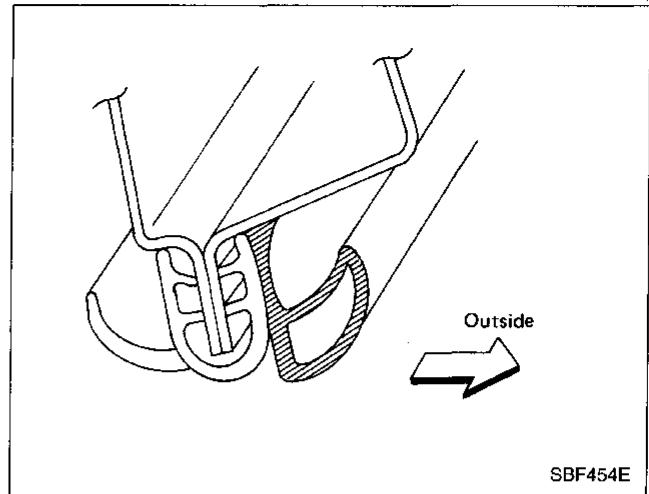
# EXTERIOR TRIM

## Exterior (Cont'd)

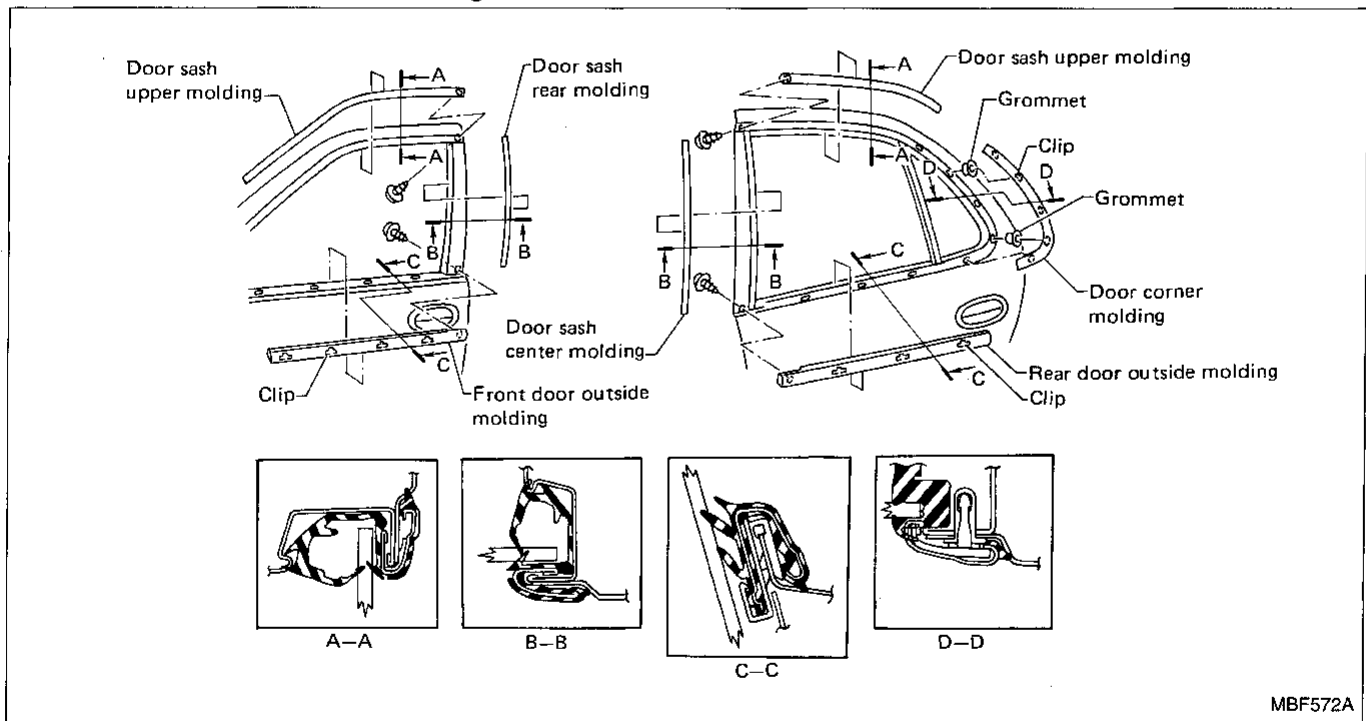
### ⑥ Door weatherstrip



### ⑦ Body side welt



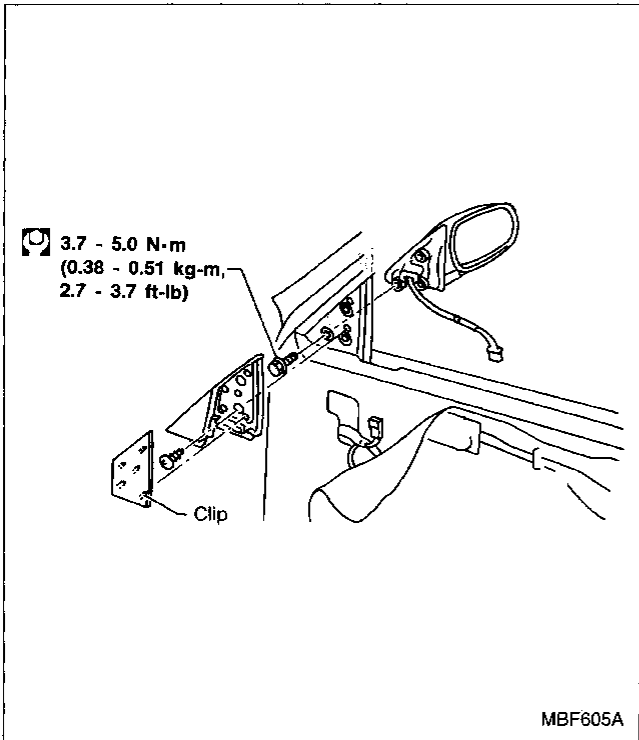
### ⑧ Door waist outside molding



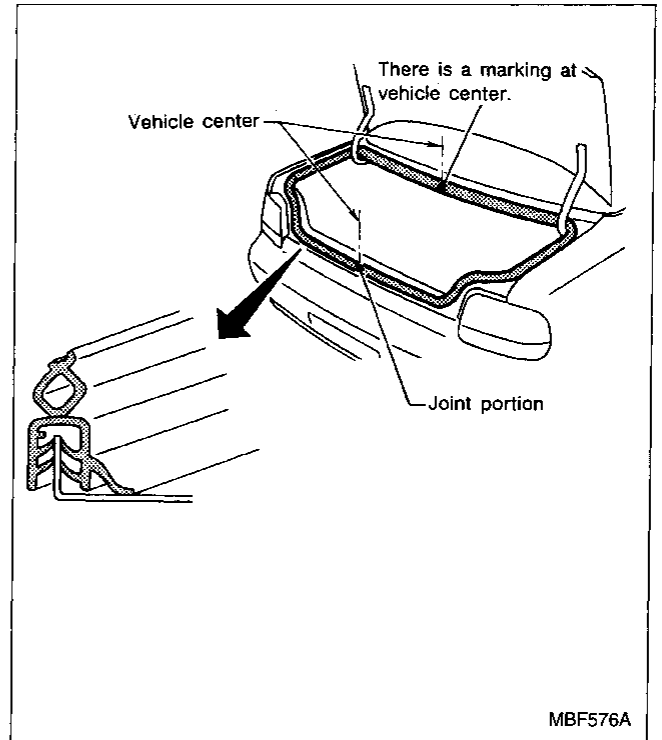
# EXTERIOR TRIM

## Exterior (Cont'd)

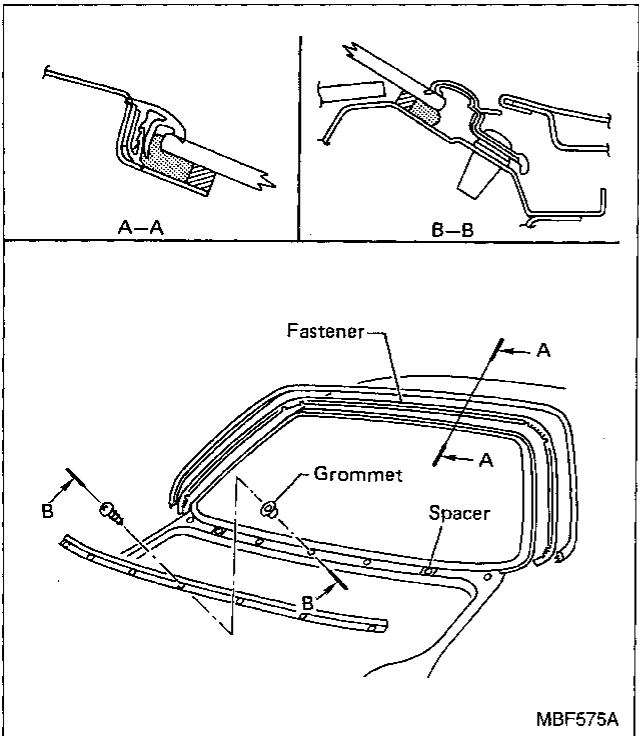
### ⑨ Front door corner cover



### ⑪ Trunk lid weatherstrip



### ⑩ Rear windshield molding



GI  
MA  
EM  
LC  
EC  
FE  
CL  
MT  
AT  
FA  
RA  
BR  
ST  
RS  
BT  
HA  
EL  
IDX



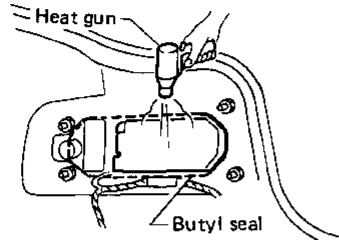
# EXTERIOR TRIM

## Exterior (Cont'd)

### 12 Rear combination lamp

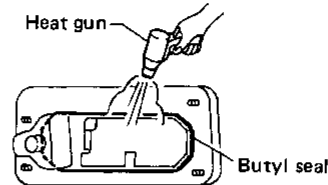
- Rear combination lamps are installed with nuts and butyl seal.

#### Removal



- Warm up lamp assembly area to a temperature slightly below 60°C (140°F)

#### Installation



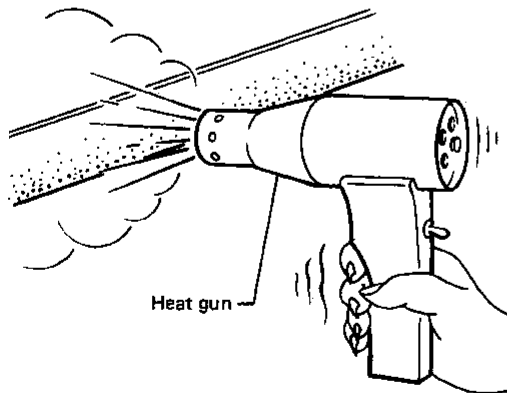
- Apply butyl seal evenly as it tends to become thin at the corners.
- Warm up lamp assembly area to a temperature slightly below 60°C (140°F).

MBF120A

### 13 Side guard molding



 : Double-faced adhesive tape



SBF460E

- Original side guard molding is affixed to body panel with double-faced adhesive tape.
- The repair parts are also affixed with double-faced adhesive tape.
- **Removal:**
  1. Heat molding portion to 30 to 40°C (86 to 104°F) with a heat gun.
  2. Raise end of molding and, while cutting off bonding agent, detach molding.

#### • Installation:

1. Remove all traces of bonding agent from body panel. Then clean contact face of body.

#### **CAUTION:**

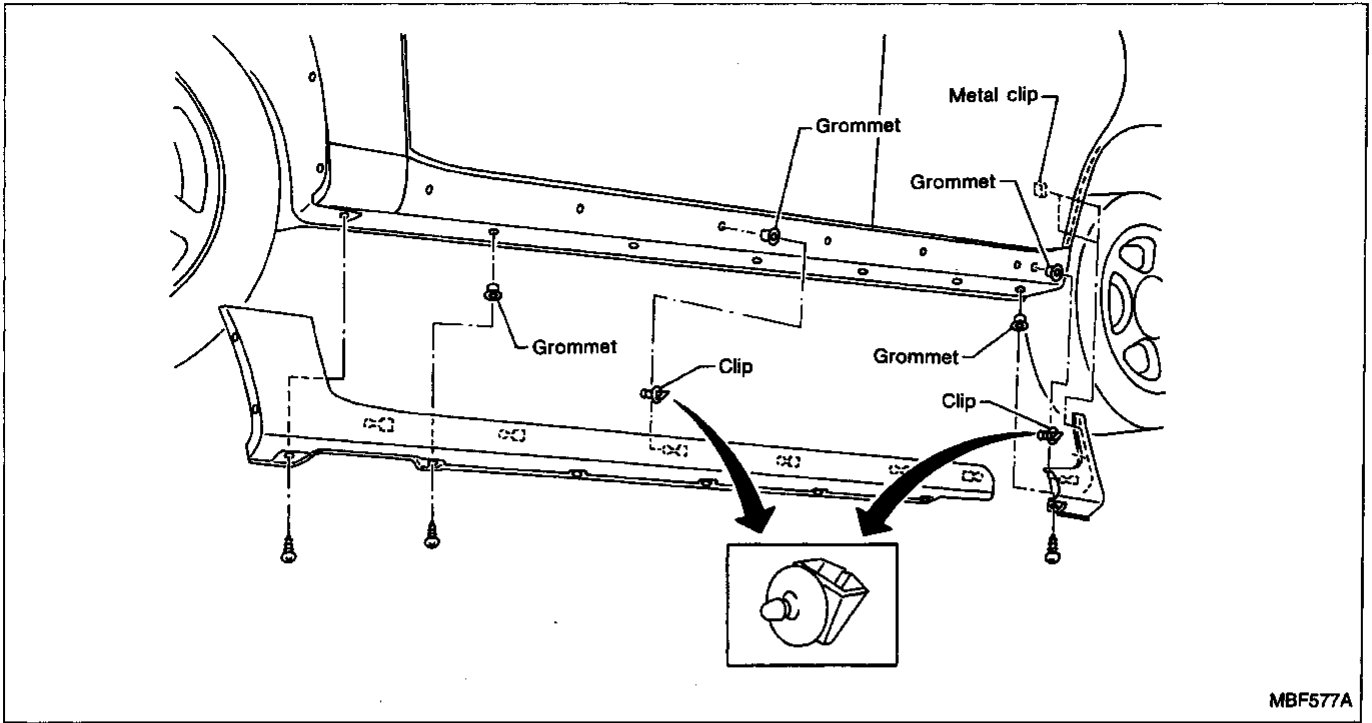
**Never apply tack-paper adhesive remover to body panel surface finished with lacquer-based paint.**

2. Heat body panel and molding to 30 to 40°C (86 to 104°F) with a heat gun. Then install molding.

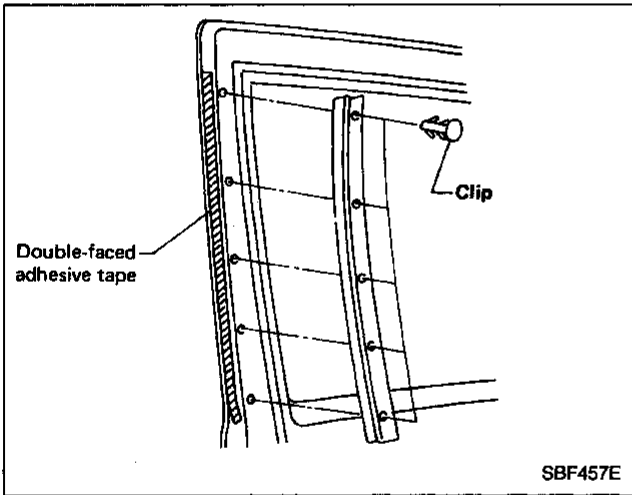
# EXTERIOR TRIM

## Exterior (Cont'd)

### 14 Center mudguard



### 15 Front door parting seal

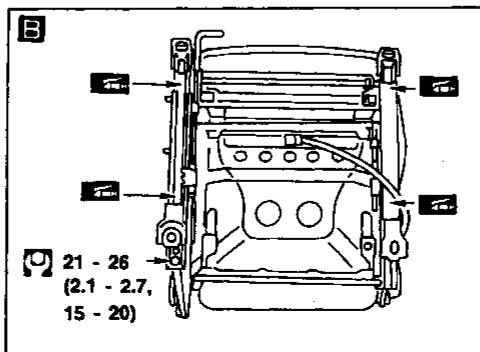
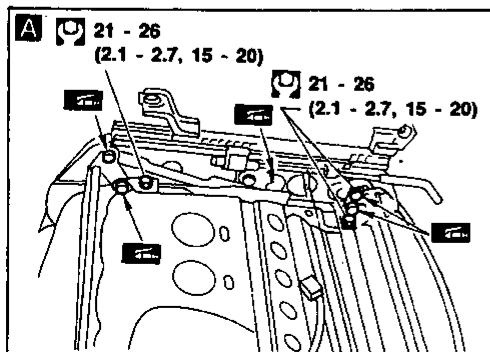
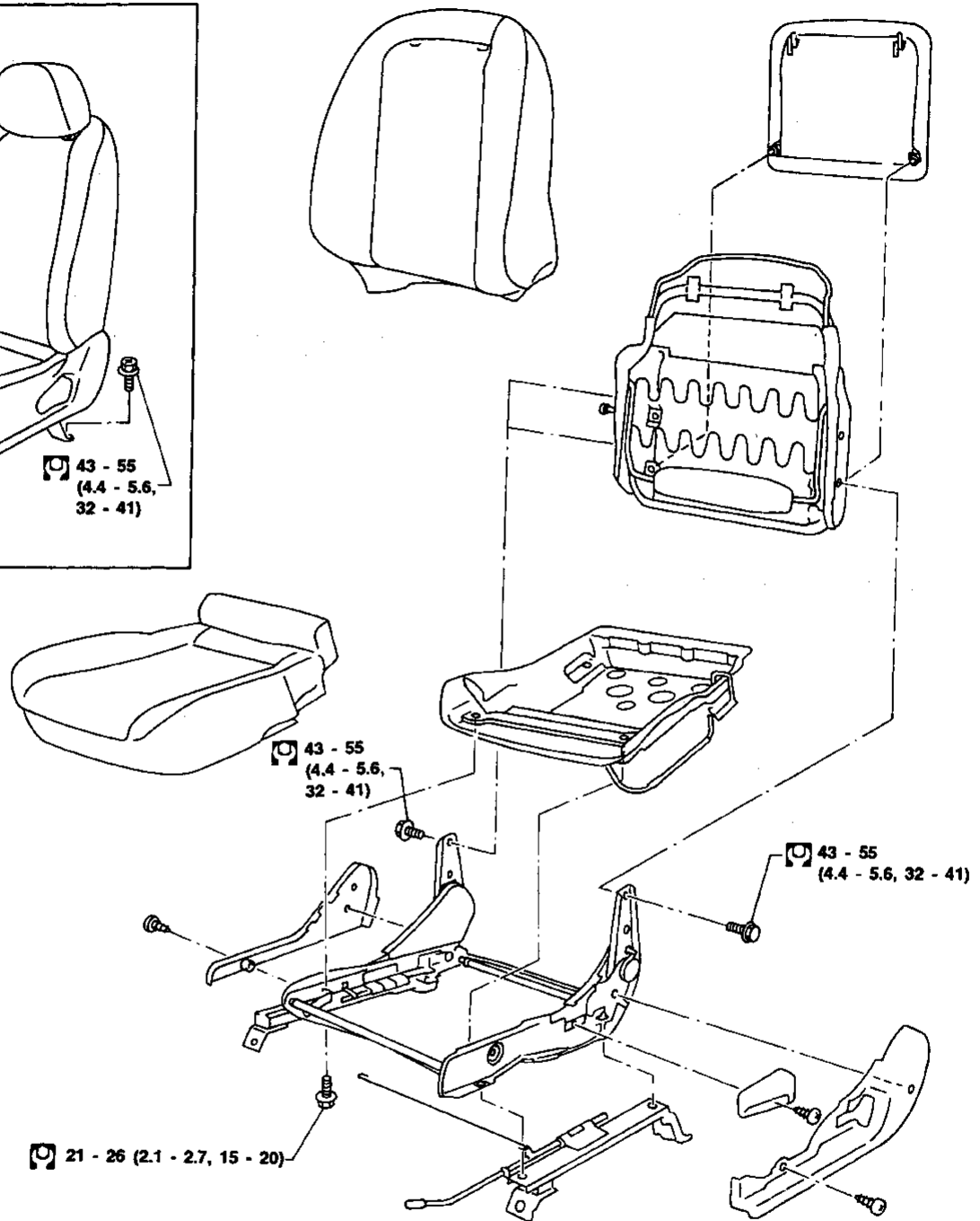
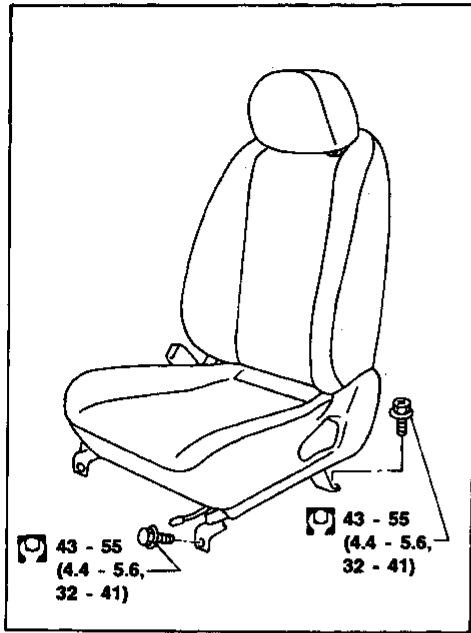


GI  
MA  
EM  
LC  
EC  
FE  
CL  
MT  
AT  
FA  
RA  
BR  
ST  
RS  
BT  
HA  
EL  
IDX

# SEAT

When removing or installing the seat trim, handle carefully to keep dirt out and avoid damage.

## Front Seat



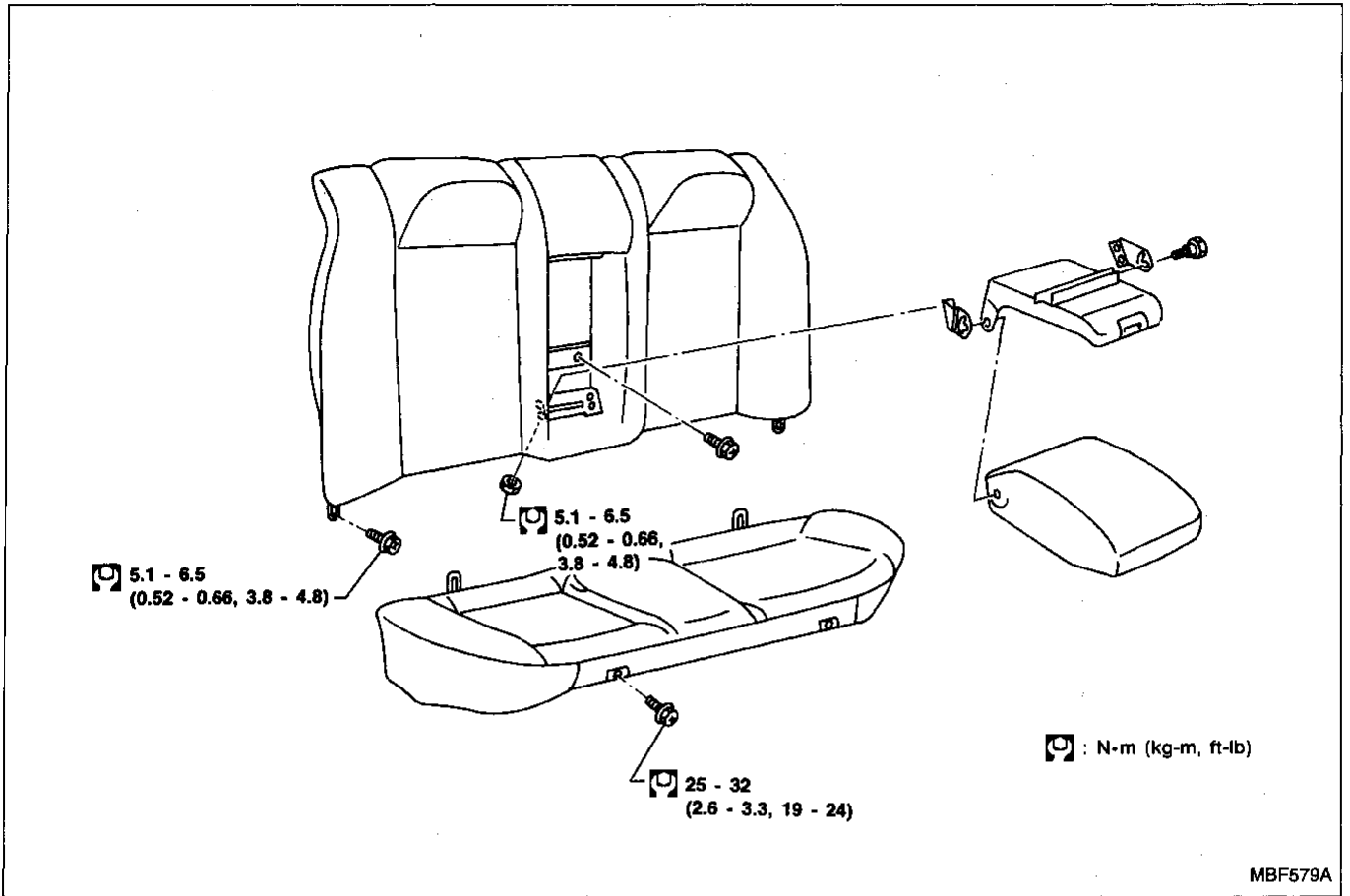
: N·m (kg·m, ft·lb)

BT-26

ABF178

# SEAT

## Rear Seat



GI

MA

EM

LC

EC

FE

CL

MT

AT

FA

RA

BR

ST

RS

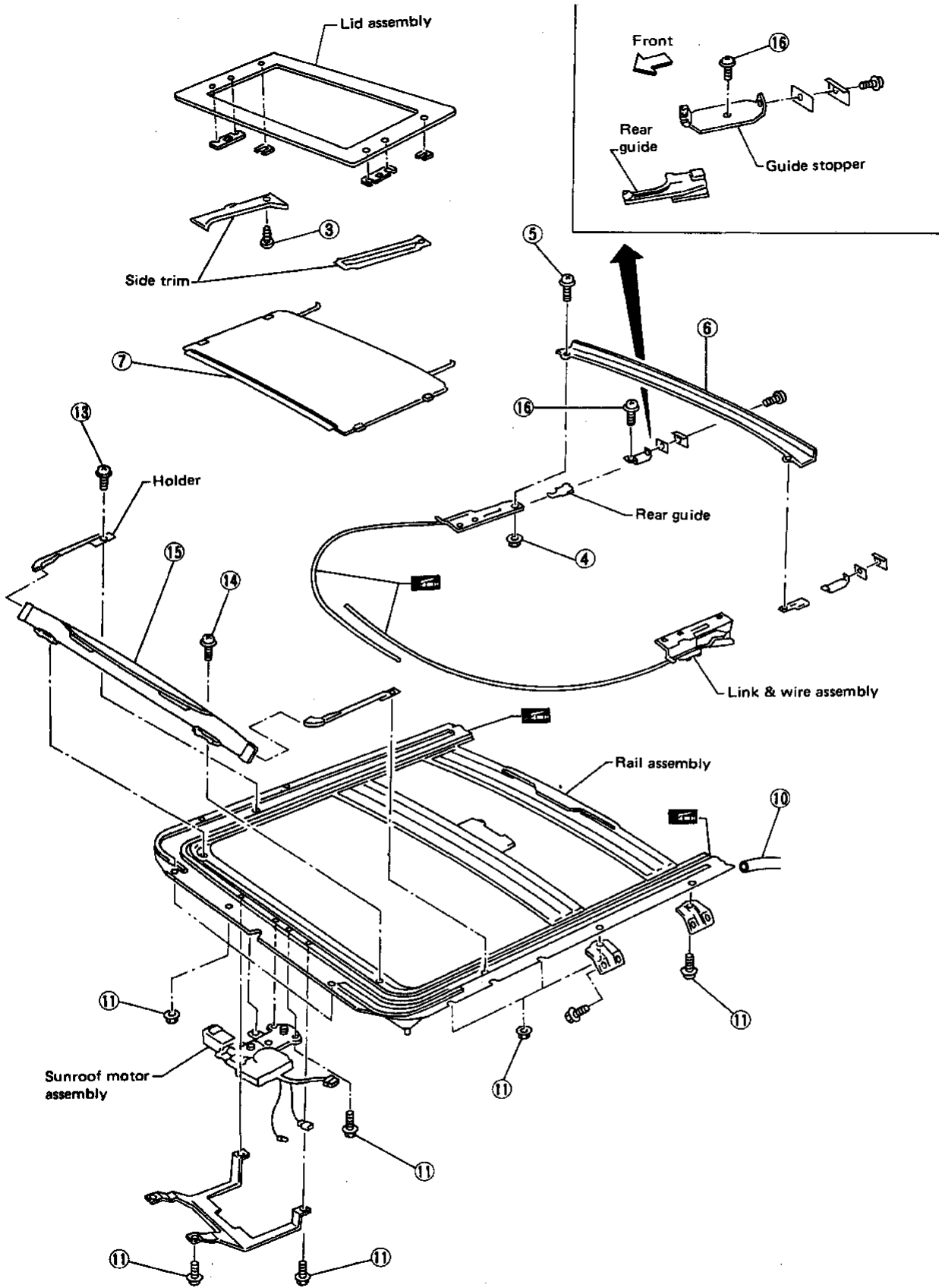
**BT**

HA

EL

IDX

# SUNROOF



# SUNROOF

## Removal

- After any repair, check sunroof operation and lid alignment.
- Handle finisher plate and glass lid with care so not to cause damage.
- It is desirable for easy installation to mark each point before removal.

### CAUTION:

- Always work with a helper.
- Remove sunroof frame from rear door opening.

### SUNROOF LID ASSEMBLY

- ① Open sunroof shade.
- ② Close sunroof lid.
- ③ Remove side trim clips.
- ④ Remove the six nuts securing sunroof lid assembly to link assembly.

### SHADE ASSEMBLY

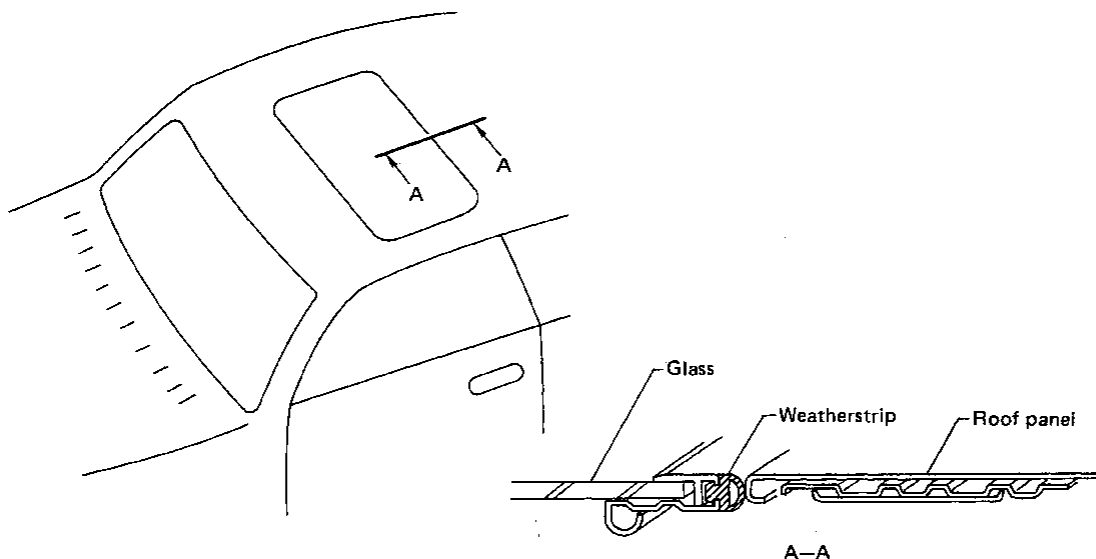
- ⑤ After removing sunroof lid assembly, remove screws securing rear drains to roof.
- ⑥ Remove rear drain.
- ⑦ Remove shade assembly.

### SUNROOF ASSEMBLY

- ⑧ Remove headlining. Refer to BT-17.
- ⑨ Disconnect interior lamp harness.
- ⑩ Disconnect front and rear drain hoses.
- ⑪ Remove nuts and bolts securing sunroof rail and motor to roof.
- ⑫ Remove sunroof assembly.

### LINK & WIRE ASSEMBLY

- ⑬ After removing shade assembly and sunroof assembly, remove the two screws securing holders to sunroof rail.
- ⑭ Remove the two screws securing window deflector to sunroof rail.
- ⑮ Remove window deflector.
- ⑯ Remove the two screws securing guide stoppers to sunroof rail.



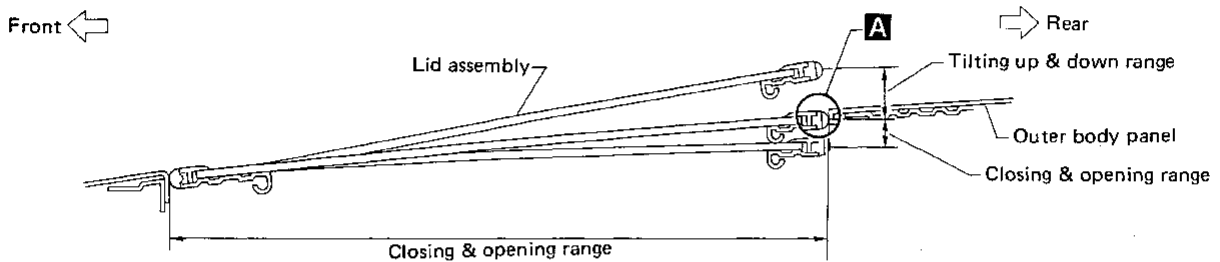
GI  
MA  
EM  
LC  
EC  
FE  
CL  
MT  
AT  
FA  
RA  
BR  
ST  
RS  
BT  
HA  
EL  
IDX

# SUNROOF

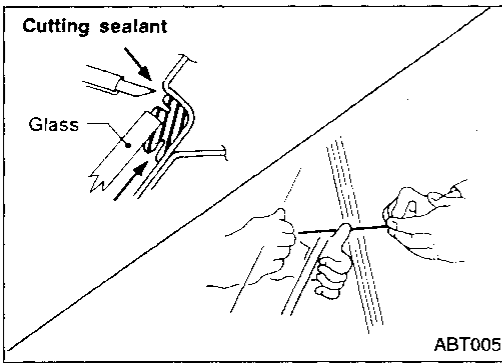
## Adjustment

**Install motor & limit SW assembly and sunroof rail assembly in the following sequence:**

1. Arrange equal lengths of link and wire assemblies on both sides of sunroof opening.
2. Connect sunroof connector to sunroof switch and positive (+) power supply.
3. Set lid assembly to fully closed position **A** by operating CLOSE switch and TILT switch.
4. Fit outer side of lid assembly to the surface of roof on body outer panel.
5. Remove motor, and keep CLOSE switch pressed until motor pinion gear reaches the end of its rotating range.
6. Install motor.
7. Check that motor drive gear fits properly in wires.
8. Press TILT-UP switch to check lid assembly for normal tilting.
9. Check sunroof lid assembly for normal operations (tilt-up, tilt-down, open, and close).



# WINDSHIELD AND WINDOWS



## REMOVAL

After removing moldings, remove glass.

### CAUTION:

Be careful not to scratch glass when removing.

## INSTALLATION

- Use genuine Nissan Sealant kit or equivalent. Follow instructions furnished with it.
- After installation, the vehicle should remain stationary until the sealant hardens.

### WARNING:

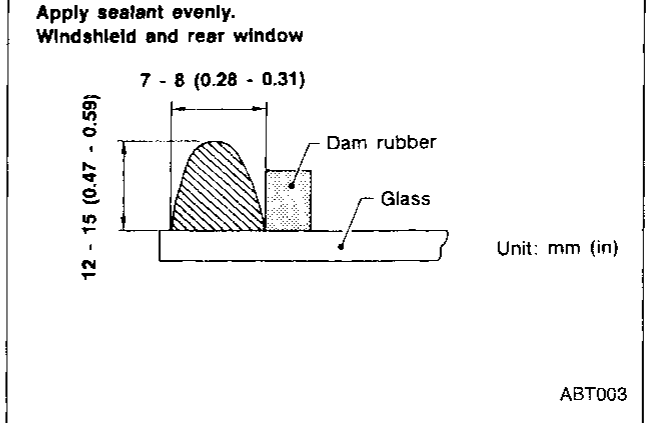
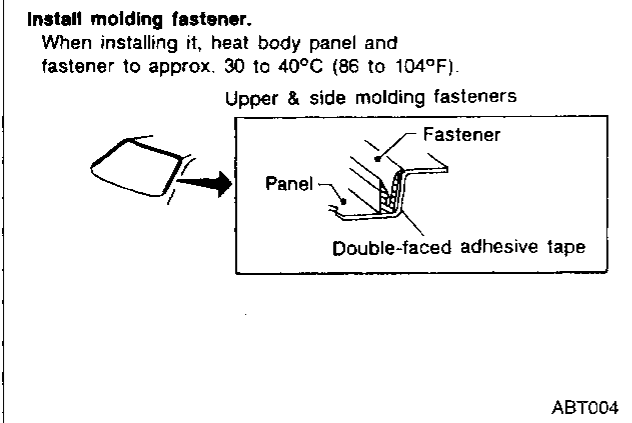
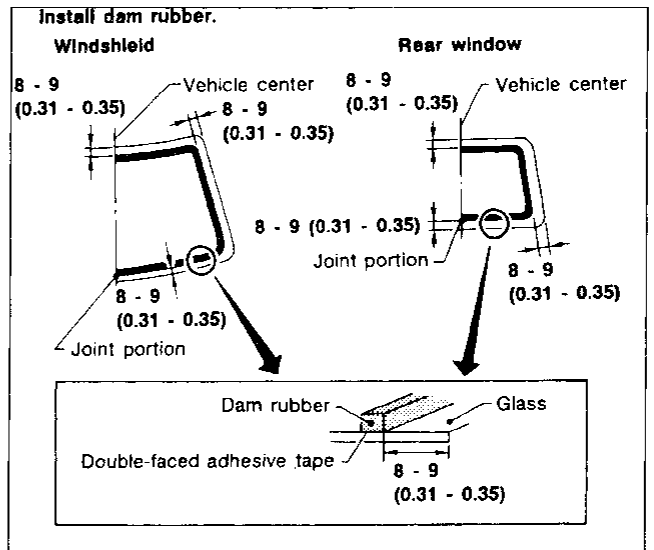
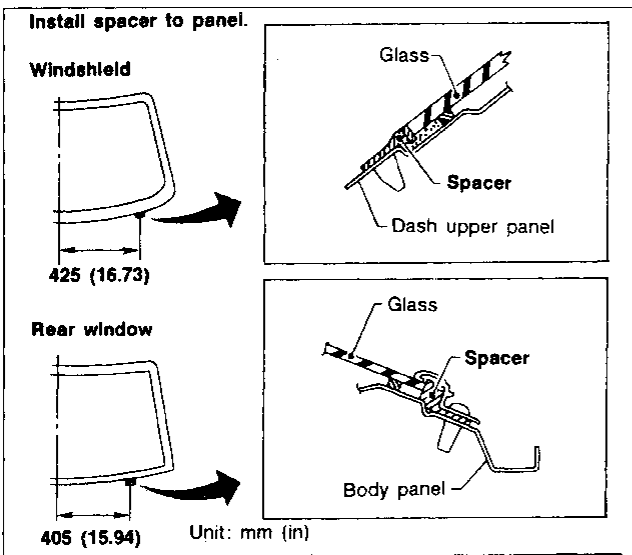
Keep heat and open flames away as primers are flammable.

### CAUTION:

Advise the user that the vehicle should not be driven on rough roads or surfaces for 24 hours after installation.

- Do not use sealant which is past its usable term.
- Do not leave cartridge unattended with its cap open.
- Keep primers and sealant in a cool, dry place. Ideally, they should be stored in a refrigerator.
- Molding must be installed securely so that it is in position and leaves no gap.

## Windshield and Rear Window





## **WINDSHIELD AND WINDOWS**

---

### **Windshield and Rear Window (Cont'd)**

#### **REPAIRING WATER LEAKS FOR WINDSHIELD**

Leaks can be repaired without removing and reinstalling glass.

**If water is leaking between caulking material and body or glass, determine the extent of leakage. This can be done by applying water while pushing glass outward.**

To stop the leak, apply primer (if necessary) and then sealant to the leak point.

# MIRROR

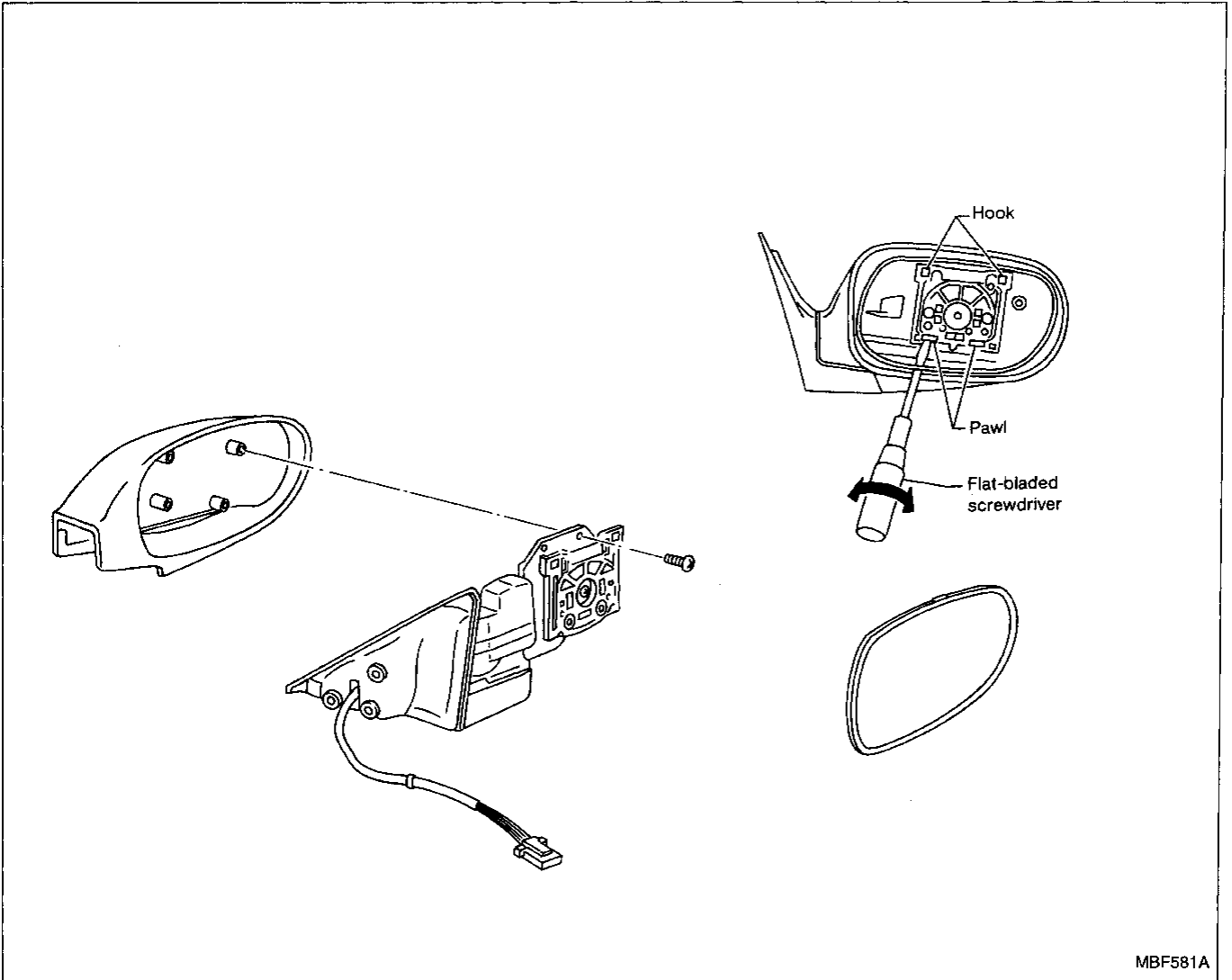
## Door Mirror

### REMOVAL AND INSTALLATION

For removal and installation of the door mirror, refer to BT-23 (“⑨ Front door corner cover”, “EXTERIOR TRIM”).

### DISASSEMBLY

Wrap flat-bladed screwdriver with a cloth to prevent scratching rear of door mirror. Do not insert screwdriver too far.



GI

MA

EM

LC

EC

FE

CL

MT

AT

FA

RA

BR

ST

RS

**BT**

HA

EL

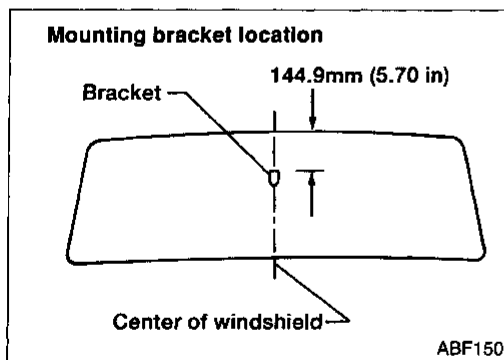
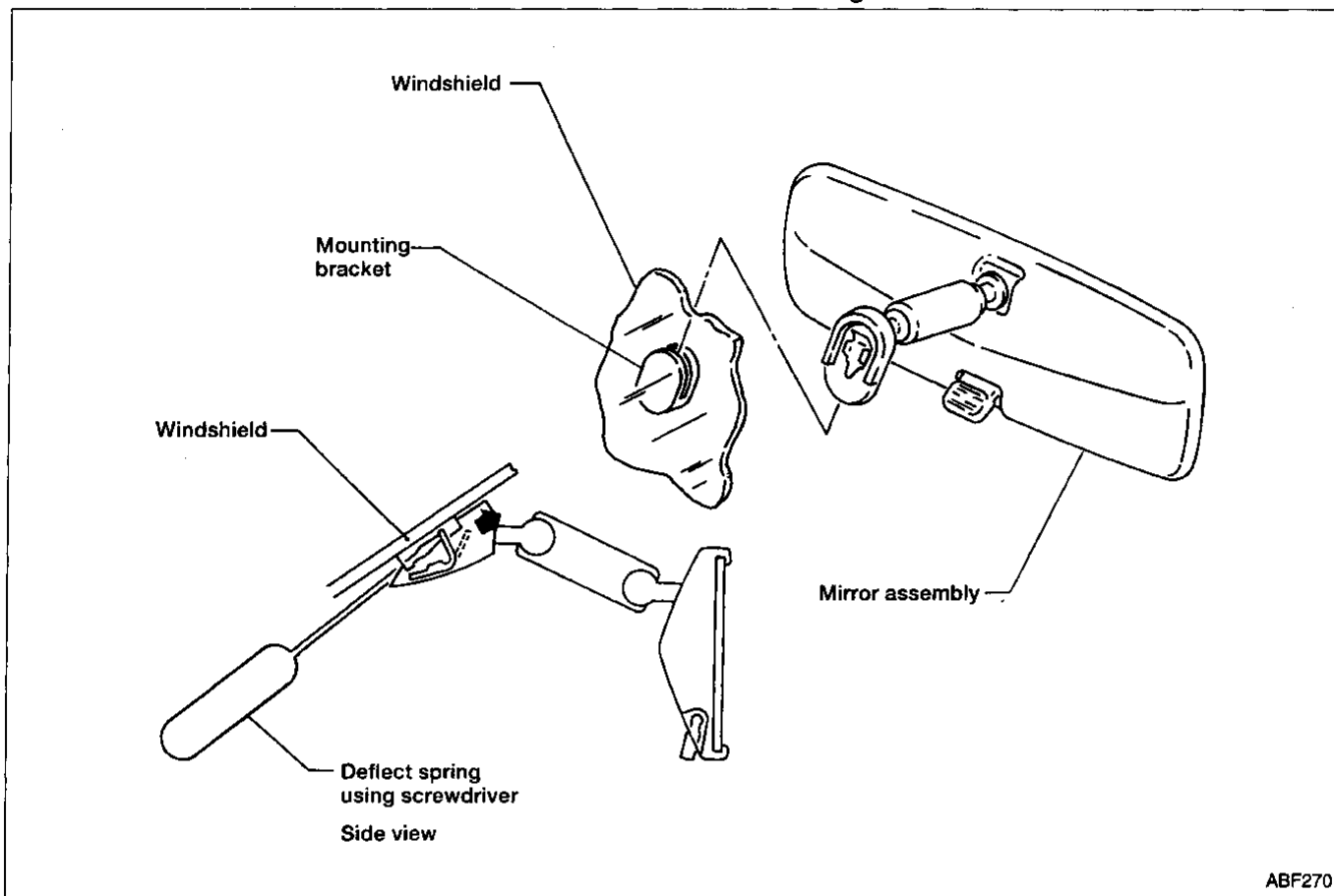
IDX

# MIRROR

## Rearview Mirror

### REMOVAL

Remove rearview mirror by pushing deflect spring with screwdriver as shown in the figure.



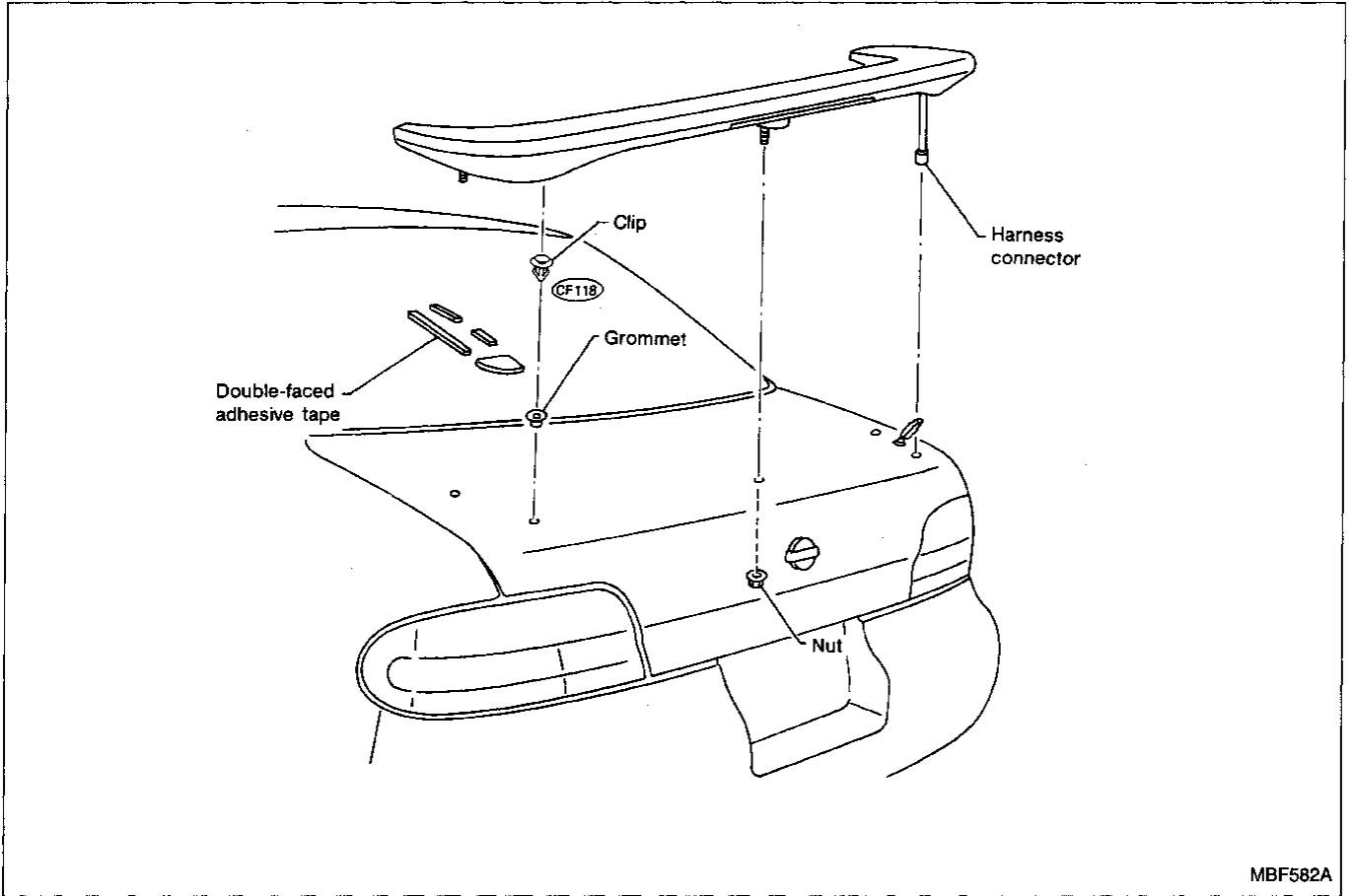
### INSTALLATION

1. Install mounting bracket as follows:
  - a. Determine mounting bracket position on windshield by measuring from top of windshield to top of mounting bracket as shown in the figure.
  - b. Mark location on outside of windshield with wax pencil or equivalent.
  - c. Clean attaching point on inside of windshield with an alcohol-saturated paper towel.
  - d. Sand bonding surface of mounting bracket with sandpaper (No. 320 or No. 360).
  - e. Clean bonding surface of mounting bracket with an alcohol-saturated paper towel.
  - f. Apply Loctite Adhesive 11067-2 or equivalent to bonding surface of mounting bracket.
  - g. Install mounting bracket at premarked position and press mounting bracket against glass for 30 to 60 seconds.
  - h. After five minutes, wipe off excess adhesive with an alcohol-moistened paper towel.
2. Install rearview mirror.

# REAR AIR SPOILER

- When installing, make sure that there are no gaps or waves at ends of air spoiler.
- Before installing spoiler, clean and remove oil from surface where spoiler will be mounted.

## Rear Air Spoiler



GI

MA

EM

LC

EC

FE

CL

MT

AT

FA

RA

BR

ST

RS

**BT**

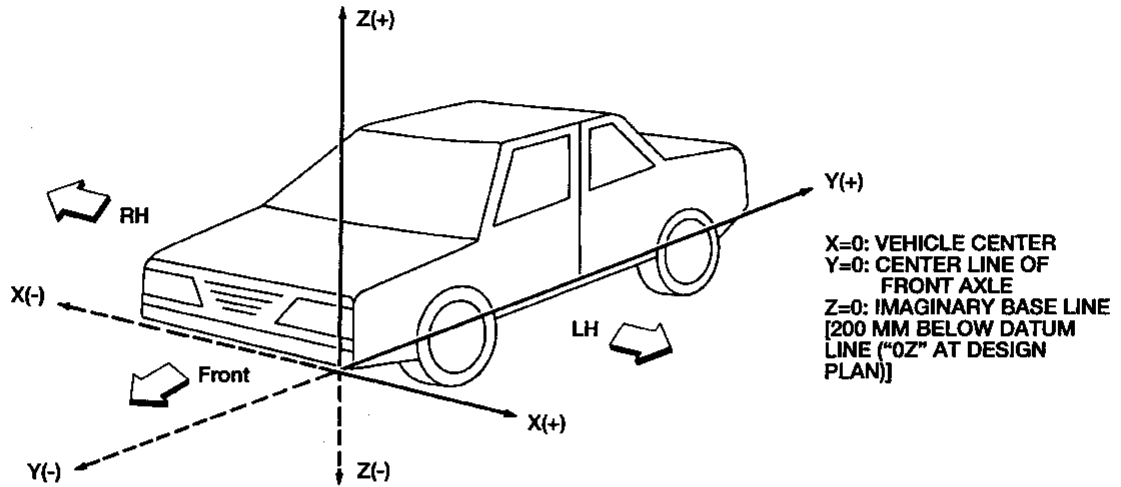
HA

EL

IDX

# BODY ALIGNMENT

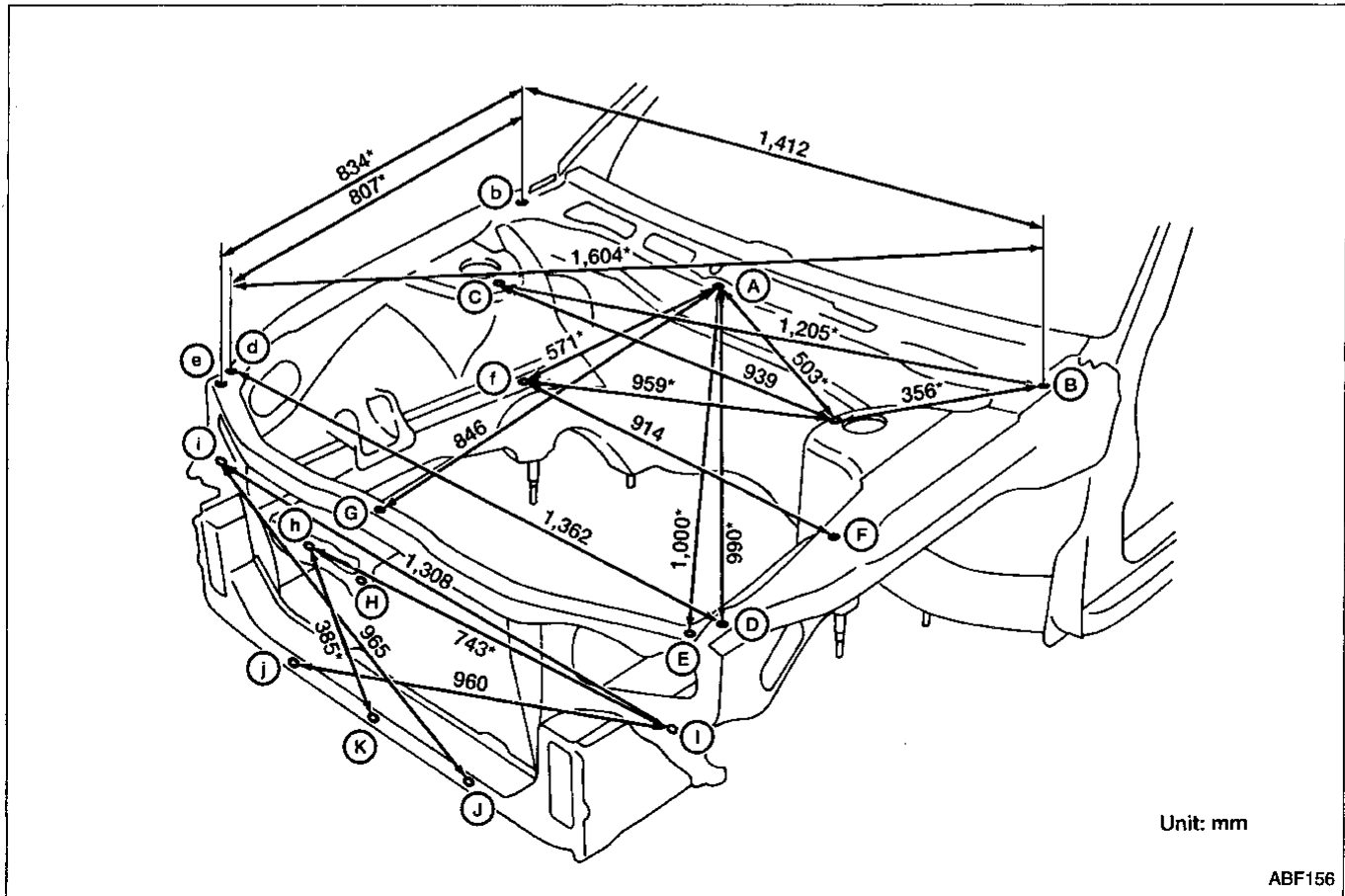
- All dimensions indicated in figures are actual ones.
- When using a tracking gauge, adjust both pointers to equal length. Make sure there is no free play.
- When a measuring tape is used, check to be sure there is no elongation, twisting or bending.
- Measurements should be taken at the center of the mounting holes.
- All measurements and mounting hole diameters are expressed in millimeters (mm).
- An asterisk (\*) following the value at the measuring point indicates that the measuring point on the other side is symmetrically the same value.
- The coordinates of the measurement points are the distances measured from the standard line of "X", "Y" and "Z".



ABF159

## Engine Compartment

### MEASUREMENT



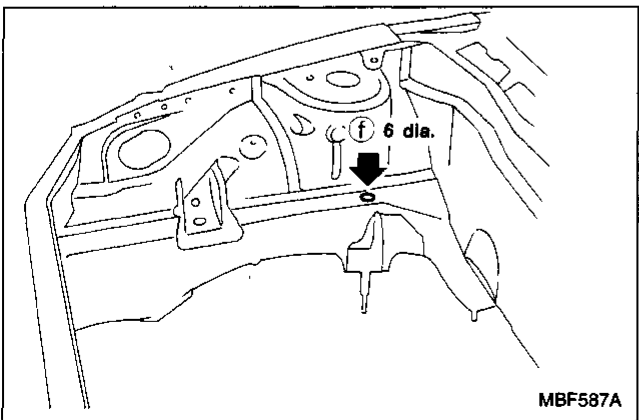
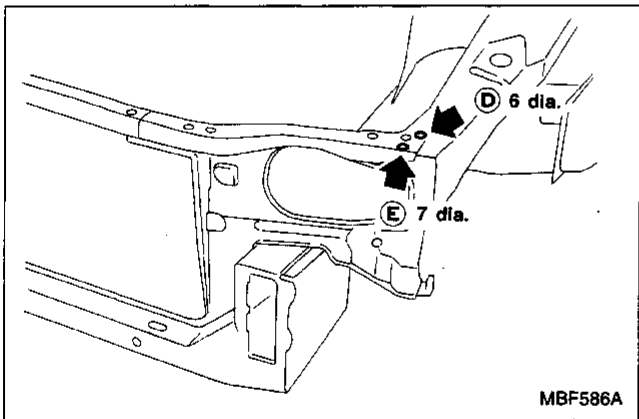
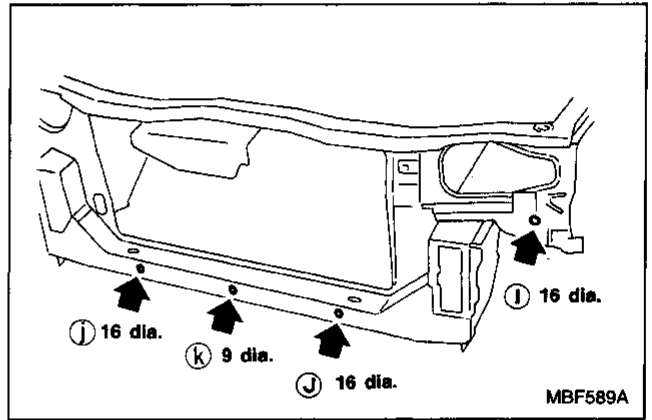
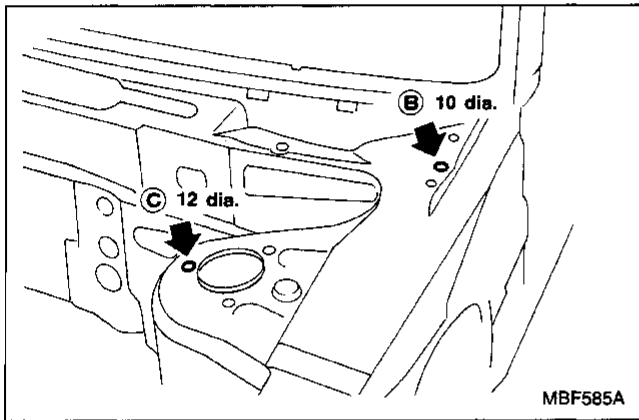
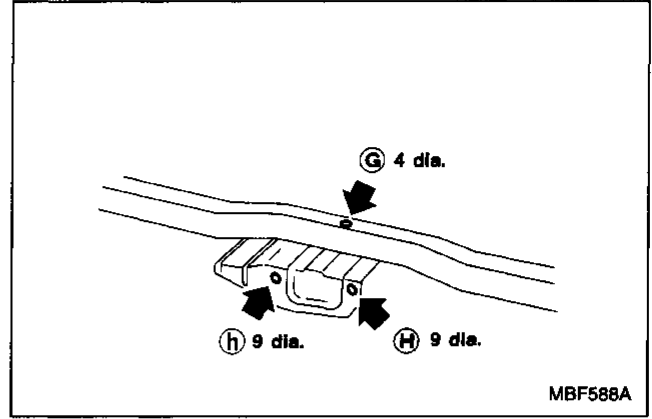
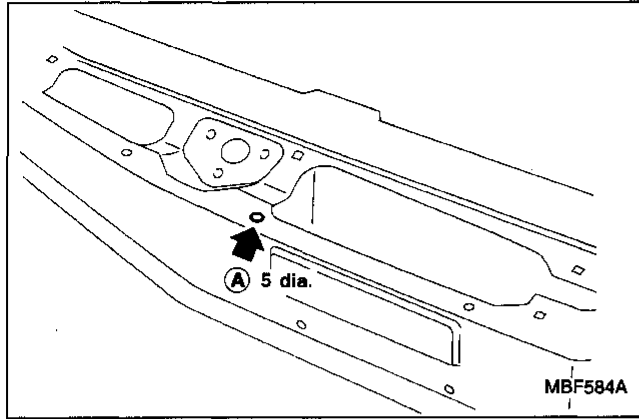
ABF156

# BODY ALIGNMENT

## Engine Compartment (Cont'd)

### MEASUREMENT POINTS

Unit: mm



GI  
MA  
EM  
LC  
EC  
FE  
CL  
MT  
AT  
FA  
RA  
BR  
ST  
RS  
BT  
HA  
EL  
IDX



# BODY ALIGNMENT

## Underbody (Cont'd)

### MEASUREMENT POINTS

Coordinates:

(A)	(a)	X: 330	Y: -655	Z: 208
(B)	(b)	X: 513	Y: -540	Z: 265
(C)	(c)	X: 475	Y: -52	Z: 376
(E)	(e)	X: 450	Y: 68	Z: 188.5

(F)	(f)	X: 441	Y: 354	Z: 111.5
(G)	(g)	X: 600	Y: 430	Z: 154.9

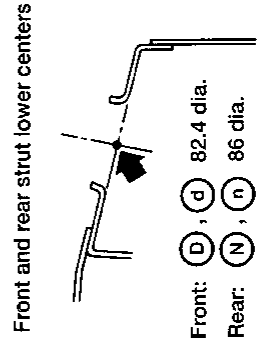
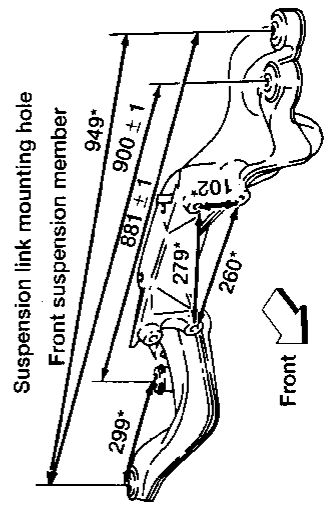
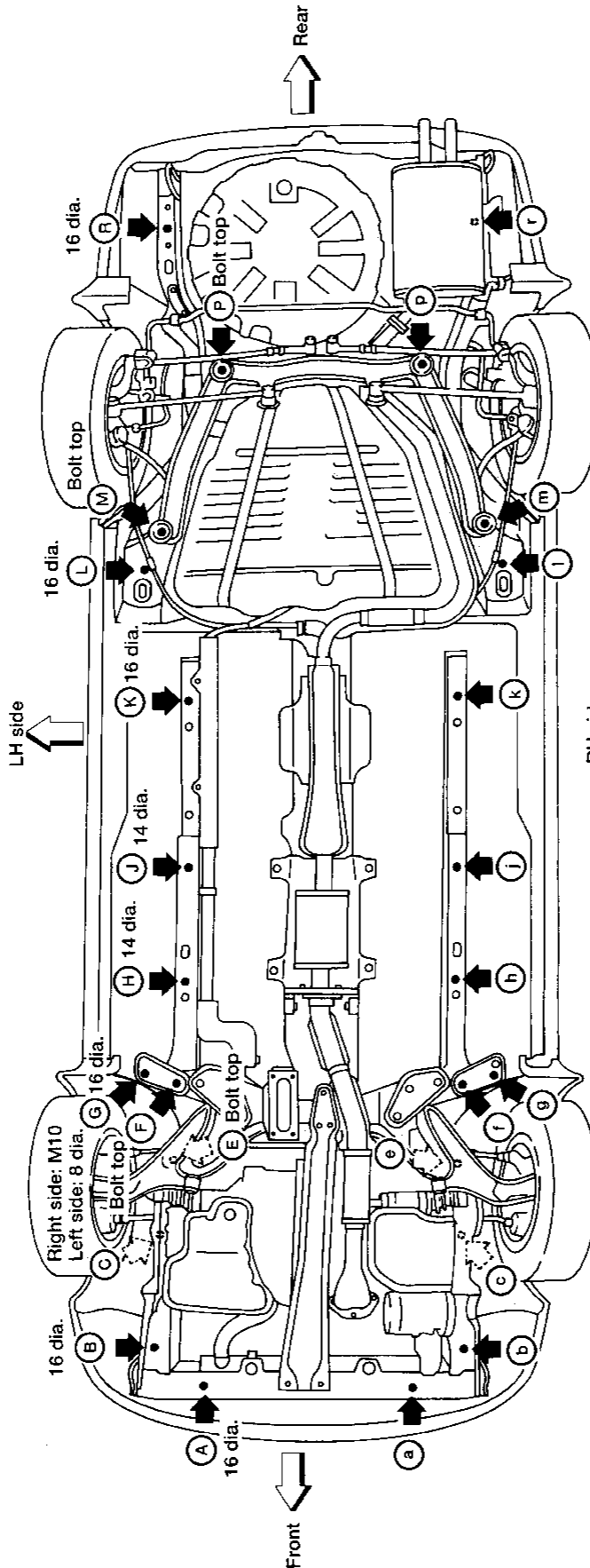
(H)	(h)	X: 412	Y: 700	Z: 109
(J)	(j)	X: 408	Y: 1,071	Z: 109

(K)	(k)	X: 412.5	Y: 1,625	Z: 105.4
(L)	(l)	X: 575	Y: 2,070	Z: 216.1

(M)	(m)	X: 508	Y: 2,190	Z: 133
(P)	(p)	X: 332	Y: 2,735	Z: 234

(R)	(r)	X: 529	Y: 3,280	Z: 326.5
(P)	(p)	X: 575	Y: 3,280	Z: 326.5

Unit: mm



Coordinates:

(D)	(d)	X: 529	Y: 27	Z: 756
(N)	(n)	X: 557.2	Y: 2,623.9	Z: 813.1

- GI
- MA
- EM
- LC
- EC
- FE
- CL
- MT
- AT
- FA
- RA
- BR
- ST
- RS
- BT**
- HA
- EL
- IDX