

A

ACC

SECTION ACC

ACCELERATOR CONTROL SYSTEM

C

CONTENTS

D

E

ACCELERATOR CONTROL SYSTEM 2	SERVICE DATA AND SPECIFICATIONS (SDS) 4	F
Removal and Installation 2	Accelerator Control 4	
REMOVAL 2	PEDAL TRAVEL 4	
INSTALLATION 2		G

H

I

J

K

L

M

ACCELERATOR CONTROL SYSTEM

ACCELERATOR CONTROL SYSTEM

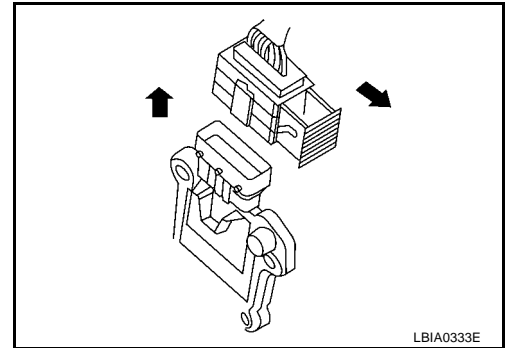
PFP:18005

Removal and Installation

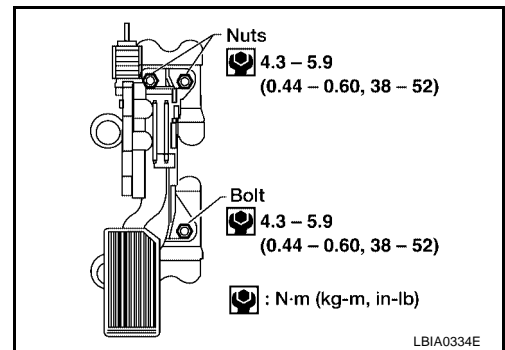
EBS00J8R

REMOVAL

1. Disconnect the battery negative terminal.
2. Disconnect the accelerator position sensor electrical connector.
 - a. Pull the connector lock back to unlock the connector from the accelerator pedal position sensor as shown.
 - b. Pull up on the connector to disconnect it from the accelerator pedal position sensor as shown.



3. Remove the upper accelerator pedal nuts and lower accelerator pedal bolt.



4. Remove the accelerator pedal and accelerator position sensor assembly.
 - For electrical inspection of the accelerator pedal position sensor. Refer to [EC-571, "ACCELERATOR PEDAL POSITION SENSOR"](#) (QR25DE), [EC-1286, "ACCELERATOR PEDAL POSITION SENSOR"](#) (VQ35DE).

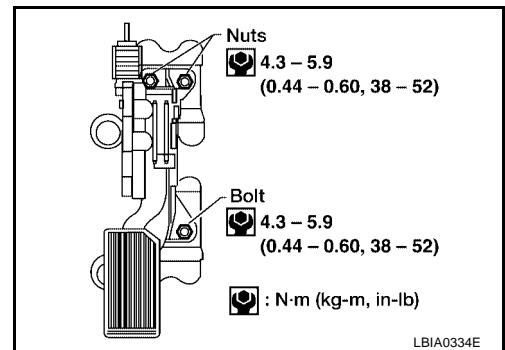
CAUTION:

- Do not disassemble the pedal assembly. Do not remove the accelerator pedal position sensor from the pedal assembly.
- Avoid impact from dropping during handling.
- Keep the pedal assembly away from water.

INSTALLATION

Installation is in the reverse order of removal.

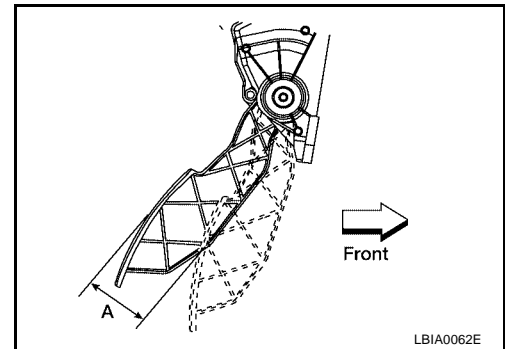
- Check the accelerator pedal for smooth operation. There should be no binding or sticking when applying or releasing the accelerator pedal.



ACCELERATOR CONTROL SYSTEM

- Check that the accelerator pedal moves through the full specified distance of pedal travel.

Pedal travel "A" : 52.6 - 58.2 mm (2.07 - 2.29 in)



CAUTION:

When the harness connector of the accelerator pedal position sensor is disconnected, perform the "Accelerator pedal released position learning". Refer to [EC-93. "Accelerator Pedal Released Position Learning"](#) (QR25DE), [EC-711. "Accelerator Pedal Released Position Learning"](#) (VQ35DE).

A

ACC

C

D

E

F

G

H

I

J

K

L

M

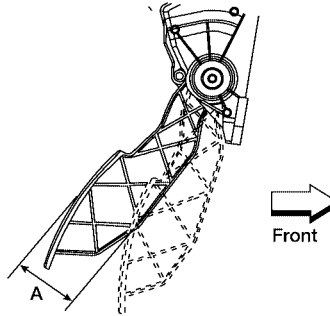
SERVICE DATA AND SPECIFICATIONS (SDS)

SERVICE DATA AND SPECIFICATIONS (SDS)

PFP:00030

Accelerator Control PEDAL TRAVEL

EBS00J8S



LBIA0062E

Accelerator pedal - total travel "A"	52.6 - 58.2 mm (2.07 - 2.29 in)
--------------------------------------	---------------------------------