

SECTION **RF**  
ROOF

A  
B  
C  
D  
E  
F  
G  
H  
RF  
J  
K  
L  
M

CONTENTS

<b>PRECAUTIONS</b> .....	<b>2</b>	ONE TOUCH SLIDE/TILT OPERATION .....	11
Precautions for Supplemental Restraint System (SRS) "AIR BAG" and "SEAT BELT PRE-TENSIONER" .....	2	MEMORY RESET PROCEDURE .....	11
Precautions .....	2	INTERRUPTION DETECTION FUNCTION .....	11
<b>PREPARATION</b> .....	<b>3</b>	CAN Communication System Description .....	11
Special service tool .....	3	Wiring Diagram — SROOF — .....	12
Commercial Service Tool .....	3	Terminals and Reference Values for BCM .....	13
<b>SQUEAK AND RATTLE TROUBLE DIAGNOSES</b> .....	<b>4</b>	Terminals and Reference Values for Sunroof Motor Assembly .....	13
Work Flow .....	4	Work Flow .....	13
CUSTOMER INTERVIEW .....	4	CONSULT-II Function (BCM) .....	14
DUPLICATE THE NOISE AND TEST DRIVE .....	5	CONSULT-II OPERATION .....	14
CHECK RELATED SERVICE BULLETINS .....	5	WORK SUPPORT .....	15
LOCATE THE NOISE AND IDENTIFY THE ROOT CAUSE .....	5	ACTIVE TEST .....	15
REPAIR THE CAUSE .....	5	DATA MONITOR .....	15
CONFIRM THE REPAIR .....	6	Trouble Diagnosis Chart by Symptom .....	15
Generic Squeak and Rattle Troubleshooting .....	6	BCM Power Supply and Ground Circuit Check .....	16
INSTRUMENT PANEL .....	6	Sunroof Switch System Check .....	17
CENTER CONSOLE .....	6	Sunroof Switch Power Supply Circuit Check .....	18
DOORS .....	6	Sunroof Motor Assembly Power Supply and Ground Circuit Check .....	19
TRUNK .....	6	Door Switch Check .....	21
SUNROOF/HEADLINING .....	7	Inspection .....	23
OVERHEAD CONSOLE (FRONT AND REAR).....	7	WIND DEFLECTOR .....	23
SEATS .....	7	LINK AND WIRE ASSEMBLY .....	23
UNDERHOOD .....	7	WEATHERSTRIP .....	23
Diagnostic Worksheet .....	8	DRAIN HOSES .....	24
<b>SUNROOF</b> .....	<b>10</b>	ADJUSTMENT .....	24
Component Parts and Harness Connector Location .....	10	Removal and Installation .....	26
System Description .....	10	SUNROOF UNIT ASSEMBLY .....	27
OUTLINE .....	10	GLASS LID ASSEMBLY .....	28
OPERATION .....	10	SUNSHADE .....	29
RETAINED POWER OPERATION .....	11	SUNROOF MOTOR .....	29

# PRECAUTIONS

## PRECAUTIONS

PF0:00001

### Precautions for Supplemental Restraint System (SRS) “AIR BAG” and “SEAT BELT PRE-TENSIONER”

EIS00BEZ

The Supplemental Restraint System such as “AIR BAG” and “SEAT BELT PRE-TENSIONER”, used along with a front seat belt, helps to reduce the risk or severity of injury to the driver and front passenger for certain types of collision. This system includes seat belt switch inputs and dual stage front air bag modules. The SRS system uses the seat belt switches to determine the front air bag deployment, and may only deploy one front air bag, depending on the severity of a collision and whether the front occupants are belted or unbelted. Information necessary to service the system safely is included in the SRS and SB section of this Service Manual.

#### **WARNING:**

- **To avoid rendering the SRS inoperative, which could increase the risk of personal injury or death in the event of a collision which would result in air bag inflation, all maintenance must be performed by an authorized NISSAN/INFINITI dealer.**
- **Improper maintenance, including incorrect removal and installation of the SRS, can lead to personal injury caused by unintentional activation of the system. For removal of Spiral Cable and Air Bag Module, see the SRS section.**
- **Do not use electrical test equipment on any circuit related to the SRS unless instructed to in this Service Manual. SRS wiring harnesses can be identified by yellow and/or orange harnesses or harness connectors.**

## Precautions

EIS003LO

- Disconnect both battery cables in advance.
- Never tamper with or force air bag lid open, as this may adversely affect air bag performance.
- Be careful not to scratch pad and other parts.
- When removing or disassembling any part, be careful not to damage or deform it. Protect parts which may get in the way with cloth.
- When removing parts with a screwdriver or other tool, protect parts by wrapping them with vinyl or tape.
- Keep removed parts protected with cloth.
- If a clip is deformed or damaged, replace it.
- If an un reusable part is removed, replace it with a new one.
- Tighten bolts and nuts firmly to the specified torque.
- After re-assembly has been completed, make sure each part functions correctly.
- Remove stains in the following way.

Water-soluble stains:

Dip a soft cloth in warm water, and then squeeze it tightly. After wiping the stain, wipe with a soft dry cloth.

Oil stain:

Dissolve a synthetic detergent in warm water (density of 2 to 3% or less), dip the cloth, then clean off the stain with the cloth. Next, dip the cloth in fresh water and squeeze it tightly. Then clean off the detergent completely. Then wipe the area with a soft dry cloth.

- Do not use any organic solvent, such as thinner or benzine.

# PREPARATION

## PREPARATION

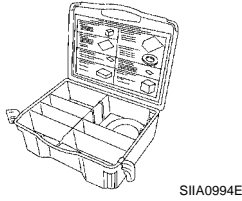
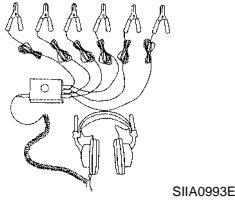
PF0:00002

### Special service tool

EIS003LP

The actual shapes of Kent-Moore tools may differ from those of special service tools illustrated here.

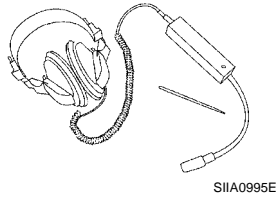
Tool number (Kent-Moore No.) Tool name	Description
— (J-39570) Chassis ear	Locating the noise
— (J-43980) NISSAN Squeak and Rattle Kit	Repairing the cause of noise



## Commercial Service Tool

EIS003LQ

Tool name (Kent-Moore No.)	Description
Engine ear (J-39565)	Locating the noise



A  
B  
C  
D  
E  
F  
G  
H  
RF  
J  
K  
L  
M

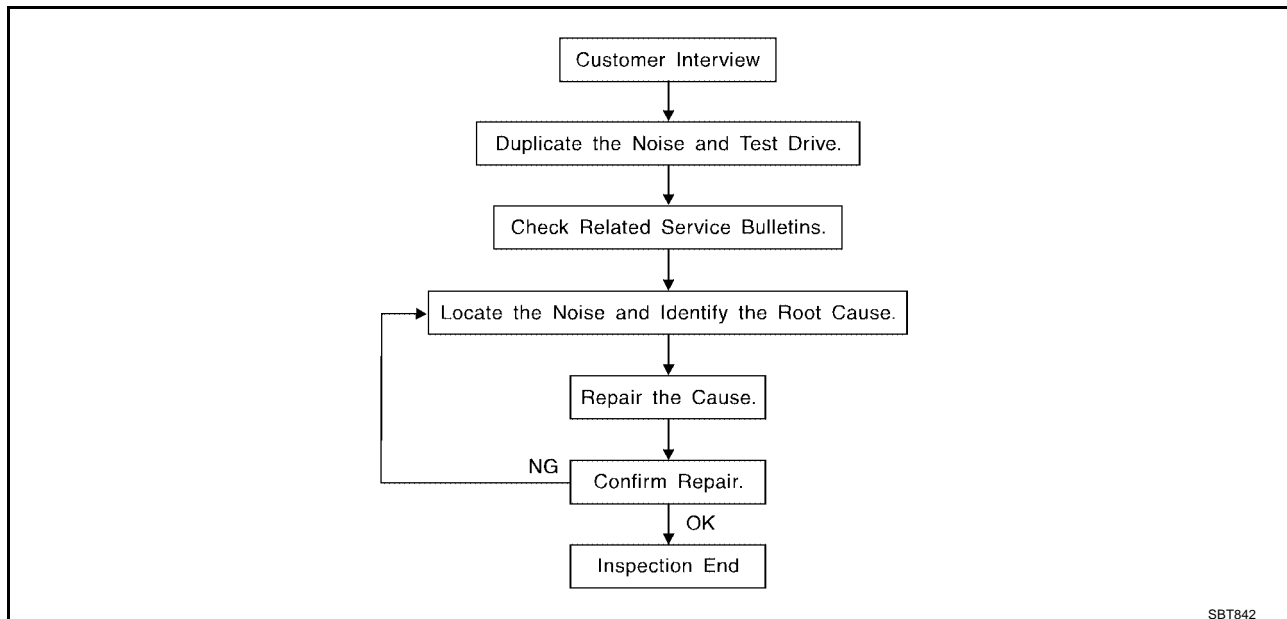
# SQUEAK AND RATTLE TROUBLE DIAGNOSES

## SQUEAK AND RATTLE TROUBLE DIAGNOSES

PF0:0000

### Work Flow

EIS003LR



### CUSTOMER INTERVIEW

Interview the customer if possible, to determine the conditions that exist when the noise occurs. Use the Diagnostic Worksheet during the interview to document the facts and conditions when the noise occurs and any customer comments; refer to [RF-8, "Diagnostic Worksheet"](#). This information is necessary to duplicate the conditions that exist when the noise occurs.

- The customer may not be able to provide a detailed description or the location of the noise. Attempt to obtain all the facts and conditions that exist when the noise occurs (or does not occur).
- If there is more than one noise in the vehicle, be sure to diagnose and repair the noise that the customer is concerned about. This can be accomplished by test driving the vehicle with the customer.
- After identifying the type of noise, isolate the noise in terms of its characteristics. The noise characteristics are provided so the customer, service adviser and technician are all speaking the same language when defining the noise.
- Squeak —(Like tennis shoes on a clean floor)  
Squeak characteristics include the light contact/fast movement/brought on by road conditions. Hard surfaces = higher pitch noise/softer surfaces = lower pitch noises/edge to surface = chirping.
- Creak—(Like walking on an old wooden floor)  
Creak characteristics include firm contact/slow movement/twisting with a rotational movement/pitch dependent on materials/often brought on by activity.
- Rattle—(Like shaking a baby rattle)  
Rattle characteristics include the fast repeated contact/vibration or similar movement/loose parts/missing clip or fastener/incorrect clearance.
- Knock —(Like a knock on a door)  
Knock characteristics include hollow sounding/sometimes repeating/often brought on by driver action.
- Tick—(Like a clock second hand)  
Tick characteristics include gentle contacting of light materials/loose components/can be caused by driver action or road conditions.
- Thump—(Heavy, muffled knock noise)  
Thump characteristics include softer knock/dead sound often brought on by activity.
- Buzz—(Like a bumble bee)  
Buzz characteristics include high frequency rattle/firm contact.
- Often the degree of acceptable noise level will vary depending upon the person. A noise that you may judge as acceptable may be irritating to the customer.
- Weather conditions, especially humidity and temperature, may have a great effect on noise level.

# SQUEAK AND RATTLE TROUBLE DIAGNOSES

## DUPLICATE THE NOISE AND TEST DRIVE

If possible, drive the vehicle with the customer until the noise is duplicated. Note any additional information on the Diagnostic Worksheet regarding the conditions or location of the noise. This information can be used to duplicate the same conditions when you confirm the repair.

If the noise can be duplicated easily during the test drive, to help identify the source of the noise, try to duplicate the noise with the vehicle stopped by doing one or all of the following:

- 1) Close a door.
  - 2) Tap or push/pull around the area where the noise appears to be coming from.
  - 3) Rev the engine.
  - 4) Use a floor jack to recreate vehicle "twist".
  - 5) At idle, apply engine load (electrical load, half-clutch on M/T model, drive position on A/T model).
  - 6) Raise the vehicle on a hoist and hit a tire with a rubber hammer.
- Drive the vehicle and attempt to duplicate the conditions the customer states exist when the noise occurs.
  - If it is difficult to duplicate the noise, drive the vehicle slowly on an undulating or rough road to stress the vehicle body.

## CHECK RELATED SERVICE BULLETINS

After verifying the customer concern or symptom, check ASIST for Technical Service Bulletins (TSBs) related to that concern or symptom.

If a TSB relates to the symptom, follow the procedure to repair the noise.

## LOCATE THE NOISE AND IDENTIFY THE ROOT CAUSE

1. Narrow down the noise to a general area. To help pinpoint the source of the noise, use a listening tool (Chassis Ear: J-39570, Engine Ear: J-39565 and mechanic's stethoscope).
2. Narrow down the noise to a more specific area and identify the cause of the noise by:
  - removing the components in the area that you suspect the noise is coming from.  
Do not use too much force when removing clips and fasteners, otherwise clips and fastener can be broken or lost during the repair, resulting in the creation of new noise.
  - tapping or pushing/pulling the component that you suspect is causing the noise.  
Do not tap or push/pull the component with excessive force, otherwise the noise will be eliminated only temporarily.
  - feeling for a vibration with your hand by touching the component(s) that you suspect is (are) causing the noise.
  - placing a piece of paper between components that you suspect are causing the noise.
  - looking for loose components and contact marks.  
Refer to [RF-6, "Generic Squeak and Rattle Troubleshooting"](#).

## REPAIR THE CAUSE

- If the cause is a loose component, tighten the component securely.
- If the cause is insufficient clearance between components:
  - separate components by repositioning or loosening and retightening the component, if possible.
  - insulate components with a suitable insulator such as urethane pads, foam blocks, felt cloth tape or urethane tape are available through your authorized Nissan Parts Department.

### CAUTION:

**Do not use excessive force as many components are constructed of plastic and may be damaged.**

**Always check with the Parts Department for the latest parts information.**

Each item can be ordered separately as needed.

URETHANE PADS [1.5 mm (0.059 in) thick]

Insulates connectors, harness, etc.

76268-9E005: 100×135 mm (3.94×5.31 in)

76884-71L01: 60×85 mm (2.36×3.35 in)

76884-71L02: 15×25 mm (0.59×0.98 in)

INSULATOR (Foam blocks)

Insulates components from contact. Can be used to fill space behind a panel.

73982-9E000: 45 mm (1.77 in) thick, 50×50 mm (1.97×1.97 in)

73982-50Y00: 10 mm (0.39 in) thick, 50×50 mm (1.97×1.97 in)

INSULATOR (Light foam block)

80845-71L00: 30 mm (1.18 in) thick, 30×50 mm (1.18×1.97 in)

# SQUEAK AND RATTLE TROUBLE DIAGNOSES

---

## FELT CLOTH TAPE

Used to insulate where movement does not occur. Ideal for instrument panel applications.  
68370-4B000: 15×25 mm (0.59×0.98 in) pad/68239-13E00: 5 mm (0.20 in) wide tape roll.  
The following materials, not found in the kit, can also be used to repair squeaks and rattles.

## UHMW (TEFLON) TAPE

Insulates where slight movement is present. Ideal for instrument panel applications.

## SILICONE GREASE

Used in place of UHMW tape that will be visible or not fit.

Note: Will only last a few months.

## SILICONE SPRAY

Use when grease cannot be applied.

## DUCT TAPE

Use to eliminate movement.

## CONFIRM THE REPAIR

Confirm that the cause of a noise is repaired by test driving the vehicle. Operate the vehicle under the same conditions as when the noise originally occurred. Refer to the notes on the Diagnostic Worksheet.

## Generic Squeak and Rattle Troubleshooting

EIS0048D

Refer to Table of Contents for specific component removal and installation information.

## INSTRUMENT PANEL

Most incidents are caused by contact and movement between:

1. The cluster lid A and instrument panel
2. Acrylic lens and combination meter housing
3. Instrument panel to front pillar garnish
4. Instrument panel to windshield
5. Instrument panel mounting pins
6. Wiring harnesses behind the combination meter
7. A/C defroster duct and duct joint

These incidents can usually be located by tapping or moving the components to duplicate the noise or by pressing on the components while driving to stop the noise. Most of these incidents can be repaired by applying felt cloth tape or silicone spray (in hard to reach areas). Urethane pads can be used to insulate wiring harness.

### CAUTION:

**Do not use silicone spray to isolate a squeak or rattle. If you saturate the area with silicone, you will not be able to recheck the repair.**

## CENTER CONSOLE

Components to pay attention to include:

1. Shifter assembly cover to finisher
2. A/C control unit and cluster lid C
3. Wiring harnesses behind audio and A/C control unit

The instrument panel repair and isolation procedures also apply to the center console.

## DOORS

Pay attention to the:

1. Finisher and inner panel making a slapping noise
2. Inside handle escutcheon to door finisher
3. Wiring harnesses tapping
4. Door striker out of alignment causing a popping noise on starts and stops

Tapping or moving the components or pressing on them while driving to duplicate the conditions can isolate many of these incidents. You can usually insulate the areas with felt cloth tape or insulator foam blocks from the NISSAN Squeak and Rattle Kit (J-43980) to repair the noise.

## TRUNK

Trunk noises are often caused by a loose jack or loose items put into the trunk by the owner.

# SQUEAK AND RATTLE TROUBLE DIAGNOSES

In addition look for:

1. Trunk lid bumpers out of adjustment
2. Trunk lid striker out of adjustment
3. The trunk lid torsion bars knocking together
4. A loose license plate or bracket

Most of these incidents can be repaired by adjusting, securing or insulating the item(s) or component(s) causing the noise.

## SUNROOF/HEADLINING

Noises in the sunroof/headlining area can often be traced to one of the following:

1. Sunroof lid, rail, linkage or seals making a rattle or light knocking noise
2. Sun visor shaft shaking in the holder
3. Front or rear windshield touching headliner and squeaking

Again, pressing on the components to stop the noise while duplicating the conditions can isolate most of these incidents. Repairs usually consist of insulating with felt cloth tape.

## OVERHEAD CONSOLE (FRONT AND REAR)

Overhead console noises are often caused by the console panel clips not being engaged correctly. Most of these incidents are repaired by pushing up on the console at the clip locations until the clips engage.

In addition look for:

1. Loose harness or harness connectors.
2. Front console map/reading lamp lens loose.
3. Loose screws at console attachment points.

## SEATS

When isolating seat noise it's important to note the position the seat is in and the load placed on the seat when the noise is present. These conditions should be duplicated when verifying and isolating the cause of the noise.

Cause of seat noise include:

1. Headrest rods and holder
2. A squeak between the seat pad cushion and frame
3. The rear seatback lock and bracket

These noises can be isolated by moving or pressing on the suspected components while duplicating the conditions under which the noise occurs. Most of these incidents can be repaired by repositioning the component or applying urethane tape to the contact area.

## UNDERHOOD

Some interior noise may be caused by components under the hood or on the engine wall. The noise is then transmitted into the passenger compartment.

Causes of transmitted underhood noise include:

1. Any component mounted to the engine wall
2. Components that pass through the engine wall
3. Engine wall mounts and connectors
4. Loose radiator mounting pins
5. Hood bumpers out of adjustment
6. Hood striker out of adjustment

These noises can be difficult to isolate since they cannot be reached from the interior of the vehicle. The best method is to secure, move or insulate one component at a time and test drive the vehicle. Also, engine RPM or load can be changed to isolate the noise. Repairs can usually be made by moving, adjusting, securing, or insulating the component causing the noise.

A

B

C

D

E

F

G

H

RF

J

K

L

M

# SQUEAK AND RATTLE TROUBLE DIAGNOSES

## Diagnostic Worksheet

EIS003LT



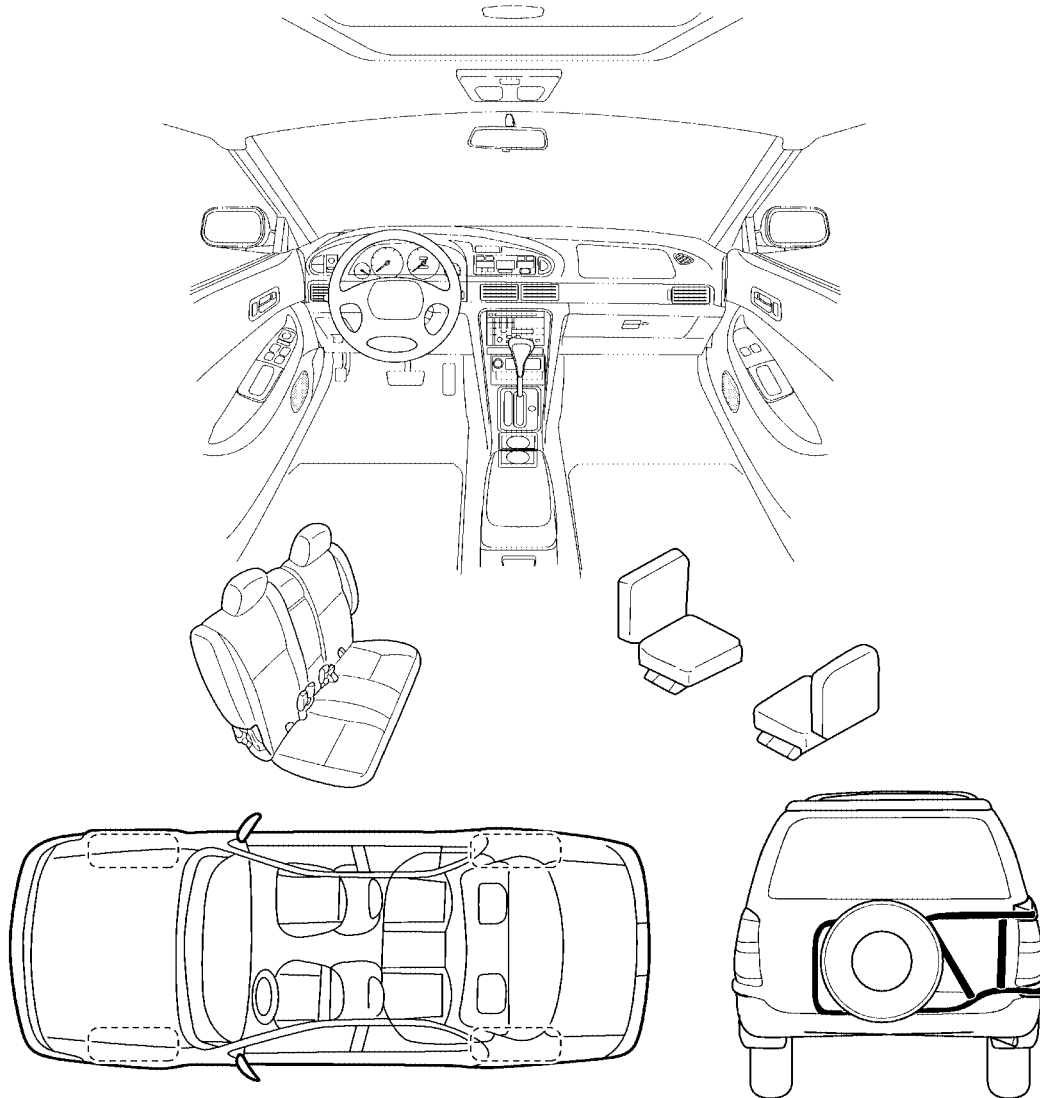
### SQUEAK & RATTLE DIAGNOSTIC WORKSHEET

Dear Nissan Customer:

We are concerned about your satisfaction with your Nissan vehicle. Repairing a squeak or rattle sometimes can be very difficult. To help us fix your Nissan right the first time, please take a moment to note the area of the vehicle where the squeak or rattle occurs and under what conditions. You may be asked to take a test drive with a service advisor or technician to ensure we confirm the noise you are hearing.

#### I. WHERE DOES THE NOISE COME FROM? (circle the area of the vehicle)

The illustrations are for reference only, and may not reflect the actual configuration of your vehicle.



Continue to the back of the worksheet and briefly describe the location of the noise or rattle. In addition, please indicate the conditions which are present when the noise occurs.

WI1A0288E



# SQUEAK AND RATTLE TROUBLE DIAGNOSES

## SQUEAK & RATTLE DIAGNOSTIC WORKSHEET- page 2

Briefly describe the location where the noise occurs:

---

---

---

### II. WHEN DOES IT OCCUR? (check the boxes that apply)

- |                                                              |                                                       |
|--------------------------------------------------------------|-------------------------------------------------------|
| <input type="checkbox"/> anytime                             | <input type="checkbox"/> after sitting out in the sun |
| <input type="checkbox"/> 1 <sup>st</sup> time in the morning | <input type="checkbox"/> when it is raining or wet    |
| <input type="checkbox"/> only when it is cold outside        | <input type="checkbox"/> dry or dusty conditions      |
| <input type="checkbox"/> only when it is hot outside         | <input type="checkbox"/> other: _____                 |

### III. WHEN DRIVING:

- through driveways
- over rough roads
- over speed bumps
- only at about \_\_\_\_ mph
- on acceleration
- coming to a stop
- on turns : left, right or either (circle)
- with passengers or cargo
- other: \_\_\_\_\_
- after driving \_\_\_\_ miles or \_\_\_\_ minutes

### IV. WHAT TYPE OF NOISE?

- squeak (like tennis shoes on a clean floor)
- creak (like walking on an old wooden floor)
- rattle (like shaking a baby rattle)
- knock (like a knock on a door)
- tick (like a clock second hand)
- thump (heavy, muffled knock noise)
- buzz (like a bumble bee)

### TO BE COMPLETED BY DEALERSHIP PERSONNEL

#### Test Drive Notes:

---

---

	<u>YES</u>	<u>NO</u>	<u>Initials of person performing</u>
Vehicle test driven with customer	<input type="checkbox"/>	<input type="checkbox"/>	_____
- Noise verified on test drive	<input type="checkbox"/>	<input type="checkbox"/>	_____
- Noise source located and repaired	<input type="checkbox"/>	<input type="checkbox"/>	_____
- Follow up test drive performed to confirm repair	<input type="checkbox"/>	<input type="checkbox"/>	_____

VIN: \_\_\_\_\_ Customer Name: \_\_\_\_\_

W.O. #: \_\_\_\_\_ Date: \_\_\_\_\_

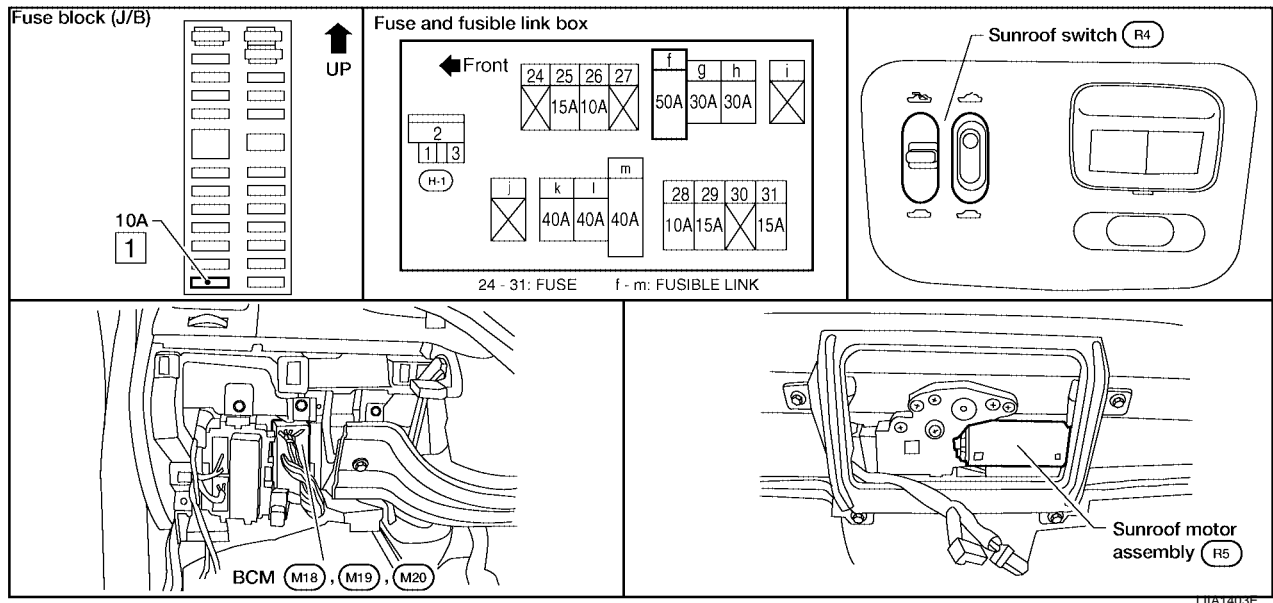
SBT844

**This form must be attached to Work Order**

## SUNROOF

### Component Parts and Harness Connector Location

EIS003LU



LIAT405E

### System Description OUTLINE

EIS003LV

Electric sunroof system consists of

- Sunroof switch
- Sunroof motor assembly
- Front door switches
- BCM (body control module)

BCM supplies power to the sunroof motor and sunroof switch. Sunroof operation depends on sunroof switch condition.

### OPERATION

Power supplied at all times

- through 50A fusible link (letter **f**, located in the fuse and fusible link box)
- to BCM terminal 70, and
- through BCM terminal 69
- to sunroof motor assembly terminal 11.

With ignition switch in ON or START position, power is supplied

- through 10A fuse [No. 1, located in the fuse block (J/B)]
- to BCM terminal 38.

Ground is supplied

- to BCM terminal 67
- through grounds F14, M57 and M61.

### TILT UP OPERATION

When the tilt switch is operated for tilt up, power is supplied

- to sunroof switch terminal 2
- through sunroof switch terminal 6
- through sunroof motor assembly terminal 1.

Ground is supplied

- to sunroof motor assembly terminal 6
- through grounds F14, M57 and M61.

Then, the sunroof will tilt up.

# SUNROOF

## TILT DOWN OPERATION

When the tilt switch is operated for tilt down, power is supplied

- to sunroof switch terminal 2
- through sunroof switch terminal 4
- through sunroof motor assembly terminal 2.

Ground is supplied

- through sunroof motor assembly terminal 6
- through grounds F14, M57 and M61.

Then, the sunroof will tilt down.

## SLIDE OPEN OPERATION

When the switch is operated for slide open, power is supplied

- to sunroof switch terminal 2
- through sunroof switch terminal 1
- through sunroof motor assembly terminal 10.

Ground is supplied

- to sunroof motor assembly terminal 6
- through grounds F14, M57 and M61.

Then, the sunroof will slide open.

## SLIDE CLOSE OPERATION

When the switch is operated for slide close, power is supplied

- to sunroof switch terminal 2
- through sunroof switch terminal 3
- through sunroof motor assembly terminal 3.

Ground is supplied

- to sunroof motor assembly terminal 6
- through grounds F14, M57 and M61.

Then, the sunroof will slide closed.

## RETAINED POWER OPERATION

When the ignition switch is turned to OFF position from ON or START position, power is supplied for 45 seconds.

The retained power operation is canceled when the driver or passenger side door is opened.

RAP signal period can be changed by CONSULT-II. Refer to [RF-14, "CONSULT-II Function \(BCM\)"](#) .

## ONE TOUCH SLIDE/TILT OPERATION

To fully slide the sunroof open, press and release the sunroof slide switch to the slide open position. To fully tilt the sunroof up, press and release the sunroof tilt switch to the tilt up position.

## MEMORY RESET PROCEDURE

If the battery is disconnected or the sunroof motor harness connector is disconnected, the slide switch will become inoperable and the sunroof motor memory must be reset. To reset the sunroof motor memory from any sunroof position, push and hold the sunroof tilt switch in the forward (UP) position until the sunroof is in the fully vented (tilt up) position. The sunroof should now operate normally.

## INTERRUPTION DETECTION FUNCTION

The CPU (central processing unit) monitors the sunroof motor operation and the sunroof position (fully-closed or other) by the signals from the sunroof motor.

When sunroof motor detects an interruption during the following sliding close operations, sunroof switch controls the motor for open and the sunroof will operate until it reaches full open position.

- automatic close operation when ignition switch is in the ON position
- automatic close operation during retained power operation.

## CAN Communication System Description

Refer to [LAN-20, "CAN COMMUNICATION"](#) .

EIS003LW

A  
B  
C  
D  
E  
F  
G  
H  
J  
K  
L  
M

RF

# SUNROOF

## Wiring Diagram — SROOF —

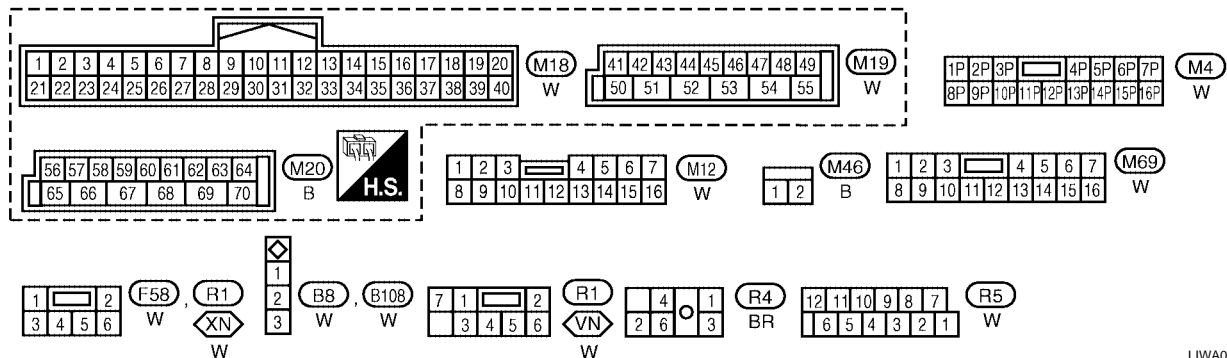
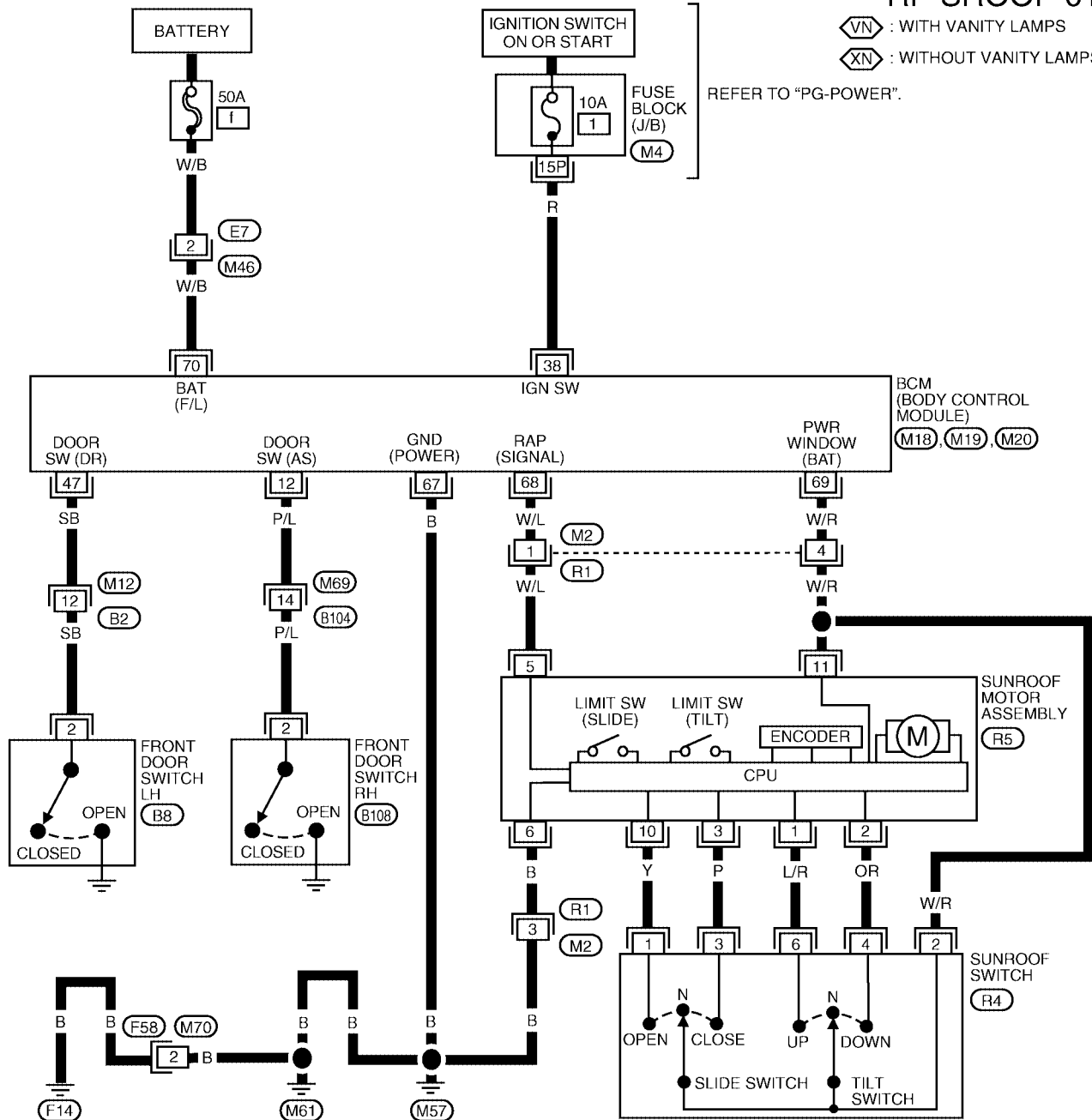
EIS003LX

### RF-SROOF-01

∇VN : WITH VANITY LAMPS

∇XN : WITHOUT VANITY LAMPS

REFER TO "PG-POWER".



LIWA0368E

# SUNROOF

## Terminals and Reference Values for BCM

EIS003LY

Terminal	Wire Color	Item	Condition	Voltage (V) (Approx.)
12	P/L	Front door switch RH signal	ON (Open)	0
			OFF (Closed)	Battery voltage
38	R	Ignition power supply	Ignition switch ON or START	Battery voltage
47	SB	Front door switch LH signal	ON (Open)	0
			OFF (Closed)	Battery voltage
67	B	Ground	—	0
68	W/L	RAP signal	Ignition switch ON	Battery voltage
			Within 45 seconds after ignition switch is turned OFF	Battery voltage
			When front door LH or RH is open while retained power is operating	0
69	W/R	Power window power supply	—	Battery voltage
70	W/B	BAT power supply	—	Battery voltage

## Terminals and Reference Values for Sunroof Motor Assembly

EIS003LZ

Terminal	Wire Color	Item	Condition	Voltage (V) (Approx.)
1	L/R	Sunroof switch TILT UP signal	Ignition switch ON and sunroof switch in TILT UP position	Battery voltage
			Other than above	0
2	OR	Sunroof switch TILT DOWN signal	Ignition switch ON and sunroof switch in TILT DOWN position	Battery voltage
			Other than above	0
3	P	Sunroof switch CLOSE signal	Ignition switch ON and sunroof switch CLOSE position	Battery voltage
			Other than above	0
5	W/L	RAP signal	Ignition switch ON	Battery voltage
			Within 45 seconds after ignition switch is turned OFF	Battery voltage
			When front door LH or RH is open while retained power is operating	0
6	B	Ground	—	0
10	Y	Sunroof switch OPEN signal	Ignition switch ON and sunroof switch OPEN position	Battery voltage
			Other than above	0
11	W/R	BAT power supply	—	Battery voltage

## Work Flow

EIS003M0

1. Check the symptom and customer's requests.
2. Understand the outline of system. Refer to [RF-10, "System Description"](#) .
3. According to the trouble diagnosis chart, repair or replace the cause of the malfunction. Refer to [RF-15, "Trouble Diagnosis Chart by Symptom"](#) .
4. Does sunroof system operate normally? If Yes, GO TO 5, If No, GO TO 3.
5. Inspection End.

# SUNROOF

EIS003M1

## CONSULT-II Function (BCM)

CONSULT-II can display each diagnostic item using the diagnostic test modes shown following.

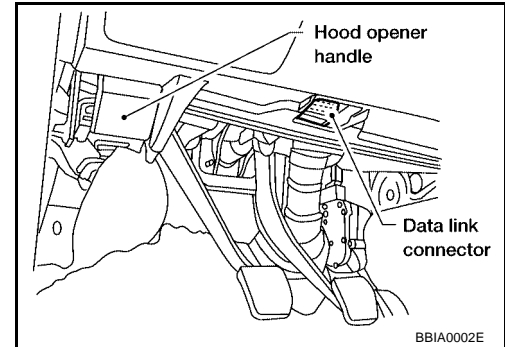
BCM diagnostic test item	Diagnostic mode	Description
Inspection by part	WORK SUPPORT	Supports inspections and adjustments. Commands are transmitted to the BCM for setting the status suitable for required operation, input/output signals are received from the BCM and received data is displayed.
	DATA MONITOR	Displays BCM input/output data in real time.
	ACTIVE TEST	Operation of electrical loads can be checked by sending drive signal to them.
	SELF-DIAG RESULTS	Displays BCM self-diagnosis results.
	CAN DIAG SUPPORT MNTR	The result of transmit/receive diagnosis of CAN communication can be read.
	ECU PART NUMBER	BCM part number can be read.
	CONFIGURATION	Performs BCM configuration read/write functions.

## CONSULT-II OPERATION

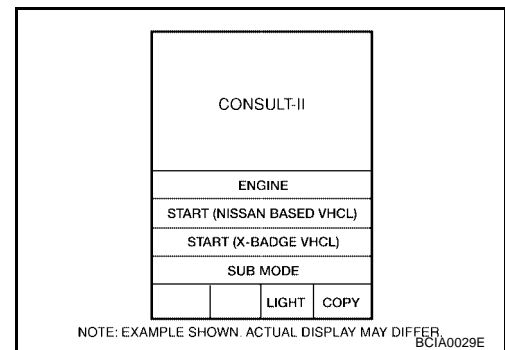
### CAUTION:

If CONSULT-II is used with no connection of CONSULT-II CONVERTER, malfunctions might be detected in self-diagnosis depending on control unit which carries out CAN communication.

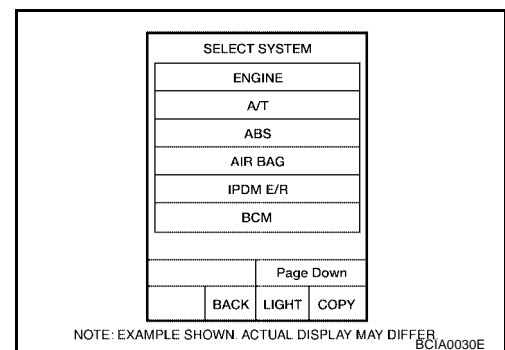
1. With the ignition switch OFF, connect CONSULT-II and CONSULT-II CONVERTER to the data link connector, then turn ignition switch ON.



2. Touch "START (NISSAN BASED VHCL)".

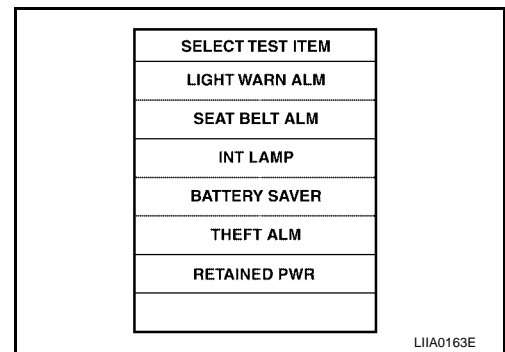


3. Touch "BCM".  
If "BCM" is not indicated, go to [GI-39, "Consult-II Data Link Connector \(DLC\) Circuit"](#).

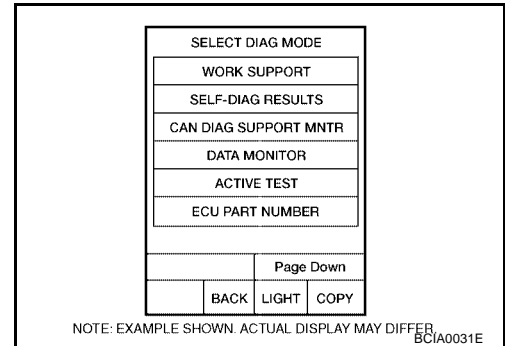


# SUNROOF

4. Touch "RETAINED PWR" on "SELECT TEST ITEM" screen.



5. Select diagnosis mode. "DATA MONITOR", "ACTIVE TEST" and "WORK SUPPORT" are available.



## WORK SUPPORT

Work item	Description
RETAINED PWR SET	RAP signal's power supply period can be changed by mode setting. Selects RAP signal's power supply period between the following three steps: <ul style="list-style-type: none"> <li>● MODE 1 (45 sec.) / MODE 2 (OFF) / MODE 3 (2 min.)</li> </ul>

## ACTIVE TEST

Test item	Description
RETAINED PWR	This test is able to supply RAP signal (power) from BCM to power window system, power sunroof system. Those systems can be operated when turning on "RETAINED PWR" on CONSULT-II screen even if the ignition switch is turned OFF.  <b>NOTE:</b> During this test, CONSULT-II can be operated with ignition switch in "OFF" position. "RETAINED PWR" should be turned "ON" or "OFF" on CONSULT-II screen when ignition switch ON. Then turn ignition switch OFF for checking retained power operation. CONSULT-II might be stuck if "RETAINED PWR" is turned "ON" or "OFF" on CONSULT-II screen when ignition switch is OFF.

## DATA MONITOR

Monitored item	Description
IGN ON SW	Indicates [ON/OFF] condition of ignition switch.
DOOR SW-DR	Indicates [ON/OFF] condition of front door switch LH.
DOOR SW-AS	Indicates [ON/OFF] condition of front door switch RH.

## Trouble Diagnosis Chart by Symptom

EIS003M2

Symptom	Diagnostic procedure and repair order	Refer to page
Sunroof does not operate.	1. Sunroof motor assembly power supply and ground circuit check	<a href="#">RF-19</a>
	2. Sunroof switch system check	<a href="#">RF-17</a>
	3. BCM power supply and ground circuit check	<a href="#">RF-16</a>
	4. Replace sunroof motor assembly	<a href="#">RF-29</a>

# SUNROOF

Symptom	Diagnostic procedure and repair order	Refer to page
Retained power operation does not operate properly.	1. Check the retained power operation mode setting	<a href="#">RF-15</a>
	2. BCM power supply and ground circuit check	<a href="#">RF-16</a>
	3. Door switch check	<a href="#">RF-21</a>
	4. Replace sunroof motor assembly	<a href="#">RF-29</a>
Motor does not stop at the sunroof fully-open or fully-closed position.	1. Memory reset procedure	<a href="#">RF-11</a>
	2. Replace sunroof motor assembly	<a href="#">RF-29</a>
Sunroof does not do the interruption detection.	1. Replace sunroof motor assembly	<a href="#">RF-29</a>

## BCM Power Supply and Ground Circuit Check

EIS003M3

### 1. CHECK FUSE

Check the following BCM fuse and fusible link.

Component Parts	Terminal No. (SIGNAL)	Ampere	No.	Location
BCM	38 (IGN power supply)	10A	1	Fuse block (J/B)
	70 (BAT power supply)	50A	f	Fuse and fusible link box

#### NOTE:

Refer to [BL-17, "Component Parts and Harness Connector Location"](#).

#### OK or NG

OK >> GO TO 2.

NG >> If fuse is blown, be sure to eliminate cause of problem before installing new fuse. Refer to [PG-4, "POWER SUPPLY ROUTING CIRCUIT"](#).

### 2. CHECK POWER SUPPLY CIRCUIT

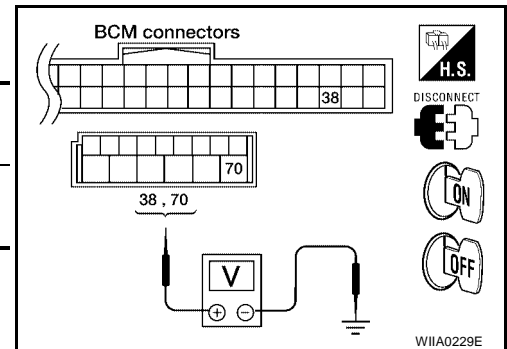
- Turn ignition switch OFF.
- Disconnect BCM connectors.
- Check voltage between BCM connectors M18 and M20 terminals 38, 70 and ground.

Connector	Terminals		Condition	Voltage (V) (Approx.)
	(+)	(-)		
M18	38	Ground	Ignition switch ON	Battery voltage
M20	70		Ignition switch OFF	

#### OK or NG

OK >> GO TO 3.

NG >> Repair or replace harness.



### 3. CHECK GROUND CIRCUIT

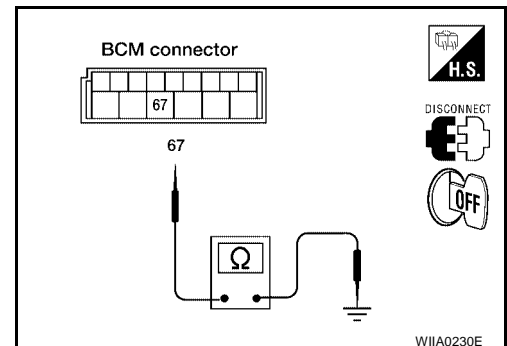
Check continuity between BCM connector M20 terminal 67 and ground.

Connector	Terminals	Continuity
M20	67	Ground
		Yes

#### OK or NG

OK >> Power supply and ground circuit is OK.

NG >> Repair or replace harness.





# SUNROOF

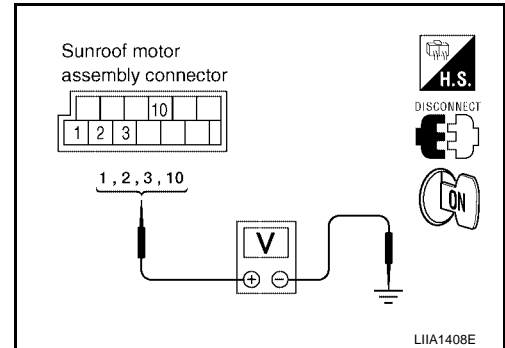
EIS003M4

## Sunroof Switch System Check

### 1. CHECK SUNROOF MOTOR ASSEMBLY INPUT SIGNAL

1. Disconnect sunroof motor assembly connector.
2. Turn ignition switch ON.
3. Check voltage between sunroof motor assembly connector R5 terminals 1, 2, 3, 10 and ground.

Connector	Terminals		Condition	Voltage (V) (Approx.)
	(+)	(-)		
R5	1	Ground	Sunroof switch in TILT UP position	Battery voltage
			Other than above	0
	2		Sunroof switch in TILT DOWN position	Battery voltage
			Other than above	0
	3		Sunroof switch in CLOSE position	Battery voltage
			Other than above	0
	10		Sunroof switch in OPEN position	Battery voltage
			Other than above	0



OK or NG

- OK >> Replace sunroof motor. Refer to [RF-29, "SUNROOF MOTOR"](#) .  
 NG >> GO TO 2.

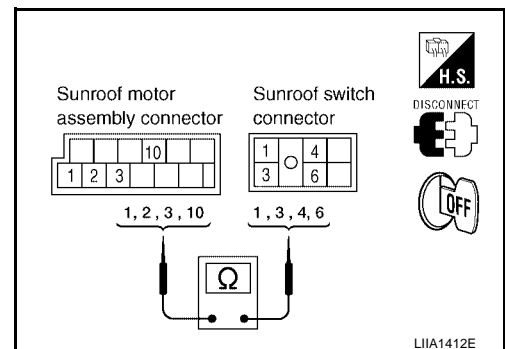
### 2. CHECK HARNESS CONTINUITY

1. Turn ignition switch OFF.
2. Disconnect sunroof switch connector.
3. Check continuity between sunroof motor assembly connector R5 terminals 1, 2, 3, 10 and sunroof switch connector R4 terminals 1, 3, 4, 6.

- 1 - 6 : Continuity should exist.**  
**2 - 4 : Continuity should exist.**  
**3 - 3 : Continuity should exist.**  
**10 - 1 : Continuity should exist.**

OK or NG

- OK >> GO TO 3.  
 NG >> Repair or replace harness between sunroof motor assembly and sunroof switch.

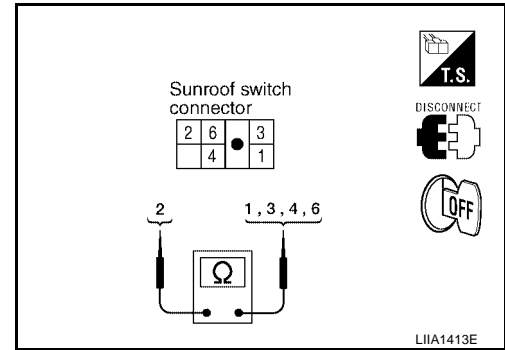


# SUNROOF

## 3. CHECK SUNROOF SWITCH

Operate sunroof slide switch and check continuity of the sunroof switch as follows.

Terminals		Condition	Continuity
1	2	Sunroof switch in OPEN position	Yes
		Other than above	No
3		Sunroof switch in CLOSE position	Yes
		Other than above	No
4		Sunroof switch in TILT DOWN position	Yes
		Other than above	No
6	Sunroof switch in TILT UP position	Yes	
	Other than above	No	



OK or NG

- OK >> Check the condition of the harness and connector.
- NG >> Replace sunroof switch.

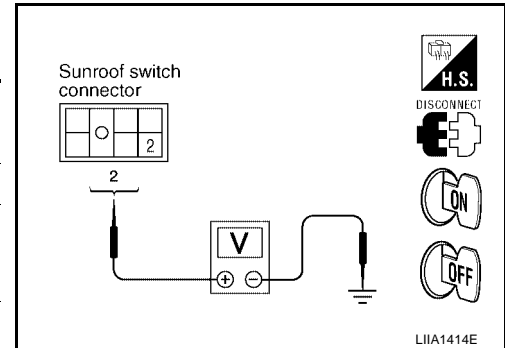
## Sunroof Switch Power Supply Circuit Check

EIS003M5

### 1. CHECK POWER SUPPLY CIRCUIT

1. Turn ignition switch OFF.
2. Disconnect the sunroof switch connector.
3. Check voltage between sunroof switch connector R4 terminal 2 and ground.

Connector	Terminals		Condition	Voltage (V) (Approx.)
	(+)	(-)		
R4	2	Ground	Ignition switch ON	Battery voltage
			Within 45 seconds after ignition switch is turned OFF	Battery voltage
			When front door LH or RH is open while retained power is operating	0



OK or NG

- OK >> Sunroof switch power supply circuit is OK.
- NG >> GO TO 2.

# SUNROOF

## 2. CHECK SUNROOF SWITCH CIRCUIT HARNESS

1. Turn ignition switch OFF.
2. Disconnect BCM connector.
3. Check continuity between BCM connector M20 terminal 69 and sunroof switch connector R4 terminal 2.

**69 - 2** : **Continuity should exist.**

4. Check continuity between BCM connector M20 terminals 68, 69 and ground.

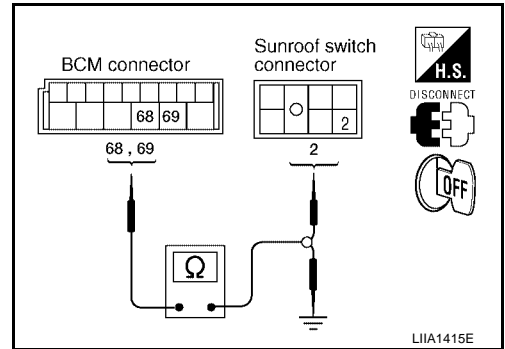
**68 - Ground** : **Continuity should not exist.**

**69 - Ground** : **Continuity should not exist.**

OK or NG

OK >> Sunroof switch power supply circuit is OK. Further inspection is necessary. Refer to [RF-15, "Trouble Diagnosis Chart by Symptom"](#).

NG >> Repair or replace harness between BCM and sunroof switch.



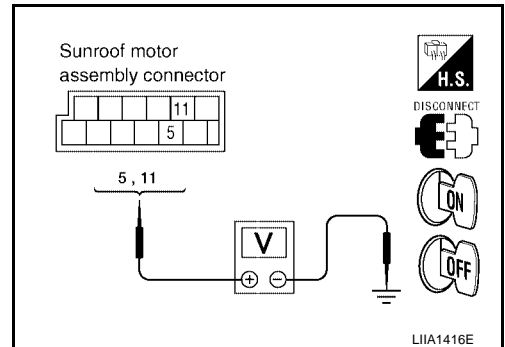
## Sunroof Motor Assembly Power Supply and Ground Circuit Check

EIS003M6

### 1. CHECK POWER SUPPLY CIRCUIT

1. Turn ignition switch OFF.
2. Disconnect the sunroof motor assembly connector.
3. Turn ignition switch ON.
4. Check voltage between sunroof motor assembly connector R5 terminal 5 (W/L), 11 (W/R) and ground.

Connector	Terminals		Condition	Voltage (V) (Approx.)
	(+)	(-)		
R5	5	Ground	Ignition switch ON	Battery voltage
			Within 45 seconds after ignition switch is turned OFF	Battery voltage
			When front door LH or RH is open while retained power is operating	0
	11	Ground	Ignition switch OFF	Battery voltage



OK or NG

OK >> GO TO 2.

NG >> GO TO 3.

### 2. CHECK GROUND CIRCUIT

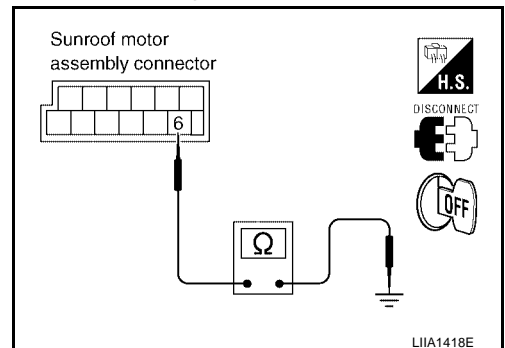
Check continuity between sunroof motor assembly connector R5 terminal 6 (B) and ground.

**6 - Ground** : **Continuity should exist.**

OK or NG

OK >> Sunroof motor assembly power supply and ground circuits are OK. Further inspection is necessary. Refer to [RF-15, "Trouble Diagnosis Chart by Symptom"](#).

NG >> Repair or replace harness.



# SUNROOF

## 3. CHECK BCM OUTPUT SIGNAL

1. Turn ignition switch ON.
2. Check voltage between BCM connector M20 terminals 68, 69 and ground.

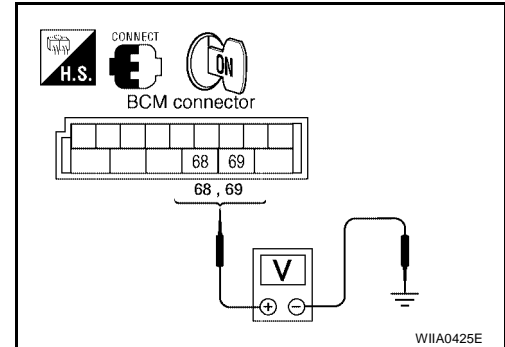
**68 - Ground : Battery voltage**

**69 - Ground : Battery voltage**

OK or NG

OK >> GO TO 4.

NG >> Replace BCM. Refer to [BCS-20, "Removal and Installation of BCM"](#).



## 4. CHECK SUNROOF MOTOR CIRCUIT HARNESS

1. Turn ignition switch OFF.
2. Disconnect BCM connector.
3. Check continuity between BCM connector M20 terminals 68, 69 and sunroof motor assembly connector R5 terminals 5, 11.

**68 - 5 : Continuity should exist.**

**69 - 11 : Continuity should exist.**

4. Check continuity between BCM connector M20 terminals 68, 69 and ground.

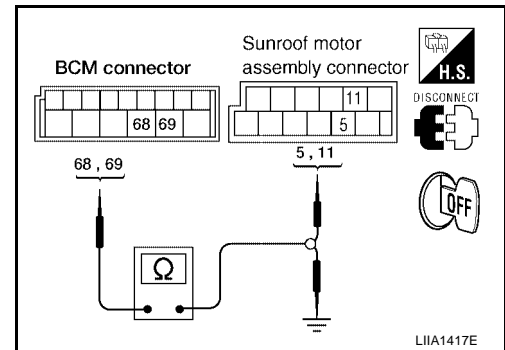
**68 - Ground : Continuity should not exist.**

**69 - Ground : Continuity should not exist.**

OK or NG

OK >> Sunroof motor assembly power supply circuits are OK. Further inspection is necessary. Refer to [RF-15, "Trouble Diagnosis Chart by Symptom"](#).

NG >> Repair or replace harness between BCM and sunroof motor assembly.



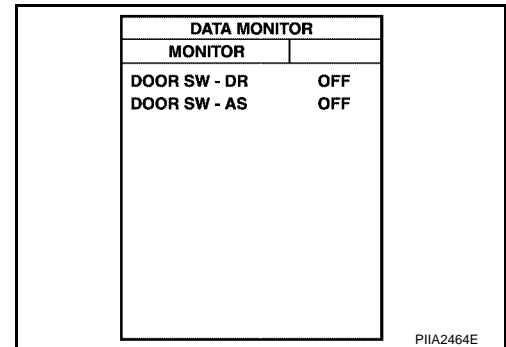
## Door Switch Check

### 1. CHECK DOOR SWITCH INPUT SIGNAL

 **With CONSULT-II**

Check door switches ("DOOR SW-DR" and "DOOR SW-AS") in "DATA MONITOR" mode with CONSULT-II.

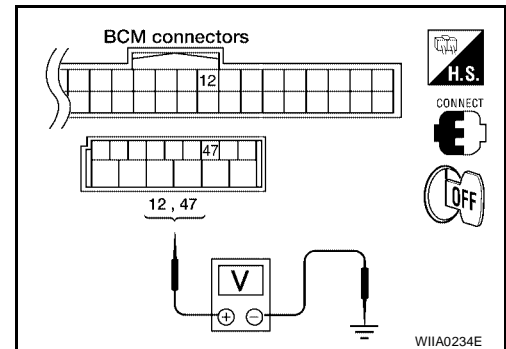
Monitor item	Condition
DOOR SW-DR	Door open : ON
	Door closed : OFF
DOOR SW-AS	Door open : ON
	Door closed : OFF



 **Without CONSULT-II**

1. Turn ignition switch OFF.
2. Check voltage between BCM connector and ground.

Item	Connector	Terminals		Condition	Voltage (V) (Approx.)
		(+)	(-)		
RH	M18	12	Ground	Door OPEN (switch closed)	0
				Door CLOSED (switch open)	Battery voltage
LH	M19	47		Door OPEN (switch closed)	0
				Door CLOSED (switch open)	Battery voltage



**OK or NG**

- OK >> Door switches are OK.
- NG >> GO TO 2.

A  
B  
C  
D  
E  
F  
G  
H  
RF  
J  
K  
L  
M

# SUNROOF

## 2. CHECK DOOR SWITCH CIRCUIT

1. Disconnect front door switches and BCM.
2. Check continuity between front door switch connector B8 (LH) or B108 (RH) terminal 2 and BCM connectors M18, M19 terminals 12, 47.

**Front door LH**  
**2 - 47** : Continuity should exist.

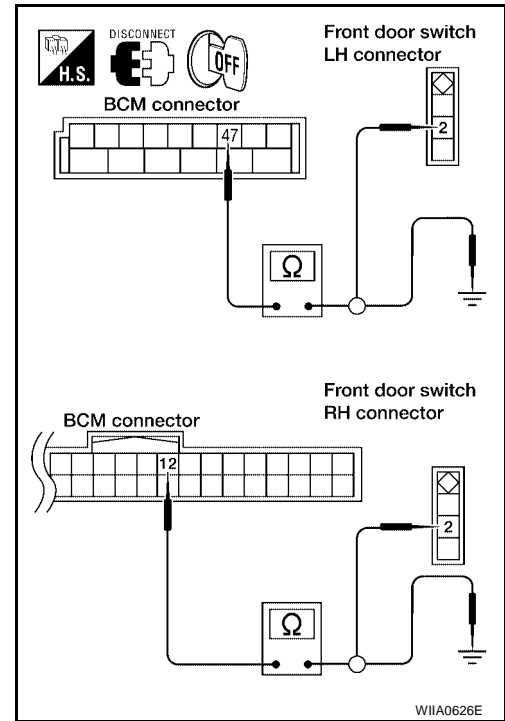
**Front door RH**  
**2 - 12** : Continuity should exist.

3. Check continuity between front door switch connector B8 (LH) or B108 (RH) terminal 2 and ground.

**2 - Ground** : Continuity should not exist.

### OK or NG

- OK >> GO TO 3.  
 NG >> Repair or replace harness between BCM and sunroof motor assembly.



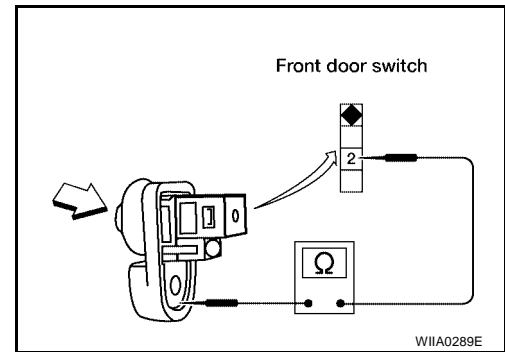
## 3. CHECK DOOR SWITCH

Check continuity between each door switch terminal 2 and body ground part of door switch.

Terminals		Condition	Continuity
2	Body ground part of door switch	Door switch pushed	No
		Door switch released	Yes

### OK or NG

- OK >> GO TO 4.  
 NG >> Replace malfunctioning door switch.



## 4. CHECK BCM OUTPUT SIGNAL

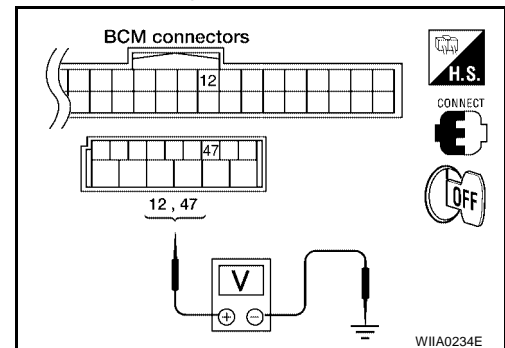
1. Connect BCM connector.
2. Check voltage between BCM connector M18 terminal 12, M19 terminal 47 and ground.

**12 - Ground** : Battery voltage

**47 - Ground** : Battery voltage

### OK or NG

- OK >> Check the condition of the harness and the connector.  
 NG >> Replace BCM. Refer to [BCS-20, "Removal and Installation of BCM"](#).

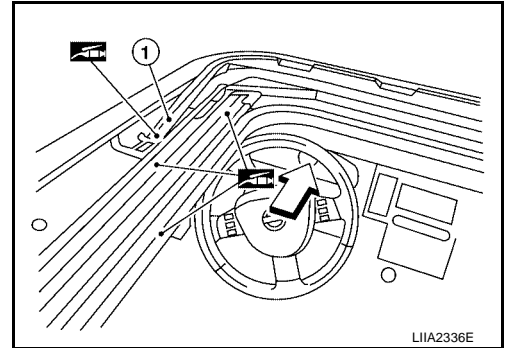


# SUNROOF

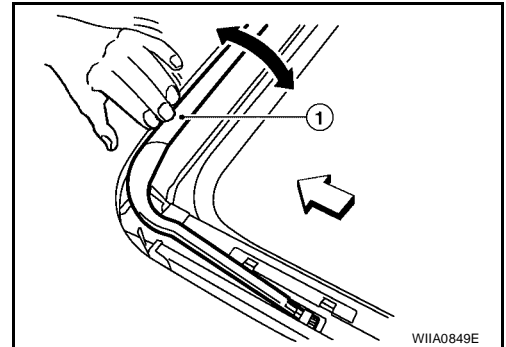
EIS007WV

## Inspection WIND DEFLECTOR

1. Open glass lid assembly fully.
2. Visually check for proper installation, damaged/deteriorated components, or foreign objects within mechanism. Correct as required for smooth operation.
3. Check for grease at the wind deflector arm (1) and pivot areas. If necessary, apply a sufficient amount of grease for non-binding operation.  
←:Vehicle front



4. Check that the wind deflector (1) moves freely within the sunroof unit assembly while manually pressing down and releasing. If a malfunction is detected, remove the sunroof unit assembly and visually inspect; refer to [RF-27, "SUNROOF UNIT ASSEMBLY"](#). If damage is found, replace sunroof rail assembly.  
←:Vehicle front



## LINK AND WIRE ASSEMBLY

### NOTE:

Before replacing a suspect part, make sure it is the source of noise being experienced.

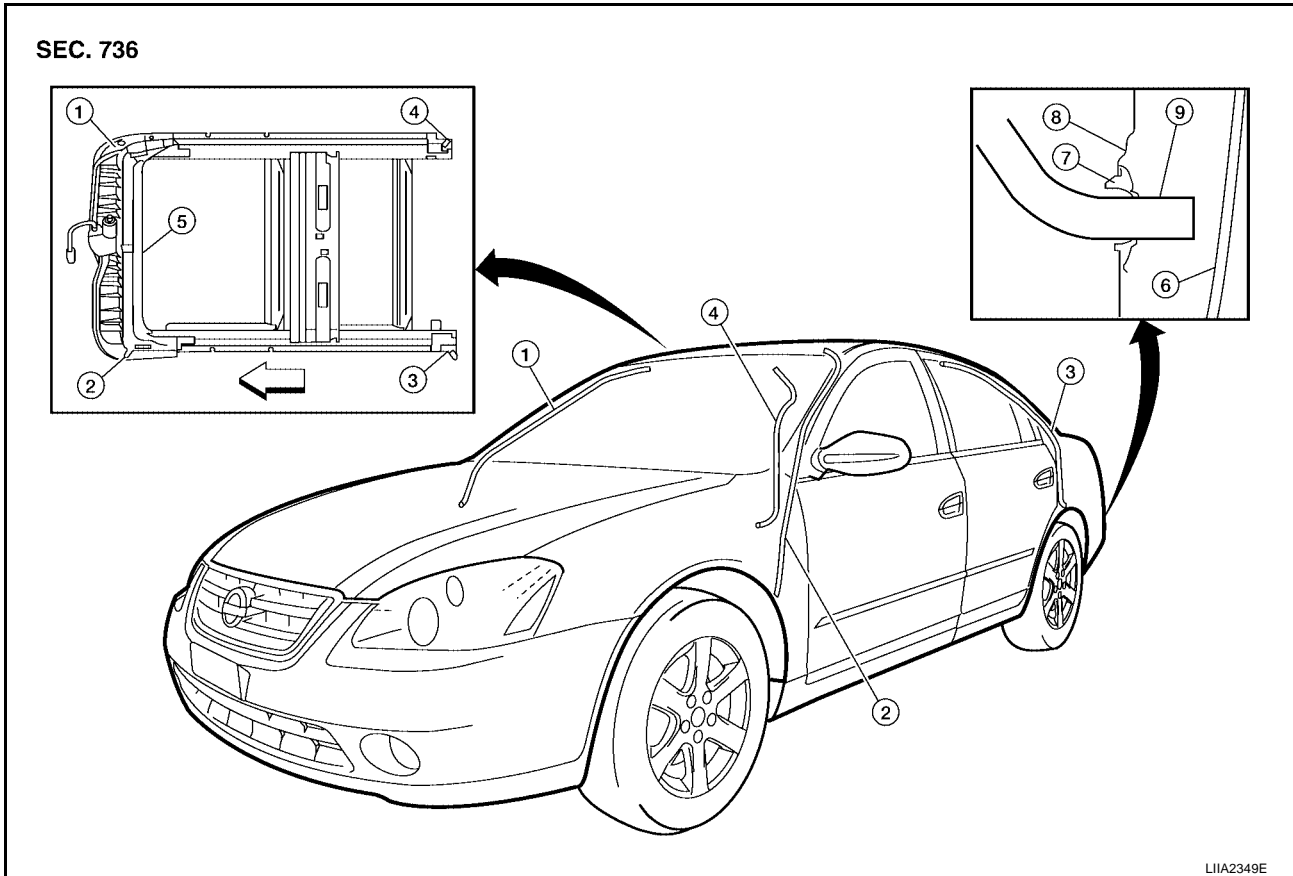
1. Check link to determine if coating film has peeled off excessively enough that substrate is visible. Check also to determine if link is the source of noise. Replace as necessary.
2. Visually check to determine if a sufficient amount of grease has been applied to wire or rail groove. If not, add grease as required.
3. Check wire for any damage or deterioration. If any damage is found, replace wire.

## WEATHERSTRIP

1. Visually check weatherstrip for damage, deterioration, or deformation.
  - Open glass lid assembly to comfort stop state (partially open) to inspect front edge of weatherstrip.
  - Tilt up glass lid assembly fully to inspect sides and rear edge of weatherstrip.If any area of the weatherstrip is found to be damaged, replace the glass lid assembly. Refer to [RF-28, "GLASS LID ASSEMBLY"](#).
2. Check for leakage around glass lid assembly.
  - Close glass lid assembly.
  - Pour water around surface to determine area of concern.
    - For gaps or misalignment, adjust glass lid assembly to specifications. Refer to [RF-24, "ADJUSTMENT"](#).
    - For damaged sealing surfaces, either replace glass lid assembly [RF-28, "GLASS LID ASSEMBLY"](#), or repair the panel [BL-155, "Precautions in Repairing High Strength Steel"](#).

# SUNROOF

## DRAIN HOSES



- |                        |                          |                       |
|------------------------|--------------------------|-----------------------|
| 1. Drain hose front RH | 2. Drain hose front LH   | 3. Drain hose rear LH |
| 4. Drain hose rear RH  | 5. Sunroof unit assembly | 6. Fascia             |
| 7. Seal                | 8. Fender                | 9. Drain hose         |
- ← Vehicle front

1. Remove the headlining. Refer to [EI-36, "HEADLINING"](#).
2. Visually check drain hoses for:
  - Proper connection at sunroof unit assembly.
  - Damage, pinch, cracks, deterioration.
  - Proper fastening and routing on body panels.
3. Pour water through drain hoses to determine watertight performance.

If damaged or leaking portions in any drain hose is found, replace entire drain hose as necessary.

### ADJUSTMENT

#### CAUTION:

- Always work with a helper.
- Handle glass lid assembly with care to prevent damage.

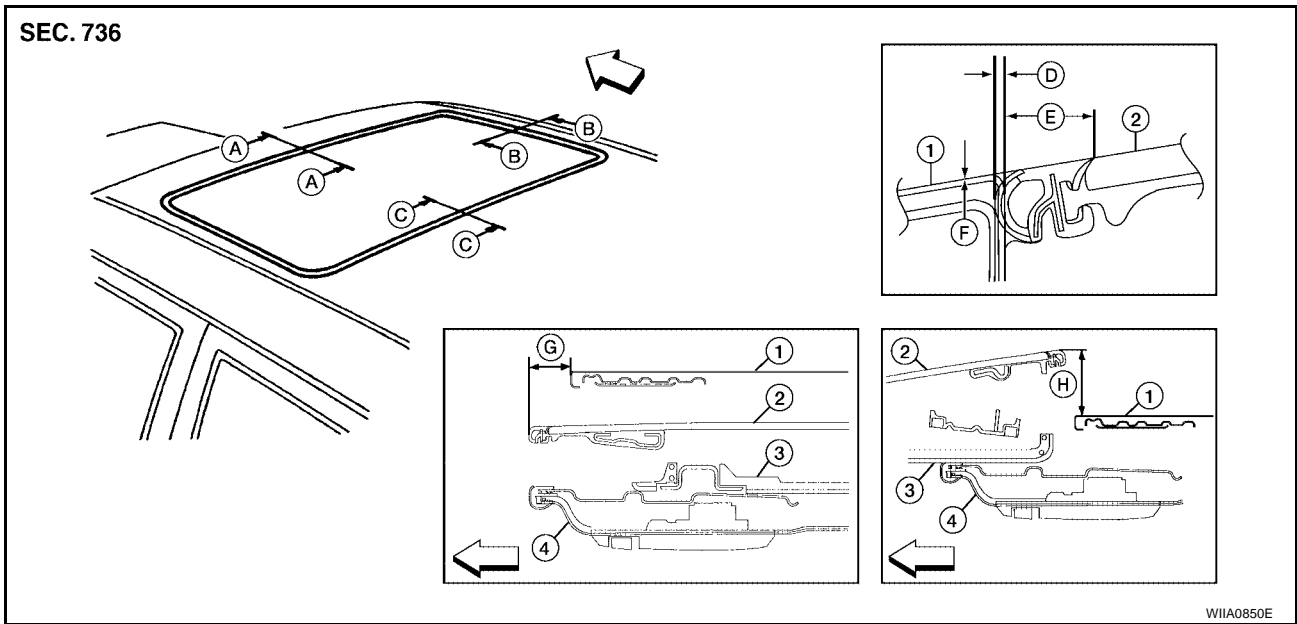
#### NOTE:

- For easier and more accurate installation, always mark each point before removal.
- After any adjustment, check sunroof operation and glass lid assembly alignment.



# SUNROOF

SEC. 736



1. Roof  
2. Glass lid assembly  
3. Sunshade assembly  
4. Headlining  
← Vehicle front

Unit: mm (in)

	A-A	B-B	C-C
D.	1.8 ± 0.7 (0.07 ± 0.03) *1	1.8 ± 0.7 (0.07 ± 0.03) *1	1.8 ± 0.7 (0.07 ± 0.03) *1
E.	11.5 ± 0.7 (0.45 ± 0.03) *1	11.5 ± 0.7 (0.45 ± 0.03) *1	11.5 ± 0.7 (0.45 ± 0.03) *1
F.	0 ± 1.5 (0 ± 0.06) *1	0 ± 1.5 (0 ± 0.06) *1	0 ± 1.5 (0 ± 0.06) *1
G.	—	—	90.0 (3.54) *4 — 26.1 (1.03) *2
H.	—	—	43.3 (1.70) *3

\*1 With glass lid assembly in fully closed position

\*2 With glass lid assembly in fully open position

\*3 With glass lid assembly tilted up

\*4 With glass lid assembly in comfort stop state

## Gap adjustment (A-A, C-C)

1. Open sunshade assembly.
2. Tilt glass lid assembly up, then remove side trim.
3. Loosen glass lid assembly Torx® bolts (1) (3 each on left and right sides), then tilt glass lid assembly down.
4. Manually adjust glass lid assembly from outside of vehicle so gaps A-A and C-C are within specifications.

### NOTE:

Temporarily snug glass lid assembly Torx bolts to prevent movement between each adjustment.

5. Tilt glass lid assembly up and down several times using sunroof switch to check that it operates smoothly.
6. Tilt glass lid assembly up and tighten Torx bolts to specification.

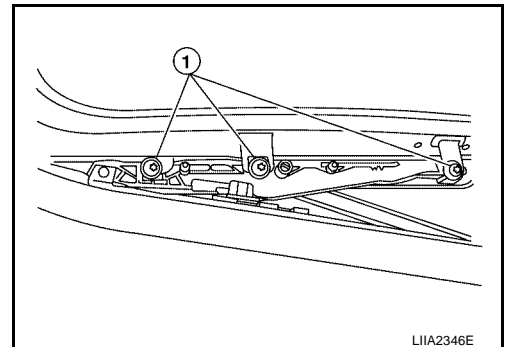
### NOTE:

First tighten left front bolt, then right rear bolt on glass lid assembly to prevent uneven torque while tightening remaining bolts.

**Glass lid assembly Torx bolts : 4.0 N·m (0.41 kg·m, 35 in-lb)**

## Gap Adjustment (B-B)

1. Remove the headlining. Refer to [EI-36, "Removal and Installation"](#) .



# SUNROOF

2. Loosen sunroof unit assembly and sunroof bracket bolts.
3. Carefully slide sunroof unit assembly side to side or add shims until gap is within specifications.

**NOTE:**

Temporarily snug sunroof unit assembly bolts to prevent movement between each adjustment.

4. Tilt glass lid assembly up and down several times using sunroof switch to check that it operates smoothly.
5. Tighten sunroof unit assembly and sunroof bracket bolts.

**NOTE:**

First tighten left front sunroof unit assembly bolt, then right rear to prevent uneven torque while tightening remaining bolts.

**Sunroof unit assembly bolts : 5.7 N·m (0.59 kg-m, 51 in-lb)**

**Sunroof bracket bolts : 5.7 N·m (0.59 kg-m, 51 in-lb)**

6. Install the headlining. Refer to [EI-36, "Removal and Installation"](#).

## Height Adjustment

1. Tilt glass lid assembly up and down several times using sunroof switch to check that it operates smoothly.
2. Check height difference between roof surface and glass lid assembly surface, then compare to specifications.
3. Adjust height difference by using the following procedure.

- Loosen glass lid assembly Torx bolts.
- Manually raise/lower glass lid assembly until height difference is within specification.

**NOTE:**

If necessary, shims may be added between sunroof unit assembly and roof to increase adjustment range. Refer to [RF-25, "Gap Adjustment \(B-B\)"](#).

Temporarily snug sunroof unit assembly bolts to prevent movement between each adjustment.

- Tilt glass lid assembly up and down several times using sunroof switch to check that it operates smoothly.
- Tighten glass lid assembly Torx bolts.

**NOTE:**

First tighten left front bolt, then right rear bolt on glass lid assembly to prevent uneven torque while tightening remaining bolts.

**Glass lid assembly Torx bolts : 4.0 N·m (0.41 kg-m, 35 in-lb)**

- After any adjustment, check sunroof operation and glass lid assembly alignment.

## Removal and Installation

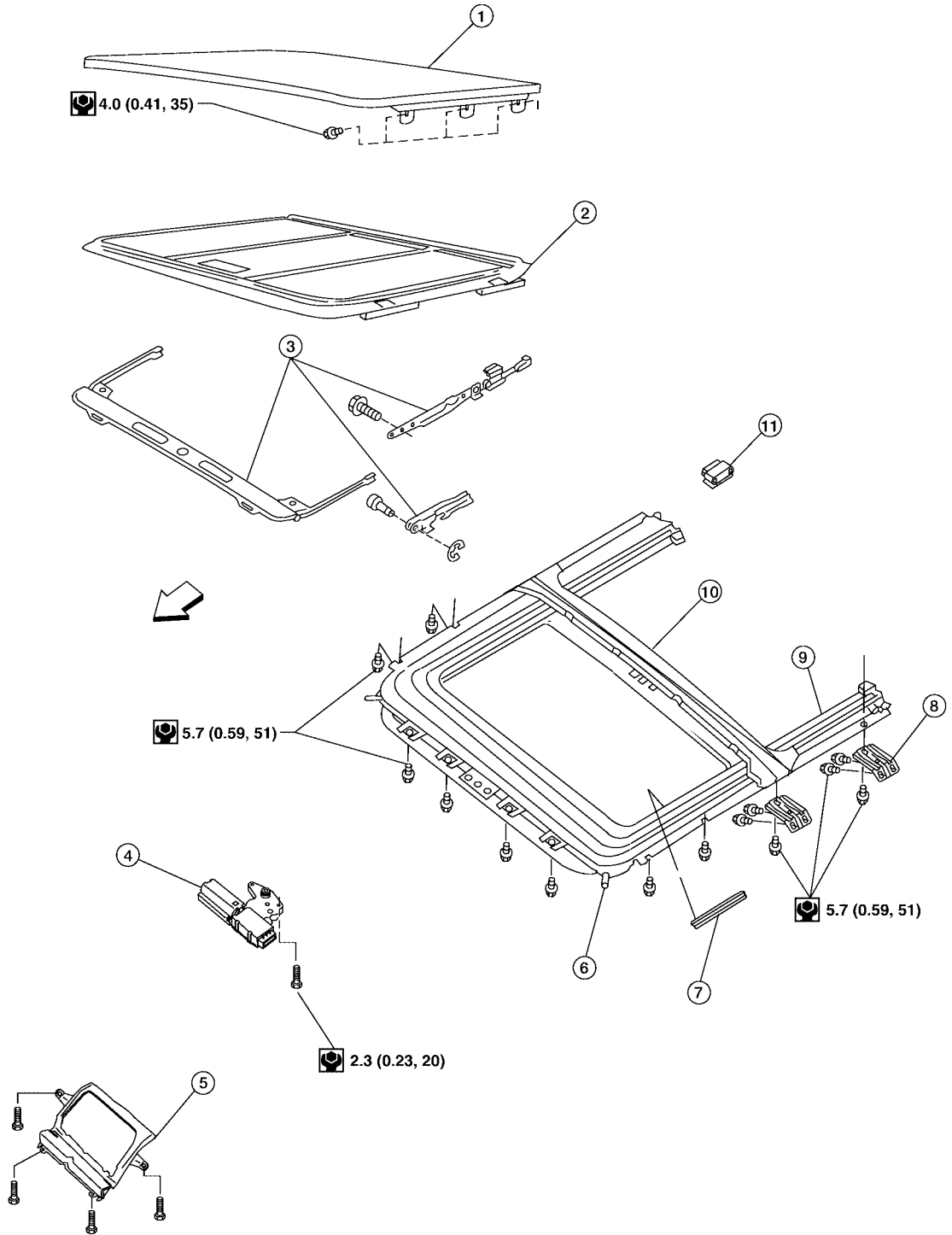
EIS003MA

**CAUTION:**

- Always work with a helper.
- After installing sunroof unit assembly or glass lid assembly, check gap adjustment and make sure there is no malfunction.
- Handle glass lid assembly with care to prevent damage.
- When taking sunroof unit out, use shop cloths to protect the seats and trim from damage.

# SUNROOF

SEC. 736



- 1. Glass lid assembly
- 4. Sunroof motor
- 7. Side trim
- 10. Drain channel

- 2. Sunshade
- 5. Sunroof switch bracket
- 8. Sunroof bracket
- 11. Sunshade stopper

- 3. Wind deflector rail assembly
- 6. Drain hose connection
- 9. Sunroof unit assembly
- ⇒ Vehicle front

## SUNROOF UNIT ASSEMBLY Removal

1. Remove headlining. Refer to [EI-36, "Removal and Installation"](#).

A  
B  
C  
D  
E  
F  
G  
H  
RF  
J  
K  
L  
M

WIA0858E

# SUNROOF

2. Disconnect drain hoses.
3. Close glass lid assembly.
4. Remove sunroof switch bracket.
5. Disconnect sunroof motor harness connector.

## CAUTION:

- **Before removing sunroof motor, make sure that sunroof is fully closed.**
  - **After removing sunroof motor, never attempt to rotate sunroof motor as a single unit.**
6. Remove bolts on the front end and side rails of the sunroof unit assembly.
  7. Remove front sunroof bracket bolts.
  8. Remove rear sunroof bracket bolts and remove sunroof unit assembly from roof panel.
  9. Remove sunroof unit assembly through the passenger compartment while being careful not to damage the seats and trim.

## Installation

1. Loosely tighten the rear sunroof bracket bolts to the sunroof unit assembly side rails.
2. Bring sunroof unit into passenger compartment and loosely tighten rear sunroof bracket bolts to roof panel while supporting front.
3. Align the sunroof unit assembly front end rail and side rails with the locator pins, then loosely tighten the bolts.
4. Install remaining sunroof brackets and loosely tighten bolts.
5. Tighten the sunroof unit assembly front end and side rail bolts diagonally to the specified torque.
6. Tighten the front sunroof bracket bolts at the vehicle side first, then at the side rail end.
7. Tighten the rear sunroof bracket bolts at the vehicle side first, then at the side rail end.

**Sunroof assembly unit front end rail and side rail bolts : 5.1 - 6.47 N-m (0.52 - 0.66 kg-m, 46 - 57 in-lb)**

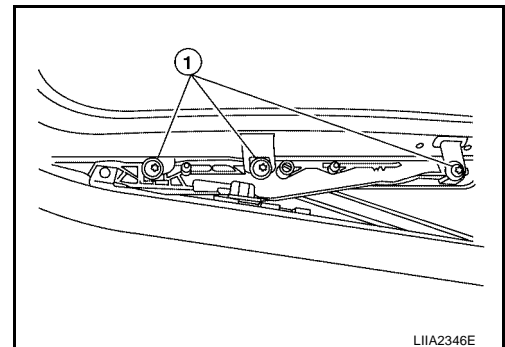
**Front and rear sunroof bracket bolts : 5.1 - 6.47 N-m (0.52 - 0.66 kg-m, 46 - 57 in-lb)**

8. Connect sunroof motor harness connector.
9. Install sunroof switch bracket.
10. Connect drain hoses.
11. Install headlining. Refer to [EI-36, "Removal and Installation"](#).

## GLASS LID ASSEMBLY

### Removal

1. Open sunshade fully.
2. Close glass lid assembly.
3. Remove side trim.
4. Remove Torx bolts (1) and glass lid assembly from sunroof unit assembly.



LIIA2346E

### Installation

1. Position glass lid assembly to sunroof unit assembly.
2. Tighten glass lid assembly Torx bolts to specification.

#### NOTE:

First tighten left front bolt, then right rear bolt on glass lid assembly to prevent uneven torque while tightening remaining bolts.

# SUNROOF

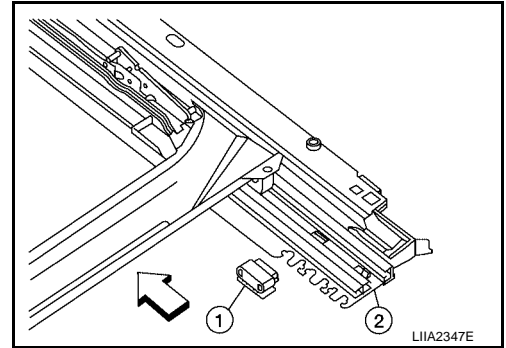
**Glass lid assembly Torx bolts : 4.0 N-m (0.41 kg-m, 35 in-lb)**

3. Install side trim.
4. After installation, check sunroof operation and glass lid assembly alignment. Refer to [RF-24, "ADJUSTMENT"](#).

## SUNSHADE

### Removal

1. Remove sunroof unit assembly. Refer to [RF-27, "SUNROOF UNIT ASSEMBLY"](#).
2. Remove glass lid assembly. Refer to [RF-28, "GLASS LID ASSEMBLY"](#).
3. Remove the sunshade stoppers (1) RH/LH from the sunroof unit assembly side rails (2).  
← : Vehicle front
4. Slide sunshade rearward past sunroof unit assembly side rail ends to remove.



### Installation

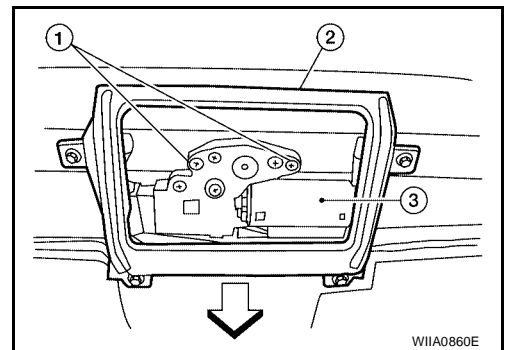
Installation is in the reverse order of removal.

## SUNROOF MOTOR

### Removal

1. Close glass lid assembly.
2. Remove map lamp from sunroof switch bracket (2).  
← : Vehicle front
3. Remove sunroof motor screws (1).
4. Disconnect harness connector and remove sunroof motor (3) from sunroof unit assembly front end rail.

**CAUTION:**  
Never run the removed sunroof motor as a single unit.



### Installation

1. Move sunroof motor laterally little by little so that the gear is completely engaged into the wire on the sunroof unit assembly, and the mounting surfaces become parallel. Install the sunroof motor screws, and tighten to the specified torque.

### CAUTION:

Before installing the motor, be sure to place the link and wire assembly in the symmetrical and fully closed position.

**Sunroof motor screws : 2.3 N-m (0.23 kg-m, 20 in-lb)**

Remainder of installation is in the reverse order of removal.

# SUNROOF

---