

A
EX
C
D
E
F
G
H
I
J
K
L
M
N
O
P

SECTION EX

EXHAUST SYSTEM

CONTENTS

QR25DE	VQ35DE
PRECAUTION 2	PRECAUTION 8
PRECAUTIONS 2	PRECAUTIONS 8
Precaution for Supplemental Restraint System (SRS) "AIR BAG" and "SEAT BELT PRE-TENSIONER"2	Precaution for Supplemental Restraint System (SRS) "AIR BAG" and "SEAT BELT PRE-TENSIONER" 8
Necessary for Steering Wheel Rotation After Battery Disconnect2	Necessary for Steering Wheel Rotation After Battery Disconnect 8
PREPARATION 3	PREPARATION 9
PREPARATION 3	PREPARATION 9
Special Service Tool3	Special Service Tool 9
Commercial Service Tool3	Commercial Service Tool 9
ON-VEHICLE MAINTENANCE 4	ON-VEHICLE MAINTENANCE10
EXHAUST SYSTEM (QR25DE) 4	EXHAUST SYSTEM (VQ35DE)10
Checking Exhaust System4	Checking Exhaust System10
ON-VEHICLE REPAIR 5	ON-VEHICLE REPAIR11
EXHAUST SYSTEM (QR25DE) 5	EXHAUST SYSTEM (VQ35DE)11
Exploded View5	Exploded View11
Removal and Installation6	Removal and Installation12
Inspection After Installation7	Inspection After Installation13

PRECAUTION

PRECAUTIONS

Precaution for Supplemental Restraint System (SRS) "AIR BAG" and "SEAT BELT PRE-TENSIONER"

INFOID:000000004205596

The Supplemental Restraint System such as "AIR BAG" and "SEAT BELT PRE-TENSIONER", used along with a front seat belt, helps to reduce the risk or severity of injury to the driver and front passenger for certain types of collision. This system includes seat belt switch inputs and dual stage front air bag modules. The SRS system uses the seat belt switches to determine the front air bag deployment, and may only deploy one front air bag, depending on the severity of a collision and whether the front occupants are belted or unbelted. Information necessary to service the system safely is included in the SR and SB section of this Service Manual.

WARNING:

- To avoid rendering the SRS inoperative, which could increase the risk of personal injury or death in the event of a collision which would result in air bag inflation, all maintenance must be performed by an authorized NISSAN/INFINITI dealer.
- Improper maintenance, including incorrect removal and installation of the SRS, can lead to personal injury caused by unintentional activation of the system. For removal of Spiral Cable and Air Bag Module, see the SR section.
- Do not use electrical test equipment on any circuit related to the SRS unless instructed to in this Service Manual. SRS wiring harnesses can be identified by yellow and/or orange harnesses or harness connectors.

Necessary for Steering Wheel Rotation After Battery Disconnect

INFOID:000000004501253

NOTE:

- Before removing and installing any control units, first turn the push-button ignition switch to the LOCK position, then disconnect both battery cables.
- After finishing work, confirm that all control unit connectors are connected properly, then re-connect both battery cables.
- Always use CONSULT-III to perform self-diagnosis as a part of each function inspection after finishing work. If a DTC is detected, perform trouble diagnosis according to self-diagnosis results.

This vehicle is equipped with a push-button ignition switch and a steering lock unit.

If the battery is disconnected or discharged, the steering wheel will lock and cannot be turned.

If turning the steering wheel is required with the battery disconnected or discharged, follow the procedure below before starting the repair operation.

OPERATION PROCEDURE

1. Connect both battery cables.

NOTE:

Supply power using jumper cables if battery is discharged.

2. Carry the Intelligent Key or insert it to the key slot and turn the push-button ignition switch to ACC position. (At this time, the steering lock will be released.)
3. Disconnect both battery cables. The steering lock will remain released with both battery cables disconnected and the steering wheel can be turned.
4. Perform the necessary repair operation.
5. When the repair work is completed, re-connect both battery cables. With the brake pedal released, turn the push-button ignition switch from ACC position to ON position, then to LOCK position. (The steering wheel will lock when the push-button ignition switch is turned to LOCK position.)
6. Perform self-diagnosis check of all control units using CONSULT-III.

PREPARATION

< PREPARATION >

[QR25DE]

PREPARATION

PREPARATION

Special Service Tool

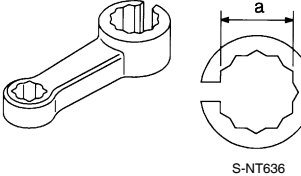
INFOID:000000004205598

A

EX

The actual shapes of Kent-Moore tools may differ from those of special service tools illustrated here.

Tool number (Kent-Moore No.) Tool name	Description
KV10114400 (J-38365) Heated oxygen sensor wrench	Loosening or tightening heated oxygen sensors: a: 22 mm (0.87 in)



S-NT636

C

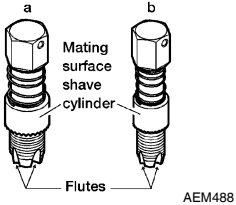
D

E


Commercial Service Tool

INFOID:000000004205599

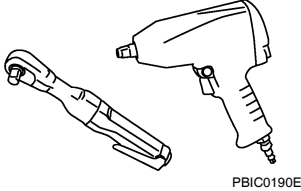
(Kent-Moore No.) Tool name	Description
(J-43897-18) (J-43897-12) Oxygen sensor thread cleaner	Reconditioning the exhaust system threads before installing a new oxygen sensor (Use with anti-seize lubricant shown below): a: J-43897-18 (18 mm dia.) for zirconia oxygen sensor b: J-43897-12 (12 mm dia.) for titania oxygen sensor
Anti-seize lubricant (Permatex 133AR or equivalent meeting MIL specification MIL-A-907)	Lubricating oxygen sensor thread cleaning tool when reconditioning exhaust system threads
Power tool	Loosening nuts and bolts



AEM488



AEM489



PBIC0190E

F

G

H

I

J

K

L

M

N

O

P

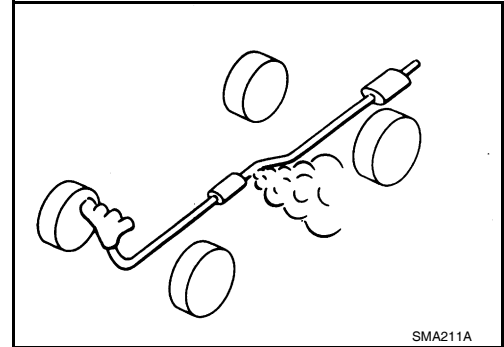
ON-VEHICLE MAINTENANCE

EXHAUST SYSTEM (QR25DE)

Checking Exhaust System

INFOID:000000004205600

Check the exhaust pipes, muffler, and mounting components for incorrect attachment, leaks, cracks, damage, or deterioration.



EXHAUST SYSTEM (QR25DE)

< ON-VEHICLE REPAIR >

[QR25DE]

ON-VEHICLE REPAIR

EXHAUST SYSTEM (QR25DE)

Exploded View

INFOID:000000004501255

A

EX

Coupe Models

SEC. 200

C

D

E

F

G

H

I

J

K

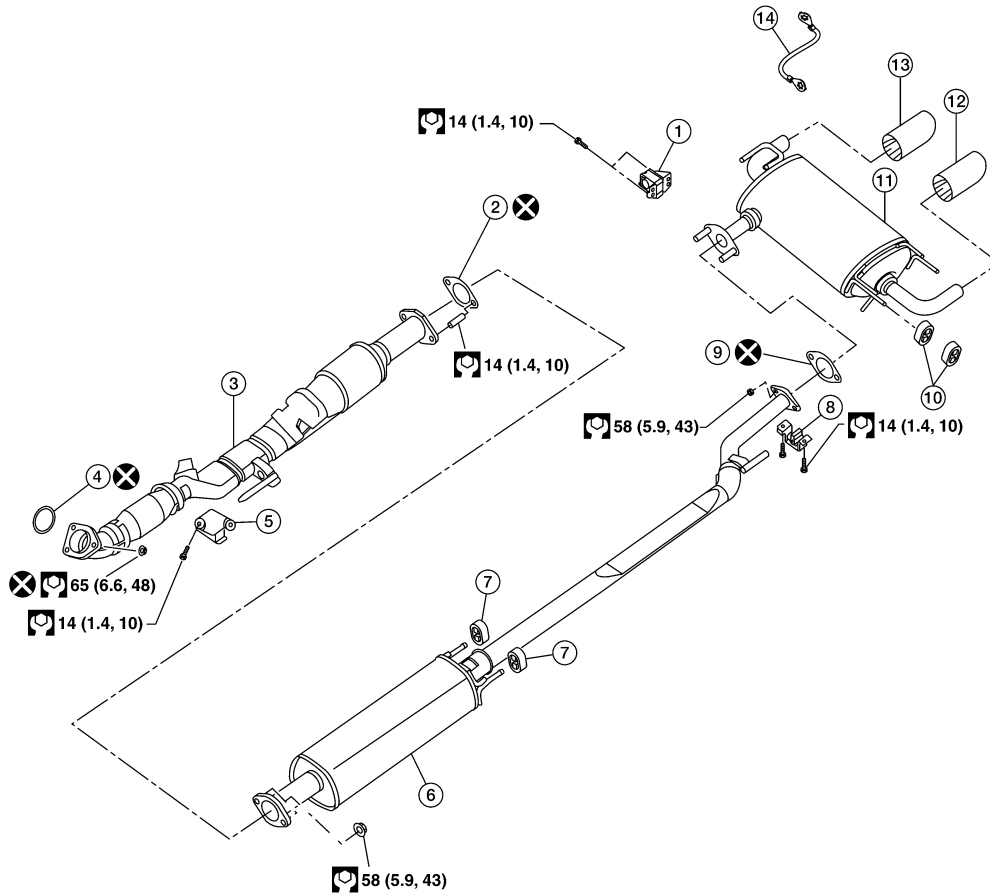
L

M

N

O

P



- | | | |
|----------------------------|-------------------------------|------------------------|
| 1. RH rear muffler bracket | 2. Gasket | 3. Front exhaust tube |
| 4. Ring gasket | 5. Front exhaust tube hanger | 6. Center exhaust tube |
| 7. Mounting rubber | 8. Center exhaust tube hanger | 9. Gasket |
| 10. Mounting rubber | 11. Rear muffler | 12. LH muffler tip |
| 13. RH muffler tip | 14. Ground strap | |

AWBIA0178GB

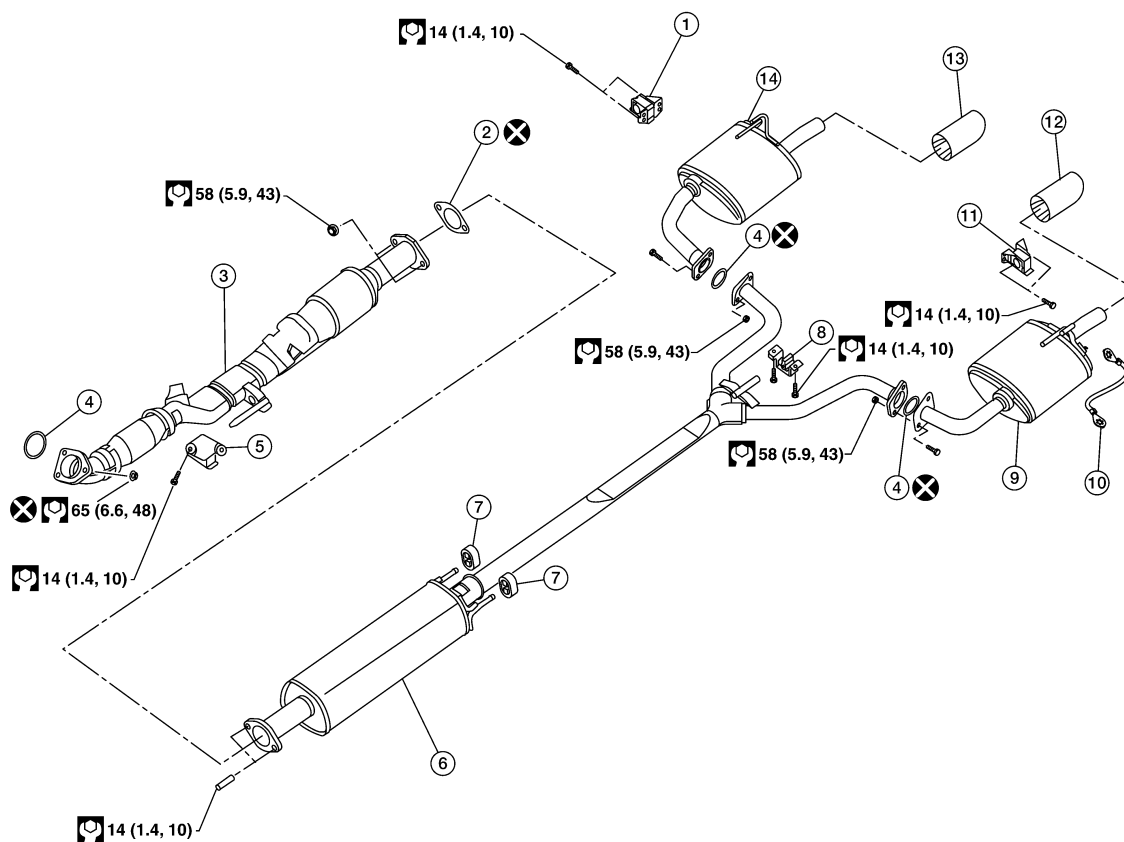
EXHAUST SYSTEM (QR25DE)

< ON-VEHICLE REPAIR >

[QR25DE]

Sedan Models

SEC. 200



AWBIA0001GB

- | | | |
|----------------------------|-------------------------------|------------------------|
| 1. RH rear muffler bracket | 2. Gasket | 3. Front exhaust tube |
| 4. Ring gasket | 5. Front exhaust tube hanger | 6. Center exhaust tube |
| 7. Mounting rubber | 8. Center exhaust tube hanger | 9. LH rear muffler |
| 10. Ground strap | 11. LH rear muffler bracket | 12. LH muffler tip |
| 13. RH muffler tip | 14. RH rear muffler | |

Removal and Installation

INFOID:000000004205601

WARNING:

- Perform the procedure with the exhaust system fully cooled down because the system will be hot just after the engine is turned off.

EXHAUST SYSTEM (QR25DE)

< ON-VEHICLE REPAIR >

[QR25DE]

- Be careful not to cut your hand on the insulator edges.

CAUTION:

- Use genuine NISSAN exhaust system parts or equivalent, which are specifically designed for heat resistance, corrosion resistance, and shape.

REMOVAL

Remove exhaust system components using power tools.

- Remove heated oxygen sensor using Tool as needed.

Tool number : KV10114400 (J-38365)

INSTALLATION

Installation is in the reverse order of removal.

CAUTION:

- Always replace exhaust gaskets with new ones when reassembling.
- Before installing a new heated oxygen sensor, clean and lube the exhaust tube threads using suitable tool.

Oxygen sensor thread cleaner : — (J-43897-18)

Oxygen sensor thread cleaner : — (J-43897-12)

- Discard any heated oxygen sensor which has been dropped from a height of more than 0.5 m (19.7 in) onto a hard surface such as a concrete floor; install a new one.
- Do not over-tighten the heated oxygen sensor. Doing so may damage the heated oxygen sensor, resulting in the MIL coming on.
- If any mounting insulator is badly deformed, repair or replace it. If deposits such as mud pile up on the mounting insulator, clean and inspect them.
- When installing the insulator avoid large gaps or interference between the insulator and each exhaust pipe.
- Remove deposits from the sealing surface of each connection. Connect them securely to avoid exhaust gas leaks.
- Temporarily tighten the exhaust manifold side nuts and the vehicle side bolts. Check each part for any interference, and then tighten the nuts and bolts to specification.
- When installing each mounting rubber, avoid twisting or excessive extension in up/down and right/left directions.
- Tighten the bolts without causing interference with the flange.

Inspection After Installation

INFOID:000000004205802

- With the engine running, check the exhaust tube joints for exhaust gas leaks and abnormal noise.
- Check that the mounting brackets and mounting insulators are installed properly and free from excessive stress. Improper installation could result in excessive noise, leaks, and vibration.

PRECAUTION**PRECAUTIONS****Precaution for Supplemental Restraint System (SRS) "AIR BAG" and "SEAT BELT PRE-TENSIONER"**

INFOID:000000004205603

The Supplemental Restraint System such as "AIR BAG" and "SEAT BELT PRE-TENSIONER", used along with a front seat belt, helps to reduce the risk or severity of injury to the driver and front passenger for certain types of collision. This system includes seat belt switch inputs and dual stage front air bag modules. The SRS system uses the seat belt switches to determine the front air bag deployment, and may only deploy one front air bag, depending on the severity of a collision and whether the front occupants are belted or unbelted. Information necessary to service the system safely is included in the SR and SB section of this Service Manual.

WARNING:

- To avoid rendering the SRS inoperative, which could increase the risk of personal injury or death in the event of a collision which would result in air bag inflation, all maintenance must be performed by an authorized NISSAN/INFINITI dealer.
- Improper maintenance, including incorrect removal and installation of the SRS, can lead to personal injury caused by unintentional activation of the system. For removal of Spiral Cable and Air Bag Module, see the SR section.
- Do not use electrical test equipment on any circuit related to the SRS unless instructed to in this Service Manual. SRS wiring harnesses can be identified by yellow and/or orange harnesses or harness connectors.

Necessary for Steering Wheel Rotation After Battery Disconnect

INFOID:000000004501254

NOTE:

- Before removing and installing any control units, first turn the push-button ignition switch to the LOCK position, then disconnect both battery cables.
- After finishing work, confirm that all control unit connectors are connected properly, then re-connect both battery cables.
- Always use CONSULT-III to perform self-diagnosis as a part of each function inspection after finishing work. If a DTC is detected, perform trouble diagnosis according to self-diagnosis results.

This vehicle is equipped with a push-button ignition switch and a steering lock unit.

If the battery is disconnected or discharged, the steering wheel will lock and cannot be turned.

If turning the steering wheel is required with the battery disconnected or discharged, follow the procedure below before starting the repair operation.

OPERATION PROCEDURE

1. Connect both battery cables.

NOTE:

Supply power using jumper cables if battery is discharged.

2. Carry the Intelligent Key or insert it to the key slot and turn the push-button ignition switch to ACC position. (At this time, the steering lock will be released.)
3. Disconnect both battery cables. The steering lock will remain released with both battery cables disconnected and the steering wheel can be turned.
4. Perform the necessary repair operation.
5. When the repair work is completed, re-connect both battery cables. With the brake pedal released, turn the push-button ignition switch from ACC position to ON position, then to LOCK position. (The steering wheel will lock when the push-button ignition switch is turned to LOCK position.)
6. Perform self-diagnosis check of all control units using CONSULT-III.

PREPARATION

< PREPARATION >

[VQ35DE]

PREPARATION

PREPARATION

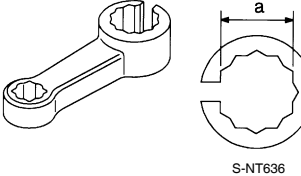
Special Service Tool

INFOID:000000004205605

A

EX

The actual shapes of Kent-Moore tools may differ from those of special service tools illustrated here.

Tool number (Kent-Moore No.) Tool name	Description
KV10114400 (J-38365) Heated oxygen sensor wrench 	Loosening or tightening heated oxygen sensors: a: 22 mm (0.87 in)

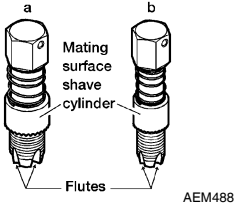

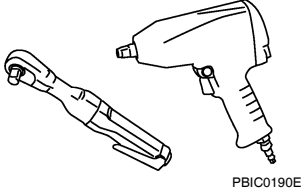
C

D

E

Commercial Service Tool

INFOID:000000004205606

(Kent-Moore No.) Tool name	Description
(J-43897-18) (J-43897-12) Oxygen sensor thread cleaner 	Reconditioning the exhaust system threads before installing a new oxygen sensor (Use with anti-seize lubricant shown below): a: J-43897-18 (18 mm dia.) for zirconia oxygen sensor b: J-43897-12 (12 mm dia.) for titania oxygen sensor
Anti-seize lubricant (Permatex 133AR or equivalent meeting MIL specification MIL-A-907) 	Lubricating oxygen sensor thread cleaning tool when reconditioning exhaust system threads
Power tool 	Loosening nuts and bolts

F

G

H

I

J

K

L

M

N

O

P

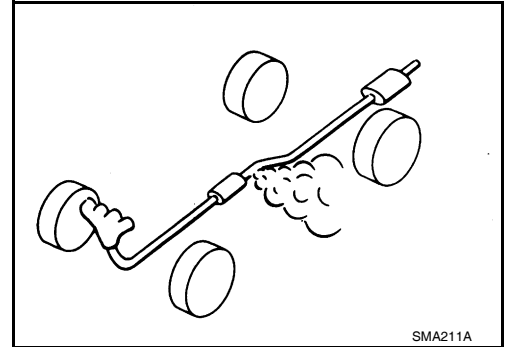
ON-VEHICLE MAINTENANCE

EXHAUST SYSTEM (VQ35DE)

Checking Exhaust System

INFOID:000000004205607

Check the exhaust pipes, muffler, and mounting components for incorrect attachment, leaks, cracks, damage, or deterioration.



SMA211A

EXHAUST SYSTEM (VQ35DE)

< ON-VEHICLE REPAIR >

[VQ35DE]

ON-VEHICLE REPAIR

EXHAUST SYSTEM (VQ35DE)

Exploded View

INFOID:000000004501256

A

EX

Coupe Models

SEC. 200

C

D

E

F

G

H

I

J

K

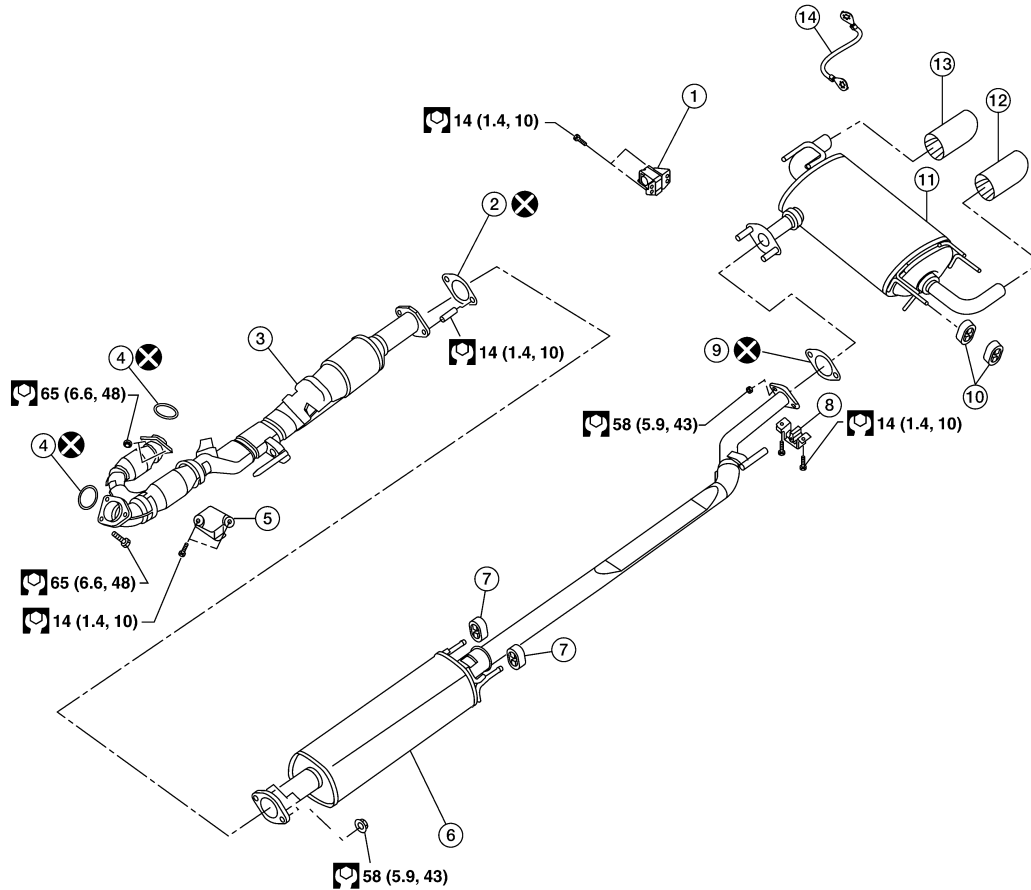
L

M

N

O

P



- | | | |
|----------------------------|-------------------------------|------------------------|
| 1. RH rear muffler bracket | 2. Gasket | 3. Front exhaust tube |
| 4. Ring gasket | 5. Front exhaust tube hanger | 6. Center exhaust tube |
| 7. Mounting rubber | 8. Center exhaust tube hanger | 9. Gasket |
| 10. Mounting rubber | 11. Rear muffler | 12. LH muffler tip |
| 13. RH muffler tip | 14. Ground strap | |

AWBIA0179GB

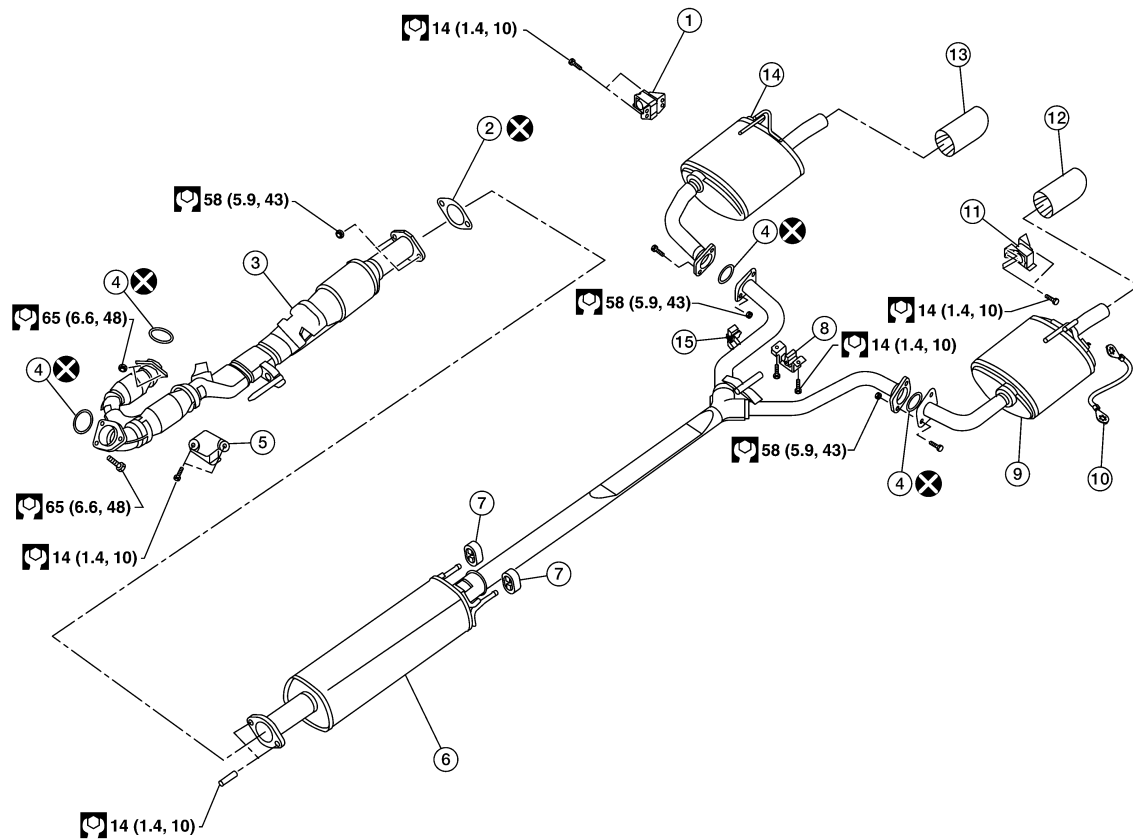
EXHAUST SYSTEM (VQ35DE)

< ON-VEHICLE REPAIR >

[VQ35DE]

Sedan Models

SEC. 200



AWBIA0002GB

- | | | |
|----------------------------|-------------------------------|------------------------|
| 1. RH rear muffler bracket | 2. Gasket | 3. Front exhaust tube |
| 4. Ring gasket | 5. Front exhaust tube hanger | 6. Center exhaust tube |
| 7. Mounting rubber | 8. Center exhaust tube hanger | 9. LH rear muffler |
| 10. Ground strap | 11. LH rear muffler bracket | 12. LH muffler tip |
| 13. RH muffler tip | 14. RH rear muffler | 15. Dampener |

Removal and Installation

INFOID:000000004501280

WARNING:

- Perform the procedure with the exhaust system fully cooled down because the system will be hot just after the engine is turned off.

EXHAUST SYSTEM (VQ35DE)

< ON-VEHICLE REPAIR >

[VQ35DE]

- Be careful not to cut your hand on the insulator edges.

CAUTION:

- Use genuine NISSAN exhaust system parts or equivalent, which are specifically designed for heat resistance, corrosion resistance, and shape.

REMOVAL

Remove exhaust system components using power tools.

- Remove heated oxygen sensor using Tool as needed.

Tool number : KV10114400 (J-38365)

INSTALLATION

Installation is in the reverse order of removal.

CAUTION:

- Always replace exhaust gaskets with new ones when reassembling.
- Before installing a new heated oxygen sensor, clean and lube the exhaust tube threads using suitable tool.

Oxygen sensor thread cleaner : — (J-43897-18)

Oxygen sensor thread cleaner : — (J-43897-12)

- Discard any heated oxygen sensor which has been dropped from a height of more than 0.5 m (19.7 in) onto a hard surface such as a concrete floor; install a new one.
- Do not over-tighten the heated oxygen sensor. Doing so may damage the heated oxygen sensor, resulting in the MIL coming on.
- If any mounting insulator is badly deformed, repair or replace it. If deposits such as mud pile up on the mounting insulator, clean and inspect them.
- When installing the insulator avoid large gaps or interference between the insulator and each exhaust pipe.
- Remove deposits from the sealing surface of each connection. Connect them securely to avoid exhaust gas leaks.
- Temporarily tighten the exhaust manifold side nuts and the vehicle side bolts. Check each part for any interference, and then tighten the nuts and bolts to specification.
- When installing each mounting rubber, avoid twisting or excessive extension in up/down and right/left directions.
- Tighten the bolts without causing interference with the flange.

Inspection After Installation

INFOID:000000004205609

- With the engine running, check the exhaust tube joints for exhaust gas leaks and unusual noises.
- Check that the mounting brackets and mounting insulators are installed properly and free from excessive stress. Improper installation could result in excessive noise, leaks, and vibration.