

A  
FL  
C  
D  
E  
F  
G  
H  
I  
J  
K  
L  
M  
N  
O  
P

# SECTION **FL**

## FUEL SYSTEM

### CONTENTS

<b>PRECAUTION</b> .....	2	<b>Exploded View</b> .....	11
<b>PRECAUTIONS</b> .....	2	<b>Removal and Installation</b> .....	11
Precaution for Supplemental Restraint System (SRS) "AIR BAG" and "SEAT BELT PRE-TENSIONER" .....	2	<b>Inspection</b> .....	14
Precaution Necessary for Steering Wheel Rotation After Battery Disconnect .....	2	<b>EVAP CANISTER</b> .....	15
<b>PREPARATION</b> .....	4	<b>Exploded View</b> .....	15
<b>PREPARATION</b> .....	4	<b>Removal and Installation (EVAP Canister)</b> .....	15
Special Service Tool .....	4	<b>Inspection</b> .....	16
Commercial Service Tool .....	4	<b>Removal and Installation (EVAP Canister Filter)</b> .....	16
<b>PERIODIC MAINTENANCE</b> .....	5	<b>EVAP CANISTER VENT CONTROL VALVE</b> ...	17
<b>FUEL SYSTEM</b> .....	5	<b>Exploded View</b> .....	17
Inspection .....	5	<b>Removal and Installation</b> .....	17
Quick Connector .....	5	<b>EVAP CONTROL SYSTEM PRESSURE SENSOR</b> .....	18
General Precaution .....	5	<b>Exploded View</b> .....	18
<b>REMOVAL AND INSTALLATION</b> .....	7	<b>Removal and Installation</b> .....	18
<b>FUEL LEVEL SENSOR UNIT, FUEL FILTER AND FUEL PUMP ASSEMBLY</b> .....	7	<b>UNIT DISASSEMBLY AND ASSEMBLY</b> ...	19
Exploded View .....	7	<b>FUEL LEVEL SENSOR UNIT</b> .....	19
Removal and Installation .....	7	Disassembly and Assembly .....	19
Inspection .....	10	<b>SERVICE DATA AND SPECIFICATIONS (SDS)</b> .....	21
<b>FUEL TANK</b> .....	11	<b>SERVICE DATA AND SPECIFICATIONS (SDS)</b> .....	21
		Fuel Tank .....	21

# PRECAUTIONS

< PRECAUTION >

## PRECAUTION

### PRECAUTIONS

#### Precaution for Supplemental Restraint System (SRS) "AIR BAG" and "SEAT BELT PRE-TENSIONER"

INFOID:000000006391412

The Supplemental Restraint System such as "AIR BAG" and "SEAT BELT PRE-TENSIONER", used along with a front seat belt, helps to reduce the risk or severity of injury to the driver and front passenger for certain types of collision. This system includes seat belt switch inputs and dual stage front air bag modules. The SRS system uses the seat belt switches to determine the front air bag deployment, and may only deploy one front air bag, depending on the severity of a collision and whether the front occupants are belted or unbelted. Information necessary to service the system safely is included in the SR and SB section of this Service Manual.

#### **WARNING:**

- To avoid rendering the SRS inoperative, which could increase the risk of personal injury or death in the event of a collision which would result in air bag inflation, all maintenance must be performed by an authorized NISSAN/INFINITI dealer.
- Improper maintenance, including incorrect removal and installation of the SRS, can lead to personal injury caused by unintentional activation of the system. For removal of Spiral Cable and Air Bag Module, see the SR section.
- Do not use electrical test equipment on any circuit related to the SRS unless instructed to in this Service Manual. SRS wiring harnesses can be identified by yellow and/or orange harnesses or harness connectors.

#### PRECAUTIONS WHEN USING POWER TOOLS (AIR OR ELECTRIC) AND HAMMERS

#### **WARNING:**

- When working near the Airbag Diagnosis Sensor Unit or other Airbag System sensors with the Ignition ON or engine running, DO NOT use air or electric power tools or strike near the sensor(s) with a hammer. Heavy vibration could activate the sensor(s) and deploy the air bag(s), possibly causing serious injury.
- When using air or electric power tools or hammers, always switch the Ignition OFF, disconnect the battery, and wait at least 3 minutes before performing any service.

#### Precaution Necessary for Steering Wheel Rotation After Battery Disconnect

INFOID:000000006391413

#### **NOTE:**

- Before removing and installing any control units, first turn the push-button ignition switch to the LOCK position, then disconnect both battery cables.
- After finishing work, confirm that all control unit connectors are connected properly, then re-connect both battery cables.
- Always use CONSULT to perform self-diagnosis as a part of each function inspection after finishing work. If a DTC is detected, perform trouble diagnosis according to self-diagnosis results.

This vehicle is equipped with a push-button ignition switch and a steering lock unit.

If the battery is disconnected or discharged, the steering wheel will lock and cannot be turned.

If turning the steering wheel is required with the battery disconnected or discharged, follow the procedure below before starting the repair operation.

#### OPERATION PROCEDURE

1. Connect both battery cables.

#### **NOTE:**

Supply power using jumper cables if battery is discharged.

2. Carry the Intelligent Key or insert it to the key slot and turn the push-button ignition switch to ACC position. (At this time, the steering lock will be released.)
3. Disconnect both battery cables. The steering lock will remain released with both battery cables disconnected and the steering wheel can be turned.
4. Perform the necessary repair operation.

## PRECAUTIONS

### < PRECAUTION >

---

5. When the repair work is completed, re-connect both battery cables. With the brake pedal released, turn the push-button ignition switch from ACC position to ON position, then to LOCK position. (The steering wheel will lock when the push-button ignition switch is turned to LOCK position.)
6. Perform self-diagnosis check of all control units using CONSULT.

A

FL

C

D

E

F

G

H

I

J

K

L

M

N

O

P

# PREPARATION

< PREPARATION >

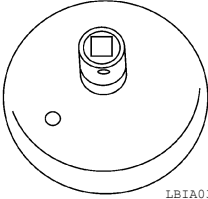
## PREPARATION

### PREPARATION

#### Special Service Tool


INFOID:000000006391414

The actual shape of the Kent-Moore tools may differ from those tools illustrated here.

Tool number (Kent-Moore No.) Tool name	Description
KV991J0090 (J-46214) Fuel tank lock ring wrench  LBIA0353E	Removing and installing fuel tank lock ring

#### Commercial Service Tool

INFOID:000000006391415

Tool name	Description
Power tool  PIIB1407E	Loosening nuts, screws and bolts

# FUEL SYSTEM

< PERIODIC MAINTENANCE >

## PERIODIC MAINTENANCE

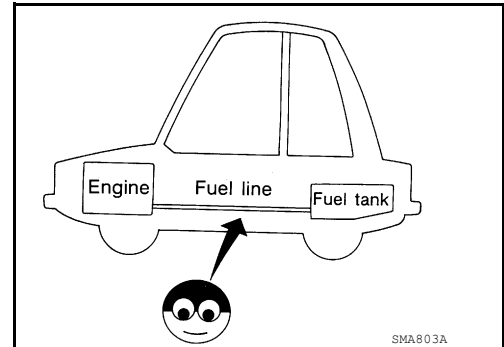
### FUEL SYSTEM

#### Inspection

Inspect fuel lines, fuel filler cap and fuel tank for improper attachment, leaks, cracks, damage, loose connections, chafing or deterioration.

If necessary, repair or replace damaged parts.

INFOID:000000006391416

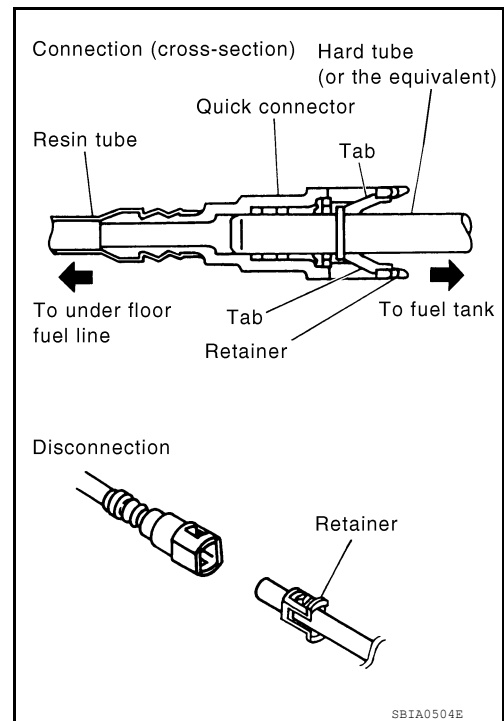


#### Quick Connector

INFOID:000000006391417

#### CAUTION:

- After connecting fuel tube quick connectors, make sure quick connectors are secure.
- Ensure that connector and resin tube do not contact any adjacent parts.



#### General Precaution

INFOID:000000006391419

#### WARNING:

When replacing fuel line parts, be sure to observe the following.

- Put a "CAUTION: FLAMMABLE" sign in the work area.
- Be sure to work in a well ventilated area and have a CO<sup>2</sup> fire extinguisher.
- Do not smoke while working on the fuel system. Keep open flames and sparks away from the work area.

#### CAUTION:

- Before removing fuel line parts, carry out the following procedures:
  - Put drained fuel in an explosion-proof container and put the lid on securely. Keep the container in safe area.
  - Release fuel pressure from the fuel lines. Refer to [EC-323, "Inspection" \(QR25DE\)](#), [FL-5, "Inspection" \(VQ35DE\)](#).
  - Disconnect the battery ground cable.

# FUEL SYSTEM

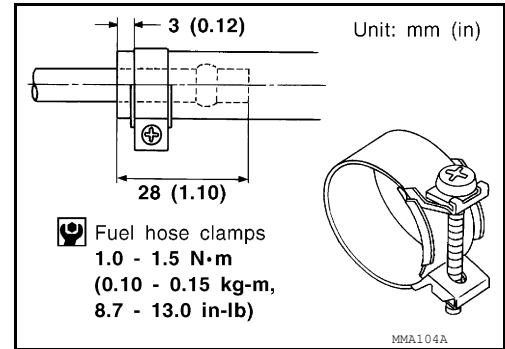
## < PERIODIC MAINTENANCE >

- Always replace O-rings and clamps with new ones.
- Do not kink or twist tubes when they are being installed.
- Do not tighten hose clamps excessively to avoid damaging hoses.

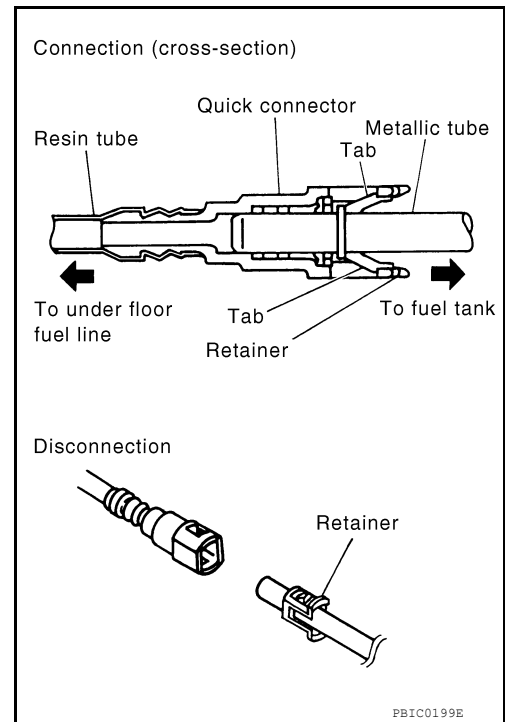
Tighten high-pressure rubber hose clamp so that clamp end is 3 mm (0.12 in) from hose end.

Tightening torque specifications are the same for all rubber hose clamps.

Ensure that screw does not contact adjacent parts.



- After connecting the fuel tube quick connectors, make sure the quick connectors are secure. Check that the connector and resin tube do not contact any adjacent parts.
- a) Apply fuel pressure to the fuel system by turning the ignition switch to ON (without starting the engine). Then check for fuel leaks at the fuel tube connections.
- b) Start the engine and rev the engine, then check for fuel leaks at the fuel tube connections.
- After installing the tubes, run the engine and check for fuel leaks at the connections.
- Use only a Genuine NISSAN fuel filler cap as a replacement. If an incorrect fuel filler cap is used, the MIL may come on.
- For servicing “Evaporative Emission System” parts, refer to [EC-78, "System Description" \(QR25DE\)](#), [EC-394, "System Description" \(VQ35DE\)](#).
- For servicing “On Board Refueling Vapor Recovery (ORVR)” parts, refer to [EC-325, "Inspection" \(QR25DE\)](#), [EC-703, "Inspection" \(VQ35DE\)](#).



# FUEL LEVEL SENSOR UNIT, FUEL FILTER AND FUEL PUMP ASSEMBLY

< REMOVAL AND INSTALLATION >

## REMOVAL AND INSTALLATION

### FUEL LEVEL SENSOR UNIT, FUEL FILTER AND FUEL PUMP ASSEMBLY

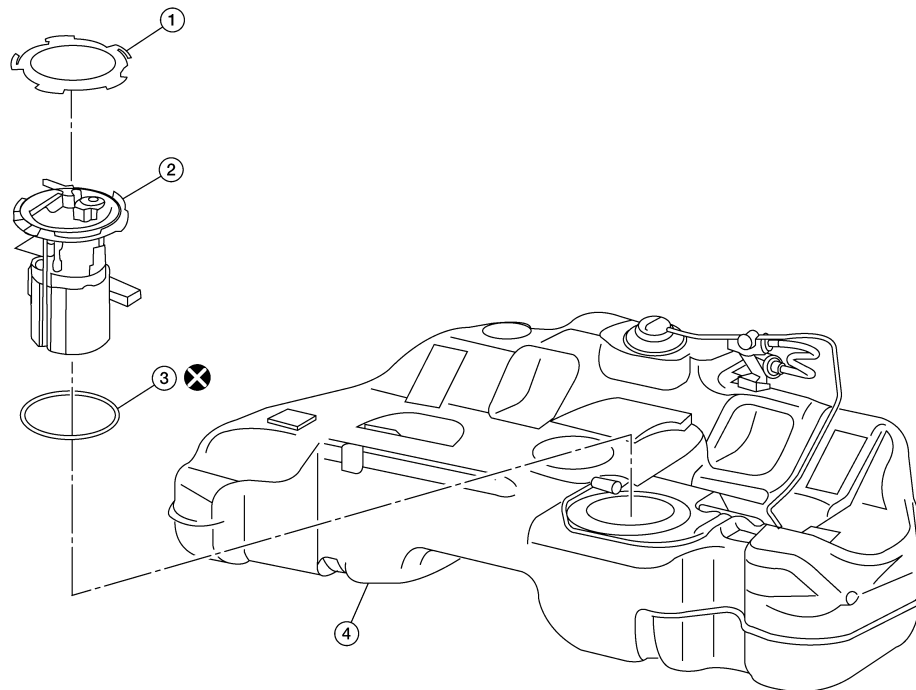
Exploded View

INFOID:000000006391420

A

FL

SEC. 170 • 172



AWBIA05632Z

1. Lock ring
2. Fuel level sensor unit, fuel filter and fuel pump assembly
3. O-ring seal
4. Fuel Tank

## Removal and Installation

INFOID:000000006391421

### REMOVAL

#### **WARNING:**

Read "General Precautions" before working on the fuel system.

Refer to [GI-28, "General Precautions"](#).

1. Unscrew the fuel filler cap to release the pressure inside the fuel tank.
2. Release the fuel pressure from the fuel lines. Refer to [EC-323, "Inspection"](#) (QR25DE), [FL-5, "Inspection"](#) (VQ35DE).
3. Disconnect the battery negative terminal.
4. Remove the rear seat cushion. Refer to [SE-23, "Removal and Installation"](#) (Coupe), [SE-73, "Removal and Installation"](#) (Sedan).

C

D

E

F

G

H

I

J

K

L

M

N

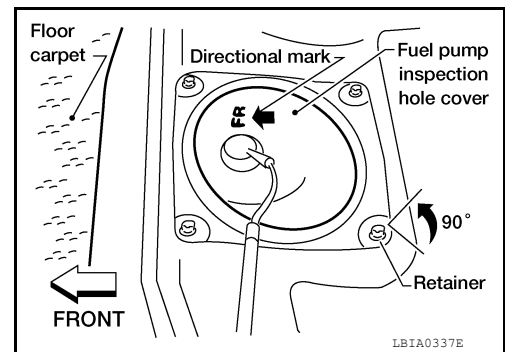
O

P

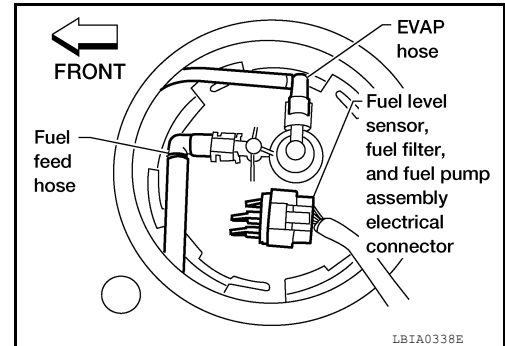
# FUEL LEVEL SENSOR UNIT, FUEL FILTER AND FUEL PUMP ASSEMBLY

## < REMOVAL AND INSTALLATION >

5. Turn the four retainers 90° in a clockwise direction and remove the fuel pump inspection hole cover.



6. Disconnect the fuel level sensor, fuel filter, and fuel pump assembly electrical connector, EVAP hose quick connector, and the fuel feed hose quick connector from the fuel level sensor unit, fuel filter, and fuel pump assembly.

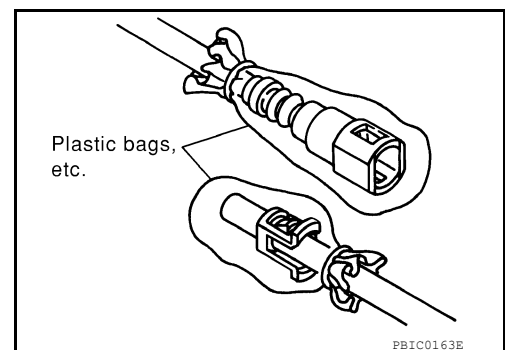
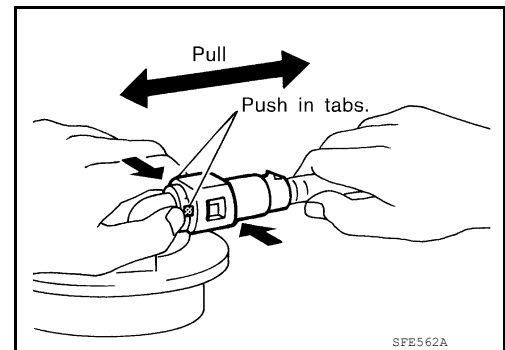


Remove the quick connector as follows:

- Hold the sides of the connector, push in tabs and pull out the tube.
- If the connector and the tube are stuck together, push and pull several times until they start to move. Then disconnect them by pulling.

### CAUTION:

- The tube can be removed when the tabs are completely depressed. Do not twist it more than necessary.
- Do not use any tools to remove the quick connector.
- Keep the resin tube away from heat. Be especially careful when welding near the tube.
- Prevent acid liquid such as battery electrolyte, etc. from getting on the resin tube.
- Do not bend or twist the tube during installation and removal.
- Only when the tube is replaced, remove the remaining retainer on the tube or fuel level sensor, fuel filter, and fuel pump assembly.
- When the tube or fuel level sensor, fuel filter, and fuel pump assembly is replaced, also replace the retainer with a new one (green colored retainer).
- To keep the connecting portion clean and to avoid damage and foreign materials, cover them completely with plastic bags or something similar.





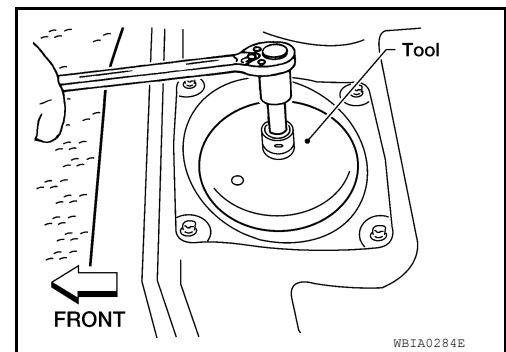
# FUEL LEVEL SENSOR UNIT, FUEL FILTER AND FUEL PUMP ASSEMBLY

## < REMOVAL AND INSTALLATION >

7. Remove the lock ring using a socket drive handle and Special Tool as shown.

**CAUTION:**

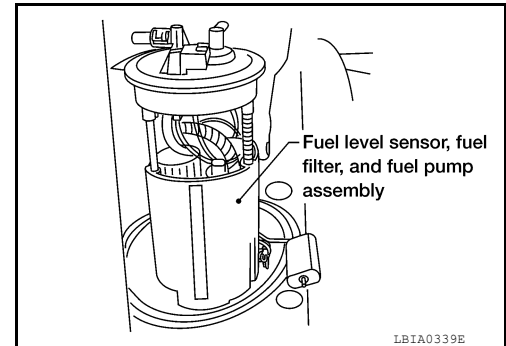
Discard the lock ring, if damaged or distorted.



8. Remove the fuel level sensor, fuel filter, and fuel pump assembly. Remove and discard the O-ring.

**CAUTION:**

- Do not bend the float arm during removal.
- Discard the O-ring, do not reuse the O-ring.



## INSPECTION AFTER REMOVAL

Inspect the fuel level sensor, fuel filter, and fuel pump for any defects and foreign materials. Replace as necessary.

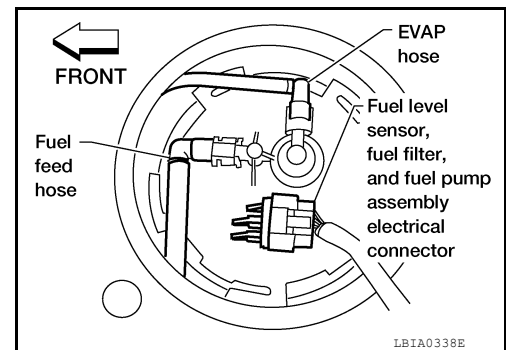
## INSTALLATION

Installation is in the reverse order of removal.

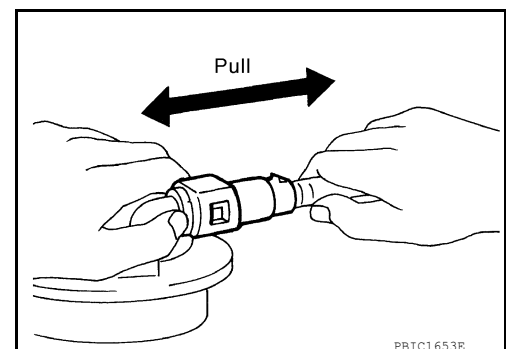
- Install the fuel level sensor, fuel filter, and fuel pump assembly with the fuel feed hose facing the front of the vehicle as shown. Use a new O-ring.

**CAUTION:**

Do not reuse O-ring.



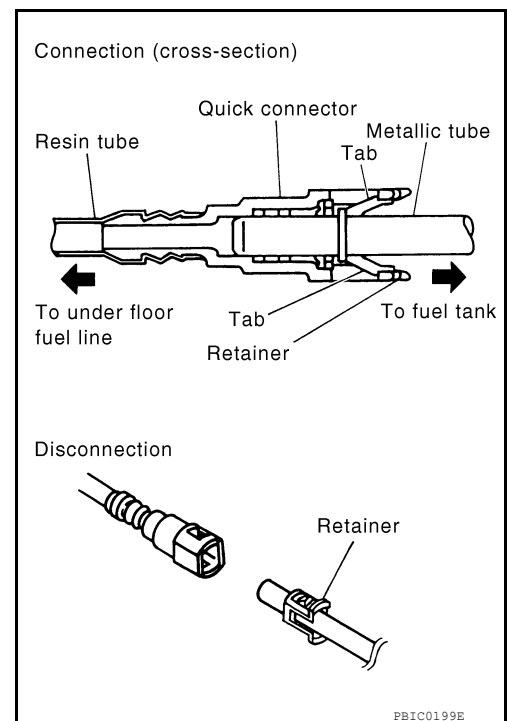
- Connect the quick connector as follows:
  - Check the connection for damage or any foreign materials.
  - Align the connector with the tube, then insert the connector straight into the tube until a click is heard.
- After the tube is connected, make sure the connection is secure by performing the following checks:
  - Pull the tube and the connector to make sure they are securely connected.



# FUEL LEVEL SENSOR UNIT, FUEL FILTER AND FUEL PUMP ASSEMBLY

## < REMOVAL AND INSTALLATION >

- Visually confirm that the two retainer tabs are connected to the quick connector.



INFOID:000000006391422

## Inspection

### INSPECTION AFTER INSTALLATION

Use the following procedure to check for fuel leaks.

1. Turn ignition switch "ON" (with engine stopped), then check connections for leaks by applying fuel pressure to fuel piping.
2. Start engine and let it idle and make sure there are no fuel leaks at the fuel system connections.

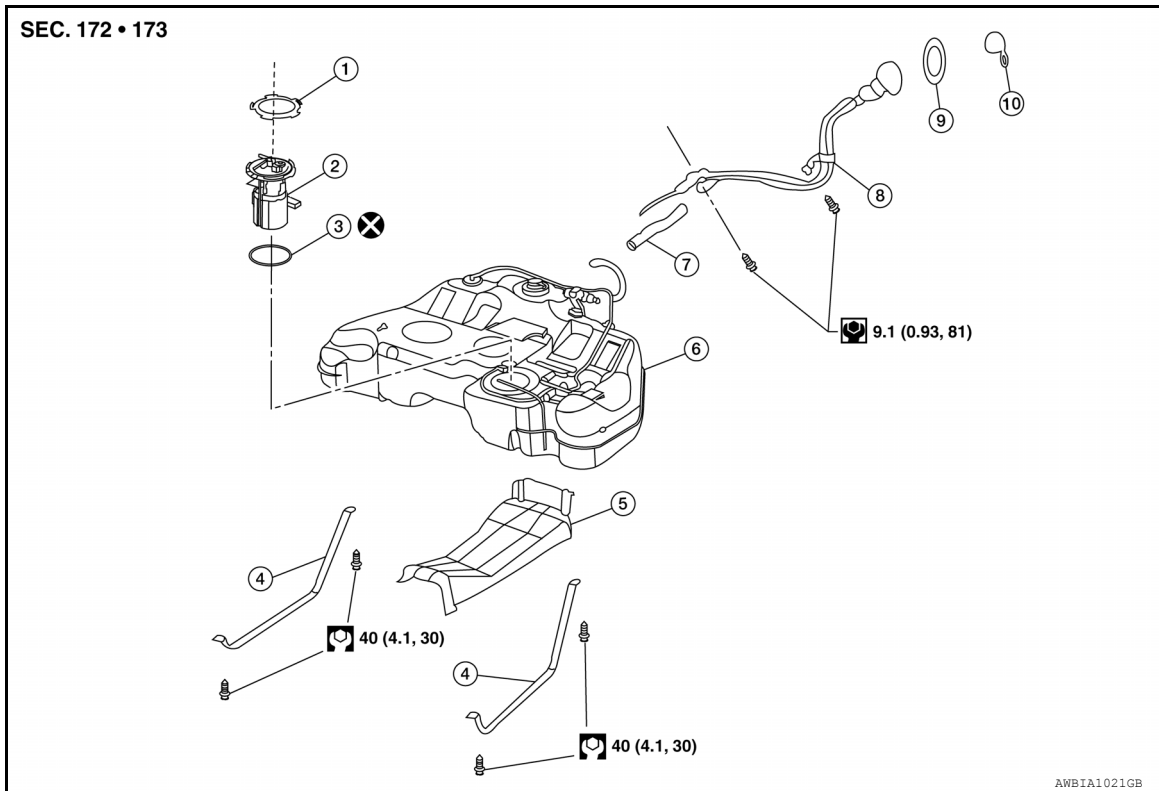
# FUEL TANK

< REMOVAL AND INSTALLATION >

## FUEL TANK

### Exploded View

INFOID:000000006391423



- |                              |   |                |
|------------------------------|---|----------------|
| 1. Lock ring                 | 2. Fuel level sensor, fuel filter, and fuel pump assembly | 3. O-ring seal |
| 4. Fuel tank mounting straps | 5. Fuel tank protector                                    | 6. Fuel tank   |
| 7. Fuel filler hose          | 8. Fuel filler tube                                       | 9. Grommet     |
| 10. Fuel filler cap          |   |                |

## Removal and Installation

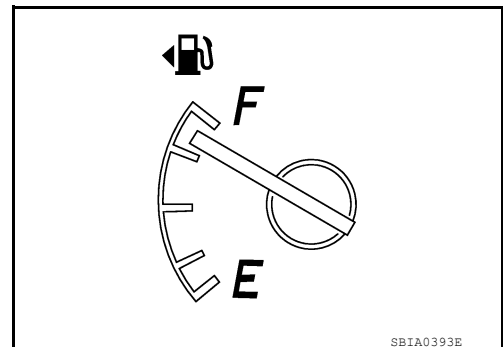
INFOID:000000006391424

### REMOVAL

#### **WARNING:**

Read "General Precautions" before working on the fuel system. Refer to [FL-5, "General Precaution"](#).

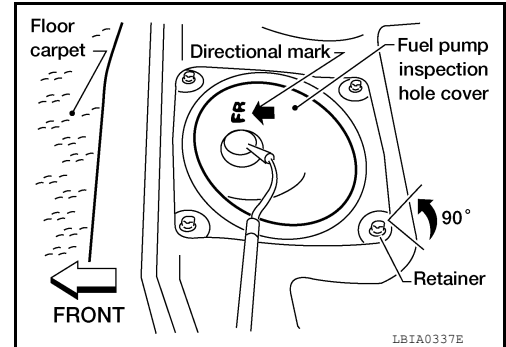
1. Disconnect the battery negative terminal.
2. Check the fuel level with the vehicle on a level surface. If the fuel gauge indicates more than the level as shown (7/8 full), drain the fuel from the fuel tank until the fuel gauge indicates a level at or below as shown (7/8 full).
  - In case the fuel pump does not operate, use the following procedure.
- a. Insert fuel tubing of less than 25mm (0.98in) diameter into the fuel filler tube through the fuel filler opening to drain fuel from the fuel filler tube.
- b. Disconnect the fuel filler hose from the fuel filler tube.
- c. Insert fuel tubing into the fuel tank through the fuel filler hose to drain fuel from the fuel tank.
  - As a guide, the fuel level reaches or is less than the level on the fuel gauge as shown, when approximately 10 ℓ (2 5/8 US gal, 2 1/4 Imp gal) of fuel is drained from a full fuel tank.



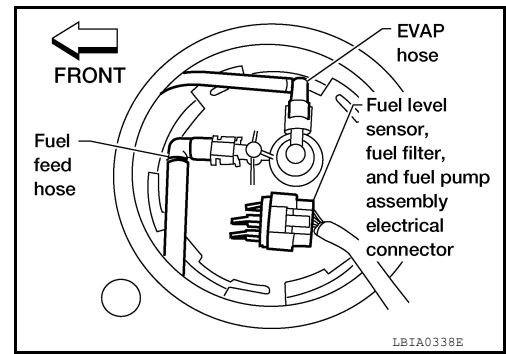
# FUEL TANK

## < REMOVAL AND INSTALLATION >

3. Open the fuel filler cap to release the pressure inside the fuel tank.
4. Release fuel pressure from fuel line, Refer to [EC-323, "Inspection"](#) (QR25DE), [FL-5, "Inspection"](#) (VQ35DE).
5. Remove rear seat cushion. Refer to [SE-23, "Removal and Installation"](#) (Coupe), [SE-73, "Removal and Installation"](#) (Sedan).
6. Turn the four retainers 90° in a clockwise direction and remove the fuel pump inspection hole cover.



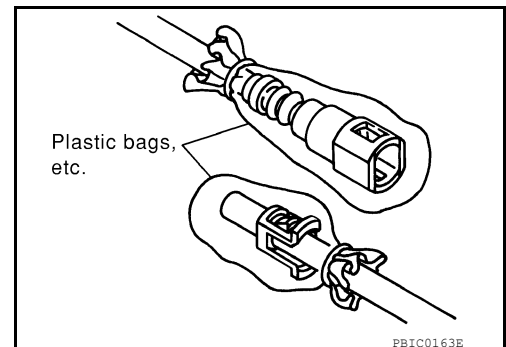
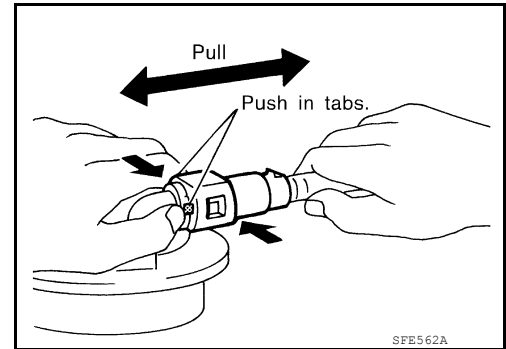
7. Disconnect the fuel level sensor, fuel filter, and fuel pump assembly electrical connector, EVAP hose quick connector, and fuel feed hose quick connector.



- a. Disconnect the quick connectors as follows:
  - Hold the sides of the connector, push in tabs and pull out the tube.
  - If the connector and the tube are stuck together, push and pull several times until they start to move. Then disconnect them by pulling.

**CAUTION:**

- The tube can be removed when the tabs are completely depressed. Do not twist it more than necessary.
- Do not use any tools to remove the quick connector.
- Keep the resin tube away from heat. Be especially careful when welding near the tube.
- Prevent acid liquid such as battery electrolyte, from getting on the resin tube.
- Do not bend or twist the tube during installation and removal.
- Only when the tube is replaced, remove the remaining retainer on the tube or fuel level sensor, fuel filter, and fuel pump assembly.
- When the tube or fuel level sensor, fuel filter, and fuel pump assembly is replaced, also replace the retainer with a new one (green colored retainer).
- To keep the connecting portion clean and to avoid damage and foreign materials, cover them completely with plastic bags or something similar.



# FUEL TANK

## < REMOVAL AND INSTALLATION >

8. Remove the center exhaust tube, with mufflers. Refer to [EX-7, "Removal and Installation"](#) (QR25DE), [EX-14, "Removal and Installation"](#) (VQ35DE).
9. Disconnect the fuel filler hose and the recirculation hose at the fuel tank side.
10. Disconnect the three parking brake cable mounting brackets on each cable and position the cables out of the way. Refer to [PB-9, "PEDAL TYPE : Exploded View"](#) (Pedal type), [PB-10, "LEVER TYPE : Exploded View"](#) (Lever type).
11. Remove stabilizer bar brackets and reposition the rear stabilizer bar out of the way. Refer to [RSU-17, "Removal and Installation"](#).
12. Remove the fuel tank protector.
13. Disconnect the EVAP line at canister, remove mounting bolt, and position EVAP canister aside.
14. Disconnect the fuel tank mounting straps while supporting the fuel tank using a suitable tool.
15. Remove the fuel tank.
16. If replacing the fuel tank, remove the fuel level sensor, fuel filter and fuel pump assembly to transfer to the new fuel tank.

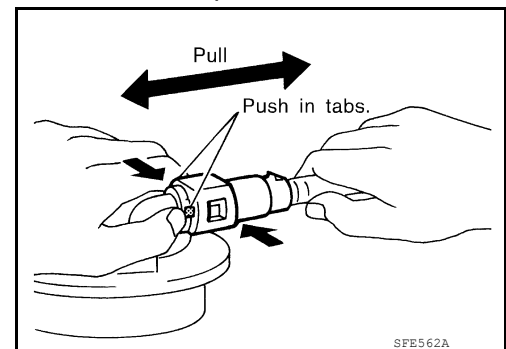
### CAUTION:

- Do not reuse O-ring.
- Do not bend float arm during removal and installation.

## INSTALLATION

Installation is in the reverse order of removal.

- All tubes and hoses shall be free from bends and twists.
- All tubes and hoses shall be free from interference with other components.
- Before tightening the fuel tank mounting straps, temporarily install the filler hose and the recirculation hose. Tighten all fuel tank mounting strap bolts to specification, then tighten the hose clamps.
- Connect the quick connector as follows:
  - Check the connection for damage or any foreign materials.
  - Align the connector with the tube, then insert the connector straight into the tube until a click is heard.
  - After the tube is connected, make sure the connection is secure by performing the following checks:
    - Pull on the tube and the connector to make sure they are securely connected.



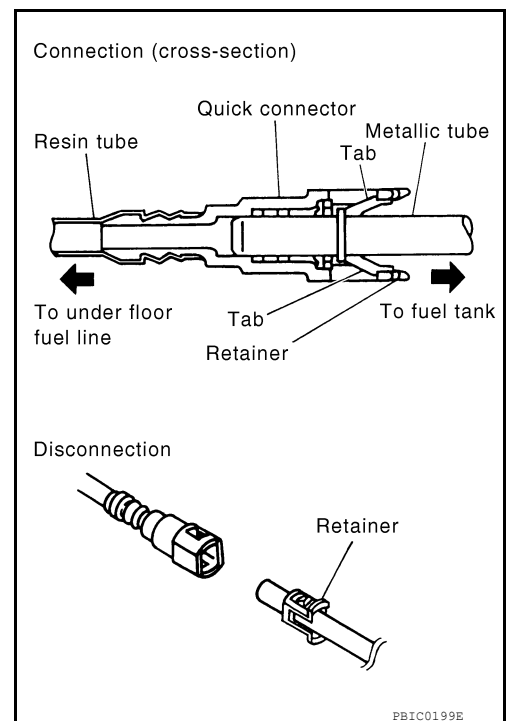
# FUEL TANK

## < REMOVAL AND INSTALLATION >

- Visually confirm that the two retainer tabs are connected to the quick connector.

**CAUTION:**

**Do not reuse O-ring.**



INFOID:000000006391425

## Inspection

### INSPECTION AFTER INSTALLATION

Use the following procedure to check for fuel leaks.

1. Turn ignition switch "ON" (with engine stopped), and check connections for leakage by applying fuel pressure to fuel piping.
2. Start engine and rev it up and make sure there are no fuel leaks at the fuel system tube and hose connections.

# EVAP CANISTER

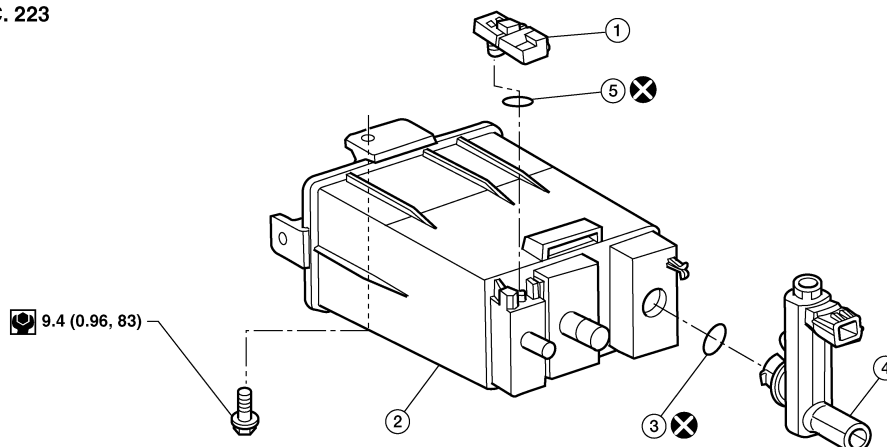
< REMOVAL AND INSTALLATION >

## EVAP CANISTER

### Exploded View

INFOID:000000006904884

SEC. 223



- |  |                  |           |
|--|------------------|-----------|
| 1. EVAP control system pressure sensor | 2. EVAP canister | 3. O-ring |
| 4. EVAP canister vent control valve    | 5. O-ring        |           |

### Removal and Installation (EVAP Canister)

INFOID:000000006904885

#### NOTE:

The EVAP canister vent control valve and EVAP canister system pressure sensor can be removed without removing the EVAP canister.

#### EVAP CANISTER

##### Removal

1. Remove the fuel tank. Refer to [FL-11, "Removal and Installation"](#).
  2. Remove both of the connecting rod mount brackets. Refer to [RSU-9, "Exploded View"](#).
  3. Reposition the stabilizer bar out of the way.
  4. Disconnect the EVAP control system pressure sensor connector.
  5. Remove the EVAP control system pressure sensor and O-ring, if necessary.
- CAUTION:**  
**Discard the O-ring, do not reuse.**
6. Disconnect the EVAP canister purge hose.
  7. Remove the EVAP canister bolt.
  8. Disconnect the fuel tank EVAP breather hose.
  9. Disconnect the EVAP canister vent control valve connector.
  10. Disconnect the EVAP canister vent control valve hose.
  11. Remove the EVAP canister.
  12. Remove the EVAP canister vent control valve and O-ring, if necessary.

#### CAUTION:

**Discard the O-ring, do not reuse.**

##### Installation

Installation is in the reverse order of removal.

#### CAUTION:

**Always replace O-rings with a new one.**

# EVAP CANISTER

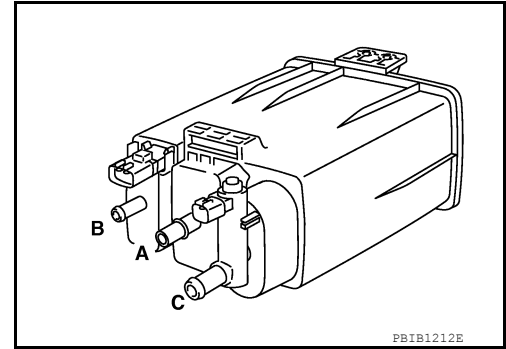
## < REMOVAL AND INSTALLATION >

### Inspection

INFOID:000000008655664

Check EVAP canister as follows:

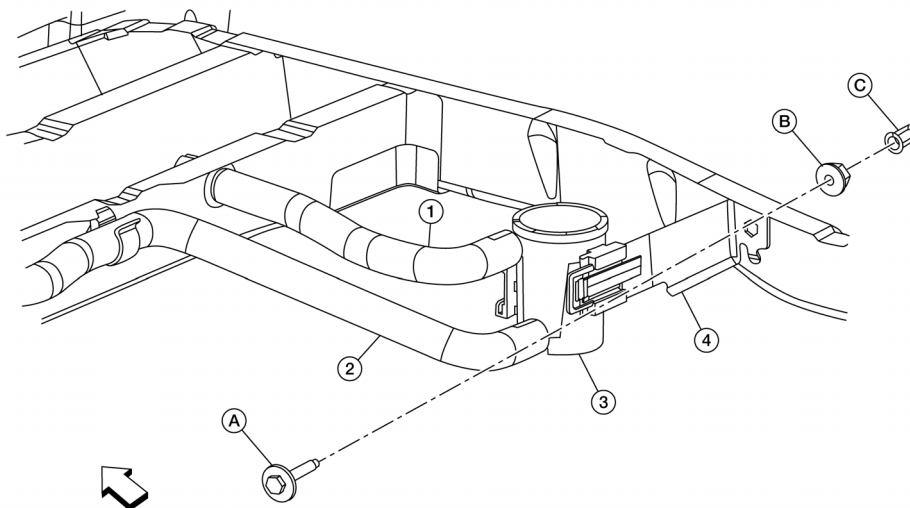
1. Block port (B).
2. Blow air into port (A) and check that it flows freely out of port (C).
3. Release blocked port (B).
4. Apply vacuum pressure to port (B) and check that vacuum pressure exists at the ports (A) and (C).
5. Block port (A) and (B).
6. Apply pressure to port (C) and check that there is no leakage.



### Removal and Installation (EVAP Canister Filter)

INFOID:000000006904886

SEC. 223



ALBIA06942Z

- |                        |              |                         |
|------------------------|--------------|-------------------------|
| 1. Canister drain hose | 2. EVAP hose | 3. EVAP canister filter |
| 4. EVAP filter bracket | A. Bolt      | B. Nut                  |
| C. Nut                 |              |                         |

### REMOVAL

1. Remove rear stabilizer bar clamps and position rear stabilizer bar aside. Refer to [RSU-17. "Removal and Installation"](#).
2. Disconnect EVAP hose from EVAP canister.
3. Remove the EVAP canister bolt and position EVAP canister aside.
4. Remove breather hoses from EVAP canister filter.
5. Remove EVAP canister filter.

### INSTALLATION

Installation is in the reverse order of removal.



# EVAP CANISTER VENT CONTROL VALVE

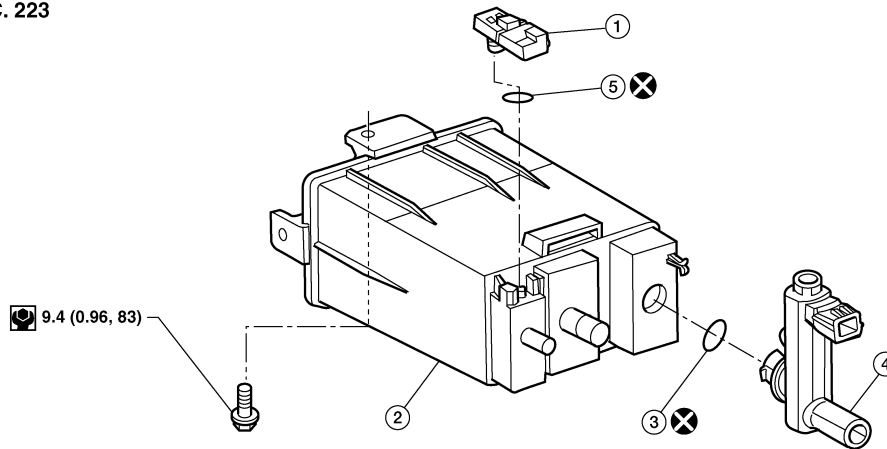
< REMOVAL AND INSTALLATION >

## EVAP CANISTER VENT CONTROL VALVE

Exploded View

INFOID:000000008655669

SEC. 223



- |  |                  |           |
|--|------------------|-----------|
| 1. EVAP control system pressure sensor | 2. EVAP canister | 3. O-ring |
| 4. EVAP canister vent control valve    | 5. O-ring        |           |

## Removal and Installation

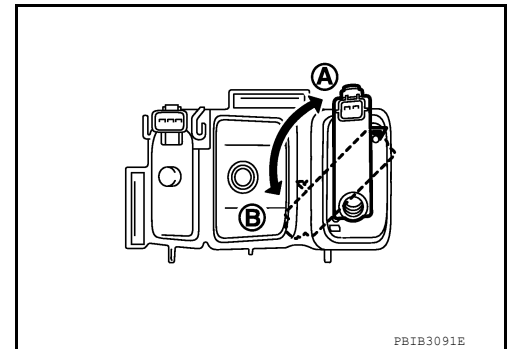
INFOID:000000006904887

### REMOVAL

1. Remove rear stabilizer bar clamps and position rear stabilizer bar aside. Refer to [RSU-17, "Removal and Installation"](#).
2. Disconnect breather hose from EVAP canister.
3. Disconnect EVAP canister vent control valve.
4. Turn EVAP canister vent control valve counterclockwise.

A : Lock  
B : Unlock

5. Remove the EVAP canister vent control valve and O-ring.  
**CAUTION:**  
**Discard the O-ring, do not reuse.**



### INSTALLATION

Installation is in the reverse order of removal.

**CAUTION:**  
**Always replace O-ring with a new one.**

# EVAP CONTROL SYSTEM PRESSURE SENSOR

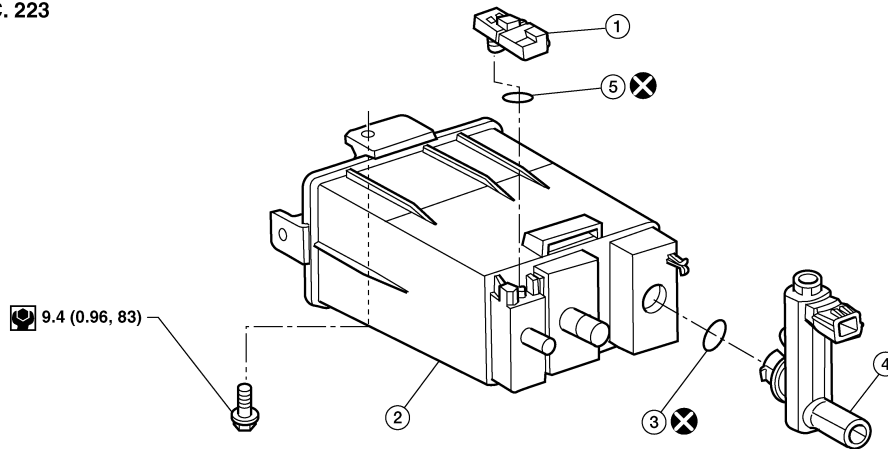
< REMOVAL AND INSTALLATION >

## EVAP CONTROL SYSTEM PRESSURE SENSOR

Exploded View

INFOID:000000008655674

SEC. 223



AWBIA1026GB

- |  |                  |           |
|--|------------------|-----------|
| 1. EVAP control system pressure sensor | 2. EVAP canister | 3. O-ring |
| 4. EVAP canister vent control valve    | 5. O-ring        |           |

## Removal and Installation

INFOID:000000006904888

### REMOVAL

1. Remove rear stabilizer bar clamps and position rear stabilizer bar aside. Refer to [RSU-17, "Removal and Installation"](#).
2. Disconnect EVAP hose from EVAP canister.
3. Disconnect EVAP control system pressure sensor.
4. Remove EVAP control system pressure sensor and O-ring.

### **CAUTION:**

**Discard the O-ring, do not reuse.**

### INSTALLATION

Installation is in the reverse order of removal.

### **CAUTION:**

**Always replace O-ring with a new one.**

# FUEL LEVEL SENSOR UNIT

< UNIT DISASSEMBLY AND ASSEMBLY >

## UNIT DISASSEMBLY AND ASSEMBLY

### FUEL LEVEL SENSOR UNIT

#### Disassembly and Assembly

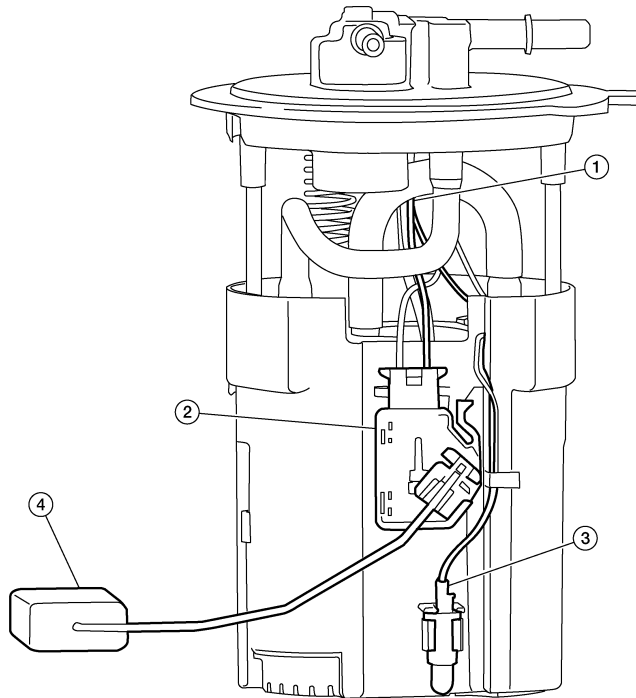
INFOID:000000006391426

A

FL

#### Fuel Level Sender Unit

SEC.172



ALBIA06682Z

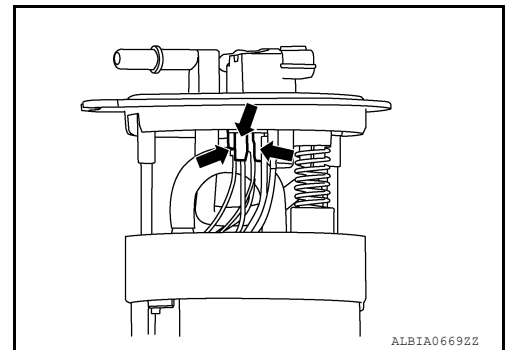
1. Harness connectors
2. Level sending unit module
3. Fuel sensor
4. Floater arm assembly

#### Disassembly

##### NOTE:

Before disassembly, note the proper placement of the wires to the correct terminals and correct wire routing to the terminals.

1. Disconnect the red, white, and double black wire connectors.
  - Press the tabs on the terminals to release the locking tabs.



ALBIA06692Z

C

D

E

F

G

H

I

J

K

L

M

N

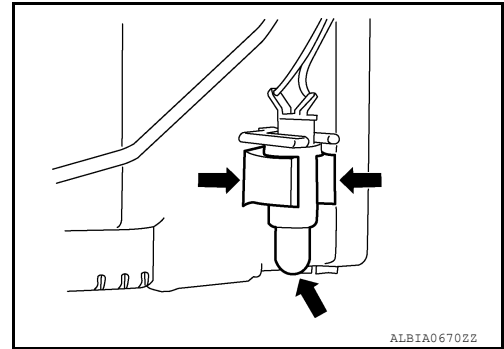
O

P

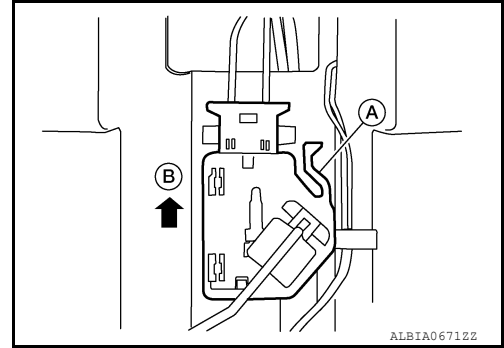
## FUEL LEVEL SENSOR UNIT

### < UNIT DISASSEMBLY AND ASSEMBLY >

2. Release the two clips and remove the fuel temperature sensor from the pump assembly.



3. Release the tab (A) and slide the level sending unit module and floater arm assembly (B) up to remove.



### Assembly

#### NOTE:

Assembly is the reverse order of disassembly.

- Ensure proper placement of the wires to the correct terminals and correct wire routing to the terminals.
- After connecting terminals, ensure they are securely locked and can not be pulled out.
- When installing the level sending unit, push down until the tab is locked into place.

# SERVICE DATA AND SPECIFICATIONS (SDS)

< SERVICE DATA AND SPECIFICATIONS (SDS)

## SERVICE DATA AND SPECIFICATIONS (SDS)

SERVICE DATA AND SPECIFICATIONS (SDS)

Fuel Tank

INFOID:000000006391427

A

FL

Standard and Limit

Fuel tank capacity	Approx. 75.6 ℓ (20 US gal, 16 5/8 Imp gal)
Fuel recommendation	Refer to <a href="#">MA-12, "Fluids and Lubricants"</a>

C

D

E

F

G

H

I

J

K

L

M

N

O

P