

A
B
C
D
E
F
G
H
I
J
K
L
M
N
O
P

SECTION **VTL**

VENTILATION SYSTEM

CONTENTS

PRECAUTION	3	Removal and Installation	14	F
PRECAUTIONS	3	BLOWER UNIT	16	
Precaution for Supplemental Restraint System (SRS) "AIR BAG" and "SEAT BELT PRE-TENSIONER"	3	Removal and Installation	16	G
Precaution Necessary for Steering Wheel Rotation After Battery Disconnect	3	BLOWER MOTOR	17	
Precaution for Work	4	Removal and Installation	17	H
Precaution for Working with HFC-134a (R-134a).....	4	FAN CONTROL AMPLIFIER	18	
Precaution for Procedure without Cowl Top Cover.....	5	Removal and Installation	18	I
PREPARATION	6	INTAKE DOOR MOTOR	19	VTL
PREPARATION	6	Removal and Installation	19	
Special Service Tool	6	MODE DOOR MOTOR	20	J
Commercial Service Tool	6	Removal and Installation	20	
SYSTEM DESCRIPTION	7	AIR MIX DOOR MOTOR	21	K
IN-CABIN MICROFILTER	7	Removal and Installation	21	
Description	7	EVAPORATOR	22	L
PERIODIC MAINTENANCE	8	Removal and Installation	22	
IN-CABIN MICROFILTER	8	HEATER CORE	23	M
Removal and Installation	8	Removal and Installation	23	
REMOVAL AND INSTALLATION	9	DUCTS AND GRILLES	24	N
CONTROL UNIT	9	DUCTS, NOZZLES AND GRILLES	24	
Removal and Installation	9	DUCTS, NOZZLES AND GRILLES : Components...24		O
IN-VEHICLE SENSOR	10	CENTER VENTILATOR GRILLES	25	
Removal and Installation	10	CENTER VENTILATOR GRILLES : Removal and Installation	25	P
SUNLOAD SENSOR	11	SIDE VENTILATOR GRILLES	26	
Removal and Installation	11	SIDE VENTILATOR GRILLES : Removal and Installation	26	
INTAKE SENSOR	12	UPPER VENTILATOR DUCT	26	
Removal and Installation	12	UPPER VENTILATOR DUCT : Removal and Installation	26	
HEATER & COOLING UNIT ASSEMBLY	14	FRONT DEFROSTER GRILLE	26	

FRONT DEFROSTER GRILLE : Removal and Installation	26	REAR VENTILATOR GRILLE : Removal and Installation	27
SIDE DEFROSTER GRILLES	26	REAR VENTILATOR DUCTS	27
SIDE DEFROSTER GRILLES : Removal and Installation	26	REAR VENTILATOR DUCTS : Removal and Installation	27
REAR VENTILATOR GRILLE	27	REAR FOOT DUCT	27
		REAR FOOT DUCT : Removal and Installation	27

PRECAUTIONS

< PRECAUTION >

PRECAUTION

PRECAUTIONS

Precaution for Supplemental Restraint System (SRS) "AIR BAG" and "SEAT BELT PRE-TENSIONER"

INFOID:000000007420182

The Supplemental Restraint System such as "AIR BAG" and "SEAT BELT PRE-TENSIONER", used along with a front seat belt, helps to reduce the risk or severity of injury to the driver and front passenger for certain types of collision. This system includes seat belt switch inputs and dual stage front air bag modules. The SRS system uses the seat belt switches to determine the front air bag deployment, and may only deploy one front air bag, depending on the severity of a collision and whether the front occupants are belted or unbelted. Information necessary to service the system safely is included in the SR and SB section of this Service Manual.

WARNING:

- To avoid rendering the SRS inoperative, which could increase the risk of personal injury or death in the event of a collision which would result in air bag inflation, all maintenance must be performed by an authorized NISSAN/INFINITI dealer.
- Improper maintenance, including incorrect removal and installation of the SRS, can lead to personal injury caused by unintentional activation of the system. For removal of Spiral Cable and Air Bag Module, see the SR section.
- Do not use electrical test equipment on any circuit related to the SRS unless instructed to in this Service Manual. SRS wiring harnesses can be identified by yellow and/or orange harnesses or harness connectors.

PRECAUTIONS WHEN USING POWER TOOLS (AIR OR ELECTRIC) AND HAMMERS

WARNING:

- When working near the Airbag Diagnosis Sensor Unit or other Airbag System sensors with the Ignition ON or engine running, DO NOT use air or electric power tools or strike near the sensor(s) with a hammer. Heavy vibration could activate the sensor(s) and deploy the air bag(s), possibly causing serious injury.
- When using air or electric power tools or hammers, always switch the Ignition OFF, disconnect the battery, and wait at least 3 minutes before performing any service.

Precaution Necessary for Steering Wheel Rotation After Battery Disconnect

INFOID:000000007420183

NOTE:

- Before removing and installing any control units, first turn the push-button ignition switch to the LOCK position, then disconnect both battery cables.
- After finishing work, confirm that all control unit connectors are connected properly, then re-connect both battery cables.
- Always use CONSULT to perform self-diagnosis as a part of each function inspection after finishing work. If a DTC is detected, perform trouble diagnosis according to self-diagnosis results.

This vehicle is equipped with a push-button ignition switch and a steering lock unit.

If the battery is disconnected or discharged, the steering wheel will lock and cannot be turned.

If turning the steering wheel is required with the battery disconnected or discharged, follow the procedure below before starting the repair operation.

OPERATION PROCEDURE

1. Connect both battery cables.

NOTE:

Supply power using jumper cables if battery is discharged.

2. Carry the Intelligent Key or insert it to the key slot and turn the push-button ignition switch to ACC position. (At this time, the steering lock will be released.)
3. Disconnect both battery cables. The steering lock will remain released with both battery cables disconnected and the steering wheel can be turned.
4. Perform the necessary repair operation.

PRECAUTIONS

< PRECAUTION >

5. When the repair work is completed, re-connect both battery cables. With the brake pedal released, turn the push-button ignition switch from ACC position to ON position, then to LOCK position. (The steering wheel will lock when the push-button ignition switch is turned to LOCK position.)
6. Perform self-diagnosis check of all control units using CONSULT.

Precaution for Work

INFOID:000000007420184

- When removing or disassembling each component, be careful not to damage or deform it. If a component may be subject to interference, be sure to protect it with a shop cloth.
- When removing (disengaging) components with a screwdriver or similar tool, be sure to wrap the component with a shop cloth or vinyl tape to protect it.
- Protect the removed parts with a shop cloth and prevent them from being dropped.
- Replace a deformed or damaged clip.
- If a part is specified as a non-reusable part, always replace it with new one.
- Be sure to tighten bolts and nuts securely to the specified torque.
- After installation is complete, be sure to check that each part works properly.
- Follow the steps below to clean components.
 - Water soluble dirt: Dip a soft cloth into lukewarm water, and wring the water out of the cloth to wipe the dirty area.
Then rub with a soft and dry cloth.
 - Oily dirt: Dip a soft cloth into lukewarm water with mild detergent (concentration: within 2 to 3%), and wipe the dirty area.
Then dip a cloth into fresh water, and wring the water out of the cloth to wipe the detergent off. Then rub with a soft and dry cloth.
- Do not use organic solvent such as thinner, benzene, alcohol, or gasoline.
- For genuine leather seats, use a genuine leather seat cleaner.

Precaution for Working with HFC-134a (R-134a)

INFOID:000000007420185

WARNING:

- **CFC-12 (R-12) refrigerant and HFC-134a (R-134a) refrigerant are not compatible. If the refrigerants are mixed compressor failure is likely to occur. Refer [HA-4, "Contaminated Refrigerant"](#). To determine the purity of HFC-134a (R-134a) in the vehicle and recovery tank, use Refrigerant Recovery/ Recycling Recharging equipment and Refrigerant Identifier.**
- **Use only specified oil for the HFC-134a (R-134a) A/C system and HFC-134a (R-134a) components. If oil other than that specified is used, compressor failure is likely to occur.**
- **The specified HFC-134a (R-134a) oil rapidly absorbs moisture from the atmosphere. The following handling precautions must be observed:**
 - **When removing refrigerant components from a vehicle, immediately cap (seal) the component to minimize the entry of moisture from the atmosphere.**
 - **When installing refrigerant components to a vehicle, do not remove the caps (unseal) until just before connecting the components. Connect all refrigerant loop components as quickly as possible to minimize the entry of moisture into system.**
 - **Only use the specified oil from a sealed container. Immediately reseal containers of oil. Without proper sealing, oil will become moisture saturated and should not be used.**
 - **Avoid breathing A/C refrigerant and oil vapor or mist. Exposure may irritate eyes, nose and throat. Remove HFC-134a (R-134a) from the A/C system using certified service equipment meeting requirements of SAE J2210 [HFC-134a (R-134a) recycling equipment], or J2209 [HFC-134a (R-134a) recycling equipment]. If accidental system discharge occurs, ventilate work area before resuming service. Additional health and safety information may be obtained from refrigerant and oil manufacturers.**
 - **Do not allow A/C oil to come in contact with styrofoam parts. Damage may result.**

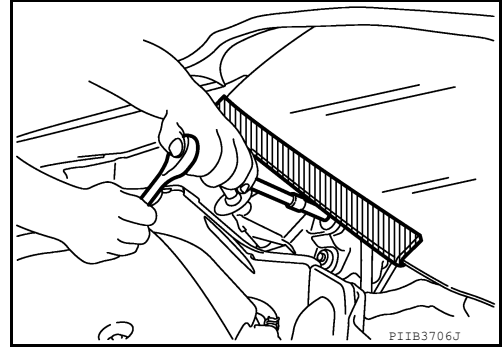
PRECAUTIONS

< PRECAUTION >

Precaution for Procedure without Cowl Top Cover

INFOID:000000007420186

When performing the procedure after removing cowl top cover, cover the lower end of windshield with urethane, etc.



A
B
C
D
E
F
G
H
VTL
J
K
L
M
N
O
P

PREPARATION

< PREPARATION >

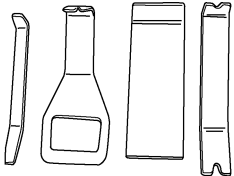
PREPARATION

PREPARATION

Special Service Tool


INFOID:000000007420187

The actual shapes of Kent-Moore tools may differ from those of special service tools illustrated here.

Tool number (Kent-Moore No.) Tool name	Description
— (J-46534) Trim Tool Set  AWJIA04832Z	Removing trim components

Commercial Service Tool

INFOID:000000007420188

Tool number Tool name	Description
Power tool  PIIB1407E	Loosening nuts, screws and bolts

IN-CABIN MICROFILTER

< SYSTEM DESCRIPTION >

SYSTEM DESCRIPTION

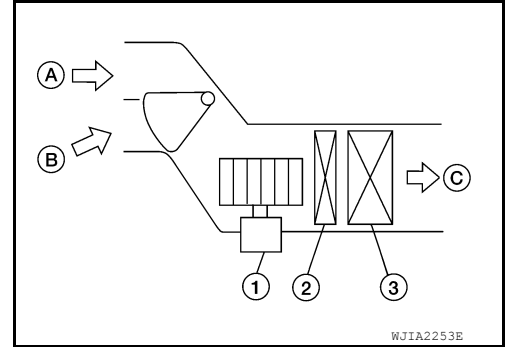
IN-CABIN MICROFILTER

Description

INFOID:000000007420189

FUNCTION

The fresh air (A) and the recirculated air (B) drawn inside the passenger compartment by the blower fan (1) is kept clean (C) on either mode by the air conditioner filter (2), located before the evaporator (3), in the A/C unit assembly.



A
B
C
D
E
F
G
H
VTL
J
K
L
M
N
O
P

IN-CABIN MICROFILTER

< PERIODIC MAINTENANCE >

PERIODIC MAINTENANCE

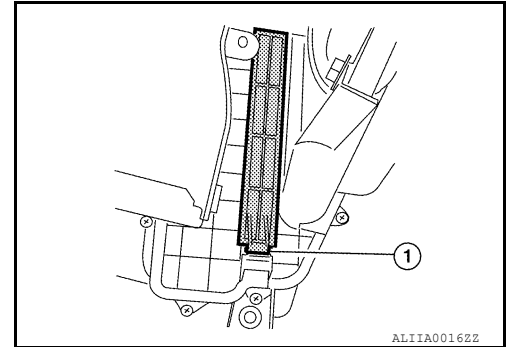
IN-CABIN MICROFILTER

Removal and Installation

INFOID:000000007420190

REMOVAL

1. Remove the glove box assembly. Refer to [JP-19. "Removal and Installation"](#).
2. Remove the console side finisher RH. Refer to [JP-20. "Removal and Installation"](#).
3. Disengage the filter cover tab (1) to remove the filter cover.



4. Remove the in-cabin microfilter from the blower unit.

INSTALLATION

Installation is in the reverse order of removal.

CONTROL UNIT

< REMOVAL AND INSTALLATION >

REMOVAL AND INSTALLATION

CONTROL UNIT

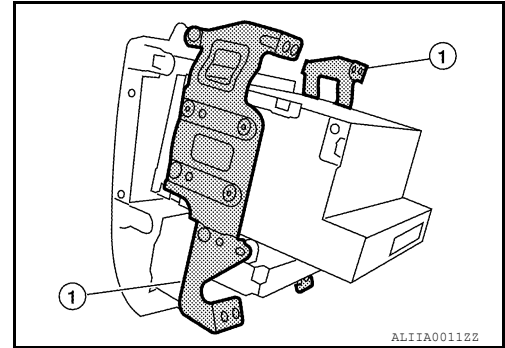
Removal and Installation

INFOID:000000007420191

FRONT AIR CONTROL

Removal

1. Remove cluster lid C. Refer to [IP-16. "Removal and Installation"](#).
2. Remove the two brackets (1) and remove the front air control.



Installation

Installation is in the reverse order of removal.

A
B
C
D
E
F
G
H
I
J
K
L
M
N
O
P

VTL

IN-VEHICLE SENSOR

< REMOVAL AND INSTALLATION >

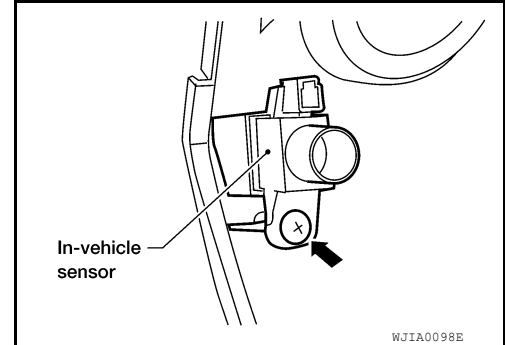
IN-VEHICLE SENSOR

Removal and Installation

INFOID:000000007420192

REMOVAL

1. Remove instrument lower panel LH. Refer to [IP-18. "Removal and Installation"](#).
2. Remove the in-vehicle sensor screw and the in-vehicle sensor.



INSTALLATION

Installation is in the reverse order of removal.

- Make sure that the aspirator hose is securely attached to the in-vehicle sensor when installing the instrument lower panel LH.

SUNLOAD SENSOR

< REMOVAL AND INSTALLATION >

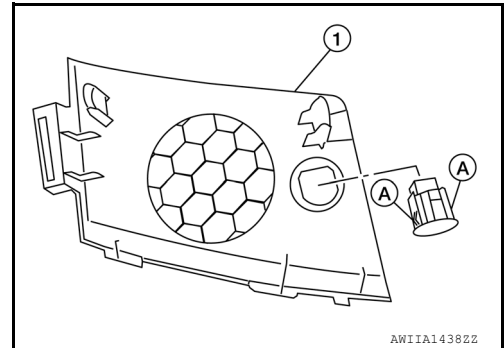
SUNLOAD SENSOR

Removal and Installation

INFOID:000000007420193

REMOVAL

1. Remove the front LH speaker grille (1). Refer to [IP-11. "Exploded View"](#).
2. Disconnect the sunload sensor electrical connector.
3. Release the sunload sensor tabs (A) to remove it from the front LH speaker grille (1).



INSTALLATION

Installation is in the reverse order of removal.

A
B
C
D
E
F
G
H
J
K
L
M
N
O
P

VTL

INTAKE SENSOR

< REMOVAL AND INSTALLATION >

INTAKE SENSOR

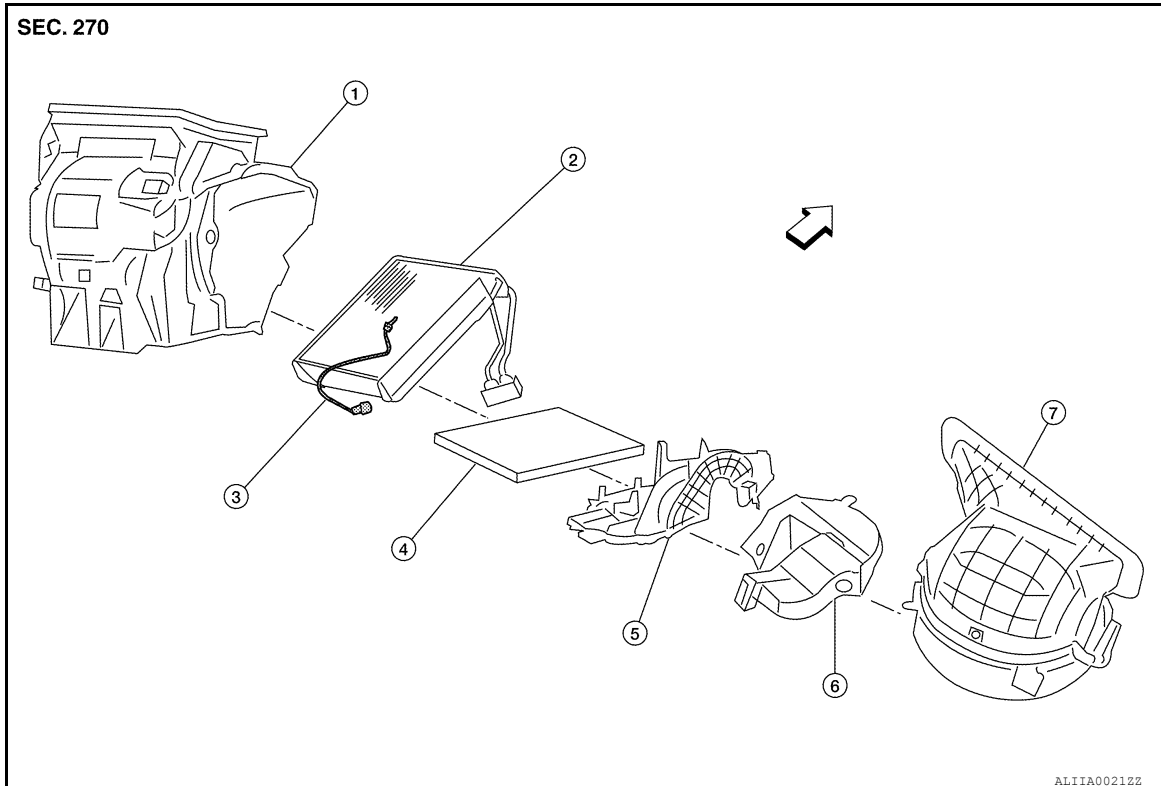
Removal and Installation

INFOID:000000007420194

COUPE

Components

Heater and Cooling Unit



- | | | |
|---------------------------------|---------------------|---|
| 1. Heater and cooling unit case | 2. Evaporator | 3. Intake sensor |
| 4. In-cabin microfilter | 5. Evaporator cover | 6. Heater and cooling unit foot duct RH |
| 7. Blower unit | ← Front | |

Removal

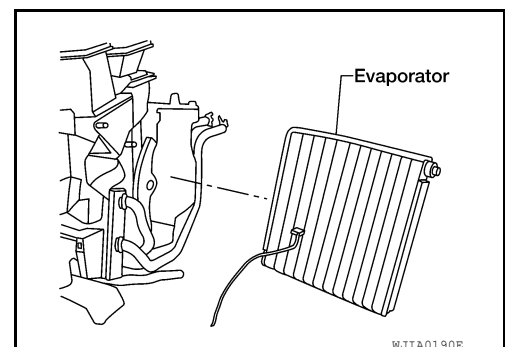
NOTE:

When removing components such as hoses, tubes/lines, etc., cap or plug openings, to prevent fluid from spilling.

1. Remove the blower unit. Refer to [VTL-16. "Removal and Installation"](#).
2. Remove the heater and cooling unit foot duct RH.
3. Remove the air mix door motor RH.
4. Remove the evaporator cover.
5. Remove the evaporator and expansion valve as an assembly.
6. Mark the position of the intake sensor on the evaporator before removing the intake sensor from the evaporator.

CAUTION:

Mark the mounting position of the intake sensor on the evaporator.



INTAKE SENSOR

< REMOVAL AND INSTALLATION >

Installation

Installation is in the reverse order of removal.

- Use the marked position of the old intake sensor on the evaporator to install the new intake sensor in the same position on the evaporator.

CAUTION:

- **Do not reuse the O-rings.**
- **Apply A/C compressor oil to the new O-rings for installation.**
- **Use the original mounting position for the new intake sensor on the evaporator.**

SEDAN

Removal and Installation

The intake sensor is not available separately, the heater and cooling unit assembly, which includes the evaporator, must be replaced as an assembly. Refer to [VTL-14. "Removal and Installation"](#).

A
B
C
D
E
F
G
H
J
K
L
M
N
O
P

VTL

HEATER & COOLING UNIT ASSEMBLY

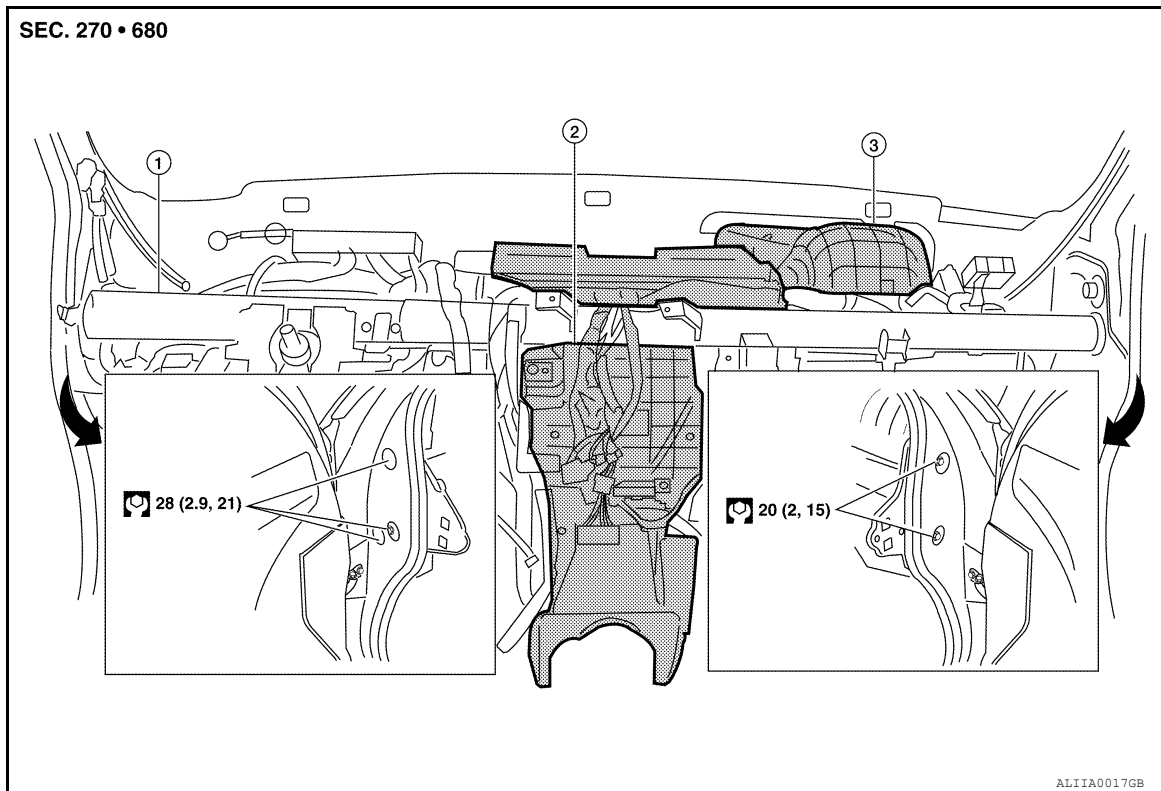
< REMOVAL AND INSTALLATION >

HEATER & COOLING UNIT ASSEMBLY

Removal and Installation

INFOID:000000007420195

COMPONENTS



1. Steering member

2. Heater and cooling unit

3. Blower unit

REMOVAL

NOTE:

When removing components such as hoses, tubes/lines, etc., cap or plug openings to prevent fluid from spilling.

1. Discharge the refrigerant from the A/C system. Refer to [HA-22, "HFC-134a \(R-134a\) Service Procedure"](#).
2. Drain the engine coolant from the cooling system. Refer to [CO-12, "Changing Engine Coolant" \(QR25DE\)](#), [CO-36, "Changing Engine Coolant" \(VQ35DE\)](#).
3. Disconnect the negative and positive battery terminals.
4. Remove the wiper motor and linkage. Refer to [WW-86, "FRONT WIPER DRIVE ASSEMBLY : Removal and Installation"](#).
5. Remove the cowl top. Refer to [EXT-45, "Removal and Installation"](#).
6. Remove the strut tower bar. Refer to [FSU-14, "Exploded View"](#).
7. Remove the lower RH cowl.
8. Disconnect the heater hoses from the heater core pipes.
9. Disconnect the refrigerant lines from the expansion valve. Refer to [HA-29, "Component"](#).
10. Remove the instrument panel assembly. Refer to [IP-12, "Removal and Installation - Instrument Panel"](#).
11. Remove the steering column assembly. Refer to [ST-14, "Removal and Installation"](#).
12. Disconnect the drain hose.
13. Remove the heater and cooling unit assembly from the steering member.

INSTALLATION

Installation is in the reverse order of removal.

- Fill the radiator with the specified engine coolant. Refer to [MA-12, "Fluids and Lubricants"](#).

HEATER & COOLING UNIT ASSEMBLY

< REMOVAL AND INSTALLATION >

- Recharge the A/C system. Refer to [HA-22. "HFC-134a \(R-134a\) Service Procedure"](#).

A

B

C

D

E

F

G

H

VTL

J

K

L

M

N

O

P

BLOWER UNIT

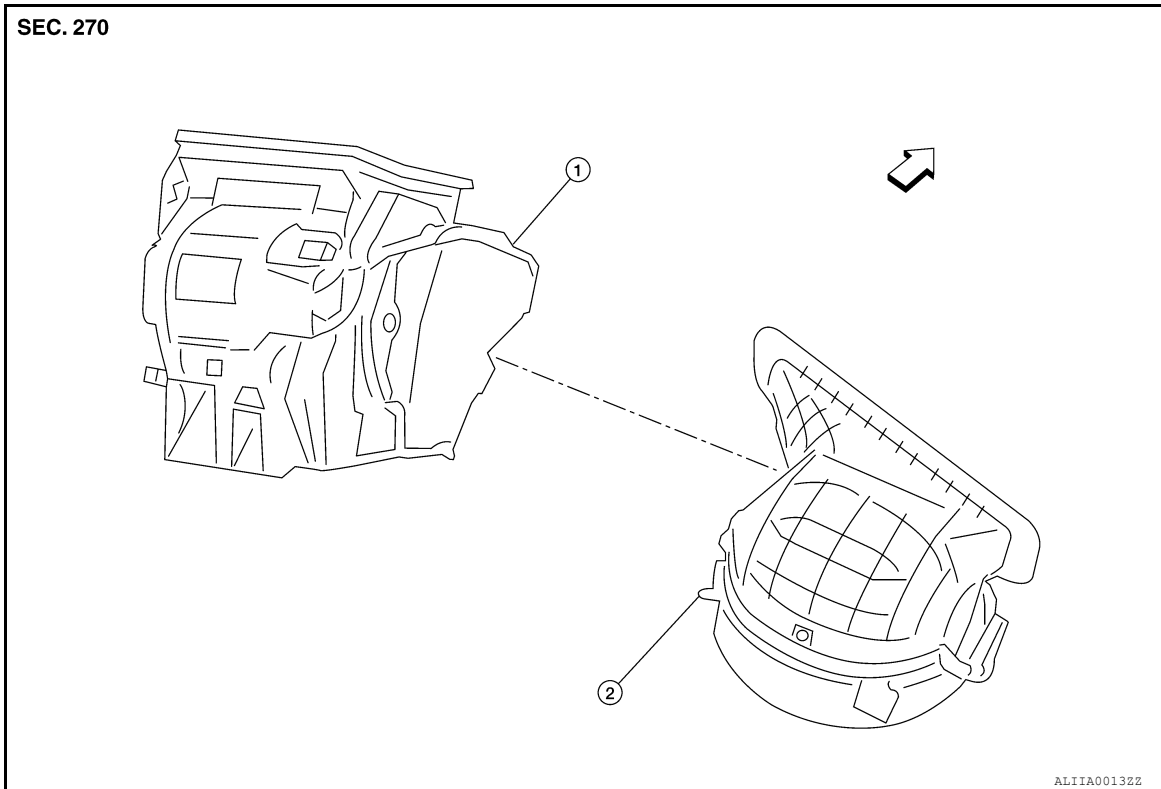
< REMOVAL AND INSTALLATION >

BLOWER UNIT

Removal and Installation

INFOID:000000007420196

COMPONENTS



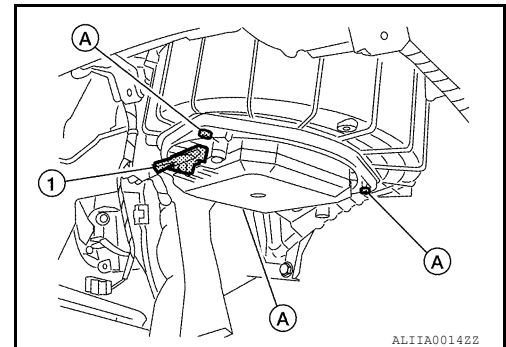
1. Heater and cooling unit

2. Blower unit

← Front

REMOVAL

1. Remove the heater and cooling unit assembly. Refer to [VTL-14, "Removal and Installation"](#).
2. Disconnect the blower motor connector (1).
3. Remove the screws from the blower unit, then remove the blower unit.
4. Remove the three blower motor screws (A) and remove the blower motor from the blower unit.



INSTALLATION

Installation is in the reverse order of removal.

BLOWER MOTOR

< REMOVAL AND INSTALLATION >

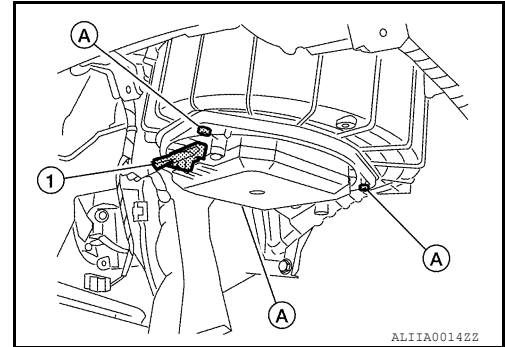
BLOWER MOTOR

Removal and Installation

INFOID:000000007420197

REMOVAL

1. Remove the glove box. Refer to [IP-19, "Removal and Installation"](#).
2. Remove the console finisher RH. Refer to [IP-20, "Removal and Installation"](#).
3. Disconnect the blower motor electrical connector (1).
4. Remove the three blower motor screws (A) and the blower motor.



INSTALLATION

Installation is in the reverse order of removal.

A
B
C
D
E
F
G
H
J
K
L
M
N
O
P

VTL

FAN CONTROL AMPLIFIER

< REMOVAL AND INSTALLATION >

FAN CONTROL AMPLIFIER

Removal and Installation

INFOID:000000007420198

The fan control amplifier is part of the blower motor. Refer to [VTL-17. "Removal and Installation"](#).

INTAKE DOOR MOTOR

< REMOVAL AND INSTALLATION >

INTAKE DOOR MOTOR

Removal and Installation

INFOID:000000007420199

The intake door motor is part of the blower unit and is replaced as an assembly. Refer to [VTL-16, "Removal and Installation"](#).

A
B
C
D
E
F
G
H
VTL
J
K
L
M
N
O
P

MODE DOOR MOTOR

< REMOVAL AND INSTALLATION >

MODE DOOR MOTOR

Removal and Installation

INFOID:000000007420200

The mode door motor is part of the heater and cooling unit assembly and is replaced as an assembly. Refer to [VTL-14. "Removal and Installation"](#).

AIR MIX DOOR MOTOR

< REMOVAL AND INSTALLATION >

AIR MIX DOOR MOTOR

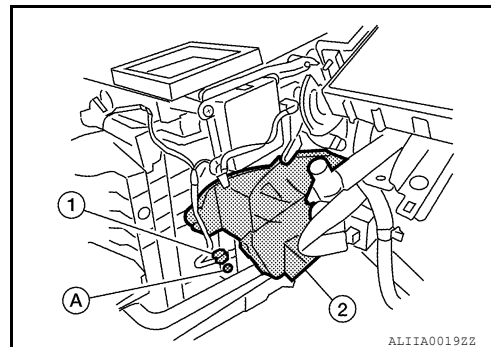
Removal and Installation

INFOID:000000007420201

AIR MIX DOOR MOTOR - LH FOR AUTOMATIC A/C OR MANUAL A/C

Removal

1. Remove the instrument lower panel LH. Refer to [IP-18, "Removal and Installation"](#).
2. Remove the console side finisher LH. Refer to [IP-20, "Removal and Installation"](#).
3. Remove the heater and cooling unit foot duct LH (2).
4. Remove the tire pressure monitoring system receiver.
5. Disconnect the air mix door motor connector (1).
6. Remove the air mix door motor screws (A) and then remove the air mix door motor LH.



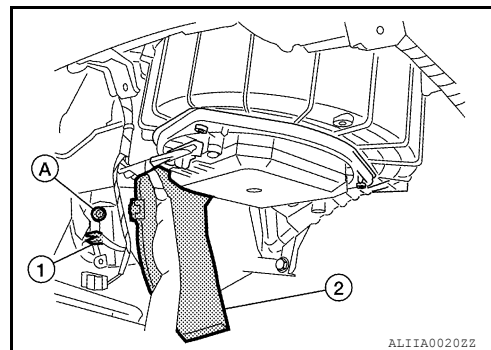
Installation

Installation is in the reverse order of removal.

AIR MIX DOOR MOTOR - RH FOR AUTOMATIC A/C ONLY

Removal

1. Remove the glove box. Refer to [IP-19, "Removal and Installation"](#).
2. Remove the console side finisher RH. Refer to [IP-20, "Removal and Installation"](#).
3. Remove the heater and cooling unit foot duct RH (2).
4. Disconnect the air mix door motor connector (1).
5. Remove the air mix door motor screws (A) and then remove the air mix door motor RH.



Installation

Installation is in the reverse order of removal.

A
B
C
D
E
F
G
H
VTL
J
K
L
M
N
O
P

EVAPORATOR

< REMOVAL AND INSTALLATION >

EVAPORATOR

Removal and Installation

INFOID:000000007420202

The evaporator is not available separately, the heater & cooling unit assembly, which includes the evaporator, must be replaced as an assembly. Refer to [VTL-14. "Removal and Installation"](#).

DUCTS AND GRILLES

< REMOVAL AND INSTALLATION >

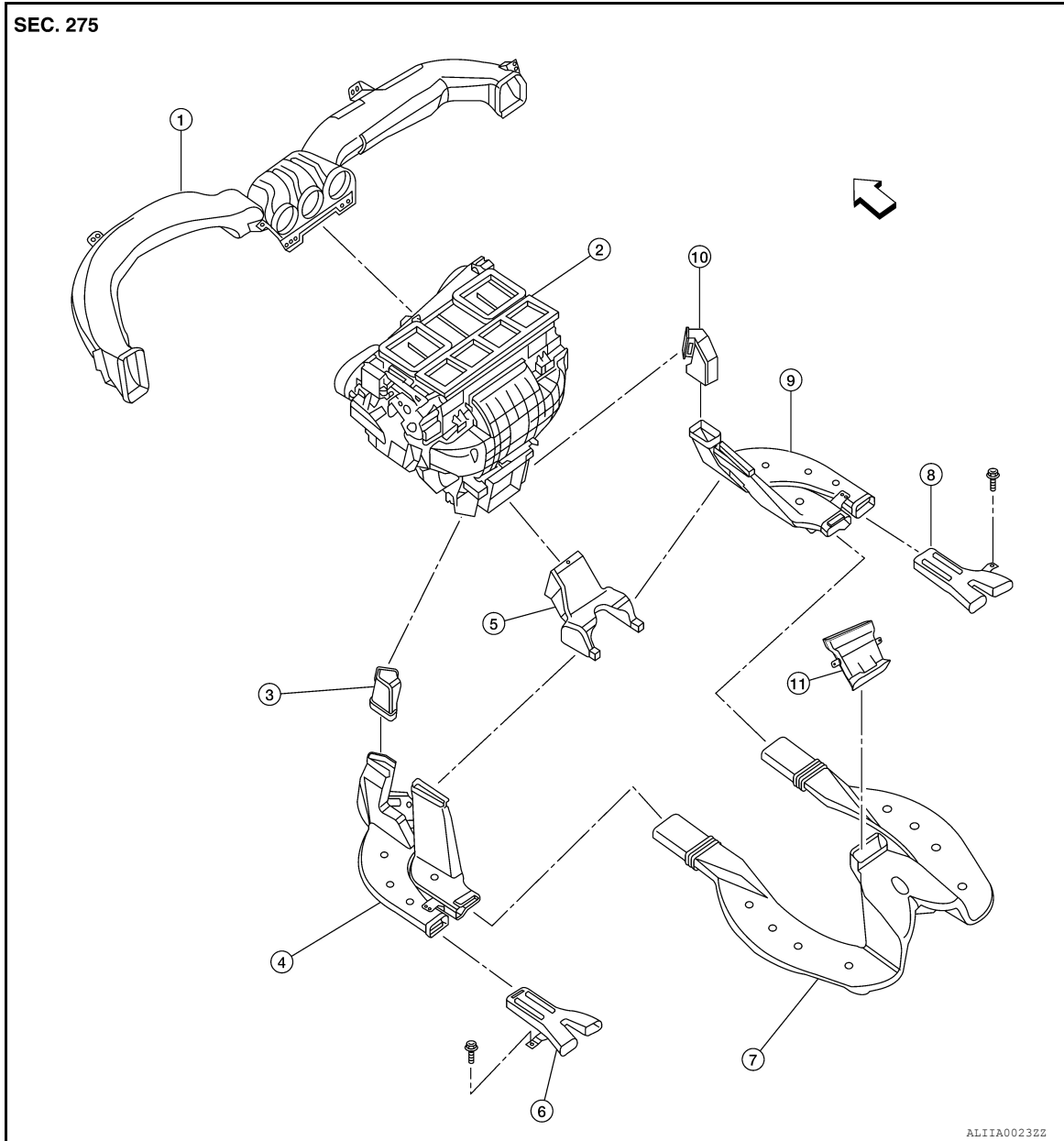
DUCTS AND GRILLES

DUCTS, NOZZLES AND GRILLES

DUCTS, NOZZLES AND GRILLES : Components

INFOID:000000007420204

Ducts

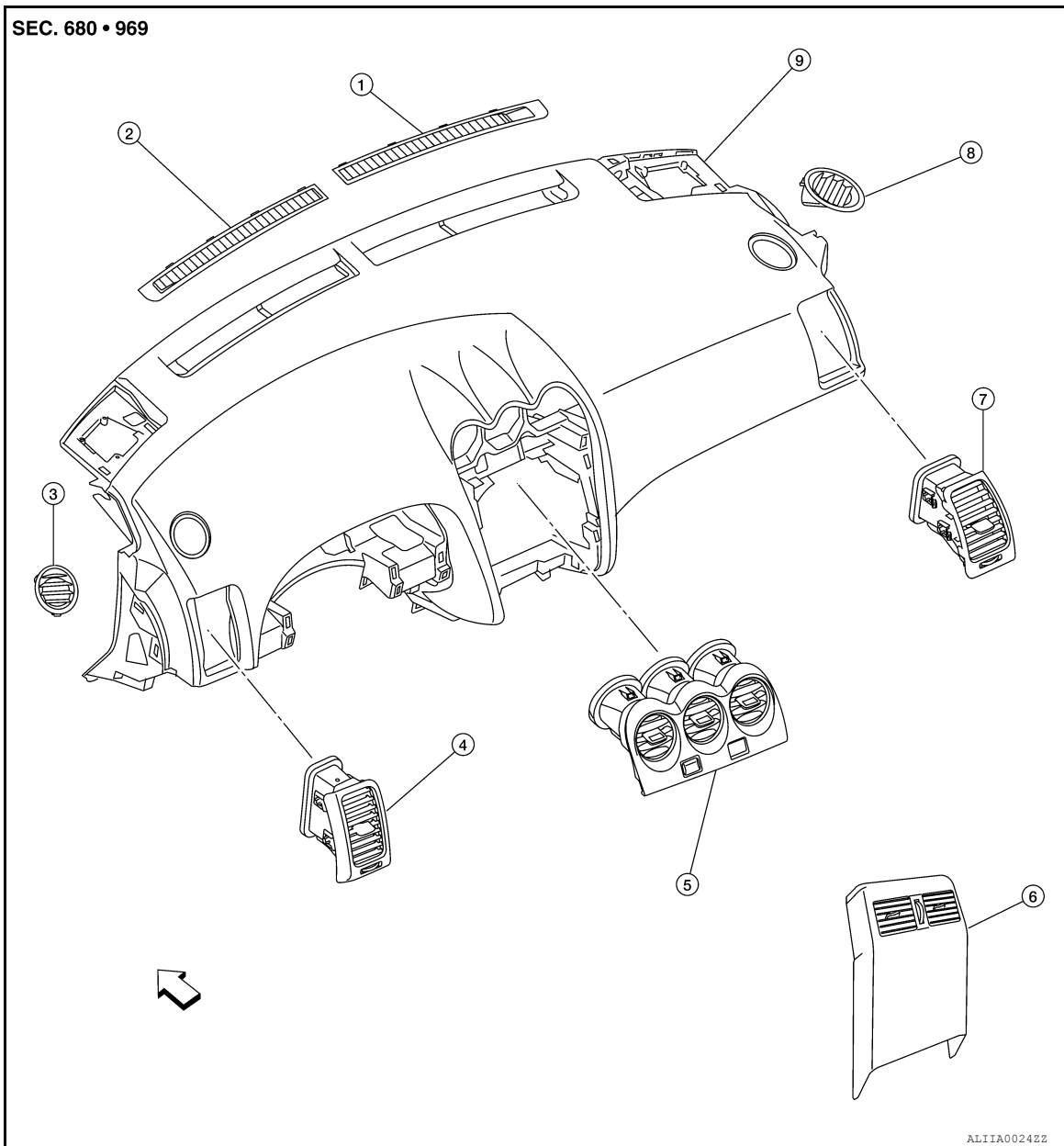


- | | | |
|----------------------------------|-------------------------------------|------------------------------|
| 1. Upper ventilator duct | 2. Heater and cooling unit assembly | 3. Connector duct (LH) |
| 4. Foot ventilator duct (LH) | 5. Connector duct (center) | 6. Rear foot duct (LH) |
| 7. Rear ventilator duct (center) | 8. Rear foot duct (RH) | 9. Foot ventilator duct (RH) |
| 10. Connector duct (RH) | 11. Rear console duct | ← Front |

DUCTS AND GRILLES

< REMOVAL AND INSTALLATION >

Grilles



- | | | |
|--------------------------------|--|---|
| 1. Front defroster grille (RH) | 2. Front defroster grille (LH) | 3. Side defroster grille (LH) |
| 4. Side ventilator grille (LH) | 5. Center ventilator grilles (part of cluster lid C) | 6. Rear ventilator grille (part of rear console finisher) |
| 7. Side ventilator grille (RH) | 8. Side defroster grille (RH) | 9. Instrument panel |

⇐ Front

CENTER VENTILATOR GRILLES

CENTER VENTILATOR GRILLES : Removal and Installation

INFOID:000000007420205

REMOVAL

A
B
C
D
E
F
G
H
VTL
J
K
L
M
N
O
P

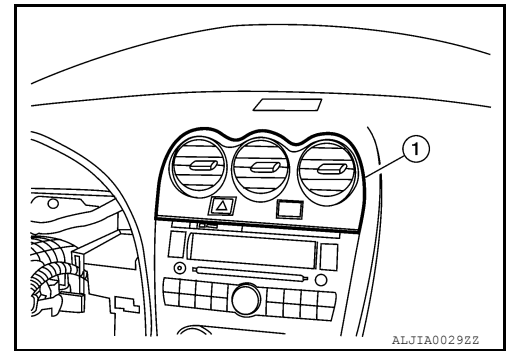
DUCTS AND GRILLES

< REMOVAL AND INSTALLATION >

1. Remove the center ventilator grilles (1) from the instrument panel using Tool from top center of the center ventilator grilles.

Tool number : — (J-46534)

- a. Place the Tool at the middle of the center ventilator grilles. Insert the Tool until it bottoms out on top of the duct.
- b. Pull the Tool rearward (away from the windshield) to start removing the center ventilator grilles.
- c. Pull evenly on the center ventilator grilles until all clips are unclipped and remove it from the instrument panel.



INSTALLATION

Installation is in the reverse order of removal.

SIDE VENTILATOR GRILLES

SIDE VENTILATOR GRILLES : Removal and Installation

INFOID:000000007420206

REMOVAL

Release the tabs and then remove the side ventilator grilles using a suitable tool.

CAUTION:

Use a suitable tool to remove the grille to avoid damage to the instrument panel.

INSTALLATION

Installation is in the reverse order of removal.

UPPER VENTILATOR DUCT

UPPER VENTILATOR DUCT : Removal and Installation

INFOID:000000007420207

REMOVAL

1. Remove the instrument panel. Refer to [IP-12, "Removal and Installation - Instrument Panel"](#).
2. Remove the upper ventilator duct screws using power tools.
3. Remove the upper ventilator duct.

INSTALLATION

Installation is in the reverse order of removal.

FRONT DEFROSTER GRILLE

FRONT DEFROSTER GRILLE : Removal and Installation

INFOID:000000007420208

REMOVAL

Remove the front defroster grille LH/RH from the instrument panel using a suitable tool.

CAUTION:

Use a suitable tool to remove the grille to avoid damage to the instrument panel.

INSTALLATION

Installation is in the reverse order of removal.

SIDE DEFROSTER GRILLES

SIDE DEFROSTER GRILLES : Removal and Installation

INFOID:000000007420209

REMOVAL

Remove side defroster grilles using a suitable tool.

CAUTION:

Use a suitable tool to remove the grille to avoid damage to the instrument panel.

INSTALLATION

Installation is in the reverse order of removal.

DUCTS AND GRILLES

< REMOVAL AND INSTALLATION >

REAR VENTILATOR GRILLE

REAR VENTILATOR GRILLE : Removal and Installation

INFOID:000000007420210

REMOVAL

Remove console rear finisher. Refer to [IP-11, "Exploded View"](#).

NOTE:

The rear ventilator is part of the console rear finisher.

INSTALLATION

Installation is in the reverse order of removal.

REAR VENTILATOR DUCTS

REAR VENTILATOR DUCTS : Removal and Installation

INFOID:000000007420211

REAR VENTILATOR DUCT (CENTER)

Removal

1. Remove the floor carpet. Refer to [INT-25, "Exploded View"](#).
2. Remove the rear ventilator duct (center).

Installation

Installation is in the reverse order of removal.

FOOT VENTILATOR DUCT (RH, LH)

Removal

1. Remove the floor carpet. Refer to [INT-25, "Removal and Installation"](#).
2. Remove the foot ventilator duct (RH, LH).

Installation

Installation is in the reverse order of removal.

REAR CONSOLE DUCT

Removal

1. Remove the center console. Refer to [IP-20, "Removal and Installation"](#).
2. Remove the rear console duct screws.
3. Remove the rear console duct.

Installation

Installation is in the reverse order of removal.

REAR FOOT DUCT

REAR FOOT DUCT : Removal and Installation

INFOID:000000007420212

REMOVAL

1. Remove the floor carpet. Refer to [INT-25, "Removal and Installation"](#).
2. Remove the rear foot duct (RH, LH) clips.
3. Remove the rear foot ducts (RH, LH).

INSTALLATION

Installation is in the reverse order of removal.

A
B
C
D
E
F
G
H
VTL
J
K
L
M
N
O
P