

SECTION **HRN**
HORN

A
B
C
D
E
F
G
H
I
J
K
M
N
O
P

CONTENTS

PRECAUTION	2	HORN	3
PRECAUTIONS	2	Wiring Diagram	3
Precaution for Supplemental Restraint System (SRS) "AIR BAG" and "SEAT BELT PRE-TEN- SIONER"	2	REMOVAL AND INSTALLATION	7
WIRING DIAGRAM	3	HORN	7
		Removal and Installation	7

HRN

PRECAUTIONS

< PRECAUTION >

PRECAUTION

PRECAUTIONS

Precaution for Supplemental Restraint System (SRS) "AIR BAG" and "SEAT BELT PRE-TENSIONER"

INFOID:000000008722774

The Supplemental Restraint System such as "AIR BAG" and "SEAT BELT PRE-TENSIONER", used along with a front seat belt, helps to reduce the risk or severity of injury to the driver and front passenger for certain types of collision. Information necessary to service the system safely is included in the SR and SB section of this Service Manual.

WARNING:

- To avoid rendering the SRS inoperative, which could increase the risk of personal injury or death in the event of a collision which would result in air bag inflation, all maintenance must be performed by an authorized NISSAN/INFINITI dealer.
- Improper maintenance, including incorrect removal and installation of the SRS, can lead to personal injury caused by unintentional activation of the system. For removal of Spiral Cable and Air Bag Module, see the SR section.
- Do not use electrical test equipment on any circuit related to the SRS unless instructed to in this Service Manual. SRS wiring harnesses can be identified by yellow and/or orange harnesses or harness connectors.

PRECAUTIONS WHEN USING POWER TOOLS (AIR OR ELECTRIC) AND HAMMERS

WARNING:

- When working near the Airbag Diagnosis Sensor Unit or other Airbag System sensors with the Ignition ON or engine running, DO NOT use air or electric power tools or strike near the sensor(s) with a hammer. Heavy vibration could activate the sensor(s) and deploy the air bag(s), possibly causing serious injury.
- When using air or electric power tools or hammers, always switch the Ignition OFF, disconnect the battery and wait at least 3 minutes before performing any service.

HORN

< WIRING DIAGRAM >

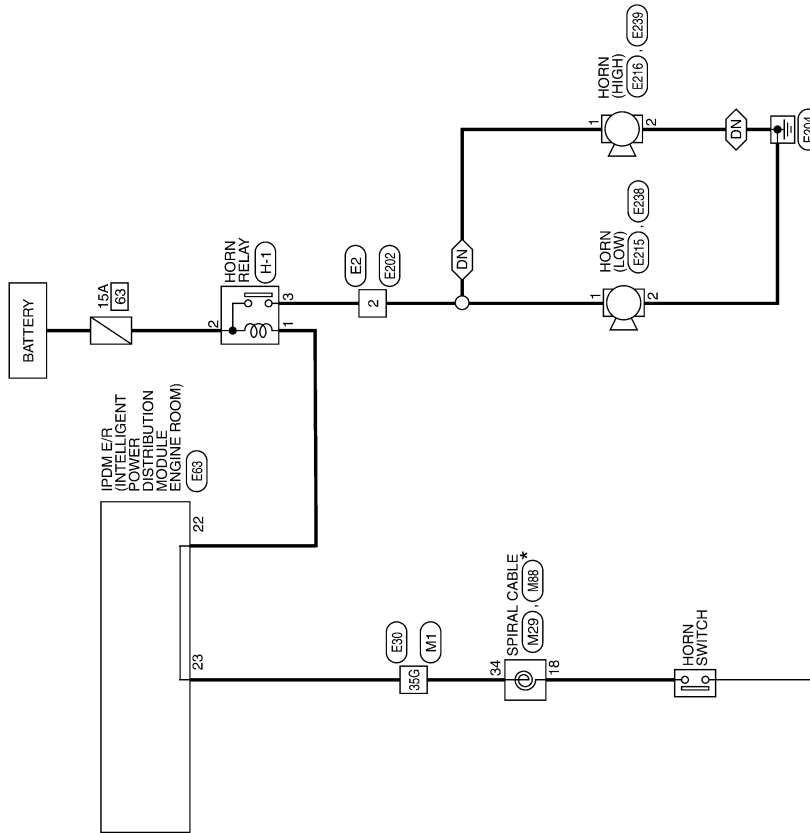
WIRING DIAGRAM

HORN

Wiring Diagram

INFOID:000000007987018

⬇️ : WITH DUAL NOTE HORN



HORN

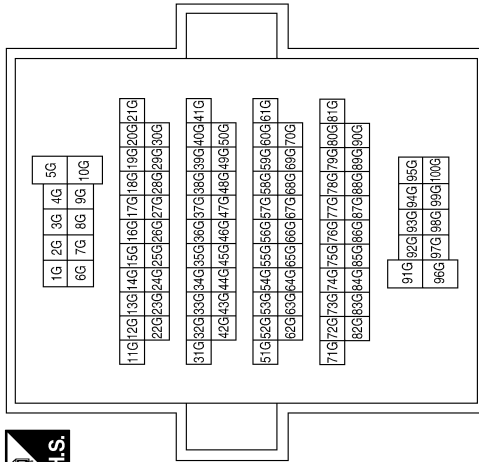
* : THIS CONNECTOR IS NOT SHOWN IN "HARNES LAYOUT" OF PG SECTION.

ABLWA1784GB

A
B
C
D
E
F
G
H
I
J
K
HRN
M
N
O
P

HORN CONNECTORS

Connector No.	M1
Connector Name	WIRE TO WIRE
Connector Color	WHITE



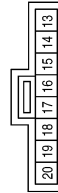
Terminal No.	Color of Wire	Signal Name
35G	G	-

Connector No.	M29
Connector Name	SPIRAL CABLE
Connector Color	YELLOW



Terminal No.	Color of Wire	Signal Name
34	G	-

Connector No.	M88
Connector Name	SPIRAL CABLE
Connector Color	GRAY



Connector No.	E2
Connector Name	WIRE TO WIRE
Connector Color	WHITE



Terminal No.	Color of Wire	Signal Name
18	G	HORN SW

Terminal No.	Color of Wire	Signal Name
2	R	-

HORN

< WIRING DIAGRAM >

Connector No.	E63
Connector Name	IPDM E/R (INTELLIGENT POWER DISTRIBUTION MODULE ENGINE ROOM)
Connector Color	WHITE

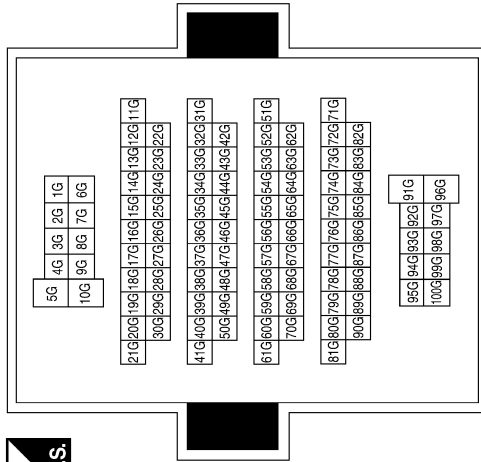


19	20	21	22	23	24	25	26	27	28	29	30	31	32	33	34
35	36	37	38	39	40	41	42	43	44	45	46	47	48	49	50

Terminal No.	Color of Wire	Signal Name
22	W	HORN RLY
23	V	HORN SW
28	P	CAN-L
29	L	CAN-H
41	B	GND (SIGNAL)

Terminal No.	Color of Wire	Signal Name
35G	V	-

Connector No.	E30
Connector Name	WIRE TO WIRE
Connector Color	WHITE



Connector No.	E216
Connector Name	HORN (HIGH)
Connector Color	BLACK



1

Terminal No.	Color of Wire	Signal Name
1	G	HIGH+

Connector No.	E215
Connector Name	HORN (LOW)
Connector Color	BLACK



1

Terminal No.	Color of Wire	Signal Name
1	G	LOW+

Connector No.	E202
Connector Name	WIRE TO WIRE
Connector Color	WHITE



3	2	1		
8	7	6	5	4

Terminal No.	Color of Wire	Signal Name
2	G	-

ABLIA3771GB

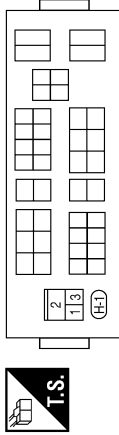
A B C D E F G H I J K M N O P

HRN

HORN

< WIRING DIAGRAM >

Connector No.	H-1
Connector Name	FUSE AND FUSIBLE LINK BOX (HORN RELAY)
Connector Color	-



Terminal No.	Color of Wire	Signal Name
1	W	-
2	W	-
3	G	-

Connector No.	E239
Connector Name	HORN (HIGH)
Connector Color	BLACK



Terminal No.	Color of Wire	Signal Name
2	B	GND

Connector No.	E238
Connector Name	HORN (LOW)
Connector Color	BLACK



Terminal No.	Color of Wire	Signal Name
2	B	GND

ABLIA3772GB

HORN

< REMOVAL AND INSTALLATION >

REMOVAL AND INSTALLATION

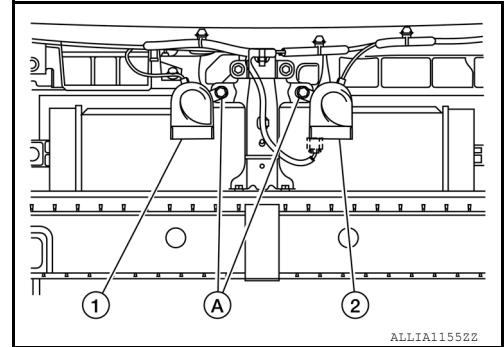
HORN

Removal and Installation

INFOID:000000007987020

REMOVAL

1. Remove the core support cover. Refer to [EXT-17. "Removal and Installation"](#).
2. Disconnect the harness connectors from horn (LOW) (1) and horn (HIGH) (2) (if equipped).
3. Remove the bolts (A) and the horn (LOW) (1) and horn (HIGH) (2) (if equipped).



INSTALLATION

Installation is in the reverse order of removal.

A
B
C
D
E
F
G
H
I
J
K
M
N
O
P

HRN