

A
B
C

TM

SECTION

TRANSAXLE & TRANSMISSION

TM

CONTENTS

CVT: RE0F10D		E
PRECAUTION	9	
PRECAUTIONS	9	
Precaution for Supplemental Restraint System (SRS) "AIR BAG" and "SEAT BELT PRE-TENSIONER"	9	
Precaution for Procedure without Cowl Top Cover.....	9	
Precaution for TCM and Transaxle Assembly Replacement	9	
General Precautions	10	
On Board Diagnosis (OBD) System of CVT and Engine	11	
Removal and Installation Procedure for CVT Unit Connector	11	
PREPARATION	13	
PREPARATION	13	
Special Service Tools	13	
Commercial Service Tools	13	
SYSTEM DESCRIPTION	14	
COMPONENT PARTS	14	
CVT CONTROL SYSTEM	14	
CVT CONTROL SYSTEM : Component Parts Location	14	
CVT CONTROL SYSTEM : TCM	16	
CVT CONTROL SYSTEM : Transmission Range Switch	16	
CVT CONTROL SYSTEM : Primary Speed Sensor	16	
CVT CONTROL SYSTEM : Output Speed Sensor... ..	16	
CVT CONTROL SYSTEM : Input Speed Sensor	17	
CVT CONTROL SYSTEM : CVT Fluid Temperature Sensor	17	
CVT CONTROL SYSTEM : Primary Pressure Sensor	18	
CVT CONTROL SYSTEM : Secondary Pressure Sensor	18	F
CVT CONTROL SYSTEM : Primary Pressure Solenoid Valve	19	G
CVT CONTROL SYSTEM : Secondary Pressure Solenoid Valve	19	H
CVT CONTROL SYSTEM : Select Solenoid Valve	19	I
CVT CONTROL SYSTEM : Torque Converter Clutch Solenoid Valve	19	J
CVT CONTROL SYSTEM : Line Pressure Solenoid Valve	20	K
CVT CONTROL SYSTEM : Overdrive Control Switch	20	L
CVT CONTROL SYSTEM : O/D OFF Indicator Lamp	20	M
CVT CONTROL SYSTEM : Shift Position Indicator	20	N
SHIFT LOCK SYSTEM	20	O
SHIFT LOCK SYSTEM : Component Parts Location	21	P
STRUCTURE AND OPERATION	22	
TRANSAXLE	22	
TRANSAXLE : Cross-Sectional View	22	
TRANSAXLE : Operation Status	23	
TRANSAXLE : Transaxle Mechanism	23	
TRANSAXLE : Oil Pressure System	26	
TRANSAXLE : Component Description	27	
FLUID COOLER & FLUID WARMER SYSTEM	27	
FLUID COOLER & FLUID WARMER SYSTEM : System Description	28	
SHIFT LOCK SYSTEM	28	
SHIFT LOCK SYSTEM : System Description	28	
SYSTEM	30	
CVT CONTROL SYSTEM	30	
CVT CONTROL SYSTEM : System Description	30	

CVT CONTROL SYSTEM : Fail-safe	31	Work Procedure	81
CVT CONTROL SYSTEM : Protection Control	34		
LINE PRESSURE CONTROL	35	CVT FLUID	83
LINE PRESSURE CONTROL : System Description	35	Replacement	83
		Adjustment	84
SHIFT CONTROL	35	STALL TEST	86
SHIFT CONTROL : System Description	36	Work Procedure	86
SELECT CONTROL	37	CVT POSITION	87
SELECT CONTROL : System Description	38	Inspection	87
		Adjustment	87
LOCK-UP CONTROL	38	DTC/CIRCUIT DIAGNOSIS	88
LOCK-UP CONTROL : System Description	38	U0073 COMMUNICATION BUS A OFF	88
		DTC Logic	88
ON BOARD DIAGNOSTIC (OBD) SYSTEM	40	Diagnosis Procedure	88
Description	40	U0100 LOST COMMUNICATION (ECM A)	89
Function of OBD	40	DTC Logic	89
		Diagnosis Procedure	89
DIAGNOSIS SYSTEM (TCM)	41	U0140 LOST COMMUNICATION (BCM)	90
DIAGNOSIS DESCRIPTION	41	DTC Logic	90
DIAGNOSIS DESCRIPTION : 1 Trip Detection Di-	41	Diagnosis Procedure	90
agnosis and 2 Trip Detection Diagnosis	41		
DIAGNOSIS DESCRIPTION : DTC and DTC of	41	U0141 LOST COMMUNICATION (BCM A)	91
1st Trip	41	DTC Logic	91
DIAGNOSIS DESCRIPTION : Malfunction Indica-	41	Diagnosis Procedure	91
tor Lamp (MIL)	41		
DIAGNOSIS DESCRIPTION : Counter System	41	U0155 LOST COMMUNICATION (IPC)	92
CONSULT Function	43	DTC Logic	92
		Diagnosis Procedure	92
ECU DIAGNOSIS INFORMATION	49	U0300 CAN COMMUNICATION DATA	93
TCM	49	DTC Logic	93
Reference Value	49	Diagnosis Procedure	93
Fail-safe	56	U1000 CAN COMM CIRCUIT	94
Protection Control	59	Description	94
DTC Inspection Priority Chart	59	DTC Logic	94
DTC Index	60	Diagnosis Procedure	94
WIRING DIAGRAM	62	U1117 LOST COMMUNICATION (ABS)	95
CVT CONTROL SYSTEM	62	DTC Logic	95
Wiring diagram	62	Diagnosis Procedure	95
CVT SHIFT LOCK SYSTEM	73	P062F EEPROM	96
Wiring diagram	73	Description	96
		DTC Logic	96
BASIC INSPECTION	77	Diagnosis Procedure	96
DIAGNOSIS AND REPAIR WORK FLOW	77	P0705 TRANSMISSION RANGE SENSOR A... 97	
Flowchart of Trouble Diagnosis	77	DTC Logic	97
Question sheet	78	Diagnosis Procedure	97
		Component Inspection	101
ADDITIONAL SERVICE WHEN REPLACING		P0706 TRANSMISSION RANGE SENSOR A..103	
TCM	80	DTC Logic	103
Description	80	Diagnosis Procedure	103
Work Procedure	80	Component Inspection	105
ADDITIONAL SERVICE WHEN REPLACING			
TRANSAXLE ASSEMBLY	81		
Description	81		

P0711 TRANSMISSION FLUID TEMPERATURE SENSOR A	106	P0847 TRANSMISSION FLUID PRESSURE SEN/SW B	134	A
DTC Logic	106	DTC Logic	134	
Component Function Check	107	Diagnosis Procedure	134	
Diagnosis Procedure	107	P0848 TRANSMISSION FLUID PRESSURE SEN/SW B	136	B
Component Inspection	108	DTC Logic	136	
P0712 TRANSMISSION FLUID TEMPERATURE SENSOR A	109	Diagnosis Procedure	136	C
DTC Logic	109	P084C TRANSMISSION FLUID PRESSURE SEN/SW H	138	TM
Diagnosis Procedure	109	DTC Logic	138	
Component Inspection	109	Diagnosis Procedure	138	
P0713 TRANSMISSION FLUID TEMPERATURE SENSOR A	111	P084D TRANSMISSION FLUID PRESSURE SEN/SW H	140	E
DTC Logic	111	DTC Logic	140	
Diagnosis Procedure	111	Diagnosis Procedure	140	F
Component Inspection	112	P0863 TCM COMMUNICATION	142	G
P0715 INPUT SPEED SENSOR A	113	DTC Logic	142	
DTC Logic	113	Diagnosis Procedure	142	
Diagnosis Procedure	114	P0890 TCM	143	H
P0717 INPUT SPEED SENSOR A	116	DTC Logic	143	
DTC Logic	116	Diagnosis Procedure	143	
Diagnosis Procedure	117	P0962 PRESSURE CONTROL SOLENOID A	144	I
P0740 TORQUE CONVERTER	119	DTC Logic	144	
DTC Logic	119	Diagnosis Procedure	144	
Diagnosis Procedure	120	P0963 PRESSURE CONTROL SOLENOID A	146	J
P0743 TORQUE CONVERTER	121	DTC Logic	146	
DTC Logic	121	Diagnosis Procedure	146	
Diagnosis Procedure	122	P0965 PRESSURE CONTROL SOLENOID B	148	K
P0744 TORQUE CONVERTER	123	DTC Logic	148	
DTC Logic	123	Diagnosis Procedure	149	
Diagnosis Procedure	124	P0966 PRESSURE CONTROL SOLENOID B	150	L
P0746 PRESSURE CONTROL SOLENOID A	125	DTC Logic	150	
DTC Logic	125	Diagnosis Procedure	150	M
Diagnosis Procedure	126	P0967 PRESSURE CONTROL SOLENOID B	152	N
P0776 PRESSURE CONTROL SOLENOID B	127	DTC Logic	152	
DTC Logic	127	Diagnosis Procedure	152	
Diagnosis Procedure	128	P2765 INPUT SPEED SENSOR B	154	O
P0778 PRESSURE CONTROL SOLENOID B	129	DTC Logic	154	
DTC Logic	129	Diagnosis Procedure	155	
Diagnosis Procedure	129	P2813 SELECT SOLENOID	157	P
P0779 PRESSURE CONTROL SOLENOID B	131	DTC Logic	157	
DTC Logic	131	Diagnosis Procedure	158	
Diagnosis Procedure	131	P2814 SELECT SOLENOID	159	
P0841 TRANSMISSION FLUID PRESSURE SEN/SW A	133	DTC Logic	159	
DTC Logic	133	Diagnosis Procedure	159	
Diagnosis Procedure	133	P2815 SELECT SOLENOID	161	
		DTC Logic	161	

Diagnosis Procedure	161	Exploded View	192
MAIN POWER SUPPLY AND GROUND CIRCUIT	163	Removal and Installation	192
Diagnosis Procedure	163	Inspection and Adjustment	192
OVERDRIVE CONTROL SWITCH	165	PRIMARY SPEED SENSOR	194
Component Function Check	165	Exploded View	194
Diagnosis Procedure	165	Removal and Installation	194
Component Inspection	166	Inspection and Adjustment	194
OD OFF INDICATOR LAMP	167	OUTPUT SPEED SENSOR	196
Component Function Check	167	Exploded View	196
Diagnosis Procedure	167	Removal and Installation	196
SHIFT POSITION INDICATOR CIRCUIT	168	Inspection and Adjustment	196
Component Parts Function Inspection	168	DIFFERENTIAL SIDE OIL SEAL	197
Diagnosis Procedure	168	Exploded View	197
SHIFT LOCK SYSTEM	169	Removal and Installation	197
Component Function Check	169	Inspection and Adjustment	198
Diagnosis Procedure	169	CVT OIL WARMER SYSTEM	199
Component Inspection (Shift Lock Solenoid)	171	WATER HOSE	199
Component Inspection (Park Position Switch)	171	WATER HOSE : Exploded View	199
Component Inspection (Stop Lamp Switch)	172	WATER HOSE : Removal and Installation	199
SYMPTOM DIAGNOSIS	173	WATER HOSE : Inspection	201
CVT CONTROL SYSTEM	173	CVT FLUID COOLER HOSE	201
Symptom Table	173	CVT FLUID COOLER HOSE : Exploded View	201
PERIODIC MAINTENANCE	177	CVT FLUID COOLER HOSE : Removal and Installation	202
CVT FLUID	177	CVT FLUID COOLER HOSE : Inspection	203
Inspection	177	CVT OIL WARMER	203
REMOVAL AND INSTALLATION	178	CVT OIL WARMER : Exploded View	204
CVT SHIFT SELECTOR	178	CVT OIL WARMER : Removal and Installation	204
Exploded View	178	CVT OIL WARMER : Inspection	204
Removal and Installation	178	CVT FLUID COOLER	205
Inspection	179	Exploded View (Mexico Only)	205
CONTROL CABLE	180	Removal and Installation (Mexico Only)	205
Exploded View	180	PLUG	206
Removal and Installation	180	Description	206
Inspection and Adjustment	181	Exploded View	206
TCM	182	Removal and Installation	206
Exploded View	182	Inspection and Adjustment	206
Removal and Installation	182	UNIT REMOVAL AND INSTALLATION ...	207
Adjustment	183	TRANSAXLE ASSEMBLY	207
AIR BREATHER HOSE	184	Exploded View	207
Removal and Installation	184	Removal and Installation	207
CONTROL VALVE	185	Inspection and Adjustment	208
Exploded View	185	UNIT DISASSEMBLY AND ASSEMBLY ..	210
Removal and Installation	186	TORQUE CONVERTER AND CONVERTER HOUSING OIL SEAL	210
Inspection	191	Exploded View	210
INPUT SPEED SENSOR	192	Disassembly	210
		Assembly	210
		Inspection	211

SERVICE DATA AND SPECIFICATIONS**(SDS) 213****SERVICE DATA AND SPECIFICATIONS****(SDS) 213**

General Specification 213
 Shift Characteristics 213
 Stall Speed 213
 Torque Converter 213
 Heater Thermostat 213

CVT: RE0F10E**PRECAUTION 214****PRECAUTIONS 214**

Precaution for Supplemental Restraint System (SRS) "AIR BAG" and "SEAT BELT PRE-TENSIONER" 214
 Precaution for Procedure without Cowl Top Cover 214
 Precaution for TCM and Transaxle Assembly Replacement 214
 General Precautions 215
 On Board Diagnosis (OBD) System of CVT and Engine 216
 Removal and Installation Procedure for CVT Unit Connector 216

PREPARATION 218**PREPARATION 218**

Special Service Tools 218
 Commercial Service Tools 218

SYSTEM DESCRIPTION 219**COMPONENT PARTS 219****CVT CONTROL SYSTEM 219**

CVT CONTROL SYSTEM : Component Parts Location 219
 CVT CONTROL SYSTEM : TCM 221
 CVT CONTROL SYSTEM : Transmission Range Switch 221
 CVT CONTROL SYSTEM : Primary Speed Sensor 221
 CVT CONTROL SYSTEM : Output Speed Sensor 221
 CVT CONTROL SYSTEM : Input Speed Sensor 222
 CVT CONTROL SYSTEM : CVT Fluid Temperature Sensor 222
 CVT CONTROL SYSTEM : Primary Pressure Sensor 223
 CVT CONTROL SYSTEM : Secondary Pressure Sensor 223
 CVT CONTROL SYSTEM : Primary Pressure Solenoid Valve 224
 CVT CONTROL SYSTEM : Secondary Pressure Solenoid Valve 224
 CVT CONTROL SYSTEM : Select Solenoid Valve 224

CVT CONTROL SYSTEM : Torque Converter Clutch Solenoid Valve 224
 CVT CONTROL SYSTEM : Line Pressure Solenoid Valve 225
 CVT CONTROL SYSTEM : Paddle Shifter 225
 CVT CONTROL SYSTEM : Shift Position Indicator 225

SHIFT LOCK SYSTEM 225

SHIFT LOCK SYSTEM : Component Parts Location 225

STRUCTURE AND OPERATION 227**TRANSAXLE 227**

TRANSAXLE : Cross-Sectional View 227
 TRANSAXLE : Operation Status 228
 TRANSAXLE : Transaxle Mechanism 228
 TRANSAXLE : Oil Pressure System 230
 TRANSAXLE : Component Description 231

FLUID COOLER & FLUID WARMER SYSTEM 231

FLUID COOLER & FLUID WARMER SYSTEM : System Description 232

SHIFT LOCK SYSTEM 232

SHIFT LOCK SYSTEM : System Description 232

SYSTEM 234**CVT CONTROL SYSTEM 234**

CVT CONTROL SYSTEM : System Description 234
 CVT CONTROL SYSTEM : Fail-safe 235
 CVT CONTROL SYSTEM : Protection Control 238

LINE PRESSURE CONTROL 239

LINE PRESSURE CONTROL : System Description 239

SHIFT CONTROL 239

SHIFT CONTROL : System Description 240

SELECT CONTROL 241

SELECT CONTROL : System Description 241

LOCK-UP CONTROL 242

LOCK-UP CONTROL : System Description 242

ON BOARD DIAGNOSTIC (OBD) SYSTEM .. 244

Description 244
 Function of OBD 244

DIAGNOSIS SYSTEM (TCM) 245**DIAGNOSIS DESCRIPTION 245**

DIAGNOSIS DESCRIPTION : 1 Trip Detection Diagnosis and 2 Trip Detection Diagnosis 245
 DIAGNOSIS DESCRIPTION : DTC and DTC of 1st Trip 245
 DIAGNOSIS DESCRIPTION : Malfunction Indicator Lamp (MIL) 245
 DIAGNOSIS DESCRIPTION : Counter System 245
 CONSULT Function 247

A
B
C
TM
E
F
G
H
I
J
K
L
M
N
O
P

ECU DIAGNOSIS INFORMATION	253	U0155 LOST COMMUNICATION (IPC)	295
TCM	253	DTC Logic	295
Reference Value	253	Diagnosis Procedure	295
Fail-safe	260	U0300 CAN COMMUNICATION DATA	296
Protection Control	263	DTC Logic	296
DTC Inspection Priority Chart	263	Diagnosis Procedure	296
DTC Index	264	U1000 CAN COMM CIRCUIT	297
WIRING DIAGRAM	266	Description	297
CVT CONTROL SYSTEM	266	DTC Logic	297
Wiring diagram	266	Diagnosis Procedure	297
CVT SHIFT LOCK SYSTEM	276	U1117 LOST COMMUNICATION (ABS)	298
Wiring diagram	276	DTC Logic	298
BASIC INSPECTION	280	Diagnosis Procedure	298
DIAGNOSIS AND REPAIR WORK FLOW	280	P062F EEPROM	299
Flowchart of Trouble Diagnosis	280	Description	299
Question sheet	281	DTC Logic	299
ADDITIONAL SERVICE WHEN REPLACING		Diagnosis Procedure	299
TCM	283	P0705 TRANSMISSION RANGE SENSOR A..	300
Description	283	DTC Logic	300
Work Procedure	283	Diagnosis Procedure	300
ADDITIONAL SERVICE WHEN REPLACING		Component Inspection	304
TRANSAXLE ASSEMBLY	284	P0706 TRANSMISSION RANGE SENSOR A..	306
Description	284	DTC Logic	306
Work Procedure	284	Diagnosis Procedure	306
CVT FLUID	286	Component Inspection	308
Replacement	286	P0711 TRANSMISSION FLUID TEMPERA-	309
Adjustment	287	TURE SENSOR A	309
STALL TEST	289	DTC Logic	309
Work Procedure	289	Component Function Check	310
CVT POSITION	290	Diagnosis Procedure	310
Inspection	290	Component Inspection	311
Adjustment	290	P0712 TRANSMISSION FLUID TEMPERA-	312
DTC/CIRCUIT DIAGNOSIS	291	TURE SENSOR A	312
U0073 COMMUNICATION BUS A OFF	291	DTC Logic	312
DTC Logic	291	Diagnosis Procedure	312
Diagnosis Procedure	291	Component Inspection	312
U0100 LOST COMMUNICATION (ECM A)	292	P0713 TRANSMISSION FLUID TEMPERA-	314
DTC Logic	292	TURE SENSOR A	314
Diagnosis Procedure	292	DTC Logic	314
U0140 LOST COMMUNICATION (BCM)	293	Diagnosis Procedure	314
DTC Logic	293	Component Inspection	315
Diagnosis Procedure	293	P0715 INPUT SPEED SENSOR A	316
U0141 LOST COMMUNICATION (BCM A)	294	DTC Logic	316
DTC Logic	294	Diagnosis Procedure	317
Diagnosis Procedure	294	P0717 INPUT SPEED SENSOR A	319
U0155 LOST COMMUNICATION (IPC)	295	DTC Logic	319
DTC Logic	295	Diagnosis Procedure	320
Diagnosis Procedure	295	P0740 TORQUE CONVERTER	322
U0300 CAN COMMUNICATION DATA	296	DTC Logic	322
DTC Logic	296		
Diagnosis Procedure	296		
U1000 CAN COMM CIRCUIT	297		
Description	297		
DTC Logic	297		
Diagnosis Procedure	297		
U1117 LOST COMMUNICATION (ABS)	298		
DTC Logic	298		
Diagnosis Procedure	298		
P062F EEPROM	299		
Description	299		
DTC Logic	299		
Diagnosis Procedure	299		
P0705 TRANSMISSION RANGE SENSOR A..	300		
DTC Logic	300		
Diagnosis Procedure	300		
Component Inspection	304		
P0706 TRANSMISSION RANGE SENSOR A..	306		
DTC Logic	306		
Diagnosis Procedure	306		
Component Inspection	308		
P0711 TRANSMISSION FLUID TEMPERA-	309		
TURE SENSOR A	309		
DTC Logic	309		
Component Function Check	310		
Diagnosis Procedure	310		
Component Inspection	311		
P0712 TRANSMISSION FLUID TEMPERA-	312		
TURE SENSOR A	312		
DTC Logic	312		
Diagnosis Procedure	312		
Component Inspection	312		
P0713 TRANSMISSION FLUID TEMPERA-	314		
TURE SENSOR A	314		
DTC Logic	314		
Diagnosis Procedure	314		
Component Inspection	315		
P0715 INPUT SPEED SENSOR A	316		
DTC Logic	316		
Diagnosis Procedure	317		
P0717 INPUT SPEED SENSOR A	319		
DTC Logic	319		
Diagnosis Procedure	320		
P0740 TORQUE CONVERTER	322		
DTC Logic	322		

Diagnosis Procedure	323	
P0743 TORQUE CONVERTER	324	
DTC Logic	324	
Diagnosis Procedure	325	
P0744 TORQUE CONVERTER	326	
DTC Logic	326	
Diagnosis Procedure	327	
P0746 PRESSURE CONTROL SOLENOID A. 328		
DTC Logic	328	
Diagnosis Procedure	329	
P0776 PRESSURE CONTROL SOLENOID B. 330		
DTC Logic	330	
Diagnosis Procedure	331	
P0778 PRESSURE CONTROL SOLENOID B. 332		
DTC Logic	332	
Diagnosis Procedure	332	
P0779 PRESSURE CONTROL SOLENOID B. 334		
DTC Logic	334	
Diagnosis Procedure	334	
P0841 TRANSMISSION FLUID PRESSURE SEN/SW A	336	
DTC Logic	336	
Diagnosis Procedure	336	
P0847 TRANSMISSION FLUID PRESSURE SEN/SW B	337	
DTC Logic	337	
Diagnosis Procedure	337	
P0848 TRANSMISSION FLUID PRESSURE SEN/SW B	339	
DTC Logic	339	
Diagnosis Procedure	339	
P084C TRANSMISSION FLUID PRESSURE SEN/SW H	341	
DTC Logic	341	
Diagnosis Procedure	341	
P084D TRANSMISSION FLUID PRESSURE SEN/SW H	343	
DTC Logic	343	
Diagnosis Procedure	343	
P0863 TCM COMMUNICATION	345	
DTC Logic	345	
Diagnosis Procedure	345	
P0890 TCM	346	
DTC Logic	346	
Diagnosis Procedure	346	
P0962 PRESSURE CONTROL SOLENOID A. 347		
DTC Logic	347	
Diagnosis Procedure	347	
P0963 PRESSURE CONTROL SOLENOID A. 349		
DTC Logic	349	A
Diagnosis Procedure	349	
P0965 PRESSURE CONTROL SOLENOID B. 351		B
DTC Logic	351	
Diagnosis Procedure	352	
P0966 PRESSURE CONTROL SOLENOID B. 353		C
DTC Logic	353	
Diagnosis Procedure	353	
P0967 PRESSURE CONTROL SOLENOID B. 355		TM
DTC Logic	355	
Diagnosis Procedure	355	
P2765 INPUT SPEED SENSOR B	357	E
DTC Logic	357	
Diagnosis Procedure	358	
P2813 SELECT SOLENOID	360	F
DTC Logic	360	
Diagnosis Procedure	361	
P2814 SELECT SOLENOID	362	G
DTC Logic	362	
Diagnosis Procedure	362	
P2815 SELECT SOLENOID	364	H
DTC Logic	364	
Diagnosis Procedure	364	
MAIN POWER SUPPLY AND GROUND CIR- CUIT	366	J
Diagnosis Procedure	366	
SHIFT POSITION INDICATOR CIRCUIT	368	K
Component Parts Function Inspection	368	
Diagnosis Procedure	368	
SHIFT LOCK SYSTEM	369	L
Component Function Check	369	
Diagnosis Procedure	369	
Component Inspection (Shift Lock Solenoid)	371	M
Component Inspection (Park Position Switch)	371	
Component Inspection (Stop Lamp Switch)	372	
SYMPTOM DIAGNOSIS	373	N
CVT CONTROL SYSTEM	373	O
Symptom Table	373	
PERIODIC MAINTENANCE	377	
CVT FLUID	377	P
Inspection	377	
REMOVAL AND INSTALLATION	378	
CVT SHIFT SELECTOR	378	
Exploded View	378	
Removal and Installation	378	

Inspection	379	WATER HOSE : Removal and Installation	401
CONTROL CABLE	380	WATER HOSE : Inspection	403
Exploded View	380	CVT FLUID COOLER HOSE	403
Removal and Installation	380	CVT FLUID COOLER HOSE : Exploded View	403
Inspection and Adjustment	381	CVT FLUID COOLER HOSE : Removal and In- stallation	404
PADDLE SHIFTER	382	CVT FLUID COOLER HOSE : Inspection	405
Exploded View	382	CVT OIL WARMER	405
Removal and Installation	382	CVT OIL WARMER : Exploded View	405
TCM	384	CVT OIL WARMER : Removal and Installation ...	405
Exploded View	384	CVT OIL WARMER : Inspection	406
Removal and Installation	384	PLUG	407
Adjustment	385	Description	407
AIR BREATHER HOSE	386	Exploded View	407
Removal and Installation	386	Removal and Installation	407
CONTROL VALVE	387	Inspection and Adjustment	407
Exploded View	387	UNIT REMOVAL AND INSTALLATION ...	408
Removal and Installation	388	TRANSAXLE ASSEMBLY	408
Inspection	393	Exploded View	408
INPUT SPEED SENSOR	394	Removal and Installation	408
Exploded View	394	Inspection and Adjustment	409
Removal and Installation	394	UNIT DISASSEMBLY AND ASSEMBLY ..	411
Inspection and Adjustment	394	TORQUE CONVERTER AND CONVERTER	
PRIMARY SPEED SENSOR	396	HOUSING OIL SEAL	411
Exploded View	396	Exploded View	411
Removal and Installation	396	Disassembly	411
Inspection and Adjustment	396	Assembly	411
OUTPUT SPEED SENSOR	398	Inspection	412
Exploded View	398	SERVICE DATA AND SPECIFICATIONS	
Removal and Installation	398	(SDS)	414
Inspection and Adjustment	398	SERVICE DATA AND SPECIFICATIONS	
DIFFERENTIAL SIDE OIL SEAL	399	(SDS)	414
Exploded View	399	General Specification	414
Removal and Installation	399	Shift Characteristics	414
Inspection and Adjustment	400	Stall Speed	414
CVT OIL WARMER SYSTEM	401	Torque Converter	414
WATER HOSE	401	Heater Thermostat	414
WATER HOSE : Exploded View	401		

PRECAUTION

PRECAUTIONS

Precaution for Supplemental Restraint System (SRS) "AIR BAG" and "SEAT BELT PRE-TENSIONER"

INFOID:000000008747305

The Supplemental Restraint System such as "AIR BAG" and "SEAT BELT PRE-TENSIONER", used along with a front seat belt, helps to reduce the risk or severity of injury to the driver and front passenger for certain types of collision. Information necessary to service the system safely is included in the SR and SB section of this Service Manual.

WARNING:

- To avoid rendering the SRS inoperative, which could increase the risk of personal injury or death in the event of a collision which would result in air bag inflation, all maintenance must be performed by an authorized NISSAN/INFINITI dealer.
- Improper maintenance, including incorrect removal and installation of the SRS, can lead to personal injury caused by unintentional activation of the system. For removal of Spiral Cable and Air Bag Module, see the SR section.
- Do not use electrical test equipment on any circuit related to the SRS unless instructed to in this Service Manual. SRS wiring harnesses can be identified by yellow and/or orange harnesses or harness connectors.

PRECAUTIONS WHEN USING POWER TOOLS (AIR OR ELECTRIC) AND HAMMERS

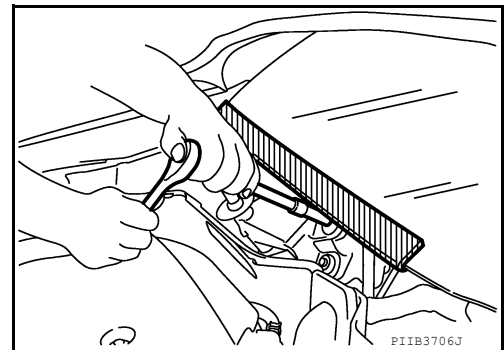
WARNING:

- When working near the Airbag Diagnosis Sensor Unit or other Airbag System sensors with the Ignition ON or engine running, DO NOT use air or electric power tools or strike near the sensor(s) with a hammer. Heavy vibration could activate the sensor(s) and deploy the air bag(s), possibly causing serious injury.
- When using air or electric power tools or hammers, always switch the Ignition OFF, disconnect the battery and wait at least 3 minutes before performing any service.

Precaution for Procedure without Cowl Top Cover

INFOID:000000008138821

When performing the procedure after removing cowl top cover, cover the lower end of windshield with urethane, etc to prevent damage to windshield.



Precaution for TCM and Transaxle Assembly Replacement

INFOID:000000008138822

CAUTION:

- To replace TCM, refer to [TM-80, "Description"](#).
- To replace transaxle assembly, refer to [TM-81, "Description"](#).

A
B
C
TM
E
F
G
H
I
J
K
L
M
N
O
P

PRECAUTIONS

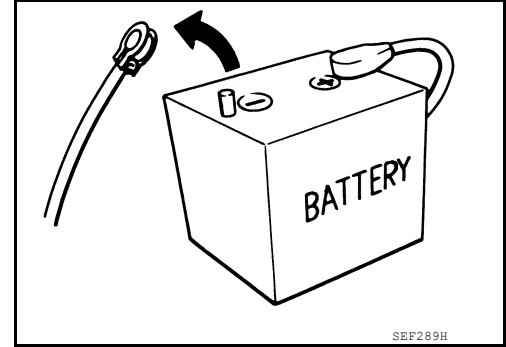
< PRECAUTION >

[CVT: RE0F10D]

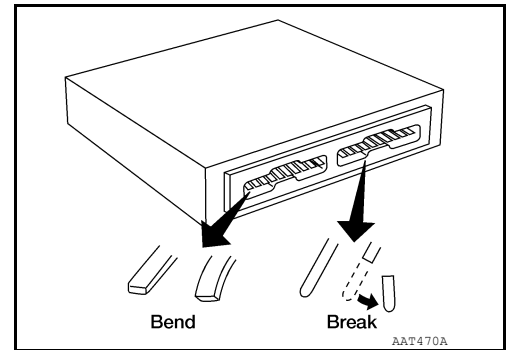
INFOID:000000008138824

General Precautions

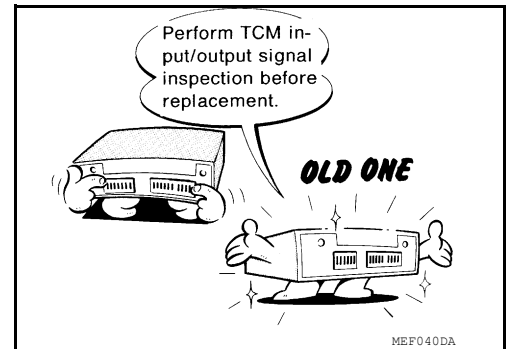
- Turn ignition switch OFF and disconnect the battery cable from the negative terminal before connecting or disconnecting the CVT assembly harness connector. Because battery voltage is applied to TCM even if ignition switch is turned OFF.



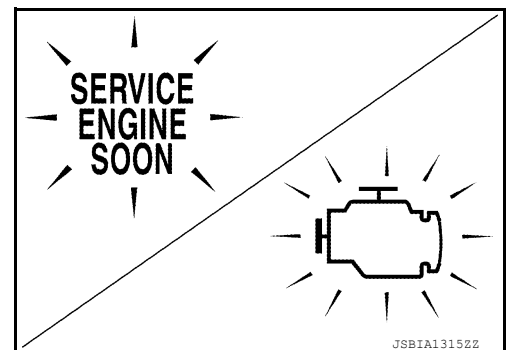
- When connecting or disconnecting pin connectors into or from TCM, do not damage pin terminals (bend or break). Check that there are not any bends or breaks on TCM pin terminal, when connecting pin connectors.



- Perform TCM input/output signal inspection and check whether TCM functions normally or not before replacing TCM. Refer to [TM-49, "Reference Value"](#).



- Perform "DTC (Diagnostic Trouble Code) CONFIRMATION PROCEDURE". If the repair is completed DTC should not be displayed in the "DTC CONFIRMATION PROCEDURE".



- Always use the specified brand of CVT fluid. Refer to [MA-20, "FOR USA AND CANADA : Fluids and Lubricants"](#) (For USA and Canada), [MA-21, "FOR MEXICO : Fluids and Lubricants"](#) (For Mexico).
- Use lint-free paper not cloth rags during work.
- Dispose of the waste oil using the methods prescribed by law, ordinance, etc. after replacing the CVT fluid.

PRECAUTIONS

< PRECAUTION >

[CVT: RE0F10D]

On Board Diagnosis (OBD) System of CVT and Engine

INFOID:000000008138825

The TCM and ECM have an on board diagnostic system. It will light up the malfunction indicator lamp (MIL) to warn the driver of a malfunction causing emission deterioration.

CAUTION:

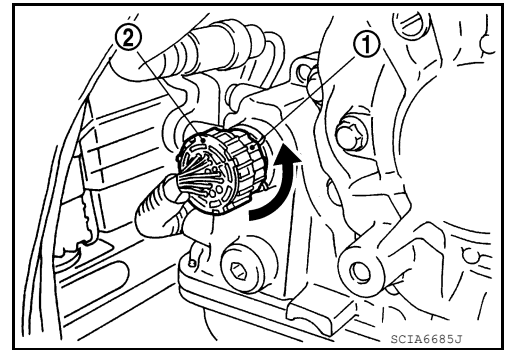
- Be sure to turn the ignition switch OFF and disconnect the battery cable from the negative terminal before any repair or inspection work. The open/short circuit of related switches, sensors, solenoid valves, etc. will cause the MIL to light up.
- Be sure to connect and lock the connectors securely after work. A loose (unlocked) connector will cause the MIL to light up due to an open circuit. (Be sure the connector is free from water, grease, dirt, bent terminals, etc.)
- Be sure to route and secure the harnesses properly after work. Interference of the harness with a bracket, etc. may cause the MIL to light up due to a short circuit.
- Be sure to connect rubber tubes properly after work. A misconnected or disconnected rubber tube may cause the MIL to light up due to a malfunction of the EGR system or fuel injection system, etc.
- Be sure to erase the unnecessary malfunction information (repairs completed) from the TCM and ECM before returning the vehicle to the customer.

Removal and Installation Procedure for CVT Unit Connector

INFOID:000000008138826

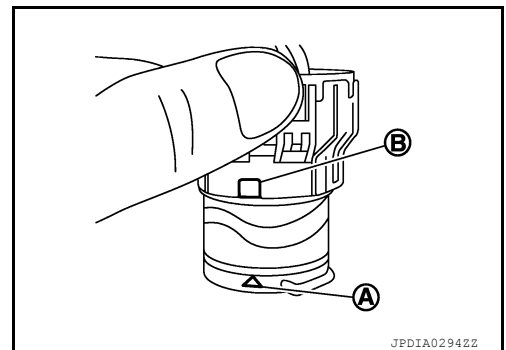
REMOVAL

- Rotate bayonet ring (1) counterclockwise. Pull out CVT unit harness connector (2) upward and remove it.

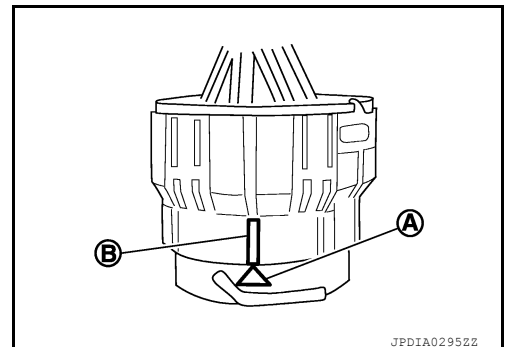


INSTALLATION

1. Align marking (A) on CVT unit harness connector terminal with marking (B) on bayonet ring. Insert CVT unit harness connector.
2. Rotate bayonet ring clockwise.



3. Rotate bayonet ring clockwise until marking (A) on CVT unit harness connector terminal body is aligned with the slit (B) on bayonet ring as shown in the figure (correctly fitting condition).



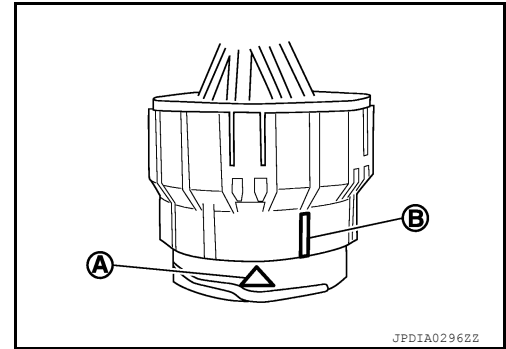
CAUTION:

PRECAUTIONS

[CVT: RE0F10D]

< PRECAUTION >

- Securely align marking (A) on CVT unit harness connector terminal body with bayonet ring slit (B). Then, be careful not to make a half fit condition as shown in the figure.
- Never mistake the slit of bayonet ring for other dent portion.



PREPARATION

< PREPARATION >

[CVT: RE0F10D]

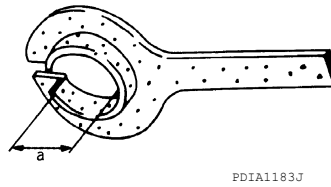
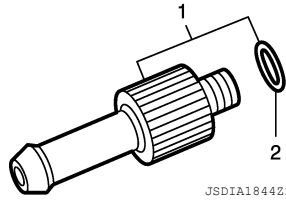
PREPARATION

PREPARATION

Special Service Tools

INFOID:000000008138827

Tool number Tool name	Description
1. KV311039S0 Charging pipe set 2. KV31103920* O-ring	CVT fluid changing and adjustment
KV38107900 Protector a: 32 mm dia.	Installing drive shaft

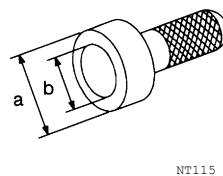
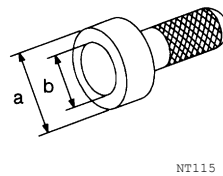
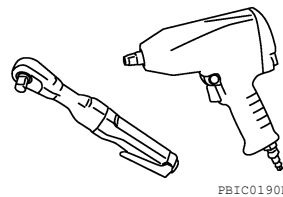


*: The O-ring as a unit part is set as a SST.

Commercial Service Tools

INFOID:000000008138828

Tool number Tool name	Description
Power tool	Loosening nuts and bolts
Drift a: 56 mm (2.20 in) dia. b: 50 mm (1.97 in) dia.	Installing differential side oil seal
Drift a: 65 mm (2.56 in) dia. b: 60 mm (2.36 in) dia.	Installing converter housing oil seal

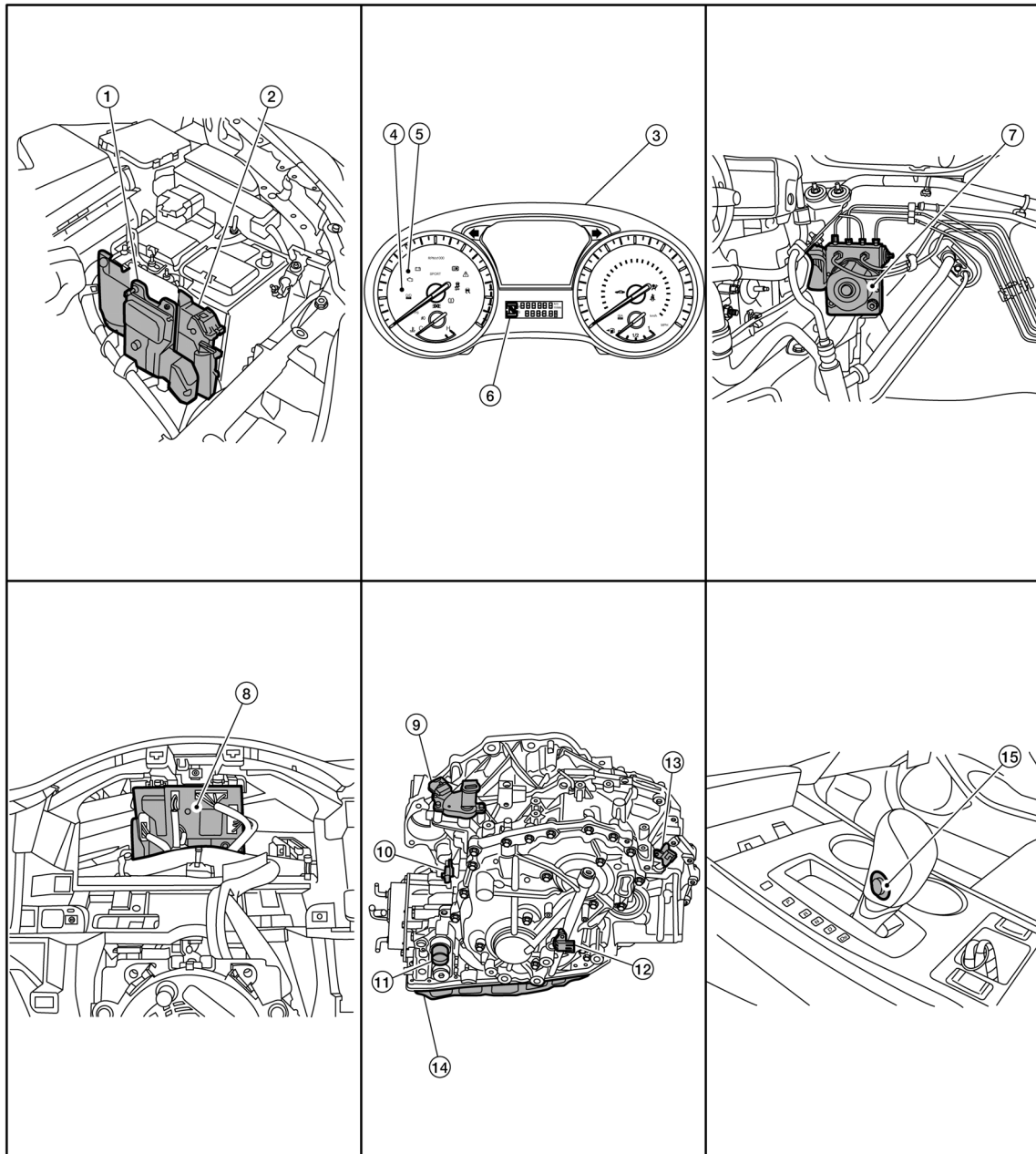


SYSTEM DESCRIPTION

COMPONENT PARTS CVT CONTROL SYSTEM

CVT CONTROL SYSTEM : Component Parts Location

INFOID:000000008138829



ALDIA03442Z

COMPONENT PARTS

< SYSTEM DESCRIPTION >

[CVT: RE0F10D]

COMPONENT DESCRIPTION

No.	Component	Function
①	TCM	TM-16. "CVT CONTROL SYSTEM : TCM"
②	ECM	<ul style="list-style-type: none"> For purposes including improving the feeling when shifting speeds and preventing drops in engine speed, control signals are exchanged between the ECM and TCM, and real-time cooperative control is performed according to the vehicle driving conditions. (Engine and CVT integrated control) Engine and CVT integrated control signal <p>NOTE: General term for the communication (torque-down permission, torque-down request, etc.) exchanged between the ECM and TCM.</p> <ul style="list-style-type: none"> The TCM receives the following signal via CAN communications from the ECM. <ul style="list-style-type: none"> Engine speed signal Accelerator pedal position signal Closed throttle position signal The TCM transmits the following signal via CAN communications to the ECM. <ul style="list-style-type: none"> Malfunctioning indicator lamp signal <p>Refer to EC-21. "Component Parts Location" for detailed installation location.</p>
③	Combination meter	<p>The TCM receives the following signal via CAN communications from the combination meter for judging the driving request from the driver.</p> <ul style="list-style-type: none"> Overdrive control switch signal Vehicle speed signal <p>The TCM transmits the following signal via CAN communications to the combination meter.</p> <ul style="list-style-type: none"> O/D OFF indicator signal Shift position indicator signal <p>Refer to MWI-6. "METER SYSTEM : Component Parts Location" for detailed installation location.</p>
④	O/D OFF indicator lamp	TM-20. "CVT CONTROL SYSTEM : O/D OFF Indicator Lamp"
⑤	Malfunction indicator lamp (MIL)	TM-41. "DIAGNOSIS DESCRIPTION : Malfunction Indicator Lamp (MIL)"
⑥	Shift position indicator	TM-20. "CVT CONTROL SYSTEM : Shift Position Indicator"
⑦	ABS actuator and electric unit (control unit)	<p>The TCM receives the following signal via CAN communications from the ABS actuator and electric unit (control unit).</p> <ul style="list-style-type: none"> ABS operation signal <p>Refer to BRC-8. "Component Parts Location" for detailed installation location.</p>
⑧	BCM	Refer to BCS-4. "BODY CONTROL SYSTEM : Component Parts Location" for detailed installation location.
⑨	Transmission range switch	TM-16. "CVT CONTROL SYSTEM : Transmission Range Switch"
⑩	Input speed sensor	TM-17. "CVT CONTROL SYSTEM : Input Speed Sensor"
⑪	CVT unit connector	—
⑫	Primary speed sensor	TM-16. "CVT CONTROL SYSTEM : Primary Speed Sensor"
⑬	Output speed sensor	TM-16. "CVT CONTROL SYSTEM : Output Speed Sensor"

A
B
C
TM
E
F
G
H
I
J
K
L
M
N
O
P

COMPONENT PARTS

< SYSTEM DESCRIPTION >

[CVT: RE0F10D]

No.	Component	Function
⑭	Control valve	
	CVT fluid temperature sensor*	TM-17, "CVT CONTROL SYSTEM : CVT Fluid Temperature Sensor"
	Primary pressure sensor*	TM-18, "CVT CONTROL SYSTEM : Primary Pressure Sensor"
	Secondary pressure sensor*	TM-18, "CVT CONTROL SYSTEM : Secondary Pressure Sensor"
	Primary pressure solenoid valve*	TM-19, "CVT CONTROL SYSTEM : Primary Pressure Solenoid Valve"
	Secondary pressure solenoid valve*	TM-19, "CVT CONTROL SYSTEM : Secondary Pressure Solenoid Valve"
	Select solenoid valve*	TM-19, "CVT CONTROL SYSTEM : Select Solenoid Valve"
	Torque converter clutch solenoid valve*	TM-19, "CVT CONTROL SYSTEM : Torque Converter Clutch Solenoid Valve"
	Line pressure solenoid valve*	TM-20, "CVT CONTROL SYSTEM : Line Pressure Solenoid Valve"
⑮	Overdrive control switch	TM-20, "CVT CONTROL SYSTEM : Overdrive Control Switch"

*: These components are included in control valve assembly.

CVT CONTROL SYSTEM : TCM

INFOID:000000008138831

- The vehicle driving status is judged based on the signals from the sensors, switches, and other control units, and the optimal transaxle control is performed.
- For TCM control items, refer to [TM-30, "CVT CONTROL SYSTEM : System Description"](#).

CVT CONTROL SYSTEM : Transmission Range Switch

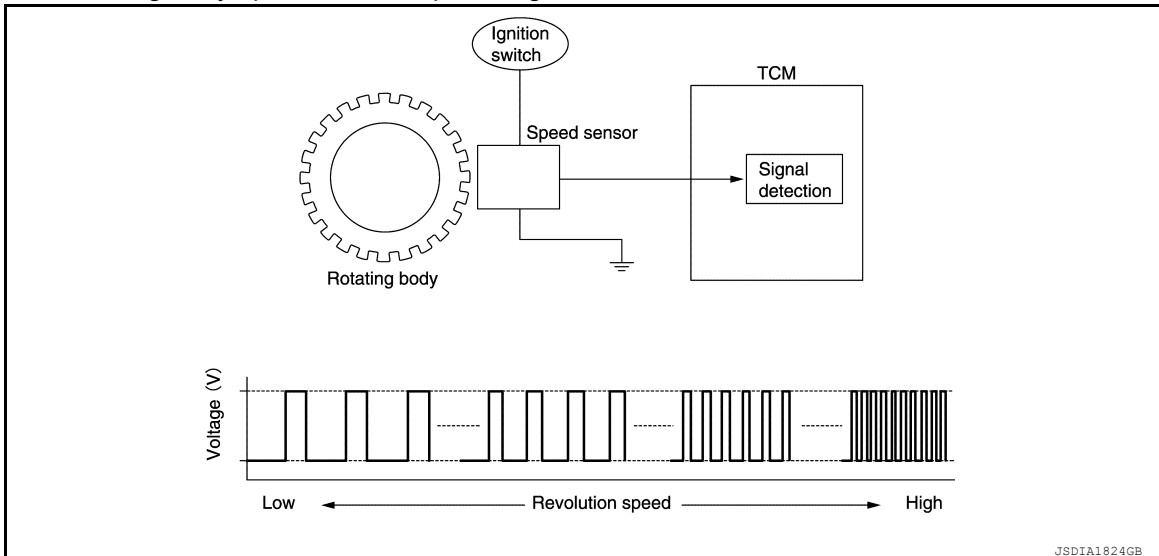
INFOID:000000008138833

- The transmission range switch is installed to upper part of transaxle case.
- The transmission range switch detects the selector lever position.

CVT CONTROL SYSTEM : Primary Speed Sensor

INFOID:000000008138834

- The primary speed sensor is installed to side cover of transaxle.
- The primary speed sensor detects primary pulley speed.
- The primary speed sensor generates an ON-OFF pulse signal according to the rotating body speed. TCM judges the rotating body speed from the pulse signal.



CVT CONTROL SYSTEM : Output Speed Sensor

INFOID:000000008138835

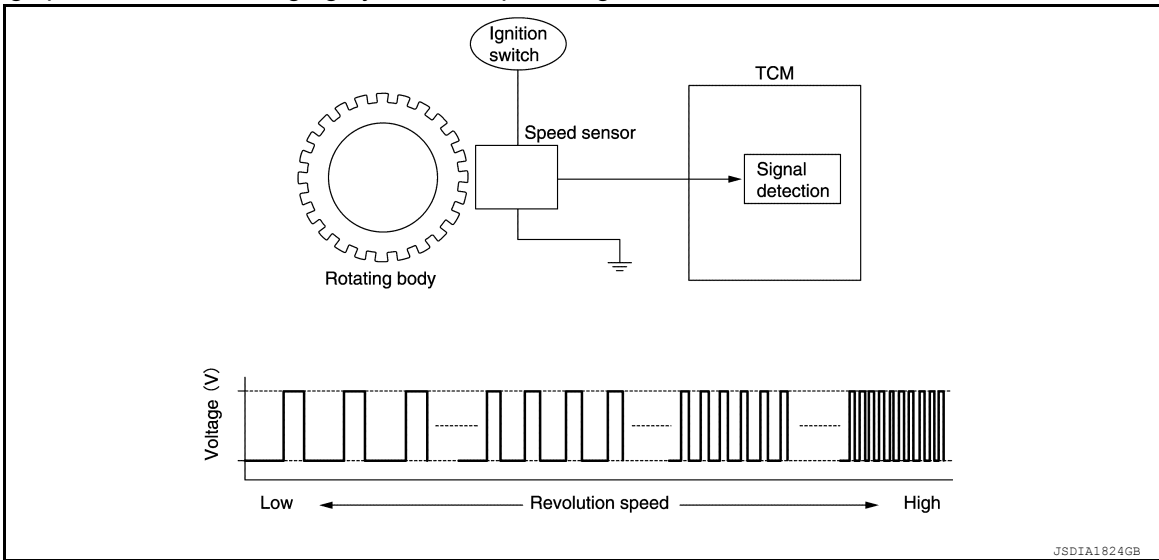
- The output speed sensor is installed to back side of transaxle.
- The output speed sensor detects final gear speed.

COMPONENT PARTS

< SYSTEM DESCRIPTION >

[CVT: RE0F10D]

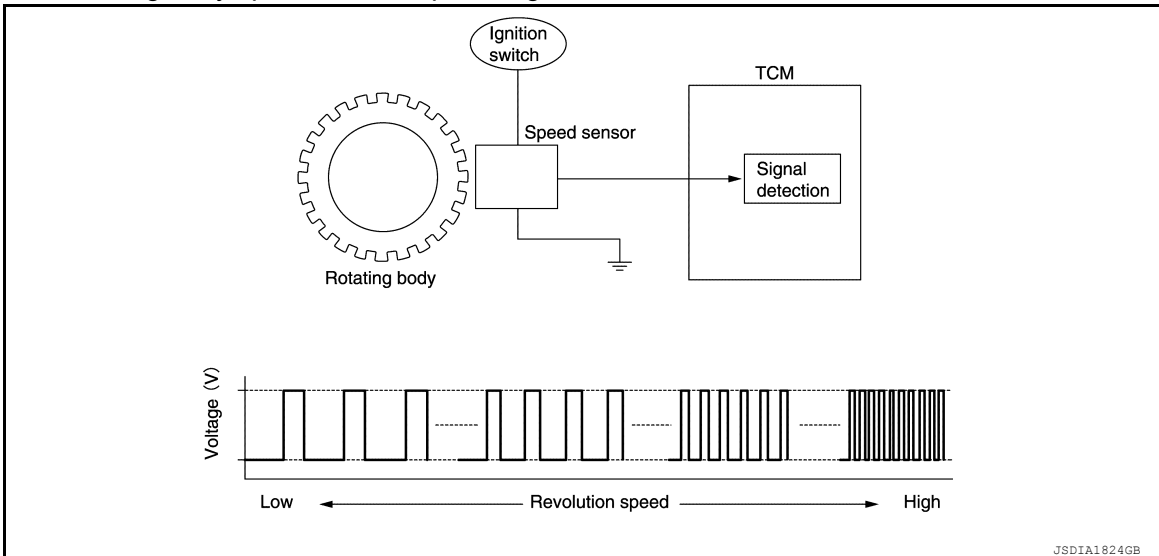
- The output speed sensor generates the ON-OFF pulse (short waveform) in proportion to the rotating body speed which is “The higher the rotating body speed is, the faster the change cycle is”. The TCM judges the rotating speed from the changing cycle of this pulse signal.



CVT CONTROL SYSTEM : Input Speed Sensor

INFOID:000000008138836

- The input speed sensor is installed to the front side of transaxle case.
- The input speed sensor detects input shaft speed.
- The input speed sensor generates an ON-OFF pulse signal according to the rotating body speed. TCM judges the rotating body speed from the pulse signal.



CVT CONTROL SYSTEM : CVT Fluid Temperature Sensor

INFOID:000000008138837

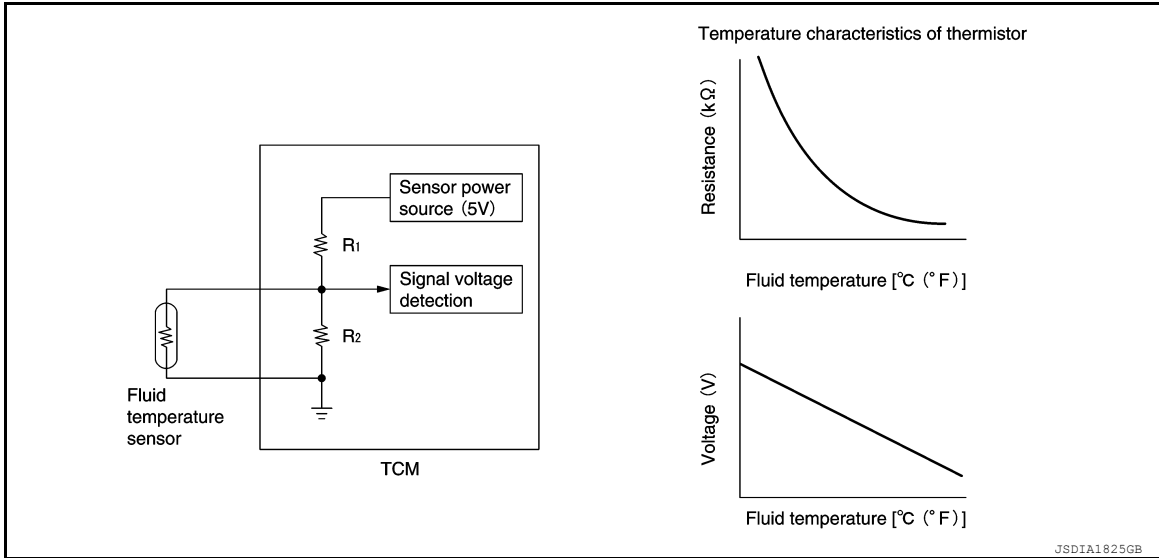
- The CVT fluid temperature sensor is installed to control valve.
- The CVT fluid temperature sensor detects CVT fluid temperature in oil pan.

COMPONENT PARTS

< SYSTEM DESCRIPTION >

[CVT: RE0F10D]

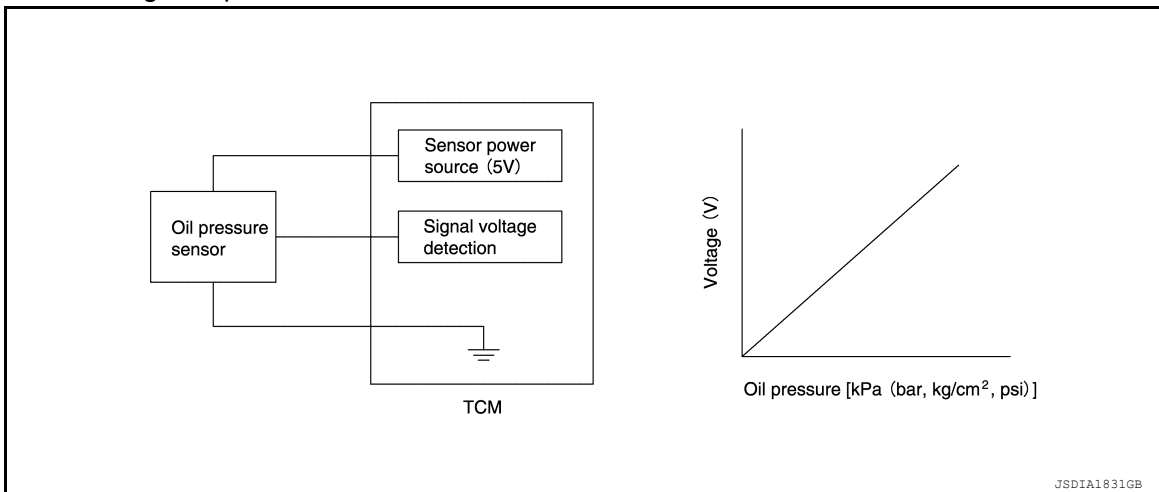
- The fluid temperature sensor uses a thermistor, and changes the signal voltage by converting changes in the CVT fluid temperature to a resistance value. TCM evaluates the CVT fluid temperature from the signal voltage value.



CVT CONTROL SYSTEM : Primary Pressure Sensor

INFOID:000000008138838

- The primary pressure sensor is installed to control valve.
- The primary pressure sensor detects the pressure applied to the primary pulley.
- When pressure is applied to the ceramic device in the primary pressure sensor, the ceramic device is deformed, resulting in voltage change. TCM evaluates the primary pressure from its voltage change. Voltage is increased along with pressure increase.



CVT CONTROL SYSTEM : Secondary Pressure Sensor

INFOID:000000008725568

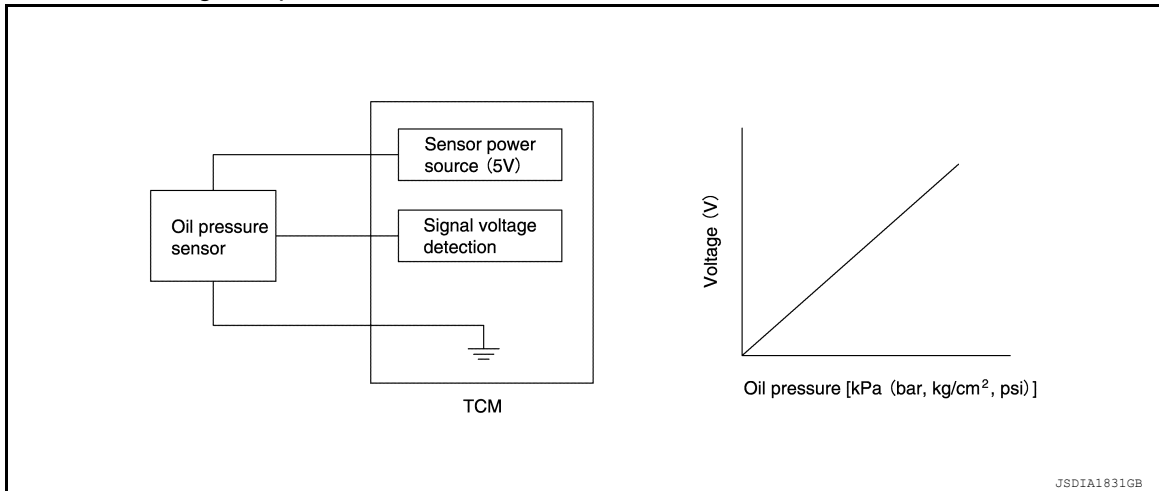
- The secondary pressure sensor is installed to control valve.
- The secondary pressure sensor detects the pressure applied to the secondary pulley.

COMPONENT PARTS

< SYSTEM DESCRIPTION >

[CVT: RE0F10D]

- When pressure is applied to the metal diaphragm in the secondary pressure sensor, the metal diaphragm is deformed, resulting in voltage change. TCM evaluates the secondary pressure from its voltage change. Voltage is increased along with pressure increase.



CVT CONTROL SYSTEM : Primary Pressure Solenoid Valve

INFOID:000000008138839

- The primary pressure solenoid valve is installed to control valve.
- The primary pressure solenoid valve controls the primary reducing valve. For information about the primary reducing valve, refer to [TM-27, "TRANSAXLE : Component Description"](#).
- The primary pressure solenoid valve uses the linear solenoid valve [N/H (normal high) type].

NOTE:

- The principle of the linear solenoid valve utilizes the fact that the force pressing on the valve spool installed inside the coil increases nearly in proportion to the current. This allows it to produce a fluid pressure that is proportional to this pressing force.
- The N/H (normal high) produces hydraulic control when the coil is not energized.

CVT CONTROL SYSTEM : Secondary Pressure Solenoid Valve

INFOID:000000008725569

- The secondary pressure solenoid valve is installed to control valve.
- The secondary pressure solenoid valve controls the secondary reducing valve. For information about the secondary reducing valve, refer to [TM-27, "TRANSAXLE : Component Description"](#).
- The secondary pressure solenoid valve uses the linear solenoid valve [N/H (normal high) type].

NOTE:

- The principle of the linear solenoid valve utilizes the fact that the force pressing on the valve spool installed inside the coil increases nearly in proportion to the current. This allows it to produce a fluid pressure that is proportional to this pressing force.
- The N/H (normal high) produces hydraulic control when the coil is not energized.

CVT CONTROL SYSTEM : Select Solenoid Valve

INFOID:000000008138840

- The select solenoid valve is installed to control valve.
- The select solenoid valve adjusts the tightening pressure of the forward clutch and reverse brake. For information about the forward clutch and reverse brake, refer to [TM-27, "TRANSAXLE : Component Description"](#).
- The select solenoid valve uses the linear solenoid valve [N/H (normal high) type].

NOTE:

- The principle of the linear solenoid valve utilizes the fact that the force pressing on the valve spool installed inside the coil increases nearly in proportion to the current. This allows it to produce a fluid pressure that is proportional to this pressing force.
- The N/H (normal high) type produces hydraulic control when the coil is not energized.

CVT CONTROL SYSTEM : Torque Converter Clutch Solenoid Valve

INFOID:000000008138842

- The torque converter clutch solenoid valve is installed to control valve.
- The torque converter clutch solenoid valve controls the torque converter clutch control valve. For information about the torque converter clutch control valve, refer to [TM-27, "TRANSAXLE : Component Description"](#).
- The torque converter clutch solenoid valve utilizes a linear solenoid valve [N/L (normal low) type].

NOTE:

COMPONENT PARTS

< SYSTEM DESCRIPTION >

[CVT: RE0F10D]

- The principle of the linear solenoid valve utilizes the fact that the force pressing on the valve spool installed inside the coil increases nearly in proportion to the current. This allows it to produce a fluid pressure that is proportional to this pressing force.
- The N/L (normal low) type does not produce hydraulic control when the coil is not energized.

CVT CONTROL SYSTEM : Line Pressure Solenoid Valve

INFOID:000000008138843

- The line pressure solenoid valve is installed to control valve.
- The line pressure solenoid valve controls the pressure regulator valve. For information about the pressure regulator valve, refer to [TM-27. "TRANSAXLE : Component Description"](#).
- The line pressure solenoid valve uses the linear solenoid valve [N/H (normal high) type].

NOTE:

- The principle of the linear solenoid valve utilizes the fact that the force pressing on the valve spool installed inside the coil increases nearly in proportion to the current. This allows it to produce a fluid pressure that is proportional to this pressing force.
- The N/H (normal high) produces hydraulic control when the coil is not energized.

CVT CONTROL SYSTEM : Overdrive Control Switch

INFOID:000000008138845

- The overdrive control switch is installed to the selector lever knob.
- If the overdrive control switch is pressed when the O/D OFF indicator lamp on the combination meter is not lit, the status changes to overdrive OFF and the O/D OFF indicator lamp illuminates.
- If the overdrive control switch is pressed when the O/D OFF indicator lamp on the combination meter is lit, the overdrive OFF status is canceled and the O/D OFF indicator lamp turns off.

CVT CONTROL SYSTEM : O/D OFF Indicator Lamp

INFOID:000000008728909

- O/D OFF indicator lamp is positioned on the combination meter.
- The O/D OFF indicator lamp illuminates when the overdrive function is deactivated (O/D OFF).
- For checking the bulb, this lamp turns on for a certain period of time when the ignition switch turns ON, and then turns off.

Condition (status)	O/D OFF indicator lamp
Ignition switch OFF.	OFF
Ignition switch ON.	ON (Approx. 2 seconds)
Overdrive control switch is pressed when the selector lever is in the D position and the O/D OFF indicator lamp is OFF (when system is normal).	ON
Overdrive control switch is pressed when the selector lever is in the D position and the O/D OFF indicator lamp is ON.	OFF
Selector lever is shifted from the D position to another position-when the O/D OFF indicator lamp is ON.	OFF

CVT CONTROL SYSTEM : Shift Position Indicator

INFOID:000000008728910

TCM transmits shift position signal to combination meter via CAN communication. The actual shift position is displayed on combination meter according to the signal.

SHIFT LOCK SYSTEM

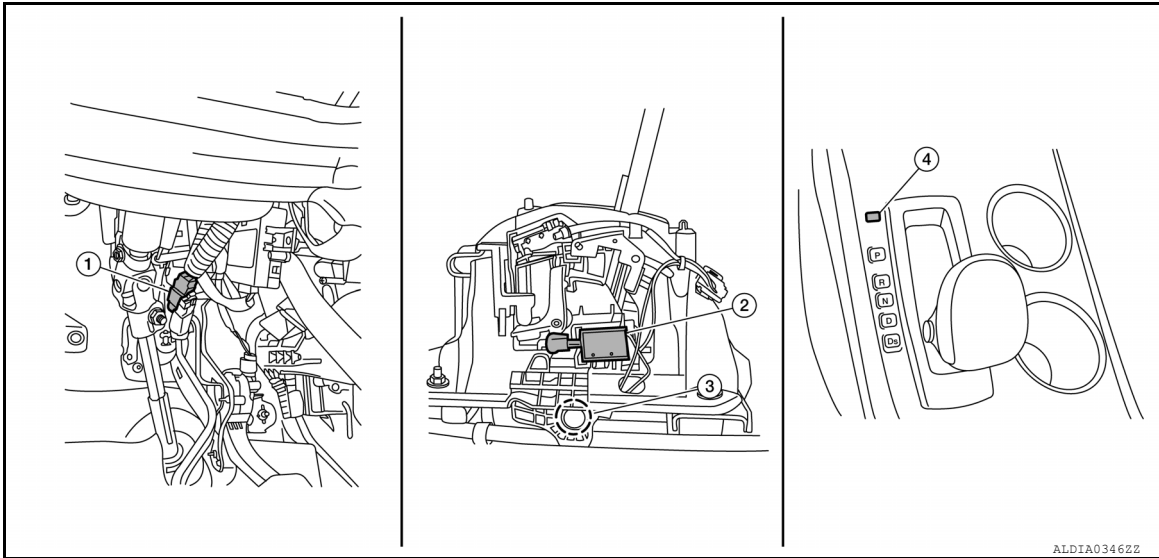
COMPONENT PARTS

< SYSTEM DESCRIPTION >

[CVT: RE0F10D]

SHIFT LOCK SYSTEM : Component Parts Location

INFOID:000000008138851



COMPONENT DESCRIPTION

No.	Component	Function
1.	Stop lamp switch	<ul style="list-style-type: none"> The stop lamp switch turns ON when the brake pedal is depressed. When the stop lamp switch turns ON, the shift lock solenoid is energized.
2.	Shift lock solenoid	It operates according to the signal from the stop lamp switch and moves the lock lever.
3.	Park position switch	It detects that the selector lever is in "P" position.
4.	Shift lock release button	Forcibly releases the shift lock when pressed.

A
B
C
TM
E
F
G
H
I
J
K
L
M
N
O
P

STRUCTURE AND OPERATION

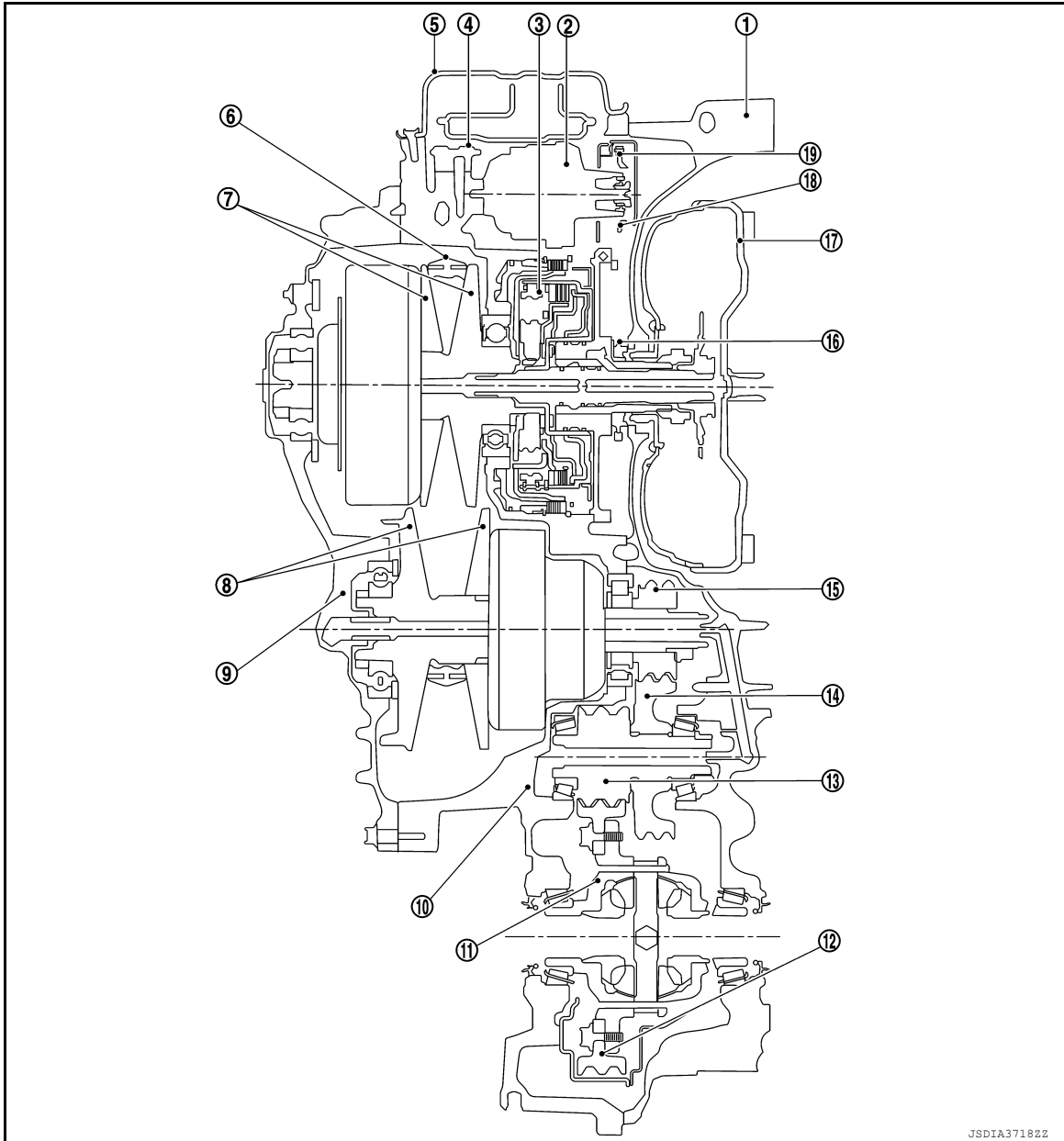
< SYSTEM DESCRIPTION >

[CVT: RE0F10D]

STRUCTURE AND OPERATION TRANSAXLE

TRANSAXLE : Cross-Sectional View

INFOID:000000008831858



JSDIA37182Z

- | | | |
|---------------------|---------------------|-------------------|
| ① Converter housing | ② Oil pump | ③ Planetary gear |
| ④ Control valve | ⑤ Oil pan | ⑥ Steel belt |
| ⑦ Primary pulley | ⑧ Secondary pulley | ⑨ Side cover |
| ⑩ Transaxle case | ⑪ Differential case | ⑫ Final gear |
| ⑬ Reduction gear | ⑭ Idler gear | ⑮ Output gear |
| ⑯ Drive sprocket | ⑰ Torque converter | ⑱ Driven sprocket |
| ⑲ Oil pump chain | | |

STRUCTURE AND OPERATION

< SYSTEM DESCRIPTION >

[CVT: RE0F10D]

TRANSAXLE : Operation Status

INFOID:000000008138854

×: Engaged or applied.

Selector lever position	Parking mechanism	Forward clutch	Reverse brake	Primary pulley	Secondary pulley	Steel belt	Final drive
P	×						
R			×	×	×	×	×
N							
D		×		×	×	×	×
DS		×		×	×	×	×

TRANSAXLE : Transaxle Mechanism

INFOID:000000008138853

TORQUE CONVERTER (WITH LOCK-UP FUNCTION)

In the same way as a conventional A/T, the torque converter is a system that increases the engine torque and transmits the torque to the transaxle. A symmetrical 3-element, 1-stage, 2-phase type is used here.

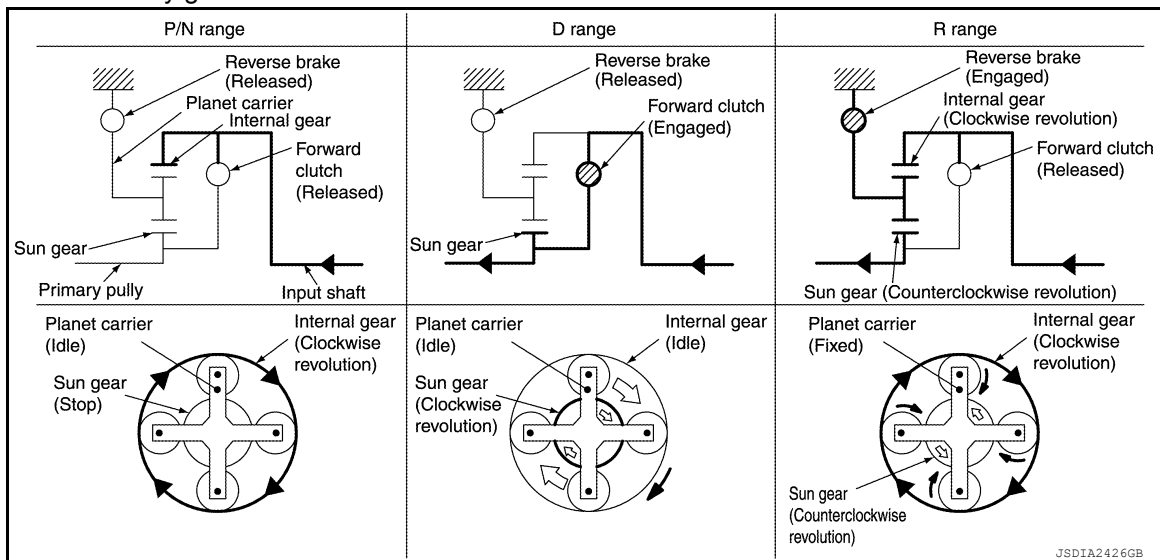
OIL PUMP

Utilizes a vane-type oil pump that is driven by the engine through the oil pump drive chain in order to increase efficiency of pump discharge volume in low-speed zone and optimize pump discharge volume in high-speed zone. Discharged oil from oil pump is transmitted to control valve. It is used as the oil of primary and secondary pulley operation, the oil of clutch operation, and the lubricant for each part.

PLANETARY GEAR

- A planetary gear type of forward/reverse selector mechanism is installed between the torque converter and primary pulley.
- The power from the torque converter is input via the input shaft, operating a wet multi-plate clutch by means of hydraulic pressure to switch between forward and reverse driving.

Operation of Planetary gear



BELT & PULLEY

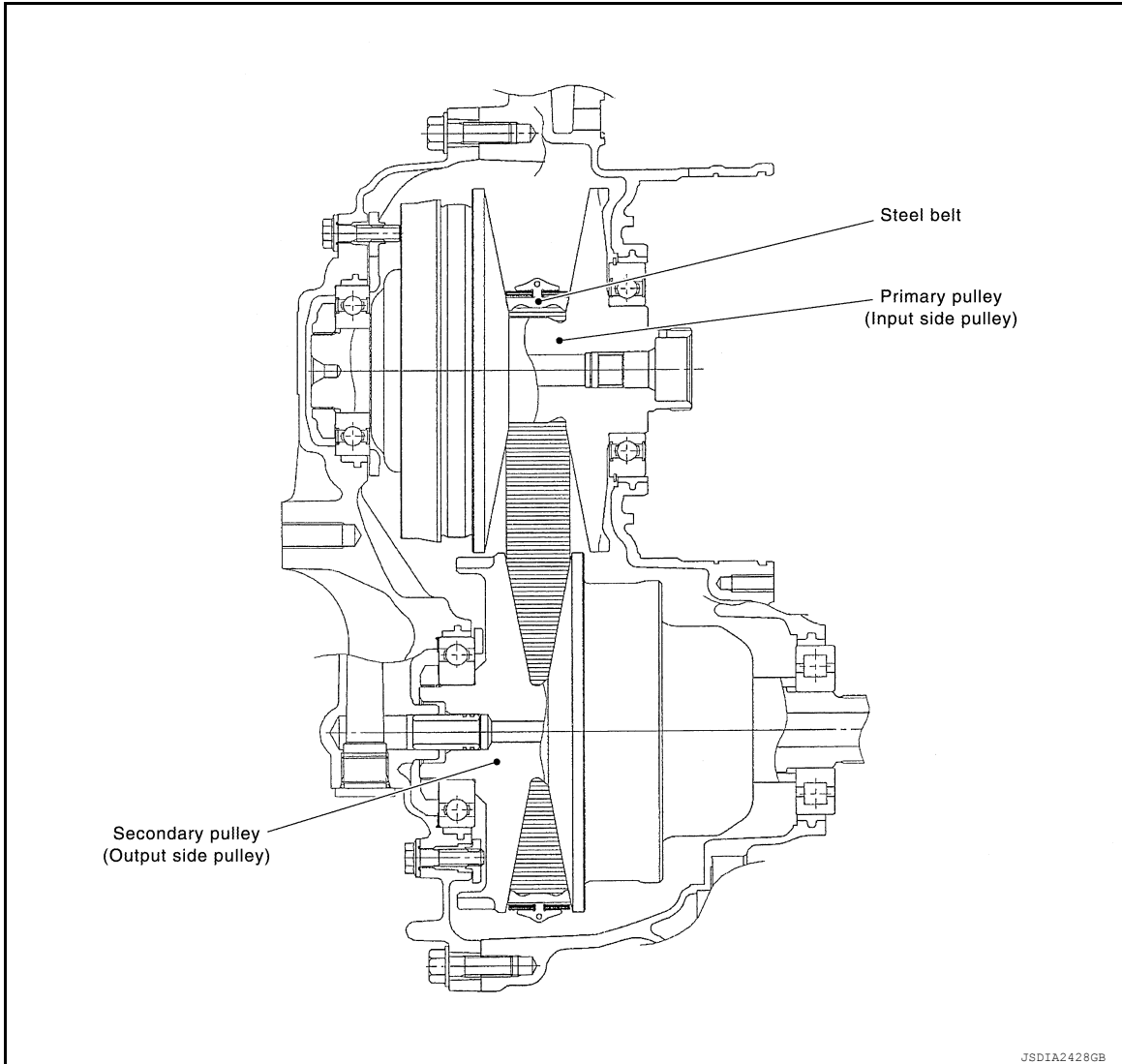
It is composed of a pair of pulleys (the groove width is changed freely in the axial direction) and the steel belt (the steel plates are placed continuously and the belt is guided with the multilayer steel rings on both sides).

STRUCTURE AND OPERATION

< SYSTEM DESCRIPTION >

[CVT: RE0F10D]

The groove width changes according to wrapping radius of steel belt and pulley from low status to overdrive status continuously with non-step. It is controlled with the oil pressures of primary pulley and secondary pulley.



Steel Belt

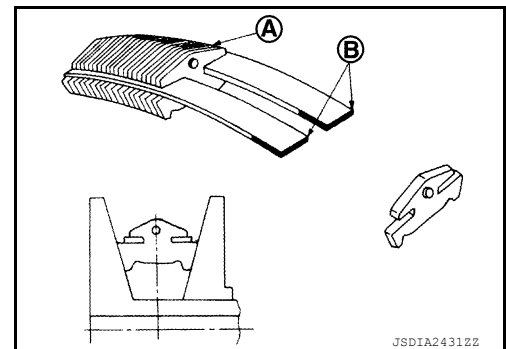
It is composed of multiple steel plates (A) and two steel rings (B) stacked to a several number. The feature of this steel belt transmits power with compression of the steel plate in contrast with transmission of power in pulling with a rubber belt. Friction force is required with the pulley slope to transmit power from the steel plate. The force is generated with the following mechanism:

Oil pressure applies to the secondary pulley to nip the plate. ⇒The plate is pushed and extended outward. ⇒The steel ring shows withstands. ⇒Pulling force is generated on the steel ring. ⇒The plate of the primary pulley is nipped between the pulley. ⇒Friction force is generated between the steel belt and the pulley.

Therefore, responsibilities are divided by the steel plate that transmits the power with compression and the steel ring that maintains necessary friction force. In this way, the tension of the steel ring is distributed on the entire surface and stress variation is limited, resulting in good durability.

Pulley

The primary pulley (input shaft side) and the secondary pulley (output shaft side) have the shaft with slope (fixed cone surface), movable sheave (movable cone surface that can move in the axial direction) and oil pressure chamber at the back of the movable sheave.

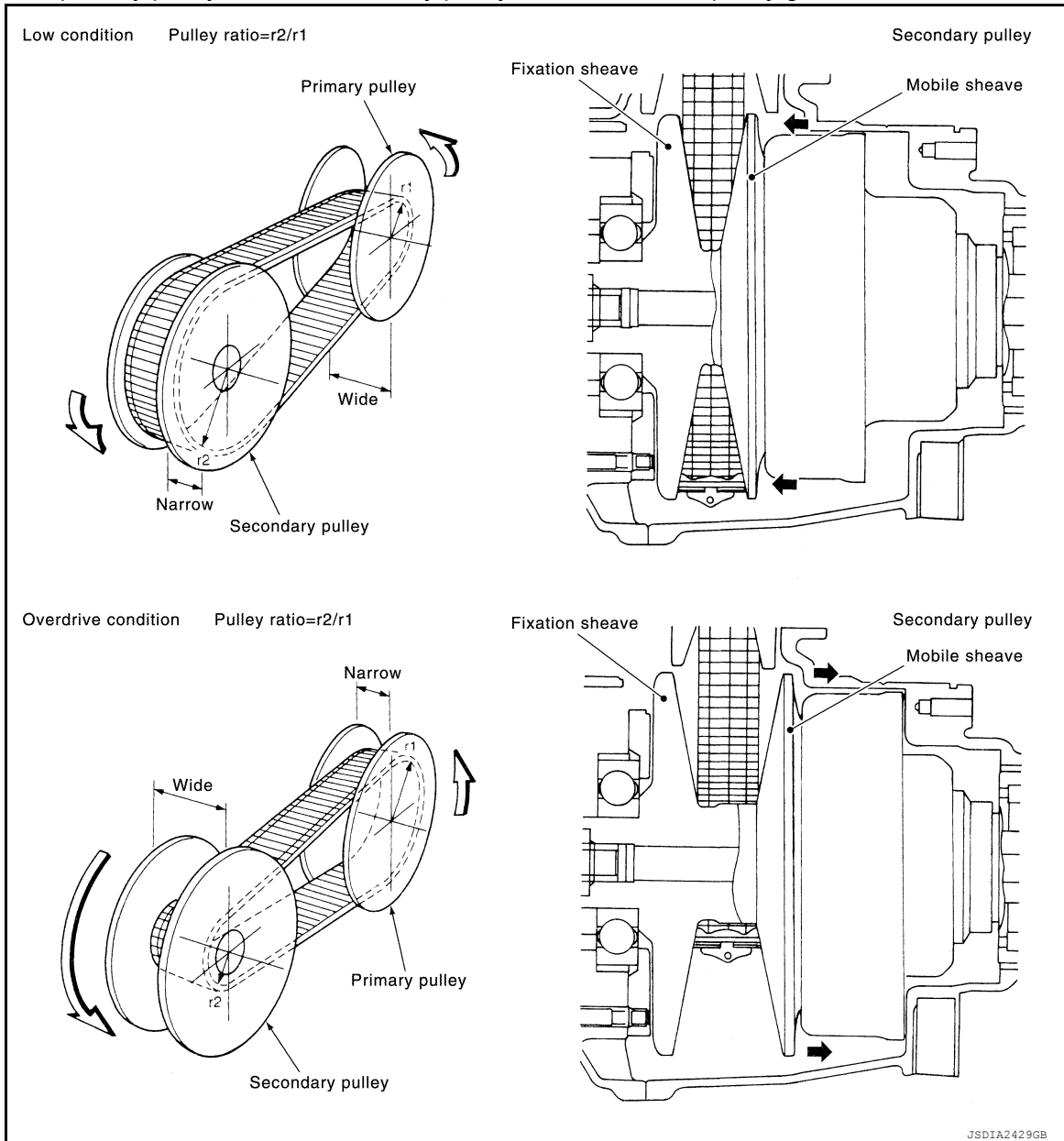


STRUCTURE AND OPERATION

< SYSTEM DESCRIPTION >

[CVT: RE0F10D]

The movable sheave slides on the shaft to change the groove width of the pulley. Input signals of engine load (accelerator pedal opening), primary pulley speed and secondary pulley speed change the operation pressures of the primary pulley and the secondary pulley, and controls the pulley groove width.



FINAL DRIVE AND DIFFERENTIAL

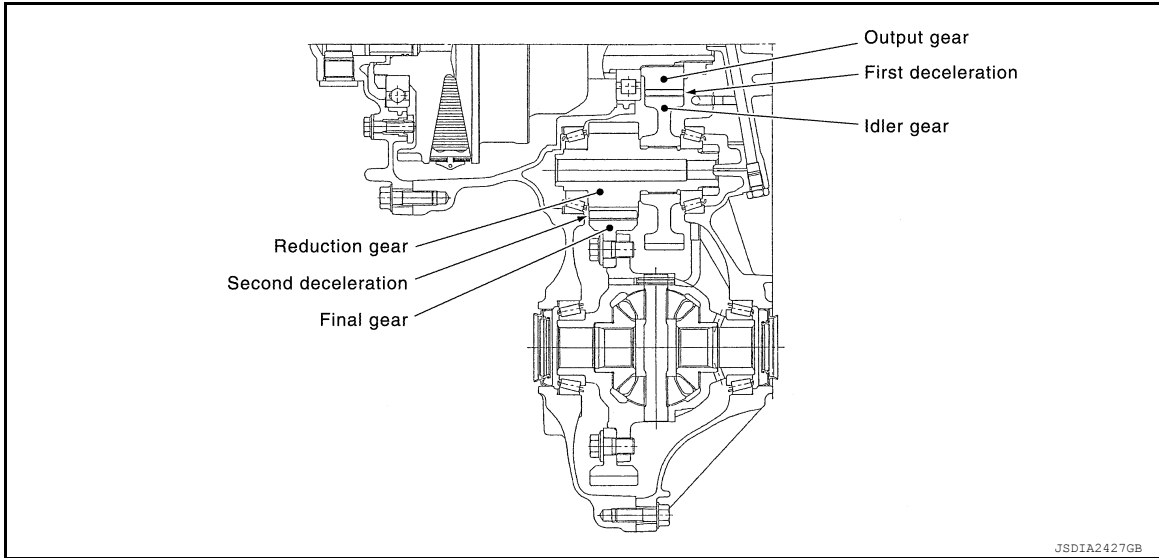
The deceleration gears are composed of 2 stages: primary deceleration (output gear, idler gear pair) and secondary deceleration (reduction gear, final gear pair). All of these gears are helical gears.

STRUCTURE AND OPERATION

< SYSTEM DESCRIPTION >

[CVT: RE0F10D]

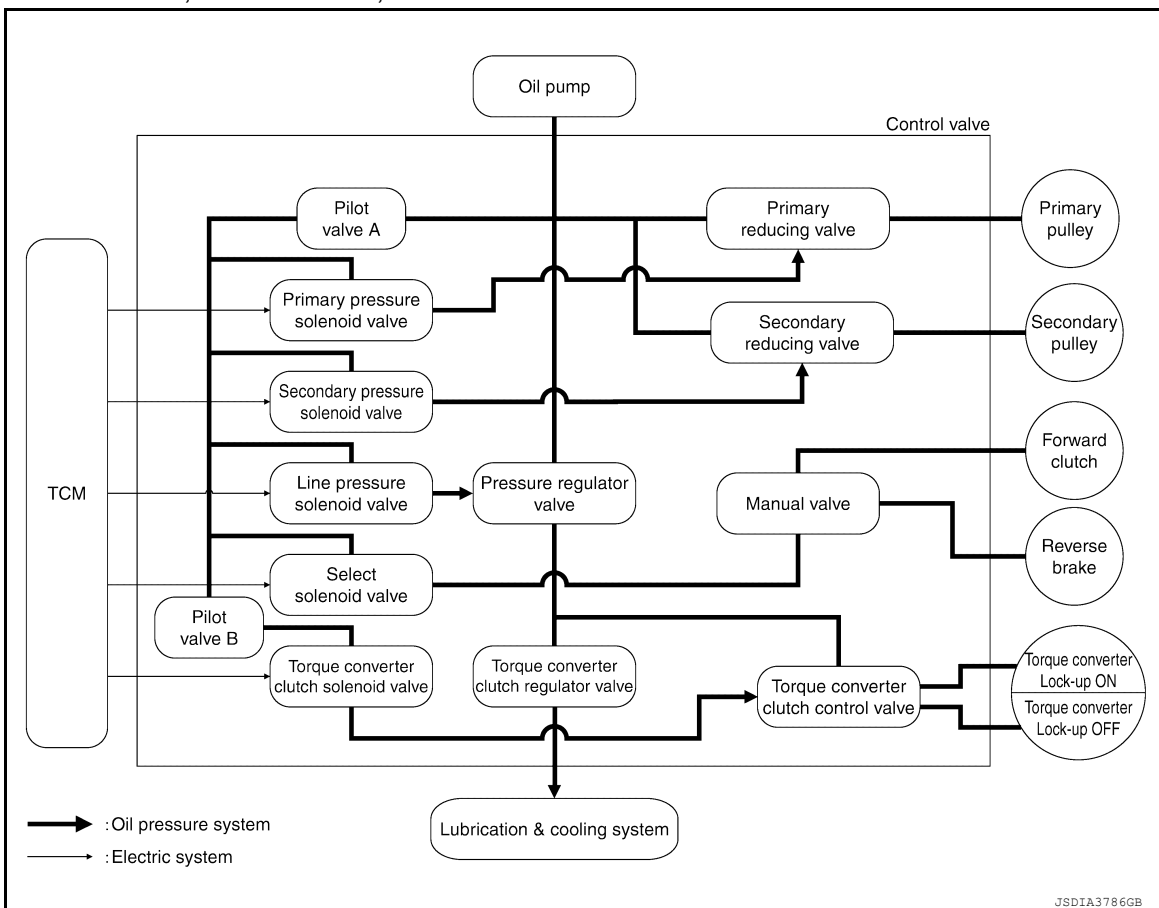
The lubrication oil is the same as the CVT fluid which lubricates the entire transaxle.



TRANSAXLE : Oil Pressure System

INFOID:000000008836175

Oil pressure required for operation of the transaxle transmission mechanism is generated by oil pump, oil pressure control valve, solenoid valve, etc.



STRUCTURE AND OPERATION

< SYSTEM DESCRIPTION >

[CVT: RE0F10D]

TRANSAXLE : Component Description

INFOID:000000008138856

Part name	Function
Torque converter	Increases engine torque and transmits it to the transaxle.
Oil pump	Utilizes a vane-type oil pump that is driven by the engine through the oil pump drive chain in order to increase efficiency of pump discharge volume in low-speed zone and optimize pump discharge volume in high-speed zone. Discharged oil from oil pump is transmitted to control valve. It is used as the oil of primary and secondary pulley operation, the oil of clutch operation, and the lubricant for each part.
Forward clutch	The forward clutch is wet and multiple plate type clutch that consists of clutch drum, piston, drive plate, and driven plate. It is a clutch to move the vehicle forward by activating piston hydraulically, engaging plates, and directly connecting sun gear and input shaft.
Reverse brake	The reverse brake is a wet multiple-plate type brake that consists of transaxle case, piston, drive plate, and driven plate. It is a brake to move the vehicle in reverse by activating piston hydraulically, engaging plates, and fixing planetary gear.
Internal gear	The internal gear is directly connected to forward clutch drum. It is a gear that moves the outer edge of pinion planet of planet carrier. It transmits power to move the vehicle in reverse when the planet carrier is fixed.
Planet carrier	Composed of a carrier, pinion planet, and pinion shaft. This gear fixes and releases the planet carrier in order to switch between forward and reverse driving.
Sun gear	Sun gear is a set part with planet carrier and internal gear. It transmits transmitted force to primary fixed sheave. It rotates in forward or reverse direction according to activation of either forward clutch or reverse brake.
Input shaft	The input shaft is directly connected to forward clutch drum and transmits traction force from torque converter. In shaft center, there are holes for hydraulic distribution to primary pulley and hydraulic distribution for lockup ON/OFF.
Primary pulley	It is composed of a pair of pulleys (the groove width is changed freely in the axial direction) and the steel belt. The groove width changes according to wrapping radius of steel belt and pulley from low status to overdrive status continuously with non-step. It is controlled with the oil pressures of primary pulley and secondary pulley.
Secondary pulley	
Steel belt	
Manual shaft	When the manual shaft is in the P position, the parking rod that is linked to the manual shaft rotates the parking pole. When the parking pole rotates, it engages with the parking gear, fixing the parking gear. As a result, the secondary pulley that is integrated with the parking gear is fixed.
Parking rod	
Parking pawl	
Parking gear	
Output gear	The deceleration gears are composed of 2 stages: primary deceleration (output gear, idler gear pair) and secondary deceleration (reduction gear, final gear pair). All of these gears are helical gears.
Idler gear	
Reduction gear	
Differential	
Torque converter regulator valve	Adjusts the feed pressure to the torque converter to the optimum pressure corresponding to the driving condition.
Pressure regulator valve	Adjusts the discharge pressure from the oil pump to the optimum pressure (line pressure) corresponding to the driving condition.
Torque converter clutch control valve	Adjusts the torque converter engage and disengage pressures.
Manual valve	Distributes the clutch operation pressure to each circuit according to the selector lever position.
Secondary reducing valve	Reduces line pressure and adjusts secondary pressure.
Primary reducing valve	Reduces line pressure and adjusts primary pressure.
Pilot valve A	Reduces line pressure and adjusts pilot pressure to the solenoid valves listed below. <ul style="list-style-type: none"> • Primary pressure solenoid valve • Secondary pressure solenoid valve • Select solenoid valve • Line pressure solenoid valve
Pilot valve B	Reduces pilot pressure and adjusts pilot pressure to the torque converter clutch solenoid valve.

FLUID COOLER & FLUID WARMER SYSTEM

STRUCTURE AND OPERATION

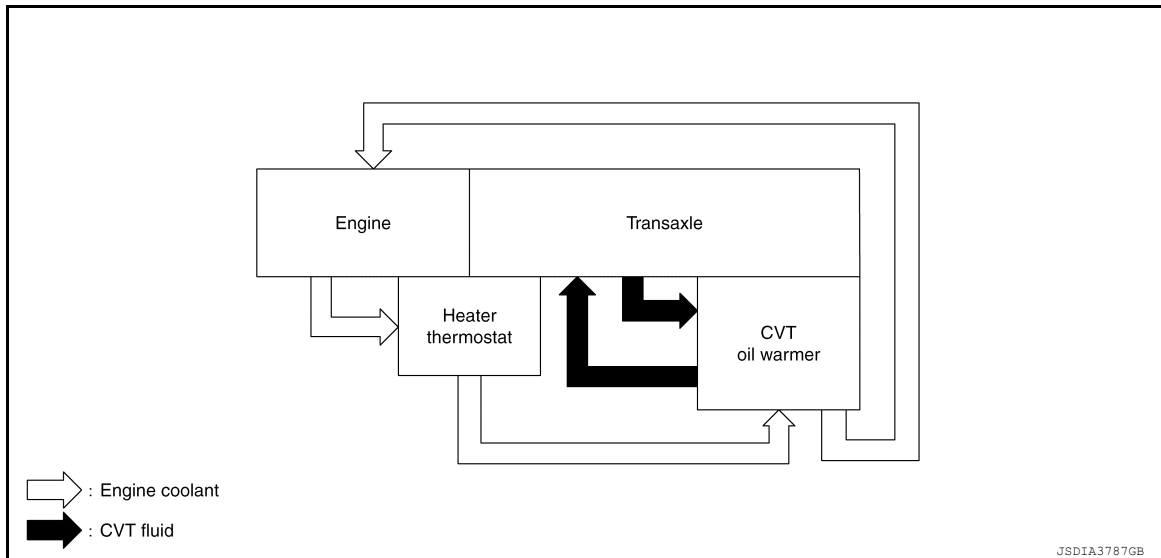
< SYSTEM DESCRIPTION >

[CVT: RE0F10D]

FLUID COOLER & FLUID WARMER SYSTEM : System Description

INFOID:000000008138857

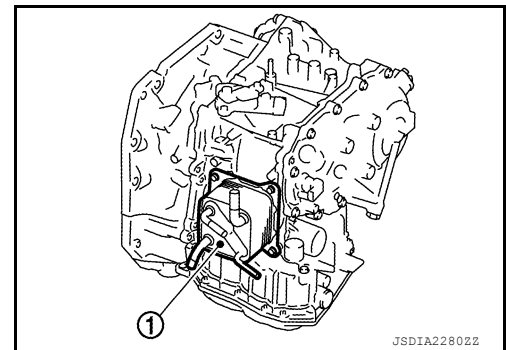
CVT FLUID COOLER SCHEMATIC



COMPONENT DESCRIPTION

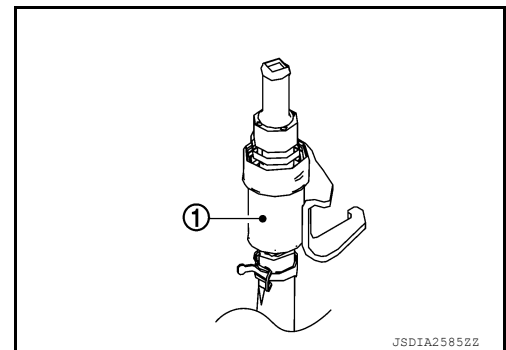
CVT Oil Warmer

- The CVT oil warmer (1) is installed on the front part of transaxle assembly.
- When engine is started while engine and CVT are cold, engine coolant temperature rises more quickly than CVT fluid temperature. CVT oil warmer is provided with two circuits for CVT and engine coolant respectively so that warmed engine coolant warms CVT quickly. This helps shorten CVT warming up time, improving fuel economy.
- A cooling effect is obtained when CVT fluid temperature is high.



Heater Thermostat

- The heater thermostat (1) is installed on the front part of transaxle assembly.
- The heater thermostat open and close with set temperature.



SHIFT LOCK SYSTEM

SHIFT LOCK SYSTEM : System Description

INFOID:0000000008659902

The shift lever cannot be shifted from the "P" position unless the brake pedal is depressed while the ignition switch is set to ON. The shift lock is unlocked by turning the shift lock solenoid ON when the ignition switch is set to ON, the park position switch is turned ON (selector lever is in "P" position), and the stop lamp switch is turned ON (brake pedal is depressed) as shown in the operation chart in the figure. Therefore, the shift lock solenoid receives no ON signal and the shift lock remains locked if all of the above conditions are not fulfilled. However, selector operation is allowed if the shift lock release button is pressed.

STRUCTURE AND OPERATION

< SYSTEM DESCRIPTION >

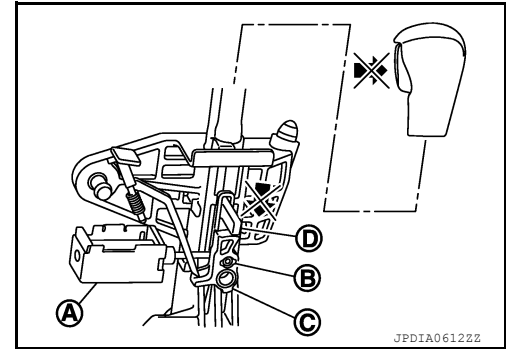
[CVT: RE0F10D]

SHIFT LOCK OPERATION AT "P" POSITION

When Brake Pedal Is Not Depressed (No Selector Operation Allowed)

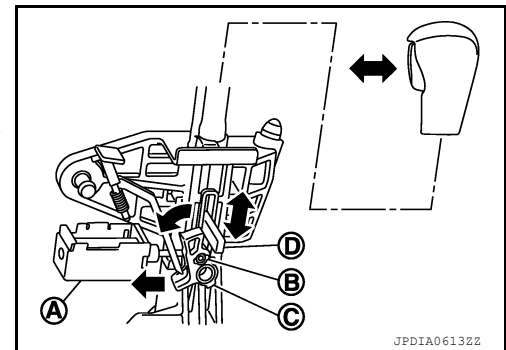
The shift lock solenoid (A) is turned OFF (not energized) and the solenoid rod (B) is extended with the spring when the brake pedal is not depressed (no selector operation allowed) with the ignition switch ON.

The connecting lock lever (C) is located at the position shown in the figure when the solenoid rod is extended. It prevents the movement of the detent rod (D). For these reasons, the selector lever cannot be shifted from the "P" position.



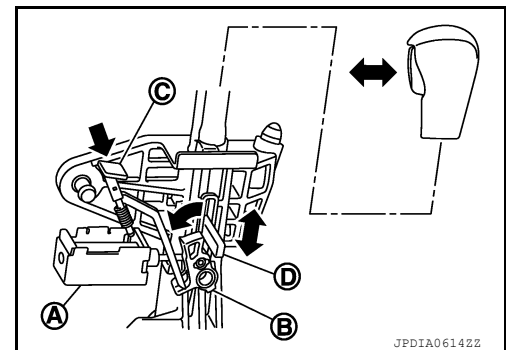
When Brake Pedal Is Depressed (Shift Operation Allowed)

The shift lock solenoid (A) is turned ON (energized) when the brake pedal is depressed with the ignition switch ON. The solenoid rod (B) is compressed by the electromagnetic force. The connecting lock lever (C) rotates when the solenoid is activated. Therefore, the detent rod (D) can be moved. For these reasons, the selector lever can be shifted to other positions.



"P" POSITION HOLD MECHANISM (IGNITION SWITCH LOCK)

The shift lock solenoid (A) is not energized when the ignition switch is in any position other than ON. In this condition, the shift mechanism is locked and "P" position is held. The operation cannot be performed from "P" position if the brake pedal is depressed with the ignition switch ON when the operation system of shift lock solenoid is malfunctioning. However, the lock lever (B) is forcibly rotated and the shift lock is released when the shift lock release button (C) is pressed from above. Then the selector operation from "P" position can be performed.



D : Detent rod

CAUTION:

Use the shift lock release button only when the selector lever cannot be operated even if the brake pedal is depressed with the ignition switch ON.

SYSTEM

< SYSTEM DESCRIPTION >

[CVT: RE0F10D]

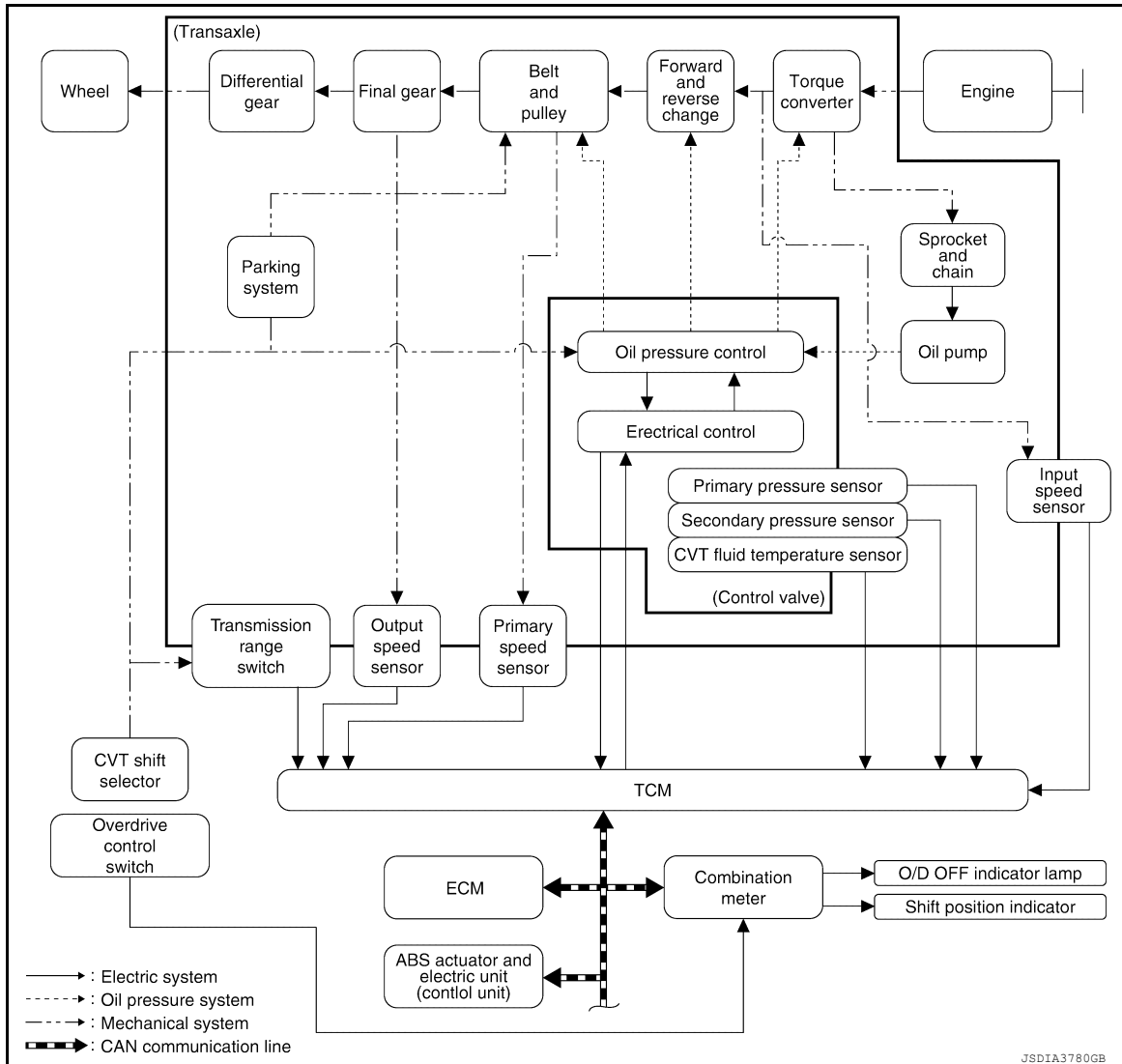
SYSTEM

CVT CONTROL SYSTEM

CVT CONTROL SYSTEM : System Description

INFOID:000000008138860

SYSTEM DIAGRAM



MAIN CONTROL CONTENTS OF TCM

Controls	Reference
Line pressure control	TM-35, "LINE PRESSURE CONTROL : System Description"
Shift control	TM-36, "SHIFT CONTROL : System Description"
Select control	TM-38, "SELECT CONTROL : System Description"
Lock-up control	TM-38, "LOCK-UP CONTROL : System Description"
Fail-safe	TM-56, "Fail-safe"
Self-diagnosis function	TM-43, "CONSULT Function"
Communication function with CONSULT	TM-43, "CONSULT Function"

SYSTEM DESCRIPTION

SYSTEM

< SYSTEM DESCRIPTION >

[CVT: RE0F10D]

- CVT detects the vehicle driving status from switches, sensors and signals, and controls the vehicle so that the optimum shift position and shift timing may always be achieved. It also controls the vehicle to reduce shift and lockup shock, etc.
- Receives input signals from switches and sensors.
- Sends the output signal necessary for operation of solenoid valves, and evaluates the line pressure, shift timing, lockup operation, engine brake performance, etc.
- If a malfunction occurs on the electric system, activate the fail-safe mode only to drive the vehicle.

LIST OF CONTROL ITEMS AND INPUT/OUTPUT

Control Item		Shift control	Line pressure control	Select control	Lock-up control	Fail-safe function*
Input	Engine torque signal (CAN communication)	×	×	×	×	×
	Engine speed signal (CAN communication)	×	×	×	×	×
	Accelerator pedal position signal (CAN communication)	×	×	×	×	
	Closed throttle position signal (CAN communication)	×	×		×	
	Stop lamp switch signal (CAN communication)	×	×	×	×	
	Primary pressure sensor					×
	Secondary pressure sensor	×	×			×
	CVT fluid temperature sensor	×	×	×	×	×
	Primary speed sensor	×	×	×	×	×
	Output speed sensor	×	×		×	×
	Input speed sensor	×	×	×	×	×
	Transmission range switch	×	×	×	×	×
	Overdrive control switch (CAN communication)	×	×		×	
Output	Line pressure solenoid valve	×	×	×		×
	Primary pressure solenoid valve	×	×			×
	Torque converter clutch solenoid valve				×	×
	Secondary pressure solenoid valve	×	×			×
	Select solenoid valve	×		×		×
	Shift position indicator (CAN communication)			×		
	O/D OFF indicator lamp (CAN communication)	×				

*: If these input/output signals show errors, TCM activates the fail-safe function.

CVT CONTROL SYSTEM : Fail-safe

INFOID:000000008831965

TCM has a fail-safe mode. The mode functions so that operation can be continued even if the signal circuit of the main electronically controlled input/output parts is damaged.

If the vehicle shows following behaviors including “poor acceleration”, a malfunction of the applicable system is detected by TCM and the vehicle may be in a fail-safe mode. At this time, check the DTC code and perform inspection and repair according to the malfunction diagnosis procedures.

Fail-safe function

SYSTEM

< SYSTEM DESCRIPTION >

[CVT: RE0F10D]

DTC	Vehicle behavior	Conditions of vehicle
P062F	<ul style="list-style-type: none"> • Not changed from normal driving 	—
P0705	<ul style="list-style-type: none"> • Shift position indicator on combination meter is not displayed • Selector shock is large • Start is slow • Acceleration is slow • Lock-up is not performed 	—
P0706	<ul style="list-style-type: none"> • Shift position indicator on combination meter is not displayed • Selector shock is large • Start is slow • Acceleration is slow • Lock-up is not performed 	—
P0711	<ul style="list-style-type: none"> • Start is slow • Acceleration is slow 	Engine coolant temperature when engine start: Temp. $\geq 10^{\circ}\text{C}$ (50°F)
	<ul style="list-style-type: none"> • Selector shock is large • Start is slow • Acceleration is slow 	Engine coolant temperature when engine start: -35°C (-31°F) \leq Temp. $< 10^{\circ}\text{C}$ (50°F)
	<ul style="list-style-type: none"> • Selector shock is large • Start is slow • Acceleration is slow 	Engine coolant temperature when engine start: Temp. $< -35^{\circ}\text{C}$ (-31°F)
P0712	<ul style="list-style-type: none"> • Start is slow • Acceleration is slow 	Engine coolant temperature when engine start: Temp. $\geq 10^{\circ}\text{C}$ (50°F)
	<ul style="list-style-type: none"> • Selector shock is large • Start is slow • Acceleration is slow 	Engine coolant temperature when engine start: -35°C (-31°F) \leq Temp. $< 10^{\circ}\text{C}$ (50°F)
	<ul style="list-style-type: none"> • Selector shock is large • Start is slow • Acceleration is slow 	Engine coolant temperature when engine start: Temp. $< -35^{\circ}\text{C}$ (-31°F)
P0713	<ul style="list-style-type: none"> • Start is slow • Acceleration is slow 	Engine coolant temperature when engine start: Temp. $\geq 10^{\circ}\text{C}$ (50°F)
	<ul style="list-style-type: none"> • Selector shock is large • Start is slow • Acceleration is slow 	Engine coolant temperature when engine start: -35°C (-31°F) \leq Temp. $< 10^{\circ}\text{C}$ (50°F)
	<ul style="list-style-type: none"> • Selector shock is large • Start is slow • Acceleration is slow 	Engine coolant temperature when engine start: Temp. $< -35^{\circ}\text{C}$ (-31°F)
P0715	<ul style="list-style-type: none"> • Start is slow • Acceleration is slow • Lock-up is not performed 	—
P0717	<ul style="list-style-type: none"> • Start is slow • Acceleration is slow • Lock-up is not performed 	—
P0740	<ul style="list-style-type: none"> • Start is slow • Acceleration is slow • Lock-up is not performed 	—
P0743	<ul style="list-style-type: none"> • Start is slow • Acceleration is slow • Lock-up is not performed 	—
P0744	<ul style="list-style-type: none"> • Start is slow • Acceleration is slow • Lock-up is not performed 	—
P0746	<ul style="list-style-type: none"> • Selector shock is large • Start is slow • Acceleration is slow • Lock-up is not performed 	—

SYSTEM

< SYSTEM DESCRIPTION >

[CVT: RE0F10D]

DTC	Vehicle behavior	Conditions of vehicle	
P0776	<ul style="list-style-type: none"> • Selector shock is large • Start is slow • Acceleration is slow • Lock-up is not performed • Vehicle speed is not increased 	When a malfunction occurs on the low oil pressure side	A
	<ul style="list-style-type: none"> • Selector shock is large • Start is slow • Acceleration is slow • Lock-up is not performed 	When a malfunction occurs on the high oil pressure side	B
P0778	<ul style="list-style-type: none"> • Selector shock is large • Start is slow • Acceleration is slow • Lock-up is not performed 	—	C
P0779	<ul style="list-style-type: none"> • Selector shock is large • Start is slow • Acceleration is slow • Lock-up is not performed 		TM
P0841	<ul style="list-style-type: none"> • Not changed from normal driving 		E
P0847	<ul style="list-style-type: none"> • Not changed from normal driving 	—	F
P0848	<ul style="list-style-type: none"> • Not changed from normal driving 	—	G
P084C	<ul style="list-style-type: none"> • Not changed from normal driving 		H
P084D	<ul style="list-style-type: none"> • Not changed from normal driving 		I
P0863	<ul style="list-style-type: none"> • Selector shock is large • Start is slow • Acceleration is slow • Lock-up is not performed 	—	J
P0890	<ul style="list-style-type: none"> • Selector shock is large • Start is slow • Acceleration is slow • Lock-up is not performed • Vehicle speed is not increased 		K
P0962	<ul style="list-style-type: none"> • Selector shock is large • Start is slow • Acceleration is slow • Lock-up is not performed 	—	L
P0963	<ul style="list-style-type: none"> • Selector shock is large • Start is slow • Acceleration is slow • Lock-up is not performed 	—	M
P0965	<ul style="list-style-type: none"> • Selector shock is large • Start is slow • Acceleration is slow • Lock-up is not performed 	When a malfunction occurs on the low oil pressure side	N
	<ul style="list-style-type: none"> • Selector shock is large • Lock-up is not performed 	When a malfunction occurs on the high oil pressure side	O
P0966	<ul style="list-style-type: none"> • Selector shock is large • Start is slow • Acceleration is slow • Lock-up is not performed 	—	P
P0967	<ul style="list-style-type: none"> • Selector shock is large • Start is slow • Acceleration is slow • Lock-up is not performed 	—	
P2765	<ul style="list-style-type: none"> • Start is slow • Acceleration is slow • Lock-up is not performed 	—	

SYSTEM

< SYSTEM DESCRIPTION >

[CVT: RE0F10D]

DTC	Vehicle behavior	Conditions of vehicle
P2813	<ul style="list-style-type: none"> • Selector shock is large • Start is slow • Acceleration is slow • Vehicle speed is not increased 	When a malfunction occurs on the low oil pressure side
	<ul style="list-style-type: none"> • Selector shock is large 	When a malfunction occurs on the high oil pressure side
P2814	<ul style="list-style-type: none"> • Selector shock is large 	—
P2815	<ul style="list-style-type: none"> • Selector shock is large 	—
U0073	<ul style="list-style-type: none"> • Selector shock is large • Start is slow • Acceleration is slow • Lock-up is not performed 	—
	<ul style="list-style-type: none"> • Selector shock is large • Start is slow • Acceleration is slow • Lock-up is not performed 	—
U0140	<ul style="list-style-type: none"> • Not changed from normal driving 	—
U0141	<ul style="list-style-type: none"> • Not changed from normal driving 	—
U0155	<ul style="list-style-type: none"> • Not changed from normal driving 	—
U0300	<ul style="list-style-type: none"> • Selector shock is large • Start is slow • Acceleration is slow • Lock-up is not performed 	—
	<ul style="list-style-type: none"> • Selector shock is large • Start is slow • Acceleration is slow • Lock-up is not performed 	—
U1000	<ul style="list-style-type: none"> • Not changed from normal driving 	—
U1117	<ul style="list-style-type: none"> • Not changed from normal driving 	—

CVT CONTROL SYSTEM : Protection Control

INFOID:000000008831966

The TCM becomes the protection control status temporarily to protect the safety when the safety of TCM and transmission is lost. It automatically returns to the normal status if the safety is secured.
The TCM has the following protection control.

CONTROL FOR WHEEL SPIN

Control	When a wheel spin is detected, the engine output and gear ratio are limited and the line pressure is increased. Limits engine output when a wheel spin occurs in any of right and left drive wheels.
Vehicle behavior in control	If the accelerator is kept depressing during wheel spin, the engine revolution and vehicle speed are limited to a certain degree.
Normal return condition	Wheel spin convergence returns the control to the normal control.

TORQUE IS REDUCED WHEN DRIVING WITH THE REVERSE GEAR

Control	Engine output is controlled according to a vehicle speed while reversing the vehicle.
Vehicle behavior in control	Power performance may be lowered while reversing the vehicle.
Normal return condition	Torque returns to normal by positioning the selector lever in a range other than "R" position.

CONTROL WHEN FLUID TEMPERATURE IS HIGH

Control	When the CVT fluid temperature is high, the gear shift permission maximum revolution and the maximum torque are reduced than usual to prevent increase of the oil temperature.
Vehicle behavior in control	Power performance may be lowered, compared to normal control.
Normal return condition	The control returns to the normal control when CVT fluid temperature is lowered.

SYSTEM

< SYSTEM DESCRIPTION >

[CVT: RE0F10D]

REVERSE PROHIBIT CONTROL

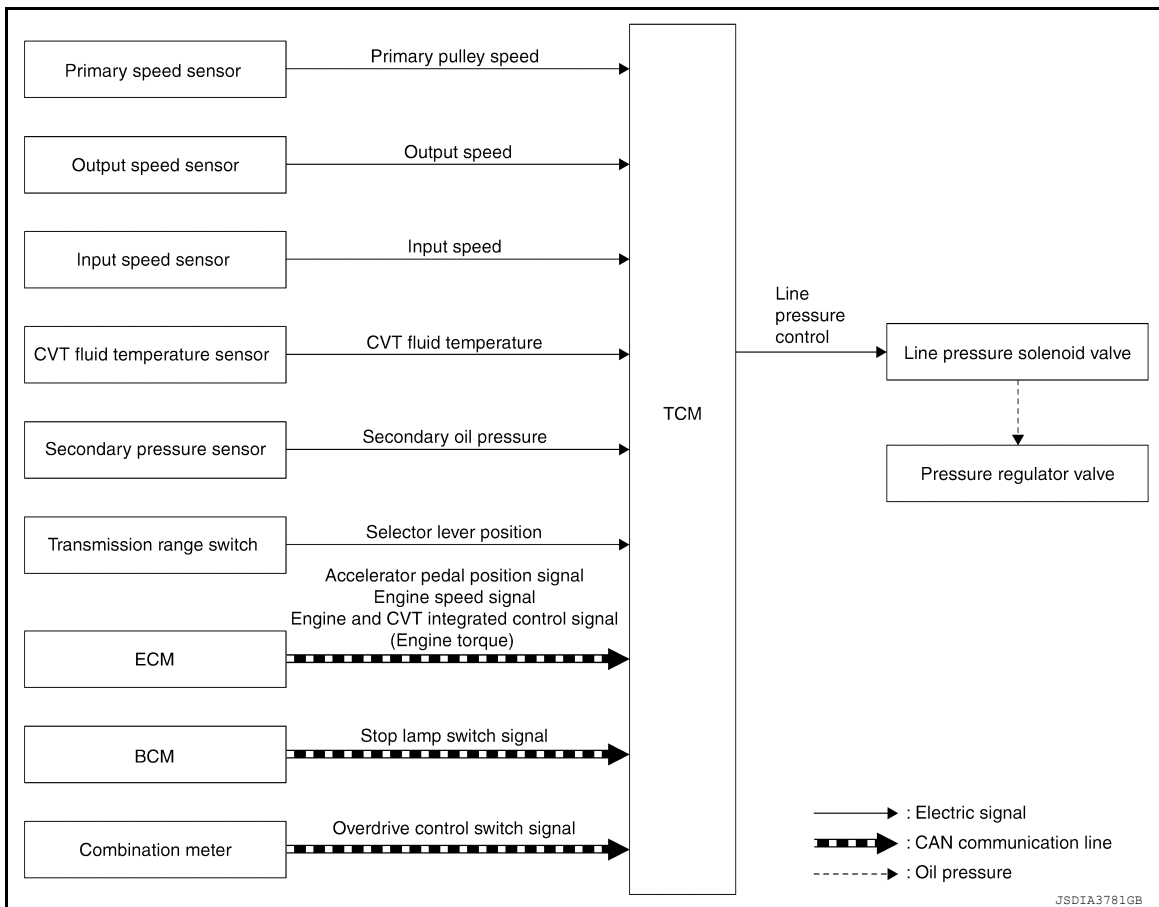
Control	The reverse brake is controlled to avoid becoming engaged when the selector lever is set in "R" position while driving in forward direction at more than the specified speed.
Vehicle behavior in control	If the selector lever is put at "R" position when driving with the forward gear, the gear becomes neutral, not reverse.
Normal return condition	The control returns to normal control when the vehicle is driven at low speeds. (The reverse brake becomes engaged.)

LINE PRESSURE CONTROL

LINE PRESSURE CONTROL : System Description

INFOID:000000008831863

SYSTEM DIAGRAM



DESCRIPTION

Highly accurate line pressure control (secondary pressure control) reduces friction for improvement of fuel economy.

Normal Oil Pressure Control

Appropriate line pressure and secondary pressure suitable for driving condition are determined based on the accelerator pedal position, engine speed, primary pulley (input) speed, secondary pulley (output) speed, vehicle speed, input torque, stop lamp switch signal, transmission range switch signal, lock-up signal, power voltage, target shift ratio, oil temperature, oil pressure, and overdrive control switch signal.

Secondary Pressure Feedback Control

In normal oil pressure control and oil pressure control in shifting, highly accurate secondary pressure is determined by detecting the secondary pressure using an oil pressure sensor and by feedback control.

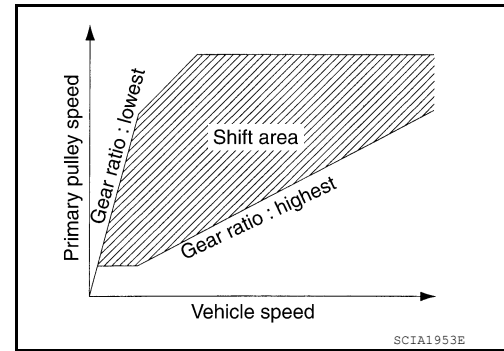
SHIFT CONTROL

SYSTEM

< SYSTEM DESCRIPTION >

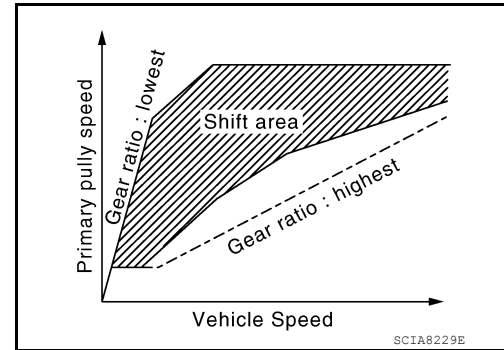
[CVT: RE0F10D]

Gear shifting is performed in all shifting ranges from the lowest to the highest gear ratio.



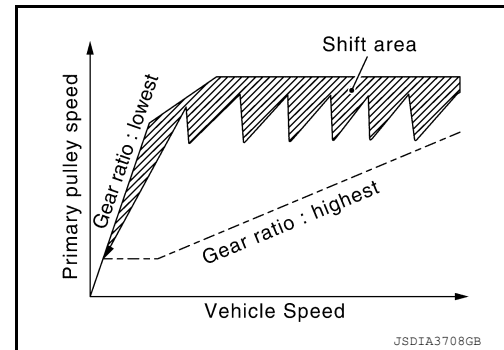
D Position (O/D OFF)

The gear ratio is generally high by limiting the shifting range on the high side, and this always generates a large driving power.



DS Position

Pressing down the accelerator pedal allows to drive the vehicle with a feeling of M/T-like gear shifting.

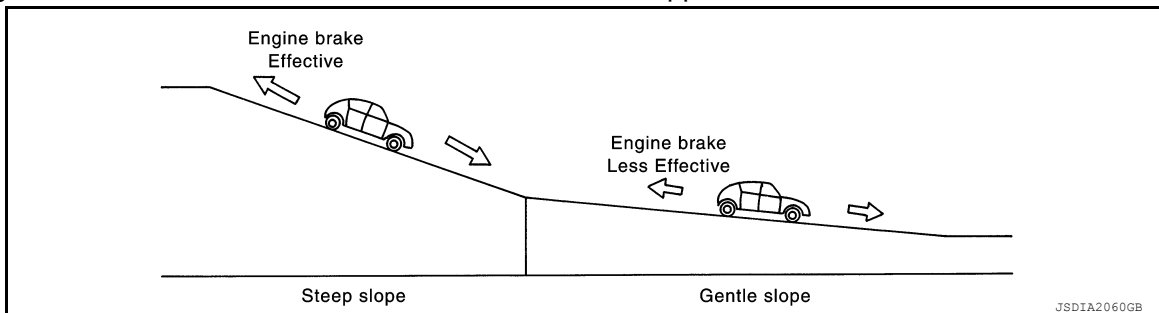


Hill Climbing And Descending Control

If a downhill is detected with the accelerator pedal is released, the system performs downshift to increase the engine brake force so that vehicle may not be accelerated more than necessary. If a climbing hill is detected, the system improves the acceleration performance in re-acceleration by limiting the gear shift range on the high side.

NOTE:

For engine brake control on a downhill, the control can be stopped with CONSULT.



Control In Acceleration

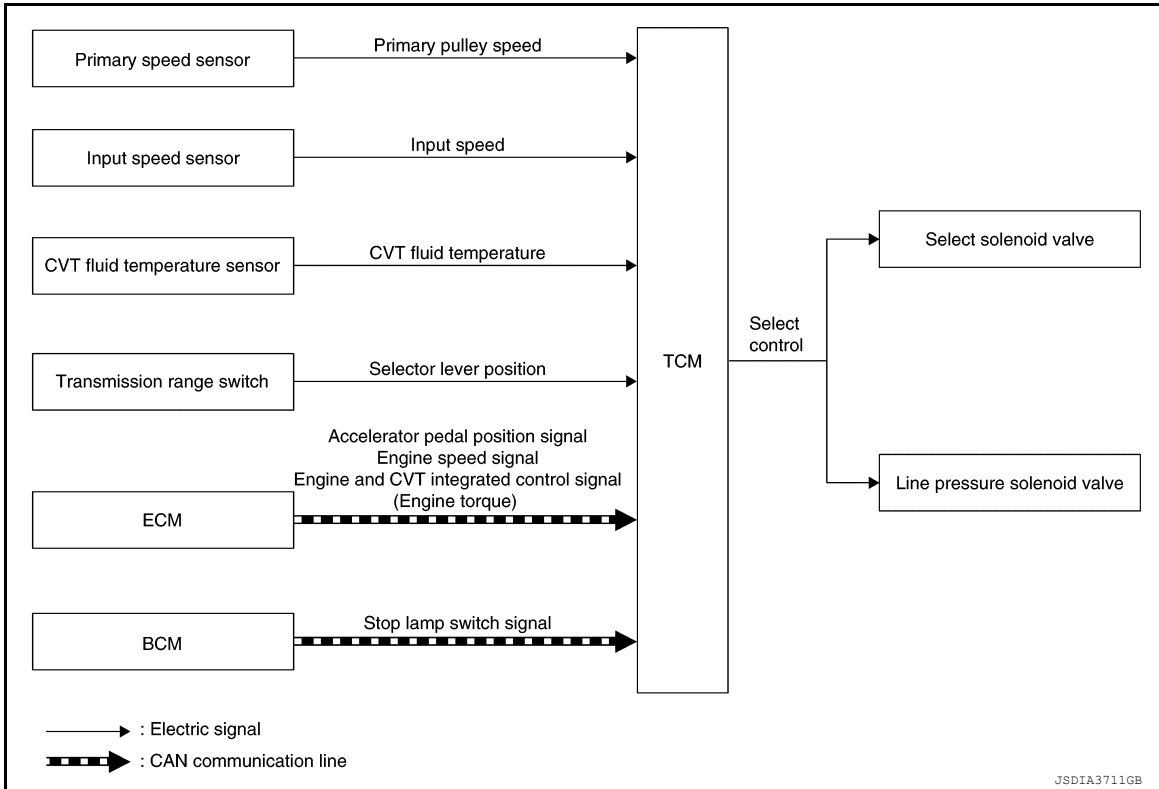
From change of the vehicle speed or accelerator pedal position, the acceleration request level of the driver or driving scene is evaluated. In start or acceleration during driving, the gear shift characteristics with linearity of revolution increase and vehicle speed increase are gained to improve the acceleration feel.

SELECT CONTROL

SELECT CONTROL : System Description

INFOID:000000008831878

SYSTEM DIAGRAM



DESCRIPTION

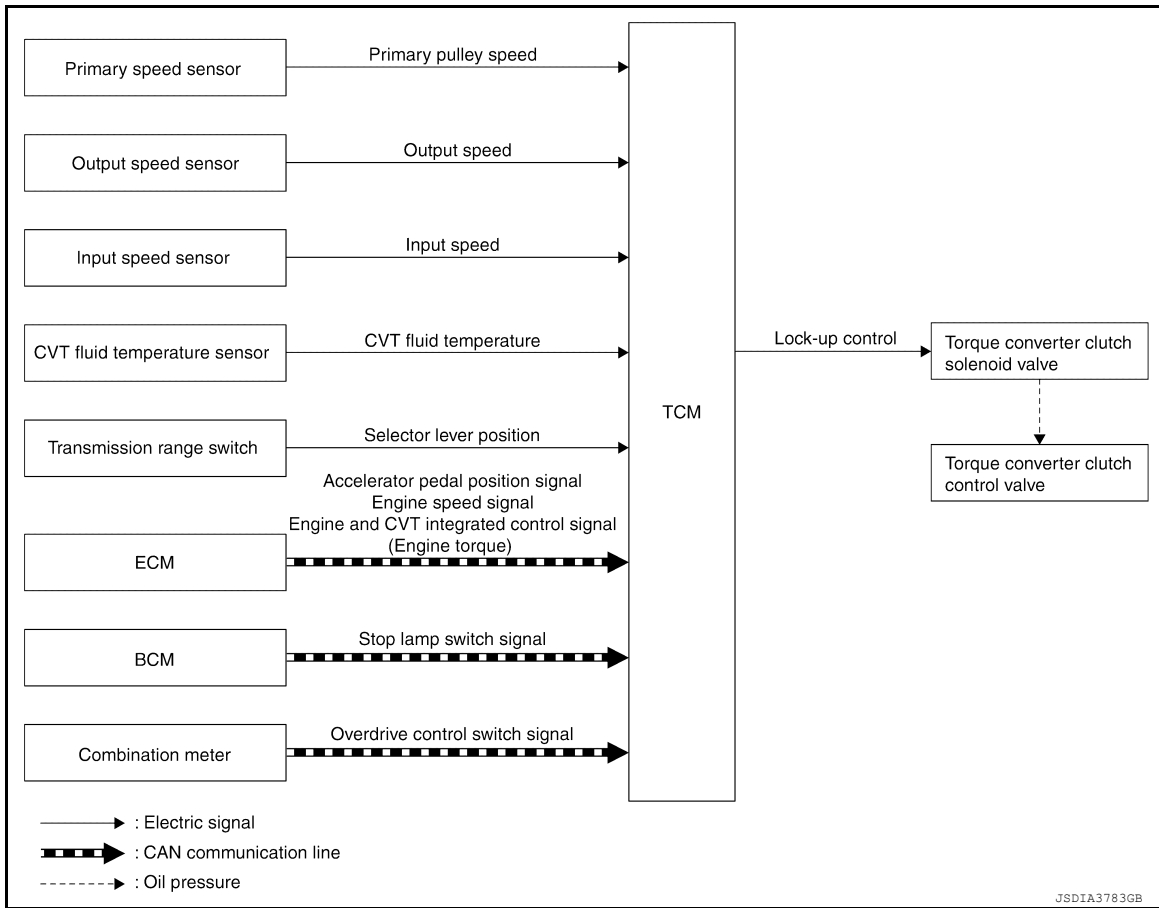
Based on accelerator pedal angle, engine speed, primary pulley speed, and the input speed, the optimum operating pressure is set to reduce impact of a selector lever operation while shifting from "N" ("P") to "D" ("R") position.

LOCK-UP CONTROL

LOCK-UP CONTROL : System Description

INFOID:000000008831879

SYSTEM DIAGRAM



A
B
C
TM
E
F
G
H
I
J
K
L
M
N
O
P

DESCRIPTION

- Controls for improvement of the transmission efficiency by engaging the torque converter clutch in the torque converter and eliminating slip of the converter. Achieves comfortable driving with slip control of the torque converter clutch.
- The oil pressure feed circuit for the torque converter clutch piston chamber is connected to the torque converter clutch control valve. The torque converter clutch control valve is switched by the torque converter clutch solenoid valve with the signal from TCM. This controls the oil pressure circuit, which is supplied to the torque converter clutch piston chamber, to the release side or engagement side.
- If the CVT fluid temperature is low or the vehicle is in fail-safe mode due to malfunction, lock-up control is prohibited.

Lock-up engagement

In lock-up engagement, the torque converter clutch solenoid valve makes the torque converter clutch control valve locked up to generate the lock-up apply pressure. This pushes the torque converter clutch piston for engagement.

Lock-up release condition

In lock-up release, the torque converter clutch solenoid valve makes the torque converter clutch control valve non-locked up to drain the lock-up apply pressure. This does not engage the torque converter clutch piston.

ON BOARD DIAGNOSTIC (OBD) SYSTEM

< SYSTEM DESCRIPTION >

[CVT: RE0F10D]

ON BOARD DIAGNOSTIC (OBD) SYSTEM

Description

INFOID:000000008138870

This is an on board diagnosis system which records diagnosis information related to the exhaust gases. It detects malfunctions related to sensors and actuators. The malfunctions are indicated by means of the malfunction indicator lamp (MIL) and are stored as DTC in the ECU memory. The diagnosis information can be checked using a diagnosis tool (GST: Generic Scan Tool).

Function of OBD

INFOID:000000008138871

The GST is connected to the diagnosis connector on the vehicle and communicates with the on-board control units to perform diagnosis. The diagnosis connector is the same as for CONSULT. Refer to [GI-55. "Description"](#).

DIAGNOSIS SYSTEM (TCM)

DIAGNOSIS DESCRIPTION

DIAGNOSIS DESCRIPTION : 1 Trip Detection Diagnosis and 2 Trip Detection Diagnosis

INFOID:000000008138872

NOTE:

"Start the engine and turn OFF the ignition switch after warm-up." This is defined as 1 trip.

1 TRIP DETECTION DIAGNOSIS

When initial malfunction is detected, TCM memorizes DTC. In these diagnoses, some illuminate MIL and some do not. Refer to [TM-60, "DTC Index"](#).

2 TRIP DETECTION DIAGNOSIS

When initial malfunction is detected, TCM memorizes DTC of the 1st trip. MIL does not light at this stage. <1 trip>

If the same malfunction is detected again in next driving, TCM memorizes DTC. When DTC is memorized, MIL lights. <2 trip>

"Trip" of the "2 trip detection diagnosis" indicates the driving mode that executes self-diagnosis during driving.

×: Check possible —: Check not possible

Item	DTC at the 1st trip		DTC		MIL	
	Display at the 1st trip	Display at the 2nd trip	Display at the 1st trip	Display at the 2nd trip	Illumination at the 1st trip	Illumination at the 2nd trip
1 trip detection diagnosis (Refer to TM-60, "DTC Index")	—	—	×	—	×	—
2 trip detection diagnosis (Refer to TM-60, "DTC Index")	×	—	—	×	—	×

DIAGNOSIS DESCRIPTION : DTC and DTC of 1st Trip

INFOID:000000008138873

2 TRIP DETECTION DIAGNOSIS THAT ILLUMINATES MIL

- The DTC number of the 1st trip is the same as the DTC number.
- When a malfunction is detected at the 1st trip, TCM memorizes DTC of the 1st trip. MIL does not light at this stage. If the same malfunction is not detected at the 2nd trip (conforming to necessary driving conditions), DTC at the 1st trip is erased from TCM. If the same malfunction is detected at the 2nd trip, TCM memorizes DTC and MIL lights at the same time.
- The DTC of the 1st trip is specified in Service \$01 of SAE J1979/ISO 15031-5. Since detection of DTC at the 1st trip does not illuminate MIL, warning for a problem is not given to a driver.
- For procedure to delete DTC and 1st trip DTC from TCM, refer to [TM-43, "CONSULT Function"](#).
- If DTC of the 1st trip is detected, it is necessary to check the cause according to the "Diagnosis flow". Refer to [TM-77, "Flowchart of Trouble Diagnosis"](#).

DIAGNOSIS DESCRIPTION : Malfunction Indicator Lamp (MIL)

INFOID:000000008138874

- TCM not only detects DTC, but also sends the MIL signal to ECM through CAN communication. ECM sends the MIL signal to the combination meter through CAN communication according to the signal, and illuminates MIL.
- For malfunction indicator lamp (MIL) description, refer to [EC-74, "DIAGNOSIS DESCRIPTION : Malfunction Indicator Lamp \(MIL\)"](#).

DIAGNOSIS DESCRIPTION : Counter System

INFOID:000000008138875

RELATION BETWEEN DTC AT 1ST TRIP/DTC/MIL AND DRIVING CONDITIONS (FOR 2 TRIP DETECTION DIAGNOSIS THAT ILLUMINATES MIL)

- When initial malfunction is detected, TCM memorizes DTC of the 1st trip. MIL does not light at this stage.
- If the same malfunction is detected at the 2nd trip, TCM memorizes DTC and MIL lights at the same time.
- Then, MIL goes after driving the vehicle for 3 trips under "Driving condition B" without malfunction.
- DTC is displayed until 40 trips of "Driving condition A" are satisfied without detecting the same malfunction. DTC is erased when 40 trips are satisfied.

DIAGNOSIS SYSTEM (TCM)

[CVT: RE0F10D]

< SYSTEM DESCRIPTION >

- When the self-diagnosis result is acceptable at the 2nd trip (conforming to driving condition B), DTC of the 1st trip is erased.

COUNTER SYSTEM LIST

Item	Driving condition	Trip
MIL (OFF)	B	3
DTC (clear)	A	40
DTC at 1st trip (clear)	B	1

DRIVING CONDITION

Driving condition A

Driving condition A is the driving condition that provides warm-up.

In specific, count-up is performed when all of the following conditions are satisfied.

- Engine speed is 400 rpm or more.
- After start of the engine, the water temperature increased by 20°C (36°F) or more.
- Water temperature was 70°C (158°F) or more.
- The ignition switch was changed from ON to OFF.

NOTE:

- If the same malfunction is detected regardless of the driving condition, reset the A counter.
- When the above is satisfied without detecting the same malfunction, count up the A counter.
- When MIL goes off due to the malfunction and the A counter reaches 40, the DTC is erased.

Driving condition B

Driving condition B is the driving condition that performs all diagnoses once.

In specific, count-up is performed when all of the following conditions are satisfied.

- Engine speed is 400 rpm or more.
- Water temperature was 70°C (158°F) or more.
- In closed loop control, vehicle speed of 70 – 120 km/h (43 – 75 MPH) continued for 60 seconds or more.
- In closed loop control, vehicle speed of 30 – 60 km/h (19 – 37 MPH) continued for 10 seconds or more.
- In closed loop control, vehicle speed of 4 km/h (2 MPH) or less and idle determination ON continued for 12 seconds or more.
- After start of the engine, 22 minutes or more have passed.
- The condition that the vehicle speed is 10 km/h (6 MPH) or more continued for 10 seconds or more in total.
- The ignition switch was changed from ON to OFF.

NOTE:

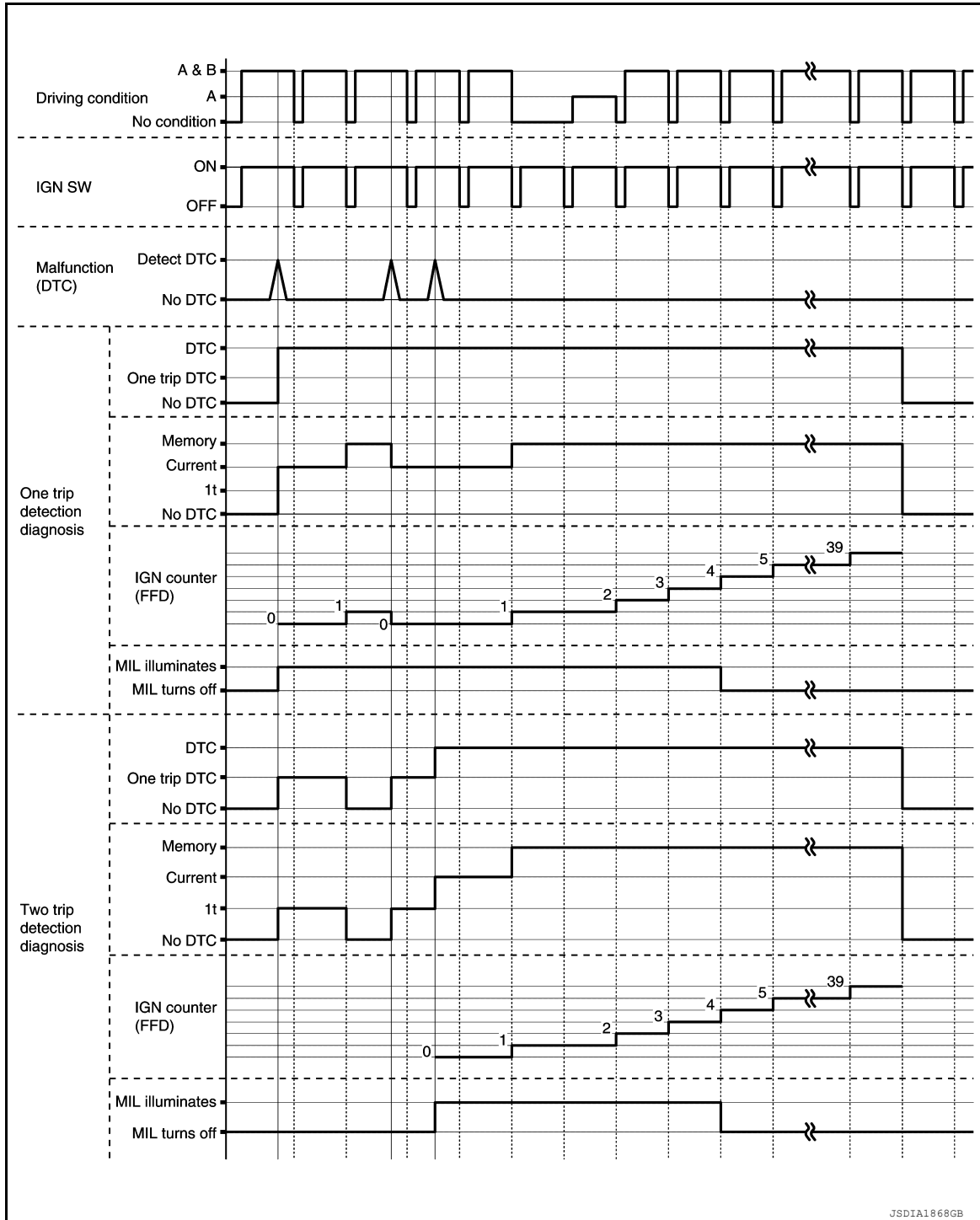
- If the same malfunction is detected regardless of the driving condition, reset the B counter.
- When the above is satisfied without detecting the same malfunction, count up the B counter.
- When the B counter reaches 3 without malfunction, MIL goes off.
- When the B counter is counted once without detecting the same malfunction after TCM memorizes DTC of the 1st trip, DTC of the 1st trip is erased.

DIAGNOSIS SYSTEM (TCM)

< SYSTEM DESCRIPTION >

[CVT: RE0F10D]

TIME CHART



CONSULT Function

INFOID:000000008138876

APPLICABLE ITEM

Conditions	Function
Work Support	The settings for ECU functions can be changed.
Self Diagnostic Results	The ECU self diagnostic results are displayed.
Data Monitor	The ECU input/output data is displayed in real time.
CAN Diagnosis Support Monitor	The result of transmit/receive diagnosis of CAN communication is displayed.
Active Test	The ECU activates outputs to test components.

DIAGNOSIS SYSTEM (TCM)

< SYSTEM DESCRIPTION >

[CVT: RE0F10D]

Conditions	Function
ECU Identification	The ECU part number is displayed.
CALIB DATA	The calibration data status of TCM can be checked.

SELF DIAGNOSTIC RESULTS

Display Item List

Refer to [TM-60, "DTC Index"](#).

DTC at 1st trip and method to read DTC

- DTC (P0705, P0711, P0720, etc.) is specified by SAE J2012/ISO 15031-6.
- DTC and DTC at 1st trip are displayed on "Self Diagnostic results" of CONSULT.
When DTC is currently detected, "CRNT" is displayed. If "PAST" is displayed, it shows a malfunction occurred in the past. The trip number of drive without malfunction of concerned DTC can be confirmed with "IGN counter" inside "FFD".
- When the DTC at the 1st trip is detected, "1t" is displayed.

DTC deletion method

NOTE:

If the ignition switch is left ON after repair, turn OFF the ignition switch and wait for 10 seconds or more. Then, turn the ignition ON again. (Engine stop)

1. Touch "TRANSMISSION" of CONSULT.
2. Touch "Self Diagnostic Result".
3. Touch "Erase". (DTC memorized in TCM is erased.)

IGN counter

The ignition counter is displayed in "FFD" and the number of times of satisfied "Driving condition A" is displayed after normal recovery of DTC. Refer to [TM-41, "DIAGNOSIS DESCRIPTION : Counter System"](#).

- If malfunction (DTC) is currently detected, "0" is displayed.
- After normal recovery, every time "Driving condition A" is satisfied, the display value increases from 1 → 2 → 3...38 → 39.
- When MIL turns OFF due to the malfunction and the counter reaches 40, the DTC is erased.

NOTE:

The counter display of "40" cannot be checked.

DATA MONITOR

NOTE:

The following table includes information (items) inapplicable to this vehicle. For information (items) applicable to this vehicle, refer to CONSULT display items.

×: Application ▼: Optional selection

Monitored item	(Unit)	Monitor item selection		Remarks
		ECU IN-PUT SIG-NALS	MAIN SIG-NALS	
VSP SENSOR	(km/h or mph)	×	▼	Displays the vehicle speed calculated from the CVT output shaft speed.
ESTM VSP SIG	(km/h or mph)	×	▼	<ul style="list-style-type: none"> • Displays the vehicle speed signal (ABS) received through CAN communication. • Models with ABS are displayed.
INPUT SPEED SENSOR	(rpm)	×	▼	Displays the input speed calculated from the pulse signal of the input speed sensor.
PRI SPEED SEN	(rpm)	×	▼	Displays the primary pulley speed calculated from the pulse signal of the primary speed sensor.
SEC REV SENSOR	(rpm)	×	▼	Displays the secondary pulley speed calculated from the pulse signal of the output speed sensor.
ENG SPEED SIG	(rpm)	×	▼	Displays the engine speed received through CAN communication.
SEC PRESSURE SEN	(V)	×	▼	Displays the signal voltage of the secondary pressure-sensor.

DIAGNOSIS SYSTEM (TCM)

< SYSTEM DESCRIPTION >

[CVT: RE0F10D]

Monitored item	(Unit)	Monitor item selection		Remarks
		ECU IN-PUT SIG-NALS	MAIN SIG-NALS	
PRI PRESSURE SEN	(V)	×	▼	Displays the signal voltage of the primary pressuresensor.
ATF TEMP SEN	(V)	×	▼	Displays the signal voltage of the CVT fluid temperature sensor.
G SENSOR*	(G)	×	▼	Displays the signal voltage of the G sensor.
VIGN SEN	(V)	×	▼	Displays the battery voltage applied to TCM.
PVING VOLT	(V)	×	▼	Displays the backup voltage of TCM.
VEHICLE SPEED	(km/h or mph)	▼	×	Displays the vehicle speed recognized by TCM.
INPUT REV	(rpm)	▼	▼	Displays the input shaft speed of CVT recognized by TCM.
PRI SPEED	(rpm)	▼	×	Displays the primary pulley speed recognized by TCM.
SEC SPEED	(rpm)	▼	▼	Displays the secondary pulley speed recognized by TCM.
ENG SPEED	(rpm)	▼	×	Displays the engine speed recognized by TCM.
SLIP REV	(rpm)	▼	×	Displays the speed difference between the input shaft speed of CVT and the engine speed.
PULLEY GEAR RATIO		▼	×	Displays the pulley gear ratio calculated from primary pulley speed/secondary pulley speed.
G SPEED*	(G)	▼	▼	Displays the acceleration and deceleration speed of the vehicle calculated from vehicle speed change.
ACCEL POSI SEN 1	(deg)	×	×	Displays the estimated throttle position received through CAN communication.
VENG TRQ	(Nm)	▼	×	Display the engine torque recognized by TCM.
PRI TRQ	(Nm)	▼	▼	Display the input shaft torque of CVT.
TRQ RTO		▼	▼	Display the torque ratio of torque converter.
SEC PRESSURE	(MPa)	▼	▼	Displays the secondary pressure calculated from the signal voltage of the secondary pressure sensor.
PRI PRESSURE	(MPa)	▼	▼	Displays the primary pressure calculated from the signal voltage of the primary pressure sensor.
FLUID TEMP	(°C or °F)	▼	×	Displays the CVT fluid temperature calculated from the signal voltage of the CVT fluid temperature sensor.
DSR REV	(rpm)	▼	▼	Displays the target primary pulley speed calculated from processing of gear shift control.
TGT PLY GR RATIO		▼	▼	Displays the target gear ratio of the pulley from processing of gear shift control.
LU PRS	(MPa)	▼	▼	Displays the target oil pressure of the torque converter clutch solenoid valve calculated from oil pressure processing of gear shift control.
LINE PRS	(MPa)	▼	▼	Displays the target oil pressure of the line pressure solenoid valve calculated from oil pressure processing of gear shift control.
TRGT PRI PRESSURE	(MPa)	▼	▼	Displays the target oil pressure of the primary pressure solenoid valve calculated from oil pressure processing of gear shift control.
TRGT SELECT PRESSURE	(MPa)	▼	▼	Displays the target oil pressure of the select solenoid valve calculated from oil pressure processing of gear shift control.

A
B
C
TM
E
F
G
H
I
J
K
L
M
N
O
P

DIAGNOSIS SYSTEM (TCM)

< SYSTEM DESCRIPTION >

[CVT: RE0F10D]

Monitored item	(Unit)	Monitor item selection		Remarks
		ECU IN-PUT SIG-NALS	MAIN SIG-NALS	
TRGT SEC PRESSURE	(MPa)	▼	▼	Displays the target oil pressure of the secondary pressure solenoid valve calculated from oil pressure processing of gear shift control.
ISOLT1	(A)	▼	×	Displays the command current from TCM to the torque converter clutch solenoid valve.
ISOLT2	(A)	▼	×	Displays the command current from TCM to the line pressure solenoid valve.
PRI SOLENOID	(A)	▼	×	Displays the command current from TCM to the primary pressure solenoid valve.
SEC SOLENOID CURRENT	(A)	▼	×	Displays the command current from TCM to the secondary pressure solenoid valve.
SELECT SOLENOID CURRENT	(A)	▼	×	Displays the command current from TCM to the select solenoid valve.
SOLMON1	(A)	×	×	Monitors the command current from TCM to the torque converter clutch solenoid valve and displays the monitored value.
SOLMON2	(A)	×	×	Monitors the command current from TCM to the line pressure solenoid valve and displays the monitored value.
PRI SOL MON	(A)	×	×	Monitors the command current from TCM to the primary pressure solenoid valve and displays the monitored value.
SEC SOL MON CURRENT	(A)	×	×	Monitors the command current from TCM to the secondary pressure solenoid valve and displays the monitored value.
SELECT SOL MON CURRENT	(A)	×	×	Monitors the command current from TCM to the select solenoid valve and displays the monitored value.
D POSITION SW	(On/Off)	×	▼	Displays the operation status of the transmission range switch (D position).
N POSITION SW	(On/Off)	×	▼	Displays the operation status of the transmission range switch (N position).
R POSITION SW	(On/Off)	×	▼	Displays the operation status of the transmission range switch (R position).
P POSITION SW	(On/Off)	×	▼	Displays the operation status of the transmission range switch (P position).
L POSITION SW*	(On/Off)	×	▼	Displays the operation status of the transmission range switch (L position).
DS RANGE SW	(On/Off)	×	▼	Displays the operation status of the transmission range switch (Ds position).
BRAKESW	(On/Off)	×	×	Displays the reception status of the stop lamp switch signal received through CAN communication.
IDLE SW	(On/Off)	×	×	Displays the reception status of the closed throttle position signal received through CAN communication.
SPORT MODE SW	(On/Off)	×	×	Displays the reception status of the overdrive control switch signal received through CAN communication.
ECO MODE SW*	(On/Off)	×	×	Displays the reception status of the ECO mode switch signal received through CAN communication.
STRDWNSW*	(On/Off)	×	▼	Displays the operation status of the paddle shifter (down switch).
STRUPSW*	(On/Off)	×	▼	Displays the operation status of the paddle shifter (up switch).

DIAGNOSIS SYSTEM (TCM)

< SYSTEM DESCRIPTION >

[CVT: RE0F10D]

Monitored item	(Unit)	Monitor item selection		Remarks
		ECU IN-PUT SIG-NALS	MAIN SIG-NALS	
DOWNLVR*	(On/Off)	×	▼	Displays the operation status of the selector lever (down switch).
UPLVR*	(On/Off)	×	▼	Displays the operation status of the selector lever (up switch).
NONMMODE*	(On/Off)	×	▼	Displays if the selector lever position is not at the manual shift gate.
MMODE*	(On/Off)	×	▼	Displays if the selector lever position is at the manual shift gate.
TOW MODE SW*	(On/Off)	×	▼	Displays the reception status of the TOW mode switch signal received through CAN communication.
SHIFT IND SIGNAL		▼	▼	Displays the transaxle value of shift position signal transmitted via CAN communication.
CVT LAMP*	(On/Off)	▼	▼	Displays the transaxle status of the CVT warning lamp signal transmitted through CAN communication.
SPORT MODE IND	(On/Off)	▼	▼	Displays the transaxle status of the O/D OFF indicator lamp signal transmitted through CAN communication.
MANU MODE SIGNAL*	(On/Off)	▼	▼	Displays the transaxle status of the manual mode signal transmitted through CAN communication.
DS RANGE SIGNAL	(On/Off)	▼	▼	Displays the shift position signal status from transmission range switch (DS position).
ECO MODE SIGNAL*	(On/Off)	▼	▼	Displays the transaxle status of the ECO mode signal transmitted through CAN communication.
VDC ON	(On/Off)	×	▼	Displays the reception status of the VDC operation signal received through CAN communication.
TCS ON	(On/Off)	×	▼	Displays the reception status of the TCS operation signal received through CAN communication.
ABS FAIL SIGNAL	(On/Off)	×	▼	Displays the reception status of the ABS malfunction signal received through CAN communication.
ABS ON	(On/Off)	×	▼	Displays the reception status of the ABS operation signal received through CAN communication.
RANGE		▼	×	Displays the gear position recognized by TCM.
M GEAR POS*		▼	×	Display the target gear of manual mode
G SEN SLOPE*	(%)	▼	▼	Displays the gradient angle calculated from the G sensor signal voltage.
G SEN CALIBRATION*	(YET/DONE)	▼	▼	Displays the status of "G SENSOR CALIBRATION" in "Work Support".
N IDLE STATUS*	(On/Off)	▼	▼	Displays idle neutral status.
ENGBRKLVL	(On/Off)	▼	▼	Displays the setting of "ENGINE BRAKE ADJ" in "Work Support".
DRIVE MODE STATS*		▼	▼	Displays the drive mode status recognized by TCM.
SNOW MODE*	(On/Off)	▼	▼	Displays whether it is the SNOW mode.
ECO MODE*	(On/Off)	▼	▼	Displays whether it is the ECO mode.
NORMAL MODE*	(On/Off)	▼	▼	Displays whether it is the NORMAL mode.
SPORT MODE*	(On/Off)	▼	▼	Displays whether it is the SPORT mode.
AIR BLDING STATE*	(INCOMP/COMP)	▼	▼	Displays the status of "ELECTRIC O.P. AIR BLEEDING" in "Work Support".

A
B
C
TM
E
F
G
H
I
J
K
L
M
N
O
P

DIAGNOSIS SYSTEM (TCM)

< SYSTEM DESCRIPTION >

[CVT: RE0F10D]

Monitored item	(Unit)	Monitor item selection		Remarks
		ECU IN-PUT SIG-NALS	MAIN SIG-NALS	
ELECTRIC OP DUTY*	(%)	▼	▼	Displays the command signal value (duty) of the electric oil pump transmitted from TCM.
E-OP DUTY MON*	(%)	▼	▼	Monitors the status signal value (duty) transmitted from the electric oil pump and displays the monitored value.
ELECTRIC OP RELAY*	(On/Off)	▼	▼	Displays the command status from TCM to the electric oil pump relay.
E-OP RELAY MON*	(On/Off)	▼	▼	Monitors the command status from TCM to the oil pump relay and displays the monitored value.

*: Not applicable but displayed.

WORK SUPPORT

Item name	Description
CONFORM CVTF DETERIORTN	Checks the degradation level of the CVT fluid under severe conditions.
ERASE MEMORY DATA	Performs "erasing of the calibration data" and "erasing of the learned value" at the same time.
G SENSOR CALIBRATION	Compensates the G sensor.
ERASE LEARNING VALUE	Erases learning value memorized by TCM.
ENGINE BRAKE ADJ.	Although there is no malfunction on the transaxle and the CVT system, if a customer make a complaint like "I do not feel comfortable with automatic operation of the engine brake on downhill", the engine brake may be cancelled with "engine brake adjustment".
ERASE CALIBRATION DATA	Erases calibration data memorized by TCM.
WRITE IP CHARA - REPLACEMENT AT/CVT	Writes IP characteristics when transaxle assembly is replaced.
READ IP CHARA - REPLACEMENT TCM	Reads IP characteristics when TCM is replaced.
WRITE IP CHARA - REPLACEMENT TCM	Writes IP characteristics when TCM is replaced.

Engine brake adjustment

ENGINE BRAKE LEVEL

- ON : Turn ON the engine brake control.
- OFF : Turn OFF the engine brake control.

Check the degradation level of the CVT fluid.

CVTF degradation level data

- 210,000 or more : Replacement of the CVT fluid is required.
- Less than 210,000 : Replacement of the CVT fluid is not required.

ACTIVE TEST

Item name	Description
CVT OIL COOLER FAN CIRCUIT	Checks the operation of CVT oil cooler fan relay.

ECU DIAGNOSIS INFORMATION

TCM

Reference Value

INFOID:000000008138877

CONSULT DATA MONITOR STANDARD VALUE

- In CONSULT, electric shift timing or lock-up timing, i.e. operation timing of each solenoid valve, is displayed. Therefore, if there is an obvious difference between the shift timing estimated from a shift shock (or engine speed variations) and that shown on the CONSULT, the mechanism parts (including the hydraulic circuit) excluding the solenoids and sensors may be malfunctioning. In this case, check the mechanical parts following the appropriate diagnosis procedure.
- Shift point (gear position) displayed on CONSULT slightly differs from shift pattern described in Service Manual. This is due to the following reasons.
 - Actual shift pattern may vary slightly within specified tolerances.
 - While shift pattern described in Service Manual indicates start of each shift, CONSULT shows gear position at end of shift.
 - The solenoid display (ON/OFF) on CONSULT is changed at the start of gear shifting. In contrast, the gear position display is changed at the time when gear shifting calculated in the control unit is completed.

NOTE:

The following table includes information (items) inapplicable to this vehicle. For information (items) applicable to this vehicle, refer to CONSULT display items.

Monitor item	Condition	Value/Status (Approx.)
VSP SENSOR	While driving	Almost same as the speedometer display.
ESTM VSP SIG	While driving	Almost same as the speedometer display.
INPUT SPEED SENSOR	In driving (lock-up ON)	Approximately matches the engine speed.
PRI SPEED SEN	In driving (lock-up ON)	Approximately matches the engine speed.
SEC REV SENSOR	While driving	VSP SENSOR × 40
ENG SPEED SIG	Engine running	Almost same reading as tachometer
SEC PRESSURE SEN	<ul style="list-style-type: none"> • After engine warm up • Selector lever: "N" position • At idle 	1.2 – 1.3 V
PRI PRESSURE SEN	<ul style="list-style-type: none"> • After engine warm up • Selector lever: "N" position • At idle 	0.70 – 0.85 V
ATF TEMP SEN	CVT fluid: Approx. 20°C (68°F)	2.01 – 2.05 V
	CVT fluid: Approx. 50°C (122°F)	1.45 – 1.50 V
	CVT fluid: Approx. 80°C (176°F)	0.90 – 0.94 V
G SENSOR	Vehicle is level	0 V
VIGN SEN	Ignition switch: ON	10 – 16 V
PVING VOLT	Ignition switch: ON	10 – 16 V
VEHICLE SPEED	While driving	Almost same as the speedometer display.
INPUT REV	In driving (lock-up ON)	Almost same as the engine speed.
PRI SPEED	In driving (lock-up ON)	Approximately matches the engine speed.
SEC SPEED	While driving	VSP SENSOR × 40
ENG SPEED	Engine running	Almost same reading as tachometer
SLIP REV	While driving	Engine speed – Input speed
PULLEY GEAR RATIO	In driving (forward)	2.70 – 0.38
	In driving (reverse)	2.70

TCM

< ECU DIAGNOSIS INFORMATION >

[CVT: RE0F10D]

Monitor item	Condition	Value/Status (Approx.)
G SPEED	Vehicle stopped	0.00 G
	During acceleration	The value changes to the positive side along with acceleration.
	During deceleration	The value changes to the positive side along with deceleration.
ACCEL POSI SEN 1	Accelerator pedal released	0.00 deg
	Accelerator pedal fully depressed	80.00 deg
VENG TRQ	While driving	The value changes along with acceleration/ deceleration.
PRI TRQ	While driving	The value changes along with acceleration/ deceleration.
TRQ RTO	While driving	The value changes along with acceleration/ deceleration.
SEC PRESSURE	<ul style="list-style-type: none"> • After engine warm up • Selector lever: "N" position • At idle 	1.1 MPa
PRI PRESSURE	<ul style="list-style-type: none"> • After engine warm up • Selector lever: "N" position • At idle 	0.40 – 0.45 MPa
FLUID TEMP	Ignition switch ON.	Displays the CVT fluid temperature.
DSR REV	While driving	It varies along with the driving condition.
TGT PLY GR RATIO	In driving (forward)	2.70 – 0.38
	In driving (reverse)	2.70
LU PRS	<ul style="list-style-type: none"> • Engine started • Vehicle is stopped. 	-0.500 MPa
	<ul style="list-style-type: none"> • Selector lever: "D" position • Accelerator pedal position: 1/8 or less • Vehicle speed: 20 km/h (12 MPH) or more 	0.450 MPa
LINE PRS	<ul style="list-style-type: none"> • After engine warm up • Selector lever: "N" position • At idle 	1.1 MPa
TRGT PRI PRESSURE	<ul style="list-style-type: none"> • After engine warm up • Selector lever: "N" position • At idle 	0.40 – 0.45 MPa
TRGT SELECT PRESSURE	<ul style="list-style-type: none"> • After engine warm up • Selector lever: "N" position • At idle 	0 MPa
	<ul style="list-style-type: none"> • Selector lever: "D" position • At idle 	0.3 – 0.5 MPa
TRGT SEC PRESSURE	<ul style="list-style-type: none"> • After engine warm up • Selector lever: "N" position • At idle 	1.1 MPa
ISOLT1	<ul style="list-style-type: none"> • Engine started • Vehicle is stopped. 	0.000 A
	<ul style="list-style-type: none"> • Selector lever: "D" position • Accelerator pedal position: 1/8 or less • Vehicle speed: 20 km/h (12 MPH) or more 	0.500 A
ISOLT2	<ul style="list-style-type: none"> • After engine warm up • Selector lever: "N" position • At idle 	0.800 – 0.850 A

TCM

< ECU DIAGNOSIS INFORMATION >

[CVT: RE0F10D]

Monitor item	Condition	Value/Status (Approx.)	
PRI SOLENOID	<ul style="list-style-type: none"> After engine warm up Selector lever: "N" position At idle 	0.800 – 0.850 A	A
SEC SOLENOID CURRENT	<ul style="list-style-type: none"> After engine warm up Selector lever: "N" position At idle 	0.800 – 0.850 A	B
SELECT SOLENOID CURRENT	<ul style="list-style-type: none"> After engine warm up Selector lever: "N" position At idle 	1.000 A	C
SOLMON1	<ul style="list-style-type: none"> Engine started Vehicle is stopped. 	0.000 A	TM
	<ul style="list-style-type: none"> Selector lever: "D" position Accelerator pedal position: 1/8 or less Vehicle speed: 20 km/h (12 MPH) or more 	0.500 A	E
SOLMON2	<ul style="list-style-type: none"> After engine warm up Selector lever: "N" position At idle 	0.800 – 0.850 A	F
PRI SOL MON	<ul style="list-style-type: none"> After engine warm up Selector lever: "N" position At idle 	0.800 – 0.850 A	G
SEC SOL MON CURRENT	<ul style="list-style-type: none"> After engine warm up Selector lever: "N" position At idle 	0.800 – 0.850 A	H
SELECT SOL MON CURRENT	<ul style="list-style-type: none"> After engine warm up Selector lever: "N" position At idle 	1.000 A	I
D POSITION SW	Selector lever: "D" position	On	J
	Other than the above	Off	
N POSITION SW	Selector lever: "N" position	On	K
	Other than the above	Off	
R POSITION SW	Selector lever: "R" position	On	L
	Other than the above	Off	
P POSITION SW	Selector lever: "P" position	On	M
	Other than the above	Off	
L POSITION SW	Always	Off	
DS RANGE SW	Selector lever: "DS" position	On	N
	Other than the above	Off	
BRAKESW	Brake pedal is depressed	On	O
	Brake pedal is released	Off	
IDLE SW	Accelerator pedal is fully depressed	On	P
	Accelerator pedal is released	Off	
SPORT MODE SW	Press the overdrive control switch	On	
	Release the overdrive control switch	Off	
ECO MODE SW	Always	Off	
STRDWNSW	Always	Off	
STRUPSW	Always	Off	
DOWNLVR	Always	Off	
UPLVR	Always	Off	
NONMMODE	Always	On	

TCM

< ECU DIAGNOSIS INFORMATION >

[CVT: RE0F10D]

Monitor item	Condition	Value/Status (Approx.)
MMODE	Always	Off
TOW MODE SW	Always	Off
SHIFT IND SIGNAL	When the selector lever is positioned in between each position.	OFF
	Selector lever: P position	P
	Selector lever: R position	R
	Selector lever: N position	N
	Selector lever: D position	D
CVT LAMP	Approx. 2 seconds after ignition switch ON	On
	Other than the above	Off
SPORT MODE IND	In overdrive off	On
	Other than the above	Off
MANU MODE SIGNAL	Always	Off
DS RANGE SIGNAL	Selector lever in DS position	On
	Other than the above	Off
ECO MODE SIGNAL	Always	Off
VDC ON	Always	Off
TCS ON	Always	Off
ABS FAIL SIGNAL	When ABS malfunction signal is received	On
	Other than the above	Off
ABS ON	ABS is activated	On
	Other than the above	Off
RANGE	Selector lever: P and N positions	N/P
	Selector lever: R position	R
	Selector lever: D position	D
	Selector lever: DS position	S
	Selector lever: D position (in O/D OFF)	S
M GEAR POS	Always	1
G SEN SLOPE	Flat road	0%
	Uphill gradient	The value changes to the positive side along with uphill gradient. (Maximum 40.45%)
	Downhill gradient	The value changes to the negative side along with downhill gradient. (Minimum 40.45%)
G SEN CALIBRATION	When G sensor calibration is completed	DONE
	When G sensor calibration is not completed	YET
N IDLE STATUS	Always	Off
ENGBRKLVL	When the engine brake level of "ENGINE BRAKE ADJ". in "Work Support" is ON	On
	When the engine brake level of "ENGINE BRAKE ADJ". in "Work Support" is OFF	Off
DRIVE MODE STATS	While driving in D position	AUTO
SNOW MODE	Always	Off
ECO MODE	Always	Off
NOTMAL MODE	Always	Off
SPORT MODE	Always	Off

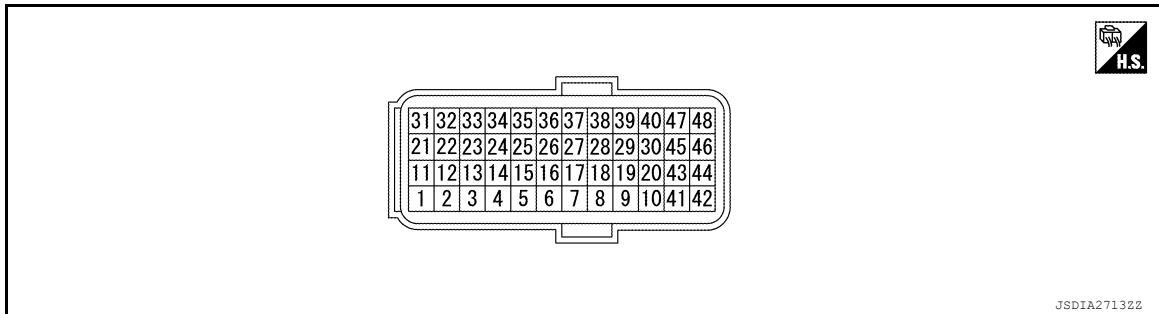
TCM

< ECU DIAGNOSIS INFORMATION >

[CVT: RE0F10D]

Monitor item	Condition	Value/Status (Approx.)
AIR BLDING STATE	Always	COMP
ELECTRIC OP DUTY	Always	0%
E-OP DUTY MON	Always	0%
ELECTRIC OP RELAY	Always	Off
E-OP RELAY MON	Always	Off

TERMINAL LAYOUT



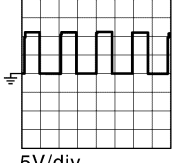
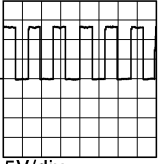
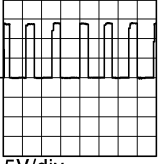
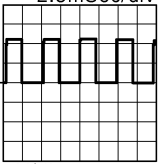
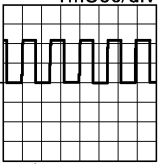
INPUT/OUTPUT SIGNAL STANDARD

Terminal No. (Wire color)		Description		Condition	Value (Approx.)
+	-	Signal	Input/ Output		
2 (SB)	Ground	DS position switch	Input	Selector lever: "DS" position	10 – 16 V
				Other than the above	0 V
4 (LG)	Ground	D position switch	Input	Selector lever: "D" position	10 – 16 V
				Other than the above	0 V
5 (BR)	Ground	N position switch	Input	Selector lever: "N" position	10 – 16 V
				Other than the above	0 V
6 (L)	Ground	R position switch	Input	Selector lever: "R" position	10 – 16 V
				Other than the above	0 V
7 (V)	Ground	P position switch	Input	Selector lever: "P" position	10 – 16 V
				Other than the above	0 V
11 (Y)	Ground	Sensor ground	Input	Always	0 V
12 (V)	Ground	CVT fluid temperature sensor	Output	Ignition switch ON CVT fluid: Approx. 20°C (68°F)	2.01 – 2.05 V
				CVT fluid: Approx. 50°C (122°F)	1.45 – 1.50 V
				CVT fluid: Approx. 80°C (176°F)	0.90 – 0.94 V
16 (Y)	Ground	Secondary pressure sensor	Input	• Selector lever: "N" position • At idle	1.67 – 1.69 V
17 (LG)	Ground	Primary pressure sensor	Input	• Selector lever: "N" position • At idle	0.90 – 0.92 V
23 (P)	—	CAN-L	Input/ Output	—	—

TCM

< ECU DIAGNOSIS INFORMATION >

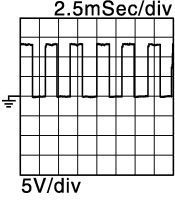
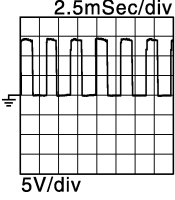
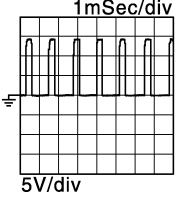
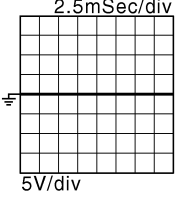
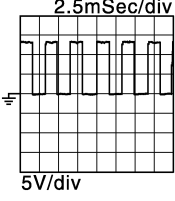
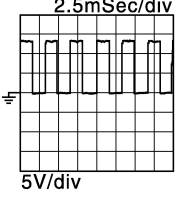
[CVT: RE0F10D]

Terminal No. (Wire color)		Description		Condition	Value (Approx.)
+	-	Signal	Input/ Output		
24 (BR)	Ground	Input speed sensor	Input	<ul style="list-style-type: none"> Selector lever: "DS" position Vehicle speed: 20 km/h (12 MPH) 	<p style="text-align: center;">880 Hz 1mSec/div</p>  <p style="text-align: center;">5V/div JSDIA3769GB</p>
26 (LG)	Ground	Sensor power supply	Output	Ignition switch: ON	5.0 V
				Ignition switch: OFF	0 V
30 (BR)	Ground	Line pressure solenoid valve	Output	<ul style="list-style-type: none"> After engine warming up Selector lever: "N" position At idle 	<p style="text-align: center;">2.5mSec/div</p>  <p style="text-align: center;">5V/div JSDIA1897GB</p>
				<ul style="list-style-type: none"> After engine warming up Selector lever: "N" position Depress the accelerator pedal fully 	<p style="text-align: center;">2.5mSec/div</p>  <p style="text-align: center;">5V/div JSDIA1898GB</p>
33 (L)	—	CAN-H	Input/ Output	—	—
34 (V)	Ground	Output speed sensor	Input	<ul style="list-style-type: none"> Selector lever: "DS" position Vehicle speed: 20 km/h (12 MPH) 	<p style="text-align: center;">200 Hz 2.5mSec/div</p>  <p style="text-align: center;">5V/div JSDIA1904GB</p>
35 (BR)	Ground	Primary speed sensor	Input	<ul style="list-style-type: none"> Selector lever: "DS" position Vehicle speed: 20 km/h (12 MPH) 	<p style="text-align: center;">700 Hz 1mSec/div</p>  <p style="text-align: center;">5V/div JSDIA1905GB</p>

TCM

< ECU DIAGNOSIS INFORMATION >

[CVT: RE0F10D]

Terminal No. (Wire color)		Description		Condition	Value (Approx.)
+	-	Signal	Input/ Output		
37 (Y)	Ground	Select solenoid valve	Output	In driving at "DS" position	 <p style="text-align: right; font-size: small;">JSDIA1897GB</p>
				Release the accelerator pedal after the following conditions are satisfied <ul style="list-style-type: none"> • Selector lever: "D" position • Accelerator pedal position: 1/8 or less • Vehicle speed: 50 km/h (31 MPH) or more 	 <p style="text-align: right; font-size: small;">JSDIA1899GB</p>
38 (BR)	Ground	Torque converter clutch solenoid valve	Output	<ul style="list-style-type: none"> • Selector lever: "D" position • Accelerator pedal position: 1/8 or less • Vehicle speed: 20 km/h (12 MPH) or more 	 <p style="text-align: right; font-size: small;">JSDIA1900GB</p>
				<ul style="list-style-type: none"> • Engine started • Vehicle is stopped 	 <p style="text-align: right; font-size: small;">JSDIA1903GB</p>
39 (L)	Ground	Secondary pressure solenoid valve	Output	<ul style="list-style-type: none"> • Selector lever: "DS" position • Vehicle speed: 20 km/h (12 MPH) 	 <p style="text-align: right; font-size: small;">JSDIA1897GB</p>
40 (LG)	Ground	Primary pressure solenoid valve	Output	<ul style="list-style-type: none"> • Selector lever: "DS" position • Vehicle speed: 20 km/h (12 MPH) 	 <p style="text-align: right; font-size: small;">JSDIA1897GB</p>
41 (B)	Ground	Ground	Output	Always	0 V
42 (B)	Ground	Ground	Output	Always	0 V
45 (P)	Ground	Power (backup)	Input	Always	10 – 16 V

A
B
C
TM
E
F
G
H
I
J
K
L
M
N
O
P

TCM

< ECU DIAGNOSIS INFORMATION >

[CVT: RE0F10D]

Terminal No. (Wire color)		Description		Condition	Value (Approx.)
+	-	Signal	Input/ Output		
46 (P)	Ground	Power (backup)	Input	Always	10 – 16 V
47 (Y)	Ground	Power supply	Input	Ignition switch: ON	10 – 16 V
				Ignition switch: OFF	0 V
48 (Y)	Ground	Power supply	Input	Ignition switch: ON	10 – 16 V
				Ignition switch: OFF	0 V

Fail-safe

INFOID:000000008831882

TCM has a fail-safe mode. The mode functions so that operation can be continued even if the signal circuit of the main electronically controlled input/output parts is damaged.

If the vehicle shows following behaviors including “poor acceleration”, a malfunction of the applicable system is detected by TCM and the vehicle may be in a fail-safe mode. At this time, check the DTC code and perform inspection and repair according to the malfunction diagnosis procedures.

Fail-safe function

DTC	Vehicle behavior	Conditions of vehicle
P062F	<ul style="list-style-type: none"> Not changed from normal driving 	—
P0705	<ul style="list-style-type: none"> Shift position indicator on combination meter is not displayed Selector shock is large Start is slow Acceleration is slow Lock-up is not performed 	—
P0706	<ul style="list-style-type: none"> Shift position indicator on combination meter is not displayed Selector shock is large Start is slow Acceleration is slow Lock-up is not performed 	—
P0711	<ul style="list-style-type: none"> Start is slow Acceleration is slow 	Engine coolant temperature when engine start: Temp. $\geq 10^{\circ}\text{C}$ (50°F)
	<ul style="list-style-type: none"> Selector shock is large Start is slow Acceleration is slow 	Engine coolant temperature when engine start: -35°C (-31°F) \leq Temp. $< 10^{\circ}\text{C}$ (50°F)
	<ul style="list-style-type: none"> Selector shock is large Start is slow Acceleration is slow 	Engine coolant temperature when engine star: Temp. $< -35^{\circ}\text{C}$ (-31°F)
P0712	<ul style="list-style-type: none"> Start is slow Acceleration is slow 	Engine coolant temperature when engine start: Temp. $\geq 10^{\circ}\text{C}$ (50°F)
	<ul style="list-style-type: none"> Selector shock is large Start is slow Acceleration is slow 	Engine coolant temperature when engine start: -35°C (-31°F) \leq Temp. $< 10^{\circ}\text{C}$ (50°F)
	<ul style="list-style-type: none"> Selector shock is large Start is slow Acceleration is slow 	Engine coolant temperature when engine star: Temp. $< -35^{\circ}\text{C}$ (-31°F)

TCM

< ECU DIAGNOSIS INFORMATION >

[CVT: RE0F10D]

DTC	Vehicle behavior	Conditions of vehicle	
P0713	<ul style="list-style-type: none"> • Start is slow • Acceleration is slow 	Engine coolant temperature when engine start: Temp. $\geq 10^{\circ}\text{C}$ (50°F)	A
	<ul style="list-style-type: none"> • Selector shock is large • Start is slow • Acceleration is slow 	Engine coolant temperature when engine start: -35°C (-31°F) \leq Temp. $< 10^{\circ}\text{C}$ (50°F)	B
	<ul style="list-style-type: none"> • Selector shock is large • Start is slow • Acceleration is slow 	Engine coolant temperature when engine star: Temp. $< -35^{\circ}\text{C}$ (-31°F)	C
P0715	<ul style="list-style-type: none"> • Start is slow • Acceleration is slow • Lock-up is not performed 	—	TM
P0717	<ul style="list-style-type: none"> • Start is slow • Acceleration is slow • Lock-up is not performed 	—	E
P0740	<ul style="list-style-type: none"> • Start is slow • Acceleration is slow • Lock-up is not performed 	—	F
P0743	<ul style="list-style-type: none"> • Start is slow • Acceleration is slow • Lock-up is not performed 	—	G
P0744	<ul style="list-style-type: none"> • Start is slow • Acceleration is slow • Lock-up is not performed 	—	H
P0746	<ul style="list-style-type: none"> • Selector shock is large • Start is slow • Acceleration is slow • Lock-up is not performed 	—	I
P0776	<ul style="list-style-type: none"> • Selector shock is large • Start is slow • Acceleration is slow • Lock-up is not performed • Vehicle speed is not increased 	When a malfunction occurs on the low oil pressure side	J
	<ul style="list-style-type: none"> • Selector shock is large • Start is slow • Acceleration is slow • Lock-up is not performed 	When a malfunction occurs on the high oil pressure side	K
P0778	<ul style="list-style-type: none"> • Selector shock is large • Start is slow • Acceleration is slow • Lock-up is not performed 	—	L
P0779	<ul style="list-style-type: none"> • Selector shock is large • Start is slow • Acceleration is slow • Lock-up is not performed 		M
P0841	<ul style="list-style-type: none"> • Not changed from normal driving 		N
P0847	<ul style="list-style-type: none"> • Not changed from normal driving 	—	O
P0848	<ul style="list-style-type: none"> • Not changed from normal driving 	—	P
P084C	<ul style="list-style-type: none"> • Not changed from normal driving 		
P084D	<ul style="list-style-type: none"> • Not changed from normal driving 		
P0863	<ul style="list-style-type: none"> • Selector shock is large • Start is slow • Acceleration is slow • Lock-up is not performed 	—	

TCM

< ECU DIAGNOSIS INFORMATION >

[CVT: RE0F10D]

DTC	Vehicle behavior	Conditions of vehicle
P0890	<ul style="list-style-type: none"> • Selector shock is large • Start is slow • Acceleration is slow • Lock-up is not performed • Vehicle speed is not increased 	
P0962	<ul style="list-style-type: none"> • Selector shock is large • Start is slow • Acceleration is slow • Lock-up is not performed 	—
P0963	<ul style="list-style-type: none"> • Selector shock is large • Start is slow • Acceleration is slow • Lock-up is not performed 	—
P0965	<ul style="list-style-type: none"> • Selector shock is large • Start is slow • Acceleration is slow • Lock-up is not performed 	When a malfunction occurs on the low oil pressure side
	<ul style="list-style-type: none"> • Selector shock is large • Lock-up is not performed 	When a malfunction occurs on the high oil pressure side
P0966	<ul style="list-style-type: none"> • Selector shock is large • Start is slow • Acceleration is slow • Lock-up is not performed 	—
P0967	<ul style="list-style-type: none"> • Selector shock is large • Start is slow • Acceleration is slow • Lock-up is not performed 	—
P2765	<ul style="list-style-type: none"> • Start is slow • Acceleration is slow • Lock-up is not performed 	—
P2813	<ul style="list-style-type: none"> • Selector shock is large • Start is slow • Acceleration is slow • Vehicle speed is not increased 	When a malfunction occurs on the low oil pressure side
	<ul style="list-style-type: none"> • Selector shock is large 	When a malfunction occurs on the high oil pressure side
P2814	<ul style="list-style-type: none"> • Selector shock is large 	—
P2815	<ul style="list-style-type: none"> • Selector shock is large 	—
U0073	<ul style="list-style-type: none"> • Selector shock is large • Start is slow • Acceleration is slow • Lock-up is not performed 	—
U0100	<ul style="list-style-type: none"> • Selector shock is large • Start is slow • Acceleration is slow • Lock-up is not performed 	—
U0140	<ul style="list-style-type: none"> • Not changed from normal driving 	—
U0141	<ul style="list-style-type: none"> • Not changed from normal driving 	—
U0155	<ul style="list-style-type: none"> • Not changed from normal driving 	—
U0300	<ul style="list-style-type: none"> • Selector shock is large • Start is slow • Acceleration is slow • Lock-up is not performed 	—
U1000	<ul style="list-style-type: none"> • Not changed from normal driving 	—
U1117	<ul style="list-style-type: none"> • Not changed from normal driving 	—

Protection Control

INFOID:00000000831883

The TCM becomes the protection control status temporarily to protect the safety when the safety of TCM and transmission is lost. It automatically returns to the normal status if the safety is secured. The TCM has the following protection control.

CONTROL FOR WHEEL SPIN

Control	When a wheel spin is detected, the engine output and gear ratio are limited and the line pressure is increased. Limits engine output when a wheel spin occurs in any of right and left drive wheels.
Vehicle behavior in control	If the accelerator is kept depressing during wheel spin, the engine revolution and vehicle speed are limited to a certain degree.
Normal return condition	Wheel spin convergence returns the control to the normal control.

TORQUE IS REDUCED WHEN DRIVING WITH THE REVERSE GEAR

Control	Engine output is controlled according to a vehicle speed while reversing the vehicle.
Vehicle behavior in control	Power performance may be lowered while reversing the vehicle.
Normal return condition	Torque returns to normal by positioning the selector lever in a range other than "R" position.

CONTROL WHEN FLUID TEMPERATURE IS HIGH

Control	When the CVT fluid temperature is high, the gear shift permission maximum revolution and the maximum torque are reduced than usual to prevent increase of the oil temperature.
Vehicle behavior in control	Power performance may be lowered, compared to normal control.
Normal return condition	The control returns to the normal control when CVT fluid temperature is lowered.

REVERSE PROHIBIT CONTROL

Control	The reverse brake is controlled to avoid becoming engaged when the selector lever is set in "R" position while driving in forward direction at more than the specified speed.
Vehicle behavior in control	If the selector lever is put at "R" position when driving with the forward gear, the gear becomes neutral, not reverse.
Normal return condition	The control returns to normal control when the vehicle is driven at low speeds. (The reverse brake becomes engaged.)

DTC Inspection Priority Chart

INFOID:000000008138880

If multiple malfunction codes are detected at the same time, check each code according to the DTC check priority list below.

Priority	DTC (Diagnostic Trouble Code)	Reference
1	P0863 CONTROL UNIT (CAN)	TM-142. "DTC Logic"
	U0073 COMM BUS A OFF	TM-88. "DTC Logic"
	U0100 LOST COMM (ECM A)	TM-89. "DTC Logic"
	U0140 LOST COMM (BCM)	TM-90. "DTC Logic"
	U0141 LOST COMM (BCM A)	TM-91. "DTC Logic"
	U0155 LOST COMM (IPC)	TM-92. "DTC Logic"
	U0300 CAN COMM DATA	TM-93. "DTC Logic"
	U1000 CAN COMM CIRC	TM-94. "DTC Logic"
	U1117 LOST COMM (ABS)	TM-95. "DTC Logic"

TCM

< ECU DIAGNOSIS INFORMATION >

[CVT: RE0F10D]

Priority	DTC (Diagnostic Trouble Code)	Reference
2	P0740 TORQUE CONVERTER	TM-119, "DTC Logic"
	P0743 TORQUE CONVERTER	TM-121, "DTC Logic"
	P0778 PC SOLENOID B	TM-129, "DTC Logic"
	P0779 PC SOLENOID B	TM-131, "DTC Logic"
	P0962 PC SOLENOID A	TM-144, "DTC Logic"
	P0963 PC SOLENOID A	TM-146, "DTC Logic"
	P0966 PC SOLENOID B	TM-150, "DTC Logic"
	P0967 PC SOLENOID B	TM-152, "DTC Logic"
	P2814 SELECT SOLENOID	TM-159, "DTC Logic"
	P2815 SELECT SOLENOID	TM-161, "DTC Logic"
3	P062F EEPROM	TM-96, "DTC Logic"
	P0705 T/M RANGE SENSOR A	TM-97, "DTC Logic"
	P0706 T/M RANGE SENSOR A	TM-103, "DTC Logic"
	P0711 FLUID TEMP SENSOR A	TM-106, "DTC Logic"
	P0712 FLUID TEMP SENSOR A	TM-109, "DTC Logic"
	P0713 FLUID TEMP SENSOR A	TM-111, "DTC Logic"
	P0715 INPUT SPEED SENSOR A	TM-113, "DTC Logic"
	P0717 INPUT SPEED SENSOR A	TM-116, "DTC Logic"
	P0841 FLUID PRESS SEN/SW A	TM-133, "DTC Logic"
	P0847 FLUID PRESS SEN/SW B	TM-134, "DTC Logic"
	P0848 FLUID PRESS SEN/SW B	TM-136, "DTC Logic"
	P084C FLUID PRESS SEN/SW H	TM-138, "DTC Logic"
	P084D FLUID PRESS SEN/SW H	TM-140, "DTC Logic"
	P0890 TCM	TM-143, "DTC Logic"
P2765 INPUT SPEED SENSOR B	TM-154, "DTC Logic"	
4	P0744 TORQUE CONVERTER	TM-123, "DTC Logic"
	P0746 PC SOLENOID A	TM-125, "DTC Logic"
	P0776 PC SOLENOID B	TM-127, "DTC Logic"
	P0965 PC SOLENOID B	TM-148, "DTC Logic"
	P2813 SELECT SOLENOID	TM-157, "DTC Logic"

DTC Index

INFOID:000000008138881

NOTE:

- If multiple malfunction codes are detected at the same time, check each code according to the "DTC check priority list". Refer to [TM-59, "DTC Inspection Priority Chart"](#).
- The ignition counter is displayed in "FFD". Refer to [TM-43, "CONSULT Function"](#).

DTC ^{*1, *2}		Items (CONSULT screen terms)	Trip	MIL ^{*3}	Reference
GST	CONSULT (TRANSMISSION)				
P062F	P062F	EEPROM	1	ON	TM-96
P0705	P0705	T/M RANGE SENSOR A	2	ON	TM-97
P0706	P0706	T/M RANGE SENSOR A	2	ON	TM-103
P0711	P0711	FLUID TEMP SENSOR A	2	ON	TM-106
P0712	P0712	FLUID TEMP SENSOR A	2	ON	TM-109
P0713	P0713	FLUID TEMP SENSOR A	2	ON	TM-111

TCM

< ECU DIAGNOSIS INFORMATION >

[CVT: RE0F10D]

DTC*1, *2		Items (CONSULT screen terms)	Trip	MIL*3	Reference
GST	CONSULT (TRANSMISSION)				
P0715	P0715	INPUT SPEED SENSOR A	2	ON	TM-113
P0717	P0717	INPUT SPEED SENSOR A	2	ON	TM-116
P0740	P0740	TORQUE CONVERTER	2	ON	TM-119
P0743	P0743	TORQUE CONVERTER	2	ON	TM-121
P0744	P0744	TORQUE CONVERTER	2	ON	TM-123
P0746	P0746	PC SOLENOID A	2	ON	TM-125
P0776	P0776	PC SOLENOID B	2	ON	TM-127
P0778	P0778	PC SOLENOID B	2	ON	TM-129
P0779	P0779	PC SOLENOID B	2	ON	TM-131
P0841	P0841	FLUID PRESS SEN/SW A	2	ON	TM-133
P0847	P0847	FLUID PRESS SEN/SW B	2	ON	TM-134
P0848	P0848	FLUID PRESS SEN/SW B	2	ON	TM-136
P084C	P084C	FLUID PRESS SEN/SW H	2	ON	TM-138
P084D	P084D	FLUID PRESS SEN/SW H	2	ON	TM-140
P0863	P0863	CONTROL UNIT (CAN)	1	ON	TM-142
P0890	P0890	TCM	1	ON	TM-143
P0962	P0962	PC SOLENOID A	2	ON	TM-144
P0963	P0963	PC SOLENOID A	2	ON	TM-146
P0965	P0965	PC SOLENOID B	2	ON	TM-148
P0966	P0966	PC SOLENOID B	2	ON	TM-150
P0967	P0967	PC SOLENOID B	2	ON	TM-152
P2765	P2765	INPUT SPEED SENSOR B	2	ON	TM-154
P2813	P2813	SELECT SOLENOID	2	ON	TM-157
P2814	P2814	SELECT SOLENOID	2	ON	TM-159
P2815	P2815	SELECT SOLENOID	2	ON	TM-161
U0073	U0073	COMM BUS A OFF	1	ON	TM-88
U0100	U0100	LOST COMM (ECM A)	1	ON	TM-89
—	U0140	LOST COMM (BCM)	1	—	TM-90
—	U0141	LOST COMM (BCM A)	1	—	TM-91
—	U0155	LOST COMM (IPC)	1	—	TM-92
—	U0300	CAN COMM DATA	1	—	TM-93
—	U1000	CAN COMM CIRC	1	—	TM-94
—	U1117	LOST COMM (ABS)	1	—	TM-95

*1: These numbers are specified by SAE J2012/ISO 15031-6.

*2: The DTC number of the 1st trip is the same as the DTC number.

*3: Refer to [TM-41](#), "DIAGNOSIS DESCRIPTION : Malfunction Indicator Lamp (MIL)".

CVT CONTROL SYSTEM

< WIRING DIAGRAM >

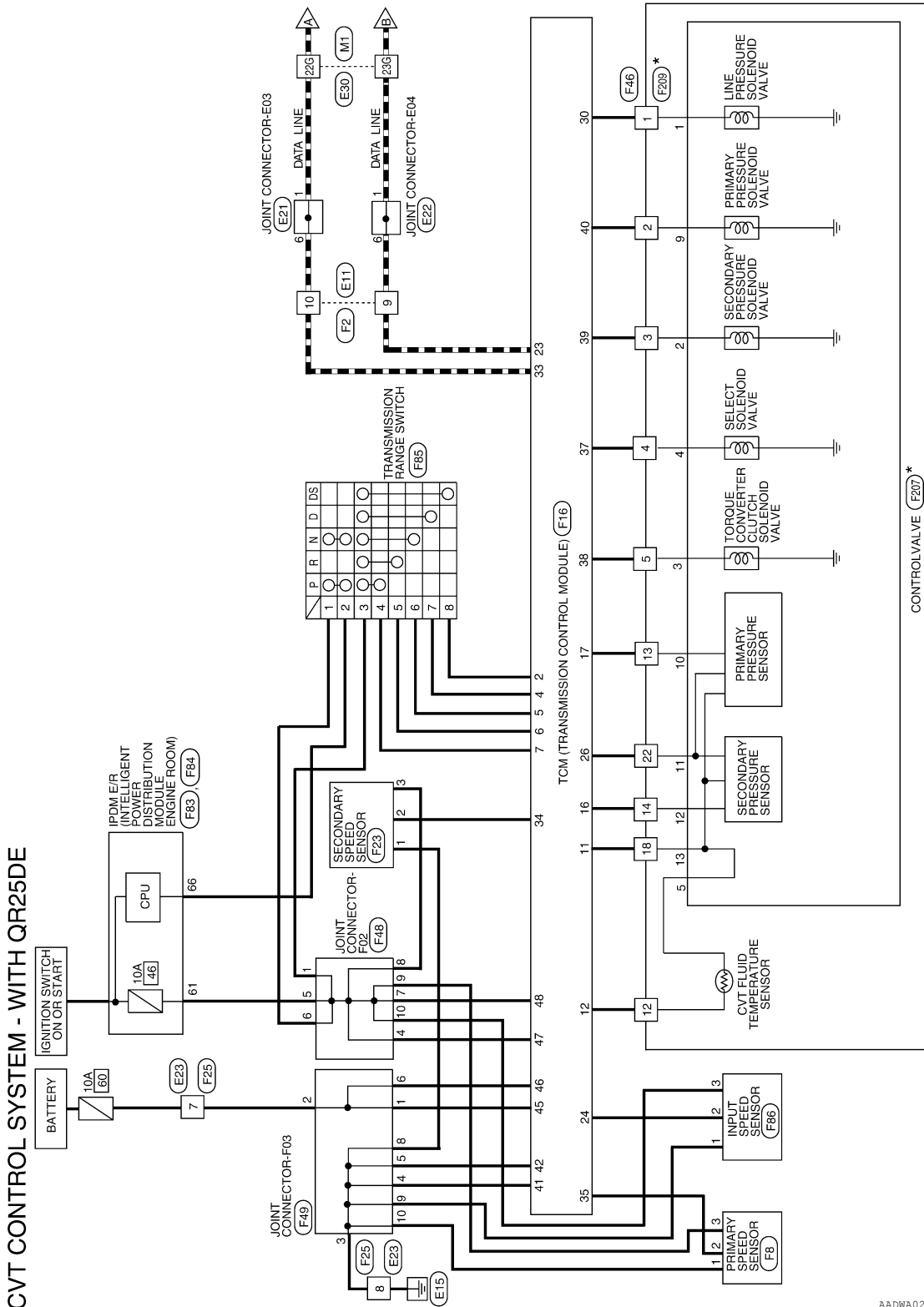
[CVT: RE0F10D]

WIRING DIAGRAM

CVT CONTROL SYSTEM

Wiring diagram

INFOID:000000008138883

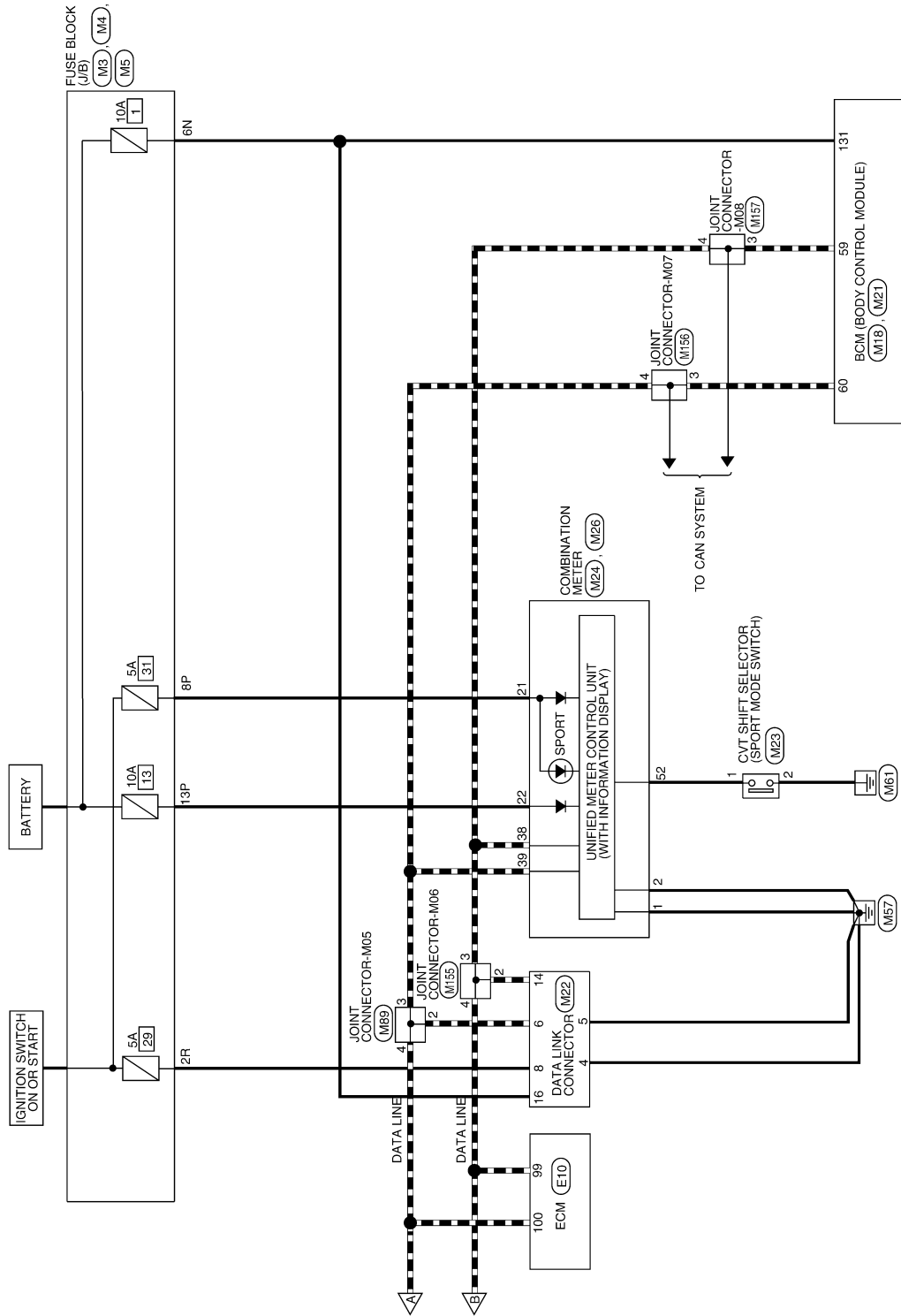


* : This connector is not shown in "Harness Layout"

CVT CONTROL SYSTEM

< WIRING DIAGRAM >

[CVT: RE0F10D]

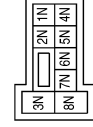


AADWA0247GB

A
B
C
TM
E
F
G
H
I
J
K
L
M
N
O
P

CVT CONTROL SYSTEM CONNECTORS - WITH QR25DE

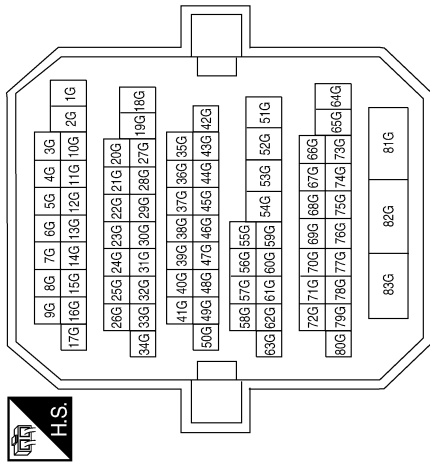
Connector No.	M3
Connector Name	FUSE BLOCK (J/B)
Connector Color	WHITE



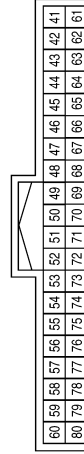
Terminal No.	Color of Wire	Signal Name
2N	BG	-
6N	W	-

Terminal No.	Color of Wire	Signal Name
22G	L	CAN-H
23G	P	CAN-L

Connector No.	M1
Connector Name	WIRE TO WIRE
Connector Color	WHITE



Connector No.	M18
Connector Name	BCM (BODY CONTROL MODULE)
Connector Color	GREEN



Terminal No.	Color of Wire	Signal Name
59	P	CAN-L
60	L	CAN-H

Connector No.	M5
Connector Name	FUSE BLOCK (J/B)
Connector Color	WHITE



Terminal No	Color of Wire	Signal Name
8P	W	-
13P	G	-

Connector No.	M4
Connector Name	FUSE BLOCK (J/B)
Connector Color	BROWN



Terminal No.	Color of Wire	Signal Name
2R	BG	-

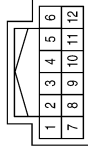
AADIA0350GB

CVT CONTROL SYSTEM

< WIRING DIAGRAM >

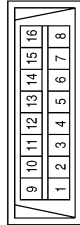
[CVT: RE0F10D]

Connector No.	M23
Connector Name	CVT SHIFT SELECTOR
Connector Color	WHITE



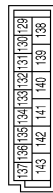
Terminal No.	Color of Wire	Signal Name
1	P	-
2	B	-

Connector No.	M22
Connector Name	DATA LINK CONNECTOR
Connector Color	WHITE



Terminal No.	Color of Wire	Signal Name
4	B	GND
5	B	GND
6	L	CAN-H
8	LG	IGN_SW
14	P	CAN-L
16	W	POWER

Connector No.	M21
Connector Name	BCM (BODY CONTROL MODULE)
Connector Color	WHITE



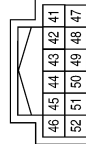
Terminal No.	Color of Wire	Signal Name
131	W	BAT BCM FUSE

Connector No.	M89
Connector Name	JOINT CONNECTOR-M05
Connector Color	WHITE



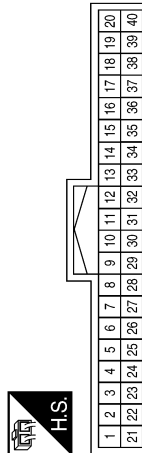
Terminal No.	Color of Wire	Signal Name
2	L	-
3	L	-
4	L	-

Connector No.	M26
Connector Name	COMBINATION METER
Connector Color	WHITE



Terminal No.	Color of Wire	Signal Name
52	P	OD OFF/SPORT SW

Connector No.	M24
Connector Name	COMBINATION METER
Connector Color	WHITE



Terminal No.	Color of Wire	Signal Name
1	B	GND1
2	B	GND2
21	W	IGN
22	G	BAT
38	P	CAN-L
39	L	CAN-H

AADIA0351GB

A
B
C
TM
E
F
G
H
I
J
K
L
M
N
O
P

CVT CONTROL SYSTEM

< WIRING DIAGRAM >

[CVT: RE0F10D]

Connector No.	M155
Connector Name	JOINT CONNECTOR-M06
Connector Color	WHITE



Terminal No.	Color of Wire	Signal Name
2	P	-
3	P	-
4	P	-

Connector No.	M156
Connector Name	JOINT CONNECTOR-M07
Connector Color	WHITE



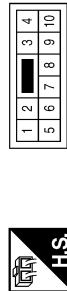
Terminal No.	Color of Wire	Signal Name
3	L	-
4	L	-

Connector No.	M157
Connector Name	JOINT CONNECTOR-M08
Connector Color	WHITE



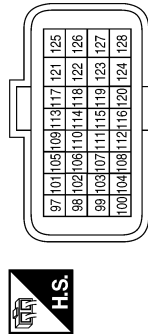
Terminal No.	Color of Wire	Signal Name
3	P	-
4	P	-

Connector No.	E3
Connector Name	WIRE TO WIRE
Connector Color	WHITE



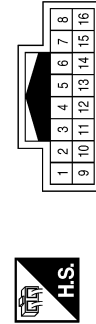
Terminal No.	Color of Wire	Signal Name
8	BG	-
9	B	-

Connector No.	E10
Connector Name	ECM
Connector Color	GRAY



Terminal No.	Color of Wire	Signal Name
99	P	CAN-L
100	L	CAN-H

Connector No.	E11
Connector Name	WIRE TO WIRE
Connector Color	WHITE

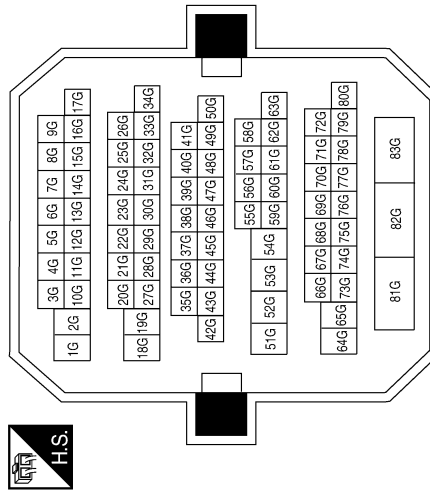
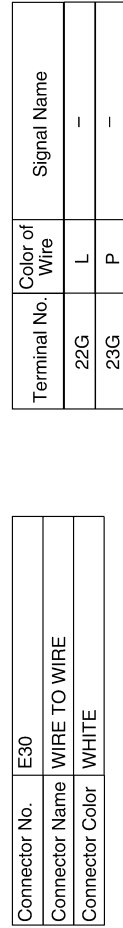
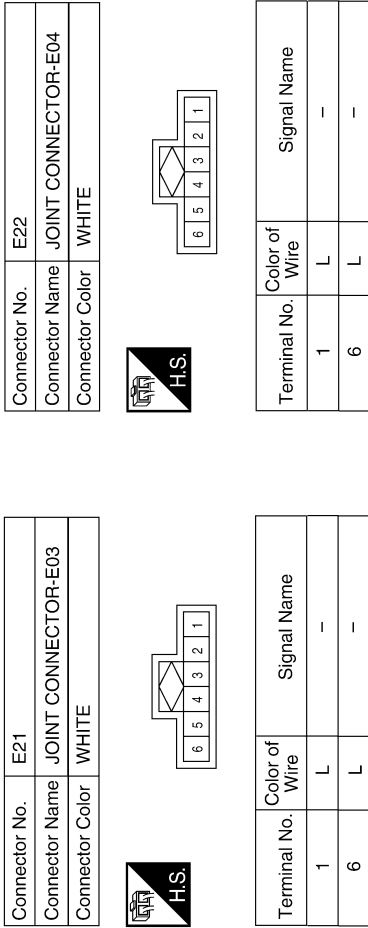


Terminal No.	Color of Wire	Signal Name
9	P	-
10	L	-

CVT CONTROL SYSTEM

< WIRING DIAGRAM >

[CVT: RE0F10D]



A
B
C
TM
E
F
G
H
I
J
K
L
M
N
O
P

CVT CONTROL SYSTEM

< WIRING DIAGRAM >

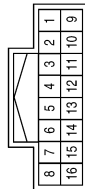
[CVT: RE0F10D]

Connector No.	F8
Connector Name	PRIMARY SPEED SENSOR
Connector Color	BLACK



Terminal No.	Color of Wire	Signal Name
1	B	-
2	BR	-
3	Y	-

Connector No.	F2
Connector Name	WIRE TO WIRE
Connector Color	WHITE



Terminal No.	Color of Wire	Signal Name
9	P	-
10	L	-

AADIA0354GB

CVT CONTROL SYSTEM

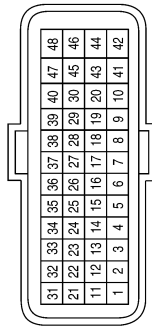
< WIRING DIAGRAM >

[CVT: RE0F10D]

Terminal No.	Color of Wire	Signal Name
25	-	-
26	LG	SENS PWR SUPPLY
27	-	-
28	-	-
29	-	-
30	BR	LINE PRESS SOL VALVE
31	-	-
32	-	-
33	L	CAN-H
34	V	SEC SPEED SENS
35	BR	PRI SPEED SENS
36	-	-
37	Y	SELECT SOL VALVE
38	BR	TCC SOLE VALVE
39	L	SEC PRESS SOLE VALVE
40	LG	PRI PRESS SOLE VALVE
41	B	GND
42	B	GND
43	-	-
44	-	-
45	P	BATT
46	P	BATT
47	Y	VIGN
48	Y	VIGN

Terminal No.	Color of Wire	Signal Name
1	-	-
2	SB	DS RANGE SW
3	-	-
4	LG	D RANGE SW
5	BR	N RANGE SW
6	L	R RANGE SW
7	V	P RANGE SW
8	-	-
9	-	-
10	-	-
11	Y	SENSOR GND
12	V	CVT FLUID TEMP SENS
13	-	-
14	-	-
15	-	-
16	Y	SEC PRESS SENS
17	LG	PRI PRESS SENS
18	-	-
19	-	-
20	-	-
21	-	-
22	-	-
23	P	CAN-L
24	L	INPUT SPEED SENS

Connector No.	F16
Connector Name	TCM (TRANSMISSION CONTROL MODULE)
Connector Color	BLACK



AADIA0355GB

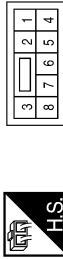
A
B
C
TM
E
F
G
H
I
J
K
L
M
N
O
P

CVT CONTROL SYSTEM

< WIRING DIAGRAM >

[CVT: RE0F10D]

Connector No.	F25
Connector Name	WIRE TO WIRE
Connector Color	BROWN



Terminal No.	Color of Wire	Signal Name
7	P	-
8	B	-

Connector No.	F23
Connector Name	SECONDARY SPEED SENSOR
Connector Color	BLACK



Terminal No.	Color of Wire	Signal Name
1	B	-
2	V	-
3	Y	-

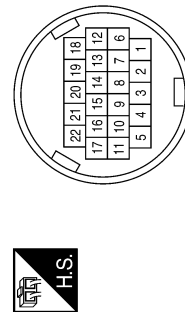
Connector No.	F48
Connector Name	JOINT CONNECTOR-F02
Connector Color	BLACK



Terminal No.	Color of Wire	Signal Name
1	Y	-
4	Y	-
5	Y	-
6	Y	-
7	Y	-
8	Y	-
9	Y	-
10	SB	-

Terminal No.	Color of Wire	Signal Name
7	-	-
8	-	-
9	-	-
10	-	-
11	-	-
12	V	-
13	LG	-
14	Y	-
15	-	-
16	-	-
17	-	-
18	Y	-
19	-	-
20	-	-
21	-	-
22	LG	-

Connector No.	F46
Connector Name	CVT UNIT
Connector Color	BLACK



Terminal No.	Color of Wire	Signal Name
1	BR	-
2	LG	-
3	L	-
4	Y	-
5	BR	-
6	-	-

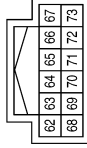
AADIA0356GB

CVT CONTROL SYSTEM

< WIRING DIAGRAM >

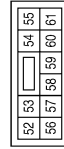
[CVT: RE0F10D]

Connector No.	F84
Connector Name	IPDM E/R (INTELLIGENT POWER DISTRIBUTION MODULE ENGINE ROOM)
Connector Color	WHITE



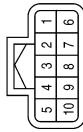
Terminal No.	Color of Wire	Signal Name
66	LG	NP SW

Connector No.	F83
Connector Name	IPDM E/R (INTELLIGENT POWER DISTRIBUTION MODULE ENGINE ROOM)
Connector Color	WHITE



Terminal No.	Color of Wire	Signal Name
61	Y	AT ECU

Connector No.	F49
Connector Name	JOINT CONNECTOR-F03
Connector Color	BLACK



Terminal No.	Color of Wire	Signal Name
1	P	-
2	P	-
3	B	-
4	B	-
5	B	-
6	P	-
8	B	-
9	P	-
10	B	-

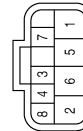
Connector No.	F86
Connector Name	INPUT SPEED SENSOR
Connector Color	BLACK



Terminal No.	Color of Wire	Signal Name
1	P	-
2	L	-
3	SB	-

Terminal No.	Color of Wire	Signal Name
1	Y	-
2	LG	-
3	Y	-
4	V	-
5	L	-
6	BR	-
7	LG	-
8	SB	-

Connector No.	F85
Connector Name	TRANSMISSION RANGE SWITCH
Connector Color	BLACK



AADIA0357GB

A
B
C
TM
E
F
G
H
I
J
K
L
M
N
O
P

CVT CONTROL SYSTEM

< WIRING DIAGRAM >

[CVT: RE0F10D]

Terminal No.	Color of Wire	Signal Name
6	-	-
7	-	-
8	-	-
9	O	-
10	L	-
11	W	-
12	R	-
13	B/Y	-
14	-	-

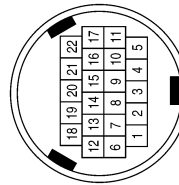
Connector No.	F207
Connector Name	CONTROL VALVE
Connector Color	-



Terminal No.	Color of Wire	Signal Name
1	GR	-
2	BR	-
3	Y	-
4	P	-
5	B	-

Terminal No.	Color of Wire	Signal Name
9	-	-
10	-	-
11	-	-
12	V	-
13	LG	-
14	Y	-
15	-	-
16	-	-
17	-	-
18	Y	-
19	-	-
20	-	-
21	-	-
22	LG	-

Connector No.	F209
Connector Name	CVT UNIT
Connector Color	BLACK



Terminal No.	Color of Wire	Signal Name
1	BR	-
2	LG	-
3	L	-
4	Y	-
5	BR	-
6	-	-
7	-	-
8	-	-

AADIA0364GB

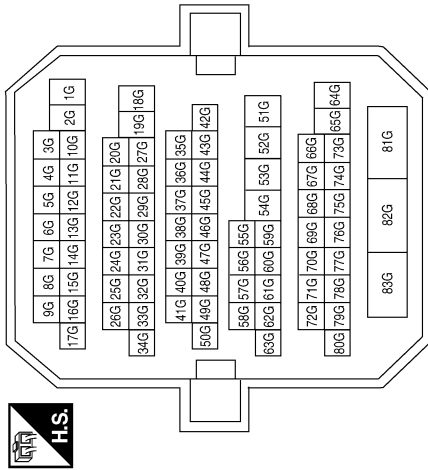
CVT SHIFT LOCK SYSTEM

< WIRING DIAGRAM >

[CVT: RE0F10D]

CVT SHIFT LOCK SYSTEM CONNECTORS

Connector No.	M1
Connector Name	WIRE TO WIRE
Connector Color	WHITE



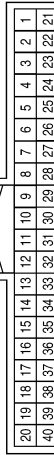
Terminal No.	5G	Color of Wire	W	Signal Name	-
--------------	----	---------------	---	-------------	---

Connector No.	M4
Connector Name	FUSE BLOCK (J/B)
Connector Color	BROWN



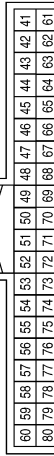
Terminal No.	9R	Color of Wire	G	Signal Name	-
--------------	----	---------------	---	-------------	---

Connector No.	M17
Connector Name	BCM (BODY CONTROL MODULE)
Connector Color	GREEN



Terminal No.	20	Color of Wire	W	Signal Name	SHIFT P
Terminal No.	27	Color of Wire	G	Signal Name	BRAKE SW LAMP

Connector No.	M18
Connector Name	BCM (BODY CONTROL MODULE)
Connector Color	BLACK



Terminal No.	69	Color of Wire	L	Signal Name	AT DEVICE OUT
--------------	----	---------------	---	-------------	---------------

Connector No.	M20
Connector Name	BCM (BODY CONTROL MODULE)
Connector Color	BLACK



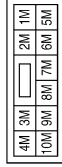
Terminal No.	108	Color of Wire	BG	Signal Name	SHIFT LOCK SOLENOID OUT
--------------	-----	---------------	----	-------------	-------------------------

CVT SHIFT LOCK SYSTEM

< WIRING DIAGRAM >

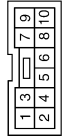
[CVT: RE0F10D]

Connector No.	E6
Connector Name	FUSE BLOCK (J/B)
Connector Color	WHITE



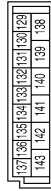
Terminal No.	Color of Wire	Signal Name
5M	G	-
8M	W	-

Connector No.	M23
Connector Name	CVT SHIFT SELECTOR
Connector Color	WHITE



Terminal No.	Color of Wire	Signal Name
3	BG	-
4	B	-
5	L	-
6	W	-

Connector No.	M21
Connector Name	BCM (BODY CONTROL MODULE)
Connector Color	WHITE



Terminal No.	Color of Wire	Signal Name
134	B	GND2
139	W	BAT POWER F/L
143	B	GND1

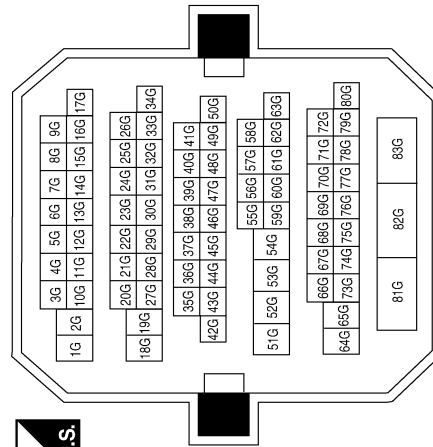
Connector No.	E38
Connector Name	STOP LAMP SWITCH
Connector Color	WHITE



Terminal No.	Color of Wire	Signal Name
1	G	-
2	R	-

Terminal No.	5G
Color of Wire	P
Signal Name	-

Connector No.	E30
Connector Name	WIRE TO WIRE
Connector Color	WHITE



AADIA0361GB

A
B
C
TM
E
F
G
H
I
J
K
L
M
N
O
P

CVT SHIFT LOCK SYSTEM

< WIRING DIAGRAM >

[CVT: RE0F10D]

Connector No.	E64
Connector Name	JOINT CONNECTOR-E10
Connector Color	WHITE



Terminal No.	Color of Wire	Signal Name
2	G	-
3	G	-
4	G	-

Connector No.	E57
Connector Name	STOP LAMP RELAY
Connector Color	BLUE



Terminal No.	Color of Wire	Signal Name
1	B	-
2	R	-
3	W	-
5	G	-

AADIA0363GB

DIAGNOSIS AND REPAIR WORK FLOW

< BASIC INSPECTION >

[CVT: RE0F10D]

BASIC INSPECTION

DIAGNOSIS AND REPAIR WORK FLOW

Flowchart of Trouble Diagnosis

INFOID:000000008138885

NOTE:

"DTC" includes DTC at the 1st trip.

1. OBTAIN INFORMATION ABOUT SYMPTOM

Refer to [TM-78. "Question sheet"](#) and interview the customer to obtain the malfunction information (conditions and environment when the malfunction occurred) as much as possible when the customer brings in the vehicle.

>> GO TO 2.

2. CHECK DTC

1. Before checking the malfunction, check whether any DTC exists.
2. If DTC exists, perform the following operations.
 - Records the DTCs. (Print out using CONSULT and affix to the Work Order Sheet.)
 - Erase DTCs.
 - Check the relation between the cause found by DTC and the malfunction information from customer. [TM-173. "Symptom Table"](#) can be used effectively.
3. Check the relevant information including STI, etc.

Do malfunction information and DTC exist?

Malfunction information and DTC exist.>>GO TO 3.

Malfunction information exists but no DTC.>>GO TO 4.

No malfunction information, but DTC exists.>>GO TO 5.

3. REPRODUCE MALFUNCTION SYSTEM

Check the malfunction described by the customer on the vehicle.

Check if the behavior is fail safe or normal operation. Refer to [TM-56. "Fail-safe"](#).

Interview sheet can be used effectively when reproduce malfunction conditions. Refer to [TM-78. "Question sheet"](#).

Verify the relationship between the symptom and the conditions in which the malfunction described by the customer occurs.

>> GO TO 5.

4. REPRODUCE MALFUNCTION SYMPTOM

Check the malfunction described by the customer on the vehicle.

Check if the behavior is fail safe or normal operation. Refer to [TM-56. "Fail-safe"](#).

Interview sheet can be used effectively when reproduce malfunction conditions. Refer to [TM-78. "Question sheet"](#).

Verify the relationship between the symptom and the conditions in which the malfunction described by the customer occurs.

>> GO TO 6.

5. PERFORM "DTC CONFIRMATION PROCEDURE"

Perform "DTC CONFIRMATION PROCEDURE" of the appropriate DTC to check if DTC is detected again.

Refer to [TM-59. "DTC Inspection Priority Chart"](#) when multiple DTCs are detected, and then determine the order for performing the diagnosis.

Is any DTC detected?

YES >> GO TO 7.

NO >> Follow [GI-47. "Intermittent Incident"](#) to check.

6. IDENTIFY MALFUNCTIONING SYSTEM WITH "DIAGNOSIS CHART BY SYMPTOM"

DIAGNOSIS AND REPAIR WORK FLOW

< BASIC INSPECTION >

[CVT: RE0F10D]

Question sheet

Customer's name	MR/MS	Registration number		Initial year registration	Year Month day
		Vehicle type		Chassis No.	
Storage date	Year Month day	Engine		Mileage	km/mile
Climate conditions		Irrelevant			
Weather		<input type="checkbox"/> Clear <input type="checkbox"/> Cloud <input type="checkbox"/> Rain <input type="checkbox"/> Snow <input type="checkbox"/> Others)			
Temperature		<input type="checkbox"/> Hot <input type="checkbox"/> Warm <input type="checkbox"/> Cool <input type="checkbox"/> Cold <input type="checkbox"/> Temperature (Approx. °C/°F)			
Relative humidity		<input type="checkbox"/> High <input type="checkbox"/> Moderate <input type="checkbox"/> Low			
Transaxle condition		<input type="checkbox"/> In cold-start <input type="checkbox"/> During warm-up (approx. °C/°F) <input type="checkbox"/> After warm-up <input type="checkbox"/> Engine speed: rpm			
Road conditions		<input type="checkbox"/> Urban area <input type="checkbox"/> Suburb area <input type="checkbox"/> Highway <input type="checkbox"/> Mountainous road (uphill or downhill)			
Operating condition, etc.		Irrelevant <input type="checkbox"/> When engine starts <input type="checkbox"/> During idling <input type="checkbox"/> During driving <input type="checkbox"/> During acceleration <input type="checkbox"/> At constant speed driving <input type="checkbox"/> During deceleration <input type="checkbox"/> During cornering (RH curve or LH curve)			
Other conditions					

A
B
C
TM
E
F
G
H
I
J
K
L
M
N
O
P

ADDITIONAL SERVICE WHEN REPLACING TCM

< BASIC INSPECTION >

[CVT: RE0F10D]

ADDITIONAL SERVICE WHEN REPLACING TCM

Description

INFOID:00000000813887

Always perform the following items when the TCM is replaced.

SAVING AND WRITING OF TCM DATA

- TCM performs accurate control by retrieving data (inherent characteristic value) of each solenoid. For this reason, it is necessary to save data of current TCM in CONSULT before replacing the TCM. After this, the saved data must be written in new TCM.

Work Procedure

INFOID:00000000813888

CAUTION:

When replacing TCM together with transaxle assembly, perform “ADDITIONAL SERVICE WHEN REPLACING TRANSAXLE ASSEMBLY”. Refer to [TM-80, "Work Procedure"](#).

1. SAVE THE TCM DATA

NOTE:

Save necessary data stored in TCM in CONSULT according to the following instructions:

1. Turn ignition switch OFF and wait for 10 seconds.
2. Turn ignition switch ON.
3. Select “Work Support” in “TRANSMISSION”.
4. Select “READ IP CHARA - REPLACEMENT TCM”.
5. Import data according to the instructions on the CONSULT screen.

>> GO TO 2.

2. REPLACE THE TCM

1. Turn ignition switch OFF and wait for 10 seconds.
2. Replace the TCM. Refer to [TM-182, "Removal and Installation"](#).

>> GO TO 3.

3. WRITE THE TCM DATA

NOTE:

Write data saved in CONSULT into a new TCM according to the following instructions:

1. Turn ignition switch OFF and wait for 10 seconds.
2. Turn ignition switch ON.
3. Select “Work Support” in “TRANSMISSION”.
4. Select “WRITE IP CHARA - REPLACEMENT TCM”.
5. Write data saved in CONSULT in TCM according to the instructions on the CONSULT screen.

>> WORK END

ADDITIONAL SERVICE WHEN REPLACING TRANSAXLE ASSEMBLY

< BASIC INSPECTION >

[CVT: RE0F10D]

ADDITIONAL SERVICE WHEN REPLACING TRANSAXLE ASSEMBLY

Description

INFOID:000000008138889

Perform the following work after the transaxle assembly is replaced.

ERASING AND WRITING TCM DATA

- TCM performs accurate control by retrieving data (inherent characteristic value) of each solenoid. For this reason, after replacing transaxle assembly, it is necessary to erase data stored in TCM and write new data.

ERASING OF CVT FLUID DEGRADATION LEVEL DATA

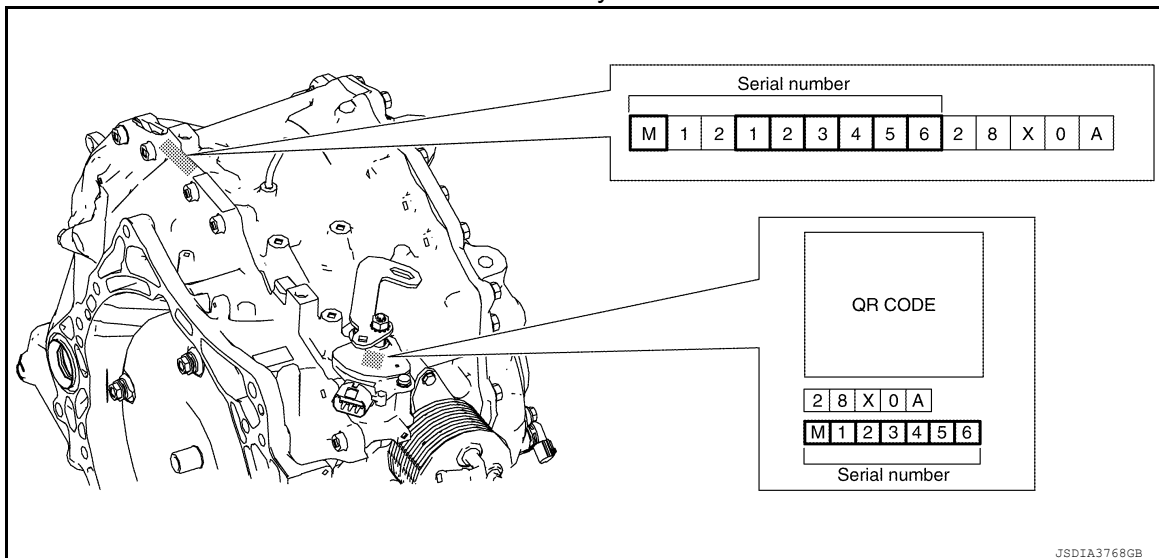
- TCM records the degradation level of the CVT fluid calculated from the vehicle driving status. Therefore, if the transaxle assembly is replaced, it is necessary to erase the CVT fluid degradation level data recorded by TCM.

Work Procedure

INFOID:000000008138890

1. CHECK THE SERIAL NUMBER (PART 1)

Write down the serial number of new transaxle assembly.



>> GO TO 2.

2. CHECK THE SERIAL NUMBER (PART 2)

1. Turn ignition switch ON.
2. Insert the attached CD into CONSULT.
3. Select "Work Support" in "TRANSMISSION".
4. Select "WRITE IP CHARA - REPLACEMENT AT/CVT".
5. Check that the serial number displayed on CONSULT screen and those written in the memo agree.

CAUTION:

Never perform writing procedure.

6. Go back to MENU of "Work Support".

>> GO TO 3.

3. INITIALIZE TCM

1. Set parking brake.
2. Select "ERASE MEMORY DATA".
3. Touch "Start" according to the instructions on the CONSULT screen.

Is "COMPLETED" displayed?

YES >> GO TO 4.

NO >> Turn ignition switch OFF and wait for a minimum of 10 seconds then perform the work again.

ADDITIONAL SERVICE WHEN REPLACING TRANSAXLE ASSEMBLY

< BASIC INSPECTION >

[CVT: RE0F10D]

4. WRITE THE DATA

NOTE:

Write data of new solenoid in TCM according to the following instructions:

1. Shift the selector lever to the P position.
2. Turn ignition switch OFF and wait for 10 seconds.
3. Turn ignition switch ON.
4. Select "Work Support" in "TRANSMISSION".
5. Select "WRITE IP CHARA - REPLACEMENT AT/CVT".
6. Write data in TCM according to the instructions on the CONSULT screen.

NOTE:

When writing is complete, the shift position indicator of the combination meter displays P.

>> GO TO 5.

5. ERASE CVT FLUID DEGRADATION LEVEL DATA

1. Select "WORK SUPPORT" in "TRANSMISSION".
2. Select "CONFORM CVTF DETERIORTN".
3. Touch "Clear".

>> WORK END

CVT FLUID

Replacement

INFOID:000000008737906

CVT fluid : Refer to [TM-213, "General Specification"](#).

Fluid capacity : Refer to [TM-213, "General Specification"](#).

CAUTION:

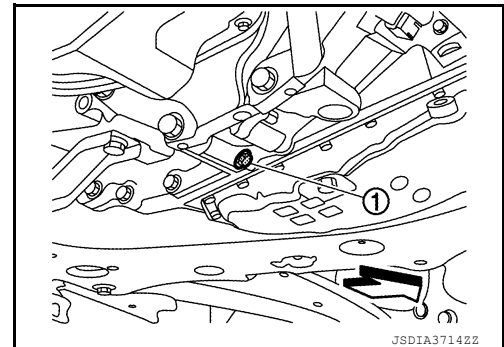
- Always use shop paper. Never use shop cloth.
- Replace a drain plug gasket with new ones at the final stage of the operation when installing.
- Use caution when looking into the drain hole as there is a risk of dripping fluid entering the eye.
- After replacement, always perform CVT fluid leakage check.

1. Select "Data Monitor" in "TRANSMISSION" using CONSULT.
2. Select "FLUID TEMP" and confirm that the CVT fluid temperature is 40°C (104°F) or less.
3. Check that the selector lever is in the "P" position, then completely engage the parking brake.
4. Lift up the vehicle.
5. Remove the drain plug and drain the CVT fluid from the oil pan. Refer to [TM-185, "Exploded View"](#).
6. Install the drain plug to oil pan.

CAUTION:

Drain plug gasket use the old one.

7. Remove the overflow plug ① from converter housing.



8. Install the charging pipe set (KV311039S0) (A) into the overflow plug hole.

CAUTION:

Tighten the charging pipe by hand.

9. Install the ATF changer hose (B) to the charging pipe.

CAUTION:

Press the ATF changer hose all the way onto the charging pipe until it stops.

10. Fill approximately 3 liter (2-5/8 Imp qt) of the CVT fluid.
11. Remove the ATF changer hose and charging pipe, then install the overflow plug.

NOTE:

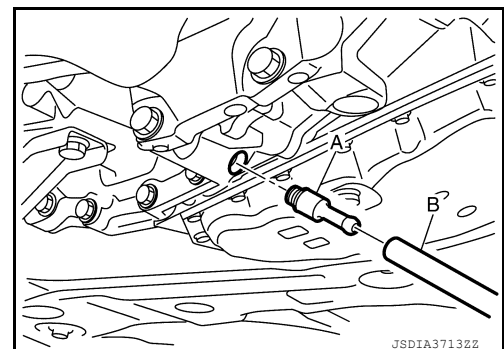
Perform this work quickly because CVT fluid leaks.

12. Lift down the vehicle.
13. Start the engine.
14. While depressing the brake pedal, shift the selector lever to the entire position from "P" to "DS", and shift it to the "P" position.

NOTE:

Hold the lever at each position for 5 seconds.

15. Check that the CONSULT "Data Monitor" in "FLUID TEMP" is 35°C (95°F) to 45°C (113°F).
16. Stop the engine.
17. Lift up the vehicle.
18. Remove the drain plug, and then drain CVT fluid from oil pan.



< BASIC INSPECTION >

19. Repeat steps 8 to 18 (one time).
20. Tighten the drain plug to the specified torque. Refer to [TM-185, "Exploded View"](#).
21. Remove the overflow plug.
22. Install the charging pipe set (KV311039S0) into the overflow plug hole.
CAUTION:
Tighten the charging pipe by hand.
23. Install the ATF changer hose to the charging pipe.
CAUTION:
Press the ATF changer hose all the way onto the charging pipe until it stops.
24. Fill approximately 3 liter (2-5/8 Imp qt) of the CVT fluid.
25. Remove the ATF changer hose and charging pipe, then install the overflow plug.
NOTE:
Perform this work quickly because CVT fluid leaks.
26. Lift down the vehicle.
27. Start the engine.
28. While depressing the brake pedal, shift the selector lever to the entire position from "P" to "DS", and shift it to the "P" position.
NOTE:
Hold the lever at each position for 5 seconds.
29. Check that the CONSULT "Data Monitor" in "FLUID TEMP" is 35°C (95°F) to 45°C (113°F).
30. Lift up the vehicle.
31. Remove the overflow plug and confirm that the CVT fluid is drained from the overflow plug hole.
CAUTION:
Perform this work with the vehicle idling.
NOTE:
If the CVT fluid is not drained, refer to "Adjustment" and refill with the CVT fluid.
32. When the flow of CVT fluid slows to a drip, tighten the overflow plug to the specified torque. Refer to [TM-185, "Exploded View"](#).
CAUTION:
Never reuse O-ring.
33. Lift down the vehicle.
34. Select "Data Monitor" in "TRANSMISSION" using CONSULT.
35. Select "CONFORM CVTF DETERIORATION".
36. Select "Erase".
37. Stop the engine.

Adjustment

INFOID:000000008737907

CVT fluid : Refer to [TM-213, "General Specification"](#).Fluid capacity : Refer to [TM-213, "General Specification"](#).**CAUTION:**

- During adjustment of the CVT fluid level, check CONSULT so that the oil temperature may be maintained from 35 to 45°C (95 to 113°F).
- During adjustment of the CVT fluid level, check that the engine speed is maintaining 500 rpm.
- Use caution when looking into the drain hole as there is a risk of dripping fluid entering the eye.

1. Check that the selector lever is in the "P" position, then completely engage the parking brake.
2. Start the engine.
3. Adjust the CVT fluid temperature to be approximately 40°C (104°F).

NOTE:

The CVT fluid is largely affected by temperature. Therefore be sure to use CONSULT and check the "FLUID TEMP" under "TRANSMISSION" in "Data Monitor" while adjusting.

4. While depressing the brake pedal, shift the selector lever to the entire position from "P" to "DS", and shift it to the "P" position.

NOTE:

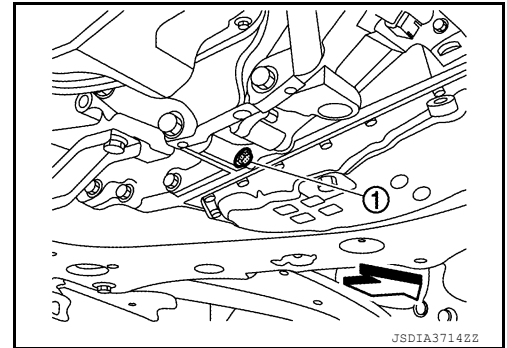
CVT FLUID

[CVT: RE0F10D]

< BASIC INSPECTION >

Hold the lever at each position for 5 seconds.

5. Lift up the vehicle.
6. Check that there is no CVT fluid leakage.
7. Remove the overflow plug ① from converter housing.



8. Install the charging pipe set (KV311039S0) (A) into the overflow plug hole.

CAUTION:

Tighten the charging pipe by hand.

9. Install the ATF changer hose (B) to the charging pipe.

CAUTION:

Press the ATF changer hose all the way onto the charging pipe until it stops.

10. Fill approximately 0.5 liter (1/2 Imp qt) of the CVT fluid.
11. Remove the ATF changer hose from the charging pipe, and check that the CVT fluid drains out from the charging pipe. If it does not drain out, perform charging again.

CAUTION:

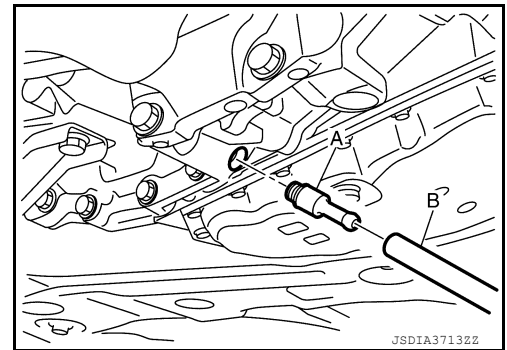
Perform this work with the vehicle idling.

12. When the flow of CVT fluid slows to a drip, remove the charging pipe from the converter housing.
13. Tighten the overflow plug to the specified torque. Refer to [TM-185. "Exploded View"](#).

CAUTION:

Never reuse O-ring.

14. Lift down the vehicle.
15. Stop the engine.



STALL TEST

< BASIC INSPECTION >

[CVT: RE0F10D]

STALL TEST

Work Procedure

INFOID:000000008138897

INSPECTION

1. Check the engine oil level. Replenish if necessary. Refer to [LU-9, "Inspection"](#).
2. Check for leak of the CVT fluid. Refer to [TM-177, "Inspection"](#).
3. Drive for about 10 minutes to warm up the vehicle so that the CVT fluid temperature is 50 to 80°C (122 to 176°F).
4. Be sure to apply the parking brake and block the tires.
5. Start the engine, depress the brake pedal and put the selector lever to the D position.
6. While depressing the brake pedal, depress the accelerator pedal gradually.
7. Read the stall speed quickly. Then, release your foot from the accelerator pedal quickly.

CAUTION:

Do not depress the accelerator pedal for 5 seconds or more during the test.

Stall speed : Refer to [TM-213, "Stall Speed"](#).

8. Place the selector lever in the N position.
9. Cool the CVT fluid.
CAUTION:
Run the engine with the idle speed for at least 1 minute.
10. Put the selector lever to the R position and perform Step 6 to Step 9 again.

NARROWING-DOWN MALFUNCTIONING PARTS

	Selector lever position		Possible cause
	D	R	
Stall speed	H	O	• Forward clutch
	O	H	• Reverse brake
	L	L	• Engine • Torque converter one way clutch
	H	H	• Line pressure is low. • Primary pulley • Secondary pulley • Steel belt

O: Within the stall speed standard value.

H: Stall speed is higher than the standard value.

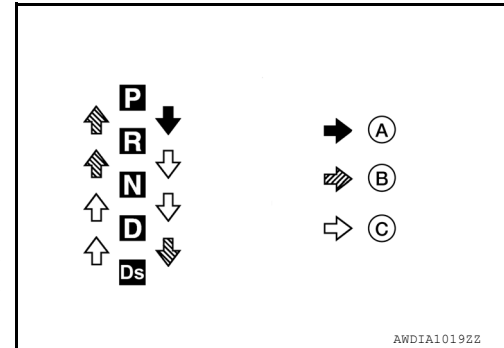
L: Stall speed is lower than the standard value.

CVT POSITION

Inspection

INFOID:000000008837196

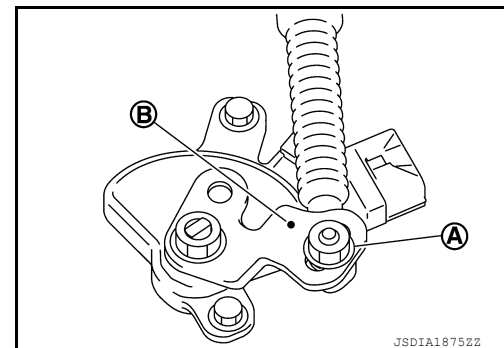
1. Turn ON the ignition switch with the shift selector at the "P" position.
2. Press the shift selector button with the brake pedal depressed, and confirm that the shift selector can be moved to positions other than "P". Also confirm that movement is not allowed from the "P" position to other position without depressing the brake pedal.
3. Move the shift selector and check for "excessive effort", "sticking", "noise" or "rattle".
4. Confirm that shift selector stops at each position with the feel of engagement when it is moved through all the positions. Check whether or not the actual position the shift selector is in matches the position shown by the transaxle body.
5. Make sure that the shift selector is moved to all the shift positions in the manner shown.
 - (A): Press shift selector button to operate shift selector, while depressing the brake pedal.
 - (B): Press shift selector button to operate shift selector.
 - (C): Shift selector can be operated without pressing the shift selector button.
6. When the shift selector button is pressed without applying forward/backward force to the shift selector at "P", "R", "N", "D" or "Ds" positions, there should be no "sticking" on the shift selector button operation.
7. Check that the back-up lamps do not illuminate when the shift selector is in the "P" position.
8. Check that the engine can be started with the shift selector in the "P" and "N" positions only.
9. Check that the transaxle is locked completely when the shift selector is in the "P" position.



Adjustment

INFOID:000000008837193

1. Shift the shift selector to the "P" position.
CAUTION:
Turn wheels at least a quarter turn and be certain the park position mechanism is fully engaged.
2. Loosen the control cable nut.
CAUTION:
Do not apply force to the manual lever.
3. Position the manual lever in the "P" position.
4. Tighten the control cable nut to specified torque. Refer to [TM-380, "Exploded View"](#).
CAUTION:
Hold manual lever when tightening.



U0073 COMMUNICATION BUS A OFF

< DTC/CIRCUIT DIAGNOSIS >

[CVT: RE0F10D]

DTC/CIRCUIT DIAGNOSIS

U0073 COMMUNICATION BUS A OFF

DTC Logic

INFOID:000000008138901

DTC DETECTION LOGIC

DTC	CONSULT screen terms (Trouble diagnosis content)	DTC detection condition	Possible causes
U0073	COMM BUS A OFF (Control Module Communication Bus A Off)	TCM communication blockage lasts for 2 seconds or more when turning ON the ignition switch. (Communication not established.)	Harness or connector (CAN communication line is error)

DTC CONFIRMATION PROCEDURE

1. PREPARATION BEFORE WORK

If another "DTC CONFIRMATION PROCEDURE" occurs just before, turn ignition switch OFF and wait for at least 10 seconds, then perform the next test.

>> GO TO 2.

2. PERFORM DTC CONFIRMATION PROCEDURE

1. Start the engine and wait for at least 5 seconds.
2. Check the DTC.

Is "U0073" detected?

- YES >> Go to [TM-88, "Diagnosis Procedure"](#).
- NO >> INSPECTION END

Diagnosis Procedure

INFOID:000000008138902

For the diagnosis procedure, refer to [LAN-18, "Trouble Diagnosis Flow Chart"](#).

U0100 LOST COMMUNICATION (ECM A)

< DTC/CIRCUIT DIAGNOSIS >

[CVT: RE0F10D]

U0100 LOST COMMUNICATION (ECM A)

DTC Logic

INFOID:000000008138904

DTC DETECTION LOGIC

DTC	CONSULT screen terms (Trouble diagnosis content)	DTC detection condition	Possible causes
U0100	LOST COMM (ECM A) (Lost Communication With ECM/PCM A)	When the ignition switch is ON, TCM is unable to receive the CAN communications signal from ECM continuously for 2 seconds or more.	<ul style="list-style-type: none">• ECM• Harness or connector (CAN communication line is open or shorted)

DTC CONFIRMATION PROCEDURE

1. PREPARATION BEFORE WORK

If another "DTC CONFIRMATION PROCEDURE" occurs just before, turn ignition switch OFF and wait for at least 10 seconds, then perform the next test.

>> GO TO 2.

2. PERFORM DTC CONFIRMATION PROCEDURE

1. Start the engine and wait for at least 5 seconds.
2. Check the DTC.

Is "U0100" detected?

- YES >> Go to [TM-89, "Diagnosis Procedure"](#).
NO >> INSPECTION END

Diagnosis Procedure

INFOID:000000008138905

For the diagnosis procedure, refer to [LAN-18, "Trouble Diagnosis Flow Chart"](#).

U0140 LOST COMMUNICATION (BCM)

< DTC/CIRCUIT DIAGNOSIS >

[CVT: RE0F10D]

U0140 LOST COMMUNICATION (BCM)

DTC Logic

INFOID:000000008138907

DTC DETECTION LOGIC

DTC	CONSULT screen terms (Trouble diagnosis content)	DTC detection condition	Possible causes
U0140	LOST COMM (BCM) (Lost Communication With Body Control Module)	When the ignition switch is ON, TCM is unable to receive the CAN communications signal from BCM continuously for 2 seconds or more.	<ul style="list-style-type: none">• BCM• Harness or connector (CAN communication line is open or shorted)

DTC CONFIRMATION PROCEDURE

1. PREPARATION BEFORE WORK

If another "DTC CONFIRMATION PROCEDURE" occurs just before, turn ignition switch OFF and wait for at least 10 seconds, then perform the next test.

>> GO TO 2.

2. PERFORM DTC CONFIRMATION PROCEDURE

1. Start the engine and wait for at least 5 seconds.
2. Check the DTC.

Is "U0140" detected?

- YES >> Go to [TM-90, "Diagnosis Procedure"](#).
NO >> INSPECTION END

Diagnosis Procedure

INFOID:000000008138908

For the diagnosis procedure, refer to [LAN-18, "Trouble Diagnosis Flow Chart"](#).

U0141 LOST COMMUNICATION (BCM A)

< DTC/CIRCUIT DIAGNOSIS >

[CVT: RE0F10D]

U0141 LOST COMMUNICATION (BCM A)

DTC Logic

INFOID:000000008138910

DTC DETECTION LOGIC

DTC	CONSULT screen terms (Trouble diagnosis content)	DTC detection condition	Possible causes
U0141	LOST COMM (BCM A) (Lost Communication With Body Control Module A)	When the ignition switch is turned ON, TCM continues no reception of the CAN communication signal from IPDM E/R for 2 seconds or more.	<ul style="list-style-type: none">• IPDM E/R• Harness or connector (CAN communication line is open or shorted)

DTC CONFIRMATION PROCEDURE

1. PREPARATION BEFORE WORK

If another "DTC CONFIRMATION PROCEDURE" occurs just before, turn ignition switch OFF and wait for at least 10 seconds, then perform the next test.

>> GO TO 2.

2. PERFORM DTC CONFIRMATION PROCEDURE

1. Start the engine and wait for at least 5 seconds.
2. Check the DTC.

Is "U0141" detected?

- YES >> Go to [TM-91, "Diagnosis Procedure"](#).
NO >> INSPECTION END

Diagnosis Procedure

INFOID:000000008138911

For the diagnosis procedure, refer to [LAN-18, "Trouble Diagnosis Flow Chart"](#).

U0155 LOST COMMUNICATION (IPC)

< DTC/CIRCUIT DIAGNOSIS >

[CVT: RE0F10D]

U0155 LOST COMMUNICATION (IPC)

DTC Logic

INFOID:000000008138913

DTC DETECTION LOGIC

DTC	CONSULT screen terms [Trouble diagnosis content]	DTC detection condition	Possible causes
U0155	LOST COMM (IPC) [Lost Communication With Instrument Panel Cluster (IPC) Control Module]	When the ignition switch is ON, TCM is unable to receive the CAN communications signal from the combination meter continuously for 2 seconds or more.	<ul style="list-style-type: none">• Combination meter• Harness or connector (CAN communication line is open or shorted)

DTC CONFIRMATION PROCEDURE

1. PREPARATION BEFORE WORK

If another "DTC CONFIRMATION PROCEDURE" occurs just before, turn ignition switch OFF and wait for at least 10 seconds, then perform the next test.

>> GO TO 2.

2. PERFORM DTC CONFIRMATION PROCEDURE

1. Start the engine and wait for at least 5 seconds.
2. Check the DTC.

Is "U0155" detected?

- YES >> Go to [TM-92, "Diagnosis Procedure"](#).
NO >> INSPECTION END

Diagnosis Procedure

INFOID:000000008138914

For the diagnosis procedure, refer to [LAN-18, "Trouble Diagnosis Flow Chart"](#).

U0300 CAN COMMUNICATION DATA

< DTC/CIRCUIT DIAGNOSIS >

[CVT: RE0F10D]

U0300 CAN COMMUNICATION DATA

DTC Logic

INFOID:000000008138916

DTC DETECTION LOGIC

DTC	CONSULT screen terms (Trouble diagnosis content)	DTC detection condition	Possible causes
U0300	CAN COMM DATA (Internal Control Module Software Incompatibility)	When the ignition switch is ON, the data length transmitted from each control unit is shorter than the specified length and the status continues for 2 seconds or more.	Control unit other than TCM

DTC CONFIRMATION PROCEDURE

1. PREPARATION BEFORE WORK

If another "DTC CONFIRMATION PROCEDURE" occurs just before, turn ignition switch OFF and wait for at least 10 seconds, then perform the next test.

>> GO TO 2.

2. CHECK DTC DETECTION

1. Start the engine and wait for 5 seconds or more.
2. Check the DTC.

Is "U0300" detected?

- YES >> Go to [TM-93, "Diagnosis Procedure"](#).
NO >> INSPECTION END

Diagnosis Procedure

INFOID:000000008138917

1. CONTROL UNIT CHECK

Check the number of control units replaced before "U0300" is detected.

Is one control unit replaced?

- YES >> The specification of the control unit replaced may be incorrect. Check the part number and the specification.
NO >> GO TO 2.

2. CONTROL UNIT CHECK

Ⓜ With CONSULT

1. Remove one of the control unit replaced.
2. Assemble the old control unit before replacement.
3. Turn ignition switch ON, and wait for 2 seconds or more.
4. Select "Self Diagnostic Results" in "TRANSMISSION".

Is "U0300" detected?

- YES >> Turn OFF the ignition switch and check other control units in the same manner.
NO >> The specification of the control unit removed may be incorrect. Check the part number and the specification.

U1000 CAN COMM CIRCUIT

< DTC/CIRCUIT DIAGNOSIS >

[CVT: RE0F10D]

U1000 CAN COMM CIRCUIT

Description

INFOID:000000008138918

CAN (Controller Area Network) is a serial communication line for real-time application. It is an on-vehicle multiplex communication line with high data communication speed and excellent malfunction detection ability. Many electronic control units are equipped onto a vehicle, and each control unit shares information and links with other control units during operation (not independently). In CAN communication, control units are connected with 2 communication lines (CAN-H line, CAN-L line) allowing a high rate of information transmission with less wiring. Each control unit transmits/receives data but selectively reads required data only.

DTC Logic

INFOID:000000008138919

DTC DETECTION LOGIC

DTC	CONSULT screen terms (Trouble diagnosis content)	DTC detection condition	Possible causes
U1000	CAN COMM CIRCUIT (CAN Communication Line)	When the ignition switch is ON, TCM cannot send the CAN communication signal continuously for 2 seconds or more.	Harness or connector (CAN communication line is open or shorted)

DTC CONFIRMATION PROCEDURE

1. PREPARATION BEFORE WORK

If another "DTC CONFIRMATION PROCEDURE" occurs just before, turn ignition switch OFF and wait for at least 10 seconds, then perform the next test.

>> GO TO 2.

2. CHECK DTC DETECTION

1. Start the engine and wait for at least 5 seconds.
2. Check the DTC.

Is "U1000" detected?

- YES >> Go to [TM-94. "Diagnosis Procedure"](#).
NO >> INSPECTION END

Diagnosis Procedure

INFOID:000000008138920

For the diagnosis procedure, refer to [LAN-18. "Trouble Diagnosis Flow Chart"](#).

U1117 LOST COMMUNICATION (ABS)

< DTC/CIRCUIT DIAGNOSIS >

[CVT: RE0F10D]

U1117 LOST COMMUNICATION (ABS)

DTC Logic

INFOID:000000008138922

DTC DETECTION LOGIC

DTC	CONSULT screen terms (Trouble diagnosis content)	DTC detection condition	Possible causes
U1117	LOST COMM (ABS) (Lost Communication With ABS)	When the ignition switch is ON, TCM is unable to receive the CAN communications signal from ABS actuator and electric unit (control unit) continuously for 2 seconds or more.	<ul style="list-style-type: none">• ABS actuator and electric unit (control unit)• Harness or connector (CAN communication line is open or shorted)

DTC CONFIRMATION PROCEDURE

1. PREPARATION BEFORE WORK

If another "DTC CONFIRMATION PROCEDURE" occurs just before, turn ignition switch OFF and wait for at least 10 seconds, then perform the next test.

>> GO TO 2.

2. PERFORM DTC CONFIRMATION PROCEDURE

1. Start the engine and wait for 5 seconds or more.
2. Check the DTC.

Is "U1117" detected?

YES >> Go to [TM-95, "Diagnosis Procedure"](#).

NO >> INSPECTION END

Diagnosis Procedure

INFOID:000000008138923

For the diagnosis procedure, refer to [LAN-18, "Trouble Diagnosis Flow Chart"](#).

P062F EEPROM

Description

INFOID:000000008138924

TCM compares the calculated value stored in the flash ROM with the value stored in TCM. If the calculated value does not agree with the stored value, TCM judges this as a malfunction.

DTC Logic

INFOID:000000008138925

DTC DETECTION LOGIC

DTC	CONSULT screen terms (Trouble diagnosis content)	DTC detection condition	Possible causes
P062F	EEPROM (Internal Control Module EEPROM Error)	Flash ROM error is detected when turning ON the ignition switch.	<ul style="list-style-type: none"> • TCM (Flash ROM) • Harness or connector [TCM power supply (back-up) circuit is open or shorted]

DTC CONFIRMATION PROCEDURE

1. PREPARATION BEFORE WORK

If another "DTC CONFIRMATION PROCEDURE" occurs just before, turn ignition switch OFF and wait for at least 10 seconds, then perform the next test.

>> GO TO 2.

2. CHECK DTC DETECTION

1. Start the engine.
2. Check the DTC.

Is "P062F" detected?

- YES >> Go to [TM-96, "Diagnosis Procedure"](#).
- NO >> INSPECTION END

Diagnosis Procedure

INFOID:000000008138926

1. CHECK INTERMITTENT INCIDENT

Refer to [GI-47, "Intermittent Incident"](#).

Is the inspection result normal?

- YES >> Replace the TCM. Refer to [TM-182, "Removal and Installation"](#).
- NO >> Repair or replace malfunctioning parts.

P0705 TRANSMISSION RANGE SENSOR A

< DTC/CIRCUIT DIAGNOSIS >

[CVT: RE0F10D]

P0705 TRANSMISSION RANGE SENSOR A

DTC Logic

INFOID:000000008138927

DTC DETECTION LOGIC

DTC	CONSULT screen terms (Trouble diagnosis content)	DTC detection condition	Possible causes
P0705	T/M RANGE SENSOR A [Transmission Range Sensor A Circuit (PRNDL Input)]	When all of the following conditions are satisfied and this state is maintained for 2 seconds: <ul style="list-style-type: none"> Two or more range signals simultaneously stay ON continuously TCM power supply voltage : More than 11 V 	<ul style="list-style-type: none"> Harness or connector (Short circuit between transmission range switch and TCM) Transmission range switch

DTC CONFIRMATION PROCEDURE

1. PREPARATION BEFORE WORK

If another "DTC CONFIRMATION PROCEDURE" occurs just before, turn ignition switch OFF and wait for at least 10 seconds, then perform the next test.

>> GO TO 2.

2. CHECK DTC DETECTION

- Turn ignition switch ON.
- Shift the selector lever through entire positions from "P" to "DS". (Hold the selector lever at each position for 5 seconds or more.)
- Check the first trip DTC.

Is "P0705" detected?

- YES >> Go to [TM-97. "Diagnosis Procedure"](#).
 NO >> INSPECTION END

Diagnosis Procedure

INFOID:000000008138928

1. CHECK TCM INPUT SIGNALS

Ⓜ With CONSULT

- Turn ignition switch ON.
- Select "Data Monitor" in "TRANSMISSION".
- Select "D POSITION SW", "N POSITION SW", "R POSITION SW", "P POSITION SW" and "DS RANGE SW".
- Shift the selector lever through entire positions from "P" to "DS" and check ON/OFF of each monitor item.

Monitor item	Test condition	Condition
D POSITION SW	Selector lever: "D" position	On
	Other than the above	Off
N POSITION SW	Selector lever: "N" position	On
	Other than the above	Off
R POSITION SW	Selector lever: "R" position	On
	Other than the above	Off
P POSITION SW	Selector lever: "P" position	On
	Other than the above	Off
DS RANGE SW	Selector lever: "DS" position	On
	Other than the above	Off

Ⓜ Without CONSULT

- Turn ignition switch OFF.
- Disconnect TCM connector.

P0705 TRANSMISSION RANGE SENSOR A

< DTC/CIRCUIT DIAGNOSIS >

[CVT: RE0F10D]

3. Turn ignition switch ON.
4. Shift the selector lever from “P” to “DS” and check voltage between TCM harness connector terminals and ground.

+		-	Test condition	Voltage
TCM				
Connector	Terminal			
F16	2	Ground	Selector lever: “DS” position	10 – 16 V
			Other than the above	Approx. 0 V
	4		Selector lever: “D” position	10 – 16 V
			Other than the above	Approx. 0 V
	5		Selector lever: “N” position	10 – 16 V
			Other than the above	Approx. 0 V
	6		Selector lever: “R” position	10 – 16 V
			Other than the above	Approx. 0 V
7	Selector lever: “P” position	10 – 16 V		
	Other than the above	Approx. 0 V		

Is the inspection result normal?

YES >> Check intermittent incident. Refer to [GI-47, "Intermittent Incident"](#).

NO-1 [“D POSITION SW” is “ON” when selector is not in “D” position. (Or connector terminal 4 is at power voltage.)]>>GO TO 2.

NO-2 [“N POSITION SW” is “ON” when selector is not in “N” position. (Or connector terminal 5 is at power voltage.)]>>GO TO 4.

NO-3 [“R POSITION SW” is “ON” when selector is not in “R” position. (Or connector terminal 6 is at power voltage.)]>>GO TO 6.

NO-4 [“P POSITION SW” is “ON” when selector is not in “P” position. (Or connector terminal 7 is at power voltage.)]>>GO TO 8.

NO-5 [“DS POSITION SW” is “ON” when selector is not in “DS” position. (Or connector terminal 2 is at power voltage.)]>>GO TO 10.

2.CHECK D POSITION SW CIRCUIT (PART 1)

1. Turn ignition switch OFF.
2. Disconnect TCM connector.
3. Check continuity between TCM harness connector terminals.

TCM		Continuity
Connector	Terminal	
F16	4	2
		5
		6
		7
		Not existed

Is the inspection result normal?

YES >> GO TO 3.

NO >> Repair or replace malfunctioning parts.

3.CHECK D POSITION SW CIRCUIT (PART 2)

1. Disconnect transmission range switch connector.
2. Turn ignition switch ON.
3. Check voltage between TCM harness connector terminal and ground.

P0705 TRANSMISSION RANGE SENSOR A

< DTC/CIRCUIT DIAGNOSIS >

[CVT: RE0F10D]

+		-	Voltage
TCM			
Connector	Terminal		
F16	4	Ground	Approx. 0 V

A

B

Is the inspection result normal?

C

YES >> GO TO 12.

NO >> Repair or replace malfunctioning parts.

4. CHECK N POSITION SW CIRCUIT (PART 1)

TM

1. Turn ignition switch OFF.
2. Disconnect TCM connector.
3. Check continuity between TCM harness connector terminals.

E

TCM			Continuity
Connector	Terminal		
F16	5	2	Not existed
		4	
		6	
		7	

F

G

Is the inspection result normal?

H

YES >> GO TO 5.

NO >> Repair or replace malfunctioning parts.

5. CHECK N POSITION SW CIRCUIT (PART 2)

I

1. Disconnect transmission range switch connector.
2. Turn ignition switch ON.
3. Check voltage between TCM harness connector terminal and ground.

J

+		-	Voltage
TCM			
Connector	Terminal		
F16	5	Ground	Approx. 0 V

K

L

Is the inspection result normal?

YES >> GO TO 12.

NO >> Repair or replace malfunctioning parts.

M

6. CHECK P POSITION SW CIRCUIT (PART 1)

1. Turn ignition switch OFF.
2. Disconnect TCM connector.
3. Check continuity between TCM harness connector terminals.

N

TCM			Continuity
Connector	Terminal		
F16	7	2	Not existed
		4	
		5	
		6	

O

P

Is the inspection result normal?

YES >> GO TO 7.

NO >> Repair or replace malfunctioning parts.

P0705 TRANSMISSION RANGE SENSOR A

< DTC/CIRCUIT DIAGNOSIS >

[CVT: RE0F10D]

7. CHECK P POSITION SW CIRCUIT (PART 2)

1. Disconnect transmission range switch connector.
2. Turn ignition switch ON.
3. Check voltage between TCM harness connector terminal and ground.

+		-	Voltage
TCM			
Connector	Terminal		
F16	7	Ground	Approx. 0 V

Is the inspection result normal?

YES >> GO TO 12.

NO >> Repair or replace malfunctioning parts.

8. CHECK R POSITION SW CIRCUIT (PART 1)

1. Turn ignition switch OFF.
2. Disconnect TCM connector.
3. Check continuity between TCM harness connector terminals.

TCM			Continuity
Connector	Terminal		
F16	6	2	Not existed
		4	
		5	
		7	

Is the inspection result normal?

YES >> GO TO 9.

NO >> Repair or replace malfunctioning parts.

9. CHECK R POSITION SW CIRCUIT (PART 2)

1. Disconnect transmission range switch connector.
2. Turn ignition switch ON.
3. Check voltage between TCM harness connector terminal and ground.

+		-	Voltage
TCM			
Connector	Terminal		
F16	6	Ground	Approx. 0 V

Is the inspection result normal?

YES >> GO TO 12.

NO >> Repair or replace malfunctioning parts.

10. CHECK DS POSITION SWITCH CIRCUIT (PART 1)

1. Turn ignition switch OFF.
2. Disconnect TCM connector.
3. Check continuity between TCM harness connector terminals.

P0705 TRANSMISSION RANGE SENSOR A

< DTC/CIRCUIT DIAGNOSIS >

[CVT: RE0F10D]

TCM		Continuity
Connector	Terminal	
F16	2	4
		5
		6
		7
		Not existed

Is the inspection result normal?

YES >> GO TO 11.

NO >> Repair or replace malfunctioning parts.

11.CHECK DS POSITION SWITCH CIRCUIT (PART 2)

1. Disconnect transmission range switch connector.
2. Turn ignition switch ON.
3. Check voltage between TCM harness connector terminal and ground.

+		-	Voltage
TCM			
Connector	Terminal		
F16	2	Ground	Approx. 0 V

Is the inspection result normal?

YES >> GO TO 12.

NO >> Repair or replace malfunctioning parts.

12.CHECK TRANSMISSION RANGE SWITCH

Check transmission range switch. Refer to [TM-101, "Component Inspection"](#).

Is the check result normal?

YES >> Check intermittent incident. Refer to [GI-47, "Intermittent Incident"](#).

NO >> Repair or replace malfunctioning parts.

Component Inspection

INFOID:000000008138929

1.CHECK TRANSMISSION RANGE SWITCH

Check continuity between transmission range switch connector terminals.

Transmission range switch	Condition	Continuity
Terminal		
1 - 2	Manual lever: "P" and "N" positions	Existed
	Other than the above	Not existed
3 - 4	Manual lever: "P" position	Existed
	Other than the above	Not existed
3 - 5	Manual lever: "R" position	Existed
	Other than the above	Not existed
3 - 6	Manual lever: "N" position	Existed
	Other than the above	Not existed
3 - 7	Manual lever: "D" position	Existed
	Other than the above	Not existed
3 - 8	Manual lever: "DS" position	Existed
	Other than the above	Not existed

Is the inspection result normal?

P0705 TRANSMISSION RANGE SENSOR A

< DTC/CIRCUIT DIAGNOSIS >

[CVT: RE0F10D]

YES >> INSPECTION END

NO >> There is a malfunction of transmission range switch. Replace transaxle assembly. Refer to [TM-186. "Removal and Installation"](#).

P0706 TRANSMISSION RANGE SENSOR A

< DTC/CIRCUIT DIAGNOSIS >

[CVT: RE0F10D]

P0706 TRANSMISSION RANGE SENSOR A

DTC Logic

INFOID:000000008138930

DTC DETECTION LOGIC

DTC	CONSULT screen terms (Trouble diagnosis content)	DTC detection condition	Possible causes
P0706	T/M RANGE SENSOR A (Transmission Range Sensor A Circuit Range/Performance)	When all of the following conditions are satisfied and this state is maintained for 30 seconds: <ul style="list-style-type: none">All range signals stay OFFTCM power supply voltage: More than 11 V	<ul style="list-style-type: none">Harness or connector (Open circuit between ignition switch and transmission range switch/open circuit between transmission range switch and TCM)Transmission range switchControl cable

DTC CONFIRMATION PROCEDURE

1. PREPARATION BEFORE WORK

If another "DTC CONFIRMATION PROCEDURE" occurs just before, turn ignition switch OFF and wait for at least 10 seconds, then perform the next test.

>> GO TO 2.

2. PERFORM DTC CONFIRMATION PROCEDURE

- Turn ignition switch ON.
- Shift the selector lever through entire positions from "P" to "DS". (Hold the selector lever at each position for 40 seconds or more.)
- Check the first trip DTC.

Is "P0706" detected?

- YES >> Go to [TM-103, "Diagnosis Procedure"](#).
NO >> INSPECTION END

Diagnosis Procedure

INFOID:000000008138931

1. ADJUSTMENT OF CONTROL CABLE

Adjust control cable. Refer to [TM-179, "Inspection"](#).

>> GO TO 2.

2. PERFORM DTC CONFIRMATION PROCEDURE

Ⓜ With CONSULT

- Turn ignition switch ON.
- Select "Self Diagnostic Results" in "TRANSMISSION".
- Touch "Erase".
- Perform "DTC CONFIRMATION PROCEDURE". Refer to [TM-103, "DTC Logic"](#).

Is "P0706" detected?

- YES >> GO TO 3.
NO >> INSPECTION END

3. CHECK POWER CIRCUIT

- Turn ignition switch OFF.
- Disconnect transmission range switch connector.
- Turn ignition switch ON.
- Check voltage between transmission range switch harness connector terminal and ground.

P0706 TRANSMISSION RANGE SENSOR A

< DTC/CIRCUIT DIAGNOSIS >

[CVT: RE0F10D]

+		-	Voltage
Transmission range switch			
Connector	Terminal		
F85	3	Ground	10 – 16 V

Is the inspection result normal?

- YES >> GO TO 4.
- NO >> GO TO 7.

4. CHECK CIRCUIT BETWEEN TRANSMISSION RANGE SWITCH AND TCM (PART 1)

1. Turn ignition switch OFF.
2. Disconnect TCM connector.
3. Check continuity between transmission range switch harness connector terminals and TCM harness connector terminals.

Transmission range switch		TCM		Continuity
Connector	Terminal	Connector	Terminal	
F85	4	F16	7	Existed
	5		6	
	6		5	
	7		4	
	8		2	

Is the inspection result normal?

- YES >> GO TO 5.
- NO >> Repair or replace malfunctioning parts.

5. CHECK CIRCUIT BETWEEN TRANSMISSION RANGE SWITCH AND TCM (PART 2)

Check continuity between transmission range switch harness connector terminals and ground.

Transmission range switch		—	Continuity
Connector	Terminal		
F85	4	Ground	Not existed
	5		
	6		
	7		
	8		

Is the inspection result normal?

- YES >> GO TO 6.
- NO >> Repair or replace malfunctioning parts.

6. CHECK TRANSMISSION RANGE SWITCH

Check transmission range switch. Refer to [TM-105. "Component Inspection"](#).

Is the inspection result normal?

- YES >> Check intermittent incident. Refer to [GI-47. "Intermittent Incident"](#).
- NO >> Repair or replace malfunctioning parts.

7. CHECK CIRCUIT BETWEEN IPDM E/R AND TRANSMISSION RANGE SWITCH (PART 1)

1. Disconnect IPDM E/R connector.
2. Check continuity between IPDM E/R harness connector and transmission range switch.

P0706 TRANSMISSION RANGE SENSOR A

< DTC/CIRCUIT DIAGNOSIS >

[CVT: RE0F10D]

IPDM E/R		Transmission range switch		Continuity
Connector	Terminal	Connector	Terminal	
F83	61	F85	3	Existed

Is the check result normal?

- YES >> GO TO 8.
- NO >> Repair or replace malfunctioning parts.

8. DETECT MALFUNCTIONING ITEMS

Check the following items:

- Harness open circuit or short circuit between ignition switch and IPDM E/R. Refer to [PG-19, "Wiring Diagram — Ignition Power Supply —"](#).
- 10A fuse (No. 46, located in the IPDM E/R). Refer to [PG-71, "Fuse, Connector and Terminal Arrangement"](#).
- IPDM E/R

Is the check result normal?

- YES >> Check intermittent incident. Refer to [GI-47, "Intermittent Incident"](#).
- NO >> Repair or replace malfunctioning parts.

Component Inspection

INFOID:000000008138932

1. CHECK TRANSMISSION RANGE SWITCH

Check continuity between transmission range switch connector terminals.

Transmission range switch Terminal	Condition	Continuity
1 – 2	Manual lever: "P" and "N" positions	Existed
	Other than the above	Not existed
3 – 4	Manual lever: "P" position	Existed
	Other than the above	Not existed
3 – 5	Manual lever: "R" position	Existed
	Other than the above	Not existed
3 – 6	Manual lever: "N" position	Existed
	Other than the above	Not existed
3 – 7	Manual lever: "D" position	Existed
	Other than the above	Not existed
3 – 8	Manual lever: "DS" position	Existed
	Other than the above	Not existed

Is the inspection result normal?

- YES >> INSPECTION END
- NO >> There is a malfunction of transmission range switch. Replace transaxle assembly. Refer to [TM-207, "Removal and Installation"](#).

P0711 TRANSMISSION FLUID TEMPERATURE SENSOR A

< DTC/CIRCUIT DIAGNOSIS >

[CVT: RE0F10D]

P0711 TRANSMISSION FLUID TEMPERATURE SENSOR A

DTC Logic

INFOID:000000008138933

DTC DETECTION LOGIC

DTC	CONSULT screen terms (Trouble diagnosis content)	DTC detection condition	Possible causes
P0711	FLUID TEMP SENSOR A (Transmission Fluid Temperature Sensor A Circuit Range/Performance)	<p>When any of 1 or 2 is satisfied:</p> <ol style="list-style-type: none"> When the temperature does not increase to the specified temperature within a specified time after all of the following conditions are satisfied: <ul style="list-style-type: none"> - TCM power supply voltage: More than 11 V - CAN communication is normal - Engine speed: 450 rpm or more - Accelerator pedal position: 3 deg. or more - Vehicle speed: 10 km/h (7 MPH) or more - U0100, P0705 and P0706 are not detected. - Selector lever: "D" position When the condition of the final judgment is satisfied after satisfying that of the provisional judgment: <ul style="list-style-type: none"> - Provisional judgment: All of the following conditions are satisfied within 2 seconds after the ignition switch is turned ON. <ul style="list-style-type: none"> • U0073, U0100, P0712 and P0713 are not detected. • CAN communication is normal. • TCM power supply voltage: More than 11 V • The difference between CVT fluid temperature and engine coolant temperature is 56°C (133°F) or more, or -27°C (-16°F) or less. - Final judgment: When all of the following conditions are satisfied and this state is maintained for 300 seconds: <ul style="list-style-type: none"> • ECM is normal. • Provisional judgment is satisfied. 	CVT fluid temperature sensor

DTC CONFIRMATION PROCEDURE

CAUTION:

Always drive vehicle at a safe speed.

1. PREPARATION BEFORE WORK

If another "DTC CONFIRMATION PROCEDURE" occurs just before, turn ignition switch OFF and wait for at least 10 seconds, then perform the next test.

>> GO TO 2.

2. PRECONDITIONING

1. Turn ignition switch ON.
2. Select "Data Monitor" in "TRANSMISSION".
3. Select "ATF TEMP SEN".

Is "ATF TEMP SEN" value within 2.03 – 0.16 V?

YES >> INSPECTION END

NO-1 ("ATF TEMP SEN" indicates 0.15 V or less.)>>Go to [TM-107, "Diagnosis Procedure"](#).

NO-2 ("ATF TEMP SEN" indicates 2.04 V or more.)>>GO TO 3.

3. CHECK DTC DETECTION

1. Start the engine.
2. Drive the vehicle.
3. Maintain the following conditions for 14 minutes or more.

P0711 TRANSMISSION FLUID TEMPERATURE SENSOR A

< DTC/CIRCUIT DIAGNOSIS >

[CVT: RE0F10D]

Selector lever : D
Vehicle speed : More than 10 km/h (7 MPH)

4. Stop the vehicle.
5. Check the first trip DTC.

Is "P0711" detected?

YES >> Go to [TM-107, "Diagnosis Procedure"](#).
NO >> Go to [TM-107, "Component Function Check"](#).

Component Function Check

INFOID:000000008840863

1. CHECK CVT FLUID TEMPERATURE SENSOR (PART 1)

Check resistance between CVT unit harness connector terminals.

CVT unit		Condition	Resistance (Approx.)
Terminal			
17	16	CVT fluid temperature: 20°C (68°F)	6.5 kΩ
		CVT fluid temperature: 50°C (122°F)	2.2 kΩ
		CVT fluid temperature: 80°C (176°F)	0.87 kΩ

Is the inspection result normal?

YES >> INSPECTION END
NO >> There is a malfunction of CVT fluid temperature sensor. Replace transaxle assembly. Refer to [TM-207, "Removal and Installation"](#).

Diagnosis Procedure

INFOID:000000008138934

1. CHECK CVT FLUID TEMPERATURE SENSOR

1. Turn ignition switch OFF.
2. Disconnect CVT unit connector.
3. Check resistance between CVT unit connector terminals.

CVT unit Connector	CVT unit Terminal	Condition	Resistance (Approx.)
F209	16 – 17	CVT fluid temperature: 20°C (68°F)	6.5 kΩ
		CVT fluid temperature: 50°C (122°F)	2.2 kΩ
		CVT fluid temperature: 80°C (176°F)	0.87 kΩ

Is the inspection result normal?

YES >> GO TO 2.
NO >> GO TO 4.

2. CHECK CIRCUIT BETWEEN TCM AND CVT UNIT (CVT FLUID TEMPERATURE SENSOR) (PART 1)

1. Disconnect the TCM connector.
2. Check continuity between TCM harness connector terminals and CVT unit harness connector terminals.

TCM		CVT unit		Continuity
Connector	Terminal	Connector	Terminal	
F16	11	F46	16	Existed
	12		17	

Is the inspection result normal?

YES >> GO TO 3.
NO >> Repair or replace damaged parts.

3. CHECK CIRCUIT BETWEEN TCM AND CVT UNIT (CVT FLUID TEMPERATURE SENSOR) (PART 2)

P0711 TRANSMISSION FLUID TEMPERATURE SENSOR A

< DTC/CIRCUIT DIAGNOSIS >

[CVT: RE0F10D]

Check continuity between TCM harness connector terminals and ground.

TCM		Ground	Continuity
Connector	Terminal		
F16	11	Ground	Not existed
	12		

Is the inspection result normal?

YES >> Check intermittent incident. Refer to [GI-47, "Intermittent Incident"](#).

NO >> Repair or replace damaged parts.

4. CHECK TERMINAL CORD ASSEMBLY (PART 1)

1. Remove terminal cord assembly. Refer to [TM-185, "Exploded View"](#).
2. Check continuity between CVT unit harness connector terminals and control valve harness connector terminals.

CVT unit		Control valve		Continuity
Connector	Terminal	Connector	Terminal	
F209	16	F207	13	Existed
	17		5	

Is the inspection result normal?

YES >> GO TO 5.

NO >> Repair or replace damaged parts.

5. CHECK TERMINAL CORD ASSEMBLY (PART 2)

Check terminal cord assembly harness cladding for damage.

Is the inspection result normal?

YES >> GO TO 6.

NO >> Repair or replace damaged parts.

6. CHECK DTC (TCM)

With CONSULT

1. Perform "DTC CONFIRMATION PROCEDURE". Refer to [TM-106, "DTC Logic"](#).
2. Select "Self Diagnostic Results" in "TRANSMISSION".

Is "P0710" detected?

YES >> There is a malfunction of the CVT fluid temperature sensor. Replace the transaxle assembly. Refer to [TM-408, "Removal and Installation"](#).

NO >> Check intermittent incident. Refer to [GI-47, "Intermittent Incident"](#).

Component Inspection

INFOID:000000008138935

1. CHECK CVT FLUID TEMPERATURE SENSOR

Check resistance between CVT unit connector terminals.

CVT unit	Condition	Resistance (Approx.)
Terminal		
17 – 16	CVT fluid temperature: 20°C (68°F)	6.5 kΩ
	CVT fluid temperature: 50°C (122°F)	2.2 kΩ
	CVT fluid temperature: 80°C (176°F)	0.87 kΩ

Is the inspection result normal?

YES >> INSPECTION END

NO >> There is a malfunction of CVT fluid temperature sensor. Replace transaxle assembly. Refer to [TM-207, "Removal and Installation"](#).

P0712 TRANSMISSION FLUID TEMPERATURE SENSOR A

< DTC/CIRCUIT DIAGNOSIS >

[CVT: RE0F10D]

P0712 TRANSMISSION FLUID TEMPERATURE SENSOR A

DTC Logic

INFOID:000000008138936

DTC DETECTION LOGIC

DTC	CONSULT screen terms (Trouble diagnosis content)	DTC detection condition	Possible causes
P0712	FLUID TEMP SENSOR A (Transmission Fluid Temperature Sensor A Circuit Low)	When all of the following conditions are satisfied and this state is maintained for 5 seconds: <ul style="list-style-type: none"> • TCM power supply voltage : More than 11 V • Fluid temperature sensor detection voltage: 0.15 V or less 	<ul style="list-style-type: none"> • Harness or connector (CVT fluid temperature sensor circuit is shorted to ground) • CVT fluid temperature sensor

DTC CONFIRMATION PROCEDURE

1. PREPARATION BEFORE WORK

If another "DTC CONFIRMATION PROCEDURE" occurs just before, turn ignition switch OFF and wait for at least 10 seconds, then perform the next test.

>> GO TO 2.

2. PERFORM DTC CONFIRMATION PROCEDURE

1. Start the engine and wait for 10 seconds or more.
2. Check the first trip DTC.

Is "P0712" detected?

YES >> Go to [TM-109, "Diagnosis Procedure"](#).

NO >> INSPECTION END

Diagnosis Procedure

INFOID:000000008138937

1. CHECK CIRCUIT BETWEEN TCM AND CVT UNIT

1. Turn ignition switch OFF.
2. Disconnect TCM connector and CVT unit connector.
3. Check continuity between TCM harness connector terminal and ground.

TCM		—	Continuity
Connector	Terminal		
F16	12	Ground	Not existed

Is the inspection result normal?

YES >> GO TO 2.

NO >> Repair or replace malfunctioning part.

2. CHECK CVT FLUID TEMPERATURE SENSOR

Check CVT fluid temperature sensor. Refer to [TM-109, "Component Inspection"](#).

Is the inspection result normal?

YES >> Check intermittent incident. Refer to [GI-47, "Intermittent Incident"](#).

NO >> Repair or replace malfunctioning parts.

Component Inspection

INFOID:000000008138938

1. CHECK CVT FLUID TEMPERATURE SENSOR

Check resistance between CVT unit connector terminals.

P0712 TRANSMISSION FLUID TEMPERATURE SENSOR A

< DTC/CIRCUIT DIAGNOSIS >

[CVT: RE0F10D]

CVT unit Terminal	Condition	Resistance
16 – 17	CVT fluid temperature: 20°C (68°F)	Approx. 6.5 kΩ
	CVT fluid temperature: 50°C (122°F)	Approx. 2.2 kΩ
	CVT fluid temperature: 80°C (176°F)	Approx. 0.87 kΩ

Is the inspection result normal?

YES >> INSPECTION END

NO >> There is a malfunction of CVT fluid temperature sensor. Replace terminal code assembly. Refer to [TM-388. "Removal and Installation"](#).

P0713 TRANSMISSION FLUID TEMPERATURE SENSOR A

< DTC/CIRCUIT DIAGNOSIS >

[CVT: RE0F10D]

P0713 TRANSMISSION FLUID TEMPERATURE SENSOR A

DTC Logic

INFOID:000000008138939

DTC DETECTION LOGIC

DTC	CONSULT screen terms (Trouble diagnosis content)	DTC detection condition	Possible causes
P0713	FLUID TEMP SENSOR A (Transmission Fluid Temperature Sensor A Circuit High)	When all of the following conditions are satisfied and this state is maintained for 5 seconds: <ul style="list-style-type: none">• TCM power supply voltage: More than 11 V• Vehicle speed: More than 10 km/h (7 MPH)• Fluid temperature sensor detection voltage: 2.48 V or more	<ul style="list-style-type: none">• Harness or connector (CVT fluid temperature sensor circuit is open or shorted to power supply)• CVT fluid temperature sensor

DTC CONFIRMATION PROCEDURE

1. PREPARATION BEFORE WORK

If another "DTC CONFIRMATION PROCEDURE" occurs just before, turn ignition switch OFF and wait for at least 10 seconds, then perform the next test.

>> GO TO 2.

2. PERFORM DTC CONFIRMATION PROCEDURE

1. Start the engine.
2. Maintain the following condition for 10 seconds or more.

Vehicle speed : 20 km/h (12 MPH) or more

3. Stop the vehicle.
4. Check the first trip DTC.

Is "P0713" detected?

- YES >> Go to [TM-111, "Diagnosis Procedure"](#).
NO >> INSPECTION END

Diagnosis Procedure

INFOID:000000008138940

1. CHECK CIRCUIT BETWEEN TCM AND CVT UNIT (PART 1)

1. Turn ignition switch OFF.
2. Disconnect TCM connector and CVT unit connector.
3. Check continuity between TCM harness connector terminals and CVT unit harness connector terminals.

TCM		CVT unit		Continuity
Connector	Terminal	Connector	Terminal	
F16	11	F46	16	Existed
	12		17	

Is the inspection result normal?

- YES >> GO TO 2.
NO >> Repair or replace malfunctioning parts.

2. CHECK CIRCUIT BETWEEN TCM AND CVT UNIT (PART 2)

1. Turn ignition switch ON.
2. Check voltage between TCM harness connector terminal and ground.

P0713 TRANSMISSION FLUID TEMPERATURE SENSOR A

< DTC/CIRCUIT DIAGNOSIS >

[CVT: RE0F10D]

+		-	Voltage
TCM			
Connector	Terminal		
F16	12	Ground	Approx. 0 V

Is the inspection result normal?

YES >> GO TO 3.

NO >> Repair or replace malfunctioning parts.

3.CHECK CVT FLUID TEMPERATURE SENSOR

Check CVT fluid temperature sensor. Refer to [TM-112, "Component Inspection"](#).

Is the inspection result normal?

YES >> Check intermittent incident. Refer to [GI-47, "Intermittent Incident"](#).

NO >> Repair or replace malfunctioning parts.

Component Inspection

INFOID:000000008138941

1.CHECK CVT FLUID TEMPERATURE SENSOR

Check resistance between CVT unit connector terminals.

CVT unit Terminal	Condition	Resistance
16 – 17	CVT fluid temperature: 20°C (68°F)	Approx. 6.5 kΩ
	CVT fluid temperature: 50°C (122°F)	Approx. 2.2 kΩ
	CVT fluid temperature: 80°C (176°F)	Approx. 0.87 kΩ

Is the inspection result normal?

YES >> INSPECTION END

NO >> There is a malfunction of CVT fluid temperature sensor. Replace terminal code assembly. Refer to [TM-388, "Removal and Installation"](#).

P0715 INPUT SPEED SENSOR A

< DTC/CIRCUIT DIAGNOSIS >

[CVT: RE0F10D]

P0715 INPUT SPEED SENSOR A

DTC Logic

INFOID:000000008138942

DTC DETECTION LOGIC

DTC	CONSULT screen terms (Trouble diagnosis content)	DTC detection condition	Possible causes
P0715	INPUT SPEED SENSOR A (Input/Turbine Speed Sensor A Circuit)	<p>When 1 is satisfied and any of 2, 3 or 4 is satisfied:</p> <ol style="list-style-type: none"> When the following conditions are satisfied: <ul style="list-style-type: none"> - TCM power supply voltage: More than 11 V - After range change completion, it spends 2 seconds or more. When all of the following conditions are satisfied and this state is maintained for 5 seconds: <ul style="list-style-type: none"> - Primary pulley speed: Less than 150 rpm - Secondary pulley speed: 500 rpm or more When all of the following conditions are satisfied and this state is maintained for 0.5 seconds: <ul style="list-style-type: none"> - 10-msec-ago primary pulley speed: 1,000 rpm or more - Now primary pulley speed: 0 rpm When all of the following conditions are satisfied and this state is maintained for 5 seconds: <ul style="list-style-type: none"> - Range: D or DS - Engine speed: 450 rpm or more - Input speed: 300 rpm or more - Primary pulley speed: 300 rpm or more - Secondary pulley speed: 300 rpm or more - Differences between engine speed and primary pulley speed: More than 1,000 rpm - Differences between primary pulley speed and input speed: More than 1,000 rpm - Differences between engine speed and input speed: 1,000 rpm or less - Lock-up command is being given (except for slip lock-up) - DTC other than the applicable DTC is not detected. 	<ul style="list-style-type: none"> • Harness or connector (Primary speed sensor circuit is open or shorted) • Primary speed sensor

DTC CONFIRMATION PROCEDURE

CAUTION:

Be careful of the driving speed.

1. PREPARATION BEFORE WORK

If another "DTC CONFIRMATION PROCEDURE" occurs just before, turn ignition switch OFF and wait for at least 10 seconds, then perform the next test.

>> GO TO 2.

2. CHECK DTC DETECTION

1. Start the engine.
2. Drive the vehicle.
3. Maintain the following conditions for 10 seconds or more.

Selector lever : "D" POSITION
 Engine speed : 1,200 rpm or more
 Vehicle speed : 40 km/h (25 MPH) or more

4. Stop the vehicle.
5. Check the first trip DTC.

Is "P0715" detected?

P0715 INPUT SPEED SENSOR A

[CVT: RE0F10D]

< DTC/CIRCUIT DIAGNOSIS >

- YES >> Go to [TM-114, "Diagnosis Procedure"](#).
NO >> INSPECTION END

Diagnosis Procedure

INFOID:000000008138943

1. CHECK PRIMARY SPEED SENSOR POWER CIRCUIT

1. Turn ignition switch OFF.
2. Disconnect primary speed sensor connector.
3. Turn ignition switch ON.
4. Check voltage between primary speed sensor harness connector terminal and ground.

+		-	Voltage
Connector	Terminal		
F8	3	Ground	10 – 16 V

Is the inspection result normal?

- YES >> GO TO 2.
NO >> GO TO 6.

2. CHECK PRIMARY SPEED SENSOR GROUND CIRCUIT

Check continuity between primary speed sensor harness connector terminal and ground.

Primary speed sensor		—	Continuity
Connector	Terminal		
F8	1	Ground	Existed

Is the inspection result normal?

- YES >> GO TO 3.
NO >> Repair or replace malfunctioning parts.

3. CHECK CIRCUIT BETWEEN PRIMARY SPEED SENSOR AND TCM (PART 1)

1. Turn ignition switch OFF.
2. Disconnect TCM connector.
3. Check continuity between primary speed sensor harness connector terminal and TCM harness connector terminal.

Primary speed sensor		TCM		Continuity
Connector	Terminal	Connector	Terminal	
F8	2	F16	35	Existed

Is the inspection result normal?

- YES >> GO TO 4.
NO >> Repair or replace malfunctioning parts.

4. CHECK CIRCUIT BETWEEN PRIMARY SPEED SENSOR AND TCM (PART 2)

Check continuity between primary speed sensor harness connector terminal and ground.

Primary speed sensor		—	Continuity
Connector	Terminal		
F8	2	Ground	Not existed

Is the inspection result normal?

- YES >> GO TO 5.
NO >> Repair or replace malfunctioning parts.

5. CHECK TCM INPUT SIGNALS

P0715 INPUT SPEED SENSOR A

[CVT: RE0F10D]

< DTC/CIRCUIT DIAGNOSIS >

1. Connect all of disconnected connectors.
2. Lift the vehicle.
3. Start the engine.
4. Check frequency of primary speed sensor.

+		-	Condition	Standard
TCM				
Connector	Terminal			
F16	35	Ground	<ul style="list-style-type: none"> • Selector lever: "DS" position • Vehicle speed: 20 km/h (12 MPH) 	<p>Approx. 700 Hz</p> <p>1mSec/div</p> <p>5V/div</p> <p>JSDIA1905GB</p>

Is the inspection result normal?

- YES >> Check intermittent incident. Refer to [GI-47. "Intermittent Incident"](#).
 NO >> Replace primary speed sensor. Refer to [TM-194. "Removal and Installation"](#).

6. DETECT MALFUNCTIONING ITEMS

Check the following items:

- Harness open circuit or short circuit between ignition switch and IPDM E/R. Refer to [PG-19. "Wiring Diagram — Ignition Power Supply —"](#).
- Harness open circuit or short circuit between primary speed sensor and IPDM E/R.
- 10A fuse (No.46, located in the IPDM E/R). Refer to [PG-71. "Fuse, Connector and Terminal Arrangement"](#).
- IPDM E/R

Is the check result normal?

- YES >> Check intermittent incident. Refer to [GI-47. "Intermittent Incident"](#).
 NO >> Repair or replace malfunctioning parts.

A
B
C
TM
E
F
G
H
I
J
K
L
M
N
O
P

P0717 INPUT SPEED SENSOR A

< DTC/CIRCUIT DIAGNOSIS >

[CVT: RE0F10D]

P0717 INPUT SPEED SENSOR A

DTC Logic

INFOID:000000008525231

DTC DETECTION LOGIC

DTC	CONSULT screen terms (Trouble diagnosis content)	DTC detection condition	Possible cause
P0717	INPUT SPEED SENSOR A (Input/Turbine Speed Sensor "A" Circuit No Signal)	<p>When 1 is satisfied and any of 2, 3 or 4 is satisfied:</p> <ol style="list-style-type: none"> When the following conditions are satisfied: <ul style="list-style-type: none"> - TCM power supply voltage: More than 11 V - After range change completion, it spends 2 seconds or more. When all of the following conditions are satisfied and this state is maintained for 5 seconds: <ul style="list-style-type: none"> - Primary pulley speed: 500 rpm or more - Input speed: Less than 150 rpm - Range: Other than P, N - P0715 is not detected When all of the following conditions are satisfied and this state is maintained for 0.5 seconds: <ul style="list-style-type: none"> - 10-msec-ago input speed: 1,000 rpm or more - Now input speed: 0 rpm When all of the following conditions are satisfied and this state is maintained for 5 seconds: <ul style="list-style-type: none"> - Range: D or DS - Engine speed: 450 rpm or more - Input speed: 300 rpm or more - Primary pulley speed: 300 rpm or more - Secondary pulley speed: 300 rpm or more - Differences between engine speed and primary pulley speed: 1,000 rpm or less - Differences between primary pulley speed and input speed: More than 1,000 rpm - Differences between engine speed and input speed: More than 1,000 rpm - Lock-up command is being given (except for slip lock-up) - DTC other than the applicable DTC is not detected. 	<ul style="list-style-type: none"> • Harness or connectors (Input speed sensor circuit is open or shorted.) • Input speed sensor

DTC CONFIRMATION PROCEDURE

CAUTION:

Always drive vehicle at a safe speed.

1. PREPARATION BEFORE WORK

If another "DTC CONFIRMATION PROCEDURE" occurs just before, turn ignition switch OFF and wait for at least 10 seconds, then perform the next test.

>> GO TO 2.

2. CHECK DTC DETECTION

Ⓜ With CONSULT

1. Start the engine.
2. Drive the vehicle.
3. Maintain the following conditions for 10 seconds or more.

Selector lever : "D" position

P0717 INPUT SPEED SENSOR A

[CVT: RE0F10D]

< DTC/CIRCUIT DIAGNOSIS >

Engine speed : 1,200 rpm or more
Vehicle speed : 40 km/h (25 MPH) or more

4. Stop the vehicle.
5. Check the first trip DTC.

Is "P0717" detected?

YES >> Go to [TM-117. "Diagnosis Procedure"](#).
NO >> INSPECTION END

Diagnosis Procedure

INFOID:000000008525232

1.CHECK INPUT SPEED SENSOR POWER CIRCUIT

1. Turn ignition switch OFF.
2. Disconnect input speed sensor connector.
3. Turn ignition switch ON.
4. Check voltage between input speed sensor harness connector terminal and ground.

+		-	Voltage
Connector	Terminal		
F86	3	Ground	10 – 16 V

Is the inspection result normal?

YES >> GO TO 2.
NO >> GO TO 6.

2.CHECK INPUT SPEED SENSOR GROUND CIRCUIT

Check continuity between input speed sensor harness connector terminal and ground.

Input speed sensor		—	Continuity
Connector	Terminal		
F86	1	Ground	Existed

Is the inspection result normal?

YES >> GO TO 3.
NO >> Repair or replace malfunctioning parts.

3.CHECK CIRCUIT BETWEEN INPUT SPEED SENSOR AND TCM (PART 1)

1. Turn ignition switch OFF.
2. Disconnect TCM connector.
3. Check continuity between input speed sensor harness connector terminal and TCM harness connector terminal.

Input speed sensor		TCM		Continuity
Connector	Terminal	Connector	Terminal	
F86	2	F16	24	Existed

Is the inspection result normal?

YES >> GO TO 4.
NO >> Repair or replace malfunctioning parts.

4.CHECK CIRCUIT BETWEEN INPUT SPEED SENSOR AND TCM (PART 2)

Check continuity between input speed sensor harness connector terminal and ground.

P0717 INPUT SPEED SENSOR A

< DTC/CIRCUIT DIAGNOSIS >

[CVT: RE0F10D]

Input speed sensor		—	Continuity
Connector	Terminal		
F86	2	Ground	Not existed

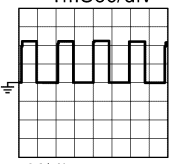
Is the inspection result normal?

YES >> GO TO 5.

NO >> Repair or replace malfunctioning parts.

5. CHECK TCM INPUT SIGNALS

1. Connect all of disconnected connectors.
2. Lift the vehicle.
3. Start the engine.
4. Check frequency of input speed sensor.

+		—	Condition	Standard
TCM				
Connector	Terminal			
F16	24	Ground	<ul style="list-style-type: none"> • Selector lever: "DS" position • Vehicle speed: 20 km/h (12 MPH) 	<p>Approx. 880 Hz 1mSec/div</p>  <p>5V/div</p> <p>JSDIA3769GB</p>

Is the inspection result normal?

YES >> Check intermittent incident. Refer to [GI-47, "Intermittent Incident"](#).

NO >> Replace input speed sensor. Refer to [TM-192, "Removal and Installation"](#).

6. DETECT MALFUNCTIONING ITEMS

Check the following items:

- Harness open circuit or short circuit between ignition switch and IPDM E/R. Refer to [PG-19, "Wiring Diagram — Ignition Power Supply —"](#).
- Harness open circuit or short circuit between input speed sensor and IPDM E/R.
- 10A fuse (No.46, located in the IPDM E/R). Refer to [PG-71, "Fuse, Connector and Terminal Arrangement"](#).
- IPDM E/R

Is the check result normal?

YES >> Check intermittent incident. Refer to [GI-47, "Intermittent Incident"](#).

NO >> Repair or replace malfunctioning parts.

P0740 TORQUE CONVERTER

< DTC/CIRCUIT DIAGNOSIS >

[CVT: RE0F10D]

P0740 TORQUE CONVERTER

DTC Logic

INFOID:000000008138946

DTC DETECTION LOGIC

DTC	CONSULT screen terms (Trouble diagnosis content)	DTC detection condition	Possible causes
P0740	TORQUE CONVERTER (Torque Converter Clutch Circuit/Open)	When all of the following conditions are satisfied and this state is maintained for 5 seconds: <ul style="list-style-type: none">• TCM power supply voltage: More than 11 V• P0743 is not detected.• TCM judges that solenoid valve circuit is open.	<ul style="list-style-type: none">• Harness or connector (Torque converter clutch solenoid valve circuit is open or shorted to power supply)• Torque converter clutch solenoid valve

DTC CONFIRMATION PROCEDURE

CAUTION:

Be careful of the driving speed.

1. PREPARATION BEFORE WORK

If another "DTC CONFIRMATION PROCEDURE" occurs just before, turn ignition switch OFF and wait for at least 10 seconds, then perform the next test.

>> GO TO 2.

2. PREPARATION BEFORE OPERATION

With CONSULT

1. Start the engine.
2. Select "Data Monitor" in "TRANSMISSION".
3. Select "FLUID TEMP".
4. Confirm that the CVT fluid temperature is in the following range.

FLUID TEMP : 20°C (68°F) or more

With GST

1. Start the engine.
2. Set the CVT fluid to 20°C (68°F) or more.

NOTE:

When the ambient temperature is 20°C (68°F), the CVT fluid usually increases to 50 to 80°C (122 to 176°F) with driving in an urban area for approximately 10 minutes.

Is the CVT fluid 20°C (68°F) or more?

YES >> GO TO 3.

- NO >> 1. Warm the transaxle.
2. GO TO 3.

3. CHECK DTC DETECTION

1. Drive the vehicle.
2. Maintain the following conditions for 10 seconds or more.

Selector lever : "D" position
Vehicle speed : 40 km/h (25 MPH) or more

3. Stop the vehicle.
4. Check the first trip DTC.

Is "P0740" detected?

- YES >> Go to [TM-120. "Diagnosis Procedure"](#).
NO >> INSPECTION END

P0740 TORQUE CONVERTER

< DTC/CIRCUIT DIAGNOSIS >

[CVT: RE0F10D]

INFOID:000000008138947

Diagnosis Procedure

1. CHECK CIRCUIT BETWEEN TCM AND CVT UNIT

1. Turn ignition switch OFF.
2. Disconnect TCM connector and CVT unit connector.
3. Check continuity between TCM harness connector terminal and CVT unit harness connector terminal.

TCM		CVT unit		Continuity
Connector	Terminal	Connector	Terminal	
F16	38	F46	2	Existed

Is the inspection result normal?

- YES >> GO TO 2.
NO >> Repair or replace malfunctioning parts.

2. CHECK CIRCUIT BETWEEN CVT UNIT AND GROUND

Check resistance between CVT unit harness connector terminal and ground.

CVT unit		—	Condition	Resistance
Connector	Terminal			
F209	2	Ground	CVT fluid temperature: 20°C (68°F)	5.5 – 7.0 Ω
			CVT fluid temperature: 50°C (122°F)	6.0 – 8.0 Ω
			CVT fluid temperature: 80°C (176°F)	6.5 – 8.5 Ω

Is the inspection result normal?

- YES >> Check intermittent incident. Refer to [GI-47, "Intermittent Incident"](#).
NO >> GO TO 3.

3. CHECK CIRCUIT BETWEEN CVT UNIT AND CONTROL VALVE

1. Disconnect control valve connector. Refer to [TM-387, "Exploded View"](#).
2. Check continuity between CVT unit harness connector terminal and control valve harness connector terminal.

CVT unit		Control valve		Continuity
Connector	Terminal	Connector	Terminal	
F209	2	F207	3	Existed

Is the inspection result normal?

- YES >> GO TO 4.
NO >> Replace terminal code assembly. Refer to [TM-387, "Exploded View"](#).

4. CHECK CIRCUIT BETWEEN CONTROL VALVE AND GROUND

Check resistance between control valve harness connector terminal and ground.

Control valve	—	Condition	Resistance
Terminal			
3	Ground	CVT fluid temperature: 20°C (68°F)	5.5 – 7.0 Ω
		CVT fluid temperature: 50°C (122°F)	6.0 – 8.0 Ω
		CVT fluid temperature: 80°C (176°F)	6.5 – 8.5 Ω

Is the inspection result normal?

- YES >> Check intermittent incident. Refer to [GI-47, "Intermittent Incident"](#).
NO >> There is malfunction of torque converter clutch solenoid valve. Replace transaxle assembly. Refer to [TM-408, "Removal and Installation"](#).

P0743 TORQUE CONVERTER

< DTC/CIRCUIT DIAGNOSIS >

[CVT: RE0F10D]

P0743 TORQUE CONVERTER

DTC Logic

INFOID:000000008138949

DTC DETECTION LOGIC

DTC	CONSULT screen terms (Trouble diagnosis content)	DTC detection condition	Possible causes
P0743	TORQUE CONVERTER (Torque Converter Clutch Circuit Electrical)	When all of the following conditions are satisfied and this state is maintained for 0.48 seconds: <ul style="list-style-type: none">• TCM power supply voltage: More than 11 V• TCM judges that solenoid valve circuit is shorted to ground.	<ul style="list-style-type: none">• Harness or connector (Torque converter clutch solenoid valve circuit is shorted to ground)• Torque converter clutch solenoid valve

DTC CONFIRMATION PROCEDURE

CAUTION:

Be careful of the driving speed.

1. PREPARATION BEFORE WORK

If another "DTC CONFIRMATION PROCEDURE" occurs just before, turn ignition switch OFF and wait for at least 10 seconds, then perform the next test.

>> GO TO 2.

2. PREPARATION BEFORE OPERATION

With CONSULT

1. Start the engine.
2. Select "Data Monitor" in "TRANSMISSION".
3. Select "FLUID TEMP".
4. Confirm that the CVT fluid temperature is in the following range.

FLUID TEMP : 20°C (68°F) or more

With GST

1. Start the engine.
2. Set the CVT fluid to 20°C (68°F) or more.

NOTE:

When the ambient temperature is 20°C (68°F), the CVT fluid usually increases to 50 to 80°C (122 to 176°F) with driving in an urban area for approximately 10 minutes.

Is the CVT fluid 20°C (68°F) or more?

YES >> GO TO 3.

- NO >> 1. Warm the transaxle.
2. GO TO 3.

3. CHECK DTC DETECTION

1. Drive the vehicle.
2. Maintain the following conditions for 10 seconds or more.

Selector lever : "D" position
Vehicle speed : 40 km/h (25 MPH) or more

3. Stop the vehicle.
4. Check the first trip DTC.

Is "P0743" detected?

- YES >> Go to [TM-122. "Diagnosis Procedure"](#).
NO >> INSPECTION END

P0743 TORQUE CONVERTER

< DTC/CIRCUIT DIAGNOSIS >

[CVT: RE0F10D]

INFOID:000000008138950

Diagnosis Procedure

1. CHECK CIRCUIT BETWEEN TCM AND CVT UNIT

1. Turn ignition switch OFF.
2. Disconnect TCM connector and CVT unit connector.
3. Check continuity between TCM harness connector terminal and ground.

TCM		—	Continuity
Connector	Terminal		
F16	38	Ground	Not existed

Is the inspection result normal?

YES >> GO TO 2.

NO >> Repair or replace malfunctioning parts.

2. CHECK CIRCUIT BETWEEN CVT UNIT AND GROUND

Check resistance between CVT unit harness connector terminal and ground.

CVT unit		—	Condition	Resistance
Connector	Terminal			
F209	2	Ground	CVT fluid temperature: 20°C (68°F)	5.5 – 7.0 Ω
			CVT fluid temperature: 50°C (122°F)	6.0 – 8.0 Ω
			CVT fluid temperature: 80°C (176°F)	6.5 – 8.5 Ω

Is the inspection result normal?

YES >> Check intermittent incident. Refer to [GI-47, "Intermittent Incident"](#).

NO >> GO TO 3.

3. CHECK CIRCUIT BETWEEN CVT UNIT AND CONTROL VALVE

1. Disconnect control valve connector. Refer to [TM-387, "Exploded View"](#).
2. Check continuity between CVT unit harness connector terminal and control valve harness connector terminal.

CVT unit		Control valve		Continuity
Connector	Terminal	Connector	Terminal	
F209	2	F207	3	Existed

Is the inspection result normal?

YES >> GO TO 4.

NO >> Replace terminal code assembly. Refer to [TM-387, "Exploded View"](#).

4. CHECK CIRCUIT BETWEEN CONTROL VALVE AND GROUND

Check resistance between control valve harness connector terminal and ground.

Control valve	—	Condition	Resistance
Terminal			
3	Ground	CVT fluid temperature: 20°C (68°F)	5.5 – 7.0 Ω
		CVT fluid temperature: 50°C (122°F)	6.0 – 8.0 Ω
		CVT fluid temperature: 80°C (176°F)	6.5 – 8.5 Ω

Is the inspection result normal?

YES >> Check intermittent incident. Refer to [GI-47, "Intermittent Incident"](#).

NO >> There is malfunction of torque converter clutch solenoid valve. Replace transaxle assembly. Refer to [TM-408, "Removal and Installation"](#).

P0744 TORQUE CONVERTER

< DTC/CIRCUIT DIAGNOSIS >

[CVT: RE0F10D]

P0744 TORQUE CONVERTER

DTC Logic

INFOID:000000008138952

DTC DETECTION LOGIC

DTC	CONSULT screen terms (Trouble diagnosis content)	DTC detection condition	Possible causes
P0744	TORQUE CONVERTER (Torque converter clutch circuit intermittent)	When all of the following conditions are satisfied and this state is maintained for 30 seconds: <ul style="list-style-type: none">• TCM power supply voltage: More than 11 V• P0717 is not detected.• CAN communication is normal• Torque converter slip speed: (40+vehicle speed/2) rpm• LU pressure: More than 0.2 MPa	<ul style="list-style-type: none">• Torque converter clutch solenoid valve• Control valve assembly• Torque converter

DTC CONFIRMATION PROCEDURE

CAUTION:

Be careful of the driving speed.

1. PREPARATION BEFORE WORK

If another "DTC CONFIRMATION PROCEDURE" occurs just before, turn ignition switch OFF and wait for at least 10 seconds, then perform the next test.

>> GO TO 2.

2. PREPARATION BEFORE OPERATION

With CONSULT

1. Start the engine.
2. Select "Data Monitor" in "TRANSMISSION".
3. Select "FLUID TEMP".
4. Confirm that the CVT fluid temperature is in the following range.

FLUID TEMP : 20°C (68°F) or more

With GST

1. Start the engine.
2. Set the CVT fluid to 20°C (68°F) or more.

NOTE:

When the ambient temperature is 20°C (68°F), the CVT fluid usually increases to 50 to 80°C (122 to 176°F) with driving in an urban area for approximately 10 minutes.

Is the CVT fluid 20°C (68°F) or more?

YES >> GO TO 3.

- NO >> 1. Warm the transaxle.
2. GO TO 3.

3. CHECK DTC DETECTION

1. Drive the vehicle.
2. Maintain the following conditions for 10 seconds or more.

Selector lever : "D" position
Accelerator pedal position : 0.5/8 or more
Vehicle speed : 40 km/h (25 MPH) or more

3. Stop the vehicle.
4. Check the first trip DTC.

Is "P0744" detected?

YES >> Go to [TM-124. "Diagnosis Procedure"](#).

P0744 TORQUE CONVERTER

< DTC/CIRCUIT DIAGNOSIS >

[CVT: RE0F10D]

NO >> INSPECTION END

Diagnosis Procedure

INFOID:000000008138953

1. CHECK INTERMITTENT INCIDENT

Refer to [GI-47, "Intermittent Incident"](#).

Is the inspection result normal?

- YES >> Replace transaxle assembly. Refer to [TM-207, "Removal and Installation"](#).
NO >> Repair or replace the malfunction items.

P0746 PRESSURE CONTROL SOLENOID A

< DTC/CIRCUIT DIAGNOSIS >

[CVT: RE0F10D]

P0746 PRESSURE CONTROL SOLENOID A

DTC Logic

INFOID:000000008138955

DTC DETECTION LOGIC

DTC	CONSULT screen terms (Trouble diagnosis content)	DTC detection condition	Possible causes
P0746	PC SOLENOID A (Pressure Control Solenoid A Performance/Stuck Off)	<p>The detecting condition A or detection condition B is detected twice or more (1 second or more later after detection of the first) in the same DC under the following diagnosis conditions:</p> <ul style="list-style-type: none"> • Diagnosis conditions <ul style="list-style-type: none"> - Engine speed: More than 600 rpm - Primary pulley speed: More than 450 rpm - Idle is not being detected. - Acceleration/deceleration speed: -0.49 m/s^2 (-0.05 G) or more - The primary pulley speed experienced 300 rpm or more and the secondary pulley speed experienced 250 rpm or more at least once. - Secondary pulley speed: More than 150 rpm - TCM power supply voltage: More than 11 V • Detection condition A <ul style="list-style-type: none"> - Status with the shifting ratio of the primary pulley speed/secondary pulley ratio exceeding 2.981 is 0.2 sec or more continuously. • Detection condition B <ul style="list-style-type: none"> - Status with the shifting ratio of the primary pulley speed/secondary pulley ratio exceeding 3.781 is 0.1 sec or more continuously. 	<ul style="list-style-type: none"> • Line pressure solenoid valve • Control valve assembly

NOTE:

DC stands for "DRIVING CYCLE" and indicates a series of driving cycle of "Ignition switch OFF → ON → driving → OFF".

DTC CONFIRMATION PROCEDURE

CAUTION:

Be careful of the driving speed.

1. PREPARATION BEFORE WORK

If another "DTC CONFIRMATION PROCEDURE" occurs just before, turn ignition switch OFF and wait for at least 10 seconds, then perform the next test.

>> GO TO 2.

2. CHECK DTC DETECTION

1. Start the engine.
2. Drive the vehicle.
3. Maintain the following conditions for 10 seconds or more.

Selector lever	:	"D" position
Accelerator pedal position	:	0.5/8 or more
Vehicle speed	:	40 km/h (25 MPH) or more

4. Stop the vehicle.
5. Check the first trip DTC.

Is "P0746" detected?

YES >> Go to [TM-126. "Diagnosis Procedure"](#).

P0746 PRESSURE CONTROL SOLENOID A

< DTC/CIRCUIT DIAGNOSIS >

[CVT: RE0F10D]

NO >> INSPECTION END

Diagnosis Procedure

INFOID:000000008138956

1. CHECK INTERMITTENT INCIDENT

Refer to [GI-47, "Intermittent Incident"](#).

Is the inspection result normal?

- YES >> Replace transaxle assembly. Refer to [TM-207, "Removal and Installation"](#).
NO >> Repair or replace the malfunction items.

P0776 PRESSURE CONTROL SOLENOID B

< DTC/CIRCUIT DIAGNOSIS >

[CVT: RE0F10D]

P0776 PRESSURE CONTROL SOLENOID B

DTC Logic

INFOID:000000008525221

DTC DETECTION LOGIC

DTC	CONSULT screen terms (Trouble diagnosis content)	DTC detection condition	Possible cause
P0776	PC SOLENOID B (Pressure Control Solenoid "B" Performance/Stuck Off)	<p>When any of 1 or 2 is satisfied and this state is maintained for 10 seconds:</p> <ol style="list-style-type: none"> 1. When all of the following conditions are satisfied: <ul style="list-style-type: none"> - DTC other than the applicable DTC is not detected. - Engine speed: More than 625 rpm - Selector lever: Other than P/N position - CVT fluid temperature: More than -20°C (-4°F) - TCM power supply: More than 11 V - The difference between instruction pressure of secondary pressure and 10-msec-ago instruction secondary pressure is 0 MPa or more - Instruction pressure of secondary pressure: 0 MPa or more - Instruction pressure of secondary pressure - secondary pressure: More than 1.2 MPa When all of the following conditions are satisfied and this state is maintained for 5.5 seconds: <ul style="list-style-type: none"> • DTC other than the applicable DTC is not detected. • CVT fluid temperature: More than -20°C (-4°F) • Selector lever: Other than P/N position • Secondary pressure - instruction pressure of secondary pressure: 1.2 MPa or more 2. When all of the following conditions are satisfied: <ul style="list-style-type: none"> - DTC other than the applicable DTC is not detected. - CVT fluid temperature: More than -20°C (-4°F) - Selector lever: Other than P/N position - TCM power supply: More than 11 V - When all of the following conditions are satisfied and this state is maintained for 5.5 seconds: <ul style="list-style-type: none"> • DTC other than the applicable DTC is not detected. • CVT fluid temperature: More than -20°C (-4°F) • Selector lever: Other than P/N position • Secondary pressure - instruction pressure of secondary pressure: 1.2 MPa or more - The difference between instruction pressure of secondary pressure and 10-msec-ago instruction secondary pressure is 0 MPa or more - Secondary pressure - instruction pressure of secondary pressure: More than 1.2 MPa 	Secondary pressure solenoid valve

A

B

C

TM

E

F

G

H

I

J

K

L

M

N

O

P

P0776 PRESSURE CONTROL SOLENOID B

< DTC/CIRCUIT DIAGNOSIS >

[CVT: RE0F10D]

DTC CONFIRMATION PROCEDURE

CAUTION:

Always drive vehicle at a safe speed.

1. PREPARATION BEFORE WORK

If another "DTC CONFIRMATION PROCEDURE" occurs just before, turn ignition switch OFF and wait for at least 10 seconds, then perform the next test.

>> GO TO 2.

2. CHECK DTC DETECTION

-
1. Start the engine.
 2. Drive the vehicle.
 3. Maintain the following condition for 20 seconds or more.

Selector lever	: "D" position
Vehicle speed	: 40 km/h (25 MPH) or more
Accelerator pedal position	: 1.0/8 or more

4. Stop the vehicle.
5. Check the first trip DTC.

Is "P0776" detected?

- YES >> Go to [TM-128, "Diagnosis Procedure"](#).
NO >> INSPECTION END

Diagnosis Procedure

INFOID:000000008525222

1. CHECK INTERMITTENT INCIDENT

Refer to [GI-47, "Intermittent Incident"](#).

Is the inspection result normal?

- YES >> Replace transaxle assembly. Refer to [TM-207, "Removal and Installation"](#).
NO >> Repair or replace the malfunction items.

P0778 PRESSURE CONTROL SOLENOID B

< DTC/CIRCUIT DIAGNOSIS >

[CVT: RE0F10D]

P0778 PRESSURE CONTROL SOLENOID B

DTC Logic

INFOID:000000008525223

DTC DETECTION LOGIC

DTC	CONSULT screen terms (Trouble diagnosis content)	DTC detection condition	Possible cause
P0778	PC SOLENOID B (Pressure Control Solenoid "B" Electrical)	When all of the following conditions are satisfied and this state is maintained for 0.48 seconds: <ul style="list-style-type: none"> • TCM power supply voltage: More than 11 V • TCM judges that solenoid valve circuit is shorted to ground. 	<ul style="list-style-type: none"> • Harness or connectors (Secondary pressure solenoid valve circuit is shorted to ground.) • Secondary pressure solenoid valve

DTC CONFIRMATION PROCEDURE

CAUTION:

Always drive vehicle at a safe speed.

1. PREPARATION BEFORE WORK

If another "DTC CONFIRMATION PROCEDURE" occurs just before, turn ignition switch OFF and wait for at least 10 seconds, then perform the next test.

>> GO TO 2.

2. CHECK DTC DETECTION

1. Start the engine and wait for 5 seconds or more.
2. Check the first trip DTC.

Is "P0778" detected?

- YES >> Go to [TM-129, "Diagnosis Procedure"](#).
 NO >> INSPECTION END

Diagnosis Procedure

INFOID:000000008525224

1. CHECK CIRCUIT BETWEEN TCM AND CVT UNIT

1. Turn ignition switch OFF.
2. Disconnect TCM connector and CVT unit connector.
3. Check continuity between TCM harness connector terminal and ground.

TCM		—	Continuity
Connector	Terminal		
F16	39	Ground	Not existed

Is the inspection result normal?

- YES >> GO TO 2.
 NO >> Repair or replace damaged parts.

2. CHECK CIRCUIT BETWEEN CVT UNIT AND GROUND

Check continuity between CVT unit harness connector terminal and ground.

CVT unit		—	Condition	Resistance
Connector	Terminal			
F209	12	Ground	CVT fluid temperature: 20°C (68°F)	5.5 – 7.0 Ω
			CVT fluid temperature: 50°C (122°F)	6.0 – 8.0 Ω
			CVT fluid temperature: 80°C (176°F)	6.5 – 8.5 Ω

Is the inspection result normal?

- YES >> Check intermittent incident. Refer to [GI-47, "Intermittent Incident"](#).

P0778 PRESSURE CONTROL SOLENOID B

< DTC/CIRCUIT DIAGNOSIS >

[CVT: RE0F10D]

NO >> GO TO 3.

3. CHECK CIRCUIT BETWEEN CVT UNIT AND CONTROL VALVE

1. Disconnect control valve connector. Refer to [TM-186, "Removal and Installation"](#).
2. Check continuity between CVT unit harness connector terminal and control valve harness connector terminal.

CVT unit		Control valve		Continuity
Connector	Terminal	Connector	Terminal	
F209	12	F207	2	Existed

Is the inspection result normal?

YES >> GO TO 4.

NO >> Replace terminal cord assembly. Refer to [TM-186, "Removal and Installation"](#).

4. CHECK CIRCUIT BETWEEN CONTROL VALVE AND GROUND

Check continuity between CVT unit harness connector terminal and ground.

Control valve	—	Condition	Resistance
Terminal			
2	Ground	CVT fluid temperature: 20°C (68°F)	5.5 – 7.0 Ω
		CVT fluid temperature: 50°C (122°F)	6.0 – 8.0 Ω
		CVT fluid temperature: 80°C (176°F)	6.5 – 8.5 Ω

Is the inspection result normal?

YES >> Check intermittent incident. Refer to [GI-47, "Intermittent Incident"](#).

NO >> There is malfunction of secondary pressure solenoid valve. Replace transaxle assembly. Refer to [TM-207, "Removal and Installation"](#).

P0779 PRESSURE CONTROL SOLENOID B

< DTC/CIRCUIT DIAGNOSIS >

[CVT: RE0F10D]

P0779 PRESSURE CONTROL SOLENOID B

DTC Logic

INFOID:000000008526161

DTC DETECTION LOGIC

DTC	Trouble diagnosis name	DTC detection condition	Possible causes
P0779	Pressure control solenoid B Intermittent	When all of the following conditions are satisfied and this state is maintained for 0.2 seconds: <ul style="list-style-type: none"> • TCM power supply voltage: More than 11 V • P0778 is not detected • TCM judges that solenoid valve circuit is open or shorted to power supply. 	<ul style="list-style-type: none"> • Harness or connector (Secondary pressure solenoid valve circuit open or shorted to power supply) • Secondary pressure solenoid valve

DTC CONFIRMATION PROCEDURE

1. PREPARATION BEFORE WORK

If another "DTC CONFIRMATION PROCEDURE" occurs just before, turn ignition switch OFF and wait for at least 10 seconds, then perform the next test.

>> GO TO 2.

2. CHECK DTC DETECTION

1. Start the engine.
2. Drive the vehicle.
3. Maintain the following conditions for 5 seconds or more.

Selector lever : "D" position
 Vehicle speed : 40 km/h (25 MPH) or more

4. Stop the vehicle.
5. Check the first trip DTC.

Is "P0779" detected?

- YES >> Go to [TM-131, "Diagnosis Procedure"](#).
 NO >> INSPECTION END

Diagnosis Procedure

INFOID:000000008526162

1. CHECK CIRCUIT BETWEEN TCM AND CVT UNIT

1. Turn ignition switch OFF.
2. Disconnect TCM connector and CVT unit connector.
3. Check continuity between TCM harness connector terminal and CVT unit harness connector terminal.

TCM		CVT unit		Continuity
Connector	Terminal	Connector	Terminal	
F16	39	F46	12	Existed

Is the inspection result normal?

- YES >> GO TO 2.
 NO >> Repair or replace damaged parts.

2. CHECK CIRCUIT BETWEEN CVT UNIT AND GROUND

Check continuity between CVT unit harness connector terminal and ground.

P0779 PRESSURE CONTROL SOLENOID B

< DTC/CIRCUIT DIAGNOSIS >

[CVT: RE0F10D]

CVT unit		—	Condition	Resistance
Connector	Terminal			
F209	12	Ground	CVT fluid temperature: 20°C (68°F)	5.5 – 7.0 Ω
			CVT fluid temperature: 50°C (122°F)	6.0 – 8.0 Ω
			CVT fluid temperature: 80°C (176°F)	6.5 – 8.5 Ω

Is the inspection result normal?

- YES >> Check intermittent incident. Refer to [GI-47, "Intermittent Incident"](#).
NO >> GO TO 3.

3. CHECK CIRCUIT BETWEEN CVT UNIT AND CONTROL VALVE

1. Disconnect control valve connector. Refer to [TM-186, "Removal and Installation"](#).
2. Check continuity between CVT unit harness connector terminal and control valve harness connector terminal.

CVT unit		Control valve		Continuity
Connector	Terminal	Connector	Terminal	
F209	12	F207	2	Existed

Is the inspection result normal?

- YES >> GO TO 4.
NO >> Replace terminal cord assembly. Refer to [TM-186, "Removal and Installation"](#).

4. CHECK CIRCUIT BETWEEN CONTROL VALVE AND GROUND

Check continuity between CVT unit harness connector terminal and ground.

Control valve	—	Condition	Resistance
Terminal			
2	Ground	CVT fluid temperature: 20°C (68°F)	5.5 – 7.0 Ω
		CVT fluid temperature: 50°C (122°F)	6.0 – 8.0 Ω
		CVT fluid temperature: 80°C (176°F)	6.5 – 8.5 Ω

Is the inspection result normal?

- YES >> Check intermittent incident. Refer to [GI-47, "Intermittent Incident"](#).
NO >> There is malfunction of secondary pressure solenoid valve. Replace transaxle assembly. Refer to [TM-207, "Removal and Installation"](#).

P0841 TRANSMISSION FLUID PRESSURE SEN/SW A

< DTC/CIRCUIT DIAGNOSIS >

[CVT: RE0F10D]

P0841 TRANSMISSION FLUID PRESSURE SEN/SW A

DTC Logic

INFOID:000000008525229

DTC DETECTION LOGIC

DTC	CONSULT screen terms (Trouble diagnosis content)	DTC detection condition	Possible cause
P0841	FLUID PRESS SEN/SW A (Transmission Fluid Pressure Sensor/Switch "A" Circuit Range/Performance)	When all of the following conditions are satisfied and this state is maintained for 5 seconds: <ul style="list-style-type: none">• TCM power supply voltage: More than 11 V• DTC other than the applicable DTC is not detected.• Primary pulley speed: 300 rpm or more• Secondary pulley speed: 250 rpm or more• Target speed for shifting: Less than 0.1 seconds• Primary pulley pressure is outside the specified value.	<ul style="list-style-type: none">• Harness or connectors (Secondary pressure sensor circuit is open or shorted.)• Harness or connectors (Primary pressure sensor circuit is open or shorted.)• Secondary pressure sensor

DTC CONFIRMATION PROCEDURE

CAUTION:

Always drive vehicle at a safe speed.

1. PREPARATION BEFORE WORK

If another "DTC CONFIRMATION PROCEDURE" occurs just before, turn ignition switch OFF and wait for at least 10 seconds, then perform the next test.

>> GO TO 2.

2. CHECK DTC DETECTION

1. Start the engine.
2. Drive the vehicle.
3. Maintain the following condition for 10 seconds or more.

Selector lever : "D" position

Vehicle speed : Constant speed of 40 km/h (25 MPH)

CAUTION:

Also keep the accelerator pedal position constant.

4. Stop the vehicle.
5. Check the first trip DTC.

Is "P0841" detected?

YES >> Go to [TM-133, "Diagnosis Procedure"](#).

NO >> INSPECTION END

Diagnosis Procedure

INFOID:000000008525230

1. CHECK INTERMITTENT INCIDENT

Refer to [GI-47, "Intermittent Incident"](#).

Is the inspection result normal?

YES >> Replace the transaxle assembly. Refer to [TM-207, "Removal and Installation"](#).

NO >> Repair or replace damaged parts.

P0847 TRANSMISSION FLUID PRESSURE SEN/SW B

< DTC/CIRCUIT DIAGNOSIS >

[CVT: RE0F10D]

P0847 TRANSMISSION FLUID PRESSURE SEN/SW B

DTC Logic

INFOID:000000008138960

DTC DETECTION LOGIC

DTC	CONSULT screen terms (Trouble diagnosis content)	DTC detection condition	Possible causes
P0847	FLUID PRESS SEN/SW B (Transmission Fluid Pressure Sensor/Switch B Circuit Low)	When all of the following conditions are satisfied and this state is maintained for 5 seconds: <ul style="list-style-type: none"> • CVT fluid temperature: More than -20°C (-4°F) • TCM power supply voltage: 11 V or more • Secondary pressure sensor voltage: 0.09 V or less 	<ul style="list-style-type: none"> • Harness or connector (Secondary pressure sensor circuit is open or shorted to ground) • Secondary pressure sensor • Control valve assembly

DTC CONFIRMATION PROCEDURE

1. PREPARATION BEFORE WORK

If another "DTC CONFIRMATION PROCEDURE" occurs just before, turn ignition switch OFF and wait for at least 10 seconds, then perform the next test.

>> GO TO 2.

2. CHECK DTC DETECTION

④ With CONSULT

1. Start the engine.
2. Select "Data Monitor" in "TRANSMISSION".
3. Select "FLUID TEMP".
4. Maintain the following conditions for 10 seconds or more.

FLUID TEMP : -20°C (-4°F)

5. Check the first trip DTC.

⑤ With GST

1. Start the engine and wait for at least 10 seconds.

CAUTION:

When the ambient temperature is less than -20°C (-4°F) and the engine is cold, warm up the engine for approximately 5 minutes.

2. Check the first trip DTC.

Is "P0847" detected?

YES >> Go to [TM-134, "Diagnosis Procedure"](#).

NO >> INSPECTION END

Diagnosis Procedure

INFOID:000000008138961

1. CHECK TCM INPUT SIGNALS

1. Turn ignition switch OFF.
2. Start the engine.
3. Check voltage between TCM harness connector terminals.

+		-	Condition	Voltage
TCM				
Connector	Terminal			
F16	16	Ground	<ul style="list-style-type: none"> • Selector lever: "N" position • At idle 	1.67 – 1.69 V

Is the inspection result normal?

P0847 TRANSMISSION FLUID PRESSURE SEN/SW B

< DTC/CIRCUIT DIAGNOSIS >

[CVT: RE0F10D]

- YES >> Check intermittent incident. Refer to [GI-47. "Intermittent Incident"](#).
NO >> GO TO 2.

2.CHECK CIRCUIT BETWEEN TCM AND CVT UNIT (PART 1)

1. Turn ignition switch OFF.
2. Disconnect TCM connector and CVT unit connector.
3. Check continuity between TCM harness connector terminals and CVT unit harness connector terminals.

TCM		CVT unit		Continuity
Connector	Terminal	Connector	Terminal	
F16	11	F46	16	Existed
	16		15	
	26		25	

Is the inspection result normal?

- YES >> GO TO 3.
NO >> Repair or replace malfunctioning parts.

3.CHECK CIRCUIT BETWEEN TCM AND CVT UNIT (PART 2)

Check continuity between TCM harness connector terminals and ground.

TCM		—	Continuity
Connector	Terminal		
F16	16	Ground	Not existed
	26		

Is the inspection result normal?

- YES >> GO TO 4.
NO >> Repair or replace malfunctioning parts.

4.CHECK TERMINAL CORD ASSEMBLY (PART 1)

1. Remove terminal cord assembly. Refer to [TM-186. "Removal and Installation"](#).
2. Check continuity between CVT unit harness connector terminals and control valve harness connector terminals.

CVT unit		Control valve		Continuity
Connector	Terminal	Connector	Terminal	
F209	15	F207	12	Existed
	16		13	
	25		11	

Is the inspection result normal?

- YES >> GO TO 5.
NO >> Repair or replace malfunctioning parts.

5.CHECK TERMINAL CORD ASSEMBLY (PART 2)

Check damage of terminal cord assembly.

Is the inspection result normal?

- YES >> There is malfunction of secondary pressure sensor. Replace transaxle assembly. Refer to [TM-207. "Removal and Installation"](#).
NO >> Repair or replace malfunctioning parts.

P0848 TRANSMISSION FLUID PRESSURE SEN/SW B

< DTC/CIRCUIT DIAGNOSIS >

[CVT: RE0F10D]

P0848 TRANSMISSION FLUID PRESSURE SEN/SW B

DTC Logic

INFOID:000000008138962

DTC DETECTION LOGIC

DTC	CONSULT screen terms (Trouble diagnosis content)	DTC detection condition	Possible causes
P0848	FLUID PRESS SEN/SW B (Transmission Fluid Pressure Sensor/Switch B Circuit Low)	When all of the following conditions are satisfied and this state is maintained for 5 seconds: <ul style="list-style-type: none"> CVT fluid temperature: More than -20°C (-4°F) TCM power supply voltage: More than 11 V Instruction secondary pressure: 5.7 MPa or less Secondary pressure sensor voltage: 4.7 V or more 	<ul style="list-style-type: none"> Harness or connector (Secondary pressure sensor circuit is shorted to power supply) Secondary pressure sensor Control valve assembly

DTC CONFIRMATION PROCEDURE

1. PREPARATION BEFORE WORK

If another "DTC CONFIRMATION PROCEDURE" occurs just before, the ignition switch OFF and wait for at least 10 seconds, then perform the next test.

>> GO TO 2.

2. CHECK DTC DETECTION

Ⓔ With CONSULT

- Start the engine.
- Select "Data Monitor" in "TRANSMISSION".
- Select "FLUID TEMP".
- Maintain the following conditions for 10 seconds or more.

FLUID TEMP : More than -20°C (-4°F)

- Check the first trip DTC.

Ⓕ With GST

- Start the engine and wait for at least 10 seconds.

CAUTION:

When the ambient temperature is less than -20°C (-4°F) and the engine is cold, warm up the engine for approximately 5 minutes.

- Check the first trip DTC.

Is "P0848" detected?

YES >> Go to [TM-136, "Diagnosis Procedure"](#).

NO >> INSPECTION END

Diagnosis Procedure

INFOID:000000008138963

1. CHECK TCM INPUT SIGNALS

- Turn ignition switch OFF.
- Start the engine.
- Check voltage between TCM harness connector terminals.

+		-	Condition	Voltage
TCM				
Connector	Terminal			
F16	16	Ground	<ul style="list-style-type: none"> Selector lever: "N" position At idle 	1.67 – 1.69 V

P0848 TRANSMISSION FLUID PRESSURE SEN/SW B

< DTC/CIRCUIT DIAGNOSIS >

[CVT: RE0F10D]

Is the inspection result normal?

- YES >> Check intermittent incident. Refer to [GI-47, "Intermittent Incident"](#).
- NO >> GO TO 2.

2. CHECK SECONDARY PRESSURE SENSOR POWER CIRCUIT

1. Turn ignition switch OFF.
2. Connect TCM connector.
3. Disconnect CVT unit connector.
4. Check voltage between CVT unit harness connector terminal and ground.

+		-	Voltage
CVT unit			
Connector	Terminal		
F46	25	Ground	Approx. 5.0 V

Is the inspection result normal?

- YES >> GO TO 3.
- NO >> Repair or replace malfunctioning parts.

3. CHECK SECONDARY PRESSURE SENSOR SIGNAL CIRCUIT

Check voltage between CVT unit harness connector terminal and ground.

+		-	Voltage
CVT unit			
Connector	Terminal		
F46	15	Ground	Approx. 0 V

Is the inspection result normal?

- YES >> GO TO 4.
- NO >> Repair or replace malfunctioning parts.

4. CHECK TERMINAL CORD ASSEMBLY

1. Turn ignition switch OFF.
2. Remove terminal cord assembly. Refer to [TM-186, "Removal and Installation"](#).
3. Check damage of terminal cord assembly.

Is the inspection result normal?

- YES >> There is malfunction of secondary pressure sensor. Replace transaxle assembly. Refer to [TM-207, "Removal and Installation"](#).
- NO >> Repair or replace malfunctioning parts.

P084C TRANSMISSION FLUID PRESSURE SEN/SW H

< DTC/CIRCUIT DIAGNOSIS >

[CVT: RE0F10D]

P084C TRANSMISSION FLUID PRESSURE SEN/SW H

DTC Logic

INFOID:000000008526157

DTC DETECTION LOGIC

DTC	CONSULT screen terms (Trouble diagnosis content)	DTC detection condition	Possible causes
P084C	FLUID PRESS SEN/SW H (Transmission Fluid Pressure Sensor/Switch H Circuit Low)	When all of the following conditions are satisfied and this state is maintained for 5 seconds: <ul style="list-style-type: none"> • CVT fluid temperature: More than -20°C (-4°F) • TCM power supply voltage: More than 11 V • Primary pressure sensor voltage: 0.09 V or less 	<ul style="list-style-type: none"> • Harness or connector (Primary pressure sensor circuit is open or shorted to ground) • Primary pressure sensor • Control valve assembly

DTC CONFIRMATION PROCEDURE

1. PREPARATION BEFORE WORK

If another "DTC CONFIRMATION PROCEDURE" occurs just before, turn ignition switch OFF and wait for at least 10 seconds, then perform the next test.

>> GO TO 2.

2. CHECK DTC DETECTION

With CONSULT

1. Start the engine.
2. Select "Data Monitor" in "TRANSMISSION".
3. Select "FLUID TEMP".
4. Maintain the following conditions for 10 seconds or more.

FLUID TEMP : More than -20°C (-4°F)

5. Check the first trip DTC.

With GST

1. Start the engine and wait for at least 10 seconds.

CAUTION:

When the ambient temperature is less than -20°C (-4°F) and the engine is cold, warm up the engine for approximately 5 minutes.

2. Check the first trip DTC.

Is "P084C" detected?

YES >> Go to [TM-138, "Diagnosis Procedure"](#).

NO >> INSPECTION END

Diagnosis Procedure

INFOID:000000008526158

1. CHECK TCM INPUT SIGNALS

1. Turn ignition switch OFF.
2. Start the engine.
3. Check voltage between TCM harness connector terminals.

+		-	Condition	Voltage
TCM				
Connector	Terminal			
F16	17	Ground	<ul style="list-style-type: none"> • Selector lever: "N" position • At idle 	0.90 – 0.92 V

Is the inspection result normal?

P084C TRANSMISSION FLUID PRESSURE SEN/SW H

< DTC/CIRCUIT DIAGNOSIS >

[CVT: RE0F10D]

- YES >> Check intermittent incident. Refer to [GI-47. "Intermittent Incident"](#).
NO >> GO TO 2.

2.CHECK CIRCUIT BETWEEN TCM AND CVT UNIT (PART 1)

1. Turn ignition switch OFF.
2. Disconnect TCM connector and CVT unit connector.
3. Check continuity between TCM harness connector terminals and CVT unit harness connector terminals.

TCM		CVT unit		Continuity
Connector	Terminal	Connector	Terminal	
F16	11	F46	16	Existed
	17		1	
	26		25	

Is the inspection result normal?

- YES >> GO TO 3.
NO >> Repair or replace malfunctioning parts.

3.CHECK CIRCUIT BETWEEN TCM AND CVT UNIT (PART 2)

Check continuity between TCM harness connector terminals and ground.

TCM		—	Continuity
Connector	Terminal		
F16	17	Ground	Not existed
	26		

Is the inspection result normal?

- YES >> GO TO 4.
NO >> Repair or replace malfunctioning parts.

4.CHECK TERMINAL CORD ASSEMBLY (PART 1)

1. Remove terminal cord assembly. Refer to [TM-186. "Removal and Installation"](#).
2. Check continuity between CVT unit harness connector terminals and control valve harness connector terminals.

CVT unit		Control valve		Continuity
Connector	Terminal	Connector	Terminal	
F209	1	F207	10	Existed
	16		13	
	25		11	

Is the inspection result normal?

- YES >> GO TO 5.
NO >> Repair or replace malfunctioning parts.

5.CHECK TERMINAL CORD ASSEMBLY (PART 2)

Check damage of terminal cord assembly.

Is the inspection result normal?

- YES >> There is malfunction of primary pressure sensor. Replace transaxle assembly. Refer to [TM-207. "Removal and Installation"](#).
NO >> Repair or replace malfunctioning parts.

P084D TRANSMISSION FLUID PRESSURE SEN/SW H

< DTC/CIRCUIT DIAGNOSIS >

[CVT: RE0F10D]

P084D TRANSMISSION FLUID PRESSURE SEN/SW H

DTC Logic

INFOID:000000008526159

DTC DETECTION LOGIC

DTC	CONSULT screen terms (Trouble diagnosis content)	DTC detection condition	Possible causes
P084D	FLUID PRESS SEN/SW H (Transmiision Fluid Pressure Sensor/Switch "H" Circuit High)	When all of the following conditions are satisfied and this state is maintained for 5 seconds: <ul style="list-style-type: none"> CVT fluid temperature: More than -20°C (-4°F) TCM power supply voltage: More than 11 V Primary pressure sensor voltage: 4.7 V or more 	<ul style="list-style-type: none"> Harness or connector (Primary pressure sensor circuit is open or shorted to ground) Primary pressure sensor Control valve assembly

DTC CONFIRMATION PROCEDURE

1. PREPARATION BEFORE WORK

If another "DTC CONFIRMATION PROCEDURE" occurs just before, turn ignition switch OFF and wait for at least 10 seconds, then perform the next test.

>> GO TO 2.

2. CHECK DTC DETECTION

④ With CONSULT

- Start the engine.
- Select "Data Monitor" in "TRANSMISSION".
- Select "FLUID TEMP".
- Maintain the following conditions for 10 seconds or more.

FLUID TEMP : More than -20°C (-4°F)

- Check the first trip DTC.

④ With GST

- Start the engine and wait for at least 10 seconds.

CAUTION:

When the ambient temperature is less than -20°C (-4°F) and the engine is cold, warm up the engine for approximately 5 minutes.

- Check the first trip DTC.

Is "P084D" detected?

YES >> Go to [TM-140, "Diagnosis Procedure"](#).

NO >> INSPECTION END

Diagnosis Procedure

INFOID:000000008526160

1. CHECK TCM INPUT SIGNALS

- Turn ignition switch OFF.
- Start the engine.
- Check voltage between TCM harness connector terminals.

+		-	Condition	Voltage
TCM				
Connector	Terminal			
F16	17	Ground	<ul style="list-style-type: none"> Selector lever: "N" position At idle 	0.90 – 0.92 V

Is the inspection result normal?

P084D TRANSMISSION FLUID PRESSURE SEN/SW H

< DTC/CIRCUIT DIAGNOSIS >

[CVT: RE0F10D]

- YES >> Check intermittent incident. Refer to [GI-47. "Intermittent Incident"](#).
NO >> GO TO 2.

2. CHECK PRIMARY PRESSURE SENSOR POWER CIRCUIT

1. Turn ignition switch OFF.
2. Connect TCM connector.
3. Disconnect CVT unit connector.
4. Check voltage between CVT unit harness connector terminal and ground.

+		-	Voltage
CVT unit			
Connector	Terminal		
F46	25	Ground	Approx. 5.0 V

Is the inspection result normal?

- YES >> GO TO 3.
NO >> Repair or replace malfunctioning parts.

3. CHECK PRIMARY PRESSURE SENSOR SIGNAL CIRCUIT

Check voltage between CVT unit harness connector terminal and ground.

+		-	Voltage
CVT unit			
Connector	Terminal		
F46	1	Ground	Approx. 0 V

Is the inspection result normal?

- YES >> GO TO 4.
NO >> Repair or replace malfunctioning parts.

4. CHECK TERMINAL CORD ASSEMBLY

1. Turn ignition switch OFF.
2. Remove terminal cord assembly. Refer to [TM-186. "Removal and Installation"](#).
3. Check damage of terminal cord assembly.

Is the inspection result normal?

- YES >> There is malfunction of primary pressure sensor. Replace transaxle assembly. Refer to [TM-207. "Removal and Installation"](#).
NO >> Repair or replace malfunctioning parts.

A
B
C
TM
E
F
G
H
I
J
K
L
M
N
O
P

P0863 TCM COMMUNICATION

< DTC/CIRCUIT DIAGNOSIS >

[CVT: RE0F10D]

P0863 TCM COMMUNICATION

DTC Logic

INFOID:000000008138964

DTC DETECTION LOGIC

DTC	CONSULT screen terms (Trouble diagnosis content)	DTC detection condition	Possible causes
P0863	CONTROL UNIT (CAN) (TCM Communication Circuit)	An error is detected at the initial CAN diagnosis of TCM.	TCM

DTC CONFIRMATION PROCEDURE

1. PREPARATION BEFORE WORK

If another "DTC CONFIRMATION PROCEDURE" occurs just before, turn ignition switch OFF and wait for at least 10 seconds, then perform the next test.

>> GO TO 2.

2. CHECK DTC DETECTION

1. Start the engine.
2. Check the DTC.

Is "P0863" detected?

- YES >> Go to [TM-142, "Diagnosis Procedure"](#).
NO >> INSPECTION END

Diagnosis Procedure

INFOID:000000008138965

1. CHECK INTERMITTENT INCIDENT

Refer to [GI-47, "Intermittent Incident"](#).

Is the inspection result normal?

- YES >> Replace TCM. Refer to [TM-182, "Removal and Installation"](#).
NO >> Repair or replace malfunctioning parts.

P0890 TCM

DTC Logic

INFOID:000000008525199

DTC DETECTION LOGIC

DTC	CONSULT screen terms (Trouble diagnosis content)	DTC detection condition	Possible causes
P0890	TCM (Transmission Control Module Power Relay Sense Circuit Low)	When all of the following conditions are satisfied and this state is maintained for 0.2 seconds: • TCM power supply voltage: More than 11 V • Battery voltage: Less than 8.4 V	Harness or connector (TCM power supply (back-up) circuit is open or shorted.)

DTC CONFIRMATION PROCEDURE

1. PREPARATION BEFORE WORK

If another "DTC CONFIRMATION PROCEDURE" occurs just before, turn ignition switch OFF and wait for at least 10 seconds, then perform the next test.

>> GO TO 2.

2. CHECK DTC DETECTION

1. Start the engine and wait for 5 seconds or more.
2. Check the DTC.

Is "P0890" detected?

YES >> Go to [TM-143, "Diagnosis Procedure"](#).

NO >> INSPECTION END

Diagnosis Procedure

INFOID:000000008525200

1. CHECK TCM POWER SUPPLY (BACK-UP) CIRCUIT

1. Turn ignition switch OFF.
2. Disconnect TCM connector.
3. Check voltage between TCM harness connector terminals and ground.

TCM		Ground	Voltage
Connector	Terminal		
F16	45	Ground	10 – 16 V
	46		

Is the inspection result normal?

YES >> Check intermittent incident. Refer to [GI-47, "Intermittent Incident"](#).

NO >> GO TO 2.

2. DETECT MALFUNCTIONING ITEMS

Check the following items:

- Open or short circuit of harness between battery positive terminal and TCM connectors terminals 45 and 46.
- 10A fuse (No.60, located in the fuse and fusible link block). Refer to [PG-70, "Terminal Arrangement"](#).

Is the inspection result normal?

YES >> Check intermittent incident. Refer to [GI-47, "Intermittent Incident"](#).

NO >> Repair or replace malfunctioning parts.

P0962 PRESSURE CONTROL SOLENOID A

< DTC/CIRCUIT DIAGNOSIS >

[CVT: RE0F10D]

P0962 PRESSURE CONTROL SOLENOID A

DTC Logic

INFOID:000000008138966

DTC DETECTION LOGIC

DTC	CONSULT screen terms (Trouble diagnosis content)	DTC detection condition	Possible causes
P0962	PC SOLENOID A (Pressure Control Solenoid A Control Circuit Low)	When all of the following conditions are satisfied and this state is maintained for 0.2 seconds: <ul style="list-style-type: none">• TCM power supply voltage: More than 11 V• TCM judges that solenoid valve circuit is shorted to ground.	<ul style="list-style-type: none">• Harness or connector (Line pressure solenoid valve circuit is shorted to ground)• Line pressure solenoid valve

DTC CONFIRMATION PROCEDURE

1. PREPARATION BEFORE WORK

If another "DTC CONFIRMATION PROCEDURE" occurs just before, turn ignition switch OFF and wait for at least 10 seconds, then perform the next test.

>> GO TO 2.

2. CHECK DTC DETECTION

1. Start the engine and wait for 5 seconds or more.
2. Check the first trip DTC.

Is "P0962" detected?

- YES >> Go to [TM-144, "Diagnosis Procedure"](#).
NO >> INSPECTION END

Diagnosis Procedure

INFOID:000000008138967

1. CHECK CIRCUIT BETWEEN TCM AND CVT UNIT

1. Turn ignition switch OFF.
2. Disconnect TCM connector and CVT unit connector.
3. Check continuity between TCM harness connector terminal and ground.

TCM		—	Continuity
Connector	Terminal		
F16	30	Ground	Not existed

Is the inspection result normal?

- YES >> GO TO 2.
NO >> Repair or replace damaged parts.

2. CHECK CIRCUIT BETWEEN CVT UNIT AND GROUND

Check continuity between CVT unit harness connector terminal and ground.

CVT unit		—	Condition	Resistance
Connector	Terminal			
F209	20	Ground	CVT fluid temperature: 20°C (68°F)	5.5 – 7.0 Ω
			CVT fluid temperature: 50°C (122°F)	6.0 – 8.0 Ω
			CVT fluid temperature: 80°C (176°F)	6.5 – 8.5 Ω

Is the inspection result normal?

- YES >> Check intermittent incident. Refer to [GI-47, "Intermittent Incident"](#).
NO >> GO TO 3.

P0962 PRESSURE CONTROL SOLENOID A

< DTC/CIRCUIT DIAGNOSIS >

[CVT: RE0F10D]

3. CHECK CIRCUIT BETWEEN CVT UNIT AND CONTROL VALVE

1. Disconnect control valve connector. Refer to [TM-186, "Removal and Installation"](#).
2. Check continuity between CVT unit harness connector terminal and control valve harness connector terminal.

CVT unit		Control valve		Continuity
Connector	Terminal	Connector	Terminal	
F209	20	F207	1	Existed

Is the inspection result normal?

YES >> GO TO 4.

NO >> Replace terminal cord assembly. Refer to [TM-186, "Removal and Installation"](#).

4. CHECK CIRCUIT BETWEEN CONTROL VALVE AND GROUND

Check continuity between CVT unit harness connector terminal and ground.

Control valve	—	Condition	Resistance
Terminal			
1	Ground	CVT fluid temperature: 20°C (68°F)	5.5 – 7.0 Ω
		CVT fluid temperature: 50°C (122°F)	6.0 – 8.0 Ω
		CVT fluid temperature: 80°C (176°F)	6.5 – 8.5 Ω

Is the inspection result normal?

YES >> Check intermittent incident. Refer to [GI-47, "Intermittent Incident"](#).

NO >> There is malfunction of line pressure solenoid valve. Replace transaxle assembly. Refer to [TM-207, "Removal and Installation"](#).

P0963 PRESSURE CONTROL SOLENOID A

< DTC/CIRCUIT DIAGNOSIS >

[CVT: RE0F10D]

P0963 PRESSURE CONTROL SOLENOID A

DTC Logic

INFOID:000000008138969

DTC DETECTION LOGIC

DTC	CONSULT screen terms (Trouble diagnosis content)	DTC detection condition	Possible causes
P0963	PC SOLENOID A (Pressure Control Solenoid A Control Circuit High)	When all of the following conditions are satisfied and this state is maintained for 0.2 seconds: <ul style="list-style-type: none">• TCM power supply voltage: More than 11 V• P0962 is not detected• TCM judges that solenoid valve circuit is open.	<ul style="list-style-type: none">• Harness or connector (Line pressure solenoid valve circuit is open or shorted to power supply)• Line pressure solenoid valve

DTC CONFIRMATION PROCEDURE

1. PREPARATION BEFORE WORK

If another "DTC CONFIRMATION PROCEDURE" occurs just before, turn ignition switch OFF and wait for at least 10 seconds, then perform the next test.

>> GO TO 2.

2. CHECK DTC DETECTION

1. Start the engine and wait for 5 seconds or more.
2. Check the first trip DTC.

Is "P0963" detected?

- YES >> Go to [TM-146, "Diagnosis Procedure"](#).
NO >> INSPECTION END

Diagnosis Procedure

INFOID:000000008138970

1. CHECK CIRCUIT BETWEEN TCM AND CVT UNIT

1. Turn ignition switch OFF.
2. Disconnect TCM connector and CVT unit connector.
3. Check continuity between TCM harness connector terminal and ground.

TCM		CVT unit		Continuity
Connector	Terminal	Connector	Terminal	
F16	30	F46	20	Existed

Is the inspection result normal?

- YES >> GO TO 2.
NO >> Repair or replace damaged parts.

2. CHECK CIRCUIT BETWEEN CVT UNIT AND GROUND

Check continuity between CVT unit harness connector terminal and ground.

CVT unit		—	Condition	Resistance
Connector	Terminal			
F209	20	Ground	CVT fluid temperature: 20°C (68°F)	5.5 – 7.0 Ω
			CVT fluid temperature: 50°C (122°F)	6.0 – 8.0 Ω
			CVT fluid temperature: 80°C (176°F)	6.5 – 8.5 Ω

Is the inspection result normal?

- YES >> Check intermittent incident. Refer to [GI-47, "Intermittent Incident"](#).

P0963 PRESSURE CONTROL SOLENOID A

< DTC/CIRCUIT DIAGNOSIS >

[CVT: RE0F10D]

NO >> GO TO 3.

3. CHECK CIRCUIT BETWEEN CVT UNIT AND CONTROL VALVE

1. Disconnect control valve connector. Refer to [TM-186, "Removal and Installation"](#).
2. Check continuity between CVT unit harness connector terminal and control valve harness connector terminal.

CVT unit		Control valve		Continuity
Connector	Terminal	Connector	Terminal	
F209	20	F207	1	Existed

Is the inspection result normal?

YES >> GO TO 4.

NO >> Replace terminal cord assembly. Refer to [TM-186, "Removal and Installation"](#).

4. CHECK CIRCUIT BETWEEN CONTROL VALVE AND GROUND

Check continuity between CVT unit harness connector terminal and ground.

Control valve	—	Condition	Resistance
Terminal			
1	Ground	CVT fluid temperature: 20°C (68°F)	5.5 – 7.0 Ω
		CVT fluid temperature: 50°C (122°F)	6.0 – 8.0 Ω
		CVT fluid temperature: 80°C (176°F)	6.5 – 8.5 Ω

Is the inspection result normal?

YES >> Check intermittent incident. Refer to [GI-47, "Intermittent Incident"](#).

NO >> There is malfunction of line pressure solenoid valve. Replace transaxle assembly. Refer to [TM-207, "Removal and Installation"](#).

P0965 PRESSURE CONTROL SOLENOID B

< DTC/CIRCUIT DIAGNOSIS >

[CVT: RE0F10D]

P0965 PRESSURE CONTROL SOLENOID B

DTC Logic

INFOID:000000008525201

DTC DETECTION LOGIC

DTC	CONSULT screen terms (Trouble diagnosis content)	DTC detection condition	Possible causes
P0965	PC SOLENOID B (Pressure Control Solenoid B Control Circuit Range Performance)	<p>When any of 1 or 2 is satisfied and this state is maintained for 10 seconds:</p> <ol style="list-style-type: none"> 1. When all of the following conditions are satisfied: <ul style="list-style-type: none"> - DTC other than the applicable DTC is not detected. - Engine speed: More than 625 rpm - Selector lever: Other than P/N position - CVT fluid temperature: More than -20°C (-4°F) - TCM power supply: More than 11 V - The difference between instruction pressure of primary pressure and 10-msec-ago instruction primary pressure is 0 MPa or more - Instruction pressure of primary pressure: 0.86 MPa or more - Instruction pressure of primary pressure - primary pressure: More than 1.2 MPa When all of the following conditions are satisfied and this state is maintained for 1 second: <ul style="list-style-type: none"> • DTC other than the applicable DTC is not detected. • CVT fluid temperature: More than -20°C (-4°F) • Selector lever: Other than P/N position • Engine speed: More than 625 rpm • Instruction pressure of primary pressure: More than 2 MPa • Primary pressure: 0.4 MPa or less 2. When all of the following conditions are satisfied: <ul style="list-style-type: none"> - DTC other than the applicable DTC is not detected. - CVT fluid temperature: More than -20°C (-4°F) - Selector lever: Other than P/N position - TCM power supply: More than 11 V When all of the following conditions are satisfied and this state is maintained for 5.5 seconds: <ul style="list-style-type: none"> • DTC other than the applicable DTC is not detected. • CVT fluid temperature: More than -20°C (-4°F) • Selector lever: Other than P/N position • Primary pressure - instruction pressure of primary pressure: 1.2 MPa or more - The difference between instruction pressure of primary pressure and 10-msec-ago instruction primary pressure is 0 MPa or more - Primary pressure - instruction pressure of primary pressure: More than 1.2 MPa 	<ul style="list-style-type: none"> • Harness or connector (Primary pressure solenoid valve circuit is open or shorted.) • Primary pressure solenoid valve

DTC CONFIRMATION PROCEDURE

P0965 PRESSURE CONTROL SOLENOID B

< DTC/CIRCUIT DIAGNOSIS >

[CVT: RE0F10D]

1. PREPARATION BEFORE WORK

If another "DTC CONFIRMATION PROCEDURE" occurs just before, turn ignition switch OFF and wait for at least 10 seconds, then perform the next test.

>> GO TO 2.

2. CHECK DTC DETECTION

1. Start the engine.
2. Drive the vehicle.
3. Maintain the following conditions for 20 seconds or more.

Vehicle speed : 40 km/h (25 MPH) or more

4. Stop the vehicle.
5. Check the first trip DTC.

Is "P0965" detected?

- YES >> Go to [TM-149, "Diagnosis Procedure"](#).
NO >> INSPECTION END

Diagnosis Procedure

INFOID:000000008525202

1. CHECK INTERMITTENT INCIDENT

Refer to [GI-47, "Intermittent Incident"](#).

Is the inspection result normal?

- YES >> Replace transaxle assembly. Refer to [TM-207, "Removal and Installation"](#).
NO >> Repair or replace malfunctioning parts.

P0966 PRESSURE CONTROL SOLENOID B

< DTC/CIRCUIT DIAGNOSIS >

[CVT: RE0F10D]

P0966 PRESSURE CONTROL SOLENOID B

DTC Logic

INFOID:000000008525193

DTC DETECTION LOGIC

DTC	CONSULT screen terms (Trouble diagnosis content)	DTC detection condition	Possible causes
P0966	PC SOLENOID B (Pressure Control Solenoid B Control Circuit Low)	When all of the following conditions are satisfied and this state is maintained for 0.48 seconds: <ul style="list-style-type: none"> • TCM power supply voltage: More than 11 V • TCM judges that solenoid valve circuit is shorted to ground. 	<ul style="list-style-type: none"> • Harness or connector (Primary pressure solenoid valve circuit shorted to ground) • Primary pressure solenoid valve

DTC CONFIRMATION PROCEDURE

1. PREPARATION BEFORE WORK

If another "DTC CONFIRMATION PROCEDURE" occurs just before, turn ignition switch OFF and wait for at least 10 seconds, then perform the next test.

>> GO TO 2.

2. CHECK DTC DETECTION

1. Start the engine and wait for 5 seconds or more.
2. Check the first trip DTC.

Is "P0966" detected?

- YES >> Go to [TM-150, "Diagnosis Procedure"](#).
 NO >> INSPECTION END

Diagnosis Procedure

INFOID:000000008525194

1. CHECK CIRCUIT BETWEEN TCM AND CVT UNIT

1. Turn ignition switch OFF.
2. Disconnect TCM connector and CVT unit connector.
3. Check continuity between TCM harness connector terminal and ground.

TCM		—	Continuity
Connector	Terminal		
F16	40	Ground	Not existed

Is the inspection result normal?

- YES >> GO TO 2.
 NO >> Repair or replace damaged parts.

2. CHECK CIRCUIT BETWEEN CVT UNIT AND GROUND

Check continuity between CVT unit harness connector terminal and ground.

CVT unit		—	Condition	Resistance
Connector	Terminal			
F209	13	Ground	CVT fluid temperature: 20°C (68°F)	5.5 – 7.0 Ω
			CVT fluid temperature: 50°C (122°F)	6.0 – 8.0 Ω
			CVT fluid temperature: 80°C (176°F)	6.5 – 8.5 Ω

Is the inspection result normal?

- YES >> Check intermittent incident. Refer to [GI-47, "Intermittent Incident"](#).
 NO >> GO TO 3.

P0966 PRESSURE CONTROL SOLENOID B

< DTC/CIRCUIT DIAGNOSIS >

[CVT: RE0F10D]

3. CHECK CIRCUIT BETWEEN CVT UNIT AND CONTROL VALVE

1. Disconnect control valve connector. Refer to [TM-186, "Removal and Installation"](#).
2. Check continuity between CVT unit harness connector terminal and control valve harness connector terminal.

CVT unit		Control valve		Continuity
Connector	Terminal	Connector	Terminal	
F209	13	F207	9	Existed

Is the inspection result normal?

YES >> GO TO 4.

NO >> Replace terminal cord assembly. Refer to [TM-186, "Removal and Installation"](#).

4. CHECK CIRCUIT BETWEEN CONTROL VALVE AND GROUND

Check continuity between CVT unit harness connector terminal and ground.

Control valve Terminal	—	Condition	Resistance
9	Ground	CVT fluid temperature: 20°C (68°F)	5.5 – 7.0 Ω
		CVT fluid temperature: 50°C (122°F)	6.0 – 8.0 Ω
		CVT fluid temperature: 80°C (176°F)	6.5 – 8.5 Ω

Is the inspection result normal?

YES >> Check intermittent incident. Refer to [GI-47, "Intermittent Incident"](#).

NO >> There is malfunction of primary pressure solenoid valve. Replace transaxle assembly. Refer to [TM-207, "Removal and Installation"](#).

P0967 PRESSURE CONTROL SOLENOID B

< DTC/CIRCUIT DIAGNOSIS >

[CVT: RE0F10D]

P0967 PRESSURE CONTROL SOLENOID B

DTC Logic

INFOID:000000008525196

DTC DETECTION LOGIC

DTC	CONSULT screen terms (Trouble diagnosis content)	DTC detection condition	Possible causes
P0967	PC SOLENOID B (Pressure Control Solenoid B Control Circuit High)	When all of the following conditions are satisfied and this state is maintained for 0.2 seconds: <ul style="list-style-type: none">• TCM power supply voltage: More than 11 V• P0966 is not detected• TCM judges that solenoid valve circuit is open.	<ul style="list-style-type: none">• Harness or connector (Primary pressure solenoid valve circuit open or shorted to power supply)• Primary pressure solenoid valve

DTC CONFIRMATION PROCEDURE

1. PREPARATION BEFORE WORK

If another "DTC CONFIRMATION PROCEDURE" occurs just before, turn ignition switch OFF and wait for at least 10 seconds, then perform the next test.

>> GO TO 2.

2. CHECK DTC DETECTION

1. Start the engine and wait for 5 seconds or more.
2. Check the first trip DTC.

Is "P0967" detected?

- YES >> Go to [TM-152, "Diagnosis Procedure"](#).
NO >> INSPECTION END

Diagnosis Procedure

INFOID:000000008525197

1. CHECK CIRCUIT BETWEEN TCM AND CVT UNIT

1. Turn ignition switch OFF.
2. Disconnect TCM connector and CVT unit connector.
3. Check continuity between TCM harness connector terminal and ground.

TCM		CVT unit		Continuity
Connector	Terminal	Connector	Terminal	
F16	40	F46	13	Existed

Is the inspection result normal?

- YES >> GO TO 2.
NO >> Repair or replace damaged parts.

2. CHECK CIRCUIT BETWEEN CVT UNIT AND GROUND

Check continuity between CVT unit harness connector terminal and ground.

CVT unit		—	Condition	Resistance
Connector	Terminal			
F209	13	Ground	CVT fluid temperature: 20°C (68°F)	5.5 – 7.0 Ω
			CVT fluid temperature: 50°C (122°F)	6.0 – 8.0 Ω
			CVT fluid temperature: 80°C (176°F)	6.5 – 8.5 Ω

Is the inspection result normal?

- YES >> Check intermittent incident. Refer to [GI-47, "Intermittent Incident"](#).

P0967 PRESSURE CONTROL SOLENOID B

< DTC/CIRCUIT DIAGNOSIS >

[CVT: RE0F10D]

NO >> GO TO 3.

3. CHECK CIRCUIT BETWEEN CVT UNIT AND CONTROL VALVE

1. Disconnect control valve connector. Refer to [TM-186, "Removal and Installation"](#).
2. Check continuity between CVT unit harness connector terminal and control valve harness connector terminal.

CVT unit		Control valve		Continuity
Connector	Terminal	Connector	Terminal	
F209	13	F207	9	Existed

Is the inspection result normal?

YES >> GO TO 4.

NO >> Replace terminal cord assembly. Refer to [TM-186, "Removal and Installation"](#).

4. CHECK CIRCUIT BETWEEN CONTROL VALVE AND GROUND

Check continuity between CVT unit harness connector terminal and ground.

Control valve	—	Condition	Resistance
Terminal			
9	Ground	CVT fluid temperature: 20°C (68°F)	5.5 – 7.0 Ω
		CVT fluid temperature: 50°C (122°F)	6.0 – 8.0 Ω
		CVT fluid temperature: 80°C (176°F)	6.5 – 8.5 Ω

Is the inspection result normal?

YES >> Check intermittent incident. Refer to [GI-47, "Intermittent Incident"](#).

NO >> There is malfunction of primary pressure solenoid valve. Replace transaxle assembly. Refer to [TM-207, "Removal and Installation"](#).

P2765 INPUT SPEED SENSOR B

< DTC/CIRCUIT DIAGNOSIS >

[CVT: RE0F10D]

P2765 INPUT SPEED SENSOR B

DTC Logic

INFOID:000000008139014

DTC DETECTION LOGIC

DTC	CONSULT screen terms (Trouble diagnosis content)	DTC detection condition	Possible causes
P2765	INPUT SPEED SENSOR B (Input/Turbine Speed Sensor B Circuit)	<p>When 1 is satisfied and any of 2, 3 or 4 is satisfied and this state is maintained for 5 seconds:</p> <ol style="list-style-type: none"> When all of the following conditions are satisfied: <ul style="list-style-type: none"> - TCM power supply voltage: More than 11 V - After range change completion, it spends 2 seconds or more. When all of the following conditions are satisfied and this state is maintained for 5 seconds: <ul style="list-style-type: none"> - Secondary pulley speed: Less than 149 rpm - Primary pulley speed: 1,000 rpm or more When all of the following conditions are satisfied and this state is maintained for 0.5 seconds: <ul style="list-style-type: none"> - 10-msec-ago secondary pulley speed: 1000 rpm or more - Now secondary pulley speed: 0 rpm When all of the following conditions are satisfied and this state is maintained for 5 seconds: <ul style="list-style-type: none"> - Range: D or DS - Engine speed: 450 rpm or more - Primary pulley speed: 300 rpm or more - Secondary pulley speed: 300 rpm or more - Input speed: 300 rpm or more - The difference between engine speed and primary pulley speed is 1,000 rpm or less - The difference between engine speed and input speed is 1,000 rpm or less - The difference between primary pulley speed and input speed is 1,000 rpm or less - Lock-up command is being given (except for slip lock-up) - DTC other than the applicable DTC is not detected. - When any of following items are satisfied: <ul style="list-style-type: none"> • Primary pulley speed/secondary pulley speed: More than 2.9 • Primary pulley speed/secondary pulley speed: Less than 0.3 	<ul style="list-style-type: none"> • Harness or connector (Output speed sensor circuit is open or shorted) • Output speed sensor

DTC CONFIRMATION PROCEDURE

CAUTION:

Be careful of the driving speed.

1. PREPARATION BEFORE WORK

If another "DTC CONFIRMATION PROCEDURE" occurs just before, turn ignition switch OFF and wait for at least 10 seconds, then perform the next test.

P2765 INPUT SPEED SENSOR B

< DTC/CIRCUIT DIAGNOSIS >

[CVT: RE0F10D]

>> GO TO 2.

2. CHECK DTC DETECTION

1. Start the engine.
2. Drive the vehicle.
3. Maintain the following conditions for 10 seconds or more.

Selector lever : "D" position
Engine speed : 1,200 rpm or more
Vehicle speed : 55 km/h (34 MPH) or more

4. Stop the vehicle.
5. Check the first trip DTC.

Is "P2765" detected?

YES >> Go to [TM-155. "Diagnosis Procedure"](#).
NO >> INSPECTION END

Diagnosis Procedure

INFOID:000000008139015

1. CHECK OUTPUT SPEED SENSOR POWER CIRCUIT

1. Turn ignition switch OFF.
2. Disconnect output speed sensor connector.
3. Turn ignition switch ON.
4. Check voltage between output speed sensor harness connector terminal and ground.

+		-	Voltage
Connector	Terminal		
F23	3	Ground	10 – 16 V

Is the inspection result normal?

YES >> GO TO 2.
NO >> GO TO 6.

2. CHECK OUTPUT SPEED SENSOR GROUND CIRCUIT

Check continuity between output speed sensor harness connector terminal and ground.

Output speed sensor		—	Continuity
Connector	Terminal		
F23	1	Ground	Existed

Is the inspection result normal?

YES >> GO TO 3.
NO >> Repair or replace malfunctioning parts.

3. CHECK CIRCUIT BETWEEN OUTPUT SPEED SENSOR AND TCM (PART 1)

1. Turn ignition switch OFF.
2. Disconnect TCM connector.
3. Check continuity between output speed sensor harness connector terminal and TCM harness connector terminal.

Output speed sensor		TCM		Continuity
Connector	Terminal	Connector	Terminal	
F23	2	F16	34	Existed

Is the inspection result normal?

P2765 INPUT SPEED SENSOR B

[CVT: RE0F10D]

< DTC/CIRCUIT DIAGNOSIS >

- YES >> GO TO 4.
 NO >> Repair or replace malfunctioning parts.

4. CHECK CIRCUIT BETWEEN OUTPUT SPEED SENSOR AND TCM (PART 2)

Check continuity between output speed sensor harness connector terminal and ground.

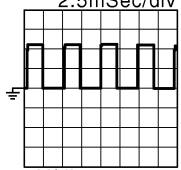
Output speed sensor		—	Continuity
Connector	Terminal		
F23	2	Ground	Not existed

Is the inspection result normal?

- YES >> GO TO 5.
 NO >> Repair or replace malfunctioning parts.

5. CHECK TCM INPUT SIGNALS

1. Connect all of disconnected connectors.
2. Lift the vehicle.
3. Start the engine.
4. Check frequency of output speed sensor.

+		—	Condition	Standard
TCM				
Connector	Terminal			
F16	34	Ground	<ul style="list-style-type: none"> • Selector lever: "DS" position • Vehicle speed: 20 km/h (12 MPH) 	<p style="text-align: center;">Approx. 200 Hz 2.5mSec/div</p>  <p style="text-align: right; font-size: small;">JSDIA1904GB</p>

Is the inspection result normal?

- YES >> Check intermittent incident. Refer to [GI-47, "Intermittent Incident"](#).
 NO >> Replace output speed sensor. Refer to [TM-196, "Removal and Installation"](#).

6. DETECT MALFUNCTIONING ITEMS

Check the following items:

- Harness open circuit or short circuit between ignition switch and IPDM E/R. Refer to [PG-19, "Wiring Diagram — Ignition Power Supply —"](#).
- Harness open circuit or short circuit between output speed sensor and IPDM E/R.
- 10A fuse (No.46, located in the IPDM E/R). Refer to [PG-71, "Fuse, Connector and Terminal Arrangement"](#).
- IPDM E/R

Is the check result normal?

- YES >> Check intermittent incident. Refer to [GI-47, "Intermittent Incident"](#).
 NO >> Repair or replace malfunctioning parts.

P2813 SELECT SOLENOID

< DTC/CIRCUIT DIAGNOSIS >

[CVT: RE0F10D]

P2813 SELECT SOLENOID

DTC Logic

INFOID:000000008526149

DTC DETECTION LOGIC

DTC	CONSULT screen terms (Trouble diagnosis content)	DTC detection condition	Possible causes
P2813	SELECT SOLENOID (Select solenoid)	<p>When any of 1, or 2 is satisfied:</p> <ol style="list-style-type: none"> When all the following conditions are established three times in 1DC <ul style="list-style-type: none"> - Precondition • DTC other than the applicable DTC is not detected. • Throtte position: More than 6.27 deg. • Vehicle speed: Less than 3 km/h (1 MPH) • CVT fluid temperature: More than 20°C (68°F) • Selector lever: Other than P, N • Turbine speed when performed N → D, N (P) → R: More than 500 rpm • TCM power supply voltage: More than 11 V When all of the following conditions are satisfied and this state is maintained for 30 seconds: <ul style="list-style-type: none"> - Detection time <ul style="list-style-type: none"> • N → D: 0.4 seconds • N → R: 0.3 seconds • P → R: 0.3 seconds <p>- The counting of time continues while all of the following conditions are satisfied and stops when the conditions become unsatisfied (the count is maintained). When accumulated time reaches 30 seconds (Clutch is judged as engaged and the count is reset.)</p> <ul style="list-style-type: none"> • Selector lever: Other than P, N • Vehicle speed: Less than 3 km/h (1 MPH) • Differences between primary pulley speed and secondary speed speed: Less than 120 rpm • Clutch instructions pressure: 0.95 MPa or more • Differences between turbine speed and input speed speed: Less than 200 rpm • Turbine speed – speed: More than 450 rpm • DTC other than the applicable DTC is not detected. • TCM power supply voltage: More than 11 V 	Select solenoid valve

NOTE:

DC stands for “DRIVING CYCLE” and indicates a series of driving cycle of “Ignition switch OFF → ON → driving → OFF”.

DTC CONFIRMATION PROCEDURE

CAUTION:

Be careful of the driving speed.

1. PREPARATION BEFORE WORK

P2813 SELECT SOLENOID

< DTC/CIRCUIT DIAGNOSIS >

[CVT: RE0F10D]

If another "DTC CONFIRMATION PROCEDURE" occurs just before, turn ignition switch OFF and wait for at least 10 seconds, then perform the next test.

>> GO TO 2.

2.CHECK DTC DETECTION 1

1. Start the engine.
2. Maintain the following conditions. (Keep 30seconds or more after the selector lever shifted.)

Selector lever : N→ D, N → R, P→ R

3. Check the first trip DTC.

Is "P2813"detected?

- YES >> Go to [TM-158, "Diagnosis Procedure"](#).
NO >> INSPECTION END

Diagnosis Procedure

INFOID:000000008526150

1.CHECK INTERMITTENT INCIDENT

Refer to [GI-47, "Intermittent Incident"](#).

Is the inspection result normal?

- YES >> Replace transaxle assembly. Refer to [TM-207, "Removal and Installation"](#).
NO >> Repair or replace malfunctioning parts.

P2814 SELECT SOLENOID

< DTC/CIRCUIT DIAGNOSIS >

[CVT: RE0F10D]

P2814 SELECT SOLENOID

DTC Logic

INFOID:000000008526151

DTC DETECTION LOGIC

DTC	CONSULT screen terms (Trouble diagnosis content)	DTC detection condition	Possible causes
P2814	SELECT SOLENOID (Select solenoid)	When all of the following conditions are satisfied and this state is maintained for 0.48 seconds: <ul style="list-style-type: none"> • TCM power supply voltage: 11 V or more • TCM judges that solenoid valve circuit is shorted to ground. 	<ul style="list-style-type: none"> • Harness or connector (Select solenoid valve circuit shorted to ground) • Select solenoid valve

DTC CONFIRMATION PROCEDURE

CAUTION:

Be careful of the driving speed.

1. PREPARATION BEFORE WORK

If another "DTC CONFIRMATION PROCEDURE" occurs just before, turn ignition switch OFF and wait for at least 10 seconds, then perform the next test.

>> GO TO 2.

2. CHECK DTC DETECTION

1. Start the engine.
2. Maintain the following conditions. (Keep 5 seconds or more after the selector lever shifted.)

Selector lever N → D, N → R, P → R

3. Check the first trip DTC.

Is "P2814" detected?

- YES >> Go to [TM-159, "Diagnosis Procedure"](#).
 NO >> INSPECTION END

Diagnosis Procedure

INFOID:000000008526152

1. CHECK CIRCUIT BETWEEN TCM AND CVT UNIT

1. Turn ignition switch OFF.
2. Disconnect TCM connector and CVT unit connector.
3. Check continuity between TCM harness connector terminal and ground.

TCM		—	Continuity
Connector	Terminal		
F16	37	Ground	Not existed

Is the inspection result normal?

- YES >> GO TO 2.
 NO >> Repair or replace damaged parts.

2. CHECK CIRCUIT BETWEEN CVT UNIT AND GROUND

Check continuity between CVT unit harness connector terminal and ground.

P2814 SELECT SOLENOID

< DTC/CIRCUIT DIAGNOSIS >

[CVT: RE0F10D]

CVT unit		—	Condition	Resistance
Connector	Terminal			
F209	3	Ground	CVT fluid temperature: 20°C (68°F)	5.5 – 7.0 Ω
			CVT fluid temperature: 50°C (122°F)	6.0 – 8.0 Ω
			CVT fluid temperature: 80°C (176°F)	6.5 – 8.5 Ω

Is the inspection result normal?

- YES >> Check intermittent incident. Refer to [GI-47, "Intermittent Incident"](#).
 NO >> GO TO 3.

3. CHECK CIRCUIT BETWEEN CVT UNIT AND CONTROL VALVE

1. Disconnect control valve connector. Refer to [TM-186, "Removal and Installation"](#).
2. Check continuity between CVT unit harness connector terminal and control valve harness connector terminal.

CVT unit		Control valve		Continuity
Connector	Terminal	Connector	Terminal	
F209	3	F207	4	Existed

Is the inspection result normal?

- YES >> GO TO 4.
 NO >> Replace terminal cord assembly. Refer to [TM-186, "Removal and Installation"](#).

4. CHECK CIRCUIT BETWEEN CONTROL VALVE AND GROUND

Check continuity between CVT unit harness connector terminal and ground.

Control valve	—	Condition	Resistance
Terminal			
4	Ground	CVT fluid temperature: 20°C (68°F)	5.5 – 7.0 Ω
		CVT fluid temperature: 50°C (122°F)	6.0 – 8.0 Ω
		CVT fluid temperature: 80°C (176°F)	6.5 – 8.5 Ω

Is the inspection result normal?

- YES >> Check intermittent incident. Refer to [GI-47, "Intermittent Incident"](#).
 NO >> There is malfunction of select solenoid solenoid valve. Replace transaxle assembly. Refer to [TM-207, "Removal and Installation"](#).

P2815 SELECT SOLENOID

< DTC/CIRCUIT DIAGNOSIS >

[CVT: RE0F10D]

P2815 SELECT SOLENOID

DTC Logic

INFOID:000000008526154

DTC DETECTION LOGIC

DTC	CONSULT screen terms (Trouble diagnosis content)	DTC detection condition	Possible causes
P2815	SELECT SOLENOID (Select solenoid)	When all of the following conditions are satisfied and this state is maintained for 0.2 seconds: <ul style="list-style-type: none"> • TCM power supply voltage: More than 11 V • TCM judges that solenoid valve circuit is open. • P2814 is not detected. 	<ul style="list-style-type: none"> • Harness or connector (Select solenoid valve circuit open or shorted to power supply) • Select solenoid valve

DTC CONFIRMATION PROCEDURE

1. PREPARATION BEFORE WORK

If another "DTC CONFIRMATION PROCEDURE" occurs just before, turn ignition switch OFF and wait for at least 10 seconds, then perform the next test.

>> GO TO 2.

2. CHECK DTC DETECTION

1. Start the engine.
2. Maintain the following conditions. (Keep 5 seconds or more after the selector lever shifted.)

Selector lever N → D, N → R, P → R

3. Check the first trip DTC.

Is "P2815" detected?

- YES >> Go to [TM-161, "Diagnosis Procedure"](#).
 NO >> INSPECTION END

Diagnosis Procedure

INFOID:000000008526155

1. CHECK CIRCUIT BETWEEN TCM AND CVT UNIT

1. Turn ignition switch OFF.
2. Disconnect TCM connector and CVT unit connector.
3. Check continuity between TCM harness connector terminal and ground.

TCM		CVT unit		Continuity
Connector	Terminal	Connector	Terminal	
F16	37	F46	3	Existed

Is the inspection result normal?

- YES >> GO TO 2.
 NO >> Repair or replace damaged parts.

2. CHECK CIRCUIT BETWEEN CVT UNIT AND GROUND

Check continuity between CVT unit harness connector terminal and ground.

P2815 SELECT SOLENOID

< DTC/CIRCUIT DIAGNOSIS >

[CVT: RE0F10D]

CVT unit		—	Condition	Resistance
Connector	Terminal			
F209	3	Ground	CVT fluid temperature: 20°C (68°F)	5.5 – 7.0 Ω
			CVT fluid temperature: 50°C (122°F)	6.0 – 8.0 Ω
			CVT fluid temperature: 80°C (176°F)	6.5 – 8.5 Ω

Is the inspection result normal?

- YES >> Check intermittent incident. Refer to [GI-47, "Intermittent Incident"](#).
 NO >> GO TO 3.

3. CHECK CIRCUIT BETWEEN CVT UNIT AND CONTROL VALVE

1. Disconnect control valve connector. Refer to [TM-186, "Removal and Installation"](#).
2. Check continuity between CVT unit harness connector terminal and control valve harness connector terminal.

CVT unit		Control valve		Continuity
Connector	Terminal	Connector	Terminal	
F209	3	F207	4	Existed

Is the inspection result normal?

- YES >> GO TO 4.
 NO >> Replace terminal cord assembly. Refer to [TM-186, "Removal and Installation"](#).

4. CHECK CIRCUIT BETWEEN CONTROL VALVE AND GROUND

Check continuity between CVT unit harness connector terminal and ground.

Control valve	—	Condition	Resistance
Terminal			
4	Ground	CVT fluid temperature: 20°C (68°F)	5.5 – 7.0 Ω
		CVT fluid temperature: 50°C (122°F)	6.0 – 8.0 Ω
		CVT fluid temperature: 80°C (176°F)	6.5 – 8.5 Ω

Is the inspection result normal?

- YES >> Check intermittent incident. Refer to [GI-47, "Intermittent Incident"](#).
 NO >> There is malfunction of select solenoid solenoid valve. Replace transaxle assembly. Refer to [TM-207, "Removal and Installation"](#).

MAIN POWER SUPPLY AND GROUND CIRCUIT

< DTC/CIRCUIT DIAGNOSIS >

[CVT: RE0F10D]

MAIN POWER SUPPLY AND GROUND CIRCUIT

Diagnosis Procedure

INFOID:000000008139016

1.CHECK TCM POWER CIRCUIT (PART 1)

1. Turn ignition switch OFF.
2. Disconnect TCM connector.
3. Check voltage between TCM harness connector terminals and ground.

+		-	Voltage
TCM			
Connector	Terminal	Ground	10 – 16 V
F16	45		
	46		

Is the inspection result normal?

- YES >> GO TO 2.
NO >> GO TO 4.

2.CHECK TCM POWER CIRCUIT (PART 2)

Check voltage between TCM harness connector terminals and ground.

+		-	Condition	Voltage
TCM				
Connector	Terminal	Ground	Ignition switch ON	10 – 16 V
F16	47			
			48	Ignition switch ON
	Ignition switch OFF			

Is the inspection result normal?

- YES >> GO TO 3.
NO >> GO TO 5.

3.CHECK TCM GROUND CIRCUIT

Check continuity between TCM harness connector terminals and ground.

TCM		—	Continuity
Connector	Terminal		
F16	41	Ground	Existed
	42		

Is the inspection result normal?

- YES >> Check intermittent incident. Refer to [GI-47, "Intermittent Incident"](#).
NO >> Repair or replace malfunctioning parts.

4.DETECT MALFUNCTION ITEMS (PART 1)

Check the following items:

- Open or short circuit in harness between battery positive terminal and TCM connector terminal 45, and 46.
- 10A fuse (No.60, located in the fuse and fusible link block). Refer to [PG-70, "Terminal Arrangement"](#).

Is the inspection result normal?

- YES >> Check intermittent incident. Refer to [GI-47, "Intermittent Incident"](#).
NO >> Repair or replace malfunctioning parts.

5.CHECK CIRCUIT BETWEEN IPDM E/R AND TCM (PART 1)

MAIN POWER SUPPLY AND GROUND CIRCUIT

< DTC/CIRCUIT DIAGNOSIS >

[CVT: RE0F10D]

1. Turn ignition switch OFF.
2. Disconnect IPDM E/R connector.
3. Check continuity between IPDM E/R harness connector terminal and TCM harness connector terminals.

IPDM E/R harness connector		TCM harness connector		Continuity
Connector	Terminal	Connector	Terminal	
F83	61	F16	47	Existed
			48	

Is the check result normal?

YES >> GO TO 6.

NO >> Repair or replace malfunctioning parts.

6. CHECK CIRCUIT BETWEEN IPDM E/R AND TCM (PART 2)

Check continuity between IPDM E/R harness connector terminal and ground.

IPDM E/R harness connector		—	Continuity
Connector	Terminal		
F83	61	Ground	Not existed

Is the check result normal?

YES >> GO TO 7.

NO >> Repair or replace malfunctioning parts.

7. DETECT MALFUNCTIONING ITEMS (PART 2)

Check the following items:

- Open or short circuit in harness between ignition switch and IPDM E/R. Refer to [PCS-21, "Wiring Diagram"](#).
- 10A fuse (No.46, located in the IPDM E/R). Refer to [PG-71, "Fuse, Connector and Terminal Arrangement"](#).
- IPDM E/R

Is the check result normal?

YES >> Check intermittent incident. Refer to [GI-47, "Intermittent Incident"](#).

NO >> Repair or replace malfunctioning parts.

OVERDRIVE CONTROL SWITCH

< DTC/CIRCUIT DIAGNOSIS >

[CVT: RE0F10D]

OVERDRIVE CONTROL SWITCH

Component Function Check

INFOID:000000008139017

1.CHECK O/D OFF INDICATOR LAMP FUNCTION

Check O/D OFF indicator lamp turns ON for approx. 2 seconds when ignition switch turns ON.

Is the inspection results normal?

YES >> GO TO 2.

NO >> Go to [TM-167, "Diagnosis Procedure"](#).

2.CHECK OVERDRIVE CONTROL SWITCH FUNCTION

1. Shift the selector lever to "D" position.
2. Check that O/D OFF indicator lamp turns ON/OFF when overdrive control switch is operated.

Is the inspection results normal?

YES >> INSPECTION END

NO >> Go to [TM-165, "Diagnosis Procedure"](#).

Diagnosis Procedure

INFOID:000000008139018

1.CHECK O/D OFF SWITCH CIRCUIT

1. Turn ignition switch OFF.
2. Disconnect CVT shift selector connector.
3. Turn ignition switch ON.
4. Check voltage between CVT shift selector harness connector terminals.

Connector	CVT shift selector		Voltage
	+	-	
	Terminal		
M23	1	2	Approx. 5.0 V

Is the inspection result normal?

YES >> GO TO 2.

NO >> GO TO 3.

2.CHECK O/D OFF SWITCH

Check overdrive control switch. Refer to [TM-166, "Component Inspection"](#).

Is the inspection result normal?

YES >> GO TO 3.

NO >> Repair or replace malfunctioning parts.

3.CHECK GROUND CIRCUIT

Check continuity between CVT shift selector harness connector terminal and ground.

Connector	CVT shift selector		Continuity
	Terminal	—	
M23	2	Ground	Existed

Is the inspection result normal?

YES >> GO TO 4.

NO >> Repair or replace malfunctioning parts.

4.CHECK CIRCUIT BETWEEN CVT SHIFT SELECTOR AND COMBINATION METER (PART 1)

1. Turn ignition switch OFF.
2. Disconnect combination meter connector.
3. Check continuity between CVT shift selector harness connector terminal and combination meter harness connector terminal.

A
B
C
TM
E
F
G
H
I
J
K
L
M
N
O
P

OVERDRIVE CONTROL SWITCH

< DTC/CIRCUIT DIAGNOSIS >

[CVT: RE0F10D]

CVT shift selector		Combination meter		Continuity
Connector	Terminal	Connector	Terminal	
M23	1	M26	52	Existed

Is the inspection result normal?

YES >> GO TO 5.

NO >> Repair or replace malfunctioning parts.

5. CHECK CIRCUIT BETWEEN CVT SHIFT SELECTOR AND COMBINATION METER (PART 2)

Check continuity between CVT shift selector harness connector terminal and ground.

CVT shift selector		—	Continuity
Connector	Terminal		
M23	1	Ground	Not existed

Is the inspection result normal?

YES >> GO TO 6.

NO >> Repair or replace malfunctioning parts.

6. CHECK COMBINATION METER INPUT SIGNAL

1. Connect all of disconnected connectors.
2. Turn ignition switch ON.
3. Select "Data Monitor" in "METER/M&A".
4. Select "O/D OFF SW".
5. Check that "O/D OFF SW" turns ON/OFF when overdrive control switch is operated. Refer to [MWI-22, "Reference Value"](#).

Is the inspection result normal?

YES >> Check intermittent incident. Refer to [GI-47, "Intermittent Incident"](#).

NO >> Replace combination meter. Refer to [MWI-81, "Removal and Installation"](#).

Component Inspection

INFOID:000000008139019

1. CHECK OVERDRIVE CONTROL SWITCH

Check continuity between wires of selector lever knob.

Condition	Continuity
Overdrive control switch is depressed	Existed
Overdrive control switch is depressed	Not existed

Is the inspection result normal?

YES >> INSPECTION END

NO >> Replace selector lever knob. Refer to [TM-178, "Removal and Installation"](#).

OD OFF INDICATOR LAMP

< DTC/CIRCUIT DIAGNOSIS >

[CVT: RE0F10D]

OD OFF INDICATOR LAMP

Component Function Check

INFOID:000000008139021

1. CHECK O/D OFF INDICATOR LAMP FUNCTION

Check O/D OFF indicator lamp turns ON for approx. 2 seconds when ignition switch turns ON.

Is the inspection results normal?

- YES >> INSPECTION END
- NO >> Go to [TM-167, "Diagnosis Procedure"](#).

Diagnosis Procedure

INFOID:000000008139022

1. CHECK DTC (TCM)

Ⓜ With CONSULT

1. Turn ignition switch ON.
2. Check "Self Diagnostic Results" in "TRANSMISSION".

Is any DTC detected?

- YES >> Check DTC detected item. Refer to [TM-60, "DTC Index"](#).
- NO >> GO TO 2.

2. CHECK DTC (COMBINATION METER)

Ⓜ With CONSULT

Check "Self Diagnostic Results" in "METER/M&A".

Is any DTC detected?

- YES >> Check DTC detected item. Refer to [MWI-27, "DTC Index"](#).
- NO >> GO TO 3.

3. CHECK COMBINATION METER INPUT SIGNAL

Ⓜ With CONSULT

1. Shift the selector lever to "D" position.
2. Select "Data Monitor" in "METER/M&A".
3. Select "O/D OFF IND".
4. Check that "O/D OFF IND" turns ON/OFF when overdrive control switch is operated. Refer to [MWI-22, "Reference Value"](#).

Is the inspection result normal?

- YES >> Replace combination meter. Refer to [MWI-81, "Removal and Installation"](#).
- NO >> GO TO 4.

4. CHECK TCM INPUT/OUTPUT SIGNAL

Ⓜ With CONSULT

1. Select "Data Monitor" in "TRANSMISSION".
2. Select "SPORT MODE SW".
3. Check that "SPORT MODE SW" turns ON/OFF when overdrive control switch is operated. Refer to [TM-49, "Reference Value"](#).

Is the inspection result normal?

- YES >> Replace combination meter. Refer to [MWI-81, "Removal and Installation"](#).
- NO >> Check overdrive control switch. Refer to [TM-165, "Diagnosis Procedure"](#).

SHIFT POSITION INDICATOR CIRCUIT

< DTC/CIRCUIT DIAGNOSIS >

[CVT: RE0F10D]

SHIFT POSITION INDICATOR CIRCUIT

Component Parts Function Inspection

INFOID:000000008139023

1. CHECK SHIFT POSITION INDICATOR

1. Start the engine.
2. Shift selector lever.
3. Check that the selector lever position and the shift position indicator on the combination meter are identical.

Is the inspection result normal?

- YES >> INSPECTION END
NO >> Go to [TM-168, "Diagnosis Procedure"](#).

Diagnosis Procedure

INFOID:000000008139024

1. CHECK TCM INPUT/OUTPUT SIGNAL

Ⓔ With CONSULT

1. Start the engine.
2. Select "Data Monitor" in "TRANSMISSION".
3. Select "RANGE".
4. Shift selector lever.
5. Check that selector lever position, "RANGE" on CONSULT screen, and shift position indicator display on combination meter are identical.

Is the check result normal?

- YES >> INSPECTION END
NO-1 ("RANGE" is changed but is not displayed on shift position indicator.)>>Check "Self Diagnostic Result" in "TRANSMISSION".
NO-2 ("RANGE" and shift position indicator are different.)>>Check "Self Diagnostic Result" in "TRANSMISSION".
NO-3 (Specific "RANGE" is not displayed on shift position indicator.)>>Check "Self Diagnostic Result" in "METER/M&A".

SHIFT LOCK SYSTEM

< DTC/CIRCUIT DIAGNOSIS >

[CVT: RE0F10D]

SHIFT LOCK SYSTEM

Component Function Check

INFOID:000000008139025

1. CHECK SHIFT LOCK OPERATION (PART 1)

1. Turn ignition ON.
2. Shift the selector lever to "P" (Park) position.
3. Attempt to shift the selector lever to any other than position with the brake pedal released.

Can the selector lever be shifted to any other position?

- YES >> Go to [TM-169, "Diagnosis Procedure"](#).
NO >> GO TO 2.

2. CHECK SHIFT LOCK OPERATION (PART 2)

Attempt to shift the selector lever to any other than position with the brake pedal depressed.

Can the selector lever be shifted to any other position?

- YES >> Inspection End.
NO >> Go to [TM-169, "Diagnosis Procedure"](#).

Diagnosis Procedure

INFOID:000000008666170

Regarding Wiring Diagram information, refer to [TM-73, "Wiring diagram"](#).

1. CHECK POWER SOURCE (STOP LAMP SWITCH)

1. Turn ignition switch OFF.
2. Disconnect stop lamp switch connector.
3. Check voltage between stop lamp switch connector E39 terminal 1 and ground.

Stop lamp switch		Ground	Voltage
Connector	Terminal		Battery voltage
E39	1		

Is the inspection result normal?

- YES >> GO TO 2.
NO >> Check the following:
- Harness for short or open between fuse block (J/B) and stop lamp switch
 - 10A fuse (No. 10, located in fuse block [J/B])

2. CHECK STOP LAMP SWITCH

Check stop lamp switch. Refer to [TM-172, "Component Inspection \(Stop Lamp Switch\)"](#).

Is the inspection result normal?

- YES >> GO TO 3.
NO >> Replace stop lamp switch. Refer to [BR-18, "Exploded View"](#).

3. CHECK GROUND CIRCUIT (STOP LAMP RELAY)

1. Remove the stop lamp relay.
2. Check continuity between stop lamp relay connector E57 terminal 1 and ground.

Stop lamp relay		Ground	Continuity
Connector	Terminal (+)		Yes
E57	1		

Is the inspection result normal?

- YES >> GO TO 4.
NO >> Repair or replace damaged parts.

SHIFT LOCK SYSTEM

< DTC/CIRCUIT DIAGNOSIS >

[CVT: RE0F10D]

4. CHECK HARNESS BETWEEN STOP LAMP RELAY AND BCM

1. Check continuity between stop lamp relay connector E57 terminal 3 and BCM connector M17 terminal 27.

BCM		stop lamp relay		Continuity
Connector	Terminal	Connector	Terminal	
M17	27	E57	3	Yes

Is the inspection result normal?

YES >> GO TO 5.

NO >> Repair or replace damaged parts.

5. CHECK HARNESS BETWEEN STOP LAMP SWITCH AND STOP LAMP RELAY

1. Check continuity between stop lamp relay connector E57 terminal 3 and stop lamp switch connector E39 terminal 2.

Stop lamp switch		Stop lamp relay		Continuity
Connector	Terminal	Connector	Terminal	
E39	2	E57	3	Yes

Is the inspection result normal?

YES >> GO TO 6.

NO >> Repair or replace damaged parts.

6. CHECK GROUND CIRCUIT (STOP LAMP RELAY)

1. Remove the stop lamp relay.
2. Check continuity between stop lamp relay connector E57 terminal 1 and ground.

Stop lamp relay		Ground	Continuity
Connector	Terminal (+)		
E57	1		Yes

Is the inspection result normal?

YES >> GO TO 7.

NO >> Repair or replace damaged parts.

7. CHECK POWER SOURCE (STOP LAMP RELAY)

1. Check voltage between stop lamp relay connector E57 terminal 5 and ground.

Stop lamp relay		Ground	Continuity
Connector	Terminal (+)		
E57	5		Battery voltage

Is the inspection result normal?

YES >> GO TO 8.

NO >> Repair or replace damaged parts.

8. CHECK HARNESS BETWEEN BCM AND CVT SHIFT SELECTOR FOR OPEN

1. Disconnect CVT shift selector connector.
2. Check continuity between BCM connector M20 terminal 108 and CVT shift selector connector M23 terminal 3.

BCM		CVT shift selector		Continuity
Connector	Terminal	Connector	Terminal	
M20	108	M23	3	Yes

Is the inspection result normal?

SHIFT LOCK SYSTEM

[CVT: RE0F10D]

< DTC/CIRCUIT DIAGNOSIS >

- YES >> GO TO 9.
NO >> Repair or replace damaged parts.

9. CHECK HARNESS BETWEEN BCM AND CVT SHIFT SELECTOR FOR SHORT CIRCUIT

Check continuity between BCM connector M20 terminal 108 and ground.

BCM		Ground	Continuity
Connector	Terminal		
M20	108		No

Is the inspection result normal?

- YES >> GO TO 10.
NO >> Repair or replace damaged parts.

10. CHECK GROUND CIRCUIT (CVT SHIFT SELECTOR)

Check continuity between CVT shift selector connector M23 terminal 4 and ground.

CVT shift selector		Ground	Continuity
Connector	Terminal		
M23	4		Yes

Is the inspection result normal?

- YES >> Replace CVT shift selector. Refer to [TM-178, "Removal and Installation"](#).
NO >> Repair or replace damaged parts.

Component Inspection (Shift Lock Solenoid)

INFOID:000000008139027

1. CHECK SHIFT LOCK SOLENOID

Apply voltage to terminals of shift lock solenoid and park position switch (shift selector) connector and check that shift lock solenoid is activated.

CAUTION:

- Connect the fuse between the terminals when applying the voltage.
- Never cause shorting between terminals.

+ (fuse)	-	Condition	Status
Shift lock solenoid			
Terminal			
3	4	Apply 12 V between terminals 3 and 4 with the park position switch (shift selector) in the "P" (park) position.	Shift lock solenoid operates

Is the inspection result normal?

- YES >> Inspection End.
NO >> Replace CVT shift selector. Refer to [TM-178, "Removal and Installation"](#).

Component Inspection (Park Position Switch)

INFOID:000000008139028

1. CHECK PARK POSITION SWITCH (SHIFT SELECTOR)

Apply voltage to terminals of shift lock solenoid and park position switch (shift selector) connector and check that shift lock solenoid is activated.

CAUTION:

- Connect the fuse between the terminals when applying the voltage.
- Never cause shorting between terminals.

SHIFT LOCK SYSTEM

< DTC/CIRCUIT DIAGNOSIS >

[CVT: RE0F10D]

+ (fuse)	-	Condition	Status
Shift lock solenoid			
Terminal			
3	4	Apply 12 V between terminals 3 and 4 with the park position switch (shift selector) in the "P" (park) position.	Shift lock solenoid operates

Is the inspection result normal?

YES >> Inspection End.

NO >> Replace CVT shift selector. Refer to [TM-178, "Removal and Installation"](#).

Component Inspection (Stop Lamp Switch)

INFOID:000000008139030

1. CHECK STOP LAMP SWITCH

Check the continuity between the stop lamp switch connector terminals.

Stop lamp switch		Condition	Continuity
Terminal			
1	2	Depressed brake pedal	Yes
		Released brake pedal	No

Is the inspection result normal?

YES >> Inspection End.

NO >> Replace stop lamp switch. Refer to [BR-18, "Exploded View"](#).

CVT CONTROL SYSTEM

< SYMPTOM DIAGNOSIS >

[CVT: RE0F10D]

SYMPTOM DIAGNOSIS

CVT CONTROL SYSTEM

Symptom Table

INFOID:000000008139031

- The diagnosis item number indicates the order of check. Start checking in the order from 1.
- Perform diagnoses of symptom table 1 before symptom table 2.

Symptom Table 1

Symptom	Engine system											Stall test	CVT position	Power supply	Control valve	CVT fluid level and state	Ignition switch and starter	
	EC-105	CAN communication line (U1000)	Transmission range switch (P0705, P0706)	Input speed sensor (P0717)	Primary speed sensor (P0715)	Output speed sensor (P2765)	CVT fluid temperature sensor (P0711, P0712, P0713)	Primary pressure sensor (P084C, P084D)	Secondary pressure sensor (P0841, P0847, P0848)	Torque converter clutch solenoid valve (P0740, P0743, P0744)	TM-60							
Shift Shock	Large shock (N→ D position)	1	4	7					3			6		2		8	5	
	Large shock (N→ R position)	1	4	7					3			6		2		8	5	
	Shock is too large for lock-up.	2	3									6		1		5	4	
Slips/Will Not Engage	Vehicle cannot be started from D position.	8	3		5	6	7	9	10	11		4	2	12	13	1		
	Vehicle cannot be started from R position.	8	3		5	6	7	9	10	11		4	2	12	13	1		
	Does not lock-up.	2	6	8	3	4	10	9	11	12	5	7			13	1		
	Does not hold lock-up condition.	2	6	8	3	4	10	9	11	12	5	7			13	1		
	Lock-up is not released.	2	6		3	4						5	7			8	1	
	With selector lever in D position, acceleration is extremely poor.	3	4	5	7	8	9	12	10	11			2	6	13	14	1	
	With selector lever in R position, acceleration is extremely poor.	3	4	5	7	8	9	12	10	11			2	6	13	14	1	
Slips at lock-up.	2	6	8	3	4	10	9	11	12	5	7			13	1			

A
B
C
TM
E
F
G
H
I
J
K
L
M
N
O
P

CVT CONTROL SYSTEM

< SYMPTOM DIAGNOSIS >

[CVT: RE0F10D]

		Symptom																
		Engine system	CAN communication line (U1000)	Transmission range switch (P0705, P0706)	Input speed sensor (P0717)	Primary speed sensor (P0715)	Output speed sensor (P2765)	CVT fluid temperature sensor (P0711, P0712, P0713)	Primary pressure sensor (P084C, P084D)	Secondary pressure sensor (P0841, P0847, P0848)	Torque converter clutch solenoid valve (P0740, P0743, P0744)	Stall test	CVT position	Power supply	Control valve	CVT fluid level and state	Ignition switch and starter	
		<u>EC-105</u>	<u>TM-60</u>										<u>TM-86</u>	<u>TM-179</u>	<u>TM-163</u>	<u>TM-185</u>	<u>TM-84</u>	<u>PG-19, STR-6</u>
Other	No creep at all.	2	4	3	7	8	9	10	11	12		5	6	13	14	1		
	Vehicle cannot run in any position.	8		2	5	6	7	9	10	11		3	4	12	13	1		
	With selector lever in D position, driving is not possible.	8		2	5	6	7	9	10	11		3	4	12	13	1		
	With selector lever in R position, driving is not possible.	8		2	5	6	7	9	10	11		3	4	12	13	1		
	Judder occurs during lock-up.	2	6		3	4	5					7			8	1		
	Strange noise in D position.	2	3												4	1		
	Strange noise in R position.	2	3												4	1		
	Strange noise in N position.	2	3												4	1		
	Vehicle does not decelerate by engine brake.	7	3		4	5	6						2		8	1		
	Maximum speed low.	2	3		5	6	7		8	9	11	4			10	1		
	With selector lever in P position, vehicle does not enter parking condition or, with selector lever in another position, parking condition is not cancelled.			1										2				
	Vehicle runs with CVT in P position.			1										3	4	2		
	Vehicle runs with CVT in N position.			1										3	4	2		
	Engine stall.	2	6		3	4			8	9	5	7			10	1		
	Engine stalls when selector lever shifted N → D or R.	2	6		3	4					5				7	1		
	Engine speed does not return to idle.	2	4				3								5	1		
	Engine does not start in N or P position.			3										2			1	
	Engine starts in positions other than N or P.			3										2			1	

CVT CONTROL SYSTEM

< SYMPTOM DIAGNOSIS >

[CVT: RE0F10D]

Symptom Table 2

Symptom		Torque converter	Transmission range switch	Oil pump	Forward clutch	Reverse brake	Planetary gear	Bearings	Parking mechanism	Stop lamp switch	Shift lock solenoid	CVT shift selector
		TM-210	TM-207							BR-13	TM-169	TM-178
Shift Shock	Large shock (N→ D position)		2		1							
	Large shock (N→ R position)		2			1						
	Shock is too large for lock-up.	1										
Slips/Will Not Engage	Vehicle cannot be started from D position.		3	1	2							
	Vehicle cannot be started from R position.		4	1		2			3			
	Does not lock-up.	1	3	2								
	Does not hold lock-up condition.	1	3	2								
	Lock-up is not released.	1		2								
	With selector lever in D position, acceleration is extremely poor.	1	3		2							
	With selector lever in R position, acceleration is extremely poor.	1	4	2			3					
	Slips at lock-up.	1		2								

A
B
C
TM
E
F
G
H
I
J
K
L
M
N
O
P

CVT CONTROL SYSTEM

< SYMPTOM DIAGNOSIS >

[CVT: RE0F10D]

	Symptom	Torque converter	Transmission range switch	Oil pump	Forward clutch	Reverse brake	Planetary gear	Bearings	Parking mechanism	Stop lamp switch	Shift lock solenoid	CVT shift selector	
		TM-210	TM-207							BR-13	TM-169	TM-178	
Other	No creep at all.	1	6	2	4	5	3						
	Vehicle cannot run in all positions.	1		2	4	5	3		6				
	With selector lever in D position, driving is not possible.	1		2	4		3		5				
	With selector lever in R position, driving is not possible.	1		2		4	3		5				
	Judder occurs during lock-up.	1											
	Strange noise in D position.	1		2	4		3	5					
	Strange noise in R position.	1		2		4	3						
	Strange noise in N position.	1		2			3						
	Maximum speed low.	1	5	2	4		3						
	With selector lever in P position, vehicle does not enter parking condition or, with selector lever in another position, parking condition is not cancelled.									1			
	Vehicle runs with CVT in P position.						2		1				
	Vehicle runs with CVT in N position.				2	3	1						
	Engine stall.	1											
	Engine stalls when selector lever shifted N → D or R.	1											
	When brake pedal is depressed with ignition switch ON, selector-lever cannot be shifted from P position to other position.									1	2	3	
When brake pedal is not depressed with ignition switch ON, selector lever can be shifted from P position to other position.									1	2	3		

PERIODIC MAINTENANCE

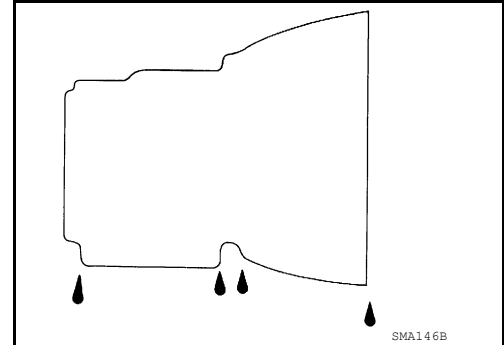
CVT FLUID

Inspection

INFOID:000000008139032

FLUID LEAKAGE

- Check transaxle surrounding area (oil seal and plug etc.)for fluid leakage.
- If anything is found, repair or replace damaged parts and adjust CVT fluid level. Refer to [TM-84, "Adjustment"](#).



A

B

C

TM

E

F

G

H

I

J

K

L

M

N

O

P

CVT SHIFT SELECTOR

< REMOVAL AND INSTALLATION >

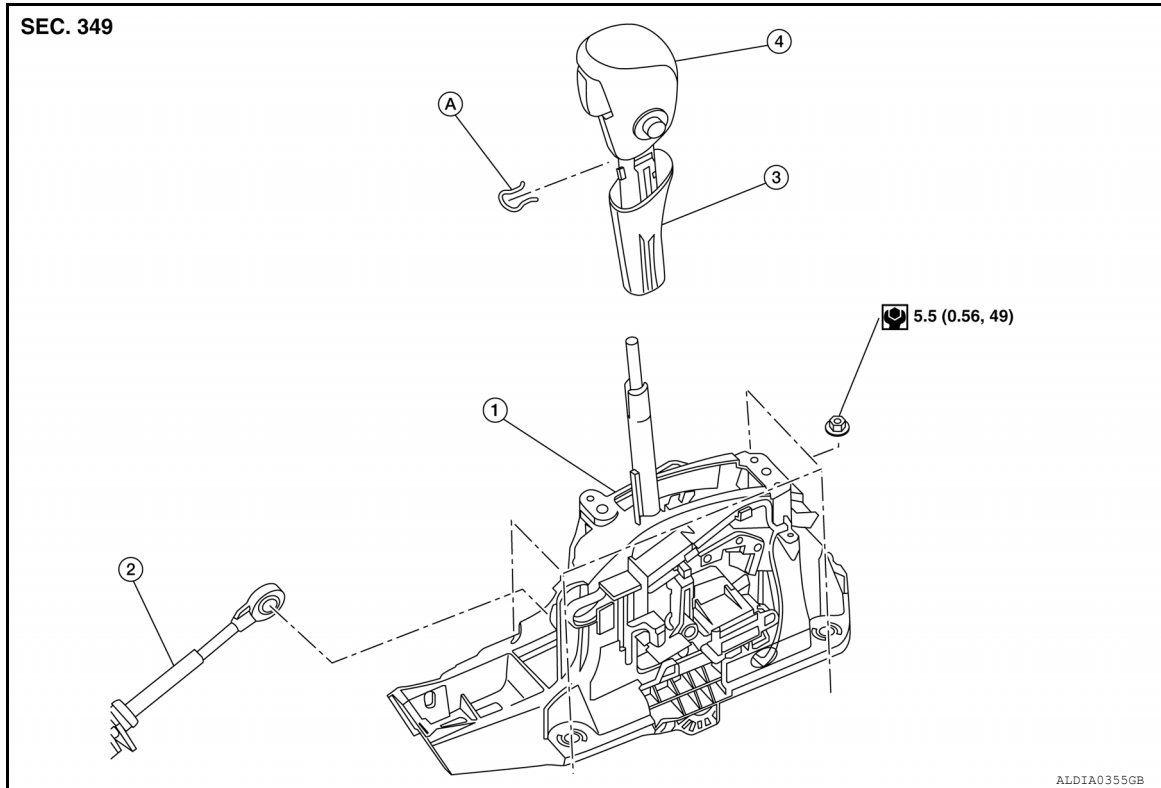
[CVT: RE0F10D]

REMOVAL AND INSTALLATION

CVT SHIFT SELECTOR

Exploded View

INFOID:000000008139033



- | | | |
|--------------------------------|-------------------------------|--------------------------------|
| 1. CVT shift selector assembly | 2. Control cable | 3. Shift selector handle cover |
| 4. Shift selector handle | A. Shift selector handle clip | |

Removal and Installation

INFOID:000000008139034

CAUTION:

Always apply the parking brake before removal and installation.

REMOVAL

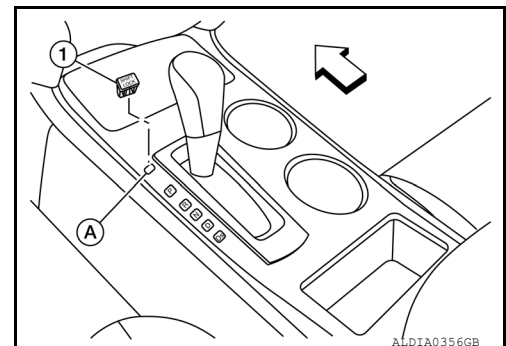
1. Apply the parking brake.

CAUTION:

Make sure the vehicle cannot move with the parking brake applied.

2. Disconnect battery negative terminal. Refer to [PG-72. "Removal and Installation \(Battery\)"](#).
3. Remove shift lock override button cover (1) using suitable tool, and insert suitable tool into opening (A) to depress the shift lock override button. Move CVT shift selector to "N" position while depressing shift lock override button.

↔: Front

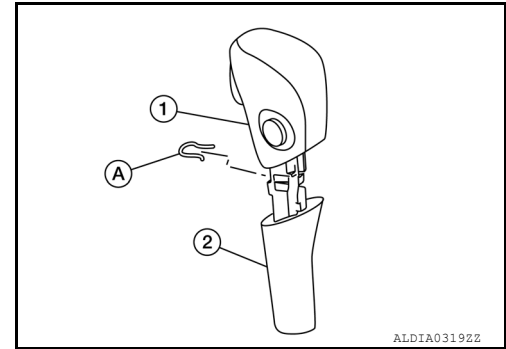


CVT SHIFT SELECTOR

< REMOVAL AND INSTALLATION >

[CVT: RE0F10D]

4. Remove the shift selector handle (1).
 - a. Release the shift selector handle cover (2) using a suitable tool from the base of the shift selector handle (1).
 - b. Remove the shift selector handle clip (A).
 - c. Pull upward and remove the shift selector handle (1).



5. Remove the center console. Refer to [IP-18, "Removal and Installation"](#).
6. Release the harness clip, then disconnect the harness connector from CVT shift selector.
7. Depress shift lock override button and move CVT shift selector to "P" position.
8. Remove the control cable from the CVT shift selector assembly. Refer to [TM-180, "Exploded View"](#).
9. Remove the four CVT shift selector assembly nuts and the CVT shift selector assembly from the vehicle.

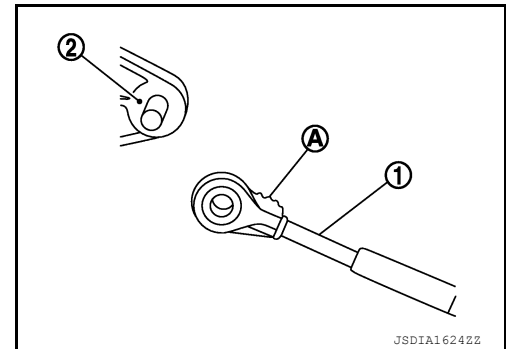
INSTALLATION

Installation is in the reverse order of removal.

- When installing control cable (1) to the CVT shift selector assembly (2), check that control cable is fully pressed in until it stops with the ribbed surface (A) facing upward.

NOTE:

- Apply multi-purpose grease to control cable eye before installation.
- Adjust control cable as necessary. Refer to [TM-181, "Inspection and Adjustment"](#).



INFOID:000000008749636

Inspection

INSPECTION AFTER INSTALLATION

Check the CVT shift selector position. Refer to [TM-87, "Inspection"](#).
If a malfunction is found, adjust the CVT position. Refer to [TM-87, "Adjustment"](#).

CONTROL CABLE

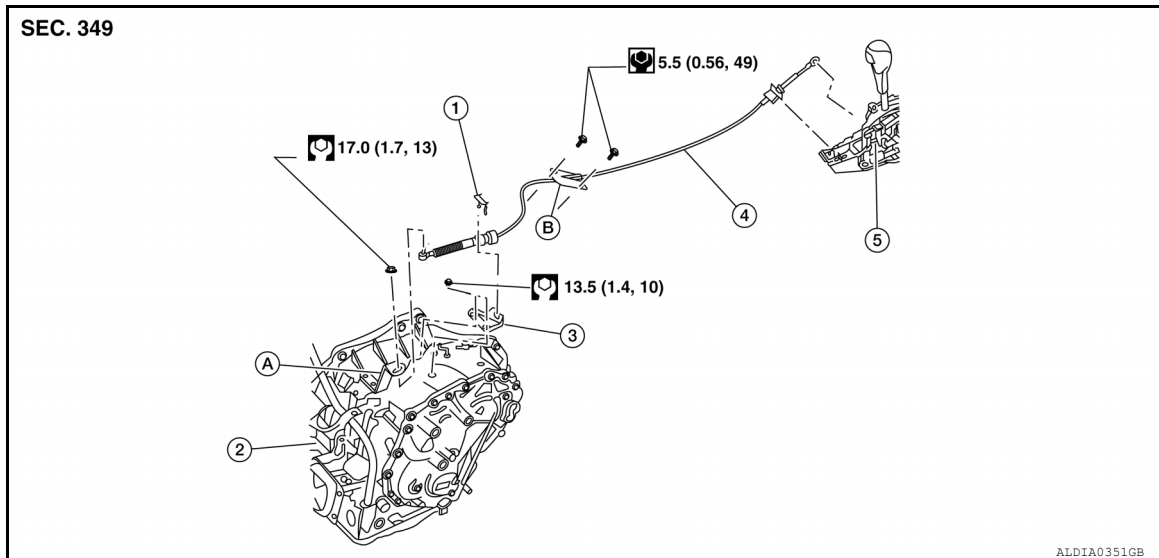
< REMOVAL AND INSTALLATION >

[CVT: RE0F10D]

CONTROL CABLE

Exploded View

INFOID:000000008139037



- | | | |
|---------------------|--------------------------------|-----------------|
| 1. Lock plate | 2. Transaxle assembly | 3. Bracket |
| 4. Control cable | 5. CVT shift selector assembly | A. Manual lever |
| B. Retainer grommet | | |

Removal and Installation

INFOID:000000008139038

CAUTION:

Always apply the parking brake before performing removal and installation.

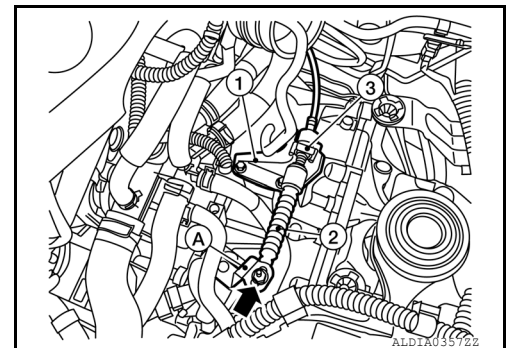
REMOVAL

1. Apply the parking brake.

CAUTION:

Make sure the vehicle cannot move with the parking brake applied.

2. Remove the front air duct and air cleaner case assembly. Refer to [EM-29, "Removal and Installation"](#).
3. Remove the control cable nut (←), using suitable tool.
4. Remove control cable (2) from manual lever (A).
5. Remove the lock plate (3) from control cable (2).
6. Remove control cable (2) from bracket (1).



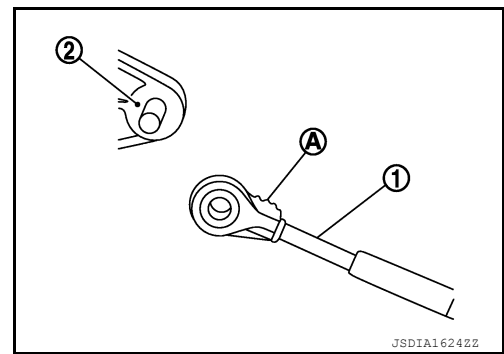
7. Remove center console. Refer to [IP-18, "Removal and Installation"](#).
8. Disconnect the ITS control unit harness connectors and remove the ITS control unit (if equipped). Refer to [AV-413, "Removal and Installation"](#).

CONTROL CABLE

< REMOVAL AND INSTALLATION >

[CVT: RE0F10D]

9. Remove control cable (1) from the CVT shift selector assembly (2).
(A): Ribbed surface



10. Pull back dash trim and remove two retainer grommet bolts.
11. Thread the control cable through the sheet metal and remove the control cable from the vehicle.

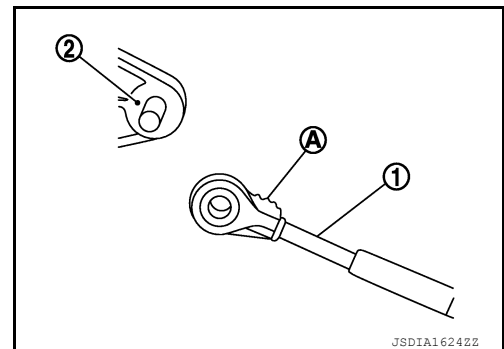
INSTALLATION

Installation is in the reverse order of removal.

- When installing control cable (1) to the CVT shift selector assembly (2), check that control cable is fully pressed in until it stops with the ribbed surface (A) facing upward.

NOTE:

- Apply multi-purpose grease to control cable eye before installation.
- Adjust control cable as necessary. Refer to [TM-179. "Inspection"](#).



INFOID:000000008139039

Inspection and Adjustment

ADJUSTMENT AFTER INSTALLATION

Adjust the CVT position. Refer to [TM-87. "Adjustment"](#).

INSPECTION AFTER ADJUSTMENT

Check the CVT shift selector position after the adjustment. Refer to [TM-87. "Inspection"](#).

TCM

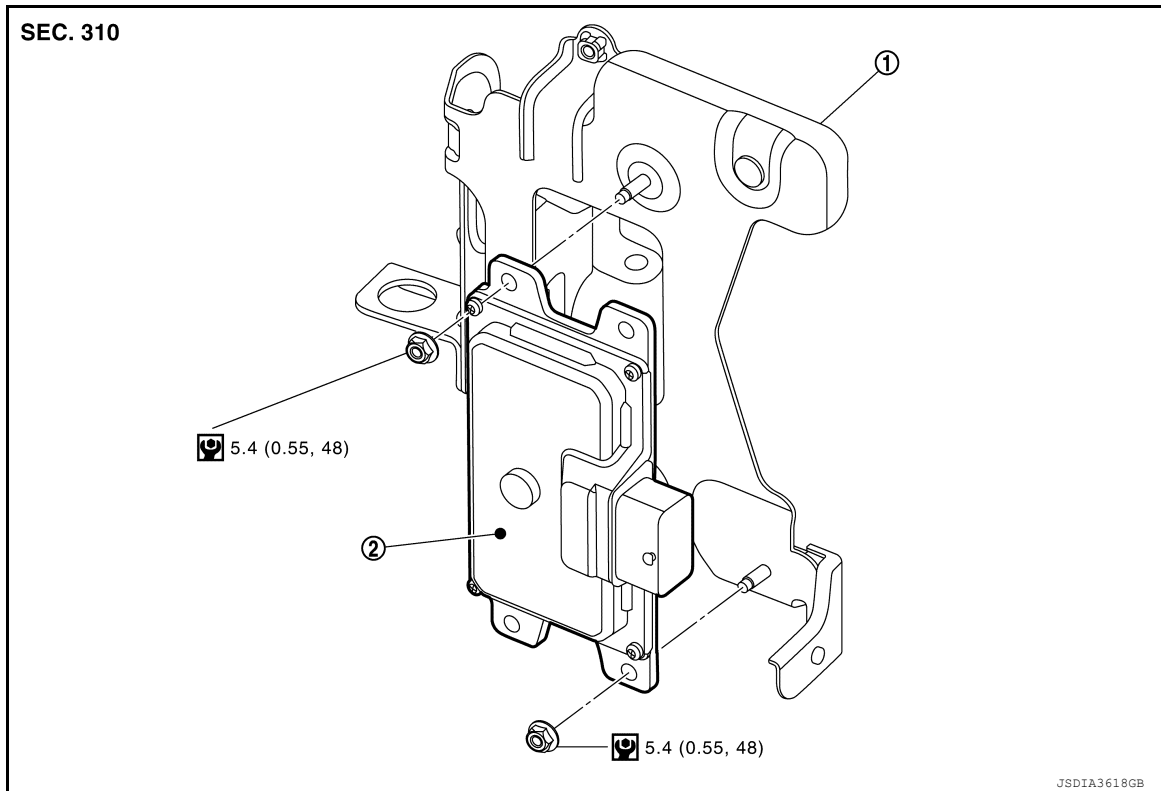
< REMOVAL AND INSTALLATION >

[CVT: RE0F10D]

TCM

Exploded View

INFOID:000000008139043



① Bracket

② TCM

⑤ : N·m (kg-m, in-lb)

Removal and Installation

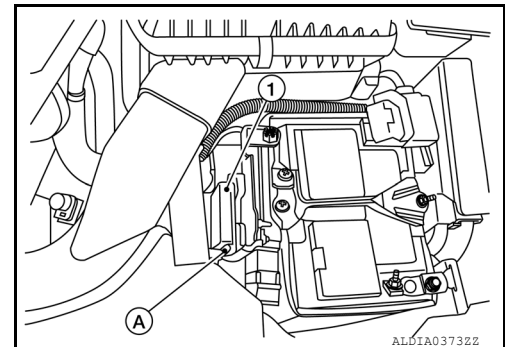
INFOID:000000008139044

CAUTION:

- Do not impact the TCM when removing or installing TCM.
- When replacing TCM and transaxle assembly as a set, replace transaxle assembly first and then replace TCM. Refer to [TM-80, "Description"](#).

REMOVAL

1. Disconnect the battery negative terminal. Refer to [PG-72, "Removal and Installation \(Battery\)"](#).
2. Disconnect the harness connector (A) from TCM (1).
3. Remove the TCM nuts and remove TCM (1) from bracket.



INSTALLATION

Installation is in the reverse order of removal.

Adjustment

INFOID:000000008139045

ADJUSTMENT AFTER INSTALLATION

Perform "ADDITIONAL SERVICE WHEN REPLACING TCM". Refer to [TM-80. "Description"](#).

- A
- B
- C
- TM**
- E
- F
- G
- H
- I
- J
- K
- L
- M
- N
- O
- P

AIR BREATHER HOSE

Removal and Installation

INFOID:000000008139046

REMOVAL

1. Remove the front air duct and air cleaner case assembly. Refer to [EM-29, "Removal and Installation"](#).
2. Remove air breather hose from transaxle assembly.

INSTALLATION

Installation is in the reverse order of removal.

CAUTION:

- Install air breather hose with paint mark facing front.
- Install air breather hose onto air breather tube until overlap area reaches the spool.
- Make sure there are no pinched or restricted areas on air breather hose caused by bending of winding during installation.

CONTROL VALVE

< REMOVAL AND INSTALLATION >

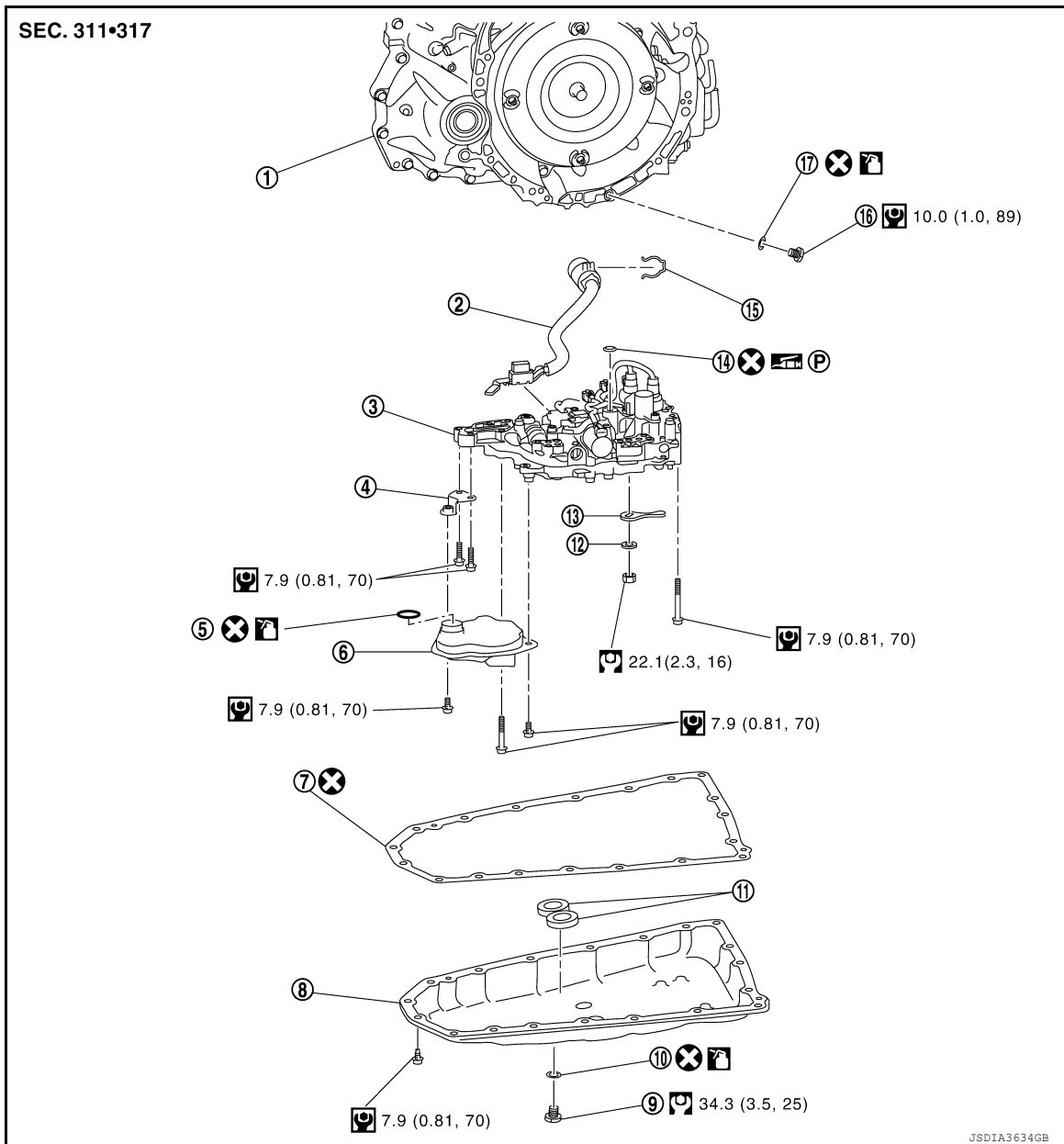
[CVT: RE0F10D]

CONTROL VALVE

Exploded View

INFOID:000000008144875

COMPONENT PARTS LOCATION



- | | | |
|----------------------|--------------------------|-------------------------|
| ① Transaxle assembly | ② Terminal cord assembly | ③ Control valve |
| ④ Bracket | ⑤ O-ring | ⑥ Oil strainer assembly |
| ⑦ Oil pan gasket | ⑧ Oil pan | ⑨ Drain plug |
| ⑩ Drain plug gasket | ⑪ Magnet | ⑫ Spring washer |
| ⑬ Manual plate | ⑭ Lip seal | ⑮ Snap ring |
| ⑯ Overflow plug | ⑰ O-ring | |

⊗ : Always replace after every disassembly.

⊞ : N·m (kg-m, ft-lb)


⊞ : N·m (kg-m, in-lb)


A
B
C
TM
E
F
G
H
I
J
K
L
M
N
O
P

CONTROL VALVE

< REMOVAL AND INSTALLATION >

[CVT: RE0F10D]

 : Apply petroleum jelly

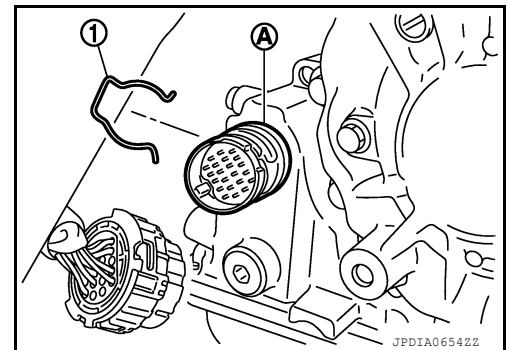
 : Apply CVT fluid

Removal and Installation

INFOID:000000008144876

REMOVAL

1. Disconnect battery negative terminal. Refer to [PG-72, "Removal and Installation \(Battery\)"](#).
2. Remove drain plug from oil pan and then drain the CVT fluid.
3. Remove drain plug gasket.
CAUTION:
Do not reuse drain plug gasket.
4. Remove the front fender protector side cover (LH). Refer to [EXT-26, "FENDER PROTECTOR : Removal and Installation"](#).
5. Disconnect the CVT unit harness connector.
6. Remove the snap ring (1) from the CVT unit harness connector (A).



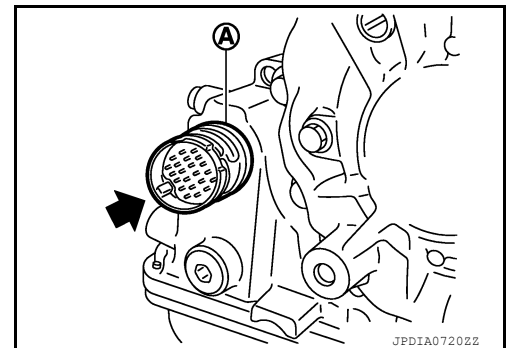
7. Press the CVT unit harness connector (A) into the transaxle case.

CAUTION:

Do not damage the CVT unit harness connector.

NOTE:

Clean around the harness connector to prevent foreign materials from entering into the transaxle case.




8. Remove the oil pan bolts, and then remove the oil pan and oil pan gasket.

CAUTION:

Do not reuse oil pan gasket.

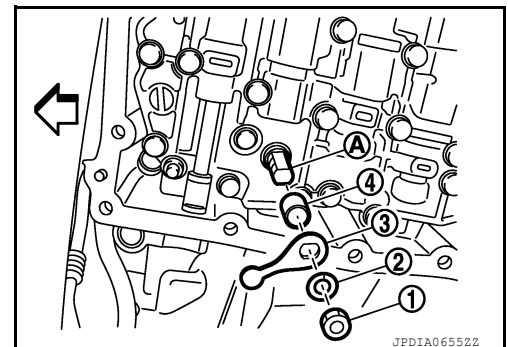
9. Remove the magnets from the oil pan.
10. Remove the lock nut (1) and washer (2), and then remove the manual plate (3).

 : Front

11. Remove the collar (4) from the manual shaft (A).

CAUTION:

Do not drop the collar.



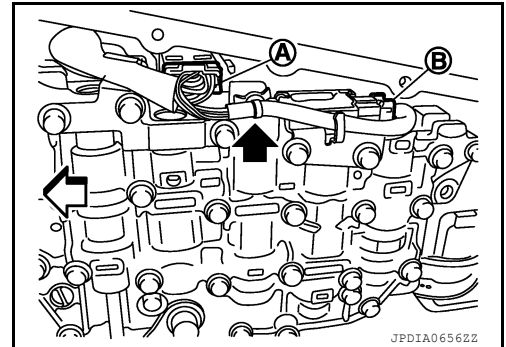
CONTROL VALVE

< REMOVAL AND INSTALLATION >

[CVT: RE0F10D]

12. Disconnect the control valve harness connectors (A) and (B).

← : Clip
⇐ : Front

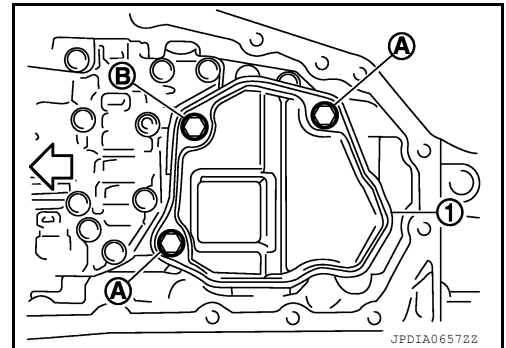


13. Remove the oil strainer assembly bolts (A) and (B), and then remove the oil strainer assembly (1).

⇐ : Front

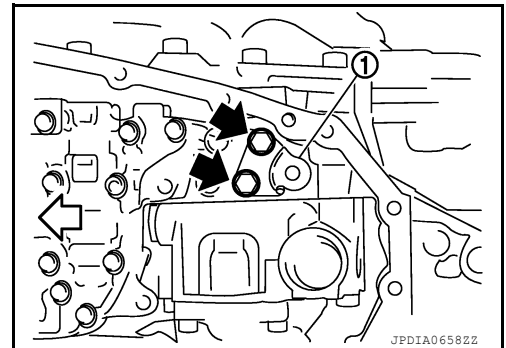
14. Remove O-ring from oil strainer assembly.

CAUTION:
Do not reuse O-ring.



15. Remove the bracket (1).

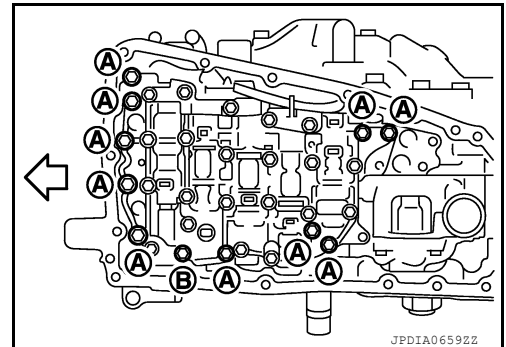
← : Bolt
⇐ : Front



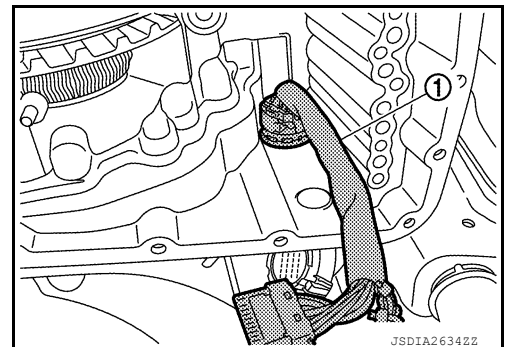
16. Remove the control valve bolts (A) and (B), and then remove the control valve from the transaxle case.

⇐ : Front

CAUTION:
Do not drop the control valve, ratio control valve and manual shaft.



17. Remove terminal cord assembly (1) from inside the transaxle case.



A
B
C
TM
E
F
G
H
I
J
K
L
M
N
O
P

CONTROL VALVE

< REMOVAL AND INSTALLATION >

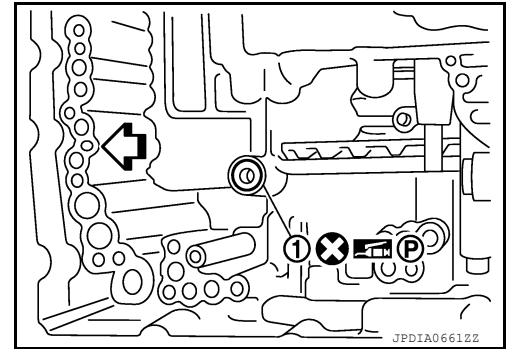
[CVT: RE0F10D]

18. Remove the lip seal (1) from the transaxle case.

CAUTION:

Do not reuse lip seal.

⇐ : Front



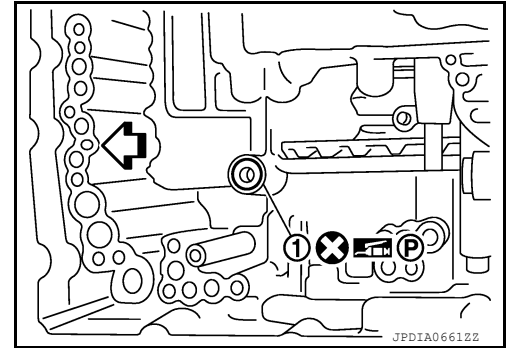
INSTALLATION

1. Install the lip seal (1) to the transaxle case.

CAUTION:

Do not reuse lip seal.

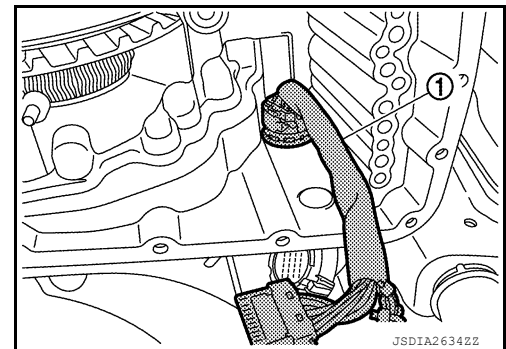
⇐ : Front



2. Install terminal cord assembly (1) to the transaxle case.

CAUTION:

Connect the CVT unit connector with the stopper facing up, and then press in until it clicks.



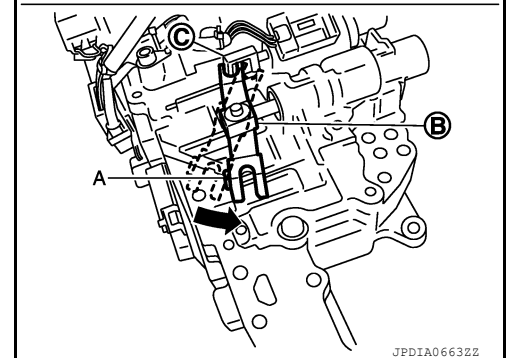
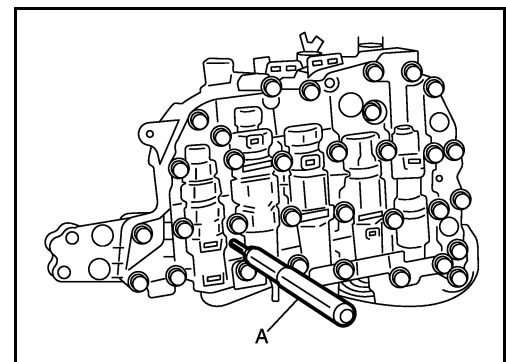
3. Press in the ratio control valve (B) in the (⇐) direction, and then secure the linkage in the position shown with the linkage pin (A) from the back of control valve through the hole.

4. Check that one end of linkage engages with the step motor end (C) and that the linkage is in the direction shown.

5. Install the control valve to the transaxle case.

CAUTION:

- Do not drop the linkage pin. If it is dropped, repeat the installation procedure from step 3.
- Do not pinch the harness between the control valve and the transaxle case.
- Do not drop the control valve, ratio control valve and manual shaft.



CONTROL VALVE

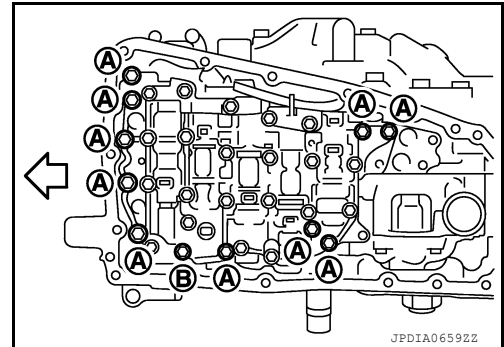
< REMOVAL AND INSTALLATION >

[CVT: RE0F10D]

6. Secure the control valve using the control valve bolts (A) and (B).

← : Front

Bolt	Bolt length (mm)	Number of bolts
A	54	10
B	44	1



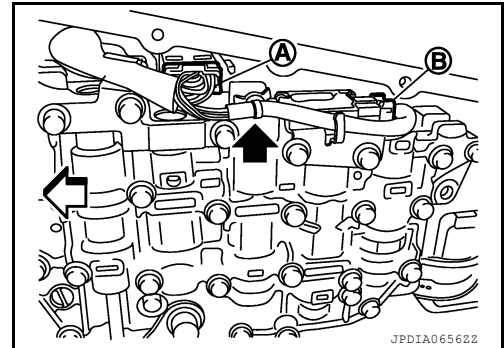
7. Pull the linkage pin out.
8. Connect the control valve harness connectors (A) and (B).

← : Clip

← : Front

CAUTION:

- Do not pinch the harness between the control valve and the transaxle case.
- Securely insert the harness connector until it clicks and locks.



9. Install the bracket (1).

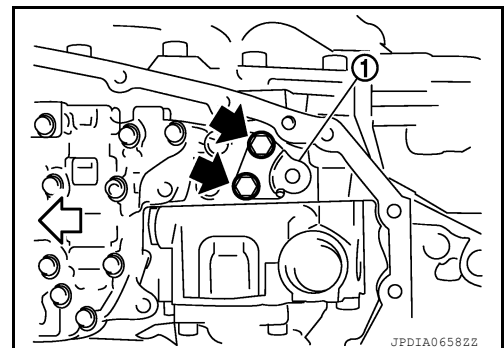
← : Bolt

← : Front

10. Install O-ring to oil strainer assembly.

CAUTION:

- Do not reuse O-ring.
- Apply CVT fluid NS-3 to O-ring.



11. Install the oil strainer assembly (1) using the oil strainer assembly bolts (A) and (B).

← : Front

Bolt	Bolt length (mm)	Number of bolts
A	12	2
B	44	1

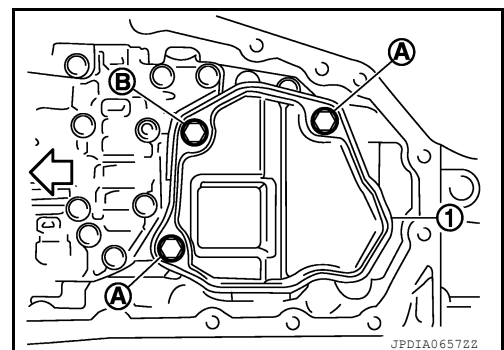
NOTE:

Remove the bracket and adjust the position again if the bolt hole positions are not aligned.

12. Install the collar to the manual shaft.

CAUTION:

Do not drop the collar.



CONTROL VALVE

< REMOVAL AND INSTALLATION >

[CVT: RE0F10D]

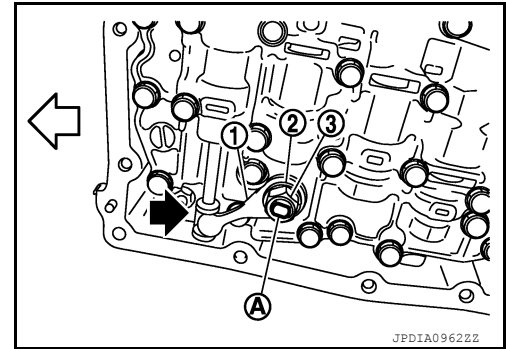
13. Install the manual plate (1) while aligning with the groove (A) of the manual valve.

CAUTION:

Assemble the manual plate while aligning its end with the cutout (←) of the manual valve.

← : Front

14. Install the washer (2) and the lock-nut (3), and then tighten to the specified torque.



15. Install the snap ring (1) to the CVT unit harness connector (A).

16. Connect the CVT unit harness connector.

17. Install the magnet while aligning it with the convex side of oil pan.

CAUTION:

Completely clean the iron powder from the magnet area of oil pan and the magnet.

18. Install the oil pan to the transaxle case with the following procedure.

1. Install the oil pan gasket to the oil pan.

CAUTION:

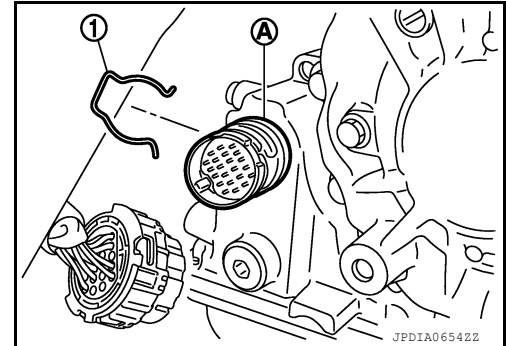
- Completely wipe out any moisture, oil, and old gasket from the oil pan gasket surface and bolt hole of oil pan and transaxle case.
- Do not reuse oil pan gasket.

2. Install the oil pan assembly to the transaxle case, and then temporarily tighten the oil pan bolt.

3. Tighten the oil pan bolts in the order shown to the specified torque.

← : Front

4. Tighten the oil pan bolts again clockwise from (1) shown to the specified torque.



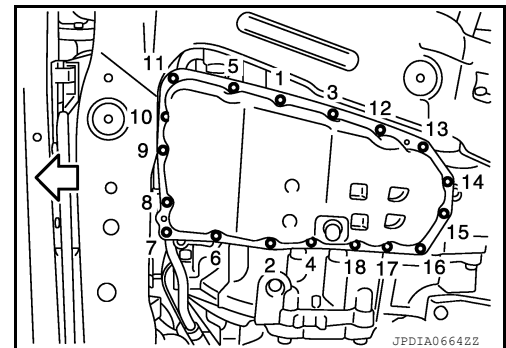
19. Install drain plug gasket to drain plug.

CAUTION:

Do not reuse drain plug gasket.

20. Install drain plug to oil pan.

21. Fill CVT fluid from CVT fluid charging pipe to the specified level.



CVT fluid : Refer to [TM-213, "General Specification"](#).

Fluid capacity : Refer to [TM-213, "General Specification"](#).

CAUTION:

- Use only Genuine NISSAN CVT Fluid NS-3. Do not mix with other fluid.
- Using CVT fluid other than Genuine NISSAN CVT Fluid NS-3 will deteriorate in driveability and CVT durability, and may damage the CVT, which is not covered by the warranty.
- When filling CVT fluid, take care not to spill on heat generating parts such as exhaust.
- Sufficiently shake the container of CVT fluid before using.
- Delete CVT fluid deterioration date with CONSULT after changing CVT fluid. Refer to [TM-43, "CONSULT Function"](#).

22. Connect battery negative terminal. Refer to [PG-72, "Removal and Installation \(Battery\)"](#).

23. With the engine warmed up, drive the vehicle in an urban area.

NOTE:

When ambient temperature is 20°C (68°F), it takes about 10 minutes for the CVT fluid to warm up to 50 - 80°C (122 - 176°F).

24. Check CVT fluid level and condition. Refer to [TM-177, "Inspection"](#).

CONTROL VALVE

< REMOVAL AND INSTALLATION >

[CVT: RE0F10D]

Inspection

INFOID:000000008144877

INSPECTION AFTER REMOVAL

Check oil pan for foreign material.

- If a large amount of worn material is found, clutch plate may be worn.
 - If iron powder is found, bearings, gears, or clutch plates may be worn.
 - If aluminum powder is found, bushing may be worn, or chips or burrs of aluminum casting parts may enter.
- Check points where wear is found in all cases.

INSPECTION AFTER INSTALLATION

Check the CVT fluid level and leakage. Refer to [TM-177. "Inspection"](#).

A

B

C

TM

E

F

G

H

I

J

K

L

M

N

O

P

INPUT SPEED SENSOR

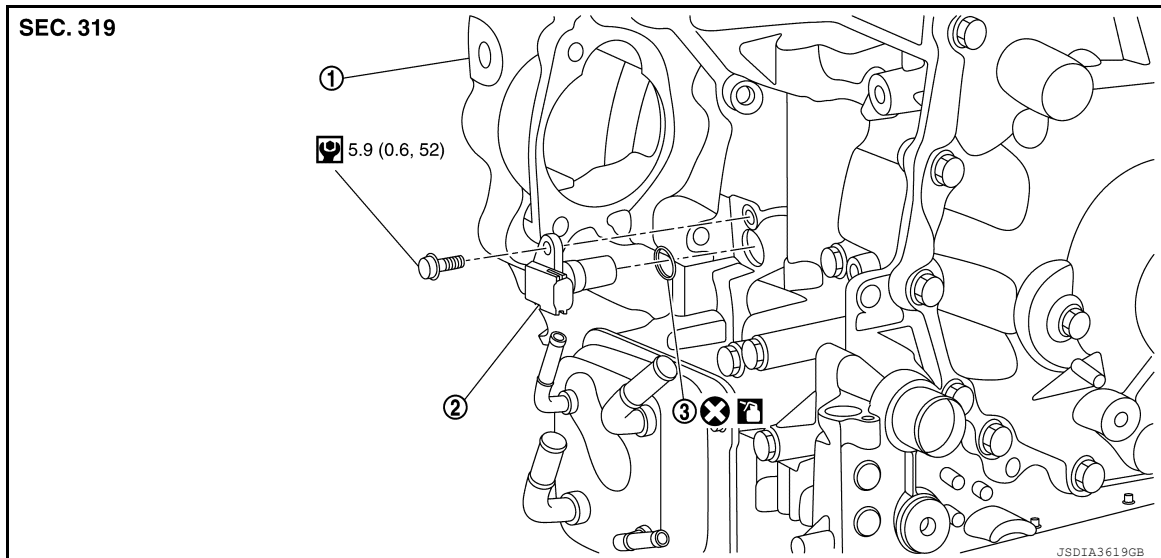
< REMOVAL AND INSTALLATION >

[CVT: RE0F10D]

INPUT SPEED SENSOR

Exploded View

INFOID:000000008499733



- ① Transaxle assembly ② Input speed sensor ③ O-ring
- ⊗ : Always replace after every disassembly.
- Ⓜ : N m (kg-m, in-lb)
- 🔧 : Apply CVT fluid

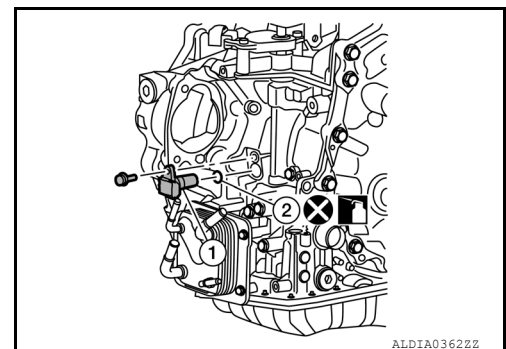
Removal and Installation

INFOID:000000008499734

REMOVAL

1. Remove the battery tray. Refer to [PG-73, "Removal and Installation \(Battery Tray\)"](#).
2. Remove the starter motor. Refer to [STR-22, "QR25DE : Removal and Installation"](#).
3. Disconnect the harness connector from the input speed sensor (1).
4. Remove the input speed sensor bolt, then the input speed sensor (1).
5. Remove the O-ring (2) from the input speed sensor (1).

CAUTION:
Do not reuse O-ring.



INSTALLATION

Installation is in the reverse order of removal.

- CAUTION:**
- Do not reuse O-ring.
 - Apply Genuine NISSAN CVT Fluid NS-3 to the O-ring.

Inspection and Adjustment

INFOID:000000008499735

INSPECTION AFTER INSTALLATION

Check for CVT fluid leakage. Refer to [TM-177, "Inspection"](#).

ADJUSTMENT AFTER INSTALLATION

INPUT SPEED SENSOR

< REMOVAL AND INSTALLATION >

[CVT: RE0F10D]

Adjust the CVT fluid level. Refer to [TM-84. "Adjustment"](#).

A

B

C

TM

E

F

G

H

I

J

K

L

M

N

O

P

PRIMARY SPEED SENSOR

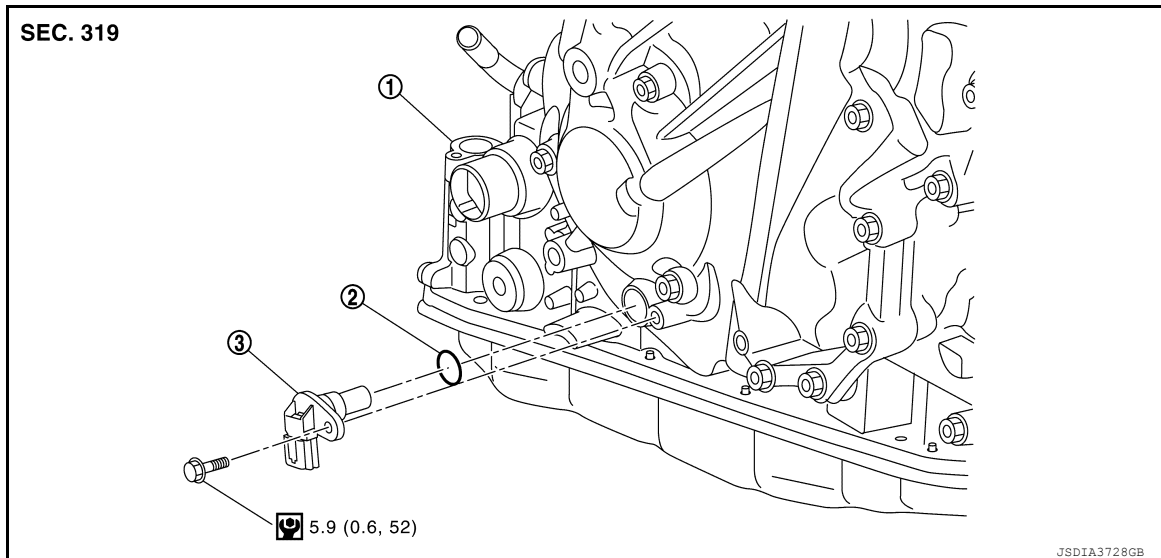
< REMOVAL AND INSTALLATION >

[CVT: RE0F10D]

PRIMARY SPEED SENSOR

Exploded View

INFOID:000000008139053



- ① Transaxle assembly ② O-ring ③ Primary speed sensor

⊗ : Always replace after every disassembly.

Ⓜ : N m (kg-m, in-lb)

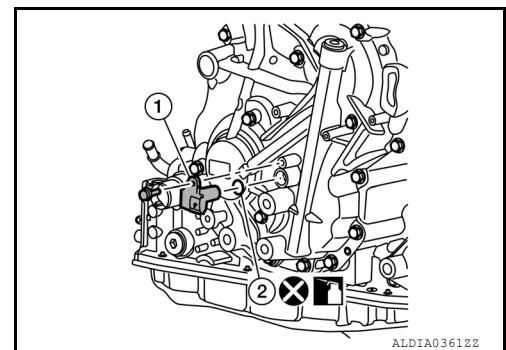
🛢 : Apply CVT Fluid

Removal and Installation

INFOID:000000008139054

REMOVAL

1. Disconnect the negative battery terminal. Refer to [PG-72, "Removal and Installation \(Battery\)"](#).
2. Remove the fender protector side cover (LH). Refer to [EXT-26, "FENDER PROTECTOR : Removal and Installation"](#).
3. Disconnect the harness connector from primary speed sensor (1).
4. Remove the primary speed sensor bolt, then the primary speed sensor (1).
5. Remove the O-ring (2) from the primary speed sensor (1).
CAUTION:
Do not reuse O-ring.



INSTALLATION

Installation is in the reverse order of removal.

CAUTION:

- Do not reuse O-ring.
- Apply Genuine NISSAN CVT Fluid NS-3 to the O-ring.

Inspection and Adjustment

INFOID:000000008139055

INSPECTION AFTER INSTALLATION

Check for CVT fluid leakage. Refer to [TM-177, "Inspection"](#).

PRIMARY SPEED SENSOR

< REMOVAL AND INSTALLATION >

[CVT: RE0F10D]

ADJUSTMENT AFTER INSTALLATION

Adjust the CVT fluid level. Refer to [TM-84. "Adjustment"](#).

A

B

C

TM

E

F

G

H

I

J

K

L

M

N

O

P

OUTPUT SPEED SENSOR

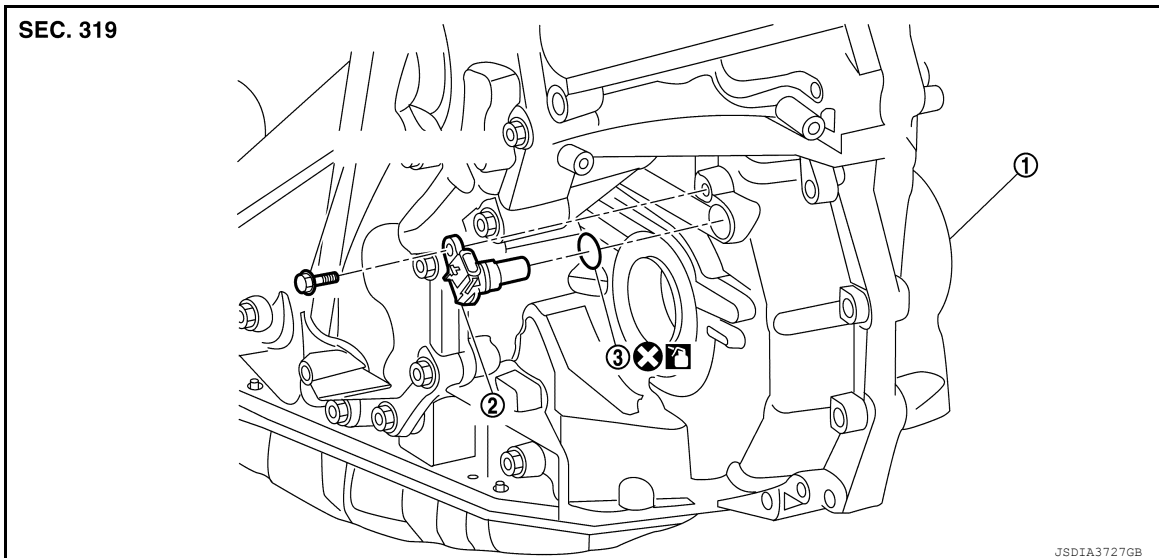
< REMOVAL AND INSTALLATION >

[CVT: RE0F10D]

OUTPUT SPEED SENSOR

Exploded View

INFOID:000000008139056



- ① Transaxle assembly ② Output speed sensor ③ O-ring

⊗ : Always replace after every disassembly.

⌘ : N·m (kg-m, in-lb)

🔧 : Apply CVT Fluid

Removal and Installation

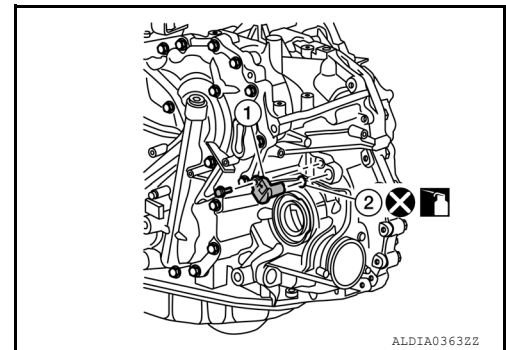
INFOID:000000008139057

REMOVAL

1. Disconnect the battery negative terminal. Refer to [PG-72, "Removal and Installation \(Battery\)"](#).
2. Disconnect the harness connector from output speed sensor (1).
3. Remove the output speed sensor bolt, then the output speed sensor (1).
4. Remove the O-ring (2) from the output speed sensor (1).

CAUTION:

Do not reuse O-ring.



INSTALLATION

Installation is in the reverse order of removal.

CAUTION:

- **Do not reuse O-ring.**
- **Apply Genuine NISSAN CVT Fluid NS-3 to the O-ring.**

Inspection and Adjustment

INFOID:000000008139058

INSPECTION AFTER INSTALLATION

Check for CVT fluid leakage. Refer to [TM-177, "Inspection"](#).

ADJUSTMENT AFTER INSTALLATION

Adjust the CVT fluid level. Refer to [TM-84, "Adjustment"](#).

DIFFERENTIAL SIDE OIL SEAL

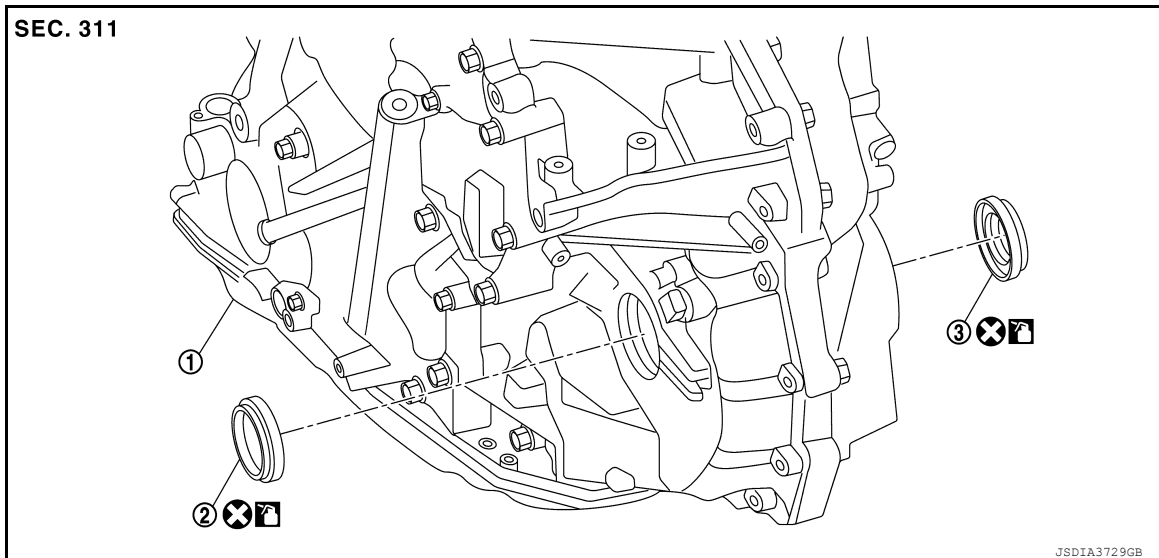
< REMOVAL AND INSTALLATION >

[CVT: RE0F10D]

DIFFERENTIAL SIDE OIL SEAL

Exploded View

INFOID:000000008139062



- ① Transaxle assembly ② Differential side oil seal (left side) ③ Differential side oil seal (right side)
- ⊗ : Always replace after every disassembly.
🔧 : Apply CVT Fluid

Removal and Installation

INFOID:000000008139063

REMOVAL

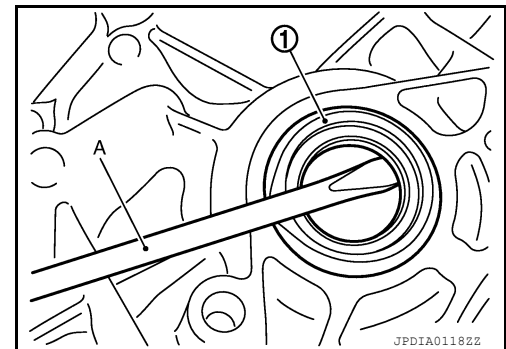
NOTE:

When removing components such as hoses, tubes/lines, etc., cap or plug openings to prevent fluid from spilling.

1. Remove front drive shaft. Refer to [FAX-11, "Removal and Installation \(Left Side\)"](#) (LH) or [FAX-13, "Removal and Installation \(Right Side\)"](#) (RH).
2. Remove differential side oil seal (1) using suitable Tool (A).

CAUTION:

Be careful not to scratch transaxle case and converter housing.



INSTALLATION

Installation is in the reverse order of removal.

CAUTION:

- Do not reuse differential side oil seal.
- Apply Genuine NISSAN CVT Fluid NS-3 to differential side oil seals.
- When inserting the drive shaft, be sure to use Tool.

Tool number : KV38107900

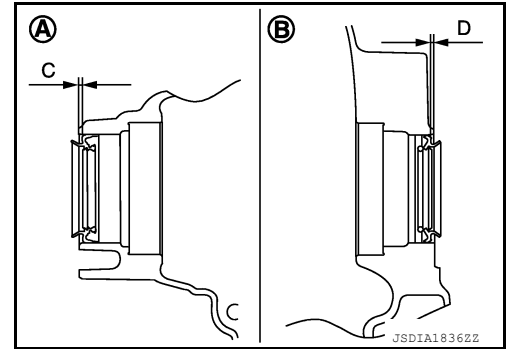
DIFFERENTIAL SIDE OIL SEAL

< REMOVAL AND INSTALLATION >

[CVT: RE0F10D]

Install each differential side oil seal evenly using Tool so that differential side oil seal protrudes by the dimension (C) and (D) respectively.

- (A) : Differential side oil seal (LH)
- (B) : Differential side oil seal (RH)



Dimension (C) :Height difference from case end surface is within 1.8 ± 0.5 mm (0.071 ± 0.020 in).

Dimension (D) :Height difference from case end surface is within 2.2 ± 0.5 mm (0.087 ± 0.020 in).

NOTE:

The reference is the installation direction of the differential side oil seal.

Drift to be used:

Location	Commercial Service Tools
Transaxle case side	Commercial service tool with outer dia. 56 mm (2.20 in) and inner dia. 50 mm (1.97 in)
Converter housing side	

Inspection and Adjustment

INFOID:000000008139064

INSPECTION AFTER INSTALLATION

Check for CVT fluid leakage. Refer to [TM-177, "Inspection"](#).

ADJUSTMENT AFTER INSTALLATION

Adjust the CVT fluid level. Refer to [TM-84, "Adjustment"](#).

CVT OIL WARMER SYSTEM

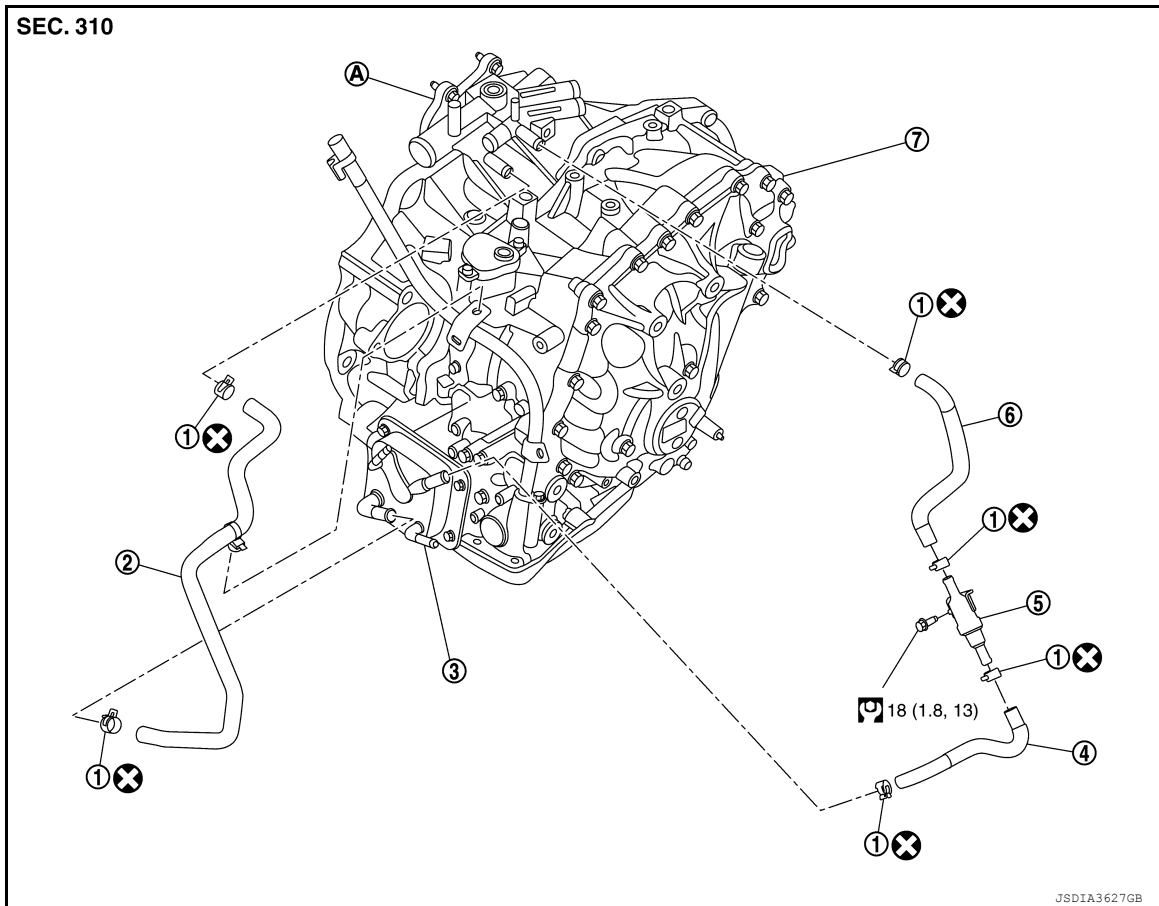
< REMOVAL AND INSTALLATION >

[CVT: RE0F10D]

CVT OIL WARMER SYSTEM WATER HOSE

WATER HOSE : Exploded View

INFOID:000000008499746



- | | | |
|--------------------|---------------------|--------------------|
| ① Hose clamp | ② CVT water hose A | ③ CVT oil warmer |
| ④ CVT water hose B | ⑤ Heater thermostat | ⑥ CVT water hose C |

⑦ Transaxle assembly

Ⓐ Water outlet

⊗ : Always replace after every disassembly.

Ⓜ : N·m (kg·m, ft·lb)

WATER HOSE : Removal and Installation

INFOID:000000008499747

REMOVAL

WARNING:

Do not remove the radiator cap when the engine is hot. Serious burns could occur from high pressure coolant escaping from the radiator. Wrap a thick cloth around the cap. Slowly turn it a quarter turn to allow built-up pressure to escape. Carefully remove the cap by turning it all the way.

CAUTION:

Perform when the engine is cold.

NOTE:

When removing components such as hoses, tubes/lines, etc., cap or plug openings to prevent fluid from spilling.

1. Remove front under cover. Refer to [EXT-28, "Removal and Installation"](#).

CVT OIL WARMER SYSTEM

< REMOVAL AND INSTALLATION >

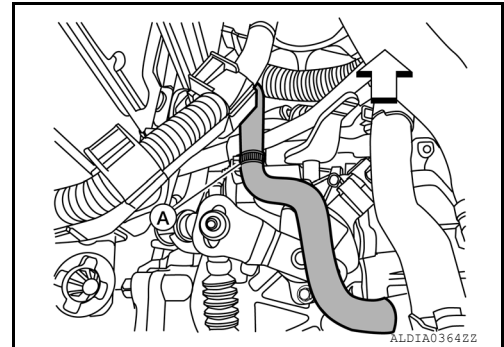
[CVT: RE0F10D]

2. Remove engine room cover. Refer to [EM-28, "Removal and Installation"](#).
3. Remove front air duct and air cleaner case assembly. Refer to [EM-29, "Removal and Installation"](#).
4. Release clip (A) and release hose clamps and remove CVT water hose A from water outlet.

CAUTION:

Do not reuse hose clamps.

← : Front



5. Remove CVT heater thermostat bolt, release hose clamps then remove CVT heater thermostat and CVT water hose C from water outlet.

CAUTION:

Do not reuse hose clamps.

6. Remove CVT water hose inlet and CVT water hose outlet from CVT oil warmer.

INSTALLATION

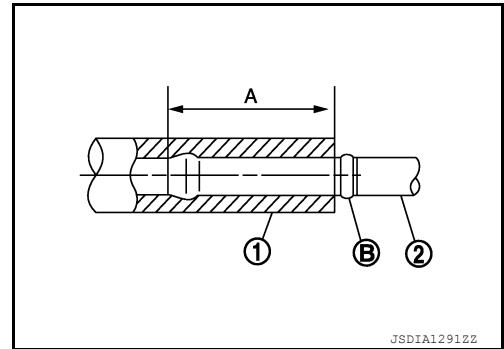
Installation is in the reverse order of removal.

CAUTION:

Do not reuse hose clamps.

- Insert CVT water hose according to dimension (A).

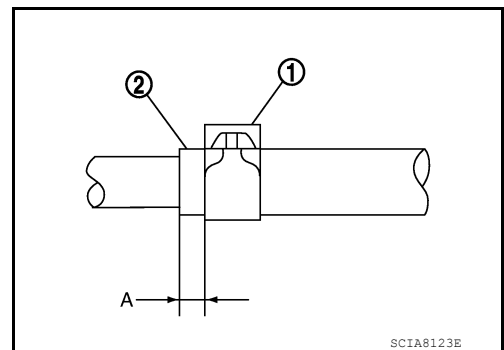
CVT water hose (1)	Insert side tube (2)	Dimension (A)
CVT water hose A	Water outlet	End reaches the spool portion (B)
	CVT oil warmer	
CVT water hose B	CVT oil warmer	
	Heater thermostat	
CVT water hose C	Heater thermostat	
	Water outlet	



- Install hose clamps (1) at both ends of CVT water hose (2) with dimension (A) from the hose end.

Dimension (A) : 5 – 7 mm (0.20 – 0.28 in)

- Hose clamp should not interfere with the bulge.



CVT water hose	Hose end	Paint mark	Position of hose clamp*
CVT water hose A	Water outlet side	Facing upward	C
	CVT oil warmer side	Facing to the front of the vehicle	C
CVT water hose B	CVT oil warmer side	Facing to the front of the vehicle	B
	Heater thermostat side	N/A	A

CVT OIL WARMER SYSTEM

< REMOVAL AND INSTALLATION >

[CVT: RE0F10D]

CVT water hose	Hose end	Paint mark	Position of hose clamp*
CVT water hose C	Heater thermostat side	N/A	A
	Water outlet side	Facing upward	C

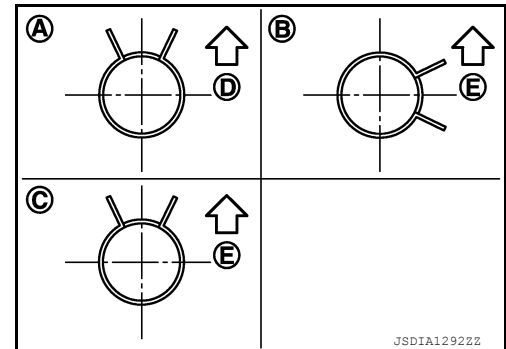
*: Refer to the illustrations for the specific position of each hose clamp tab.

• The illustrations indicate the view from the hose ends.

←(D) : Vehicle front

←(E) : Vehicle upper

• When installing hose clamps the center line of each clamp tab should be positioned as shown.



JSDIA1292ZZ

WATER HOSE : Inspection

INFOID:000000008499748

INSPECTION AFTER INSTALLATION

Start and warm up the engine. Visually check that there is no leakage of engine coolant and CVT fluid.

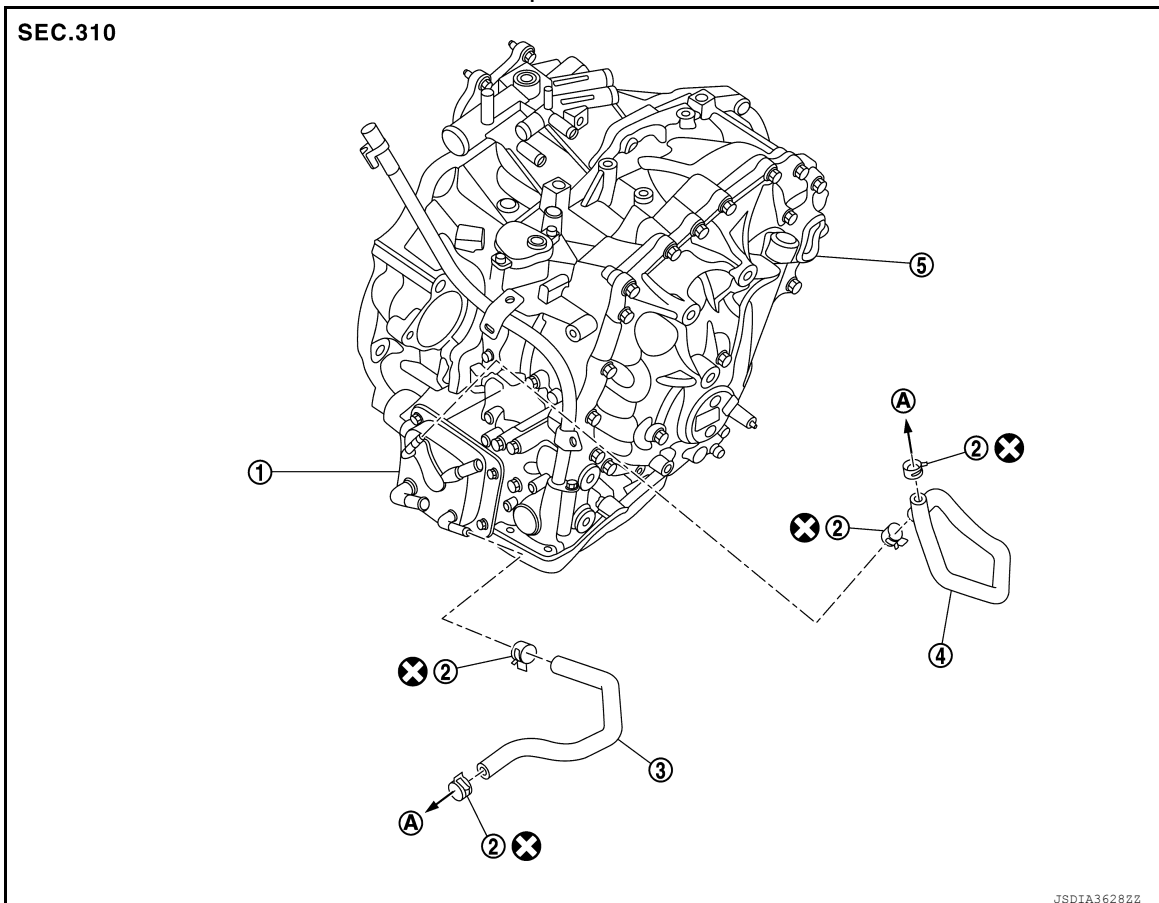
CVT FLUID COOLER HOSE

CVT FLUID COOLER HOSE : Exploded View

INFOID:000000008499749

COMPONENT PARTS LOCATION

Except For Mexico



JSDIA3628ZZ

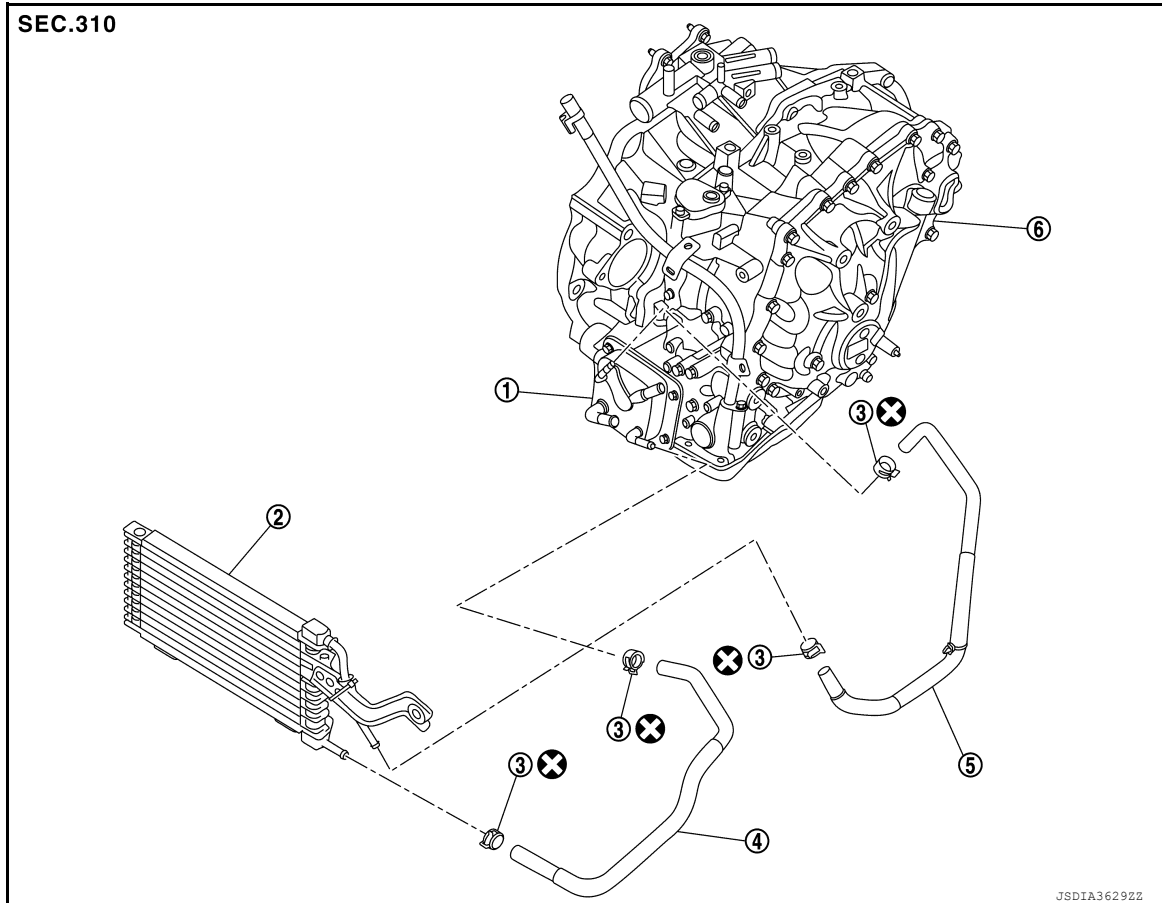
CVT OIL WARMER SYSTEM

< REMOVAL AND INSTALLATION >

[CVT: RE0F10D]

- ① CVT oil warmer
- ② Hose clamp
- ③ CVT fluid cooler hose A
- ④ CVT fluid cooler hose B
- ⑤ Transaxle assembly
- Ⓐ : To radiator
- ⊗ : Always replace after every disassembly.

For Mexico



- ① CVT oil warmer
- ② CVT fluid cooler
- ③ Hose clamp
- ④ CVT fluid cooler hose A
- ⑤ CVT fluid cooler hose A
- ⑥ Transaxle assembly
- ⊗ : Always replace after every disassembly.

CVT FLUID COOLER HOSE : Removal and Installation

INFOID:000000008499750

REMOVAL

NOTE:

When removing components such as hoses, tubes/lines, etc., cap or plug openings to prevent fluid from spilling.

1. Remove front under cover. Refer to [EXT-28, "Removal and Installation"](#).
2. Remove engine room cover. Refer to [EM-28, "Removal and Installation"](#).
3. Remove front air duct and air cleaner case assembly. Refer to [EM-29, "Removal and Installation"](#).
4. Release hose clamp, then remove CVT fluid cooler hoses A and B from CVT oil warmer and radiator (United States and Canada) and CVT fluid cooler (Mexico).

CAUTION:

Do not reuse hose clamps.

INSTALLATION

Installation is in the reverse order of removal.

CAUTION:

CVT OIL WARMER SYSTEM

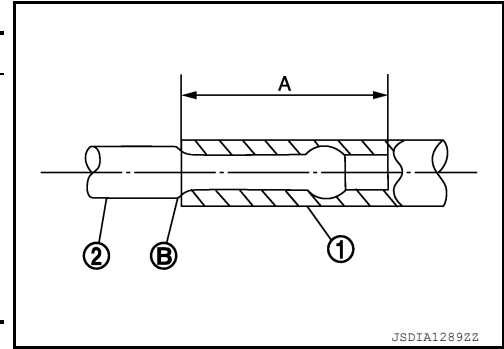
< REMOVAL AND INSTALLATION >

[CVT: RE0F10D]

Do not reuse hose clamps.

- Insert CVT fluid cooler hoses according to dimension (A).

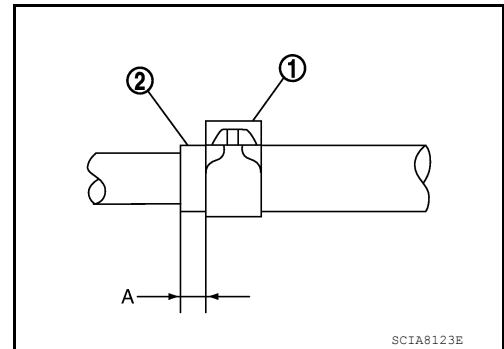
CVT fluid cooler hose (1)	Insert side tube (2)	Dimension (A)
CVT fluid cooler hose A	CVT fluid cooler tube (Mexico)	End reaches the 2-stage bulge (B)
	Radiator (United States and Canada)	
	CVT oil warmer	
CVT fluid cooler hose B	CVT oil warmer	
	CVT fluid cooler tube (Mexico),	
	Radiator (United States and Canada)	



- Install hose clamps (1) at both ends of CVT fluid cooler hoses (2) with dimension (A) from the hose end.

Dimension (A) : 5 – 7 mm (0.20 – 0.28 in)

- Hose clamp should not interfere with the bulge.



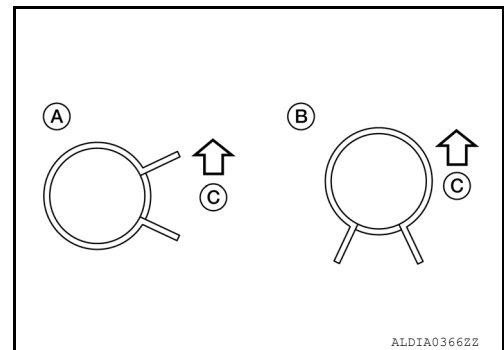
CVT fluid cooler hose	Hose end	Paint mark	Position of hose clamp*
CVT fluid cooler hose A	CVT fluid cooler tube side (Mexico)	Facing rearward	B
	Radiator tube side (United States and Canada)	N/A	
	CVT oil warmer side	Facing to the front of the vehicle	B
CVT fluid cooler hose B	CVT oil warmer side	Facing downward	A
	Radiator tube side (United States and Canada)	N/A	
	CVT fluid cooler tube side (Mexico)	Facing to the left of the vehicle	B

*: Refer to the illustrations for the specific position of each hose clamp tab.

- The illustrations indicate the view from the hose ends.

←(C) : Front

- When installing hose clamps, the center line of each clamp tab should be positioned as shown.



CVT FLUID COOLER HOSE : Inspection

INFOID:000000008499751

INSPECTION AFTER INSTALLATION

Check for CVT fluid leakage and check CVT fluid level. Refer to [TM-177. "Inspection"](#).

CVT OIL WARMER

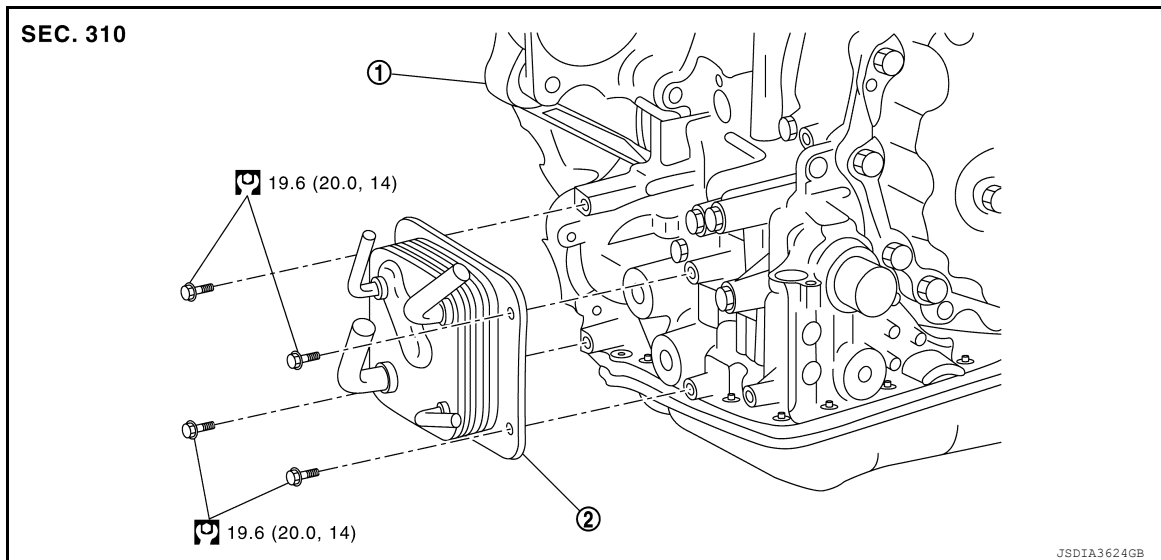
CVT OIL WARMER SYSTEM

< REMOVAL AND INSTALLATION >

[CVT: RE0F10D]

CVT OIL WARMER : Exploded View

INFOID:000000008499752



① Transaxle assembly

② CVT oil warmer

CVT OIL WARMER : Removal and Installation

INFOID:000000008499753

REMOVAL

WARNING:

Do not remove the radiator cap when the engine is hot. Serious burns could occur from high pressure coolant escaping from the radiator. Wrap a thick cloth around the cap. Slowly turn it a quarter turn to allow built-up pressure to escape. Carefully remove the cap by turning it all the way.

CAUTION:

Perform when the engine is cold.

1. Remove front under cover. Refer to [EXT-28, "Removal and Installation"](#).
2. Remove CVT water hose inlet and CVT water hose outlet from CVT oil warmer. Refer to [TM-199, "WATER HOSE : Exploded View"](#).
3. Remove CVT fluid cooler hose inlet and CVT fluid cooler hose outlet from CVT oil warmer. Refer to [TM-201, "CVT FLUID COOLER HOSE : Exploded View"](#).
4. Remove CVT oil warmer bolts, then remove CVT oil warmer from vehicle.

INSTALLATION

Installation is in the reverse order of removal.

CVT OIL WARMER : Inspection

INFOID:000000008499754

INSPECTION AFTER INSTALLATION

- Check for CVT fluid leakage and check CVT fluid level. Refer to [TM-177, "Inspection"](#).
- Start and warm up the engine. Visually check that there is no leakage of engine coolant and CVT fluid.

CVT FLUID COOLER

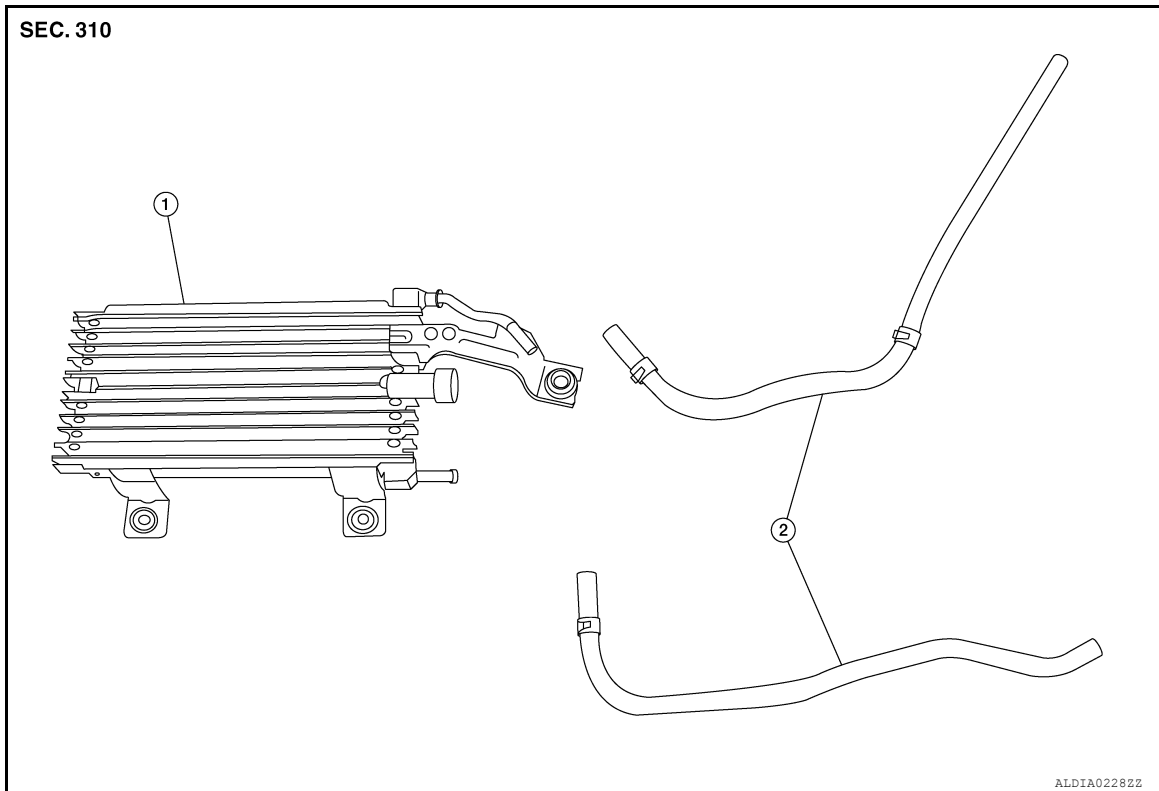
< REMOVAL AND INSTALLATION >

[CVT: RE0F10D]

CVT FLUID COOLER

Exploded View (Mexico Only)

INFOID:000000008747303



1. Oil cooler

2. Hoses

Removal and Installation (Mexico Only)

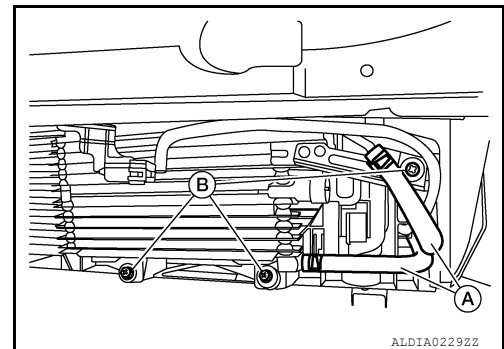
INFOID:000000008747304

NOTE:

When removing components such as hoses, tubes/lines, etc., cap or plug openings to prevent fluid from spilling.

REMOVAL

1. Remove the front bumper fascia. Refer to [EXT-17, "Removal and Installation"](#).
2. Disconnect oil cooler hoses (A).
3. Remove oil cooler bolts (B).
4. Remove oil cooler assembly.



INSTALLATION

Installation is in the reverse order of removal.

After installation be sure to check the CVT fluid and add the specified CVT fluid as necessary. Refer to [TM-177, "Inspection"](#).

CAUTION:

Do not reuse hose clamps.

PLUG

< REMOVAL AND INSTALLATION >

[CVT: RE0F10D]

PLUG

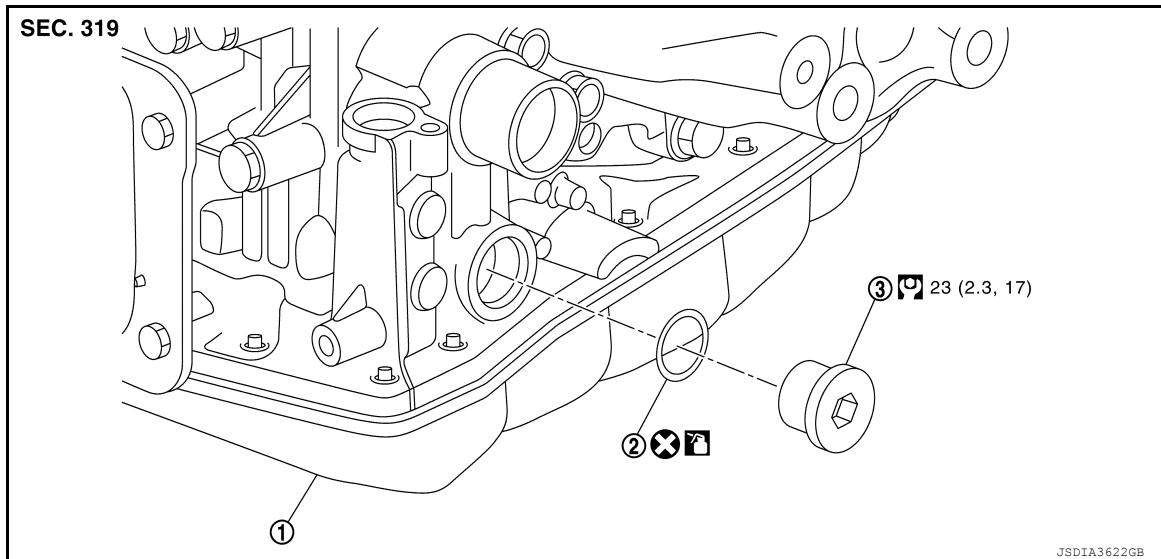
Description

INFOID:000000008139071

Replace the O-ring if oil leakage or exudes from the plug.

Exploded View

INFOID:000000008139072



① Transaxle assembly

② O-ring

③ Plug

⊗ : Always replace after every disassembly.

Ⓒ : N·m (kg-m, ft-lb)

🔧 : Apply CVT Fluid

Removal and Installation

INFOID:000000008139073

REMOVAL

1. Remove fender protector side cover (LH). Refer to [EXT-26. "FENDER PROTECTOR : Removal and Installation"](#).
2. Remove the plug and O-ring.

INSTALLATION

Installation is in the reverse order of removal.

CAUTION:

- Do not reuse O-ring.
- Apply Genuine NISSAN CVT Fluid NS-3 to O-ring.

Inspection and Adjustment

INFOID:000000008139074

INSPECTION AFTER INSTALLATION

Check for CVT fluid leakage. Refer to [TM-177. "Inspection"](#).

ADJUSTMENT AFTER INSTALLATION

Adjust the CVT fluid level. Refer to [TM-84. "Adjustment"](#).

TRANSAXLE ASSEMBLY

< UNIT REMOVAL AND INSTALLATION >

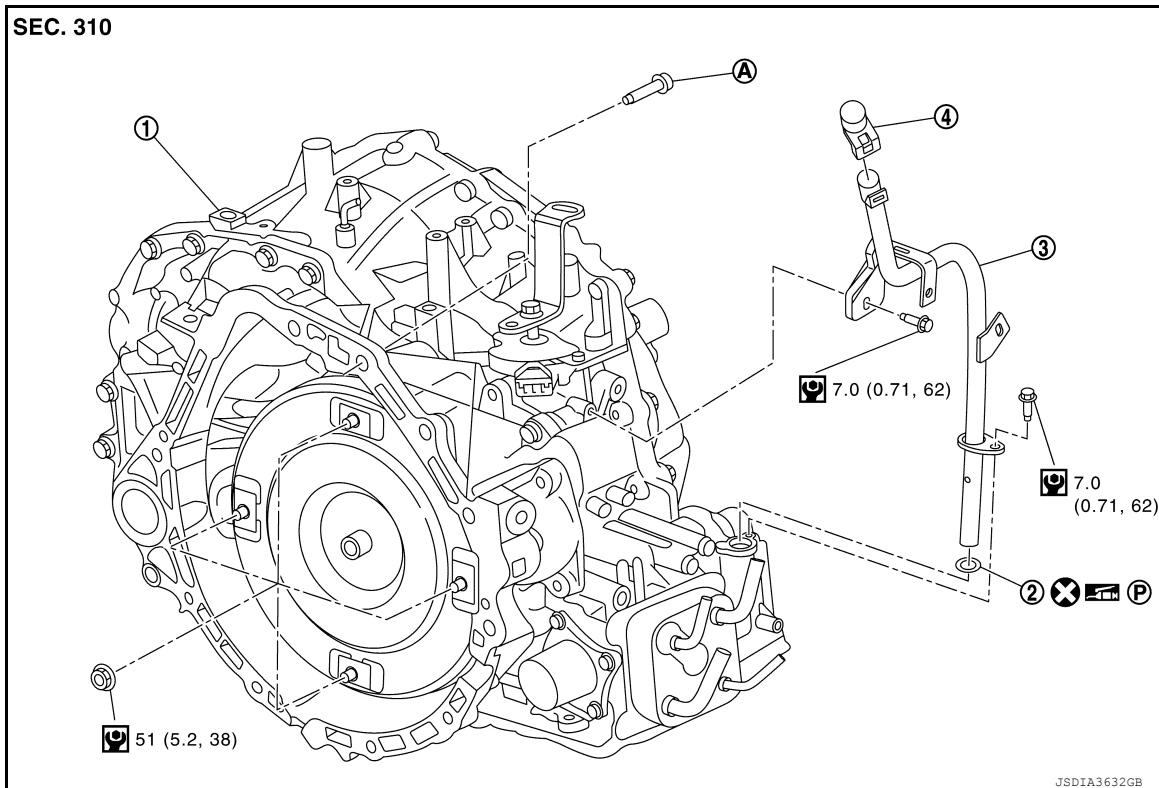
[CVT: RE0F10D]

UNIT REMOVAL AND INSTALLATION

TRANSAXLE ASSEMBLY

Exploded View

INFOID:000000008139075



- ① Transaxle assembly
- ② O-ring
- ③ CVT fluid charging pipe
- ④ CVT fluid level gauge
- Ⓐ : For the tightening torque, refer to [TM-207, "Removal and Installation"](#).
- ⊗ : Always replace after every disassembly.
- Ⓜ : N·m (kg·m, ft·lb)
- Ⓝ : N·m (kg·m, in·lb)
- Ⓟ : Apply petroleum jelly

Removal and Installation

INFOID:000000008139076

REMOVAL

WARNING:

Do not remove the radiator cap when the engine is hot. Serious burns could occur from high pressure coolant escaping from the radiator. Wrap a thick cloth around the cap. Slowly turn a quarter turn to allow built-up pressure to escape. Carefully remove the cap by turning it all the way.

CAUTION:

- Perform when the engine is cold.
- When replacing the TCM and transaxle assembly as a set, replace the transaxle assembly first and then replace the TCM. Refer to [TM-80, "Description"](#).

NOTE:

When removing components such as hoses, tubes/lines, etc., cap or plug openings to prevent fluid from spilling.

1. Remove engine and transaxle assembly. Refer to [EM-84, "Removal and Installation"](#).

TRANSAXLE ASSEMBLY

[CVT: RE0F10D]

< UNIT REMOVAL AND INSTALLATION >

2. Disconnect the transaxle harness connectors.
3. Disconnect the CVT oil warmer water hoses from engine side. Refer to [TM-199, "WATER HOSE : Removal and Installation"](#).
4. Remove the transaxle to engine and engine to transaxle bolts.
5. Remove the CVT fluid charging pipe.
6. Separate the engine from the transaxle assembly. Refer to [EM-84, "Removal and Installation"](#).

NOTE:

Using paint, put matching marks on the drive plate and torque converter when removing the torque converter to drive plate nuts.

7. Remove transmission bracket.

INSTALLATION

Installation is in the reverse order of removal.

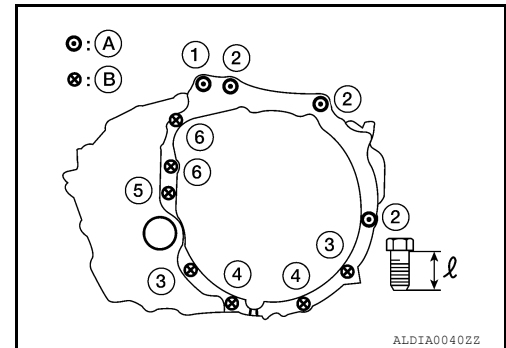
CAUTION:

- When replacing an engine or transaxle you must make sure any dowels are installed correctly during re-assembly.
- Improper alignment caused by missing dowels may cause vibration, oil leaks or breakage of drivetrain components.
- Do not reuse O-rings or copper sealing washers.
- When turning crankshaft, turn it clockwise as viewed from the front of the engine.
- When tightening the nuts for the torque converter while securing the crankshaft pulley bolt, be sure to confirm the tightening torque of the crankshaft pulley bolt. Refer to [EM-62, "Removal and Installation"](#).
- After converter is installed to drive plate, rotate crankshaft several turns to check that CVT rotates freely without binding.
- When installing the CVT to the engine, align the matching mark on the drive plate with the matching mark on the torque converter.

When installing the CVT to the engine, attach the bolts in accordance with the following standard.

- (A) : Transaxle assembly to engine assembly.
- (B) : Engine assembly to transaxle assembly.

Bolt No.	1	2	3	4	5	6
Number of bolts	1	3	2	2	1	2
Bolt length " \varnothing " mm (in)	45 (1.77)	45 (1.77)	45 (1.77)	35 (1.38)	45 (1.77)	45 (1.77)
Tightening torque N·m (kg·m, ft·lb)	35.3 (3.6, 26)	74.5 (7.6, 55)	42.7 (4.4, 31)	42.7 (4.4, 31)	74.5 (7.6, 55)	48.0 (4.9, 35)



- When installing the drive plate to torque converter nuts, tighten them temporarily. then tighten the nuts to the specified torque.

Inspection and Adjustment

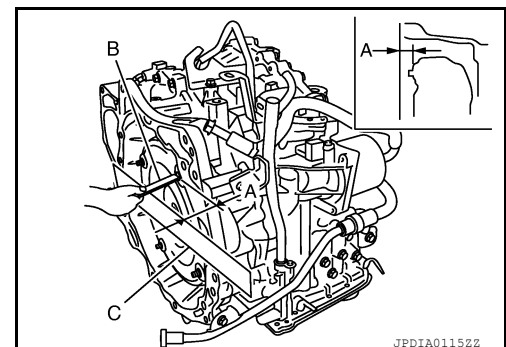
INFOID:000000008139077

INSPECTION BEFORE INSTALLATION

After inserting a torque converter to the CVT, check dimension (A) with in the reference value limit.

- B : Scale
- C : Straightedge

Dimension (A) : Refer to [TM-213, "Torque Converter"](#).



TRANSAXLE ASSEMBLY

< UNIT REMOVAL AND INSTALLATION >

[CVT: RE0F10D]

INSPECTION AFTER INSTALLATION

Check the following items:

- CVT fluid leakage, refer to [TM-177, "Inspection"](#).
- For CVT position, refer to [TM-179, "Inspection"](#).
- Start the engine and check for coolant leakage from the parts which are removed and reinstalled.

ADJUSTMENT AFTER INSTALLATION

- Adjust the CVT fluid level. Refer to [TM-84, "Adjustment"](#).
- Perform "ADDITIONAL SERVICE WHEN REPLACE TRANSAXLE ASSEMBLY". Refer to [TM-81, "Description"](#).

A

B

C

TM

E

F

G

H

I

J

K

L

M

N

O

P

TORQUE CONVERTER AND CONVERTER HOUSING OIL SEAL

< UNIT DISASSEMBLY AND ASSEMBLY >

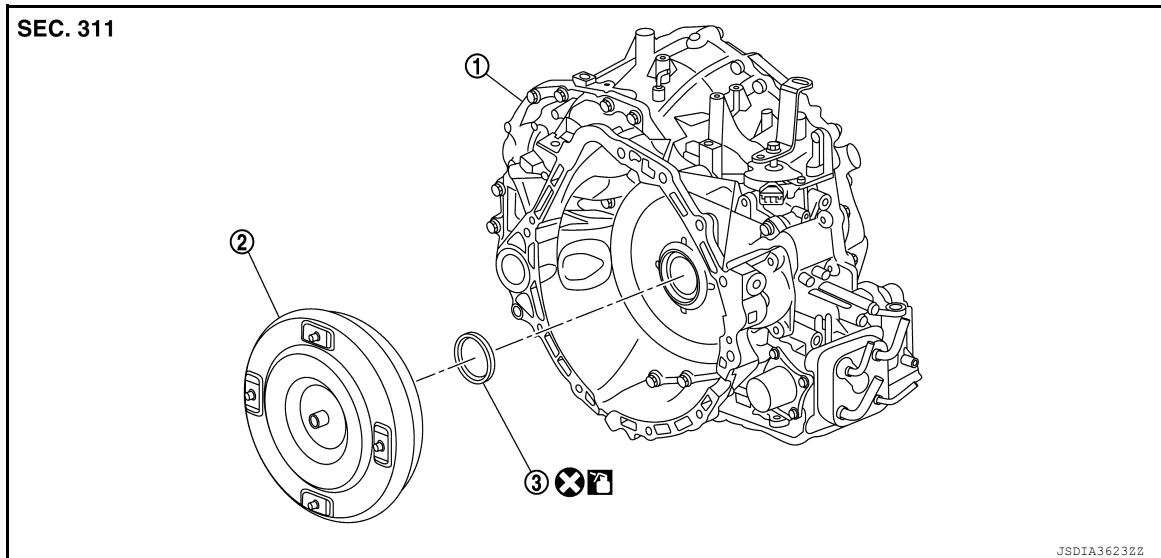
[CVT: RE0F10D]

UNIT DISASSEMBLY AND ASSEMBLY

TORQUE CONVERTER AND CONVERTER HOUSING OIL SEAL

Exploded View

INFOID:000000008142606



① Transaxle assembly

② Torque converter

③ Converter housing oil seal

⊗ : Always replace after every disassembly.

🖌️ : Apply CVT Fluid

Disassembly

INFOID:000000008142607

1. Remove transaxle assembly. Refer to [TM-207, "Removal and Installation"](#).
2. Remove torque converter from transaxle assembly.
CAUTION:
Do not damage the bushing on the inside of torque converter sleeve when removing torque converter.
3. Remove converter housing oil seal using a suitable tool.
CAUTION:
Be careful not to scratch converter housing.

Assembly

INFOID:000000008142608

Assembly is in the reverse order of disassembly.

- **CAUTION:**
Do not reuse converter housing oil seal.
- NOTE:**
Lubricate converter housing oil seal prior to installation.

TORQUE CONVERTER AND CONVERTER HOUSING OIL SEAL

< UNIT DISASSEMBLY AND ASSEMBLY >

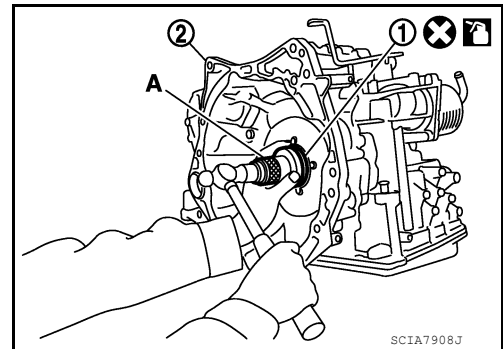
[CVT: RE0F10D]

Drive converter housing oil seal (1) evenly using a drift (A) (commercial service tool) so that converter housing oil seal protrudes by the dimension (B) respectively.

Unit: mm (in)

Commercial service tool: (A)	Outer diameter: 65 (2.56)
	Inner diameter: 60 (2.36)

(2) : Transaxle assembly



A
B
C

TM

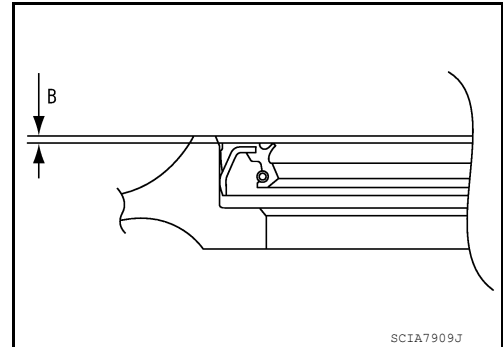
Unit: mm (in)

Dimension (B)	1.0 ± 0.5 (0.039 \pm 0.020)
---------------	-----------------------------------

NOTE:

Converter housing oil seal pulling direction is used as the reference.

- After completing installation, check for CVT fluid leaks and CVT fluid level. Refer to [TM-177, "Inspection"](#).

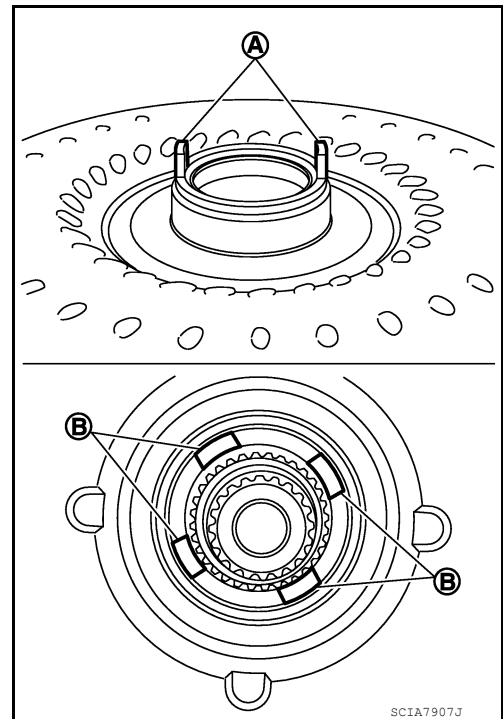


E
F
G

- Attach the pawl (A) of the torque converter to the drive sprocket hole (B) on the transaxle assembly side.

CAUTION:

- Rotate the torque converter for installing torque converter.
- Do not damage the bushing inside the torque converter sleeve when installing the converter housing oil seal.



H
I
J
K
L
M
N
O

Inspection

INFOID:000000008142609

INSPECTION AFTER INSTALLATION

P

TORQUE CONVERTER AND CONVERTER HOUSING OIL SEAL

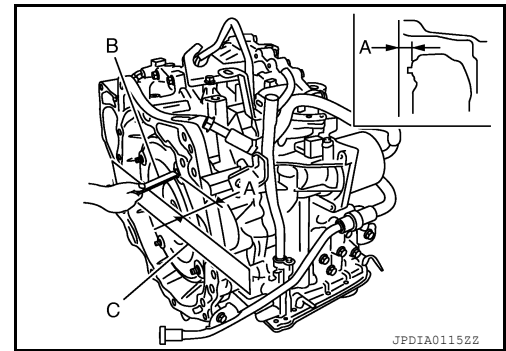
< UNIT DISASSEMBLY AND ASSEMBLY >

[CVT: RE0F10D]

- After inserting a torque converter to the CVT, check dimension (A) with in the reference value limit.

B : Scale
C : Straightedge

Dimension (A) : Refer to [TM-213, "Torque Converter"](#).



SERVICE DATA AND SPECIFICATIONS (SDS)

< SERVICE DATA AND SPECIFICATIONS (SDS)

[CVT: RE0F10D]

SERVICE DATA AND SPECIFICATIONS (SDS)

SERVICE DATA AND SPECIFICATIONS (SDS)

General Specification

INFOID:000000008139078

Engine model	QR25DE	
Drive type	2WD	
Transaxle model	RE0F10D	
Transaxle model code number	3VX0A	
Transaxle gear ratio	D position	2.648 – 0.380
	R position	0.745
	Final drive	4.828
Recommended fluid	Genuine NISSAN CVT Fluid NS-3*1	
Fluid capacity liter (US qt, Imp qt)	Approx. 7.4 (7-7/8, 6-1/2)*2	

CAUTION:

- Use only Genuine NISSAN CVT Fluid NS-3. Never mix with other fluid.
- Using CVT fluid other than Genuine NISSAN CVT Fluid NS-3 will deteriorate in driveability and CVT durability, and may damage the CVT, which is not covered by the NISSAN new vehicle limited warranty.

*1: Refer to [MA-20. "FOR USA AND CANADA : Fluids and Lubricants"](#) (for USA and Canada), [MA-21. "FOR MEXICO : Fluids and Lubricants"](#) (for Mexico).

*2: The CVT fluid capacity is the reference value.

Shift Characteristics

INFOID:000000008139079

Unit: rpm

Throttle position	Shift pattern	Engine speed	
		At 40 km/h (25 MPH)	At 60 km/h (37 MPH)
2/8	"D" position	1,490 – 1,650	1,570 – 1,740
	"D" position (O/D OFF condition)	2,950 – 3,260	3,040 – 3,360
8/8	"D" position	3,900 – 4,310	5,230 – 5,780
	"D" position (O/D OFF condition)	3,520 – 3,890	4,280 – 4,730

CAUTION:

Lock-up is engaged at the vehicle speed of approximately 18 km/h (12 MPH) to 40 km/h (24 MPH).

Stall Speed

INFOID:000000008139080

Stall speed	2,290 – 2,520 rpm
-------------	-------------------

Torque Converter

INFOID:000000008139082

Unit: mm (in)

Distance "A" between the converter housing and torque converter	14.4 (0.567)
---	--------------

Heater Thermostat

INFOID:000000008139083

Standard

Valve lift	More than 5.0 mm (0.197 in)
Reference value	
Valve opening temperature	71°C (160°F)
Minimum valve lift	5.0 mm/85°C (0.197 in/203°F)

PRECAUTION

PRECAUTIONS

Precaution for Supplemental Restraint System (SRS) "AIR BAG" and "SEAT BELT PRE-TENSIONER"

INFOID:000000008748329

The Supplemental Restraint System such as "AIR BAG" and "SEAT BELT PRE-TENSIONER", used along with a front seat belt, helps to reduce the risk or severity of injury to the driver and front passenger for certain types of collision. Information necessary to service the system safely is included in the SR and SB section of this Service Manual.

WARNING:

- To avoid rendering the SRS inoperative, which could increase the risk of personal injury or death in the event of a collision which would result in air bag inflation, all maintenance must be performed by an authorized NISSAN/INFINITI dealer.
- Improper maintenance, including incorrect removal and installation of the SRS, can lead to personal injury caused by unintentional activation of the system. For removal of Spiral Cable and Air Bag Module, see the SR section.
- Do not use electrical test equipment on any circuit related to the SRS unless instructed to in this Service Manual. SRS wiring harnesses can be identified by yellow and/or orange harnesses or harness connectors.

PRECAUTIONS WHEN USING POWER TOOLS (AIR OR ELECTRIC) AND HAMMERS

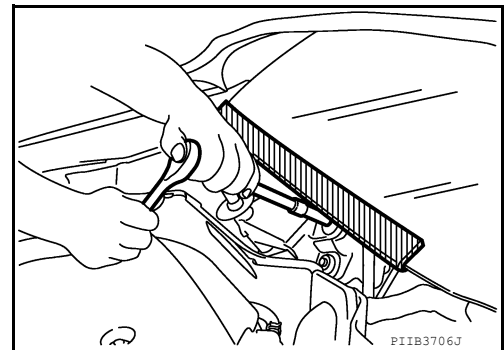
WARNING:

- When working near the Airbag Diagnosis Sensor Unit or other Airbag System sensors with the Ignition ON or engine running, DO NOT use air or electric power tools or strike near the sensor(s) with a hammer. Heavy vibration could activate the sensor(s) and deploy the air bag(s), possibly causing serious injury.
- When using air or electric power tools or hammers, always switch the Ignition OFF, disconnect the battery and wait at least 3 minutes before performing any service.

Precaution for Procedure without Cowl Top Cover

INFOID:000000008144887

When performing the procedure after removing cowl top cover, cover the lower end of windshield with urethane, etc to prevent damage to windshield.



Precaution for TCM and Transaxle Assembly Replacement

INFOID:000000008144888

CAUTION:

- To replace TCM, refer to [TM-283, "Description"](#).
- To replace transaxle assembly, refer to [TM-284, "Description"](#).

PRECAUTIONS

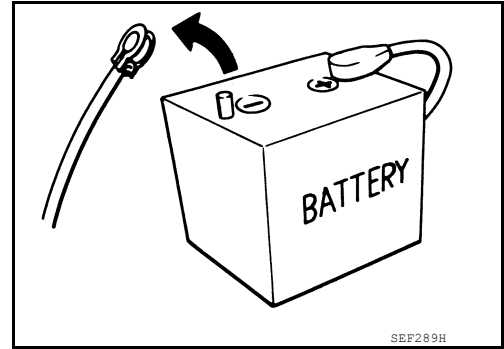
< PRECAUTION >

[CVT: RE0F10E]

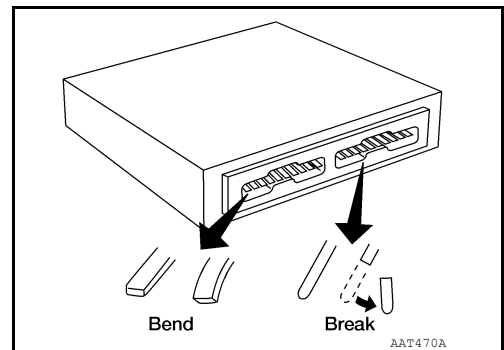
INFOID:000000008144890

General Precautions

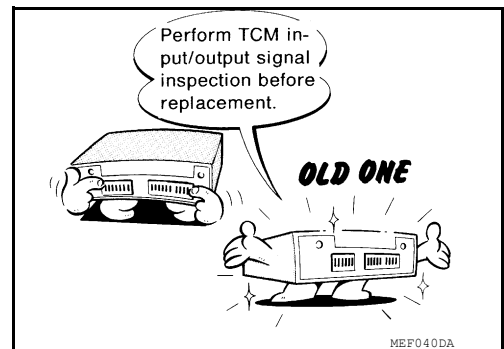
- Turn ignition switch OFF and disconnect the battery cable from the negative terminal before connecting or disconnecting the CVT assembly harness connector. Because battery voltage is applied to TCM even if ignition switch is turned OFF.



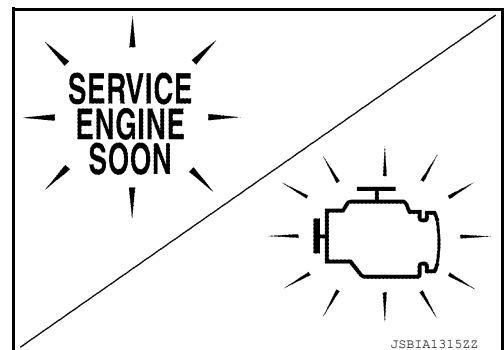
- When connecting or disconnecting pin connectors into or from TCM, do not damage pin terminals (bend or break). Check that there are not any bends or breaks on TCM pin terminal, when connecting pin connectors.



- Perform TCM input/output signal inspection and check whether TCM functions normally or not before replacing TCM. Refer to [TM-253, "Reference Value"](#).



- Perform "DTC (Diagnostic Trouble Code) CONFIRMATION PROCEDURE". If the repair is completed DTC should not be displayed in the "DTC CONFIRMATION PROCEDURE".



- Always use the specified brand of CVT fluid. Refer to [MA-20, "FOR USA AND CANADA : Fluids and Lubricants"](#) (For USA and Canada), [MA-21, "FOR MEXICO : Fluids and Lubricants"](#) (For Mexico).
- Use lint-free paper not cloth rags during work.
- Dispose of the waste oil using the methods prescribed by law, ordinance, etc. after replacing the CVT fluid.

A
B
C
TM
E
F
G
H
I
J
K
L
M
N
O
P

PRECAUTIONS

< PRECAUTION >

[CVT: RE0F10E]

On Board Diagnosis (OBD) System of CVT and Engine

INFOID:000000008144891

The TCM and ECM have an on board diagnostic system. It will light up the malfunction indicator lamp (MIL) to warn the driver of a malfunction causing emission deterioration.

CAUTION:

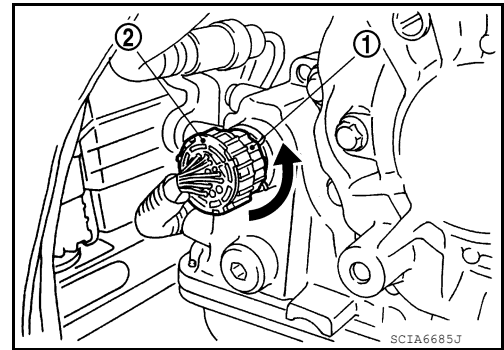
- Be sure to turn the ignition switch OFF and disconnect the battery cable from the negative terminal before any repair or inspection work. The open/short circuit of related switches, sensors, solenoid valves, etc. will cause the MIL to light up.
- Be sure to connect and lock the connectors securely after work. A loose (unlocked) connector will cause the MIL to light up due to an open circuit. (Be sure the connector is free from water, grease, dirt, bent terminals, etc.)
- Be sure to route and secure the harnesses properly after work. Interference of the harness with a bracket, etc. may cause the MIL to light up due to a short circuit.
- Be sure to connect rubber tubes properly after work. A misconnected or disconnected rubber tube may cause the MIL to light up due to a malfunction of the EGR system or fuel injection system, etc.
- Be sure to erase the unnecessary malfunction information (repairs completed) from the TCM and ECM before returning the vehicle to the customer.

Removal and Installation Procedure for CVT Unit Connector

INFOID:000000008144892

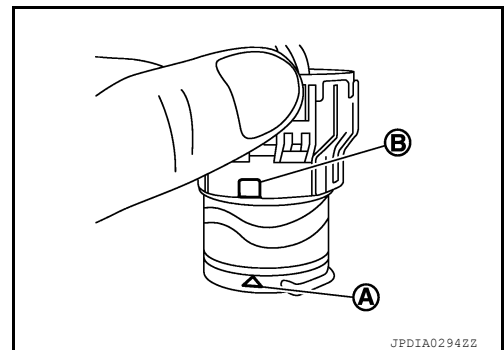
REMOVAL

- Rotate bayonet ring (1) counterclockwise. Pull out CVT unit harness connector (2) upward and remove it.

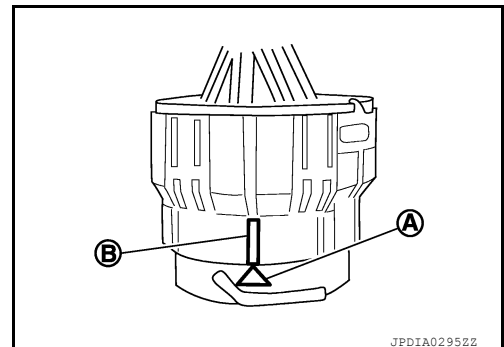


INSTALLATION

1. Align marking (A) on CVT unit harness connector terminal with marking (B) on bayonet ring. Insert CVT unit harness connector.
2. Rotate bayonet ring clockwise.



3. Rotate bayonet ring clockwise until marking (A) on CVT unit harness connector terminal body is aligned with the slit (B) on bayonet ring as shown in the figure (correctly fitting condition).



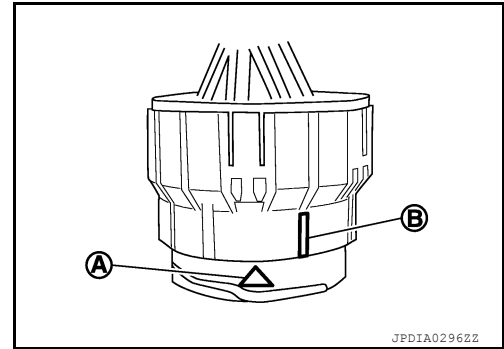
CAUTION:

PRECAUTIONS

< PRECAUTION >

[CVT: RE0F10E]

- Securely align marking (A) on CVT unit harness connector terminal body with bayonet ring slit (B). Then, be careful not to make a half fit condition as shown in the figure.
- Never mistake the slit of bayonet ring for other dent portion.



A
B
C

TM

E
F
G
H
I
J
K
L
M
N
O
P

PREPARATION

< PREPARATION >

[CVT: RE0F10E]

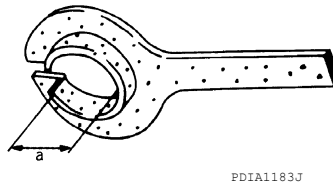
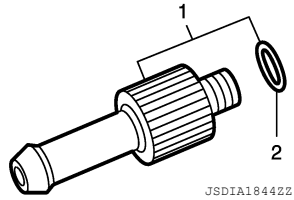
PREPARATION

PREPARATION

Special Service Tools

INFOID:000000008834233

Tool number Tool name	Description
1. KV311039S0 Charging pipe set 2. KV31103920* O-ring	CVT fluid changing and adjustment
KV38107900 Protector a: 32 mm dia.	Installing drive shaft

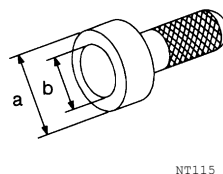
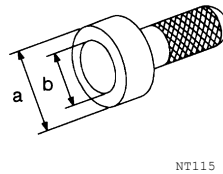
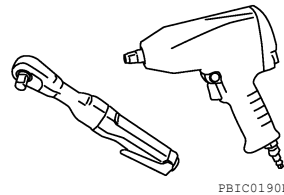


*: The O-ring as a unit part is set as a SST.

Commercial Service Tools

INFOID:000000008834234

Tool number Tool name	Description
Power tool	Loosening nuts and bolts
Drift a: 56 mm (2.20 in) dia. b: 50 mm (1.97 in) dia.	Installing differential side oil seal
Drift a: 65 mm (2.56 in) dia. b: 60 mm (2.36 in) dia.	Installing converter housing oil seal



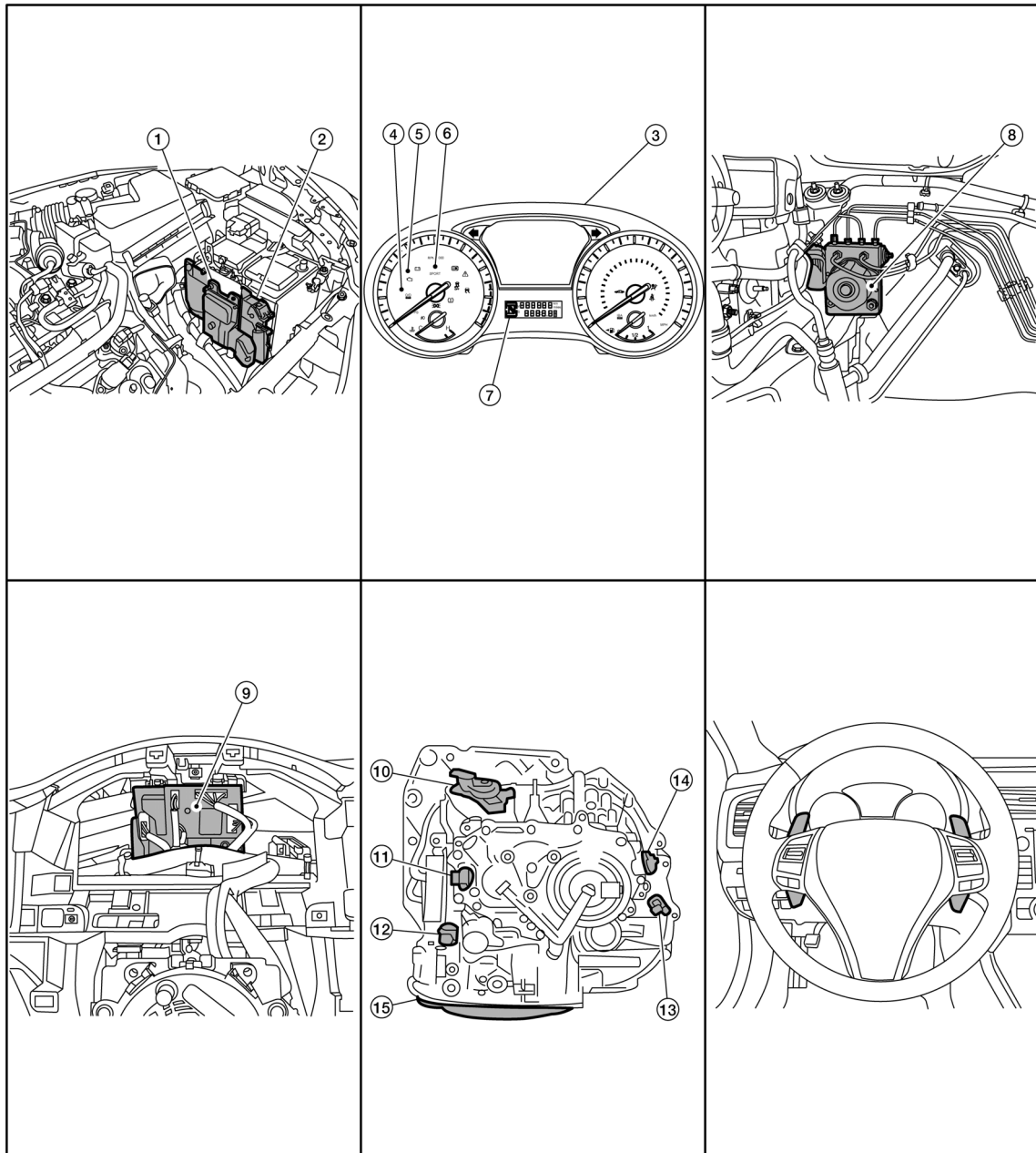
SYSTEM DESCRIPTION

COMPONENT PARTS CVT CONTROL SYSTEM

CVT CONTROL SYSTEM : Component Parts Location

INFOID:000000008144895

A
B
C
TM
E
F
G
H
I
J
K
L
M
N
O
P



ALDIA0350ZZ

COMPONENT PARTS

< SYSTEM DESCRIPTION >

[CVT: RE0F10E]

COMPONENT DESCRIPTION

No.	Component	Function
①	TCM	TM-221, "CVT CONTROL SYSTEM : TCM"
②	ECM	<ul style="list-style-type: none"> • For purposes including improving the feeling when shifting speeds and preventing drops in engine speed, control signals are exchanged between the ECM and TCM, and real-time cooperative control is performed according to the vehicle driving conditions. (Engine and CVT integrated control) - Engine and CVT integrated control signal <p>NOTE: General term for the communication (torque-down permission, torque-down request, etc.) exchanged between the ECM and TCM.</p> <ul style="list-style-type: none"> • The TCM receives the following signal via CAN communications from the ECM. - Engine speed signal - Accelerator pedal position signal - Closed throttle position signal • The TCM transmits the following signal via CAN communications to the ECM. - Malfunctioning indicator lamp signal <p>Refer to EC-547, "ENGINE CONTROL SYSTEM : Component Parts Location" for detailed installation location.</p>
③	Combination meter	<p>The TCM receives the following signal via CAN communications from the combination meter for judging the driving request from the driver.</p> <ul style="list-style-type: none"> • Paddle shift up signal • Paddle shift down signal • Vehicle speed signal <p>The TCM transmits the following signal via CAN communications to the combination meter.</p> <ul style="list-style-type: none"> • Shift position indicator signal <p>Refer to MWI-6, "METER SYSTEM : Component Parts Location" for detailed installation location.</p>
④	O/D OFF indicator lamp	Not applicable
⑤	Malfunction indicator lamp (MIL)	TM-245, "DIAGNOSIS DESCRIPTION : Malfunction Indicator Lamp (MIL)"
⑥	SPORT indicator lamp	Not applicable
⑦	Shift position indicator	TM-225, "CVT CONTROL SYSTEM : Shift Position Indicator"
⑧	ABS actuator and electric unit (control unit)	<p>The TCM receives the following signal via CAN communications from the ABS actuator and electric unit (control unit).</p> <ul style="list-style-type: none"> • ABS operation signal <p>Refer to BRC-8, "Component Parts Location" for detailed installation location.</p>
⑨	BCM	Refer to BCS-4, "BODY CONTROL SYSTEM : Component Parts Location" for detailed installation location.
⑩	Transmission range switch	TM-221, "CVT CONTROL SYSTEM : Transmission Range Switch"
⑪	Input speed sensor	TM-222, "CVT CONTROL SYSTEM : Input Speed Sensor"
⑫	CVT unit connector	—
⑬	Primary speed sensor	TM-221, "CVT CONTROL SYSTEM : Primary Speed Sensor"
⑭	Output speed sensor	TM-221, "CVT CONTROL SYSTEM : Output Speed Sensor"

COMPONENT PARTS

< SYSTEM DESCRIPTION >

[CVT: RE0F10E]

No.	Component	Function
⑮	Control valve	
	CVT fluid temperature sensor*	TM-222, "CVT CONTROL SYSTEM : CVT Fluid Temperature Sensor"
	Primary pressure sensor*	TM-223, "CVT CONTROL SYSTEM : Primary Pressure Sensor"
	Secondary pressure sensor*	TM-223, "CVT CONTROL SYSTEM : Secondary Pressure Sensor"
	Primary pressure solenoid valve*	TM-224, "CVT CONTROL SYSTEM : Primary Pressure Solenoid Valve"
	Secondary pressure solenoid valve*	TM-224, "CVT CONTROL SYSTEM : Secondary Pressure Solenoid Valve"
	Select solenoid valve*	TM-224, "CVT CONTROL SYSTEM : Select Solenoid Valve"
	Torque converter clutch solenoid valve*	TM-224, "CVT CONTROL SYSTEM : Torque Converter Clutch Solenoid Valve"
	Line pressure solenoid valve*	TM-225, "CVT CONTROL SYSTEM : Line Pressure Solenoid Valve"
⑯	Paddle shifter	TM-225, "CVT CONTROL SYSTEM : Paddle Shifter"

*: These components are included in control valve assembly.

CVT CONTROL SYSTEM : TCM

INFOID:000000008734131

- The vehicle driving status is judged based on the signals from the sensors, switches, and other control units, and the optimal transaxle control is performed.
- For TCM control items, refer to [TM-234, "CVT CONTROL SYSTEM : System Description"](#).

CVT CONTROL SYSTEM : Transmission Range Switch

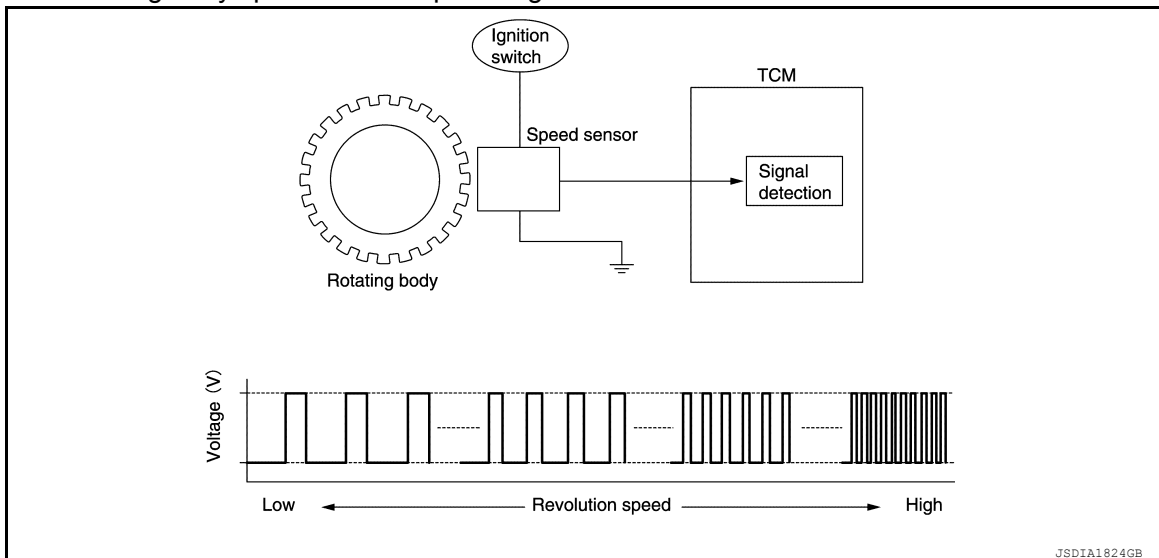
INFOID:000000008734132

- The transmission range switch is installed to upper part of transaxle case.
- The transmission range switch detects the selector lever position.

CVT CONTROL SYSTEM : Primary Speed Sensor

INFOID:000000008734133

- The primary speed sensor is installed to side cover of transaxle.
- The primary speed sensor detects primary pulley speed.
- The primary speed sensor generates an ON-OFF pulse signal according to the rotating body speed. TCM judges the rotating body speed from the pulse signal.



CVT CONTROL SYSTEM : Output Speed Sensor

INFOID:000000008734134

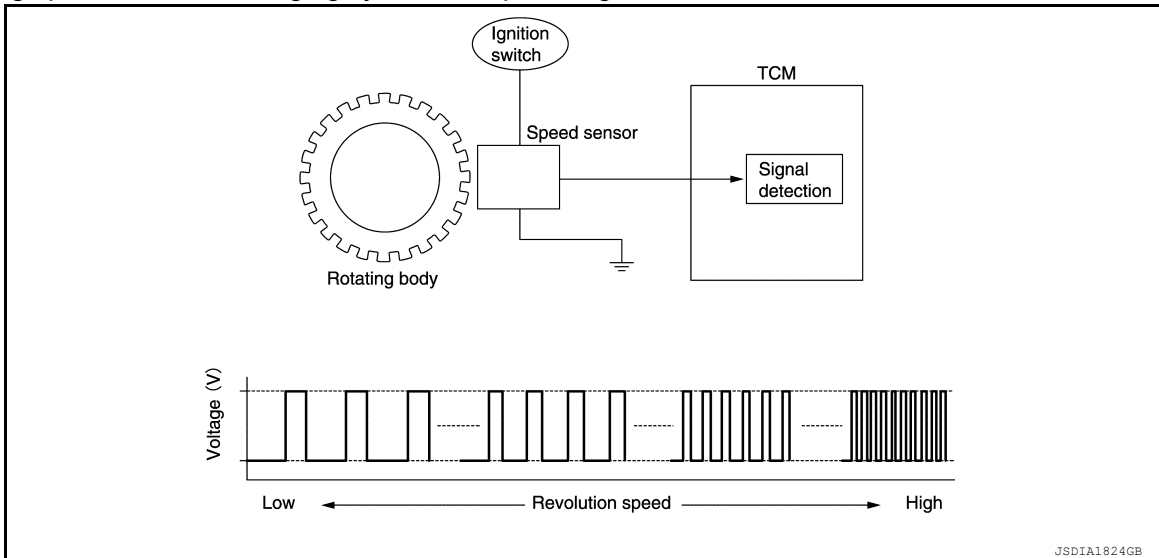
- The output speed sensor is installed to back side of transaxle.
- The output speed sensor detects final gear speed.

COMPONENT PARTS

< SYSTEM DESCRIPTION >

[CVT: RE0F10E]

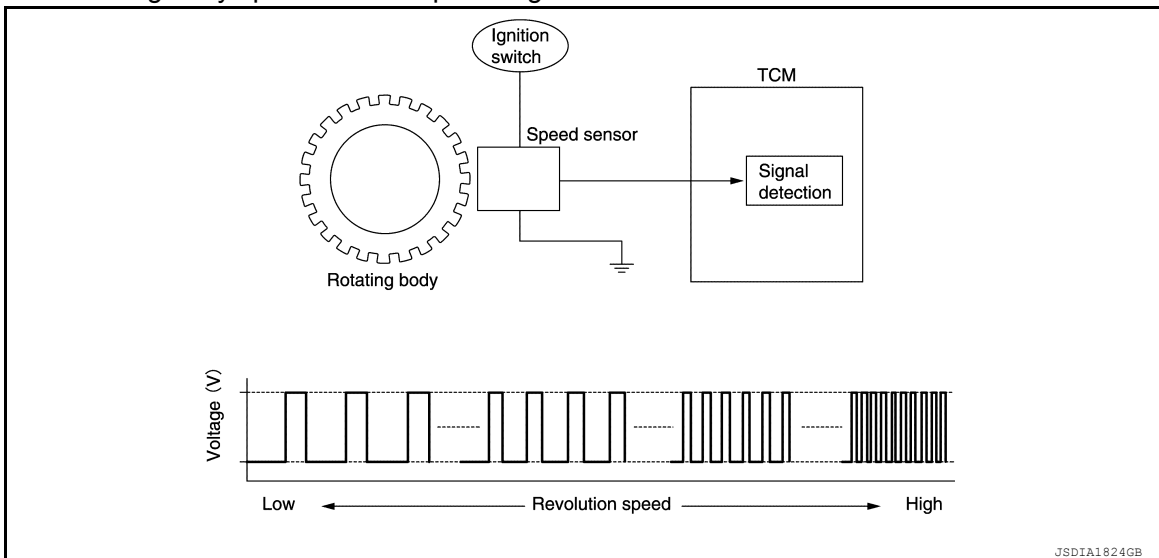
- The output speed sensor generates the ON-OFF pulse (short waveform) in proportion to the rotating body speed which is "The higher the rotating body speed is, the faster the change cycle is". The TCM judges the rotating speed from the changing cycle of this pulse signal.



CVT CONTROL SYSTEM : Input Speed Sensor

INFOID:000000008734135

- The input speed sensor is installed to the front side of transaxle case.
- The input speed sensor detects input shaft speed.
- The input speed sensor generates an ON-OFF pulse signal according to the rotating body speed. TCM judges the rotating body speed from the pulse signal.



CVT CONTROL SYSTEM : CVT Fluid Temperature Sensor

INFOID:000000008734136

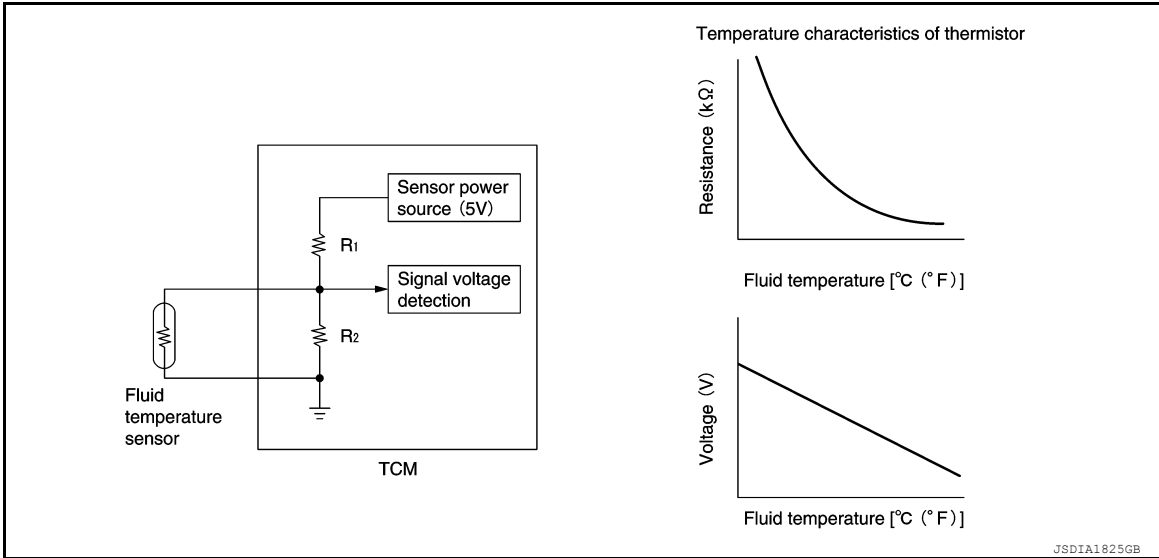
- The CVT fluid temperature sensor is installed to control valve.
- The CVT fluid temperature sensor detects CVT fluid temperature in oil pan.

COMPONENT PARTS

< SYSTEM DESCRIPTION >

[CVT: RE0F10E]

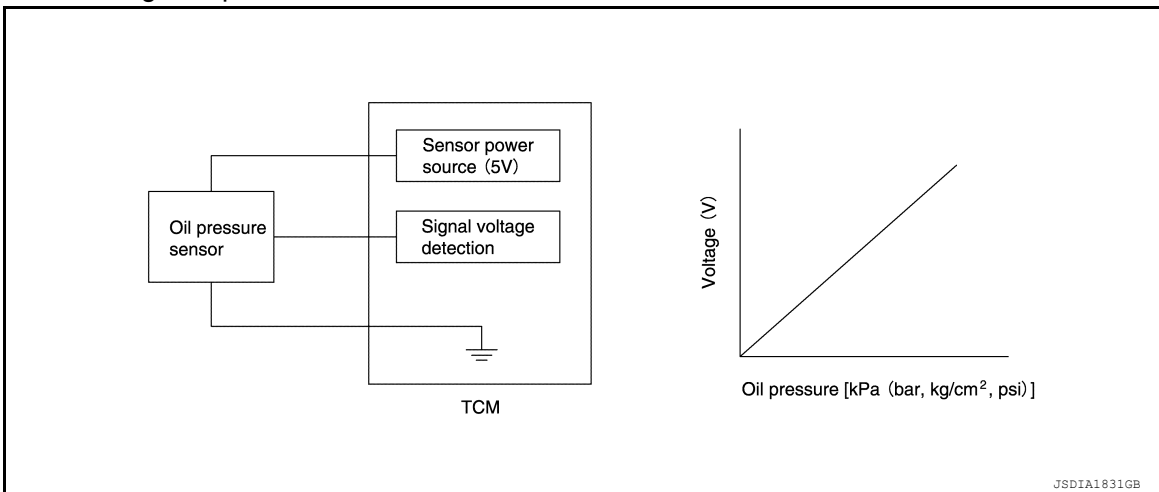
- The fluid temperature sensor uses a thermistor, and changes the signal voltage by converting changes in the CVT fluid temperature to a resistance value. TCM evaluates the CVT fluid temperature from the signal voltage value.



CVT CONTROL SYSTEM : Primary Pressure Sensor

INFOID:000000008734137

- The primary pressure sensor is installed to control valve.
- The primary pressure sensor detects the pressure applied to the primary pulley.
- When pressure is applied to the ceramic device in the primary pressure sensor, the ceramic device is deformed, resulting in voltage change. TCM evaluates the primary pressure from its voltage change. Voltage is increased along with pressure increase.



CVT CONTROL SYSTEM : Secondary Pressure Sensor

INFOID:000000008734138

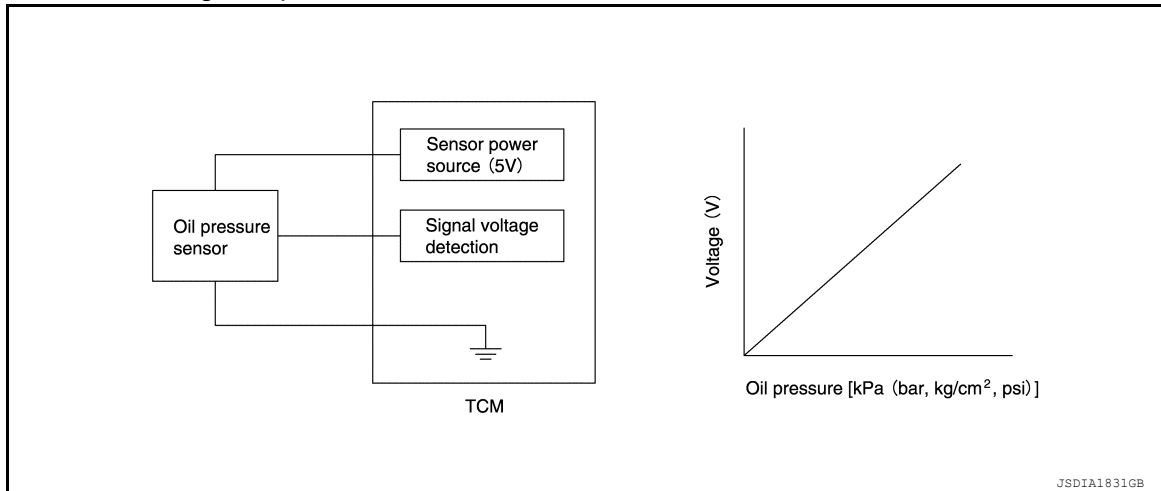
- The secondary pressure sensor is installed to control valve.
- The secondary pressure sensor detects the pressure applied to the secondary pulley.

COMPONENT PARTS

< SYSTEM DESCRIPTION >

[CVT: RE0F10E]

- When pressure is applied to the metal diaphragm in the secondary pressure sensor, the metal diaphragm is deformed, resulting in voltage change. TCM evaluates the secondary pressure from its voltage change. Voltage is increased along with pressure increase.



CVT CONTROL SYSTEM : Primary Pressure Solenoid Valve

INFOID:000000008734139

- The primary pressure solenoid valve is installed to control valve.
- The primary pressure solenoid valve controls the primary reducing valve. For information about the primary reducing valve, refer to [TM-231, "TRANSAXLE : Component Description"](#).
- The primary pressure solenoid valve uses the linear solenoid valve [N/H (normal high) type].

NOTE:

- The principle of the linear solenoid valve utilizes the fact that the force pressing on the valve spool installed inside the coil increases nearly in proportion to the current. This allows it to produce a fluid pressure that is proportional to this pressing force.
- The N/H (normal high) produces hydraulic control when the coil is not energized.

CVT CONTROL SYSTEM : Secondary Pressure Solenoid Valve

INFOID:000000008734140

- The secondary pressure solenoid valve is installed to control valve.
- The secondary pressure solenoid valve controls the secondary reducing valve. For information about the secondary reducing valve, refer to [TM-231, "TRANSAXLE : Component Description"](#).
- The secondary pressure solenoid valve uses the linear solenoid valve [N/H (normal high) type].

NOTE:

- The principle of the linear solenoid valve utilizes the fact that the force pressing on the valve spool installed inside the coil increases nearly in proportion to the current. This allows it to produce a fluid pressure that is proportional to this pressing force.
- The N/H (normal high) produces hydraulic control when the coil is not energized.

CVT CONTROL SYSTEM : Select Solenoid Valve

INFOID:000000008734141

- The select solenoid valve is installed to control valve.
- The select solenoid valve adjusts the tightening pressure of the forward clutch and reverse brake. For information about the forward clutch and reverse brake, refer to [TM-231, "TRANSAXLE : Component Description"](#).
- The select solenoid valve uses the linear solenoid valve [N/H (normal high) type].

NOTE:

- The principle of the linear solenoid valve utilizes the fact that the force pressing on the valve spool installed inside the coil increases nearly in proportion to the current. This allows it to produce a fluid pressure that is proportional to this pressing force.
- The N/H (normal high) type produces hydraulic control when the coil is not energized.

CVT CONTROL SYSTEM : Torque Converter Clutch Solenoid Valve

INFOID:000000008734142

- The torque converter clutch solenoid valve is installed to control valve.
- The torque converter clutch solenoid valve controls the torque converter clutch control valve. For information about the torque converter clutch control valve, refer to [TM-231, "TRANSAXLE : Component Description"](#).
- The torque converter clutch solenoid valve utilizes a linear solenoid valve [N/L (normal low) type].

COMPONENT PARTS

< SYSTEM DESCRIPTION >

[CVT: RE0F10E]

NOTE:

- The principle of the linear solenoid valve utilizes the fact that the force pressing on the valve spool installed inside the coil increases nearly in proportion to the current. This allows it to produce a fluid pressure that is proportional to this pressing force.
- The N/L (normal low) type does not produce hydraulic control when the coil is not energized.

CVT CONTROL SYSTEM : Line Pressure Solenoid Valve

INFOID:000000008734143

- The line pressure solenoid valve is installed to control valve.
- The line pressure solenoid valve controls the pressure regulator valve. For information about the pressure regulator valve, refer to [TM-231, "TRANSAXLE : Component Description"](#).
- The line pressure solenoid valve uses the linear solenoid valve [N/H (normal high) type].

NOTE:

- The principle of the linear solenoid valve utilizes the fact that the force pressing on the valve spool installed inside the coil increases nearly in proportion to the current. This allows it to produce a fluid pressure that is proportional to this pressing force.
- The N/H (normal high) produces hydraulic control when the coil is not energized.

CVT CONTROL SYSTEM : Paddle Shifter

INFOID:000000008734144

- The paddle shifter is installed to the steering.
- The paddle shifter transmits shift up and shift down switch signals to the combination meter. Then TCM receives signals from the combination meter via CAN communication.

PADDLE SHIFTER FUNCTION

Selector lever position	Function
D	Although driving in manual mode is possible, selector lever automatically returns to D position after a certain period of time because the selector lever is not fixed in manual mode.
DS	Driving with the selector lever fixed in manual mode is possible.

CVT CONTROL SYSTEM : Shift Position Indicator

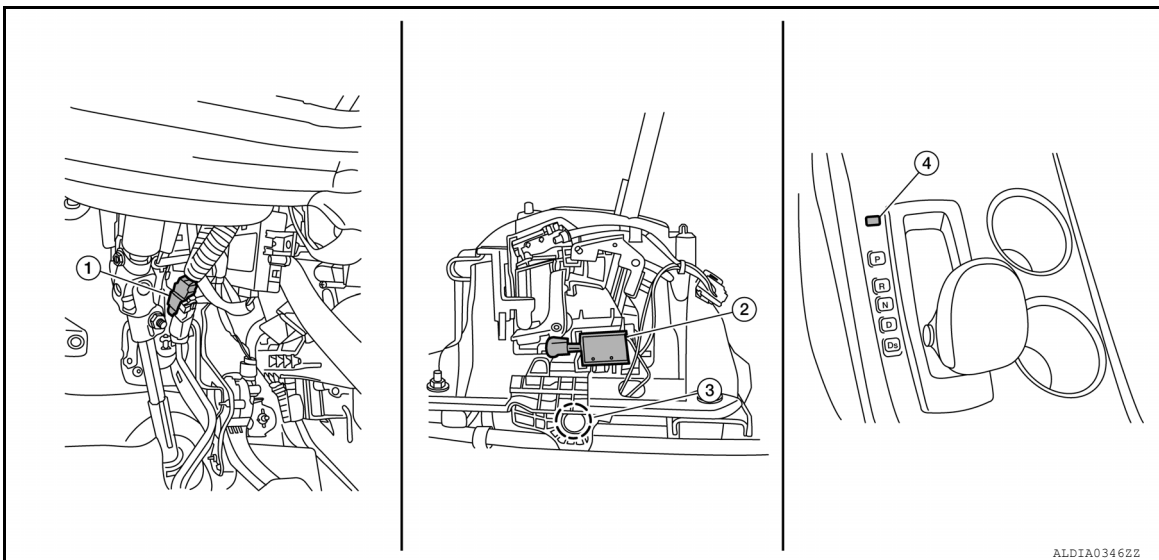
INFOID:000000008734146

TCM transmits shift position signal to combination meter via CAN communication. The actual shift position is displayed on combination meter according to the signal.

SHIFT LOCK SYSTEM

SHIFT LOCK SYSTEM : Component Parts Location

INFOID:000000008144917



COMPONENT DESCRIPTION

COMPONENT PARTS

< SYSTEM DESCRIPTION >

[CVT: RE0F10E]

No.	Component	Function
1.	Stop lamp switch	<ul style="list-style-type: none">• The stop lamp switch turns ON when the brake pedal is depressed.• When the stop lamp switch turns ON, the shift lock solenoid is energized.
2.	Shift lock solenoid	It operates according to the signal from the stop lamp switch and moves the lock lever.
3.	Park position switch	It detects that the selector lever is in "P" position.
4.	Shift lock release button	Forcibly releases the shift lock when pressed.

STRUCTURE AND OPERATION

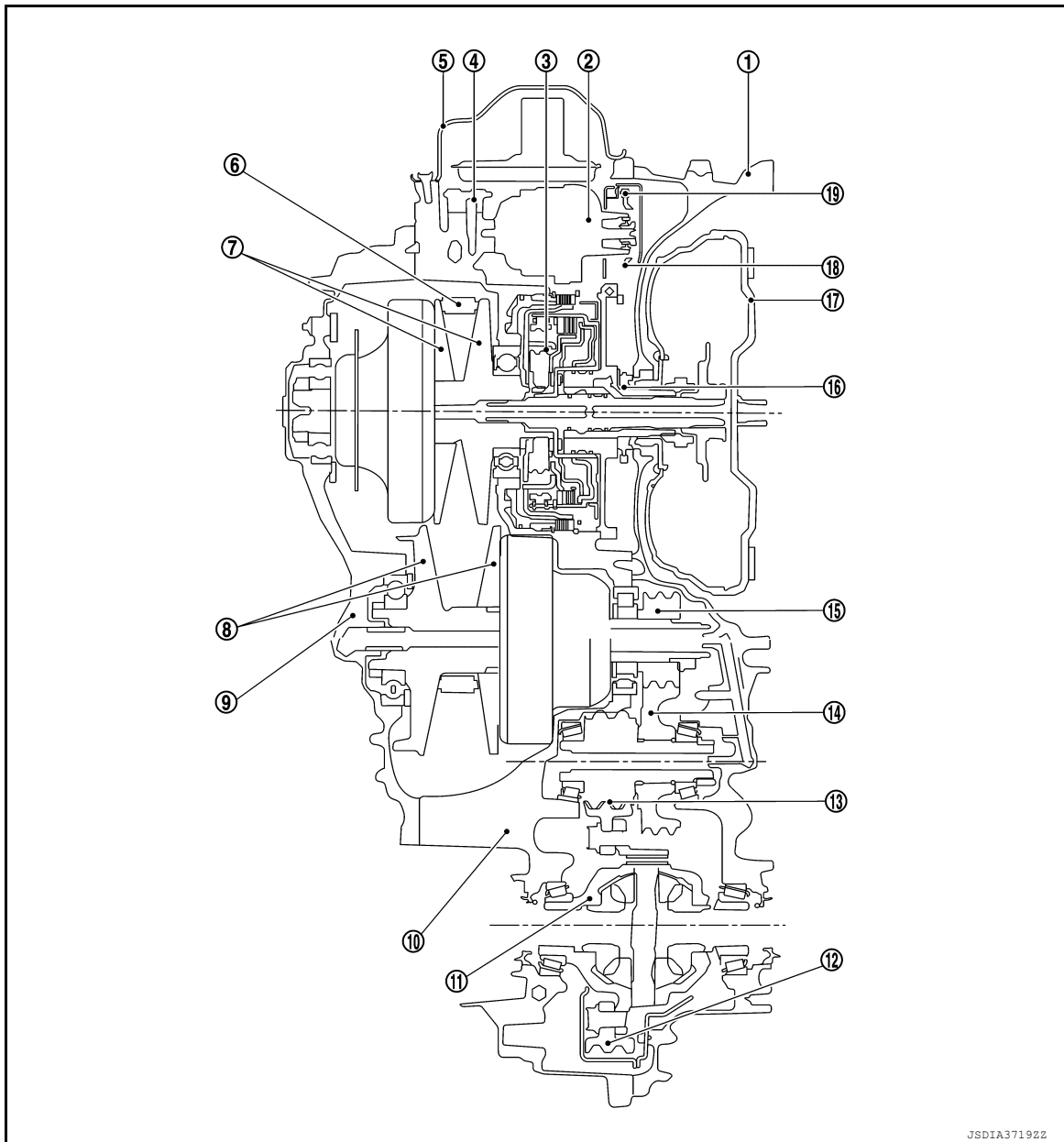
< SYSTEM DESCRIPTION >

[CVT: RE0F10E]

STRUCTURE AND OPERATION TRANSAXLE

TRANSAXLE : Cross-Sectional View

INFOID:000000008832077



- | | | |
|---------------------|---------------------|-------------------|
| ① Converter housing | ② Oil pump | ③ Planetary gear |
| ④ Control valve | ⑤ Oil pan | ⑥ Chain belt |
| ⑦ Primary pulley | ⑧ Secondary pulley | ⑨ Side cover |
| ⑩ Transaxle case | ⑪ Differential case | ⑫ Final gear |
| ⑬ Reduction gear | ⑭ Idler gear | ⑮ Output gear |
| ⑯ Drive sprocket | ⑰ Torque converter | ⑱ Driven sprocket |
| ⑲ Oil pump chain | | |

A
B
C
TM
E
F
G
H
I
J
K
L
M
N
O
P

STRUCTURE AND OPERATION

< SYSTEM DESCRIPTION >

[CVT: RE0F10E]

TRANSAXLE : Operation Status

INFOID:000000008144920

×: Engaged or applied.

Selector lever position	Parking mechanism	Forward clutch	Reverse brake	Primary pulley	Secondary pulley	Chain belt	Final drive
P	×						
R			×	×	×	×	×
N							
D		×		×	×	×	×
DS		×		×	×	×	×

TRANSAXLE : Transaxle Mechanism

INFOID:000000008144919

TORQUE CONVERTER (WITH LOCK-UP FUNCTION)

In the same way as a conventional A/T, the torque converter is a system that increases the engine torque and transmits the torque to the transaxle. A symmetrical 3-element, 1-stage, 2-phase type is used here.

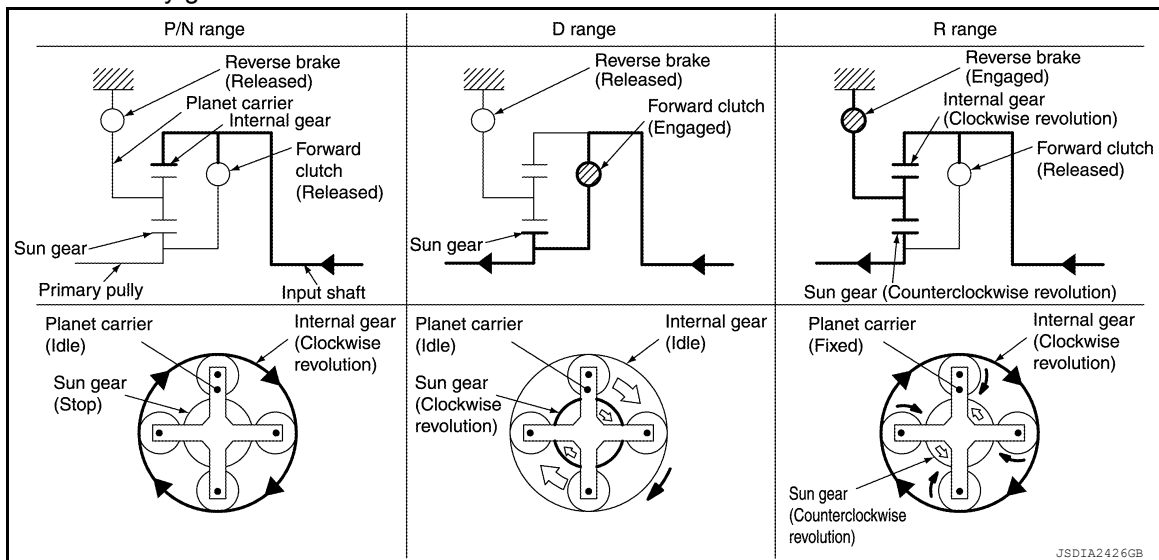
OIL PUMP

Utilizes a vane-type oil pump that is driven by the engine through the oil pump drive chain in order to increase efficiency of pump discharge volume in low-speed zone and optimize pump discharge volume in high-speed zone. Discharged oil from oil pump is transmitted to control valve. It is used as the oil of primary and secondary pulley operation, the oil of clutch operation, and the lubricant for each part.

PLANETARY GEAR

- A planetary gear type of forward/reverse selector mechanism is installed between the torque converter and primary pulley.
- The power from the torque converter is input via the input shaft, operating a wet multi-plate clutch by means of hydraulic pressure to switch between forward and reverse driving.

Operation of Planetary gear



BELT & PULLEY

It is composed of a pair of pulleys (the groove width is changed freely in the axial direction) and the chain belt. The groove width changes according to wrapping radius of chain belt and pulley from low status to overdrive status continuously with non-step. It is controlled with the oil pressures of primary pulley and secondary pulley.

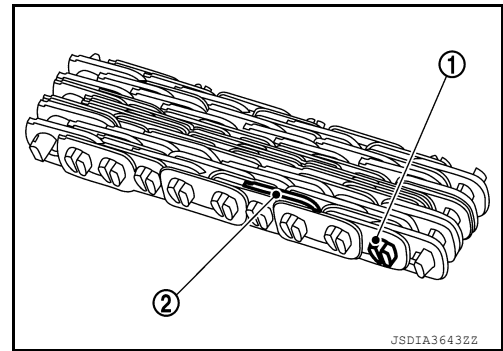
Chain belt

STRUCTURE AND OPERATION

< SYSTEM DESCRIPTION >

[CVT: RE0F10E]

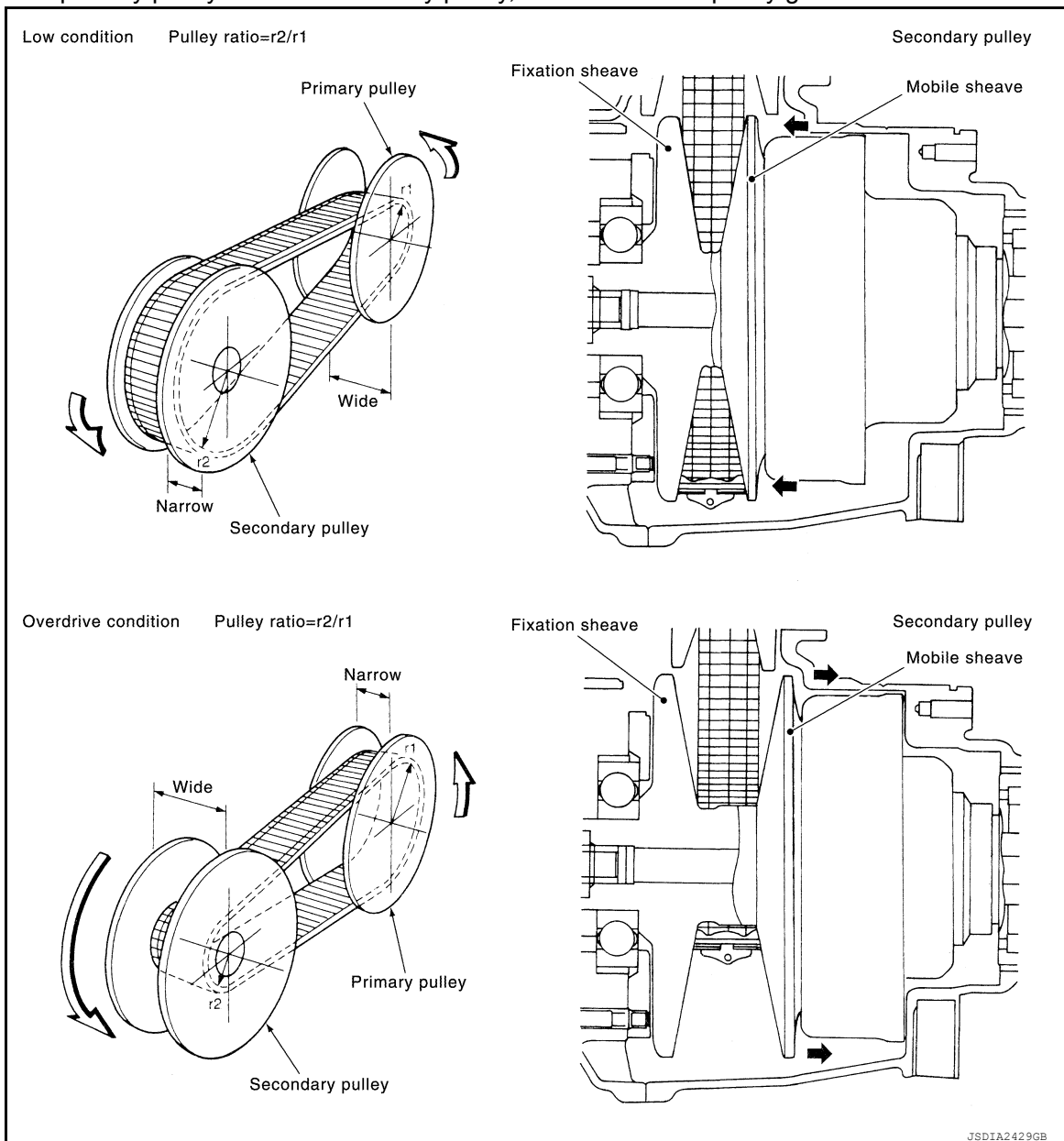
The chain belt consists of approximately 150 locker pins (1) and 1,000 link plates (2). Chains are rotated by locker pins sandwiched by pulleys. This produces tension difference in chains among pulleys. Accordingly, the power is transferred by the tension.



Pulley

The primary pulley (input shaft side) and the secondary pulley (output shaft side) have the shaft with slope (fixed cone surface), movable sheave (movable cone surface that can move in the axial direction) and oil pressure chamber at the back of the movable sheave.

The movable sheave slides on the shaft to change the groove width of the pulley. Input signals of engine load (accelerator pedal opening), primary pulley speed and secondary pulley speed change the operation pressures of the primary pulley and the secondary pulley, and controls the pulley groove width.



FINAL DRIVE AND DIFFERENTIAL

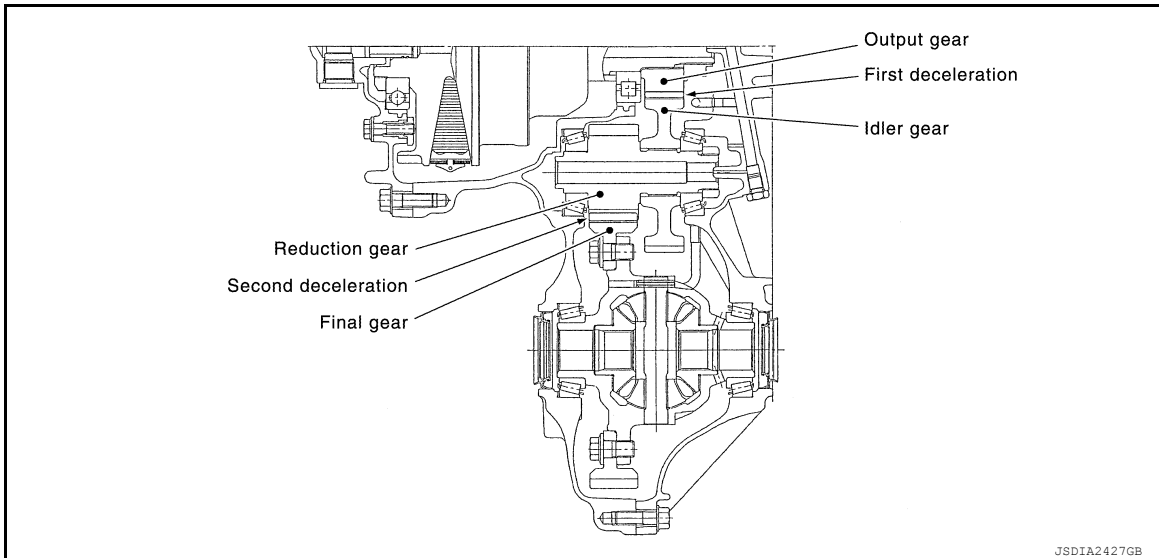
A
B
C
TM
E
F
G
H
I
J
K
L
M
N
O
P

STRUCTURE AND OPERATION

< SYSTEM DESCRIPTION >

[CVT: RE0F10E]

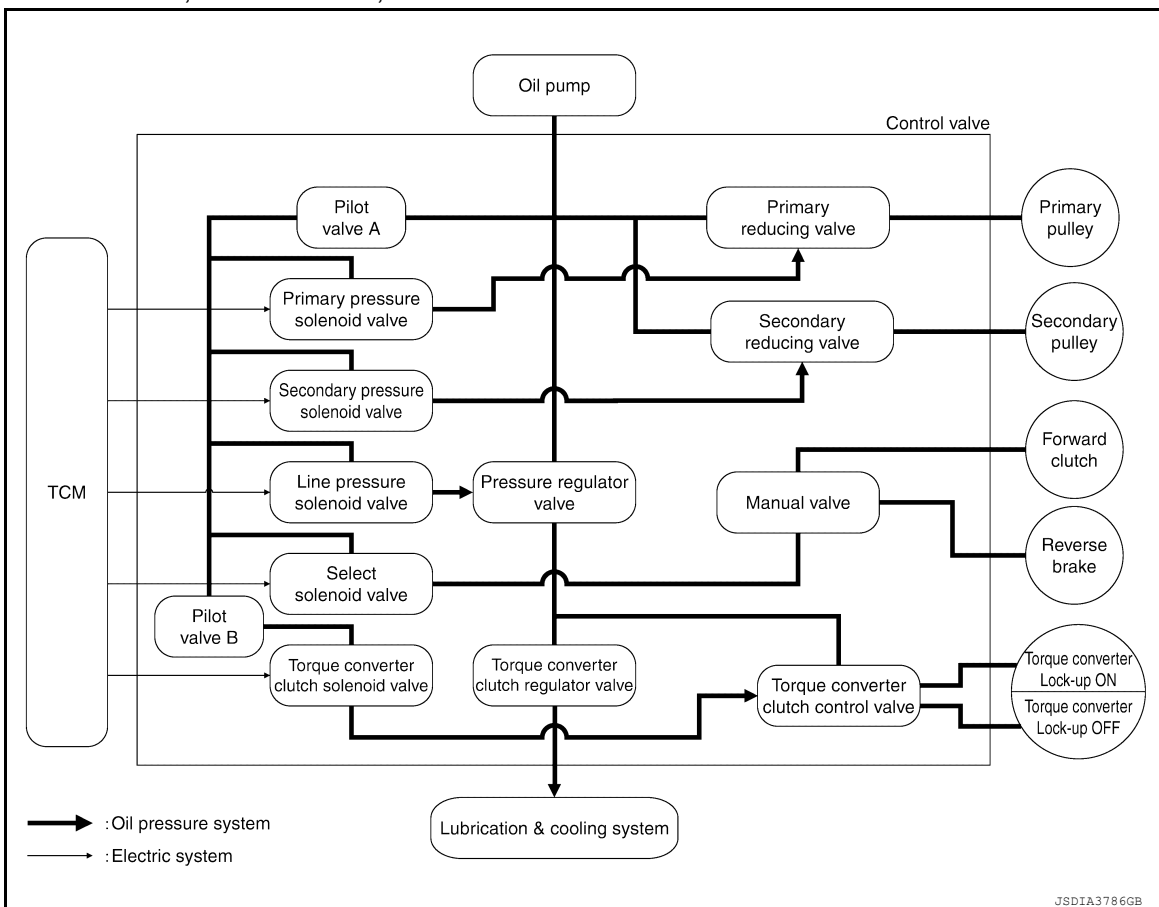
The deceleration gears are composed of 2 stages: primary deceleration (output gear, idler gear pair) and secondary deceleration (reduction gear, final gear pair). All of these gears are helical gears. The lubrication oil is the same as the CVT fluid which lubricates the entire transaxle.



TRANSAXLE : Oil Pressure System

INFOID:000000008836176

Oil pressure required for operation of the transaxle transmission mechanism is generated by oil pump, oil pressure control valve, solenoid valve, etc.



STRUCTURE AND OPERATION

< SYSTEM DESCRIPTION >

[CVT: RE0F10E]

TRANSAXLE : Component Description

INFOID:000000008144922

Part name	Function
Torque converter	Increases engine torque and transmits it to the transaxle.
Oil pump	Utilizes a vane-type oil pump that is driven by the engine through the oil pump drive chain in order to increase efficiency of pump discharge volume in low-speed zone and optimize pump discharge volume in high-speed zone. Discharged oil from oil pump is transmitted to control valve. It is used as the oil of primary and secondary pulley operation, the oil of clutch operation, and the lubricant for each part.
Forward clutch	The forward clutch is wet and multiple plate type clutch that consists of clutch drum, piston, drive plate, and driven plate. It is a clutch to move the vehicle forward by activating piston hydraulically, engaging plates, and directly connecting sun gear and input shaft.
Reverse brake	The reverse brake is a wet multiple-plate type brake that consists of transaxle case, piston, drive plate, and driven plate. It is a brake to move the vehicle in reverse by activating piston hydraulically, engaging plates, and fixing planetary gear.
Internal gear	The internal gear is directly connected to forward clutch drum. It is a gear that moves the outer edge of pinion planet of planet carrier. It transmits power to move the vehicle in reverse when the planet carrier is fixed.
Planet carrier	Composed of a carrier, pinion planet, and pinion shaft. This gear fixes and releases the planet carrier in order to switch between forward and reverse driving.
Sun gear	Sun gear is a set part with planet carrier and internal gear. It transmits transmitted force to primary fixed sheave. It rotates in forward or reverse direction according to activation of either forward clutch or reverse brake.
Input shaft	The input shaft is directly connected to forward clutch drum and transmits traction force from torque converter. In shaft center, there are holes for hydraulic distribution to primary pulley and hydraulic distribution for lockup ON/OFF.
Primary pulley	It is composed of a pair of pulleys (the groove width is changed freely in the axial direction) and the chain belt. The groove width changes according to wrapping radius of steel belt and pulley from low status to overdrive status continuously with non-step. It is controlled with the oil pressures of primary pulley and secondary pulley.
Secondary pulley	
Chain belt	
Manual shaft	When the manual shaft is in the P position, the parking rod that is linked to the manual shaft rotates the parking pole. When the parking pole rotates, it engages with the parking gear, fixing the parking gear. As a result, the secondary pulley that is integrated with the parking gear is fixed.
Parking rod	
Parking pawl	
Parking gear	
Output gear	The deceleration gears are composed of 2 stages: primary deceleration (output gear, idler gear pair) and secondary deceleration (reduction gear, final gear pair). All of these gears are helical gears.
Idler gear	
Reduction gear	
Differential	
Torque converter regulator valve	Adjusts the feed pressure to the torque converter to the optimum pressure corresponding to the driving condition.
Pressure regulator valve	Adjusts the discharge pressure from the oil pump to the optimum pressure (line pressure) corresponding to the driving condition.
Torque converter clutch control valve	Adjusts the torque converter engage and disengage pressures.
Manual valve	Distributes the clutch operation pressure to each circuit according to the selector lever position.
Secondary reducing valve	Reduces line pressure and adjusts secondary pressure.
Primary reducing valve	Reduces line pressure and adjusts primary pressure.
Pilot valve A	Reduces line pressure and adjusts pilot pressure to the solenoid valves listed below. <ul style="list-style-type: none"> • Primary pressure solenoid valve • Secondary pressure solenoid valve • Select solenoid valve • Line pressure solenoid valve
Pilot valve B	Reduces pilot pressure and adjusts pilot pressure to the torque converter clutch solenoid valve.

FLUID COOLER & FLUID WARMER SYSTEM

STRUCTURE AND OPERATION

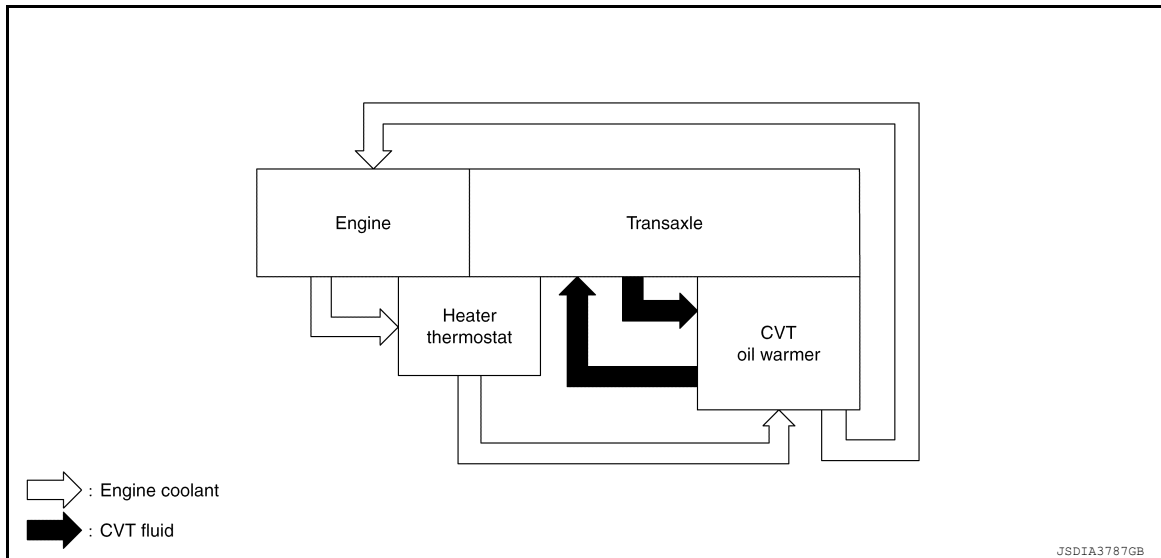
< SYSTEM DESCRIPTION >

[CVT: RE0F10E]

FLUID COOLER & FLUID WARMER SYSTEM : System Description

INFOID:000000008144923

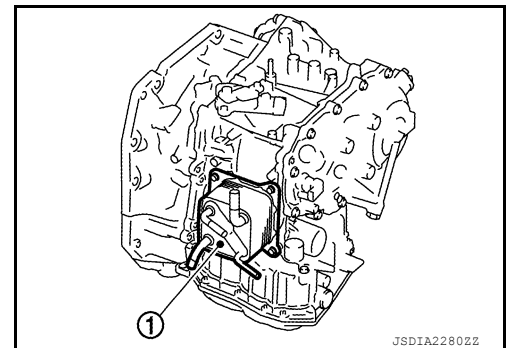
CVT FLUID COOLER SCHEMATIC



COMPONENT DESCRIPTION

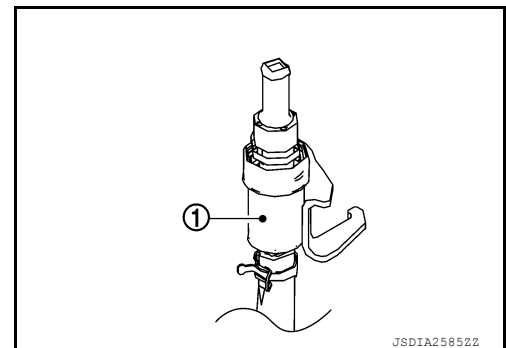
CVT Oil Warmer

- The CVT oil warmer (1) is installed on the front part of transaxle assembly.
- When engine is started while engine and CVT are cold, engine coolant temperature rises more quickly than CVT fluid temperature. CVT oil warmer is provided with two circuits for CVT and engine coolant respectively so that warmed engine coolant warms CVT quickly. This helps shorten CVT warming up time, improving fuel economy.
- A cooling effect is obtained when CVT fluid temperature is high.



Heater Thermostat

- The heater thermostat (1) is installed on the front part of transaxle assembly.
- The heater thermostat open and close with set temperature.



SHIFT LOCK SYSTEM

SHIFT LOCK SYSTEM : System Description

INFOID:000000008659903

The shift lever cannot be shifted from the "P" position unless the brake pedal is depressed while the ignition switch is set to ON. The shift lock is unlocked by turning the shift lock solenoid ON when the ignition switch is set to ON, the park position switch is turned ON (selector lever is in "P" position), and the stop lamp switch is turned ON (brake pedal is depressed) as shown in the operation chart in the figure. Therefore, the shift lock solenoid receives no ON signal and the shift lock remains locked if all of the above conditions are not fulfilled. However, selector operation is allowed if the shift lock release button is pressed.

STRUCTURE AND OPERATION

< SYSTEM DESCRIPTION >

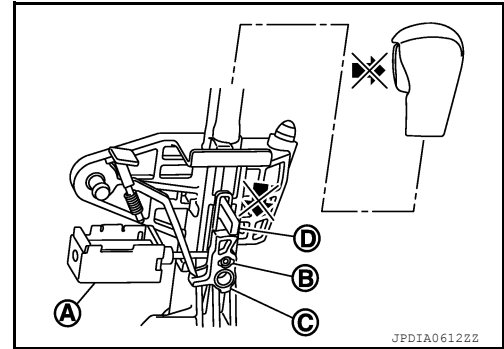
[CVT: RE0F10E]

SHIFT LOCK OPERATION AT "P" POSITION

When Brake Pedal Is Not Depressed (No Selector Operation Allowed)

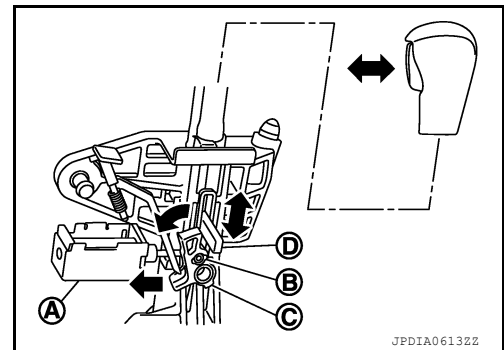
The shift lock solenoid (A) is turned OFF (not energized) and the solenoid rod (B) is extended with the spring when the brake pedal is not depressed (no selector operation allowed) with the ignition switch ON.

The connecting lock lever (C) is located at the position shown in the figure when the solenoid rod is extended. It prevents the movement of the detent rod (D). For these reasons, the selector lever cannot be shifted from the "P" position.



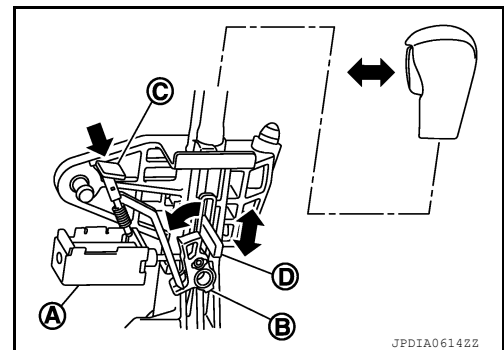
When Brake Pedal Is Depressed (Shift Operation Allowed)

The shift lock solenoid (A) is turned ON (energized) when the brake pedal is depressed with the ignition switch ON. The solenoid rod (B) is compressed by the electromagnetic force. The connecting lock lever (C) rotates when the solenoid is activated. Therefore, the detent rod (D) can be moved. For these reasons, the selector lever can be shifted to other positions.



"P" POSITION HOLD MECHANISM (IGNITION SWITCH LOCK)

The shift lock solenoid (A) is not energized when the ignition switch is in any position other than ON. In this condition, the shift mechanism is locked and "P" position is held. The operation cannot be performed from "P" position if the brake pedal is depressed with the ignition switch ON when the operation system of shift lock solenoid is malfunctioning. However, the lock lever (B) is forcibly rotated and the shift lock is released when the shift lock release button (C) is pressed from above. Then the selector operation from "P" position can be performed.



D : Detent rod

CAUTION:

Use the shift lock release button only when the selector lever cannot be operated even if the brake pedal is depressed with the ignition switch ON.

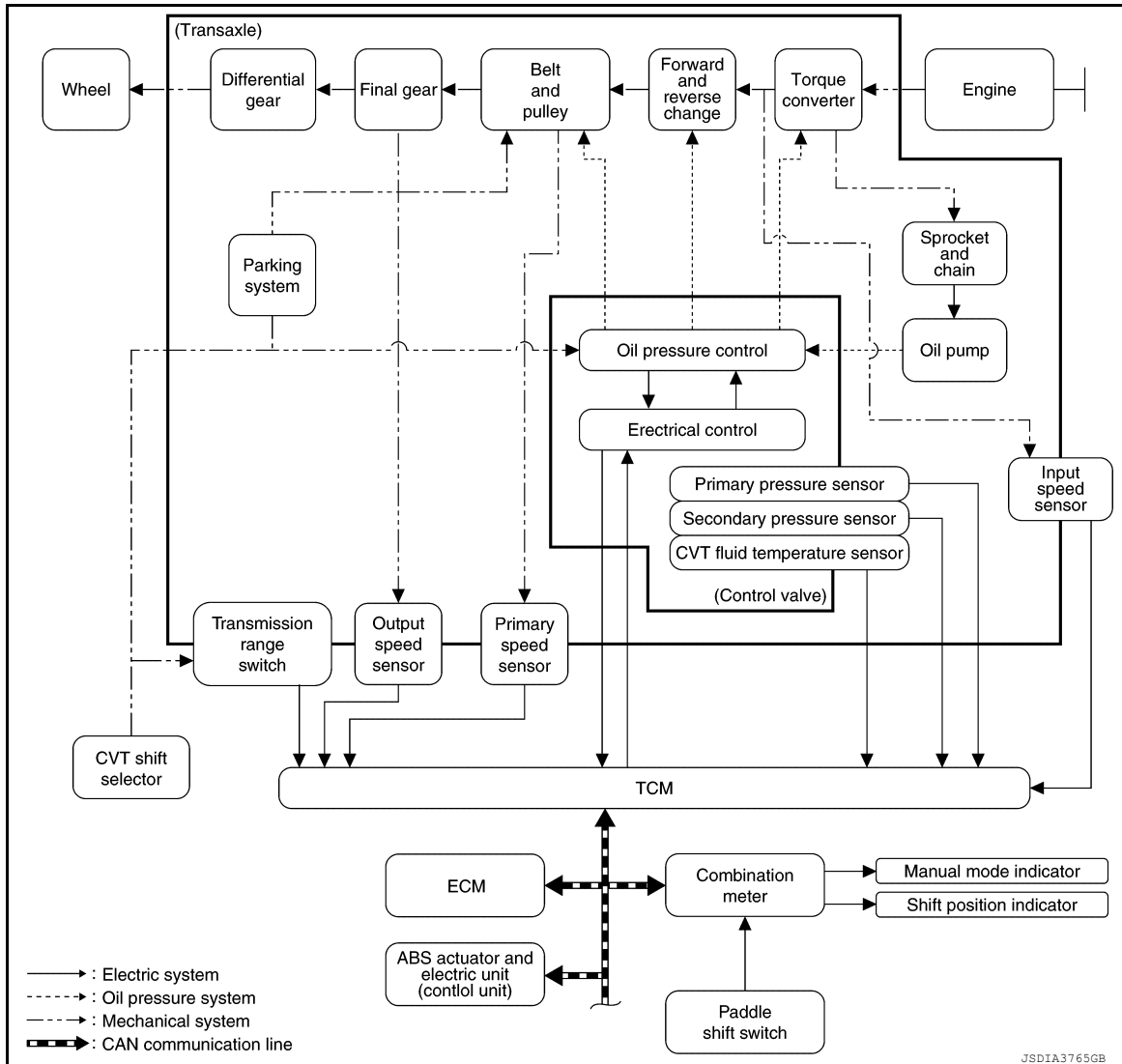
SYSTEM

CVT CONTROL SYSTEM

CVT CONTROL SYSTEM : System Description

INFOID:000000008831860

SYSTEM DIAGRAM



MAIN CONTROL CONTENTS OF TCM

Controls	Reference
Line pressure control	TM-239, "LINE PRESSURE CONTROL : System Description"
Shift control	TM-240, "SHIFT CONTROL : System Description"
Select control	TM-241, "SELECT CONTROL : System Description"
Lock-up control	TM-242, "LOCK-UP CONTROL : System Description"
Fail-safe	TM-260, "Fail-safe"
Self-diagnosis function	TM-247, "CONSULT Function"
Communication function with CONSULT	TM-247, "CONSULT Function"

SYSTEM DESCRIPTION

SYSTEM

< SYSTEM DESCRIPTION >

[CVT: RE0F10E]

- CVT detects the vehicle driving status from switches, sensors and signals, and controls the vehicle so that the optimum shift position and shift timing may always be achieved. It also controls the vehicle to reduce shift and lockup shock, etc.
- Receives input signals from switches and sensors.
- Sends the output signal necessary for operation of solenoid valves, and evaluates the line pressure, shift timing, lockup operation, engine brake performance, etc.
- If a malfunction occurs on the electric system, activate the fail-safe mode only to drive the vehicle.

LIST OF CONTROL ITEMS AND INPUT/OUTPUT

Control Item		Shift control	Line pressure control	Select control	Lock-up control	Fail-safe function*
Input	Engine torque signal (CAN communication)	×	×	×	×	×
	Engine speed signal (CAN communication)	×	×	×	×	×
	Accelerator pedal position signal (CAN communication)	×	×	×	×	
	Closed throttle position signal (CAN communication)	×	×		×	
	Stop lamp switch signal (CAN communication)	×	×	×	×	
	Primary pressure sensor					×
	Secondary pressure sensor	×	×			×
	CVT fluid temperature sensor	×	×	×	×	×
	Primary speed sensor	×	×	×	×	×
	Output speed sensor	×	×		×	×
	Input speed sensor	×	×	×	×	×
	Transmission range switch	×	×	×	×	×
	Paddle shifter (CAN communication)	×	×		×	
Output	Line pressure solenoid valve	×	×	×		×
	Primary pressure solenoid valve	×	×			×
	Torque converter clutch solenoid valve				×	×
	Secondary pressure solenoid valve	×	×			×
	Select solenoid valve	×		×		×
	Shift position indicator (CAN communication)			×		

*: If these input/output signals show errors, TCM activates the fail-safe function.

CVT CONTROL SYSTEM : Fail-safe

INFOID:000000008831967

TCM has a fail-safe mode. The mode functions so that operation can be continued even if the signal circuit of the main electronically controlled input/output parts is damaged.

If the vehicle shows following behaviors including “poor acceleration”, a malfunction of the applicable system is detected by TCM and the vehicle may be in a fail-safe mode. At this time, check the DTC code and perform inspection and repair according to the malfunction diagnosis procedures.

Fail-safe function

SYSTEM

< SYSTEM DESCRIPTION >

[CVT: RE0F10E]

DTC	Vehicle behavior	Conditions of vehicle
P062F	<ul style="list-style-type: none"> • Not changed from normal driving 	—
P0705	<ul style="list-style-type: none"> • Shift position indicator on combination meter is not displayed • Selector shock is large • Start is slow • Acceleration is slow • Lock-up is not performed 	—
P0706	<ul style="list-style-type: none"> • Shift position indicator on combination meter is not displayed • Selector shock is large • Start is slow • Acceleration is slow • Lock-up is not performed 	—
P0711	<ul style="list-style-type: none"> • Start is slow • Acceleration is slow 	Engine coolant temperature when engine start: Temp. $\geq 10^{\circ}\text{C}$ (50°F)
	<ul style="list-style-type: none"> • Selector shock is large • Start is slow • Acceleration is slow 	Engine coolant temperature when engine start: -35°C (-31°F) \leq Temp. $< 10^{\circ}\text{C}$ (50°F)
	<ul style="list-style-type: none"> • Selector shock is large • Start is slow • Acceleration is slow 	Engine coolant temperature when engine start: Temp. $< -35^{\circ}\text{C}$ (-31°F)
P0712	<ul style="list-style-type: none"> • Start is slow • Acceleration is slow 	Engine coolant temperature when engine start: Temp. $\geq 10^{\circ}\text{C}$ (50°F)
	<ul style="list-style-type: none"> • Selector shock is large • Start is slow • Acceleration is slow 	Engine coolant temperature when engine start: -35°C (-31°F) \leq Temp. $< 10^{\circ}\text{C}$ (50°F)
	<ul style="list-style-type: none"> • Selector shock is large • Start is slow • Acceleration is slow 	Engine coolant temperature when engine start: Temp. $< -35^{\circ}\text{C}$ (-31°F)
P0713	<ul style="list-style-type: none"> • Start is slow • Acceleration is slow 	Engine coolant temperature when engine start: Temp. $\geq 10^{\circ}\text{C}$ (50°F)
	<ul style="list-style-type: none"> • Selector shock is large • Start is slow • Acceleration is slow 	Engine coolant temperature when engine start: -35°C (-31°F) \leq Temp. $< 10^{\circ}\text{C}$ (50°F)
	<ul style="list-style-type: none"> • Selector shock is large • Start is slow • Acceleration is slow 	Engine coolant temperature when engine start: Temp. $< -35^{\circ}\text{C}$ (-31°F)
P0715	<ul style="list-style-type: none"> • Start is slow • Acceleration is slow • Lock-up is not performed 	—
P0717	<ul style="list-style-type: none"> • Start is slow • Acceleration is slow • Lock-up is not performed 	—
P0740	<ul style="list-style-type: none"> • Start is slow • Acceleration is slow • Lock-up is not performed 	—
P0743	<ul style="list-style-type: none"> • Start is slow • Acceleration is slow • Lock-up is not performed 	—
P0744	<ul style="list-style-type: none"> • Start is slow • Acceleration is slow • Lock-up is not performed 	—
P0746	<ul style="list-style-type: none"> • Selector shock is large • Start is slow • Acceleration is slow • Lock-up is not performed 	—

SYSTEM

< SYSTEM DESCRIPTION >

[CVT: RE0F10E]

DTC	Vehicle behavior	Conditions of vehicle	
P0776	<ul style="list-style-type: none"> • Selector shock is large • Start is slow • Acceleration is slow • Lock-up is not performed • Vehicle speed is not increased 	When a malfunction occurs on the low oil pressure side	A
	<ul style="list-style-type: none"> • Selector shock is large • Start is slow • Acceleration is slow • Lock-up is not performed 	When a malfunction occurs on the high oil pressure side	B
P0778	<ul style="list-style-type: none"> • Selector shock is large • Start is slow • Acceleration is slow • Lock-up is not performed 	—	C
P0779	<ul style="list-style-type: none"> • Selector shock is large • Start is slow • Acceleration is slow • Lock-up is not performed 		TM
P0841	<ul style="list-style-type: none"> • Not changed from normal driving 		E
P0847	<ul style="list-style-type: none"> • Not changed from normal driving 	—	F
P0848	<ul style="list-style-type: none"> • Not changed from normal driving 	—	G
P084C	<ul style="list-style-type: none"> • Not changed from normal driving 		H
P084D	<ul style="list-style-type: none"> • Not changed from normal driving 		I
P0863	<ul style="list-style-type: none"> • Selector shock is large • Start is slow • Acceleration is slow • Lock-up is not performed 	—	J
P0890	<ul style="list-style-type: none"> • Selector shock is large • Start is slow • Acceleration is slow • Lock-up is not performed • Vehicle speed is not increased 		K
P0962	<ul style="list-style-type: none"> • Selector shock is large • Start is slow • Acceleration is slow • Lock-up is not performed 	—	L
P0963	<ul style="list-style-type: none"> • Selector shock is large • Start is slow • Acceleration is slow • Lock-up is not performed 	—	M
P0965	<ul style="list-style-type: none"> • Selector shock is large • Start is slow • Acceleration is slow • Lock-up is not performed 	When a malfunction occurs on the low oil pressure side	N
	<ul style="list-style-type: none"> • Selector shock is large • Lock-up is not performed 	When a malfunction occurs on the high oil pressure side	O
P0966	<ul style="list-style-type: none"> • Selector shock is large • Start is slow • Acceleration is slow • Lock-up is not performed 	—	P
P0967	<ul style="list-style-type: none"> • Selector shock is large • Start is slow • Acceleration is slow • Lock-up is not performed 	—	
P2765	<ul style="list-style-type: none"> • Start is slow • Acceleration is slow • Lock-up is not performed 	—	

SYSTEM

< SYSTEM DESCRIPTION >

[CVT: RE0F10E]

DTC	Vehicle behavior	Conditions of vehicle
P2813	<ul style="list-style-type: none"> • Selector shock is large • Start is slow • Acceleration is slow • Vehicle speed is not increased 	When a malfunction occurs on the low oil pressure side
	<ul style="list-style-type: none"> • Selector shock is large 	When a malfunction occurs on the high oil pressure side
P2814	<ul style="list-style-type: none"> • Selector shock is large 	—
P2815	<ul style="list-style-type: none"> • Selector shock is large 	—
U0073	<ul style="list-style-type: none"> • Selector shock is large • Start is slow • Acceleration is slow • Lock-up is not performed 	—
	<ul style="list-style-type: none"> • Selector shock is large • Start is slow • Acceleration is slow • Lock-up is not performed 	—
U0140	<ul style="list-style-type: none"> • Not changed from normal driving 	—
U0141	<ul style="list-style-type: none"> • Not changed from normal driving 	—
U0155	<ul style="list-style-type: none"> • Not changed from normal driving 	—
U0300	<ul style="list-style-type: none"> • Selector shock is large • Start is slow • Acceleration is slow • Lock-up is not performed 	—
	<ul style="list-style-type: none"> • Selector shock is large • Start is slow • Acceleration is slow • Lock-up is not performed 	—
U1000	<ul style="list-style-type: none"> • Not changed from normal driving 	—
U1117	<ul style="list-style-type: none"> • Not changed from normal driving 	—

CVT CONTROL SYSTEM : Protection Control

INFOID:000000008831968

The TCM becomes the protection control status temporarily to protect the safety when the safety of TCM and transmission is lost. It automatically returns to the normal status if the safety is secured.
The TCM has the following protection control.

CONTROL FOR WHEEL SPIN

Control	When a wheel spin is detected, the engine output and gear ratio are limited and the line pressure is increased. Limits engine output when a wheel spin occurs in any of right and left drive wheels.
Vehicle behavior in control	If the accelerator is kept depressing during wheel spin, the engine revolution and vehicle speed are limited to a certain degree.
Normal return condition	Wheel spin convergence returns the control to the normal control.

TORQUE IS REDUCED WHEN DRIVING WITH THE REVERSE GEAR

Control	Engine output is controlled according to a vehicle speed while reversing the vehicle.
Vehicle behavior in control	Power performance may be lowered while reversing the vehicle.
Normal return condition	Torque returns to normal by positioning the selector lever in a range other than "R" position.

CONTROL WHEN FLUID TEMPERATURE IS HIGH

Control	When the CVT fluid temperature is high, the gear shift permission maximum revolution and the maximum torque are reduced than usual to prevent increase of the oil temperature.
Vehicle behavior in control	Power performance may be lowered, compared to normal control.
Normal return condition	The control returns to the normal control when CVT fluid temperature is lowered.

REVERSE PROHIBIT CONTROL

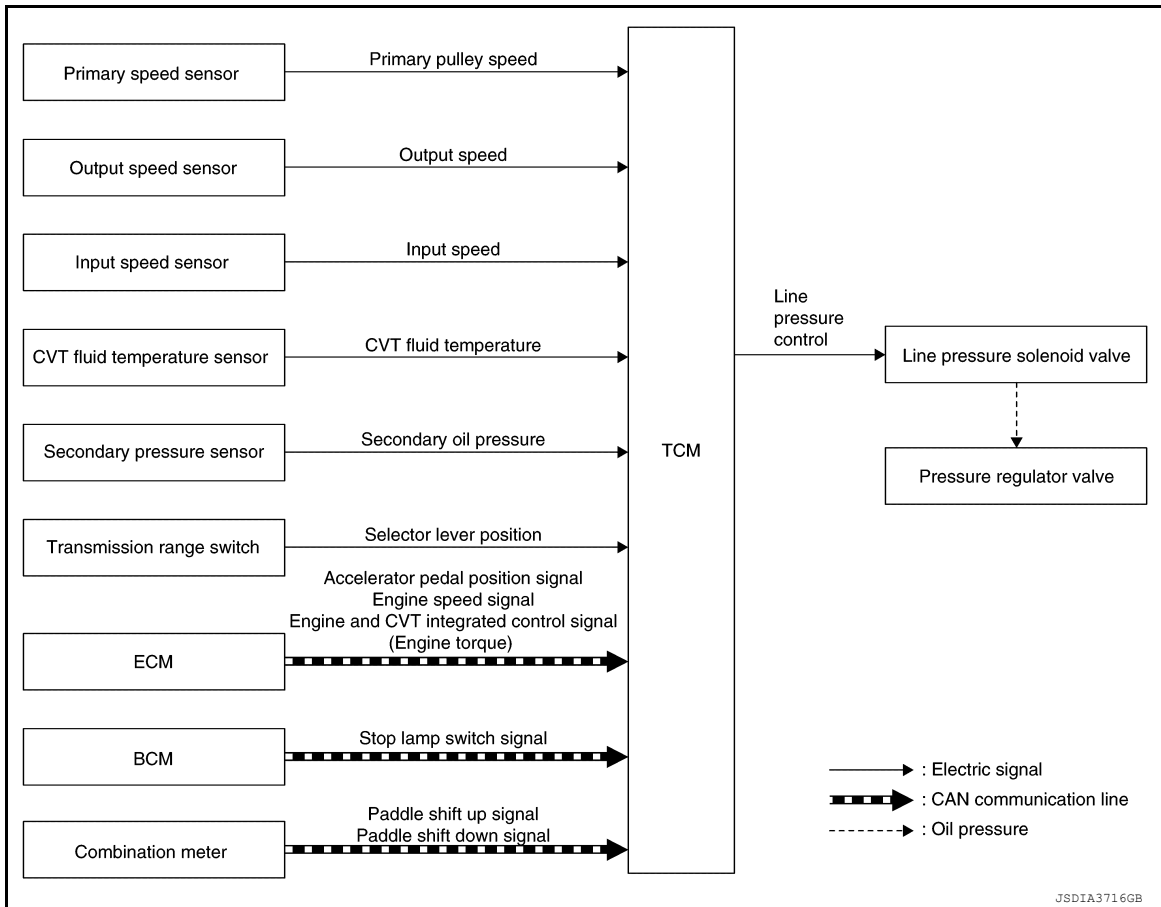
Control	The reverse brake is controlled to avoid becoming engaged when the selector lever is set in "R" position while driving in forward direction at more than the specified speed.
Vehicle behavior in control	If the selector lever is put at "R" position when driving with the forward gear, the gear becomes neutral, not reverse.
Normal return condition	The control returns to normal control when the vehicle is driven at low speeds. (The reverse brake becomes engaged.)

LINE PRESSURE CONTROL

LINE PRESSURE CONTROL : System Description

INFOID:000000008832079

SYSTEM DIAGRAM



DESCRIPTION

Highly accurate line pressure control (secondary pressure control) reduces friction for improvement of fuel economy.

Normal Oil Pressure Control

Appropriate line pressure and secondary pressure suitable for driving condition are determined based on the accelerator pedal position, engine speed, primary pulley (input) speed, secondary pulley (output) speed, vehicle speed, input torque, stop lamp switch signal, transmission range switch signal, lock-up signal, power voltage, target shift ratio, oil temperature, oil pressure, and paddle shift (up/down) signal.

Secondary Pressure Feedback Control

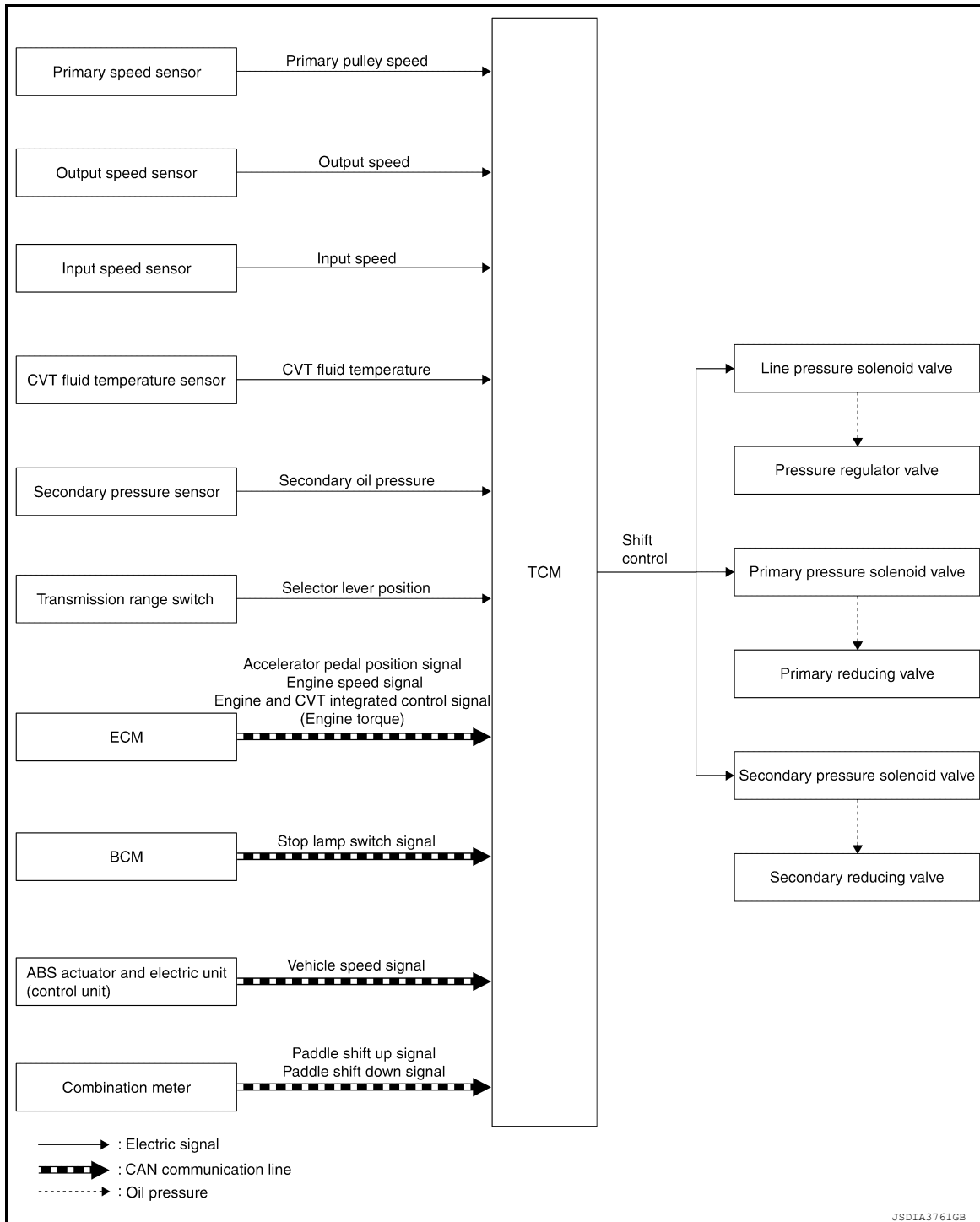
In normal oil pressure control and oil pressure control in shifting, highly accurate secondary pressure is determined by detecting the secondary pressure using an oil pressure sensor and by feedback control.

SHIFT CONTROL

SHIFT CONTROL : System Description

INFOID:000000008832086

SYSTEM DIAGRAM



DESCRIPTION

To select the gear ratio that can give the driving force to meet driver's intent or vehicle situation, the vehicle driving condition such as vehicle speed or accelerator pedal position is detected and the most appropriate gear ratio is selected and the shifting method before reaching the speed is determined. The information is output to the primary pressure solenoid valve and secondary pressure solenoid valve to control the line pressure input/output to the pulley, to determine the pulley (movable pulley) position and to control the gear position.

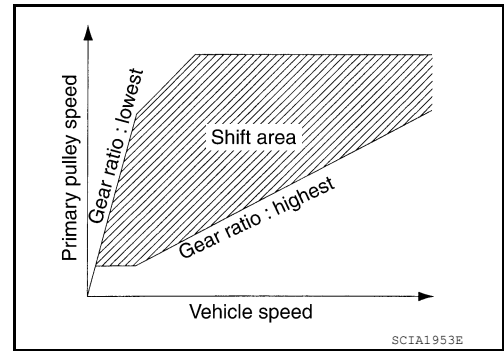
D Position

SYSTEM

< SYSTEM DESCRIPTION >

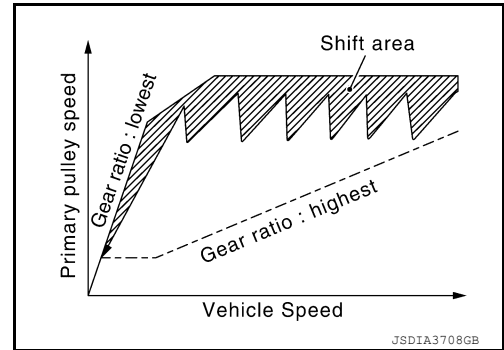
[CVT: RE0F10E]

Gear shifting is performed in all shifting ranges from the lowest to the highest gear ratio.



DS Position

Pressing down the accelerator pedal allows to drive the vehicle with a feeling of M/T-like gear shifting.

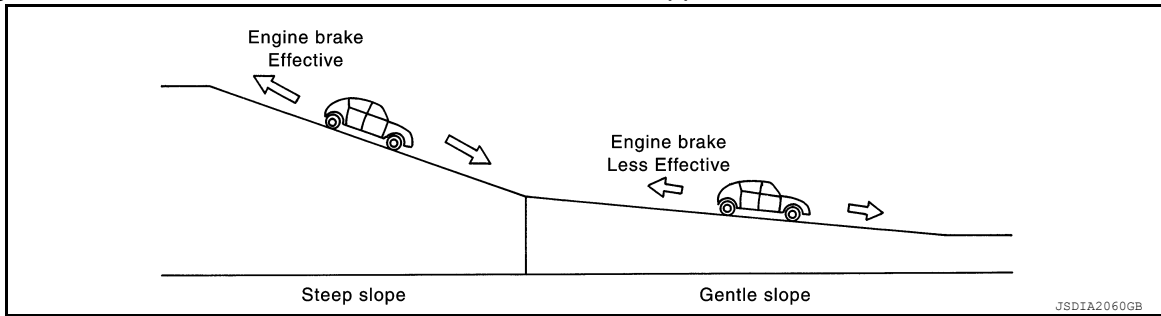


Hill Climbing And Descending Control

If a downhill is detected with the accelerator pedal is released, the system performs downshift to increase the engine brake force so that vehicle may not be accelerated more than necessary. If a climbing hill is detected, the system improves the acceleration performance in re-acceleration by limiting the gear shift range on the high side.

NOTE:

For engine brake control on a downhill, the control can be stopped with CONSULT.



Control In Acceleration

From change of the vehicle speed or accelerator pedal position, the acceleration request level of the driver or driving scene is evaluated. In start or acceleration during driving, the gear shift characteristics with linearity of revolution increase and vehicle speed increase are gained to improve the acceleration feel.

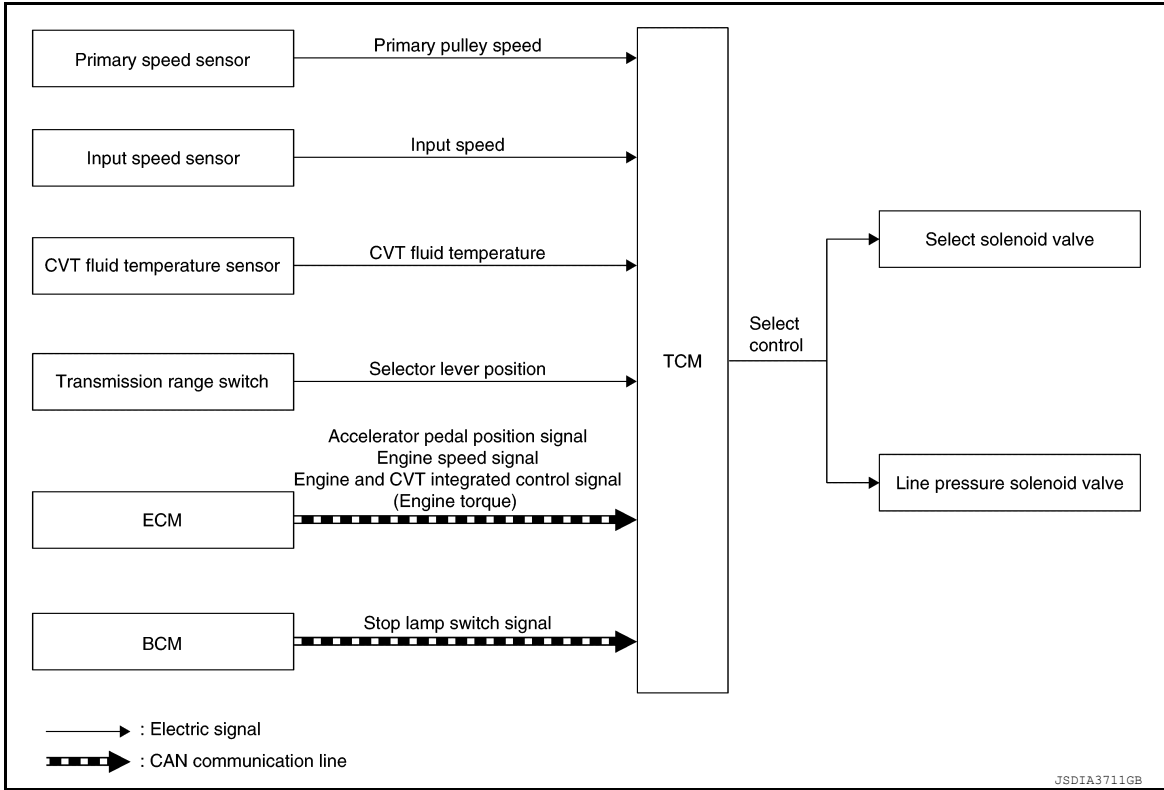
SELECT CONTROL

SELECT CONTROL : System Description

INFOID:000000008832087

SYSTEM DIAGRAM

A
B
C
TM
E
F
G
H
I
J
K
L
M
N
O
P



DESCRIPTION

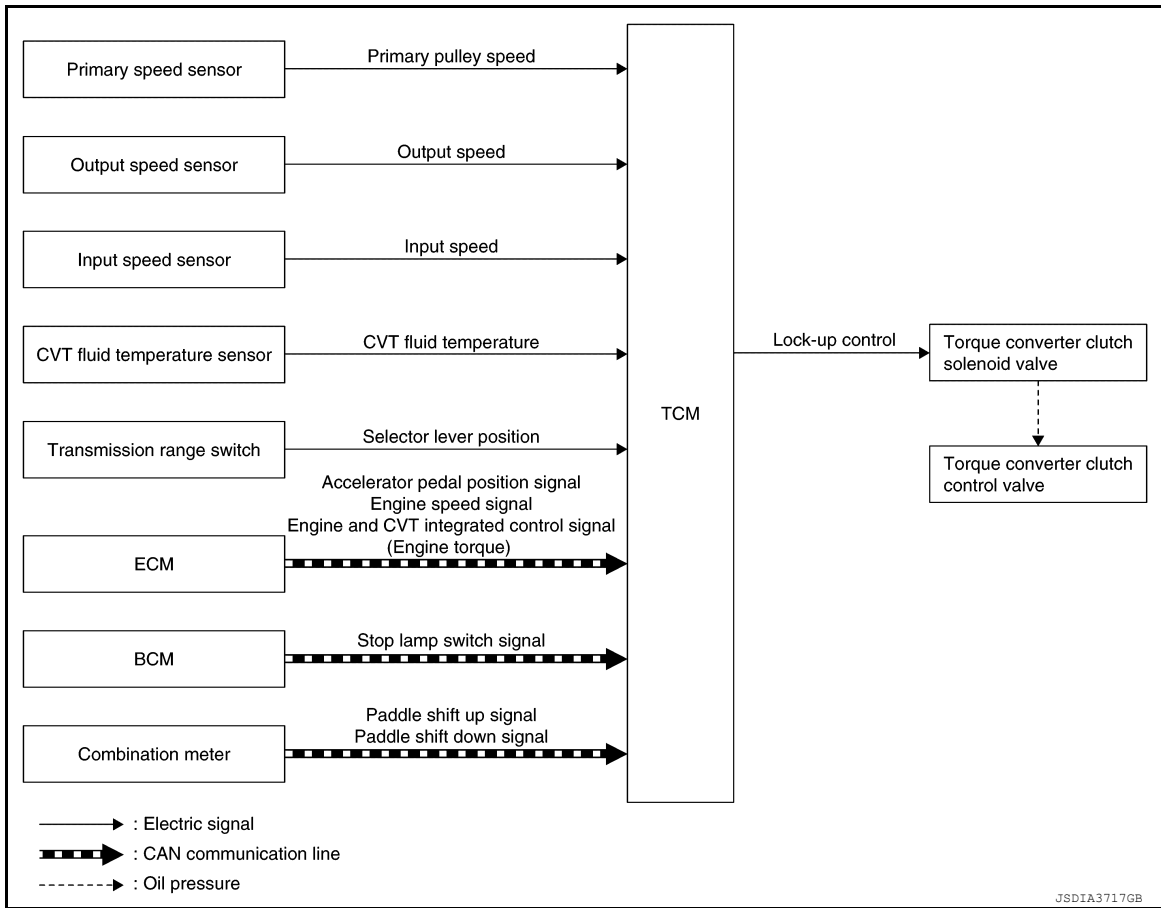
Based on accelerator pedal angle, engine speed, primary pulley speed, and the input speed, the optimum operating pressure is set to reduce impact of a selector lever operation while shifting from “N” (“P”) to “D” (“R”) position.

LOCK-UP CONTROL

LOCK-UP CONTROL : System Description

INFOID:000000008832088

SYSTEM DIAGRAM



A
B
C
TM
E
F
G
H
I
J
K
L
M
N
O
P

DESCRIPTION

- Controls for improvement of the transmission efficiency by engaging the torque converter clutch in the torque converter and eliminating slip of the converter. Achieves comfortable driving with slip control of the torque converter clutch.
- The oil pressure feed circuit for the torque converter clutch piston chamber is connected to the torque converter clutch control valve. The torque converter clutch control valve is switched by the torque converter clutch solenoid valve with the signal from TCM. This controls the oil pressure circuit, which is supplied to the torque converter clutch piston chamber, to the release side or engagement side.
- If the CVT fluid temperature is low or the vehicle is in fail-safe mode due to malfunction, lock-up control is prohibited.

Lock-up engagement

In lock-up engagement, the torque converter clutch solenoid valve makes the torque converter clutch control valve locked up to generate the lock-up apply pressure. This pushes the torque converter clutch piston for engagement.

Lock-up release condition

In lock-up release, the torque converter clutch solenoid valve makes the torque converter clutch control valve non-locked up to drain the lock-up apply pressure. This does not engage the torque converter clutch piston.

ON BOARD DIAGNOSTIC (OBD) SYSTEM

< SYSTEM DESCRIPTION >

[CVT: RE0F10E]

ON BOARD DIAGNOSTIC (OBD) SYSTEM

Description

INFOID:000000008144936

This is an on board diagnosis system which records diagnosis information related to the exhaust gases. It detects malfunctions related to sensors and actuators. The malfunctions are indicated by means of the malfunction indicator lamp (MIL) and are stored as DTC in the ECU memory. The diagnosis information can be checked using a diagnosis tool (GST: Generic Scan Tool).

Function of OBD

INFOID:000000008144937

The GST is connected to the diagnosis connector on the vehicle and communicates with the on-board control units to perform diagnosis. The diagnosis connector is the same as for CONSULT. Refer to [GI-55, "Function and System Application"](#).

DIAGNOSIS SYSTEM (TCM)

DIAGNOSIS DESCRIPTION

DIAGNOSIS DESCRIPTION : 1 Trip Detection Diagnosis and 2 Trip Detection Diagnosis

INFOID:000000008144938

NOTE:

"Start the engine and turn OFF the ignition switch after warm-up." This is defined as 1 trip.

1 TRIP DETECTION DIAGNOSIS

When initial malfunction is detected, TCM memorizes DTC. In these diagnoses, some illuminate MIL and some do not. Refer to [TM-264, "DTC Index"](#).

2 TRIP DETECTION DIAGNOSIS

When initial malfunction is detected, TCM memorizes DTC of the 1st trip. MIL does not light at this stage. <1 trip>

If the same malfunction is detected again in next driving, TCM memorizes DTC. When DTC is memorized, MIL lights. <2 trip>

"Trip" of the "2 trip detection diagnosis" indicates the driving mode that executes self-diagnosis during driving.

×: Check possible —: Check not possible

Item	DTC at the 1st trip		DTC		MIL	
	Display at the 1st trip	Display at the 2nd trip	Display at the 1st trip	Display at the 2nd trip	Illumination at the 1st trip	Illumination at the 2nd trip
1 trip detection diagnosis (Refer to TM-264, "DTC Index")	—	—	×	—	×	—
2 trip detection diagnosis (Refer to TM-264, "DTC Index")	×	—	—	×	—	×

DIAGNOSIS DESCRIPTION : DTC and DTC of 1st Trip

INFOID:000000008144939

2 TRIP DETECTION DIAGNOSIS THAT ILLUMINATES MIL

- The DTC number of the 1st trip is the same as the DTC number.
- When a malfunction is detected at the 1st trip, TCM memorizes DTC of the 1st trip. MIL does not light at this stage. If the same malfunction is not detected at the 2nd trip (conforming to necessary driving conditions), DTC at the 1st trip is erased from TCM. If the same malfunction is detected at the 2nd trip, TCM memorizes DTC and MIL lights at the same time.
- The DTC of the 1st trip is specified in Service \$01 of SAE J1979/ISO 15031-5. Since detection of DTC at the 1st trip does not illuminate MIL, warning for a problem is not given to a driver.
- For procedure to delete DTC and 1st trip DTC from TCM, refer to [TM-247, "CONSULT Function"](#).
- If DTC of the 1st trip is detected, it is necessary to check the cause according to the "Diagnosis flow". Refer to [TM-280, "Flowchart of Trouble Diagnosis"](#).

DIAGNOSIS DESCRIPTION : Malfunction Indicator Lamp (MIL)

INFOID:000000008144940

- TCM not only detects DTC, but also sends the MIL signal to ECM through CAN communication. ECM sends the MIL signal to the combination meter through CAN communication according to the signal, and illuminates MIL.
- For malfunction indicator lamp (MIL) description, refer to [EC-597, "DIAGNOSIS DESCRIPTION : Malfunction Indicator Lamp \(MIL\)"](#).

DIAGNOSIS DESCRIPTION : Counter System

INFOID:000000008144941

RELATION BETWEEN DTC AT 1ST TRIP/DTC/MIL AND DRIVING CONDITIONS (FOR 2 TRIP DETECTION DIAGNOSIS THAT ILLUMINATES MIL)

- When initial malfunction is detected, TCM memorizes DTC of the 1st trip. MIL does not light at this stage.
- If the same malfunction is detected at the 2nd trip, TCM memorizes DTC and MIL lights at the same time.
- Then, MIL goes after driving the vehicle for 3 trips under "Driving condition B" without malfunction.
- DTC is displayed until 40 trips of "Driving condition A" are satisfied without detecting the same malfunction. DTC is erased when 40 trips are satisfied.

DIAGNOSIS SYSTEM (TCM)

[CVT: RE0F10E]

< SYSTEM DESCRIPTION >

- When the self-diagnosis result is acceptable at the 2nd trip (conforming to driving condition B), DTC of the 1st trip is erased.

COUNTER SYSTEM LIST

Item	Driving condition	Trip
MIL (OFF)	B	3
DTC (clear)	A	40
DTC at 1st trip (clear)	B	1

DRIVING CONDITION

Driving condition A

Driving condition A is the driving condition that provides warm-up.

In specific, count-up is performed when all of the following conditions are satisfied.

- Engine speed is 400 rpm or more.
- After start of the engine, the water temperature increased by 20°C (36°F) or more.
- Water temperature was 70°C (158°F) or more.
- The ignition switch was changed from ON to OFF.

NOTE:

- If the same malfunction is detected regardless of the driving condition, reset the A counter.
- When the above is satisfied without detecting the same malfunction, count up the A counter.
- When MIL goes off due to the malfunction and the A counter reaches 40, the DTC is erased.

Driving condition B

Driving condition B is the driving condition that performs all diagnoses once.

In specific, count-up is performed when all of the following conditions are satisfied.

- Engine speed is 400 rpm or more.
- Water temperature was 70°C (158°F) or more.
- In closed loop control, vehicle speed of 70 – 120 km/h (43 – 75 MPH) continued for 60 seconds or more.
- In closed loop control, vehicle speed of 30 – 60 km/h (19 – 37 MPH) continued for 10 seconds or more.
- In closed loop control, vehicle speed of 4 km/h (2 MPH) or less and idle determination ON continued for 12 seconds or more.
- After start of the engine, 22 minutes or more have passed.
- The condition that the vehicle speed is 10 km/h (6 MPH) or more continued for 10 seconds or more in total.
- The ignition switch was changed from ON to OFF.

NOTE:

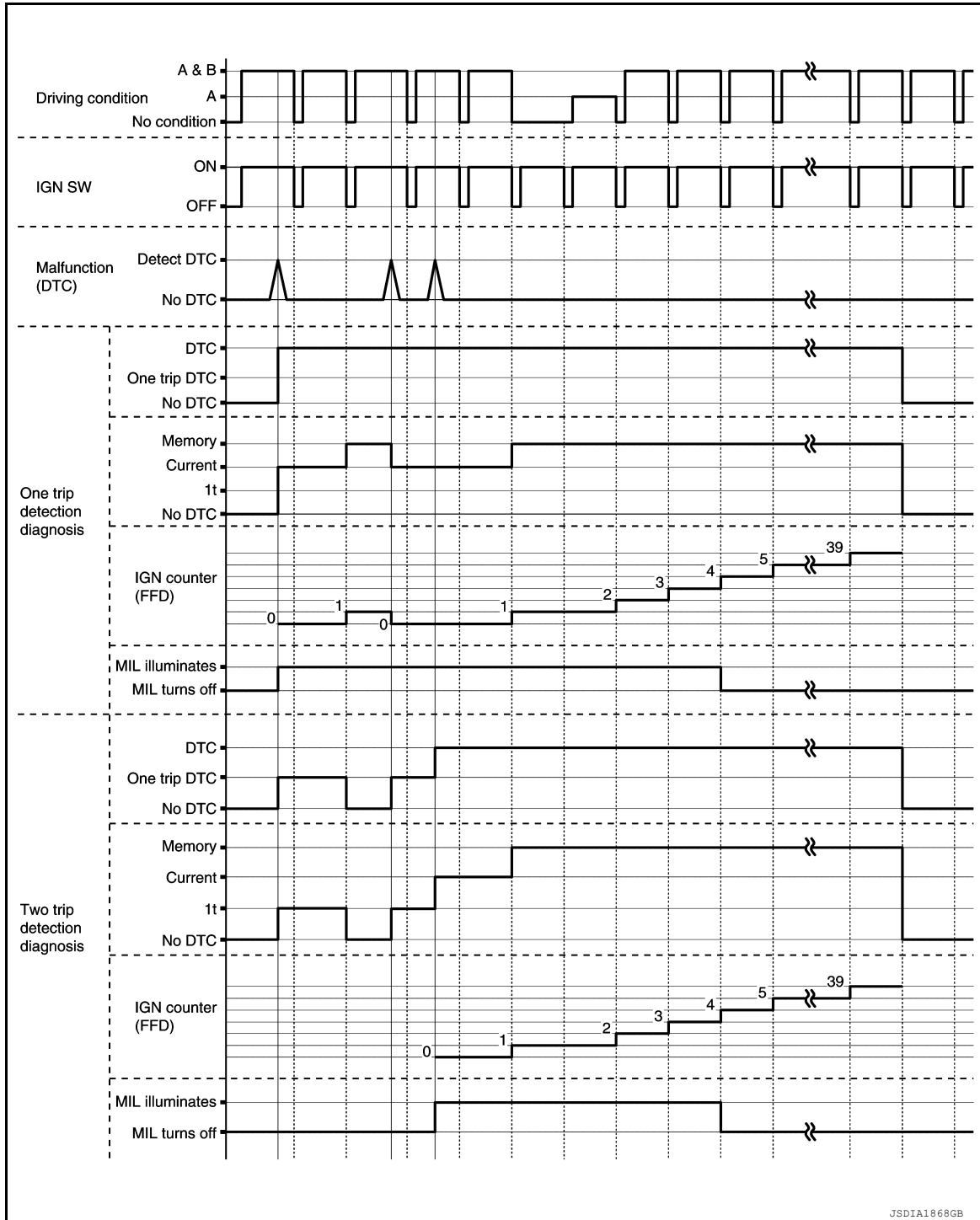
- If the same malfunction is detected regardless of the driving condition, reset the B counter.
- When the above is satisfied without detecting the same malfunction, count up the B counter.
- When the B counter reaches 3 without malfunction, MIL goes off.
- When the B counter is counted once without detecting the same malfunction after TCM memorizes DTC of the 1st trip, DTC of the 1st trip is erased.

DIAGNOSIS SYSTEM (TCM)

< SYSTEM DESCRIPTION >

[CVT: RE0F10E]

TIME CHART



CONSULT Function

INFOID:000000008144942

APPLICABLE ITEM

Conditions	Function
Work Support	The settings for ECU functions can be changed.
Self Diagnostic Results	The ECU self diagnostic results are displayed.
Data Monitor	The ECU input/output data is displayed in real time.
CAN Diagnosis Support Monitor	The result of transmit/receive diagnosis of CAN communication is displayed.
Active Test	The ECU activates outputs to test components.

DIAGNOSIS SYSTEM (TCM)

[CVT: RE0F10E]

< SYSTEM DESCRIPTION >

Conditions	Function
ECU Identification	The ECU part number is displayed.
CALIB DATA	The calibration data status of TCM can be checked.

SELF DIAGNOSTIC RESULTS

Display Item List

Refer to [TM-264, "DTC Index"](#).

DTC at 1st trip and method to read DTC

- DTC (P0705, P0711, P0720, etc.) is specified by SAE J2012/ISO 15031-6.
- DTC and DTC at 1st trip are displayed on "Self Diagnostic results" of CONSULT.
When DTC is currently detected, "CRNT" is displayed. If "PAST" is displayed, it shows a malfunction occurred in the past. The trip number of drive without malfunction of concerned DTC can be confirmed with "IGN counter" inside "FFD".
- When the DTC at the 1st trip is detected, "1t" is displayed.

DTC deletion method

NOTE:

If the ignition switch is left ON after repair, turn OFF the ignition switch and wait for 10 seconds or more. Then, turn the ignition ON again. (Engine stop)

1. Touch "TRANSMISSION" of CONSULT.
2. Touch "Self Diagnostic Result".
3. Touch "Erase". (DTC memorized in TCM is erased.)

IGN counter

The ignition counter is displayed in "FFD" and the number of times of satisfied "Driving condition A" is displayed after normal recovery of DTC. Refer to [TM-245, "DIAGNOSIS DESCRIPTION : Counter System"](#).

- If malfunction (DTC) is currently detected, "0" is displayed.
- After normal recovery, every time "Driving condition A" is satisfied, the display value increases from 1 → 2 → 3...38 → 39.
- When MIL turns OFF due to the malfunction and the counter reaches 40, the DTC is erased.

NOTE:

The counter display of "40" cannot be checked.

DATA MONITOR

NOTE:

The following table includes information (items) inapplicable to this vehicle. For information (items) applicable to this vehicle, refer to CONSULT display items.

×: Application ▼: Optional selection

Monitored item	(Unit)	Monitor item selection		Remarks
		ECU IN-PUT SIG-NALS	MAIN SIG-NALS	
VSP SENSOR	(km/h or mph)	×	▼	Displays the vehicle speed calculated from the CVT output shaft speed.
ESTM VSP SIG	(km/h or mph)	×	▼	<ul style="list-style-type: none"> • Displays the vehicle speed signal (ABS) received through CAN communication. • Models with ABS are displayed.
INPUT SPEED SENSOR	(rpm)	×	▼	Displays the input speed calculated from the pulse signal of the input speed sensor.
PRI SPEED SEN	(rpm)	×	▼	Displays the primary pulley speed calculated from the pulse signal of the primary speed sensor.
SEC REV SENSOR	(rpm)	×	▼	Displays the secondary pulley speed calculated from the pulse signal of the output speed sensor.
ENG SPEED SIG	(rpm)	×	▼	Displays the engine speed received through CAN communication.
SEC PRESSURE SEN	(V)	×	▼	Displays the signal voltage of the secondary pressure-sensor.

DIAGNOSIS SYSTEM (TCM)

< SYSTEM DESCRIPTION >

[CVT: RE0F10E]

Monitored item	(Unit)	Monitor item selection		Remarks
		ECU IN-PUT SIG-NALS	MAIN SIG-NALS	
PRI PRESSURE SEN	(V)	×	▼	Displays the signal voltage of the primary pressuresensor.
ATF TEMP SEN	(V)	×	▼	Displays the signal voltage of the CVT fluid temperature sensor.
G SENSOR*	(G)	×	▼	Displays the signal voltage of the G sensor.
VIGN SEN	(V)	×	▼	Displays the battery voltage applied to TCM.
PVING VOLT	(V)	×	▼	Displays the backup voltage of TCM.
VEHICLE SPEED	(km/h or mph)	▼	×	Displays the vehicle speed recognized by TCM.
INPUT REV	(rpm)	▼	▼	Displays the input shaft speed of CVT recognized by TCM.
PRI SPEED	(rpm)	▼	×	Displays the primary pulley speed recognized by TCM.
SEC SPEED	(rpm)	▼	▼	Displays the secondary pulley speed recognized by TCM.
ENG SPEED	(rpm)	▼	×	Displays the engine speed recognized by TCM.
SLIP REV	(rpm)	▼	×	Displays the speed difference between the input shaft speed of CVT and the engine speed.
PULLEY GEAR RATIO		▼	×	Displays the pulley gear ratio calculated from primary pulley speed/secondary pulley speed.
G SPEED*	(G)	▼	▼	Displays the acceleration and deceleration speed of the vehicle calculated from vehicle speed change.
ACCEL POSI SEN 1	(deg)	×	×	Displays the estimated throttle position received through CAN communication.
VENG TRQ	(Nm)	▼	×	Display the engine torque recognized by TCM.
PRI TRQ	(Nm)	▼	▼	Display the input shaft torque of CVT.
TRQ RTO		▼	▼	Display the torque ratio of torque converter.
SEC PRESSURE	(MPa)	▼	▼	Displays the secondary pressure calculated from the signal voltage of the secondary pressure sensor.
PRI PRESSURE	(MPa)	▼	▼	Displays the primary pressure calculated from the signal voltage of the primary pressure sensor.
FLUID TEMP	(°C or °F)	▼	×	Displays the CVT fluid temperature calculated from the signal voltage of the CVT fluid temperature sensor.
DSR REV	(rpm)	▼	▼	Displays the target primary pulley speed calculated from processing of gear shift control.
TGT PLY GR RATIO		▼	▼	Displays the target gear ratio of the pulley from processing of gear shift control.
LU PRS	(MPa)	▼	▼	Displays the target oil pressure of the torque converter clutch solenoid valve calculated from oil pressure processing of gear shift control.
LINE PRS	(MPa)	▼	▼	Displays the target oil pressure of the line pressure solenoid valve calculated from oil pressure processing of gear shift control.
TRGT PRI PRESSURE	(MPa)	▼	▼	Displays the target oil pressure of the primary pressure solenoid valve calculated from oil pressure processing of gear shift control.
TRGT SELECT PRESSURE	(MPa)	▼	▼	Displays the target oil pressure of the select solenoid valve calculated from oil pressure processing of gear shift control.

DIAGNOSIS SYSTEM (TCM)

< SYSTEM DESCRIPTION >

[CVT: RE0F10E]

Monitored item	(Unit)	Monitor item selection		Remarks
		ECU IN-PUT SIG-NALS	MAIN SIG-NALS	
TRGT SEC PRESSURE	(MPa)	▼	▼	Displays the target oil pressure of the secondary pressure solenoid valve calculated from oil pressure processing of gear shift control.
ISOLT1	(A)	▼	×	Displays the command current from TCM to the torque converter clutch solenoid valve.
ISOLT2	(A)	▼	×	Displays the command current from TCM to the line pressure solenoid valve.
PRI SOLENOID	(A)	▼	×	Displays the command current from TCM to the primary pressure solenoid valve.
SEC SOLENOID CURRENT	(A)	▼	×	Displays the command current from TCM to the secondary pressure solenoid valve.
SELECT SOLENOID CURRENT	(A)	▼	×	Displays the command current from TCM to the select solenoid valve.
SOLMON1	(A)	×	×	Monitors the command current from TCM to the torque converter clutch solenoid valve and displays the monitored value.
SOLMON2	(A)	×	×	Monitors the command current from TCM to the line pressure solenoid valve and displays the monitored value.
PRI SOL MON	(A)	×	×	Monitors the command current from TCM to the primary pressure solenoid valve and displays the monitored value.
SEC SOL MON CURRENT	(A)	×	×	Monitors the command current from TCM to the secondary pressure solenoid valve and displays the monitored value.
SELECT SOL MON CURRENT	(A)	×	×	Monitors the command current from TCM to the select solenoid valve and displays the monitored value.
D POSITION SW	(On/Off)	×	▼	Displays the operation status of the transmission range switch (D position).
N POSITION SW	(On/Off)	×	▼	Displays the operation status of the transmission range switch (N position).
R POSITION SW	(On/Off)	×	▼	Displays the operation status of the transmission range switch (R position).
P POSITION SW	(On/Off)	×	▼	Displays the operation status of the transmission range switch (P position).
L POSITION SW*	(On/Off)	×	▼	Displays the operation status of the transmission range switch (L position).
DS RANGE SW	(On/Off)	×	▼	Displays the operation status of the transmission range switch (Ds position).
BRAKESW	(On/Off)	×	×	Displays the reception status of the stop lamp switch signal received through CAN communication.
IDLE SW	(On/Off)	×	×	Displays the reception status of the closed throttle position signal received through CAN communication.
SPORT MODE SW*	(On/Off)	×	×	Displays the reception status of the overdrive control switch signal received through CAN communication.
ECO MODE SW*	(On/Off)	×	×	Displays the reception status of the ECO mode switch signal received through CAN communication.
STRDWNSW	(On/Off)	×	▼	Displays the operation status of the paddle shifter (down switch).
STRUPSW	(On/Off)	×	▼	Displays the operation status of the paddle shifter (up switch).

DIAGNOSIS SYSTEM (TCM)

< SYSTEM DESCRIPTION >

[CVT: RE0F10E]

Monitored item	(Unit)	Monitor item selection		Remarks
		ECU IN-PUT SIG-NALS	MAIN SIG-NALS	
DOWNLVR*	(On/Off)	×	▼	Displays the operation status of the selector lever (down switch).
UPLVR*	(On/Off)	×	▼	Displays the operation status of the selector lever (up switch).
NONMMODE	(On/Off)	×	▼	Displays if the selector lever position is not at the manual shift gate.
MMODE	(On/Off)	×	▼	Displays if the selector lever position is at the manual shift gate.
TOW MODE SW*	(On/Off)	×	▼	Displays the reception status of the TOW mode switch signal received through CAN communication.
SHIFT IND SIGNAL		▼	▼	Displays the transaxle value of shift position signal transmitted via CAN communication.
CVT LAMP*	(On/Off)	▼	▼	Displays the transaxle status of the CVT warning lamp signal transmitted through CAN communication.
SPORT MODE IND*	(On/Off)	▼	▼	Displays the transaxle status of the O/D OFF indicator lamp signal transmitted through CAN communication.
MANU MODE SIGNAL	(On/Off)	▼	▼	Displays the transaxle status of the manual mode signal transmitted through CAN communication.
DS RANGE SIGNAL	(On/Off)	▼	▼	Displays the shift position signal status from transmission range switch (Ds position).
ECO MODE SIGNAL*	(On/Off)	▼	▼	Displays the transaxle status of the ECO mode signal transmitted through CAN communication.
VDC ON	(On/Off)	×	▼	Displays the reception status of the VDC operation signal received through CAN communication.
TCS ON	(On/Off)	×	▼	Displays the reception status of the TCS operation signal received through CAN communication.
ABS FAIL SIGNAL	(On/Off)	×	▼	Displays the reception status of the ABS malfunction signal received through CAN communication.
ABS ON	(On/Off)	×	▼	Displays the reception status of the ABS operation signal received through CAN communication.
RANGE		▼	×	Displays the gear position recognized by TCM.
M GEAR POS		▼	×	Display the target gear of manual mode
G SEN SLOPE*	(%)	▼	▼	Displays the gradient angle calculated from the G sensor signal voltage.
G SEN CALIBRATION*	(YET/DONE)	▼	▼	Displays the status of "G SENSOR CALIBRATION" in "Work Support".
N IDLE STATUS*	(On/Off)	▼	▼	Displays idle neutral status.
ENGBRKLVL	(On/Off)	▼	▼	Displays the setting of "ENGINE BRAKE ADJ" in "Work Support".
DRIVE MODE STATS*		▼	▼	Displays the drive mode status recognized by TCM.
SNOW MODE*	(On/Off)	▼	▼	Displays whether it is the SNOW mode.
ECO MODE*	(On/Off)	▼	▼	Displays whether it is the ECO mode.
NORMAL MODE*	(On/Off)	▼	▼	Displays whether it is the NORMAL mode.
SPORT MODE*	(On/Off)	▼	▼	Displays whether it is the SPORT mode.
AIR BLDING STATE*	(INCOMP/COMP)	▼	▼	Displays the status of "ELECTRIC O.P. AIR BLEEDING" in "Work Support".

A
B
C
TM

E

F

G

H

I

J

K

L

M

N

O

P

DIAGNOSIS SYSTEM (TCM)

< SYSTEM DESCRIPTION >

[CVT: RE0F10E]

Monitored item	(Unit)	Monitor item selection		Remarks
		ECU IN-PUT SIG-NALS	MAIN SIG-NALS	
ELECTRIC OP DUTY*	(%)	▼	▼	Displays the command signal value (duty) of the electric oil pump transmitted from TCM.
E-OP DUTY MON*	(%)	▼	▼	Monitors the status signal value (duty) transmitted from the electric oil pump and displays the monitored value.
ELECTRIC OP RELAY*	(On/Off)	▼	▼	Displays the command status from TCM to the electric oil pump relay.
E-OP RELAY MON*	(On/Off)	▼	▼	Monitors the command status from TCM to the oil pump relay and displays the monitored value.

*: Not applicable but displayed.

WORK SUPPORT

Item name	Description
CONFORM CVTF DETERIORTN	Checks the degradation level of the CVT fluid under severe conditions.
ERASE MEMORY DATA	Performs "erasing of the calibration data" and "erasing of the learned value" at the same time.
G SENSOR CALIBRATION	Compensates the G sensor.
ERASE LEARNING VALUE	Erases learning value memorized by TCM.
ENGINE BRAKE ADJ.	Although there is no malfunction on the transaxle and the CVT system, if a customer make a complaint like "I do not feel comfortable with automatic operation of the engine brake on downhill", the engine brake may be cancelled with "engine brake adjustment".
ERASE CALIBRATION DATA	Erases calibration data memorized by TCM.
WRITE IP CHARA - REPLACEMENT AT/CVT	Writes IP characteristics when transaxle assembly is replaced.
READ IP CHARA - REPLACEMENT TCM	Reads IP characteristics when TCM is replaced.
WRITE IP CHARA - REPLACEMENT TCM	Writes IP characteristics when TCM is replaced.

Engine brake adjustment

ENGINE BRAKE LEVEL

- ON : Turn ON the engine brake control.
- OFF : Turn OFF the engine brake control.

Check the degradation level of the CVT fluid.

CVTF degradation level data

- 210,000 or more : Replacement of the CVT fluid is required.
- Less than 210,000 : Replacement of the CVT fluid is not required.

ACTIVE TEST

Item name	Description
CVT OIL COOLER FAN CIRCUIT	Checks the operation of CVT oil cooler fan relay.

ECU DIAGNOSIS INFORMATION

TCM

Reference Value

INFOID:000000008738159

CONSULT DATA MONITOR STANDARD VALUE

- In CONSULT, electric shift timing or lock-up timing, i.e. operation timing of each solenoid valve, is displayed. Therefore, if there is an obvious difference between the shift timing estimated from a shift shock (or engine speed variations) and that shown on the CONSULT, the mechanism parts (including the hydraulic circuit) excluding the solenoids and sensors may be malfunctioning. In this case, check the mechanical parts following the appropriate diagnosis procedure.
- Shift point (gear position) displayed on CONSULT slightly differs from shift pattern described in Service Manual. This is due to the following reasons.
 - Actual shift pattern may vary slightly within specified tolerances.
 - While shift pattern described in Service Manual indicates start of each shift, CONSULT shows gear position at end of shift.
 - The solenoid display (ON/OFF) on CONSULT is changed at the start of gear shifting. In contrast, the gear position display is changed at the time when gear shifting calculated in the control unit is completed.

NOTE:

The following table includes information (items) inapplicable to this vehicle. For information (items) applicable to this vehicle, refer to CONSULT display items.

Monitor item	Condition	Value/Status (Approx.)
VSP SENSOR	While driving	Almost same as the speedometer display.
ESTM VSP SIG	While driving	Almost same as the speedometer display.
INPUT SPEED SENSOR	In driving (lock-up ON)	Approximately matches the engine speed.
PRI SPEED SEN	In driving (lock-up ON)	Approximately matches the engine speed.
SEC REV SENSOR	While driving	VSP SENSOR × 40
ENG SPEED SIG	Engine running	Almost same reading as tachometer
SEC PRESSURE SEN	<ul style="list-style-type: none"> • After engine warm up • Selector lever: "N" position • At idle 	1.2 – 1.3 V
PRI PRESSURE SEN	<ul style="list-style-type: none"> • After engine warm up • Selector lever: "N" position • At idle 	0.9 V
ATF TEMP SEN	CVT fluid: Approx. 20°C (68°F)	2.01 – 2.05 V
	CVT fluid: Approx. 50°C (122°F)	1.45 – 1.50 V
	CVT fluid: Approx. 80°C (176°F)	0.90 – 0.94 V
G SENSOR	Vehicle is level	0 V
VIGN SEN	Ignition switch: ON	10 – 16 V
PVING VOLT	Ignition switch: ON	10 – 16 V
VEHICLE SPEED	While driving	Almost same as the speedometer display.
INPUT REV	In driving (lock-up ON)	Almost same as the engine speed.
PRI SPEED	In driving (lock-up ON)	Approximately matches the engine speed.
SEC SPEED	While driving	VSP SENSOR × 40
ENG SPEED	Engine running	Almost same reading as tachometer
SLIP REV	While driving	Engine speed – Input speed
PULLEY GEAR RATIO	In driving (forward)	2.70 – 0.38
	In driving (reverse)	2.70

TCM

< ECU DIAGNOSIS INFORMATION >

[CVT: RE0F10E]

Monitor item	Condition	Value/Status (Approx.)
G SPEED	Vehicle stopped	0.00 G
	During acceleration	The value changes to the positive side along with acceleration.
	During deceleration	The value changes to the positive side along with deceleration.
ACCEL POSI SEN 1	Accelerator pedal released	0.00 deg
	Accelerator pedal fully depressed	80.00 deg
VENG TRQ	While driving	The value changes along with acceleration/ deceleration.
PRI TRQ	While driving	The value changes along with acceleration/ deceleration.
TRQ RTO	While driving	The value changes along with acceleration/ deceleration.
SEC PRESSURE	<ul style="list-style-type: none"> • After engine warm up • Selector lever: "N" position • At idle 	1.1 MPa
PRI PRESSURE	<ul style="list-style-type: none"> • After engine warm up • Selector lever: "N" position • At idle 	0.7 MPa
FLUID TEMP	Ignition switch ON.	Displays the CVT fluid temperature.
DSR REV	While driving	It varies along with the driving condition.
TGT PLY GR RATIO	In driving (forward)	2.70 – 0.38
	In driving (reverse)	2.70
LU PRS	<ul style="list-style-type: none"> • Engine started • Vehicle is stopped 	–0.500 MPa
	<ul style="list-style-type: none"> • Selector lever: "D" position • Accelerator pedal position: 1/8 or less • Vehicle speed: 20 km/h (12 MPH) or more 	0.450 MPa
LINE PRS	<ul style="list-style-type: none"> • After engine warm up • Selector lever: "N" position • At idle 	1.1 MPa
TRGT PRI PRESSURE	<ul style="list-style-type: none"> • After engine warm up • Selector lever: "N" position • At idle 	0.7 MPa
TRGT SELECT PRESSURE	<ul style="list-style-type: none"> • After engine warm up • Selector lever: "N" position • At idle 	0 MPa
	<ul style="list-style-type: none"> • Selector lever: "D" position • At idle 	0.3 – 0.5 MPa
TRGT SEC PRESSURE	<ul style="list-style-type: none"> • After engine warm up • Selector lever: "N" position • At idle 	1.1 MPa
ISOLT1	<ul style="list-style-type: none"> • Engine started • Vehicle is stopped. 	0.000 A
	<ul style="list-style-type: none"> • Selector lever: "D" position • Accelerator pedal position: 1/8 or less • Vehicle speed: 20 km/h (12 MPH) or more 	0.500 A
ISOLT2	<ul style="list-style-type: none"> • After engine warm up • Selector lever: "N" position • At idle 	0.800 – 0.850 A

TCM

< ECU DIAGNOSIS INFORMATION >

[CVT: RE0F10E]

Monitor item	Condition	Value/Status (Approx.)	
PRI SOLENOID	<ul style="list-style-type: none"> After engine warm up Selector lever: "N" position At idle 	0.800 – 0.850 A	A
SEC SOLENOID CURRENT	<ul style="list-style-type: none"> After engine warm up Selector lever: "N" position At idle 	0.800 – 0.850 A	B
SELECT SOLENOID CURRENT	<ul style="list-style-type: none"> After engine warm up Selector lever: "N" position At idle 	1.000 A	C
SOLMON1	<ul style="list-style-type: none"> Engine started Vehicle is stopped. 	0.000 A	TM
	<ul style="list-style-type: none"> Selector lever: "D" position Accelerator pedal position: 1/8 or less Vehicle speed: 20 km/h (12 MPH) or more 	0.500 A	E
SOLMON2	<ul style="list-style-type: none"> After engine warm up Selector lever: "N" position At idle 	0.800 – 0.850 A	F
PRI SOL MON	<ul style="list-style-type: none"> After engine warm up Selector lever: "N" position At idle 	0.800 – 0.850 A	G
SEC SOL MON CURRENT	<ul style="list-style-type: none"> After engine warm up Selector lever: "N" position At idle 	0.800 – 0.850 A	H
SELECT SOL MON CURRENT	<ul style="list-style-type: none"> After engine warm up Selector lever: "N" position At idle 	1.000 A	I
D POSITION SW	Selector lever: "D" position	On	J
	Other than the above	Off	
N POSITION SW	Selector lever: "N" position	On	K
	Other than the above	Off	
R POSITION SW	Selector lever: "R" position	On	L
	Other than the above	Off	
P POSITION SW	Selector lever: "P" position	On	M
	Other than the above	Off	
L POSITION SW	Always	Off	
DS RANGE SW	Selector lever: "DS" position	On	N
	Other than the above	Off	
BRAKESW	Brake pedal is depressed	On	O
	Brake pedal is released	Off	
IDLE SW	Accelerator pedal is fully depressed	On	P
	Accelerator pedal is released	Off	
SPORT MODE SW	Always	Off	
ECO MODE SW	Always	Off	
STRDWNSW	Paddle shifter (shift-down) is pulled	On	
	Other than the above	Off	
STRUPSW	Paddle shifter (shift-up) is pulled	On	
	Other than the above	Off	
DOWNLVR	Always	Off	
UPLVR	Always	Off	

TCM

< ECU DIAGNOSIS INFORMATION >

[CVT: RE0F10E]

Monitor item	Condition	Value/Status (Approx.)
NONMMODE	Driving with manual mode	Off
	Other than the above	On
MMODE	Driving with manual mode	On
	Other than the above	Off
TOW MODE SW	Always	Off
SHIFT IND SIGNAL	When the selector lever is positioned in between each position.	OFF
	Selector lever: P position	P
	Selector lever: R position	R
	Selector lever: N position	N
	Selector lever: D position	D
	Manual mode: 1st	1st
	Manual mode: 2nd	2nd
	Manual mode: 3rd	3rd
	Manual mode: 4th	4th
	Manual mode: 5th	5th
	Manual mode: 6th	6th
	Manual mode: 7th	7th
CVT LAMP	Approx. 2 seconds after ignition switch ON	On
	Other than the above	Off
SPORT MODE IND	Always	Off
MANU MODE SIGNAL	Driving with manual mode	On
	Other than the above	Off
DS RANGE SIGNAL	Selector lever in DS position	On
	Other than the above	Off
ECO MODE SIGNAL	Always	Off
VDC ON	Always	Off
TCS ON	Always	Off
ABS FAIL SIGNAL	When ABS malfunction signal is received	On
	Other than the above	Off
ABS ON	ABS is activated	On
	Other than the above	Off
RANGE	Selector lever: P and N positions	N/P
	Selector lever: R position	R
	Selector lever: D position	D
	Selector lever: DS position	S
M GEAR POS	Manual mode: 1st – 7th	1 to 7
G SEN SLOPE	Flat road	0%
	Uphill gradient	The value changes to the positive side along with uphill gradient. (Maximum 40.45%)
	Downhill gradient	The value changes to the negative side along with downhill gradient. (Minimum 40.45%)

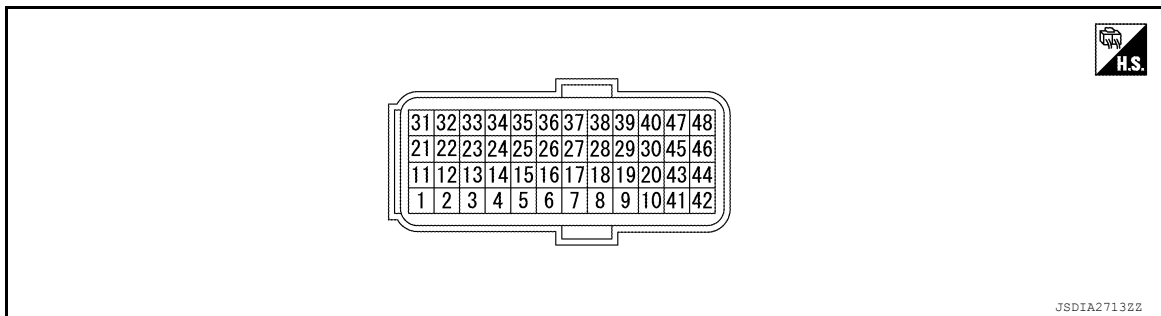
TCM

< ECU DIAGNOSIS INFORMATION >

[CVT: RE0F10E]

Monitor item	Condition	Value/Status (Approx.)
G SEN CALIBRATION	When G sensor calibration is completed	DONE
	When G sensor calibration is not completed	YET
N IDLE STATUS	Always	Off
ENGBRKLVL	When the engine brake level of "ENGINE BRAKE ADJ". in "Work Support" is ON	On
	When the engine brake level of "ENGINE BRAKE ADJ". in "Work Support" is OFF	Off
DRIVE MODE STATS	While driving in D position	AUTO
SNOW MODE	Always	Off
ECO MODE	Always	Off
NORMAL MODE	Always	Off
SPORT MODE	Always	Off
AIR BLDING STATE	Always	COMP
ELECTRIC OP DUTY	Always	0%
E-OP DUTY MON	Always	0%
ELECTRIC OP RELAY	Always	Off
E-OP RELAY MON	Always	Off

TERMINAL LAYOUT



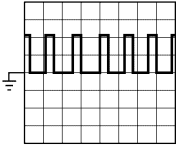
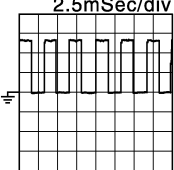
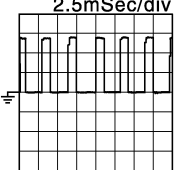
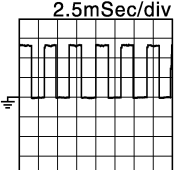
INPUT/OUTPUT SIGNAL STANDARD

Terminal No. (Wire color)		Description		Condition	Value (Approx.)
+	-	Signal	Input/ Output		
2 (SB)	Ground	DS position switch	Input	Selector lever: "DS" position	10 – 16 V
				Other than the above	0 V
4 (LG)	Ground	D position switch	Input	Selector lever: "D" position	10 – 16 V
				Other than the above	0 V
5 (BR)	Ground	N position switch	Input	Selector lever: "N" position	10 – 16 V
				Other than the above	0 V
6 (L)	Ground	R position switch	Input	Selector lever: "R" position	10 – 16 V
				Other than the above	0 V
7 (V)	Ground	P position switch	Input	Selector lever: "P" position	10 – 16 V
				Other than the above	0 V
11 (Y)	Ground	Sensor ground	Input	Always	0 V

TCM

< ECU DIAGNOSIS INFORMATION >

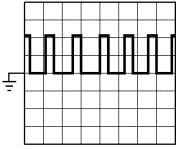
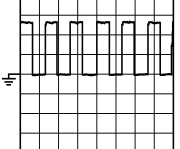
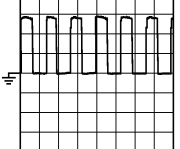
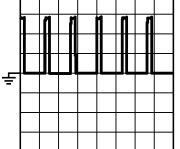
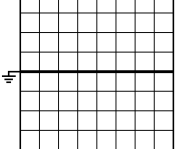
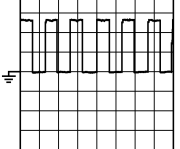
[CVT: RE0F10E]

Terminal No. (Wire color)		Description		Condition		Value (Approx.)
+	-	Signal	Input/ Output			
12 (V)	Ground	CVT fluid tempera- ture sensor	Output	Ignition switch ON	CVT fluid: Approx. 20°C (68°F)	2.01 – 2.05 V
					CVT fluid: Approx. 50°C (122°F)	1.45 – 1.50 V
					CVT fluid: Approx. 80°C (176°F)	0.90 – 0.94 V
16 (Y)	Ground	Secondary pres- sure sensor	Input	<ul style="list-style-type: none"> • Selector lever: "N" position • At idle 		1.67 – 1.69 V
17 (LG)	Ground	Primary pressure sensor	Input	<ul style="list-style-type: none"> • Selector lever: "N" position • At idle 		0.90 – 0.92 V
23 (P)	—	CAN-L	Input/ Output	—		—
24 (BR)	Ground	Input speed sensor	Input	<ul style="list-style-type: none"> • Selector lever: "DS" position • Vehicle speed: 20 km/h (12 MPH) 		<div style="text-align: center;"> <p>800 Hz</p> <p>1mSec/div</p>  <p>5V/div</p> <p style="font-size: small;">JSDIA3770GB</p> </div>
26 (LG)	Ground	Sensor power sup- ply	Output	Ignition switch: ON		5.0 V
				Ignition switch: OFF		0 V
30 (BR)	Ground	Line pressure sole- noid valve	Output	<ul style="list-style-type: none"> • After engine warming up • Selector lever: "N" position • At idle 		<div style="text-align: center;"> <p>2.5mSec/div</p>  <p>5V/div</p> <p style="font-size: small;">JSDIA1897GB</p> </div>
				<ul style="list-style-type: none"> • After engine warming up • Selector lever: "N" position • Depress the accelerator pedal fully 		<div style="text-align: center;"> <p>2.5mSec/div</p>  <p>5V/div</p> <p style="font-size: small;">JSDIA1898GB</p> </div>
33 (L)	—	CAN-H	Input/ Output	—		—
34 (V)	Ground	Output speed sen- sor	Input	<ul style="list-style-type: none"> • Selector lever: "DS" position • Vehicle speed: 20 km/h (12 MPH) 		<div style="text-align: center;"> <p>200 Hz</p> <p>2.5mSec/div</p>  <p>5V/div</p> <p style="font-size: small;">JSDIA1897GB</p> </div>

TCM

< ECU DIAGNOSIS INFORMATION >

[CVT: RE0F10E]

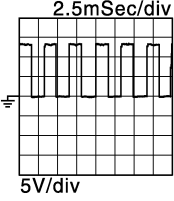
Terminal No. (Wire color)		Description		Condition	Value (Approx.)
+	-	Signal	Input/ Output		
35 (BR)	Ground	Primary speed sensor	Input	<ul style="list-style-type: none"> • Selector lever: "DS" position • Vehicle speed: 20 km/h (12 MPH) 	600 Hz 1mSec/div  5V/div <small>JSDIA3770GB</small>
37 (Y)	Ground	Select solenoid valve	Output	In driving at "DS" position	2.5mSec/div  5V/div <small>JSDIA1897GB</small>
			Output	<ul style="list-style-type: none"> • Release the accelerator pedal after the following conditions are satisfied • Selector lever: "D" position • Accelerator pedal position: 1/8 or less • Vehicle speed: 50 km/h (31 MPH) or more 	2.5mSec/div  5V/div <small>JSDIA1899GB</small>
38 (BR)	Ground	Torque converter clutch solenoid valve	Output	<ul style="list-style-type: none"> • Selector lever: "D" position • Accelerator pedal position: 1/8 or less • Vehicle speed: 20 km/h (12 MPH) or more 	2.5mSec/div  5V/div <small>JSDIA1902GB</small>
			Output	<ul style="list-style-type: none"> • Engine started • Vehicle is stopped 	2.5mSec/div  5V/div <small>JSDIA1903GB</small>
39 (L)	Ground	Secondary pressure solenoid valve	Output	<ul style="list-style-type: none"> • Selector lever: "DS" position • Vehicle speed: 20 km/h (12 MPH) 	2.5mSec/div  5V/div <small>JSDIA1897GB</small>

A
B
C
TM
E
F
G
H
I
J
K
L
M
N
O
P

TCM

< ECU DIAGNOSIS INFORMATION >

[CVT: RE0F10E]

Terminal No. (Wire color)		Description		Condition	Value (Approx.)
+	-	Signal	Input/ Output		
40 (LG)	Ground	Primary pressure solenoid valve	Output	<ul style="list-style-type: none"> Selector lever: "DS" position Vehicle speed: 20 km/h (12 MPH) 	 <p style="text-align: right; font-size: small;">JSDIA1897GB</p>
41 (B)	Ground	Ground	Output	Always	0 V
42 (B)	Ground	Ground	Output	Always	0 V
45 (P)	Ground	Power (backup)	Input	Always	10 – 16 V
46 (P)	Ground	Power (backup)	Input	Always	10 – 16 V
47 (Y)	Ground	Power supply	Input	Ignition switch: ON	10 – 16 V
				Ignition switch: OFF	0 V
48 (Y)	Ground	Power supply	Input	Ignition switch: ON	10 – 16 V
				Ignition switch: OFF	0 V

Fail-safe

INFOID:000000008831969

TCM has a fail-safe mode. The mode functions so that operation can be continued even if the signal circuit of the main electronically controlled input/output parts is damaged.

If the vehicle shows following behaviors including "poor acceleration", a malfunction of the applicable system is detected by TCM and the vehicle may be in a fail-safe mode. At this time, check the DTC code and perform inspection and repair according to the malfunction diagnosis procedures.

Fail-safe function

DTC	Vehicle behavior	Conditions of vehicle
P062F	<ul style="list-style-type: none"> Not changed from normal driving 	—
P0705	<ul style="list-style-type: none"> Shift position indicator on combination meter is not displayed Selector shock is large Start is slow Acceleration is slow Lock-up is not performed 	—
P0706	<ul style="list-style-type: none"> Shift position indicator on combination meter is not displayed Selector shock is large Start is slow Acceleration is slow Lock-up is not performed 	—
P0711	<ul style="list-style-type: none"> Start is slow Acceleration is slow 	Engine coolant temperature when engine start: Temp. $\geq 10^{\circ}\text{C}$ (50°F)
	<ul style="list-style-type: none"> Selector shock is large Start is slow Acceleration is slow 	Engine coolant temperature when engine start: -35°C (-31°F) \leq Temp. $< 10^{\circ}\text{C}$ (50°F)
	<ul style="list-style-type: none"> Selector shock is large Start is slow Acceleration is slow 	Engine coolant temperature when engine star: Temp. $< -35^{\circ}\text{C}$ (-31°F)

TCM

< ECU DIAGNOSIS INFORMATION >

[CVT: RE0F10E]

DTC	Vehicle behavior	Conditions of vehicle	
P0712	<ul style="list-style-type: none"> • Start is slow • Acceleration is slow 	Engine coolant temperature when engine start: Temp. $\geq 10^{\circ}\text{C}$ (50°F)	A
	<ul style="list-style-type: none"> • Selector shock is large • Start is slow • Acceleration is slow 	Engine coolant temperature when engine start: -35°C (-31°F) \leq Temp. $< 10^{\circ}\text{C}$ (50°F)	B
	<ul style="list-style-type: none"> • Selector shock is large • Start is slow • Acceleration is slow 	Engine coolant temperature when engine star: Temp. $< -35^{\circ}\text{C}$ (-31°F)	C
P0713	<ul style="list-style-type: none"> • Start is slow • Acceleration is slow 	Engine coolant temperature when engine start: Temp. $\geq 10^{\circ}\text{C}$ (50°F)	TM
	<ul style="list-style-type: none"> • Selector shock is large • Start is slow • Acceleration is slow 	Engine coolant temperature when engine start: -35°C (-31°F) \leq Temp. $< 10^{\circ}\text{C}$ (50°F)	E
	<ul style="list-style-type: none"> • Selector shock is large • Start is slow • Acceleration is slow 	Engine coolant temperature when engine star: Temp. $< -35^{\circ}\text{C}$ (-31°F)	F
P0715	<ul style="list-style-type: none"> • Start is slow • Acceleration is slow • Lock-up is not performed 	—	G
P0717	<ul style="list-style-type: none"> • Start is slow • Acceleration is slow • Lock-up is not performed 	—	H
P0740	<ul style="list-style-type: none"> • Start is slow • Acceleration is slow • Lock-up is not performed 	—	I
P0743	<ul style="list-style-type: none"> • Start is slow • Acceleration is slow • Lock-up is not performed 	—	J
P0744	<ul style="list-style-type: none"> • Start is slow • Acceleration is slow • Lock-up is not performed 	—	K
P0746	<ul style="list-style-type: none"> • Selector shock is large • Start is slow • Acceleration is slow • Lock-up is not performed 	—	L
P0776	<ul style="list-style-type: none"> • Selector shock is large • Start is slow • Acceleration is slow • Lock-up is not performed • Vehicle speed is not increased 	When a malfunction occurs on the low oil pressure side	M
	<ul style="list-style-type: none"> • Selector shock is large • Start is slow • Acceleration is slow • Lock-up is not performed 	When a malfunction occurs on the high oil pressure side	N
P0778	<ul style="list-style-type: none"> • Selector shock is large • Start is slow • Acceleration is slow • Lock-up is not performed 	—	O
P0779	<ul style="list-style-type: none"> • Selector shock is large • Start is slow • Acceleration is slow • Lock-up is not performed 	—	P
P0841	<ul style="list-style-type: none"> • Not changed from normal driving 	—	
P0847	<ul style="list-style-type: none"> • Not changed from normal driving 	—	
P0848	<ul style="list-style-type: none"> • Not changed from normal driving 	—	
P084C	<ul style="list-style-type: none"> • Not changed from normal driving 	—	

TCM

< ECU DIAGNOSIS INFORMATION >

[CVT: RE0F10E]

DTC	Vehicle behavior	Conditions of vehicle
P084D	<ul style="list-style-type: none"> • Not changed from normal driving 	
P0863	<ul style="list-style-type: none"> • Selector shock is large • Start is slow • Acceleration is slow • Lock-up is not performed 	—
P0890	<ul style="list-style-type: none"> • Selector shock is large • Start is slow • Acceleration is slow • Lock-up is not performed • Vehicle speed is not increased 	
P0962	<ul style="list-style-type: none"> • Selector shock is large • Start is slow • Acceleration is slow • Lock-up is not performed 	—
P0963	<ul style="list-style-type: none"> • Selector shock is large • Start is slow • Acceleration is slow • Lock-up is not performed 	—
P0965	<ul style="list-style-type: none"> • Selector shock is large • Start is slow • Acceleration is slow • Lock-up is not performed 	When a malfunction occurs on the low oil pressure side
	<ul style="list-style-type: none"> • Selector shock is large • Lock-up is not performed 	When a malfunction occurs on the high oil pressure side
P0966	<ul style="list-style-type: none"> • Selector shock is large • Start is slow • Acceleration is slow • Lock-up is not performed 	—
P0967	<ul style="list-style-type: none"> • Selector shock is large • Start is slow • Acceleration is slow • Lock-up is not performed 	—
P2765	<ul style="list-style-type: none"> • Start is slow • Acceleration is slow • Lock-up is not performed 	—
P2813	<ul style="list-style-type: none"> • Selector shock is large • Start is slow • Acceleration is slow • Vehicle speed is not increased 	When a malfunction occurs on the low oil pressure side
	<ul style="list-style-type: none"> • Selector shock is large 	When a malfunction occurs on the high oil pressure side
P2814	<ul style="list-style-type: none"> • Selector shock is large 	—
P2815	<ul style="list-style-type: none"> • Selector shock is large 	—
U0073	<ul style="list-style-type: none"> • Selector shock is large • Start is slow • Acceleration is slow • Lock-up is not performed 	—
U0100	<ul style="list-style-type: none"> • Selector shock is large • Start is slow • Acceleration is slow • Lock-up is not performed 	—
U0140	<ul style="list-style-type: none"> • Not changed from normal driving 	—
U0141	<ul style="list-style-type: none"> • Not changed from normal driving 	—
U0155	<ul style="list-style-type: none"> • Not changed from normal driving 	—

TCM

< ECU DIAGNOSIS INFORMATION >

[CVT: RE0F10E]

DTC	Vehicle behavior	Conditions of vehicle
U0300	<ul style="list-style-type: none"> Selector shock is large Start is slow Acceleration is slow Lock-up is not performed 	—
U1000	<ul style="list-style-type: none"> Not changed from normal driving 	—
U1117	<ul style="list-style-type: none"> Not changed from normal driving 	—

Protection Control

INFOID:000000008831970

The TCM becomes the protection control status temporarily to protect the safety when the safety of TCM and transmission is lost. It automatically returns to the normal status if the safety is secured. The TCM has the following protection control.

CONTROL FOR WHEEL SPIN

Control	When a wheel spin is detected, the engine output and gear ratio are limited and the line pressure is increased. Limits engine output when a wheel spin occurs in any of right and left drive wheels.
Vehicle behavior in control	If the accelerator is kept depressing during wheel spin, the engine revolution and vehicle speed are limited to a certain degree.
Normal return condition	Wheel spin convergence returns the control to the normal control.

TORQUE IS REDUCED WHEN DRIVING WITH THE REVERSE GEAR

Control	Engine output is controlled according to a vehicle speed while reversing the vehicle.
Vehicle behavior in control	Power performance may be lowered while reversing the vehicle.
Normal return condition	Torque returns to normal by positioning the selector lever in a range other than "R" position.

CONTROL WHEN FLUID TEMPERATURE IS HIGH

Control	When the CVT fluid temperature is high, the gear shift permission maximum revolution and the maximum torque are reduced than usual to prevent increase of the oil temperature.
Vehicle behavior in control	Power performance may be lowered, compared to normal control.
Normal return condition	The control returns to the normal control when CVT fluid temperature is lowered.

REVERSE PROHIBIT CONTROL

Control	The reverse brake is controlled to avoid becoming engaged when the selector lever is set in "R" position while driving in forward direction at more than the specified speed.
Vehicle behavior in control	If the selector lever is put at "R" position when driving with the forward gear, the gear becomes neutral, not reverse.
Normal return condition	The control returns to normal control when the vehicle is driven at low speeds. (The reverse brake becomes engaged.)

DTC Inspection Priority Chart

INFOID:000000008738157

If multiple malfunction codes are detected at the same time, check each code according to the DTC check priority list below.

TCM

< ECU DIAGNOSIS INFORMATION >

[CVT: RE0F10E]

Priority	DTC (Diagnostic Trouble Code)	Reference
1	P0863 CONTROL UNIT (CAN)	TM-345, "DTC Logic"
	U0073 COMM BUS A OFF	TM-291, "DTC Logic"
	U0100 LOST COMM (ECM A)	TM-292, "DTC Logic"
	U0140 LOST COMM (BCM)	TM-293, "DTC Logic"
	U0141 LOST COMM (BCM A)	TM-294, "DTC Logic"
	U0155 LOST COMM (IPC)	TM-295, "DTC Logic"
	U0300 CAN COMM DATA	TM-295, "DTC Logic"
	U1000 CAN COMM CIRC	TM-297, "DTC Logic"
	U1117 LOST COMM (ABS)	TM-298, "DTC Logic"
2	P0740 TORQUE CONVERTER	TM-322, "DTC Logic"
	P0743 TORQUE CONVERTER	TM-324, "DTC Logic"
	P0778 PC SOLENOID B	TM-332, "DTC Logic"
	P0779 PC SOLENOID B	TM-334, "DTC Logic"
	P0962 PC SOLENOID A	TM-347, "DTC Logic"
	P0963 PC SOLENOID A	TM-349, "DTC Logic"
	P0966 PC SOLENOID B	TM-353, "DTC Logic"
	P0967 PC SOLENOID B	TM-355, "DTC Logic"
	P2814 SELECT SOLENOID	TM-362, "DTC Logic"
	P2815 SELECT SOLENOID	TM-364, "DTC Logic"
3	P062F EEPROM	TM-299, "DTC Logic"
	P0705 T/M RANGE SENSOR A	TM-300, "DTC Logic"
	P0706 T/M RANGE SENSOR A	TM-306, "DTC Logic"
	P0711 FLUID TEMP SENSOR A	TM-309, "DTC Logic"
	P0712 FLUID TEMP SENSOR A	TM-312, "DTC Logic"
	P0713 FLUID TEMP SENSOR A	TM-314, "DTC Logic"
	P0715 INPUT SPEED SENSOR A	TM-316, "DTC Logic"
	P0717 INPUT SPEED SENSOR A	TM-319, "DTC Logic"
	P0841 FLUID PRESS SEN/SW A	TM-336, "DTC Logic"
	P0847 FLUID PRESS SEN/SW B	TM-337, "DTC Logic"
	P0848 FLUID PRESS SEN/SW B	TM-339, "DTC Logic"
	P084C FLUID PRESS SEN/SW H	TM-341, "DTC Logic"
	P084D FLUID PRESS SEN/SW H	TM-343, "DTC Logic"
	P0890 TCM	TM-346, "DTC Logic"
	P2765 INPUT SPEED SENSOR B	TM-357, "DTC Logic"
4	P0744 TORQUE CONVERTER	TM-326, "DTC Logic"
	P0746 PC SOLENOID A	TM-328, "DTC Logic"
	P0776 PC SOLENOID B	TM-330, "DTC Logic"
	P0965 PC SOLENOID B	TM-351, "DTC Logic"
	P2813 SELECT SOLENOID	TM-360, "DTC Logic"

DTC Index

INFOID:000000008738158

NOTE:

- If multiple malfunction codes are detected at the same time, check each code according to the "DTC check priority list". Refer to [TM-263, "DTC Inspection Priority Chart"](#).
- The ignition counter is displayed in "FFD". Refer to [TM-247, "CONSULT Function"](#).

TCM

< ECU DIAGNOSIS INFORMATION >

[CVT: RE0F10E]

DTC*1,*2		Items (CONSULT screen terms)	Trip	MIL*3	Reference
GST	CONSULT (TRANSMISSION)				
P062F	P062F	EEPROM	1	ON	TM-299
P0705	P0705	T/M RANGE SENSOR A	2	ON	TM-300
P0706	P0706	T/M RANGE SENSOR A	2	ON	TM-306
P0711	P0711	FLUID TEMP SENSOR A	2	ON	TM-309
P0712	P0712	FLUID TEMP SENSOR A	2	ON	TM-312
P0713	P0713	FLUID TEMP SENSOR A	2	ON	TM-314
P0715	P0715	INPUT SPEED SENSOR A	2	ON	TM-316
P0717	P0717	INPUT SPEED SENSOR A	2	ON	TM-319
P0740	P0740	TORQUE CONVERTER	2	ON	TM-322
P0743	P0743	TORQUE CONVERTER	2	ON	TM-324
P0744	P0744	TORQUE CONVERTER	2	ON	TM-326
P0746	P0746	PC SOLENOID A	2	ON	TM-328
P0776	P0776	PC SOLENOID B	2	ON	TM-330
P0778	P0778	PC SOLENOID B	2	ON	TM-332
P0779	P0779	PC SOLENOID B	2	ON	TM-334
P0841	P0841	FLUID PRESS SEN/SW A	2	ON	TM-336
P0847	P0847	FLUID PRESS SEN/SW B	2	ON	TM-337
P0848	P0848	FLUID PRESS SEN/SW B	2	ON	TM-339
P084C	P084C	FLUID PRESS SEN/SW H	2	ON	TM-341
P084D	P084D	FLUID PRESS SEN/SW H	2	ON	TM-343
P0863	P0863	CONTROL UNIT (CAN)	1	ON	TM-345
P0890	P0890	TCM	1	ON	TM-346
P0962	P0962	PC SOLENOID A	2	ON	TM-347
P0963	P0963	PC SOLENOID A	2	ON	TM-349
P0965	P0965	PC SOLENOID B	2	ON	TM-351
P0966	P0966	PC SOLENOID B	2	ON	TM-353
P0967	P0967	PC SOLENOID B	2	ON	TM-355
P2765	P2765	INPUT SPEED SENSOR B	2	ON	TM-357
P2813	P2813	SELECT SOLENOID	2	ON	TM-360
P2814	P2814	SELECT SOLENOID	2	ON	TM-362
P2815	P2815	SELECT SOLENOID	2	ON	TM-364
U0073	U0073	COMM BUS A OFF	1	ON	TM-291
U0100	U0100	LOST COMM (ECM A)	1	ON	TM-292
—	U0140	LOST COMM (BCM)	1	—	TM-293
—	U0141	LOST COMM (BCM A)	1	—	TM-294
—	U0155	LOST COMM (IPC)	1	—	TM-295
—	U0300	CAN COMM DATA	1	—	TM-296
—	U1000	CAN COMM CIRC	1	—	TM-297
—	U1117	LOST COMM (ABS)	1	—	TM-298

*1: These numbers are specified by SAE J2012/ISO 15031-6.

*2: The DTC number of the 1st trip is the same as the DTC number.

*3: Refer to [TM-245, "DIAGNOSIS DESCRIPTION : Malfunction Indicator Lamp \(MIL\)"](#).

CVT CONTROL SYSTEM

< WIRING DIAGRAM >

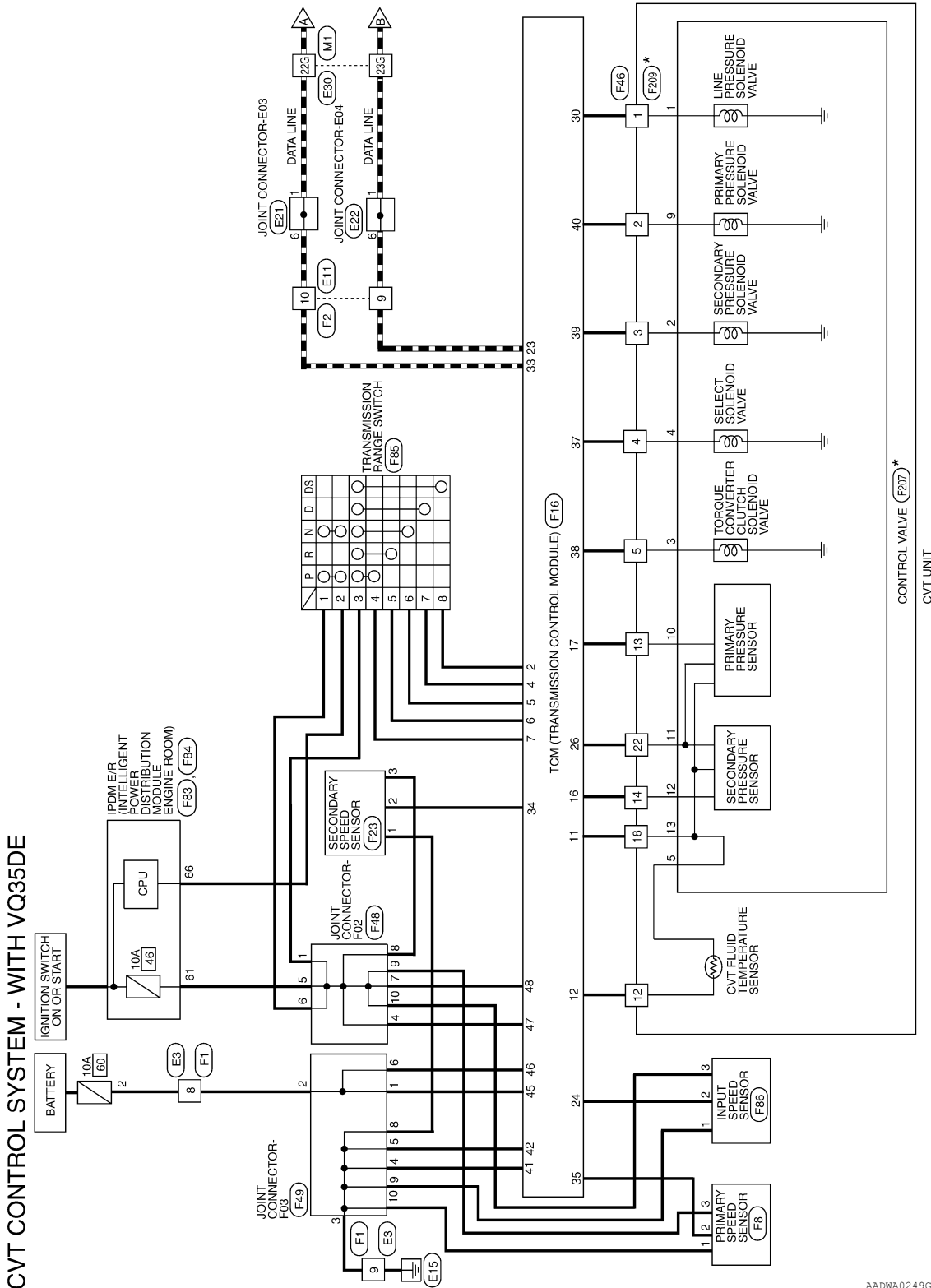
[CVT: RE0F10E]

WIRING DIAGRAM

CVT CONTROL SYSTEM

Wiring diagram

INFOID:000000008144949



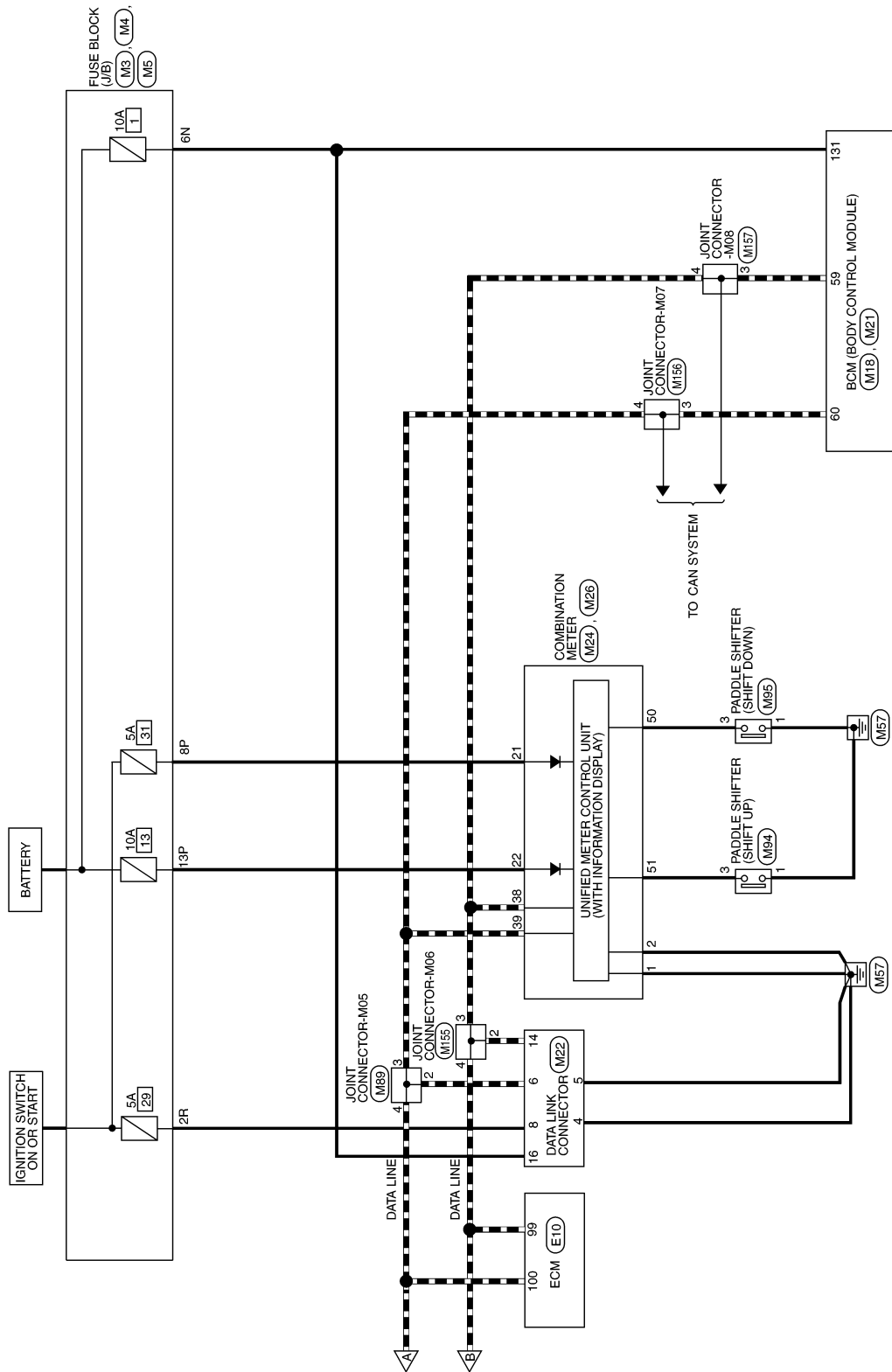
* : This connector is not shown in "Harness Layout"

AADWA0249GB

CVT CONTROL SYSTEM

< WIRING DIAGRAM >

[CVT: RE0F10E]



AADWA0250GB

A
B
C
TM
E
F
G
H
I
J
K
L
M
N
O
P

CVT CONTROL SYSTEM

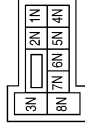
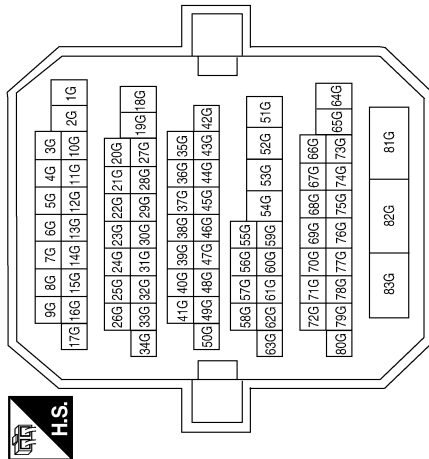
< WIRING DIAGRAM >

[CVT: RE0F10E]

CVT CONTROL SYSTEM CONNECTORS - WITH VQ35DE

Connector No.	M1
Connector Name	WIRE TO WIRE
Connector Color	WHITE

Terminal No.	Color of Wire	Signal Name
22G	L	CAN-H
23G	P	CAN-L



Connector No.	M3
Connector Name	FUSE BLOCK (J/B)
Connector Color	WHITE

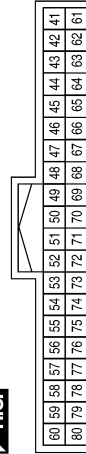
Terminal No.	Color of Wire	Signal Name
6N	W	-

Connector No.	M4
Connector Name	FUSE BLOCK (J/B)
Connector Color	BROWN

Connector No.	M5
Connector Name	FUSE BLOCK (J/B)
Connector Color	WHITE



Connector No.	M18
Connector Name	BCM (BODY CONTROL MODULE)
Connector Color	GREEN



Terminal No.	Color of Wire	Signal Name
2R	BG	-

Terminal No.	Color of Wire	Signal Name
8P	W	-
13P	G	-

Terminal No.	Color of Wire	Signal Name
59	P	CAN-L
60	L	CAN-H


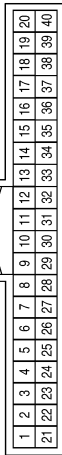
AADIA0365GB

CVT CONTROL SYSTEM

< WIRING DIAGRAM >


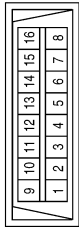
[CVT: RE0F10E]

Connector No.	M24
Connector Name	COMBINATION METER
Connector Color	WHITE


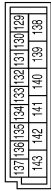
Terminal No.	Color of Wire	Signal Name
1	B	GND1
2	B	GND2
21	BR	IGN
22	G	BAT
38	P	CAN-L
39	L	CAN-H

Connector No.	M22
Connector Name	DATA LINK CONNECTOR
Connector Color	WHITE


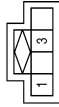
Terminal No.	Color of Wire	Signal Name
4	B	GND
5	B	GND
6	L	CAN-H
8	BG	IGN_SW
14	P	CAN-L
16	W	POWER

Connector No.	M21
Connector Name	BCM (BODY CONTROL MODULE)
Connector Color	WHITE



Terminal No.	Color of Wire	Signal Name
131	W	BAT BCM FUSE

Connector No.	M94
Connector Name	PADDLE SHIFTER (SHIFT UP)
Connector Color	WHITE


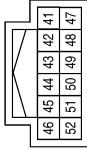
Terminal No.	Color of Wire	Signal Name
1	B	-
3	R	-

Connector No.	M89
Connector Name	JOINT CONNECTOR - M05
Connector Color	WHITE

Terminal No.	Color of Wire	Signal Name
2	L	-
3	L	-
4	L	-

Connector No.	M26
Connector Name	COMBINATION METER
Connector Color	WHITE

Terminal No.	Color of Wire	Signal Name
50	W	PADDLE SHIFTER (SHIFT DOWN)
51	R	PADDLE SHIFTER (SHIFT UP)

AADIA0366GB

A
B
C
TM
E
F
G
H
I
J
K
L
M
N
O
P

CVT CONTROL SYSTEM

< WIRING DIAGRAM >

[CVT: RE0F10E]

Connector No.	M156
Connector Name	JOINT CONNECTOR - M07
Connector Color	WHITE



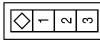
Terminal No.	Color of Wire	Signal Name
3	L	-
4	L	-

Connector No.	M155
Connector Name	JOINT CONNECTOR - M06
Connector Color	WHITE



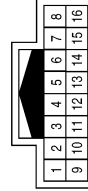
Terminal No.	Color of Wire	Signal Name
2	P	-
3	P	-
4	P	-

Connector No.	M95
Connector Name	PADDLE SHIFTER (SHIFT DOWN)
Connector Color	WHITE



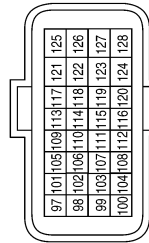
Terminal No.	Color of Wire	Signal Name
1	B	-
3	R	-

Connector No.	E11
Connector Name	WIRE TO WIRE
Connector Color	WHITE



Terminal No.	Color of Wire	Signal Name
9	P	-
10	L	-

Connector No.	E10
Connector Name	ECM
Connector Color	GRAY



Terminal No.	Color of Wire	Signal Name
99	P	CAN-L
100	L	CAN-H

Connector No.	M157
Connector Name	JOINT CONNECTOR - M08
Connector Color	WHITE



Terminal No.	Color of Wire	Signal Name
3	P	-
4	P	-

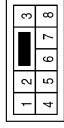
AADIA0367GB

CVT CONTROL SYSTEM

< WIRING DIAGRAM >

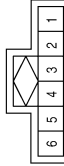
[CVT: RE0F10E]

Connector No.	E23
Connector Name	WIRE TO WIRE
Connector Color	BROWN



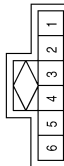
Terminal No.	Color of Wire	Signal Name
7	BG	-
8	B	-

Connector No.	E22
Connector Name	JOINT CONNECTOR - E04
Connector Color	WHITE



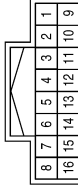
Terminal No.	Color of Wire	Signal Name
1	L	-
6	L	-

Connector No.	E21
Connector Name	JOINT CONNECTOR - E03
Connector Color	WHITE



Terminal No.	Color of Wire	Signal Name
1	L	-
6	L	-

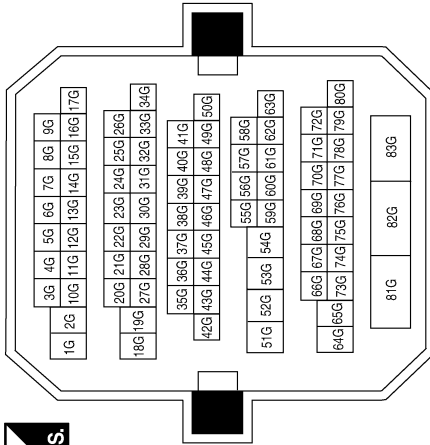
Connector No.	F2
Connector Name	WIRE TO WIRE
Connector Color	WHITE



Terminal No.	Color of Wire	Signal Name
9	P	-
10	L	-

Terminal No.	Color of Wire	Signal Name
22G	L	-
23G	P	-

Connector No.	E30
Connector Name	WIRE TO WIRE
Connector Color	WHITE



AADIA0368GB

A
B
C
TM
E
F
G
H
I
J
K
L
M
N
O
P

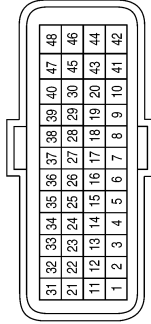
CVT CONTROL SYSTEM

< WIRING DIAGRAM >

[CVT: RE0F10E]

Terminal No.	Color of Wire	Signal Name
15	-	-
16	Y	SEC PRESS SENS
17	LG	PRI PRESS SENS
18	-	-
19	-	-
20	-	-
21	-	-
22	-	-
23	P	CAN-L
24	BR	INPUT SPEED SENS
25	-	-
26	LG	SENS PWR SUPPLY
27	-	-
28	-	-
29	-	-
30	BR	LINE PRESS SOL VALVE
31	-	-
32	-	-
33	L	CAN-H
34	V	SEC SPEED SENS
35	BR	PRI SPEED SENS
36	-	-
37	Y	SELECT SOL VALVE
38	BR	TCC SOLE VALVE
39	L	SEC PRESS SOLE VALVE
40	LG	PRI PRESS SOLE VALVE
41	B	GND
42	B	GND
43	-	-
44	-	-
45	P	BATT
46	P	BATT
47	Y	VIGN
48	Y	VIGN

Connector No.	F16
Connector Name	TCM (TRANSMISSION CONTROL MODULE)
Connector Color	BLACK



Terminal No.	Color of Wire	Signal Name
1	-	-
2	SB	DS RANGE SW
3	-	-
4	LG	D RANGE SW
5	BR	N RANGE SW
6	L	R RANGE SW
7	V	P RANGE SW
8	-	-
9	-	-
10	-	-
11	Y	SENSOR GND
12	V	CVT FLUID TEMP SENS
13	-	-
14	-	-

Connector No.	F8
Connector Name	PRIMARY SPEED SENSOR
Connector Color	BLACK



Terminal No.	Color of Wire	Signal Name
1	B	-
2	BR	-
3	Y	-

AADIA0369GB

CVT CONTROL SYSTEM

< WIRING DIAGRAM >

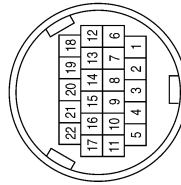
[CVT: RE0F10E]

Connector No.	F23
Connector Name	SECONDARY SPEED SENSOR
Connector Color	BLACK



Terminal No.	Color of Wire	Signal Name
1	B	-
2	V	-
3	Y	-

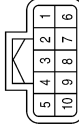
Connector No.	F46
Connector Name	CVT UNIT
Connector Color	BLACK



Terminal No.	Color of Wire	Signal Name
1	BR	-
2	LG	-
3	L	-
4	Y	-
5	BR	-
6	-	-

Terminal No.	Color of Wire	Signal Name
7	-	-
8	-	-
9	-	-
10	-	-
11	-	-
12	V	-
13	LG	-
14	Y	-
15	-	-
16	-	-
17	-	-
18	Y	-
19	-	-
20	-	-
21	-	-
22	LG	-

Connector No.	F48
Connector Name	JOINT CONNECTOR-F02
Connector Color	BLACK



Terminal No.	Color of Wire	Signal Name
1	Y	-
4	Y	-
5	Y	-
6	Y	-
7	Y	-
8	Y	-
9	Y	-
10	Y	-

AADIA0370GB

A
B
C
TM
E
F
G
H
I
J
K
L
M
N
O
P

CVT CONTROL SYSTEM

< WIRING DIAGRAM >

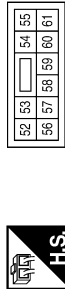
[CVT: RE0F10E]

Connector No.	F49
Connector Name	JOINT CONNECTOR-F03
Connector Color	BLACK



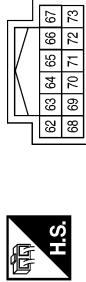
Terminal No.	Color of Wire	Signal Name
1	P	-
2	P	-
3	B	-
4	B	-
5	B	-
6	P	-
8	B	-
9	B	-
10	B	-

Connector No.	F83
Connector Name	IPDM E/R (INTELLIGENT POWER DISTRIBUTION MODULE ENGINE ROOM)
Connector Color	WHITE



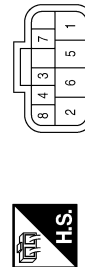
Terminal No.	Color of Wire	Signal Name
61	Y	AT ECU

Connector No.	F84
Connector Name	IPDM E/R (INTELLIGENT POWER DISTRIBUTION MODULE ENGINE ROOM)
Connector Color	WHITE



Terminal No.	Color of Wire	Signal Name
66	LG	NP SW

Connector No.	F85
Connector Name	TRANSMISSION RANGE SWITCH
Connector Color	BLACK



Terminal No.	Color of Wire	Signal Name
1	Y	-
2	LG	-
3	Y	-
4	V	-
5	L	-
6	BR	-
7	LG	-
8	SB	-

Connector No.	F86
Connector Name	INPUT SPEED SENSOR
Connector Color	BLACK



Terminal No.	Color of Wire	Signal Name
1	B	-
2	BR	-
3	Y	-

AADIA0371GB

CVT CONTROL SYSTEM

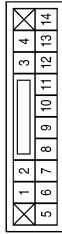
< WIRING DIAGRAM >

[CVT: RE0F10E]

A
B
C
TM
E
F
G
H
I
J
K
L
M
N
O
P

Terminal No.	Color of Wire	Signal Name
6	-	-
7	-	-
8	-	-
9	O	-
10	L	-
11	W	-
12	R	-
13	B/Y	-
14	-	-

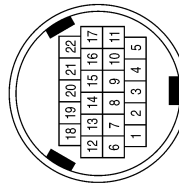
Connector No.	F207
Connector Name	CONTROL VALVE
Connector Color	-



Terminal No.	Color of Wire	Signal Name
1	GR	-
2	BR	-
3	Y	-
4	P	-
5	B	-

Terminal No.	Color of Wire	Signal Name
7	-	-
8	-	-
9	-	-
10	-	-
11	-	-
12	V	-
13	LG	-
14	Y	-
15	-	-
16	-	-
17	-	-
18	Y	-
19	-	-
20	-	-
21	-	-
22	LG	-

Connector No.	F209
Connector Name	CVT UNIT
Connector Color	BLACK



Terminal No.	Color of Wire	Signal Name
1	BR	-
2	LG	-
3	L	-
4	Y	-
5	BR	-
6	-	-

AADIA0372GB

CVT SHIFT LOCK SYSTEM

< WIRING DIAGRAM >

[CVT: RE0F10E]

CVT SHIFT LOCK SYSTEM CONNECTORS

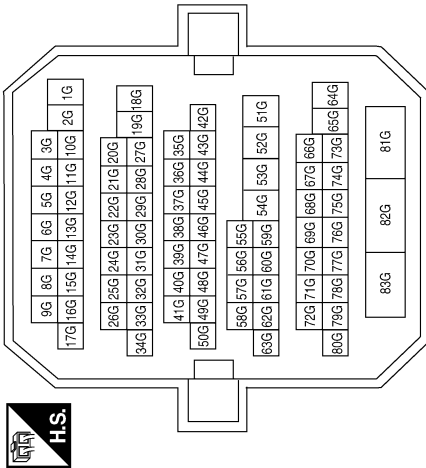
Connector No.	M4
Connector Name	FUSE BLOCK (J/B)
Connector Color	BROWN



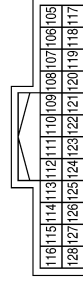
Terminal No.	Color of Wire	Signal Name
9R	G	—

Terminal No.	Color of Wire	Signal Name
5G	W	—

Connector No.	M1
Connector Name	WIRE TO WIRE
Connector Color	WHITE

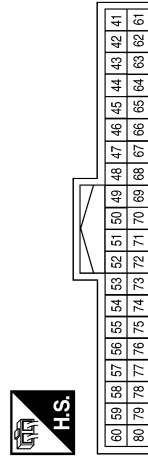


Connector No.	M20
Connector Name	BCM (BODY CONTROL MODULE)
Connector Color	BLACK



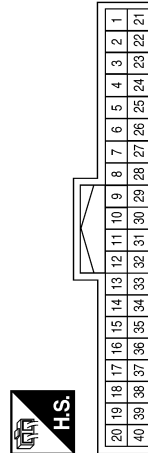
Terminal No.	Color of Wire	Signal Name
108	BG	SHIFT LOCK SOLENOID OUT

Connector No.	M18
Connector Name	BCM (BODY CONTROL MODULE)
Connector Color	BLACK



Terminal No.	Color of Wire	Signal Name
69	L	AT DEVICE OUT

Connector No.	M17
Connector Name	BCM (BODY CONTROL MODULE)
Connector Color	GREEN



Terminal No.	Color of Wire	Signal Name
20	W	SHIFT P
27	G	BRAKE SW LAMP

AADIA0360GB

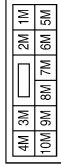
A
B
C
TM
E
F
G
H
I
J
K
L
M
N
O
P

CVT SHIFT LOCK SYSTEM

< WIRING DIAGRAM >

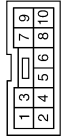
[CVT: RE0F10E]

Connector No.	E6
Connector Name	FUSE BLOCK (J/B)
Connector Color	WHITE



Terminal No.	Color of Wire	Signal Name
5M	G	-
8M	W	-

Connector No.	M23
Connector Name	CVT SHIFT SELECTOR
Connector Color	WHITE



Terminal No.	Color of Wire	Signal Name
3	BG	-
4	B	-
5	L	-
6	W	-

Connector No.	M21
Connector Name	BCM (BODY CONTROL MODULE)
Connector Color	WHITE



Terminal No.	Color of Wire	Signal Name
134	B	GND2
139	W	BAT POWER F/L
143	B	GND1

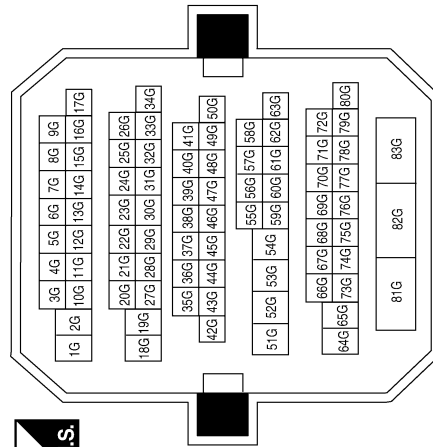
Connector No.	E38
Connector Name	STOP LAMP SWITCH
Connector Color	WHITE



Terminal No.	Color of Wire	Signal Name
1	G	-
2	R	-

Terminal No.	5G
Color of Wire	P
Signal Name	-

Connector No.	E30
Connector Name	WIRE TO WIRE
Connector Color	WHITE



AADIA0361GB

CVT SHIFT LOCK SYSTEM

< WIRING DIAGRAM >

[CVT: RE0F10E]

A
B
C
TM
E
F
G
H
I
J
K
L
M
N
O
P

Connector No.	E64
Connector Name	JOINT CONNECTOR-E10
Connector Color	WHITE



Terminal No.	Color of Wire	Signal Name
2	G	-
3	G	-
4	G	-

Connector No.	E57
Connector Name	STOP LAMP RELAY
Connector Color	BLUE



Terminal No.	Color of Wire	Signal Name
1	B	-
2	R	-
3	W	-
5	G	-

AADIA0363GB

BASIC INSPECTION

DIAGNOSIS AND REPAIR WORK FLOW

Flowchart of Trouble Diagnosis

INFOID:000000008144951

NOTE:

"DTC" includes DTC at the 1st trip.

1. OBTAIN INFORMATION ABOUT SYMPTOM

Refer to [TM-281, "Question sheet"](#) and interview the customer to obtain the malfunction information (conditions and environment when the malfunction occurred) as much as possible when the customer brings in the vehicle.

>> GO TO 2.

2. CHECK DTC

1. Before checking the malfunction, check whether any DTC exists.
2. If DTC exists, perform the following operations.
 - Records the DTCs. (Print out using CONSULT and affix to the Work Order Sheet.)
 - Erase DTCs.
 - Check the relation between the cause found by DTC and the malfunction information from customer. [TM-373, "Symptom Table"](#) can be used effectively.
3. Check the relevant information including STI, etc.

Do malfunction information and DTC exist?

Malfunction information and DTC exist.>>GO TO 3.

Malfunction information exists but no DTC.>>GO TO 4.

No malfunction information, but DTC exists.>>GO TO 5.

3. REPRODUCE MALFUNCTION SYSTEM

Check the malfunction described by the customer on the vehicle.

Check if the behavior is fail safe or normal operation. Refer to [TM-260, "Fail-safe"](#).

Interview sheet can be used effectively when reproduce malfunction conditions. Refer to [TM-281, "Question sheet"](#).

Verify the relationship between the symptom and the conditions in which the malfunction described by the customer occurs.

>> GO TO 5.

4. REPRODUCE MALFUNCTION SYMPTOM

Check the malfunction described by the customer on the vehicle.

Check if the behavior is fail safe or normal operation. Refer to [TM-260, "Fail-safe"](#).

Interview sheet can be used effectively when reproduce malfunction conditions. Refer to [TM-281, "Question sheet"](#).

Verify the relationship between the symptom and the conditions in which the malfunction described by the customer occurs.

>> GO TO 6.

5. PERFORM "DTC CONFIRMATION PROCEDURE"

Perform "DTC CONFIRMATION PROCEDURE" of the appropriate DTC to check if DTC is detected again.

Refer to [TM-263, "DTC Inspection Priority Chart"](#) when multiple DTCs are detected, and then determine the order for performing the diagnosis.

Is any DTC detected?

YES >> GO TO 7.

NO >> Follow [GI-47, "Intermittent Incident"](#) to check.

6. IDENTIFY MALFUNCTIONING SYSTEM WITH "DIAGNOSIS CHART BY SYMPTOM"

DIAGNOSIS AND REPAIR WORK FLOW

< BASIC INSPECTION >

[CVT: RE0F10E]

Question sheet

Customer's name	MR/MS	Registration number		Initial year registration	Year Month day
		Vehicle type		Chassis No.	
Storage date	Year Month day	Engine		Mileage	km/mile
Climate conditions		Irrelevant			
Weather		<input type="checkbox"/> Clear <input type="checkbox"/> Cloud <input type="checkbox"/> Rain <input type="checkbox"/> Snow <input type="checkbox"/> Others)			
Temperature		<input type="checkbox"/> Hot <input type="checkbox"/> Warm <input type="checkbox"/> Cool <input type="checkbox"/> Cold <input type="checkbox"/> Temperature (Approx. °C/°F)			
Relative humidity		<input type="checkbox"/> High <input type="checkbox"/> Moderate <input type="checkbox"/> Low			
Transaxle condition		<input type="checkbox"/> In cold-start <input type="checkbox"/> During warm-up (approx. °C/°F) <input type="checkbox"/> After warm-up <input type="checkbox"/> Engine speed: rpm			
Road conditions		<input type="checkbox"/> Urban area <input type="checkbox"/> Suburb area <input type="checkbox"/> Highway <input type="checkbox"/> Mountainous road (uphill or downhill)			
Operating condition, etc.		Irrelevant <input type="checkbox"/> When engine starts <input type="checkbox"/> During idling <input type="checkbox"/> During driving <input type="checkbox"/> During acceleration <input type="checkbox"/> At constant speed driving <input type="checkbox"/> During deceleration <input type="checkbox"/> During cornering (RH curve or LH curve)			
Other conditions					

ADDITIONAL SERVICE WHEN REPLACING TCM

< BASIC INSPECTION >

[CVT: RE0F10E]

ADDITIONAL SERVICE WHEN REPLACING TCM

Description

INFOID:000000008819210

Always perform the following items when the TCM is replaced.

SAVING AND WRITING OF TCM DATA

- TCM performs accurate control by retrieving data (inherent characteristic value) of each solenoid. For this reason, it is necessary to save data of current TCM in CONSULT before replacing the TCM. After this, the saved data must be written in new TCM.

Work Procedure

INFOID:000000008819211

CAUTION:

When replacing TCM together with transaxle assembly, perform "ADDITIONAL SERVICE WHEN REPLACING TRANSAXLE ASSEMBLY". Refer to [TM-283, "Work Procedure"](#).

1.SAVE THE TCM DATA

NOTE:

Save necessary data stored in TCM in CONSULT according to the following instructions:

1. Turn ignition switch OFF and wait for 10 seconds.
2. Turn ignition switch ON.
3. Select "Work Support" in "TRANSMISSION".
4. Select "READ IP CHARA - REPLACEMENT TCM".
5. Import data according to the instructions on the CONSULT screen.

>> GO TO 2.

2.REPLACE THE TCM

1. Turn ignition switch OFF and wait for 10 seconds.
2. Replace the TCM. Refer to [TM-384, "Removal and Installation"](#).

>> GO TO 3.

3.WRITE THE TCM DATA

NOTE:

Write data saved in CONSULT into a new TCM according to the following instructions:

1. Turn ignition switch OFF and wait for 10 seconds.
2. Turn ignition switch ON.
3. Select "Work Support" in "TRANSMISSION".
4. Select "WRITE IP CHARA - REPLACEMENT TCM".
5. Write data saved in CONSULT in TCM according to the instructions on the CONSULT screen.

>> WORK END

ADDITIONAL SERVICE WHEN REPLACING TRANSAXLE ASSEMBLY

< BASIC INSPECTION >

[CVT: RE0F10E]

ADDITIONAL SERVICE WHEN REPLACING TRANSAXLE ASSEMBLY

Description

INFOID:000000008819212

Perform the following work after the transaxle assembly is replaced.

ERASING AND WRITING TCM DATA

- TCM performs accurate control by retrieving data (inherent characteristic value) of each solenoid. For this reason, after replacing transaxle assembly, it is necessary to erase data stored in TCM and write new data.

ERASING OF CVT FLUID DEGRADATION LEVEL DATA

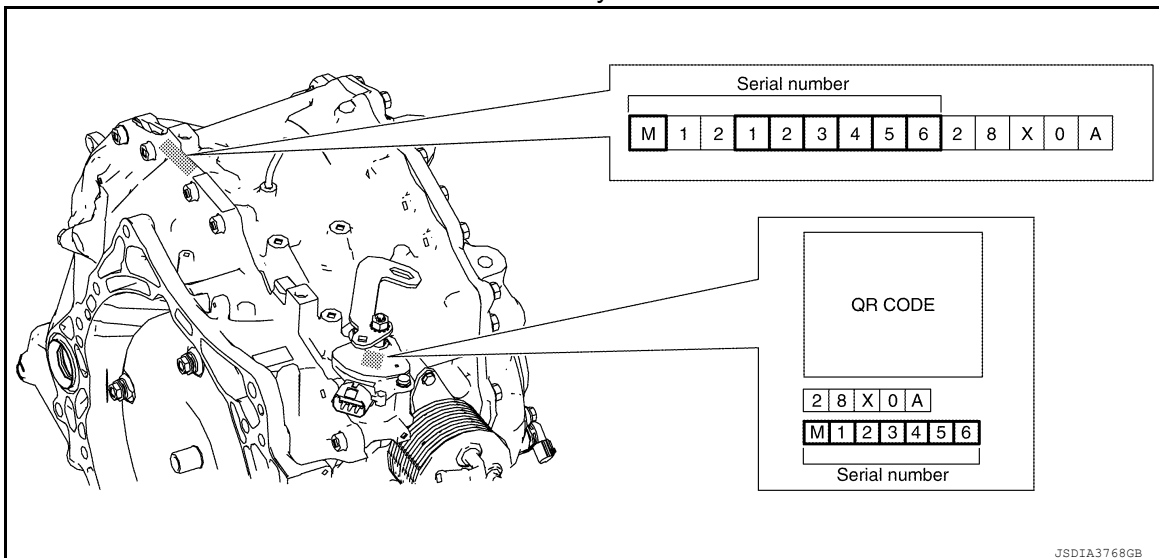
- TCM records the degradation level of the CVT fluid calculated from the vehicle driving status. Therefore, if the transaxle assembly is replaced, it is necessary to erase the CVT fluid degradation level data recorded by TCM.

Work Procedure

INFOID:000000008819213

1. CHECK THE SERIAL NUMBER (PART 1)

Write down the serial number of new transaxle assembly.



>> GO TO 2.

2. CHECK THE SERIAL NUMBER (PART 2)

1. Turn ignition switch ON.
2. Insert the attached CD into CONSULT.
3. Select "Work Support" in "TRANSMISSION".
4. Select "WRITE IP CHARA - REPLACEMENT AT/CVT".
5. Check that the serial number displayed on CONSULT screen and those written in the memo agree.

CAUTION:

Never perform writing procedure.

6. Go back to MENU of "Work Support".

>> GO TO 3.

3. INITIALIZE TCM

1. Set parking brake.
2. Select "ERASE MEMORY DATA".
3. Touch "Start" according to the instructions on the CONSULT screen.

Is "COMPLETED" displayed?

YES >> GO TO 4.

NO >> Turn ignition switch OFF and wait for a minimum of 10 seconds then perform the work again.

ADDITIONAL SERVICE WHEN REPLACING TRANSAXLE ASSEMBLY

< BASIC INSPECTION >

[CVT: RE0F10E]

4. WRITE THE DATA

NOTE:

Write data of new solenoid in TCM according to the following instructions:

1. Shift the selector lever to the P position.
2. Turn ignition switch OFF and wait for 10 seconds.
3. Turn ignition switch ON.
4. Select "Work Support" in "TRANSMISSION".
5. Select "WRITE IP CHARA - REPLACEMENT AT/CVT".
6. Write data in TCM according to the instructions on the CONSULT screen.

NOTE:

When writing is complete, the shift position indicator of the combination meter displays P.

>> GO TO 5.

5. ERASE CVT FLUID DEGRADATION LEVEL DATA

1. Select "WORK SUPPORT" in "TRANSMISSION".
2. Select "CONFORM CVTF DETERIORTN".
3. Touch "Clear".

>> WORK END

A
B
C
TM
E
F
G
H
I
J
K
L
M
N
O
P

CVT FLUID

Replacement

INFOID:000000008737913

CVT fluid : Refer to [TM-414, "General Specification"](#).

Fluid capacity : Refer to [TM-414, "General Specification"](#).

CAUTION:

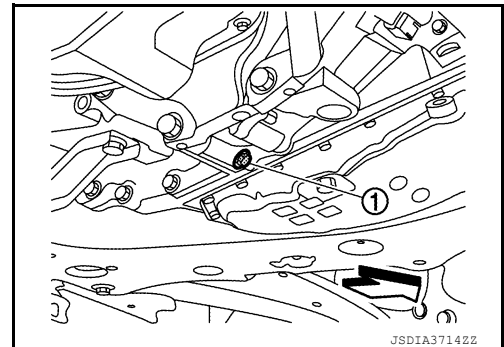
- Always use shop paper. Never use shop cloth.
- Replace a drain plug gasket with new ones at the final stage of the operation when installing.
- Use caution when looking into the drain hole as there is a risk of dripping fluid entering the eye.
- After replacement, always perform CVT fluid leakage check.

1. Select "Data Monitor" in "TRANSMISSION" using CONSULT.
2. Select "FLUID TEMP" and confirm that the CVT fluid temperature is 40°C (104°F) or less.
3. Check that the selector lever is in the "P" position, then completely engage the parking brake.
4. Lift up the vehicle.
5. Remove the drain plug and drain the CVT fluid from the oil pan. Refer to [TM-387, "Exploded View"](#).
6. Install the drain plug to oil pan.

CAUTION:

Drain plug gasket use the old one.

7. Remove the overflow plug ① from converter housing.



8. Install the charging pipe set (KV311039S0) (A) into the overflow plug hole.

CAUTION:

Tighten the charging pipe by hand.

9. Install the ATF changer hose (B) to the charging pipe.

CAUTION:

Press the ATF changer hose all the way onto the charging pipe until it stops.

10. Fill approximately 3 liter (2-5/8 Imp qt) of the CVT fluid.
11. Remove the ATF changer hose and charging pipe, then install the overflow plug.

NOTE:

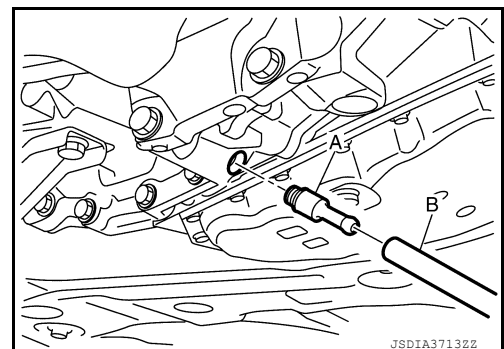
Perform this work quickly because CVT fluid leaks.

12. Lift down the vehicle.
13. Start the engine.
14. While depressing the brake pedal, shift the selector lever to the entire position from "P" to "DS", and shift it to the "P" position.

NOTE:

Hold the lever at each position for 5 seconds.

15. Check that the CONSULT "Data Monitor" in "FLUID TEMP" is 35°C (95°F) to 45°C (113°F).
16. Stop the engine.
17. Lift up the vehicle.
18. Remove the drain plug, and then drain CVT fluid from oil pan.



CVT FLUID

< BASIC INSPECTION >

[CVT: RE0F10E]

19. Repeat steps 8 to 18 (one time).
20. Tighten the drain plug to the specified torque. Refer to [TM-387, "Exploded View"](#).
21. Remove the overflow plug.
22. Install the charging pipe set (KV311039S0) into the overflow plug hole.
CAUTION:
Tighten the charging pipe by hand.
23. Install the ATF changer hose to the charging pipe.
CAUTION:
Press the ATF changer hose all the way onto the charging pipe until it stops.
24. Fill approximately 3 liter (2-5/8 Imp qt) of the CVT fluid.
25. Remove the ATF changer hose and charging pipe, then install the overflow plug.
NOTE:
Perform this work quickly because CVT fluid leaks.
26. Lift down the vehicle.
27. Start the engine.
28. While depressing the brake pedal, shift the selector lever to the entire position from "P" to "DS", and shift it to the "P" position.
NOTE:
Hold the lever at each position for 5 seconds.
29. Check that the CONSULT "Data Monitor" in "FLUID TEMP" is 35°C (95°F) to 45°C (113°F).
30. Lift up the vehicle.
31. Remove the overflow plug and confirm that the CVT fluid is drained from the overflow plug hole.
CAUTION:
Perform this work with the vehicle idling.
NOTE:
If the CVT fluid is not drained, refer to "Adjustment" and refill with the CVT fluid.
32. When the flow of CVT fluid slows to a drip, tighten the overflow plug to the specified torque. Refer to [TM-387, "Exploded View"](#).
CAUTION:
Never reuse O-ring.
33. Lift down the vehicle.
34. Select "Data Monitor" in "TRANSMISSION" using CONSULT.
35. Select "CONFORM CVTF DETERIORTN".
36. Select "Erase".
37. Stop the engine.

Adjustment

INFOID:000000008737914

CVT fluid : Refer to [TM-414, "General Specification"](#).

Fluid capacity : Refer to [TM-414, "General Specification"](#).

CAUTION:

- During adjustment of the CVT fluid level, check CONSULT so that the oil temperature may be maintained from 35 to 45°C (95 to 113°F).
- During adjustment of the CVT fluid level, check that the engine speed is maintaining 500 rpm.
- Use caution when looking into the drain hole as there is a risk of dripping fluid entering the eye.

1. Check that the selector lever is in the "P" position, then completely engage the parking brake.
2. Start the engine.
3. Adjust the CVT fluid temperature to be approximately 40°C (104°F).

NOTE:

The CVT fluid is largely affected by temperature. Therefore be sure to use CONSULT and check the "FLUID TEMP" under "TRANSMISSION" in "Data Monitor" while adjusting.

4. While depressing the brake pedal, shift the selector lever to the entire position from "P" to "DS", and shift it to the "P" position.

NOTE:

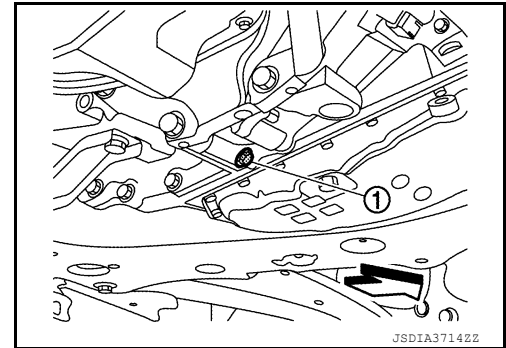
CVT FLUID

< BASIC INSPECTION >

[CVT: RE0F10E]

Hold the lever at each position for 5 seconds.

5. Lift up the vehicle.
6. Check that there is no CVT fluid leakage.
7. Remove the overflow plug ① from converter housing.



8. Install the charging pipe set (KV311039S0) (A) into the overflow plug hole.

CAUTION:

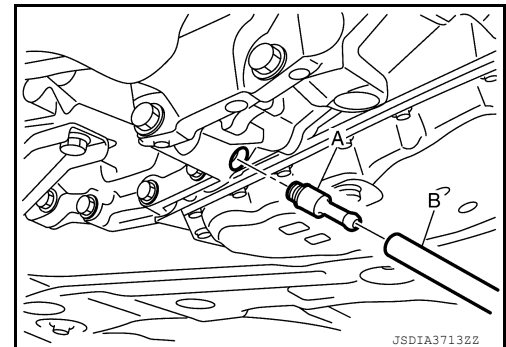
Tighten the charging pipe by hand.

9. Install the ATF changer hose (B) to the charging pipe.

CAUTION:

Press the ATF changer hose all the way onto the charging pipe until it stops.

10. Fill approximately 0.5 liter (1/2 Imp qt) of the CVT fluid.
11. Remove the ATF changer hose from the charging pipe, and check that the CVT fluid drains out from the charging pipe. If it does not drain out, perform charging again.



CAUTION:

Perform this work with the vehicle idling.

12. When the flow of CVT fluid slows to a drip, remove the charging pipe from the converter housing.
13. Tighten the overflow plug to the specified torque. Refer to [TM-387. "Exploded View"](#).

CAUTION:

Never reuse O-ring.

14. Lift down the vehicle.
15. Stop the engine.

STALL TEST

< BASIC INSPECTION >

[CVT: RE0F10E]

STALL TEST

Work Procedure

INFOID:000000008144963

INSPECTION

1. Check the engine oil level. Replenish if necessary. Refer to [LU-25, "Inspection"](#).
2. Check for leak of the CVT fluid. Refer to [TM-377, "Inspection"](#).
3. Drive for about 10 minutes to warm up the vehicle so that the CVT fluid temperature is 50 to 80°C (122 to 176°F).
4. Be sure to apply the parking brake and block the tires.
5. Start the engine, depress the brake pedal and put the selector lever to the D position.
6. While depressing the brake pedal, depress the accelerator pedal gradually.
7. Read the stall speed quickly. Then, release your foot from the accelerator pedal quickly.

CAUTION:

Do not depress the accelerator pedal for 5 seconds or more during the test.

Stall speed : Refer to [TM-414, "Stall Speed"](#).

8. Place the selector lever in the N position.
9. Cool the CVT fluid.
- CAUTION:**
Run the engine with the idle speed for at least 1 minute.
10. Put the selector lever to the R position and perform Step 6 to Step 9 again.

NARROWING-DOWN MALFUNCTIONING PARTS

	Selector lever position		Possible cause
	D	R	
Stall speed	H	O	• Forward clutch
	O	H	• Reverse brake
	L	L	• Engine • Torque converter one way clutch
	H	H	• Line pressure is low. • Primary pulley • Secondary pulley • Chain belt

O: Within the stall speed standard value.

H: Stall speed is higher than the standard value.

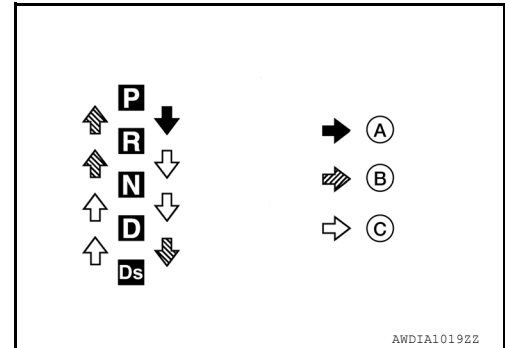
L: Stall speed is lower than the standard value.

CVT POSITION

Inspection

INFOID:000000008837219

1. Turn ON the ignition switch with the shift selector at the "P" position.
2. Press the shift selector button with the brake pedal depressed, and confirm that the shift selector can be moved to positions other than "P". Also confirm that movement is not allowed from the "P" position to other position without depressing the brake pedal.
3. Move the shift selector and check for "excessive effort", "sticking", "noise" or "rattle".
4. Confirm that shift selector stops at each position with the feel of engagement when it is moved through all the positions. Check whether or not the actual position the shift selector is in matches the position shown by the transaxle body.
5. Make sure that the shift selector is moved to all the shift positions in the manner shown.
 - (A): Press shift selector button to operate shift selector, while depressing the brake pedal.
 - (B): Press shift selector button to operate shift selector.
 - (C): Shift selector can be operated without pressing the shift selector button.
6. When the shift selector button is pressed without applying forward/backward force to the shift selector at "P", "R", "N", "D" or "Ds" positions, there should be no "sticking" on the shift selector button operation.
7. Check that the back-up lamps do not illuminate when the shift selector is in the "P" position.
8. Check that the engine can be started with the shift selector in the "P" and "N" positions only.
9. Check that the transaxle is locked completely when the shift selector is in the "P" position.



Adjustment

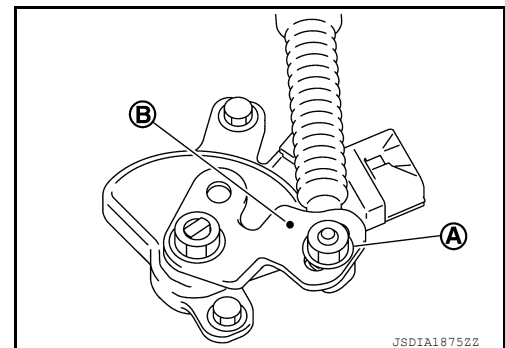
INFOID:000000008837220

1. Shift the shift selector to the "P" position.

CAUTION:
Turn wheels at least a quarter turn and be certain the park position mechanism is fully engaged.
2. Loosen the control cable nut.

CAUTION:
Do not apply force to the manual lever.
3. Position the manual lever in the "P" position.
4. Tighten the control cable nut to specified torque. Refer to [TM-380](#). "Exploded View".

CAUTION:
Hold manual lever when tightening.



U0073 COMMUNICATION BUS A OFF

< DTC/CIRCUIT DIAGNOSIS >

[CVT: RE0F10E]

DTC/CIRCUIT DIAGNOSIS

U0073 COMMUNICATION BUS A OFF

DTC Logic

INFOID:000000008747312

DTC DETECTION LOGIC

DTC	CONSULT screen terms (Trouble diagnosis content)	DTC detection condition	Possible causes
U0073	COMM BUS A OFF (Control Module Communication Bus A Off)	TCM communication blockage lasts for 2 seconds or more when turning ON the ignition switch. (Communication not established.)	Harness or connector (CAN communication line is error)

DTC CONFIRMATION PROCEDURE

1. PREPARATION BEFORE WORK

If another "DTC CONFIRMATION PROCEDURE" occurs just before, turn ignition switch OFF and wait for at least 10 seconds, then perform the next test.

>> GO TO 2.

2. PERFORM DTC CONFIRMATION PROCEDURE

1. Start the engine and wait for at least 5 seconds.
2. Check the DTC.

Is "U0073" detected?

- YES >> Go to [TM-291, "Diagnosis Procedure"](#).
NO >> INSPECTION END

Diagnosis Procedure

INFOID:000000008747313

For the diagnosis procedure, refer to [LAN-18, "Trouble Diagnosis Flow Chart"](#).

U0100 LOST COMMUNICATION (ECM A)

< DTC/CIRCUIT DIAGNOSIS >

[CVT: RE0F10E]

U0100 LOST COMMUNICATION (ECM A)

DTC Logic

INFOID:000000008747314

DTC DETECTION LOGIC

DTC	CONSULT screen terms (Trouble diagnosis content)	DTC detection condition	Possible causes
U0100	LOST COMM (ECM A) (Lost Communication With ECM/PCM A)	When the ignition switch is ON, TCM is unable to receive the CAN communications signal from ECM continuously for 2 seconds or more.	<ul style="list-style-type: none">• ECM• Harness or connector (CAN communication line is open or shorted)

DTC CONFIRMATION PROCEDURE

1. PREPARATION BEFORE WORK

If another "DTC CONFIRMATION PROCEDURE" occurs just before, turn ignition switch OFF and wait for at least 10 seconds, then perform the next test.

>> GO TO 2.

2. PERFORM DTC CONFIRMATION PROCEDURE

1. Start the engine and wait for at least 5 seconds.
2. Check the DTC.

Is "U0100" detected?

- YES >> Go to [TM-292, "Diagnosis Procedure"](#).
NO >> INSPECTION END

Diagnosis Procedure

INFOID:000000008747315

For the diagnosis procedure, refer to [LAN-18, "Trouble Diagnosis Flow Chart"](#).

U0140 LOST COMMUNICATION (BCM)

< DTC/CIRCUIT DIAGNOSIS >

[CVT: RE0F10E]

U0140 LOST COMMUNICATION (BCM)

DTC Logic

INFOID:000000008747316

DTC DETECTION LOGIC

DTC	CONSULT screen terms (Trouble diagnosis content)	DTC detection condition	Possible causes
U0140	LOST COMM (BCM) (Lost Communication With Body Control Module)	When the ignition switch is ON, TCM is unable to receive the CAN communications signal from BCM continuously for 2 seconds or more.	<ul style="list-style-type: none">• BCM• Harness or connector (CAN communication line is open or shorted)

DTC CONFIRMATION PROCEDURE

1. PREPARATION BEFORE WORK

If another "DTC CONFIRMATION PROCEDURE" occurs just before, turn ignition switch OFF and wait for at least 10 seconds, then perform the next test.

>> GO TO 2.

2. PERFORM DTC CONFIRMATION PROCEDURE

1. Start the engine and wait for at least 5 seconds.
2. Check the DTC.

Is "U0140" detected?

- YES >> Go to [TM-293, "Diagnosis Procedure"](#).
NO >> INSPECTION END

Diagnosis Procedure

INFOID:000000008747317

For the diagnosis procedure, refer to [LAN-18, "Trouble Diagnosis Flow Chart"](#).

U0141 LOST COMMUNICATION (BCM A)

< DTC/CIRCUIT DIAGNOSIS >

[CVT: RE0F10E]

U0141 LOST COMMUNICATION (BCM A)

DTC Logic

INFOID:000000008747318

DTC DETECTION LOGIC

DTC	CONSULT screen terms (Trouble diagnosis content)	DTC detection condition	Possible causes
U0141	LOST COMM (BCM A) (Lost Communication With Body Control Module A)	When the ignition switch is turned ON, TCM continues no reception of the CAN communication signal from IPDM E/R for 2 seconds or more.	<ul style="list-style-type: none">• IPDM E/R• Harness or connector (CAN communication line is open or shorted)

DTC CONFIRMATION PROCEDURE

1. PREPARATION BEFORE WORK

If another "DTC CONFIRMATION PROCEDURE" occurs just before, turn ignition switch OFF and wait for at least 10 seconds, then perform the next test.

>> GO TO 2.

2. PERFORM DTC CONFIRMATION PROCEDURE

1. Start the engine and wait for at least 5 seconds.
2. Check the DTC.

Is "U0141" detected?

- YES >> Go to [TM-294, "Diagnosis Procedure"](#).
NO >> INSPECTION END

Diagnosis Procedure

INFOID:000000008747319

For the diagnosis procedure, refer to [LAN-18, "Trouble Diagnosis Flow Chart"](#).

U0155 LOST COMMUNICATION (IPC)

< DTC/CIRCUIT DIAGNOSIS >

[CVT: RE0F10E]

U0155 LOST COMMUNICATION (IPC)

DTC Logic

INFOID:000000008747320

DTC DETECTION LOGIC

DTC	CONSULT screen terms [Trouble diagnosis content]	DTC detection condition	Possible causes
U0155	LOST COMM (IPC) [Lost Communication With Instrument Panel Cluster (IPC) Control Module]	When the ignition switch is ON, TCM is unable to receive the CAN communications signal from the combination meter continuously for 2 seconds or more.	<ul style="list-style-type: none">Combination meterHarness or connector (CAN communication line is open or shorted)

DTC CONFIRMATION PROCEDURE

1. PREPARATION BEFORE WORK

If another "DTC CONFIRMATION PROCEDURE" occurs just before, turn ignition switch OFF and wait for at least 10 seconds, then perform the next test.

>> GO TO 2.

2. PERFORM DTC CONFIRMATION PROCEDURE

1. Start the engine and wait for at least 5 seconds.
2. Check the DTC.

Is "U0155" detected?

- YES >> Go to [TM-295, "Diagnosis Procedure"](#).
NO >> INSPECTION END

Diagnosis Procedure

INFOID:000000008747321

For the diagnosis procedure, refer to [LAN-18, "Trouble Diagnosis Flow Chart"](#).

U0300 CAN COMMUNICATION DATA

< DTC/CIRCUIT DIAGNOSIS >

[CVT: RE0F10E]

U0300 CAN COMMUNICATION DATA

DTC Logic

INFOID:000000008747322

DTC DETECTION LOGIC

DTC	CONSULT screen terms (Trouble diagnosis content)	DTC detection condition	Possible causes
U0300	CAN COMM DATA (Internal Control Module Software Incompatibility)	When the ignition switch is ON, the data length transmitted from each control unit is shorter than the specified length and the status continues for 2 seconds or more.	Control unit other than TCM

DTC CONFIRMATION PROCEDURE

1. PREPARATION BEFORE WORK

If another "DTC CONFIRMATION PROCEDURE" occurs just before, turn ignition switch OFF and wait for at least 10 seconds, then perform the next test.

>> GO TO 2.

2. CHECK DTC DETECTION

1. Start the engine and wait for 5 seconds or more.
2. Check the DTC.

Is "U0300" detected?

- YES >> Go to [TM-296, "Diagnosis Procedure"](#).
NO >> INSPECTION END

Diagnosis Procedure

INFOID:000000008747323

1. CONTROL UNIT CHECK

Check the number of control units replaced before "U0300" is detected.

Is one control unit replaced?

- YES >> The specification of the control unit replaced may be incorrect. Check the part number and the specification.
NO >> GO TO 2.

2. CONTROL UNIT CHECK

Ⓟ With CONSULT

1. Remove one of the control unit replaced.
2. Assemble the old control unit before replacement.
3. Turn ignition switch ON, and wait for 2 seconds or more.
4. Select "Self Diagnostic Results" in "TRANSMISSION".

Is "U0300" detected?

- YES >> Turn OFF the ignition switch and check other control units in the same manner.
NO >> The specification of the control unit removed may be incorrect. Check the part number and the specification.

U1000 CAN COMM CIRCUIT

< DTC/CIRCUIT DIAGNOSIS >

[CVT: RE0F10E]

U1000 CAN COMM CIRCUIT

Description

INFOID:000000008747324

CAN (Controller Area Network) is a serial communication line for real-time application. It is an on-vehicle multiplex communication line with high data communication speed and excellent malfunction detection ability. Many electronic control units are equipped onto a vehicle, and each control unit shares information and links with other control units during operation (not independently). In CAN communication, control units are connected with 2 communication lines (CAN-H line, CAN-L line) allowing a high rate of information transmission with less wiring. Each control unit transmits/receives data but selectively reads required data only.

DTC Logic

INFOID:000000008747325

DTC DETECTION LOGIC

DTC	CONSULT screen terms (Trouble diagnosis content)	DTC detection condition	Possible causes
U1000	CAN COMM CIRCUIT (CAN Communication Line)	When the ignition switch is ON, TCM cannot send the CAN communication signal continuously for 2 seconds or more.	Harness or connector (CAN communication line is open or shorted)

DTC CONFIRMATION PROCEDURE

1. PREPARATION BEFORE WORK

If another "DTC CONFIRMATION PROCEDURE" occurs just before, turn ignition switch OFF and wait for at least 10 seconds, then perform the next test.

>> GO TO 2.

2. CHECK DTC DETECTION

1. Start the engine and wait for at least 5 seconds.
2. Check the DTC.

Is "U1000" detected?

- YES >> Go to [TM-297, "Diagnosis Procedure"](#).
NO >> INSPECTION END

Diagnosis Procedure

INFOID:000000008747326

For the diagnosis procedure, refer to [LAN-18, "Trouble Diagnosis Flow Chart"](#).

U1117 LOST COMMUNICATION (ABS)

< DTC/CIRCUIT DIAGNOSIS >

[CVT: RE0F10E]

U1117 LOST COMMUNICATION (ABS)

DTC Logic

INFOID:000000008747327

DTC DETECTION LOGIC

DTC	CONSULT screen terms (Trouble diagnosis content)	DTC detection condition	Possible causes
U1117	LOST COMM (ABS) (Lost Communication With ABS)	When the ignition switch is ON, TCM is unable to receive the CAN communications signal from ABS actuator and electric unit (control unit) continuously for 2 seconds or more.	<ul style="list-style-type: none">• ABS actuator and electric unit (control unit)• Harness or connector (CAN communication line is open or shorted)

DTC CONFIRMATION PROCEDURE

1. PREPARATION BEFORE WORK

If another "DTC CONFIRMATION PROCEDURE" occurs just before, turn ignition switch OFF and wait for at least 10 seconds, then perform the next test.

>> GO TO 2.

2. PERFORM DTC CONFIRMATION PROCEDURE

1. Start the engine and wait for 5 seconds or more.
2. Check the DTC.

Is "U1117" detected?

YES >> Go to [TM-298, "Diagnosis Procedure"](#).

NO >> INSPECTION END

Diagnosis Procedure

INFOID:000000008747328

For the diagnosis procedure, refer to [LAN-18, "Trouble Diagnosis Flow Chart"](#).

P062F EEPROM

< DTC/CIRCUIT DIAGNOSIS >

[CVT: RE0F10E]

P062F EEPROM

Description

INFOID:000000008747329

TCM compares the calculated value stored in the flash ROM with the value stored in TCM. If the calculated value does not agree with the stored value, TCM judges this as a malfunction.

DTC Logic

INFOID:000000008747330

DTC DETECTION LOGIC

DTC	CONSULT screen terms (Trouble diagnosis content)	DTC detection condition	Possible causes
P062F	EEPROM (Internal Control Module EEPROM Error)	Flash ROM error is detected when turning ON the ignition switch.	<ul style="list-style-type: none">• TCM (Flash ROM)• Harness or connector [TCM power supply (back-up) circuit is open or shorted]

DTC CONFIRMATION PROCEDURE

1. PREPARATION BEFORE WORK

If another "DTC CONFIRMATION PROCEDURE" occurs just before, turn ignition switch OFF and wait for at least 10 seconds, then perform the next test.

>> GO TO 2.

2. CHECK DTC DETECTION

1. Start the engine.
2. Check the DTC.

Is "P062F" detected?

- YES >> Go to [TM-299, "Diagnosis Procedure"](#).
NO >> INSPECTION END

Diagnosis Procedure

INFOID:000000008747331

1. CHECK INTERMITTENT INCIDENT

Refer to [GI-47, "Intermittent Incident"](#).

Is the inspection result normal?

- YES >> Replace the TCM. Refer to [TM-384, "Removal and Installation"](#).
NO >> Repair or replace malfunctioning parts.

P0705 TRANSMISSION RANGE SENSOR A

< DTC/CIRCUIT DIAGNOSIS >

[CVT: RE0F10E]

P0705 TRANSMISSION RANGE SENSOR A

DTC Logic

INFOID:000000008747332

DTC DETECTION LOGIC

DTC	CONSULT screen terms (Trouble diagnosis content)	DTC detection condition	Possible causes
P0705	T/M RANGE SENSOR A [Transmission Range Sensor A Circuit (PRNDL Input)]	When all of the following conditions are satisfied and this state is maintained for 2 seconds: <ul style="list-style-type: none"> Two or more range signals simultaneously stay ON continuously TCM power supply voltage : More than 11 V 	<ul style="list-style-type: none"> Harness or connector (Short circuit between transmission range switch and TCM) Transmission range switch

DTC CONFIRMATION PROCEDURE

1. PREPARATION BEFORE WORK

If another "DTC CONFIRMATION PROCEDURE" occurs just before, turn ignition switch OFF and wait for at least 10 seconds, then perform the next test.

>> GO TO 2.

2. CHECK DTC DETECTION

- Turn ignition switch ON.
- Shift the selector lever through entire positions from "P" to "DS". (Hold the selector lever at each position for 5 seconds or more.)
- Check the first trip DTC.

Is "P0705" detected?

- YES >> Go to [TM-300. "Diagnosis Procedure"](#).
 NO >> INSPECTION END

Diagnosis Procedure

INFOID:000000008747333

1. CHECK TCM INPUT SIGNALS

Ⓜ With CONSULT

- Turn ignition switch ON.
- Select "Data Monitor" in "TRANSMISSION".
- Select "D POSITION SW", "N POSITION SW", "R POSITION SW", "P POSITION SW" and "DS RANGE SW".
- Shift the selector lever through entire positions from "P" to "DS" and check ON/OFF of each monitor item.

Monitor item	Test condition	Condition
D POSITION SW	Selector lever: "D" position	On
	Other than the above	Off
N POSITION SW	Selector lever: "N" position	On
	Other than the above	Off
R POSITION SW	Selector lever: "R" position	On
	Other than the above	Off
P POSITION SW	Selector lever: "P" position	On
	Other than the above	Off
DS RANGE SW	Selector lever: "DS" position	On
	Other than the above	Off

Ⓜ Without CONSULT

- Turn ignition switch OFF.
- Disconnect TCM connector.

P0705 TRANSMISSION RANGE SENSOR A

< DTC/CIRCUIT DIAGNOSIS >

[CVT: RE0F10E]

3. Turn ignition switch ON.
4. Shift the selector lever from "P" to "DS" and check voltage between TCM harness connector terminals and ground.

+		-	Test condition	Voltage
TCM				
Connector	Terminal			
F16	2	Ground	Selector lever: "DS" position	10 – 16 V
			Other than the above	Approx. 0 V
	4		Selector lever: "D" position	10 – 16 V
			Other than the above	Approx. 0 V
	5		Selector lever: "N" position	10 – 16 V
			Other than the above	Approx. 0 V
	6		Selector lever: "R" position	10 – 16 V
			Other than the above	Approx. 0 V
	7		Selector lever: "P" position	10 – 16 V
			Other than the above	Approx. 0 V

Is the inspection result normal?

YES >> Check intermittent incident. Refer to [GI-47, "Intermittent Incident"](#).

NO-1 ["D POSITION SW" is "ON" when selector is not in "D" position. (Or connector terminal 4 is at power voltage.)]>>GO TO 2.

NO-2 ["N POSITION SW" is "ON" when selector is not in "N" position. (Or connector terminal 5 is at power voltage.)]>>GO TO 4.

NO-3 ["R POSITION SW" is "ON" when selector is not in "R" position. (Or connector terminal 6 is at power voltage.)]>>GO TO 6.

NO-4 ["P POSITION SW" is "ON" when selector is not in "P" position. (Or connector terminal 7 is at power voltage.)]>>GO TO 8.

NO-5 ["DS POSITION SW" is "ON" when selector is not in "DS" position. (Or connector terminal 2 is at power voltage.)]>>GO TO 10.

2.CHECK D POSITION SW CIRCUIT (PART 1)

1. Turn ignition switch OFF.
2. Disconnect TCM connector.
3. Check continuity between TCM harness connector terminals.

TCM		Terminal	Continuity
Connector			
F16	4	2	Not existed
		5	
		6	
		7	

Is the inspection result normal?

YES >> GO TO 3.

NO >> Repair or replace malfunctioning parts.

3.CHECK D POSITION SW CIRCUIT (PART 2)

1. Disconnect transmission range switch connector.
2. Turn ignition switch ON.
3. Check voltage between TCM harness connector terminal and ground.

P0705 TRANSMISSION RANGE SENSOR A

< DTC/CIRCUIT DIAGNOSIS >

[CVT: RE0F10E]

+		-	Voltage
TCM			
Connector	Terminal		
F16	4	Ground	Approx. 0 V

Is the inspection result normal?

YES >> GO TO 12.

NO >> Repair or replace malfunctioning parts.

4. CHECK N POSITION SW CIRCUIT (PART 1)

1. Turn ignition switch OFF.
2. Disconnect TCM connector.
3. Check continuity between TCM harness connector terminals.

TCM			Continuity
Connector	Terminal		
F16	5	2	Not existed
		4	
		6	
		7	

Is the inspection result normal?

YES >> GO TO 5.

NO >> Repair or replace malfunctioning parts.

5. CHECK N POSITION SW CIRCUIT (PART 2)

1. Disconnect transmission range switch connector.
2. Turn ignition switch ON.
3. Check voltage between TCM harness connector terminal and ground.

+		-	Voltage
TCM			
Connector	Terminal		
F16	5	Ground	Approx. 0 V

Is the inspection result normal?

YES >> GO TO 12.

NO >> Repair or replace malfunctioning parts.

6. CHECK P POSITION SW CIRCUIT (PART 1)

1. Turn ignition switch OFF.
2. Disconnect TCM connector.
3. Check continuity between TCM harness connector terminals.

TCM			Continuity
Connector	Terminal		
F16	7	2	Not existed
		4	
		5	
		6	

Is the inspection result normal?

YES >> GO TO 7.

NO >> Repair or replace malfunctioning parts.

P0705 TRANSMISSION RANGE SENSOR A

< DTC/CIRCUIT DIAGNOSIS >

[CVT: RE0F10E]

7. CHECK P POSITION SW CIRCUIT (PART 2)

1. Disconnect transmission range switch connector.
2. Turn ignition switch ON.
3. Check voltage between TCM harness connector terminal and ground.

+		-	Voltage
TCM			
Connector	Terminal		
F16	7	Ground	Approx. 0 V

Is the inspection result normal?

YES >> GO TO 12.

NO >> Repair or replace malfunctioning parts.

8. CHECK R POSITION SW CIRCUIT (PART 1)

1. Turn ignition switch OFF.
2. Disconnect TCM connector.
3. Check continuity between TCM harness connector terminals.

TCM		Continuity	
Connector	Terminal		
F16	6	2	Not existed
		4	
		5	
		7	

Is the inspection result normal?

YES >> GO TO 9.

NO >> Repair or replace malfunctioning parts.

9. CHECK R POSITION SW CIRCUIT (PART 2)

1. Disconnect transmission range switch connector.
2. Turn ignition switch ON.
3. Check voltage between TCM harness connector terminal and ground.

+		-	Voltage
TCM			
Connector	Terminal		
F16	6	Ground	Approx. 0 V

Is the inspection result normal?

YES >> GO TO 12.

NO >> Repair or replace malfunctioning parts.

10. CHECK DS POSITION SWITCH CIRCUIT (PART 1)

1. Turn ignition switch OFF.
2. Disconnect TCM connector.
3. Check continuity between TCM harness connector terminals.

A
B
C
TM
E
F
G
H
I
J
K
L
M
N
O
P

P0705 TRANSMISSION RANGE SENSOR A

< DTC/CIRCUIT DIAGNOSIS >

[CVT: RE0F10E]

TCM		Continuity
Connector	Terminal	
F16	2	4
		5
		6
		7

Is the inspection result normal?

YES >> GO TO 11.

NO >> Repair or replace malfunctioning parts.

11. CHECK DS POSITION SWITCH CIRCUIT (PART 2)

1. Disconnect transmission range switch connector.
2. Turn ignition switch ON.
3. Check voltage between TCM harness connector terminal and ground.

+		-	Voltage
TCM			
Connector	Terminal		
F16	2	Ground	Approx. 0 V

Is the inspection result normal?

YES >> GO TO 12.

NO >> Repair or replace malfunctioning parts.

12. CHECK TRANSMISSION RANGE SWITCH

Check transmission range switch. Refer to [TM-304, "Component Inspection"](#).

Is the check result normal?

YES >> Check intermittent incident. Refer to [GI-47, "Intermittent Incident"](#).

NO >> Repair or replace malfunctioning parts.

Component Inspection

INFOID:000000008747334

1. CHECK TRANSMISSION RANGE SWITCH

Check continuity between transmission range switch connector terminals.

Transmission range switch	Condition	Continuity
Terminal		
1 - 2	Manual lever: "P" and "N" positions	Existed
	Other than the above	Not existed
3 - 4	Manual lever: "P" position	Existed
	Other than the above	Not existed
3 - 5	Manual lever: "R" position	Existed
	Other than the above	Not existed
3 - 6	Manual lever: "N" position	Existed
	Other than the above	Not existed
3 - 7	Manual lever: "D" position	Existed
	Other than the above	Not existed
3 - 8	Manual lever: "DS" position	Existed
	Other than the above	Not existed

Is the inspection result normal?

P0705 TRANSMISSION RANGE SENSOR A

< DTC/CIRCUIT DIAGNOSIS >

[CVT: RE0F10E]

YES >> INSPECTION END

NO >> There is a malfunction of transmission range switch. Replace transaxle assembly. Refer to [TM-408. "Removal and Installation"](#).

A

B

C

TM

E

F

G

H

I

J

K

L

M

N

O

P

P0706 TRANSMISSION RANGE SENSOR A

< DTC/CIRCUIT DIAGNOSIS >

[CVT: RE0F10E]

P0706 TRANSMISSION RANGE SENSOR A

DTC Logic

INFOID:000000008747335

DTC DETECTION LOGIC

DTC	CONSULT screen terms (Trouble diagnosis content)	DTC detection condition	Possible causes
P0706	T/M RANGE SENSOR A (Transmission Range Sensor A Circuit Range/Performance)	When all of the following conditions are satisfied and this state is maintained for 30 seconds: <ul style="list-style-type: none">• All range signals stay OFF• TCM power supply voltage: More than 11 V	<ul style="list-style-type: none">• Harness or connector (Open circuit between ignition switch and transmission range switch/open circuit between transmission range switch and TCM)• Transmission range switch• Control cable

DTC CONFIRMATION PROCEDURE

1. PREPARATION BEFORE WORK

If another "DTC CONFIRMATION PROCEDURE" occurs just before, turn ignition switch OFF and wait for at least 10 seconds, then perform the next test.

>> GO TO 2.

2. PERFORM DTC CONFIRMATION PROCEDURE

1. Turn ignition switch ON.
2. Shift the selector lever through entire positions from "P" to "DS". (Hold the selector lever at each position for 40 seconds or more.)
3. Check the first trip DTC.

Is "P0706" detected?

- YES >> Go to [TM-306, "Diagnosis Procedure"](#).
NO >> INSPECTION END

Diagnosis Procedure

INFOID:000000008747336

1. ADJUSTMENT OF CONTROL CABLE

Adjust control cable. Refer to [TM-290, "Adjustment"](#).

>> GO TO 2.

2. PERFORM DTC CONFIRMATION PROCEDURE

Ⓟ With CONSULT

1. Turn ignition switch ON.
2. Select "Self Diagnostic Results" in "TRANSMISSION".
3. Touch "Erase".
4. Perform "DTC CONFIRMATION PROCEDURE". Refer to [TM-306, "DTC Logic"](#).

Is "P0706" detected?

- YES >> GO TO 3.
NO >> INSPECTION END

3. CHECK POWER CIRCUIT

1. Turn ignition switch OFF.
2. Disconnect transmission range switch connector.
3. Turn ignition switch ON.
4. Check voltage between transmission range switch harness connector terminal and ground.

P0706 TRANSMISSION RANGE SENSOR A

< DTC/CIRCUIT DIAGNOSIS >

[CVT: RE0F10E]

+		-	Voltage
Transmission range switch			
Connector	Terminal		
F85	3	Ground	10 – 16 V

Is the inspection result normal?

- YES >> GO TO 4.
- NO >> GO TO 7.

4. CHECK CIRCUIT BETWEEN TRANSMISSION RANGE SWITCH AND TCM (PART 1)

1. Turn ignition switch OFF.
2. Disconnect TCM connector.
3. Check continuity between transmission range switch harness connector terminals and TCM harness connector terminals.

Transmission range switch		TCM		Continuity
Connector	Terminal	Connector	Terminal	
F85	4	F16	7	Existed
	5		6	
	6		5	
	7		4	
	8		2	

Is the inspection result normal?

- YES >> GO TO 5.
- NO >> Repair or replace malfunctioning parts.

5. CHECK CIRCUIT BETWEEN TRANSMISSION RANGE SWITCH AND TCM (PART 2)

Check continuity between transmission range switch harness connector terminals and ground.

Transmission range switch		—	Continuity
Connector	Terminal		
F85	4	Ground	Not existed
	5		
	6		
	7		
	8		

Is the inspection result normal?

- YES >> GO TO 6.
- NO >> Repair or replace malfunctioning parts.

6. CHECK TRANSMISSION RANGE SWITCH

Check transmission range switch. Refer to [TM-308. "Component Inspection"](#).

Is the inspection result normal?

- YES >> Check intermittent incident. Refer to [GI-47. "Intermittent Incident"](#).
- NO >> Repair or replace malfunctioning parts.

7. CHECK CIRCUIT BETWEEN IPDM E/R AND TRANSMISSION RANGE SWITCH (PART 1)

1. Disconnect IPDM E/R connector.
2. Check continuity between IPDM E/R harness connector and transmission range switch.

P0706 TRANSMISSION RANGE SENSOR A

< DTC/CIRCUIT DIAGNOSIS >

[CVT: RE0F10E]

IPDM E/R		Transmission range switch		Continuity
Connector	Terminal	Connector	Terminal	
F83	61	F85	3	Existed

Is the check result normal?

YES >> GO TO 8.

NO >> Repair or replace malfunctioning parts.

8. DETECT MALFUNCTIONING ITEMS

Check the following items:

- Harness open circuit or short circuit between ignition switch and IPDM E/R. Refer to [PG-19, "Wiring Diagram — Ignition Power Supply —"](#).
- 10A fuse (No. 46, located in the IPDM E/R). Refer to [PG-71, "Fuse, Connector and Terminal Arrangement"](#).
- IPDM E/R

Is the check result normal?

YES >> Check intermittent incident. Refer to [GI-47, "Intermittent Incident"](#).

NO >> Repair or replace malfunctioning parts.

Component Inspection

INFOID:000000008747337

1. CHECK TRANSMISSION RANGE SWITCH

Check continuity between transmission range switch connector terminals.

Transmission range switch Terminal	Condition	Continuity
1 – 2	Manual lever: "P" and "N" positions	Existed
	Other than the above	Not existed
3 – 4	Manual lever: "P" position	Existed
	Other than the above	Not existed
3 – 5	Manual lever: "R" position	Existed
	Other than the above	Not existed
3 – 6	Manual lever: "N" position	Existed
	Other than the above	Not existed
3 – 7	Manual lever: "D" position	Existed
	Other than the above	Not existed
3 – 8	Manual lever: "DS" position	Existed
	Other than the above	Not existed

Is the inspection result normal?

YES >> INSPECTION END

NO >> There is a malfunction of transmission range switch. Replace transaxle assembly. Refer to [TM-408, "Removal and Installation"](#).

P0711 TRANSMISSION FLUID TEMPERATURE SENSOR A

< DTC/CIRCUIT DIAGNOSIS >

[CVT: RE0F10E]

P0711 TRANSMISSION FLUID TEMPERATURE SENSOR A

DTC Logic

INFOID:000000008747338

DTC DETECTION LOGIC

DTC	CONSULT screen terms (Trouble diagnosis content)	DTC detection condition	Possible causes
P0711	FLUID TEMP SENSOR A (Transmission Fluid Temperature Sensor A Circuit Range/Performance)	<p>When any of 1 or 2 is satisfied:</p> <ol style="list-style-type: none"> When the temperature does not increase to the specified temperature within a specified time after all of the following conditions are satisfied: <ul style="list-style-type: none"> - TCM power supply voltage: More than 11 V - CAN communication is normal - Engine speed: 450 rpm or more - Accelerator pedal position: 3 deg. or more - Vehicle speed: 10 km/h (7 MPH) or more - U0100, P0705 and P0706 are not detected. - Selector lever: "D" position When the condition of the final judgment is satisfied after satisfying that of the provisional judgment: <ul style="list-style-type: none"> - Provisional judgment: All of the following conditions are satisfied within 2 seconds after the ignition switch is turned ON. <ul style="list-style-type: none"> • U0073, U0100, P0712 and P0713 are not detected. • CAN communication is normal. • TCM power supply voltage: More than 11 V • The difference between CVT fluid temperature and engine coolant temperature is 55°C (131°F) or more, or -27°C (-16°F) or less. - Final judgment: When all of the following conditions are satisfied and this state is maintained for 300 seconds: <ul style="list-style-type: none"> • ECM is normal. • Provisional judgment is satisfied. 	CVT fluid temperature sensor

DTC CONFIRMATION PROCEDURE

CAUTION:

Always drive vehicle at a safe speed.

1. PREPARATION BEFORE WORK

If another "DTC CONFIRMATION PROCEDURE" occurs just before, turn ignition switch OFF and wait for at least 10 seconds, then perform the next test.

>> GO TO 2.

2. PRECONDITIONING

1. Turn ignition switch ON.
2. Select "Data Monitor" in "TRANSMISSION".
3. Select "ATF TEMP SEN".

Is "ATF TEMP SEN" value within 2.03 – 0.16 V?

YES >> INSPECTION END

NO-1 ("ATF TEMP SEN" indicates 0.15 V or less.)>>Go to [TM-310, "Diagnosis Procedure"](#).

NO-2 ("ATF TEMP SEN" indicates 2.04 V or more.)>>GO TO 3.

3. CHECK DTC DETECTION

1. Start the engine.
2. Drive the vehicle.
3. Maintain the following conditions for 14 minutes or more.

P0711 TRANSMISSION FLUID TEMPERATURE SENSOR A

< DTC/CIRCUIT DIAGNOSIS >

[CVT: RE0F10E]

Selector lever : D
Vehicle speed : More than 10 km/h (7 MPH)

4. Stop the vehicle.
5. Check the first trip DTC.

Is "P0711" detected?

YES >> Go to [TM-310, "Diagnosis Procedure"](#).
NO >> Go to [TM-310, "Component Function Check"](#).

Component Function Check

INFOID:000000008842778

1. CHECK CVT FLUID TEMPERATURE SENSOR (PART 1)

Check resistance between CVT unit harness connector terminals.

CVT unit		Condition	Resistance (Approx.)
Terminal			
17	16	CVT fluid temperature: 20°C (68°F)	6.5 kΩ
		CVT fluid temperature: 50°C (122°F)	2.2 kΩ
		CVT fluid temperature: 80°C (176°F)	0.87 kΩ

Is the inspection result normal?

YES >> INSPECTION END
NO >> There is a malfunction of CVT fluid temperature sensor. Replace transaxle assembly. Refer to [TM-408, "Removal and Installation"](#).

Diagnosis Procedure

INFOID:000000008747339

1. CHECK CVT FLUID TEMPERATURE SENSOR

1. Turn ignition switch OFF.
2. Disconnect CVT unit connector.
3. Check resistance between CVT unit connector terminals.

CVT unit Connector	CVT unit Terminal	Condition	Resistance (Approx.)
F209	16 – 17	CVT fluid temperature: 20°C (68°F)	6.5 kΩ
		CVT fluid temperature: 50°C (122°F)	2.2 kΩ
		CVT fluid temperature: 80°C (176°F)	0.87 kΩ

Is the inspection result normal?

YES >> GO TO 2.
NO >> GO TO 4.

2. CHECK CIRCUIT BETWEEN TCM AND CVT UNIT (CVT FLUID TEMPERATURE SENSOR) (PART 1)

1. Disconnect the TCM connector.
2. Check continuity between TCM harness connector terminals and CVT unit harness connector terminals.

TCM		CVT unit		Continuity
Connector	Terminal	Connector	Terminal	
F16	11	F46	16	Existed
	12		17	

Is the inspection result normal?

YES >> GO TO 3.
NO >> Repair or replace damaged parts.

3. CHECK CIRCUIT BETWEEN TCM AND CVT UNIT (CVT FLUID TEMPERATURE SENSOR) (PART 2)

P0711 TRANSMISSION FLUID TEMPERATURE SENSOR A

< DTC/CIRCUIT DIAGNOSIS >

[CVT: RE0F10E]

Check continuity between TCM harness connector terminals and ground.

TCM		Ground	Continuity
Connector	Terminal		
F16	11	Ground	Not existed
	12		

Is the inspection result normal?

- YES >> Check intermittent incident. Refer to [GI-47, "Intermittent Incident"](#).
NO >> Repair or replace damaged parts.

4. CHECK TERMINAL CORD ASSEMBLY (PART 1)

1. Remove terminal cord assembly. Refer to [TM-387, "Exploded View"](#).
2. Check continuity between CVT unit harness connector terminals and control valve harness connector terminals.

CVT unit		Control valve		Continuity
Connector	Terminal	Connector	Terminal	
F209	16	F207	13	Existed
	17		5	

Is the inspection result normal?

- YES >> GO TO 5.
NO >> Repair or replace damaged parts.

5. CHECK TERMINAL CORD ASSEMBLY (PART 2)

Check terminal cord assembly harness cladding for damage.

Is the inspection result normal?

- YES >> GO TO 6.
NO >> Repair or replace damaged parts.

6. CHECK DTC (TCM)

 **With CONSULT**

1. Perform "DTC CONFIRMATION PROCEDURE". Refer to [TM-309, "DTC Logic"](#).
2. Select "Self Diagnostic Results" in "TRANSMISSION".

Is "P0710" detected?

- YES >> There is a malfunction of the CVT fluid temperature sensor. Replace the transaxle assembly. Refer to [TM-388, "Removal and Installation"](#).
NO >> Check intermittent incident. Refer to [GI-47, "Intermittent Incident"](#).

Component Inspection

INFOID:000000008747340

1. CHECK CVT FLUID TEMPERATURE SENSOR

Check resistance between CVT unit connector terminals.

CVT unit	Condition	Resistance (Approx.)
Terminal		
17 – 16	CVT fluid temperature: 20°C (68°F)	6.5 kΩ
	CVT fluid temperature: 50°C (122°F)	2.2 kΩ
	CVT fluid temperature: 80°C (176°F)	0.87 kΩ

Is the inspection result normal?

- YES >> INSPECTION END
NO >> There is a malfunction of CVT fluid temperature sensor. Replace transaxle assembly. Refer to [TM-388, "Removal and Installation"](#).

P0712 TRANSMISSION FLUID TEMPERATURE SENSOR A

< DTC/CIRCUIT DIAGNOSIS >

[CVT: RE0F10E]

P0712 TRANSMISSION FLUID TEMPERATURE SENSOR A

DTC Logic

INFOID:000000008747341

DTC DETECTION LOGIC

DTC	CONSULT screen terms (Trouble diagnosis content)	DTC detection condition	Possible causes
P0712	FLUID TEMP SENSOR A (Transmission Fluid Temperature Sensor A Circuit Low)	When all of the following conditions are satisfied and this state is maintained for 5 seconds: <ul style="list-style-type: none">• TCM power supply voltage : More than 11 V• Fluid temperature sensor detection voltage: 0.15 V or less	<ul style="list-style-type: none">• Harness or connector (CVT fluid temperature sensor circuit is shorted to ground)• CVT fluid temperature sensor

DTC CONFIRMATION PROCEDURE

1. PREPARATION BEFORE WORK

If another "DTC CONFIRMATION PROCEDURE" occurs just before, turn ignition switch OFF and wait for at least 10 seconds, then perform the next test.

>> GO TO 2.

2. PERFORM DTC CONFIRMATION PROCEDURE

1. Start the engine and wait for 10 seconds or more.
2. Check the first trip DTC.

Is "P0712" detected?

YES >> Go to [TM-312, "Diagnosis Procedure"](#).

NO >> INSPECTION END

Diagnosis Procedure

INFOID:000000008747342

1. CHECK CIRCUIT BETWEEN TCM AND CVT UNIT

1. Turn ignition switch OFF.
2. Disconnect TCM connector and CVT unit connector.
3. Check continuity between TCM harness connector terminal and ground.

TCM		—	Continuity
Connector	Terminal		
F16	12	Ground	Not existed

Is the inspection result normal?

YES >> GO TO 2.

NO >> Repair or replace malfunctioning part.

2. CHECK CVT FLUID TEMPERATURE SENSOR

Check CVT fluid temperature sensor. Refer to [TM-312, "Component Inspection"](#).

Is the inspection result normal?

YES >> Check intermittent incident. Refer to [GI-47, "Intermittent Incident"](#).

NO >> Repair or replace malfunctioning parts.

Component Inspection

INFOID:000000008747343

1. CHECK CVT FLUID TEMPERATURE SENSOR

Check resistance between CVT unit connector terminals.

P0712 TRANSMISSION FLUID TEMPERATURE SENSOR A

< DTC/CIRCUIT DIAGNOSIS >

[CVT: RE0F10E]

CVT unit Terminal	Condition	Resistance
16 – 17	CVT fluid temperature: 20°C (68°F)	Approx. 6.5 kΩ
	CVT fluid temperature: 50°C (122°F)	Approx. 2.2 kΩ
	CVT fluid temperature: 80°C (176°F)	Approx. 0.87 kΩ

Is the inspection result normal?

YES >> INSPECTION END

NO >> There is a malfunction of CVT fluid temperature sensor. Replace terminal code assembly. Refer to [TM-388. "Removal and Installation"](#).

A
B
C
E
F
G
H
I
J
K
L
M
N
O
P

TM

P0713 TRANSMISSION FLUID TEMPERATURE SENSOR A

< DTC/CIRCUIT DIAGNOSIS >

[CVT: RE0F10E]

P0713 TRANSMISSION FLUID TEMPERATURE SENSOR A

DTC Logic

INFOID:000000008747344

DTC DETECTION LOGIC

DTC	CONSULT screen terms (Trouble diagnosis content)	DTC detection condition	Possible causes
P0713	FLUID TEMP SENSOR A (Transmission Fluid Temperature Sensor A Circuit High)	When all of the following conditions are satisfied and this state is maintained for 5 seconds: <ul style="list-style-type: none">• TCM power supply voltage: More than 11 V• Vehicle speed: More than 10 km/h (7 MPH)• Fluid temperature sensor detection voltage: 2.48 V or more	<ul style="list-style-type: none">• Harness or connector (CVT fluid temperature sensor circuit is open or shorted to power supply)• CVT fluid temperature sensor

DTC CONFIRMATION PROCEDURE

1. PREPARATION BEFORE WORK

If another "DTC CONFIRMATION PROCEDURE" occurs just before, turn ignition switch OFF and wait for at least 10 seconds, then perform the next test.

>> GO TO 2.

2. PERFORM DTC CONFIRMATION PROCEDURE

1. Start the engine.
2. Maintain the following condition for 10 seconds or more.

Vehicle speed : 20 km/h (12 MPH) or more

3. Stop the vehicle.
4. Check the first trip DTC.

Is "P0713" detected?

- YES >> Go to [TM-314, "Diagnosis Procedure"](#).
NO >> INSPECTION END

Diagnosis Procedure

INFOID:000000008747345

1. CHECK CIRCUIT BETWEEN TCM AND CVT UNIT (PART 1)

1. Turn ignition switch OFF.
2. Disconnect TCM connector and CVT unit connector.
3. Check continuity between TCM harness connector terminals and CVT unit harness connector terminals.

TCM		CVT unit		Continuity
Connector	Terminal	Connector	Terminal	
F16	11	F46	16	Existed
	12		17	

Is the inspection result normal?

- YES >> GO TO 2.
NO >> Repair or replace malfunctioning parts.

2. CHECK CIRCUIT BETWEEN TCM AND CVT UNIT (PART 2)

1. Turn ignition switch ON.
2. Check voltage between TCM harness connector terminal and ground.

P0713 TRANSMISSION FLUID TEMPERATURE SENSOR A

< DTC/CIRCUIT DIAGNOSIS >

[CVT: RE0F10E]

+		-	Voltage
TCM			
Connector	Terminal		
F16	12	Ground	Approx. 0 V

Is the inspection result normal?

YES >> GO TO 3.

NO >> Repair or replace malfunctioning parts.

3. CHECK CVT FLUID TEMPERATURE SENSOR

Check CVT fluid temperature sensor. Refer to [TM-315, "Component Inspection"](#).

Is the inspection result normal?

YES >> Check intermittent incident. Refer to [GI-47, "Intermittent Incident"](#).

NO >> Repair or replace malfunctioning parts.

Component Inspection

INFOID:000000008747346

1. CHECK CVT FLUID TEMPERATURE SENSOR

Check resistance between CVT unit connector terminals.

CVT unit Terminal	Condition	Resistance
16 – 17	CVT fluid temperature: 20°C (68°F)	Approx. 6.5 kΩ
	CVT fluid temperature: 50°C (122°F)	Approx. 2.2 kΩ
	CVT fluid temperature: 80°C (176°F)	Approx. 0.87 kΩ

Is the inspection result normal?

YES >> INSPECTION END

NO >> There is a malfunction of CVT fluid temperature sensor. Replace terminal code assembly. Refer to [TM-388, "Removal and Installation"](#).

P0715 INPUT SPEED SENSOR A

< DTC/CIRCUIT DIAGNOSIS >

[CVT: RE0F10E]

P0715 INPUT SPEED SENSOR A

DTC Logic

INFOID:000000008747347

DTC DETECTION LOGIC

DTC	CONSULT screen terms (Trouble diagnosis content)	DTC detection condition	Possible causes
P0715	INPUT SPEED SENSOR A (Input/Turbine Speed Sensor A Circuit)	<p>When 1 is satisfied and any of 2, 3 or 4 is satisfied:</p> <ol style="list-style-type: none"> When the following conditions are satisfied: <ul style="list-style-type: none"> - TCM power supply voltage: More than 11 V - After range change completion, it spends 2 seconds or more. When all of the following conditions are satisfied and this state is maintained for 5 seconds: <ul style="list-style-type: none"> - Primary pulley speed: Less than 150 rpm - Secondary pulley speed: 500 rpm or more When all of the following conditions are satisfied and this state is maintained for 0.5 seconds: <ul style="list-style-type: none"> - 10-msec-ago primary pulley speed: 1,000 rpm or more - Now primary pulley speed: 0 rpm When all of the following conditions are satisfied and this state is maintained for 5 seconds: <ul style="list-style-type: none"> - Range: D or DS - Engine speed: 450 rpm or more - Input speed: 300 rpm or more - Primary pulley speed: 300 rpm or more - Secondary pulley speed: 300 rpm or more - Differences between engine speed and primary pulley speed: More than 1,000 rpm - Differences between primary pulley speed and input speed: More than 1,000 rpm - Differences between engine speed and input speed: 1,000 rpm or less - Lock-up command is being given (except for slip lock-up) - DTC other than the applicable DTC is not detected. 	<ul style="list-style-type: none"> • Harness or connector (Primary speed sensor circuit is open or shorted) • Primary speed sensor

DTC CONFIRMATION PROCEDURE

CAUTION:

Be careful of the driving speed.

1. PREPARATION BEFORE WORK

If another "DTC CONFIRMATION PROCEDURE" occurs just before, turn ignition switch OFF and wait for at least 10 seconds, then perform the next test.

>> GO TO 2.

2. CHECK DTC DETECTION

1. Start the engine.
2. Drive the vehicle.
3. Maintain the following conditions for 10 seconds or more.

Selector lever : "D" POSITION
 Engine speed : 1,200 rpm or more
 Vehicle speed : 40 km/h (25 MPH) or more

4. Stop the vehicle.
5. Check the first trip DTC.

Is "P0715" detected?

P0715 INPUT SPEED SENSOR A

< DTC/CIRCUIT DIAGNOSIS >

[CVT: RE0F10E]

- YES >> Go to [TM-317, "Diagnosis Procedure"](#).
NO >> INSPECTION END

Diagnosis Procedure

INFOID:000000008747348

1. CHECK PRIMARY SPEED SENSOR POWER CIRCUIT

1. Turn ignition switch OFF.
2. Disconnect primary speed sensor connector.
3. Turn ignition switch ON.
4. Check voltage between primary speed sensor harness connector terminal and ground.

+		-	Voltage
Connector	Terminal		
F8	3	Ground	10 – 16 V

Is the inspection result normal?

- YES >> GO TO 2.
NO >> GO TO 6.

2. CHECK PRIMARY SPEED SENSOR GROUND CIRCUIT

Check continuity between primary speed sensor harness connector terminal and ground.

Primary speed sensor		—	Continuity
Connector	Terminal		
F8	1	Ground	Existed

Is the inspection result normal?

- YES >> GO TO 3.
NO >> Repair or replace malfunctioning parts.

3. CHECK CIRCUIT BETWEEN PRIMARY SPEED SENSOR AND TCM (PART 1)

1. Turn ignition switch OFF.
2. Disconnect TCM connector.
3. Check continuity between primary speed sensor harness connector terminal and TCM harness connector terminal.

Primary speed sensor		TCM		Continuity
Connector	Terminal	Connector	Terminal	
F8	2	F16	35	Existed

Is the inspection result normal?

- YES >> GO TO 4.
NO >> Repair or replace malfunctioning parts.

4. CHECK CIRCUIT BETWEEN PRIMARY SPEED SENSOR AND TCM (PART 2)

Check continuity between primary speed sensor harness connector terminal and ground.

Primary speed sensor		—	Continuity
Connector	Terminal		
F8	2	Ground	Not existed

Is the inspection result normal?

- YES >> GO TO 5.
NO >> Repair or replace malfunctioning parts.

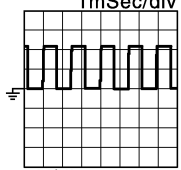
5. CHECK TCM INPUT SIGNALS

P0715 INPUT SPEED SENSOR A

[CVT: RE0F10E]

< DTC/CIRCUIT DIAGNOSIS >

1. Connect all of disconnected connectors.
2. Lift the vehicle.
3. Start the engine.
4. Check frequency of primary speed sensor.

+		-	Condition	Standard
TCM				
Connector	Terminal			
F16	35	Ground	<ul style="list-style-type: none"> • Selector lever: "DS" position • Vehicle speed: 20 km/h (12 MPH) 	<p>Approx. 700 Hz</p>  <p>5V/div</p> <p>JSDIA1905GB</p>

Is the inspection result normal?

- YES >> Check intermittent incident. Refer to [GI-47. "Intermittent Incident"](#).
 NO >> Replace primary speed sensor. Refer to [TM-396. "Removal and Installation"](#).

6. DETECT MALFUNCTIONING ITEMS

Check the following items:

- Harness open circuit or short circuit between ignition switch and IPDM E/R. Refer to [PG-19. "Wiring Diagram — Ignition Power Supply —"](#).
- Harness open circuit or short circuit between primary speed sensor and IPDM E/R.
- 10A fuse (No.46, located in the IPDM E/R). Refer to [PG-71. "Fuse, Connector and Terminal Arrangement"](#).
- IPDM E/R

Is the check result normal?

- YES >> Check intermittent incident. Refer to [GI-47. "Intermittent Incident"](#).
 NO >> Repair or replace malfunctioning parts.

P0717 INPUT SPEED SENSOR A

< DTC/CIRCUIT DIAGNOSIS >

[CVT: RE0F10E]

P0717 INPUT SPEED SENSOR A

DTC Logic

INFOID:000000008747349

DTC DETECTION LOGIC

DTC	CONSULT screen terms (Trouble diagnosis content)	DTC detection condition	Possible cause
P0717	INPUT SPEED SENSOR A (Input/Turbine Speed Sensor "A" Circuit No Signal)	<p>When 1 is satisfied and any of 2, 3 or 4 is satisfied:</p> <ol style="list-style-type: none"> When the following conditions are satisfied: <ul style="list-style-type: none"> - TCM power supply voltage: More than 11 V - After range change completion, it spends 2 seconds or more. When all of the following conditions are satisfied and this state is maintained for 5 seconds: <ul style="list-style-type: none"> - Primary pulley speed: 500 rpm or more - Input speed: Less than 150 rpm - Range: Other than P, N - P0715 is not detected When all of the following conditions are satisfied and this state is maintained for 0.5 seconds: <ul style="list-style-type: none"> - 10-msec-ago input speed: 1,000 rpm or more - Now input speed: 0 rpm When all of the following conditions are satisfied and this state is maintained for 5 seconds: <ul style="list-style-type: none"> - Range: D or DS - Engine speed: 450 rpm or more - Input speed: 300 rpm or more - Primary pulley speed: 300 rpm or more - Secondary pulley speed: 300 rpm or more - Differences between engine speed and primary pulley speed: 1,000 rpm or less - Differences between primary pulley speed and input speed: More than 1,000 rpm - Differences between engine speed and input speed: More than 1,000 rpm - Lock-up command is being given (except for slip lock-up) - DTC other than the applicable DTC is not detected. 	<ul style="list-style-type: none"> • Harness or connectors (Input speed sensor circuit is open or shorted.) • Input speed sensor

DTC CONFIRMATION PROCEDURE

CAUTION:

Always drive vehicle at a safe speed.

1. PREPARATION BEFORE WORK

If another "DTC CONFIRMATION PROCEDURE" occurs just before, turn ignition switch OFF and wait for at least 10 seconds, then perform the next test.

>> GO TO 2.

2. CHECK DTC DETECTION

 **With CONSULT**

1. Start the engine.
2. Drive the vehicle.
3. Maintain the following conditions for 10 seconds or more.

Selector lever : "D" position

P0717 INPUT SPEED SENSOR A

[CVT: RE0F10E]

< DTC/CIRCUIT DIAGNOSIS >

Engine speed : 1,200 rpm or more
Vehicle speed : 40 km/h (25 MPH) or more

4. Stop the vehicle.
5. Check the first trip DTC.

Is "P0717" detected?

YES >> Go to [TM-320, "Diagnosis Procedure"](#).
NO >> INSPECTION END

Diagnosis Procedure

INFOID:000000008747350

1. CHECK INPUT SPEED SENSOR POWER CIRCUIT

1. Turn ignition switch OFF.
2. Disconnect input speed sensor connector.
3. Turn ignition switch ON.
4. Check voltage between input speed sensor harness connector terminal and ground.

+		-	Voltage
Connector	Terminal		
F86	3	Ground	10 – 16 V

Is the inspection result normal?

YES >> GO TO 2.
NO >> GO TO 6.

2. CHECK INPUT SPEED SENSOR GROUND CIRCUIT

Check continuity between input speed sensor harness connector terminal and ground.

Input speed sensor		—	Continuity
Connector	Terminal		
F86	1	Ground	Existed

Is the inspection result normal?

YES >> GO TO 3.
NO >> Repair or replace malfunctioning parts.

3. CHECK CIRCUIT BETWEEN INPUT SPEED SENSOR AND TCM (PART 1)

1. Turn ignition switch OFF.
2. Disconnect TCM connector.
3. Check continuity between input speed sensor harness connector terminal and TCM harness connector terminal.

Input speed sensor		TCM		Continuity
Connector	Terminal	Connector	Terminal	
F86	2	F16	24	Existed

Is the inspection result normal?

YES >> GO TO 4.
NO >> Repair or replace malfunctioning parts.

4. CHECK CIRCUIT BETWEEN INPUT SPEED SENSOR AND TCM (PART 2)

Check continuity between input speed sensor harness connector terminal and ground.

P0717 INPUT SPEED SENSOR A

< DTC/CIRCUIT DIAGNOSIS >

[CVT: RE0F10E]

Input speed sensor		—	Continuity
Connector	Terminal		
F86	2	Ground	Not existed

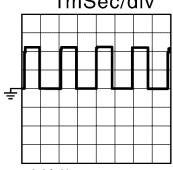
Is the inspection result normal?

YES >> GO TO 5.

NO >> Repair or replace malfunctioning parts.

5. CHECK TCM INPUT SIGNALS

1. Connect all of disconnected connectors.
2. Lift the vehicle.
3. Start the engine.
4. Check frequency of input speed sensor.

+		—	Condition	Standard
TCM				
Connector	Terminal			
F16	24	Ground	<ul style="list-style-type: none"> • Selector lever: "DS" position • Vehicle speed: 20 km/h (12 MPH) 	<p>Approx. 880 Hz 1mSec/div</p>  <p>5V/div</p> <p>JSDIA3769GB</p>

Is the inspection result normal?

YES >> Check intermittent incident. Refer to [GI-47, "Intermittent Incident"](#).

NO >> Replace input speed sensor. Refer to [TM-394, "Removal and Installation"](#).

6. DETECT MALFUNCTIONING ITEMS

Check the following items:

- Harness open circuit or short circuit between ignition switch and IPDM E/R. Refer to [PG-19, "Wiring Diagram — Ignition Power Supply —"](#).
- Harness open circuit or short circuit between input speed sensor and IPDM E/R.
- 10A fuse (No.46, located in the IPDM E/R). Refer to [PG-71, "Fuse, Connector and Terminal Arrangement"](#).
- IPDM E/R

Is the check result normal?

YES >> Check intermittent incident. Refer to [GI-47, "Intermittent Incident"](#).

NO >> Repair or replace malfunctioning parts.

P0740 TORQUE CONVERTER

< DTC/CIRCUIT DIAGNOSIS >

[CVT: RE0F10E]

P0740 TORQUE CONVERTER

DTC Logic

INFOID:000000008747351

DTC DETECTION LOGIC

DTC	CONSULT screen terms (Trouble diagnosis content)	DTC detection condition	Possible causes
P0740	TORQUE CONVERTER (Torque Converter Clutch Circuit/Open)	When all of the following conditions are satisfied and this state is maintained for 5 seconds: <ul style="list-style-type: none">• TCM power supply voltage: More than 11 V• P0743 is not detected.• TCM judges that solenoid valve circuit is open.	<ul style="list-style-type: none">• Harness or connector (Torque converter clutch solenoid valve circuit is open or shorted to power supply)• Torque converter clutch solenoid valve

DTC CONFIRMATION PROCEDURE

CAUTION:

Be careful of the driving speed.

1. PREPARATION BEFORE WORK

If another "DTC CONFIRMATION PROCEDURE" occurs just before, turn ignition switch OFF and wait for at least 10 seconds, then perform the next test.

>> GO TO 2.

2. PREPARATION BEFORE OPERATION

④ With CONSULT

1. Start the engine.
2. Select "Data Monitor" in "TRANSMISSION".
3. Select "FLUID TEMP".
4. Confirm that the CVT fluid temperature is in the following range.

FLUID TEMP : 20°C (68°F) or more

④ With GST

1. Start the engine.
2. Set the CVT fluid to 20°C (68°F) or more.

NOTE:

When the ambient temperature is 20°C (68°F), the CVT fluid usually increases to 50 to 80°C (122 to 176°F) with driving in an urban area for approximately 10 minutes.

Is the CVT fluid 20°C (68°F) or more?

YES >> GO TO 3.

- NO >> 1. Warm the transaxle.
2. GO TO 3.

3. CHECK DTC DETECTION

1. Drive the vehicle.
2. Maintain the following conditions for 10 seconds or more.

Selector lever : "D" position
Vehicle speed : 40 km/h (25 MPH) or more

3. Stop the vehicle.
4. Check the first trip DTC.

Is "P0740" detected?

YES >> Go to [TM-120, "Diagnosis Procedure"](#).

NO >> INSPECTION END

P0740 TORQUE CONVERTER

< DTC/CIRCUIT DIAGNOSIS >

[CVT: RE0F10E]

INFOID:000000008747352

Diagnosis Procedure

1. CHECK CIRCUIT BETWEEN TCM AND CVT UNIT

1. Turn ignition switch OFF.
2. Disconnect TCM connector and CVT unit connector.
3. Check continuity between TCM harness connector terminal and CVT unit harness connector terminal.

TCM		CVT unit		Continuity
Connector	Terminal	Connector	Terminal	
F16	38	F46	2	Existed

Is the inspection result normal?

- YES >> GO TO 2.
NO >> Repair or replace malfunctioning parts.

2. CHECK CIRCUIT BETWEEN CVT UNIT AND GROUND

Check resistance between CVT unit harness connector terminal and ground.

CVT unit		—	Condition	Resistance
Connector	Terminal			
F209	2	Ground	CVT fluid temperature: 20°C (68°F)	5.5 – 7.0 Ω
			CVT fluid temperature: 50°C (122°F)	6.0 – 8.0 Ω
			CVT fluid temperature: 80°C (176°F)	6.5 – 8.5 Ω

Is the inspection result normal?

- YES >> Check intermittent incident. Refer to [GI-47, "Intermittent Incident"](#).
NO >> GO TO 3.

3. CHECK CIRCUIT BETWEEN CVT UNIT AND CONTROL VALVE

1. Disconnect control valve connector. Refer to [TM-387, "Exploded View"](#).
2. Check continuity between CVT unit harness connector terminal and control valve harness connector terminal.

CVT unit		Control valve		Continuity
Connector	Terminal	Connector	Terminal	
F209	2	F207	3	Existed

Is the inspection result normal?

- YES >> GO TO 4.
NO >> Replace terminal code assembly. Refer to [TM-387, "Exploded View"](#).

4. CHECK CIRCUIT BETWEEN CONTROL VALVE AND GROUND

Check resistance between control valve harness connector terminal and ground.

Control valve	—	Condition	Resistance
Terminal			
3	Ground	CVT fluid temperature: 20°C (68°F)	5.5 – 7.0 Ω
		CVT fluid temperature: 50°C (122°F)	6.0 – 8.0 Ω
		CVT fluid temperature: 80°C (176°F)	6.5 – 8.5 Ω

Is the inspection result normal?

- YES >> Check intermittent incident. Refer to [GI-47, "Intermittent Incident"](#).
NO >> There is malfunction of torque converter clutch solenoid valve. Replace transaxle assembly. Refer to [TM-408, "Removal and Installation"](#).

P0743 TORQUE CONVERTER

< DTC/CIRCUIT DIAGNOSIS >

[CVT: RE0F10E]

P0743 TORQUE CONVERTER

DTC Logic

INFOID:000000008747354

DTC DETECTION LOGIC

DTC	CONSULT screen terms (Trouble diagnosis content)	DTC detection condition	Possible causes
P0743	TORQUE CONVERTER (Torque Converter Clutch Circuit Electrical)	When all of the following conditions are satisfied and this state is maintained for 0.48 seconds: <ul style="list-style-type: none">• TCM power supply voltage: More than 11 V• TCM judges that solenoid valve circuit is shorted to ground.	<ul style="list-style-type: none">• Harness or connector (Torque converter clutch solenoid valve circuit is shorted to ground)• Torque converter clutch solenoid valve

DTC CONFIRMATION PROCEDURE

CAUTION:

Be careful of the driving speed.

1. PREPARATION BEFORE WORK

If another "DTC CONFIRMATION PROCEDURE" occurs just before, turn ignition switch OFF and wait for at least 10 seconds, then perform the next test.

>> GO TO 2.

2. PREPARATION BEFORE OPERATION

Ⓔ With CONSULT

1. Start the engine.
2. Select "Data Monitor" in "TRANSMISSION".
3. Select "FLUID TEMP".
4. Confirm that the CVT fluid temperature is in the following range.

FLUID TEMP : 20°C (68°F) or more

Ⓔ With GST

1. Start the engine.
2. Set the CVT fluid to 20°C (68°F) or more.

NOTE:

When the ambient temperature is 20°C (68°F), the CVT fluid usually increases to 50 to 80°C (122 to 176°F) with driving in an urban area for approximately 10 minutes.

Is the CVT fluid 20°C (68°F) or more?

YES >> GO TO 3.

- NO >> 1. Warm the transaxle.
2. GO TO 3.

3. CHECK DTC DETECTION

1. Drive the vehicle.
2. Maintain the following conditions for 10 seconds or more.

Selector lever : "D" position
Vehicle speed : 40 km/h (25 MPH) or more

3. Stop the vehicle.
4. Check the first trip DTC.

Is "P0743" detected?

YES >> Go to [TM-122, "Diagnosis Procedure"](#).

NO >> INSPECTION END

P0743 TORQUE CONVERTER

< DTC/CIRCUIT DIAGNOSIS >

[CVT: RE0F10E]

INFOID:000000008747355

Diagnosis Procedure

1. CHECK CIRCUIT BETWEEN TCM AND CVT UNIT

1. Turn ignition switch OFF.
2. Disconnect TCM connector and CVT unit connector.
3. Check continuity between TCM harness connector terminal and ground.

TCM		—	Continuity
Connector	Terminal		
F16	38	Ground	Not existed

Is the inspection result normal?

YES >> GO TO 2.

NO >> Repair or replace malfunctioning parts.

2. CHECK CIRCUIT BETWEEN CVT UNIT AND GROUND

Check resistance between CVT unit harness connector terminal and ground.

CVT unit		—	Condition	Resistance
Connector	Terminal			
F209	2	Ground	CVT fluid temperature: 20°C (68°F)	5.5 – 7.0 Ω
			CVT fluid temperature: 50°C (122°F)	6.0 – 8.0 Ω
			CVT fluid temperature: 80°C (176°F)	6.5 – 8.5 Ω

Is the inspection result normal?

YES >> Check intermittent incident. Refer to [GI-47, "Intermittent Incident"](#).

NO >> GO TO 3.

3. CHECK CIRCUIT BETWEEN CVT UNIT AND CONTROL VALVE

1. Disconnect control valve connector. Refer to [TM-387, "Exploded View"](#).
2. Check continuity between CVT unit harness connector terminal and control valve harness connector terminal.

CVT unit		Control valve		Continuity
Connector	Terminal	Connector	Terminal	
F209	2	F207	3	Existed

Is the inspection result normal?

YES >> GO TO 4.

NO >> Replace terminal code assembly. Refer to [TM-387, "Exploded View"](#).

4. CHECK CIRCUIT BETWEEN CONTROL VALVE AND GROUND

Check resistance between control valve harness connector terminal and ground.

Control valve	—	Condition	Resistance
Terminal			
3	Ground	CVT fluid temperature: 20°C (68°F)	5.5 – 7.0 Ω
		CVT fluid temperature: 50°C (122°F)	6.0 – 8.0 Ω
		CVT fluid temperature: 80°C (176°F)	6.5 – 8.5 Ω

Is the inspection result normal?

YES >> Check intermittent incident. Refer to [GI-47, "Intermittent Incident"](#).

NO >> There is malfunction of torque converter clutch solenoid valve. Replace transaxle assembly. Refer to [TM-408, "Removal and Installation"](#).

P0744 TORQUE CONVERTER

< DTC/CIRCUIT DIAGNOSIS >

[CVT: RE0F10E]

P0744 TORQUE CONVERTER

DTC Logic

INFOID:000000008747357

DTC DETECTION LOGIC

DTC	CONSULT screen terms (Trouble diagnosis content)	DTC detection condition	Possible causes
P0744	TORQUE CONVERTER (Torque converter clutch circuit intermittent)	When all of the following conditions are satisfied and this state is maintained for 30 seconds: <ul style="list-style-type: none">• TCM power supply voltage: More than 11 V• P0717 is not detected.• CAN communication is normal• Torque converter slip speed: (40+vehicle speed/2) rpm• LU pressure: More than 0.2 MPa	<ul style="list-style-type: none">• Torque converter clutch solenoid valve• Control valve assembly• Torque converter

DTC CONFIRMATION PROCEDURE

CAUTION:

Be careful of the driving speed.

1. PREPARATION BEFORE WORK

If another "DTC CONFIRMATION PROCEDURE" occurs just before, turn ignition switch OFF and wait for at least 10 seconds, then perform the next test.

>> GO TO 2.

2. PREPARATION BEFORE OPERATION

Ⓟ With CONSULT

1. Start the engine.
2. Select "Data Monitor" in "TRANSMISSION".
3. Select "FLUID TEMP".
4. Confirm that the CVT fluid temperature is in the following range.

FLUID TEMP : 20°C (68°F) or more

Ⓢ With GST

1. Start the engine.
2. Set the CVT fluid to 20°C (68°F) or more.

NOTE:

When the ambient temperature is 20°C (68°F), the CVT fluid usually increases to 50 to 80°C (122 to 176°F) with driving in an urban area for approximately 10 minutes.

Is the CVT fluid 20°C (68°F) or more?

- YES >> GO TO 3.
NO >> 1. Warm the transaxle.
2. GO TO 3.

3. CHECK DTC DETECTION

1. Drive the vehicle.
2. Maintain the following conditions for 10 seconds or more.

Selector lever : "D" position
Accelerator pedal position : 0.5/8 or more
Vehicle speed : 40 km/h (25 MPH) or more

3. Stop the vehicle.
4. Check the first trip DTC.

Is "P0744" detected?

- YES >> Go to [TM-124. "Diagnosis Procedure"](#).

P0744 TORQUE CONVERTER

[CVT: RE0F10E]

< DTC/CIRCUIT DIAGNOSIS >

NO >> INSPECTION END

Diagnosis Procedure

INFOID:000000008747358

1. CHECK INTERMITTENT INCIDENT

Refer to [GI-47, "Intermittent Incident"](#).

Is the inspection result normal?

- YES >> Replace transaxle assembly. Refer to [TM-408, "Removal and Installation"](#).
- NO >> Repair or replace the malfunction items.

A
B
C
E
F
G
H
I
J
K
L
M
N
O
P

TM

P0746 PRESSURE CONTROL SOLENOID A

< DTC/CIRCUIT DIAGNOSIS >

[CVT: RE0F10E]

P0746 PRESSURE CONTROL SOLENOID A

DTC Logic

INFOID:000000008747360

DTC DETECTION LOGIC

DTC	CONSULT screen terms (Trouble diagnosis content)	DTC detection condition	Possible causes
P0746	PC SOLENOID A (Pressure Control Solenoid A Performance/Stuck Off)	<p>The detecting condition A or detection condition B is detected twice or more (1 second or more later after detection of the first) in the same DC under the following diagnosis conditions:</p> <ul style="list-style-type: none"> • Diagnosis conditions <ul style="list-style-type: none"> - Engine speed: More than 600 rpm - Primary pulley speed: More than 450 rpm - Idle is not being detected. - Acceleration/deceleration speed: -0.49 m/s^2 (-0.05 G) or more - The primary pulley speed experienced 300 rpm or more and the secondary pulley speed experienced 250 rpm or more at least once. - Secondary pulley speed: More than 150 rpm - TCM power supply voltage: More than 11 V • Detection condition A <ul style="list-style-type: none"> - Status with the shifting ratio of the primary pulley speed/secondary pulley ratio exceeding 2.825 is 0.2 sec or more continuously. • Detection condition B <ul style="list-style-type: none"> - Status with the shifting ratio of the primary pulley speed/secondary pulley ratio exceeding 3.625 is 0.1 sec or more continuously. 	<ul style="list-style-type: none"> • Line pressure solenoid valve • Control valve assembly

NOTE:

DC stands for "DRIVING CYCLE" and indicates a series of driving cycle of "Ignition switch OFF → ON → driving → OFF".

DTC CONFIRMATION PROCEDURE

CAUTION:

Be careful of the driving speed.

1. PREPARATION BEFORE WORK

If another "DTC CONFIRMATION PROCEDURE" occurs just before, turn ignition switch OFF and wait for at least 10 seconds, then perform the next test.

>> GO TO 2.

2. CHECK DTC DETECTION

1. Start the engine.
2. Drive the vehicle.
3. Maintain the following conditions for 10 seconds or more.

Selector lever	:	"D" position
Accelerator pedal position	:	0.5/8 or more
Vehicle speed	:	40 km/h (25 MPH) or more

4. Stop the vehicle.
5. Check the first trip DTC.

Is "P0746" detected?

YES >> Go to [TM-329. "Diagnosis Procedure"](#).

P0746 PRESSURE CONTROL SOLENOID A

< DTC/CIRCUIT DIAGNOSIS >

[CVT: RE0F10E]

NO >> INSPECTION END

Diagnosis Procedure

INFOID:000000008747361

1. CHECK INTERMITTENT INCIDENT

Refer to [GI-47, "Intermittent Incident"](#).

Is the inspection result normal?

YES >> Replace transaxle assembly. Refer to [TM-408, "Removal and Installation"](#).

NO >> Repair or replace the malfunction items.

A
B
C
E
F
G
H
I
J
K
L
M
N
O
P

TM

P0776 PRESSURE CONTROL SOLENOID B

< DTC/CIRCUIT DIAGNOSIS >

[CVT: RE0F10E]

P0776 PRESSURE CONTROL SOLENOID B

DTC Logic

INFOID:000000008747364

DTC DETECTION LOGIC

DTC	CONSULT screen terms (Trouble diagnosis content)	DTC detection condition	Possible cause
P0776	PC SOLENOID B (Pressure Control Solenoid "B" Performance/Stuck Off)	<p>When any of 1 or 2 is satisfied and this state is maintained for 10 seconds:</p> <ol style="list-style-type: none"> 1. When all of the following conditions are satisfied: <ul style="list-style-type: none"> - DTC other than the applicable DTC is not detected. - Engine speed: More than 625 rpm - Selector lever: Other than P/N position - CVT fluid temperature: More than -20°C (-4°F) - TCM power supply: More than 11 V - The difference between instruction pressure of secondary pressure and 10-msec-ago instruction secondary pressure is 0 MPa or more - Instruction pressure of secondary pressure: 0 MPa or more - Instruction pressure of secondary pressure - secondary pressure: More than 1.2 MPa When all of the following conditions are satisfied and this state is maintained for 5.5 seconds: <ul style="list-style-type: none"> • DTC other than the applicable DTC is not detected. • CVT fluid temperature: More than -20°C (-4°F) • Selector lever: Other than P/N position • Secondary pressure - instruction pressure of secondary pressure: 1.2 MPa or more 2. When all of the following conditions are satisfied: <ul style="list-style-type: none"> - DTC other than the applicable DTC is not detected. - CVT fluid temperature: More than -20°C (-4°F) - Selector lever: Other than P/N position - TCM power supply: More than 11 V - When all of the following conditions are satisfied and this state is maintained for 5.5 seconds: <ul style="list-style-type: none"> • DTC other than the applicable DTC is not detected. • CVT fluid temperature: More than -20°C (-4°F) • Selector lever: Other than P/N position • Secondary pressure - instruction pressure of secondary pressure: 1.2 MPa or more - The difference between instruction pressure of secondary pressure and 10-msec-ago instruction secondary pressure is 0 MPa or more - Secondary pressure - instruction pressure of secondary pressure: More than 1.2 MPa 	Secondary pressure solenoid valve

P0776 PRESSURE CONTROL SOLENOID B

< DTC/CIRCUIT DIAGNOSIS >

[CVT: RE0F10E]

DTC CONFIRMATION PROCEDURE

CAUTION:

Always drive vehicle at a safe speed.

1. PREPARATION BEFORE WORK

If another "DTC CONFIRMATION PROCEDURE" occurs just before, turn ignition switch OFF and wait for at least 10 seconds, then perform the next test.

>> GO TO 2.

2. CHECK DTC DETECTION

1. Start the engine.
2. Drive the vehicle.
3. Maintain the following condition for 20 seconds or more.

Selector lever	: "D" position
Vehicle speed	: 40 km/h (25 MPH) or more
Accelerator pedal position	: 1.0/8 or more

4. Stop the vehicle.
5. Check the first trip DTC.

Is "P0776" detected?

YES >> Go to [TM-331, "Diagnosis Procedure"](#).
NO >> INSPECTION END

Diagnosis Procedure

INFOID:000000008838353

1. CHECK INTERMITTENT INCIDENT

Refer to [GI-47, "Intermittent Incident"](#).

Is the inspection result normal?

YES >> Replace transaxle assembly. Refer to [TM-408, "Removal and Installation"](#).
NO >> Repair or replace the malfunction items.

P0778 PRESSURE CONTROL SOLENOID B

< DTC/CIRCUIT DIAGNOSIS >

[CVT: RE0F10E]

P0778 PRESSURE CONTROL SOLENOID B

DTC Logic

INFOID:000000008747366

DTC DETECTION LOGIC

DTC	CONSULT screen terms (Trouble diagnosis content)	DTC detection condition	Possible cause
P0778	PC SOLENOID B (Pressure Control Solenoid "B" Electrical)	When all of the following conditions are satisfied and this state is maintained for 0.48 seconds: • TCM power supply voltage: More than 11 V • TCM judges that solenoid valve circuit is shorted to ground.	<ul style="list-style-type: none"> • Harness or connectors (Secondary pressure solenoid valve circuit is shorted to ground.) • Secondary pressure solenoid valve

DTC CONFIRMATION PROCEDURE

CAUTION:

Always drive vehicle at a safe speed.

1. PREPARATION BEFORE WORK

If another "DTC CONFIRMATION PROCEDURE" occurs just before, turn ignition switch OFF and wait for at least 10 seconds, then perform the next test.

>> GO TO 2.

2. CHECK DTC DETECTION

1. Start the engine and wait for 5 seconds or more.
2. Check the first trip DTC.

Is "P0778" detected?

- YES >> Go to [TM-332, "Diagnosis Procedure"](#).
NO >> INSPECTION END

Diagnosis Procedure

INFOID:000000008747367

1. CHECK CIRCUIT BETWEEN TCM AND CVT UNIT

1. Turn ignition switch OFF.
2. Disconnect TCM connector and CVT unit connector.
3. Check continuity between TCM harness connector terminal and ground.

TCM		—	Continuity
Connector	Terminal		
F16	39	Ground	Not existed

Is the inspection result normal?

- YES >> GO TO 2.
NO >> Repair or replace damaged parts.

2. CHECK CIRCUIT BETWEEN CVT UNIT AND GROUND

Check continuity between CVT unit harness connector terminal and ground.

CVT unit		—	Condition	Resistance
Connector	Terminal			
F209	12	Ground	CVT fluid temperature: 20°C (68°F)	5.5 – 7.0 Ω
			CVT fluid temperature: 50°C (122°F)	6.0 – 8.0 Ω
			CVT fluid temperature: 80°C (176°F)	6.5 – 8.5 Ω

Is the inspection result normal?

- YES >> Check intermittent incident. Refer to [GI-47, "Intermittent Incident"](#).

P0778 PRESSURE CONTROL SOLENOID B

< DTC/CIRCUIT DIAGNOSIS >

[CVT: RE0F10E]

NO >> GO TO 3.

3. CHECK CIRCUIT BETWEEN CVT UNIT AND CONTROL VALVE

1. Disconnect control valve connector. Refer to [TM-388, "Removal and Installation"](#).
2. Check continuity between CVT unit harness connector terminal and control valve harness connector terminal.

CVT unit		Control valve		Continuity
Connector	Terminal	Connector	Terminal	
F209	12	F207	2	Existed

Is the inspection result normal?

YES >> GO TO 4.

NO >> Replace terminal cord assembly. Refer to [TM-388, "Removal and Installation"](#).

4. CHECK CIRCUIT BETWEEN CONTROL VALVE AND GROUND

Check continuity between CVT unit harness connector terminal and ground.

Control valve	—	Condition	Resistance
Terminal			
2	Ground	CVT fluid temperature: 20°C (68°F)	5.5 – 7.0 Ω
		CVT fluid temperature: 50°C (122°F)	6.0 – 8.0 Ω
		CVT fluid temperature: 80°C (176°F)	6.5 – 8.5 Ω

Is the inspection result normal?

YES >> Check intermittent incident. Refer to [GI-47, "Intermittent Incident"](#).

NO >> There is malfunction of secondary pressure solenoid valve. Replace transaxle assembly. Refer to [TM-408, "Removal and Installation"](#).

P0779 PRESSURE CONTROL SOLENOID B

< DTC/CIRCUIT DIAGNOSIS >

[CVT: RE0F10E]

P0779 PRESSURE CONTROL SOLENOID B

DTC Logic

INFOID:000000008747368

DTC DETECTION LOGIC

DTC	Trouble diagnosis name	DTC detection condition	Possible causes
P0779	Pressure control solenoid B Intermittent	When all of the following conditions are satisfied and this state is maintained for 0.2 seconds: <ul style="list-style-type: none"> • TCM power supply voltage: More than 11 V • P0778 is not detected • TCM judges that solenoid valve circuit is open or shorted to power supply. 	<ul style="list-style-type: none"> • Harness or connector (Secondary pressure solenoid valve circuit open or shorted to power supply) • Secondary pressure solenoid valve

DTC CONFIRMATION PROCEDURE

1. PREPARATION BEFORE WORK

If another "DTC CONFIRMATION PROCEDURE" occurs just before, turn ignition switch OFF and wait for at least 10 seconds, then perform the next test.

>> GO TO 2.

2. CHECK DTC DETECTION

1. Start the engine.
2. Drive the vehicle.
3. Maintain the following conditions for 5 seconds or more.

Selector lever : "D" position
 Vehicle speed : 40 km/h (25 MPH) or more

4. Stop the vehicle.
5. Check the first trip DTC.

Is "P0779" detected?

- YES >> Go to [TM-334, "Diagnosis Procedure"](#).
 NO >> INSPECTION END

Diagnosis Procedure

INFOID:000000008747369

1. CHECK CIRCUIT BETWEEN TCM AND CVT UNIT

1. Turn ignition switch OFF.
2. Disconnect TCM connector and CVT unit connector.
3. Check continuity between TCM harness connector terminal and CVT unit harness connector terminal.

TCM		CVT unit		Continuity
Connector	Terminal	Connector	Terminal	
F16	39	F46	12	Existed

Is the inspection result normal?

- YES >> GO TO 2.
 NO >> Repair or replace damaged parts.

2. CHECK CIRCUIT BETWEEN CVT UNIT AND GROUND

Check continuity between CVT unit harness connector terminal and ground.

P0779 PRESSURE CONTROL SOLENOID B

< DTC/CIRCUIT DIAGNOSIS >

[CVT: RE0F10E]

CVT unit		—	Condition	Resistance
Connector	Terminal			
F209	12	Ground	CVT fluid temperature: 20°C (68°F)	5.5 – 7.0 Ω
			CVT fluid temperature: 50°C (122°F)	6.0 – 8.0 Ω
			CVT fluid temperature: 80°C (176°F)	6.5 – 8.5 Ω

Is the inspection result normal?

- YES >> Check intermittent incident. Refer to [GI-47. "Intermittent Incident"](#).
 NO >> GO TO 3.

3. CHECK CIRCUIT BETWEEN CVT UNIT AND CONTROL VALVE

1. Disconnect control valve connector. Refer to [TM-388. "Removal and Installation"](#).
2. Check continuity between CVT unit harness connector terminal and control valve harness connector terminal.

CVT unit		Control valve		Continuity
Connector	Terminal	Connector	Terminal	
F209	12	F207	2	Existed

Is the inspection result normal?

- YES >> GO TO 4.
 NO >> Replace terminal cord assembly. Refer to [TM-388. "Removal and Installation"](#).

4. CHECK CIRCUIT BETWEEN CONTROL VALVE AND GROUND

Check continuity between CVT unit harness connector terminal and ground.

Control valve	—	Condition	Resistance
Terminal			
2	Ground	CVT fluid temperature: 20°C (68°F)	5.5 – 7.0 Ω
		CVT fluid temperature: 50°C (122°F)	6.0 – 8.0 Ω
		CVT fluid temperature: 80°C (176°F)	6.5 – 8.5 Ω

Is the inspection result normal?

- YES >> Check intermittent incident. Refer to [GI-47. "Intermittent Incident"](#).
 NO >> There is malfunction of secondary pressure solenoid valve. Replace transaxle assembly. Refer to [TM-408. "Removal and Installation"](#).

A
B
C
TM
E
F
G
H
I
J
K
L
M
N
O
P

P0841 TRANSMISSION FLUID PRESSURE SEN/SW A

< DTC/CIRCUIT DIAGNOSIS >

[CVT: RE0F10E]

P0841 TRANSMISSION FLUID PRESSURE SEN/SW A

DTC Logic

INFOID:000000008747372

DTC DETECTION LOGIC

DTC	CONSULT screen terms (Trouble diagnosis content)	DTC detection condition	Possible cause
P0841	FLUID PRESS SEN/SW A (Transmission Fluid Pressure Sensor/Switch "A" Circuit Range/Performance)	When all of the following conditions are satisfied and this state is maintained for 5 seconds: <ul style="list-style-type: none">• TCM power supply voltage: More than 11 V• DTC other than the applicable DTC is not detected.• Primary pulley speed: 300 rpm or more• Secondary pulley speed: 250 rpm or more• Target speed for shifting: Less than 0.1 seconds• Primary pulley pressure is outside the specified value.	<ul style="list-style-type: none">• Harness or connectors (Secondary pressure sensor circuit is open or shorted.)• Harness or connectors (Primary pressure sensor circuit is open or shorted.)• Secondary pressure sensor

DTC CONFIRMATION PROCEDURE

CAUTION:

Always drive vehicle at a safe speed.

1. PREPARATION BEFORE WORK

If another "DTC CONFIRMATION PROCEDURE" occurs just before, turn ignition switch OFF and wait for at least 10 seconds, then perform the next test.

>> GO TO 2.

2. CHECK DTC DETECTION

1. Start the engine.
2. Drive the vehicle.
3. Maintain the following condition for 10 seconds or more.

Selector lever : "D" position

Vehicle speed : Constant speed of 40 km/h (25 MPH)

CAUTION:

Also keep the accelerator pedal position constant.

4. Stop the vehicle.
5. Check the first trip DTC.

Is "P0841" detected?

YES >> Go to [TM-336, "Diagnosis Procedure"](#).

NO >> INSPECTION END

Diagnosis Procedure

INFOID:000000008747373

1. CHECK INTERMITTENT INCIDENT

Refer to [GI-47, "Intermittent Incident"](#).

Is the inspection result normal?

YES >> Replace the transaxle assembly. Refer to [TM-408, "Removal and Installation"](#).

NO >> Repair or replace damaged parts.

P0847 TRANSMISSION FLUID PRESSURE SEN/SW B

< DTC/CIRCUIT DIAGNOSIS >

[CVT: RE0F10E]

P0847 TRANSMISSION FLUID PRESSURE SEN/SW B

DTC Logic

INFOID:000000008747374

DTC DETECTION LOGIC

DTC	CONSULT screen terms (Trouble diagnosis content)	DTC detection condition	Possible causes
P0847	FLUID PRESS SEN/SW B (Transmission Fluid Pressure Sensor/Switch B Circuit Low)	When all of the following conditions are satisfied and this state is maintained for 5 seconds: <ul style="list-style-type: none"> CVT fluid temperature: More than -20°C (-4°F) TCM power supply voltage: 11 V or more Secondary pressure sensor voltage: 0.09 V or less 	<ul style="list-style-type: none"> Harness or connector (Secondary pressure sensor circuit is open or shorted to ground) Secondary pressure sensor Control valve assembly

DTC CONFIRMATION PROCEDURE

1. PREPARATION BEFORE WORK

If another "DTC CONFIRMATION PROCEDURE" occurs just before, turn ignition switch OFF and wait for at least 10 seconds, then perform the next test.

>> GO TO 2.

2. CHECK DTC DETECTION

With CONSULT

- Start the engine.
- Select "Data Monitor" in "TRANSMISSION".
- Select "FLUID TEMP".
- Maintain the following conditions for 10 seconds or more.

FLUID TEMP : -20°C (-4°F)

- Check the first trip DTC.

With GST

- Start the engine and wait for at least 10 seconds.

CAUTION:

When the ambient temperature is less than -20°C (-4°F) and the engine is cold, warm up the engine for approximately 5 minutes.

- Check the first trip DTC.

Is "P0847" detected?

YES >> Go to [TM-337, "Diagnosis Procedure"](#).

NO >> INSPECTION END

Diagnosis Procedure

INFOID:000000008747375

1. CHECK TCM INPUT SIGNALS

- Turn ignition switch OFF.
- Start the engine.
- Check voltage between TCM harness connector terminals.

+		-	Condition	Voltage
TCM				
Connector	Terminal			
F16	16	Ground	<ul style="list-style-type: none"> Selector lever: "N" position At idle 	1.67 – 1.69 V

Is the inspection result normal?

P0847 TRANSMISSION FLUID PRESSURE SEN/SW B

< DTC/CIRCUIT DIAGNOSIS >

[CVT: RE0F10E]

- YES >> Check intermittent incident. Refer to [GI-47, "Intermittent Incident"](#).
NO >> GO TO 2.

2.CHECK CIRCUIT BETWEEN TCM AND CVT UNIT (PART 1)

1. Turn ignition switch OFF.
2. Disconnect TCM connector and CVT unit connector.
3. Check continuity between TCM harness connector terminals and CVT unit harness connector terminals.

TCM		CVT unit		Continuity
Connector	Terminal	Connector	Terminal	
F16	11	F46	16	Existed
	16		15	
	26		25	

Is the inspection result normal?

- YES >> GO TO 3.
NO >> Repair or replace malfunctioning parts.

3.CHECK CIRCUIT BETWEEN TCM AND CVT UNIT (PART 2)

Check continuity between TCM harness connector terminals and ground.

TCM		—	Continuity
Connector	Terminal		
F16	16	Ground	Not existed
	26		

Is the inspection result normal?

- YES >> GO TO 4.
NO >> Repair or replace malfunctioning parts.

4.CHECK TERMINAL CORD ASSEMBLY (PART 1)

1. Remove terminal cord assembly. Refer to [TM-388, "Removal and Installation"](#).
2. Check continuity between CVT unit harness connector terminals and control valve harness connector terminals.

CVT unit		Control valve		Continuity
Connector	Terminal	Connector	Terminal	
F209	15	F207	12	Existed
	16		13	
	25		11	

Is the inspection result normal?

- YES >> GO TO 5.
NO >> Repair or replace malfunctioning parts.

5.CHECK TERMINAL CORD ASSEMBLY (PART 2)

Check damage of terminal cord assembly.

Is the inspection result normal?

- YES >> There is malfunction of secondary pressure sensor. Replace transaxle assembly. Refer to [TM-408, "Removal and Installation"](#).
NO >> Repair or replace malfunctioning parts.

P0848 TRANSMISSION FLUID PRESSURE SEN/SW B

< DTC/CIRCUIT DIAGNOSIS >

[CVT: RE0F10E]

P0848 TRANSMISSION FLUID PRESSURE SEN/SW B

DTC Logic

INFOID:000000008747376

DTC DETECTION LOGIC

DTC	CONSULT screen terms (Trouble diagnosis content)	DTC detection condition	Possible causes
P0848	FLUID PRESS SEN/SW B (Transmission Fluid Pressure Sensor/Switch B Circuit Low)	When all of the following conditions are satisfied and this state is maintained for 5 seconds: <ul style="list-style-type: none"> • CVT fluid temperature: More than -20°C (-4°F) • TCM power supply voltage: More than 11 V • Instruction secondary pressure: 5.7 MPa or less • Secondary pressure sensor voltage: 4.7 V or more 	<ul style="list-style-type: none"> • Harness or connector (Secondary pressure sensor circuit is shorted to power supply) • Secondary pressure sensor • Control valve assembly

DTC CONFIRMATION PROCEDURE

1. PREPARATION BEFORE WORK

If another "DTC CONFIRMATION PROCEDURE" occurs just before, the ignition switch OFF and wait for at least 10 seconds, then perform the next test.

>> GO TO 2.

2. CHECK DTC DETECTION

Ⓔ With CONSULT

1. Start the engine.
2. Select "Data Monitor" in "TRANSMISSION".
3. Select "FLUID TEMP".
4. Maintain the following conditions for 10 seconds or more.

FLUID TEMP : More than -20°C (-4°F)

5. Check the first trip DTC.

Ⓕ With GST

1. Start the engine and wait for at least 10 seconds.

CAUTION:

When the ambient temperature is less than -20°C (-4°F) and the engine is cold, warm up the engine for approximately 5 minutes.

2. Check the first trip DTC.

Is "P0848" detected?

YES >> Go to [TM-339, "Diagnosis Procedure"](#).

NO >> INSPECTION END

Diagnosis Procedure

INFOID:000000008747377

1. CHECK TCM INPUT SIGNALS

1. Turn ignition switch OFF.
2. Start the engine.
3. Check voltage between TCM harness connector terminals.

+		-	Condition	Voltage
TCM				
Connector	Terminal			
F16	16	Ground	<ul style="list-style-type: none"> • Selector lever: "N" position • At idle 	1.67 – 1.69 V

P0848 TRANSMISSION FLUID PRESSURE SEN/SW B

< DTC/CIRCUIT DIAGNOSIS >

[CVT: RE0F10E]

Is the inspection result normal?

YES >> Check intermittent incident. Refer to [GI-47, "Intermittent Incident"](#).

NO >> GO TO 2.

2. CHECK SECONDARY PRESSURE SENSOR POWER CIRCUIT

1. Turn ignition switch OFF.
2. Connect TCM connector.
3. Disconnect CVT unit connector.
4. Check voltage between CVT unit harness connector terminal and ground.

+		-	Voltage
CVT unit			
Connector	Terminal		
F46	25	Ground	Approx. 5.0 V

Is the inspection result normal?

YES >> GO TO 3.

NO >> Repair or replace malfunctioning parts.

3. CHECK SECONDARY PRESSURE SENSOR SIGNAL CIRCUIT

Check voltage between CVT unit harness connector terminal and ground.

+		-	Voltage
CVT unit			
Connector	Terminal		
F46	15	Ground	Approx. 0 V

Is the inspection result normal?

YES >> GO TO 4.

NO >> Repair or replace malfunctioning parts.

4. CHECK TERMINAL CORD ASSEMBLY

1. Turn ignition switch OFF.
2. Remove terminal cord assembly. Refer to [TM-388, "Removal and Installation"](#).
3. Check damage of terminal cord assembly.

Is the inspection result normal?

YES >> There is malfunction of secondary pressure sensor. Replace transaxle assembly. Refer to [TM-408, "Removal and Installation"](#).

NO >> Repair or replace malfunctioning parts.

P084C TRANSMISSION FLUID PRESSURE SEN/SW H

< DTC/CIRCUIT DIAGNOSIS >

[CVT: RE0F10E]

P084C TRANSMISSION FLUID PRESSURE SEN/SW H

DTC Logic

INFOID:000000008747378

DTC DETECTION LOGIC

DTC	CONSULT screen terms (Trouble diagnosis content)	DTC detection condition	Possible causes
P084C	FLUID PRESS SEN/SW H (Transmission Fluid Pressure Sensor/Switch H Circuit Low)	When all of the following conditions are satisfied and this state is maintained for 5 seconds: <ul style="list-style-type: none"> • CVT fluid temperature: More than -20°C (-4°F) • TCM power supply voltage: More than 11 V • Primary pressure sensor voltage: 0.09 V or less 	<ul style="list-style-type: none"> • Harness or connector (Primary pressure sensor circuit is open or shorted to ground) • Primary pressure sensor • Control valve assembly

DTC CONFIRMATION PROCEDURE

1. PREPARATION BEFORE WORK

If another "DTC CONFIRMATION PROCEDURE" occurs just before, turn ignition switch OFF and wait for at least 10 seconds, then perform the next test.

>> GO TO 2.

2. CHECK DTC DETECTION

With CONSULT

1. Start the engine.
2. Select "Data Monitor" in "TRANSMISSION".
3. Select "FLUID TEMP".
4. Maintain the following conditions for 10 seconds or more.

FLUID TEMP : More than -20°C (-4°F)

5. Check the first trip DTC.

With GST

1. Start the engine and wait for at least 10 seconds.

CAUTION:

When the ambient temperature is less than -20°C (-4°F) and the engine is cold, warm up the engine for approximately 5 minutes.

2. Check the first trip DTC.

Is "P084C" detected?

YES >> Go to [TM-341, "Diagnosis Procedure"](#).

NO >> INSPECTION END

Diagnosis Procedure

INFOID:000000008747379

1. CHECK TCM INPUT SIGNALS

1. Turn ignition switch OFF.
2. Start the engine.
3. Check voltage between TCM harness connector terminals.

+		-	Condition	Voltage
TCM				
Connector	Terminal			
F16	17	Ground	<ul style="list-style-type: none"> • Selector lever: "N" position • At idle 	0.90 – 0.92 V

Is the inspection result normal?

P084C TRANSMISSION FLUID PRESSURE SEN/SW H

< DTC/CIRCUIT DIAGNOSIS >

[CVT: RE0F10E]

- YES >> Check intermittent incident. Refer to [GI-47, "Intermittent Incident"](#).
NO >> GO TO 2.

2.CHECK CIRCUIT BETWEEN TCM AND CVT UNIT (PART 1)

1. Turn ignition switch OFF.
2. Disconnect TCM connector and CVT unit connector.
3. Check continuity between TCM harness connector terminals and CVT unit harness connector terminals.

TCM		CVT unit		Continuity
Connector	Terminal	Connector	Terminal	
F16	11	F46	16	Existed
	17		1	
	26		25	

Is the inspection result normal?

- YES >> GO TO 3.
NO >> Repair or replace malfunctioning parts.

3.CHECK CIRCUIT BETWEEN TCM AND CVT UNIT (PART 2)

Check continuity between TCM harness connector terminals and ground.

TCM		—	Continuity
Connector	Terminal		
F16	17	Ground	Not existed
	26		

Is the inspection result normal?

- YES >> GO TO 4.
NO >> Repair or replace malfunctioning parts.

4.CHECK TERMINAL CORD ASSEMBLY (PART 1)

1. Remove terminal cord assembly. Refer to [TM-388, "Removal and Installation"](#).
2. Check continuity between CVT unit harness connector terminals and control valve harness connector terminals.

CVT unit		Control valve		Continuity
Connector	Terminal	Connector	Terminal	
F209	1	F207	10	Existed
	16		13	
	25		11	

Is the inspection result normal?

- YES >> GO TO 5.
NO >> Repair or replace malfunctioning parts.

5.CHECK TERMINAL CORD ASSEMBLY (PART 2)

Check damage of terminal cord assembly.

Is the inspection result normal?

- YES >> There is malfunction of primary pressure sensor. Replace transaxle assembly. Refer to [TM-408, "Removal and Installation"](#).
NO >> Repair or replace malfunctioning parts.

P084D TRANSMISSION FLUID PRESSURE SEN/SW H

< DTC/CIRCUIT DIAGNOSIS >

[CVT: RE0F10E]

P084D TRANSMISSION FLUID PRESSURE SEN/SW H

DTC Logic

INFOID:000000008747380

DTC DETECTION LOGIC

DTC	CONSULT screen terms (Trouble diagnosis content)	DTC detection condition	Possible causes
P084D	FLUID PRESS SEN/SW H (Transmiision Fluid Pressure Sensor/Switch "H" Circuit High)	When all of the following conditions are satisfied and this state is maintained for 5 seconds: <ul style="list-style-type: none"> • CVT fluid temperature: More than -20°C (-4°F) • TCM power supply voltage: More than 11 V • Primary pressure sensor voltage: 4.7 V or more 	<ul style="list-style-type: none"> • Harness or connector (Primary pressure sensor circuit is open or shorted to ground) • Primary pressure sensor • Control valve assembly

DTC CONFIRMATION PROCEDURE

1. PREPARATION BEFORE WORK

If another "DTC CONFIRMATION PROCEDURE" occurs just before, turn ignition switch OFF and wait for at least 10 seconds, then perform the next test.

>> GO TO 2.

2. CHECK DTC DETECTION

④ With CONSULT

1. Start the engine.
2. Select "Data Monitor" in "TRANSMISSION".
3. Select "FLUID TEMP".
4. Maintain the following conditions for 10 seconds or more.

FLUID TEMP : More than -20°C (-4°F)

5. Check the first trip DTC.

④ With GST

1. Start the engine and wait for at least 10 seconds.

CAUTION:

When the ambient temperature is less than -20°C (-4°F) and the engine is cold, warm up the engine for approximately 5 minutes.

2. Check the first trip DTC.

Is "P084D" detected?

YES >> Go to [TM-343, "Diagnosis Procedure"](#).

NO >> INSPECTION END

Diagnosis Procedure

INFOID:000000008747381

1. CHECK TCM INPUT SIGNALS

1. Turn ignition switch OFF.
2. Start the engine.
3. Check voltage between TCM harness connector terminals.

+		-	Condition	Voltage
TCM				
Connector	Terminal			
F16	17	Ground	<ul style="list-style-type: none"> • Selector lever: "N" position • At idle 	0.90 – 0.92 V

Is the inspection result normal?

P084D TRANSMISSION FLUID PRESSURE SEN/SW H

< DTC/CIRCUIT DIAGNOSIS >

[CVT: RE0F10E]

- YES >> Check intermittent incident. Refer to [GI-47, "Intermittent Incident"](#).
NO >> GO TO 2.

2. CHECK PRIMARY PRESSURE SENSOR POWER CIRCUIT

1. Turn ignition switch OFF.
2. Connect TCM connector.
3. Disconnect CVT unit connector.
4. Check voltage between CVT unit harness connector terminal and ground.

+		-	Voltage
CVT unit			
Connector	Terminal		
F46	25	Ground	Approx. 5.0 V

Is the inspection result normal?

- YES >> GO TO 3.
NO >> Repair or replace malfunctioning parts.

3. CHECK PRIMARY PRESSURE SENSOR SIGNAL CIRCUIT

Check voltage between CVT unit harness connector terminal and ground.

+		-	Voltage
CVT unit			
Connector	Terminal		
F46	1	Ground	Approx. 0 V

Is the inspection result normal?

- YES >> GO TO 4.
NO >> Repair or replace malfunctioning parts.

4. CHECK TERMINAL CORD ASSEMBLY

1. Turn ignition switch OFF.
2. Remove terminal cord assembly. Refer to [TM-388, "Removal and Installation"](#).
3. Check damage of terminal cord assembly.

Is the inspection result normal?

- YES >> There is malfunction of primary pressure sensor. Replace transaxle assembly. Refer to [TM-408, "Removal and Installation"](#).
NO >> Repair or replace malfunctioning parts.

P0863 TCM COMMUNICATION

< DTC/CIRCUIT DIAGNOSIS >

[CVT: RE0F10E]

P0863 TCM COMMUNICATION

DTC Logic

INFOID:000000008747382

DTC DETECTION LOGIC

DTC	CONSULT screen terms (Trouble diagnosis content)	DTC detection condition	Possible causes
P0863	CONTROL UNIT (CAN) (TCM Communication Circuit)	An error is detected at the initial CAN diagnosis of TCM.	TCM

DTC CONFIRMATION PROCEDURE

1. PREPARATION BEFORE WORK

If another "DTC CONFIRMATION PROCEDURE" occurs just before, turn ignition switch OFF and wait for at least 10 seconds, then perform the next test.

>> GO TO 2.

2. CHECK DTC DETECTION

1. Start the engine.
2. Check the DTC.

Is "P0863" detected?

- YES >> Go to [TM-345, "Diagnosis Procedure"](#).
NO >> INSPECTION END

Diagnosis Procedure

INFOID:000000008747383

1. CHECK INTERMITTENT INCIDENT

Refer to [GI-47, "Intermittent Incident"](#).

Is the inspection result normal?

- YES >> Replace TCM. Refer to [TM-384, "Removal and Installation"](#).
NO >> Repair or replace malfunctioning parts.

P0890 TCM

DTC Logic

INFOID:000000008747384

DTC DETECTION LOGIC

DTC	CONSULT screen terms (Trouble diagnosis content)	DTC detection condition	Possible causes
P0890	TCM (Transmission Control Module Power Relay Sense Circuit Low)	When all of the following conditions are satisfied and this state is maintained for 0.2 seconds: • TCM power supply voltage: More than 11 V • Battery voltage: Less than 8.4 V	Harness or connector (TCM power supply (back-up) circuit is open or shorted.)

DTC CONFIRMATION PROCEDURE

1. PREPARATION BEFORE WORK

If another "DTC CONFIRMATION PROCEDURE" occurs just before, turn ignition switch OFF and wait for at least 10 seconds, then perform the next test.

>> GO TO 2.

2. CHECK DTC DETECTION

1. Start the engine and wait for 5 seconds or more.
2. Check the DTC.

Is "P0890" detected?

- YES >> Go to [TM-346, "Diagnosis Procedure"](#).
- NO >> INSPECTION END

Diagnosis Procedure

INFOID:000000008747385

1. CHECK TCM POWER SUPPLY (BACK-UP) CIRCUIT

1. Turn ignition switch OFF.
2. Disconnect TCM connector.
3. Check voltage between TCM harness connector terminals and ground.

TCM		Ground	Voltage
Connector	Terminal		
F16	45	Ground	10 – 16 V
	46		

Is the inspection result normal?

- YES >> Check intermittent incident. Refer to [GI-47, "Intermittent Incident"](#).
- NO >> GO TO 2.

2. DETECT MALFUNCTIONING ITEMS

Check the following items:

- Open or short circuit of harness between battery positive terminal and TCM connectors terminals 45 and 46.
- 10A fuse (No.60, located in the fuse and fusible link block). Refer to [PG-70, "Terminal Arrangement"](#).

Is the inspection result normal?

- YES >> Check intermittent incident. Refer to [GI-47, "Intermittent Incident"](#).
- NO >> Repair or replace malfunctioning parts.

P0962 PRESSURE CONTROL SOLENOID A

< DTC/CIRCUIT DIAGNOSIS >

[CVT: RE0F10E]

P0962 PRESSURE CONTROL SOLENOID A

DTC Logic

INFOID:000000008747386

DTC DETECTION LOGIC

DTC	CONSULT screen terms (Trouble diagnosis content)	DTC detection condition	Possible causes
P0962	PC SOLENOID A (Pressure Control Solenoid A Control Circuit Low)	When all of the following conditions are satisfied and this state is maintained for 0.2 seconds: <ul style="list-style-type: none"> • TCM power supply voltage: More than 11 V • TCM judges that solenoid valve circuit is shorted to ground. 	<ul style="list-style-type: none"> • Harness or connector (Line pressure solenoid valve circuit is shorted to ground) • Line pressure solenoid valve

DTC CONFIRMATION PROCEDURE

1. PREPARATION BEFORE WORK

If another "DTC CONFIRMATION PROCEDURE" occurs just before, turn ignition switch OFF and wait for at least 10 seconds, then perform the next test.

>> GO TO 2.

2. CHECK DTC DETECTION

1. Start the engine and wait for 5 seconds or more.
2. Check the first trip DTC.

Is "P0962" detected?

- YES >> Go to [TM-347, "Diagnosis Procedure"](#).
 NO >> INSPECTION END

Diagnosis Procedure

INFOID:000000008747387

1. CHECK CIRCUIT BETWEEN TCM AND CVT UNIT

1. Turn ignition switch OFF.
2. Disconnect TCM connector and CVT unit connector.
3. Check continuity between TCM harness connector terminal and ground.

TCM		—	Continuity
Connector	Terminal		
F16	30	Ground	Not existed

Is the inspection result normal?

- YES >> GO TO 2.
 NO >> Repair or replace damaged parts.

2. CHECK CIRCUIT BETWEEN CVT UNIT AND GROUND

Check continuity between CVT unit harness connector terminal and ground.

CVT unit		—	Condition	Resistance
Connector	Terminal			
F209	20	Ground	CVT fluid temperature: 20°C (68°F)	5.5 – 7.0 Ω
			CVT fluid temperature: 50°C (122°F)	6.0 – 8.0 Ω
			CVT fluid temperature: 80°C (176°F)	6.5 – 8.5 Ω

Is the inspection result normal?

- YES >> Check intermittent incident. Refer to [GI-47, "Intermittent Incident"](#).
 NO >> GO TO 3.

P0962 PRESSURE CONTROL SOLENOID A

< DTC/CIRCUIT DIAGNOSIS >

[CVT: RE0F10E]

3. CHECK CIRCUIT BETWEEN CVT UNIT AND CONTROL VALVE

1. Disconnect control valve connector. Refer to [TM-388, "Removal and Installation"](#).
2. Check continuity between CVT unit harness connector terminal and control valve harness connector terminal.

CVT unit		Control valve		Continuity
Connector	Terminal	Connector	Terminal	
F209	20	F207	1	Existed

Is the inspection result normal?

YES >> GO TO 4.

NO >> Replace terminal cord assembly. Refer to [TM-388, "Removal and Installation"](#).

4. CHECK CIRCUIT BETWEEN CONTROL VALVE AND GROUND

Check continuity between CVT unit harness connector terminal and ground.

Control valve	—	Condition	Resistance
Terminal			
1	Ground	CVT fluid temperature: 20°C (68°F)	5.5 – 7.0 Ω
		CVT fluid temperature: 50°C (122°F)	6.0 – 8.0 Ω
		CVT fluid temperature: 80°C (176°F)	6.5 – 8.5 Ω

Is the inspection result normal?

YES >> Check intermittent incident. Refer to [GI-47, "Intermittent Incident"](#).

NO >> There is malfunction of line pressure solenoid valve. Replace transaxle assembly. Refer to [TM-408, "Removal and Installation"](#).

P0963 PRESSURE CONTROL SOLENOID A

< DTC/CIRCUIT DIAGNOSIS >

[CVT: RE0F10E]

P0963 PRESSURE CONTROL SOLENOID A

DTC Logic

INFOID:000000008747389

DTC DETECTION LOGIC

DTC	CONSULT screen terms (Trouble diagnosis content)	DTC detection condition	Possible causes
P0963	PC SOLENOID A (Pressure Control Solenoid A Control Circuit High)	When all of the following conditions are satisfied and this state is maintained for 0.2 seconds: <ul style="list-style-type: none"> • TCM power supply voltage: More than 11 V • P0962 is not detected • TCM judges that solenoid valve circuit is open. 	<ul style="list-style-type: none"> • Harness or connector (Line pressure solenoid valve circuit is open or shorted to power supply) • Line pressure solenoid valve

DTC CONFIRMATION PROCEDURE

1. PREPARATION BEFORE WORK

If another "DTC CONFIRMATION PROCEDURE" occurs just before, turn ignition switch OFF and wait for at least 10 seconds, then perform the next test.

>> GO TO 2.

2. CHECK DTC DETECTION

1. Start the engine and wait for 5 seconds or more.
2. Check the first trip DTC.

Is "P0963" detected?

- YES >> Go to [TM-349, "Diagnosis Procedure"](#).
 NO >> INSPECTION END

Diagnosis Procedure

INFOID:000000008747390

1. CHECK CIRCUIT BETWEEN TCM AND CVT UNIT

1. Turn ignition switch OFF.
2. Disconnect TCM connector and CVT unit connector.
3. Check continuity between TCM harness connector terminal and ground.

TCM		CVT unit		Continuity
Connector	Terminal	Connector	Terminal	
F16	30	F46	20	Existed

Is the inspection result normal?

- YES >> GO TO 2.
 NO >> Repair or replace damaged parts.

2. CHECK CIRCUIT BETWEEN CVT UNIT AND GROUND

Check continuity between CVT unit harness connector terminal and ground.

CVT unit		—	Condition	Resistance
Connector	Terminal			
F209	20	Ground	CVT fluid temperature: 20°C (68°F)	5.5 – 7.0 Ω
			CVT fluid temperature: 50°C (122°F)	6.0 – 8.0 Ω
			CVT fluid temperature: 80°C (176°F)	6.5 – 8.5 Ω

Is the inspection result normal?

- YES >> Check intermittent incident. Refer to [GI-47, "Intermittent Incident"](#).

P0963 PRESSURE CONTROL SOLENOID A

< DTC/CIRCUIT DIAGNOSIS >

[CVT: RE0F10E]

NO >> GO TO 3.

3. CHECK CIRCUIT BETWEEN CVT UNIT AND CONTROL VALVE

1. Disconnect control valve connector. Refer to [TM-388, "Removal and Installation"](#).
2. Check continuity between CVT unit harness connector terminal and control valve harness connector terminal.

CVT unit		Control valve		Continuity
Connector	Terminal	Connector	Terminal	
F209	20	F207	1	Existed

Is the inspection result normal?

YES >> GO TO 4.

NO >> Replace terminal cord assembly. Refer to [TM-388, "Removal and Installation"](#).

4. CHECK CIRCUIT BETWEEN CONTROL VALVE AND GROUND

Check continuity between CVT unit harness connector terminal and ground.

Control valve	—	Condition	Resistance
Terminal			
1	Ground	CVT fluid temperature: 20°C (68°F)	5.5 – 7.0 Ω
		CVT fluid temperature: 50°C (122°F)	6.0 – 8.0 Ω
		CVT fluid temperature: 80°C (176°F)	6.5 – 8.5 Ω

Is the inspection result normal?

YES >> Check intermittent incident. Refer to [GI-47, "Intermittent Incident"](#).

NO >> There is malfunction of line pressure solenoid valve. Replace transaxle assembly. Refer to [TM-408, "Removal and Installation"](#).

P0965 PRESSURE CONTROL SOLENOID B

< DTC/CIRCUIT DIAGNOSIS >

[CVT: RE0F10E]

P0965 PRESSURE CONTROL SOLENOID B

DTC Logic

INFOID:000000008747392

DTC DETECTION LOGIC

DTC	CONSULT screen terms (Trouble diagnosis content)	DTC detection condition	Possible causes
P0965	PC SOLENOID B (Pressure Control Solenoid B Control Circuit Range Performance)	<p>When any of 1 or 2 is satisfied and this state is maintained for 10 seconds:</p> <ol style="list-style-type: none"> 1. When all of the following conditions are satisfied: <ul style="list-style-type: none"> - DTC other than the applicable DTC is not detected. - Engine speed: More than 625 rpm - Selector lever: Other than P/N position - CVT fluid temperature: More than -20°C (-4°F) - TCM power supply: More than 11 V - The difference between instruction pressure of primary pressure and 10-msec-ago instruction primary pressure is 0 MPa or more - Instruction pressure of primary pressure: 0.86 MPa or more - Instruction pressure of primary pressure - primary pressure: More than 1.2 MPa When all of the following conditions are satisfied and this state is maintained for 1 second: <ul style="list-style-type: none"> • DTC other than the applicable DTC is not detected. • CVT fluid temperature: More than -20°C (-4°F) • Selector lever: Other than P/N position • Engine speed: More than 625 rpm • Instruction pressure of primary pressure: More than 2 MPa • Primary pressure: 0.4 MPa or less 2. When all of the following conditions are satisfied: <ul style="list-style-type: none"> - DTC other than the applicable DTC is not detected. - CVT fluid temperature: More than -20°C (-4°F) - Selector lever: Other than P/N position - TCM power supply: More than 11 V - When all of the following conditions are satisfied and this state is maintained for 5.5 seconds: <ul style="list-style-type: none"> • DTC other than the applicable DTC is not detected. • CVT fluid temperature: More than -20°C (-4°F) • Selector lever: Other than P/N position • Primary pressure - instruction pressure of primary pressure: 1.2 MPa or more - The difference between instruction pressure of primary pressure and 10-msec-ago instruction primary pressure is 0 MPa or more - Primary pressure - instruction pressure of primary pressure: More than 1.2 MPa 	<ul style="list-style-type: none"> • Harness or connector (Primary pressure solenoid valve circuit is open or shorted.) • Primary pressure solenoid valve

DTC CONFIRMATION PROCEDURE

P0965 PRESSURE CONTROL SOLENOID B

< DTC/CIRCUIT DIAGNOSIS >

[CVT: RE0F10E]

1. PREPARATION BEFORE WORK

If another "DTC CONFIRMATION PROCEDURE" occurs just before, turn ignition switch OFF and wait for at least 10 seconds, then perform the next test.

>> GO TO 2.

2. CHECK DTC DETECTION

1. Start the engine.
2. Drive the vehicle.
3. Maintain the following conditions for 20 seconds or more.

Vehicle speed : 40 km/h (25 MPH) or more

4. Stop the vehicle.
5. Check the first trip DTC.

Is "P0965" detected?

- YES >> Go to [TM-352, "Diagnosis Procedure"](#).
NO >> INSPECTION END

Diagnosis Procedure

INFOID:000000008747393

1. CHECK INTERMITTENT INCIDENT

Refer to [GI-47, "Intermittent Incident"](#).

Is the inspection result normal?

- YES >> Replace transaxle assembly. Refer to [TM-408, "Removal and Installation"](#).
NO >> Repair or replace malfunctioning parts.

P0966 PRESSURE CONTROL SOLENOID B

< DTC/CIRCUIT DIAGNOSIS >

[CVT: RE0F10E]

P0966 PRESSURE CONTROL SOLENOID B

DTC Logic

INFOID:000000008747394

DTC DETECTION LOGIC

DTC	CONSULT screen terms (Trouble diagnosis content)	DTC detection condition	Possible causes
P0966	PC SOLENOID B (Pressure Control Solenoid B Control Circuit Low)	When all of the following conditions are satisfied and this state is maintained for 0.48 seconds: <ul style="list-style-type: none"> • TCM power supply voltage: More than 11 V • TCM judges that solenoid valve circuit is shorted to ground. 	<ul style="list-style-type: none"> • Harness or connector (Primary pressure solenoid valve circuit shorted to ground) • Primary pressure solenoid valve

DTC CONFIRMATION PROCEDURE

1. PREPARATION BEFORE WORK

If another "DTC CONFIRMATION PROCEDURE" occurs just before, turn ignition switch OFF and wait for at least 10 seconds, then perform the next test.

>> GO TO 2.

2. CHECK DTC DETECTION

1. Start the engine and wait for 5 seconds or more.
2. Check the first trip DTC.

Is "P0966" detected?

- YES >> Go to [TM-353, "Diagnosis Procedure"](#).
 NO >> INSPECTION END

Diagnosis Procedure

INFOID:000000008747395

1. CHECK CIRCUIT BETWEEN TCM AND CVT UNIT

1. Turn ignition switch OFF.
2. Disconnect TCM connector and CVT unit connector.
3. Check continuity between TCM harness connector terminal and ground.

TCM		—	Continuity
Connector	Terminal		
F16	40	Ground	Not existed

Is the inspection result normal?

- YES >> GO TO 2.
 NO >> Repair or replace damaged parts.

2. CHECK CIRCUIT BETWEEN CVT UNIT AND GROUND

Check continuity between CVT unit harness connector terminal and ground.

CVT unit		—	Condition	Resistance
Connector	Terminal			
F209	13	Ground	CVT fluid temperature: 20°C (68°F)	5.5 – 7.0 Ω
			CVT fluid temperature: 50°C (122°F)	6.0 – 8.0 Ω
			CVT fluid temperature: 80°C (176°F)	6.5 – 8.5 Ω

Is the inspection result normal?

- YES >> Check intermittent incident. Refer to [GI-47, "Intermittent Incident"](#).
 NO >> GO TO 3.

P0966 PRESSURE CONTROL SOLENOID B

< DTC/CIRCUIT DIAGNOSIS >

[CVT: RE0F10E]

3. CHECK CIRCUIT BETWEEN CVT UNIT AND CONTROL VALVE

1. Disconnect control valve connector. Refer to [TM-388, "Removal and Installation"](#).
2. Check continuity between CVT unit harness connector terminal and control valve harness connector terminal.

CVT unit		Control valve		Continuity
Connector	Terminal	Connector	Terminal	
F209	13	F207	9	Existed

Is the inspection result normal?

YES >> GO TO 4.

NO >> Replace terminal cord assembly. Refer to [TM-388, "Removal and Installation"](#).

4. CHECK CIRCUIT BETWEEN CONTROL VALVE AND GROUND

Check continuity between CVT unit harness connector terminal and ground.

Control valve	—	Condition	Resistance
Terminal			
9	Ground	CVT fluid temperature: 20°C (68°F)	5.5 – 7.0 Ω
		CVT fluid temperature: 50°C (122°F)	6.0 – 8.0 Ω
		CVT fluid temperature: 80°C (176°F)	6.5 – 8.5 Ω

Is the inspection result normal?

YES >> Check intermittent incident. Refer to [GI-47, "Intermittent Incident"](#).

NO >> There is malfunction of primary pressure solenoid valve. Replace transaxle assembly. Refer to [TM-408, "Removal and Installation"](#).

P0967 PRESSURE CONTROL SOLENOID B

< DTC/CIRCUIT DIAGNOSIS >

[CVT: RE0F10E]

P0967 PRESSURE CONTROL SOLENOID B

DTC Logic

INFOID:000000008747397

DTC DETECTION LOGIC

DTC	CONSULT screen terms (Trouble diagnosis content)	DTC detection condition	Possible causes
P0967	PC SOLENOID B (Pressure Control Solenoid B Control Circuit High)	When all of the following conditions are satisfied and this state is maintained for 0.2 seconds: <ul style="list-style-type: none"> • TCM power supply voltage: More than 11 V • P0966 is not detected • TCM judges that solenoid valve circuit is open. 	<ul style="list-style-type: none"> • Harness or connector (Primary pressure solenoid valve circuit open or shorted to power supply) • Primary pressure solenoid valve

DTC CONFIRMATION PROCEDURE

1. PREPARATION BEFORE WORK

If another "DTC CONFIRMATION PROCEDURE" occurs just before, turn ignition switch OFF and wait for at least 10 seconds, then perform the next test.

>> GO TO 2.

2. CHECK DTC DETECTION

1. Start the engine and wait for 5 seconds or more.
2. Check the first trip DTC.

Is "P0967" detected?

- YES >> Go to [TM-355, "Diagnosis Procedure"](#).
 NO >> INSPECTION END

Diagnosis Procedure

INFOID:000000008747398

1. CHECK CIRCUIT BETWEEN TCM AND CVT UNIT

1. Turn ignition switch OFF.
2. Disconnect TCM connector and CVT unit connector.
3. Check continuity between TCM harness connector terminal and ground.

TCM		CVT unit		Continuity
Connector	Terminal	Connector	Terminal	
F16	40	F46	13	Existed

Is the inspection result normal?

- YES >> GO TO 2.
 NO >> Repair or replace damaged parts.

2. CHECK CIRCUIT BETWEEN CVT UNIT AND GROUND

Check continuity between CVT unit harness connector terminal and ground.

CVT unit		—	Condition	Resistance
Connector	Terminal			
F209	13	Ground	CVT fluid temperature: 20°C (68°F)	5.5 – 7.0 Ω
			CVT fluid temperature: 50°C (122°F)	6.0 – 8.0 Ω
			CVT fluid temperature: 80°C (176°F)	6.5 – 8.5 Ω

Is the inspection result normal?

- YES >> Check intermittent incident. Refer to [GI-47, "Intermittent Incident"](#).

P0967 PRESSURE CONTROL SOLENOID B

< DTC/CIRCUIT DIAGNOSIS >

[CVT: RE0F10E]

NO >> GO TO 3.

3. CHECK CIRCUIT BETWEEN CVT UNIT AND CONTROL VALVE

1. Disconnect control valve connector. Refer to [TM-388, "Removal and Installation"](#).
2. Check continuity between CVT unit harness connector terminal and control valve harness connector terminal.

CVT unit		Control valve		Continuity
Connector	Terminal	Connector	Terminal	
F209	13	F207	9	Existed

Is the inspection result normal?

YES >> GO TO 4.

NO >> Replace terminal cord assembly. Refer to [TM-388, "Removal and Installation"](#).

4. CHECK CIRCUIT BETWEEN CONTROL VALVE AND GROUND

Check continuity between CVT unit harness connector terminal and ground.

Control valve	—	Condition	Resistance
Terminal			
9	Ground	CVT fluid temperature: 20°C (68°F)	5.5 – 7.0 Ω
		CVT fluid temperature: 50°C (122°F)	6.0 – 8.0 Ω
		CVT fluid temperature: 80°C (176°F)	6.5 – 8.5 Ω

Is the inspection result normal?

YES >> Check intermittent incident. Refer to [GI-47, "Intermittent Incident"](#).

NO >> There is malfunction of primary pressure solenoid valve. Replace transaxle assembly. Refer to [TM-408, "Removal and Installation"](#).

P2765 INPUT SPEED SENSOR B

< DTC/CIRCUIT DIAGNOSIS >

[CVT: RE0F10E]

P2765 INPUT SPEED SENSOR B

DTC Logic

INFOID:000000008747400

DTC DETECTION LOGIC

DTC	CONSULT screen terms (Trouble diagnosis content)	DTC detection condition	Possible causes
P2765	INPUT SPEED SENSOR B (Input/Turbine Speed Sensor B Circuit)	<p>When 1 is satisfied and any of 2, 3 or 4 is satisfied and this state is maintained for 5 seconds:</p> <ol style="list-style-type: none"> When all of the following conditions are satisfied: <ul style="list-style-type: none"> - TCM power supply voltage: More than 11 V - After range change completion, it spends 2 seconds or more. When all of the following conditions are satisfied and this state is maintained for 5 seconds: <ul style="list-style-type: none"> - Secondary pulley speed: Less than 149 rpm - Primary pulley speed: 1,000 rpm or more When all of the following conditions are satisfied and this state is maintained for 0.5 seconds: <ul style="list-style-type: none"> - 10-msec-ago secondary pulley speed: 1000 rpm or more - Now secondary pulley speed: 0 rpm When all of the following conditions are satisfied and this state is maintained for 5 seconds: <ul style="list-style-type: none"> - Range: D or DS - Engine speed: 450 rpm or more - Primary pulley speed: 300 rpm or more - Secondary pulley speed: 300 rpm or more - Input speed: 300 rpm or more - The difference between engine speed and primary pulley speed is 1,000 rpm or less - The difference between engine speed and input speed is 1,000 rpm or less - The difference between primary pulley speed and input speed is 1,000 rpm or less - Lock-up command is being given (except for slip lock-up) - DTC other than the applicable DTC is not detected. - When any of following items are satisfied: <ul style="list-style-type: none"> • Primary pulley speed/secondary pulley speed: More than 2.9 • Primary pulley speed/secondary pulley speed: Less than 0.3 	<ul style="list-style-type: none"> • Harness or connector (Output speed sensor circuit is open or shorted) • Output speed sensor

DTC CONFIRMATION PROCEDURE

CAUTION:

Be careful of the driving speed.

1. PREPARATION BEFORE WORK

If another "DTC CONFIRMATION PROCEDURE" occurs just before, turn ignition switch OFF and wait for at least 10 seconds, then perform the next test.

P2765 INPUT SPEED SENSOR B

< DTC/CIRCUIT DIAGNOSIS >

[CVT: RE0F10E]

>> GO TO 2.

2. CHECK DTC DETECTION

1. Start the engine.
2. Drive the vehicle.
3. Maintain the following conditions for 10 seconds or more.

Selector lever : "D" position
Engine speed : 1,200 rpm or more
Vehicle speed : 55 km/h (34 MPH) or more

4. Stop the vehicle.
5. Check the first trip DTC.

Is "P2765" detected?

YES >> Go to [TM-358. "Diagnosis Procedure"](#).
NO >> INSPECTION END

Diagnosis Procedure

INFOID:000000008747401

1. CHECK OUTPUT SPEED SENSOR POWER CIRCUIT

1. Turn ignition switch OFF.
2. Disconnect output speed sensor connector.
3. Turn ignition switch ON.
4. Check voltage between output speed sensor harness connector terminal and ground.

+		-	Voltage
Connector	Terminal		
F23	3	Ground	10 – 16 V

Is the inspection result normal?

YES >> GO TO 2.
NO >> GO TO 6.

2. CHECK OUTPUT SPEED SENSOR GROUND CIRCUIT

Check continuity between output speed sensor harness connector terminal and ground.

Output speed sensor		—	Continuity
Connector	Terminal		
F23	1	Ground	Existed

Is the inspection result normal?

YES >> GO TO 3.
NO >> Repair or replace malfunctioning parts.

3. CHECK CIRCUIT BETWEEN OUTPUT SPEED SENSOR AND TCM (PART 1)

1. Turn ignition switch OFF.
2. Disconnect TCM connector.
3. Check continuity between output speed sensor harness connector terminal and TCM harness connector terminal.

Output speed sensor		TCM		Continuity
Connector	Terminal	Connector	Terminal	
F23	2	F16	34	Existed

Is the inspection result normal?

P2765 INPUT SPEED SENSOR B

[CVT: RE0F10E]

< DTC/CIRCUIT DIAGNOSIS >

- YES >> GO TO 4.
- NO >> Repair or replace malfunctioning parts.

4.CHECK CIRCUIT BETWEEN OUTPUT SPEED SENSOR AND TCM (PART 2)

Check continuity between output speed sensor harness connector terminal and ground.

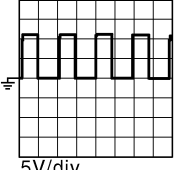
Output speed sensor		—	Continuity
Connector	Terminal		
F23	2	Ground	Not existed

Is the inspection result normal?

- YES >> GO TO 5.
- NO >> Repair or replace malfunctioning parts.

5.CHECK TCM INPUT SIGNALS

1. Connect all of disconnected connectors.
2. Lift the vehicle.
3. Start the engine.
4. Check frequency of output speed sensor.

+		-	Condition	Standard
TCM				
Connector	Terminal			
F16	34	Ground	<ul style="list-style-type: none"> • Selector lever: "DS" position • Vehicle speed: 20 km/h (12 MPH) 	<p>Approx. 200 Hz 2.5mSec/div</p>  <p>5V/div JSDIA1904GB</p>

Is the inspection result normal?

- YES >> Check intermittent incident. Refer to [GI-47, "Intermittent Incident"](#).
- NO >> Replace output speed sensor. Refer to [TM-398, "Removal and Installation"](#).

6.DETECT MALFUNCTIONING ITEMS

Check the following items:

- Harness open circuit or short circuit between ignition switch and IPDM E/R. Refer to [PG-19, "Wiring Diagram — Ignition Power Supply —"](#).
- Harness open circuit or short circuit between output speed sensor and IPDM E/R.
- 10A fuse (No.46, located in the IPDM E/R). Refer to [PG-71, "Fuse, Connector and Terminal Arrangement"](#).
- IPDM E/R

Is the check result normal?

- YES >> Check intermittent incident. Refer to [GI-47, "Intermittent Incident"](#).
- NO >> Repair or replace malfunctioning parts.

P2813 SELECT SOLENOID

< DTC/CIRCUIT DIAGNOSIS >

[CVT: RE0F10E]

P2813 SELECT SOLENOID

DTC Logic

INFOID:000000008747402

DTC DETECTION LOGIC

DTC	CONSULT screen terms (Trouble diagnosis content)	DTC detection condition	Possible causes
P2813	SELECT SOLENOID (Select solenoid)	<p>When any of 1, or 2 is satisfied:</p> <ol style="list-style-type: none"> When all the following conditions are established three times in 1DC <ul style="list-style-type: none"> - Precondition • DTC other than the applicable DTC is not detected. • Throtte position: More than 6.27 deg. • Vehicle speed: Less than 3 km/h (1 MPH) • CVT fluid temperature: More than 20°C (68°F) • Selector lever: Other than P, N • Turbine speed when performed N → D, N (P) → R: More than 500 rpm • TCM power supply voltage: More than 11 V - Detection time <ul style="list-style-type: none"> • N → D: 0.4 seconds • N → R: 0.3 seconds • P → R: 0.3 seconds When all of the following conditions are satisfied and this state is maintained for 30 seconds: <ul style="list-style-type: none"> - The counting of time continues while all of the following conditions are satisfied and stops when the conditions become unsatisfied (the count is maintained). When accumulated time reaches 30 seconds (Clutch is judged as engaged and the count is reset.) <ul style="list-style-type: none"> • Selector lever: Other than P, N • Vehicle speed: Less than 3 km/h (1 MPH) • Differences between primary pulley speed and secondary speed speed: Less than 120 rpm • Clutch instructions pressure: 0.95 MPa or more • Differences between turbine speed and input speed speed: Less than 200 rpm • Turbine speed – speed: More than 450 rpm • DTC other than the applicable DTC is not detected. • TCM power supply voltage: More than 11 V 	Select solenoid valve

NOTE:

DC stands for “DRIVING CYCLE” and indicates a series of driving cycle of “Ignition switch OFF → ON → driving → OFF”.

DTC CONFIRMATION PROCEDURE

CAUTION:

Be careful of the driving speed.

1. PREPARATION BEFORE WORK

P2813 SELECT SOLENOID

< DTC/CIRCUIT DIAGNOSIS >

[CVT: RE0F10E]

If another "DTC CONFIRMATION PROCEDURE" occurs just before, turn ignition switch OFF and wait for at least 10 seconds, then perform the next test.

>> GO TO 2.

2.CHECK DTC DETECTION 1

1. Start the engine.
2. Maintain the following conditions. (Keep 30seconds or more after the selector lever shifted.)

Selector lever : N→ D, N → R, P→ R

3. Check the first trip DTC.

Is "P2813"detected?

- YES >> Go to [TM-361, "Diagnosis Procedure"](#).
- NO >> INSPECTION END

Diagnosis Procedure

INFOID:000000008747403

1.CHECK INTERMITTENT INCIDENT

Refer to [GI-47, "Intermittent Incident"](#).

Is the inspection result normal?

- YES >> Replace transaxle assembly. Refer to [TM-408, "Removal and Installation"](#).
- NO >> Repair or replace malfunctioning parts.

A
B
C
TM
E
F
G
H
I
J
K
L
M
N
O
P

P2814 SELECT SOLENOID

< DTC/CIRCUIT DIAGNOSIS >

[CVT: RE0F10E]

P2814 SELECT SOLENOID

DTC Logic

INFOID:000000008747404

DTC DETECTION LOGIC

DTC	CONSULT screen terms (Trouble diagnosis content)	DTC detection condition	Possible causes
P2814	SELECT SOLENOID (Select solenoid)	When all of the following conditions are satisfied and this state is maintained for 0.48 seconds: <ul style="list-style-type: none">• TCM power supply voltage: 11 V or more• TCM judges that solenoid valve circuit is shorted to ground.	<ul style="list-style-type: none">• Harness or connector (Select solenoid valve circuit shorted to ground)• Select solenoid valve

DTC CONFIRMATION PROCEDURE

CAUTION:

Be careful of the driving speed.

1. PREPARATION BEFORE WORK

If another "DTC CONFIRMATION PROCEDURE" occurs just before, turn ignition switch OFF and wait for at least 10 seconds, then perform the next test.

>> GO TO 2.

2. CHECK DTC DETECTION

1. Start the engine.
2. Maintain the following conditions. (Keep 5 seconds or more after the selector lever shifted.)

Selector lever N → D, N → R, P → R

3. Check the first trip DTC.

Is "P2814" detected?

- YES >> Go to [TM-362, "Diagnosis Procedure"](#).
NO >> INSPECTION END

Diagnosis Procedure

INFOID:000000008747405

1. CHECK CIRCUIT BETWEEN TCM AND CVT UNIT

1. Turn ignition switch OFF.
2. Disconnect TCM connector and CVT unit connector.
3. Check continuity between TCM harness connector terminal and ground.

TCM		—	Continuity
Connector	Terminal		
F16	37	Ground	Not existed

Is the inspection result normal?

- YES >> GO TO 2.
NO >> Repair or replace damaged parts.

2. CHECK CIRCUIT BETWEEN CVT UNIT AND GROUND

Check continuity between CVT unit harness connector terminal and ground.

P2814 SELECT SOLENOID

< DTC/CIRCUIT DIAGNOSIS >

[CVT: RE0F10E]

CVT unit		—	Condition	Resistance
Connector	Terminal			
F209	3	Ground	CVT fluid temperature: 20°C (68°F)	5.5 – 7.0 Ω
			CVT fluid temperature: 50°C (122°F)	6.0 – 8.0 Ω
			CVT fluid temperature: 80°C (176°F)	6.5 – 8.5 Ω

Is the inspection result normal?

- YES >> Check intermittent incident. Refer to [GI-47. "Intermittent Incident"](#).
 NO >> GO TO 3.

3. CHECK CIRCUIT BETWEEN CVT UNIT AND CONTROL VALVE

1. Disconnect control valve connector. Refer to [TM-388. "Removal and Installation"](#).
2. Check continuity between CVT unit harness connector terminal and control valve harness connector terminal.

CVT unit		Control valve		Continuity
Connector	Terminal	Connector	Terminal	
F209	3	F207	4	Existed

Is the inspection result normal?

- YES >> GO TO 4.
 NO >> Replace terminal cord assembly. Refer to [TM-388. "Removal and Installation"](#).

4. CHECK CIRCUIT BETWEEN CONTROL VALVE AND GROUND

Check continuity between CVT unit harness connector terminal and ground.

Control valve	—	Condition	Resistance
Terminal			
4	Ground	CVT fluid temperature: 20°C (68°F)	5.5 – 7.0 Ω
		CVT fluid temperature: 50°C (122°F)	6.0 – 8.0 Ω
		CVT fluid temperature: 80°C (176°F)	6.5 – 8.5 Ω

Is the inspection result normal?

- YES >> Check intermittent incident. Refer to [GI-47. "Intermittent Incident"](#).
 NO >> There is malfunction of select solenoid solenoid valve. Replace transaxle assembly. Refer to [TM-408. "Removal and Installation"](#).

P2815 SELECT SOLENOID

< DTC/CIRCUIT DIAGNOSIS >

[CVT: RE0F10E]

P2815 SELECT SOLENOID

DTC Logic

INFOID:000000008747407

DTC DETECTION LOGIC

DTC	CONSULT screen terms (Trouble diagnosis content)	DTC detection condition	Possible causes
P2815	SELECT SOLENOID (Select solenoid)	When all of the following conditions are satisfied and this state is maintained for 0.2 seconds: <ul style="list-style-type: none">• TCM power supply voltage: More than 11 V• TCM judges that solenoid valve circuit is open.• P2814 is not detected.	<ul style="list-style-type: none">• Harness or connector (Select solenoid valve circuit open or shorted to power supply)• Select solenoid valve

DTC CONFIRMATION PROCEDURE

1. PREPARATION BEFORE WORK

If another "DTC CONFIRMATION PROCEDURE" occurs just before, turn ignition switch OFF and wait for at least 10 seconds, then perform the next test.

>> GO TO 2.

2. CHECK DTC DETECTION

1. Start the engine.
2. Maintain the following conditions. (Keep 5 seconds or more after the selector lever shifted.)

Selector lever N → D, N → R, P → R

3. Check the first trip DTC.

Is "P2815" detected?

YES >> Go to [TM-161, "Diagnosis Procedure"](#).
NO >> INSPECTION END

Diagnosis Procedure

INFOID:000000008747408

1. CHECK CIRCUIT BETWEEN TCM AND CVT UNIT

1. Turn ignition switch OFF.
2. Disconnect TCM connector and CVT unit connector.
3. Check continuity between TCM harness connector terminal and ground.

TCM		CVT unit		Continuity
Connector	Terminal	Connector	Terminal	
F16	37	F46	3	Existed

Is the inspection result normal?

YES >> GO TO 2.
NO >> Repair or replace damaged parts.

2. CHECK CIRCUIT BETWEEN CVT UNIT AND GROUND

Check continuity between CVT unit harness connector terminal and ground.

P2815 SELECT SOLENOID

< DTC/CIRCUIT DIAGNOSIS >

[CVT: RE0F10E]

CVT unit		—	Condition	Resistance
Connector	Terminal			
F209	3	Ground	CVT fluid temperature: 20°C (68°F)	5.5 – 7.0 Ω
			CVT fluid temperature: 50°C (122°F)	6.0 – 8.0 Ω
			CVT fluid temperature: 80°C (176°F)	6.5 – 8.5 Ω

Is the inspection result normal?

- YES >> Check intermittent incident. Refer to [GI-47. "Intermittent Incident"](#).
 NO >> GO TO 3.

3. CHECK CIRCUIT BETWEEN CVT UNIT AND CONTROL VALVE

1. Disconnect control valve connector. Refer to [TM-388. "Removal and Installation"](#).
2. Check continuity between CVT unit harness connector terminal and control valve harness connector terminal.

CVT unit		Control valve		Continuity
Connector	Terminal	Connector	Terminal	
F209	3	F207	4	Existed

Is the inspection result normal?

- YES >> GO TO 4.
 NO >> Replace terminal cord assembly. Refer to [TM-388. "Removal and Installation"](#).

4. CHECK CIRCUIT BETWEEN CONTROL VALVE AND GROUND

Check continuity between CVT unit harness connector terminal and ground.

Control valve	—	Condition	Resistance
Terminal			
4	Ground	CVT fluid temperature: 20°C (68°F)	5.5 – 7.0 Ω
		CVT fluid temperature: 50°C (122°F)	6.0 – 8.0 Ω
		CVT fluid temperature: 80°C (176°F)	6.5 – 8.5 Ω

Is the inspection result normal?

- YES >> Check intermittent incident. Refer to [GI-47. "Intermittent Incident"](#).
 NO >> There is malfunction of select solenoid solenoid valve. Replace transaxle assembly. Refer to [TM-408. "Removal and Installation"](#).

MAIN POWER SUPPLY AND GROUND CIRCUIT

< DTC/CIRCUIT DIAGNOSIS >

[CVT: RE0F10E]

MAIN POWER SUPPLY AND GROUND CIRCUIT

Diagnosis Procedure

INFOID:000000008747410

1. CHECK TCM POWER CIRCUIT (PART 1)

1. Turn ignition switch OFF.
2. Disconnect TCM connector.
3. Check voltage between TCM harness connector terminals and ground.

+		-	Voltage
TCM			
Connector	Terminal	Ground	10 – 16 V
F16	45		
	46		

Is the inspection result normal?

- YES >> GO TO 2.
NO >> GO TO 4.

2. CHECK TCM POWER CIRCUIT (PART 2)

Check voltage between TCM harness connector terminals and ground.

+		-	Condition	Voltage			
TCM							
Connector	Terminal	Ground	Ignition switch ON	10 – 16 V			
F16	47				Ground	Ignition switch OFF	Approx. 0 V
						48	Ignition switch ON
	48						Ignition switch OFF

Is the inspection result normal?

- YES >> GO TO 3.
NO >> GO TO 5.

3. CHECK TCM GROUND CIRCUIT

Check continuity between TCM harness connector terminals and ground.

TCM		—	Continuity
Connector	Terminal		
F16	41	Ground	Existed
	42		

Is the inspection result normal?

- YES >> Check intermittent incident. Refer to [GI-47, "Intermittent Incident"](#).
NO >> Repair or replace malfunctioning parts.

4. DETECT MALFUNCTION ITEMS (PART 1)

Check the following items:

- Open or short circuit in harness between battery positive terminal and TCM connector terminal 45, and 46.
- 10A fuse (No.60, located in the fuse and fusible link block). Refer to [PG-70, "Terminal Arrangement"](#).

Is the inspection result normal?

- YES >> Check intermittent incident. Refer to [GI-47, "Intermittent Incident"](#).
NO >> Repair or replace malfunctioning parts.

5. CHECK CIRCUIT BETWEEN IPDM E/R AND TCM (PART 1)

MAIN POWER SUPPLY AND GROUND CIRCUIT

< DTC/CIRCUIT DIAGNOSIS >

[CVT: RE0F10E]

1. Turn ignition switch OFF.
2. Disconnect IPDM E/R connector.
3. Check continuity between IPDM E/R harness connector terminal and TCM harness connector terminals.

IPDM E/R harness connector		TCM harness connector		Continuity
Connector	Terminal	Connector	Terminal	
F83	61	F16	47	Existed
			48	

Is the check result normal?

- YES >> GO TO 6.
 NO >> Repair or replace malfunctioning parts.

6. CHECK CIRCUIT BETWEEN IPDM E/R AND TCM (PART 2)

Check continuity between IPDM E/R harness connector terminal and ground.

IPDM E/R harness connector		—	Continuity
Connector	Terminal		
F83	61	Ground	Not existed

Is the check result normal?

- YES >> GO TO 7.
 NO >> Repair or replace malfunctioning parts.

7. DETECT MALFUNCTIONING ITEMS (PART 2)

Check the following items:

- Open or short circuit in harness between ignition switch and IPDM E/R. Refer to [PCS-21, "Wiring Diagram"](#).
- 10A fuse (No.46, located in the IPDM E/R). Refer to [PG-71, "Fuse, Connector and Terminal Arrangement"](#).
- IPDM E/R

Is the check result normal?

- YES >> Check intermittent incident. Refer to [GI-47, "Intermittent Incident"](#).
 NO >> Repair or replace malfunctioning parts.

A
B
C
TM
E
F
G
H
I
J
K
L
M
N
O
P

SHIFT POSITION INDICATOR CIRCUIT

< DTC/CIRCUIT DIAGNOSIS >

[CVT: RE0F10E]

SHIFT POSITION INDICATOR CIRCUIT

Component Parts Function Inspection

INFOID:000000008747416

1. CHECK SHIFT POSITION INDICATOR

1. Start the engine.
2. Shift selector lever.
3. Check that the selector lever position and the shift position indicator on the combination meter are identical.

Is the inspection result normal?

- YES >> INSPECTION END
NO >> Go to [TM-368, "Diagnosis Procedure"](#).

Diagnosis Procedure

INFOID:000000008747417

1. CHECK TCM INPUT/OUTPUT SIGNAL

Ⓟ With CONSULT

1. Start the engine.
2. Select "Data Monitor" in "TRANSMISSION".
3. Select "RANGE".
4. Shift selector lever.
5. Check that selector lever position, "RANGE" on CONSULT screen, and shift position indicator display on combination meter are identical.

Is the check result normal?

- YES >> INSPECTION END
NO-1 ("RANGE" is changed but is not displayed on shift position indicator.)>>Check "Self Diagnostic Result" in "TRANSMISSION".
NO-2 ("RANGE" and shift position indicator are different.)>>Check "Self Diagnostic Result" in "TRANSMISSION".
NO-3 (Specific "RANGE" is not displayed on shift position indicator.)>>Check "Self Diagnostic Result" in "METER/M&A".

SHIFT LOCK SYSTEM

< DTC/CIRCUIT DIAGNOSIS >

[CVT: RE0F10E]

SHIFT LOCK SYSTEM

Component Function Check

INFOID:000000008666182

1. CHECK SHIFT LOCK OPERATION (PART 1)

1. Turn ignition ON.
2. Shift the selector lever to "P" (Park) position.
3. Attempt to shift the selector lever to any other than position with the brake pedal released.

Can the selector lever be shifted to any other position?

- YES >> Go to [TM-369, "Diagnosis Procedure"](#).
NO >> GO TO 2.

2. CHECK SHIFT LOCK OPERATION (PART 2)

Attempt to shift the selector lever to any other than position with the brake pedal depressed.

Can the selector lever be shifted to any other position?

- YES >> Inspection End.
NO >> Go to [TM-369, "Diagnosis Procedure"](#).

Diagnosis Procedure

INFOID:000000008666194

Regarding Wiring Diagram information, refer to [TM-276, "Wiring diagram"](#).

1. CHECK POWER SOURCE (STOP LAMP SWITCH)

1. Turn ignition switch OFF.
2. Disconnect stop lamp switch connector.
3. Check voltage between stop lamp switch connector E39 terminal 1 and ground.

Stop lamp switch		Ground	Voltage
Connector	Terminal		Battery voltage
E39	1		

Is the inspection result normal?

- YES >> GO TO 2.
NO >> Check the following:
- Harness for short or open between fuse block (J/B) and stop lamp switch
 - 10A fuse (No. 10, located in fuse block [J/B])

2. CHECK STOP LAMP SWITCH

Check stop lamp switch. Refer to [TM-372, "Component Inspection \(Stop Lamp Switch\)"](#).

Is the inspection result normal?

- YES >> GO TO 3.
NO >> Replace stop lamp switch. Refer to [BR-18, "Exploded View"](#).

3. CHECK GROUND CIRCUIT (STOP LAMP RELAY)

1. Remove the stop lamp relay.
2. Check continuity between stop lamp relay connector E57 terminal 1 and ground.

Stop lamp relay		Ground	Continuity
Connector	Terminal (+)		Yes
E57	1		

Is the inspection result normal?

- YES >> GO TO 4.
NO >> Repair or replace damaged parts.

SHIFT LOCK SYSTEM

[CVT: RE0F10E]

< DTC/CIRCUIT DIAGNOSIS >

4. CHECK HARNESS BETWEEN STOP LAMP RELAY AND BCM

1. Check continuity between stop lamp relay connector E57 terminal 3 and BCM connector M17 terminal 27.

BCM		stop lamp relay		Continuity
Connector	Terminal	Connector	Terminal	
M17	27	E57	3	Yes

Is the inspection result normal?

YES >> GO TO 5.

NO >> Repair or replace damaged parts.

5. CHECK HARNESS BETWEEN STOP LAMP SWITCH AND STOP LAMP RELAY

1. Check continuity between stop lamp relay connector E57 terminal 3 and stop lamp switch connector E39 terminal 2.

Stop lamp switch		Stop lamp relay		Continuity
Connector	Terminal	Connector	Terminal	
E39	2	E57	3	Yes

Is the inspection result normal?

YES >> GO TO 6.

NO >> Repair or replace damaged parts.

6. CHECK GROUND CIRCUIT (STOP LAMP RELAY)

1. Remove the stop lamp relay.
2. Check continuity between stop lamp relay connector E57 terminal 1 and ground.

Stop lamp relay		Ground	Continuity
Connector	Terminal (+)		
E57	1		Yes

Is the inspection result normal?

YES >> GO TO 7.

NO >> Repair or replace damaged parts.

7. CHECK POWER SOURCE (STOP LAMP RELAY)

1. Check voltage between stop lamp relay connector E57 terminal 5 and ground.

Stop lamp relay		Ground	Continuity
Connector	Terminal (+)		
E57	5		Battery voltage

Is the inspection result normal?

YES >> GO TO 8.

NO >> Repair or replace damaged parts.

8. CHECK HARNESS BETWEEN BCM AND CVT SHIFT SELECTOR FOR OPEN

1. Disconnect CVT shift selector connector.
2. Check continuity between BCM connector M20 terminal 108 and CVT shift selector connector M23 terminal 3.

BCM		CVT shift selector		Continuity
Connector	Terminal	Connector	Terminal	
M20	108	M23	3	Yes

Is the inspection result normal?

SHIFT LOCK SYSTEM

[CVT: RE0F10E]

< DTC/CIRCUIT DIAGNOSIS >

- YES >> GO TO 9.
NO >> Repair or replace damaged parts.

9. CHECK HARNESS BETWEEN BCM AND CVT SHIFT SELECTOR FOR SHORT CIRCUIT

Check continuity between BCM connector M20 terminal 108 and ground.

BCM		Ground	Continuity
Connector	Terminal		
M20	108		No

Is the inspection result normal?

- YES >> GO TO 10.
NO >> Repair or replace damaged parts.

10. CHECK GROUND CIRCUIT (CVT SHIFT SELECTOR)

Check continuity between CVT shift selector connector M23 terminal 4 and ground.

CVT shift selector		Ground	Continuity
Connector	Terminal		
M23	4		Yes

Is the inspection result normal?

- YES >> Replace CVT shift selector. Refer to [TM-378, "Removal and Installation"](#).
NO >> Repair or replace damaged parts.

Component Inspection (Shift Lock Solenoid)

INFOID:0000000008666195

1. CHECK SHIFT LOCK SOLENOID

Apply voltage to terminals of shift lock solenoid and park position switch (shift selector) connector and check that shift lock solenoid is activated.

CAUTION:

- Connect the fuse between the terminals when applying the voltage.
- Never cause shorting between terminals.

+ (fuse)	-	Condition	Status
Shift lock solenoid			
Terminal			
3	4	Apply 12 V between terminals 3 and 4 with the park position switch (shift selector) in the "P" (park) position.	Shift lock solenoid operates

Is the inspection result normal?

- YES >> Inspection End.
NO >> Replace CVT shift selector. Refer to [TM-378, "Removal and Installation"](#).

Component Inspection (Park Position Switch)

INFOID:0000000008666196

1. CHECK PARK POSITION SWITCH (SHIFT SELECTOR)

Apply voltage to terminals of shift lock solenoid and park position switch (shift selector) connector and check that shift lock solenoid is activated.

CAUTION:

- Connect the fuse between the terminals when applying the voltage.
- Never cause shorting between terminals.

SHIFT LOCK SYSTEM

< DTC/CIRCUIT DIAGNOSIS >

[CVT: RE0F10E]

+ (fuse)	-	Condition	Status
Shift lock solenoid			
Terminal			
3	4	Apply 12 V between terminals 3 and 4 with the park position switch (shift selector) in the "P" (park) position.	Shift lock solenoid operates

Is the inspection result normal?

YES >> Inspection End.

NO >> Replace CVT shift selector. Refer to [TM-378, "Removal and Installation"](#).

Component Inspection (Stop Lamp Switch)

INFOID:000000008666197

1. CHECK STOP LAMP SWITCH

Check the continuity between the stop lamp switch connector terminals.

Stop lamp switch		Condition	Continuity
Terminal			
1	2	Depressed brake pedal	Yes
		Released brake pedal	No

Is the inspection result normal?

YES >> Inspection End.

NO >> Replace stop lamp switch. Refer to [BR-18, "Exploded View"](#).

CVT CONTROL SYSTEM

< SYMPTOM DIAGNOSIS >

[CVT: RE0F10E]

SYMPTOM DIAGNOSIS

CVT CONTROL SYSTEM

Symptom Table

INFOID:000000008832327

- The diagnosis item number indicates the order of check. Start checking in the order from 1.
- Perform diagnoses of symptom table 1 before symptom table 2.

Symptom Table 1

Symptom	Engine system											Stall test	CVT position	Power supply	Control valve	CVT fluid level and state	Ignition switch and starter	
	EC-630	CAN communication line (U1000)	Transmission range switch (P0705, P0706)	Input speed sensor (P0717)	Primary speed sensor (P0715)	Output speed sensor (P2765)	CVT fluid temperature sensor (P0711, P0712, P0713)	Primary pressure sensor (P084C, P084D)	Secondary pressure sensor (P0841, P0847, P0848)	Torque converter clutch solenoid valve (P0740, P0743, P0744)	TM-264							
Shift Shock	Large shock (N→ D position)	1	4	7					3			6		2		8	5	
	Large shock (N→ R position)	1	4	7					3			6		2		8	5	
	Shock is too large for lock-up.	2	3									6		1		5	4	
Slips/Will Not Engage	Vehicle cannot be started from D position.	8	3		5	6	7	9	10	11		4	2	12	13	1		
	Vehicle cannot be started from R position.	8	3		5	6	7	9	10	11		4	2	12	13	1		
	Does not lock-up.	2	6	8	3	4	10	9	11	12	5	7			13	1		
	Does not hold lock-up condition.	2	6	8	3	4	10	9	11	12	5	7			13	1		
	Lock-up is not released.	2	6		3	4						5	7			8	1	
	With selector lever in D position, acceleration is extremely poor.	3	4	5	7	8	9	12	10	11			2	6	13	14	1	
	With selector lever in R position, acceleration is extremely poor.	3	4	5	7	8	9	12	10	11			2	6	13	14	1	
Slips at lock-up.	2	6	8	3	4	10	9	11	12	5	7				13	1		

CVT CONTROL SYSTEM

< SYMPTOM DIAGNOSIS >

[CVT: RE0F10E]

		Symptom																
		Engine system	CAN communication line (U1000)	Transmission range switch (P0705, P0706)	Input speed sensor (P0717)	Primary speed sensor (P0715)	Output speed sensor (P2765)	CVT fluid temperature sensor (P0711, P0712, P0713)	Primary pressure sensor (P084C, P084D)	Secondary pressure sensor (P0841, P0847, P0848)	Torque converter clutch solenoid valve (P0740, P0743, P0744)	Stall test	CVT position	Power supply	Control valve	CVT fluid level and state	Ignition switch and starter	
		<u>EC-630</u>	<u>TM-264</u>										<u>TM-289</u>	<u>TM-290</u>	<u>TM-366</u>	<u>TM-38Z</u>	<u>TM-28Z</u>	<u>PG-19, STR-6</u>
Other	No creep at all.	2	4	3	7	8	9	10	11	12		5	6	13	14	1		
	Vehicle cannot run in any position.	8		2	5	6	7	9	10	11		3	4	12	13	1		
	With selector lever in D position, driving is not possible.	8		2	5	6	7	9	10	11		3	4	12	13	1		
	With selector lever in R position, driving is not possible.	8		2	5	6	7	9	10	11		3	4	12	13	1		
	Judder occurs during lock-up.	2	6		3	4	5					7			8	1		
	Strange noise in D position.	2	3												4	1		
	Strange noise in R position.	2	3												4	1		
	Strange noise in N position.	2	3												4	1		
	Vehicle does not decelerate by engine brake.	7	3		4	5	6						2		8	1		
	Maximum speed low.	2	3		5	6	7		8	9	11	4			10	1		
	With selector lever in P position, vehicle does not enter parking condition or, with selector lever in another position, parking condition is not cancelled.			1									2					
	Vehicle runs with CVT in P position.			1									3		4	2		
	Vehicle runs with CVT in N position.			1									3		4	2		
	Engine stall.	2	6		3	4			8	9	5	7			10	1		
	Engine stalls when selector lever shifted N → D or R.	2	6		3	4					5				7	1		
	Engine speed does not return to idle.	2	4				3								5	1		
	Engine does not start in N or P position.			3									2				1	
	Engine starts in positions other than N or P.			3									2				1	

CVT CONTROL SYSTEM

< SYMPTOM DIAGNOSIS >

[CVT: RE0F10E]

Symptom Table 2

Symptom		Torque converter	Transmission range switch	Oil pump	Forward clutch	Reverse brake	Planetary gear	Bearings	Parking mechanism	Stop lamp switch	Shift lock solenoid	CVT shift selector
		TM-411	TM-408							BR-13	TM-369	TM-378
Shift Shock	Large shock (N→ D position)		2		1							
	Large shock (N→ R position)		2			1						
	Shock is too large for lock-up.	1										
Slips/Will Not Engage	Vehicle cannot be started from D position.		3	1	2							
	Vehicle cannot be started from R position.		4	1		2			3			
	Does not lock-up.	1	3	2								
	Does not hold lock-up condition.	1	3	2								
	Lock-up is not released.	1		2								
	With selector lever in D position, acceleration is extremely poor.	1	3		2							
	With selector lever in R position, acceleration is extremely poor.	1	4	2		3						
	Slips at lock-up.	1		2								

A
B
C
TM
E
F
G
H
I
J
K
L
M
N
O
P

CVT CONTROL SYSTEM

< SYMPTOM DIAGNOSIS >

[CVT: RE0F10E]

Symptom	Torque converter	Transmission range switch	Oil pump	Forward clutch	Reverse brake	Planetary gear	Bearings	Parking mechanism	Stop lamp switch	Shift lock solenoid	CVT shift selector
	TM-411	TM-408						BR-13	TM-369	TM-378	
Other	No creep at all.	1	6	2	4	5	3				
	Vehicle cannot run in all positions.	1		2	4	5	3		6		
	With selector lever in D position, driving is not possible.	1		2	4		3		5		
	With selector lever in R position, driving is not possible.	1		2		4	3		5		
	Judder occurs during lock-up.	1									
	Strange noise in D position.	1		2	4		3	5			
	Strange noise in R position.	1		2		4	3				
	Strange noise in N position.	1		2			3				
	Maximum speed low.	1	5	2	4		3				
	With selector lever in P position, vehicle does not enter parking condition or, with selector lever in another position, parking condition is not cancelled.								1		
	Vehicle runs with CVT in P position.						2		1		
	Vehicle runs with CVT in N position.				2	3	1				
	Engine stall.	1									
	Engine stalls when selector lever shifted N → D or R.	1									
	When brake pedal is depressed with ignition switch ON, selector-lever cannot be shifted from P position to other position.									1	2
When brake pedal is not depressed with ignition switch ON, selector lever can be shifted from P position to other position.									1	2	3

PERIODIC MAINTENANCE

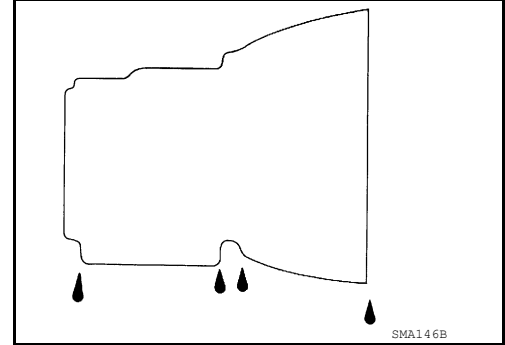
CVT FLUID

Inspection

INFOID:000000008145098

FLUID LEAKAGE

- Check transaxle surrounding area (oil seal and plug etc.)for fluid leakage.
- If anything is found, repair or replace damaged parts and adjust CVT fluid level. Refer to [TM-287, "Adjustment"](#).



A
B
C
TM
E
F
G
H
I
J
K
L
M
N
O
P

CVT SHIFT SELECTOR

< REMOVAL AND INSTALLATION >

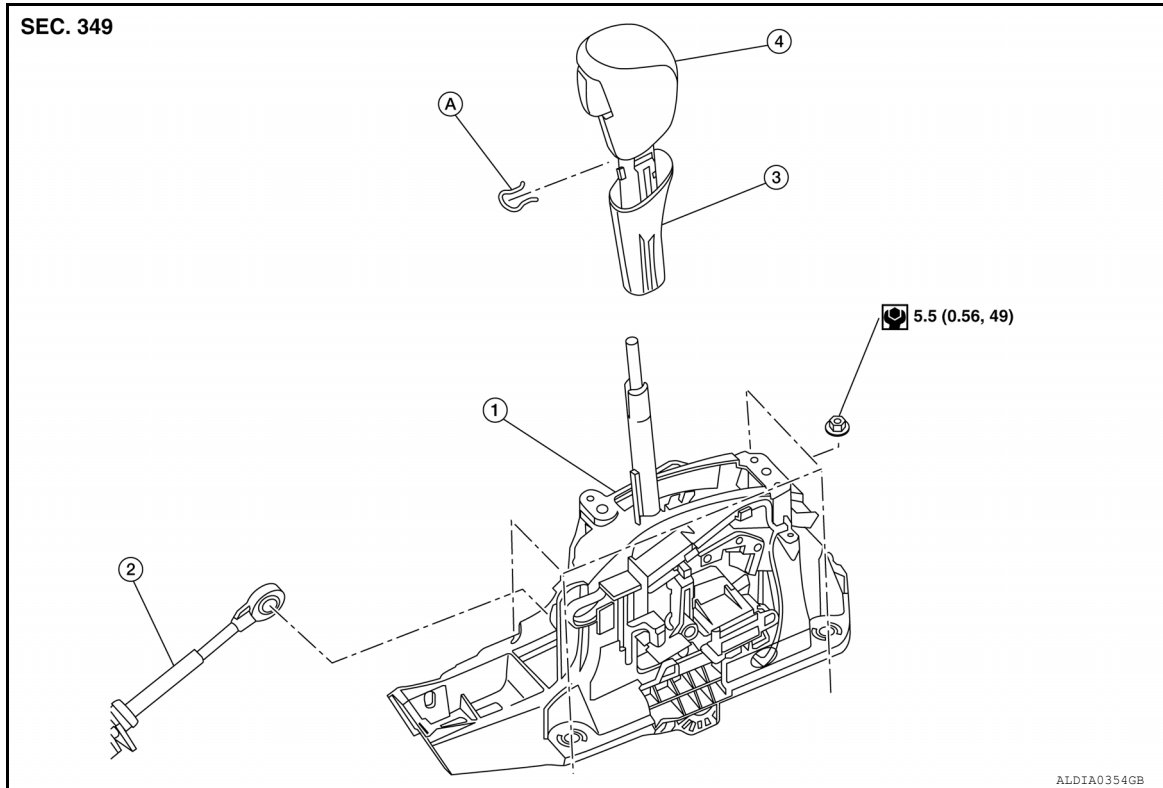
[CVT: RE0F10E]

REMOVAL AND INSTALLATION

CVT SHIFT SELECTOR

Exploded View

INFOID:000000008145099



- | | | |
|--------------------------------|-------------------------------|--------------------------------|
| 1. CVT shift selector assembly | 2. Control cable | 3. Shift selector handle cover |
| 4. Shift selector handle | A. Shift selector handle clip | |

Removal and Installation

INFOID:000000008145100

CAUTION:

Always apply the parking brake before removal and installation.

REMOVAL

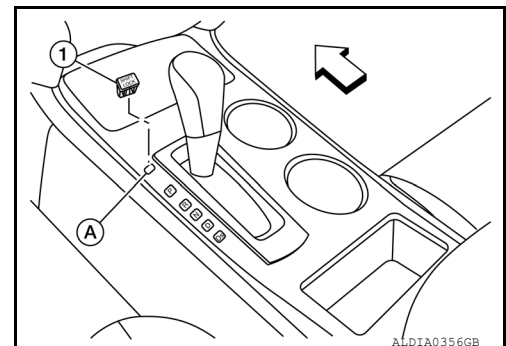
1. Apply the parking brake.

CAUTION:

Make sure the vehicle cannot move with the parking brake applied.

2. Disconnect battery negative terminal. Refer to [PG-72. "Removal and Installation \(Battery\)"](#).
3. Remove shift lock override button cover (1) using suitable tool, and insert suitable tool into opening (A) to depress the shift lock override button. Move CVT shift selector to "N" position while depressing shift lock override button.

↔: Front

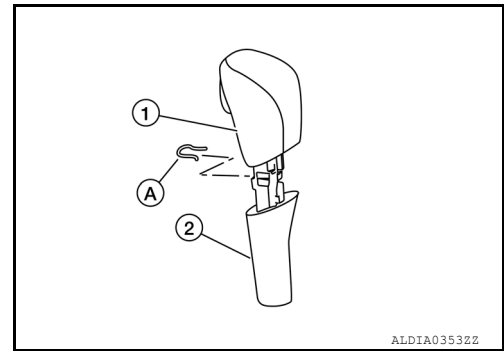


CVT SHIFT SELECTOR

< REMOVAL AND INSTALLATION >

[CVT: RE0F10E]

4. Remove the shift selector handle (1).
- a. Release the shift selector handle cover (2) using a suitable tool from the base of the shift selector handle (1).
- b. Remove the shift selector handle clip (A).
- c. Pull upward and remove the shift selector handle (1).



5. Remove the center console. Refer to [IP-18, "Removal and Installation"](#).
6. Release the harness clip, then disconnect the harness connector from CVT shift selector.
7. Depress shift lock override button and move CVT shift selector to "P" position.
8. Remove the control cable from the CVT shift selector assembly. Refer to [TM-180, "Exploded View"](#).
9. Remove the four CVT shift selector assembly nuts and the CVT shift selector assembly from the vehicle.

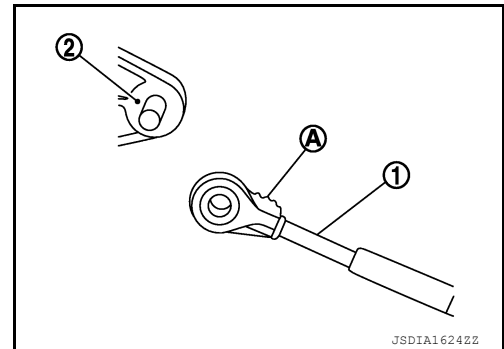
INSTALLATION

Installation is in the reverse order of removal.

- When installing control cable (1) to the CVT shift selector assembly (2), check that control cable is fully pressed in until it stops with the ribbed surface (A) facing upward.

NOTE:

- Apply multi-purpose grease to control cable eye before installation.
- Adjust control cable as necessary. Refer to [TM-381, "Inspection and Adjustment"](#).



INFOID:000000008837221

Inspection

INSPECTION AFTER INSTALLATION

Check the CVT shift selector position. Refer to [TM-290, "Inspection"](#).
If a malfunction is found, adjust the CVT position. Refer to [TM-290, "Adjustment"](#).

CONTROL CABLE

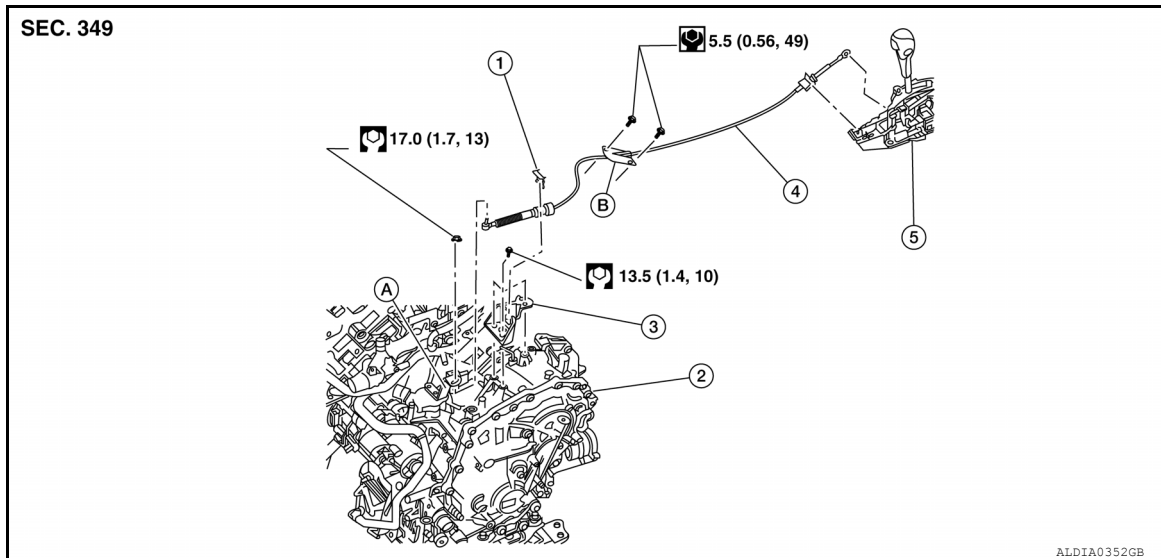
< REMOVAL AND INSTALLATION >

[CVT: RE0F10E]

CONTROL CABLE

Exploded View

INFOID:000000008145103



- | | | |
|---------------------|--------------------------------|-----------------|
| 1. Lock plate | 2. Transaxle assembly | 3. Bracket |
| 4. Control cable | 5. CVT shift selector assembly | A. Manual lever |
| B. Retainer grommet | | |

Removal and Installation

INFOID:000000008145104

CAUTION:

Always apply the parking brake before performing removal and installation.

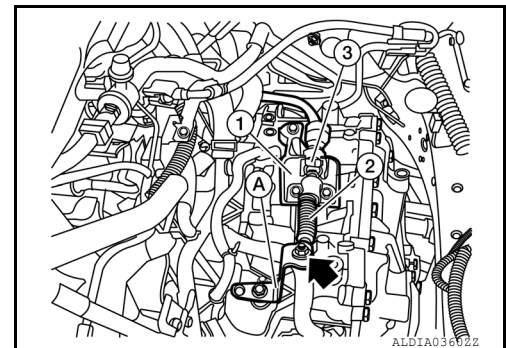
INSTALLATION

1. Apply the parking brake.

CAUTION:

Make sure the vehicle cannot move with the parking brake applied.

2. Remove the front air duct and air cleaner case assembly. Refer to [EM-29, "Removal and Installation"](#).
3. Remove the control cable nut (←), using suitable tool.
4. Remove control cable (2) from manual lever (A).
5. Remove the lock plate (3) from control cable (2).
6. Remove control cable (2) from bracket (1).



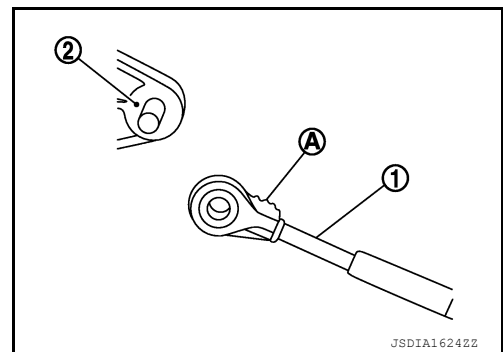
7. Remove center console. Refer to [IP-18, "Removal and Installation"](#).
8. Disconnect the ITS control unit harness connectors and remove the ITS control unit (if equipped). Refer to [AV-413, "Removal and Installation"](#).

CONTROL CABLE

< REMOVAL AND INSTALLATION >

[CVT: RE0F10E]

9. Remove control cable (1) from the CVT shift selector assembly (2).
(A): Ribbed surface



10. Pull back dash trim and remove two retainer grommet bolts.
11. Thread the control cable through the sheet metal and remove the control cable from the vehicle.

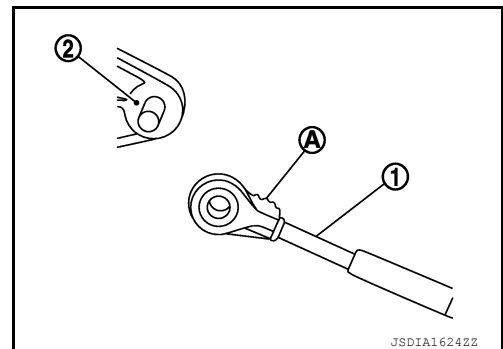
INSTALLATION

Installation is in the reverse order of removal.

- When installing control cable (1) to the CVT shift selector assembly (2), check that control cable is fully pressed in until it stops with the ribbed surface (A) facing upward.

NOTE:

- Apply multi-purpose grease to control cable eye before installation.
- Adjust control cable as necessary. Refer to [TM-381, "Inspection and Adjustment"](#).



INFOID:000000008837222

Inspection and Adjustment

ADJUSTMENT AFTER INSTALLATION

Adjust the CVT position. Refer to [TM-290, "Adjustment"](#).

INSPECTION AFTER ADJUSTMENT

Check the CVT shift selector position after the adjustment. Refer to [TM-290, "Inspection"](#).

PADDLE SHIFTER

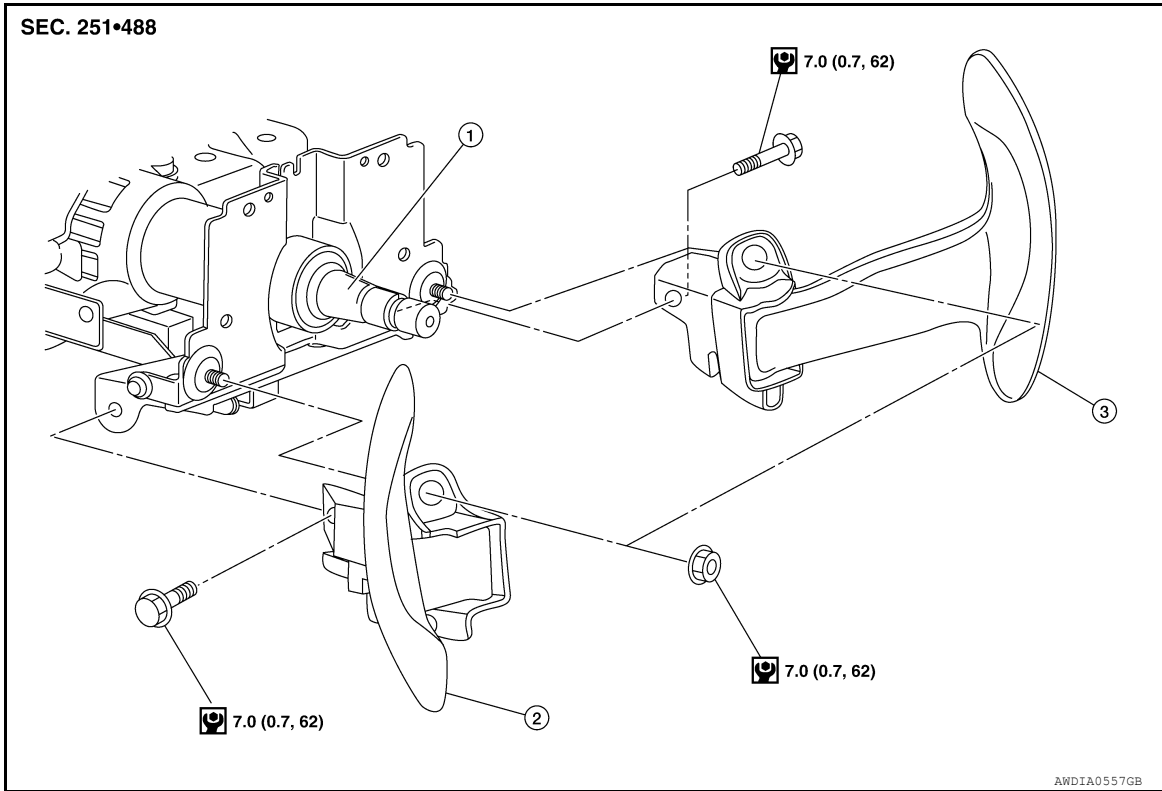
< REMOVAL AND INSTALLATION >

[CVT: RE0F10E]

PADDLE SHIFTER

Exploded View

INFOID:000000008743438



1. Steering column assembly

2. Paddle shifter (shift-down)

3. Paddle shifter (shift-up)

Removal and Installation

INFOID:000000008743439

REMOVAL

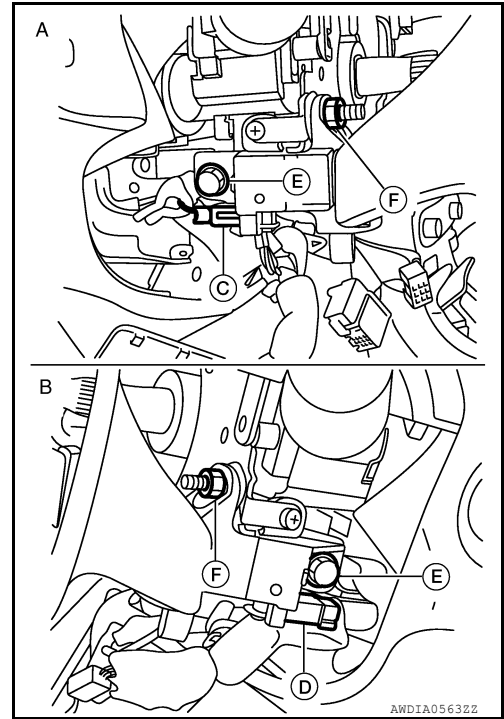
1. Park the vehicle on a level surface.
2. Remove the driver air bag module. Refer to [SR-11, "Removal and Installation"](#).
3. Remove the steering wheel. Refer to [ST-31, "Removal and Installation"](#).
4. Remove the column cover. Refer to [IP-17, "Removal and Installation"](#).

PADDLE SHIFTER

< REMOVAL AND INSTALLATION >

[CVT: RE0F10E]

5. Remove the vehicle harness connector (C) and (D) from paddle shifter.
 - (A) : Side of paddle shifter (shift-down)
 - (B) : Side of paddle shifter (shift-up)
6. Remove the paddle shifter bolts (E) and nuts (F).
7. Remove the paddle shifter from the steering column assembly.



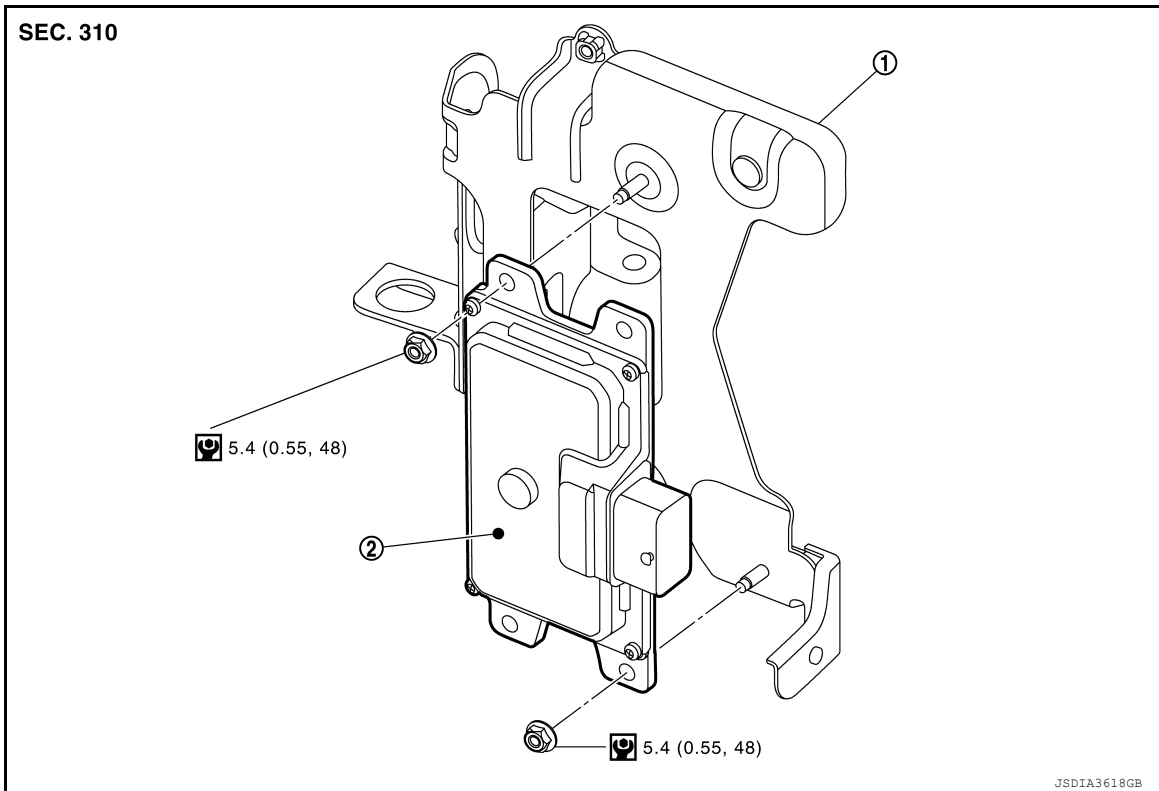
INSTALLATION

Installation is in the reverse order of removal.

TCM

Exploded View

INFOID:000000008717745



① Bracket

② TCM

: N·m (kg-m, in-lb)

Removal and Installation

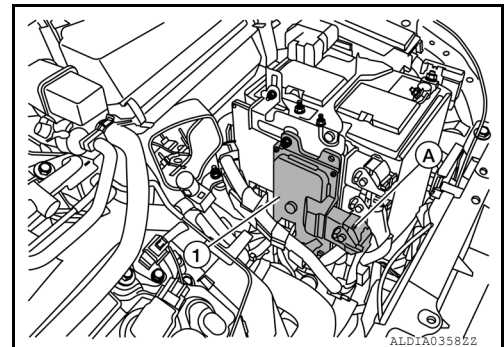
INFOID:000000008145113

CAUTION:**CAUTION:**

- Do not impact the TCM when removing or installing TCM.
- When replacing TCM and transaxle assembly as a set, replace transaxle assembly first and then replace TCM. Refer to [TM-80, "Description"](#).

REMOVAL

1. Disconnect the battery negative terminal. Refer to [PG-72, "Removal and Installation \(Battery\)"](#).
2. Remove the front air duct. Refer to [EM-144, "Removal and Installation"](#).
3. Disconnect the harness connector (A) from TCM (1).
4. Remove the TCM nuts and remove TCM (1) from bracket.



INSTALLATION

TCM

< REMOVAL AND INSTALLATION >

[CVT: RE0F10E]

Installation is in the reverse order of removal.

Adjustment

INFOID:000000008145114

ADJUSTMENT AFTER INSTALLATION

Perform "ADDITIONAL SERVICE WHEN REPLACING TCM". Refer to [TM-283, "Work Procedure"](#).

A

B

C

TM

E

F

G

H

I

J

K

L

M

N

O

P

AIR BREATHER HOSE

Removal and Installation

INFOID:000000008145115

REMOVAL

1. Remove the front air duct and air cleaner case cleaner. Refer to [EM-29. "Removal and Installation"](#).
2. Remove air breather hose from transaxle assembly.

INSTALLATION

Installation is in the reverse order of removal.

CAUTION:

- Install air breather hose with paint mark facing front.
- Install air breather hose onto air breather tube until overlap area reaches the spool.
- Make sure there are no pinched or restricted areas on air breather hose caused by bending of winding during installation.

CONTROL VALVE

< REMOVAL AND INSTALLATION >

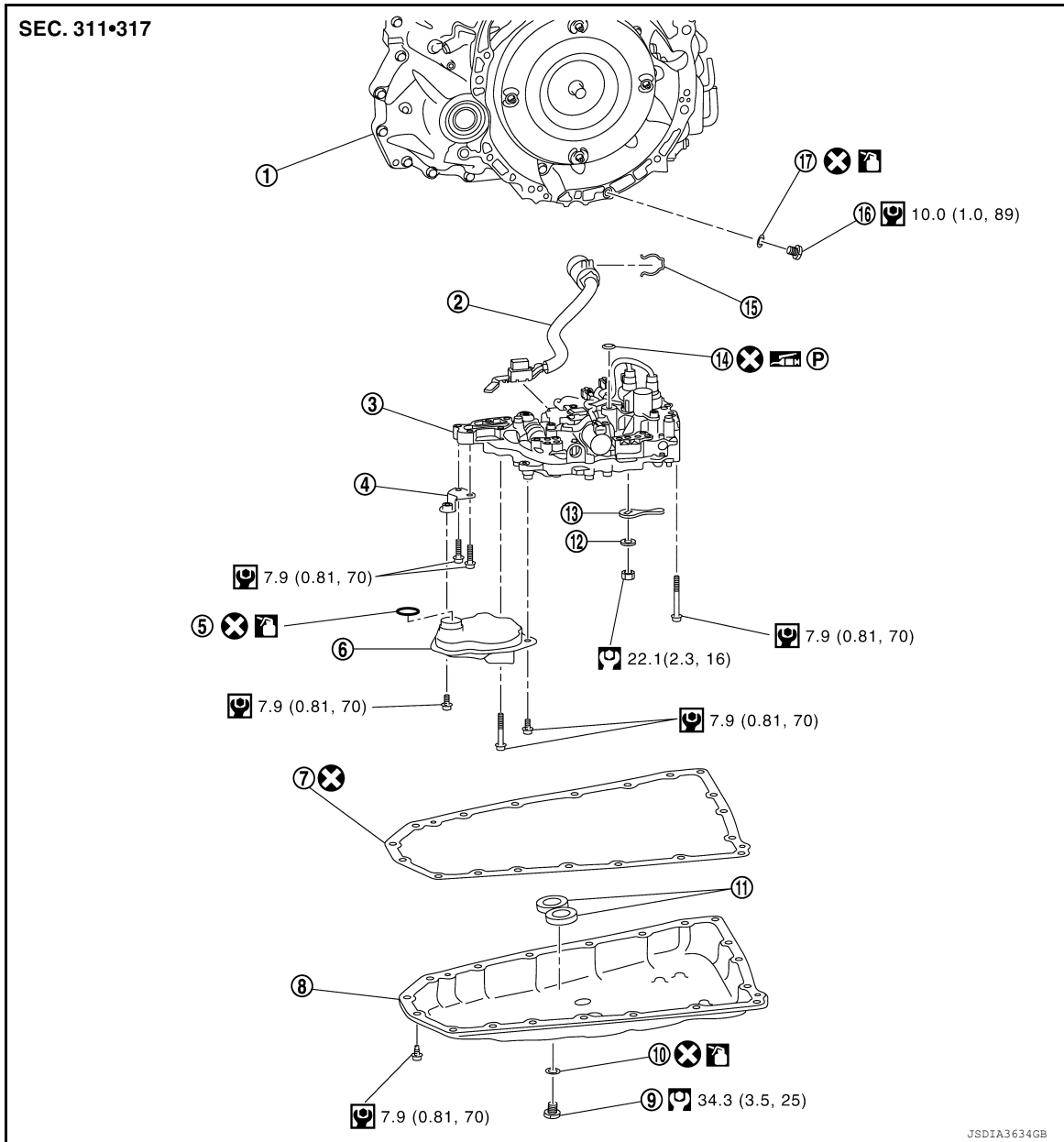
[CVT: RE0F10E]

CONTROL VALVE

Exploded View

INFOID:000000008725430

COMPONENT PARTS LOCATION



① Transaxle assembly

④ Bracket

⑦ Oil pan gasket

⑩ Drain plug gasket

⑬ Manual plate

⑯ Overflow plug

⊗ : Always replace after every disassembly.

Ⓜ : N·m (kg-m, ft-lb)

Ⓜ : N·m (kg-m, in-lb)

② Terminal cord assembly

⑤ O-ring

⑧ Oil pan

⑪ Magnet

⑭ Lip seal

⑰ O-ring

③ Control valve

⑥ Oil strainer assembly

⑨ Drain plug

⑫ Spring washer


⑮ Snap ring


A
B
C
TM
E
F
G
H
I
J
K
L
M
N
O
P

CONTROL VALVE

< REMOVAL AND INSTALLATION >

[CVT: RE0F10E]

 : Apply petroleum jelly

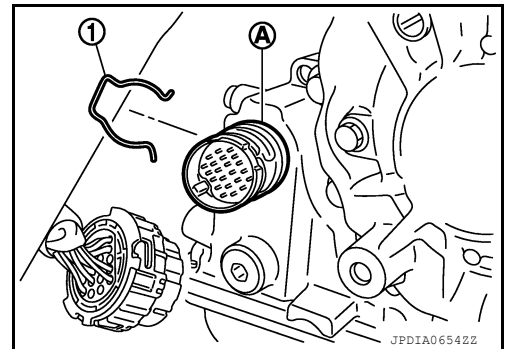
 : Apply CVT fluid

Removal and Installation

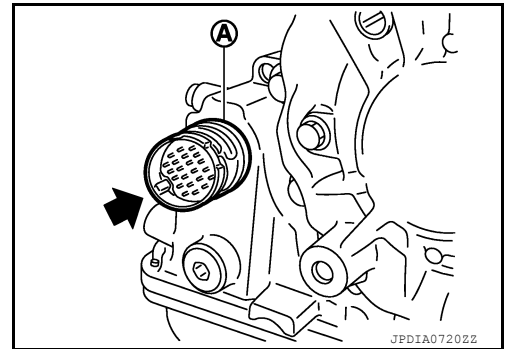
INFOID:000000008145123

REMOVAL


1. Disconnect battery negative terminal. Refer to [PG-72, "Removal and Installation \(Battery\)"](#).
2. Remove drain plug from oil pan and then drain the CVT fluid.
3. Remove drain plug gasket.
CAUTION:
Do not reuse drain plug gasket.
4. Remove the front fender protector side cover (LH). Refer to [EXT-26, "FENDER PROTECTOR : Removal and Installation"](#).
5. Disconnect the CVT unit harness connector. Refer to [TM-216, "Removal and Installation Procedure for CVT Unit Connector"](#).
6. Remove the snap ring (1) from the CVT unit harness connector (A).



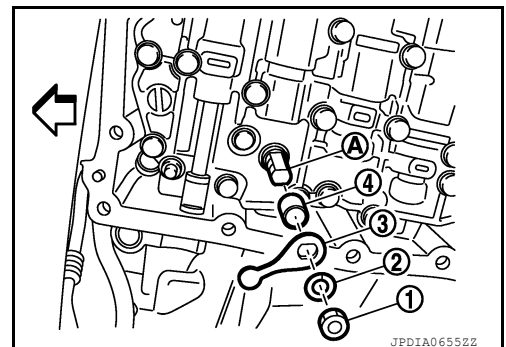
7. Press the CVT unit harness connector (A) into the transaxle case.
CAUTION:
Do not damage the CVT unit harness connector.
NOTE:
Clean around the harness connector to prevent foreign materials from entering into the transaxle case.



8. Remove the oil pan bolts, and then remove the oil pan and oil pan gasket.
CAUTION:
Do not reuse oil pan gasket.
9. Remove the magnets from the oil pan.
10. Remove the lock nut (1) and washer (2), and then remove the manual plate (3).

 : Front

11. Remove the collar (4) from the manual shaft (A).
CAUTION:
Do not drop the collar.



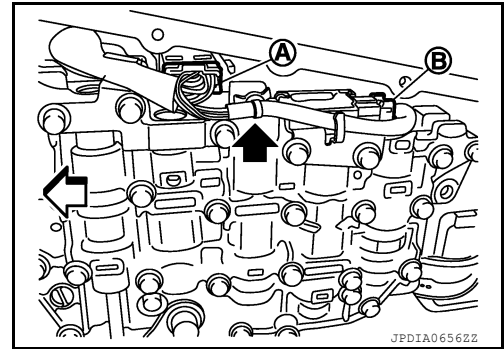
CONTROL VALVE

< REMOVAL AND INSTALLATION >

[CVT: RE0F10E]

12. Disconnect the control valve harness connectors (A) and (B).

- ← : Clip
- ⇐ : Front

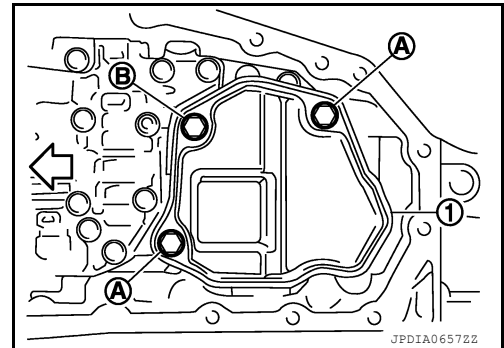


13. Remove the oil strainer assembly bolts (A) and (B), and then remove the oil strainer assembly (1).

- ⇐ : Front

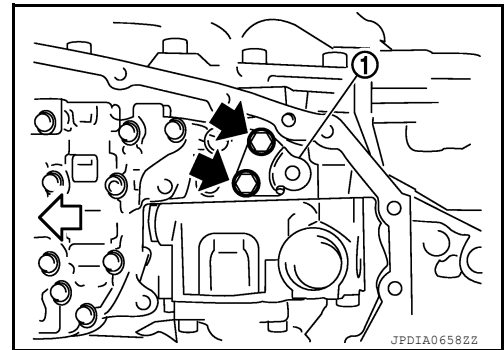
14. Remove O-ring from oil strainer assembly.

CAUTION:
Do not reuse O-ring.



15. Remove the bracket (1).

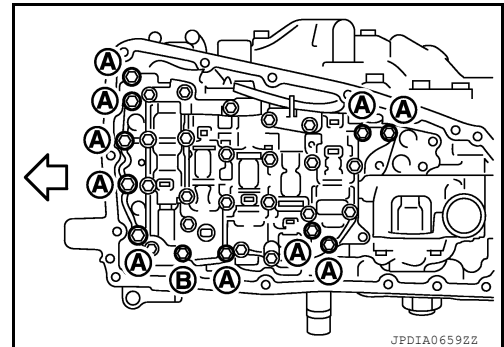
- ← : Bolt
- ⇐ : Front



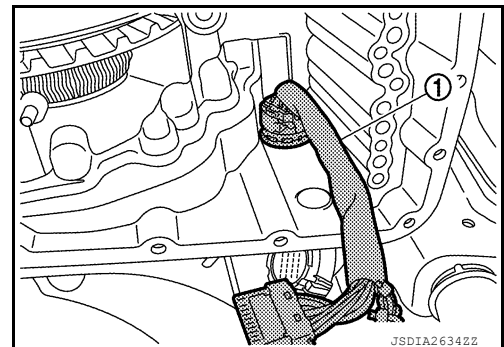
16. Remove the control valve bolts (A) and (B), and then remove the control valve from the transaxle case.

- ⇐ : Front

CAUTION:
Do not drop the control valve, ratio control valve and manual shaft.



17. Remove terminal cord assembly (1) from inside the transaxle case.



A
B
C
TM
E
F
G
H
I
J
K
L
M
N
O
P

CONTROL VALVE

< REMOVAL AND INSTALLATION >

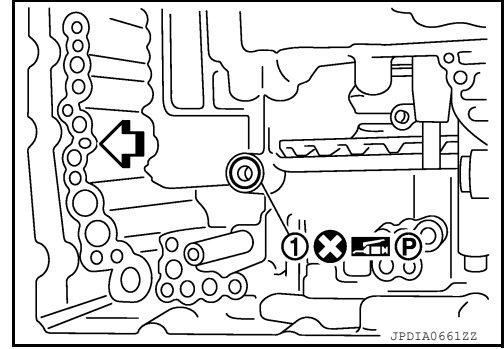
[CVT: RE0F10E]

18. Remove the lip seal (1) from the transaxle case.

CAUTION:

Do not reuse lip seal.

⇐ : Front



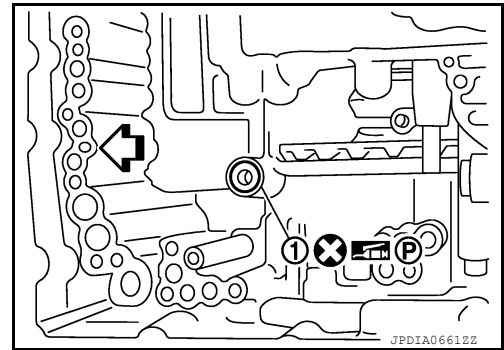
INSTALLATION

1. Install the lip seal (1) to the transaxle case.

CAUTION:

Do not reuse lip seal.

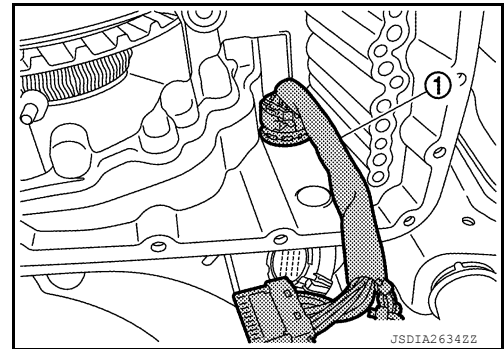
⇐ : Front



2. Install terminal cord assembly (1) to the transaxle case.

CAUTION:

Connect the CVT unit harness connector with the stopper facing up, and then press in until it clicks.



CONTROL VALVE

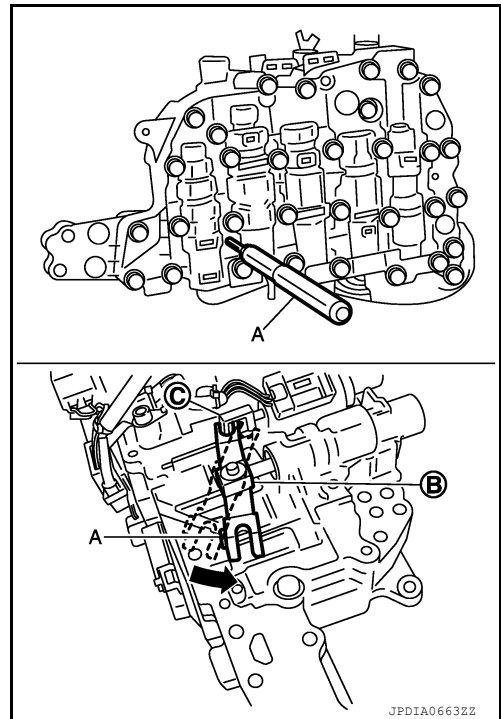
[CVT: RE0F10E]

< REMOVAL AND INSTALLATION >

- Press in the ratio control valve (B) in the (←) direction, and then secure the linkage in the position shown with the linkage pin (A) from the back of control valve through the hole.
- Check that one end of linkage engages with the step motor end (C) and that the linkage is in the direction shown.
- Install the control valve to the transaxle case.

CAUTION:

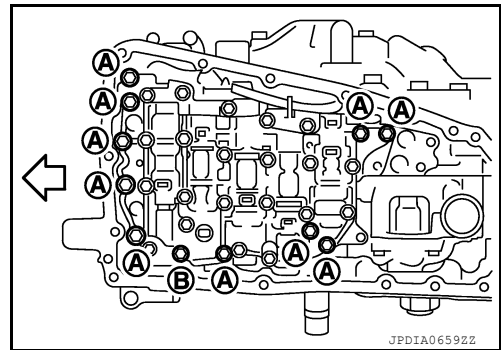
- Do not drop the linkage pin. If it is dropped, repeat the installation procedure from step 3.
- Do not pinch the harness between the control valve and the transaxle case.
- Do not drop the control valve, ratio control valve and manual shaft.



- Secure the control valve using the control valve bolts (A) and (B).

← : Front

Bolt	Bolt length (mm)	Number of bolts
A	54	10
B	44	1



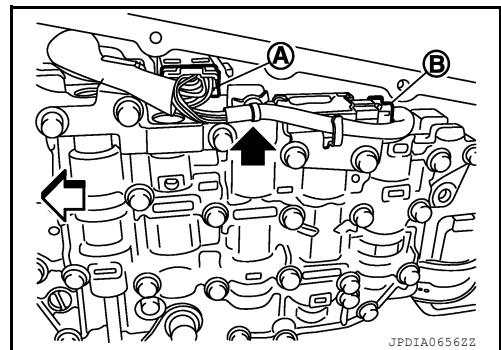
- Pull the linkage pin out.
- Connect the control valve harness connectors (A) and (B).

← : Clip

← : Front

CAUTION:

- Do not pinch the harness into between the control valve and the transaxle case.
- Securely insert the harness connector until it clicks and locks.



- Install the bracket (1).

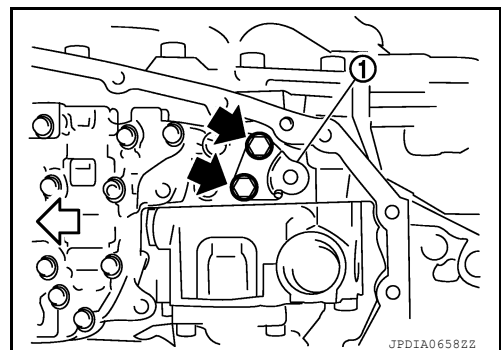
← : Bolt

← : Front

- Install O-ring to oil strainer assembly.

CAUTION:

- Do not reuse O-ring.
- Apply CVT fluid NS-3 to O-ring.



A
B
C
TM
E
F
G
H
I
J
K
L
M
N
O
P

CONTROL VALVE

< REMOVAL AND INSTALLATION >

[CVT: RE0F10E]

11. Install the oil strainer assembly (1) using the oil strainer assembly bolts (A) and (B).

⇐ : Front

Bolt	Bolt length (mm)	Number of bolts
A	12	2
B	44	1

NOTE:

Remove the bracket and adjust the position again if the bolt hole positions are not aligned.

12. Install the collar to the manual shaft.

CAUTION:

Do not drop the collar.

13. Install the manual plate (1) while aligning with the groove (A) of the manual valve.

CAUTION:

Assemble the manual plate while aligning its end with the cutout (⇐) of the manual valve.

⇐ : Front

14. Install the washer (2) and the lock-nut (3), and then tighten to the specified torque.

15. Install the snap ring (1) to the CVT unit harness connector (A).

16. Connect the CVT unit harness connector. Refer to [TM-216, "Removal and Installation Procedure for CVT Unit Connector"](#).

17. Install the magnet while aligning it with the convex side of oil pan.

CAUTION:

Completely clean the iron powder from the magnet area of oil pan and the magnet.

18. Install the oil pan to the transaxle case with the following procedure.

1. Install the oil pan gasket to the oil pan.

CAUTION:

- **Completely wipe out any moisture, oil, and old gasket from the oil pan gasket surface and bolt hole of oil pan and transaxle case.**
- **Do not reuse oil pan gasket.**

2. Install the oil pan assembly to the transaxle case, and then temporarily tighten the oil pan bolt.

3. Tighten the oil pan bolts in the order shown to the specified torque.

⇐ : Front

4. Tighten the oil pan bolts again clockwise from (1) shown to the specified torque.

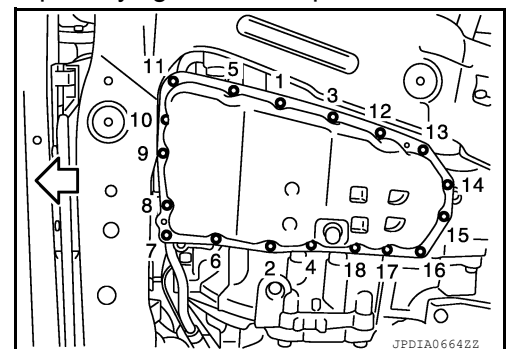
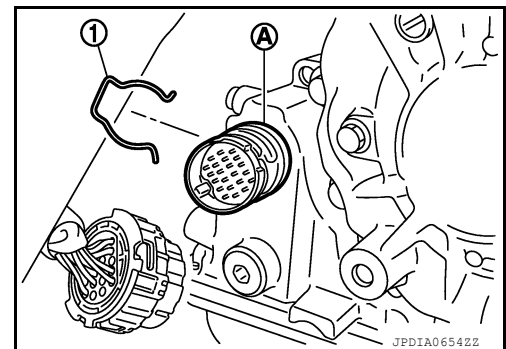
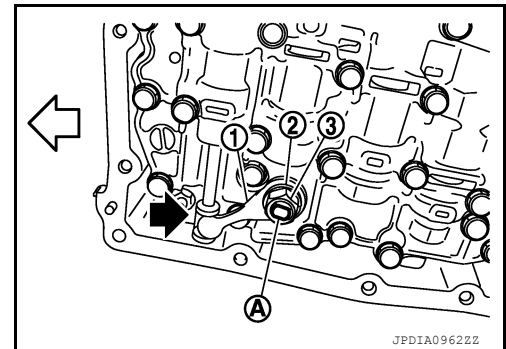
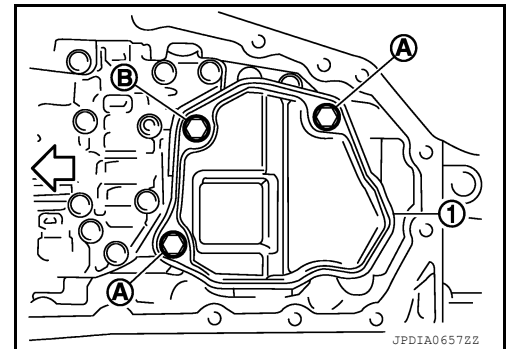
19. Install drain plug gasket to drain plug.

CAUTION:

Do not reuse drain plug gasket.

20. Install drain plug to oil pan.

21. Fill CVT fluid from CVT fluid charging pipe to the specified level.



CONTROL VALVE

< REMOVAL AND INSTALLATION >

[CVT: RE0F10E]

CVT fluid : Refer to [TM-414, "General Specification"](#).

Fluid capacity : Refer to [TM-414, "General Specification"](#).

CAUTION:

- Use only Genuine NISSAN CVT Fluid NS-3. Do not mix with other fluid.
- Using CVT fluid other than Genuine NISSAN CVT Fluid NS-3 will deteriorate in driveability and CVT durability, and may damage the CVT, which is not covered by the warranty.
- When filling CVT fluid, take care not to spill on heat generating parts such as exhaust.
- Sufficiently shake the container of CVT fluid before using.
- Delete CVT fluid deterioration date with CONSULT after changing CVT fluid. Refer to [TM-247, "CONSULT Function"](#).

22. Connect battery negative terminal. Refer to [PG-72, "Removal and Installation \(Battery\)"](#).

23. With the engine warmed up, drive the vehicle in an urban area.

NOTE:

When ambient temperature is 20°C (68°F), it takes about 10 minutes for the CVT fluid to warm up to 50 - 80°C (122 - 176°F).

24. Check CVT fluid level and condition. Refer to [TM-287, "Adjustment"](#).

Inspection

INFOID:000000008145124

INSPECTION AFTER REMOVAL

Check oil pan for foreign material.

- If a large amount of worn material is found, clutch plate may be worn.
 - If iron powder is found, bearings, gears, or clutch plates may be worn.
 - If aluminum powder is found, bushing may be worn, or chips or burrs of aluminum casting parts may enter.
- Check points where wear is found in all cases.

INSPECTION AFTER INSTALLATION

Check the CVT fluid level and leakage. Refer to [TM-377, "Inspection"](#).

INPUT SPEED SENSOR

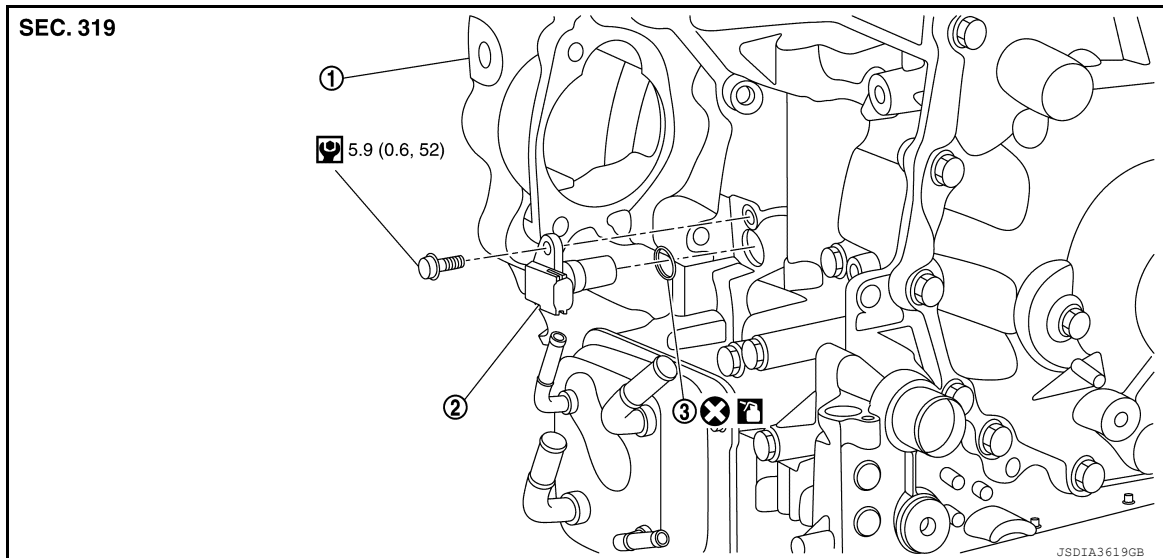
< REMOVAL AND INSTALLATION >

[CVT: RE0F10E]

INPUT SPEED SENSOR

Exploded View

INFOID:000000008717744



- ① Transaxle assembly ② Input speed sensor ③ O-ring
- ⊗ : Always replace after every disassembly.
- Ⓜ : N m (kg-m, in-lb)
- 🔧 : Apply CVT fluid

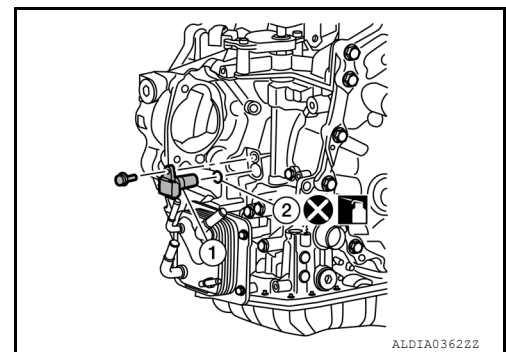
Removal and Installation

INFOID:000000008749637

REMOVAL

1. Remove the battery tray. Refer to [PG-73, "Removal and Installation \(Battery Tray\)"](#).
2. Remove the starter motor. Refer to [STR-23, "VQ35DE : Removal and Installation"](#).
3. Disconnect the harness connector from the input speed sensor (1).
4. Remove the input speed sensor bolt, then the input speed sensor (1).
5. Remove the O-ring (2) from the input speed sensor (1).

CAUTION:
Do not reuse O-ring.



INSTALLATION

Installation is in the reverse order of removal.

- CAUTION:**
- Do not reuse O-ring.
 - Apply Genuine NISSAN CVT Fluid NS-3 to the O-ring.

Inspection and Adjustment

INFOID:000000008499738

INSPECTION AFTER INSTALLATION

Check for CVT fluid leakage. Refer to [TM-377, "Inspection"](#).

ADJUSTMENT AFTER INSTALLATION

INPUT SPEED SENSOR

< REMOVAL AND INSTALLATION >

[CVT: RE0F10E]

Adjust the CVT fluid level. Refer to [TM-287. "Adjustment"](#).

A

B

C

TM

E

F

G

H

I

J

K

L

M

N

O

P

PRIMARY SPEED SENSOR

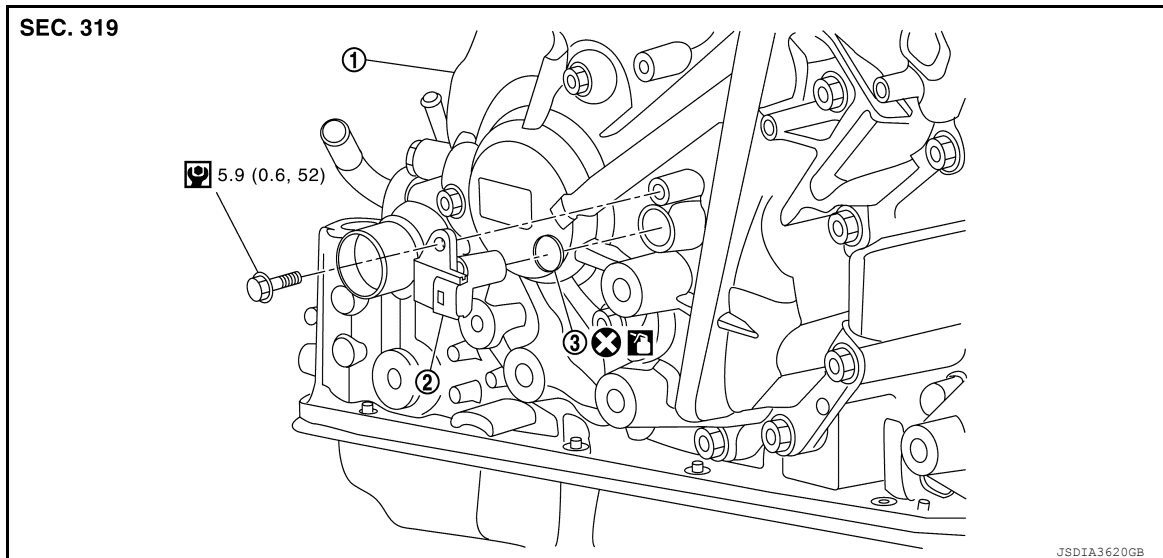
< REMOVAL AND INSTALLATION >

[CVT: RE0F10E]

PRIMARY SPEED SENSOR

Exploded View

INFOID:000000008717746



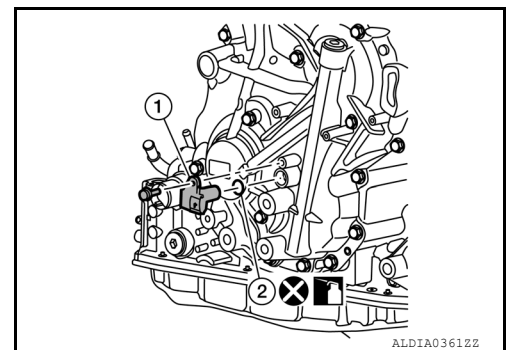
- ① Transaxle assembly ② Primary speed sensor ③ O-ring
- ⊗ : Always replace after every disassembly.
- Ⓜ : N m (kg-m, in-lb)
- 🛢 : Apply CVT Fluid

Removal and Installation

INFOID:000000008749638

REMOVAL

1. Disconnect the negative battery terminal. Refer to [PG-72, "Removal and Installation \(Battery\)"](#).
2. Remove the fender protector side cover (LH). Refer to [EXT-26, "FENDER PROTECTOR : Removal and Installation"](#).
3. Disconnect the harness connector from primary speed sensor (1).
4. Remove the primary speed sensor bolt, then the primary speed sensor (1).
5. Remove the O-ring (2) from the primary speed sensor (1).
CAUTION:
Do not reuse O-ring.



INSTALLATION

Installation is in the reverse order of removal.

CAUTION:

- Do not reuse O-ring.
- Apply Genuine NISSAN CVT Fluid NS-3 to the O-ring.

Inspection and Adjustment

INFOID:000000008145127

INSPECTION AFTER INSTALLATION

Check for CVT fluid leakage. Refer to [TM-377, "Inspection"](#).

PRIMARY SPEED SENSOR

< REMOVAL AND INSTALLATION >

[CVT: RE0F10E]

ADJUSTMENT AFTER INSTALLATION

Adjust the CVT fluid level. Refer to [TM-287. "Adjustment"](#).

A

B

C

TM

E

F

G

H

I

J

K

L

M

N

O

P

OUTPUT SPEED SENSOR

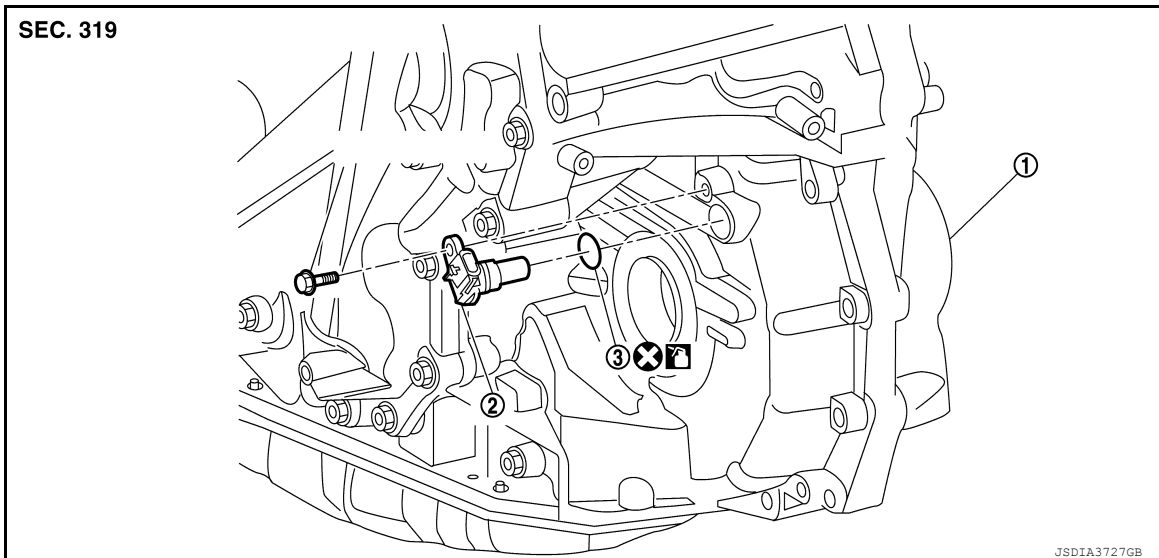
< REMOVAL AND INSTALLATION >

[CVT: RE0F10E]

OUTPUT SPEED SENSOR

Exploded View

INFOID:000000008717756



① Transaxle assembly

② Output speed sensor

③ O-ring

⊗ : Always replace after every disassembly.

⌚ : N·m (kg-m, in-lb)

👉 : Apply CVT Fluid

Removal and Installation

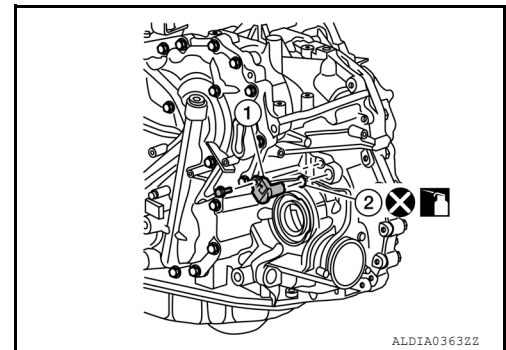
INFOID:000000008145129

REMOVAL

1. Disconnect the battery negative terminal. Refer to [PG-72, "Removal and Installation \(Battery\)"](#).
2. Disconnect the harness connector from output speed sensor (1).
3. Remove the output speed sensor bolt, then the output speed sensor (1).
4. Remove the O-ring (2) from the output speed sensor (1).

CAUTION:

Do not reuse O-ring.



INSTALLATION

Installation is in the reverse order of removal.

CAUTION:

- **Do not reuse O-ring.**
- **Apply Genuine NISSAN CVT Fluid NS-3 to the O-ring.**

Inspection and Adjustment

INFOID:000000008145130

INSPECTION AFTER INSTALLATION

Check for CVT fluid leakage. Refer to [TM-377, "Inspection"](#).

ADJUSTMENT AFTER INSTALLATION

Adjust the CVT fluid level. Refer to [TM-287, "Adjustment"](#).

DIFFERENTIAL SIDE OIL SEAL

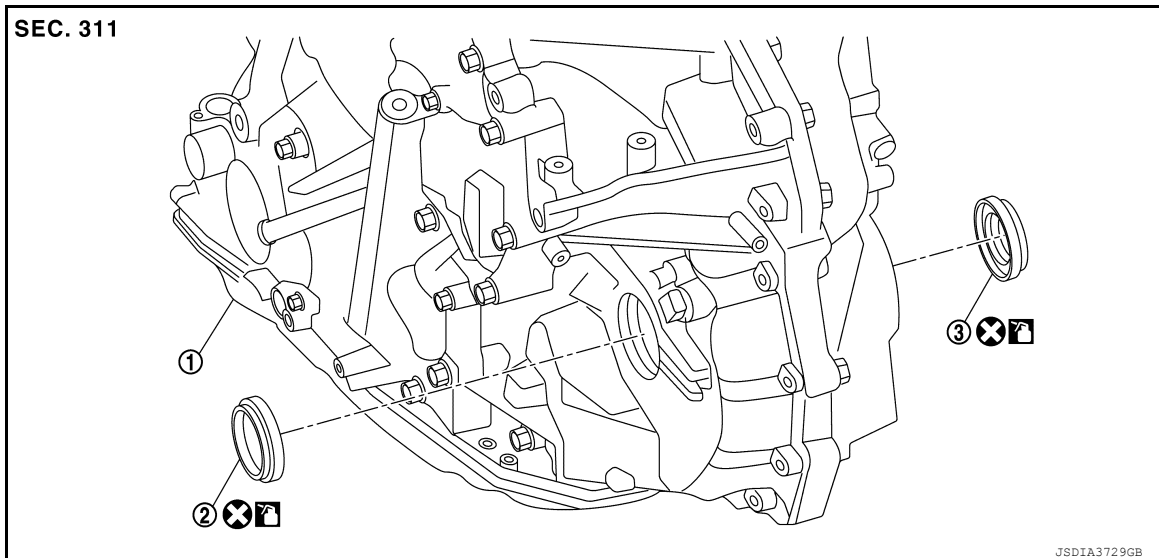
< REMOVAL AND INSTALLATION >

[CVT: RE0F10E]

DIFFERENTIAL SIDE OIL SEAL

Exploded View

INFOID:000000008832413



- ① Transaxle assembly ② Differential side oil seal (left side) ③ Differential side oil seal (right side)
- ⊗ : Always replace after every disassembly.
🔧 : Apply CVT Fluid

Removal and Installation

INFOID:000000008145135

REMOVAL

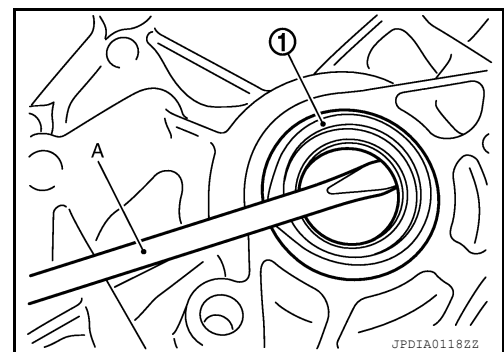
NOTE:

When removing components such as hoses, tubes/lines, etc., cap or plug openings to prevent fluid from spilling.

1. Remove front drive shaft. Refer to [FAX-11, "Removal and Installation \(Left Side\)"](#) (LH) or [FAX-13, "Removal and Installation \(Right Side\)"](#) (RH).
2. Remove differential oil side seal (1) using suitable tool (A).

CAUTION:

Be careful not to scratch transaxle case and converter housing.



INSTALLATION

Installation is in the reverse order of removal.

CAUTION:

- Do not reuse differential side oil seal.
- Apply Genuine NISSAN CVT Fluid NS-3 to differential side oil seals.
- When inserting the drive shaft, be sure to use Tool.

Tool number : KV38107900

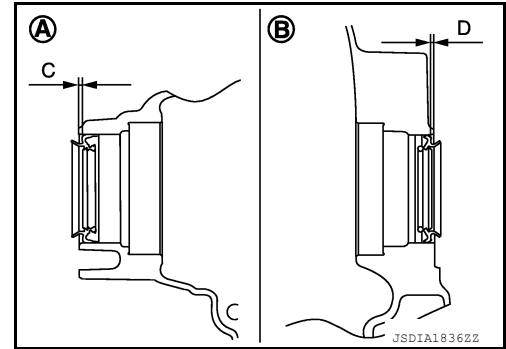
DIFFERENTIAL SIDE OIL SEAL

< REMOVAL AND INSTALLATION >

[CVT: RE0F10E]

Install each differential side oil seal evenly using Tool so that differential side oil seal protrudes by the dimension (C) and (D) respectively.

- (A) : Differential side oil seal (LH)
- (B) : Differential side oil seal (RH)



Dimension (C) :Height difference from case end surface is within 0 ± 0.5 mm (0.0 ± 0.020 in).

Dimension (D) :Height difference from case end surface is within 0 ± 0.5 mm (0.0 ± 0.020 in).

NOTE:

The reference is the installation direction of the differential side oil seal.

Drift to be used:

Location	Commercial Service Tools
Transaxle case side	Commercial service tool with outer dia. 56 mm (2.20 in) and inner dia. 50 mm (1.97 in)
Converter housing side	

Inspection and Adjustment

INFOID:000000008145136

INSPECTION AFTER INSTALLATION

Check for CVT fluid leakage. Refer to [TM-377, "Inspection"](#).

ADJUSTMENT AFTER INSTALLATION

Adjust the CVT fluid level. Refer to [TM-287, "Adjustment"](#).

CVT OIL WARMER SYSTEM

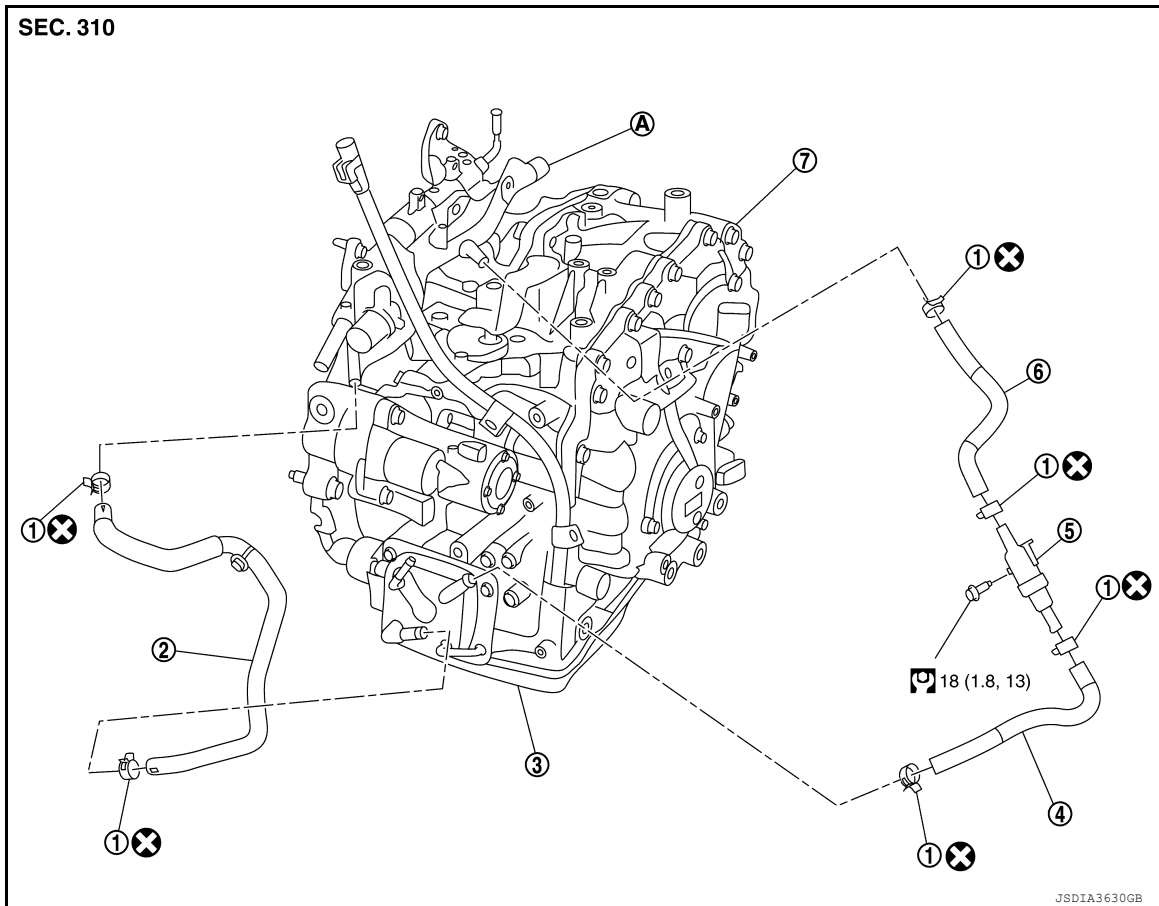
< REMOVAL AND INSTALLATION >

[CVT: RE0F10E]

CVT OIL WARMER SYSTEM WATER HOSE

WATER HOSE : Exploded View

INFOID:000000008499755



- | | | |
|--------------------|---------------------|--------------------|
| ① Hose clamp | ② CVT water hose A | ③ CVT oil warmer |
| ④ CVT water hose B | ⑤ Heater thermostat | ⑥ CVT water hose C |

- ⑦ Transaxle assembly
A Water outlet

⊗ : Always replace after every disassembly.

⊞ : N-m (kg-m, ft-lb)

WATER HOSE : Removal and Installation

INFOID:000000008499756

REMOVAL

WARNING:

Do not remove the radiator cap when the engine is hot. Serious burns could occur from high pressure coolant escaping from the radiator. Wrap a thick cloth around the cap. Slowly turn it a quarter turn to allow built-up pressure to escape. Carefully remove the cap by turning it all the way.

CAUTION:

Perform when the engine is cold.

NOTE:

When removing components such as hoses, tubes/lines, etc., cap or plug openings to prevent fluid from spilling.

1. Remove front under cover. Refer to [EXT-28, "Removal and Installation"](#).

CVT OIL WARMER SYSTEM

[CVT: RE0F10E]

< REMOVAL AND INSTALLATION >

2. Remove engine room cover. Refer to [EM-28, "Removal and Installation"](#).

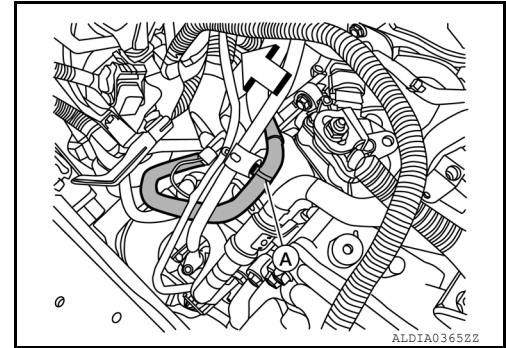
3. Remove front air duct and air cleaner case assembly. Refer to [EM-29, "Removal and Installation"](#).

4. Release clip (A) and release hose clamps and remove CVT water hose A from water outlet.

CAUTION:

Do not reuse hose clamps.

← : Front



5. Remove CVT heater thermostat bolt, release hose clamps then remove CVT heater thermostat and CVT water hose C from water outlet.

CAUTION:

Do not reuse hose clamps.

6. Remove CVT water hose inlet and CVT water hose outlet from CVT oil warmer.

INSTALLATION

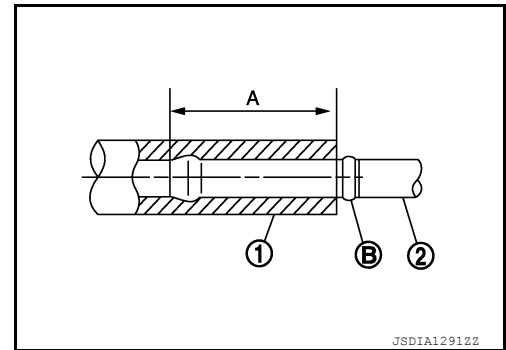
Note the following, and install in the reverse order of removal.

CAUTION:

Do not reuse hose clamps.

- Insert CVT water hose according to dimension (A) described below.

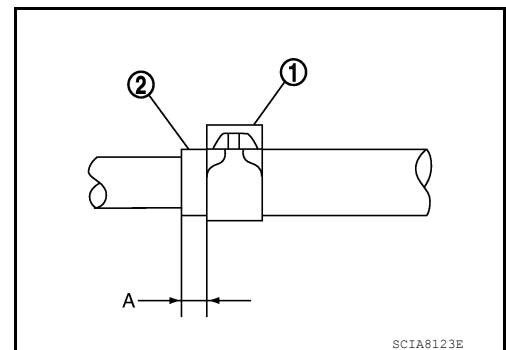
CVT water hose (1)	Insert side tube (2)	Dimension (A)
CVT water hose A	Water outlet	End reaches the spool portion (B)
	CVT oil warmer	
CVT water hose B	CVT oil warmer	
	Heater thermostat	
CVT water hose C	Heater thermostat	
	Water outlet	



- Install hose clamps (1) at the both ends of CVT water hose (2) with dimension (A) from the hose end.

Dimension (A) : 5 – 7 mm (0.20 – 0.28 in)

- Hose clamp should not interfere with the bulge.



CVT water hose	Hose end	Paint mark	Position of hose clamp*
CVT water hose A	Water outlet side	Facing to the front of the vehicle	A
	CVT oil warmer side	Facing to the front of the vehicle	C
CVT water hose B	CVT oil warmer side	Facing to the front of the vehicle	B
	Heater thermostat side	N/A	A
CVT water hose C	Heater thermostat side	N/A	A
	Water outlet side	Facing upward	C

CVT OIL WARMER SYSTEM

< REMOVAL AND INSTALLATION >

[CVT: RE0F10E]

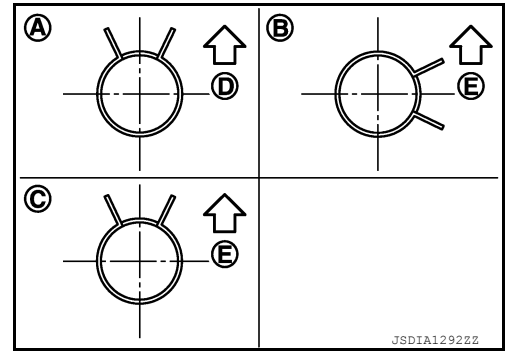
*: Refer to the illustrations for the specific position of each hose clamp tab.

- The illustrations indicate the view from the hose ends.

←(D) : Vehicle front

←(E) : Vehicle upper

- When installing hose clamps the center line of each clamp tab should be positioned as shown.



WATER HOSE : Inspection

INFOID:000000008499757

INSPECTION AFTER INSTALLATION

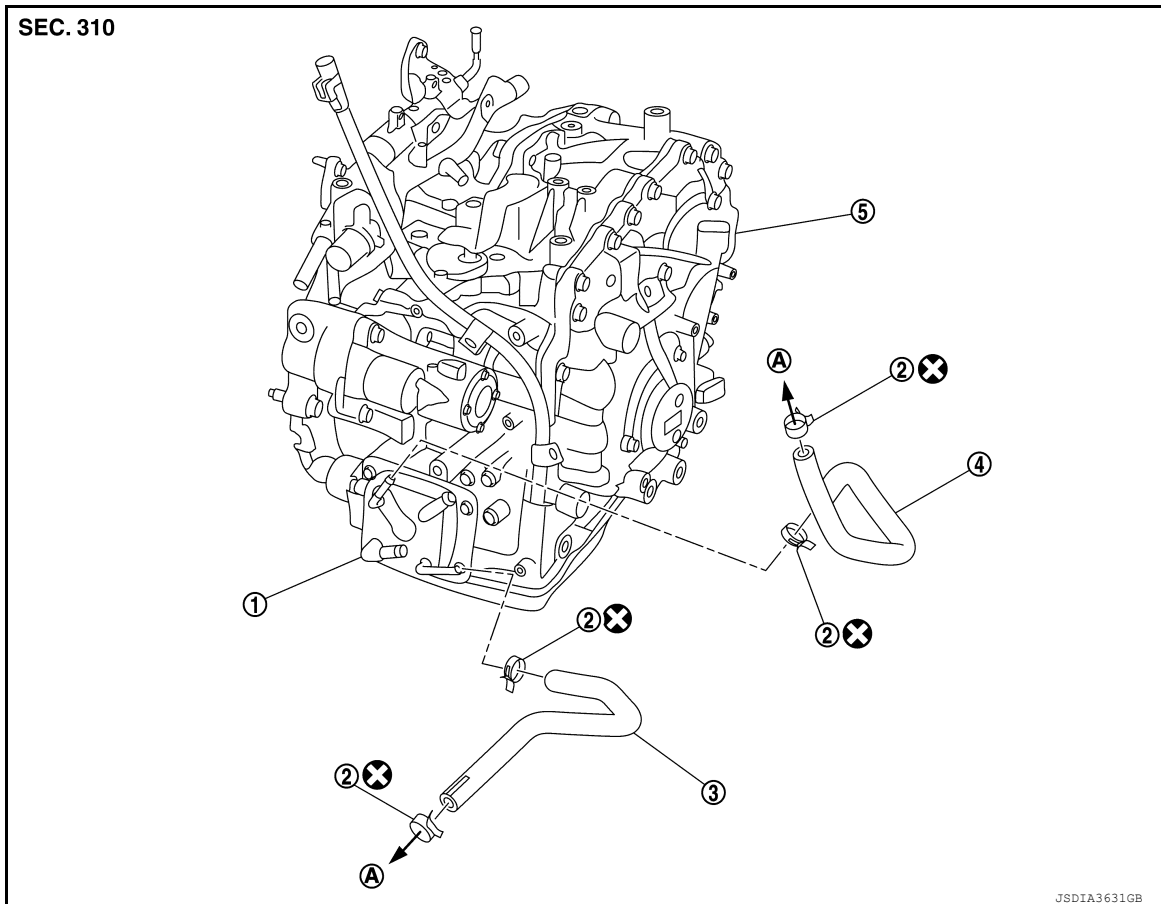
Start and warm up the engine. Visually check that there is no leakage of engine coolant and CVT fluid.

CVT FLUID COOLER HOSE

CVT FLUID COOLER HOSE : Exploded View

INFOID:000000008499758

COMPONENT PARTS LOCATION



① CVT oil warmer

② Hose clamp

③ CVT fluid cooler hose A

④ CVT fluid cooler hose B

⑤ Transaxle assembly

(A) : To radiator

⊗ : Always replace after every disassembly.

CVT OIL WARMER SYSTEM

< REMOVAL AND INSTALLATION >

[CVT: RE0F10E]

CVT FLUID COOLER HOSE : Removal and Installation

INFOID:000000008499759

REMOVAL

NOTE:

When removing components such as hoses, tubes/lines, etc., cap or plug openings to prevent fluid from spilling.

1. Remove front under cover. Refer to [EXT-28, "Removal and Installation"](#).
2. Remove engine room cover. Refer to [EM-28, "Removal and Installation"](#).
3. Remove the front air duct and air cleaner case assembly. Refer to [EM-29, "Removal and Installation"](#).
4. Release hose clamp, then remove CVT fluid cooler hose A and B from CVT oil warmer and radiator.

CAUTION:

Do not reuse hose clamps.

INSTALLATION

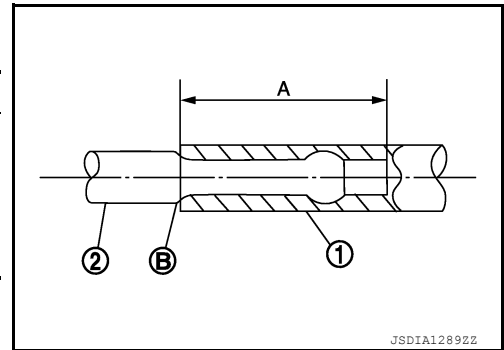
Installation is in the reverse order of removal.

CAUTION:

Do not reuse hose clamps.

- Insert CVT fluid cooler hoses according to dimension (A).

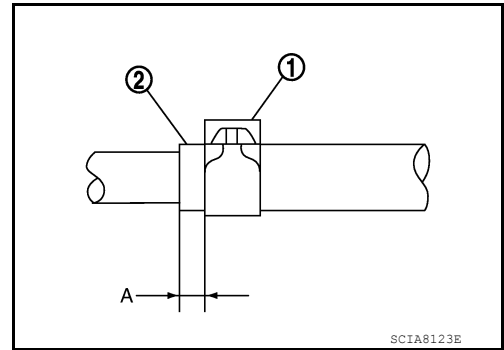
CVT fluid cooler hose (1)	Insert side tube (2)	Dimension (A)
CVT fluid cooler hose A	Radiator tube	End reaches the 2-stage bulge (B)
	CVT oil warmer	
CVT fluid cooler hose B	CVT oil warmer	
	Radiator tube	



- Install hose clamps (1) at both ends of CVT fluid cooler hoses (2) with dimension (A) from the hose end.

Dimension (A) : 5 – 7 mm (0.20 – 0.28 in)

- Hose clamp should not interfere with the bulge.



CVT fluid cooler hose	Hose end	Paint mark	Position of hose clamp*
CVT fluid cooler hose A	Radiator tube side	Facing upward	B
	CVT oil warmer side	Facing to the right of the vehicle	B
CVT fluid cooler hose B	CVT oil warmer side	Facing downward	A
	Radiator tube side	Facing to the front of the vehicle	B

*: Refer to the illustrations for the specific position of each hose clamp tab.

CVT OIL WARMER SYSTEM

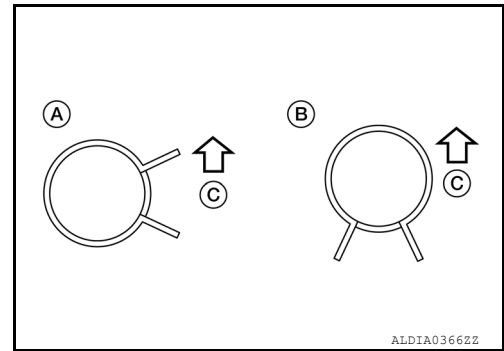
< REMOVAL AND INSTALLATION >

[CVT: RE0F10E]

- The illustrations indicate the view from the hose ends.

←(C) : Front

- When installing hose clamps, the center line of each clamp tab should be positioned as shown.



CVT FLUID COOLER HOSE : Inspection

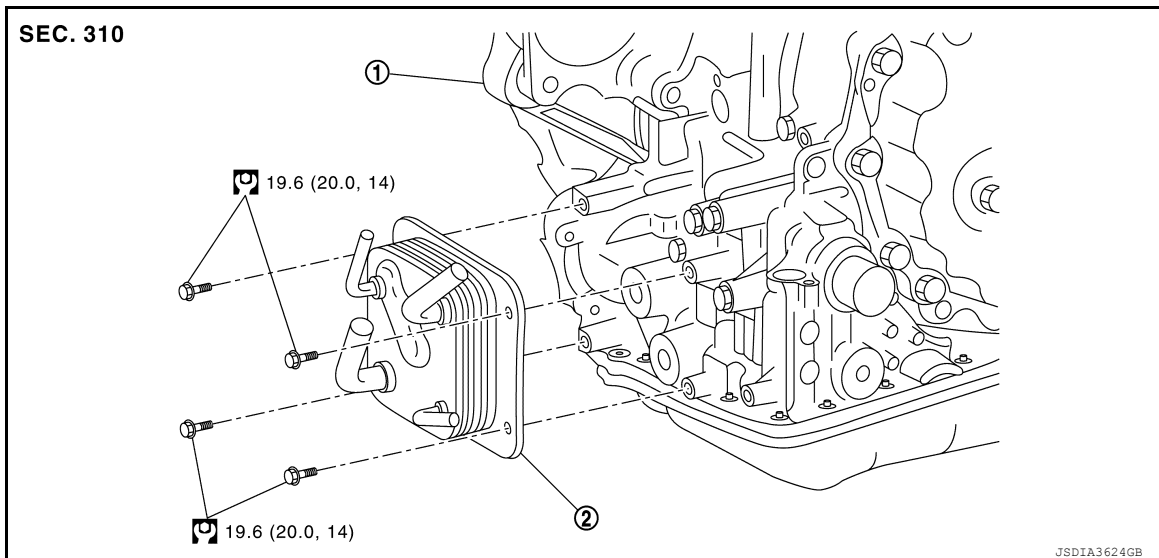
INFOID:000000008499760

INSPECTION AFTER INSTALLATION

Check for CVT fluid leakage and check CVT fluid level. Refer to [TM-377, "Inspection"](#).
CVT OIL WARMER

CVT OIL WARMER : Exploded View

INFOID:000000008718314



① Transaxle assembly

② CVT oil warmer

CVT OIL WARMER : Removal and Installation

INFOID:000000008499762

REMOVAL

WARNING:

Do not remove the radiator cap when the engine is hot. Serious burns could occur from high pressure coolant escaping from the radiator. Wrap a thick cloth around the cap. Slowly turn it a quarter turn to allow built-up pressure to escape. Carefully remove the cap by turning it all the way.

CAUTION:

Perform when the engine is cold.

- Remove front under cover. Refer to [EXT-28, "Removal and Installation"](#).
- Remove CVT water hose inlet and CVT water hose outlet from CVT oil warmer. Refer to [TM-199, "WATER HOSE : Exploded View"](#).
- Remove CVT fluid cooler hose inlet and CVT fluid cooler hose outlet from CVT oil warmer. Refer to [TM-201, "CVT FLUID COOLER HOSE : Exploded View"](#).
- Remove CVT oil warmer bolts, then remove CVT oil warmer from vehicle.

CVT OIL WARMER SYSTEM

< REMOVAL AND INSTALLATION >

[CVT: RE0F10E]

INSTALLATION

Installation is in the reverse order of removal.

CVT OIL WARMER : Inspection

INFOID:000000008499763

INSPECTION AFTER INSTALLATION

- Check for CVT fluid leakage and check CVT fluid level. Refer to [TM-377, "Inspection"](#).
- Start and warm up the engine. Visually check that there is no leakage of engine coolant and CVT fluid.

PLUG

< REMOVAL AND INSTALLATION >

[CVT: RE0F10E]

PLUG

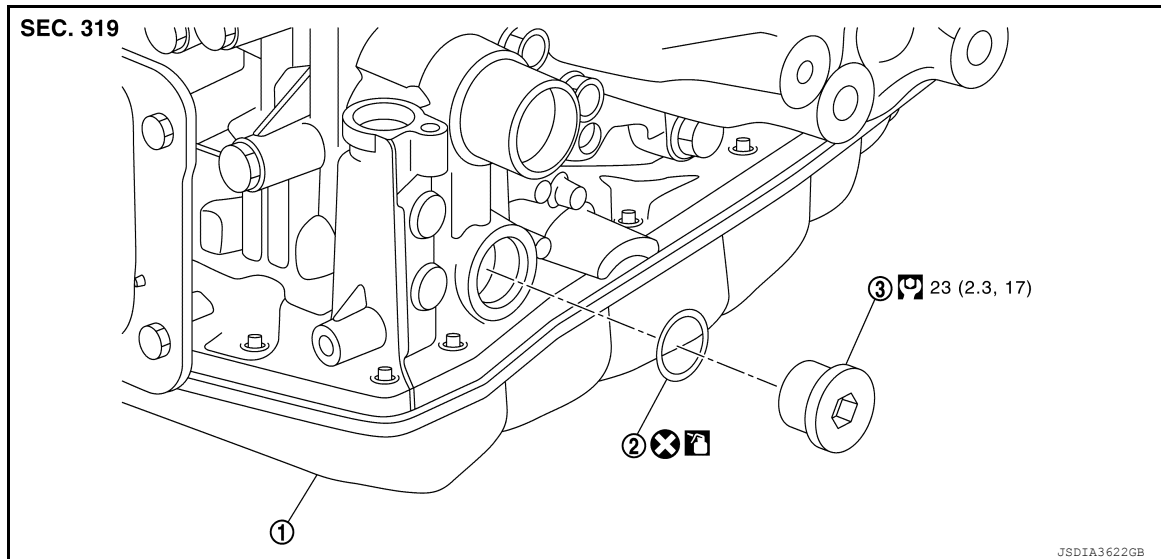
Description

INFOID:000000008145143

Replace the O-ring if oil leakage or exudes from the plug.

Exploded View

INFOID:000000008171800



① Transaxle assembly

② O-ring

③ Plug

⊗ : Always replace after every disassembly.

Ⓔ : N·m (kg·m, ft·lb)

Ⓕ : Apply CVT Fluid

Removal and Installation

INFOID:000000008145145

REMOVAL

1. Remove fender protector side cover (LH). Refer to [EXT-26, "FENDER PROTECTOR : Removal and Installation"](#).
2. Remove the plug and O-ring.

INSTALLATION

Installation is in the reverse order of removal.

CAUTION:

- Do not reuse O-ring.
- Apply Genuine NISSAN CVT Fluid NS-3 to O-ring.

Inspection and Adjustment

INFOID:000000008145146

INSPECTION AFTER INSTALLATION

Check for CVT fluid leakage. Refer to [TM-377, "Inspection"](#).

ADJUSTMENT AFTER INSTALLATION

Adjust the CVT fluid level. Refer to [TM-287, "Adjustment"](#).

TRANSAXLE ASSEMBLY

< UNIT REMOVAL AND INSTALLATION >

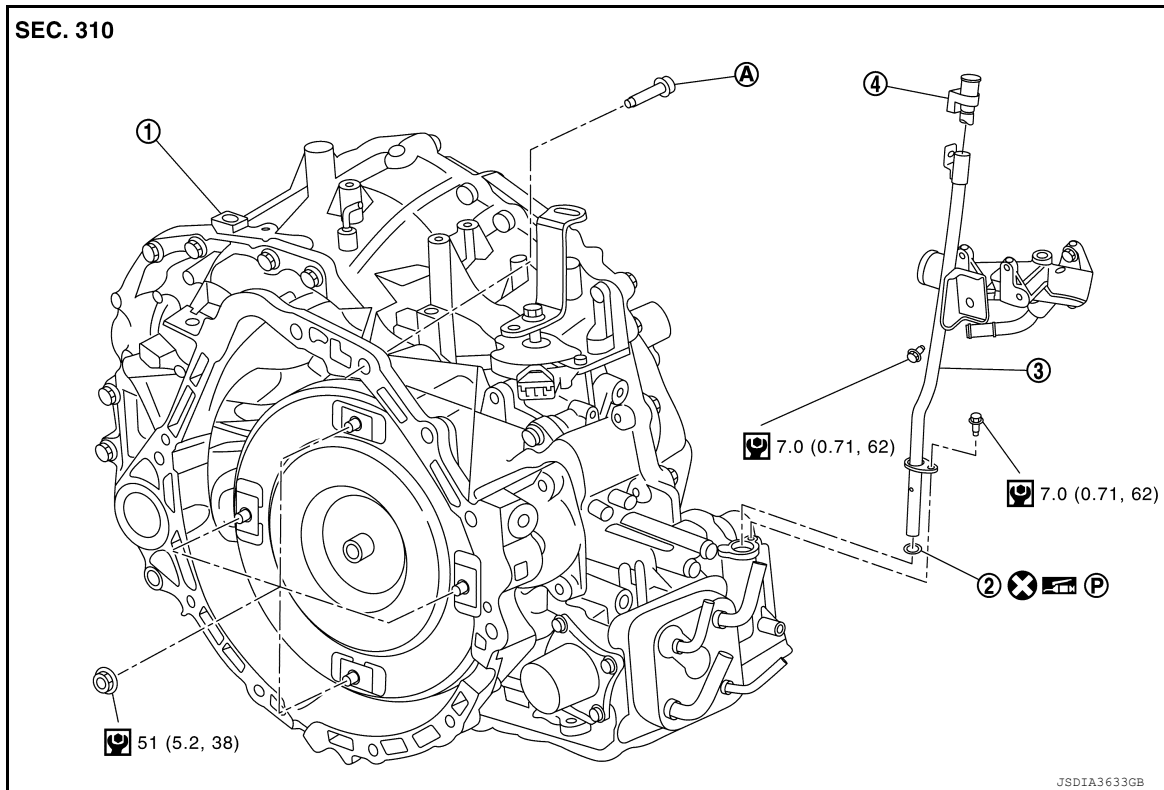
[CVT: RE0F10E]

UNIT REMOVAL AND INSTALLATION

TRANSAXLE ASSEMBLY

Exploded View

INFOID:000000008145147



- ① Transaxle assembly ② O-ring ③ CVT fluid charging pipe
- ④ CVT fluid level gauge
- Ⓐ : For the tightening torque, refer to [TM-408, "Removal and Installation"](#).
- ⊗ : Always replace after every disassembly.
- Ⓜ : N·m (kg-m, ft-lb)
- Ⓝ : N·m (kg-m, in-lb)
- Ⓟ : Apply petroleum jelly

Removal and Installation

INFOID:000000008145148

REMOVAL

WARNING:

Do not remove the radiator cap when the engine is hot. Serious burns could occur from high pressure coolant escaping from the radiator. Wrap a thick cloth around the cap. Slowly turn it a quarter turn to allow built-up pressure to escape. Carefully remove the cap by turning it all the way.

CAUTION:

- Perform when the engine is cold.
- When replacing TCM and transaxle assembly as a set, replace transaxle assembly first and then replace TCM. Refer to [TM-81, "Description"](#).

NOTE:

When removing components such as hoses, tubes/lines, etc., cap or plug openings to prevent fluid from spilling.

TRANSAXLE ASSEMBLY

< UNIT REMOVAL AND INSTALLATION >

[CVT: RE0F10E]

1. Remove the engine and transaxle with the front suspension member as a unit. Refer to [EM-220. "Removal and Installation"](#).
 2. Disconnect the transaxle harness connectors.
 3. Disconnect the CVT oil warmer water hoses from engine side. Refer to [TM-401. "WATER HOSE : Removal and Installation"](#).
 4. Remove the CVT fluid charging pipe.
 5. Remove the transaxle to engine and engine to transaxle bolts.
 6. Separate the engine from the transaxle and remove the engine from the front suspension member. Refer to [EM-220. "Removal and Installation"](#).
- NOTE:**
Using paint, put matching marks on the drive plate and torque converter when removing the torque converter to drive plate nuts.
7. Remove transmission bracket.
 8. Lift the transaxle from the front suspension member.

INSTALLATION

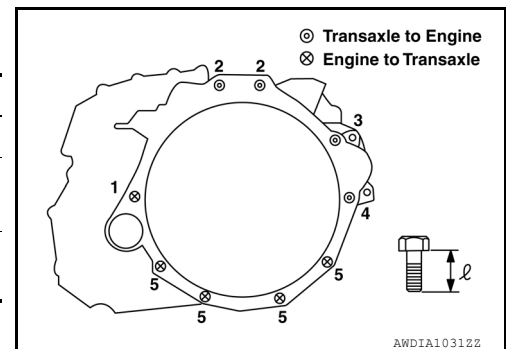
Installation is in the reverse order of removal.

CAUTION:

- When replacing an engine or transaxle you must make sure any dowels are installed correctly during re-assembly
- Improper alignment caused by missing dowels may cause vibration, oil leaks or breakage of drive train components.
- Do not reuse O-rings or copper sealing washers.
- When turning crankshaft, turn it clockwise as viewed from the front of the engine.
- When tightening the nuts for the torque converter while securing the crankshaft pulley bolt, be sure to confirm the tightening torque of the crankshaft pulley bolt. Refer to [EM-174. "Removal and Installation"](#).
- After converter is installed to drive plate, rotate crankshaft several turns to check that CVT rotates freely without binding.
- When installing the CVT to the engine, align the matching mark on the drive plate with the matching mark on the torque converter.

When installing CVT assembly to the engine assembly, attach the bolts in accordance with the following standard.

Bolt No.	1	2	3	4	5
Number of bolts	1	2	1	1	4
Bolt length "ℓ" mm (in)	55 (2.17)	39 (1.54)	35 (1.38)	50 (1.97)	45 (1.77)
Tightening torque N·m (kg-m, ft-lb)	74.5 (7.6, 55)				50.0 (5.1, 37)



- When installing the drive plate to torque converter nuts, tighten them temporarily. then tighten the nuts to the specified torque.

Inspection and Adjustment

INFOID:000000008145149

INSPECTION BEFORE INSTALLATION

TRANSAXLE ASSEMBLY

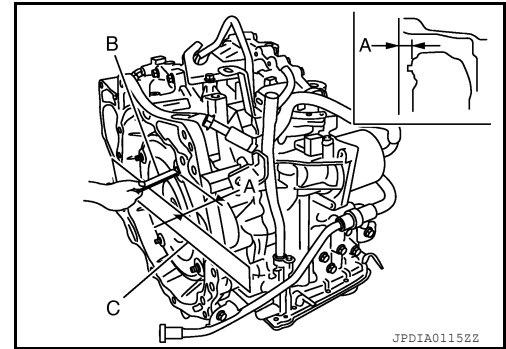
< UNIT REMOVAL AND INSTALLATION >

[CVT: RE0F10E]

After inserting a torque converter to the CVT, check dimension (A) with in the reference value limit.

- B : Scale
- C : Straightedge

Dimension (A) : Refer to [TM-414, "Torque Converter"](#).



INSPECTION AFTER INSTALLATION

Check the following items:

- CVT fluid leakage, refer to [TM-377, "Inspection"](#).
- For CVT position, refer to [TM-290, "Inspection"](#).
- Start the engine and check for coolant leakage from the parts which are removed and reinstalled.

ADJUSTMENT AFTER INSTALLATION

- Adjust the CVT fluid level. Refer to [TM-287, "Adjustment"](#).
- Perform "ADDITIONAL SERVICE WHEN REPLACE TRANSAXLE ASSEMBLY". Refer to [TM-284, "Description"](#).

TORQUE CONVERTER AND CONVERTER HOUSING OIL SEAL

< UNIT DISASSEMBLY AND ASSEMBLY >

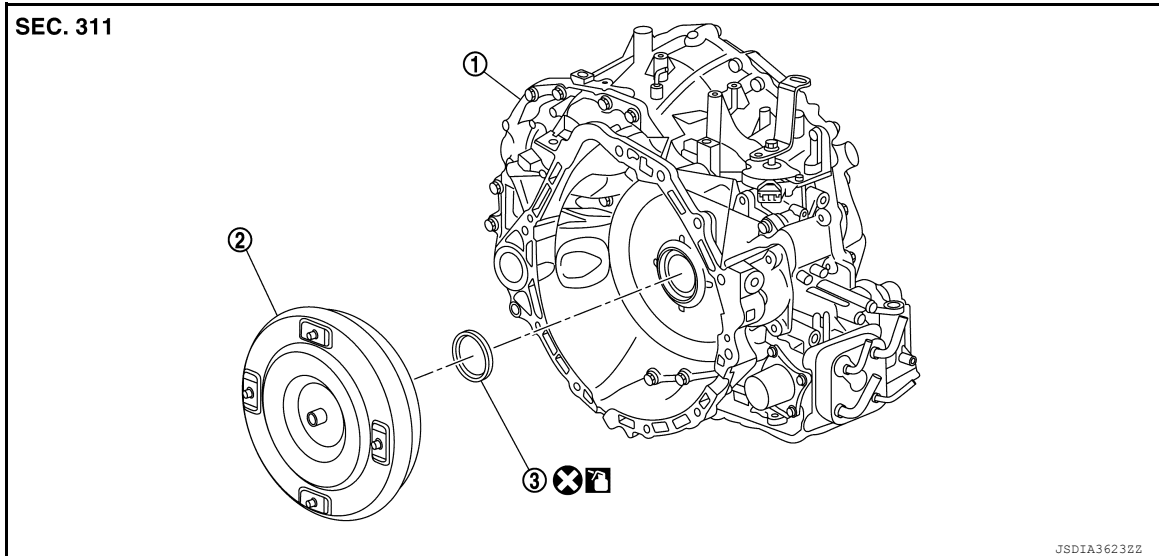
[CVT: RE0F10E]

UNIT DISASSEMBLY AND ASSEMBLY

TORQUE CONVERTER AND CONVERTER HOUSING OIL SEAL

Exploded View

INFOID:000000008717825



- ① Transaxle assembly ② Torque converter ③ Converter housing oil seal

⊗ : Always replace after every disassembly.

🖌️ : Apply CVT Fluid

Disassembly

INFOID:000000008145151

1. Remove transaxle assembly. Refer to [TM-408. "Removal and Installation"](#).
2. Remove torque converter from transaxle assembly.
CAUTION:
Do not damage the bushing on the inside of torque converter sleeve when removing torque converter.
3. Remove converter housing oil seal using suitable tool.
CAUTION:
Be careful not to scratch converter housing.

Assembly

INFOID:000000008145152

Assembly is in the reverse order of disassembly.

CAUTION:

Do not reuse converter housing oil seal.

NOTE:

Lubricate converter housing oil seal prior to installation.

TORQUE CONVERTER AND CONVERTER HOUSING OIL SEAL

< UNIT DISASSEMBLY AND ASSEMBLY >

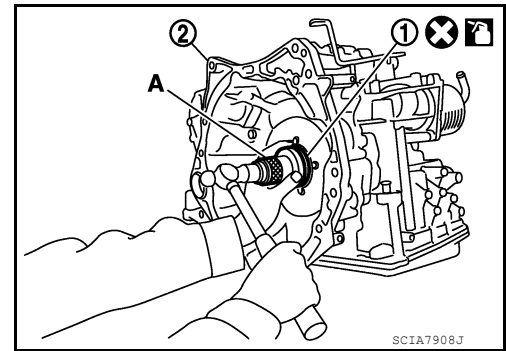
[CVT: RE0F10E]

- Drive converter housing oil seal (1) evenly using a drift (A) (commercial service tool) so that converter housing oil seal protrudes by the dimension (B) respectively.

Unit: mm (in)

Commercial service tool: (A)	Outer diameter: 65 (2.56)
	Inner diameter: 60 (2.36)

(2) : Transaxle assembly



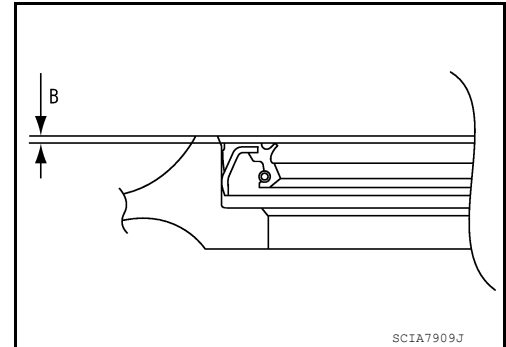
Unit: mm (in)

Dimension (B)	1.0 ± 0.5 (0.039 \pm 0.020)
---------------	-----------------------------------

NOTE:

Converter housing oil seal pulling direction is used as the reference.

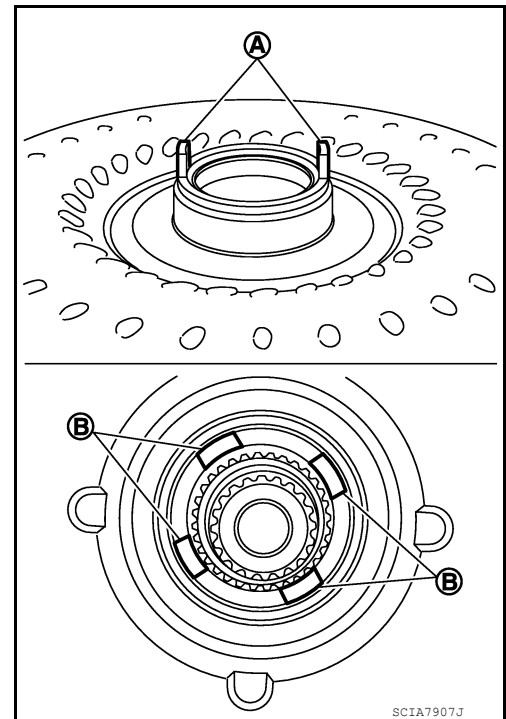
- After completing installation, check for CVT fluid leaks and CVT fluid level. Refer to [TM-287, "Adjustment"](#).



- Attach the pawl (A) of the torque converter to the drive sprocket hole (B) on the transaxle assembly side.

CAUTION:

- Rotate the torque converter for installing torque converter.
- Do not damage the bushing inside the torque converter sleeve when installing the converter housing oil seal.



Inspection

INFOID:000000008145153

INSPECTION AFTER INSTALLATION

TORQUE CONVERTER AND CONVERTER HOUSING OIL SEAL

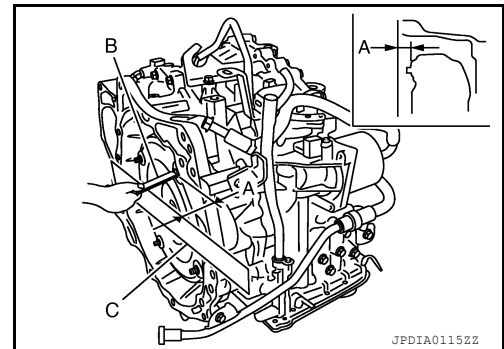
< UNIT DISASSEMBLY AND ASSEMBLY >

[CVT: RE0F10E]

- After inserting a torque converter to the CVT, check dimension (A) with in the reference value limit.

- B : Scale
- C : Straightedge

Dimension (A) : Refer to [TM-414, "Torque Converter"](#).



A

B

C

TM

E

F

G

H

I

J

K

L

M

N

O

P

SERVICE DATA AND SPECIFICATIONS (SDS)

< SERVICE DATA AND SPECIFICATIONS (SDS)

[CVT: RE0F10E]

SERVICE DATA AND SPECIFICATIONS (SDS)

SERVICE DATA AND SPECIFICATIONS (SDS)

General Specification

INFOID:000000008145154

Engine model	VQ35DE	
Drive type	2WD	
Transaxle model	RE0F10E	
Transaxle model code number	3WX0A	
Transaxle gear ratio	D position	2.436 – 0.384
	R position	0.745
	Final drive	4.677
Recommended fluid	Genuine NISSAN CVT Fluid NS-3* ¹	
Fluid capacity liter (US qt, Imp qt)	Approx. 8.2 (8-5/8, 7-1/4)* ²	

CAUTION:

- Use only Genuine NISSAN CVT Fluid NS-3. Never mix with other fluid.
- Using CVT fluid other than Genuine NISSAN CVT Fluid NS-3 will deteriorate in driveability and CVT durability, and may damage the CVT, which is not covered by the NISSAN new vehicle limited warranty.

*1: Refer to [MA-20. "FOR USA AND CANADA : Fluids and Lubricants"](#) (for USA and Canada), [MA-21. "FOR MEXICO : Fluids and Lubricants"](#) (for Mexico).

*2: The CVT fluid capacity is the reference value.

Shift Characteristics

INFOID:000000008145155

Unit: rpm

Throttle position	Shift pattern	Engine speed	
		At 40 km/h (25 MPH)	At 60 km/h (37 MPH)
2/8	"D" position	1,410 – 1,550	1,550 – 1,710
8/8	"D" position	3,610 – 3,990	4,560 – 5,040

CAUTION:

Lock-up is engaged at the vehicle speed of approximately 18 km/h (12 MPH) to 40 km/h (24 MPH).

Stall Speed

INFOID:000000008145156

Stall speed	2,400 – 2,700 rpm
-------------	-------------------

Torque Converter

INFOID:000000008145158

Unit: mm (in)

Distance "A" between the converter housing and torque converter	14.0 (0.55)
---	-------------

Heater Thermostat

INFOID:000000008145159

Standard

Valve lift	More than 5.0 mm (0.197 in)
Reference value	
Valve opening temperature	71°C (160°F)
Minimum valve lift	5.0 mm/85°C (0.197 in/203°F)