

A
 FL
 C
 D
 E
 F
 G
 H
 I
 J
 K
 L
 M
 N
 O
 P

CONTENTS

PRECAUTION	2	Inspection	13
PRECAUTIONS	2	EVAP CANISTER	14
Precaution for Supplemental Restraint System (SRS) "AIR BAG" and "SEAT BELT PRE-TENSIONER"	2	Exploded View	14
General Precaution	2	Removal and Installation	14
PREPARATION	4	Inspection	15
PREPARATION	4	EVAP CANISTER FILTER	16
Special Service Tool	4	Exploded View	16
Commercial Service Tool	4	Removal and Installation	16
PERIODIC MAINTENANCE	5	EVAP CANISTER VENT CONTROL VALVE ...	17
FUEL SYSTEM	5	Exploded View	17
Inspection	5	Removal and Installation	17
Quick Connector	5	EVAP CONTROL SYSTEM PRESSURE SENSOR	18
REMOVAL AND INSTALLATION	6	Exploded View	18
FUEL LEVEL SENSOR UNIT, FUEL FILTER AND FUEL PUMP ASSEMBLY	6	Removal and Installation	18
Exploded View	6	UNIT DISASSEMBLY AND ASSEMBLY ...	19
Removal and Installation	6	FUEL LEVEL SENSOR UNIT	19
Inspection	9	Disassembly and Assembly	19
FUEL TANK	10	SERVICE DATA AND SPECIFICATIONS (SDS)	21
Exploded View	10	SERVICE DATA AND SPECIFICATIONS (SDS)	21
Removal and Installation	10	Fuel Tank	21

PRECAUTIONS

< PRECAUTION >

PRECAUTION

PRECAUTIONS

Precaution for Supplemental Restraint System (SRS) "AIR BAG" and "SEAT BELT PRE-TENSIONER"

INFOID:000000009951691

The Supplemental Restraint System such as "AIR BAG" and "SEAT BELT PRE-TENSIONER", used along with a front seat belt, helps to reduce the risk or severity of injury to the driver and front passenger for certain types of collision. Information necessary to service the system safely is included in the SR and SB section of this Service Manual.

WARNING:

- To avoid rendering the SRS inoperative, which could increase the risk of personal injury or death in the event of a collision which would result in air bag inflation, all maintenance must be performed by an authorized NISSAN/INFINITI dealer.
- Improper maintenance, including incorrect removal and installation of the SRS, can lead to personal injury caused by unintentional activation of the system. For removal of Spiral Cable and Air Bag Module, see the SR section.
- Do not use electrical test equipment on any circuit related to the SRS unless instructed to in this Service Manual. SRS wiring harnesses can be identified by yellow and/or orange harnesses or harness connectors.

PRECAUTIONS WHEN USING POWER TOOLS (AIR OR ELECTRIC) AND HAMMERS

WARNING:

- When working near the Airbag Diagnosis Sensor Unit or other Airbag System sensors with the Ignition ON or engine running, DO NOT use air or electric power tools or strike near the sensor(s) with a hammer. Heavy vibration could activate the sensor(s) and deploy the air bag(s), possibly causing serious injury.
- When using air or electric power tools or hammers, always switch the Ignition OFF, disconnect the battery and wait at least three minutes before performing any service.

General Precaution

INFOID:000000009460597

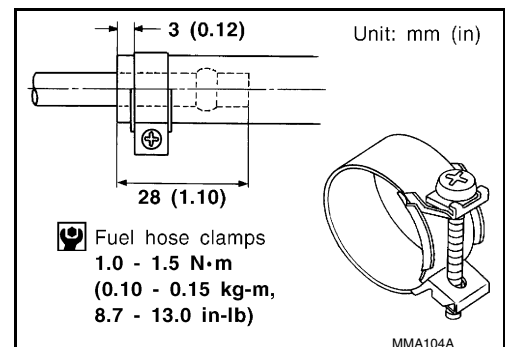
WARNING:

When replacing fuel line parts, be sure to observe the following.

- Put a "CAUTION: FLAMMABLE" sign in the work area.
- Be sure to work in a well ventilated area and have a CO² fire extinguisher.
- Do not smoke while working on the fuel system. Keep open flames and sparks away from the work area.

CAUTION:

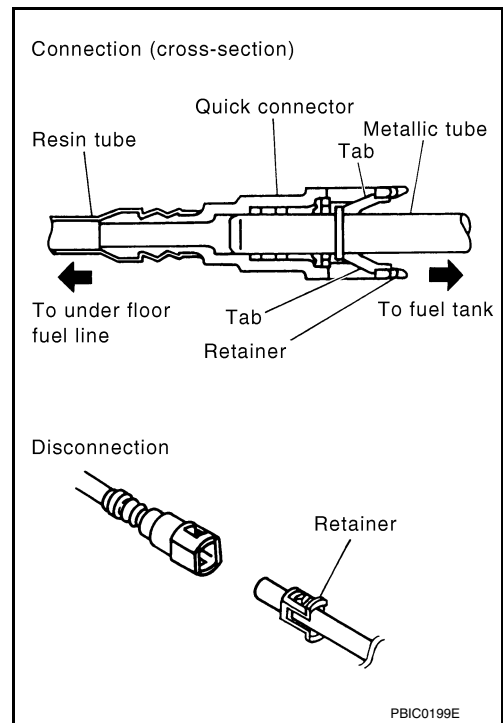
- Before removing fuel line parts, carry out the following procedures:
 - Put drained fuel in an explosion-proof container and put the lid on securely. Keep the container in safe area.
 - Release fuel pressure from the fuel lines. Refer to [EC-182, "Work Procedure" \(QR25DE\)](#), [EC-687, "Work Procedure" \(VQ35DE\)](#).
 - Disconnect the battery ground cable.
 - Always replace O-rings and clamps with new ones.
 - Do not kink or twist tubes when they are being installed.
 - Do not tighten hose clamps excessively to avoid damaging hoses.
- Tighten high-pressure rubber hose clamp so that clamp end is 3 mm (0.12 in) from hose end.
Tightening torque specifications are the same for all rubber hose clamps.
Ensure that screw does not contact adjacent parts.



PRECAUTIONS

< PRECAUTION >

- After connecting the fuel tube quick connectors, make sure the quick connectors are secure. Check that the connector and resin tube do not contact any adjacent parts.
- a) Apply fuel pressure to the fuel system by turning the ignition switch to ON (without starting the engine). Then check for fuel leaks at the fuel tube connections.
- b) Start the engine and rev the engine, then check for fuel leaks at the fuel tube connections.
- After installing the tubes, run the engine and check for fuel leaks at the connections.
- Use only a Genuine NISSAN fuel filler cap as a replacement. If an incorrect fuel filler cap is used, the MIL may come on.
- For servicing “Evaporative Emission System” parts, refer to [EC-62, "EVAPORATIVE EMISSION SYSTEM : System Description" \(QR25DE for California\)](#), [EC-62, "EVAPORATIVE EMISSION SYSTEM : System Description" \(QR25DE except for California\)](#), [EC-580, "EVAPORATIVE EMISSION SYSTEM : System Description" \(VQ35DE\)](#).
- For servicing “On Board Refueling Vapor Recovery (ORVR)” parts, refer to [EC-39, "On Board Refueling Vapor Recovery \(ORVR\)" \(QR25DE for California\)](#), [EC-39, "On Board Refueling Vapor Recovery \(ORVR\)" \(QR25DE except for California\)](#), [EC-564, "On Board Refueling Vapor Recovery \(ORVR\)" \(VQ35DE\)](#).



A

FL

C

D

E

F

G

H

I

J

K

L

M

N

O

P

PREPARATION

< PREPARATION >

PREPARATION

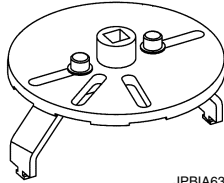
PREPARATION

Special Service Tool

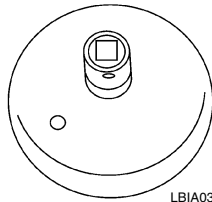
INFOID:000000009460598

The actual shapes of the tools may differ from those illustrated here.

Tool number (TechMate No.) Tool name	Description
KV101207S0 (—) Unified fuel lock ring wrench	Removing and installing fuel tank lock ring
KV991J0090 (J-46214) Fuel tank lock ring wrench	



JPBIA6384ZZ



LBIA0353E

Commercial Service Tool

INFOID:000000009460599

Tool name	Description
Power tool	Loosening nuts, screws and bolts



PIIB1407E

FUEL SYSTEM

< PERIODIC MAINTENANCE >

PERIODIC MAINTENANCE

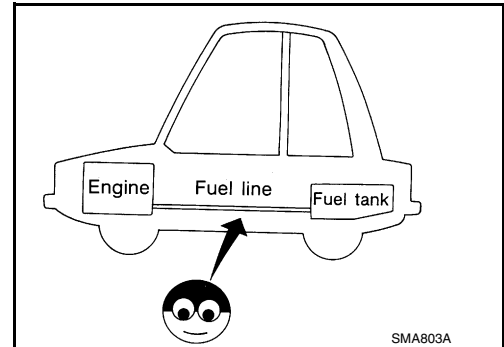
FUEL SYSTEM

Inspection

Inspect fuel lines, fuel filler cap and fuel tank for improper attachment, leaks, cracks, damage, loose connections, chafing or deterioration.

If necessary, repair or replace damaged parts.

INFOID:000000009460600

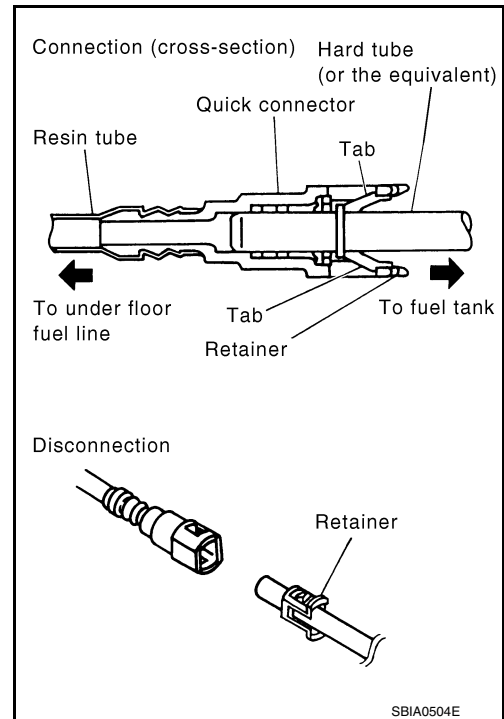


Quick Connector

CAUTION:

- After connecting fuel tube quick connectors, make sure quick connectors are secure.
- Ensure that connector and resin tube do not contact any adjacent parts.

INFOID:000000009460601



A
FL
C
D
E
F
G
H
I
J
K
L
M
N
O
P

FUEL LEVEL SENSOR UNIT, FUEL FILTER AND FUEL PUMP ASSEMBLY

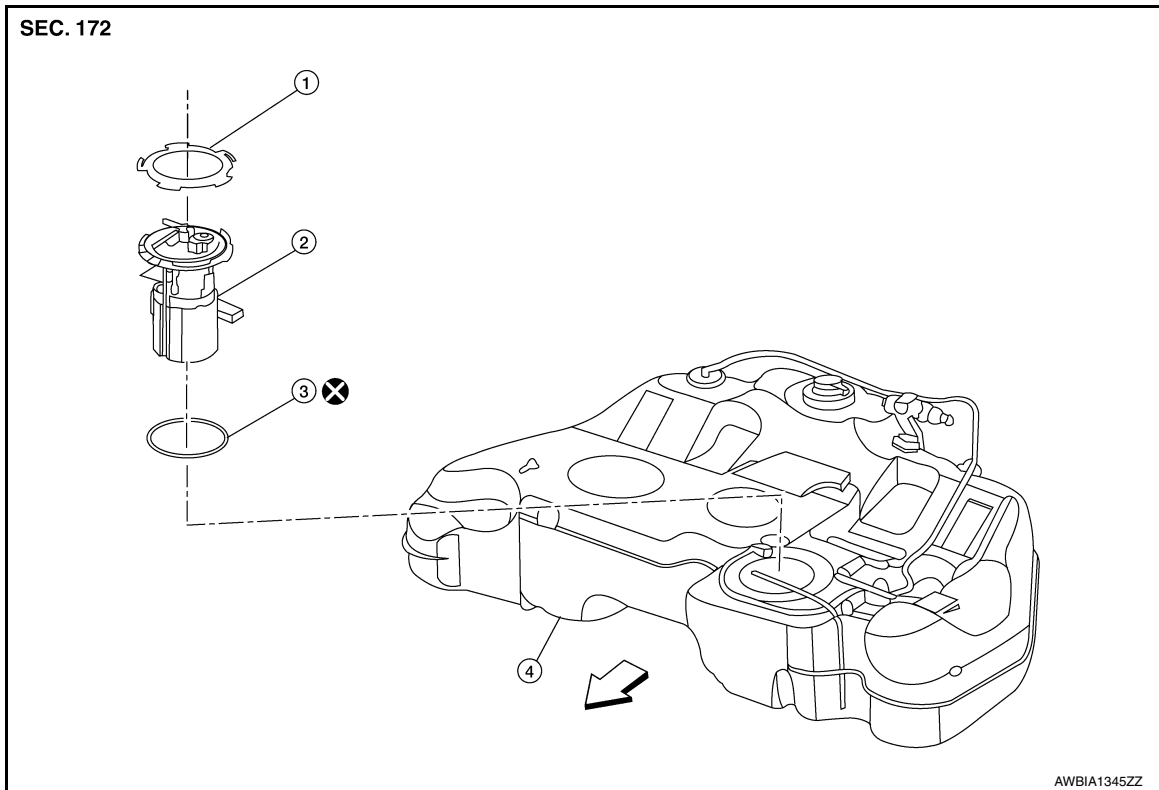
< REMOVAL AND INSTALLATION >

REMOVAL AND INSTALLATION

FUEL LEVEL SENSOR UNIT, FUEL FILTER AND FUEL PUMP ASSEMBLY

Exploded View

INFOID:000000009460602



1. Lock ring
 2. Fuel level sensor unit, fuel filter and fuel pump assembly
 3. O-ring
 4. Fuel Tank
- ⇐ Front

Removal and Installation

INFOID:000000009460603

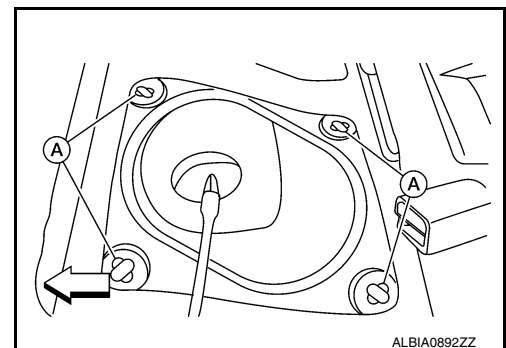
REMOVAL

WARNING:

Read "General Precautions" before working on the fuel system. Refer to [FL-2, "General Precaution"](#).

1. Disconnect the battery negative terminal. Refer to [PG-73, "Removal and Installation \(Battery\)"](#).
2. Unscrew the fuel filler cap to release the pressure inside the fuel tank.
3. Release the fuel pressure from the fuel lines. Refer to [EC-182, "Work Procedure"](#) (QR25DE), [EC-182, "Work Procedure"](#) (VQ35DE).
4. Remove the rear seat cushion. Refer to [SE-36, "Removal and Installation - Seat Assembly"](#).
5. Turn the four retainers (A) 90° in a clockwise direction and remove the fuel pump inspection hole cover.

⇐ :Front

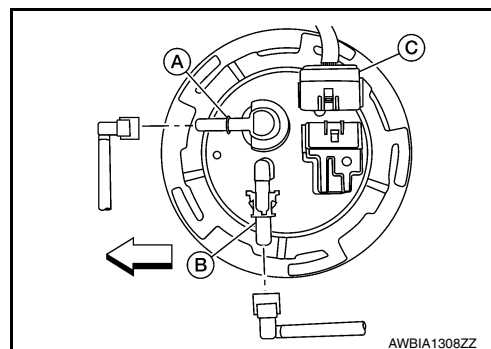


FUEL LEVEL SENSOR UNIT, FUEL FILTER AND FUEL PUMP ASSEMBLY

< REMOVAL AND INSTALLATION >

6. Disconnect the fuel level sensor unit, fuel filter and fuel pump assembly harness connector (C), EVAP hose quick connector (A), and the fuel feed hose quick connector (B) from the fuel level sensor unit, fuel filter, and fuel pump assembly.

↩ :Front

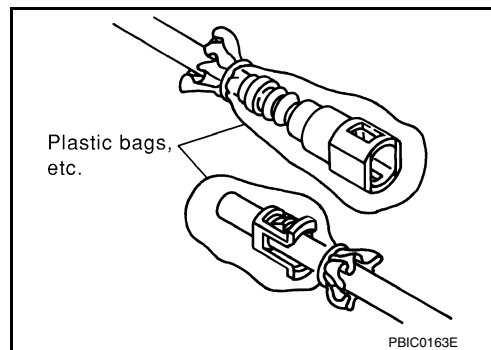
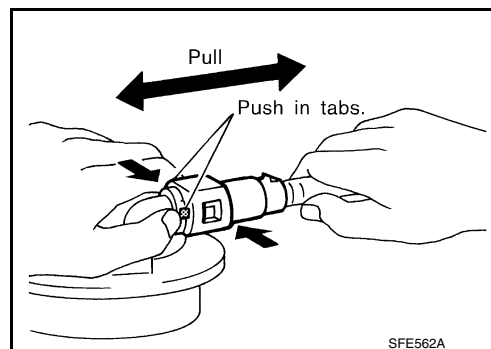


Remove the quick connector as follows:

- Hold the sides of the connector, push in tabs and pull out the tube.
- If the connector and the tube are stuck together, push and pull several times until they start to move. Then disconnect them by pulling.

CAUTION:

- The tube can be removed when the tabs are completely depressed. Do not twist it more than necessary.
- Do not use any tools to remove the quick connector.
- Keep the resin tube away from heat. Be especially careful when welding near the tube.
- Prevent acid liquid such as battery electrolyte, etc. from getting on the resin tube.
- Do not bend or twist the tube during installation and removal.
- Only when the tube is replaced, remove the remaining retainer on the tube or fuel level sensor, fuel filter, and fuel pump assembly.
- When the tube or fuel level sensor, fuel filter, and fuel pump assembly is replaced, also replace the retainer with a new one (green colored retainer).
- To keep the connecting portion clean and to avoid damage and foreign materials, cover them completely with plastic bags or something similar.



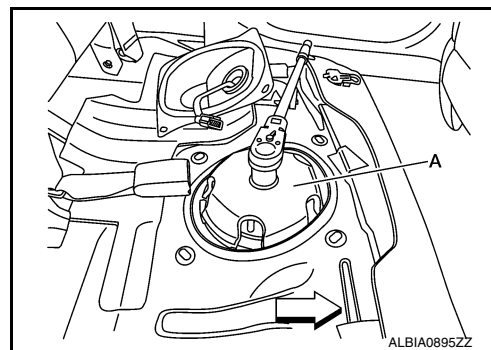
7. Remove the lock ring using a socket drive handle and Tool (A).

Tool number : KV991J0090 (J-46214) (shown)
: KV101207S0 (—)

CAUTION:

Discard the lock ring if damaged or distorted.

↩ :Front



A
FL
C
D
E
F
G
H
I
J
K
L
M
N
O
P

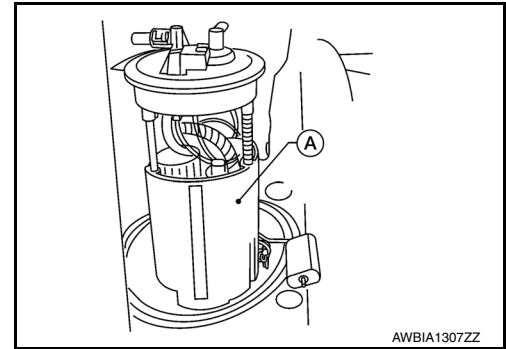
FUEL LEVEL SENSOR UNIT, FUEL FILTER AND FUEL PUMP ASSEMBLY

< REMOVAL AND INSTALLATION >

8. Remove the fuel level sensor, fuel filter, and fuel pump assembly (A). Remove and discard the O-ring.

CAUTION:

- Do not bend the float arm during removal.
- Discard the O-ring. Do not reuse O-ring.



INSPECTION AFTER REMOVAL

Inspect the fuel level sensor, fuel filter, and fuel pump assembly for any defects and foreign materials. Replace as necessary.

INSTALLATION

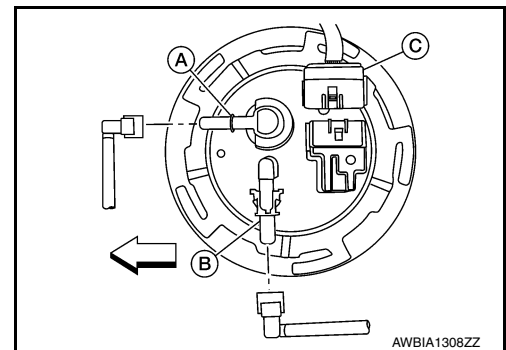
Installation is in the reverse order of removal.

- Install the fuel level sensor, fuel filter, and fuel pump assembly with the fuel feed hose (B) facing the left side of the vehicle as shown. Use a new O-ring.

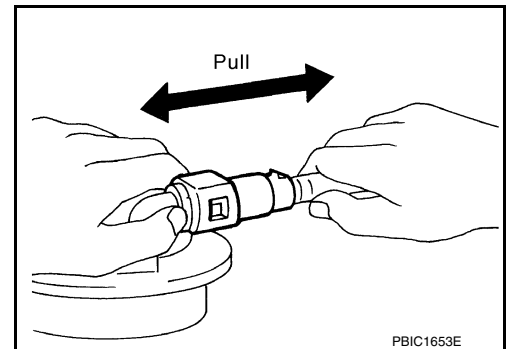
CAUTION:

Do not reuse O-ring.

← :Front



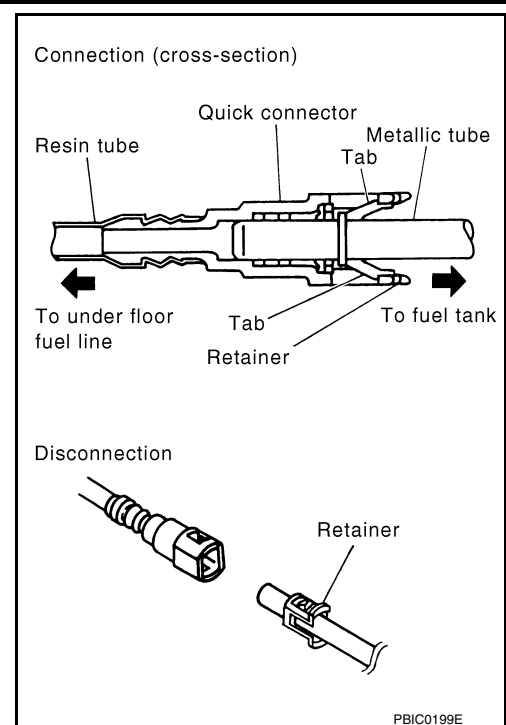
- Connect the quick connector as follows:
 - Check the connection for damage or any foreign materials.
 - Align the connector with the tube, then insert the connector straight into the tube until a click is heard.
- After the tube is connected, make sure the connection is secure by performing the following checks:
 - Pull the tube and the connector to make sure they are securely connected.



FUEL LEVEL SENSOR UNIT, FUEL FILTER AND FUEL PUMP ASSEMBLY

< REMOVAL AND INSTALLATION >

- Visually confirm that the two retainer tabs are connected to the quick connector.



Inspection

INSPECTION AFTER INSTALLATION

Use the following procedure to check for fuel leaks.

1. Turn ignition switch "ON" (with engine stopped), then check connections for fuel leaks by applying fuel pressure to fuel piping.
2. Start engine, raise idle, and verify there are no fuel leaks at the fuel system connections.

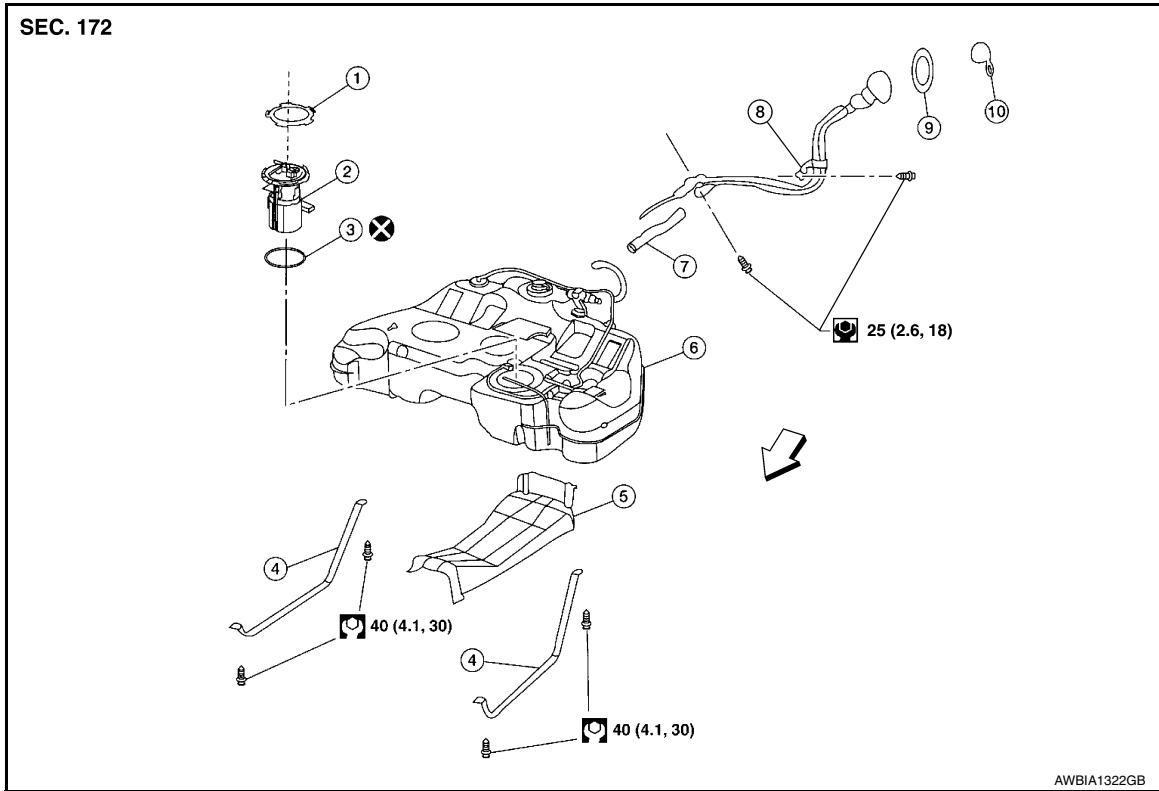
FUEL TANK

< REMOVAL AND INSTALLATION >

FUEL TANK

Exploded View

INFOID:000000009460605



- | | | |
|------------------------------|---|--------------|
| 1. Lock ring | 2. Fuel level sensor, fuel filter, and fuel pump assembly | 3. O-ring |
| 4. Fuel tank mounting straps | 5. Fuel tank protector | 6. Fuel tank |
| 7. Fuel filler hose | 8. Fuel filler hose | 9. Grommet |
| 10. Fuel filler cap | ← Front | |

Removal and Installation

INFOID:000000009460606

REMOVAL

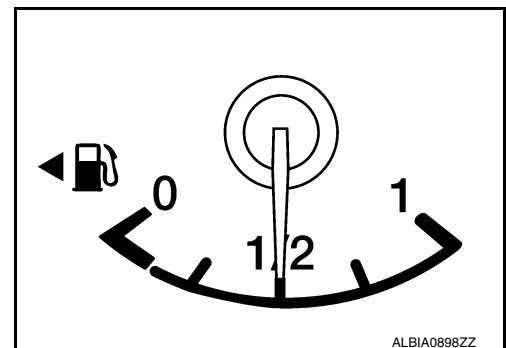
WARNING:

Read "General Precautions" before working on the fuel system. Refer to [FL-2, "General Precaution"](#).

NOTE:

When removing components such as hoses, tubes/lines, etc., cap or plug openings to prevent fluid from spilling.

1. Disconnect the battery negative terminal. Refer to [PG-73, "Removal and Installation \(Battery\)"](#).
2. Check the fuel level with the vehicle on a level surface. If the fuel gauge indicates more than the level as shown (1/2 full), drain the fuel from the fuel tank until the fuel gauge indicates a level at or below as shown (1/2 full).
 - In case the fuel pump does not operate, use the following procedure.
- a. Insert fuel tubing of less than 25 mm (0.98 in) diameter into the fuel filler tube through the fuel filler opening to drain fuel from the fuel filler tube.
- b. Disconnect the fuel filler hose from the fuel filler tube.
- c. Insert fuel tubing into the fuel tank through the fuel filler hose to drain fuel from the fuel tank.

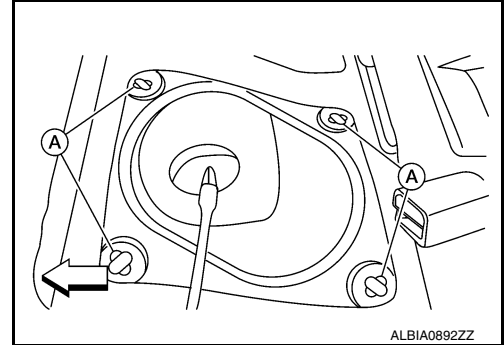


FUEL TANK

< REMOVAL AND INSTALLATION >

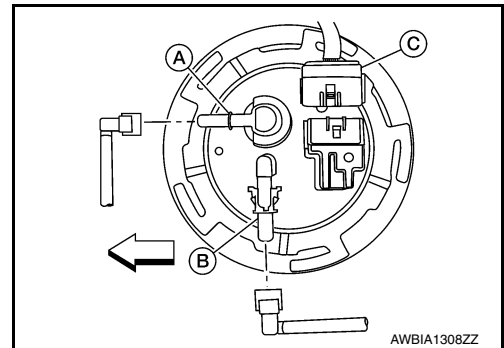
- As a guide, if the fuel tank is full the fuel level reaches or is less than the level on the fuel gauge as shown, when approximately 34 ℓ (9 US gal, 7 1/2 Imp gal) of fuel is drained from a full fuel tank.
3. Open the fuel filler cap to release the pressure inside the fuel tank.
 4. Release fuel pressure from fuel line. Refer to [EC-182. "Work Procedure"](#) (QR25DE), [EC-687. "Work Procedure"](#) (VQ35DE).
 5. Remove rear seat cushion. Refer to [SE-36. "Removal and Installation - Seat Assembly"](#).
 6. Turn the four retainers (A) 90° in a clockwise direction and remove the fuel pump inspection hole cover.

↶ :Front



7. Disconnect the fuel level sensor, fuel filter, and fuel pump assembly harness connector (C), EVAP hose quick connector (A), and fuel feed hose (B) quick connector.

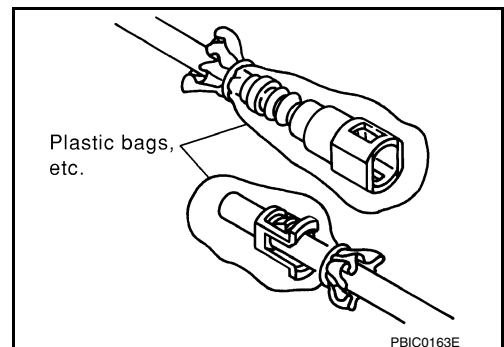
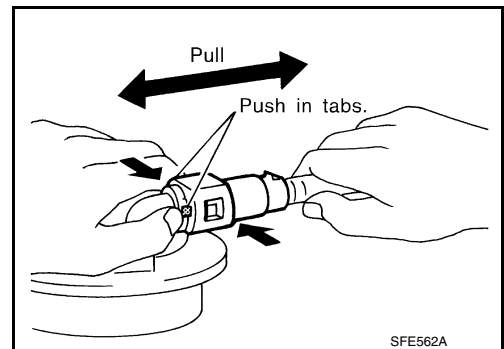
↶ :Front



- a. Disconnect the quick connectors as follows:
 - Hold the sides of the connector, push in tabs and pull out the tube.
 - If the connector and the tube are stuck together, push and pull several times until they start to move. Then disconnect them by pulling.

CAUTION:

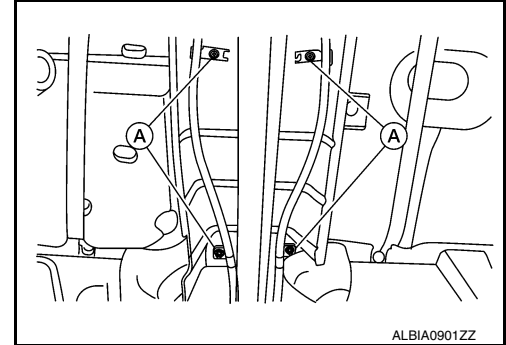
- The tube can be removed when the tabs are completely depressed. Do not twist it more than necessary.
- Do not use any tools to remove the quick connector.
- Keep the resin tube away from heat. Be especially careful when welding near the tube.
- Prevent acid liquid such as battery electrolyte, from getting on the resin tube.
- Do not bend or twist the tube during installation and removal.
- Only when the tube is replaced, remove the remaining retainer on the tube or fuel level sensor, fuel filter, and fuel pump assembly.
- When the tube or fuel level sensor, fuel filter, and fuel pump assembly is replaced, also replace the retainer with a new one (green colored retainer).
- To keep the connecting portion clean and to avoid damage and foreign materials, cover them completely with plastic bags or something similar.



FUEL TANK

< REMOVAL AND INSTALLATION >

8. Remove rear wheel and tire using power tool. Refer to [WT-55, "Adjustment"](#).
9. Remove rear brake pads. Refer to [BR-38, "BRAKE PAD : Removal and Installation"](#).
10. Remove rear torque members and rear disc brake rotor.
11. Disconnect rear parking brake shoe, and remove rear cables from toggle lever. Refer to [PB-9, "Removal and Installation"](#).
12. Disconnect the 4 park brake rear cable mounting nuts (A) and position the rear park brake cables aside.

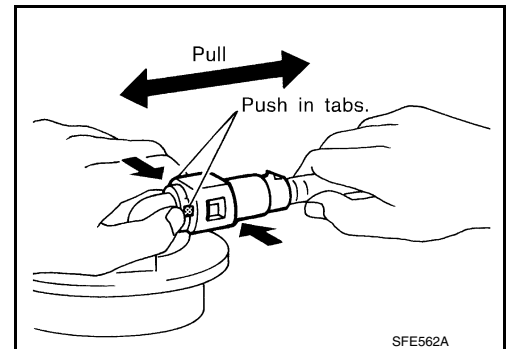


13. Remove the tunnel stay and center exhaust tube, without muffler(s). Refer to [EX-6, "Removal and Installation"](#) (QR25DE), [EX-11, "Removal and Installation"](#) (VQ35DE).
14. Remove the fuel tank protector.
15. Disconnect the fuel filler hose and the recirculation hose at the fuel tank side.
16. Disconnect the EVAP line at the canister.
17. Remove the EVAP canister filter bracket mounting bolt and position EVAP canister filter and EVAP canister filter mounting bracket aside.
18. Disconnect the fuel tank mounting straps while supporting the fuel tank with a suitable jack.
CAUTION:
Fuel tank may be in an unstable condition, due to the shape of the fuel tank bottom. Be sure to secure tank at all times.
19. Remove the fuel tank.
20. If replacing the fuel tank, remove the fuel level sensor, fuel filter and fuel pump assembly to transfer to the new fuel tank. Remove and discard the O-ring.
CAUTION:
 - Discard the O-ring. Do not reuse the O-ring.
 - Do not bend float arm during removal and installation.

INSTALLATION

Install in the reverse order of removal paying attention to the following.

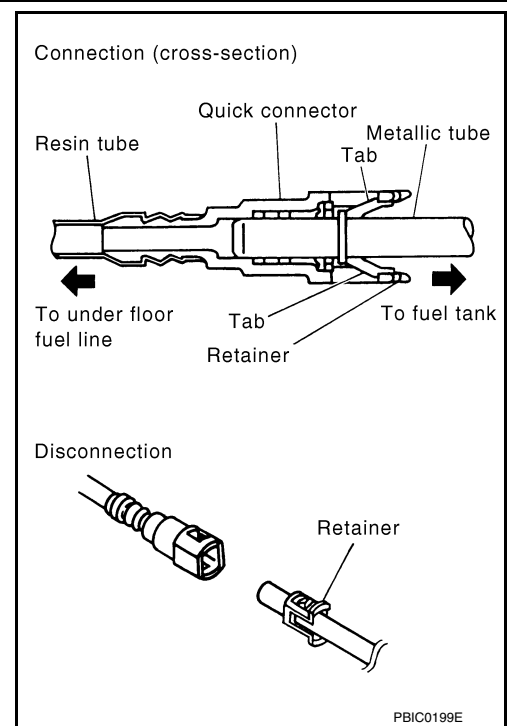
- Before tightening the fuel tank mounting straps, temporarily install the filler hose and the recirculation hose. Tighten all fuel tank mounting strap bolts to specification, then tighten the hose clamps.
- Connect the quick connector as follows:
 - Check the connection for damage or any foreign materials.
 - Align the connector with the tube, then insert the connector straight into the tube until a click is heard.
 - After the tube is connected, make sure the connection is secure by performing the following checks:
 - Pull on the tube and the connector to make sure they are securely connected.



FUEL TANK

< REMOVAL AND INSTALLATION >

- Visually confirm that the two retainer tabs are connected to the quick connector.



A
FL
C
D
E
F
G
H
I
J
K
L
M
N
O
P

CAUTION:
Do not reuse O-ring.

Inspection

INFOID:000000009460607

INSPECTION AFTER INSTALLATION

Use the following procedure to check for fuel leaks.

1. Turn ignition switch "ON" (with engine stopped), and check connections for leakage by applying fuel pressure to fuel piping.
2. Start engine, raise idle, and verify there are no fuel leaks at the fuel system connections.

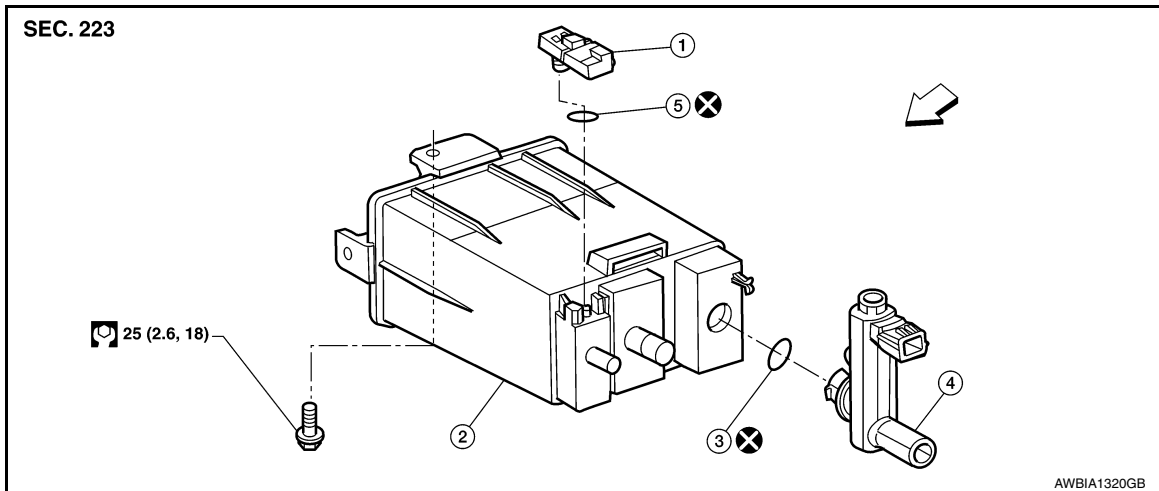
EVAP CANISTER

< REMOVAL AND INSTALLATION >

EVAP CANISTER

Exploded View

INFOID:000000009460608



- | | | |
|--|------------------|-----------|
| 1. EVAP control system pressure sensor | 2. EVAP canister | 3. O-ring |
| 4. EVAP canister vent control valve | 5. O-ring | ⇐ Front |

Removal and Installation

INFOID:000000009460609

NOTE:

The EVAP canister vent control valve and EVAP canister system pressure sensor can be removed without removing the EVAP canister.

REMOVAL

1. Remove the fuel tank. Refer to [FL-10. "Removal and Installation"](#).
2. Disconnect the EVAP control system pressure sensor connector.
3. Remove the EVAP control system pressure sensor and O-ring, if necessary.

CAUTION:

Discard the O-ring. Do not reuse O-ring.

4. Disconnect the EVAP canister purge hose.
5. Remove the EVAP canister bolt.
6. Disconnect the fuel tank EVAP breather hose.
7. Disconnect the EVAP canister vent control valve connector.
8. Disconnect the EVAP canister vent control valve hose.
9. Remove the EVAP canister.
10. Remove the EVAP canister vent control valve and O-ring, if necessary.

CAUTION:

Discard the O-ring. Do not reuse O-ring.

INSTALLATION

Installation is in the reverse order of removal.

CAUTION:

Do not reuse O-ring.

NOTE:

Tighten EVAP canister bolt to the specified torque.

EVAP CANISTER

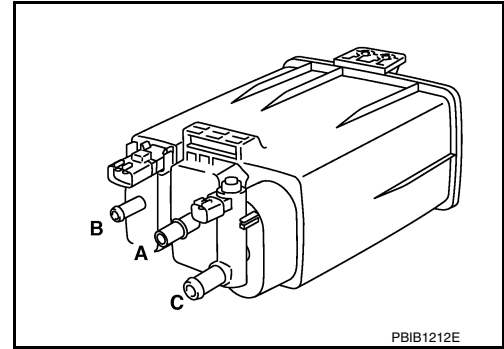
< REMOVAL AND INSTALLATION >

Inspection

INFOID:000000009460610

Check EVAP canister as follows:

1. Block port (B).
2. Blow air into port (A) and check that it flows freely out of port (C).
3. Release blocked port (B).
4. Apply vacuum pressure to port (B) and check that vacuum pressure exists at the ports (A) and (C).
5. Block port (A) and (B).
6. Apply pressure to port (C) and check that there is no leakage.



A

FL

C

D

E

F

G

H

I

J

K

L

M

N

O

P

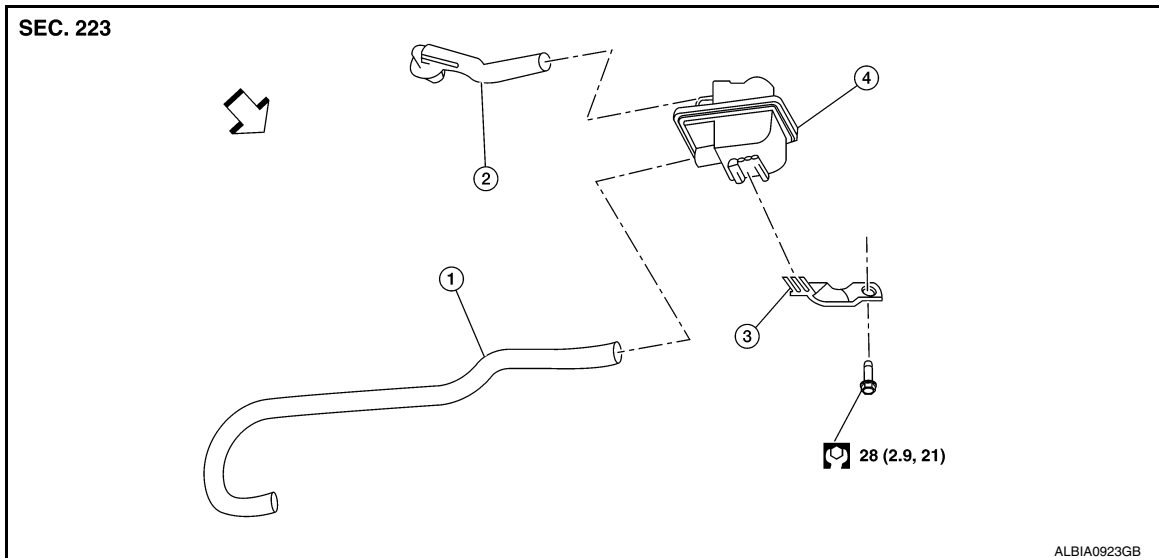
EVAP CANISTER FILTER

< REMOVAL AND INSTALLATION >

EVAP CANISTER FILTER

Exploded View

INFOID:000000009460611



- | | | |
|-------------------------|--------------|------------------------|
| 1. Canister drain hose | 2. EVAP hose | 3. EVAP filter bracket |
| 4. Evap canister filter | ⇐ Front | |

Removal and Installation

INFOID:000000009460612

REMOVAL

1. Disconnect EVAP hose from EVAP canister.
2. Remove the EVAP canister bolt and position EVAP canister aside.
3. Remove breather hoses from EVAP canister filter.
4. Remove EVAP canister filter.

INSTALLATION

Installation is in the reverse order of removal.

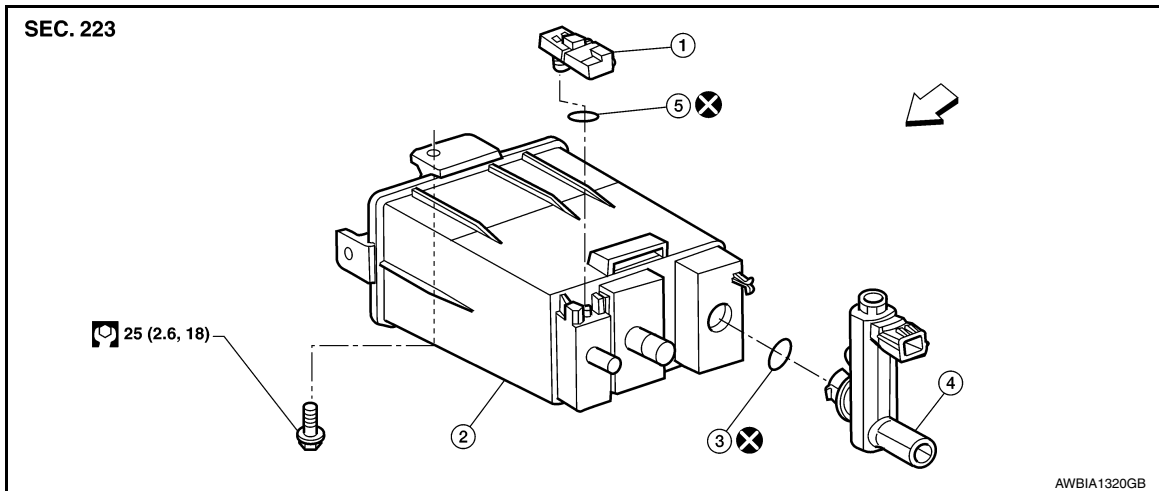
EVAP CANISTER VENT CONTROL VALVE

< REMOVAL AND INSTALLATION >

EVAP CANISTER VENT CONTROL VALVE

Exploded View

INFOID:000000009460613



- | | | |
|--|------------------|-----------|
| 1. EVAP control system pressure sensor | 2. EVAP canister | 3. O-ring |
| 4. EVAP canister vent control valve | 5. O-ring | |

Removal and Installation

INFOID:000000009460614

NOTE:

The EVAP canister vent control valve and EVAP canister system pressure sensor can be removed without removing the EVAP canister.

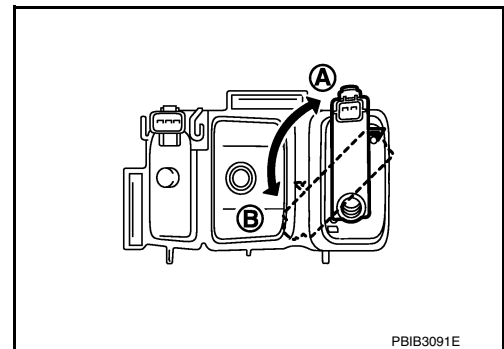
REMOVAL

1. Disconnect breather hose from EVAP canister.
2. Disconnect EVAP canister vent control valve.
3. Turn EVAP canister vent control valve counterclockwise.

- (A) : Lock
(B) : Unlock

4. Remove the EVAP canister vent control valve and O-ring.

CAUTION:
Discard the O-ring. Do not reuse O-ring.



INSTALLATION

Installation is in the reverse order of removal.

CAUTION:
Do not reuse O-ring.

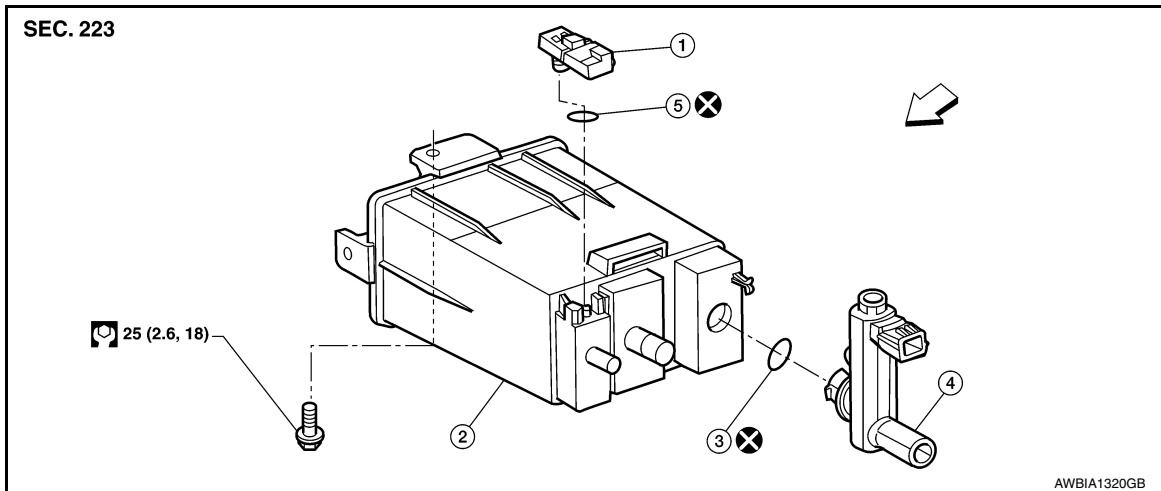
EVAP CONTROL SYSTEM PRESSURE SENSOR

< REMOVAL AND INSTALLATION >

EVAP CONTROL SYSTEM PRESSURE SENSOR

Exploded View

INFOID:000000009460615



- | | | |
|--|------------------|-----------|
| 1. EVAP control system pressure sensor | 2. EVAP canister | 3. O-ring |
| 4. EVAP canister vent control valve | 5. O-ring | |

Removal and Installation

INFOID:000000009460616

NOTE:

The EVAP canister vent control valve and EVAP canister system pressure sensor can be removed without removing the EVAP canister.

REMOVAL

1. Disconnect EVAP hose from EVAP canister.
2. Disconnect EVAP control system pressure sensor.
3. Remove EVAP control system pressure sensor and O-ring.

CAUTION:

Discard the O-ring. Do not reuse O-ring.

INSTALLATION

Installation is in the reverse order of removal.

CAUTION:

Do not reuse O-ring.

FUEL LEVEL SENSOR UNIT

< UNIT DISASSEMBLY AND ASSEMBLY >

UNIT DISASSEMBLY AND ASSEMBLY

FUEL LEVEL SENSOR UNIT

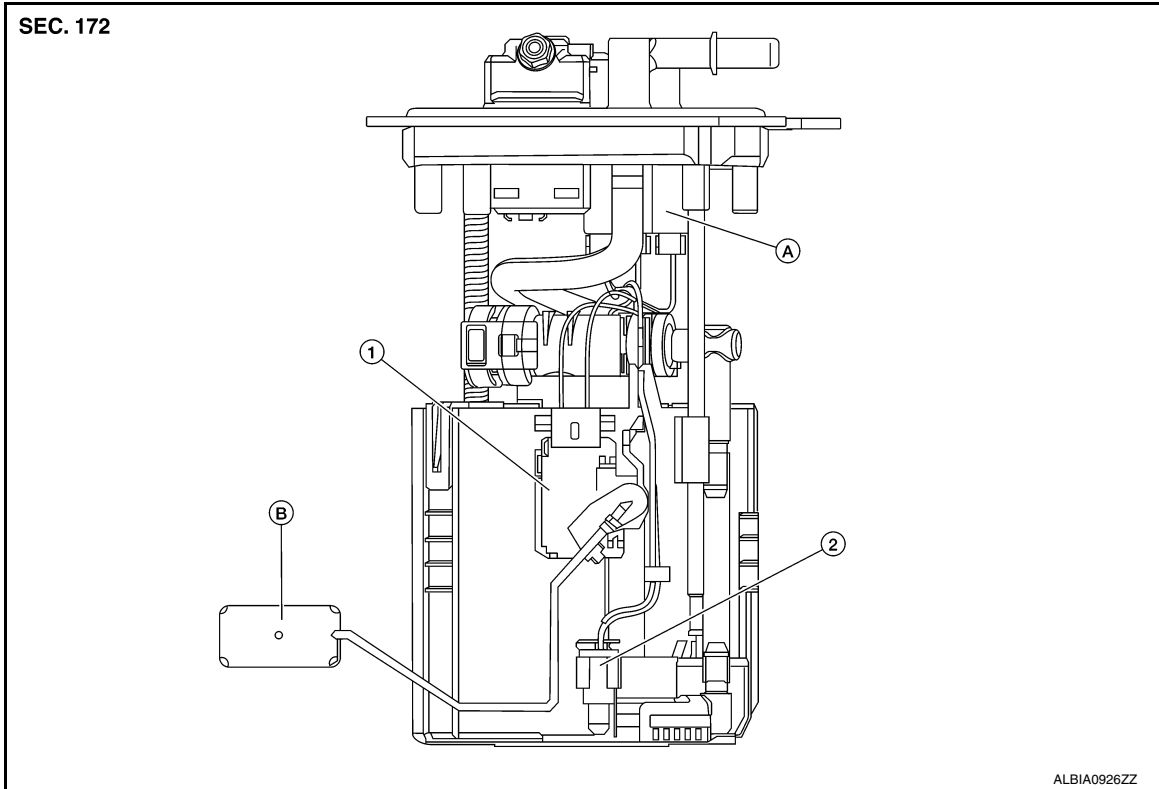
Disassembly and Assembly

INFOID:000000009460617

A

FL

Fuel Level Sensor Unit



1. Level sensor unit module 2. Fuel temperature sensor A. Harness connector
B. Float arm assembly

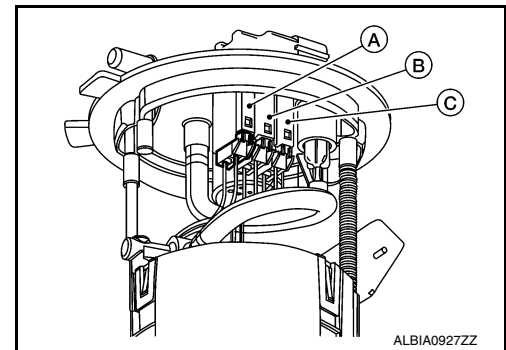
Disassembly

NOTE:

Before disassembly, note the proper placement of the wires to the correct terminals and correct wire routing to the terminals.

1. Disconnect the red, white (A) and double black connector (B).
 - Press the tabs on the terminals to release the locking tabs.

(C): Fuel pump harness connector



C

D

E

F

G

H

I

J

K

L

M

N

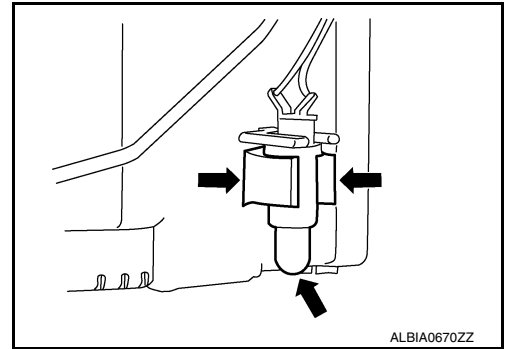
O

P

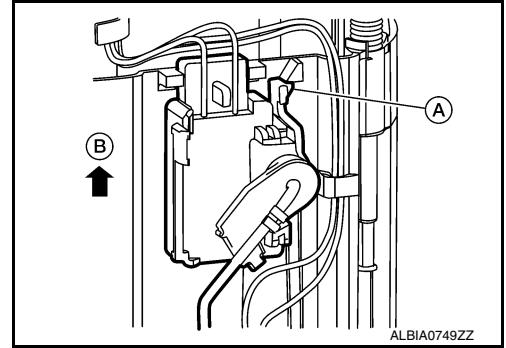
FUEL LEVEL SENSOR UNIT

< UNIT DISASSEMBLY AND ASSEMBLY >

2. Release the two clips and remove the fuel temperature sensor from the pump assembly.



3. Release the tab (A) and slide the level sensor unit module and float arm assembly (B) up to remove.



Assembly

Assembly is the reverse order of disassembly.

NOTE:

- Ensure proper placement of the wires to the correct terminals and correct wire routing to the terminals.
- After connecting terminals, ensure they are securely locked and can not be pulled out.
- When installing the level sensor unit, push down until the tab is locked into place.

SERVICE DATA AND SPECIFICATIONS (SDS)

< SERVICE DATA AND SPECIFICATIONS (SDS)

SERVICE DATA AND SPECIFICATIONS (SDS)

SERVICE DATA AND SPECIFICATIONS (SDS)

Fuel Tank

INFOID:000000009460618

A

FL

Standard and Limit

Fuel tank capacity	Approx. 68 ℓ (18 US gal, 15 Imp gal)
Fuel recommendation	Refer to MA-11, "FOR USA AND CANADA : Fluids and Lubricants" .

C

D

E

F

G

H

I

J

K

L

M

N

O

P