

SECTION **INT**  
INTERIOR

A  
B  
C  
D  
E  
F  
G  
H  
I  
INT  
K  
L  
M  
N  
O  
P

CONTENTS

<b>PRECAUTION</b> .....	3	FRONT PILLAR FINISHER : Removal and Installation .....	21
<b>PRECAUTIONS</b> .....	3	<b>FRONT KICKING PLATE</b> .....	21
Precaution for Supplemental Restraint System (SRS) "AIR BAG" and "SEAT BELT PRE-TENSIONER" .....	3	FRONT KICKING PLATE : Removal and Installation - Inner .....	21
Precaution for Work .....	3	FRONT KICKING PLATE : Removal and Installation - Outer .....	22
<b>PREPARATION</b> .....	4	<b>REAR KICKING PLATE</b> .....	22
<b>PREPARATION</b> .....	4	REAR KICKING PLATE : Removal and Installation - Inner .....	22
Special Service Tools .....	4	REAR KICKING PLATE : Removal and Installation - Outer .....	22
Commercial Service Tools .....	4	<b>BODY SIDE WELT</b> .....	23
<b>CLIP LIST</b> .....	5	BODY SIDE WELT : Removal and Installation - Front Body Side Welt .....	23
Descriptions for Clips .....	5	BODY SIDE WELT : Removal and Installation - Rear Body Side Welt .....	23
<b>SYMPTOM DIAGNOSIS</b> .....	9	<b>CENTER PILLAR LOWER FINISHER</b> .....	23
<b>SQUEAK AND RATTLE TROUBLE DIAGNOSES</b> .....	9	CENTER PILLAR LOWER FINISHER : Removal and Installation .....	23
Work Flow .....	9	<b>CENTER PILLAR UPPER FINISHER</b> .....	24
Generic Squeak and Rattle Troubleshooting .....	10	CENTER PILLAR UPPER FINISHER : Removal and Installation .....	24
Diagnostic Worksheet .....	13	<b>REAR PILLAR FINISHER</b> .....	25
<b>REMOVAL AND INSTALLATION</b> .....	15	REAR PILLAR FINISHER : Removal and Installation .....	25
<b>FRONT DOOR FINISHER</b> .....	15	<b>REAR PARCEL SHELF FINISHER</b> .....	26
Exploded View .....	15	Exploded View .....	26
Removal and Installation .....	15	Removal and Installation .....	26
<b>REAR DOOR FINISHER</b> .....	18	<b>FLOOR TRIM</b> .....	27
Exploded View .....	18	Exploded View .....	27
Removal and Installation .....	18	Removal and Installation .....	27
<b>BODY SIDE TRIM</b> .....	20	<b>HEADLINING</b> .....	29
Exploded View .....	20	Exploded View .....	29
<b>DASH SIDE FINISHER</b> .....	20		
DASH SIDE FINISHER : Removal and Installation .....	20		
<b>FRONT PILLAR FINISHER</b> .....	20		

Removal and Installation .....	30	<b>TRUNK SIDE FINISHER .....</b>	<b>34</b>
<b>TRUNK ROOM TRIM &amp; TRUNK LID FINISHER .....</b>	<b>33</b>	TRUNK SIDE FINISHER : Removal and Installation .....	34
Exploded View .....	33	<b>TRUNK CARGO NET .....</b>	<b>34</b>
<b>TRUNK LID FINISHER .....</b>	<b>33</b>	TRUNK CARGO NET : Removal and Installation...	34
TRUNK LID FINISHER : Removal and Installation..	33	<b>TRUNK REAR FINISHER .....</b>	<b>35</b>
<b>TRUNK FLOOR CARPET .....</b>	<b>33</b>	TRUNK REAR FINISHER : Removal and Installation .....	35
TRUNK FLOOR CARPET : Removal and Installation .....	33		

# PRECAUTIONS

< PRECAUTION >

## PRECAUTION

### PRECAUTIONS

#### Precaution for Supplemental Restraint System (SRS) "AIR BAG" and "SEAT BELT PRE-TENSIONER"

INFOID:000000009951557

The Supplemental Restraint System such as "AIR BAG" and "SEAT BELT PRE-TENSIONER", used along with a front seat belt, helps to reduce the risk or severity of injury to the driver and front passenger for certain types of collision. Information necessary to service the system safely is included in the SR and SB section of this Service Manual.

#### **WARNING:**

- To avoid rendering the SRS inoperative, which could increase the risk of personal injury or death in the event of a collision which would result in air bag inflation, all maintenance must be performed by an authorized NISSAN/INFINITI dealer.
- Improper maintenance, including incorrect removal and installation of the SRS, can lead to personal injury caused by unintentional activation of the system. For removal of Spiral Cable and Air Bag Module, see the SR section.
- Do not use electrical test equipment on any circuit related to the SRS unless instructed to in this Service Manual. SRS wiring harnesses can be identified by yellow and/or orange harnesses or harness connectors.

#### PRECAUTIONS WHEN USING POWER TOOLS (AIR OR ELECTRIC) AND HAMMERS

#### **WARNING:**

- When working near the Airbag Diagnosis Sensor Unit or other Airbag System sensors with the Ignition ON or engine running, DO NOT use air or electric power tools or strike near the sensor(s) with a hammer. Heavy vibration could activate the sensor(s) and deploy the air bag(s), possibly causing serious injury.
- When using air or electric power tools or hammers, always switch the Ignition OFF, disconnect the battery and wait at least three minutes before performing any service.

#### Precaution for Work

INFOID:000000009461335

- When removing or disassembling each component, be careful not to damage or deform it. If a component may be subject to interference, be sure to protect it with a shop cloth.
- When removing (disengaging) components with a screwdriver or similar tool, be sure to wrap the component with a shop cloth or vinyl tape to protect it.
- Protect the removed parts with a shop cloth and prevent them from being dropped.
- Replace a deformed or damaged clip.
- If a part is specified as a non-reusable part, always replace it with a new one.
- Be sure to tighten bolts and nuts securely to the specified torque.
- After installation is complete, be sure to check that each part works properly.
- Follow the steps below to clean components:
  - Water soluble dirt:
    - Dip a soft cloth into lukewarm water, wring the water out of the cloth and wipe the dirty area.
    - Then rub with a soft, dry cloth.
  - Oily dirt:
    - Dip a soft cloth into lukewarm water with mild detergent (concentration: within 2 to 3%) and wipe the dirty area.
    - Then dip a cloth into fresh water, wring the water out of the cloth and wipe the detergent off.
    - Then rub with a soft, dry cloth.
  - Do not use organic solvent such as thinner, benzene, alcohol or gasoline.
  - For genuine leather seats, use a genuine leather seat cleaner.

# PREPARATION

< PREPARATION >

## PREPARATION

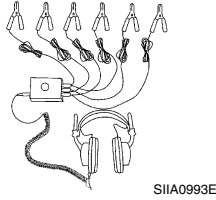
### PREPARATION

#### Special Service Tools

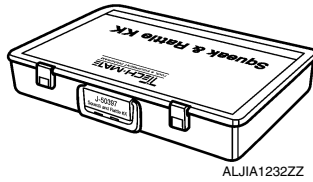
INFOID:000000009461336

The actual shapes of the tools may differ from those illustrated here.

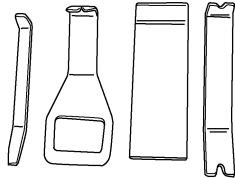
Tool number (TechMate No.) Tool name	Description
— (J-39570) Chassis Ear	Locating the noise
— (J-50397) NISSAN Squeak and Rattle Kit	Repairing the cause of noise
— (J-46534) Trim Tool Set	Removing trim components



SIIA0993E



ALJIA1232ZZ

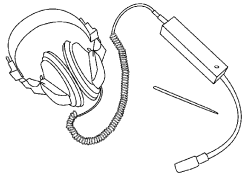


AWJIA0483ZZ

#### Commercial Service Tools

INFOID:000000009461337

(TechMate No.) Tool name	Description
(J-39565) Engine Ear	Locating the noise
Power tool	Loosening nuts, screws and bolts



SIIA0995E



PIIB1407E

# CLIP LIST


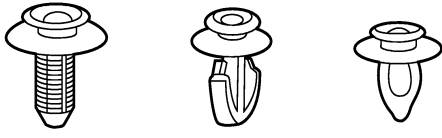


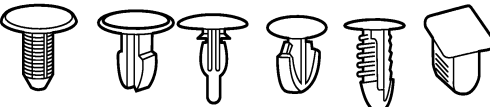
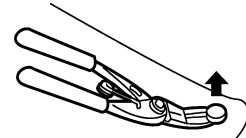

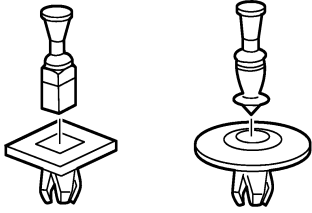
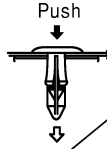
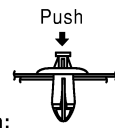

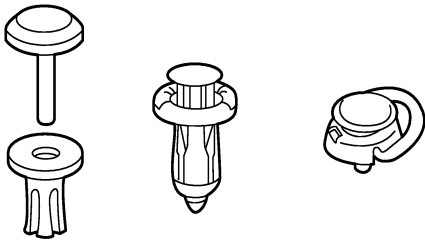


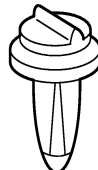
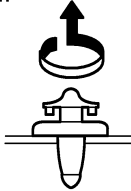
< PREPARATION >

## CLIP LIST

### Descriptions for Clips

INFOID:000000009461338

Replace any clips which are damaged during removal or installation.


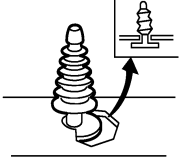
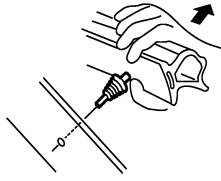

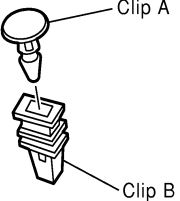
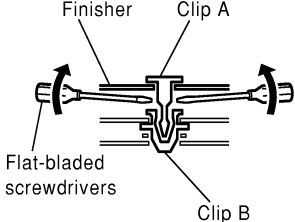

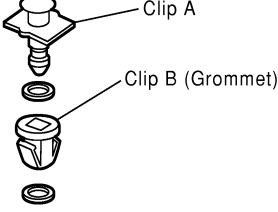
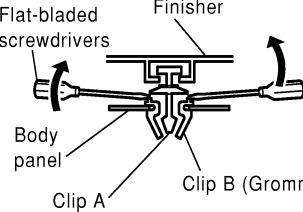
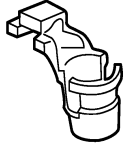
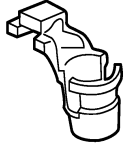
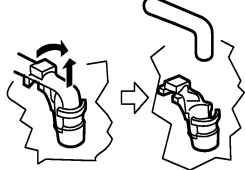

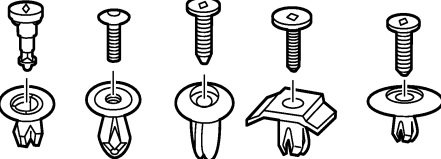

Symbol No.	Shapes	Removal & Installation
C101 		<p><b>Removal:</b> Remove by bending up with flat-bladed screwdrivers or clip remover.</p> 
C103 		 <p><b>Removal:</b> Remove with a clip remover.</p>
C203 		<p><b>Removal:</b> Push center pin to catching position. (Do not remove center pin by hitting it.)</p> <p>Push</p>  <p><b>Installation:</b></p> <p>Push</p> 
C205 		<p><b>Removal:</b> Flat-bladed screwdriver</p>  <p>Clip</p> <p>Finisher</p>
C206 		<p><b>Removal:</b></p> 

SIIA0315E

A  
B  
C  
D  
E  
F  
G  
H  
I  
INT  
K  
L  
M  
N  
O  
P

# CLIP LIST


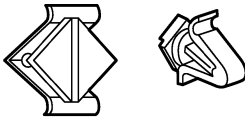

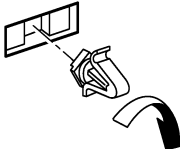

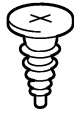



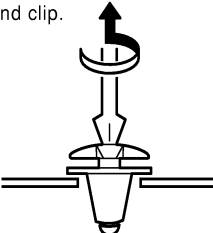


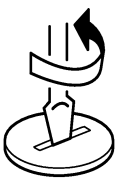
## < PREPARATION >

Symbol No.	Shapes	Removal & Installation
<p>CE103</p> 		<p><b>Removal:</b></p> 
<p>CF110</p> 		<p><b>Removal:</b></p> 
<p>CF118</p> 		<p><b>Removal:</b></p> 
<p>CR103</p> 		<p><b>Removal:</b> Holder portion of clip must be spread out to remove rod.</p> 
<p>CS101</p> 		<p><b>Removal:</b></p> <ol style="list-style-type: none"> <li>1. Screw out with a Phillips screwdriver.</li> <li>2. Remove female portion with flat-bladed screwdriver.</li> </ol> 

SIIA0316E

# CLIP LIST

< PREPARATION >


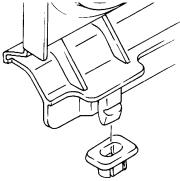
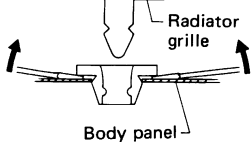

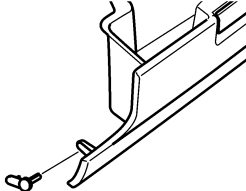
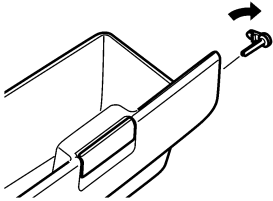

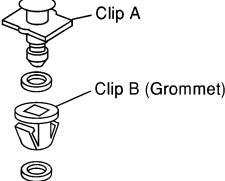
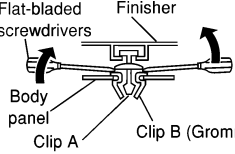
Symbol No.	Shapes	Removal & Installation	
CG101 		<b>Removal:</b>  Rotate 45° to remove	<b>Installation:</b> 
CS102 			
CS113 		<b>Removal:</b> Disconnect upper connection of clip with a flat-bladed screwdriver, then remove clip while inserting a flat-bladed screwdriver between body panel and clip. 	
C111 			

SIIA0317E

A  
B  
C  
D  
E  
F  
G  
H  
I  
INT  
K  
L  
M  
N  
O  
P

# CLIP LIST

< PREPARATION >

Symbol No.	Shapes	Removal & Installation
<p>CG104</p> 		<p><b>Removal:</b> Remove by bending up with flat-bladed screwdrivers.</p>  <p>Radiator grille Body panel</p>
<p>CE114</p> 		
<p>CF118</p> 	 <p>Clip A Clip B (Grommet)</p>	<p><b>Removal:</b> Flat-bladed screwdrivers Finisher</p>  <p>Body panel Clip A Clip B (Grommet)</p>

ALJIA0564GB



# SQUEAK AND RATTLE TROUBLE DIAGNOSES

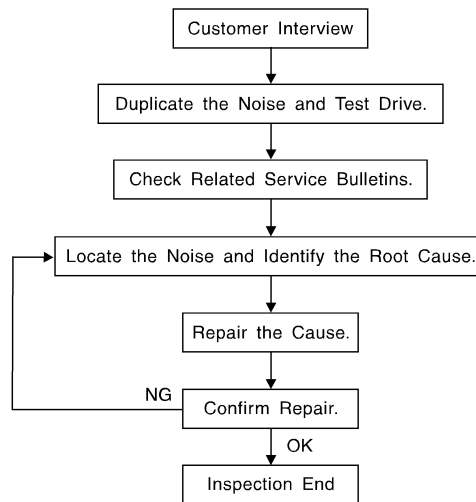
< SYMPTOM DIAGNOSIS >

## SYMPTOM DIAGNOSIS

### SQUEAK AND RATTLE TROUBLE DIAGNOSES

#### Work Flow

INFOID:000000009889897



SBT842

#### CUSTOMER INTERVIEW

Interview the customer if possible, to determine the conditions that exist when the noise occurs. Use the Diagnostic Worksheet during the interview to document the facts and conditions when the noise occurs and any customer's comments; refer to [INT-13. "Diagnostic Worksheet"](#). This information is necessary to duplicate the conditions that exist when the noise occurs.

- The customer may not be able to provide a detailed description or the location of the noise. Attempt to obtain all the facts and conditions that exist when the noise occurs (or does not occur).
- If there is more than one noise in the vehicle, be sure to diagnose and repair the noise that the customer is concerned about. This can be accomplished by test driving the vehicle with the customer.
- After identifying the type of noise, isolate the noise in terms of its characteristics. The noise characteristics are provided so the customer, service adviser and technician are all speaking the same language when defining the noise.
- Squeak —(Like tennis shoes on a clean floor)  
Squeak characteristics include the light contact/fast movement/brought on by road conditions/hard surfaces = higher pitch noise/softer surfaces = lower pitch noises/edge to surface = chirping.
- Creak—(Like walking on an old wooden floor)  
Creak characteristics include firm contact/slow movement/twisting with a rotational movement/pitch dependent on materials/often brought on by activity.
- Rattle—(Like shaking a baby rattle)  
Rattle characteristics include the fast repeated contact/vibration or similar movement/loose parts/missing clip or fastener/incorrect clearance.
- Knock —(Like a knock on a door)  
Knock characteristics include hollow sounding/sometimes repeating/often brought on by driver action.
- Tick—(Like a clock second hand)  
Tick characteristics include gentle contacting of light materials/loose components/can be caused by driver action or road conditions.
- Thump—(Heavy, muffled knock noise)  
Thump characteristics include softer knock/dead sound often brought on by activity.
- Buzz—(Like a bumble bee)  
Buzz characteristics include high frequency rattle/firm contact.
- Often the degree of acceptable noise level will vary depending upon the person. A noise that you may judge as acceptable may be very irritating to the customer.
- Weather conditions, especially humidity and temperature, may have a great effect on noise level.

#### DUPLICATE THE NOISE AND TEST DRIVE

# SQUEAK AND RATTLE TROUBLE DIAGNOSES

## < SYMPTOM DIAGNOSIS >

If possible, drive the vehicle with the customer until the noise is duplicated. Note any additional information on the Diagnostic Worksheet regarding the conditions or location of the noise. This information can be used to duplicate the same conditions when you confirm the repair.

If the noise can be duplicated easily during the test drive, to help identify the source of the noise, try to duplicate the noise with the vehicle stopped by doing one or all of the following:

- 1) Close a door.
  - 2) Tap or push/pull around the area where the noise appears to be coming from.
  - 3) Rev the engine.
  - 4) Use a floor jack to recreate vehicle "twist".
  - 5) At idle, apply engine load (electrical load, half-clutch on M/T model, drive position on CVT and A/T models).
  - 6) Raise the vehicle on a hoist and hit a tire with a rubber hammer.
- Drive the vehicle and attempt to duplicate the conditions the customer states exist when the noise occurs.
  - If it is difficult to duplicate the noise, drive the vehicle slowly on an undulating or rough road to stress the vehicle body.

## CHECK RELATED SERVICE BULLETINS

After verifying the customer concern or symptom, check ASIST for Technical Service Bulletins (TSBs) related to that concern or symptom.

If a TSB relates to the symptom, follow the procedure to repair the noise.

## LOCATE THE NOISE AND IDENTIFY THE ROOT CAUSE

1. Narrow down the noise to a general area. To help pinpoint the source of the noise, use a listening tool (Chassis Ear: J-39570, Engine Ear: J-39565 and mechanic's stethoscope).
2. Narrow down the noise to a more specific area and identify the cause of the noise by:
  - removing the components in the area that you suspect the noise is coming from.  
Do not use too much force when removing clips and fasteners, otherwise clips and fasteners can be broken or lost during the repair, resulting in the creation of new noise.
  - tapping or pushing/pulling the component that you suspect is causing the noise.  
Do not tap or push/pull the component with excessive force, otherwise the noise will be eliminated only temporarily.
  - feeling for a vibration with your hand by touching the component(s) that you suspect is (are) causing the noise.
  - placing a piece of paper between components that you suspect are causing the noise.
  - looking for loose components and contact marks.  
Refer to [INT-10. "Generic Squeak and Rattle Troubleshooting"](#).

## REPAIR THE CAUSE

- If the cause is a loose component, tighten the component securely.
- If the cause is insufficient clearance between components:
  - separate components by repositioning or loosening and retightening the component, if possible.
  - insulate components with a suitable insulator such as urethane pads, foam blocks, felt cloth tape or urethane tape. A NISSAN Squeak and Rattle Kit (J-50397) is available through your authorized NISSAN Parts Department.

### **CAUTION:**

**Do not use excessive force as many components are constructed of plastic and may be damaged.**

### **NOTE:**

- Always check with the Parts Department for the latest parts information.
- The materials contained in the NISSAN Squeak and Rattle Kit (J-50397) are listed on the inside cover of the kit; and can each be ordered separately as needed.
- The following materials not found in the kit can also be used to repair squeaks and rattles.
  - SILICONE GREASE: Use instead of UHMW tape that will be visible or does not fit. The silicone grease will only last a few months.
  - SILICONE SPRAY: Use when grease cannot be applied.
  - DUCT TAPE: Use to eliminate movement.

## CONFIRM THE REPAIR

Confirm that the cause of a noise is repaired by test driving the vehicle. Operate the vehicle under the same conditions as when the noise originally occurred. Refer to the notes on the Diagnostic Worksheet.

## Generic Squeak and Rattle Troubleshooting

INFOID:000000009889898

Refer to Table of Contents for specific component removal and installation information.

# SQUEAK AND RATTLE TROUBLE DIAGNOSES

## < SYMPTOM DIAGNOSIS >

### INSTRUMENT PANEL

Most incidents are caused by contact and movement between:

1. Cluster lid A and the instrument panel
2. Acrylic lens and combination meter housing
3. Instrument panel to front pillar finisher
4. Instrument panel to windshield
5. Instrument panel pins
6. Wiring harnesses behind the combination meter
7. A/C defroster duct and duct joint

These incidents can usually be located by tapping or moving the components to duplicate the noise or by pressing on the components while driving to stop the noise. Most of these incidents can be repaired by applying felt cloth tape or silicone spray (in hard to reach areas). Urethane pads can be used to insulate wiring harness.

#### **CAUTION:**

**Do not use silicone spray to isolate a squeak or rattle. If you saturate the area with silicone, you will not be able to recheck the repair.**

### CENTER CONSOLE

Components to pay attention to include:

1. Shift selector assembly cover to finisher
2. A/C control unit and cluster lid C
3. Wiring harnesses behind audio and A/C control unit

The instrument panel repair and isolation procedures also apply to the center console.

### DOORS

Pay attention to the:

1. Finisher and inner panel making a slapping noise
2. Inside handle escutcheon to door finisher
3. Wiring harnesses tapping
4. Door striker out of alignment causing a popping noise on starts and stops

Tapping or moving the components or pressing on them while driving to duplicate the conditions can isolate many of these incidents. You can usually insulate the areas with felt cloth tape or insulator foam blocks from the NISSAN Squeak and Rattle Kit (J-50397) to repair the noise.

### TRUNK

Trunk noises are often caused by a loose jack or loose items put into the trunk by the owner.

In addition look for:

1. Trunk lid bumpers out of adjustment
2. Trunk lid striker out of adjustment
3. The trunk lid torsion bars knocking together
4. A loose license plate or bracket

Most of these incidents can be repaired by adjusting, securing or insulating the item(s) or component(s) causing the noise.

### SUNROOF/HEADLINING

Noises in the sunroof/headlining area can often be traced to one of the following:

1. Sunroof lid, rail, linkage or seals making a rattle or light knocking noise
2. Sun visor shaft shaking in the holder
3. Front or rear windshield touching headlining and squeaking

Again, pressing on the components to stop the noise while duplicating the conditions can isolate most of these incidents. Repairs usually consist of insulating with felt cloth tape.

### OVERHEAD CONSOLE (FRONT AND REAR)

Overhead console noises are often caused by the console panel clips not being engaged correctly. Most of these incidents are repaired by pushing up on the console at the clip locations until the clips engage.

In addition look for:

A

B

C

D

E

F

G

H

I

INT

K

L

M

N

O

P

# SQUEAK AND RATTLE TROUBLE DIAGNOSES

## < SYMPTOM DIAGNOSIS >

---

1. Loose harness or harness connectors.
2. Front console map/reading lamp lens loose.
3. Loose screws at console attachment points.

### SEATS

When isolating seat noise it's important to note the position the seat is in and the load placed on the seat when the noise is present. These conditions should be duplicated when verifying and isolating the cause of the noise.

Cause of seat noise include:

1. Headrest rods and holder
2. A squeak between the seat pad cushion and frame
3. The rear seatback lock and bracket

These noises can be isolated by moving or pressing on the suspected components while duplicating the conditions under which the noise occurs. Most of these incidents can be repaired by repositioning the component or applying urethane tape to the contact area.

### UNDERHOOD

Some interior noise may be caused by components under the hood or on the engine wall. The noise is then transmitted into the passenger compartment.

Causes of transmitted underhood noise include:

1. Any component installed to the engine wall
2. Components that pass through the engine wall
3. Engine wall mounts and connectors
4. Loose radiator installation pins
5. Hood bumpers out of adjustment
6. Hood striker out of adjustment

These noises can be difficult to isolate since they cannot be reached from the interior of the vehicle. The best method is to secure, move or insulate one component at a time and test drive the vehicle. Also, engine rpm or load can be changed to isolate the noise. Repairs can usually be made by moving, adjusting, securing, or insulating the component causing the noise.

# SQUEAK AND RATTLE TROUBLE DIAGNOSES

< SYMPTOM DIAGNOSIS >

## Diagnostic Worksheet

INFOID:000000009889899

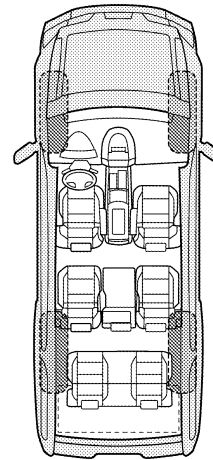
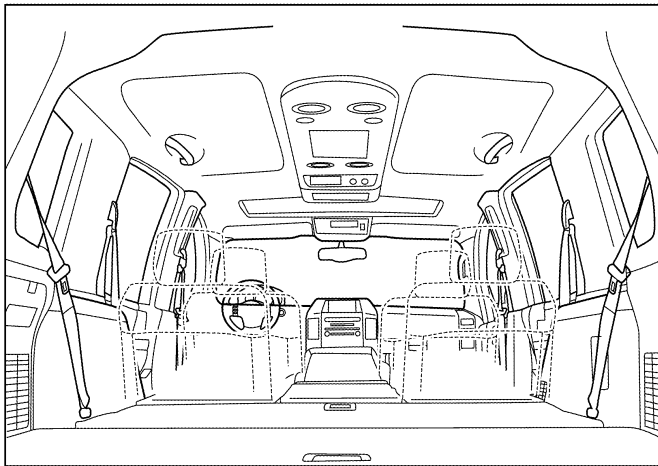
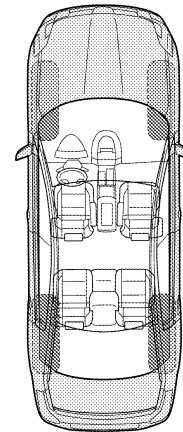
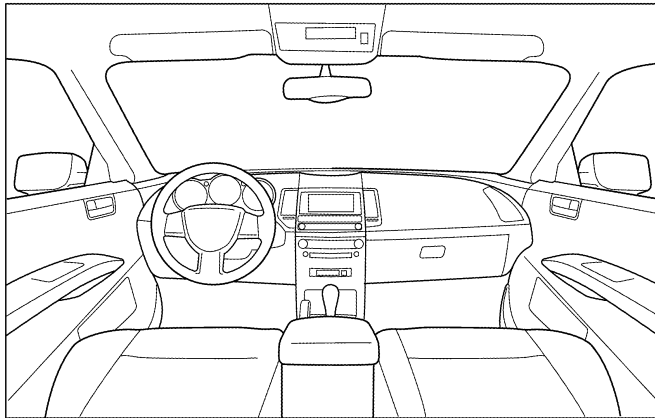
Dear Customer:

We are concerned about your satisfaction with your vehicle. Repairing a squeak or rattle sometimes can be very difficult. To help us fix your vehicle right the first time, please take a moment to note the area of the vehicle where the squeak or rattle occurs and under what conditions. You may be asked to take a test drive with a service advisor or technician to ensure we confirm the noise you are hearing.

### SQUEAK & RATTLE DIAGNOSTIC WORKSHEET

#### I. WHERE DOES THE NOISE COME FROM? (circle the area of the vehicle)

The illustrations are for reference only, and may not reflect the actual configuration of your vehicle.



Continue to page 2 of the worksheet and briefly describe the location of the noise or rattle. In addition, please indicate the conditions which are present when the noise occurs.

A  
B  
C  
D  
E  
F  
G  
H  
I  
INT  
K  
L  
M  
N  
O  
P

# SQUEAK AND RATTLE TROUBLE DIAGNOSES

< SYMPTOM DIAGNOSIS >

## SQUEAK & RATTLE DIAGNOSTIC WORKSHEET - page 2

Briefly describe the location where the noise occurs:

\_\_\_\_\_

\_\_\_\_\_

### II. WHEN DOES IT OCCUR? (please check the boxes that apply)

- |   |  |
|---|--|
| <input type="checkbox"/> Anytime                      | <input type="checkbox"/> After sitting out in the rain |
| <input type="checkbox"/> 1st time in the morning      | <input type="checkbox"/> When it is raining or wet     |
| <input type="checkbox"/> Only when it is cold outside | <input type="checkbox"/> Dry or dusty conditions       |
| <input type="checkbox"/> Only when it is hot outside  | <input type="checkbox"/> Other:                        |

### III. WHEN DRIVING:

- Through driveways
- Over rough roads
- Over speed bumps
- Only about \_\_\_\_ mph
- On acceleration
- Coming to a stop
- On turns: left, right or either (circle)
- With passengers or cargo
- Other: \_\_\_\_\_
- After driving \_\_\_\_ miles or \_\_\_\_ minutes

### IV. WHAT TYPE OF NOISE

- Squeak (like tennis shoes on a clean floor)
- Creak (like walking on an old wooden floor)
- Rattle (like shaking a baby rattle)
- Knock (like a knock at the door)
- Tick (like a clock second hand)
- Thump (heavy muffled knock noise)
- Buzz (like a bumble bee)

### TO BE COMPLETED BY DEALERSHIP PERSONNEL

Test Drive Notes:

\_\_\_\_\_

\_\_\_\_\_

\_\_\_\_\_

	YES	NO	Initials of person performing
Vehicle test driven with customer	<input type="checkbox"/>	<input type="checkbox"/>	_____
- Noise verified on test drive	<input type="checkbox"/>	<input type="checkbox"/>	_____
- Noise source located and repaired	<input type="checkbox"/>	<input type="checkbox"/>	_____
- Follow up test drive performed to confirm repair	<input type="checkbox"/>	<input type="checkbox"/>	_____

VIN: \_\_\_\_\_ Customer Name \_\_\_\_\_

W.O.# \_\_\_\_\_ Date: \_\_\_\_\_

This form must be attached to Work Order

LAI0071E

# FRONT DOOR FINISHER

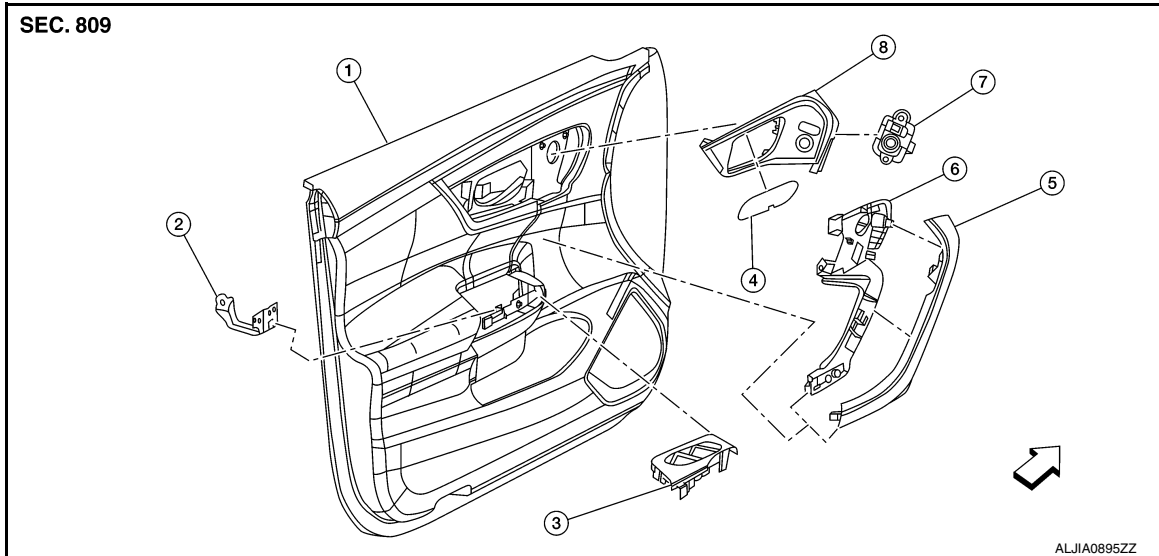
< REMOVAL AND INSTALLATION >

## REMOVAL AND INSTALLATION

### FRONT DOOR FINISHER

Exploded View

INFOID:000000009461342



- |                                      |  |   |
|--------------------------------------|--|---|
| 1. Front door finisher               | 2. Front door finisher bracket           | 3. Main power window and door lock/<br>unlock switch finisher |
| 4. Inside door handle escutcheon     | 5. Front door pull handle outer finisher | 6. Front door pull handle inner finisher                      |
| 7. Door mirror remote control switch | 8. Inside door handle finisher           | ← Front   |

#### NOTE:

LH side shown; RH side similar.

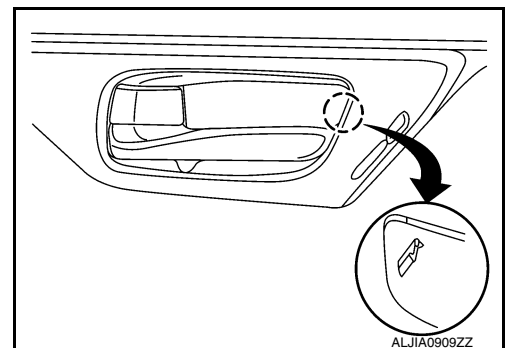
### Removal and Installation

INFOID:000000009461343

#### REMOVAL

1. Remove the inside door handle escutcheon.
  - a. Release the inside door handle escutcheon by pushing down on the pawl shown with a suitable tool.

○: Pawl



# FRONT DOOR FINISHER

## < REMOVAL AND INSTALLATION >

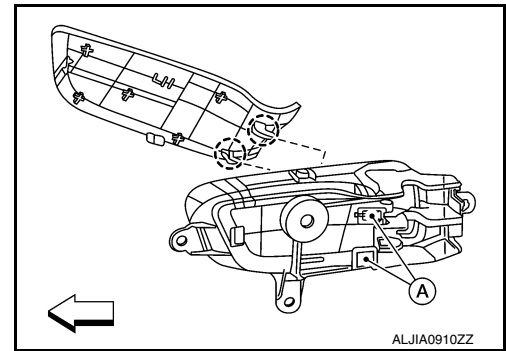
- b. Remove the inside door handle escutcheon by sliding the remaining pawls forward out of the inside door handle cap insertion point (A).

○: Pawl

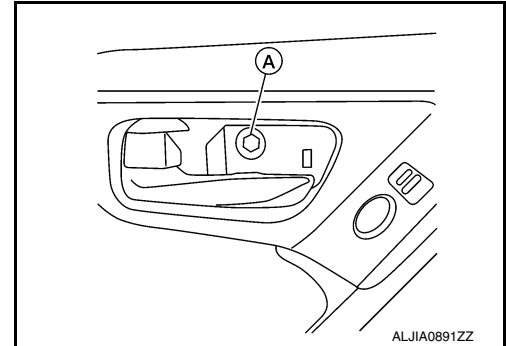
←: Front

**CAUTION:**

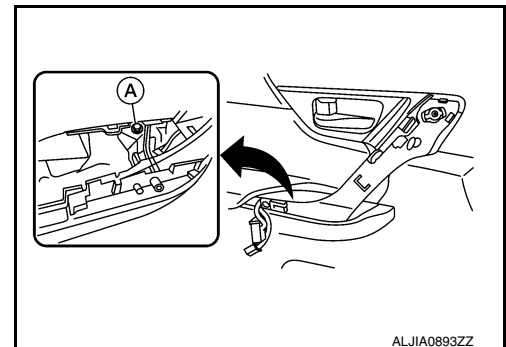
**Do not reuse inside door handle escutcheon. Replace with new part after removal.**



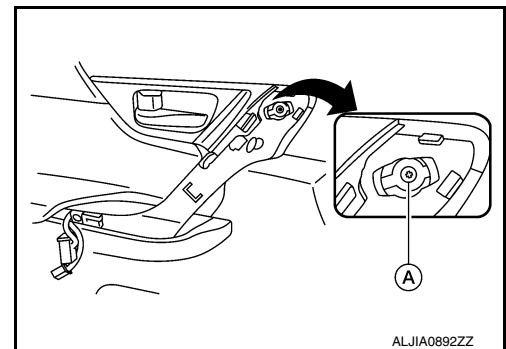
2. Remove the inside door handle bolt (A).



3. Remove the main power window and door lock/unlock switch (LH). Refer to [PWC-142, "Removal and Installation"](#).
4. Remove the power window and door lock/unlock switch (RH). Refer to [PWC-143, "Removal and Installation"](#).
5. Remove the armrest cover bolt (A).



6. Remove the front door pull handle bolt (A).



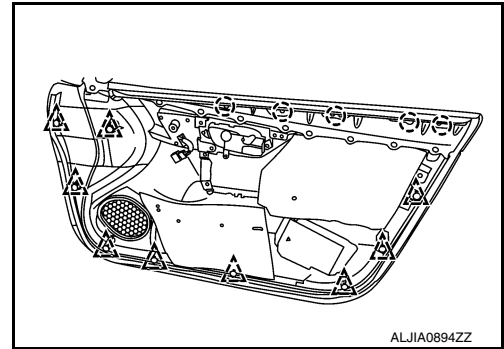


# FRONT DOOR FINISHER

## < REMOVAL AND INSTALLATION >

7. Release the front door finisher clips and pawls using a suitable tool.

- △: Clip
- : Pawl



8. Disconnect the door lock/unlock and inside door handle cable from the front door finisher.
9. Disconnect the harness connector from the front door finisher.
10. Release the inside door handle finisher using a suitable tool.
11. Remove the front door finisher.
12. Remove the inside door handle screws, release the pawls and remove the inside door handle (if necessary).
13. Remove the screws and the inside door handle finisher (if necessary).

## INSTALLATION

Installation is in the reverse order of removal.

### **CAUTION:**

- Do not reuse inside door handle escutcheon. Replace with new part after removal.
- Visually check the clips and pawls for deformation and damage during installation. Replace with new ones if necessary.
- When installing the front door finisher, check that the clips and pawls are securely placed in the body panel holes.

A  
B  
C  
D  
E  
F  
G  
H  
I  
K  
L  
M  
N  
O  
P

INT

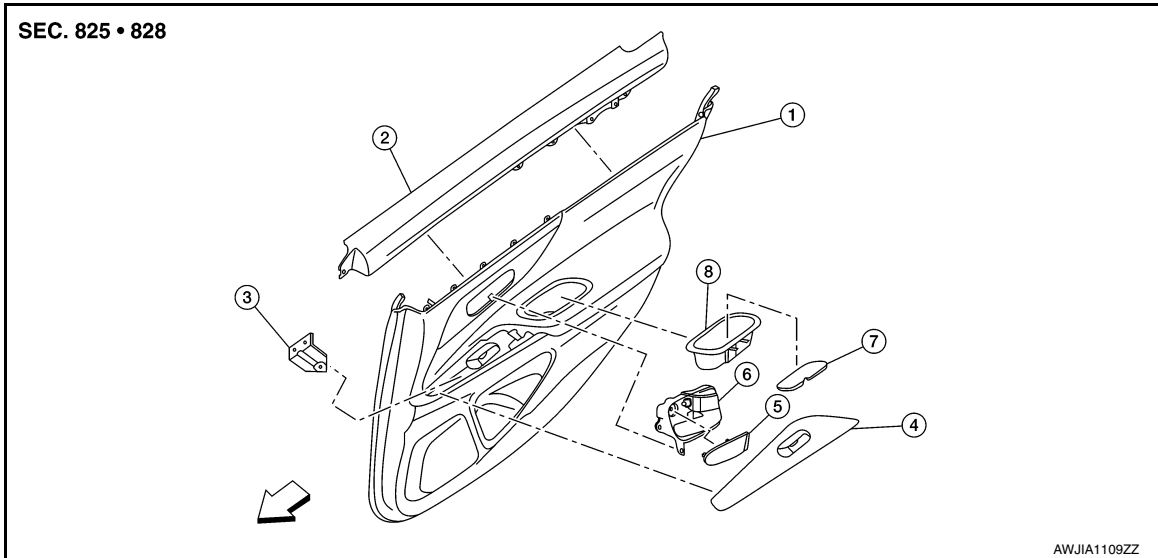
# REAR DOOR FINISHER

< REMOVAL AND INSTALLATION >

## REAR DOOR FINISHER

Exploded View

INFOID:000000009461344



- |                                      |                                  |                               |
|--------------------------------------|----------------------------------|-------------------------------|
| 1. Rear door finisher                | 2. Rear door upper finisher      | 3. Rear door finisher bracket |
| 4. Rear power window switch finisher | 5. Inside door handle escutcheon | 6. Inside door handle         |
| 7. Rear door tray escutcheon         | 8. Rear door tray                | ← Front                       |

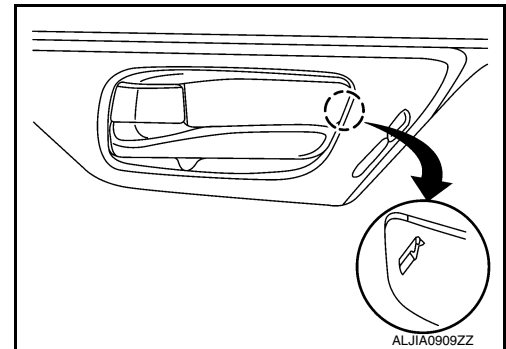
## Removal and Installation

INFOID:000000009461345

### REMOVAL

1. Remove the inside door handle escutcheon.
  - a. Release the inside door handle escutcheon by pushing down on the pawl shown with a suitable tool.

○: Pawl



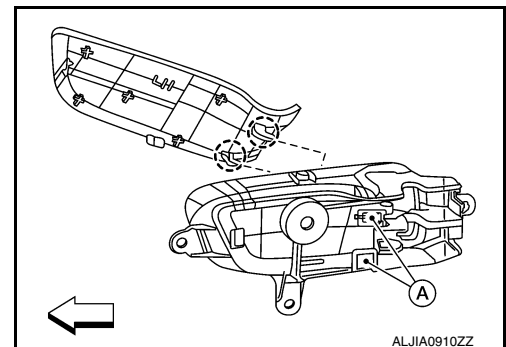
- b. Remove the inside door handle escutcheon by sliding the remaining pawls forward out of the inside door handle cap insertion point (A).

○: Pawl

←: Front

**CAUTION:**

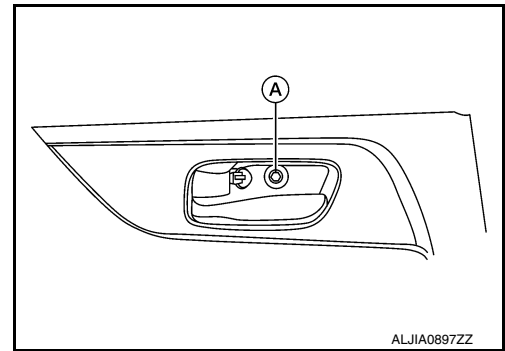
**Do not reuse inside door handle escutcheon. Replace with new part after removal.**



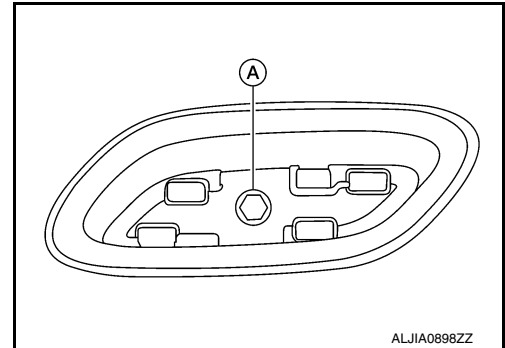
## REAR DOOR FINISHER

### < REMOVAL AND INSTALLATION >

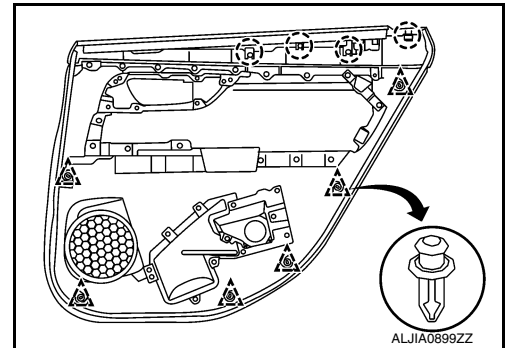
2. Remove the inside door handle bolt (A).



3. Remove the rear door tray escutcheon using a suitable tool.
4. Remove the rear door tray bolt (A).



5. Remove the rear power window switch finisher. Refer to [PWC-144. "Removal and Installation"](#).
6. Release the rear door finisher clips and pawls using a suitable tool.



7. Disconnect the door lock/unlock and inside door handle cable from the rear door finisher.
8. Disconnect the harness connectors from the rear door finisher.
9. Remove the rear door finisher.

### INSTALLATION

Installation is in the reverse order of removal.

#### **CAUTION:**

- Do not reuse inside door handle escutcheon. Replace with new part after removal.
- Visually check the clips and pawls for deformation and damage during installation. Replace with new ones if necessary.
- When installing the rear door finisher, check that the clips and pawls are securely placed in the body panel holes.

A  
B  
C  
D  
E  
F  
G  
H  
I  
INT  
K  
L  
M  
N  
O  
P

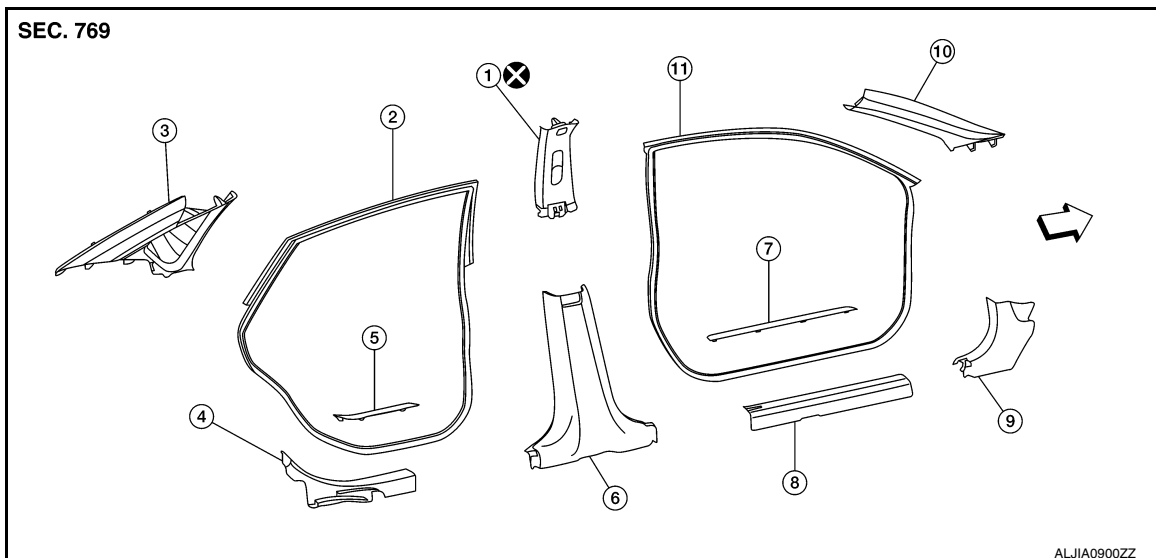
# BODY SIDE TRIM

< REMOVAL AND INSTALLATION >

## BODY SIDE TRIM

Exploded View

INFOID:000000009461346



- |                                 |                              |                                 |
|---------------------------------|------------------------------|---------------------------------|
| 1. Center pillar upper finisher | 2. Rear body side welt       | 3. Rear pillar finisher         |
| 4. Rear kicking plate inner     | 5. Rear kicking plate outer  | 6. Center pillar lower finisher |
| 7. Front kicking plate outer    | 8. Front kicking plate inner | 9. Dash side finisher           |
| 10. Front pillar finisher       | 11. Front body side welt     | ← Front                         |

## DASH SIDE FINISHER

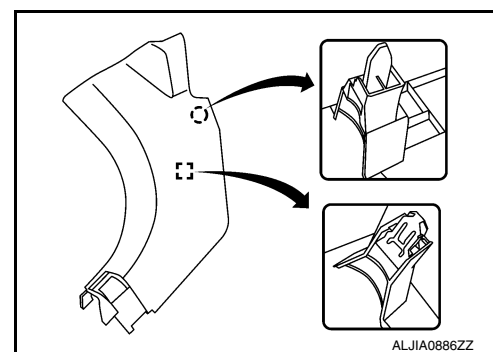
### DASH SIDE FINISHER : Removal and Installation

INFOID:000000009461347

#### REMOVAL

1. Remove front kicking plate inner. Refer to [INT-21. "FRONT KICKING PLATE : Removal and Installation - Inner"](#).
2. Release the metal clip and pawl using a suitable tool, then remove dash side finisher.

- ☐: Metal clip
- : Pawl



#### INSTALLATION

Installation is in the reverse order of removal.

#### CAUTION:

- Visually check the metal clip and pawl for deformation and damage during installation. Replace as necessary.
- When installing the dash side finisher, check that the metal clip and pawl are securely placed in the body panel holes.

## FRONT PILLAR FINISHER

# BODY SIDE TRIM

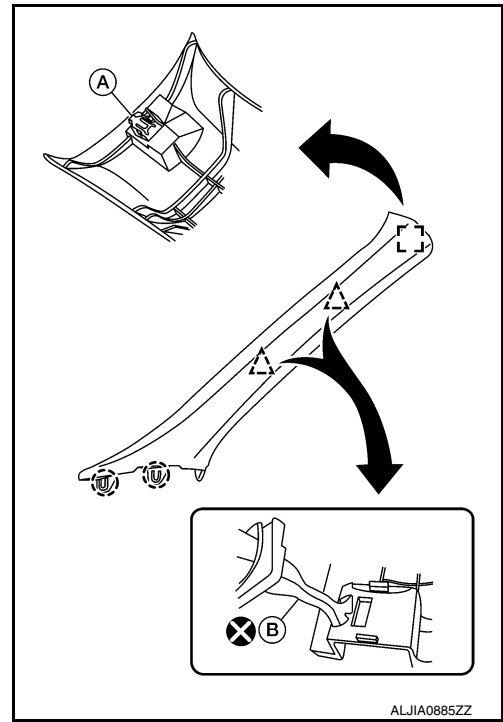
< REMOVAL AND INSTALLATION >

## FRONT PILLAR FINISHER : Removal and Installation

INFOID:000000009461348

### REMOVAL

1. Partially remove the front body side welt. Refer to [INT-23, "BODY SIDE WELT : Removal and Installation - Front Body Side Welt"](#).
2. Release the front pillar finisher metal clip (A) using a suitable tool.  
□: Metal clip
3. Release the front pillar finisher tether clips (B).  
△: Tether clip  
**CAUTION:**  
**Do not reuse tether clips (B).**
4. Release the front pillar finisher pawls and remove.  
○: Pawl



### INSTALLATION

Installation is in the reverse order of removal.

#### **CAUTION:**

- Do not reuse tether clips.
- Visually check the metal clip and pawls for deformation and damage during installation. Replace with new ones if necessary.
- When installing the front pillar finisher, check that the metal clip, tether clips and pawls are securely placed in the body panel holes.

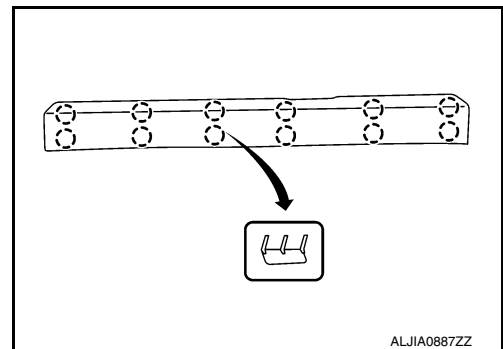
## FRONT KICKING PLATE

### FRONT KICKING PLATE : Removal and Installation - Inner

INFOID:000000009461349

### REMOVAL

1. Release the front kicking plate inner pawls and remove.  
○: Pawl



### INSTALLATION

Installation is in the reverse order of removal.

#### **CAUTION:**

A  
B  
C  
D  
E  
F  
G  
H  
I  
INT  
K  
L  
M  
N  
O  
P

# BODY SIDE TRIM

## < REMOVAL AND INSTALLATION >

When installing the front kicking plate inner, check that the pawls are securely placed in the body panel holes.

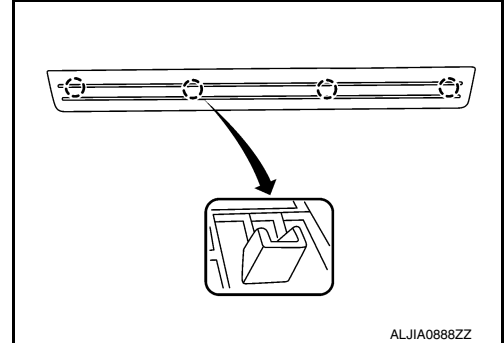
### FRONT KICKING PLATE : Removal and Installation - Outer

INFOID:000000009461350

#### REMOVAL

1. Release the front kicking plate outer pawls and remove the front kicking plate outer.

○: Pawl



#### INSTALLATION

Installation is in the reverse order of removal.

#### CAUTION:

When installing the front kicking plate outer, check that the pawls are securely placed in the body panel holes.

### REAR KICKING PLATE

### REAR KICKING PLATE : Removal and Installation - Inner

INFOID:000000009461351

#### REMOVAL

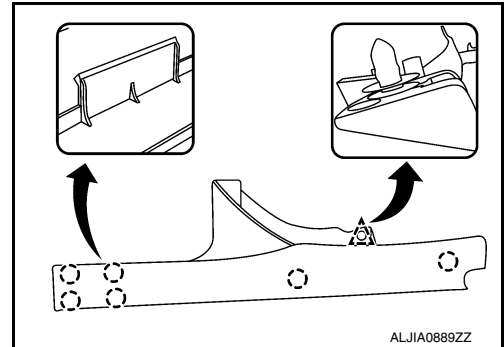
1. Remove the rear seat cushion. Refer to [SE-36, "Removal and Installation - Seat Assembly"](#).
2. Release the rear kicking plate inner pawls and clip, then remove the rear kicking plate inner.

△: Clip

○: Pawl

#### NOTE:

RH side shown; LH side similar.



#### INSTALLATION

Installation is in the reverse order of removal.

#### CAUTION:

- Visually check the clip and pawls for deformation and damage during installation. Replace as necessary.
- When installing the rear kicking plate inner, check that the clip and pawls are securely placed in the body panel holes.

### REAR KICKING PLATE : Removal and Installation - Outer

INFOID:000000009461352

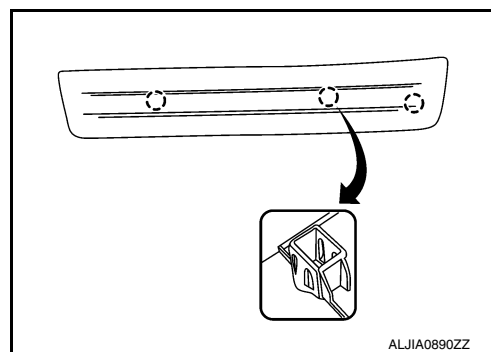
#### REMOVAL

## BODY SIDE TRIM

### < REMOVAL AND INSTALLATION >

1. Release the rear kicking plate outer pawls and remove the rear kicking plate outer.

○: Pawl



### INSTALLATION

Installation is in the reverse order of removal.

#### **CAUTION:**

- When installing the rear kicking plate outer, check that the pawls are securely placed in the body panel holes.

### BODY SIDE WELT

#### BODY SIDE WELT : Removal and Installation - Front Body Side Welt

INFOID:000000009461353

### REMOVAL

1. Remove the dash side finisher. Refer to [INT-20, "DASH SIDE FINISHER : Removal and Installation"](#).
2. Remove the center pillar lower finisher. Refer to [INT-23, "CENTER PILLAR LOWER FINISHER : Removal and Installation"](#).
3. Remove the front body side welt.

### INSTALLATION

Installation is in the reverse order of removal.

#### BODY SIDE WELT : Removal and Installation - Rear Body Side Welt

INFOID:000000009461354

### REMOVAL

1. Remove the center pillar lower finisher. Refer to [INT-23, "CENTER PILLAR LOWER FINISHER : Removal and Installation"](#).
2. Remove the rear body side welt.

### INSTALLATION

Installation is in the reverse order of removal.

### CENTER PILLAR LOWER FINISHER

#### CENTER PILLAR LOWER FINISHER : Removal and Installation

INFOID:000000009461355

### REMOVAL

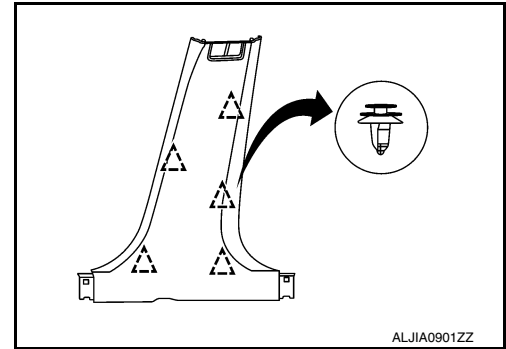
1. Move the front seat to the full forward position.
2. Remove the front kicking plate inner. Refer to [INT-21, "FRONT KICKING PLATE : Removal and Installation - Inner"](#).
3. Remove the rear kicking plate inner. Refer to [INT-22, "REAR KICKING PLATE : Removal and Installation - Inner"](#).
4. Partially remove the front body side welt. Refer to [INT-23, "BODY SIDE WELT : Removal and Installation - Front Body Side Welt"](#).
5. Partially remove the rear body side welt. Refer to [INT-23, "BODY SIDE WELT : Removal and Installation - Rear Body Side Welt"](#).

## BODY SIDE TRIM

### < REMOVAL AND INSTALLATION >

6. Release the center pillar lower finisher clips.

△: Clip



7. Remove the seat belt from the center pillar lower finisher, then remove the center pillar lower finisher.

### INSTALLATION

Installation is in the reverse order of removal.

#### CAUTION:

- Visually check the clips for deformation and damage during installation. Replace with new ones if necessary.
- When installing the center pillar lower finisher, check that the clips are securely placed in the body panel holes.

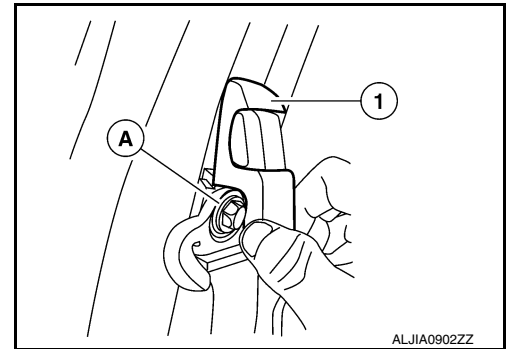
### CENTER PILLAR UPPER FINISHER

#### CENTER PILLAR UPPER FINISHER : Removal and Installation

INFOID:000000009461356

### REMOVAL

1. Move the front seat to the full forward position.
2. Remove the center pillar lower finisher. Refer to [INT-23. "CENTER PILLAR LOWER FINISHER : Removal and Installation"](#).
3. Remove the seat belt bolt cover (1) and seat belt bolt (A).



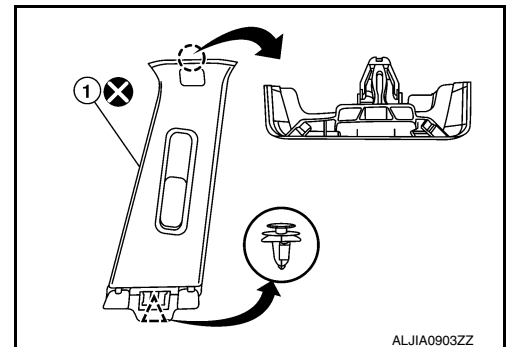
4. Release the clip and pawl, then remove the center pillar upper finisher (1).

△: Clip

○: Pawl

#### CAUTION:

Do not reuse the center pillar upper finisher.



### INSTALLATION

Installation is in the reverse order of removal.

#### CAUTION:

- Do not reuse the center pillar upper finisher. Replace with new part for installation.
- When installing the center pillar upper finisher, check that the clip and pawl are securely placed in the body panel holes.



# BODY SIDE TRIM

< REMOVAL AND INSTALLATION >

## REAR PILLAR FINISHER

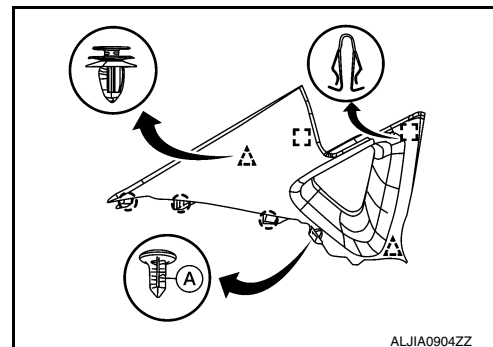
### REAR PILLAR FINISHER : Removal and Installation

INFOID:000000009461357

#### REMOVAL

1. Remove the rear seat bolster. Refer to [SE-38. "Removal and Installation - Rear Seat Bolster"](#).
2. Partially remove the rear body side welt. Refer to [INT-23. "BODY SIDE WELT : Removal and Installation - Rear Body Side Welt"](#).
3. Release the rear pillar finisher clips and pawls and push pin (A).

- △: Clip
- : Metal clip
- : Pawl



4. Remove the rear pillar finisher.

#### INSTALLATION

Installation is in the reverse order of removal.

#### CAUTION:

- Visually check the clips, metal clips and pawls for deformation and damage during installation. Replace with new ones if necessary.
- When installing the rear pillar finisher, check that the clips, metal clips, push pin and pawls are securely fitted in the body panel holes.

A  
B  
C  
D  
E  
F  
G  
H  
I  
K  
L  
M  
N  
O  
P

INT

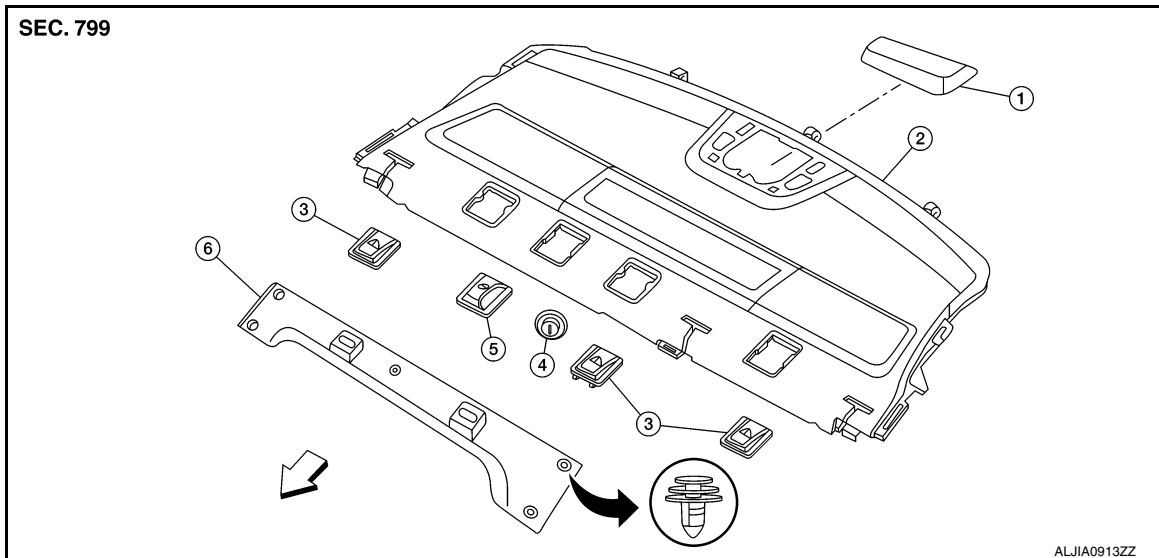
# REAR PARCEL SHELF FINISHER

< REMOVAL AND INSTALLATION >

## REAR PARCEL SHELF FINISHER

Exploded View

INFOID:000000009461358



- |   |                               |                                     |
|---|-------------------------------|-------------------------------------|
| 1. High-mounted stop lamp (If equipped) | 2. Rear parcel shelf finisher | 3. Top tether strap anchor finisher |
| 4. Seatback lock key cylinder finisher  | 5. Seatback lock finisher     | 6. Seatback latch finisher          |
- ⇐ Front

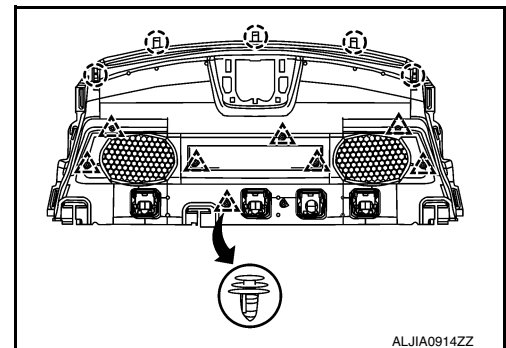
## Removal and Installation

INFOID:000000009461359

### REMOVAL

1. Remove the high-mounted stop lamp (If equipped). Refer to [EXL-134, "Removal and Installation"](#).
2. Remove the rear seat bolsters (LH/RH). Refer to [SE-38, "Removal and Installation - Rear Seat Bolster"](#).
3. Remove the rear pillar finishers (LH/RH). Refer to [INT-25, "REAR PILLAR FINISHER : Removal and Installation"](#).
4. Remove the seatback latch finisher, top tether strap anchor finisher and seatback lock finisher from the rear parcel shelf finisher. Refer to [SE-33, "Exploded View"](#).
5. Release the rear parcel shelf finisher clips and pawls.

- △: Clip
- : Pawl



6. Remove the seat belts from the rear parcel shelf finisher.
7. Remove the rear parcel shelf finisher.

### INSTALLATION

Installation is in the reverse order of removal.

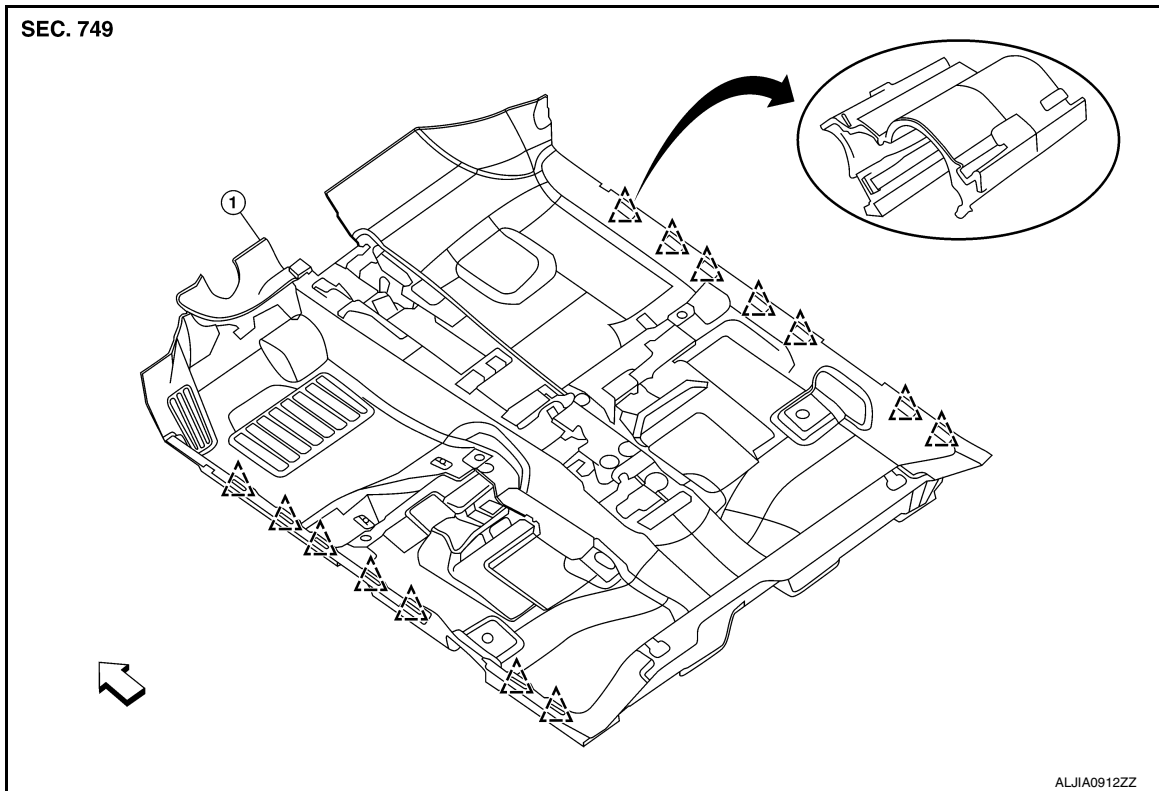
# FLOOR TRIM

< REMOVAL AND INSTALLATION >

## FLOOR TRIM

Exploded View

INFOID:000000009461360



1. Floor trim

△ Floor trim hold down

← Front

## Removal and Installation

INFOID:000000009461361

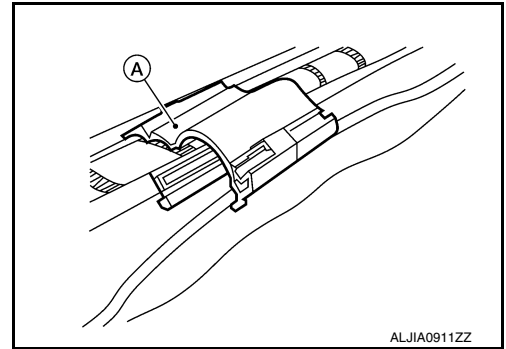
### REMOVAL

1. Remove the center console assembly. Refer to [IP-18, "Removal and Installation"](#).
2. Remove the front seats (LH/RH). Refer to [SE-26, "DRIVER SIDE : Removal and Installation - Seat Assembly"](#) (DRIVER SIDE) and [SE-30, "PASSENGER SIDE : Removal and Installation - Seat Assembly"](#) (PASSENGER SIDE).
3. Remove the rear seat cushion. Refer to [SE-36, "Removal and Installation - Seat Assembly"](#).
4. Remove the center pillar lower finishers (LH/RH). Refer to [INT-23, "CENTER PILLAR LOWER FINISHER : Removal and Installation"](#).
5. Remove the dash side finishers (LH/RH). Refer to [INT-20, "DASH SIDE FINISHER : Removal and Installation"](#).
6. Remove the CVT shift selector. Refer to [TM-179, "Removal and Installation"](#) (CVT: RE0F10D) or [TM-378, "Removal and Installation"](#) (CVT: RE0F10E).

## FLOOR TRIM

### < REMOVAL AND INSTALLATION >

7. Release all floor trim hold downs (A).



8. Remove the floor trim.

### INSTALLATION

Installation is in the reverse order of removal.

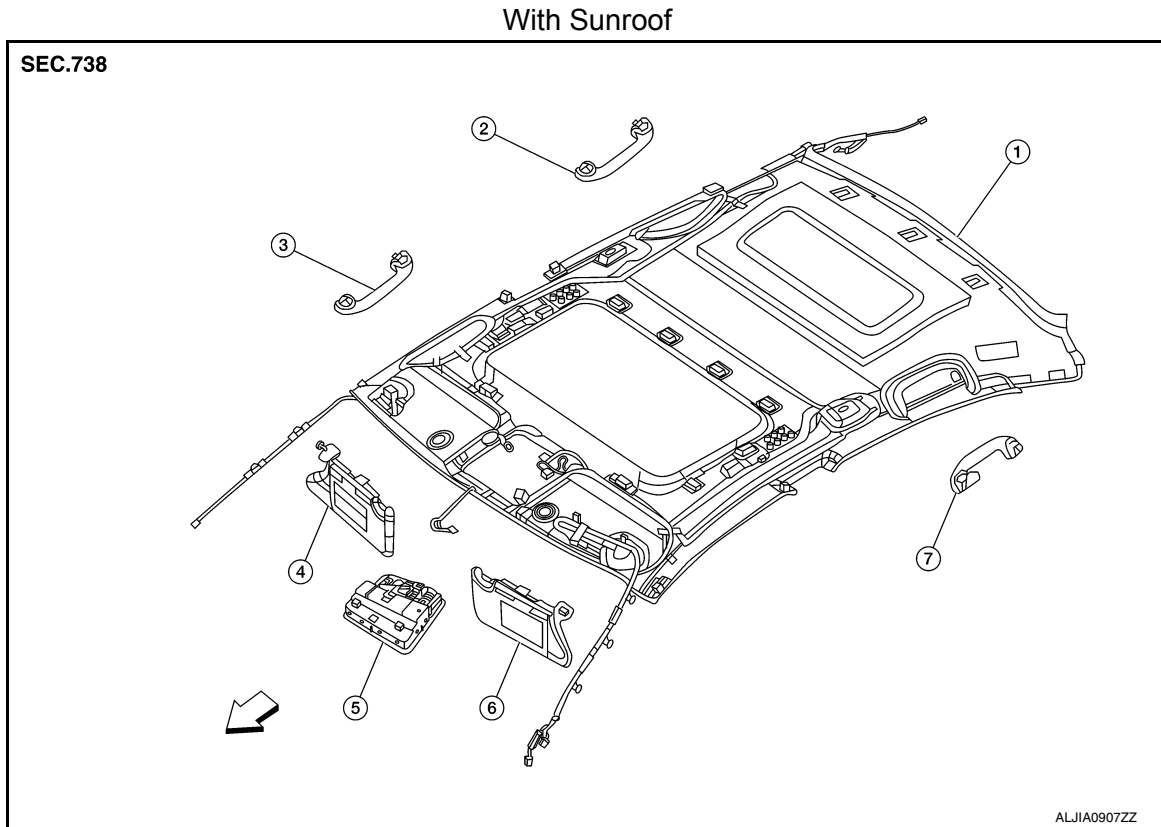
# HEADLINING

< REMOVAL AND INSTALLATION >

## HEADLINING

Exploded View

INFOID:00000009461362



- |                          |                                 |                           |
|--------------------------|---------------------------------|---------------------------|
| 1. Headlining            | 2. Rear assist grip (RH)        | 3. Front assist grip (RH) |
| 4. Sun visor (RH)        | 5. Front room/map lamp assembly | 6. Sun visor (LH)         |
| 7. Rear assist grip (LH) | 8. Front                        |                           |

A  
B  
C  
D  
E  
F  
G  
H  
I

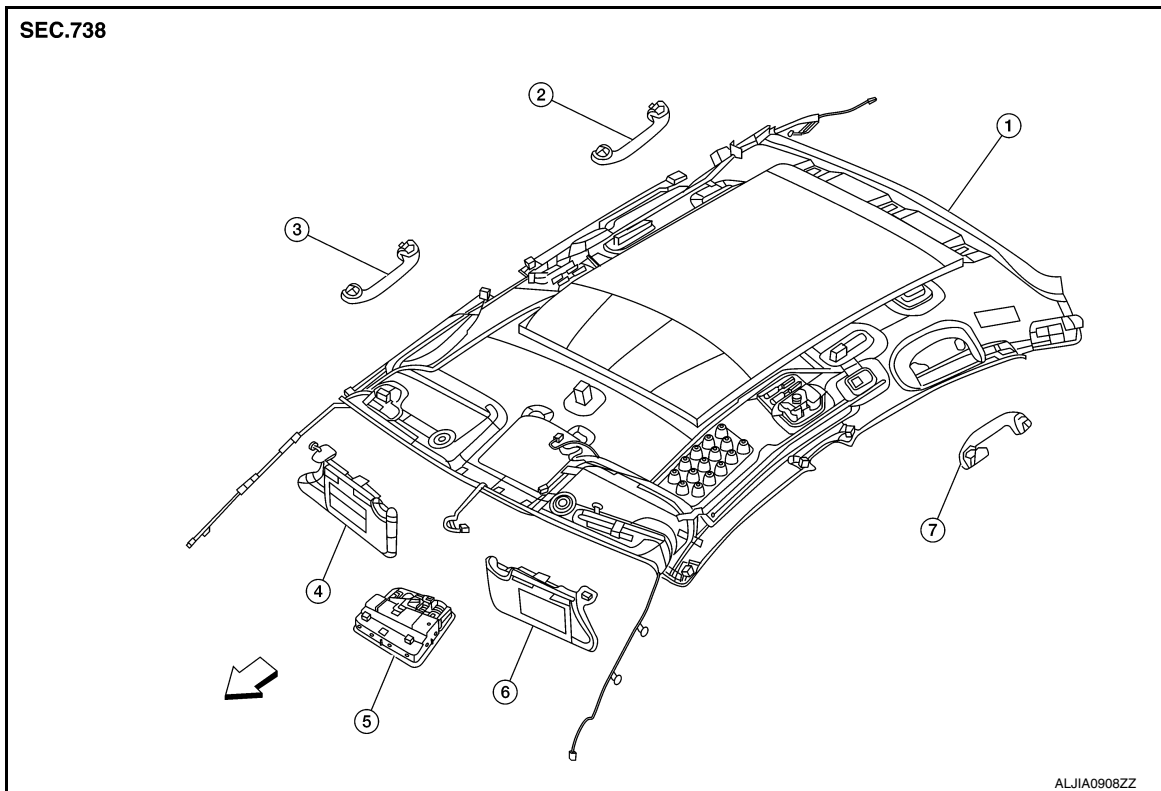
INT

K  
L  
M  
N  
O  
P

# HEADLINING

< REMOVAL AND INSTALLATION >

Without Sunroof



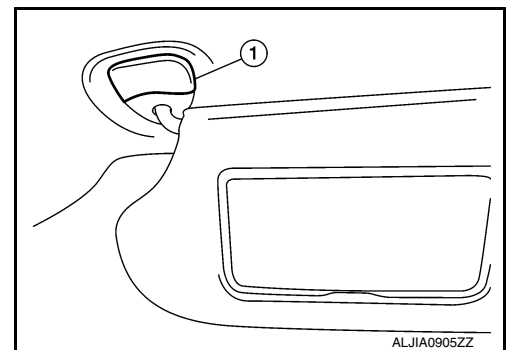
- |                          |                                 |                           |
|--------------------------|---------------------------------|---------------------------|
| 1. Headlining            | 2. Rear assist grip (RH)        | 3. Front assist grip (RH) |
| 4. Sun visor (RH)        | 5. Front room/map lamp assembly | 6. Sun visor (LH)         |
| 7. Rear assist grip (LH) | ↶ Front                         |                           |

## Removal and Installation

INFOID:000000009461363

### REMOVAL

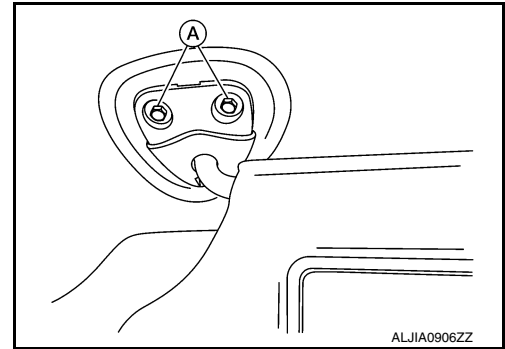
1. Remove the front pillar finishers (LH/RH). Refer to [INT-21, "FRONT PILLAR FINISHER : Removal and Installation"](#).
2. Remove the center pillar upper finishers (LH/RH). Refer to [INT-24, "CENTER PILLAR UPPER FINISHER : Removal and Installation"](#).
3. Remove the rear pillar finishers (LH/RH). Refer to [INT-25, "REAR PILLAR FINISHER : Removal and Installation"](#).
4. Remove the rear seat bolsters (LH/RH). Refer to [SE-38, "Removal and Installation - Rear Seat Bolster"](#).
5. Remove the sun visor caps (1) (LH/RH) using a suitable tool.



# HEADLINING

## < REMOVAL AND INSTALLATION >

6. Remove the sun visor screws (A) (LH/RH).



7. Disconnect the harness connector from the sun visors (LH/RH) and remove.

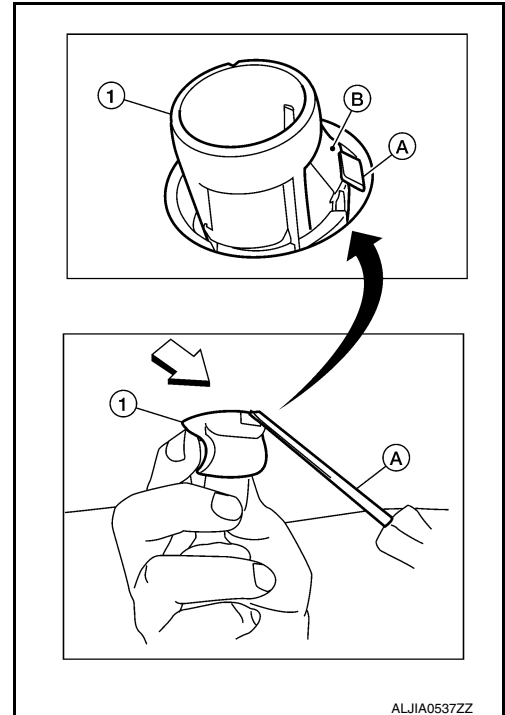
8. Insert a suitable tool (A) at approximately a 30 degree angle into the sun visor holder notch on the front of the sun visor holder (1). Press in to release the locking tab (B). While holding in locking tab (B), turn the sun visor holder (1) 90 degrees to release it from the headliner.

- If the sun visor holder (1) does not fully rotate, make sure that the suitable tool (A) is pressing in on the locking tab (B) and is not positioned under locking tab (B). Reinsert the suitable tool (A) as necessary to release the locking tab (B).

- ←: Front

**CAUTION:**

**Do not force the sun visor holder when removing as the locking tab may be damaged if the suitable tool is not positioned correctly.**

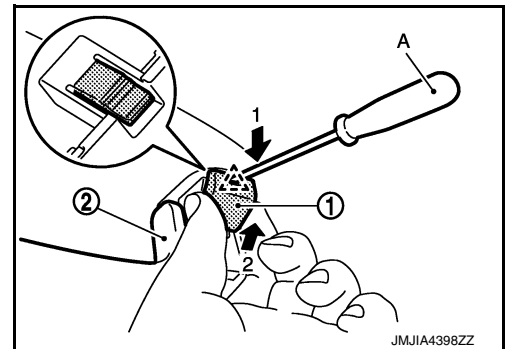


9. Remove all assist grips.

- a. Disengage assist grip clip (1) using a suitable tool (A). Slide assist grip clip forward and remove.

△: Clip

- b. Slide assist grip (2) forward and remove.



10. Remove the front room/map lamp assembly. Refer to [INL-63, "Removal and Installation"](#).

11. Partially remove the front body side welts (LH/RH). Refer to [INT-23, "BODY SIDE WELT : Removal and Installation - Front Body Side Welt"](#).

12. Partially remove the rear body side welts (LH/RH). Refer to [INT-23, "BODY SIDE WELT : Removal and Installation - Rear Body Side Welt"](#).

13. Remove the windshield glass. Refer to [GW-12, "Removal and Installation"](#).

14. Disconnect the harness connectors from the headlining, then remove the headlining through the windshield opening.

## INSTALLATION

## HEADLINING

< REMOVAL AND INSTALLATION >

---

Installation is in the reverse order of removal.



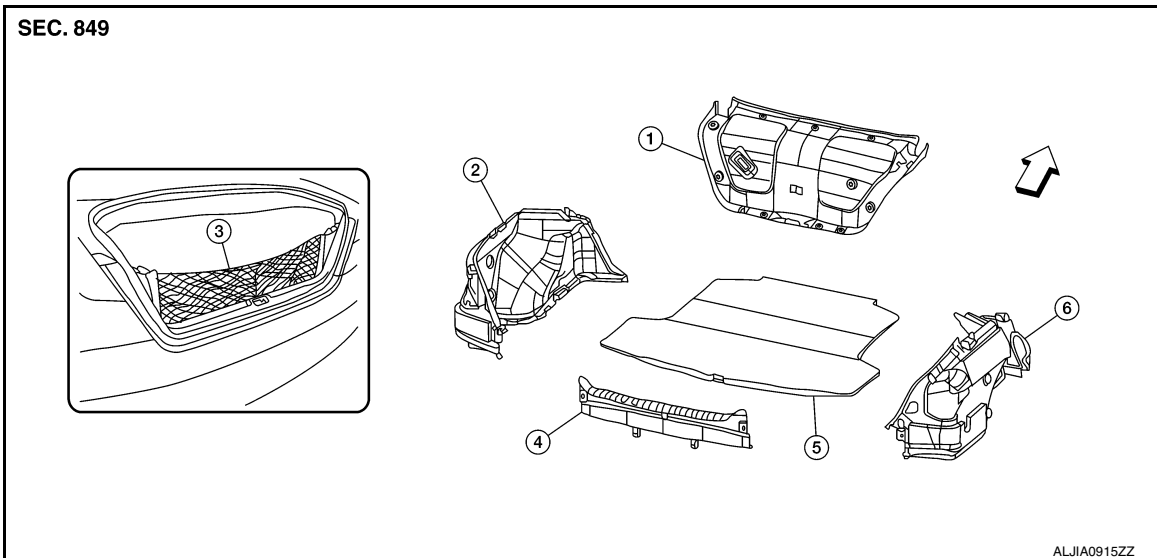
# TRUNK ROOM TRIM & TRUNK LID FINISHER

< REMOVAL AND INSTALLATION >

## TRUNK ROOM TRIM & TRUNK LID FINISHER

Exploded View

INFOID:000000009461364



- 1. Trunk lid finisher
- 2. Trunk side finisher (LH)
- 3. Trunk cargo net (if equipped)
- 4. Trunk rear finisher
- 5. Trunk floor carpet
- 6. Trunk side finisher (RH)

⇐ Front

## TRUNK LID FINISHER

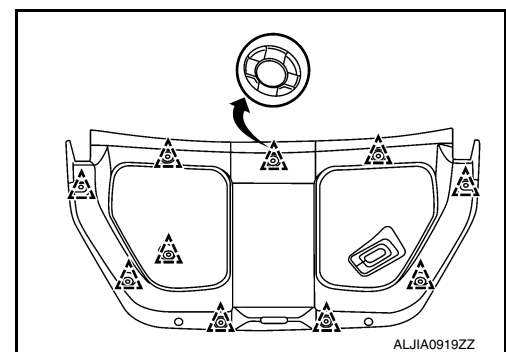
### TRUNK LID FINISHER : Removal and Installation

INFOID:000000009461365

#### REMOVAL

1. Release the trunk lid finisher clips.

△: Clip



2. Remove the trunk lid finisher.

#### INSTALLATION

Installation is in the reverse order of removal.

## TRUNK FLOOR CARPET

### TRUNK FLOOR CARPET : Removal and Installation

INFOID:000000009461366

#### REMOVAL

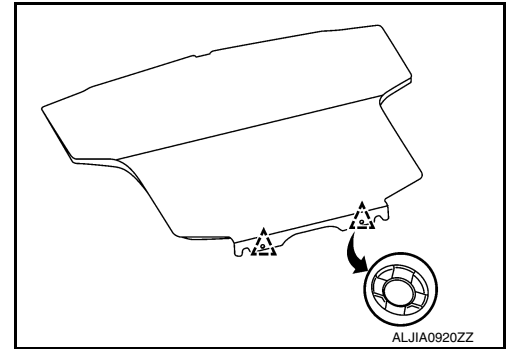
1. Remove the rear seat back. Refer to [SE-36, "Removal and Installation - Seat Assembly"](#).

## TRUNK ROOM TRIM & TRUNK LID FINISHER

### < REMOVAL AND INSTALLATION >

2. Remove the trunk floor carpet clips.

△: Clip



3. Remove the trunk floor carpet.

### INSTALLATION

Installation is in the reverse order of removal.

## TRUNK SIDE FINISHER

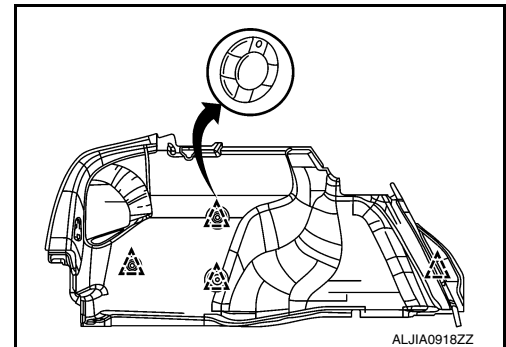
### TRUNK SIDE FINISHER : Removal and Installation

INFOID:000000009461367

### REMOVAL

1. Lower the rear seat back.
2. Remove the rear seat bolster. Refer to [SE-38, "Removal and Installation - Rear Seat Bolster"](#).
3. Remove the trunk rear finisher. Refer to [INT-35, "TRUNK REAR FINISHER : Removal and Installation"](#).
4. Remove the trunk side finisher clips.

△: Clip



5. Remove the trunk side finisher.

### INSTALLATION

Installation is in the reverse order of removal.

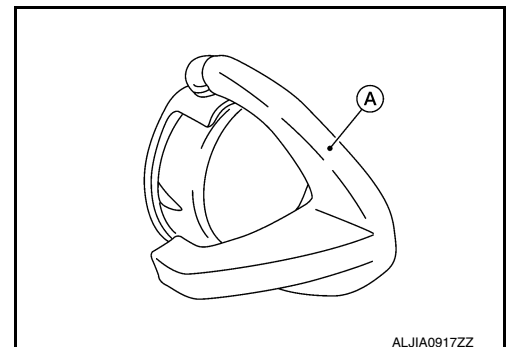
## TRUNK CARGO NET

### TRUNK CARGO NET : Removal and Installation

INFOID:000000009461368

### REMOVAL

1. Unclip the trunk cargo net from the trunk cargo net fasteners (A).



2. Remove the trunk cargo net.

# TRUNK ROOM TRIM & TRUNK LID FINISHER

< REMOVAL AND INSTALLATION >

## INSTALLATION

Installation is in the reverse order of removal.

## TRUNK REAR FINISHER

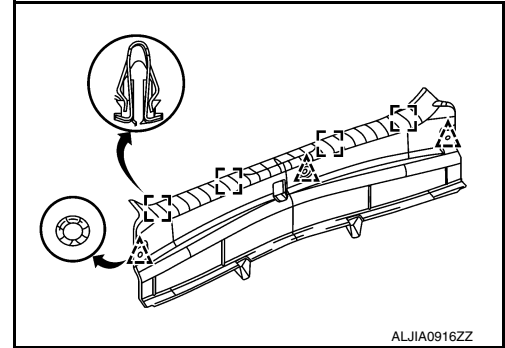
### TRUNK REAR FINISHER : Removal and Installation

INFOID:000000009461369

## REMOVAL

1. Release the trunk rear finisher clips.

- Metal clip
- △ Clip



2. Remove the trunk rear finisher.

## INSTALLATION

Installation is in the reverse order of removal.

A  
B  
C  
D  
E  
F  
G  
H  
I  
K  
L  
M  
N  
O  
P

INT