

SECTION **PG**

A
B
C
D
E
F
G
H
I
J
K
L
PG
N
O
P

POWER SUPPLY, GROUND & CIRCUIT ELEMENTS

CONTENTS

PRECAUTION	2	GROUND	29
PRECAUTIONS	2	Ground Distribution	29
Precaution for Supplemental Restraint System (SRS) "AIR BAG" and "SEAT BELT PRE-TENSIONER"	2	HARNES	39
PREPARATION	3	Harness Layout	39
PREPARATION	3	ELECTRICAL UNITS LOCATION	61
Special Service Tool	3	Electrical Units Location	61
Commercial Service Tool	3	HARNES CONNECTOR	65
BASIC INSPECTION	4	Description	65
BATTERY	4	STANDARDIZED RELAY	68
How to Handle Battery	4	Description	68
Work Flow	4	FUSE BLOCK - JUNCTION BOX (J/B)	70
INSPECTION AND ADJUSTMENT	7	Terminal Arrangement	70
ADDITIONAL SERVICE WHEN REMOVING BATTERY NEGATIVE TERMINAL	7	FUSE, FUSIBLE LINK AND RELAY BOX	71
ADDITIONAL SERVICE WHEN REMOVING BATTERY NEGATIVE TERMINAL : Special Repair Requirement	7	Terminal Arrangement	71
DTC/CIRCUIT DIAGNOSIS	8	IPDM E/R (INTELLIGENT POWER DISTRIBUTION MODULE ENGINE ROOM)	72
POWER SUPPLY ROUTING CIRCUIT	8	Fuse, Connector and Terminal Arrangement	72
Wiring Diagram — Battery Power Supply —	8	REMOVAL AND INSTALLATION	73
Wiring Diagram — Accessory Power Supply —	15	BATTERY	73
Wiring Diagram — Ignition Power Supply —	19	Exploded View	73
Fuse	28	Removal and Installation (Battery)	73
Fusible Link	28	Removal and Installation (Battery Tray)	74
		SERVICE DATA AND SPECIFICATIONS (SDS)	75
		BATTERY	75
		Battery	75

PRECAUTIONS

< PRECAUTION >

PRECAUTION

PRECAUTIONS

Precaution for Supplemental Restraint System (SRS) "AIR BAG" and "SEAT BELT PRE-TENSIONER"

INFOID:000000009951599

The Supplemental Restraint System such as "AIR BAG" and "SEAT BELT PRE-TENSIONER", used along with a front seat belt, helps to reduce the risk or severity of injury to the driver and front passenger for certain types of collision. Information necessary to service the system safely is included in the SR and SB section of this Service Manual.

WARNING:

- To avoid rendering the SRS inoperative, which could increase the risk of personal injury or death in the event of a collision which would result in air bag inflation, all maintenance must be performed by an authorized NISSAN/INFINITI dealer.
- Improper maintenance, including incorrect removal and installation of the SRS, can lead to personal injury caused by unintentional activation of the system. For removal of Spiral Cable and Air Bag Module, see the SR section.
- Do not use electrical test equipment on any circuit related to the SRS unless instructed to in this Service Manual. SRS wiring harnesses can be identified by yellow and/or orange harnesses or harness connectors.

PRECAUTIONS WHEN USING POWER TOOLS (AIR OR ELECTRIC) AND HAMMERS

WARNING:

- When working near the Airbag Diagnosis Sensor Unit or other Airbag System sensors with the Ignition ON or engine running, DO NOT use air or electric power tools or strike near the sensor(s) with a hammer. Heavy vibration could activate the sensor(s) and deploy the air bag(s), possibly causing serious injury.
- When using air or electric power tools or hammers, always switch the Ignition OFF, disconnect the battery and wait at least three minutes before performing any service.

PREPARATION

< PREPARATION >

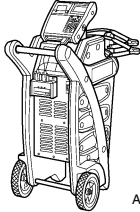
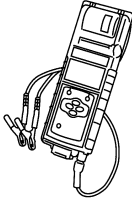
PREPARATION

PREPARATION

Special Service Tool


INFOID:000000009460430

The actual shapes of the tools may differ from those illustrated here.

Tool number (TechMate No.) Tool name	Description
<p>— (—) Model GR8-1200 NI Multitasking battery and electrical diagnostic station</p>  <p style="text-align: right;">AWIIA1239ZZ</p>	<p>Tests batteries, starting and charging systems and charges batteries. For operating instructions, refer to diagnostic station instruction manual.</p>
<p>— (—) Model EXP-800 NI Battery and electrical diagnostic analyzer</p>  <p style="text-align: right;">JSMIA0806ZZ</p>	<p>Tests batteries and charging systems. For operations instructions, refer to diagnostic analyzer instruction manual.</p>

Commercial Service Tool

INFOID:000000009460431

Tool name	Description
<p>Power tool</p>  <p style="text-align: right;">PIIB1407E</p>	<p>Loosening nuts, screws and bolts</p>

A
B
C
D
E
F
G
H
I
J
K
L
PG
N
O
P

BATTERY

< BASIC INSPECTION >

BASIC INSPECTION

BATTERY

How to Handle Battery

INFOID:000000009460432

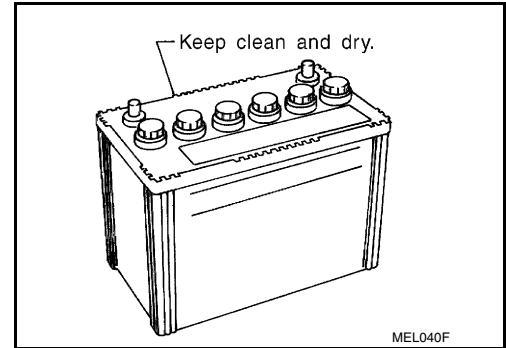
CAUTION:

- If it becomes necessary to start the engine with a booster battery and jumper cables, use a 12-volt booster battery.
- After connecting battery cables, ensure that they are tightly clamped to battery terminals for good contact.
- Never add distilled water through the hole used to check specific gravity.

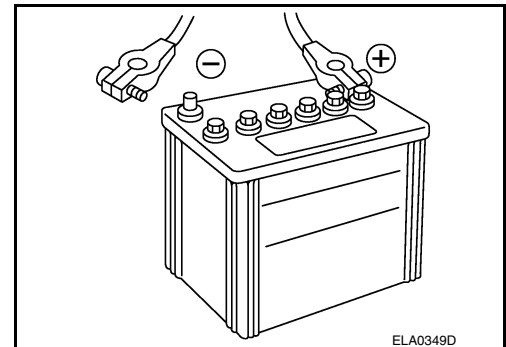
METHODS OF PREVENTING OVER-DISCHARGE

The following precautions must be taken to prevent over-discharging a battery.

- The battery surface (particularly its top) should always be kept clean and dry.
- The terminal connections should be clean and tight.
- At every routine maintenance, check the electrolyte level.
This also applies to batteries designated as "low maintenance" and "maintenance-free".



- When the vehicle is not going to be used over a long period of time, disconnect the battery cable from the negative terminal. (If the vehicle has an extended storage switch, turn it off.)



Work Flow

INFOID:000000009460433

BATTERY DIAGNOSIS WITH EXP-800 NI OR GR8-1200 NI

To diagnose and confirm the condition of the battery, use the following special service tools:

- EXP-800 NI Battery and electrical diagnostic analyzer
- GR8-1200 NI Multitasking battery and electrical diagnostic station

NOTE:

Refer to the applicable Instruction Manual for proper battery diagnosis procedures.

BATTERY DIAGNOSIS WITHOUT EXP-800 NI OR GR8-1200 NI

Checking Electrolyte Level

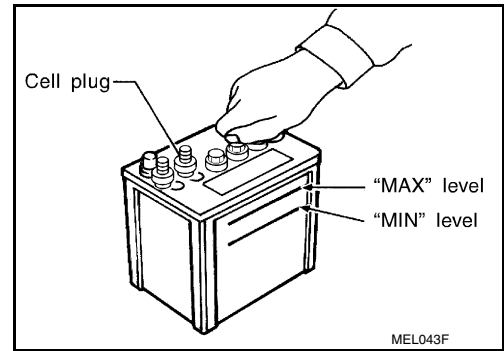
WARNING:

Never allow battery fluid to come in contact with skin, eyes, fabrics, or painted surfaces. After touching a battery, never touch or rub your eyes until you have thoroughly washed your hands. If acid contacts eyes, skin or clothing, immediately flush with water for 15 minutes and seek medical attention. Failure to do this may cause personal injury or damage to clothing or the painted surfaces.

BATTERY

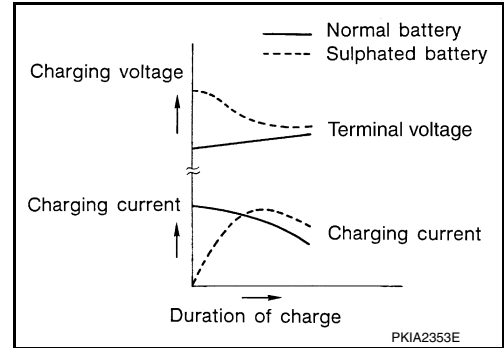
< BASIC INSPECTION >

- Remove the cell plug using a suitable tool.
- Add distilled water up to the MAX level.



SULFATION

- **A battery will be completely discharged if it is left unattended for a long time and the specific gravity will become less than 1.100. This may result in sulfation on the cell plates.**
- **To determine if a battery has been “sulfated”, note its voltage and current when charging it. As shown in the figure, less current and higher voltage are observed in the initial stage of charging sulfated batteries.**
- **A sulfated battery may sometimes be brought back into service by means of a long, slow charge, 12 hours or more, followed by a battery capacity test.**



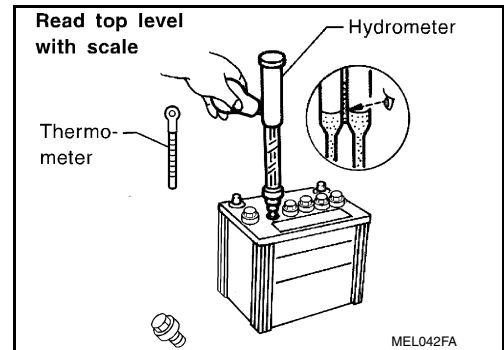
Specific Gravity Check

NOTE:

Check the charge condition of the battery.

Periodically check the specific gravity of the electrolyte. Keep a close check on charge condition to prevent over-discharge.

1. Read hydrometer and thermometer indications at eye level.
2. Use the chart below to correct your hydrometer reading according to electrolyte temperature.



Hydrometer Temperature Correction

Battery electrolyte temperature [°C (°F)]	Add to specific gravity reading
71 (160)	0.032
66 (150)	0.028
60 (140)	0.024
54 (130)	0.020
49 (120)	0.016
43 (110)	0.012
38 (100)	0.008
32 (90)	0.004
27 (80)	0
21 (70)	-0.004
16 (60)	-0.008
10 (50)	-0.012

A
B
C
D
E
F
G
H
I
J
K
L
N
O
P

PG

BATTERY

< BASIC INSPECTION >

Battery electrolyte temperature [$^{\circ}\text{C}$ ($^{\circ}\text{F}$)]	Add to specific gravity reading
4 (40)	-0.016
-1 (30)	-0.020
-7 (20)	-0.024
-12 (10)	-0.028
-18 (0)	-0.032

Corrected specific gravity	Approximate charge condition
1.260 - 1.280	Fully charged
1.230 - 1.250	3/4 charged
1.200 - 1.220	1/2 charged
1.170 - 1.190	1/4 charged
1.140 - 1.160	Almost discharged
1.110 - 1.130	Completely discharged

Charging The Battery

CAUTION:

- Never “quick charge” a fully discharged battery.
- Keep the battery away from open flame while it is being charged.
- When connecting the charger, connect the leads first, then turn on the charger. Never turn on the charger first, as this may cause a spark.
- If battery electrolyte temperature rises above 55°C (131°F), stop charging. Always charge battery at a temperature below 55°C (131°F).

Charging Rates (Standard Charge)

Approximate charge condition	Charge current (A)	Charge time (h)
Fully charged	7	2
3/4 charged		2.5
1/2 charged		5
1/4 charged		7.5
Almost discharged		9
Completely discharged		10

Charging Rates (Quick Charge)

Approximate charge condition	Charge current (A)	Charge time (h)
Fully charged	—	—
3/4 charged	16	0.5
1/2 charged	33	
1/4 charged		
Almost discharged	—	—
Completely discharged	—	

NOTE:

The ammeter reading on your battery charger will automatically decrease as the battery charges. This indicates that the voltage of the battery is increasing normally as the state of charge improves. The charging amps indicated above refer to initial charge rate.

- If, after charging, the specific gravity of any two cells varies more than 0.050, the battery should be replaced.

INSPECTION AND ADJUSTMENT

< BASIC INSPECTION >

INSPECTION AND ADJUSTMENT

ADDITIONAL SERVICE WHEN REMOVING BATTERY NEGATIVE TERMINAL

ADDITIONAL SERVICE WHEN REMOVING BATTERY NEGATIVE TERMINAL : Special Repair Requirement

INFOID:000000009460434

Required Procedure After Battery Disconnection

System	Item	Reference
Engine Control System	Idle Air Volume Learning	EC-179 (QR25DE) EC-683 (VQ35DE)
Power Window Control System	Power Window System Initialization	PWC-27 (LH Only Anti-Pinch) PWC-93 (LH & RH Front Anti-Pinch)
Roof	Moonroof Memory Reset/Initialization	RF-20
Heater & Air Conditioning Control System	Temperature Setting Trimmer	HAC-50 (Automatic Air Conditioner)
	Foot Position Setting Trimmer	HAC-50 (Automatic Air Conditioner)
	Inlet Port Memory Function (FRE)	HAC-50 (Automatic Air Conditioner)
	Inlet Port Memory Function (REC)	HAC-51 (Automatic Air Conditioner)
Audio, Visual & Navigation System	Target Evaporator Temp Upper Limit	HAC-51 (Automatic Air Conditioner)
	Audio (Radio Preset)	Refer to Owner's Manual.
	Navigation System	Refer to Owner's Manual.

A
B
C
D
E
F
G
H
I
J
K
L
PG
N
O
P

POWER SUPPLY ROUTING CIRCUIT

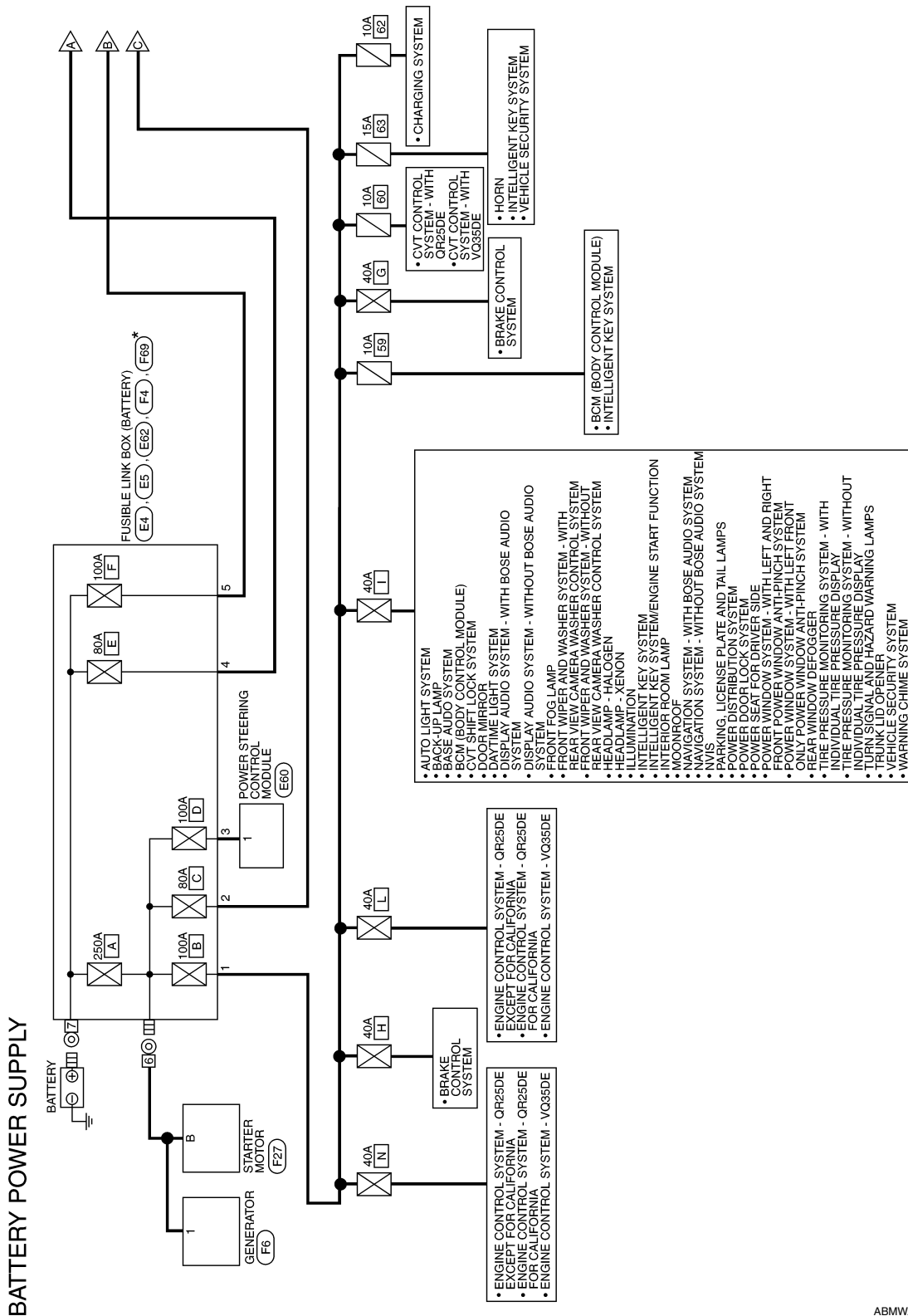
< DTC/CIRCUIT DIAGNOSIS >

DTC/CIRCUIT DIAGNOSIS

POWER SUPPLY ROUTING CIRCUIT

Wiring Diagram —Battery Power Supply —

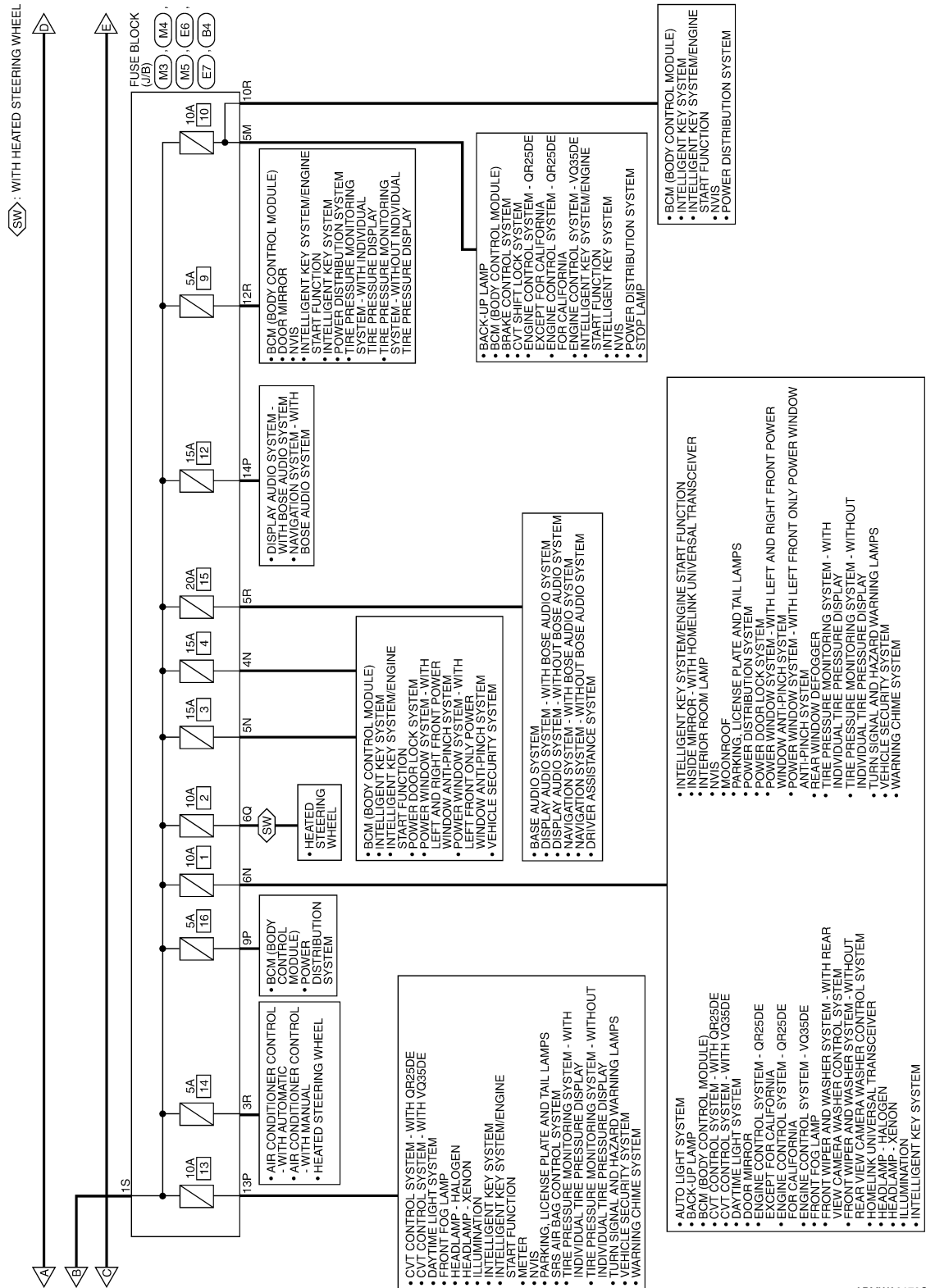
INFOID:000000009460435



ABMWA2171GB

POWER SUPPLY ROUTING CIRCUIT

< DTC/CIRCUIT DIAGNOSIS >



ABMWA2172GB

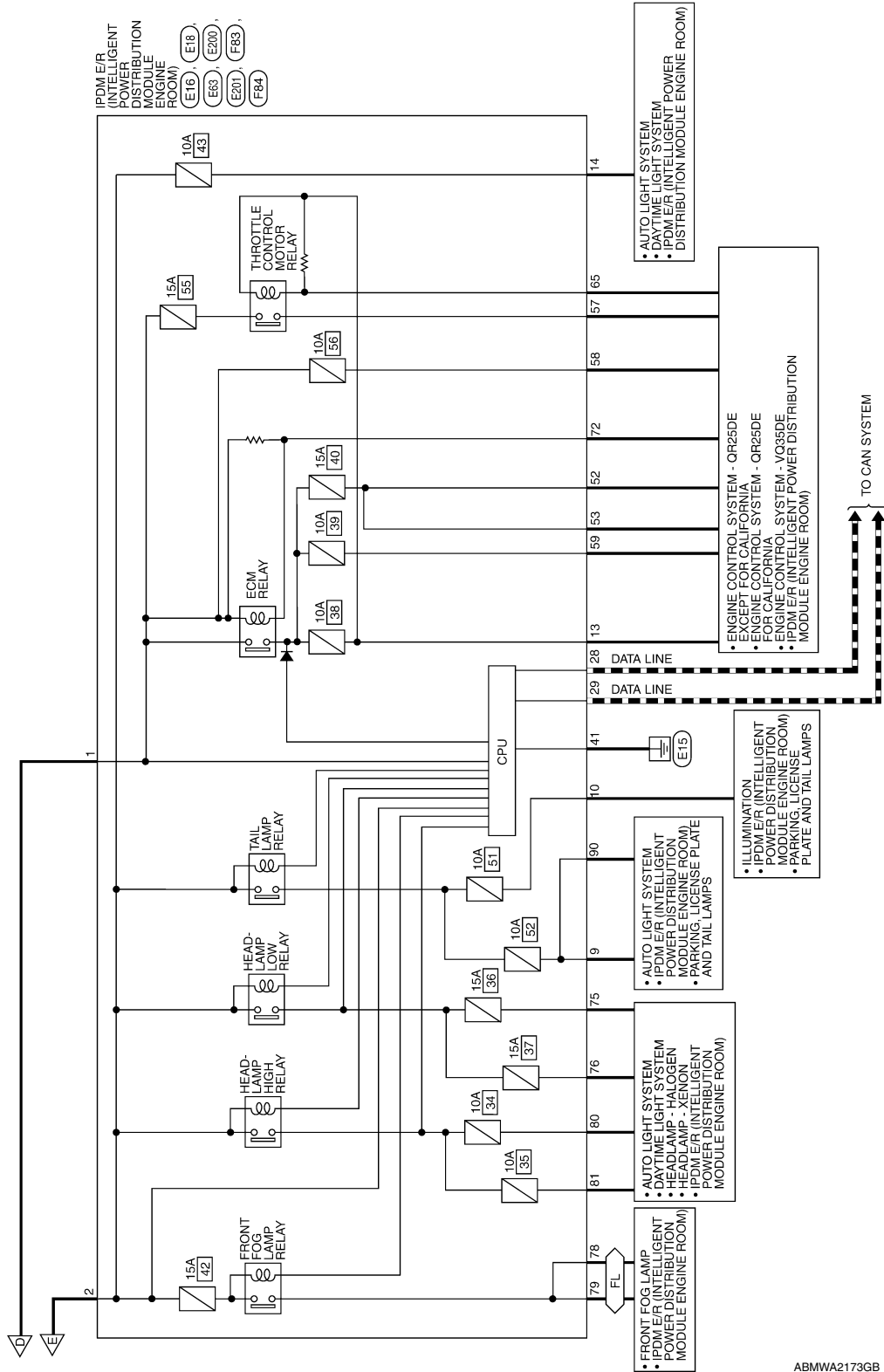
A
B
C
D
E
F
G
H
I
J
K
L
M
N
O
P

PG

POWER SUPPLY ROUTING CIRCUIT

< DTC/CIRCUIT DIAGNOSIS >

◊ FL ◊ : WITH FRONT FOG LAMPS



ABMWA2173GB

POWER SUPPLY ROUTING CIRCUIT

< DTC/CIRCUIT DIAGNOSIS >

BATTERY POWER SUPPLY CONNECTORS

Connector No.	M5
Connector Name	FUSE BLOCK (J/B)
Connector Color	WHITE



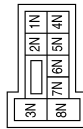
Terminal No.	Color of Wire	Signal Name
9P	Y	-
13P	G	-
14P	G	-

Connector No.	M4
Connector Name	FUSE BLOCK (J/B)
Connector Color	BROWN



Terminal No.	Color of Wire	Signal Name
3R	SB	-
5R	G	-
10R	BG	-
12R	W	-

Connector No.	M3
Connector Name	FUSE BLOCK (J/B)
Connector Color	WHITE



Terminal No.	Color of Wire	Signal Name
4N	V	-
5N	BR	-
6N	W	-

Connector No.	E6
Connector Name	FUSE BLOCK (J/B)
Connector Color	WHITE



Terminal No.	Color of Wire	Signal Name
5M	G	-

Connector No.	E5
Connector Name	FUSIBLE LINK BOX (BATTERY)
Connector Color	GRAY



Terminal No.	Color of Wire	Signal Name
3	W	-
4	R	-

Connector No.	E4
Connector Name	FUSIBLE LINK BOX (BATTERY)
Connector Color	BROWN



Terminal No.	Color of Wire	Signal Name
1	W	-
2	L	-

ABMIA5123GB

A
B
C
D
E
F
G
H
I
J
K
L
M
N
O
P

PG

POWER SUPPLY ROUTING CIRCUIT

< DTC/CIRCUIT DIAGNOSIS >

Connector No.	E7
Connector Name	FUSE BLOCK (J/B)
Connector Color	WHITE



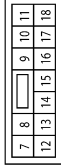
Terminal No.	Color of Wire	Signal Name
1S	W	-

Connector No.	E16
Connector Name	IPDM E/R (INTELLIGENT POWER DISTRIBUTION MODULE ENGINE ROOM)
Connector Color	BLACK



Terminal No.	Color of Wire	Signal Name
1	R	F/L MAIN
2	L	F/L USM

Connector No.	E18
Connector Name	IPDM E/R (INTELLIGENT POWER DISTRIBUTION MODULE ENGINE ROOM)
Connector Color	WHITE



Terminal No.	Color of Wire	Signal Name
9	SB	TAIL RH
10	V	TAIL LH
13	LG	ECM VB
14	Y	DTRL

Connector No.	E60
Connector Name	POWER STEERING CONTROL MODULE
Connector Color	BLACK



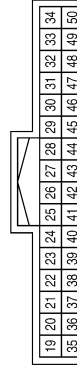
Terminal No.	Color of Wire	Signal Name
1	W	+B

Connector No.	E62
Connector Name	FUSIBLE LINK BOX (BATTERY)
Connector Color	BLACK



Terminal No.	Color of Wire	Signal Name
5	W	-

Connector No.	E63
Connector Name	IPDM E/R (INTELLIGENT POWER DISTRIBUTION MODULE ENGINE ROOM)
Connector Color	WHITE



Terminal No.	Color of Wire	Signal Name
28	P	CAN-L
29	L	CAN-H
41	B	GND (SIGNAL)

ABMIA5124GB

POWER SUPPLY ROUTING CIRCUIT

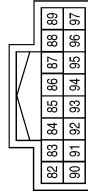
< DTC/CIRCUIT DIAGNOSIS >

Connector No.	F4
Connector Name	FUSIBLE LINK BOX (BATTERY)
Connector Color	-



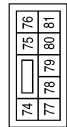
Terminal No.	Color of Wire	Signal Name
6	B/R	-

Connector No.	E201
Connector Name	IPDM E/R (INTELLIGENT POWER DISTRIBUTION MODULE ENGINE ROOM)
Connector Color	WHITE



Terminal No.	Color of Wire	Signal Name
90	LG	CLEARANCE

Connector No.	E200
Connector Name	IPDM E/R (INTELLIGENT POWER DISTRIBUTION MODULE ENGINE ROOM)
Connector Color	WHITE



Terminal No.	Color of Wire	Signal Name
75	R	HEADLAMP LO RH
76	P	HEADLAMP LO LH
78	W	FR FOG LAMP RH
79	G	FR FOG LAMP LH
80	L	HEADLAMP HI RH
81	Y	HEADLAMP HI LH

Connector No.	F27
Connector Name	STARTER MOTOR
Connector Color	-



Terminal No.	Color of Wire	Signal Name
B	B/R	-

Connector No.	F6
Connector Name	GENERATOR
Connector Color	-



Terminal No.	Color of Wire	Signal Name
1	B/R	-

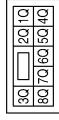
ABMIA5125GB

A
B
C
D
E
F
G
H
I
J
K
L
PG
N
O
P

POWER SUPPLY ROUTING CIRCUIT

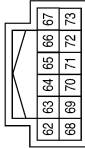
< DTC/CIRCUIT DIAGNOSIS >

Connector No.	B4
Connector Name	FUSE BLOCK (J/B)
Connector Color	WHITE



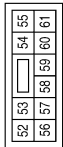
Terminal No.	Color of Wire	Signal Name
6Q	W	-

Connector No.	F84
Connector Name	IPDM E/R (INTELLIGENT POWER DISTRIBUTION MODULE ENGINE ROOM)
Connector Color	WHITE



Terminal No.	Color of Wire	Signal Name
65	BR	MOTRLY (WITH QR25DE)
65	L	MOTRLY (WITH VQ35DE)
72	V	SSOFF (WITH QR25DE)
72	Y	SSOFF (WITH VQ35DE)

Connector No.	F83
Connector Name	IPDM E/R (INTELLIGENT POWER DISTRIBUTION MODULE ENGINE ROOM)
Connector Color	WHITE



Terminal No.	Color of Wire	Signal Name
52	G	O2SENS #2 (WITH QR25DE)
52	P	O2SENS #2 (WITH VQ35DE)
53	G	O2SENS #1 (WITH VQ35DE)
53	W	O2SENS #1 (WITH QR25DE)
57	R	ETC
58	SB	ECM BAT
59	L	ENG SOL

ABMIA5126GB

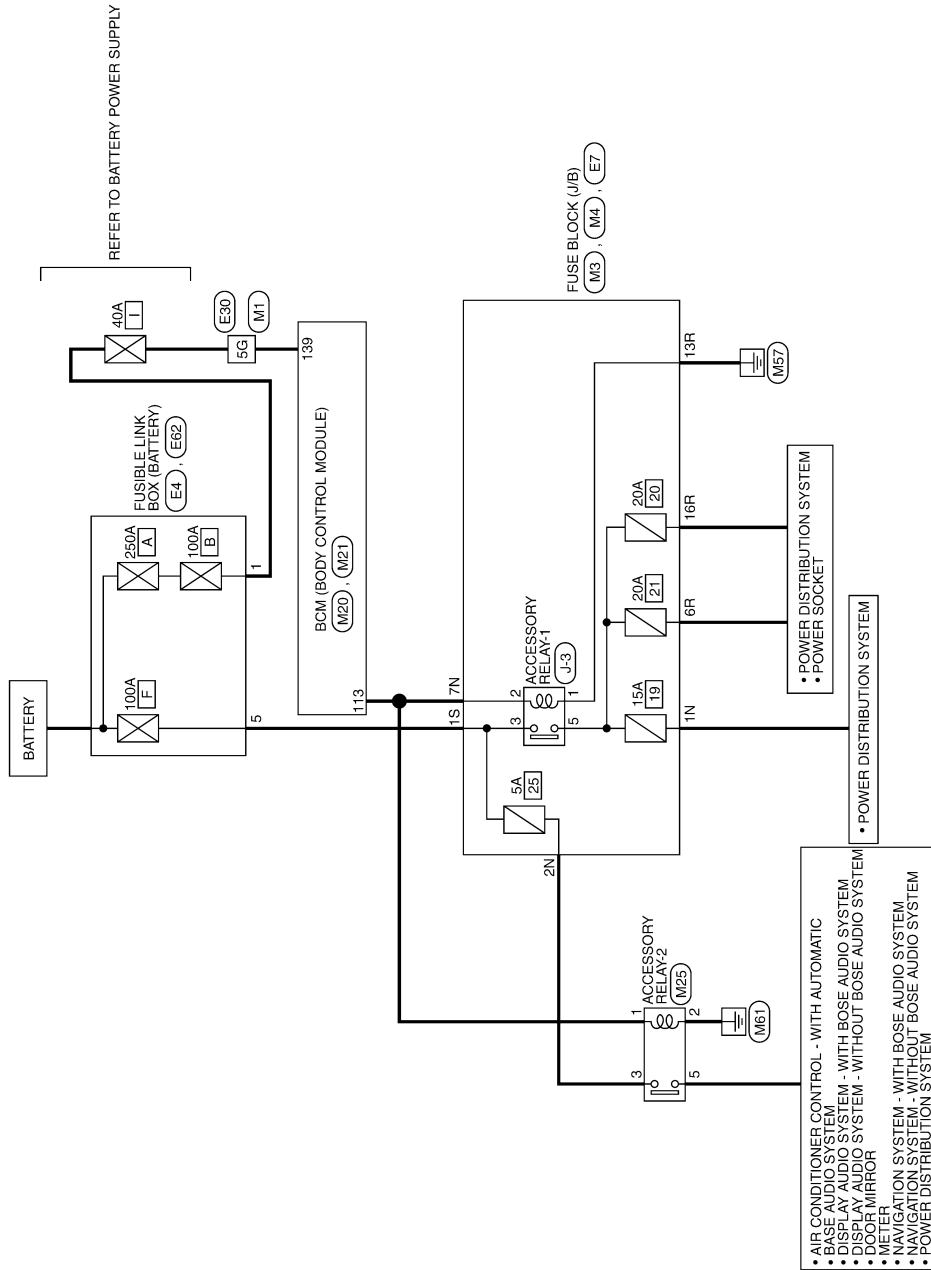
POWER SUPPLY ROUTING CIRCUIT

< DTC/CIRCUIT DIAGNOSIS >

Wiring Diagram —Accessory Power Supply—

INFOID:00000009460436

ACCESSORY POWER SUPPLY



ABMWA2174GB

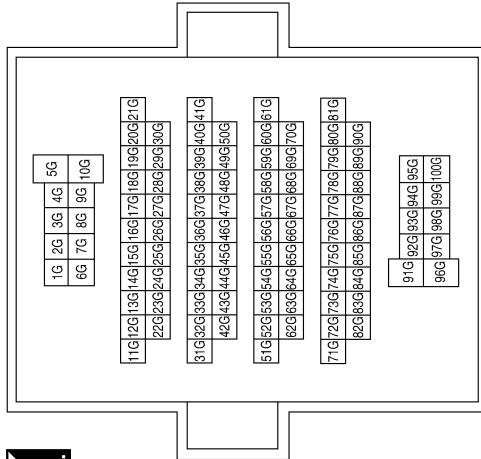
A
B
C
D
E
F
G
H
I
J
K
L
PG
N
O
P

POWER SUPPLY ROUTING CIRCUIT

< DTC/CIRCUIT DIAGNOSIS >

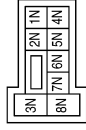
ACCESSORY POWER SUPPLY CONNECTORS

Connector No.	M1
Connector Name	WIRES TO WIRE
Connector Color	WHITE



Terminal No.	Color of Wire	Signal Name
5G	W	-

Connector No.	M3
Connector Name	FUSE BLOCK (J/B)
Connector Color	WHITE

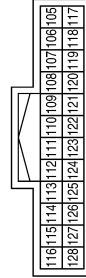


Terminal No.	Color of Wire	Signal Name
1N	V	-
2N	LG	-
7N	P	-

Connector No.	M4
Connector Name	FUSE BLOCK (J/B)
Connector Color	BROWN

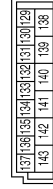


Connector No.	M20
Connector Name	BCM (BODY CONTROL MODULE)
Connector Color	BLACK



Terminal No.	Color of Wire	Signal Name
6R	LG	-
13R	B	-
16R	LG	-

Connector No.	M21
Connector Name	BCM (BODY CONTROL MODULE)
Connector Color	WHITE



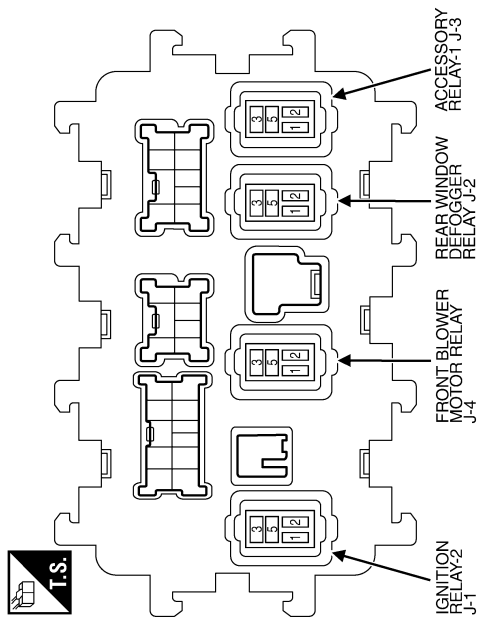
Terminal No.	Color of Wire	Signal Name
139	W	BAT POWER F/L

ABMIA3816GB

POWER SUPPLY ROUTING CIRCUIT

< DTC/CIRCUIT DIAGNOSIS >

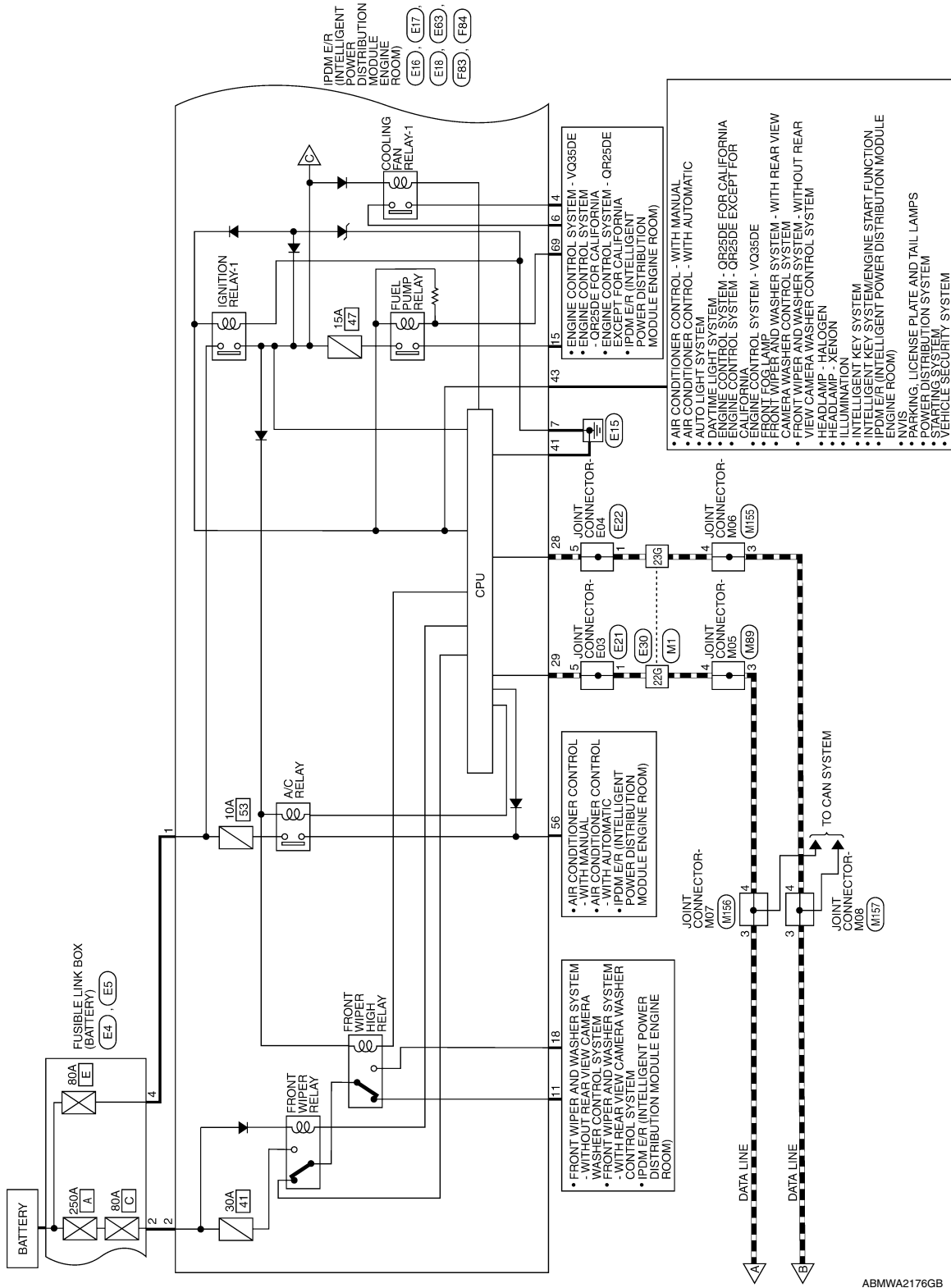
Connector No.	J-3
Connector Name	FUSE BLOCK (J/B) (ACCESSORY RELAY-1)
Connector Color	-



ABMIA4591GB

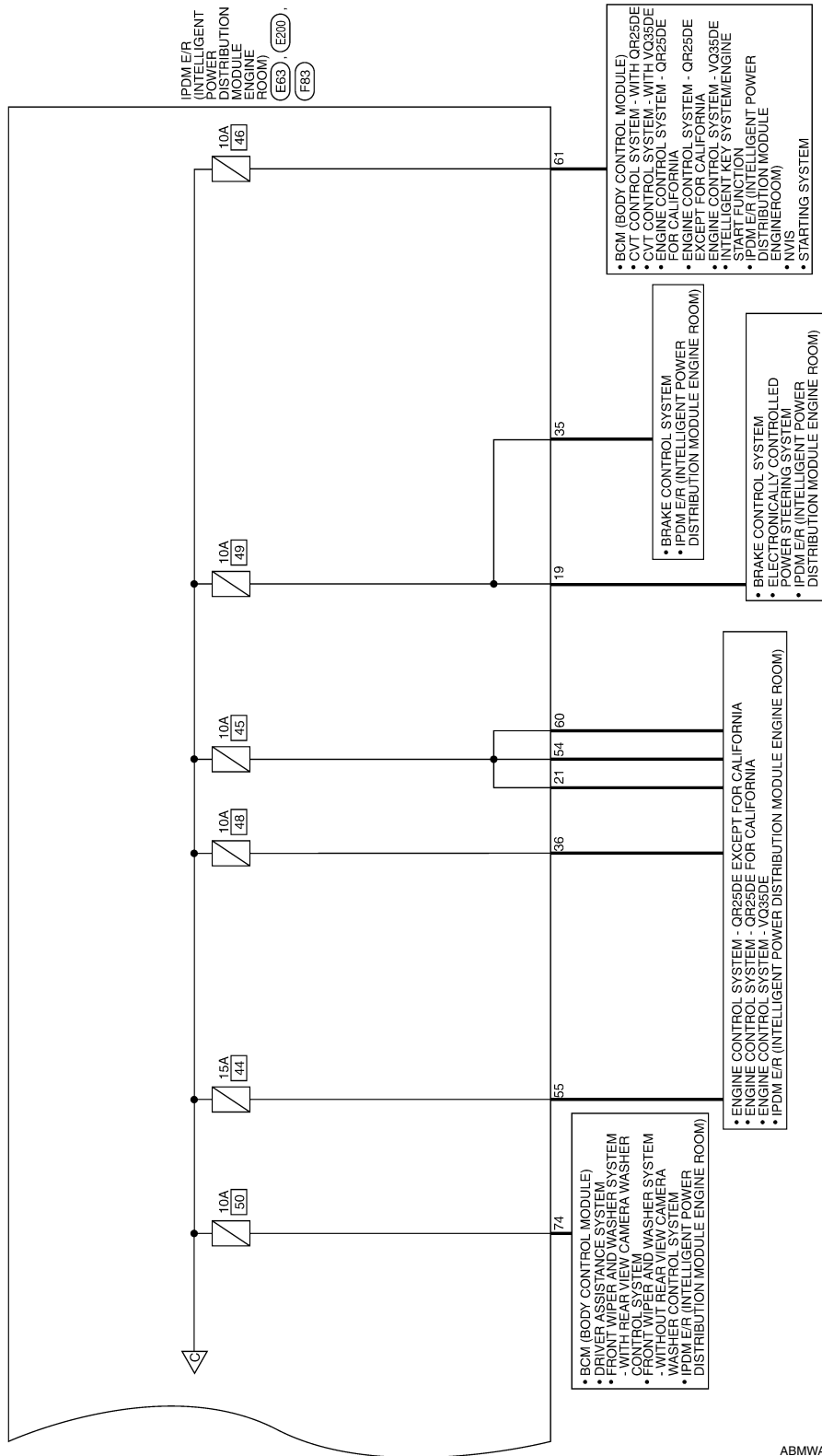
POWER SUPPLY ROUTING CIRCUIT

< DTC/CIRCUIT DIAGNOSIS >



POWER SUPPLY ROUTING CIRCUIT

< DTC/CIRCUIT DIAGNOSIS >



ABMWA2177GB

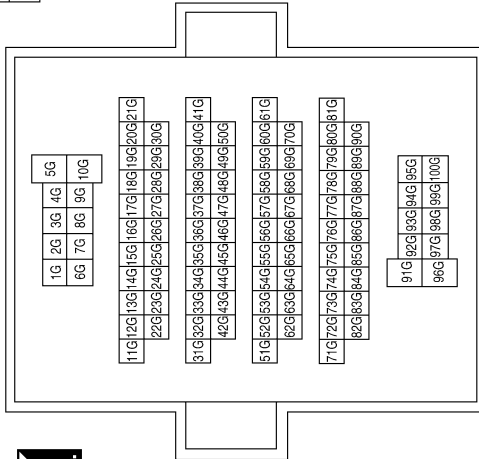
A
B
C
D
E
F
G
H
I
J
K
L
PG
N
O
P

POWER SUPPLY ROUTING CIRCUIT

< DTC/CIRCUIT DIAGNOSIS >

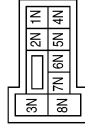
IGNITION POWER SUPPLY CONNECTORS

Connector No.	M1
Connector Name	WIRE TO WIRE
Connector Color	WHITE



Terminal No.	Color of Wire	Signal Name
5G	W	-
22G	L	-
23G	P	-

Connector No.	M3
Connector Name	FUSE BLOCK (J/B)
Connector Color	WHITE



Terminal No.	Color of Wire	Signal Name
3N	W	-
8N	W	-

Connector No.	M4
Connector Name	FUSE BLOCK (J/B)
Connector Color	BROWN



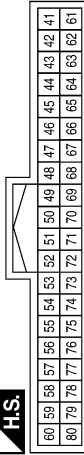
Terminal No.	Color of Wire	Signal Name
2R	BG	-
13R	B	-

Connector No.	M5
Connector Name	FUSE BLOCK (J/B)
Connector Color	WHITE



Terminal No.	Color of Wire	Signal Name
1P	P	-
2P	V	-
3P	W	-
4P	P	-
5P	BG	-
6P	Y	-
7P	G	-
8P	BR	-
16P	R	-

Connector No.	M18
Connector Name	BCM (BODY CONTROL MODULE)
Connector Color	BLACK



Terminal No.	Color of Wire	Signal Name
59	P	CAN-L
60	L	CAN-H
61	Y	REAR DEFOGGER RELAY OUT
66	R	BLOWER FAN RELAY OUT
67	W	IGN ELEC RELAY OUT 2

POWER SUPPLY ROUTING CIRCUIT

< DTC/CIRCUIT DIAGNOSIS >

Connector No.	M155
Connector Name	JOINT CONNECTOR-M06
Connector Color	WHITE



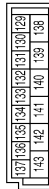
Terminal No.	Color of Wire	Signal Name
3	P	-
4	P	-

Connector No.	M89
Connector Name	JOINT CONNECTOR-M05
Connector Color	WHITE



Terminal No.	Color of Wire	Signal Name
3	L	-
4	L	-

Connector No.	M21
Connector Name	BCM (BODY CONTROL MODULE)
Connector Color	WHITE



Terminal No.	Color of Wire	Signal Name
134	B	GND2
139	W	BAT POWER F/L
143	B	GND1

Connector No.	E4
Connector Name	FUSIBLE LINK BOX (BATTERY)
Connector Color	BROWN



Terminal No.	Color of Wire	Signal Name
1	W	-
2	L	-

Connector No.	M157
Connector Name	JOINT CONNECTOR-M08
Connector Color	WHITE



Terminal No.	Color of Wire	Signal Name
3	P	-
4	P	-

Connector No.	M156
Connector Name	JOINT CONNECTOR-M07
Connector Color	WHITE



Terminal No.	Color of Wire	Signal Name
3	L	-
4	L	-

ABMIA5128GB

A
B
C
D
E
F
G
H
I
J
K
L
N
O
P

PG

POWER SUPPLY ROUTING CIRCUIT

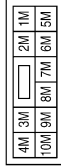
< DTC/CIRCUIT DIAGNOSIS >

Connector No.	E7
Connector Name	FUSE BLOCK (J/B)
Connector Color	WHITE



Terminal No.	1S	Color of Wire	W	Signal Name	-
--------------	----	---------------	---	-------------	---

Connector No.	E6
Connector Name	FUSE BLOCK (J/B)
Connector Color	WHITE



Terminal No.	1M	Color of Wire	BG	Signal Name	-
--------------	----	---------------	----	-------------	---

Connector No.	E5
Connector Name	FUSIBLE LINK BOX (BATTERY)
Connector Color	GRAY



Terminal No.	4	Color of Wire	R	Signal Name	-
--------------	---	---------------	---	-------------	---

Connector No.	E17
Connector Name	IPDM E/R (INTELLIGENT POWER DISTRIBUTION MODULE ENGINE ROOM)
Connector Color	WHITE



Terminal No.	4	Color of Wire	P	Signal Name	MOTOR FAN 1
	6		R		F/L MOTOR FAN

Connector No.	E16
Connector Name	IPDM E/R (INTELLIGENT POWER DISTRIBUTION MODULE ENGINE ROOM)
Connector Color	BLACK



Terminal No.	1	Color of Wire	R	Signal Name	F/L MAIN
	2		L		F/L USM

Connector No.	E8
Connector Name	FUSE BLOCK (J/B)
Connector Color	WHITE



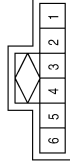
Terminal No.	1L	Color of Wire	G	Signal Name	-
--------------	----	---------------	---	-------------	---

ABMIA5129GB

POWER SUPPLY ROUTING CIRCUIT

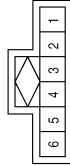
< DTC/CIRCUIT DIAGNOSIS >

Connector No.	E22
Connector Name	JOINT CONNECTOR-E04
Connector Color	GRAY



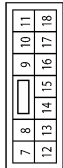
Terminal No.	Color of Wire	Signal Name
1	P	-
5	P	-

Connector No.	E21
Connector Name	JOINT CONNECTOR-E03
Connector Color	GRAY



Terminal No.	Color of Wire	Signal Name
1	L	-
5	L	-

Connector No.	E18
Connector Name	IPDM E/R (INTELLIGENT POWER DISTRIBUTION MODULE ENGINE ROOM)
Connector Color	WHITE



Terminal No.	Color of Wire	Signal Name
7	B	GND (POWER)
11	Y	FR WIPER LO
15	R	FUEL PUMP
18	L	FR WIPER HI

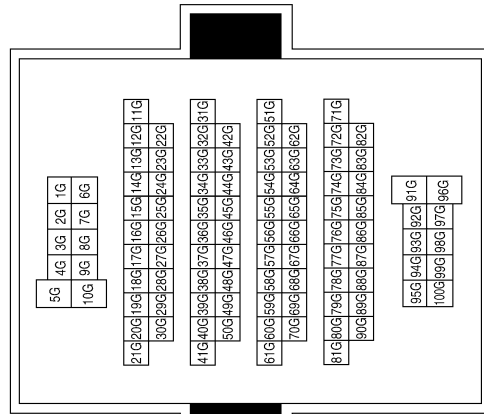
Connector No.	E62
Connector Name	FUSIBLE LINK BOX (BATTERY)
Connector Color	BLACK



Terminal No.	Color of Wire	Signal Name
5	W	-

Terminal No.	Color of Wire	Signal Name
5G	P	-
22G	L	-
23G	P	-

Connector No.	E30
Connector Name	WIRE TO WIRE
Connector Color	WHITE



ABMIA5130GB


A
B
C
D
E
F
G
H
I
J
K
L
M
N
O
P

PG

POWER SUPPLY ROUTING CIRCUIT

< DTC/CIRCUIT DIAGNOSIS >


Connector No.	F83
Connector Name	IPDM E/R (INTELLIGENT POWER DISTRIBUTION MODULE ENGINE ROOM)
Connector Color	WHITE



52	53	54	55
56	57	58	59
60	61		

Terminal No.	Color of Wire	Signal Name
54	LG	INJECTOR #1
55	G	IGN COIL (WITH VG35DE)
55	W	IGN COIL (WITH QR25DE)
56	SB	A/C COMP
60	V	INJECTOR #2
61	Y	AT ECU


Connector No.	E200
Connector Name	IPDM E/R (INTELLIGENT POWER DISTRIBUTION MODULE ENGINE ROOM)
Connector Color	WHITE



74	75	76
77	78	79
80	81	

Terminal No.	Color of Wire	Signal Name
74	BG	WASH MTR (WITH REAR VIEW CAMERA)
74	V	WASH MTR (WITHOUT REAR VIEW CAMERA)


Connector No.	E63
Connector Name	IPDM E/R (INTELLIGENT POWER DISTRIBUTION MODULE ENGINE ROOM)
Connector Color	WHITE



19	20	21	22	23	24	25	26	27	28	29	30	31	32	33	34
35	36	37	38	39	40	41	42	43	44	45	46	47	48	49	50

Terminal No.	Color of Wire	Signal Name
19	BR	SUB ECU
21	L	BCM IGNSW
28	P	CAN-L
29	L	CAN-H
35	BR	ABS ECU
36	W	START IG-E/R
41	B	GND (SIGNAL)
43	LG	IGN SIGNAL


Connector No.	B13
Connector Name	FUSE BLOCK (J/B)
Connector Color	WHITE



2T	1T
6T	5T
4T	3T

Terminal No.	Color of Wire	Signal Name
3T	Y	-
5T	Y	-

Connector No.	F84
Connector Name	IPDM E/R (INTELLIGENT POWER DISTRIBUTION MODULE ENGINE ROOM)
Connector Color	WHITE



62	63	64	65	66	67
68	69	70	71	72	73

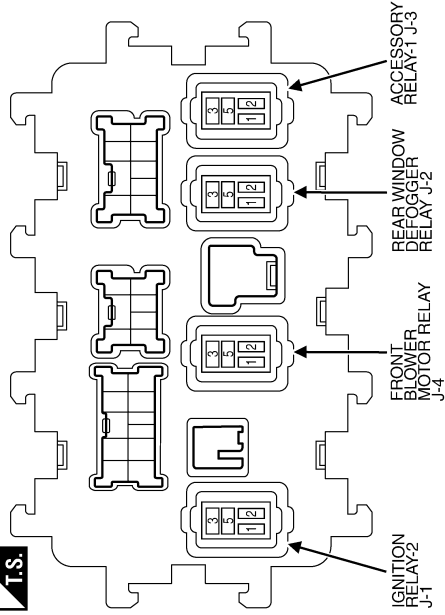
Terminal No.	Color of Wire	Signal Name
69	V	FPR

ABMIA5131GB

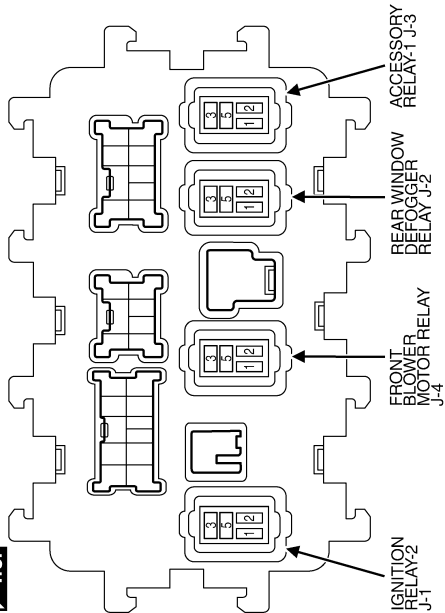
POWER SUPPLY ROUTING CIRCUIT

< DTC/CIRCUIT DIAGNOSIS >

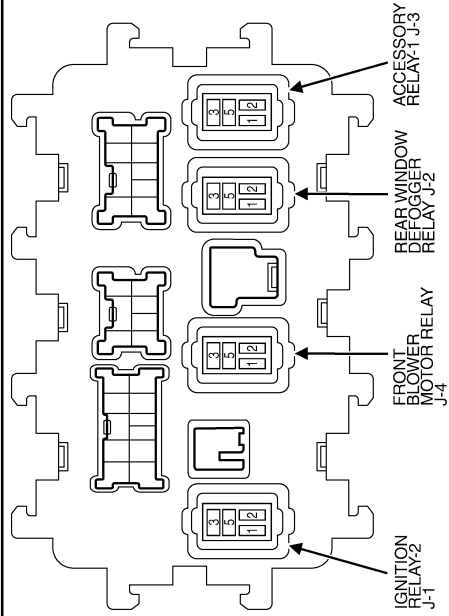
Connector No.	J-2
Connector Name	FUSE BLOCK (J/B) (REAR WINDOW DEFOGGER RELAY)
Connector Color	-



Connector No.	J-1
Connector Name	FUSE BLOCK (J/B) (IGNITION RELAY-2)
Connector Color	-



Connector No.	J-4
Connector Name	FUSE BLOCK (J/B) (FRONT BLOWER MOTOR RELAY)
Connector Color	-



ABMIA5132GB

A
B
C
D
E
F
G
H
I
J
K
L
M
N
O
P

PG

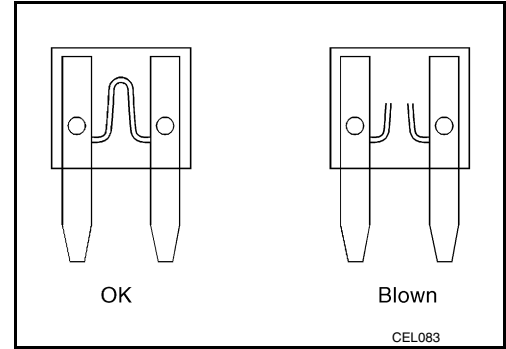
POWER SUPPLY ROUTING CIRCUIT

< DTC/CIRCUIT DIAGNOSIS >

Fuse

INFOID:000000009460438

- If fuse is blown, be sure to eliminate cause of malfunction before installing new fuse.
- Use fuse of specified rating. Never use fuse of more than specified rating.
- Do not partially install fuse; always insert it into fuse holder properly.
- Remove fuse for "ELECTRICAL PARTS (BAT)" if vehicle is not used for a long period of time.



Fusible Link

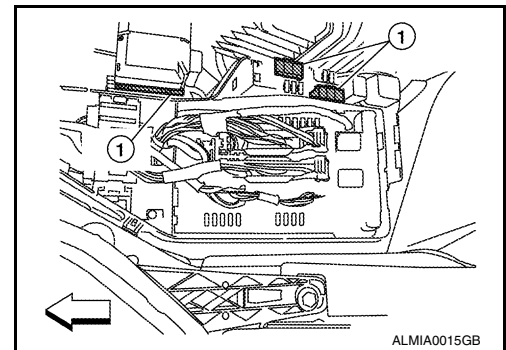
INFOID:000000009460439

A melted fusible link can be detected either by visual inspection or by feeling with finger tip. If its condition is questionable, use circuit tester or test lamp.

1 : Fusible link

CAUTION:

- If fusible link should melt, it is possible that critical circuit (power supply or large current carrying circuit) is shorted. In such a case, carefully check and eliminate cause of malfunction.
- Never wrap outside of fusible link with vinyl tape. Important: Never let fusible link touch any other wiring harness, vinyl or rubber parts.



GROUND

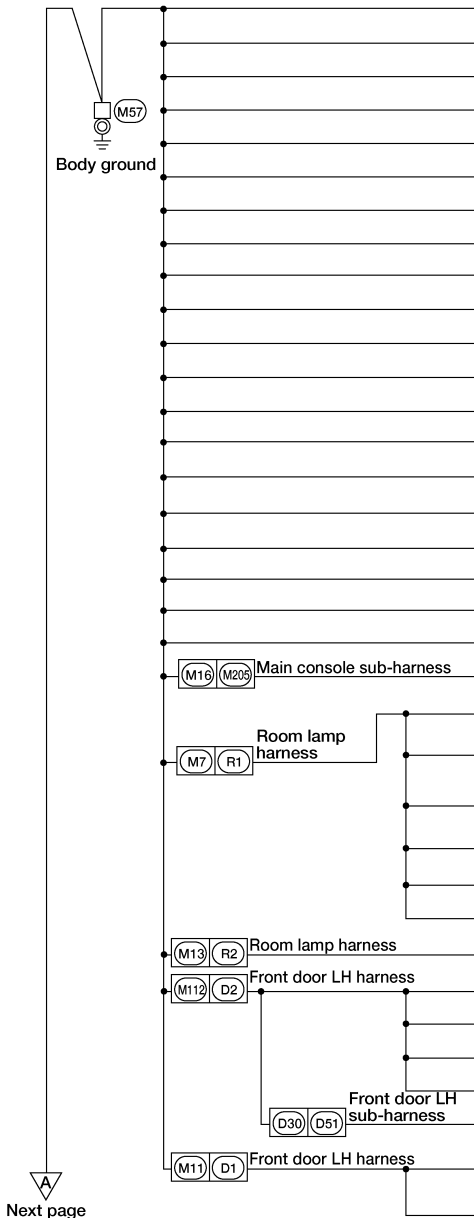
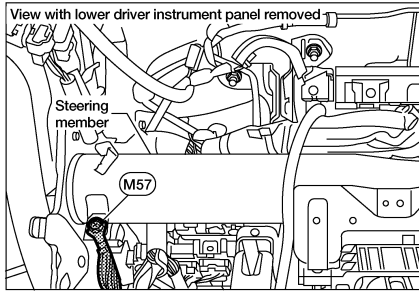
< DTC/CIRCUIT DIAGNOSIS >

GROUND

Ground Distribution

INFOID:000000009460440

MAIN HARNESS



CONNECTOR NUMBER	CONNECT TO
M4	Fuse block (J/B)
M21	BCM (body control module) (Terminal No. 134)
M21	BCM (body control module) (Terminal No. 143)
M22	Data link connector (Terminal No. 4)
M22	Data link connector (Terminal No. 5)
M24	Combination meter (Terminal No. 1)
M24	Combination meter (Terminal No. 2)
M28	Combination switch (Terminal No. 6)
M31	Blower motor
M51	Heated steering wheel switch (Terminal No. 2)
M51	Heated steering wheel switch (Terminal No. 6)
M52	Combination switch (spiral cable) (Terminal No. 2)
M53	Steering angle sensor
M62	Warning system switch
M72	VDC OFF switch
M75	Trunk lid opener switch
M76	Front power socket
M91	Accessory prewire LH
M94	Paddle shifter (shift up)
M95	Paddle shifter (shift down)
M209	Front console power socket
R3	Vanity mirror lamp LH
R4	Auto anti-dazzling inside mirror (with homelink universal transceiver)
R8	Auto anti-dazzling inside mirror (without homelink universal transceiver)
R9	Vanity mirror lamp RH
R50	Personal lamp rear
R51	Front room/map lamp assembly
R5	Moonroof motor assembly
D3	Blind spot warning indicator LH
D4	Door mirror LH
D6	Front outside handle LH
D14	Front door lock assembly LH
D52	Door mirror remote control switch
D7	Main power window and door lock/unlock switch (Terminal No. 1) (with left and right front power window anti-pinch system)
D12	Main power window and door lock/unlock switch (Terminal No. 1) (with left front only power window anti-pinch system)

Next page

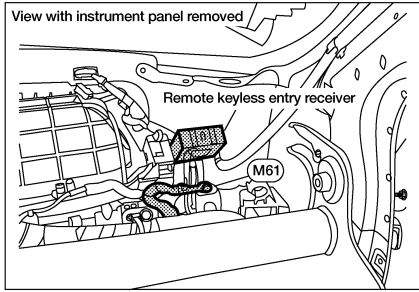
ABMIA5133GB

A
B
C
D
E
F
G
H
I
J
K
L
N
O
P

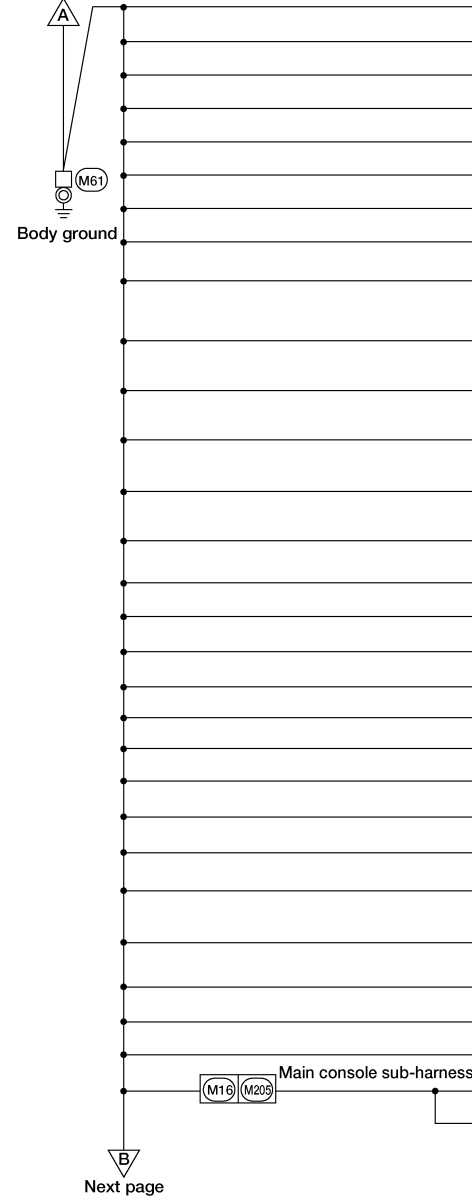
PG

GROUND

< DTC/CIRCUIT DIAGNOSIS >



Preceding page



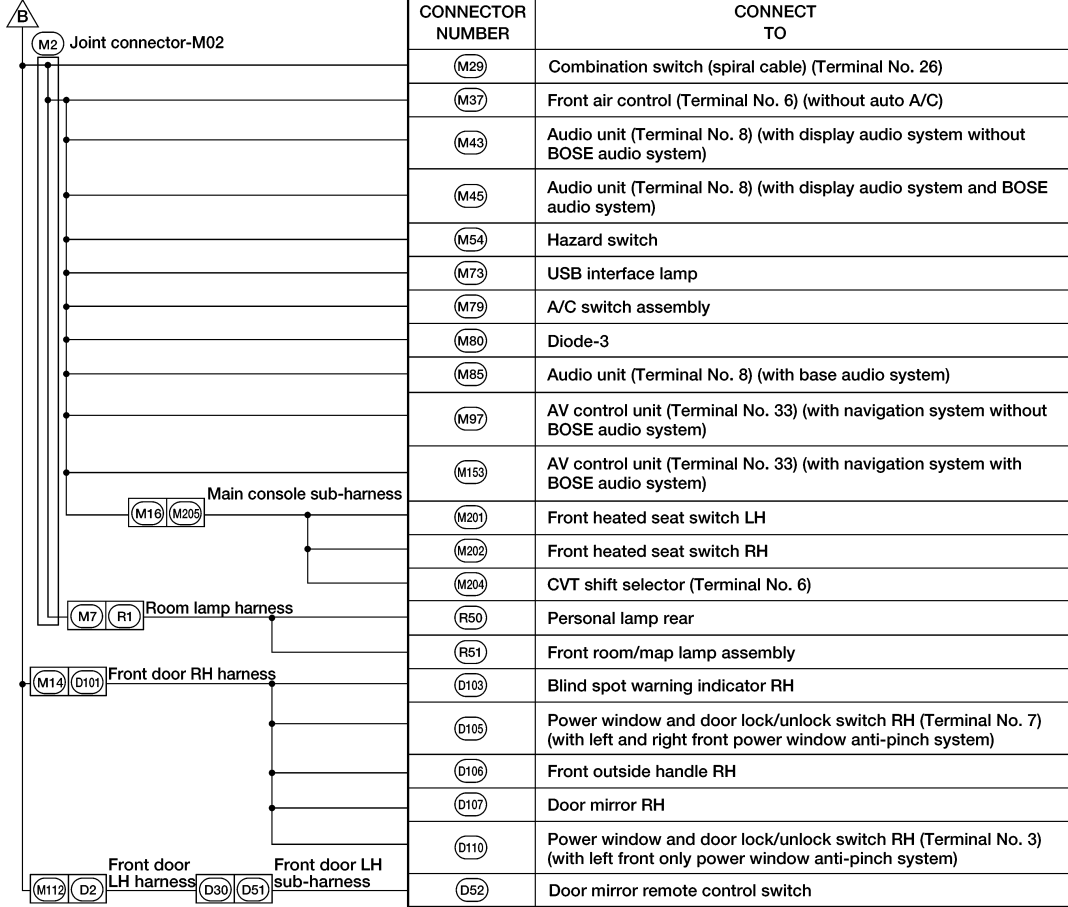
CONNECTOR NUMBER	CONNECT TO
(M23)	CVT shift selector (Terminal No. 2)
(M23)	CVT shift selector (Terminal No. 4)
(M24)	Combination meter (Terminal No. 23)
(M25)	Accessory relay-2
(M35)	Air bag diagnosis sensor unit (Terminal No. 27)
(M36)	Front passenger air bag OFF indicator
(M37)	Front air control (Terminal No. 9) (without auto A/C)
(M38)	Push-button ignition switch
(M43)	Audio unit (Terminal No. 20) (with display audio system without BOSE audio system)
(M44)	Audio unit (Terminal No. 45) (with display audio system without BOSE audio system)
(M45)	Audio unit (Terminal No. 20) (with display audio system and BOSE audio system)
(M46)	Audio unit (Terminal No. 41) (with display audio system and BOSE audio system)
(M46)	Audio unit (Terminal No. 44) (with display audio system and BOSE audio system)
(M46)	Audio unit (Terminal No. 45) (with display audio system and BOSE audio system)
(M51)	Heated steering wheel switch
(M54)	Hazard switch
(M58)	ITS control unit (Terminal No. 40)
(M62)	Warning system switch
(M68)	Glove box lamp
(M72)	VDC OFF switch
(M75)	Trunk lid opener switch
(M79)	A/C switch assembly
(M92)	Accessory prewire RH
(M96)	AV control unit (Terminal No. 20) (with navigation system without BOSE audio system)
(M151)	AV control unit (Terminal No. 20) (with navigation system with BOSE audio system)
(M152)	A/C auto amp. (Terminal No. 2) (with auto A/C)
(M152)	A/C auto amp. (Terminal No. 22) (with auto A/C)
(M159)	Dongle unit (Terminal No. 4)
(M201)	Front heated seat switch LH
(M202)	Front heated seat switch RH

ABMIA5134GB

GROUND

< DTC/CIRCUIT DIAGNOSIS >

Preceding page



A
B
C
D
E
F
G
H
I
J
K
L

PG

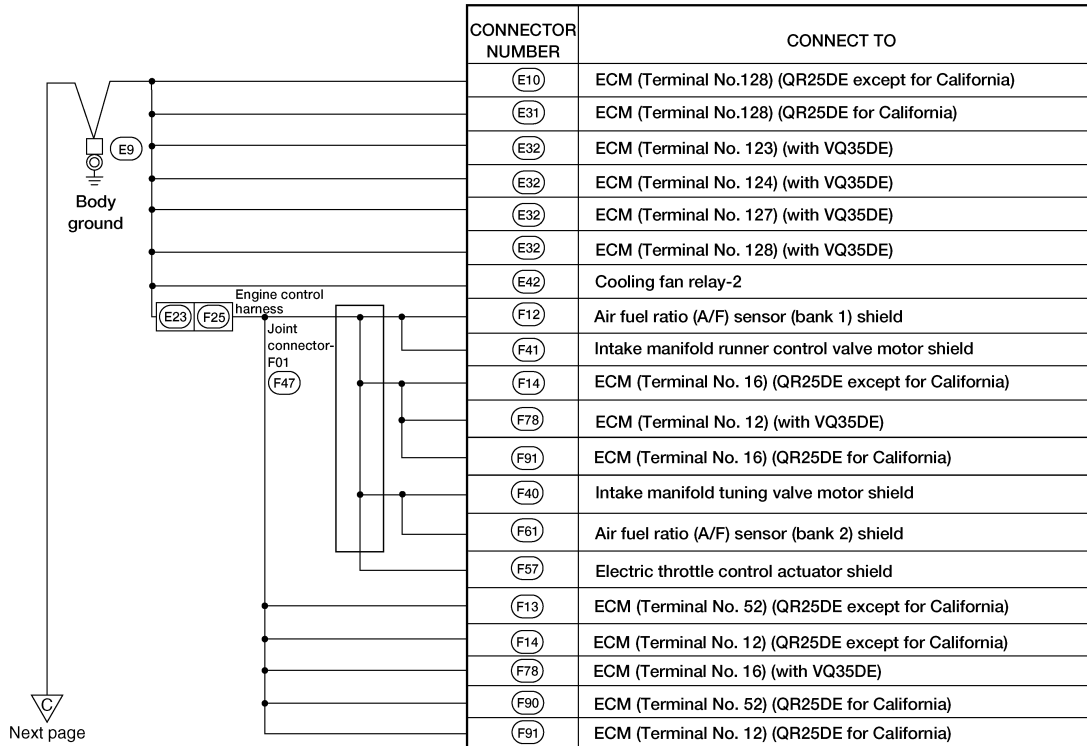
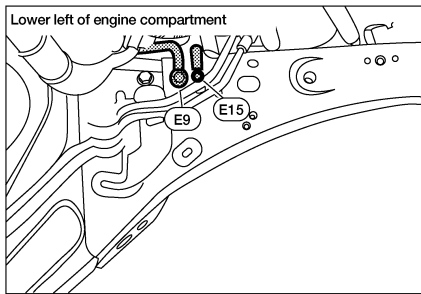
N
O
P

ABMIA5135GB

GROUND

< DTC/CIRCUIT DIAGNOSIS >

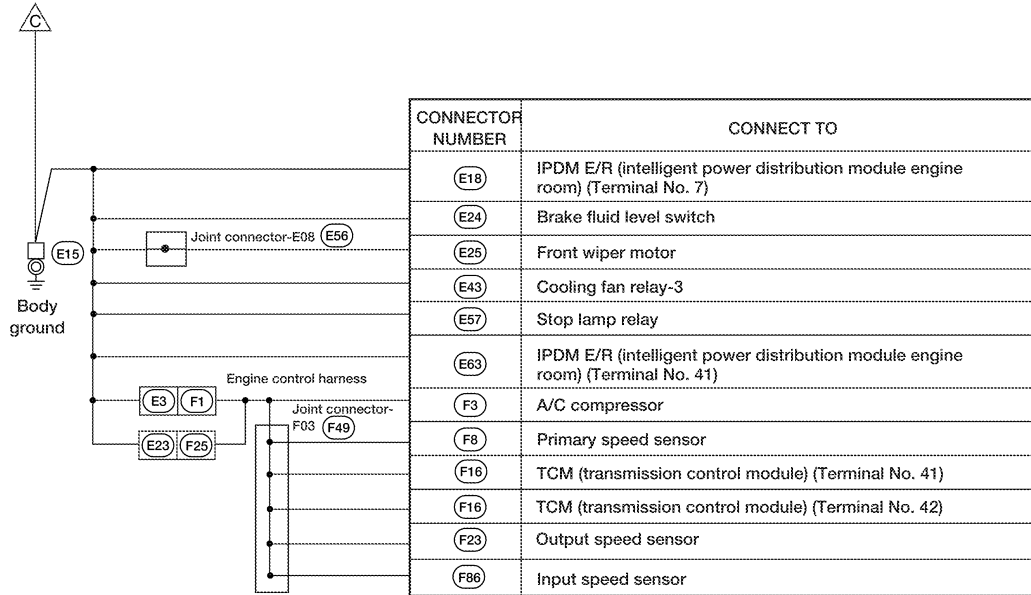
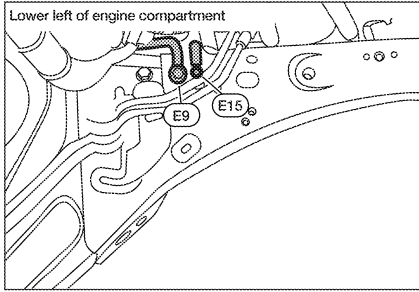
ENGINE ROOM HARNESS



ABMIA5136GB

GROUND

< DTC/CIRCUIT DIAGNOSIS >

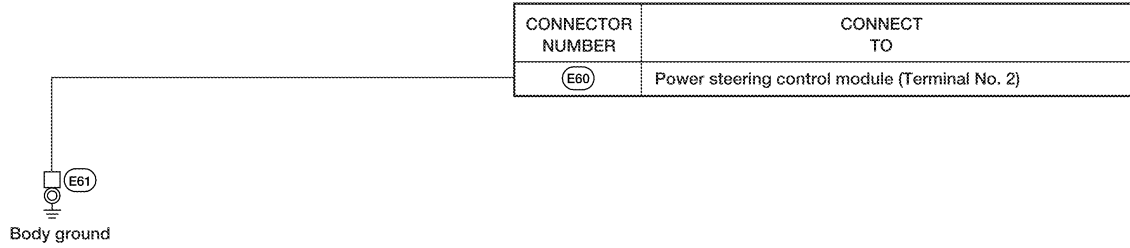
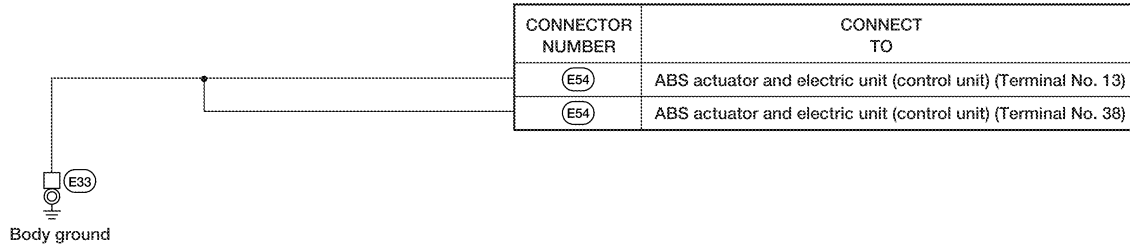
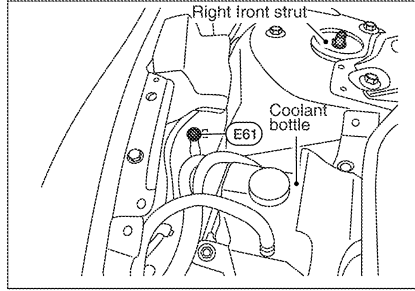
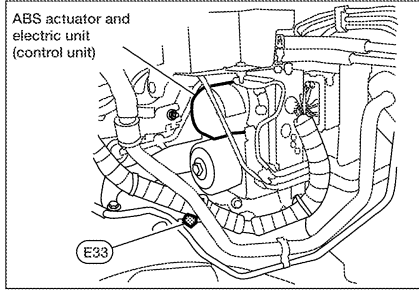


A
B
C
D
E
F
G
H
I
J
K
L
PG
N
O
P

ABMIA5137GB

GROUND

< DTC/CIRCUIT DIAGNOSIS >

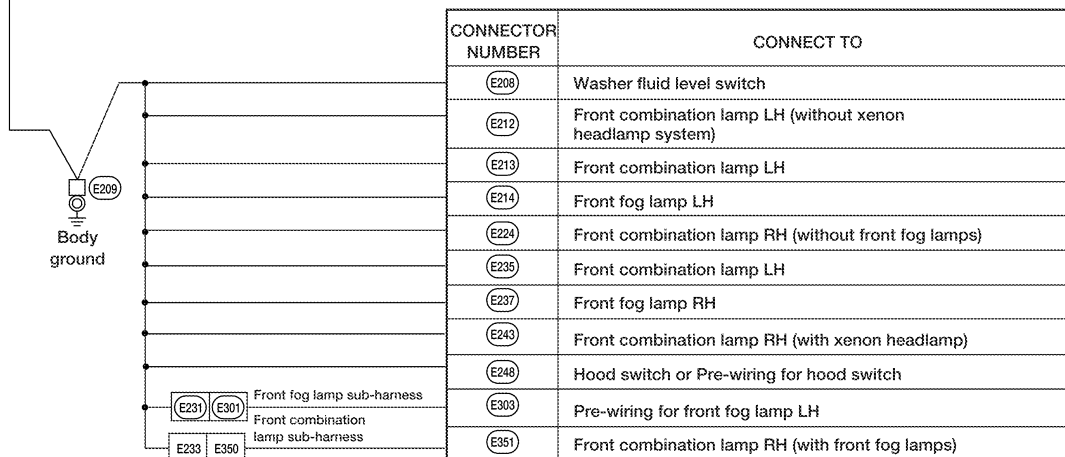
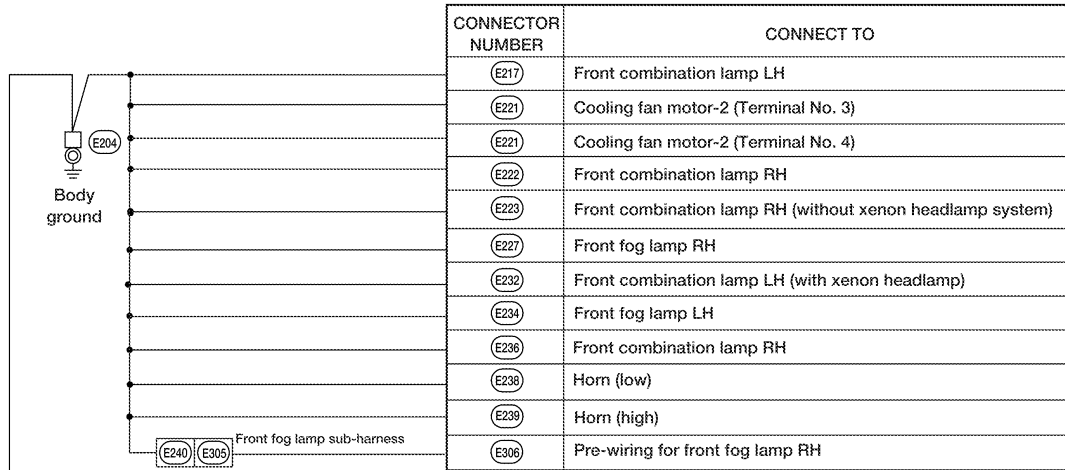
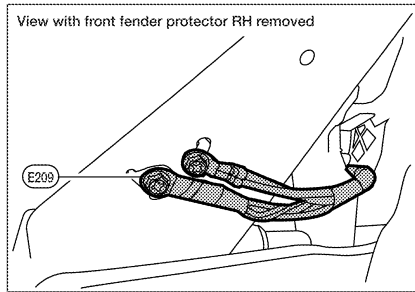
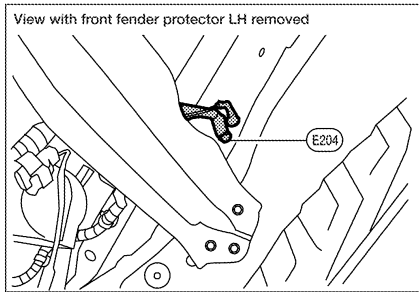


ABMIA5138GB

GROUND

< DTC/CIRCUIT DIAGNOSIS >

FRONT END MODULE HARNESS

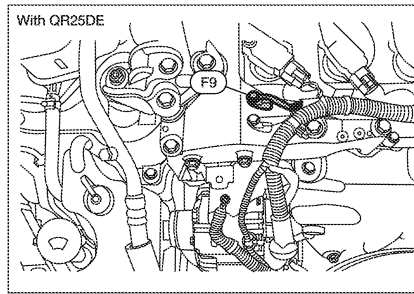
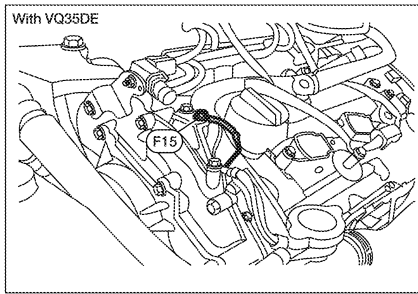


ABMIA5139GB

A
B
C
D
E
F
G
H
I
J
K
L
PG
N
O
P

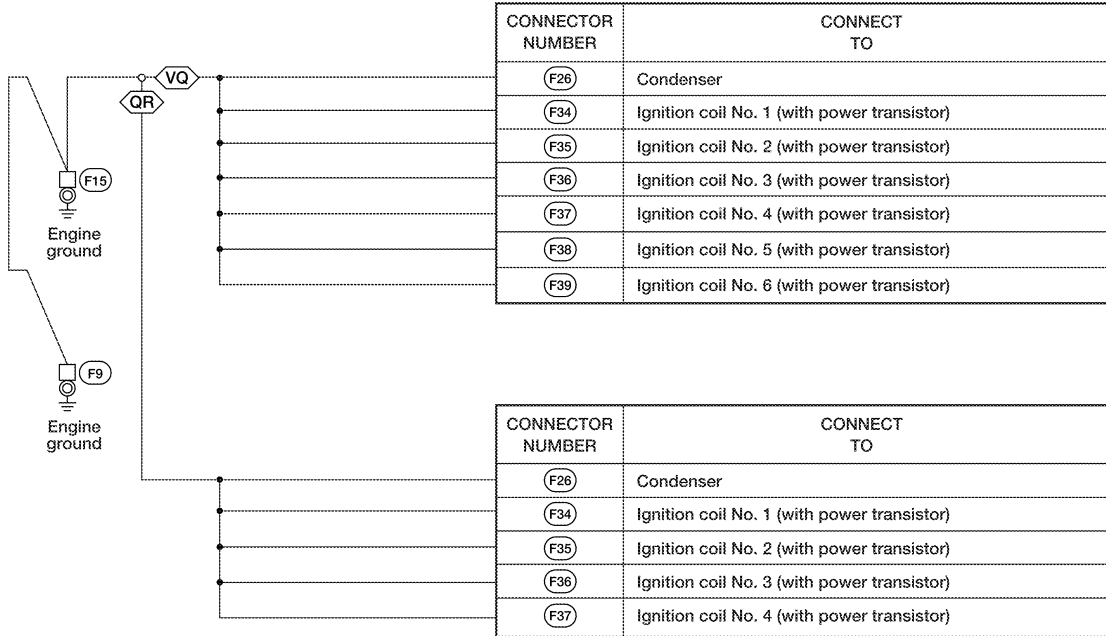
GROUND

< DTC/CIRCUIT DIAGNOSIS > ENGINE CONTROL HARNESS



QR : With QR25DE

VQ : With VQ35DE

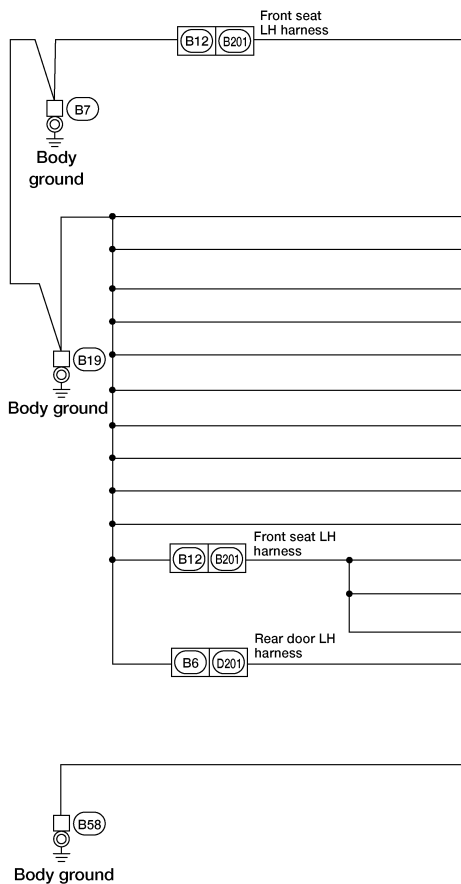
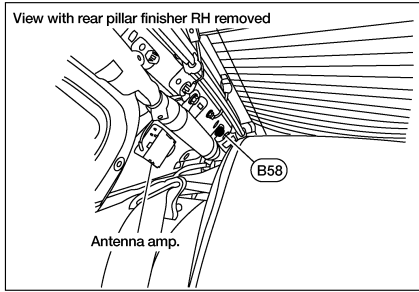
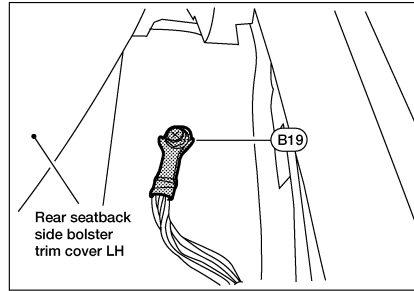
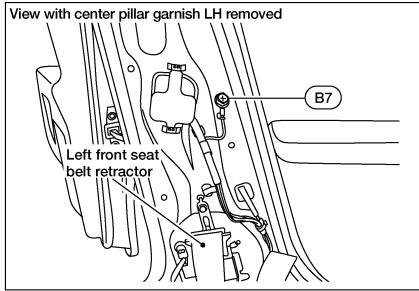


ABMIA5140GB

GROUND

< DTC/CIRCUIT DIAGNOSIS >

BODY HARNESS



CONNECTOR NUMBER	CONNECT TO
B202	Seat belt buckle switch LH

CONNECTOR NUMBER	CONNECT TO
B16	Rear view camera washer control unit (Terminal No. 5)
B28	Trunk lamp switch and trunk release solenoid
B30	Rear combination lamp LH
B32	License plate lamp RH
B33	Trunk opener request switch
B34	License plate lamp LH
B37	High-mounted stop lamp (without rear spoiler)
B40	High-mounted stop lamp (with rear spoiler)
B42	Fuel level sensor unit and fuel pump
B45	Rear combination lamp RH
B203	Power seat switch
B205	Lumbar support switch
B210	Seat cushion heater LH
D203	Rear power window switch LH

CONNECTOR NUMBER	CONNECT TO
B54	Rear window defogger

ABMIA5141GB

A
B
C
D
E
F
G
H
I
J
K
L
PG
N
O
P

HARNESS

< DTC/CIRCUIT DIAGNOSIS >

HARNESS

Harness Layout

INFOID:000000009995712

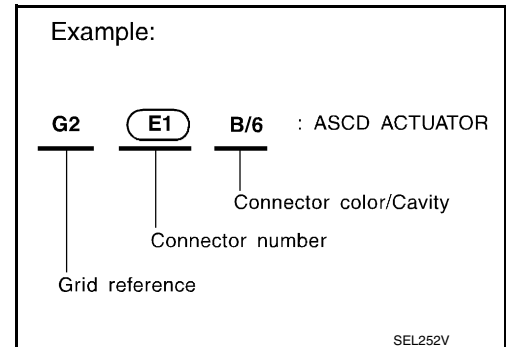
HOW TO READ HARNESS LAYOUT

The following Harness Layouts use a map style grid to help locate connectors on the drawings:

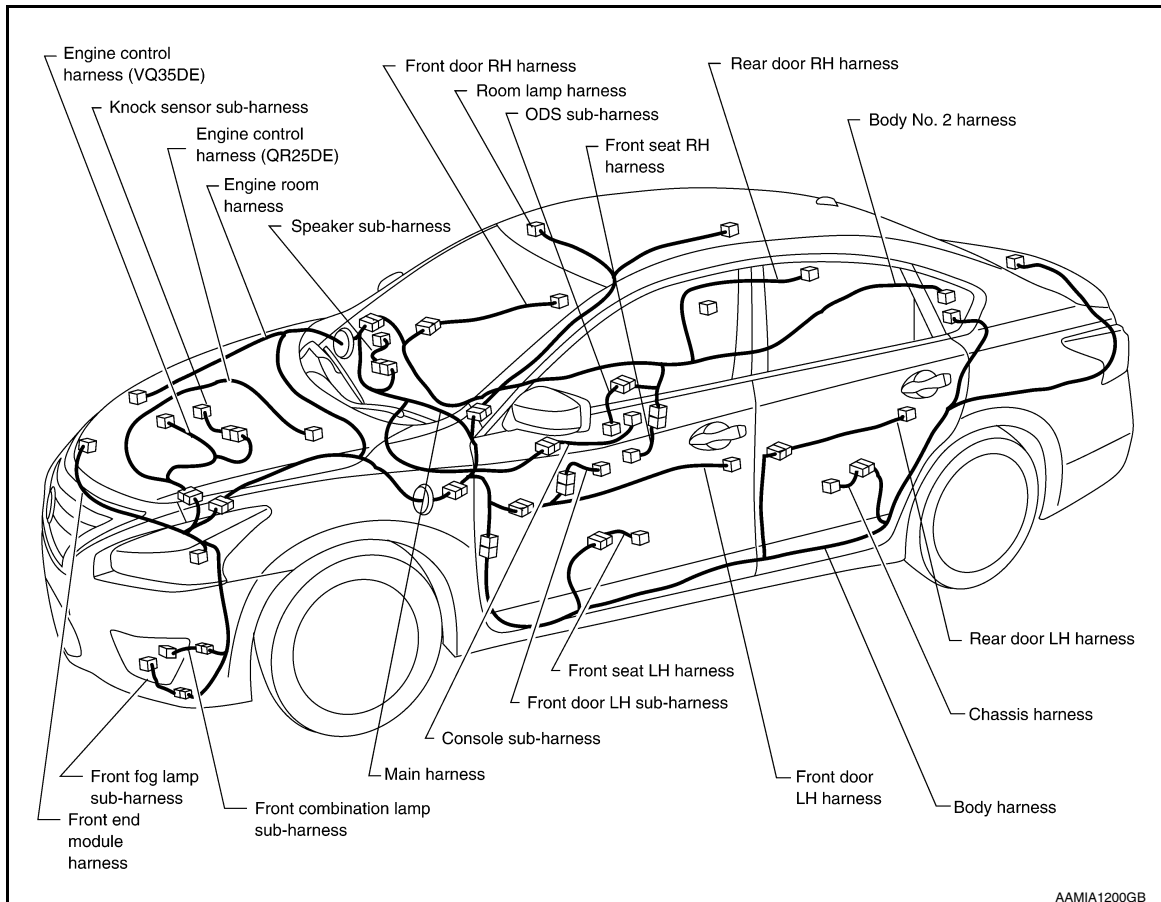
- Main Harness, Console Sub-harness, Speaker Sub-harness
- Engine Room Harness
- Engine Room Harness (Passenger Compartment)
- Front End Module Harness, Front Combination Lamp Sub-harness, Front Fog Lamp Sub-harness
- Engine Control Harness (QR25DE)
- Engine Control Harness (VQ35DE), Knock Sensor Sub-harness
- Body Harness, Front Seat LH Harness, Chassis Harness
- Body No. 2 Harness, Front Seat RH Harness, ODS Sub-harness
- Room Lamp Harness
- Front Door LH Harness, Front Door LH Sub-harness
- Front Door RH Harness
- Rear Door LH harness
- Rear Door RH Harness

To use the grid reference

1. Find the desired connector number on the connector list.
2. Find the grid reference.
3. On the drawing, find the crossing of the grid reference letter column and number row.
4. Find the connector number in the crossing zone.
5. Follow the line (if used) to the connector.



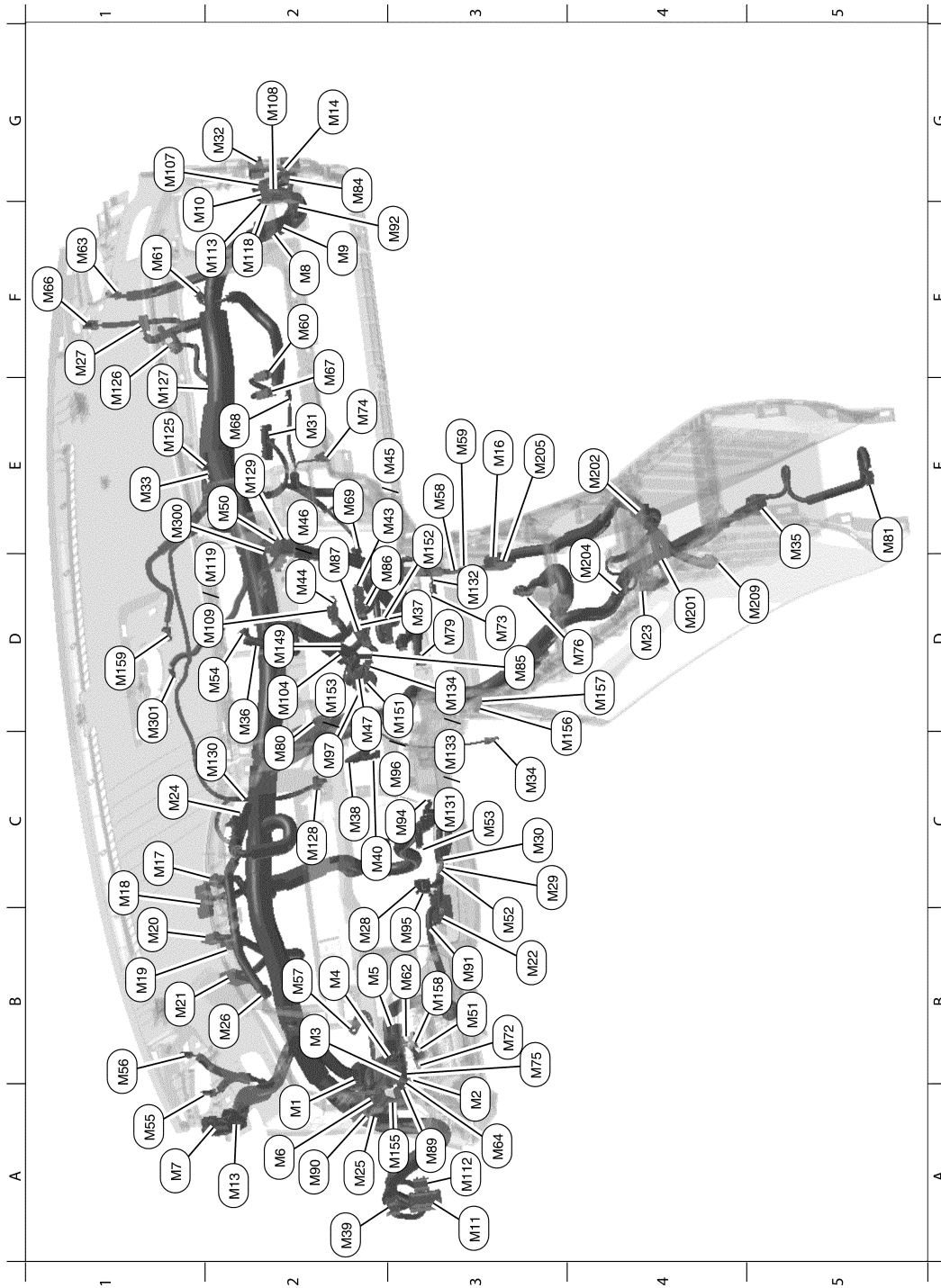
OUTLINE



HARNESS

< DTC/CIRCUIT DIAGNOSIS >

MAIN HARNESS



ABMIA5143ZZ

A2	M1	SMJ	: To E30	F2	M67	B/2	: Front passenger air bag module
A3	M2	W/4	: Joint connector-M02	E2	M68	W/2	: Glove box lamp
B2	M3	W/8	: Fuse block (J/B)	E2	M69	W/2	: Intake sensor
B2	M4	BR/16	: Fuse block (J/B)	B3	M72	B/8	: VDC off switch
B2	M5	W/16	: Fuse block (J/B)	D3	M73	W/2	: USB interface lamp

HARNESS

< DTC/CIRCUIT DIAGNOSIS >

A2	M6	SMJ	: To B1	E2	M74	W/2	: Trunk lid opener cancel switch	A
A1	M7	W/12	: To R1	B3	M75	G/8	: Trunk lid opener switch	
F2	M8	W/12	: To B102	D4	M76	GR/3	: Front power socket	B
F2	M9	W/16	: To B103	D3	M79	W/12	: A/C switch assembly	
F1	M10	BR/16	: To B104	C2	M80	B/2	: Diode-3	C
A3	M11	W/16	: To D1	E5	M81	GR/2	: Front console antenna	
A2	M13	W/4	: To R2	G2	M84	W/24	: To D114	D
G2	M14	W/8	: To D101	D3	M85	W/20	: Audio unit (With base audio system)	
E3	M16	W/16	: To M205	D2	M86	W/16	: Audio unit (With base audio system)	E
C1	M17	G/40	: BCM (Body control module)	D2	M87	W/8	: Audio unit (With base audio system)	
C1	M18	B/40	: BCM (Body control module)	A3	M89	W/4	: Joint connector-M05	F
B1	M19	GR/24	: BCM (Body control module)	A2	M90	L/4	: Heated steering relay	
B1	M20	B/24	: BCM (Body control module)	B3	M91	W/12	: Accessory prewire LH	G
B1	M21	W/15	: BCM (Body control module)	F2	M92	W/12	: Accessory prewire RH	
B3	M22	W/16	: Data link connector	C3	M94	W/4	: Paddle shifter (Shift up)	H
D4	M23	W/12	: CVT shift selector	B3	M95	W/3	: Paddle shifter (Shift down)	
C1	M24	W/40	: Combination meter	C3	M96	W/20	: AV control unit (With navigation system without BOSE audio system)	I
A2	M25	B/4	: Accessory relay-2	C2	M97	W/24	: AV control unit (With navigation system without BOSE audio system)	
B2	M26	W/12	: Combination meter	D2	M104	W/4	: Aux in jack	J
F1	M27	B/4	: Remote keyless entry receiver	G1	M107	W/4	: Joint connector-M10	
C2	M28	W/16	: Combination switch	G2	M108	W/4	: Joint connector-M11	K
C3	M29	Y/6	: Combination switch (Spiral cable)	D2	M109	W/8	: Audio unit (With display audio system without BOSE audio system)	
C3	M30	GR/8	: Combination switch (Spiral cable)	A3	M112	W/24	: To D2	L
E2	M31	W/6	: Blower motor	F2	M113	W/4	: Joint connector-M12	
G2	M32	Y/4	: To D123	F2	M118	W/4	: Joint connector-M13	M
E1	M33	W/3	: To M125	D2	M119	W/8	: Audio unit (With display audio system and BOSE audio system)	
C3	M34	W/2	: In-vehicle sensor	E1	M125	W/3	: To M33	N
E5	M35	Y/28	: Air bag diagnosis sensor unit	E1	M126	W/3	: Intake door motor	
D2	M36	BR/2	: Front passenger air bag off indicator	E1	M127	W/3	: Mode door motor	O
D3	M37	W/16	: Front air control (Without auto A/C)	C2	M128	W/3	: Air mix door motor LH	
C2	M38	W/8	: Push-button ignition switch	E2	M129	W/3	: Air mix door motor RH	P
A2	M39	Y/4	: To D29	C2	M130	W/3	: Air mix door motor	
C2	M40	W/3	: NATS antenna amp.	C3	M131	L/5	: AV control unit (With navigation with BOSE audio system)	PG
E2	M43	W/20	: Audio unit (With display audio system without BOSE audio system)	D3	M132	L/5	: USB interface	
D2	M44	W/32	: Audio unit (With display audio system without BOSE audio system)	C3	M133	L/5	: Audio unit (With display audio system without BOSE audio system)	N
E3	M45	W/20	: Audio unit (With display audio system and BOSE audio system)	D3	M134	L/5	: AV control unit (With navigation system without BOSE audio system)	
E2	M46	W/32	: Audio unit (With display audio system and BOSE audio system)	D2	M149	L/5	: Audio unit (With display audio system and BOSE audio system)	O
D2	M47	W/4	: Joint connector-M04	D3	M151	W/20	: AV control unit (With navigation system with BOSE audio system)	
E2	M50	W/2	: To M300	E3	M152	W/40	: A/C auto amp.(With auto A/C)	P

HARNES

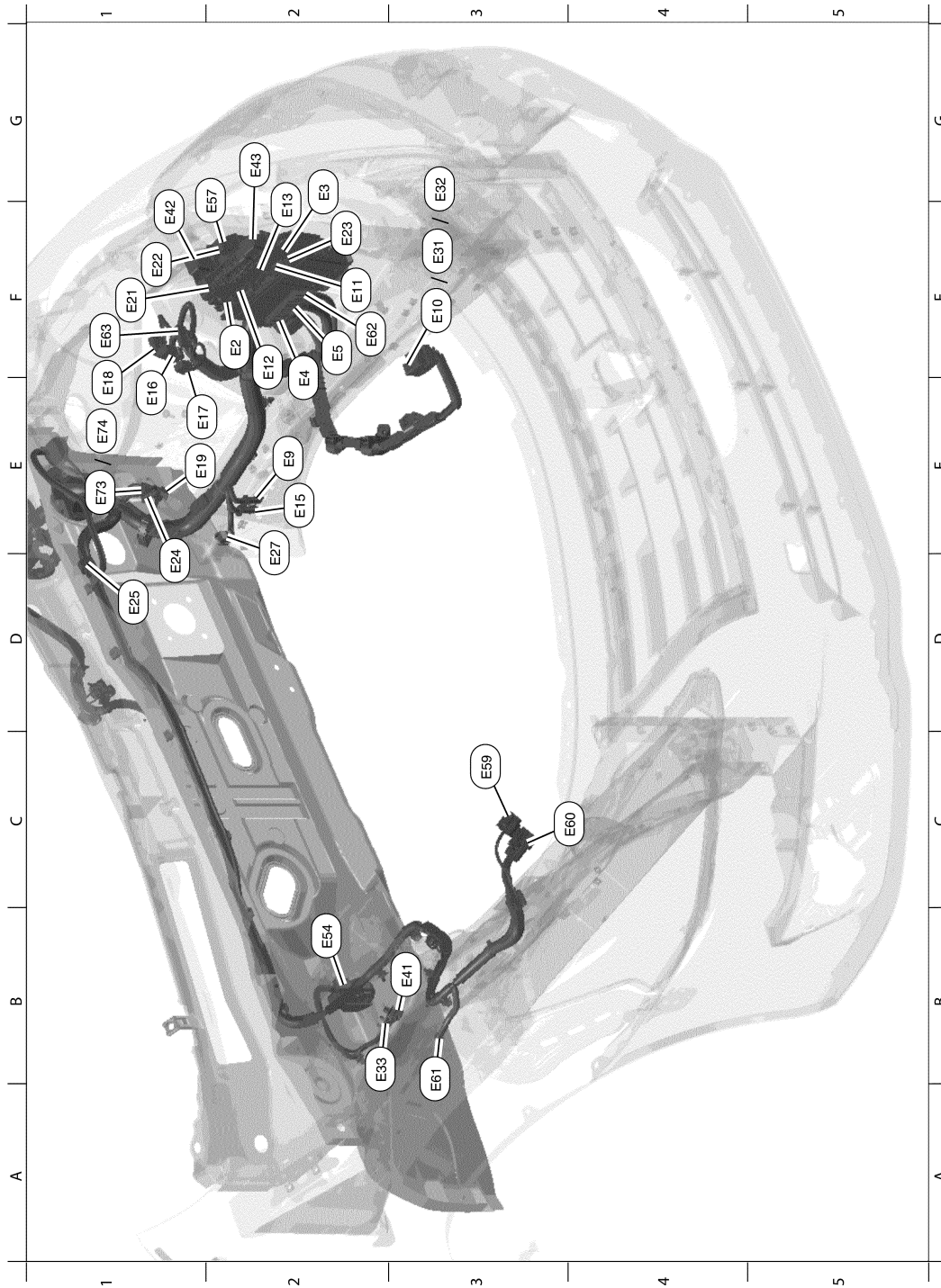
< DTC/CIRCUIT DIAGNOSIS >

B3	M51	L/8	: Heated steering wheel switch	D2	M153	W/24	: AV control unit (With navigation system with BOSE audio system)
C3	M52	W/2	: Combination switch (Spiral cable)	A3	M155	W/4	: Joint connector-M06
C3	M53	W/8	: Steering angle sensor	C3	M156	W/4	: Joint connector-M07
D2	M54	W/4	: Hazard switch	D3	M157	W/4	: Joint connector-M08
A1	M55	BR/2	: Front speaker LH	B3	M158	W/8	: Meter control switch
B1	M56	B/2	: Sunload sensor	D1	M159	W/4	: Dongle unit
B2	M57	—	: Body ground	Console sub-harness			
E3	M58	W/40	: ITS control unit	D4	M201	W/6	: Front heated seat switch LH
E3	M59	W/32	: ITS control unit	E4	M202	BR/6	: Front heated seat switch RH
F2	M60	O/2	: Front passenger air bag module	D4	M204	BR/2	: CVT shift selector
F1	M61	—	: Body ground	E3	M205	W/16	: To M16
B3	M62	GR/8	: Warning system switch	D5	M209	GR/3	: Front console power socket
F1	M63	BR/2	: Front speaker RH	Speaker sub-harness			
A3	M64	W/4	: Joint connector-M01	D1	M300	W/2	: To M50
F1	M66	W/3	: Optical sensor	D1	M301	BR/2	: Center speaker

HARNESS

< DTC/CIRCUIT DIAGNOSIS >

ENGINE ROOM HARNESS



AAMIA0023ZZ

F2	E2	W/8	: To E202	D1	E25	GR/5	: Front wiper motor
G2	E3	W/10	: To F1	E2	E27	B/3	: Vacuum sensor
F2	E4	BR/2	: Fusible link box (Battery)	F3	E31	GR/32	: ECM (QR25DE for California)
F2	E5	GR/2	: Fusible link box (Battery)	G3	E32	GR/32	: ECM (With VQ35DE)
E2	E9	—	: Body ground	B2	E33	—	: Body ground

HARNES

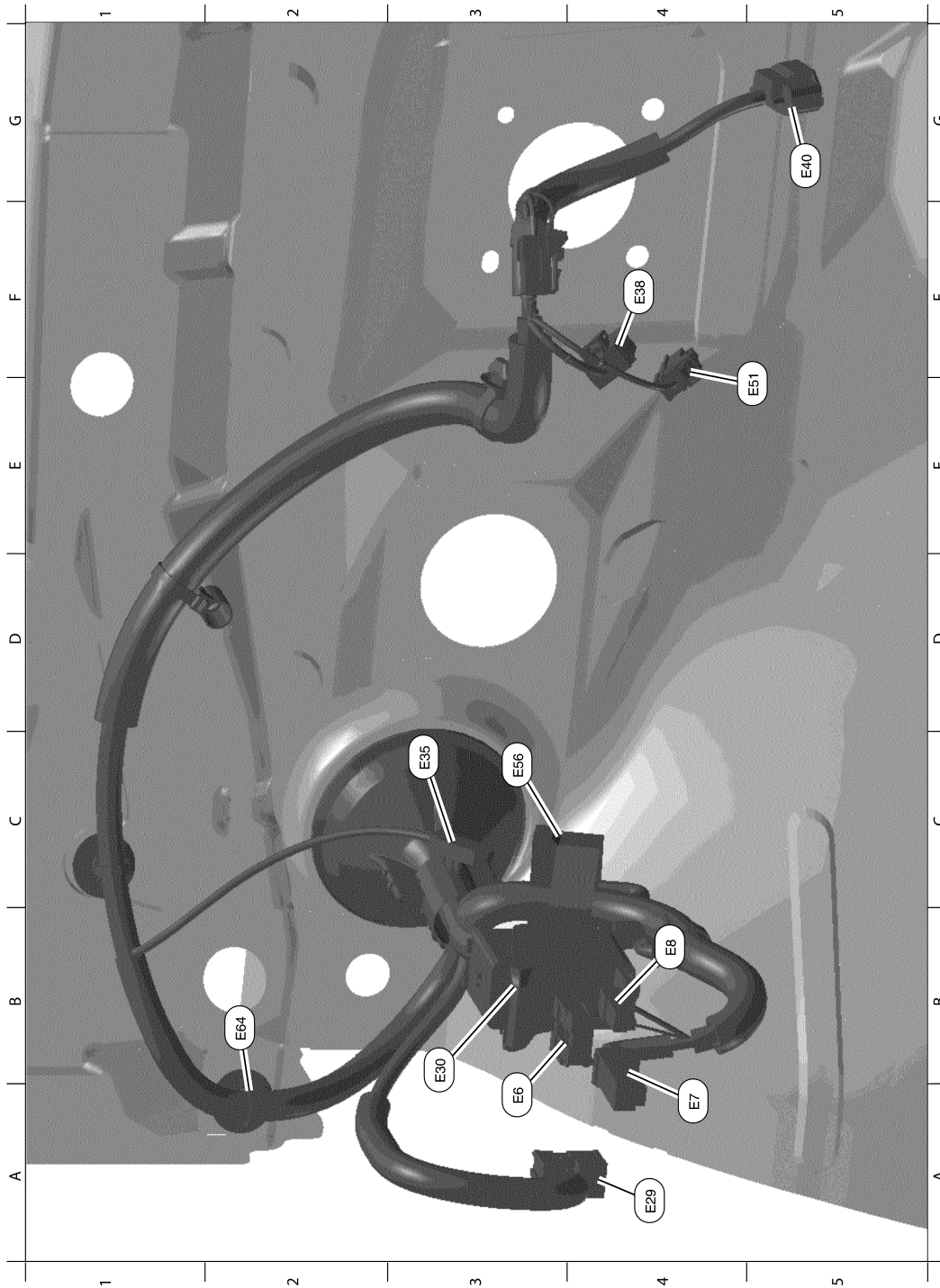
< DTC/CIRCUIT DIAGNOSIS >

F3	E10	GR/32	: ECM (QR25DE except for California)	B3	E41	GR/2	: Front wheel sensor RH
F2	E11	W/16	: To F2	F1	E42	BR/6	: Cooling fan relay-2
F2	E12	W/6	: To E203	G2	E43	BR/6	: Cooling fan relay-3
F2	E13	Y/4	: To E205	B2	E54	B/38	: ABS actuator and electric unit (Control unit)
E2	E15	—	: Body ground	G2	E57	L/4	: Stop lamp relay
E1	E16	B/2	: IPDM E/R (Intelligent power distribution module engine room)	C3	E59	B/6	: Power steering control module
E1	E17	W/4	: IPDM E/R (Intelligent power distribution module engine room)	C4	E60	B/2	: Power steering control module
E1	E18	W/12	: IPDM E/R (Intelligent power distribution module engine room)	B3	E61	—	: Body ground
E1	E19	GR/2	: Front wheel sensor LH	F2	E62	B/1	: Fusible link box (Battery)
F1	E21	GR/6	: Joint connector-E03	F1	E63	W/32	: IPDM E/R (Intelligent power distribution module engine room)
F1	E22	GR/6	: Joint connector-E04	E1	E73	BR/3	: Outside warning buzzer
F2	E23	BR/8	: To F25	E1	E74	BR/3	: Intelligent Key warning buzzer
D1	E24	GR/2	: Brake fluid level switch				

HARNESS

< DTC/CIRCUIT DIAGNOSIS >

ENGINE ROOM HARNESS (PASSENGER COMPARTMENT)



AAMIA0024ZZ

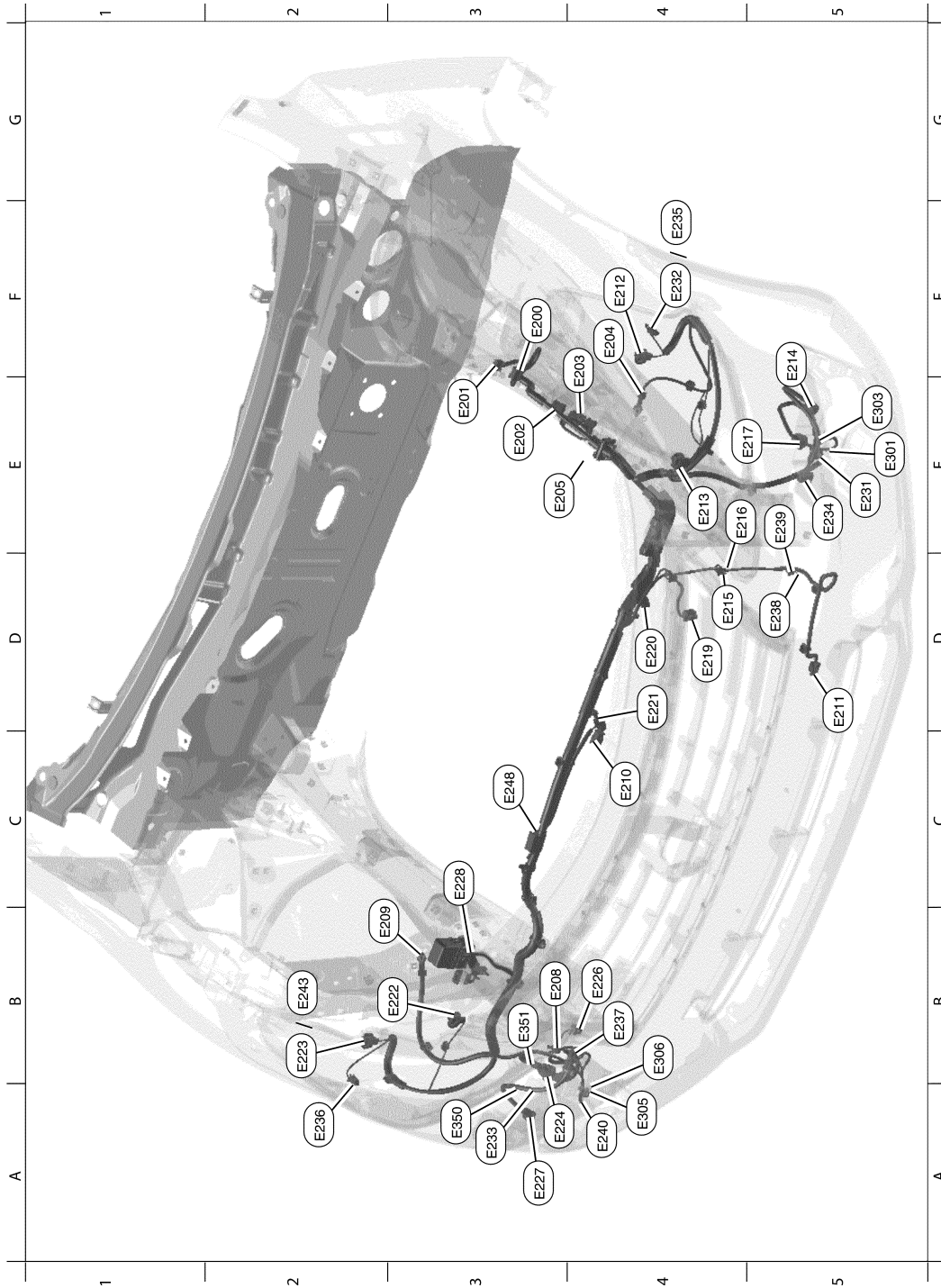
A3	E6	W/10	: Fuse block (J/B)	F4	E38	W/4	: Stop lamp switch
A4	E7	W/1	: Fuse block (J/B)	G5	E40	B/6	: Accelerator pedal position sensor
B4	E8	W/1	: Fuse block (J/B)	E5	E51	BR/2	: Brake pedal position switch
A4	E29	W/12	: To B10	C3	E56	W/33	: Joint connector-E08

HARNESS

< DTC/CIRCUIT DIAGNOSIS >

B3	E30	SMJ	: To M1	B2	E64	W/4	: Joint connector-E10
C3	E35	B/1	: Parking brake switch				

FRONT END MODULE HARNESS



AAMIA0025ZZ

F3	E200	W/8	: IPDM E/R (Intelligent power distribution module engine room)	A3	E227	B/2	: Front fog lamp RH
E3	E201	W/16	: IPDM E/R (Intelligent power distribution module engine room)	C3	E228	L/4	: Daytime light relay

HARNESSES

< DTC/CIRCUIT DIAGNOSIS >

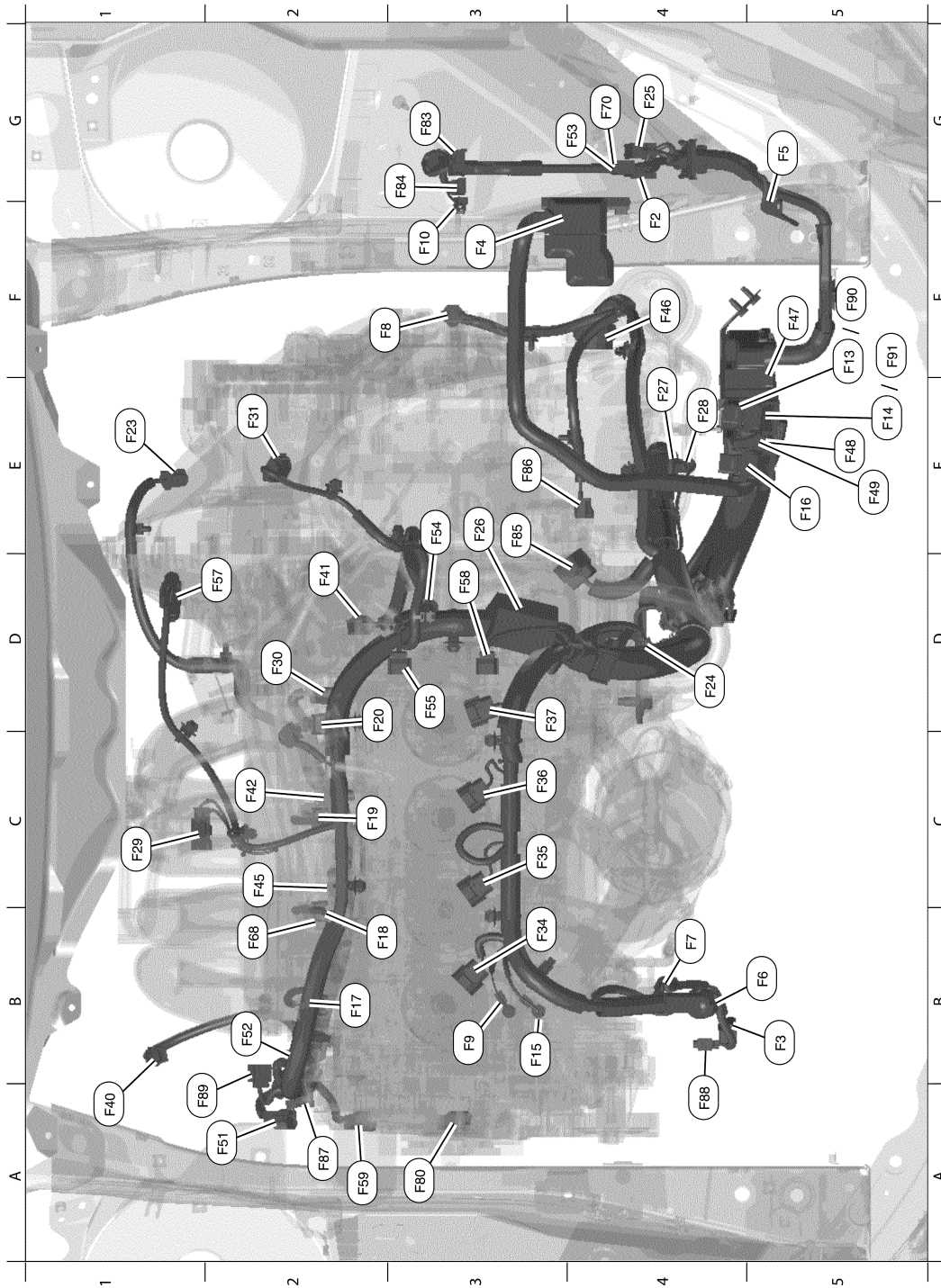
E3	E202	W/8	: To E2	E5	E231	GR/4	: To E301	A	
F4	E203	W/6	: To E12	F4	E232	GR/2	: Front combination lamp LH (With xenon headlamp system)	B	
F4	E204	—	: Body ground	A3	E233	B/6	: To E350	C	
E3	E205	Y/4	: To E13	E5	E234	B/2	: Front fog lamp LH	D	
B3	E208	B/2	: Washer fluid level switch	F4	E235	GR/2	: Front combination lamp LH	E	
B2	E209	—	: Body ground	A2	E236	GR/2	: Front combination lamp RH	F	
C4	E210	Y/2	: Crash zone sensor	B4	E237	B/2	: Front fog lamp RH	G	
D5	E211	B/2	: Ambient sensor	D5	E238	B/1	: Horn (Low)	H	
F4	E212	B/2	: Front combination lamp LH (Without xenon headlamp system)	E5	E239	B/1	: Horn (High)	I	
E4	E213	B/2	: Front combination lamp LH	A4	E240	GR/4	: To E305	J	
F5	E214	B/2	: Front fog lamp LH	B2	E243	GR/2	: Front combination lamp RH (With xenon headlamp system)	K	
D4	E215	B/1	: Horn (Low)	C3	E248	B/3	: Hood switch or pre-wiring for hood switch	L	
E4	E216	B/1	: Horn (High)	Front fog lamp sub-harness					
E5	E217	GR/3	: Front combination lamp LH	E5	E301	GR/4	: To E231		
D4	E219	B/3	: Refrigerant pressure sensor	E5	E303	B/2	: Pre-wiring for front fog lamp LH		
D4	E220	GR/4	: Cooling fan motor-1	A4	E305	GR/4	: To E240		
D4	E221	GR/4	: Cooling fan motor-2	B4	E306	B/2	: Pre-wiring for front fog lamp RH		
B3	E222	B/2	: Front combination lamp RH	Front combination lamp sub-harness					
B2	E223	B/2	: Front combination lamp RH (Without xenon headlamp system)	A3	E350	B/6	: To E233		
A3	E224	GR/3	: Front combination lamp RH (Without front fog lamps)	B3	E351	GR/3	: Front combination lamp RH (With front fog lamps)		
B4	E226	B/2	: Front washer motor						

PG

HARNESS

< DTC/CIRCUIT DIAGNOSIS >

ENGINE CONTROL HARNESS (QR25DE)



AAMIA0026ZZ

F4	F2	W/16	: To E11	D3	F37	GR/3	: Ignition coil no. 4 (With power transistor)
B5	F3	B/2	: A/C compressor	A1	F40	B/2	: Intake manifold tuning valve motor
F3	F4	—	: Fusible link box (Battery)	D2	F41	B/2	: Intake manifold runner control valve motor
G5	F5	GR/4	: Battery current sensor	C2	F42	B/4	: Heated oxygen sensor 2

HARNESS

< DTC/CIRCUIT DIAGNOSIS >

B5	F6	—	: Generator	C2	F45	GR/2	: Knock sensor	A
B4	F7	B/3	: Generator	F4	F46	GR/22	: CVT unit	B
F2	F8	B/3	: Primary speed sensor	F5	F47	B/6	: Joint connector-F01	B
B3	F9	—	: Engine ground	E5	F48	B/10	: Joint connector-F02	C
F3	F10	B/1	: IPDM E/R (Intelligent power distribution module engine room)	E5	F49	B/10	: Joint connector-F03	D
F5	F13	BR/48	: ECM (QR25DE except for California)	A2	F51	G/2	: Intake valve timing intermediate lock control solenoid valve	E
E5	F14	B/48	: ECM (QR25DE except for California)	B2	F52	B/3	: Intake manifold runner control valve position sensor	F
B3	F15	—	: Engine ground	G4	F53	W/4	: Joint connector-F07	G
E5	F16	B/48	: TCM (Transmission control module)	E3	F54	GR/2	: Engine coolant temperature sensor (With QR25DE)	H
B2	F17	GR/2	: Fuel injector no. 1	D3	F55	B/3	: Camshaft position sensor (PHASE)	I
B2	F18	GR/2	: Fuel injector no. 2	D2	F57	B/6	: Electric throttle control actuator	J
C2	F19	GR/2	: Fuel injector no. 3	D3	F58	B/3	: Exhaust valve timing control position sensor	K
D2	F20	GR/2	: Fuel injector no. 4	A2	F59	G/2	: Intake valve timing control solenoid valve	L
E1	F23	B/3	: Output speed sensor	B2	F68	GR/2	: Engine oil temperature sensor	PG
D4	F24	GR/4	: Air fuel ratio (A/F) sensor 1	G4	F70	W/4	: Joint connector-F08	N
G4	F25	BR/8	: To E23	A3	F80	G/2	: Exhaust valve timing control solenoid valve	O
E3	F26	W/2	: Condenser	G3	F83	W/10	: IPDM E/R (Intelligent power distribution module engine room)	P
E4	F27	—	: Starter motor	G3	F84	W/12	: IPDM E/R (Intelligent power distribution module engine room)	
E4	F28	—	: Starter motor (With QR25DE)	E3	F85	B/10	: Transmission range switch	
C1	F29	L/2	: EVAP canister purge volume control solenoid valve (With QR25DE)	E3	F86	B/3	: Input speed sensor	
D2	F30	B/3	: Crankshaft position sensor (POS)	A2	F87	B/3	: Engine oil pressure sensor	
E2	F31	GR/6	: Mass air flow sensor (With QR25DE)	A4	F88	GR/2	: A/C compressor	
B3	F34	GR/3	: Ignition coil no. 1 (With power transistor)	A1	F89	B/3	: Manifold absolute pressure (Map) sensor	
C3	F35	GR/3	: Ignition coil no. 2 (With power transistor)	F5	F90	BR/48	: ECM (QR25DE for California)	
C3	F36	GR/3	: Ignition coil no. 3 (With power transistor)	F5	F91	B/48	: ECM (QR25DE for California)	

HARNESS

< DTC/CIRCUIT DIAGNOSIS >

ENGINE CONTROL HARNESS (VQ35DE)



ABMIA5144ZZ

G4	F1	W/10	: To E3	E5	F48	B/10	: Joint connector-F02
F4	F2	W/16	: To E11	G5	F49	B/10	: Joint connector-F03
A4	F3	B/2	: A/C compressor	F5	F50	B/10	: Joint connector-F04
F3	F4	—	: Fusible link box (Battery)	G3	F53	W/4	: Joint connector-F07
G5	F5	GR/4	: Battery current sensor	D4	F56	B/4	: Heated oxygen sensor 2 (Bank 2)

HARNESS

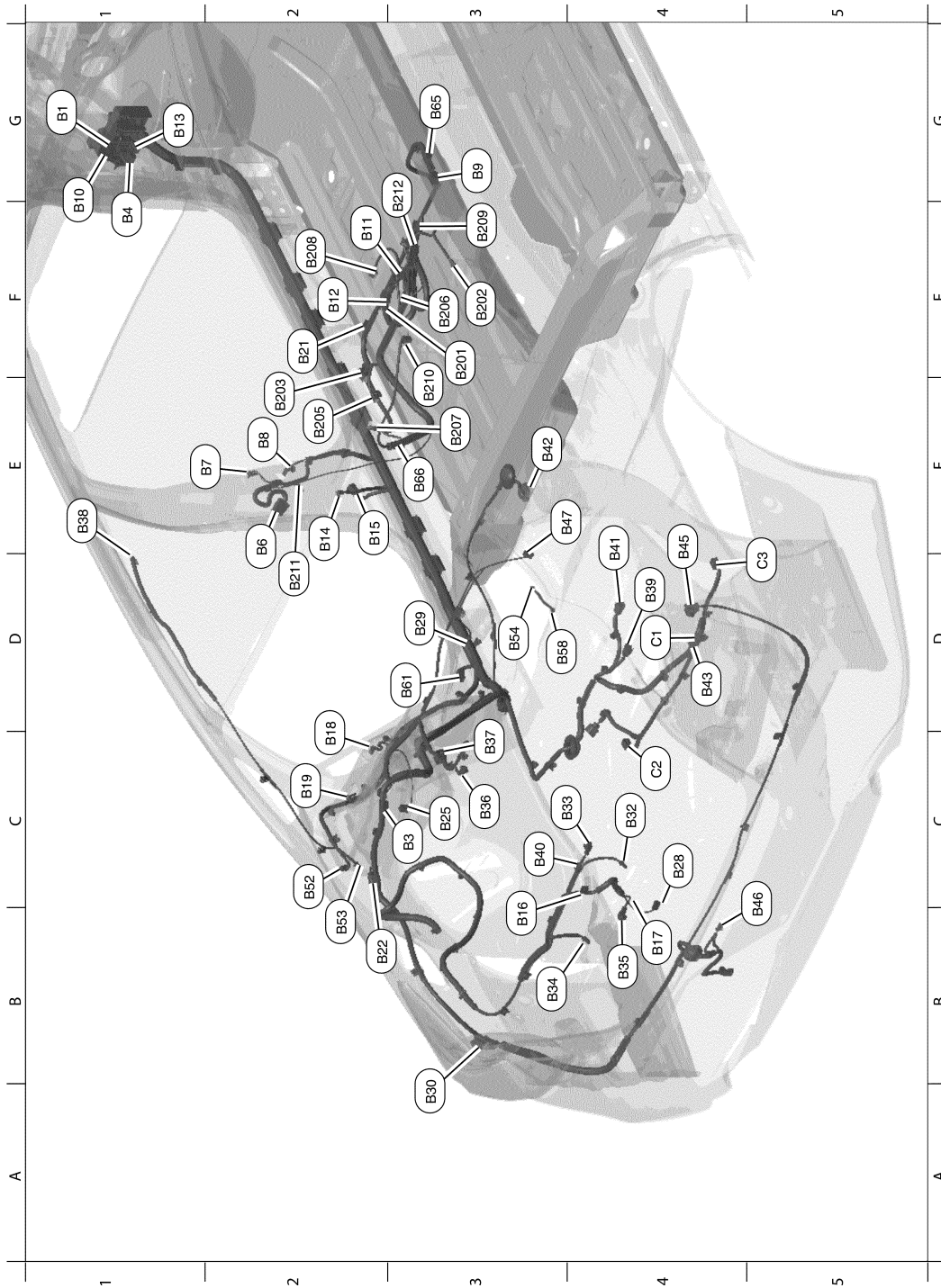
< DTC/CIRCUIT DIAGNOSIS >

B5	F6	—	: Generator	E2	F57	B/6	: Electric throttle control actuator	A	
B4	F7	B/3	: Generator	D4	F60	B/3	: Camshaft position sensor (PHASE) (Bank 2)	B	
F2	F8	B/3	: Primary speed sensor	C4	F61	GR/4	: Air fuel ratio (A/F) sensor (Bank 2)	C	
B4	F9	—	: Engine ground	B1	F62	B/4	: Heated oxygen sensor 2 (Bank 1)	D	
F3	F10	B/1	: IPDM E/R (Intelligent power distribution module engine room)	B3	F63	B/2	: VIAS control solenoid valve 1	E	
E3	F11	GR/2	: Engine coolant temperature sensor	B3	F64	BR/2	: Electronic controlled engine mount control solenoid valve	F	
C1	F12	GR/4	: Air fuel ratio (A/F) sensor (Bank 1)	C3	F65	B/2	: VIAS control solenoid valve 2	G	
B3	F15	—	: Engine ground	A3	F66	G/2	: Intake valve timing control solenoid valve (Bank 2)	H	
E5	F16	B/48	: TCM (Transmission control module)	B2	F67	G/2	: Intake valve timing control solenoid valve (Bank 1)	I	
B3	F17	GR/2	: Fuel injector no. 1	A2	F68	GR/2	: Engine oil temperature sensor	J	
B3	F18	GR/2	: Fuel injector no. 2	F4	F70	W/4	: Joint connector-F08	K	
C2	F19	GR/2	: Fuel injector no. 3	B2	F71	G/6	: Joint connector-F09	L	
C3	F20	GR/2	: Fuel injector no. 4	E3	F76	L/4	: To F201	PG	
D3	F21	GR/2	: Fuel injector no. 5	D2	F77	B/3	: Camshaft position sensor (PHASE) (Bank 1)	N	
C3	F22	GR/2	: Fuel injector no. 6	F5	F78	B/48	: ECM (With VQ35DE)	O	
E1	F23	B/3	: Output speed sensor	E5	F79	BR/48	: ECM (With VQ35DE)	P	
D3	F26	W/2	: Condenser	F4	F81	GR/1	: Starter motor (With VQ35DE)		
F4	F27	—	: Starter motor	G3	F83	W/10	: IPDM E/R (Intelligent power distribution module engine room)		
D5	F30	B/3	: Crankshaft position sensor (POS)	G3	F84	W/12	: IPDM E/R (Intelligent power distribution module engine room)		
D3	F32	GR/2	: EVAP canister purge volume control solenoid valve (With VQ35DE)	E3	F85	B/10	: Transmission range switch		
C2	F34	GR/3	: Ignition coil no. 1 (With power transistor)	E3	F86	B/3	: Input speed sensor		
C4	F35	GR/3	: Ignition coil no. 2 (With power transistor)	A2	F87	B/3	: Engine oil pressure sensor		
C2	F36	GR/3	: Ignition coil no. 3 (With power transistor)	A4	F88	GR/2	: A/C compressor		
C4	F37	GR/3	: Ignition coil no. 4 (With power transistor)	E1	F93	GR/6	: Mass air flow sensor (With VQ35DE)		
D2	F38	GR/3	: Ignition coil no. 5 (With power transistor)	Knock sensor sub-harness					
D4	F39	GR/3	: Ignition coil no. 6 (With power transistor)	D3	F201	L/4	: To F76		
F3	F46	GR/22	: CVT unit	C3	F202	GR/2	: Knock sensor (Bank 1)		
F5	F47	B/6	: Joint connector-F01	C3	F203	GR/2	: Knock sensor (Bank 2)		

HARNESS

< DTC/CIRCUIT DIAGNOSIS >

BODY HARNESS



AAMIA0026ZZ

G1	B1	SMJ	: To M6	C3	B40	BR/2	: High-mounted stop lamp (With rear spoiler)
C3	B3	W/3	: Joint connector-B05	E4	B41	GR/3	: EVAP control system pressure sensor
F1	B4	W/8	: Fuse block (J/B)	E3	B42	GR/6	: Fuel level sensor unit and fuel pump
E2	B6	W/8	: To D201	D4	B43	B/4	: To C1
E2	B7	—	: Body ground	E4	B45	W/6	: Rear combination lamp RH

HARNESS

< DTC/CIRCUIT DIAGNOSIS >

E2	B8	W/4	: Front door switch LH	C5	B46	GR/2	: Rear bumper antenna	A
G3	B9	Y/22	: Air bag diagnosis sensor unit	E4	B47	W/2	: Rear speaker RH (Without BOSE audio system)	B
G1	B10	W/12	: To E29	C2	B52	W/1	: Condenser	B
F2	B11	Y/2	: Front LH side air bag module	B2	B53	B/1	: Rear window defogger	C
F2	B12	W/6	: To B201	D3	B54	B/1	: Rear window defogger	C
G1	B13	W/6	: Fuse block (J/B)	D3	B58	—	: Body ground	D
E2	B14	Y/2	: Front LH seat belt pre-tensioner	D3	B61	Y/2	: Rear side air bag satellite sensor LH	D
E2	B15	Y/2	: Front side air bag satellite sensor LH	G3	B65	W/4	: Joint connector-B04	E
B3	B16	W/12	: Rear view camera washer control unit	E3	B66	O/2	: Front LH seat belt pre-tensioner	F
B4	B17	W/2	: Rear view camera air pump motor	Chassis harness				
D2	B18	W/4	: Rear door switch LH	D4	C1	B/4	: To B43	F
C2	B19	—	: Body ground	C4	C2	B/2	: Rear wheel sensor LH	G
F2	B21	W/4	: Joint connector-B06	D5	C3	B/2	: Rear wheel sensor RH	H
B2	B22	L/12	: Joint connector-B07	Front seat LH harness				
C3	B25	W/2	: Rear speaker LH (Without BOSE audio system)	F3	B201	W/6	: To B12	I
C4	B28	W/3	: Trunk lamp switch and trunk release solenoid	F3	B202	W/2	: Seat belt buckle switch LH	J
D3	B29	GR/2	: Rear parcel shelf antenna	E2	B203	W/10	: Power seat switch	K
A3	B30	W/6	: Rear combination lamp LH	E2	B205	BR/4	: Lumbar support switch	L
C4	B32	BR/2	: License plate lamp RH	F3	B206	GR/5	: Sliding motor	
C4	B33	GR/2	: Trunk opener request switch	E3	B207	W/6	: Reclining motor	
B3	B34	BR/2	: License plate lamp LH	F2	B208	W/6	: Front lifting motor	
B4	B35	W/8	: Rear view camera	F3	B209	W/6	: Rear lifting motor	
C3	B36	W/2	: Trunk room lamp	E3	B210	W/3	: Seat cushion heater LH	
C3	B37	B/2	: High-mounted stop lamp (Without rear spoiler)	D2	B211	W/2	: Seat back heater LH	
E1	B38	Y/2	: LH side curtain air bag module	G3	B212	B/2	: Lumbar support motor	
D4	B39	B/2	: EVAP canister vent control valve					

PG

N

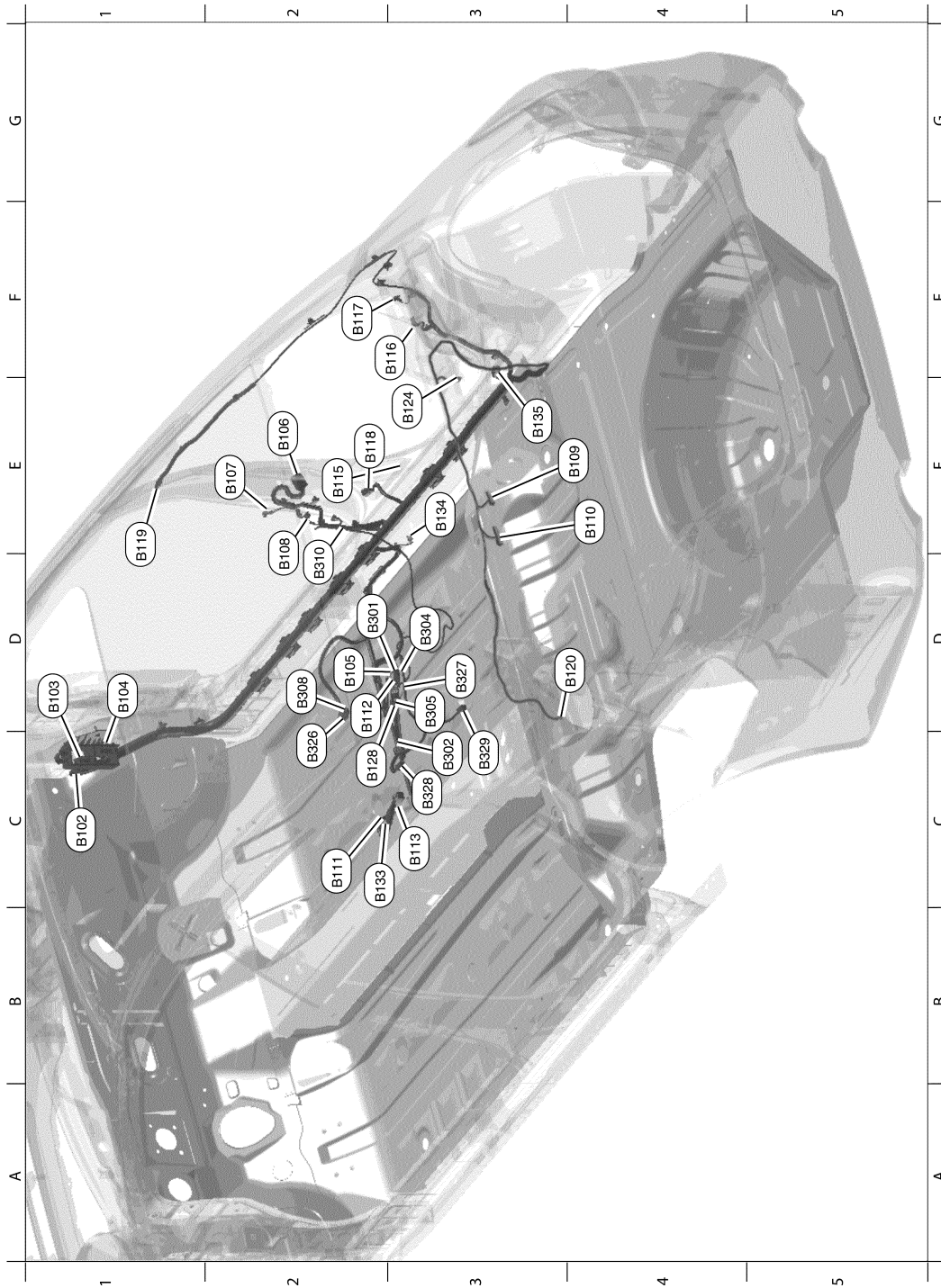
O

P

HARNESS

< DTC/CIRCUIT DIAGNOSIS >

BODY NO. 2 HARNESS



ABMIA5146ZZ

C1	B102	W/12	: To M8	E3	B124	W/2	: Rear speaker RH (With BOSE audio system)
D1	B103	W/16	: To M9	C2	B128	W/6	: To B305
D1	B104	BR/16	: To M10	C2	B133	W/4	: Joint connector-B01
D2	B105	W/4	: To B301	E3	B134	O/2	: Front RH seat belt pre-tensioner
E2	B106	W/8	: To D301	E3	B135	Y/2	: Rear side air bag satellite sensor RH

HARNESS

< DTC/CIRCUIT DIAGNOSIS >

E2	B107	—	: Body ground	Front seat RH harness			
E2	B108	W/4	: Front door switch RH	D2	B301	W/4	: To B106
E3	B109	BR/23	: BOSE speaker amp.	C3	B302	W/4	: Seat belt buckle switch RH
E4	B110	BR/14	: BOSE speaker amp.	D3	B304	W/3	: Seat cushion heater RH
C2	B111	W/4	: Joint connector-B02	D3	B305	W/6	: To B128
D2	B112	Y/2	: Front RH side air bag module	D2	B308	W/4	: To B326
C3	B113	Y/22	: Air bag diagnosis sensor unit	D2	B310	W/2	: Seat back heater RH
E2	B115	Y/2	: Front RH seat belt pre-tensioner	ODS sub-harness			
F3	B116	W/4	: Rear door switch RH	C2	B326	W/4	: To B308
F2	B117	—	: Body ground	D3	B327	B/20	: Occupant classification system control unit
E2	B118	Y/2	: Front side air bag satellite sensor RH	C3	B328	P/3	: Occupant classification system sensor FL
E1	B119	Y/2	: RH side curtain air bag module	C3	B329	P/3	: Occupant classification system sensor RL
D4	B120	W/2	: Rear speaker LH (With BOSE audio system)				

A
B
C
D
E
F
G
H
I
J
K
L

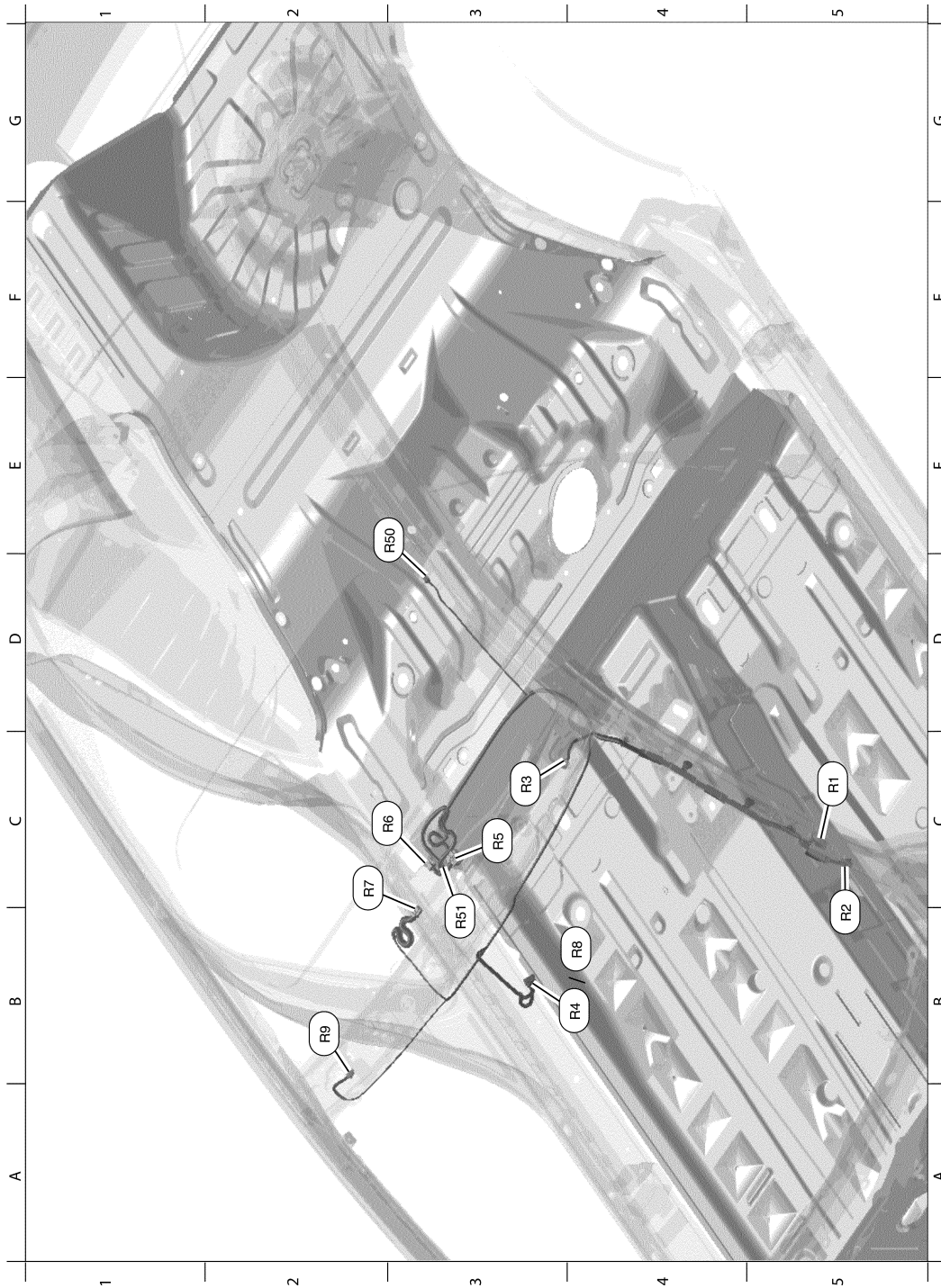
PG

N
O
P

HARNESS

< DTC/CIRCUIT DIAGNOSIS >

ROOM LAMP HARNESS



AAMIA0030ZZ

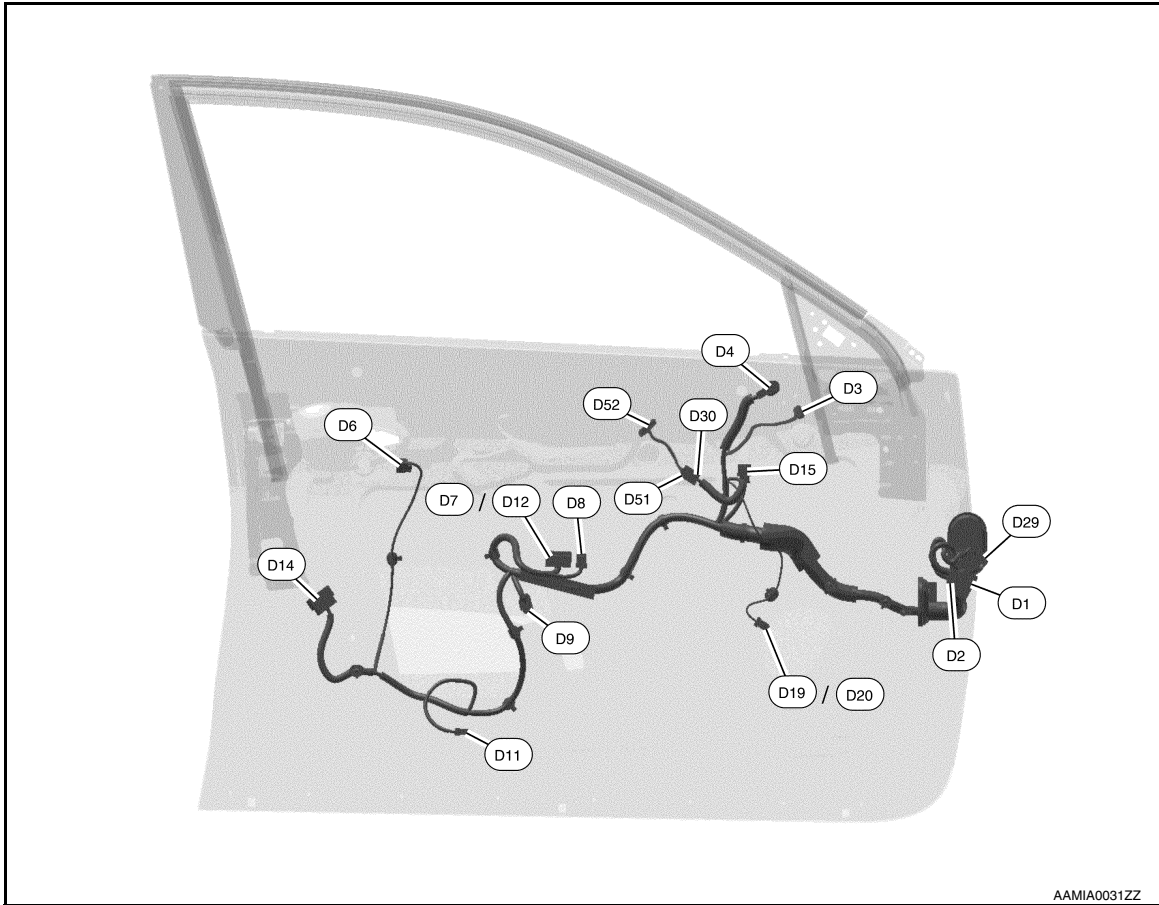
C5	R1	W/12	: To M7	C2	R7	W/4	: Microphone
B5	R2	W/4	: To M13	B4	R8	B/7	: Auto anti-dazzling inside mirror (Without homelink universal transceiver)
C3	R3	W/2	: Vanity mirror lamp LH	B2	R9	W/2	: Vanity mirror lamp RH
B4	R4	B/10	: Auto anti-dazzling inside mirror (With homelink universal transceiver)	E3	R50	W/8	: Personal lamp rear

HARNESS

< DTC/CIRCUIT DIAGNOSIS >

C3	R5	GR/10	: Moonroof motor assembly	B3	R51	GR/8	: Front room/map lamp assembly
C2	R6	W/12	: Moonroof switch				

FRONT DOOR LH HARNESS



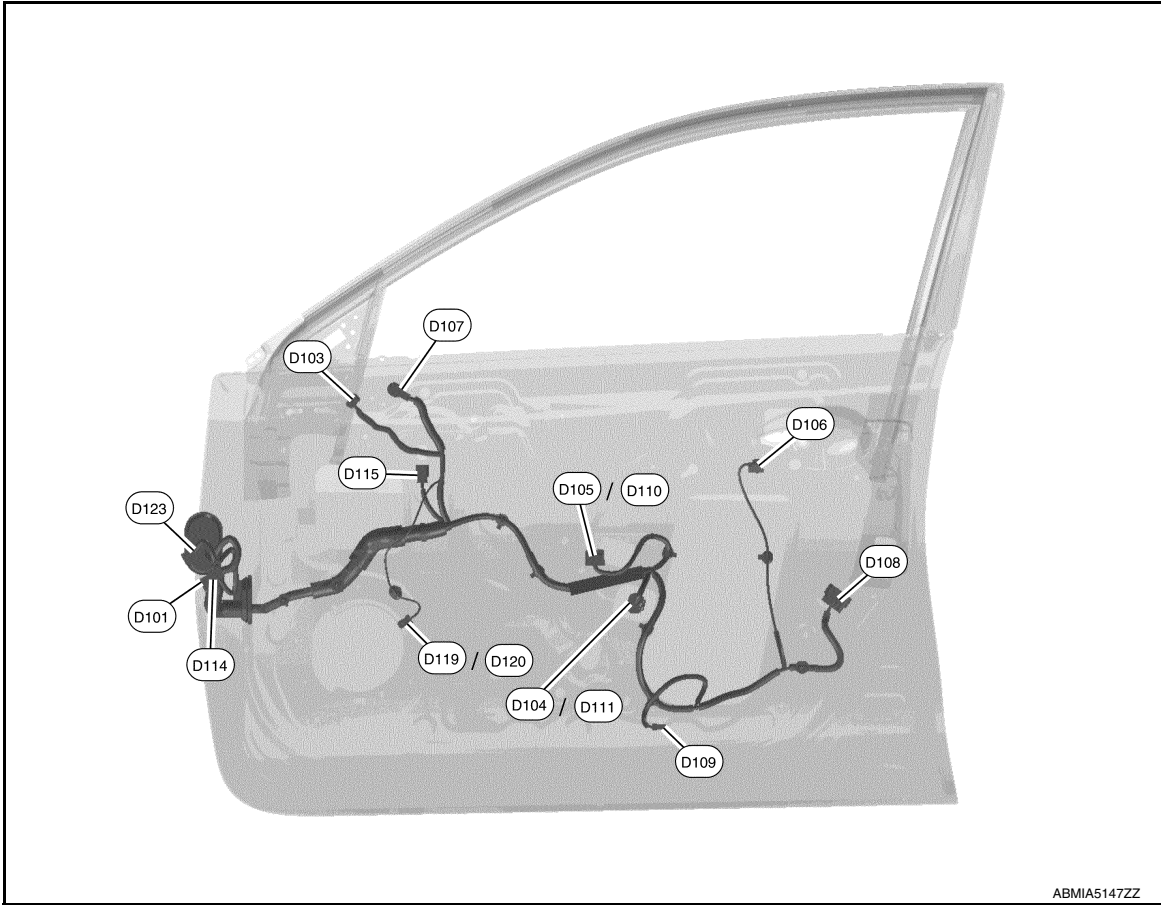
D1	W/16	: To M11	D14	GR/6	: Front door lock assembly LH
D2	W/24	: To M112	D15	Y/2	: Front door satellite sensor LH
D3	W/4	: Blind spot warning indicator LH	D19	W/2	: Front door speaker LH (Without BOSE audio system)
D4	W/8	: Door mirror LH	D20	BR/2	: Front door speaker LH (With BOSE audio system)
D6	B/4	: Front outside handle LH	D29	Y/4	: To M39
D7	W/16	: Main power window and door lock/unlock switch (With left and right front power window anti-pinch system)	D30	W/16	: To D51
D8	W/3	: Main power window and door lock/unlock switch	Front door LH sub-harness		
D9	G/6	: Front power window motor LH	D51	W/16	: To D30
D11	W/2	: Front step lamp LH	D52	W/16	: Door mirror remote control switch
D12	W/16	: Main power window and door lock/unlock switch (With left front only power window anti-pinch system)			

A
B
C
D
E
F
G
H
I
J
K
L
PG
N
O
P

HARNESS

< DTC/CIRCUIT DIAGNOSIS >

FRONT DOOR RH HARNESS



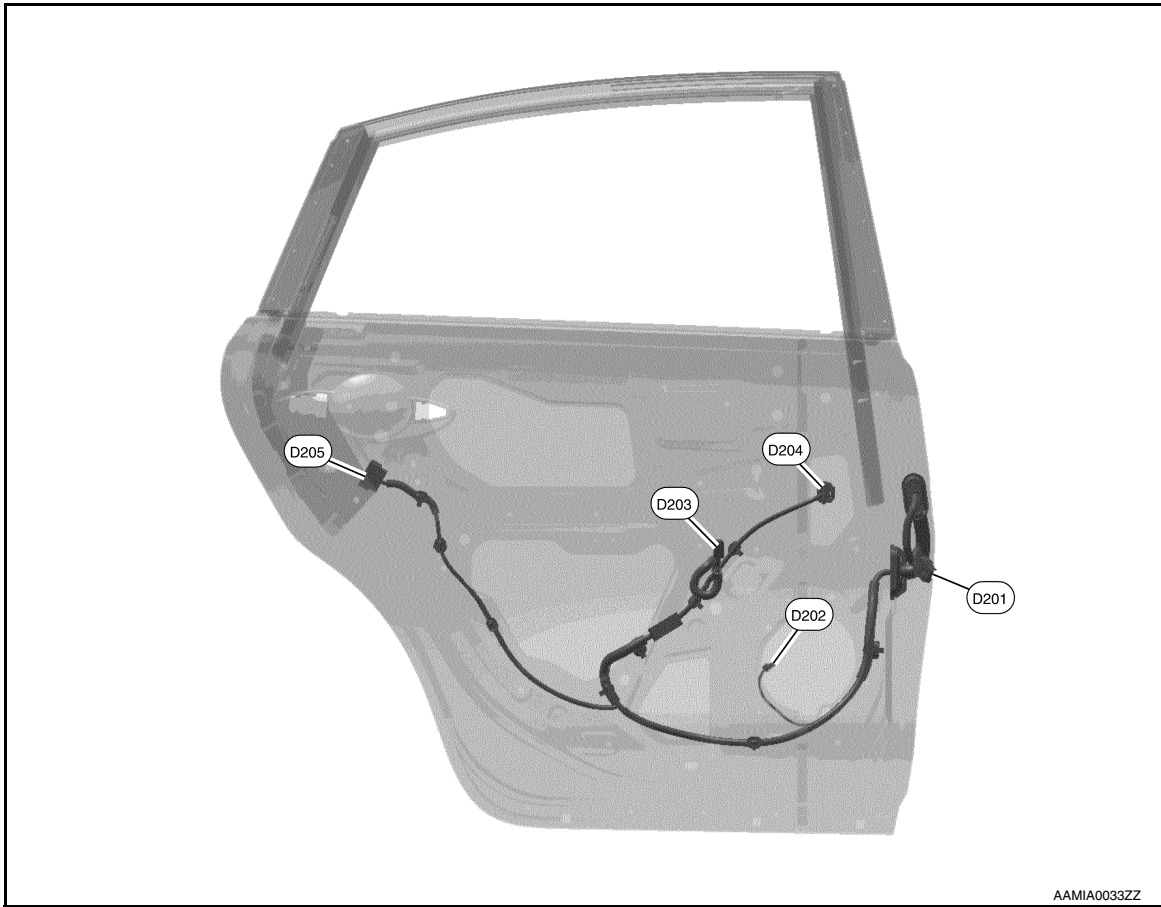
ABMIA5147ZZ

D101	W/8	: To M14	D110	W/12	: Power window and door lock/unlock switch RH (With left front only power window anti-pinch system)
D103	W/4	: Blind spot warning indicator RH	D111	G/6	: Front power window motor RH (With left front only power window anti-pinch system)
D104	G/6	: Front power window motor RH (With left and right power window anti-pinch system)	D114	W/24	: To M84
D105	W/12	: Power window and door lock/unlock switch RH (With left and right power window anti-pinch system)	D115	Y/2	: Front door satellite sensor RH
D106	B/4	: Front outside handle RH	D119	W/2	: Front door speaker RH (Without BOSE audio system)
D107	W/8	: Door mirror RH	D120	BR/2	: Front door speaker RH (With BOSE audio system)
D108	GR/6	: Front door lock actuator RH	D123	Y/4	: To M32
D109	W/2	: Front step lamp RH			

HARNESS

< DTC/CIRCUIT DIAGNOSIS >

REAR DOOR LH HARNESS



AAMIA0033ZZ

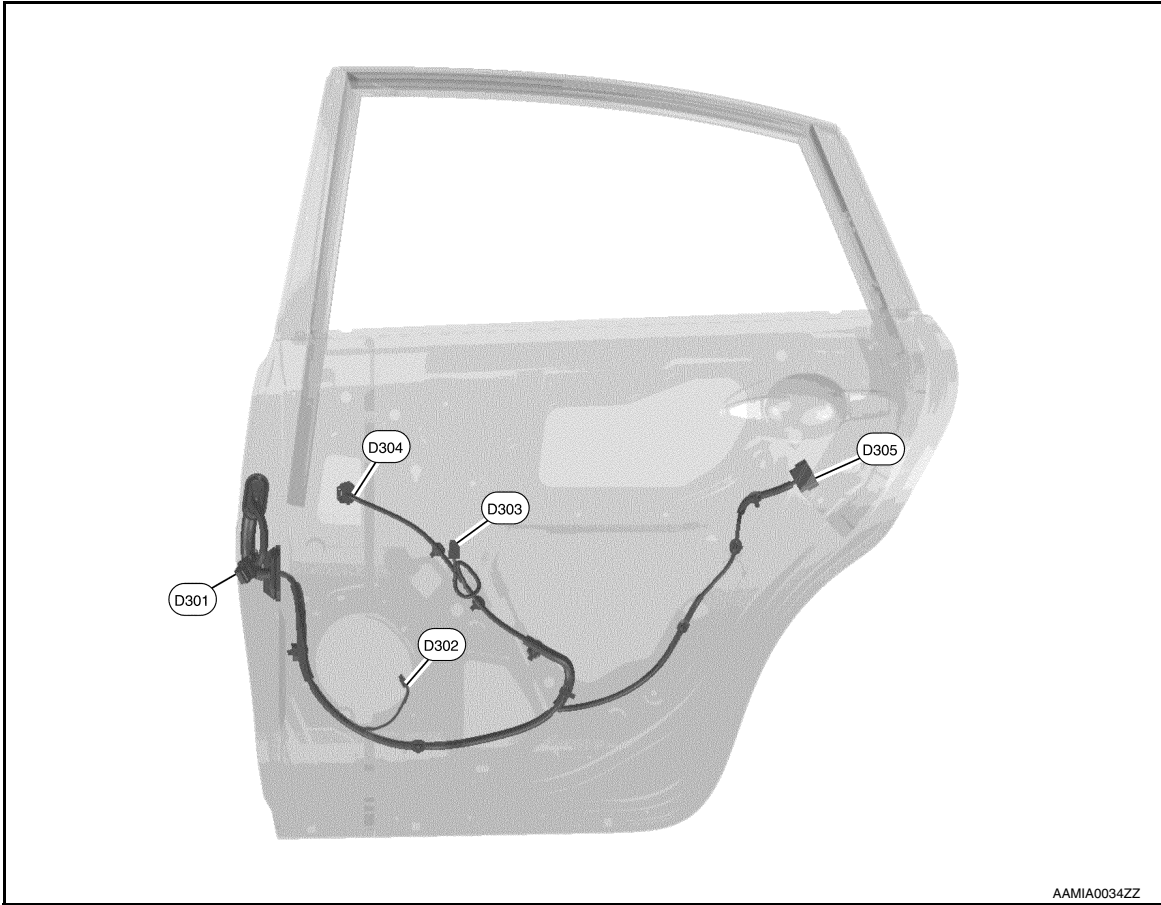
D201	W/8	: To B6	D204	G/6	: Rear power window motor LH
D202	BR/2	: Rear door speaker LH	D205	GR/6	: Rear door lock actuator LH
D203	W/8	: Rear power window switch LH			

A
B
C
D
E
F
G
H
I
J
K
L
PG
N
O
P

HARNESS

< DTC/CIRCUIT DIAGNOSIS >

REAR DOOR RH HARNESS



AAMIA0034ZZ

D301	W/8	: To B106	D304	G/6	: Rear power window motor RH
D302	BR/2	: Rear door speaker RH	D305	GR/6	: Rear door lock actuator RH
D303	W/8	: Rear power window switch RH			

ELECTRICAL UNITS LOCATION

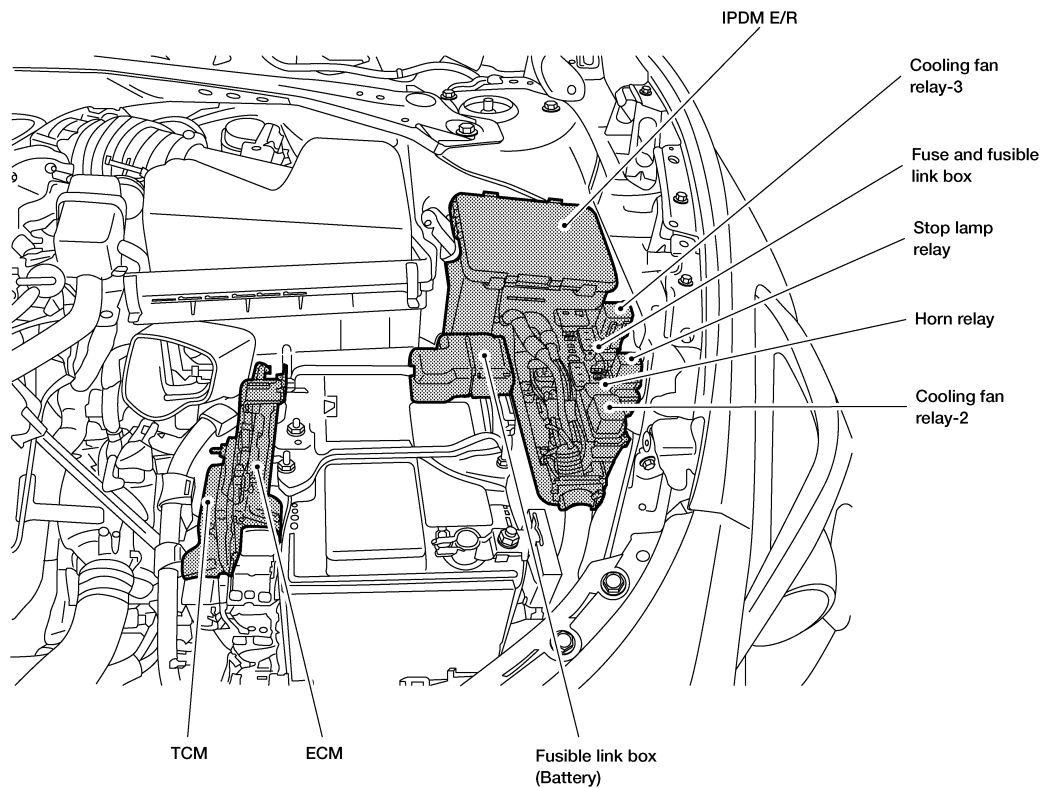
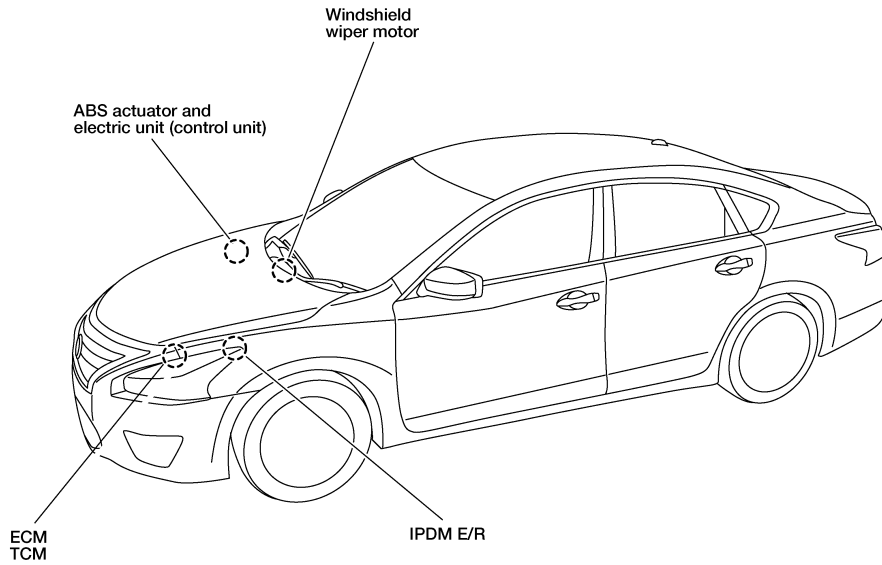
< DTC/CIRCUIT DIAGNOSIS >

ELECTRICAL UNITS LOCATION

Electrical Units Location

INFOID:000000009460442

ENGINE COMPARTMENT



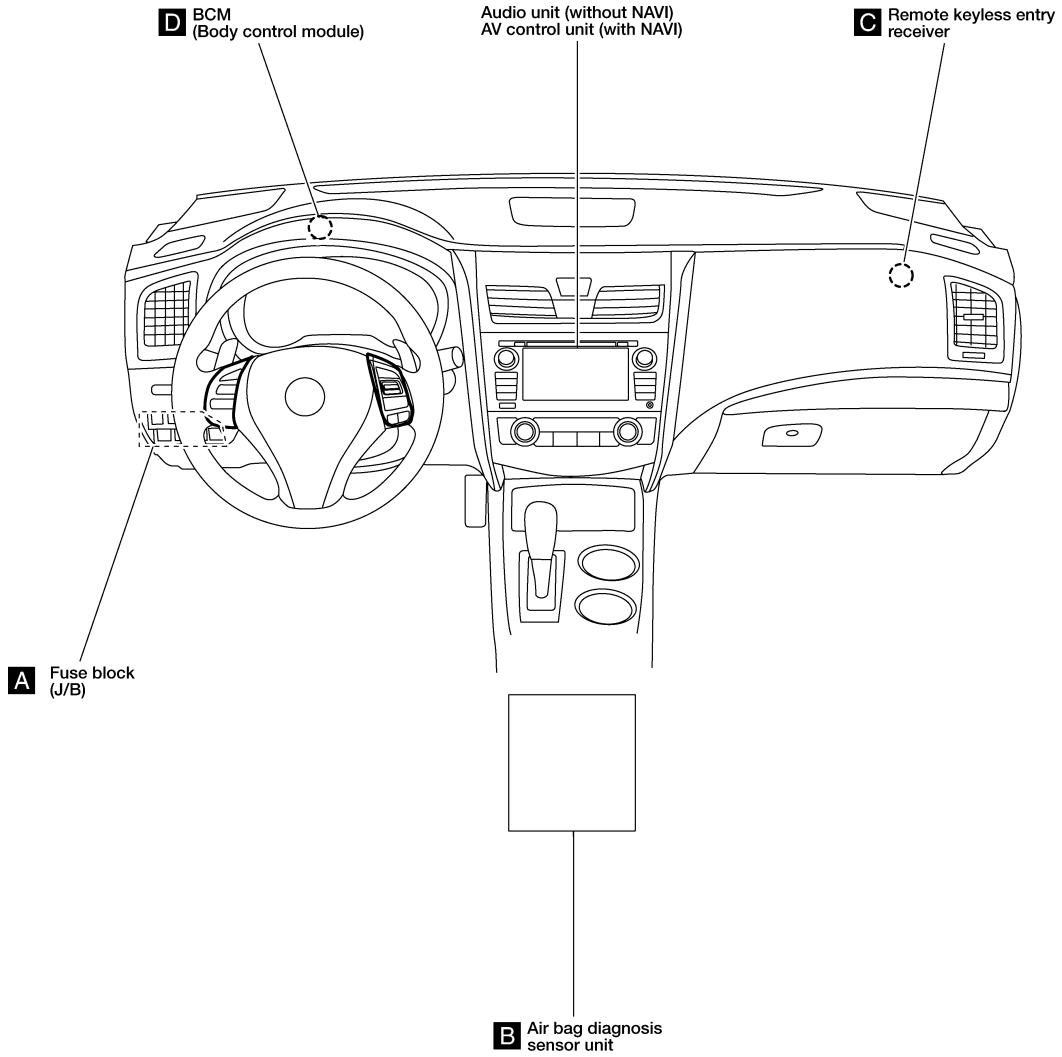
ABMIA5117GB

A
B
C
D
E
F
G
H
I
J
K
L
PG
N
O
P

ELECTRICAL UNITS LOCATION

< DTC/CIRCUIT DIAGNOSIS >

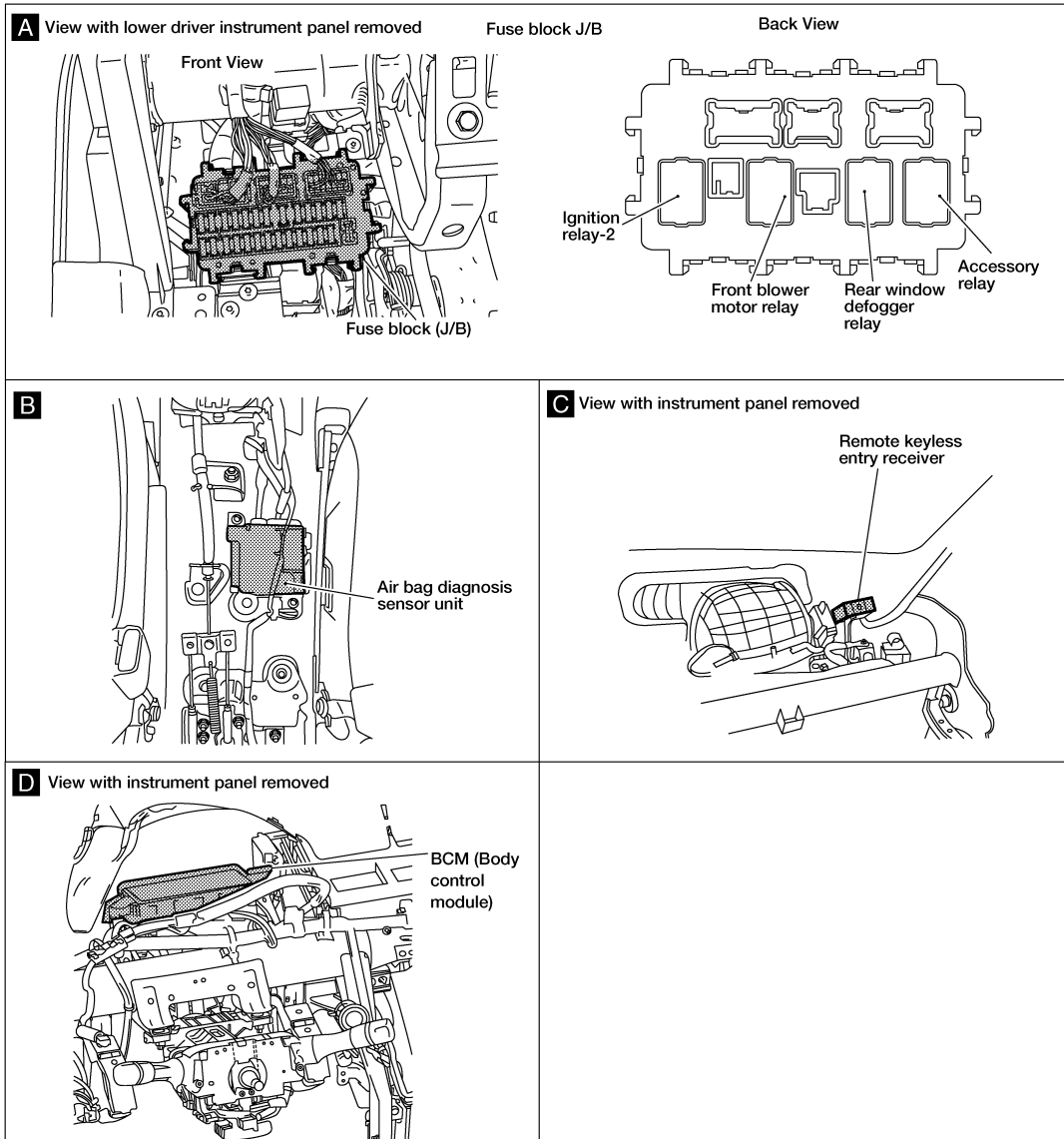
PASSENGER COMPARTMENT



AAMIA1189GB

ELECTRICAL UNITS LOCATION

< DTC/CIRCUIT DIAGNOSIS >



A
B
C
D
E
F
G
H
I
J
K
L
PG
N
O
P

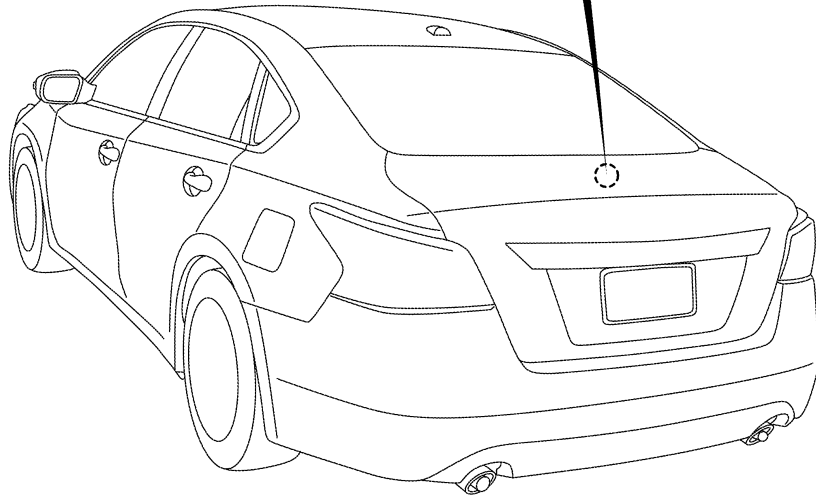
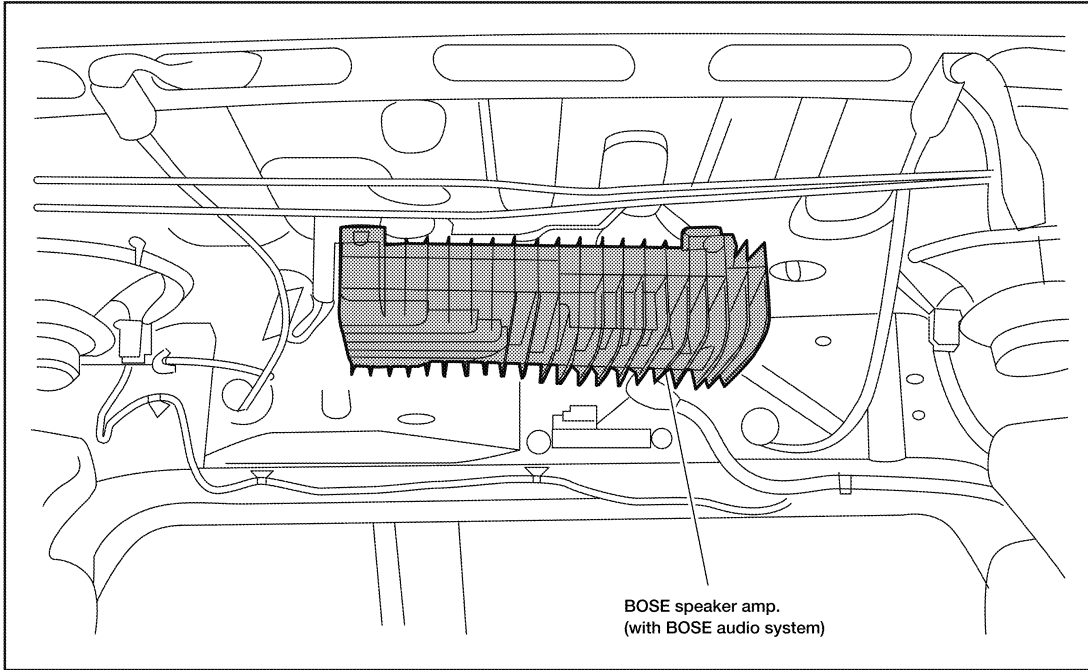
PG

ABMIA5152GB

ELECTRICAL UNITS LOCATION

< DTC/CIRCUIT DIAGNOSIS >

LUGGAGE COMPARTMENT



AAMIA1191GB

HARNESS CONNECTOR

< DTC/CIRCUIT DIAGNOSIS >

HARNESS CONNECTOR

Description

INFOID:000000009460443

HARNESS CONNECTOR (TAB-LOCKING TYPE)

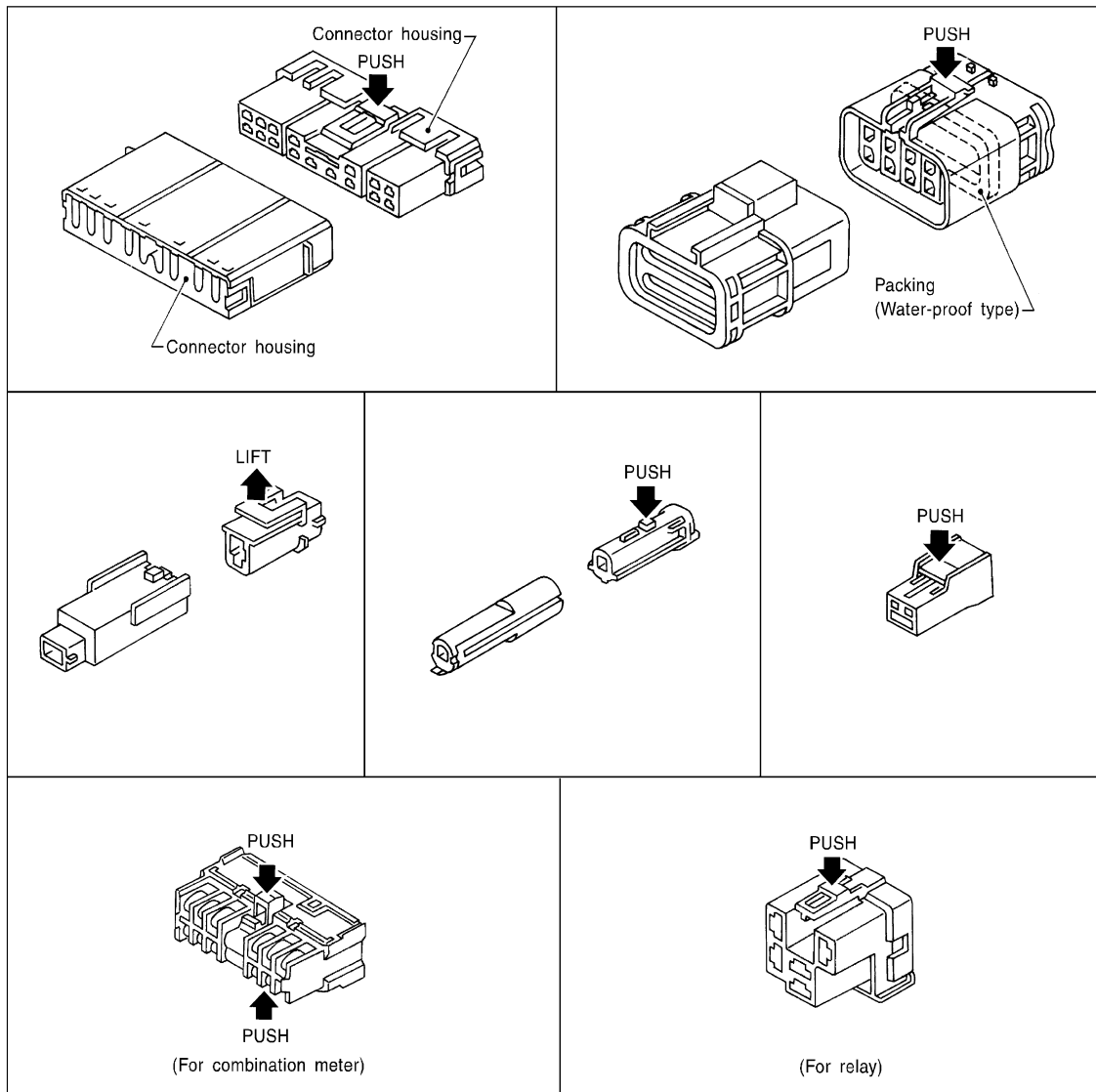
- The tab-locking type connectors help prevent accidental looseness or disconnection.
- The tab-locking type connectors are disconnected by pushing or lifting the locking tab(s). Refer to the figure below.

Refer to the next page for description of the slide-locking type connector.

CAUTION:

Do not pull the harness or wires when disconnecting the connector.

[Example]



SEL769DA

HARNESS CONNECTOR (SLIDE-LOCKING TYPE)

- A new style slide-locking type connector is used on certain systems and components, especially those related to OBD.
- The slide-locking type connectors help prevent incomplete locking and accidental looseness or disconnection.

A
B
C
D
E
F
G
H
I
J
K
L
PG
N
O
P

HARNESS CONNECTOR

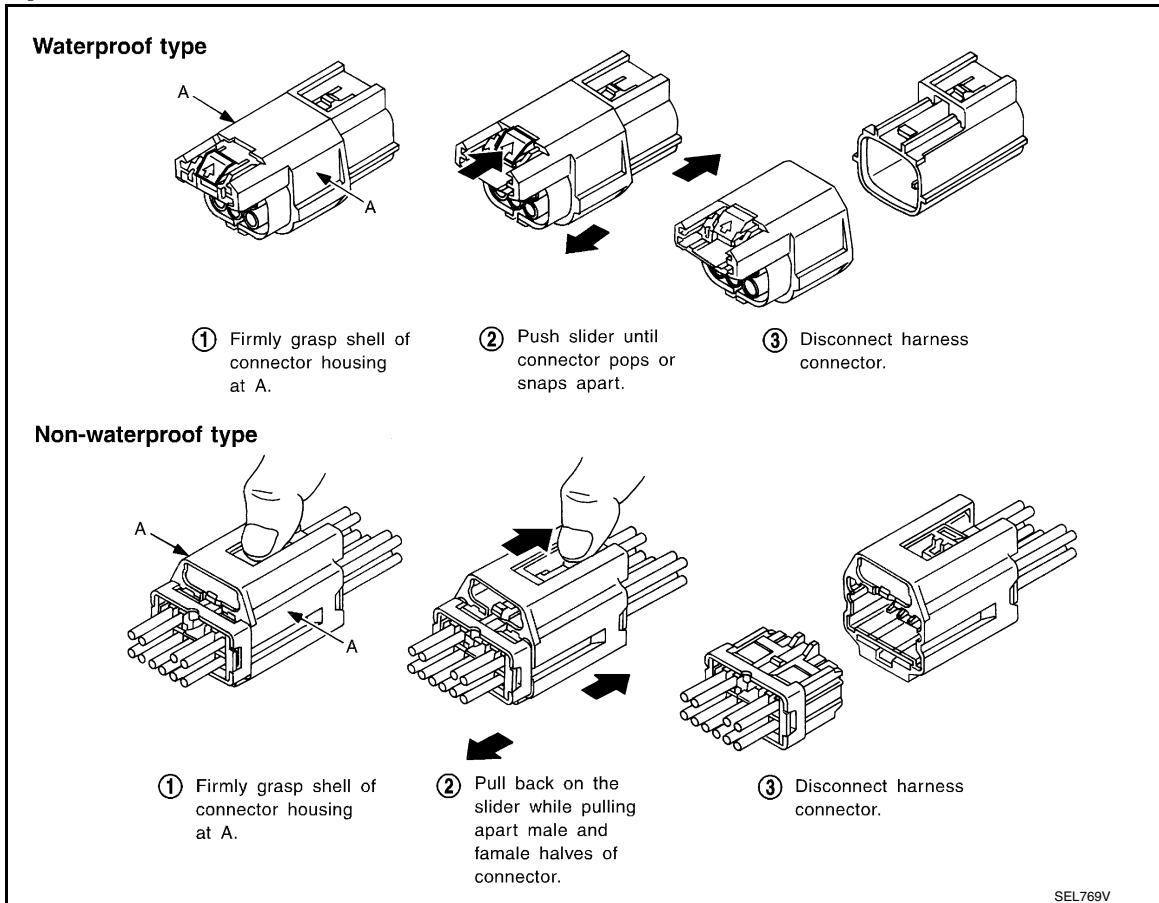
< DTC/CIRCUIT DIAGNOSIS >

- The slide-locking type connectors are disconnected by pushing or pulling the slider. Refer to the figure below.

CAUTION:

- Do not pull the harness or wires when disconnecting the connector.
- Be careful not to damage the connector support bracket when disconnecting the connector.

[Example]



HARNESS CONNECTOR (LEVER LOCKING TYPE)

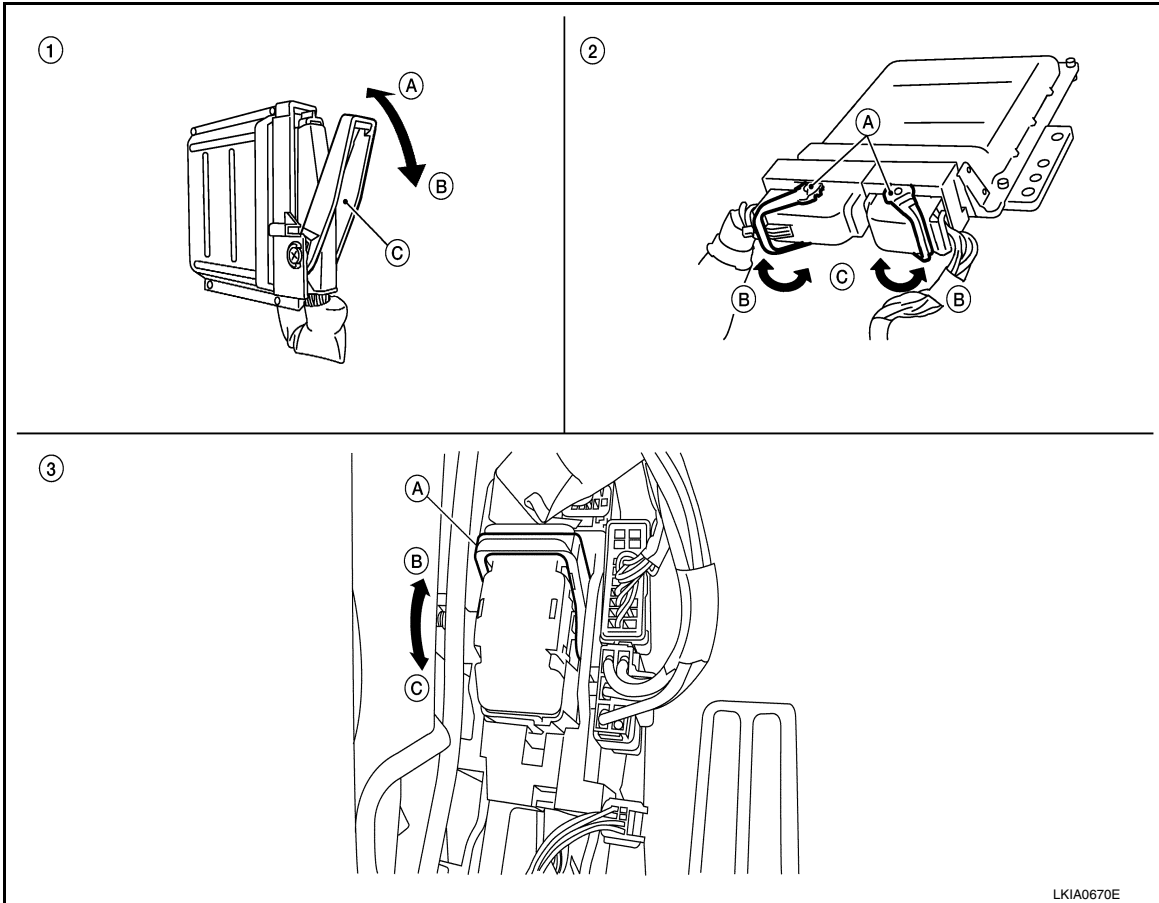
- Lever locking type harness connectors are used on certain control units and control modules such as ECM, ABS actuator and electric unit (control unit), etc.
- Lever locking type harness connectors are also used on super multiple junction (SMJ) connectors.
- Always confirm the lever is fully locked in place by moving the lever as far as it will go to ensure full connection.

CAUTION:

HARNES CONNECTOR

< DTC/CIRCUIT DIAGNOSIS >

- Always confirm the lever is fully released (loosened) before attempting to disconnect or connect these connectors to avoid damage to the connector housing or terminals.



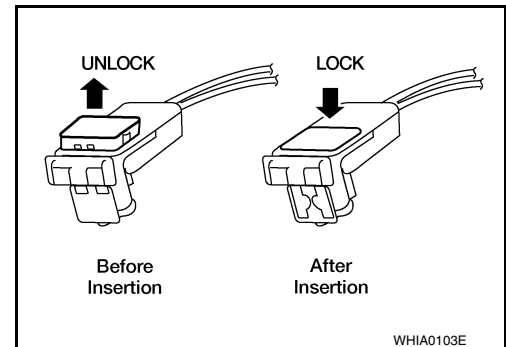
- | | | |
|-----------------------------------|---------------------------------|------------------|
| 1. Control unit with single lever | 2. Control unit with dual lever | 3. SMJ connector |
| A. Fasten | A. Lever | A. Lever |
| B. Loosen | B. Fasten | B. Fasten |
| C. Lever | C. Loosen | C. Loosen |

HARNES CONNECTOR (DIRECT-CONNECT SRS COMPONENT TYPE)

- SRS direct-connect type harness connectors are used on certain SRS components such as air bag modules and seat belt pre-tensioners.
- Always pull up to release black locking tab prior to removing connector from SRS components.
- Always push down to lock black locking tab after installing connector to SRS components. When locked, the black locking tab is level with the connector housing.

CAUTION:

- Do not pull the harness or wires when removing connectors from SRS components.



STANDARDIZED RELAY

< DTC/CIRCUIT DIAGNOSIS >

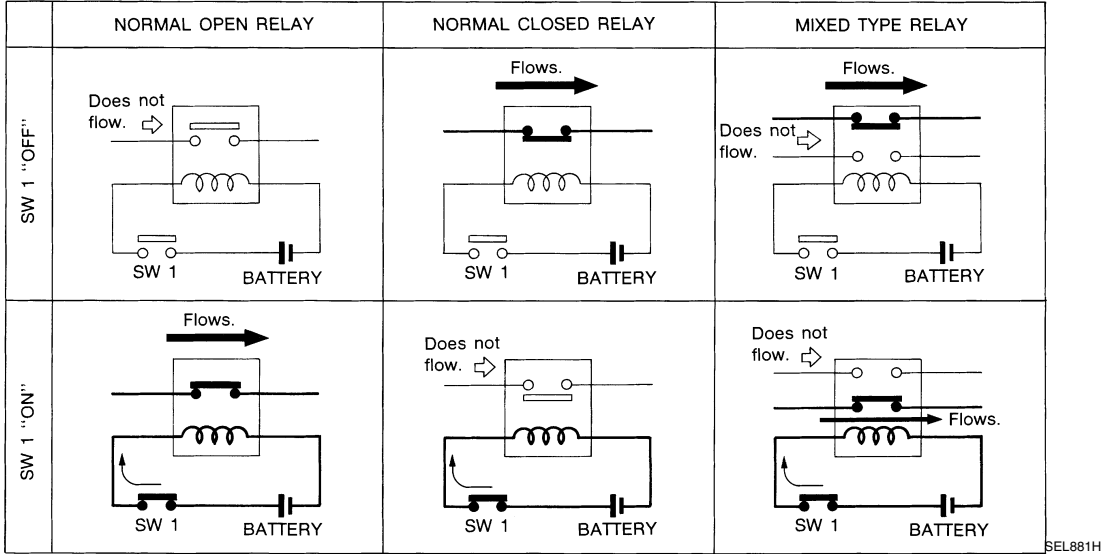
STANDARDIZED RELAY

Description

INFOID:000000009460444

NORMAL OPEN, NORMAL CLOSED AND MIXED TYPE RELAYS

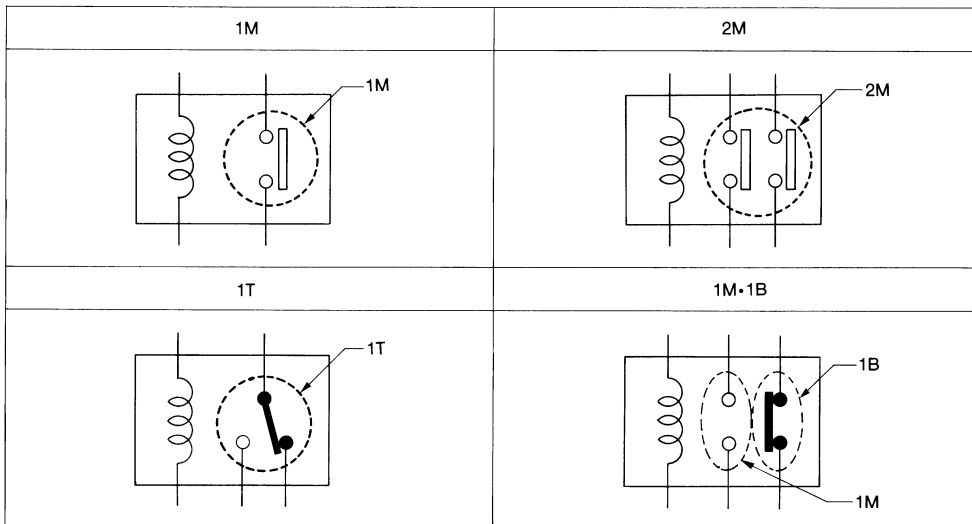
Relays can mainly be divided into three types: normal open, normal closed and mixed type relays.



SEL881H

TYPE OF STANDARDIZED RELAYS

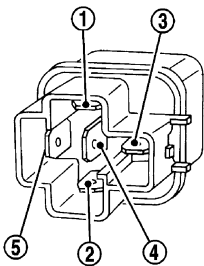
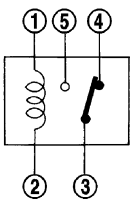
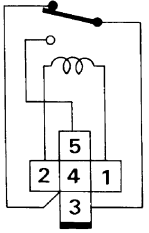
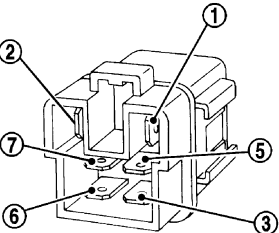
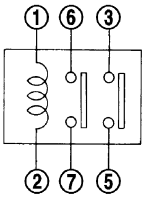
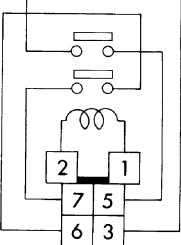
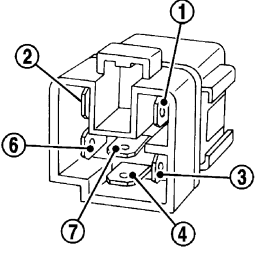
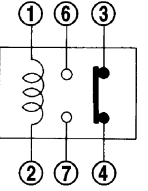
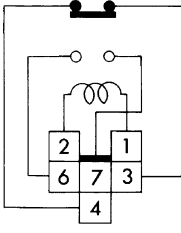
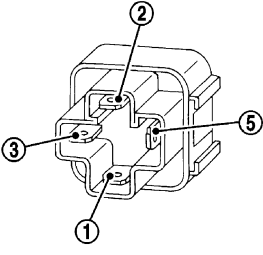
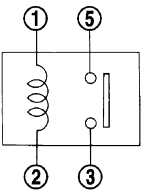
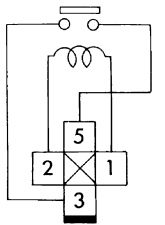
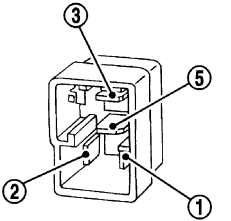
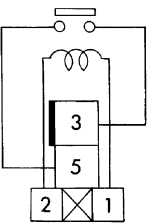
- 1M 1 Make
- 2M 2 Make
- 1T 1 Transfer
- 1M·1B 1 Make 1 Break



SEL882H

STANDARDIZED RELAY

< DTC/CIRCUIT DIAGNOSIS >

Type	Outer view	Circuit	Connector symbol and connection	Case color
1T				BLACK
2M				BROWN
1M•1B				GRAY
1M				BLUE
				

The arrangement of terminal numbers on the actual relays may differ from those shown above.

SEL188W

A
B
C
D
E
F
G
H
I
J
K
L
PG
N
O
P

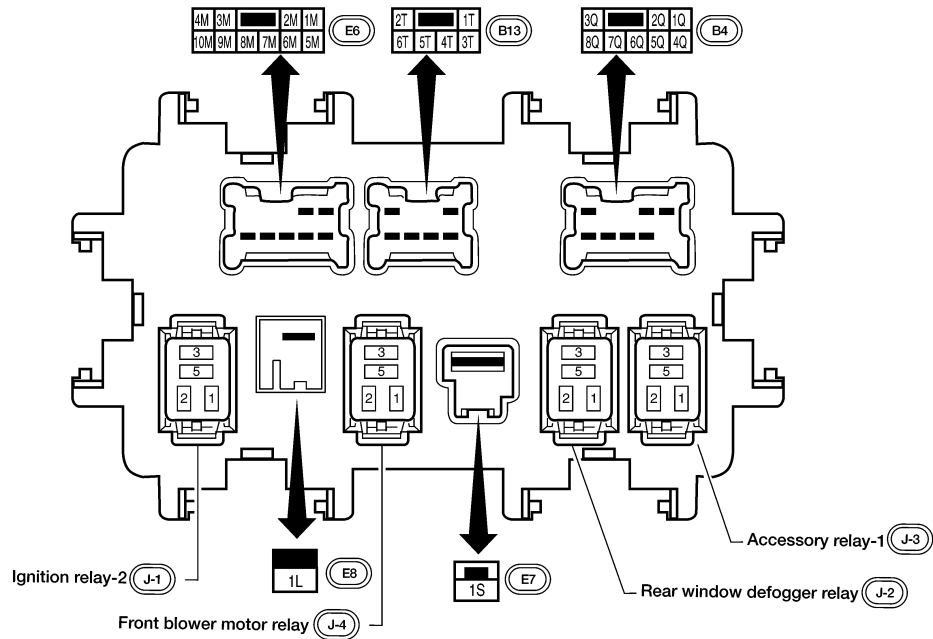
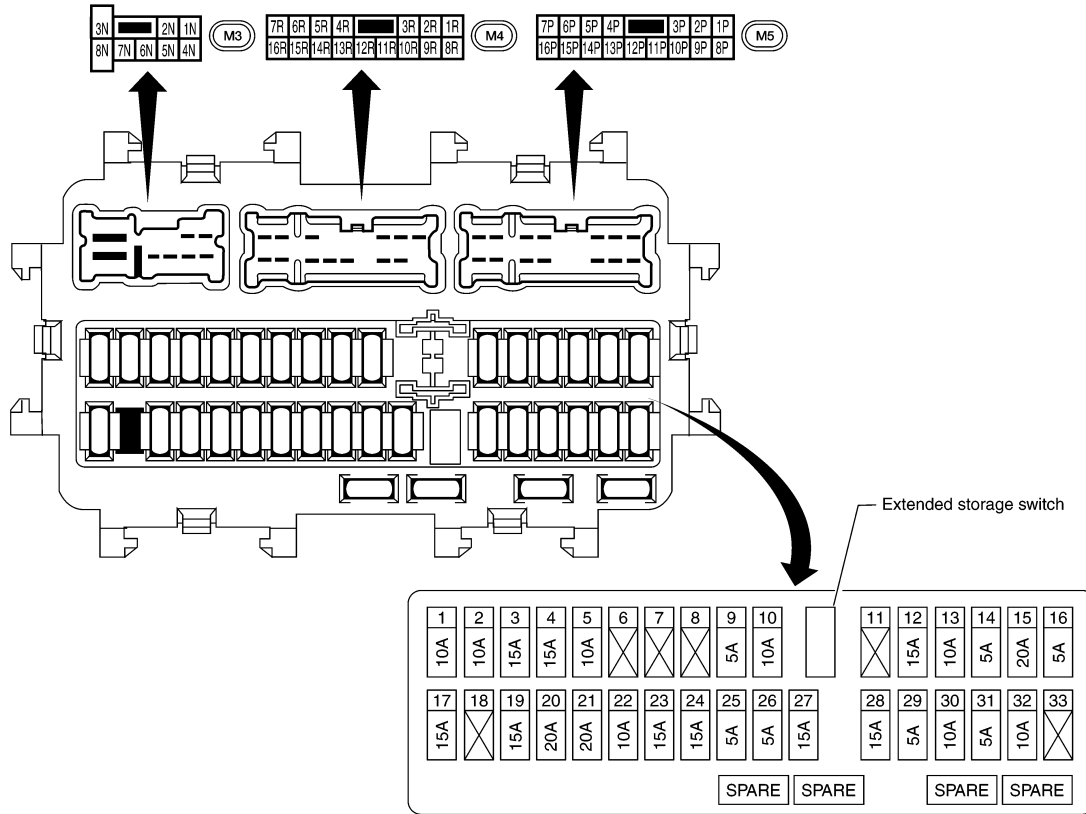
FUSE BLOCK - JUNCTION BOX (J/B)

< DTC/CIRCUIT DIAGNOSIS >

FUSE BLOCK - JUNCTION BOX (J/B)

Terminal Arrangement

INFOID:000000009460445



ABMIA5173GB

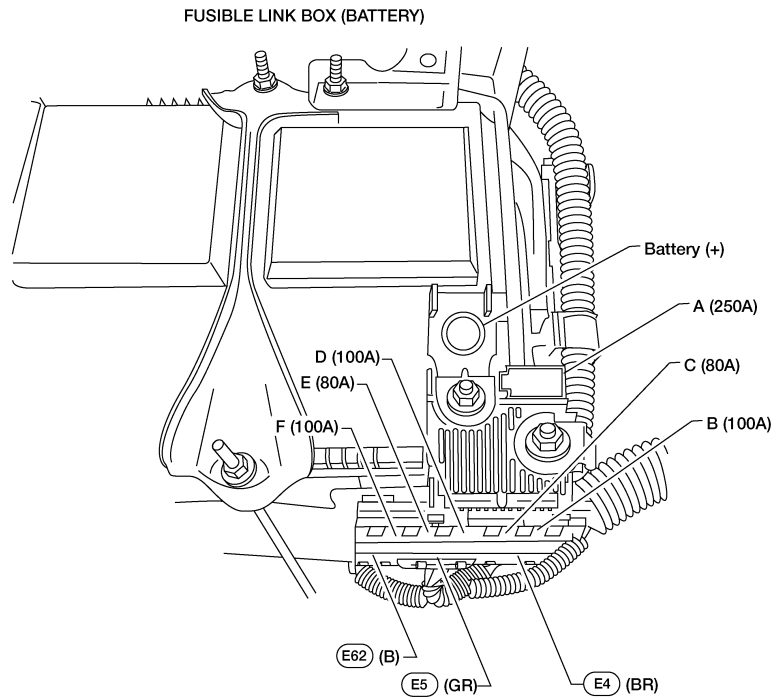
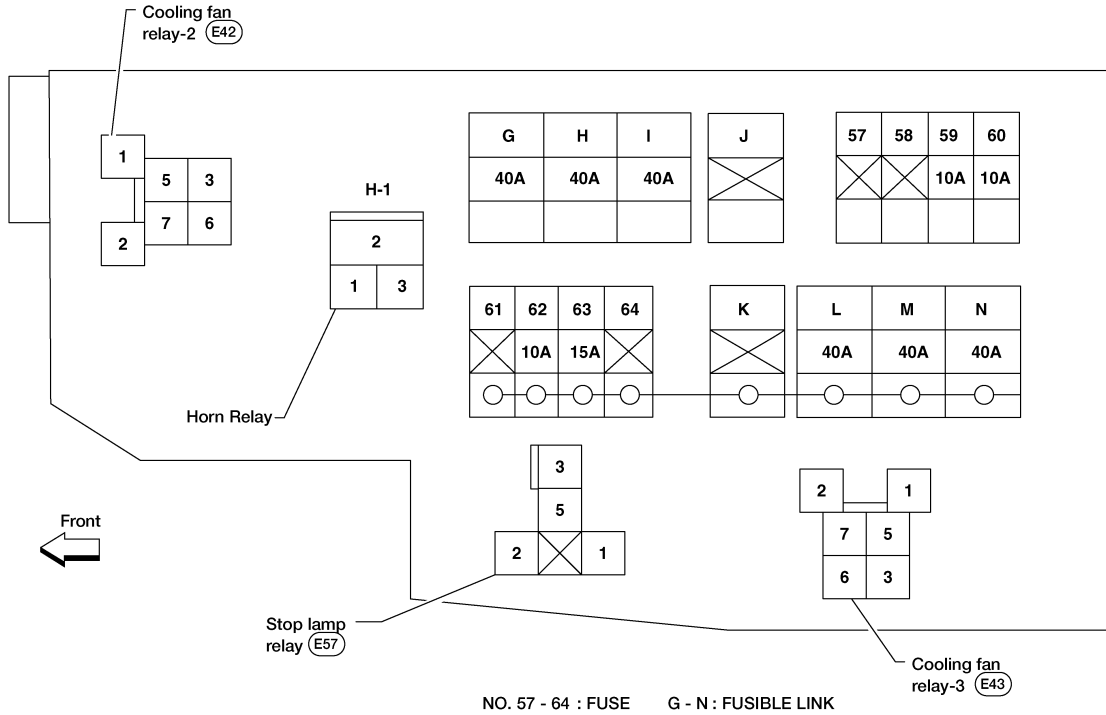
FUSE, FUSIBLE LINK AND RELAY BOX

< DTC/CIRCUIT DIAGNOSIS >

FUSE, FUSIBLE LINK AND RELAY BOX

Terminal Arrangement

INFOID:000000009460446



ABMIA5118GB

A
B
C
D
E
F
G
H
I
J
K
L
PG
N
O
P

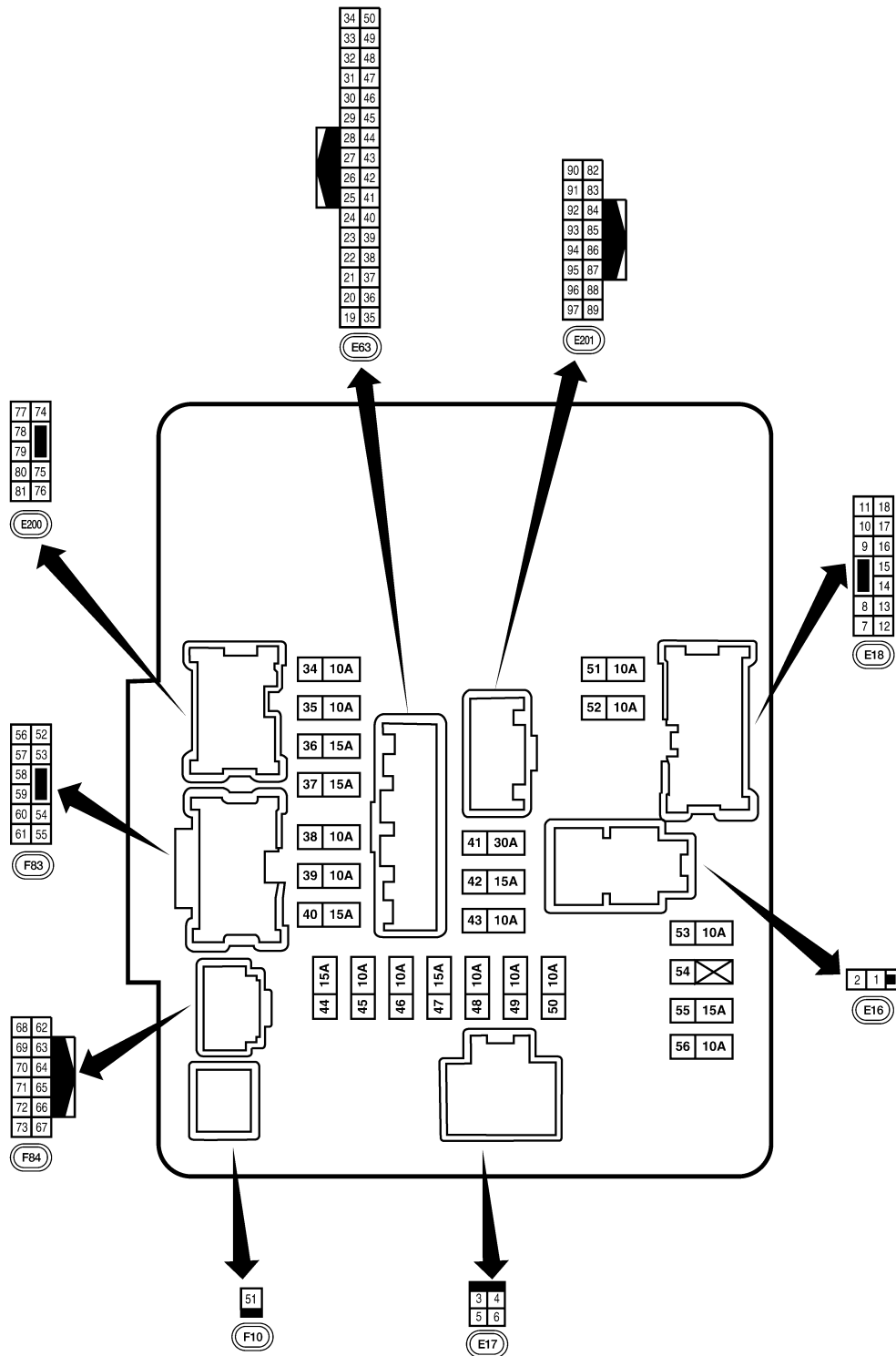
IPDM E/R (INTELLIGENT POWER DISTRIBUTION MODULE ENGINE ROOM)

< DTC/CIRCUIT DIAGNOSIS >

IPDM E/R (INTELLIGENT POWER DISTRIBUTION MODULE ENGINE ROOM)

Fuse, Connector and Terminal Arrangement

INFOID:000000009460447



AAMIA0021ZZ

BATTERY

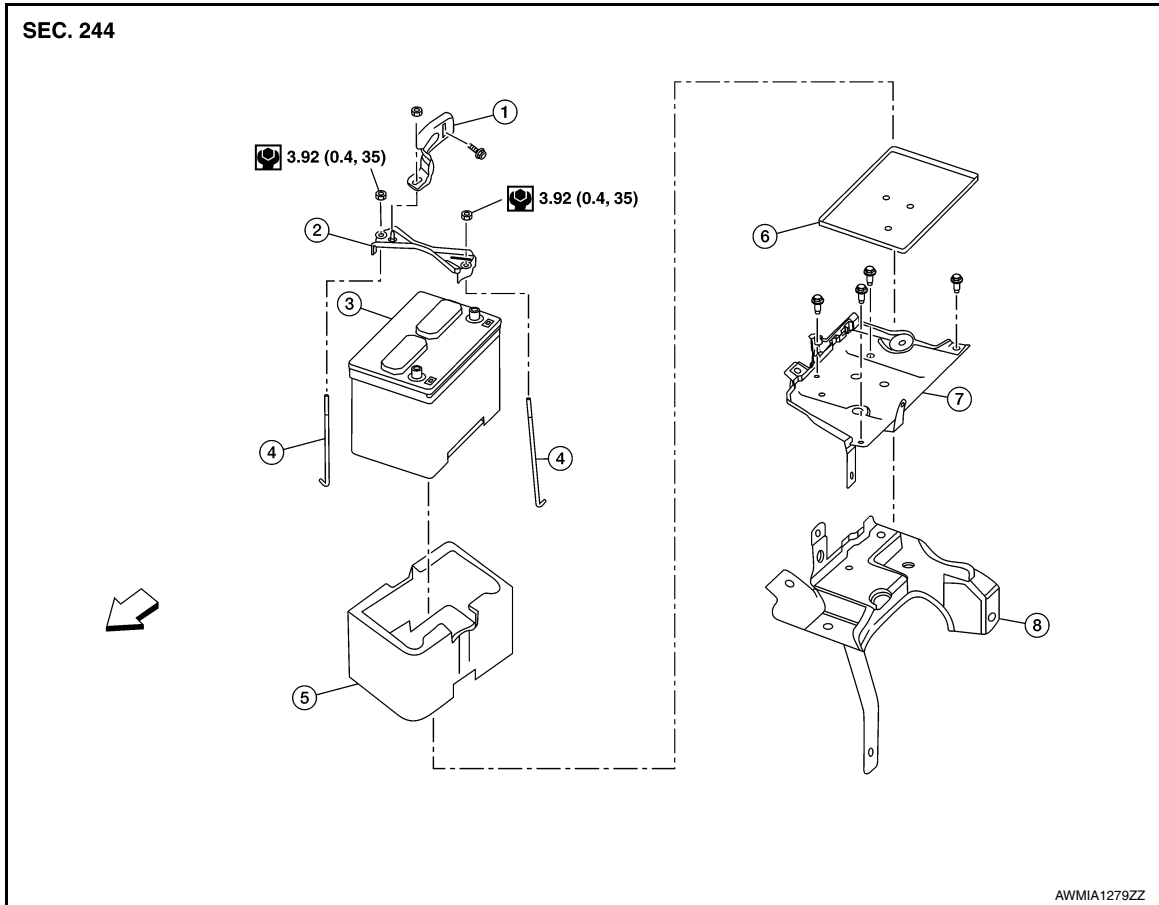
< REMOVAL AND INSTALLATION >

REMOVAL AND INSTALLATION

BATTERY

Exploded View

INFOID:000000009460448



- | | | |
|----------------------|-------------------------|-----------------------|
| 1. Upper ECM bracket | 2. Battery frame | 3. Battery |
| 4. Battery rods | 5. Battery tray cover | 6. Battery tray liner |
| 7. Battery tray | 8. Battery tray support | ← Front |

Removal and Installation (Battery)

INFOID:000000009460449

PG

REMOVAL

1. Remove cover of battery positive terminal.
2. Loosen battery terminal nuts and disconnect both positive and negative battery terminals.
CAUTION:
Disconnect the negative battery terminal first.
3. Remove battery frame nuts, battery frame and battery rods.
4. Remove battery cover.
5. Remove battery.

INSTALLATION

Installation is in the reverse order of removal.

CAUTION:
Connect the positive battery terminal first.

Battery terminal nut : 5.4 N·m (0.55 kg-m, 48 in-lb)

BATTERY

< REMOVAL AND INSTALLATION >

Reset electronic systems as necessary. Refer to [PG-7, "ADDITIONAL SERVICE WHEN REMOVING BATTERY NEGATIVE TERMINAL : Special Repair Requirement"](#).

Removal and Installation (Battery Tray)

INFOID:000000009460450

REMOVAL

1. Remove battery and battery tray liner. Refer to [PG-73, "Removal and Installation \(Battery\)"](#).
2. Remove front air duct and air cleaner case assembly. Refer to [EM-29, "Removal and Installation"](#) (QR25DE models) or [EM-144, "Removal and Installation"](#) (VQ35DE models).
3. Disconnect transmission control module (TCM). Refer to [TM-183, "Exploded View"](#) (RE0F10D) [TM-384, "Exploded View"](#) or (RE0F10E).
4. Remove the ECM bracket.
5. Remove the battery tray bolts and battery tray.
6. Remove the battery tray support bolts and battery tray support.

INSTALLATION

Installation is in the reverse order of removal.

Reset electronic systems as necessary. Refer to [PG-7, "ADDITIONAL SERVICE WHEN REMOVING BATTERY NEGATIVE TERMINAL : Special Repair Requirement"](#).

BATTERY

< SERVICE DATA AND SPECIFICATIONS (SDS)

SERVICE DATA AND SPECIFICATIONS (SDS)

BATTERY

Battery

INFOID:000000009460451

Type*	GR27	GR35
Capacity (20HR) minimum V-AH	12-80	12-60
Cold cranking current A @ -18°C (0°F)	710	550

*: Always check with the Parts Department for the latest parts information.

A
B
C
D
E
F
G
H
I
J
K
L
PG
N
O
P