

SECTION **SE**
SEAT

A
B
C

CONTENTS

PRECAUTION	2	DRIVER SIDE : Removal and Installation - Lumbar Support Assembly	27	F
PRECAUTIONS	2	PASSENGER SIDE	28	G
Precaution for Supplemental Restraint System (SRS) "AIR BAG" and "SEAT BELT PRE-TENSIONER"	2	PASSENGER SIDE : Exploded View	29	H
Precaution for Work	2	PASSENGER SIDE : Removal and Installation - Seat Assembly	30	H
PREPARATION	3	PASSENGER SIDE : Removal and Installation - Seatback Board	31	I
PREPARATION	3	HEATED SEAT SWITCH	31	I
Special Service Tools	3	HEATED SEAT SWITCH : Removal and Installation	31	
Commercial Service Tool	3	REAR SEAT	33	SE
CLIP LIST	4	Exploded View	33	
Descriptions for Clips	4	Removal and Installation - Seat Cushion Assembly	36	K
WIRING DIAGRAM	8	Removal and Installation - Seat Assembly	36	K
POWER SEAT FOR DRIVER SIDE	8	Removal and Installation - Seatback Hinge	37	L
Wiring Diagram	8	Removal and Installation - Seatback Latch Assembly	37	L
HEATED SEAT	12	Removal and Installation - Armrest Assembly	38	M
Wiring Diagram	12	Removal and Installation - Rear Seat Bolster	38	M
SYMPTOM DIAGNOSIS	17	UNIT DISASSEMBLY AND ASSEMBLY ...	39	N
SQUEAK AND RATTLE TROUBLE DIAGNOSES	17	FRONT SEAT	39	N
Work Flow	17	DRIVER SIDE	39	O
Generic Squeak and Rattle Troubleshooting	18	DRIVER SIDE : Exploded View	39	O
Diagnostic Worksheet	21	DRIVER SIDE : Disassembly and Assembly	42	O
REMOVAL AND INSTALLATION	23	DRIVER SIDE : Side air bag module	50	P
FRONT SEAT	23	PASSENGER SIDE	53	P
DRIVER SIDE	23	PASSENGER SIDE : Exploded View	54	
DRIVER SIDE : Exploded View	23	PASSENGER SIDE : Disassembly and Assembly	55	
DRIVER SIDE : Removal and Installation - Seat Assembly	26	PASSENGER SIDE : Side air bag module	62	
DRIVER SIDE : Removal and Installation - Seatback Board	27	REAR SEAT	66	
		Exploded View	66	
		Disassembly and Assembly	69	

D
E

PRECAUTIONS

< PRECAUTION >

PRECAUTION

PRECAUTIONS

Precaution for Supplemental Restraint System (SRS) "AIR BAG" and "SEAT BELT PRE-TENSIONER"

INFOID:000000009951559

The Supplemental Restraint System such as "AIR BAG" and "SEAT BELT PRE-TENSIONER", used along with a front seat belt, helps to reduce the risk or severity of injury to the driver and front passenger for certain types of collision. Information necessary to service the system safely is included in the SR and SB section of this Service Manual.

WARNING:

- To avoid rendering the SRS inoperative, which could increase the risk of personal injury or death in the event of a collision which would result in air bag inflation, all maintenance must be performed by an authorized NISSAN/INFINITI dealer.
- Improper maintenance, including incorrect removal and installation of the SRS, can lead to personal injury caused by unintentional activation of the system. For removal of Spiral Cable and Air Bag Module, see the SR section.
- Do not use electrical test equipment on any circuit related to the SRS unless instructed to in this Service Manual. SRS wiring harnesses can be identified by yellow and/or orange harnesses or harness connectors.

PRECAUTIONS WHEN USING POWER TOOLS (AIR OR ELECTRIC) AND HAMMERS

WARNING:

- When working near the Airbag Diagnosis Sensor Unit or other Airbag System sensors with the Ignition ON or engine running, DO NOT use air or electric power tools or strike near the sensor(s) with a hammer. Heavy vibration could activate the sensor(s) and deploy the air bag(s), possibly causing serious injury.
- When using air or electric power tools or hammers, always switch the Ignition OFF, disconnect the battery and wait at least three minutes before performing any service.

Precaution for Work

INFOID:000000009462924

- When removing or disassembling each component, be careful not to damage or deform it. If a component may be subject to interference, be sure to protect it with a shop cloth.
- When removing (disengaging) components with a screwdriver or similar tool, be sure to wrap the component with a shop cloth or vinyl tape to protect it.
- Protect the removed parts with a shop cloth and prevent them from being dropped.
- Replace a deformed or damaged clip.
- If a part is specified as a non-reusable part, always replace it with a new one.
- Be sure to tighten bolts and nuts securely to the specified torque.
- After installation is complete, be sure to check that each part works properly.
- Follow the steps below to clean components:
 - Water soluble dirt:
 - Dip a soft cloth into lukewarm water, wring the water out of the cloth and wipe the dirty area.
 - Then rub with a soft, dry cloth.
 - Oily dirt:
 - Dip a soft cloth into lukewarm water with mild detergent (concentration: within 2 to 3%) and wipe the dirty area.
 - Then dip a cloth into fresh water, wring the water out of the cloth and wipe the detergent off.
 - Then rub with a soft, dry cloth.
 - Do not use organic solvent such as thinner, benzene, alcohol or gasoline.
 - For genuine leather seats, use a genuine leather seat cleaner.

PREPARATION

< PREPARATION >

PREPARATION

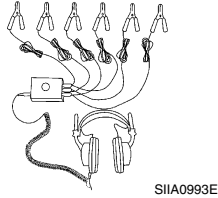
PREPARATION

Special Service Tools

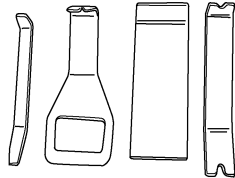
INFOID:000000009895314

The actual shapes of the tools may differ from those illustrated here.

Tool number (TechMate No.) Tool name	Description
— (J-39570) Chassis Ear	Locating the noise
— (J-46534) Trim Tool Set	Removing trim components
— (J-50397) NISSAN Squeak and Rattle Kit	Repairing the cause of noise



SIA0993E



AWJIA0483ZZ

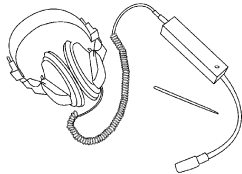


ALJIA1232ZZ

Commercial Service Tool

INFOID:000000009462926

(TechMate No.) Tool name	Description
(J-39565) Engine Ear	Locating the noise



SIA0995E

A
B
C
D
E
F
G
H
I
SE
K
L
M
N
O
P

CLIP LIST


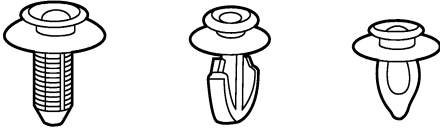


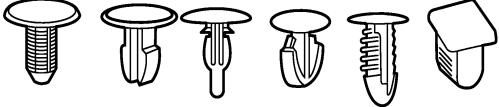
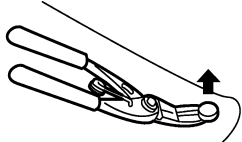

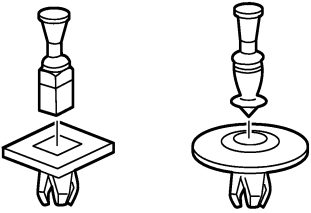
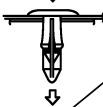
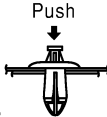

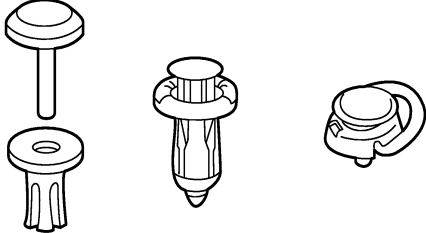
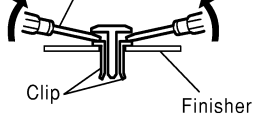

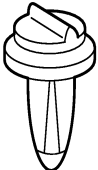
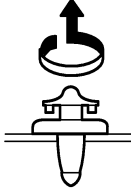
< PREPARATION >

CLIP LIST

Descriptions for Clips

INFOID:000000009462927


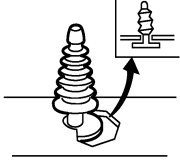
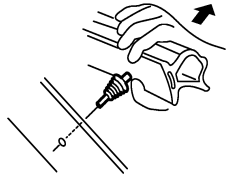

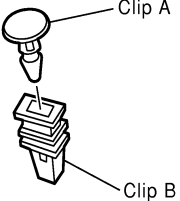
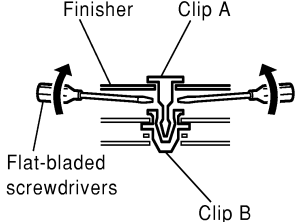

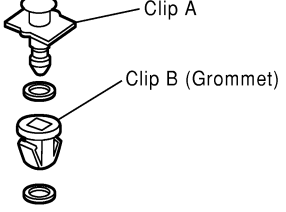
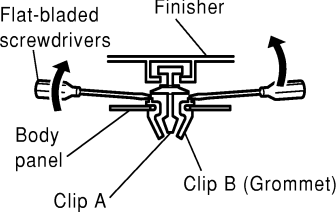
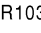

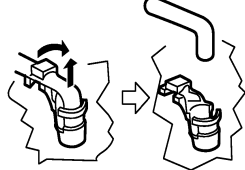

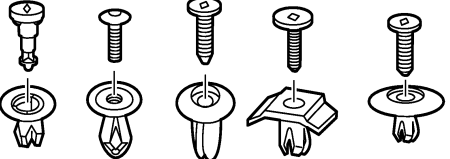

Replace any clips which are damaged during removal or installation.

Symbol No.	Shapes	Removal & Installation
<p>C101</p> 		<p>Removal: Remove by bending up with flat-bladed screwdrivers or clip remover.</p> 
<p>C103</p> 		 <p>Removal: Remove with a clip remover.</p>
<p>C203</p> 		<p>Removal: Push center pin to catching position. (Do not remove center pin by hitting it.)</p> <p>Push</p>  <p>Installation:</p> <p>Push</p> 
<p>C205</p> 		<p>Removal:</p> <p>Flat-bladed screwdriver</p>  <p>Clip</p> <p>Finisher</p>
<p>C206</p> 		<p>Removal:</p> 

SIIA0315E

CLIP LIST

< PREPARATION >


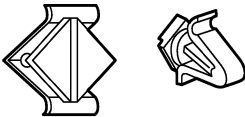
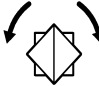
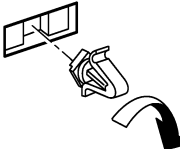

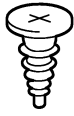



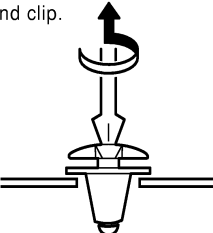


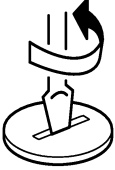
Symbol No.	Shapes	Removal & Installation
<p>CE103</p> 		<p>Removal:</p> 
<p>CF110</p> 		<p>Removal:</p> 
<p>CF118</p> 		<p>Removal:</p> 
<p>CR103</p> 		<p>Removal: Holder portion of clip must be spread out to remove rod.</p> 
<p>CS101</p> 		<p>Removal:</p> <ol style="list-style-type: none"> 1. Screw out with a Phillips screwdriver. 2. Remove female portion with flat-bladed screwdriver. 

SIIA0316E

A
B
C
D
E
F
G
H
I
SE
K
L
M
N
O
P

CLIP LIST


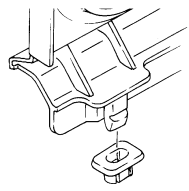
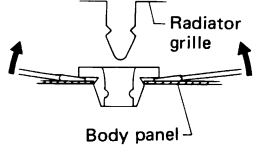
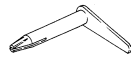
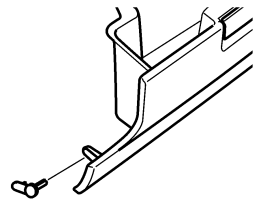
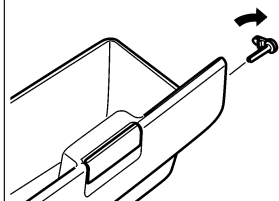
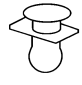
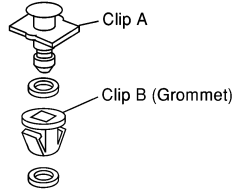
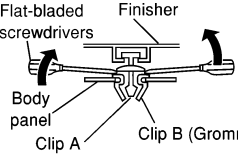
< PREPARATION >

Symbol No.	Shapes	Removal & Installation	
CG101 		Removal:  Rotate 45° to remove	Installation: 
CS102 			
CS113 		Removal: Disconnect upper connection of clip with a flat-bladed screwdriver, then remove clip while inserting a flat-bladed screwdriver between body panel and clip. 	
C111 			

SIIA0317E

CLIP LIST

< PREPARATION >

Symbol No.	Shapes	Removal & Installation
<p>CG104</p> 		<p>Removal: Remove by bending up with flat-bladed screwdrivers.</p> 
<p>CE114</p> 		
<p>CF118</p> 		<p>Removal: Flat-bladed screwdrivers Finisher</p> 

ALJIA0564GB

A
B
C
D
E
F
G
H
I

SE

K
L
M
N
O
P

POWER SEAT FOR DRIVER SIDE

< WIRING DIAGRAM >

WIRING DIAGRAM

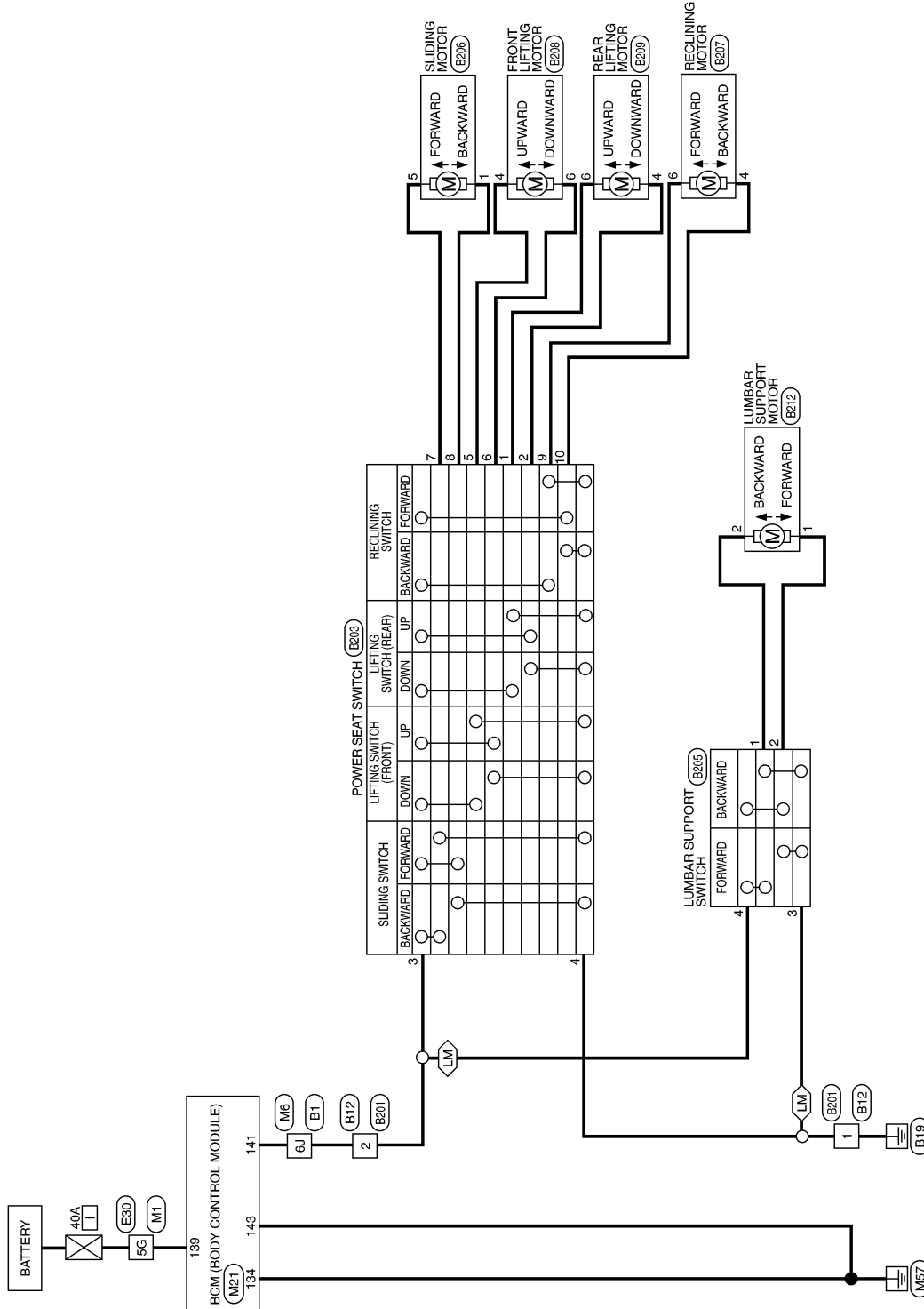
POWER SEAT FOR DRIVER SIDE

Wiring Diagram

INFOID:000000009462928

POWER SEAT FOR DRIVER SIDE

◁ LM ▷ : WITH POWER LUMBAR SUPPORT



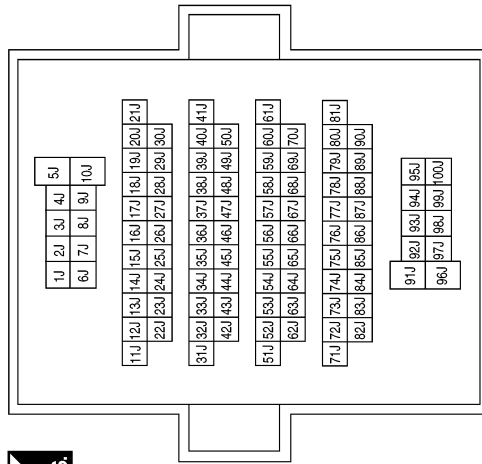
ABJWA0365GB

POWER SEAT FOR DRIVER SIDE

< WIRING DIAGRAM >

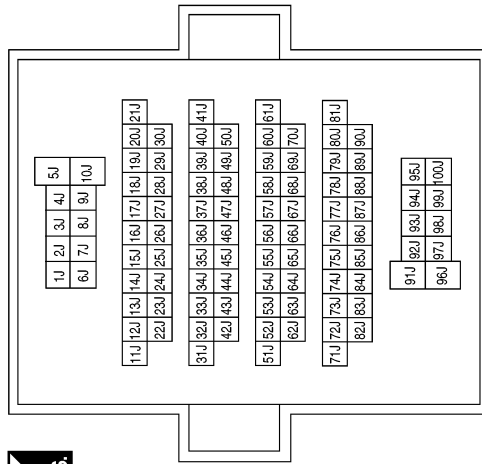
POWER SEAT FOR DRIVER SIDE CONNECTORS

Connector No.	M1
Connector Name	WIRE TO WIRE
Connector Color	WHITE



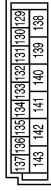
Terminal No.	Color of Wire	Signal Name
5G	W	-

Connector No.	M6
Connector Name	WIRE TO WIRE
Connector Color	GRAY



Terminal No.	Color of Wire	Signal Name
6J	V	-

Connector No.	M21
Connector Name	BCM (BODY CONTROL MODULE)
Connector Color	WHITE



Terminal No.	Color of Wire	Signal Name
134	B	GND2
139	W	BAT POWER F/L
141	V	P/W POWER SUPPLY BAT
143	B	GND1

A
B
C
D
E
F
G
H
I
SE
K
L
M
N
O
P

POWER SEAT FOR DRIVER SIDE

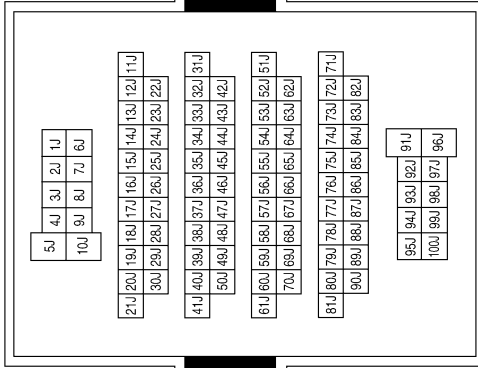
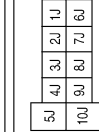
< WIRING DIAGRAM >

Connector No.	B12
Connector Name	WIRE TO WIRE
Connector Color	WHITE



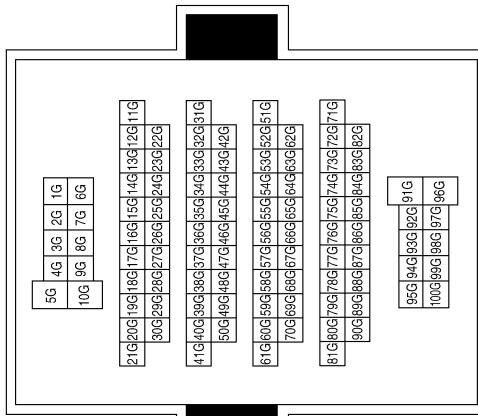
Terminal No.	Color of Wire	Signal Name
1	B	-
2	L	-

Connector No.	B1
Connector Name	WIRE TO WIRE
Connector Color	GRAY



Terminal No.	Color of Wire	Signal Name
6J	L	-

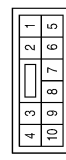
Connector No.	E30
Connector Name	WIRE TO WIRE
Connector Color	WHITE



Terminal No.	Color of Wire	Signal Name
5G	P	-

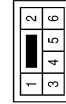
Terminal No.	Color of Wire	Signal Name
2	R	-
3	R	-
4	B	-
5	G	-
6	Y	-
7	L	-
8	SB	-
9	P	-
10	BR	-

Connector No.	B203
Connector Name	POWER SEAT SWITCH
Connector Color	WHITE



Terminal No.	Color of Wire	Signal Name
1	V	-

Connector No.	B201
Connector Name	WIRE TO WIRE
Connector Color	WHITE



Terminal No.	Color of Wire	Signal Name
1	B	-
2	R	-

AAJIA0158GB

POWER SEAT FOR DRIVER SIDE

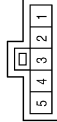
< WIRING DIAGRAM >

Connector No.	B207
Connector Name	RECLINING MOTOR
Connector Color	WHITE



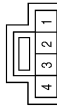
Terminal No.	Color of Wire	Signal Name
1	-	-
2	-	-
3	-	-
4	BR	-
5	-	-
6	P	-

Connector No.	B206
Connector Name	SLIDING MOTOR
Connector Color	GRAY



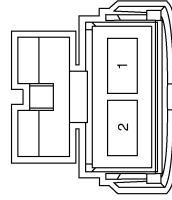
Terminal No.	Color of Wire	Signal Name
1	SB	-
2	-	-
3	-	-
4	-	-
5	L	-

Connector No.	B205
Connector Name	LUMBAR SUPPORT SWITCH
Connector Color	BROWN



Terminal No.	Color of Wire	Signal Name
1	G	-
2	Y	-
3	B	-
4	R	-

Connector No.	B212
Connector Name	LUMBAR SUPPORT MOTOR
Connector Color	BLACK



Terminal No.	Color of Wire	Signal Name
1	Y	-
2	G	-

Connector No.	B209
Connector Name	REAR LIFTING MOTOR
Connector Color	WHITE



Terminal No.	Color of Wire	Signal Name
1	-	-
2	-	-
3	-	-
4	R	-
5	-	-
6	V	-

Connector No.	B208
Connector Name	FRONT LIFTING MOTOR
Connector Color	WHITE



Terminal No.	Color of Wire	Signal Name
1	-	-
2	-	-
3	-	-
4	G	-
5	-	-
6	Y	-

AAJIA0159GB

A
B
C
D
E
F
G
H
I
SE
K
L
M
N
O
P

HEATED SEAT

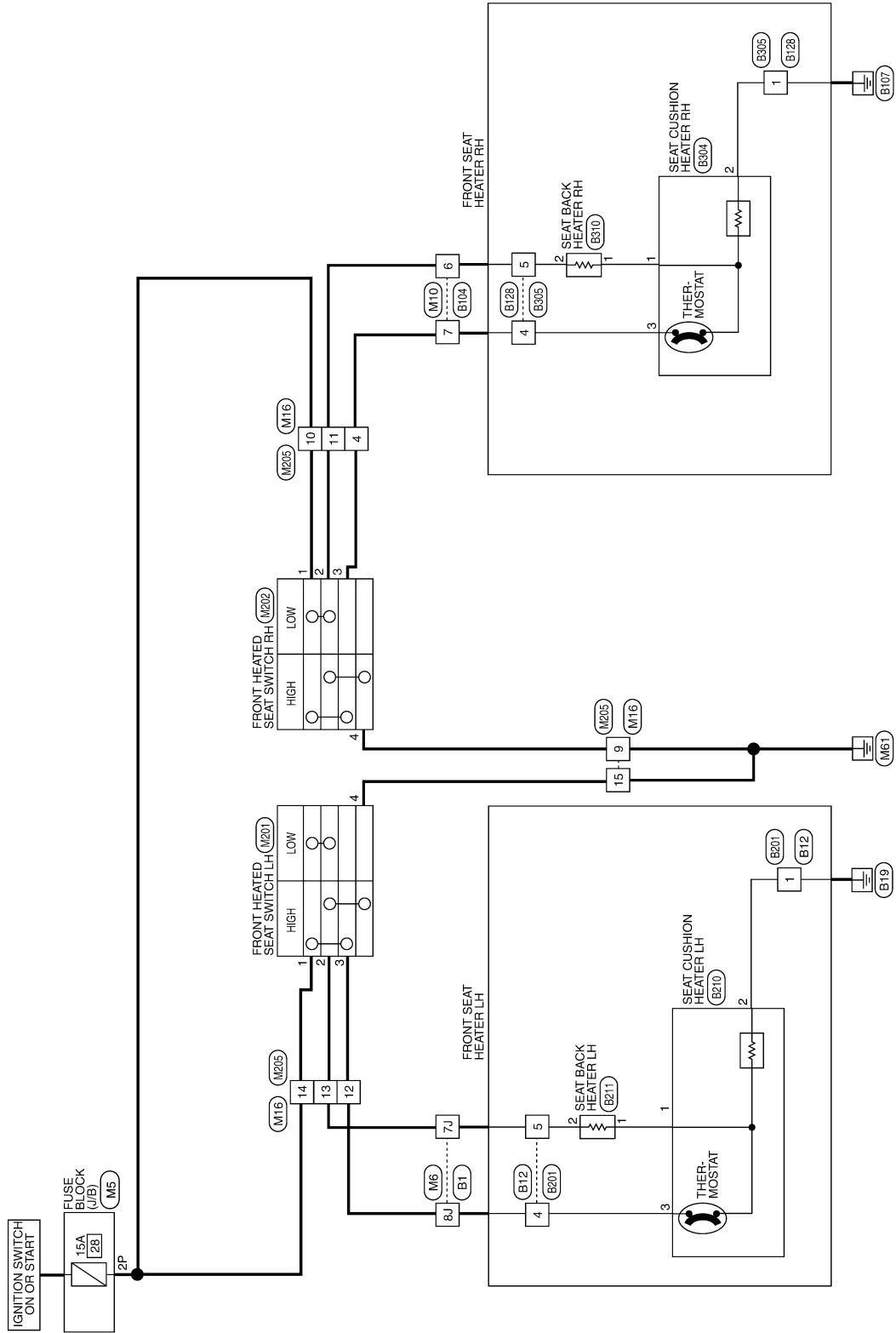
< WIRING DIAGRAM >

HEATED SEAT

Wiring Diagram

INFOID:000000009462929

HEATED SEAT



ABJWA0364GB

HEATED SEAT

< WIRING DIAGRAM >

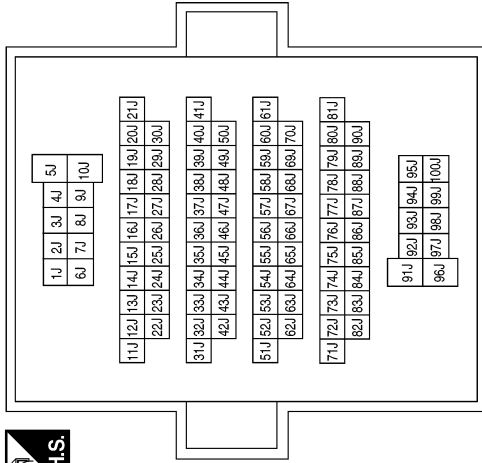
HEATED SEAT CONNECTORS

Connector No.	M5
Connector Name	FUSE BLOCK (J/B)
Connector Color	WHITE



Terminal No.	Color of Wire	Signal Name
2P	V	-

Connector No.	M6
Connector Name	WIRE TO WIRE
Connector Color	GRAY



Terminal No.	Color of Wire	Signal Name
7J	W	-
8J	L	-

Connector No.	M10
Connector Name	WIRE TO WIRE
Connector Color	BROWN



Terminal No.	Color of Wire	Signal Name
6	Y	-
7	SB	-

Connector No.	M16
Connector Name	WIRE TO WIRE
Connector Color	WHITE



Terminal No.	Color of Wire	Signal Name
4	SB	-
9	B	-

Terminal No.	Color of Wire	Signal Name
10	V	-
11	Y	-
12	L	-
13	W	-
14	V	-
15	B	-

ABJIA0857GB

A
B
C
D
E
F
G
H
I
SE
K
L
M
N
O
P

HEATED SEAT

< WIRING DIAGRAM >

Connector No.	M201
Connector Name	FRONT HEATED SEAT SWITCH LH
Connector Color	WHITE



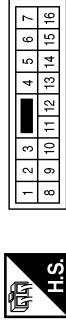
Terminal No.	Color of Wire	Signal Name
1	V	-
2	LG	-
3	Y	-
4	B	-

Connector No.	M202
Connector Name	FRONT HEATED SEAT SWITCH RH
Connector Color	BROWN



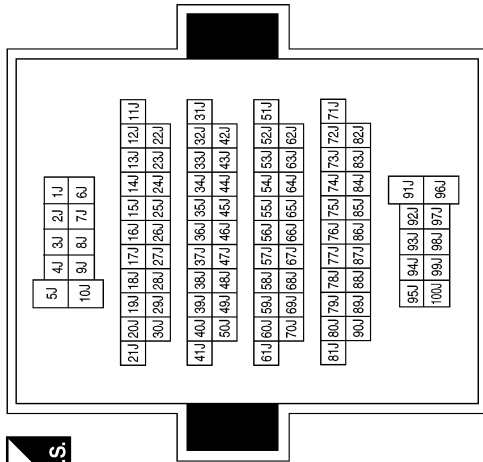
Terminal No.	Color of Wire	Signal Name
1	L	-
2	BR	-
3	SB	-
4	B	-

Connector No.	M205
Connector Name	WIRE TO WIRE
Connector Color	WHITE



Terminal No.	Color of Wire	Signal Name
4	SB	-
9	B	-
10	V	-
11	BR	-
12	Y	-
13	LG	-
14	V	-
15	B	-

Connector No.	B1
Connector Name	WIRE TO WIRE
Connector Color	GRAY



Connector No.	B12
Connector Name	WIRE TO WIRE
Connector Color	WHITE



Terminal No.	Color of Wire	Signal Name
1	B	-
4	BR	-
5	V	-

ABJIA0858GB

HEATED SEAT

< WIRING DIAGRAM >

Connector No.	B201
Connector Name	WIRE TO WIRE
Connector Color	WHITE



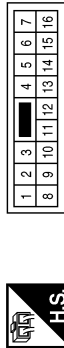
Terminal No.	Color of Wire	Signal Name
1	B	-
4	G	-
5	W	-

Connector No.	B128
Connector Name	WIRE TO WIRE
Connector Color	WHITE



Terminal No.	Color of Wire	Signal Name
1	B	-
4	Y	-
5	LG	-

Connector No.	B104
Connector Name	WIRE TO WIRE
Connector Color	BROWN



Terminal No.	Color of Wire	Signal Name
6	LG	-
7	Y	-

Connector No.	B304
Connector Name	SEAT CUSHION HEATER RH
Connector Color	WHITE



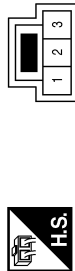
Terminal No.	Color of Wire	Signal Name
1	Y	-
2	B	-
3	G	-

Connector No.	B211
Connector Name	SEAT BACK HEATER LH
Connector Color	WHITE



Terminal No.	Color of Wire	Signal Name
1	Y	-
2	W	-

Connector No.	B210
Connector Name	SEAT CUSHION HEATER LH
Connector Color	WHITE



Terminal No.	Color of Wire	Signal Name
1	Y	-
2	B	-
3	G	-

ABJIA0859GB

A
B
C
D
E
F
G
H
I
SE
K
L
M
N
O
P

HEATED SEAT

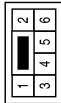
< WIRING DIAGRAM >

Connector No.	B310
Connector Name	SEAT BACK HEATER RH
Connector Color	WHITE



Terminal No.	Color of Wire	Signal Name
1	Y	-
2	W	-

Connector No.	B305
Connector Name	WIRE TO WIRE
Connector Color	WHITE



Terminal No.	Color of Wire	Signal Name
1	B	-
4	G	-
5	W	-

ABJIA0860GB

SQUEAK AND RATTLE TROUBLE DIAGNOSES

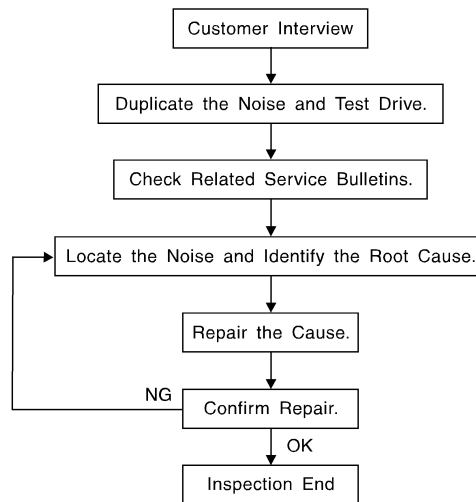
< SYMPTOM DIAGNOSIS >

SYMPTOM DIAGNOSIS

SQUEAK AND RATTLE TROUBLE DIAGNOSES

Work Flow

INFOID:000000009895315



SBT842

CUSTOMER INTERVIEW

Interview the customer if possible, to determine the conditions that exist when the noise occurs. Use the Diagnostic Worksheet during the interview to document the facts and conditions when the noise occurs and any customer's comments; refer to [SE-21, "Diagnostic Worksheet"](#). This information is necessary to duplicate the conditions that exist when the noise occurs.

- The customer may not be able to provide a detailed description or the location of the noise. Attempt to obtain all the facts and conditions that exist when the noise occurs (or does not occur).
- If there is more than one noise in the vehicle, be sure to diagnose and repair the noise that the customer is concerned about. This can be accomplished by test driving the vehicle with the customer.
- After identifying the type of noise, isolate the noise in terms of its characteristics. The noise characteristics are provided so the customer, service adviser and technician are all speaking the same language when defining the noise.
- Squeak —(Like tennis shoes on a clean floor)
Squeak characteristics include the light contact/fast movement/brought on by road conditions/hard surfaces = higher pitch noise/softer surfaces = lower pitch noises/edge to surface = chirping.
- Creak—(Like walking on an old wooden floor)
Creak characteristics include firm contact/slow movement/twisting with a rotational movement/pitch dependent on materials/often brought on by activity.
- Rattle—(Like shaking a baby rattle)
Rattle characteristics include the fast repeated contact/vibration or similar movement/loose parts/missing clip or fastener/incorrect clearance.
- Knock —(Like a knock on a door)
Knock characteristics include hollow sounding/sometimes repeating/often brought on by driver action.
- Tick—(Like a clock second hand)
Tick characteristics include gentle contacting of light materials/loose components/can be caused by driver action or road conditions.
- Thump—(Heavy, muffled knock noise)
Thump characteristics include softer knock/dead sound often brought on by activity.
- Buzz—(Like a bumble bee)
Buzz characteristics include high frequency rattle/firm contact.
- Often the degree of acceptable noise level will vary depending upon the person. A noise that you may judge as acceptable may be very irritating to the customer.
- Weather conditions, especially humidity and temperature, may have a great effect on noise level.

DUPLICATE THE NOISE AND TEST DRIVE

SQUEAK AND RATTLE TROUBLE DIAGNOSES

< SYMPTOM DIAGNOSIS >

If possible, drive the vehicle with the customer until the noise is duplicated. Note any additional information on the Diagnostic Worksheet regarding the conditions or location of the noise. This information can be used to duplicate the same conditions when you confirm the repair.

If the noise can be duplicated easily during the test drive, to help identify the source of the noise, try to duplicate the noise with the vehicle stopped by doing one or all of the following:

- 1) Close a door.
 - 2) Tap or push/pull around the area where the noise appears to be coming from.
 - 3) Rev the engine.
 - 4) Use a floor jack to recreate vehicle "twist".
 - 5) At idle, apply engine load (electrical load, half-clutch on M/T model, drive position on CVT and A/T models).
 - 6) Raise the vehicle on a hoist and hit a tire with a rubber hammer.
- Drive the vehicle and attempt to duplicate the conditions the customer states exist when the noise occurs.
 - If it is difficult to duplicate the noise, drive the vehicle slowly on an undulating or rough road to stress the vehicle body.

CHECK RELATED SERVICE BULLETINS

After verifying the customer concern or symptom, check ASIST for Technical Service Bulletins (TSBs) related to that concern or symptom.

If a TSB relates to the symptom, follow the procedure to repair the noise.

LOCATE THE NOISE AND IDENTIFY THE ROOT CAUSE

1. Narrow down the noise to a general area. To help pinpoint the source of the noise, use a listening tool (Chassis Ear: J-39570, Engine Ear: J-39565 and mechanic's stethoscope).
2. Narrow down the noise to a more specific area and identify the cause of the noise by:
 - removing the components in the area that you suspect the noise is coming from.
Do not use too much force when removing clips and fasteners, otherwise clips and fasteners can be broken or lost during the repair, resulting in the creation of new noise.
 - tapping or pushing/pulling the component that you suspect is causing the noise.
Do not tap or push/pull the component with excessive force, otherwise the noise will be eliminated only temporarily.
 - feeling for a vibration with your hand by touching the component(s) that you suspect is (are) causing the noise.
 - placing a piece of paper between components that you suspect are causing the noise.
 - looking for loose components and contact marks.
Refer to [SE-18. "Generic Squeak and Rattle Troubleshooting"](#).

REPAIR THE CAUSE

- If the cause is a loose component, tighten the component securely.
- If the cause is insufficient clearance between components:
 - separate components by repositioning or loosening and retightening the component, if possible.
 - insulate components with a suitable insulator such as urethane pads, foam blocks, felt cloth tape or urethane tape. A NISSAN Squeak and Rattle Kit (J-50397) is available through your authorized NISSAN Parts Department.

CAUTION:

Do not use excessive force as many components are constructed of plastic and may be damaged.

NOTE:

- Always check with the Parts Department for the latest parts information.
- The materials contained in the NISSAN Squeak and Rattle Kit (J-50397) are listed on the inside cover of the kit; and can each be ordered separately as needed.
- The following materials not found in the kit can also be used to repair squeaks and rattles.
 - SILICONE GREASE: Use instead of UHMW tape that will be visible or does not fit. The silicone grease will only last a few months.
 - SILICONE SPRAY: Use when grease cannot be applied.
 - DUCT TAPE: Use to eliminate movement.

CONFIRM THE REPAIR

Confirm that the cause of a noise is repaired by test driving the vehicle. Operate the vehicle under the same conditions as when the noise originally occurred. Refer to the notes on the Diagnostic Worksheet.

Generic Squeak and Rattle Troubleshooting

INFOID:000000009895316

Refer to Table of Contents for specific component removal and installation information.

SQUEAK AND RATTLE TROUBLE DIAGNOSES

< SYMPTOM DIAGNOSIS >

INSTRUMENT PANEL

Most incidents are caused by contact and movement between:

1. Cluster lid A and the instrument panel
2. Acrylic lens and combination meter housing
3. Instrument panel to front pillar finisher
4. Instrument panel to windshield
5. Instrument panel pins
6. Wiring harnesses behind the combination meter
7. A/C defroster duct and duct joint

These incidents can usually be located by tapping or moving the components to duplicate the noise or by pressing on the components while driving to stop the noise. Most of these incidents can be repaired by applying felt cloth tape or silicone spray (in hard to reach areas). Urethane pads can be used to insulate wiring harness.

CAUTION:

Do not use silicone spray to isolate a squeak or rattle. If you saturate the area with silicone, you will not be able to recheck the repair.

CENTER CONSOLE

Components to pay attention to include:

1. Shift selector assembly cover to finisher
2. A/C control unit and cluster lid C
3. Wiring harnesses behind audio and A/C control unit

The instrument panel repair and isolation procedures also apply to the center console.

DOORS

Pay attention to the:

1. Finisher and inner panel making a slapping noise
2. Inside handle escutcheon to door finisher
3. Wiring harnesses tapping
4. Door striker out of alignment causing a popping noise on starts and stops

Tapping or moving the components or pressing on them while driving to duplicate the conditions can isolate many of these incidents. You can usually insulate the areas with felt cloth tape or insulator foam blocks from the NISSAN Squeak and Rattle Kit (J-50397) to repair the noise.

TRUNK

Trunk noises are often caused by a loose jack or loose items put into the trunk by the owner.

In addition look for:

1. Trunk lid bumpers out of adjustment
2. Trunk lid striker out of adjustment
3. The trunk lid torsion bars knocking together
4. A loose license plate or bracket

Most of these incidents can be repaired by adjusting, securing or insulating the item(s) or component(s) causing the noise.

SUNROOF/HEADLINING

Noises in the sunroof/headlining area can often be traced to one of the following:

1. Sunroof lid, rail, linkage or seals making a rattle or light knocking noise
2. Sun visor shaft shaking in the holder
3. Front or rear windshield touching headlining and squeaking

Again, pressing on the components to stop the noise while duplicating the conditions can isolate most of these incidents. Repairs usually consist of insulating with felt cloth tape.

OVERHEAD CONSOLE (FRONT AND REAR)

Overhead console noises are often caused by the console panel clips not being engaged correctly. Most of these incidents are repaired by pushing up on the console at the clip locations until the clips engage.

In addition look for:

A

B

C

D

E

F

G

H

I

SE

K

L

M

N

O

P

SQUEAK AND RATTLE TROUBLE DIAGNOSES

< SYMPTOM DIAGNOSIS >

1. Loose harness or harness connectors.
2. Front console map/reading lamp lens loose.
3. Loose screws at console attachment points.

SEATS

When isolating seat noise it's important to note the position the seat is in and the load placed on the seat when the noise is present. These conditions should be duplicated when verifying and isolating the cause of the noise.

Cause of seat noise include:

1. Headrest rods and holder
2. A squeak between the seat pad cushion and frame
3. The rear seatback lock and bracket

These noises can be isolated by moving or pressing on the suspected components while duplicating the conditions under which the noise occurs. Most of these incidents can be repaired by repositioning the component or applying urethane tape to the contact area.

UNDERHOOD

Some interior noise may be caused by components under the hood or on the engine wall. The noise is then transmitted into the passenger compartment.

Causes of transmitted underhood noise include:

1. Any component installed to the engine wall
2. Components that pass through the engine wall
3. Engine wall mounts and connectors
4. Loose radiator installation pins
5. Hood bumpers out of adjustment
6. Hood striker out of adjustment

These noises can be difficult to isolate since they cannot be reached from the interior of the vehicle. The best method is to secure, move or insulate one component at a time and test drive the vehicle. Also, engine rpm or load can be changed to isolate the noise. Repairs can usually be made by moving, adjusting, securing, or insulating the component causing the noise.

SQUEAK AND RATTLE TROUBLE DIAGNOSES

< SYMPTOM DIAGNOSIS >

Diagnostic Worksheet

INFOID:00000009462932

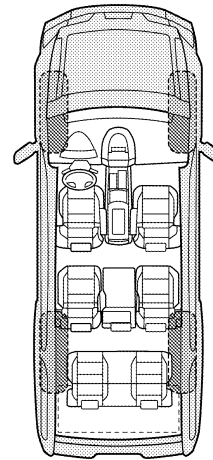
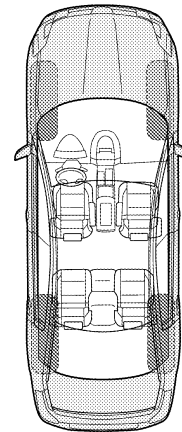
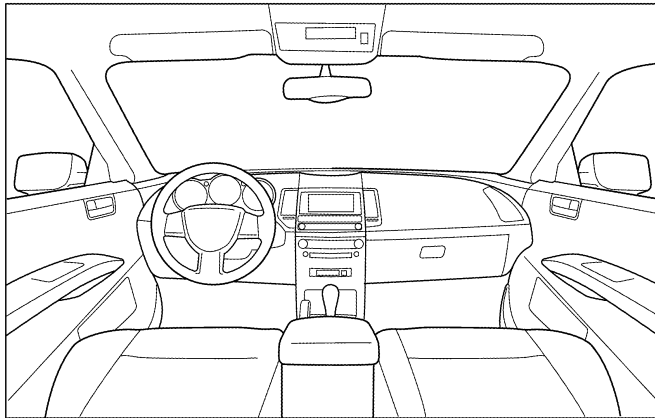
Dear Customer:

We are concerned about your satisfaction with your vehicle. Repairing a squeak or rattle sometimes can be very difficult. To help us fix your vehicle right the first time, please take a moment to note the area of the vehicle where the squeak or rattle occurs and under what conditions. You may be asked to take a test drive with a service advisor or technician to ensure we confirm the noise you are hearing.

SQUEAK & RATTLE DIAGNOSTIC WORKSHEET

I. WHERE DOES THE NOISE COME FROM? (circle the area of the vehicle)

The illustrations are for reference only, and may not reflect the actual configuration of your vehicle.



Continue to page 2 of the worksheet and briefly describe the location of the noise or rattle. In addition, please indicate the conditions which are present when the noise occurs.

A
B
C
D
E
F
G
H
I
SE
K
L
M
N
O
P

SQUEAK AND RATTLE TROUBLE DIAGNOSES

< SYMPTOM DIAGNOSIS >

SQUEAK & RATTLE DIAGNOSTIC WORKSHEET - page 2

Briefly describe the location where the noise occurs:

II. WHEN DOES IT OCCUR? (please check the boxes that apply)

- | | |
|---|--|
| <input type="checkbox"/> Anytime | <input type="checkbox"/> After sitting out in the rain |
| <input type="checkbox"/> 1st time in the morning | <input type="checkbox"/> When it is raining or wet |
| <input type="checkbox"/> Only when it is cold outside | <input type="checkbox"/> Dry or dusty conditions |
| <input type="checkbox"/> Only when it is hot outside | <input type="checkbox"/> Other: |

III. WHEN DRIVING:

- Through driveways
- Over rough roads
- Over speed bumps
- Only about ____ mph
- On acceleration
- Coming to a stop
- On turns: left, right or either (circle)
- With passengers or cargo
- Other: _____
- After driving ____ miles or ____ minutes

IV. WHAT TYPE OF NOISE

- Squeak (like tennis shoes on a clean floor)
- Creak (like walking on an old wooden floor)
- Rattle (like shaking a baby rattle)
- Knock (like a knock at the door)
- Tick (like a clock second hand)
- Thump (heavy muffled knock noise)
- Buzz (like a bumble bee)

TO BE COMPLETED BY DEALERSHIP PERSONNEL

Test Drive Notes:

	YES	NO	Initials of person performing
Vehicle test driven with customer	<input type="checkbox"/>	<input type="checkbox"/>	_____
- Noise verified on test drive	<input type="checkbox"/>	<input type="checkbox"/>	_____
- Noise source located and repaired	<input type="checkbox"/>	<input type="checkbox"/>	_____
- Follow up test drive performed to confirm repair	<input type="checkbox"/>	<input type="checkbox"/>	_____

VIN: _____ Customer Name _____

W.O.# _____ Date: _____

This form must be attached to Work Order

LAI0071E

FRONT SEAT

< REMOVAL AND INSTALLATION >

REMOVAL AND INSTALLATION

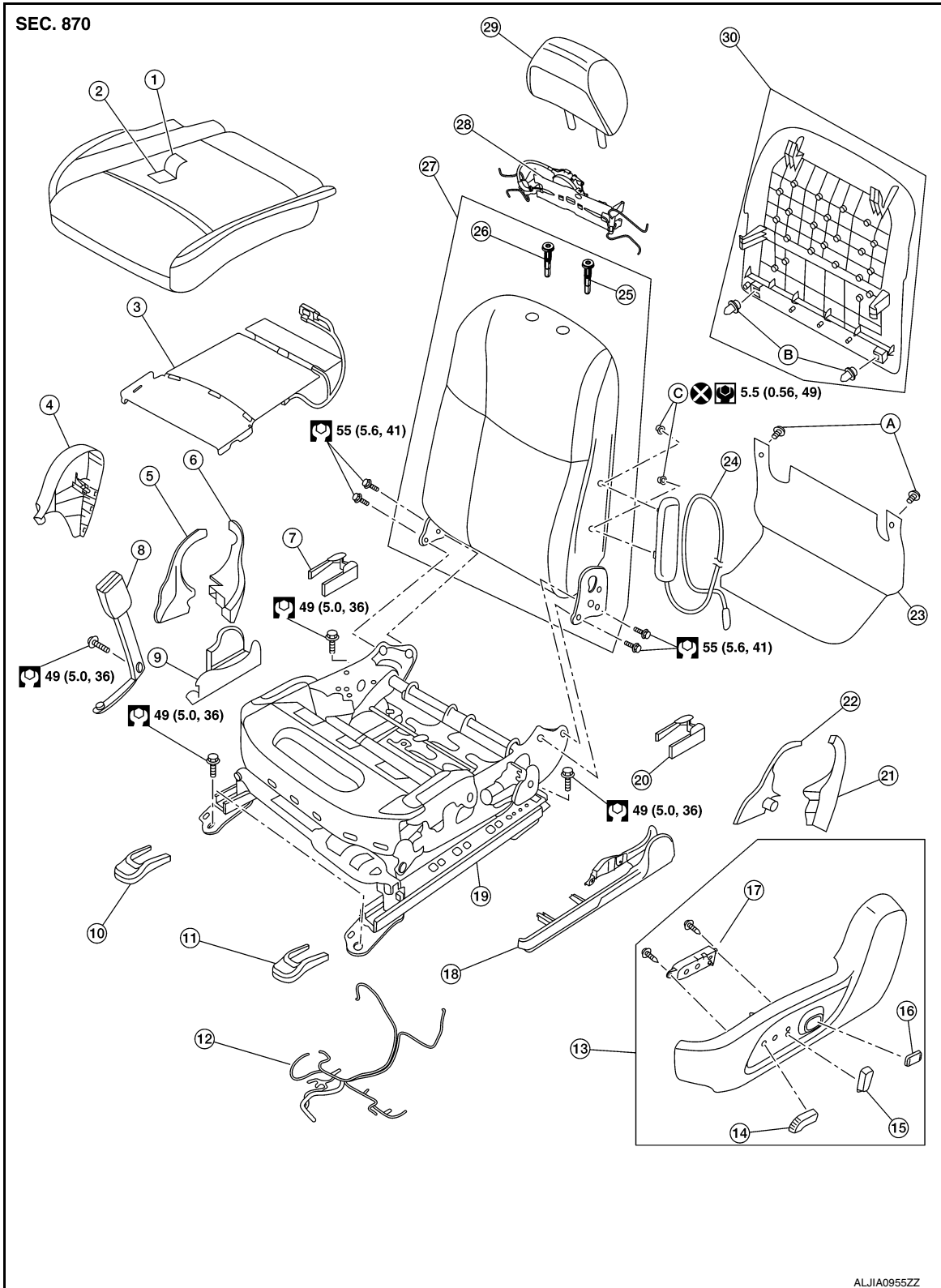
FRONT SEAT

DRIVER SIDE

DRIVER SIDE : Exploded View

INFOID:000000009462933

DRIVER SEAT - POWER



A
B
C
D
E
F
G
H
I
SE
K
L
M
N
O
P

FRONT SEAT

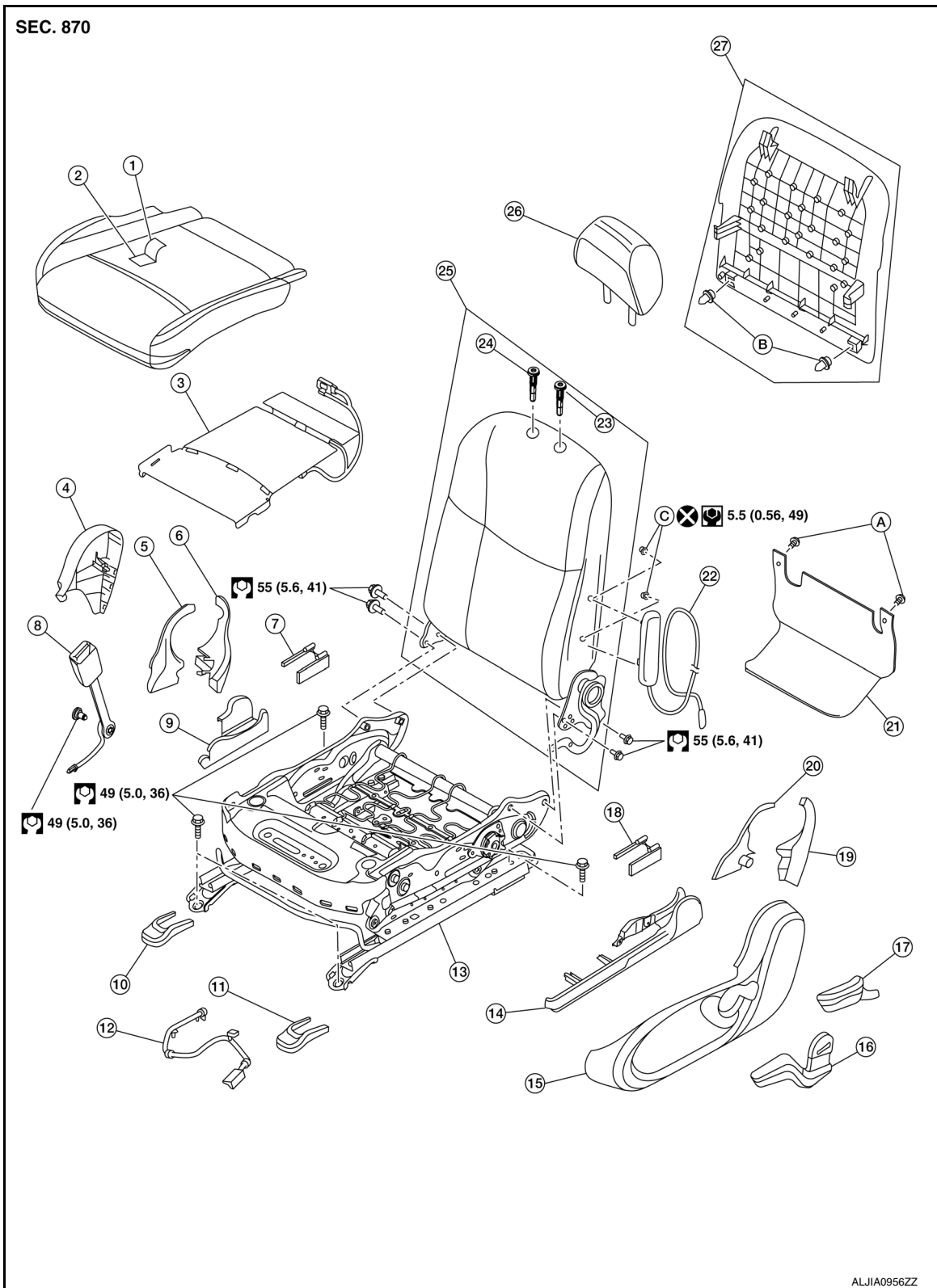
< REMOVAL AND INSTALLATION >

- | | | |
|--|---|---|
| 1. Seat cushion trim | 2. Seat cushion pad | 3. Seat cushion heater (if equipped) |
| 4. Seat cushion outer finisher (RH) | 5. Seat cushion inner finisher (RH front) | 6. Seat cushion inner finisher (RH rear) |
| 7. Rear slide cover (RH) | 8. Seat belt buckle | 9. Slide cover (RH) |
| 10. Front slide cover (RH) | 11. Front slide cover (LH) | 12. Seat harness |
| 13. Seat cushion outer finisher (LH) | 14. Seat slide knob | 15. Seat recline knob |
| 16. Lumbar support switch (if equipped) | 17. Power seat switch | 18. Slide cover (LH) |
| 19. Seat frame assembly | 20. Rear slide cover (LH) | 21. Seat cushion inner finisher (LH rear) |
| 22. Seat cushion inner finisher (LH front) | 23. Rear hinge cover | 24. Side air bag module |
| 25. Headrest holder (locked) | 26. Headrest holder (free) | 27. Seatback assembly |
| 28. Lumbar support assembly (if equipped) | 29. Headrest | 30. Seatback board |
| A. Rear hinge cover clips | B. Seatback board clips | C. Side air bag module nuts |

FRONT SEAT

< REMOVAL AND INSTALLATION >

DRIVER SEAT - MANUAL



- | | | |
|-------------------------------------|---|--|
| 1. Seat cushion trim | 2. Seat cushion pad | 3. Seat cushion heater (if equipped) |
| 4. Seat cushion outer finisher (RH) | 5. Seat cushion inner finisher (RH front) | 6. Seat cushion inner finisher (RH rear) |
| 7. Rear slide cover (RH) | 8. Seat belt buckle | 9. Slide cover (RH) |
| 10. Front slide cover (RH) | 11. Front slide cover (LH) | 12. Seat harness |
| 13. Seat frame assembly | 14. Slide cover (LH) | 15. Seat cushion outer finisher (LH) |

FRONT SEAT

< REMOVAL AND INSTALLATION >

- | | | |
|---|--|-----------------------------|
| 16. Lift lever | 17. Recline lever | 18. Rear slide cover (LH) |
| 19. Seat cushion inner finisher (LH rear) | 20. Seat cushion inner finisher (LH front) | 21. Rear hinge cover |
| 22. Side air bag module | 23. Headrest holder (locked) | 24. Headrest holder (free) |
| 25. Seatback assembly | 26. Headrest | 27. Seatback board |
| A. Rear hinge cover clips | B. Seatback board clips | C. Side air bag module nuts |

DRIVER SIDE : Removal and Installation - Seat Assembly

INFOID:000000009462934

REMOVAL

WARNING:

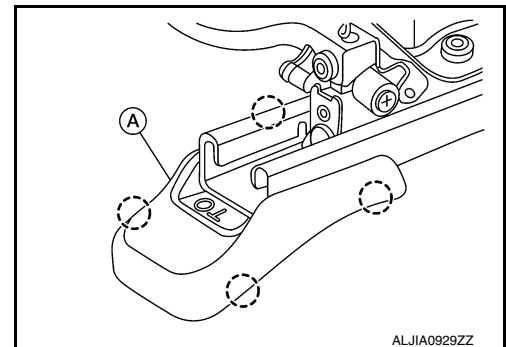
Do not leave any objects (screwdrivers, tools, etc.) on the seat during seat repair. It can lead to personal injury if the side air bag module should accidentally deploy.

CAUTION:

- When removing or installing the seat trim, handle it carefully to keep dirt out and to avoid damage.
- When checking the power seat circuit for continuity using a circuit tester, do not confuse its connector with the side air bag module connector. Such an error may cause the air bag module to deploy.
- Do not drop, tilt, or bump the side air bag module while installing the seat. Always handle it with care.
- After front side air bag module inflates, the front seatback assembly must be replaced.
- When removing and installing the seat, use shop cloths to protect components from damage.
- Before removing the front seat, turn the ignition switch OFF, disconnect both battery cables and wait at least three minutes.

1. Remove the headrest.
2. Raise seat to the highest position.
3. Slide the seat to the full rearward position.
4. Remove the front slide covers (LH/RH) (A) by releasing four pawls on each.

○: Pawl



5. Remove the two front seat bolts.
6. Slide the seat to the full forward position.
7. Disconnect the negative and positive battery terminals and wait at least three minutes. Refer to [PG-73, "Removal and Installation \(Battery\)"](#).
8. Remove the two rear seat bolts.
9. Tilt the seat rearward to disconnect the harness connectors from the seat and remove.

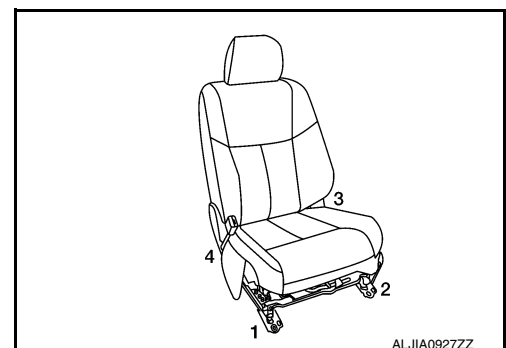
INSTALLATION

Installation is in the reverse order of removal.

NOTE:

When installing the LH front seat, tighten the bolts in the order shown.

LH front seat bolt torque : 49 Nm (5.0 kg-m, 36 lb-ft)



FRONT SEAT

< REMOVAL AND INSTALLATION >

CAUTION:

Make sure that the seat harness or the floor trim is not damaged during installation.

DRIVER SIDE : Removal and Installation - Seatback Board

INFOID:000000009462935

REMOVAL

CAUTION:

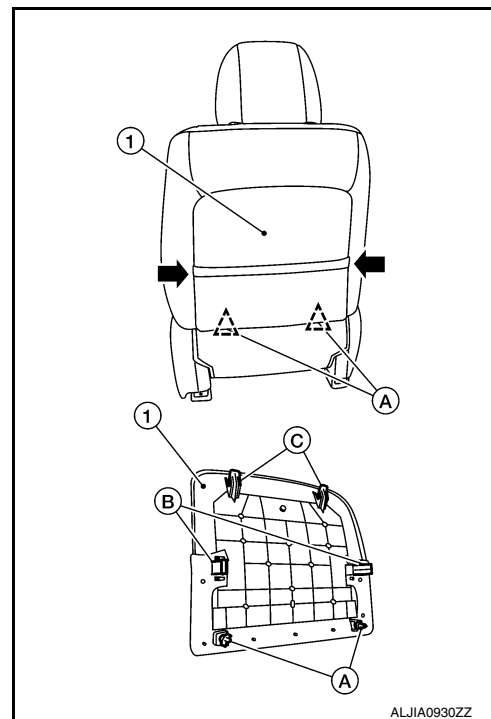
- Before servicing, turn ignition switch OFF, disconnect both battery terminals and wait at least three minutes.
- Always work from the side or back of the seatback assembly, do not work in front of seat.

1. Slide the seat to the full forward position.
2. Disconnect the negative and positive battery terminals and wait at least three minutes. Refer to [PG-73, "Removal and Installation \(Battery\)"](#).
3. Remove the seatback board (1).

NOTE:

The back side of the seatback board is shown to assist with identifying fastener location.

- a. Release the two bottom clips (A) using a suitable tool.
△: Clip
- b. Insert fingers into sides (←) and pull out the seatback board, while pressing the side clips (B) to release it from the seatback frame.
- c. Pull the seatback board down releasing the upper hooks (C) and remove.



INSTALLATION

Installation is in the reverse order of removal.

DRIVER SIDE : Removal and Installation - Lumbar Support Assembly

INFOID:000000009462936

REMOVAL

WARNING:

Do not leave any objects (screwdrivers, tools, etc.) on the seat during seat repair. It can lead to personal injury if the side air bag module should accidentally deploy.

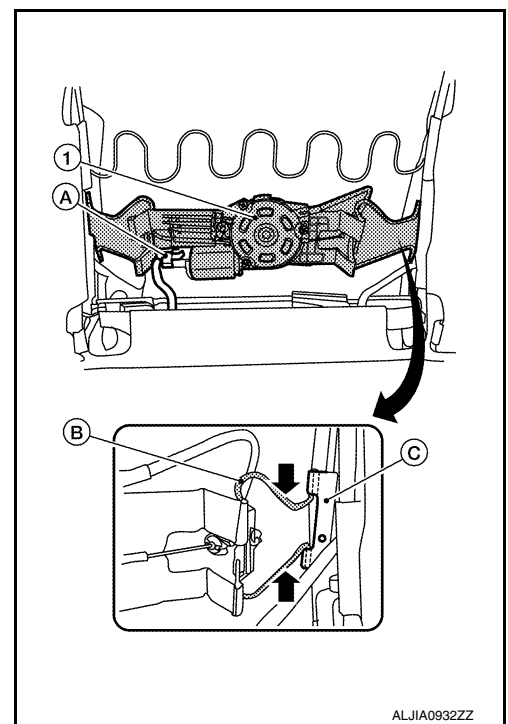
CAUTION:

- Before servicing, turn ignition switch OFF, disconnect both battery terminals and wait at least three minutes.
 - Always work from the side or back of the seatback assembly, do not work in front of seat.
1. Slide the seat to the full forward position.
 2. Disconnect the negative and positive battery terminals, then wait at least three minutes. Refer to [PG-73, "Removal and Installation \(Battery\)"](#).
 3. Remove the seatback board. Refer to [SE-27, "DRIVER SIDE : Removal and Installation - Seatback Board"](#).

FRONT SEAT

< REMOVAL AND INSTALLATION >

4. Disconnect the harness connector (A) from the lumbar support assembly (1).
5. Press (←) lumbar retainer clips (B), as shown, to remove lumbar support (1) from seatback frame bracket (C).



INSTALLATION

Installation is in the reverse order of removal.

PASSENGER SIDE

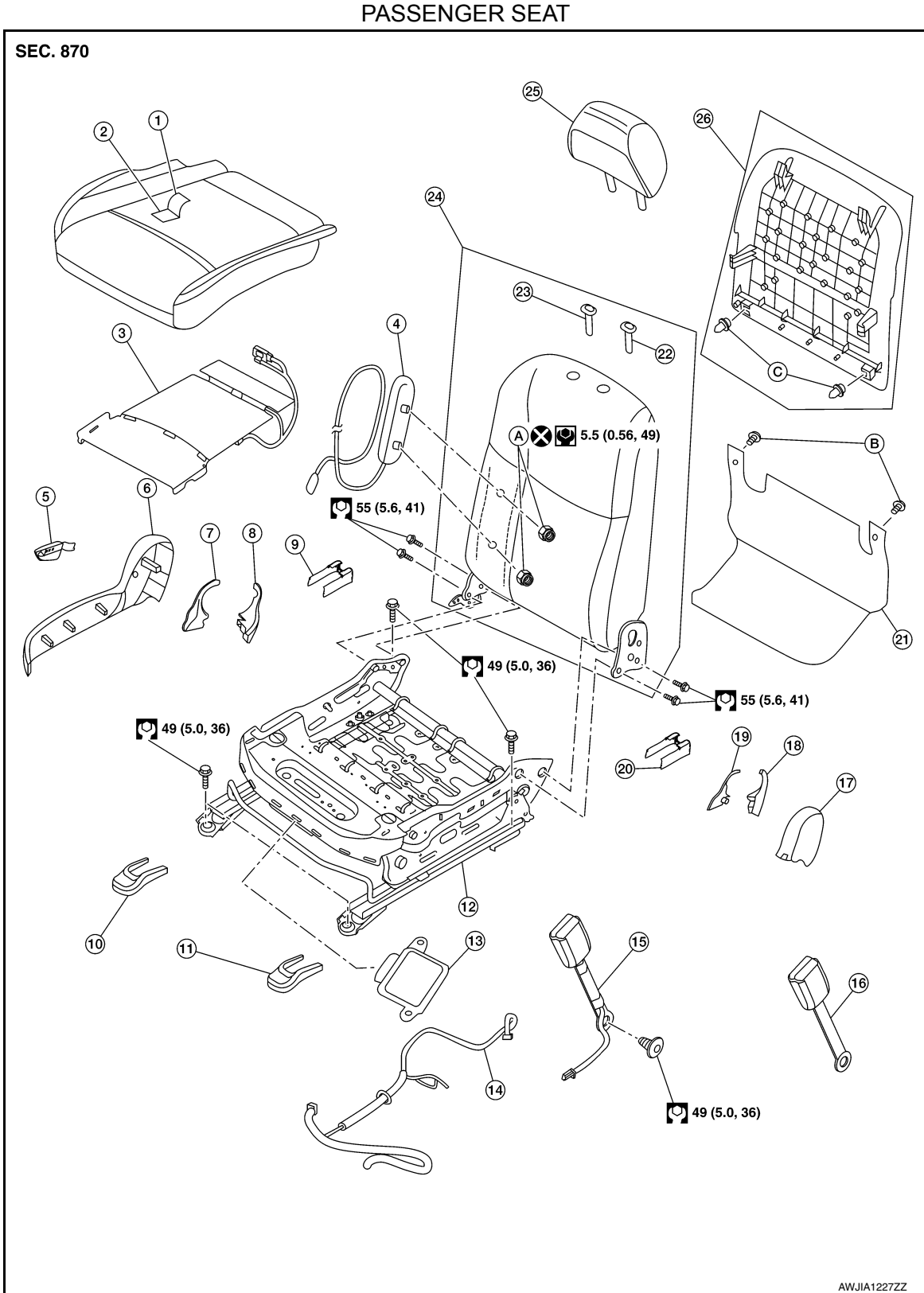
FRONT SEAT

< REMOVAL AND INSTALLATION >

PASSENGER SIDE : Exploded View

INFOID:00000009462937

A
B
C
D
E
F
G
H
I
SE
K
L
M
N
O
P



- | | | |
|---|--|--------------------------------------|
| 1. Seat cushion trim | 2. Seat cushion pad | 3. Seat cushion heater (if equipped) |
| 4. Side air bag module | 5. Recline lever | 6. Seat cushion outer finisher (RH) |
| 7. Seat cushion inner finisher (RH front) | 8. Seat cushion inner finisher (RH rear) | 9. Rear slide cover (RH) |

FRONT SEAT

< REMOVAL AND INSTALLATION >

- | | | |
|--|--------------------------------------|---|
| 10. Front slide cover (RH) | 11. Front slide cover (LH) | 12. Seat frame assembly |
| 13. Occupant classification control unit | 14. Seat harness | 15. Seat belt buckle with switch |
| 16. Seat belt buckle without switch | 17. Seat cushion outer finisher (LH) | 18. Seat cushion inner finisher (LH rear) |
| 19. Seat cushion inner finisher (LH front) | 20. Rear slide cover (LH) | 21. Rear hinge cover |
| 22. Headrest holder (locked) | 23. Headrest holder (free) | 24. Seatback assembly |
| 25. Headrest | 26. Seatback board | A. Side air bag module nuts |
| B. Rear hinge cover clips | C. Seatback board clips | |

PASSENGER SIDE : Removal and Installation - Seat Assembly

INFOID:000000009462938

REMOVAL

WARNING:

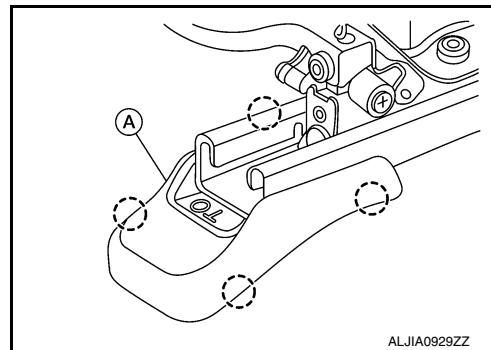
Do not leave any objects (screwdrivers, tools, etc.) on the seat during seat repair. It can lead to personal injury if the side air bag module should accidentally deploy.

CAUTION:

- When removing or installing the seat trim, handle it carefully to keep dirt out and to avoid damage.
- When checking the power seat circuit for continuity using a circuit tester, do not confuse its connector with the side air bag module connector. Such an error may cause the air bag module to deploy.
- Do not drop, tilt, or bump the side air bag module while installing the seat. Always handle it with care.
- After front side air bag module inflates, the front seatback assembly must be replaced.
- When removing and installing the seat, use shop cloths to protect components from damage.
- Before removing the front seat, turn the ignition switch OFF, disconnect both battery cables and wait at least three minutes.

1. Disconnect the negative and positive battery terminals and wait at least three minutes. Refer to [PG-73, "Removal and Installation \(Battery\)"](#).
2. Remove the headrest.
3. Slide the seat to the full rearward position.
4. Remove the front slide covers (LH/RH) (A) by releasing four pawls on each.

○: Pawl



5. Remove the two front seat bolts.
6. Slide the seat to the full forward position.
7. Remove the two rear seat bolts.
8. Tilt the seat rearward to disconnect the harness connectors from the seat and remove.

INSTALLATION

Installation is in the reverse order of removal.

WARNING:

- Perform additional services when installing front passenger seat. Refer to [SRC-42, "ZERO POINT RESET : Description"](#).
- Zero point reset must be performed every time the front passenger seat is removed from the vehicle.
- Zero point reset is done after the front passenger seat is installed in vehicle and all bolts are tightened to specification.

CAUTION:

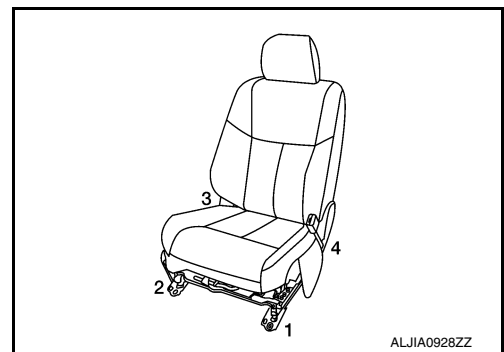
Make sure that the seat harness or the floor trim is not damaged during installation.

FRONT SEAT

< REMOVAL AND INSTALLATION >

- When installing the RH front seat, tighten the bolts in the order shown.

RH front seat bolt torque : 49 Nm (5.0 kg-m, 36 lb-ft)



PASSENGER SIDE : Removal and Installation - Seatback Board

INFOID:000000009462939

WARNING:

Do not leave any objects (screwdrivers, tools, etc.) on the seat during seat repair. It can lead to personal injury if the side air bag module should accidentally deploy.

CAUTION:

- Before servicing, turn ignition switch OFF, disconnect both battery terminals and wait at least three minutes.
- Always work from the side or back of the seatback assembly, do not work in front of seat.

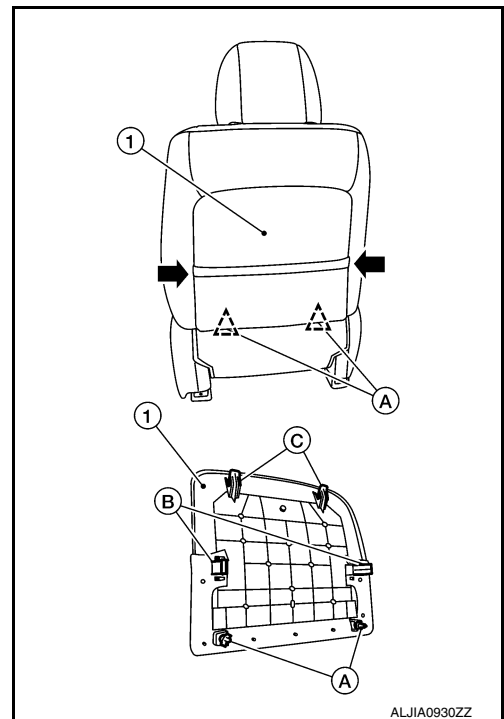
REMOVAL

1. Disconnect the negative and positive battery terminals and wait a least three minutes. Refer to [PG-73, "Removal and Installation \(Battery\)"](#).
2. Slide the seat to the full forward position.
3. Remove the seatback board (1).

NOTE:

The back side of the seatback board is shown to assist with identifying fastener location.

- a. Release the two bottom clips (A) using a suitable tool.
△: Clip
- b. Insert fingers into sides (←) and pull out the seatback board, while pressing the side clips (B) to release from the seatback frame.
- c. Pull the seatback board down releasing the upper hooks (C) and remove.



INSTALLATION

Installation is in the reverse order of removal.

HEATED SEAT SWITCH

HEATED SEAT SWITCH : Removal and Installation

INFOID:000000009462940

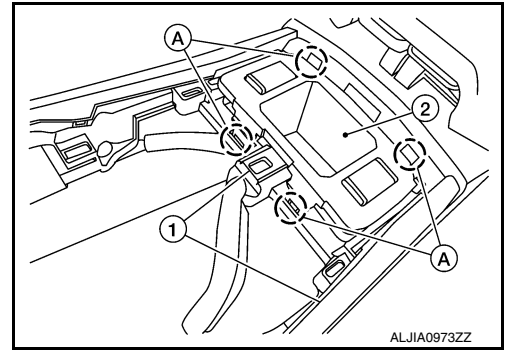
REMOVAL

1. Remove the CVT shift selector finisher. Refer to [IP-18, "Exploded View"](#).

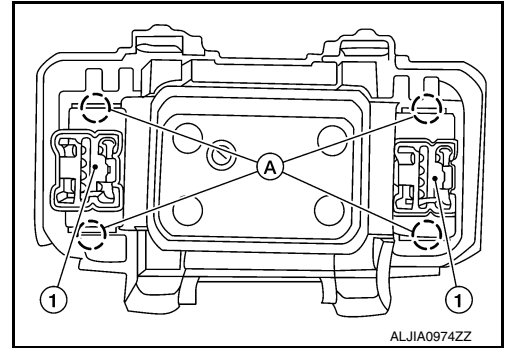
FRONT SEAT

< REMOVAL AND INSTALLATION >

2. Release pawls (A) using a suitable tool and release the seat heater switch finisher (2) from the center console assembly (1).



3. Disconnect the harness connectors from the front heated seat switches.
4. Release pawls (A) using a suitable tool and remove the front heated seat switches (1) from the seat heater switch finisher.



INSTALLATION

Installation is in the reverse order of removal.

REAR SEAT

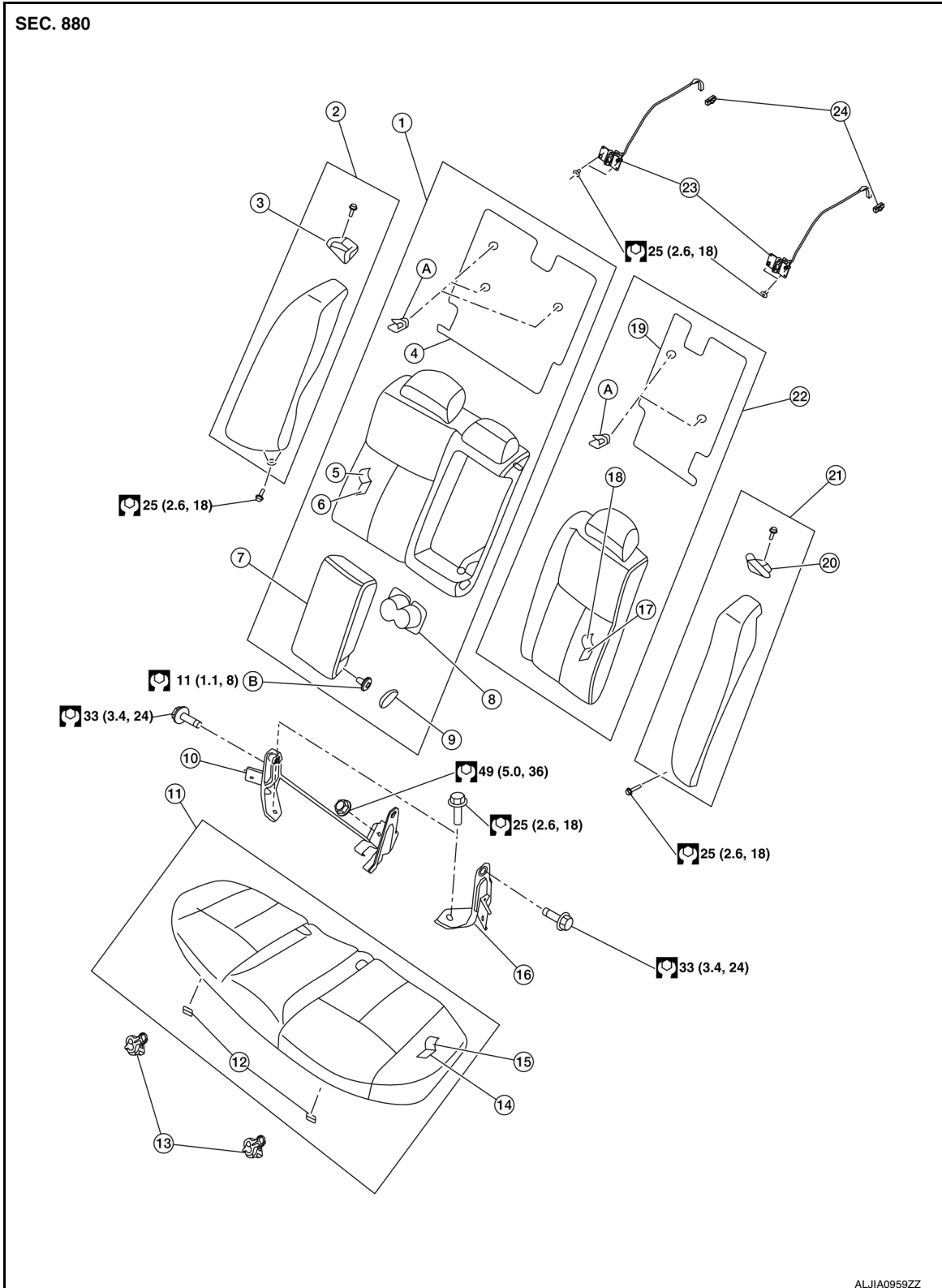
< REMOVAL AND INSTALLATION >

REAR SEAT

Exploded View

INFOID:000000009462941

REAR SEAT WITHOUT REMOVABLE HEADREST



- | | | |
|--------------------------------|---------------------------|-------------------------|
| 1. Rear seatback assembly (RH) | 2. Rear seat bolster (RH) | 3. Seat belt guide (RH) |
| 4. Seatback board (RH) | 5. Seatback trim (RH) | 6. Seatback pad (RH) |

A
B
C
D
E
F
G
H
I
SE
K
L
M
N
O
P

REAR SEAT

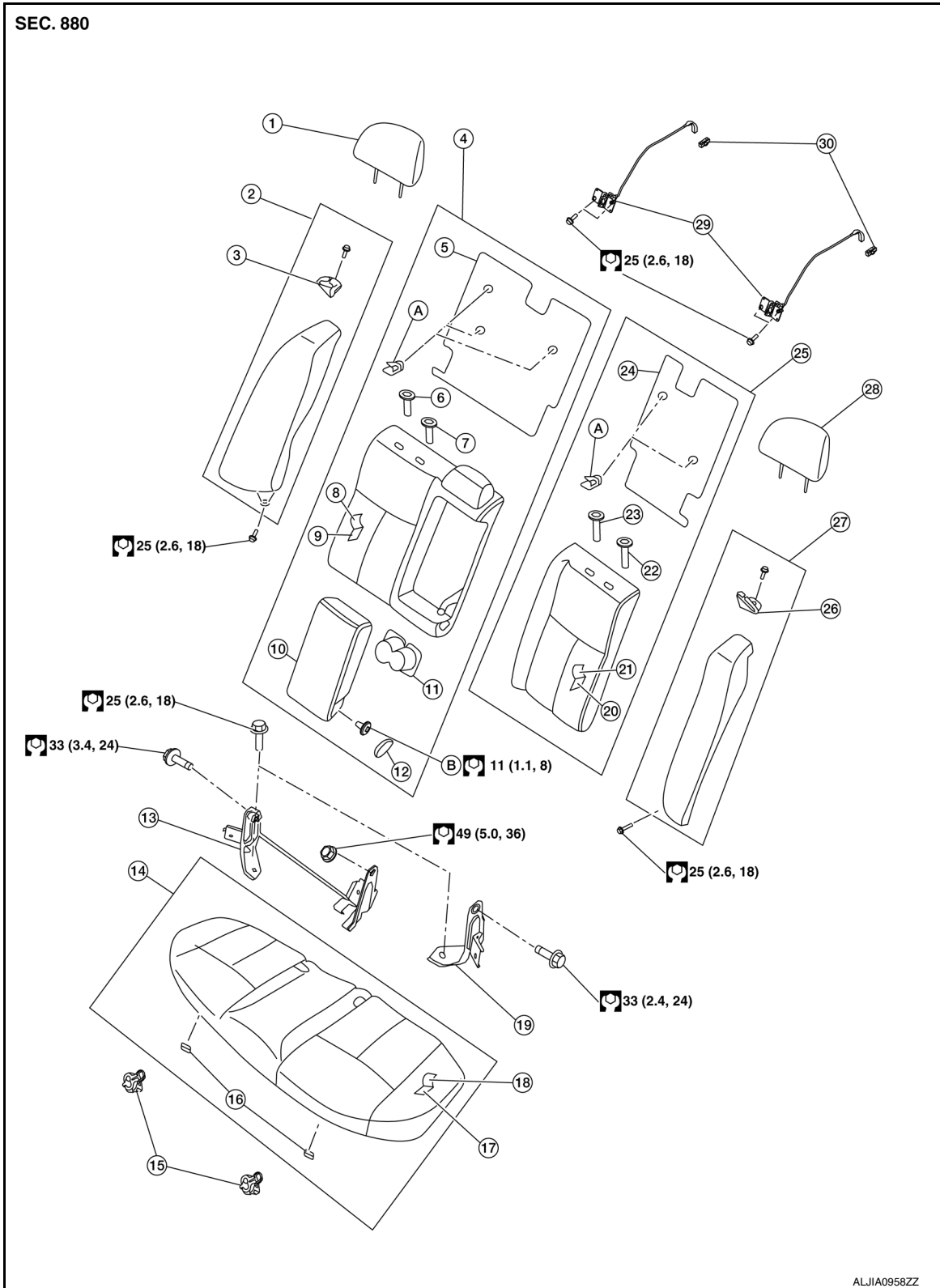
< REMOVAL AND INSTALLATION >

- | | | |
|----------------------------------|-----------------------------|-----------------------------|
| 7. Armrest | 8. Cup holder | 9. Armrest hinge finisher |
| 10. Seatback hinge assembly (RH) | 11. Seat cushion assembly | 12. Seat cushion wire cover |
| 13. Seat cushion lock | 14. Seat cushion pad | 15. Seat cushion trim |
| 16. Seatback hinge (LH) | 17. Seatback pad (LH) | 18. Seatback trim (LH) |
| 19. Seatback board (LH) | 20. Seat belt guide (LH) | 21. Rear seat bolster (LH) |
| 22. Rear seatback assembly (LH) | 23. Seatback latch assembly | 24. Cable guide |
| A. Seatback board clips | B. Armrest pivot bolt | |

REAR SEAT

< REMOVAL AND INSTALLATION >

REAR SEAT WITH REMOVABLE HEADREST



- | | | |
|----------------------------------|--------------------------------|----------------------------------|
| 1. Headrest (RH) | 4. Rear seatback assembly (RH) | 7. Headrest holder (RH) (locked) |
| 2. Rear seat bolster (RH) | 5. Seatback board (RH) | 8. Seatback trim (RH) |
| 3. Seat belt guide (RH) | 6. Headrest holder (RH) (free) | 9. Seatback pad (RH) |
| 10. Armrest | 11. Cup holder | 12. Armrest hinge finisher |
| 13. Seatback hinge assembly (RH) | 14. Seat cushion assembly | 15. Seat cushion lock |
| 16. Seat cushion wire cover | 17. Seat cushion pad | 18. Seat cushion trim |

REAR SEAT

< REMOVAL AND INSTALLATION >

- | | | |
|-----------------------------------|---------------------------------|----------------------------|
| 19. Seatback hinge (LH) | 20. Seatback pad (LH) | 21. Seatback trim (LH) |
| 22. Headrest holder (LH) (locked) | 23. Headrest holder (LH) (free) | 24. Seatback board (LH) |
| 25. Rear seatback assembly (LH) | 26. Seat belt guide (LH) | 27. Rear seat bolster (LH) |
| 28. Headrest (LH) | 29. Seatback latch assembly | 30. Cable guide |
| A. Seatback board clips | B. Armrest pivot bolt | |

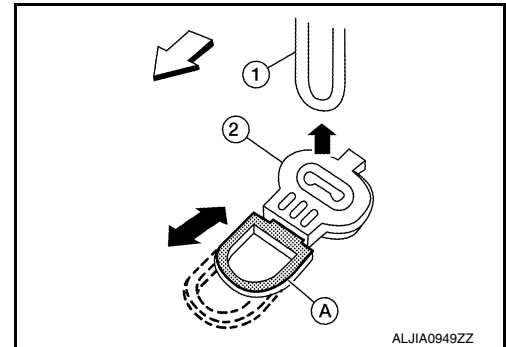
Removal and Installation - Seat Cushion Assembly

INFOID:000000009462942

1. Locate the seat cushion lock (2) at the front bottom of the seat cushion assembly (one for each side). Pull the release lever (A) forward and lift the seat cushion upward to release the seat cushion wire (1) from the seat cushion lock (2).

↔: Front

2. Then pull the seat cushion assembly forward to remove.



Removal and Installation - Seat Assembly

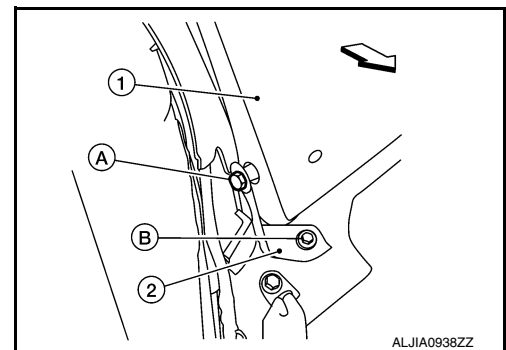
INFOID:000000009462943

REMOVAL

NOTE:

Rear seatback assembly (RH) must be removed first, then rear seatback assembly (LH) can be removed.

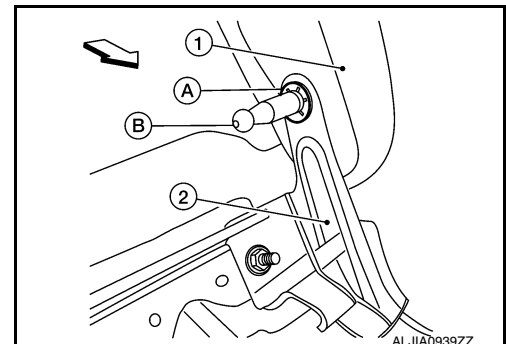
1. Remove the rear seat cushion assembly. Refer to [SE-36, "Removal and Installation - Seat Cushion Assembly"](#).
2. Remove the rear seat bolster (RH). Refer to [SE-38, "Removal and Installation - Rear Seat Bolster"](#).
3. Remove the rear seatback assembly (RH) (1).
 - a. Remove the seatback pivot bolt (A).
CAUTION:
Do not remove hinge bolt (B) or seatback alignment may be necessary.
 - b. Release the seatback latch assembly then remove the rear seatback assembly (1) from the seatback hinge assembly (RH) (2).
 - c. Remove the rear seatback assembly (RH).



4. Remove the rear seat bolster (LH). Refer to [SE-38, "Removal and Installation - Rear Seat Bolster"](#).
5. Remove the rear seatback assembly (LH) (1).
 - a. Remove retaining clip (A) from seatback pivot pin (B) using a suitable tool. (2) Seatback hinge assembly (RH)

NOTE:

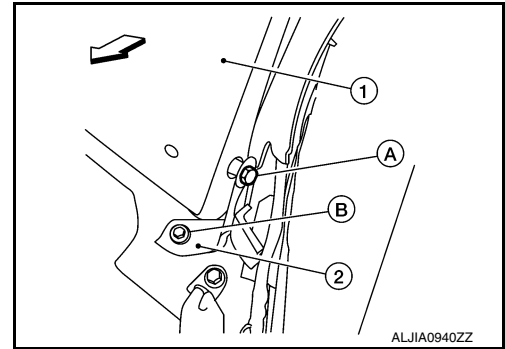
Retaining clip (A) is used for factory installation only, it is not a serviceable part and not necessary to use during installation.



REAR SEAT

< REMOVAL AND INSTALLATION >

- b. Remove the seatback pivot bolt (A).
CAUTION:
Do not remove hinge bolt (B) or seatback alignment may be necessary.
- c. Release the seatback latch assembly then remove the rear seatback assembly (1) from the seatback hinge (LH) (2).
- d. Remove the rear seatback assembly (LH).



INSTALLATION

Installation is in the reverse order of removal.

- Tighten bolts and nuts to specification. Refer to [SE-33, "Exploded View"](#).

Removal and Installation - Seatback Hinge

INFOID:000000009462944

REMOVAL

1. Remove the seat cushion assembly, rear seatback assembly (RH), and the rear seatback assembly (LH). Refer to [SE-36, "Removal and Installation - Seat Assembly"](#).
2. Remove the bolt and nut from the seatback hinge assembly (RH), then remove.
3. Remove the bolt from the seatback hinge (LH), then remove.

INSTALLATION

1. Install seatback hinge assembly (RH) and seatback hinge (LH) loosely.
2. Install the rear seatback assembly (LH) and engage into seatback latch assembly.
3. Install the rear seatback assembly (RH) and engage into seatback latch assembly.
4. Tighten seatback hinge nut and bolts to specification. Refer to [SE-33, "Exploded View"](#).

CAUTION:

Ensure rear seatback assemblies (LH/RH) fold and latch properly. Adjust if necessary.

5. Install remaining components in reverse order of removal.

Removal and Installation - Seatback Latch Assembly

INFOID:000000009462945

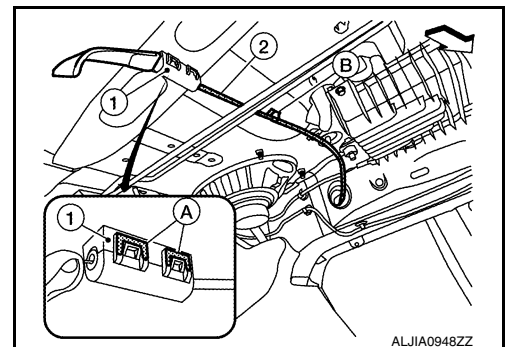
REMOVAL

1. Remove the rear seat bolster (LH/RH). Refer to [SE-38, "Removal and Installation - Rear Seat Bolster"](#).
2. Place the rear seatback assemblies (LH/RH) in the folded down position.
3. Remove the rear parcel shelf finisher. Refer to [INT-26, "Exploded View"](#).
4. From trunk area release pawls (A) to open cable guide (1).
5. Unclip latch cable (2) at location (B).

⇄: Front

NOTE:

LH side shown; RH side similar.



6. Remove two seatback latch assembly bolts and the seatback latch assembly.

INSTALLATION

Installation is in the reverse order of removal.

- Tighten two seatback latch assembly bolts to specification. Refer to [SE-33, "Exploded View"](#).

REAR SEAT

< REMOVAL AND INSTALLATION >

Removal and Installation - Armrest Assembly

INFOID:000000009462946

REMOVAL

1. Place the rear seatback assembly LH in the folded down position.
2. Remove the armrest hinge finisher using a suitable tool.
3. Remove the armrest pivot bolt and the armrest.

INSTALLATION

Installation is in the reverse order of removal.

- Tighten the armrest pivot bolt to specification. Refer to [SE-33, "Exploded View"](#).

Removal and Installation - Rear Seat Bolster

INFOID:000000009462947

REMOVAL

1. Remove the seat cushion assembly. Refer to [SE-36, "Removal and Installation - Seat Cushion Assembly"](#).
2. Remove the seat belt from the seat belt guide.
3. Remove the bolt at bottom of rear seat bolster.
4. Lift the rear seat bolster to remove.

INSTALLATION

Installation is in the reverse order of removal.

- Tighten rear seat bolster bolt to specification. Refer to [SE-33, "Exploded View"](#).

FRONT SEAT

< UNIT DISASSEMBLY AND ASSEMBLY >

UNIT DISASSEMBLY AND ASSEMBLY

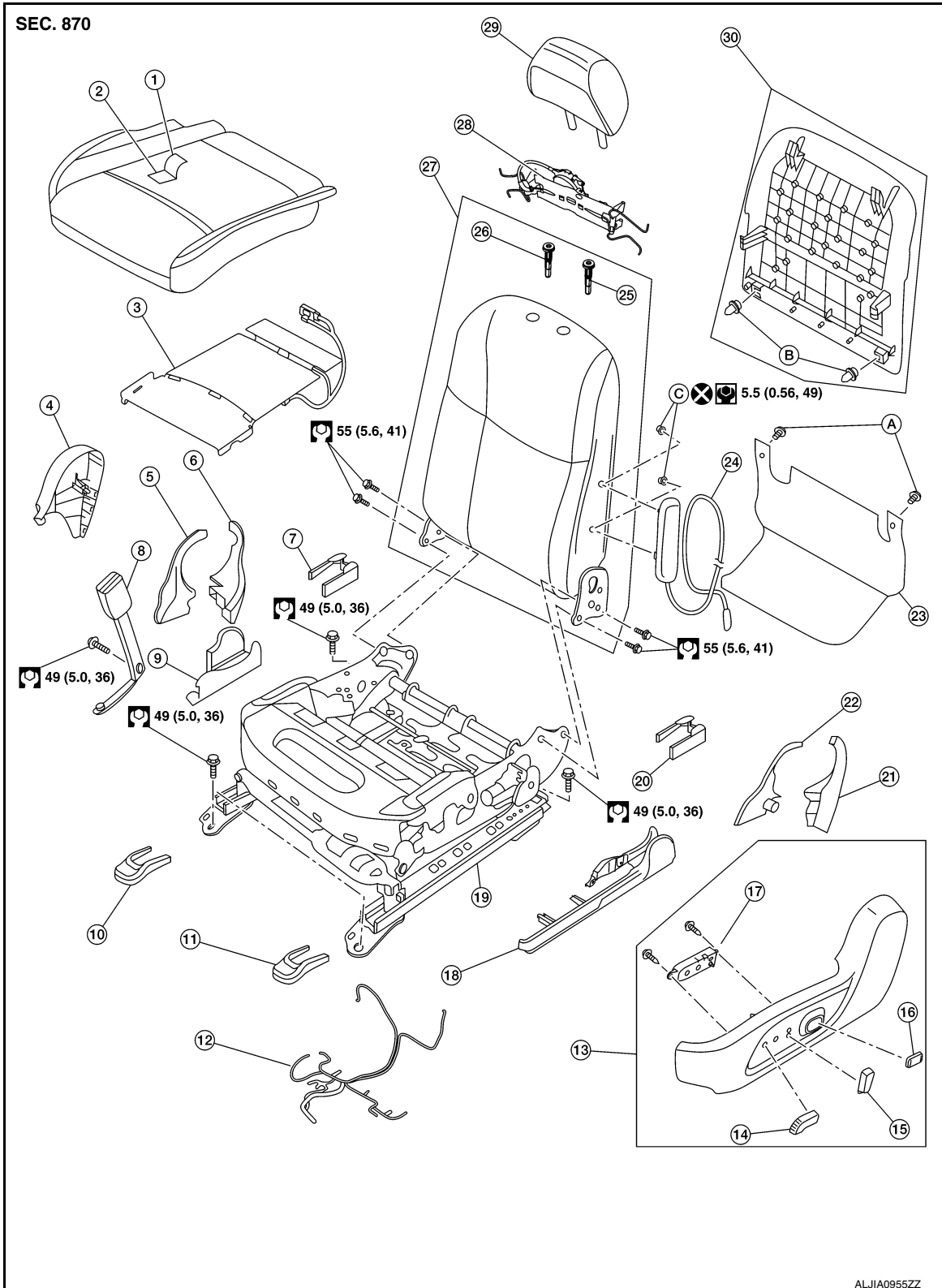
FRONT SEAT

DRIVER SIDE

DRIVER SIDE : Exploded View

INFOID:000000009462948

DRIVER SEAT - POWER



A
B
C
D
E
F
G
H
I
SE
K
L
M
N
O
P

FRONT SEAT

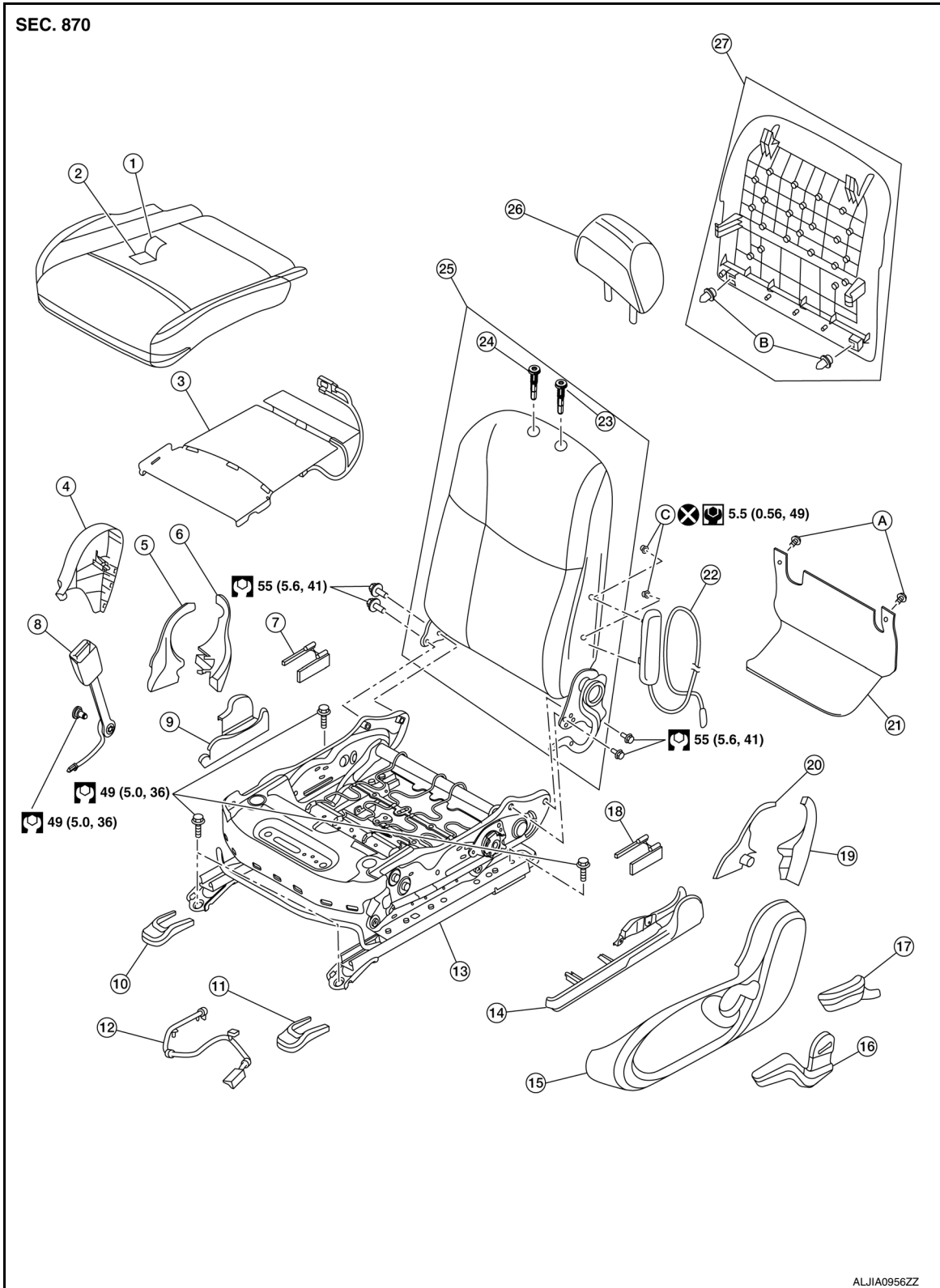
< UNIT DISASSEMBLY AND ASSEMBLY >

- | | | |
|--|---|---|
| 1. Seat cushion trim | 2. Seat cushion pad | 3. Seat cushion heater (if equipped) |
| 4. Seat cushion outer finisher (RH) | 5. Seat cushion inner finisher (RH front) | 6. Seat cushion inner finisher (RH rear) |
| 7. Rear slide cover (RH) | 8. Seat belt buckle | 9. Slide cover (RH) |
| 10. Front slide cover (RH) | 11. Front slide cover (LH) | 12. Seat harness |
| 13. Seat cushion outer finisher (LH) | 14. Seat slide knob | 15. Seat recline knob |
| 16. Lumbar support switch (if equipped) | 17. Power seat switch | 18. Slide cover (LH) |
| 19. Seat frame assembly | 20. Rear slide cover (LH) | 21. Seat cushion inner finisher (LH rear) |
| 22. Seat cushion inner finisher (LH front) | 23. Rear hinge cover | 24. Side air bag module |
| 25. Headrest holder (locked) | 26. Headrest holder (free) | 27. Seatback assembly |
| 28. Lumbar support assembly (if equipped) | 29. Headrest | 30. Seatback board |
| A. Rear hinge cover clips | B. Seatback board clips | C. Side air bag module nuts |

FRONT SEAT

< UNIT DISASSEMBLY AND ASSEMBLY >

DRIVER SEAT - MANUAL



- | | | |
|-------------------------------------|---|--|
| 1. Seat cushion trim | 2. Seat cushion pad | 3. Seat cushion heater (if equipped) |
| 4. Seat cushion outer finisher (RH) | 5. Seat cushion inner finisher (RH front) | 6. Seat cushion inner finisher (RH rear) |
| 7. Rear slide cover (RH) | 8. Seat belt buckle | 9. Slide cover (RH) |
| 10. Front slide cover (RH) | 11. Front slide cover (LH) | 12. Seat harness |
| 13. Seat frame assembly | 14. Slide cover (LH) | 15. Seat cushion outer finisher (LH) |

A
B
C
D
E
F
G
H
I
SE
K
L
M
N
O
P

FRONT SEAT

< UNIT DISASSEMBLY AND ASSEMBLY >

- | | | |
|---|--|-----------------------------|
| 16. Lift lever | 17. Recline lever | 18. Rear slide cover (LH) |
| 19. Seat cushion inner finisher (LH rear) | 20. Seat cushion inner finisher (LH front) | 21. Rear hinge cover |
| 22. Side air bag module | 23. Headrest holder (locked) | 24. Headrest holder (free) |
| 25. Seatback assembly | 26. Headrest | 27. Seatback board |
| A. Rear hinge cover clips | B. Seatback board clips | C. Side air bag module nuts |

DRIVER SIDE : Disassembly and Assembly

INFOID:000000009462949

SEATBACK ASSEMBLY

WARNING:

Do not leave any objects (screwdrivers, tools, etc.) on the seat during seatback repair. It can lead to personal injury if the side air bag should accidentally deploy.

CAUTION:

- Before servicing, turn ignition switch OFF, disconnect both battery terminals and wait at least three minutes.
- Handle the side air bag module carefully. During disassembly, always hold the side air bag module, do not let it hang by the wire harness.
- Always work from the side or back of the seatback assembly, do not work in front of seat.
- Do not use air tools or electric tools for servicing the seat assembly.
- Replace the side air bag module if it has been dropped or sustained an impact.
- Do not insert any objects into the side air bag module.
- Do not attempt to disassemble the side air bag module.
- Do not expose the side air bag module to temperatures exceeding 93°C (200°F).
- Do not expose the side air bag module to any oil, grease, detergent or water.
- During disassembly, do not damage the seatback board, chutes, connectors, retainers, clips, module harness or the side air bag module.

NOTE:

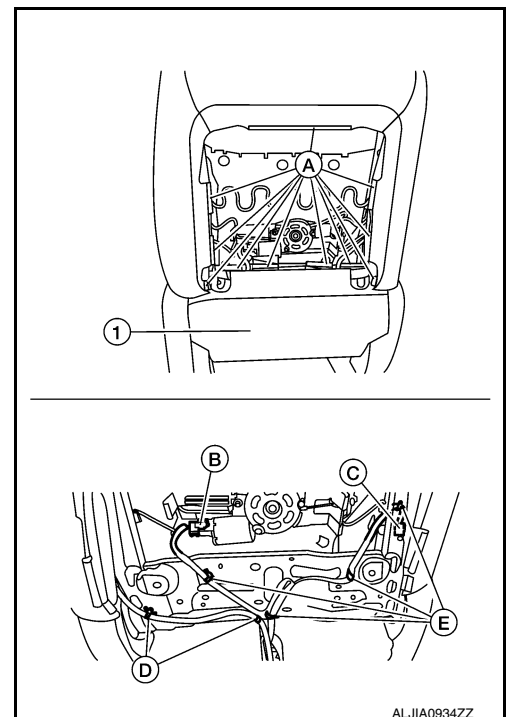
If the vehicle has been involved in a collision and the side air bag has deployed, the front seatback assembly must be replaced.

Disassembly

1. Remove the front seat assembly. Refer to [SE-26, "DRIVER SIDE : Removal and Installation - Seat Assembly"](#).
2. Remove the seatback board. Refer to [SE-27, "DRIVER SIDE : Removal and Installation - Seatback Board"](#).
3. Release the J-clips (A) holding the seatback trim to the seatback frame.
4. Remove the rear hinge cover (1).
5. Disconnect the harness connector (B) from the lumbar support assembly (if equipped).
6. Disconnect the harness connector (C) from the reclining motor.
7. Unclip the harness at locations (E) (if equipped).
8. Unclip the side air bag module harness at locations (D).

NOTE:

Take note of harness routing and attachment location for accurate installation.



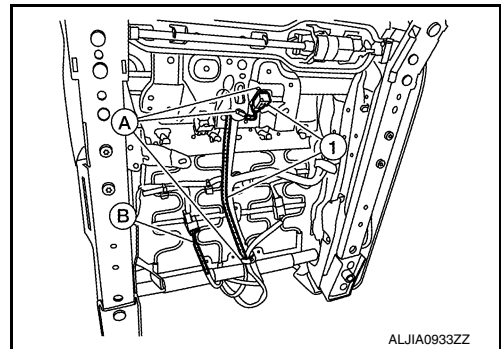
ALJIA0934ZZ

FRONT SEAT

< UNIT DISASSEMBLY AND ASSEMBLY >

9. From the bottom of the seat.
 - a. Unclip the side air bag module harness (1) at locations (A).

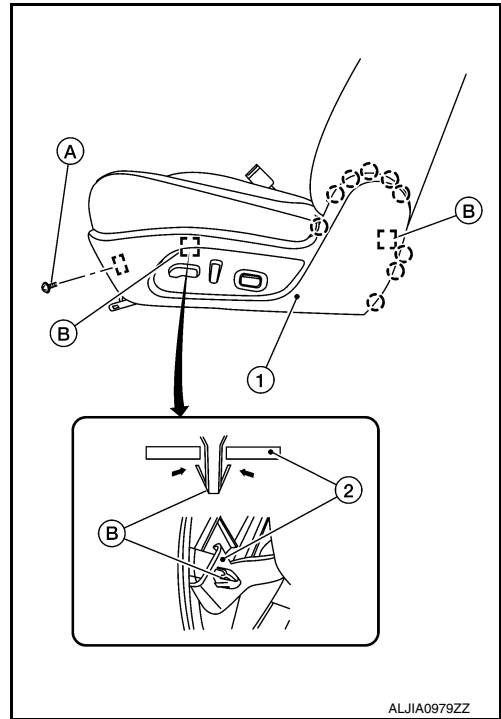
NOTE:
Take note of harness routing and attachment location for accurate installation.
 - b. Disconnect harness connector (B) from the seatback heater (if equipped).



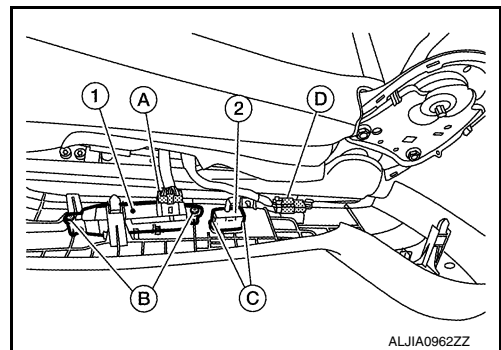
10. Remove the seat cushion outer finisher (LH) (1).
 - a. For power seat:
 - i. Remove screw (A).
 - ii. Release metal clips (B) from the seat frame assembly (2), as shown.

□: Metal clip
 - iii. Release pawls to separate.

○: Pawl



- iv. Disconnect the harness connector (A) from the power seat switch (1).
- v. Remove screws (B) if necessary to replace the power seat switch (1).
- vi. Disconnect the harness connector (D) from the lumbar support switch (2) (if equipped).
- vii. Release pawls (C) if necessary to replace the lumbar support switch (2) (if equipped).



A
B
C
D
E
F
G
H
I
SE
K
L
M
N
O
P

FRONT SEAT

< UNIT DISASSEMBLY AND ASSEMBLY >

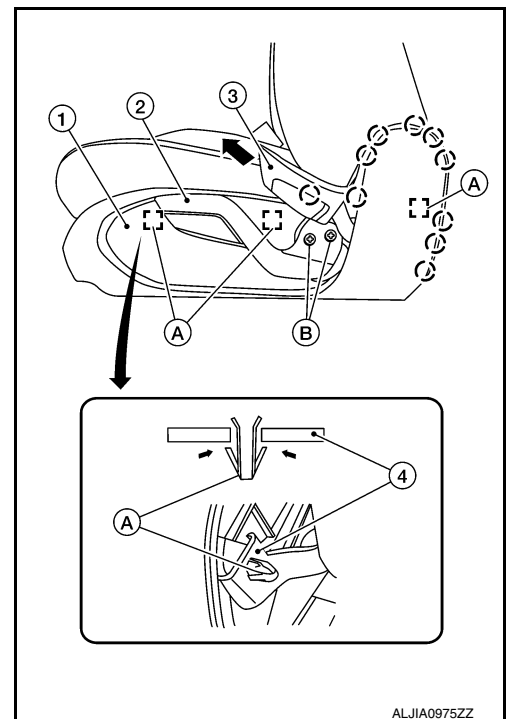
b. For manual seat:

- i. Release pawl and remove recline lever (3) as shown.
- ii. Remove two screws (B) and remove the lift lever (2).
- iii. Release metal clips (A) from the seat frame assembly (4) as shown.

[]: Metal clip

- iv. Release the remaining pawls then remove the seat cushion outer finisher (LH) (1).

(○): Pawl

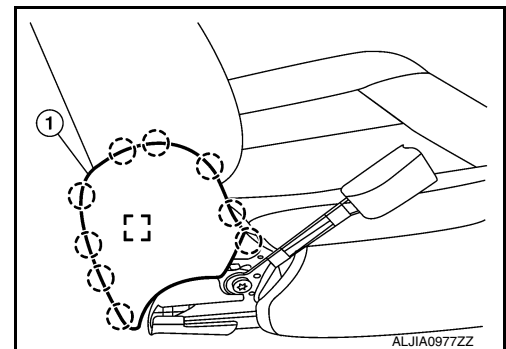


11. Remove the seat cushion outer finisher (RH) (1).

- a. Release pawls then pull to release the metal clip.

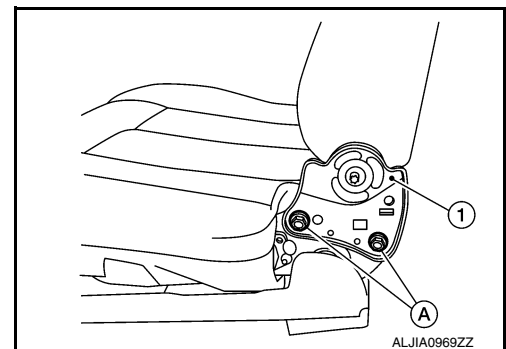
[]: Metal clip

(○): Pawl



12. Remove the seat cushion inner finisher front (LH/RH) and seat cushion inner finisher rear (LH/RH).

13. Remove bolts (A) on both sides of seatback assembly (1) and remove the seatback assembly (1).



14. Remove the seatback pad from the seatback frame.

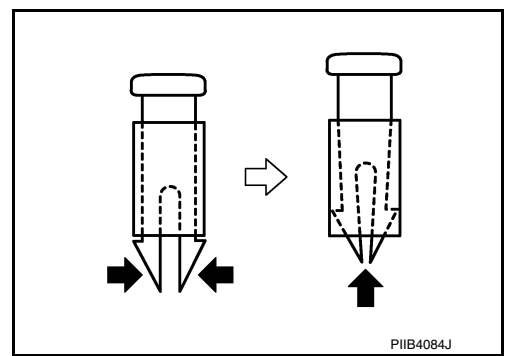
FRONT SEAT

< UNIT DISASSEMBLY AND ASSEMBLY >

- a. Release the headrest holder locks as shown and remove the headrest holders.

CAUTION:

Before removing/installing the headrest holder, check its orientation (front/rear and right/left).

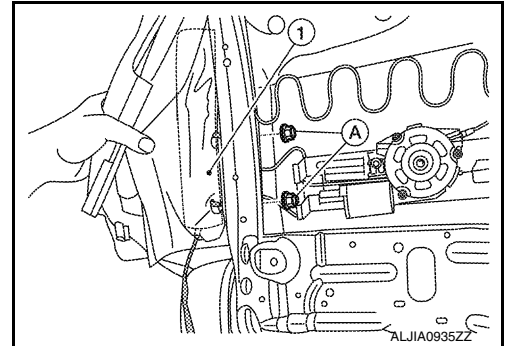


- b. Remove and discard the side air bag module nuts (A).

CAUTION:

Do not reuse the side air bag module nuts.

(1): Side air bag module

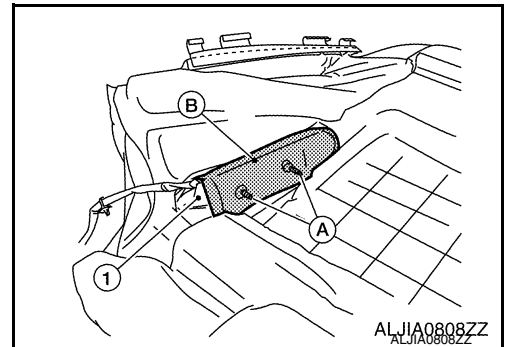


- c. Disengage the side air bag module studs from the seatback frame and lift the seatback trim and seatback pad as an assembly to remove from the seatback frame.

15. Separate the seatback trim from the seatback pad (if necessary).

- a. Open the seatback trim and release the side air bag module studs (A) protruding through holes in the chute (B).

- b. Pull the side air bag module (1) out of the chute (B) and remove from the seatback trim.



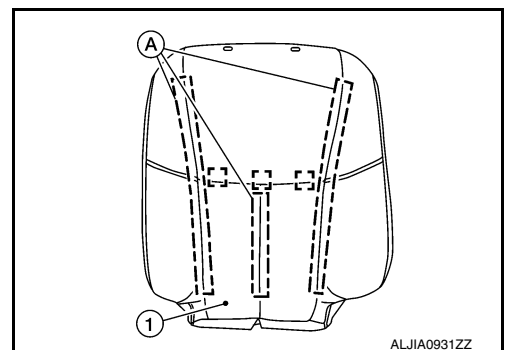
- c. Pull the seatback trim (1) upward from bottom to release hook fasteners (A).

- d. Remove three hog rings and separate the seatback trim from the seatback pad.

[]: Hog ring

NOTE:

Remove all pieces of hog rings and discard them.



Assembly

Assembly is in the reverse order of disassembly.

CAUTION:

- **Inspect seatback pad, seatback trim and seatback trim chutes. Replace if damaged.**
- **Smooth out all wrinkles during assembly.**
- **Always route side air bag module harness in original location. Replace any deformed or damaged clips with same type and color. Always install clips in the original location in the harness.**

A
B
C
D
E
F
G
H
I
SE
K
L
M
N
O
P

FRONT SEAT

< UNIT DISASSEMBLY AND ASSEMBLY >

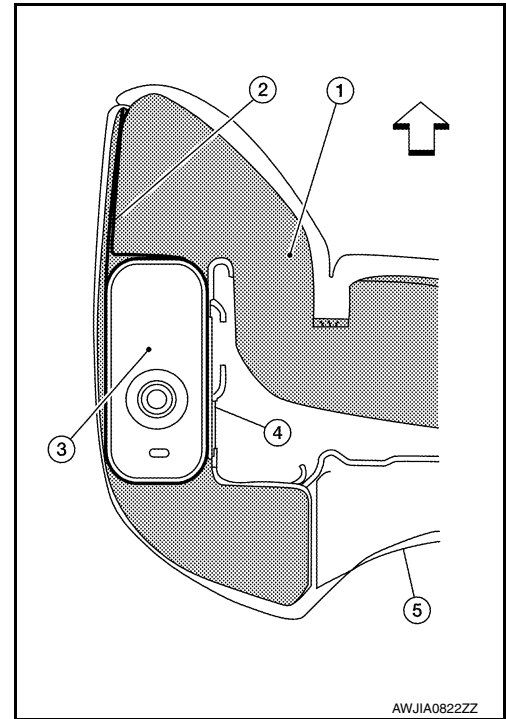
- After work is completed, check that no system malfunction is detected causing the air bag warning lamp to illuminate.
- If a malfunction is detected by the air bag warning lamp after repair or replacement of the malfunction parts, perform the SRS final check. Refer to [SRC-17, "SRS Final Check"](#).
- When installing the side air bag module, make sure the side air bag chute (2) is pulled over the outboard surface of the side air bag module (3). Make sure there are no wrinkles and the chute is not folded, twisted or pinched.

- (1) Seatback pad
- (4) Frame
- (5) Seatback board

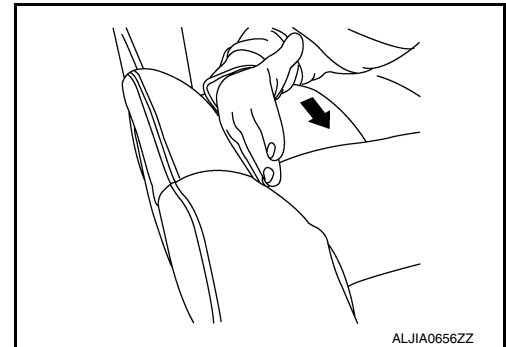
⇐: Front

CAUTION:

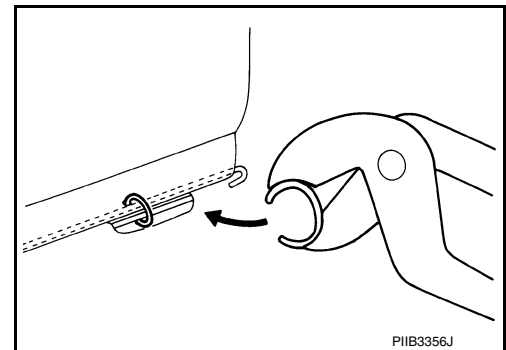
- Do not reuse side air bag module nuts.
- Make sure the side air bag module nuts are tightened to specification. Refer to [SE-39, "DRIVER SIDE : Exploded View"](#).



- When installing the seatback trim, firmly push down while sliding your hand along the seams as shown (⇐) to ensure the hook fasteners below the seatback trim are fastened properly.



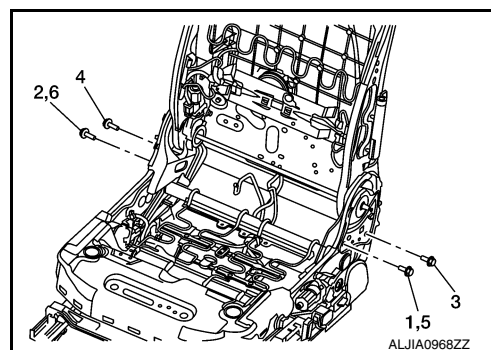
- Install new hog rings on the seatback trim in original positions. Use only one hog ring in each designated location. Ensure hog rings are correctly fastened around both the seatback trim and seatback pad wires. Use NISSAN standard hog rings and tools to assemble.



FRONT SEAT

< UNIT DISASSEMBLY AND ASSEMBLY >

- Install all seatback assembly bolts and tighten evenly in sequence shown.
Tighten the seatback assembly bolts to specification. Refer to [SE-39, "DRIVER SIDE : Exploded View"](#).



SEAT CUSHION

WARNING:

Do not leave any objects (screwdrivers, tools, etc.) on the seat during seat cushion repair. It can lead to personal injury if the side air bag should accidentally deploy.

CAUTION:

- Before servicing, turn ignition switch OFF, disconnect both battery terminals and wait at least three minutes.
- Always work from the side or back of the seatback assembly, do not work in front of seat.
- Do not use air tools or electric tools for servicing the seat assembly.
- During disassembly, do not damage the seatback cover, chutes, connectors, retainers, clips, module harness or the side air bag module.

Disassembly

1. Remove the front seat assembly. Refer to [SE-26, "DRIVER SIDE : Removal and Installation - Seat Assembly"](#).

NOTE:

Raise the front seat assembly to highest position before removing.

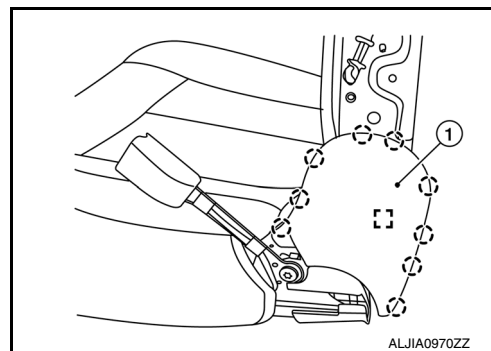
2. Remove the seatback board. Refer to [SE-27, "DRIVER SIDE : Removal and Installation - Seatback Board"](#).

3. Remove the rear hinge cover.

4. From the bottom of the seat disconnect the harness connector (A) from the seat cushion heater (if equipped).

NOTE:

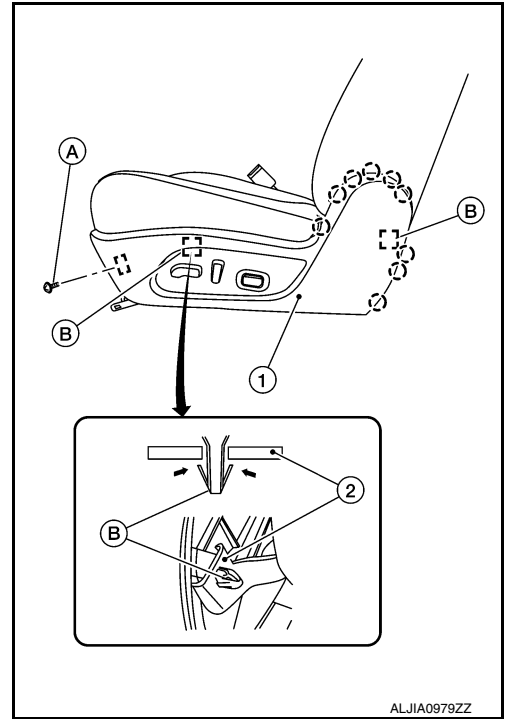
Take note of harness routing and attachment location for accurate installation.



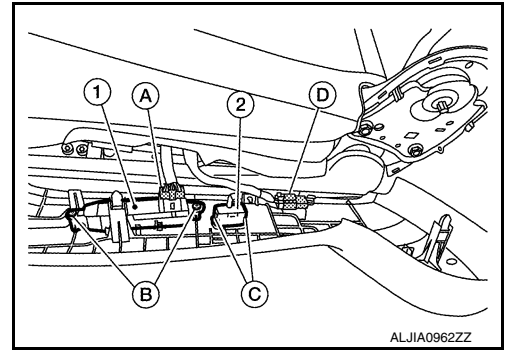
FRONT SEAT

< UNIT DISASSEMBLY AND ASSEMBLY >

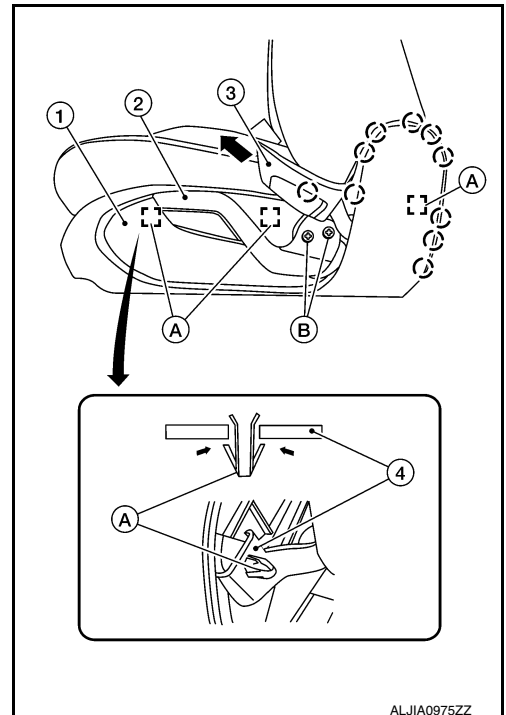
5. Remove the seat cushion outer finisher (LH) (1).
 - a. For power seat:
 - i. Remove screw (A).
 - ii. Release metal clips (B) from the seat frame assembly (2), as shown.
 - : Metal clip
 - iii. Release pawls to separate.
 - : Pawl



- iv. Disconnect the harness connector (A) from the power seat switch (1).
- v. Remove screws (B) if necessary to replace the power seat switch (1).
- vi. Disconnect the harness connector (D) from the lumbar support switch (2) (if equipped).
- vii. Release pawls (C) if necessary to replace the lumbar support switch (if equipped).




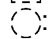
- b. For manual seat:
 - i. Release pawl and remove recline lever (3) as shown.
 - ii. Remove two screws (B) and remove the lift lever (2).
 - iii. Release metal clips (A) from the seat frame assembly (4), as shown.
 - : Metal clip
 - iv. Release the remaining pawls then remove the seat cushion outer finisher (LH) (1).
 - : Pawl

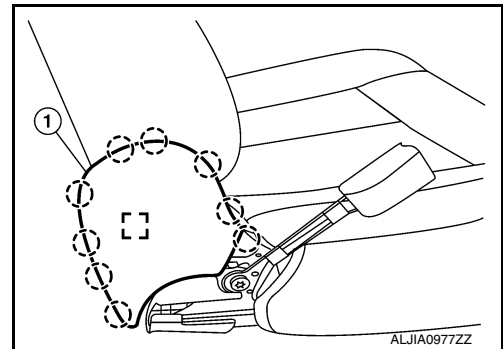


FRONT SEAT

< UNIT DISASSEMBLY AND ASSEMBLY >

6. Remove the seat cushion outer finisher (RH) (1).
- a. Release pawls then pull to release the metal clip.

-  Metal clip
-  Pawl



7. Remove the seat cushion trim (1) and seat cushion pad as an assembly.

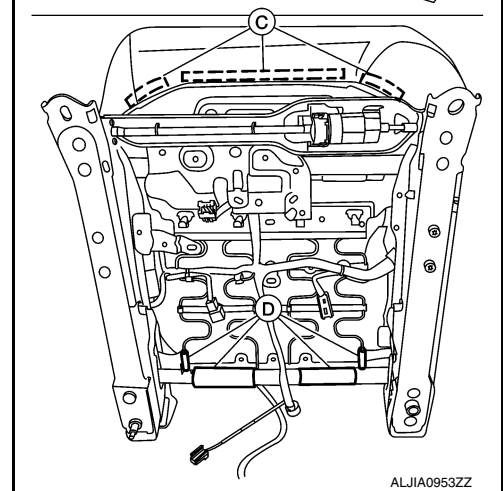
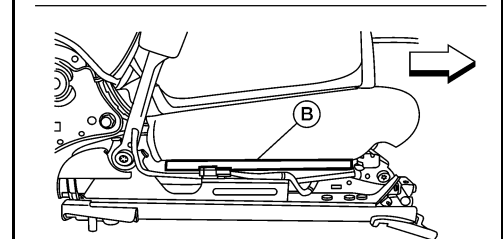
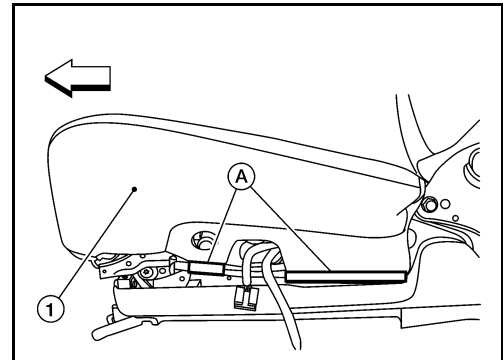
⇐:Front

- a. Release J-clips (A) holding the seat cushion trim to the seat frame assembly.
- b. Release J-clip (B) holding the seat cushion trim to the seat frame assembly.
- c. Release J-clips (D) holding the seat cushion trim to the seat frame assembly.
- d. Release retainer strips (C) holding the seat cushion trim to the seat frame assembly.
- e. Disconnect the harness connector from the seat cushion heater (if equipped).

NOTE:

Take note of harness routing and attachment location for accurate installation.

8. Remove the seat cushion trim (1) and the seat cushion pad from the seat frame assembly.

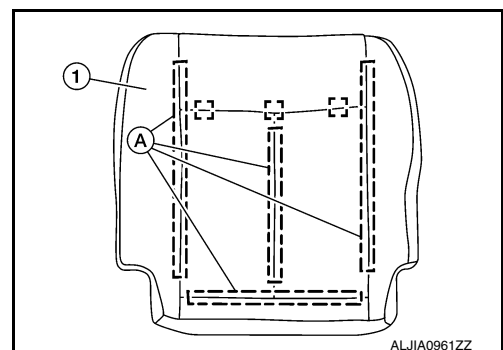


9. Separate the seat cushion trim (1) from the seat cushion pad.
- a. Pull the seat cushion trim upward to release hook fasteners (A).
- b. Remove three hog rings and separate the seat cushion trim from the seat cushion pad.

-  Hog ring

NOTE:

Remove all pieces of hog rings and discard them.



A
B
C
D
E
F
G
H
I
SE
K
L
M
N
O
P

FRONT SEAT

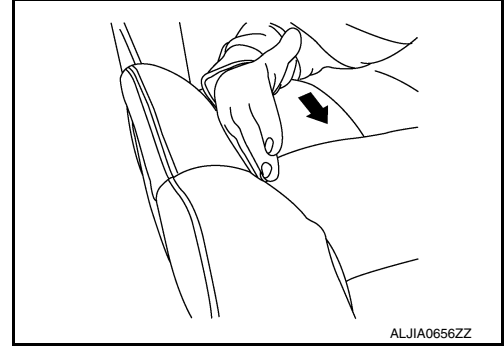
< UNIT DISASSEMBLY AND ASSEMBLY >

Assembly

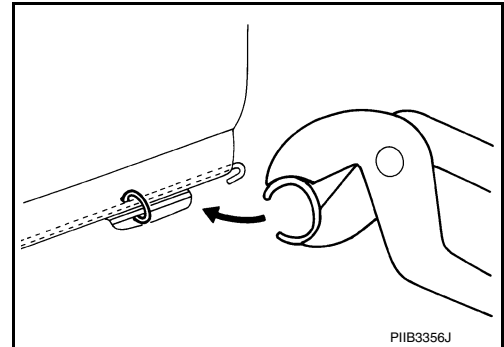
Assembly is in the reverse order of disassembly.

CAUTION:

- Smooth out all wrinkles during assembly.
- Always route side air bag module harness in original location. Replace any deformed or damaged clips with same type and color. Always install clips in the original location in the harness.
- After work is completed, check that no system malfunction is detected causing the air bag warning lamp to illuminate.
- If a malfunction is detected by the air bag warning lamp after repair or replacement of the malfunction parts, perform the SRS final check. Refer to [SRC-17, "SRS Final Check"](#).
- When installing the seat cushion trim, firmly push down while sliding your hand along the seams as shown (←) to ensure the hook fasteners below the seat cushion trim are fastened properly.



- Install new hog rings on the seat cushion trim in original positions. Use only one hog ring in each designated location. Ensure hog rings are correctly fastened around both the seat cushion trim and seat cushion pad wires. Use NISSAN standard hog rings and tools to assemble.



DRIVER SIDE : Side air bag module

INFOID:000000009462950

WARNING:

Do not leave any objects (screwdrivers, tools, etc.) on the seat during seatback repair. It can lead to personal injury if the side air bag should accidentally deploy.

CAUTION:

- Before servicing, turn ignition switch OFF, disconnect both battery terminals and wait at least three minutes.
- Handle the side air bag module carefully. During disassembly, always hold the side air bag module, do not let it hang by the wire harness.
- Always work from the side or back of the seatback assembly, do not work in front of seat.
- Do not use air tools or electric tools for servicing the seat assembly.
- Replace the side air bag module if it has been dropped or sustained an impact.
- Do not insert any objects into the side air bag module.
- Do not attempt to disassemble the side air bag module.
- Do not expose the side air bag module to temperatures exceeding 93°C (200°F).
- Do not expose the side air bag module to any oil, grease, detergent or water.
- During disassembly, do not damage the seatback board, chutes, connectors, retainers, clips, module harness or the side air bag module.

NOTE:

- If the vehicle has been involved in a collision and the side air bag has deployed, the front seatback assembly must be replaced.
- For side air bag module removal and installation, seatback trim and seatback pad must be removed.

REMOVAL

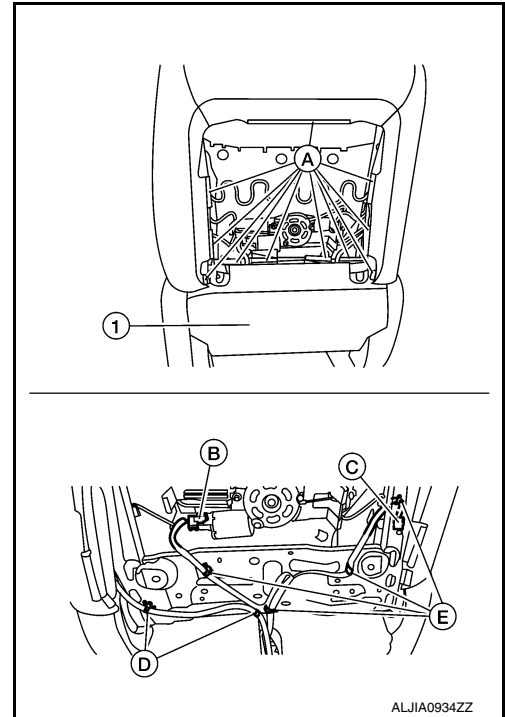
FRONT SEAT

< UNIT DISASSEMBLY AND ASSEMBLY >

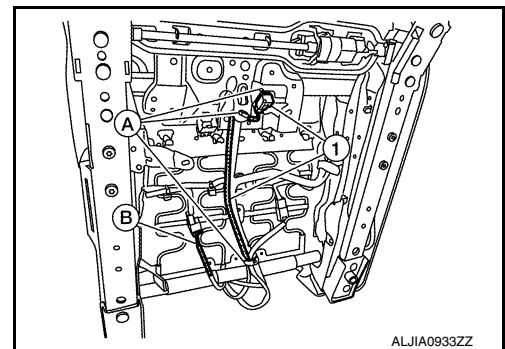
1. Remove the front seat assembly. Refer to [SE-26. "DRIVER SIDE : Removal and Installation - Seat Assembly"](#).
2. Remove the seatback board. Refer to [SE-27. "DRIVER SIDE : Removal and Installation - Seatback Board"](#).
3. Release the J-clips (A) holding the seatback trim (1) to the seatback frame.
4. Remove the rear hinge cover (1).
5. Unclip the side air bag module harness at locations (D).
(B) Harness connector for the lumbar support assembly (if equipped)
(C) Harness connector for the reclining motor (if equipped)
(E) Harness clips (if equipped)

NOTE:

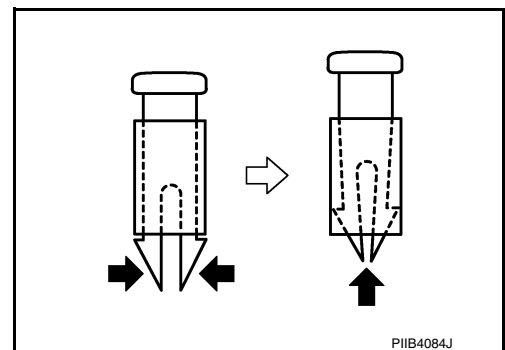
Take note of harness routing and attachment location for accurate installation.



6. From the bottom of the seat.
 - a. Unclip the side air bag module harness (1) at locations (A).
NOTE:
Take note of harness routing and attachment location for accurate installation.
 - b. Disconnect the harness connector (B) from the seatback heater (if equipped).



7. Release the headrest holder locks as shown and remove the headrest holders.
CAUTION:
Before removing/installing the headrest holder, check its orientation (front/rear and right/left).



A
B
C
D
E
F
G
H
I
SE
K
L
M
N
O
P

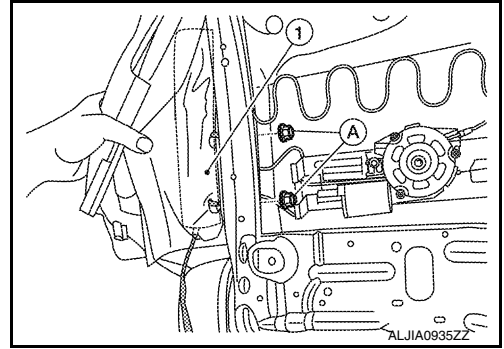
FRONT SEAT

< UNIT DISASSEMBLY AND ASSEMBLY >

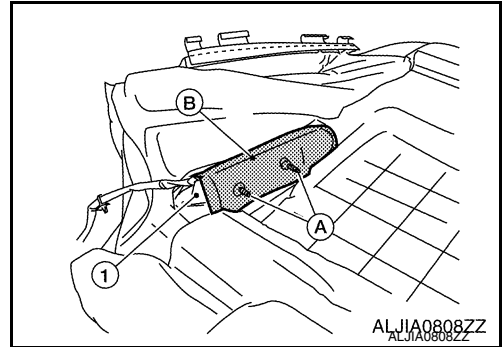
8. Remove and discard the two side air bag module nuts (A).
(1) Side air bag module

CAUTION:

Do not reuse the side air bag module nuts.



9. Disengage the side air bag module studs from the seatback frame and lift the seatback cushion trim and seatback pad as an assembly to remove from the seatback frame.
10. Open the seatback cushion and release the side air bag module studs (A) protruding through holes in the chute (B).
11. Pull the side air bag module (1) out of the chute (B) and remove from the seatback trim.



CAUTION:

- Replace the front passenger air bag module if it has been dropped or sustained an impact.
- Do not strike the front passenger air bag module.



INSTALLATION

Installation is in the reverse order of removal.

CAUTION:

- Inspect seatback pad, seatback trim and seatback trim chutes. Replace if damaged.
- Smooth out all wrinkles during assembly.
- Always route side air bag module harness in original location. Replace any deformed or damaged clips with same type and color. Always install clips in the original location in the harness.
- After installation is completed, check that no system malfunction is detected causing the air bag warning lamp to illuminate.
- If a malfunction is detected by the air bag warning lamp after repair or replacement of the malfunction parts, perform the SRS final check. Refer to [SRC-17, "SRS Final Check"](#).

FRONT SEAT

< UNIT DISASSEMBLY AND ASSEMBLY >

- When installing the side air bag module, make sure the side air bag chute (2) is pulled over the outboard surface of the side air bag module (3). Make sure there are no wrinkles and the chute is not folded, twisted or pinched.

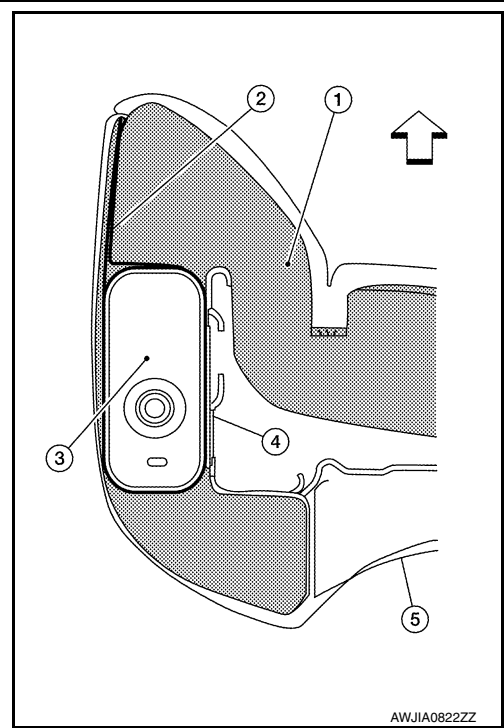
- (1) Seatback pad
- (4) Frame
- (5) Seatback board

⇐: Front

- Tighten the side air bag nuts to specification. Refer to [SE-39](#), "[DRIVER SIDE : Exploded View](#)".

CAUTION:

- **Do not reuse side air bag module nuts.**



PASSENGER SIDE

A
B
C
D
E
F
G
H
I
K
L
M
N
O
P

SE

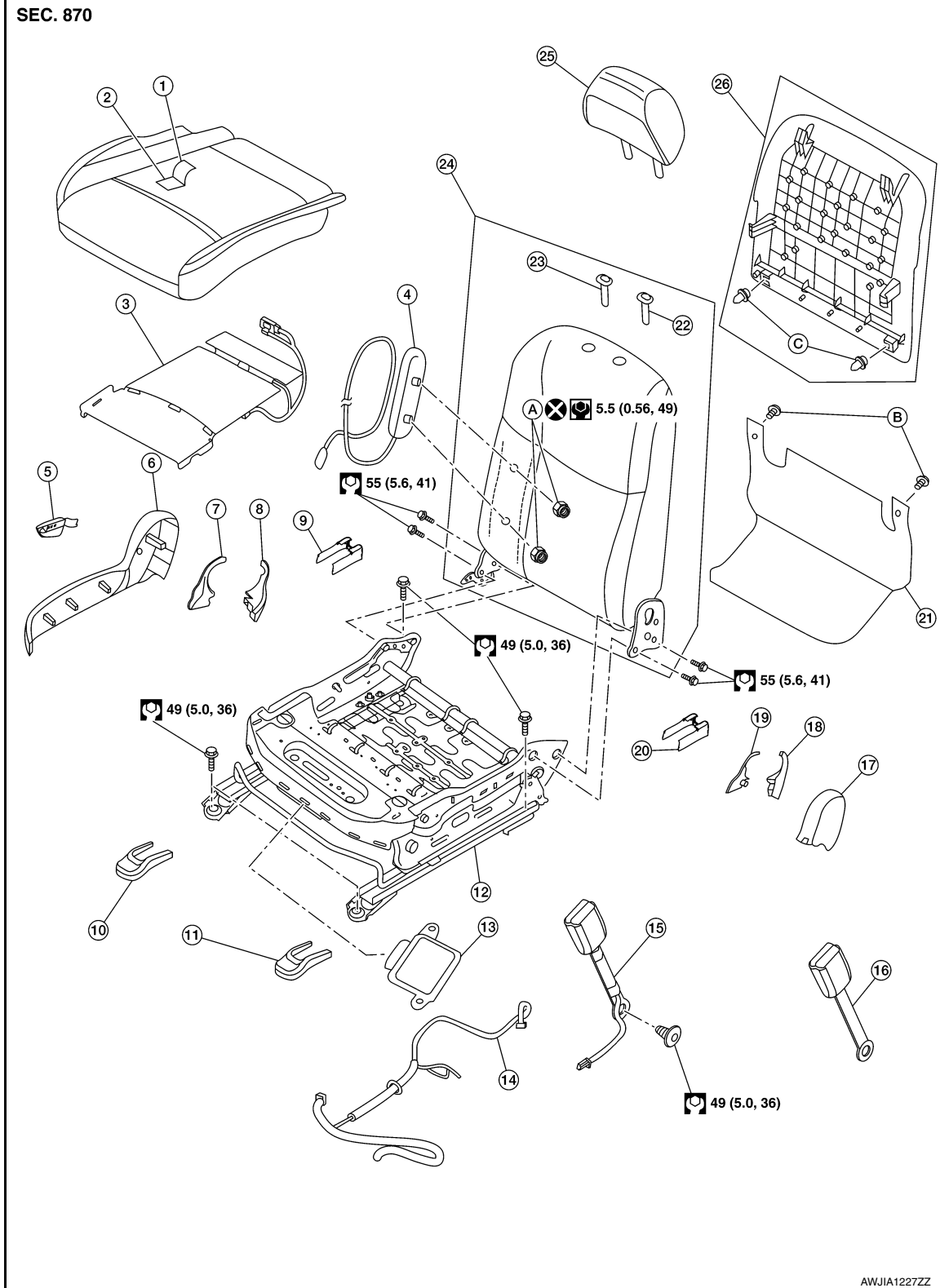
FRONT SEAT

< UNIT DISASSEMBLY AND ASSEMBLY >

PASSENGER SIDE : Exploded View

INFOID:00000009462951

PASSENGER SEAT



- | | | |
|---|--|--------------------------------------|
| 1. Seat cushion trim | 2. Seat cushion pad | 3. Seat cushion heater (if equipped) |
| 4. Side air bag module | 5. Recline lever | 6. Seat cushion outer finisher(RH) |
| 7. Seat cushion inner finisher (RH front) | 8. Seat cushion inner finisher (RH rear) | 9. Rear slide cover (RH) |

FRONT SEAT

< UNIT DISASSEMBLY AND ASSEMBLY >

- | | | |
|--|--------------------------------------|---|
| 10. Front slide cover (RH) | 11. Front slide cover (LH) | 12. Seat frame assembly |
| 13. Occupant classification control unit | 14. Seat harness | 15. Seat belt buckle with switch |
| 16. Seat belt buckle without switch | 17. Seat cushion outer finisher (LH) | 18. Seat cushion inner finisher (LH rear) |
| 19. Seat cushion inner finisher (LH front) | 20. Rear slide cover (LH) | 21. Rear hinge cover |
| 22. Headrest holder (locked) | 23. Headrest holder (free) | 24. Seatback assembly |
| 25. Headrest | 26. Seatback board | A. Side air bag module nuts |
| B. Rear hinge cover clips | C. Seatback board clips | |

PASSENGER SIDE : Disassembly and Assembly

INFOID:000000009462952

SEATBACK ASSEMBLY

WARNING:

Do not leave any objects (screwdrivers, tools, etc.) on the seat during seatback repair. It can lead to personal injury if the side air bag should accidentally deploy.

CAUTION:

- Before servicing, turn ignition switch OFF, disconnect both battery terminals and wait at least three minutes.
- Handle the side air bag module carefully. During disassembly, always hold the side air bag module, do not let it hang by the wire harness.
- Always work from the side or back of the seatback assembly, do not work in front of seat.
- Do not use air tools or electric tools for servicing the seat assembly.
- Replace the side air bag module if it has been dropped or sustained an impact.
- Do not insert any objects into the side air bag module.
- Do not attempt to disassemble the side air bag module.
- Do not expose the side air bag module to temperatures exceeding 93°C (200°F).
- Do not expose the side air bag module to any oil, grease, detergent or water.
- During disassembly, do not damage the seatback board, chutes, connectors, retainers, clips, module harness or the side air bag module.

NOTE:

If the vehicle has been involved in a collision and the side air bag has deployed, the front seatback assembly must be replaced.

Disassembly

1. Remove the front seat assembly. Refer to [SE-30, "PASSENGER SIDE : Removal and Installation - Seat Assembly"](#).
2. Remove the seatback board. Refer to [SE-31, "PASSENGER SIDE : Removal and Installation - Seatback Board"](#).

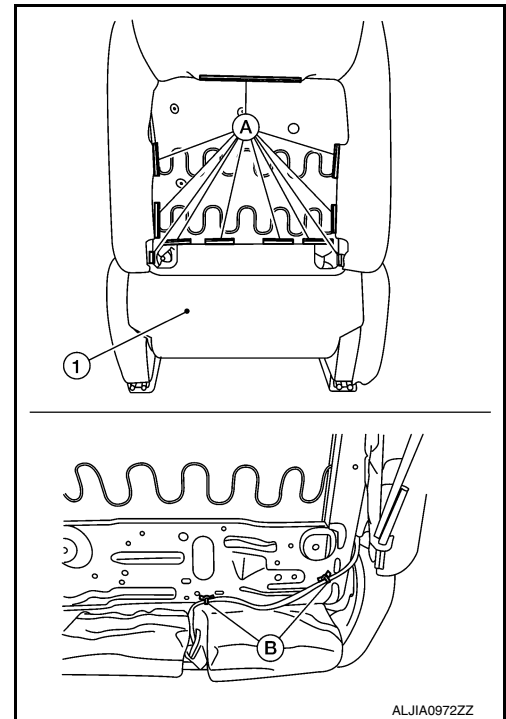
FRONT SEAT

< UNIT DISASSEMBLY AND ASSEMBLY >

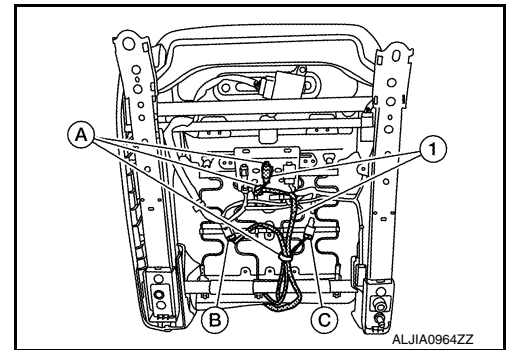
3. Release the J-clips (A) holding the seatback trim to the seatback frame.
4. Remove the rear hinge cover (1).
5. Unclip the side air bag module harness at locations (B).

NOTE:

Take note of harness routing and attachment location for accurate installation.



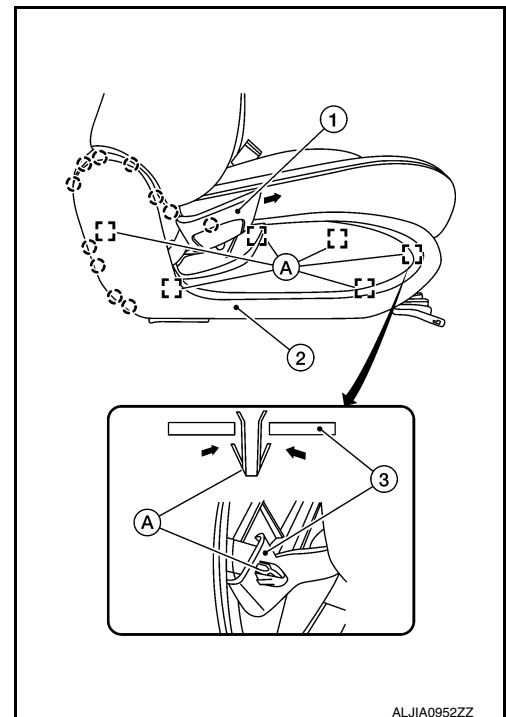
6. From the bottom of the seat.
 - a. Unclip the side air bag module harness (1) at locations (A).
NOTE:
Take note of harness routing and attachment location for accurate installation.
 - b. Disconnect harness connectors (B) from the seatback heater (if equipped).
(C) Harness connector for the seat cushion heater



7. Remove the seat cushion outer finisher (RH) (2).
 - a. Release pawl and remove recline lever (1) as shown.
 - b. Release metal clips (A) from the seat frame assembly (3) as shown.

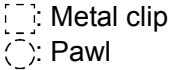
[]: Metal clip

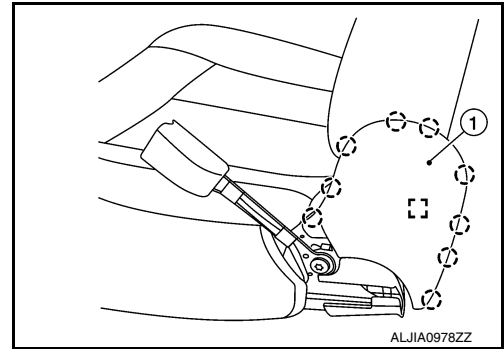
(○): Pawl



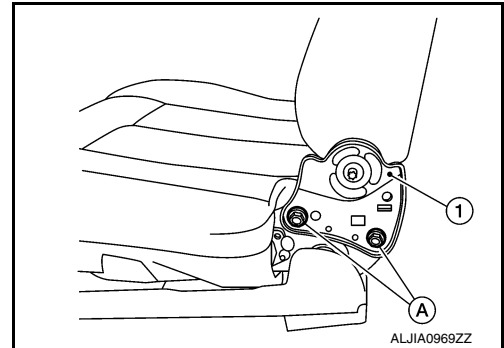
FRONT SEAT

< UNIT DISASSEMBLY AND ASSEMBLY >

8. Remove the seat cushion outer finisher (LH) (1).
- a. Release pawls then pull to release the metal clip.




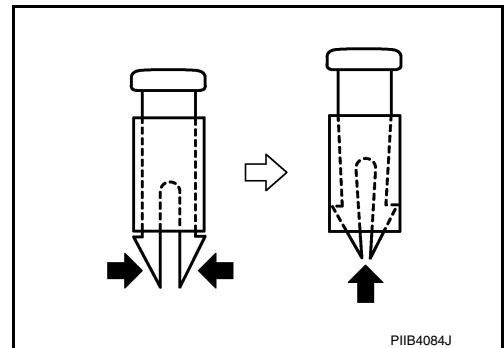
9. Remove the seat cushion inner finisher front (LH/RH) and seat cushion inner finisher rear (LH/RH).
10. Remove bolts (A) on both sides of seatback assembly (1) and remove the seatback assembly (1).



11. Remove the seatback pad from the seatback frame.
- a. Release the headrest holder locks as shown and remove the headrest holders.

CAUTION:

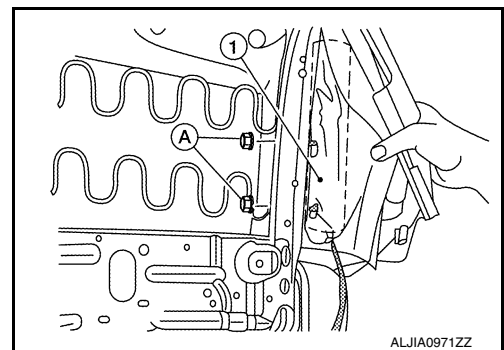
Before removing/installing the headrest holder, check its orientation (front/rear and right/left).



- b. Remove and discard the side air bag module nuts (A).
(1) Side air bag module

CAUTION:

Do not reuse the side air bag module nuts.



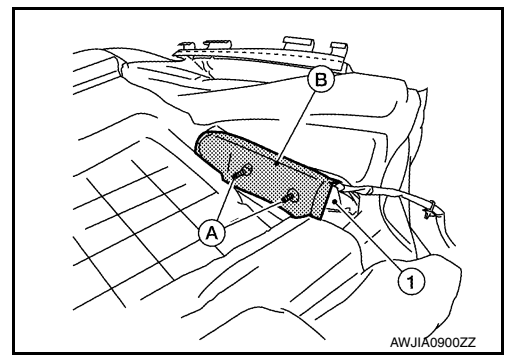
- c. Disengage the side air bag module studs from the seatback frame and lift the seatback trim and seatback pad as an assembly to remove from the seatback frame.
12. Separate the seatback trim from the seatback pad (if necessary).

A
B
C
D
E
F
G
H
I
SE
K
L
M
N
O
P

FRONT SEAT

< UNIT DISASSEMBLY AND ASSEMBLY >

- Open the seatback trim and release the side air bag module studs (A) protruding through holes in the chute (B).
- Pull the side air bag module (1) out of the chute (B) and remove from the seatback trim.

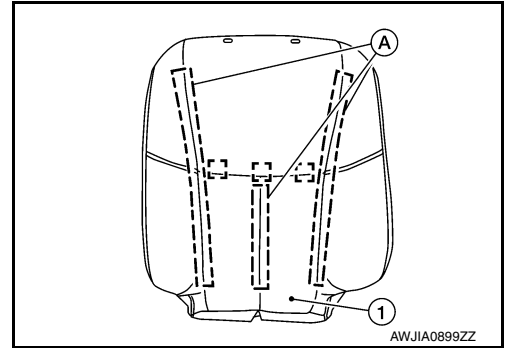


- Pull the seatback trim (1) upward from bottom to release hook fasteners (A).
- Remove three hog rings and separate the seatback trim from the seatback pad.

[]: Hog ring

NOTE:

Remove all pieces of hog rings and discard them.



Assembly

Assembly is in the reverse order of disassembly.

CAUTION:

- Inspect seatback pad, seatback trim and seatback trim chutes. Replace if damaged.
- Smooth out all wrinkles during assembly.
- Always route side air bag module harness in original location. Replace any deformed or damaged clips with same type and color. Always install clips in the original location in the harness.
- After work is completed, check that no system malfunction is detected causing the air bag warning lamp to illuminate.
- If a malfunction is detected by the air bag warning lamp after repair or replacement of the malfunction parts, perform the SRS final check. Refer to [SRC-17, "SRS Final Check"](#).
- When installing the side air bag module, make sure the side air bag chute (4) is pulled over the outboard surface of the side air bag module (3). Make sure there are no wrinkles and the chute is not folded, twisted or pinched.

(1) Seatback pad

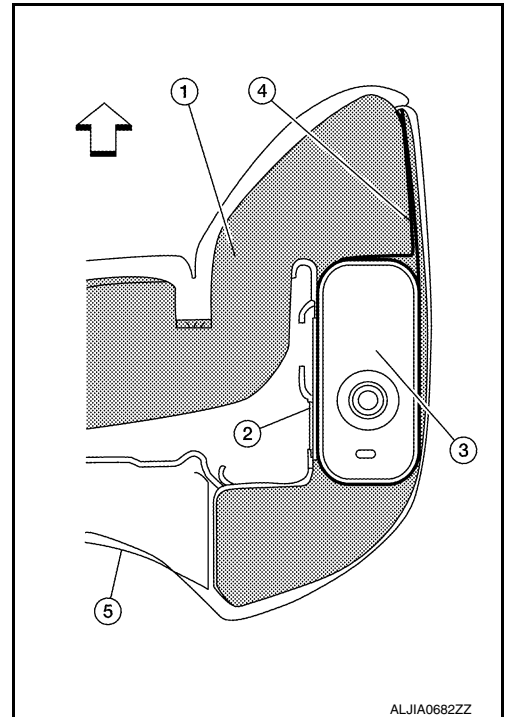
(2) Frame

(5) Seatback board

↔: Front

CAUTION:

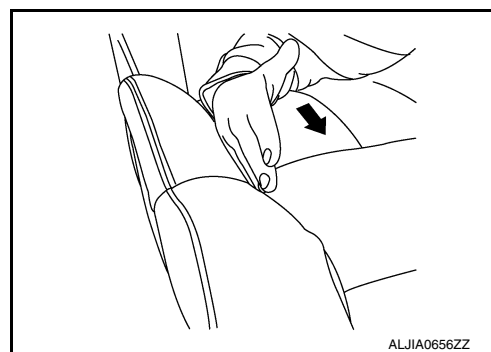
- Do not reuse side air bag module nuts.
- Make sure the side air bag module nuts are tightened to specification. Refer to [SE-54, "PASSENGER SIDE : Exploded View"](#).



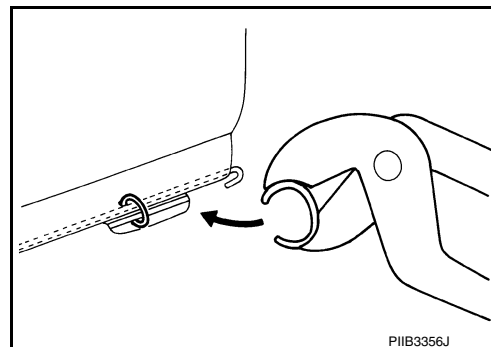
FRONT SEAT

< UNIT DISASSEMBLY AND ASSEMBLY >

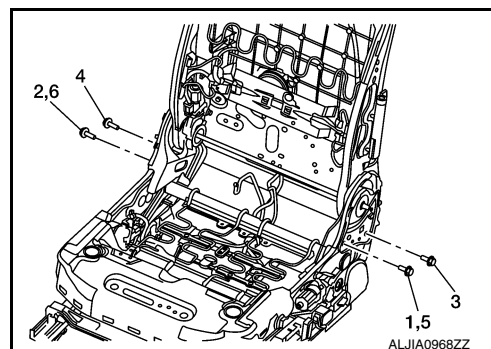
- When installing the seatback trim, firmly push down while sliding your hand along the seams as shown (←) to ensure the hook fasteners below the seatback trim are fastened properly.



- Install new hog rings on the seatback trim in original positions. Use only one hog ring in each designated location. Ensure hog rings are correctly fastened around both the seatback trim and seatback pad wires. Use NISSAN standard hog rings and tools to assemble.



- Install all seatback assembly bolts and tighten evenly in sequence shown. Tighten the seatback assembly bolts to specification. Refer to [SE-54, "PASSENGER SIDE : Exploded View"](#).



SEAT CUSHION

WARNING:

Do not leave any objects (screwdrivers, tools, etc.) on the seat during seat cushion repair. It can lead to personal injury if the side air bag should accidentally deploy.

CAUTION:

- Before servicing, turn ignition switch OFF, disconnect both battery terminals and wait at least three minutes.
- Always work from the side or back of the seatback assembly, do not work in front of seat.
- Do not use air tools or electric tools for servicing the seat assembly.
- During disassembly, do not damage the seatback cover, chutes, connectors, retainers, clips, module harness or the side air bag module.

Disassembly

- Remove the front seat assembly. Refer to [SE-30, "PASSENGER SIDE : Removal and Installation - Seat Assembly"](#).
- Remove the seatback board. Refer to [SE-31, "PASSENGER SIDE : Removal and Installation - Seatback Board"](#).
- Remove the rear hinge cover.

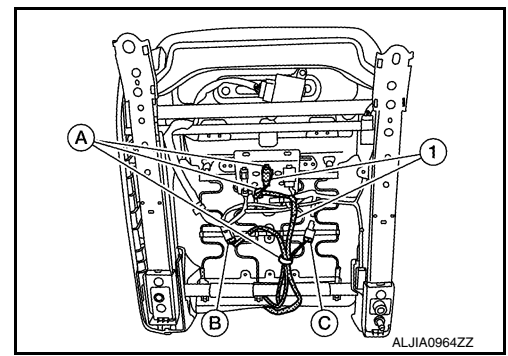
FRONT SEAT

< UNIT DISASSEMBLY AND ASSEMBLY >

4. From the bottom of the seat disconnect the harness connector (C) from the seat cushion heater (if equipped).
- (A) Side air bag harness clips
 - (B) Harness connector for the seatback heater

NOTE:

Take note of harness routing and attachment location for accurate installation.

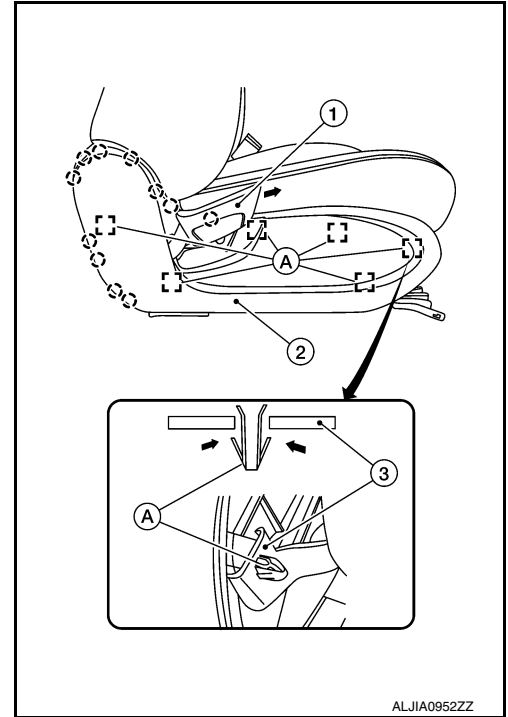


5. Remove the seat cushion outer finisher (RH) (2).
- a. Release pawl and remove recline lever (1) as shown.
 - b. Release metal clips (A) from the seat frame assembly (3) as shown.

[]: Metal clip

- c. Release the remaining pawls then remove the seat cushion outer finisher (RH) (2).

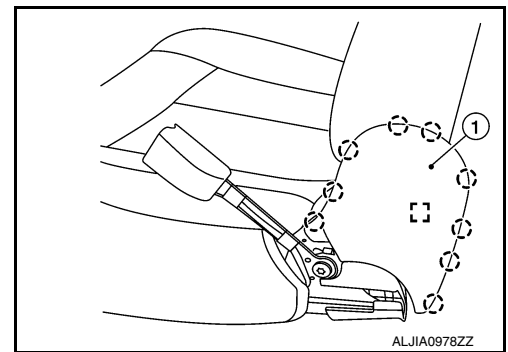
(○): Pawl



6. Remove the seat cushion outer finisher (LH) (1).
- a. Release pawls then pull to release the metal clip.

[]: Metal clip

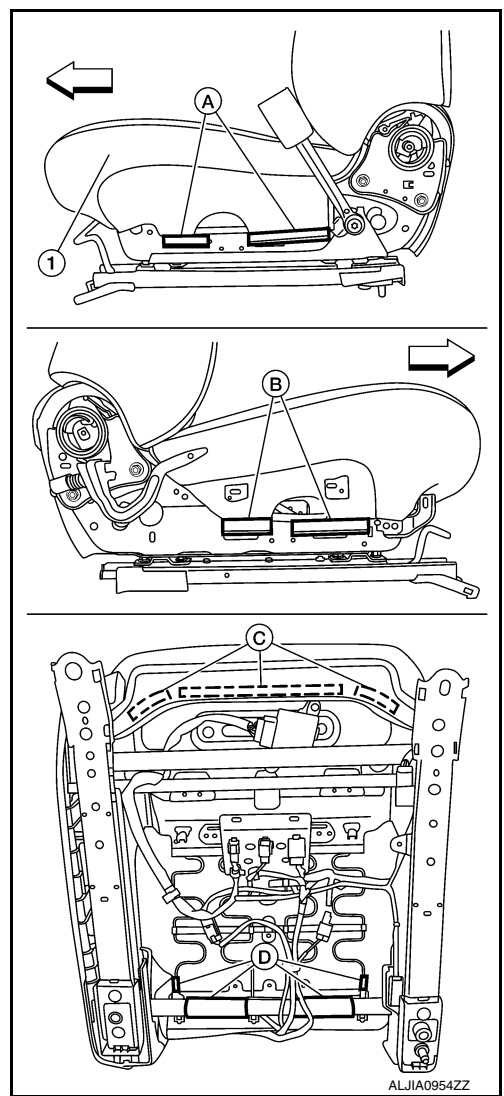
(○): Pawl



FRONT SEAT

< UNIT DISASSEMBLY AND ASSEMBLY >

7. Remove the seat cushion trim (1) and seat cushion pad as an assembly.
 - ⇐:Front
 - a. Release J-clips (A) holding the seat cushion trim to the seat frame assembly.
 - b. Release J-clip (B) holding the seat cushion trim to the seat frame assembly.
 - c. Release J-clips (D) holding the seat cushion trim to the seat frame assembly.
 - d. Release retainer strips (C) holding the seat cushion trim to the seat frame assembly.
 - e. Disconnect the harness connector from the seat cushion heater (if equipped).
- NOTE:**
Take note of harness routing and attachment location for accurate installation.
8. Remove the seat cushion trim (1) and the seat cushion pad from the seat frame assembly.

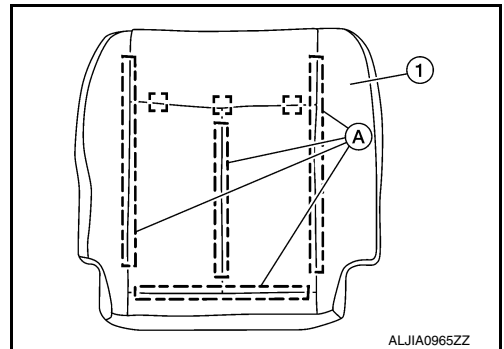


9. Separate the seat cushion trim (1) from the seat cushion pad.
 - a. Pull the seat cushion trim upward to release hook fasteners (A).
 - b. Remove three hog rings and separate the seat cushion trim from the seat cushion pad.

□: Hog ring

NOTE:

Remove all pieces of hog rings and discard them.



Assembly

Assembly is in the reverse order of disassembly.

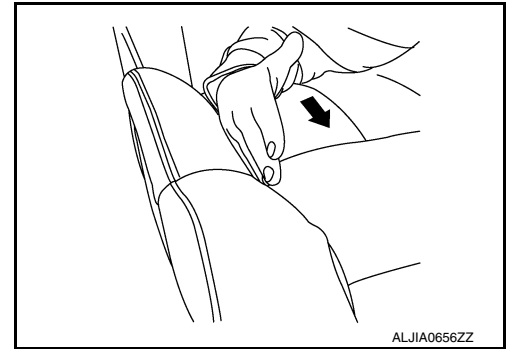
CAUTION:

- Smooth out all wrinkles during assembly.
- Always route side air bag module harness in original location. Replace any deformed or damaged clips with same type and color. Always install clips in the original location in the harness.
- After work is completed, check that no system malfunction is detected causing the air bag warning lamp to illuminate.
- If a malfunction is detected by the air bag warning lamp after repair or replacement of the malfunction parts, perform the SRS final check. Refer to [SRC-17, "SRS Final Check"](#).

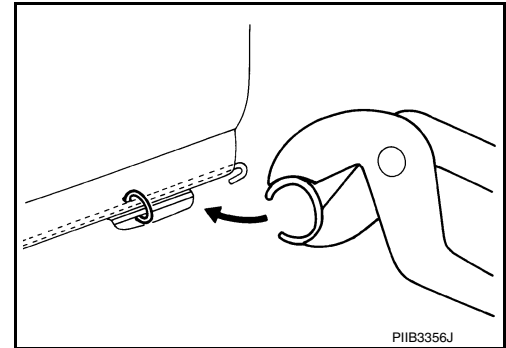
FRONT SEAT

< UNIT DISASSEMBLY AND ASSEMBLY >

- When installing the seat cushion trim, firmly push down while sliding your hand along the seams as shown (←) to ensure the hook fasteners below the seat cushion trim are fastened properly.



- Install new hog rings on the seat cushion trim in original positions. Use only one hog ring in each designated location. Ensure hog rings are correctly fastened around both the seat cushion trim and seat cushion pad wires. Use NISSAN standard hog rings and tools to assemble.



PASSENGER SIDE : Side air bag module

INFOID:000000009462953

WARNING:

Do not leave any objects (screwdrivers, tools, etc.) on the seat during seatback repair. It can lead to personal injury if the side air bag should accidentally deploy.

CAUTION:

- Before servicing, turn ignition switch OFF, disconnect both battery terminals and wait at least three minutes.
- Handle the side air bag module carefully. During disassembly, always hold the side air bag module, do not let it hang by the wire harness.
- Always work from the side or back of the seatback assembly, do not work in front of seat.
- Do not use air tools or electric tools for servicing the seat assembly.
- Replace the side air bag module if it has been dropped or sustained an impact.
- Do not insert any objects into the side air bag module.
- Do not attempt to disassemble the side air bag module.
- Do not expose the side air bag module to temperatures exceeding 93°C (200°F).
- Do not expose the side air bag module to any oil, grease, detergent or water.
- During disassembly, do not damage the seatback board, chutes, connectors, retainers, clips, module harness or the side air bag module.

NOTE:

- If the vehicle has been involved in a collision and the side air bag has deployed, the front seatback assembly must be replaced.
- For side air bag module removal and installation, seatback trim and seatback pad must be removed.

REMOVAL

1. Remove the front seat assembly. Refer to [SE-30. "PASSENGER SIDE : Removal and Installation - Seat Assembly"](#).
2. Remove the seatback board. Refer to [SE-31. "PASSENGER SIDE : Removal and Installation - Seatback Board"](#).

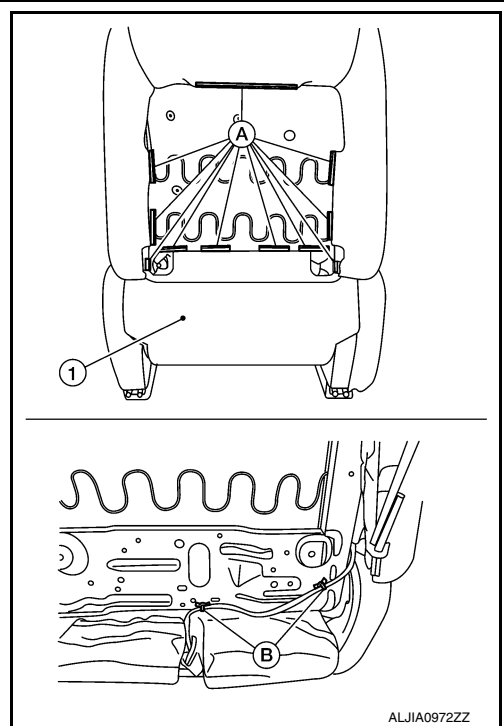
FRONT SEAT

< UNIT DISASSEMBLY AND ASSEMBLY >

3. Release the J-clips (A) holding the seatback trim (1) to the seatback frame.
4. Remove the rear hinge cover (1).
5. Unclip the side air bag module harness at locations (B).

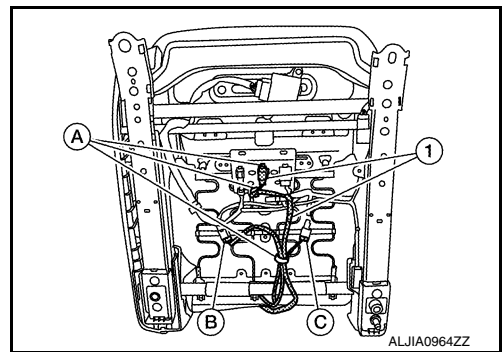
NOTE:

Take note of harness routing and attachment location for accurate installation.



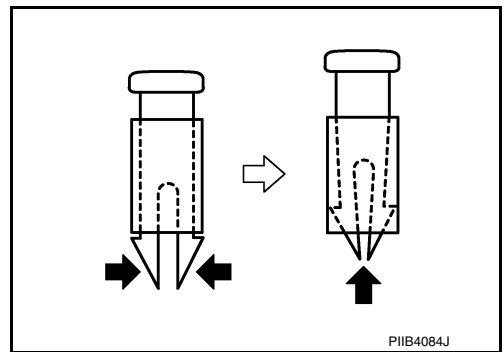
6. From the bottom of the seat.
 - a. Unclip the side air bag module harness (1) at locations (A).

NOTE:
Take note of harness routing and attachment location for accurate installation.
 - b. Disconnect the harness connector (B) from the seatback heater (if equipped).
(C) Harness connector for seat cushion heater



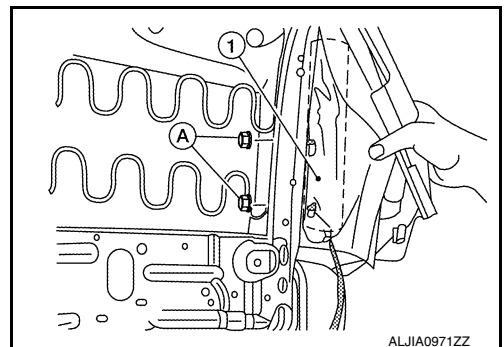
7. Release the headrest holder locks as shown and remove the headrest holders.

CAUTION:
Before removing/installing the headrest holder, check its orientation (front/rear and right/left).



8. Remove and discard the two side air bag module nuts (A).
(1) Side air bag module

CAUTION:
Do not reuse the side air bag module nuts.

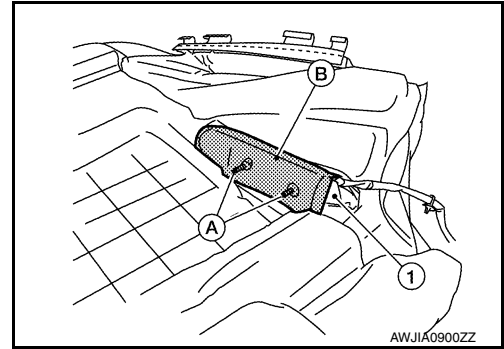


A
B
C
D
E
F
G
H
I
SE
K
L
M
N
O
P

FRONT SEAT

< UNIT DISASSEMBLY AND ASSEMBLY >

9. Disengage the side air bag module studs from the seatback frame and lift the seatback cushion trim and seatback pad as an assembly to remove from the seatback frame.
10. Open the seatback cushion and release the side air bag module studs (A) protruding through holes in the chute (B).
11. Pull the side air bag module (1) out of the chute (B) and remove from the seatback trim.



CAUTION:

- Replace the front passenger air bag module if it has been dropped or sustained an impact.
- Do not strike the front passenger air bag module.



INSTALLATION

Installation is in the reverse order of removal.

CAUTION:

- Inspect seatback pad, seatback trim and seatback trim chutes. Replace if damaged.
- Smooth out all wrinkles during assembly.
- Always route side air bag module harness in original location. Replace any deformed or damaged clips with same type and color. Always install clips in the original location in the harness.
- After installation is completed, check that no system malfunction is detected causing the air bag warning lamp to illuminate.
- If a malfunction is detected by the air bag warning lamp after repair or replacement of the malfunction parts, perform the SRS final check. Refer to [SRC-17, "SRS Final Check"](#).

FRONT SEAT

< UNIT DISASSEMBLY AND ASSEMBLY >

- When installing the side air bag module, make sure the side air bag chute (4) is pulled over the outboard surface of the side air bag module (3). Make sure there are no wrinkles and the chute is not folded, twisted or pinched.

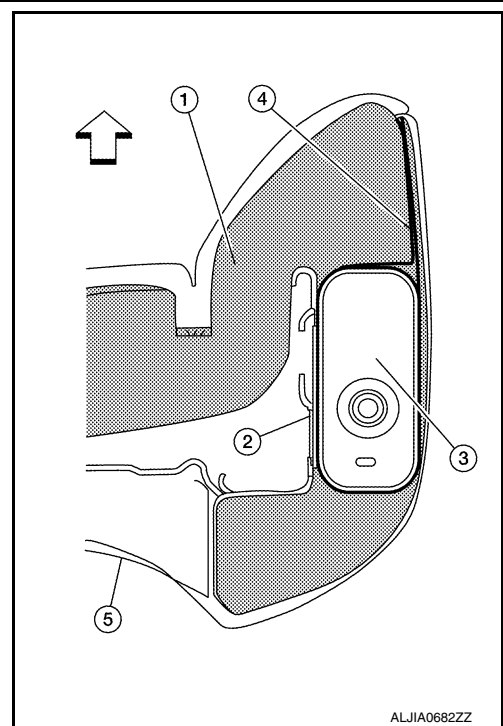
- (1) Seatback pad
- (2) Frame
- (5) Seatback board

⇐: Front

- Tighten the side air bag nuts to specification. Refer to [SE-54](#), "[PASSENGER SIDE : Exploded View](#)".

CAUTION:

- Do not reuse side air bag module nuts.**



A
B
C
D
E
F
G
H
I
K
L
M
N
O
P

SE

REAR SEAT

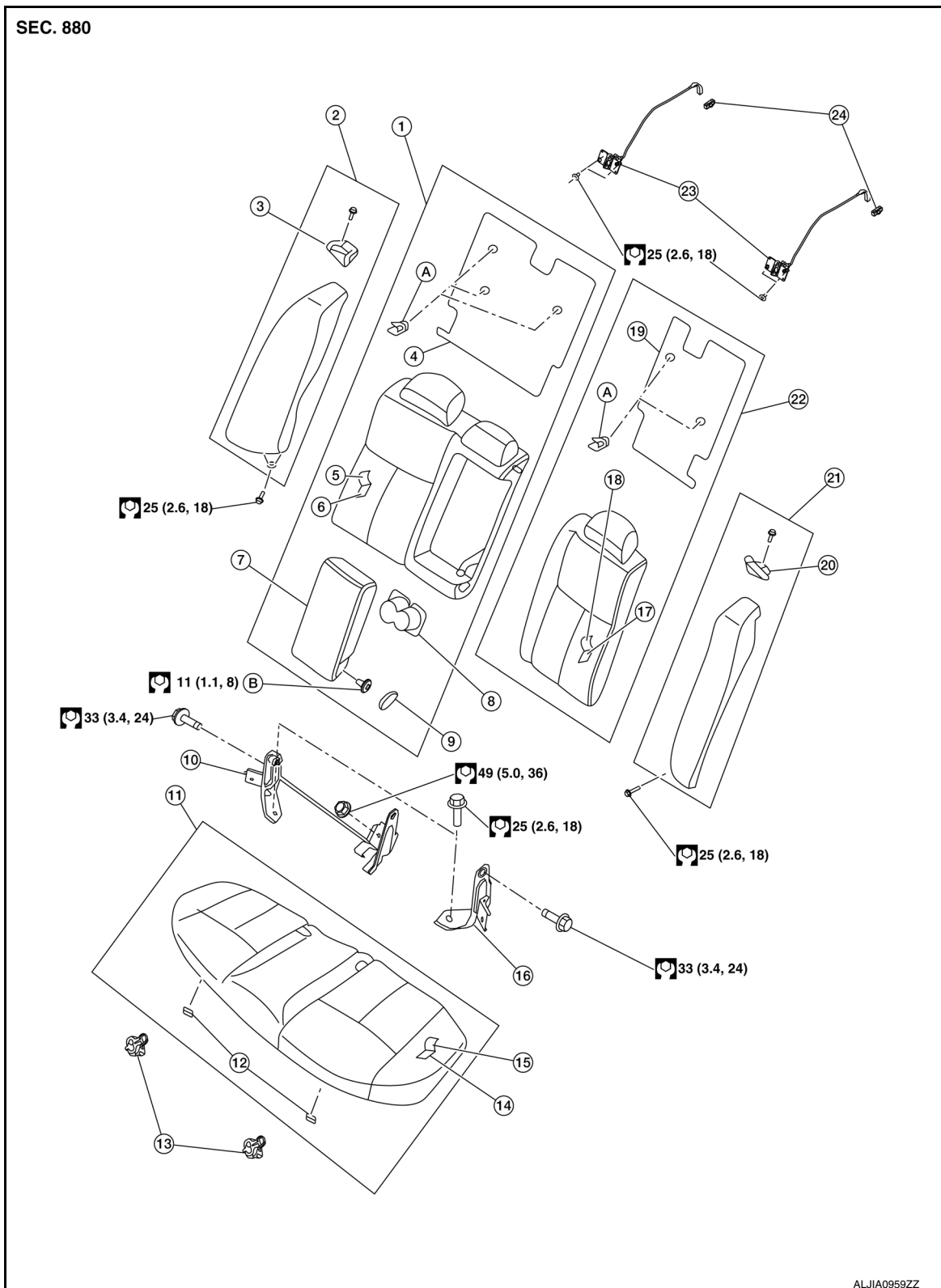
< UNIT DISASSEMBLY AND ASSEMBLY >

REAR SEAT

Exploded View

INFOID:000000009462954

REAR SEAT WITHOUT REMOVABLE HEADREST



ALJIA0959ZZ

- 1. Rear seatback assembly (RH)
- 4. Seatback board (RH)

- 2. Rear seat bolster (RH)
- 5. Seatback trim (RH)

- 3. Seat belt guide (RH)
- 6. Seatback pad (RH)

REAR SEAT

< UNIT DISASSEMBLY AND ASSEMBLY >

- | | | |
|----------------------------------|-----------------------------|-----------------------------|
| 7. Armrest | 8. Cup holder | 9. Armrest hinge finisher |
| 10. Seatback hinge assembly (RH) | 11. Seat cushion assembly | 12. Seat cushion wire cover |
| 13. Seat cushion lock | 14. Seat cushion pad | 15. Seat cushion trim |
| 16. Seatback hinge (LH) | 17. Seatback pad (LH) | 18. Seatback trim (LH) |
| 19. Seatback board (LH) | 20. Seat belt guide (LH) | 21. Rear seat bolster (LH) |
| 22. Rear seatback assembly (LH) | 23. Seatback latch assembly | 24. Cable guide |
| A. Seatback board clips | B. Armrest pivot bolt | |

A

B

C

D

E

F

G

H

I

SE

K

L

M

N

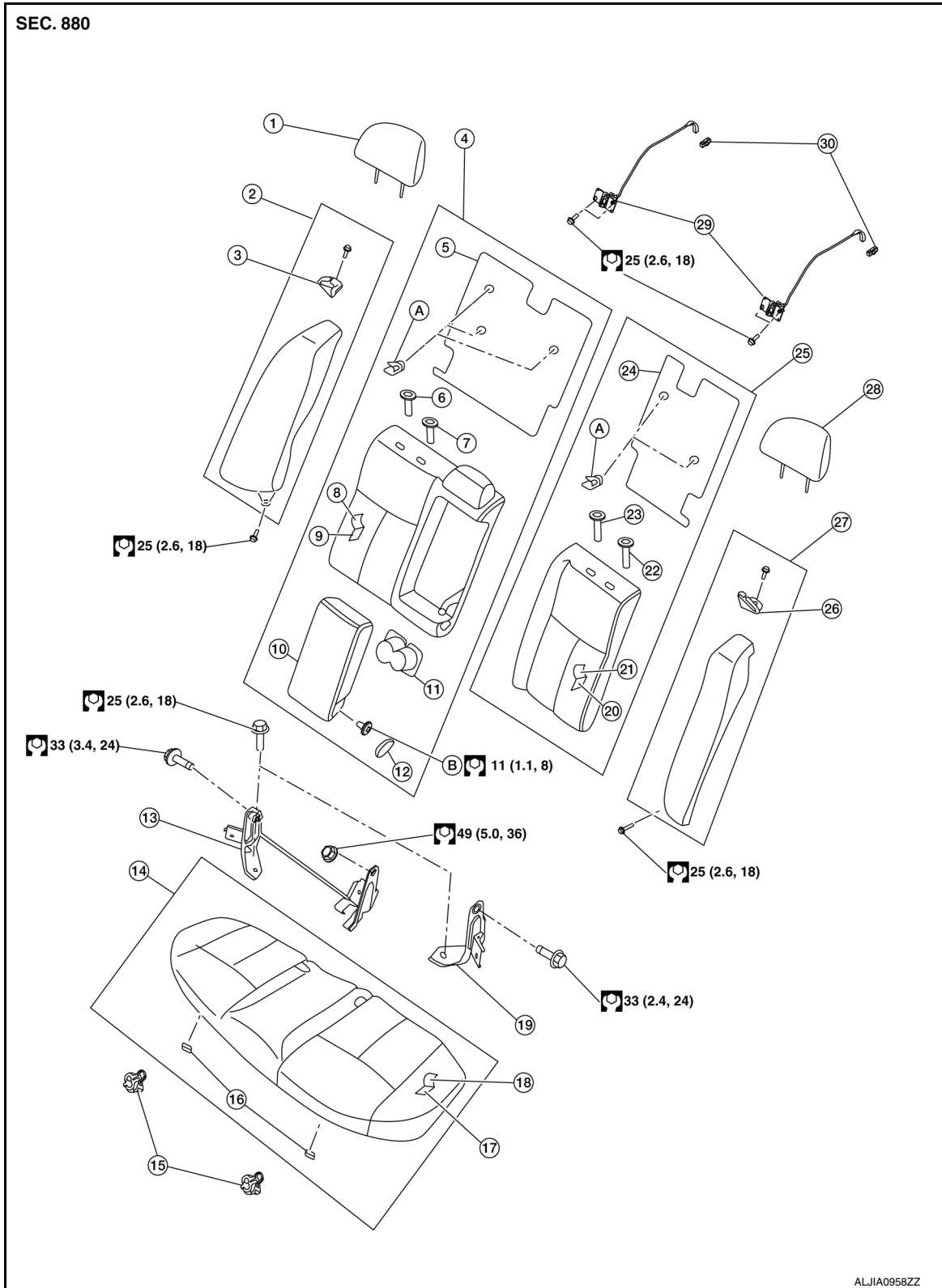
O

P

REAR SEAT

< UNIT DISASSEMBLY AND ASSEMBLY >

REAR SEAT WITH REMOVABLE HEADREST



- | | | |
|----------------------------------|---------------------------|--------------------------------|
| 1. Headrest (RH) | 2. Rear seat bolster (RH) | 3. Seat belt guide (RH) |
| 4. Rear seatback assembly (RH) | 5. Seatback board (RH) | 6. Headrest holder (RH) (free) |
| 7. Headrest holder (RH) (locked) | 8. Seatback trim (RH) | 9. Seatback pad (RH) |
| 10. Armrest | 11. Cup holder | 12. Armrest hinge finisher |
| 13. Seatback hinge assembly (RH) | 14. Seat cushion assembly | 15. Seat cushion lock |
| 16. Seat cushion wire cover | 17. Seat cushion pad | 18. Seat cushion trim |

REAR SEAT

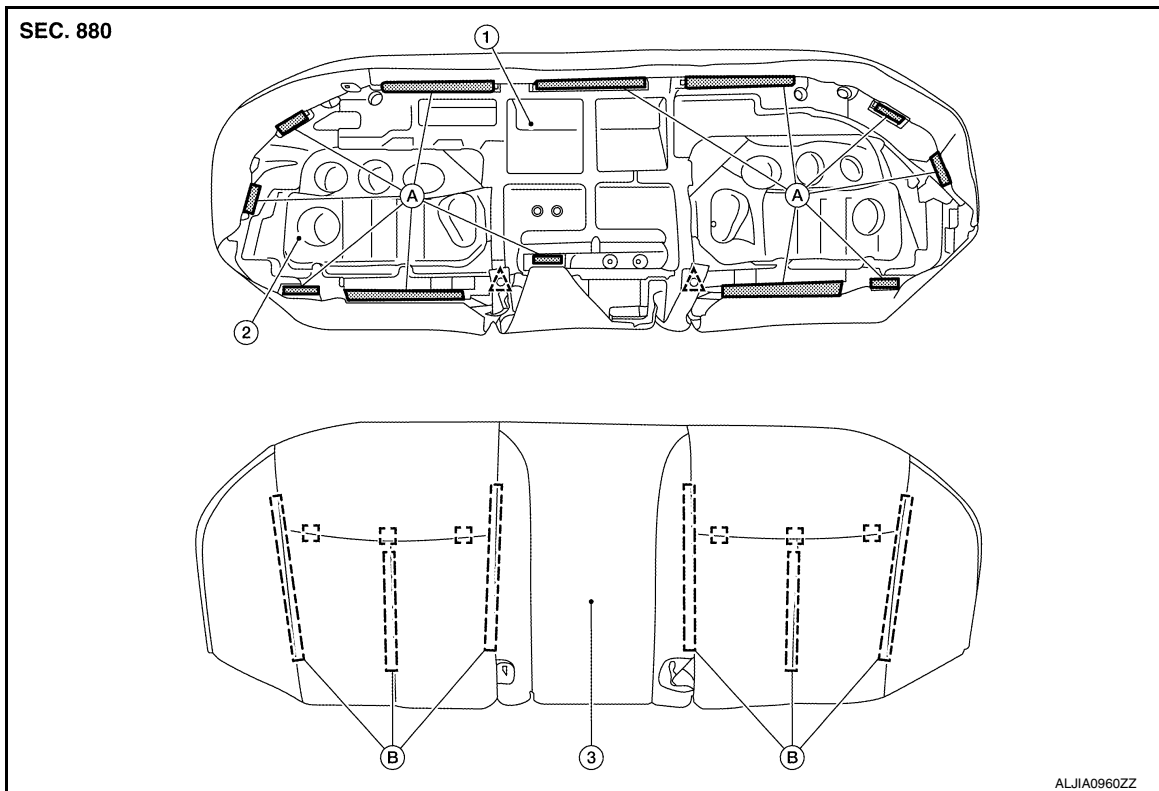
< UNIT DISASSEMBLY AND ASSEMBLY >

- | | | |
|-----------------------------------|---------------------------------|----------------------------|
| 19. Seatback hinge (LH) | 20. Seatback pad (LH) | 21. Seatback trim (LH) |
| 22. Headrest holder (LH) (locked) | 23. Headrest holder (LH) (free) | 24. Seatback board (LH) |
| 25. Rear seatback assembly (LH) | 26. Seat belt guide (LH) | 27. Rear seat bolster (LH) |
| 28. Headrest (LH) | 29. Seatback latch assembly | 30. Cable guide |
| A. Seatback board clips | B. Armrest pivot bolt | |

Disassembly and Assembly

INFOID:000000009462955

SEAT CUSHION



- | | | |
|-----------------------|---------------------|----------------------|
| 1. Seat cushion frame | 2. Seat cushion pad | 3. Seat cushion trim |
| A. Fastening strips | B. Hook fasteners | □ Hog rings |

△ Clips

Disassembly

1. Remove the seat cushion assembly. Refer to [SE-36, "Removal and Installation - Seat Cushion Assembly"](#).
2. Remove the two clips that retain the seat cushion trim.
3. Release the fastening strips from the seat cushion frame.
4. Remove the seat cushion trim and seat cushion pad from the seat cushion frame.
5. Separate the seat cushion trim from the seat cushion pad.
 - a. Pull the seat cushion trim upward to release hook fasteners.
 - b. Remove the six hog rings and separate the seat cushion trim from the seat cushion pad.

NOTE:

Remove all pieces of hog rings and discard them.

Assembly

Assembly is in the reverse order of disassembly.

CAUTION:

- Make sure hog rings are correctly fastened around both the seat cushion trim and seat cushion pad wires.
- Replace any deformed or damaged hog rings.

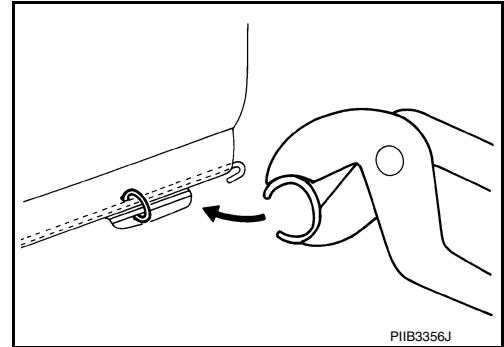
REAR SEAT

< UNIT DISASSEMBLY AND ASSEMBLY >

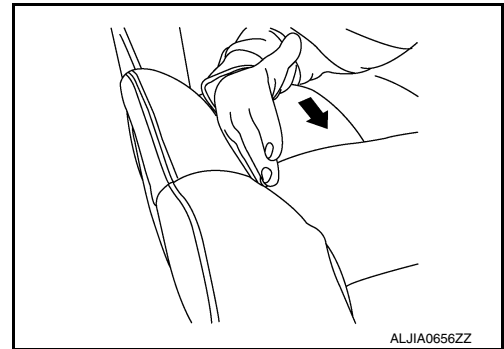
- Make sure any old hog ring pieces are removed from seat.

NOTE:

- Install new hog rings on the seat cushion trim in original positions.
- Use only one hog ring in each designated location.



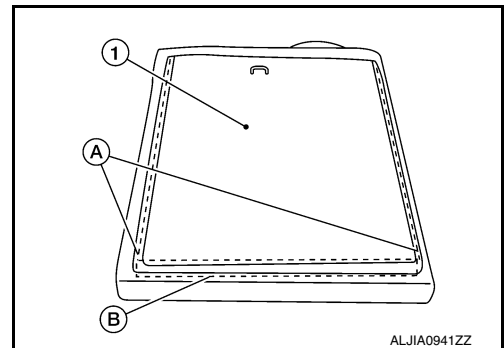
- When installing the seat cushion trim, firmly push down while sliding your hand along the seams as shown (←) to ensure the hook fasteners below the seat cushion trim are fastened properly.



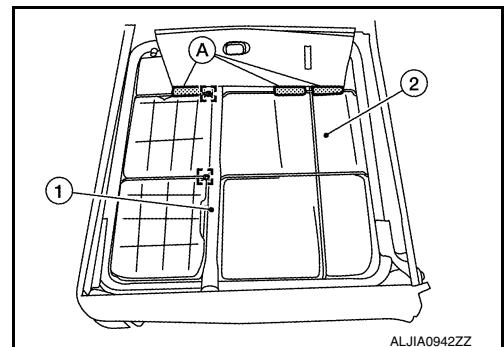
REAR SEATBACK ASSEMBLY (RH) - WITH REMOVABLE HEADREST

Disassembly

1. Remove the rear seatback assembly (RH). Refer to [SE-36. "Removal and Installation - Seat Assembly"](#).
2. Remove the armrest assembly. Refer to [SE-38. "Removal and Installation - Armrest Assembly"](#).
3. Release the J-clip retainer (B) and unzip the seatback trim cover (1).
(A) Zipper



4. Remove the seatback trim and seatback pad (2) from the seatback frame (1).
 - a. Release the J-clip retainers (A) from the seatback frame (1).
 - b. Remove two hog rings that retain seatback pad in place.
□: Hog ring



REAR SEAT

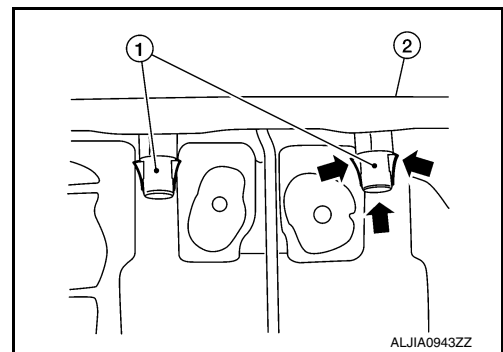
< UNIT DISASSEMBLY AND ASSEMBLY >

- c. Release the headrest holder locks as shown and remove the headrest holders (1) from the seatback frame (2).

CAUTION:

Before removing headrest holder, check its orientation (front/rear and right/left).

- d. Remove the seatback trim and seatback pad from the seatback frame.



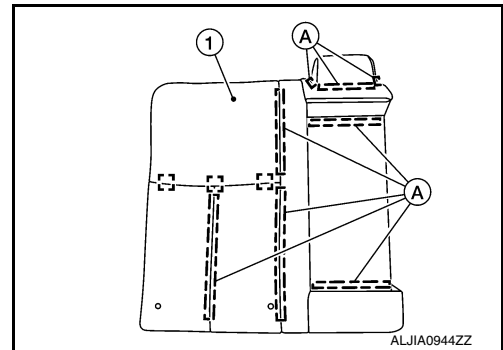
5. Separate the seatback trim from the seatback pad.

- a. Pull seatback trim (1) upward to release hook fasteners (A).
- b. Remove three hog rings and separate the seatback trim from the seatback pad.

[]: Hog ring

NOTE:

Remove all pieces of hog rings and discard them.



Assembly

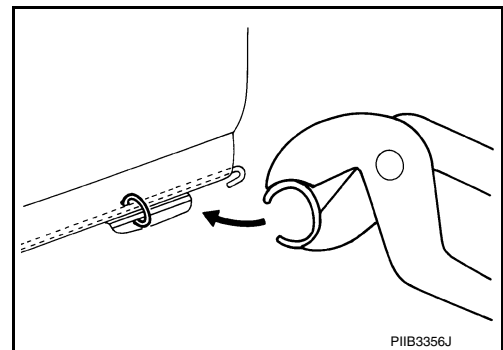
Assembly is in the reverse order of disassembly.

CAUTION:

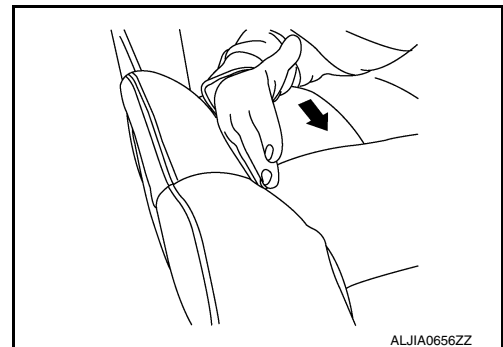
- Make sure hog rings are correctly fastened around both the seatback trim and seatback pad wires.
- Replace any deformed or damaged hog rings.
- Make sure any old hog ring pieces are removed from seat.

NOTE:

- Install new hog rings on the seatback trim in original positions.
- Use only one hog ring in each designated location.



- When installing the seatback trim, firmly push down while sliding your hand along the seams as shown (←) to ensure the hook fasteners below the seatback trim are fastened properly.



A
B
C
D
E
F
G
H
I
SE
K
L
M
N
O
P

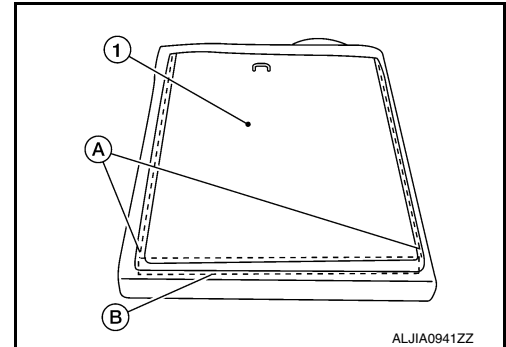
REAR SEAT

< UNIT DISASSEMBLY AND ASSEMBLY >

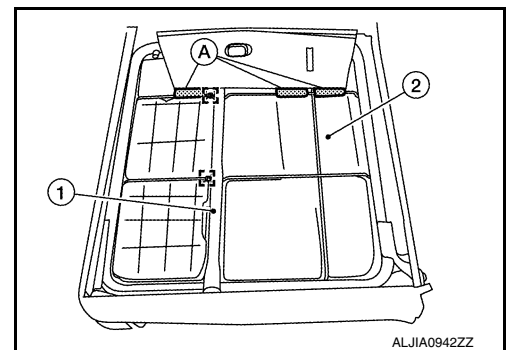
REAR SEATBACK ASSEMBLY (RH) - WITHOUT REMOVABLE HEADREST

Disassembly

1. Remove the rear seatback assembly (RH). Refer to [SE-36. "Removal and Installation - Seat Assembly"](#).
2. Remove the armrest assembly. Refer to [SE-38. "Removal and Installation - Armrest Assembly"](#).
3. Release the J-clip retainer (B) and unzip the seatback trim cover (1).
(A) Zipper



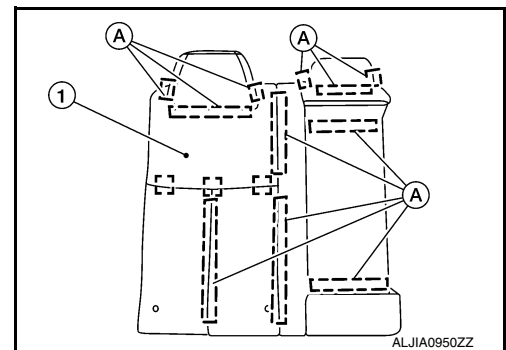
4. Remove the seatback trim and seatback pad (2) from the seatback frame (1).
 - a. Release the J-clip retainers (A).
 - b. Remove two hog rings that retain seatback pad in place.
□: Hog ring
 - c. Remove the seatback trim and seatback pad from the seatback frame.



5. Separate the seatback trim from the seatback pad.
 - a. Pull seatback trim (1) upward to release hook fasteners (A).
 - b. Remove three hog rings and separate the seatback trim from the seatback pad.
□: Hog ring

NOTE:

Remove all pieces of hog rings and discard them.



Assembly

Assembly is in the reverse order of disassembly.

CAUTION:

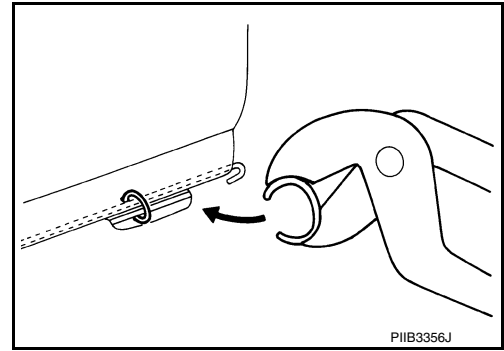
- Make sure hog rings are correctly fastened around both the seatback trim and seatback pad wires.
- Replace any deformed or damaged hog rings.
- Make sure any old hog ring pieces are removed from seat.

NOTE:

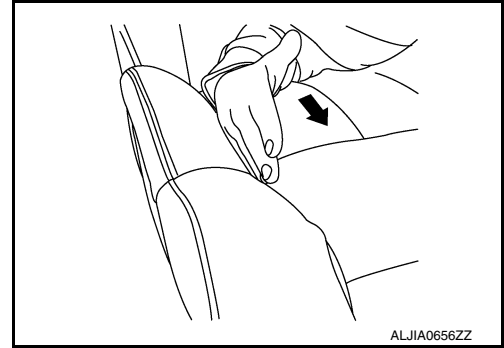
REAR SEAT

< UNIT DISASSEMBLY AND ASSEMBLY >

- Install new hog rings on the seatback trim in original positions.
- Use only one hog ring in each designated location.



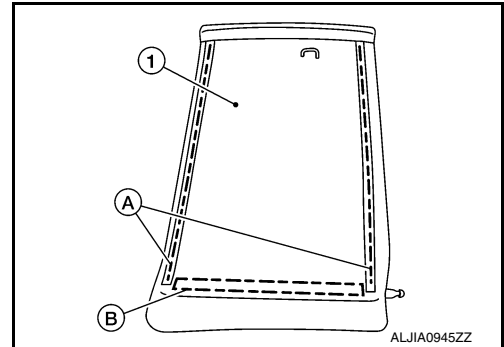
- When installing the seatback trim, firmly push down while sliding your hand along the seams as shown (←) to ensure the hook fasteners below the seatback trim are fastened properly.



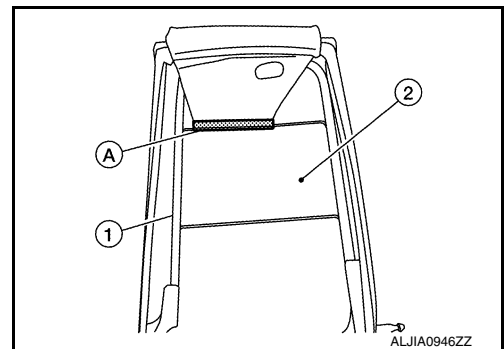
REAR SEATBACK ASSEMBLY (LH) - WITH REMOVABLE HEADREST

Disassembly

1. Remove the rear seatback assembly (LH). Refer to [SE-36, "Removal and Installation - Seat Assembly"](#).
2. Release the J-clip retainer (B) and unzip the seatback trim cover (1).
(A) Zipper



3. Remove the seatback trim and seatback pad (2) from the seatback frame (1).
 - a. Release the J-clip retainer (A).



A
B
C
D
E
F
G
H
I
SE
K
L
M
N
O
P

REAR SEAT

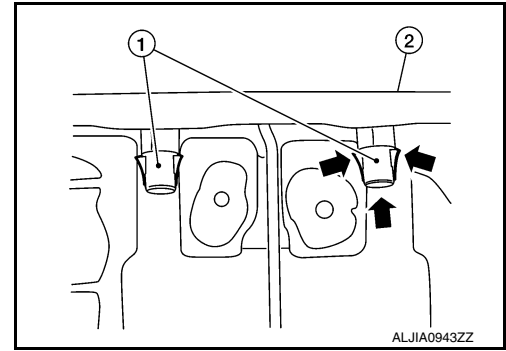
< UNIT DISASSEMBLY AND ASSEMBLY >

- b. Release the headrest holder locks as shown and remove the headrest holders (1) from the seatback frame (2).

CAUTION:

Before removing headrest holder, check its orientation (front/rear and right/left).

- c. Remove the seatback trim and seatback pad from the seatback frame.

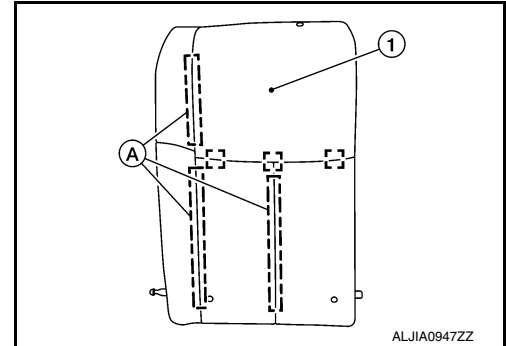


4. Separate the seatback trim (1) from the seatback pad.
- a. Pull seatback trim upward to release hook fasteners (A).
- b. Remove three hog rings and separate the seatback trim from the seatback pad.

[]: Hog ring

NOTE:

Remove all pieces of hog rings and discard them.



Assembly

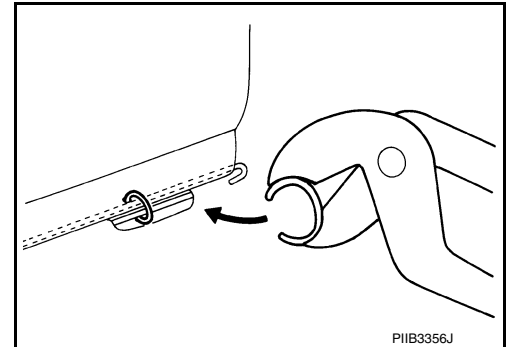
Assembly is in the reverse order of disassembly.

CAUTION:

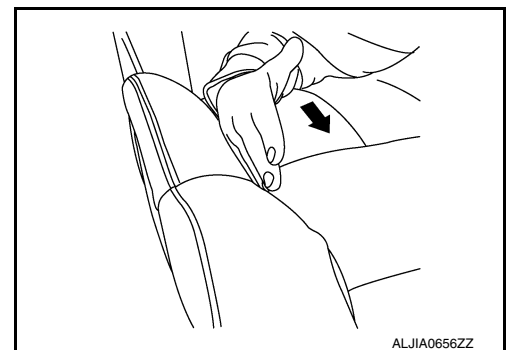
- Make sure hog rings are correctly fastened around both the seatback trim and seatback pad wires.
- Replace any deformed or damaged hog rings.
- Make sure any old hog ring pieces are removed from seat.

NOTE:

- Install new hog rings on the seatback trim in original positions.
- Use only one hog ring in each designated location.



- When installing the seatback trim, firmly push down while sliding your hand along the seams as shown (←) to ensure the hook fasteners below the seatback trim are fastened properly.



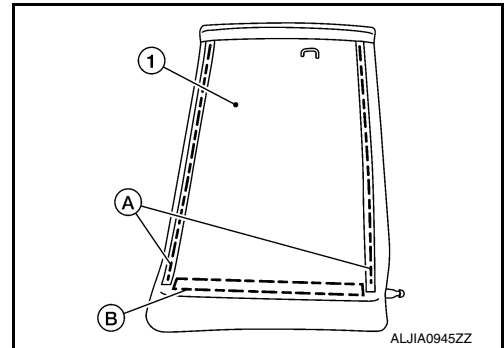
REAR SEATBACK ASSEMBLY (LH) - WITHOUT REMOVABLE HEADREST

REAR SEAT

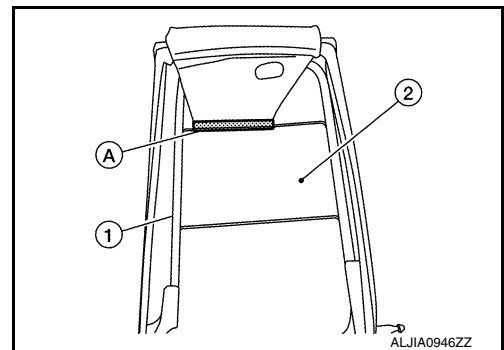
< UNIT DISASSEMBLY AND ASSEMBLY >

Disassembly

1. Remove the rear seatback assembly (LH). Refer to [SE-36. "Removal and Installation - Seat Assembly"](#).
2. Release the J-clip retainer (B) and unzip the seatback trim cover (1).
(A) Zipper



3. Remove the seatback trim and seatback pad (2) from the seatback frame (1).
 - a. Release the J-clip retainer (A).
 - b. Remove the seatback trim and seatback pad from the seatback frame.

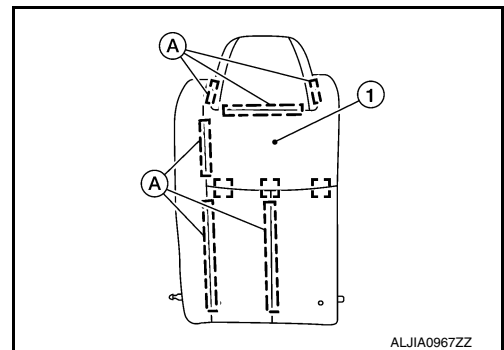


4. Separate the seatback trim (1) from the seatback pad.
 - a. Pull seatback trim upward to release hook fasteners (A).
 - b. Remove three hog rings and separate the seatback trim from the seatback pad.

[]: Hog ring

NOTE:

Remove all pieces of hog rings and discard them.



Assembly

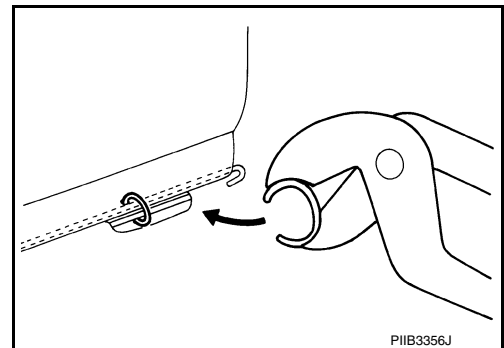
Assembly is in the reverse order of disassembly.

CAUTION:

- Make sure hog rings are correctly fastened around both the seatback trim and seatback pad wires.
- Replace any deformed or damaged hog rings.
- Make sure any old hog ring pieces are removed from seat.

NOTE:

- Install new hog rings on the seatback trim in original positions.
- Use only one hog ring in each designated location.



REAR SEAT

< UNIT DISASSEMBLY AND ASSEMBLY >

- When installing the seatback trim, firmly push down while sliding your hand along the seams as shown (←) to ensure the hook fasteners below the seatback trim are fastened properly.

