

A
EC
C
D
E
F
G
H
I
J
K
L
M
N
O
P

SECTION EC

ENGINE CONTROL SYSTEM

CONTENTS

QR25DE

PRECAUTION		
PRECAUTIONS		
Precaution for Supplemental Restraint System (SRS) "AIR BAG" and "SEAT BELT PRE-TENSIONER"	16	
Precaution for Procedure without Cowl Top Cover... ..	16	
On Board Diagnostic (OBD) System of Engine and CVT	16	
General Precautions	17	
PREPARATION	20	
PREPARATION	20	
Special Service Tools	20	
Commercial Service Tools	20	
SYSTEM DESCRIPTION	22	
COMPONENT PARTS	22	
Component Parts Location	22	
ECM	27	
Accelerator Pedal Position Sensor	27	
Electric Throttle Control Actuator	27	
Ignition Coil With Power Transistor	28	
Fuel Injector	28	
Fuel Level Sensor Unit and Fuel Pump	28	
Fuel Tank Temperature Sensor	29	
Mass Air Flow Sensor (With Intake Air Temperature Sensor)	29	
Engine Coolant Temperature Sensor	30	
Crankshaft Position Sensor (POS)	31	
Camshaft Position Sensor (PHASE)	31	
Intake Valve Timing Control Solenoid Valve	32	
Intake Valve Timing Intermediate Lock Control Solenoid Valve	32	
ICC Brake Switch	32	
ICC Steering Switch	32	
Exhaust Valve Timing Control Position Sensor	32	
Exhaust Valve Timing Control Solenoid Valve	33	
Intake Manifold Runner Control Valve	33	
Intake Manifold Tuning Valve	33	
Air Fuel Ratio (A/F) Sensor 1	34	
Heated Oxygen Sensor 2	34	
Knock Sensor	35	
Engine Oil Pressure Sensor	35	
Engine Oil Pressure Control Solenoid Valve	35	
Engine Oil Temperature Sensor	36	
Cooling Fan	36	
EVAP Canister	36	
EVAP Canister Purge Volume Control Solenoid Valve	37	
EVAP Canister Vent Control Valve	37	
EVAP Control System Pressure Sensor	37	
Battery Current Sensor (With Battery Temperature Sensor)	37	
Malfunction Indicator lamp (MIL)	38	
Oil Pressure Warning Lamp	38	
Refrigerant Pressure Sensor	38	
Stop Lamp Switch & Brake Pedal Position Switch... ..	39	
ASCD Steering Switch	39	
Information Display	39	
STRUCTURE AND OPERATION	40	
Positive Crankcase Ventilation	40	
On Board Refueling Vapor Recovery (ORVR)	41	
SYSTEM	42	
ENGINE CONTROL SYSTEM	42	
ENGINE CONTROL SYSTEM : System Description	42	
ENGINE CONTROL SYSTEM : Fail Safe	43	
MULTIPOINT FUEL INJECTION SYSTEM	45	
MULTIPOINT FUEL INJECTION SYSTEM : System Description (with automatic air conditioner)	45	
MULTIPOINT FUEL INJECTION SYSTEM : System Description (with manual air conditioner)	48	
ENGINE OIL PRESSURE CONTROL SYSTEM	50	

ENGINE OIL PRESSURE CONTROL SYSTEM : System Description	50	DIAGNOSIS SYSTEM (ECM)	69
ELECTRIC IGNITION SYSTEM	51	DIAGNOSIS DESCRIPTION	69
ELECTRIC IGNITION SYSTEM : System De- scription	51	DIAGNOSIS DESCRIPTION : 1st Trip Detection Logic and Two Trip Detection Logic	69
INTAKE VALVE TIMING CONTROL	51	DIAGNOSIS DESCRIPTION : DTC and Freeze Frame Data	69
INTAKE VALVE TIMING CONTROL : System De- scription	51	DIAGNOSIS DESCRIPTION : Counter System	70
EXHAUST VALVE TIMING CONTROL	54	DIAGNOSIS DESCRIPTION : Driving Pattern	73
EXHAUST VALVE TIMING CONTROL : System Description	54	DIAGNOSIS DESCRIPTION : System Readiness Test (SRT) Code	74
INTAKE MANIFOLD RUNNER CONTROL	55	DIAGNOSIS DESCRIPTION : Permanent Diag- nostic Trouble Code (Permanent DTC)	75
INTAKE MANIFOLD RUNNER CONTROL : Sys- tem Description	55	DIAGNOSIS DESCRIPTION : Malfunction Indica- tor Lamp (MIL)	76
INTAKE MANIFOLD TUNING SYSTEM	56	On Board Diagnosis Function	76
INTAKE MANIFOLD TUNING SYSTEM : System Description	56	CONSULT Function	79
ENGINE PROTECTION CONTROL AT LOW EN- GINE OIL PRESSURE	57	ECU DIAGNOSIS INFORMATION	91
ENGINE PROTECTION CONTROL AT LOW EN- GINE OIL PRESSURE : System Description	57	ECM	91
FUEL FILLER CAP WARNING SYSTEM	57	Protection Control	91
FUEL FILLER CAP WARNING SYSTEM : System Description	58	Reference Value	91
AIR CONDITIONING CUT CONTROL	58	Fail Safe	106
AIR CONDITIONING CUT CONTROL : System Description (with automatic air conditioner)	58	DTC Inspection Priority Chart	108
AIR CONDITIONING CUT CONTROL : System Description (with manual air conditioner)	59	DTC Index	110
COOLING FAN CONTROL	60	Test Value and Test Limit	114
COOLING FAN CONTROL : System Description (with automatic air conditioner)	61	WIRING DIAGRAM	123
COOLING FAN CONTROL : System Description (with manual air conditioner)	62	ENGINE CONTROL SYSTEM	123
EVAPORATIVE EMISSION SYSTEM	63	Wiring Diagram	123
EVAPORATIVE EMISSION SYSTEM : System Description	64	BASIC INSPECTION	173
AUTOMATIC SPEED CONTROL DEVICE (ASCD)..	65	DIAGNOSIS AND REPAIR WORKFLOW	173
AUTOMATIC SPEED CONTROL DEVICE (AS- CD) : System Description	65	Work Flow	173
CAN COMMUNICATION	66	Diagnostic Work Sheet	176
CAN COMMUNICATION : System Description	66	BASIC INSPECTION	178
OPERATION	67	Work Procedure	178
AUTOMATIC SPEED CONTROL DEVICE (ASCD)..	67	ADDITIONAL SERVICE WHEN REPLACING	
AUTOMATIC SPEED CONTROL DEVICE (AS- CD) : Switch Name and Function	67	ECM	182
ON BOARD DIAGNOSTIC (OBD) SYSTEM	68	Description	182
Diagnosis Description	68	Work Procedure	182
GST (Generic Scan Tool)	68	VIN REGISTRATION	184
		Description	184
		Work Procedure	184
		ACCELERATOR PEDAL RELEASED POSI- TION LEARNING	185
		Description	185
		Work Procedure	185
		THROTTLE VALVE CLOSED POSITION	
		LEARNING	186
		Description	186
		Work Procedure	186

IDLE AIR VOLUME LEARNING	187	DTC Logic	223	
Description	187	Diagnosis Procedure	224	A
Work Procedure	187	Component Inspection	225	
MIXTURE RATIO SELF-LEARNING VALUE CLEAR	189	P0014 EVT CONTROL	226	EC
Description	189	DTC Logic	226	
Work Procedure	189	Diagnosis Procedure	227	
FUEL PRESSURE	190	Component Inspection	228	C
Work Procedure	190	P0030, P0031, P0032 A/F SENSOR 1 HEATER	229	
HOW TO SET SRT CODE	191	DTC Logic	229	D
Description	191	Diagnosis Procedure	229	
SRT Set Driving Pattern	192	Component Inspection	230	E
Work Procedure	194	P0037, P0038 HO2S2 HEATER	232	
HOW TO ERASE PERMANENT DTC	197	DTC Logic	232	F
Description	197	Diagnosis Procedure	232	
Work Procedure (Group A)	198	Component Inspection	233	
Work Procedure (Group B)	200	P0075 INTAKE VALVE TIMING CONTROL ...	235	G
DTC/CIRCUIT DIAGNOSIS	203	DTC Logic	235	
TROUBLE DIAGNOSIS - SPECIFICATION VALUE	203	Diagnosis Procedure	235	
Description	203	Component Inspection (IVT Control Solenoid Valve)	237	H
Component Function Check	203	Component Inspection (IVT Intermediate Lock Control Solenoid Valve)	238	
Diagnosis Procedure	204	P0078 EVT CONTROL SOLENOID VALVE ...	239	I
POWER SUPPLY AND GROUND CIRCUIT ...	211	DTC Logic	239	
Diagnosis Procedure	211	Diagnosis Procedure	239	J
U0101 CAN COMM CIRCUIT	215	Component Inspection	240	
Description	215	P0101 MAF SENSOR	242	K
DTC Logic	215	DTC Logic	242	
Diagnosis Procedure	215	Diagnosis Procedure	242	
U0284 ACTIVE GRILLE SHUTTER	216	Component Inspection	244	L
DTC Description	216	P0102, P0103 MAF SENSOR	247	
Diagnosis Procedure	216	DTC Logic	247	
Component Inspection (Active Grille Shutter)	218	Diagnosis Procedure	247	
U1000 CAN COMM CIRCUIT	219	Component Inspection	249	M
Description	219	P0111 IAT SENSOR	252	
DTC Logic	219	DTC Logic	252	
Diagnosis Procedure	219	Component Function Check	253	N
U1001 CAN COMM CIRCUIT	220	Diagnosis Procedure	253	
Description	220	Component Inspection	253	
DTC Logic	220	P0112, P0113 IAT SENSOR	254	O
Diagnosis Procedure	220	DTC Logic	254	
U1040 ENG COMM CIRCUIT	221	Diagnosis Procedure	254	
DTC Description	221	Component Inspection	255	P
Diagnosis Procedure	221	P0116 ECT SENSOR	256	
U1044 ENG COMM CIRCUIT	222	DTC Logic	256	
DTC Description	222	Component Function Check	257	
Diagnosis Procedure	222	Diagnosis Procedure	257	
P0011 IVT CONTROL	223	Component Inspection	257	
		P0117, P0118 ECT SENSOR	258	

DTC Logic	258	DTC Logic	307
Diagnosis Procedure	258	Diagnosis Procedure	308
Component Inspection	259		
P0122, P0123 TP SENSOR	261	P0172 FUEL INJECTION SYSTEM FUNC-	311
DTC Logic	261	DTC Logic	311
Diagnosis Procedure	261	Diagnosis Procedure	312
Component Inspection	263		
P0125 ECT SENSOR	264	P0181 FTT SENSOR	315
DTC Logic	264	DTC Logic	315
Diagnosis Procedure	264	Component Function Check	316
Component Inspection	265	Diagnosis Procedure	317
		Component Inspection	318
P0127 IAT SENSOR	266	P0182, P0183 FTT SENSOR	319
DTC Logic	266	DTC Logic	319
Diagnosis Procedure	266	Diagnosis Procedure	319
Component Inspection	267	Component Inspection	320
P0128 THERMOSTAT FUNCTION	268	P0196 EOT SENSOR	322
DTC Logic	268	DTC Logic	322
Diagnosis Procedure	269	Component Function Check	324
Component Inspection	269	Diagnosis Procedure	324
		Component Inspection	324
P0130 A/F SENSOR 1	271	P0197, P0198 EOT SENSOR	325
DTC Logic	271	DTC Logic	325
Component Function Check	272	Diagnosis Procedure	325
Diagnosis Procedure	272	Component Inspection	326
P0131 A/F SENSOR 1	275	P0222, P0223 TP SENSOR	328
DTC Logic	275	DTC Logic	328
Diagnosis Procedure	276	Diagnosis Procedure	328
		Component Inspection	330
P0132 A/F SENSOR 1	278	P0300, P0301, P0302, P0303, P0304 MIS-	331
DTC Logic	278	FIRE	331
Diagnosis Procedure	279	DTC Logic	331
		Diagnosis Procedure	332
P0137 HO2S2	281	P0327, P0328 KS	337
DTC Logic	281	DTC Logic	337
Component Function Check	282	Diagnosis Procedure	337
Diagnosis Procedure	283	Component Inspection	338
Component Inspection	284		
		P0335 CKP SENSOR (POS)	339
P0138 HO2S2	287	DTC Logic	339
DTC Logic	287	Diagnosis Procedure	339
Component Function Check	288	Component Inspection (Crankshaft Position sensor)	341
Diagnosis Procedure	289		
Component Inspection	292	P0340 CMP SENSOR (PHASE)	342
		DTC Logic	342
P0139 HO2S2	295	Diagnosis Procedure	342
DTC Logic	295	Component Inspection (Camshaft position sensor)	344
Component Function Check	296		
Diagnosis Procedure	297	P0420 THREE WAY CATALYST FUNCTION..	345
Component Inspection	299	DTC Logic	345
		Component Function Check	346
P014C, P014D, P015A, P015B, A/F SENSOR	302	Diagnosis Procedure	347
1	302		
DTC Logic	302		
Diagnosis Procedure	304		
P0171 FUEL INJECTION SYSTEM FUNC-	307		
TION	307		

P0441 EVAP CONTROL SYSTEM	350	P0462, P0463 FUEL LEVEL SENSOR	392	A
DTC Logic	350	DTC Logic	392	
Component Function Check	351	Diagnosis Procedure	392	
Diagnosis Procedure	352			
P0443 EVAP CANISTER PURGE VOLUME CONTROL SOLENOID VALVE	355	P0500 VSS	393	EC
DTC Logic	355	Description	393	
Diagnosis Procedure	356	DTC Logic	393	
Component Inspection	358	Diagnosis Procedure	393	C
P0444, P0445 EVAP CANISTER PURGE VOLUME CONTROL SOLENOID VALVE	360	P0506 ISC SYSTEM	395	D
DTC Logic	360	Description	395	
Diagnosis Procedure	360	DTC Logic	395	
Component Inspection	362	Diagnosis Procedure	395	E
P0447 EVAP CANISTER VENT CONTROL VALVE	363	P0507 ISC SYSTEM	397	F
DTC Logic	363	Description	397	
Diagnosis Procedure	363	DTC Logic	397	
Component Inspection	365	Diagnosis Procedure	397	G
P0448 EVAP CANISTER VENT CONTROL VALVE	367	P050A, P050B, P050E COLD START CONTROL	399	H
DTC Logic	367	Description	399	
Diagnosis Procedure	368	DTC Logic	399	
Component Inspection	369	Diagnosis Procedure	400	I
P0451 EVAP CONTROL SYSTEM PRES-SURE SENSOR	371	P0520 EOP SENSOR	401	J
DTC Logic	371	DTC Logic	401	
Diagnosis Procedure	372	Diagnosis Procedure	401	
Component Inspection	374	Component Inspection	403	K
P0452 EVAP CONTROL SYSTEM PRES-SURE SENSOR	375	P0524 ENGINE OIL PRESSURE	404	L
DTC Logic	375	DTC Logic	404	
Diagnosis Procedure	376	Diagnosis Procedure	405	
Component Inspection	377	Component Inspection	406	M
P0453 EVAP CONTROL SYSTEM PRES-SURE SENSOR	379	P052A, P052B INTAKE VALVE TIMING CONTROL	407	N
DTC Logic	379	DTC Logic	407	
Diagnosis Procedure	380	Diagnosis Procedure	407	
Component Inspection	382	Component Inspection (Intake Valve Timing Control Solenoid Valve)	409	
P0456 EVAP CONTROL SYSTEM	383	Component Inspection (Intake Valve Timing Intermediate Lock Control Solenoid Valve)	410	
DTC Logic	383	Component Inspection (Crankshaft Position sensor)	410	
Diagnosis Procedure	384	Component Inspection (Camshaft position sensor)	411	
Component Inspection	388	P059F ACTIVE GRILLE SHUTTER	413	O
P0460 FUEL LEVEL SENSOR	389	DTC Description	413	
DTC Logic	389	Diagnosis Procedure	413	
Diagnosis Procedure	389	Component Inspection (Active Grille Shutter)	415	P
P0461 FUEL LEVEL SENSOR	390	P0603 ECM	416	
DTC Logic	390	DTC Logic	416	
Component Function Check	390	Diagnosis Procedure	416	
Diagnosis Procedure	391	P0604 ECM	417	
		DTC Logic	417	
		Diagnosis Procedure	417	

P0605 ECM	418	P1225 TP SENSOR	440
DTC Logic	418	DTC Logic	440
Diagnosis Procedure	418	Diagnosis Procedure	440
P0606 ECM	419	P1226 TP SENSOR	441
DTC Logic	419	DTC Logic	441
Diagnosis Procedure	419	Diagnosis Procedure	441
P0607 ECM	420	P1550 BATTERY CURRENT SENSOR	442
DTC Logic	420	DTC Logic	442
Diagnosis Procedure	420	Diagnosis Procedure	442
P060A ECM	421	Component Inspection	443
DTC Logic	421	P1551, P1552 BATTERY CURRENT SEN-	
Diagnosis Procedure	421	SOR	445
P060B ECM	422	DTC Logic	445
DTC Logic	422	Diagnosis Procedure	445
Diagnosis Procedure	422	Component Inspection	446
P062F CONTROL MODULE	423	P1553 BATTERY CURRENT SENSOR	448
DTC Logic	423	DTC Logic	448
Diagnosis Procedure	423	Diagnosis Procedure	448
P0643 SENSOR POWER SUPPLY	424	Component Inspection	449
Description	424	P1554 BATTERY CURRENT SENSOR	451
DTC Logic	424	DTC Logic	451
Diagnosis Procedure	425	Component Function Check	451
P06DA, P06DB ENGINE OIL PRESSURE		Diagnosis Procedure	452
CONTROL SOLENOID VALVE	427	Component Inspection	453
DTC Logic	427	P1556, P1557 BATTERY TEMPERATURE	
Diagnosis Procedure	427	SENSOR	454
Component Inspection (Engine Oil Pressure Con-		DTC Logic	454
trol Solenoid Valve)	428	Diagnosis Procedure	454
P0850 PNP SWITCH	429	Component Inspection	455
Description	429	P1564 ASCD STEERING SWITCH	456
DTC Logic	429	DTC Logic	456
Component Function Check	430	Diagnosis Procedure	456
Diagnosis Procedure	430	Component Inspection	458
P1078 EVT CONTROL POSITION SENSOR .	432	P1564 ICC STEERING SWITCH	459
DTC Logic	432	DTC Logic	459
Diagnosis Procedure	432	Diagnosis Procedure	459
Component Inspection	434	Component Inspection	461
P1148 CLOSED LOOP CONTROL	435	P1568 ICC FUNCTION	462
DTC Logic	435	DTC Logic	462
Diagnosis Procedure	435	Diagnosis Procedure	462
P1212 TCS COMMUNICATION LINE	436	P1572 ASCD BRAKE SWITCH	464
Description	436	DTC Logic	464
DTC Logic	436	Diagnosis Procedure	465
Diagnosis Procedure	436	Component Inspection (Brake Pedal Position	
P1217 ENGINE OVER TEMPERATURE	437	Switch)	468
DTC Logic	437	Component Inspection (Stop Lamp Switch)	469
Component Function Check	437	Component Inspection (Stop Lamp Relay)	469
Diagnosis Procedure	438	P1572 ICC BRAKE SWITCH	471
P1225 TP SENSOR	440	DTC Logic	471
DTC Logic	440	Diagnosis Procedure	472
Diagnosis Procedure	440		
P1226 TP SENSOR	441		
DTC Logic	441		
Diagnosis Procedure	441		
P1550 BATTERY CURRENT SENSOR	442		
DTC Logic	442		
Diagnosis Procedure	442		
Component Inspection	443		
P1551, P1552 BATTERY CURRENT SEN-			
SOR	445		
DTC Logic	445		
Diagnosis Procedure	445		
Component Inspection	446		
P1553 BATTERY CURRENT SENSOR	448		
DTC Logic	448		
Diagnosis Procedure	448		
Component Inspection	449		
P1554 BATTERY CURRENT SENSOR	451		
DTC Logic	451		
Component Function Check	451		
Diagnosis Procedure	452		
Component Inspection	453		
P1556, P1557 BATTERY TEMPERATURE			
SENSOR	454		
DTC Logic	454		
Diagnosis Procedure	454		
Component Inspection	455		
P1564 ASCD STEERING SWITCH	456		
DTC Logic	456		
Diagnosis Procedure	456		
Component Inspection	458		
P1564 ICC STEERING SWITCH	459		
DTC Logic	459		
Diagnosis Procedure	459		
Component Inspection	461		
P1568 ICC FUNCTION	462		
DTC Logic	462		
Diagnosis Procedure	462		
P1572 ASCD BRAKE SWITCH	464		
DTC Logic	464		
Diagnosis Procedure	465		
Component Inspection (Brake Pedal Position			
Switch)	468		
Component Inspection (Stop Lamp Switch)	469		
Component Inspection (Stop Lamp Relay)	469		
P1572 ICC BRAKE SWITCH	471		
DTC Logic	471		
Diagnosis Procedure	472		

Component Inspection (Brake Pedal Position Switch)	475	Diagnosis Procedure	506	A
Component Inspection (Stop Lamp Switch)	476	P2122, P2123 APP SENSOR	508	
Component Inspection (Stop Lamp Relay)	476	DTC Logic	508	
P1574 ASCD VEHICLE SPEED SENSOR	478	Diagnosis Procedure	508	EC
Description	478	Component Inspection	510	
DTC Logic	478	P2127, P2128 APP SENSOR	511	C
Diagnosis Procedure	478	DTC Logic	511	
P1574 ICC VEHICLE SPEED SENSOR	480	Diagnosis Procedure	511	
Description	480	Component Inspection	512	D
DTC Logic	480	P2135 TP SENSOR	514	
Diagnosis Procedure	480	DTC Logic	514	
P1800 INTAKE MANIFOLD TUNING VALVE	482	Diagnosis Procedure	514	E
DTC Logic	482	Component Inspection	516	
Diagnosis Procedure	482	P2138 APP SENSOR	517	F
Component Inspection	483	DTC Logic	517	
P1805 BRAKE SWITCH	485	Diagnosis Procedure	517	
DTC Logic	485	Component Inspection	519	G
Diagnosis Procedure	485	P219A AIR FUEL RATIO	520	
Component Inspection (Stop Lamp Switch)	487	DTC Logic	520	
Component Inspection (Stop Lamp Relay)	487	Diagnosis Procedure	521	H
P2004 INTAKE MANIFOLD RUNNER CONTROL VALVE	488	P219C, P219D, P219E, P219F AIR FUEL RATIO	525	
DTC Logic	488	DTC Logic	525	I
Diagnosis Procedure	488	Diagnosis Procedure	526	
Component Inspection	489	P2610 ECM INTERNAL TIMER	531	J
P2014, P2016, P2017, P2018 INTAKE MANIFOLD RUNNER CONTROL VALVE POSITION SENSOR	491	Description	531	
DTC Logic	491	DTC Logic	531	
Diagnosis Procedure	491	Diagnosis Procedure	532	K
P2096, P2097 A/F SENSOR 1	494	BRAKE PEDAL POSITION SWITCH	533	
DTC Logic	494	Component Function Check	533	L
Diagnosis Procedure	494	Diagnosis Procedure	533	
P2100, P2103 THROTTLE CONTROL MOTOR RELAY	498	Component Inspection (Brake Pedal Position Switch)	534	M
DTC Logic	498	COOLING FAN	536	
Diagnosis Procedure	498	Component Function Check	536	
P2101 ELECTRIC THROTTLE CONTROL FUNCTION	501	Diagnosis Procedure	536	N
DTC Logic	501	Component Inspection (Cooling Fan Motor)	538	
Diagnosis Procedure	501	Component Inspection (Cooling Fan Relay)	539	O
Component Inspection	503	ELECTRICAL LOAD SIGNAL	540	
P2118 THROTTLE CONTROL MOTOR	504	Description	540	
DTC Logic	504	Component Function Check	540	
Diagnosis Procedure	504	Diagnosis Procedure	540	P
Component Inspection	505	FUEL INJECTOR	542	
P2119 ELECTRIC THROTTLE CONTROL ACTUATOR	506	Component Function Check	542	
DTC Logic	506	Diagnosis Procedure	542	
		Component Inspection	543	
		FUEL PUMP	545	
		Description	545	
		Component Function Check	545	
		Diagnosis Procedure	545	

Component Inspection	547	Removal and Installation	577
IGNITION SIGNAL	548	SERVICE DATA AND SPECIFICATIONS	
Component Function Check	548	(SDS)	578
Diagnosis Procedure	548	SERVICE DATA AND SPECIFICATIONS	
Component Inspection (Ignition Coil with Power		(SDS)	578
Transistor)	551	Idle Speed	578
Component Inspection (Condenser-1)	552	Ignition Timing	578
INFORMATION DISPLAY (ASCD)	553	Calculated Load Value	578
Component Function Check	553	Mass Air Flow Sensor	578
Diagnosis Procedure	553		
MALFUNCTION INDICATOR LAMP	554		
Component Function Check	554		
Diagnosis Procedure	554		
ON BOARD REFUELING VAPOR RECOV-			
ERY (ORVR)	555		
Component Function Check	555		
Diagnosis Procedure	555		
Component Inspection	557		
REFRIGERANT PRESSURE SENSOR	560		
Component Function Check	560		
Diagnosis Procedure	560		
SENSOR POWER SUPPLY 2 CIRCUIT	562		
Description	562		
Diagnosis Procedure	562		
SYMPTOM DIAGNOSIS	564		
ENGINE CONTROL SYSTEM	564		
Symptom Table	564		
INFORMATION DISPLAY IS MALFUNCTION-			
ING	569		
Diagnosis Procedure	569		
NORMAL OPERATING CONDITION	570		
Description	570		
PERIODIC MAINTENANCE	571		
IDLE SPEED	571		
Inspection	571		
IGNITION TIMING	572		
Inspection	572		
EVAPORATIVE EMISSION SYSTEM	573		
Inspection	573		
EVAP LEAK CHECK	574		
Inspection	574		
POSITIVE CRANKCASE VENTILATION	576		
Inspection	576		
REMOVAL AND INSTALLATION	577		
ECM	577		
		VQ35DE	
		PRECAUTION	579
		PRECAUTIONS	579
		Precaution for Supplemental Restraint System	
		(SRS) "AIR BAG" and "SEAT BELT PRE-TEN-	
		SIONER"	579
		On Board Diagnostic (OBD) System of Engine	
		and CVT	579
		General Precautions	580
		PREPARATION	583
		PREPARATION	583
		Special Service Tools	583
		Commercial Service Tools	583
		SYSTEM DESCRIPTION	585
		COMPONENT PARTS	585
		ENGINE CONTROL SYSTEM	585
		ENGINE CONTROL SYSTEM : Component Parts	
		Location	585
		Accelerator Pedal Position Sensor	589
		Air Fuel Ratio (A/F) Sensor 1	589
		ASCD Steering Switch	590
		Battery Current Sensor (With Battery Tempera-	
		ture Sensor)	590
		Camshaft Position Sensor (PHASE)	590
		Cooling Fan	591
		Crankshaft Position Sensor (POS)	591
		ECM	591
		Electric Throttle Control Actuator	592
		Electronic Controlled Engine Mount	592
		Engine Coolant Temperature Sensor	593
		Engine Oil Pressure Sensor	593
		Engine Oil Temperature Sensor	593
		EVAP Canister	594
		EVAP Canister Purge Volume Control Solenoid	
		Valve	594
		EVAP Canister Vent Control Valve	594
		EVAP Control System Pressure Sensor	594
		Fuel Injector	595
		Fuel Level Sensor Unit and Fuel Pump (With Fuel	
		Tank Temperature Sensor)	595
		Heated Oxygen Sensor 2	596
		Ignition Coil (With Power Transistor)	596

Intake Valve Timing Control Solenoid Valve	596	ENGINE PROTECTION CONTROL AT LOW EN-	
Intake Valve Timing Intermediate Lock Control		GINE OIL PRESSURE	624
Solenoid Valve	597	ENGINE PROTECTION CONTROL AT LOW EN-	
Exhaust Valve Timing Control Position Sensor	597	GINE OIL PRESSURE : System Description	624
Exhaust Valve Timing Control Solenoid Valve	597	FUEL FILLER CAP WARNING SYSTEM	625
Knock Sensor	597	FUEL FILLER CAP WARNING SYSTEM : System	
Malfunction Indicator Lamp (MIL)	598	Description	626
Mass Air Flow Sensor (With Intake Air Tempera-		VARIABLE INDUCTION AIR SYSTEM	627
ture Sensor)	598	VARIABLE INDUCTION AIR SYSTEM : System	
Oil Pressure Warning Lamp	599	Description	627
Power Valve Actuator 1 and 2	599	INTEGRATED CONTROL OF ENGINE, CVT, AND	
Refrigerant Pressure Sensor	599	ABS	628
Stop Lamp Switch & Brake Pedal Position Switch.	599	INTEGRATED CONTROL OF ENGINE, CVT,	
VIAS Control Solenoid Valve 1 and 2	599	AND ABS : System Description	629
STRUCTURE AND OPERATION	600	ALTERNATOR POWER GENERATION VOLT-	
Positive Crankcase Ventilation (PCV)	600	AGE VARIABLE CONTROL SYSTEM	629
On Board Refueling Vapor Recovery (ORVR)	601	ALTERNATOR POWER GENERATION VOLT-	
SYSTEM	602	AGE VARIABLE CONTROL SYSTEM : System	
ENGINE CONTROL SYSTEM	602	Description	629
ENGINE CONTROL SYSTEM : System Descrip-		CAN COMMUNICATION	629
tion	602	CAN COMMUNICATION : System Description	629
ENGINE CONTROL SYSTEM : Fail-safe	603	OPERATION	630
MULTIPOINT FUEL INJECTION SYSTEM	605	AUTOMATIC SPEED CONTROL DEVICE (ASCD).	630
MULTIPOINT FUEL INJECTION SYSTEM : Sys-		AUTOMATIC SPEED CONTROL DEVICE (AS-	
tem Description	606	CD) : Switch Name and Function	630
ELECTRIC IGNITION SYSTEM	609	ON BOARD DIAGNOSTIC (OBD) SYSTEM ..	631
ELECTRIC IGNITION SYSTEM : System De-		Diagnosis Description	631
scription	609	GST (Generic Scan Tool)	631
AIR CONDITIONING CUT CONTROL	610	DIAGNOSIS SYSTEM (ECM)	632
AIR CONDITIONING CUT CONTROL : System		DIAGNOSIS DESCRIPTION	632
Description	611	DIAGNOSIS DESCRIPTION : 1st Trip Detection	
AUTOMATIC SPEED CONTROL DEVICE (ASCD).	612	Logic and Two Trip Detection Logic	632
AUTOMATIC SPEED CONTROL DEVICE (AS-		DIAGNOSIS DESCRIPTION : DTC and Freeze	
CD) : System Description	612	Frame Data	632
COOLING FAN CONTROL	613	DIAGNOSIS DESCRIPTION : Counter System ...	633
COOLING FAN CONTROL : System Description.	613	DIAGNOSIS DESCRIPTION : Driving Pattern	636
ELECTRONIC CONTROLLED ENGINE MOUNT ..	615	DIAGNOSIS DESCRIPTION : System Readiness	
ELECTRONIC CONTROLLED ENGINE MOUNT		Test (SRT) Code	637
: System Description	615	DIAGNOSIS DESCRIPTION : Permanent Diag-	
EVAPORATIVE EMISSION SYSTEM	617	nostic Trouble Code (Permanent DTC)	638
EVAPORATIVE EMISSION SYSTEM : System		DIAGNOSIS DESCRIPTION : Malfunction Indica-	
Description	618	tor Lamp (MIL)	639
THROTTLE CONTROL	619	On Board Diagnosis Function	639
THROTTLE CONTROL : System Description	619	CONSULT Function	642
INTAKE VALVE TIMING CONTROL	620	ECU DIAGNOSIS INFORMATION	656
INTAKE VALVE TIMING CONTROL : System De-		ECM	656
scription	620	Reference Value	656
EXHAUST VALVE TIMING CONTROL	623	Fail-safe	673
EXHAUST VALVE TIMING CONTROL : System		DTC Inspection Priority Chart	674
Description	624	DTC Index	676

Test Value and Test Limit	680	Component Function Check	750
WIRING DIAGRAM	689	Diagnosis Procedure	751
ENGINE CONTROL SYSTEM	689	POWER SUPPLY AND GROUND CIRCUIT ...	758
Wiring Diagram	689	Diagnosis Procedure	758
BASIC INSPECTION	719	U0101 CAN COMM CIRCUIT	762
DIAGNOSIS AND REPAIR WORKFLOW	719	Description	762
Work Flow	719	DTC Logic	762
Diagnostic Work Sheet	722	Diagnosis Procedure	762
BASIC INSPECTION	724	U1000 CAN COMM CIRCUIT	763
Work Procedure	724	Description	763
ADDITIONAL SERVICE WHEN REPLACING		DTC Logic	763
ECM	728	Diagnosis Procedure	763
Description	728	P0011, P0021 IVT CONTROL	764
Work Procedure	728	DTC Logic	764
ACCELERATOR PEDAL RELEASED POSI-		Diagnosis Procedure	765
TION LEARNING	730	Component Inspection	766
Description	730	P0014, P0024 EVT CONTROL	768
Work Procedure	730	DTC Description	768
THROTTLE VALVE CLOSED POSITION		Diagnosis Procedure	769
LEARNING	731	Component Inspection (Camshaft Position Sen-	
Description	731	sor)	771
Work Procedure	731	Component Inspection (Crankshaft Position Sen-	
IDLE AIR VOLUME LEARNING	732	sor)	771
Description	732	Component Inspection (Exhaust Valve Timing	
Work Procedure	732	Control Position Sensor)	772
MIXTURE RATIO SELF-LEARNING VALUE		Component Inspection (Exhaust Valve Timing	
CLEAR	734	Control Solenoid Valve)	773
Description	734	P0030, P0031, P0032, P0036, P0051, P0052	
Work Procedure	734	A/F SENSOR 1 HEATER	774
VIN REGISTRATION	735	DTC Logic	774
Description	735	Diagnosis Procedure	774
Work Procedure	735	Component Inspection	775
FUEL PRESSURE	736	P0037, P0038, P0057, P0058 HO2S2 HEAT-	
Work Procedure	736	ER	777
HOW TO SET SRT CODE	738	DTC Logic	777
Description	738	Diagnosis Procedure	777
SRT Set Driving Pattern	739	Component Inspection	778
Work Procedure	741	P0075, P0081 IVT CONTROL SOLENOID	
HOW TO ERASE PERMANENT DTC	744	VALVE	780
Description	744	DTC Logic	780
Work Procedure (Group A)	745	Diagnosis Procedure	780
Work Procedure (Group B)	747	Component Inspection (IVT Control Solenoid	
DTC/CIRCUIT DIAGNOSIS	750	Valve)	782
TROUBLE DIAGNOSIS - SPECIFICATION		Component Inspection (IVT Intermediate Lock	
VALUE	750	Control Solenoid Valve)	783
Description	750	P0078, P0084 EVT CONTROL SOLENOID	
		VALVE	784
		DTC Description	784
		Diagnosis Procedure	784
		Component Inspection (Exhaust Valve Timing	
		Control Solenoid Valve)	785

P0101 MAF SENSOR	787	DTC Logic	820	
DTC Logic	787	Diagnosis Procedure	821	A
Diagnosis Procedure	787			
Component Inspection	789	P0137, P0157 HO2S2	823	EC
P0102, P0103 MAF SENSOR	792	DTC Logic	823	
DTC Logic	792	Component Function Check	824	
Diagnosis Procedure	792	Diagnosis Procedure	825	
Component Inspection	793	Component Inspection	826	C
P0111 IAT SENSOR	796	P0138, P0158 HO2S2	829	
DTC Logic	796	DTC Logic	829	
Component Function Check	797	Component Function Check	831	D
Diagnosis Procedure	797	Diagnosis Procedure	831	
Component Inspection	797	Component Inspection	834	
P0112, P0113 IAT SENSOR	798	P0139, P0159 HO2S2	836	E
DTC Logic	798	DTC Logic	836	
Diagnosis Procedure	798	Component Function Check	837	
Component Inspection	799	Diagnosis Procedure	838	F
P0116 ECT SENSOR	800	Component Inspection	839	
DTC Logic	800	P014C, P014D, P014E, P014F, P015A,		
Component Function Check	801	P015B, P015C, P015D A/F SENSOR 1	842	G
Diagnosis Procedure	801	DTC Logic	842	
Component Inspection	801	Diagnosis Procedure	844	
P0117, P0118 ECT SENSOR	802	P0171, P0174 FUEL INJECTION SYSTEM		H
DTC Logic	802	FUNCTION	848	
Diagnosis Procedure	802	DTC Logic	848	I
Component Inspection	803	Diagnosis Procedure	849	
P0122, P0123 TP SENSOR	804	P0172, P0175 FUEL INJECTION SYSTEM		J
DTC Logic	804	FUNCTION	852	
Diagnosis Procedure	804	DTC Logic	852	
Component Inspection	805	Diagnosis Procedure	853	
P0125 ECT SENSOR	806	P0181 FTT SENSOR	856	K
DTC Logic	806	DTC Logic	856	
Diagnosis Procedure	806	Component Function Check	857	
Component Inspection	807	Diagnosis Procedure	858	L
P0127 IAT SENSOR	808	Component Inspection	859	
DTC Logic	808	P0182, P0183 FTT SENSOR	860	M
Diagnosis Procedure	808	DTC Logic	860	
Component Inspection	809	Diagnosis Procedure	860	
P0128 THERMOSTAT FUNCTION	810	Component Inspection	861	
DTC Logic	810	P0196 EOT SENSOR	862	N
Diagnosis Procedure	811	DTC Logic	862	
Component Inspection	811	Component Function Check	864	
P0130, P0150 A/F SENSOR 1	813	Diagnosis Procedure	864	O
DTC Logic	813	Component Inspection	864	
Component Function Check	814	P0197, P0198 EOT SENSOR	866	P
Diagnosis Procedure	815	DTC Logic	866	
P0131, P0151 A/F SENSOR 1	817	Diagnosis Procedure	866	
DTC Logic	817	Component Inspection	867	
Diagnosis Procedure	818	P0222, P0223 TP SENSOR	868	
P0132, P0152 A/F SENSOR 1	820	DTC Logic	868	
		Diagnosis Procedure	868	

Component Inspection	869	Component Inspection	910
P0300, P0301, P0302, P0303, P0304, P0305, P0306 MISFIRE	870	P0452 EVAP CONTROL SYSTEM PRES-SURE SENSOR	911
DTC Logic	870	DTC Logic	911
Diagnosis Procedure	871	Diagnosis Procedure	912
P0327, P0328, P0332, P0333 KS	876	Component Inspection	913
DTC Logic	876	P0453 EVAP CONTROL SYSTEM PRES-SURE SENSOR	914
Diagnosis Procedure	876	DTC Logic	914
Component Inspection	877	Diagnosis Procedure	915
P0335 CKP SENSOR (POS)	878	Component Inspection	917
DTC Logic	878	P0456 EVAP CONTROL SYSTEM	918
Diagnosis Procedure	878	DTC Logic	918
Component Inspection	880	Diagnosis Procedure	919
P0340, P0345 CMP SENSOR (PHASE)	881	Component Inspection	922
DTC Logic	881	P0460 FUEL LEVEL SENSOR	924
Diagnosis Procedure	881	DTC Logic	924
Component Inspection	883	Diagnosis Procedure	924
P0420, P0430 THREE WAY CATALYST FUNCTION	884	P0461 FUEL LEVEL SENSOR	925
DTC Logic	884	DTC Logic	925
Component Function Check	885	Component Function Check	925
Diagnosis Procedure	886	Diagnosis Procedure	926
P0441 EVAP CONTROL SYSTEM	889	P0462, P0463 FUEL LEVEL SENSOR	927
DTC Logic	889	DTC Logic	927
Component Function Check	890	Diagnosis Procedure	927
Diagnosis Procedure	891	P0500 VSS	928
P0443 EVAP CANISTER PURGE VOLUME CONTROL SOLENOID VALVE	894	Description	928
DTC Logic	894	DTC Logic	928
Diagnosis Procedure	895	Diagnosis Procedure	928
Component Inspection	896	P0506 ISC SYSTEM	930
P0444, P0445 EVAP CANISTER PURGE VOLUME CONTROL SOLENOID VALVE	898	Description	930
DTC Logic	898	DTC Logic	930
Diagnosis Procedure	898	Diagnosis Procedure	930
Component Inspection	899	P0507 ISC SYSTEM	932
P0447 EVAP CANISTER VENT CONTROL VALVE	901	Description	932
DTC Logic	901	DTC Logic	932
Diagnosis Procedure	901	Diagnosis Procedure	932
Component Inspection	902	P050A, P050E COLD START CONTROL	934
P0448 EVAP CANISTER VENT CONTROL VALVE	904	Description	934
DTC Logic	904	DTC Logic	934
Diagnosis Procedure	904	Diagnosis Procedure	935
Component Inspection	906	P0520 EOP SENSOR	936
P0451 EVAP CONTROL SYSTEM PRES-SURE SENSOR	908	DTC Logic	936
DTC Logic	908	Diagnosis Procedure	936
Diagnosis Procedure	909	Component Inspection	938
		P0524 ENGINE OIL PRESSURE	939
		DTC Logic	939
		Diagnosis Procedure	940
		Component Inspection	941

P052A, P052B, P052C, P052D INTAKE VALVE TIMING CONTROL	942	
DTC Logic	942	
Diagnosis Procedure	943	
Component Inspection (Intake Valve Timing Control Solenoid Valve)	944	
Component Inspection (Intake Valve Timing Intermediate Lock Control Solenoid Valve)	945	
Component Inspection (Crankshaft Position sensor)	945	
Component Inspection (Camshaft position sensor)	946	
P0603, P062F ECM	948	
DTC Description	948	
Diagnosis Procedure	949	
P0604 ECM	950	
DTC Logic	950	
Diagnosis Procedure	950	
P0605 ECM	951	
DTC Logic	951	
Diagnosis Procedure	951	
P0606 ECM	952	
DTC Logic	952	
Diagnosis Procedure	952	
P0607 ECM	953	
DTC Logic	953	
Diagnosis Procedure	953	
P060A ECM	954	
DTC Logic	954	
Diagnosis Procedure	954	
P060B ECM	955	
DTC Logic	955	
Diagnosis Procedure	955	
P0643 SENSOR POWER SUPPLY	956	
Description	956	
DTC Logic	956	
Diagnosis Procedure	956	
P0850 PNP SWITCH	958	
Description	958	
DTC Logic	958	
Component Function Check	959	
Diagnosis Procedure	959	
P1078, P1084 EVT CONTROL POSITION SENSOR	961	
DTC Description	961	
Diagnosis Procedure	962	
Component Inspection (Exhaust Valve Timing Control Position Sensor)	964	
P1148, P1168 CLOSED LOOP CONTROL	965	
DTC Logic	965	
P1212 TCS COMMUNICATION LINE	966	A
Description	966	
DTC Logic	966	
Diagnosis Procedure	966	
P1217 ENGINE OVER TEMPERATURE	967	EC
DTC Logic	967	
Component Function Check	967	
Diagnosis Procedure	968	C
P1225 TP SENSOR	970	
DTC Logic	970	D
Diagnosis Procedure	970	
P1226 TP SENSOR	971	
DTC Logic	971	E
Diagnosis Procedure	971	
P1550 BATTERY CURRENT SENSOR	972	F
DTC Logic	972	
Diagnosis Procedure	972	
Component Inspection	973	
P1551, P1552 BATTERY CURRENT SENSOR	974	G
DTC Logic	974	
Diagnosis Procedure	974	H
Component Inspection	975	
P1553 BATTERY CURRENT SENSOR	976	I
DTC Logic	976	
Diagnosis Procedure	976	
Component Inspection	977	J
P1554 BATTERY CURRENT SENSOR	978	
DTC Logic	978	K
Component Function Check	978	
Diagnosis Procedure	978	
Component Inspection	979	
P1556, P1557 BATTERY TEMPERATURE SENSOR	981	L
DTC Logic	981	
Diagnosis Procedure	981	M
Component Inspection (Battery Temperature Sensor)	982	
P1564 ASCD STEERING SWITCH	983	N
DTC Logic	983	
Diagnosis Procedure	983	O
Component Inspection	985	
P1564 ICC STEERING SWITCH	986	P
DTC Logic	986	
Diagnosis Procedure	986	
Component Inspection	988	
P1568 ICC FUNCTION	989	
DTC Logic	989	
Diagnosis Procedure	989	

P1572 BRAKE PEDAL POSITION SWITCH .. 990	P2119 ELECTRIC THROTTLE CONTROL ACTUATOR1021
Description990	DTC Logic1021
DTC Logic990	Diagnosis Procedure1021
Component Function Check991	P2122, P2123 APP SENSOR1023
Diagnosis Procedure992	DTC Logic1023
Component Inspection (Brake Pedal Position Switch)995	Diagnosis Procedure1023
Component Inspection (Stop Lamp Switch)995	Component Inspection1024
Component Inspection (Stop Lamp Relay)996	P2127, P2128 APP SENSOR1025
P1574 ASCD VEHICLE SPEED SENSOR 997	DTC Logic1025
Description997	Diagnosis Procedure1025
DTC Logic997	Component Inspection1026
Diagnosis Procedure997	P2135 TP SENSOR1028
P1574 ICC VEHICLE SPEED SENSOR 999	DTC Logic1028
Description999	Diagnosis Procedure1028
DTC Logic999	Component Inspection1029
Diagnosis Procedure999	P2138 APP SENSOR1030
P1715 INPUT SPEED SENSOR1001	DTC Logic1030
Description1001	Diagnosis Procedure1030
DTC Logic1001	Component Inspection1032
Diagnosis Procedure1001	P219A, P219B AIR FUEL RATIO1033
P1800 VIAS CONTROL SOLENOID VALVE 11003	DTC Logic1033
DTC Logic1003	Diagnosis Procedure1034
Diagnosis Procedure1003	P2610 ECM INTERNAL TIMER1038
Component Inspection1004	Description1038
P1801 VIAS CONTROL SOLENOID VALVE 21005	DTC Logic1038
DTC Logic1005	Diagnosis Procedure1039
Diagnosis Procedure1005	BRAKE PEDAL POSITION SWITCH1040
Component Inspection1006	Component Function Check1040
P1805 BRAKE SWITCH1007	Diagnosis Procedure1040
Description1007	Component Inspection (Brake Pedal Position Switch)1041
DTC Logic1007	ASCD INDICATOR1043
Diagnosis Procedure1007	Component Function Check1043
Component Inspection (Stop Lamp Switch)1009	Diagnosis Procedure1043
Component Inspection (Stop Lamp Relay)1009	COOLING FAN1044
P2096, P2097, P2098, P2099 A/F SENSOR 11010	Component Function Check1044
DTC Logic1010	Diagnosis Procedure1044
Diagnosis Procedure1010	Component Inspection (Cooling Fan Motor)1046
P2100, P2103 THROTTLE CONTROL MOTOR RELAY1014	Component Inspection (Cooling Fan Relay)1047
DTC Logic1014	ELECTRICAL LOAD SIGNAL1048
Diagnosis Procedure1014	Description1048
P2101 ELECTRIC THROTTLE CONTROL FUNCTION1016	Component Function Check1048
DTC Logic1016	Diagnosis Procedure1048
Diagnosis Procedure1016	ELECTRONIC CONTROLLED ENGINE MOUNT1050
Component Inspection1018	Component Function Check1050
P2118 THROTTLE CONTROL MOTOR1019	Diagnosis Procedure1050
DTC Logic1019	Component Inspection1051
Diagnosis Procedure1019	
Component Inspection1020	

FUEL INJECTOR	1053	VARIABLE INDUCTION AIR SYSTEM	1074	
Component Function Check	1053	Component Function Check	1074	A
Diagnosis Procedure	1053	Diagnosis Procedure	1075	
Component Inspection	1054			
FUEL PUMP	1056	SYMPTOM DIAGNOSIS	1078	EC
Component Function Check	1056	ENGINE CONTROL SYSTEM SYMPTOMS ..	1078	
Diagnosis Procedure	1056	Symptom Table	1078	C
Component Inspection	1057	NORMAL OPERATING CONDITION	1082	
IGNITION SIGNAL	1058	Description	1082	
Component Function Check	1058	PERIODIC MAINTENANCE	1083	D
Diagnosis Procedure	1058	IDLE SPEED	1083	
Component Inspection (Ignition Coil with Power Transistor)	1061	Work Procedure	1083	E
Component Inspection (Condenser)	1062	IGNITION TIMING	1084	
INFORMATION DISPLAY (ASCD)	1063	Work Procedure	1084	F
Component Function Check	1063	EVAP LEAK CHECK	1085	
Diagnosis Procedure	1063	Work Procedure	1085	G
MALFUNCTION INDICATOR LAMP	1064	POSITIVE CRANKCASE VENTILATION	1087	
Component Function Check	1064	Work Procedure	1087	H
Diagnosis Procedure	1064	REMOVAL AND INSTALLATION	1088	
ON BOARD REFUELING VAPOR RECOV- ERY (ORVR)	1065	ECM	1088	I
Component Function Check	1065	Removal and Installation	1088	
Diagnosis Procedure	1065	SERVICE DATA AND SPECIFICATIONS		J
Component Inspection	1067	(SDS)	1089	
REFRIGERANT PRESSURE SENSOR	1070	SERVICE DATA AND SPECIFICATIONS		K
Component Function Check	1070	(SDS)	1089	
Diagnosis Procedure	1070	Idle Speed	1089	
SENSOR POWER SUPPLY2 CIRCUIT	1072	Ignition Timing	1089	L
Description	1072	Calculated Load Value	1089	
Diagnosis Procedure	1072	Mass Air Flow Sensor	1089	M
				N
				O
				P

PRECAUTION

PRECAUTIONS

Precaution for Supplemental Restraint System (SRS) "AIR BAG" and "SEAT BELT PRE-TENSIONER"

INFOID:000000012602162

The Supplemental Restraint System such as "AIR BAG" and "SEAT BELT PRE-TENSIONER", used along with a front seat belt, helps to reduce the risk or severity of injury to the driver and front passenger for certain types of collision. Information necessary to service the system safely is included in the SR and SB section of this Service Manual.

WARNING:

- To avoid rendering the SRS inoperative, which could increase the risk of personal injury or death in the event of a collision which would result in air bag inflation, it is recommended that all maintenance and repair be performed by an authorized NISSAN/INFINITI dealer.
- Improper repair, including incorrect removal and installation of the SRS, can lead to personal injury caused by unintentional activation of the system. For removal of Spiral Cable and Air Bag Module, see the SR section.
- Do not use electrical test equipment on any circuit related to the SRS unless instructed to in this Service Manual. SRS wiring harnesses can be identified by yellow and/or orange harnesses or harness connectors.

PRECAUTIONS WHEN USING POWER TOOLS (AIR OR ELECTRIC) AND HAMMERS

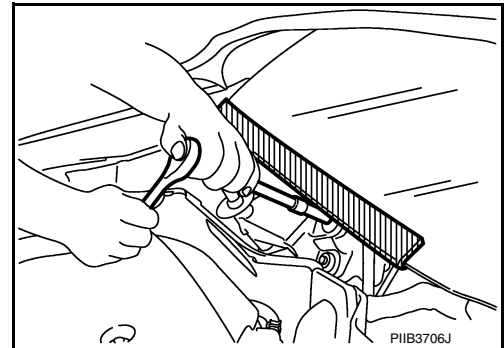
WARNING:

- When working near the Airbag Diagnosis Sensor Unit or other Airbag System sensors with the Ignition ON or engine running, DO NOT use air or electric power tools or strike near the sensor(s) with a hammer. Heavy vibration could activate the sensor(s) and deploy the air bag(s), possibly causing serious injury.
- When using air or electric power tools or hammers, always switch the Ignition OFF, disconnect the battery or batteries, and wait at least three minutes before performing any service.

Precaution for Procedure without Cowl Top Cover

INFOID:000000012602163

When performing the procedure after removing cowl top cover, cover the lower end of windshield with urethane, etc to prevent damage to windshield.



On Board Diagnostic (OBD) System of Engine and CVT

INFOID:000000012602164

The ECM has an on board diagnostic system. It will light up the malfunction indicator lamp (MIL) to warn the driver of a malfunction causing emission deterioration.

CAUTION:

- Be sure to turn the ignition switch OFF and disconnect the negative battery cable before any repair or inspection work. The open/short circuit of related switches, sensors, solenoid valves, etc. will cause the MIL to light up.
- Be sure to connect and lock the connectors securely after work. A loose (unlocked) connector will cause the MIL to light up due to the open circuit. (Be sure the connector is free from water, grease, dirt, bent terminals, etc.)
- Certain systems and components, especially those related to OBD, may use a new style slide-locking type harness connector. For description and how to disconnect, refer to [PG-9. "Harness Connector"](#).
- Be sure to route and secure the harnesses properly after work. The interference of the harness with a bracket, etc. may cause the MIL to light up due to the short circuit.

PRECAUTIONS

[QR25DE]

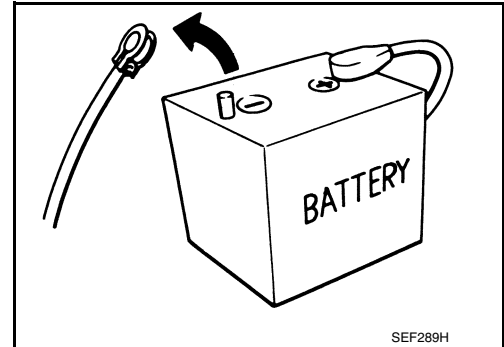
< PRECAUTION >

- Be sure to connect rubber tubes properly after work. A misconnected or disconnected rubber tube may cause the MIL to light up due to the malfunction of the EVAP system or fuel injection system, etc.
- Be sure to erase the unnecessary malfunction information (repairs completed) from the ECM and TCM (Transmission control module) before returning the vehicle to the customer.

General Precautions

INFOID:000000012602165

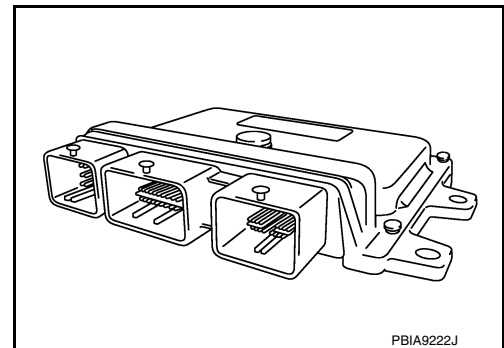
- Always use a 12 volt battery as power source.
- Do not attempt to disconnect battery cables while engine is running.
- Before connecting or disconnecting the ECM harness connector, turn ignition switch OFF and disconnect negative battery cable. Failure to do so may damage the ECM because battery voltage is applied to ECM even if ignition switch is turned OFF.
- Before removing parts, turn ignition switch OFF and then disconnect battery ground cable.



- Do not disassemble ECM.
- If a battery cable is disconnected, the memory will return to the ECM value.

The ECM will now start to self-control at its initial value. Engine operation can vary slightly when the terminal is disconnected. However, this is not an indication of a malfunction. Do not replace parts because of a slight variation.

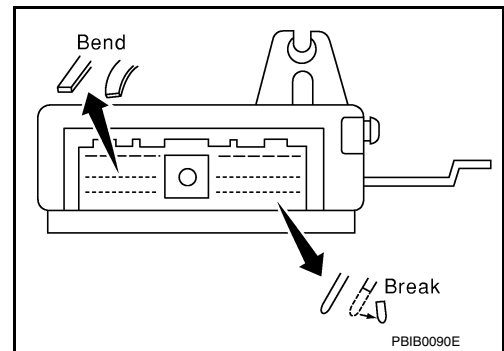
- If the battery is disconnected, the following emission-related diagnostic information will be lost within 24 hours.
 - Diagnostic trouble codes
 - 1st trip diagnostic trouble codes
 - Freeze frame data
 - 1st trip freeze frame data
 - System readiness test (SRT) codes
 - Test values



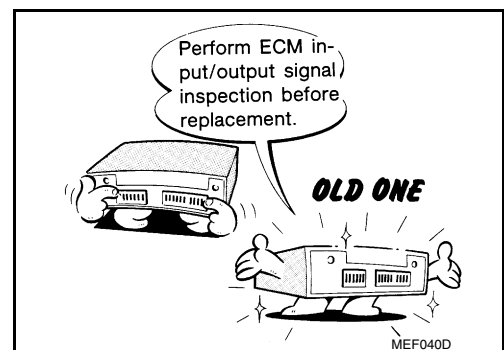
- When connecting or disconnecting pin connectors into or from ECM, take care not to damage pin terminals (bend or break).

Make sure that there are not any bends or breaks on ECM pin terminal, when connecting pin connectors.

- Securely connect ECM harness connectors. A poor connection can cause an extremely high (surge) voltage to develop in coil and condenser, thus resulting in damage to ICs.
- Keep engine control system harness at least 10 cm (4 in) away from adjacent harness, to prevent engine control system malfunctions due to receiving external noise, degraded operation of ICs, etc.



- Keep engine control system parts and harness dry.
- Before replacing ECM, perform ECM Terminals and Reference Value inspection and make sure ECM functions properly. Refer to [EC-91, "Reference Value"](#).
- Handle mass air flow sensor carefully to avoid damage.
- Do not clean mass air flow sensor with any type of detergent.
- Do not disassemble electric throttle control actuator.
- Even a slight leak in the air intake system can cause serious incidents.
- Do not shock or jar the camshaft position sensor (PHASE), crankshaft position sensor (POS).

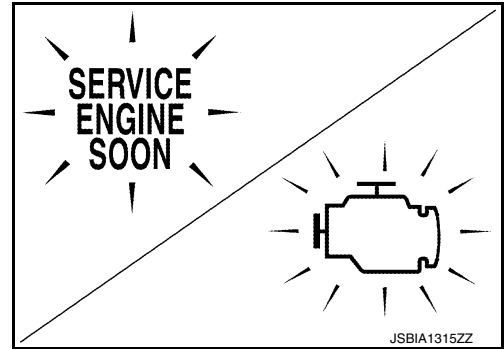


PRECAUTIONS

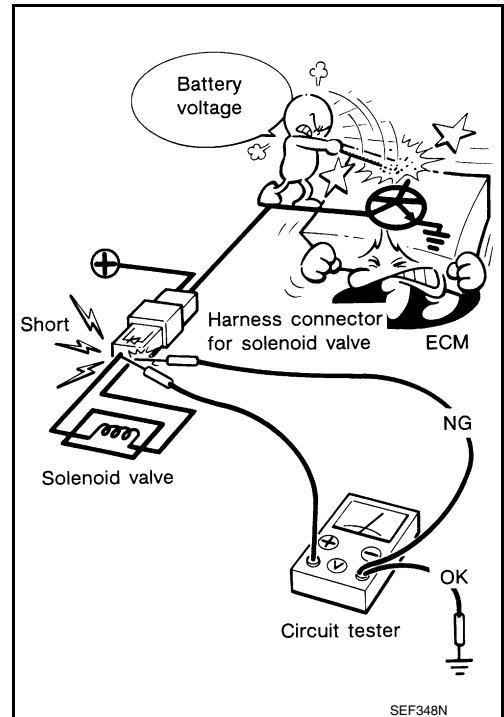
< PRECAUTION >

[QR25DE]

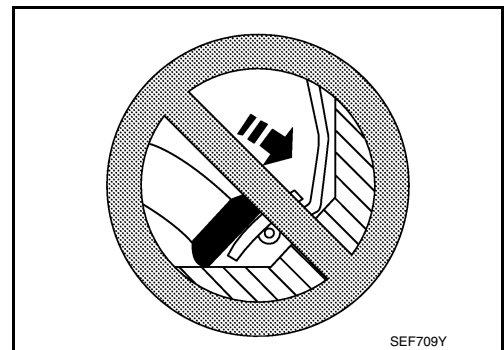
- After performing each TROUBLE DIAGNOSIS, perform DTC CONFIRMATION PROCEDURE or Component Function Check. The DTC should not be displayed in the DTC Confirmation Procedure if the repair is completed. The Component Function Check should be a good result if the repair is completed.



- When measuring ECM signals with a circuit tester, never allow the two tester probes to contact. Accidental contact of probes will cause a short circuit and damage the ECM power transistor.



- Do not operate fuel pump when there is no fuel in lines.
- Tighten fuel hose clamps to the specified torque.
- Do not depress accelerator pedal when starting.
- Immediately after starting, do not rev up engine unnecessarily.
- Do not rev up engine just prior to shutdown.

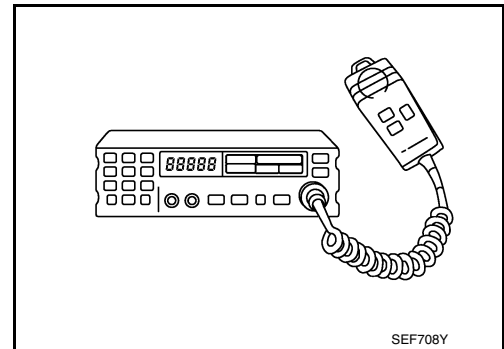


PRECAUTIONS

[QR25DE]

< PRECAUTION >

- When installing C.B. ham radio or a mobile phone, be sure to observe the following as it may adversely affect electronic control systems depending on installation location.
- Keep the antenna as far as possible from the electronic control units.
- Keep the antenna feeder line more than 20 cm (8 in) away from the harness of electronic controls.
Do not let them run parallel for a long distance.
- Adjust the antenna and feeder line so that the standing-wave ratio can be kept smaller.
- Be sure to ground the radio to vehicle body.



A

EC

C

D

E

F

G

H

I

J

K

L

M

N

O

P

PREPARATION

< PREPARATION >

[QR25DE]

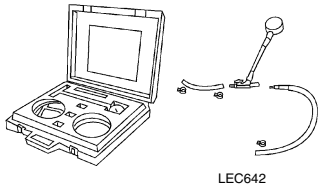
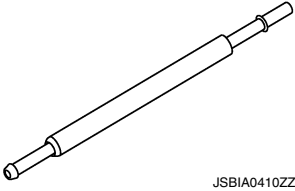
PREPARATION

PREPARATION

Special Service Tools

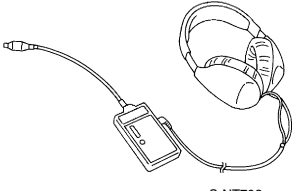
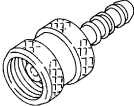
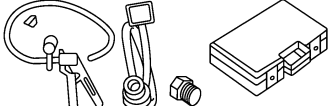
INFOID:000000012602166

The actual shape of the tools may differ from those illustrated here.

Tool number (TechMate No.) Tool name	Description
(J-44321) Fuel pressure gauge kit  LEC642	Checks fuel pressure
KV10120000 Fuel tube adapter  JSBIA0410ZZ	Measures fuel pressure

Commercial Service Tools

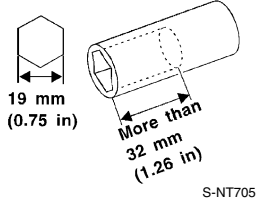
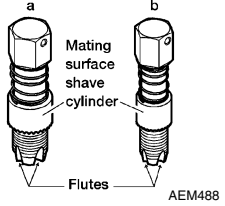
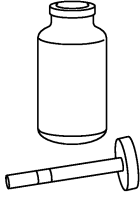
INFOID:000000012602167

Tool name (TechMate No.)	Description
Leak detector i.e.: (J-41416)  S-NT703	Locates the EVAP leak
EVAP service port adapter i.e.: (J-41413-OBDD)  S-NT704	Applies positive pressure through EVAP service port
Fuel filler cap adapter i.e.: (J-42909)  ALBIA1353ZZ	Checks fuel tank vacuum relief valve opening pressure

PREPARATION

< PREPARATION >

[QR25DE]

Tool name (TechMate No.)	Description	
<p>Socket wrench</p>  <p>S-NT705</p>	<p>Removes and installs engine coolant temperature sensor</p>	<p>A EC C</p>
<p>Oxygen sensor thread cleaner i.e.: (J-43897-18) (J-43897-12)</p>  <p>AEM488</p>	<p>Reconditions the exhaust system threads before installing a new oxygen sensor. Use with anti-seize lubricant shown below. a: 18 mm diameter with pitch 1.5 mm for Zirconia Oxygen Sensor b: 12 mm diameter with pitch 1.25 mm for Titanium Oxygen Sensor</p>	<p>D E F</p>
<p>Anti-seize lubricant i.e.: (Permatex™ 133AR or equivalent meeting MIL specification MIL-A-907)</p>  <p>S-NT779</p>	<p>Lubricates oxygen sensor thread cleaning tool when reconditioning exhaust system threads.</p>	<p>G H I J K L M N O P</p>

COMPONENT PARTS

< SYSTEM DESCRIPTION >

[QR25DE]

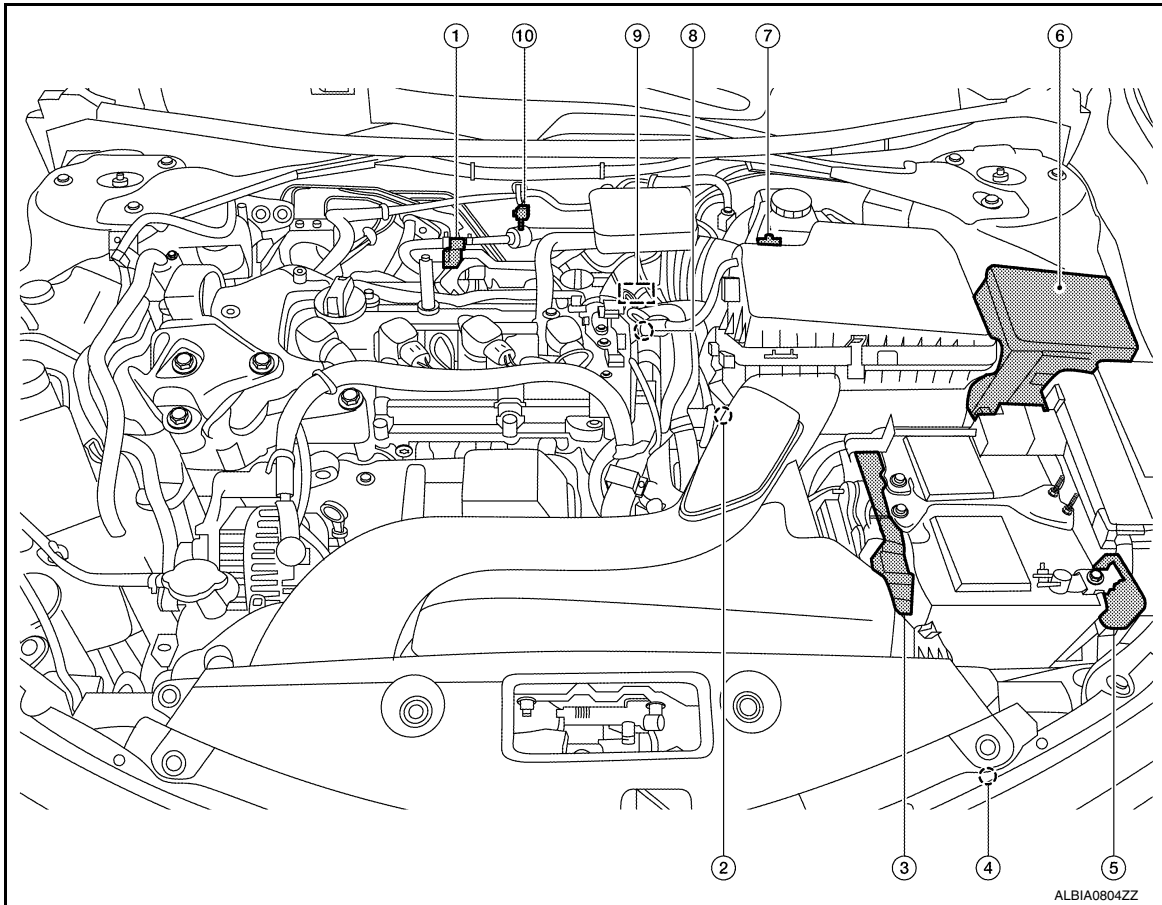
SYSTEM DESCRIPTION

COMPONENT PARTS

Component Parts Location

INFOID:000000012602168

ENGINE ROOM COMPARTMENT



ALBIA0804ZZ

No.	Component	Function
①	EVAP canister purge volume control solenoid valve	EC-37. "EVAP Canister Purge Volume Control Solenoid Valve"
②	Transmission range switch	<ul style="list-style-type: none"> The transmission range switch is installed to upper part of transaxle case. ECM detects the selector lever position because the continuity of the transmission range switch line (the ON) exists.
③	ECM	EC-27. "ECM"
④	Refrigerant pressure sensor	EC-38. "Refrigerant Pressure Sensor"
⑤	Battery current sensor (with battery temperature sensor)	EC-37. "Battery Current Sensor (With Battery Temperature Sensor)"
⑥	IPDM E/R	<ul style="list-style-type: none"> IPDM E/R control the internal relays and the actuators. Refer to PCS-6. "RELAY CONTROL SYSTEM : System Description". When CAN communication with ECM is impossible, IPDM E/R performs fail-safe control. Refer to PCS-20. "Fail Safe".
⑦	Mass air flow sensor (with intake air temperature sensor)	EC-29. "Mass Air Flow Sensor (With Intake Air Temperature Sensor)"

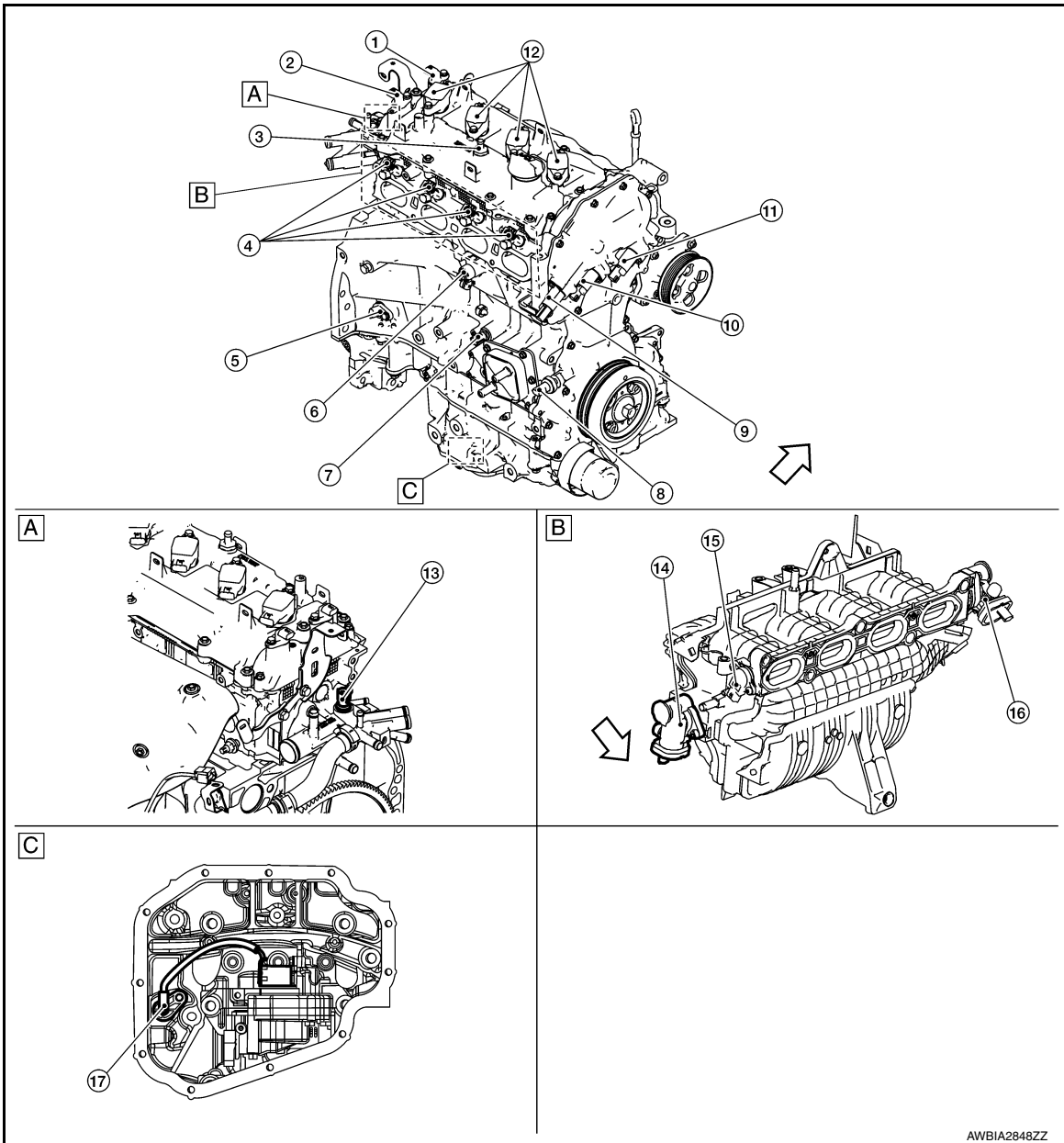
COMPONENT PARTS

< SYSTEM DESCRIPTION >

[QR25DE]

No.	Component	Function
⑧	Intake manifold runner control valve actuator	EC-33. "Intake Manifold Runner Control Valve"
⑨	Electric throttle control actuator (with built in throttle position sensor and throttle control motor)	EC-27. "Electric Throttle Control Actuator"
⑩	EVAP service port	When perform the EVAP leak check, positive pressure is delivered to the EVAP system through the EVAP service port. Refer to EC-574. "Inspection" .

ENGINE COMPARTMENT



A Engine rear side

B Intake side

C Engine under side

↶ : Vehicle front

COMPONENT PARTS

< SYSTEM DESCRIPTION >

[QR25DE]

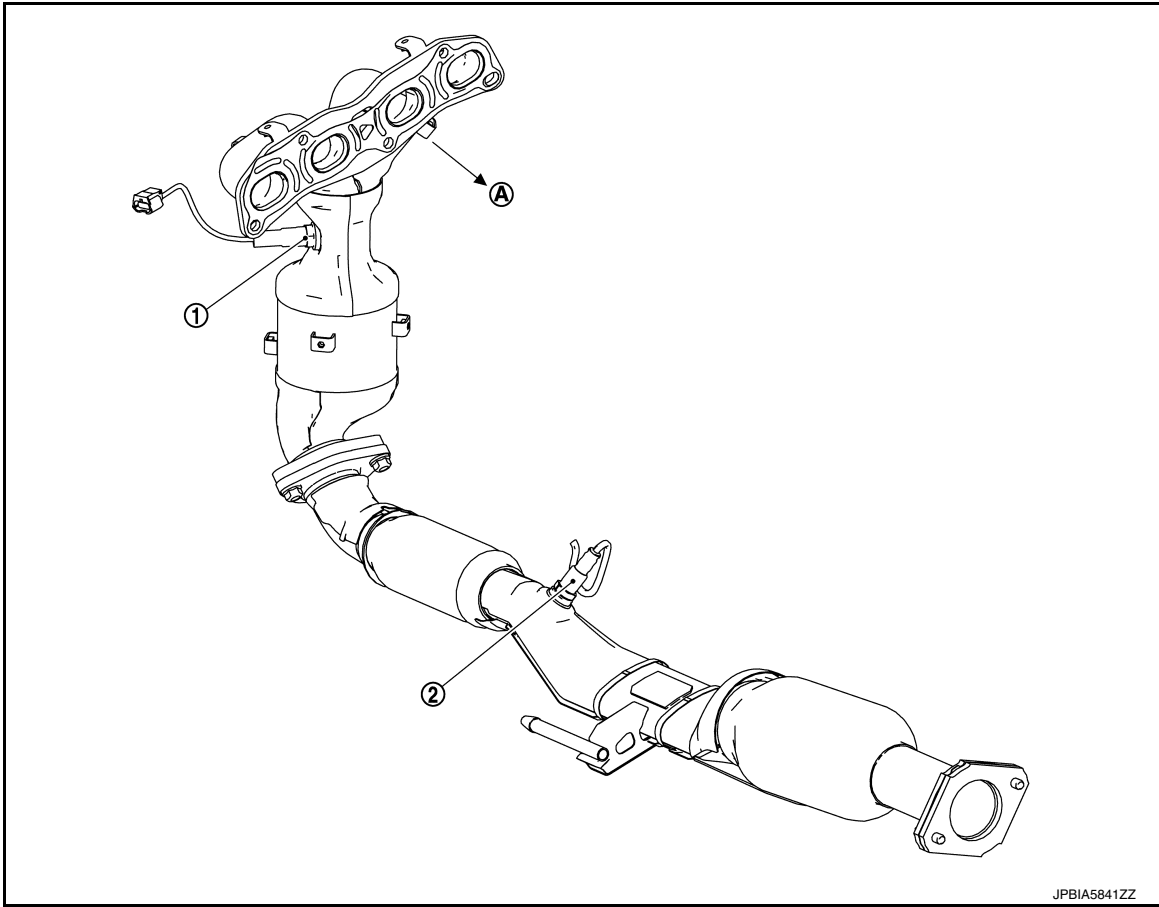
No.	Component	Function
①	Exhaust valve timing control position sensor	EC-32. "Exhaust Valve Timing Control Position Sensor"
②	Camshaft position sensor (PHASE)	EC-31. "Camshaft Position Sensor (PHASE)"
③	PCV valve	The positive crankcase ventilation (PCV) valve is provided to conduct crankcase blow-by gas to the intake manifold.
④	Fuel injector	EC-28. "Fuel Injector"
⑤	Crankshaft position sensor (POS)	EC-31. "Crankshaft Position Sensor (POS)"
⑥	Knock sensor	EC-35. "Knock Sensor"
⑦	Engine oil temperature sensor	EC-36. "Engine Oil Temperature Sensor"
⑧	Engine oil pressure sensor	EC-35. "Engine Oil Pressure Sensor"
⑨	Intake valve timing intermediate lock control solenoid valve	EC-32. "Intake Valve Timing Intermediate Lock Control Solenoid Valve"
⑩	Intake valve timing control solenoid valve	EC-32. "Intake Valve Timing Control Solenoid Valve"
⑪	Exhaust valve timing control solenoid valve	EC-33. "Exhaust Valve Timing Control Solenoid Valve"
⑫	Ignition coil (with power transistor)	EC-28. "Ignition Coil With Power Transistor"
⑬	Engine coolant temperature sensor	EC-30. "Engine Coolant Temperature Sensor"
⑭	Intake manifold tuning valve	EC-33. "Intake Manifold Tuning Valve"
⑮	Intake manifold runner control valve position sensor	EC-33. "Intake Manifold Runner Control Valve"
⑯	Intake manifold runner control valve actuator	
⑰	Engine oil pressure control solenoid valve	EC-35. "Engine Oil Pressure Control Solenoid Valve"

EXHAUST COMPARTMENT

COMPONENT PARTS

< SYSTEM DESCRIPTION >

[QR25DE]



(A) To engine assembly

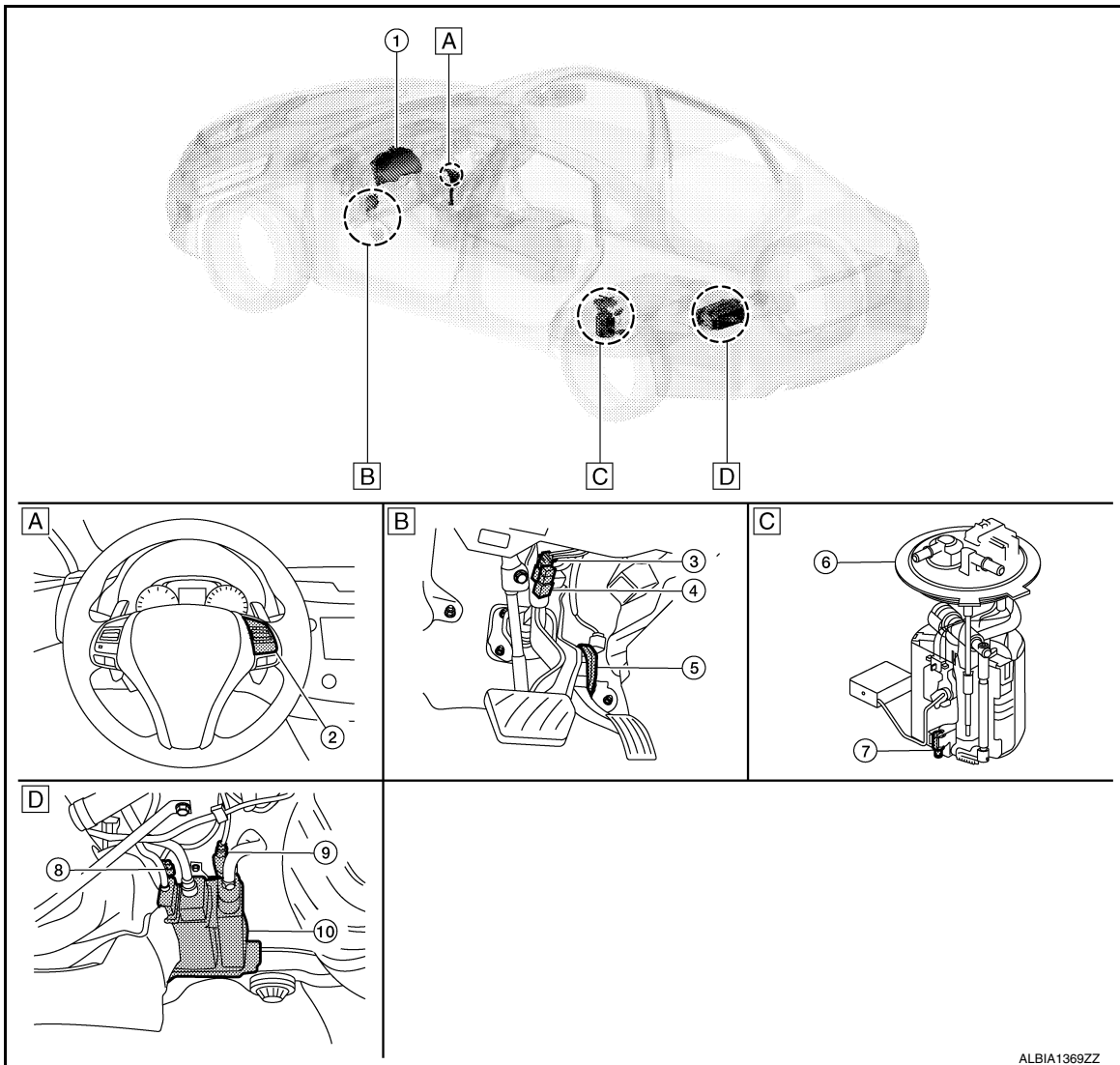
No.	Component	Function
①	Air fuel ratio (A/F) sensor 1	EC-34. "Air Fuel Ratio (A/F) Sensor 1"
②	Heated oxygen sensor 2	EC-34. "Heated Oxygen Sensor 2"

BODY COMPARTMENT

COMPONENT PARTS

< SYSTEM DESCRIPTION >

[QR25DE]



A. Instrument panel area
D. Rear of fuel tank area

B. Pedal periphery area

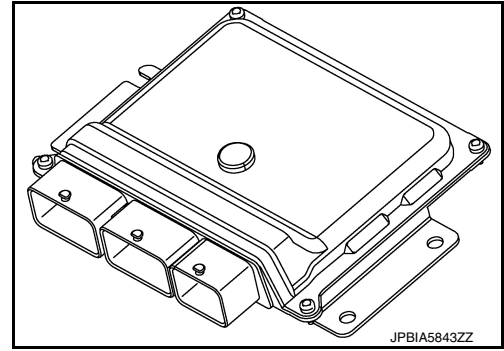
C. Inside fuel tank area

No.	Component		Function
①	Combination meter	Malfunction indicator lamp (MIL)	EC-38. "Malfunction Indicator lamp (MIL)"
		Information display	EC-39. "Information Display"
②	ASCD steering switch		EC-39. "ASCD Steering Switch"
③	Stop lamp switch		EC-39. "Stop Lamp Switch & Brake Pedal Position Switch"
④	Brake pedal position switch		
⑤	Accelerator pedal position sensor		EC-27. "Accelerator Pedal Position Sensor"
⑥	Fuel level sensor unit and fuel pump		EC-28. "Fuel Level Sensor Unit and Fuel Pump"
⑦	Fuel tank temperature sensor		EC-29. "Fuel Tank Temperature Sensor"
⑧	EVAP control system pressure sensor		EC-37. "EVAP Control System Pressure Sensor"
⑨	EVAP canister vent control valve		EC-37. "EVAP Canister Vent Control Valve"
⑩	EVAP canister		EC-36. "EVAP Canister"

ECM

INFOID:000000012602169

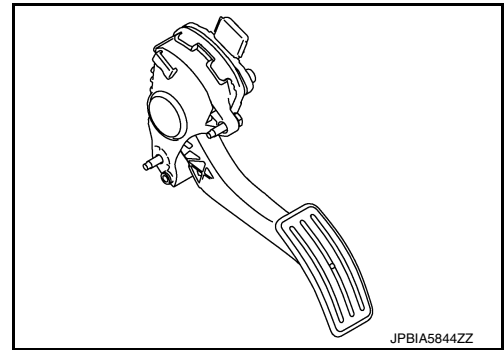
The ECM consists of a microcomputer and connectors for signal input and output and for power supply. The ECM controls the engine.



Accelerator Pedal Position Sensor

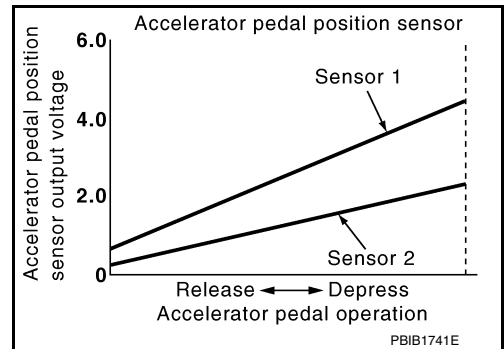
INFOID:000000012602170

The accelerator pedal position sensor is installed on the upper end of the accelerator pedal assembly. The sensor detects the accelerator position and sends a signal to the ECM.



Accelerator pedal position sensor has two sensors. These sensors are a kind of potentiometers which transform the accelerator pedal position into output voltage, and emit the voltage signal to the ECM. In addition, these sensors detect the opening and closing speed of the accelerator pedal and feed the voltage signals to the ECM. The ECM judges the current opening angle of the accelerator pedal from these signals and controls the throttle control motor based on these signals.

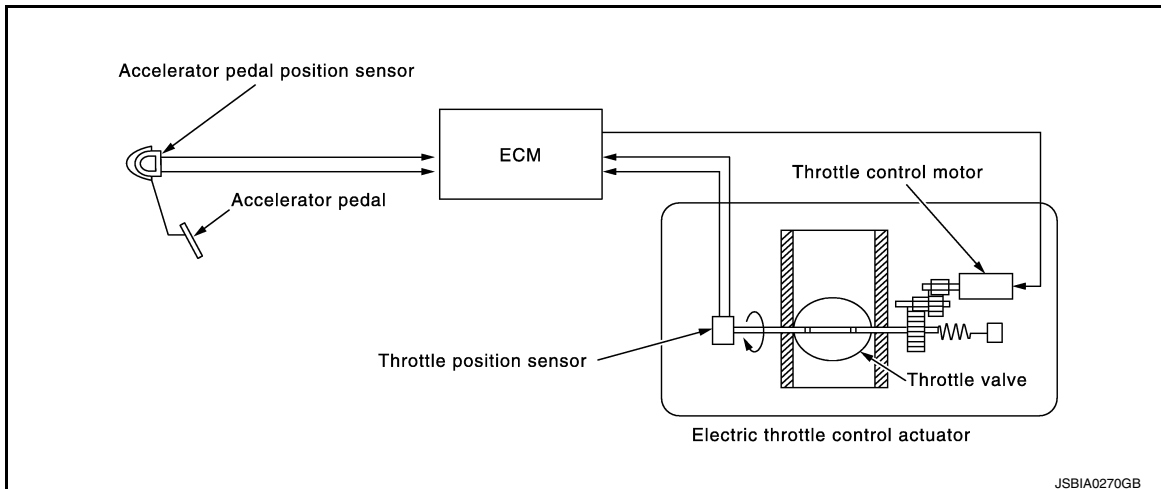
Idle position of the accelerator pedal is determined by the ECM receiving the signal from the accelerator pedal position sensor. The ECM uses this signal for the engine operation such as fuel cut.



Electric Throttle Control Actuator

INFOID:000000012602171

Electric throttle control actuator consists of throttle body, throttle valve, throttle control motor and throttle position sensor.



< SYSTEM DESCRIPTION >

THROTTLE CONTROL MOTOR RELAY

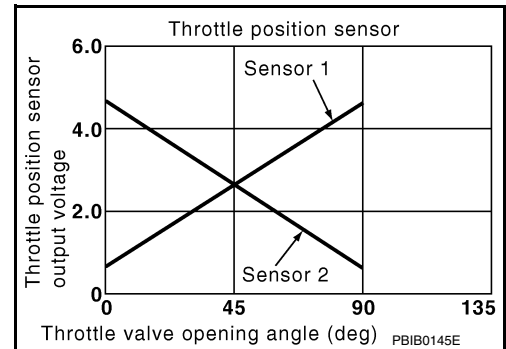
Power supply for the throttle control motor is provided to the ECM via throttle control motor relay. The throttle control motor relay is ON/OFF controlled by the ECM. When the ignition switch is turned ON, the ECM sends an ON signal to throttle control motor relay and battery voltage is provided to the ECM. When the ignition switch is turned OFF, the ECM sends an OFF signal to throttle control motor relay and battery voltage is not provided to the ECM.

THROTTLE CONTROL MOTOR

The throttle control motor is operated by the ECM and it opens and closes the throttle valve. The current opening angle of the throttle valve is detected by the throttle position sensor and it provides feedback to the ECM to control the throttle control motor to make the throttle valve opening angle properly in response to driving condition.

THROTTLE POSITION SENSOR

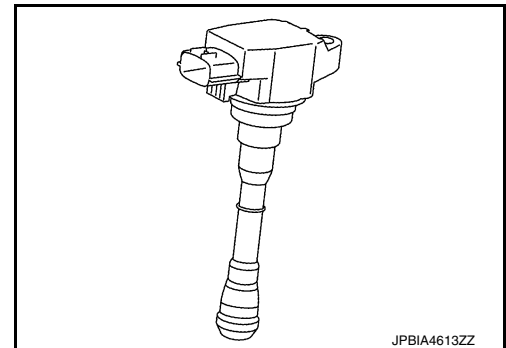
The throttle position sensor responds to the throttle valve movement. The throttle position sensor has two sensors. These sensors are a kind of potentiometers which transform the throttle valve position into output voltage, and emit the voltage signal to the ECM. In addition, these sensors detect the opening and closing speed of the throttle valve and feed the voltage signals to the ECM. The ECM judges the current opening angle of the throttle valve from these signals and the ECM controls the throttle control motor to make the throttle valve opening angle properly in response to driving condition.



Ignition Coil With Power Transistor

INFOID:000000012602172

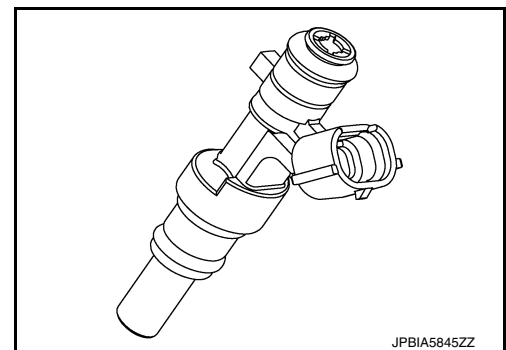
The ignition signal from the ECM is sent to and amplified by the power transistor. The power transistor turns ON and OFF the ignition coil primary circuit. This ON/OFF operation induces the proper high voltage in the coil secondary circuit.



Fuel Injector

INFOID:000000012602173

The fuel injector is a small, precise solenoid valve. When the ECM supplies a ground to the fuel injector circuit, the coil in the fuel injector is energized. The energized coil pulls the ball valve back and allows fuel to flow through the fuel injector into the intake manifold. The amount of fuel injected depends upon the injection pulse duration. Pulse duration is the length of time the fuel injector remains open. The ECM controls the injection pulse duration based on engine fuel needs.



Fuel Level Sensor Unit and Fuel Pump

INFOID:000000012602174

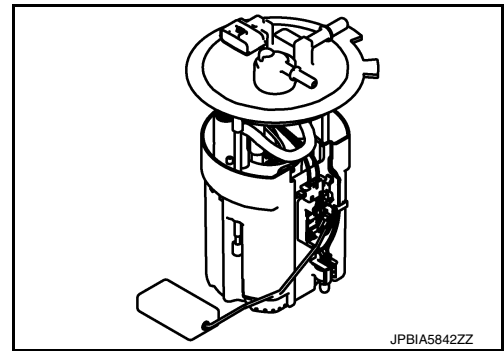
FUEL PUMP

COMPONENT PARTS

[QR25DE]

< SYSTEM DESCRIPTION >

The ECM activates the fuel pump for 1 second after the ignition switch is turned ON to improve engine start ability. If the ECM receives a engine speed signal from the camshaft position sensor (PHASE), it knows that the engine is rotating, and causes the pump to operate. If the engine speed signal is not received when the ignition switch is ON, the engine stalls. The ECM stops pump operation and prevents battery discharging, thereby improving safety. The ECM does not directly drive the fuel pump. It sends the control signal to the fuel pump control module, which in turn controls the fuel pump.



A

EC

C

D

Condition	Fuel pump operation
Ignition switch is turned to ON.	Operates for 1 second.
Engine running and cranking	Operates.
When engine is stopped	Stops in 1.5 seconds.
Except as shown above	Stops.

E

F

FUEL LEVEL SENSOR

The fuel level sensor is mounted in the fuel level sensor unit.

The sensor detects a fuel level in the fuel tank and transmits a signal to the combination meter. The combination meter sends the fuel level sensor signal to the ECM via the CAN communication line.

It consists of two parts, one is mechanical float and the other is variable resistor. Fuel level sensor output voltage changes depending on the movement of the fuel mechanical float.

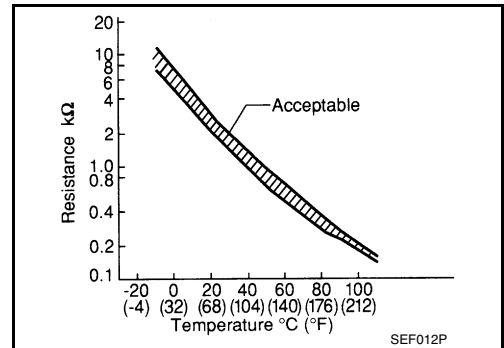
G

H

Fuel Tank Temperature Sensor

INFOID:000000012602175

The fuel tank temperature sensor is used to detect the fuel temperature inside the fuel tank. The sensor modifies a voltage signal from the ECM. The modified signal returns to the ECM as the fuel temperature input. The sensor uses a thermistor which is sensitive to the change in temperature. The electrical resistance of the thermistor decreases as temperature increases.



I

J

K

L

<Reference data>

Fluid temperature [°C (°F)]	Voltage* (V)	Resistance (kΩ)
20 (68)	3.5	2.3 - 2.7
50 (122)	2.2	0.79 - 0.90

*: These data are reference values and are measured between ECM terminals.

M

N

O

Mass Air Flow Sensor (With Intake Air Temperature Sensor)

INFOID:000000012602176

MASS AIR FLOW SENSOR

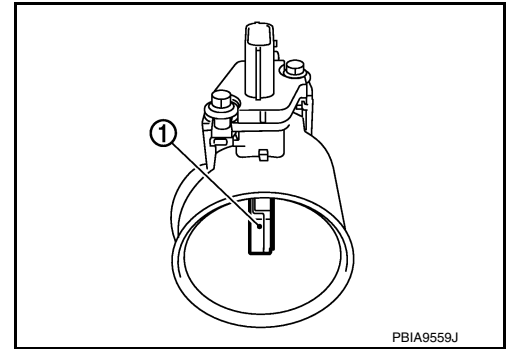
P

COMPONENT PARTS

[QR25DE]

< SYSTEM DESCRIPTION >

The mass air flow sensor① is placed in the stream of intake air. It measures the intake flow rate by measuring a part of the entire intake flow. The MAF sensor controls the temperature of the heater in sensing element to a certain amount. The temperature distribution around the heater changes according to the increase in intake air volume. The change is detected by a thermistor and the air volume data is sent to ECM by the MAF sensor.



INTAKE AIR TEMPERATURE SENSOR

The intake air temperature sensor is built-into mass air flow sensor. The sensor detects intake air temperature and transmits a signal to the ECM.

The temperature sensing unit uses a thermistor which is sensitive to the change in temperature.

<Reference data>

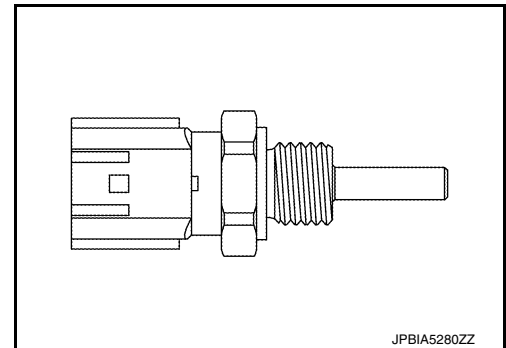
Intake air temperature [°C (°F)]	Voltage* (V)
25 (77)	1.9 – 2.1
80 (176)	3.2 – 3.4

*: These data are reference values on the diagnosis tool.

Engine Coolant Temperature Sensor

INFOID:000000012602178

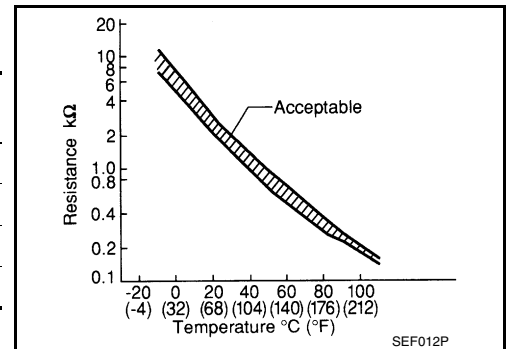
The engine coolant temperature sensor is used to detect the engine coolant temperature. The sensor modifies a voltage signal from the ECM. The modified signal returns to the ECM as the engine coolant temperature input. The sensor uses a thermistor which is sensitive to the change in temperature. The electrical resistance of the thermistor decreases as temperature increases.



<Reference data>

Engine coolant temperature [°C (°F)]	Voltage* (V)	Resistance (kΩ)
-10 (14)	4.4	7.0 - 11.4
20 (68)	3.5	2.37 - 2.63
50 (122)	2.2	0.68 - 1.00
90 (194)	1.0	0.236 - 0.260

*: These data are reference values and are measured between ECM terminals.



COMPONENT PARTS

< SYSTEM DESCRIPTION >

[QR25DE]

Crankshaft Position Sensor (POS)

INFOID:000000012602179

The crankshaft position sensor (POS) is located on the oil pan facing the gear teeth (cogs) of the signal plate. It detects the fluctuation of the engine revolution.

The sensor consists of a permanent magnet and Hall IC.

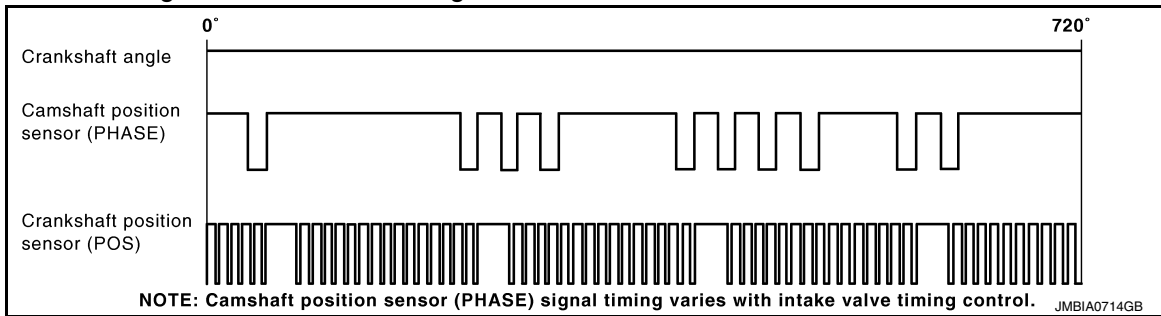
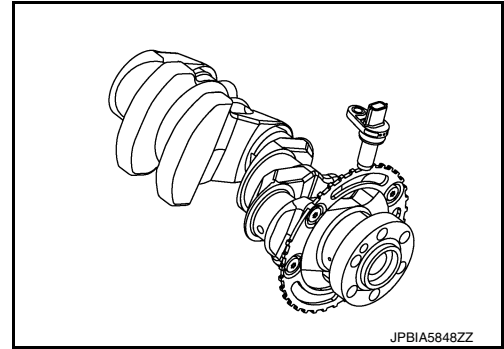
When the engine is running, the high and low parts of the teeth cause the gap with the sensor to change.

The changing gap causes the magnetic field near the sensor to change.

Due to the changing magnetic field, the voltage from the sensor changes.

The ECM receives the voltage signal and detects the fluctuation of the engine revolution.

ECM receives the signals as shown in the figure.



Camshaft Position Sensor (PHASE)

INFOID:000000012602180

The camshaft position sensor (PHASE) senses the retraction of intake camshaft to identify a particular cylinder. The camshaft position sensor (PHASE) senses the piston position.

When the crankshaft position sensor (POS) system becomes inoperative, the camshaft position sensor (PHASE) provides various controls of engine parts instead, utilizing timing of cylinder identification signals.

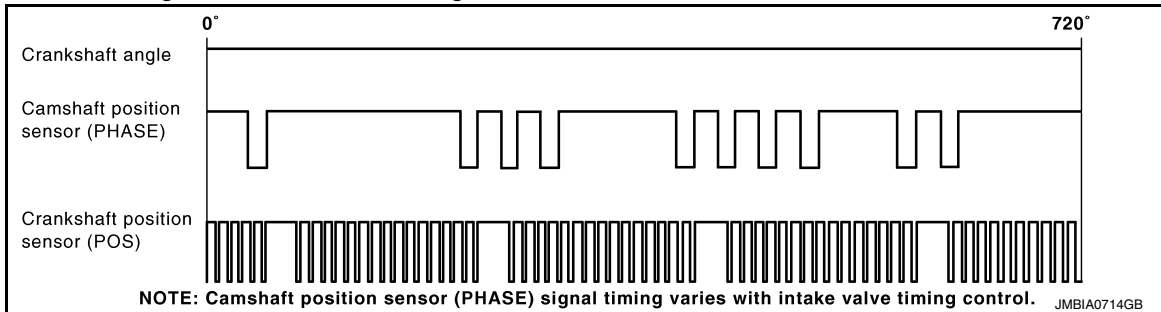
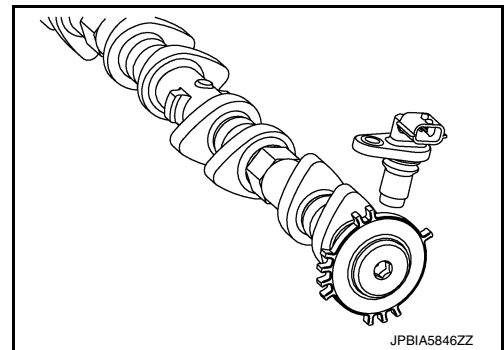
The sensor consists of a permanent magnet and Hall IC.

When engine is running, the high and low parts of the teeth cause the gap with the sensor to change.

The changing gap causes the magnetic field near the sensor to change.

Due to the changing magnetic field, the voltage from the sensor changes.

ECM receives the signals as shown in the figure.



A
EC
C
D
E
F
G
H
I
J
K
L
M
N
O
P

Intake Valve Timing Control Solenoid Valve

INFOID:000000012602181

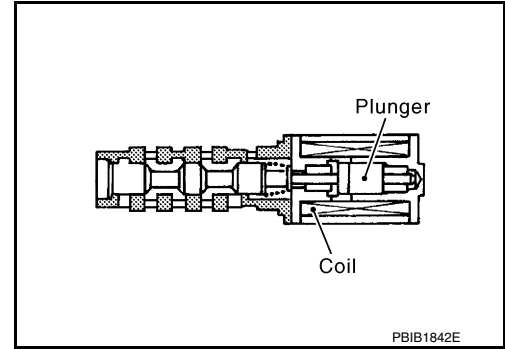
Intake valve timing control solenoid valve is activated by ON/OFF pulse duty (ratio) signals from the ECM.

The intake valve timing control solenoid valve changes the oil amount and direction of flow through intake valve timing control unit or stops oil flow.

The longer pulse width advances valve angle.

The shorter pulse width retards valve angle.

When ON and OFF pulse widths become equal, the solenoid valve stops oil pressure flow to fix the intake valve angle at the control position.



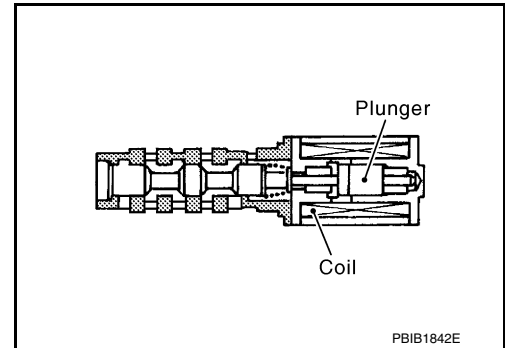
Intake Valve Timing Intermediate Lock Control Solenoid Valve

INFOID:000000012602182

Intake valve timing intermediate lock control solenoid valve is activated by ON/OFF signals from the ECM.

The intake valve timing intermediate lock control solenoid valve opens/closes the path of oil pressure acting on the lock key in the camshaft sprocket (INT).

- When the solenoid valve becomes ON, oil pressure to the lock key is drained to perform intermediate lock.
- When the solenoid valve becomes OFF, oil pressure is acted on the lock key to release the intermediate lock.



ICC Brake Switch

INFOID:000000013217806

When the brake pedal is depressed, ICC brake switch is turned OFF and stop lamp switch is turned ON. ECM detects the state of the brake pedal by those two types of input (ON/OFF signal).

Refer to [CCS-10. "System Description"](#) for the ICC function.

ICC Steering Switch

INFOID:000000013217807

ICC steering switch has variant values of electrical resistance for each button. ECM reads voltage variation of switch, and determines which button is operated.

Refer to [CCS-10. "System Description"](#) for the ICC function.

Exhaust Valve Timing Control Position Sensor

INFOID:000000012602183

Exhaust valve timing control position sensor detects the protrusion of the signal plate installed to the exhaust camshaft front end.

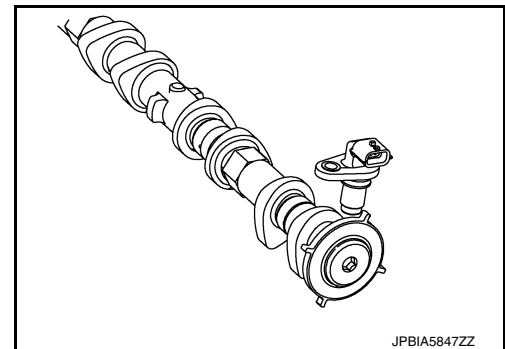
This sensor signal is used for sensing a position of the exhaust camshaft.

The sensor consists of a permanent magnet and Hall IC.

When engine is running, the high and low parts of the teeth cause the gap with the sensor to change.

The changing gap causes the magnetic field near the sensor to change.

Due to the changing magnetic field, the voltage from the sensor changes.



Exhaust Valve Timing Control Solenoid Valve

INFOID:000000012602184

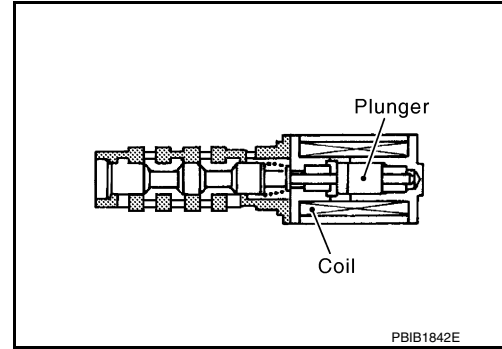
Exhaust valve timing control solenoid valve is activated by ON/OFF pulse duty (ratio) signals from the ECM.

The exhaust valve timing control solenoid valve changes the oil amount and direction of flow through exhaust valve timing control unit or stops oil flow.

The longer pulse width retards valve angle.

The shorter pulse width advances valve angle.

When ON and OFF pulse widths become equal, the solenoid valve stops oil pressure flow to fix the exhaust valve angle at the control position.



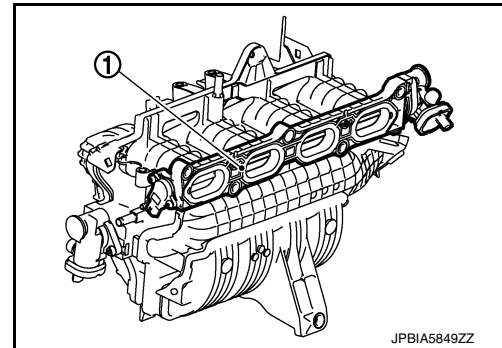
Intake Manifold Runner Control Valve

INFOID:000000012602185

Intake manifold runner control valve① is integrated to intake manifold.

Intake manifold runner control valve is mounted each port of the intake manifold and opened/closed by the intake manifold runner control valve motor.

ECM controls the intake manifold runner control valve motor, according to signals of engine speed, water temperature, etc. and stabilizes combustion by generating a strong tumble flow.



INTAKE MANIFOLD RUNNER CONTROL VALVE MOTOR

Intake manifold runner control valve motor is connected to the rear end of the valve shaft.

The motor opens or closes the valve by the output signal of the ECM.

INTAKE MANIFOLD RUNNER CONTROL VALVE POSITION SENSOR

Intake manifold runner control valve position sensor is connected to the front end of the valve shaft.

The sensor consists of variable resistor. It senses the valve shaft movement and feeds the voltage signals to the ECM.

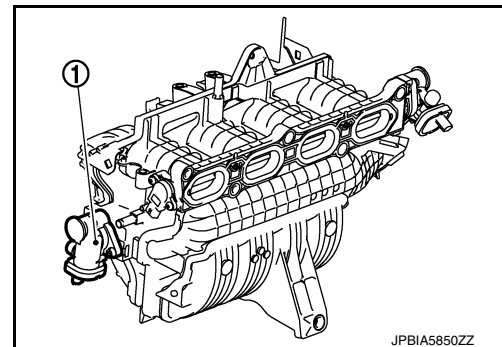
Intake Manifold Tuning Valve

INFOID:000000012602186

Intake manifold tuning valve① is integrated to intake manifold.

Intake manifold tuning valve consists of valve and motor.

Intake manifold tuning valve is used to control the suction passage of the intake manifold tuning system.



INTAKE MANIFOLD TUNING VALVE MOTOR

Intake manifold tuning valve motor is connected to the front end of the valve shaft.

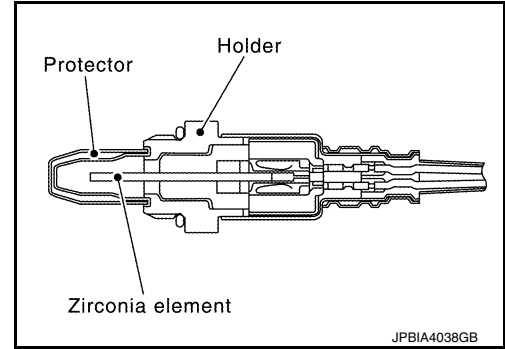
The motor is operated by the ECM and it opens and closes the intake manifold tuning valve.

A
EC
C
D
E
F
G
H
I
J
K
L
M
N
O
P

Air Fuel Ratio (A/F) Sensor 1

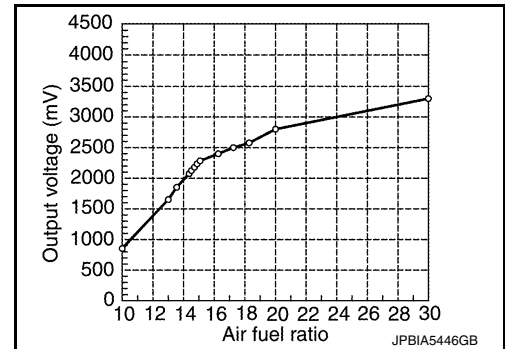
INFOID:000000012602187

The sensor element of the A/F sensor 1 is composed an electrode layer, which transports ions. It has a heater in the element.



The sensor is capable of precise measurement $\lambda = 1$, but also in the lean and rich range. Together with its control electronics, the sensor outputs a clear, continuous signal throughout a wide λ range. The exhaust gas components diffuse through the diffusion layer at the sensor cell. An electrode layer is applied voltage, and this current relative oxygen density in lean. Also this current relative hydrocarbon density in rich.

Therefore, the A/F sensor 1 is able to indicate air fuel ratio by this electrode layer of current. In addition, a heater is integrated in the sensor to ensure the required operating temperature of approximately 760°C (1,400°F).



A/F SENSOR 1 HEATER

A/F sensor 1 heater is integrated in the sensor.

The ECM performs ON/OFF duty control of the A/F sensor 1 heater corresponding to the engine operating condition to keep the temperature of A/F sensor 1 element within the specified range.

Heated Oxygen Sensor 2

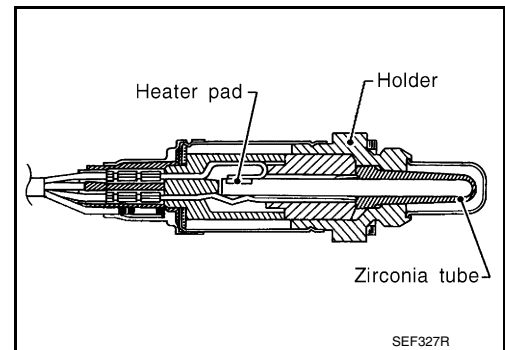
INFOID:000000012602188

The heated oxygen sensor 2, after three way catalyst (manifold), monitors the oxygen level in the exhaust gas.

Even if switching characteristics of the air fuel ratio (A/F) sensor 1 are shifted, the air fuel ratio is controlled to stoichiometric, by the signal from the heated oxygen sensor 2.

This sensor is made of ceramic zirconia. The zirconia generates voltage from approximately 1 V in richer conditions to 0 V in leaner conditions.

Under normal conditions the heated oxygen sensor 2 is not used for engine control operation.



HEATED OXYGEN SENSOR 2 HEATER

Heated oxygen sensor 2 heater is integrated in the sensor.

The ECM performs ON/OFF control of the heated oxygen sensor 2 heater corresponding to the engine speed, amount of intake air and engine coolant temperature.

COMPONENT PARTS

< SYSTEM DESCRIPTION >

[QR25DE]

Engine speed	Heated oxygen sensor 2 heater
Above 3,600 rpm	OFF
Below 3,600 rpm after the following conditions are met. <ul style="list-style-type: none"> • Engine: After warming up • Keeping the engine speed between 3,500 and 4,000 rpm for 1 minute and at idle for 1 minute under no load 	ON

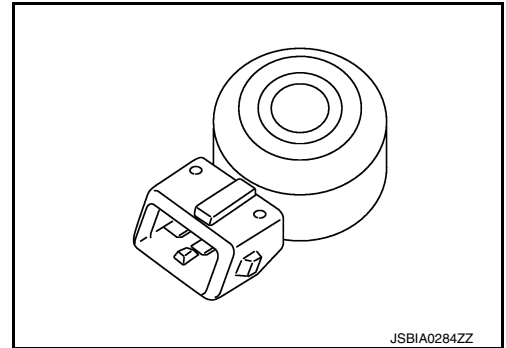
A

EC

Knock Sensor

INFOID:0000000012602189

The knock sensor is attached to the cylinder block. It senses engine knocking using a piezoelectric element. A knocking vibration from the cylinder block is sensed as vibrational pressure. This pressure is converted into a voltage signal and sent to the ECM.



C

D

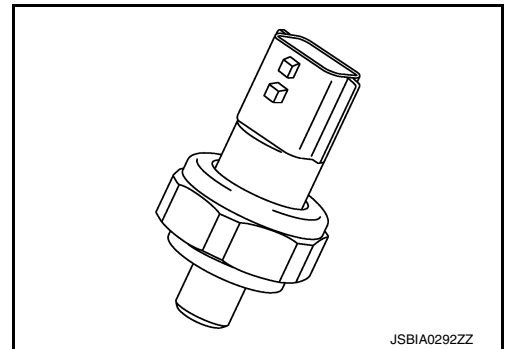
E

F

Engine Oil Pressure Sensor

INFOID:0000000012602190

The engine oil pressure (EOP) sensor detects engine oil pressure and transmits a voltage signal to the ECM.



G

H

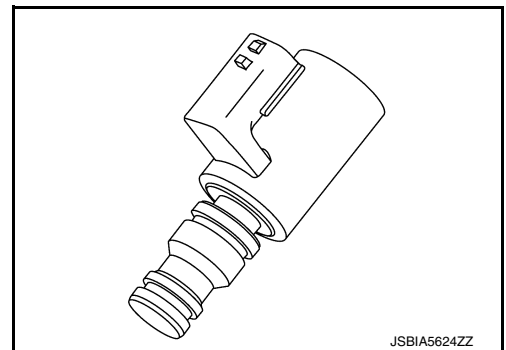
I

J

Engine Oil Pressure Control Solenoid Valve

INFOID:0000000013214786

The engine oil pressure control solenoid valve performs the variable hydraulic control (low oil pressure control and high oil pressure control) according to oil temperature and engine load.



K

L

M

N

O

P

COMPONENT PARTS

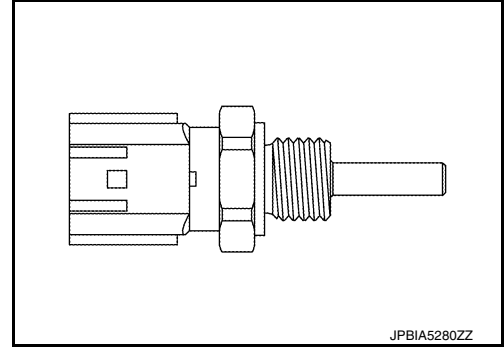
< SYSTEM DESCRIPTION >

[QR25DE]

Engine Oil Temperature Sensor

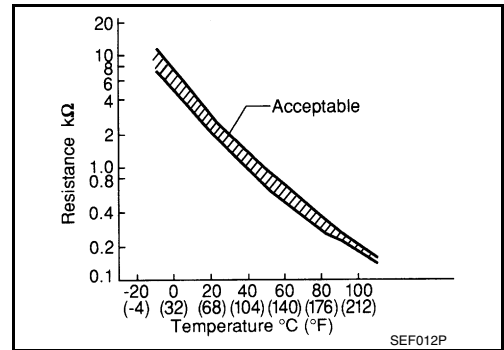
INFOID:000000012602191

The engine oil temperature sensor is used to detect the engine oil temperature. The sensor modifies a voltage signal from the ECM. The modified signal returns to the ECM as the engine oil temperature input. The sensor uses a thermistor which is sensitive to the change in temperature. The electrical resistance of the thermistor decreases as temperature increases.



<Reference data>

Engine oil temperature [°C (°F)]	Voltage* (V)	Resistance (kΩ)
-10 (14)	4.4	7.0 - 11.4
20 (68)	3.5	2.37 - 2.63
50 (122)	2.2	0.68 - 1.00
90 (194)	1.0	0.236 - 0.260
110 (230)	0.6	0.143 - 0.153



*: These data are reference values and are measured between ECM terminals.

Cooling Fan

INFOID:000000012602192

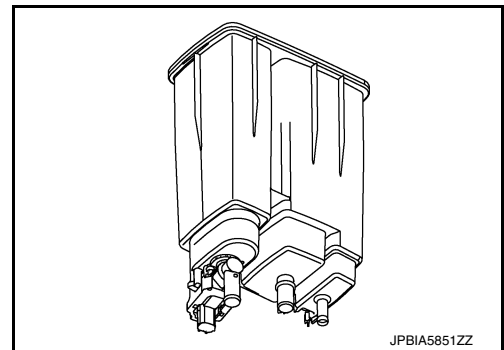
The ECM controls the cooling fan corresponding to the vehicle speed, engine coolant temperature, refrigerant pressure, and air conditioner ON signal. The control system has 4-step control [HIGH/MIDDLE/LOW/OFF]. Cooling fan operates at each speed when the current flows in the cooling fan motor.

Refer to [EC-61, "COOLING FAN CONTROL : System Description \(with automatic air conditioner\)"](#) for cooling fan operation.

EVAP Canister

INFOID:000000012602193

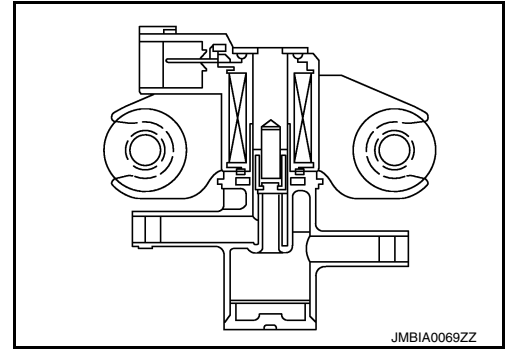
EVAP canister stores the generated fuel vapors in the sealed fuel tank to activated charcoals of EVAP canister when the engine is not operating or when refueling to the fuel tank.



EVAP Canister Purge Volume Control Solenoid Valve

INFOID:000000012602194

The EVAP canister purge volume control solenoid valve uses a ON/OFF duty to control the flow rate of fuel vapor from the EVAP canister. The EVAP canister purge volume control solenoid valve is moved by ON/OFF pulses from the ECM. The longer the ON pulse, the greater the amount of fuel vapor that will flow through the valve.



EVAP Canister Vent Control Valve

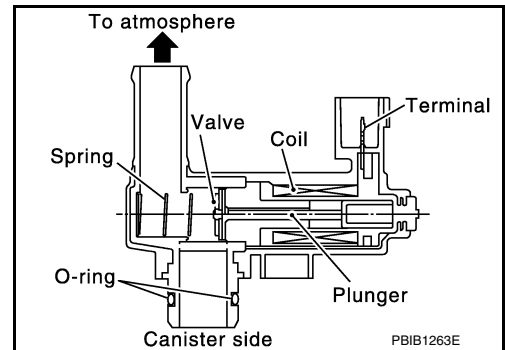
INFOID:000000012602195

The EVAP canister vent control valve is located on the EVAP canister and is used to seal the canister vent.

This solenoid valve responds to signals from the ECM. When the ECM sends an ON signal, the coil in the solenoid valve is energized. A plunger will then move to seal the canister vent. The ability to seal the vent is necessary for the on board diagnosis of other evaporative emission control system components.

This solenoid valve is used only for diagnosis, and usually remains opened.

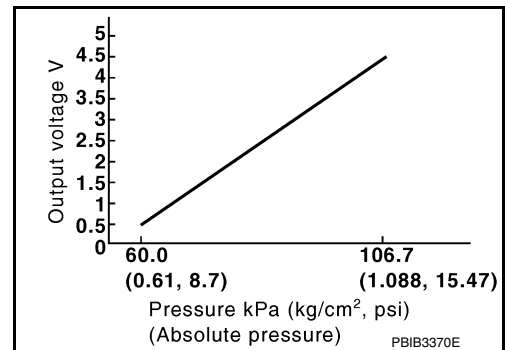
When the vent is closed, under normal purge conditions, the evaporative emission control system is depressurized and allows "EVAP Control System" diagnosis.



EVAP Control System Pressure Sensor

INFOID:000000012602196

The EVAP control system pressure sensor detects pressure in the purge line. The sensor output voltage to the ECM increases as pressure increases.



Battery Current Sensor (With Battery Temperature Sensor)

INFOID:000000012602197

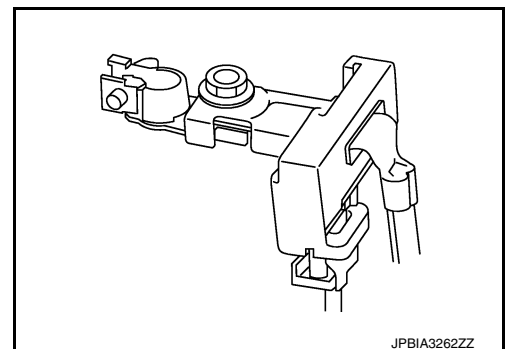
OUTLINE

The power generation voltage variable control enables fuel consumption to be decreased by reducing the engine load which is caused by the power generation of the generator.

Based on sensor signals, ECM judges whether or not the power generation voltage variable control is performed. When performing the power generation voltage variable control, ECM calculates the target power generation voltage based on the sensor signal. And ECM sends the calculated value as the power generation command value to IPDM E/R. For the details of the power generation voltage variable control, refer to [CHG-9, "System Diagram"](#).

CAUTION:

Never connect the electrical component or the ground wire directly to the battery terminal. The connection causes the malfunction of the power generation voltage variable control, and then the battery discharge may occur.



COMPONENT PARTS

[QR25DE]

< SYSTEM DESCRIPTION >

BATTERY CURRENT SENSOR

The battery current sensor is installed to the battery negative cable. The sensor measures the charging/discharging current of the battery.

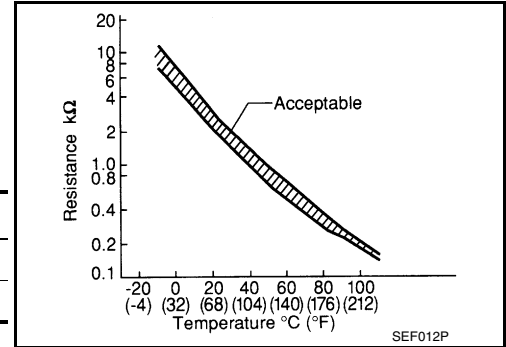
BATTERY TEMPERATURE SENSOR

Battery temperature sensor is integrated in battery current sensor. The sensor measures temperature around the battery. The electrical resistance of the thermistor decreases as temperature increases.

<Reference data>

Temperature [°C (°F)]	Voltage* (V)	Resistance (kΩ)
25 (77)	3.333	1.9 - 2.1
90 (194)	0.969	0.222 - 0.258

*: These data are reference values and are measured between battery temperature sensor signal terminal and sensor ground.



Malfunction Indicator lamp (MIL)

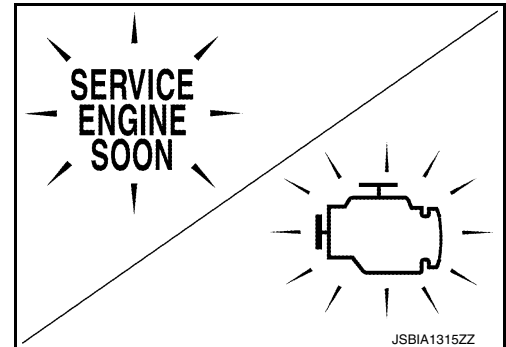
INFOID:0000000012602198

The Malfunction Indicator lamp (MIL) is located on the combination meter.

The MIL will illuminate when the ignition switch is turned ON without the engine running. This is a bulb check.

When the engine is started, the MIL should turn OFF. If the MIL remains illuminated, the on board diagnostic system has detected an engine system malfunction.

For details, refer to [EC-76. "DIAGNOSIS DESCRIPTION : Malfunction Indicator Lamp \(MIL\)"](#).



Oil Pressure Warning Lamp

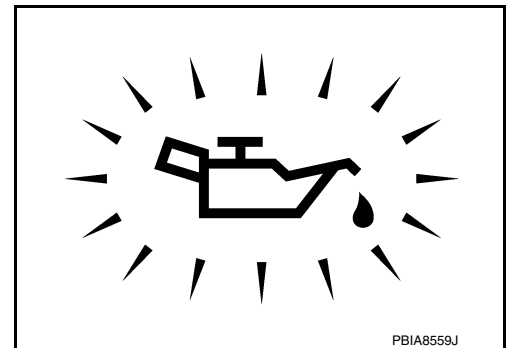
INFOID:0000000012602199

Oil pressure warning lamp is located on the combination meter.

It indicates the low pressure of the engine oil and the malfunction of the engine oil pressure system.

Combination meter turns the oil pressure warning lamp ON/OFF according to the oil pressure warning lamp signal received from ECM via CAN communication.

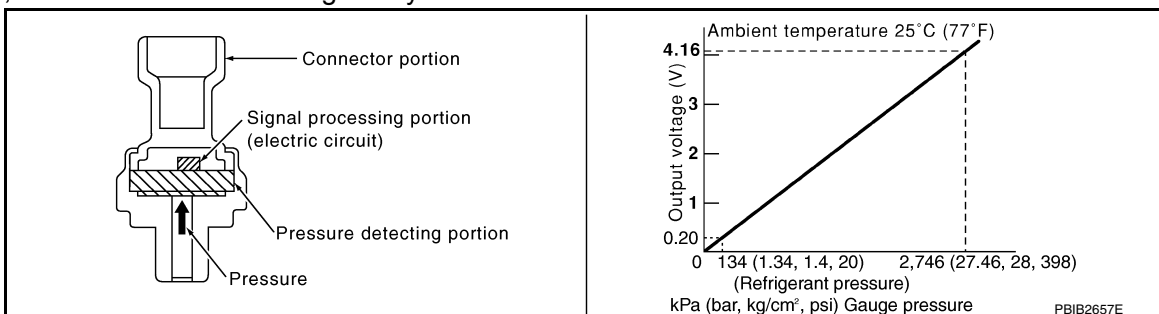
For details, refer to [EC-57. "ENGINE PROTECTION CONTROL AT LOW ENGINE OIL PRESSURE : System Description"](#).



Refrigerant Pressure Sensor

INFOID:0000000012602200

The refrigerant pressure sensor is installed at the condenser of the air conditioner system. The sensor uses an electrostatic volume pressure transducer to convert refrigerant pressure to voltage. The voltage signal is sent to ECM, and ECM controls cooling fan system.



COMPONENT PARTS

< SYSTEM DESCRIPTION >

[QR25DE]

Stop Lamp Switch & Brake Pedal Position Switch

INFOID:000000012602201

Stop lamp switch and brake pedal position switch are installed to brake pedal bracket. ECM detects the state of the brake pedal by those two types of input (ON/OFF signal).

Brake pedal	Brake pedal position switch	Stop lamp switch
Released	ON	OFF
Depressed	OFF	ON

ASCD Steering Switch

INFOID:000000012602202

ASCD steering switch has variant values of electrical resistance for each button. ECM reads voltage variation of switch, and determines which button is operated.

Information Display

INFOID:000000012602203

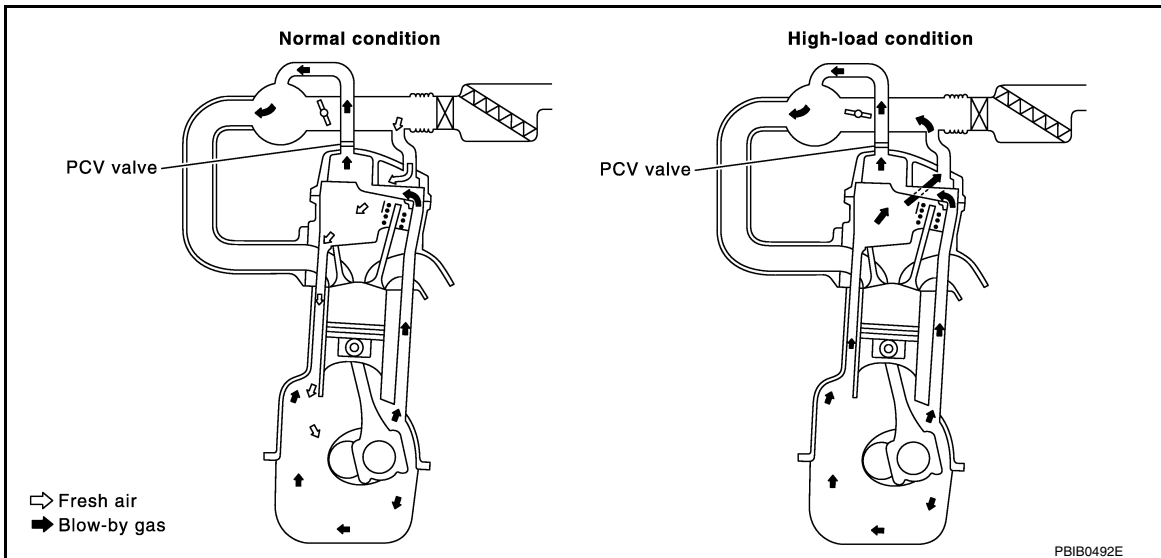
The operation mode of the ASCD is indicated on the information display in the combination meter. ECM transmits the status signal to the combination meter via CAN communication according to ASCD operation.

A
EC
C
D
E
F
G
H
I
J
K
L
M
N
O
P

STRUCTURE AND OPERATION

Positive Crankcase Ventilation

INFOID:000000012602204



This system returns blow-by gas to the intake manifold.

The positive crankcase ventilation (PCV) valve is provided to conduct crankcase blow-by gas to the intake manifold.

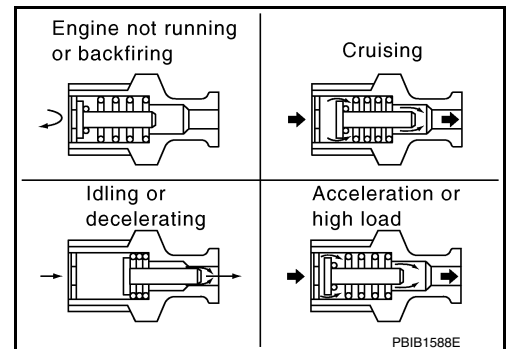
During partial throttle operation of the engine, the intake manifold sucks the blow-by gas through the PCV valve.

Normally, the capacity of the valve is sufficient to handle any blow-by and a small amount of ventilating air.

The ventilating air is then drawn from the air inlet tubes into the crankcase. In this process the air passes through the hose connecting air inlet tubes to rocker cover.

Under full-throttle condition, the manifold vacuum is insufficient to draw the blow-by flow through the valve. The flow goes through the hose connection in the reverse direction.

On vehicles with an excessively high blow-by, the valve does not meet the requirement. This is because some of the flow will go through the hose connection to the air inlet tubes under all conditions.



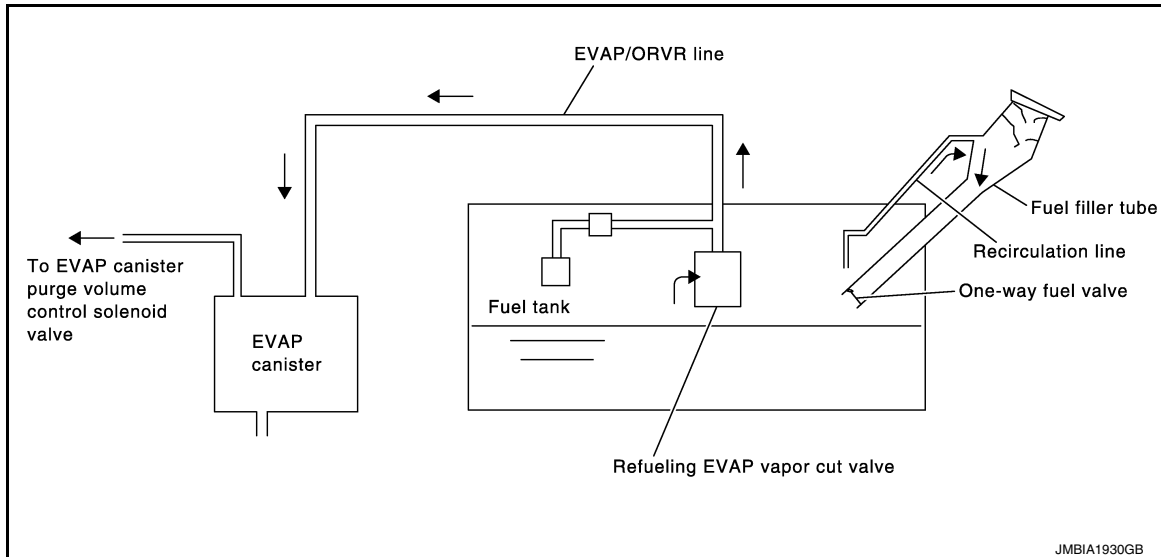
STRUCTURE AND OPERATION

< SYSTEM DESCRIPTION >

[QR25DE]

On Board Refueling Vapor Recovery (ORVR)

INFOID:000000012602205



From the beginning of refueling, the air and vapor inside the fuel tank go through refueling EVAP vapor cut valve and EVAP/ORVR line to the EVAP canister. The vapor is absorbed by the EVAP canister and the air is released to the atmosphere.

When the refueling has reached the full level of the fuel tank, the refueling EVAP vapor cut valve is closed and refueling is stopped because of auto shut-off. The vapor which was absorbed by the EVAP canister is purged during driving.

WARNING:

When conducting inspections below, be sure to observe the following:

- Put a "CAUTION: FLAMMABLE" sign in workshop.
- Do not smoke while servicing fuel system. Keep open flames and sparks away from work area.
- Be sure to furnish the workshop with a CO₂ fire extinguisher.

CAUTION:

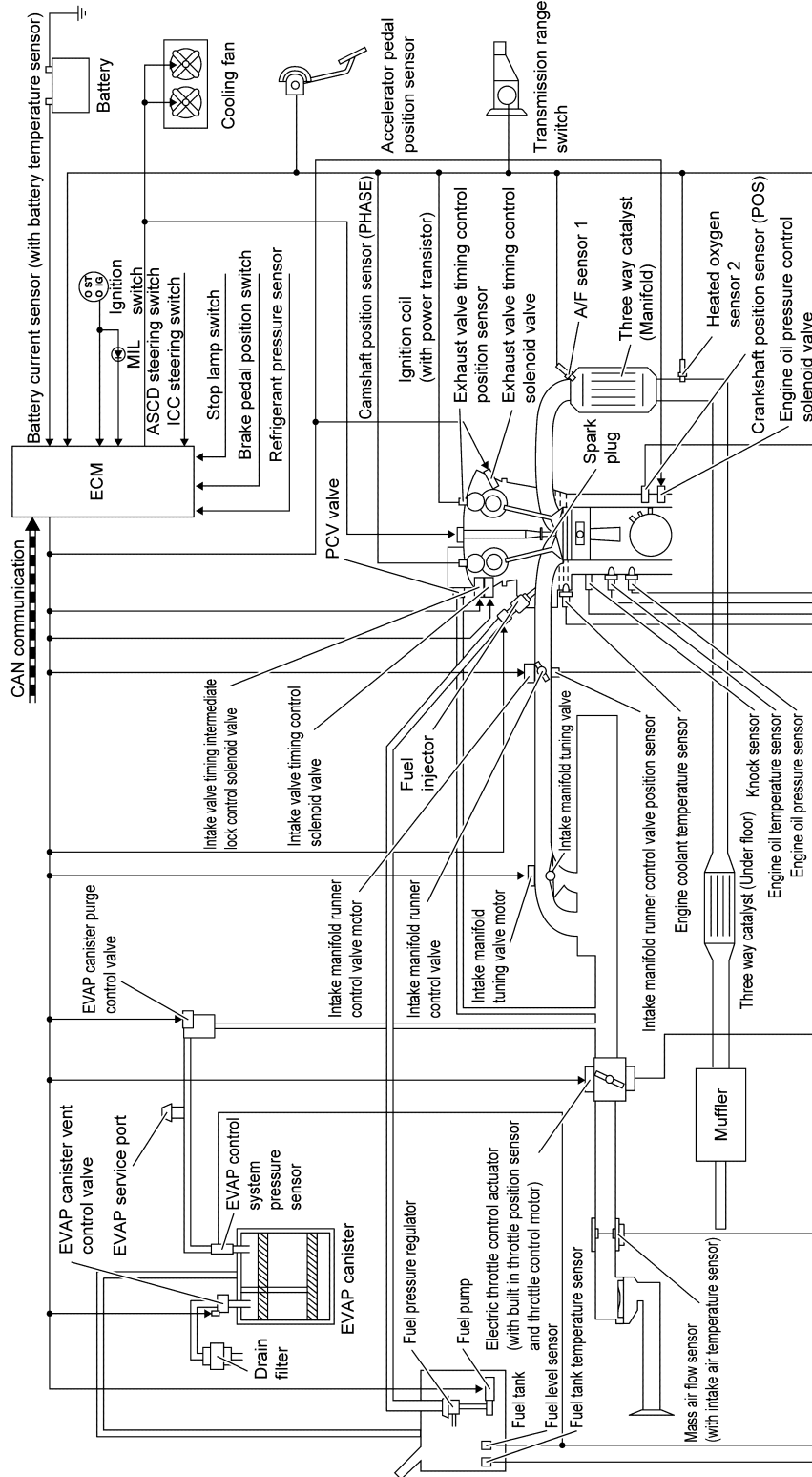
- Before removing fuel line parts, carry out the following procedures:
 - Put drained fuel in an explosion-proof container and put lid on securely.
 - Release fuel pressure from fuel line. Refer to [EC-573, "Inspection"](#).
 - Disconnect battery ground cable.
- Always replace O-ring when the fuel gauge retainer is removed.
- Do not kink or twist hose and tube when they are installed.
- Do not tighten hose and clamps excessively to avoid damaging hoses.
- After installation, run engine and check for fuel leaks at connection.
- Do not attempt to top off the fuel tank after the fuel pump nozzle shuts off automatically. Continued refueling may cause fuel overflow, resulting in fuel spray and possibly a fire.

SYSTEM
ENGINE CONTROL SYSTEM

ENGINE CONTROL SYSTEM : System Description

INFOID:000000012602206

SYSTEM DIAGRAM



JSBIA9483GB

SYSTEM DESCRIPTION

SYSTEM

< SYSTEM DESCRIPTION >

[QR25DE]

ECM controls the engine by various functions.

Function	Reference
Multiport fuel injection system	EC-45. "MULTIPOINT FUEL INJECTION SYSTEM : System Description (with automatic air conditioner)"
Electric ignition system	EC-51. "ELECTRIC IGNITION SYSTEM : System Description"
Intake valve timing control	EC-51. "INTAKE VALVE TIMING CONTROL : System Description"
Exhaust valve timing control	EC-54. "EXHAUST VALVE TIMING CONTROL : System Description"
Intake manifold runner control	EC-55. "INTAKE MANIFOLD RUNNER CONTROL : System Description"
Intake manifold tuning system	EC-56. "INTAKE MANIFOLD TUNING SYSTEM : System Description"
Engine protection control	EC-57. "ENGINE PROTECTION CONTROL AT LOW ENGINE OIL PRESSURE : System Description"
Fuel filler cap warning system	EC-58. "FUEL FILLER CAP WARNING SYSTEM : System Description"
Air conditioning cut control	EC-58. "AIR CONDITIONING CUT CONTROL : System Description (with automatic air conditioner)"
Cooling fan control	EC-61. "COOLING FAN CONTROL : System Description (with automatic air conditioner)"
Evaporative emission system	EC-64. "EVAPORATIVE EMISSION SYSTEM : System Description"
Automatic speed control device (ASCD)	EC-65. "AUTOMATIC SPEED CONTROL DEVICE (ASCD) : System Description"
CAN communication	EC-66. "CAN COMMUNICATION : System Description"

ENGINE CONTROL SYSTEM : Fail Safe

INFOID:000000013268549

Description

When a DTC is detected, ECM executes a mode (in the Fail-safe mode) applicable to the DTC. The fail-safe mode has the preset traveling control mode (accelerator angle variation and engine output limit) and device fix mode.

Fail safe mode		Vehicle behavior
Traveling control mode	Accelerator angle variation control	ECM controls the accelerator pedal depression speed to make it slower than actual speed. This causes a drop in accelerating performance and encourages the driver to repair malfunction. NOTE: ECM does not control the accelerator pedal releasing speed.
	Engine output control	ECM reduces the engine output, according to the rise in engine speed. This reduces the vehicle speed to encourage the driver to repair malfunction.
Device fix mode		<ul style="list-style-type: none"> This mode fixes the IVT control solenoid valve and the EVT control solenoid valve in the reference position. The intake manifold runner control valve motor is turned OFF (intake manifold runner control valve opens).

Fail Safe Pattern

Pattern	Fail safe mode	
A	Traveling control mode	Accelerator angle variation control
B		Engine output control
C	Device fix mode	

Fail Safe List

SYSTEM

< SYSTEM DESCRIPTION >

[QR25DE]

x:Applicable —: Not applicable

DTC No.	Detected items	Vehicle behavior			
		Pattern			Others
		A	B	C	
U0284	Active grille shutter	—	—	—	ECM operates active grille shutter to fully-open position.
U1040	Engine communication line	—	—	—	ECM operates active grille shutter to fully-open position.
P0011	Intake valve timing control	—	—	×	ECM activates the IVT intermediate lock control solenoid valve to bring the cam sprocket into an intermediate lock condition.
P0014 P0078	Exhaust valve timing control	—	—	×	—
P0101 P0102 P0103	Mass air flow sensor circuit	×	×	×	—
P0122 P0123 P0222 P0223 P2135	Throttle position sensor	—	—	—	The ECM controls the electric throttle control actuator in regulating the throttle opening in order for the idle position to be within +10 degrees. The ECM regulates the opening speed of the throttle valve to be slower than the normal condition. So, the acceleration will be poor.
P0171 P0172	Fuel injection system	×	—	—	—
P0197 P0198	Engine oil temperature sensor	—	—	—	Exhaust valve timing control does not function.
P0300 P0301 P0302 P0303 P0304	Misfire	×	—	—	—
P0500	Vehicle speed sensor	×	—	—	—
P050A	Cold start control	×	—	—	—
P0524	Engine oil pressure	—	—	—	<ul style="list-style-type: none"> • ECM illuminates oil pressure warning lamp on the combination meter. • Engine speed will not rise more than 4,000rpm due to the fuel cut. • Fail-safe is canceled when ignition switch OFF → ON.
P052A P052B	Intake valve timing intermediate lock control	—	—	×	—
P059F	Active grille shutter	—	—	—	<ul style="list-style-type: none"> • When a voltage and temperature related malfunction is detected, the active grille shutter stops at the position of detection. • Except for the above case, operates the active grille shutter to fully opened position.
P0603	ECM power supply circuit	—	×	—	—
P0605	ECM	—	×	—	—
P0643	Sensor power supply	—	—	—	ECM stops the electric throttle control actuator control, throttle valve is maintained at a fixed opening (approx. 5 degrees) by the return spring.
P1078	Exhaust valve timing control position sensor circuit	×	—	×	—

SYSTEM

< SYSTEM DESCRIPTION >

[QR25DE]

DTC No.	Detected items	Vehicle behavior									
		Pattern			Others						
		A	B	C							
P1805	Brake switch	—	—	—	ECM controls the electric throttle control actuator by regulating the throttle opening to a small range. Therefore, acceleration will be poor.						
					<table border="1" style="width: 100%; border-collapse: collapse;"> <tr> <td style="text-align: center;">Vehicle condition</td> <td style="text-align: center;">Driving condition</td> </tr> <tr> <td style="text-align: center;">When engine is idling</td> <td style="text-align: center;">Normal</td> </tr> <tr> <td style="text-align: center;">When accelerating</td> <td style="text-align: center;">Poor acceleration</td> </tr> </table>	Vehicle condition	Driving condition	When engine is idling	Normal	When accelerating	Poor acceleration
Vehicle condition	Driving condition										
When engine is idling	Normal										
When accelerating	Poor acceleration										
P2004	Intake manifold runner control valve	—	×	×	—						
P2100 P2103	Throttle control motor relay	—	—	—	ECM stops the electric throttle control actuator control, throttle valve is maintained at a fixed opening (approx. 5 degrees) by the return spring.						
P2101	Electric throttle control function	—	—	—	ECM stops the electric throttle control actuator control, throttle valve is maintained at a fixed opening (approx. 5 degrees) by the return spring.						
P2118	Throttle control motor	—	—	—	ECM stops the electric throttle control actuator control, throttle valve is maintained at a fixed opening (approx. 5 degrees) by the return spring.						
P2119	Electric throttle control actuator	—	×	—	—						
P2122 P2123 P2127 P2128 P2138	Accelerator pedal position sensor	—	—	—	The ECM controls the electric throttle control actuator in regulating the throttle opening in order for the idle position to be within +10 degrees. The ECM regulates the opening speed of the throttle valve to be slower than the normal condition. So, the acceleration will be poor.						

MULTIPOINT FUEL INJECTION SYSTEM

MULTIPOINT FUEL INJECTION SYSTEM : System Description (with automatic air

SYSTEM

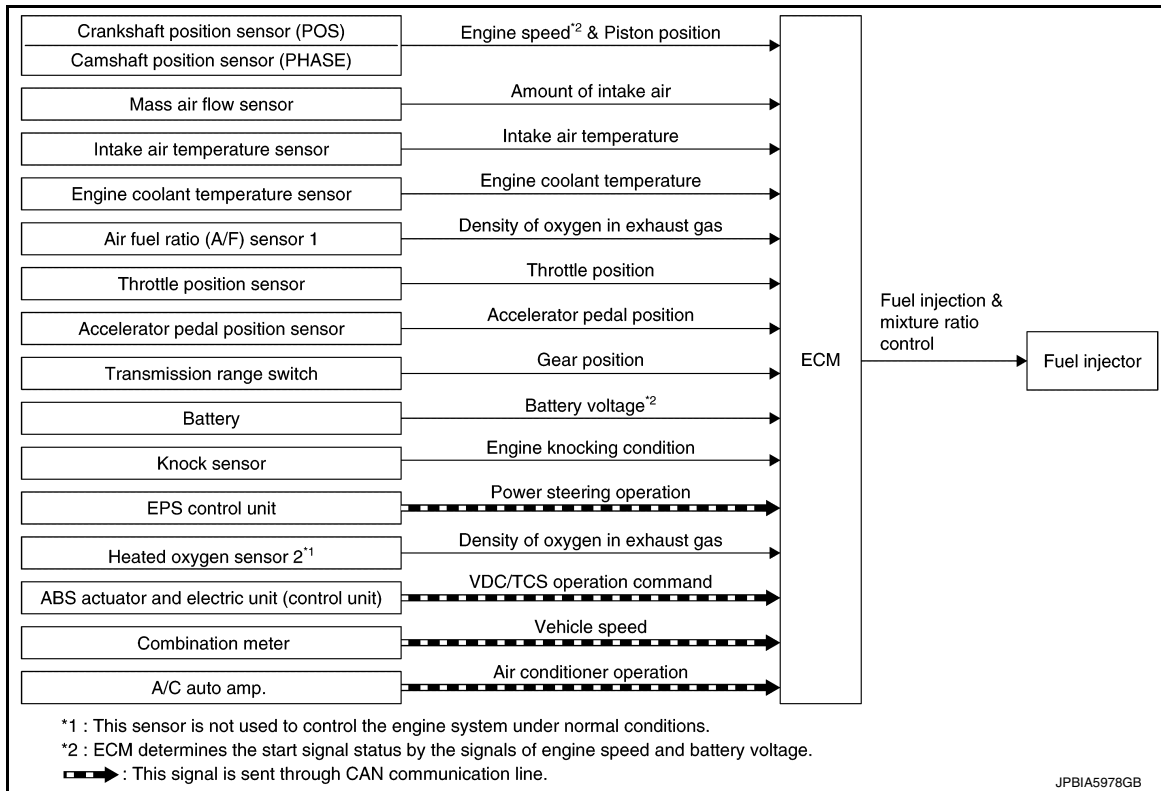
< SYSTEM DESCRIPTION >

[QR25DE]

INFOID:000000012602208

conditioner)

SYSTEM DIAGRAM



SYSTEM DESCRIPTION

The amount of fuel injected from the fuel injector is determined by the ECM. The ECM controls the length of time the valve remains open (injection pulse duration). The amount of fuel injected is a program value in the ECM memory. The program value is preset by engine operating conditions. These conditions are determined by input signals (for engine speed and intake air) from the crankshaft position sensor (POS), camshaft position sensor (PHASE) and the mass air flow sensor.

VARIOUS FUEL INJECTION INCREASE/DECREASE COMPENSATION

In addition, the amount of fuel injected is compensated to improve engine performance under various operating conditions as listed below.

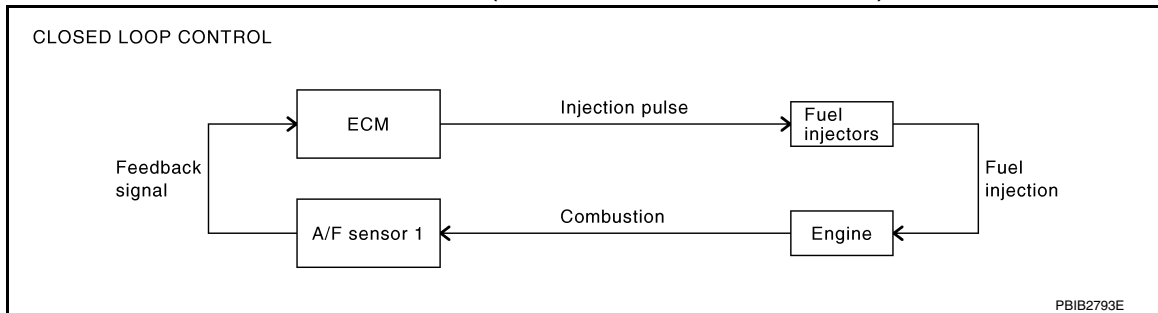
<Fuel increase>

- During warm-up
- When starting the engine
- During acceleration
- Hot-engine operation
- When selector lever is changed from N to D
- High-load, high-speed operation

<Fuel decrease>

- During deceleration
- During high engine speed operation

MIXTURE RATIO FEEDBACK CONTROL (CLOSED LOOP CONTROL)



The mixture ratio feedback system provides the best air-fuel mixture ratio for driveability and emission control. The three way catalyst (manifold) can then better reduce CO, HC and NOx emissions. This system uses A/F sensor 1 in the exhaust manifold to monitor whether the engine operation is rich or lean. The ECM adjusts the injection pulse width according to the sensor voltage signal. For more information about A/F sensor 1, refer to [EC-34. "Air Fuel Ratio \(A/F\) Sensor 1"](#). This maintains the mixture ratio within the range of stoichiometric (ideal air-fuel mixture).

This stage is referred to as the closed loop control condition.

Heated oxygen sensor 2 is located downstream of the three way catalyst (manifold). Even if the switching characteristics of A/F sensor 1 shift, the air-fuel ratio is controlled to stoichiometric by the signal from heated oxygen sensor 2.

- Open Loop Control

The open loop system condition refers to when the ECM detects any of the following conditions. Feedback control stops in order to maintain stabilized fuel combustion.

- Deceleration and acceleration
- High-load, high-speed operation
- Malfunction of A/F sensor 1 or its circuit
- Insufficient activation of A/F sensor 1 at low engine coolant temperature
- High engine coolant temperature
- During warm-up
- After shifting from N to D
- When starting the engine

MIXTURE RATIO SELF-LEARNING CONTROL

The mixture ratio feedback control system monitors the mixture ratio signal transmitted from A/F sensor 1. This feedback signal is then sent to the ECM. The ECM controls the basic mixture ratio as close to the theoretical mixture ratio as possible. However, the basic mixture ratio is not necessarily controlled as originally designed. Both manufacturing differences (i.e., mass air flow sensor hot wire) and characteristic changes during operation (i.e., fuel injector clogging) directly affect mixture ratio.

Accordingly, the difference between the basic and theoretical mixture ratios is monitored in this system. This is then computed in terms of "injection pulse duration" to automatically compensate for the difference between the two ratios.

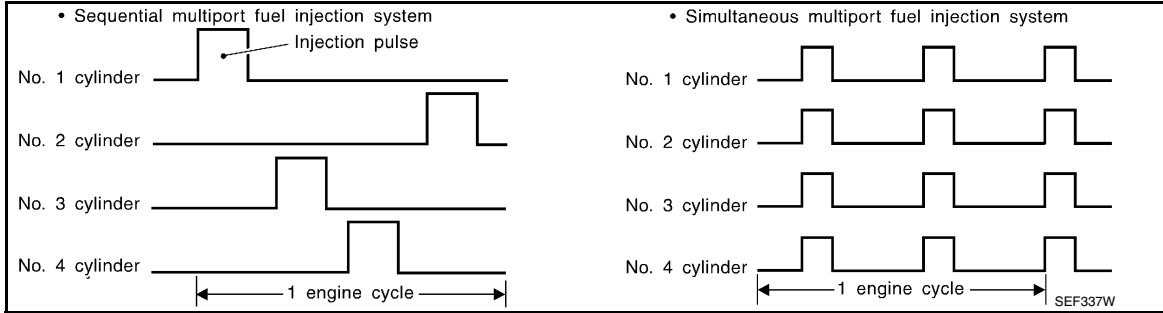
"Fuel trim" refers to the feedback compensation value compared against the basic injection duration. Fuel trim includes short term fuel trim and long term fuel trim.

"Short term fuel trim" is the short-term fuel compensation used to maintain the mixture ratio at its theoretical value. The signal from A/F sensor 1 indicates whether the mixture ratio is RICH or LEAN compared to the theoretical value. The signal then triggers a reduction in fuel volume if the mixture ratio is rich, and an increase in fuel volume if it is lean.

"Long term fuel trim" is overall fuel compensation carried out long-term to compensate for continual deviation of the short term fuel trim from the central value. Such deviation will occur due to individual engine differences, wear over time and changes in the usage environment.

< SYSTEM DESCRIPTION >

FUEL INJECTION TIMING



Two types of systems are used.

- **Sequential Multiport Fuel Injection System**
 Fuel is injected into each cylinder during each engine cycle according to the firing order. This system is used when the engine is running.
- **Simultaneous Multiport Fuel Injection System**
 Fuel is injected simultaneously into all four cylinders twice each engine cycle. In other words, pulse signals of the same width are simultaneously transmitted from the ECM.
 The four injectors will then receive the signals two times for each engine cycle.
 This system is used when the engine is being started and/or if the fail-safe system (CPU) is operating.

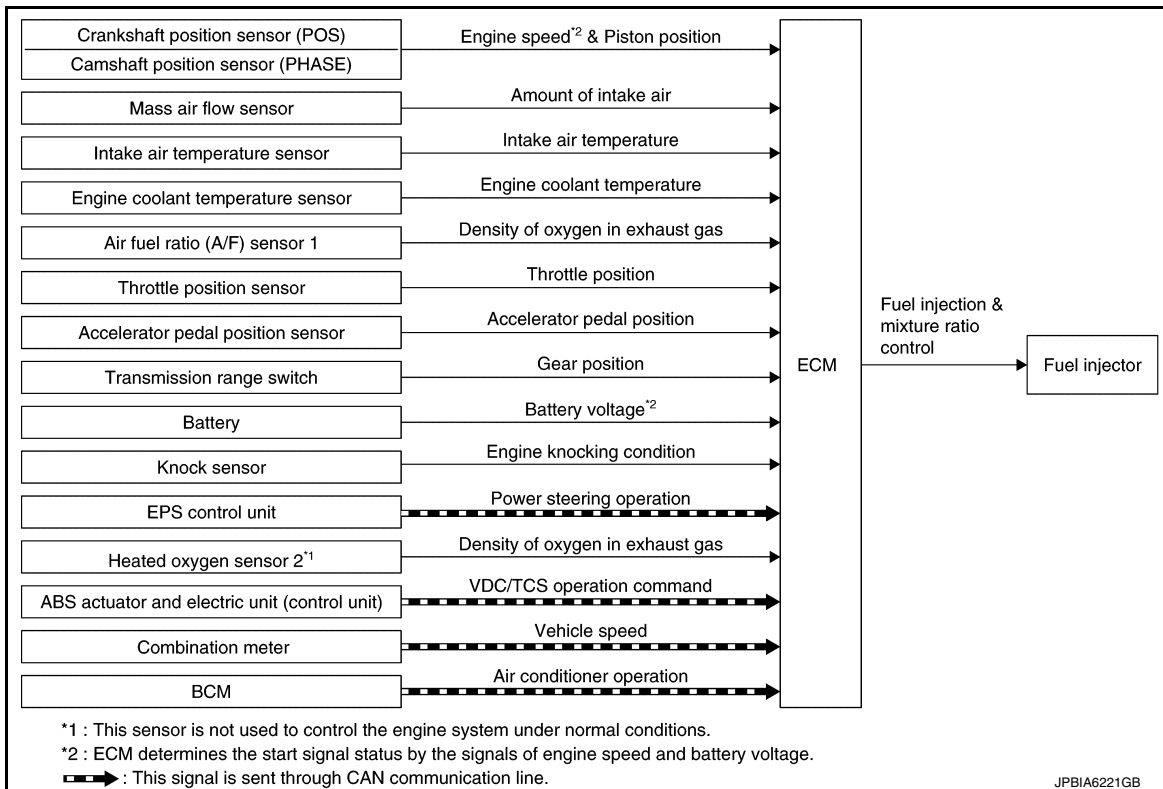
FUEL SHUT-OFF

Fuel to each cylinder is cut off during deceleration, operation of the engine at excessively high speeds or operation of the vehicle at excessively high speeds.

MULTIPOINT FUEL INJECTION SYSTEM : System Description (with manual air conditioner)

INFOID:0000000012602209

SYSTEM DIAGRAM



SYSTEM DESCRIPTION

The amount of fuel injected from the fuel injector is determined by the ECM. The ECM controls the length of time the valve remains open (injection pulse duration). The amount of fuel injected is a program value in the ECM memory. The program value is preset by engine operating conditions. These conditions are determined

SYSTEM

[QR25DE]

< SYSTEM DESCRIPTION >

by input signals (for engine speed and intake air) from the crankshaft position sensor (POS), camshaft position sensor (PHASE) and the mass air flow sensor.

VARIOUS FUEL INJECTION INCREASE/DECREASE COMPENSATION

In addition, the amount of fuel injected is compensated to improve engine performance under various operating conditions as listed below.

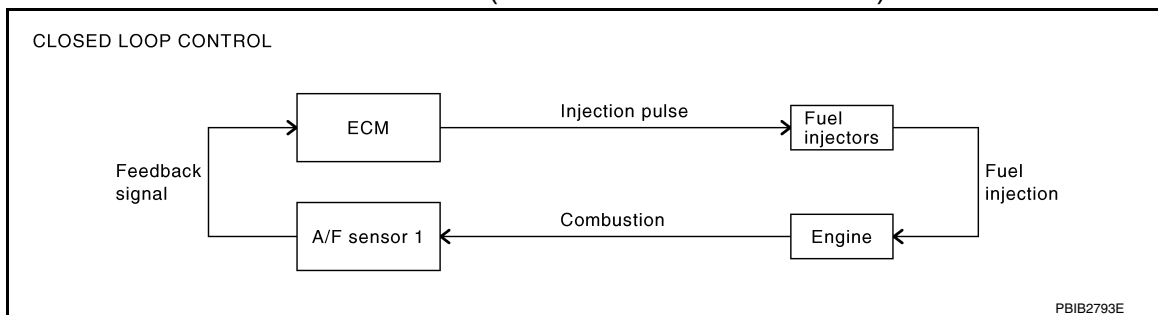
<Fuel increase>

- During warm-up
- When starting the engine
- During acceleration
- Hot-engine operation
- When selector lever is changed from N to D
- High-load, high-speed operation

<Fuel decrease>

- During deceleration
- During high engine speed operation

MIXTURE RATIO FEEDBACK CONTROL (CLOSED LOOP CONTROL)



The mixture ratio feedback system provides the best air-fuel mixture ratio for driveability and emission control. The three way catalyst (manifold) can then better reduce CO, HC and NO_x emissions. This system uses A/F sensor 1 in the exhaust manifold to monitor whether the engine operation is rich or lean. The ECM adjusts the injection pulse width according to the sensor voltage signal. For more information about A/F sensor 1, refer to [EC-34. "Air Fuel Ratio \(A/F\) Sensor 1"](#). This maintains the mixture ratio within the range of stoichiometric (ideal air-fuel mixture).

This stage is referred to as the closed loop control condition.

Heated oxygen sensor 2 is located downstream of the three way catalyst (manifold). Even if the switching characteristics of A/F sensor 1 shift, the air-fuel ratio is controlled to stoichiometric by the signal from heated oxygen sensor 2.

• Open Loop Control

The open loop system condition refers to when the ECM detects any of the following conditions. Feedback control stops in order to maintain stabilized fuel combustion.

- Deceleration and acceleration
- High-load, high-speed operation
- Malfunction of A/F sensor 1 or its circuit
- Insufficient activation of A/F sensor 1 at low engine coolant temperature
- High engine coolant temperature
- During warm-up
- After shifting from N to D
- When starting the engine

MIXTURE RATIO SELF-LEARNING CONTROL

The mixture ratio feedback control system monitors the mixture ratio signal transmitted from A/F sensor 1. This feedback signal is then sent to the ECM. The ECM controls the basic mixture ratio as close to the theoretical mixture ratio as possible. However, the basic mixture ratio is not necessarily controlled as originally designed. Both manufacturing differences (i.e., mass air flow sensor hot wire) and characteristic changes during operation (i.e., fuel injector clogging) directly affect mixture ratio.

Accordingly, the difference between the basic and theoretical mixture ratios is monitored in this system. This is then computed in terms of "injection pulse duration" to automatically compensate for the difference between the two ratios.

"Fuel trim" refers to the feedback compensation value compared against the basic injection duration. Fuel trim includes short term fuel trim and long term fuel trim.

SYSTEM

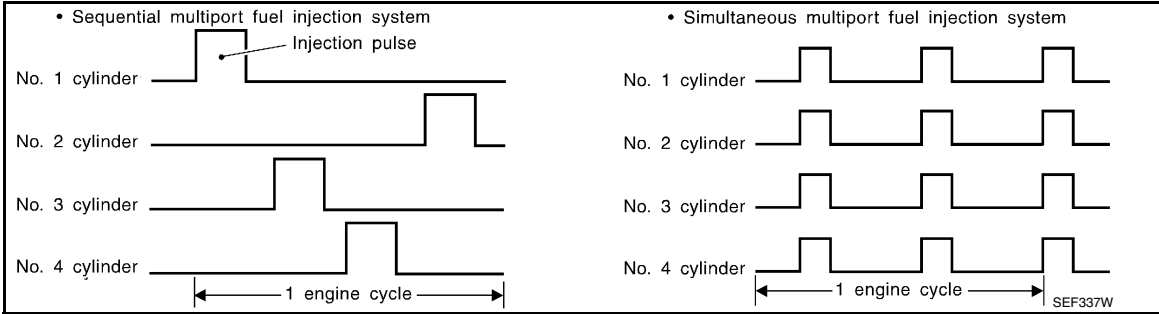
< SYSTEM DESCRIPTION >

[QR25DE]

“Short term fuel trim” is the short-term fuel compensation used to maintain the mixture ratio at its theoretical value. The signal from A/F sensor 1 indicates whether the mixture ratio is RICH or LEAN compared to the theoretical value. The signal then triggers a reduction in fuel volume if the mixture ratio is rich, and an increase in fuel volume if it is lean.

“Long term fuel trim” is overall fuel compensation carried out long-term to compensate for continual deviation of the short term fuel trim from the central value. Such deviation will occur due to individual engine differences, wear over time and changes in the usage environment.

FUEL INJECTION TIMING



Two types of systems are used.

- Sequential Multiport Fuel Injection System

Fuel is injected into each cylinder during each engine cycle according to the firing order. This system is used when the engine is running.

- Simultaneous Multiport Fuel Injection System

Fuel is injected simultaneously into all four cylinders twice each engine cycle. In other words, pulse signals of the same width are simultaneously transmitted from the ECM.

The four injectors will then receive the signals two times for each engine cycle.

This system is used when the engine is being started and/or if the fail-safe system (CPU) is operating.

FUEL SHUT-OFF

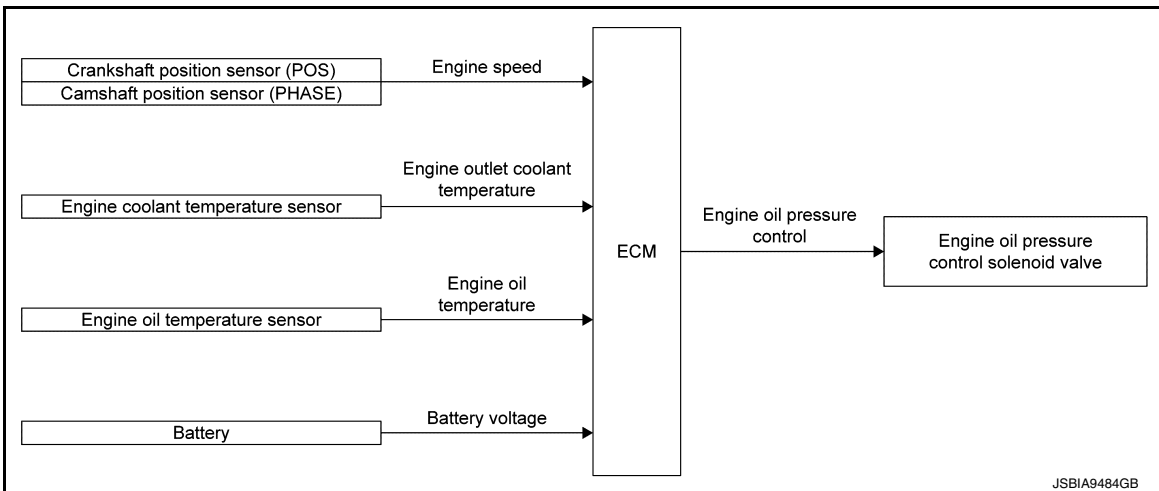
Fuel to each cylinder is cut off during deceleration, operation of the engine at excessively high speeds or operation of the vehicle at excessively high speeds.

ENGINE OIL PRESSURE CONTROL SYSTEM

ENGINE OIL PRESSURE CONTROL SYSTEM : System Description

INFOID:000000013214783

SYSTEM DIAGRAM



SYSTEM DESCRIPTION

ECM performs the variable hydraulic control (low oil pressure control and high oil pressure control) based on signals from each sensor according to oil temperature and engine load. ECM activates the engine oil pressure control solenoid valve and switches to the low oil pressure control and high oil pressure control. ECM uses the low oil pressure control for 80-90 % of the operating area to maintain low oil pressure and stops piston cooling jet (i.e. achievement of less than or equal to jet injection valve opening pressure).

High oil pressure control start condition

< SYSTEM DESCRIPTION >

- High oil pressure control start condition
- High engine speed
- Coolant temperature is 60°C (140°F) or more under high engine load condition

Low oil pressure control start condition

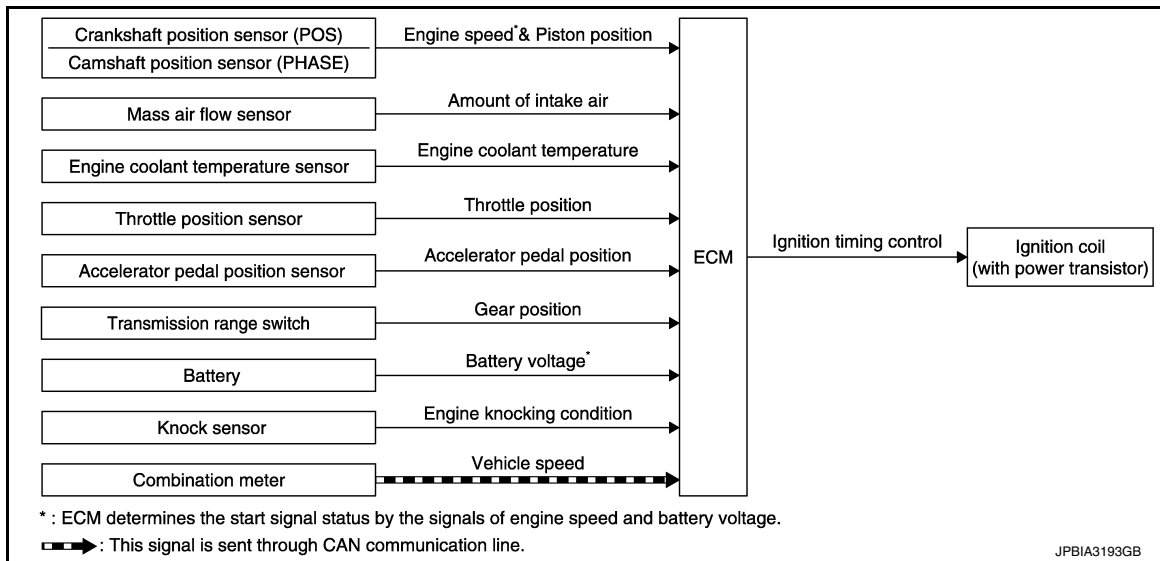
- Coolant temperature is less than 60°C (140°F) under low engine speed condition
- Coolant temperature is 60°C (140°F) or more under low engine load and low engine speed conditions

ELECTRIC IGNITION SYSTEM

ELECTRIC IGNITION SYSTEM : System Description

INFOID:000000012602210

SYSTEM DIAGRAM



SYSTEM DESCRIPTION

Firing order: 1 - 3 - 4 - 2

The ignition timing is controlled by the ECM to maintain the best air-fuel ratio for every running condition of the engine. The ignition timing data is stored in the ECM.

The ECM receives information such as the injection pulse width and camshaft position sensor (PHASE) signal. Computing this information, ignition signals are transmitted to the power transistor.

During the following conditions, the ignition timing is revised by the ECM according to the other data stored in the ECM.

- At starting
- During warm-up
- At idle
- At low battery voltage
- During acceleration

The knock sensor retard system is designed only for emergencies. The basic ignition timing is programmed within the anti-knocking zone, if recommended fuel is used under dry conditions. The retard system does not operate under normal driving conditions. If engine knocking occurs, the knock sensor monitors the condition. The signal is transmitted to the ECM. The ECM retards the ignition timing to eliminate the knocking condition.

INTAKE VALVE TIMING CONTROL

INTAKE VALVE TIMING CONTROL : System Description

INFOID:000000012602211

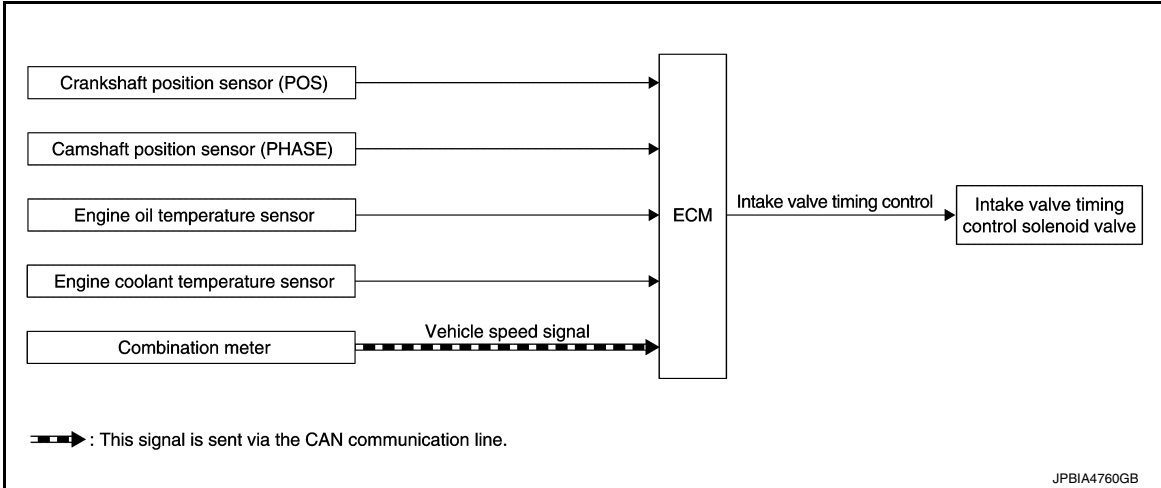
INTAKE VALVE TIMING CONTROL

SYSTEM

< SYSTEM DESCRIPTION >

[QR25DE]

System Diagram

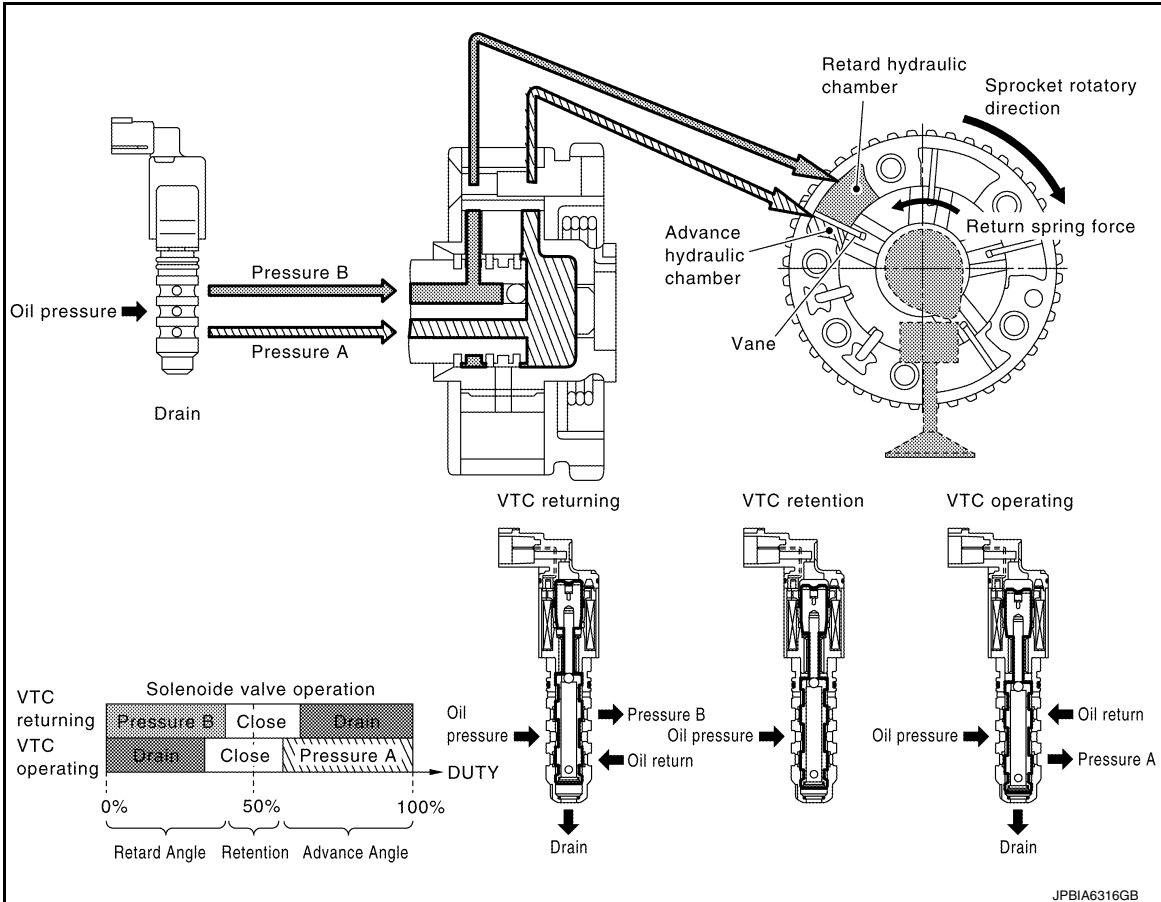


Input/Output Signal Chart

Sensor	Input signal to ECM	ECM function	Actuator
Crankshaft position sensor (POS)	Engine speed and piston position	Intake valve timing control	Intake valve timing control solenoid valve
Camshaft position sensor (PHASE)			
Engine oil temperature sensor	Engine oil temperature		
Engine coolant temperature sensor	Engine coolant temperature		
Combination meter	Vehicle speed*		

*: This signal is sent to the ECM through CAN communication line

System Description

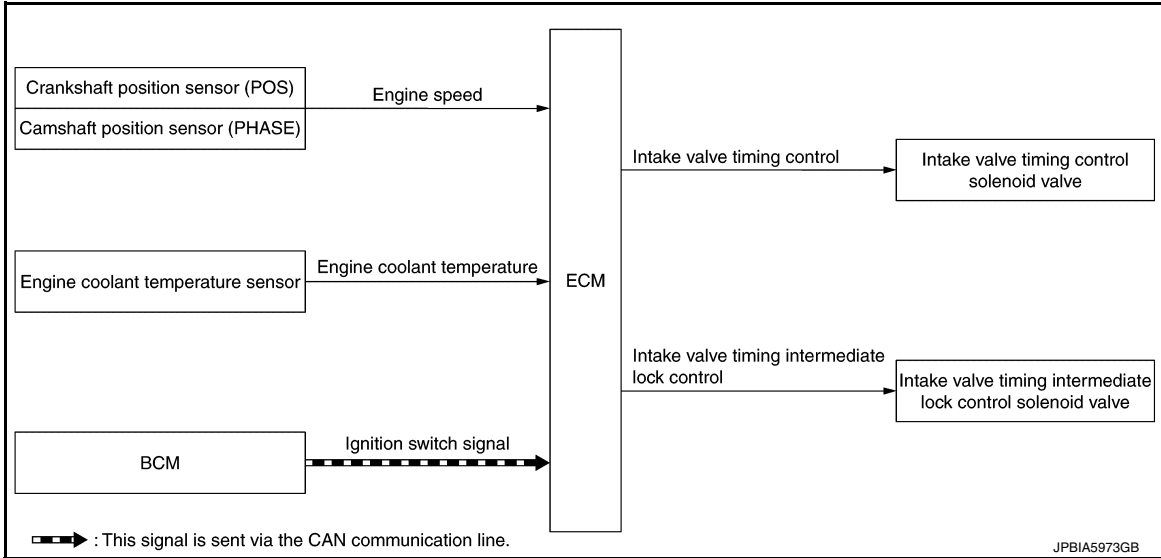


This mechanism hydraulically controls cam phases continuously with the fixed operating angle of the intake valve.

The ECM receives signals such as crankshaft position, camshaft position, engine speed, and engine coolant temperature. Then, the ECM sends ON/OFF pulse duty signals to the intake valve timing (IVT) control solenoid valve depending on driving status. This makes it possible to control the shut/open timing of the intake valve to increase engine torque in low/mid speed range and output in high-speed range.

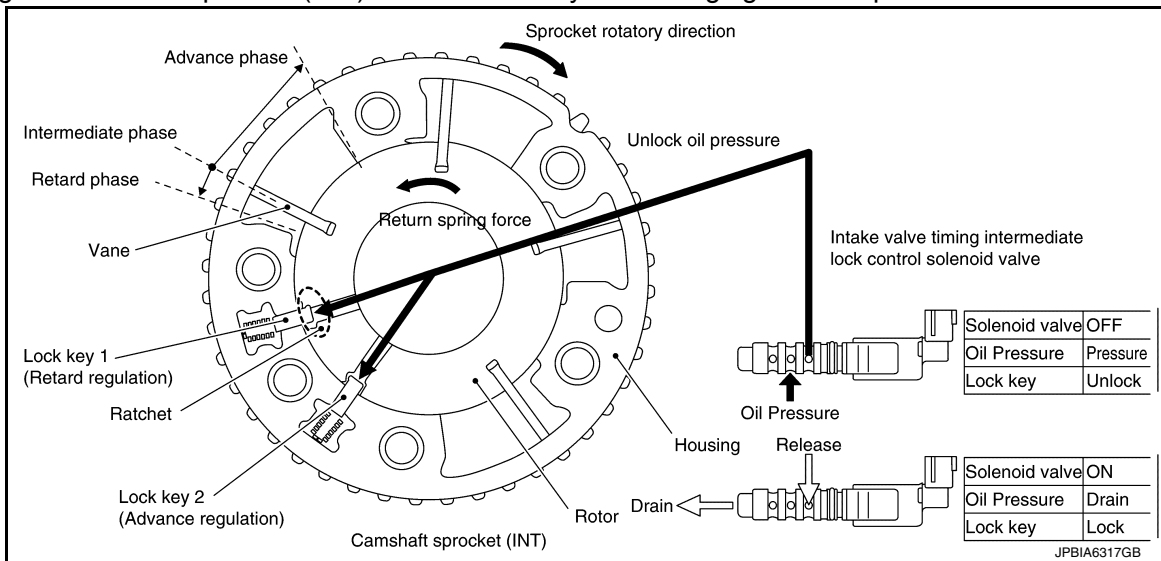
INTAKE VALVE TIMING INTERMEDIATE LOCK CONTROL

System Diagram



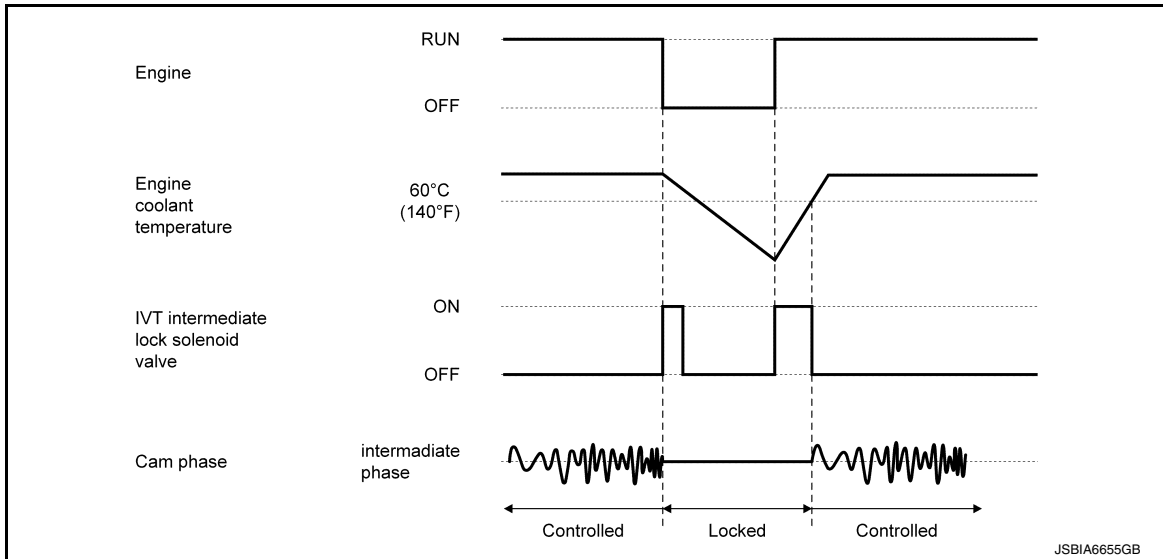
System Description

The intake valve timing intermediate lock control improves the cleaning ability of exhaust gas at cold starting by fixing the camshaft sprocket (INT) with two lock keys and bringing the cam phase into intermediate phase.



Cam phase is fixed at the intermediate phase by two lock keys in the camshaft sprocket (INT). ECM controls the intermediate phase lock by opening/closing the intake valve timing intermediate lock control solenoid valve to control oil pressure acting on the lock key and locking/unlocking the lock key.

Lock/Unlock Activation



When the ignition switch is turned OFF from the idle state, ECM activates the intake valve timing intermediate lock control solenoid valve to drain oil pressure. Accordingly, the lock key is activated by the spring, and the cam phase is fixed at the intermediate position.

When starting the engine by cold start, ECM activates the solenoid valve to maintain the condition that the cam phase is fixed at the intermediate position.

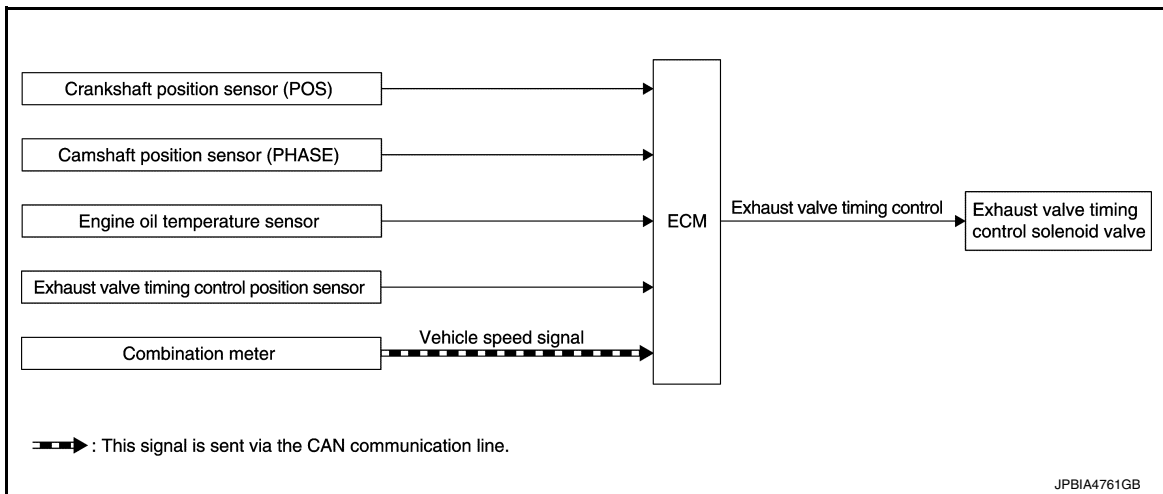
When the engine coolant temperature exceeds 60°C (140°F), ECM turns OFF the solenoid valve and starts normal intake valve timing control.

EXHAUST VALVE TIMING CONTROL

EXHAUST VALVE TIMING CONTROL : System Description

INFOID:000000012602212

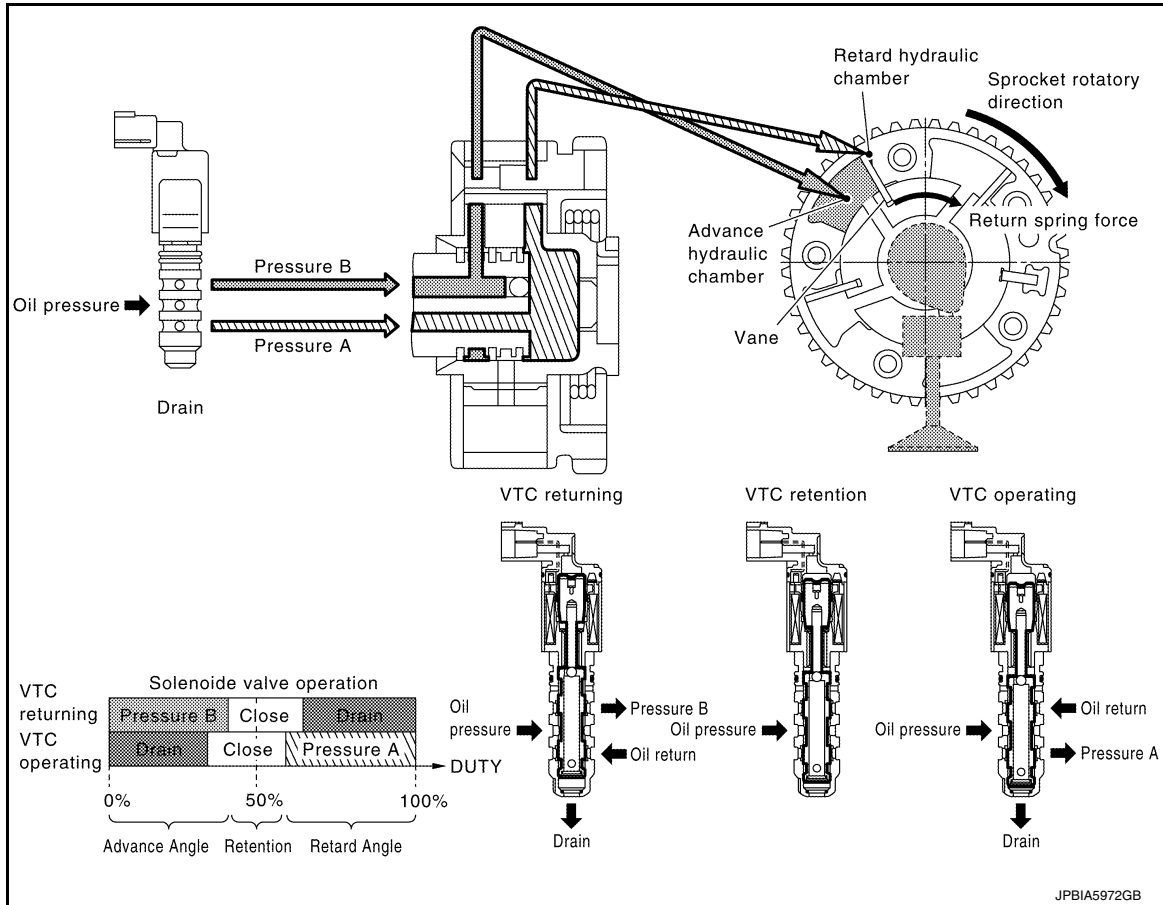
SYSTEM DIAGRAM



INPUT/OUTPUT SIGNAL CHART

Sensor	Input signal to ECM	ECM function	Actuator
Crankshaft position sensor (POS)	Engine speed and piston position	Exhaust valve timing control	Exhaust valve timing control solenoid valve
Camshaft position sensor (PHASE)			
Engine oil temperature sensor	Engine oil temperature		
Exhaust valve timing control position sensor	Exhaust valve timing signal		
Combination meter	CAN communication Vehicle speed signal		

SYSTEM DESCRIPTION



This mechanism hydraulically controls cam phases continuously with the fixed operating angle of the exhaust valve.

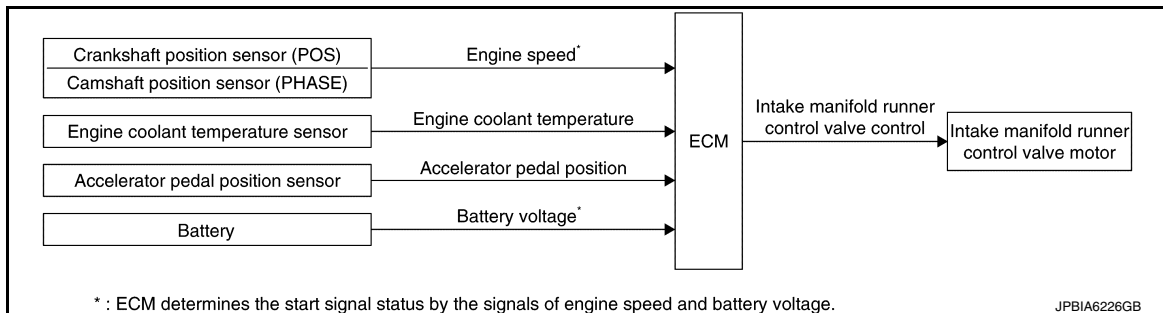
The ECM receives signals such as crankshaft position, camshaft position, engine speed, and engine oil temperature. Then, the ECM sends ON/OFF pulse duty signals to the exhaust valve timing (EVT) control solenoid valve depending on driving status. This makes it possible to control the shut/open timing of the exhaust valve to increase engine torque and output in a range of high engine speed.

INTAKE MANIFOLD RUNNER CONTROL

INTAKE MANIFOLD RUNNER CONTROL : System Description

INFOID:000000012602213

SYSTEM DIAGRAM



SYSTEM DESCRIPTION

Intake manifold runner control valve has a valve portion in the intake passage of each cylinder. While idling and during low engine coolant temperature, the intake manifold runner control valve closes. Thus the velocity of the air in the intake passage increases, promoting the vaporization of the fuel and producing an intake manifold runner in the combustion chamber.

Because of this operation, this system tends to increase the burning speed of the gas mixture, improve exhaust emission, and increase the stability in running conditions.

SYSTEM

[QR25DE]

< SYSTEM DESCRIPTION >

Also, except when idling and during low engine coolant temperature, this system opens the intake manifold runner control valve.

In this condition, this system tends to increase power by improving intake efficiency via reduction of intake flow resistance.

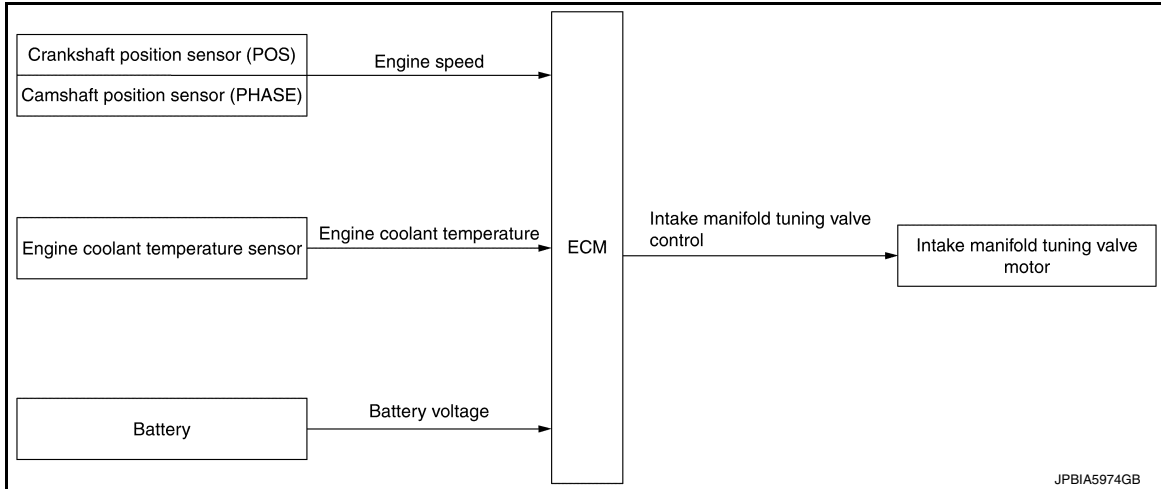
The intake manifold runner control valve is operated by the ECM.

INTAKE MANIFOLD TUNING SYSTEM

INTAKE MANIFOLD TUNING SYSTEM : System Description

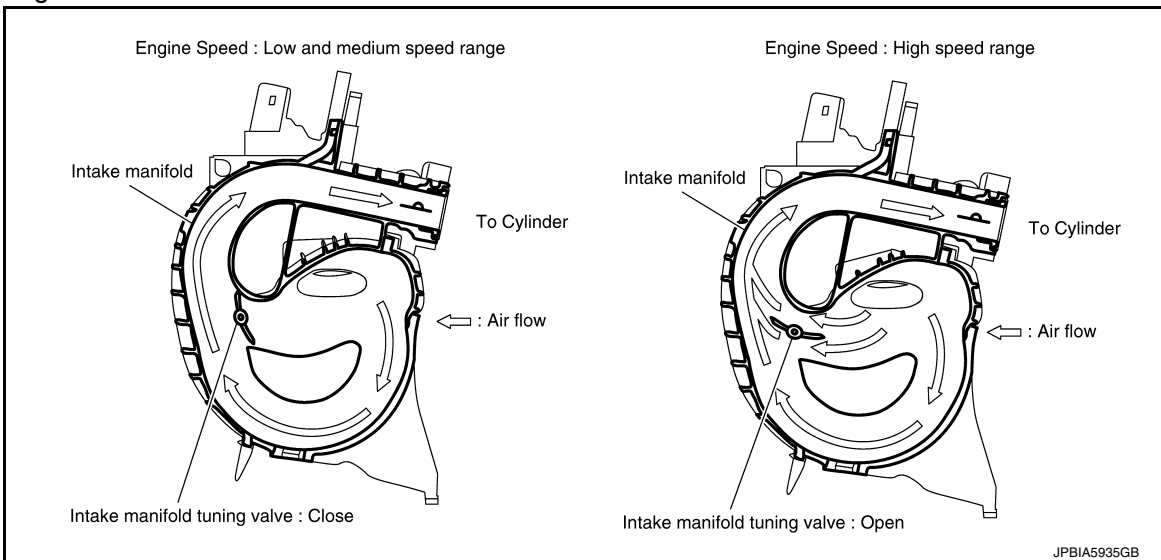
INFOID:000000012602214

SYSTEM DIAGRAM



SYSTEM DESCRIPTION

This system switches the length of intake air path according to the low-to-medium speed range or high speed range. Torque is increased in the low-to-medium speed range and the engine output is improved in the high speed range.



Engine speed: Low and medium speed range

Since the intake manifold tuning (IMT) valve is closed when the engine speed is less than 5,000 rpm, the length of the effective intake air path is from the mouth of intake manifold collector to the intake valve. This long path brings the inertia effect of intake air, contributing to the improvement in intake air efficiency and the generation of high torque.

Engine speed: High speed range

When engine speed is 5,000 rpm or more, ECM turns ON the intake manifold tuning valve motor to open the intake manifold tuning valve. The length of the effective intake air path at this time is from the intake manifold tuning valve to the intake valve. This short path brings the inertia effect of intake air in the high speed range, contributing to the torque improvement while the engine is running at high speeds. (The highest engine output is improved.)

SYSTEM

[QR25DE]

< SYSTEM DESCRIPTION >

Intake Manifold Tuning Valve Operating Condition

ECM opens the intake manifold tuning valve when all of the following conditions are satisfied.

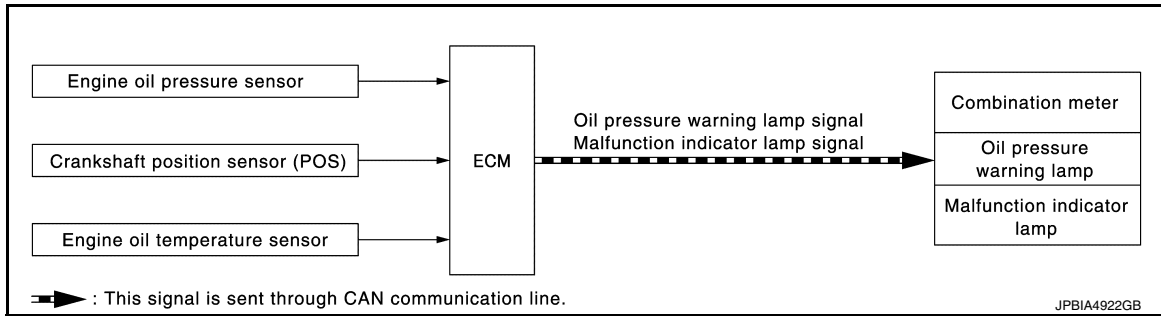
- Engine speed: 5,000 rpm or more
- Engine coolant temperature: -30°C (-22°F) or more
- Battery voltage: 16 V or less

ENGINE PROTECTION CONTROL AT LOW ENGINE OIL PRESSURE

ENGINE PROTECTION CONTROL AT LOW ENGINE OIL PRESSURE : System Description

INFOID:000000012602215

SYSTEM DIAGRAM



INPUT/OUTPUT SIGNAL CHART

Sensor	Input signal to ECM	ECM function	Actuator
Engine oil pressure sensor	Engine pressure	Engine protection control • Oil pressure warning lamp signal • FUEl cut control	Combination meter • Oil pressure warning lamp
Crankshaft position sensor (POS)	Engine speed		
Engine oil temperature sensor	Engine oil temperature		

SYSTEM DESCRIPTION

- The engine protection control at low engine oil pressure warns the driver of a decrease in engine oil pressure by the oil pressure warning lamp a before the engine becomes damaged.
- When detecting a decrease in engine oil pressure at an engine speed less than 1,000 rpm, ECM transmits an oil pressure warning lamp signal to the combination meter. The combination meter turns ON the oil pressure warning lamp, according to the signal.

Decrease in engine oil pressure	Engine speed	Combination meter	Fuel cut
		Oil pressure warning lamp	
Detection	Less than 1,000 rpm	ON*	NO
	1,000 rpm or more	ON	YES

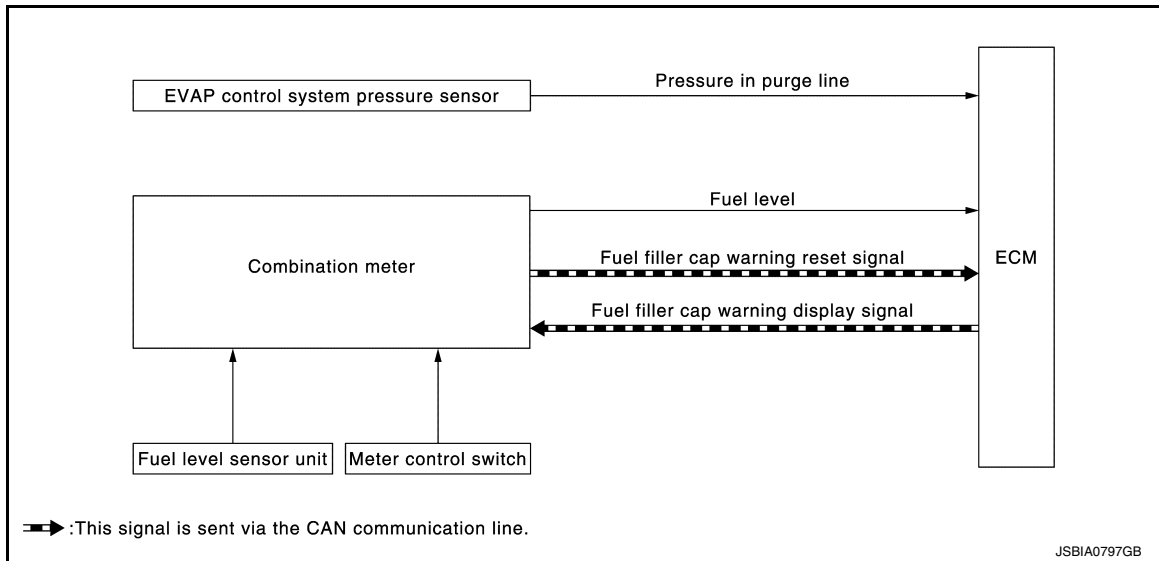
*: When detecting a normal engine oil pressure, ECM turns OFF the oil pressure warning lamp.

FUEL FILLER CAP WARNING SYSTEM

FUEL FILLER CAP WARNING SYSTEM : System Description

INFOID:000000012602216

SYSTEM DIAGRAM



SYSTEM DESCRIPTION

The fuel filler cap warning system alerts the driver to the prevention of the fuel filler being left uncapped and malfunction occurrences after refueling, by turning ON the fuel filler cap warning display on the combination meter.

ECM judges a refueled state, based on a fuel level signal transmitted from the combination meter.

When a very small leak is detected through the EVAP leak diagnosis performed after judging the refueled state, ECM transmits a fuel filler cap warning display signal (request for display ON) to the combination meter via CAN communication.

When receiving the signal, the combination meter turns ON the fuel filler cap warning display.

CAUTION:

Check fuel filler cap installation condition when the fuel filler cap warning display turns ON.

Reset Operation

The fuel filler cap warning lamp turns OFF, according to any condition listed below:

- Reset operation is performed by operating the meter control switch on the combination meter. Refer to [MWL-18, "Description"](#).
- When the reset operation is performed, the combination meter transmits a fuel filler cap warning reset signal to ECM via CAN communication. ECM transmits a fuel filler cap warning display signal (request for display OFF) to the combination meter via CAN communication. When receiving the signal, the combination meter turns OFF the fuel filler cap warning display.
- EVAP leak diagnosis result is normal.
- Fuel refilled.
- DTC erased by using CONSULT.

NOTE:

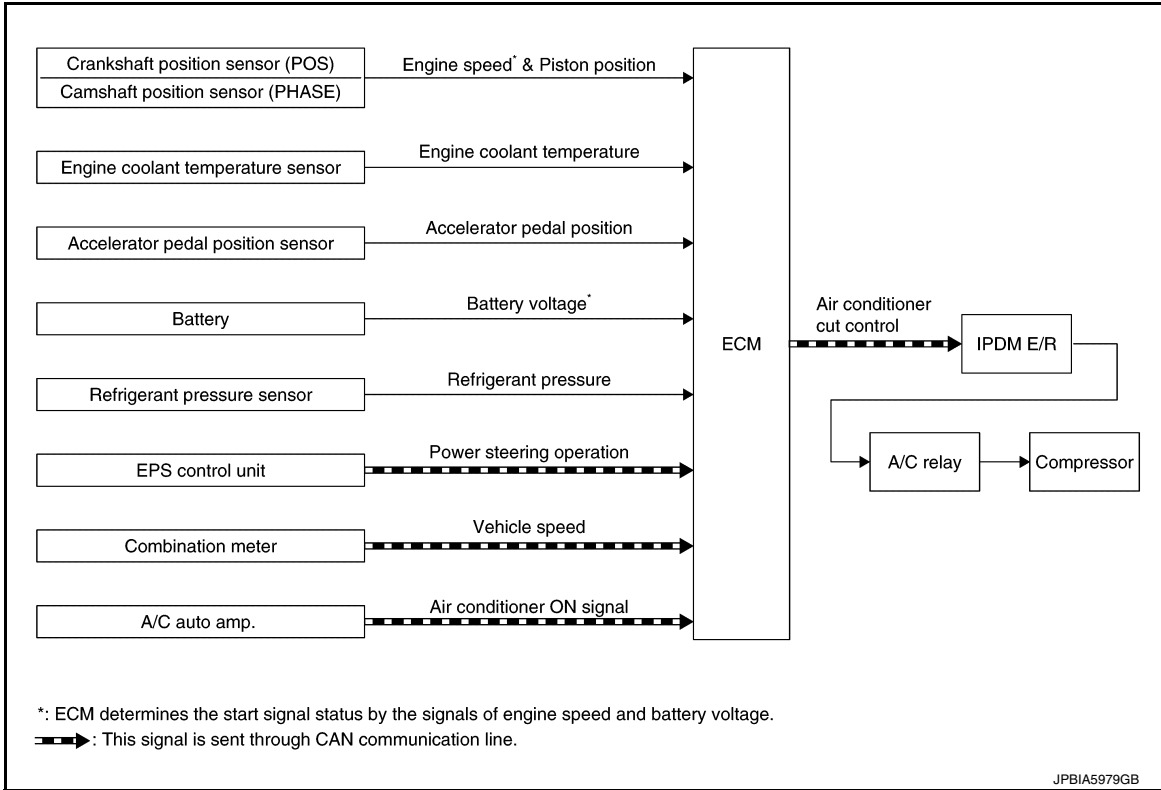
MIL turns ON if a malfunction is detected in leak diagnosis results again at the trip after the fuel filler cap warning display turns ON/OFF.

AIR CONDITIONING CUT CONTROL

AIR CONDITIONING CUT CONTROL : System Description (with automatic air condi-

tioner)

SYSTEM DIAGRAM



SYSTEM DESCRIPTION

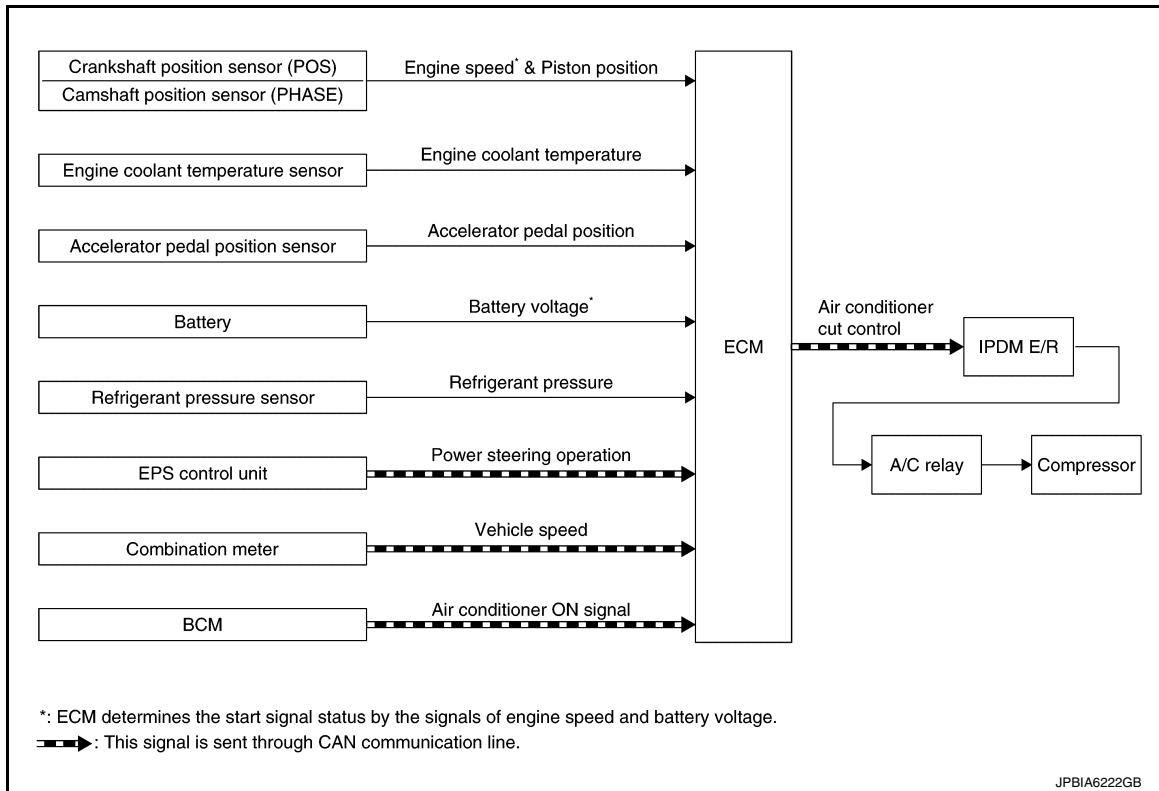
This system improves engine operation when the air conditioner is used. Under the following conditions, the air conditioner is turned off.

- When cranking the engine.
- At high engine speeds.
- When the engine coolant temperature becomes excessively high.
- When operating power steering during low engine speed or low vehicle speed.
- When engine speed is excessively low.
- When refrigerant pressure is excessively low or high.

AIR CONDITIONING CUT CONTROL : System Description (with manual air condition-

er)

SYSTEM DIAGRAM



SYSTEM DESCRIPTION

This system improves engine operation when the air conditioner is used. Under the following conditions, the air conditioner is turned off.

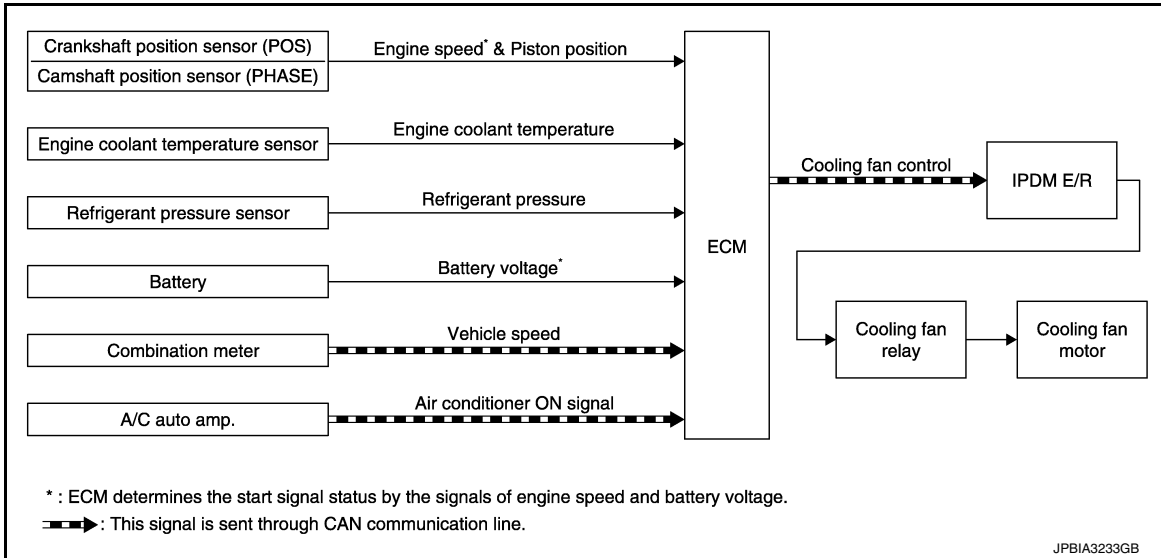
- When cranking the engine.
- At high engine speeds.
- When the engine coolant temperature becomes excessively high.
- When operating power steering during low engine speed or low vehicle speed.
- When engine speed is excessively low.
- When refrigerant pressure is excessively low or high.

COOLING FAN CONTROL

COOLING FAN CONTROL : System Description (with automatic air conditioner)

INFOID:000000012602219

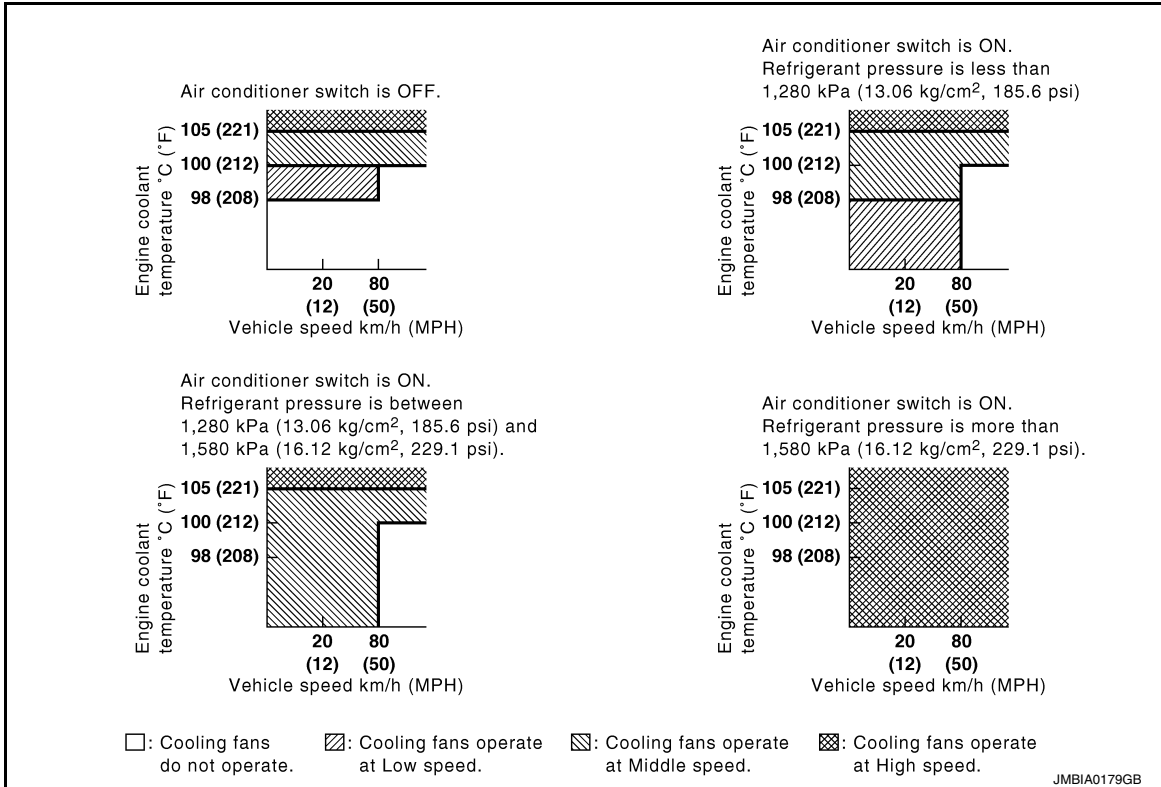
SYSTEM DIAGRAM



SYSTEM DESCRIPTION

ECM controls cooling fan speed corresponding to vehicle speed, engine coolant temperature, refrigerant pressure, air conditioner ON signal. Then control system has 4-step control [HIGH/MIDDLE/LOW/OFF].

Cooling Fan Operation



Cooling Fan Relay Operation

The ECM controls cooling fan relays through CAN communication line.

SYSTEM

< SYSTEM DESCRIPTION >

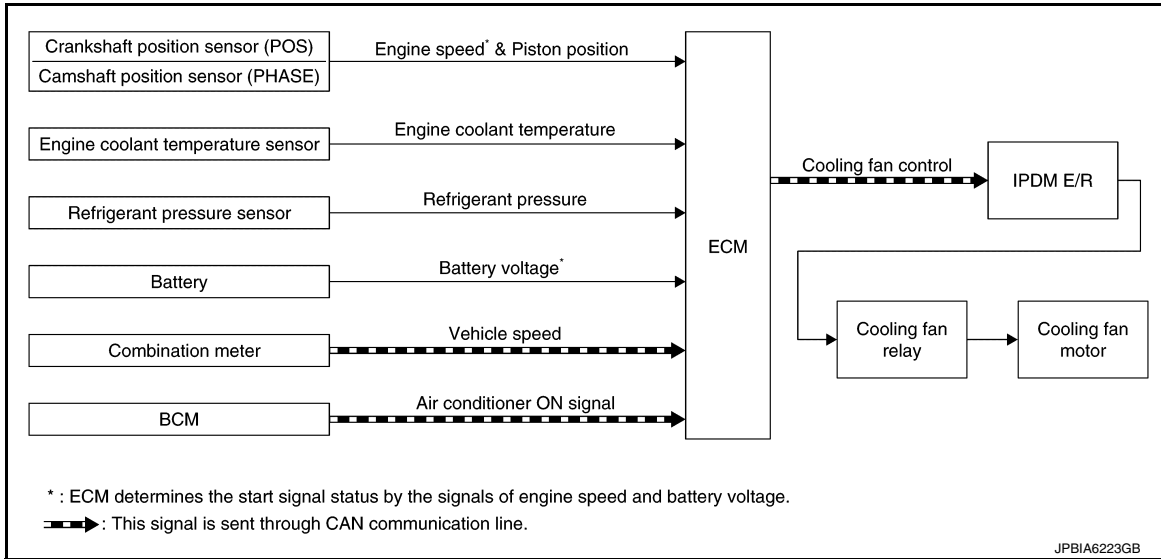
[QR25DE]

Cooling fan speed	Cooling fan relay		
	1	2	3
Stop (OFF)	OFF	OFF	OFF
Low (LOW)	ON	OFF	OFF
Middle (MID)	OFF	ON	OFF
High (HI)	OFF	ON	ON

COOLING FAN CONTROL : System Description (with manual air conditioner)

INFOID:000000012602220

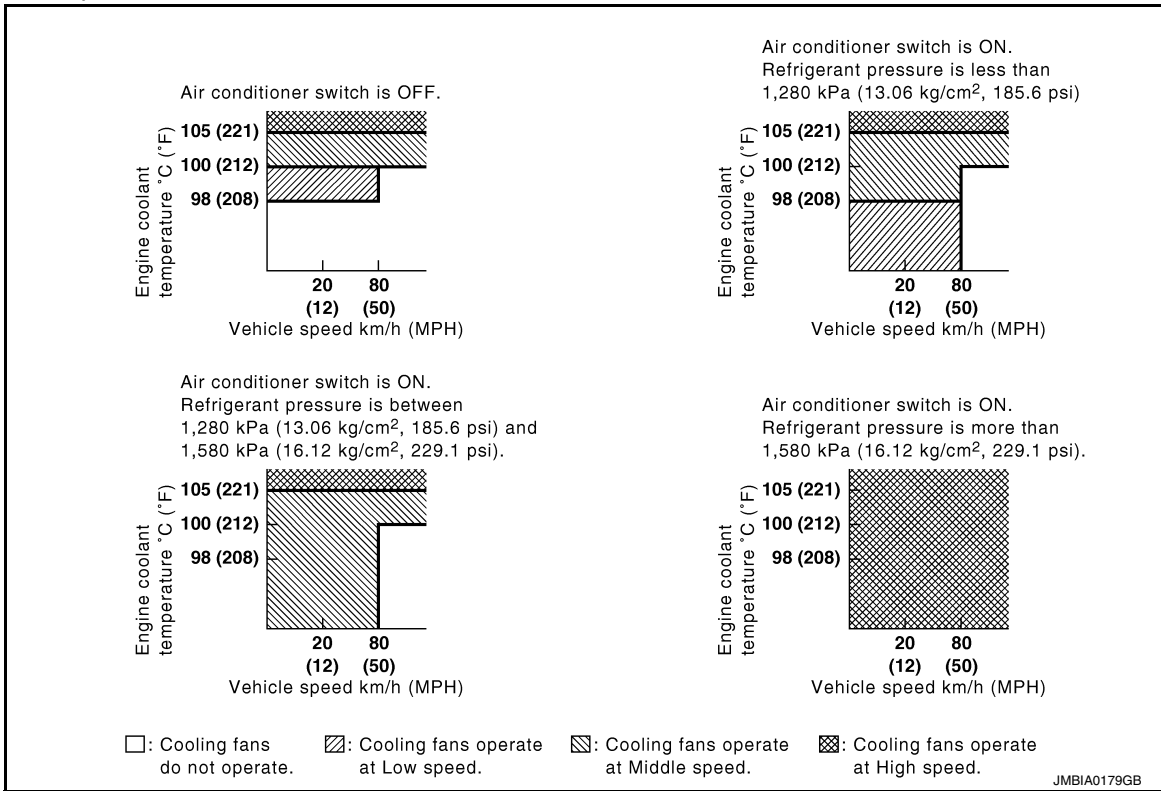
SYSTEM DIAGRAM



SYSTEM DESCRIPTION

ECM controls cooling fan speed corresponding to vehicle speed, engine coolant temperature, refrigerant pressure, air conditioner ON signal. Then control system has 4-step control [HIGH/MIDDLE/LOW/OFF].

Cooling Fan Operation



Cooling Fan Relay Operation

The ECM controls cooling fan relays through CAN communication line.

Cooling fan speed	Cooling fan relay		
	1	2	3
Stop (OFF)	OFF	OFF	OFF
Low (LOW)	ON	OFF	OFF
Middle (MID)	OFF	ON	OFF
High (HI)	OFF	ON	ON

EVAPORATIVE EMISSION SYSTEM

A
EC
C
D
E
F
G
H
I
J
K
L
M
N
O
P

SYSTEM

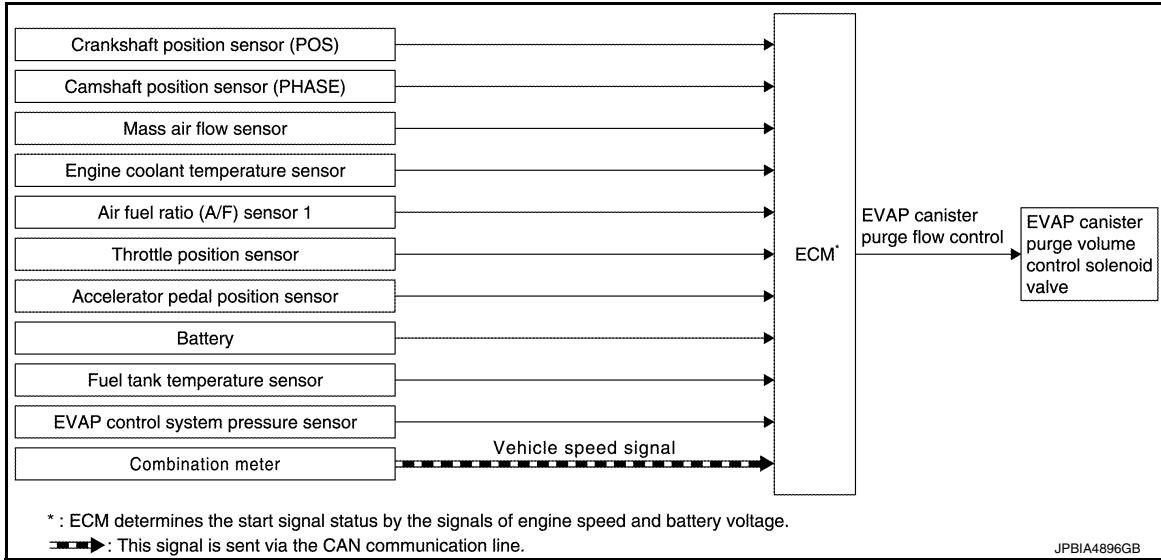
< SYSTEM DESCRIPTION >

[QR25DE]

EVAPORATIVE EMISSION SYSTEM : System Description

INFOID:000000012602221

SYSTEM DIAGRAM



INPUT/OUTPUT SIGNAL CHART

Sensor	Input signal to ECM	ECM function	Actuator
Crankshaft position sensor (POS) Camshaft position sensor (PHASE)	Engine speed*1	EVAP canister purge flow control	EVAP canister purge vol- ume control solenoid valve
Mass air flow sensor	Amount of intake air		
Engine coolant temperature sensor	Engine coolant temperature		
Battery	Battery voltage*1		
Throttle position sensor	Throttle position		
Accelerator pedal position sensor	Accelerator pedal position		
Air fuel ratio (A/F) sensor 1	Density of oxygen in exhaust gas (Mixture ratio feedback signal)		
Fuel tank temperature sensor	Fuel temperature in fuel tank		
EVAP control system pressure sensor	Pressure in purge line		
Combination meter	Vehicle speed*2		

*1: ECM determines the start signal status by the signals of engine speed and battery voltage.

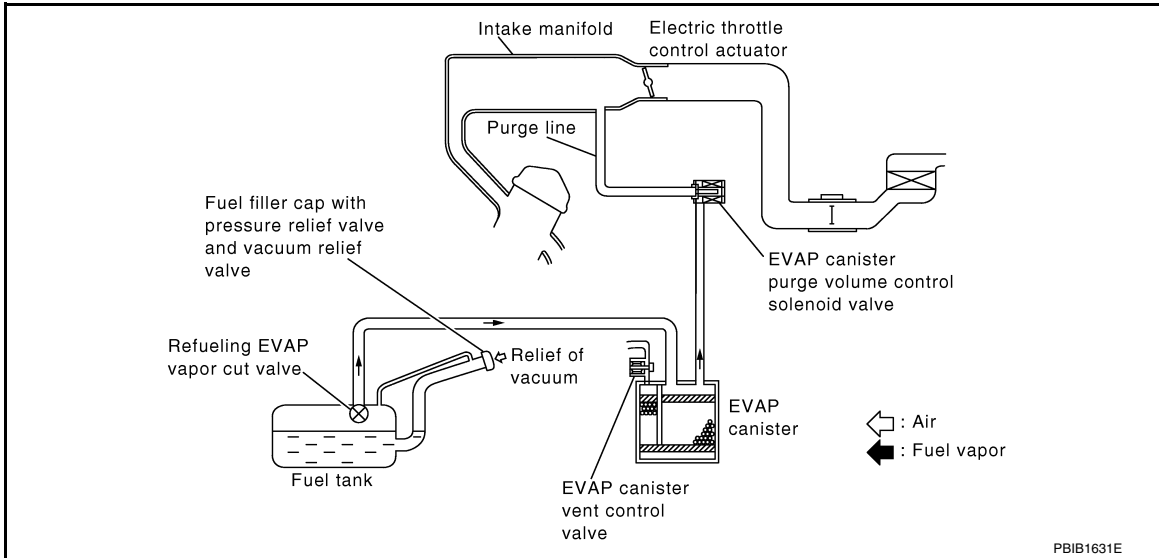
*2: This signal is sent to the ECM through CAN communication line.

SYSTEM

< SYSTEM DESCRIPTION >

[QR25DE]

SYSTEM DESCRIPTION



The evaporative emission system is used to reduce hydrocarbons emitted into the atmosphere from the fuel system. This reduction of hydrocarbons is accomplished by activated charcoals in the EVAP canister. The fuel vapor in the sealed fuel tank is led into the EVAP canister which contains activated carbon and the vapor is stored there when the engine is not operating or when refueling to the fuel tank. The vapor in the EVAP canister is purged by the air through the purge line to the intake manifold when the engine is operating. EVAP canister purge volume control solenoid valve is controlled by ECM. When the engine operates, the flow rate of vapor controlled by EVAP canister purge volume control solenoid valve is proportionally regulated as the air flow increases.

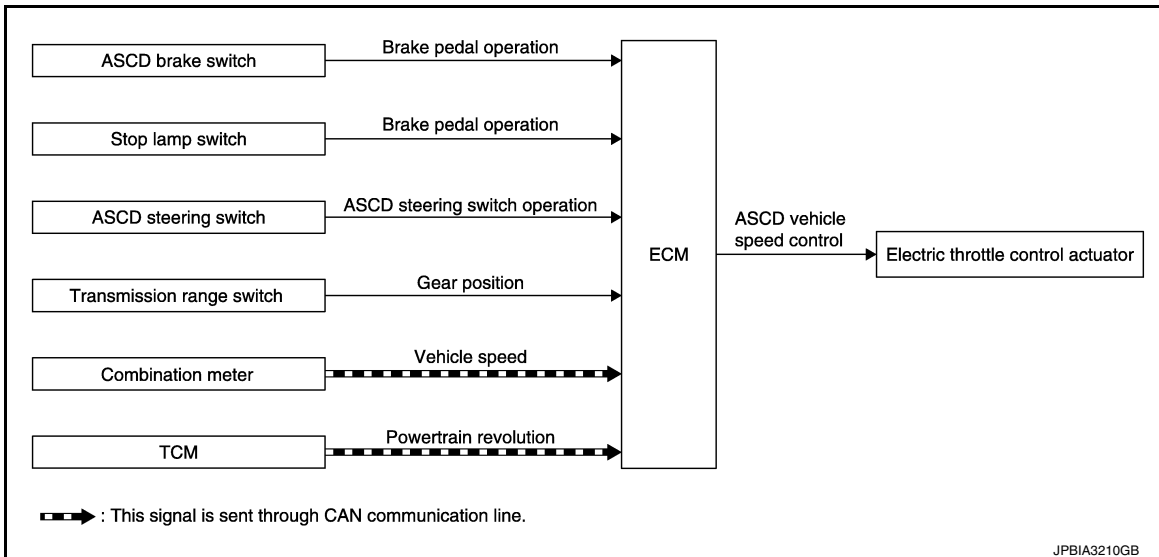
EVAP canister purge volume control solenoid valve also shuts off the vapor purge line during decelerating.

AUTOMATIC SPEED CONTROL DEVICE (ASCD)

AUTOMATIC SPEED CONTROL DEVICE (ASCD) : System Description

INFOID:000000012602222

SYSTEM DIAGRAM



BASIC ASCD SYSTEM

Refer to Owner's Manual for ASCD operating instructions.

Automatic Speed Control Device (ASCD) allows a driver to keep vehicle at predetermined constant speed without depressing accelerator pedal. Driver can set vehicle speed in advance between approximately 40 km/h (25 MPH) and 144 km/h (89 MPH).

ECM controls throttle angle of electric throttle control actuator to regulate engine speed.

SYSTEM

< SYSTEM DESCRIPTION >

[QR25DE]

The ASCD operation status is indicated by two indicators (CRUISE and SET on the information display) on the combination meter. If any malfunction occurs in ASCD system, SET indicator blinks and ASCD control is deactivated.

NOTE:

Always drive vehicle in safe manner according to traffic conditions and obey all traffic laws.

SET OPERATION

Press MAIN switch. (CRUISE is indicated on the information display.)

When vehicle speed reaches a desired speed between approximately 40 km/h (25 MPH) and 144 km/h (89 MPH), press SET/COAST switch. (Then SET is indicated on the information display.)

ACCELERATE OPERATION

If the RESUME/ACCELERATE switch is pressed during cruise control driving, increase the vehicle speed until the switch is released or vehicle speed reaches maximum speed controlled by the system.

And then ASCD will keep the new set speed.

CANCEL OPERATION

When any of following conditions exist, cruise operation will be canceled.

- CANCEL switch is pressed
- More than 2 switches at ASCD steering switch are pressed at the same time (Set speed will be cleared)
- Brake pedal is depressed
- Selector lever is changed to N, P, R position
- Vehicle speed decreased to 13 km/h (8 MPH) lower than the set speed
- TCS system is operated

When the ECM detects any of the following conditions, the ECM will cancel the cruise operation and inform the driver by blinking indicators.

- Engine coolant temperature is slightly higher than the normal operating temperature, CRUISE indicator may blink slowly.

When the engine coolant temperature decreases to the normal operating temperature, CRUISE indicator will stop blinking and the cruise operation will be able to work by pressing SET/COAST switch or RESUME/ACCELERATE switch.

- Malfunction for some self-diagnoses regarding ASCD control: SET indicator will blink quickly.

If MAIN switch is turned to OFF during ASCD is activated, all of ASCD operations will be canceled and vehicle speed memory will be erased.

COAST OPERATION

When the SET/COAST switch is pressed during cruise control driving, decrease vehicle set speed until the switch is released. And then ASCD will keep the new set speed.

RESUME OPERATION

When the RESUME/ACCELERATE switch is pressed after cancel operation other than pressing MAIN switch is performed, vehicle speed will return to last set speed. To resume vehicle set speed, vehicle condition must meet following conditions.

- Brake pedal is released
- Selector lever is in other than P and N positions
- Vehicle speed is greater than 40 km/h (25 MPH) and less than 144 km/h (89 MPH)

CAN COMMUNICATION

CAN COMMUNICATION : System Description

INFOID:000000012602223

CAN (Controller Area Network) is a serial communication line for real time application. It is an on-vehicle multiplex communication line with high data communication speed and excellent error detection ability. Many electronic control units are equipped onto a vehicle, and each control unit shares information and links with other control units during operation (not independent). In CAN communication, control units are connected with 2 communication lines (CAN H line, CAN L line) allowing a high rate of information transmission with less wiring. Each control unit transmits/receives data but selectively reads required data only.

Refer to [LAN-35, "CAN COMMUNICATION SYSTEM : CAN Communication Signal Chart"](#), about CAN communication for detail.

OPERATION

AUTOMATIC SPEED CONTROL DEVICE (ASCD)

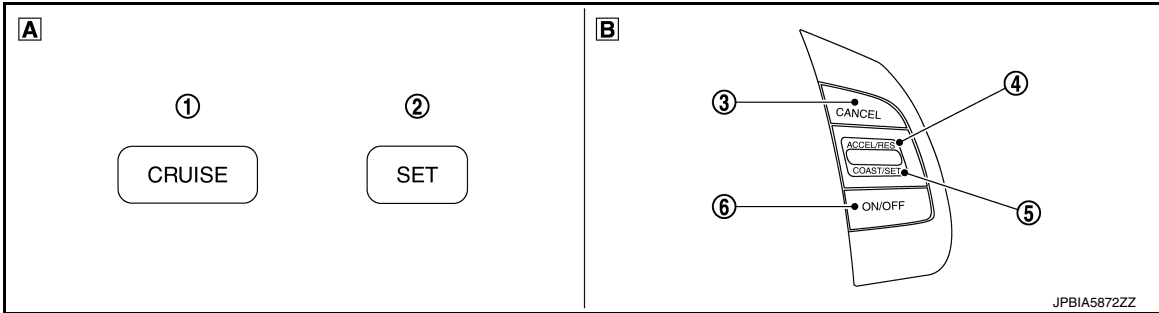
AUTOMATIC SPEED CONTROL DEVICE (ASCD) : Switch Name and Function

INFOID:000000012602224

A

EC

SWITCHES AND INDICATORS



C

D

E

F

- ① CRUISE indicator
- ② SET indicator
- ③ CANCEL switch
- ④ ACCEL/RES switch
- ⑤ COAST/SET switch
- ⑥ ASCD MAIN switch
- Ⓐ On the combination meter
- Ⓑ On the steering wheel

G

SET SPEED RANGE

ASCD system can be set the following vehicle speed.

H

Minimum speed (Approx.)	Maximum speed (Approx.)
40 km/h (25 MPH)	144 km/h (89 MPH)

I

SWITCH OPERATION

Item	Function
CANCEL switch	Cancels the cruise control driving.
ACCEL/RES switch	<ul style="list-style-type: none"> • Resumes the set speed. • Increases speed incrementally during cruise control driving.
COAST/SET switch	<ul style="list-style-type: none"> • Sets desired cruise speed. • Decreases speed incrementally during cruise control driving.
ASCD MAIN switch	Master switch to activate the ASCD system.

J

K

L

Refer to [EC-65. "AUTOMATIC SPEED CONTROL DEVICE \(ASCD\) : System Description"](#) for ASCD operating instructions.

M

N

O

P

ON BOARD DIAGNOSTIC (OBD) SYSTEM

< SYSTEM DESCRIPTION >

[QR25DE]

ON BOARD DIAGNOSTIC (OBD) SYSTEM

Diagnosis Description

INFOID:0000000012602225

This system is an on board diagnostic system that records exhaust emission-related diagnostic information and detects a sensors/actuator-related malfunction. A malfunction is indicated by the malfunction indicator lamp (MIL) and stored in control module memory as a DTC. The diagnostic information can be obtained with the diagnostic tool (GST: Generic Scan Tool).

GST (Generic Scan Tool)

INFOID:0000000012602226

When GST is connected with a data link connector equipped on the vehicle side, it will communicate with the control module equipped in the vehicle and then enable various kinds of diagnostic tests. Refer to [GI-52, "Description"](#).

NOTE:

Service \$0A is not applied for regions where it is not mandated.

DIAGNOSIS SYSTEM (ECM)

< SYSTEM DESCRIPTION >

[QR25DE]

DIAGNOSIS SYSTEM (ECM)

DIAGNOSIS DESCRIPTION

DIAGNOSIS DESCRIPTION : 1st Trip Detection Logic and Two Trip Detection Logic

INFOID:000000012602227

When a malfunction is detected for the first time, 1st trip DTC and 1st trip Freeze Frame data are stored in the ECM memory. The MIL will not illuminate at this stage. <1st trip>

If the same malfunction is detected again during the next drive, the DTC and Freeze Frame data are stored in the ECM memory, and the MIL illuminates. The MIL illuminates at the same time when the DTC is stored. <2nd trip> The "trip" in the "Two Trip Detection Logic" means a driving mode in which self-diagnosis is performed during vehicle operation. Specific on board diagnostic items will cause the ECM to illuminate or blink the MIL, and store DTC and Freeze Frame data, even in the 1st trip, as shown below.

×: Applicable —: Not applicable

Items	MIL				DTC		1st trip DTC	
	1st trip		2nd trip		1st trip displaying	2nd trip displaying	1st trip displaying	2nd trip displaying
	Blinking	Illuminated	Blinking	Illuminated				
Misfire (Possible three way catalyst damage) — DTC: P0300 – P0304 is being detected	×	—	—	—	—	—	×	—
Misfire (Possible three way catalyst damage) — DTC: P0300 – P0304 is being detected	—	—	×	—	—	×	—	—
One trip detection diagnoses (Refer to EC-110, "DTC Index" .)	—	×	—	—	×	—	—	—
Except above	—	—	—	×	—	×	×	—

DIAGNOSIS DESCRIPTION : DTC and Freeze Frame Data

INFOID:000000012602228

DTC AND 1ST TRIP DTC

The 1st trip DTC (whose number is the same as the DTC number) is displayed for the latest self-diagnostic result obtained. If the ECM memory was cleared previously, and the 1st trip DTC did not recur, the 1st trip DTC will not be displayed.

If a malfunction is detected during the 1st trip, the 1st trip DTC is saved in the ECM memory. The MIL will not light up (two trip detection logic). If the same malfunction is not detected in the 2nd trip (meeting the required driving pattern), the 1st trip DTC is cleared from the ECM memory. If the same malfunction is detected in the 2nd trip, both the 1st trip DTC and DTC are saved in the ECM memory and the MIL lights up. In other words, the DTC is stored in the ECM memory and the MIL lights up when the same malfunction occurs in two consecutive trips. If a 1st trip DTC is stored and a non-diagnostic operation is performed between the 1st and 2nd trips, only the 1st trip DTC will continue to be stored. For malfunctions that blink or light up the MIL during the 1st trip, the DTC and 1st trip DTC are stored in the ECM memory.

For malfunctions in which 1st trip DTCs are displayed, refer to [EC-110, "DTC Index"](#). These items are required by legal regulations to continuously monitor the system/component. In addition, the items monitored non-continuously are also displayed on CONSULT.

1st trip DTC is specified in Service \$07 of SAE J1979/ISO 15031-5. 1st trip DTC detection occurs without illuminating the MIL and therefore does not warn the driver of a malfunction.

When a 1st trip DTC is detected, check, print out or write down and erase (1st trip) DTC and Freeze Frame data as specified in Work Flow procedure Step 2, refer to [EC-173, "Work Flow"](#). Then perform DTC Confirmation Procedure or Component Function Check to try to duplicate the malfunction. If the malfunction is duplicated, the item requires repair.

FREEZE FRAME DATA AND 1ST TRIP FREEZE FRAME DATA

The ECM records the driving conditions such as fuel system status, calculated load value, engine coolant temperature, short term fuel trim, long term fuel trim, engine speed, vehicle speed, absolute throttle position, base fuel schedule and intake air temperature at the moment a malfunction is detected.

Data which are stored in the ECM memory, along with the 1st trip DTC, are called 1st trip freeze frame data. The data, stored together with the DTC data, are called freeze frame data and displayed on CONSULT or GST. The 1st trip freeze frame data can only be displayed on the CONSULT screen.

DIAGNOSIS SYSTEM (ECM)

[QR25DE]

< SYSTEM DESCRIPTION >

Only one set of freeze frame data (either 1st trip freeze frame data or freeze frame data) can be stored in the ECM. 1st trip freeze frame data is stored in the ECM memory along with the 1st trip DTC. There is no priority for 1st trip freeze frame data and it is updated each time a different 1st trip DTC is detected. However, once freeze frame data (2nd trip detection/MIL on) is stored in the ECM memory, 1st trip freeze frame data is no longer stored. Remember, only one set of freeze frame data can be stored in the ECM. The ECM has the following priorities to update the data.

Priority	Items	
1	Freeze frame data	Misfire — DTC: P0300 – P0304 Fuel Injection System Function — DTC: P0171, P0172
2		Except the above items
3	1st trip freeze frame data	

For example, the EGR malfunction (Priority: 2) was detected and the freeze frame data was saved in the 2nd trip. After that when the misfire (Priority: 1) is detected in another trip, the freeze frame data will be updated from the EGR malfunction to the misfire. The 1st trip freeze frame data is updated each time a different malfunction is detected. There is no priority for 1st trip freeze frame data. However, once freeze frame data is stored in the ECM memory, 1st trip freeze data is no longer stored (because only one freeze frame data or 1st trip freeze frame data can be stored in the ECM). If freeze frame data is stored in the ECM memory and freeze frame data with the same priority occurs later, the first (original) freeze frame data remains unchanged in the ECM memory.

Both 1st trip freeze frame data and freeze frame data (along with the DTCs) are cleared when the ECM memory is erased.

DIAGNOSIS DESCRIPTION : Counter System

INFOID:000000012602229

RELATIONSHIP BETWEEN MIL, 1ST TRIP DTC, DTC, AND DETECTABLE ITEMS

- When a malfunction is detected for the first time, the 1st trip DTC and the 1st trip freeze frame data are stored in the ECM memory.
- When the same malfunction is detected in two consecutive trips, the DTC and the freeze frame data are stored in the ECM memory, and the MIL will come on.
- The MIL will turn OFF after the vehicle is driven 3 times (driving pattern B) with no malfunction. The drive is counted only when the recorded driving pattern is met (as stored in the ECM). If another malfunction occurs while counting, the counter will reset.
- The DTC and the freeze frame data will be stored until the vehicle is driven 40 times (driving pattern A) without the same malfunction recurring (except for Misfire and Fuel Injection System). For Misfire and Fuel Injection System, the DTC and freeze frame data will be stored until the vehicle is driven 80 times (driving pattern C) without the same malfunction recurring. The “TIME” in “SELF-DIAGNOSTIC RESULTS” mode of CONSULT will count the number of times the vehicle is driven.
- The 1st trip DTC is not displayed when the self-diagnosis results in OK for the 2nd trip.

COUNTER SYSTEM CHART

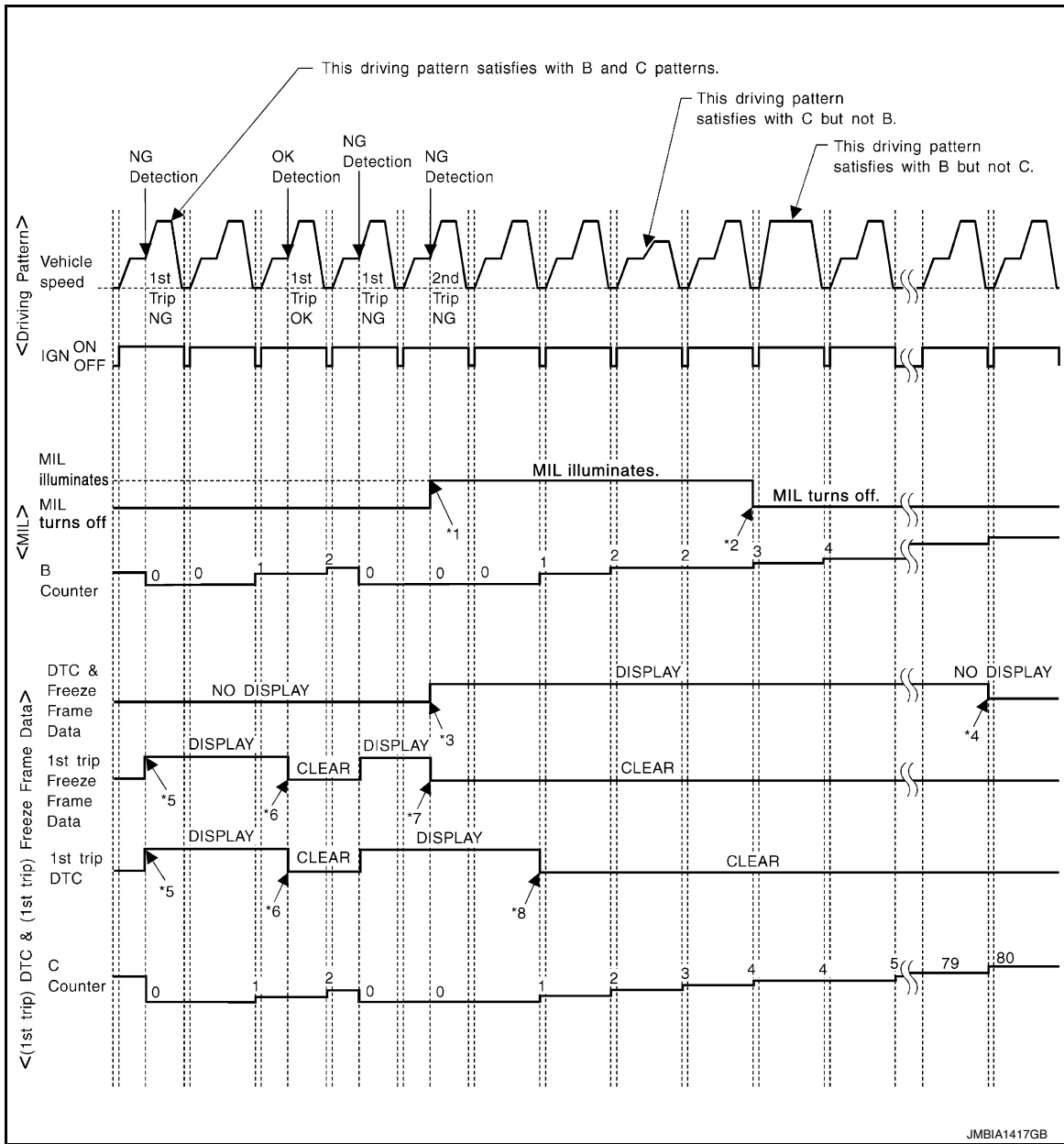
Items	Fuel Injection System	Misfire	Other
MIL (turns OFF)	3 (pattern B)	3 (pattern B)	3 (pattern B)
DTC, Freeze Frame Data (no display)	80 (pattern C)	80 (pattern C)	40 (pattern A)
1st Trip DTC (clear)	1 (pattern C), *1	1 (pattern C), *1	1 (pattern B)
1st Trip Freeze Frame Data (clear)	*1, *2	*1, *2	1 (pattern B)

For details about patterns B and C under “Fuel Injection System” and “Misfire”, see “EXPLANATION FOR DRIVING PATTERNS FOR “MISFIRE <EXHAUST QUALITY DETERIORATION>”, “FUEL INJECTION SYSTEM”.

For details about patterns A and B under Other, see “EXPLANATION FOR DRIVING PATTERNS FOR “MISFIRE <EXHAUST QUALITY DETERIORATION>”, “FUEL INJECTION SYSTEM”.

- *1: Clear timing is at the moment OK is detected.
- *2: Clear timing is when the same malfunction is detected in the 2nd trip.

Relationship Between MIL, DTC, 1st Trip DTC and Driving Patterns for “Misfire <Exhaust Quality Deterioration>”, “Fuel Injection System”



*1: When the same malfunction is detected in two consecutive trips, MIL will light up.

*2: MIL will turn OFF after vehicle is driven 3 times (pattern B) without any malfunctions.

*3: When the same malfunction is detected in two consecutive trips, the DTC and the freeze frame data will be stored in ECM.

*4: The DTC and the freeze frame data will not be displayed any longer after vehicle is driven 80 times (pattern C) without the same malfunction. (The DTC and the freeze frame data still remain in ECM.)

*5: When a malfunction is detected for the first time, the 1st trip DTC and the 1st trip freeze frame data will be stored in ECM.

*6: The 1st trip DTC and the 1st trip freeze frame data will be cleared at the moment OK is detected.

*7: When the same malfunction is detected in the 2nd trip, the 1st trip freeze frame data will be cleared.

*8: 1st trip DTC will be cleared when vehicle is driven once (pattern C) without the same malfunction after DTC is stored in ECM.

Explanation for Driving Patterns for "Misfire <Exhaust Quality Deterioration>", "Fuel Injection System"

Driving Pattern B

Refer to [EC-73. "DIAGNOSIS DESCRIPTION : Driving Pattern"](#).

DIAGNOSIS SYSTEM (ECM)

[QR25DE]

< SYSTEM DESCRIPTION >

Driving Pattern C

Refer to [EC-73. "DIAGNOSIS DESCRIPTION : Driving Pattern"](#).

Example:

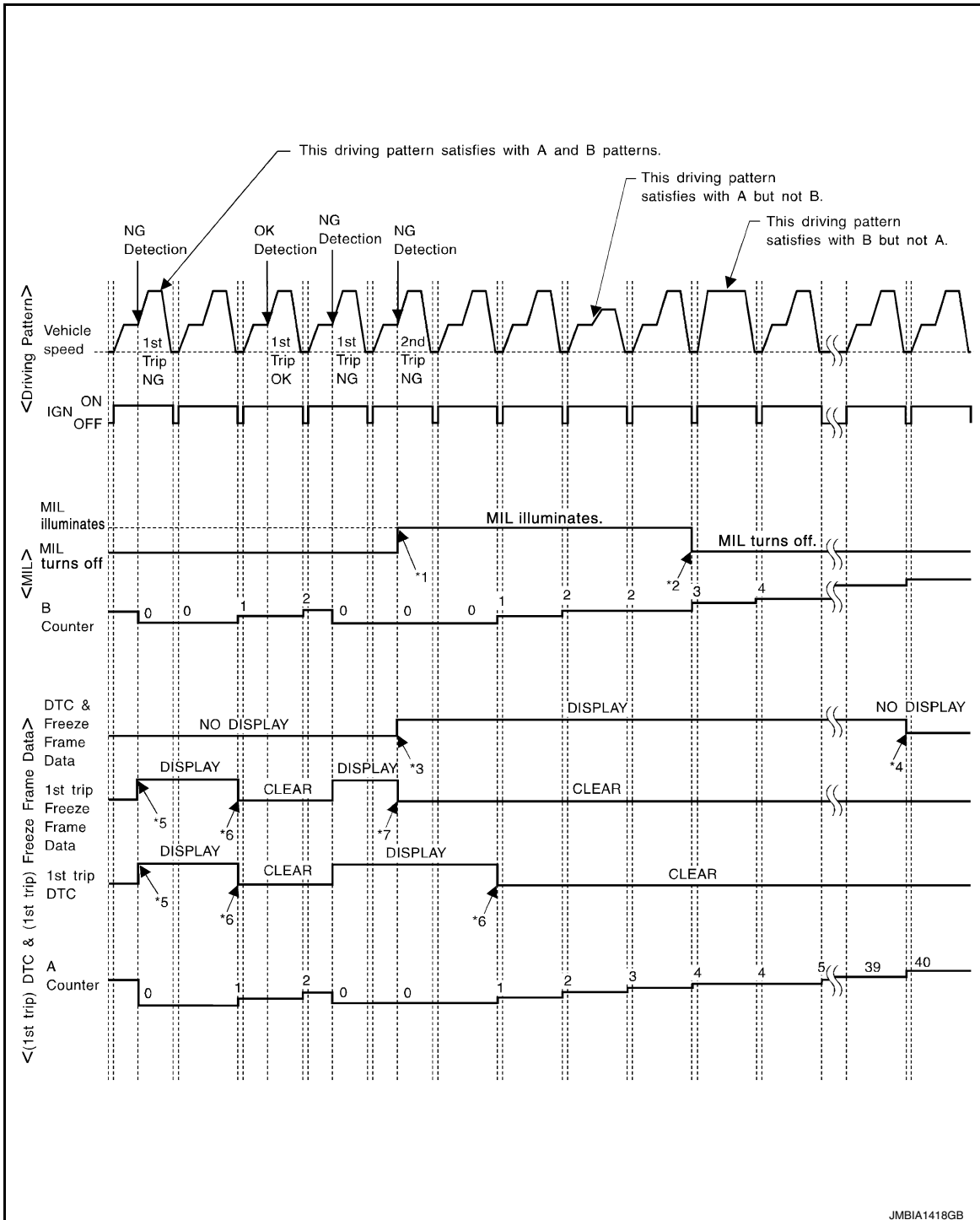
If the stored freeze frame data is as per the following:

Engine speed: 850 rpm, Calculated load value: 30%, Engine coolant temperature: 80°C (176°F)

To be satisfied with driving pattern C, the vehicle should run under the following conditions:

Engine speed: 475 – 1,225 rpm, Calculated load value: 27 – 33%, Engine coolant temperature: more than 70°C (158°F)

Relationship Between MIL, DTC, 1st Trip DTC and Driving Patterns Except For “Misfire <Exhaust Quality Deterioration>”, “Fuel Injection System”



JMBIA1418GB

- | | | | |
|---|--|---|----|
| <p>*1: When the same malfunction is detected in two consecutive trips, MIL will light up.</p> | <p>*2: MIL will turn OFF after vehicle is driven 3 times (pattern B) without any malfunctions.</p> | <p>*3: When the same malfunction is detected in two consecutive trips, the DTC and the freeze frame data will be stored in ECM.</p> | A |
| <p>*4: The DTC and the freeze frame data will not be displayed any longer after vehicle is driven 40 times (pattern A) without the same malfunction. (The DTC and the freeze frame data still remain in ECM.)</p> | <p>*5: When a malfunction is detected for the first time, the 1st trip DTC and the 1st trip freeze frame data will be stored in ECM.</p> | <p>*6: 1st trip DTC will be cleared after vehicle is driven once (pattern B) without the same malfunction.</p> | EC |
| <p>*7: When the same malfunction is detected in the 2nd trip, the 1st trip freeze frame data will be cleared.</p> | | | C |

Explanation for Driving Patterns Except for “Misfire <Exhaust Quality Deterioration>”, “Fuel Injection System”

Driving Pattern A

Refer to [EC-73, "DIAGNOSIS DESCRIPTION : Driving Pattern"](#).

Driving Pattern B

Refer to [EC-73, "DIAGNOSIS DESCRIPTION : Driving Pattern"](#).

DIAGNOSIS DESCRIPTION : Driving Pattern

INFOID:000000012602230

CAUTION:

Always drive at a safe speed.

DRIVING PATTERN A

Driving pattern A means a trip satisfying the following conditions.

- Engine speed reaches 400 rpm or more.
- Engine coolant temperature rises by 20°C (36°F) or more after starting the engine.
- Engine coolant temperature reaches 70°C (158°F) or more.
- The ignition switch is turned from ON to OFF.

NOTE:

- When the same malfunction is detected regardless of driving conditions, reset the counter of driving pattern A.
- When the above conditions are satisfied without detecting the same malfunction, reset the counter of driving pattern A.

DRIVING PATTERN B

Driving pattern B means a trip satisfying the following conditions.

- Engine speed reaches 400 rpm or more.
- Engine coolant temperature reaches 70°C (158°F) or more.
- Vehicle speed of 70 – 120 km/h (44 – 75 MPH) is maintained for 60 seconds or more under the control of closed loop.
- Vehicle speed of 30 – 60 km/h (19 – 37 MPH) is maintained for 10 seconds or more under the control of closed loop.
- Under the closed loop control condition, the following state reaches 12 seconds or more in total: Vehicle speed of 4 km/h (2 MPH) or less with idling condition.
- The state of driving at 10 km/h (7 MPH) or more reaches 10 minutes or more in total.
- A lapse of 22 minutes or more after engine start.

NOTE:

- Drive the vehicle at a constant velocity.
- When the same malfunction is detected regardless of driving conditions, reset the counter of driving pattern B.
- When the above conditions are satisfied without detecting the same malfunction, reset the counter of driving pattern B.

DRIVING PATTERN C

Driving pattern C means operating vehicle as per the following:

The following conditions should be satisfied at the same time:
 Engine speed: (Engine speed in the freeze frame data) ±375 rpm

< SYSTEM DESCRIPTION >

Calculated load value: (Calculated load value in the freeze frame data) x (1±0.1) [%]

Engine coolant temperature condition:

- When the freeze frame data shows lower than 70°C (158°F), engine coolant temperature should be lower than 70°C (158°F).
- When the freeze frame data shows higher than or equal to 70°C (158°F), engine coolant temperature should be higher than or equal to 70°C (158°F).

NOTE:

- When the same malfunction is detected regardless of the above vehicle conditions, reset the counter of driving pattern C.
- When the above conditions are satisfied without detecting the same malfunction, reset the counter of driving pattern C.
- The 1st trip DTC will be cleared when C counter is counted once without the same malfunction after DTC is stored in ECM.

DRIVING PATTERN D

Driving pattern D means a trip satisfying the following conditions.

- The state of driving at 40 km/h (25 MPH) reaches 300 seconds or more in total.
- Idle speed lasts 30 seconds or more.
- A lapse of 600 seconds or more after engine start.

NOTE:

- When the same malfunction is detected regardless of driving conditions, reset the counter of driving pattern D.
- When the above conditions are satisfied without detecting the same malfunction, reset the counter of driving pattern D.

DIAGNOSIS DESCRIPTION : System Readiness Test (SRT) Code

INFOID:000000012602231

System Readiness Test (SRT) code is specified in Service \$01 of SAE J1979/ISO 15031-5.

As part of an enhanced emissions test for Inspection & Maintenance (I/M), certain states require the status of SRT be used to indicate whether the ECM has completed self-diagnosis of major emission systems and components. Completion must be verified in order for the emissions inspection to proceed.

If a vehicle is rejected for a State emissions inspection due to one or more SRT items indicating "INCMP", use the information in this Service Manual to set the SRT to "CMPLT".

In most cases the ECM will automatically complete its self-diagnosis cycle during normal usage, and the SRT status will indicate "CMPLT" for each application system. Once set as "CMPLT", the SRT status remains "CMPLT" until the self-diagnosis memory is erased.

Occasionally, certain portions of the self-diagnostic test may not be completed as a result of the customer's normal driving pattern; the SRT will indicate "INCMP" for these items.

NOTE:

The SRT will also indicate "INCMP" if the self-diagnosis memory is erased for any reason or if the ECM memory power supply is interrupted for several hours.

If, during the state emissions inspection, the SRT indicates "CMPLT" for all test items, the inspector will continue with the emissions test. However, if the SRT indicates "INCMP" for one or more of the SRT items the vehicle is returned to the customer untested.

NOTE:

If permanent DTC is stored or MIL illuminates during the state emissions inspection, the vehicle is also returned to the customer untested even though the SRT indicates "CMPLT" for all test items. therefore, it is important to check SRT ("CMPLT"), DTC (No DTCs) and permanent DTC (No permanent DTC) before the inspection.

SRT SET TIMING

SRT is set as "CMPLT" after self-diagnosis has been performed one or more times. Completion of SRT is done regardless of whether the result is OK or NG. The set timing is different between OK and NG results and is shown in the table below.

DIAGNOSIS SYSTEM (ECM)

< SYSTEM DESCRIPTION >

[QR25DE]

Self-diagnosis result		Example								
		Diagnosis	Ignition cycle							
			← ON →	OFF	← ON →	OFF	← ON →	OFF	← ON →	
All OK	Case 1	P0400	OK (1)	— (1)	OK (2)	— (2)				
		P0402	OK (1)	— (1)	— (1)	OK (2)				
		P1402	OK (1)	OK (2)	— (2)	— (2)				
		SRT of EGR	“CMPLT”	“CMPLT”	“CMPLT”	“CMPLT”				
	Case 2	P0400	OK (1)	— (1)	— (1)	— (1)				
		P0402	— (0)	— (0)	OK (1)	— (1)				
		P1402	OK (1)	OK (2)	— (2)	— (2)				
		SRT of EGR	“INCMP”	“INCMP”	“CMPLT”	“CMPLT”				
NG exists	Case 3	P0400	OK	OK	—	—				
		P0402	—	—	—	—				
		P1402	NG	—	NG	NG	NG (Consecutive NG)			
		(1st trip) DTC	1st trip DTC	—	1st trip DTC	DTC (= MIL ON)				
		SRT of EGR	“INCMP”	“INCMP”	“INCMP”	“CMPLT”				

OK: Self-diagnosis is carried out and the result is OK.

NG: Self-diagnosis is carried out and the result is NG.

—: Self-diagnosis is not carried out.

When all SRT related self-diagnoses show OK results in a single cycle (Ignition OFF-ON-OFF), the SRT will indicate “CMPLT”. → Case 1 above

When all SRT related self-diagnoses show OK results through several different cycles, the SRT will indicate “CMPLT” at the time the respective self-diagnoses have at least one OK result. → Case 2 above

If one or more SRT related self-diagnoses show NG results in 2 consecutive cycles, the SRT will also indicate “CMPLT”. → Case 3 above

The table above shows that the minimum number of cycles for setting SRT as “INCMP” is the number one (1) for each self-diagnosis (Case 1 & 2) or the number two (2) for one of self-diagnoses (Case 3). However, in preparation for the state emissions inspection, it is unnecessary for each self-diagnosis to be executed twice (Case 3) for the following reasons:

- The SRT will indicate “CMPLT” at the time the respective self-diagnoses have one (1) OK result.
- The emissions inspection requires “CMPLT” of the SRT only with OK self-diagnosis results.
- During SRT driving pattern, the 1st trip DTC (NG) is detected prior to “CMPLT” of SRT and the self-diagnosis memory must be erased from the ECM after repair.
- If the 1st trip DTC is erased, all the SRT will indicate “INCMP”.

NOTE:

SRT can be set as “CMPLT” together with the DTC(s). Therefore, DTC check must always be carried out prior to the state emission inspection even though the SRT indicates “CMPLT”.

DIAGNOSIS DESCRIPTION : Permanent Diagnostic Trouble Code (Permanent DTC)

INFOID:000000012602232

Permanent DTC is defined in SAE J1979/ISO 15031-5 Service \$0A.

ECM stores a DTC issuing a command of turning on MIL as a permanent DTC and keeps storing the DTC as a permanent DTC until ECM judges that there is no presence of malfunction.

Permanent DTCs cannot be erased by using the erase function of CONSULT or Generic Scan Tool (GST) and by disconnecting the battery to shut off power to ECM. This prevents a vehicle from passing the in-use inspection without repairing a malfunctioning part.

When not passing the in-use inspection due to more than one permanent DTC, permanent DTCs should be erased, referring to this manual.

NOTE:

- The important items in in-use inspection are that MIL is not ON, SRT test items are set, and permanent DTCs are not included.
- Permanent DTCs do not apply for regions that permanent DTCs are not regulated by law.

< SYSTEM DESCRIPTION >

PERMANENT DTC SET TIMING

The setting timing of permanent DTC is stored in ECM with the lighting of MIL when a DTC is confirmed.

DIAGNOSIS DESCRIPTION : Malfunction Indicator Lamp (MIL)

INFOID:000000012602233

When emission-related ECU detects a malfunction in the emission control systems components and/or the powertrain control components (which affect vehicle emissions), it turns on/blinks MIL to inform the driver that a malfunction has been detected.

1. The MIL illuminates when ignition switch is turned ON (engine is not running).

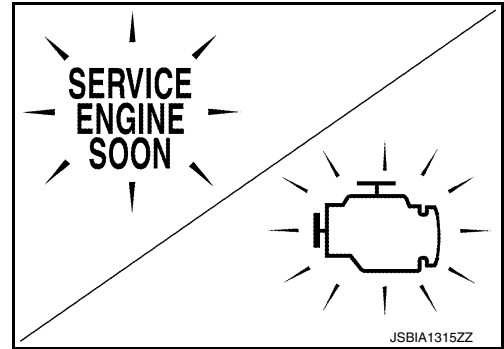
NOTE:

Check the MIL circuit if MIL does not illuminate. Refer to [EC-554, "Diagnosis Procedure"](#).

2. When the engine is started, the MIL should go off.

NOTE:

If MIL continues to illuminate/blink, perform self-diagnoses and inspect/repair accordingly because an emission-related ECU has detected a malfunction in the emission control systems components and/or the powertrain control components (which affect vehicle emissions).



On Board Diagnosis Function

INFOID:000000012602234

ON BOARD DIAGNOSIS ITEM

The on board diagnostic system has the following functions.

Diagnostic test mode	Function
Bulb check	MIL can be checked.
SRT status	ECM can read if SRT codes are set.
Malfunction warning	If ECM detects a malfunction, it illuminates or blinks MIL to inform the driver that a malfunction has been detected.
Self-diagnostic results	DTCs or 1st trip DTCs stored in ECM can be read.
Accelerator pedal released position learning	ECM can learn the accelerator pedal released position. Refer to EC-185, "Description" .
Throttle valve closed position learning	ECM can learn the throttle valve closed position. Refer to EC-186, "Description" .
Idle air volume learning	ECM can learn the idle air volume. Refer to EC-187, "Description" .
Mixture ratio self-learning value clear	Mixture ratio self-learning value can be erased. Refer to EC-189, "Description" .

BULB CHECK MODE

Description

This function allows damage inspection in the MIL bulb (blown, open circuit, etc.).

Operation Procedure

1. Turn ignition switch ON.
2. The MIL on the instrument panel should stay ON.
If it remains OFF, check MIL circuit. Refer to [EC-554, "Diagnosis Procedure"](#).

SRT STATUS MODE

Description

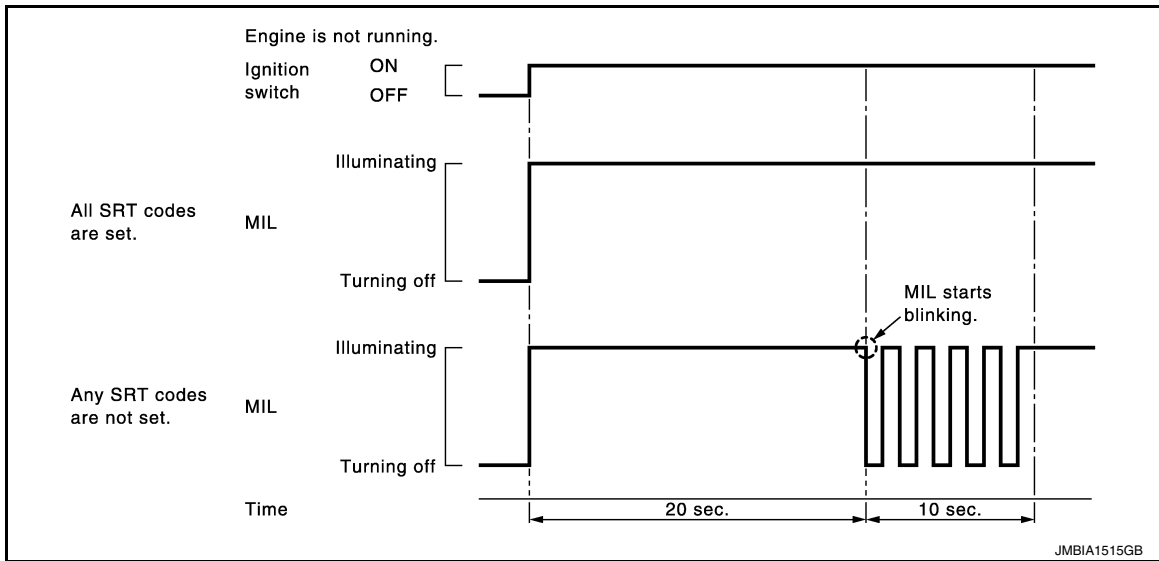
This function allows to read if ECM has completed the self-diagnoses of major emission control systems and components. For SRT, refer to [EC-74, "DIAGNOSIS DESCRIPTION : System Readiness Test \(SRT\) Code"](#).

Operation Procedure

1. Turn ignition switch ON and wait 20 seconds.
2. SRT status is indicated as shown below.
 - ECM continues to illuminate MIL if all SRT codes are set.

< SYSTEM DESCRIPTION >

- ECM blinks MIL for about 10 seconds if all SRT codes are not set.



MALFUNCTION WARNING MODE

Description

In this function ECM turns on or blinks MIL when it detects a malfunction in the emission control system components and/or the powertrain control components (which affect vehicle emissions) to inform the driver that a malfunction has been detected.

Operation Procedure

1. Turn ignition switch ON.
2. Check that MIL illuminates.
If it remains OFF, check MIL circuit. Refer to [EC-554, "Diagnosis Procedure"](#).
3. Start engine and let it idle.
 - For two trip detection logic diagnoses, ECM turns on MIL when it detects the same malfunction twice in the two consecutive driving cycles.
 - For 1st trip detection logic diagnoses, ECM turns on MIL when it detects a malfunction in one driving cycle.
 - ECM blinks MIL when it detects a malfunction that may damage the three way catalyst (misfire).

SELF-DIAGNOSTIC RESULTS MODE

Description

This function allows to indicate DTCs or 1st trip DTCs stored in ECM according to the number of times MIL is blinking.

How to Set Self-diagnostic Results Mode

NOTE:

- It is better to count the time accurately with a clock.
 - It is impossible to switch the diagnostic mode when an accelerator pedal position sensor circuit has a malfunction.
 - After ignition switch is turned off, ECM is always released from the "self-diagnostic results" mode.
1. Confirm that accelerator pedal is fully released, turn ignition switch ON and wait 3 seconds.
 2. Repeat the following procedure quickly five times within 5 seconds.
 - Fully depress the accelerator pedal.
 - Fully release the accelerator pedal.
 3. Wait 7 seconds, fully depress the accelerator pedal and keep it depressed for approx. 10 seconds until the MIL starts blinking.

NOTE:

Do not release the accelerator pedal for 10 seconds if MIL starts blinking during this period. This blinking is displaying SRT status and is continued for another 10 seconds.

4. Fully release the accelerator pedal.
ECM has entered to "Self-diagnostic results" mode.

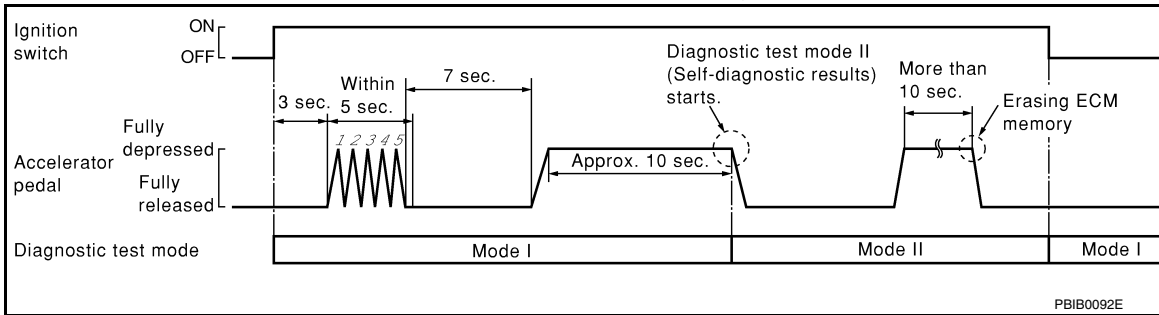
DIAGNOSIS SYSTEM (ECM)

< SYSTEM DESCRIPTION >

[QR25DE]

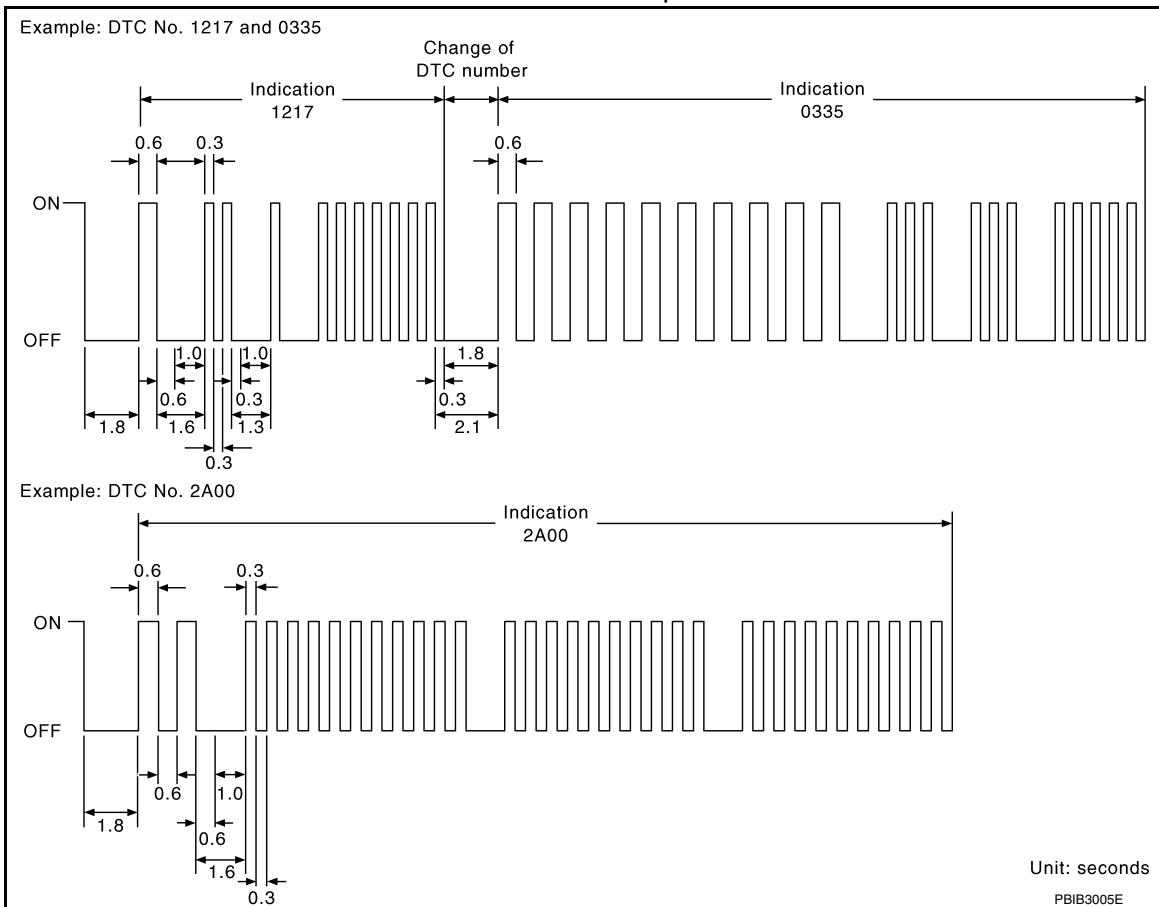
NOTE:

Wait until the same DTC (or 1st trip DTC) appears to completely confirm all DTCs.



How to Read Self-diagnostic Results

The DTC and 1st trip DTC are indicated by the number of blinks of the MIL as shown below. The DTC and 1st trip DTC are displayed at the same time. If the MIL does not illuminate in diagnostic test mode I (Malfunction warning), all displayed items are 1st trip DTCs. If only one code is displayed when the MIL illuminates in "malfunction warning" mode, it is a DTC; if two or more codes are displayed, they may be either DTCs or 1st trip DTCs. DTC No. is same as that of 1st trip DTC. These unidentified codes can be identified by using the CONSULT or GST. A DTC will be used as an example for how to read a code.



A particular trouble code can be identified by the number of four-digit numeral flashes per the following.

Number	0	1	2	3	4	5	6	7	8	9	A	B	C	D	E	F
Flashes	10	1	2	3	4	5	6	7	8	9	11	12	13	14	15	16

The length of time the 1,000th-digit numeral flashes on and off is 1.2 seconds consisting of an ON (0.6-seconds) - OFF (0.6-seconds) cycle.

The 100th-digit numeral and lower digit numerals consist of a 0.3-seconds ON and 0.3-seconds OFF cycle.

A change from one digit numeral to another occurs at an interval of 1.0-second OFF. In other words, the later numeral appears on the display 1.3 seconds after the former numeral has disappeared.

A change from one trouble code to another occurs at an interval of 1.8-seconds OFF.

< SYSTEM DESCRIPTION >

In this way, all the detected malfunctions are classified by their DTC numbers. The DTC 0000 refers to no malfunction. Refer to [EC-110, "DTC Index"](#).

How to Erase Self-diagnostic Results

By performing this procedure, ECM memory is erased and the following diagnostic information is erased as well.

- Diagnostic trouble codes
- 1st trip diagnostic trouble codes
- Freeze frame data
- 1st trip freeze frame data
- System readiness test (SRT) codes
- Test values

NOTE:

Also, if a battery terminal is disconnected, ECM memory is erased and the diagnostic information as listed above is erased. (The amount of time required for erasing may vary from a few seconds to several hours.)

1. Turn ignition switch OFF and wait at least 10 seconds.
2. Turn ignition switch ON.
3. Turn ignition switch OFF and wait at least 10 seconds.
4. Turn ignition switch ON.
5. Set ECM in "self-diagnostic results" mode.
6. The diagnostic information has been erased from the backup memory in the ECM. Fully depress the accelerator pedal and keep it depressed for more than 10 seconds.
7. Fully release the accelerator pedal, and confirm the DTC 0000 is displayed.

CONSULT Function

INFOID:0000000012602235

FUNCTION

Diagnostic test mode	Function
Self Diagnostic Result	Self-diagnostic results such as 1st trip DTC, DTC and 1st trip freeze frame data or freeze frame data can be read and erased quickly.*
Data Monitor	Input/Output data in the ECM can be read.
Work support	This mode enables a technician to adjust some devices faster and more accurately by following the indications on the CONSULT screen.
Active Test	Diagnostic Test Mode in which CONSULT drives some actuators apart from the ECMs and also shifts some parameters in a specified range.
ECU Identification	ECM part number can be read.
DTC Work Support	The status of system monitoring tests and the self-diagnosis status/results can be confirmed.

*: The following emission-related diagnostic information is cleared when the ECM memory is erased.

- Diagnostic trouble codes
- 1st trip diagnostic trouble codes
- Freeze frame data
- 1st trip freeze frame data
- System readiness test (SRT) codes
- Test values

SELF-DIAGNOSTIC RESULT MODE

Self Diagnostic Item

Regarding items of DTC and 1st trip DTC, refer to [EC-110, "DTC Index"](#).)

How to Read DTC and 1st Trip DTC

DTCs and 1st trip DTCs related to the malfunction are displayed in "self-diag results".

- When ECM detects a 1st trip DTC, "1t" is displayed for "TIME".
- When ECM has detected a current DTC, "0" is displayed for "TIME".
- If "TIME" is neither "0" nor "1t", the DTC occurred in the past and ECM shows the number of times the vehicle has been driven since the last detection of the DTC.

DIAGNOSIS SYSTEM (ECM)

[QR25DE]

< SYSTEM DESCRIPTION >

Freeze Frame Data and 1st Trip Freeze Frame Data

Freeze frame data item*	Description
DIAG TROUBLE CODE [PXXXX]	<ul style="list-style-type: none"> The engine control component part/control system has a trouble code that is displayed as PXXXX. (Refer to EC-110, "DTC Index".)
FUEL SYS-B1	<ul style="list-style-type: none"> "Fuel injection system status" at the moment a malfunction is detected is displayed. - One of the following mode is displayed. - Mode2: Open loop due to detected system malfunction - Mode3: Open loop due to driving conditions (power enrichment, deceleration enrichment) - Mode4: Closed loop - using oxygen sensor(s) as feedback for fuel control - Mode5: Open loop - has not yet satisfied condition to go to closed loop
CAL/LD VALUE [%]	<ul style="list-style-type: none"> The calculated load value at the moment a malfunction is detected is displayed.
COOLANT TEMP [°C] or [°F]	<ul style="list-style-type: none"> The engine coolant temperature at the moment a malfunction is detected is displayed.
L-FUEL TRM-B1 [%]	<ul style="list-style-type: none"> "Long-term fuel trim" at the moment a malfunction is detected is displayed. The long-term fuel trim indicates much more gradual feedback compensation to the base fuel schedule than short-term fuel trim.
S-FUEL TRM-B1 [%]	<ul style="list-style-type: none"> "Short-term fuel trim" at the moment a malfunction is detected is displayed. The short-term fuel trim indicates dynamic or instantaneous feedback compensation to the base fuel schedule.
ENGINE SPEED [rpm]	<ul style="list-style-type: none"> The engine speed at the moment a malfunction is detected is displayed.
VEHICL SPEED [km/h] or [mph]	<ul style="list-style-type: none"> The vehicle speed at the moment a malfunction is detected is displayed.
ABSOL TH·P/S [%]	<ul style="list-style-type: none"> The throttle valve opening angle at the moment a malfunction is detected is displayed.
B/FUEL SCHDL [msec]	<ul style="list-style-type: none"> The base fuel schedule at the moment a malfunction is detected is displayed.
INT/A TEMP SE [°C] or [°F]	<ul style="list-style-type: none"> The intake air temperature at the moment a malfunction is detected is displayed.
FUEL SYS-B2	<ul style="list-style-type: none"> These items are displayed but are not applicable to this model.
L-FUEL TRM-B2 [%]	
S-FUEL TRM-B2 [%]	
INT MANI PRES [kPa]	
COMBUST CONDITION	

*: The items are the same as those of 1st trip freeze frame data.

DATA MONITOR MODE

NOTE:

- The following table includes information (items) inapplicable to this vehicle. For information (items) applicable to this vehicle, refer to CONSULT display items.
- For reference values of the following items, refer to [EC-91, "Reference Value"](#).

Monitored Item

DIAGNOSIS SYSTEM (ECM)

< SYSTEM DESCRIPTION >

[QR25DE]

Monitored item	Unit	Monitor Item Selection		Description	Remarks
		ECU INPUT SIGNALS	MAIN SIGNALS		
ENG SPEED	rpm	×	×	<ul style="list-style-type: none"> Indicates the engine speed computed from the signal of the crankshaft position sensor (POS) and camshaft position sensor (PHASE). 	<ul style="list-style-type: none"> Accuracy becomes poor if engine speed drops below the idle rpm. If the signal is interrupted while the engine is running, an abnormal value may be indicated.
MASS AIR FLOW SENSOR (Hz)	Hz	×	×	<ul style="list-style-type: none"> The signal frequency of the mass air flow sensor is displayed. 	<ul style="list-style-type: none"> When the engine is stopped, a certain value is indicated. When engine is running, specification range is indicated in "SPEC".
B/FUEL SCHDL	ms	×	×	<ul style="list-style-type: none"> "Base fuel schedule" indicates the fuel injection pulse width programmed into ECM, prior to any learned on board correction. 	<ul style="list-style-type: none"> When engine is running, specification range is indicated in "SPEC".
A/F ALPHA-B1	%			<ul style="list-style-type: none"> The mean value of the air-fuel ratio feedback correction factor per cycle is indicated. 	<ul style="list-style-type: none"> When the engine is stopped, a certain value is indicated. When engine is running, specification range is indicated in "SPEC". This data also includes the data for the air-fuel ratio learning control.
COOLAN TEMP/S	°C or °F	×	×	<ul style="list-style-type: none"> The engine coolant temperature (determined by the signal voltage of the engine coolant temperature sensor) is displayed. 	<ul style="list-style-type: none"> When the engine coolant temperature sensor is open or short-circuited, ECM enters fail-safe mode. The engine coolant temperature determined by the ECM is displayed.
A/F SEN1 (B1)	V	×	×	<ul style="list-style-type: none"> The A/F signal computed from the input signal of the air fuel ratio (A/F) sensor 1 is displayed. 	
HO2S2 (B1)	V	×	×	<ul style="list-style-type: none"> The signal voltage of the heated oxygen sensor 2 is displayed. 	
HO2S2 MNTR(B1)	RICH/LEAN		×	<ul style="list-style-type: none"> Display of heated oxygen sensor 2 signal. - RICH: means the amount of oxygen after three way catalyst is relatively small. - LEAN: means the amount of oxygen after three way catalyst is relatively large. 	<ul style="list-style-type: none"> When the engine is stopped, a certain value is indicated.
VHCL SPEED SE	km/h or mph	×	×	<ul style="list-style-type: none"> The vehicle speed computed from the vehicle speed signal sent from combination meter is displayed. 	
BATTERY VOLT	V			<ul style="list-style-type: none"> The power supply voltage of ECM is displayed. 	
ACCEL SEN 1	V			<ul style="list-style-type: none"> The accelerator pedal position sensor signal voltage is displayed. 	<ul style="list-style-type: none"> ACCEL SEN 2 signal is converted by ECM internally. Thus, it differs from ECM terminal voltage signal.
ACCEL SEN 2					

DIAGNOSIS SYSTEM (ECM)

< SYSTEM DESCRIPTION >

[QR25DE]

Monitored item	Unit	Monitor Item Selection		Description	Remarks
		ECU IN-PUT SIGNALS	MAIN SIGNALS		
TP SEN 1-B1	V	×	×	<ul style="list-style-type: none"> The throttle position sensor signal voltage is displayed. 	<ul style="list-style-type: none"> TP SEN 2-B1 signal is converted by ECM internally. Thus, it differs from ECM terminal voltage signal.
TP SEN 2-B1		×	×		
FUEL T/TMP SE	°C or °F			<ul style="list-style-type: none"> The fuel temperature (determined by the signal voltage of the fuel tank temperature sensor) is displayed. 	
EVAP SYS PRES	V			<ul style="list-style-type: none"> The signal voltage of EVAP control system pressure sensor is displayed. 	
FUEL LEVEL SE	V	×		<ul style="list-style-type: none"> The signal voltage of the fuel level sensor is displayed. 	
START SIGNAL	On/Off			<ul style="list-style-type: none"> Indicates start signal status [ON/OFF] computed by the ECM according to the signals of engine speed and battery voltage. 	<ul style="list-style-type: none"> After starting the engine, [OFF] is displayed regardless of the starter signal.
CLSD THL POS	On/Off	×	×	<ul style="list-style-type: none"> Indicates idle position [ON/OFF] computed by ECM according to the accelerator pedal position sensor signal. 	
AIR COND SIG	On/Off	×	×	<ul style="list-style-type: none"> Indicates [ON/OFF] condition of the air conditioner switch as determined by the air conditioner signal. 	
PW/ST SIGNAL	On/Off	×	×	<ul style="list-style-type: none"> [ON/OFF] condition of the power steering system (determined by the signal sent from EPS control unit) is indicated. 	
LOAD SIGNAL	On/Off	×	×	<ul style="list-style-type: none"> Indicates [ON/OFF] condition from the electrical load signal. - On: Rear window defogger switch is ON and/or lighting switch is in 2nd position. - Off: Both rear window defogger switch and lighting switch are OFF. 	
IGNITION SW	On/Off	×	×	<ul style="list-style-type: none"> Indicates [ON/OFF] condition from ignition switch signal. 	
HEATER FAN SW	On/Off	×		<ul style="list-style-type: none"> Indicates [ON/OFF] condition from the heater fan switch signal. 	
BRAKE SW	On/Off			<ul style="list-style-type: none"> Indicates [ON/OFF] condition from the stop lamp switch signal. 	
INJ PULSE-B1	msec			<ul style="list-style-type: none"> Indicates the actual fuel injection pulse width compensated by ECM according to the input signals. 	<ul style="list-style-type: none"> When the engine is stopped, a certain computed value is indicated.
IGN TIMING	BTDC		×	<ul style="list-style-type: none"> Indicates the ignition timing computed by ECM according to the input signals. 	<ul style="list-style-type: none"> When the engine is stopped, a certain value is indicated.
CAL/LD VALUE	%			<ul style="list-style-type: none"> "Calculated load value" indicates the value of the current air flow divided by peak air flow. 	
MASS AIRFLOW	g/s			<ul style="list-style-type: none"> Indicates the mass air flow computed by ECM according to the signal voltage of the mass air flow sensor. 	

DIAGNOSIS SYSTEM (ECM)

< SYSTEM DESCRIPTION >

[QR25DE]

Monitored item	Unit	Monitor Item Selection		Description	Remarks
		ECU IN-PUT SIGNALS	MAIN SIGNALS		
PURG VOL C/V	%			<ul style="list-style-type: none"> Indicates the EVAP canister purge volume control solenoid valve control value computed by the ECM according to the input signals. The opening becomes larger as the value increases. 	
INT/V TIM(B1)	°CA			<ul style="list-style-type: none"> Indicates [°CA] of intake camshaft advance angle. 	
EXH/V TIM B1	°CA			<ul style="list-style-type: none"> Indicates [°CA] of exhaust camshaft advance angle. 	
INT/V SOL(B1)	%			<ul style="list-style-type: none"> The control value of the intake valve timing control solenoid valve (determined by ECM according to the input signals) is indicated. The advance angle becomes larger as the value increases. 	
SWRL CONT S/V	On/Off			<ul style="list-style-type: none"> The control condition of the intake manifold runner control valve (determined by ECM according to the input signals) is indicated. - On: Closed - Off: Open 	
VIAS S/V-1	On/Off			<ul style="list-style-type: none"> The control condition of the intake manifold tuning valve (determined by ECM according to the input signals) is indicated. - On: Closed - Off: Open 	
AIR COND RLY	On/Off			<ul style="list-style-type: none"> The air conditioner relay control condition (determined by ECM according to the input signals) is indicated. 	
FUEL PUMP RLY	On/Off			<ul style="list-style-type: none"> Indicates the fuel pump relay control condition determined by ECM according to the input signals. 	
VENT CONT/V	On/Off			<ul style="list-style-type: none"> The control condition of the EVAP canister vent control valve (determined by ECM according to the input signals) is indicated. - On: Closed - Off: Open 	
THRTL RELAY	On/Off			<ul style="list-style-type: none"> Indicates the throttle control motor relay control condition determined by the ECM according to the input signals. 	
COOLING FAN	Hi/Mid/Low/Off			<ul style="list-style-type: none"> Indicates the condition of the cooling fan (determined by ECM according to the input signals). - Hi: High speed operation - Mid: Middle speed operation - Low: Low speed operation - Off: Stop 	
HO2S2 HTR (B1)	On/Off			<ul style="list-style-type: none"> Indicates [ON/OFF] condition of heated oxygen sensor 2 heater determined by ECM according to the input signals. 	

A

EC

C

D

E

F

G

H

I

J

K

L

M

N

O

P

DIAGNOSIS SYSTEM (ECM)

[QR25DE]

< SYSTEM DESCRIPTION >

Monitored item	Unit	Monitor Item Selection		Description	Remarks
		ECU IN-PUT SIGNALS	MAIN SIGNALS		
ALT DUTY SIG	On/Off			<ul style="list-style-type: none"> • The control condition of the power generation voltage variable control (determined by ECM according to the input signals) is indicated. - On: Power generation voltage variable control is active. - Off: Power generation voltage variable control is inactive. 	
I/P PULLY SPD	rpm			<ul style="list-style-type: none"> • Indicates the engine speed computed from the input speed sensor signal. 	
VEHICLE SPEED	km/h or mph			<ul style="list-style-type: none"> • The vehicle speed computed from the vehicle speed signal sent from TCM is displayed. 	
IDL A/V LEARN	YET/CMPLT			<ul style="list-style-type: none"> • Displays the condition of Idle Air Volume Learning - YET: Idle air volume learning has not been performed yet. - CMPLT: Idle air volume learning has already been performed successfully. 	
TRVL AFTER MIL	km or mile			<ul style="list-style-type: none"> • Distance traveled while MIL is activated. 	
ENG OIL TEMP	°C or °F			<ul style="list-style-type: none"> • The engine oil temperature (determined by the signal voltage of the engine oil temperature sensor) is displayed. 	
A/F S1 HTR(B1)	%			<ul style="list-style-type: none"> • Air fuel ratio (A/F) sensor 1 heater control value computed by ECM according to the input signals. • The current flow to the heater becomes larger as the value increases. 	
VHCL SPEED SE	km/h or mph			<ul style="list-style-type: none"> • The vehicle speed computed from the vehicle speed signal sent from combination meter is displayed. 	
SET VHCL SPD	km/h or mph			<ul style="list-style-type: none"> • The preset vehicle speed is displayed. 	
MAIN SW	On/Off			<ul style="list-style-type: none"> • Indicates [ON/OFF] condition from MAIN switch signal. 	
CANCEL SW	On/Off			<ul style="list-style-type: none"> • Indicates [ON/OFF] condition from CANCEL switch signal. 	
RESUME/ACC SW	On/Off			<ul style="list-style-type: none"> • Indicates [ON/OFF] condition from RESUME/ACCELERATE switch signal. 	
SET SW	On/Off			<ul style="list-style-type: none"> • Indicates [ON/OFF] condition from SET/COAST switch signal. 	
BRAKE SW1	On/Off			<ul style="list-style-type: none"> • Indicates [ON/OFF] condition from brake pedal position switch signal. 	
BRAKE SW2	On/Off			<ul style="list-style-type: none"> • Indicates [ON/OFF] condition of stop lamp switch signal. 	
VHCL SPD CUT	Non/Cut			<ul style="list-style-type: none"> • Indicates the vehicle cruise condition. - Non: Vehicle speed is maintained at the ASCD set speed. - Cut: Vehicle speed decreased to excessively low compared with the ASCD set speed, and ASCD operation is cut off. 	

DIAGNOSIS SYSTEM (ECM)

< SYSTEM DESCRIPTION >

[QR25DE]

Monitored item	Unit	Monitor Item Selection		Description	Remarks
		ECU IN-PUT SIGNALS	MAIN SIGNALS		
LO SPEED CUT	Non/Cut			<ul style="list-style-type: none"> Indicates the vehicle cruise condition. - Non: Vehicle speed is maintained at the ASCD set speed. - Cut: Vehicle speed decreased to excessively low, and ASCD operation is cut off. 	
AT OD MONITOR	On/Off			<ul style="list-style-type: none"> Indicates [ON/OFF] condition of CVT O/D according to the input signal from the TCM. 	
AT OD CANCEL	On/Off			<ul style="list-style-type: none"> Indicates [ON/OFF] condition of CVT O/D cancel request signal. 	
CRUISE LAMP	On/Off			<ul style="list-style-type: none"> Indicates [ON/OFF] condition of CRUISE lamp determined by the ECM according to the input signals. 	
SET LAMP	On/Off			<ul style="list-style-type: none"> Indicates [ON/OFF] condition of SET lamp determined by the ECM according to the input signals. 	
ALT DUTY	%			<ul style="list-style-type: none"> Indicates the duty ratio of the power generation command value. The ratio is calculated by ECM based on the battery current sensor signal. 	
BAT CUR SEN	mV			<ul style="list-style-type: none"> The signal voltage of battery current sensor is displayed. 	
A/F ADJ-B1	—			<ul style="list-style-type: none"> Indicates the correction of factor stored in ECM. The factor is calculated from the difference between the target air-fuel ratio stored in ECM and the air-fuel ratio calculated from A/F sensor 1 signal. 	
TUMBLE POS SEN	V			<ul style="list-style-type: none"> The intake manifold runner control valve position sensor signal voltage is displayed. 	
P/N POSI SW	On/Off	×	×	<ul style="list-style-type: none"> Indicates [ON/OFF] condition from the park/neutral position (PNP) signal. 	
INT/A TEMP SE	°C or °F	×	×	<ul style="list-style-type: none"> The intake air temperature (determined by the signal voltage of the intake air temperature sensor) is indicated. 	
AC PRESS SEN	V			<ul style="list-style-type: none"> The signal voltage from the refrigerant pressure sensor is displayed. 	
VTC DTY EX B1	%			<ul style="list-style-type: none"> The control value of the exhaust valve timing control solenoid valve (determined by ECM according to the input signals) is indicated. The advance angle becomes larger as the value increases. 	
EVAP LEAK DIAG	YET/CMPLT			<ul style="list-style-type: none"> Indicates the condition of EVAP leak diagnosis. YET: EVAP leak diagnosis has not been performed yet. CMPLT: EVAP leak diagnosis has been performed successfully. 	

DIAGNOSIS SYSTEM (ECM)

< SYSTEM DESCRIPTION >

[QR25DE]

Monitored item	Unit	Monitor Item Selection		Description	Remarks
		ECU IN-PUT SIGNALS	MAIN SIGNALS		
EVAP DIAG READY	ON/OFF			<ul style="list-style-type: none"> Indicates the ready condition of EVAP leak diagnosis. ON: Diagnosis has been ready condition. OFF: Diagnosis has not been ready condition. 	
BAT TEMP SEN	V			<ul style="list-style-type: none"> The signal voltage of battery temperature sensor is displayed. 	
EOP SENSOR	mV			<ul style="list-style-type: none"> The signal voltage of battery temperature sensor is displayed. 	
THRTL STK CNT B1*	—			—	
A/F SEN1 DIAG1(B1)	INCMP/CM-PLT			<ul style="list-style-type: none"> Indicates DTC P015A or P015B self-diagnosis condition. - INCMP: Self-diagnosis is incomplete. - CMPLT: Self-diagnosis is complete. 	
A/F SEN1 DIAG2(B1)	INCMP/CM-PLT			<ul style="list-style-type: none"> Indicates DTC P014C or P014D self-diagnosis condition. - INCMP: Self-diagnosis is incomplete. - CMPLT: Self-diagnosis is complete. 	
A/F SEN1 DIAG3(B1)	ABSNT/PRSNT			<ul style="list-style-type: none"> Indicates DTC P014C, P014D, P015A or P015B self-diagnosis condition. - ABSNT: The vehicle condition is not within the diagnosis range. - PRSNT: The vehicle condition is within the diagnosis range. 	
HO2 S2 DIAG1 (B1)	INCMP/CM-PLT			<ul style="list-style-type: none"> Indicates DTC P0139 self-diagnosis (delayed response) condition. - INCMP: Self-diagnosis is incomplete. - CMPLT: Self-diagnosis is complete. 	
HO2 S2 DIAG2 (B1)	INCMP/CM-PLT			<ul style="list-style-type: none"> Indicates DTC P0139 self-diagnosis (slow response) condition. - INCMP: Self-diagnosis is incomplete. - CMPLT: Self-diagnosis is complete. 	
SYSTEM 1 DIAGNOSIS A B1	INCMP/CM-PLT			<ul style="list-style-type: none"> Indicates DTC P219A self-diagnosis condition. - INCMP: Self-diagnosis is incomplete. - CMPLT: Self-diagnosis is complete. 	
SYSTEM 1 DIAGNOSIS B B1	ABSNT/PRSNT			<ul style="list-style-type: none"> Indicates DTC P219A self-diagnosis condition. - ABSNT: Self-diagnosis standby - PRSNT: Under self-diagnosis 	
A/F-S ATMSPHRC CRCT B1	—			Displays a determined value of atmospheric correction factor necessary for correcting an A/F sensor signal input to ECM. The signal used for the correction is an A/F sensor signal transmitted while driving under atmospheric pressure.	
A/F-S ATMSPHRC CRCT UP B1	count			Displays the number of updates of the A/F sensor atmospheric correction factor.	

DIAGNOSIS SYSTEM (ECM)

< SYSTEM DESCRIPTION >

[QR25DE]

Monitored item	Unit	Monitor Item Selection		Description	Remarks
		ECU IN-PUT SIGNALS	MAIN SIGNALS		
A/F IMBALNC DIAG-CPS STAT	ABSNT/ PRSNT			Indicates DTC P219C – P219F self-diagnosis condition. <ul style="list-style-type: none"> • ABSNT: The vehicle condition is not within the diagnosis range. • PRSNT: The vehicle condition is within the diagnosis range. 	
A/F IMBLNC DIAG-CPS CMPLT	INCOMP/CM-PLT			Indicates DTC P219C – P219F self-diagnosis condition. <ul style="list-style-type: none"> • INCOMP: Self-diagnosis is incomplete. • CMPLT: Self-diagnosis is complete. 	
A/GRLL SHTR CALIBRATION	INCOMP/CM-PLT			<ul style="list-style-type: none"> • Indicates initial position learning status of active grille shutter. - CMPLT: The leaning is complete. - INCOMP: The learning is incomplete. 	
A/GRLL SHTR CIRCUIT DIAG	OK/NG			<ul style="list-style-type: none"> • Indicates the diagnosis result of active grille shutter circuit. - OK: Normal. - NG: Malfunction detected. 	
A/GRLL SHTR TEMP DIAG	OK/NG			<ul style="list-style-type: none"> • Indicates the diagnosis result of active grille shutter actuator temperature status. - OK: Normal - NG: Abnormal temperature detected. 	
A/GRLL SHTR VOLT DIAG*	OK/NG			<ul style="list-style-type: none"> • Indicates the diagnosis result of active grille shutter voltage status. - OK: Normal - NG: Abnormal voltage detected. 	
A/GRLL SHTR OVER RUN	OK/NG			<ul style="list-style-type: none"> • Indicates active grille shutter moves beyond normal moving limit. - OK: Normal - NG: Malfunction detected. 	
A/GRLL SHTR STUCK	OK/NG			<ul style="list-style-type: none"> • Indicates the diagnosis result of active grille shutter stuck or the operation range less than normal. - OK: Normal - NG: Malfunction detected. 	
A/GRLL SHTR CALIB DIAG	OK/NG			<ul style="list-style-type: none"> • Indicates the diagnosis result of initial position learning of active grille shutter. - OK: Normal - NG: Deficiency detected. 	

*: The item is indicated, but not used.

NOTE:

Any monitored item that does not match the vehicle being diagnosed is deleted from the display automatically.

WORK SUPPORT MODE

Work Item

DIAGNOSIS SYSTEM (ECM)

< SYSTEM DESCRIPTION >

[QR25DE]

Work item	Condition	Usage
IDLE AIR VOL LEARN	<ul style="list-style-type: none"> The idle air volume that keeps the engine within the specified range is memorized in ECM. 	When learning the idle air volume
EVAP SYSTEM CLOSE	<p>Close the EVAP canister vent control valve in order to make EVAP system close under the following conditions.</p> <ul style="list-style-type: none"> Ignition switch ON Engine not running Ambient temperature is above 0°C (32°F). No vacuum and no high pressure in EVAP system Fuel tank temp is more than 0°C (32°F). Within 10 minutes after starting "EVAP SYSTEM CLOSE" When trying to execute "EVAP SYSTEM CLOSE" under the condition except above, CONSULT will discontinue it and display appropriate instruction. <p>NOTE: When starting engine, CONSULT may display "BATTERY VOLTAGE IS LOW. CHARGE BATTERY", even in when using a charged battery.</p>	When detecting EVAP vapor leak in the EVAP system
FUEL PRESSURE RELEASE	<ul style="list-style-type: none"> Fuel pump will stop by touching "START" during idling. Crank a few times after engine stalls. 	When releasing fuel pressure from fuel line
TARGET IGN TIM ADJ*	<ul style="list-style-type: none"> Idle condition 	When adjusting target ignition timing
TARGET IDLE RPM ADJ*	<ul style="list-style-type: none"> Idle condition 	When setting target idle speed
VIN REGISTRATION	<ul style="list-style-type: none"> In this mode, VIN is registered in ECM. 	When registering VIN in ECM
SELF-LEARNING CONT	<ul style="list-style-type: none"> The coefficient of self-learning control mixture ratio returns to the original coefficient. 	When clearing mixture ratio self-learning value
CLSD THL POS LEARN	<ul style="list-style-type: none"> Ignition on and engine stopped. 	When learning the throttle valve closed position
SAVING DATA FOR REPLC CPU	In this mode, save data that is in ECM.	When ECM is replaced.
WRITING DATA FOR REPLC CPU	In this mode, write data stored by "SAVE DATA FOR CPU REPLC" in work support mode to ECM.	When ECM is replaced.

*: This function is not necessary in the usual service procedure.

ACTIVE TEST MODE

Test Item

Test item	Condition	Judgment	Check item (Remedy)
FUEL INJECTION	<ul style="list-style-type: none"> Engine: Return to the original trouble condition Change the amount of fuel injection using CONSULT. 	If trouble symptom disappears, see CHECK ITEM.	<ul style="list-style-type: none"> Harness and connectors Fuel injector Air fuel ratio (A/F) sensor 1
ENG COOLANT TEMP	<ul style="list-style-type: none"> Engine: Return to the original trouble condition Change the engine coolant temperature using CONSULT. 	If trouble symptom disappears, see CHECK ITEM.	<ul style="list-style-type: none"> Harness and connectors Engine coolant temperature sensor Fuel injector
PURG VOL CONT/V	<ul style="list-style-type: none"> Engine: After warming up, run engine at 1,500 rpm. Change the EVAP canister purge volume control solenoid valve opening percent using CONSULT. 	Engine speed changes according to the opening percent.	<ul style="list-style-type: none"> Harness and connectors Solenoid valve
FUEL/T TEMP SEN	<ul style="list-style-type: none"> Change the fuel tank temperature using CONSULT. 		
ALTERNATOR DUTY	<ul style="list-style-type: none"> Engine: Idle Change duty ratio using CONSULT. 	Battery voltage changes.	<ul style="list-style-type: none"> Harness and connectors IPDM E/R Alternator

DIAGNOSIS SYSTEM (ECM)

< SYSTEM DESCRIPTION >

[QR25DE]

Test item	Condition	Judgment	Check item (Remedy)	
FUEL PUMP RELAY	<ul style="list-style-type: none"> Ignition switch: ON (Engine stopped) Turn the fuel pump relay "ON" and "OFF" using CONSULT and listen to operating sound. 	Fuel pump relay makes the operating sound.	<ul style="list-style-type: none"> Harness and connectors Fuel pump relay 	A EC
VIAS S/V-1	<ul style="list-style-type: none"> Ignition switch: ON Turn intake manifold tuning valve "ON" and "OFF" using CONSULT and listen to operating sound. 	Intake manifold tuning valve motor makes an operating sound.	<ul style="list-style-type: none"> Harness and connectors Intake manifold tuning valve motor 	C
TUMBLE CONTROL VALVE	<ul style="list-style-type: none"> Ignition switch: ON Turn intake manifold runner control valve "ON" and "OFF" using CONSULT and listen to operating sound. 	Intake Manifold Runner control valve motor makes an operating sound.	<ul style="list-style-type: none"> Harness and connectors Intake Manifold Runner control valve motor 	D
IGNITION TIMING	<ul style="list-style-type: none"> Engine: Return to the original trouble condition Timing light: Set Retard the ignition timing using CONSULT. 	If trouble symptom disappears, see CHECK ITEM.	<ul style="list-style-type: none"> Perform Idle Air Volume Learning. 	E F
POWER BALANCE	<ul style="list-style-type: none"> Engine: After warming up, idle the engine. A/C switch OFF Selector lever: P or N Cut off each fuel injector signal one at a time using CONSULT. 	Engine runs rough or stops.	<ul style="list-style-type: none"> Harness and connectors Compression Fuel injector Power transistor Spark plug Ignition coil 	G H
VENT CONTROL/V	<ul style="list-style-type: none"> Ignition switch: ON (Engine stopped) Turn solenoid valve "ON" and "OFF" using CONSULT and listen to operating sound. 	Solenoid valve makes an operating sound.	<ul style="list-style-type: none"> Harness and connectors Solenoid valve 	I
INT V/T ASSIGN ANGLE	<ul style="list-style-type: none"> Engine: Return to the original trouble condition Change intake valve timing using CONSULT. 	If trouble symptom disappears, see CHECK ITEM.	<ul style="list-style-type: none"> Harness and connectors Intake valve timing control solenoid valve 	J
EXH V/T ASSIGN ANGLE	<ul style="list-style-type: none"> Engine: Return to the original trouble condition Change exhaust valve timing using CONSULT. 	If trouble symptom disappears, see CHECK ITEM.	<ul style="list-style-type: none"> Harness and connectors Exhaust valve timing control solenoid valve 	K
COOLING FAN*	<ul style="list-style-type: none"> Ignition switch: ON Turn the cooling fan "LOW", "HI" and "OFF" using CONSULT. 	Cooling fan moves and stops.	<ul style="list-style-type: none"> Harness and connectors IPDM E/R (Cooling fan relay) Cooling fan motor 	L M
ENGINE OIL PRESSURE CONTROL SOLENOID VALVE	<ul style="list-style-type: none"> Water temperature: > -10°C Engine oil temperature: < 120°C (248°F) Engine speed: < 4000rpm 	Engine oil pressure change	<ul style="list-style-type: none"> Harness and connectors Engine oil pressure control solenoid valve Engine oil pressure sensor Engine oil pump 	N
ACTIVE GRILLE SHUTTER	<p>NOTE: Initial position learning is required every time when the ignition switch is turned OFF.</p> <ol style="list-style-type: none"> Engine: Idle speed Touch "CALIBRTN" to perform initial position learning. Touch "OPEN" or "CLOSE" to operate active grille shutter. 	Active grille shutter fully opens or fully closes.	<ul style="list-style-type: none"> Harness or connector Active grille shutter actuator Active grille shutter 	O P

*: Leaving cooling fan OFF with CONSULT while engine is running may cause the engine to overheat.

DTC WORK SUPPORT MODE

DTC WORK SUPPORT Mode

DIAGNOSIS SYSTEM (ECM)

< SYSTEM DESCRIPTION >

[QR25DE]

Test mode	Test item	Corresponding DTC No.	Reference page
EVAPORATIVE SYSTEM	PURG FLOW P0441	P0441	EC-350
	PURG VOL CN/V P1444	P0443	EC-355
A/F SEN1	A/F SENSOR1(B1) P014C/P014D	P014C/P014D	EC-302
	A/F SEN1(B1) P1276	P0130	EC-271
HO2S2	HO2S2(B1) P1146	P0138	EC-287
	HO2S2(B1) P1147	P0137	EC-281
	HO2S2(B1) P0139	P0139	EC-295

SRT & P-DTC MODE

SRT STATUS Mode

- For items whose SRT codes are set, “CMPLT” is displayed on the CONSULT screen; for items whose SRT codes are not set, “INCMP” is displayed.
- “SRT STATUS” provides the presence or absence of permanent DTCs stored in ECM memory.

PERMANENT DTC STATUS Mode

How to display permanent DTC status

1. Turn ignition switch OFF and wait at least 10 seconds.
2. Turn ignition switch ON.
3. Turn ignition switch OFF and wait at least 10 seconds.
4. Turn ignition switch ON.
5. Select “PERMANENT DTC STATUS” in “DTC & SRT CONFIRMATION” mode with CONSULT.

NOTE:

Permanent DTCs stored in ECM memory are displayed on the CONSULT screen to show if a driving pattern required for erasing permanent DTCs is complete (CMPLT) or incomplete (INCMP).

CAUTION:

Since the “PERMANENT DTC STATUS” screen displays the previous trip information, repeat the following twice to update the information: “Ignition switch OFF”, “Wait for more than 10 seconds” and “Ignition switch ON”.

PERMANENT DTC & SRT CONFIRMATION : PERMANENT DTC STATUS

CAUTION:
Turn ignition switch from ON to OFF twice to update the information on the status screen.

PERMANENT DTC	DRIVING PATTERN B	DRIVING PATTERN D
XXXX	INCMP	INCMP
XXXX	CMPLT	INCMP
XXXX	INCMP	CMPLT
XXXX	CMPLT	INCMP
XXXX	INCMP	INCMP
XXXX	INCMP	INCMP

The previous trip information is displayed.

JSBIA0062GB

NOTE:

This mode is not used in regions that permanent DTCs are not regulated by law.

SRT WORK SUPPORT Mode

This mode enables a technician to drive a vehicle to set the SRT while monitoring the SRT status.

PERMANENT DTC WORK SUPPORT Mode

This mode enables a technician to drive a vehicle to complete the driving pattern that is required for erasing permanent DTC.

NOTE:

This mode is not used in regions that permanent DTCs are not regulated by law.

ECU DIAGNOSIS INFORMATION

ECM

Protection Control

INFOID:000000013271565

ECM controls engine speed to protect the engine under the following conditions.

Precondition

- Shift position: P or N position
- Vehicle speed: 5 km/h (3.1 MPH) or less

Protection control

Item	Condition	Engine speed limit
Engine oil temperature	60°C (140°F) or less	4,600 rpm or less
	61°C (142°F) – 79°C (174°F)	Engine speed limit varies within the range from 4,650 to 6,150 rpm according to engine oil temperature.
	80°C (176°F) or more	6,200 rpm or less

Reference Value

INFOID:000000012602236

VALUES ON THE DIAGNOSIS TOOL

NOTE:

- The following table includes information (items) inapplicable to this vehicle. For information (items) applicable to this vehicle, refer to CONSULT display items.
- Numerical values in the following table are reference values.
- These values are input/output values that ECM receives/transmits and may differ from actual operations.
Example: The ignition timing shown by the timing light may differ from the ignition timing displayed on the data monitor.
This occurs because the timing light shows a value calculated by ECM according to signals received from the camshaft position sensor and other sensors related to ignition timing.
- For outlines of following items, refer to [EC-79, "CONSULT Function"](#).

Monitor Item	Condition	Values/Status
ENG SPEED	• Run engine and compare CONSULT value with the tachometer indication.	Almost the same speed as the tachometer indication.
MASS AIR FLOW SENSOR (Hz)	See EC-204, "Diagnosis Procedure" .	
B/FUEL SCHDL	See EC-204, "Diagnosis Procedure" .	
A/F ALPHA-B1	See EC-204, "Diagnosis Procedure" .	
COOLAN TEMP/S	• Engine: After warming up	More than 70°C (158°F)
A/F SEN1 (B1)	• Engine: After warming up Maintaining engine speed at 2,000 rpm	Fluctuates around 2.2 V
HO2S2 (B1)	• Revving engine from idle up to 3,000 rpm quickly after the following conditions are met. - Engine: After warming up - After keeping engine speed between 3,500 and 4,000 rpm for 1 minute and at idle for 1 minute under no load	0 - 0.3 V ↔ Approx. 0.6 - 1.0 V
HO2S2 MNTR(B1)	• Revving engine from idle up to 3,000 rpm quickly after the following conditions are met. - Engine: After warming up - After keeping engine speed between 3,500 and 4,000 rpm for 1 minute and at idle for 1 minute under no load	LEAN ↔ RICH
VHCL SPEED SE	• Turn drive wheels and compare CONSULT value with the speedometer indication.	Almost the same speed as speedometer indication
BATTERY VOLT	• Ignition switch: ON (Engine stopped)	11 - 14 V
ACCEL SEN 1	• Ignition switch: ON (Engine stopped) Accelerator pedal: Fully released	0.5 - 1.0 V
	Accelerator pedal: Fully depressed	4.2 - 4.8 V

ECM

< ECU DIAGNOSIS INFORMATION >

[QR25DE]

Monitor Item	Condition	Values/Status
ACCEL SEN 2*1	• Ignition switch: ON (Engine stopped)	Accelerator pedal: Fully released 0.5 - 1.0 V
		Accelerator pedal: Fully depressed 4.2 - 4.8 V
TP SEN 1-B1	• Ignition switch: ON (Engine stopped)	Accelerator pedal: Fully released More than 0.36 V
	• Selector lever: D	Accelerator pedal: Fully depressed Less than 4.75 V
TP SEN 2-B1*1	• Ignition switch: ON (Engine stopped)	Accelerator pedal: Fully released Less than 4.75 V
	• Selector lever: D	Accelerator pedal: Fully depressed More than 0.36 V
FUEL T/TMP SE	• Ignition switch: ON	Indicates fuel tank temperature
EVAP SYS PRES	• Ignition switch: ON	Approx. 1.8 - 4.8 V
FUEL LEVEL SE	• Ignition switch: ON	Depending on fuel level of fuel tank
START SIGNAL	• Ignition switch: ON → START → ON	Off → On → Off
CLSD THL POS	• Ignition switch: ON (Engine stopped)	Accelerator pedal: Fully released On
		Accelerator pedal: Slightly depressed Off
AIR COND SIG	• Engine: After warming up, idle the engine	Air conditioner switch: OFF Off
		Air conditioner switch: ON (Compressor operates.) On
PW/ST SIGNAL	• Engine: After warming up, idle the engine	Steering wheel: Not being turned Off
		Steering wheel: Being turned On
LOAD SIGNAL	• Ignition switch: ON	Rear window defogger switch: ON and/or Lighting switch: 2nd position On
		Rear window defogger switch and lighting switch: OFF Off
IGNITION SW	• Ignition switch: ON → OFF → ON	On → Off → On
HEATER FAN SW	• Engine: After warming up, idle the engine	Heater fan switch: ON On
		Heater fan switch: OFF Off
BRAKE SW	• Ignition switch: ON	Brake pedal: Fully released Off
		Brake pedal: Slightly depressed On
INJ PULSE-B1	• Engine: After warming up • Selector lever: P or N • Air conditioner switch: OFF • No load	Idle 2.0 - 3.0 msec
		2,000 rpm 1.9 - 2.9 msec
IGN TIMING	• Engine: After warming up • Selector lever: P or N • Air conditioner switch: OFF • No load	Idle 5° - 15° BTDC
		2,000 rpm 25° - 45° BTDC
CAL/LD VALUE	• Engine: After warming up • Selector lever: P or N • Air conditioner switch: OFF • No load	Idle 10% - 35%
		2,500 rpm 10% - 35%
MASS AIRFLOW	• Engine: After warming up • Selector lever: P or N • Air conditioner switch: OFF • No load	Idle 1.0 - 4.0 g/s
		2,500 rpm 4.0 - 10.0 g/s
PURG VOL C/V	• Engine: After warming up • Selector lever: P or N • Air conditioner switch: OFF • No load	Idle (Accelerator pedal: Not depressed even slightly, after engine starting.) 0%
		2,000 rpm 20% - 90%

ECM

< ECU DIAGNOSIS INFORMATION >

[QR25DE]

Monitor Item	Condition	Values/Status
INT/V TIM(B1)	• Engine: After warming up • Selector lever: P or N • Air conditioner switch: OFF • No load	Idle -5° - 5°C
		4,000 rpm Approx. 0° - 30°C
EXH/V TIM B1	• Engine: After warming up • Selector lever: P or N • Air conditioner switch: OFF • No load	Idle -5° - 5°C
		2,000 rpm Approx. 0° - 40°C
INT/V SOL (B1)	• Engine: Idle speed • Selector lever: P or N • Air conditioner switch: OFF • No load	After warming up 0%
		Cold condition [Engine coolant temperature below 60°C (140°F)] Approx. 50% - 100%
SWRL CONT S/V	• Ignition switch: ON • Engine coolant temperature: Between -12°C (10°F) and 59°C (138°F)	Accelerator pedal: Fully released On
		Accelerator pedal: Fully depressed Off
VIAS S/V-1	• Engine: After warming up • Selector lever: P or N • Air conditioner switch: OFF • No load	When revving engine up to 5,000 rpm quickly Off → On → Off
AIR COND RLY	• Engine: After warming up, idle the engine	Air conditioner switch: OFF Off
		Air conditioner switch: ON (Compressor operates) On
FUEL PUMP RLY	• For 1 second after turning ignition switch: ON • Engine running or cranking	On
	• Except above	Off
VENT CONT/V	• Ignition switch: ON	Off
THRTL RELAY	• Ignition switch: ON	On
COOLING FAN	• Engine: After warming up, idle the engine • Air conditioner switch: OFF	Engine coolant temperature is 97°C (207°F) or less Off
		Engine coolant temperature between 98°C (208°F) and 99°C (210°F) or more Low
		Engine coolant temperature between 100°C (212°F) or more Hi
	• Engine: After warming up, idle the engine • Air conditioner switch: ON • Refrigerant pressure is less than 1,280 kPa (12.80 bar, 13.05 kg/cm ² , 185.6 psi)	Engine coolant temperature is 97°C (207°F) or less Off
		Engine coolant temperature between 98°C (208°F) and 99°C (210°F) or more Mid
		Engine coolant temperature between 100°C (212°F) or more Hi
HO2S2 HTR (B1)	• Engine speed: Below 3,600 rpm after the following conditions are met. - Engine: After warming up - Keeping the engine speed between 3,500 and 4,000 rpm for 1 minute and at idle for 1 minute under no load	On
	• Engine speed: Above 3,600 rpm	Off
ALT DUTY SIG	• Power generation voltage variable control: Operating	On
	• Power generation voltage variable control: Not operating	Off
I/P PULLY SPD	• Vehicle speed: More than 20 km/h (12 MPH)	Almost the same speed as the tachometer indication
VEHICLE SPEED	• Turn drive wheels and compare CONSULT value with the speedometer indication.	Almost the same speed as the speedometer indication

ECM

< ECU DIAGNOSIS INFORMATION >

[QR25DE]

Monitor Item	Condition		Values/Status
IDL A/V LEARN	• Engine: running	Idle air volume learning has not been performed yet.	YET
		Idle air volume learning has already been performed successfully.	CMPLT
TRVL AFTER MIL	• Ignition switch: ON	Vehicle has traveled after MIL has turned ON.	0 - 65,535 km (0 - 40,723 miles)
ENG OIL TEMP	• Engine: After warming up		More than 70°C (158°F)
A/F S1 HTR(B1)	• Engine: After warming up, idle the engine (More than 140 seconds after starting engine.)		4 - 100%
VHCL SPEED SE	• Turn drive wheels and compare CONSULT value with the speedometer indication.		Almost the same speed as the speedometer indication
SET VHCL SPD	• Engine: Running	ASCD: Operating	The preset vehicle speed is displayed
MAIN SW	• Ignition switch: ON	MAIN switch: Pressed	On
		MAIN switch: Released	Off
CANCEL SW	• Ignition switch: ON	CANCEL switch: Pressed	On
		CANCEL switch: Released	Off
RESUME/ACC SW	• Ignition switch: ON	RESUME/ACCELERATE switch: Pressed	On
		RESUME/ACCELERATE switch: Released	Off
SET SW	• Ignition switch: ON	SET/COAST switch: Pressed	On
		SET/COAST switch: Released	Off
BRAKE SW1 (Brake pedal position switch)	• Ignition switch: ON	Brake pedal: Fully released	On
		Brake pedal: Slightly depressed	Off
BRAKE SW2 (Stop lamp switch)	• Ignition switch: ON	Brake pedal: Fully released	Off
		Brake pedal: Slightly depressed	On
VHCL SPD CUT	• Ignition switch: ON		Non
LO SPEED CUT	• Ignition switch: ON		Non
AT OD MONITOR	• Ignition switch: ON		Off
AT OD CANCEL	• Ignition switch: ON		Off
CRUISE LAMP	• Ignition switch: ON	MAIN switch: Pressed at the 1st time → at the 2nd time	On → Off
SET LAMP	• MAIN switch: ON • When vehicle speed: Between 40 km/h (25 MPH) and 144 km/h (89 MPH)	ASCD: Operating	On
		ASCD: Not operating	Off
ALT DUTY	• Engine speed: Idle		0 - 80%
BAT CUR SEN	• Engine speed: Idle • Battery: Fully charged*2 • Selector lever: P or N • Air conditioner switch: OFF • No load		Approx. 2,600 - 3,500 mV
A/F ADJ-B1	• Engine: running		-0.330 - 0.330
TUMBLE POS SEN	• Ignition switch: ON • Engine coolant temperature: Between -12°C (10°F) and 59°C (138°F)	Accelerator pedal: Fully released	Less than 1.4 V
		Accelerator pedal: Fully depressed	More than 2.8 V
P/N POSI SW	• Ignition switch: ON	Selector lever: P or N	On
		Selector lever: Except above	Off

ECM

< ECU DIAGNOSIS INFORMATION >

[QR25DE]

Monitor Item	Condition	Values/Status
INT/A TEMP SE	<ul style="list-style-type: none"> Ignition switch: ON 	Indicates intake air temperature
AC PRESS SEN	<ul style="list-style-type: none"> Engine speed: Idle Both A/C switch and blower fan switch: ON (Compressor operates) 	1.0 - 4.0 V
VTC DTY EX B1	<ul style="list-style-type: none"> Engine: After warming up Selector lever: P or N Air conditioner switch: OFF No load 	Idle 0 - 2%
	2,000 rpm	Approx. 0- 90%
EVAP LEAK DIAG	<ul style="list-style-type: none"> Ignition switch: ON 	Depending on condition of EVAP leak diagnosis
EVAP DIAG READY	<ul style="list-style-type: none"> Ignition switch: ON 	Depending on ready condition of EVAP leak diagnosis
BAT TEMP SEN	<ul style="list-style-type: none"> Engine: After warming up, idle the engine Selector lever: P or N Air conditioner switch: OFF No load 	Indicates the temperature around the battery.
EOP SENSOR	<ul style="list-style-type: none"> Engine: After warming up Selector lever: P or N Air conditioner switch: OFF No load 	Idle 1,000 - 2,000 mV
	2,000 rpm	1,500 - 3,500 mV
THRTL STK CNT B1	<p>NOTE: The item is indicated, but not used.</p>	—
A/F SEN1 DIAG1 (B1)	DTC P015A and P015B self-diagnosis is incomplete.	INCMP
	DTC P015A and P015B self-diagnosis is complete.	CMPLT
A/F SEN1 DIAG2 (B1)	DTC P014C and P014D self-diagnosis is incomplete.	INCMP
	DTC P014C and P014D self-diagnosis is complete.	CMPLT
A/F SEN1 DIAG3 (B1)	The vehicle condition is not within the diagnosis range of DTC P014C, P014D, P015A or P015B.	ABSNT
	The vehicle condition is within the diagnosis range of DTC P014C, P014D, P015A or P015B.	PRSNT
HO2 S2 DIAG1 (B1)	DTC P0139 self-diagnosis (delayed response) is incomplete.	INCMP
	DTC P0139 self-diagnosis (delayed response) is complete.	CMPLT
HO2 S2 DIAG2 (B1)	DTC P0139 self-diagnosis (slow response) is incomplete.	INCMP
	DTC P0139 self-diagnosis (slow response) is complete.	CMPLT
SYSTEM 1 DIAG-NOSIS A B1	DTC P219A self-diagnosis is incomplete.	INCMP
	DTC P219A self-diagnosis is complete.	CMPLT
SYSTEM 1 DIAG-NOSIS B B1	DTC P219A self-diagnosis is on standby.	ABSENT
	DTC P219A self-diagnosis is under diagnosis.	PRSENT
A/F-S ATMSPHRC CRCT B1	Engine: After warming up, idle the engine	Varies depending on vehicle environment.
A/F-S ATMSPHRC CRCT UP B1	Engine: Running	Varies depending on the number of updates.
A/F IMBALNC DIAG-CPS STAT	The vehicle condition is not within the diagnosis range of DTC P219C – P219F.	ABSNT
	The vehicle condition is within the diagnosis range of DTC P219C – P219F.	PRSNT
A/F IMBLNC DIAG-CPS CMPLT	Self-diagnosis of DTC P219C – P219F is incomplete.	INCMP
	Self-diagnosis of DTC P219C – P219F is complete.	CMPLT
A/GRLL SHTRR CALIBRATION	<ul style="list-style-type: none"> Turn ignition switch OFF→ ON Drive the vehicle at a speed more than 6 km/h (4 MPH) for the first time. 	CMPLT
	<ul style="list-style-type: none"> Turn ignition switch OFF → ON. When the vehicle speed does not reach 6 km/h (4 MPH). 	INCMP

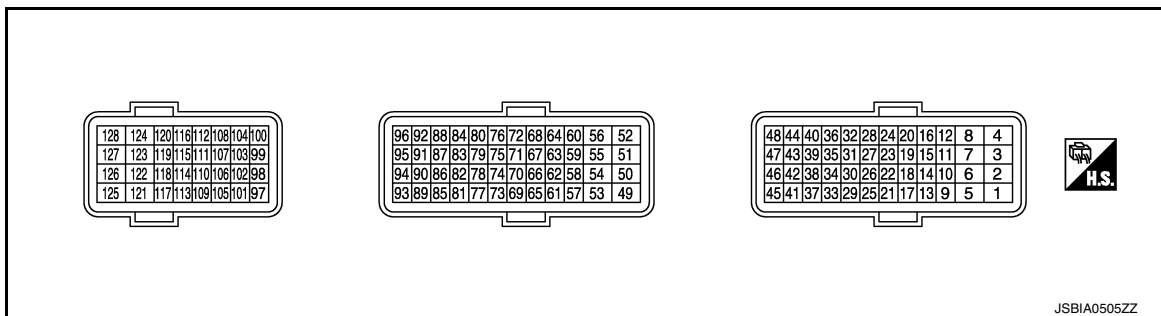
< ECU DIAGNOSIS INFORMATION >

Monitor Item	Condition	Values/Status
A/GRLL SHTRR CIRCUIT DIAG	• Malfunction of active grill shutter power supply is detected.	NG
	• Malfunction of active grill shutter power supply is not detected.	OK
A/GRLL SHTRR TEMP DIAG	• Abnormal temperature of active grill shutter actuator is detected.	NG
	• Abnormal temperature of active grill shutter actuator is not detected.	OK
A/GRLL SHTRR VOLT DIAG*3	• Abnormal voltage of active grill shutter circuit is detected.	NG
	• Abnormal voltage of active grill shutter circuit is not detected.	OK
A/GRLL SHTRR OVERRUN	• Active grill shutter does not stop within normal moving limit.	NG
	• Active grill shutter stops within normal moving limit	OK
A/GRLL SHTRR STUCK	• Detecting the active grille shutter stuck or the operation range less than normal.	NG
	• Not detecting the active grille shutter stuck or the operation range less than normal.	OK
A/GRLL SHTRR CALIB DIAG	• Malfunction of active grill shutter initial position learning is detected.	NG
	• Malfunction of active grill shutter initial position learning is not detected.	OK
A/GRLL SHTRR PO- SITION	• Engine RPM: idle speed. • Vehicle speed: 0 km/h (0 MPH).	F/OPEN
	• Vehicle speed: 30 km/h (19 MPH) or faster. (Comply the condition of active grille shutter operation).	F/OPEN →MOVING→F/ CLOSE

*1: Accelerator pedal position sensor 2 signal and throttle position sensor 2 signal are converted by ECM internally. Thus, they differ from ECM terminals voltage signal.

*2: Before measuring the voltage, confirm that the battery is fully charged. Refer to [PG-69, "How to Handle Battery"](#).

TERMINAL LAYOUT



PHYSICAL VALUES

NOTE:

- ECM is located in the engine room left side near battery.
- Specification data are reference values and are measured between each terminal and ground.
- Pulse signal is measured by CONSULT.

ECM

< ECU DIAGNOSIS INFORMATION >

[QR25DE]

Terminal No. (Wire color)		Description		Condition	Value (Approx.)
+	-	Signal name	Input/ Output		
1 (G)	128 (GR)	Throttle control motor (Close)	Output	[Ignition switch: ON] • Engine stopped • Selector lever: D • Accelerator pedal: Fully released	<p style="text-align: center;">1.8 V★ 5mSec/div</p> <p style="text-align: right;">5V/div <small>JMBIA0326GB</small></p>
2 (R)	128 (GR)	Throttle control motor power supply	Input	[Ignition switch: ON]	Battery voltage (11 - 14 V)
3 (BG)	128 (GR)	Throttle control motor (Open)	Output	[Ignition switch: ON] • Engine stopped • Selector lever: D • Accelerator pedal: Fully depressed	<p style="text-align: center;">3.2 V★ 1mSec/div</p> <p style="text-align: right;">5V/div <small>JMBIA0324GB</small></p>
4 (W)	8 (B)	Knock sensor	Input	[Engine is running] • Idle speed	2.5 V
5 (W)	128 (GR)	Intake manifold tuning valve motor (Close)	Output	[Ignition switch ON] • Engine coolant temperature: more than -30°C (-22°F) • Accelerator pedal: Depressed → ful- ly released	Battery voltage appears for about 1 second.
6 (L)	128 (GR)	Power supply for ECM	Input	[Ignition switch: ON]	Battery voltage (11 - 14 V)
7 (B)	128 (GR)	Intake manifold tuning valve motor (Open)	Output	[Ignition switch ON] • Engine coolant temperature: more than -30°C (-22°F) • Accelerator pedal: Fully released → depressed	Battery voltage appears for about 1 second.
8 (B)	—	Sensor ground (Knock sensor)	—	—	—
9 (Y) 10 (BR) 13 (BR) 14 (Y)	128 (GR)	Fuel injector No. 4 Fuel injector No. 3 Fuel injector No. 1 Fuel injector No. 2	Output	[Engine is running] • Warm-up condition • Idle speed NOTE: The pulse cycle changes depending on rpm at idle	<p style="text-align: center;">Battery voltage (11 - 14 V)★ 50mSec/div</p> <p style="text-align: right;">10V/div <small>JMBIA0089GB</small></p>
				[Engine is running] • Warm-up condition • Engine speed: 2,000 rpm	<p style="text-align: center;">Battery voltage (11 - 14 V)★ 50mSec/div</p> <p style="text-align: right;">10V/div <small>JMBIA0090GB</small></p>

A

EC

C

D

E

F

G

H

I

J

K

L

M

N

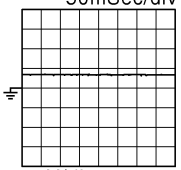
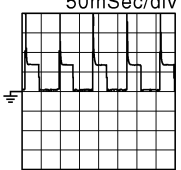
O

P

ECM

< ECU DIAGNOSIS INFORMATION >

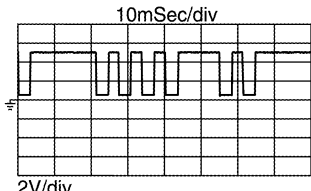
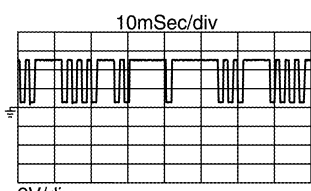
[QR25DE]

Terminal No. (Wire color)		Description		Condition	Value (Approx.)
+	-	Signal name	Input/ Output		
12 (B)	—	ECM ground	—	—	—
16 (B)	—	ECM ground	—	—	—
17 (V)	128 (GR)	EVAP canister purge volume control solenoid valve	Output	[Engine is running] • Idle speed • Accelerator pedal: Not depressed even slightly, after engine starting	Battery voltage (11 - 14 V)★ 50mSec/div  20V/div JMBIA0087GB
				[Engine is running] • Engine speed: About 2,000 rpm (More than 100 seconds after starting engine.)	Battery voltage (11 - 14 V)★ 50mSec/div  10V/div JMBIA0088GB
18 (W)	128 (GR)	Fuel pump relay	Output	[Ignition switch: ON] • For 1 second after turning ignition switch ON	0 - 1.0 V
				[Engine is running] [Ignition switch: ON] • More than 1 second after turning ignition switch ON	Battery voltage (11 - 14 V)
21 (BR)	128 (GR)	Throttle control motor relay	Output	[Ignition switch: OFF]	Battery voltage (11 - 14 V)
				[Ignition switch: ON]	0 - 1.0 V
22 (L)	23 (B)	Heated oxygen sensor 2	Input	[Engine is running] • Revving engine from idle to 3,000 rpm quickly after the following conditions are met - Engine: after warming up - Keeping the engine speed between 3,500 and 4,000 rpm for 1 minute and at idle for 1 minute under no load	0 - 1.0 V
23 (B)	—	Sensor ground (Heated oxygen sensor 2)	—	—	—
25 (L)	26 (G)	Engine oil temperature sensor	Input	[Engine is running]	0 - 4.8 V Output voltage varies with engine oil temperature.
26 (G)	—	Sensor ground (Engine oil temperature sensor)	—	—	—
27 (BR)	—	Sensor ground (Engine coolant temperature sensor)	—	—	—

ECM

< ECU DIAGNOSIS INFORMATION >

[QR25DE]

Terminal No. (Wire color)		Description	Input/ Output	Condition	Value (Approx.)
+	-				
28 (SB)	27 (BR)	Engine coolant temperature sensor	Input	[Engine is running]	0 - 4.8 V Output voltage varies with engine coolant temperature.
30 (SB)	—	Sensor ground [Camshaft position sensor (PHASE)]	—	—	—
31 (LG)	30 (SB)	Camshaft position sensor (PHASE)	Input	[Engine is running] • Warm-up condition • Idle speed NOTE: The pulse cycle changes depending on rpm at idle	1.0 - 2.0★ 10mSec/div 
				[Engine is running] • Engine speed is 2,000 rpm	1.0 - 2.0★ 10mSec/div 
32 (V)	—	Sensor power supply [Camshaft position sensor (PHASE)]	—	[Ignition switch: ON]	5.0 V
33 (V)	34 (BR)	Intake air temperature sensor	Input	[Engine is running]	0 - 4.8 V Output voltage varies with intake air temperature.
34 (BR)	—	Sensor ground (Mass air flow sensor, intake air temperature sensor)	—	—	—
35 (Y)	34 (BR)	Mass air flow sensor	Input	[Ignition switch: ON] • Engine stopped	3,720 Hz
				[Engine is running] • Warm-up condition • Idle speed	4,100 - 4,700 Hz
				[Engine is running] • Warm-up condition • Engine is revving from idle to about 4,000 rpm	4,100 - 4,700 Hz to 8,000 Hz (Check for linear frequency rise in response to engine being increased to about 4,000 rpm.)
36 (SB)	—	Sensor power supply (Mass air flow sensor)	—	[Ignition switch: ON]	5.0 V
37 (B)	—	Shield	—	—	—
38 (V)	—	Sensor ground (Engine oil pressure sensor)	—	—	—

A

EC

C

D

E

F

G

H

I

J

K

L

M

N

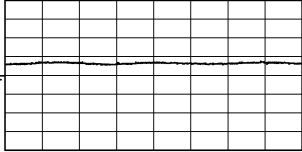
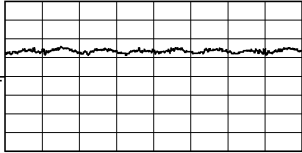
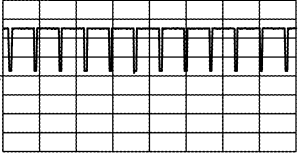
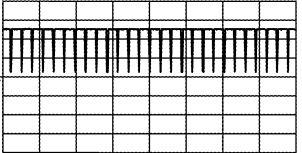
O

P

ECM

< ECU DIAGNOSIS INFORMATION >

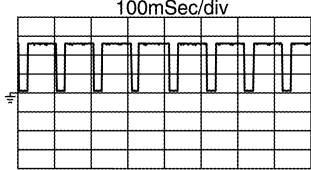
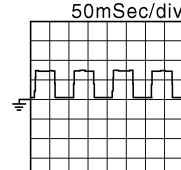
[QR25DE]

Terminal No. (Wire color)		Description	Input/ Output	Condition	Value (Approx.)
+	-				
39 (L)	38 (V)	Engine oil pressure sensor	Input	[Engine is running] • Warm-up condition • Idle speed	1.3 V★ 5mSec/div  2V/div JPBIA3359ZZ
				[Engine is running] • Warm-up condition • Engine speed is 2,000 rpm	2.7 V★ 5mSec/div  2V/div JPBIA3360ZZ
40 (BR)	38 (V)	Sensor power supply (Engine oil pressure sensor)	—	[Ignition switch: ON]	5.0 V
41 (W)	128 (GR)	A/F sensor 1	Input	[Ignition switch: ON]	2.2 V
42 (SB)	—	Sensor ground [Exhaust valve timing control position sensor]	—	—	—
43 (LG)	42 (SB)	Exhaust valve timing control position sensor	Input	[Engine is running] • Warm-up condition • Idle speed NOTE: The pulse cycle changes depending on rpm at idle	1.0 - 2.0★ 50mSec/div  2V/div JPBIA4730ZZ
				[Engine is running] • Engine speed is 2,000 rpm	1.0 - 2.0★ 50mSec/div  2V/div JPBIA4731ZZ
44 (V)	—	Sensor power supply [Exhaust valve timing control position sensor]	—	[Ignition switch: ON]	5 V
45 (B)	128 (GR)	A/F sensor 1	Input	[Engine is running] • Engine speed is 2,000 rpm	1.8 V Output voltage varies with air fuel ratio.
49 (W)	128 (GR)	Intake manifold runner control valve motor (Close)	Output	[Ignition switch ON] • Engine coolant temperature: Between -12°C (10°F) and 59°C (138°F) • Accelerator pedal: Depressed → fully released	Battery voltage appears for about 1 second.
50 (L)	128 (GR)	Power supply for ECM	Input	[Ignition switch: ON]	Battery voltage (11 - 14 V)

ECM

< ECU DIAGNOSIS INFORMATION >

[QR25DE]

Terminal No. (Wire color)		Description	Input/ Output	Condition	Value (Approx.)
+	-				
51 (B)	128 (GR)	Intake manifold runner control valve motor (Open)	Output	[Ignition switch ON] • Engine coolant temperature: Between -12°C (10°F) and 59°C (138°F) • Accelerator pedal: Fully released → depressed	Battery voltage appears for about 1 second.
52 (B)	—	ECM ground	—	—	—
53 (BR)	128 (GR)	A/F sensor 1 heater	Input	[Engine is running] • Warm-up condition • Idle speed (More than 140 seconds after starting engine)	<p style="text-align: center;">2.9 - 8.8 V★</p> <p style="text-align: center;">100mSec/div</p>  <p style="text-align: right; font-size: small;">JPBIA4732ZZ</p>
54 (Y)	128 (GR)	Heated oxygen sensor 2 heater	Output	[Engine is running] • Engine speed: Below 3,600 rpm after the following conditions are met - Engine: after warming up - Keeping the engine speed between 3,500 and 4,000 rpm for 1 minute and at idle for 1 minute under no load	<p style="text-align: center;">10 V★</p> <p style="text-align: center;">50mSec/div</p>  <p style="text-align: right; font-size: small;">JMBIA0325GB</p>
				[Ignition switch: ON] • Engine stopped [Engine is running] • Engine speed: Above 3,600 rpm	Battery voltage (11 - 14 V)
56 (SB)	128 (GR)	Intake valve timing intermediate lock control solenoid valve	Output	[Engine is running] • Warm-up condition • Idle speed	0 V
				[Engine is running] • Cold condition [Engine coolant temperature: below 60°C (140°F)] • Idle speed	Battery voltage (11 - 14 V)
61 (W)	62 (R)	Battery temperature sensor	Input	[Engine is running] • Battery temperature: 25°C (°F) • Idle speed	3.3 V
62 (R)	—	Sensor ground (Battery current sensor, battery temperature sensor)	—	—	—
63 (G)	62 (R)	Battery current sensor	Input	[Engine is running] • Battery: Fully charged*3 • Idle speed	2.6 - 3.5 V
64 (O)	—	Sensor power supply (Battery current sensor)	—	[Ignition switch: ON]	5.0 V
70 (SB)	—	Sensor ground [Crankshaft position sensor (POS)]	—	—	—

A

EC

C

D

E

F

G

H

I

J

K

L

M

N


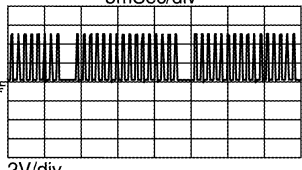
O

P

ECM

< ECU DIAGNOSIS INFORMATION >

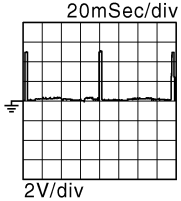
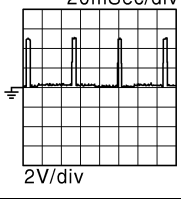
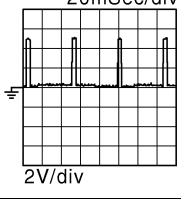
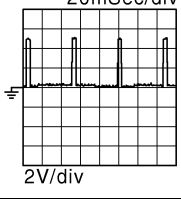
[QR25DE]

Terminal No. (Wire color)		Description	Input/ Output	Condition	Value (Approx.)
+	-				
71 (LG)	70 (SB)	Crankshaft position sensor (POS)	Input	[Engine is running] • Warm-up condition • Idle speed NOTE: The pulse cycle changes depending on rpm at idle	4.0 V★ 5mSec/div  2V/div JPBIA4728ZZ
				[Engine is running] • Engine speed: 2,000 rpm	4.0 V★ 5mSec/div  2V/div JPBIA4729ZZ
72 (V)	—	Sensor power supply [Crankshaft position sensor (POS)]	—	[Ignition switch: ON]	5.0 V
73 (B)	—	Shield	—	—	—
77 (R)	78 (B)	Throttle position sensor 2	Input	[Ignition switch: ON] • Engine stopped • Selector lever: D • Accelerator pedal: Fully released	Less than 4.75 V
				[Ignition switch: ON] • Engine stopped • Selector lever: D • Accelerator pedal: Fully depressed	More than 0.36 V
78 (B)	—	Sensor ground (Throttle position sensor 1, 2)	—	—	—
79 (W)	78 (B)	Throttle position sensor 1	Input	[Ignition switch: ON] • Engine stopped • Selector lever: D • Accelerator pedal: Fully released	More than 0.36 V
				[Ignition switch: ON] • Engine stopped • Selector lever: D • Accelerator pedal: Fully depressed	Less than 4.75 V
80 (G)	—	Sensor power supply (Throttle position sensor)	—	[Ignition switch: ON]	5.0 V
81 (SB)	128 (GR)	Power supply for ECM (Backup)	Input	[Ignition switch: OFF]	Battery voltage (11 - 14 V)

ECM

< ECU DIAGNOSIS INFORMATION >

[QR25DE]

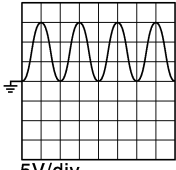
Terminal No. (Wire color)		Description	Input/ Output	Condition	Value (Approx.)		
+	-						
83 (L)	92 (LG)	Intake manifold runner control valve position sensor	Input	[Ignition switch ON] • Engine coolant temperature: Between -12°C (10°F) and 59°C (138°F) • Accelerator pedal: Fully released	Less than 1.4 V		
				[Ignition switch ON] • Engine coolant temperature: Between -12°C (10°F) and 59°C (138°F) • Accelerator pedal: Slightly depressed	More than 2.8 V		
84 (BR)	—	Sensor power supply (Intake manifold runner control valve position sensor)	—	[Ignition switch: ON]	5.0 V		
85 (L)	—	Engine communication line	Input/ Output	—	—		
86 (BR)	128 (GR)	Ignition signal No. 1	Output	[Engine is running] • Warm-up condition • Idle speed NOTE: The pulse cycle changes depending on rpm at idle	0 - 0.1 V★ 20mSec/div 		
87 (Y)		Ignition signal No. 2		Output	[Engine is running] • Warm-up condition • Engine speed: 2,000 rpm	0 - 0.2 V★ 20mSec/div 	
90 (LG)		Ignition signal No. 3			Output	[Engine is running] • Warm-up condition • Engine speed: 2,000 rpm	0 - 0.2 V★ 20mSec/div 
91 (V)		Ignition signal No. 4				[Engine is running] • Warm-up condition • Engine speed: 2,000 rpm	0 - 0.2 V★ 20mSec/div 
89 (V)	128 (GR)	ECM relay (Self shut-off)	Output	[Engine is running] [Ignition switch: OFF] • A few seconds after turning ignition switch OFF	0 - 1.0 V		
				[Ignition switch: OFF] • More than a few seconds after turning ignition switch OFF	Battery voltage (11 - 14 V)		
92 (LG)	—	Sensor ground (Intake manifold runner control valve position sensor)	—	—	—		

A
EC
C
D
E
F
G
H
I
J
K
L
M
N
O
P

ECM

< ECU DIAGNOSIS INFORMATION >

[QR25DE]

Terminal No. (Wire color)		Description		Condition	Value (Approx.)
+	-	Signal name	Input/ Output		
93 (Y)	128 (GR)	Intake valve timing control solenoid valve	Output	[Engine is running] • Warm-up condition • Idle speed	0 V
				[Engine is running] • Warm-up condition • When revving engine up to 2,000rpm Quickly	Battery voltage (11 - 14 V) ★ 
94 (BR)	128 (GR)	Exhaust valve timing control solenoid valve	Output	[Engine is running] • Warm-up condition • Idle speed	0 V
				[Engine is running] • Warm-up condition • Engine speed: 2,000 rpm	Battery voltage (11 - 14 V)
97 (Y)	128 (GR)	EVAP canister vent control valve	Output	[Ignition switch: ON]	Battery voltage (11 - 14 V)
99 (P)	—	CAN communication line (CAN-L)	Input/ Output	—	—
100 (L)	—	CAN communication line (CAN-H)	Input/ Output	—	—
103 (V)	124 (SB)	Refrigerant pressure sensor	Input	[Engine is running] • Warm-up condition • Both A/C switch and blower fan motor switch: ON (Compressor operates)	1.0 - 4.0 V
104 (O)	—	Sensor power supply (Refrigerant pressure sensor)	—	[Ignition switch: ON]	5.0 V
105 (SB)	128 (GR)	Engine oil pressure control solenoid valve	Output	[Engine is running] • Warm-up condition • Idle speed	10 V
				[Engine is running] • Warm-up condition • Engine speed: 4,500 rpm or more	BATTERY VOLTAGE (11 - 14 V)
109 (L)	128 (GR)	Ignition switch	Input	[Ignition switch: OFF]	0 V
				[Ignition switch: ON]	Battery voltage (11 - 14 V)

ECM

< ECU DIAGNOSIS INFORMATION >

[QR25DE]

Terminal No. (Wire color)		Description		Condition	Value (Approx.)
+	-	Signal name	Input/ Output		
110 (O)	111 (R)	ASCD steering switch	Input	[Ignition switch: ON] • ASCD steering switch: OFF	4 V
				[Ignition switch: ON] • MAIN switch: Pressed	0 V
				[Ignition switch: ON] • CANCEL switch: Pressed	1 V
				[Ignition switch: ON] • ACCEL/RES switch: Pressed	3 V
				[Ignition switch: ON] • COAST/SET switch: Pressed	2 V
		ICC steering switch	Input	[Ignition switch: ON] • MAIN switch: Pressed	0 V
				[Ignition switch: ON] • CANCEL switch: Pressed	1.18 V
				[Ignition switch: ON] • DISTANCE switch: Pressed	1.51 V
				[Ignition switch: ON] • SET/COAST switch: Pressed	2.00 V
				[Ignition switch: ON] • RESUME/ACCELERATE switch: Pressed	2.71 V
111 (R)	—	Sensor ground (ASCD steering switch)	—	—	—
113 (P)	—	Sensor power supply (EVAP control system pressure sensor)	—	[Ignition switch: ON]	5.0 V
114 (O)	124 (SB)	EVAP control system pressure sensor	Input	[Ignition switch: ON]	0.5 - 4.6 V
115 (L)	128 (GR)	Stop lamp switch	Input	[Ignition switch: OFF] • Brake pedal: Fully released	0 V
				[Ignition switch: OFF] • Brake pedal: Slightly depressed	Battery voltage (11 - 14 V)
116 (BR)	128 (GR)	Brake pedal position switch	Input	[Ignition switch: OFF] • Brake pedal: Fully released	Battery voltage (11 - 14 V)
117 ^{*1} (R)	128 (GR)	PNP signal	Input	[Ignition switch: ON] • Selector lever: P or N	Battery voltage (11 - 14 V)
117 ^{*2} (W)				[Ignition switch: ON] • Selector lever: Except above	0 V
118 (G)	—	Sensor power supply (Accelerator pedal posi- tion sensor 2)	—	[Ignition switch: ON]	5.0 V
119 (P)	120 (G)	Accelerator pedal posi- tion sensor 2	Input	[Ignition switch: ON] • Engine stopped • Accelerator pedal: Fully released	0.25 - 0.5 V
				[Ignition switch: ON] • Engine stopped • Accelerator pedal: Fully depressed	2.0 - 2.5 V
120 (G)	—	Sensor ground (Accelerator pedal posi- tion sensor 2)	—	—	—

A
EC
C
D
E
F
G
H
I
J
K
L
M
N
O
P

ECM

< ECU DIAGNOSIS INFORMATION >

[QR25DE]

Terminal No. (Wire color)		Description		Condition	Value (Approx.)
+	-	Signal name	Input/ Output		
121 (LG)	128 (GR)	Power supply for ECM	Input	[Ignition switch: ON]	Battery voltage (11 - 14 V)
122 (V)	—	Sensor power supply (Accelerator pedal position sensor 1)	—	[Ignition switch: ON]	5.0 V
123 (B)	—	ECM ground	—	—	—
124 (SB)	—	Sensor ground (EVAP control system pressure sensor, refrigerant pressure sensor)	—	—	—
125 (BR)	128 (GR)	Fuel tank temperature sensor	Input	[Engine is running]	0 - 4.8 V Output voltage varies with fuel tank temperature
126 (SB)	127 (L)	Accelerator pedal position sensor 1	Input	[Ignition switch: ON] • Engine stopped • Accelerator pedal: Fully released	0.5 - 1.0 V
				[Ignition switch: ON] • Engine stopped • Accelerator pedal: Fully depressed	4.2 - 4.8 V
127 (L)	—	Sensor ground (Accelerator pedal position sensor 1)	—	—	—
128 (GR)	—	ECM ground	—	—	—

★: Average voltage for pulse signal (Actual pulse signal can be confirmed by oscilloscope.)

*1: For California

*2: Except for California

*3: Before measuring the terminal voltage, confirm that the battery is fully charged. Refer to [PG-69, "How to Handle Battery"](#).

Fail Safe

INFOID:0000000012602237

Description

When a DTC is detected, ECM executes a mode (in the Fail-safe mode) applicable to the DTC. The fail-safe mode has the preset traveling control mode (accelerator angle variation and engine output limit) and device fix mode.

Fail safe mode		Vehicle behavior
Traveling control mode	Accelerator angle variation control	ECM controls the accelerator pedal depression speed to make it slower than actual speed. This causes a drop in accelerating performance and encourages the driver to repair malfunction. NOTE: ECM does not control the accelerator pedal releasing speed.
	Engine output control	ECM reduces the engine output, according to the rise in engine speed. This reduces the vehicle speed to encourage the driver to repair malfunction.
Device fix mode		<ul style="list-style-type: none"> This mode fixes the IVT control solenoid valve and the EVT control solenoid valve in the reference position. The intake manifold runner control valve motor is turned OFF (intake manifold runner control valve opens).

Fail Safe Pattern

Pattern	Fail safe mode	
A	Traveling control mode	Accelerator angle variation control
B		Engine output control
C	Device fix mode	

Fail Safe List

×:Applicable —: Not applicable

DTC No.	Detected items	Vehicle behavior			
		Pattern			Others
		A	B	C	
U0284	Active grille shutter	—	—	—	ECM operates active grille shutter to fully-open position.
U1040	Engine communication line	—	—	—	ECM operates active grille shutter to fully-open position.
P0011	Intake valve timing control	—	—	×	ECM activates the IVT intermediate lock control solenoid valve to bring the cam sprocket into an intermediate lock condition.
P0014 P0078	Exhaust valve timing control	—	—	×	—
P0101 P0102 P0103	Mass air flow sensor circuit	×	×	×	—
P0122 P0123 P0222 P0223 P2135	Throttle position sensor	—	—	—	The ECM controls the electric throttle control actuator in regulating the throttle opening in order for the idle position to be within +10 degrees. The ECM regulates the opening speed of the throttle valve to be slower than the normal condition. So, the acceleration will be poor.
P0171 P0172	Fuel injection system	×	—	—	—
P0197 P0198	Engine oil temperature sensor	—	—	—	Exhaust valve timing control does not function.
P0300 P0301 P0302 P0303 P0304	Misfire	×	—	—	—
P0500	Vehicle speed sensor	×	—	—	—
P050A	Cold start control	×	—	—	—
P0524	Engine oil pressure	—	—	—	<ul style="list-style-type: none"> ECM illuminates oil pressure warning lamp on the combination meter. Engine speed will not rise more than 4,000rpm due to the fuel cut. Fail-safe is canceled when ignition switch OFF → ON.
P052A P052B	Intake valve timing intermediate lock control	—	—	×	—
P059F	Active grille shutter	—	—	—	<ul style="list-style-type: none"> When a voltage and temperature related malfunction is detected, the active grille shutter stops at the position of detection. Except for the above case, operates the active grille shutter to fully opened position.
P0603	ECM power supply circuit	—	×	—	—
P0605	ECM	—	×	—	—
P0643	Sensor power supply	—	—	—	ECM stops the electric throttle control actuator control, throttle valve is maintained at a fixed opening (approx. 5 degrees) by the return spring.

DTC No.	Detected items	Vehicle behavior				
		Pattern			Others	
		A	B	C		
P1078	Exhaust valve timing control position sensor circuit	×	—	×	—	
P1805	Brake switch	—	—	—	ECM controls the electric throttle control actuator by regulating the throttle opening to a small range. Therefore, acceleration will be poor.	
					Vehicle condition	Driving condition
					When engine is idling	Normal
					When accelerating	Poor acceleration
P2004	Intake manifold runner control valve	—	×	×	—	
P2100 P2103	Throttle control motor relay	—	—	—	ECM stops the electric throttle control actuator control, throttle valve is maintained at a fixed opening (approx. 5 degrees) by the return spring.	
P2101	Electric throttle control function	—	—	—	ECM stops the electric throttle control actuator control, throttle valve is maintained at a fixed opening (approx. 5 degrees) by the return spring.	
P2118	Throttle control motor	—	—	—	ECM stops the electric throttle control actuator control, throttle valve is maintained at a fixed opening (approx. 5 degrees) by the return spring.	
P2119	Electric throttle control actuator	—	×	—	—	
P2122 P2123 P2127 P2128 P2138	Accelerator pedal position sensor	—	—	—	The ECM controls the electric throttle control actuator in regulating the throttle opening in order for the idle position to be within +10 degrees. The ECM regulates the opening speed of the throttle valve to be slower than the normal condition. So, the acceleration will be poor.	

DTC Inspection Priority Chart

INFOID:0000000012602238

If some DTCs are displayed at the same time, perform inspections one by one based on the following priority chart.

ECM

< ECU DIAGNOSIS INFORMATION >

[QR25DE]

Priority	DTC	Detected items	A
1	U0101, U1000, U1001	CAN communication line	A
	U0284, U1040, U1044	Engine communication line	EC
	P0101, P0102, P0103	Mass air flow sensor	EC
	P0111, P0112, P0113, P0127	Intake air temperature sensor	EC
	P0116, P0117, P0118, P0125	Engine coolant temperature sensor	C
	P0122, P0123, P0222, P0223, P1225, P1226, P2135	Throttle position sensor	C
	P0128	Thermostat function	C
	P0181, P0182, P0183	Fuel tank temperature sensor	D
	P0196, P0197, P0198	Engine oil temperature sensor	D
	P0327, P0328	Knock sensor	E
	P0335	Crankshaft position sensor (POS)	E
	P0340	Camshaft position sensor (PHASE)	E
	P0460, P0461, P0462, P0463	Fuel level sensor	F
	P0500	Vehicle speed sensor	F
	P0520	Engine oil pressure sensor	G
	P0603, P0604, P0605, P0606, P0607, P060A, P060B, P2610	ECM	G
	P062F	Control module	H
	P0643	Sensor power supply	H
	P06DA, P06DB	Engine oil pressure control solenoid valve	H
	P0850	Transmission range switch	I
P1078	Exhaust valve timing control position sensor	I	
P1550, P1551, P1552, P1553, P1554	Battery current sensor	J	
P1556, P1557	Battery temperature sensor	J	
P1610, P1611, P1612, P1614	NATS	J	
P2014, P2016, P2017, P2018	Intake manifold runner control valve position sensor	K	
P2122, P2123, P2127, P2128, P2138	Accelerator pedal position sensor	K	

ECM

< ECU DIAGNOSIS INFORMATION >

[QR25DE]

Priority	DTC	Detected items
2	P0030, P0031, P0032	Air fuel ratio (A/F) sensor 1 heater
	P0037, P0038	Heated oxygen sensor 2 heater
	P0075	Intake valve timing control solenoid valve/Intake valve timing intermediate lock control solenoid valve
	P0078	Exhaust valve timing control solenoid valve
	P0130, P0131, P0132, P014C, P014D, P015A, P015B, P2096, P2097, P219A	Air fuel ratio (A/F) sensor 1
	P0137, P0138, P0139	Heated oxygen sensor 2
	P0441	EVAP control system purge flow monitoring
	P0443, P0444, P0445	EVAP canister purge volume control solenoid valve
	P0447, P0448	EVAP canister vent control valve
	P0451, P0452, P0453	EVAP control system pressure sensor
	P059F	Active grille shutter
	P1217	Engine over temperature (OVERHEAT)
	P1800	Intake manifold tuning valve
	P1805	Brake switch
	P2004	Intake manifold runner control valve
	P2100, P2103	Throttle control motor relay
	P2101	Electric throttle control function
	P2118	Throttle control motor
3	P0011, P052A, P052B	Intake valve timing control
	P0014	Exhaust valve timing control
	P0171, P0172	Fuel injection system function
	P0300, P0301, P0302, P0303, P0304	Misfire
	P0420	Three way catalyst function
	P0456	EVAP control system
	P0506, P0507	Idle speed control system
	P050A, P050B, P050E	Cold start control
	P0524	Engine oil pressure
	P1148	Closed loop control
	P1212	TCS communication line
	P1564	ASCD steering switch / ICC steering switch
	P1568	ICC function
	P1572	ASCD brake switch / ICC brake switch
	P1574	ASCD vehicle speed sensor / ICC vehicle speed sensor
	P2119	Electric throttle control actuator
P219C, P219D, P219E, P219F	Air fuel ratio (A/F) sensor 1	

DTC Index

INFOID:0000000012602239

×:Applicable —: Not applicable

DTC*1		Items (CONSULT screen terms)	SRT code	Trip	MIL	Permanent DTC group*4	Reference page
CONSULT GST*2	ECM*3						
U0101	0101*5	CAN COMM CIRCUIT	—	1	×	B	EC-215
U0284	0284	LOST COMM (A/GRLL SHTR MDL A)	—	2	×	B	EC-216

ECM

< ECU DIAGNOSIS INFORMATION >

[QR25DE]

DTC*1		Items (CONSULT screen terms)	SRT code	Trip	MIL	Permanent DTC group*4	Reference page	
CONSULT GST*2	ECM*3							
U1000	1000*5	CAN COMM CIRCUIT	—	2	—	—	EC-219	EC
U1001	1001*5	CAN COMM CIRCUIT	—	1	—	—	EC-220	
U1040	1040*5	ENG COMM CIRCUIT	—	2	—	—	EC-221	C
U1044	1044*5	ENG COMM CIRCUIT	—	2	—	—	EC-222	
P0000	0000	NO DTC IS DETECTED. FURTHER TESTING MAY BE REQUIRED.	—	—	Flashing*6	—	—	D
P0011	0011	INT/V TIM CONT-B1	×	2	×	B	EC-223	
P0014	0014	EXH/V TIM CONT-B1	—	2	×	B	EC-226	E
P0030	0030	A/F SEN1 HTR (B1)	—	2	×	B	EC-229	
P0031	0031	A/F SEN1 HTR (B1)	—	2	×	B	EC-229	F
P0032	0032	A/F SEN1 HTR (B1)	—	2	×	B	EC-229	
P0037	0037	HO2S2 HTR (B1)	—	2	×	B	EC-232	
P0038	0038	HO2S2 HTR (B1)	—	2	×	B	EC-232	G
P0075	0075	INT/V TIM V/CIR-B1	—	2	×	B	EC-235	
P0078	0078	EX V/T ACT/CIRC-B1	—	2	×	B	EC-239	
P0101	0101	MAF SEN/CIRCUIT-B1	—	2	×	B	EC-242	H
P0102	0102	MAF SEN/CIRCUIT-B1	—	1	×	B	EC-247	
P0103	0103	MAF SEN/CIRCUIT-B1	—	1	×	B	EC-247	I
P0111	0111	IAT SENSOR 1 B1	—	2	×	A	EC-252	
P0112	0112	IAT SEN/CIRCUIT-B1	—	2	×	B	EC-254	
P0113	0113	IAT SEN/CIRCUIT-B1	—	2	×	B	EC-254	J
P0116	0116	ECT SEN/CIRC	—	2	×	A	EC-256	
P0117	0117	ECT SEN/CIRC	—	1	×	B	EC-258	K
P0118	0118	ECT SEN/CIRC	—	1	×	B	EC-258	
P0122	0122	TP SEN 2/CIRC-B1	—	1	×	B	EC-261	
P0123	0123	TP SEN 2/CIRC-B1	—	1	×	B	EC-261	L
P0125	0125	ECT SENSOR	—	2	×	B	EC-264	
P0127	0127	IAT SENSOR-B1	—	2	×	B	EC-266	
P0128	0128	THERMSTAT FNCTN	—	2	×	A	EC-268	M
P0130	0130	A/F SENSOR1 (B1)	—	2	×	A	EC-271	
P0131	0131	A/F SENSOR1 (B1)	—	2	×	B	EC-275	N
P0132	0132	A/F SENSOR1 (B1)	—	2	×	B	EC-278	
P0137	0137	HO2S2 (B1)	×	2	×	A	EC-281	
P0138	0138	HO2S2 (B1)	×	2	×	A	EC-287	O
P0139	0139	HO2S2 (B1)	×	2	×	A	EC-295	
P014C	014C	A/F SENSOR1 (B1)	×	2	×	A	EC-302	P
P014D	014D	A/F SENSOR1 (B1)	×	2	×	A	EC-302	
P015A	015A	A/F SENSOR1 (B1)	×	2	×	A	EC-302	
P015B	015B	A/F SENSOR1 (B1)	×	2	×	A	EC-302	
P0171	0171	FUEL SYS-LEAN-B1	—	2	×	B	EC-307	
P0172	0172	FUEL SYS-RICH-B1	—	2	×	B	EC-311	

ECM

< ECU DIAGNOSIS INFORMATION >

[QR25DE]

DTC*1		Items (CONSULT screen terms)	SRT code	Trip	MIL	Permanent DTC group*4	Reference page
CONSULT GST*2	ECM*3						
P0181	0181	FTT SENSOR	—	2	×	A and B	EC-315
P0182	0182	FTT SEN/CIRCUIT	—	2	×	B	EC-319
P0183	0183	FTT SEN/CIRCUIT	—	2	×	B	EC-319
P0196	0196	EOT SENSOR	—	2	×	A and B	EC-322
P0197	0197	EOT SEN/CIRC	—	2	×	B	EC-325
P0198	0198	EOT SEN/CIRC	—	2	×	B	EC-325
P0222	0222	TP SEN 1/CIRC-B1	—	1	×	B	EC-328
P0223	0223	TP SEN 1/CIRC-B1	—	1	×	B	EC-328
P0300	0300	MULTI CYL MISFIRE	—	1 or 2	×	B	EC-331
P0301	0301	CYL 1 MISFIRE	—	1 or 2	×	B	EC-331
P0302	0302	CYL 2 MISFIRE	—	1 or 2	×	B	EC-331
P0303	0303	CYL 3 MISFIRE	—	1 or 2	×	B	EC-331
P0304	0304	CYL 4 MISFIRE	—	1 or 2	×	B	EC-331
P0327	0327	KNOCK SEN/CIRC-B1	—	2	—	—	EC-337
P0328	0328	KNOCK SEN/CIRC-B1	—	2	—	—	EC-337
P0335	0335	CKP SEN/CIRCUIT	—	2	×	B	EC-339
P0340	0340	CMP SEN/CIRC-B1	—	2	×	B	EC-342
P0420	0420	TW CATALYST SYS-B1	×	2	×	A	EC-345
P0441	0441	EVAP PURG FLOW/MON	×	2	×	A	EC-350
P0443	0443	PURG VOLUME CONT/V	—	2	×	A	EC-355
P0444	0444	PURG VOLUME CONT/V	—	2	×	B	EC-360
P0445	0445	PURG VOLUME CONT/V	—	2	×	B	EC-360
P0447	0447	VENT CONTROL VALVE	—	2	×	B	EC-363
P0448	0448	VENT CONTROL VALVE	—	2	×	B	EC-367
P0451	0451	EVAP SYS PRES SEN	—	2	×	A	EC-371
P0452	0452	EVAP SYS PRES SEN	—	2	×	B	EC-375
P0453	0453	EVAP SYS PRES SEN	—	2	×	B	EC-379
P0456	0456	EVAP VERY SML LEAK	×*7	2	×	A	EC-383
P0460	0460	FUEL LEV SEN SLOSH	—	2	×	A	EC-389
P0461	0461	FUEL LEVEL SENSOR	—	2	×	B	EC-390
P0462	0462	FUEL LEVL SEN/CIRC	—	2	×	B	EC-392
P0463	0463	FUEL LEVL SEN/CIRC	—	2	×	B	EC-392
P0500	0500	VEH SPEED SEN/CIRC*8	—	2	×	B	EC-393
P0506	0506	ISC SYSTEM	—	2	×	B	EC-395
P0507	0507	ISC SYSTEM	—	2	×	B	EC-397
P050A	050A	COLD START CONTROL	—	2	×	A	EC-399
P050B	050B	COLD START CONTROL	—	2	×	A	EC-399
P050E	050E	COLD START CONTROL	—	2	×	A	EC-399
P0520	0520	EOP SENSOR/SWITCH	—	2	—	—	EC-401
P0524	0524	ENGINE OIL PRESSURE	—	1	—	—	EC-404
P052A	052A	CAMSHAFT POSITION TIMING B1	—	2	×	B	EC-407
P052B	052B	CAMSHAFT POSITION TIMING B1	—	2	×	B	EC-407

ECM

< ECU DIAGNOSIS INFORMATION >

[QR25DE]

DTC*1		Items (CONSULT screen terms)	SRT code	Trip	MIL	Permanent DTC group*4	Reference page
CONSULT GST*2	ECM*3						
P059F	059F	ACTIVE GRILLE AIR SHUTTER A	—	2	×	B	EC-413
P0603	0603	ECM BACK UP/CIRCUIT*9	—	2	× or —	B	EC-416
P0604	0604	ECM	—	1	×	B	EC-417
P0605	0605	ECM	—	1	× or —	B	EC-418
P0606	0606	CONTROL MODULE	—	1	× or —	B	EC-419
P0607	0607	ECM	—	1 or 2	× or —	B	EC-420
P060A	060A	CONTROL MODULE	—	1	×	B	EC-421
P060B	060B	CONTROL MODULE	—	1	×	B	EC-422
P062F	062F	CONTROL MODULE	—	1	×	B	EC-423
P0643	0643	SENSOR POWER/CIRC	—	1	×	B	EC-424
P06DA	06DA	ENGINE OIL PRESSURE CONTROL	—	2	—	B	EC-427
P06DB	06DB	ENGINE OIL PRESSURE CONTROL	—	2	—	B	EC-427
P0850	0850	P-N POS SW/CIRCUIT	—	2	×	B	EC-429
P1078	1078	EXH TIM SEN/CIRC-B1	—	2	×	B	EC-432
P1148	1148	CLOSED LOOP-B1	—	1	×	A	EC-435
P1212	1212	TCS/CIRC	—	2	—	—	EC-436
P1217	1217	ENG OVER TEMP	—	1	×	B	EC-437
P1225	1225	CTP LEARNING-B1	—	2	—	—	EC-440
P1226	1226	CTP LEARNING-B1	—	2	—	—	EC-441
P1550	1550	BAT CURRENT SENSOR	—	2	—	—	EC-442
P1551	1551	BAT CURRENT SENSOR	—	2	—	—	EC-445
P1552	1552	BAT CURRENT SENSOR	—	2	—	—	EC-445
P1553	1553	BAT CURRENT SENSOR	—	2	—	—	EC-448
P1554	1554	BAT CURRENT SENSOR	—	2	—	—	EC-451
P1556	1556	BAT TMP SEN/CIRC	—	2	—	—	EC-454
P1557	1557	BAT TMP SEN/CIRC	—	2	—	—	EC-454
P1564	1564	ASCD SW	—	1	—	—	EC-456 (With AS- CD), EC-459 (With ICC)
P1568	1568	ICC COMMAND VALUE	—	1	—	—	EC-462
P1572	1572	ASCD BRAKE SW	—	1	—	—	EC-464 (With AS- CD), EC-471 (With ICC)
P1574	1574	ASCD VHL SPD SEN	—	1	—	—	EC-478 (With AS- CD), EC-480 (With ICC)
P1610	1610	LOCK MODE	—	2	—	—	SEC-70
P1611	1611	ID DISCORD,IMMU-ECM	—	2	—	—	SEC-71
P1612	1612	CHAIN OF ECM-IMMU	—	2	—	—	SEC-72
P1614	1614	CHAIN OF IMMU-KEY	—	2	—	—	SEC-73

DTC*1		Items (CONSULT screen terms)	SRT code	Trip	MIL	Permanent DTC group*4	Reference page
CONSULT GST*2	ECM*3						
P1800	1800	VIAS S/V-1	—	2	—	—	EC-482
P1805	1805	BRAKE SW/CIRCUIT	—	2	—	—	EC-485
P2004	2004	TUMBLE CONT/V	—	2	×	B	EC-488
P2014	2014	IN/MANIFOLD RUNNER POS SEN B1	—	2	×	B	EC-491
P2016	2016	IN/MANIFOLD RUNNER POS SEN B1	—	2	×	B	EC-491
P2017	2017	IN/MANIFOLD RUNNER POS SEN B1	—	2	×	B	EC-491
P2018	2018	IN/MANIFOLD RUNNER POS SEN B1	—	2	×	B	EC-491
P2096	2096	POST CAT FUEL TRIM SYS B1	—	2	×	A	EC-494
P2097	2097	POST CAT FUEL TRIM SYS B1	—	2	×	A	EC-494
P2100	2100	ETC MOT PWR-B1	—	1	×	B	EC-498
P2101	2101	ETC FNCTN/CIRC-B1	—	1	×	B	EC-501
P2103	2103	ETC MOT PWR	—	1	×	B	EC-498
P2118	2118	ETC MOT-B1	—	1	×	B	EC-504
P2119	2119	ETC ACTR-B1	—	1	×	B	EC-506
P2122	2122	APP SEN 1/CIRC	—	1	×	B	EC-508
P2123	2123	APP SEN 1/CIRC	—	1	×	B	EC-508
P2127	2127	APP SEN 2/CIRC	—	1	×	B	EC-511
P2128	2128	APP SEN 2/CIRC	—	1	×	B	EC-511
P2135	2135	TP SENSOR-B1	—	1	×	B	EC-514
P2138	2138	APP SENSOR	—	1	×	B	EC-517
P219A	219A	AIR FUEL RATIO IMBALANCE B1	—	2	×	A	EC-520
P219C	219C	CYLINDER 1 AIR-FUEL RATIO	×	2	×	A	EC-525
P219D	219D	CYLINDER 2 AIR-FUEL RATIO	×	2	×	A	EC-525
P219E	219E	CYLINDER 3 AIR-FUEL RATIO	×	2	×	A	EC-525
P219F	219F	CYLINDER 4 AIR-FUEL RATIO	×	2	×	A	EC-525
P2610	2610	ECM/PCM INTERNAL ENG OFF TIMER	—	2	×	A and B	EC-531

*1: 1st trip DTC No. is the same as DTC No.

*2: This number is prescribed by SAE J1979/ ISO 15031-5.

*3: In Diagnostic Test Mode II (Self-diagnostic results), this number is controlled by NISSAN.

*4: Refer to [EC-197, "Description"](#).

*5: The troubleshooting for this DTC needs CONSULT.

*6: When the ECM is in the mode that displays SRT status, MIL may blink. For details, Refer to [EC-76, "On Board Diagnosis Function"](#).

*7: SRT code will not be set if the self-diagnostic result is NG.

*8: When the fail-safe operations for both self-diagnoses occur, the MIL illuminates.

*9: This self-diagnosis is not for ECM power supply circuit, even though "ECM BACK UP/CIRCUIT" is displayed on CONSULT screen.

Test Value and Test Limit

INFOID:0000000013274204

The following is the information specified in Service \$06 of SAE J1979/ISO 15031-5.

The test value is a parameter used to determine whether a system/circuit diagnostic test is OK or NG while being monitored by the ECM during self-diagnosis. The test limit is a reference value which is specified as the maximum or minimum value and is compared with the test value being monitored.

These data (test value and test limit) are specified by On Board Monitor ID (OBDMID), Test ID (TID), Unit and Scaling ID and can be displayed on the GST screen.

The items of the test value and test limit will be displayed with GST screen which items are provided by the ECM. (e.g., if bank 2 is not applied on this vehicle, only the items of bank 1 are displayed)

ECM

< ECU DIAGNOSIS INFORMATION >

[QR25DE]

Item	OBD-MID	Self-diagnostic test item	DTC	Test value and Test limit (GST display)		Description
				TID	Unit and Scaling ID	
HO2S	01H	Air fuel ratio (A/F) sensor 1 (Bank 1)	P0131	83H	0BH	Minimum sensor output voltage for test cycle
			P0131	84H	0BH	Maximum sensor output voltage for test cycle
			P0130	85H	0BH	Minimum sensor output voltage for test cycle
			P0130	86H	0BH	Maximum sensor output voltage for test cycle
			P0133	87H	04H	Response rate: Response ratio (lean to rich)
			P0133	88H	04H	Response rate: Response ratio (rich to lean)
			P2A00 or P2096	89H	84H	The amount of shift in air fuel ratio (too lean)
			P2A00 or P2097	8AH	84H	The amount of shift in air fuel ratio (too rich)
			P0130	8BH	0BH	Difference in sensor output voltage
			P0133	8CH	83H	Response gain at the limited frequency
			P014C	8DH	04H	O2 sensor slow response - Rich to lean bank 1 sensor 1
			P014C	8EH	04H	O2 sensor slow response - Rich to lean bank 1 sensor 1
			P014D	8FH	84H	O2 sensor slow response - Lean to rich bank 1 sensor 1
			P014D	90H	84H	O2 sensor slow response - Lean to rich bank 1 sensor 1
			P015A	91H	01H	O2 sensor delayed response - Rich to lean bank 1 sensor 1
			P015A	92H	01H	O2 sensor delayed response - Rich to lean bank 1 sensor 1
			P015B	93H	01H	O2 sensor delayed response - Lean to rich bank 1 sensor 1
			P015B	94H	01H	O2 sensor delayed response - Lean to rich bank 1 sensor 1
			P0133	95H	04H	Response rate: Response ratio (lean to rich)
			P0133	96H	84H	Response rate: Response ratio (rich to lean)

A
EC
C
D
E
F
G
H
I
J
K
L
M
N
O
P

ECM

< ECU DIAGNOSIS INFORMATION >

[QR25DE]

Item	OBD-MID	Self-diagnostic test item	DTC	Test value and Test limit (GST display)		Description
				TID	Unit and Scaling ID	
HO2S	02H	Heated oxygen sensor 2 (Bank 1)	P0138	07H	0CH	Minimum sensor output voltage for test cycle
			P0137	08H	0CH	Maximum sensor output voltage for test cycle
			P0138	80H	0CH	Sensor output voltage
			P0139	81H	0CH	Difference in sensor output voltage
			P0139	82H	11H	Rear O2 sensor delay response diagnosis
	03H	Heated oxygen sensor 3 (Bank 1)	P0143	07H	0CH	Minimum sensor output voltage for test cycle
			P0144	08H	0CH	Maximum sensor output voltage for test cycle
			P0146	80H	0CH	Sensor output voltage
			P0145	81H	0CH	Difference in sensor output voltage
	05H	Air fuel ratio (A/F) sensor 1 (Bank 2)	P0151	83H	0BH	Minimum sensor output voltage for test cycle
			P0151	84H	0BH	Maximum sensor output voltage for test cycle
			P0150	85H	0BH	Minimum sensor output voltage for test cycle
			P0150	86H	0BH	Maximum sensor output voltage for test cycle
			P0153	87H	04H	Response rate: Response ratio (lean to rich)
			P0153	88H	04H	Response rate: Response ratio (rich to lean)
			P2A03 or P2098	89H	84H	The amount of shift in air fuel ratio (too lean)
			P2A03 or P2099	8AH	84H	The amount of shift in air fuel ratio (too rich)
			P0150	8BH	0BH	Difference in sensor output voltage
			P0153	8CH	83H	Response gain at the limited frequency
			P014E	8DH	04H	O2 sensor slow response - Rich to lean bank 2 sensor 1
P014E	8EH	04H	O2 sensor slow response - Rich to lean bank 2 sensor 1			
P014F	8FH	84H	O2 sensor slow response - Lean to rich bank 2 sensor 1			
P014F	90H	84H	O2 sensor slow response - Lean to rich bank 2 sensor 1			
P015C	91H	01H	O2 sensor delayed response - Rich to lean bank 2 sensor 1			
P015C	92H	01H	O2 sensor delayed response - Rich to lean bank 2 sensor 1			
P015D	93H	01H	O2 sensor delayed response - Lean to rich bank 2 sensor 1			

ECM

< ECU DIAGNOSIS INFORMATION >

[QR25DE]

Item	OBD-MID	Self-diagnostic test item	DTC	Test value and Test limit (GST display)		Description	
				TID	Unit and Scaling ID		
HO2S	05H	Air fuel ratio (A/F) sensor 1 (Bank 2)	P015D	94H	01H	O2 sensor delayed response - Lean to rich bank 2 sensor 1	
			P0153	95H	04H	Response rate: Response ratio (lean to rich)	
			P0153	96H	84H	Response rate: Response ratio (rich to lean)	
	06H	Heated oxygen sensor 2 (Bank 2)	P0158	07H	0CH	Minimum sensor output voltage for test cycle	
			P0157	08H	0CH	Maximum sensor output voltage for test cycle	
			P0158	80H	0CH	Sensor output voltage	
			P0159	81H	0CH	Difference in sensor output voltage	
			P0159	82H	11H	Rear O2 sensor delay response diagnosis	
	07H	Heated oxygen sensor 3 (Bank2)	P0163	07H	0CH	Minimum sensor output voltage for test cycle	
			P0164	08H	0CH	Maximum sensor output voltage for test cycle	
			P0166	80H	0CH	Sensor output voltage	
			P0165	81H	0CH	Difference in sensor output voltage	
	CATALYST	21H	Three way catalyst function (Bank1)	P0420	80H	01H	O2 storage index
				P0420	82H	01H	Switching time lag engine exhaust index value
				P2423	83H	0CH	Difference in 3rd O2 sensor output voltage
P2423				84H	84H	O2 storage index in HC trap catalyst	
22H		Three way catalyst function (Bank2)	P0430	80H	01H	O2 storage index	
			P0430	82H	01H	Switching time lag engine exhaust index value	
			P2424	83H	0CH	Difference in 3rd O2 sensor output voltage	
			P2424	84H	84H	O2 storage index in HC trap catalyst	
EGR SYSTEM	31H	EGR function	P0400	80H	96H	Low flow faults: EGR temp change rate (short term)	
			P0400	81H	96H	Low flow faults: EGR temp change rate (long term)	
			P0400	82H	96H	Low flow faults: Difference between max EGR temp and EGR temp under idling condition	
			P0400	83H	96H	Low flow faults: Max EGR temp	
			P1402	84H	96H	High Flow Faults: EGR temp increase rate	
			P0402	85H	FCH	EGR differential pressure high flow	
			P0401	86H	37H	EGR differential pressure low flow	
			P2457	87H	96H	EGR temperature	

A

EC

C

D

E

F

G

H

I

J

K

L

M

N

O

P

ECM

< ECU DIAGNOSIS INFORMATION >

[QR25DE]

Item	OBD-MID	Self-diagnostic test item	DTC	Test value and Test limit (GST display)		Description
				TID	Unit and Scaling ID	
VVT SYSTEM	35H	VVT Monitor (Bank1)	P0011	80H	9DH	VTC intake function diagnosis (VTC alignment check diagnosis)
			P0014	81H	9DH	VTC exhaust function diagnosis (VTC alignment check diagnosis)
			P0011	82H	9DH	VTC intake function diagnosis (VTC drive failure diagnosis)
			P0014	83H	9DH	VTC exhaust function diagnosis (VTC drive failure diagnosis)
			P100A	84H	10H	VEL slow response diagnosis
			P1090	85H	10H	VEL servo system diagnosis
			P0011	86H	9DH	VTC intake intermediate lock function diagnosis (VTC intermediate position alignment check diagnosis)
			Advanced: P052A Retarded: P052B	87H	9DH	VTC intake intermediate lock system diagnosis (VTC intermediate lock position check diagnosis)
	36H	VVT Monitor (Bank2)	P0021	80H	9DH	VTC intake function diagnosis (VTC alignment check diagnosis)
			P0024	81H	9DH	VTC exhaust function diagnosis (VTC alignment check diagnosis)
			P0021	82H	9DH	VTC intake function diagnosis (VTC drive failure diagnosis)
			P0024	83H	9DH	VTC exhaust function diagnosis (VTC drive failure diagnosis)
			P100B	84H	10H	VEL slow response diagnosis
			P1093	85H	10H	VEL servo system diagnosis
P0021			86H	9DH	VTC intake intermediate lock function diagnosis (VTC intermediate position alignment check diagnosis)	
Advanced: P052C Retarded: P052D			87H	9DH	VTC intake intermediate lock system diagnosis (VTC intermediate lock position check diagnosis)	
EVAP SYSTEM	39H	EVAP control system leak (Cap Off)	P0455	80H	0CH	Difference in pressure sensor output voltage before and after pull down
	3BH	EVAP control system leak (Small leak)	P0442	80H	05H	Leak area index (for more than 0.04 inch)
	3CH	EVAP control system leak (Very small leak)	P0456	80H	05H	Leak area index (for more than 0.02 inch)
			P0456	81H	FDH	Maximum internal pressure of EVAP system during monitoring
	P0456	82H	FDH	Internal pressure of EVAP system at the end of monitoring		
3DH	Purge flow system	P0441	83H	0CH	Difference in pressure sensor output voltage before and after vent control valve close	

ECM

< ECU DIAGNOSIS INFORMATION >

[QR25DE]

Item	OBD-MID	Self-diagnostic test item	DTC	Test value and Test limit (GST display)		Description	
				TID	Unit and Scaling ID		
O2 SENSOR HEATER	41H	A/F sensor 1 heater (Bank 1)	Low Input: P0031 High Input: P0032	81H	0BH	Converted value of heater electric current to voltage	
			P0030	83H	0BH	A/F sensor heater circuit malfunction	
	42H	Heated oxygen sensor 2 heater (Bank 1)	Low Input: P0037 High Input: P0038	80H	0CH	Converted value of heater electric current to voltage	
			P0141	81H	14H	Rear O2 sensor internal impedance	
	43H	Heated oxygen sensor 3 heater (Bank 1)	P0043	80H	0CH	Converted value of heater electric current to voltage	
	45H	A/F sensor 1 heater (Bank 2)	Low Input: P0051 High Input: P0052	81H	0BH	Converted value of heater electric current to voltage	
			P0036	83H	0BH	A/F sensor heater circuit malfunction	
	46H	Heated oxygen sensor 2 heater (Bank 2)	Low Input: P0057 High Input: P0058	80H	0CH	Converted value of heater electric current to voltage	
			P0161	81H	14CH	Rear O2 sensor internal impedance	
	47H	Heated oxygen sensor 3 heater (Bank 2)	P0063	80H	0CH	Converted value of heater electric current to voltage	
	SECONDARY AIR	71H	Secondary air system	P0411	80H	01H	Secondary air injection system incorrect flow detected
				Bank1: P0491 Bank2: P0492	81H	01H	Secondary air injection system insufficient flow
P2445				82H	01H	Secondary air injection system pump stuck off	
P2448				83H	01H	Secondary air injection system high airflow	
Bank1: P2440 Bank2: P2442				84H	01H	Secondary air injection system switching valve stuck open	
P2440				85H	01H	Secondary air injection system switching valve stuck open	
P2444				86H	01H	Secondary air injection system pump stuck on	

A
EC
C
D
E
F
G
H
I
J
K
L
M
N
O
P

Item	OBD-MID	Self-diagnostic test item	DTC	Test value and Test limit (GST display)		Description
				TID	Unit and Scaling ID	
FUEL SYSTEM	81H	Fuel injection system function (Bank 1)	P0171 or P0172	80H	2FH	Long term fuel trim
			P0171 or P0172	81H	24H	The number of lambda control clamped
			P117A / P219A	82H	03H	Cylinder A/F imbalance monitoring
			P219C	83H	83H	Air-fuel ratio cylinder imbalance diagnosis CPS (Crankshaft Position Sensor) method #1 cylinder parameter
			P219D	84H	83H	Air-fuel ratio cylinder imbalance diagnosis CPS (Crankshaft Position Sensor) method #2 cylinder parameter
			P219E	85H	83H	Air-fuel ratio cylinder imbalance diagnosis CPS (Crankshaft Position Sensor) method #3 cylinder parameter
			P219F	86H	83H	Air-fuel ratio cylinder imbalance diagnosis CPS (Crankshaft Position Sensor) method #4 cylinder parameter
			P21A0	87H	83H	Air-fuel ratio cylinder imbalance diagnosis CPS (Crankshaft Position Sensor) method #5 cylinder parameter
			P21A2	89H	83H	Air-fuel ratio cylinder imbalance diagnosis CPS (Crankshaft Position Sensor) method #7 cylinder parameter
	82H	Fuel injection system function (Bank 2)	P0174 or P0175	80H	2FH	Long term fuel trim
			P0174 or P0175	81H	24H	The number of lambda control clamped
			P117B / P219B	82H	03H	Cylinder A/F imbalance monitoring
			P219D	84H	83H	Air-fuel ratio cylinder imbalance diagnosis CPS (Crankshaft Position Sensor) method #2 cylinder parameter
			P219F	86H	83H	Air-fuel ratio cylinder imbalance diagnosis CPS (Crankshaft Position Sensor) method #4 cylinder parameter
			P21A1	88H	83H	Air-fuel ratio cylinder imbalance diagnosis CPS (Crankshaft Position Sensor) method #6 cylinder parameter
P21A3	8AH	83H	Air-fuel ratio cylinder imbalance diagnosis CPS (Crankshaft Position Sensor) method #8 cylinder parameter			

ECM

< ECU DIAGNOSIS INFORMATION >

[QR25DE]

Item	OBD-MID	Self-diagnostic test item	DTC	Test value and Test limit (GST display)		Description
				TID	Unit and Scaling ID	
MISFIRE	A1H	Multiple cylinder misfires	P0301	80H	24H	Misfiring counter at 1000 revolution of the first cylinder
			P0302	81H	24H	Misfiring counter at 1000 revolution of the second cylinder
			P0303	82H	24H	Misfiring counter at 1000 revolution of the third cylinder
			P0304	83H	24H	Misfiring counter at 1000 revolution of the fourth cylinder
			P0305	84H	24H	Misfiring counter at 1000 revolution of the fifth cylinder
			P0306	85H	24H	Misfiring counter at 1000 revolution of the sixth cylinder
			P0307	86H	24H	Misfiring counter at 1000 revolution of the seventh cylinder
			P0308	87H	24H	Misfiring counter at 1000 revolution of the eighth cylinder
			P0300	88H	24H	Misfiring counter at 1000 revolution of the multiple cylinders
			P0301	89H	24H	Misfiring counter at 200 revolution of the first cylinder
			P0302	8AH	24H	Misfiring counter at 200 revolution of the second cylinder
			P0303	8BH	24H	Misfiring counter at 200 revolution of the third cylinder
			P0304	8CH	24H	Misfiring counter at 200 revolution of the fourth cylinder
			P0305	8DH	24H	Misfiring counter at 200 revolution of the fifth cylinder
			P0306	8EH	24H	Misfiring counter at 200 revolution of the sixth cylinder
			P0307	8FH	24H	Misfiring counter at 200 revolution of the seventh cylinder
			P0308	90H	24H	Misfiring counter at 200 revolution of the eighth cylinder
			P0300	91H	24H	Misfiring counter at 1000 revolution of the single cylinder
			P0300	92H	24H	Misfiring counter at 200 revolution of the single cylinder
			P0300	93H	24H	Misfiring counter at 200 revolution of the multiple cylinders

A
EC
C
D
E
F
G
H
I
J
K
L
M
N
O
P

Item	OBD-MID	Self-diagnostic test item	DTC	Test value and Test limit (GST display)		Description
				TID	Unit and Scaling ID	
MISFIRE	A2H	No. 1 cylinder misfire	P0301	0BH	24H	EWMA (Exponential Weighted Moving Average) misfire counts for last 10 driving cycles
			P0301	0CH	24H	Misfire counts for last/current driving cycles
	A3H	No. 2 cylinder misfire	P0302	0BH	24H	EWMA (Exponential Weighted Moving Average) misfire counts for last 10 driving cycles
			P0302	0CH	24H	Misfire counts for last/current driving cycles
	A4H	No. 3 cylinder misfire	P0303	0BH	24H	EWMA (Exponential Weighted Moving Average) misfire counts for last 10 driving cycles
			P0303	0CH	24H	Misfire counts for last/current driving cycles
	A5H	No. 4 cylinder misfire	P0304	0BH	24H	EWMA (Exponential Weighted Moving Average) misfire counts for last 10 driving cycles
			P0304	0CH	24H	Misfire counts for last/current driving cycles
	A6H	No. 5 cylinder misfire	P0305	0BH	24H	EWMA (Exponential Weighted Moving Average) misfire counts for last 10 driving cycles
			P0305	0CH	24H	Misfire counts for last/current driving cycles
	A7H	No. 6 cylinder misfire	P0306	0BH	24H	EWMA (Exponential Weighted Moving Average) misfire counts for last 10 driving cycles
			P0306	0CH	24H	Misfire counts for last/current driving cycles
	A8H	No. 7 cylinder misfire	P0307	0BH	24H	EWMA (Exponential Weighted Moving Average) misfire counts for last 10 driving cycles
			P0307	0CH	24H	Misfire counts for last/current driving cycles
	A9H	No. 8 cylinder misfire	P0308	0BH	24H	EWMA (Exponential Weighted Moving Average) misfire counts for last 10 driving cycles
			P0308	0CH	24H	Misfire counts for last/current driving cycles

WIRING DIAGRAM

ENGINE CONTROL SYSTEM

Wiring Diagram

FOR CALIFORNIA

INFOID:000000012602241

A

EC

C

D

E

F

G

H

I

J

K

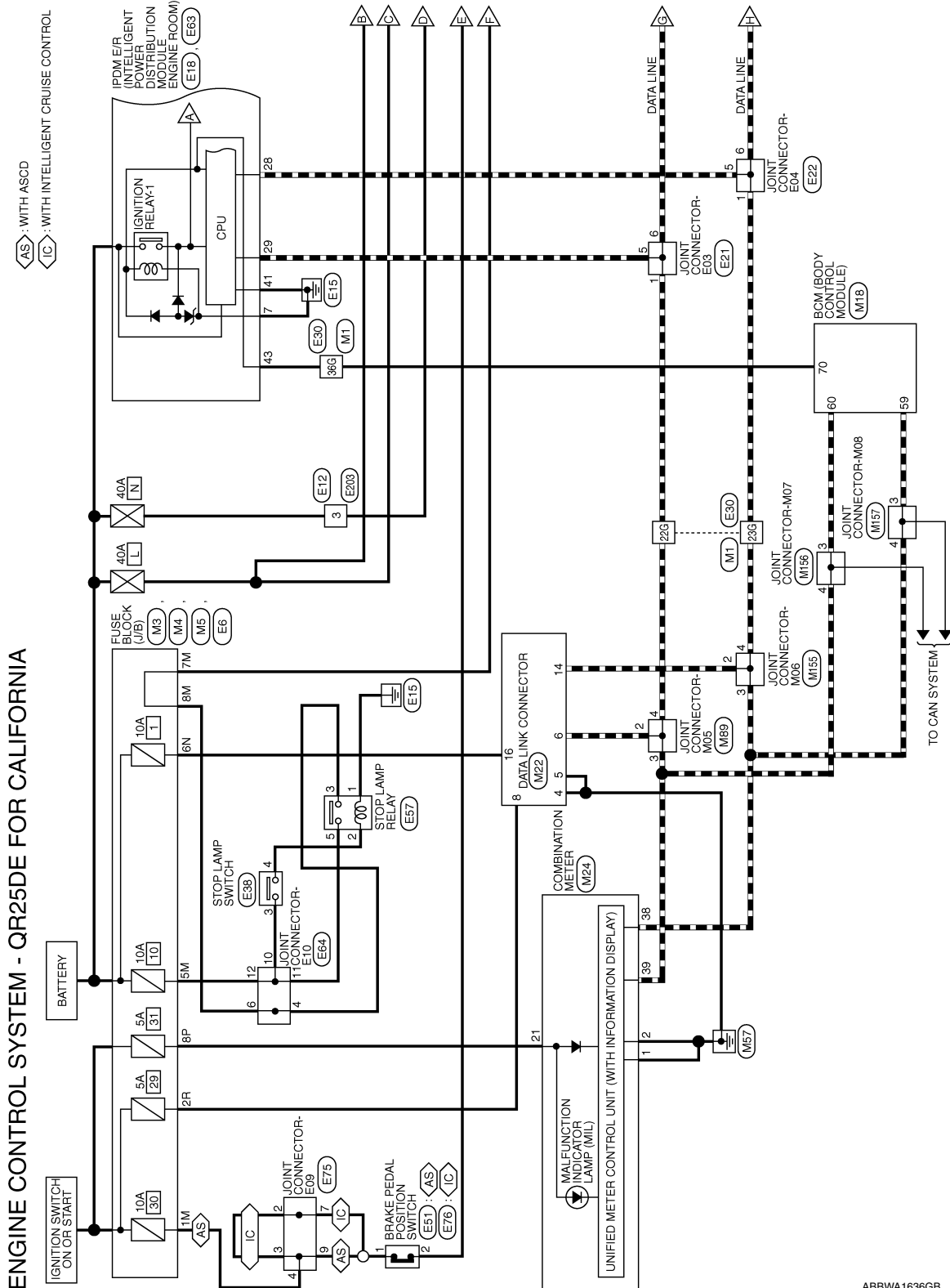
L

M

N

O

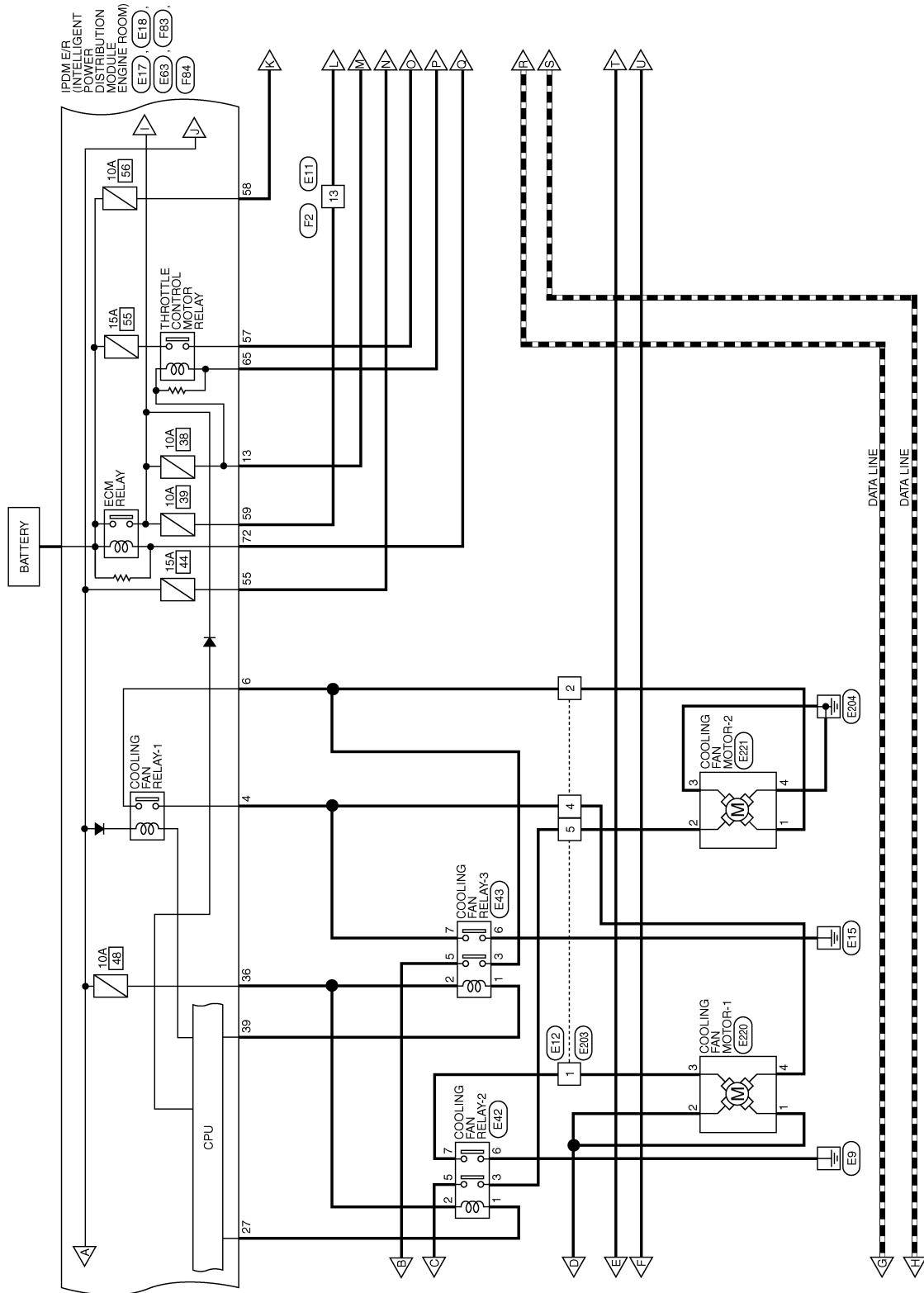
P



ENGINE CONTROL SYSTEM

< WIRING DIAGRAM >

[QR25DE]

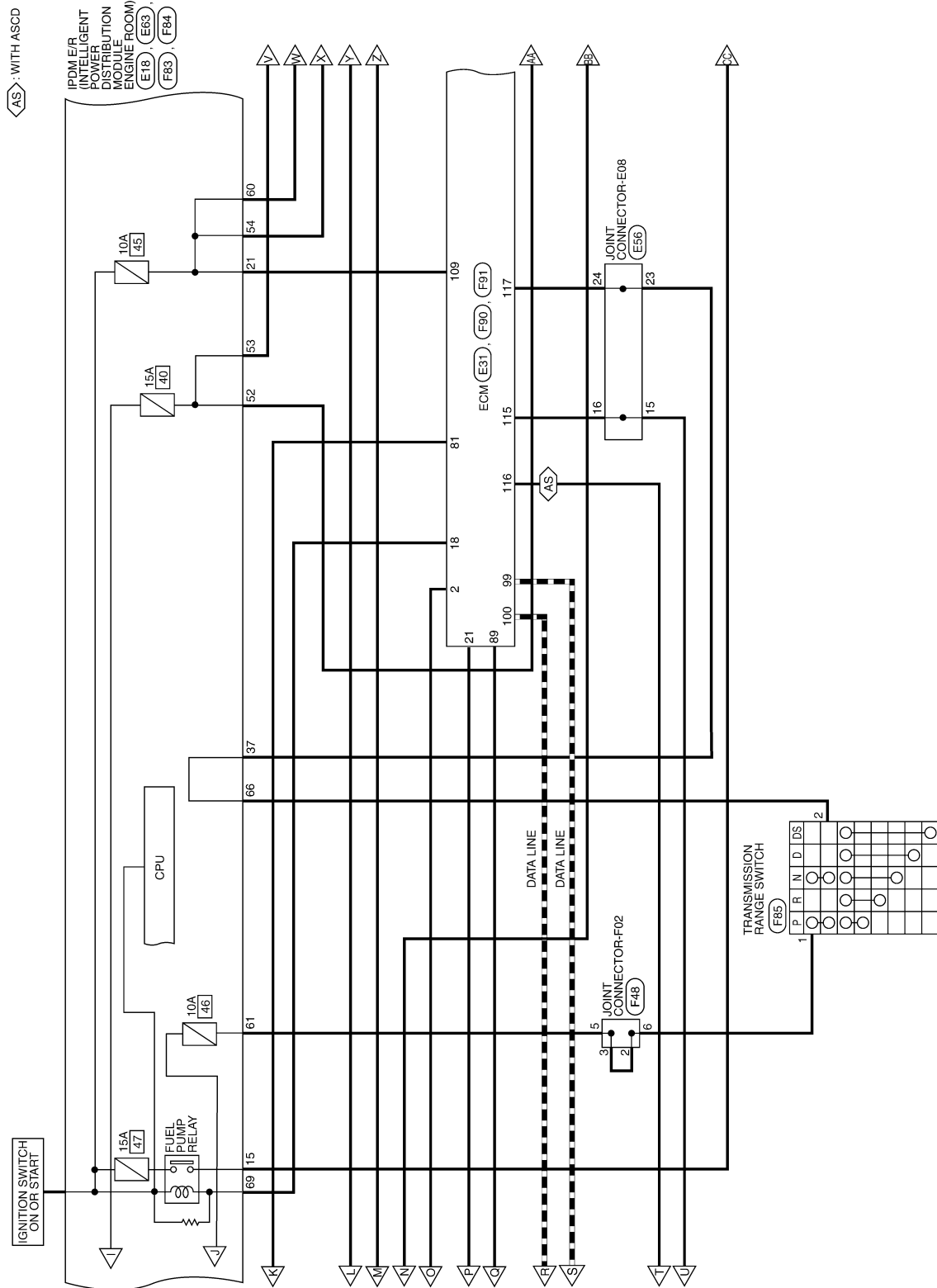


ABBWA1637GB

ENGINE CONTROL SYSTEM

< WIRING DIAGRAM >

[QR25DE]



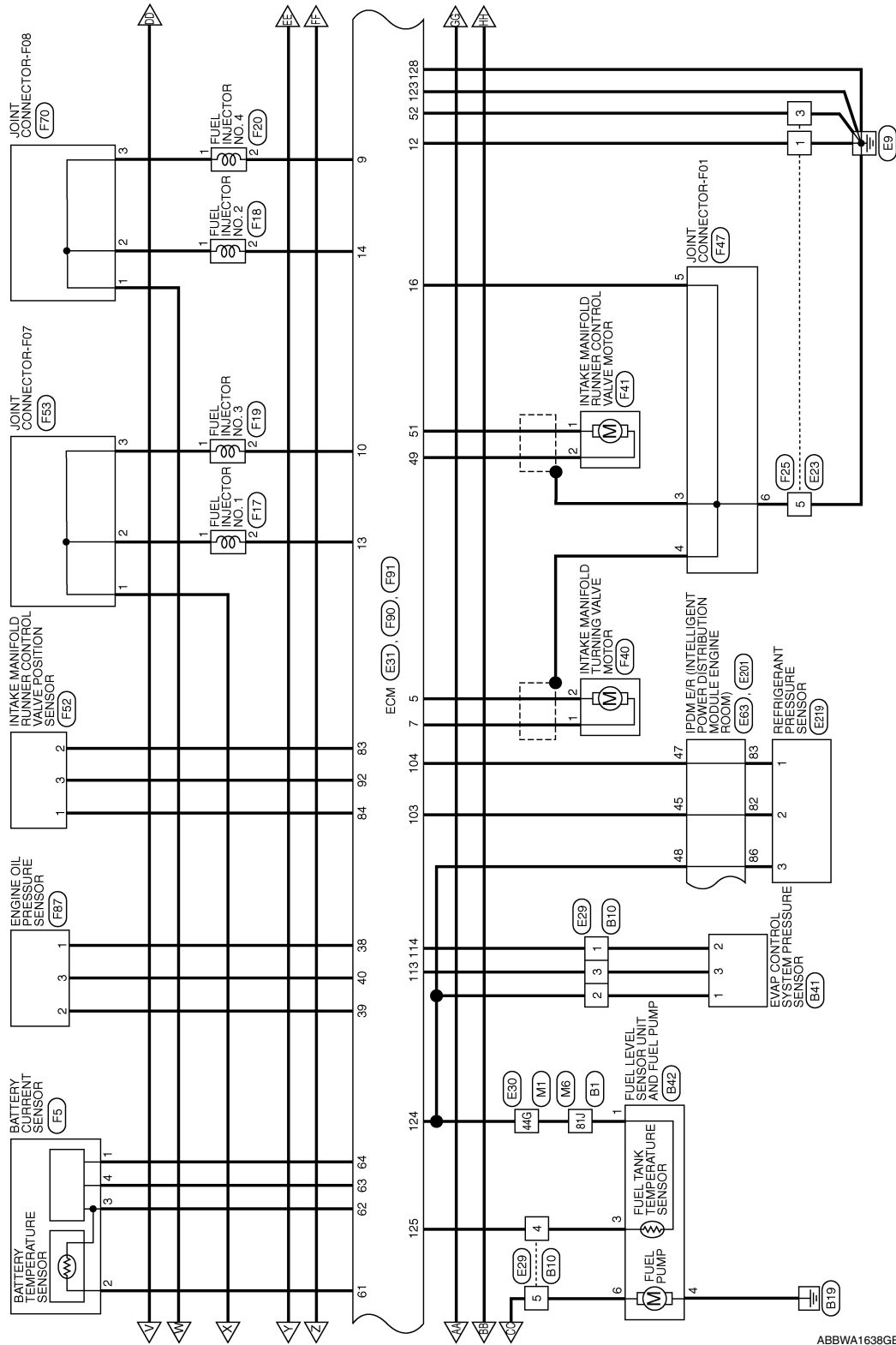
ABBWA0879GB

A
EC
 C
 D
 E
 F
 G
 H
 I
 J
 K
 L
 M
 N
 O
 P

ENGINE CONTROL SYSTEM

< WIRING DIAGRAM >

[QR25DE]

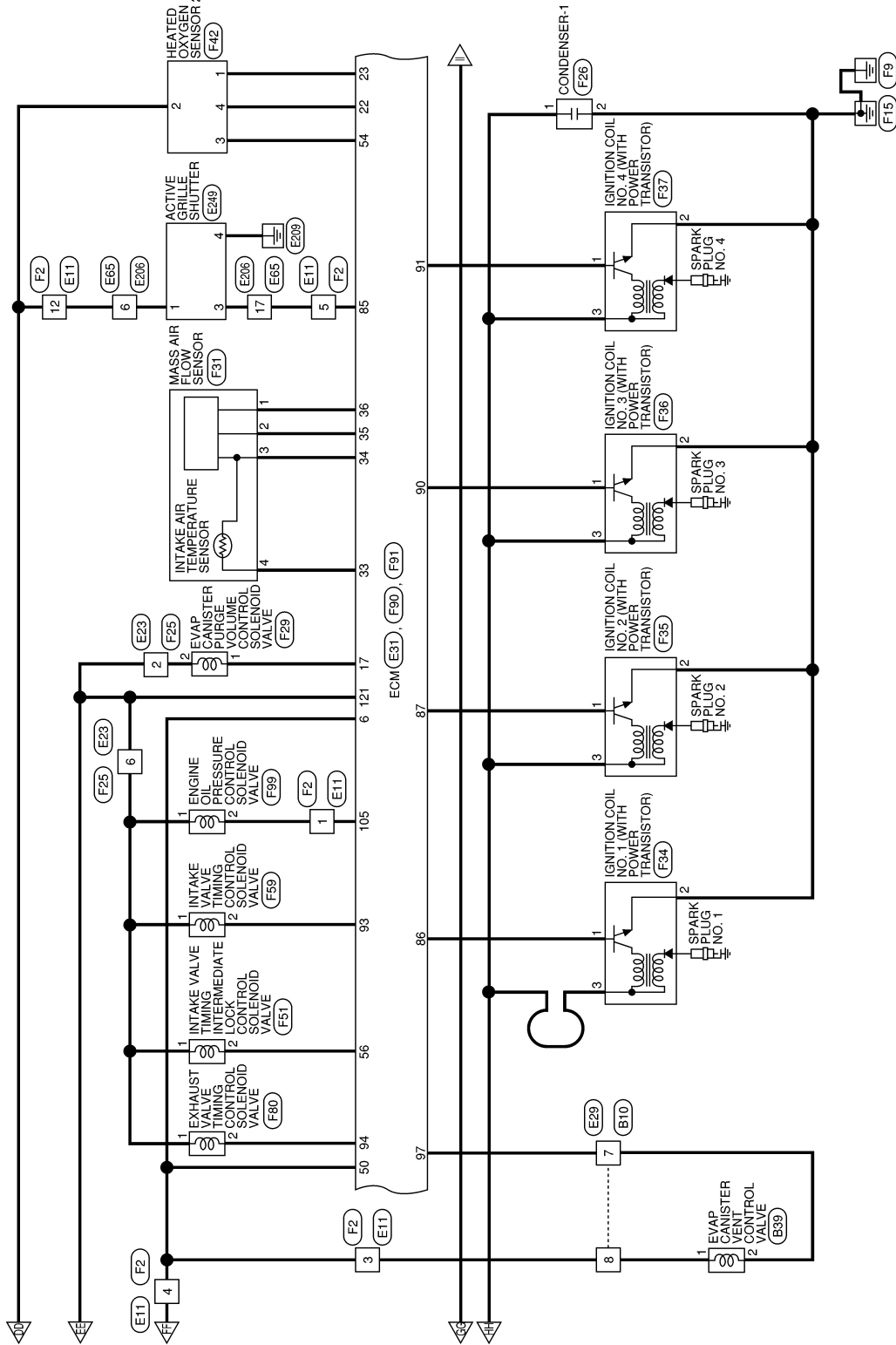


ABBWA1638GB

ENGINE CONTROL SYSTEM

< WIRING DIAGRAM >

[QR25DE]



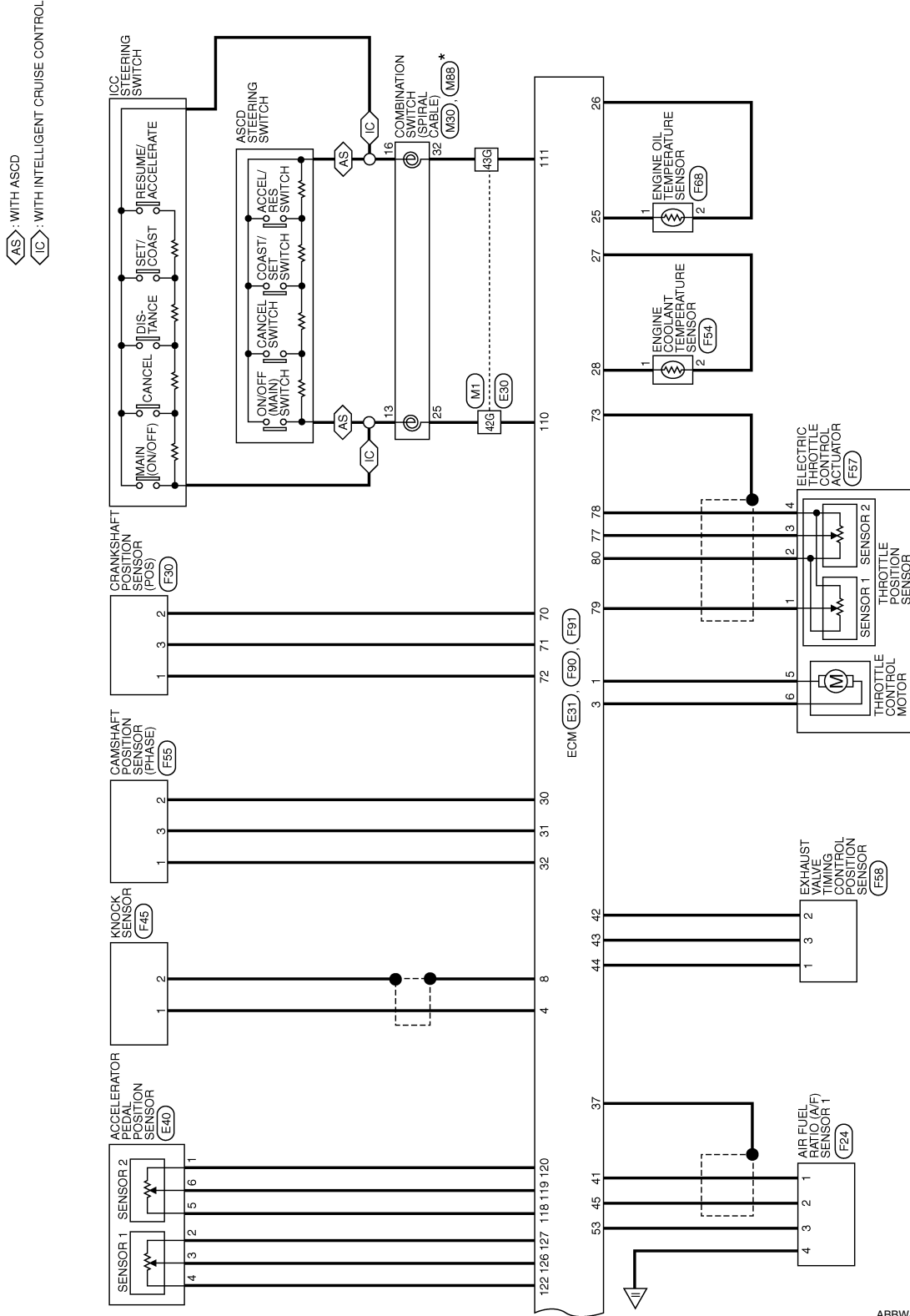
ABBWA1639GB

A
EC
C
D
E
F
G
H
I
J
K
L
M
N
O
P

ENGINE CONTROL SYSTEM

< WIRING DIAGRAM >

[QR25DE]

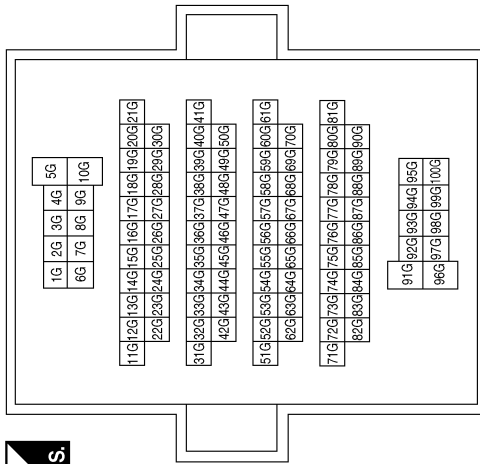


* : THIS CONNECTOR IS NOT SHOWN IN "HARNES LAYOUT" OF PG SECTION.

ABBWA1640GB

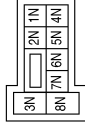
ENGINE CONTROL SYSTEM CONNECTORS - QR25DE FOR CALIFORNIA

Connector No.	M1
Connector Name	WIRE TO WIRE
Connector Color	WHITE



Terminal No.	Color of Wire	Signal Name
22G	L	-
23G	P	-
36G	G	-
42G	BG	-
43G	G	-
44G	P	- (WITH QR25DE)

Connector No.	M3
Connector Name	FUSE BLOCK (J/B)
Connector Color	WHITE



Terminal No.	Color of Wire	Signal Name
6N	W	-

Connector No.	M4
Connector Name	FUSE BLOCK (J/B)
Connector Color	BROWN



Connector No.	M5
Connector Name	FUSE BLOCK (J/B)
Connector Color	WHITE



Terminal No.	Color of Wire	Signal Name
2R	BG	-

Terminal No.	Color of Wire	Signal Name
8P	BR	-

ABBIA2422GB

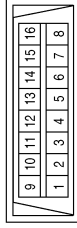
A
EC
C
D
E
F
G
H
I
J
K
L
M
N
O
P

ENGINE CONTROL SYSTEM

< WIRING DIAGRAM >

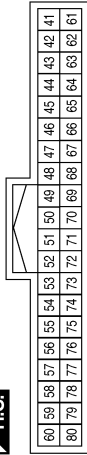
[QR25DE]

Connector No.	M22
Connector Name	DATA LINK CONNECTOR
Connector Color	WHITE



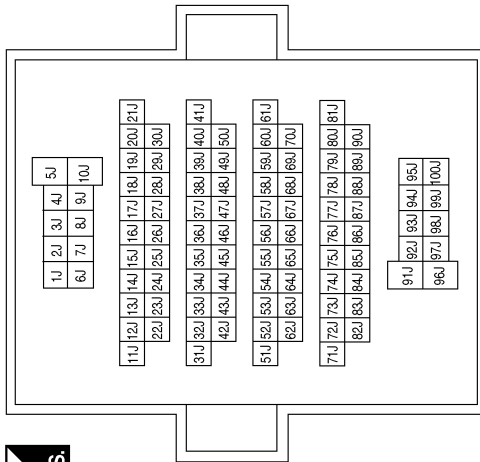
Terminal No.	Color of Wire	Signal Name
4	B	-
5	B	-
6	L	-
8	BG	-
14	P	-
16	W	-

Connector No.	M18
Connector Name	BCM (BODY CONTROL MODULE)
Connector Color	BLACK



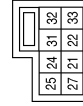
Terminal No.	Color of Wire	Signal Name
59	P	CAN-L
60	L	CAN-H
70	G	IGN USM OUT 1

Connector No.	M6
Connector Name	WIRE TO WIRE
Connector Color	GRAY



Terminal No.	Color of Wire	Signal Name
81J	P	-(WITH QR25DE)

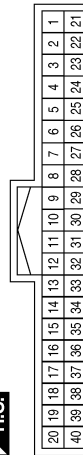
Connector No.	M30
Connector Name	COMBINATION SWITCH (SPIRAL CABLE)
Connector Color	GRAY



Terminal No.	Color of Wire	Signal Name
25	BG	-
32	G	-

Terminal No.	Color of Wire	Signal Name
1	B	GND1
2	B	GND2
21	BR	IGN
38	P	CAN-L
39	L	CAN-H

Connector No.	M24
Connector Name	COMBINATION METER
Connector Color	WHITE



ABBIA2423GB

ENGINE CONTROL SYSTEM

< WIRING DIAGRAM >

[QR25DE]

Connector No.	M155
Connector Name	JOINT CONNECTOR-M06
Connector Color	WHITE



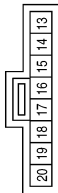
Terminal No.	Color of Wire	Signal Name
2	P	-
3	P	-
4	P	-

Connector No.	M89
Connector Name	JOINT CONNECTOR-M05
Connector Color	WHITE



Terminal No.	Color of Wire	Signal Name
2	L	-
3	L	-
4	L	-

Connector No.	M88
Connector Name	COMBINATION SWITCH (SPIRAL CABLE)
Connector Color	GRAY



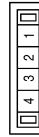
Terminal No.	Color of Wire	Signal Name
13	V	-
16	GR	-

Connector No.	E6
Connector Name	FUSE BLOCK (J/B)
Connector Color	WHITE



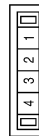
Terminal No.	Color of Wire	Signal Name
1M	BG	-
5M	G	-
7M	L	-
8M	W	-

Connector No.	M157
Connector Name	JOINT CONNECTOR-M08
Connector Color	WHITE



Terminal No.	Color of Wire	Signal Name
3	P	-
4	P	-

Connector No.	M156
Connector Name	JOINT CONNECTOR-M07
Connector Color	WHITE



Terminal No.	Color of Wire	Signal Name
3	L	-
4	L	-

ABBIA1298GB

A
EC
C
D
E
F
G
H
I
J
K
L
M
N
O
P

ENGINE CONTROL SYSTEM

< WIRING DIAGRAM >

[QR25DE]

Connector No.	E17
Connector Name	IPDM E/R (INTELLIGENT POWER DISTRIBUTION MODULE ENGINE ROOM)
Connector Color	WHITE



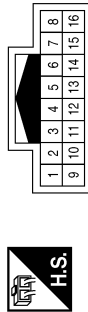
Terminal No.	Color of Wire	Signal Name
4	P	MOTOR FAN 1
6	R	F/L MOTOR FAN

Connector No.	E12
Connector Name	WIRE TO WIRE
Connector Color	WHITE



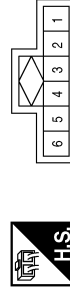
Terminal No.	Color of Wire	Signal Name
1	R	-
2	R	-
3	BR	-
4	P	-
5	L	-

Connector No.	E11
Connector Name	WIRE TO WIRE
Connector Color	WHITE



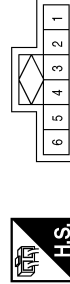
Terminal No.	Color of Wire	Signal Name
1	SB	-(WITH QR25DE)
3	L	-
4	L	-
5	L	-(WITH QR25DE)
12	BR	-(WITH QR25DE)
13	LG	-

Connector No.	E22
Connector Name	JOINT CONNECTOR-E04
Connector Color	GRAY



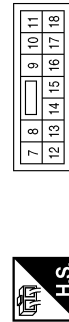
Terminal No.	Color of Wire	Signal Name
1	P	-
5	P	-
6	P	-

Connector No.	E21
Connector Name	JOINT CONNECTOR-E03
Connector Color	GRAY



Terminal No.	Color of Wire	Signal Name
1	L	-
5	L	-
6	L	-

Connector No.	E18
Connector Name	IPDM E/R (INTELLIGENT POWER DISTRIBUTION MODULE ENGINE ROOM)
Connector Color	WHITE



Terminal No.	Color of Wire	Signal Name
7	B	GND (POWER)
13	L	ECM VB
15	R	FUEL PUMP

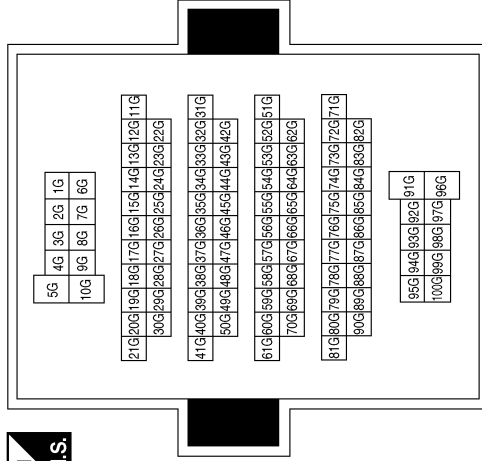
ABBIA3079GB

ENGINE CONTROL SYSTEM

< WIRING DIAGRAM >

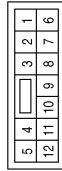
[QR25DE]

Connector No.	E30
Connector Name	WIRE TO WIRE
Connector Color	WHITE



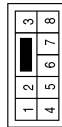
Terminal No.	Color of Wire	Signal Name
22G	L	-
23G	P	-
36G	LG	-
42G	O	-
43G	R	-
44G	SB	-

Connector No.	E29
Connector Name	WIRE TO WIRE
Connector Color	WHITE



Terminal No.	Color of Wire	Signal Name
1	O	- (WITH QR25DE)
2	SB	- (WITH QR25DE)
3	P	-
4	BR	- (WITH QR25DE)
5	R	-
7	Y	-
8	L	-

Connector No.	E23
Connector Name	WIRE TO WIRE
Connector Color	BROWN



Terminal No.	Color of Wire	Signal Name
1	GR	-
2	LG	-
3	GR	-
5	GR	-
6	L	-

A
EC
C
D
E
F
G
H
I
J
K
L
M
N
O
P

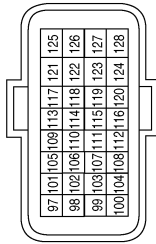
ABBIA2978GB

ENGINE CONTROL SYSTEM

< WIRING DIAGRAM >

[QR25DE]

Connector No.	E31
Connector Name	ECM (QR25DE FOR CALIFORNIA)
Connector Color	GRAY



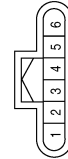
Terminal No.	Color of Wire	Signal Name
97	Y	EVAP CANISTER VENT CONTROL VALVE
98	-	-
99	P	CAN-L
100	L	CAN-H
101	-	-
102	-	-



Connector No.	E38
Connector Name	STOP LAMP SWITCH
Connector Color	WHITE

Terminal No.	Color of Wire	Signal Name
3	G	-
4	R	-

Terminal No.	Color of Wire	Signal Name
103	V	REFRIGERANT PRESSURE SENSOR
104	O	SENSOR POWER SUPPLY
105	SB	ENGINE OIL PRESSURE CONTROL SOLENOID VALVE
106	-	-
107	-	-
108	-	-
109	L	IGNITION SWITCH
110	O	ASCD STEERING SWITCH (WITH ASCD)
110	O	ICC STEERING SWITCH (WITH ICC)
111	R	SENSOR GROUND
112	-	-
113	P	SENSOR POWER SUPPLY
114	O	EVAP CONTROL SYSTEM PRESSURE SENSOR
115	L	STOP LAMP SWITCH



Connector No.	E40
Connector Name	ACCELERATOR PEDAL POSITION SENSOR
Connector Color	BLACK

Terminal No.	Color of Wire	Signal Name
1	G	-
2	L	-(WITH QR25DE)
3	SB	-(WITH QR25DE)
4	V	-(WITH QR25DE)
5	G	-
6	P	-

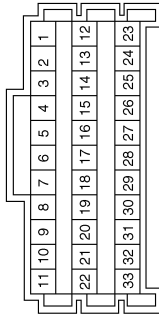
Terminal No.	Color of Wire	Signal Name
116	BR	BRAKE PEDAL POSITION SWITCH
117	R	PNP SIGNAL
118	G	SENSOR POWER SUPPLY
119	P	ACCELERATOR PEDAL POSITION SENSOR 2
120	G	SENSOR GROUND
121	LG	POWER SUPPLY FOR ECM
122	V	SENSOR POWER SUPPLY
123	B	ECM GROUND
124	SB	SENSOR GROUND
125	BR	FUEL TANK TEMPERATURE SENSOR
126	SB	ACCELERATOR PEDAL POSITION SENSOR 1
127	L	SENSOR GROUND
128	GR	ECM GROUND



Connector No.	E42
Connector Name	COOLING FAN RELAY-2
Connector Color	BROWN

Terminal No.	Color of Wire	Signal Name
1	BG	-
2	W	-
3	L	-
5	Y	-
6	GR	-
7	R	-

Connector No.	E56
Connector Name	JOINT CONNECTOR-E08
Connector Color	WHITE



Terminal No.	Color of Wire	Signal Name
15	L	-
16	L	-
23	R	-(FOR CALIFORNIA)
24	R	-(FOR CALIFORNIA)

Connector No.	E51
Connector Name	BRAKE PEDAL POSITION SWITCH
Connector Color	BROWN



Terminal No.	Color of Wire	Signal Name
1	BG	-
2	BR	-

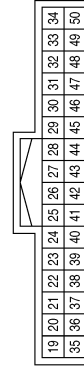
Connector No.	E43
Connector Name	COOLING FAN RELAY-3
Connector Color	BROWN



Terminal No.	Color of Wire	Signal Name
1	G	-
2	W	-
3	R	-
5	Y	-
6	B	-
7	P	-

Terminal No.	Color of Wire	Signal Name
29	L	CAN-H
36	W	START IG-E/R
37	W	TRANS RANGE SW
39	G	MOTOR FAN RLY HI
41	B	GND (SIGNAL)
43	LG	IGN SIGNAL
45	V	PD SENS SIG-E/R (WITH QR25DE)
47	O	PD SENS PWR-E/R (WITH QR25DE)
48	SB	PD SENS GND-E/R

Connector No.	E63
Connector Name	IPDM E/R (INTELLIGENT POWER DISTRIBUTION MODULE ENGINE ROOM)
Connector Color	WHITE



Terminal No.	Color of Wire	Signal Name
21	L	BCM IGNSW
27	BG	MOTOR FAN RLY MID
28	P	CAN-L

Connector No.	E57
Connector Name	STOP LAMP RELAY
Connector Color	BLUE



Terminal No.	Color of Wire	Signal Name
1	B	-
2	R	-
3	W	-
5	G	-

ABBIA3081GB

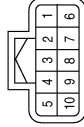
A
EC
C
D
E
F
G
H
I
J
K
L
M
N
O
P

ENGINE CONTROL SYSTEM

< WIRING DIAGRAM >

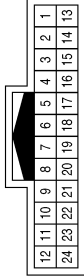
[QR25DE]

Connector No.	E75
Connector Name	JOINT CONNECTOR-E09
Connector Color	BLACK



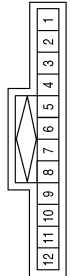
Terminal No.	Color of Wire	Signal Name
2	L	-
3	L	-
4	BG	-
7	R	-
9	BG	-

Connector No.	E65
Connector Name	WIRE TO WIRE
Connector Color	WHITE



Terminal No.	Color of Wire	Signal Name
6	BR	-
17	L	-

Connector No.	E64
Connector Name	JOINT CONNECTOR-E10
Connector Color	BLUE



Terminal No.	Color of Wire	Signal Name
4	W	-
6	W	-
10	G	-
11	G	-
12	G	-

Connector No.	E203
Connector Name	WIRE TO WIRE
Connector Color	WHITE



Terminal No.	Color of Wire	Signal Name
1	R	-
2	G	-
3	BR	-
4	P	-
5	L	-

Connector No.	E201
Connector Name	IPDM E/R (INTELLIGENT POWER DISTRIBUTION MODULE ENGINE ROOM)
Connector Color	WHITE



Terminal No.	Color of Wire	Signal Name
82	W	PD SENS SIG-FEM
83	G	PD SENS PWR-FEM
86	R	PD SENS GND-FEM

Connector No.	E76
Connector Name	BRAKE PEDAL POSITION SWITCH
Connector Color	BROWN



Terminal No.	Color of Wire	Signal Name
1	R	-
2	BR	-

ABBIA3082GB

Connector No.	E220
Connector Name	COOLING FAN MOTOR-1
Connector Color	GRAY



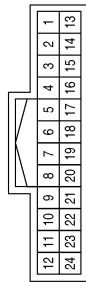
Terminal No.	Color of Wire	Signal Name
1	BR	-
2	BR	-
3	R	-
4	P	-

Connector No.	E219
Connector Name	REFRIGERANT PRESSURE SENSOR
Connector Color	BLACK



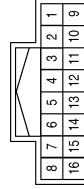
Terminal No.	Color of Wire	Signal Name
1	G	-
2	W	-
3	R	-

Connector No.	E206
Connector Name	WIRE TO WIRE
Connector Color	WHITE



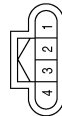
Terminal No.	Color of Wire	Signal Name
6	BR	-
17	L	-

Connector No.	F2
Connector Name	WIRE TO WIRE
Connector Color	WHITE



Terminal No.	Color of Wire	Signal Name
1	SB	-(WITH QR25DE)
3	L	-
4	L	-
5	L	-(WITH QR25DE)
12	W	-(WITH QR25DE)
13	LG	-

Connector No.	E249
Connector Name	ACTIVE GRILLE SHUTTER
Connector Color	BLACK



Terminal No.	Color of Wire	Signal Name
1	BR	-
3	L	-
4	B	-

Connector No.	E221
Connector Name	COOLING FAN MOTOR-2
Connector Color	GRAY



Terminal No.	Color of Wire	Signal Name
1	G	-
2	L	-
3	B	-
4	B	-

ABBIA3083GB

A
EC
C
D
E
F
G
H
I
J
K
L
M
N
O
P

ENGINE CONTROL SYSTEM

< WIRING DIAGRAM >

[QR25DE]

Connector No.	F18
Connector Name	FUEL INJECTOR NO. 2
Connector Color	GRAY



Terminal No.	Color of Wire	Signal Name
1	V	-(WITH QR25DE)
2	Y	-(WITH QR25DE)

Connector No.	F17
Connector Name	FUEL INJECTOR NO. 1
Connector Color	GRAY



Terminal No.	Color of Wire	Signal Name
1	LG	-(WITH QR25DE)
2	BR	-(WITH QR25DE)

Connector No.	F5
Connector Name	BATTERY CURRENT SENSOR
Connector Color	GRAY



Terminal No.	Color of Wire	Signal Name
1	O	-(WITH QR25DE)
2	W	-(WITH QR25DE)
3	R	-(WITH QR25DE)
4	G	-(WITH QR25DE)

Connector No.	F24
Connector Name	AIR FUEL RATIO (A/F) SENSOR 1
Connector Color	BROWN



Terminal No.	Color of Wire	Signal Name
1	W	-
2	B	-
3	BR	-
4	G	-

Connector No.	F20
Connector Name	FUEL INJECTOR NO. 4
Connector Color	GRAY



Terminal No.	Color of Wire	Signal Name
1	V	-(WITH QR25DE)
2	Y	-(WITH QR25DE)

Connector No.	F19
Connector Name	FUEL INJECTOR NO. 3
Connector Color	GRAY



Terminal No.	Color of Wire	Signal Name
1	LG	-(WITH QR25DE)
2	BR	-(WITH QR25DE)

ABBIA3084GB

ENGINE CONTROL SYSTEM

< WIRING DIAGRAM >

[QR25DE]

Connector No.	F29
Connector Name	EVAP CANISTER PURGE VOLUME CONTROL SOLENOID VALVE (WITH QR25DE)
Connector Color	BLUE



Terminal No.	Color of Wire	Signal Name
1	V	-
2	BR	-

Connector No.	F26
Connector Name	CONDENSER-1
Connector Color	WHITE



Terminal No.	Color of Wire	Signal Name
1	W	-
2	B	-

Connector No.	F25
Connector Name	WIRE TO WIRE
Connector Color	BROWN



Terminal No.	Color of Wire	Signal Name
1	B	-
2	BR	-
3	B	-
5	B	-
6	L	-

Connector No.	F34
Connector Name	IGNITION COIL NO. 1 (WITH POWER TRANSISTOR)
Connector Color	GRAY



Terminal No.	Color of Wire	Signal Name
1	BR	-(WITH QR25DE)
2	B	-
3	W	-

Connector No.	F31
Connector Name	MASS AIR FLOW SENSOR (WITH QR25DE)
Connector Color	BLACK



Terminal No.	Color of Wire	Signal Name
1	SB	-
2	Y	-
3	BR	-
4	V	-

Connector No.	F30
Connector Name	CRANKSHAFT POSITION SENSOR (POS)
Connector Color	BLACK



Terminal No.	Color of Wire	Signal Name
1	V	-(WITH QR25DE)
2	SB	-(WITH QR25DE)
3	LG	-

ABBIA3085GB

A
EC
C
D
E
F
G
H
I
J
K
L
M
N
O
P

ENGINE CONTROL SYSTEM

< WIRING DIAGRAM >

[QR25DE]

Connector No.	F37
Connector Name	IGNITION COIL NO. 4 (WITH POWER TRANSISTOR)
Connector Color	GRAY



Terminal No.	Color of Wire	Signal Name
1	V	– (WITH QR25DE)
2	B	–
3	W	–

Connector No.	F36
Connector Name	IGNITION COIL NO. 3 (WITH POWER TRANSISTOR)
Connector Color	GRAY



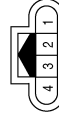
Terminal No.	Color of Wire	Signal Name
1	LG	–
2	B	–
3	W	–

Connector No.	F35
Connector Name	IGNITION COIL NO. 2 (WITH POWER TRANSISTOR)
Connector Color	GRAY



Terminal No.	Color of Wire	Signal Name
1	Y	– (WITH QR25DE)
2	B	–
3	W	–

Connector No.	F42
Connector Name	HEATED OXYGEN SENSOR 2
Connector Color	BLACK



Terminal No.	Color of Wire	Signal Name
1	B	–
2	W	–
3	Y	–
4	L	–

Connector No.	F41
Connector Name	INTAKE MANIFOLD RUNNER CONTROL VALVE MOTOR
Connector Color	BLACK



Terminal No.	Color of Wire	Signal Name
1	B	–
2	W	–

Connector No.	F40
Connector Name	INTAKE MANIFOLD TURNING VALVE MOTOR
Connector Color	BLACK



Terminal No.	Color of Wire	Signal Name
1	B	–
2	W	–

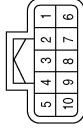
ABBIA3086GB

ENGINE CONTROL SYSTEM

< WIRING DIAGRAM >

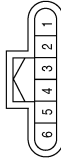
[QR25DE]

Connector No.	F48
Connector Name	JOINT CONNECTOR-F02
Connector Color	BLACK



Terminal No.	Color of Wire	Signal Name
2	Y	-
3	Y	-
5	Y	-
6	Y	-(WITH QR25DE)

Connector No.	F47
Connector Name	JOINT CONNECTOR-F01
Connector Color	BLACK



Terminal No.	Color of Wire	Signal Name
3	SHIELD	-
4	SHIELD	-
5	B	-
6	B	-

Connector No.	F45
Connector Name	KNOCK SENSOR
Connector Color	GRAY



Terminal No.	Color of Wire	Signal Name
1	W	-
2	B	-

Connector No.	F53
Connector Name	JOINT CONNECTOR-F07
Connector Color	WHITE



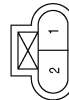
Terminal No.	Color of Wire	Signal Name
1	LG	-(WITH QR25DE)
2	LG	-(WITH QR25DE)
3	LG	-(WITH QR25DE)

Connector No.	F52
Connector Name	INTAKE MANIFOLD RUNNER CONTROL VALVE POSITION SENSOR
Connector Color	BLACK



Terminal No.	Color of Wire	Signal Name
1	BR	-
2	L	-
3	LG	-

Connector No.	F51
Connector Name	INTERMEDIATE LOCK TIMING CONTROL SOLENOID VALVE
Connector Color	GRAY



Terminal No.	Color of Wire	Signal Name
1	L	-
2	SB	-

ABBIA3087GB

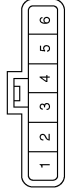
A
EC
C
D
E
F
G
H
I
J
K
L
M
N
O
P

ENGINE CONTROL SYSTEM

< WIRING DIAGRAM >

[QR25DE]

Connector No.	F57
Connector Name	ELECTRONIC THROTTLE CONTROL ACTUATOR (WITH QR25DE)
Connector Color	BLACK



Terminal No.	Color of Wire	Signal Name
1	W	-
2	G	-
3	R	-
4	B	-
5	G	-
6	BG	-

Connector No.	F55
Connector Name	CAMSHAFT POSITION SENSOR (PHASE)
Connector Color	BLACK



Terminal No.	Color of Wire	Signal Name
1	V	-
2	SB	-
3	LG	-

Connector No.	F54
Connector Name	ENGINE COOLANT TEMPERATURE SENSOR (WITH QR25DE)
Connector Color	GRAY



Terminal No.	Color of Wire	Signal Name
1	SB	-
2	BR	-

Connector No.	F68
Connector Name	ENGINE OIL TEMPERATURE SENSOR
Connector Color	GRAY



Terminal No.	Color of Wire	Signal Name
1	L	- (WITH QR25DE)
2	G	- (WITH QR25DE)

Connector No.	F59
Connector Name	INTAKE VALVE TIMING CONTROL SOLENOID VALVE
Connector Color	GRAY



Terminal No.	Color of Wire	Signal Name
1	L	-
2	Y	-

Connector No.	F58
Connector Name	EXHAUST CAMSHAFT POSITION SENSOR (PHASE)
Connector Color	BLACK



Terminal No.	Color of Wire	Signal Name
1	V	-
2	SB	-
3	LG	-

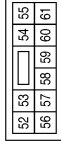
ABBIA3088GB

ENGINE CONTROL SYSTEM

< WIRING DIAGRAM >

[QR25DE]

Connector No.	F83
Connector Name	IPDM E/R (INTELLIGENT POWER DISTRIBUTION MODULE ENGINE ROOM)
Connector Color	WHITE



Terminal No.	Color of Wire	Signal Name
52	G	O2SENS #2 (WITH QR25DE)
53	W	O2SENS #1 (WITH QR25DE)
54	LG	INJECTOR #1
55	W	IGN COIL (WITH QR25DE)
57	R	ETC
58	SB	ECM BAT
59	LG	ENG SOL
60	V	INJECTOR #2
61	Y	AT ECU

Connector No.	F80
Connector Name	EXHAUST VALVE TIMING CONTROL SOLENOID VALVE
Connector Color	GRAY



Terminal No.	Color of Wire	Signal Name
1	L	-
2	BR	-

Connector No.	F70
Connector Name	JOINT CONNECTOR-F08
Connector Color	WHITE



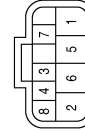
Terminal No.	Color of Wire	Signal Name
1	V	- (WITH QR25DE)
2	V	- (WITH QR25DE)
3	V	- (WITH QR25DE)

Connector No.	F87
Connector Name	ENGINE OIL PRESSURE SENSOR
Connector Color	BLACK



Terminal No.	Color of Wire	Signal Name
1	V	- (WITH QR25DE)
2	L	- (WITH QR25DE)
3	BR	- (WITH QR25DE)

Connector No.	F85
Connector Name	TRANSMISSION RANGE SWITCH
Connector Color	BLACK



Terminal No.	Color of Wire	Signal Name
1	Y	- (WITH QR25DE)
2	LG	- (WITH QR25DE)

Connector No.	F84
Connector Name	IPDM E/R (INTELLIGENT POWER DISTRIBUTION MODULE ENGINE ROOM)
Connector Color	WHITE



Terminal No.	Color of Wire	Signal Name
65	BR	MOTRLY (WITH QR25DE)
66	LG	NP SW
69	V	FPR
72	V	SSOFF (WITH QR25DE)

ABBIA3089GB

A
EC
C
D
E
F
G
H
I
J
K
L
M
N
O
P

ENGINE CONTROL SYSTEM

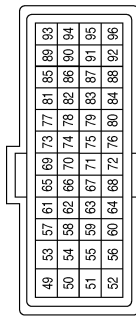
< WIRING DIAGRAM >

[QR25DE]

Terminal No.	Color of Wire	Signal Name
83	L	INTAKE MANIFOLD RUNNER CONTROL VALVE POSITION SENSOR
84	BR	SENSOR POWER SUPPLY
85	L	ENGINE COMMUNICATION LINE
86	BR	IGNITION SIGNAL NO. 1
87	Y	IGNITION SIGNAL NO. 2
88	-	-
89	V	ECM RELAY (SELF SHUT-OFF)
90	LG	IGNITION SIGNAL NO. 3
91	V	IGNITION SIGNAL NO. 4
92	LG	SENSOR GROUND
93	Y	INTAKE VALVE TIMING CONTROL SOLENOID VALVE
94	BR	EXHAUST VALVE TIMING CONTROL SOLENOID VALVE
95	-	-
96	-	-

Terminal No.	Color of Wire	Signal Name
60	-	-
61	W	BATTERY TEMPERATURE SENSOR
62	R	SENSOR GROUND
63	G	BATTERY CURRENT SENSOR
64	O	SENSOR POWER SUPPLY
65	-	-
66	-	-
67	-	-
68	-	-
69	-	-
70	SB	SENSOR GROUND
71	LG	CRANKSHAFT POSITION SENSOR (POS)
72	V	SENSOR POWER SUPPLY
73	B	SHIELD
74	-	-
75	-	-
76	-	-
77	R	THROTTLE POSITION SENSOR 2
78	B	SENSOR GROUND
79	W	THROTTLE POSITION SENSOR 1
80	G	SENSOR POWER SUPPLY
81	SB	POWER SUPPLY FOR ECM (BACKUP)
82	-	-

Connector No.	F90
Connector Name	ECM (QR25DE FOR CALIFORNIA)
Connector Color	BROWN



Terminal No.	Color of Wire	Signal Name
49	W	INTAKE MANIFOLD RUNNER CONTROL VALVE MOTOR (CLOSE)
50	L	POWER SUPPLY FOR ECM
51	B	INTAKE MANIFOLD RUNNER CONTROL VALVE MOTOR (OPEN)
52	B	ECM GROUND
53	BR	AF SENSOR 1 HEATER
54	Y	HEATED OXYGEN SENSOR 2 HEATER
55	-	-
56	SB	INTAKE VALVE TIMING INTERMEDIATE LOCK CONTROL SOLENOID VALVE
57	-	-
58	-	-
59	-	-

ABBIA3090GB

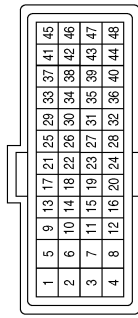
ENGINE CONTROL SYSTEM

< WIRING DIAGRAM >

[QR25DE]

A
EC
C
D
E
F
G
H
I
J
K
L
M
N
O
P

Connector No.	F91
Connector Name	ECM (QR25DE FOR CALIFORNIA)
Connector Color	BLACK



Terminal No.	Color of Wire	Signal Name
1	G	THROTTLE CONTROL MOTOR (CLOSE)
2	R	THROTTLE CONTROL MOTOR POWER SUPPLY
3	BG	THROTTLE CONTROL MOTOR (OPEN)
4	W	KNOCK SENSOR
5	W	INTAKE MANIFOLD TUNING VALVE MOTOR (CLOSE)
6	L	POWER SUPPLY FOR ECM
7	B	INTAKE MANIFOLD TUNING VALVE MOTOR (OPEN)
8	B	SENSOR GROUND
9	Y	FUEL INJECTOR NO. 4
10	BR	FUEL INJECTOR NO. 3
11	-	-
12	B	ECM GROUND
13	BR	FUEL INJECTOR NO. 1
14	Y	FUEL INJECTOR NO. 2
15	-	-
16	B	ECM GROUND

Terminal No.	Color of Wire	Signal Name
17	V	EVAP CANISTER PURGE VOLUME CONTROL SOLENOID VALVE
18	W	FUEL PUMP RELAY
19	-	-
20	-	-
21	BR	THROTTLE CONTROL MOTOR RELAY
22	L	HEATED OXYGEN SENSOR 2
23	B	SENSOR GROUND
24	-	-
25	L	ENGINE OIL TEMPERATURE SENSOR
26	G	SENSOR GROUND
27	BR	SENSOR GROUND
28	SB	ENGINE COOLANT TEMPERATURE SENSOR
29	-	-
30	SB	SENSOR GROUND
31	LG	CAMSHAFT POSITION SENSOR (PHASE)
32	V	SENSOR POWER SUPPLY
33	V	INTAKE AIR TEMPERATURE SENSOR
34	BR	SENSOR GROUND
35	Y	MASS AIR FLOW SENSOR
36	SB	SENSOR POWER SUPPLY
37	B	SHIELD
38	V	SENSOR GROUND

Terminal No.	Color of Wire	Signal Name
39	L	ENGINE OIL PRESSURE SENSOR
40	BR	SENSOR POWER SUPPLY
41	W	A/F SENSOR 1
42	SB	SENSOR GROUND
43	LG	EXHAUST VALVE TIMING CONTROL POSITION SENSOR
44	V	SENSOR POWER SUPPLY
45	B	A/F SENSOR 1
46	-	-
47	-	-
48	-	-

ABBIA2985GB

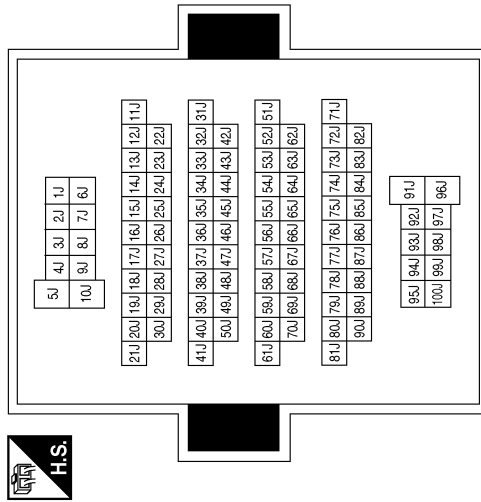
ENGINE CONTROL SYSTEM

< WIRING DIAGRAM >

[QR25DE]

Terminal No.	Color of Wire	Signal Name
81J	R	-

Connector No.	B1
Connector Name	WIRE TO WIRE
Connector Color	GRAY



Connector No.	F99
Connector Name	ENGINE OIL PRESSURE CONTROL SOLENOID VALVE
Connector Color	GRAY



Terminal No.	Color of Wire	Signal Name
1	SB	-
2	L	-



Connector No.	B39
Connector Name	EVAP CANISTER VENT CONTROL VALVE
Connector Color	BLACK



Terminal No.	Color of Wire	Signal Name
1	L	-
2	Y	-

Terminal No.	Color of Wire	Signal Name
1	BG	-
2	R	-
3	W	-
4	BG	-
5	R	-
7	Y	-
8	L	-

Connector No.	B10
Connector Name	WIRE TO WIRE
Connector Color	WHITE



ABBIA3091GB

ENGINE CONTROL SYSTEM

< WIRING DIAGRAM >

[QR25DE]

A

EC

C

D

E

F

G

H

I

J

K

L

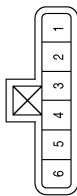
M

N

O

P

Connector No.	B42
Connector Name	FUEL LEVEL SENSOR UNIT AND FUEL PUMP
Connector Color	GRAY



Terminal No.	Color of Wire	Signal Name
1	R	-
3	BG	-
4	B	-
6	R	-

Connector No.	B41
Connector Name	EVAP CONTROL SYSTEM PRESSURE SENSOR
Connector Color	GRAY



Terminal No.	Color of Wire	Signal Name
1	R	-
2	BG	-
3	W	-

ABBIA3092GB

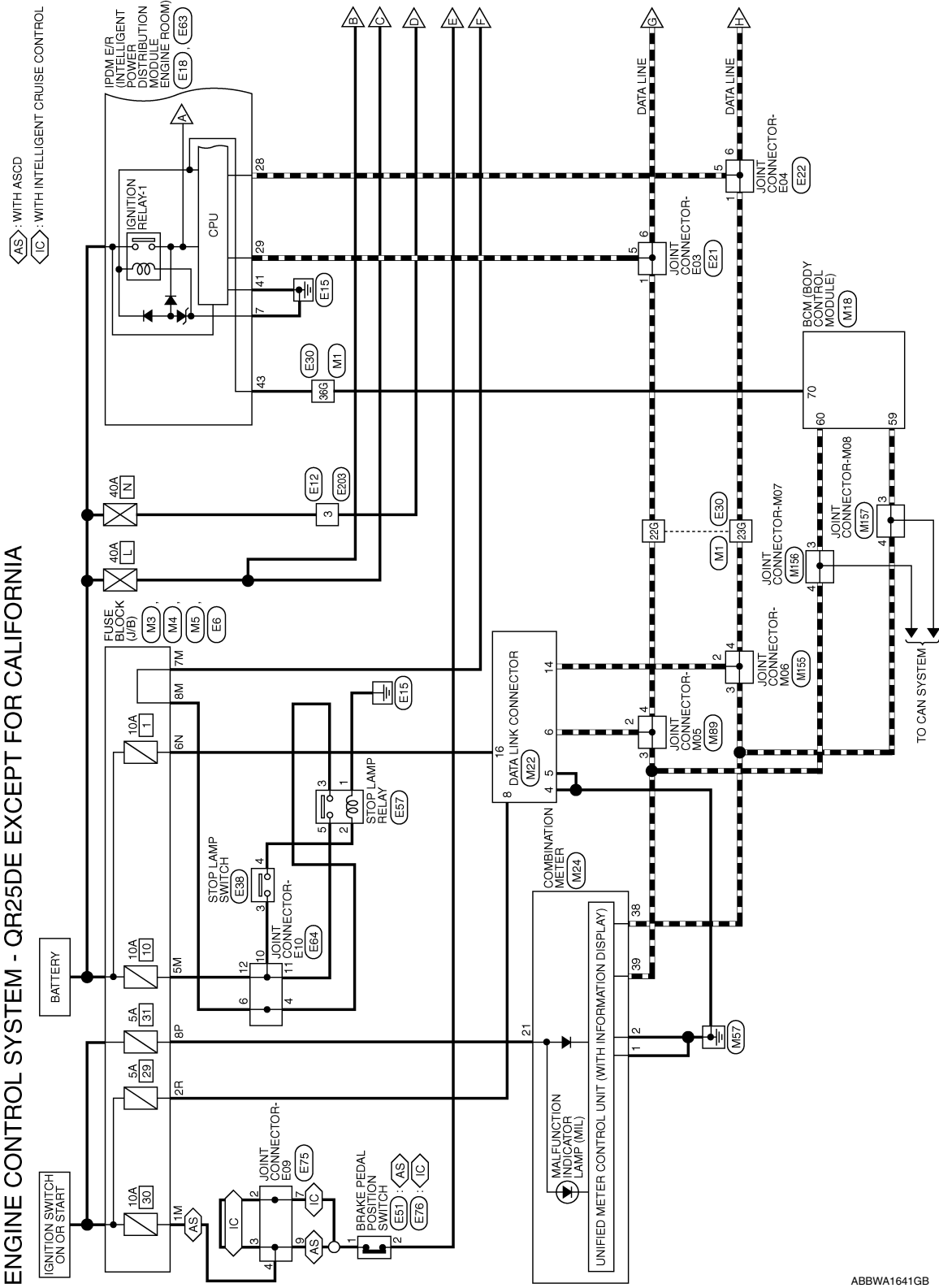
ENGINE CONTROL SYSTEM

[QR25DE]

< WIRING DIAGRAM >

EXCEPT FOR CALIFORNIA

ENGINE CONTROL SYSTEM - QR25DE EXCEPT FOR CALIFORNIA

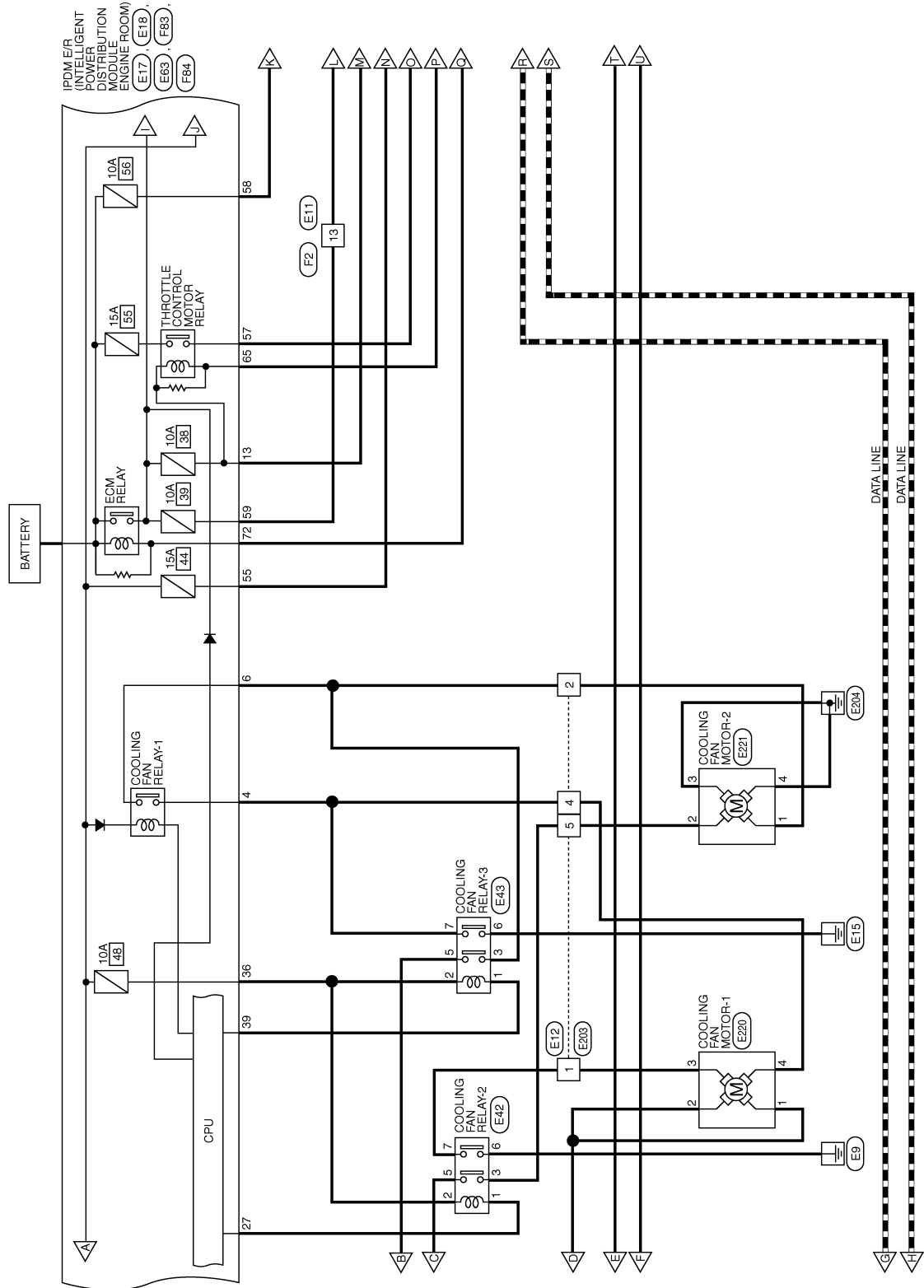


ABBWA1641GB

ENGINE CONTROL SYSTEM

< WIRING DIAGRAM >

[QR25DE]



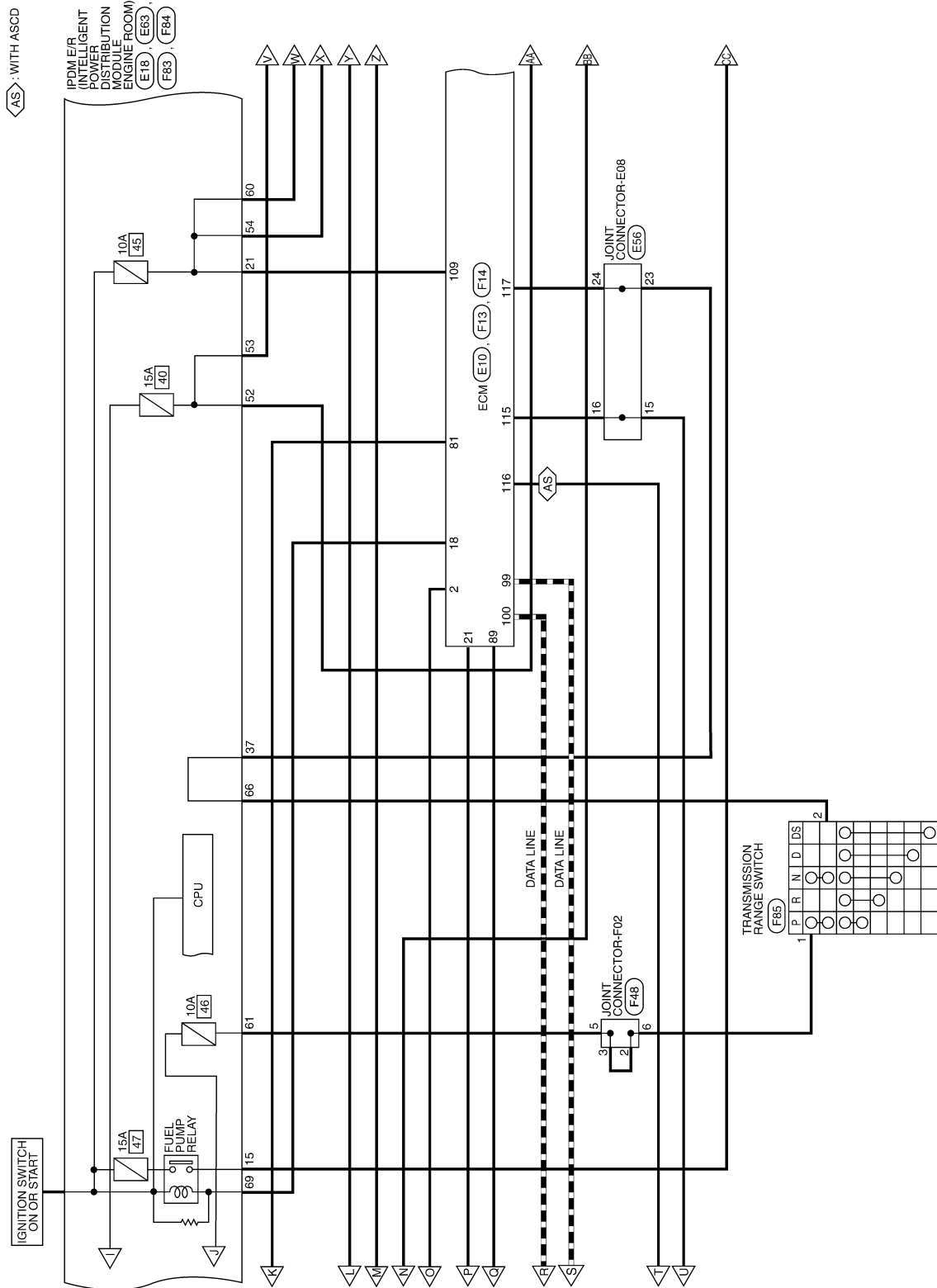
ABBWA1642GB

A
EC
 C
 D
 E
 F
 G
 H
 I
 J
 K
 L
 M
 N
 O
 P

ENGINE CONTROL SYSTEM

< WIRING DIAGRAM >

[QR25DE]

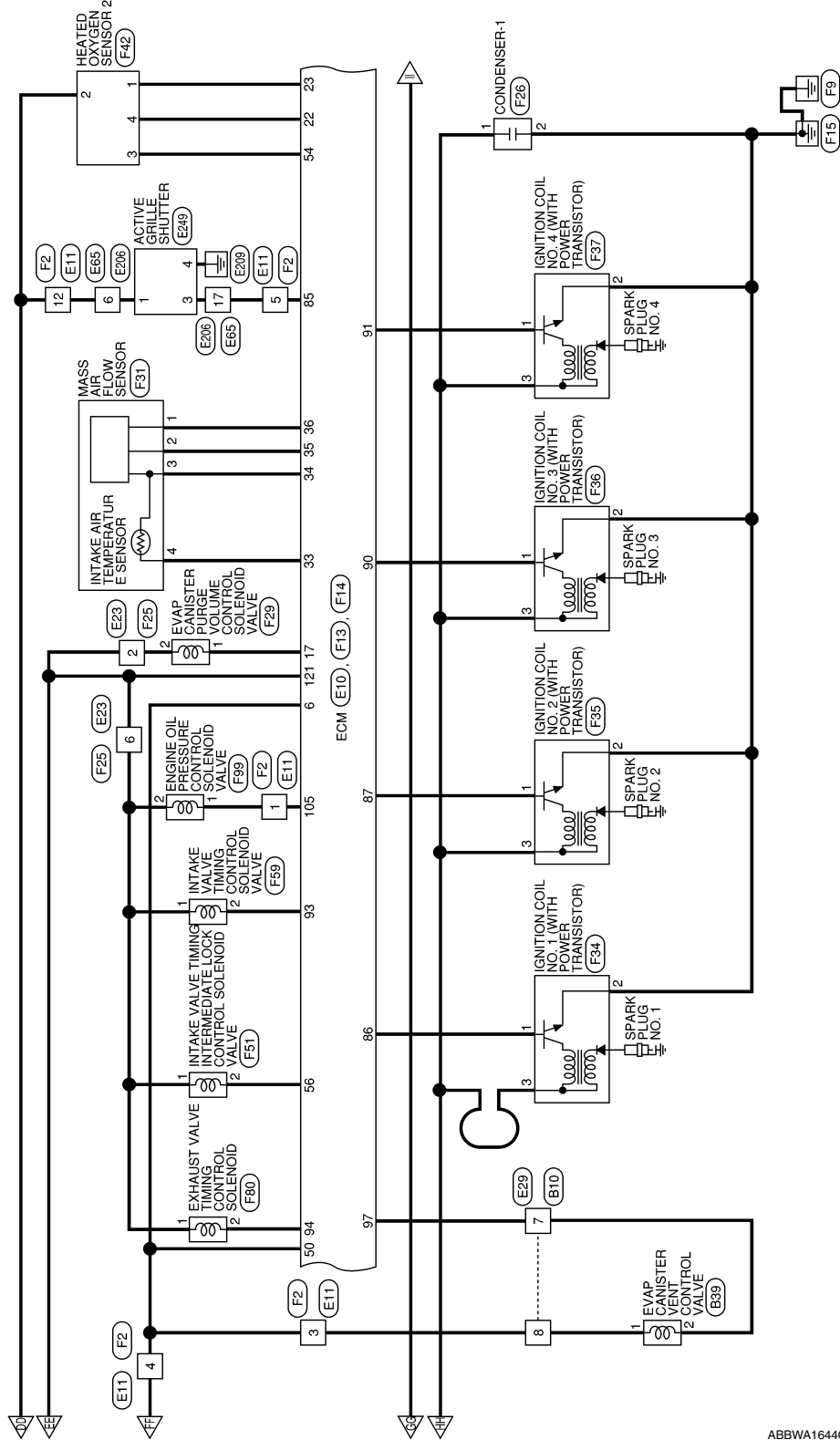


ABBWA0873GB

ENGINE CONTROL SYSTEM

< WIRING DIAGRAM >

[QR25DE]

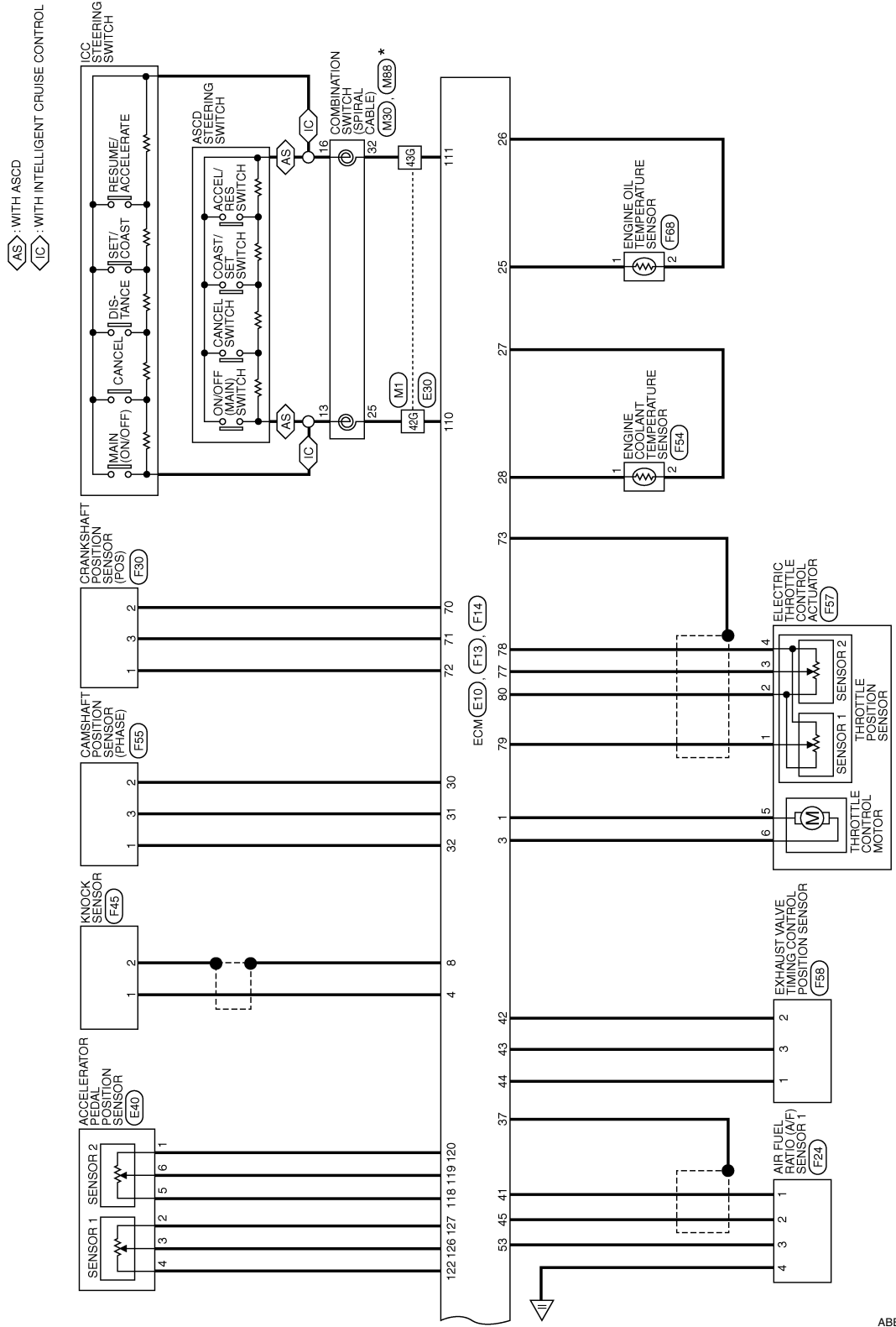


ABBWA1644GB

ENGINE CONTROL SYSTEM

< WIRING DIAGRAM >

[QR25DE]



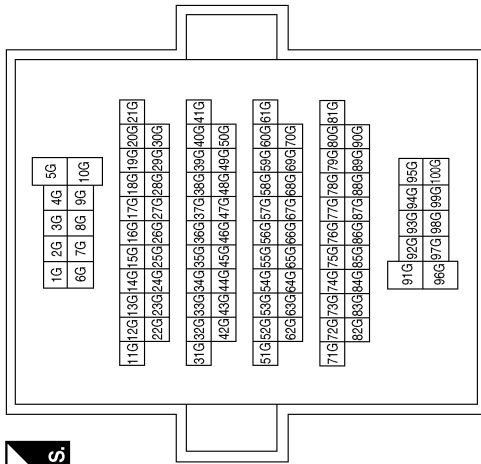
*: THIS CONNECTOR IS NOT SHOWN IN "HARNES LAYOUT" OF PG SECTION.

ABBWA1654GB

A
EC
C
D
E
F
G
H
I
J
K
L
M
N
O
P

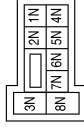
ENGINE CONTROL SYSTEM CONNECTORS - QR25DE EXCEPT FOR CALIFORNIA

Connector No.	M1
Connector Name	WIRE TO WIRE
Connector Color	WHITE



Terminal No.	Color of Wire	Signal Name
22G	L	-
23G	P	-
36G	G	-
42G	BG	-
43G	G	-
44G	P	- (WITH QR25DE)

Connector No.	M3
Connector Name	FUSE BLOCK (J/B)
Connector Color	WHITE



Terminal No.	6N	Color of Wire	W	Signal Name	-
--------------	----	---------------	---	-------------	---

Connector No.	M4
Connector Name	FUSE BLOCK (J/B)
Connector Color	BROWN



Connector No.	M5
Connector Name	FUSE BLOCK (J/B)
Connector Color	WHITE



Terminal No.	2R	Color of Wire	BG	Signal Name	-
--------------	----	---------------	----	-------------	---

Terminal No.	8P	Color of Wire	BR	Signal Name	-
--------------	----	---------------	----	-------------	---

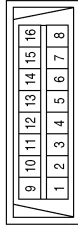
ABBIA2418GB

ENGINE CONTROL SYSTEM

< WIRING DIAGRAM >

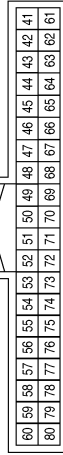
[QR25DE]

Connector No.	M22
Connector Name	DATA LINK CONNECTOR
Connector Color	WHITE



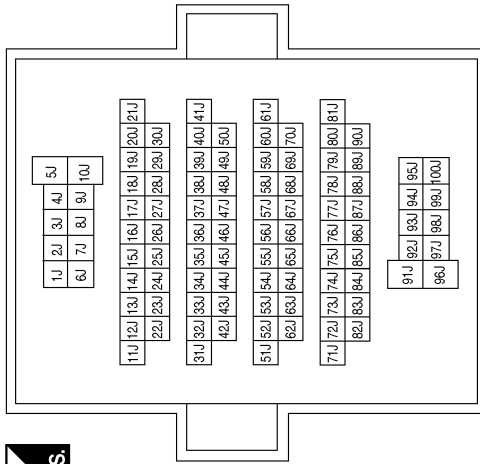
Terminal No.	Color of Wire	Signal Name
4	B	-
5	B	-
6	L	-
8	BG	-
14	P	-
16	W	-

Connector No.	M18
Connector Name	BCM (BODY CONTROL MODULE)
Connector Color	BLACK



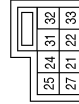
Terminal No.	Color of Wire	Signal Name
59	P	CAN-L
60	L	CAN-H
70	G	IGN USM OUT 1

Connector No.	M6
Connector Name	WIRE TO WIRE
Connector Color	GRAY



Terminal No.	Color of Wire	Signal Name
81J	P	-(WITH QR25DE)

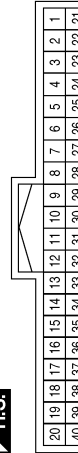
Connector No.	M30
Connector Name	COMBINATION SWITCH (SPIRAL CABLE)
Connector Color	GRAY



Terminal No.	Color of Wire	Signal Name
25	BG	-
32	G	-

Terminal No.	Color of Wire	Signal Name
1	B	GND1
2	B	GND2
21	BR	IGN
38	P	CAN-L
39	L	CAN-H

Connector No.	M24
Connector Name	COMBINATION METER
Connector Color	WHITE



ABBIA2419GB

A
EC
C
D
E
F
G
H
I
J
K
L
M
N
O
P

Connector No.	M155
Connector Name	JOINT CONNECTOR-M06
Connector Color	WHITE



Terminal No.	Color of Wire	Signal Name
2	P	-
3	P	-
4	P	-

Connector No.	M89
Connector Name	JOINT CONNECTOR-M05
Connector Color	WHITE



Terminal No.	Color of Wire	Signal Name
2	L	-
3	L	-
4	L	-

Connector No.	M88
Connector Name	COMBINATION SWITCH (SPIRAL CABLE)
Connector Color	GRAY



Terminal No.	Color of Wire	Signal Name
13	V	-
16	GR	-

Connector No.	E6
Connector Name	FUSE BLOCK (J/B)
Connector Color	WHITE



Terminal No.	Color of Wire	Signal Name
1M	BG	-
5M	G	-
7M	L	-
8M	W	-

Connector No.	M157
Connector Name	JOINT CONNECTOR-M08
Connector Color	WHITE



Terminal No.	Color of Wire	Signal Name
3	P	-
4	P	-

Connector No.	M156
Connector Name	JOINT CONNECTOR-M07
Connector Color	WHITE



Terminal No.	Color of Wire	Signal Name
3	L	-
4	L	-

ABBIA1281GB

ENGINE CONTROL SYSTEM

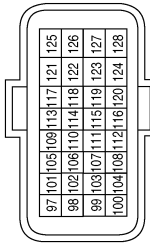
< WIRING DIAGRAM >

[QR25DE]

Terminal No.	Color of Wire	Signal Name
116	BR	BRAKE PEDAL POSITION SWITCH
117	W	PNP SIGNAL
118	G	SENSOR POWER SUPPLY
119	P	ACCELERATOR PEDAL POSITION SENSOR 2
120	G	SENSOR GROUND
121	LG	POWER SUPPLY FOR ECM
122	V	SENSOR POWER SUPPLY
123	B	ECM GROUND
124	SB	SENSOR GROUND
125	BR	FUEL TANK TEMPERATURE SENSOR
126	SB	ACCELERATOR PEDAL POSITION SENSOR 1
127	L	SENSOR GROUND
128	GR	ECM GROUND

Terminal No.	Color of Wire	Signal Name
103	V	REFRIGERANT PRESSURE SENSOR
104	O	SENSOR POWER SUPPLY
105	SB	ENGINE OIL PRESSURE CONTROL SOLENOID VALVE
106	-	-
107	-	-
108	-	-
109	L	IGNITION SWITCH
110	O	ASCD STEERING SWITCH (WITH ASCD)
110	O	ICC STEERING SWITCH (WITH ICC)
111	R	SENSOR GROUND
112	-	-
113	P	SENSOR POWER SUPPLY
114	O	EVAP CONTROL SYSTEM PRESSURE SENSOR
115	L	STOP LAMP SWITCH

Connector No.	E10
Connector Name	ECM (QR25DE EXCEPT FOR CALIFORNIA)
Connector Color	GRAY



Terminal No.	Color of Wire	Signal Name
97	Y	EVAP CANISTER VENT CONTROL VALVE
98	-	-
99	P	CAN-L
100	L	CAN-H
101	-	-
102	-	-

Connector No.	E17
Connector Name	IPDM E/R (INTELLIGENT POWER DISTRIBUTION MODULE ENGINE ROOM)
Connector Color	WHITE



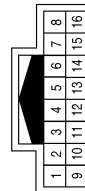
Terminal No.	Color of Wire	Signal Name
4	P	MOTOR FAN 1
6	R	F/L MOTOR FAN

Connector No.	E12
Connector Name	WIRE TO WIRE
Connector Color	WHITE



Terminal No.	Color of Wire	Signal Name
1	R	-
2	R	-
3	BR	-
4	P	-
5	L	-

Connector No.	E11
Connector Name	WIRE TO WIRE
Connector Color	WHITE



Terminal No.	Color of Wire	Signal Name
1	SB	- (WITH QR25DE)
3	L	-
4	L	-
5	L	- (WITH QR25DE)
12	BR	- (WITH QR25DE)
13	LG	-

ABBIA3093GB

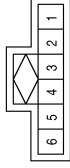
A
EC
C
D
E
F
G
H
I
J
K
L
M
N
O
P

ENGINE CONTROL SYSTEM

< WIRING DIAGRAM >

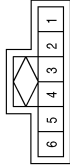
[QR25DE]

Connector No.	E22
Connector Name	JOINT CONNECTOR-E04
Connector Color	GRAY



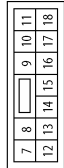
Terminal No.	Color of Wire	Signal Name
1	P	-
5	P	-
6	P	-

Connector No.	E21
Connector Name	JOINT CONNECTOR-E03
Connector Color	GRAY



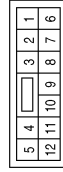
Terminal No.	Color of Wire	Signal Name
1	L	-
5	L	-
6	L	-

Connector No.	E18
Connector Name	IPDM E/R (INTELLIGENT POWER DISTRIBUTION MODULE ENGINE ROOM)
Connector Color	WHITE



Terminal No.	Color of Wire	Signal Name
7	B	GND (POWER)
13	L	ECM VB
15	R	FUEL PUMP

Connector No.	E29
Connector Name	WIRE TO WIRE
Connector Color	WHITE



Terminal No.	Color of Wire	Signal Name
1	O	-(WITH QR25DE)
2	SB	-(WITH QR25DE)
3	P	-
4	BR	-(WITH QR25DE)
5	R	-
7	Y	-
8	L	-

Connector No.	E23
Connector Name	WIRE TO WIRE
Connector Color	BROWN



Terminal No.	Color of Wire	Signal Name
1	GR	-
2	LG	-
3	GR	-
5	GR	-
6	L	-

ABBIA3124GB

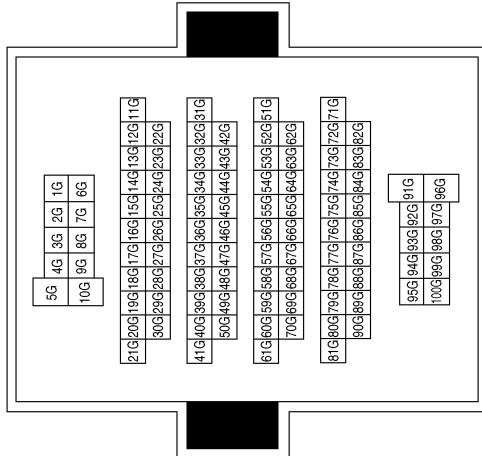
Connector No.	E38
Connector Name	STOP LAMP SWITCH
Connector Color	WHITE



Terminal No.	Color of Wire	Signal Name
3	G	-
4	R	-

Terminal No.	Color of Wire	Signal Name
22G	L	-
23G	P	-
36G	LG	-
42G	O	-
43G	R	-
44G	SB	-

Connector No.	E30
Connector Name	WIRE TO WIRE
Connector Color	WHITE



Connector No.	E43
Connector Name	COOLING FAN RELAY-3
Connector Color	BROWN



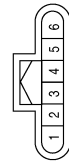
Terminal No.	Color of Wire	Signal Name
1	G	-
2	W	-
3	R	-
5	Y	-
6	B	-
7	P	-

Connector No.	E42
Connector Name	COOLING FAN RELAY-2
Connector Color	BROWN



Terminal No.	Color of Wire	Signal Name
1	BG	-
2	W	-
3	L	-
5	Y	-
6	GR	-
7	R	-

Connector No.	E40
Connector Name	ACCELERATOR PEDAL POSITION SENSOR
Connector Color	BLACK



Terminal No.	Color of Wire	Signal Name
1	G	-
2	L	-(WITH QR25DE)
3	SB	-(WITH QR25DE)
4	V	-(WITH QR25DE)
5	G	-
6	P	-

ABBIA3094GB

ENGINE CONTROL SYSTEM

< WIRING DIAGRAM >

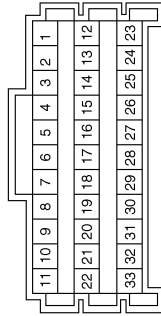
[QR25DE]

Connector No.	E57
Connector Name	STOP LAMP RELAY
Connector Color	BLUE



Terminal No.	Color of Wire	Signal Name
1	B	-
2	R	-
3	W	-
5	G	-

Connector No.	E56
Connector Name	JOINT CONNECTOR-E08
Connector Color	WHITE



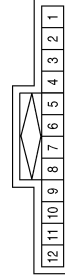
Terminal No.	Color of Wire	Signal Name
15	L	-
16	L	-
23	W	- (EXCEPT FOR CALIFORNIA)
24	W	- (EXCEPT FOR CALIFORNIA)

Connector No.	E51
Connector Name	BRAKE PEDAL POSITION SWITCH
Connector Color	BROWN



Terminal No.	Color of Wire	Signal Name
1	BG	-
2	BR	-

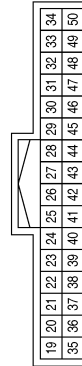
Connector No.	E64
Connector Name	JOINT CONNECTOR-E10
Connector Color	BLUE



Terminal No.	Color of Wire	Signal Name
4	W	-
6	W	-
10	G	-
11	G	-
12	G	-

Terminal No.	Color of Wire	Signal Name
36	W	START IG-E/R
37	W	TRANS RANGE SW
39	G	MOTOR FAN RLY HI
41	B	GND (SIGNAL)
43	LG	IGN SIGNAL
45	V	PD SENS SIG-E/R (WITH QR25DE)
47	O	PD SENS PWR-E/R (WITH QR25DE)
48	SB	PD SENS GND-E/R

Connector No.	E63
Connector Name	IPDM E/R (INTELLIGENT POWER DISTRIBUTION MODULE ENGINE ROOM)
Connector Color	WHITE



Terminal No.	Color of Wire	Signal Name
21	L	BCM IGNSW
27	BG	MOTOR FAN RLY MID
28	P	CAN-L
29	L	CAN-H

ABBIA3095GB

ENGINE CONTROL SYSTEM

< WIRING DIAGRAM >

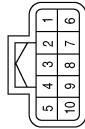
[QR25DE]

Connector No.	E76
Connector Name	BRAKE PEDAL POSITION SWITCH
Connector Color	BROWN



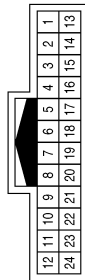
Terminal No.	Color of Wire	Signal Name
1	R	-
2	BR	-

Connector No.	E75
Connector Name	JOINT CONNECTOR-E09
Connector Color	BLACK



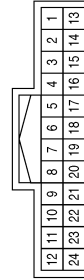
Terminal No.	Color of Wire	Signal Name
2	L	-
3	L	-
4	BG	-
7	R	-
9	BG	-

Connector No.	E65
Connector Name	WIRE TO WIRE
Connector Color	WHITE



Terminal No.	Color of Wire	Signal Name
6	BR	-
17	L	-

Connector No.	E206
Connector Name	WIRE TO WIRE
Connector Color	WHITE



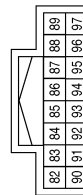
Terminal No.	Color of Wire	Signal Name
6	BR	-
17	L	-

Connector No.	E203
Connector Name	WIRE TO WIRE
Connector Color	WHITE



Terminal No.	Color of Wire	Signal Name
1	R	-
2	G	-
3	BR	-
4	P	-
5	L	-

Connector No.	E201
Connector Name	IPDM E/R (INTELLIGENT POWER DISTRIBUTION MODULE ENGINE ROOM)
Connector Color	WHITE



Terminal No.	Color of Wire	Signal Name
82	W	PD SENS SIG-FEM
83	G	PD SENS PWR-FEM
86	R	PD SENS GND-FEM

ABBIA3096GB

A
EC
C
D
E
F
G
H
I
J
K
L
M
N
O
P

ENGINE CONTROL SYSTEM

< WIRING DIAGRAM >

[QR25DE]

Connector No.	E221
Connector Name	COOLING FAN MOTOR-2
Connector Color	GRAY



Terminal No.	Color of Wire	Signal Name
1	G	-
2	L	-
3	B	-
4	B	-

Connector No.	E220
Connector Name	COOLING FAN MOTOR-1
Connector Color	GRAY



Terminal No.	Color of Wire	Signal Name
1	BR	-
2	BR	-
3	R	-
4	P	-

Connector No.	E219
Connector Name	REFRIGERANT PRESSURE SENSOR
Connector Color	BLACK



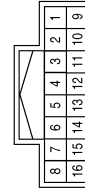
Terminal No.	Color of Wire	Signal Name
1	G	-
2	W	-
3	R	-

Connector No.	F5
Connector Name	BATTERY CURRENT SENSOR
Connector Color	GRAY



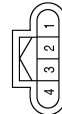
Terminal No.	Color of Wire	Signal Name
1	O	-(WITH QR25DE)
2	W	-(WITH QR25DE)
3	R	-(WITH QR25DE)
4	G	-(WITH QR25DE)

Connector No.	F2
Connector Name	WIRE TO WIRE
Connector Color	WHITE



Terminal No.	Color of Wire	Signal Name
1	SB	-(WITH QR25DE)
3	L	-
4	L	-
5	L	-(WITH QR25DE)
12	W	-(WITH QR25DE)
13	LG	-

Connector No.	E249
Connector Name	ACTIVE GRILLE SHUTTER
Connector Color	BLACK



Terminal No.	Color of Wire	Signal Name
1	BR	-
3	L	-
4	B	-

ABBIA3097GB

ENGINE CONTROL SYSTEM

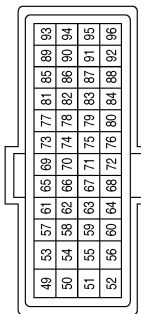
< WIRING DIAGRAM >

[QR25DE]

Terminal No.	Color of Wire	Signal Name
84	BR	SENSOR POWER SUPPLY
85	L	ENGINE COMMUNICATION LINE
86	BR	IGNITION SIGNAL NO. 1
87	Y	IGNITION SIGNAL NO. 2
88	-	-
89	V	ECM RELAY (SELF SHUT-OFF)
90	LG	IGNITION SIGNAL NO. 3
91	V	IGNITION SIGNAL NO. 4
92	LG	SENSOR GROUND
93	Y	INTAKE VALVE TIMING CONTROL SOLENOID VALVE
94	BR	EXHAUST VALVE TIMING CONTROL SOLENOID VALVE
95	-	-
96	-	-

Terminal No.	Color of Wire	Signal Name
64	O	SENSOR POWER SUPPLY
65	-	-
66	-	-
67	-	-
68	-	-
69	-	-
70	SB	SENSOR GROUND
71	LG	CRANKSHAFT POSITION SENSOR (POS)
72	V	SENSOR POWER SUPPLY
73	B	SHIELD
74	-	-
75	-	-
76	-	-
77	R	THROTTLE POSITION SENSOR 2
78	B	SENSOR GROUND
79	W	THROTTLE POSITION SENSOR 1
80	G	SENSOR POWER SUPPLY
81	SB	POWER SUPPLY FOR ECM (BACKUP)
82	-	-
83	L	INTAKE MANIFOLD RUNNER CONTROL VALVE POSITION SENSOR

Connector No.	F13
Connector Name	ECM (QR25DE EXCEPT FOR CALIFORNIA)
Connector Color	BROWN



Terminal No.	Color of Wire	Signal Name
49	W	INTAKE MANIFOLD RUNNER CONTROL VALVE MOTOR (CLOSE)
50	L	POWER SUPPLY FOR ECM
51	B	INTAKE MANIFOLD RUNNER CONTROL VALVE MOTOR (OPEN)
52	B	ECM GROUND
53	BR	A/F SENSOR 1 HEATER
54	Y	HEATED OXYGEN SENSOR 2 HEATER
55	-	-
56	SB	INTAKE VALVE TIMING INTERMEDIATE LOCK CONTROL SOLENOID VALVE
57	-	-
58	-	-
59	-	-
60	-	-
61	W	BATTERY TEMPERATURE SENSOR
62	R	SENSOR GROUND
63	G	BATTERY CURRENT SENSOR

ABBIA3098GB

A
EC
C
D
E
F
G
H
I
J
K
L
M
N
O
P

ENGINE CONTROL SYSTEM

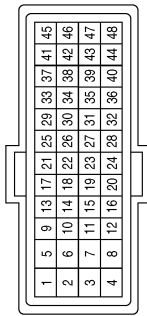
< WIRING DIAGRAM >

[QR25DE]

Terminal No.	Color of Wire	Signal Name
32	V	SENSOR POWER SUPPLY
33	V	INTAKE AIR TEMPERATURE SENSOR
34	BR	SENSOR GROUND
35	Y	MASS AIR FLOW SENSOR
36	SB	SENSOR POWER SUPPLY
37	B	SHIELD
38	V	SENSOR GROUND
39	L	ENGINE OIL PRESSURE SENSOR
40	BR	SENSOR POWER SUPPLY
41	W	A/F SENSOR 1
42	SB	SENSOR GROUND
43	LG	EXHAUST VALVE TIMING CONTROL POSITION SENSOR
44	V	SENSOR POWER SUPPLY
45	B	A/F SENSOR 1
46	-	-
47	-	-
48	-	-

Terminal No.	Color of Wire	Signal Name
17	V	EVAP CANISTER PURGE VOLUME CONTROL SOLENOID VALVE
18	W	FUEL PUMP RELAY
19	-	-
20	-	-
21	BR	THROTTLE CONTROL MOTOR RELAY
22	L	HEATED OXYGEN SENSOR 2
23	B	SENSOR GROUND
24	-	-
25	L	ENGINE OIL TEMPERATURE SENSOR
26	G	SENSOR GROUND
27	BR	SENSOR GROUND
28	SB	ENGINE COOLANT TEMPERATURE SENSOR
29	-	-
30	SB	SENSOR GROUND
31	LG	CAMSHAFT POSITION SENSOR (PHASE)

Connector No.	F14
Connector Name	ECM (QR25DE EXCEPT FOR CALIFORNIA)
Connector Color	BLACK



Terminal No.	Color of Wire	Signal Name
1	G	THROTTLE CONTROL MOTOR (CLOSE)
2	R	THROTTLE CONTROL MOTOR POWER SUPPLY
3	BG	THROTTLE CONTROL MOTOR (OPEN)
4	W	KNOCK SENSOR
5	W	INTAKE MANIFOLD TUNING VALVE MOTOR (CLOSE)
6	L	POWER SUPPLY FOR ECM
7	B	INTAKE MANIFOLD TUNING VALVE MOTOR (OPEN)
8	B	SENSOR GROUND
9	Y	FUEL INJECTOR NO. 4
10	BR	FUEL INJECTOR NO. 3
11	-	-
12	B	ECM GROUND
13	BR	FUEL INJECTOR NO. 1
14	Y	FUEL INJECTOR NO. 2
15	-	-
16	B	ECM GROUND

ABBIA2971GB

ENGINE CONTROL SYSTEM

< WIRING DIAGRAM >

[QR25DE]

Connector No.	F19
Connector Name	FUEL INJECTOR NO. 3
Connector Color	GRAY



Terminal No.	Color of Wire	Signal Name
1	LG	-(WITH QR25DE)
2	BR	-(WITH QR25DE)

Connector No.	F18
Connector Name	FUEL INJECTOR NO. 2
Connector Color	GRAY



Terminal No.	Color of Wire	Signal Name
1	V	-(WITH QR25DE)
2	Y	-(WITH QR25DE)

Connector No.	F17
Connector Name	FUEL INJECTOR NO. 1
Connector Color	GRAY



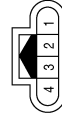
Terminal No.	Color of Wire	Signal Name
1	LG	-(WITH QR25DE)
2	BR	-(WITH QR25DE)

Connector No.	F25
Connector Name	WIRE TO WIRE
Connector Color	BROWN



Terminal No.	Color of Wire	Signal Name
1	B	-
2	BR	-
3	B	-
5	B	-
6	L	-

Connector No.	F24
Connector Name	AIR FUEL RATIO (A/F) SENSOR 1
Connector Color	BROWN



Terminal No.	Color of Wire	Signal Name
1	W	-
2	B	-
3	BR	-
4	G	-

Connector No.	F20
Connector Name	FUEL INJECTOR NO. 4
Connector Color	GRAY



Terminal No.	Color of Wire	Signal Name
1	V	-(WITH QR25DE)
2	Y	-(WITH QR25DE)

ABBIA2972GB

A
EC
C
D
E
F
G
H
I
J
K
L
M
N
O
P

ENGINE CONTROL SYSTEM

< WIRING DIAGRAM >

[QR25DE]

Connector No.	F30
Connector Name	CRANKSHAFT POSITION SENSOR (POS)
Connector Color	BLACK



Terminal No.	Color of Wire	Signal Name
1	V	– (WITH QR25DE)
2	SB	– (WITH QR25DE)
3	LG	–

Connector No.	F29
Connector Name	EVAP CANISTER PURGE VOLUME CONTROL SOLENOID VALVE (WITH QR25DE)
Connector Color	BLUE



Terminal No.	Color of Wire	Signal Name
1	V	–
2	BR	–

Connector No.	F26
Connector Name	CONDENSER-1
Connector Color	WHITE



Terminal No.	Color of Wire	Signal Name
1	W	–
2	B	–

Connector No.	F35
Connector Name	IGNITION COIL NO. 2 (WITH POWER TRANSISTOR)
Connector Color	GRAY



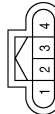
Terminal No.	Color of Wire	Signal Name
1	Y	– (WITH QR25DE)
2	B	–
3	W	–

Connector No.	F34
Connector Name	IGNITION COIL NO. 1 (WITH POWER TRANSISTOR)
Connector Color	GRAY



Terminal No.	Color of Wire	Signal Name
1	BR	– (WITH QR25DE)
2	B	–
3	W	–

Connector No.	F31
Connector Name	MASS AIR FLOW SENSOR (WITH QR25DE)
Connector Color	BLACK



Terminal No.	Color of Wire	Signal Name
1	SB	–
2	Y	–
3	BR	–
4	V	–

ABBIA3099GB

ENGINE CONTROL SYSTEM

< WIRING DIAGRAM >

[QR25DE]

Connector No.	F40
Connector Name	INTAKE MANIFOLD TUNING VALVE MOTOR
Connector Color	BLACK



Terminal No.	Color of Wire	Signal Name
1	B	-
2	W	-

Connector No.	F37
Connector Name	IGNITION COIL NO. 4 (WITH POWER TRANSISTOR)
Connector Color	GRAY



Terminal No.	Color of Wire	Signal Name
1	V	- (WITH QR25DE)
2	B	-
3	W	-

Connector No.	F36
Connector Name	IGNITION COIL NO. 3 (WITH POWER TRANSISTOR)
Connector Color	GRAY



Terminal No.	Color of Wire	Signal Name
1	LG	-
2	B	-
3	W	-

Connector No.	F45
Connector Name	KNOCK SENSOR
Connector Color	GRAY



Terminal No.	Color of Wire	Signal Name
1	W	-
2	B	-

Connector No.	F42
Connector Name	HEATED OXYGEN SENSOR 2
Connector Color	BLACK



Terminal No.	Color of Wire	Signal Name
1	B	-
2	W	-
3	Y	-
4	L	-

Connector No.	F41
Connector Name	INTAKE MANIFOLD RUNNER CONTROL VALVE MOTOR
Connector Color	BLACK



Terminal No.	Color of Wire	Signal Name
1	B	-
2	W	-

ABBIA1820GB

A
EC
C
D
E
F
G
H
I
J
K
L
M
N
O
P

ENGINE CONTROL SYSTEM

< WIRING DIAGRAM >

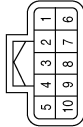
[QR25DE]

Connector No.	F51
Connector Name	INTAKE VALVE TIMING INTERMEDIATE LOCK CONTROL SOLENOID VALVE
Connector Color	GRAY



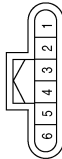
Terminal No.	Color of Wire	Signal Name
1	L	-
2	SB	-

Connector No.	F48
Connector Name	JOINT CONNECTOR-F02
Connector Color	BLACK



Terminal No.	Color of Wire	Signal Name
2	Y	-
3	Y	-
5	Y	-
6	Y	-(WITH QR25DE)

Connector No.	F47
Connector Name	JOINT CONNECTOR-F01
Connector Color	BLACK



Terminal No.	Color of Wire	Signal Name
3	SHIELD	-
4	SHIELD	-
5	B	-
6	B	-

Connector No.	F54
Connector Name	ENGINE COOLANT TEMPERATURE SENSOR (WITH QR25DE)
Connector Color	GRAY



Terminal No.	Color of Wire	Signal Name
1	SB	-
2	BR	-

Connector No.	F53
Connector Name	JOINT CONNECTOR-F07
Connector Color	WHITE



Terminal No.	Color of Wire	Signal Name
1	LG	-(WITH QR25DE)
2	LG	-(WITH QR25DE)
3	LG	-(WITH QR25DE)

Connector No.	F52
Connector Name	INTAKE MANIFOLD RUNNER CONTROL VALVE POSITION SENSOR
Connector Color	BLACK



Terminal No.	Color of Wire	Signal Name
1	BR	-
2	L	-
3	LG	-

ABBIA3100GB

ENGINE CONTROL SYSTEM

< WIRING DIAGRAM >

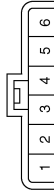
[QR25DE]

Connector No.	F58
Connector Name	EXHAUST VALVE TIMING CONTROL POSITION SENSOR
Connector Color	BLACK



Terminal No.	Color of Wire	Signal Name
1	V	-
2	SB	-
3	LG	-

Connector No.	F57
Connector Name	ELECTRIC THROTTLE CONTROL ACTUATOR (WITH QR25DE)
Connector Color	BLACK



Terminal No.	Color of Wire	Signal Name
1	W	-
2	G	-
3	R	-
4	B	-
5	G	-
6	BG	-

Connector No.	F55
Connector Name	CAMSHAFT POSITION SENSOR (PHASE)
Connector Color	BLACK



Terminal No.	Color of Wire	Signal Name
1	V	-
2	SB	-
3	LG	-

Connector No.	F70
Connector Name	JOINT CONNECTOR-F08
Connector Color	WHITE



Terminal No.	Color of Wire	Signal Name
1	V	- (WITH QR25DE)
2	V	- (WITH QR25DE)
3	V	- (WITH QR25DE)

Connector No.	F68
Connector Name	ENGINE OIL TEMPERATURE SENSOR
Connector Color	GRAY



Terminal No.	Color of Wire	Signal Name
1	L	- (WITH QR25DE)
2	G	- (WITH QR25DE)

Connector No.	F59
Connector Name	INTAKE VALVE TIMING CONTROL SOLENOID VALVE
Connector Color	GRAY



Terminal No.	Color of Wire	Signal Name
1	L	-
2	Y	-

ABBIA2975GB

A
EC
C
D
E
F
G
H
I
J
K
L
M
N
O
P

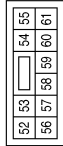
ENGINE CONTROL SYSTEM

< WIRING DIAGRAM >

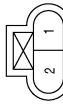
[QR25DE]

Terminal No.	Color of Wire	Signal Name
52	G	O2SENS #2 (WITH QR25DE)
53	W	O2SENS #1 (WITH QR25DE)
54	LG	INJECTOR #1
55	W	IGN COIL (WITH QR25DE)
57	R	ETC
58	SB	ECM BAT
59	LG	ENG SOL
60	V	INJECTOR #2
61	Y	AT ECU

Connector No.	F83
Connector Name	IPDM E/R (INTELLIGENT POWER DISTRIBUTION MODULE ENGINE ROOM)
Connector Color	WHITE



Connector No.	F80
Connector Name	EXHAUST VALVE TIMING CONTROL SOLENOID VALVE
Connector Color	GRAY

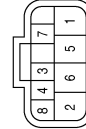


Terminal No.	Color of Wire	Signal Name
1	L	-
2	BR	-

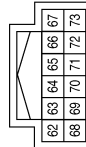
Connector No.	F87
Connector Name	ENGINE OIL PRESSURE SENSOR
Connector Color	BLACK



Connector No.	F85
Connector Name	TRANSMISSION RANGE SWITCH
Connector Color	BLACK



Connector No.	F84
Connector Name	IPDM E/R (INTELLIGENT POWER DISTRIBUTION MODULE ENGINE ROOM)
Connector Color	WHITE



Terminal No.	Color of Wire	Signal Name
1	V	- (WITH QR25DE)
2	L	- (WITH QR25DE)
3	BR	- (WITH QR25DE)

Terminal No.	Color of Wire	Signal Name
1	Y	- (WITH QR25DE)
2	LG	- (WITH QR25DE)

Terminal No.	Color of Wire	Signal Name
65	BR	MOTRLY (WITH QR25DE)
66	LG	NP SW
69	V	FPR
72	V	SSOFF (WITH QR25DE)

ABBIA3101GB

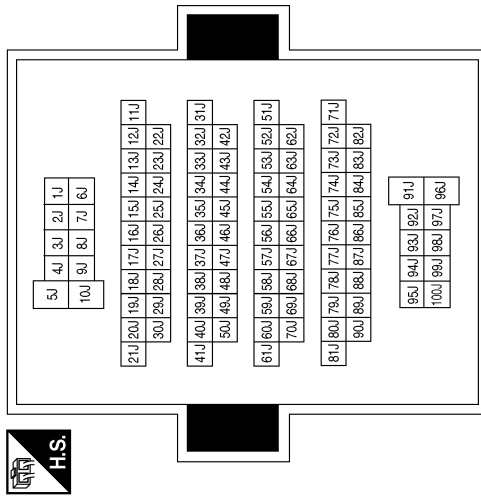
ENGINE CONTROL SYSTEM

< WIRING DIAGRAM >

[QR25DE]

Terminal No.	Color of Wire	Signal Name
81J	R	-

Connector No.	B1
Connector Name	WIRE TO WIRE
Connector Color	GRAY



Connector No.	F99
Connector Name	ENGINE OIL PRESSURE CONTROL SOLENOID VALVE
Connector Color	GRAY



Terminal No.	Color of Wire	Signal Name
1	SB	-
2	L	-

Connector No.	B39
Connector Name	EVAP CANISTER VENT CONTROL VALVE
Connector Color	BLACK



Terminal No.	Color of Wire	Signal Name
1	L	-
2	Y	-

Terminal No.	Color of Wire	Signal Name
1	BG	-
2	R	-
3	W	-
4	BG	-
5	R	-
7	Y	-
8	L	-

Connector No.	B10
Connector Name	WIRE TO WIRE
Connector Color	WHITE



ABBIA3102GB

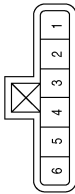
A
EC
C
D
E
F
G
H
I
J
K
L
M
N
O
P

ENGINE CONTROL SYSTEM

< WIRING DIAGRAM >

[QR25DE]

Connector No.	B42
Connector Name	FUEL LEVEL SENSOR UNIT AND FUEL PUMP
Connector Color	GRAY



Terminal No.	Color of Wire	Signal Name
1	R	-
3	BG	-
4	B	-
6	R	-

Connector No.	B41
Connector Name	EVAP CONTROL SYSTEM PRESSURE SENSOR
Connector Color	GRAY



Terminal No.	Color of Wire	Signal Name
1	R	-
2	BG	-
3	W	-

ABBIA3103GB

BASIC INSPECTION

DIAGNOSIS AND REPAIR WORKFLOW

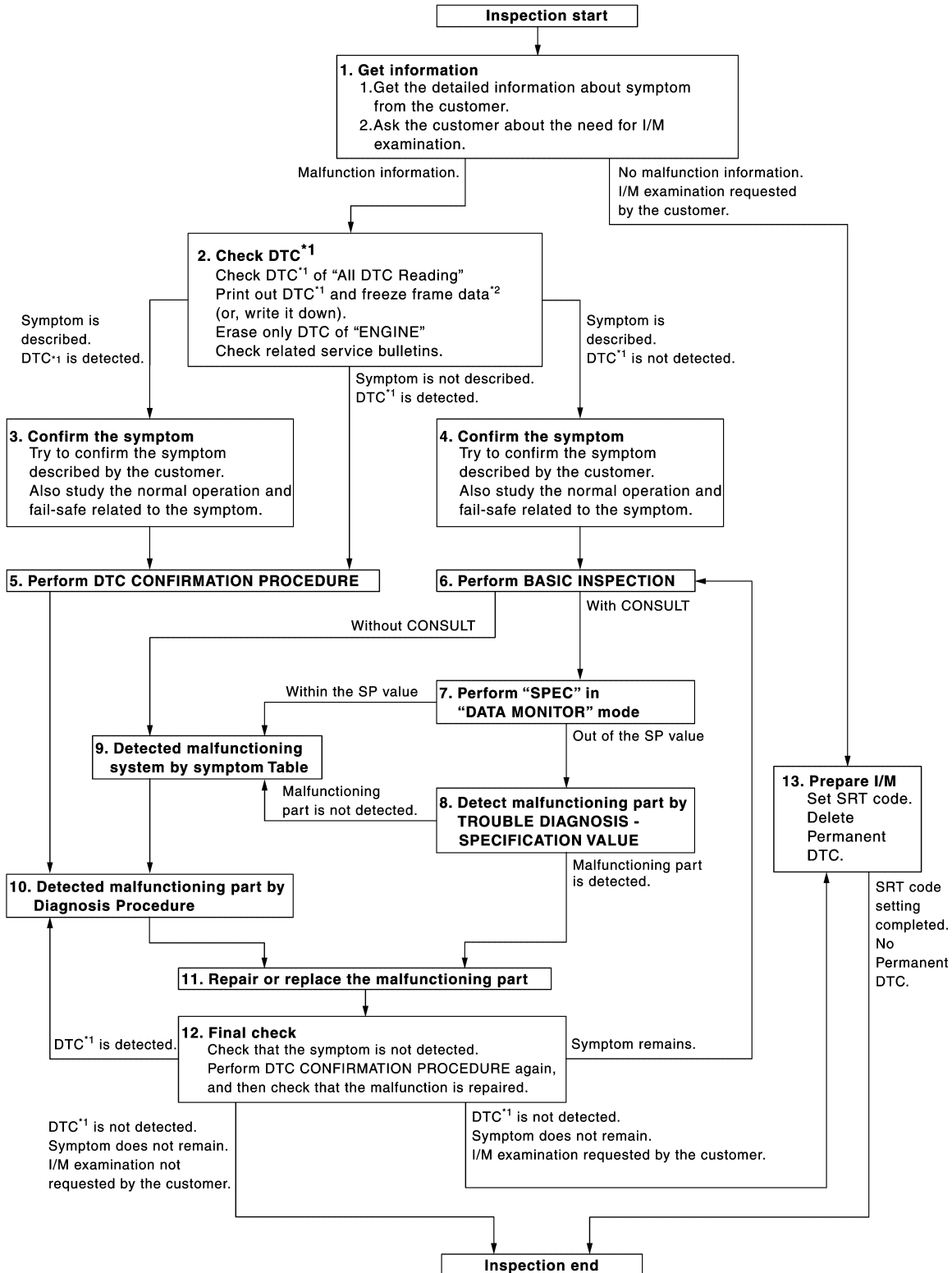
Work Flow

INFOID:000000012602242

A

EC

OVERALL SEQUENCE



C

D

E

F

G

H

I

J

K

L

M

N

O

P

JSBIA0123GB

DETAILED FLOW

DIAGNOSIS AND REPAIR WORKFLOW

[QR25DE]

< BASIC INSPECTION >

1. GET INFORMATION FOR SYMPTOM

1. Get the detailed information from the customer about the symptom (the condition and the environment when the incident/malfunction occurred) using the "Diagnostic Work Sheet". (Refer to [EC-176, "Diagnostic Work Sheet"](#).)
2. Ask if the customer requests I/M examination.

Malfunction information, obtained>>GO TO 2.

No malfunction information, but a request for I/M examination>>GO TO 13.

2. CHECK DTC

1. Check DTC.
2. Perform the following procedure if DTC is displayed.
 - Record DTC and freeze frame data. (Print them out with CONSULT or GST.)
 - Erase only DTC of "ENGINE".
 - Ⓜ With CONSULT: "How to Erase DTC and 1st Trip DTC" in [EC-79, "CONSULT Function"](#).
 - Ⓧ Without CONSULT: "How to Erase Self-diagnostic Results" in [EC-76, "On Board Diagnosis Function"](#).
 - Study the relationship between the cause detected by DTC and the symptom described by the customer. (Symptom Matrix Chart is useful. Refer to [EC-564, "Symptom Table"](#).)
3. Check related service bulletins for information.

Are any symptoms described and any DTCs detected?

Symptom is described, DTC is detected>>GO TO 3.

Symptom is described, DTC is not detected>>GO TO 4.

Symptom is not described, DTC is detected>>GO TO 5.

3. CONFIRM THE SYMPTOM

Try to confirm the symptom described by the customer (except MIL ON).

Also study the normal operation and fail-safe related to the symptom. Refer to [EC-570, "Description"](#) and [EC-106, "Fail Safe"](#).

Diagnosis Work Sheet is useful to verify the incident.

Verify relation between the symptom and the condition when the symptom is detected.

>> GO TO 5.

4. CONFIRM THE SYMPTOM

Try to confirm the symptom described by the customer.

Also study the normal operation and fail-safe related to the symptom. Refer to [EC-570, "Description"](#) and [EC-106, "Fail Safe"](#).

Diagnosis Work Sheet is useful to verify the incident.

Verify relation between the symptom and the condition when the symptom is detected.

>> GO TO 6.

5. PERFORM DTC CONFIRMATION PROCEDURE

Perform DTC CONFIRMATION PROCEDURE for the displayed DTC, and then check that DTC is detected again.

If two or more DTCs are detected, refer to [EC-108, "DTC Inspection Priority Chart"](#) and determine trouble diagnosis order.

NOTE:

- Freeze frame data is useful if the DTC is not detected.
- Perform Component Function Check if DTC CONFIRMATION PROCEDURE is not included on Service Manual. This simplified check procedure is an effective alternative though DTC cannot be detected during this check.
 - If the result of Component Function Check is NG, it is the same as the detection of DTC by DTC CONFIRMATION PROCEDURE.

Is DTC detected?

YES >> GO TO 10.

NO >> Check according to [GI-44, "Intermittent Incident"](#).

DIAGNOSIS AND REPAIR WORKFLOW

[QR25DE]

< BASIC INSPECTION >

6. PERFORM BASIC INSPECTION

Perform [EC-178, "Work Procedure"](#).

Do you have CONSULT?

YES >> GO TO 7.

NO >> GO TO 9.

7. PERFORM SPEC IN DATA MONITOR MODE

With CONSULT

Check that "MASS AIR FLOW SENSOR (Hz)", "B/FUEL SCHDL", "A/F ALPHA-B1" and "A/F ALPHA-B2" are within the SP value using "SPEC" in "DATA MONITOR" mode with CONSULT. Refer to [EC-203, "Component Function Check"](#).

Is the measurement value within the SP value?

YES >> GO TO 9.

NO >> GO TO 8.

8. DETECT MALFUNCTIONING PART BY TROUBLE DIAGNOSIS - SPECIFICATION VALUE

Detect malfunctioning part according to [EC-204, "Diagnosis Procedure"](#).

Is a malfunctioning part detected?

YES >> GO TO 11.

NO >> GO TO 9.

9. DETECT MALFUNCTIONING SYSTEM BY SYMPTOM TABLE

Detect malfunctioning system according to [EC-564, "Symptom Table"](#) based on the confirmed symptom in step 4, and determine the trouble diagnosis order based on possible causes and symptoms.

>> GO TO 10.

10. DETECT MALFUNCTIONING PART BY DIAGNOSIS PROCEDURE

Inspect according to Diagnosis Procedure of the system.

NOTE:

The Diagnosis Procedure in EC section described based on open circuit inspection. A short circuit inspection is also required for the circuit check in the Diagnosis Procedure. For details, refer to [GI-46, "Circuit Inspection"](#).

Is a malfunctioning part detected?

YES >> GO TO 11.

NO >> Monitor input data from related sensors or check voltage of related ECM terminals using CONSULT. Refer to [EC-91, "Reference Value"](#).

11. REPAIR OR REPLACE THE MALFUNCTIONING PART

1. Repair or replace the malfunctioning part.
2. Reconnect parts or connectors disconnected during Diagnosis Procedure again after repair and replacement.
3. Check DTC. If DTC is displayed, erase it. Refer to the following.

With CONSULT: "How to Erase DTC and 1st Trip DTC" in [EC-79, "CONSULT Function"](#).

Without CONSULT: "How to Erase Self-diagnostic Results" in [EC-76, "On Board Diagnosis Function"](#).

>> GO TO 12.

12. FINAL CHECK

When DTC was detected in step 2, perform DTC CONFIRMATION PROCEDURE or Component Function Check again, and then check that the malfunction have been completely repaired.

When symptom was described from the customer, refer to confirmed symptom in step 3 or 4, and check that the symptom is not detected.

Is DTC detected and does symptom remain?

YES-1 >> DTC is detected: GO TO 10.

YES-2 >> Symptom remains: GO TO 6.

DIAGNOSIS AND REPAIR WORKFLOW

[QR25DE]

< BASIC INSPECTION >

NO-1 >> No request for I/M examination from the customer: Before returning the vehicle to the customer, always erase unnecessary DTC in ECM and TCM (ⓐWith CONSULT: Refer to “How to Erase DTC and 1st Trip DTC” in [EC-79, "CONSULT Function"](#), (ⓧWithout CONSULT: Refer to “How to Erase Self-diagnostic Results” in [EC-76, "On Board Diagnosis Function"](#)). If the completion of SRT is needed, drive vehicle under the specific driving pattern. Refer to [EC-192, "SRT Set Driving Pattern"](#).

NO-2 >> I/M examination, requested from the customer: GO TO 13.

13. PREPARE FOR I/M EXAMINATION

1. Set SRT codes. Refer to [EC-191, "Description"](#).
2. Erase permanent DTCs. Refer to [EC-197, "Description"](#).

>> INSPECTION END

Diagnostic Work Sheet

INFOID:000000012602243

DESCRIPTION

There are many operating conditions that lead to the malfunction of engine components. A good grasp of such conditions can make troubleshooting faster and more accurate.

In general, each customer feels differently about symptoms. It is important to fully understand the symptoms or conditions for a customer complaint.

Utilize a diagnostic worksheet like the WORKSHEET SAMPLE below in order to organize all the information for troubleshooting.

Some conditions may cause the MIL to illuminate or blink, and DTC to be detected. Examples:

- Vehicle ran out of fuel, which caused the engine to misfire.
- Fuel filler cap was left off or incorrectly screwed on, allowing fuel to evaporate into the atmosphere.

KEY POINTS

WHAT Vehicle & engine model
WHEN Date, Frequencies
WHERE..... Road conditions
HOW Operating conditions,
Weather conditions,
Symptoms

SEF907L

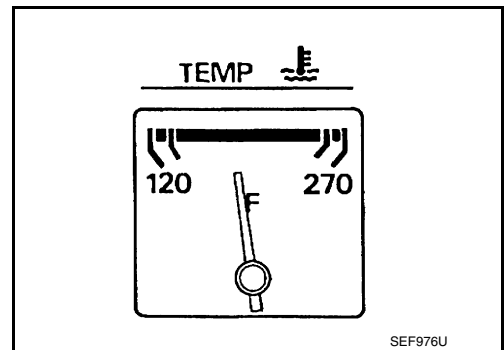
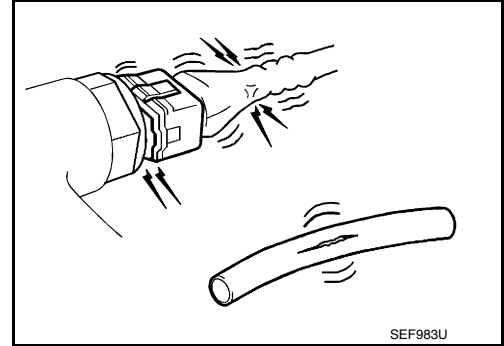
BASIC INSPECTION

Work Procedure

INFOID:000000012602244

1.INSPECTION START

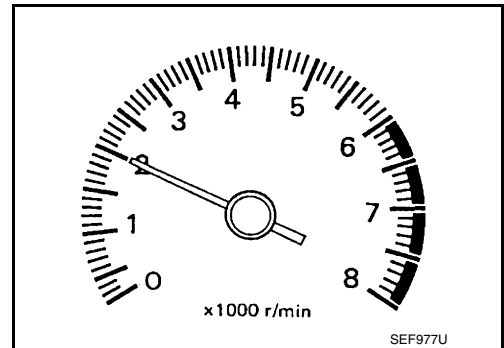
1. Check service records for any recent repairs that may indicate a related malfunction, or a current need for scheduled maintenance.
2. Open engine hood and check the following:
 - Harness connectors for improper connections
 - Wiring harness for improper connections, pinches and cut
 - Vacuum hoses for splits, kinks and improper connections
 - Hoses and ducts for leaks
 - Air cleaner clogging
 - Gasket
3. Confirm that electrical or mechanical loads are not applied.
 - Headlamp switch is OFF.
 - Air conditioner switch is OFF.
 - Rear window defogger switch is OFF.
 - Steering wheel is in the straight-ahead position, etc.
4. Start engine and warm it up until engine coolant temperature indicator points the middle of gauge. Ensure engine stays below 1,000 rpm.



5. Run engine at about 2,000 rpm for about 2 minutes under no load.
6. Make sure that no DTC is displayed with CONSULT or GST.

Is any DTC detected?

- YES >> GO TO 2.
 NO >> GO TO 3.



2.REPAIR OR REPLACE

Repair or replace components as necessary according to corresponding Diagnostic Procedure.

>> GO TO 3.

3.CHECK TARGET IDLE SPEED

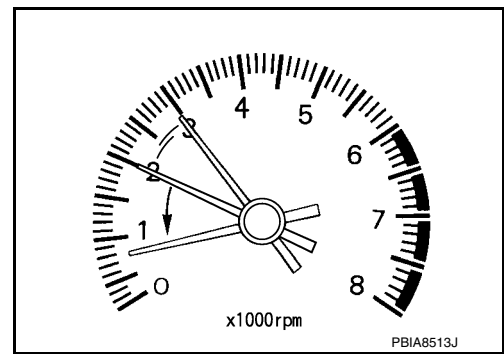
1. Run engine at about 2,000 rpm for about 2 minutes under no load.

BASIC INSPECTION

[QR25DE]

< BASIC INSPECTION >

- Rev engine (2,000 to 3,000 rpm) two or three times under no load, then run engine at idle speed for about 1 minute.
- Check idle speed.
For procedure, refer to [EC-571, "Inspection"](#).
For specification, refer to [EC-578, "Idle Speed"](#).



Is the inspection result normal?

- YES >> GO TO 10.
NO >> GO TO 4.

4.PERFORM ACCELERATOR PEDAL RELEASED POSITION LEARNING

- Stop engine.
- Perform [EC-185, "Description"](#).

>> GO TO 5.

5.PERFORM THROTTLE VALVE CLOSED POSITION LEARNING

Perform [EC-186, "Description"](#).

>> GO TO 6.

6.PERFORM IDLE AIR VOLUME LEARNING

Perform [EC-187, "Description"](#).

Is Idle Air Volume Learning carried out successfully?

- YES >> GO TO 7.
NO >> Follow the instruction of Idle Air Volume Learning. Then GO TO 4.

7.CHECK TARGET IDLE SPEED AGAIN

- Start engine and warm it up to normal operating temperature.
- Check idle speed.
For procedure, refer to [EC-571, "Inspection"](#).
For specification, refer to [EC-578, "Idle Speed"](#).

Is the inspection result normal?

- YES >> GO TO 10.
NO >> GO TO 8.

8.DETECT MALFUNCTIONING PART

Check the Following.

- Check camshaft position sensor (PHASE) and circuit. Refer to [EC-342, "DTC Logic"](#).
- Check crankshaft position sensor (POS) and circuit. Refer to [EC-339, "DTC Logic"](#).

Is the inspection result normal?

- YES >> GO TO 9.
NO >> Repair or replace. Then GO TO 4

9.CHECK ECM FUNCTION

- Substitute another known-good ECM to check ECM function. (ECM may be the cause of an incident, but this is a rare case.)
- Perform initialization of NVIS (NATS) system and registration of all NVIS (NATS) ignition key IDs. Refer to [SEC-68, "ECM : Description"](#).

>> GO TO 4.

10.CHECK IGNITION TIMING

- Run engine at idle.

BASIC INSPECTION

[QR25DE]

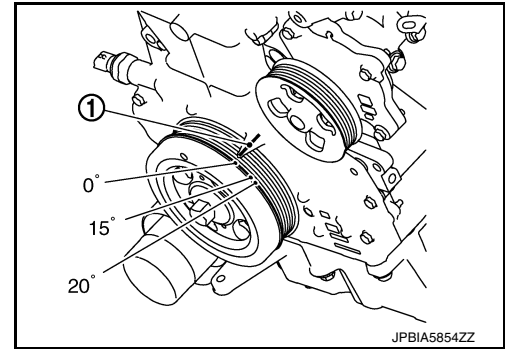
< BASIC INSPECTION >

2. Check ignition timing with a timing light.
For procedure, refer to [EC-572, "Inspection"](#)
For specification, refer to [EC-578, "Ignition Timing"](#).

① Timing indicator

Is the inspection result normal?

- YES >> INSPECTION END.
NO >> GO TO 11.



11. PERFORM ACCELERATOR PEDAL RELEASED POSITION LEARNING

1. Stop engine.
2. Perform [EC-185, "Description"](#).

>> GO TO 12.

12. PERFORM THROTTLE VALVE CLOSED POSITION LEARNING

Perform [EC-186, "Description"](#).

>> GO TO 13.

13. PERFORM IDLE AIR VOLUME LEARNING

Perform [EC-187, "Description"](#).

Is Idle Air Volume Learning carried out successfully?

- YES >> GO TO 14.
NO >> Follow the instruction of Idle Air Volume Learning. Then GO TO 4.

14. CHECK TARGET IDLE SPEED AGAIN

1. Start engine and warm it up to normal operating temperature.
2. Check idle speed.
For procedure, refer to [EC-571, "Inspection"](#).
For specification, refer to [EC-578, "Idle Speed"](#).

Is the inspection result normal?

- YES >> GO TO 15.
NO >> GO TO 17.

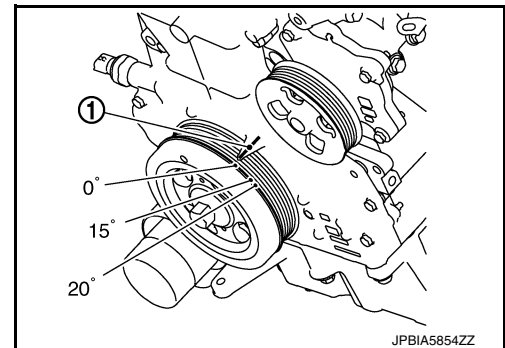
15. CHECK IGNITION TIMING AGAIN

1. Run engine at idle.
2. Check ignition timing with a timing light.
For procedure, refer to [EC-572, "Inspection"](#).
For specification, refer to [EC-578, "Ignition Timing"](#).

① Timing indicator

Is the inspection result normal?

- YES >> INSPECTION END.
NO >> GO TO 16.



16. CHECK TIMING CHAIN INSTALLATION

Check timing chain installation. Refer to [EM-62, "Removal and Installation"](#).

Is the inspection result normal?

- YES >> GO TO 17.
NO >> Repair the timing chain installation. Then GO TO 4.

17. DETECT MALFUNCTIONING PART

Check the following.

- Check camshaft position sensor (PHASE) and circuit. Refer to [EC-342, "DTC Logic"](#).
- Check crankshaft position sensor (POS) and circuit. Refer to [EC-339, "DTC Logic"](#).

Is the inspection result normal?

YES >> GO TO 18.

NO >> Repair or replace. Then GO TO 4

18. CHECK ECM FUNCTION

1. Substitute another known-good ECM to check ECM function. (ECM may be the cause of an incident, but this is a rare case.)
2. Perform initialization of NVIS (NATS) system and registration of all NVIS (NATS) ignition key IDs. Refer to [SEC-68, "ECM : Description"](#).

>> GO TO 4.

A

EC

C

D

E

F

G

H

I

J

K

L

M

N

O

P

ADDITIONAL SERVICE WHEN REPLACING ECM

Description

INFOID:000000012602245

When replacing ECM, the following procedure must be performed. (For details, refer to [EC-182, "Work Procedure"](#).)

PROGRAMMING OPERATION

NOTE:

After replacing with a blank ECM, programming is required to write ECM information. Be sure to follow the procedure to perform the programming.

BEFORE REPLACEMENT

When replacing ECM, perform "SAVING DATA FOR REPLC CPU" in "WORK SUPPORT" of "ENGINE" by using CONSULT to save current ECM data before replacement.

AFTER REPLACEMENT

After replacing ECM, the following items must be performed:

- Write data after replace CPU
- Accelerator pedal released position learning
- Throttle valve closed position learning
- Idle air volume learning

Work Procedure

INFOID:000000012602246

1. SAVE ECM DATA

Ⓟ With CONSULT

1. Turn ignition switch OFF.
2. Reconnect all harness connectors disconnected.
3. Turn ignition switch ON.
4. Select "SAVING DATA FOR REPLC CPU" in "WORK SUPPORT" mode of "ENGINE" using CONSULT.
5. Follow the instruction of CONSULT display.

NOTE:

- Necessary data in ECM is copied and saved to CONSULT.
- Go to Step 2 regardless of with or without success in saving data.

>> GO TO 2.

2. CHECK ECM PART NUMBER

Check ECM part number to see whether it is blank ECM or not.

NOTE:

- Part number of blank ECM is 23703 - xxxxxx.
- Check part number when ordering ECM or the one included in the label on the container box.

Is the ECM a blank ECM?

- YES >> GO TO 3.
 NO >> GO TO 5.

3. SAVE ECM PART NUMBER

Read out the part number from the old ECM and save the number, following the programming instructions. Refer to CONSULT Operation Manual.

NOTE:

- The ECM part number is saved in CONSULT.
- Even when ECM part number is not saved in CONSULT, go to 4.

>> GO TO 4.

4. PERFORM ECM PROGRAMMING

After replacing ECM, perform the ECM programming. Refer to CONSULT Operation Manual.

NOTE:

- Refer to [EC-577, "Removal and Installation"](#) for replacement of ECM.

ADDITIONAL SERVICE WHEN REPLACING ECM

[QR25DE]

< BASIC INSPECTION >

- During programming, maintain the following conditions:
 - Ignition switch: ON
 - Electric load: OFF
 - Brake pedal: Not depressed
 - Battery voltage: 12 – 13.5 V (Be sure to check the value of battery voltage by selecting “BATTERY VOLT” in “Data monitor” of CONSULT.)

>> GO TO 6.

5. REPLACE ECM

Replace ECM. Refer to [EC-577. "Removal and Installation"](#).

>> GO TO 6.

6. PERFORM INITIALIZATION OF NATS SYSTEM AND REGISTRATION OF ALL NATS IGNITION KEY IDS

Refer to [SEC-68. "ECM : Description"](#).

>> GO TO 7.

7. CHECK ECM DATA STATUS

Check if the data is successfully copied from the ECM at Step 1 (before replacement) and saved in CONSULT.

Is the data saved successfully?

- YES >> GO TO 8.
- NO >> GO TO 9.

8. WRITE ECM DATA

Ⓜ With CONSULT

1. Select “WRITING DATA FOR REPLC CPU” in “WORK SUPPORT” mode of “ENGINE” using CONSULT.
2. Follow the instruction of CONSULT display.

NOTE:

The data saved by “SAVING DATA FOR REPLC CPU” is written to ECM.

>> GO TO 10.

9. PERFORM VIN REGISTRATION

Refer to [EC-184. "Description"](#).

>> GO TO 10.

10. PERFORM ACCELERATOR PEDAL RELEASED POSITION LEARNING

Refer to [EC-185. "Description"](#).

>> GO TO 11.

11. PERFORM THROTTLE VALVE CLOSED POSITION LEARNING

Refer to [EC-186. "Description"](#).

>> GO TO 12.

12. PERFORM IDLE AIR VOLUME LEARNING

Refer to [EC-187. "Description"](#).

>> END

VIN REGISTRATION

Description

INFOID:000000012602247

VIN Registration is an operation to registering VIN in ECM. It must be performed each time ECM is replaced. (For details, refer to [EC-184, "Work Procedure"](#).)

NOTE:

Accurate VIN which is registered in ECM may be required for Inspection & Maintenance (I/M).

Work Procedure


INFOID:000000012602248

1. CHECK VIN

Check the VIN of the vehicle and note it. Refer to [GI-23, "Identification Number"](#).

>> GO TO 2.

2. PERFORM VIN REGISTRATION

 With CONSULT

1. Turn ignition switch ON and engine stopped.
2. Select "VIN REGISTRATION" in "WORK SUPPORT" mode of "ENGINE" using CONSULT.
3. Follow the instruction of CONSULT display.

>> END

ACCELERATOR PEDAL RELEASED POSITION LEARNING

< BASIC INSPECTION >

[QR25DE]

ACCELERATOR PEDAL RELEASED POSITION LEARNING

Description

INFOID:000000012602249

Accelerator Pedal Released Position Learning is a function of ECM to learn the fully released position of the accelerator pedal by monitoring the accelerator pedal position sensor output signal. It must be performed each time harness connector of accelerator pedal position sensor or ECM is disconnected. (For details, refer to [EC-185](#). "Work Procedure".)

Work Procedure

INFOID:000000012602250

1. START

1. Make sure that accelerator pedal is fully released.
2. Turn ignition switch ON and wait at least 2 seconds.
3. Turn ignition switch OFF and wait at least 10 seconds.
4. Turn ignition switch ON and wait at least 2 seconds.
5. Turn ignition switch OFF and wait at least 10 seconds.

>> END

A
EC
C
D
E
F
G
H
I
J
K
L
M
N
O
P

THROTTLE VALVE CLOSED POSITION LEARNING

< BASIC INSPECTION >

[QR25DE]

THROTTLE VALVE CLOSED POSITION LEARNING

Description

INFOID:0000000012602251

Throttle Valve Closed Position Learning is a function of ECM to learn the fully closed position of the throttle valve by monitoring the throttle position sensor output signal. It must be performed each time the harness connector of the electric throttle control actuator or ECM is disconnected or electric throttle control actuator inside is cleaned. (For details, refer to [EC-186. "Work Procedure"](#).)

Work Procedure

INFOID:0000000012602252

1. START

Ⓟ With CONSULT

1. Turn ignition switch ON.
2. Select "CLSD THL POS LEARN" in "WORK SUPPORT" mode of "ENGINE" using CONSULT.
3. Follow the instructions on the CONSULT display.
4. Turn ignition switch OFF and wait at least 10 seconds.
Check that throttle valve moves during the above 10 seconds by confirming the operating sound.

ⓧ Without CONSULT

1. Start the engine.
NOTE:
Engine coolant temperature is 25°C (77°F) or less before engine starts.
2. Warm up the engine.
NOTE:
Raise engine coolant temperature until it reaches 65°C (149°F) or more.
3. Turn ignition switch OFF and wait at least 10 seconds.
Check that throttle valve moves during the above 10 seconds by confirming the operating sound.

>> END

IDLE AIR VOLUME LEARNING

Description

INFOID:000000012602253

Idle Air Volume Learning is a function of ECM to learn the idle air volume that keeps each engine idle speed within the specific range. (For details, refer to [EC-187. "Work Procedure"](#).) It must be performed under any of the following conditions:

- Each time electric throttle control actuator or ECM is replaced.
- Idle speed or ignition timing is out of specification.

Work Procedure

INFOID:000000012602254

1. PRECONDITIONING

Make sure that all of the following conditions are satisfied.

Learning will be cancelled if any of the following conditions are missed for even a moment.

- Battery voltage: More than 12.9 V (At idle)
- Engine coolant temperature: 70 - 100°C (158 - 212°F)
- Selector lever : P or N
- Electric load switch: OFF
(Air conditioner, headlamp, rear window defogger)

On vehicles equipped with daytime running light systems, set lighting switch to the 1st position to light only small lamps.

- Steering wheel: Neutral (Straight-ahead position)
- Vehicle speed: Stopped
- Transmission: Warmed-up

- With CONSULT

Drive vehicle until "ATF TENP SEN" in "DATA MONITOR" mode of "CVT" system indicates less than 0.9 V.

- Without CONSULT

Drive vehicle for 10 minutes.

Do you have CONSULT?

YES >> GO TO 2.

NO >> GO TO 3.

2. IDLE AIR VOLUME LEARNING

With CONSULT

1. Perform Accelerator Pedal Released Position Learning. Refer to [EC-185. "Description"](#).
2. Perform Throttle Valve Closed Position Learning. Refer to [EC-186. "Description"](#).
3. Start engine and warm it up to normal operating temperature.
4. Select "IDLE AIR VOL LEARN" in "WORK SUPPORT" mode of "ENGINE".
5. Touch "START" and wait 20 seconds.

Is "CMPLT" displayed on CONSULT screen?

YES >> GO TO 4.

NO >> GO TO 5.

3. IDLE AIR VOLUME LEARNING

Without CONSULT

NOTE:

- **It is better to count the time accurately with a clock.**
- **It is impossible to switch the diagnostic mode when an accelerator pedal position sensor circuit has a malfunction.**

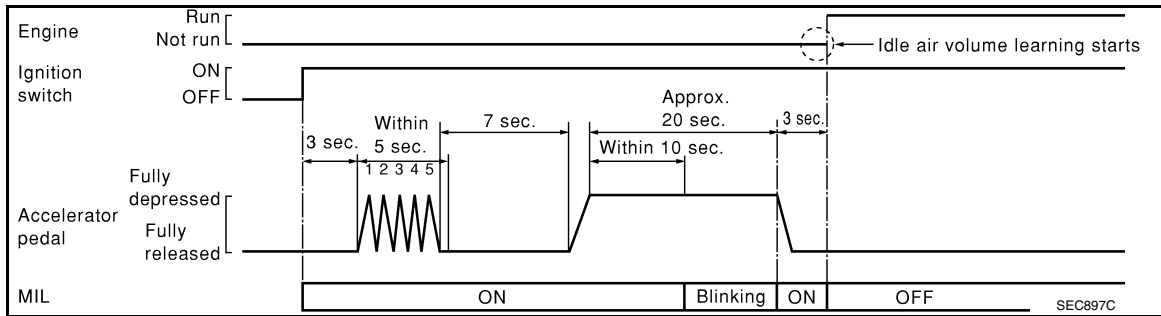
1. Perform Accelerator Pedal Released Position Learning. Refer to [EC-185. "Description"](#).
2. Perform Throttle Valve Closed Position Learning. Refer to [EC-186. "Description"](#).
3. Start engine and warm it up to normal operating temperature.
4. Turn ignition switch OFF and wait at least 10 seconds.
5. Confirm that accelerator pedal is fully released, turn ignition switch ON and wait 3 seconds.
6. Repeat the following procedure quickly five times within 5 seconds.
 - Fully depress the accelerator pedal.
 - Fully release the accelerator pedal.

IDLE AIR VOLUME LEARNING

[QR25DE]

< BASIC INSPECTION >

7. Wait 7 seconds, fully depress the accelerator pedal and keep it for approx. 20 seconds until the MIL stops blinking and turned ON.
8. Fully release the accelerator pedal within 3 seconds after the MIL turned ON.
9. Start engine and let it idle.
10. Wait 20 seconds.



>> GO TO 4

4. CHECK IDLE SPEED AND IGNITION TIMING

Rev up the engine two or three times and make sure that idle speed and ignition timing are within the specifications. For specification, refer to [EC-578, "Idle Speed"](#) and [EC-578, "Ignition Timing"](#).

Is the inspection result normal?

- YES >> INSPECTION END
- NO >> GO TO 5.

5. DETECT MALFUNCTIONING PART

Check the following

- Check that throttle valve is fully closed.
- Check PCV valve operation.
- Check that downstream of throttle valve is free from air leakage.

Is the inspection result normal?

- YES >> GO TO 6.
- NO >> Repair or replace malfunctioning part.

6. DETECT MALFUNCTIONING PART

Engine component parts and their installation condition are questionable. Check and eliminate the cause of the incident.

It is useful to perform "TROUBLE DIAGNOSIS - SPECIFICATION VALUE". Refer to [EC-203, "Description"](#).

If any of the following conditions occur after the engine has started, eliminate the cause of the incident and perform Idle Air Volume Learning all over again:

- Engine stalls.
- Erroneous idle.

>> INSPECTION END

MIXTURE RATIO SELF-LEARNING VALUE CLEAR

< BASIC INSPECTION >

[QR25DE]

MIXTURE RATIO SELF-LEARNING VALUE CLEAR

Description

INFOID:000000012602255

This describes how to erase the mixture ratio self-learning value. For the actual procedure, follow the instructions in "Diagnosis Procedure". (For details, refer to [EC-189. "Work Procedure"](#).)

Work Procedure

INFOID:000000012602256

1. START

With CONSULT

1. Start engine and warm it up to normal operating temperature.
2. Select "SELF-LEARNING CONT" in "WORK SUPPORT" mode of "ENGINE" using CONSULT.
3. Clear mixture ratio self-learning value by touching "CLEAR".

With GST

1. Start engine and warm it up to normal operating temperature.
2. Turn ignition switch OFF.
3. Disconnect mass air flow sensor harness connector.
4. Restart engine and let it idle for at least 5 seconds.
5. Stop engine and reconnect mass air flow sensor harness connector.
6. Select Service \$03 with GST. Make sure DTC P0102 is detected.
7. Select Service \$04 with GST to erase the DTC P0102.

>> END

FUEL PRESSURE

Work Procedure

INFOID:000000012602257

FUEL PRESSURE RELEASE

1. FUEL PRESSURE RELEASE

Ⓜ With CONSULT

1. Turn ignition switch ON.
2. Perform "FUEL PRESSURE RELEASE" in "WORK SUPPORT" mode of "ENGINE" using CONSULT.
3. Start engine.
4. After engine stalls, crank it two or three times to release all fuel pressure.
5. Turn ignition switch OFF.

ⓧ Without CONSULT

1. Remove fuel pump fuse located in IPDM E/R. For the fuse number, refer to [EC-123, "Wiring Diagram"](#). For the fuse arrangement, refer to [PG-68, "Fuse, Connector and Terminal Arrangement"](#).
2. Start engine.
3. After engine stalls, crank it two or three times to release all fuel pressure.
4. Turn ignition switch OFF.
5. Reinstall fuel pump fuse after servicing fuel system.

>> END

FUEL PRESSURE CHECK

CAUTION:

Before disconnecting fuel line, release fuel pressure from fuel line to eliminate danger.

NOTE:

- Prepare pans or saucers under the disconnected fuel line because the fuel may spill out. The fuel pressure cannot be completely released because this models do not have fuel return system.
- Use Fuel Pressure Gauge Kit [SST: (J-44321)] to check fuel pressure.

1. FUEL PRESSURE CHECK

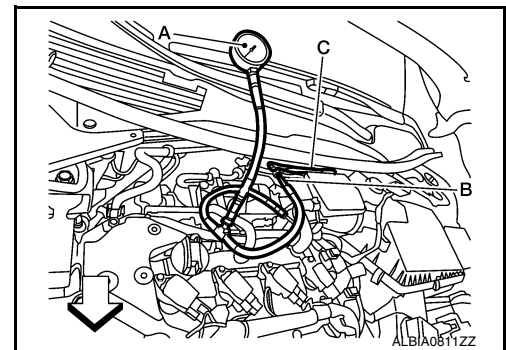
1. Release fuel pressure to zero.
2. Connect fuel tube adapter [SST:KV10120000] (B) to quick connector.

A : Fuel pressure gauge

C : Fuel feed hose

⇐ : Vehicle front

3. Turn ignition switch ON and check for fuel leakage.
4. Start engine and check for fuel leakage.
5. Read the indication of fuel pressure gauge.



At idling : Approximately 350 kPa (3.57 kg/cm², 51 psi)

Is the inspection result normal?

YES >> INSPECTION END

NO >> GO TO 2.

2. CHECK FUEL HOSES AND FUEL TUBES

Check fuel hoses and fuel tubes for clogging.

Is the inspection result normal?

YES >> Replace "fuel filter and fuel pump assembly". Refer to [FL-5, "Removal and Installation"](#).

NO >> Repair or replace error-detected parts.

HOW TO SET SRT CODE

< BASIC INSPECTION >

[QR25DE]

HOW TO SET SRT CODE

Description

INFOID:000000012602258

OUTLINE

In order to set all SRTs, the self-diagnoses as in the "SRT ITEM" table must have been performed at least once. Each diagnosis may require actual driving for a long period of time under various conditions.

SRT ITEM

The table below shows required self-diagnostic items to set the SRT to "CMPLT".

SRT item*1 (CONSULT indication)	Performance Priority*2	Required self-diagnostic items to set the SRT to "CMPLT"	Corresponding DTC No.
CATALYST	1	Three way catalyst function	P0420
EVAP SYSTEM	1	EVAP control system purge flow monitoring	P0441
	1	EVAP control system	P0456
HO2S	1	Air fuel ratio (A/F) sensor 1	P014C, P014D, P015A, P015B, P219C, P219D, P219E, P219F
		Heated oxygen sensor 2	P0137
		Heated oxygen sensor 2	P0138
		Heated oxygen sensor 2	P0139
EGR/VVT SYSTEM	2	Intake valve timing control function	P0011, P052A, P052B

*1: Though displayed on the CONSULT screen, "HO2S HTR" is not SRT item.

*2: If completion of several SRTs is required, perform driving patterns (DTC confirmation procedure), one by one based on the priority for models with CONSULT.

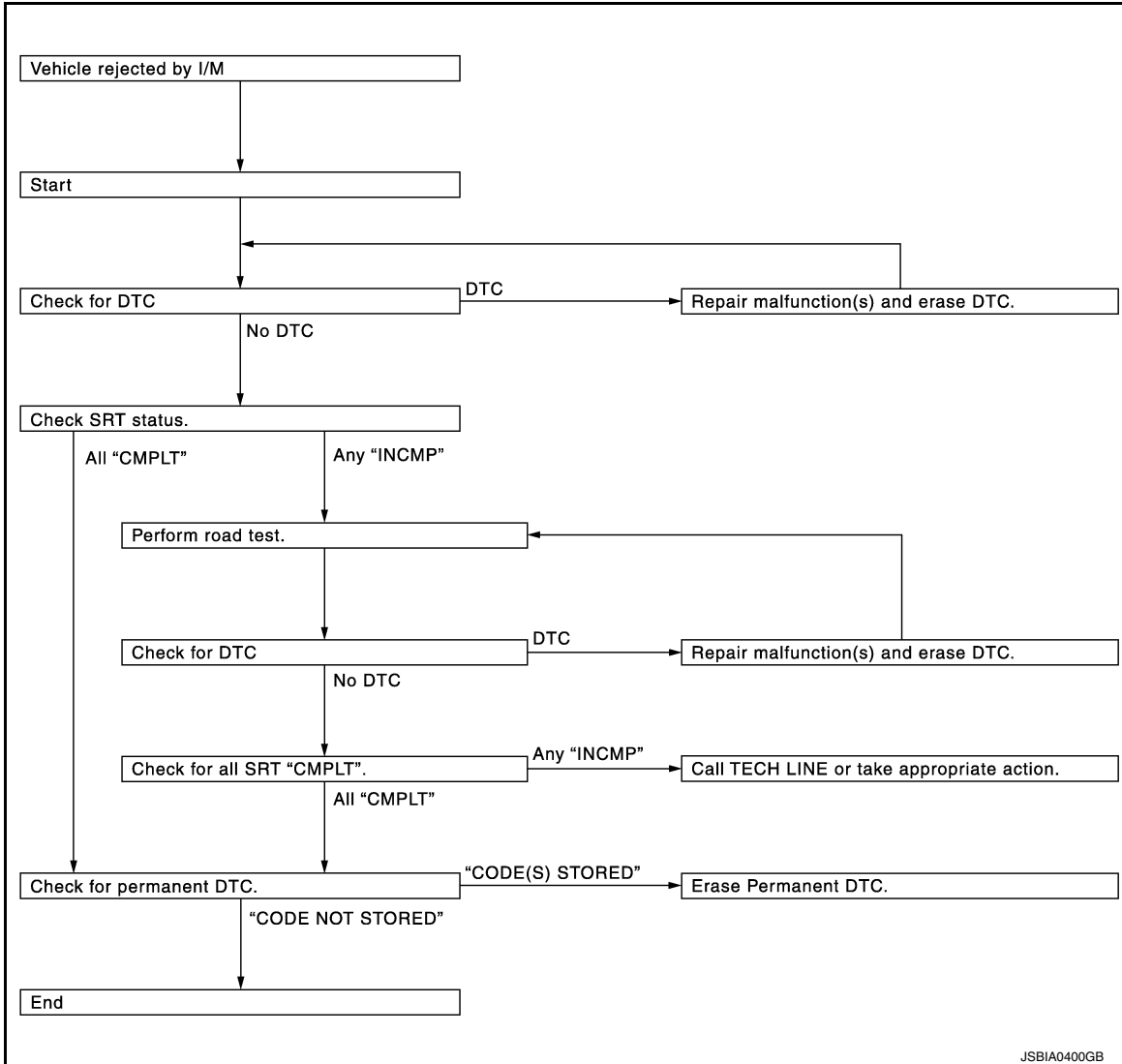
SRT SERVICE PROCEDURE

HOW TO SET SRT CODE

< BASIC INSPECTION >

[QR25DE]

If a vehicle has failed the state emissions inspection due to one or more SRT items indicating "INCMP", review the flowchart diagnostic sequence, referring to the following flowchart.



SRT Set Driving Pattern

INFOID:000000012602259

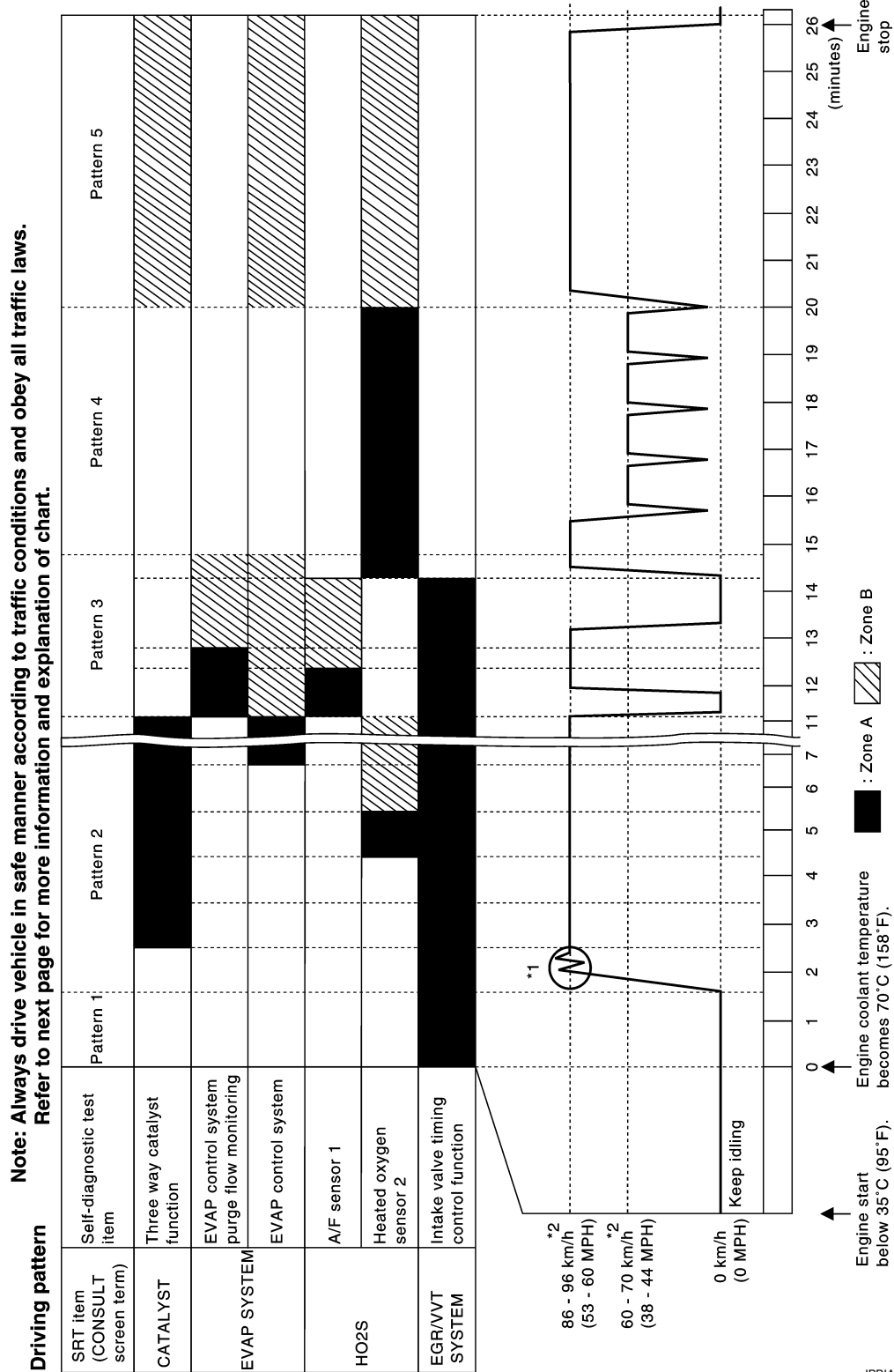
CAUTION:

HOW TO SET SRT CODE

< BASIC INSPECTION >

[QR25DE]

Always drive the vehicle in safe manner according to traffic conditions and obey all traffic laws.



*1: Depress the accelerator pedal until vehicle speed is 90 km/h (56 MPH), then release the accelerator pedal and keep it released for more than 10 seconds. Depress the accelerator pedal until vehicle speed is 90 km/h (56 MPH) again.

*2: Checking the vehicle speed with GST is advised.

- The time required for each diagnosis varies with road surface conditions, weather, altitude, individual driving habits, etc.
- “Zone A” is the fastest time where required for the diagnosis under normal conditions*. If the diagnosis is not completed within “Zone A”, the diagnosis can still be performed within “Zone B”.

A
EC
C
D
E
F
G
H
I
J
K
L
M
N
O
P

< BASIC INSPECTION >

*: Normal conditions

- Sea level
- Flat road
- Ambient air temperature: 20 – 30°C (68 – 86°F)

NOTE:

Diagnosis is performed as quickly as possible under normal conditions. However, under other conditions, diagnosis may also be performed. [For example: ambient air temperature other than 20 – 30°C (68 – 86°F)]

Work Procedure

INFOID:000000012602260

1. CHECK DTC

Check DTC.

Is any DTC detected?

- YES >> Repair malfunction(s) and erase DTC. Refer to [EC-110, "DTC Index"](#).
- NO >> GO TO 2.

2. CHECK SRT STATUS

With CONSULT

Select "SRT STATUS" in "DTC & SRT CONFIRMATION" mode with CONSULT.

Without CONSULT

Perform "SRT status" mode with [EC-76, "On Board Diagnosis Function"](#).

With GST

Select Service \$01 with GST.

Is SRT code(s) set?

- YES >> GO TO 11.
- NO-1 >> With CONSULT: GO TO 3.
- NO-2 >> Without CONSULT: GO TO 4.

3. DTC CONFIRMATION PROCEDURE

1. Select "SRT WORK SUPPORT" in "DTC & SRT CONFIRMATION" mode with CONSULT.
2. For SRT(s) that is not set, perform the corresponding "DTC CONFIRMATION PROCEDURE" according to the "Performance Priority" in the "SRT ITEM" table. Refer to [EC-191, "Description"](#).
3. Check DTC.

Is any DTC detected?

- YES >> Repair malfunction(s) and erase DTC. Refer to [EC-110, "DTC Index"](#).
- NO >> GO TO 10.

4. PERFORM ROAD TEST

- Check the "Performance Priority" in the "SRT ITEM" table. Refer to [EC-191, "Description"](#).
- Perform the most efficient SRT set driving pattern to set the SRT properly. Refer to [EC-192, "SRT Set Driving Pattern"](#).

In order to set all SRTs, the SRT set driving pattern must be performed at least once.

>> GO TO 5.

5. PATTERN 1

1. Check the vehicle condition;
 - Engine coolant temperature is –10 to 35°C (14 to 95°F).
 - Fuel tank temperature is more than 0°C (32°F).
2. Start the engine.
3. Keep engine idling until the engine coolant temperature is greater than 70°C (158°F)

NOTE:

ECM terminal voltage is follows;

- Engine coolant temperature
 - –10 to 35°C (14 to 95°F): 3.0 – 4.3 V
 - 70°(158°F): Less than 4.1 V
- Fuel tank temperature: Less than 1.4 V

Refer to [EC-91, "Reference Value"](#).

>> GO TO 6.

6. PATTERN 2

1. Drive the vehicle. And depress the accelerator pedal until vehicle speed is 90 km/h (56 MPH), then release the accelerator pedal and keep it released for more than 10 seconds.
2. Depress the accelerator pedal until vehicle speed is 90 km/h (56 MPH) again

NOTE:

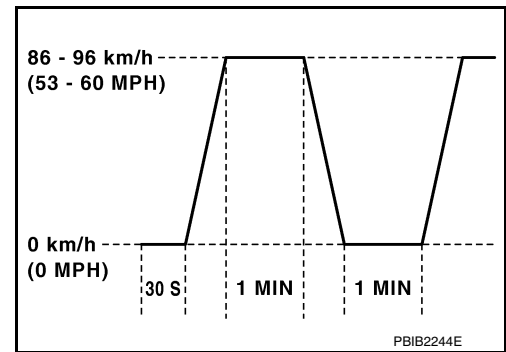
- Checking the vehicle speed with GST is advised.
- When steady-state driving is performed again even after it is interrupted, each diagnosis can be conducted. In this case, the time required for diagnosis may be extended.

>> GO TO 7.

7. PATTERN 3

- Operate vehicle following the driving pattern shown in the figure.
- Release the accelerator pedal during deceleration of vehicle speed from 90 km/h (56 MPH) to 0 km/h (0 MPH).

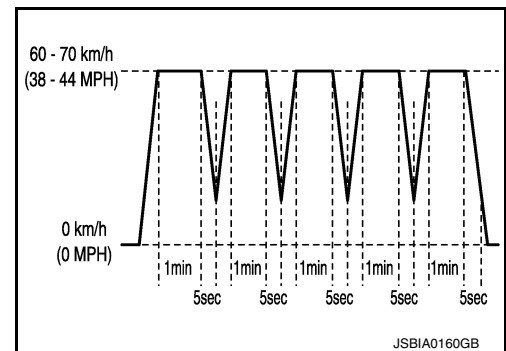
>> GO TO 8.



8. PATTERN 4

- Operate vehicle following the driving pattern shown in the figure.
- Drive the vehicle in a proper gear at 60 km/h (38 MPH) and maintain the speed.
- Release the accelerator pedal fully at least 5 seconds.
- Repeat the above two steps at least 5 times.

>> GO TO 9.



9. PATTERN 5

- The accelerator pedal must be held very steady during steady-state driving.
- If the accelerator pedal is moved, the test must be conducted again.

>> GO TO 10.

10. CHECK SRT STATUS

With CONSULT

Select "SRT STATUS" in "DTC & SRT CONFIRMATION" mode with CONSULT.

Without CONSULT

Perform "SRT status" mode with [EC-76. "On Board Diagnosis Function"](#).

With GST

Select Service \$01 with GST.

Is SRT(s) set?

YES >> GO TO 11.

NO >> Call TECH LINE or take appropriate action.

11. CHECK PERMANENT DTC

HOW TO SET SRT CODE

[QR25DE]

< BASIC INSPECTION >

NOTE:

Permanent DTC cannot be checked with a tool other than CONSULT or GST.

☐ With CONSULT

Select "SRT STATUS" in "DTC & SRT CONFIRMATION" mode with CONSULT.

☑ With GST

Select Service \$0A with GST.

Is permanent DTC(s) detected?

YES >> Proceed to [EC-197. "Description"](#).

NO >> END

HOW TO ERASE PERMANENT DTC

< BASIC INSPECTION >

[QR25DE]

HOW TO ERASE PERMANENT DTC

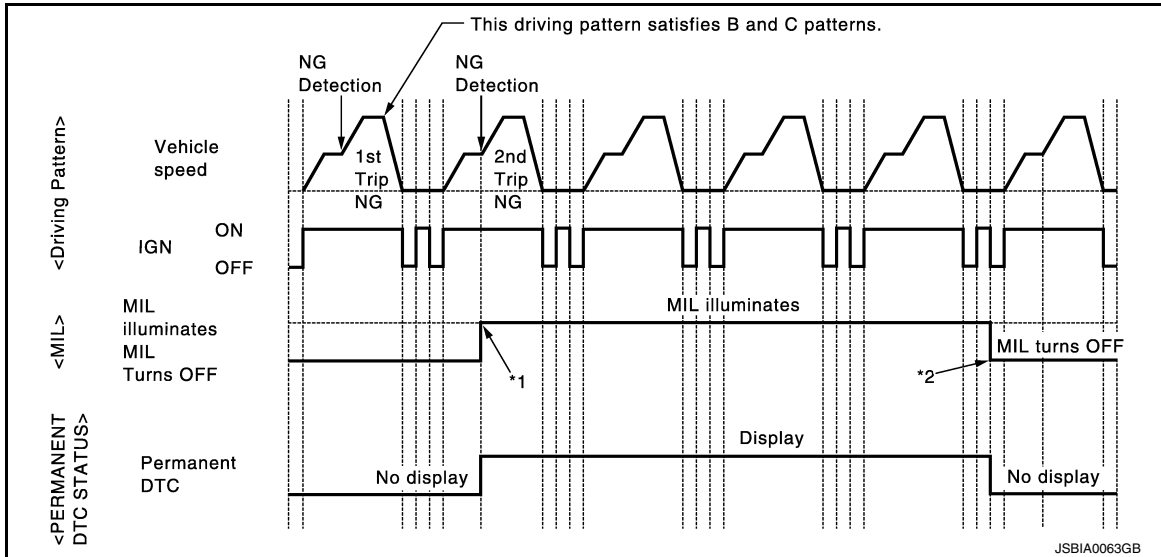
Description

INFOID:000000012602261

OUTLINE

When a DTC is stored in ECM

When a DTC is stored in ECM and MIL is ON, a permanent DTC is erased with MIL shutoff if the same malfunction is not detected after performing the driving pattern for MIL shutoff three times in a row.



*1: When the same malfunction is detected in two consecutive trips, MIL will illuminate.

*2: MIL will turn off after vehicle is driven 3 times (driving pattern B) without any malfunctions.

When a DTC is not stored in ECM

The erasing method depends on a permanent DTC stored in ECM. Refer to the following table.

NOTE:

If the applicable permanent DTC includes multiple groups, perform the procedure of Group B first. If the permanent DTC is not erased, perform the procedure of Group A.

×: Applicable —: Not applicable

Group*	Perform "DTC CONFIRMATION PROCEDURE" for applicable DTCs.	Driving pattern		Reference
		B	D	
A	×	—	—	EC-198
B	—	×	×	EC-200

*: For group, refer to [EC-110. "DTC Index"](#).

PERMANENT DTC ITEM

For permanent DTC items, MIL turns ON. Refer to [EC-110. "DTC Index"](#).

HOW TO ERASE PERMANENT DTC

[QR25DE]

< BASIC INSPECTION >

*1: When the same malfunction is detected in two consecutive trips, MIL will illuminate.

A

1. CHECK DTC

EC

Check DTC.

Is any DTC detected?

C

YES >> Repair malfunction(s) and erase DTC. Refer to [EC-76. "On Board Diagnosis Function"](#), [EC-79. "CONSULT Function"](#).

D

NO >> GO TO 2.

2. CHECK PERMANENT DTC

 With CONSULT

E

1. Turn ignition switch OFF and wait at least 10 seconds.
2. Turn ignition switch ON.
3. Turn ignition switch OFF and wait at least 10 seconds.
4. Turn ignition switch ON.
5. Select "PERMANENT DTC STATUS" mode with CONSULT.

F

 With GST

G

1. Turn ignition switch OFF and wait at least 10 seconds.
2. Turn ignition switch ON.
3. Turn ignition switch OFF and wait at least 10 seconds.
4. Turn ignition switch ON.
5. Select Service \$0A with GST.

H

Is any permanent DTC detected?

I

YES >> GO TO 3.

NO >> END

3. PERFORM DTC CONFIRMATION PROCEDURE

Perform "DTC CONFIRMATION PROCEDURE" for DTCs which are the same as permanent DTCs stored in ECM. Refer to [EC-110. "DTC Index"](#).

J

>> GO TO 4.

K

4. CHECK PERMANENT DTC

 With CONSULT

L

1. Turn ignition switch OFF and wait at least 10 seconds.
2. Turn ignition switch ON.
3. Turn ignition switch OFF and wait at least 10 seconds.
4. Turn ignition switch ON.
5. Select "PERMANENT DTC STATUS" mode with CONSULT.

M

 With GST

N

1. Turn ignition switch OFF and wait at least 10 seconds.
2. Turn ignition switch ON.
3. Turn ignition switch OFF and wait at least 10 seconds.
4. Turn ignition switch ON.
5. Select Service \$0A with GST.

O

Is any permanent DTC detected?

P

YES >> GO TO 1.

NO >> END

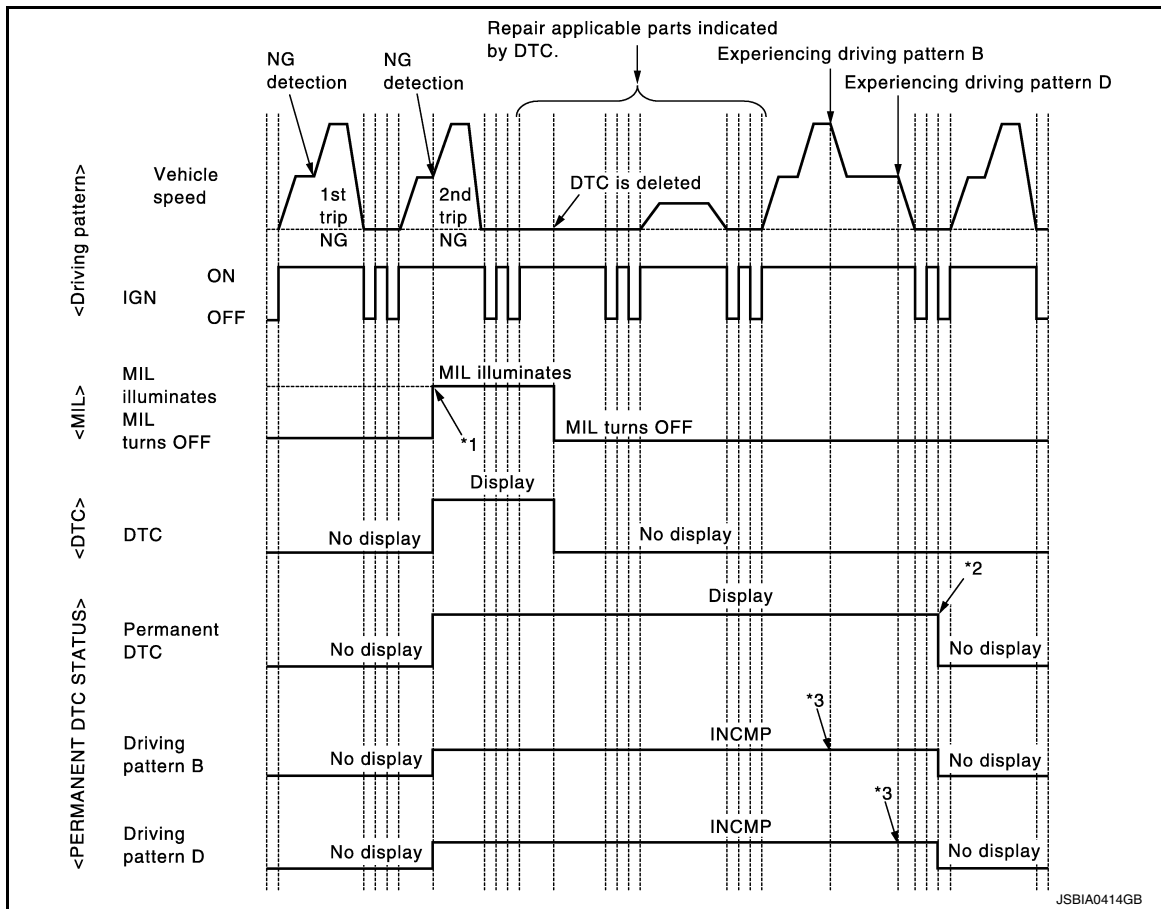
HOW TO ERASE PERMANENT DTC

< BASIC INSPECTION >

[QR25DE]

Work Procedure (Group B)

INFOID:000000012602263



*1: When the same malfunction is detected in two consecutive trips, MIL will illuminate.

*2: After experiencing driving pattern B and D, permanent DTC is erased.

*3: Indication does not change unless the ignition switch is turned from ON to OFF twice even after experiencing driving pattern B or D.

NOTE:

Drive the vehicle according to only driving patterns indicating "INCMP" in driving patterns B and D on the "PERMANENT DTC STATUS" screen.

1. CHECK DTC

Check DTC.

Is any DTC detected?

YES >> Repair malfunction(s) and erase DTC. Refer to [EC-76. "On Board Diagnosis Function"](#), [EC-79. "CONSULT Function"](#).

NO >> GO TO 2.

2. CHECK PERMANENT DTC

Ⓜ With CONSULT

1. Turn ignition switch OFF and wait at least 10 seconds.
2. Turn ignition switch ON.
3. Turn ignition switch OFF and wait at least 10 seconds.
4. Turn ignition switch ON.
5. Select "PERMANENT DTC STATUS" mode with CONSULT.

Ⓜ With GST

1. Turn ignition switch OFF and wait at least 10 seconds.
2. Turn ignition switch ON.
3. Turn ignition switch OFF and wait at least 10 seconds.

HOW TO ERASE PERMANENT DTC

[QR25DE]

< BASIC INSPECTION >

4. Turn ignition switch ON.
5. Select Service \$0A with GST.

Is any permanent DTC detected?

- YES >> GO TO 3.
NO >> END

3.DRIVE DRIVING PATTERN B

CAUTION:

- Always drive at a safe speed.
- Never erase self-diagnosis results.
- If self-diagnosis results are erased during the trip of driving pattern B or D, the counter of driving pattern B and D is reset.

 With CONSULT

1. Start engine and warm it up to normal operating temperature.
2. Use "PERMANENT DTC WORK SUPPORT" mode with CONSULT to drive the vehicle according to driving pattern B. Refer to [EC-79, "CONSULT Function"](#), [EC-73, "DIAGNOSIS DESCRIPTION : Driving Pattern"](#).

 With GST

1. Start engine and warm it up to normal operating temperature.
2. Drive the vehicle according to driving pattern B. Refer to [EC-73, "DIAGNOSIS DESCRIPTION : Driving Pattern"](#).

>> GO TO 4.

4.CHECK PERMANENT DTC

 With CONSULT

1. Turn ignition switch OFF and wait at least 10 seconds.
2. Turn ignition switch ON.
3. Turn ignition switch OFF and wait at least 10 seconds.
4. Turn ignition switch ON.
5. Select "PERMANENT DTC STATUS" mode with CONSULT.

 With GST

1. Turn ignition switch OFF and wait at least 10 seconds.
2. Turn ignition switch ON.
3. Turn ignition switch OFF and wait at least 10 seconds.
4. Turn ignition switch ON.
5. Select Service \$0A with GST.

Is any permanent DTC detected?

- YES >> GO TO 5.
NO >> END

5.DRIVE DRIVING PATTERN D


CAUTION:

- Always drive at a safe speed.
- Never erase self-diagnosis results.
- If self-diagnosis results are erased during the trip of driving pattern B or D, the counter of driving pattern B and D is reset.

Drive the vehicle according to driving pattern D. Refer to [EC-73, "DIAGNOSIS DESCRIPTION : Driving Pattern"](#).

>> GO TO 6.

6.CHECK PERMANENT DTC

 With CONSULT

1. Turn ignition switch OFF and wait at least 10 seconds.
2. Turn ignition switch ON.
3. Turn ignition switch OFF and wait at least 10 seconds.
4. Turn ignition switch ON.

HOW TO ERASE PERMANENT DTC

[QR25DE]

< BASIC INSPECTION >

5. Select "PERMANENT DTC STATUS" mode with CONSULT.

Ⓢ With GST

1. Turn ignition switch OFF and wait at least 10 seconds.
2. Turn ignition switch ON.
3. Turn ignition switch OFF and wait at least 10 seconds.
4. Turn ignition switch ON.
5. Select Service \$0A with GST.

Is any permanent DTC detected?

YES >> GO TO 1.
NO >> END

DTC/CIRCUIT DIAGNOSIS

TROUBLE DIAGNOSIS - SPECIFICATION VALUE

Description

INFOID:0000000012602264

The specification (SP) value indicates the tolerance of the value that is displayed in "SPEC" of "DATA MONITOR" mode of CONSULT during normal operation of the Engine Control System. When the value in "SPEC" of "DATA MONITOR" mode is within the SP value, the Engine Control System is confirmed OK. When the value in "SPEC" of "DATA MONITOR" mode is NOT within the SP value, the Engine Control System may have one or more malfunctions.

The SP value is used to detect malfunctions that may affect the Engine Control System, but will not light the MIL.

The SP value will be displayed for the following three items:

- B/FUEL SCHDL (The fuel injection pulse width programmed into ECM prior to any learned on board correction)
- A/F ALPHA-B1 (The mean value of air-fuel ratio feedback correction factor per cycle)
- MASS AIR FLOW SENSOR (Hz) (The signal frequency of the mass air flow sensor)

Component Function Check

INFOID:0000000012602265

1. START

Make sure that all of the following conditions are satisfied.

- Vehicle driven distance: More than 5,000 km (3,107 miles)
 - Barometric pressure: 98.3 - 104.3 kPa (1.003 - 1.064 kg/cm², 14.25 - 15.12 psi)
 - Atmospheric temperature: 20 - 30°C (68 - 86°F)
 - Engine coolant temperature: 75 - 95°C (167 - 203°F)
 - Transmission: Warmed-up
 - After the engine is warmed up to normal operating temperature, drive vehicle until "ATF TEMP SEN" (CVT fluid temperature sensor signal) indicates more than 60°C (140°F).
 - Electrical load: Not applied*
 - Engine speed: Idle
- *: Rear window defogger switch, air conditioner switch, lighting switch are OFF. Steering wheel is straight ahead.

>> GO TO 2.

2. PERFORM "SPEC" OF "DATA MONITOR" MODE

With CONSULT

NOTE:

Perform "SPEC" in "DATA MONITOR" mode in maximum scale display.

1. Perform [EC-178. "Work Procedure"](#).
2. Select "B/FUEL SCHDL", "A/F ALPHA-B1" and "MASS AIR FLOW SENSOR (Hz)" in "SPEC" of "DATA MONITOR" mode with CONSULT.
3. Make sure that monitor items are within the SP value.

Is the inspection result normal?

YES >> END

NO >> Proceed to [EC-204. "Diagnosis Procedure"](#).

TROUBLE DIAGNOSIS - SPECIFICATION VALUE

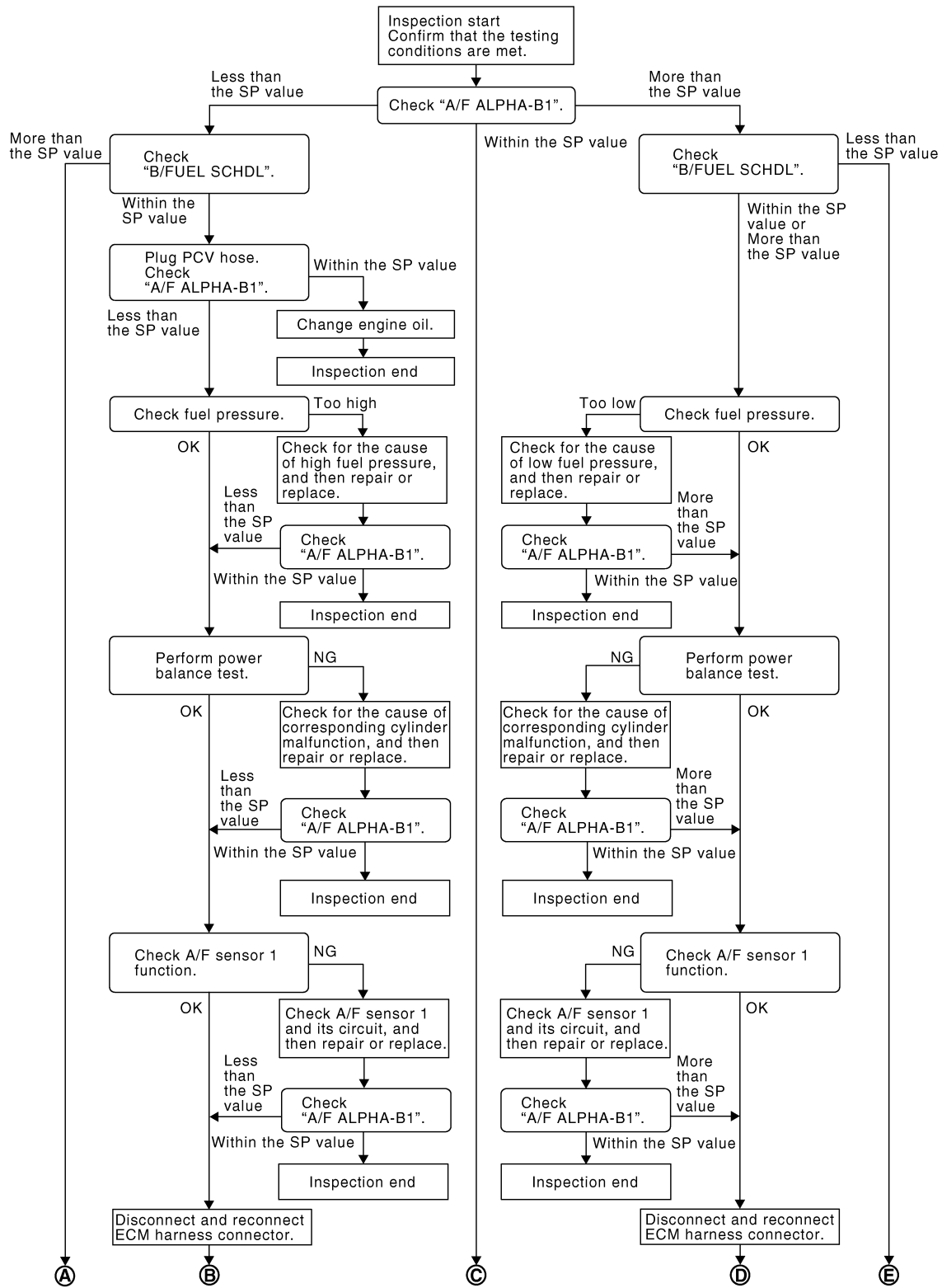
< DTC/CIRCUIT DIAGNOSIS >

[QR25DE]

Diagnosis Procedure

INFOID:000000012602266

OVERALL SEQUENCE

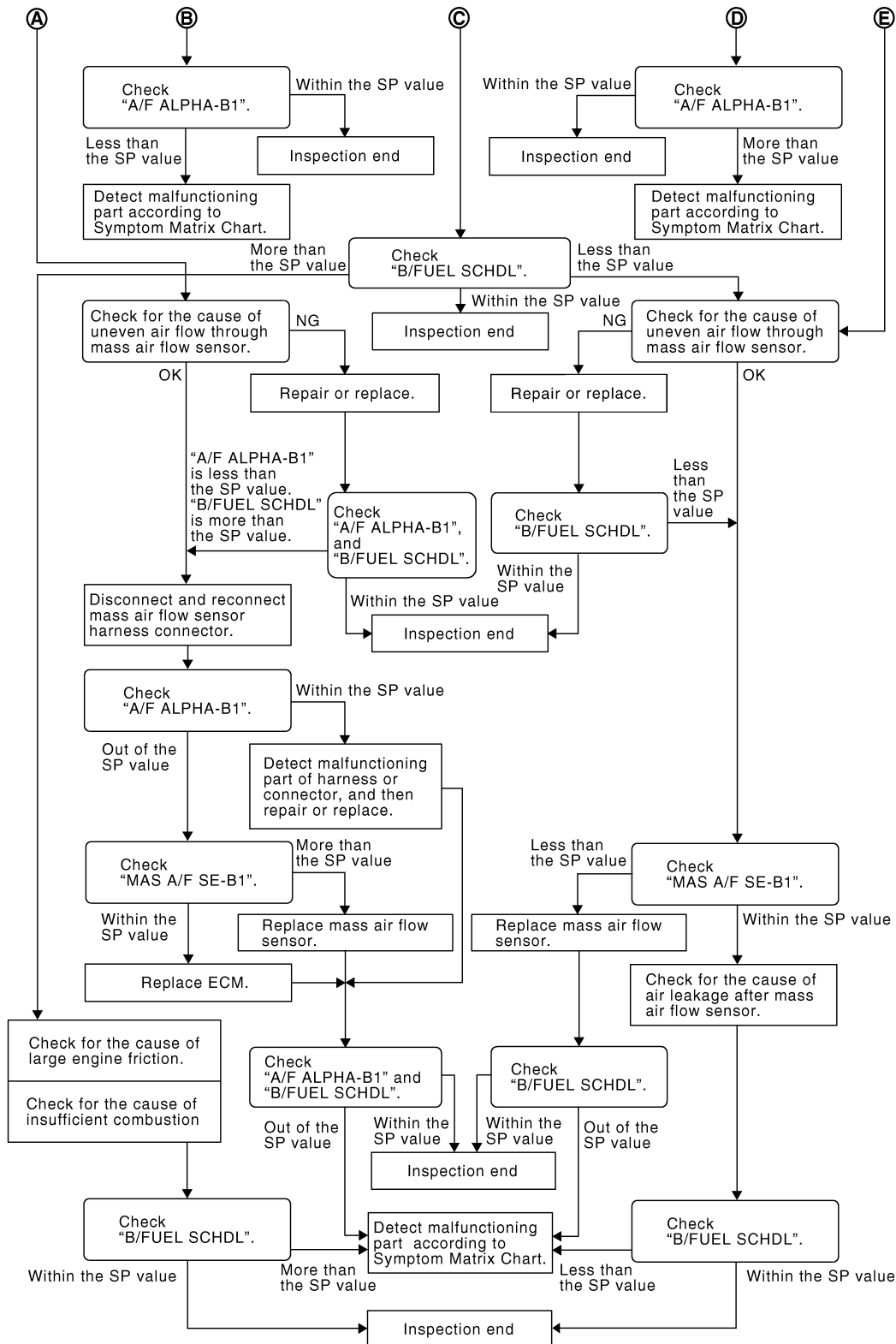


PBIB2318E

TROUBLE DIAGNOSIS - SPECIFICATION VALUE

< DTC/CIRCUIT DIAGNOSIS >

[QR25DE]



PBIB3213E

DETAILED PROCEDURE

1. CHECK "A/F ALPHA-B1"

④ With CONSULT

1. Start engine.
2. Confirm that the testing conditions are met. Refer to [EC-203, "Component Function Check"](#).
3. Select "A/F ALPHA-B1" in "SPEC" of "DATA MONITOR" mode, and make sure that the each indication is within the SP value.

TROUBLE DIAGNOSIS - SPECIFICATION VALUE

[QR25DE]

< DTC/CIRCUIT DIAGNOSIS >

NOTE:

Check "A/F ALPHA-B1" for approximately 1 minute because they may fluctuate. It is NG if the indication is out of the SP value even a little.

Is the measurement value within the SP value?

- YES >> GO TO 17.
- NO-1 >> Less than the SP value: GO TO 2.
- NO-2 >> More than the SP value: GO TO 3.

2.CHECK "B/FUEL SCHDL"

Select "B/FUEL SCHDL" in "SPEC" of "DATA MONITOR" mode, and make sure that the indication is within the SP value.

Is the measurement value within the SP value?

- YES >> GO TO 4.
- NO >> More than the SP value: GO TO 19.

3.CHECK "B/FUEL SCHDL"

Select "B/FUEL SCHDL" in "SPEC" of "DATA MONITOR" mode, and make sure that the indication is within the SP value.

Is the measurement value within the SP value?

- YES >> GO TO 6.
- NO-1 >> More than the SP value: GO TO 6.
- NO-2 >> Less than the SP value: GO TO 25.

4.CHECK "A/F ALPHA-B1"

1. Stop the engine.
2. Disconnect PCV hose, and then plug it.
3. Start engine.
4. Select "A/F ALPHA-B1" in "SPEC" of "DATA MONITOR" mode, and make sure that the indication is within the SP value.

Is the measurement value within the SP value?

- YES >> GO TO 5.
- NO >> GO TO 6.

5.CHANGE ENGINE OIL

1. Stop the engine.
2. Change engine oil.

NOTE:

This symptom may occur when a large amount of gasoline is mixed with engine oil because of driving conditions (such as when engine oil temperature does not rise enough since a journey distance is too short during winter). The symptom will not be detected after changing engine oil or changing driving condition.

>> **INSPECTION END**

6.CHECK FUEL PRESSURE

Check fuel pressure. (Refer to [EC-190. "Work Procedure"](#).)

Is the inspection result normal?

- YES >> GO TO 9.
- NO-1 >> Fuel pressure is too high: Replace "fuel filter and fuel pump assembly", refer to [FL-5. "Removal and Installation"](#), and then GO TO 8.
- NO-2 >> Fuel pressure is too low: GO TO 7.

7.DETECT MALFUNCTIONING PART

Check fuel hoses and fuel tubes for clogging

Is the inspection result normal?

- YES >> Replace "fuel filter and fuel pump assembly", refer to [FL-5. "Removal and Installation"](#), and then GO TO 8.
- NO >> Repair or replace and then GO TO 8.

TROUBLE DIAGNOSIS - SPECIFICATION VALUE

< DTC/CIRCUIT DIAGNOSIS >

[QR25DE]

8. CHECK "A/F ALPHA-B1"

1. Start engine.
2. Select "A/F ALPHA-B1" in "SPEC" of "DATA MONITOR" mode, and make sure that the indication is within the SP value.

Is the measurement value within the SP value?

YES >> INSPECTION END

NO >> GO TO 9.

9. PERFORM POWER BALANCE TEST

1. Perform "POWER BALANCE" in "ACTIVE TEST" mode.
2. Make sure that the each cylinder produces a momentary engine speed drop.

Is the inspection result normal?

YES >> GO TO 12.

NO >> GO TO 10.

10. DETECT MALFUNCTIONING PART

Check the following.

1. Ignition coil and its circuit (Refer to [EC-548, "Component Function Check"](#).)
2. Fuel injector and its circuit (Refer to [EC-542, "Component Function Check"](#).)
3. Intake air leakage
4. Low compression pressure (Refer to [EM-26, "Compression pressure"](#).)

Is the inspection result normal?

YES >> Replace fuel injector, refer to [EM-42, "Removal and Installation"](#), and then GO TO 11.

NO >> Repair or replace malfunctioning part and then GO TO 11.

11. CHECK "A/F ALPHA-B1"

1. Start engine.
2. Select "A/F ALPHA-B1" in "SPEC" of "DATA MONITOR" mode, and make sure that the indication is within the SP value.

Is the measurement value within the SP value?

YES >> INSPECTION END

NO >> GO TO 12.

12. CHECK A/F SENSOR 1 FUNCTION

Perform all DTC CONFIRMATION PROCEDURE related with A/F sensor 1.

- For DTC P0130, refer to [EC-271, "DTC Logic"](#).
- For DTC P0131, refer to [EC-275, "DTC Logic"](#).
- For DTC P0132, refer to [EC-278, "DTC Logic"](#).
- For DTC P014C, P014D, P15A, P15B refer to [EC-302, "DTC Logic"](#).
- For DTC P2096, P2097, refer to [EC-494, "DTC Logic"](#).

Is any DTC detected?

YES >> GO TO 15.

NO >> GO TO 13.

13. CHECK A/F SENSOR 1 CIRCUIT

Perform DIAGNOSTIC PROCEDURE according to corresponding DTC.

>> GO TO 14.

14. CHECK "A/F ALPHA-B1"

1. Start engine.
2. Select "A/F ALPHA-B1" in "SPEC" of "DATA MONITOR" mode, and make sure that the each indication is within the SP value.

Is the measurement value within the SP value?

YES >> INSPECTION END

NO >> GO TO 15.

TROUBLE DIAGNOSIS - SPECIFICATION VALUE

< DTC/CIRCUIT DIAGNOSIS >

[QR25DE]

15.DISCONNECT AND RECONNECT ECM HARNESS CONNECTOR

1. Stop the engine.
2. Disconnect ECM harness connector. Check pin terminal and connector for damage, and then reconnect it.

>> GO TO 16.

16.CHECK "A/F ALPHA-B1"

1. Start engine.
2. Select "A/F ALPHA-B1" in "SPEC" of "DATA MONITOR" mode, and make sure that the indication is within the SP value.

Is the measurement value within the SP value?

YES >> INSPECTION END

NO >> Detect malfunctioning part according to [EC-564, "Symptom Table"](#).

17.CHECK "B/FUEL SCHDL"

Select "B/FUEL SCHDL" in "SPEC" of "DATA MONITOR" mode, and make sure that the indication is within the SP value.

Is the measurement value within the SP value?

YES >> INSPECTION END

NO-1 >> More than the SP value: GO TO 18.

NO-2 >> Less than the SP value: GO TO 25.

18.DETECT MALFUNCTIONING PART

1. Check for the cause of large engine friction. Refer to the following.
 - Engine oil level is too high
 - Engine oil viscosity
 - Belt tension of power steering, alternator, A/C compressor, etc. is excessive
 - Noise from engine
 - Noise from transmission, etc.
2. Check for the cause of insufficient combustion. Refer to the following.
 - Valve clearance malfunction
 - Intake valve timing control function malfunction
 - Camshaft sprocket installation malfunction, etc.

>> Repair or replace malfunctioning part, and then GO TO 30.

19.CHECK INTAKE SYSTEM

Check for the cause of uneven air flow through mass air flow sensor. Refer to the following.

- Crushed air ducts
- Malfunctioning seal of air cleaner element
- Uneven dirt of air cleaner element
- Improper specification of intake air system

Is the inspection result normal?

YES >> GO TO 21.

NO >> Repair or replace malfunctioning part, and then GO TO 20.

20.CHECK "A/F ALPHA-B1", AND "B/FUEL SCHDL"

Select "A/F ALPHA-B1" and "B/FUEL SCHDL" in "SPEC" of "DATA MONITOR" mode, and make sure that the each indication is within the SP value.

Is the measurement value within the SP value?

YES >> **INSPECTION END**

NO >> "B/FUEL SCHDL" is more, "A/F ALPHA-B1" is less than the SP value: GO TO 21.

21.DISCONNECT AND RECONNECT MASS AIR FLOW SENSOR HARNESS CONNECTOR

1. Stop the engine.
2. Disconnect mass air flow sensor harness connector. Check pin terminal and connector for damage and then reconnect it again.

TROUBLE DIAGNOSIS - SPECIFICATION VALUE

< DTC/CIRCUIT DIAGNOSIS >

[QR25DE]

>> GO TO 22.

22. CHECK "A/F ALPHA-B1"

1. Start engine.
2. Select "A/F ALPHA-B1" in "SPEC" of "DATA MONITOR" mode, and make sure that the indication is within the SP value.

Is the measurement value within the SP value?

YES >> Detect malfunctioning part of mass air flow sensor circuit and repair it. Refer to [EC-242, "DTC Logic"](#). Then GO TO 29.

NO >> GO TO 23.

23. CHECK "MASS AIR FLOW SENSOR (HZ)"

Select "MASS AIR FLOW SENSOR (Hz)" in "SPEC" of "DATA MONITOR" mode, and make sure that the indication is within the SP value.

Is the measurement value within the SP value?

YES >> GO TO 24.

NO >> More than the SP value: Replace mass air flow sensor, refer to [EM-29, "Removal and Installation"](#), and then GO TO 29.

24. REPLACE ECM

Replace ECM. Refer to [EC-577, "Removal and Installation"](#).

>> GO TO 29.

25. CHECK INTAKE SYSTEM

Check for the cause of uneven air flow through mass air flow sensor. Refer to the following.

- Crushed air ducts
- Malfunctioning seal of air cleaner element
- Uneven dirt of air cleaner element
- Improper specification of intake air system

Is the inspection result normal?

YES >> GO TO 27.

NO >> Repair or replace malfunctioning part, and then GO TO 26.

26. CHECK "B/FUEL SCHDL"

Select "B/FUEL SCHDL" in "SPEC" of "DATA MONITOR" mode, and make sure that the indication is within the SP value.

Is the measurement value within the SP value?

YES >> INSPECTION END

NO >> Less than the SP value: GO TO 27.

27. CHECK "MASS AIR FLOW SENSOR (HZ)"

Select "MASS AIR FLOW SENSOR (Hz)" in "SPEC" of "DATA MONITOR" mode, and make sure that the indication is within the SP value.

Is the measurement value within the SP value?

YES >> GO TO 28.

NO >> Less than the SP value: Replace mass air flow sensor, refer to [EM-29, "Removal and Installation"](#), and then GO TO 30.

28. CHECK INTAKE SYSTEM

Check for the cause of air leak after the mass air flow sensor. Refer to the following.

- Disconnection, looseness, and cracks in air duct
- Looseness of oil filler cap
- Disconnection of oil level gauge
- Open stuck, breakage, hose disconnection, or cracks of PCV valve
- Disconnection or cracks of EVAP purge hose, open stuck of EVAP canister purge volume control solenoid valve

TROUBLE DIAGNOSIS - SPECIFICATION VALUE

[QR25DE]

< DTC/CIRCUIT DIAGNOSIS >

- Malfunctioning seal of rocker cover gasket
- Disconnection, looseness, or cracks of hoses, such as vacuum hose, connecting to intake air system parts
- Malfunctioning seal of intake air system, etc.

>> GO TO 30.

29.CHECK "A/F ALPHA-B1" AND "B/FUEL SCHDL"

Select "A/F ALPHA-B1" and "B/FUEL SCHDL" in "SPEC" of "DATA MONITOR" mode, and make sure that the indication is within the SP value.

Is the measurement value within the SP value?

YES >> INSPECTION END

NO >> Detect malfunctioning part according to [EC-564, "Symptom Table"](#).

30.CHECK "B/FUEL SCHDL"

Select "B/FUEL SCHDL" in "SPEC" of "DATA MONITOR" mode, and then make sure that the indication is within the SP value.

Is the measurement value within the SP value?

YES >> INSPECTION END

NO >> Detect malfunctioning part according to [EC-564, "Symptom Table"](#).

POWER SUPPLY AND GROUND CIRCUIT

< DTC/CIRCUIT DIAGNOSIS >

[QR25DE]

POWER SUPPLY AND GROUND CIRCUIT

Diagnosis Procedure

INFOID:000000012602267

1. CHECK FUSE

Check that the following fuse is not blowing.

Location	Fuse No.	Capacity
IPDM E/R	#38	10 A
	#39	10 A
	#45	10 A
	#56	10 A

Is the fuse blown (open)?

YES >> Replace the fuse after repairing the applicable circuit. (If the replaced fuse is blown again, check the power supply circuit upstream of IPDM E/R.)

NO >> GO TO 2.

2. CHECK GROUND CONNECTION

1. Turn ignition switch OFF.
2. Check ground connection E9. Refer to [GI-46, "Circuit Inspection"](#).

Is the inspection result normal?

YES >> GO TO 3.

NO >> Repair or replace ground connection.

3. CHECK ECM GROUND CIRCUIT

1. Disconnect ECM harness connectors.
2. Check the continuity between ECM harness connector and ground.

+		-	Continuity
ECM			
Connector	Terminal	Ground	Existed
F14*1	12		
F91*2	16		
F13*1	52		
F90*2			
E10*1	123		
E31*2			
E10*1	128		
E31*2			

*1: Except for California

*2: For California

Is the inspection result normal?

YES >> GO TO 4.

NO >> Repair or replace error-detected parts.

4. CHECK ECM POWER SUPPLY (MAIN)-1

1. Reconnect ECM harness connector.
2. Turn ignition switch ON.
3. Check the voltage between ECM harness connector terminals.

POWER SUPPLY AND GROUND CIRCUIT

< DTC/CIRCUIT DIAGNOSIS >

[QR25DE]

ECM				Voltage
+		-		
Connector	Terminal	Connector	Terminal	
F14*1 F91*2	6	E10*1 E31*2	128	Battery voltage
F13*1 F90*2	50			
E10*1 E31*2	121			

*1: Except for California

*2: For California

Is the inspection result normal?

YES >> GO TO 5.

NO >> GO TO 6.

5. CHECK ECM POWER SUPPLY (MAIN)--2

1. Turn ignition switch OFF and wait at least 10 seconds.
2. Check the voltage between ECM harness connector terminals as per the following.

ECM				Condition	Voltage (Approx.)
+		-			
Connector	Terminal	Connector	Terminal		
F14*1 F91*2	6	E10*1 E31*2	128	After turning ignition switch OFF, battery voltage will exist for a few seconds	Drop to 0 V
F13*1 F90*2	50				
E10*1 E31*2	121				

*1: Except for California

*2: For California

Is the inspection result normal?

YES >> GO TO 9.

NO >> GO TO 7.

6. CHECK ECM POWER SUPPLY (MAIN) CIRCUIT-1

1. Turn ignition switch OFF.
2. Disconnect ECM harness connectors.
3. Disconnect IPDM E/R harness connector.
4. Check the continuity between ECM harness connector and IPDM E/R harness connector.

+		-		Continuity
ECM		IPDM E/R		
Connector	Terminal	Connector	Terminal	
F14*1 F91*2	6	E18	13	Existed
F13*1 F90*2	50			
E10*1 E31*2	121	F83	59	

POWER SUPPLY AND GROUND CIRCUIT

[QR25DE]

< DTC/CIRCUIT DIAGNOSIS >

*1: Except for California

*2: For California

5. Also check harness for short to ground.

Is the inspection result normal?

YES >> Perform the trouble diagnosis for IPDM E/R power supply circuit.

NO >> Repair or replace error-detected parts.

7. CHECK ECM RELAY CONTROL SIGNAL

Check the voltage between ECM harness connector terminals as per the following.

ECM				Condition	Voltage (Approx.)
+		-			
Connector	Terminal	Connector	Terminal		
F13*1 F90*2	89	E10*1 E31*2	128	Ignition switch ON	0 V
				Turn ignition switch OFF and wait at least 10 seconds.	Battery voltage

*1: Except for California

*2: For California

Is the inspection result normal?

YES >> Check Intermittent Incident. Refer to [GI-44, "Intermittent Incident"](#).

NO >> GO TO 8.

8. CHECK ECM RELAY CONTROL SIGNAL CIRCUIT

- Turn ignition switch OFF.
- Disconnect ECM harness connector.
- Disconnect IPDM E/R harness connector.
- Check the continuity between ECM harness connector and IPDM E/R harness connector.

+		-		Continuity
ECM		IPDM E/R		
Connector	Terminal	Connector	Terminal	
F13*1 F90*2	89	F84	72	Existed

*1: Except for California

*2: For California

5. Also check harness for short to ground and to power.

Is the inspection result normal?

YES >> Replace IPDM E/R. Refer to [PCS-47, "Removal and Installation"](#).

NO >> Repair or replace error-detected parts.

9. CHECK IGNITION SWITCH SIGNAL

- Turn ignition switch ON.
- Check the voltage between ECM harness connector terminals.

ECM			Condition	Voltage (Approx.)
Connector	+	-		
		Terminal		
E10*1 E31*2	109	128	Ignition switch OFF	0 V
			Ignition switch ON	Battery voltage

*1: Except for California

*2: For California

Is the inspection result normal?

POWER SUPPLY AND GROUND CIRCUIT

[QR25DE]

< DTC/CIRCUIT DIAGNOSIS >

YES >> GO TO 11.
NO >> GO TO 10.

10. CHECK IGNITION SWITCH SIGNAL CIRCUIT

1. Turn ignition switch OFF.
2. Disconnect ECM harness connector.
3. Disconnect IPDM E/R harness connector.
4. Check the continuity between ECM harness connector and IPDM E/R harness connector.

+		-		Continuity
ECM		IPDM E/R		
Connector	Terminal	Connector	Terminal	
E10 ^{*1} E31 ^{*2}	109	E63	21	Existed

*1: Except for California

*2: For California

5. Also check harness for short to ground and to power.

Is the inspection result normal?

YES >> Perform the trouble diagnosis for IPDM E/R power supply circuit.

NO >> Repair or replace error-detected parts.

11. CHECK ECM POWER SUPPLY (BACK-UP)

Check the voltage between ECM harness connector terminals.

ECM				Voltage
+		-		
Connector	Terminal	Connector	Terminal	
F13 ^{*1} F90 ^{*2}	81	E10 ^{*1} E31 ^{*2}	128	Battery voltage

*1: Except for California

*2: For California

Is the inspection result normal?

YES >> Check Intermittent Incident. Refer to [GI-44, "Intermittent Incident"](#).

NO >> GO TO 12.

12. CHECK ECM POWER SUPPLY (BACK-UP) CIRCUIT

1. Turn ignition switch OFF.
2. Disconnect ECM harness connector.
3. Disconnect IPDM E/R harness connector.
4. Check the continuity between ECM harness connector and IPDM E/R harness connector.

+		-		Continuity
ECM		IPDM E/R		
Connector	Terminal	Connector	Terminal	
F13 ^{*1} F90 ^{*2}	81	F83	58	Existed

*1: Except for California

*2: For California

5. Also check harness for short to ground.

Is the inspection result normal?

YES >> Perform the trouble diagnosis for IPDM E/R power supply circuit.

NO >> Repair or replace error-detected parts.

U0101 CAN COMM CIRCUIT

< DTC/CIRCUIT DIAGNOSIS >

[QR25DE]

U0101 CAN COMM CIRCUIT

Description

INFOID:000000012602268

CAN (Controller Area Network) is a serial communication line for real time application. It is an on-vehicle multiplex communication line with high data communication speed and excellent error detection ability. Many electronic control units are equipped onto a vehicle, and each control unit shares information and links with other control units during operation (not independent). In CAN communication, control units are connected with 2 communication lines (CAN H line, CAN L line) allowing a high rate of information transmission with less wiring. Each control unit transmits/receives data but selectively reads required data only.

DTC Logic

INFOID:000000012602269

DTC DETECTION LOGIC

DTC No.	CONSULT screen terms (Trouble diagnosis content)	DTC detecting condition	Possible cause
U0101	CAN COMM CIRCUIT (Lost communication with TCM)	When ECM is not transmitting or receiving CAN communication signal of OBD (emission-related diagnosis) with TCM for 2 seconds or more.	CAN communication line between TCM and ECM

DTC CONFIRMATION PROCEDURE

1. PERFORM DTC CONFIRMATION PROCEDURE

1. Turn ignition switch ON and wait at least 3 seconds.
2. Check DTC.

Is DTC detected?

- YES >> Proceed to [EC-215. "Diagnosis Procedure"](#).
- NO >> INSPECTION END

Diagnosis Procedure

INFOID:000000012602270

Perform the trouble diagnosis for CAN communication system. Refer to [LAN-19. "Trouble Diagnosis Flow Chart"](#).

U0284 ACTIVE GRILLE SHUTTER

< DTC/CIRCUIT DIAGNOSIS >

[QR25DE]

U0284 ACTIVE GRILLE SHUTTER

DTC Description

INFOID:000000013214806

DTC DETECTION LOGIC

When ECM cannot receive the engine communication signal from active grille shutter.

DTC No.	CONSULT screen terms (Trouble diagnosis content)	DTC detecting condition	Possible cause
U0284	LOST COMM (A/GRLL SHT- TR MDL A) (Lost communication with active grille air shutter mod- ule A)	ECM cannot receive the engine communication signal from active grille shutter	<ul style="list-style-type: none">• Harness and connectors (Engine communication line is open or circuit shorted.)• Active grille shutter

DTC CONFIRMATION PROCEDURE

1.CHECK DTC PRIORITY

If DTC U0284 is displayed with another DTC UXXXX, first perform the trouble diagnosis for DTC UXXXX.

Is applicable DTC detected?

YES >> Perform diagnosis of applicable. Refer to [EC-110, "DTC Index"](#).
NO >> GO TO 2.

2.PRECONDITIONING

If another DTC Confirmation Procedure is conducted just before this procedure, always turn ignition switch OFF and wait at least 10 seconds before conducting the next test.

TESTING CONDITION:

Before performing the following procedure, confirm that battery voltage is 10 V or more with ignition switch ON.

>> GO TO 3.

3.PERFORM DTC CONFIRMATION PROCEDURE

1. Turn ignition switch ON and wait at least 5 seconds.
2. Check 1st trip DTC.

Is 1st trip DTC detected?

YES >> Proceed to [EC-216, "Diagnosis Procedure"](#).
NO-1 >> To check malfunction symptom before repair: Refer to [GI-44, "Intermittent Incident"](#).
NO-2 >> Confirmation after repair: INSPECTION END

Diagnosis Procedure

INFOID:000000013214807

1.CHECK DTC PRIORITY

If DTC U0284 is displayed with another DTC UXXXX, first perform the trouble diagnosis for DTC UXXXX.

Is applicable DTC detected?

YES >> Perform diagnosis of applicable. Refer to [EC-110, "DTC Index"](#).
NO >> GO TO 2.

2.CHECK ACTIVE GRILLE SHUTTER POWER SUPPLY

1. Turn ignition switch OFF.
2. Disconnect active grille shutter harness connector.
3. Check the voltage between active grille shutter harness connector and ground as follows.

U0284 ACTIVE GRILLE SHUTTER

< DTC/CIRCUIT DIAGNOSIS >

[QR25DE]

+		-	Condition	Voltage (Approx.)
Connector	Terminal			
E249	1	Ground	Ignition switch: ON	Battery voltage
			Ignition switch: OFF	0 V

Is the inspection result normal?

- YES >> GO TO 4.
NO >> GO TO 3.

3. CHECK ACTIVE GRILLE SHUTTER POWER SUPPLY CIRCUIT

- Turn ignition switch OFF
- Disconnect IPDM E/R harness connector.
- Check the continuity between active grille shutter harness connector and IPDM E/R harness connector.

Active grille shutter		IPDM E/R		Continuity
Connector	Terminal	Connector	Terminal	
E249	1	F83	53	Existed

Is the inspection result normal?

- YES >> Perform trouble diagnosis for power supply circuit.
NO >> Repair or replace the error-detected parts.

4. CHECK ACTIVE GRILLE SHUTTER GROUND CIRCUIT

- Turn ignition switch OFF
- Check the continuity between active grille shutter harness connector and ground.

Active grille shutter		-	Continuity
Connector	Terminal		
E249	4	Ground	Existed

- Also check harness for short to ground and short to power.

Is the inspection result normal?

- YES >> GO TO 5.
NO >> Repair open circuit, short to ground or short to power in harness or connectors.

5. CHECK ACTIVE GRILLE SHUTTER INPUT SIGNAL CIRCUIT

- Disconnect ECM harness connector.
- Check the continuity between ECM harness connector and active grille shutter harness connector.

+		-		Continuity
ECM		Active grille shutter		
Connector	Terminal	Connector	Terminal	
F13*1 F90*2	85	E249	3	Existed

*1: Except for California

*2: For California

Is the inspection result normal?

- YES >> GO TO 6.
NO >> Repair or replace the error-detected parts.

6. CHECK ACTIVE GRILLE SHUTTER

Check active grille shutter. Refer to [EC-218. "Component Inspection \(Active Grille Shutter\)"](#).

U0284 ACTIVE GRILLE SHUTTER

[QR25DE]

< DTC/CIRCUIT DIAGNOSIS >

Is the inspection result normal?

YES >> INSPECTION END

NO >> Replace active grille shutter. Refer to [EXT-32. "Removal and Installation"](#).

Component Inspection (Active Grille Shutter)

INFOID:000000013214808

1. CHECK ACTIVE GRILLE SHUTTER

④ With CONSULT

1. Start the engine.
2. Select "ACTIVE GRILLE SHUTTER" in "ACTIVE TEST" mode of "ENGINE" using CONSULT.
3. Touch "CALIBRTN".
4. After the calibration completes, check the operation of active grille shutter as follows.

Condition	Active grille shutter
Select "CLOSE"	Close → Open
Select "OPEN"	Open → Close

⊗ Without CONSULT

1. Turn ignition switch OFF.
2. Operate shutter by hands to close position.
3. Check the operation of active grille shutter as follows.

Condition	Active grille shutter
Ignition switch: ON	Close → Open

Is the inspection result normal?

YES >> INSPECTION END

NO >> Replace active grille shutter. Refer to [EXT-32. "Removal and Installation"](#).

U1000 CAN COMM CIRCUIT

< DTC/CIRCUIT DIAGNOSIS >

[QR25DE]

U1000 CAN COMM CIRCUIT

Description

INFOID:0000000013296787

CAN (Controller Area Network) is a serial communication line for real time application. It is an on-vehicle multiplex communication line with high data communication speed and excellent error detection ability. Many electronic control units are equipped onto a vehicle, and each control unit shares information and links with other control units during operation (not independent). In CAN communication, control units are connected with 2 communication lines (CAN H line, CAN L line) allowing a high rate of information transmission with less wiring. Each control unit transmits/receives data but selectively reads required data only.

DTC Logic

INFOID:0000000013296788

DTC DETECTION LOGIC

DTC No.	Trouble diagnosis name (Trouble diagnosis content)	DTC detecting condition	Possible cause
U1000	CAN COMM CIRCUIT (CAN communication line)	When ECM is not transmitting or receiving CAN communication signal of OBD (emission related diagnosis) for 2 seconds or more.	Harness or connectors (CAN communication line is open or shorted)

DTC CONFIRMATION PROCEDURE

1. PERFORM DTC CONFIRMATION PROCEDURE

1. Turn ignition switch ON and wait at least 3 seconds.
2. Check 1st trip DTC.

Is 1st trip DTC detected?

- YES >> Proceed to [EC-219, "Diagnosis Procedure"](#).
NO >> INSPECTION END

Diagnosis Procedure

INFOID:0000000013296789

Perform the trouble diagnosis for CAN communication system. Refer to [LAN-19, "Trouble Diagnosis Flow Chart"](#).

U1001 CAN COMM CIRCUIT

< DTC/CIRCUIT DIAGNOSIS >

[QR25DE]

U1001 CAN COMM CIRCUIT

Description

INFOID:000000012602271

CAN (Controller Area Network) is a serial communication line for real time application. It is an on-vehicle multiplex communication line with high data communication speed and excellent error detection ability. Many electronic control units are equipped onto a vehicle, and each control unit shares information and links with other control units during operation (not independent). In CAN communication, control units are connected with 2 communication lines (CAN H line, CAN L line) allowing a high rate of information transmission with less wiring. Each control unit transmits/receives data but selectively reads required data only.

DTC Logic

INFOID:000000012602272

DTC DETECTION LOGIC

DTC No.	CONSULT screen terms (Trouble diagnosis content)	DTC detecting condition	Possible cause
U1001	CAN COMM CIRCUIT (CAN COMM CIRCUIT)	When ECM is not transmitting or receiving CAN communication signal other than OBD (emission related diagnosis) for 2 seconds or more.	Harness or connectors (CAN communication line is open or shorted)

DTC CONFIRMATION PROCEDURE

1. PERFORM DTC CONFIRMATION PROCEDURE

1. Turn ignition switch ON and wait at least 3 seconds.
2. Check 1st trip DTC.

Is 1st trip DTC detected?

- YES >> Proceed to [EC-220, "Diagnosis Procedure"](#).
NO >> INSPECTION END

Diagnosis Procedure

INFOID:000000012602273

Perform the trouble diagnosis for CAN communication system. Refer to [LAN-19, "Trouble Diagnosis Flow Chart"](#).

U1040 ENG COMM CIRCUIT

< DTC/CIRCUIT DIAGNOSIS >

[QR25DE]

U1040 ENG COMM CIRCUIT

DTC Description

INFOID:000000013214809

DTC DETECTION LOGIC

When ECM unable to transmit engine communication signal.

DTC No.	CONSULT screen terms (Trouble diagnosis content)	DTC detecting condition	Possible cause
U1040	Engine communication line	ECM unable to transmit engine communication signal	<ul style="list-style-type: none"> • Harness and connectors (Engine communication line is open or circuit shorted.) • ECM

DTC CONFIRMATION PROCEDURE

1. PRECONDITIONING

If another DTC Confirmation Procedure is conducted just before this procedure, always turn ignition switch OFF and wait at least 10 seconds before conducting the next test.

>> GO TO 2.

2. PERFORM DTC CONFIRMATION PROCEDURE

1. Turn ignition switch ON and wait at least 10 seconds.
2. Check 1st trip DTC.

Is 1st trip DTC detected?

YES >> Proceed to [EC-221, "Diagnosis Procedure"](#).

NO-1 >> To check malfunction symptom before repair: Refer to [GI-44, "Intermittent Incident"](#).

NO-2 >> Confirmation after repair: INSPECTION END

Diagnosis Procedure

INFOID:000000013214810

1. CHECK ACTIVE GRILLE SHUTTER SIGNAL CIRCUIT

1. Turn ignition switch OFF.
2. Disconnect ECM harness connector.
3. Disconnect active grille shutter harness connector.
4. Check the continuity between ECM harness connector and active grille shutter harness connector.

+		-		Continuity
ECM		Active grille shutter		
Connector	Terminal	Connector	Terminal	
F13*1 F90*2	85	E249	3	Existed

*1: Except for California

*2: For California

5. Also check harness for short to ground and short to power.

Is the inspection result normal?

YES >> INSPECTION END

NO >> Repair or replace error-detected parts.

U1044 ENG COMM CIRCUIT

[QR25DE]

< DTC/CIRCUIT DIAGNOSIS >

U1044 ENG COMM CIRCUIT

DTC Description

INFOID:000000013214811

DTC DETECTION LOGIC

A signal voltage of LIN communication between ECM and generator is excessively low or excessively high.

DTC No.	CONSULT screen terms (Trouble diagnosis content)	DTC detecting condition	Possible cause
U1044	ENG COMM CIRCUIT (Engine communication circuit)	Signal voltage between ECM and generator is excessively low or excessively high	<ul style="list-style-type: none">• Harness or connectors (LIN communication circuit is open or shorted.)• Generator

DTC CONFIRMATION PROCEDURE

1. PRECONDITIONING

If DTC Confirmation Procedure has been previously conducted, always perform the following procedure before conducting the next test.

1. Turn ignition switch OFF and wait at least 10 seconds.
2. Turn ignition switch ON.
3. Turn ignition switch OFF and wait at least 10 seconds.

>> GO TO 2.

2. PERFORM DTC CONFIRMATION PROCEDURE

1. Turn ignition ON and wait at least 10 seconds.
2. Check DTC.

Is DTC detected?

YES >> Proceed to [EC-222, "Diagnosis Procedure"](#).

NO-1 >> To check malfunction symptom before repair: Refer to [GI-44, "Intermittent Incident"](#).

NO-2 >> Confirmation after repair: INSPECTION END

Diagnosis Procedure

INFOID:000000013214812

1. CHECK ACTIVE GRILLE SHUTTER SIGNAL CIRCUIT

1. Turn ignition switch OFF.
2. Disconnect ECM harness connector.
3. Disconnect active grille shutter harness connector.
4. Check the continuity between ECM harness connector and active grille shutter harness connector.

+		-		Continuity
ECM		Active grille shutter		
Connector	Terminal	Connector	Terminal	
F13*1 F90*2	85	E249	3	Existed

*1: Except for California

*2: For California

5. Also check harness for short to ground and short to power.

Is the inspection result normal?

YES >> INSPECTION END

NO >> Repair or replace error-detected parts.

P0011 IVT CONTROL

< DTC/CIRCUIT DIAGNOSIS >

[QR25DE]

P0011 IVT CONTROL

DTC Logic

INFOID:0000000012602274

DTC DETECTION LOGIC

NOTE:

If DTC P0011 is displayed with DTC P0075, first perform the trouble diagnosis for [EC-235, "DTC Logic"](#).

DTC No.	CONSULT screen terms (Trouble diagnosis content)	DTC detecting condition	Possible cause
P0011	INT/V TIM CONT-B1 ("A" Camshaft position - timing over-advanced or system performance bank 1)	There is a gap between angle of target and phase-control angle degree.	<ul style="list-style-type: none"> • Crankshaft position sensor (POS) • Camshaft position sensor (PHASE) • Intake valve control solenoid valve • Accumulation of debris to the signal pick-up portion of the camshaft • Timing chain installation • Foreign matter caught in the oil groove for intake valve timing control

DTC CONFIRMATION PROCEDURE

1. PRECONDITIONING

If DTC Confirmation Procedure has been previously conducted, always perform the following procedure before conducting the next test.

1. Turn ignition switch OFF and wait at least 10 seconds.
2. Turn ignition switch ON.
3. Turn ignition switch OFF and wait at least 10 seconds.

TESTING CONDITION:

Before performing the following procedure, confirm that battery voltage is between 11 V and 16 V at idle.

>> GO TO 2.

2. PERFORM DTC CONFIRMATION PROCEDURE-1

Ⓜ With CONSULT

1. Turn ignition switch ON and select "DATA MONITOR" mode of "ENGINE" using CONSULT.
2. Start engine and warm it up to normal operating temperature.
3. Maintain the following conditions for at least 6 consecutive seconds. Hold the accelerator pedal as steady as possible.

ENG SPEED	1,200 - 2,000 rpm
COOLAN TEMP/S	More than 60°C (140°F)
Selector lever	P or N position

4. Stop vehicle with engine running and let engine idle for 10 seconds.
5. Check 1st trip DTC.

Ⓜ With GST

Follow the procedure "With CONSULT" above.

Is 1st trip DTC detected?

- YES >> Proceed to [EC-224, "Diagnosis Procedure"](#).
 NO >> GO TO 3.

3. PERFORM DTC CONFIRMATION PROCEDURE-2

Ⓜ With CONSULT

1. Maintain the following conditions for at least 20 consecutive seconds.

P0011 IVT CONTROL

[QR25DE]

< DTC/CIRCUIT DIAGNOSIS >

ENG SPEED	1,200 - 3,175 rpm (A constant rotation is maintained.)
COOLAN TEMP/S	More than 64°C (148°F)
Selector lever	D position
Driving location	Driving vehicle uphill (Increased engine load will help maintain the driving conditions required for this test.)

CAUTION:

Always drive at a safe speed.

2. Check 1st trip DTC.

 With GST

Follow the procedure "With CONSULT" above.

Is 1st trip DTC detected?

YES >> Proceed to [EC-224, "Diagnosis Procedure"](#).

NO >> INSPECTION END

Diagnosis Procedure

INFOID:000000012602275

1. CHECK OIL PRESSURE WARNING LAMP

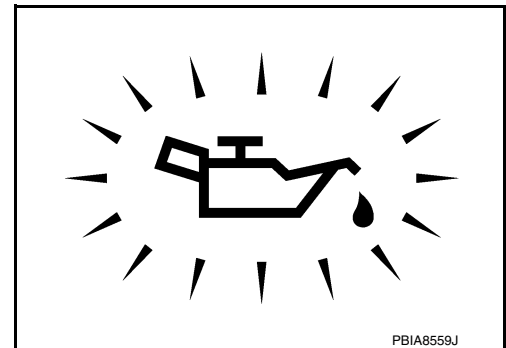
1. Start engine.

2. Check oil pressure warning lamp and confirm it is not illuminated.

Is oil pressure warning lamp illuminated?

YES >> Check the engine oil level. Refer to [LU-9, "Inspection"](#).

NO >> GO TO 2.



2. CHECK INTAKE VALVE TIMING CONTROL SOLENOID VALVE

Check the intake valve timing control solenoid valve. Refer to [EC-225, "Component Inspection"](#).

Is the inspection result normal?

YES >> GO TO 3.

NO >> Replace intake valve timing control solenoid valve. Refer to [EM-61, "Exploded View"](#).

3. CHECK CRANKSHAFT POSITION SENSOR (POS)

Check the crankshaft position sensor (POS). Refer to [EC-341, "Component Inspection \(Crankshaft Position sensor\)"](#).

Is the inspection result normal?

YES >> GO TO 4.

NO >> Replace crankshaft position sensor (POS). Refer to [EM-91, "Exploded View"](#).

4. CHECK CAMSHAFT POSITION SENSOR (PHASE)

Check the camshaft position sensor (PHASE). Refer to [EC-344, "Component Inspection \(Camshaft position sensor\)"](#).

Is the inspection result normal?

YES >> GO TO 5.

NO >> Replace camshaft position sensor (PHASE). Refer to [EM-48, "Exploded View"](#).

5. CHECK CAMSHAFT (INT)

Check the following.

P0011 IVT CONTROL

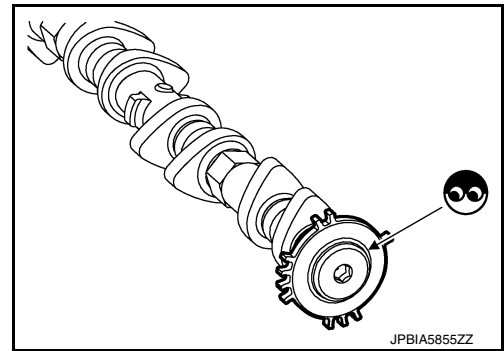
[QR25DE]

< DTC/CIRCUIT DIAGNOSIS >

- Accumulation of debris to the signal plate of camshaft rear end
- Chipping signal plate of camshaft rear end

Is the inspection result normal?

- YES >> GO TO 6.
 NO >> Remove debris and clean the signal plate of camshaft rear end or replace camshaft. Refer to [EM-48, "Removal and Installation"](#).



6. CHECK TIMING CHAIN INSTALLATION

Check service records for any recent repairs that may cause timing chain misaligned.

Are there any service records that may cause timing chain misaligned?

- YES >> Check timing chain installation. Refer to [EM-62, "Removal and Installation"](#).
 NO >> GO TO 7.

7. CHECK LUBRICATION CIRCUIT

Refer to [LU-9, "Inspection"](#), "INSPECTION AFTER INSTALLATION".

Is the inspection result normal?

- YES >> Check intermittent incident. Refer to [GI-44, "Intermittent Incident"](#).
 NO >> Clean lubrication line.

Component Inspection

INFOID:000000012602276

1. CHECK INTAKE VALVE TIMING CONTROL SOLENOID VALVE-1

1. Turn ignition switch OFF.
2. Disconnect intake valve timing control solenoid valve harness connector.
3. Check resistance between intake valve timing control solenoid valve terminals as per the following.

Intake valve timing control solenoid valve		Resistance
+	-	
Terminal		
1	2	6.7 - 7.7 Ω [at 20°C (68°F)]
1	Ground	∞ Ω (Continuity should not exist)
2		

Is the inspection result normal?

- YES >> GO TO 2.
 NO >> Replace intake valve timing control solenoid valve. Refer to [EM-61, "Exploded View"](#).

2. CHECK INTAKE VALVE TIMING CONTROL SOLENOID VALVE-2

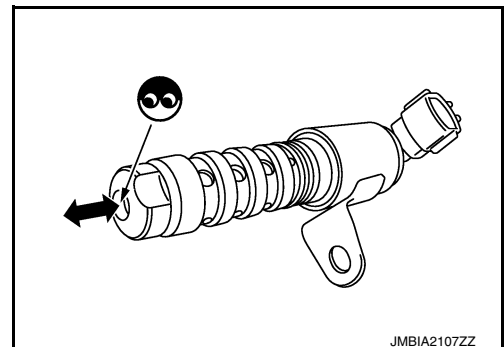
1. Remove intake valve timing control solenoid valve. Refer to [EM-61, "Exploded View"](#).
2. Provide 12 V DC between intake valve timing control solenoid valve terminals 1 and 2, and then interrupt it. Make sure that the plunger moves as shown in the figure.

CAUTION:

Do not apply 12 V DC continuously for 5 seconds or more. Doing so may result in damage to the coil in intake valve timing control solenoid valve.

NOTE:

Always replace O-ring when intake valve timing control solenoid valve is removed.



Is the inspection result normal?

- YES >> INSPECTION END
 NO >> Replace intake valve timing control solenoid valve. Refer to [EM-61, "Exploded View"](#).

P0014 EVT CONTROL

DTC Logic

INFOID:000000012602277

DTC DETECTION LOGIC

NOTE:

- If DTC P0014 is displayed with DTC P0078, first perform trouble diagnosis for DTC P0078. Refer to [EC-239, "DTC Logic"](#).
- If DTC P0014 is displayed with P1078, first perform trouble diagnosis for P1078. Refer to [EC-432, "DTC Logic"](#).

DTC No.	CONSULT screen terms (Trouble diagnosis content)	DTC detecting condition	Possible cause
P0014	EXH/V TIM CONT-B1 ("B" Camshaft position - timing over-advanced or system performance bank 1)	There is a gap between angle of target and phase-control angle degree.	<ul style="list-style-type: none"> • Crankshaft position sensor (POS) • Camshaft position sensor (PHASE) • Exhaust valve timing control position sensor • Exhaust valve control solenoid valve • Accumulation of debris to the signal pick-up portion of the camshaft • Timing chain installation • Foreign matter caught in the oil groove for exhaust valve timing control

DTC CONFIRMATION PROCEDURE

1. PRECONDITIONING

If DTC Confirmation Procedure has been previously conducted, always perform the following procedure before conducting the next test.


1. Turn ignition switch OFF and wait at least 10 seconds.
2. Turn ignition switch ON.
3. Turn ignition switch OFF and wait at least 10 seconds.

TESTING CONDITION:

Before performing the following procedure, confirm that battery voltage is between 10 V and 16 V at idle.

>> GO TO 2.

2. PERFORM DTC CONFIRMATION PROCEDURE-1

 With CONSULT

1. Turn ignition switch ON and select "DATA MONITOR" mode of "ENGINE" using CONSULT.
2. Start engine and warm it up to the normal operating temperature.
3. Maintain the following conditions for at least 6 consecutive seconds. Hold the accelerator pedal as steady as possible.

ENG SPEED	1,200 - 2,000 rpm (A constant rotation is maintained.)
COOLAN TEMP/S	More than 60°C (140°F)
Selector lever	P or N position

4. Let engine idle for 10 seconds.
5. Check 1st trip DTC.


 With GST

Follow the procedure "With CONSULT" above.

Is 1st trip DTC detected?

- YES >> Proceed to [EC-227, "Diagnosis Procedure"](#)
- NO >> GO TO 3.

3. PERFORM DTC CONFIRMATION PROCEDURE-2

 With CONSULT

P0014 EVT CONTROL

[QR25DE]

< DTC/CIRCUIT DIAGNOSIS >

1. Select "DATA MONITOR" mode of "ENGINE" using CONSULT.
2. Maintain the following conditions for at least 20 consecutive seconds.

ENG SPEED	1,700 - 2,950 rpm (A constant rotation is maintained.)
COOLAN TEMP/S	More than 70°C (158°F)
Selector lever	D position
Driving location uphill	Driving vehicle uphill (Increased engine load will help maintain the driving conditions required for this test.)

CAUTION:

Always drive at a safe speed.

3. Check 1st trip DTC.

 With GST

Follow the procedure "With CONSULT" above.

Is 1st trip DTC detected?

- YES >> Proceed to [EC-227, "Diagnosis Procedure"](#)
NO >> INSPECTION END

Diagnosis Procedure

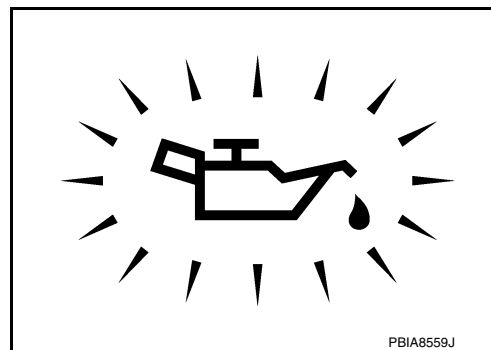
INFOID:000000012602278

1.CHECK OIL PRESSURE WARNING LAMP

1. Start engine.
2. Check oil pressure warning lamp and confirm it is not illuminated.

Is oil pressure warning lamp illuminated?

- YES >> Check the engine oil level. Refer to [LU-9, "Inspection"](#).
NO >> GO TO 2.



2.CHECK EXHAUST VALVE TIMING CONTROL SOLENOID VALVE

Check the exhaust valve timing control solenoid valve. Refer to [EC-225, "Component Inspection"](#).

Is the inspection result normal?

- YES >> GO TO 3.
NO >> Replace exhaust valve timing control solenoid valve. Refer to [EM-61, "Exploded View"](#).

3.CHECK CRANKSHAFT POSITION SENSOR (POS)

Check the crankshaft position sensor (POS). Refer to [EC-341, "Component Inspection \(Crankshaft Position sensor\)"](#).

Is the inspection result normal?

- YES >> GO TO 4.
NO >> Replace crankshaft position sensor (POS). Refer to [EM-91, "Exploded View"](#).

4.CHECK EXHAUST VALVE TIMING CONTROL POSITION SENSOR

Check the exhaust valve timing control position sensor. Refer to [EC-344, "Component Inspection \(Camshaft position sensor\)"](#).

Is the inspection result normal?

- YES >> GO TO 5.
NO >> Replace exhaust valve timing control position sensor. Refer to [EM-48, "Exploded View"](#).

5.CHECK CAMSHAFT (EXH)

Check the following.

P0014 EVT CONTROL

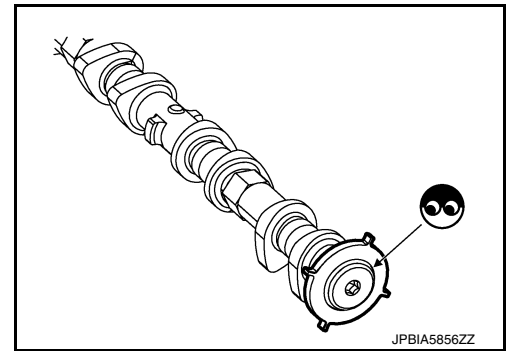
[QR25DE]

< DTC/CIRCUIT DIAGNOSIS >

- Accumulation of debris to the signal plate of camshaft rear end
- Chipping signal plate of camshaft rear end

Is the inspection result normal?

- YES >> GO TO 6.
 NO >> Remove debris and clean the signal plate of camshaft rear end or replace camshaft. Refer to [EM-48. "Removal and Installation"](#).



6. CHECK TIMING CHAIN INSTALLATION

Check service records for any recent repairs that may cause timing chain misaligned.

Are there any service records that may cause timing chain misaligned?

- YES >> Check timing chain installation. Refer to [EM-62. "Removal and Installation"](#).
 NO >> GO TO 7.

7. CHECK LUBRICATION CIRCUIT

Refer to [LU-9. "Inspection"](#).

Is the inspection result normal?

- YES >> Check intermittent incident. Refer to [GI-44. "Intermittent Incident"](#).
 NO >> Clean lubrication line.

Component Inspection

INFOID:0000000012602279

1. CHECK EXHAUST VALVE TIMING CONTROL SOLENOID VALVE-1

1. Turn ignition switch OFF.
2. Disconnect exhaust valve timing control solenoid valve harness connector.
3. Check resistance between exhaust valve timing control solenoid valve terminals as per the following.

Exhaust valve timing control solenoid valve		Resistance
+	-	
Terminal		
1	2	7.0 - 7.7 Ω [at 20°C (68°F)]
1	Ground	$\infty \Omega$
2		(Continuity should not exist)

Is the inspection result normal?

- YES >> GO TO 2.
 NO >> Replace exhaust valve timing control solenoid valve. Refer to [EM-48. "Exploded View"](#).

2. CHECK EXHAUST VALVE TIMING CONTROL SOLENOID VALVE-2

1. Remove exhaust valve timing control solenoid valve. Refer to [EM-48. "Exploded View"](#).
2. Provide 12 V DC between exhaust valve timing control solenoid valve terminals 1 and 2, and then interrupt it. Check that the plunger moves as shown in the figure.

CAUTION:

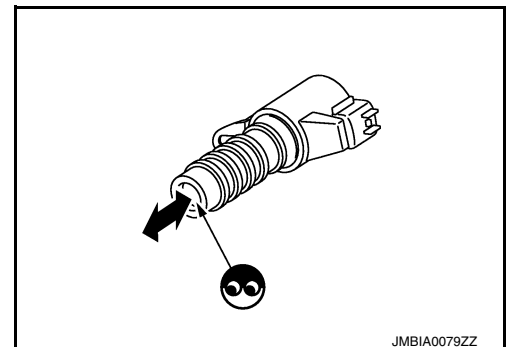
Do not apply 12 V DC continuously for 5 seconds or more. Doing so may result in damage to the coil in exhaust valve timing control solenoid valve.

NOTE:

Always replace O-ring when exhaust valve timing control solenoid valve is removed.

Is the inspection result normal?

- YES >> INSPECTION END
 NO >> Replace exhaust valve timing control solenoid valve. Refer to [EM-61. "Exploded View"](#).



P0030, P0031, P0032 A/F SENSOR 1 HEATER

< DTC/CIRCUIT DIAGNOSIS >

[QR25DE]

P0030, P0031, P0032 A/F SENSOR 1 HEATER

DTC Logic

INFOID:000000012602280

DTC DETECTION LOGIC

DTC No.	Trouble diagnosis name (Trouble diagnosis content)	DTC detecting condition	Possible cause
P0030	A/F SEN 1 HTR (B1) (Air fuel ratio (A/F) sensor 1 heater control circuit)	Deterioration in A/F sensor 1 heater performance. (Voltage signal transmitted from A/F sensor 1 heater to ECM is higher/lower than voltage in the normal range.)	<ul style="list-style-type: none"> • Harness or connectors (A/F sensor 1 heater circuit is open or shorted.) • A/F sensor 1 heater
P0031	A/F SEN1 HTR (B1) (HO2S heater control circuit low bank 1 sensor 1)	The current amperage in the A/F sensor 1 heater circuit is out of the normal range. (An excessively low voltage signal is sent to ECM through the A/F sensor 1 heater.)	
P0032	A/F SEN1 HTR (B1) (HO2S heater control circuit high bank 1 sensor 1)	The current amperage in the A/F sensor 1 heater circuit is out of the normal range. (An excessively high voltage signal is sent to ECM through the A/F sensor 1 heater.)	<ul style="list-style-type: none"> • Harness or connectors (A/F sensor 1 heater circuit is shorted.) • A/F sensor 1 heater

DTC CONFIRMATION PROCEDURE

1. PRECONDITIONING

If DTC Confirmation Procedure has been previously conducted, always perform the following procedure before conducting the next test.

1. Turn ignition switch OFF and wait at least 10 seconds.
2. Turn ignition switch ON.
3. Turn ignition switch OFF and wait at least 10 seconds.

TESTING CONDITION:

Before performing the following procedure, confirm that battery voltage is more than between 11 V at idle.

>> GO TO 2.

2. PERFORM DTC CONFIRMATION PROCEDURE

1. Start engine and let it idle for at least 10 seconds.
2. Check 1st trip DTC.

Is 1st trip DTC detected?

YES >> Proceed to [EC-229, "Diagnosis Procedure"](#).

NO >> INSPECTION END

Diagnosis Procedure

INFOID:000000012602281

1. CHECK AIR FUEL RATIO (A/F) SENSOR 1 POWER SUPPLY CIRCUIT

1. Disconnect air fuel ratio (A/F) sensor 1 harness connector.
2. Turn ignition switch ON.
3. Check the voltage between A/F sensor 1 harness connector and ground.

+		-	Voltage
A/F sensor 1			
Connector	Terminal		
F24	4	Ground	Battery voltage

Is the inspection result normal?

YES >> GO TO 2.

NO >> Repair or replace error-detected parts.

P0030, P0031, P0032 A/F SENSOR 1 HEATER

< DTC/CIRCUIT DIAGNOSIS >

[QR25DE]

2. CHECK A/F SENSOR 1 HEATER OUTPUT SIGNAL CIRCUIT

1. Turn ignition switch OFF.
2. Disconnect ECM harness connector.
3. Check the continuity between A/F sensor 1 harness connector and ECM harness connector.

+		-		Continuity
A/F sensor 1		ECM		
Connector	Terminal	Connector	Terminal	
F24	3	F13*1 F90*2	53	Existed

*1: Except for California

*2: For California

4. Also check harness for short to ground and to power.

Is the inspection result normal?

YES >> GO TO 3.

NO >> Repair open circuit, short to ground or short to power in harness or connectors.

3. CHECK A/F SENSOR 1 HEATER

Check the A/F sensor 1 heater. Refer to [EC-230, "Component Inspection"](#).

Is the inspection result normal?

YES >> Check intermittent incident. Refer to [GI-44, "Intermittent Incident"](#).

NO >> GO TO 4.

4. REPLACE AIR FUEL RATIO (A/F) SENSOR 1

Replace malfunctioning air fuel ratio (A/F) sensor 1. Refer to [EM-33, "Exploded View"](#).

CAUTION:

- Discard any A/F sensor which has been dropped from a height of more than 0.5 m (19.7 in) onto a hard surface such as a concrete floor; use a new one.
- Before installing new A/F sensor, clean exhaust system threads using Oxygen Sensor Thread Cleaner [commercial service tool (J-43897-18 or J-43897-12)] and approved Anti-seize Lubricant (commercial service tool).

>> INSPECTION END

Component Inspection

INFOID:000000012602282

1. CHECK AIR FUEL RATIO (A/F) SENSOR 1

1. Turn ignition switch OFF.
2. Disconnect A/F sensor 1 harness connector.
3. Check resistance between A/F sensor 1 terminals as per the following.

A/F sensor 1		Resistance
+	-	
Terminal		
3	4	1.8 - 2.44 Ω [at 20°C (68°F)]
	1	
	2	
4	1	$\infty \Omega$ (Continuity should not exist)
	2	

Is the inspection result normal?

YES >> INSPECTION END

NO >> GO TO 2.

P0030, P0031, P0032 A/F SENSOR 1 HEATER

< DTC/CIRCUIT DIAGNOSIS >

[QR25DE]

2. REPLACE AIR FUEL RATIO (A/F) SENSOR 1

Replace air fuel ratio (A/F) sensor 1. Refer to [EM-33, "Exploded View"](#).

CAUTION:

- Discard any sensor which has been dropped from a height of more than 0.5 m (19.7 in) onto a hard surface such as a concrete floor; use a new one.
- Before installing new sensor, clean exhaust system threads using Oxygen Sensor Thread Cleaner [commercial service tool (J-43897-18 or J43897-12)] and approved Anti-seize Lubricant (commercial service tool).

>> INSPECTION END

A

EC

C

D

E

F

G

H

I

J

K

L

M

N

O

P

P0037, P0038 HO2S2 HEATER

< DTC/CIRCUIT DIAGNOSIS >

[QR25DE]

P0037, P0038 HO2S2 HEATER

DTC Logic

INFOID:000000012602283

DTC DETECTION LOGIC

DTC No.	Trouble diagnosis name (Trouble diagnosis content)	DTC detecting condition	Possible cause
P0037	HO2 HTR (B1) (HO2S heater control circuit low bank 1 sensor 2)	The current amperage in the heated oxygen sensor 2 heater circuit is out of the normal range. (An excessively low voltage signal is sent to ECM through the heated oxygen sensor 2 heater.)	<ul style="list-style-type: none"> • Harness or connectors (Heated oxygen sensor 2 heater circuit is open or shorted.) • Heated oxygen sensor 2 heater
P0038	HO2 HTR (B1) (HO2S heater control circuit high bank 1 sensor 2)	The current amperage in the heated oxygen sensor 2 heater circuit is out of the normal range. (An excessively high voltage signal is sent to ECM through the heated oxygen sensor 2 heater.)	<ul style="list-style-type: none"> • Harness or connectors (Heated oxygen sensor 2 heater circuit is shorted.) • Heated oxygen sensor 2 heater

DTC CONFIRMATION PROCEDURE

1. PRECONDITIONING

If DTC Confirmation Procedure has been previously conducted, always perform the following procedure before conducting the next test.

1. Turn ignition switch OFF and wait at least 10 seconds.
2. Turn ignition switch ON.
3. Turn ignition switch OFF and wait at least 10 seconds.

TESTING CONDITION:

Before performing the following procedure, confirm that battery voltage is more than 11 V at idle.

>> GO TO 2.

2. PERFORM DTC CONFIRMATION PROCEDURE

Ⓜ With CONSULT

1. Turn ignition switch ON and select "DATA MONITOR" mode of "ENGINE" using CONSULT.
2. Start engine and warm it up to normal operating temperature.
3. Turn ignition switch OFF and wait at least 10 seconds.
4. Start engine and keep the engine speed between 3,500 and 4,000 rpm for at least 1 minute under no load.
5. Let engine idle for 1 minute.
6. Check 1st trip DTC.

Ⓜ With GST

Follow the procedure "With CONSULT" above.

Is 1st trip DTC detected?

- YES >> Proceed to [EC-232, "Diagnosis Procedure"](#).
 NO >> INSPECTION END

Diagnosis Procedure

INFOID:000000012602284

1. CHECK HO2S2 POWER SUPPLY CIRCUIT

1. Turn ignition switch OFF.
2. Disconnect heated oxygen sensor 2 (HO2S2) harness connector.
3. Turn ignition switch ON.
4. Check the voltage between HO2S2 harness connector and ground.

+		-	Voltage
HO2S2			
Connector	Terminal		
F42	2	Ground	Battery voltage

P0037, P0038 HO2S2 HEATER

[QR25DE]

< DTC/CIRCUIT DIAGNOSIS >

Is the inspection result normal?

- YES >> GO TO 2.
- NO >> Repair or replace error-detected parts.

2.CHECK HO2S2 OUTPUT SIGNAL CIRCUIT

1. Turn ignition switch OFF.
2. Disconnect ECM harness connector.
3. Check the continuity between HO2S2 harness connector and ECM harness connector.

+		-		Continuity
HO2S2		ECM		
Connector	Terminal	Connector	Terminal	
F42	3	F13*1 F90*2	54	Existed

*1: Except for California

*2: For California

4. Also check harness for short to ground and to power.

Is the inspection result normal?

- YES >> GO TO 3.
- NO >> Repair or replace error-detected parts.

3.CHECK HEATED OXYGEN SENSOR 2 HEATER

Check the heated oxygen sensor 2 heater. Refer to [EC-233, "Component Inspection"](#).

Is the inspection result normal?

- YES >> Check intermittent incident. Refer to [GI-44, "Intermittent Incident"](#).
- NO >> GO TO 4.

4.REPLACE HEATED OXYGEN SENSOR 2

Replace heated oxygen sensor 2. Refer to [EX-5, "Exploded View"](#).

CAUTION:

- Discard any sensor which has been dropped from a height of more than 0.5 m (19.7 in) onto a hard surface such as a concrete floor; use a new one.
- Before installing new sensor, clean exhaust system threads using Oxygen Sensor Thread Cleaner [commercial service tool (J-43897-18 or J43897-12)] and approved Anti-seize Lubricant (commercial service tool).

>> INSPECTION END

Component Inspection

INFOID:0000000012602285

1.CHECK HEATED OXYGEN SENSOR 2 HEATER

1. Turn ignition switch OFF.
2. Disconnect heated oxygen sensor 2 (HO2S2) harness connector.
3. Check resistance between HO2S2 terminals as per the following.

Heated oxygen sensor 2		Resistance
+	-	
Terminal		
2	3	3.3 - 4.4 Ω [at 25°C (77°F)]

P0037, P0038 HO2S2 HEATER

< DTC/CIRCUIT DIAGNOSIS >

[QR25DE]

Heated oxygen sensor 2		Resistance
+	-	
Terminal		$\infty \Omega$ (Continuity should not exist)
1	1	
	3	
	4	
4	1	
	2	
	3	

Is the inspection result normal?

YES >> INSPECTION END

NO >> GO TO 2.

2. REPLACE HEATED OXYGEN SENSOR 2

Replace heated oxygen sensor 2. Refer to [EX-5. "Exploded View"](#).

CAUTION:

- Discard any sensor which has been dropped from a height of more than 0.5 m (19.7 in) onto a hard surface such as a concrete floor; use a new one.
- Before installing new sensor, clean exhaust system threads using Oxygen Sensor Thread Cleaner [commercial service tool (J-43897-18 or J43897-12)] and approved Anti-seize Lubricant (commercial service tool).

>> INSPECTION END

P0075 INTAKE VALVE TIMING CONTROL

< DTC/CIRCUIT DIAGNOSIS >

[QR25DE]

P0075 INTAKE VALVE TIMING CONTROL

DTC Logic

INFOID:000000012602286

DTC DETECTION LOGIC

DTC No.	CONSULT screen terms (Trouble diagnosis content)	DTC detecting condition	Possible cause
P0075	INT/V TIM V/CIR-B1 (Intake valve control solenoid circuit bank 1)	<ul style="list-style-type: none"> ECM detects an abnormal voltage in the intake valve timing control solenoid valve control circuit. ECM detects an abnormal voltage in the intake valve timing intermediate lock control solenoid valve control circuit. 	<ul style="list-style-type: none"> Harness or connectors (Intake valve timing control solenoid valve circuit is open or shorted.) (Intake valve timing intermediate lock control solenoid valve circuit is open or shorted.) Intake valve timing control solenoid valve Intake valve timing intermediate lock control solenoid valve

DTC CONFIRMATION PROCEDURE

1. PRECONDITIONING

If DTC Confirmation Procedure has been previously conducted, always perform the following procedure before conducting the next test.

- Turn ignition switch OFF and wait at least 10 seconds.
- Turn ignition switch ON.
- Turn ignition switch OFF and wait at least 10 seconds.

>> GO TO 2.

2. PERFORM DTC CONFIRMATION PROCEDURE

- Start engine and let it idle for 5 seconds.
- Check 1st trip DTC.

Is 1st trip DTC detected?

- YES >> Proceed to [EC-235, "Diagnosis Procedure"](#).
 NO >> INSPECTION END

Diagnosis Procedure

INFOID:000000012602287

1. CHECK INTAKE VALVE TIMING (IVT) CONTROL SOLENOID VALVE POWER SUPPLY

- Turn ignition switch OFF.
- Disconnect IVT control solenoid valve harness connector.
- Turn ignition switch ON.
- Check the voltage between intake valve timing control solenoid valve harness connector and ground.

+		-	Voltage
Connector	Terminal		
F59	1	Ground	Battery voltage

Is the inspection result normal?

- YES >> GO TO 3.
 NO >> GO TO 2.

2. CHECK IVT CONTROL SOLENOID VALVE POWER SUPPLY CIRCUIT

- Turn ignition switch OFF.
- Disconnect IPDM E/R harness connector.

P0075 INTAKE VALVE TIMING CONTROL

[QR25DE]

< DTC/CIRCUIT DIAGNOSIS >

3. Check the continuity between IVT control solenoid valve harness connector and IPDM E/R harness connector.

+		-		Continuity
IVT control solenoid valve		IPDM E/R		
Connector	Terminal	Connector	Terminal	
F59	1	F83	59	Existed

4. Also check harness for short to ground.

Is the inspection result normal?

- YES >> Perform the trouble diagnosis for power supply circuit.
NO >> Repair or replace error-detected parts.

3. CHECK IVT CONTROL SOLENOID VALVE GROUND CIRCUIT

1. Turn ignition switch OFF.
2. Disconnect ECM harness connector.
3. Check the continuity between IVT control solenoid valve harness connector and ECM harness connector.

+		-		Continuity
IVT control solenoid valve		ECM		
Connector	Terminal	Connector	Terminal	
F59	2	E10 ^{*1} E31 ^{*2}	93	Existed

*1: Except for California

*2: For California

4. Also check harness for short to ground and short to power.

Is the inspection result normal?

- YES >> GO TO 4.
NO >> Repair or replace error-detected parts.

4. CHECK IVT CONTROL SOLENOID VALVE

Check the IVT control solenoid valve. Refer to [EC-237, "Component Inspection \(IVT Control Solenoid Valve\)"](#).

Is the inspection result normal?

- YES >> GO TO 5.
NO >> Replace IVT control solenoid valve. Refer to [EM-48, "Exploded View"](#).

5. CHECK IVT INTERMEDIATE LOCK CONTROL SOLENOID VALVE POWER SUPPLY

1. Disconnect IVT intermediate lock control solenoid valve harness connector.
2. Turn ignition switch ON.
3. Check the voltage between IVT intermediate lock control solenoid valve harness connector and ground.

+		-	Voltage
IVT intermediate lock control solenoid valve			
Connector	Terminal		
F51	1	Ground	Battery voltage

Is the inspection result normal?

- YES >> GO TO 7.
NO >> GO TO 6.

6. CHECK IVT INTERMEDIATE LOCK CONTROL SOLENOID VALVE POWER SUPPLY CIRCUIT

1. Turn ignition switch OFF.
2. Disconnect IPDM E/R harness connector.

P0075 INTAKE VALVE TIMING CONTROL

[QR25DE]

< DTC/CIRCUIT DIAGNOSIS >

3. Check the continuity between IVT intermediate lock control solenoid valve harness connector and IPDM E/R harness connector.

+		-		Continuity
IVT intermediate lock control solenoid valve		IPDM E/R		
Connector	Terminal	Connector	Terminal	
F51	1	F83	59	Existed

4. Also check harness for short to ground.

Is the inspection result normal?

YES >> Perform the trouble diagnosis for power supply circuit.

NO >> Repair or replace error-detected parts.

7. CHECK IVT INTERMEDIATE LOCK CONTROL SOLENOID VALVE GROUND CIRCUIT

1. Turn ignition switch OFF.
2. Disconnect ECM harness connector.
3. Check the continuity between IVT intermediate lock control solenoid valve harness connector and ECM harness connector.

+		-		Continuity
IVT intermediate lock control solenoid valve		ECM		
Connector	Terminal	Connector	Terminal	
F51	2	F13*1 F90*2	56	Existed

*1: Except for California

*2: For California

4. Also check harness for short to ground and short to power.

Is the inspection result normal?

YES >> GO TO 8.

NO >> Repair or replace error-detected parts.

8. CHECK IVT INTERMEDIATE LOCK CONTROL SOLENOID VALVE

Check the IVT intermediate lock control solenoid valve. Refer to [EC-238, "Component Inspection \(IVT Intermediate Lock Control Solenoid Valve\)"](#).

Is the inspection result normal?

YES >> Check intermittent incident. Refer to [GI-44, "Intermittent Incident"](#).

NO >> Replace IVT intermediate lock control solenoid valve. Refer to [EM-48, "Exploded View"](#).

Component Inspection (IVT Control Solenoid Valve)

INFOID:000000012602288

1. CHECK INTAKE VALVE TIMING CONTROL SOLENOID VALVE-I

1. Turn ignition switch OFF.
2. Disconnect intake valve timing control solenoid valve harness connector.
3. Check resistance between intake valve timing control solenoid valve terminals as follows.

Terminals	Resistance
1 and 2	7.0 - 7.5 Ω [at 20°C (68°F)]
1 or 2 and ground	$\infty \Omega$ (Continuity should not exist)

Is the inspection result normal?

YES >> GO TO 2.

NO >> Replace intake valve timing control solenoid valve. Refer to [EM-48, "Exploded View"](#).

P0075 INTAKE VALVE TIMING CONTROL

[QR25DE]

< DTC/CIRCUIT DIAGNOSIS >

2. CHECK INTAKE VALVE TIMING CONTROL SOLENOID VALVE-II

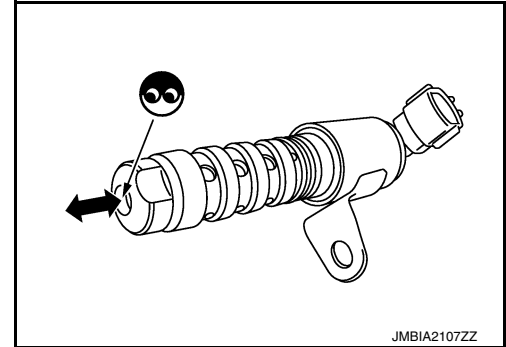
1. Remove intake valve timing control solenoid valve. Refer to [EM-48, "Exploded View"](#).
2. Provide 12 V DC between intake valve timing control solenoid valve terminals 1 and 2, and then interrupt it. Make sure that the plunger moves as shown in the figure.

CAUTION:

Do not apply 12 V DC continuously for 5 seconds or more. Doing so may result in damage to the coil in intake valve timing control solenoid valve.

NOTE:

Always replace O-ring when intake valve timing control solenoid valve is removed.



JMBIA2107ZZ

Is the inspection result normal?

YES >> INSPECTION END

NO >> Replace intake valve timing control solenoid valve. Refer to [EM-48, "Exploded View"](#).

Component Inspection (IVT Intermediate Lock Control Solenoid Valve)

INFOID:0000000012602289

1. CHECK INTAKE VALVE TIMING INTERMEDIATE LOCK CONTROL SOLENOID VALVE-I

1. Turn ignition switch OFF.
2. Disconnect intake valve timing intermediate lock control solenoid valve harness connector.
3. Check resistance between intake valve timing intermediate lock control solenoid valve terminals as follows.

Terminals	Resistance
1 and 2	7.0 - 7.5 Ω [at 20°C (68°F)]
1 or 2 and ground	$\infty \Omega$ (Continuity should not exist)

Is the inspection result normal?

YES >> GO TO 2.

NO >> Replace intake valve timing intermediate lock control solenoid valve. Refer to [EM-48, "Exploded View"](#).

2. CHECK INTAKE VALVE TIMING INTERMEDIATE LOCK CONTROL SOLENOID VALVE-II

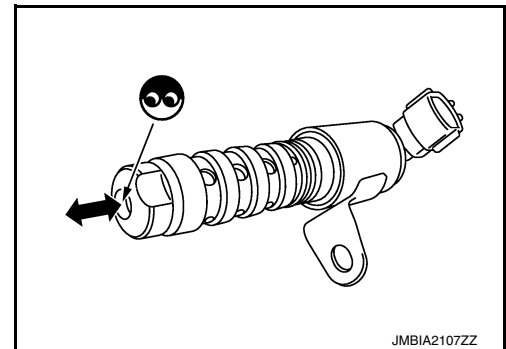
1. Remove intake valve timing intermediate lock control solenoid valve. Refer to [EM-48, "Exploded View"](#).
2. Provide 12 V DC between intake valve timing intermediate lock control solenoid valve terminals 1 and 2, and then interrupt it. Make sure that the plunger moves as shown in the figure.

CAUTION:

Do not apply 12 V DC continuously for 5 seconds or more. Doing so may result in damage to the coil in intake valve timing intermediate lock control solenoid valve.

NOTE:

Always replace O-ring when intake valve timing intermediate lock control solenoid valve is removed.



JMBIA2107ZZ

Is the inspection result normal?

YES >> INSPECTION END

NO >> Replace intake valve timing intermediate lock control solenoid valve. Refer to [EM-48, "Exploded View"](#).

P0078 EVT CONTROL SOLENOID VALVE

< DTC/CIRCUIT DIAGNOSIS >

[QR25DE]

P0078 EVT CONTROL SOLENOID VALVE

DTC Logic

INFOID:0000000012602290

DTC DETECTION LOGIC

DTC No.	CONSULT screen terms (Trouble diagnosis content)	DTC detecting condition	Possible cause
P0078	EX V/T ACT/CIRC-B1 (Exhaust valve control solenoid circuit bank 1)	An improper voltage is sent to the ECM through exhaust valve timing control solenoid valve.	<ul style="list-style-type: none"> Harness or connectors (Exhaust valve timing control solenoid valve circuit is open or shorted.) Exhaust valve timing control solenoid valve

DTC CONFIRMATION PROCEDURE

1. PRECONDITIONING

If DTC Confirmation Procedure has been previously conducted, always perform the following procedure before conducting the next test.

- Turn ignition switch OFF and wait at least 10 seconds.
- Turn ignition switch ON.
- Turn ignition switch OFF and wait at least 10 seconds.

>> GO TO2.

2. PERFORM DTC CONFIRMATION PROCEDURE

- Start engine and let it idle for 5 seconds.
- Check 1st trip DTC.

Is 1st trip DTC detected?

- YES >> Proceed to [EC-239, "Diagnosis Procedure"](#).
 NO >> INSPECTION END

Diagnosis Procedure

INFOID:0000000012602291

1. CHECK EXHAUST VALVE TIMING CONTROL SOLENOID VALVE POWER SUPPLY

- Turn ignition switch OFF.
- Disconnect exhaust valve timing (EVT) control solenoid valve harness connector.
- Turn ignition switch ON.
- Check the voltage between exhaust valve timing control solenoid valve harness connector and ground.

+		-	Voltage
Connector	Terminal		
EVT control solenoid valve			
F80	1	Ground	Battery voltage

Is the inspection result normal?

- YES >> GO TO 3.
 NO >> GO TO 2.

2. CHECK EXHAUST VALVE TIMING CONTROL SOLENOID VALVE POWER SUPPLY CIRCUIT

- Turn ignition switch OFF.
- Disconnect IPDM E/R harness connector.
- Check the continuity between EVT control solenoid valve harness connector and IPDM E/R harness connector.

P0078 EVT CONTROL SOLENOID VALVE

< DTC/CIRCUIT DIAGNOSIS >

[QR25DE]

+		+		Continuity
EVT control solenoid valve		IPDM E/R		
Connector	Terminal	Connector	Terminal	
F80	1	F83	59	Existed

4. Also check harness for short to ground.

Is the inspection result normal?

- YES >> Perform the trouble diagnosis for power supply circuit.
 NO >> Repair or replace error-detected parts.

3.CHECK EXHAUST VALVE TIMING CONTROL SOLENOID VALVE GROUND CIRCUIT

- Turn ignition switch OFF.
- Disconnect ECM harness connector.
- Check the continuity between EVT control solenoid valve harness connector and ECM harness connector.

+		+		Continuity
EVT control solenoid valve		ECM		
Connector	Terminal	Connector	Terminal	
F80	2	F13 ^{*1} F90 ^{*2}	94	Existed

*1: Except for California

*2: For California

4. Also check harness for short to ground and to power.

Is the inspection result normal?

- YES >> GO TO 4.
 NO >> Repair or replace error-detected parts.

4.CHECK EXHAUST VALVE TIMING CONTROL SOLENOID VALVE

Check the exhaust valve timing control solenoid valve. Refer to [EC-228, "Component Inspection"](#).

Is the inspection result normal?

- YES >> Check intermittent incident. Refer to [GI-44, "Intermittent Incident"](#).
 NO >> Replace exhaust valve timing control solenoid valve.

Component Inspection

INFOID:0000000012602292

1.CHECK EXHAUST VALVE TIMING CONTROL SOLENOID VALVE-1

- Turn ignition switch OFF.
- Disconnect exhaust valve timing control solenoid valve harness connector.
- Check resistance between exhaust valve timing control solenoid valve terminals as per the following.

Exhaust valve timing control solenoid valve		Resistance
+	-	
Terminal		
1	2	7.0 - 7.7 Ω [at 20°C (68°F)]
1	Ground	∞ Ω (Continuity should not exist)
2		

Is the inspection result normal?

- YES >> GO TO 2.
 NO >> Replace exhaust valve timing control solenoid valve. Refer to [EM-61, "Exploded View"](#).

2.CHECK EXHAUST VALVE TIMING CONTROL SOLENOID VALVE-2

P0078 EVT CONTROL SOLENOID VALVE

[QR25DE]

< DTC/CIRCUIT DIAGNOSIS >

1. Remove exhaust valve timing control solenoid valve. Refer to [EM-61, "Exploded View"](#).
2. Provide 12 V DC between exhaust valve timing control solenoid valve terminals 1 and 2, and then interrupt it. Check that the plunger moves as shown in the figure.

CAUTION:

Do not apply 12 V DC continuously for 5 seconds or more. Doing so may result in damage to the coil in exhaust valve timing control solenoid valve.

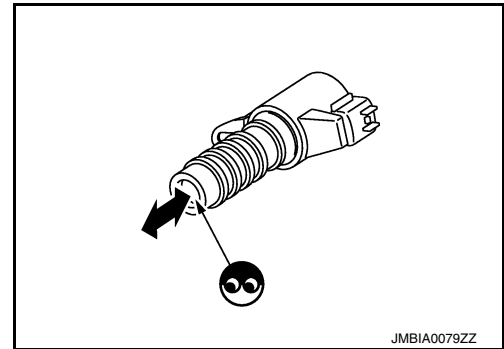
NOTE:

Always replace O-ring when exhaust valve timing control solenoid valve is removed.

Is the inspection result normal?

YES >> INSPECTION END

NO >> Replace exhaust valve timing control solenoid valve. Refer to [EM-61, "Exploded View"](#).



A

EC

C

D

E

F

G

H

I

J

K

L

M

N

O

P

P0101 MAF SENSOR

DTC Logic

INFOID:0000000012602293

DTC DETECTION LOGIC

NOTE:

If DTC P0101 is displayed with other DTC, first perform the trouble diagnosis for other DTC.

DTC No.	CONSULT screen terms (Trouble diagnosis content)	DTC detecting condition	Possible cause
P0101	MAF SEN/CIRCUIT-B1 (Mass or volume air Flow "A" circuit range/performance)	<ul style="list-style-type: none"> A high voltage from the sensor is sent to ECM under light load driving condition. A low voltage from the sensor is sent to ECM under heavy load driving condition. 	<ul style="list-style-type: none"> Harness or connectors (MAF sensor circuit is open or shorted.) Intake air leaks MAF sensor EVAP control system pressure sensor Intake air temperature sensor Sensor power supply 2 circuit

DTC CONFIRMATION PROCEDURE

1. PRECONDITIONING

If DTC CONFIRMATION PROCEDURE has been previously conducted, always perform the following procedure before conducting the next test.

- Turn ignition switch OFF and wait at least 10 seconds.
- Turn ignition switch ON.
- Turn ignition switch OFF and wait at least 10 seconds.

>> GO TO 2.

2. PERFORM DTC CONFIRMATION PROCEDURE

- Start engine and warm it up to normal operating temperature.
- Drive the vehicle for at least 5 seconds under the following conditions:

CAUTION:

Always drive vehicle at safe speed.

Selector lever	Suitable position
Vehicle speed	40 km/h (25 MPH) or more

NOTE:

- The gear must be fixed while driving the vehicle.
- Keep the accelerator pedal as steady as possible during cruising.

- Check 1st trip DTC.

Is 1st trip DTC detected?

YES >> Proceed to [EC-242, "Diagnosis Procedure"](#).

NO >> INSPECTION END

Diagnosis Procedure

INFOID:0000000012602294

1. CHECK INTAKE SYSTEM

Check the following for connection.

- Air duct
- Vacuum hoses
- Intake air passage between air duct and intake manifold

Is the inspection result normal?

YES >> GO TO 2.

NO >> Reconnect the parts.

2. CHECK MASS AIR FLOW (MAF) SENSOR POWER SUPPLY

P0101 MAF SENSOR

[QR25DE]

< DTC/CIRCUIT DIAGNOSIS >

1. Turn ignition switch OFF.
2. Disconnect MAF sensor harness connector.
3. Turn ignition switch ON.
4. Check the voltage between MAF sensor harness connector and ground.

+		-	Voltage
MAF sensor			
Connector	Terminal		
F31	1	Ground	5 V

Is the inspection result normal?

- YES >> GO TO 4.
NO >> GO TO 3.

3.CHECK SENSOR POWER SUPPLY 2 CIRCUIT

Perform [EC-562, "Diagnosis Procedure"](#).

Is the inspection result normal?

- YES >> Perform the trouble diagnosis for power supply circuit.
NO >> Repair or replace error-detected parts.

4.CHECK MAF SENSOR GROUND CIRCUIT

1. Turn ignition switch OFF.
2. Disconnect ECM harness connector.
3. Check the continuity between MAF sensor harness connector and ECM harness connector.

+		-		Continuity
MAF sensor		ECM		
Connector	Terminal	Connector	Terminal	
F31	3	F14*1 F91*2	34	Existed

*1: Except for California

*2: For California

4. Also check harness for short to power.

Is the inspection result normal?

- YES >> GO TO 5.
NO >> Repair or replace error-detected parts.

5.CHECK MAF SENSOR INPUT SIGNAL CIRCUIT

1. Check the continuity between MAF sensor harness connector and ECM harness connector.

+		-		Continuity
MAF sensor		ECM		
Connector	Terminal	Connector	Terminal	
F31	2	F14*1 F91*2	35	Existed

*1: Except for California

*2: For California

2. Also check harness for short to ground and to power.

Is the inspection result normal?

- YES >> GO TO 6.
NO >> Repair or replace error-detected parts

6.CHECK INTAKE AIR TEMPERATURE SENSOR

Check the intake air temperature sensor. Refer to [EC-253, "Component Inspection"](#).

P0101 MAF SENSOR

[QR25DE]

< DTC/CIRCUIT DIAGNOSIS >

Is the inspection result normal?

YES >> GO TO 7.

NO >> Replace MAF sensor (with intake air temperature sensor). Refer to [EM-29, "Exploded View"](#).

7. CHECK EVAP CONTROL SYSTEM PRESSURE SENSOR

Check the EVAP control system pressure sensor. Refer to [EC-374, "Component Inspection"](#).

Is the inspection result normal?

YES >> GO TO 8.

NO >> Replace EVAP control system pressure sensor. Refer to [FL-19, "Removal and Installation"](#).

8. CHECK MAF SENSOR

Check the MAF sensor. Refer to [EC-244, "Component Inspection"](#).

Is the inspection result normal?

YES >> Check intermittent incident. Refer to [GI-44, "Intermittent Incident"](#).

NO >> Replace MAF sensor. Refer to [EM-29, "Exploded View"](#).

Component Inspection

INFOID:000000012602295


1. CHECK MASS AIR FLOW SENSOR-1

 With CONSULT

1. Turn ignition switch OFF.
2. Reconnect all harness connectors disconnected.
3. Start engine and warm it up to normal operating temperature.
4. Connect CONSULT and select "DATA MONITOR" mode of "ENGINE".
5. Select "MASS AIR FLOW SENSOR (Hz)" and check indication.

Monitor item	Condition	Indication (Hz)
MASS AIR FLOW SENSOR (Hz)	Ignition switch ON (Engine stopped.)	Approx. 3,720 Hz
	Idle (Engine is warmed-up to normal operating temperature.)	4,100- 4,700 Hz
	Idle to about 4,000 rpm	4,100- 4,700 Hz to Approx. 8,000 Hz*

*: Check for linear frequency rise in response to engine being increased to about 4,000 rpm.

 Without CONSULT

1. Turn ignition switch OFF.
2. Reconnect all harness connectors disconnected.
3. Start engine and warm it up to normal operating temperature.
4. Check the frequency between ECM harness connector terminals under the following conditions.

Connector	ECM		Condition	Frequency (Hz)
	+	-		
Terminal				
F14*1 F91*2	35	34	Ignition switch ON (Engine stopped.)	Approx. 3,720 Hz
			Idle (Engine is warmed-up to normal operating temperature.)	4,100- 4,700 Hz
			Idle to about 4,000 rpm	4,100- 4,700 Hz to Approx. 8,000 Hz*3

*1: Except for California

*2: For California

*3: Check for linear frequency rise in response to engine being increased to about 4,000 rpm.

Is the inspection result normal?

YES >> INSPECTION END

NO >> GO TO 2.

2. CHECK FOR THE CAUSE OF UNEVEN AIR FLOW THROUGH MASS AIR FLOW SENSOR

1. Turn ignition switch OFF.

P0101 MAF SENSOR

[QR25DE]

< DTC/CIRCUIT DIAGNOSIS >

2. Check for the cause of uneven air flow through mass air flow sensor. Refer to the following.
 - Crushed air ducts
 - Malfunctioning seal of air cleaner element
 - Uneven dirt of air cleaner element
 - Intake valve deposits
 - Improper specification of intake air system parts

Is the inspection result normal?

YES >> GO TO 4.

NO >> GO TO 3.

3. CHECK MASS AIR FLOW SENSOR-2

 With CONSULT

1. Repair or replace malfunctioning part.
2. Start engine and warm it up to normal operating temperature.
3. Connect CONSULT and select "DATA MONITOR" mode of "ENGINE".
4. Select "MASS AIR FLOW SENSOR (Hz)" and check indication.

Monitor item	Condition	Indication (Hz)
MASS AIR FLOW SENSOR (Hz)	Ignition switch ON (Engine stopped.)	Approx. 3,720 Hz
	Idle (Engine is warmed-up to normal operating temperature.)	4,100- 4,700 Hz
	Idle to about 4,000 rpm	4,100- 4,700 Hz to Approx. 8,000 Hz*

*: Check for linear frequency rise in response to engine being increased to about 4,000 rpm.

 Without CONSULT

1. Repair or replace malfunctioning part.
2. Start engine and warm it up to normal operating temperature.
3. Check the frequency between ECM harness connector terminals under the following conditions.

Connector	ECM		Condition	Frequency (Hz)
	+	-		
Terminal				
F14*1 F91*2	35	34	Ignition switch ON (Engine stopped.)	Approx. 3,720 Hz
			Idle (Engine is warmed-up to normal operating temperature.)	4,100- 4,700 Hz
			Idle to about 4,000 rpm	4,100- 4,700 Hz to Approx. 8,000 Hz*3

*1: Except for California

*2: For California


*3: Check for linear frequency rise in response to engine being increased to about 4,000 rpm.

Is the inspection result normal?

YES >> INSPECTION END

NO >> GO TO 4.

4. CHECK MASS AIR FLOW SENSOR-3

 With CONSULT

1. Turn ignition switch OFF.
2. Disconnect mass air flow sensor harness connector and reconnect it again.
3. Start engine and warm it up to normal operating temperature.
4. Connect CONSULT and select "DATA MONITOR" mode of "ENGINE".
5. Select "MASS AIR FLOW SENSOR (Hz)" and check indication.

P0101 MAF SENSOR

< DTC/CIRCUIT DIAGNOSIS >

[QR25DE]

Monitor item	Condition	Indication (Hz)
MASS AIR FLOWSENSOR (Hz)	Ignition switch ON (Engine stopped.)	Approx. 3,720 Hz
	Idle (Engine is warmed-up to normal operating temperature.)	4,100- 4,700 Hz
	Idle to about 4,000 rpm	4,100- 4,700 Hz to Approx. 8,000 Hz*

*: Check for linear frequency rise in response to engine being increased to about 4,000 rpm.

⊗ Without CONSULT

1. Turn ignition switch OFF.
2. Disconnect MAF sensor harness connector and reconnect it again.
3. Start engine and warm it up to normal operating temperature.
4. Check the frequency between ECM harness connector terminals under the following conditions.

Connector	ECM		Condition	Frequency (Hz)
	+	-		
	Terminal			
F14*1 F91*2	35	34	Ignition switch ON (Engine stopped.)	Approx. 3,720 Hz
			Idle (Engine is warmed-up to normal operating temperature.)	4,100- 4,700 Hz
			Idle to about 4,000 rpm	4,100- 4,700 Hz to Approx. 8,000 Hz*3

*1: Except for California

*2: For California

*3: Check for linear frequency rise in response to engine being increased to about 4,000 rpm.

Is the inspection result normal?

YES >> INSPECTION END

NO >> Clean or replace mass air flow sensor. Refer to [EM-29, "Exploded View"](#).

P0102, P0103 MAF SENSOR

< DTC/CIRCUIT DIAGNOSIS >

[QR25DE]

P0102, P0103 MAF SENSOR

DTC Logic

INFOID:000000012602296

DTC DETECTION LOGIC

DTC No.	CONSULT screen terms (Trouble diagnosis content)	DTC detecting condition	Possible cause
P0102	MAF SEN/CIRCUIT-B1 (Mass or volume air flow "A" circuit low)	An excessively low voltage from the mass air flow sensor is sent to ECM.	<ul style="list-style-type: none">• Harness or connectors (Mass air flow sensor circuit is open or shorted.)• Intake air leaks• Mass air flow sensor• Sensor power supply 2 circuit
P0103	MAF SEN/CIRCUIT-B1 (Mass or volume air flow "A" circuit high)	An excessively high voltage from the mass air flow sensor is sent to ECM.	<ul style="list-style-type: none">• Harness or connectors (Mass air flow sensor circuit is open or shorted.)• Mass air flow sensor• Sensor power supply 2 circuit

DTC CONFIRMATION PROCEDURE

1. PRECONDITIONING

If DTC Confirmation Procedure has been previously conducted, always perform the following procedure before conducting the next test.

1. Turn ignition switch OFF and wait at least 10 seconds.
2. Turn ignition switch ON.
3. Turn ignition switch OFF and wait at least 10 seconds.

Which DTC is detected?

- P0102 >> GO TO 2.
- P0103 >> GO TO 3.

2. PERFORM DTC CONFIRMATION PROCEDURE FOR DTC P0102

1. Start engine and wait at least 5 seconds.
2. Check DTC.

Is DTC detected?

- YES >> Proceed to [EC-247, "Diagnosis Procedure"](#).
- NO >> INSPECTION END

3. PERFORM DTC CONFIRMATION PROCEDURE FOR DTC P0103-1

1. Turn ignition switch ON and wait at least 5 seconds.
2. Check DTC.

Is DTC detected?

- YES >> Proceed to [EC-247, "Diagnosis Procedure"](#).
- NO >> GO TO 4.

4. PERFORM DTC CONFIRMATION PROCEDURE FOR DTC P0103-2

1. Start engine and wait at least 5 seconds.
2. Check DTC.

Is DTC detected?

- YES >> Proceed to [EC-247, "Diagnosis Procedure"](#).
- NO >> INSPECTION END

Diagnosis Procedure

INFOID:000000012602297

1. INSPECTION START

Confirm the detected DTC.

Which DTC is detected?

P0102, P0103 MAF SENSOR

[QR25DE]

< DTC/CIRCUIT DIAGNOSIS >

- P0102 >> GO TO 2.
- P0103 >> GO TO 3.

2.CHECK INTAKE SYSTEM

Check the following for connection.

- Air duct
- Vacuum hoses
- Intake air passage between air duct to intake manifold

Is the inspection result normal?

- YES >> GO TO 3.
- NO >> Reconnect the parts. Refer to [EM-29, "Exploded View"](#).

3.CHECK MAF SENSOR POWER SUPPLY

1. Turn ignition switch OFF.
2. Disconnect mass air flow (MAF) sensor harness connector.
3. Turn ignition switch ON.
4. Check the voltage between MAF sensor harness connector and ground.

+		-	Voltage
MAF sensor			
Connector	Terminal		
F31	1	Ground	5 V

Is the inspection result normal?

- YES >> GO TO 5.
- NO >> GO TO 4.

4.CHECK SENSOR POWER SUPPLY 2 CIRCUIT

Perform [EC-562, "Diagnosis Procedure"](#).

Is the inspection result normal?

- YES >> Perform the trouble diagnosis for power supply circuit.
- NO >> Repair or replace error-detected parts.

5.CHECK MAF SENSOR GROUND CIRCUIT

1. Turn ignition switch OFF.
2. Disconnect ECM harness connector.
3. Check the continuity between MAF sensor harness connector and ECM harness connector.

+		-		Continuity
MAF sensor		ECM		
Connector	Terminal	Connector	Terminal	
F31	3	F14 ^{*1} F91 ^{*2}	34	Existed

*1: Except for California

*2: For California

Is the inspection result normal?

- YES >> GO TO 6.
- NO >> Repair or replace error-detected parts.

6.CHECK MAF SENSOR INPUT SIGNAL CIRCUIT

1. Check the continuity between MAF sensor harness connector and ECM harness connector.

P0102, P0103 MAF SENSOR

< DTC/CIRCUIT DIAGNOSIS >

[QR25DE]

+		-		Continuity
MAF sensor		ECM		
Connector	Terminal	Connector	Terminal	
F31	2	F14* ¹ F91* ²	35	Existed

*1: Except for California

*2: For California

2. Also check harness for short to ground and to power.

Is the inspection result normal?

YES >> GO TO 7.

NO >> Repair open circuit or short to ground or short to power in harness or connectors.

7. CHECK MAF SENSOR

Check the MAF sensor. Refer to [EC-244. "Component Inspection"](#).

Is the inspection result normal?

YES >> Check intermittent incident. Refer to [GI-44. "Intermittent Incident"](#).

NO >> Replace mass air flow sensor. Refer to [EM-29. "Exploded View"](#).

Component Inspection

INFOID:0000000012602298


1. CHECK MASS AIR FLOW SENSOR-1

 With CONSULT

1. Turn ignition switch OFF.
2. Reconnect all harness connectors disconnected.
3. Start engine and warm it up to normal operating temperature.
4. Connect CONSULT and select "DATA MONITOR" mode of "ENGINE".
5. Select "MASS AIR FLOW SENSOR (Hz)" and check indication.

Monitor item	Condition	Indication (Hz)
MASS AIR FLOW SENSOR (Hz)	Ignition switch ON (Engine stopped.)	Approx. 3,720 Hz
	Idle (Engine is warmed-up to normal operating temperature.)	4,100- 4,700 Hz
	Idle to about 4,000 rpm	4,100- 4,700 Hz to Approx. 8,000 Hz*

*: Check for linear frequency rise in response to engine being increased to about 4,000 rpm.

 Without CONSULT

1. Turn ignition switch OFF.
2. Reconnect all harness connectors disconnected.
3. Start engine and warm it up to normal operating temperature.
4. Check the frequency between ECM harness connector terminals under the following conditions.

Connector	ECM		Condition	Frequency (Hz)
	+	-		
	Terminal			
F14* ¹ F91* ²	35	34	Ignition switch ON (Engine stopped.)	Approx. 3,720 Hz
			Idle (Engine is warmed-up to normal operating temperature.)	4,100- 4,700 Hz
			Idle to about 4,000 rpm	4,100- 4,700 Hz to Approx. 8,000 Hz* ³

*1: Except for California

*2: For California

*3: Check for linear frequency rise in response to engine being increased to about 4,000 rpm.

Is the inspection result normal?

P0102, P0103 MAF SENSOR

[QR25DE]

< DTC/CIRCUIT DIAGNOSIS >

- YES >> INSPECTION END
 NO >> GO TO 2.

2. CHECK FOR THE CAUSE OF UNEVEN AIR FLOW THROUGH MASS AIR FLOW SENSOR

1. Turn ignition switch OFF.
2. Check for the cause of uneven air flow through mass air flow sensor. Refer to the following.
 - Crushed air ducts
 - Malfunctioning seal of air cleaner element
 - Uneven dirt of air cleaner element
 - Intake valve deposits
 - Improper specification of intake air system parts

Is the inspection result normal?

- YES >> GO TO 4.
 NO >> GO TO 3.


3. CHECK MASS AIR FLOW SENSOR-2

 With CONSULT

1. Repair or replace malfunctioning part.
2. Start engine and warm it up to normal operating temperature.
3. Connect CONSULT and select "DATA MONITOR" mode of "ENGINE".
4. Select "MASS AIR FLOW SENSOR (Hz)" and check indication.

Monitor item	Condition	Indication (Hz)
MASS AIR FLOW SENSOR (Hz)	Ignition switch ON (Engine stopped.)	Approx. 3,720 Hz
	Idle (Engine is warmed-up to normal operating temperature.)	4,100- 4,700 Hz
	Idle to about 4,000 rpm	4,100- 4,700 Hz to Approx. 8,000 Hz*

*: Check for linear frequency rise in response to engine being increased to about 4,000 rpm.

 Without CONSULT

1. Repair or replace malfunctioning part.
2. Start engine and warm it up to normal operating temperature.
3. Check the frequency between ECM harness connector terminals under the following conditions.

Connector	ECM		Condition	Frequency (Hz)
	+	-		
	Terminal			
F14*1 F91*2	35	34	Ignition switch ON (Engine stopped.)	Approx. 3,720 Hz
			Idle (Engine is warmed-up to normal operating temperature.)	4,100- 4,700 Hz
			Idle to about 4,000 rpm	4,100- 4,700 Hz to Approx. 8,000 Hz*3

*1: Except for California


*2: For California

*3: Check for linear frequency rise in response to engine being increased to about 4,000 rpm.

Is the inspection result normal?

- YES >> INSPECTION END
 NO >> GO TO 4.

4. CHECK MASS AIR FLOW SENSOR-3

 With CONSULT

1. Turn ignition switch OFF.
2. Disconnect mass air flow sensor harness connector and reconnect it again.
3. Start engine and warm it up to normal operating temperature.
4. Connect CONSULT and select "DATA MONITOR" mode of "ENGINE".
5. Select "MASS AIR FLOW SENSOR (Hz)" and check indication.

P0102, P0103 MAF SENSOR

< DTC/CIRCUIT DIAGNOSIS >

[QR25DE]

Monitor item	Condition	Indication (Hz)
MASS AIR FLOWSENSOR (Hz)	Ignition switch ON (Engine stopped.)	Approx. 3,720 Hz
	Idle (Engine is warmed-up to normal operating temperature.)	4,100- 4,700 Hz
	Idle to about 4,000 rpm	4,100- 4,700 Hz to Approx. 8,000 Hz*

*: Check for linear frequency rise in response to engine being increased to about 4,000 rpm.

⊗ Without CONSULT

1. Turn ignition switch OFF.
2. Disconnect MAF sensor harness connector and reconnect it again.
3. Start engine and warm it up to normal operating temperature.
4. Check the frequency between ECM harness connector terminals under the following conditions.

Connector	ECM		Condition	Frequency (Hz)
	+	-		
	Terminal			
F14*1 F91*2	35	34	Ignition switch ON (Engine stopped.)	Approx. 3,720 Hz
			Idle (Engine is warmed-up to normal operating temperature.)	4,100- 4,700 Hz
			Idle to about 4,000 rpm	4,100- 4,700 Hz to Approx. 8,000 Hz*3

*1: Except for California

*2: For California

*3: Check for linear frequency rise in response to engine being increased to about 4,000 rpm.

Is the inspection result normal?

YES >> INSPECTION END

NO >> Clean or replace mass air flow sensor. Refer to [EM-29, "Exploded View"](#).

P0111 IAT SENSOR

[QR25DE]

< DTC/CIRCUIT DIAGNOSIS >

P0111 IAT SENSOR

DTC Logic

INFOID:000000012602302

DTC DETECTION LOGIC

DTC No.	CONSULT screen terms (Trouble diagnosis content)	DTC detecting condition	Possible cause
P0111	IAT SENSOR 1 B1 (Intake air temperature sensor 1 circuit range/performance bank 1)	The comparison result of signals transmitted to ECM from each temperature sensor (IAT sensor, ECT sensor, FTT sensor, and EOT sensor) shows that the voltage signal of the IAT sensor is higher/lower than that of other temperature sensors when the engine is started with its cold state.	<ul style="list-style-type: none">• Harness or connectors (High or low resistance in the IAT sensor circuit)• IAT sensor

DTC CONFIRMATION PROCEDURE

1. INSPECTION START

Is it necessary to erase permanent DTC?

- YES >> GO TO 3.
NO >> GO TO 2.

2. PERFORM COMPONENT FUNCTION CHECK

Perform component function check. Refer to [EC-253, "Component Function Check"](#).

NOTE:

Use the component function check to check the overall function of the IAT sensor circuit. During this check, a 1st trip DTC might not be confirmed.

Is the inspection result normal?

- YES >> INSPECTION END
NO >> Proceed to [EC-253, "Diagnosis Procedure"](#).

3. PRECONDITIONING

If DTC CONFIRMATION PROCEDURE has been previously conducted, always perform the following procedure before conducting the next test.

1. Turn ignition switch OFF and wait at least 10 seconds.
2. Turn ignition switch ON.
3. Turn ignition switch OFF and wait at least 10 seconds.

TESTING CONDITION:

- Before performing the following procedure, do not add fuel.
- Before performing the following procedure, check that fuel level is between 1/4 and 4/4.
- Before performing the following procedure, confirm that battery voltage is 11 V or more at idle.

>> GO TO 4.

4. PERFORM DTC CONFIRMATION PROCEDURE

1. Move the vehicle to a cool place.

NOTE:

Cool the vehicle in an environment of ambient air temperature between -10°C (14°F) and 35°C (95°F).

2. Turn ignition switch OFF and leave the vehicle for 12 hours.

CAUTION:

Never turn ignition switch ON during this procedure.

NOTE:

The vehicle must be cooled with the hood open.

3. Start engine and let it idle for 5 minutes or more.

CAUTION:

Never turn ignition switch OFF during idling.

4. Check 1st trip DTC.

P0111 IAT SENSOR

[QR25DE]

< DTC/CIRCUIT DIAGNOSIS >

Is 1st trip DTC detected?

- YES >> Proceed to [EC-253, "Diagnosis Procedure"](#).
- NO >> INSPECTION END

A

Component Function Check

INFOID:000000012602303

EC

1. CHECK INTAKE AIR TEMPERATURE (IAT) SENSOR

1. Turn ignition switch OFF.
2. Disconnect mass air flow sensor harness connector and reconnect it again.
3. Turn ignition switch ON.
4. Select "DATA MONITOR" mode with CONSULT.
5. Check that "INT/A TEMP SEN" indicates as per following condition.

C

D

Monitor item	Condition	Value (Approx.)
INT/A TEMP SEN	Temperature [°C (°F)]	25 (77) 1.9 - 2.1 (V)

E

Is the inspection result normal?

- YES >> Check intermittent incident. Refer to [GI-44, "Intermittent Incident"](#).
- NO >> Proceed to [EC-253, "Diagnosis Procedure"](#).

F

Diagnosis Procedure

INFOID:000000012602304

G

1. CHECK INTAKE AIR TEMPERATURE (IAT) SENSOR

Check intake air temperature sensor. Refer to [EC-253, "Component Inspection"](#).

H

Is the inspection result normal?

- YES >> Check intermittent incident. Refer to [GI-44, "Intermittent Incident"](#).
- NO >> Replace mass air flow sensor (with intake air temperature sensor). Refer to [EM-29, "Exploded View"](#).

I

Component Inspection

INFOID:000000012602305

J

1. CHECK INTAKE AIR TEMPERATURE SENSOR

1. Turn ignition switch OFF.
2. Disconnect mass air flow sensor harness connector and reconnect it again.
3. Turn ignition switch ON.
4. Select "DATA MONITOR" mode with CONSULT.
5. Check that "INT/A TEMP SEN" indicates as per following condition.

K

L

Monitor item	Condition	Value (Approx.)
INT/A TEMP SEN	Temperature [°C (°F)]	25 (77) 1.9 - 2.1 (V)

M

Is the inspection result normal?

- YES >> INSPECTION END
- NO >> Replace mass air flow sensor (with intake air temperature sensor). Refer to [EM-29, "Exploded View"](#).

N

O

P

P0112, P0113 IAT SENSOR

< DTC/CIRCUIT DIAGNOSIS >

[QR25DE]

P0112, P0113 IAT SENSOR

DTC Logic

INFOID:000000012602306

DTC DETECTION LOGIC

DTC No.	CONSULT screen terms (Trouble diagnosis content)	DTC detecting condition	Possible cause
P0112	IAT SEN/CIRCUIT- B1 (Intake air temperature sensor 1 circuit low bank 1)	An excessively low voltage from the intake air temperature sensor is sent to ECM.	<ul style="list-style-type: none"> • Harness or connectors (Intake air temperature sensor circuit is open or shorted.) • Intake air temperature sensor • Sensor power supply 2 circuit
P0113	IAT SEN/CIRCUIT- B1 (Intake air temperature sensor 1 circuit high bank 1)	An excessively high voltage from the intake air temperature sensor is sent to ECM.	

DTC CONFIRMATION PROCEDURE

1. PRECONDITIONING

If DTC Confirmation Procedure has been previously conducted, always perform the following procedure before conducting the next test.

1. Turn ignition switch OFF and wait at least 10 seconds.
2. Turn ignition switch ON.
3. Turn ignition switch OFF and wait at least 10 seconds.

>> GO TO 2.

2. PERFORM DTC CONFIRMATION PROCEDURE

1. Turn ignition switch ON and wait at least 5 seconds.
2. Check 1st trip DTC.

Is 1st trip DTC detected?

YES >> Proceed to [EC-254, "Diagnosis Procedure"](#).

NO >> INSPECTION END

Diagnosis Procedure

INFOID:000000012602307

1. CHECK INTAKE AIR TEMPERATURE SENSOR POWER SUPPLY

1. Turn ignition switch OFF.
2. Disconnect mass air flow sensor (with intake air temperature sensor) harness connector.
3. Turn ignition switch ON.
4. Check the voltage between mass air flow sensor harness connector and ground.

+		-	Voltage (Approx.)
MAF sensor			
Connector	Terminal		
F31	4	Ground	5 V

Is the inspection result normal?

YES >> GO TO 3.

NO >> GO TO 2.

2. CHECK INTAKE AIR TEMPERATURE SENSOR POWER SUPPLY CIRCUIT

1. Turn ignition switch OFF.
2. Disconnect ECM harness connector.
3. Check the continuity between mass air flow sensor harness connector and ECM harness connector.

P0112, P0113 IAT SENSOR

< DTC/CIRCUIT DIAGNOSIS >

[QR25DE]

+		-		Continuity
MAF sensor		ECM		
Connector	Terminal	Connector	Terminal	
F31	4	F14*1 F91*2	33	Existed

*1: Except for California

*2: For California

- Also check harness for short to ground.

Is the inspection result normal?

YES >> Perform the trouble diagnosis for power supply circuit.

NO >> Repair or replace error-detected parts.

3. CHECK INTAKE AIR TEMPERATURE SENSOR GROUND CIRCUIT

- Turn ignition switch OFF.
- Disconnect ECM harness connector.
- Check the continuity between mass air flow sensor harness connector and ECM harness connector.

+		-		Continuity
MAF sensor		ECM		
Connector	Terminal	Connector	Terminal	
F31	3	F14*1 F91*2	34	Existed

*1: Except for California

*2: For California

- Also check harness for short to power.

Is the inspection result normal?

YES >> GO TO 4.

NO >> Repair or replace error-detected parts.

4. CHECK INTAKE AIR TEMPERATURE SENSOR

Check the intake air temperature sensor. Refer to [EC-253, "Component Inspection"](#).

Is the inspection result normal?

YES >> Check intermittent incident. Refer to [GI-44, "Intermittent Incident"](#).

NO >> Replace mass air flow sensor (with intake air temperature sensor). Refer to [EM-29, "Exploded View"](#).

Component Inspection

INFOID:0000000012602308

1. CHECK INTAKE AIR TEMPERATURE SENSOR

- Turn ignition switch OFF.
- Disconnect mass air flow sensor harness connector and reconnect it again.
- Turn ignition switch ON.
- Select "DATA MONITOR" mode with CONSULT.
- Check that "INT/A TEMP SEN" indicates as per following condition.

Monitor item	Condition	Value (Approx.)
INT/A TEMP SEN	Temperature [°C (°F)]	25 (77) 1.9 - 2.1 (V)

Is the inspection result normal?

YES >> INSPECTION END

NO >> Replace mass air flow sensor (with intake air temperature sensor). Refer to [EM-29, "Exploded View"](#).

P0116 ECT SENSOR

[QR25DE]

< DTC/CIRCUIT DIAGNOSIS >

P0116 ECT SENSOR

DTC Logic

INFOID:000000012602309

DTC DETECTION LOGIC

DTC No.	CONSULT screen terms (Trouble diagnosis content)	DTC detecting condition	Possible cause
P0116	ECT SEN/CIRC (Engine coolant temperature sensor 1 circuit range/performance)	The comparison result of signals transmitted to ECM from each temperature sensor (IAT sensor, ECT sensor, FTT sensor, and EOT sensor) shows that the voltage signal of the ECT sensor is higher/lower than that of other temperature sensors when the engine is started with its cold state.	<ul style="list-style-type: none">• Harness or connectors (High or low resistance in the ECT sensor circuit)• ECT sensor

DTC CONFIRMATION PROCEDURE

1. INSPECTION START

Is it necessary to erase permanent DTC?

YES >> GO TO 3.

NO >> GO TO 2.

2. PERFORM COMPONENT FUNCTION CHECK

Perform component function check. Refer to [EC-257, "Component Function Check"](#).

NOTE:

Use the component function check to check the overall function of the ECT sensor circuit. During this check, a 1st trip DTC might not be confirmed.

Is the inspection result normal?

YES >> INSPECTION END

NO >> Proceed to [EC-257, "Diagnosis Procedure"](#).

3. PRECONDITIONING

If DTC CONFIRMATION PROCEDURE has been previously conducted, always perform the following procedure before conducting the next test.

1. Turn ignition switch OFF and wait at least 10 seconds.
2. Turn ignition switch ON.
3. Turn ignition switch OFF and wait at least 10 seconds.

TESTING CONDITION:

- Before performing the following procedure, do not add fuel.
- Before performing the following procedure, check that fuel level is between 1/4 and 4/4.
- Before performing the following procedure, confirm that battery voltage is 11 V or more at idle.

>> GO TO 4.

4. PERFORM DTC CONFIRMATION PROCEDURE

1. Move the vehicle to a cool place.

NOTE:

Cool the vehicle in an environment of ambient air temperature between -10°C (14°F) and 35°C (95°F).

2. Turn ignition switch OFF and leave the vehicle for 12 hours.

CAUTION:

Never turn ignition switch ON during this procedure.

NOTE:

The vehicle must be cooled with the hood open.

3. Start engine and let it idle for 5 minutes or more.

CAUTION:

Never turn ignition switch OFF during idling.

4. Check 1st trip DTC.

P0116 ECT SENSOR

[QR25DE]

< DTC/CIRCUIT DIAGNOSIS >

Is 1st trip DTC detected?

- YES >> Proceed to [EC-257, "Diagnosis Procedure"](#).
- NO >> INSPECTION END

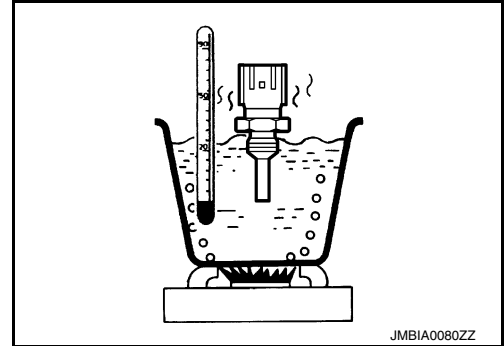
Component Function Check

INFOID:0000000012602310

1.CHECK ENGINE COOLANT TEMPERATURE (ECT) SENSOR

1. Turn ignition switch OFF.
2. Disconnect ECT sensor harness connector.
3. Remove ECT sensor. Refer to [CO-24, "Exploded View"](#).
4. Check resistance between ECT sensor terminals by heating with hot water as shown in the figure.

ECT sensor		Condition	Resistance (kΩ)	
+	-			
Terminal				
1	2	Temperature [°C (°F)]	20 (68)	2.37 – 2.63
			50 (122)	0.68 – 1.00
			90 (194)	0.236 – 0.260



Is the inspection result normal?

- YES >> Check intermittent incident. Refer to [GI-44, "Intermittent Incident"](#).
- NO >> Proceed to [EC-257, "Diagnosis Procedure"](#).

Diagnosis Procedure

INFOID:0000000012602311

1.CHECK ENGINE COOLANT TEMPERATURE (ECT) SENSOR

Check ECT sensor. Refer to [EC-257, "Component Inspection"](#).

Is the inspection result normal?

- YES >> Check intermittent incident. Refer to [GI-44, "Intermittent Incident"](#).
- NO >> Replace ECT sensor. Refer to [CO-24, "Exploded View"](#).

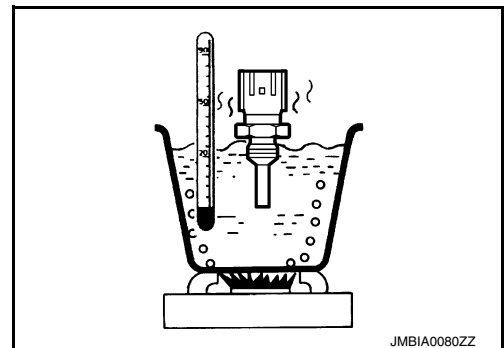
Component Inspection

INFOID:0000000012602312

1.CHECK ENGINE COOLANT TEMPERATURE (ECT) SENSOR

1. Turn ignition switch OFF.
2. Disconnect ECT sensor harness connector.
3. Remove ECT sensor.
4. Check resistance between ECT sensor terminals by heating with hot water as shown in the figure.

ECT sensor		Condition	Resistance (kΩ)	
+	-			
Terminal				
1	2	Temperature [°C (°F)]	20 (68)	2.37 - 2.63
			50 (122)	0.68 - 1.00
			90 (194)	0.236 - 0.260



Is the inspection result normal?

- YES >> INSPECTION END
- NO >> Replace engine coolant temperature sensor. Refer to [CO-24, "Exploded View"](#).

P0117, P0118 ECT SENSOR

[QR25DE]

< DTC/CIRCUIT DIAGNOSIS >

P0117, P0118 ECT SENSOR

DTC Logic

INFOID:000000012602313

DTC DETECTION LOGIC

DTC No.	CONSULT screen terms (Trouble diagnosis content)	DTC detecting condition	Possible Cause
P0117	ECT SEN/CIRC (Engine coolant temperature sensor 1 circuit low)	An excessively low voltage from the engine coolant temperature sensor is sent to ECM.	<ul style="list-style-type: none">• Harness or connectors (Engine coolant temperature sensor circuit is open or shorted.)• Engine coolant temperature sensor
P0118	ECT SEN/CIRC (Engine coolant temperature sensor 1 circuit high)	An excessively high voltage from the engine coolant temperature sensor is sent to ECM.	

DTC CONFIRMATION PROCEDURE

1. PRECONDITIONING

If DTC Confirmation Procedure has been previously conducted, always perform the following procedure before conducting the next test.

1. Turn ignition switch OFF and wait at least 10 seconds.
2. Turn ignition switch ON.
3. Turn ignition switch OFF and wait at least 10 seconds.

>> GO TO 2.

2. PERFORM DTC CONFIRMATION PROCEDURE

1. Turn ignition switch ON and wait at least 5 seconds.
2. Check DTC.

Is DTC detected?

- YES >> Proceed to [EC-258, "Diagnosis Procedure"](#).
NO >> INSPECTION END

Diagnosis Procedure

INFOID:000000012602314

1. CHECK ENGINE COOLANT TEMPERATURE SENSOR POWER SUPPLY

1. Turn ignition switch OFF.
2. Disconnect engine coolant temperature (ECT) sensor harness connector.
3. Turn ignition switch ON.
4. Check the voltage between ECT sensor harness connector and ground.

+		-	Voltage (Approx.)
ECT sensor			
Connector	Terminal		
F54	1	Ground	5 V

Is the inspection result normal?

- YES >> GO TO 3.
NO >> GO TO 2.

2. CHECK ENGINE COOLANT TEMPERATURE SENSOR POWER SUPPLY CIRCUIT

1. Turn ignition switch OFF.
2. Disconnect ECM harness connector.
3. Check the continuity between ECT sensor harness connector and ECM harness connector.

P0117, P0118 ECT SENSOR

< DTC/CIRCUIT DIAGNOSIS >

[QR25DE]

+		-		Continuity
ECT sensor		ECM		
Connector	Terminal	Connector	Terminal	
F54	1	F14*1 F91*2	28	Existed

*1: Except for California

*2: For California

- Also check harness for short to ground.

Is the inspection result normal?

YES >> Perform the trouble diagnosis for power supply circuit.

NO >> Repair or replace error-detected parts.

3. CHECK ENGINE COOLANT TEMPERATURE SENSOR GROUND CIRCUIT

- Turn ignition switch OFF.
- Disconnect ECM harness connector.
- Check the continuity between ECT sensor harness connector and ECM harness connector.

+		-		Continuity
ECT sensor		ECM		
Connector	Terminal	Connector	Terminal	
F54	2	F14*1 F91*2	27	Existed

*1: Except for California

*2: For California

- Also check harness for short to ground to power.

Is the inspection result normal?

YES >> GO TO 4.

NO >> Repair or replace error-detected parts.

4. CHECK ENGINE COOLANT TEMPERATURE SENSOR

Check the engine coolant temperature sensor. Refer to [EC-257, "Component Inspection"](#).

Is the inspection result normal?

YES >> Check intermittent incident. Refer to [GI-44, "Intermittent Incident"](#).

NO >> Replace engine coolant temperature sensor. Refer to [CO-24, "Exploded View"](#).

Component Inspection

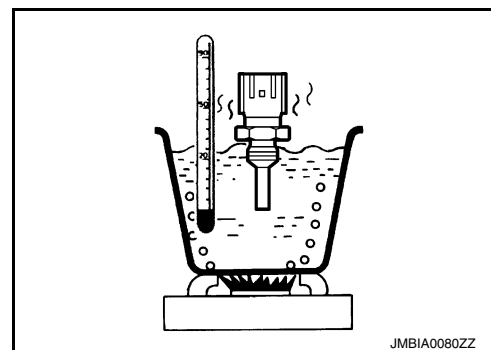
INFOID:0000000012602315

1. CHECK ENGINE COOLANT TEMPERATURE (ECT) SENSOR

- Turn ignition switch OFF.
- Disconnect ECT sensor harness connector.
- Remove ECT sensor.
- Check resistance between ECT sensor terminals by heating with hot water as shown in the figure.

ECT sensor		Condition	Resistance (kΩ)
+	-		
Terminal			
1	2	20 (68)	2.37 - 2.63
		50 (122)	0.68 - 1.00
		90 (194)	0.236 - 0.260

Is the inspection result normal?



P0117, P0118 ECT SENSOR

< DTC/CIRCUIT DIAGNOSIS >

[QR25DE]

YES >> INSPECTION END

NO >> Replace engine coolant temperature sensor. Refer to [CO-24, "Exploded View"](#).

P0122, P0123 TP SENSOR

< DTC/CIRCUIT DIAGNOSIS >

[QR25DE]

P0122, P0123 TP SENSOR

DTC Logic

INFOID:000000012602316

DTC DETECTION LOGIC

NOTE:

If DTC P0122 or P0123 is displayed with DTC P0643, first perform the trouble diagnosis for DTC P0643. Refer to [EC-424, "DTC Logic"](#).

DTC No.	CONSULT screen terms (Trouble diagnosis content)	DTC detecting condition	Possible cause
P0122	TP SEN 2/CIRC-B1 (Throttle/pedal position sensor/ switch "A" circuit low)	An excessively low voltage from the TP sensor 2 is sent to ECM.	<ul style="list-style-type: none">• Harness or connectors (TP sensor 2 circuit is open or shorted.)• Electric throttle control actuator (TP sensor 2)
P0123	TP SEN 2/CIRC-B1 (Throttle/pedal position sensor/ switch "A" circuit high)	An excessively high voltage from the TP sensor 2 is sent to ECM.	

DTC CONFIRMATION PROCEDURE

1. PRECONDITIONING

If DTC Confirmation Procedure has been previously conducted, always perform the following procedure before conducting the next test.

1. Turn ignition switch OFF and wait at least 10 seconds.
2. Turn ignition switch ON.
3. Turn ignition switch OFF and wait at least 10 seconds.

TESTING CONDITION:

Before performing the following procedure, confirm that battery voltage is more than 8 V at idle.

>> GO TO 2.

2. PERFORM DTC CONFIRMATION PROCEDURE

1. Start engine and let it idle for 1 second.
2. Check DTC.

Is DTC detected?

- YES >> Proceed to [EC-261, "Diagnosis Procedure"](#).
NO >> INSPECTION END

Diagnosis Procedure

INFOID:000000012602317

1. CHECK THROTTLE POSITION SENSOR 2 POWER SUPPLY

1. Turn ignition switch OFF.
2. Disconnect electric throttle control actuator harness connector.
3. Turn ignition switch ON.
4. Check the voltage between electric throttle control actuator harness connector and ground.

+		-	Voltage (Approx.)
Electric throttle control actuator Connector	Terminal		
F57	2	Ground	5 V

Is the inspection result normal?

- YES >> GO TO 3.
NO >> GO TO 2.

2. CHECK THROTTLE POSITION SENSOR 2 POWER SUPPLY CIRCUIT

1. Turn ignition switch OFF.

P0122, P0123 TP SENSOR

[QR25DE]

< DTC/CIRCUIT DIAGNOSIS >

2. Disconnect ECM harness connector.
3. Check the continuity between electric throttle control actuator harness connector and ECM harness connector.

+		-		Continuity
Electric throttle control actuator		ECM		
Connector	Terminal	Connector	Terminal	
F57	2	F13 ^{*1} F90 ^{*2}	80	Existed

*1: Except for California

*2: For California

4. Also check harness for short to power.

Is the inspection result normal?

YES >> Perform the trouble diagnosis for power supply circuit.

NO >> Repair or replace error-detected parts.

3. CHECK THROTTLE POSITION SENSOR 2 GROUND CIRCUIT

1. Turn ignition switch OFF.
2. Disconnect ECM harness connector.
3. Check the continuity between electric throttle control actuator harness connector and ECM harness connector.

+		-		Continuity
Electric throttle control actuator		ECM		
Connector	Terminal	Connector	Terminal	
F57	4	F13 ^{*1} F90 ^{*2}	78	Existed

*1: Except for California

*2: For California

Is the inspection result normal?

YES >> GO TO 4.

NO >> Repair or replace error-detected parts.

4. CHECK THROTTLE POSITION SENSOR 2 INPUT SIGNAL CIRCUIT

1. Check the continuity between electric throttle control actuator harness connector and ECM harness connector.

+		-		Continuity
Electric throttle control actuator		ECM		
Connector	Terminal	Connector	Terminal	
F57	3	F13 ^{*1} F90 ^{*2}	77	Existed

*1: Except for California

*2: For California

2. Also check harness for short to ground and to power.

Is the inspection result normal?

YES >> GO TO 5.

NO >> Repair or replace error-detected parts.

5. CHECK THROTTLE POSITION SENSOR

P0122, P0123 TP SENSOR

[QR25DE]

< DTC/CIRCUIT DIAGNOSIS >

Check the throttle position sensor. Refer to [EC-263. "Component Inspection"](#).

Is the inspection result normal?

YES >> Check intermittent incident. Refer to [GI-44. "Intermittent Incident"](#).

NO >> Replace electric throttle control actuator. Refer to [EM-30. "Removal and Installation"](#).

Component Inspection

INFOID:0000000012602318

1. CHECK THROTTLE POSITION SENSOR

1. Turn ignition switch OFF.
2. Reconnect all harness connectors disconnected.
3. Perform " Throttle Valve Closed Position Learning". Refer to [EC-186. "Description"](#).
4. Turn ignition switch ON.
5. Set selector lever to D position.
6. Check the voltage between ECM harness connector terminals as per the following conditions.

ECM				Condition	Voltage
Connector		+	-		
		Terminal			
Sensor 1	F13*1 F90*2	79	78	Fully released	More than 0.36V
Sensor 2		77		Fully depressed	Less than 4.75V
				Fully released	Less than 4.75V
				Fully depressed	More than 0.36V

*1: Except for California

*2: For California

Is the inspection result normal?

YES >> INSPECTION END

NO >> Replace electric throttle control actuator. Refer to [EM-30. "Removal and Installation"](#).

P0125 ECT SENSOR

DTC Logic

INFOID:000000012602319

DTC DETECTION LOGIC

NOTE:

- If DTC P0125 is displayed with P0116, first perform the trouble diagnosis for DTC P0116. Refer to [EC-256, "DTC Logic"](#).
- If DTC P0125 is displayed with P0117 or P0118, first perform the trouble diagnosis for DTC P0117 or P0118. Refer to [EC-258, "DTC Logic"](#).

DTC No.	CONSULT screen terms (Trouble diagnosis content)	DTC detecting condition	Possible cause
P0125	ECT SENSOR (Insufficient coolant temperature for closed loop fuel control)	<ul style="list-style-type: none"> • Voltage sent to ECM from the sensor is not practical, even when some time has passed after starting the engine. • Engine coolant temperature is insufficient for closed loop fuel control. 	<ul style="list-style-type: none"> • Harness or connectors (High resistance in the circuit) • Engine coolant temperature sensor • Thermostat

DTC CONFIRMATION PROCEDURE

1. PRECONDITIONING

If DTC Confirmation Procedure has been previously conducted, always perform the following procedure before conducting the next test.

1. Turn ignition switch OFF and wait at least 10 seconds.
2. Turn ignition switch ON.
3. Turn ignition switch OFF and wait at least 10 seconds.

>> GO TO 2.

2. CHECK ENGINE COOLANT TEMPERATURE SENSOR FUNCTION

 With CONSULT

1. Turn ignition switch ON.
2. Select "DATA MONITOR" mode of "ENGINE" using CONSULT.
3. Check that "COOLAN TEMP/S" is above 10°C (50°F).

 With GST

Follow the procedure "With CONSULT" above.

Is it above 5°C (41°F)?

- YES >> INSPECTION END
 NO >> GO TO 3.

3. PERFORM DTC CONFIRMATION PROCEDURE

 With CONSULT

1. Start engine and run it for 65 minutes at idle speed.
2. Check 1st trip DTC.

If "COOLAN TEMP/S" indication increases to more than 10°C (50°F) within 65 minutes, stop engine because the test result will be OK.

CAUTION:

Be careful not to overheat engine.

 With GST

Follow the procedure "With CONSULT" above.

Is 1st trip DTC detected?

- YES >> Proceed to [EC-264, "Diagnosis Procedure"](#).
 NO >> INSPECTION END

Diagnosis Procedure

INFOID:000000012602320

1. CHECK ENGINE COOLANT TEMPERATURE SENSOR

P0125 ECT SENSOR

[QR25DE]

< DTC/CIRCUIT DIAGNOSIS >

Check the engine coolant temperature sensor. Refer to [EC-257, "Component Inspection"](#).

Is the inspection result normal?

YES >> GO TO 2.

NO >> Replace engine coolant temperature sensor. Refer to [CO-24, "Exploded View"](#).

2. CHECK THERMOSTAT OPERATION

When the engine is cold [lower than 70°C (158°F)] condition, grasp lower radiator hose and confirm the engine coolant does not flow.

Is the inspection result normal?

YES >> Check intermittent incident. Refer to [GI-44, "Intermittent Incident"](#).

NO >> Repair or replace thermostat. Refer to [CO-22, "Removal and Installation"](#).

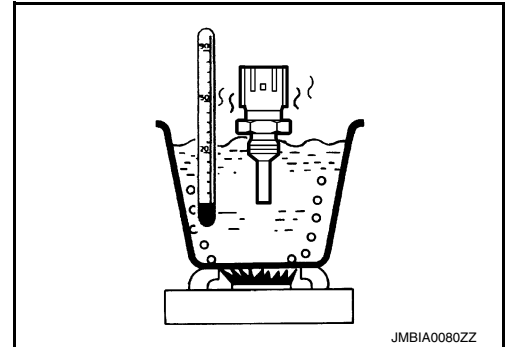
Component Inspection

INFOID:000000012602321

1. CHECK ENGINE COOLANT TEMPERATURE (ECT) SENSOR

1. Turn ignition switch OFF.
2. Disconnect ECT sensor harness connector.
3. Remove ECT sensor.
4. Check resistance between ECT sensor terminals by heating with hot water as shown in the figure.

ECT sensor		Condition	Resistance (kΩ)
+	-		
Terminal			
1	2	20 (68)	2.37 - 2.63
		50 (122)	0.68 - 1.00
		90 (194)	0.236 - 0.260



Is the inspection result normal?

YES >> INSPECTION END

NO >> Replace engine coolant temperature sensor. Refer to [CO-24, "Exploded View"](#).

P0127 IAT SENSOR

[QR25DE]

< DTC/CIRCUIT DIAGNOSIS >

P0127 IAT SENSOR

DTC Logic

INFOID:000000012602322

DTC DETECTION LOGIC

DTC No.	CONSULT screen terms (Trouble diagnosis content)	DTC detecting condition	Possible cause
P0127	IAT SENSOR-B1 (Intake air temperature too high)	Rationally incorrect voltage from the sensor is sent to ECM, compared with the voltage signal from engine coolant temperature sensor.	<ul style="list-style-type: none">• Harness or connectors (Intake air temperature sensor circuit is open or shorted)• Intake air temperature sensor

DTC CONFIRMATION PROCEDURE

1. PRECONDITIONING

If DTC Confirmation Procedure has been previously conducted, always perform the following procedure before conducting the next test.

1. Turn ignition switch OFF and wait at least 10 seconds.
2. Turn ignition switch ON.
3. Turn ignition switch OFF and wait at least 10 seconds.

TESTING CONDITION:

This test may be conducted with the drive wheels lifted in the shop or by driving the vehicle. If a road test is expected to be easier, it is unnecessary to lift the vehicle.

>> GO TO 2.

2. PERFORM DTC CONFIRMATION PROCEDURE

With CONSULT

1. Wait until engine coolant temperature is less than 96°C (205°F)
 - Turn ignition switch ON.
 - Select "DATA MONITOR" mode of "ENGINE" using CONSULT.
 - Check the engine coolant temperature.
 - If the engine coolant temperature is not less than 96°C (205°F), turn ignition switch OFF and cool down engine.

NOTE:

Perform the following steps before engine coolant temperature is above 96°C (205°F).

2. Turn ignition switch ON.
3. Select "DATA MONITOR" mode of "ENGINE" using CONSULT
4. Start engine.
5. Hold vehicle speed at more than 70 km/h (43 MPH) for 100 consecutive seconds.

CAUTION:

Always drive vehicle at a safe speed.

6. Check 1st trip DTC.

With GST

Follow the procedure "With CONSULT" above.

Is 1st trip DTC detected?

- YES >> Proceed to [EC-266, "Diagnosis Procedure"](#).
NO >> INSPECTION END

Diagnosis Procedure

INFOID:000000012602323

1. CHECK INTAKE AIR TEMPERATURE SENSOR

Check the intake air temperature sensor. Refer to [EC-267, "Component Inspection"](#).

Is the inspection result normal?

- YES >> Check intermittent incident. Refer to [GI-44, "Intermittent Incident"](#).
NO >> Replace mass air flow sensor (with intake air temperature sensor). Refer to [EM-29, "Exploded View"](#).

P0127 IAT SENSOR

< DTC/CIRCUIT DIAGNOSIS >

[QR25DE]

Component Inspection

INFOID:000000012602324

1. CHECK INTAKE AIR TEMPERATURE SENSOR

1. Turn ignition switch OFF.
2. Disconnect mass air flow sensor harness connector and reconnect it again.
3. Turn ignition switch ON.
4. Select "DATA MONITOR" mode with CONSULT.
5. Check that "INT/A TEMP SEN" indicates as per following condition.

Monitor item	Condition		Value (Approx.)
INT/A TEMP SEN	Temperature [°C (°F)]	25 (77)	1.9 - 2.1 (V)

Is the inspection result normal?

YES >> INSPECTION END

NO >> Replace mass air flow sensor (with intake air temperature sensor). Refer to [EM-29. "Exploded View"](#).

A
EC
C
D
E
F
G
H
I
J
K
L
M
N
O
P

P0128 THERMOSTAT FUNCTION

< DTC/CIRCUIT DIAGNOSIS >

[QR25DE]

P0128 THERMOSTAT FUNCTION

DTC Logic

INFOID:000000012602325

DTC DETECTION LOGIC

NOTE:

If DTC P0128 is displayed with DTC P0300, P0301, P0302, P0303 or P0304, first perform the trouble diagnosis for P0300, P0301, P0302, P0303 or P0304. Refer to [EC-331, "DTC Logic"](#).

Engine coolant temperature has not risen enough to open the thermostat even though the engine has run long enough.

This is due to a leak in the seal or the thermostat being stuck open.

DTC No.	CONSULT screen terms (Trouble diagnosis content)	DTC detecting condition	Possible cause
P0128	THERMSTAT FNCTN [Coolant thermostat (coolant temperature below thermostat regulating temperature)]	The engine coolant temperature does not reach to specified temperature even though the engine has run long enough.	<ul style="list-style-type: none">• Thermostat• Leakage from sealing portion of thermostat• Engine coolant temperature sensor

DTC CONFIRMATION PROCEDURE

NOTE:

Never refuel before and during the following procedure.

1. PRECONDITIONING-1

If DTC Confirmation Procedure has been previously conducted, always perform the following procedure before conducting the next test.

1. Turn ignition switch OFF and wait at least 10 seconds.
2. Turn ignition switch ON.
3. Turn ignition switch OFF and wait at least 10 seconds.

>> GO TO 2.

2. PRECONDITIONING-2

Ⓟ With CONSULT

1. Turn ignition switch ON.
2. Check the following conditions:

Ambient temperature	-10°C (14°F) or more
A/C switch	OFF
Blower fan switch	OFF

3. Select "DATA MONITOR" mode of "ENGINE" using CONSULT.
4. Check the following conditions:

COOLAN TEMP/S	-10°C – 58°C (14 – 136°F)
---------------	---------------------------

Is the condition satisfied?

- YES >> GO TO 3.
NO >> 1. Satisfy the condition.
2. GO TO 3.

3. PERFORM DTC CONFIRMATION PROCEDURE-1

Ⓟ With CONSULT

1. Start engine.
2. Drive the vehicle until the following condition is satisfied.

CAUTION:

Always drive vehicle at safe speed.

- **STEP 1**

P0128 THERMOSTAT FUNCTION

[QR25DE]

< DTC/CIRCUIT DIAGNOSIS >

Drive the vehicle under the conditions instructed below until the difference between "COOLAN TEMP/S" and "FUEL T/TMP SE" becomes at least 26°C (47°F).

COOLAN TEMP/S	66°C (151°F) or less
FUEL T/TMP SE	Less than the value calculated by subtracting 26°C (47°F) from "COOLAN TEMP/S".*

*: Example

COOLAN TEMP/S	FUEL T/TMP SE
70°C (158°F)	44°C (111°F) or less
65°C (149°F)	39°C (102°F) or less
60°C (140°F)	34°C (93°F) or less

- STEP 2

Drive the vehicle at 50 km/h (32 MPH) or more with the difference between "COOLAN TEMP/S" and "FUEL T/TMP SE" maintained at 26°C (47°F) or more.

NOTE:

Keep the accelerator pedal as steady as possible during cruising.

- STEP 3

Drive the vehicle at 50 km/h (32 MPH) or more until "COOLAN TEMP/S" increases by 6°C (11°F).

NOTE:


Keep the accelerator pedal as steady as possible during cruising.

Is the condition satisfied?

YES >> GO TO 4.

NO >> GO TO 1.

4.PERFORM DTC CONFIRMATION PROCEDURE-2

 With CONSULT

1. Drive the vehicle until the following condition is satisfied.

COOLAN TEMP/S	67°C (153°F) or more
---------------	----------------------

CAUTION:

Always drive vehicle at safe speed.

2. Check 1st trip DTC.

Is 1st trip DTC detected?

YES >> Proceed to [EC-269, "Diagnosis Procedure"](#).

NO >> INSPECTION END

Diagnosis Procedure

INFOID:0000000012602326

1.CHECK ENGINE COOLANT TEMPERATURE SENSOR

Check the engine coolant temperature sensor. Refer to [EC-269, "Component Inspection"](#).

Is the inspection result normal?

YES >> GO TO 2.

NO >> Replace engine coolant temperature sensor. Refer to [CO-24, "Exploded View"](#).

2.CHECK THERMOSTAT

Check the thermostat. Refer to [CO-22, "Removal and Installation"](#).

Is the inspection result normal?

YES >> INSPECTION END

NO >> Replace thermostat.

Component Inspection

INFOID:0000000012602327

1.CHECK ENGINE COOLANT TEMPERATURE SENSOR

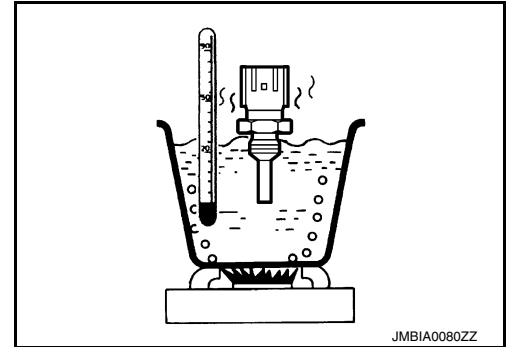
P0128 THERMOSTAT FUNCTION

[QR25DE]

< DTC/CIRCUIT DIAGNOSIS >

1. Turn ignition switch OFF.
2. Disconnect engine coolant temperature sensor harness connector.
3. Remove engine coolant temperature sensor.
4. Check resistance between engine coolant temperature sensor terminals by heating with hot water as shown in the figure.

Engine coolant temperature sensor		Condition	Resistance (k Ω)	
+	-			
Terminal				
1	2	Temperature [$^{\circ}$ C ($^{\circ}$ F)]	20 (68)	2.37 - 2.63
			50 (122)	0.68 - 1.00
			90 (194)	0.236 - 0.260



Is the inspection result normal?

YES >> INSPECTION END

NO >> Replace engine coolant temperature sensor. Refer to [CO-24, "Exploded View"](#).

P0130 A/F SENSOR 1

DTC Logic

INFOID:000000012602328

DTC DETECTION LOGIC

To judge the malfunction, the diagnosis checks that the A/F signal computed by ECM from the A/F sensor 1 signal fluctuates according to fuel feedback control.

DTC No.	CONSULT screen terms (Trouble diagnosis content)	DTC detecting condition		Possible Cause
P0130	A/F SENSOR1 (B1) (O2 sensor circuit bank 1 sensor 1)	A)	The A/F signal computed by ECM from the A/F sensor 1 signal is constantly in the range other than approx. 2.2 V.	<ul style="list-style-type: none"> • Harness or connectors (A/F sensor 1 circuit is open or shorted.) • A/F sensor 1
		B)	The A/F signal computed by ECM from the A/F sensor 1 signal is constantly approx. 2.2 V.	

DTC CONFIRMATION PROCEDURE

1. PRECONDITIONING

If DTC Confirmation Procedure has been previously conducted, always perform the following procedure before conducting the next test.

1. Turn ignition switch OFF and wait at least 10 seconds.
2. Turn ignition switch ON.
3. Turn ignition switch OFF and wait at least 10 seconds.

TESTING CONDITION:

Before performing the following procedure, confirm that battery voltage is more than 11 V at idle.

>> GO TO 2.

2. PERFORM DTC CONFIRMATION PROCEDURE FOR MALFUNCTION A

Ⓜ With CONSULT

1. Start engine and warm it up to normal operating temperature.
2. Let it idle for 2 minutes.
3. Check 1st trip DTC.

Is 1st trip DTC detected?

- YES >> Proceed to [EC-272. "Diagnosis Procedure"](#).
- NO-1 >> With CONSULT: GO TO 3.
- NO-2 >> Without CONSULT: GO TO 7.

3. CHECK AIR FUEL RATIO (A/F) SENSOR 1 FUNCTION

1. Select "A/F SEN1 (B1)" in "DATA MONITOR" mode of "ENGINE" using CONSULT.
2. Check "A/F SEN1 (B1)" indication.

Does the indication fluctuates around 2.2 V?

- YES >> GO TO 4.
- NO >> Proceed to [EC-272. "Diagnosis Procedure"](#).

4. PERFORM DTC CONFIRMATION PROCEDURE FOR MALFUNCTION B-1

1. Select "A/F SEN1 (B1) P1276" of "A/F SEN1" in "DTC WORK SUPPORT" mode of "ENGINE" using CONSULT.
2. Touch "START".
3. When the following conditions are met, "TESTING" will be displayed on the CONSULT screen.

ENG SPEED	1,000 - 3,200 rpm
VHCL SPEED SE	More than 64 km/h (40 mph)
B/FUEL SCHDL	1.0 - 8.0 msec
Selector lever	D position

If "TESTING" is not displayed after 20 seconds, retry from step 2.

< DTC/CIRCUIT DIAGNOSIS >

CAUTION:**Always drive vehicle at a safe speed.**

Is "TESTING" displayed on CONSULT screen?

YES >> GO TO 5.

NO >> Check A/F sensor 1 function again. GO TO 3.

5.PERFORM DTC CONFIRMATION PROCEDURE FOR MALFUNCTION B-2

Release accelerator pedal fully.

NOTE:

Never apply brake during releasing the accelerator pedal.

Which does "TESTING" change to?

COMPLETED>>GO TO 6.

OUT OF CONDITION>>Retry DTC CONFIRMATION PROCEDURE. GO TO 4.

6.PERFORM DTC CONFIRMATION PROCEDURE FOR MALFUNCTION B-3

Touch "SELF-DIAG RESULT"

Which is displayed on CONSULT screen?

YES >> INSPECTION END

NO >> Proceed to [EC-272, "Diagnosis Procedure"](#).**7.**PERFORM COMPONENT FUNCTION CHECK FOR MALFUNCTION BPerform Component Function Check. Refer to [EC-272, "Component Function Check"](#).**NOTE:**

Use component function check to check the overall function of the A/F sensor 1 circuit. During this check, a 1st trip DTC might not be confirmed.

Is the inspection result normal?

YES >> INSPECTION END

NO >> Proceed to [EC-272, "Diagnosis Procedure"](#).

Component Function Check

INFOID:0000000012602329

1.PERFORM COMPONENT FUNCTION CHECK With GST

1. Start engine and warm it up to normal operating temperature.
2. Drive the vehicle at a speed of 80 km/h (50 MPH) for a few minutes in the suitable gear position.
3. Shift the selector lever to the D position, then release the accelerator pedal fully until the vehicle speed decreases to 50 km/h (31 MPH).

CAUTION:**Always drive vehicle at a safe speed.****NOTE:**

Never apply brake during releasing the accelerator pedal.

4. Repeat steps 2 to 3 for five times.
5. Stop the vehicle and turn ignition switch OFF.
6. Wait at least 10 seconds and restart engine.
7. Repeat steps 2 to 3 for five times.
8. Stop the vehicle.
9. Check 1st trip DTC.

Is 1st trip DTC detected?

YES >> Proceed to [EC-272, "Diagnosis Procedure"](#).

NO >> INSPECTION END

Diagnosis Procedure

INFOID:0000000012602330

1.CHECK AIR FUEL RATIO (A/F) SENSOR 1 POWER SUPPLY

1. Turn ignition switch OFF.
2. Disconnect A/F sensor 1 harness connector.
3. Turn ignition switch ON.
4. Check the voltage between A/F sensor 1 harness connector and ground.

P0130 A/F SENSOR 1

< DTC/CIRCUIT DIAGNOSIS >

[QR25DE]

+		-	Voltage
A/F sensor 1			
Connector	Terminal		
F24	4	Ground	Battery voltage

Is the inspection result normal?

- YES >> GO TO 3.
NO >> GO TO 2.

2. CHECK AIR FUEL RATIO (A/F) SENSOR 1 POWER SUPPLY CIRCUIT

- Turn ignition switch OFF.
- Disconnect IPDM E/R harness connector.
- Check the continuity between A/F sensor 1 harness connector and IPDM E/R harness connector.

+		-		Continuity
A/F sensor 1		IPDM E/R		
Connector	Terminal	Connector	Terminal	
F24	4	F83	52	Existed

- Also check harness for short to ground.

Is the inspection result normal?

- YES >> Perform the trouble diagnosis for power supply circuit.
NO >> Repair or replace error-detected parts.

3. CHECK A/F SENSOR 1 INPUT SIGNAL CIRCUIT

- Turn ignition switch OFF.
- Disconnect ECM harness connector.
- Check the continuity between A/F sensor 1 harness connector and ECM harness connector.

+		-		Continuity
A/F sensor 1		ECM		
Connector	Terminal	Connector	Terminal	
F24	1	F14*1 F91*2	41	Existed
	2		45	

*1: Except for California

*2: For California

- Check the continuity between A/F sensor 1 harness connector and ground, or ECM harness connector and ground.

+		-	Continuity
A/F sensor 1			
Connector	Terminal		
F24	1	Ground	Not existed
	2		

+		-	Continuity
ECM			
Connector	Terminal		
F14*1 F91*2	41	Ground	Not existed
	45		

*1: Except for California

P0130 A/F SENSOR 1

[QR25DE]

< DTC/CIRCUIT DIAGNOSIS >

*2: For California

5. Also check harness for short to power.

Is the inspection result normal?

YES >> GO TO 4.

NO >> Repair or replace error-detected parts.

4. CHECK INTERMITTENT INCIDENT

Perform [GI-44. "Intermittent Incident"](#).

Is the inspection result normal?

YES >> GO TO 5.

NO >> Repair or replace error-detected parts.

5. REPLACE AIR FUEL RATIO (A/F) SENSOR 1

Replace air fuel ratio (A/F) sensor 1. Refer to [EM-29. "Exploded View"](#).

CAUTION:

- Discard any sensor which has been dropped from a height of more than 0.5 m (19.7 in) onto a hard surface such as a concrete floor; use a new one.
- Before installing new sensor, clean exhaust system threads using Oxygen Sensor Thread Cleaner [commercial service tool (J-43897-18 or J43897-12)] and approved Anti-seize Lubricant (commercial service tool).

>> INSPECTION END

P0131 A/F SENSOR 1

< DTC/CIRCUIT DIAGNOSIS >

[QR25DE]

P0131 A/F SENSOR 1

DTC Logic

INFOID:000000012602331

DTC DETECTION LOGIC

To judge the malfunction, the diagnosis checks that the A/F signal computed by ECM from the A/F sensor 1 signal is not inordinately low.

DTC No.	CONSULT screen terms (Trouble diagnosis content)	DTC detecting condition	Possible Cause
P0131	A/F SENSOR1 (B1) (O2 sensor circuit low voltage bank 1 sensor 1)	The A/F signal computed by ECM from the A/F sensor 1 signal is constantly approx. 0 V.	<ul style="list-style-type: none">• Harness or connectors (A/F sensor 1 circuit is open or shorted.)• A/F sensor 1

DTC CONFIRMATION PROCEDURE

1. PRECONDITIONING

If DTC Confirmation Procedure has been previously conducted, always perform the following procedure before conducting the next test.

1. Turn ignition switch OFF and wait at least 10 seconds.
2. Turn ignition switch ON.
3. Turn ignition switch OFF and wait at least 10 seconds.

TESTING CONDITION:

Before performing the following procedure, confirm that battery voltage is more than 10.5 V at idle.

>> GO TO 2.

2. CHECK A/F SENSOR FUNCTION

④ With CONSULT

1. Start engine and warm it up to normal operating temperature.
2. Select "A/F SEN1 (B1)" in "DATA MONITOR" mode of "ENGINE" using CONSULT.
3. Check "A/F SEN1 (B1)" indication.

④ With GST

Follow the procedure "With CONSULT" above.

Is the indication constantly approx. 0 V?

- YES >> Proceed to [EC-276, "Diagnosis Procedure"](#).
NO >> GO TO 3.

3. PERFORM DTC CONFIRMATION PROCEDURE

④ With CONSULT

1. Turn ignition switch OFF, wait at least 10 seconds and then restart engine.
2. Drive and accelerate vehicle to more than 40 km/h (25 MPH) within 20 seconds after restarting engine.

CAUTION:

Always drive vehicle at a safe speed.

3. Maintain the following conditions for about 20 consecutive seconds.

ENG SPEED	1,000 - 3,200 rpm
VHCL SPEED SE	More than 40 km/h (25 mph)
B/FUEL SCHDL	1.5 - 9.0 msec
Selector lever	Suitable position

NOTE:

- Keep the accelerator pedal as steady as possible during the cruising.
- If this procedure is not completed within 1 minute after restarting engine at step 1, return to step 1.

4. Check 1st trip DTC.

④ With GST

P0131 A/F SENSOR 1

[QR25DE]

< DTC/CIRCUIT DIAGNOSIS >

Follow the procedure "With CONSULT" above.

Is 1st trip DTC detected?

- YES >> Proceed to [EC-276, "Diagnosis Procedure"](#).
- NO >> INSPECTION END

Diagnosis Procedure

INFOID:0000000012602332

1. CHECK AIR FUEL RATIO (A/F) SENSOR 1 POWER SUPPLY

1. Turn ignition switch OFF.
2. Disconnect A/F sensor 1 harness connector.
3. Turn ignition switch ON.
4. Check the voltage between A/F sensor 1 harness connector and ground.

+		-	Voltage
A/F sensor 1			
Connector	Terminal		
F24	4	Ground	Battery voltage

Is the inspection result normal?

- YES >> GO TO 3.
- NO >> GO TO 2.

2. CHECK AIR FUEL RATIO (A/F) SENSOR 1 POWER SUPPLY CIRCUIT

1. Turn ignition switch OFF.
2. Disconnect IPDM E/R harness connector.
3. Check the continuity between A/F sensor 1 harness connector and IPDM E/R harness connector.

+		-		Continuity
A/F sensor 1		IPDM E/R		
Connector	Terminal	Connector	Terminal	
F24	4	F83	52	Existed

4. Also check harness for short to ground.

Is the inspection result normal?

- YES >> Perform the trouble diagnosis for power supply circuit.
- NO >> Repair or replace error-detected parts.

3. CHECK A/F SENSOR 1 INPUT SIGNAL CIRCUIT

1. Turn ignition switch OFF.
2. Disconnect ECM harness connector.
3. Check the continuity between A/F sensor 1 harness connector and ECM harness connector.

+		-		Continuity
A/F sensor 1		ECM		
Connector	Terminal	Connector	Terminal	
F24	1	F14*1	41	Existed
	2	F91*2	45	

*1: Except for California

*2: For California

4. Check the continuity between A/F sensor 1 harness connector and ground, or ECM harness connector and ground.

P0131 A/F SENSOR 1

< DTC/CIRCUIT DIAGNOSIS >

[QR25DE]

+		-	Continuity
A/F sensor 1			
Connector	Terminal	Ground	Not existed
F24	1		
	2		

+		-	Continuity
ECM			
Connector	Terminal	Ground	Not existed
F14*1 F91*2	41		
	45		

*1: Except for California

*2: For California

5. Also check harness for short to power.

Is the inspection result normal?

YES >> GO TO 4.

NO >> Repair or replace error-detected parts.

4.CHECK INTERMITTENT INCIDENT

Perform [GI-44, "Intermittent Incident"](#).

Is the inspection result normal?

YES >> GO TO 5.

NO >> Repair or replace error-detected parts.

5.REPLACE AIR FUEL RATIO (A/F) SENSOR 1

Replace air fuel ratio (A/F) sensor 1. Refer to [EM-29, "Exploded View"](#).

CAUTION:

- Discard any sensor which has been dropped from a height of more than 0.5 m (19.7 in) onto a hard surface such as a concrete floor; use a new one.
- Before installing new sensor, clean exhaust system threads using Oxygen Sensor Thread Cleaner [commercial service tool (J-43897-18 or J43897-12)] and approved Anti-seize Lubricant (commercial service tool).

>> INSPECTION END

A
EC
C
D
E
F
G
H
I
J
K
L
M
N
O
P

P0132 A/F SENSOR 1

< DTC/CIRCUIT DIAGNOSIS >

[QR25DE]

P0132 A/F SENSOR 1

DTC Logic

INFOID:000000012602333

DTC DETECTION LOGIC

To judge the malfunction, the diagnosis checks that the A/F signal computed by ECM from the A/F sensor 1 signal is not inordinately high.

DTC No.	CONSULT screen terms (Trouble diagnosis content)	DTC detecting condition	Possible Cause
P0132	A/F SENSOR1 (B1) (O2 sensor circuit high voltage bank 1 sensor 1)	The A/F signal computed by ECM from the A/F sensor 1 signal is constantly approx. 5 V.	<ul style="list-style-type: none">• Harness or connectors (A/F sensor 1 circuit is open or short- ed.)• A/F sensor 1

DTC CONFIRMATION PROCEDURE

1. PRECONDITIONING

If DTC Confirmation Procedure has been previously conducted, always perform the following procedure before conducting the next test.

1. Turn ignition switch OFF and wait at least 10 seconds.
2. Turn ignition switch ON.
3. Turn ignition switch OFF and wait at least 10 seconds.

TESTING CONDITION:

Before performing the following procedure, confirm that battery voltage is more than 10.5 V at idle.

>> GO TO 2.

2. CHECK A/F SENSOR FUNCTION

With CONSULT

1. Start engine and warm it up to normal operating temperature.
2. Select "A/F SEN1 (B1)" in "DATA MONITOR" mode of "ENGINE" using CONSULT.
3. Check "A/F SEN1 (B1)" indication.

With GST

Follow the procedure "With CONSULT" above.

Is the indication constantly approx. 5 V?

- YES >> Proceed to [EC-279. "Diagnosis Procedure"](#).
NO >> GO TO 3.

3. PERFORM DTC CONFIRMATION PROCEDURE

With CONSULT

1. Turn ignition switch OFF, wait at least 10 seconds and then restart engine.
2. Drive and accelerate vehicle to more than 40 km/h (25 MPH) within 20 seconds after restarting engine.

CAUTION:

Always drive vehicle at a safe speed.

3. Maintain the following conditions for about 20 consecutive seconds.

ENG SPEED	1,000 - 3,200 rpm
VHCL SPEED SE	More than 40 km/h (25 mph)
B/FUEL SCHDL	1.5 - 9.0 msec
Selector lever	Suitable position

NOTE:

- Keep the accelerator pedal as steady as possible during the cruising.
- If this procedure is not completed within 1 minute after restarting engine at step 1, return to step 1.

4. Check 1st trip DTC.

With GST

P0132 A/F SENSOR 1

[QR25DE]

< DTC/CIRCUIT DIAGNOSIS >

Follow the procedure "With CONSULT" above.

Is 1st trip DTC is detected?

- YES >> Proceed to [EC-279. "Diagnosis Procedure"](#).
- NO >> INSPECTION END

Diagnosis Procedure

INFOID:0000000012602334

EC

1. CHECK AIR FUEL RATIO (A/F) SENSOR 1 POWER SUPPLY

1. Turn ignition switch OFF.
2. Disconnect A/F sensor 1 harness connector.
3. Turn ignition switch ON.
4. Check the voltage between A/F sensor 1 harness connector and ground.

+		-	Voltage
A/F sensor 1			
Connector	Terminal		
F24	4	Ground	Battery voltage

Is the inspection result normal?

- YES >> GO TO 3.
- NO >> GO TO 2.

2. CHECK AIR FUEL RATIO (A/F) SENSOR 1 POWER SUPPLY CIRCUIT

1. Turn ignition switch OFF.
2. Disconnect IPDM E/R harness connector.
3. Check the continuity between A/F sensor 1 harness connector and IPDM E/R harness connector.

+		-		Continuity
A/F sensor 1		IPDM E/R		
Connector	Terminal	Connector	Terminal	
F24	4	F83	52	Existed

4. Also check harness for short to ground.

Is the inspection result normal?

- YES >> Perform the trouble diagnosis for power supply circuit.
- NO >> Repair or replace error-detected parts.

3. CHECK A/F SENSOR 1 INPUT SIGNAL CIRCUIT

1. Turn ignition switch OFF.
2. Disconnect ECM harness connector.
3. Check the continuity between A/F sensor 1 harness connector and ECM harness connector.

+		-		Continuity
A/F sensor 1		ECM		
Connector	Terminal	Connector	Terminal	
F24	1	F14*1	41	Existed
	2	F91*2	45	

*1: Except for California

*2: For California

4. Check the continuity between A/F sensor 1 harness connector and ground, or ECM harness connector and ground.

P0132 A/F SENSOR 1

< DTC/CIRCUIT DIAGNOSIS >

[QR25DE]

+		-	Continuity
A/F sensor 1			
Connector	Terminal		
F24	1	Ground	Not existed
	2		

+		-	Continuity
ECM			
Connector	Terminal		
F14*1 F91*2	41	Ground	Not existed
	45		

*1: Except for California

*2: For California

5. Also check harness for short to power.

Is the inspection result normal?

YES >> GO TO 4.

NO >> Repair or replace error-detected parts.

4.CHECK INTERMITTENT INCIDENT

Perform [GI-44. "Intermittent Incident"](#).

Is the inspection result normal?

YES >> GO TO 5.

NO >> Repair or replace error-detected parts.

5.REPLACE AIR FUEL RATIO (A/F) SENSOR 1

Replace air fuel ratio (A/F) sensor 1. Refer to [EM-29. "Exploded View"](#).

CAUTION:

- Discard any sensor which has been dropped from a height of more than 0.5 m (19.7 in) onto a hard surface such as a concrete floor; use a new one.
- Before installing new sensor, clean exhaust system threads using Oxygen Sensor Thread Cleaner [commercial service tool (J-43897-18 or J43897-12)] and approved Anti-seize Lubricant (commercial service tool).

>> INSPECTION END

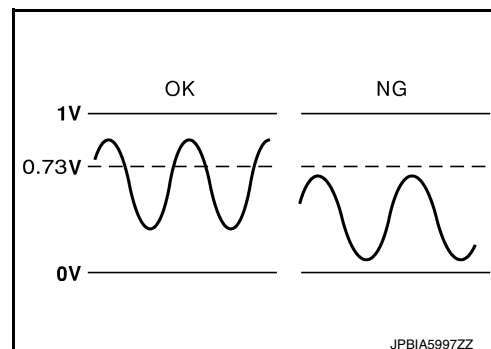
P0137 HO2S2

DTC Logic

INFOID:000000012602335

DTC DETECTION LOGIC

The heated oxygen sensor 2 has a much longer switching time between rich and lean than the air fuel ratio (A/F) sensor 1. The oxygen storage capacity of the three way catalyst (manifold) causes the longer switching time. To judge the malfunctions of heated oxygen sensor 2, ECM monitors whether the maximum voltage of the sensor is sufficiently high during the various driving condition such as fuel-cut.



DTC No.	CONSULT screen terms (Trouble diagnosis content)	DTC detecting condition	Possible cause
P0137	HO2S2 (B1) (O2 sensor circuit low voltage bank 1 sensor 2)	The maximum voltage from the heated oxygen sensor 2 is not reached to the specified voltage.	<ul style="list-style-type: none"> • Harness or connectors (Heated oxygen sensor 2 circuit is open or shorted) • Heated oxygen sensor 2 • Fuel pressure • Fuel injector • Intake air leaks

DTC CONFIRMATION PROCEDURE

1.INSPECTION START

Do you have CONSULT?

Do you have CONSULT?

YES >> GO TO 2.

NO >> GO TO 5.

2.PRECONDITIONING

If DTC Confirmation Procedure has been previously conducted, always perform the following procedure before conducting the next test.

1. Turn ignition switch OFF and wait at least 10 seconds.
2. Turn ignition switch ON.
3. Turn ignition switch OFF and wait at least 10 seconds.

TESTING CONDITION:

For better results, perform “DTC WORK SUPPORT” at a temperature of 0 to 30°C (32 to 86°F).

>> GO TO 3.

3.PERFORM DTC CONFIRMATION PROCEDURE

☑With CONSULT

1. Turn ignition switch ON and select “DATA MONITOR” mode of “ENGINE” using CONSULT.
2. Start engine and warm it up to normal operating temperature.
3. Turn ignition switch OFF and wait at least 10 seconds.
4. Start engine and keep the engine speed between 3,500 and 4,000 rpm for at least 1 minute under no load.
5. Let engine idle for 1 minute.
6. Make sure that “COOLAN TEMP/S” indicates more than 70°C (158°F).
If not, warm up engine and go to next step when “COOLAN TEMP/S” indication reaches 70°C (158°F).
7. Open engine hood.
8. Select “HO2S2 (B1) P1147” of “HO2S2” in “DTC WORK SUPPORT” mode of “ENGINE” using CONSULT.
9. Follow the instruction of CONSULT.

< DTC/CIRCUIT DIAGNOSIS >

NOTE:

It will take at most 10 minutes until "COMPLETED" is displayed.

10. Touch "SELF-DIAG RESULT".

Which is displayed on CONSULT screen?

OK >> INSPECTION END

NG >> Proceed to [EC-283. "Diagnosis Procedure"](#).

CAN NOT BE DIAGNOSED>>GO TO 4.

4.PERFORM DTC CONFIRMATION PROCEDURE AGAIN

1. Turn ignition switch OFF and leave the vehicle in a cool place (soak the vehicle).
2. Perform DTC CONFIRMATION PROCEDURE again.

>> GO TO 3.

5.PERFORM COMPONENT FUNCTION CHECK

Perform component function check. Refer to [EC-282. "Component Function Check"](#).

NOTE:

Use component function check to check the overall function of the heated oxygen sensor 2 circuit. During this check, a 1st trip DTC might not be confirmed.

Is the inspection result normal?

YES >> INSPECTION END

NO >> Proceed to [EC-283. "Diagnosis Procedure"](#).

Component Function Check

INFOID:0000000012602336

1.PERFORM COMPONENT FUNCTION CHECK-1

Without CONSULT

1. Start engine and warm it up to normal operating temperature.
2. Turn ignition switch OFF and wait at least 10 seconds.
3. Start engine and keep the engine speed between 3,500 and 4,000 rpm for at least 1 minute under no load.
4. Let engine idle for 1 minute.
5. Check the voltage between ECM harness connector and ground as per the following condition.

Connector	ECM		Condition	Voltage
	+	-		
	Terminal			
F14*1 F91*2	22	23	Reving up to 4,000 rpm under no load at least 10 times	The voltage should be above 0.73 V at least once during this procedure.

*1: Except for California

*2: For California

Is the inspection result normal?

YES >> INSPECTION END

NO >> GO TO 2.

2.PERFORM COMPONENT FUNCTION CHECK-2

Check the voltage between ECM harness connector and ground as per the following condition.

Connector	ECM		Condition	Voltage
	+	-		
	Terminal			
F14*1 F91*2	22	23	Keeping engine speed at idle for 10 minutes	The voltage should be above 0.73 V at least once during this procedure.

*1: Except for California

*2: For California

< DTC/CIRCUIT DIAGNOSIS >

Is the inspection result normal?

- YES >> INSPECTION END
- NO >> GO TO 3.

3.PERFORM COMPONENT FUNCTION CHECK-3

Check the voltage between ECM harness connector and ground as per the following condition.

ECM			Condition	Voltage
Connector	+	-		
	Terminal			
F14*1 F91*2	22	23	Coasting from 80 km/h (50 MPH) in D position	The voltage should be above 0.73 V at least once during this procedure.

*1: Except for California

*2: For California

Is the inspection result normal?

- YES >> INSPECTION END
- NO >> Proceed to [EC-283, "Diagnosis Procedure"](#).

Diagnosis Procedure

INFOID:0000000012602337

1.CLEAR THE MIXTURE RATIO SELF-LEARNING VALUE

1. Clear the mixture ratio self-learning value. Refer to [EC-189, "Description"](#).
2. Run engine for at least 10 minutes at idle speed.

Is the 1st trip DTC P0171 detected? Is it difficult to start engine?

- YES >> Perform trouble diagnosis for DTC P0171. Refer to [EC-307, "DTC Logic"](#).
- NO >> GO TO 2.

2.CHECK HO2S2 GROUND CIRCUIT

1. Turn ignition switch OFF.
2. Disconnect heated oxygen sensor 2 (HO2S2) harness connector.
3. Disconnect ECM harness connector.
4. Check the continuity between HO2S2 harness connector and ECM harness connector.

+		-		Continuity
HO2S2		ECM		
Connector	Terminal	Connector	Terminal	
F42	1	F14*1 F91*2	23	Existed

*1: Except for California

*2: For California

5. Also check harness for short to power.

Is the inspection result normal?

- YES >> GO TO 3.
- NO >> Repair or replace error-detected parts.

3.CHECK HO2S2 INPUT SIGNAL CIRCUIT

1. Check the continuity between HO2S2 harness connector and ECM harness connector.

+		-		Continuity
HO2S2		ECM		
Connector	Terminal	Connector	Terminal	
F42	4	F14*1 F91*2	22	Existed

< DTC/CIRCUIT DIAGNOSIS >

- *1: Except for California
- *2: For California

2. Check the continuity between HO2S2 harness connector and ground, or ECM harness connector and ground.

+		-	Continuity
HO2S2			
Connector	Terminal	Ground	Not existed
F42	4		

+		-	Continuity
ECM			
Connector	Terminal	Ground	Not existed
F14*1 F91*2	22		

- *1: Except for California
- *2: For California

3. Also check harness for short to power.

Is the inspection result normal?

- YES >> GO TO 4.
- NO >> Repair or replace error-detected parts.

4.CHECK HEATED OXYGEN SENSOR 2

Check the heated oxygen sensor 2. Refer to [EC-284, "Component Inspection"](#).

Is the inspection result normal?

- YES >> Check intermittent incident. Refer to [GI-44, "Intermittent Incident"](#).
- NO >> GO TO 5.

5.REPLACE HEATED OXYGEN SENSOR 2

Replace heated oxygen sensor 2.

CAUTION:

- Discard any sensor which has been dropped from a height of more than 0.5 m (19.7 in) onto a hard surface such as a concrete floor; use a new one.
- Before installing new sensor, clean exhaust system threads using Oxygen Sensor Thread Cleaner [commercial service tool (J-43897-18 or J43897-12)] and approved Anti-seize Lubricant (commercial service tool).

>> INSPECTION END

Component Inspection

INFOID:000000012602338

1.INSPECTION START

Do you have CONSULT?

Do you have CONSULT?

- YES >> GO TO 2.
- NO >> GO TO 3.

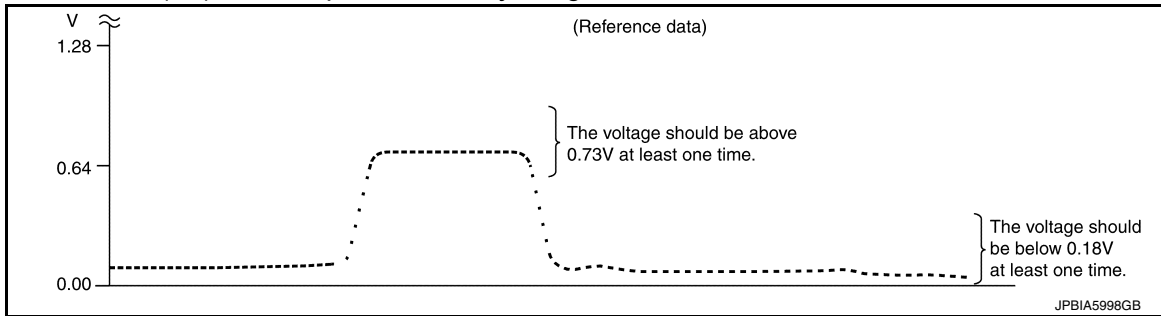
2.CHECK HEATED OXYGEN SENSOR 2

With CONSULT

1. Turn ignition switch ON and select "DATA MONITOR" mode of "ENGINE" using CONSULT.
2. Start engine and warm it up to normal operating temperature.
3. Turn ignition switch OFF and wait at least 10 seconds.
4. Start engine and keep the engine speed between 3,500 and 4,000 rpm for at least 1 minute under no load.
5. Let engine idle for 1 minute.

< DTC/CIRCUIT DIAGNOSIS >

6. Select "FUEL INJECTION" in "ACTIVE TEST" mode of "ENGINE" using CONSULT, and select "HO2S2 (B1)" as the monitor item with CONSULT.
7. Check "HO2S2 (B1)" at idle speed when adjusting "FUEL INJECTION" to $\pm 25\%$.



"HO2S2 (B1)" should be above 0.73 V at least once when the "FUEL INJECTION" is + 25%.
"HO2S2 (B1)" should be below 0.18 V at least once when the "FUEL INJECTION" is - 25%.

Is the inspection result normal?

- YES >> INSPECTION END
 NO >> GO TO 6.

3. CHECK HEATED OXYGEN SENSOR 2-1

Without CONSULT

1. Start engine and warm it up to normal operating temperature.
2. Turn ignition switch OFF and wait at least 10 seconds.
3. Start engine and keep the engine speed between 3,500 and 4,000 rpm for at least 1 minute under no load.
4. Let engine idle for 1 minute.
5. Check the voltage between ECM harness connector and ground as per the following condition.

ECM			Condition	Voltage
Connector	+	-		
	Terminal			
F14*1 F91*2	22	23	Revving up to 4,000 rpm under no load at least 10 times	The voltage should be above 0.73 V at least once during this procedure. The voltage should be below 0.18 V at least once during this procedure.

*1: Except for California

*2: For California

Is the inspection result normal?

- YES >> INSPECTION END
 NO >> GO TO 4.

4. CHECK HEATED OXYGEN SENSOR 2-2

Check the voltage between ECM harness connector and ground as per the following condition.

ECM			Condition	Voltage
Connector	+	-		
	Terminal			
F14*1 F91*2	22	23	Keeping engine speed at idle for 10 minutes	The voltage should be above 0.73 V at least once during this procedure. The voltage should be below 0.18 V at least once during this procedure.

*1: Except for California

*2: For California

Is the inspection result normal?

- YES >> INSPECTION END
 NO >> GO TO 5.

5. CHECK HEATED OXYGEN SENSOR 2-3

Check the voltage between ECM harness connector and ground as per the following condition.

Connector	ECM		Condition	Voltage
	+	-		
	Terminal			
F14*1 F91*2	22	23	Coasting from 80 km/h (50 MPH) in D position	The voltage should be above 0.73 V at least once during this procedure. The voltage should be below 0.18 V at least once during this procedure.

*1: Except for California

*2: For California

Is the inspection result normal?

YES >> INSPECTION END

NO >> GO TO 6.

6. REPLACE HEATED OXYGEN SENSOR 2

Replace heated oxygen sensor 2. Refer to [EX-5, "Exploded View"](#).

CAUTION:

- Discard any sensor which has been dropped from a height of more than 0.5 m (19.7 in) onto a hard surface such as a concrete floor; use a new one.
- Before installing new sensor, clean exhaust system threads using Oxygen Sensor Thread Cleaner [commercial service tool (J-43897-18 or J43897-12)] and approved Anti-seize Lubricant (commercial service tool).

>> INSPECTION END

P0138 HO2S2

DTC Logic

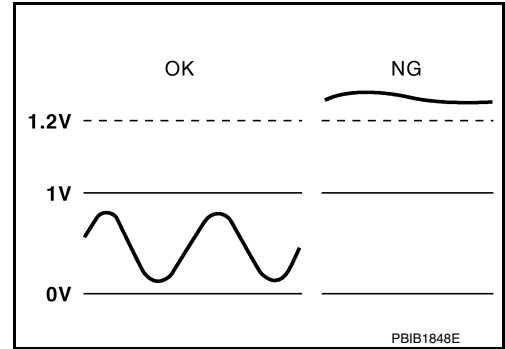
INFOID:000000012602339

DTC DETECTION LOGIC

The heated oxygen sensor 2 has a much longer switching time between rich and lean than the air fuel ratio (A/F) sensor 1. The oxygen storage capacity of the three way catalyst (manifold) causes the longer switching time.

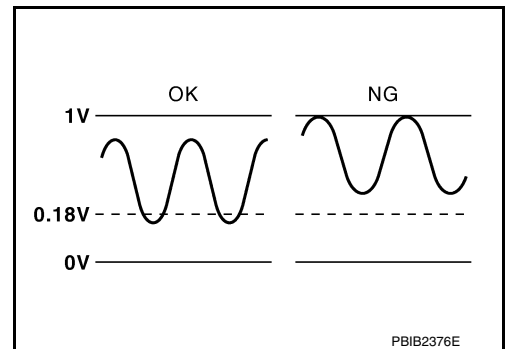
MALFUNCTION A

To judge the malfunctions of heated oxygen sensor 2, ECM monitors whether the voltage is unusually high during the various driving condition such as fuel-cut.



MALFUNCTION B

To judge the malfunctions of heated oxygen sensor 2, ECM monitors whether the minimum voltage of sensor is sufficiently low during the various driving condition such as fuel-cut.



DTC No.	CONSULT screen terms (Trouble diagnosis content)	DTC detecting condition		Possible cause
P0138	HO2S2 (B1) (O2 sensor circuit high voltage bank 1 sensor 2)	A)	An excessively high voltage from the sensor is sent to ECM.	<ul style="list-style-type: none"> • Harness or connectors (The sensor circuit is open or shorted) • Heated oxygen sensor 2
		B)	The minimum voltage from the sensor is not reached to the specified voltage.	<ul style="list-style-type: none"> • Harness or connectors (The sensor circuit is open or shorted) • Heated oxygen sensor 2 • Fuel pressure • Fuel injector

DTC CONFIRMATION PROCEDURE

1. PRECONDITIONING

If DTC Confirmation Procedure has been previously conducted, always perform the following procedure before conducting the next test.

1. Turn ignition switch OFF and wait at least 10 seconds.
2. Turn ignition switch ON.
3. Turn ignition switch OFF and wait at least 10 seconds.

>> GO TO 2.

2. PERFORM DTC CONFIRMATION PROCEDURE FOR MALFUNCTION A

< DTC/CIRCUIT DIAGNOSIS >

1. Start engine and warm it up to normal operating temperature.
2. Turn ignition switch OFF and wait at least 10 seconds.
3. Start engine and keep the engine speed between 3,500 and 4,000 rpm for at least 1 minute under no load.
4. Let engine idle for 2 minutes.
5. Check 1st trip DTC.

Is 1st trip DTC detected?

YES >> Proceed to [EC-289. "Diagnosis Procedure"](#).

NO-1 >> With CONSULT: GO TO 3.

NO-2 >> Without CONSULT: GO TO 5.

3. PERFORM DTC CONFIRMATION PROCEDURE FOR MALFUNCTION B**NOTE:**

For better results, perform "DTC WORK SUPPORT" at a temperature of 0 to 30°C (32 to 86°F).

1. Turn ignition switch ON and select "DATA MONITOR" mode of "ENGINE" using CONSULT.
2. Start engine and warm it up to normal operating temperature.
3. Turn ignition switch OFF and wait at least 10 seconds.
4. Start engine and keep the engine speed between 3,500 and 4,000 rpm for at least 1 minute under no load.
5. Let engine idle for 1 minute.
6. Make sure that "COOLAN TEMP/S" indication is more than 70°C (158°F).
If not, warm up engine and go to next step when "COOLAN TEMP/S" indication reaches 70°C (158°F).
7. Open engine hood.
8. Select "HO2S2 (B1) P1146" of "HO2S2" in "DTC WORK SUPPORT" mode of "ENGINE" using CONSULT.
9. Follow the instruction of CONSULT.

NOTE:

It will take at most 10 minutes until "COMPLETED" is displayed.

10. Touch "SELF-DIAG RESULT".

Which is displayed on CONSULT

OK >> INSPECTION END

NG >> Proceed to [EC-289. "Diagnosis Procedure"](#).

CAN NOT BE DIAGNOSED>>GO TO 4.

4. PERFORM DTC CONFIRMATION PROCEDURE FOR MALFUNCTION B AGAIN

1. Turn ignition switch OFF and leave the vehicle in a cool place (soak the vehicle).
2. Perform DTC confirmation procedure again.

>> GO TO 3.

5. PERFORM COMPONENT FUNCTION CHECK FOR MALFUNCTION B

Perform component function check. Refer to [EC-289. "Diagnosis Procedure"](#).

NOTE:

Use component function check to check the overall function of the heated oxygen sensor 2 circuit. During this check, a 1st trip DTC might not be confirmed.

Is the inspection result normal?

YES >> INSPECTION END

NO >> Proceed to [EC-289. "Diagnosis Procedure"](#).

Component Function Check

INFOID:000000012602340

1. PERFORM COMPONENT FUNCTION CHECK-1 Without CONSULT

1. Start engine and warm it up to normal operating temperature.
2. Turn ignition switch OFF and wait at least 10 seconds.
3. Start engine and keep the engine speed between 3,500 and 4,000 rpm for at least 1 minute under no load.
4. Let engine idle for 1 minute.
5. Check the voltage between ECM harness connector and ground as per the following condition.

ECM			Condition	Voltage
Connector	+	-		
	Terminal			
F14*1 F91*2	22	23	Reving up to 4,000 rpm under no load at least 10 times	The voltage should be above 0.73 V at least once during this procedure.

*1: Except for California

*2: For California

Is the inspection result normal?

YES >> INSPECTION END

NO >> GO TO 2.

2.PERFORM COMPONENT FUNCTION CHECK-2

Check the voltage between ECM harness connector and ground as per the following condition.

ECM			Condition	Voltage
Connector	+	-		
	Terminal			
F14*1 F91*2	22	23	Keeping engine speed at idle for 10 minutes	The voltage should be above 0.73 V at least once during this procedure.

*1: Except for California

*2: For California

Is the inspection result normal?

YES >> INSPECTION END

NO >> GO TO 3.

3.PERFORM COMPONENT FUNCTION CHECK-3

Check the voltage between ECM harness connector and ground as per the following condition.

ECM			Condition	Voltage
Connector	+	-		
	Terminal			
F14*1 F91*2	22	23	Coasting from 80 km/h (50 MPH) in D position	The voltage should be above 0.73 V at least once during this procedure.

*1: Except for California

*2: For California

Is the inspection result normal?

YES >> INSPECTION END

NO >> Proceed to [EC-289, "Diagnosis Procedure"](#).

Diagnosis Procedure

INFOID:0000000012602341

1.INSPECTION START

Confirm the detected malfunction (A or B). Refer to [EC-287, "DTC Logic"](#).

Which malfunction is detected?

A >> GO TO 2.

B >> GO TO 7.

2.CHECK HO2S2 CONNECTOR FOR WATER

1. Turn ignition switch OFF.
2. Disconnect heated oxygen sensor 2 harness connector.
3. Check connectors for water.

< DTC/CIRCUIT DIAGNOSIS >

Water should not exist.

Is the inspection result normal?

- YES >> GO TO 3.
- NO >> Repair or replace error-detected parts.

3. CHECK HO2S2 GROUND CIRCUIT

1. Disconnect ECM harness connector.
2. Check the continuity between HO2S2 harness connector and ECM harness connector.

+		-		Continuity
HO2S2		ECM		
Connector	Terminal	Connector	Terminal	
F42	1	F14*1 F91*2	23	Existed

*1: Except for California

*2: For California

3. Also check harness for short to power.

Is the inspection result normal?

- YES >> GO TO 4.
- NO >> Repair or replace error-detected parts.

4. CHECK HO2S2 INPUT SIGNAL CIRCUIT

1. Check the continuity between HO2S2 harness connector and ECM harness connector.

+		-		Continuity
HO2S2		ECM		
Connector	Terminal	Connector	Terminal	
F42	4	F14*1 F91*2	22	Existed

*1: Except for California

*2: For California

2. Check the continuity between HO2S2 harness connector and ground, or ECM harness connector and ground.

+		-	Continuity
HO2S2			
Connector	Terminal		
F42	4	Ground	Not existed

+		-	Continuity
ECM			
Connector	Terminal		
F14*1 F91*2	22	Ground	Not existed

*1: Except for California

*2: For California

3. Also check harness for short to power.

Is the inspection result normal?

- YES >> GO TO 5.
- NO >> Repair or replace error-detected parts.

< DTC/CIRCUIT DIAGNOSIS >

5. CHECK HEATED OXYGEN SENSOR 2

Check the heated oxygen sensor 2. Refer to [EC-292, "Component Inspection"](#).

Is the inspection result normal?

YES >> Check intermittent incident. Refer to [GI-44, "Intermittent Incident"](#).

NO >> GO TO 6.

6. REPLACE HEATED OXYGEN SENSOR 2

Replace heated oxygen sensor 2. Refer to [EX-5, "Exploded View"](#).

CAUTION:

- Discard any sensor which has been dropped from a height of more than 0.5 m (19.7 in) onto a hard surface such as a concrete floor; use a new one.
- Before installing new sensor, clean exhaust system threads using Oxygen Sensor Thread Cleaner [commercial service tool (J-43897-18 or J43897-12)] and approved Anti-seize Lubricant (commercial service tool).

>> INSPECTION END

7. CLEAR THE MIXTURE RATIO SELF-LEARNING VALUE

1. Clear the mixture ratio self-learning value. Refer to [EC-189, "Description"](#).

2. Run engine for at least 10 minutes at idle speed.

Is the 1st trip DTC P0172 detected? Is it difficult to start engine?

YES >> Perform trouble diagnosis for DTC P0172. Refer to [EC-287, "DTC Logic"](#).

NO >> GO TO 8.

8. CHECK HO2S2 GROUND CIRCUIT

1. Turn ignition switch OFF.
2. Disconnect heated oxygen sensor 2 harness connector.
3. Disconnect ECM harness connector.
4. Check the continuity between HO2S2 harness connector and ECM harness connector.

+		-		Continuity
HO2S2		ECM		
Connector	Terminal	Connector	Terminal	
F42	1	F14*1 F91*2	23	Existed

*1: Except for California

*2: For California

5. Also check harness for short to ground and to power.

Is the inspection result normal?

YES >> GO TO 9.

NO >> Repair or replace error-detected parts.

9. CHECK HO2S2 INPUT SIGNAL CIRCUIT

1. Check the continuity between HO2S2 harness connector and ECM harness connector.

+		-		Continuity
HO2S2		ECM		
Connector	Terminal	Connector	Terminal	
F42	4	F14*1 F91*2	22	Existed

*1: Except for California

*2: For California

2. Check the continuity between HO2S2 harness connector and ground, or ECM harness connector and ground.

< DTC/CIRCUIT DIAGNOSIS >

+		-	Continuity
HO2S2			
Connector	Terminal	Ground	Not existed
F42	4		

+		-	Continuity
ECM			
Connector	Terminal	Ground	Not existed
F14*1 F91*2	22		

*1: Except for California

*2: For California

3. Also check harness for short to power.

Is the inspection result normal?

YES >> GO TO 10.

NO >> Repair open circuit or short to ground or short to power in harness or connectors.

10.CHECK HEATED OXYGEN SENSOR 2

Check the heated oxygen sensor 2. Refer to [EC-292, "Component Inspection"](#).

Is the inspection result normal?

YES >> Check intermittent incident. Refer to [GI-44, "Intermittent Incident"](#).

NO >> GO TO 11.

11.REPLACE HEATED OXYGEN SENSOR 2

Replace heated oxygen sensor 2. Refer to [EX-5, "Exploded View"](#).

CAUTION:

- Discard any sensor which has been dropped from a height of more than 0.5 m (19.7 in) onto a hard surface such as a concrete floor; use a new one.
- Before installing new sensor, clean exhaust system threads using Oxygen Sensor Thread Cleaner [commercial service tool (J-43897-18 or J43897-12)] and approved Anti-seize Lubricant (commercial service tool).

>> INSPECTION END

Component Inspection

INFOID:0000000012602342

1.INSPECTION START


Do you have CONSULT?

Do you have CONSULT?

YES >> GO TO 2.

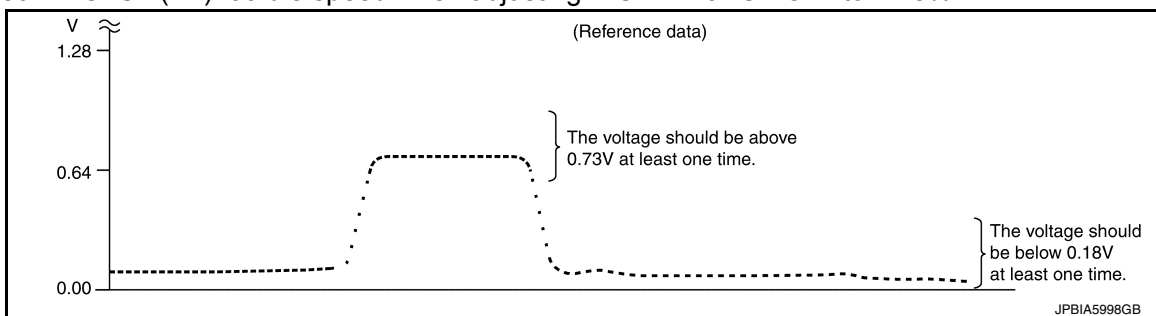
NO >> GO TO 3.

2.CHECK HEATED OXYGEN SENSOR 2

 With CONSULT

1. Turn ignition switch ON and select "DATA MONITOR" mode of "ENGINE" using CONSULT.
2. Start engine and warm it up to normal operating temperature.
3. Turn ignition switch OFF and wait at least 10 seconds.
4. Start engine and keep the engine speed between 3,500 and 4,000 rpm for at least 1 minute under no load.
5. Let engine idle for 1 minute.
6. Select "FUEL INJECTION" in "ACTIVE TEST" mode of "ENGINE" using CONSULT, and select "HO2S2 (B1)" as the monitor item with CONSULT.

7. Check "HO2S2 (B1)" at idle speed when adjusting "FUEL INJECTION" to ± 25%.



"HO2S2 (B1)" should be above 0.73 V at least once when the "FUEL INJECTION" is + 25%.

"HO2S2 (B1)" should be below 0.18 V at least once when the "FUEL INJECTION" is - 25%.

Is the inspection result normal?

YES >> INSPECTION END

NO >> GO TO 6.

3.CHECK HEATED OXYGEN SENSOR 2-1

⊗ Without CONSULT

1. Start engine and warm it up to normal operating temperature.
2. Turn ignition switch OFF and wait at least 10 seconds.
3. Start engine and keep the engine speed between 3,500 and 4,000 rpm for at least 1 minute under no load.
4. Let engine idle for 1 minute.
5. Check the voltage between ECM harness connector and ground as per the following condition.

Connector	ECM		Condition	Voltage
	+	-		
	Terminal			
F14*1 F91*2	22	23	Revvng up to 4,000 rpm under no load at least 10 times	The voltage should be above 0.73 V at least once during this procedure. The voltage should be below 0.18 V at least once during this procedure.

*1: Except for California

*2: For California

Is the inspection result normal?

YES >> INSPECTION END

NO >> GO TO 4.

4.CHECK HEATED OXYGEN SENSOR 2-2

Check the voltage between ECM harness connector and ground as per the following condition.

Connector	ECM		Condition	Voltage
	+	-		
	Terminal			
F14*1 F91*2	22	23	Keeping engine speed at idle for 10 minutes	The voltage should be above 0.73 V at least once during this procedure. The voltage should be below 0.18 V at least once during this procedure.

*1: Except for California

*2: For California

Is the inspection result normal?

YES >> INSPECTION END

NO >> GO TO 5.

5.CHECK HEATED OXYGEN SENSOR 2-3

Check the voltage between ECM harness connector and ground as per the following condition.

ECM			Condition	Voltage
Connector	+	-		
	Terminal			
F14*1 F91*2	22	23	Coasting from 80 km/h (50 MPH) in D position	The voltage should be above 0.73 V at least once during this procedure. The voltage should be below 0.18 V at least once during this procedure.

*1: Except for California

*2: For California

Is the inspection result normal?

YES >> INSPECTION END

NO >> GO TO 6.

6. REPLACE HEATED OXYGEN SENSOR 2

Replace heated oxygen sensor 2. Refer to [EX-5. "Exploded View"](#).

CAUTION:

- Discard any sensor which has been dropped from a height of more than 0.5 m (19.7 in) onto a hard surface such as a concrete floor; use a new one.
- Before installing new sensor, clean exhaust system threads using Oxygen Sensor Thread Cleaner [commercial service tool (J-43897-18 or J43897-12)] and approved Anti-seize Lubricant (commercial service tool).

>> INSPECTION END

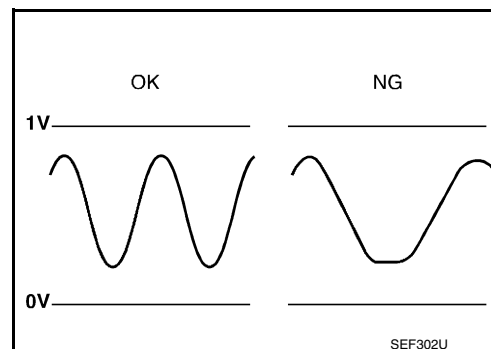
P0139 HO2S2

DTC Logic

INFOID:000000012602343

DTC DETECTION LOGIC

The heated oxygen sensor 2 has a much longer switching time between rich and lean than the air fuel ratio (A/F) sensor 1. The oxygen storage capacity of the three way catalyst 1 causes the longer switching time. To judge the malfunctions of heated oxygen sensor 2, ECM monitors whether the switching response of the sensor's voltage is faster than specified during various driving conditions such as fuel cut.



DTC No.	CONSULT screen terms (Trouble diagnosis content)	DTC detecting condition	Possible cause
P0139	HO2S2 (B1) (O2 sensor circuit slow response bank 1 sensor 2)	The switching time between rich and lean of a heated oxygen sensor 2 signal delays more than the specified time computed by ECM.	<ul style="list-style-type: none"> • Harness or connectors (The sensor circuit is open or shorted) • Heated oxygen sensor 2 • Fuel system • EVAP system • Intake air system

DTC CONFIRMATION PROCEDURE

1.INSPECTION START

Do you have CONSULT?

Do you have CONSULT?

YES >> GO TO 2.

NO >> GO TO 7.

2.PRECONDITIONING

If DTC Confirmation Procedure has been previously conducted, always perform the following procedure before conducting the next test.

1. Turn ignition switch OFF and wait at least 10 seconds.
2. Turn ignition switch ON.
3. Turn ignition switch OFF and wait at least 10 seconds.

TESTING CONDITION:

For better results, perform "DTC WORK SUPPORT" at a temperature of 0 to 30°C (32 to 86°F).

>> GO TO 3.

3.PERFORM DTC CONFIRMATION PROCEDURE

Ⓜ With CONSULT

1. Turn ignition switch ON and select "DATA MONITOR" mode of "ENGINE" using CONSULT.
2. Start engine and warm it up to the normal operating temperature.
3. Turn ignition switch OFF and wait at least 10 seconds.
4. Turn ignition switch ON.
5. Turn ignition switch OFF and wait at least 10 seconds.
6. Start engine and keep the engine speed between 3,500 and 4,000 rpm for at least 1 minute under no load.
7. Let engine idle for 1 minute.
8. Make sure that "COOLAN TEMP/S" indicates more than 70°C (158°F).
9. Drive the vehicle in a proper at 60 km/h (38MPH) and maintain the speed.

CAUTION:

Always drive vehicle at a safe speed.

< DTC/CIRCUIT DIAGNOSIS >

10. Release the accelerator pedal fully at least 5 seconds.

CAUTION:

- Enable engine brake.
- Always drive carefully.
- Never apply brake when releasing the accelerator pedal.

11. Repeat step 9 and 10 at least 8 times.

12. Check the following item of "DATA MONITOR".

Data monitor item	Status
HO2 S2 DIAG1 (B1)	CMPLT
HO2 S2 DIAG2 (B1)	

Is "CMPLT" displayed on CONSULT screen?

YES >> GO TO 6.

NO-1: "CMPLT" is not displayed on DIAG 1>>Perform DTC confirmation procedure again.

NO-2: "CMPLT" is not displayed on DIAG 2>>GO TO 4.

4.PERFORM DTC WORK SUPPORT

1. Open engine hood.
2. Select "HO2S2 (B1) P0139" in "DTC WORK SUPPORT" mode of "ENGINE" using CONSULT.
3. Start engine and follow the instruction of CONSULT display.

NOTE:

It will take at most 10 minutes until "COMPLETED" is displayed.

Is "COMPLETED" displayed on CONSULT screen?

YES >> GO TO 6.

NO >> GO TO 5.

5.PERFORM DTC CONFIRMATION PROCEDURE AGAIN

1. Turn ignition switch OFF and leave the vehicle in a cool place (soak the vehicle).
2. Perform DTC confirmation procedure again.

>> GO TO 3.

6.PERFORM SELF-DIAGNOSIS

 With CONSULT

Perform ECM self-diagnosis.

Is DTC "P0139" detected?

YES >> Proceed to [EC-297, "Diagnosis Procedure"](#).

NO >> INSPECTION END

7.PERFORM COMPONENT FUNCTION CHECK

Perform component function check. Refer to [EC-296, "Component Function Check"](#).

NOTE:

Use component function check to check the overall function of the heated oxygen sensor 2 circuit. During this check, a 1st trip DTC might not be confirmed.

Is the inspection result normal?


YES >> INSPECTION END

NO >> Proceed to [EC-297, "Diagnosis Procedure"](#).

Component Function Check

INFOID:000000012602344

1.PERFORM COMPONENT FUNCTION CHECK-1

 Without CONSULT

1. Start engine and warm it up to normal operating temperature.
2. Turn ignition switch OFF and wait at least 10 seconds.
3. Start engine and keep the engine speed between 3,500 and 4,000 rpm for at least 1 minute under no load.
4. Let engine idle for 1 minute.
5. Check the voltage between ECM harness connector and ground as per the following condition.

ECM			Condition	Voltage
Connector	+	-		
	Terminal			
F14*1 F91*2	22	23	Reving up to 4,000 rpm under no load at least 10 times	The voltage should be above 0.73 V at least once during this procedure.

*1: Except for California

*2: For California

Is the inspection result normal?

YES >> INSPECTION END

NO >> GO TO 2.

2.PERFORM COMPONENT FUNCTION CHECK-2

Check the voltage between ECM harness connector and ground as per the following condition.

ECM			Condition	Voltage
Connector	+	-		
	Terminal			
F14*1 F91*2	22	23	Keeping engine speed at idle for 10 minutes	The voltage should be above 0.73 V at least once during this procedure.

*1: Except for California

*2: For California

Is the inspection result normal?

YES >> INSPECTION END

NO >> GO TO 3.

3.PERFORM COMPONENT FUNCTION CHECK-3

Check the voltage between ECM harness connector and ground as per the following condition.

ECM			Condition	Voltage
Connector	+	-		
	Terminal			
F14*1 F91*2	22	23	Coasting from 80 km/h (50 MPH) in D position	The voltage should be above 0.73 V at least once during this procedure.

*1: Except for California

*2: For California

Is the inspection result normal?

YES >> INSPECTION END

NO >> Proceed to [EC-283, "Diagnosis Procedure"](#).

Diagnosis Procedure

INFOID:0000000012602345

1.CLEAR THE MIXTURE RATIO SELF-LEARNING VALUE

1. Clear the mixture ratio self-learning value. Refer to [EC-189, "Description"](#).
2. Run engine for at least 10 minutes at idle speed.

Is the 1st trip DTC P0171 or P0172 detected? Is it difficult to start engine?

YES >> Perform trouble diagnosis for DTC P0171 or P0172. Refer to [EC-307, "DTC Logic"](#) or [EC-311, "DTC Logic"](#).

NO >> GO TO 2.

2.CHECK HO2S2 GROUND CIRCUIT

1. Turn ignition switch OFF.

< DTC/CIRCUIT DIAGNOSIS >

2. Disconnect heated oxygen sensor 2 harness connector.
3. Disconnect ECM harness connector.
4. Check the continuity between HO2S2 harness connector and ECM harness connector.

+		-		Continuity
HO2S2		ECM		
Connector	Terminal	Connector	Terminal	
F42	1	F14 ^{*1} F91 ^{*2}	23	Existed

*1: Except for California

*2: For California

5. Also check harness for short to power.

Is the inspection result normal?

YES >> GO TO 3.

NO >> Repair or replace error-detected parts.

3. CHECK HO2S2 INPUT SIGNAL CIRCUIT

1. Check the continuity between HO2S2 harness connector and ECM harness connector.

+		-		Continuity
HO2S2		ECM		
Connector	Terminal	Connector	Terminal	
F42	4	F14 ^{*1} F91 ^{*2}	22	Existed

*1: Except for California

*2: For California

2. Check the continuity between HO2S2 harness connector and ground, or ECM harness connector and ground.

+		-	Continuity
HO2S2			
Connector	Terminal		
F42	4	Ground	Not existed

+		-	Continuity
ECM			
Connector	Terminal		
F14 ^{*1} F91 ^{*2}	22	Ground	Not existed

*1: Except for California

*2: For California

3. Also check harness for short to power.

Is the inspection result normal?

YES >> GO TO 4.

NO >> Repair or replace error-detected parts.

4. CHECK HEATED OXYGEN SENSOR 2

Check the heated oxygen sensor 2. Refer to [EC-299, "Component Inspection"](#).

Is the inspection result normal?

YES >> Check intermittent incident. Refer to [GI-44, "Intermittent Incident"](#).

NO >> GO TO 5.

5. REPLACE HEATED OXYGEN SENSOR 2

Replace heated oxygen sensor 2. Refer to [EX-5. "Exploded View"](#).

CAUTION:

- Discard any sensor which has been dropped from a height of more than 0.5 m (19.7 in) onto a hard surface such as a concrete floor; use a new one.
- Before installing new sensor, clean exhaust system threads using Oxygen Sensor Thread Cleaner [commercial service tool (J-43897-18 or J43897-12)] and approved Anti-seize Lubricant (commercial service tool).

>> INSPECTION END

Component Inspection

INFOID:0000000012602346

1. INSPECTION START

Do you have CONSULT?

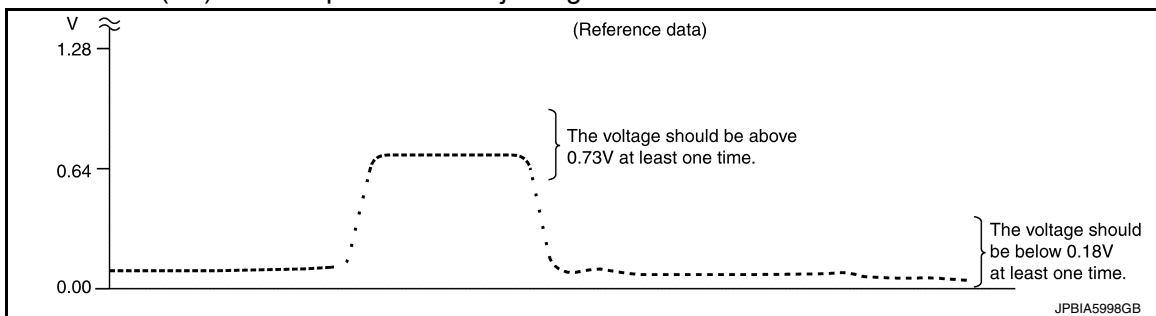
Do you have CONSULT?

- YES >> GO TO 2.
- NO >> GO TO 3.

2. CHECK HEATED OXYGEN SENSOR 2

With CONSULT

1. Turn ignition switch ON and select "DATA MONITOR" mode of "ENGINE" using CONSULT.
2. Start engine and warm it up to normal operating temperature.
3. Turn ignition switch OFF and wait at least 10 seconds.
4. Start engine and keep the engine speed between 3,500 and 4,000 rpm for at least 1 minute under no load.
5. Let engine idle for 1 minute.
6. Select "FUEL INJECTION" in "ACTIVE TEST" mode of "ENGINE" using CONSULT, and select "HO2S2 (B1)" as the monitor item with CONSULT.
7. Check "HO2S2 (B1)" at idle speed when adjusting "FUEL INJECTION" to $\pm 25\%$.



"HO2S2 (B1)" should be above 0.73 V at least once when the "FUEL INJECTION" is + 25%.
"HO2S2 (B1)" should be below 0.18 V at least once when the "FUEL INJECTION" is - 25%.

Is the inspection result normal?

- YES >> INSPECTION END
- NO >> GO TO 6.

3. CHECK HEATED OXYGEN SENSOR 2-1

Without CONSULT

1. Start engine and warm it up to normal operating temperature.
2. Turn ignition switch OFF and wait at least 10 seconds.
3. Start engine and keep the engine speed between 3,500 and 4,000 rpm for at least 1 minute under no load.
4. Let engine idle for 1 minute.
5. Check the voltage between ECM harness connector and ground as per the following condition.

ECM			Condition	Voltage
Connector	+	-		
	Terminal			
F14*1 F91*2	22	23	Revvng up to 4,000 rpm under no load at least 10 times	The voltage should be above 0.73 V at least once during this procedure. The voltage should be below 0.18 V at least once during this procedure.

*1: Except for California

*2: For California

Is the inspection result normal?

YES >> INSPECTION END

NO >> GO TO 4.

4.CHECK HEATED OXYGEN SENSOR 2-2

Check the voltage between ECM harness connector and ground as per the following condition.

ECM			Condition	Voltage
Connector	+	-		
	Terminal			
F14*1 F91*2	22	23	Keeping engine speed at idle for 10 minutes	The voltage should be above 0.73 V at least once during this procedure. The voltage should be below 0.18 V at least once during this procedure.

*1: Except for California

*2: For California

Is the inspection result normal?

YES >> INSPECTION END

NO >> GO TO 5.

5.CHECK HEATED OXYGEN SENSOR 2-3

Check the voltage between ECM harness connector and ground as per the following condition.

ECM			Condition	Voltage
Connector	+	-		
	Terminal			
F14*1 F91*2	22	23	Coasting from 80 km/h (50 MPH) in D position	The voltage should be above 0.73 V at least once during this procedure. The voltage should be below 0.18 V at least once during this procedure.

*1: Except for California

*2: For California

Is the inspection result normal?

YES >> INSPECTION END

NO >> GO TO 6.

6.REPLACE HEATED OXYGEN SENSOR 2

Replace heated oxygen sensor 2. Refer to [EX-5, "Exploded View"](#).

CAUTION:

- Discard any sensor which has been dropped from a height of more than 0.5 m (19.7 in) onto a hard surface such as a concrete floor; use a new one.
- Before installing new sensor, clean exhaust system threads using Oxygen Sensor Thread Cleaner [commercial service tool (J-43897-18 or J43897-12)] and approved Anti-seize Lubricant (commercial service tool).

>> INSPECTION END

A

EC

C

D

E

F

G

H

I

J

K

L

M

N

O

P

P014C, P014D, P015A, P015B, A/F SENSOR 1

< DTC/CIRCUIT DIAGNOSIS >

[QR25DE]

P014C, P014D, P015A, P015B, A/F SENSOR 1

DTC Logic

INFOID:000000012602347

DTC DETECTION LOGIC

To judge malfunctions, this diagnosis measures response time of the A/F signal computed by ECM from the A/F sensor 1 signal. The time is compensated by engine operating (speed and load), fuel feedback control constant, and the A/F sensor 1 temperature index. Judgment is based on whether the compensated time (the A/F signal cycling time index) is inordinately long or not.

DTC No.	CONSULT screen terms (Trouble diagnosis content)	DTC detecting condition	Possible Cause
P014C	A/F SENSOR1 (B1) (O2 sensor slow response - rich to lean bank 1 sensor 1)	• The response time of a A/F sensor 1 signal delays more than the specified time computed by ECM.	• Harness or connectors (The A/F sensor 1 circuit is open or shorted.) • A/F sensor 1
P014D	A/F SENSOR1 (B1) (O2 sensor slow response - lean to rich bank 1 sensor 1)		
P015A	A/F SENSOR1 (B1) (O2 sensor delayed response - rich to lean bank 1 sensor 1)		
P015B	A/F SENSOR1 (B1) (O2 sensor delayed response - lean to rich bank 1 sensor 1)		

DTC CONFIRMATION PROCEDURE

1. PRECONDITIONING

If DTC Confirmation Procedure has been previously conducted, always perform the following procedure before conducting the next test.

1. Turn ignition switch OFF and wait at least 10 seconds.
2. Turn ignition switch ON.
3. Turn ignition switch OFF and wait at least 10 seconds.

TESTING CONDITION:

Before performing the following procedure, confirm that battery voltage is more than 11 V at idle.

Do you have CONSULT?

- YES >> GO TO 2.
NO >> GO TO 6.

2. PERFORM DTC CONFIRMATION PROCEDURE-1

With CONSULT

1. Start engine and warm it up to normal operating temperature.
2. Turn ignition switch OFF and wait at least 10 seconds.
3. Turn ignition switch ON.
4. Turn ignition switch OFF and wait at least 10 seconds.
5. Start engine and keep the engine speed between 3,500 and 4,000 rpm for at least 1 minute under no load.
6. Let engine idle for 1 minute.
7. Increase the engine speed up to about 3,600 rpm and keep it for 10 seconds.
8. Fully release accelerator pedal and then let engine idle for about 1 minute.
9. Check the items status of "DATA MONITOR" as follows.

NOTE:

If "PRCNT" changed to "ABSNT", refer to [EC-203, "Component Function Check"](#).

Data monitor item	Status
A/F SEN1 DIAG3 (B1)	PRCNT

Is "PRCNT" displayed on CONSULT screen?

- YES >> GO TO 4.
NO >> GO TO 3.

P014C, P014D, P015A, P015B, A/F SENSOR 1

< DTC/CIRCUIT DIAGNOSIS >

[QR25DE]

3. PERFORM DTC CONFIRMATION PROCEDURE-2

With CONSULT

Perform DTC confirmation procedure-1 again.

Is "PRSNT" displayed on CONSULT screen?

YES >> GO TO 4.

NO >> Refer to [EC-203. "Component Function Check"](#).

4. PERFORM DTC CONFIRMATION PROCEDURE-2

With CONSULT

1. Wait for about 20 seconds at idle.

2. Check the items status of "DATA MONITOR" as follows.

NOTE:

If "CMPLT" changed to "INCMP", refer to [EC-203. "Component Function Check"](#).

Data monitor item	Status
A/F SEN1 DIAG1 (B1)	CMPLT
A/F SEN1 DIAG2 (B1)	

Is "CMPLT" displayed on CONSULT screen?

YES >> GO TO 5.

NO >> Refer to [EC-203. "Component Function Check"](#).

5. PERFORM SELF-DIAGNOSIS

With CONSULT

Check the "SELF-DIAG RESULT".

Is any DTC detected?

YES >> Proceed to [EC-304. "Diagnosis Procedure"](#).

NO >> INSPECTION END

6. CHECK AIR-FUEL RATIO SELF-LEARNING VALUE

With GST

1. Start engine and warm it up to normal operating temperature.

2. Select Service \$01 with GST.

3. Calculate the total value of "Short term fuel trim" and "Long term fuel trim" indications.

Is the total percentage within $\pm 15\%$?

YES >> GO TO 8.

NO >> GO TO 7.

7. DETECT MALFUNCTIONING PART

Check the following.

- Intake air leaks
- Exhaust gas leaks
- Incorrect fuel pressure
- Lack of fuel
- Fuel injector
- Incorrect PCV hose connection
- PCV valve
- Mass air flow sensor

>> Repair or replace malfunctioning part.

8. PERFORM DTC CONFIRMATION PROCEDURE

1. Turn ignition switch OFF and wait at least 10 seconds.

2. Turn ignition switch ON.

3. Turn ignition switch OFF and wait at least 10 seconds.

4. Start engine and keep the engine speed between 3,500 and 4,000 rpm for at least 1 minute under no load.

5. Let engine idle for 1 minute.

P014C, P014D, P015A, P015B, A/F SENSOR 1

[QR25DE]

< DTC/CIRCUIT DIAGNOSIS >

6. Increase the engine speed up to about 3,600 rpm and keep it for 10 seconds.
7. Fully release accelerator pedal and then let engine idle for about 1 minute.
8. Check 1st trip DTC.

Is 1st trip DTC detected?

- YES >> Proceed to [EC-304, "Diagnosis Procedure"](#).
NO >> INSPECTION END

Diagnosis Procedure

INFOID:000000012602348

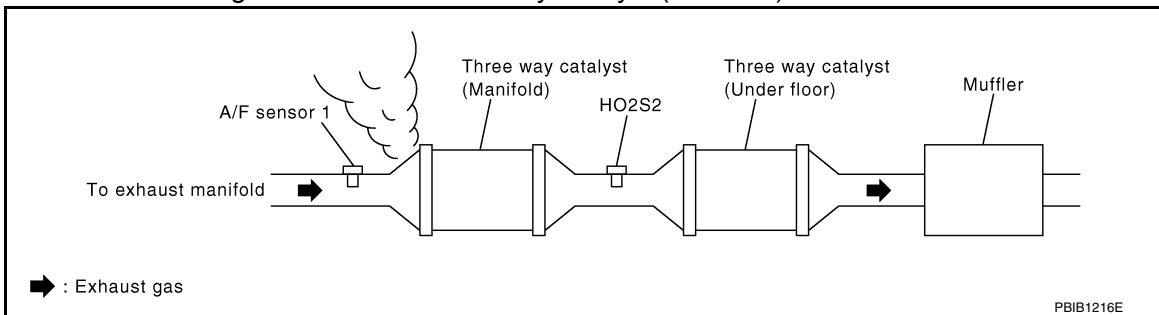
1. RETIGHTEN A/F SENSOR 1

Loosen and retighten the A/F sensor 1. Refer to [EM-33, "Exploded View"](#).

>> GO TO 2.

2. CHECK EXHAUST GAS LEAK

1. Start engine and run it at idle.
2. Listen for an exhaust gas leak before three way catalyst (manifold).



Is exhaust gas leak detected?

- YES >> Repair or replace.
NO >> GO TO 3.

3. CHECK FOR INTAKE AIR LEAK

Listen for an intake air leak after the mass air flow sensor.

Is intake air leak detected?

- YES >> Repair or replace.
NO >> GO TO 4.

4. CLEAR THE MIXTURE RATIO SELF-LEARNING VALUE

1. Clear the mixture ratio self-learning value. Refer to [EC-189, "Description"](#).
2. Run engine for at least 10 minutes at idle speed.

Is the 1st trip DTC P0171 or P172 detected? Is it difficult to start engine?

- YES >> Perform trouble diagnosis for DTC P0171 or P0172. Refer to [EC-307, "DTC Logic"](#) or [EC-311, "DTC Logic"](#).
NO >> GO TO 5.

5. CHECK AIR FUEL RATIO (A/F) SENSOR 1 POWER SUPPLY CIRCUIT

1. Disconnect A/F sensor 1 harness connector.
2. Turn ignition switch ON.
3. Check the voltage between A/F sensor 1 harness connector and ground.

+		-	Voltage
A/F sensor 1			
Connector	Terminal	Ground	Battery voltage
F24	4		

Is the inspection result normal?

P014C, P014D, P015A, P015B, A/F SENSOR 1

< DTC/CIRCUIT DIAGNOSIS >

[QR25DE]

- YES >> GO TO 6.
 NO >> Repair or replace error-detected parts.

6. CHECK A/F SENSOR 1 INPUT SIGNAL CIRCUIT

- Turn ignition switch OFF.
- Disconnect ECM harness connector.
- Check the continuity between A/F sensor 1 harness connector and ECM harness connector.

+		-		Continuity
A/F sensor 1		ECM		
Connector	Terminal	Connector	Terminal	
F24	1	F14*1	41	Existed
	2	F91*2	45	

*1: Except for California

*2: For California

- Check the continuity between A/F sensor 1 harness connector and ground, or ECM harness connector and ground.

+		-	Continuity
A/F sensor 1			
Connector	Terminal		
F24	1	Ground	Not existed
	2		

+		-	Continuity
ECM			
Connector	Terminal		
F14*1	41	Ground	Not existed
F91*2	45		

*1: Except for California

*2: For California

- Also check harness for short to power.

Is the inspection result normal?

- YES >> GO TO 7.
 NO >> Repair or replace error-detected parts.

7. CHECK AIR FUEL RATIO (A/F) SENSOR 1 HEATER

Refer to [EC-230, "Component Inspection"](#).

Is the inspection result normal?

- YES >> GO TO 8.
 NO >> GO TO 11.

8. CHECK MASS AIR FLOW SENSOR

Refer to [EC-244, "Component Inspection"](#).

Is the inspection result normal?

- YES >> GO TO 9.
 NO >> Replace mass air flow sensor. Refer to [EM-29, "Exploded View"](#).

9. CHECK PCV VALVE

Refer to [EC-576, "Inspection"](#).

Is the inspection result normal?

- YES >> GO TO 10.

P014C, P014D, P015A, P015B, A/F SENSOR 1

[QR25DE]

< DTC/CIRCUIT DIAGNOSIS >

NO >> Repair or replace PCV valve. Refer to [EC-22, "Component Parts Location"](#).

10. CHECK INTERMITTENT INCIDENT

Perform [GI-44, "Intermittent Incident"](#).

Is the inspection result normal?

YES >> GO TO 11.

NO >> Repair or replace.

11. REPLACE AIR FUEL RATIO (A/F) SENSOR 1

Replace air fuel ratio (A/F) sensor 1. Refer to [EM-29, "Exploded View"](#).

CAUTION:

- Discard any sensor which has been dropped from a height of more than 0.5 m (19.7 in) onto a hard surface such as a concrete floor; use a new one.
- Before installing new sensor, clean exhaust system threads using Oxygen Sensor Thread Cleaner [commercial service tool (J-43897-18 or J43897-12)] and approved Anti-seize Lubricant (commercial service tool).

>> INSPECTION END

P0171 FUEL INJECTION SYSTEM FUNCTION

< DTC/CIRCUIT DIAGNOSIS >

[QR25DE]

P0171 FUEL INJECTION SYSTEM FUNCTION

DTC Logic

INFOID:000000012602349

DTC DETECTION LOGIC

With the Air/Fuel Mixture Ratio Self-Learning Control, the actual mixture ratio can be brought closely to the theoretical mixture ratio based on the mixture ratio feedback signal from the A/F sensors 1. The ECM calculates the necessary compensation to correct the offset between the actual and the theoretical ratios.

In case the amount of the compensation injection value is extremely large (The actual mixture ratio is too lean.), the ECM judges the condition as the fuel injection system malfunction and lights up the MIL (2 trip detection logic).

Sensor	Input signal to ECM	ECM function	Actuator
A/F sensor 1	Density of oxygen in exhaust gas (Mixture ratio feedback signal)	Fuel injection control	Fuel injector

DTC No.	CONSULT screen terms (Trouble diagnosis content)	DTC detecting condition	Possible cause
P0171	FUEL SYS-LEAN-B1 (System too lean bank 1)	<ul style="list-style-type: none">Fuel injection system does not operate properly.The amount of mixture ratio compensation is too large. (The mixture ratio is too lean.)	<ul style="list-style-type: none">Intake air leaksA/F sensor 1Fuel injectorExhaust gas leaksIncorrect fuel pressureLack of fuelMass air flow sensorIncorrect PCV hose connection

DTC CONFIRMATION PROCEDURE

1. PRECONDITIONING

If DTC Confirmation Procedure has been previously conducted, always perform the following procedure before conducting the next test.

- Turn ignition switch OFF and wait at least 10 seconds.
- Turn ignition switch ON.
- Turn ignition switch OFF and wait at least 10 seconds.

>> GO TO 2.

2. PERFORM DTC CONFIRMATION PROCEDURE-1

- Clear the mixture ratio self-learning value. Refer to [EC-189, "Description"](#).
- Start engine.

Is it difficult to start engine?

- YES >> GO TO 3.
NO >> GO TO 4.

3. RESTART ENGINE

If it is difficult to start engine, the fuel injection system has a malfunction, too.
Crank engine while depressing accelerator pedal.

NOTE:

When depressing accelerator pedal three-fourths (3/4) or more, the control system does not start the engine. Do not depress accelerator pedal too much.

Does engine start?

- YES >> Proceed to [EC-308, "Diagnosis Procedure"](#).
NO >> Check exhaust and intake air leak visually.

4. PERFORM DTC CONFIRMATION PROCEDURE-2

- Start engine and let it idle for at least 5 minutes.
- Check 1st trip DTC.

Is 1st trip DTC detected?

P0171 FUEL INJECTION SYSTEM FUNCTION

[QR25DE]

< DTC/CIRCUIT DIAGNOSIS >

- YES >> Proceed to [EC-308. "Diagnosis Procedure"](#).
 NO >> GO TO 5.

5.PERFORM DTC CONFIRMATION PROCEDURE-3

1. Turn ignition switch OFF and wait at least 10 seconds.
2. Start engine.
3. Maintain the following conditions for at least 10 consecutive minutes.
Hold the accelerator pedal as steady as possible.

VHCL SPEED SE	50 - 120 km/h (31 - 75 MPH)
---------------	-----------------------------

CAUTION:

Always drive vehicle at a safe speed.

4. Check 1st trip DTC.

Is 1st trip DTC detected?

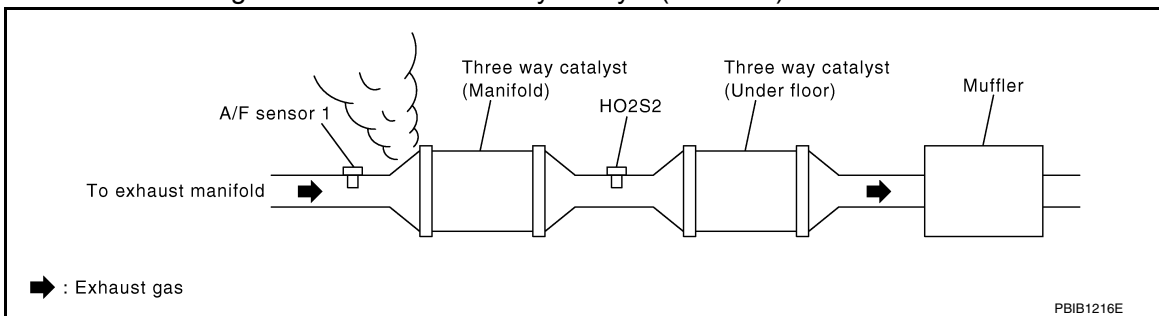
- YES >> Proceed to [EC-308. "Diagnosis Procedure"](#).
 NO >> INSPECTION END

Diagnosis Procedure

INFOID:000000012602350

1.CHECK EXHAUST GAS LEAK

1. Start engine and run it at idle.
2. Listen for an exhaust gas leak before three way catalyst (manifold).



Is exhaust gas leak detected?

- YES >> Repair or replace error-detected parts.
 NO >> GO TO 2.

2.CHECK FOR INTAKE AIR LEAK

1. Listen for an intake air leak after the mass air flow sensor.
2. Check PCV hose connection.

Intake air leak detected?

- YES >> Repair or replace error-detected parts.
 NO >> GO TO 3.

3.CHECK A/F SENSOR 1 INPUT SIGNAL CIRCUIT

1. Turn ignition switch OFF.
2. Disconnect corresponding A/F sensor 1 harness connector.
3. Disconnect ECM harness connector.
4. Check the continuity between A/F sensor 1 harness connector and ECM harness connector.

+		-		Continuity
A/F sensor 1		ECM		
Connector	Terminal	Connector	Terminal	
F24	1	F14*1	41	Existed
	2	F91*2	45	

*1: Except for California

*2: For California

P0171 FUEL INJECTION SYSTEM FUNCTION

[QR25DE]

< DTC/CIRCUIT DIAGNOSIS >

5. Check the continuity between A/F sensor 1 harness connector and ground, or ECM harness connector and ground.

+		-	Continuity
A/F sensor 1			
Connector	Terminal	Ground	Not existed
F24	1		
	2		

+		-	Continuity
ECM			
Connector	Terminal	Ground	Not existed
F14*1 F91*2	41		
	45		

*1: Except for California

*2: For California

6. Also check harness for short to power.

Is the inspection result normal?

YES >> GO TO 4.

NO >> Repair or replace error-detected parts.

4.CHECK FUEL PRESSURE

Check fuel pressure. Refer to [EC-190, "Work Procedure"](#).

Is the inspection result normal?

YES >> GO TO 6.

NO >> GO TO 5.

5. DETECT MALFUNCTIONING PART


Check fuel hoses and fuel tubes for clogging. Refer to [EM-42, "Exploded View"](#).

Is the inspection result normal?

YES >> Replace "fuel filter and fuel pump assembly". Refer to [FL-5, "Removal and Installation"](#).

NO >> Repair or replace error-detected parts.

6.CHECK MASS AIR FLOW SENSOR

 With CONSULT

1. Install all removed parts.
2. Check "MASS AIR FLOW" in "DATA MONITOR" mode of "ENGINE" using CONSULT.
3. For specification, refer to [EC-578, "Mass Air Flow Sensor"](#).

 With GST


1. Install all removed parts.
2. Check mass air flow sensor signal in Service \$01 with GST.
3. For specification, refer to [EC-578, "Mass Air Flow Sensor"](#).

Is the measurement value within the specification?

YES >> GO TO 7.

NO >> Check connectors for rusted terminals or loose connections in the mass air flow sensor circuit or grounds. Refer to [EC-247, "DTC Logic"](#).

7.CHECK FUNCTION OF FUEL INJECTOR

 With CONSULT

1. Start engine.
2. Perform "POWER BALANCE" in "ACTIVE TEST" mode of "ENGINE" using CONSULT.
3. Make sure that each circuit produces a momentary engine speed drop.

 Without CONSULT

P0171 FUEL INJECTION SYSTEM FUNCTION

[QR25DE]

< DTC/CIRCUIT DIAGNOSIS >

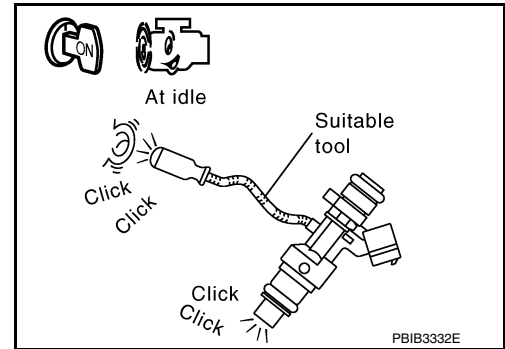
1. Let engine idle.
2. Listen to each fuel injector operating sound.

Clicking noise should be heard.

Is the inspection result normal?

YES >> GO TO 8.

NO >> Perform trouble diagnosis for "FUEL INJECTOR", refer to [EC-542, "Component Function Check"](#).



8. CHECK FUEL INJECTOR

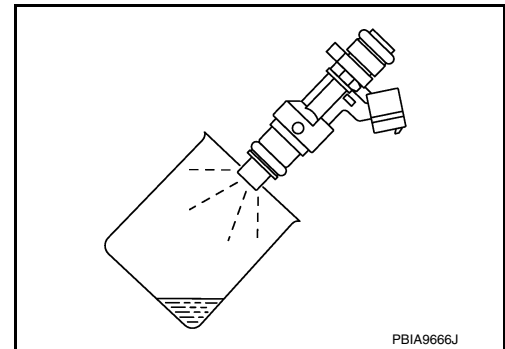
1. Turn ignition switch OFF.
2. Confirm that the engine is cooled down and there are no fire hazards near the vehicle.
3. Disconnect all fuel injector harness connectors.
4. Remove fuel tube assembly. Refer to [EM-42, "Removal and Installation"](#).
Keep fuel hose and all fuel injectors connected to fuel tube.
5. Disconnect all ignition coil harness connectors.
6. Prepare pans or saucers under each fuel injector.
7. Crank engine for about 3 seconds.

Fuel should be sprayed evenly for each fuel injector.

Is the inspection result normal?

YES >> Check intermittent incident. Refer to [GI-44, "Intermittent Incident"](#).

NO >> Replace fuel injectors from which fuel does not spray out. Always replace O-ring with new ones. Refer to [EM-42, "Removal and Installation"](#).



P0172 FUEL INJECTION SYSTEM FUNCTION

< DTC/CIRCUIT DIAGNOSIS >

[QR25DE]

P0172 FUEL INJECTION SYSTEM FUNCTION

DTC Logic

INFOID:000000012602351

DTC DETECTION LOGIC

With the Air/Fuel Mixture Ratio Self-Learning Control, the actual mixture ratio can be brought closely to the theoretical mixture ratio based on the mixture ratio feedback signal from the A/F sensors 1. The ECM calculates the necessary compensation to correct the offset between the actual and the theoretical ratios.

In case the amount of the compensation value is extremely large (The actual mixture ratio is too rich.), the ECM judges the condition as the fuel injection system malfunction and lights up the MIL (2 trip detection logic).

Sensor	Input signal to ECM	ECM function	Actuator
A/F sensor 1	Density of oxygen in exhaust gas (Mixture ratio feedback signal)	Fuel injection control	Fuel injector

DTC No.	CONSULT screen terms (Trouble diagnosis content)	DTC detecting condition	Possible cause
P0172	FUEL SYS-RICH-B1 (System too rich bank 1)	<ul style="list-style-type: none">Fuel injection system does not operate properly.The amount of mixture ratio compensation is too large. (The mixture ratio is too rich.)	<ul style="list-style-type: none">A/F sensor 1Fuel injectorExhaust gas leaksIncorrect fuel pressureMass air flow sensor

DTC CONFIRMATION PROCEDURE

1. PRECONDITIONING

If DTC Confirmation Procedure has been previously conducted, always perform the following procedure before conducting the next test.

- Turn ignition switch OFF and wait at least 10 seconds.
- Turn ignition switch ON.
- Turn ignition switch OFF and wait at least 10 seconds.

>> GO TO 2.

2. PERFORM DTC CONFIRMATION PROCEDURE-1

- Clear the mixture ratio self-learning value. Refer to [EC-189, "Description"](#).
- Start engine.

Is it difficult to start engine?

- YES >> GO TO 3.
NO >> GO TO 4.

3. RESTART ENGINE

If it is difficult to start engine, the fuel injection system has a malfunction, too.
Crank engine while depressing accelerator pedal.

NOTE:

When depressing accelerator pedal three-fourths (3/4) or more, the control system does not start the engine. Do not depress accelerator pedal too much.

Does engine start?

- YES >> Proceed to [EC-312, "Diagnosis Procedure"](#).
NO >> Check exhaust and intake air leak visually.

4. PERFORM DTC CONFIRMATION PROCEDURE-2

- Start engine and let it idle for at least 5 minutes.
- Check 1st trip DTC.

Is 1st trip DTC detected?

- YES >> Proceed to [EC-312, "Diagnosis Procedure"](#).
NO >> GO TO 5.

P0172 FUEL INJECTION SYSTEM FUNCTION

< DTC/CIRCUIT DIAGNOSIS >

[QR25DE]

5. PERFORM DTC CONFIRMATION PROCEDURE-3

1. Turn ignition switch OFF and wait at least 10 seconds.
2. Start engine.
3. Maintain the following conditions for at least 10 consecutive minutes.
Hold the accelerator pedal as steady as possible.

VHCL SPEED SE	50 - 120 km/h (31 - 75 MPH)
---------------	-----------------------------

CAUTION:

Always drive vehicle at a safe speed.

4. Check 1st trip DTC.

Is 1st trip DTC detected?

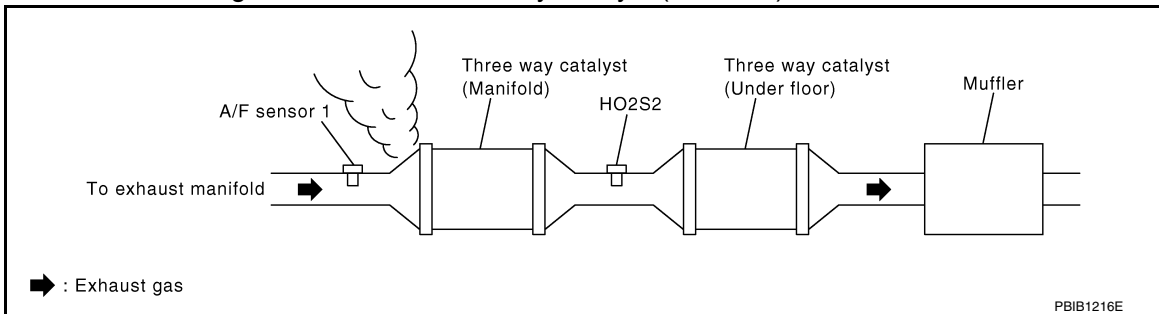
- YES >> Proceed to [EC-312, "Diagnosis Procedure"](#).
NO >> INSPECTION END

Diagnosis Procedure

INFOID:000000012602352

1. CHECK EXHAUST GAS LEAK

1. Start engine and run it at idle.
2. Listen for an exhaust gas leak before three way catalyst (manifold).



Is exhaust gas leak detected?

- YES >> Repair or replace error-detected parts.
NO >> GO TO 2.

2. CHECK FOR INTAKE AIR LEAK

1. Listen for an intake air leak after the mass air flow sensor.
2. Check PCV hose connection.

Intake air leak detected?

- YES >> Repair or replace error-detected parts.
NO >> GO TO 3.

3. CHECK A/F SENSOR 1 INPUT SIGNAL CIRCUIT

1. Turn ignition switch OFF.
2. Disconnect corresponding A/F sensor 1 harness connector.
3. Disconnect ECM harness connector.
4. Check the continuity between A/F sensor 1 harness connector and ECM harness connector.

+		-		Continuity
A/F sensor 1		ECM		
Connector	Terminal	Connector	Terminal	
F24	1	F14*1	41	Existed
	2	F91*2	45	

*1: Except for California

*2: For California

5. Check the continuity between A/F sensor 1 harness connector and ground, or ECM harness connector and ground.

P0172 FUEL INJECTION SYSTEM FUNCTION

< DTC/CIRCUIT DIAGNOSIS >

[QR25DE]

+		-	Continuity
A/F sensor 1			
Connector	Terminal	Ground	Not existed
F24	1		
	2		

+		-	Continuity
ECM			
Connector	Terminal	Ground	Not existed
F14*1	41		
F91*2	45		

*1: Except for California

*2: For California

6. Also check harness for short to power.

Is the inspection result normal?

YES >> GO TO 4.

NO >> Repair or replace error-detected parts.

4.CHECK FUEL PRESSURE

Check fuel pressure. Refer to [EC-190, "Work Procedure"](#).

Is the inspection result normal?

YES >> GO TO 6.

NO >> GO TO 5.

5. DETECT MALFUNCTIONING PART


Check fuel hoses and fuel tubes for clogging. Refer to [EM-42, "Exploded View"](#).

Is the inspection result normal?

YES >> Replace "fuel filter and fuel pump assembly". Refer to [FL-5, "Removal and Installation"](#).

NO >> Repair or replace error-detected parts.

6.CHECK MASS AIR FLOW SENSOR

 With CONSULT

1. Install all removed parts.
2. Check "MASS AIR FLOW" in "DATA MONITOR" mode of "ENGINE" using CONSULT.
3. For specification, refer to [EC-578, "Mass Air Flow Sensor"](#).

 With GST


1. Install all removed parts.
2. Check mass air flow sensor signal in Service \$01 with GST.
3. For specification, refer to [EC-578, "Mass Air Flow Sensor"](#).

Is the measurement value within the specification?


YES >> GO TO 7.

NO >> Check connectors for rusted terminals or loose connections in the mass air flow sensor circuit or grounds. Refer to [EC-242, "DTC Logic"](#).

7.CHECK FUNCTION OF FUEL INJECTOR

 With CONSULT

1. Start engine.
2. Perform "POWER BALANCE" in "ACTIVE TEST" mode of "ENGINE" using CONSULT.
3. Make sure that each circuit produces a momentary engine speed drop.

 Without CONSULT

1. Let engine idle.

A

EC

C

D

E

F

G

H

I

J

K

L

M

N

O

P

P0172 FUEL INJECTION SYSTEM FUNCTION

[QR25DE]

< DTC/CIRCUIT DIAGNOSIS >

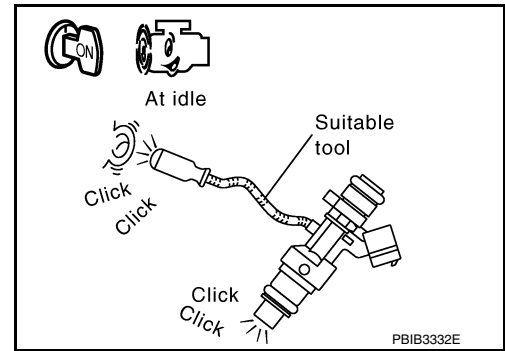
2. Listen to each fuel injector operating sound.

Clicking noise should be heard.

Is the inspection result normal?

YES >> GO TO 8.

NO >> Perform trouble diagnosis for "FUEL INJECTOR", refer to [EC-542. "Component Function Check"](#).



8. CHECK FUEL INJECTOR

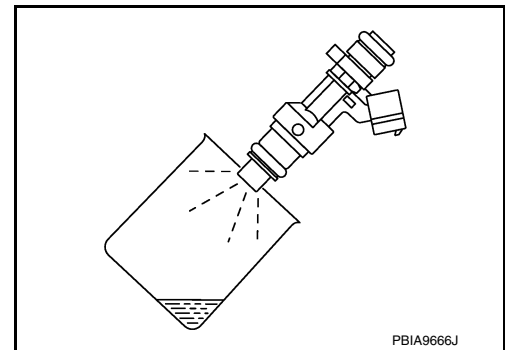
1. Turn ignition switch OFF.
2. Confirm that the engine is cooled down and there are no fire hazards near the vehicle.
3. Disconnect all fuel injector harness connectors.
4. Remove fuel tube assembly. Refer to [EM-42. "Removal and Installation"](#).
Keep fuel hose and all fuel injectors connected to fuel tube.
5. Disconnect all ignition coil harness connectors.
6. Prepare pans or saucers under each fuel injector.
7. Crank engine for about 3 seconds.

Fuel should be sprayed evenly for each fuel injector.

Is the inspection result normal?

YES >> Check intermittent incident. Refer to [GI-44. "Intermittent Incident"](#).

NO >> Replace fuel injectors from which fuel does not spray out. Always replace O-ring with new ones. Refer to [EM-42. "Removal and Installation"](#).



P0181 FTT SENSOR

DTC Logic

INFOID:000000012602353

DTC DETECTION LOGIC

DTC No.	CONSULT screen terms (Trouble diagnosis content)	DTC detecting condition		Possible cause
P0181	FTT SENSOR (Fuel temperature sensor "A" circuit range/performance)	A)	Rationally incorrect voltage from the sensor is sent to ECM, compared with the voltage signals from ECT sensor and intake air temperature sensor.	<ul style="list-style-type: none"> • Harness or connectors (FTT sensor circuit is open or shorted) • FTT sensor • Combination meter
		B)	The comparison result of signals transmitted to ECM from each temperature sensor (IAT sensor, ECT sensor, EOT sensor, and FTT sensor) shows that the voltage signal of the FTT sensor is higher/lower than that of other temperature sensors when the engine is started with its cold state.	<ul style="list-style-type: none"> • Harness or connectors (High or low resistance in the FTT sensor circuit) • FTT sensor

DTC CONFIRMATION PROCEDURE

1.INSPECTION START

Is it necessary to erase permanent DTC?

- YES >> GO TO 7.
- NO >> GO TO 2.

2.PRECONDITIONING

If DTC CONFIRMATION PROCEDURE has been previously conducted, always perform the following procedure before conducting the next test.

1. Turn ignition switch OFF and wait at least 10 seconds.
2. Turn ignition switch ON.
3. Turn ignition switch OFF and wait at least 10 seconds.

>> GO TO 3.

3.PERFORM DTC CONFIRMATION PROCEDURE FOR MALFUNCTION A-1

1. Turn ignition switch ON and wait at least 10 seconds.
2. Check 1st trip DTC.

Is 1st trip DTC detected?

- YES >> Proceed to [EC-317, "Diagnosis Procedure"](#).
- NO >> GO TO 4.

4.CHECK ENGINE COOLANT TEMPERATURE

With CONSULT

1. Select "COOLAN TEMP/S" in "DATA MONITOR" of "ENGINE" using CONSULT.
2. Check "COOLAN TEMP/S" value.

With GST

Follow the procedure "With CONSULT" above.

"COOLAN TEMP/S" less than 60°C (140°F)?

- YES >> INSPECTION END
- NO >> GO TO 5.

5.PERFORM DTC CONFIRMATION PROCEDURE FOR MALFUNCTION A-2

With CONSULT

1. Cool engine down until "COOLAN TEMP/S" is less than 60°C (140°F).

< DTC/CIRCUIT DIAGNOSIS >

2. Wait at least 10 seconds.
3. Check 1st trip DTC.

 With GST

Follow the procedure "With CONSULT" above.

Is 1st trip DTC detected?

- YES >> Proceed to [EC-317, "Diagnosis Procedure"](#).
 NO >> GO TO 6.

6. PERFORM COMPONENT FUNCTION CHECK (FOR MALFUNCTION B)

Perform component function check. Refer to [EC-316, "Component Function Check"](#).

NOTE:

Use the component function check to check the overall function of the FTT sensor circuit. During this check, a 1st trip DTC might not be confirmed.

Is the inspection result normal?

- YES >> INSPECTION END
 NO >> Proceed to [EC-317, "Diagnosis Procedure"](#).

7. PRECONDITIONING

If DTC CONFIRMATION PROCEDURE has been previously conducted, always perform the following procedure before conducting the next test.

1. Turn ignition switch OFF and wait at least 10 seconds.
2. Turn ignition switch ON.
3. Turn ignition switch OFF and wait at least 10 seconds.

TESTING CONDITION:

- Before performing the following procedure, do not add fuel.
- Before performing the following procedure, check that fuel level is between 1/4 and 4/4.
- Before performing the following procedure, confirm that battery voltage is 11 V or more at idle.

>> GO TO 8.

8. PERFORM DTC CONFIRMATION PROCEDURE B

1. Move the vehicle to a cool place.

NOTE:

Cool the vehicle in an environment of ambient air temperature between -10°C (14°F) and 35°C (95°F).

2. Turn ignition switch OFF and leave the vehicle for 12 hours.

CAUTION:

Never turn ignition switch ON during this procedure.

NOTE:

The vehicle must be cooled with the hood open.

3. Start engine and let it idle for 5 minutes or more.

CAUTION:

Never turn ignition switch OFF during idling.

4. Check 1st trip DTC.

Is 1st trip DTC detected?

- YES >> Proceed to [EC-317, "Diagnosis Procedure"](#).
 NO >> INSPECTION END

Component Function Check

INFOID:000000012602354

1. CHECK FUEL TANK TEMPERATURE (FTT) SENSOR

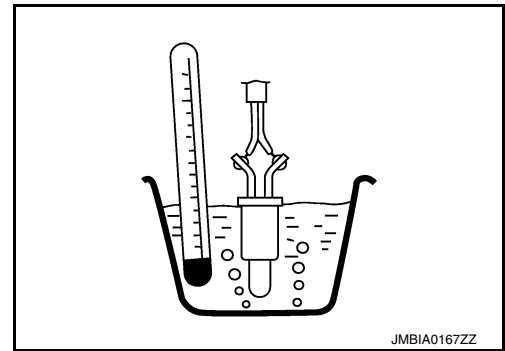
1. Turn ignition switch OFF.
2. Disconnect fuel level sensor unit and fuel pump harness connector.
3. Remove fuel level sensor unit. Refer to [FL-5, "Removal and Installation"](#).

P0181 FTT SENSOR

[QR25DE]

< DTC/CIRCUIT DIAGNOSIS >

4. Check resistance between fuel level sensor unit and fuel pump terminals by heating with hot water as shown in the figure.



Fuel level sensor unit and fuel pump		Condition	Resistance (kΩ)
+	-		
Terminal			
3	1	Temperature [°C (°F)]	20 (68)
			50 (122)
			2.3 – 2.7
			0.79 – 0.90

Is the inspection result normal?

YES >> Check intermittent incident. Refer to [GI-44, "Intermittent Incident"](#).

NO >> Proceed to [EC-317, "Diagnosis Procedure"](#).

Diagnosis Procedure

INFOID:0000000012602355

1. INSPECTION START

Confirm the detected malfunction (A or B). Refer to [EC-315, "DTC Logic"](#).

Which malfunction is detected?

A >> GO TO 2.

B >> GO TO 6.

2. CHECK DTC WITH COMBINATION METER

Check DTC with combination meter. Refer to [MWI-18, "CONSULT Function \(METER/M&A\)"](#).

Is the inspection result normal?

YES >> GO TO 3.

NO >> Proceed to [MWI-62, "Component Function Check"](#).

3. CHECK FUEL TANK TEMPERATURE (FTT) SENSOR POWER

- Turn ignition switch OFF.
- Disconnect fuel level sensor unit and fuel pump harness connector.
- Turn ignition switch ON.
- Check the voltage between fuel level sensor unit and fuel pump harness connector and ground.

+		-	Voltage (Approx.)
Fuel level sensor unit and fuel pump			
Connector	Terminal		
B42	3	Ground	5 V

Is the inspection result normal?

YES >> GO TO 5.

NO >> GO TO 4.

4. CHECK FUEL TANK TEMPERATURE (FTT) SENSOR POWER SUPPLY CIRCUIT

- Turn ignition switch OFF.
- Disconnect ECM harness connector.
- Check the continuity between fuel level sensor unit and fuel pump harness connector and ECM harness connector.

+		-		Continuity
Fuel level sensor unit and fuel pump		ECM		
Connector	Terminal	Connector	Terminal	
B42	3	E10*1 E31*2	125	Existed

P0181 FTT SENSOR

[QR25DE]

< DTC/CIRCUIT DIAGNOSIS >

*1: Except for California

*2: For California

- Also check harness for short to ground and to power.

Is the inspection result normal?

YES >> Perform the trouble diagnosis for power supply circuit.

NO >> Repair or replace error-detected parts.

5.CHECK FTT SENSOR GROUND CIRCUIT

- Turn ignition switch OFF.
- Disconnect ECM harness connector.
- Check the continuity between fuel level sensor unit and fuel pump harness connector and ECM harness connector.

+		-		Continuity
Fuel level sensor unit and fuel pump		ECM		
Connector	Terminal	Connector	Terminal	
B42	1	E10 ^{*1} E31 ^{*2}	124	Existed

*1: Except for California

*2: For California

- Also check harness for short to power.

Is the inspection result normal?

YES >> GO TO 6.

NO >> Repair or replace error-detected parts.

6.CHECK FUEL TANK TEMPERATURE (FTT) SENSOR

Check the FTT sensor. Refer to [EC-318, "Component Inspection"](#).

Is the inspection result normal?

YES >> Check intermittent incident. Refer to [GI-44, "Intermittent Incident"](#).

NO >> Replace fuel level sensor unit and fuel pump. Refer to [FL-5, "Removal and Installation"](#).

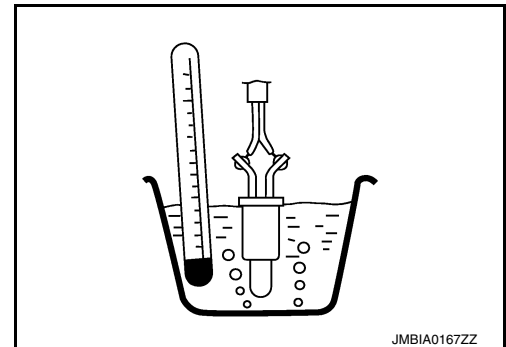
Component Inspection

INFOID:000000012602356

1.CHECK FUEL TANK TEMPERATURE (FTT) SENSOR

- Turn ignition switch OFF.
- Disconnect fuel level sensor unit and fuel pump harness connector.
- Remove fuel level sensor unit. Refer to [FL-5, "Removal and Installation"](#).
- Check resistance between fuel level sensor unit and fuel pump terminals by heating with hot water as shown in the figure.

Fuel level sensor unit and fuel pump		Condition	Resistance (kΩ)
+	-		
Terminal			
3	1	Temperature [°C (°F)]	20 (68) 50 (122)
			2.3 – 2.7 0.79 – 0.90



JMBIA0167ZZ

Is the inspection result normal?

YES >> INSPECTION END

NO >> Replace fuel level sensor unit and fuel pump. Refer to [FL-5, "Removal and Installation"](#).

P0182, P0183 FTT SENSOR

< DTC/CIRCUIT DIAGNOSIS >

[QR25DE]

P0182, P0183 FTT SENSOR

DTC Logic

INFOID:000000012602357

DTC DETECTION LOGIC

DTC No.	CONSULT screen terms (Trouble diagnosis content)	DTC detecting condition	Possible cause
P0182	FTT SEN/CIRCUIT (Fuel temperature sensor "A" circuit low)	An excessively low voltage from the sensor is sent to ECM.	<ul style="list-style-type: none"> • Harness or connectors (The FTT sensor circuit is open or shorted.) • Fuel tank temperature sensor • Combination meter
P0183	FTT SEN/CIRCUIT (Fuel temperature sensor "A" circuit high)	An excessively high voltage from the sensor is sent to ECM.	

DTC CONFIRMATION PROCEDURE

1. PRECONDITIONING

If DTC Confirmation Procedure has been previously conducted, always perform the following procedure before conducting the next test.

1. Turn ignition switch OFF and wait at least 10 seconds.
2. Turn ignition switch ON.
3. Turn ignition switch OFF and wait at least 10 seconds.

>> GO TO 2.

2. PERFORM DTC CONFIRMATION PROCEDURE

1. Turn ignition switch ON and wait at least 5 seconds.
2. Check 1st trip DTC.

Is 1st trip DTC detected?

- YES >> Proceed to [EC-319. "Diagnosis Procedure"](#).
 NO >> INSPECTION END

Diagnosis Procedure

INFOID:000000012602358

1. CHECK DTC WITH COMBINATION METER

Refer to [MWI-18. "CONSULT Function \(METER/M&A\)"](#).

Is the inspection result normal?

- YES >> GO TO 2.
 NO >> Proceed to [MWI-62. "Component Function Check"](#).

2. CHECK FUEL TANK TEMPERATURE (FTT) SENSOR POWER SUPPLY

1. Turn ignition switch OFF.
2. Disconnect fuel level sensor unit and fuel pump harness connector.
3. Turn ignition switch ON.
4. Check the voltage between fuel level sensor unit and fuel pump harness connector and ground.

+		-	Voltage (Approx.)
Fuel level sensor unit and fuel pump	Connector		
	Terminal		
B42	3	Ground	5 V

Is the inspection result normal?

- YES >> GO TO 4.
 NO >> GO TO 3.

< DTC/CIRCUIT DIAGNOSIS >

3. CHECK FUEL TANK TEMPERATURE (FTT) SENSOR POWER SUPPLY CIRCUIT

1. Turn ignition switch OFF.
2. Disconnect ECM harness connector.
3. Check the continuity between fuel level sensor unit and fuel pump harness connector and ECM harness connector.

+		-		Continuity
Fuel level sensor unit and fuel pump		ECM		
Connector	Terminal	Connector	Terminal	
B42	3	E10*1 E31*2	125	Existed

*1: Except for California

*2: For California

4. Also check harness for short to ground and to power.

Is the inspection result normal?

- YES >> Perform the trouble diagnosis for power supply circuit.
 NO >> Repair or replace error-detected parts.

4. CHECK FUEL TANK TEMPERATURE (FTT) SENSOR GROUND CIRCUIT

1. Turn ignition switch OFF.
2. Disconnect ECM connector.
3. Check the continuity between fuel level sensor unit and fuel pump harness connector and ECM harness connector.

+		-		Continuity
Fuel level sensor unit and fuel pump		ECM		
Connector	Terminal	Connector	Terminal	
B42	1	E10*1 E31*2	124	Existed

*1: Except for California

*2: For California

4. Also check harness for short to power.

Is the inspection result normal?

- YES >> GO TO 5.
 NO >> Repair or replace error-detected parts.

5. CHECK FUEL TANK TEMPERATURE (FTT) SENSOR

Check the FTT sensor. Refer to [EC-320, "Component Inspection"](#).

Is the inspection result normal?

- YES >> Check intermittent incident. Refer to [GI-44, "Intermittent Incident"](#).
 NO >> Replace "fuel level sensor unit and fuel pump". Refer to [FL-5, "Removal and Installation"](#).

Component Inspection

INFOID:0000000012602359

1. CHECK FUEL TANK TEMPERATURE (FTT) SENSOR

1. Turn ignition switch OFF.
2. Disconnect fuel level sensor unit and fuel pump harness connector.
3. Remove fuel level sensor unit. Refer to [FL-5, "Removal and Installation"](#).

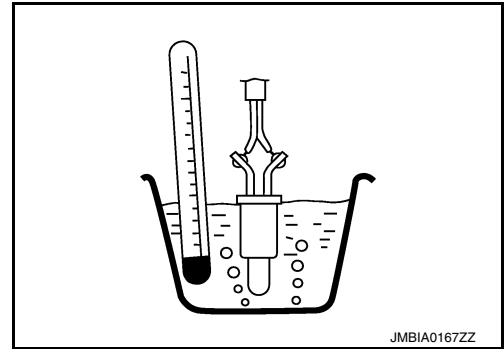
P0182, P0183 FTT SENSOR

[QR25DE]

< DTC/CIRCUIT DIAGNOSIS >

4. Check resistance between fuel level sensor unit and fuel pump terminals by heating with hot water as shown in the figure.

Fuel level sensor unit and fuel pump		Condition	Resistance (kΩ)
+	-		
Terminal			
3	1	Temperature [°C (°F)]	
		20 (68)	2.3 – 2.7
		50 (122)	0.79 – 0.90



Is the inspection result normal?

YES >> INSPECTION END

NO >> Replace fuel level sensor unit and fuel pump. Refer to [FL-5. "Removal and Installation"](#).

A
EC
C
D
E
F
G
H
I
J
K
L
M
N
O
P

P0196 EOT SENSOR

DTC Logic

INFOID:000000012602360

DTC DETECTION LOGIC

NOTE:

If DTC P0196 is displayed with DTC P0197 or P0198, first perform the trouble diagnosis for DTC P0197 or P0198. Refer to [EC-325, "DTC Logic"](#).

DTC No.	CONSULT screen terms (Trouble diagnosis content)	DTC detecting condition		Possible cause
P0196	EOT SENSOR (Engine oil temperature sensor range/performance)	A)	Rationally incorrect voltage from the sensor is sent to ECM, compared with the voltage signals from EOT sensor and intake air temperature sensor.	<ul style="list-style-type: none"> • Harness or connectors (EOT sensor circuit is open or shorted) • EOT sensor
		B)	The comparison result of signals transmitted to ECM from each temperature sensor (IAT sensor, ECT sensor, FTT sensor, and EOT sensor) shows that the signal voltage of the EOT sensor is higher/lower than that of other temperature sensors when the engine is started with its cold state.	<ul style="list-style-type: none"> • Harness or connectors (High or low resistance in the EOT sensor circuit) • EOT sensor

DTC CONFIRMATION PROCEDURE

1. INSPECTION START

Is it necessary to erase permanent DTC?

- YES >> GO TO 6.
NO >> GO TO 2.

2. PRECONDITIONING

If DTC CONFIRMATION PROCEDURE has been previously conducted, always perform the following procedure before conducting the next test.

1. Turn ignition switch OFF and wait at least 10 seconds.
2. Turn ignition switch ON.
3. Turn ignition switch OFF and wait at least 10 seconds.

TESTING CONDITION:

Before performing the following procedure, confirm that battery voltage is 11 V or more at idle.

>> GO TO 3.

3. PERFORM DTC CONFIRMATION PROCEDURE FOR MALFUNCTION A-1

1. Start engine and warm it up to normal operating temperature.
2. Turn ignition switch OFF and wait at least 10 seconds.
3. Turn ignition switch ON.
4. Turn ignition switch OFF and wait at least 10 seconds.
5. Start engine and let it idle for 5 minutes and 10 seconds.
6. Check 1st trip DTC.

Is 1st trip DTC detected?

- YES >> Proceed to [EC-324, "Diagnosis Procedure"](#).
NO >> GO TO 4.

4. PERFORM DTC CONFIRMATION PROCEDURE FOR MALFUNCTION A-2

Ⓜ With CONSULT

1. Select "DATA MONITOR" mode of "ENGINE" using CONSULT.
2. Check that "COOLAN TEMP/S" indicates above 80°C (176°F).
If it is above 80°C (176°F), go to the following steps.

P0196 EOT SENSOR

[QR25DE]

< DTC/CIRCUIT DIAGNOSIS >

If it is below 80°C (176°F), warm engine up until "COOLAN TEMP/S" indicates more than 80°C (176°F). Then perform the following steps.

3. Turn ignition switch OFF and soak the vehicle in a cool place.
4. Turn ignition switch ON.

NOTE:

Do not turn ignition switch OFF until step 8.

5. Select "DATA MONITOR" mode of "ENGINE" using CONSULT.
6. Check the following.

COOLAN TEMP/S	Below 40°C (104°F)
INT/A TEMP SE	Below 40°C (104°F)
Difference between "COOLAN TEMP/S" and "INT/A TEMP SE"	Within 6°C (11°F)

If they are within the specified range, perform the following steps.

If they are out of the specified range, soak the vehicle to meet the above conditions. Then perform the following steps.

NOTE:

- **Do not turn ignition switch OFF.**
- **If it is supposed to need a long period of time, do not deplete the battery.**

7. Start engine and let it idle for 5 minutes.
8. Check 1st trip DTC.

 With GST

Follow the procedure "With CONSULT" above.

Is 1st trip DTC detected?

- YES >> Proceed to [EC-324, "Diagnosis Procedure"](#).
NO >> GO TO 5.

5.PERFORM COMPONENT FUNCTION CHECK (FOR MALFUNCTION B)

Perform component function check. Refer to [EC-324, "Component Function Check"](#).

NOTE:

Use the component function check to check the overall function of the EOT sensor circuit. During this check, a 1st trip DTC might not be confirmed.

Is the inspection result normal?

- YES >> INSPECTION END
NO >> Proceed to [EC-324, "Diagnosis Procedure"](#).

6.PRECONDITIONING

If DTC CONFIRMATION PROCEDURE has been previously conducted, always perform the following procedure before conducting the next test.

1. Turn ignition switch OFF and wait at least 10 seconds.
2. Turn ignition switch ON.
3. Turn ignition switch OFF and wait at least 10 seconds.

TESTING CONDITION:

- **Before performing the following procedure, do not add fuel.**
- **Before performing the following procedure, check that fuel level is between 1/4 and 4/4.**
- **Before performing the following procedure, confirm that battery voltage is 11 V or more at idle.**

>> GO TO 7.

7.PERFORM DTC CONFIRMATION PROCEDURE B

1. Move the vehicle to a cool place.

NOTE:

Cool the vehicle in an environment of ambient air temperature between -10°C (14°F) and 35°C (95°F).

2. Turn ignition switch OFF and leave the vehicle for 12 hours.

CAUTION:

Never turn ignition switch ON during this procedure.

NOTE:

The vehicle must be cooled with the hood open.

3. Start engine and let it idle for 5 minutes or more.

P0196 EOT SENSOR

< DTC/CIRCUIT DIAGNOSIS >

[QR25DE]

CAUTION:

Never turn ignition switch OFF during idling.

4. Check 1st trip DTC.

Is 1st trip DTC detected?

- YES >> Proceed to [EC-324, "Diagnosis Procedure"](#).
- NO >> INSPECTION END

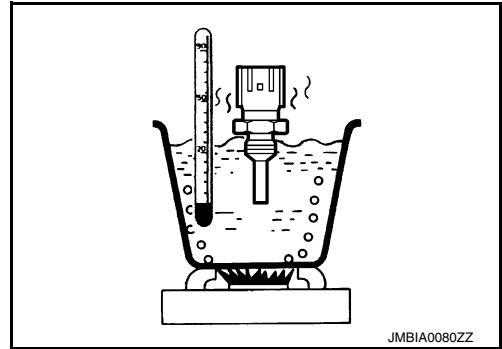
Component Function Check

INFOID:0000000012602361

1. CHECK ENGINE OIL TEMPERATURE (EOT) SENSOR

1. Turn ignition switch OFF.
2. Disconnect EOT sensor harness connector.
3. Remove EOT sensor. Refer to [EC-22, "Component Parts Location"](#).
4. Check resistance between EOT sensor terminals by heating with hot water as shown in the figure.

EOT sensor		Condition	Resistance (kΩ)
+	-		
Terminal			
1	2	Temperature [°C (°F)]	
		20 (68)	2.37 – 2.63
		50 (122)	0.68 – 1.00
		90 (194)	0.236 – 0.260



Is the inspection result normal?

- YES >> Check intermittent incident. Refer to [GI-44, "Intermittent Incident"](#).
- NO >> Proceed to [EC-324, "Diagnosis Procedure"](#).

Diagnosis Procedure

INFOID:0000000012602362

1. CHECK ENGINE OIL TEMPERATURE (EOT) SENSOR

Check EOT sensor. Refer to [EC-324, "Component Inspection"](#).

Is the inspection result normal?

- YES >> Check intermittent incident. Refer to [GI-44, "Intermittent Incident"](#).
- NO >> Replace EOT sensor. Refer to [EC-22, "Component Parts Location"](#).

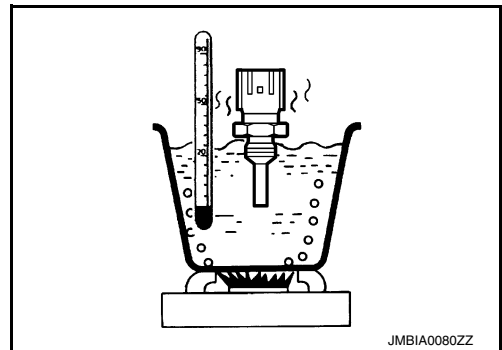
Component Inspection

INFOID:0000000012602363

1. CHECK ENGINE OIL TEMPERATURE SENSOR

1. Turn ignition switch OFF.
2. Disconnect engine oil temperature sensor harness connector.
3. Remove engine oil temperature sensor.
4. Check resistance between engine oil temperature sensor terminals by heating with hot water as shown in the figure.

Engine oil temperature sensor		Condition	Resistance (kΩ)
+	-		
Terminal			
1	2	Temperature [°C (°F)]	
		20 (68)	2.37 - 2.63
		50 (122)	0.68 - 1.00
		90 (194)	0.236 - 0.260



Is the inspection result normal?

- YES >> INSPECTION END
- NO >> Replace engine oil temperature sensor. Refer to [EC-22, "Component Parts Location"](#).

P0197, P0198 EOT SENSOR

< DTC/CIRCUIT DIAGNOSIS >

[QR25DE]

P0197, P0198 EOT SENSOR

DTC Logic

INFOID:000000012602364

DTC DETECTION LOGIC

DTC No.	CONSULT screen terms (Trouble diagnosis content)	DTC Detecting Condition	Possible Cause
P0197	EOT SEN/CIRC (Engine oil temperature sensor low)	An excessively low voltage from the engine oil temperature sensor is sent to ECM.	• Harness or connectors (EOT sensor circuit is open or shorted.) • Engine oil temperature sensor
P0198	EOT SEN/CIRC (Engine oil temperature sensor high)	An excessively high voltage from the engine oil temperature sensor is sent to ECM.	

DTC CONFIRMATION PROCEDURE

1. PRECONDITIONING

If DTC Confirmation Procedure has been previously conducted, always perform the following procedure before conducting the next test.

1. Turn ignition switch OFF and wait at least 10 seconds.
2. Turn ignition switch ON.
3. Turn ignition switch OFF and wait at least 10 seconds.

>> GO TO 2.

2. PERFORM DTC CONFIRMATION PROCEDURE

1. Start engine and wait at least 5 seconds.
2. Check 1st trip DTC.

Is 1st trip DTC detected?

- YES >> Proceed to [EC-325, "Diagnosis Procedure"](#).
NO >> INSPECTION END

Diagnosis Procedure

INFOID:000000012602365

1. CHECK ENGINE OIL TEMPERATURE SENSOR POWER SUPPLY

1. Turn ignition switch OFF.
2. Disconnect engine oil temperature (EOT) sensor harness connector.
3. Turn ignition switch ON.
4. Check the voltage between EOT sensor harness connector and ground.

+		-	Voltage (Approx.)
EOT sensor			
Connector	Terminal		
F68	1	Ground	5 V

Is the inspection result normal?

- YES >> GO TO 3.
NO >> GO TO 2.

2. CHECK ENGINE OIL TEMPERATURE SENSOR POWER SUPPLY CIRCUIT

1. Turn ignition switch OFF.
2. Disconnect ECM harness connector.
3. Check the continuity between EOT sensor harness connector and ECM harness connector.

P0197, P0198 EOT SENSOR

< DTC/CIRCUIT DIAGNOSIS >

[QR25DE]

+		-		Continuity
EOT sensor		ECM		
Connector	Terminal	Connector	Terminal	
F68	1	F14* ¹ F91* ²	25	Existed

*1: Except for California

*2: For California

- Also check harness for short to ground.

Is the inspection result normal?

YES >> Perform the trouble diagnosis for power supply circuit.

NO >> Repair or replace error-detected parts.

3. CHECK EOT SENSOR GROUND CIRCUIT

- Turn ignition switch OFF.
- Disconnect ECM harness connector.
- Check the continuity between EOT sensor harness connector and ECM harness connector.

+		-		Continuity
EOT sensor		ECM		
Connector	Terminal	Connector	Terminal	
F68	2	F14* ¹ F91* ²	26	Existed

*1: Except for California

*2: For California

- Also check harness for short to power.

Is the inspection result normal?

YES >> GO TO 4.

NO >> Repair or replace error-detected parts.

4. CHECK ENGINE OIL TEMPERATURE SENSOR

Check the engine oil temperature sensor. Refer to [EC-324, "Component Inspection"](#).

Is the inspection result normal?

YES >> Check intermittent incident. Refer to [GI-44, "Intermittent Incident"](#).

NO >> Replace engine oil temperature sensor. Refer to [EC-22, "Component Parts Location"](#).

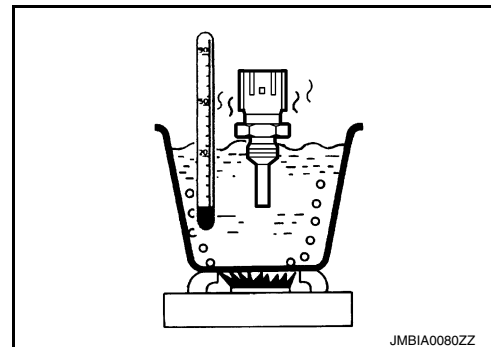
Component Inspection

INFOID:0000000012602366

1. CHECK ENGINE OIL TEMPERATURE SENSOR

- Turn ignition switch OFF.
- Disconnect engine oil temperature sensor harness connector.
- Remove engine oil temperature sensor.
- Check resistance between engine oil temperature sensor terminals by heating with hot water as shown in the figure.

Engine oil temperature sensor		Condition	Resistance (kΩ)	
+	-			
Terminal				
1	2	Temperature [°C (°F)]	20 (68)	2.37 - 2.63
			50 (122)	0.68 - 1.00
			90 (194)	0.236 - 0.260



P0197, P0198 EOT SENSOR

[QR25DE]

< DTC/CIRCUIT DIAGNOSIS >

Is the inspection result normal?

YES >> INSPECTION END

NO >> Replace engine oil temperature sensor. Refer to [EC-22. "Component Parts Location"](#).

A

EC

C

D

E

F

G

H

I

J

K

L

M

N

O

P

P0222, P0223 TP SENSOR

< DTC/CIRCUIT DIAGNOSIS >

[QR25DE]

P0222, P0223 TP SENSOR

DTC Logic

INFOID:000000012602367

DTC DETECTION LOGIC

NOTE:

If DTC P0222 or P0223 is displayed with DTC P0643, first perform the trouble diagnosis for DTC P0643. Refer to [EC-342, "DTC Logic"](#).

DTC No.	CONSULT screen terms (Trouble diagnosis content)	DTC detecting condition	Possible cause
P0222	TP SEN 1/CIRC-B1 (Throttle/pedal position sensor/switch "B" circuit low)	An excessively low voltage from the TP sensor 1 is sent to ECM.	<ul style="list-style-type: none">• Harness or connectors (TP sensor 1 circuit is open or shorted.)• Electric throttle control actuator (TP sensor 1)
P0223	TP SEN 1/CIRC-B1 (Throttle/pedal position sensor/switch "B" circuit high)	An excessively high voltage from the TP sensor 1 is sent to ECM.	

DTC CONFIRMATION PROCEDURE

1. PRECONDITIONING

If DTC Confirmation Procedure has been previously conducted, always perform the following procedure before conducting the next test.

1. Turn ignition switch OFF and wait at least 10 seconds.
2. Turn ignition switch ON.
3. Turn ignition switch OFF and wait at least 10 seconds.

TESTING CONDITION:

Before performing the following procedure, confirm that battery voltage is more than 8 V at idle.

>> GO TO 2.

2. PERFORM DTC CONFIRMATION PROCEDURE

1. Start engine and let it idle for 1 second.
2. Check DTC.

Is DTC detected?

- YES >> Proceed to [EC-328, "Diagnosis Procedure"](#).
NO >> INSPECTION END

Diagnosis Procedure

INFOID:000000012602368

1. CHECK THROTTLE POSITION SENSOR 1 POWER SUPPLY

1. Turn ignition switch OFF.
2. Disconnect electric throttle control actuator harness connector.
3. Turn ignition switch ON.
4. Check the voltage between electric throttle control actuator harness connector and ground.

+		-	Voltage (Approx.)
Electric throttle control actuator Connector	Terminal		
F57	2	Ground	5 V

Is the inspection result normal?

- YES >> GO TO 3.
NO >> GO TO 2.

2. CHECK THROTTLE POSITION SENSOR 1 POWER SUPPLY CIRCUIT

1. Turn ignition switch OFF.

P0222, P0223 TP SENSOR

[QR25DE]

< DTC/CIRCUIT DIAGNOSIS >

2. Disconnect ECM harness connector.
3. Check the continuity between electric throttle control actuator harness connector and ECM harness connector.

+		-		Continuity
Electric throttle control actuator		ECM		
Connector	Terminal	Connector	Terminal	
F57	2	F13 ^{*1} F90 ^{*2}	80	Existed

*1: Except for California

*2: For California

4. Also check harness for short to ground.

Is the inspection result normal?

YES >> Perform the trouble diagnosis for power supply circuit.

NO >> Repair or replace error-detected parts.

3. CHECK THROTTLE POSITION SENSOR 1 GROUND CIRCUIT

1. Turn ignition switch OFF.
2. Disconnect ECM harness connector.
3. Check the continuity between electric throttle control actuator harness connector and ECM harness connector.

+		-		Continuity
Electric throttle control actuator		ECM		
Connector	Terminal	Connector	Terminal	
F57	4	F13 ^{*1} F90 ^{*2}	78	Existed

*1: Except for California

*2: For California

4. Also check harness for short to power.

Is the inspection result normal?

YES >> GO TO 4.

NO >> Repair or replace error-detected parts.

4. CHECK THROTTLE POSITION SENSOR 1 INPUT SIGNAL CIRCUIT

1. Check the continuity between electric throttle control actuator harness connector and ECM harness connector.

+		-		Continuity
Electric throttle control actuator		ECM		
Connector	Terminal	Connector	Terminal	
F57	1	F13 ^{*1} F90 ^{*2}	79	Existed

*1: Except for California

*2: For California

2. Also check harness for short to ground and to power.

Is the inspection result normal?

YES >> GO TO 5.

NO >> Repair open circuit or short to ground or short to power in harness or connectors.

P0222, P0223 TP SENSOR

< DTC/CIRCUIT DIAGNOSIS >

[QR25DE]

5. CHECK THROTTLE POSITION SENSOR

Check the throttle position sensor. Refer to [EC-330, "Component Inspection"](#).

Is the inspection result normal?

YES >> Check intermittent incident. Refer to [GI-44, "Intermittent Incident"](#).

NO >> Replace electric throttle control actuator. Refer to [EM-30, "Removal and Installation"](#).

Component Inspection

INFOID:0000000012602369

1. CHECK THROTTLE POSITION SENSOR

1. Turn ignition switch OFF.
2. Reconnect all harness connectors disconnected.
3. Perform "Throttle Valve Closed Position Learning". Refer to [EC-186, "Description"](#).
4. Turn ignition switch ON.
5. Set selector lever to D position.
6. Check the voltage between ECM harness connector terminals as per the following conditions.

ECM		Terminal		Condition	Voltage
		+	-		
Sensor 1	F13*1 F90*2	79	78	Fully released	More than 0.36V
Sensor 2		77		Fully depressed	Less than 4.75V
				Fully released	Less than 4.75V
				Fully depressed	More than 0.36V

*1: Except for California

*2: For California

Is the inspection result normal?

YES >> INSPECTION END

NO >> Replace electric throttle control actuator. Refer to [EM-30, "Removal and Installation"](#).

P0300, P0301, P0302, P0303, P0304 MISFIRE

< DTC/CIRCUIT DIAGNOSIS >

[QR25DE]

P0300, P0301, P0302, P0303, P0304 MISFIRE

DTC Logic

INFOID:000000012602370

DTC DETECTION LOGIC

When a misfire occurs, engine speed will fluctuate. If the engine speed fluctuates enough to cause the crankshaft position (CKP) sensor (POS) signal to vary, ECM can determine that a misfire is occurring.

Sensor	Input signal to ECM	ECM function
Crankshaft position sensor (POS)	Engine speed	On board diagnosis of misfire

The misfire detection logic consists of the following two conditions.

- One Trip Detection Logic (Three Way Catalyst Damage)**
On the 1st trip, when a misfire condition occurs that can damage the three way catalyst (TWC) due to overheating, the MIL will blink.
When a misfire condition occurs, the ECM monitors the CKP sensor signal every 200 engine revolutions for a change.
When the misfire condition decreases to a level that will not damage the TWC, the MIL will turn off.
If another misfire condition occurs that can damage the TWC on a second trip, the MIL will blink.
When the misfire condition decreases to a level that will not damage the TWC, the MIL will remain on.
If another misfire condition occurs that can damage the TWC, the MIL will begin to blink again.
- Two Trip Detection Logic (Exhaust quality deterioration)**
For misfire conditions that will not damage the TWC (but will affect vehicle emissions), the MIL will only light when the misfire is detected on a second trip. During this condition, the ECM monitors the CKP sensor signal every 1,000 engine revolutions.
A misfire malfunction can be detected on any one cylinder or on multiple cylinders.

DTC No.	CONSULT screen terms (Trouble diagnosis content)	DTC detecting condition	Possible cause
P0300	MULTI CYL MISFIRE (Random/multiple cylinder misfire detected)	Multiple cylinder misfire.	<ul style="list-style-type: none">• Improper spark plug• Insufficient compression
P0301	CYL 1 MISFIRE (Cylinder 1 Misfire Detected)	No. 1 cylinder misfires.	<ul style="list-style-type: none">• Incorrect fuel pressure• Fuel Injector circuit is open or shorted
P0302	CYL 2 MISFIRE (Cylinder 2 Misfire Detected)	No. 2 cylinder misfires.	<ul style="list-style-type: none">• Fuel injector• Intake air leak• Ignition signal circuit is open or shorted
P0303	CYL 3 MISFIRE (Cylinder 3 Misfire Detected)	No. 3 cylinder misfires.	<ul style="list-style-type: none">• Lack of fuel• Signal plate
P0304	CYL 4 MISFIRE (Cylinder 4 Misfire Detected)	No. 4 cylinder misfires.	<ul style="list-style-type: none">• A/F sensor 1• Incorrect PCV hose connection

DTC CONFIRMATION PROCEDURE

1. PRECONDITIONING

If DTC Confirmation Procedure has been previously conducted, always perform the following procedure before conducting the next test.

1. Turn ignition switch OFF and wait at least 10 seconds.
2. Turn ignition switch ON.
3. Turn ignition switch OFF and wait at least 10 seconds.

>> GO TO 2.

2. PERFORM DTC CONFIRMATION PROCEDURE-1

1. Start engine and warm it up to normal operating temperature.
2. Turn ignition switch OFF and wait at least 10 seconds.
3. Restart engine and let it idle for about 15 minutes.
4. Check 1st trip DTC.

Is 1st trip DTC detected?

YES >> Proceed to [EC-332. "Diagnosis Procedure"](#).

P0300, P0301, P0302, P0303, P0304 MISFIRE

[QR25DE]

< DTC/CIRCUIT DIAGNOSIS >

NO >> GO TO 3.

3.PERFORM DTC CONFIRMATION PROCEDURE-2

1. Turn ignition switch OFF and wait at least 10 seconds.
2. Start engine and drive the vehicle as per the similar conditions to (1st trip) Freeze Frame Data for a certain time. Refer to the table below.

Hold the accelerator pedal as steady as possible.

The similar conditions to (1st trip) Freeze Frame Data means the vehicle operation that the following conditions should be satisfied at the same time.

CAUTION:

Always drive vehicle in safe manner according to traffic conditions and obey all traffic laws when driving.

Engine speed	Engine speed in the freeze frame data \pm 400 rpm
Vehicle speed	Vehicle speed in the freeze frame data \pm 10 km/h (6 MPH)
Engine coolant temperature (T) condition	When the freeze frame data shows lower than 70°C (158°F), T should be lower than 70°C (158°F).
	When the freeze frame data shows higher than or equal to 70°C (158°F), T should be higher than or equal to 70°C (158°F).

The time to driving varies according to the engine speed in the freeze frame data.

Engine speed	Time
Around 1,000 rpm	Approximately 10 minutes
Around 2,000 rpm	Approximately 5 minutes
More than 3,000 rpm	Approximately 3.5 minutes

3. Check 1st trip DTC.

Is 1st trip DTC detected?

YES >> Proceed to [EC-332, "Diagnosis Procedure"](#).

NO >> INSPECTION END

Diagnosis Procedure

INFOID:0000000012602371

1.CHECK GROUND CONNECTION

Check the following.

- Connection condition of the ground F9 and F15.
- Connection condition of the ground harness between engine assembly and vehicle body (If equipped).

Is the inspection result normal?

YES >> GO TO 2.

NO >> Repair or replace error-detected parts.

2.CHECK FOR INTAKE AIR LEAK AND PCV HOSE

1. Start engine and run it at idle speed.
2. Listen for the sound of the intake air leak.
3. Check PCV hose connection.

Is intake air leak detected?

YES >> Discover air leak location and repair.

NO >> GO TO 3.

3.CHECK FOR EXHAUST SYSTEM CLOGGING

Stop engine and visually check exhaust tube, three way catalyst and muffler for dents.

Is the inspection result normal?

YES-1 >> With CONSULT: GO TO 4.

YES-2 >> Without CONSULT: GO TO 5.

NO >> Repair or replace it.

4. PERFORM POWER BALANCE TEST

④ With CONSULT

1. Start engine.
2. Perform "POWER BALANCE" in "ACTIVE TEST" mode of "ENGINE" using CONSULT.
3. Make sure that each circuit produces a momentary engine speed drop.

Is the inspection result normal?

YES >> GO TO 10.

NO >> GO TO 5.

5. CHECK FUNCTION OF FUEL INJECTOR

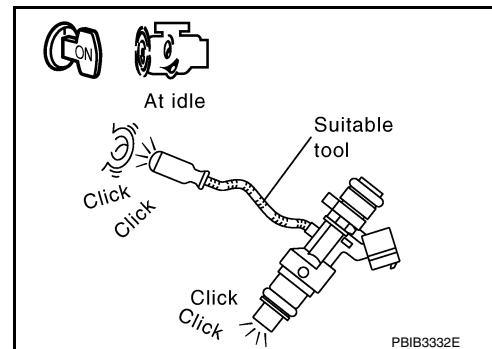
1. Start engine and let engine idle.
2. Listen to each fuel injector operating sound.

Clicking noise should be heard.

Is the inspection result normal?

YES >> GO TO 6.

NO >> Perform trouble diagnosis for FUEL INJECTOR. Refer to [EC-542, "Diagnosis Procedure"](#).



6. CHECK FUNCTION OF IGNITION COIL-1

CAUTION:

Do the following procedure in the place where ventilation is good without the combustible.

1. Turn ignition switch OFF.
2. Remove fuel pump fuse in IPDM E/R to release fuel pressure.

NOTE:

Do not use CONSULT to release fuel pressure, or fuel pressure applies again during the following procedure.

3. Start engine.
4. After engine stalls, crank it two or three times to release all fuel pressure.
5. Turn ignition switch OFF.
6. Remove all ignition coil harness connectors to avoid the electrical discharge from the ignition coils.
7. Remove ignition coil and spark plug of the cylinder to be checked.
8. Crank engine for 5 seconds or more to remove combustion gas in the cylinder.
9. Connect spark plug and harness connector to ignition coil.
10. Fix ignition coil using a rope etc. with gap of 13 - 17 mm (0.52 - 0.66 in) between the edge of the spark plug and grounded metal portion as shown in the figure.
11. Crank engine for about 3 seconds, and check whether spark is generated between the spark plug and the grounded metal portion.

Spark should be generated.

CAUTION:

- Do not approach to the spark plug and the ignition coil within 50 cm (19.7 in). Be careful not to get an electrical shock while checking, because the electrical discharge voltage becomes 20 kV or more.
- It might cause to damage the ignition coil if the gap of more than 17 mm (0.66 in) is taken.

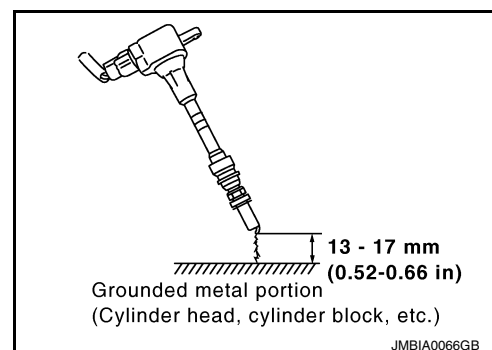
NOTE:

When the gap is less than 13 mm (0.52 in), the spark might be generated even if the coil is malfunctioning.

Is the inspection result normal?

YES >> GO TO 10.

NO >> GO TO 7.



< DTC/CIRCUIT DIAGNOSIS >

7. CHECK FUNCTION OF IGNITION COIL-2

1. Turn ignition switch OFF.
2. Disconnect spark plug and connect a known-good spark plug.
3. Crank engine for about 3 seconds, and recheck whether spark is generated between the spark plug and the grounded metal portion.

Spark should be generated.Is the inspection result normal?

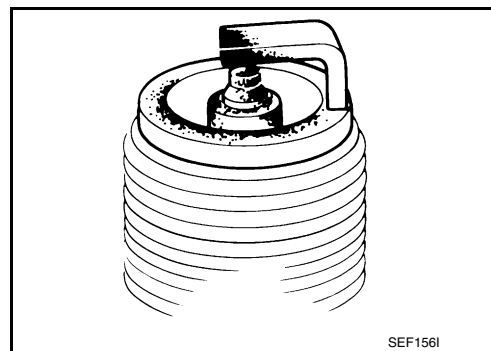
YES >> GO TO 8.

NO >> Check ignition coil, power transistor and their circuits. Refer to [EC-548. "Diagnosis Procedure"](#).**8. CHECK SPARK PLUG**

Check the initial spark plug for fouling, etc.

Is the inspection result normal?YES >> Replace spark plug(s) with standard type one(s). For spark plug type, refer to [EM-113. "Standard and Limit"](#).

NO >> Repair or clean spark plug. Then GO TO 9.

**9. CHECK FUNCTION OF IGNITION COIL-3**

1. Reconnect the initial spark plugs.
2. Crank engine for about 3 seconds, and recheck whether spark is generated between the spark plug and the grounded portion.

Spark should be generated.Is the inspection result normal?

YES >> INSPECTION END

NO >> Replace spark plug(s) with standard type one(s). For spark plug type. Refer to [EM-113. "Standard and Limit"](#).**10. CHECK COMPRESSION PRESSURE**Check compression pressure. Refer to [EM-26. "Compression pressure"](#).Is the inspection result normal?

YES >> GO TO 11.

NO >> Check pistons, piston rings, valves, valve seats and cylinder head gaskets.

11. CHECK FUEL PRESSURE

1. Install all removed parts.
2. Release fuel pressure to zero.
3. Install fuel pressure gauge and check fuel pressure. Refer to [EC-190. "Work Procedure"](#).

At idling: Approximately 350 kPa (3.57 kg/cm², 51 psi)Is the inspection result normal?

YES >> GO TO 13.

NO >> GO TO 12.

12. DETECT MALFUNCTIONING PART

Check fuel hoses and fuel tubes for clogging.

Is the inspection result normal?YES >> Replace "fuel filter and fuel pump assembly". Refer to [FL-5. "Removal and Installation"](#).

NO >> Repair or replace.

13.CHECK IGNITION TIMING

Check the following items.

For procedure, refer to [EC-178, "Work Procedure"](#).

For specification, refer to [EC-578, "Ignition Timing"](#).

Is the inspection result normal?

YES >> GO TO 14.

NO >> Follow the [EC-178, "Work Procedure"](#).

14.CHECK A/F SENSOR 1 INPUT SIGNAL CIRCUIT

1. Turn ignition switch OFF.
2. Disconnect A/F sensor 1 harness connector.
3. Disconnect ECM harness connector.
4. Check the continuity between A/F sensor 1 harness connector and ECM harness connector.

+		-		Continuity
A/F sensor 1		ECM		
Connector	Terminal	Connector	Terminal	
F24	1	F14*1 F91*2	41	Existed

*1: Except for California

*2: For California

5. Check the continuity between A/F sensor 1 harness connector or ECM harness connector and ground.

+		-	Continuity
A/F sensor 1			
Connector	Terminal		
F24	1	Ground	Not existed

+		-	Continuity
ECM			
Connector	Terminal		
F14*1 F91*2	41	Ground	Not existed

*1: Except for California

*2: For California

6. Also check harness for short to power.

Is the inspection result normal?

YES >> GO TO 15.

NO >> Repair open circuit or short to ground or short to power in harness or connectors.

15.CHECK A/F SENSOR 1 HEATER

Check the A/F sensor 1 heater. Refer to [EC-230, "Component Inspection"](#).

Is the inspection result normal?

YES >> GO TO 16.

NO >> Replace A/F sensor 1. Refer to [EM-33, "Exploded View"](#).

16.CHECK MASS AIR FLOW SENSOR

Ⓜ With CONSULT

Check "MASS AIRFLOW" in "DATA MONITOR" mode of "ENGINE" using CONSULT.

1.0 - 4.0 g/s : at idling

2.0 - 10.0 g/s : at 2,500 rpm

P0300, P0301, P0302, P0303, P0304 MISFIRE

< DTC/CIRCUIT DIAGNOSIS >

[QR25DE]

 With GST

Check mass air flow sensor signal in Service \$01 with GST.

1.0 - 4.0 g/s : at idling
2.0 - 10.0 g/s : at 2,500 rpm

Is the measurement value within the specification?

YES >> GO TO 17.

NO >> Check connectors for rusted terminals or loose connections in the mass air flow sensor circuit or ground. Refer to [EC-247, "DTC Logic"](#).

17. CHECK SYMPTOM TABLE

Check items on the rough idle symptom in [EC-564, "Symptom Table"](#).

Is the inspection result normal?

YES >> GO TO 18.

NO >> Repair or replace error-detected parts.

18. ERASE THE 1ST TRIP DTC

Some tests may cause a 1st trip DTC to be set.

Erase the 1st trip DTC from the ECM memory after performing the tests. Refer to [EC-68, "Diagnosis Description"](#).

>> GO TO 19.

19. CHECK INTERMITTENT INCIDENT

Refer to [GI-44, "Intermittent Incident"](#).

>> INSPECTION END

P0327, P0328 KS

DTC Logic

INFOID:000000012602372

DTC DETECTION LOGIC

DTC No.	CONSULT screen terms (Trouble diagnosis content)	DTC detected condition	Possible cause
P0327	KNOCK SEN/CIRC-B1 (Knock sensor 1 circuit low bank 1 or single sensor)	An excessively low voltage from the knock sensor is sent to ECM.	<ul style="list-style-type: none"> • Harness or connectors (Knock sensor circuit is open or shorted.) • Knock sensor
P0328	KNOCK SEN/CIRC-B1 (Knock sensor 1 circuit high bank 1 or single sensor)	An excessively high voltage from the knock sensor is sent to ECM.	

DTC CONFIRMATION PROCEDURE

1. PRECONDITIONING

If DTC Confirmation Procedure has been previously conducted, always perform the following procedure before conducting the next test.

1. Turn ignition switch OFF and wait at least 10 seconds.
2. Turn ignition switch ON.
3. Turn ignition switch OFF and wait at least 10 seconds.

TESTING CONDITION:

Before performing the following procedure, confirm that battery voltage is more than 10 V at idle.

>> GO TO 2.

2. PERFORM DTC CONFIRMATION PROCEDURE

1. Start engine and run it for at least 5 seconds at idle speed.
2. Check 1st trip DTC.

Is 1st trip DTC detected?

- YES >> Proceed to [EC-337. "Diagnosis Procedure"](#).
- NO >> INSPECTION END

Diagnosis Procedure

INFOID:000000012602373

1. CHECK KNOCK SENSOR GROUND CIRCUIT

1. Turn ignition switch OFF.
2. Disconnect knock sensor harness connector.
3. Disconnect ECM harness connector.
4. Check the continuity between knock sensor harness connector and ECM harness connector.

+		-		Continuity
Knock sensor		ECM		
Connector	Terminal	Connector	Terminal	
F45	2	F14*1 F91*2	8	Existed

*1: Except for California

*2: For California

5. Also check harness for short to power.

Is the inspection result normal?

- YES >> GO TO 2.
- NO >> Repair or replace error-detected parts.

2. CHECK KNOCK SENSOR INPUT SIGNAL CIRCUIT

< DTC/CIRCUIT DIAGNOSIS >

1. Check the continuity between knock sensor harness connector and ECM harness connector.

+		-		Continuity
Knock sensor		ECM		
Connector	Terminal	Connector	Terminal	
F45	1	F14*1 F91*2	4	Existed

*1: Except for California

*2: For California

2. Also check harness for short to ground and to power.

Is the inspection result normal?

YES >> GO TO 3.

NO >> Repair open circuit or short to ground or short to power in harness or connectors.

3.CHECK KNOCK SENSOR

Check the knock sensor. Refer to [EC-338, "Component Inspection"](#).

Is the inspection result normal?

YES >> Check intermittent incident. Refer to [GI-44, "Intermittent Incident"](#).

NO >> Replace knock sensor. Refer to [EM-91, "Exploded View"](#).

Component Inspection

INFOID:0000000012602374

1.CHECK KNOCK SENSOR

1. Turn ignition switch OFF.
2. Disconnect knock sensor harness connector.
3. Check resistance between knock sensor terminals as per the following.

NOTE:

It is necessary to use an ohmmeter which can measure more than 10 MΩ.

Knock sensor		Resistance
+	-	
Terminals		
1	2	Approx. 532 - 588 kΩ [at 20°C (68°F)]

CAUTION:

Do not use any knock sensors that have been dropped or physically damaged. Use only new ones.

Is the inspection result normal?

YES >> INSPECTION END

NO >> Replace knock sensor. Refer to [EM-91, "Exploded View"](#).

P0335 CKP SENSOR (POS)

< DTC/CIRCUIT DIAGNOSIS >

[QR25DE]

P0335 CKP SENSOR (POS)

DTC Logic

INFOID:000000012602375

DTC DETECTION LOGIC

NOTE:

If DTC P0335 is displayed with DTC P0643, first perform the trouble diagnosis for DTC P0643. Refer to [EC-424, "DTC Logic"](#).

DTC No.	CONSULT screen terms (Trouble diagnosis content)	DTC detecting condition	Possible cause
P0335	CKP SEN/CIRCUIT (Crankshaft position sensor "A" circuit)	<ul style="list-style-type: none"> The crankshaft position sensor (POS) signal is not detected by the ECM during the first few seconds of engine cranking. The proper pulse signal from the crankshaft position sensor (POS) is not sent to ECM while the engine is running. The crankshaft position sensor (POS) signal is not in the normal pattern during engine running. 	<ul style="list-style-type: none"> Harness or connectors [Crankshaft position sensor (POS) circuit is open or shorted.] Crankshaft position sensor (POS) Signal plate Sensor power supply 2 circuit

DTC CONFIRMATION PROCEDURE

1. PRECONDITIONING

If DTC Confirmation Procedure has been previously conducted, always perform the following procedure before conducting the next test.

- Turn ignition switch OFF and wait at least 10 seconds.
- Turn ignition switch ON.
- Turn ignition switch OFF and wait at least 10 seconds.

TESTING CONDITION:

Before performing the following procedure, confirm that battery voltage is more than 10.5 V with ignition switch ON.

>> GO TO 2.

2. PERFORM DTC CONFIRMATION PROCEDURE

- Start engine and let it idle for at least 5 seconds.
If engine does not start, crank engine for at least 2 seconds.
- Check 1st trip DTC.

Is 1st trip DTC detected?

YES >> Proceed to [EC-339, "Diagnosis Procedure"](#).

NO >> INSPECTION END

Diagnosis Procedure

INFOID:000000012602376

1. CHECK CRANKSHAFT POSITION (CKP) SENSOR (POS) POWER SUPPLY

- Disconnect crankshaft position (CKP) sensor (POS) harness connector.
- Turn ignition switch ON.
- Check the voltage between CKP sensor (POS) harness connector and ground.

+		-	Voltage (Approx.)
CKP sensor (POS)			
Connector	Terminal		
F30	1	Ground	5 V

Is the inspection result normal?

YES >> GO TO 3.

NO >> GO TO 2.

P0335 CKP SENSOR (POS)

[QR25DE]

< DTC/CIRCUIT DIAGNOSIS >

2. CHECK CKP SENSOR (POS) GROUND CIRCUIT

1. Turn ignition switch OFF.
2. Disconnect ECM harness connector.
3. Check the continuity between CKP sensor (POS) harness connector and ECM harness connector.

+		-		Continuity
CKP sensor (POS)		ECM		
Connector	Terminal	Connector	Terminal	
F30	2	F13 ^{*1} F90 ^{*2}	70	Existed

*1: Except for California

*2: For California

4. Also check harness for short to power.

Is the inspection result normal?

YES >> GO TO 3.

NO >> Repair or replace error-detected parts.

3. CHECK CKP SENSOR (POS) INPUT SIGNAL CIRCUIT

1. Check the continuity between CKP sensor (POS) harness connector and ECM harness connector.

+		-		Continuity
CKP sensor (POS)		ECM		
Connector	Terminal	Connector	Terminal	
F30	3	F13 ^{*1} F90 ^{*2}	71	Existed

*1: Except for California

*2: For California

2. Also check harness for short to ground and to power.

Is the inspection result normal?

YES >> GO TO 4.

NO >> Repair or replace error-detected parts.

4. CHECK CRANKSHAFT POSITION SENSOR (POS)

Check the crankshaft position sensor (POS). Refer to [EC-341, "Component Inspection \(Crankshaft Position sensor\)"](#).

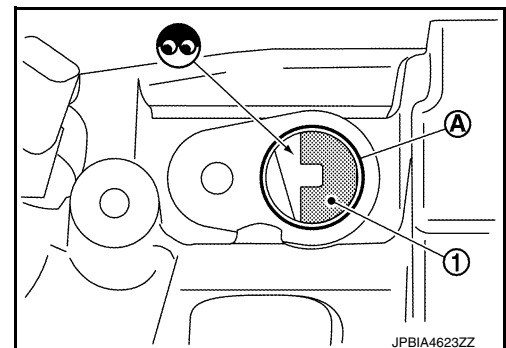
Is the inspection result normal?

YES >> GO TO 5.

NO >> Replace crankshaft position sensor (POS). Refer to [EM-91, "Exploded View"](#).

5. CHECK GEAR TOOTH

1. Remove crankshaft position sensor (POS). Refer to [EM-91, "Exploded View"](#).
2. Look into the mounting hole[Ⓐ] of the crankshaft position sensor (POS) to check that there is no missing gear tooth in the signal plate^①.



P0335 CKP SENSOR (POS)

[QR25DE]

< DTC/CIRCUIT DIAGNOSIS >

Is the inspection result normal?

YES >> Check intermittent incident. Refer to [GI-44, "Intermittent Incident"](#).

NO >> Replace the signal plate. Refer to [EM-91, "Exploded View"](#).

Component Inspection (Crankshaft Position sensor)

INFOID:000000012602377

EC

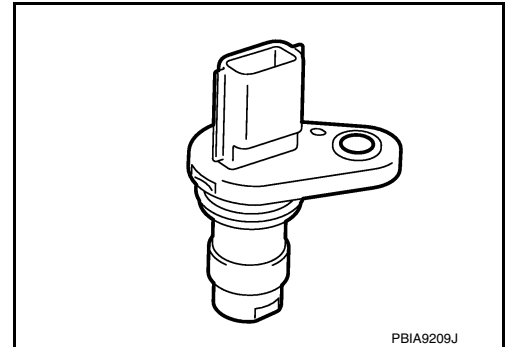
1. CHECK CRANKSHAFT POSITION SENSOR (POS)-1

1. Turn ignition switch OFF.
2. Loosen the fixing bolt of the sensor.
3. Disconnect crankshaft position sensor (POS) harness connector.
4. Remove the sensor.
5. Visually check the sensor for chipping.

Is the inspection result normal?

YES >> GO TO 2.

NO >> Replace crankshaft position sensor (POS). Refer to [EM-91, "Exploded View"](#).



2. CHECK CRANKSHAFT POSITION SENSOR (POS)-2

Check the resistance between crankshaft position sensor (POS) terminals as per the following.

Crankshaft position sensor (POS)		Resistance [at 25°C (77°F)]
+	-	
Terminal (Polarity)		Except 0 or ∞ Ω
1	2	
	3	
2	3	

Is the inspection result normal?

YES >> INSPECTION END

NO >> Replace crankshaft position sensor (POS). Refer to [EM-91, "Exploded View"](#).

P0340 CMP SENSOR (PHASE)

< DTC/CIRCUIT DIAGNOSIS >

[QR25DE]

P0340 CMP SENSOR (PHASE)

DTC Logic

INFOID:000000012602378

DTC DETECTION LOGIC

DTC No.	CONSULT screen terms (Trouble diagnosis content)	DTC detecting condition	Possible cause
P0340	CMP SEN/CIRC-B1 (Camshaft position sensor "A" circuit bank 1 or single sensor)	<ul style="list-style-type: none">The cylinder No. signal is not sent to ECM for the first few seconds during engine cranking.The cylinder No. signal is not sent to ECM during engine running.The cylinder No. signal is not in the normal pattern during engine running.	<ul style="list-style-type: none">Harness or connectors (Camshaft position sensor circuit is open or shorted)Camshaft position sensorCamshaft (Intake)Starter motorStarting system circuitDead (Weak) batterySensor power supply 2 circuit

DTC CONFIRMATION PROCEDURE

1. PRECONDITIONING

If DTC Confirmation Procedure has been previously conducted, always perform the following procedure before conducting the next test.

- Turn ignition switch OFF and wait at least 10 seconds.
- Turn ignition switch ON.
- Turn ignition switch OFF and wait at least 10 seconds.

TESTING CONDITION:

Before performing the following procedure, confirm that battery voltage is more than 10.5 V with ignition switch ON.

>> GO TO 2.

2. PERFORM DTC CONFIRMATION PROCEDURE-1

- Start engine and let it idle for at least 5 seconds.
If engine does not start, crank engine for at least 2 seconds.
- Check 1st trip DTC.

Is 1st trip DTC detected?

- YES >> Proceed to [EC-342, "Diagnosis Procedure"](#).
NO >> GO TO 3.

3. PERFORM DTC CONFIRMATION PROCEDURE-2

- Maintaining engine speed at more than 800 rpm for at least 5 seconds.
- Check 1st trip DTC.

Is 1st trip DTC detected?

- YES >> Proceed to [EC-342, "Diagnosis Procedure"](#).
NO >> INSPECTION END

Diagnosis Procedure

INFOID:000000012602379

1. CHECK STARTING SYSTEM

Turn ignition switch to START position.

Does the engine turn over? Does the starter motor operate?

- YES >> GO TO 2.
NO >> Check starting system (Refer to [STR-12, "Work Flow \(With GR8-1200 NI\)"](#) or [STR-15, "Work Flow \(Without GR8-1200 NI\)"](#)).

2. CHECK CAMSHAFT POSITION (CMP) SENSOR (PHASE) POWER SUPPLY

- Turn ignition switch OFF.

P0340 CMP SENSOR (PHASE)

[QR25DE]

< DTC/CIRCUIT DIAGNOSIS >

2. Disconnect camshaft position (CMP) sensor (PHASE) harness connector.
3. Turn ignition switch ON.
4. Check the voltage between CMP sensor (PHASE) harness connector and ground.

+		-	Voltage (Approx.)
CMP sensor (PHASE)			
Connector	Terminal		
F55	1	Ground	5 V

Is the inspection result normal?

- YES >> GO TO 4.
 NO >> GO TO 3.

3.CHECK SENSOR POWER SUPPLY 2 CIRCUIT

Perform [EC-562. "Diagnosis Procedure"](#).

Is inspection result normal?

- YES >> Perform the trouble diagnosis for power supply circuit.
 NO >> Repair or replace error-detected parts.

4.CHECK CMP SENSOR (PHASE) GROUND CIRCUIT

1. Turn ignition switch OFF.
2. Disconnect ECM harness connector.
3. Check the continuity between CMP sensor (PHASE) harness connector and ECM harness connector.

+		-		Continuity
CMP sensor (PHASE)		ECM		
Connector	Terminal	Connector	Terminal	
F55	2	F14*1 F91*2	30	Existed

*1: Except for California

*2: For California

4. Also check harness for short to power.

Is the inspection result normal?

- YES >> GO TO 5.
 NO >> Repair or replace error-detected parts.

5.CHECK CMP SENSOR (PHASE) INPUT SIGNAL CIRCUIT

1. Disconnect ECM harness connector.
2. Check the continuity between CMP sensor (PHASE) harness connector and ECM harness connector.

+		-		Continuity
CMP sensor (PHASE)		ECM		
Connector	Terminal	Connector	Terminal	
F55	3	F14*1 F91*2	31	Existed

*1: Except for California

*2: For California

3. Also check harness for short to ground and to power.

Is the inspection result normal?

- YES >> GO TO 6.
 NO >> Repair or replace error-detected parts.

6.CHECK CAMSHAFT POSITION SENSOR (PHASE)

P0340 CMP SENSOR (PHASE)

[QR25DE]

< DTC/CIRCUIT DIAGNOSIS >

Check the camshaft position sensor (PHASE). Refer to [EC-344, "Component Inspection \(Camshaft position sensor\)"](#).

Is the inspection result normal?

YES >> GO TO 7.

NO >> Replace camshaft position sensor (PHASE). Refer to [EM-48, "Removal and Installation"](#).

7.CHECK CAMSHAFT (INT)

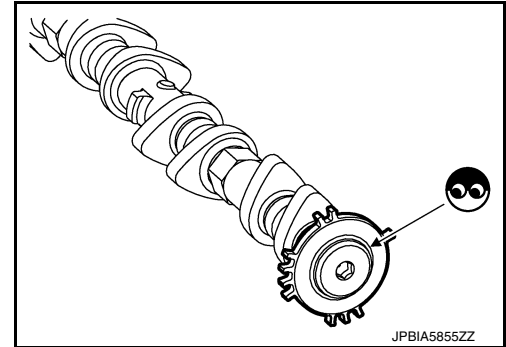
Check the following.

- Accumulation of debris to the signal plate of camshaft rear end
- Chipping signal plate of camshaft rear end

Is the inspection result normal?

YES >> Check intermittent incident. Refer to [GI-44, "Intermittent Incident"](#).

NO >> Remove debris and clean the signal plate of camshaft rear end or replace camshaft. Refer to [EM-48, "Removal and Installation"](#).



INFOID:000000012602380

Component Inspection (Camshaft position sensor)

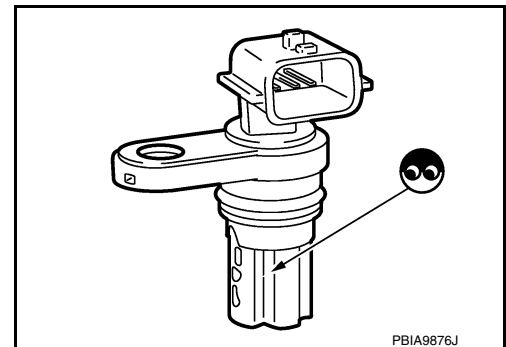
1.CHECK CAMSHAFT POSITION SENSOR (PHASE)-1

1. Turn ignition switch OFF.
2. Loosen the fixing bolt of the sensor.
3. Disconnect camshaft position sensor (PHASE) harness connector.
4. Remove the sensor.
5. Visually check the sensor for chipping.

Is the inspection result normal?

YES >> GO TO 2.

NO >> Replace camshaft position sensor (PHASE).



2.CHECK CAMSHAFT POSITION SENSOR (PHASE)-2

Check the resistance camshaft position sensor (PHASE) terminals as per the following.

Camshaft position sensor (PHASE)		Resistance [Ω at 25°C (77°F)]
+	-	
Terminals (Polarity)		Except 0 or ∞
1	2	
	3	
2	3	

Is the inspection result normal?

YES >> INSPECTION END

NO >> Replace camshaft position sensor (PHASE). Refer to [EM-48, "Removal and Installation"](#).

P0420 THREE WAY CATALYST FUNCTION

< DTC/CIRCUIT DIAGNOSIS >

[QR25DE]

P0420 THREE WAY CATALYST FUNCTION

DTC Logic

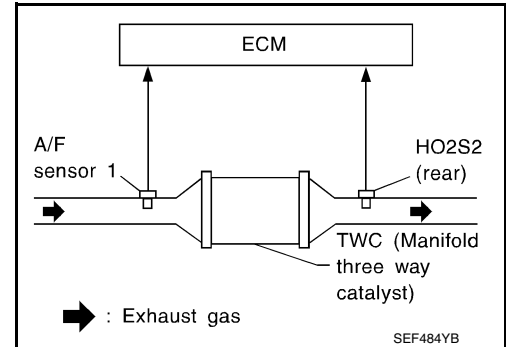
INFOID:000000012602381

DTC DETECTION LOGIC

The ECM monitors the switching frequency ratio of air fuel ratio (A/F) sensor 1 and heated oxygen sensor 2.

A three way catalyst (manifold) with high oxygen storage capacity will indicate a low switching frequency of heated oxygen sensor 2. As oxygen storage capacity decreases, the heated oxygen sensor 2 switching frequency will increase.

When the frequency ratio of air fuel ratio (A/F) sensor 1 and heated oxygen sensor 2 approaches a specified limit value, the three way catalyst (manifold) malfunction is diagnosed.



DTC No.	CONSULT screen terms (Trouble diagnosis content)	DTC detecting condition	Possible cause
P0420	TW CATALYST SYS-B1 (Catalyst system efficiency below threshold bank 1)	<ul style="list-style-type: none"> Three way catalyst (manifold) does not operate properly. Three way catalyst (manifold) does not have enough oxygen storage capacity. 	<ul style="list-style-type: none"> Three way catalyst (manifold) Exhaust tube Intake air leaks Fuel injector Fuel injector leaks Spark plug Improper ignition timing

DTC CONFIRMATION PROCEDURE

1. PRECONDITIONING

If DTC Confirmation Procedure has been previously conducted, always perform the following procedure before conducting the next test.

- Turn ignition switch OFF and wait at least 10 seconds.
- Turn ignition switch ON.
- Turn ignition switch OFF and wait at least 10 seconds.

Will CONSULT be used?

YES >> GO TO 2.

NO >> GO TO 6.

2. PERFORM DTC CONFIRMATION PROCEDURE-1

With CONSULT

TESTING CONDITION:

Do not hold engine speed for more than the specified minutes below.

- Start engine and warm it up to the normal operating temperature.
- Turn ignition switch OFF and wait at least 10 seconds.
- Turn ignition switch ON.
- Turn ignition switch OFF and wait at least 10 seconds.
- Start engine and keep the engine speed between 3,500 and 4,000 rpm for at least 1 minute under no load.
- Let engine idle for 1 minute.
- Select "DATA MONITOR" mode of "ENGINE" using CONSULT.
- Check that "COOLAN TEMP/S" indicates more than 70°C (158°F).
If not, warm up engine and go to next step when "COOLAN TEMP/S" indication reaches to 70°C (158°F).
- Open engine hood.
- Select "DTC & SRT CONFIRMATION" then "SRT WORK SUPPORT" mode of "ENGINE" using CONSULT.
- Rev engine up to 2,500 to 3,000 rpm and hold it for 3 consecutive minutes then release the accelerator pedal completely.
- Check the indication of "CATALYST".

P0420 THREE WAY CATALYST FUNCTION

[QR25DE]

< DTC/CIRCUIT DIAGNOSIS >

Which is displayed on CONSULT screen?

- CMPLT >> GO TO 5.
- INCMP >> GO TO 3.

3. PERFORM DTC CONFIRMATION PROCEDURE-2

1. Wait 5 seconds at idle.
2. Rev engine up to 2,500 to 3,000 rpm and maintain it until "INCMP" of "CATALYST" changes to "CMPLT" (It will take approximately 5 minutes).

Does the indication change to "CMPLT"?

- YES >> GO TO 5.
- NO >> GO TO 4.

4. PERFORM DTC CONFIRMATION PROCEDURE AGAIN

1. Stop engine and cool it down to less than 70°C (158°F).
2. Perform DTC confirmation procedure again.

>> GO TO 2.

5. PERFORM DTC CONFIRMATION PROCEDURE-3

Check 1st trip DTC.

Is 1st trip DTC detected?

- YES >> Proceed to [EC-347, "Diagnosis Procedure"](#).
- NO >> INSPECTION END

6. PERFORM COMPONENT FUNCTION CHECK

Perform component function check. Refer to [EC-346, "Component Function Check"](#).

NOTE:

Use component function check to check the overall function of the three way catalyst (manifold). During this check, a 1st trip DTC might not be confirmed.

Is the inspection result normal?

- YES >> INSPECTION END
- NO >> Proceed to [EC-347, "Diagnosis Procedure"](#).

Component Function Check

INFOID:0000000012602382

1. PERFORM COMPONENT FUNCTION CHECK

⊗ Without CONSULT

1. Start engine and warm it up to the normal operating temperature.
2. Turn ignition switch OFF and wait at least 10 seconds.
3. Restart engine and keep the engine speed between 3,500 and 4,000 rpm for at least 1 minute under no load.
4. Let engine idle for 1 minute.
5. Open engine hood.
6. Check the voltage between ECM harness connector terminals as per the following condition.

ECM		Condition	Voltage (V)
Connector	Terminal		
F14*1 F91*2	22 23	Keeping engine speed at 2500 rpm constant under no load	The voltage fluctuation cycle takes more than 5 seconds. • 1 cycle: 0.6 - 1.0 → 0 - 0.3 → 0.6 - 1.0

*1: Except for California

*2: For California

Is the inspection result normal?

- YES >> INSPECTION END
- NO >> Proceed to [EC-347, "Diagnosis Procedure"](#).

P0420 THREE WAY CATALYST FUNCTION

< DTC/CIRCUIT DIAGNOSIS >

[QR25DE]

INFOID:000000012602383

Diagnosis Procedure

1. CHECK EXHAUST SYSTEM

Visually check exhaust tubes and muffler for dent.

Is the inspection result normal?

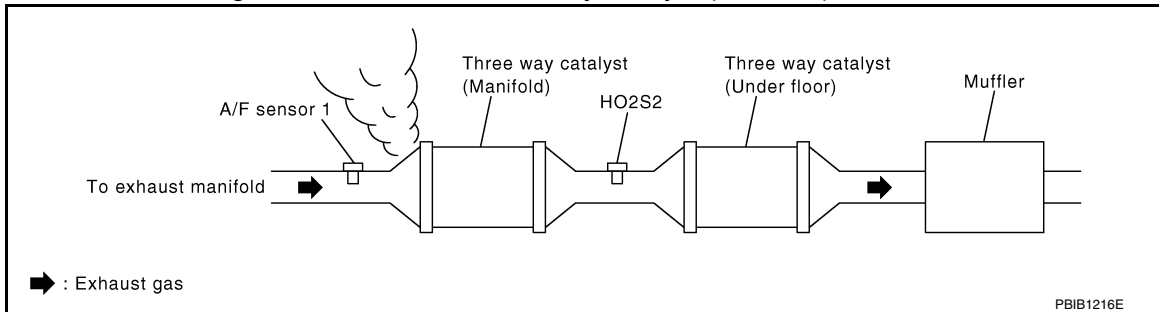
YES >> GO TO 2.

NO >> Repair or replace error-detected parts.

2. CHECK EXHAUST GAS LEAK

1. Start engine and run it at idle.

2. Listen for an exhaust gas leak before the three way catalyst (manifold).



Is exhaust gas leak detected?

YES >> Repair or replace error-detected parts.

NO >> GO TO 3.

3. CHECK INTAKE AIR LEAK

Listen for an intake air leak after the mass air flow sensor.

Is intake air leak detected?

YES >> Repair or replace error-detected parts.

NO >> GO TO 4.

4. CHECK IGNITION TIMING AND IDLE SPEED

Check the following items. Refer to [EC-178. "Work Procedure"](#).

For specification, refer to [EC-578. "Ignition Timing"](#)

For specification, refer to [EC-578. "Idle Speed"](#).

Is the inspection result normal?

YES >> GO TO 5.

NO >> Follow the [EC-178. "Work Procedure"](#).

5. CHECK FUEL INJECTOR

Check the fuel injector. Refer to [EC-542. "Component Function Check"](#).

Is the inspection result normal?

YES >> GO TO 6.

NO >> Perform [EC-542. "Diagnosis Procedure"](#).

6. CHECK FUNCTION OF IGNITION COIL-1

CAUTION:

Do the following procedure in the place where ventilation is good without the combustible.

1. Turn ignition switch OFF.
2. Remove fuel pump fuse in IPDM E/R to release fuel pressure.

NOTE:

Do not use CONSULT to release fuel pressure, or fuel pressure applies again during the following procedure.

3. Start engine.
4. After engine stalls, crank it two or three times to release all fuel pressure.
5. Turn ignition switch OFF.
6. Remove all ignition coil harness connectors to avoid the electrical discharge from the ignition coils.
7. Remove ignition coil and spark plug of the cylinder to be checked.

P0420 THREE WAY CATALYST FUNCTION

[QR25DE]

< DTC/CIRCUIT DIAGNOSIS >

8. Crank engine for 5 seconds or more to remove combustion gas in the cylinder.
9. Connect spark plug and harness connector to ignition coil.
10. Fix ignition coil using a rope etc. with gap of 13 - 17 mm (0.52 - 0.66 in) between the edge of the spark plug and grounded metal portion as shown in the figure.
11. Crank engine for about 3 seconds, and check whether spark is generated between the spark plug and the grounded metal portion.

Spark should be generated.

CAUTION:

- Do not approach to the spark plug and the ignition coil within 50 cm (19.7 in). Be careful not to get an electrical shock while checking, because the electrical discharge voltage becomes 20 kV or more.
- It might cause to damage the ignition coil if the gap of more than 17 mm (0.66 in) is taken.

NOTE:

When the gap is less than 13 mm (0.52 in), the spark might be generated even if the coil is malfunctioning.

Is the inspection result normal?

- YES >> GO TO 10.
NO >> GO TO 7.

7. CHECK FUNCTION OF IGNITION COIL-2

1. Turn ignition switch OFF.
2. Disconnect spark plug and connect a known-good spark plug.
3. Crank engine for about 3 seconds, and recheck whether spark is generated between the spark plug and the grounded metal portion.

Spark should be generated.

Is the inspection result normal?

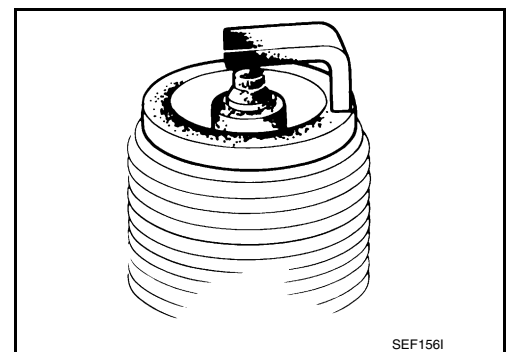
- YES >> GO TO 8.
NO >> Check ignition coil, power transistor and their circuits. Refer to [EC-548. "Diagnosis Procedure"](#).

8. CHECK SPARK PLUG

Check the initial spark plug for fouling, etc. Refer to [EM-16. "Removal and Installation"](#).

Is the inspection result normal?

- YES >> Replace spark plug(s) with standard type one(s). For spark plug type, refer to [EM-113. "Standard and Limit"](#).
NO >> Repair or clean spark plug. Refer to [EM-16. "Removal and Installation"](#). Then GO TO 9



9. CHECK FUNCTION OF IGNITION COIL-3

1. Reconnect the initial spark plugs.
2. Crank engine for about 3 seconds, and recheck whether spark is generated between the spark plug and the grounded portion.

Spark should be generated.

Is the inspection result normal?

- YES >> INSPECTION END
NO >> Replace spark plug(s) with standard type one(s). For spark plug type, refer to [EM-113. "Standard and Limit"](#).

P0420 THREE WAY CATALYST FUNCTION

< DTC/CIRCUIT DIAGNOSIS >

[QR25DE]

10. CHECK FUEL INJECTOR

1. Turn ignition switch OFF.
2. Remove fuel injector assembly.
Refer to [EM-42, "Exploded View"](#).
Keep fuel hose and all fuel injectors connected to fuel tube.
3. Disconnect all ignition coil harness connectors.
4. Reconnect all fuel injector harness connectors disconnected.
5. Turn ignition switch ON.

Does fuel drip from fuel injector?

YES >> GO TO 11.

NO >> Replace the fuel injector(s) from which fuel is dripping. Refer to [EM-42, "Exploded View"](#).

11. CHECK INTERMITTENT INCIDENT

Refer to [GI-44, "Intermittent Incident"](#).

Is the trouble fixed?

YES >> INSPECTION END

NO >> Replace three way catalyst assembly. Refer to [EM-33, "Exploded View"](#).

A

EC

C

D

E

F

G

H

I

J

K

L

M

N

O

P

P0441 EVAP CONTROL SYSTEM

< DTC/CIRCUIT DIAGNOSIS >

[QR25DE]

P0441 EVAP CONTROL SYSTEM

DTC Logic

INFOID:000000012602384

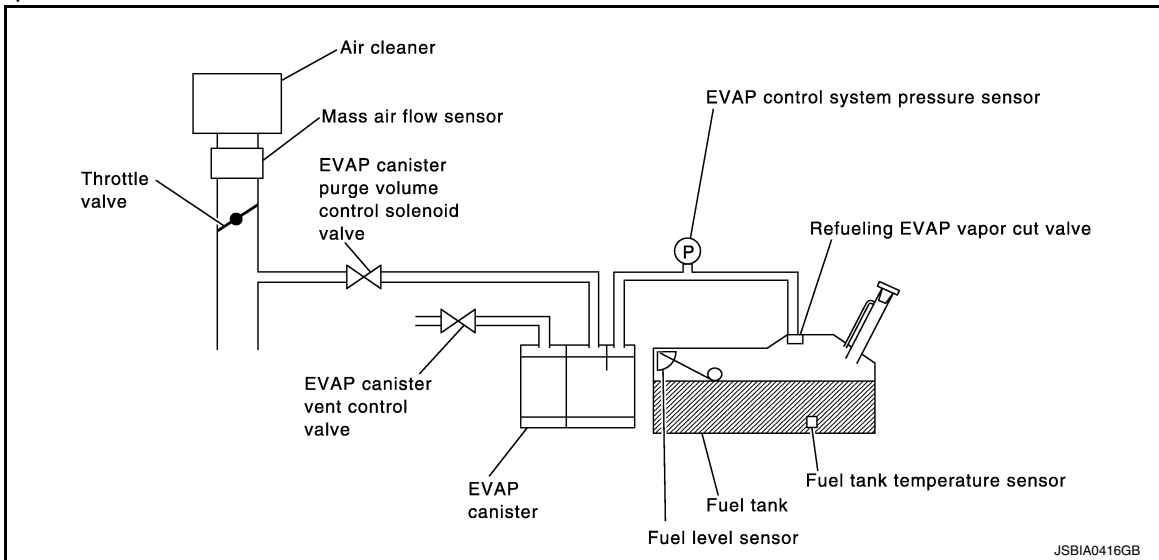
DTC DETECTION LOGIC

NOTE:

If DTC P0441 is displayed with other DTC such as P2122, P2123, P2127, P2128 or P2138, first perform trouble diagnosis for other DTC.

In this evaporative emission (EVAP) control system, purge flow occurs during non-closed throttle conditions. Purge volume is related to air intake volume. Under normal purge conditions (non-closed throttle), the EVAP canister purge volume control solenoid valve is open to admit purge flow. Purge flow exposes the EVAP control system pressure sensor to intake manifold vacuum.

Under normal conditions (non-closed throttle), sensor output voltage indicates if pressure drop and purge flow are adequate. If not, a malfunction is determined.



DTC No.	CONSULT screen terms (Trouble diagnosis content)	DTC detecting condition	Possible cause
P0441	EVAP PURG FLOW/MON (Evaporative emission system incorrect purge flow)	EVAP control system does not operate properly, EVAP control system has a leak between intake manifold and EVAP control system pressure sensor.	<ul style="list-style-type: none"> • EVAP canister purge volume control solenoid valve stuck closed • EVAP control system pressure sensor and the circuit • Loose, disconnected or improper connection of rubber tube • Blocked rubber tube • Cracked EVAP canister • EVAP canister purge volume control solenoid valve circuit • Accelerator pedal position sensor • Blocked purge port • EVAP canister vent control valve

DTC CONFIRMATION PROCEDURE

1. PRECONDITIONING

If DTC Confirmation Procedure has been previously conducted, always perform the following procedure before conducting the next test.

1. Turn ignition switch OFF and wait at least 10 seconds.
2. Turn ignition switch ON.
3. Turn ignition switch OFF and wait at least 10 seconds.

Will CONSULT be used?

- YES >> GO TO 2.
NO >> GO TO 5.

P0441 EVAP CONTROL SYSTEM

< DTC/CIRCUIT DIAGNOSIS >

[QR25DE]

2. PERFORM DTC CONFIRMATION PROCEDURE-1

 WITH CONSULT

TESTING CONDITION:

Always perform test at a temperature of 5°C (41°F) or more.

1. Start engine and warm it up to normal operating temperature.
2. Turn ignition switch OFF and wait at least 10 seconds.
3. Turn ignition switch ON.
4. Turn ignition switch OFF and wait at least 10 seconds.
5. Start engine and let it idle for at least 70 seconds.
6. Select "PURG FLOW P0441" of "EVAPORATIVE SYSTEM" in "DTC WORK SUPPORT" mode of "ENGINE" using CONSULT.
7. Touch "START".

Is "COMPLETED" displayed on CONSULT screen?

YES >> GO TO 4.

NO >> GO TO 3.

3. PERFORM DTC CONFIRMATION PROCEDURE-2

When the following conditions are met, "TESTING" will be displayed on the CONSULT screen. Maintain the conditions continuously until "TESTING" changes to "COMPLETED". (It will take at least 35 seconds.)

Selector lever	Suitable position
VHCL SPEED SE	32 - 120 km/h (20 - 75 MPH)
ENG SPEED	500 - 3,800 rpm
B/FUEL SCHDL	1.0 - 10.0 msec
COOLAN TEMP/S	More than 0°C (32°F)

CAUTION:

Always drive vehicle at a safe speed.

NOTE:

If "TESTING" does not change for a long time, retry from step 2.

Is "COMPLETED" displayed on CONSULT screen?

YES >> GO TO 4.

NO >> Perform DTC CONFIRMATION PROCEDURE again. GO TO 2.

4. PERFORM DTC CONFIRMATION PROCEDURE-3

Touch "SELF-DIAG RESULTS".

Which is displayed on CONSULT screen?

OK >> INSPECTION END

NG >> Proceed to [EC-352, "Diagnosis Procedure"](#).

5. PERFORM COMPONENT FUNCTION CHECK

 WITH GST

Perform component function check. Refer to [EC-351, "Component Function Check"](#).

NOTE:

Use component function check to check the overall monitoring function of the EVAP control system purge flow monitoring. During this check, a 1st trip DTC might not be confirmed.

Is the inspection result normal?

YES >> INSPECTION END

NO >> Proceed to [EC-352, "Diagnosis Procedure"](#).

Component Function Check

INFOID:0000000012602385

1. PERFORM COMPONENT FUNCTION CHECK

1. Lift up drive wheels.
2. Start engine (VDC switch OFF) and warm it up to normal operating temperature.
3. Turn ignition switch OFF and wait at least 10 seconds.

P0441 EVAP CONTROL SYSTEM

[QR25DE]

< DTC/CIRCUIT DIAGNOSIS >

- Start engine and wait at least 70 seconds.
- Set voltmeter probes to ECM harness connector terminals as per the following.

ECM		
Connector	+	-
	Terminal	
E10*1 E31*2	114	124

*1: Except for California

*2: For California

- Check EVAP control system pressure sensor value at idle speed and note it.
- Establish and maintain the following conditions for at least 1 minute.

Air conditioner switch	ON
Headlamp switch	ON
Rear window defogger switch	ON
Engine speed	Approx. 3,000 rpm
Gear position	Any position other than P, N or R

- Verify that EVAP control system pressure sensor value stays 0.1 V less than the value at idle speed (measured at step 6) for at least 1 second.

Is the inspection result normal?

- YES >> INSPECTION END
NO >> Proceed to [EC-352, "Diagnosis Procedure"](#).

Diagnosis Procedure

INFOID:0000000012602386

1. CHECK EVAP CANISTER

- Turn ignition switch OFF.
- Check EVAP canister for cracks.

Is the inspection result normal?

- YES-1 >> With CONSULT: GO TO 2.
YES-2 >> Without CONSULT: GO TO 3.
NO >> Replace EVAP canister. Refer to [FL-15, "Removal and Installation"](#).

2. CHECK PURGE FLOW

WITH CONSULT

- Disconnect vacuum hose connected to EVAP canister purge volume control solenoid valve at EVAP service port.
- Start engine and let it idle.
- Select "PURG VOL CONT/V" in "ACTIVE TEST" mode of "ENGINE" using CONSULT.
- Touch "Qd" and "Qu" on CONSULT screen to adjust "PURG VOL CONT/V" opening and check vacuum existence.

PURG VOL CONT/V	Vacuum
100%	Existed
0%	Not existed

Is the inspection result normal?

- YES >> GO TO 7.
NO >> GO TO 4.

3. CHECK PURGE FLOW

WITHOUT CONSULT

- Start engine and warm it up to normal operating temperature.

P0441 EVAP CONTROL SYSTEM

[QR25DE]

< DTC/CIRCUIT DIAGNOSIS >

2. Stop engine.
3. Disconnect vacuum hose connected to EVAP canister purge volume control solenoid valve at EVAP service port and install vacuum gauge. For the location of EVAP service port, refer to [EC-64, "EVAPORATIVE EMISSION SYSTEM : System Description"](#).
4. Start engine and let it idle.
Never depress accelerator pedal even slightly.
5. Check vacuum gauge indication before 60 seconds pass after starting engine.

Vacuum should not exist.

6. Rev engine up to 2,000 rpm after 100 seconds pass after starting engine.

Vacuum should exist.

Is the inspection result normal?

- YES >> GO TO 7.
- NO >> GO TO 4.

4.CHECK EVAP PURGE LINE

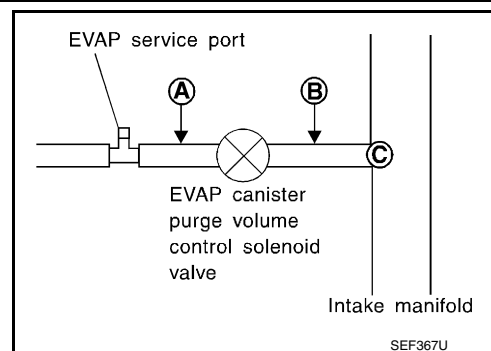
1. Turn ignition switch OFF.
2. Check EVAP purge line for improper connection or disconnection.
Refer to [EC-64, "EVAPORATIVE EMISSION SYSTEM : System Description"](#).

Is the inspection result normal?

- YES >> GO TO 5.
- NO >> Repair EVAP purge line.

5.CHECK EVAP PURGE HOSE AND PURGE PORT

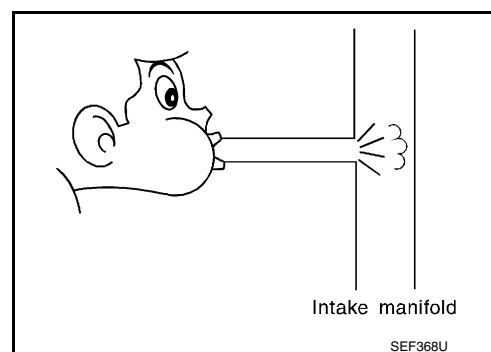
1. Disconnect purge hoses connected to EVAP service port (A) and EVAP canister purge volume control solenoid valve (B).
2. Blow air into each hose and EVAP purge port (C).



3. Check that air flows freely.

Is the inspection result normal?

- YES-1 >> With CONSULT: GO TO 6.
- YES-2 >> Without CONSULT: GO TO 7.
- NO >> Repair or clean hoses and/or purge port.



6.CHECK EVAP CANISTER PURGE VOLUME CONTROL SOLENOID VALVE

Ⓜ WITH CONSULT

1. Start engine.
2. Perform "PURG VOL CONT/V" in "ACTIVE TEST" mode of "ENGINE" using CONSULT. Check that engine speed varies according to the valve opening.

Does engine speed vary according to the valve opening?

- YES >> GO TO 8.
- NO >> GO TO 7.

P0441 EVAP CONTROL SYSTEM

[QR25DE]

< DTC/CIRCUIT DIAGNOSIS >

7. CHECK EVAP CANISTER PURGE VOLUME CONTROL SOLENOID VALVE

Check the EVAP canister purge volume control solenoid valve. Refer to [EC-358, "Component Inspection"](#).

Is the inspection result normal?

YES >> GO TO 8.

NO >> Replace EVAP canister purge volume control solenoid valve. Refer to [EC-22, "Component Parts Location"](#).

8. CHECK EVAP CONTROL SYSTEM PRESSURE SENSOR CONNECTOR

1. Disconnect EVAP control system pressure sensor harness connector.

2. Check that water is not inside connectors.

Is the inspection result normal?

YES >> GO TO 9.

NO >> Replace EVAP control system pressure sensor. Refer to [FL-19, "Removal and Installation"](#).

9. CHECK EVAP CONTROL SYSTEM PRESSURE SENSOR FUNCTION

Refer to [EC-375, "DTC Logic"](#) for DTC P0452, [EC-379, "DTC Logic"](#) for DTC P0453.

Is the inspection result normal?

YES >> GO TO 10.

NO >> Replace EVAP control system pressure sensor. Refer to [FL-19, "Removal and Installation"](#).

10. CHECK RUBBER TUBE FOR CLOGGING

1. Disconnect rubber tube connected to EVAP canister vent control valve.

2. Check the rubber tube for clogging.

Is the inspection result normal?

YES >> GO TO 11.

NO >> Clean the rubber tube using an air blower.

11. CHECK EVAP CANISTER VENT CONTROL VALVE

Check the EVAP canister vent control valve. Refer to [EC-365, "Component Inspection"](#).

Is the inspection result normal?

YES >> GO TO 12.

NO >> Replace EVAP canister vent control valve. Refer to [FL-18, "Removal and Installation"](#).

12. CHECK EVAP PURGE LINE

Inspect EVAP purge line (pipe and rubber tube). Check for evidence of leaks.

Refer to [EC-574, "Inspection"](#).

Is the inspection result normal?

YES >> GO TO 13.

NO >> Repair or replace malfunctioning part.

13. CLEAN EVAP PURGE LINE

Clean EVAP purge line (pipe and rubber tube) using air blower.

>> GO TO 14.

14. CHECK INTERMITTENT INCIDENT

Perform [GI-44, "Intermittent Incident"](#).

>> INSPECTION END

P0443 EVAP CANISTER PURGE VOLUME CONTROL SOLENOID VALVE

< DTC/CIRCUIT DIAGNOSIS >

[QR25DE]

P0443 EVAP CANISTER PURGE VOLUME CONTROL SOLENOID VALVE

DTC Logic

INFOID:000000012602387

DTC DETECTION LOGIC

DTC No.	CONSULT screen terms (Trouble diagnosis content)	DTC detecting condition		Possible cause
P0443	PURG VOLUME CONT/V (Evaporative emission system purge control valve circuit)	A	The canister purge flow is detected during the vehicle is stopped while the engine is running, even when EVAP canister purge volume control solenoid valve is completely closed.	<ul style="list-style-type: none"> • EVAP control system pressure sensor • EVAP canister purge volume control solenoid valve (The valve is stuck open.) • EVAP canister vent control valve • EVAP canister • Hoses (Hoses are connected incorrectly or clogged.)
		B	The canister purge flow is detected during the specified driving conditions, even when EVAP canister purge volume control solenoid valve is completely closed.	

DTC CONFIRMATION PROCEDURE

1. PRECONDITIONING

If DTC Confirmation Procedure has been previously conducted, always perform the following procedure before conducting the next test.

1. Turn ignition switch OFF and wait at least 10 seconds.
2. Turn ignition switch ON.
3. Turn ignition switch OFF and wait at least 10 seconds.

TESTING CONDITION:

- Perform DTC CONFIRMATION PROCEDURE when the fuel is between 1/4 and 3/4 full, and vehicle is placed on flat level surface.
- Always perform test at a temperature of 5 to 60°C (41 to 140°F).
- Cool the vehicle so that engine coolant temperature becomes same level as ambient temperature.

Do you have CONSULT

- YES >> GO TO 2.
NO >> GO TO 4.

2. PERFORM DTC CONFIRMATION PROCEDURE A

Ⓜ With CONSULT

1. Turn ignition switch ON.
2. Select "DATA MONITOR" mode of "ENGINE" using CONSULT.
3. Check that the following condition are met.
FUEL T/TMP SE: 0 - 35°C (32 - 95°F)
4. Start engine and wait at least 60 seconds.
5. Check 1st trip DTC.

Is 1st trip DTC detected?

- YES >> Proceed to [EC-356, "Diagnosis Procedure"](#).
NO >> GO TO 3.

3. PERFORM DTC CONFIRMATION PROCEDURE B

Ⓜ With CONSULT

1. Start engine and warm it up to normal operating temperature.
2. Turn ignition switch OFF and wait at least 10 seconds.
3. Turn ignition switch ON.
4. Select "PURG VOL CN/V P1444" of "EVAPORATIVE SYSTEM" in "DTC WORK SUPPORT" mode of "ENGINE" using CONSULT.
5. Touch "START".
6. Start engine and let it idle until "TESTING" on CONSULT changes to "COMPLETED". (It will take approximately 10 seconds.)
If "TESTING" is not displayed after 5 minutes, retry from step 2.
7. Touch "SELF-DIAG RESULT".

P0443 EVAP CANISTER PURGE VOLUME CONTROL SOLENOID VALVE

< DTC/CIRCUIT DIAGNOSIS >

[QR25DE]

Which is displayed on CONSULT?

- OK >> INSPECTION END
- NG >> Proceed to [EC-356, "Diagnosis Procedure"](#).

4. PERFORM DTC CONFIRMATION PROCEDURE A

 With GST

1. Turn ignition switch ON.
2. Check the voltage between ECM harness connector and ground.

+		-	Voltage
ECM			
Connector	Terminal		
E10*1 E31*2	125	Ground	3.1 - 4.0 V

*1: Except for California

*2: For California

3. Start engine and wait at least 60 seconds.
4. Check 1st trip DTC.

Is 1st trip DTC detected?

- YES >> Proceed to [EC-356, "Diagnosis Procedure"](#).
- NO >> GO TO 5.

5. PERFORM DTC CONFIRMATION PROCEDURE

 With GST

1. Start engine and warm it up to normal operating temperature.
2. Turn ignition switch OFF and wait at least 10 seconds.
3. Start engine and let it idle for at least 20 seconds.
4. Check 1st trip DTC.

Is 1st trip DTC detected?

- YES >> Proceed to [EC-356, "Diagnosis Procedure"](#).
- NO >> INSPECTION END

Diagnosis Procedure

INFOID:0000000012602388

1. CHECK EVAP CANISTER PURGE VOLUME CONTROL SOLENOID VALVE POWER SUPPLY

1. Turn ignition switch OFF.
2. Disconnect EVAP canister purge volume control solenoid valve harness connector.
3. Turn ignition switch ON.
4. Check the voltage between EVAP canister purge volume control solenoid valve harness connector and ground.

+		-	Voltage
EVAP canister purge volume control solenoid valve			
Connector	Terminal		
F29	2	Ground	Battery voltage

Is the inspection result normal?

- YES >> GO TO 3.
- NO >> GO TO 2.

2. CHECK EVAP CANISTER PURGE VOLUME CONTROL SOLENOID VALVE POWER SUPPLY CIRCUIT

1. Turn ignition switch OFF.
2. Disconnect IPDM E/R harness connector.
3. Check the continuity between EVAP canister purge volume control solenoid valve harness connector and IPDM E/R harness connector.

P0443 EVAP CANISTER PURGE VOLUME CONTROL SOLENOID VALVE

< DTC/CIRCUIT DIAGNOSIS >

[QR25DE]

+		-		Continuity
EVAP canister purge volume control solenoid valve		IPDM E/R		
Connector	Terminal	Connector	Terminal	
F29	2	F83	59	Existed

4. Also check harness for short to ground.

Is the inspection result normal?

YES >> Perform the trouble diagnosis for power supply circuit.

NO >> Repair or replace error-detected parts.

3. CHECK EVAP CANISTER PURGE VOLUME CONTROL SOLENOID VALVE GROUND CIRCUIT

1. Turn ignition switch OFF.
2. Disconnect ECM harness connector.
3. Check the continuity between EVAP canister purge volume control solenoid valve harness connector and ECM harness connector.

+		-		Continuity
EVAP canister purge volume control solenoid valve		ECM		
Connector	Terminal	Connector	Terminal	
F29	1	F14*1 F91*2	17	Existed

*1: Except for California

*2: For California

4. Also check harness for short to power.

Is the inspection result normal?

YES >> GO TO 4.

NO >> Repair or replace error-detected parts.

4. CHECK EVAP CONTROL SYSTEM PRESSURE SENSOR CONNECTOR

1. Disconnect EVAP control system pressure sensor harness connector.
2. Check connectors for water.

Water should not exist.

Is the inspection result normal?

YES >> GO TO 5.

NO >> Replace EVAP control system pressure sensor. Refer to [FL-19, "Removal and Installation"](#).

5. CHECK EVAP CONTROL SYSTEM PRESSURE SENSOR

Check the EVAP control system pressure sensor. Refer to [EC-358, "Component Inspection"](#).

Is the inspection result normal?

YES-1 >> With CONSULT: GO TO 6.

YES-2 >> Without CONSULT: GO TO 7.

NO >> Replace EVAP control system pressure sensor. Refer to [FL-19, "Removal and Installation"](#).

6. CHECK EVAP CANISTER PURGE VOLUME CONTROL SOLENOID VALVE

Ⓜ With CONSULT

1. Turn ignition switch OFF.
2. Reconnect harness connectors disconnected.
3. Start engine.
4. Perform "PURG VOL CONT/V" in "ACTIVE TEST" mode of "ENGINE" using CONSULT. Check that engine speed varies according to the valve opening.

Is the inspection result normal?

P0443 EVAP CANISTER PURGE VOLUME CONTROL SOLENOID VALVE

< DTC/CIRCUIT DIAGNOSIS >

[QR25DE]

- YES >> GO TO 8.
NO >> GO TO 7.

7. CHECK EVAP CANISTER PURGE VOLUME CONTROL SOLENOID VALVE

Check the EVAP canister purge volume control solenoid valve. Refer to [EC-358, "Component Inspection"](#).

Is the inspection result normal?

- YES >> GO TO 8.
NO >> Replace EVAP canister purge volume control solenoid valve. Refer to [EC-22, "Component Parts Location"](#).

8. CHECK RUBBER TUBE FOR CLOGGING

1. Disconnect rubber tube connected to EVAP canister vent control valve.
2. Check the rubber tube for clogging.

Is the inspection result normal?

- YES >> GO TO 9.
NO >> Clean the rubber tube using an air blower.

9. CHECK EVAP CANISTER VENT CONTROL VALVE

Check the EVAP canister vent control valve. Refer to [EC-365, "Component Inspection"](#).

Is the inspection result normal?

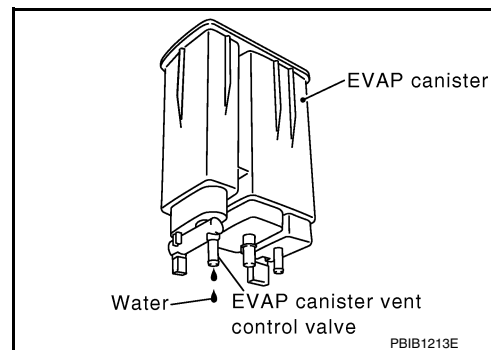
- YES >> GO TO 10.
NO >> Replace EVAP canister vent control valve. Refer to [FL-18, "Removal and Installation"](#).

10. CHECK IF EVAP CANISTER IS SATURATED WITH WATER

1. Remove EVAP canister with EVAP canister vent control valve and EVAP control system pressure sensor attached.
2. Check if water will drain from EVAP canister.

Does water drain from the EVAP canister?

- YES >> GO TO 11.
NO >> Check intermittent incident. Refer to [GI-44, "Intermittent Incident"](#).



11. CHECK EVAP CANISTER

Weigh the EVAP canister with the EVAP canister vent control valve and EVAP control system pressure sensor attached.

The weight should be less than 2.1 kg (4.6 lb).

Is the inspection result normal?

- YES >> Check intermittent incident. Refer to [GI-44, "Intermittent Incident"](#).
NO >> GO TO 12.

12. DETECT MALFUNCTIONING PART

Check the following.

- EVAP canister for damage
- EVAP hose between EVAP canister and vehicle frame for clogging or poor connection

>> Repair hose or replace EVAP canister. Refer to [FL-15, "Removal and Installation"](#).

Component Inspection

INFOID:0000000012602389

1. CHECK EVAP CANISTER PURGE VOLUME CONTROL SOLENOID VALVE

ⓐ With CONSULT

1. Turn ignition switch OFF.

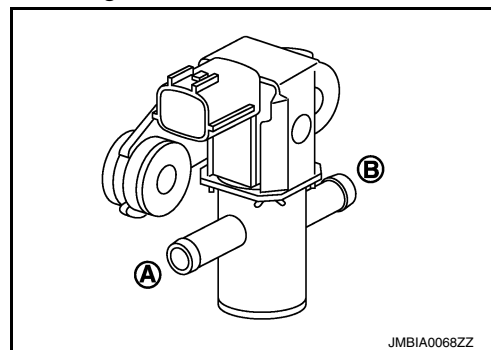
P0443 EVAP CANISTER PURGE VOLUME CONTROL SOLENOID VALVE

< DTC/CIRCUIT DIAGNOSIS >

[QR25DE]

2. Reconnect all harness connectors disconnected.
3. Disconnect EVAP purge hoses connected to EVAP canister purge volume control solenoid valve.
4. Start engine.
5. Select "PURG VOL CONT/V" in "ACTIVE TEST" mode of "ENGINE" using CONSULT.
6. Touch "Qd" and "Qu" on CONSULT screen to adjust "PURG VOL C/V" opening and check air passage continuity of EVAP canister purge volume control solenoid valve as per the following conditions.

Condition (PURG VOL C/V value)	Air passage continuity between (A) and (B)
100%	Existed
0%	Not existed



Without CONSULT

1. Turn ignition switch OFF.
2. Disconnect EVAP canister purge volume control solenoid valve harness connector.
3. Disconnect EVAP purge hoses connected to EVAP canister purge volume control solenoid valve.
4. Check air passage continuity of EVAP canister purge volume control solenoid valve as per the following conditions.

Condition	Air passage continuity between (A) and (B)
12 V direct current supply between terminals 1 and 2	Existed
No supply	Not existed

Is the inspection result normal?

YES >> INSPECTION END

NO >> Replace EVAP canister purge volume control solenoid valve. Refer to [EC-22](#), "[Component Parts Location](#)".

P0444, P0445 EVAP CANISTER PURGE VOLUME CONTROL SOLENOID VALVE

< DTC/CIRCUIT DIAGNOSIS >

[QR25DE]

P0444, P0445 EVAP CANISTER PURGE VOLUME CONTROL SOLENOID VALVE

DTC Logic

INFOID:000000012602390

DTC DETECTION LOGIC

DTC No.	CONSULT screen terms (Trouble diagnosis content)	DTC detecting condition	Possible cause
P0444	PURG VOLUME CONT/V (Evaporative emission system purge control valve circuit open)	An excessively low voltage signal is sent to ECM through the EVAP canister purge volume control solenoid valve.	<ul style="list-style-type: none"> • Harness or connectors (EVAP canister purge volume control solenoid valve circuit is open or shorted.) • EVAP canister purge volume control solenoid valve
P0445	PURG VOLUME CONT/V (Evaporative emission system purge control valve circuit shorted)	An excessively high voltage signal is sent to ECM through the valve	<ul style="list-style-type: none"> • Harness or connectors (EVAP canister purge volume control solenoid valve circuit is shorted.) • EVAP canister purge volume control solenoid valve

DTC CONFIRMATION PROCEDURE

1.CONDITIONING

If DTC Confirmation Procedure has been previously conducted, always perform the following procedure before conducting the next test.

1. Turn ignition switch OFF and wait at least 10 seconds.
2. Turn ignition switch ON.
3. Turn ignition switch OFF and wait at least 10 seconds.

TESTING CONDITION:

Before performing the following procedure, confirm battery voltage is more than 11 V at idle.

>> GO TO 2.

2.PERFORM DTC CONFIRMATION PROCEDURE

1. Start engine and let it idle for at least 13 seconds.
2. Check 1st trip DTC.

Is 1st trip DTC detected?

YES >> Proceed to [EC-360, "Diagnosis Procedure"](#).

NO >> INSPECTION END

Diagnosis Procedure

INFOID:000000012602391

1.CHECK EVAP CANISTER PURGE VOLUME CONTROL SOLENOID VALVE POWER SUPPLY

1. Turn ignition switch OFF.
2. Disconnect EVAP canister purge volume control solenoid valve harness connector.
3. Turn ignition switch ON.
4. Check the voltage between EVAP canister purge volume control solenoid valve harness connector and ground.

+		-	Voltage
EVAP canister purge volume control solenoid valve			
Connector	Terminal		
F29	2	Ground	Battery voltage

Is the inspection result normal?

YES >> GO TO 3.

P0444, P0445 EVAP CANISTER PURGE VOLUME CONTROL SOLENOID VALVE

< DTC/CIRCUIT DIAGNOSIS >

[QR25DE]

NO >> GO TO 2.

2. CHECK EVAP CANISTER PURGE VOLUME CONTROL SOLENOID VALVE POWER SUPPLY CIRCUIT

1. Turn ignition switch OFF.
2. Disconnect IPDM E/R harness connector.
3. Check the continuity between EVAP canister purge volume control solenoid valve harness connector and IPDM E/R harness connector.

+		-		Continuity
EVAP canister purge volume control solenoid valve		IPDM E/R		
Connector	Terminal	Connector	Terminal	
F29	2	F83	59	Existed

4. Also check harness for short to ground.

Is the inspection result normal?

YES >> Perform the trouble diagnosis for power supply circuit.

NO >> Repair or replace error-detected parts.

3. CHECK EVAP CANISTER PURGE VOLUME CONTROL SOLENOID VALVE GROUND CIRCUIT

1. Turn ignition switch OFF.
2. Disconnect ECM harness connector.
3. Check the continuity between EVAP canister purge volume control solenoid valve harness connector and ECM harness connector.

+		-		Continuity
EVAP canister purge volume control solenoid valve		ECM		
Connector	Terminal	Connector	Terminal	
F29	1	F14*1 F91*2	17	Existed

*1: Except for California

*2: For California

4. Also check harness for short to power.

Is the inspection result normal?

YES-1 >> With CONSULT: GO TO 4.

YES-2 >> Without CONSULT: GO TO 5.

NO >> Repair or replace error-detected parts.

4. CHECK EVAP CANISTER PURGE VOLUME CONTROL SOLENOID VALVE OPERATION

Ⓜ With CONSULT

1. Reconnect all harness connectors disconnected.
2. Start engine.
3. Perform "PURG VOL CONT/V" in "ACTIVE TEST" mode of "ENGINE" using CONSULT.
4. Check that engine speed varies according to the valve opening.

Does engine speed vary according to the valve opening?

YES >> Check intermittent incident. Refer to [GI-44, "Intermittent Incident"](#).

NO >> GO TO 5.

5. CHECK EVAP CANISTER PURGE VOLUME CONTROL SOLENOID VALVE

Check the EVAP canister purge volume control solenoid valve. Refer to [EC-358, "Component Inspection"](#).

Is the inspection result normal?

YES >> Check intermittent incident. Refer to [GI-44, "Intermittent Incident"](#).

NO >> Replace EVAP canister purge volume control solenoid valve. Refer to [EC-22, "Component Parts Location"](#).

P0444, P0445 EVAP CANISTER PURGE VOLUME CONTROL SOLENOID VALVE

< DTC/CIRCUIT DIAGNOSIS >

[QR25DE]

Component Inspection

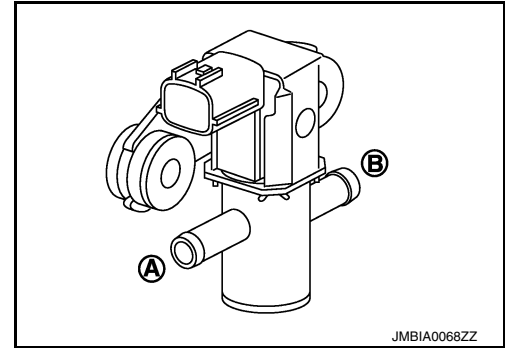
INFOID:000000012602392

1. CHECK EVAP CANISTER PURGE VOLUME CONTROL SOLENOID VALVE

Ⓟ With CONSULT

1. Turn ignition switch OFF.
2. Reconnect all harness connectors disconnected.
3. Disconnect EVAP purge hoses connected to EVAP canister purge volume control solenoid valve.
4. Start engine.
5. Select "PURG VOL CONT/V" in "ACTIVE TEST" mode of "ENGINE" using CONSULT.
6. Touch "Qd" and "Qu" on CONSULT screen to adjust "PURG VOL C/V" opening and check air passage continuity of EVAP canister purge volume control solenoid valve as per the following conditions.

Condition (PURG VOL C/V value)	Air passage continuity between (A) and (B)
100%	Existed
0%	Not existed



⊗ Without CONSULT

1. Turn ignition switch OFF.
2. Disconnect EVAP canister purge volume control solenoid valve harness connector.
3. Disconnect EVAP purge hoses connected to EVAP canister purge volume control solenoid valve.
4. Check air passage continuity of EVAP canister purge volume control solenoid valve as per the following conditions.

Condition	Air passage continuity between (A) and (B)
12 V direct current supply between terminals 1 and 2	Existed
No supply	Not existed

Is the inspection result normal?

YES >> INSPECTION END

NO >> Replace EVAP canister purge volume control solenoid valve. Refer to [EC-22](#), "[Component Parts Location](#)".

P0447 EVAP CANISTER VENT CONTROL VALVE

< DTC/CIRCUIT DIAGNOSIS >

[QR25DE]

P0447 EVAP CANISTER VENT CONTROL VALVE

DTC Logic

INFOID:000000012602393

DTC DETECTION LOGIC

DTC No.	CONSULT screen terms (Trouble diagnosis content)	DTC detecting condition	Possible cause
P0447	VENT CONTROL VALVE (Evaporative emission system vent control circuit open)	An improper voltage signal is sent to ECM through EVAP canister vent control valve.	<ul style="list-style-type: none">• Harness or connectors (EVAP canister vent control valve circuit is open or shorted.)• EVAP canister vent control valve

DTC CONFIRMATION PROCEDURE

1. PRECONDITIONING

If DTC Confirmation Procedure has been previously conducted, always perform the following procedure before conducting the next test.

1. Turn ignition switch OFF and wait at least 10 seconds.
2. Turn ignition switch ON.
3. Turn ignition switch OFF and wait at least 10 seconds.

TESTING CONDITION:

Before performing the following procedure, confirm battery voltage is more than 11 V at idle.

>> GO TO 2.

2. PERFORM DTC CONFIRMATION PROCEDURE

1. Start engine and wait at least 8 seconds.
2. Check 1st trip DTC.

Is 1st trip DTC detected?

- YES >> Proceed to [EC-363, "Diagnosis Procedure"](#).
NO >> INSPECTION END

Diagnosis Procedure

INFOID:000000012602394

1. INSPECTION START

Do you have CONSULT?

Do you have CONSULT?

- YES >> GO TO 2.
NO >> GO TO 3.

2. CHECK EVAP CANISTER VENT CONTROL VALVE CIRCUIT

Ⓜ With CONSULT

1. Turn ignition switch OFF and then turn ON.
2. Select "VENT CONTROL/V" in "ACTIVE TEST" mode of "ENGINE" using CONSULT.
3. Touch "ON/OFF" on CONSULT screen.
4. Check for operating sound of the valve.

Clicking sound should be heard.

Is the inspection result normal?

- YES >> GO TO 7.
NO >> GO TO 3.

3. CHECK EVAP CANISTER VENT CONTROL VALVE POWER SUPPLY

1. Turn ignition switch OFF.
2. Disconnect EVAP canister vent control valve harness connector.
3. Turn ignition switch ON.

P0447 EVAP CANISTER VENT CONTROL VALVE

[QR25DE]

< DTC/CIRCUIT DIAGNOSIS >

4. Check the voltage between EVAP canister vent control valve harness connector and ground.

+		-	Voltage
Connector	Terminal		
B39	1	Ground	Battery voltage

Is the inspection result normal?

- YES >> GO TO 5.
NO >> GO TO 4.

4.CHECK EVAP CANISTER VENT CONTROL VALVE POWER SUPPLY CIRCUIT

1. Turn ignition switch OFF.
2. Disconnect IPDM E/R harness connector.
3. Check the continuity between EVAP canister vent control valve harness connector and IPDM E/R harness connector.

+		-		Continuity
Connector	Terminal	Connector	Terminal	
B39	1	E18	13	Existed

4. Also check harness for short to ground.

Is the inspection result normal?

- YES >> Perform the trouble diagnosis for power supply circuit.
NO >> Repair or replace error-detected parts.

5.CHECK EVAP CANISTER VENT CONTROL VALVE OUTPUT SIGNAL CIRCUIT

1. Turn ignition switch OFF.
2. Disconnect ECM harness connector.
3. Check the continuity between EVAP canister vent control valve harness connector and ECM harness connector.

+		-		Continuity
Connector	Terminal	Connector	Terminal	
B39	2	E10 ^{*1} E31 ^{*2}	97	Existed

*1: Except for California

*2: For California

4. Also check harness for short to power.

Is the inspection result normal?

- YES >> GO TO 6.
NO >> Repair or replace error-detected parts.

6.CHECK RUBBER TUBE FOR CLOGGING

1. Disconnect rubber tube connected to EVAP canister vent control valve.
2. Check the rubber tube for clogging.

Is the inspection result normal?

- YES >> GO TO 7.
NO >> Clean the rubber tube using an air blower.

7.CHECK EVAP CANISTER VENT CONTROL VALVE

P0447 EVAP CANISTER VENT CONTROL VALVE

[QR25DE]

< DTC/CIRCUIT DIAGNOSIS >

Check the EVAP canister vent control valve. Refer to [EC-365. "Component Inspection"](#).

Is the inspection result normal?

- YES >> Check intermittent incident. Refer to [GI-44. "Intermittent Incident"](#).
- NO >> Replace EVAP canister vent control valve. Refer to [FL-18. "Removal and Installation"](#)

Component Inspection

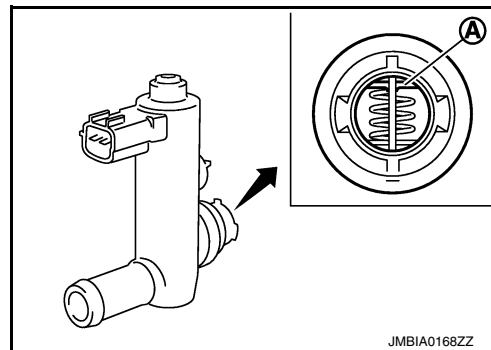
INFOID:000000012602395

1. CHECK EVAP CANISTER VENT CONTROL VALVE-1

1. Turn ignition switch OFF.
2. Remove EVAP canister vent control valve from EVAP canister.
3. Check portion (A) of EVAP canister vent control valve for being rusted.

Is it rusted?

- YES >> Replace EVAP canister vent control valve. Refer to [FL-18. "Removal and Installation"](#).
- NO >> GO TO 2.



2. CHECK EVAP CANISTER VENT CONTROL VALVE-2

With CONSULT

1. Reconnect harness connectors disconnected.
2. Turn ignition switch ON.
3. Perform "VENT CONTROL/V" in "ACTIVE TEST" mode of "ENGINE" using CONSULT.
4. Check air passage continuity and operation delay time.
Make sure new O-ring is installed properly.

Condition (VENT CONT/V)	Air passage continuity between (A) and (B)
ON	Not existed
OFF	Existed

Operation takes less than 1 second.

Without CONSULT

Check air passage continuity and operation delay time under the following conditions.

Make sure new O-ring is installed properly.

Condition	Air passage continuity between (A) and (B)
12 V direct current supply between terminals 1 and 2	Not existed
OFF	Existed

Operation takes less than 1 second.

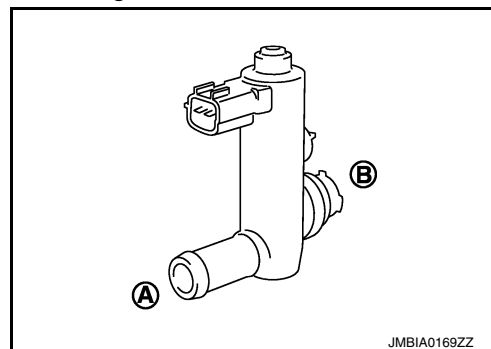
Is the inspection result normal?

- YES >> GO TO 3.
- NO >> Replace EVAP canister vent control valve. Refer to [FL-18. "Removal and Installation"](#).

3. CHECK EVAP CANISTER VENT CONTROL VALVE-3

With CONSULT

1. Clean the air passage [portion (A) to (B)] of EVAP canister vent control valve using an air blower.
2. Perform "VENT CONTROL/V" in "ACTIVE TEST" mode of "ENGINE" using CONSULT.



P0447 EVAP CANISTER VENT CONTROL VALVE

[QR25DE]

< DTC/CIRCUIT DIAGNOSIS >

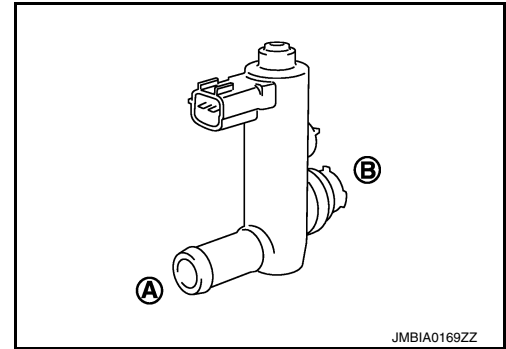
3. Check air passage continuity and operation delay time.
Make sure new O-ring is installed properly.

Condition (VENT CONT/V)	Air passage continuity between (A) and (B)
ON	Not existed
OFF	Existed

Operation takes less than 1 second.

⊗ Without CONSULT

1. Clean the air passage [portion (A) to (B)] of EVAP canister vent control valve using an air blower.
2. Check air passage continuity and operation delay time under the following conditions.
Make sure new O-ring is installed properly.



Condition	Air passage continuity between (A) and (B)
12 V direct current supply between terminals 1 and 2	Not existed
OFF	Existed

Operation takes less than 1 second.

Is the inspection result normal?

- YES >> INSPECTION END
 NO >> Replace EVAP canister vent control valve. Refer to [FL-18. "Removal and Installation"](#).

P0448 EVAP CANISTER VENT CONTROL VALVE

< DTC/CIRCUIT DIAGNOSIS >

[QR25DE]

P0448 EVAP CANISTER VENT CONTROL VALVE

DTC Logic

INFOID:000000012602396

DTC DETECTION LOGIC

DTC No.	CONSULT screen terms (Trouble diagnosis content)	DTC detecting condition	Possible cause
P0448	VENT CONTROL VALVE (Evaporative emission system vent control circuit shorted)	EVAP canister vent control valve remains closed under specified driving conditions.	<ul style="list-style-type: none"> • EVAP canister vent control valve • EVAP control system pressure sensor and the circuit • Blocked rubber tube to EVAP canister vent control valve • EVAP canister is saturated with water

DTC CONFIRMATION PROCEDURE

1. PRECONDITIONING

If DTC Confirmation Procedure has been previously conducted, always perform the following procedure before conducting the next test.

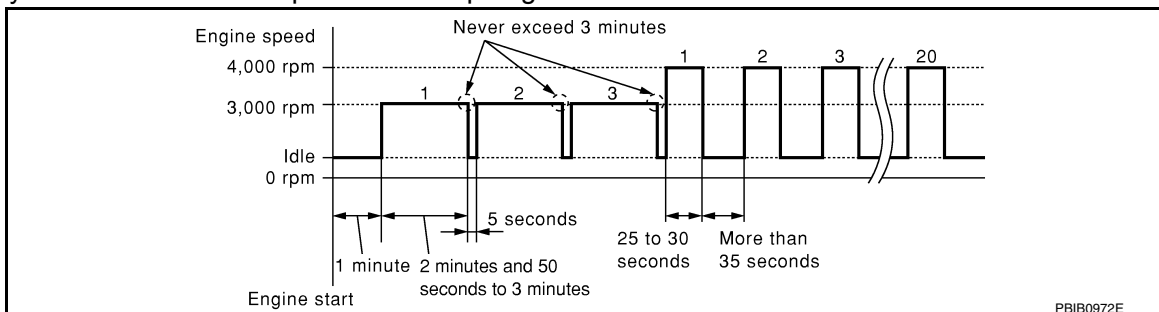
1. Turn ignition switch OFF and wait at least 10 seconds.
2. Turn ignition switch ON.
3. Turn ignition switch OFF and wait at least 10 seconds.

>> GO TO 2.

2. PERFORM DTC CONFIRMATION PROCEDURE

Ⓜ With CONSULT

1. Turn ignition switch ON and wait at least 5 seconds.
2. Turn ignition switch OFF and wait at least 10 seconds.
3. Turn ignition switch ON and select "DATA MONITOR" mode of "ENGINE" using CONSULT.
4. Start engine and let it idle for at least 1 minute.
5. Repeat next procedures three times.
 - Increase the engine speed up to 3,000 to 3,500 rpm and keep it for 2 minutes and 50 seconds to 3 minutes.
- Never exceed 3 minutes.**
 - Fully released accelerator pedal and keep engine idle for about 5 seconds.
6. Repeat next procedure 20 times.
 - Quickly increase the engine speed up to 4,000 to 4,500 rpm or more and keep it for 25 to 30 seconds.
 - Fully released accelerator pedal and keep engine idle for at least 35 seconds.



7. Check 1st trip DTC.

Ⓜ With GST

Follow the procedure "With CONSULT" above.

Is 1st trip DTC detected?

- YES >> Proceed to [EC-368, "Diagnosis Procedure"](#).
 NO >> INSPECTION END

P0448 EVAP CANISTER VENT CONTROL VALVE

< DTC/CIRCUIT DIAGNOSIS >

[QR25DE]

Diagnosis Procedure

INFOID:000000012602397

1. CHECK RUBBER TUBE

1. Turn ignition switch OFF.
2. Disconnect rubber tube connected to EVAP canister vent control valve.
3. Check the rubber tube for clogging.

Is the inspection result normal?

- YES >> GO TO 2.
NO >> Clean rubber tube using an air blower.

2. CHECK EVAP CANISTER VENT CONTROL VALVE

Check the EVAP canister vent control valve. Refer to [EC-369, "Component Inspection"](#).

Is the inspection result normal?

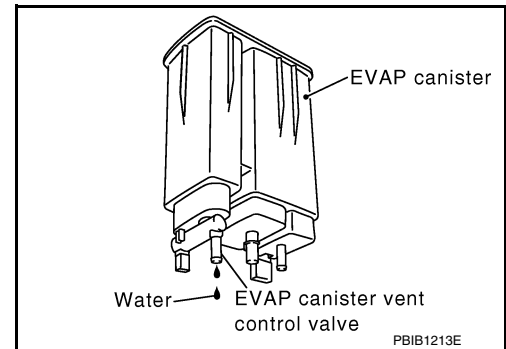
- YES >> GO TO 3.
NO >> Replace EVAP canister vent control valve. Refer to [FL-18, "Removal and Installation"](#).

3. CHECK IF EVAP CANISTER IS SATURATED WITH WATER

1. Remove EVAP canister with EVAP canister vent control valve and EVAP control system pressure sensor attached.
2. Check if water will drain from the EVAP canister.

Does water drain from EVAP canister?

- YES >> GO TO 4.
NO >> GO TO 6.



4. CHECK EVAP CANISTER

Weigh the EVAP canister with the EVAP canister vent control valve and EVAP control system pressure sensor attached.

The weight should be less than 2.1 kg (4.6 lb).

Is the inspection result normal?

- YES >> GO TO 6.
NO >> GO TO 5.

5. DETECT MALFUNCTIONING PART

Check the following.

- EVAP canister for damage
- EVAP hose between EVAP canister and vehicle frame for clogging or poor connection

>> Repair hose or replace EVAP canister. Refer to [FL-15, "Removal and Installation"](#).

6. CHECK EVAP CONTROL SYSTEM PRESSURE SENSOR CONNECTOR

1. Disconnect EVAP control system pressure sensor harness connector.
2. Check connectors for water.

Water should not exist.

Is the inspection result normal?

- YES >> GO TO 7.
NO >> Replace EVAP control system pressure sensor. Refer to [FL-19, "Removal and Installation"](#).

7. CHECK EVAP CONTROL SYSTEM PRESSURE SENSOR

Check the EVAP control system pressure sensor. Refer to [EC-374, "Component Inspection"](#).

P0448 EVAP CANISTER VENT CONTROL VALVE

[QR25DE]

< DTC/CIRCUIT DIAGNOSIS >

Is the inspection result normal?

- YES >> Check intermittent incident. Refer to [GI-44, "Intermittent Incident"](#).
- NO >> Replace EVAP control system pressure sensor. Refer to [FL-19, "Removal and Installation"](#).

Component Inspection

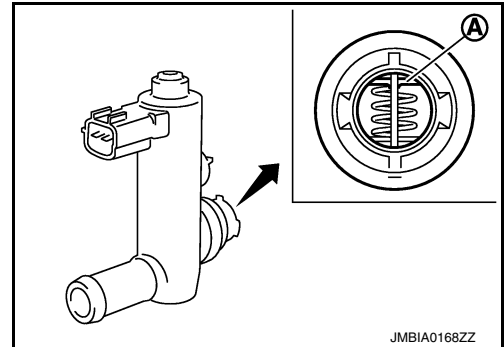
INFOID:000000012602398

1.CHECK EVAP CANISTER VENT CONTROL VALVE-1

1. Turn ignition switch OFF.
2. Remove EVAP canister vent control valve from EVAP canister.
3. Check portion (A) of EVAP canister vent control valve for being rusted.

Is it rusted?

- YES >> Replace EVAP canister vent control valve. Refer to [FL-18, "Removal and Installation"](#).
- NO >> GO TO 2.



2.CHECK EVAP CANISTER VENT CONTROL VALVE-2

Ⓜ With CONSULT

1. Reconnect harness connectors disconnected.
2. Turn ignition switch ON.
3. Perform "VENT CONTROL/V" in "ACTIVE TEST" mode of "ENGINE" using CONSULT.
4. Check air passage continuity and operation delay time.
Make sure new O-ring is installed properly.

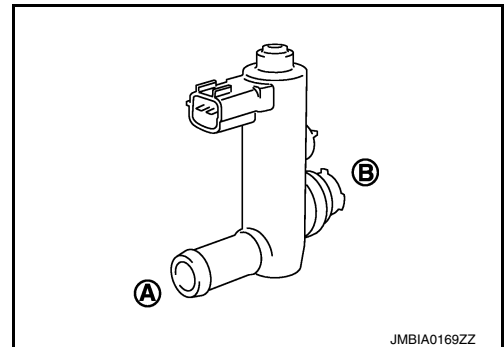
Condition (VENT CONT/V)	Air passage continuity between (A) and (B)
ON	Not existed
OFF	Existed

Operation takes less than 1 second.

ⓧ Without CONSULT

Check air passage continuity and operation delay time under the following conditions.

Make sure new O-ring is installed properly.



Condition	Air passage continuity between (A) and (B)
12 V direct current supply between terminals 1 and 2	Not existed
OFF	Existed

Operation takes less than 1 second.

Is the inspection result normal?

- YES >> GO TO 3.
- NO >> Replace EVAP canister vent control valve. Refer to [FL-18, "Removal and Installation"](#).

3.CHECK EVAP CANISTER VENT CONTROL VALVE-3

Ⓜ With CONSULT

1. Clean the air passage [portion (A) to (B)] of EVAP canister vent control valve using an air blower.
2. Perform "VENT CONTROL/V" in "ACTIVE TEST" mode of "ENGINE" using CONSULT.

P0448 EVAP CANISTER VENT CONTROL VALVE

[QR25DE]

< DTC/CIRCUIT DIAGNOSIS >

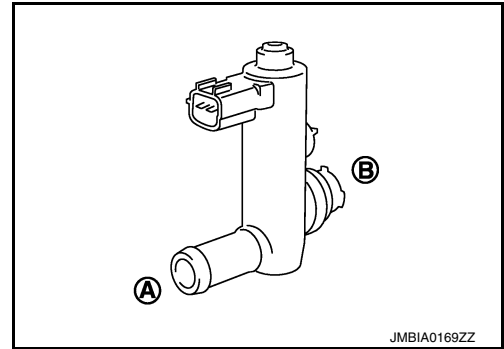
3. Check air passage continuity and operation delay time.
Make sure new O-ring is installed properly.

Condition (VENT CONT/V)	Air passage continuity between (A) and (B)
ON	Not existed
OFF	Existed

Operation takes less than 1 second.

⊗ Without CONSULT

- Clean the air passage [portion (A) to (B)] of EVAP canister vent control valve using an air blower.
- Check air passage continuity and operation delay time under the following conditions.
Make sure new O-ring is installed properly.



Condition	Air passage continuity between (A) and (B)
12 V direct current supply between terminals 1 and 2	Not existed
OFF	Existed

Operation takes less than 1 second.

Is the inspection result normal?

YES >> INSPECTION END

NO >> Replace EVAP canister vent control valve. Refer to [FL-18. "Removal and Installation"](#).

P0451 EVAP CONTROL SYSTEM PRESSURE SENSOR

< DTC/CIRCUIT DIAGNOSIS >

[QR25DE]

P0451 EVAP CONTROL SYSTEM PRESSURE SENSOR

DTC Logic

INFOID:000000012602399

DTC DETECTION LOGIC

DTC No.	CONSULT screen terms (Trouble diagnosis content)	DTC detecting condition	Possible cause
P0451	EVAP SYS PRES SEN (Evaporative emission system pressure sensor/switch range/ performance)	ECM detects a sloshing signal from the EVAP control system pressure sensor	<ul style="list-style-type: none"> • Harness or connectors (EVAP control system pressure sensor circuit is shorted.) • EVAP control system pressure sensor

DTC CONFIRMATION PROCEDURE

NOTE:

Never remove fuel filler cap during DTC confirmation procedure.

1. PRECONDITIONING

If DTC Confirmation Procedure has been previously conducted, always perform the following procedure before conducting the next test.

1. Turn ignition switch OFF and wait at least 10 seconds.
2. Turn ignition switch ON.
3. Turn ignition switch OFF and wait at least 10 seconds.

With CONSULT >> GO TO 2.

Without CONSULT >> GO TO 5.

2. PERFORM DTC CONFIRMATION PROCEDURE-1

With CONSULT

1. Start engine and let it idle for least 40 seconds.

NOTE:

Do not depress accelerator pedal even slightly.

2. Check 1st trip DTC.

Is 1st trip DTC detected?

YES >> Proceed to [EC-372. "Diagnosis Procedure"](#).

NO >> GO TO 3.

3. PERFORM DTC CONFIRMATION PROCEDURE-2

With CONSULT

1. Select "EVAP DIAG READY" in "DATA MONITOR" mode of "ENGINE".
2. Let it idle until "OFF" of "EVAP DIAG READY" changes to "ON".

NOTE:

It will take at most 2 hours until "OFF" of "EVAP DIAG READY" changes to "ON".

3. Turn ignition switch OFF and wait at least 90 minutes.

NOTE:

Never turn ignition switch ON during 90 minutes.

4. Turn ignition switch ON.
5. Select "EVAP LEAK DIAG" in "DATA MONITOR" mode of "ENGINE".
6. Check that "EVAP LEAK DIAG" indication.

Which is displayed on CONSULT?

CMPLT >> GO TO 4.

YET >> 1. Perform DTC CONFIRMATION PROCEDURE again.
2. GO TO 1.

4. PERFORM DTC CONFIRMATION PROCEDURE-3

With CONSULT

Check 1st trip DTC.

Is 1st trip DTC detected?

P0451 EVAP CONTROL SYSTEM PRESSURE SENSOR

[QR25DE]

< DTC/CIRCUIT DIAGNOSIS >

- YES >> Proceed to [EC-372, "Diagnosis Procedure"](#).
NO >> INSPECTION END

5. PERFORM DTC CONFIRMATION PROCEDURE-4

 With GST

1. Start engine and let it idle for least 40 seconds.

NOTE:

Do not depress accelerator pedal even slightly.

2. Check 1st trip DTC.

Is 1st trip DTC detected?

- YES >> Proceed to [EC-372, "Diagnosis Procedure"](#).
NO >> GO TO 6.

6. PERFORM DTC CONFIRMATION PROCEDURE-5

 With GST

1. Let it idle for at least 2 hours.
2. Turn ignition switch OFF and wait at least 90 minutes.

NOTE:

Never turn ignition switch ON during 90 minutes.

3. Turn ignition switch ON.
4. Check 1st trip DTC.

Is 1st trip DTC detected?

- YES >> Proceed to [EC-372, "Diagnosis Procedure"](#).
NO >> INSPECTION END

Diagnosis Procedure

INFOID:0000000012602400

1. CHECK EVAP CONTROL SYSTEM PRESSURE SENSOR CONNECTOR FOR WATER

1. Turn ignition switch OFF.
2. Disconnect EVAP control system pressure sensor harness connector.
3. Check sensor harness connector for water.

Water should not exist.

Is the inspection result normal?

- YES >> GO TO 2.
NO >> Repair or replace harness connector.

2. CHECK EVAP CONTROL SYSTEM PRESSURE SENSOR POWER SUPPLY

1. Turn ignition switch ON.
2. Check the voltage between EVAP control system pressure sensor harness connector and ground.

+		-	Voltage (Approx.)
Connector	Terminal		
B41	3	Ground	5 V

Is the inspection result normal?

- YES >> GO TO 4.
NO >> GO TO 3.

3. CHECK EVAP CONTROL SYSTEM PRESSURE SENSOR POWER SUPPLY CIRCUIT

1. Turn ignition switch OFF.
2. Disconnect ECM harness connector.
3. Check the continuity between EVAP control system pressure sensor harness connector and ECM harness connector.

P0451 EVAP CONTROL SYSTEM PRESSURE SENSOR

< DTC/CIRCUIT DIAGNOSIS >

[QR25DE]

+		-		Continuity
EVAP control system pressure sensor		ECM		
Connector	Terminal	Connector	Terminal	
B41	3	E10 ^{*1} E31 ^{*2}	113	Existed

*1: Except for California

*2: For California

- Also check harness for short to ground and to power.

Is the inspection result normal?

YES >> Perform the trouble diagnosis for power supply circuit.

NO >> Repair or replace error-detected parts

4. CHECK EVAP CONTROL SYSTEM PRESSURE SENSOR GROUND CIRCUIT

- Turn ignition switch OFF.
- Disconnect ECM harness connector.
- Check the continuity between EVAP control system pressure sensor harness connector and ECM harness connector.

+		-		Continuity
EVAP control system pressure sensor		ECM		
Connector	Terminal	Connector	Terminal	
B41	1	E10 ^{*1} E31 ^{*2}	124	Existed

*1: Except for California

*2: For California

- Also check harness for short to power.

Is the inspection result normal?

YES >> GO TO 5.

NO >> Repair or replace error-detected parts.

5. CHECK EVAP CONTROL SYSTEM PRESSURE SENSOR SIGNAL CIRCUIT

- Check the continuity between EVAP control system pressure sensor harness connector and ECM harness connector.

+		-		Continuity
EVAP control system pressure sensor		ECM		
Connector	Terminal	Connector	Terminal	
B41	2	E10 ^{*1} E31 ^{*2}	114	Existed

*1: Except for California

*2: For California

- Also check harness for short to ground and to power.

Is the inspection result normal?

YES >> GO TO 6.

NO >> Repair or replace error-detected parts.

6. CHECK EVAP CONTROL SYSTEM PRESSURE SENSOR

Check the EVAP control system pressure sensor. Refer to [EC-374, "Component Inspection"](#).

Is the inspection result normal?

P0451 EVAP CONTROL SYSTEM PRESSURE SENSOR

[QR25DE]

< DTC/CIRCUIT DIAGNOSIS >

- YES >> Check intermittent incident. Refer to [GI-44, "Intermittent Incident"](#).
NO >> Replace EVAP control system pressure sensor. Refer to [FL-19, "Removal and Installation"](#).

Component Inspection

INFOID:0000000012602401

1. CHECK EVAP CONTROL SYSTEM PRESSURE SENSOR

1. Turn ignition switch OFF.
2. Remove EVAP control system pressure sensor with its harness connector connected from EVAP canister.
Always replace O-ring with a new one.
3. Install a vacuum pump to EVAP control system pressure sensor.
4. Turn ignition switch ON and check output voltage between ECM harness connector and ground under the following conditions.

Connector	ECM		Condition [Applied vacuum kPa (kg/cm ² , psi)]	Voltage
	+	-		
Terminal				
E10*1	114	124	Not applied	0.5 - 4.6 V
E31*2			-26.7 (-0.272, -3.87)	2.1 to 2.5 V lower than above value

*1: Except for California

*2: For California

CAUTION:

- **Always calibrate the vacuum pump gauge when using it.**
- **Do not apply below -93.3 kPa (-0.952 kg/cm², -13.53 psi) or pressure over 101.3 kPa (1.033 kg/cm², 14.69 psi).**

Is the inspection result normal?

- YES >> INSPECTION END
NO >> Replace EVAP control system pressure sensor. Refer to [FL-19, "Removal and Installation"](#).

P0452 EVAP CONTROL SYSTEM PRESSURE SENSOR

< DTC/CIRCUIT DIAGNOSIS >

[QR25DE]

P0452 EVAP CONTROL SYSTEM PRESSURE SENSOR

DTC Logic

INFOID:000000012602402

DTC DETECTION LOGIC

DTC No.	CONSULT screen terms (Trouble diagnosis content)	DTC detecting condition	Possible cause
P0452	EVAP SYS PRES SEN (Evaporative emission system pressure sensor/switch low)	An excessively low voltage from the sensor is sent to ECM.	<ul style="list-style-type: none"> Harness or connectors (EVAP control system pressure sensor circuit is shorted.) EVAP control system pressure sensor

DTC CONFIRMATION PROCEDURE

1. PRECONDITIONING

If DTC Confirmation Procedure has been previously conducted, always perform the following procedure before conducting the next test.

- Turn ignition switch OFF and wait at least 10 seconds.
- Turn ignition switch ON.
- Turn ignition switch OFF and wait at least 10 seconds.

TESTING CONDITION:

Always perform test at a temperature of 5°C (41°F) or more.

>> GO TO 2.

2. PERFORM DTC CONFIRMATION PROCEDURE

With CONSULT

- Start engine and warm it up to normal operating temperature.
- Turn ignition switch OFF and wait at least 10 seconds.
- Turn ignition switch ON.
- Select "DATA MONITOR" mode of "ENGINE" using CONSULT.
- Make sure that "FUEL T/TMP SE" indication is more than 0°C (32°F).
- Start engine and wait at least 20 seconds.
- Check 1st trip DTC.

With GST

- Start engine and warm it up to normal operating temperature.
- Set voltmeter probes to ECM harness connector terminals as per the following.

Connector	ECM		Voltage
	+	-	
	Terminal		
E10*1 E31*2	114	124	Less than 4.2 V

*1: Except for California

*2: For California

- Make sure that the voltage is less than 4.2 V.
- Turn ignition switch OFF and wait at least 10 seconds.
- Start engine and wait at least 20 seconds.
- Check 1st trip DTC.

Is 1st trip DTC detected?

YES >> Proceed to [EC-376. "Diagnosis Procedure"](#).

NO >> INSPECTION END

P0452 EVAP CONTROL SYSTEM PRESSURE SENSOR

[QR25DE]

< DTC/CIRCUIT DIAGNOSIS >

INFOID:000000012602403

Diagnosis Procedure

1. CHECK EVAP CONTROL SYSTEM PRESSURE SENSOR CONNECTOR FOR WATER

1. Turn ignition switch OFF.
2. Disconnect EVAP control system pressure sensor harness connector.
3. Check sensor harness connector for water.

Water should not exist.

Is the inspection result normal?

YES >> GO TO 2.

NO >> Repair or replace harness connector.

2. CHECK EVAP CONTROL SYSTEM PRESSURE SENSOR POWER SUPPLY

1. Turn ignition switch ON.
2. Check the voltage between EVAP control system pressure sensor harness connector and ground.

+		-	Voltage (Approx.)
EVAP control system pressure sensor			
Connector	Terminal		
B41	3	Ground	5 V

Is the inspection result normal?

YES >> GO TO 4.

NO >> GO TO 3.

3. CHECK EVAP CONTROL SYSTEM PRESSURE SENSOR POWER SUPPLY CIRCUIT

1. Turn ignition switch OFF.
2. Disconnect ECM harness connector.
3. Check the continuity between EVAP control system pressure sensor harness connector and ECM harness connector.

+		-		Continuity
EVAP control system pressure sensor		ECM		
Connector	Terminal	Connector	Terminal	
B41	3	E10 ^{*1} E31 ^{*2}	113	Existed

*1: Except for California

*2: For California

4. Also check harness for short to ground and to power.

Is the inspection result normal?

YES >> Perform the trouble diagnosis for power supply circuit.

NO >> Repair or replace error-detected parts

4. CHECK EVAP CONTROL SYSTEM PRESSURE SENSOR GROUND CIRCUIT

1. Turn ignition switch OFF.
2. Disconnect ECM harness connector.
3. Check the continuity between EVAP control system pressure sensor harness connector and ECM harness connector.

P0452 EVAP CONTROL SYSTEM PRESSURE SENSOR

< DTC/CIRCUIT DIAGNOSIS >

[QR25DE]

+		-		Continuity
EVAP control system pressure sensor		ECM		
Connector	Terminal	Connector	Terminal	
B41	1	E10*1 E31*2	124	Existed

*1: Except for California

*2: For California

- Also check harness for short to power.

Is the inspection result normal?

YES >> GO TO 5.

NO >> Repair or replace error-detected parts.

5. CHECK EVAP CONTROL SYSTEM PRESSURE SENSOR SIGNAL CIRCUIT

- Check the continuity between EVAP control system pressure sensor harness connector and ECM harness connector.

+		-		Continuity
EVAP control system pressure sensor		ECM		
Connector	Terminal	Connector	Terminal	
B41	2	E10*1 E31*2	114	Existed

*1: Except for California

*2: For California

- Also check harness for short to ground and to power.

Is the inspection result normal?

YES >> GO TO 6.

NO >> Repair or replace error-detected parts.

6. CHECK EVAP CONTROL SYSTEM PRESSURE SENSOR

Check the EVAP control system pressure sensor. Refer to [EC-374, "Component Inspection"](#).

Is the inspection result normal?

YES >> Check intermittent incident. Refer to [GI-44, "Intermittent Incident"](#).

NO >> Replace EVAP control system pressure sensor. Refer to [FL-19, "Removal and Installation"](#).

Component Inspection

INFOID:000000012602404

1. CHECK EVAP CONTROL SYSTEM PRESSURE SENSOR

- Turn ignition switch OFF.
- Remove EVAP control system pressure sensor with its harness connector connected from EVAP canister.
Always replace O-ring with a new one.
- Install a vacuum pump to EVAP control system pressure sensor.
- Turn ignition switch ON and check output voltage between ECM harness connector and ground under the following conditions.

ECM	Condition		Voltage	
	+	-		
Connector	Terminal		[Applied vacuum kPa (kg/cm ² , psi)]	
E10*1 E31*2	114	124	Not applied	0.5 - 4.6 V
			-26.7 (-0.272, -3.87)	2.1 to 2.5 V lower than above value

*1: Except for California

P0452 EVAP CONTROL SYSTEM PRESSURE SENSOR

< DTC/CIRCUIT DIAGNOSIS >

[QR25DE]

*2: For California

CAUTION:

- Always calibrate the vacuum pump gauge when using it.
- Do not apply below -93.3 kPa (-0.952 kg/cm², -13.53 psi) or pressure over 101.3 kPa (1.033 kg/cm², 14.69 psi).

Is the inspection result normal?

YES >> INSPECTION END

NO >> Replace EVAP control system pressure sensor. Refer to [FL-19, "Removal and Installation"](#).

P0453 EVAP CONTROL SYSTEM PRESSURE SENSOR

< DTC/CIRCUIT DIAGNOSIS >

[QR25DE]

P0453 EVAP CONTROL SYSTEM PRESSURE SENSOR

DTC Logic

INFOID:000000012602405

DTC DETECTION LOGIC

DTC No.	CONSULT screen terms (Trouble diagnosis content)	DTC detecting condition	Possible cause
P0453	EVAP SYS PRES SEN (Evaporative emission system pressure sensor/switch high)	An excessively high voltage from the sensor is sent to ECM.	<ul style="list-style-type: none"> Harness or connectors (EVAP control system pressure sensor circuit is shorted.) EVAP control system pressure sensor

DTC CONFIRMATION PROCEDURE

1. PRECONDITIONING

If DTC Confirmation Procedure has been previously conducted, always perform the following procedure before conducting the next test.

- Turn ignition switch OFF and wait at least 10 seconds.
- Turn ignition switch ON.
- Turn ignition switch OFF and wait at least 10 seconds.

TESTING CONDITION:

Always perform test at a temperature of 5°C (41°F) or more.

>> GO TO 2.

2. PERFORM DTC CONFIRMATION PROCEDURE

With CONSULT

- Start engine and warm it up to normal operating temperature.
- Turn ignition switch OFF and wait at least 10 seconds.
- Turn ignition switch ON.
- Select "DATA MONITOR" mode of "ENGINE" using CONSULT.
- Make sure that "FUEL T/TMP SE" indication is more than 0°C (32°F).
- Start engine and wait at least 20 seconds.
- Check 1st trip DTC.

With GST

- Start engine and warm it up to normal operating temperature.
- Set voltmeter probes to ECM harness connector terminals as per the following.

Connector	ECM		Voltage
	+	-	
	Terminal		
E10*1 E31*2	114	124	Less than 4.2 V

*1: Except for California

*2: For California

- Make sure that the voltage is less than 4.2 V.
- Turn ignition switch OFF and wait at least 10 seconds.
- Start engine and wait at least 20 seconds.
- Check 1st trip DTC.

Is 1st trip DTC detected?

YES >> Proceed to [EC-380. "Diagnosis Procedure"](#).

NO >> INSPECTION END

P0453 EVAP CONTROL SYSTEM PRESSURE SENSOR

< DTC/CIRCUIT DIAGNOSIS >

[QR25DE]

INFOID:000000012602406

Diagnosis Procedure

1. CHECK EVAP CONTROL SYSTEM PRESSURE SENSOR CONNECTOR FOR WATER

1. Turn ignition switch OFF.
2. Disconnect EVAP control system pressure sensor harness connector.
3. Check sensor harness connector for water.

Water should not exist.

Is the inspection result normal?

YES >> GO TO 2.

NO >> Repair or replace harness connector.

2. CHECK EVAP CONTROL SYSTEM PRESSURE SENSOR POWER SUPPLY

1. Turn ignition switch ON.
2. Check the voltage between EVAP control system pressure sensor harness connector and ground.

+		-	Voltage (Approx.)
EVAP control system pressure sensor			
Connector	Terminal		
B41	3	Ground	5 V

Is the inspection result normal?

YES >> GO TO 4.

NO >> GO TO 3.

3. CHECK EVAP CONTROL SYSTEM PRESSURE SENSOR POWER SUPPLY CIRCUIT

1. Turn ignition switch OFF.
2. Disconnect ECM harness connector.
3. Check the continuity between EVAP control system pressure sensor harness connector and ECM harness connector.

+		-		Continuity
EVAP control system pressure sensor		ECM		
Connector	Terminal	Connector	Terminal	
B41	3	E10 ^{*1} E31 ^{*2}	113	Existed

*1: Except for California

*2: For California

4. Also check harness for short to ground and to power.

Is the inspection result normal?

YES >> Perform the trouble diagnosis for power supply circuit.

NO >> Repair or replace error-detected parts

4. CHECK EVAP CONTROL SYSTEM PRESSURE SENSOR GROUND CIRCUIT

1. Turn ignition switch OFF.
2. Disconnect ECM harness connector.
3. Check the continuity between EVAP control system pressure sensor harness connector and ECM harness connector.

P0453 EVAP CONTROL SYSTEM PRESSURE SENSOR

< DTC/CIRCUIT DIAGNOSIS >

[QR25DE]

+		-		Continuity
EVAP control system pressure sensor		ECM		
Connector	Terminal	Connector	Terminal	
B41	1	E10*1 E31*2	124	Existed

*1: Except for California

*2: For California

- Also check harness for short to power.

Is the inspection result normal?

YES >> GO TO 5.

NO >> Repair or replace error-detected parts.

5. CHECK EVAP CONTROL SYSTEM PRESSURE SENSOR SIGNAL CIRCUIT

- Check the continuity between EVAP control system pressure sensor harness connector and ECM harness connector.

+		-		Continuity
EVAP control system pressure sensor		ECM		
Connector	Terminal	Connector	Terminal	
B41	2	E10*1 E31*2	114	Existed

*1: Except for California

*2: For California

- Also check harness for short to ground and to power.

Is the inspection result normal?

YES >> GO TO 6.

NO >> Repair or replace error-detected parts.

6. CHECK RUBBER TUBE

- Disconnect rubber tube connected to EVAP canister vent control valve.
- Check the rubber tube for clogging.

Is the inspection result normal?

YES >> GO TO 7.

NO >> Clean the rubber tube using an air blower, repair or replace rubber tube.

7. CHECK EVAP CANISTER VENT CONTROL VALVE

Refer to [EC-365. "Component Inspection"](#).

Is the inspection result normal?

YES >> GO TO 8.

NO >> Replace EVAP canister vent control valve. Refer to [FL-18. "Removal and Installation"](#).

8. CHECK EVAP CONTROL SYSTEM PRESSURE SENSOR

Refer to [EC-382. "Component Inspection"](#).

Is the inspection result normal?

YES >> GO TO 9.

NO >> Replace EVAP control system pressure sensor. Refer to [FL-19. "Removal and Installation"](#).

9. CHECK IF EVAP CANISTER IS SATURATED WITH WATER

- Remove EVAP canister with EVAP canister vent control valve and EVAP control system pressure sensor attached.

P0453 EVAP CONTROL SYSTEM PRESSURE SENSOR

[QR25DE]

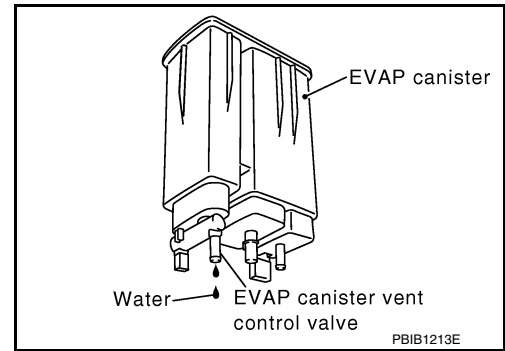
< DTC/CIRCUIT DIAGNOSIS >

2. Check if water will drain from the EVAP canister.

Does water drain from EVAP canister?

YES >> GO TO 10.

NO >> Check intermittent incident. Refer to [GI-44. "Intermittent Incident"](#).



10. CHECK EVAP CANISTER

Weigh the EVAP canister with the EVAP canister vent control valve and EVAP control system pressure sensor attached.

The weight should be less than 1.9 kg (4.2 lb).

Is the inspection result normal?

YES >> Check intermittent incident. Refer to [GI-44. "Intermittent Incident"](#).

NO >> GO TO 11.

11. DETECT MALFUNCTIONING PART

Check the following.

- EVAP canister for damage
- EVAP hose between EVAP canister and vehicle frame for clogging or poor connection

>> Repair hose or replace EVAP canister. Refer to [FL-15. "Removal and Installation"](#).

Component Inspection

INFOID:0000000012602407

1. CHECK EVAP CONTROL SYSTEM PRESSURE SENSOR

1. Turn ignition switch OFF.
2. Remove EVAP control system pressure sensor with its harness connector connected from EVAP canister.
Always replace O-ring with a new one.
3. Install a vacuum pump to EVAP control system pressure sensor.
4. Turn ignition switch ON and check output voltage between ECM harness connector and ground under the following conditions.

Connector	ECM		Condition [Applied vacuum kPa (kg/cm ² , psi)]	Voltage
	+	-		
	Terminal			
E10 ^{*1}	114	124	Not applied	0.5 - 4.6 V
E31 ^{*2}			-26.7 (-0.272, -3.87)	2.1 to 2.5 V lower than above value

*1: Except for California

*2: For California

CAUTION:

- **Always calibrate the vacuum pump gauge when using it.**
- **Do not apply below -93.3 kPa (-0.952 kg/cm², -13.53 psi) or pressure over 101.3 kPa (1.033 kg/cm², 14.69 psi).**

Is the inspection result normal?

YES >> INSPECTION END

NO >> Replace EVAP control system pressure sensor. Refer to [FL-19. "Removal and Installation"](#).

P0456 EVAP CONTROL SYSTEM

< DTC/CIRCUIT DIAGNOSIS >

[QR25DE]

P0456 EVAP CONTROL SYSTEM

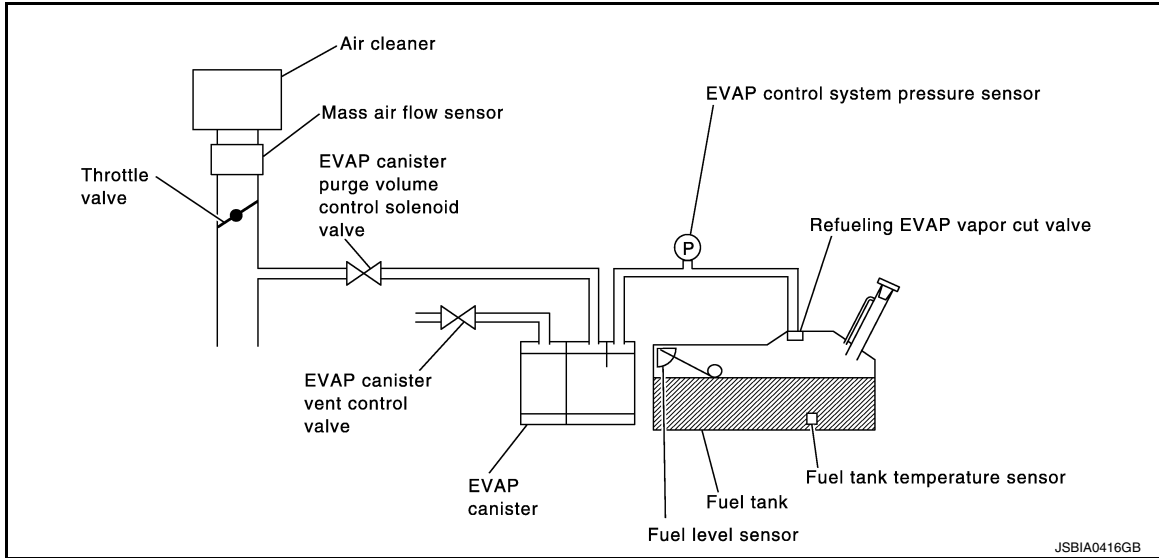
DTC Logic

INFOID:000000012602408

DTC DETECTION LOGIC

This diagnosis detects leaks in the EVAP line between fuel tank and EVAP canister purge volume control solenoid valve, using the negative pressure caused by decrease of fuel temperature in the fuel tank after turning ignition switch OFF.

If ECM judges there are no leaks, the diagnosis will be OK.



DTC No.	CONSULT screen terms (Trouble diagnosis content)	DTC detecting condition	Possible cause
P0456	EVAP VERY SML LEAK [Evaporative emission system leak detected (very small leak)]	<ul style="list-style-type: none"> • EVAP system has a leak. • EVAP system does not operate properly. 	<ul style="list-style-type: none"> • Incorrect fuel tank vacuum relief valve • Incorrect fuel filler cap used • Fuel filler cap remains open or does not close. • Foreign matter caught in fuel filler cap. • Leak is in line between intake manifold and EVAP canister purge volume control solenoid valve. • Foreign matter caught in EVAP canister vent control valve. • EVAP canister or fuel tank leaks • EVAP purge line (pipe and rubber tube) leaks • EVAP purge line rubber tube bent • Loose or disconnected rubber tube • EVAP canister vent control valve and the circuit • EVAP canister purge volume control solenoid valve and the circuit • Fuel tank temperature sensor • O-ring of EVAP canister vent control valve is missing or damaged • EVAP canister is saturated with water • EVAP control system pressure sensor • Refueling EVAP vapor cut valve • ORVR system leaks • Fuel level sensor and the circuit • Foreign matter caught in EVAP canister purge volume control solenoid valve

CAUTION:

- Use only a genuine NISSAN fuel filler cap as a replacement. If an incorrect fuel filler cap is used, the MIL may illuminate.
- If the fuel filler cap is not tightened properly, the MIL may illuminate.
- Use only a genuine NISSAN rubber tube as a replacement.

DTC CONFIRMATION PROCEDURE

P0456 EVAP CONTROL SYSTEM

[QR25DE]

< DTC/CIRCUIT DIAGNOSIS >

1. PRECONDITIONING

If DTC Confirmation Procedure has been previously conducted, always perform the following before conducting the next test.

1. Turn ignition switch OFF and wait at least 10 seconds.
2. Turn ignition switch ON.
3. Turn ignition switch OFF and wait at least 10 seconds.

Do you have CONSULT?

- YES >> GO TO 2.
NO >> GO TO 4.

2. PERFORM DTC CONFIRMATION PROCEDURE-1

ⓑ WITH CONSULT

1. Turn ignition switch ON and select "EVAP DIAG READY" in "DATA MONITOR" mode of "ENGINE" using CONSULT.
2. Start engine and wait at idle until "OFF" of "EVAP DIAG READY" changes to "ON".
NOTE:
It will take at most 2 hours until "OFF" of "EVAP DIAG READY" changes to "ON".
3. Turn ignition switch OFF and wait at least 90 minutes.
NOTE:
Never turn ignition switch ON during 90 minutes.
4. Turn ignition switch ON and select "EVAP LEAK DIAG" in "DATA MONITOR" mode of "ENGINE" using CONSULT.
5. Check that "EVAP LEAK DIAG" indication.

Which is displayed on CONSULT?

- CMPLT >> GO TO 3.
YET >> Perform DTC CONFIRMATION PROCEDURE again. GO TO 1.

3. PERFORM DTC CONFIRMATION PROCEDURE-2

Check 1st trip DTC.

Is 1st trip DTC detected?

- YES >> Proceed to [EC-384, "Diagnosis Procedure"](#).
NO >> INSPECTION END.

4. PERFORM DTC CONFIRMATION PROCEDURE

ⓐ WITH GST

1. Start the engine and wait engine idle for at least 2 hours.
2. Turn ignition switch OFF and wait at least 90 minutes.
NOTE:
Never turn ignition switch ON during 90 minutes.
3. Turn ignition switch ON.
4. Check 1st trip DTC.

Is 1st trip DTC detected?

- YES >> Proceed to [EC-384, "Diagnosis Procedure"](#).
NO >> INSPECTION END.

Diagnosis Procedure

INFOID:0000000012602409

1. CHECK FUEL FILLER CAP DESIGN

1. Turn ignition switch OFF.

P0456 EVAP CONTROL SYSTEM

[QR25DE]

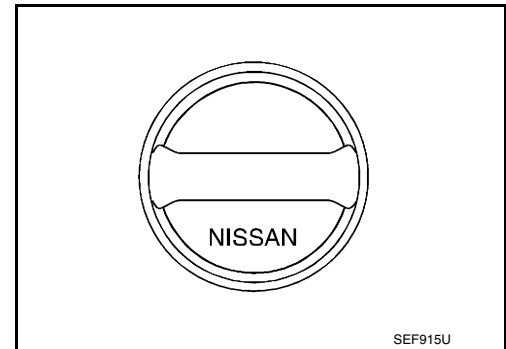
< DTC/CIRCUIT DIAGNOSIS >

2. Check for genuine NISSAN fuel filler cap design.

Is the inspection result normal?

YES >> GO TO 2.

NO >> Replace with genuine NISSAN fuel filler cap.



2. CHECK FUEL FILLER CAP INSTALLATION

Check that the cap is tightened properly by rotating the cap clockwise.

Is the inspection result normal?

YES >> GO TO 3.

NO >> Open fuel filler cap, then clean cap and fuel filler neck threads using air blower. Then retighten until rereaching sound is heard.

3. CHECK FUEL FILLER CAP FUNCTION

Check for air releasing sound while opening the fuel filler cap.

Is the inspection result normal?

YES >> GO TO 5.

NO >> GO TO 4.

4. CHECK FUEL TANK VACUUM RELIEF VALVE

Refer to [EC-388. "Component Inspection"](#).

Is the inspection result normal?

YES >> GO TO 5.

NO >> Replace fuel filler cap with a genuine one.

5. CHECK FOR EVAP LEAK

Refer to [EC-574. "Inspection"](#).

Is there any leak in EVAP line?

YES >> Repair or replace.

NO >> GO TO 6.

6. CHECK EVAP CANISTER VENT CONTROL VALVE

Check the following.

• EVAP canister vent control valve is installed properly.

Refer to [FL-18. "Exploded View"](#).

• EVAP canister vent control valve.

Refer to [FL-18. "Removal and Installation"](#).

Is the inspection result normal?

YES >> GO TO 7.

NO >> Repair or replace EVAP canister vent control valve and O-ring. Refer to [FL-18. "Removal and Installation"](#).

7. CHECK IF EVAP CANISTER SATURATED WITH WATER

1. Remove EVAP canister with EVAP canister vent control valve and EVAP control system pressure sensor attached.

P0456 EVAP CONTROL SYSTEM

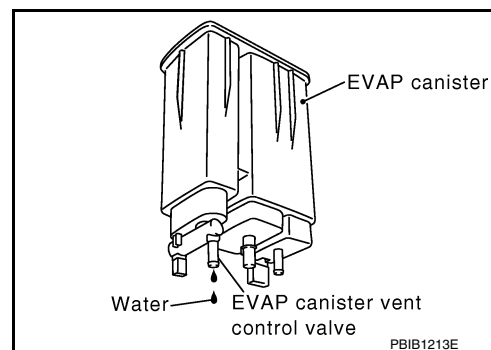
[QR25DE]

< DTC/CIRCUIT DIAGNOSIS >

2. Check if water will drain from the EVAP canister.

Does water drain from EVAP canister?

- YES >> GO TO 8.
- NO-1 >> With CONSULT: GO TO 10.
- NO-2 >> Without CONSULT: GO TO 11.



8. CHECK EVAP CANISTER

Weigh the EVAP canister assembly with the EVAP canister vent control valve and EVAP control system pressure sensor attached. Refer to [FL-15, "Removal and Installation"](#).

The weight should be less than 2.1 kg (4.6 lb).

Is the inspection result normal?

- YES-1 >> With CONSULT: GO TO 10.
- YES-2 >> Without CONSULT: GO TO 11.
- NO >> GO TO 9.

9. DETECT MALFUNCTIONING PART

Check the following.

- EVAP canister for damage
- EVAP hose between EVAP canister and vehicle frame for clogging or poor connection

>> Repair hose or replace EVAP canister. Refer to [FL-15, "Removal and Installation"](#).

10. CHECK EVAP CANISTER PURGE VOLUME CONTROL SOLENOID VALVE OPERATION

With CONSULT

1. Disconnect vacuum hose to EVAP canister purge volume control solenoid valve at EVAP service port.
2. Start the engine and let it idle.
3. Select "PURG VOL CONT/V" in "ACTIVE TEST" mode of "ENGINE" using CONSULT.
4. Touch "Qu" on CONSULT screen to increase "PURG VOL CONT/V" opening to 100%.
5. Check vacuum hose for vacuum.

Vacuum should exist.

Is the inspection result normal?

- YES >> GO TO 13.
- NO >> GO TO 12.

11. CHECK EVAP CANISTER PURGE VOLUME CONTROL SOLENOID VALVE OPERATION

Without CONSULT

1. Start the engine and warm it up to normal operating temperature.
2. Stop the engine.
3. Disconnect vacuum hose to EVAP canister purge volume control solenoid valve at EVAP service port.
4. Start the engine and let it idle for at least 80 seconds.
5. Check vacuum hose for vacuum when revving engine up to 2,000 rpm.

Vacuum should exist.

Is the inspection result normal?

- YES >> GO TO 13.
- NO >> GO TO 12.

12. CHECK VACUUM HOSE

Check vacuum hoses for clogging or disconnection.

Is the inspection result normal?

P0456 EVAP CONTROL SYSTEM

[QR25DE]

< DTC/CIRCUIT DIAGNOSIS >

- YES >> GO TO 13.
NO >> Repair or reconnect the hose.

13. CHECK EVAP CANISTER PURGE VOLUME CONTROL SOLENOID VALVE

Check the EVAP canister purge volume control solenoid valve. Refer to [EC-358, "Component Inspection"](#).

Is the inspection result normal?

- YES >> GO TO 14.
NO >> Replace EVAP canister purge volume control solenoid valve. Refer to [EC-22, "Component Parts Location"](#).

14. CHECK FUEL TANK TEMPERATURE SENSOR

Check the fuel tank temperature sensor. Refer to [EC-318, "Component Inspection"](#).

Is the inspection result normal?

- YES >> GO TO 15.
NO >> Replace fuel level sensor unit. Refer to [FL-5, "Removal and Installation"](#).

15. CHECK EVAP CONTROL SYSTEM PRESSURE SENSOR

Check the EVAP control system pressure sensor. Refer to [FL-19, "Removal and Installation"](#).

Is the inspection result normal?

- YES >> GO TO 16.
NO >> Replace EVAP control system pressure sensor. Refer to [FL-19, "Removal and Installation"](#).

16. CHECK EVAP PURGE LINE

Check EVAP purge line (pipe, rubber tube, fuel tank and EVAP canister) for cracks or improper connection. Refer to [EC-64, "EVAPORATIVE EMISSION SYSTEM : System Description"](#).

Is the inspection result normal?

- YES >> GO TO 17.
NO >> Repair or reconnect the hose.

17. CLEAN EVAP PURGE LINE

Clean EVAP purge line (pipe and rubber tube) using air blower.

>> GO TO 18.

18. CHECK EVAP/ORVR LINE

Check EVAP/ORVR line between EVAP canister and fuel tank for clogging, kink, looseness and improper connection. For location, refer to [EC-64, "EVAPORATIVE EMISSION SYSTEM : System Description"](#).

Is the inspection result normal?

- YES >> GO TO 19.
NO >> Repair or replace hoses and tubes.

19. CHECK RECIRCULATION LINE

Check recirculation line between fuel filler tube and fuel tank for clogging, kink, cracks, looseness and improper connection.

Is the inspection result normal?

- YES >> GO TO 20.
NO >> Repair or replace hose, tube or fuel filler tube. Refer to [FL-10, "Exploded View"](#).

20. CHECK REFUELING EVAP VAPOR CUT VALVE

Check the refueling EVAP vapor cut valve. Refer to [FL-14, "Inspection"](#).

Is the inspection result normal?

- YES >> GO TO 21.
NO >> Replace refueling EVAP vapor cut valve with fuel tank. Refer to [FL-10, "Removal and Installation"](#).

21. CHECK FUEL LEVEL SENSOR

Check the fuel level sensor. Refer to [MWI-63, "Component Inspection"](#).

Is the inspection result normal?

P0456 EVAP CONTROL SYSTEM

[QR25DE]

< DTC/CIRCUIT DIAGNOSIS >

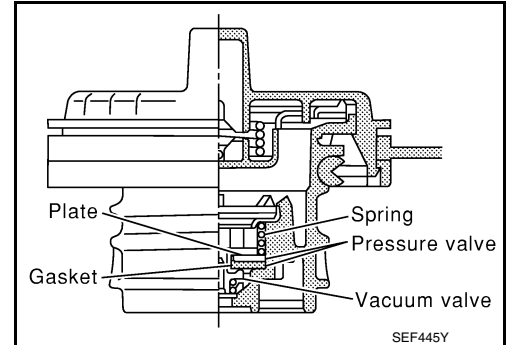
- YES >> Check intermittent incident. Refer to [GI-44, "Intermittent Incident"](#).
NO >> Replace fuel level sensor unit. Refer to [FL-5, "Removal and Installation"](#).

Component Inspection

INFOID:000000012602410

1. CHECK FUEL FILLER CAP

1. Turn ignition switch OFF.
2. Remove fuel filler cap.
3. Wipe clean valve housing.



4. Install fuel filler cap adapter (commercial service tool) to fuel filler cap.
5. Check valve opening pressure and vacuum.

Pressure: 15.3 - 20.0 kPa (0.156 - 0.204 kg/cm², 2.22 - 2.90 psi)

Vacuum: -6.0 to -3.3 kPa (-0.061 to -0.034 kg/cm², -0.87 to -0.48 psi)

Is the inspection result normal?

- YES >> INSPECTION END
NO >> GO TO 2.

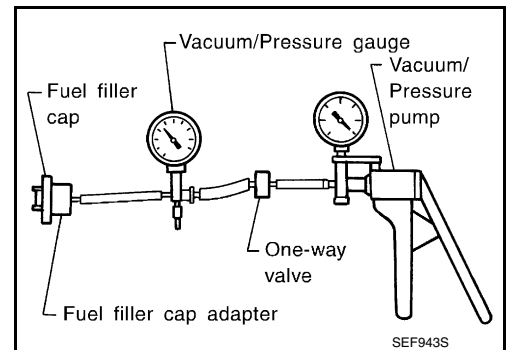
2. REPLACE FUEL FILLER CAP

Replace fuel filler cap.

CAUTION:

Use only a genuine fuel filler cap as a replacement. If an incorrect fuel filler cap is used, the MIL may illuminate.

>> INSPECTION END



P0460 FUEL LEVEL SENSOR

< DTC/CIRCUIT DIAGNOSIS >

[QR25DE]

P0460 FUEL LEVEL SENSOR

DTC Logic

INFOID:0000000012602411

DTC DETECTION LOGIC

NOTE:

- If DTC P0460 is displayed with DTC UXXXX, first perform the trouble diagnosis for DTC UXXXX.
- If DTC P0460 is displayed with DTC P0607, first perform the trouble diagnosis for DTC P0607. Refer to [EC-420, "DTC Logic"](#).

When the vehicle is parked, naturally the fuel level in the fuel tank is stable. It means that output signal of the fuel level sensor does not change. If ECM senses sloshing signal from the sensor, fuel level sensor malfunction is detected.

DTC No.	CONSULT screen terms (Trouble diagnosis content)	DTC detecting condition	Possible cause
P0460	FUEL LEV SEN SLOSH (Fuel Level Sensor "A" Circuit)	Even though the vehicle is parked, a signal being varied is sent from the fuel level sensor to ECM.	<ul style="list-style-type: none">• Harness or connectors (The CAN communication line is open or shorted)• Harness or connectors (The sensor circuit is open or shorted)• Combination meter• Fuel level sensor

DTC CONFIRMATION PROCEDURE

1. PRECONDITIONING

If DTC Confirmation Procedure has been previously conducted, always perform the following procedure before conducting the next test.

1. Turn ignition switch OFF and wait at least 10 seconds.
2. Turn ignition switch ON.
3. Turn ignition switch OFF and wait at least 10 seconds.

>> GO TO 2.

2. PERFORM DTC CONFIRMATION PROCEDURE

1. Start engine and wait maximum of 2 consecutive minutes.
2. Check 1st trip DTC.

Is 1st trip DTC detected?

- YES >> Proceed to [EC-389, "Diagnosis Procedure"](#).
NO >> INSPECTION END

Diagnosis Procedure

INFOID:0000000012602412

1. CHECK COMBINATION METER FUNCTION

Refer to [MWI-18, "CONSULT Function \(METER/M&A\)"](#).

Is the inspection result normal?

- YES >> Check intermittent incident. Refer to [GI-44, "Intermittent Incident"](#).
NO >> Refer to [MWI-62, "Component Function Check"](#).

P0461 FUEL LEVEL SENSOR

< DTC/CIRCUIT DIAGNOSIS >

[QR25DE]

P0461 FUEL LEVEL SENSOR

DTC Logic

INFOID:000000012602413

DTC DETECTION LOGIC

NOTE:

- If DTC P0461 is displayed with DTC UXXXX, first perform the trouble diagnosis for DTC UXXXX.
- If DTC P0461 is displayed with DTC P0607, first perform the trouble diagnosis for DTC P0607. Refer to [EC-420, "DTC Logic"](#).

Driving long distances naturally affect fuel gauge level.

This diagnosis detects the fuel gauge malfunction of the gauge not moving even after a long distance has been driven.

DTC No.	CONSULT screen terms (Trouble diagnosis content)	DTC detecting condition	Possible cause
P0461	FUEL LEVEL SENSOR (Fuel level sensor "A" circuit range/performance)	The output signal of the fuel level sensor does not change within the specified range even though the vehicle has been driven a long distance.	<ul style="list-style-type: none">• Harness or connectors (The CAN communication line is open or shorted)• Harness or connectors (The sensor circuit is open or shorted)• Combination meter• Fuel level sensor

DTC CONFIRMATION PROCEDURE

1. PERFORM COMPONENT FUNCTION CHECK

Perform component function check. Refer to [EC-390, "Component Function Check"](#).

Use component function check to check the overall function of the fuel level sensor function. During this check, a 1st trip DTC might not be confirmed.

Is the inspection result normal?

YES >> INSPECTION END

NO >> Proceed to [EC-391, "Diagnosis Procedure"](#).

Component Function Check

INFOID:000000012602414

1. PRECONDITIONING

WARNING:

When performing following procedure, be sure to observe the handling of the fuel. Refer to [FL-2, "General Precautions"](#).

TESTING CONDITION:

Before starting component function check, preparation of draining fuel and refilling fuel is required.

Do you have CONSULT?

YES >> GO TO 2.

NO >> GO TO 3.

2. PERFORM COMPONENT FUNCTION CHECK

 With CONSULT

NOTE:

Start from step 10, if it is possible to confirm that the fuel cannot be drained by 30 ℓ (7-7/8 US gal, 6-5/8 Imp gal) in advance.

1. Prepare a fuel container and a spare hose.
2. Release fuel pressure from fuel line, refer to [EC-190, "Work Procedure"](#).
3. Remove the fuel feed hose on the fuel level sensor unit.
4. Connect a spare fuel hose where the fuel feed hose was removed.
5. Turn ignition switch OFF and wait at least 10 seconds then turn ON.
6. Select "FUEL LEVEL SE" in "DATA MONITOR" mode of "ENGINE" using CONSULT.
7. Check "FUEL LEVEL SE" output voltage and note it.
8. Select "FUEL PUMP RELAY" in "ACTIVE TEST" mode of "ENGINE" using CONSULT.

P0461 FUEL LEVEL SENSOR

[QR25DE]

< DTC/CIRCUIT DIAGNOSIS >

9. Touch "ON" and drain fuel approximately 30 ℓ (7-7/8 US gal, 6-5/8 Imp gal) and stop it.
10. Check "FUEL LEVEL SE" output voltage and note it.
11. Fill fuel into the fuel tank for 30 ℓ (7-7/8 US gal, 6-5/8 Imp gal).
12. Check "FUEL LEVEL SE" output voltage and note it.
13. Confirm whether the voltage changes more than 0.03 V during step 7 to 10 and 10 to 12.

Is the inspection result normal?

- YES >> INSPECTION END
NO >> Proceed to [EC-391, "Diagnosis Procedure"](#).

3.PERFORM COMPONENT FUNCTION CHECK

Without CONSULT

NOTE:

Start from step 8, if it is possible to confirm that the fuel cannot be drained by 30 ℓ (7-7/8 US gal, 6-5/8 Imp gal) in advance.

1. Prepare a fuel container and a spare hose.
2. Release fuel pressure from fuel line. Refer to [EC-190, "Work Procedure"](#).
3. Remove the fuel feed hose on the fuel level sensor unit.
4. Connect a spare fuel hose where the fuel feed hose was removed.
5. Turn ignition switch ON.
6. Drain fuel by 30 ℓ (7-7/8 US gal, 6-5/8 Imp gal) from the fuel tank using proper equipment.
7. Confirm that the fuel gauge indication varies.
8. Fill fuel into the fuel tank for 30 ℓ (7-7/8 US gal, 6-5/8 Imp gal).
9. Confirm that the fuel gauge indication varies.

Is the inspection result normal?

- YES >> INSPECTION END
NO >> Proceed to [EC-391, "Diagnosis Procedure"](#).

Diagnosis Procedure

INFOID:000000012602415

1.CHECK COMBINATION METER FUNCTION

Refer to [MWI-18, "CONSULT Function \(METER/M&A\)"](#).

Is the inspection result normal?

- YES >> Check intermittent incident. Refer to [GI-44, "Intermittent Incident"](#).
NO >> Refer to [MWI-62, "Component Function Check"](#)

P0462, P0463 FUEL LEVEL SENSOR

< DTC/CIRCUIT DIAGNOSIS >

[QR25DE]

P0462, P0463 FUEL LEVEL SENSOR

DTC Logic

INFOID:000000012602416

DTC DETECTION LOGIC

NOTE:

- If DTC P0462 or P0463 is displayed with DTC UXXXX, first perform the trouble diagnosis for DTC UXXXX.
- If DTC P0462 or P0463 is displayed with DTC P0607, first perform the trouble diagnosis for DTC P0607. Refer to [EC-420, "DTC Logic"](#).

This diagnosis indicates the former, to detect open or short circuit malfunction.

DTC No.	CONSULT screen terms (Trouble diagnosis content)	DTC detecting condition	Possible cause
P0462	FUEL LEVL SEN/CIRC (Fuel level sensor "A" circuit low)	An excessively low voltage from the sensor is sent to ECM.	<ul style="list-style-type: none">• Harness or connectors (The CAN communication line is open or shorted)• Harness or connectors (The sensor circuit is open or shorted)• Combination meter• Fuel level sensor
P0463	FUEL LEVL SEN/CIRC (Fuel level sensor "A" circuit high)	An excessively high voltage from the sensor is sent to ECM.	

DTC CONFIRMATION PROCEDURE

1. PRECONDITIONING

If DTC Confirmation Procedure has been previously conducted, always turn ignition switch OFF and wait at least 10 seconds before conducting the next test.

TESTING CONDITION:

Before performing the following procedure, confirm that battery voltage is between 11 V and 16 V at ignition switch ON.

>> GO TO 2.

2. PERFORM DTC CONFIRMATION PROCEDURE

1. Turn ignition switch ON and wait at least 5 seconds.
2. Check 1st trip DTC.

Is 1st trip DTC detected?

- YES >> Proceed to [EC-392, "Diagnosis Procedure"](#).
NO >> INSPECTION END

Diagnosis Procedure

INFOID:000000012602417

1. CHECK COMBINATION METER FUNCTION

Refer to [MWI-62, "Component Function Check"](#).

Is the inspection result normal?

- YES >> Check intermittent incident. Refer to [GI-44, "Intermittent Incident"](#).
NO >> Proceed to [MWI-52, "Work flow"](#).

P0500 VSS

Description

INFOID:0000000012602418

ECM receives vehicle speed signals from two different paths via CAN communication line: One is from the ABS actuator and electric unit (control unit) via the combination unit and the other is from TCM.

DTC Logic

INFOID:0000000012602419

DTC DETECTION LOGIC

NOTE:

- If DTC P0500 is displayed with DTC UXXXX, first perform the trouble diagnosis for DTC UXXXX.
- If DTC P0500 is displayed with DTC P0607, first perform the trouble diagnosis for DTC P0607. Refer to [EC-420, "DTC Logic"](#).

DTC No.	CONSULT screen terms (Trouble diagnosis content)	DTC detecting condition	Possible cause
P0500	VEH SPEED SEN/CIRC (Vehicle speed sensor "A")	At 20 km/h (13 MPH), ECM detects the following status continuously for 5 seconds or more: The difference between a vehicle speed calculated by a output speed sensor transmitted from TCM to ECM via CAN communication and the vehicle speed indicated on the combination meter exceeds 15km/h (10 MPH).	<ul style="list-style-type: none"> • Harness or connector (CAN communication line is open or shorted.) • Combination meter • ABS actuator and electric unit (control unit) • Wheel sensor • TCM • Output speed sensor

DTC CONFIRMATION PROCEDURE

1. PRECONDITIONING

If DTC Confirmation Procedure has been previously conducted, always perform the following procedure before conducting the next test.

1. Turn ignition switch OFF and wait at least 10 seconds.
2. Turn ignition switch ON.
3. Turn ignition switch OFF and wait at least 10 seconds.

TESTING CONDITION:

Before performing the following procedure, confirm that battery voltage is 10 V or more at idle.

>> GO TO 2.

2. PERFORM DTC CONFIRMATION PROCEDURE

1. Start engine.
2. Shift the selector lever to D range and wait at least for 2 seconds.
3. Drive the vehicle at least 5 seconds at 20 km/h (13 MPH) or more.

CAUTION:

Always drive vehicle at a safe speed.

NOTE:

This procedure may be conducted with the drive wheels lifted in the shop or by driving the vehicle. If a road test is expected to be easier, it is unnecessary to lift the vehicle.

4. Check 1st trip DTC.

Is 1st trip DTC detected?

- YES >> Proceed to [EC-393, "Diagnosis Procedure"](#)
- NO >> INSPECTION END

Diagnosis Procedure

INFOID:0000000012602420

1. CHECK DTC WITH TCM

Check DTC with TCM. Refer to [TM-60, "DTC Index"](#).

Is the inspection result normal?

- YES >> GO TO 2.

< DTC/CIRCUIT DIAGNOSIS >

NO >> Perform trouble shooting relevant to DTC indicated.

2.CHECK DTC WITH ABS ACTUATOR AND ELECTRIC UNIT (CONTROL UNIT)

Check DTC with ABS actuator and electric unit (control unit). Refer to [BRC-224, "DTC Index"](#).

Is the inspection result normal?

YES >> GO TO 3.

NO >> Perform trouble shooting relevant to DTC indicated.

3.CHECK DTC WITH COMBINATION METER

Check DTC with combination meter. Refer to [MWI-29, "DTC Index"](#).

Is the inspection result normal?

YES >> GO TO 4.

NO >> Perform trouble shooting relevant to DTC indicated.

4.CHECK INPUT SPEED SENSOR

Check input speed sensor. Refer to [TM-119, "Diagnosis Procedure"](#).

Is the inspection result normal?

YES >> GO TO 5.

NO >> Replace or replace error-detected parts.

5.CHECK WHEEL SENSOR

Check wheel sensor. Refer to [BRC-284, "Diagnosis Procedure"](#).

Is the inspection result normal?

YES >> Check intermittent incident. Refer to [GI-44, "Intermittent Incident"](#).

NO >> Replace or replace error-detected parts.

P0506 ISC SYSTEM

Description

INFOID:000000012602421

The ECM controls the engine idle speed to a specified level through the fine adjustment of the air, which is let into the intake manifold, by operating the electric throttle control actuator. The operating of the throttle valve is varied to allow for optimum control of the engine idling speed. The crankshaft position sensor (POS) detects the actual engine speed and sends a signal to the ECM.

The ECM controls the electric throttle control actuator so that the engine speed coincides with the target value memorized in the ECM. The target engine speed is the lowest speed at which the engine can operate steadily. The optimum value stored in the ECM is determined by taking into consideration various engine conditions, such as during warming up, deceleration, and engine load (air conditioner, power steering and cooling fan operation, etc.).

DTC Logic

INFOID:000000012602422

DTC DETECTION LOGIC

NOTE:

If DTC P0506 is displayed with other DTC, first perform the trouble diagnosis for the other DTC.

DTC No.	CONSULT screen terms (Trouble diagnosis content)	DTC detecting condition	Possible cause
P0506	ISC SYSTEM (Idle air control system RPM lower than expected)	The idle speed is less than the target idle speed by 100 rpm or more.	<ul style="list-style-type: none"> • Electric throttle control actuator • Intake air leak

DTC CONFIRMATION PROCEDURE

1. PRECONDITIONING

If DTC Confirmation Procedure has been previously conducted, always perform the following procedure before conducting the next test.

1. Turn ignition switch OFF and wait at least 10 seconds.
2. Turn ignition switch ON.
3. Turn ignition switch OFF and wait at least 10 seconds.

If the target idle speed is out of the specified value, perform [EC-187, "Description"](#), before conducting DTC Confirmation Procedure.

TESTING CONDITION:

- Before performing the following procedure, confirm that battery voltage is more than 11 V at idle.
- Always perform the test at a temperature above -10°C (14°F).

>> GO TO 2.

2. PERFORM DTC CONFIRMATION PROCEDURE

1. Start engine and warm it up to normal operating temperature.
2. Turn ignition switch OFF and wait at least 10 seconds.
3. Start engine and run it for at least 1 minute at idle speed.
4. Check 1st trip DTC.

Is 1st trip DTC detected?

- YES >> Proceed to [EC-395, "Diagnosis Procedure"](#).
- NO >> INSPECTION END

Diagnosis Procedure

INFOID:000000012602423

1. CHECK INTAKE AIR LEAK

1. Start engine and let it idle.
2. Listen for an intake air leak after the mass air flow sensor.

Is intake air leak detected?

- YES >> Discover air leak location and repair.

P0506 ISC SYSTEM

< DTC/CIRCUIT DIAGNOSIS >

[QR25DE]

NO >> Replace ECM. Refer to [EC-577. "Removal and Installation"](#).

P0507 ISC SYSTEM

Description

INFOID:000000012602424

The ECM controls the engine idle speed to a specified level through the fine adjustment of the air, which is let into the intake manifold, by operating the electric throttle control actuator. The operating of the throttle valve is varied to allow for optimum control of the engine idling speed. The crankshaft position sensor (POS) detects the actual engine speed and sends a signal to the ECM.

The ECM controls the electric throttle control actuator so that the engine speed coincides with the target value memorized in the ECM. The target engine speed is the lowest speed at which the engine can operate steadily. The optimum value stored in the ECM is determined by taking into consideration various engine conditions, such as during warming up, deceleration, and engine load (air conditioner, power steering and cooling fan operation, etc.).

DTC Logic

INFOID:000000012602425

DTC DETECTION LOGIC

NOTE:

If DTC P0507 is displayed with other DTC, first perform the trouble diagnosis for the other DTC.

DTC No.	CONSULT screen terms (Trouble diagnosis content)	DTC detecting condition	Possible cause
P0507	ISC SYSTEM (Idle air control system RPM higher than expected)	The idle speed is more than the target idle speed by 200 rpm or more.	<ul style="list-style-type: none"> • Electric throttle control actuator • Intake air leak • PCV system

DTC CONFIRMATION PROCEDURE

1. PRECONDITIONING

If DTC Confirmation Procedure has been previously conducted, always perform the following procedure before conducting the next test.

1. Turn ignition switch OFF and wait at least 10 seconds.
2. Turn ignition switch ON.
3. Turn ignition switch OFF and wait at least 10 seconds.

If the target idle speed is out of the specified value, perform [EC-187, "Description"](#), before conducting DTC Confirmation Procedure.

TESTING CONDITION:

- Before performing the following procedure, confirm that battery voltage is more than 11 V at idle.
- Always perform the test at a temperature above -10°C (14°F).

>> GO TO 2.

2. PERFORM DTC CONFIRMATION PROCEDURE

1. Start engine and warm it up to normal operating temperature.
2. Turn ignition switch OFF and wait at least 10 seconds.
3. Start engine and run it for at least 1 minute at idle speed.
4. Check 1st trip DTC.

Is 1st trip DTC detected?

- YES >> Proceed to [EC-397, "Diagnosis Procedure"](#).
- NO >> INSPECTION END

Diagnosis Procedure

INFOID:000000012602426

1. CHECK PCV HOSE CONNECTION

Confirm that PCV hose is connected correctly.

Is the inspection result normal?

- YES >> GO TO 2.
- NO >> Repair or replace error-detected parts.

2.CHECK INTAKE AIR LEAK

1. Start engine and let it idle.
2. Listen for an intake air leak after the mass air flow sensor.

Is intake air leak detected?

- YES >> Discover air leak location and repair.
- NO >> Replace ECM. Refer to [EC-577, "Removal and Installation"](#).

P050A, P050B, P050E COLD START CONTROL

< DTC/CIRCUIT DIAGNOSIS >

[QR25DE]

P050A, P050B, P050E COLD START CONTROL

Description

INFOID:000000012602427

ECM controls ignition timing and engine idle speed when engine is started with pre-warming up condition. This control promotes the activation of three way catalyst by heating the catalyst and reduces emissions.

DTC Logic

INFOID:000000012602428

DTC DETECTION LOGIC

NOTE:

If DTC P050A, P050B or P050E is displayed with other DTC, first perform the trouble diagnosis for other DTC.

DTC No.	CONSULT screen terms (Trouble diagnosis content)	DTC detecting condition	Possible cause
P050A	COLD START CONTROL (Cold start idle air control system performance)	ECM does not control engine idle speed properly when engine is started with pre-warming up condition.	• Lack of intake air volume • Fuel injection system • ECM
P050B	COLD START CONTROL (Cold start ignition timing performance)	ECM does not control ignition timing properly when engine is started with pre-warming up condition.	
P050E	COLD START CONTROL (Cold start engine exhaust temperature too low)	The temperature of the catalyst inlet does not rise to the proper temperature when the engine is started with pre-warming up condition.	

DTC CONFIRMATION PROCEDURE

1. PRECONDITIONING

If DTC Confirmation Procedure has been previously conducted, always perform the following procedure before conducting the next test.

1. Turn ignition switch OFF and wait at least 10 seconds.
2. Turn ignition switch ON.
3. Turn ignition switch OFF and wait at least 10 seconds.

TESTING CONDITION:

Before performing the following procedure, confirm that battery voltage is more than 11 V at idle.

>> GO TO 2.

2. PERFORM DTC CONFIRMATION PROCEDURE-1

With CONSULT

1. Turn ignition switch OFF and wait at least 10 seconds.
2. Turn ignition switch ON.
3. Select "DATA MONITOR" mode with CONSULT.
4. Check the indication of "COOLAN TEMP/S".

With GST

Follow the procedure "With CONSULT" above.

Is the value of "COOLAN TEMP/S" between 15°C (59°F) and 36°C (97°F)?

YES >> GO TO 3.

NO-1 [If it is below 15°C (59°F)]>>Warm up the engine until the value of "COOLAN TEMP/S" reaches 15°C (59°F) or more. Retry from step 1.

NO-2 [If it is above 36°C (97°F)]>>Cool engine down to less than 36°C (97°F). Retry from step 1.

3. PERFORM DTC CONFIRMATION PROCEDURE-2

With CONSULT

1. Set the select lever in N range.
2. Start the engine and warm up in idle with the value of "COOLAN TEMP/S" between 15°C (59°F) and 40°C (104°F) for more than 15 seconds.
3. Check 1st trip DTC.

P050A, P050B, P050E COLD START CONTROL

< DTC/CIRCUIT DIAGNOSIS >

[QR25DE]

With GST

Follow the procedure "With CONSULT" above.

Is 1st trip DTC detected?

- YES >> Proceed to [EC-400, "Diagnosis Procedure"](#).
- NO >> INSPECTION END

Diagnosis Procedure

INFOID:000000012602429

1. PERFORM IDLE AIR VOLUME LEARNING

Perform [EC-187, "Description"](#).

Is Idle Air Volume Learning carried out successfully?

- YES >> GO TO 2.
- NO >> Follow the instruction of Idle Air Volume Learning.

2. CHECK INTAKE SYSTEM

Check for the cause of intake air volume lacking. Refer to the following.

- Crushed intake air passage
- Intake air passage clogging
- Clogging of throttle body

Is the inspection result normal?

- YES >> GO TO 3.
- NO >> Repair or replace malfunctioning part

3. CHECK FUEL INJECTION SYSTEM FUNCTION

Perform DTC Confirmation Procedure for DTC P0171. Refer to [EC-307, "DTC Logic"](#).

Is the inspection result normal?

- YES >> GO TO 4.
- NO >> Proceed to [EC-308, "Diagnosis Procedure"](#) for DTC P0171.

4. PERFORM DTC CONFIRMATION PROCEDURE

1. Turn ignition switch ON.
2. Erase DTC.
3. Perform DTC Confirmation Procedure.
See [EC-399, "DTC Logic"](#).

Is the 1st trip DTC P050A, P050B or P050E displayed again?

- YES >> Replace ECM. Refer to [EC-577, "Removal and Installation"](#).
- NO >> INSPECTION END

P0520 EOP SENSOR

< DTC/CIRCUIT DIAGNOSIS >

[QR25DE]

P0520 EOP SENSOR

DTC Logic

INFOID:000000012602430

DTC DETECTION LOGIC

DTC No.	CONSULT screen terms (Trouble diagnosis content)	Detecting condition	Possible cause
P0520	EOP SENSOR/SWITCH (Engine oil pressure sensor/switch circuit)	Signal voltage from the EOP sensor remains at more than 5.02 V / less than 0.3 V for 5 seconds or more.	<ul style="list-style-type: none"> Harness or connectors (EOP sensor circuit is open or shorted.) Engine oil level abnormality EOP sensor Sensor power supply 2 circuit

DTC CONFIRMATION PROCEDURE

1. PRECONDITIONING

If DTC Confirmation Procedure has been previously conducted, always perform the following procedure before conducting the next test.

- Turn ignition switch OFF and wait at least 10 seconds.
- Turn ignition switch ON.
- Turn ignition switch OFF and wait at least 10 seconds.

>> GO TO 2.

2. PERFORM DTC CONFIRMATION PROCEDURE

- Turn ignition switch ON and wait at least 5 seconds.
- Check 1st trip DTC.

Is 1st trip DTC detected?

- YES >> Proceed to [EC-401, "Diagnosis Procedure"](#).
 NO >> INSPECTION END

Diagnosis Procedure

INFOID:000000012602431

1. CHECK ENGINE OIL

- Turn ignition switch OFF.
- Check engine oil level and pressure. Refer to [LU-9, "Inspection"](#).

Is inspection result normal?

- YES >> GO TO 2.
 NO >> Repair or replace error-detected parts.

2. CHECK EOP SENSOR POWER SUPPLY-1

- Disconnect EOP sensor connector.
- Turn ignition switch ON.
- Check the voltage between EOP sensor harness connector terminals.

Connector	EOP sensor		Voltage (Approx.)
	+	-	
F9	3	1	5 V

Inspection result normal?

- YES >> GO TO 7.
 NO >> GO TO 3.

3. CHECK EOP SENSOR POWER SUPPLY-2

Check the voltage between EOP sensor harness connector and the ground.

P0520 EOP SENSOR

[QR25DE]

< DTC/CIRCUIT DIAGNOSIS >

+		-	Voltage (Approx.)
EOP sensor			
Connector	Terminal		
F9	3	Ground	5 V

Is inspection result normal?

- YES >> GO TO 5.
NO >> GO TO 4.

4. CHECK SENSOR POWER SUPPLY 2 CIRCUIT

Perform [EC-562, "Diagnosis Procedure"](#).

Is inspection result normal?

- YES >> Perform the trouble diagnosis for power supply circuit.
NO >> Repair or replace error-detected parts.

5. CHECK EOP SENSOR GROUND CIRCUIT

- Turn ignition switch OFF.
- Disconnect ECM harness connector.
- Check the continuity between EOP sensor harness connector and ECM harness connector.

+		-		Continuity
EOP sensor		ECM		
Connector	Terminal	Connector	Terminal	
F9	1	F14 ^{*1} F91 ^{*2}	38	Existed

*1: Except for California

*2: For California

- Also check harness for short to power.

Is inspection result normal?

- YES >> GO TO 6.
NO >> Repair or replace error-detected parts.

6. CHECK ECM GROUND CIRCUIT

Check the continuity between ECM harness connector and ground.

+		-	Continuity
ECM			
Connector	Terminal		
F14 ^{*1}	12	Ground	Existed
F91 ^{*2}	16		
F13 ^{*1} F90 ^{*2}	52		
E10 ^{*1} E31 ^{*2}	123		
E10 ^{*1} E31 ^{*2}	128		

*1: Except for California

*2: For California

Is inspection result normal?

- YES >> Check intermittent incident. Refer to [GI-44, "Intermittent Incident"](#).
NO >> Repair or replace error-detected parts.

P0520 EOP SENSOR

< DTC/CIRCUIT DIAGNOSIS >

[QR25DE]

7. CHECK EOP SENSOR SIGNAL CIRCUIT

1. Turn ignition switch OFF.
2. Disconnect ECM harness connector.
3. Check the continuity between EOP sensor harness connector and ECM harness connector.

+		-		Continuity
EOP sensor		ECM		
Connector	Terminal	Connector	Terminal	
F9	2	F14*1 F91*2	39	Existed

*1: Except for California

*2: For California

4. Also check harness for short to ground and to power.

Is inspection result normal?

YES >> GO TO 8.

NO >> Repair or replace error-detected parts.

8. CHECK EOP SENSOR

Refer to [EC-403. "Component Inspection"](#).

Is inspection result normal?

YES >> Check intermittent incident. Refer to [GI-44. "Intermittent Incident"](#).

NO >> Repair or replace error-detected parts.

Component Inspection

INFOID:0000000012602432

1. CHECK EOP SENSOR

1. Turn ignition switch OFF.
2. Disconnect EOP sensor harness connector.
3. Check resistance between EOP sensor connector terminals.

EOP sensor		Condition	Resistance (kΩ)
+	-		
Terminal			
1	2	None	4 kΩ – 10 kΩ
	3		2 kΩ – 8 kΩ
2	1		4 kΩ – 10 kΩ
	3		1 kΩ – 3 kΩ
3	1		2 kΩ – 8 kΩ
	2		1 kΩ – 3 kΩ

Is the inspection result normal?

YES >> INSPECTION END.

NO >> Replace EOP sensor. Refer to [EC-22. "Component Parts Location"](#).

P0524 ENGINE OIL PRESSURE

< DTC/CIRCUIT DIAGNOSIS >

[QR25DE]

P0524 ENGINE OIL PRESSURE

DTC Logic

INFOID:000000012602433

DTC DETECTION LOGIC

DTC No.	CONSULT screen terms (Trouble diagnosis content)	DTC detecting condition	Possible cause
P0524	ENGINE OIL PRESSURE (Engine oil pressure too low)	An EOP sensor signal voltage applied to ECM remains lower than the specified value continuously for 10 seconds or more when the engine speed is 1,000 rpm or more.	<ul style="list-style-type: none">• Decrease in engine oil pressure• Decrease in engine oil level• Engine oil condition• EOP sensor• Engine body

DTC CONFIRMATION PROCEDURE

CAUTION:

If "[EC-405, "Diagnosis Procedure"](#)" is unfinished, be sure to perform Step 3 and 4.

1. PRECONDITIONING-1

If DTC Confirmation Procedure has been previously conducted, always perform the following procedure before conducting the next test.

1. Turn ignition switch OFF and wait at least 10 seconds.
2. Turn ignition switch ON.
3. Turn ignition switch OFF and wait at least 10 seconds.

TEST CONDITION:

Before performing the following procedure, confirm that battery voltage is 11 V or more at idle.

>> GO TO 2.

2. PRECONDITIONING-2

Is "Diagnosis Procedure" of DTC P0524 finished?

- YES >> GO TO 3.
NO >> GO TO 4.

3. PERFORM DTC CONFIRMATION PROCEDURE

1. Start engine and warm it up to normal operating temperature.
2. Maintain the following conditions for about 10 consecutive seconds.

Selector lever	P or N position
Engine coolant temperature	70°C (158°F) or more
Engine speed	1,000 rpm or more

NOTE:

With engine speed set around 4,000 rpm, the phenomenon can be reproduced more easily.

3. Check 1st trip DTC.

Is 1st trip DTC detected?

- YES >> Proceed to [EC-405, "Diagnosis Procedure"](#).
NO >> INSPECTION END

4. CHECK ENGINE OIL LEVEL

Check engine oil pressure. Refer to [LU-9, "Inspection"](#).

Is the inspection result normal?

- YES >> GO TO 5.
NO >> Proceed to [EC-405, "Diagnosis Procedure"](#).

5. CHECK ENGINE OIL PRESSURE

Ⓜ With CONSULT

P0524 ENGINE OIL PRESSURE

[QR25DE]

< DTC/CIRCUIT DIAGNOSIS >

1. Turn ignition switch ON.
2. Select "DATA MONITOR" mode of "ENGINE" using CONSULT.
3. Start the engine and check that "EOP SENSOR" changes, according to engine speeds.

Monitor item	Condition	Value (Approx.)
EOP SENSOR	<ul style="list-style-type: none">• Engine oil temperature: 80°C (176°F)• Selector lever: P or N position• Air conditioner switch: OFF• No load	Engine speed: Idle 1,450 mV or more
		Engine speed: 2,000 rpm 2,850 mV or more

⊗ Without CONSULT

Check engine oil level. Refer to [LU-9, "Inspection"](#).

Is the inspection result normal?

YES >> GO TO 3.

NO >> Proceed to [EC-405, "Diagnosis Procedure"](#).

Diagnosis Procedure

INFOID:000000012602434

1. CHECK ENGINE OIL LEVEL

1. Turn ignition switch OFF.
2. Check engine oil pressure level. Refer to [LU-9, "Inspection"](#).

Is the inspection result normal?

YES >> GO TO 2.

NO >> GO TO 4.

2. CHECK ENGINE OIL PRESSURE

Ⓜ With CONSULT

1. Turn ignition switch ON.
2. Select "DATA MONITOR" mode of "ENGINE" using CONSULT.
3. Start the engine and check that "EOP SENSOR" changes, according to engine speeds.

Monitor item	Condition	Value (Approx.)
EOP SENSOR	<ul style="list-style-type: none">• Engine oil temperature: 80°C (176°F)• Selector lever: P or N position• Air conditioner switch: OFF• No load	Engine speed: Idle 1,450 mV or more
		Engine speed: 2,000 rpm 2,850 mV or more

⊗ Without CONSULT

Check engine oil pressure. Refer to [LU-9, "Inspection"](#).

Is the inspection result normal?

YES >> GO TO 3.

NO >> Check oil pump. Refer to [LU-15, "Inspection"](#).

3. CHECK EOP SENSOR

Check EOP sensor. Refer to [EC-403, "Component Inspection"](#).

Is the inspection result normal?

YES >> Check intermittent incident. Refer to [GI-44, "Intermittent Incident"](#).

NO >> Repair or replace error-detected parts.

4. CHECK ENGINE OIL LEAKAGE

Check engine oil leakage. Refer to [LU-7, "Lubrication Circuit"](#).

Is the inspection result normal?

YES >> GO TO 5.

NO >> Repair or replace error-detected parts.

P0524 ENGINE OIL PRESSURE

< DTC/CIRCUIT DIAGNOSIS >

[QR25DE]

5. CHECK CAUSE OF ENGINE OIL CONSUMPTION

Check the following item.

Step	Inspection item	Equipment	Standard	Reference
1	PCV valve	EC-576, "Inspection"		
2	Exhaust front tube	Visual	<ul style="list-style-type: none"> No blocking No abnormal sounds 	—
3	Oil pump	Visual	<ul style="list-style-type: none"> No blocking No abnormal sounds 	—
		LU-15, "Inspection"		
4	<ul style="list-style-type: none"> Piston Piston pin Piston ring 	<ul style="list-style-type: none"> Piston to piston pin oil clearance Piston ring side clearance Piston ring end gap 		EM-107, "How to Select Piston and Bearing"
5	Cylinder block	<ul style="list-style-type: none"> Cylinder block top surface distortion Piston to cylinder bore clearance 		EM-92, "Disassembly and Assembly"

>> Repair or replace error-detected parts.

Component Inspection

INFOID:000000012602435

1. CHECK EOP SENSOR

- Turn ignition switch OFF.
- Disconnect EOP sensor harness connector.
- Check resistance between EOP sensor connector terminals.

EOP sensor		Condition	Resistance (kΩ)	
+	-			
Terminal		None		
1	2			4 kΩ – 10 kΩ
	3			2 kΩ – 8 kΩ
2	1			4 kΩ – 10 kΩ
	3			1 kΩ – 3 kΩ
3	1			2 kΩ – 8 kΩ
	2	1 kΩ – 3 kΩ		

Is the inspection result normal?

YES >> INSPECTION END.

NO >> Replace EOP sensor. Refer to [EC-22, "Component Parts Location"](#).

P052A, P052B INTAKE VALVE TIMING CONTROL

< DTC/CIRCUIT DIAGNOSIS >

[QR25DE]

P052A, P052B INTAKE VALVE TIMING CONTROL

DTC Logic

INFOID:000000012602436

DTC DETECTION LOGIC

NOTE:

If DTC P052A or P052B is displayed with DTC P0075, perform the trouble diagnosis for DTC P0075. Refer to [EC-235, "DTC Logic"](#).

DTC No.	Trouble diagnosis (Trouble diagnosis content)	Detecting condition	Possible cause
P052A	CAMSHAFT POSITION TIMING B1 (Cold start "A" camshaft position timing over-advanced bank 1)	There is a gap between angle of target and phase-control angle degree when the engine is in a cold condition.	<ul style="list-style-type: none">• Crankshaft position sensor• Camshaft position sensor• Intake valve timing control solenoid valve• Intake valve timing intermediate lock control solenoid valve• Accumulation of debris to the signal pick-up portion of the camshaft• Timing chain installation• Foreign matter caught in the oil groove for intake valve timing control
P052B	CAMSHAFT POSITION TIMING B1 (Cold start "A" camshaft position timing over-retarded bank 1)		

DTC CONFIRMATION PROCEDURE

1. PRECONDITIONING

TESTING CONDITION:

Before performing the following procedure, confirm that battery voltage is 10 V or more at idle.

With CONSULT

1. Turn ignition switch OFF and wait at least 10 seconds.
2. Turn ignition switch ON.
3. Turn ignition switch OFF and wait at least 10 seconds.
4. Turn ignition switch ON.
5. On the CONSULT screen, select "ENGINE" >> "DATA MONITOR" >> "COOLAN TEMP/S".
6. Check "COOLAN TEMP/S" indication value.

With GST

Follow the procedure "With CONSULT" above.

Is the value of "COOLAN TEMP/S" -5°C (23°F) and 45°C (113°F)?

YES >> GO TO 2.

NO-1 [if it is below -5°C (23°F)]>>Warm up the engine until the value of "COOLAN TEMP/S" indicates -5°C (23°F) and 45°C (113°F). And then GO TO 2.

NO-2 [if it is above 45°C (113°F)]>>Cool the engine down to the value of "COOLAN TEMP/S" indicates -5°C (23°F) and 45°C (113°F). And then GO TO 2.

2. PERFORM DTC CONFIRMATION PROCEDURE-I

1. Turn ignition switch OFF and wait at 10 seconds.
2. Turn ignition switch ON.
3. Set the selector lever in N range.
4. Start the engine and let it idle for 20 seconds or more.
5. Check 1st trip DTC.

Is 1st trip DTC detected?

YES >> Proceed to [EC-407, "Diagnosis Procedure"](#)

NO >> INSPECTION END

Diagnosis Procedure

INFOID:000000012602437

1. INSPECTION START

P052A, P052B INTAKE VALVE TIMING CONTROL

[QR25DE]

< DTC/CIRCUIT DIAGNOSIS >

- With CONSULT>>GO TO 2.
Without CONSULT>>GO TO 3.

2.CHECK VTC POSITION

④ With CONSULT

1. Turn ignition switch ON.
2. On the CONSULT screen, select "ENGINE" >> "DATA MONITOR" >> "COOLAN TEMP/S".
3. Check that the "COOLAN TEMP/S" indication value is between -5°C (23°F) and 45°C (113°F).
4. Start engine and wait at least 5 seconds.
5. On the CONSULT screen, select "ENGINE" >> "DATA MONITOR" >> "INT/V TIM (B1)".
6. Check that the data monitor item indicates as follows:

Item	Value ($^{\circ}\text{CA}$)
INT/V TIM (B1)	10 ± 2

Is the inspection result normal?

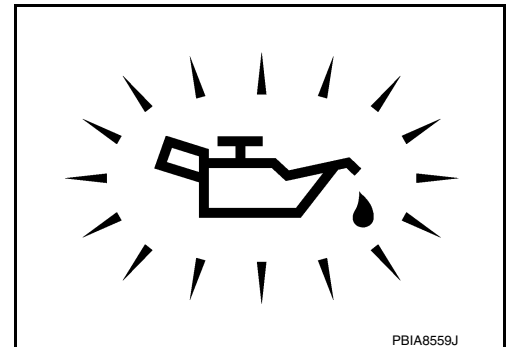
- YES >> Check intermittent incident. Refer to [GI-44, "Intermittent Incident"](#).
NO >> GO TO 3.

3.CHECK OIL PRESSURE WARNING LAMP

1. Start engine.
2. Check that oil pressure warning lamp is not illuminated.

Is oil pressure warning lamp illuminated?

- YES >> Refer to [LU-9, "Inspection"](#).
NO >> GO TO 4.



4.CHECK INTAKE VALVE TIMING INTERMEDIATE LOCK CONTROL SOLENOID VALVE

Perform Component Inspection of the intake valve timing intermediate lock control solenoid valve. Refer to [EC-410, "Component Inspection \(Intake Valve Timing Intermediate Lock Control Solenoid Valve\)"](#).

Is the inspection result normal?

- YES >> GO TO 5.
NO >> Repair or replace error-detected parts.

5.CHECK INTAKE VALVE TIMING CONTROL SOLENOID VALVE

Perform Component Inspection of the intake valve timing control solenoid valve. Refer to [EC-409, "Component Inspection \(Intake Valve Timing Control Solenoid Valve\)"](#).

Is the inspection result normal?

- YES >> GO TO 6.
NO >> Repair or replace error-detected parts.

6.CHECK CRANKSHAFT POSITION SENSOR

Perform Component Inspection of the crankshaft position sensor. Refer to [EC-410, "Component Inspection \(Crankshaft Position sensor\)"](#).

Is the inspection result normal?

- YES >> GO TO 7.
NO >> Repair or replace error-detected parts.

7.CHECK CAMSHAFT POSITION SENSOR

Perform Component Inspection of the camshaft position sensor. Refer to [EC-411, "Component Inspection \(Camshaft position sensor\)"](#).

Is the inspection result normal?

P052A, P052B INTAKE VALVE TIMING CONTROL

[QR25DE]

< DTC/CIRCUIT DIAGNOSIS >

- YES >> GO TO 8.
- NO >> Repair or replace error-detected parts.

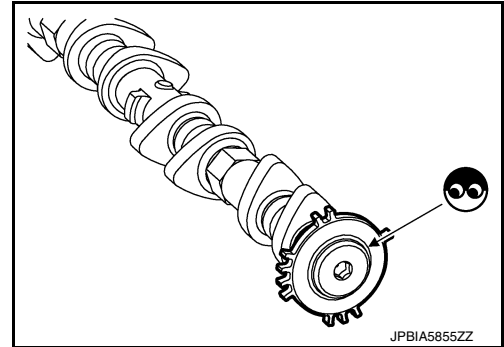
8.CHECK CAMSHAFT (INTAKE)

Check the following.

1. Accumulation of debris on the signal plate of camshaft front end
2. Chipping signal plate of camshaft front end

Is the inspection result normal?

- YES >> GO TO 9.
- NO >> Remove debris and clean the signal plate of camshaft front end or replace camshaft. Refer to [EM-48. "Removal and Installation"](#).



9.CHECK TIMING CHAIN INSTALLATION

Check service records for any recent repairs that may cause timing chain misalignment.

Are there any service records that may cause timing chain misalignment?

- YES >> Check timing chain installation. Refer to [EM-62. "Removal and Installation"](#).
- NO >> GO TO 10.

10.CHECK LUBRICATION CIRCUIT

Perform "Inspection of Camshaft Sprocket (INT) Oil Groove". Refer to [EM-56. "Inspection After Installation"](#).

Is the inspection result normal?

- YES >> Check intermittent incident. Refer to [GI-44. "Intermittent Incident"](#).
- NO >> Clean lubrication line.

Component Inspection (Intake Valve Timing Control Solenoid Valve)

INFOID:0000000012602438

1.CHECK INTAKE VALVE TIMING CONTROL SOLENOID VALVE-I

1. Turn ignition switch OFF.
2. Disconnect intake valve timing control solenoid valve harness connector.
3. Check resistance between intake valve timing control solenoid valve terminals as per the following.

Terminals	Resistance
1 and 2	7.0 - 7.7 Ω [at 20°C (68°F)]
1 or 2 and ground	$\infty \Omega$ (Continuity should not exist)

Is the inspection result normal?

- YES >> GO TO 2.
- NO >> Replace malfunctioning intake valve timing control solenoid valve. Refer to [EM-61. "Exploded View"](#).

2.CHECK INTAKE VALVE TIMING CONTROL SOLENOID VALVE-II

1. Remove intake valve timing control solenoid valve. Refer to [EM-61. "Exploded View"](#).

P052A, P052B INTAKE VALVE TIMING CONTROL

[QR25DE]

< DTC/CIRCUIT DIAGNOSIS >

2. Provide 12 V DC between intake valve timing control solenoid valve terminals 1 and 2, and then interrupt it. Check that the plunger moves as shown in the figure.

CAUTION:

Never apply 12 V DC continuously for 5 seconds or more. Doing so may result in damage to the coil in intake valve timing control solenoid valve.

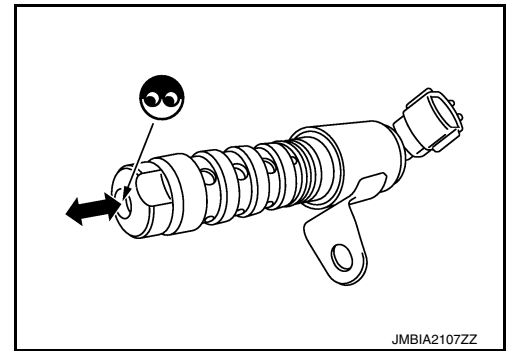
NOTE:

Always replace O-ring when intake valve timing control solenoid valve is removed.

Is the inspection result normal?

YES >> INSPECTION END

NO >> Replace malfunctioning intake valve timing control solenoid valve. Refer to [EM-61. "Exploded View"](#).



Component Inspection (Intake Valve Timing Intermediate Lock Control Solenoid Valve)

INFOID:000000012602439

1. CHECK INTAKE VALVE TIMING INTERMEDIATE LOCK CONTROL SOLENOID VALVE-I

1. Turn ignition switch OFF.
2. Disconnect intake valve timing intermediate lock control solenoid valve harness connector.
3. Check resistance between intake valve timing intermediate lock control solenoid valve terminals as per the following.

Terminals	Resistance
1 and 2	7.0 - 7.7 Ω [at 20°C (68°F)]
1 or 2 and ground	$\infty \Omega$ (Continuity should not exist)

Is the inspection result normal?

YES >> GO TO 2.

NO >> Replace malfunctioning intake valve timing intermediate lock control solenoid valve. Refer to [EM-61. "Exploded View"](#).

2. CHECK INTAKE VALVE TIMING INTERMEDIATE LOCK CONTROL SOLENOID VALVE-II

1. Remove intake valve timing intermediate lock control solenoid valve. Refer to [EM-61. "Exploded View"](#).
2. Provide 12 V DC between intake valve timing intermediate lock control solenoid valve terminals 1 and 2, and then interrupt it. Check that the plunger moves as shown in the figure.

CAUTION:

Never apply 12 V DC continuously for 5 seconds or more. Doing so may result in damage to the coil in intake valve timing intermediate lock control solenoid valve.

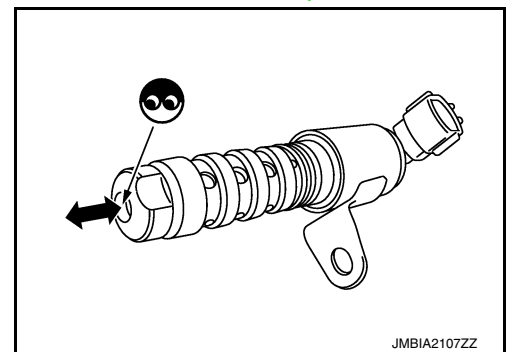
NOTE:

Always replace O-ring when intake valve timing intermediate lock control solenoid valve is removed.

Is the inspection result normal?

YES >> INSPECTION END

NO >> Replace malfunctioning intake valve timing intermediate lock control solenoid valve. Refer to [EM-61. "Exploded View"](#).



Component Inspection (Crankshaft Position sensor)

INFOID:000000012602440

1. CHECK CRANKSHAFT POSITION SENSOR (POS)-1

1. Turn ignition switch OFF.
2. Loosen the fixing bolt of the sensor.
3. Disconnect crankshaft position sensor (POS) harness connector.
4. Remove the sensor.

P052A, P052B INTAKE VALVE TIMING CONTROL

[QR25DE]

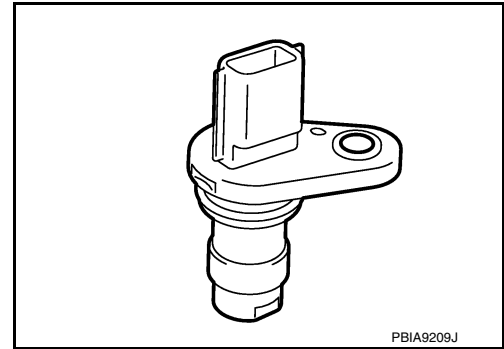
< DTC/CIRCUIT DIAGNOSIS >

5. Visually check the sensor for chipping.

Is the inspection result normal?

YES >> GO TO 2.

NO >> Replace crankshaft position sensor (POS). Refer to [EM-91, "Exploded View"](#).



2.CHECK CRANKSHAFT POSITION SENSOR (POS)-2

Check the resistance between crankshaft position sensor (POS) terminals as per the following.

Crankshaft position sensor (POS)		Resistance [at 25°C (77°F)]
+	-	
Terminal (Polarity)		Except 0 or ∞ Ω
1	2	
	3	
2	3	

Is the inspection result normal?

YES >> INSPECTION END

NO >> Replace crankshaft position sensor (POS). Refer to [EM-91, "Exploded View"](#).

Component Inspection (Camshaft position sensor)

INFOID:0000000012602441

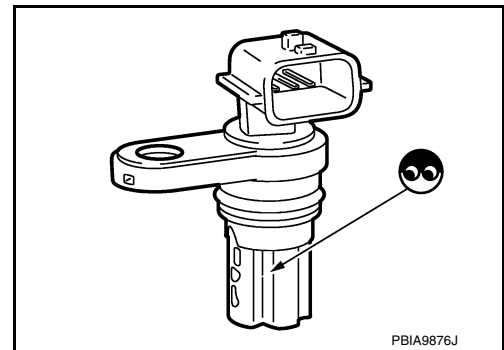
1.CHECK CAMSHAFT POSITION SENSOR (PHASE)-1

1. Turn ignition switch OFF.
2. Loosen the fixing bolt of the sensor.
3. Disconnect camshaft position sensor (PHASE) harness connector.
4. Remove the sensor.
5. Visually check the sensor for chipping.

Is the inspection result normal?

YES >> GO TO 2.

NO >> Replace camshaft position sensor (PHASE).



2.CHECK CAMSHAFT POSITION SENSOR (PHASE)-2

Check the resistance camshaft position sensor (PHASE) terminals as per the following.

Camshaft position sensor (PHASE)		Resistance [Ω at 25°C (77°F)]
+	-	
Terminals (Polarity)		Except 0 or ∞
1	2	
	3	
2	3	

Is the inspection result normal?

P052A, P052B INTAKE VALVE TIMING CONTROL

< DTC/CIRCUIT DIAGNOSIS >

[QR25DE]

YES >> INSPECTION END

NO >> Replace camshaft position sensor (PHASE). Refer to [EM-48, "Removal and Installation"](#).

P059F ACTIVE GRILLE SHUTTER

< DTC/CIRCUIT DIAGNOSIS >

[QR25DE]

P059F ACTIVE GRILLE SHUTTER

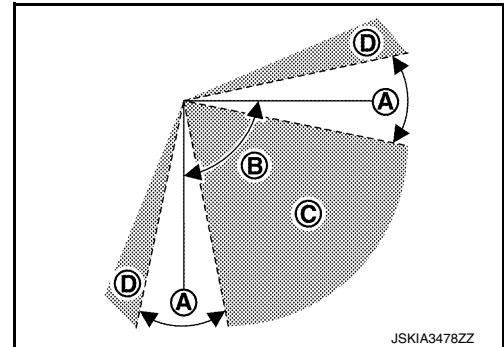
DTC Description

INFOID:000000013214814

DTC DETECTION LOGIC

Active grille shutter normally stops within zone (A) which is defined by zone (B) ($90^{\circ} \pm 20^{\circ}$).

If the active grille shutter stops within zone (C) stuck error is detected, and if the active grille shutter stops at position beyond zone (D) over-run error is detected.



DTC No.	CONSULT screen terms (Trouble diagnosis content)	DTC detecting condition	Possible cause
P059F	ACTIVE GRILLE AIR SHUT- TER A (Active grille air shutter A performance/stuck off)	Detects the malfunction of initial position learning or operational malfunctions for specified times.	<ul style="list-style-type: none"> • Harness or connectors (Active grille shutter circuit is open or shorted.) • Active grille shutter • Foreign objects interferes with active grille shutter

DTC CONFIRMATION PROCEDURE

1.CHECK DTC PRIORITY

If DTC P059F displayed with DTC UXXXX, P0116, P0117, P0118, P0125, P0196, P0197, P0198, P0500 or P0607 first perform the trouble diagnosis for DTC UXXXX, P0116, P0117, P0118, P0125, P0196, P0197, P0198, P0500 or P0607.

Is applicable DTC detected?

- YES >> Perform diagnosis of applicable. Refer to [EC-110. "DTC Index"](#).
 NO >> GO TO 2.

2.PERFORM DIAGNOSIS PROCEDURE

NOTE:

Since this DTC is difficult to be confirmed, perform diagnosis procedure to judge the normality.

>> Proceed to [EC-413. "Diagnosis Procedure"](#).

Diagnosis Procedure

INFOID:000000013214815

1.CHECK DTC PRIORITY

If DTC P059F displayed with DTC UXXXX, P0116, P0117, P0118, P0125, P0196, P0197, P0198, P0500 or P0607 first perform the trouble diagnosis for DTC UXXXX, P0116, P0117, P0118, P0125, P0196, P0197, P0198, P0500 or P0607.

Is applicable DTC detected?

- YES >> Perform diagnosis of applicable. Refer to [EC-110. "DTC Index"](#).
 NO >> GO TO 2.

2.CHECK ACTIVE GRILL SHUTTER

1. Turn ignition switch OFF.
2. Check if any foreign objects interferes with active grille shutter.
3. Check the installation condition of active grille shutter.

P059F ACTIVE GRILLE SHUTTER

[QR25DE]

< DTC/CIRCUIT DIAGNOSIS >

Is the inspection result normal?

YES >> GO TO 3.

NO >> Repair or replace the error-detected parts.

3. CHECK ACTIVE GRILLE SHUTTER POWER SUPPLY

1. Disconnect active grille shutter harness connector.
2. Check the voltage between active grille shutter harness connector and ground as follows.

+		-	Condition	Voltage (Approx.)
Connector	Terminal			
E249	1	Ground	Ignition switch: ON	Battery voltage
			Ignition switch: OFF	0 V

Is the inspection result normal?

YES >> GO TO 5.

NO >> GO TO 4.

4. CHECK ACTIVE GRILLE SHUTTER POWER SUPPLY CIRCUIT

1. Turn ignition switch OFF
2. Disconnect IPDM E/R harness connector.
3. Check the continuity between active grille shutter harness connector and IPDM E/R harness connector.

Active grille shutter		IPDM E/R		Continuity
Connector	Terminal	Connector	Terminal	
E249	1	F83	53	Existed

Is the inspection result normal?

YES >> Perform trouble diagnosis for power supply circuit.

NO >> Repair or replace the error-detected parts.

5. CHECK ACTIVE GRILLE SHUTTER GROUND CIRCUIT

1. Turn ignition switch OFF
2. Check the continuity between active grille shutter harness connector and ground.

Active grille shutter		-	Continuity
Connector	Terminal		
E249	4	Ground	Existed

3. Also check harness for short to ground and short to power.

Is the inspection result normal?

YES >> GO TO 6.

NO >> Repair open circuit, short to ground or short to power in harness or connectors.

6. CHECK ACTIVE GRILLE SHUTTER INPUT SIGNAL CIRCUIT

1. Disconnect ECM harness connector.
2. Check the continuity between ECM harness connector and active grille shutter harness connector.

+		-		Continuity
ECM		Active grille shutter		
Connector	Terminal	Connector	Terminal	
F13*1 F90*2	85	E249	3	Existed

*1: Except for California

P059F ACTIVE GRILLE SHUTTER

[QR25DE]

< DTC/CIRCUIT DIAGNOSIS >

*2: For California

Is the inspection result normal?

YES >> GO TO 7.

NO >> Repair or replace the error-detected parts.

7.CHECK ACTIVE GRILLE SHUTTER

Check active grille shutter. Refer to [EC-415, "Component Inspection \(Active Grille Shutter\)"](#).

Is the inspection result normal?

YES >> INSPECTION END

NO >> Replace active grille shutter. Refer to [EXT-32, "Removal and Installation"](#).

Component Inspection (Active Grille Shutter)

INFOID:000000013214816

1.CHECK ACTIVE GRILLE SHUTTER

With CONSULT

1. Start the engine.
2. Select "ACTIVE GRILLE SHUTTER" in "ACTIVE TEST" mode of "ENGINE" using CONSULT.
3. Touch "CALIBRTN".
4. After the calibration completes, check the operation of active grille shutter as follows.

Condition	Active grille shutter
Select "CLOSE"	Close → Open
Select "OPEN"	Open → Close

Without CONSULT

1. Turn ignition switch OFF.
2. Operate shutter by hands to close position.
3. Check the operation of active grille shutter as follows.

Condition	Active grille shutter
Ignition switch: ON	Close → Open

Is the inspection result normal?

YES >> INSPECTION END

NO >> Replace active grille shutter. Refer to [EXT-32, "Removal and Installation"](#).

P0603 ECM

DTC Logic

INFOID:000000012602442

DTC DETECTION LOGIC

DTC No.	CONSULT screen terms (Trouble diagnosis content)	DTC detecting condition	Possible cause
P0603	ECM BACK UP CIRCUIT [Internal control module keep alive memory (KAM) error]	<ul style="list-style-type: none"> Malfunction in the internal back up RAM of ECM. Malfunction in the internal EEPROM system of ECM. 	<ul style="list-style-type: none"> ECM power supply ECM

DTC CONFIRMATION PROCEDURE

1. PRECONDITIONING

TESTING CONDITION:

Before performing the following procedure, confirm that battery voltage is 11 V or more with ignition switch ON.

>> GO TO 2.

2. PERFORM DTC CONFIRMATION PROCEDURE

- Turn ignition switch ON and wait at least 1 second.
- Turn ignition switch OFF and wait at least 10 seconds.
- Repeat step 1 and 2 for 10 times.
- Turn ignition switch ON.
- Check 1st trip DTC.

Is 1st trip DTC detected?

- YES >> Proceed to [EC-416, "Diagnosis Procedure"](#).
- NO >> INSPECTION END

Diagnosis Procedure

INFOID:000000012602443

1. CHECK ECM POWER SUPPLY AND GROUND CIRCUIT

Perform trouble diagnosis for ECM power supply and ground circuit. Refer to [EC-211, "Diagnosis Procedure"](#).

Is the inspection result normal?

- YES >> GO TO 2.
- NO >> Repair or replace error-detected parts.

2. CHECK INTERMITTENT INCIDENT

Check intermittent incident. Refer to [GI-44, "Intermittent Incident"](#).

Is the inspection result normal?

- YES >> GO TO 3.
- NO >> Repair or replace error-detected parts.

3. PERFORM DTC CONFIRMATION PROCEDURE

- Turn ignition switch ON.
- Erase DTC.
- Perform DTC confirmation procedure. Refer to [EC-416, "DTC Logic"](#).

Is the 1st trip DTC P0603 displayed again?

- YES >> Replace ECM. Refer to [EC-577, "Removal and Installation"](#).
- NO >> INSPECTION END

P0604 ECM

DTC Logic

INFOID:000000012602444

DTC DETECTION LOGIC

DTC No.	CONSULT screen terms (Trouble diagnosis content)	DTC detecting condition	Possible cause
P0604	ECM [Internal control module random access memory (RAM) error]	Malfunction in the internal RAM of ECM.	ECM

DTC CONFIRMATION PROCEDURE

1. PRECONDITIONING

1. Turn ignition switch OFF and wait at least 10 seconds.
2. Turn ignition switch ON.
3. Turn ignition switch OFF and wait at least 10 seconds.

TESTING CONDITION:

Before performing the following procedure, confirm that battery voltage is 11 V or more with ignition switch ON.

>> GO TO 2.

2. PERFORM DTC CONFIRMATION PROCEDURE

1. Turn ignition switch ON (engine stopped) and wait least 20 minutes.

CAUTION:

Never start engine during this procedure.

2. Turn ignition switch OFF and wait at least 10 seconds.
3. Turn ignition switch ON.
4. Check 1st trip DTC.

Is 1st trip DTC detected?

YES >> Proceed to [EC-417, "Diagnosis Procedure"](#).

NO >> INSPECTION END

Diagnosis Procedure

INFOID:000000012602445

1. PERFORM DTC CONFIRMATION PROCEDURE

1. Turn ignition switch ON.
2. Erase DTC.
3. Perform DTC confirmation procedure. Refer to [EC-417, "DTC Logic"](#).

Is the 1st trip DTC P0604 displayed again?

YES >> Replace ECM. Refer to [EC-577, "Removal and Installation"](#).

NO >> INSPECTION END

P0605 ECM

DTC Logic

INFOID:000000012602446

DTC DETECTION LOGIC

DTC No.	CONSULT screen terms (Trouble diagnosis content)	DTC detecting condition	Possible cause
P0605	ECM [Internal control module read only memory (ROM) error]	Malfunction in the internal ROM of ECM.	ECM

DTC CONFIRMATION PROCEDURE

1. PRECONDITIONING

1. Turn ignition switch OFF and wait at least 10 seconds.
2. Turn ignition switch ON.
3. Turn ignition switch OFF and wait at least 10 seconds.

TESTING CONDITION:

Before performing the following procedure, confirm that battery voltage is 11 V or more with ignition switch ON.

>> GO TO 2.

2. PERFORM DTC CONFIRMATION PROCEDURE

1. Turn ignition switch ON (engine stopped) and wait least 20 minutes.

CAUTION:

Never start engine during this procedure.

2. Turn ignition switch OFF and wait at least 10 seconds.
3. Turn ignition switch ON.
4. Check 1st trip DTC.

Is 1st trip DTC detected?

YES >> Proceed to [EC-418, "Diagnosis Procedure"](#).

NO >> INSPECTION END

Diagnosis Procedure

INFOID:000000012602447

1. PERFORM DTC CONFIRMATION PROCEDURE

1. Turn ignition switch ON.
2. Erase DTC.
3. Perform DTC confirmation procedure. Refer to [EC-417, "DTC Logic"](#).

Is the 1st trip DTC P0605 displayed again?

YES >> Replace ECM. Refer to [EC-577, "Removal and Installation"](#).

NO >> INSPECTION END

P0606 ECM

DTC Logic

INFOID:000000012602448

DTC DETECTION LOGIC

DTC No.	CONSULT screen terms (Trouble diagnosis content)	DTC detecting condition	Possible cause
P0606	CONTROL MODULE (Control module processor)	Malfunction in ECM processor.	ECM

DTC CONFIRMATION PROCEDURE

1. PRECONDITIONING

1. Turn ignition switch OFF and wait at least 10 seconds.
2. Turn ignition switch ON.
3. Turn ignition switch OFF and wait at least 10 seconds.

TESTING CONDITION:

Before performing the following procedure, confirm that battery voltage is 11 V or more with ignition switch ON.

>> GO TO 2.

2. PERFORM DTC CONFIRMATION PROCEDURE-I

1. Turn ignition switch ON (engine stopped) and wait at least 10 seconds.

CAUTION:

Never start engine during this procedure.

2. Turn ignition switch OFF and wait at least 10 seconds.
3. Turn ignition switch ON.
4. Check 1st trip DTC.

Is 1st trip DTC detected?

YES >> Proceed to [EC-419, "Diagnosis Procedure"](#).

NO >> GO TO 3.

3. PERFORM DTC CONFIRMATION PROCEDURE-II

1. Start engine.
2. Rev up the engine quickly to approximately 3,000 rpm under unloaded condition and completely release the accelerator pedal.
3. Let the engine idle and wait at least 10 seconds.
4. Turn ignition switch OFF and wait at least 10 seconds.
5. Turn ignition switch ON.
6. Check 1st trip DTC.

Is 1st trip DTC detected?

YES >> Proceed to [EC-419, "Diagnosis Procedure"](#).

NO >> INSPECTION END

Diagnosis Procedure

INFOID:000000012602449

1. PERFORM DTC CONFIRMATION PROCEDURE

1. Turn ignition switch ON.
2. Erase DTC.
3. Perform DTC confirmation procedure for 3 times. Refer to [EC-419, "DTC Logic"](#).

Is the 1st trip DTC P0606 displayed again?

YES >> Replace ECM. Refer to [EC-577, "Removal and Installation"](#).

NO >> INSPECTION END

P0607 ECM

DTC Logic

INFOID:000000012602450

DTC DETECTION LOGIC

DTC No.	CONSULT screen terms (Trouble diagnosis content)	DTC detecting condition	Possible cause
P0607	ECM (Control module performance)	ECM internal communication system is malfunctioning.	ECM

DTC CONFIRMATION PROCEDURE

1. PRECONDITIONING

1. Turn ignition switch OFF and wait at least 10 seconds.
2. Turn ignition switch ON.
3. Turn ignition switch OFF and wait at least 10 seconds.

TESTING CONDITION:

Before performing the following procedure, confirm that battery voltage is 11 V or more with ignition switch ON.

>> GO TO 2.

2. PERFORM DTC CONFIRMATION PROCEDURE

1. Turn ignition switch ON (engine stopped) and wait least 10 seconds.
2. Turn ignition switch OFF and wait at least 10 seconds.
3. Turn ignition switch ON.
4. Check 1st trip DTC.

Is 1st trip DTC detected?

- YES >> Proceed to [EC-420. "Diagnosis Procedure"](#).
 NO >> INSPECTION END

Diagnosis Procedure

INFOID:000000012602451

1. PERFORM DTC CONFIRMATION PROCEDURE

1. Turn ignition switch ON.
2. Erase DTC.
3. Perform DTC confirmation procedure. Refer to [EC-417. "DTC Logic"](#).

Is the 1st trip DTC P0607 displayed again?

- YES >> Replace ECM. Refer to [EC-577. "Removal and Installation"](#).
 NO >> INSPECTION END

P060A ECM

DTC Logic

INFOID:000000012602452

DTC DETECTION LOGIC

DTC No.	CONSULT screen terms (Trouble diagnosis content)	DTC detecting condition	Possible cause
P060A	CONTROL MODULE (Internal control module monitoring processor performance)	ECM internal monitoring processor is malfunctioning.	ECM

DTC CONFIRMATION PROCEDURE

1. PRECONDITIONING

1. Turn ignition switch OFF and wait at least 10 seconds.
2. Turn ignition switch ON.
3. Turn ignition switch OFF and wait at least 10 seconds.

TESTING CONDITION:

Before performing the following procedure, confirm that battery voltage is 11 V or more with ignition switch ON.

>> GO TO 2.

2. PERFORM DTC CONFIRMATION PROCEDURE

1. Start engine and wait at least 10 seconds.
2. Turn ignition switch OFF and wait at least 10 seconds.
3. Repeat step 1 and 2 for 5 times.
4. Turn ignition switch ON.
5. Check 1st trip DTC.

Is 1st trip DTC detected?

- YES >> Proceed to [EC-421, "Diagnosis Procedure"](#).
- NO >> INSPECTION END

Diagnosis Procedure

INFOID:000000012602453

1. PERFORM DTC CONFIRMATION PROCEDURE

1. Turn ignition switch ON.
2. Erase DTC.
3. Perform DTC confirmation procedure. Refer to [EC-421, "DTC Logic"](#).

Is the 1st trip DTC P060A displayed again?

- YES >> Replace ECM. Refer to [EC-577, "Removal and Installation"](#).
- NO >> INSPECTION END

P060B ECM

DTC Logic

INFOID:000000012602454

DTC DETECTION LOGIC

DTC No.	CONSULT screen terms (Trouble diagnosis content)	DTC detecting condition	Possible cause
P060B	CONTROL MODULE (Internal control module A/ D processing performance)	ECM internal analog/digital conversion processing system is malfunctioning.	ECM

DTC CONFIRMATION PROCEDURE

1. PRECONDITIONING

1. Turn ignition switch OFF and wait at least 10 seconds.
2. Turn ignition switch ON.
3. Turn ignition switch OFF and wait at least 10 seconds.

TESTING CONDITION:

Before performing the following procedure, confirm that battery voltage is 11 V or more with ignition switch ON.

>> GO TO 2.

2. PERFORM DTC CONFIRMATION PROCEDURE

1. Turn ignition switch ON (engine stopped) and wait least 10 seconds.
2. Turn ignition switch OFF and wait at least 10 seconds.
3. Turn ignition switch ON.
4. Check 1st trip DTC.

Is 1st trip DTC detected?

- YES >> Proceed to [EC-422, "Diagnosis Procedure"](#).
- NO >> INSPECTION END

Diagnosis Procedure

INFOID:000000012602455

1. PERFORM DTC CONFIRMATION PROCEDURE

1. Turn ignition switch ON.
2. Erase DTC.
3. Perform DTC confirmation procedure. Refer to [EC-422, "DTC Logic"](#).

Is the 1st trip DTC P060B displayed again?

- YES >> Replace ECM. Refer to [EC-577, "Removal and Installation"](#).
- NO >> INSPECTION END

P062F CONTROL MODULE

< DTC/CIRCUIT DIAGNOSIS >

[QR25DE]

P062F CONTROL MODULE

DTC Logic

INFOID:000000013214788

DTC DETECTION LOGIC

DTC No.	CONSULT screen terms (Trouble diagnosis content)	DTC detecting condition	Possible cause
P062F	CONTROL MODULE (Internal control module EEPROM error)	ECM calculation is function malfunctioning.	• ECM

DTC CONFIRMATION PROCEDURE

1. PRECONDITIONING

If DTC Confirmation Procedure is previously conducted, always turn ignition switch OFF and wait at least 30 seconds before conducting the next test.

>> GO TO 2.

2. PERFORM DTC CONFIRMATION PROCEDURE

1. Turn ignition switch ON and wait at least 5 second.
2. Check the DTC.

Is the DTC detected?

- YES >> INSPECTION END
NO >> Proceed to [EC-423, "Diagnosis Procedure"](#).

Diagnosis Procedure

INFOID:000000013214789

1. INSPECTION START

1. Perform DTC Confirmation Procedure. Refer to [EC-423, "DTC Logic"](#).
2. Erase DTC.

Is DTC erased?

- YES >> INSPECTION END
NO >> GO TO 2.

2. REPLACE ECM

1. Replace ECM. Refer to [EC-577, "Removal and Installation"](#).
2. Perform [EC-182, "Description"](#).

>> INSPECTION END

P0643 SENSOR POWER SUPPLY

< DTC/CIRCUIT DIAGNOSIS >

[QR25DE]

P0643 SENSOR POWER SUPPLY

Description

INFOID:000000012602456

ECM supplies a voltage of 5 V to some of the sensors systematically divided into 2 groups, respectively. Accordingly, when a short circuit develops in a sensor power source, a malfunction may occur simultaneously in the sensors belonging to the same group as the short-circuited sensor.

Sensor power supply 1

- APP sensor 1
- Battery current sensor
- CKP sensor (POS)
- Intake manifold runner control valve position sensor
- Refrigerant pressure sensor
- TP sensor

NOTE:

If sensor power supply 1 circuit is malfunctioning, DTC P0643 is displayed.

Sensor power supply 2

- APP sensor 2
- CMP sensor (PHASE)
- EVT control position sensor
- EOP sensor
- MAF sensor

DTC Logic

INFOID:000000012602457

DTC DETECTION LOGIC

DTC No.	CONSULT screen terms (Trouble diagnosis content)	DTC detecting condition	Possible cause
P0643	SENSOR POWER/CIRC (Sensor reference voltage "A" circuit high)	ECM detects that the voltage of sensor power supply 1 is excessively low or high.	<ul style="list-style-type: none">• Harness or connectors (APP sensor 1 circuit is shorted.) (Battery current sensor circuit is shorted.) (CKP sensor (POS) circuit is shorted.) (Intake manifold runner control valve position sensor circuit is shorted.) (TP sensor circuit is shorted.) (Refrigerant pressure sensor circuit is shorted.)• Accelerator pedal position sensor• Battery current sensor• CKP sensor (POS)• Intake manifold runner control valve position sensor• Throttle position sensor• Refrigerant pressure sensor

DTC CONFIRMATION PROCEDURE

1. PRECONDITIONING

If DTC Confirmation Procedure has been previously conducted, always perform the following procedure before conducting the next test.

1. Turn ignition switch OFF and wait at least 10 seconds.
2. Turn ignition switch ON.
3. Turn ignition switch OFF and wait at least 10 seconds.

TESTING CONDITION:

Before performing the following procedure, confirm that battery voltage is more than 10 V at idle.

>> GO TO 2.

2. PERFORM DTC CONFIRMATION PROCEDURE

P0643 SENSOR POWER SUPPLY

[QR25DE]

< DTC/CIRCUIT DIAGNOSIS >

1. Start engine and let it idle for 1 second.
2. Check DTC.

Is DTC detected?

- YES >> Refer to [EC-425, "Diagnosis Procedure"](#).
NO >> INSPECTION END

Diagnosis Procedure

INFOID:0000000012602458

1. CHECK GROUND CONNECTION

1. Turn ignition switch OFF.
2. Check ground connection M95. Refer to Ground Inspection in [GI-46, "Circuit Inspection"](#).

Is the inspection result normal?

- YES >> GO TO 2.
NO >> Repair or replace ground connection.

2. CHECK ACCELERATOR PEDAL POSITION SENSOR 1 POWER SUPPLY CIRCUIT

1. Disconnect accelerator pedal position (APP) sensor harness connector.
2. Turn ignition switch ON.
3. Check the voltage between APP sensor harness connector and ground.

+		-	Voltage (Approx.)
APP sensor			
Connector	Terminal		
E40	4	Ground	5 V

Is the inspection result normal?

- YES >> GO TO 5.
NO >> GO TO 3.

3. CHECK SENSOR POWER SUPPLY CIRCUITS

Check harness for short to power and short to ground, between the following terminals.

ECM		Sensor		
Connector	Terminal	Name	Connector	Terminal
F13*1 F90*2	64	Battery current sensor	F5	1
	72	CKP sensor (POS)	F30	1
	80	Electric throttle control actuator	F57	2
	84	Intake manifold runner control valve position sensor	F52	1
E10*1 E31*2	104	Refrigerant pressure sensor	E219	1
	122	APP sensor	E40	4

*1: Except for California

*2: For California

Is the inspection result normal?

- YES >> GO TO 4.
NO >> Repair short to ground or short to power in harness or connectors.

4. CHECK COMPONENTS

Check the following.

- Battery current sensor (Refer to [EC-443, "Component Inspection"](#).)
- Crankshaft position sensor (POS) (Refer to [EC-341, "Component Inspection \(Crankshaft Position sensor\)"](#).)
- Intake manifold runner control valve position sensor (Refer to [EC-491, "Diagnosis Procedure"](#).)
- Refrigerant pressure sensor (Refer to [EC-560, "Diagnosis Procedure"](#).)
- TP sensor (Refer to [EC-263, "Component Inspection"](#).)

Is the inspection result normal?

P0643 SENSOR POWER SUPPLY

[QR25DE]

< DTC/CIRCUIT DIAGNOSIS >

YES >> GO TO 5.

NO >> Repair or replace malfunctioning component.

5.CHECK APP SENSOR

Refer to [EC-510. "Component Inspection"](#).

Is the inspection result normal?

YES >> Check intermittent incident. Refer to [GI-44. "Intermittent Incident"](#).

NO >> Replace accelerator pedal assembly. Refer to [ACC-3. "Removal and Installation"](#).

P06DA, P06DB ENGINE OIL PRESSURE CONTROL SOLENOID VALVE

< DTC/CIRCUIT DIAGNOSIS >

[QR25DE]

P06DA, P06DB ENGINE OIL PRESSURE CONTROL SOLENOID VALVE

DTC Logic

INFOID:000000013214790

DTC DETECTION LOGIC

DTC No.	Trouble diagnosis name (Trouble diagnosis content)	DTC detecting condition	Possible Cause
P06DA	ENGINE OIL PRESSURE CONTROL (Engine oil pressure control circuit/open)	ECM detects the following status continuously for 5 seconds or more: A voltage signal from engine oil pressure control solenoid valve is around 0V or more and less than normal operating voltage	<ul style="list-style-type: none"> • Harness or connectors (Engine oil pressure control solenoid valve circuit is open or shorted.) • Engine oil pressure control solenoid valve
P06DB	ENGINE OIL PRESSURE CONTROL (Engine oil pressure control circuit low)	ECM detects the following status continuously for 5 seconds or more: A voltage signal from engine oil pressure control solenoid valve is around 0V	

DTC CONFIRMATION PROCEDURE

1. PRECONDITIONING

If DTC Confirmation Procedure has been previously conducted, always perform the following procedure before conducting the next test.

1. Turn ignition switch OFF and wait at least 10 seconds.
2. Turn ignition switch ON.
3. Turn ignition switch OFF and wait at least 10 seconds.

>> GO TO 2.

2. PERFORM DTC CONFIRMATION PROCEDURE

1. Start the engine.
2. Maintain engine speed at 4,500 rpm or more for at least 5 seconds.
3. Check DTC.

Is DTC detected?

- YES >> Proceed to [EC-427. "Diagnosis Procedure"](#).
NO >> INSPECTION END

Diagnosis Procedure

INFOID:000000013214791

1. CHECK ENGINE OIL PRESSURE CONTROL SOLENOID VALVE POWER SUPPLY

1. Turn ignition switch OFF.
2. Disconnect engine oil pressure control solenoid valve harness connector.
3. Turn ignition switch ON.
4. Check the voltage between engine oil pressure control solenoid valve harness connector and ground.

+		-	Voltage
Connector	Terminal		
F99	1	Ground	Battery voltage

Is the inspection result normal?

- YES >> GO TO 2.
NO >> Perform the trouble diagnosis for power supply circuit.

2. CHECK ENGINE OIL PRESSURE CONTROL SOLENOID VALVE INPUT SIGNAL CIRCUIT

1. Turn ignition switch OFF.
2. Disconnect ECM harness connector.

P06DA, P06DB ENGINE OIL PRESSURE CONTROL SOLENOID VALVE

< DTC/CIRCUIT DIAGNOSIS >

[QR25DE]

- Check the continuity between engine oil pressure control solenoid valve harness connector and ECM harness connector.

+		-		Continuity
Engine oil pressure control solenoid valve		ECM		
Connector	Terminal	Connector	Terminal	
F99	2	E10*1 E31*2	105	Existed

*1: Except for California

*2: For California

- Also check harness for short to power.

Is the inspection result normal?

- YES >> GO TO 3.
NO >> Repair or replace error-detected parts.

3.CHECK ENGINE OIL PRESSURE CONTROL SOLENOID VALVE

Check the engine oil pressure control solenoid valve. Refer to [EC-428, "Component Inspection \(Engine Oil Pressure Control Solenoid Valve\)"](#).

Is the inspection result normal?

- YES >> Check intermittent incident. Refer to [GI-44, "Intermittent Incident"](#).
NO >> Replace engine oil pressure control solenoid valve. Refer to [EM-36, "Exploded View"](#).

Component Inspection (Engine Oil Pressure Control Solenoid Valve)

INFOID:0000000013214792

1.CHECK ENGINE OIL PRESSURE CONTROL SOLENOID VALVE-1

- Turn ignition switch OFF.
- Disconnect engine oil pressure control solenoid valve harness connector.
- Check resistance between engine oil pressure control solenoid valve terminals as follows.

Engine oil pressure control solenoid valve		Condition		Resistance
+	-			
Terminal				
1	2	Temperature	20°C (68°F)	19.8 - 24.2 Ω
1	Ground			∞ Ω (Continuity should not exist)
2				

Is the inspection result normal?

- YES >> GO TO 2.
NO >> Replace engine oil pressure control solenoid valve. Refer to [EM-36, "Exploded View"](#).

2.CHECK ENGINE OIL PRESSURE CONTROL SOLENOID VALVE-2

- Remove engine oil pressure control solenoid valve. Refer to [EM-36, "Exploded View"](#).
- Provide 12 V DC between engine oil pressure control solenoid valve terminals 1 and 2, and then interrupt it. Make sure that the plunger moves as shown in the figure.

CAUTION:

Do not apply 12 V DC continuously for 5 seconds or more. Doing so may result in damage to the coil in engine oil pressure control solenoid valve.

NOTE:

Always replace O-ring when engine oil pressure control solenoid valve is removed.

Is the inspection result normal?

- YES >> INSPECTION END
NO >> Replace engine oil pressure control solenoid valve. Refer to [EM-36, "Exploded View"](#).

P0850 PNP SWITCH

< DTC/CIRCUIT DIAGNOSIS >

[QR25DE]

P0850 PNP SWITCH

Description

INFOID:0000000012602459

Transmission range switch is turn ON when the selector lever is P or N.
ECM detects the position because the continuity of the line (the ON) exists.

A

EC

DTC Logic

INFOID:0000000012602460

DTC DETECTION LOGIC

DTC No.	CONSULT screen terms (Trouble diagnosis content)	DTC detecting condition	Possible cause
P0850	P-N POS SW/CIRCUIT (Park/neutral switch input circuit)	The signal of transmission range switch is not changed in the process of engine starting and driving.	<ul style="list-style-type: none"> • Harness or connectors (The transmission range switch circuit is open or shorted.) • Transmission range switch

C

D

E

DTC CONFIRMATION PROCEDURE

1.INSPECTION START

Do you have CONSULT?

Do you have CONSULT?

YES >> GO TO 2.

NO >> GO TO 5.

2.PRECONDITIONING

If DTC Confirmation Procedure has been previously conducted, always perform the following procedure before conducting the next test.

1. Turn ignition switch OFF and wait at least 10 seconds.
2. Turn ignition switch ON.
3. Turn ignition switch OFF and wait at least 10 seconds.

>> GO TO 3.

3.CHECK PNP SIGNAL FUNCTION

ⓂWith CONSULT

1. Turn ignition switch ON.
2. Select "P/N POSI SW" in "DATA MONITOR" mode of "ENGINE" using CONSULT. Then check the "P/N POSI SW" signal as per the following conditions.

Selector lever position	Known-good signal
N or P position	ON
Except above position	OFF

Is the inspection result normal?

YES >> GO TO 4.

NO >> Proceed to [EC-430, "Diagnosis Procedure"](#).

4.PERFORM DTC CONFIRMATION PROCEDURE

1. Select "DATA MONITOR" mode of "ENGINE" using CONSULT.
2. Start engine and warm it up to normal operating temperature.
3. Maintain the following conditions for at least 60 consecutive seconds.

CAUTION:

Always drive vehicle at a safe speed.

F

G

H

I

J

K

L

M

N

O

P

P0850 PNP SWITCH

< DTC/CIRCUIT DIAGNOSIS >

[QR25DE]

ENG SPEED	1,000 - 6,375 rpm
COOLAN TEMP/S	More than 65°C (149°F)
B/FUEL SCHDL	3.25 - 31.8 msec
VHCL SPEED SE	More than 64 km/h (40 mph)
Selector lever	Suitable position

4. Check 1st trip DTC.

Is 1st trip DTC detected?

- YES >> Proceed to [EC-430, "Diagnosis Procedure"](#).
 NO >> INSPECTION END

5.PERFORM COMPONENT FUNCTION CHECK

Perform component function check. Refer to [EC-430, "Component Function Check"](#).

NOTE:

Use component function check the overall function of the transmission range switch circuit. During this check, a 1st trip DTC might not be confirmed.

Is the inspection result normal?

- YES >> INSPECTION END
 NO >> Proceed to [EC-430, "Diagnosis Procedure"](#).

Component Function Check

INFOID:0000000012602461

1.PERFORM COMPONENT FUNCTION CHECK

- Turn ignition switch ON.
- Check the voltage between ECM harness connector and ground as per the following conditions.

Connector	ECM		Condition	Voltage (Approx.)
	+	-		
Terminal				
E10*1 E31*2	117	128	Selector lever	0 V
			Except above	Battery voltage

- *1: Except for California
 *2: For California

Is the inspection result normal?

- YES >> INSPECTION END
 NO >> Proceed to [EC-430, "Diagnosis Procedure"](#).

Diagnosis Procedure

INFOID:0000000012602462

1.CHECK TRANSMISSION RANGE SWITCH POWER SUPPLY

- Turn ignition switch OFF.
- Disconnect transmission range switch harness connector.
- Turn ignition switch ON.
- Check the voltage between transmission range switch harness connector and ground.

+		-	Voltage
Transmission range switch			
Connector	Terminal		
F85	1	Ground	Battery voltage

Is the inspection result normal?

- YES >> GO TO 3.
 NO >> GO TO 2.

P0850 PNP SWITCH

< DTC/CIRCUIT DIAGNOSIS >

[QR25DE]

2. CHECK TRANSMISSION RANGE SWITCH POWER SUPPLY CIRCUIT

1. Turn ignition switch OFF.
2. Disconnect IPDM E/R harness connector.
3. Check the continuity between transmission range switch harness connector and IPDM E/R harness connector.

+		-		Continuity
Transmission range switch		IPDM E/R		
Connector	Terminal	Connector	Terminal	
F85	1	F83	61	Existed

4. Also check harness for short to ground.

Is the inspection result normal?

- YES >> Perform the trouble diagnosis for power supply circuit.
 NO >> Repair or replace error-detected parts.

3. CHECK TRANSMISSION RANGE SWITCH SIGNAL CIRCUIT

1. Turn ignition switch OFF.
2. Disconnect ECM harness connector.
3. Check the continuity between transmission range switch harness connector and ECM harness connector.

+		-		Continuity
Transmission range switch		ECM		
Connector	Terminal	Connector	Terminal	
F85	2	E10*1 E31*2	117	Existed

- *1: Except for California
 *2: For California

4. Also check harness for short to ground and to power.

Is the inspection result normal?

- YES >> GO TO 4.
 NO >> Repair or replace error-detected parts.

4. CHECK TRANSMISSION RANGE SWITCH

Check the transmission range switch. Refer to [TM-104, "Component Inspection"](#).

Is the inspection result normal?

- YES >> Check intermittent incident. Refer to [GI-44, "Intermittent Incident"](#).
 NO >> Replace transmission range switch. Refer to [TM-210, "Removal and Installation"](#).

P1078 EVT CONTROL POSITION SENSOR

< DTC/CIRCUIT DIAGNOSIS >

[QR25DE]

P1078 EVT CONTROL POSITION SENSOR

DTC Logic

INFOID:000000012602463

DTC DETECTION LOGIC

DTC No.	CONSULT screen terms (Trouble diagnosis content)	DTC detecting condition	Possible cause
P1078	EXH TIM SEN/CIRC-B1 (EXH TIM SEN/CIRC-B1)	An excessively high or low voltage from the sensor is sent to ECM.	<ul style="list-style-type: none">• Harness or connectors (Exhaust valve timing control position sensor circuit is open or shorted)• Accumulation of debris to the signal pick-up portion of the camshaft• Exhaust valve timing control position sensor• Sensor power supply 2 circuit

DTC CONFIRMATION PROCEDURE

1. PRECONDITIONING

If DTC Confirmation Procedure has been previously conducted, always perform the following procedure before conducting the next test.

1. Turn ignition switch OFF and wait at least 10 seconds.
2. Turn ignition switch ON.
3. Turn ignition switch OFF and wait at least 10 seconds.

>> GO TO 2.

2. PERFORM DTC CONFIRMATION PROCEDURE

1. Start engine and let it idle for 10 seconds.
2. Check 1st trip DTC.

Is 1st trip DTC detected?

- YES >> Proceed to [EC-432, "Diagnosis Procedure"](#).
NO >> INSPECTION END

Diagnosis Procedure

INFOID:000000012602464

1. CHECK EXHAUST VALVE TIMING (EVT) CONTROL POSITION SENSOR POWER SUPPLY

1. Turn ignition switch OFF.
2. Disconnect exhaust valve timing (EVT) control position sensor harness connector.
3. Turn ignition switch ON.
4. Check the voltage between EVT control position sensor harness connector and ground.

+		-	Voltage (Approx.)
EVT sensor			
Connector	Terminal		
F58	1	Ground	5 V

Is the inspection result normal?

- YES >> GO TO 3.
NO >> GO TO 2.

2. CHECK SENSOR POWER SUPPLY 2 CIRCUIT

Perform [EC-562, "Diagnosis Procedure"](#).

Is inspection result normal?

- YES >> Perform the trouble diagnosis for power supply circuit.
NO >> Repair or replace error-detected parts.

3. CHECK EVT CONTROL POSITION SENSOR GROUND CIRCUIT

P1078 EVT CONTROL POSITION SENSOR

[QR25DE]

< DTC/CIRCUIT DIAGNOSIS >

1. Turn ignition switch OFF.
2. Disconnect ECM harness connector.
3. Check the continuity between EVT control position sensor harness connector and ECM harness connector.

+		-		Continuity
EVT control position sensor		ECM		
Connector	Terminal	Connector	Terminal	
F58	2	F14*1 F91*2	42	Existed

*1: Except for California

*2: For California

4. Also check harness for short to power.

Is the inspection result normal?

YES >> GO TO 4.

NO >> Repair or replace error-detected parts.

4.CHECK EVT CONTROL POSITION SENSOR INPUT SIGNAL CIRCUIT

1. Disconnect ECM harness connector.
2. Check the continuity between EVT control position sensor harness connector and ECM harness connector.

+		-		Continuity
EVT control position sensor		ECM		
Connector	Terminal	Connector	Terminal	
F58	3	F14*1 F91*2	43	Existed

*1: Except for California

*2: For California

3. Also check harness for short to ground and to power.

Is the inspection result normal?

YES >> GO TO 5.

NO >> Repair or replace error-detected parts.

5.CHECK EVT CONTROL POSITION SENSOR

Check the EVT control position sensor. Refer to [EC-434, "Component Inspection"](#).

Is the inspection result normal?

YES >> GO TO 6.

NO >> Replace EVT control position sensor. Refer to [EM-48, "Exploded View"](#).

6.CHECK CAMSHAFT (EXT)

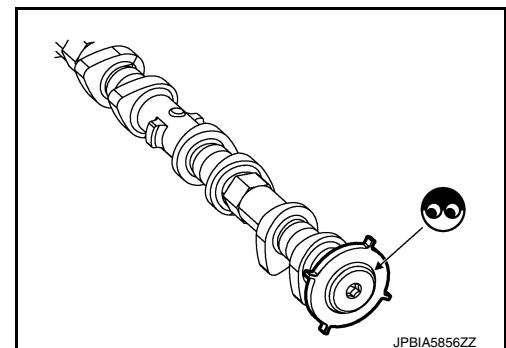
Check the following.

- Accumulation of debris to the signal plate of camshaft rear end
- Chipping signal plate of camshaft rear end

Is the inspection result normal?

YES >> Check intermittent incident. Refer to [GI-44, "Intermittent Incident"](#).

NO >> Remove debris and clean the signal plate of camshaft rear end or replace camshaft. Refer to [EM-48, "Removal and Installation"](#).



P1078 EVT CONTROL POSITION SENSOR

< DTC/CIRCUIT DIAGNOSIS >

[QR25DE]

Component Inspection

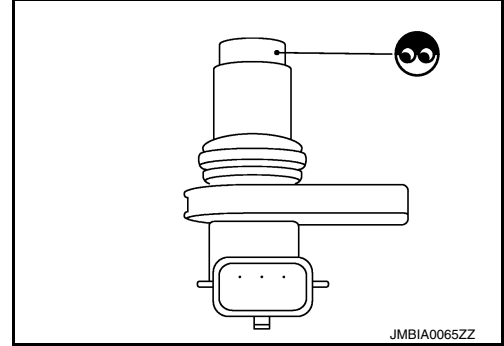
INFOID:000000012602465

1. EXHAUST VALVE TIMING (EVT) CONTROL POSITION SENSOR-1

1. Turn ignition switch OFF.
2. Disconnect EVT control position sensor harness connector.
3. Loosen the fixing bolt of the sensor.
4. Remove the sensor.
5. Visually check the sensor for chipping.

Is the inspection result normal?

- YES >> GO TO 2.
NO >> Replace EVT control position sensor. Refer to [EM-48](#), "[Exploded View](#)".



2. EVT CONTROL POSITION SENSOR-2

Check resistance EVT control position sensor terminals as shown below.

EVT control position sensor		Resistance
+	-	
Terminal		
1	2	Except 0 or ∞ Ω [at 25°C (77°F)]
	3	
2	3	

Is the inspection result normal?

- YES >> INSPECTION END
NO >> Replace EVT control position sensor. Refer to [EM-48](#), "[Exploded View](#)".

P1148 CLOSED LOOP CONTROL

< DTC/CIRCUIT DIAGNOSIS >

[QR25DE]

P1148 CLOSED LOOP CONTROL

DTC Logic

INFOID:000000012602466

DTC DETECTION LOGIC

NOTE:

DTC P1148 is displayed with DTC for A/F sensor 1.

When the DTC is detected, perform the trouble diagnosis of DTC corresponding to A/F sensor 1.

DTC No.	CONSULT screen terms (Trouble diagnosis content)	DTC detecting condition	Possible cause
P1148	CLOSED LOOP-B1 (CLOSED LOOP-B1)	The closed loop control function does not operate even when vehicle is being driven in the specified condition.	<ul style="list-style-type: none">• Harness or connectors (A/F sensor 1 circuit is open or shorted.)• A/F sensor 1• A/F sensor 1 heater

Diagnosis Procedure

INFOID:000000012602467

DTC P1148 is displayed with DTC for A/F sensor 1.

When the DTC is detected, perform the trouble diagnosis of DTC corresponding to A/F sensor 1.

Refer to [EC-110, "DTC Index"](#).

A
EC
C
D
E
F
G
H
I
J
K
L
M
N
O
P

P1212 TCS COMMUNICATION LINE

< DTC/CIRCUIT DIAGNOSIS >

[QR25DE]

P1212 TCS COMMUNICATION LINE

Description

INFOID:0000000012602468

This CAN communication line is used to control the smooth engine operation during the TCS operation. Pulse signals are exchanged between ECM and “ABS actuator and electric unit (control unit)”.

Be sure to erase the malfunction information such as DTC not only for “ABS actuator and electric unit (control unit)” but also for ECM after TCS related repair.

DTC Logic

INFOID:0000000012602469

DTC DETECTION LOGIC

NOTE:

- If DTC P1212 is displayed with DTC U1001, first perform the trouble diagnosis for DTC U1001. Refer to [EC-220, "DTC Logic"](#).
- If DTC P1212 is displayed with DTC P0607, first perform the trouble diagnosis for DTC P0607. Refer to [EC-420, "DTC Logic"](#).

Freeze frame data is not stored in the ECM for this self-diagnosis.

DTC No.	CONSULT screen terms (Trouble diagnosis content)	DTC detecting condition	Possible cause
P1212	TCS/CIRC (TCS/CIRC)	ECM can not receive the information from “ABS actuator and electric unit (control unit)” continuously.	<ul style="list-style-type: none">• Harness or connectors (CAN communication line is open or shorted.)• ABS actuator and electric unit (control unit)• Dead (Weak) battery

DTC CONFIRMATION PROCEDURE

1. PRECONDITIONING

If DTC Confirmation Procedure has been previously conducted, always perform the following procedure before conducting the next test.

1. Turn ignition switch OFF and wait at least 10 seconds.
2. Turn ignition switch ON.
3. Turn ignition switch OFF and wait at least 10 seconds.

TESTING CONDITION:

Before performing the following procedure, confirm that battery voltage is more than 10.5V at idle.

>> GO TO 2.

2. PERFORM DTC CONFIRMATION PROCEDURE

1. Start engine and let it idle for at least 10 seconds.
2. Check 1st trip DTC.

Is 1st trip DTC detected?

- YES >> Proceed to [EC-436, "Diagnosis Procedure"](#).
NO >> INSPECTION END

Diagnosis Procedure

INFOID:0000000012602470

Perform the trouble diagnosis for TCS. Refer to [BRC-242, "Work Flow"](#).

NOTE:

If DTC P1212 is displayed with DTC UXXXX and/or P0607, perform the following trouble diagnosis.

- Trouble diagnosis for DTC UXXXX Refer to [EC-110, "DTC Index"](#).
- Trouble diagnosis for DTC P0607 Refer to [EC-420, "DTC Logic"](#).

P1217 ENGINE OVER TEMPERATURE

< DTC/CIRCUIT DIAGNOSIS >

[QR25DE]

P1217 ENGINE OVER TEMPERATURE

DTC Logic

INFOID:000000012602471

DTC DETECTION LOGIC

NOTE:

- If DTC P1217 is displayed with DTC UXXXX, first perform the trouble diagnosis for DTC UXXXX.
- If DTC P1217 is displayed with DTC P0607, first perform the trouble diagnosis for DTC P0607. Refer to [EC-420, "DTC Logic"](#).

If the cooling fan or another component in the cooling system malfunctions, engine coolant temperature will rise.

When the engine coolant temperature reaches an abnormally high temperature condition, a malfunction is indicated.

DTC No.	CONSULT screen terms (Trouble diagnosis content)	DTC detecting condition	Possible cause
P1217	ENG OVER TEMP (ENG OVER TEMP)	<ul style="list-style-type: none">• Cooling fan does not operate properly (Overheat).• Cooling fan system does not operate properly (Overheat).• Engine coolant was not added to the system using the proper filling method.• Engine coolant is not within the specified range.	<ul style="list-style-type: none">• Harness or connectors (Cooling fan circuit is open or shorted.)• IPDM E/R• Cooling fan motor• Radiator hose• Radiator• Radiator cap• Reservoir tank• Water pump• Thermostat

CAUTION:

When a malfunction is indicated, be sure to replace the coolant. Refer to [CO-11, "Changing Engine Coolant"](#). Also, replace the engine oil. Refer to [LU-10, "Changing Engine Oil"](#).

1. Fill radiator with coolant up to specified level with a filling speed of 2 liters per minute. Be sure to use coolant with the proper mixture ratio. Refer to [MA-13, "Engine Coolant Mixture Ratio"](#).
2. After refilling coolant, run engine to ensure that no water-flow noise is emitted.

DTC CONFIRMATION PROCEDURE

1. PERFORM COMPONENT FUNCTION CHECK

Perform component function check. Refer to [EC-437, "Component Function Check"](#).

NOTE:

Use component function check to check the overall function of the cooling fan. During this check, a DTC might not be confirmed.

Is the inspection result normal?

YES >> INSPECTION END

NO >> Proceed to [EC-438, "Diagnosis Procedure"](#).

Component Function Check

INFOID:000000012602472

1. PERFORM COMPONENT FUNCTION CHECK-1

WARNING:

Never remove the radiator cap when the engine is hot. Serious burns could be caused by high pressure fluid escaping from the radiator.

Wrap a thick cloth around cap. Carefully remove the cap by turning it a quarter turn to allow built-up pressure to escape. Then turn the cap all the way off.

P1217 ENGINE OVER TEMPERATURE

[QR25DE]

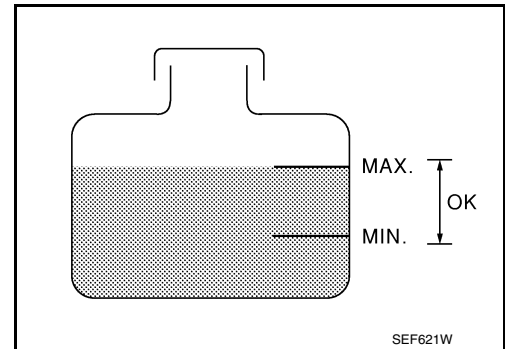
< DTC/CIRCUIT DIAGNOSIS >

Check the coolant level in the reservoir tank and radiator.

Allow engine to cool before checking coolant level.

Is the coolant level in the reservoir tank and/or radiator below the proper range?

- YES >> Proceed to [EC-438, "Diagnosis Procedure"](#).
NO >> GO TO 2.



2.PERFORM COMPONENT FUNCTION CHECK-2

Confirm whether customer filled the coolant or not.

Did customer fill the coolant?

- YES >> Proceed to [EC-438, "Diagnosis Procedure"](#).
NO >> GO TO 3.

3.PERFORM COMPONENT FUNCTION CHECK-3

ⓅWith CONSULT

1. Turn ignition switch ON.
2. Perform "FAN DUTY CONTROL" in "ACTIVE TEST" mode of "ENGINE" using CONSULT.
3. Check that cooling fan speed varies according to the percentage.

ⓧWithout CONSULT

1. Activate IPDM E/R auto active test and check cooling fan motors operation. Refer to [PCS-9, "Diagnosis Description"](#).
2. Check that cooling fan operates.

Is the inspection result normal?

- YES >> INSPECTION END
NO >> Proceed to [EC-438, "Diagnosis Procedure"](#).

Diagnosis Procedure

INFOID:000000012602473

1.CHECK COOLING FAN OPERATION

ⓅWith CONSULT

1. Turn ignition switch ON.
2. Perform "FAN DUTY CONTROL" in "ACTIVE TEST" mode of "ENGINE" using CONSULT.
3. Check that cooling fan speed varies according to the percentage.

ⓧWithout CONSULT

1. Activate IPDM E/R auto active test and check cooling fan motors operation. Refer to [PCS-9, "Diagnosis Description"](#).
2. Check that cooling fan operates.

Is the inspection result normal?

- YES >> GO TO 2.
NO >> Proceed to [EC-536, "Diagnosis Procedure"](#).

2.CHECK COOLING SYSTEM FOR LEAK-1

Check cooling system for leak. Refer to [CO-9, "System Inspection"](#).

Is leakage detected?

- YES >> GO TO 3.
NO >> GO TO 4.

3.CHECK COOLING SYSTEM FOR LEAK-2

Check the following for leak.

- Hose (Refer to [CO-9, "System Inspection"](#).)
- Radiator (Refer to [CO-16, "Inspection"](#).)
- Water pump (Refer to [CO-19, "Removal and Installation"](#).)

P1217 ENGINE OVER TEMPERATURE

[QR25DE]

< DTC/CIRCUIT DIAGNOSIS >

>> Repair or replace malfunctioning part.

4. CHECK RADIATOR CAP

Check radiator cap. Refer to [CO-9, "System Inspection"](#).

Is the inspection result normal?

YES >> GO TO 5.

NO >> Replace radiator cap. Refer to [CO-13, "Exploded View"](#).

5. CHECK THERMOSTAT

Check thermostat. Refer to [CO-22, "Removal and Installation"](#).

Is the inspection result normal?

YES >> GO TO 6.

NO >> Replace thermostat. Refer to [CO-22, "Removal and Installation"](#).

6. CHECK ENGINE COOLANT TEMPERATURE SENSOR

Refer to [EC-257, "Component Inspection"](#).

Is the inspection result normal?

YES >> GO TO 7.

NO >> Replace engine coolant temperature sensor. Refer to [CO-24, "Exploded View"](#).

7. OVERHEATING CAUSE ANALYSIS

If the cause cannot be isolated, check the [CO-7, "Troubleshooting Chart"](#).

>> INSPECTION END

A

EC

C

D

E

F

G

H

I

J

K

L

M

N

O

P

P1225 TP SENSOR

[QR25DE]

< DTC/CIRCUIT DIAGNOSIS >

P1225 TP SENSOR

DTC Logic

INFOID:000000012602474

DTC DETECTION LOGIC

DTC No.	CONSULT screen terms (Trouble diagnosis content)	DTC detecting condition	Possible cause
P1225	CTP LEARNING-B1 (CTP LEARNING-B1)	Closed throttle position learning value is excessively low.	Electric throttle control actuator (TP sensor 1 and 2)

DTC CONFIRMATION PROCEDURE

1. PRECONDITIONING

If DTC Confirmation Procedure has been previously conducted, always perform the following procedure before conducting the next test.

1. Turn ignition switch OFF and wait at least 10 seconds.
2. Turn ignition switch ON.
3. Turn ignition switch OFF and wait at least 10 seconds.

TESTING CONDITION:

Before performing the following procedure, confirm that battery voltage is more than 10 V at idle.

>> GO TO 2.

2. PERFORM DTC CONFIRMATION PROCEDURE

1. Turn ignition switch ON.
2. Turn ignition switch OFF and wait at least 10 seconds.
3. Turn ignition switch ON.
4. Check 1st trip DTC.

Is 1st trip DTC detected?

- YES >> Proceed to [EC-440, "Diagnosis Procedure"](#).
NO >> INSPECTION END

Diagnosis Procedure

INFOID:000000012602475

1. CHECK ELECTRIC THROTTLE CONTROL ACTUATOR VISUALLY

1. Turn ignition switch OFF.
2. Remove the intake air duct. Refer to [EM-29, "Exploded View"](#).
3. Check if foreign matter is caught between the throttle valve and the housing.

Is the inspection result normal?

- YES >> Replace electric throttle control actuator. Refer to [EM-30, "Removal and Installation"](#).
NO >> Remove the foreign matter and clean the electric throttle control actuator inside, then perform throttle valve closed position learning. Refer to [EC-186, "Description"](#).

P1226 TP SENSOR

< DTC/CIRCUIT DIAGNOSIS >

[QR25DE]

P1226 TP SENSOR

DTC Logic

INFOID:000000012602476

DTC DETECTION LOGIC

DTC No.	CONSULT screen terms (Trouble diagnosis content)	DTC detecting condition	Possible cause
P1226	CTP LEARNING-B1 (CTP LEARNING-B1)	Closed throttle position learning is not performed successfully, repeatedly.	Electric throttle control actuator (TP sensor 1 and 2)

DTC CONFIRMATION PROCEDURE

1. PRECONDITIONING

If DTC Confirmation Procedure has been previously conducted, always perform the following procedure before conducting the next test.

1. Turn ignition switch OFF and wait at least 10 seconds.
2. Turn ignition switch ON.
3. Turn ignition switch OFF and wait at least 10 seconds.

TESTING CONDITION:

Before performing the following procedure, confirm that battery voltage is more than 10 V at idle.

>> GO TO 2.

2. PERFORM DTC CONFIRMATION PROCEDURE

1. Turn ignition switch ON.
2. Turn ignition switch OFF, wait at least 10 seconds.
3. Turn ignition switch ON.
4. Repeat steps 2 and 3 for 32 times.
5. Check 1st trip DTC.

Is 1st trip DTC detected?

- YES >> Proceed to [EC-441. "Diagnosis Procedure"](#).
NO >> INSPECTION END

Diagnosis Procedure

INFOID:000000012602477

1. CHECK ELECTRIC THROTTLE CONTROL ACTUATOR VISUALLY

1. Turn ignition switch OFF.
2. Remove the intake air duct. Refer to [EM-29. "Exploded View"](#).
3. Check if foreign matter is caught between the throttle valve and the housing.

Is the inspection result normal?

- YES >> Replace electric throttle control actuator. Refer to [EM-30. "Removal and Installation"](#).
NO >> Remove the foreign matter and clean the electric throttle control actuator inside, then perform throttle valve closed position learning. Refer to [EC-186. "Description"](#).

P1550 BATTERY CURRENT SENSOR

< DTC/CIRCUIT DIAGNOSIS >

[QR25DE]

P1550 BATTERY CURRENT SENSOR

DTC Logic

INFOID:000000012602478

DTC DETECTION LOGIC

NOTE:

If DTC P1550 is displayed with DTC P0643, first perform the trouble diagnosis for DTC P0643. Refer to [EC-424, "DTC Logic"](#).

DTC No.	CONSULT screen terms (Trouble diagnosis content)	DTC detecting condition	Possible cause
P1550	BAT CURRENT SENSOR (BAT CURRENT SENSOR)	The output voltage of the battery current sensor remains within the specified range while engine is running.	<ul style="list-style-type: none"> • Harness or connectors (Battery current sensor circuit is open or shorted.) • Battery current sensor • Camshaft position sensor • Camshaft (Intake) • Starter motor • Starting system circuit • Dead (Weak) battery

DTC CONFIRMATION PROCEDURE

1. PRECONDITIONING

If DTC Confirmation Procedure has been previously conducted, always perform the following before conducting the next test.

1. Turn ignition switch OFF and wait at least 10 seconds.
2. Turn ignition switch ON.
3. Turn ignition switch OFF and wait at least 10 seconds.

TESTING CONDITION:

Before performing the following procedure, confirm that battery voltage is more than 8 V at idle.

>> GO TO 2.

2. PERFORM DTC CONFIRMATION PROCEDURE

1. Start engine and wait at least 10 seconds.
2. Check 1st trip DTC.

Is 1st trip DTC detected?

- YES >> Proceed to [EC-442, "Diagnosis Procedure"](#).
 NO >> INSPECTION END

Diagnosis Procedure

INFOID:000000012602479

1. CHECK BATTERY CURRENT SENSOR POWER SUPPLY

1. Turn ignition switch OFF.
2. Disconnect battery current sensor harness connector.
3. Turn ignition switch ON.
4. Check the voltage between battery current sensor harness connector and ground.

+		-	Voltage (Approx.)
Connector	Terminal		
Battery current sensor			
F5	1	Ground	5 V

Is the inspection result normal?

- YES >> GO TO 3.
 NO >> GO TO 2.

P1550 BATTERY CURRENT SENSOR

[QR25DE]

< DTC/CIRCUIT DIAGNOSIS >

2. CHECK SENSOR POWER SUPPLY 2 CIRCUIT

Perform [EC-562. "Diagnosis Procedure"](#).

Is the inspection result normal?

- YES >> Perform the trouble diagnosis for power supply circuit.
NO >> Repair or replace error-detected parts.

3. CHECK BATTERY CURRENT SENSOR GROUND CIRCUIT

1. Turn ignition switch OFF.
2. Disconnect ECM harness connector.
3. Check the continuity between battery current sensor harness connector and ECM harness connector.

+		-		Continuity
Battery current sensor		ECM		
Connector	Terminal	Connector	Terminal	
F5	3	F13*1 F90*2	62	Existed

*1: Except for California

*2: For California

4. Also check harness for short to power.

Is the inspection result normal?

- YES >> GO TO 4.
NO >> Repair or replace error-detected parts.

4. CHECK BATTERY CURRENT SENSOR INPUT SIGNAL CIRCUIT

1. Check the continuity between battery current sensor harness connector and ECM harness connector.

+		-		Continuity
Battery current sensor		ECM		
Connector	Terminal	Connector	Terminal	
F5	4	F13*1 F90*2	63	Existed

*1: Except for California

*2: For California

2. Also check harness for short to ground and to power.

Is the inspection result normal?

- YES >> GO TO 5.
NO >> Repair or replace error-detected parts

5. CHECK BATTERY CURRENT SENSOR

Check the battery current sensor. Refer to [EC-443. "Component Inspection"](#).

Is the inspection result normal?

- YES >> Check intermittent incident. Refer to [GI-44. "Intermittent Incident"](#).
NO >> Replace battery negative cable assembly.

Component Inspection

INFOID:0000000012602480

1. CHECK BATTERY CURRENT SENSOR

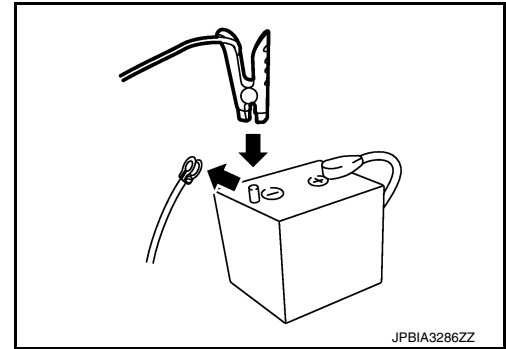
1. Turn ignition switch OFF.
2. Reconnect harness connectors disconnected.
3. Disconnect battery negative cable.

P1550 BATTERY CURRENT SENSOR

[QR25DE]

< DTC/CIRCUIT DIAGNOSIS >

4. Install jumper cable between battery negative terminal and body ground.
5. Turn ignition switch ON.
6. Check the voltage between ECM harness connector and ground.



Connector	ECM		Voltage (Approx.)
	+	-	
F13 ^{*1} F90 ^{*2}	63	62	2.5 V

Before measuring the terminal voltage, confirm that the battery is fully charged. Refer to [PG-69, "How to Handle Battery"](#).

*1: Except for California

*2: For California

Is the inspection result normal?

YES >> INSPECTION END

NO >> Replace battery negative cable assembly.

P1551, P1552 BATTERY CURRENT SENSOR

< DTC/CIRCUIT DIAGNOSIS >

[QR25DE]

P1551, P1552 BATTERY CURRENT SENSOR

DTC Logic

INFOID:000000012602481

DTC DETECTION LOGIC

NOTE:

If DTC P1551 or P1552 is displayed with DTC P0643, first perform the trouble diagnosis for DTC P0643. Refer to [EC-424, "DTC Logic"](#).

DTC No.	CONSULT screen terms (Trouble diagnosis content)	DTC detecting condition	Possible cause
P1551	BAT CURRENT SENSOR (BAT CURRENT SENSOR)	An excessively low voltage from the sensor is sent to ECM.	<ul style="list-style-type: none">• Harness or connectors (Battery current sensor circuit is open or shorted.)• Battery current sensor• Camshaft position sensor• Camshaft (Intake)• Starter motor• Starting system circuit• Dead (Weak) battery
P1552	BAT CURRENT SENSOR (BAT CURRENT SENSOR)	An excessively high voltage from the sensor is sent to ECM.	

DTC CONFIRMATION PROCEDURE

1. PRECONDITIONING

If DTC Confirmation Procedure has been previously conducted, always perform the following before conducting the next test.

1. Turn ignition switch OFF and wait at least 10 seconds.
2. Turn ignition switch ON.
3. Turn ignition switch OFF and wait at least 10 seconds.

TESTING CONDITION:

Before performing the following procedure, confirm that battery voltage is more than 8 V with ignition switch ON

>> GO TO 2.

2. PERFORM DTC CONFIRMATION PROCEDURE

1. Turn ignition switch ON and wait at least 10 seconds.
2. Check 1st trip DTC.

Is 1st trip DTC detected?

- YES >> Proceed to [EC-445, "Diagnosis Procedure"](#).
NO >> INSPECTION END

Diagnosis Procedure

INFOID:000000012602482

1. CHECK BATTERY CURRENT SENSOR POWER SUPPLY

1. Turn ignition switch OFF.
2. Disconnect battery current sensor harness connector.
3. Turn ignition switch ON.
4. Check the voltage between battery current sensor harness connector and ground.

+		-	Voltage (Approx.)
Battery current sensor			
Connector	Terminal		
F5	1	Ground	5 V

Is the inspection result normal?

- YES >> GO TO 3.
NO >> GO TO 2.

P1551, P1552 BATTERY CURRENT SENSOR

[QR25DE]

< DTC/CIRCUIT DIAGNOSIS >

2. CHECK SENSOR POWER SUPPLY 2 CIRCUIT

Perform [EC-562, "Diagnosis Procedure"](#).

Is the inspection result normal?

YES >> Perform the trouble diagnosis for power supply circuit.

NO >> Repair or replace error-detected parts.

3. CHECK BATTERY CURRENT SENSOR GROUND CIRCUIT

1. Turn ignition switch OFF.
2. Disconnect ECM harness connector.
3. Check the continuity between battery current sensor harness connector and ECM harness connector.

+		-		Continuity
Battery current sensor		ECM		
Connector	Terminal	Connector	Terminal	
F5	3	F13 ^{*1} F90 ^{*2}	62	Existed

*1: Except for California

*2: For California

4. Also check harness for short to power.

Is the inspection result normal?

YES >> GO TO 4.

NO >> Repair or replace error-detected parts.

4. CHECK BATTERY CURRENT SENSOR INPUT SIGNAL CIRCUIT

1. Check the continuity between battery current sensor harness connector and ECM harness connector.

+		-		Continuity
Battery current sensor		ECM		
Connector	Terminal	Connector	Terminal	
F5	4	F13 ^{*1} F90 ^{*2}	63	Existed

*1: Except for California

*2: For California

2. Also check harness for short to ground and to power.

Is the inspection result normal?

YES >> GO TO 5.

NO >> Repair or replace error-detected parts

5. CHECK BATTERY CURRENT SENSOR

Check the battery current sensor. Refer to [EC-453, "Component Inspection"](#).

Is the inspection result normal?

YES >> Check intermittent incident. Refer to [GI-44, "Intermittent Incident"](#).

NO >> Replace battery negative cable assembly.

Component Inspection

INFOID:0000000012602483

1. CHECK BATTERY CURRENT SENSOR

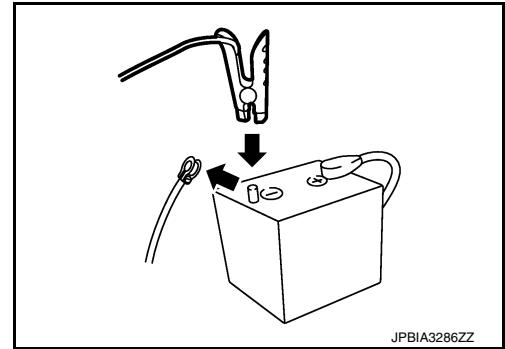
1. Turn ignition switch OFF.
2. Reconnect harness connectors disconnected.
3. Disconnect battery negative cable.

P1551, P1552 BATTERY CURRENT SENSOR

[QR25DE]

< DTC/CIRCUIT DIAGNOSIS >

4. Install jumper cable between battery negative terminal and body ground.
5. Turn ignition switch ON.
6. Check the voltage between ECM harness connector and ground.



Connector	ECM		Voltage (Approx.)
	+	-	
	Terminal		
F13*1 F90*2	63	62	2.5 V

Before measuring the terminal voltage, confirm that the battery is fully charged. Refer to [PG-69, "How to Handle Battery"](#).

*1: Except for California

*2: For California

Is the inspection result normal?

YES >> INSPECTION END

NO >> Replace battery negative cable assembly.

A
EC
C
D
E
F
G
H
I
J
K
L
M
N
O
P

P1553 BATTERY CURRENT SENSOR

< DTC/CIRCUIT DIAGNOSIS >

[QR25DE]

P1553 BATTERY CURRENT SENSOR

DTC Logic

INFOID:000000012602484

DTC DETECTION LOGIC

NOTE:

If DTC P1553 is displayed with DTC P0643, first perform the trouble diagnosis for DTC P0643. Refer to [EC-424, "DTC Logic"](#).

DTC No.	CONSULT screen terms (Trouble diagnosis content)	DTC detecting condition	Possible cause
P1553	BAT CURRENT SENSOR (BAT CURRENT SENSOR)	The signal voltage transmitted from the sensor to ECM is higher than the amount of the maximum power generation.	<ul style="list-style-type: none">• Harness or connectors (Battery current sensor circuit is open or shorted.)• Battery current sensor• Camshaft position sensor• Camshaft (Intake)• Starter motor• Starting system circuit• Dead (Weak) battery

DTC CONFIRMATION PROCEDURE

1. PRECONDITIONING

If DTC Confirmation Procedure has been previously conducted, always perform the following before conducting the next test.

1. Turn ignition switch OFF and wait at least 10 seconds.
2. Turn ignition switch ON.
3. Turn ignition switch OFF and wait at least 10 seconds.

TESTING CONDITION:

Before performing the following procedure, confirm that battery voltage is more than 8 V at idle.

>> GO TO 2.

2. PERFORM DTC CONFIRMATION PROCEDURE

1. Start engine and wait at least 10 seconds.
2. Check 1st trip DTC.

Is 1st trip DTC detected?

- YES >> Proceed to [EC-448, "Diagnosis Procedure"](#).
NO >> INSPECTION END

Diagnosis Procedure

INFOID:000000012602485

1. CHECK BATTERY CURRENT SENSOR POWER SUPPLY

1. Turn ignition switch OFF.
2. Disconnect battery current sensor harness connector.
3. Turn ignition switch ON.
4. Check the voltage between battery current sensor harness connector and ground.

+		-	Voltage (Approx.)
Battery current sensor			
Connector	Terminal		
F5	1	Ground	5 V

Is the inspection result normal?

- YES >> GO TO 3.
NO >> GO TO 2.

P1553 BATTERY CURRENT SENSOR

< DTC/CIRCUIT DIAGNOSIS >

[QR25DE]

2. CHECK SENSOR POWER SUPPLY 2 CIRCUIT

Perform [EC-562. "Diagnosis Procedure"](#).

Is the inspection result normal?

- YES >> Perform the trouble diagnosis for power supply circuit.
- NO >> Repair or replace error-detected parts.

3. CHECK BATTERY CURRENT SENSOR GROUND CIRCUIT

1. Turn ignition switch OFF.
2. Disconnect ECM harness connector.
3. Check the continuity between battery current sensor harness connector and ECM harness connector.

+		-		Continuity
Battery current sensor		ECM		
Connector	Terminal	Connector	Terminal	
F5	3	F13*1 F90*2	62	Existed

- *1: Except for California
- *2: For California

4. Also check harness for short to power.

Is the inspection result normal?

- YES >> GO TO 4.
- NO >> Repair or replace error-detected parts.

4. CHECK BATTERY CURRENT SENSOR INPUT SIGNAL CIRCUIT

1. Check the continuity between battery current sensor harness connector and ECM harness connector.

+		-		Continuity
Battery current sensor		ECM		
Connector	Terminal	Connector	Terminal	
F5	4	F13*1 F90*2	63	Existed

- *1: Except for California
- *2: For California

2. Also check harness for short to ground and to power.

Is the inspection result normal?

- YES >> GO TO 5.
- NO >> Repair or replace error-detected parts

5. CHECK BATTERY CURRENT SENSOR

Check the battery current sensor. Refer to [EC-453. "Component Inspection"](#).

Is the inspection result normal?

- YES >> Check intermittent incident. Refer to [GI-44. "Intermittent Incident"](#).
- NO >> Replace battery negative cable assembly.

Component Inspection

INFOID:0000000012602486

1. CHECK BATTERY CURRENT SENSOR

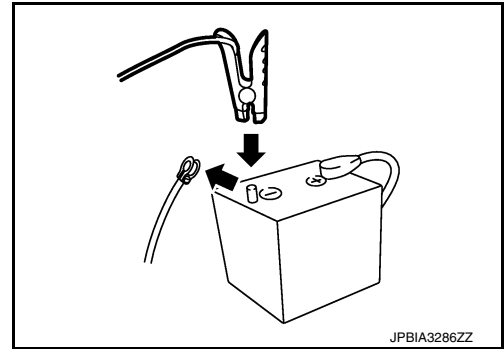
1. Turn ignition switch OFF.
2. Reconnect harness connectors disconnected.
3. Disconnect battery negative cable.

P1553 BATTERY CURRENT SENSOR

[QR25DE]

< DTC/CIRCUIT DIAGNOSIS >

4. Install jumper cable between battery negative terminal and body ground.
5. Turn ignition switch ON.
6. Check the voltage between ECM harness connector and ground.



Connector	ECM		Voltage (Approx.)
	+	-	
Terminal			
F13 ^{*1} F90 ^{*2}	63	62	2.5 V

Before measuring the terminal voltage, confirm that the battery is fully charged. Refer to [PG-69, "How to Handle Battery"](#).

*1: Except for California

*2: For California

Is the inspection result normal?

YES >> INSPECTION END

NO >> Replace battery negative cable assembly.

P1554 BATTERY CURRENT SENSOR

< DTC/CIRCUIT DIAGNOSIS >

[QR25DE]

P1554 BATTERY CURRENT SENSOR

DTC Logic

INFOID:0000000012602487

DTC DETECTION LOGIC

NOTE:

If DTC P1554 is displayed with DTC P0643, first perform the trouble diagnosis for DTC P0643. Refer to [EC-424, "DTC Logic"](#).

DTC No.	CONSULT screen terms (Trouble diagnosis content)	DTC detecting condition	Possible cause
P1554	BAT CURRENT SENSOR (BAT CURRENT SENSOR)	The output voltage of the battery current sensor is lower than the specified value while the battery voltage is high enough.	<ul style="list-style-type: none"> • Harness or connectors (Battery current sensor circuit is open or shorted.) • Battery current sensor • Camshaft position sensor • Camshaft (Intake) • Starter motor • Starting system circuit • Dead (Weak) battery

DTC CONFIRMATION PROCEDURE

1. PERFORM COMPONENT FUNCTION CHECK

Perform component function check. Refer to [EC-451, "Component Function Check"](#).

NOTE:

Use component function check to check the overall function of the battery current sensor circuit. During this check, a 1st trip DTC might not be confirmed.

Is the inspection result normal?

- YES >> INSPECTION END
- NO >> Proceed to [EC-452, "Diagnosis Procedure"](#).

Component Function Check

INFOID:0000000012602488

1. PRECONDITIONING

TESTING CONDITION:

- Before performing the following procedure, confirm that battery voltage is more than 12.8 V at idle.
- Before performing the following procedure, confirm that all load switches and A/C switch are turned OFF.

>> GO TO 2.

2. PERFORM COMPONENT FUNCTION CHECK

With CONSULT

1. Start engine and let it idle.
2. Select "BAT CUR SEN" in "DATA MONITOR" mode of "ENGINE" using CONSULT.
3. Check "BAT CUR SEN" indication for 10 seconds.
"BAT CUR SEN" should be above 2,300 mV at least once.

Without CONSULT

1. Start engine and let it idle.
2. Check the voltage between ECM harness connector and ground.

ECM			Voltage
Connector	+	-	
	Terminal		
F13*1 F90*2	63	62	Above 2.3 V at least once

P1554 BATTERY CURRENT SENSOR

[QR25DE]

< DTC/CIRCUIT DIAGNOSIS >

*1: Except for California

*2: For California

Is the inspection result normal?

YES >> INSPECTION END

NO >> Proceed to [EC-452, "Diagnosis Procedure"](#).

Diagnosis Procedure

INFOID:0000000012602489

1. CHECK BATTERY CURRENT SENSOR POWER SUPPLY

1. Turn ignition switch OFF.
2. Disconnect battery current sensor harness connector.
3. Turn ignition switch ON.
4. Check the voltage between battery current sensor harness connector and ground.

+		-	Voltage (Approx.)
Battery current sensor			
Connector	Terminal		
F5	1	Ground	5 V

Is the inspection result normal?

YES >> GO TO 3.

NO >> GO TO 2.

2. CHECK SENSOR POWER SUPPLY 2 CIRCUIT

Perform [EC-562, "Diagnosis Procedure"](#).

Is the inspection result normal?

YES >> Perform the trouble diagnosis for power supply circuit.

NO >> Repair or replace error-detected parts.

3. CHECK BATTERY CURRENT SENSOR GROUND CIRCUIT

1. Turn ignition switch OFF.
2. Disconnect ECM harness connector.
3. Check the continuity between battery current sensor harness connector and ECM harness connector.

+		-		Continuity
Battery current sensor		ECM		
Connector	Terminal	Connector	Terminal	
F5	3	F13 ^{*1} F90 ^{*2}	62	Existed

*1: Except for California

*2: For California

4. Also check harness for short to power.

Is the inspection result normal?

YES >> GO TO 4.

NO >> Repair or replace error-detected parts.

4. CHECK BATTERY CURRENT SENSOR INPUT SIGNAL CIRCUIT

1. Check the continuity between battery current sensor harness connector and ECM harness connector.

+		-		Continuity
Battery current sensor		ECM		
Connector	Terminal	Connector	Terminal	
F5	4	F13 ^{*1} F90 ^{*2}	63	Existed

P1554 BATTERY CURRENT SENSOR

[QR25DE]

< DTC/CIRCUIT DIAGNOSIS >

*1: Except for California

*2: For California

2. Also check harness for short to ground and to power.

Is the inspection result normal?

YES >> GO TO 5.

NO >> Repair or replace error-detected parts

5.CHECK BATTERY CURRENT SENSOR

Check the battery current sensor. Refer to [EC-453. "Component Inspection"](#).

Is the inspection result normal?

YES >> Check intermittent incident. Refer to [GI-44. "Intermittent Incident"](#).

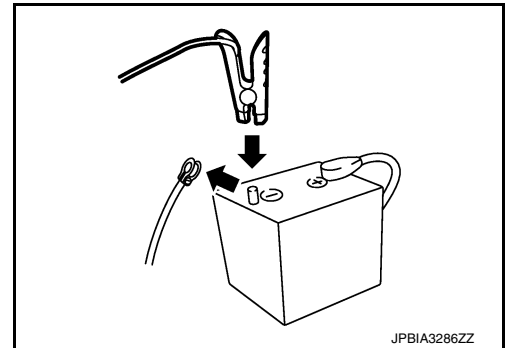
NO >> Replace battery negative cable assembly.

Component Inspection

INFOID:000000012602490

1.CHECK BATTERY CURRENT SENSOR

1. Turn ignition switch OFF.
2. Reconnect harness connectors disconnected.
3. Disconnect battery negative cable.
4. Install jumper cable between battery negative terminal and body ground.
5. Turn ignition switch ON.
6. Check the voltage between ECM harness connector and ground.



Connector	ECM		Voltage (Approx.)
	+	-	
F13*1 F90*2	63	62	2.5 V

Before measuring the terminal voltage, confirm that the battery is fully charged. Refer to [PG-69. "How to Handle Battery"](#).

*1: Except for California

*2: For California

Is the inspection result normal?

YES >> INSPECTION END

NO >> Replace battery negative cable assembly.

P1556, P1557 BATTERY TEMPERATURE SENSOR

< DTC/CIRCUIT DIAGNOSIS >

[QR25DE]

P1556, P1557 BATTERY TEMPERATURE SENSOR

DTC Logic

INFOID:000000012602491

DTC DETECTION LOGIC

NOTE:

If DTC P1556 or P1557 is displayed with DTC P0643, first perform the trouble diagnosis for DTC P0643. Refer to [EC-424, "DTC Logic"](#).

DTC No.	CONSULT screen terms (Trouble diagnosis content)	DTC detecting condition	Possible cause
P1556	BAT TMP SEN/CIRC (Battery temperature sensor circuit)	Signal voltage from Battery temperature sensor remains 0.16V or less for 5 seconds or more.	<ul style="list-style-type: none"> Harness or connectors [Battery current sensor (Battery temperature sensor) circuit is shorted.] Battery current sensor (Battery temperature sensor)
P1557	BAT TMP SEN/CIRC (Battery temperature sensor circuit)	Signal voltage from Battery temperature sensor remains 4.84V or more for 5 seconds or more.	

DTC CONFIRMATION PROCEDURE

1. PRECONDITIONING

- Turn ignition switch OFF and wait at least 10 seconds.
- Turn ignition switch ON.
- Turn ignition switch OFF and wait at least 10 seconds.

TESTING CONDITION:

Before performing the following procedure, confirm that battery voltage is 10 V or more at idle.

>> GO TO 2.

2. PERFORM DTC CONFIRMATION PROCEDURE

- Start the engine and let it idle at least 10 seconds.
- Check 1st trip DTC.

Is 1st trip DTC detected?

- YES >> Proceed to [EC-454, "Diagnosis Procedure"](#).
 NO >> INSPECTION END

Diagnosis Procedure

INFOID:000000012602492

1. CHECK BATTERY TEMPERATURE SENSOR POWER SUPPLY

- Turn ignition switch OFF.
- Disconnect battery current sensor harness connector.
- Turn ignition switch ON.
- Check the voltage between battery current sensor harness connector and ground.

+		-	Voltage (Approx.)
Connector	Terminal		
F5	2	Ground	5 V

Is the inspection result normal?

- YES >> GO TO 3.
 NO >> GO TO 2.

2. CHECK BATTERY TEMPERATURE SENSOR POWER SUPPLY CIRCUIT

- Turn ignition switch OFF.
- Disconnect ECM harness connector.
- Check the continuity between battery current sensor harness connector and ECM harness connector.

P1556, P1557 BATTERY TEMPERATURE SENSOR

< DTC/CIRCUIT DIAGNOSIS >

[QR25DE]

+		-		Continuity
Battery current sensor		ECM		
Connector	Terminal	Connector	Terminal	
F5	2	F13 ^{*1} F90 ^{*2}	61	Existed

*1: Except for California

*2: For California

- Also check harness for short to ground.

Is the inspection result normal?

YES >> Perform the trouble diagnosis for power supply circuit.

NO >> Repair or replace error-detected parts.

3. CHECK BATTERY TEMPERATURE SENSOR GROUND CIRCUIT

- Turn ignition switch OFF.
- Disconnect ECM harness connector.
- Check the continuity between battery current sensor harness connector and ECM harness connector.

+		-		Continuity
Battery current sensor		ECM		
Connector	Terminal	Connector	Terminal	
F5	3	F13 ^{*1} F90 ^{*2}	62	Existed

*1: Except for California

*2: For California

- Also check harness for short to power.

Is the inspection result normal?

YES >> GO TO 4.

NO >> Repair or replace error-detected parts.

4. CHECK BATTERY TEMPERATURE SENSOR

Check the battery temperature sensor. Refer to [EC-455, "Component Inspection"](#).

Is the inspection result normal?

YES >> Check intermittent incident. Refer to [GI-44, "Intermittent Incident"](#).

NO >> Replace battery negative cable assembly.

Component Inspection

INFOID:000000012602493

1. CHECK BATTERY TEMPERATURE SENSOR

- Turn ignition switch OFF.
- Disconnect battery current sensor.
- Check the resistance between battery current sensor connector terminals.

Battery current sensor		Resistance
+	-	
Terminal		
2	3	Continuity with the resistance value 100 Ω or more

Is the inspection result normal?

YES >> INSPECTION END

NO >> Replace battery negative cable assembly.

P1564 ASCD STEERING SWITCH

< DTC/CIRCUIT DIAGNOSIS >

[QR25DE]

P1564 ASCD STEERING SWITCH

DTC Logic

INFOID:000000012602494

DTC DETECTION LOGIC

NOTE:

If DTC P1564 is displayed with DTC P0603, P0604, P0605, P0606, P0607, P060A, and P060B, perform the trouble diagnosis for DTC P0603, P0604, P0605, P0606, P0607, P060A, and P060B. Refer to [EC-110](#), "[DTC Index](#)".

DTC No.	CONSULT screen terms (Trouble diagnosis content)	DTC detecting condition	Possible cause
P1564	ASCD SW (ASCD switch)	<ul style="list-style-type: none">An excessively high voltage signal from the ASCD steering switch is sent to ECM.ECM detects that input signal from the ASCD steering switch is out of the specified range.ECM detects that the ASCD steering switch is stuck ON.	<ul style="list-style-type: none">Harness or connectors (ASCD steering switch circuit is open or shorted.)ASCD steering switchECM

DTC CONFIRMATION PROCEDURE

1. PRECONDITIONING

If DTC Confirmation Procedure has been previously conducted, always perform the following procedure before conducting the next test.

- Turn ignition switch OFF and wait at least 10 seconds.
- Turn ignition switch ON.
- Turn ignition switch OFF and wait at least 10 seconds.

>> GO TO 2.

2. PERFORM DTC CONFIRMATION PROCEDURE

- Turn ignition switch ON.
- Wait at least 10 seconds.
- Press MAIN switch for at least 10 seconds, then release it and wait at least 10 seconds.
- Press CANCEL switch for at least 10 seconds, then release it and wait at least 10 seconds.
- Press ACCEL/RES switch for at least 10 seconds, then release it and wait at least 10 seconds.
- Press COAST/SET switch for at least 10 seconds, then release it and wait at least 10 seconds.
- Check DTC.

Is DTC detected?

- YES >> Proceed to [EC-456](#), "[Diagnosis Procedure](#)".
NO >> INSPECTION END

Diagnosis Procedure

INFOID:000000012602495

1. CHECK ASCD STEERING SWITCH CIRCUIT

Ⓟ With CONSULT

- Turn ignition switch ON.
- Select "CANCEL SW", "RESUME/ACC SW" and "SET SW" in "DATA MONITOR" mode of "ENGINE" using CONSULT.
- Check each item indication as per the following conditions.

Monitor item	Condition	Indication	
MAIN SW	MAIN switch	Pressed	ON
		Released	OFF
CANCEL SW	CANCEL switch	Pressed	ON
		Released	OFF

P1564 ASCD STEERING SWITCH

[QR25DE]

< DTC/CIRCUIT DIAGNOSIS >

Monitor item	Condition		Indication
RESUME/ACC SW	ACCEL/RES switch	Pressed	ON
		Released	OFF
SET SW	COAST/SET switch	Pressed	ON
		Released	OFF

⊗ Without CONSULT

1. Turn ignition switch ON.
2. Check the voltage between ECM harness connector terminals.

ECM			Condition	Voltage (Approx.)
Connector	+	-		
		Terminal		
E10 ^{*1} E31 ^{*2}	110	111	MAIN switch: Pressed	0 V
			CANCEL switch: Pressed	1 V
			COAST/SET switch: Pressed	2 V
			ACCEL/RES switch: Pressed	3 V
			All ASCD steering switches: Released	4 V

*1: Except for California

*2: For California

Is the inspection result normal?

YES >> Check intermittent incident. Refer to [GI-44. "Intermittent Incident"](#).

NO >> GO TO 2.

2. CHECK ASCD STEERING SWITCH GROUND CIRCUIT

1. Turn ignition switch OFF.
2. Disconnect ECM harness connector.
3. Disconnect combination switch (spiral cable) harness connector.
4. Check the continuity between combination switch (spiral cable) and ECM harness connector.

+		-		Continuity
Combination switch (Spiral cable)		ECM		
Connector	Terminal	Connector	Terminal	
M30	32	E10 ^{*1} E31 ^{*2}	111	Existed

*1: Except for California

*2: For California

5. Also check harness for short to ground and to power.

Is the inspection result normal?

YES >> GO TO 3.

NO >> Repair or replace error-detected parts.

3. CHECK ASCD STEERING SWITCH INPUT SIGNAL CIRCUIT

1. Check the continuity between ECM harness connector and combination switch.

P1564 ASCD STEERING SWITCH

< DTC/CIRCUIT DIAGNOSIS >

[QR25DE]

+		-		Continuity
Combination switch (Spiral cable)		ECM		
Connector	Terminal	Connector	Terminal	
M30	25	E10 ^{*1} E31 ^{*2}	110	Existed

*1: Except for California

*2: For California

- Also check harness for short to ground and to power.

Is the inspection result normal?

YES >> GO TO 4.

NO >> Repair or replace error-detected parts.

4.CHECK ASCD STEERING SWITCH

Refer to [EC-458, "Component Inspection"](#).

Is the inspection result normal?

YES >> Check intermittent incident. Refer to [GI-44, "Intermittent Incident"](#).

NO >> Replace ASCD steering switch. Refer to [ST-32, "Exploded View"](#).

Component Inspection

INFOID:000000012602496

1.CHECK ASCD STEERING SWITCH

- Disconnect combination switch (spiral cable) harness connector.
- Check the resistance between combination switch harness connector terminals as per the following conditions.

Combination switch (Spiral cable)			Condition	Resistance (Approx.)
Connector	+	-		
	Terminals			
M88	13	16	MAIN switch: Pressed	0 Ω
			CANCEL switch: Pressed	250 Ω
			COAST/SET switch: Pressed	660 Ω
			ACCEL/RES switch: Pressed	1,480 Ω
			All ASCD steering switches: Released	4,000 Ω

Is the inspection result normal?

YES >> INSPECTION END

NO >> Replace ASCD steering switch. Refer to [ST-32, "Exploded View"](#).

P1564 ICC STEERING SWITCH

< DTC/CIRCUIT DIAGNOSIS >

[QR25DE]

P1564 ICC STEERING SWITCH

DTC Logic

INFOID:000000013217790

DTC DETECTION LOGIC

NOTE:

If DTC P1564 is displayed with DTC P0603, P0604, P0605, P0606, P0607, P060A, and P060B, perform the trouble diagnosis for DTC P0603, P0604, P0605, P0606, P0607, P060A, and P060B. Refer to [EC-110](#), "[DTC Index](#)".

DTC No.	CONSULT screen terms (Trouble diagnosis content)	DTC detecting condition	Possible cause
P1564	ASCD SW (ICC switch)	<ul style="list-style-type: none">An excessively high voltage signal from the ICC steering switch is sent to ECM.ECM detects that input signal from the ICC steering switch is out of the specified range.ECM detects that the ICC steering switch is stuck ON.	<ul style="list-style-type: none">Harness or connectors (ICC steering switch circuit is open or shorted.)ICC steering switchECM

DTC CONFIRMATION PROCEDURE

1. PRECONDITIONING

If DTC Confirmation Procedure has been previously conducted, always perform the following procedure before conducting the next test.

- Turn ignition switch OFF and wait at least 10 seconds.
- Turn ignition switch ON.
- Turn ignition switch OFF and wait at least 10 seconds.

>> GO TO 2.

2. PERFORM DTC CONFIRMATION PROCEDURE

- Turn ignition switch ON.
- Wait at least 10 seconds.
- Press MAIN switch for at least 10 seconds, then release it and wait at least 10 seconds.
- Press CANCEL switch for at least 10 seconds, then release it and wait at least 10 seconds.
- Press ACCEL/RES switch for at least 10 seconds, then release it and wait at least 10 seconds.
- Press COAST/SET switch for at least 10 seconds, then release it and wait at least 10 seconds.
- Check DTC.

Is DTC detected?

- YES >> Proceed to [EC-459](#), "[Diagnosis Procedure](#)".
NO >> INSPECTION END

Diagnosis Procedure

INFOID:000000013217791

1. CHECK ICC STEERING SWITCH CIRCUIT

Ⓜ With CONSULT

- Turn ignition switch ON.
- Select "CANCEL SW", "RESUME/ACC SW" and "SET SW" in "DATA MONITOR" mode of "ENGINE" using CONSULT.
- Check each item indication as per the following conditions.

Monitor item	Condition	Indication	
MAIN SW	MAIN switch	Pressed	ON
		Released	OFF
CANCEL SW	CANCEL switch	Pressed	ON
		Released	OFF

P1564 ICC STEERING SWITCH

[QR25DE]

< DTC/CIRCUIT DIAGNOSIS >

Monitor item	Condition		Indication
RESUME/ACC SW	ACCEL/RES switch	Pressed	ON
		Released	OFF
SET SW	COAST/SET switch	Pressed	ON
		Released	OFF

⊗ Without CONSULT

1. Turn ignition switch ON.
2. Check the voltage between ECM harness connector terminals.

ECM			Condition	Voltage (Approx.)
Connector	+	-		
	Terminal			
E10*1 E31*2	110	111	MAIN switch: Pressed	Approx. 0
			CANCEL switch: Pressed	Approx. 1.18
			DISTANCE switch: Pressed	Approx. 1.51
			COAST/SET switch: Pressed	Approx. 2.00
			ACCEL/RES switch: Pressed	Approx. 2.71

*1: Except for California

*2: For California

Is the inspection result normal?

YES >> Check intermittent incident. Refer to [GI-44, "Intermittent Incident"](#).

NO >> GO TO 2.

2. CHECK ICC STEERING SWITCH GROUND CIRCUIT

1. Turn ignition switch OFF.
2. Disconnect ECM harness connector.
3. Disconnect combination switch (spiral cable) harness connector.
4. Check the continuity between combination switch (spiral cable) and ECM harness connector.

+		-		Continuity
Combination switch (Spiral cable)		ECM		
Connector	Terminal	Connector	Terminal	
M30	32	E10*1 E31*2	111	Existed

*1: Except for California

*2: For California

5. Also check harness for short to ground and to power.

Is the inspection result normal?

YES >> GO TO 3.

NO >> Repair or replace error-detected parts.

3. CHECK ICC STEERING SWITCH INPUT SIGNAL CIRCUIT

1. Check the continuity between ECM harness connector and combination switch.

P1564 ICC STEERING SWITCH

< DTC/CIRCUIT DIAGNOSIS >

[QR25DE]

+		-		Continuity
Combination switch (Spiral cable)		ECM		
Connector	Terminal	Connector	Terminal	
M30	25	E10*1 E31*2	110	Existed

*1: Except for California

*2: For California

- Also check harness for short to ground and to power.

Is the inspection result normal?

YES >> GO TO 4.

NO >> Repair or replace error-detected parts.

4.CHECK ICC STEERING SWITCH

Refer to [EC-461, "Component Inspection"](#).

Is the inspection result normal?

YES >> Check intermittent incident. Refer to [GI-44, "Intermittent Incident"](#).

NO >> Replace ICC steering switch. Refer to [CCS-142, "Removal and Installation"](#).

Component Inspection

INFOID:000000013217792

1.CHECK ICC STEERING SWITCH

- Disconnect combination switch (spiral cable) harness connector.
- Check the resistance between combination switch harness connector terminals as per the following conditions.

Combination switch (Spiral cable)			Condition	Resistance (Approx.)
Connector	+	-		
	Terminals			
M88	13	16	MAIN switch: Pressed	Approx. 0
			CANCEL switch: Pressed	Approx. 310
			DISTANCE switch: Pressed	Approx. 740
			COAST/SET switch: Pressed	Approx. 1,410
			ACCEL/RES switch: Pressed	Approx. 2,590

Is the inspection result normal?

YES >> INSPECTION END

NO >> Replace ICC steering switch. Refer to [CCS-142, "Removal and Installation"](#).

P1568 ICC FUNCTION

DTC Logic

INFOID:000000013217804

DTC DETECTION LOGIC

ECM detects a difference between signals from ADAS control unit is out of specified range.

DTC No.	CONSULT screen terms (Trouble diagnosis content)	DTC detecting condition	Possible cause
P1568	ICC COMMAND VALUE (ICC function)	ECM detects a difference between signals from ADAS control unit is out of specified range	<ul style="list-style-type: none"> • Harness or connectors (The CAN communication line is open or shorted.) • ADAS control unit • ECM

DTC CONFIRMATION PROCEDURE

1. CHECK DTC PRIORITY

If DTC P1568 is displayed with DTC UXXXX, P0605 or P0607, first perform the confirmation procedure for DTC UXXXX, P0605 or P0607.

Is applicable DTC detected?

- YES >> Perform diagnosis of applicable.
- DTC UXXXX: Refer to [EC-110, "DTC Index"](#).
 - DTC P0605: Refer to [EC-418, "DTC Logic"](#).
 - DTC P0607: Refer to [EC-420, "DTC Logic"](#).

NO >> GO TO 2.

2. PRECONDITIONING

If DTC Confirmation Procedure has been previously conducted, always perform the following procedure before conducting the next test.

1. Turn ignition switch OFF and wait at least 10 seconds.
2. Turn ignition switch ON.
3. Turn ignition switch OFF and wait at least 10 seconds.

TESTING CONDITION:

Step 4 may be conducted with the drive wheels lifted in the shop or by driving the vehicle. If a road test is expected to be easier, it is unnecessary to lift the vehicle.

>> GO TO 3.

3. PERFORM DTC CONFIRMATION PROCEDURE

1. Turn ignition switch ON.
2. Press MAIN switch on ICC steering switch.
3. Drive the vehicle at more than 40 km/h (25 MPH).

CAUTION:

Always drive vehicle at a safe speed.

4. Press SET/COAST switch.
5. Check DTC.

Is DTC detected?

- YES >> Proceed to [EC-462, "Diagnosis Procedure"](#).
- NO-1 >> To check malfunction symptom before repair: Refer to [GI-44, "Intermittent Incident"](#).
- NO-2 >> Confirmation after repair: INSPECTION END

Diagnosis Procedure

INFOID:000000013217805

1. REPLACE ADAS CONTROL UNIT

1. Replace ADAS control unit.
2. Perform [DAS-37, "Description"](#).
3. Check DTC of ADAS control unit. Refer to [DAS-12, "CONSULT Function \(ICC/ADAS\)"](#).

P1568 ICC FUNCTION

< DTC/CIRCUIT DIAGNOSIS >

[QR25DE]

>> INSPECTION END

A

EC

C

D

E

F

G

H

I

J

K

L

M

N

O

P

P1572 ASCD BRAKE SWITCH

< DTC/CIRCUIT DIAGNOSIS >

[QR25DE]

P1572 ASCD BRAKE SWITCH

DTC Logic

INFOID:000000012602497

DTC DETECTION LOGIC

NOTE:

- If DTC P1572 is displayed with DTC P0603, P0604, P0605, P0606, P0607, P060A, and P060B, first perform the trouble diagnosis for DTC P0603, P0604, P0605, P0606, P0607, P060A, and P060B. Refer to [EC-418, "DTC Logic"](#).
- This self-diagnosis has the one trip detection logic. When malfunction A is detected, DTC is not stored in ECM memory. And in that case, 1st trip DTC and 1st trip freeze frame data are displayed. 1st trip DTC is erased when ignition switch OFF. And even when malfunction A is detected in two consecutive trips, DTC is not stored in ECM memory.

DTC No.	CONSULT screen terms (Trouble diagnosis content)	DTC detecting condition		Possible cause
P1572	ASCD BRAKE SW (ASCD BRAKE SW)	A)	When the vehicle speed is above 30 km/h (19 MPH), ON signals from the stop lamp switch and the brake pedal position switch are sent to the ECM at the same time.	<ul style="list-style-type: none">• Harness or connectors (Stop lamp switch circuit is shorted.) (Brake pedal position switch circuit is shorted.)• Stop lamp switch• Brake pedal position switch• Stop lamp relay• Incorrect stop lamp switch installation• Incorrect brake pedal position switch installation• ECM
		B)	Brake pedal position switch signal is not sent to ECM for extremely long time while the vehicle is driving.	

DTC CONFIRMATION PROCEDURE

1. PRECONDITIONING

If DTC Confirmation Procedure has been previously conducted, always perform the following procedure before conducting the next test.

1. Turn ignition switch OFF and wait at least 10 seconds.
2. Turn ignition switch ON.
3. Turn ignition switch OFF and wait at least 10 seconds.

NOTE:

Procedure for malfunction B is not described here. It takes extremely long time to complete procedure for malfunction B. By performing procedure for malfunction A, the incident that causes malfunction B can be detected.

>> GO TO 2.

2. PERFORM DTC CONFIRMATION PROCEDURE FOR MALFUNCTION A

1. Start engine.
2. Press MAIN switch and make sure that CRUISE indicator is displayed in combination meter.
3. Drive the vehicle for at least 5 consecutive seconds as per the following conditions.

CAUTION:

Always drive vehicle at a safe speed.

NOTE:

This procedure may be conducted with the drive wheels lifted in the shop or by driving the vehicle. If a road test is expected to be easier, it is unnecessary to lift the vehicle.

Vehicle speed	More than 30 km/h (19 mph)
Selector lever	Suitable position

4. Check DTC.

Is DTC detected?

- YES >> Proceed to [EC-478, "Diagnosis Procedure"](#).
NO >> GO TO 3.

P1572 ASCD BRAKE SWITCH

< DTC/CIRCUIT DIAGNOSIS >

[QR25DE]

3. PERFORM DTC CONFIRMATION PROCEDURE FOR MALFUNCTION B

1. Drive the vehicle for at least 5 consecutive seconds as per the following conditions.

CAUTION:

Always drive vehicle at a safe speed.

NOTE:

This procedure may be conducted with the drive wheels lifted in the shop or by driving the vehicle. If a road test is expected to be easier, it is unnecessary to lift the vehicle.

Vehicle speed	More than 30 km/h (19 mph)
Selector lever	Suitable position
Driving location	Depress the brake pedal for more than five seconds so as not to come off from the above-mentioned vehicle speed.

2. Check DTC.

Is DTC detected?

- YES >> Proceed to [EC-478, "Diagnosis Procedure"](#).
 NO >> INSPECTION END

Diagnosis Procedure


INFOID:000000012602498

1. CHECK OVERALL FUNCTION-1

 With CONSULT

1. Turn ignition switch ON.
2. Select "BRAKE SW1" in "DATA MONITOR" mode of "ENGINE" using CONSULT.
3. Check "BRAKE SW1" indication as per the following conditions.

Monitor item	Condition		Indication
BRAKE SW1	Brake pedal	Slightly depressed	OFF
		Fully released	ON

 Without CONSULT

1. Turn ignition switch ON.
2. Check the voltage between ECM harness connector terminals as per the following.

Connector	ECM		Condition	Voltage (Approx.)
	+	-		
Terminal				
E10*1 E31*2	116	128	Brake pedal Slightly depressed	0 V
			Fully released	Battery voltage

*1: Except for California

*2: For California

Is the inspection result normal?

- YES >> GO TO 2.
 NO >> GO TO 3.

2. CHECK OVERALL FUNCTION-2

 With CONSULT

Select "BRAKE SW2" and check indication as per the following conditions.

Monitor item	Condition		Indication
BRAKE SW2	Brake pedal	Slightly depressed	ON
		Fully released	OFF

P1572 ASCD BRAKE SWITCH

[QR25DE]

< DTC/CIRCUIT DIAGNOSIS >

⊗ Without CONSULT

Check the voltage between ECM harness connector terminals as per the following conditions.

Connector	ECM		Condition	Voltage (Approx.)
	+	-		
Terminal				
E10*1 E31*2	115	128	Brake pedal Slightly depressed	Battery voltage
			Fully released	0 V

*1: Except for California

*2: For California

Is the inspection result normal?

YES >> Check intermittent incident. Refer to [GI-44, "Intermittent Incident"](#).

NO >> GO TO 6.

3. CHECK BRAKE PEDAL POSITION SWITCH POWER SUPPLY

1. Turn ignition switch OFF.
2. Disconnect brake pedal position switch harness connector.
3. Turn ignition switch ON.
4. Check the voltage between brake pedal position switch harness connector and ground.

+		-	Voltage
Brake pedal position switch			
Connector	Terminal		
E51*1 E76*2	1	Ground	Battery voltage

*1: With ACSD

*2: With ICC

Is the inspection result normal?

YES >> GO TO 4.

NO >> Perform the trouble diagnosis for power supply circuit.

4. CHECK BRAKE PEDAL POSITION SWITCH INPUT SIGNAL CIRCUIT

1. Turn ignition switch OFF.
2. Disconnect ECM harness connector.
3. Check the continuity between brake pedal position switch harness connector and ECM harness connector.

+		-		Continuity
Brake pedal position switch		ECM		
Connector	Terminal	Connector	Terminal	
E51*1 E76*2	2	E10*3 E31*4	116	Existed

*1: With ACSD

*2: With ICC

*3: Except for California

*4: For California

4. Also check harness for short to ground and to power.

Is the inspection result normal?

YES >> GO TO 5.

NO >> Repair or replace error-detected parts.

5. CHECK BRAKE PEDAL POSITION SWITCH

P1572 ASCD BRAKE SWITCH

[QR25DE]

< DTC/CIRCUIT DIAGNOSIS >

Check the brake pedal position switch. Refer to [EC-468. "Component Inspection \(Brake Pedal Position Switch\)"](#)

Is the inspection result normal?

YES >> Check intermittent incident. Refer to [GI-44. "Intermittent Incident"](#).

NO >> Replace brake pedal position switch. Refer to [BR-21. "Exploded View"](#).

6. CHECK STOP LAMP SWITCH POWER SUPPLY CIRCUIT

1. Turn ignition switch OFF.
2. Disconnect stop lamp switch harness connector.
3. Check the voltage between stop lamp switch harness connector and ground.

+		-	Voltage
Stop lamp switch			
Connector	Terminal	Ground	Battery voltage
E38	3		

Is the inspection result normal?

YES >> GO TO 7.

NO >> Perform the trouble diagnosis for power supply circuit.

7. CHECK STOP LAMP SWITCH GROUND CIRCUIT

1. Disconnect stop lamp relay harness connector.
2. Check the continuity between stop lamp switch harness connector and stop lamp relay harness connector.

+		-		Continuity
Stop lamp switch		Stop lamp relay		
Connector	Terminal	Connector	Terminal	Existed
E38	4	E57	2	

3. Also check harness for short to ground and to power.

Is the inspection result normal?

YES >> GO TO 8.

NO >> Repair or replace error-detected parts.

8. CHECK STOP LAMP SWITCH

Check the stop lamp switch. Refer to [EC-469. "Component Inspection \(Stop Lamp Switch\)"](#).

Is the inspection result normal?

YES >> GO TO 9.

NO >> Replace stop lamp switch. Refer to [BR-21. "Exploded View"](#).

9. CHECK STOP LAMP RELAY CONTROL CIRCUIT

1. Check the continuity between stop lamp relay harness connector and ground.

+		-	Continuity
Stop lamp relay			
Connector	Terminal	Ground	Existed
E57	1		

2. Also check harness for short to power.

Is the inspection result normal?

YES >> GO TO 10.

NO >> Repair or replace error-detected parts.

10. CHECK STOP LAMP SWITCH SIGNAL POWER SUPPLY

Check the voltage between stop lamp relay harness connector and ground.

P1572 ASCD BRAKE SWITCH

[QR25DE]

< DTC/CIRCUIT DIAGNOSIS >

+		-	Voltage
Stop lamp relay			
Connector	Terminal		
E57	5	Ground	Battery voltage

Is the inspection result normal?

YES >> GO TO 11.

NO >> Perform the trouble diagnosis for power supply circuit.

11. CHECK STOP LAMP SWITCH SIGNAL CIRCUIT

1. Disconnect ECM harness connector.
2. Check the continuity between stop lamp relay harness connector and ECM harness connector.

+		-		Continuity
Stop lamp relay		ECM		
Connector	Terminal	Connector	Terminal	
E57	3	E10 ^{*1} E31 ^{*2}	115	Existed

*1: Except for California

*2: For California

3. Also check harness for short to ground and to power.

Is the inspection result normal?

YES >> GO TO 12.

NO >> Repair or replace error-detected parts

12. CHECK STOP LAMP RELAY

Check the stop lamp relay. Refer to [EC-469, "Component Inspection \(Stop Lamp Relay\)"](#).

Is the inspection result normal?

YES >> Check intermittent incident. Refer to [GI-44, "Intermittent Incident"](#).

NO >> Replace stop lamp relay.

Component Inspection (Brake Pedal Position Switch)

INFOID:0000000012602499

1. CHECK BRAKE PEDAL POSITION SWITCH-1

1. Turn ignition switch OFF.
2. Disconnect brake pedal position harness connector.
3. Check the continuity between brake pedal position switch terminals as per the following conditions.

Brake pedal position switch		Condition	Continuity
+	-		
Terminals			
1	2	Brake pedal Fully released	Existed
		Slightly de-pressed	Not existed

Is the inspection result normal?

YES >> INSPECTION END

NO >> GO TO 2.

2. CHECK BRAKE PEDAL POSITION SWITCH-2

1. Adjust brake pedal position switch installation. Refer to [BR-14, "Inspection and Adjustment"](#).
2. Check the continuity between brake pedal position switch terminals as per the following conditions.

P1572 ASCD BRAKE SWITCH

< DTC/CIRCUIT DIAGNOSIS >

[QR25DE]

Brake pedal position switch		Condition	Continuity	
+	-			
Terminals				
1	2	Brake pedal	Fully released	Existed
			Slightly depressed	Not existed

Is the inspection result normal?

YES >> INSPECTION END

NO >> Replace brake pedal position switch. Refer to [BR-21, "Exploded View"](#).

Component Inspection (Stop Lamp Switch)

INFOID:000000012602500

1.CHECK STOP LAMP SWITCH-1

1. Turn ignition switch OFF.
2. Disconnect stop lamp switch harness connector.
3. Check the continuity between stop lamp switch terminals as per the following conditions.

Stop lamp switch		Condition	Continuity	
+	-			
Terminals				
1	2	Brake pedal	Fully released	Not existed
			Slightly depressed	Existed

Is the inspection result normal?

YES >> INSPECTION END

NO >> GO TO 2.

2.CHECK STOP LAMP SWITCH-2

1. Adjust stop lamp switch installation. Refer to [BR-14, "Inspection and Adjustment"](#).
2. Check the continuity between stop lamp switch terminals as per the following conditions.

Stop lamp switch		Condition	Continuity	
+	-			
Terminals				
1	2	Brake pedal	Fully released	Not existed
			Slightly depressed	Existed

Is the inspection result normal?

YES >> INSPECTION END

NO >> Replace stop lamp switch. Refer to [BR-21, "Exploded View"](#).

Component Inspection (Stop Lamp Relay)

INFOID:000000012602501

1.CHECK STOP LAMP RELAY

1. Turn ignition switch OFF.
2. Remove stop lamp relay.

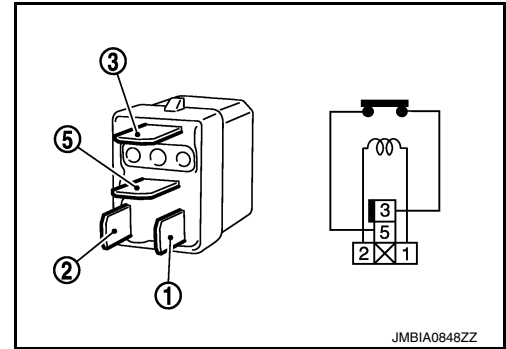
P1572 ASCD BRAKE SWITCH

[QR25DE]

< DTC/CIRCUIT DIAGNOSIS >

3. Check the continuity between stop lamp relay terminals as per the following conditions.

Stop lamp relay		Condition	Continuity
+	-		
Terminal			
3	5	12 V direct current supply between terminals 1 and 2	Existed
		No current supply	Not existed



JMBIA0848ZZ

Is the inspection result normal?

- YES >> INSPECTION END
- NO >> Replace stop lamp relay.

P1572 ICC BRAKE SWITCH

< DTC/CIRCUIT DIAGNOSIS >

[QR25DE]

P1572 ICC BRAKE SWITCH

DTC Logic

INFOID:000000013217793

DTC DETECTION LOGIC

NOTE:

- If DTC P1572 is displayed with DTC P0603, P0604, P0605, P0606, P0607, P060A, and P060B, first perform the trouble diagnosis for DTC P0603, P0604, P0605, P0606, P0607, P060A, and P060B. Refer to [EC-418, "DTC Logic"](#).
- This self-diagnosis has the one trip detection logic. When malfunction A is detected, DTC is not stored in ECM memory. And in that case, 1st trip DTC and 1st trip freeze frame data are displayed. 1st trip DTC is erased when ignition switch OFF. And even when malfunction A is detected in two consecutive trips, DTC is not stored in ECM memory.

DTC No.	CONSULT screen terms (Trouble diagnosis content)	DTC detecting condition		Possible cause
P1572	ASCD BRAKE SW (ICC BRAKE SW)	A)	When the vehicle speed is above 30 km/h (19 MPH), ON signals from the stop lamp switch and the brake pedal position switch are sent to the ECM at the same time.	<ul style="list-style-type: none"> • Harness or connectors (Stop lamp switch circuit is shorted.) (Brake pedal position switch circuit is shorted.) • Stop lamp switch • Brake pedal position switch • Stop lamp relay • Incorrect stop lamp switch installation • Incorrect brake pedal position switch installation • ECM
		B)	Brake pedal position switch signal is not sent to ECM for extremely long time while the vehicle is driving.	

DTC CONFIRMATION PROCEDURE

1. PRECONDITIONING

If DTC Confirmation Procedure has been previously conducted, always perform the following procedure before conducting the next test.

1. Turn ignition switch OFF and wait at least 10 seconds.
2. Turn ignition switch ON.
3. Turn ignition switch OFF and wait at least 10 seconds.

NOTE:

Procedure for malfunction B is not described here. It takes extremely long time to complete procedure for malfunction B. By performing procedure for malfunction A, the incident that causes malfunction B can be detected.

>> GO TO 2.

2. PERFORM DTC CONFIRMATION PROCEDURE FOR MALFUNCTION A

1. Start engine.
2. Press MAIN switch and make sure that CRUISE indicator is displayed in combination meter.
3. Drive the vehicle for at least 5 consecutive seconds as per the following conditions.

CAUTION:

Always drive vehicle at a safe speed.

NOTE:

This procedure may be conducted with the drive wheels lifted in the shop or by driving the vehicle. If a road test is expected to be easier, it is unnecessary to lift the vehicle.

Vehicle speed	More than 30 km/h (19 mph)
Selector lever	Suitable position

4. Check DTC.

Is DTC detected?

- YES >> Proceed to [EC-480, "Diagnosis Procedure"](#).
 NO >> GO TO 3.

P1572 ICC BRAKE SWITCH

< DTC/CIRCUIT DIAGNOSIS >

[QR25DE]

3. PERFORM DTC CONFIRMATION PROCEDURE FOR MALFUNCTION B

1. Drive the vehicle for at least 5 consecutive seconds as per the following conditions.

CAUTION:

Always drive vehicle at a safe speed.

NOTE:

This procedure may be conducted with the drive wheels lifted in the shop or by driving the vehicle. If a road test is expected to be easier, it is unnecessary to lift the vehicle.

Vehicle speed	More than 30 km/h (19 mph)
Selector lever	Suitable position
Driving location	Depress the brake pedal for more than five seconds so as not to come off from the above-mentioned vehicle speed.

2. Check DTC.

Is DTC detected?

YES >> Proceed to [EC-480. "Diagnosis Procedure"](#).

NO >> INSPECTION END

Diagnosis Procedure

INFOID:000000013217794

1. CHECK OVERALL FUNCTION-1

With CONSULT

1. Turn ignition switch ON.
2. Select "BRAKE SW1" in "DATA MONITOR" mode of "ENGINE" using CONSULT.
3. Check "BRAKE SW1" indication as per the following conditions.

Monitor item	Condition		Indication
BRAKE SW1	Brake pedal	Slightly depressed	OFF
		Fully released	ON

Without CONSULT

1. Turn ignition switch ON.
2. Check the voltage between ECM harness connector terminals as per the following.

Connector	ECM		Condition	Voltage (Approx.)
	+	-		
	Terminal			
E10*1	116	128	Slightly depressed	0 V
E31*2			Fully released	Battery voltage

*1: Except for California

*2: For California

Is the inspection result normal?

YES >> GO TO 2.

NO >> GO TO 3.

2. CHECK OVERALL FUNCTION-2

With CONSULT

Select "BRAKE SW2" and check indication as per the following conditions.

Monitor item	Condition		Indication
BRAKE SW2	Brake pedal	Slightly depressed	ON
		Fully released	OFF

P1572 ICC BRAKE SWITCH

[QR25DE]

< DTC/CIRCUIT DIAGNOSIS >

⊗ Without CONSULT

Check the voltage between ECM harness connector terminals as per the following conditions.

Connector	ECM		Condition	Voltage (Approx.)
	+	-		
	Terminal			
E10*1 E31*2	115	128	Brake pedal Slightly depressed	Battery voltage
			Brake pedal Fully released	0 V

*1: Except for California

*2: For California

Is the inspection result normal?

YES >> Check intermittent incident. Refer to [GI-44. "Intermittent Incident"](#).

NO >> GO TO 6.

3. CHECK BRAKE PEDAL POSITION SWITCH POWER SUPPLY

1. Turn ignition switch OFF.
2. Disconnect brake pedal position switch harness connector.
3. Turn ignition switch ON.
4. Check the voltage between brake pedal position switch harness connector and ground.

+		-	Voltage
Brake pedal position switch			
Connector	Terminal		
E51*1 E76*2	1	Ground	Battery voltage

*1: With ACSD

*2: With ICC

Is the inspection result normal?

YES >> GO TO 4.

NO >> Perform the trouble diagnosis for power supply circuit.

4. CHECK BRAKE PEDAL POSITION SWITCH INPUT SIGNAL CIRCUIT

1. Turn ignition switch OFF.
2. Disconnect ECM harness connector.
3. Check the continuity between brake pedal position switch harness connector and ECM harness connector.

+		-		Continuity
Brake pedal position switch		ECM		
Connector	Terminal	Connector	Terminal	
E51*1 E76*2	2	E10*3 E31*4	116	Existed

*1: With ACSD

*2: With ICC

*3: Except for California

*4: For California

4. Also check harness for short to ground and to power.

Is the inspection result normal?

YES >> GO TO 5.

NO >> Repair or replace error-detected parts.

5. CHECK BRAKE PEDAL POSITION SWITCH

P1572 ICC BRAKE SWITCH

[QR25DE]

< DTC/CIRCUIT DIAGNOSIS >

Check the brake pedal position switch. Refer to [EC-475, "Component Inspection \(Brake Pedal Position Switch\)"](#)

Is the inspection result normal?

YES >> Check intermittent incident. Refer to [GI-44, "Intermittent Incident"](#).

NO >> Replace brake pedal position switch. Refer to [BR-21, "Exploded View"](#).

6.CHECK STOP LAMP SWITCH POWER SUPPLY CIRCUIT

1. Turn ignition switch OFF.
2. Disconnect stop lamp switch harness connector.
3. Check the voltage between stop lamp switch harness connector and ground.

+		-	Voltage
Stop lamp switch			
Connector	Terminal	Ground	Battery voltage
E38	3		

Is the inspection result normal?

YES >> GO TO 7.

NO >> Perform the trouble diagnosis for power supply circuit.

7.CHECK STOP LAMP SWITCH GROUND CIRCUIT

1. Disconnect stop lamp relay harness connector.
2. Check the continuity between stop lamp switch harness connector and stop lamp relay harness connector.

+		-		Continuity
Stop lamp switch		Stop lamp relay		
Connector	Terminal	Connector	Terminal	Existed
E38	4	E57	2	

3. Also check harness for short to ground and to power.

Is the inspection result normal?

YES >> GO TO 8.

NO >> Repair or replace error-detected parts.

8.CHECK STOP LAMP SWITCH

Check the stop lamp switch. Refer to [EC-476, "Component Inspection \(Stop Lamp Switch\)"](#).

Is the inspection result normal?

YES >> GO TO 9.

NO >> Replace stop lamp switch. Refer to [BR-21, "Exploded View"](#).

9.CHECK STOP LAMP RELAY CONTROL CIRCUIT

1. Check the continuity between stop lamp relay harness connector and ground.

+		-	Continuity
Stop lamp relay			
Connector	Terminal	Ground	Existed
E57	1		

2. Also check harness for short to power.

Is the inspection result normal?

YES >> GO TO 10.

NO >> Repair or replace error-detected parts.

10.CHECK STOP LAMP SWITCH SIGNAL POWER SUPPLY

Check the voltage between stop lamp relay harness connector and ground.

P1572 ICC BRAKE SWITCH

< DTC/CIRCUIT DIAGNOSIS >

[QR25DE]

+		-	Voltage
Stop lamp relay			
Connector	Terminal	Ground	Battery voltage
E57	5		

Is the inspection result normal?

YES >> GO TO 11.

NO >> Perform the trouble diagnosis for power supply circuit.

11. CHECK STOP LAMP SWITCH SIGNAL CIRCUIT

1. Disconnect ECM harness connector.
2. Check the continuity between stop lamp relay harness connector and ECM harness connector.

+		-		Continuity
Stop lamp relay		ECM		
Connector	Terminal	Connector	Terminal	
E57	3	E10*1 E31*2	115	Existed

*1: Except for California

*2: For California

3. Also check harness for short to ground and to power.

Is the inspection result normal?

YES >> GO TO 12.

NO >> Repair or replace error-detected parts

12. CHECK STOP LAMP RELAY

Check the stop lamp relay. Refer to [EC-476, "Component Inspection \(Stop Lamp Relay\)"](#).

Is the inspection result normal?

YES >> Check intermittent incident. Refer to [GI-44, "Intermittent Incident"](#).

NO >> Replace stop lamp relay.

Component Inspection (Brake Pedal Position Switch)

INFOID:000000013217795

1. CHECK BRAKE PEDAL POSITION SWITCH-1

1. Turn ignition switch OFF.
2. Disconnect brake pedal position harness connector.
3. Check the continuity between brake pedal position switch terminals as per the following conditions.

Brake pedal position switch		Condition	Continuity
+	-		
Terminals			
1	2	Brake pedal Fully released	Existed
		Slightly depressed	Not existed

Is the inspection result normal?

YES >> INSPECTION END

NO >> GO TO 2.

2. CHECK BRAKE PEDAL POSITION SWITCH-2

1. Adjust brake pedal position switch installation. Refer to [BR-14, "Inspection and Adjustment"](#).
2. Check the continuity between brake pedal position switch terminals as per the following conditions.

P1572 ICC BRAKE SWITCH

< DTC/CIRCUIT DIAGNOSIS >

[QR25DE]

Brake pedal position switch		Condition	Continuity	
+	-			
Terminals				
1	2	Brake pedal	Fully released	Existed
			Slightly de-pressed	Not existed

Is the inspection result normal?

YES >> INSPECTION END

NO >> Replace brake pedal position switch. Refer to [BR-21, "Exploded View"](#).

Component Inspection (Stop Lamp Switch)

INFOID:000000013217796

1.CHECK STOP LAMP SWITCH-1

1. Turn ignition switch OFF.
2. Disconnect stop lamp switch harness connector.
3. Check the continuity between stop lamp switch terminals as per the following conditions.

Stop lamp switch		Condition	Continuity	
+	-			
Terminals				
1	2	Brake pedal	Fully released	Not existed
			Slightly de-pressed	Existed

Is the inspection result normal?

YES >> INSPECTION END

NO >> GO TO 2.

2.CHECK STOP LAMP SWITCH-2

1. Adjust stop lamp switch installation. Refer to [BR-14, "Inspection and Adjustment"](#).
2. Check the continuity between stop lamp switch terminals as per the following conditions.

Stop lamp switch		Condition	Continuity	
+	-			
Terminals				
1	2	Brake pedal	Fully released	Not existed
			Slightly de-pressed	Existed

Is the inspection result normal?

YES >> INSPECTION END

NO >> Replace stop lamp switch. Refer to [BR-21, "Exploded View"](#).

Component Inspection (Stop Lamp Relay)

INFOID:000000013217797

1.CHECK STOP LAMP RELAY

1. Turn ignition switch OFF.
2. Remove stop lamp relay.

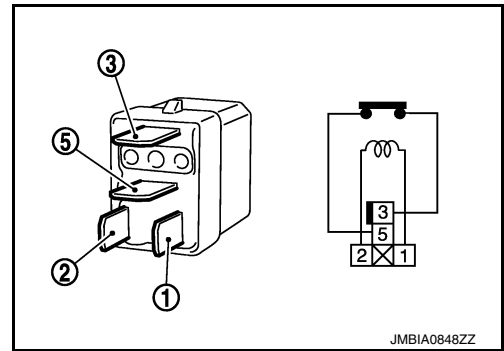
P1572 ICC BRAKE SWITCH

[QR25DE]

< DTC/CIRCUIT DIAGNOSIS >

3. Check the continuity between stop lamp relay terminals as per the following conditions.

Stop lamp relay		Condition	Continuity
+	-		
Terminal			
3	5	12 V direct current supply between terminals 1 and 2	Existed
		No current supply	Not existed



Is the inspection result normal?

- YES >> INSPECTION END
- NO >> Replace stop lamp relay.

A
EC
C
D
E
F
G
H
I
J
K
L
M
N
O
P

P1574 ASCD VEHICLE SPEED SENSOR

< DTC/CIRCUIT DIAGNOSIS >

[QR25DE]

P1574 ASCD VEHICLE SPEED SENSOR

Description

INFOID:0000000012602502

The ECM receives two vehicle speed sensor signals via CAN communication line. One is sent from combination meter, and the other is from TCM (Transmission control module). The ECM uses these signals for ASCD control. Refer to [EC-65, "AUTOMATIC SPEED CONTROL DEVICE \(ASCD\) : System Description"](#) for ASCD functions.

DTC Logic

INFOID:0000000012602503

DTC DETECTION LOGIC

NOTE:

- If DTC P1574 is displayed with DTC U1001, first perform the trouble diagnosis for DTC U1001. Refer to [EC-220, "DTC Logic"](#).
- If DTC P1574 is displayed with DTC P0500, first perform the trouble diagnosis for DTC P0500. Refer to [EC-393, "DTC Logic"](#).
- If DTC P1574 is displayed with DTC P0603, P0604, P0605, P0606, P0607, P060A, and P060B, first perform the trouble diagnosis for DTC P0603, P0604, P0605, P0606, P0607, P060A, and P060B. Refer to [EC-420, "DTC Logic"](#).

DTC No.	CONSULT screen terms (Trouble diagnosis content)	DTC detecting condition	Possible cause
P1574	ASCD VHL SPD SEN (ASCD VHL SPD SEN)	ECM detects a difference between two vehicle speed signals is out of the specified range.	<ul style="list-style-type: none">• Harness or connectors (CAN communication line is open or shorted.)• ABS actuator and electric unit (control unit)• TCM• ECM

DTC CONFIRMATION PROCEDURE

1. PRECONDITIONING

If DTC Confirmation Procedure has been previously conducted, always perform the following procedure before conducting the next test.

1. Turn ignition switch OFF and wait at least 10 seconds.
2. Turn ignition switch ON.
3. Turn ignition switch OFF and wait at least 10 seconds.

>> GO TO 2.

2. PERFORM DTC CONFIRMATION PROCEDURE

1. Start engine.
2. Drive the vehicle at more than 40 km/h (25 MPH).

CAUTION:

Always drive vehicle at a safe speed.

NOTE:

This procedure may be conducted with the drive wheels lifted in the shop or by driving the vehicle. If a road test is expected to be easier, it is unnecessary to lift the vehicle.

3. Check DTC.

Is DTC detected?

- YES >> Proceed to [EC-478, "Diagnosis Procedure"](#).
NO >> INSPECTION END

Diagnosis Procedure

INFOID:0000000012602504

1. CHECK DTC WITH TCM

Check DTC with TCM. Refer to [TM-43, "CONSULT Function"](#).

Is DTC detected?

- NO >> GO TO 2.

P1574 ASCD VEHICLE SPEED SENSOR

[QR25DE]

< DTC/CIRCUIT DIAGNOSIS >

YES >> Perform trouble shooting relevant to DTC indicated.

2.CHECK DTC WITH “ABS ACTUATOR AND ELECTRIC UNIT (CONTROL UNIT)”

Check DTC with ABS actuator and electric unit (control unit). Refer to [BRC-209, "CONSULT Function"](#).

Is DTC detected?

NO >> INSPECTION END

YES >> Perform trouble shooting relevant to DTC indicated.

A

EC

C

D

E

F

G

H

I

J

K

L

M

N

O

P

P1574 ICC VEHICLE SPEED SENSOR

< DTC/CIRCUIT DIAGNOSIS >

[QR25DE]

P1574 ICC VEHICLE SPEED SENSOR

Description

INFOID:000000013217798

The ECM receives two vehicle speed sensor signals via CAN communication line. One is sent from combination meter, and the other is from TCM (Transmission control module). The ECM uses these signals for ICC control. Refer to [CCS-10, "System Description"](#) for ICC functions.

DTC Logic

INFOID:000000013217799

DTC DETECTION LOGIC

NOTE:

- If DTC P1574 is displayed with DTC U1001, first perform the trouble diagnosis for DTC U1001. Refer to [EC-220, "DTC Logic"](#).
- If DTC P1574 is displayed with DTC P0500, first perform the trouble diagnosis for DTC P0500. Refer to [EC-393, "DTC Logic"](#)
- If DTC P1574 is displayed with DTC P0603, P0604, P0605, P0606, P0607, P060A, and P060B, first perform the trouble diagnosis for DTC P0603, P0604, P0605, P0606, P0607, P060A, and P060B. Refer to [EC-420, "DTC Logic"](#).

DTC No.	CONSULT screen terms (Trouble diagnosis content)	DTC detecting condition	Possible cause
P1574	ASCD VHL SPD SEN (ICC VHL SPD SEN)	ECM detects a difference between two vehicle speed signals is out of the specified range.	<ul style="list-style-type: none">• Harness or connectors (CAN communication line is open or shorted.)• ABS actuator and electric unit (control unit)• TCM• ECM

DTC CONFIRMATION PROCEDURE

1. PRECONDITIONING

If DTC Confirmation Procedure has been previously conducted, always perform the following procedure before conducting the next test.

1. Turn ignition switch OFF and wait at least 10 seconds.
2. Turn ignition switch ON.
3. Turn ignition switch OFF and wait at least 10 seconds.

>> GO TO 2.

2. PERFORM DTC CONFIRMATION PROCEDURE

1. Start engine.
2. Drive the vehicle at more than 40 km/h (25 MPH).

CAUTION:

Always drive vehicle at a safe speed.

NOTE:

This procedure may be conducted with the drive wheels lifted in the shop or by driving the vehicle. If a road test is expected to be easier, it is unnecessary to lift the vehicle.

3. Check DTC.

Is DTC detected?

- YES >> Proceed to [EC-480, "Diagnosis Procedure"](#).
NO >> INSPECTION END

Diagnosis Procedure

INFOID:000000013217800

1. CHECK DTC WITH TCM

Check DTC with TCM. Refer to [TM-43, "CONSULT Function"](#).

Is DTC detected?

- NO >> GO TO 2.
YES >> Perform trouble shooting relevant to DTC indicated.

P1574 ICC VEHICLE SPEED SENSOR

< DTC/CIRCUIT DIAGNOSIS >

[QR25DE]

2. CHECK DTC WITH "ABS ACTUATOR AND ELECTRIC UNIT (CONTROL UNIT)"

Check DTC with ABS actuator and electric unit (control unit). Refer to [BRC-209. "CONSULT Function"](#).

Is DTC detected?

NO >> INSPECTION END

YES >> Perform trouble shooting relevant to DTC indicated.

A

EC

C

D

E

F

G

H

I

J

K

L

M

N

O

P

P1800 INTAKE MANIFOLD TUNING VALVE

< DTC/CIRCUIT DIAGNOSIS >

[QR25DE]

P1800 INTAKE MANIFOLD TUNING VALVE

DTC Logic

INFOID:000000012602508

DTC DETECTION LOGIC

DTC No.	CONSULT screen terms (Trouble diagnosis content)	DTC detecting condition	Possible cause
P1800	VIAS S/V-1 (VIAS S/V-1)	An excessively low or high voltage signal is sent to ECM through the intake manifold tuning valve.	<ul style="list-style-type: none">• Harness or connectors (The solenoid valve 1 circuit is open or shorted.)• Intake manifold tuning valve

DTC CONFIRMATION PROCEDURE

1.CONDITIONING

If DTC Confirmation Procedure has been previously conducted, always perform the following before conducting the next test.

1. Turn ignition switch OFF and wait at least 10 seconds.
2. Turn ignition switch ON.
3. Turn ignition switch OFF and wait at least 10 seconds.

TESTING CONDITION:

Before performing the following procedure, confirm battery voltage is more than 11 V at idle.

>> GO TO 2.

2.PERFORM DTC CONFIRMATION PROCEDURE

1. Start engine and warm it up to the normal operating temperature. [more than 60°C(140°F)]
2. Let it idle for at least 10 seconds. (engine speed: less than 1,000 rpm)
3. Check 1st trip DTC.

Is 1st trip DTC detected?

YES >> Proceed to [EC-482. "Diagnosis Procedure"](#).

NO >> INSPECTION END

Diagnosis Procedure

INFOID:000000012602509

1.CHECK INTAKE MANIFOLD TUNING VALVE MOTOR POWER SUPPLY

1. Turn ignition switch ON.
2. Check the voltage between ECM harness connector.

ECM				Voltage
+		-		
Connector	Terminal	Connector	Terminal	
F14*1 F91*2	6	E10*1 E31*2	128	Battery voltage

*1: Except for California

*2: For California

Is the inspection result normal?

YES >> GO TO 3.

NO >> GO TO 2.

2.CHECK INTAKE MANIFOLD TUNING VALVE MOTOR POWER SUPPLY CIRCUIT

1. Turn ignition switch OFF.
2. Disconnect ECM harness connector.
3. Disconnect IPDM E/R harness connector.
4. Check the continuity between ECM harness connector and IPDM E/R harness connector.

P1800 INTAKE MANIFOLD TUNING VALVE

< DTC/CIRCUIT DIAGNOSIS >

[QR25DE]

+		-		Continuity
ECM		IPDM E/R		
Connector	Terminal	Connector	Terminal	
F14*1 F91*2	6	E18	13	Existed

*1: Except for California

*2: For California

5. Also check harness for short to ground.

Is the inspection result normal?

YES >> Perform the trouble diagnosis for power supply circuit.

NO >> Repair or replace error-detected parts.

3. CHECK INTAKE MANIFOLD TUNING VALVE MOTOR OUTPUT SIGNAL CIRCUIT

1. Disconnect intake manifold tuning valve motor harness connector.
2. Check the continuity between intake manifold tuning valve motor harness connector and ECM harness connector.

+		-		Continuity
Intake manifold tuning valve motor		ECM		
Connector	Terminal	Connector	Terminal	
F40	1	F14*1 F91*2	5	Not existed
			7	Existed
	2		5	Existed
			7	Not existed

*1: Except for California

*2: For California

3. Also check harness for short to ground and to power.

Is the inspection result normal?

YES >> GO TO 4.

NO >> Repair or replace error-detected parts.

4. CHECK INTAKE MANIFOLD TUNING VALVE MOTOR

Check the intake manifold tuning valve motor. Refer to [EC-483, "Component Inspection"](#).

Is the inspection result normal?

YES >> Check intermittent incident. Refer to [GI-44, "Intermittent Incident"](#).

NO >> Replace intake manifold assembly. Refer to [EM-30, "Removal and Installation"](#).

Component Inspection

INFOID:000000012602510

1. CHECK THROTTLE CONTROL MOTOR

1. Turn ignition switch OFF.
2. Disconnect electric throttle control actuator harness connector.
3. Check the resistance between electric throttle control actuator terminals as per the following.

Electric throttle control actuator		Resistance (Approx.)
+	-	
Terminals		
5	6	3 - 8 Ω [at 25°C (77°F)]

Is the inspection result normal?

YES >> INSPECTION END

P1800 INTAKE MANIFOLD TUNING VALVE

< DTC/CIRCUIT DIAGNOSIS >

[QR25DE]

NO >> Replace electric throttle control actuator. Refer to [EM-30, "Removal and Installation"](#).

P1805 BRAKE SWITCH

< DTC/CIRCUIT DIAGNOSIS >

[QR25DE]

P1805 BRAKE SWITCH

DTC Logic

INFOID:0000000012602511

DTC DETECTION LOGIC

DTC No.	CONSULT screen terms (Trouble diagnosis content)	DTC detecting condition	Possible cause
P1805	BRAKE SW/CIRCUIT (BRAKE SW/CIRCUIT)	A stop lamp switch signal is not sent to ECM for extremely long time while the vehicle is driving.	<ul style="list-style-type: none"> Harness or connectors (Stop lamp switch circuit is open or shorted.) Stop lamp switch Stop lamp relay

DTC CONFIRMATION PROCEDURE

1. PERFORM DTC CONFIRMATION PROCEDURE

- Turn ignition switch ON.
- Fully depress the brake pedal for at least 5 seconds.
- Erase the DTC.
- Check 1st trip DTC.

Is 1st trip DTC detected?

- YES >> Proceed to [EC-485, "Diagnosis Procedure"](#).
 NO >> INSPECTION END

Diagnosis Procedure

INFOID:0000000012602512

1. CHECK STOP LAMP SWITCH POWER SUPPLY CIRCUIT

- Turn ignition switch OFF.
- Disconnect stop lamp switch harness connector.
- Check the voltage between stop lamp switch harness connector and ground.

+		-	Voltage
Stop lamp switch			
Connector	Terminal		
E38	3	Ground	Battery voltage

Is the inspection result normal?

- YES >> GO TO 2.
 NO >> Perform the trouble diagnosis for power supply circuit.

2. CHECK STOP LAMP SWITCH GROUND CIRCUIT

- Disconnect stop lamp relay harness connector.
- Check the continuity between stop lamp switch harness connector and stop lamp relay harness connector.

+		-		Continuity
Stop lamp switch		Stop lamp relay		
Connector	Terminal	Connector	Terminal	
E38	4	E57	2	Existed

- Also check harness for short to ground and to power.

Is the inspection result normal?

- YES >> GO TO 3.
 NO >> Repair or replace error-detected parts.

3. CHECK STOP LAMP SWITCH

P1805 BRAKE SWITCH

[QR25DE]

< DTC/CIRCUIT DIAGNOSIS >

Check the stop lamp switch. Refer to [EC-469, "Component Inspection \(Stop Lamp Switch\)"](#).

Is the inspection result normal?

YES >> GO TO 4.

NO >> Replace stop lamp switch. Refer to [BR-21, "Exploded View"](#).

4. CHECK STOP LAMP RELAY CONTROL CIRCUIT

1. Check the continuity between stop lamp relay harness connector and ground.

+		-	Continuity
Stop lamp relay			
Connector	Terminal	Ground	Existed
E57	1		

2. Also check harness for short to power.

Is the inspection result normal?

YES >> GO TO 5.

NO >> Repair or replace error-detected parts.

5. CHECK STOP LAMP SWITCH SIGNAL POWER SUPPLY

Check the voltage between stop lamp relay harness connector and ground.

+		-	Voltage
Stop lamp relay			
Connector	Terminal	Ground	Battery voltage
E57	5		

Is the inspection result normal?

YES >> GO TO 6.

NO >> Perform the trouble diagnosis for power supply circuit.

6. CHECK STOP LAMP SWITCH SIGNAL CIRCUIT

1. Disconnect ECM harness connector.

2. Check the continuity between stop lamp relay harness connector and ECM harness connector.

+		-		Continuity
Stop lamp relay		ECM		
Connector	Terminal	Connector	Terminal	Existed
E57	3	E10 ^{*1} E31 ^{*2}	115	

*1: Except for California

*2: For California

3. Also check harness for short to ground and to power.

Is the inspection result normal?

YES >> GO TO 7.

NO >> Repair or replace error-detected parts

7. CHECK STOP LAMP RELAY

Check the stop lamp relay. Refer to [EC-487, "Component Inspection \(Stop Lamp Relay\)"](#).

Is the inspection result normal?

YES >> Check intermittent incident. Refer to [GI-44, "Intermittent Incident"](#).

NO >> Replace stop lamp relay.

P1805 BRAKE SWITCH

< DTC/CIRCUIT DIAGNOSIS >

[QR25DE]

Component Inspection (Stop Lamp Switch)

INFOID:000000012602513

1.CHECK STOP LAMP SWITCH-1

1. Turn ignition switch OFF.
2. Disconnect stop lamp switch harness connector.
3. Check the continuity between stop lamp switch terminals as per the following conditions.

Stop lamp switch		Condition	Continuity
+	-		
Terminals			
1	2	Brake pedal Fully released	Not existed
		Slightly depressed	Existed

Is the inspection result normal?

YES >> INSPECTION END

NO >> GO TO 2.

2.CHECK STOP LAMP SWITCH-2

1. Adjust stop lamp switch installation. Refer to [BR-14. "Inspection and Adjustment"](#).
2. Check the continuity between stop lamp switch terminals as per the following conditions.

Stop lamp switch		Condition	Continuity
+	-		
Terminals			
1	2	Brake pedal Fully released	Not existed
		Slightly depressed	Existed

Is the inspection result normal?

YES >> INSPECTION END

NO >> Replace stop lamp switch. Refer to [BR-21. "Exploded View"](#).

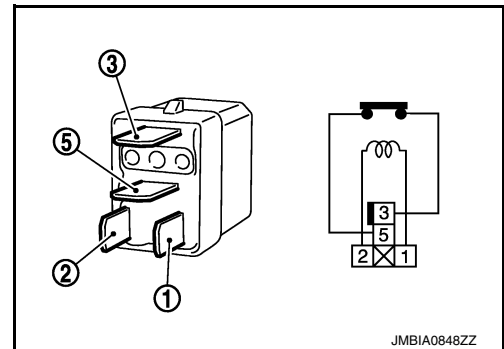
Component Inspection (Stop Lamp Relay)

INFOID:000000012602514

1.CHECK STOP LAMP RELAY

1. Turn ignition switch OFF.
2. Remove stop lamp relay.
3. Check the continuity between stop lamp relay terminals as per the following conditions.

Stop lamp relay		Condition	Continuity
+	-		
Terminal			
3	5	12 V direct current supply between terminals 1 and 2	Existed
		No current supply	Not existed



JMBIA0848ZZ

Is the inspection result normal?

YES >> INSPECTION END

NO >> Replace stop lamp relay.

P2004 INTAKE MANIFOLD RUNNER CONTROL VALVE

< DTC/CIRCUIT DIAGNOSIS >

[QR25DE]

P2004 INTAKE MANIFOLD RUNNER CONTROL VALVE

DTC Logic

INFOID:000000012602515

DTC DETECTION LOGIC

DTC No.	CONSULT screen terms (Trouble diagnosis content)	DTC detecting condition	Possible cause
P2004	TUMBLE CONT/V (Intake manifold runner control stuck open bank 1)	The target angle of intake manifold runner control valve controlled by ECM and the input signal from intake manifold runner control valve position sensor is not in the normal range.	<ul style="list-style-type: none"> • Harness or connectors (Intake manifold runner control valve motor circuit is open or shorted.) • Intake manifold runner control valve motor • Intake manifold runner control valve is stuck

DTC CONFIRMATION PROCEDURE

1. PRECONDITIONING

If DTC Confirmation Procedure has been previously conducted, always turn ignition switch OFF and wait at least 10 seconds before conducting the next test.

TESTING CONDITION:

- Before performing the following procedure, confirm that battery voltage is more than 11 V at idle.
- Always perform the test at a temperature above -12°C (10°F)

>> GO TO 2.

2. PERFORM DTC CONFIRMATION PROCEDURE

With CONSULT

1. Turn ignition switch ON.
2. Select "DATA MONITOR" mode with CONSULT.
3. Make sure that "COOLAN TEMP/S" indicates between -12°C (10°F) to 59°C (138°F).
If not, cool engine down or warm engine up until "COOLAN TEMP/S" indicates between -12°C (10°F) to 59°C (138°F). Then go to the following steps.
4. Fully release accelerator pedal and wait at least 10 seconds.
5. Depress accelerator pedal and wait at least 10 seconds.
6. Check 1st trip DTC.

With GST

Following the procedure "With CONSULT" above.

Is 1st trip DTC detected?

- YES >> Proceed to [EC-488, "Diagnosis Procedure"](#).
NO >> INSPECTION END

Diagnosis Procedure

INFOID:000000012602516

1. CHECK INTAKE MANIFOLD RUNNER CONTROL VALVE MOTOR POWER SUPPLY

1. Turn ignition switch ON.
2. Check the voltage between ECM harness connector.

ECM				Voltage
+		-		
Connector	Terminal	Connector	Terminal	
F13*1 F90*2	50	E10*1 E31*2	128	Battery voltage

*1: Except for California

*2: For California

P2004 INTAKE MANIFOLD RUNNER CONTROL VALVE

[QR25DE]

< DTC/CIRCUIT DIAGNOSIS >

Is the inspection result normal?

- YES >> GO TO 3.
- NO >> GO TO 2.

2. CHECK INTAKE MANIFOLD RUNNER CONTROL VALVE MOTOR POWER SUPPLY CIRCUIT

1. Turn ignition switch OFF.
2. Disconnect ECM harness connector.
3. Disconnect IPDM E/R harness connector.
4. Check the continuity between ECM harness connector and IPDM E/R harness connector.

+		-		Continuity
ECM		IPDM E/R		
Connector	Terminal	Connector	Terminal	
F13*1 F90*2	50	E18	13	Existed

- *1: Except for California
- *2: For California

5. Also check harness for short to ground.

Is the inspection result normal?

- YES >> Perform the trouble diagnosis for power supply circuit.
- NO >> Repair or replace error-detected parts.

3. CHECK INTAKE MANIFOLD RUNNER CONTROL VALVE MOTOR OUTPUT SIGNAL CIRCUIT

1. Disconnect intake manifold runner control valve motor harness connector.
2. Check the continuity between intake manifold runner control valve motor harness connector and ECM harness connector.

+		-		Continuity
Intake manifold runner control valve motor		ECM		
Connector	Terminal	Connector	Terminal	
F41	1	F13*1 F90*2	49	Not existed
			51	Existed
	2		49	Existed
			51	Not existed

- *1: Except for California
- *2: For California

3. Also check harness for short to ground and to power.

Is the inspection result normal?

- YES >> GO TO 4.
- NO >> Repair or replace error-detected parts.

4. CHECK INTAKE MANIFOLD RUNNER CONTROL VALVE MOTOR

Check the intake manifold runner control valve motor. Refer to [EC-489, "Component Inspection"](#).

Is the inspection result normal?

- YES >> Check intermittent incident. Refer to [GI-44, "Intermittent Incident"](#).
- NO >> Replace intake manifold assembly. Refer to [EM-30, "Removal and Installation"](#).

Component Inspection

INFOID:0000000012602517

1. CHECK INTAKE MANIFOLD RUNNER CONTROL VALVE

With CONSULT

1. Turn ignition switch ON.
2. Select "DATA MONITOR" mode with CONSULT.

P2004 INTAKE MANIFOLD RUNNER CONTROL VALVE

[QR25DE]

< DTC/CIRCUIT DIAGNOSIS >

3. Make sure that "COOLAN TEMP/S" indicates between -12°C (10°F) to 59°C (138°F).
If not, cool engine down or warm engine up until "COOLAN TEMP/S" indicates between -12°C (10°F) to 59°C (138°F). Then go to the following steps.
4. Fully release accelerator pedal and make sure that "TUMBLE POS SEN" indicates between 2.8 V to 4.1 V.
5. Depress accelerator pedal and make sure that "TUMBLE POS SEN" indicates between 0.2 V to 1.4 V.
6. Check 1st trip DTC.

With GST

Following the procedure "With CONSULT" above.

Is 1st trip DTC detected?

- YES >> Replace intake manifold assembly. Refer to [EM-30, "Removal and Installation"](#).
NO >> GO TO 2.

2. CHECK INTAKE MANIFOLD RUNNER CONTROL VALVE MOTOR

1. Turn ignition switch OFF.
2. Disconnect intake manifold runner control valve motor harness connector.
3. Check the resistance between intake manifold runner control valve motor terminals as per the following.

Intake manifold runner control valve motor		Resistance (Approx.)
+	-	
Terminals		
1	2	3 - 8 Ω [at 25°C (77°F)]

Is the inspection result normal?

- YES >> INSPECTION END
NO >> Replace intake manifold assembly. Refer to [EM-30, "Removal and Installation"](#).

P2014, P2016, P2017, P2018 INTAKE MANIFOLD RUNNER CONTROL VALVE POSITION SENSOR

< DTC/CIRCUIT DIAGNOSIS >

[QR25DE]

P2014, P2016, P2017, P2018 INTAKE MANIFOLD RUNNER CONTROL VALVE POSITION SENSOR

DTC Logic

INFOID:000000012602518

DTC DETECTION LOGIC

NOTE:

If DTC P2014, P2016, P2017 or P2018 is displayed with DTC P0643, first perform the trouble diagnosis for DTC P0643. Refer to [EC-424, "DTC Logic"](#).

DTC No.	CONSULT screen terms (Trouble diagnosis content)	DTC detecting condition	Possible cause
P2014	IN/MANIFOLD RUNNER POS SEN B1 (Intake manifold runner position sensor/ switch circuit bank 1)	An excessively low voltage from the sensor is sent to ECM.	<ul style="list-style-type: none">• Harness or connectors (Intake manifold runner control position sensor circuit is shorted.)• Intake manifold runner control position sensor
P2016	IN/MANIFOLD RUNNER POS SEN B1 (Intake manifold runner position sensor/ switch circuit low bank 1)		
P2017	IN/MANIFOLD RUNNER POS SEN B1 (Intake manifold runner position sensor/ switch circuit high bank 1)	An excessively high voltage from the sensor is sent to ECM.	
P2018	IN/MANIFOLD RUNNER POS SEN B1 (Intake manifold runner position sensor/ switch circuit intermittent bank 1)		

DTC CONFIRMATION PROCEDURE

1. PRECONDITIONING

If DTC Confirmation Procedure has been previously conducted, always perform the following before conducting the next test.

1. Turn ignition switch OFF and wait at least 10 seconds.
2. Turn ignition switch ON.
3. Turn ignition switch OFF and wait at least 10 seconds.

TESTING CONDITION:

Before performing the following procedure, confirm that battery voltage is more than 11 V at idle.

>> GO TO 2.

2. PERFORM DTC CONFIRMATION PROCEDURE

1. Start engine and let it idle for 10 seconds.
2. Check 1st trip DTC.

Is 1st trip DTC detected?

YES >> Proceed to [EC-491, "Diagnosis Procedure"](#).

NO >> INSPECTION END

Diagnosis Procedure

INFOID:000000012602519

1. CHECK INTAKE MANIFOLD RUNNER CONTROL VALVE POSITION SENSOR POWER SUPPLY

1. Turn ignition switch OFF.
2. Disconnect intake valve manifold runner control valve position sensor harness connector.
3. Turn ignition switch ON.
4. Check the voltage between intake valve manifold runner control valve position sensor harness connector.

P2014, P2016, P2017, P2018 INTAKE MANIFOLD RUNNER CONTROL VALVE POSITION SENSOR

< DTC/CIRCUIT DIAGNOSIS >

[QR25DE]

Intake manifold runner control valve position sensor			Voltage (Approx.)
Connector	+	-	
	Terminal		
F52	1	3	5 V

Is the inspection result normal?

- YES >> GO TO 4.
NO >> GO TO 2.

2.CHECK INTAKE MANIFOLD RUNNER CONTROL VALVE POSITION SENSOR POWER SUPPLY CIRCUIT

Check the voltage between intake valve manifold runner control valve position sensor harness connector and ground.

+		-	Voltage (Approx.)
Intake manifold runner control valve position sensor			
Connector	Terminal		
F52	1	Ground	5 V

Is the inspection result normal?

- YES >> GO TO 3.
NO >> Perform the trouble diagnosis for power supply circuit.

3.CHECK ECM GROUND CIRCUIT

- Turn ignition switch OFF.
- Disconnect ECM harness connector.
- Check the continuity between ECM harness connector and ground.

+		-	Continuity
ECM			
Connector	Terminal		
F14*1	12	Ground	Existed
F91*2	16		
F13*1	52		
F90*2			
E10*1	123		
E10*1	128		
E31*2			

*1: Except for California

*2: For California

- Also check harness for short to power.

Is the inspection result normal?

- YES >> Check intermittent incident. Refer to [GI-44, "Intermittent Incident"](#).
NO >> Repair or replace error-detected parts.

4.CHECK INTAKE MANIFOLD RUNNER CONTROL VALVE POSITION SENSOR GROUND CIRCUIT

- Turn ignition switch OFF.
- Disconnect ECM harness connector.
- Check the continuity between intake manifold runner control valve position sensor harness connector and ECM harness connector.

P2014, P2016, P2017, P2018 INTAKE MANIFOLD RUNNER CONTROL VALVE POSITION SENSOR

[QR25DE]

< DTC/CIRCUIT DIAGNOSIS >

+		-		Continuity
Intake manifold runner control valve position sensor		ECM		
Connector	Terminal	Connector	Terminal	
F52	3	F13 ^{*1} F90 ^{*2}	92	Existed

*1: Except for California

*2: For California

4. Also check harness for short to power.

Is the inspection result normal?

YES >> GO TO 5.

NO >> Repair or replace error-detected parts.

5. CHECK INTAKE MANIFOLD RUNNER CONTROL VALVE POSITION SENSOR INPUT SIGNAL CIRCUIT

1. Check the continuity between intake manifold runner control valve position sensor harness connector and ECM harness connector.

+		-		Continuity
Intake manifold runner control valve position sensor		ECM		
Connector	Terminal	Connector	Terminal	
F52	2	F13 ^{*1} F90 ^{*2}	83	Existed

*1: Except for California

*2: For California

2. Also check harness for short to ground and to power.

Is the inspection result normal?

YES >> GO TO 6.

NO >> Repair or replace error-detected parts.

6. CHECK INTERMITTENT INCIDENT

Perform [GI-44. "Intermittent Incident"](#).

Is the inspection result normal?

YES >> Replace intake manifold assembly. Refer to [EM-30. "Exploded View"](#).

NO >> Repair or replace error-detected parts.

P2096, P2097 A/F SENSOR 1

< DTC/CIRCUIT DIAGNOSIS >

[QR25DE]

P2096, P2097 A/F SENSOR 1

DTC Logic

INFOID:000000012602520

DTC DETECTION LOGIC

DTC No.	CONSULT screen terms (Trouble diagnosis content)	DTC detecting condition	Possible Cause
P2096	POST CAT FUEL TRIM SYS B1 (Post catalyst fuel trim system too lean bank 1)	The output voltage computed by ECM from the A/F sensor 1 signal is shifts to the lean side for a specified period.	<ul style="list-style-type: none">• A/F sensor 1• A/F sensor 1 heater• Heated oxygen sensor 2
P2097	POST CAT FUEL TRIM SYS B1 (Post catalyst fuel trim system too rich bank 1)	The A/F signal computed by ECM from the A/F sensor 1 signal is shifts to the rich side for a specified period.	<ul style="list-style-type: none">• Fuel pressure• Fuel injector• Intake air leaks• Exhaust gas leaks

DTC CONFIRMATION PROCEDURE

1. PRECONDITIONING

If DTC Confirmation Procedure has been previously conducted, always perform the following procedure before conducting the next test.

1. Turn ignition switch OFF and wait least 10 seconds.
2. Turn ignition switch ON.
3. Turn ignition switch OFF and wait least 10 seconds.

TESTING CONDITION:

Before performing the following procedure, confirm that battery voltage is more than 11 at idle.

>> GO TO 2.

2. PERFORM DTC CONFIRMATION PROCEDURE

1. Clear the mixture ratio self-learning value. Refer to [EC-189, "Description"](#).
2. Turn ignition switch OFF and wait at least 10 seconds.
3. Start engine and keep the engine speed between 3,500 and 4,000 rpm for 1 minute under no load.
4. Let engine idle for 1 minute.
5. Keep engine speed between 2,500 and 3,000 rpm for 20 minutes.
6. Check 1st trip DTC.

Is 1st trip DTC detected?

- YES >> Proceed to [EC-494, "Diagnosis Procedure"](#).
NO >> INSPECTION END

Diagnosis Procedure

INFOID:000000012602521

1. CHECK HARNESS CONNECTOR

1. Turn ignition switch OFF.
2. Disconnect A/F sensor 1 harness connector.
3. Check harness connector for water.

Water should not exit.

Is the inspection result normal?

- YES >> GO TO 2.
NO >> Repair or replace harness connector.

2. RETIGHTEN A/F SENSOR 1 AND HEATED OXYGEN SENSOR 2

Loosen and retighten the A/F sensor 1 and heated oxygen sensor 2. Refer to [EM-29, "Exploded View"](#), [EX-5, "Exploded View"](#).

>> GO TO 3.

< DTC/CIRCUIT DIAGNOSIS >

3.CHECK FOR EXHAUST GAS LEAK

1. Start engine and run it at idle.
2. Listen for an exhaust gas leak before the three way catalyst 2.

Is exhaust gas leak detected?

- YES >> Repair or replace malfunctioning parts.
 NO >> GO TO 4.

4.CHECK FOR INTAKE AIR LEAK

1. Reconnect A/F sensor 1 harness connector.
2. Start engine and run it at idle.
3. Listen for an intake air leak after the mass air flow sensor.

Is intake air leak detected?

- YES >> Repair or replace malfunctioning parts.
 NO >> GO TO 5.

5.CLEAR THE MIXTURE RATIO SELF-LEARNING VALUE

1. Clear the mixture ratio self-learning value. Refer to [EC-189. "Description"](#).
2. Run engine for at least 10 minutes at idle speed.

Is the 1st trip DTC P0171 or P0172 detected? Is it difficult to start engine?

- YES >> Perform trouble diagnosis for DTC P0171 or P0172. Refer to [EC-307. "DTC Logic"](#) or [EC-311. "DTC Logic"](#).
 NO >> GO TO 6.

6.CHECK A/F SENSOR 1 POWER SUPPLY

1. Turn ignition switch OFF.
2. Disconnect A/F sensor 1 harness connector.
3. Turn ignition switch ON.
4. Check the voltage between A/F sensor 1 harness connector and ground.

+		-	Voltage
A/F sensor 1			
Connector	Terminal	Ground	Battery voltage
F24	4		

Is the inspection result normal?

- YES >> GO TO 8.
 NO >> GO TO 7.

7.CHECK A/F SENSOR 1 POWER SUPPLY CIRCUIT

1. Turn ignition switch OFF.
2. Disconnect IPDM E/R harness connector.
3. Check the continuity between A/F sensor 1 harness connector and IPDM E/R harness connector.

+		-		Continuity
A/F sensor 1		IPDM E/R		
Connector	Terminal	Connector	Terminal	Existed
F24	4	F83	52	

4. Also check harness for short to ground.

Is the inspection result normal?

- YES >> Perform the trouble diagnosis for power supply circuit.
 NO >> Repair or replace error-detected parts.

8.CHECK A/F SENSOR 1 INPUT SIGNAL CIRCUIT

1. Turn ignition switch OFF.
2. Disconnect ECM harness connector.

A
EC
C
D
E
F
G
H
I
J
K
L
M
N
O
P

P2096, P2097 A/F SENSOR 1

[QR25DE]

< DTC/CIRCUIT DIAGNOSIS >

3. Check the continuity between A/F sensor 1 harness connector and ECM harness connector.

+		-		Continuity
A/F sensor 1		ECM		
Connector	Terminal	Connector	Terminal	
F24	1	F14*1	41	Existed
	2	F91*2	45	

*1: Except for California

*2: For California

4. Check the continuity between A/F sensor 1 harness connector and ground, or ECM harness connector and ground.

+		-	Continuity
A/F sensor 1			
Connector	Terminal		
F24	1	Ground	Not existed
	2		

+		-	Continuity
ECM			
Connector	Terminal		
F14*1	41	Ground	Not existed
F91*2	45		

*1: Except for California

*2: For California

5. Also check harness for short to power.

Is the inspection result normal?

YES >> GO TO 9.

NO >> Repair or replace error-detected parts.

9. CHECK A/F SENSOR 1 HEATER

Check the A/F sensor 1 heater. Refer to [EC-230, "Component Inspection"](#).

Is the inspection result normal?

YES >> GO TO 10.

NO >> GO TO 12.

10. CHECK HEATED OXYGEN SENSOR 2

Check heated oxygen sensor 2. Refer to [EC-284, "Component Inspection"](#).

Is the inspection result normal?

YES >> GO TO 11.

NO >> Replace heated oxygen sensor 2. Refer to [EX-5, "Exploded View"](#).

11. CHECK INTERMITTENT INCIDENT

Perform [GI-44, "Intermittent Incident"](#).

Is the inspection result normal?

YES >> GO TO 12.

NO >> Repair or replace error-detected parts.

12. REPLACE AIR FUEL RATIO (A/F) SENSOR 1

Replace air fuel ratio (A/F) sensor 1. Refer to [EM-29, "Exploded View"](#).

CAUTION:

P2096, P2097 A/F SENSOR 1

[QR25DE]

< DTC/CIRCUIT DIAGNOSIS >

- Discard any sensor which has been dropped from a height of more than 0.5 m (19.7 in) onto a hard surface such as a concrete floor; use a new one.
- Before installing new sensor, clean exhaust system threads using Oxygen Sensor Thread Cleaner [commercial service tool (J-43897-18 or J-43897-12)] and approved Anti-seize Lubricant (commercial service tool).

Do you have CONSULT?

- YES >> GO TO 13.
- NO >> GO TO 14.

13. CONFIRM A/F ADJUSTMENT DATA

Ⓜ With CONSULT

1. Turn ignition switch ON.
2. Select "A/F ADJ-B1" in "DATA MONITOR" mode of "ENGINE" using CONSULT.
3. Make sure that "0.000" is displayed on CONSULT screen.

Is "0.000" displayed?

- YES >> INSPECTION END
- NO >> GO TO 14.

14. CLEAR THE MIXTURE RATIO SELF-LEARNING VALUE

Clear the mixture ratio self-learning value. Refer to [EC-189, "Description"](#).

Do you have CONSULT?

- YES >> GO TO 15.
- NO >> INSPECTION END

15. CONFIRM A/F ADJUSTMENT DATA

Ⓜ With CONSULT

1. Turn ignition switch ON.
2. Select "A/F ADJ-B1" in "DATA MONITOR" mode of "ENGINE" using CONSULT.
3. Make sure that "0.000" is displayed on CONSULT screen.

>> INSPECTION END

A
EC
C
D
E
F
G
H
I
J
K
L
M
N
O
P

P2100, P2103 THROTTLE CONTROL MOTOR RELAY

< DTC/CIRCUIT DIAGNOSIS >

[QR25DE]

P2100, P2103 THROTTLE CONTROL MOTOR RELAY

DTC Logic

INFOID:000000012602522

DTC DETECTION LOGIC

DTC No.	CONSULT screen terms (Trouble diagnosis content)	DTC detecting condition	Possible cause
P2100	ETC MOT PWR-B1 (Throttle actuator "A" control motor circuit/open)	ECM detects a voltage of power source for throttle control motor is excessively low.	<ul style="list-style-type: none">• Harness or connectors (Throttle control motor relay circuit is open)• Throttle control motor relay
P2103	ETC MOT PWR (Throttle actuator "A" control motor circuit high)	ECM detect the throttle control motor relay is stuck ON.	<ul style="list-style-type: none">• Harness or connectors (Throttle control motor relay circuit is shorted)• Throttle control motor relay

DTC CONFIRMATION PROCEDURE

1. PRECONDITIONING

If DTC Confirmation Procedure has been previously conducted, always perform the following procedure before conducting the next test.

1. Turn ignition switch OFF and wait at least 10 seconds.
2. Turn ignition switch ON.
3. Turn ignition switch OFF and wait at least 10 seconds.

TESTING CONDITION:

Before performing the following procedure, confirm that battery voltage is more than 8 V.

With DTC is detected?

- P2100 >> GO TO 2.
- P2103 >> GO TO 3.

2. PERFORM DTC CONFIRMATION PROCEDURE FOR DTC P2100

1. Turn ignition switch ON and wait at least 2 seconds.
2. Start engine and let it idle for 5 seconds.
3. Check DTC.

Is DTC detected?

- YES >> Proceed to [EC-498, "Diagnosis Procedure"](#).
- NO >> INSPECTION END

3. PERFORM DTC CONFIRMATION PROCEDURE FOR DTC P2103

1. Turn ignition switch ON and wait at least 1 second.
2. Check DTC.

Is DTC detected?

- YES >> Proceed to [EC-498, "Diagnosis Procedure"](#).
- NO >> INSPECTION END

Diagnosis Procedure

INFOID:000000012602523

1. CHECK THROTTLE CONTROL MOTOR RELAY POWER SUPPLY

1. Turn ignition switch OFF.
2. Check the voltage between ECM harness connector and ground.

P2100, P2103 THROTTLE CONTROL MOTOR RELAY

< DTC/CIRCUIT DIAGNOSIS >

[QR25DE]

+		-		Voltage
ECM				
Connector	Terminal	Connector	Terminal	
F14*1 F91*2	2	E10*1 E31*2	128	Battery voltage

*1: Except for California
*2: For California

Is the inspection result normal?

YES >> GO TO 3.
NO >> GO TO 2.

2. CHECK THROTTLE CONTROL MOTOR RELAY POWER SUPPLY CIRCUIT

1. Disconnect ECM harness connector.
2. Disconnect IPDM E/R harness connector.
3. Check the continuity between ECM harness connector and IPDM E/R harness connector.

+		-		Continuity
ECM		IPDM E/R		
Connector	Terminal	Connector	Terminal	
F14*1 F91*2	2	F83	57	Existed

*1: Except for California
*2: For California

4. Also check harness for short to ground.

Is the inspection result normal?

YES >> Perform the trouble diagnosis for power supply circuit.
NO >> Repair or replace error-detected parts.

3. CHECK THROTTLE CONTROL MOTOR RELAY INPUT SIGNAL

Check the voltage between ECM harness connector and ground as per the following conditions.

ECM				Condition	Voltage (Approx.)
+		-			
Connector	Terminal	Connector	Terminal		
F14*1 F91*2	21	E10*1 E31*2	128	Ignition switch: OFF	0 V
				Ignition switch: ON	Battery voltage

*1: Except for California
*2: For California

Is the inspection result normal?

YES >> Check intermittent incident. Refer to [GI-44, "Intermittent Incident"](#).
NO >> GO TO 4.

4. CHECK THROTTLE CONTROL MOTOR RELAY INPUT SIGNAL CIRCUIT

1. Turn ignition switch OFF.
2. Disconnect ECM harness connector.
3. Disconnect IPDM E/R harness connector.
4. Check the continuity between ECM harness connector and IPDM E/R harness connector.

P2100, P2103 THROTTLE CONTROL MOTOR RELAY

< DTC/CIRCUIT DIAGNOSIS >

[QR25DE]

+		-		Continuity
ECM		IPDM E/R		
Connector	Terminal	Connector	Terminal	
F14*1 F91*2	21	F84	65	Existed

*1: Except for California

*2: For California

5. Also check harness for short to ground and to power.

Is the inspection result normal?

YES >> Check intermittent incident. Refer to [GI-44, "Intermittent Incident"](#).

NO >> Repair or replace error-detected parts.

P2101 ELECTRIC THROTTLE CONTROL FUNCTION

< DTC/CIRCUIT DIAGNOSIS >

[QR25DE]

P2101 ELECTRIC THROTTLE CONTROL FUNCTION

DTC Logic

INFOID:000000012602524

DTC DETECTION LOGIC

NOTE:

- If DTC P2101 is displayed with DTC P2100, first perform the trouble diagnosis for DTC P2100. Refer to [EC-498, "DTC Logic"](#).
- If DTC P2101 is displayed with DTC P2119, first perform the trouble diagnosis for DTC P2119. Refer to [EC-506, "DTC Logic"](#).

DTC No.	CONSULT screen terms (Trouble diagnosis content)	DTC detecting condition	Possible cause
P2101	ETC FNCTN/CIRC-B1 (Throttle actuator "A" control motor circuit range/performance)	Electric throttle control function does not operate properly.	<ul style="list-style-type: none">• Harness or connectors (Throttle control motor circuit is open or shorted)• Electric throttle control actuator

DTC CONFIRMATION PROCEDURE

1. PRECONDITIONING

If DTC Confirmation Procedure has been previously conducted, always perform the following procedure before conducting the next test.

1. Turn ignition switch OFF and wait at least 10 seconds.
2. Turn ignition switch ON.
3. Turn ignition switch OFF and wait at least 10 seconds.

TESTING CONDITION:

Before performing the following procedure, confirm that battery voltage is more than 11 V when engine is running.

>> GO TO 2.

2. PERFORM DTC CONFIRMATION PROCEDURE

1. Turn ignition switch ON and wait at least 2 seconds.
2. Start engine and let it idle for 5 seconds.
3. Check DTC.

Is DTC detected?

- YES >> Proceed to [EC-501, "Diagnosis Procedure"](#).
NO >> INSPECTION END

Diagnosis Procedure

INFOID:000000012602525

1. CHECK THROTTLE CONTROL MOTOR RELAY INPUT SIGNAL

Check the voltage between ECM harness connector terminals as per the following conditions.

ECM				Condition	Voltage (Approx.)
+		-			
Connector	Terminal	Connector	Terminal		
F14*1 F91*2	21	E10*1 E31*2	128	Ignition switch: OFF	0 V
				Ignition switch: ON	Battery voltage

*1: Except for California

*2: For California

Is the inspection result normal?

- YES >> GO TO 4.
NO >> GO TO 2.

P2101 ELECTRIC THROTTLE CONTROL FUNCTION

< DTC/CIRCUIT DIAGNOSIS >

[QR25DE]

2. CHECK THROTTLE CONTROL MOTOR RELAY POWER SUPPLY CIRCUIT

1. Check the continuity between ECM harness connector and IPDM E/R harness connector.

+		-		Continuity
ECM		IPDM E/R		
Connector	Terminal	Connector	Terminal	
F14*1 F91*2	2	F83	57	Existed

*1: Except for California

*2: For California

2. Also check harness for short to ground.

Is the inspection result normal?

YES >> GO TO 3.

NO >> Repair or replace error-detected parts.

3. CHECK THROTTLE CONTROL MOTOR RELAY INPUT SIGNAL CIRCUIT

1. Turn ignition switch OFF.
2. Disconnect ECM harness connector.
3. Disconnect IPDM E/R harness connector.
4. Check the continuity between ECM harness connector and IPDM E/R harness connector.

+		-		Continuity
ECM		IPDM E/R		
Connector	Terminal	Connector	Terminal	
F14*1 F91*2	21	F84	65	Existed

*1: Except for California

*2: For California

5. Also check harness for short to ground and to power.

Is the inspection result normal?

YES >> Perform the trouble diagnosis for power supply circuit.

NO >> Repair or replace error-detected parts.

4. CHECK THROTTLE CONTROL MOTOR OUTPUT SIGNAL CIRCUIT

1. Turn ignition switch OFF.
2. Disconnect electric throttle control actuator harness connector.
3. Disconnect ECM harness connector.
4. Check the continuity between electric throttle control actuator harness connector and ECM harness connector.

+		-		Continuity
Electric throttle control actuator		ECM		
Connector	Terminal	Connector	Terminal	
F57	5	F14*1 F91*2	1	Existed
			3	Not existed
	6		1	Not existed
			3	Existed

*1: Except for California

*2: For California

5. Also check harness for short to ground and to power.

Is the inspection result normal?

P2101 ELECTRIC THROTTLE CONTROL FUNCTION

[QR25DE]

< DTC/CIRCUIT DIAGNOSIS >

- YES >> GO TO 5.
- NO >> Repair or replace error-detected parts.

5. CHECK ELECTRIC THROTTLE CONTROL ACTUATOR VISUALLY

1. Remove the intake air duct. Refer to [EM-30. "Exploded View"](#).
2. Check if foreign matter is caught between the throttle valve and the housing.

Is the inspection result normal?

- YES >> GO TO 6.
- NO >> Remove the foreign matter and clean the electric throttle control actuator inside, then perform throttle valve closed position learning. Refer to [EC-186. "Description"](#).

6. CHECK THROTTLE CONTROL MOTOR

Check the throttle control motor. Refer to [EC-503. "Component Inspection"](#).

Is the inspection result normal?

- YES >> Check intermittent incident. Refer to [GI-44. "Intermittent Incident"](#).
- NO >> Replace electric throttle control actuator. Refer to [EM-30. "Removal and Installation"](#).

Component Inspection

INFOID:0000000012602526

1. CHECK THROTTLE CONTROL MOTOR

1. Turn ignition switch OFF.
2. Disconnect electric throttle control actuator harness connector.
3. Check the resistance between electric throttle control actuator terminals as per the following.

Electric throttle control actuator		Resistance (Approx.)
+	-	
Terminals		
5	6	1 - 15 Ω [at 25°C (77°F)]

Is the inspection result normal?

- YES >> INSPECTION END
- NO >> Replace electric throttle control actuator. Refer to [EM-30. "Removal and Installation"](#).

P2118 THROTTLE CONTROL MOTOR

< DTC/CIRCUIT DIAGNOSIS >

[QR25DE]

P2118 THROTTLE CONTROL MOTOR

DTC Logic

INFOID:000000012602527

DTC DETECTION LOGIC

DTC No.	CONSULT screen terms (Trouble diagnosis content)	DTC detecting condition	Possible cause
P2118	ETC MOT-B1 (Throttle actuator control motor current range/performance)	ECM detects short in both circuits between ECM and throttle control motor.	<ul style="list-style-type: none"> Harness or connectors (Throttle control motor circuit is shorted.) Electric throttle control actuator (Throttle control motor)

DTC CONFIRMATION PROCEDURE

1. PRECONDITIONING

If DTC Confirmation Procedure has been previously conducted, always perform the following procedure before conducting the next test.

- Turn ignition switch OFF and wait at least 10 seconds.
- Turn ignition switch ON.
- Turn ignition switch OFF and wait at least 10 seconds.

>> GO TO 2.

2. PERFORM DTC CONFIRMATION PROCEDURE

- Turn ignition switch ON and wait at least 2 seconds.
- Start engine and let it idle for 5 seconds.
- Check DTC.

Is DTC detected?

- YES >> Proceed to [EC-504, "Diagnosis Procedure"](#).
 NO >> INSPECTION END

Diagnosis Procedure

INFOID:000000012602528

1. CHECK THROTTLE CONTROL MOTOR OUTPUT SIGNAL CIRCUIT

- Turn ignition switch OFF.
- Disconnect electric throttle control actuator harness connector.
- Disconnect ECM harness connector.
- Check the continuity between electric throttle control actuator harness connector and ECM harness connector.

+		-		Continuity
Electric throttle control actuator		ECM		
Connector	Terminal	Connector	Terminal	
F57	5	F14*1 F91*2	1	Existed
			3	Not existed
	6		1	Not existed
			3	Existed

*1: Except for California

*2: For California

- Also check harness for short to ground and to power.

Is the inspection result normal?

- YES >> GO TO 2.
 NO >> Repair or replace error-detected parts.

P2118 THROTTLE CONTROL MOTOR

< DTC/CIRCUIT DIAGNOSIS >

[QR25DE]

2. CHECK THROTTLE CONTROL MOTOR

Check the throttle control motor. Refer to [EC-505. "Component Inspection"](#).

Is the inspection result normal?

YES >> Check intermittent incident. Refer to [GI-44. "Intermittent Incident"](#).

NO >> Replace electric throttle control actuator. Refer to [EM-30. "Removal and Installation"](#).

Component Inspection

INFOID:000000012602529

1. CHECK THROTTLE CONTROL MOTOR

1. Turn ignition switch OFF.
2. Disconnect electric throttle control actuator harness connector.
3. Check the resistance between electric throttle control actuator terminals as per the following.

Electric throttle control actuator		Resistance (Approx.)
+	-	
Terminals		
5	6	1 - 15 Ω [at 25°C (77°F)]

Is the inspection result normal?

YES >> INSPECTION END

NO >> Replace electric throttle control actuator. Refer to [EM-30. "Removal and Installation"](#).

P2119 ELECTRIC THROTTLE CONTROL ACTUATOR

< DTC/CIRCUIT DIAGNOSIS >

[QR25DE]

P2119 ELECTRIC THROTTLE CONTROL ACTUATOR

DTC Logic

INFOID:000000012602530

DTC DETECTION LOGIC

DTC No.	CONSULT screen terms (Trouble diagnosis content)	DTC detecting condition		Possible cause
P2119	ETC ACTR-B1 (Throttle actuator control throttle body range/performance)	A	Electric throttle control actuator does not function properly due to the return spring malfunction.	Electric throttle control actuator
		B	Throttle valve opening angle in fail-safe mode is not in specified range.	
		C	ECM detect the throttle valve is stuck open.	

DTC CONFIRMATION PROCEDURE

1. PRECONDITIONING

If DTC Confirmation Procedure has been previously conducted, always perform the following procedure before conducting the next test.

1. Turn ignition switch OFF and wait at least 10 seconds.
2. Turn ignition switch ON.
3. Turn ignition switch OFF and wait at least 10 seconds.

>> GO TO 2.

2. PERFORM DTC CONFIRMATION PROCEDURE FOR MALFUNCTION A AND B

1. Turn ignition switch ON and wait at least 1 second.
2. Set selector lever to D position and wait at least 3 seconds.
3. Set selector lever to P position.
4. Turn ignition switch OFF and wait at least 10 seconds.
5. Turn ignition switch ON and wait at least 1 second.
6. Set selector lever to D position and wait at least 3 seconds.
7. Set selector lever to P position.
8. Turn ignition switch OFF, wait at least 10 seconds and then turn ON.
9. Check DTC.

Is DTC detected?

- YES >> Proceed to [EC-506, "Diagnosis Procedure"](#).
NO >> GO TO 3.

3. PERFORM DTC CONFIRMATION PROCEDURE FOR MALFUNCTION C

1. Turn ignition switch ON and wait at least 1 second.
2. Set selector lever to D position and wait at least 3 seconds.
3. Set selector lever to P position.
4. Start engine and let it idle for 3 seconds.
5. Check DTC.

Is DTC detected?

- YES >> Proceed to [EC-506, "Diagnosis Procedure"](#).
NO >> INSPECTION END

Diagnosis Procedure

INFOID:000000012602531

1. CHECK ELECTRIC THROTTLE CONTROL ACTUATOR VISUALLY

1. Remove the intake air duct. Refer to [EM-30, "Exploded View"](#).
2. Check if foreign matter is caught between the throttle valve and the housing.

Is the inspection result normal?

- YES >> Replace electric throttle control actuator. Refer to [EM-30, "Removal and Installation"](#).

P2119 ELECTRIC THROTTLE CONTROL ACTUATOR

< DTC/CIRCUIT DIAGNOSIS >

[QR25DE]

NO >> Remove the foreign matter and clean the electric throttle control actuator inside, then perform throttle valve closed position learning. Refer to [EC-186, "Description"](#).

A

EC

C

D

E

F

G

H

I

J

K

L

M

N

O

P

P2122, P2123 APP SENSOR

< DTC/CIRCUIT DIAGNOSIS >

[QR25DE]

P2122, P2123 APP SENSOR

DTC Logic

INFOID:000000012602532

DTC DETECTION LOGIC

NOTE:

If DTC P2122 or P2123 is displayed with DTC P0643, first perform the trouble diagnosis for DTC P0643. Refer to [EC-424, "DTC Logic"](#).

DTC No.	CONSULT screen terms (Trouble diagnosis content)	DTC detecting condition	Possible cause
P2122	APP SEN 1/CIRC (Throttle/pedal position sensor/ switch "D" circuit low)	An excessively low voltage from the APP sensor 1 is sent to ECM.	<ul style="list-style-type: none">• Harness or connectors (APP sensor 1 circuit is open or shorted.)• Accelerator pedal position sensor (APP sensor 1)
P2123	APP SEN 1/CIRC (Throttle/pedal position sensor/ switch "D" circuit high)	An excessively high voltage from the APP sensor 1 is sent to ECM.	

DTC CONFIRMATION PROCEDURE

1. PRECONDITIONING

If DTC Confirmation Procedure has been previously conducted, always perform the following procedure before conducting the next test.

1. Turn ignition switch OFF and wait at least 10 seconds.
2. Turn ignition switch ON.
3. Turn ignition switch OFF and wait at least 10 seconds.

TESTING CONDITION:

Before performing the following procedure, confirm that battery voltage is more than 8 V at idle.

>> GO TO 2.

2. PERFORM DTC CONFIRMATION PROCEDURE

1. Start engine and let it idle for 1 second.
2. Check DTC.

Is DTC detected?

- YES >> Proceed to [EC-508, "Diagnosis Procedure"](#).
NO >> INSPECTION END

Diagnosis Procedure

INFOID:000000012602533

1. CHECK APP SENSOR 1 POWER SUPPLY

1. Turn ignition switch OFF.
2. Disconnect accelerator pedal position (APP) sensor harness connector.
3. Turn ignition switch ON.
4. Check the voltage between APP sensor harness connector and ground.

+		-	Voltage (Approx.)
APP sensor			
Connector	Terminal		
E40	4	Ground	5 V

Is the inspection result normal?

- YES >> GO TO 3.
NO >> GO TO 2.

2. CHECK APP SENSOR 1 POWER SUPPLY CIRCUIT

1. Turn ignition switch OFF.

P2122, P2123 APP SENSOR

[QR25DE]

< DTC/CIRCUIT DIAGNOSIS >

2. Disconnect ECM harness connector.
3. Check the continuity between APP sensor harness connector and ECM harness connector.

+		-		Continuity
APP sensor		ECM		
Connector	Terminal	Connector	Terminal	
E40	4	E10 ^{*1} E31 ^{*2}	122	Existed

*1: Except for California

*2: For California

4. Also check harness for short to ground.

Is the inspection result normal?

YES >> Perform the trouble diagnosis for power supply circuit.

NO >> Repair or replace error-detected parts.

3. CHECK APP SENSOR 1 GROUND CIRCUIT

1. Turn ignition switch OFF.
2. Disconnect ECM harness connector.
3. Check the continuity between APP sensor harness connector and ECM harness connector.

+		-		Continuity
APP sensor		ECM		
Connector	Terminal	Connector	Terminal	
E40	2	E10 ^{*1} E31 ^{*2}	127	Existed

*1: Except for California

*2: For California

4. Also check harness for short to power.

Is the inspection result normal?

YES >> GO TO 4.

NO >> Repair or replace error-detected parts.

4. CHECK APP SENSOR INPUT SIGNAL CIRCUIT

1. Check the continuity between APP sensor harness connector and ECM harness connector.

+		-		Continuity
APP sensor		ECM		
Connector	Terminal	Connector	Terminal	
E40	3	E10 ^{*1} E31 ^{*2}	126	Existed

*1: Except for California

*2: For California

2. Also check harness for short to ground and to power.

Is the inspection result normal?

YES >> GO TO 5.

NO >> Repair or replace error-detected parts.

5. CHECK APP SENSOR

Check the APP sensor. Refer to [EC-510, "Component Inspection"](#).

Is the inspection result normal?

YES >> Check intermittent incident. Refer to [GI-44, "Intermittent Incident"](#).

NO >> Replace accelerator pedal assembly. Refer to [ACC-3, "Removal and Installation"](#).

P2122, P2123 APP SENSOR

< DTC/CIRCUIT DIAGNOSIS >

[QR25DE]

Component Inspection

INFOID:000000012602534

1. CHECK ACCELERATOR PEDAL POSITION SENSOR

1. Turn ignition switch OFF.
2. Reconnect all harness connectors disconnected.
3. Turn ignition switch ON.
4. Check the voltage between ECM harness connector terminals as per the following condition.

ECM				Condition	Voltage
Connector		+	-		
		Terminal			
Sensor 1	E10*1 E31*2	126	127	Fully released	0.5 - 1.0 V
Sensor 2		119	120	Fully depressed	4.2 - 4.8 V
				Fully released	0.25 - 0.5 V
				Fully depressed	2.0 - 2.5 V

*1: Except for California

*2: For California

Is the inspection result normal?

YES >> INSPECTION END

NO >> Replace accelerator pedal assembly. Refer to [ACC-3. "Removal and Installation"](#).

P2127, P2128 APP SENSOR

< DTC/CIRCUIT DIAGNOSIS >

[QR25DE]

P2127, P2128 APP SENSOR

DTC Logic

INFOID:000000012602535

DTC DETECTION LOGIC

DTC No.	CONSULT screen terms (Trouble diagnosis content)	DTC detecting condition	Possible cause
P2127	APP SEN 2/CIRC (Throttle/pedal position sensor/ switch "E" circuit low)	An excessively low voltage from the APP sensor 2 is sent to ECM.	<ul style="list-style-type: none"> • Harness or connectors (APP sensor 2 circuit is open or shorted.) • Accelerator pedal position sensor (APP sensor 2) • Sensor power supply 2 circuit
P2128	APP SEN 2/CIRC (Throttle/pedal position sensor/ switch "E" circuit high)	An excessively high voltage from the APP sensor 2 is sent to ECM.	

DTC CONFIRMATION PROCEDURE

1. PRECONDITIONING

If DTC Confirmation Procedure has been previously conducted, always perform the following procedure before conducting the next test.

1. Turn ignition switch OFF and wait at least 10 seconds.
2. Turn ignition switch ON.
3. Turn ignition switch OFF and wait at least 10 seconds.

TESTING CONDITION:

Before performing the following procedure, confirm that battery voltage is more than 8 V at idle.

>> GO TO 2.

2. PERFORM DTC CONFIRMATION PROCEDURE

1. Start engine and let it idle for 1 second.
2. Check DTC.

Is DTC detected?

- YES >> Proceed to [EC-511, "Diagnosis Procedure"](#).
NO >> INSPECTION END

Diagnosis Procedure

INFOID:000000012602536

1. CHECK APP SENSOR 2 POWER SUPPLY

1. Turn ignition switch OFF.
2. Disconnect accelerator pedal position (APP) sensor harness connector.
3. Turn ignition switch ON.
4. Check the voltage between APP sensor harness connector and ground.

+		-	Voltage (Approx.)
APP sensor			
Connector	Terminal		
E40	5	Ground	5 V

Is the inspection result normal?

- YES >> GO TO 3.
NO >> GO TO 2.

2. CHECK SENSOR POWER SUPPLY 2 CIRCUIT

Perform [EC-562, "Diagnosis Procedure"](#).

Is inspection result normal?

- YES >> Perform the trouble diagnosis for power supply circuit.
NO >> Repair or replace error-detected parts.

< DTC/CIRCUIT DIAGNOSIS >

3.CHECK APP SENSOR 2 GROUND CIRCUIT

1. Turn ignition switch OFF.
2. Disconnect ECM harness connector.
3. Check the continuity between APP sensor harness connector and ECM harness connector.

+		-		Continuity
APP sensor		ECM		
Connector	Terminal	Connector	Terminal	
E40	1	E10*1 E31*2	120	Existed

*1: Except for California

*2: For California

4. Also check harness for short to power.

Is the inspection result normal?

YES >> GO TO 4.

NO >> Repair or replace error-detected parts.

4.CHECK APP SENSOR 2 INPUT SIGNAL CIRCUIT

1. Check the continuity between APP sensor harness connector and ECM harness connector.

+		-		Continuity
APP sensor		ECM		
Connector	Terminal	Connector	Terminal	
E40	6	E10*1 E31*2	119	Existed

*1: Except for California

*2: For California

2. Also check harness for short to ground and to power.

Is the inspection result normal?

YES >> GO TO 5.

NO >> Repair or replace error-detected parts

5.CHECK APP SENSOR

Check the APP sensor. Refer to [EC-512, "Component Inspection"](#).

Is the inspection result normal?

YES >> Check intermittent incident. Refer to [GI-44, "Intermittent Incident"](#).

NO >> Replace accelerator pedal assembly. Refer to [ACC-3, "Removal and Installation"](#).

Component Inspection

INFOID:0000000012602537

1.CHECK ACCELERATOR PEDAL POSITION SENSOR

1. Turn ignition switch OFF.
2. Reconnect all harness connectors disconnected.
3. Turn ignition switch ON.
4. Check the voltage between ECM harness connector terminals as per the following condition.

P2127, P2128 APP SENSOR

< DTC/CIRCUIT DIAGNOSIS >

[QR25DE]

ECM				Condition	Voltage
Connector		+	-		
		Terminal			
Sensor 1	E10*1 E31*2	126	127	Fully released	0.5 - 1.0 V
Sensor 2		119	120	Fully depressed	4.2 - 4.8 V
				Fully released	0.25 - 0.5 V
				Fully depressed	2.0 - 2.5 V

*1: Except for California

*2: For California

Is the inspection result normal?

YES >> INSPECTION END

NO >> Replace accelerator pedal assembly. Refer to [ACC-3, "Removal and Installation"](#).

A

EC

C

D

E

F

G

H

I

J

K

L

M

N

O

P

P2135 TP SENSOR

< DTC/CIRCUIT DIAGNOSIS >

[QR25DE]

P2135 TP SENSOR

DTC Logic

INFOID:000000012602538

DTC DETECTION LOGIC

NOTE:

If DTC P2135 is displayed with DTC P0643, first perform the trouble diagnosis for DTC P0643. Refer to [EC-424, "DTC Logic"](#).

DTC No.	CONSULT screen terms (Trouble diagnosis content)	DTC detecting condition	Possible cause
P2135	TP SENSOR-B1 (Throttle/pedal position sensor/switch "A" / "B" voltage correlation)	Rationally incorrect voltage is sent to ECM compared with the signals from TP sensor 1 and TP sensor 2.	<ul style="list-style-type: none">• Harness or connector (TP sensor 1 or 2 circuit is open or shorted.)• Electric throttle control actuator (TP sensor 1 or 2)

DTC CONFIRMATION PROCEDURE

1. PRECONDITIONING

If DTC Confirmation Procedure has been previously conducted, always perform the following procedure before conducting the next test.

1. Turn ignition switch OFF and wait at least 10 seconds.
2. Turn ignition switch ON.
3. Turn ignition switch OFF and wait at least 10 seconds.

TESTING CONDITION:

Before performing the following procedure, confirm that battery voltage is more than 8 V at idle.

>> GO TO 2.

2. PERFORM DTC CONFIRMATION PROCEDURE

1. Start engine and let it idle for 1 second.
2. Check DTC.

Is DTC detected?

- YES >> Proceed to [EC-514, "Diagnosis Procedure"](#).
NO >> INSPECTION END

Diagnosis Procedure

INFOID:000000012602539

1. CHECK THROTTLE POSITION SENSOR POWER SUPPLY

1. Turn ignition switch OFF.
2. Disconnect electric throttle control actuator harness connector.
3. Turn ignition switch ON.
4. Check the voltage between electric throttle control actuator harness connector and ground.

+		-	Voltage (Approx.)
Connector	Terminal		
F57	2	Ground	5 V

Is the inspection result normal?

- YES >> GO TO 3.
NO >> GO TO 2.

2. CHECK THROTTLE POSITION SENSOR POWER SUPPLY CIRCUIT

1. Turn ignition switch OFF.
2. Disconnect ECM harness connector.
3. Check the continuity between electric throttle control actuator harness connector and ground.

P2135 TP SENSOR

< DTC/CIRCUIT DIAGNOSIS >

[QR25DE]

+		-		Continuity
Electric throttle control actuator		ECM		
Connector	Terminal	Connector	Terminal	
F57	2	F13*1 F90*2	80	Existed

*1: Except for California

*2: For California

- Also check harness for short to ground.

Is the inspection result normal?

YES >> Perform the trouble diagnosis for power supply circuit.

NO >> Repair or replace error-detected parts.

3. CHECK THROTTLE POSITION SENSOR GROUND CIRCUIT

- Turn ignition switch OFF.
- Disconnect ECM harness connector.
- Check the continuity between electric throttle control actuator harness connector and ECM harness connector.

+		-		Continuity
Electric throttle control actuator		ECM		
Connector	Terminal	Connector	Terminal	
F57	4	F13*1 F90*2	78	Existed

*1: Except for California

*2: For California

- Also check harness for short to power.

Is the inspection result normal?

YES >> GO TO 4.

NO >> Repair or replace error-detected parts.

4. CHECK THROTTLE POSITION SENSOR INPUT SIGNAL CIRCUIT

- Check the continuity between electric throttle control actuator harness connector and ECM harness connector.

+		-		Continuity
Electric throttle control actuator		ECM		
Connector	Terminal	Connector	Terminal	
F57	1	F13*1 F90*2	79	Existed
	3		77	

*1: Except for California

*2: For California

- Also check harness for short to ground and to power.

Is the inspection result normal?

YES >> GO TO 5.

NO >> Repair open circuit or short to ground or short to power in harness or connectors.

5. CHECK THROTTLE POSITION SENSOR

Check the throttle position sensor. Refer to [EC-516. "Component Inspection"](#).

Is the inspection result normal?

A
EC
C
D
E
F
G
H
I
J
K
L
M
N
O
P

P2135 TP SENSOR

[QR25DE]

< DTC/CIRCUIT DIAGNOSIS >

- YES >> Check intermittent incident. Refer to [GI-44, "Intermittent Incident"](#).
NO >> Replace electric throttle control actuator. Refer to [EM-30, "Removal and Installation"](#).

Component Inspection

INFOID:000000012602540

1. CHECK THROTTLE POSITION SENSOR

1. Turn ignition switch OFF.
2. Reconnect all harness connectors disconnected.
3. Perform "Throttle Valve Closed Position Learning". Refer to [EC-186, "Description"](#).
4. Turn ignition switch ON.
5. Set selector lever to D position.
6. Check the voltage between ECM harness connector terminals as per the following conditions.

ECM				Condition	Voltage
Connector	+	-	Terminal		
Sensor 1	F13 ^{*1} F90 ^{*2}	79	78	Fully released	More than 0.36V
					Fully depressed
Sensor 2		77		Fully released	Less than 4.75V
				Fully depressed	More than 0.36V

*1: Except for California

*2: For California

Is the inspection result normal?

- YES >> INSPECTION END
NO >> Replace electric throttle control actuator. Refer to [EM-30, "Removal and Installation"](#).

P2138 APP SENSOR

< DTC/CIRCUIT DIAGNOSIS >

[QR25DE]

P2138 APP SENSOR

DTC Logic

INFOID:0000000012602541

DTC DETECTION LOGIC

NOTE:

If DTC P2138 is displayed with DTC P0643, first perform the trouble diagnosis for DTC P0643. Refer to [EC-424, "DTC Logic"](#).

DTC No.	CONSULT screen terms (Trouble diagnosis content)	DTC detecting condition	Possible cause
P2138	APP SENSOR (Throttle/pedal position sensor/switch "D" / "E" voltage correlation)	Rationally incorrect voltage is sent to ECM compared with the signals from APP sensor 1 and APP sensor 2.	<ul style="list-style-type: none"> • Harness or connector (APP sensor 1 or 2 circuit is open or shorted.) • Accelerator pedal position sensor (APP sensor 1 or 2) • Sensor power supply 2 circuit

DTC CONFIRMATION PROCEDURE

1. PRECONDITIONING

If DTC Confirmation Procedure has been previously conducted, always perform the following procedure before conducting the next test.

1. Turn ignition switch OFF and wait at least 10 seconds.
2. Turn ignition switch ON.
3. Turn ignition switch OFF and wait at least 10 seconds.

TESTING CONDITION:

Before performing the following procedure, confirm that battery voltage is more than 8 V at idle.

>> GO TO 2.

2. PERFORM DTC CONFIRMATION PROCEDURE

1. Start engine and let it idle for 1 second.
2. Check DTC.

Is DTC detected?

YES >> Proceed to [EC-517, "Diagnosis Procedure"](#).

NO >> INSPECTION END

Diagnosis Procedure

INFOID:0000000012602542

1. CHECK APP SENSOR 1 POWER SUPPLY

1. Turn ignition switch OFF.
2. Disconnect accelerator pedal position (APP) sensor harness connector.
3. Turn ignition switch ON.
4. Check the voltage between APP sensor harness connector and ground.

+		-	Voltage (Approx.)
APP sensor			
Connector	Terminal	Ground	5 V
E40	4		

Is the inspection result normal?

YES >> GO TO 3.

NO >> GO TO 2.

2. CHECK APP SENSOR 1 POWER SUPPLY CIRCUIT

1. Turn ignition switch OFF.
2. Disconnect ECM harness connector.

P2138 APP SENSOR

[QR25DE]

< DTC/CIRCUIT DIAGNOSIS >

3. Check the continuity between APP sensor harness connector and ECM harness connector.

+		-		Continuity
APP sensor		ECM		
Connector	Terminal	Connector	Terminal	
E40	4	E10 ^{*1} E31 ^{*2}	122	Existed

*1: Except for California

*2: For California

4. Also check harness for short to ground.

Is the inspection result normal?

YES >> Perform the trouble diagnosis for power supply circuit.

NO >> Repair or replace error-detected parts.

3.CHECK APP SENSOR 2 POWER SUPPLY

Check the voltage between APP sensor harness connector and ground.

+		-	Voltage (Approx.)
APP sensor			
Connector	Terminal		
E40	5	Ground	5 V

Is the inspection result normal?

YES >> GO TO 5.

NO >> GO TO 4.

4.CHECK SENSOR POWER SUPPLY 2 CIRCUIT

Perform [EC-562, "Diagnosis Procedure"](#).

Is inspection result normal?

YES >> Perform the trouble diagnosis for power supply circuit.

NO >> Repair or replace error-detected parts.

5.CHECK APP SENSOR GROUND CIRCUIT

1. Turn ignition switch OFF.
2. Disconnect ECM harness connector.
3. Check the continuity between APP sensor harness connector and ECM harness connector.

+		-		Continuity
APP sensor		ECM		
Connector	Terminal	Connector	Terminal	
E40	1	E10 ^{*1} E31 ^{*2}	120	Existed
	2		127	

*1: Except for California

*2: For California

4. Also check harness for short to power.

Is the inspection result normal?

YES >> GO TO 6.

NO >> Repair or replace error-detected parts.

6.CHECK APP SENSOR INPUT SIGNAL CIRCUIT

1. Check the continuity between APP sensor harness connector and ECM harness connector.

P2138 APP SENSOR

< DTC/CIRCUIT DIAGNOSIS >

[QR25DE]

+		-		Continuity
APP sensor		ECM		
Connector	Terminal	Connector	Terminal	
E40	3	E10*1	126	Existed
	6	E31*2	119	

*1: Except for California

*2: For California

- Also check harness for short to ground and to power.

Is the inspection result normal?

YES >> GO TO 7.

NO >> Repair or replace error-detected parts

7. CHECK APP SENSOR

Check the APP sensor. Refer to [EC-519, "Component Inspection"](#).

Is the inspection result normal?

YES >> Check intermittent incident. Refer to [GI-44, "Intermittent Incident"](#).

NO >> Replace accelerator pedal assembly. Refer to [ACC-3, "Removal and Installation"](#).

Component Inspection

INFOID:0000000012602543

1. CHECK ACCELERATOR PEDAL POSITION SENSOR

- Turn ignition switch OFF.
- Reconnect all harness connectors disconnected.
- Turn ignition switch ON.
- Check the voltage between ECM harness connector terminals as per the following condition.

ECM				Condition	Voltage	
Connector		+	-			
		Terminal				
Sensor 1	E10*1	126	127	Accelerator pedal	Fully released	0.5 - 1.0 V
		Sensor 2	E31*2		119	120
						Fully depressed

*1: Except for California

*2: For California

Is the inspection result normal?

YES >> INSPECTION END

NO >> Replace accelerator pedal assembly. Refer to [ACC-3, "Removal and Installation"](#).

P219A AIR FUEL RATIO

< DTC/CIRCUIT DIAGNOSIS >

[QR25DE]

P219A AIR FUEL RATIO

DTC Logic

INFOID:000000012602544

DTC DETECTION LOGIC

NOTE:

- If DTC P219A is displayed with other DTC, first perform the trouble diagnosis for the other DTC. Refer to [EC-110, "DTC Index"](#).
- If DTC P219A is displayed with DTC P219C, P219D, P219E or P219F, perform the trouble diagnosis for DTC P219C, P219D, P219E or P219F. Refer to [EC-110, "DTC Index"](#).

DTC No.	CONSULT screen terms (Trouble diagnosis content)	DTC detecting condition	Possible cause
P219A	AIR FUEL RATIO IMBALANCE B1 (AIR FUEL RATIO IMBALANCE BANK1)	ECM detects a lean/rich air fuel ratio state in any cylinder for a specified length of time.	<ul style="list-style-type: none">• Fuel injector• Exhaust gas leaks• Incorrect fuel pressure• Mass air flow sensor• Intake air leaks• Lack of fuel• Incorrect PCV hose connection• Improper spark plug• Insufficient compression• The fuel injector circuit is open or shorted• ignition coil• The ignition signal circuit is open or shorted

DTC CONFIRMATION PROCEDURE

1. PRECONDITIONING-1

If DTC Confirmation Procedure has been previously conducted, always perform the following before conducting the next test.

1. Turn ignition switch OFF and wait at least 10 seconds.
2. Turn ignition switch ON.
3. Turn ignition switch OFF and wait at least 10 seconds.

NOTE:

Before performing the following procedure, confirm that battery voltage is 11 V or more at idle.

>> GO TO 2.

2. PRECONDITIONING-2

1. Turn ignition switch ON.
2. Clear the mixture ratio self-learning value. Refer to [EC-189, "Description"](#).

Will CONSULT be used?

- YES >> GO TO 3.
NO >> GO TO 6.

3. PERFORM DTC CONFIRMATION PROCEDURE-1

1. Turn ignition switch ON.
2. Select "COOLAN TEMP/S" in "DATA MONITOR" mode of "ENGINE" using CONSULT.
3. Start engine.
4. Make sure that "COOLAN TEMP/S" indicates more than 80°C (176°F).

>> GO TO 4.

4. PERFORM DTC CONFIRMATION PROCEDURE-2

With CONSULT

1. Select "SYSTEM 1 DIAGNOSIS B B1" and "SYSTEM 1 DIAGNOSIS A B1" in "DATA MONITOR" mode of "ENGINE" using CONSULT.

P219A AIR FUEL RATIO

[QR25DE]

< DTC/CIRCUIT DIAGNOSIS >

2. Drive vehicle under the following conditions for at least 5 consecutive seconds.

CAUTION:

- Always drive vehicle at a safe speed.

ENG SPEED	1,000 – 1,250rpm
COOLAN TEMP/S	More than 80°C (176°F)
B/FUEL SCHDL	4 – 7 ms
Selector lever	D position
SYSTEM 1 DIAGNOSIS B B1	PRSENT

NOTE:

- Drive the vehicle at approximately 88 km/h (55MPH) allows easy diagnosis.
- Keep the accelerator pedal as possible during crusing.

3. Check "SYSTEM 1 DIAGNOSIS A B1" indication.

Is "CMPLT" displayed?

- YES >> GO TO 5.
NO >> GO TO 2.


5.PERFORM DTC CONFIRMATION PROCEDURE-3

Check 1st trip DTC.

Is 1st trip DTC detected?

- YES >> Proceed to [EC-521. "Diagnosis Procedure"](#).
NO >> INSPECTION END

6.PERFORM DTC CONFIRMATION PROCEDURE-4

 **Without CONSULT**

1. Start the engine and warm it up to normal operating temperature.
2. Drive vehicle under the following conditions for at least 5 consecutive seconds.

CAUTION:

- Always drive vehicle at a safe speed.

Engine speed	1,000 – 1,250 rpm
Calculated load value	26 – 35 %
Selector lever	D position

NOTE:

- Drive the vehicle at approximately 88 km/h (55MPH) allows easy diagnosis.
- Keep the accelerator pedal as possible during crusing.

3. Check 1st trip DTC.

Is 1st trip DTC detected?

- YES >> Proceed to [EC-521. "Diagnosis Procedure"](#).
NO >> INSPECTION END

Diagnosis Procedure

INFOID:000000012602545

1.CHECK FOR INTAKE AIR LEAK

1. Stop engine and check the following for connection.
 - Air duct
 - Vacuum hoses
 - PCV hose
 - Intake air passage between air duct to intake manifold
2. Start engine and let it idle.
3. Listen for an intake air leak after the mass air flow sensor.

Is the inspection result normal?

- YES >> GO TO 2.
NO >> Repair or replace error-detected parts.

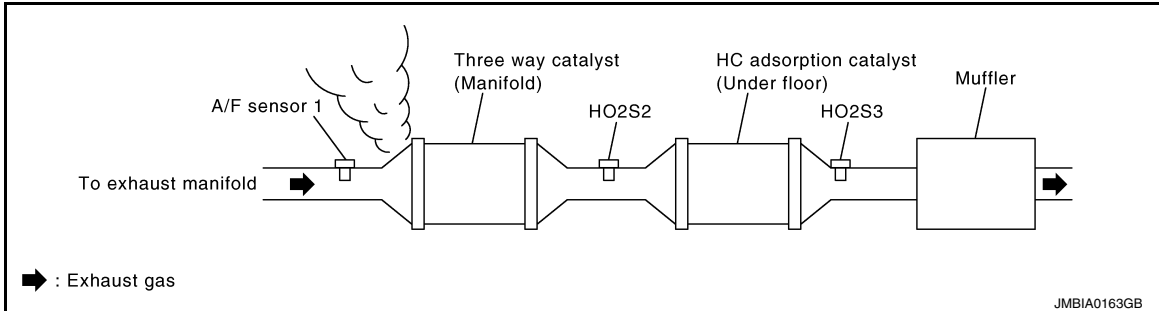
P219A AIR FUEL RATIO

[QR25DE]

< DTC/CIRCUIT DIAGNOSIS >

2. CHECK EXHAUST GAS LEAK

1. Stop engine and visually check exhaust tube, three way catalyst and muffler for dents connection.
2. Start engine and let it idle.
3. Listen for an exhaust gas leak before three way catalyst (manifold).



Is the inspection result normal?

- YES >> GO TO 3.
NO >> Repair or replace error-detected parts.

3. CHECK FUEL PRESSURE

1. Release fuel pressure to zero. Refer to [EC-190, "Work Procedure"](#).
2. Check fuel pressure. Refer to [EC-190, "Work Procedure"](#).

Is the inspection result normal?

- YES >> GO TO 4.
NO >> GO TO 9.

4. CHECK MASS AIR FLOW SENSOR

Ⓟ With CONSULT

Check "MASS AIR FLOW" in "DATA MONITOR" mode of "ENGINE" using CONSULT.
For specification, refer to [EC-578, "Mass Air Flow Sensor"](#).

Ⓢ With GST

Check mass air flow sensor signal in Service \$01 using GST.
For specification, refer to [EC-578, "Mass Air Flow Sensor"](#).

Is the inspection result normal?

- YES >> GO TO 5.
NO >> Check connectors for rusted terminals or loose connections in the mass air flow sensor circuit or grounds. Refer to [EC-242, "Diagnosis Procedure"](#).

5. CHECK FUNCTION OF FUEL INJECTOR-1

Ⓟ With CONSULT

1. Start engine.
2. Perform "POWER BALANCE" in "ACTIVE TEST" mode of "ENGINE" using CONSULT.
3. Check that each circuit produces a momentary engine speed drop.

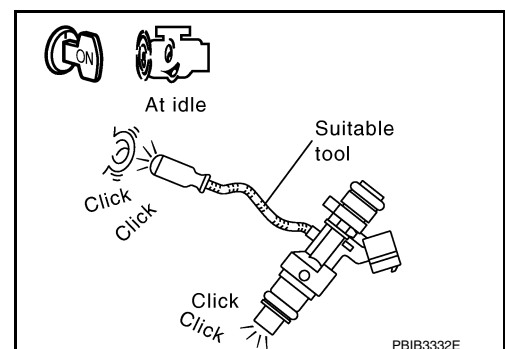
⊗ Without CONSULT

1. Let engine idle.
2. Listen to each fuel injector operating sound.

Clicking noise should be heard.

Is the inspection result normal?

- YES >> GO TO 6.
NO >> Perform trouble diagnosis for fuel injector, refer to [EC-542, "Component Function Check"](#).



6. CHECK FUNCTION OF FUEL INJECTOR-2

CAUTION:

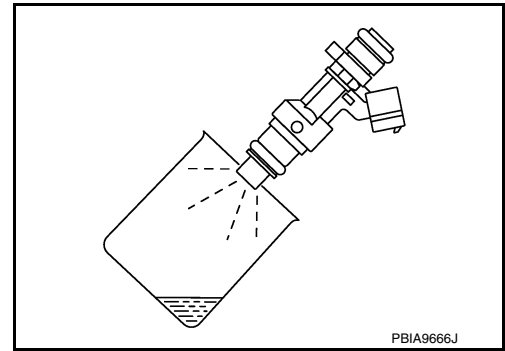
Perform the following procedure in a place with no combustible objects and good ventilation.

1. Turn ignition switch OFF.
2. Confirm that the engine is cooled down and there are no fire hazards near the vehicle.
3. Disconnect all fuel injector harness connectors.
4. Remove fuel tube assembly. Refer to [EM-42, "Removal and Installation"](#).
Keep fuel hose and all fuel injectors connected to fuel tube.
5. Disconnect all ignition coil harness connectors.
6. Prepare pans or saucers under each fuel injector.
7. Crank engine for approximately 3 seconds.

- Fuel should be sprayed evenly for each fuel injector.
- Fuel must not drip from the tip of fuel injector.

Is the inspection result normal?

- YES >> GO TO 7.
NO >> Replace fuel injector. Refer to [EM-42, "Removal and Installation"](#).



7. CHECK FUNCTION OF IGNITION COIL-1

CAUTION:

Perform the following steps in a well-ventilated area with no combustibles.

1. Turn ignition switch OFF.
2. Remove fuel pump fuse from IPDM E/R to release fuel pressure.
NOTE:
CONSULT must not be used to release fuel pressure. It develops again during the following steps, if released by using CONSULT.
3. Start the engine.
4. After an engine stall, crank the engine two or three times to release all the fuel pressure.
5. Turn ignition switch OFF.
6. Disconnect all the harness connectors of ignition coil to prevent electric discharge from occurring in ignition coil.
7. Remove ignition coil assembly and spark plug of cylinder. Refer to [EM-41, "Removal and Installation"](#).
8. Crank engine for 5 seconds or more to remove combustion gas in the cylinder.
9. Connect spark plug and harness connector to ignition coil.
10. Allow a 13-17mm (0.52-0.66 in) spacing between spark plug and grounded metal portion as shown in the figure to fix the ignition coil with a rope or an equivalent.
11. Crank the engine for approximately 3 seconds to see if sparking occurs between spark plug and the grounded metal portion.

Spark should be generated.

CAUTION:

- The discharge voltage becomes 20 kV or higher. Therefore, always stay away from the spark plug and ignition coil at least 50 cm (19.7 in) during the inspection.
- Leaving a space of more than 17mm (0.66 in) may damage the ignition coil.

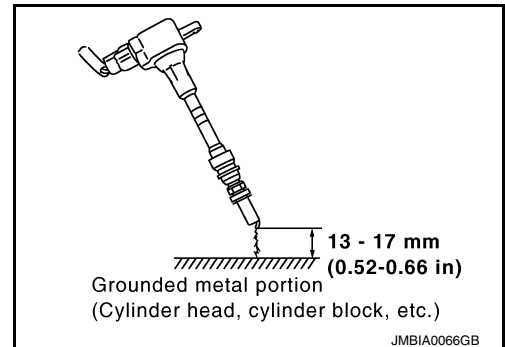
NOTE:

When the gap is less than 13 mm (0.52 in), a the spark might be generated even if the coil is malfunctioning.

Is the inspection result normal?

- YES >> GO TO 8.
NO >> GO TO 10.

8. CHECK COMPRESSION PRESSURE



P219A AIR FUEL RATIO

[QR25DE]

< DTC/CIRCUIT DIAGNOSIS >

Check compression pressure. Refer to [EM-26, "Compression pressure"](#).

Is the inspection result normal?

YES >> Check intermittent incident. Refer to [GI-44, "Intermittent Incident"](#).

NO >> Check pistons, piston rings, valves, valve seats and cylinder head gaskets.

9. DETECT MALFUNCTIONING PART

Check fuel hoses and fuel tubes for clogging.

Is the inspection result normal?

YES >> Replace fuel filter and fuel pump assembly. Refer to [FL-5, "Removal and Installation"](#).

NO >> Repair or replace error-detected parts.

10. CHECK FUNCTION OF IGNITION COIL-2

1. Turn ignition switch OFF.
2. Disconnect spark plug and connect a non-malfunctioning spark plug.
3. Crank engine for approximately 3 seconds, and recheck whether spark is generated between the spark plug and the grounded metal portion.

Spark should be generated.

Is the inspection result normal?

YES >> GO TO 11.

NO >> Check ignition coil, power transistor and their circuits. Refer to [EC-548, "Component Function Check"](#).

11. CHECK SPARK PLUG

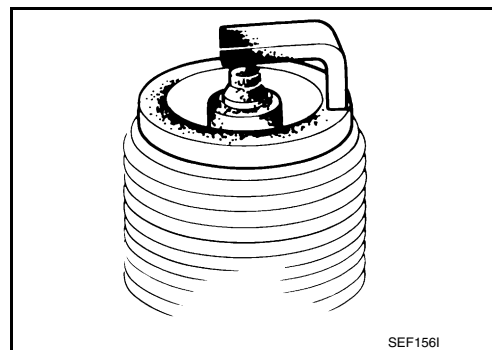
Check the initial spark plug for fouling, etc.

Is the inspection result normal?

YES >> 1. Repair or clean spark plug. Refer to [EM-16, "Removal and Installation"](#).

2. GO TO 12.

NO >> Replace spark plug(s) with standard type one(s). For spark plug type, refer to [EM-113, "Standard and Limit"](#).



12. CHECK FUNCTION OF IGNITION COIL-3

1. Reconnect the initial spark plugs.
2. Crank engine for approximately 3 seconds, and recheck whether spark is generated between the spark plug and the grounded portion.

Spark should be generated.

Is the inspection result normal?

YES >> Check intermittent incident. Refer to [GI-44, "Intermittent Incident"](#).

NO >> Replace spark plug(s) with standard type one(s). For spark plug type, refer to [EM-113, "Standard and Limit"](#).

P219C, P219D, P219E, P219F AIR FUEL RATIO

< DTC/CIRCUIT DIAGNOSIS >

[QR25DE]

P219C, P219D, P219E, P219F AIR FUEL RATIO

DTC Logic

INFOID:000000013214799

DTC DETECTION LOGIC

NOTE:

- If DTC P219C, P219D, P219E or P219F is displayed with other DTC, first perform the trouble diagnosis for the other DTC. Refer to [EC-110, "DTC Index"](#).

DTC No.	CONSULT screen terms (Trouble diagnosis content)	DTC detecting condition	Possible cause
P219C	CYLINDER 1 AIR-FUEL RATIO (Cylinder 1 Air-Fuel Ratio Imbalance)	The cylinder 1 combustion condition calculated by ECM based on a crankshaft position sensor signal is continuously imbalanced compared with other cylinders. (Abnormal air-fuel ratio)	<ul style="list-style-type: none"> • Fuel injector • Exhaust gas leaks • Incorrect fuel pressure • Mass air flow sensor • Intake air leaks • Lack of fuel • Incorrect PCV hose connection • Improper spark plug • Insufficient compression • The fuel injector circuit is open or shorted • Ignition coil • The ignition signal circuit is open or shorted
P219D	CYLINDER 2 AIR-FUEL RATIO (Cylinder 2 Air-Fuel Ratio Imbalance)	The cylinder 2 combustion condition calculated by ECM based on a crankshaft position sensor signal is continuously imbalanced compared with other cylinders. (Abnormal air-fuel ratio)	
P219E	CYLINDER 3 AIR-FUEL RATIO (Cylinder 3 Air-Fuel Ratio Imbalance)	The cylinder 3 combustion condition calculated by ECM based on a crankshaft position sensor signal is continuously imbalanced compared with other cylinders. (Abnormal air-fuel ratio)	
P219F	CYLINDER 4 AIR-FUEL RATIO (Cylinder 4 Air-Fuel Ratio Imbalance)	The cylinder 4 combustion condition calculated by ECM based on a crankshaft position sensor signal is continuously imbalanced compared with other cylinders. (Abnormal air-fuel ratio)	

DTC CONFIRMATION PROCEDURE

1.PRECONDITIONING-1

If DTC Confirmation Procedure has been previously conducted, always perform the following before conducting the next test.

1. Turn ignition switch OFF and wait at least 10 seconds.
2. Turn ignition switch ON.
3. Turn ignition switch OFF and wait at least 10 seconds.

NOTE:

Before performing the following procedure, confirm that battery voltage is 11 V or more at idle.

>> GO TO 2.

2.PRECONDITIONING-2

1. Turn ignition switch ON.
2. Clear the mixture ratio self-learning value. Refer to [EC-189, "Description"](#).

Will CONSULT be used?

- YES >> GO TO 3.
NO >> GO TO 6.

3.PERFORM DTC CONFIRMATION PROCEDURE-1

With CONSULT

1. Turn ignition switch ON.
2. On CONSULT screen, select "ENGINE" >> "DATA MONITOR" >> "COOLAN TEMP/S".
3. Start engine.
4. Check that "COOLAN TEMP/S" indicates more than 80°C (176°F).

>> GO TO 4.

4.PERFORM DTC CONFIRMATION PROCEDURE-2

P219C, P219D, P219E, P219F AIR FUEL RATIO

[QR25DE]

< DTC/CIRCUIT DIAGNOSIS >

With CONSULT

1. On CONSULT screen, select the following items in "DATA MONITOR".
 - ENG SPEED
 - COOLAN TEMP/S
 - B/FUEL SCHDL
 - A/F IMBALNC DIAG-CPS STAT
 - A/F IMBLNC DIAG-CPS CMPLT
2. Drive vehicle under the following conditions for at least 20 consecutive seconds.

CAUTION:

- Always drive vehicle at a safe speed.
- This procedure must be performed by two or more persons.

ENG SPEED	1,225 – 1,600 rpm
COOLAN TEMP/S	More than 80°C (176°F)
B/FUEL SCHDL	11.3 – 14 msec
Selector lever	D position
A/F IMBALNC DIAG-CPS STAT	PRSNT

NOTE:

- Keep the accelerator pedal as possible during cruising.
- Drive the vehicle at approximately 88 km/h (55MPH) allows easy diagnosis.

3. Check "A/F IMBLNC DIAG-CPS CMPLT" indication.

Is "CMPLT" displayed?

- YES >> GO TO 5.
NO >> GO TO 2.

5.PERFORM DTC CONFIRMATION PROCEDURE-3

Check 1st trip DTC.

Is 1st trip DTC detected?

- YES >> Proceed to [EC-526, "Diagnosis Procedure"](#).
NO >> INSPECTION END

6.PERFORM DTC CONFIRMATION PROCEDURE-4

With GST

1. Start the engine and warm it up to normal operating temperature.
2. Drive vehicle under the following conditions for at least 20 consecutive seconds.

CAUTION:

- Always drive vehicle at a safe speed.

Engine speed	1,225 – 1,600 rpm
Calculated load value	59 – 77%
Selector lever	D position

NOTE:

- Keep the accelerator pedal as possible during crusing.
- Drive the vehicle at approximately 88 km/h (55MPH) allows easy diagnosis.

3. Check 1st trip DTC.

Is 1st trip DTC detected?

- YES >> Proceed to [EC-526, "Diagnosis Procedure"](#).
NO >> INSPECTION END

Diagnosis Procedure

INFOID:000000013278395

1.CHECK FOR INTAKE AIR LEAK

1. Stop engine and check the following for connection.
 - Air duct

P219C, P219D, P219E, P219F AIR FUEL RATIO

[QR25DE]

< DTC/CIRCUIT DIAGNOSIS >

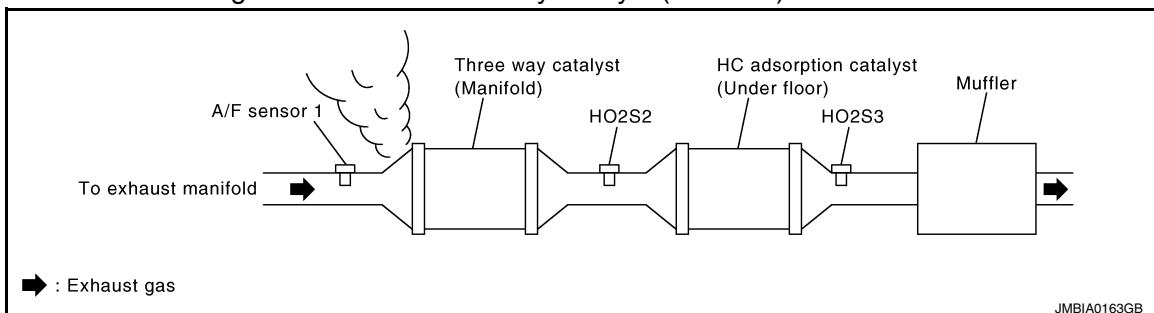
- Vacuum hoses
 - PCV hose
 - Intake air passage between air duct to intake manifold
2. Start engine and let it idle.
 3. Listen for an intake air leak after the mass air flow sensor.

Is the inspection result normal?

- YES >> GO TO 2.
NO >> Repair or replace error-detected parts.

2.CHECK EXHAUST GAS LEAK

1. Stop engine and visually check exhaust tube, three way catalyst and muffler for dents connection.
2. Start engine and let it idle.
3. Listen for an exhaust gas leak before three way catalyst (manifold).



Is the inspection result normal?

- YES >> GO TO 3.
NO >> Repair or replace error-detected parts.

3.CHECK FUEL PRESSURE

1. Release fuel pressure to zero. Refer to [EC-190, "Work Procedure"](#).
2. Check fuel pressure. Refer to [EC-190, "Work Procedure"](#).

Is the inspection result normal?

- YES >> GO TO 4.
NO >> GO TO 9.

4.CHECK MASS AIR FLOW SENSOR

Ⓜ With CONSULT

Check "MASS AIR FLOW" in "DATA MONITOR" mode of "ENGINE" using CONSULT.
For specification, refer to [EC-578, "Mass Air Flow Sensor"](#).

Ⓜ With GST

Check mass air flow sensor signal in Service \$01 using GST.
For specification, refer to [EC-578, "Mass Air Flow Sensor"](#).

Is the inspection result normal?

- YES >> GO TO 5.
NO >> Check connectors for rusted terminals or loose connections in the mass air flow sensor circuit or grounds. Refer to [EC-242, "Diagnosis Procedure"](#).

5.CHECK FUNCTION OF FUEL INJECTOR-1

Ⓜ With CONSULT

1. Start engine.
2. Perform "POWER BALANCE" in "ACTIVE TEST" mode of "ENGINE" using CONSULT.
3. Check that each circuit produces a momentary engine speed drop.

ⓧ Without CONSULT

1. Let engine idle.

P219C, P219D, P219E, P219F AIR FUEL RATIO

< DTC/CIRCUIT DIAGNOSIS >

[QR25DE]

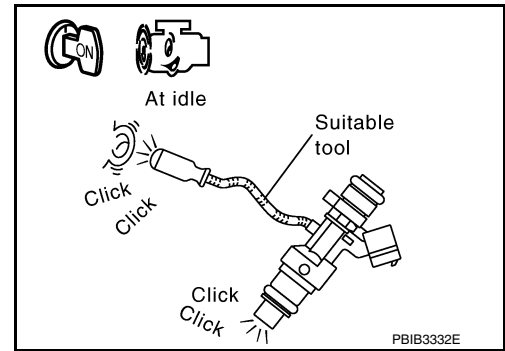
- Listen to each fuel injector operating sound.

Clicking noise should be heard.

Is the inspection result normal?

YES >> GO TO 6.

NO >> Perform trouble diagnosis for fuel injector, refer to [EC-542. "Component Function Check"](#).



6. CHECK FUNCTION OF FUEL INJECTOR-2

CAUTION:

Perform the following procedure in a place with no combustible objects and good ventilation.

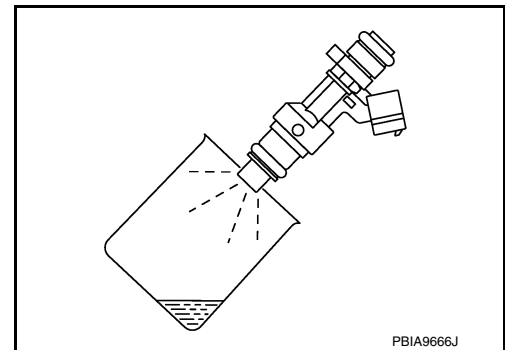
- Turn ignition switch OFF.
- Confirm that the engine is cooled down and there are no fire hazards near the vehicle.
- Disconnect all fuel injector harness connectors.
- Remove fuel tube assembly. Refer to [EM-42. "Removal and Installation"](#).
Keep fuel hose and all fuel injectors connected to fuel tube.
- Disconnect all ignition coil harness connectors.
- Prepare pans or saucers under each fuel injector.
- Crank engine for approximately 3 seconds.

- Fuel should be sprayed evenly for each fuel injector.**
- Fuel must not drip from the tip of fuel injector.**

Is the inspection result normal?

YES >> GO TO 7.

NO >> Replace fuel injector. Refer to [EM-42. "Removal and Installation"](#).



7. CHECK FUNCTION OF IGNITION COIL-1

CAUTION:

Perform the following steps in a well-ventilated area with no combustibles.

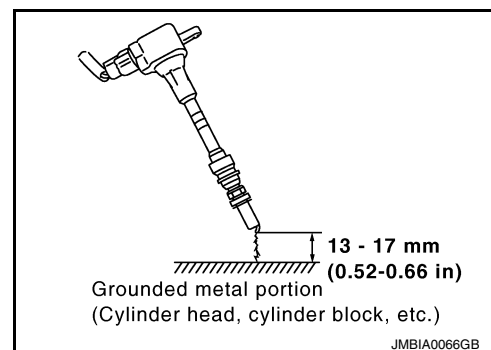
- Turn ignition switch OFF.
- Remove fuel pump fuse from IPDM E/R to release fuel pressure.
NOTE:
CONSULT must not be used to release fuel pressure. It develops again during the following steps, if released by using CONSULT.
- Start the engine.
- After an engine stall, crank the engine two or three times to release all the fuel pressure.
- Turn ignition switch OFF.
- Disconnect all the harness connectors of ignition coil to prevent electric discharge from occurring in ignition coil.
- Remove ignition coil assembly and spark plug of cylinder. Refer to [EM-41. "Removal and Installation"](#).
- Crank engine for 5 seconds or more to remove combustion gas in the cylinder.
- Connect spark plug and harness connector to ignition coil.

P219C, P219D, P219E, P219F AIR FUEL RATIO

< DTC/CIRCUIT DIAGNOSIS >

[QR25DE]

- Allow a 13-17mm (0.52-0.66 in) spacing between spark plug and grounded metal portion as shown in the figure to fix the ignition coil with a rope or an equivalent.
- Crank the engine for approximately 3 seconds to see if sparking occurs between spark plug and the grounded metal portion.



Spark should be generated.

CAUTION:

- The discharge voltage becomes 20 kV or higher. Therefore, always stay away from the spark plug and ignition coil at least 50 cm (19.7 in) during the inspection.
- Leaving a space of more than 17mm (0.66 in) may damage the ignition coil.

NOTE:

When the gap is less than 13 mm (0.52 in), a the spark might be generated even if the coil is malfunctioning.

Is the inspection result normal?

- YES >> GO TO 8.
NO >> GO TO 10.

8.CHECK COMPRESSION PRESSURE

Check compression pressure. Refer to [EM-26, "Compression pressure"](#).

Is the inspection result normal?

- YES >> Check intermittent incident. Refer to [GI-44, "Intermittent Incident"](#).
NO >> Check pistons, piston rings, valves, valve seats and cylinder head gaskets.

9.DETECT MALFUNCTIONING PART

Check fuel hoses and fuel tubes for clogging.

Is the inspection result normal?

- YES >> Replace fuel filter and fuel pump assembly. Refer to [FL-5, "Removal and Installation"](#).
NO >> Repair or replace error-detected parts.

10.CHECK FUNCTION OF IGNITION COIL-2

- Turn ignition switch OFF.
- Disconnect spark plug and connect a non-malfunctioning spark plug.
- Crank engine for approximately 3 seconds, and recheck whether spark is generated between the spark plug and the grounded metal portion.

Spark should be generated.

Is the inspection result normal?

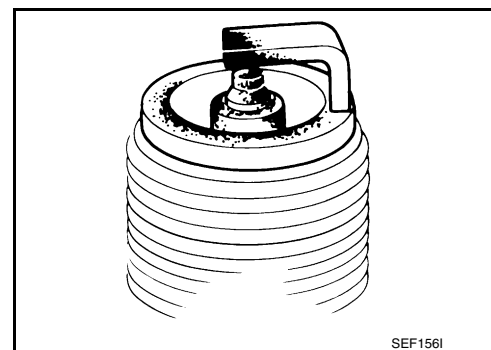
- YES >> GO TO 11.
NO >> Check ignition coil, power transistor and their circuits. Refer to [EC-548, "Component Function Check"](#).

11.CHECK SPARK PLUG

Check the initial spark plug for fouling, etc.

Is the inspection result normal?

- YES >> 1. Repair or clean spark plug. Refer to [EM-16, "Removal and Installation"](#).
2. GO TO 12.
NO >> Replace spark plug(s) with standard type one(s). For spark plug type, refer to [EM-113, "Standard and Limit"](#).



12.CHECK FUNCTION OF IGNITION COIL-3

P219C, P219D, P219E, P219F AIR FUEL RATIO

< DTC/CIRCUIT DIAGNOSIS >

[QR25DE]

1. Reconnect the initial spark plugs.
2. Crank engine for approximately 3 seconds, and recheck whether spark is generated between the spark plug and the grounded portion.

Spark should be generated.

Is the inspection result normal?

- YES >> Check intermittent incident. Refer to [GI-44, "Intermittent Incident"](#).
- NO >> Replace spark plug(s) with standard type one(s). For spark plug type, refer to [EM-113, "Standard and Limit"](#).

P2610 ECM INTERNAL TIMER

< DTC/CIRCUIT DIAGNOSIS >

[QR25DE]

P2610 ECM INTERNAL TIMER

Description

INFOID:0000000012602546

This ECM contains a timer and measures time between an ignition switch OFF and the next ignition switch ON. This enables the judging of the state of engine cooling at an engine start.

DTC Logic

INFOID:0000000012602547

DTC DETECTION LOGIC

DTC No.	CONSULT screen terms (Trouble diagnosis content)	DTC detecting condition	Possible cause
P2610	ECM/PCM INTERNAL ENG OFF TIMER (ECM/PCM internal engine off timer performance)	<ul style="list-style-type: none">ECM internal engine off timer is malfunctioning.The time calculated by ECM based on a descent allowance of engine coolant temperatures during ignition switch OFF is extremely shorter than the time counted by the Engine internal OFF timer.	<ul style="list-style-type: none">ECMECM power supply

DTC CONFIRMATION PROCEDURE

1.INSPECTION START

It is necessary to erase permanent DTC?

YES >> GO TO 4.

NO >> GO TO 2.

2.PRECONDITIONING

- Turn ignition switch OFF and wait at least 10 seconds.
- Turn ignition switch ON.
- Turn ignition switch OFF and wait at least 10 seconds.

TESTING CONDITION:

Before performing the following procedure, confirm that battery voltage is 12 V or more under ignition switch OFF condition.

>> GO TO 3.

3.PERFORM DTC CONFIRMATION PROCEDURE-I

- Turn ignition switch ON and wait at least 190 seconds.
- Check 1st trip DTC.

Is 1st trip DTC detected?

YES >> Proceed to [EC-532. "Diagnosis Procedure"](#).

NO >> INSPECTION END

4.PRECONDITIONING

- Turn ignition switch OFF and wait at least 10 seconds.
- Turn ignition switch ON.
- Turn ignition switch OFF and wait at least 10 seconds.

TESTING CONDITION:

- Before performing the following procedure, confirm that battery voltage is 12 V or more under ignition switch OFF condition.**
- Before performing the following procedure, check that fuel level is between 2/8 and 7/8.**

>> GO TO 5.

5.PERFORM DTC CONFIRMATION PROCEDURE-I

- Turn ignition switch ON and wait at least 190 seconds.

P2610 ECM INTERNAL TIMER

[QR25DE]

< DTC/CIRCUIT DIAGNOSIS >

2. Check 1st trip DTC.

Is 1st trip DTC detected?

- YES >> Proceed to [EC-532, "Diagnosis Procedure"](#).
- NO >> GO TO 6.

6.PERFORM DTC CONFIRMATION PROCEDURE-II

CAUTION:

To start this self-diagnosis, the conditions listed bellow are required to be satisfied. Perform the following steps to satisfy the conditions.

- Engine coolant temperature decrease by 55°C (131°F) or more during the time between an ignition switch OFF (after engine warm-up) and the second ignition switch ON.
- A fuel temperature at the second ignition switch ON is -5°C (23°F) or more and less than 35°C (95°F).
- The temperature difference between engine coolant and fuel is 5°C (41°F) or more.

NOTE:

This self-diagnosis is not performed if the distance traveled is extremely short.

1. Turn ignition switch ON.
2. Start engine and warm it up to normal operating temperature.
3. Turn ignition switch OFF and soak the vehicle for at least 12 hours.

CAUTION:

- Never turn ON the ignition switch during soaking.
- Never open the fuel filler cap and perform refueling during soaking.

4. Turn ignition switch ON and wait at least 190 seconds.
5. Check 1st trip DTC.

Is 1st trip DTC detected?

- YES >> Proceed to [EC-532, "Diagnosis Procedure"](#).
- NO >> INSPECTION END

Diagnosis Procedure

INFOID:000000012602548

1.CHECK ECM POWER SUPPLY AND GROUND CIRCUIT

Check ECM power supply and ground circuit. Refer to [EC-211, "Diagnosis Procedure"](#).

Is the inspection result normal?

- YES >> GO TO 2.
- NO >> Repair or replace error-detected parts.

2.CHECK SELF-DIAGNOSTIC RESULT

Check that DTCs related to the fuel system and the cooling system are not detected.

Is the inspection result normal?

- YES >> Check the DTC. Refer to [EC-110, "DTC Index"](#).
- NO >> GO TO 3.

3.PERFORM DTC CONFIRMATION PROCEDURE

1. Erase DTC.
2. Perform DTC Confirmation Procedure again. Refer to [EC-531, "DTC Logic"](#).

Is the 1st trip DTC P2610 displayed again?

- YES >> Replace ECM. Refer to [EC-577, "Removal and Installation"](#).
- NO >> INSPECTION END

BRAKE PEDAL POSITION SWITCH

< DTC/CIRCUIT DIAGNOSIS >

[QR25DE]

BRAKE PEDAL POSITION SWITCH

Component Function Check

INFOID:000000012602549

1. CHECK BRAKE PEDAL POSITION SWITCH FUNCTION

With CONSULT

1. Turn ignition switch ON.
2. Select "BRAKE SW1" in "DATA MONITOR" mode with CONSULT.
3. Check "BRAKE SW1" indication as per the following conditions.

Monitor item	Condition		Indication
BRAKE SW1	Brake pedal	Slightly depressed	OFF
		Fully released	ON

Without CONSULT

1. Turn ignition switch ON.
2. Check the voltage between ECM harness connector terminals.

Connector	ECM		Condition	Voltage
	+	-		
Terminal				
E10*1 E31*2	116	128	Brake pedal Slightly depressed	Approx. 0 V
			Brake pedal Fully released	Battery voltage

*1: Except for California

*2: For California

Is the inspection result normal?

YES >> INSPECTION END

NO >> Proceed to [EC-533, "Diagnosis Procedure"](#).

Diagnosis Procedure

INFOID:000000012602550

1. CHECK BRAKE PEDAL POSITION SWITCH POWER SUPPLY CIRCUIT

1. Turn ignition switch OFF.
2. Disconnect brake pedal position switch harness connector.
3. Turn ignition switch ON.
4. Check the voltage between brake pedal position switch harness connector and ground.

+		-	Voltage
Brake pedal position switch			
Connector	Terminal		
E51*1 E76*2	1	Ground	Battery voltage

*1: With ACSD

*2: With ICC

Is the inspection result normal?

YES >> GO TO 3.

NO >> GO TO 2.

2. CHECK BRAKE PEDAL POSITION SWITCH POWER SUPPLY CIRCUIT

1. Turn ignition switch OFF.
2. Disconnect fuse block (J/B) harness connector.
3. Check the continuity between brake pedal position switch harness connector and fuse block (J/B) harness connector.

BRAKE PEDAL POSITION SWITCH

[QR25DE]

< DTC/CIRCUIT DIAGNOSIS >

+		+		Continuity
Brake pedal position switch		Fuse block (J/B)		
Connector	Terminal	Connector	Terminal	
E51*1 E76*2	1	E6	1M	Existed

*1: With ACSD

*2: With ICC

Is the inspection result normal?

YES >> Perform the trouble diagnosis for power supply circuit.

NO >> Repair or replace error-detected parts.

3. CHECK BRAKE PEDAL POSITION SWITCH INPUT SIGNAL CIRCUIT

- Turn ignition switch OFF.
- Disconnect ECM harness connector.
- Check the continuity between brake pedal position switch harness connector and ECM harness connector.

+		+		Continuity
Brake pedal position switch		ECM		
Connector	Terminal	Connector	Terminal	
E51*1 E76*2	2	E10*3 E31*4	116	Existed

*1: With ACSD

*2: With ICC

*3: Except for California

*4: For California

- Also check harness for short to ground and to power.

Is the inspection result normal?

YES >> GO TO 4.

NO >> Repair open circuit, short to ground or short to power in harness or connectors.

4. CHECK BRAKE PEDAL POSITION SWITCH

Check brake pedal position switch. Refer to [EC-534, "Component Inspection \(Brake Pedal Position Switch\)"](#).

Is the inspection result normal?

YES >> Check intermittent incident. Refer to [GI-44, "Intermittent Incident"](#).

NO >> Replace brake pedal position switch. Refer to [BR-21, "Exploded View"](#).

Component Inspection (Brake Pedal Position Switch)

INFOID:000000012602551

1. CHECK BRAKE PEDAL POSITION SWITCH-1

- Turn ignition switch OFF.
- Disconnect brake pedal position harness connector.
- Check the continuity between brake pedal position switch terminals as per the following conditions.

Brake pedal position switch		Condition	Continuity
+	-		
Terminals			
1	2	Fully released	Existed
		Slightly depressed	Not existed

Is the inspection result normal?

BRAKE PEDAL POSITION SWITCH

[QR25DE]

< DTC/CIRCUIT DIAGNOSIS >

- YES >> INSPECTION END
- NO >> GO TO 2.

A

2. CHECK BRAKE PEDAL POSITION SWITCH-2

1. Adjust brake pedal position switch installation. Refer to [BR-14. "Inspection and Adjustment"](#).
2. Check the continuity between brake pedal position switch terminals as per the following conditions.

EC

Brake pedal position switch		Condition	Continuity
+	-		
Terminals			
1	2	Brake pedal	Fully released Existed
			Slightly de-pressed Not existed

C

D

Is the inspection result normal?

E

YES >> INSPECTION END

NO >> Replace brake pedal position switch. Refer to [BR-21. "Exploded View"](#).

F

G

H

I

J

K

L

M

N

O

P

COOLING FAN

< DTC/CIRCUIT DIAGNOSIS >

[QR25DE]

COOLING FAN

Component Function Check

INFOID:000000012602552

1. CHECK COOLING FAN FUNCTION

With CONSULT

1. Turn ignition switch ON.
2. Perform "COOLING FAN" in "ACTIVE TEST" mode of "ENGINE" using CONSULT.
3. Touch "LOW", "MID", "HI" on the CONSULT screen.
4. Check that cooling fan operates.

Without CONSULT

1. Activates IPDM E/R auto active test and check cooling fan motors operation, refer to [PCS-9. "Diagnosis Description"](#).
2. Check that cooling fan operates.

Is the inspection result normal?

YES >> INSPECTION END

NO >> Proceed to [EC-536. "Diagnosis Procedure"](#).

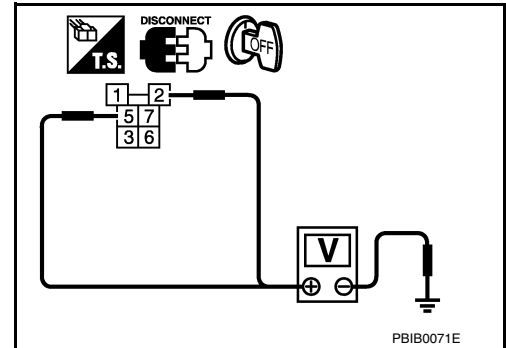
Diagnosis Procedure

INFOID:000000012602553

1. CHECK COOLING FAN RELAY POWER SUPPLY CIRCUIT

1. Turn ignition switch OFF.
2. Disconnect cooling fan relays-2, -3.
3. Turn ignition switch ON.
4. Check the voltage between cooling fan relays-2, -3 harness connectors and ground.

+		-	Voltage
Cooling fan relay			
Connector	Terminal	Ground	Battery voltage
E42 (cooling fan relay-2)	2		
	5		
E43 (cooling fan relay-3)	2		
	5		



Is the inspection result normal?

YES >> GO TO 2.

NO >> Perform trouble diagnosis for power supply circuit.

2. CHECK COOLING FAN RELAY OUTPUT SIGNAL CIRCUIT

1. Turn ignition switch OFF.
2. Disconnect IPDM E/R harness connectors.
3. Check the continuity between cooling fan relay-2, -3 harness connectors and IPDM E/R harness connector.

+		-		Continuity
Cooling fan relay		IPDM E/R		
Connector	Terminal	Connector	Terminal	
E42 (cooling fan relay-2)	1	E63	27	Existed
			39	
E43 (cooling fan relay-3)	1			

4. Also check harness for short to ground and to power.

Is the inspection result normal?

COOLING FAN

[QR25DE]

< DTC/CIRCUIT DIAGNOSIS >

- YES >> GO TO 3.
 NO >> Repair or replace error-detected parts.

3. CHECK COOLING FAN MOTOR POWER SUPPLY CIRCUIT

1. Disconnect cooling fan motor-1 harness connector.
2. Check the voltage between cooling fan motor-1 harness connector and ground.

+		-	Voltage
Cooling fan motor-1			
Connector	Terminal	Ground	Battery voltage
E220	1		
	2		

Is the inspection result normal?

- YES >> GO TO 4.
 NO >> Perform trouble diagnosis for power supply circuit.

4. CHECK COOLING FAN MOTOR CIRCUIT-1

1. Disconnect cooling fan motor-2 harness connector.
2. Check the continuity between cooling fan relay-2, -3 harness connectors and cooling fan motor-1, -2 harness connectors.

+		-		Continuity
Cooling fan relay		Cooling fan motor		
Connector	Terminal	Connector	Terminal	Existed
E42 (cooling fan relay-2)	3	E221 (Cooling fan motor-2)	2	
	7	E220 (Cooling fan motor-1)	3	
E43 (cooling fan relay-3)	3	E221 (Cooling fan motor-2)	1	
	7	E220 (Cooling fan motor-1)	4	

3. Also check harness for short to ground and to power.

Is the inspection result normal?

- YES >> GO TO 5.
 NO >> Repair or replace error-detected parts.

5. CHECK COOLING FAN MOTOR CIRCUIT-2

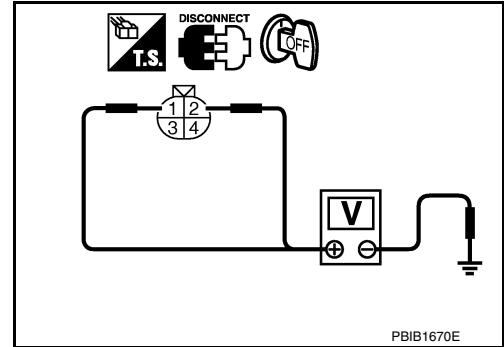
1. Check the continuity between IPDM E/R harness connector and cooling fan motor-1, -2 harness connector.

+		-		Continuity
IPDM E/R		Cooling fan motor		
Connector	Terminal	Connector	Terminal	Existed
E17	4	E220 (Cooling fan motor-1)	4	
	6	E221 (Cooling fan motor-2)	1	

2. Also check harness for short to ground and to power.

Is the inspection result normal?

- YES >> GO TO 6.
 NO >> Repair or replace error-detected parts.



COOLING FAN

[QR25DE]

< DTC/CIRCUIT DIAGNOSIS >

6. CHECK COOLING FAN MOTOR CIRCUIT-3

1. Check the continuity between cooling fan relay-2, -3 harness connectors and ground.

+		-	Continuity
Cooling fan relay			
Connector	Terminal	Ground	Existed
E42 (cooling fan relay-2)	6		
E43 (cooling fan relay-3)	6		

2. Also check harness for short to ground and to power.

Is the inspection result normal?

- YES >> GO TO 7.
NO >> Repair or replace error-detected parts.

7. CHECK COOLING FAN MOTOR CIRCUIT-4

1. Check the continuity between cooling fan motor-2 harness connector and ground.

+		-	Continuity
Cooling fan motor-2			
Connector	Terminal	Ground	Existed
E221	3		
	4		

2. Also check harness for short to ground and to power.

Is the inspection result normal?

- YES >> GO TO 8.
NO >> Repair or replace error-detected parts.

8. CHECK COOLING FAN RELAY-2 AND -3

Refer to [EC-539, "Component Inspection \(Cooling Fan Relay\)"](#).

Is the inspection result normal?

- YES >> GO TO 9.
NO >> Replace malfunctioning cooling fan relay.

9. CHECK COOLING FAN MOTORS-1 AND -2

Refer to [EC-538, "Component Inspection \(Cooling Fan Motor\)"](#).

Is the inspection result normal?

- YES >> GO TO 10.
NO >> Replace malfunctioning cooling fan motor. Refer to [CO-17, "Removal and Installation"](#).

10. CHECK INTERMITTENT INCIDENT

Perform [GI-44, "Intermittent Incident"](#).

Is the inspection result normal?

- YES >> Replace IPDM E/R. Refer to [PCS-47, "Removal and Installation"](#).
NO >> Repair or replace error-detected parts.

Component Inspection (Cooling Fan Motor)

INFOID:0000000012602554

1. CHECK COOLING FAN MOTOR

1. Turn ignition switch OFF.
2. Disconnect cooling fan motor harness connector.

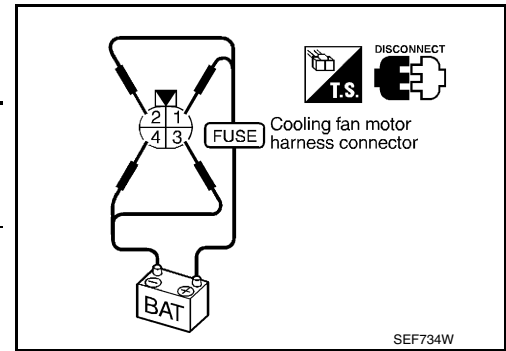
COOLING FAN

[QR25DE]

< DTC/CIRCUIT DIAGNOSIS >

- Supply cooling fan motor terminals with battery voltage and check operation.

Cooling fan motor		Condition
Terminal		
+	-	A
1	3 and 4	
2	3 and 4	
1 and 2	3	
1 and 2	4	
1, 2	3, 4	



Check that cooling fan speed of condition B is higher than that of A.

Is the inspection result normal?

YES >> INSPECTION END

NO >> Replace cooling fan motor. Refer to [CO-17, "Removal and Installation"](#).

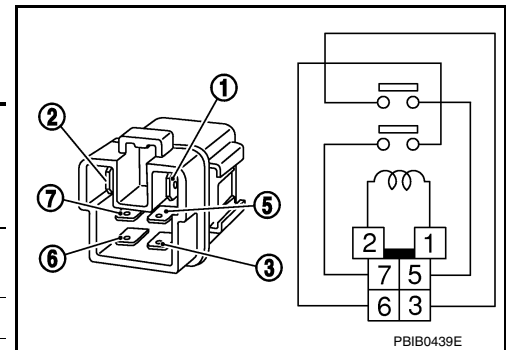
Component Inspection (Cooling Fan Relay)

INFOID:000000012602555

1. CHECK COOLING FAN RELAYS

- Turn ignition switch OFF.
- Remove cooling fan relay-2, -3.
- Check the continuity between cooling fan relay-2, -3 terminals as per the following conditions.

Cooling fan relay-2, -3		Conditions	Continuity
+	-		
Terminal			
3	5	12V direct current supply between terminals 1 and 2	Existed
		No current supply	Not existed
6	7	12V direct current supply between terminals 1 and 2	Existed
		No current supply	Not existed



Is the inspection result normal?

YES >> INSPECTION END

NO >> Replace cooling fan relay.

ELECTRICAL LOAD SIGNAL

Description

INFOID:000000012602556

The electrical load signal (Headlamp switch signal, rear window defogger switch signal, etc.) is transferred via the CAN communication.

Component Function Check

INFOID:000000012602557

1. CHECK REAR WINDOW DEFOGGER SWITCH FUNCTION

1. Turn ignition switch ON.
2. Connect CONSULT and select "DATA MONITOR" mode.
3. Select "LOAD SIGNAL" and check indication under the following conditions.

Monitor item	Condition		Indication
LOAD SIGNAL	Rear window defogger switch	ON	ON
		OFF	OFF

Is the inspection result normal?

- YES >> GO TO 2.
 NO >> Proceed to [EC-540, "Diagnosis Procedure"](#).

2. CHECK LIGHTING SWITCH FUNCTION

Check "LOAD SIGNAL" indication under the following conditions.

Monitor item	Condition		Indication
LOAD SIGNAL	Lighting switch	ON at 2nd position	ON
		OFF	OFF

Is the inspection result normal?

- YES >> GO TO 3.
 NO >> Proceed to [EC-540, "Diagnosis Procedure"](#).

3. CHECK HEATER FAN CONTROL SWITCH FUNCTION

Select "HEATER FAN SW" and check indication under the following conditions.

Monitor item	Condition		Indication
HEATER FAN SW	Heater fan control switch	ON	ON
		OFF	OFF

Is the inspection result normal?

- YES >> INSPECTION END
 NO >> Proceed to [EC-540, "Diagnosis Procedure"](#).

Diagnosis Procedure

INFOID:000000012602558

1. INSPECTION START

Confirm the malfunctioning circuit (rear window defogger, headlamp or heater fan). Refer to [EC-540, "Component Function Check"](#).

Which circuit is related to the incident?

- Rear window defogger >> GO TO 2.
 Headlamp >> GO TO 3.
 Heater fan >> GO TO 4.

2. CHECK REAR WINDOW DEFOGGER SYSTEM

Check rear window defogger system. Refer to [DEF-16, "Work Flow"](#).

ELECTRICAL LOAD SIGNAL

[QR25DE]

< DTC/CIRCUIT DIAGNOSIS >

>> INSPECTION END

3.CHECK HEADLAMP SYSTEM

Check headlamp system. Refer to [EXL-80, "Work Flow"](#).

>> INSPECTION END

4.CHECK HEATER FAN CONTROL SYSTEM

Check heater fan control system. Refer to [HAC-45, "Work Flow"](#) (with automatic air conditioner) or [HAC-138, "Work Flow"](#) (with manual air conditioner).

>> INSPECTION END

A

EC

C

D

E

F

G

H

I

J

K

L

M

N

O

P

FUEL INJECTOR

[QR25DE]

< DTC/CIRCUIT DIAGNOSIS >

FUEL INJECTOR

Component Function Check

INFOID:000000012602559

1.INSPECTION START

Turn ignition switch to START.

Are any cylinders ignited?

- YES >> GO TO 2.
- NO >> Proceed to [EC-542, "Diagnosis Procedure"](#).

2.CHECK FUEL INJECTOR FUNCTION

Ⓜ With CONSULT

1. Start engine.
2. Perform "POWER BALANCE" in "ACTIVE TEST" mode with CONSULT.
3. Check that each circuit produces a momentary engine speed drop.

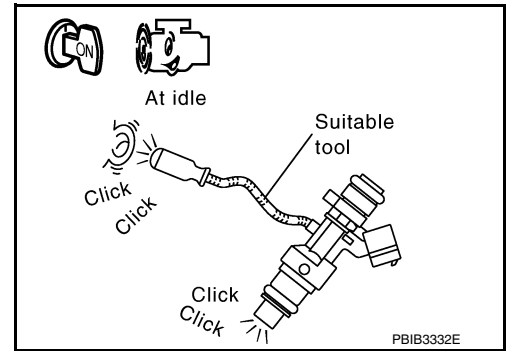
ⓧ Without CONSULT

1. Start engine.
2. Listen to each fuel injector operating sound.

Clicking sound should be heard.

Is the inspection result normal?

- YES >> INSPECTION END
- NO >> Proceed to [EC-542, "Diagnosis Procedure"](#).



INFOID:000000012602560

Diagnosis Procedure

1.CHECK FUEL INJECTOR POWER SUPPLY

1. Turn ignition switch OFF.
2. Disconnect fuel injector harness connector.
3. Turn ignition switch ON.
4. Check the voltage between fuel injector harness connector and ground.

+			-	Voltage
Fuel injector				
Cylinder	Connector	Terminal	Ground	Battery voltage
1	F17	1		
2	F18	1		
3	F19	1		
4	F20	1		

Is the inspection result normal?

- YES >> GO TO 3.
- NO >> GO TO 2.

2.CHECK FUEL INJECTOR POWER SUPPLY CIRCUIT

1. Turn ignition switch OFF.
2. Disconnect IPDM E/R harness connector.
3. Check the continuity between fuel injector harness connector and IPDM E/R harness connector.

FUEL INJECTOR

< DTC/CIRCUIT DIAGNOSIS >

[QR25DE]

+			-		Continuity
Fuel injector			IPDM E/R		
Cylinder	Connector	Terminal	Connector	Terminal	
1	F17	1	F83	54	Existed
2	F18	1		60	
3	F19	1		54	
4	F20	1		60	

Is the inspection result normal?

- YES >> Perform the trouble diagnosis for power supply circuit.
 NO >> Repair or replace error-detected parts.

3.CHECK FUEL INJECTOR OUTPUT SIGNAL CIRCUIT

- Turn ignition switch OFF.
- Disconnect ECM harness connector.
- Check the continuity between fuel injector harness connector and ECM harness connector.

+			-		Continuity
Fuel injector			ECM		
Cylinder	Connector	Terminal	Connector	Terminal	
1	F17	2	F14*1 F91*2	13	Existed
2	F18	2		14	
3	F19	2		10	
4	F20	2		9	

- *1: Except for California
 *2: For California

- Also check harness for short to ground and to power.

Is the inspection result normal?

- YES >> GO TO 4.
 NO >> Repair open circuit, short to ground or short to power in harness or connectors.

4.CHECK FUEL INJECTOR

Check fuel injector. Refer to [EC-543, "Component Inspection"](#).

Is the inspection result normal?

- YES >> GO TO 5.
 NO >> Replace malfunctioning fuel injector. Refer to [EM-42, "Exploded View"](#).

5.CHECK INTERMITTENT INCIDENT

Check intermittent incident. Refer to [GI-44, "Intermittent Incident"](#).

Is the inspection result normal?

- YES >> Replace IPDM E/R. Refer to [PCS-47, "Removal and Installation"](#).
 NO >> Repair or replace error-detected parts.

Component Inspection

INFOID:000000012602561

1.CHECK FUEL INJECTOR

- Turn ignition switch OFF.
- Disconnect fuel injector harness connector.

FUEL INJECTOR

[QR25DE]

< DTC/CIRCUIT DIAGNOSIS >

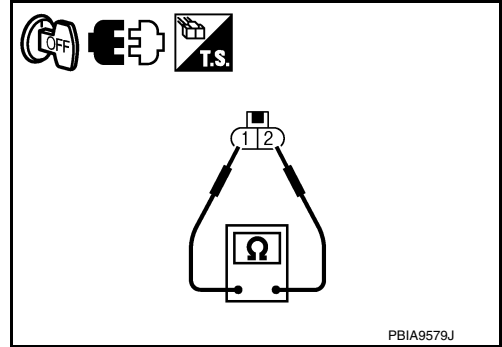
3. Check resistance between fuel injector terminals as per the following.

Fuel injector		Resistance
+	-	
Terminal		
1	2	11.1 - 14.5 Ω [at 10 - 60°C (50 - 140°F)]

Is the inspection result normal?

YES >> INSPECTION END

NO >> Replace malfunctioning fuel injector. Refer to [EM-42](#).
["Removal and Installation"](#).



PBIA9579J

FUEL PUMP

< DTC/CIRCUIT DIAGNOSIS >

[QR25DE]

FUEL PUMP

Description

INFOID:000000012602562

Sensor	Input signal to ECM	ECM Function	Actuator
Crankshaft position sensor (POS) Camshaft position sensor (PHASE)	Engine speed*	Fuel pump control	Fuel pump relay ↓ Fuel pump
Battery	Battery voltage*		

*: ECM determines the start signal status by the signals of engine speed and battery voltage.

The ECM activates the fuel pump for several seconds after the ignition switch is turned ON to improve engine start ability. If the ECM receives a engine speed signal from the camshaft position sensor (PHASE), it knows that the engine is rotating, and causes the pump to operate. If the engine speed signal is not received when the ignition switch is ON, the engine stalls. The ECM stops pump operation and prevents battery discharging, thereby improving safety. The ECM does not directly drive the fuel pump. It controls the ON/OFF fuel pump relay, which in turn controls the fuel pump.

Condition	Fuel pump operation
Ignition switch is turned to ON.	Operates for 1 second.
Engine running and cranking	Operates.
When engine is stopped	Stops in 1.5 seconds.
Except as shown above	Stops.

Component Function Check

INFOID:000000012602563

1.CHECK FUEL PUMP FUNCTION

1. Turn ignition switch ON.
2. Pinch fuel feed hose with two fingers.

Fuel pressure pulsation should be felt on the fuel feed hose for 1 second after ignition switch is turned ON.

Is the inspection result normal?

- YES >> INSPECTION END
NO >> Proceed to [EC-545, "Diagnosis Procedure"](#).

Diagnosis Procedure

INFOID:000000012602564

1.CHECK FUEL PUMP RELAY CONTROL SIGNAL

1. Turn ignition switch ON.
2. Check the voltage between ECM harness connector.

ECM				Voltage
+		-		
Connector	Terminal	Connector	Terminal	
F14*1 F91*2	18	E10*1 E31*2	128	Battery voltage should exist 1 second after ignition switch is turn ON.

*1: Except for California

*2: For California

Is the inspection result normal?

- YES >> GO TO 3.
NO >> GO TO 2.

2.CHECK FUEL PUMP RELAY CONTROL SIGNAL CIRCUIT

1. Turn ignition switch OFF.

FUEL PUMP

[QR25DE]

< DTC/CIRCUIT DIAGNOSIS >

2. Disconnect ECM harness connector.
3. Disconnect IPDM E/R harness connector.
4. Check the continuity between ECM harness connector and IPDM E/R harness connector.

+		-		Continuity
ECM		IPDM E/R		
Connector	Terminal	Connector	Terminal	
F14*1 F91*2	18	F84	69	Existed

*1: Except for California

*2: For California

5. Also check harness for short to ground and to power.

Is the inspection result normal?

YES >> GO TO 7.

NO >> Repair or replace error-detected parts.

3. CHECK FUEL PUMP POWER SUPPLY

1. Turn ignition switch OFF.
2. Disconnect “fuel level sensor unit and fuel pump” harness connector.
3. Turn ignition switch ON.
4. Check the voltage between “fuel level sensor unit and fuel pump” harness connector and ground.

+		-	Voltage
Fuel level sensor unit and fuel pump			
Connector	Terminal		
B42	6	Ground	Battery voltage should exist 1 second after ignition switch is turn ON.

Is the inspection result normal?

YES >> GO TO 5.

NO >> GO TO 4.

4. CHECK FUEL PUMP POWER SUPPLY CIRCUIT

1. Turn ignition switch OFF.
2. Disconnect IPDM E/R harness connector.
3. Check the continuity between IPDM E/R harness connector and “fuel level sensor unit and fuel pump” harness connector.

+		-		Continuity
IPDM E/R		Fuel level sensor unit and fuel pump		
Connector	Terminal	Connector	Terminal	
E18	15	B42	6	Existed

4. Also check harness for short to ground and to power.

Is the inspection result normal?

YES >> GO TO 7.

NO >> Repair or replace error-detected parts.

5. CHECK FUEL PUMP GROUND CIRCUIT

1. Check the continuity between “fuel level sensor unit and fuel pump” and ground.

FUEL PUMP

< DTC/CIRCUIT DIAGNOSIS >

[QR25DE]

+		-	Continuity
Connector	Terminal		
B42	4	Ground	Existed

2. Also check harness for short to power.

Is the inspection result normal?

YES >> GO TO 6.

NO >> Repair or replace error-detected parts.

6. CHECK FUEL PUMP

Refer to [EC-547, "Component Inspection"](#).

Is the inspection result normal?

YES >> GO TO 7.

NO >> Replace "fuel level sensor unit and fuel pump". Refer to [FL-5, "Removal and Installation"](#).

7. CHECK INTERMITTENT INCIDENT

Perform [GI-44, "Intermittent Incident"](#).

Is the inspection result normal?

YES >> Replace IPDM E/R. Refer to [PCS-47, "Removal and Installation"](#).

NO >> Repair or replace harness or connectors.

Component Inspection

INFOID:0000000012602565

1. CHECK FUEL PUMP

1. Turn ignition switch OFF.
2. Disconnect "fuel level sensor unit and fuel pump" harness connector.
3. Check resistance between "fuel level sensor unit and fuel pump" terminals as follows.

Fuel level sensor unit and fuel pump		Resistance
+	-	
Terminal		
6	4	0.2 - 5.0Ω [at 25°C (77°F)]

Is the inspection result normal?

YES >> INSPECTION END

NO >> Replace "fuel level sensor unit and fuel pump". Refer to [FL-5, "Removal and Installation"](#).

IGNITION SIGNAL

< DTC/CIRCUIT DIAGNOSIS >

[QR25DE]

IGNITION SIGNAL

Component Function Check

INFOID:000000012602566

1.INSPECTION START

Turn ignition switch OFF, and restart engine.

Does the engine start?

YES-1 >> With CONSULT: GO TO 2.

YES-2 >> Without CONSULT: GO TO 3.

NO >> Proceed to [EC-548. "Diagnosis Procedure"](#).

2.CHECK IGNITION SIGNAL FUNCTION

With CONSULT

1. Perform "POWER BALANCE" in "ACTIVE TEST" mode with CONSULT.

2. Check that each circuit produces a momentary engine speed drop.

Is the inspection result normal?

YES >> INSPECTION END

NO >> Proceed to [EC-548. "Diagnosis Procedure"](#).

3.CHECK IGNITION SIGNAL FUNCTION

Without CONSULT

1. Let engine idle.

2. Read the voltage signal between ECM harness connector terminals with an oscilloscope.

ECM				Voltage signal
+		-		
Connector	Terminal	Connector	Terminal	
F13*1 F90*2	86	E10*1 E31*2	128	<p>50mSec/div</p> <p>2V/div</p> <p>JMBIA0035GB</p>
	87			
	90			
	91			

*1: Except for California

*2: For California

NOTE:

The pulse cycle changes depending on rpm at idle.

Is the inspection result normal?

YES >> INSPECTION END

NO >> Proceed to [EC-548. "Diagnosis Procedure"](#).

Diagnosis Procedure

INFOID:000000012602567

1.CHECK ECM POWER SUPPLY

1. Turn ignition switch OFF, wait at least 10 seconds and then turn it ON.

2. Check the voltage between ECM harness connector terminals.

ECM			Voltage
Connector	+	-	
	Terminal		
E10*1 E31*2	121	128	Battery voltage

IGNITION SIGNAL

[QR25DE]

< DTC/CIRCUIT DIAGNOSIS >

*1: Except for California

*2: For California

Is the inspection result normal?

YES >> GO TO 2.

NO >> Refer to [EC-211, "Diagnosis Procedure"](#).

2.CHECK CONDENSER-1 POWER SUPPLY

1. Turn ignition switch OFF.
2. Disconnect condenser-1 harness connector.
3. Turn ignition switch ON.
4. Check the voltage between condenser-1 harness connector and ground.

+		-	Voltage
Condenser-1			
Connector	Terminal		
F26	1	Ground	Battery voltage

Is the inspection result normal?

YES >> GO TO 4.

NO >> GO TO 3.

3.CHECK CONDENSER-1 POWER SUPPLY CIRCUIT

1. Turn ignition switch OFF.
2. Disconnect IPDM E/R harness connector.
3. Check the continuity between IPDM E/R harness connector and condenser-1 harness connector.

+		-		Continuity
IPDM E/R		Condenser-1		
Connector	Terminal	Connector	Terminal	
F83	55	F26	1	Existed

4. Also check harness for short to ground and to power.

Is the inspection result normal?

YES >> Refer to [EC-211, "Diagnosis Procedure"](#).

NO >> Repair open circuit, short to ground or short to power in harness or connectors.

4.CHECK CONDENSER-1 GROUND CIRCUIT

1. Turn ignition switch OFF.
2. Check the continuity between condenser-1 harness connector and ground.

+		-	Voltage
Condenser-1			
Connector	Terminal		
F26	2	Ground	Existed

3. Also check harness for short to power.

Is the inspection result normal?

YES >> GO TO 5.

NO >> Repair open circuit or short to power in harness or connectors.

5.CHECK CONDENSER-1

Check condenser-1. Refer to [EC-552, "Component Inspection \(Condenser-1\)"](#)

Is the inspection result normal?

YES >> GO TO 6.

NO >> Replace condenser-1.

IGNITION SIGNAL

[QR25DE]

< DTC/CIRCUIT DIAGNOSIS >

6. CHECK IGNITION COIL POWER SUPPLY

1. Reconnect all harness connectors disconnected.
2. Disconnect ignition coil harness connector.
3. Turn ignition switch ON.
4. Check the voltage between ignition coil harness connector and ground.

+			-	Voltage
Ignition coil				
Cylinder	Connector	Terminal	Ground	Battery voltage
1	F34	3		
2	F35	3		
3	F36	3		
4	F37	3		

Is the inspection result normal?

- YES >> GO TO 7.
 NO >> Repair or replace harness or connectors.

7. CHECK IGNITION COIL GROUND CIRCUIT

1. Turn ignition switch OFF.
2. Check the continuity between ignition coil harness connector and ground.

+			-	Continuity
Ignition coil				
Cylinder	Connector	Terminal	Ground	Existed
1	F34	2		
2	F35	2		
3	F36	2		
4	F37	2		

3. Also check harness for short to power.

Is the inspection result normal?

- YES >> GO TO 8.
 NO >> Repair open circuit or short to power in harness or connectors.

8. CHECK IGNITION COIL OUTPUT SIGNAL CIRCUIT

1. Disconnect ECM harness connector.
2. Check the continuity between ignition coil harness connector and ECM harness connector.

+			-		Continuity
Ignition coil			ECM		
Cylinder	Connector	Terminal	Connector	Terminal	Existed
1	F34	1	F13*1 F90*2	86	
2	F35	1		87	
3	F36	1		90	
4	F37	1		91	

*1: Except for California

*2: For California

3. Also check harness for short to ground and to power.

Is the inspection result normal?

- YES >> GO TO 9.
 NO >> Repair open circuit, short to ground or short to power in harness or connectors.

IGNITION SIGNAL

< DTC/CIRCUIT DIAGNOSIS >

[QR25DE]

9. CHECK IGNITION COIL WITH POWER TRANSISTOR

Check ignition coil with power transistor. Refer to [EC-551, "Component Inspection \(Ignition Coil with Power Transistor\)"](#).

Is the inspection result normal?

- YES >> Check intermittent incident. Refer to [GI-44, "Intermittent Incident"](#).
NO >> Replace malfunctioning ignition coil with power transistor. Refer to [EM-41, "Removal and Installation"](#).

Component Inspection (Ignition Coil with Power Transistor)

INFOID:0000000012602568

1. CHECK IGNITION COIL WITH POWER TRANSISTOR-1

1. Turn ignition switch OFF.
2. Disconnect ignition coil harness connector.
3. Check resistance between ignition coil terminals as per the following.

Ignition coil		Resistance Ω [at 25°C (77°F)]
+	-	
Terminal No. (Polarity)		
1	2	Except 0 or ∞
	3	
2	3	Except 0

Is the inspection result normal?

- YES >> GO TO 2.
NO >> Replace malfunctioning ignition coil with power transistor. Refer to [EM-41, "Removal and Installation"](#).

2. CHECK IGNITION COIL WITH POWER TRANSISTOR-2

CAUTION:

Perform the following procedure in a place with no combustible objects and good ventilation.

1. Turn ignition switch OFF.
2. Reconnect all harness connectors disconnected.
3. Remove fuel pump fuse in IPDM E/R to release fuel pressure.

NOTE:

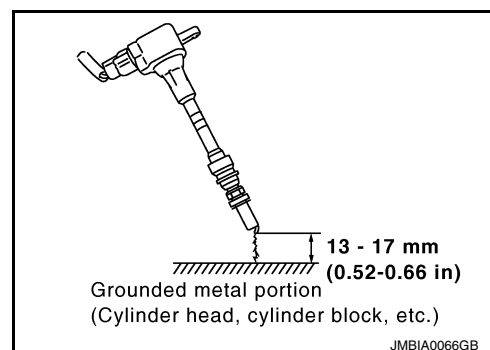
Do not use CONSULT to release fuel pressure, or fuel pressure applies again during the following procedure.

4. Start engine.
5. After engine stalls, crank it 2 or 3 times to release all fuel pressure.
6. Turn ignition switch OFF.
7. Remove all ignition coil harness connectors to avoid the electrical discharge from the ignition coils.
8. Remove ignition coil and spark plug of the cylinder to be checked.
9. Crank engine for 5 seconds or more to remove combustion gas in the cylinder.
10. Connect spark plug and harness connector to ignition coil.
11. Fix ignition coil using a rope etc. with gap of 13 - 17 mm (0.52 - 0.66 in) between the edge of the spark plug and grounded metal portion as shown in the figure.
12. Crank engine for approximately 3 seconds, and check whether spark is generated between the spark plug and the grounded metal portion.

Spark should be generated.

CAUTION:

- During the operation, always stay 0.5 m (19.7 in) or more away from the spark plug and the ignition coil. Be careful not to get an electrical shock while checking, because the electrical discharge voltage becomes 20 kV or more.
- It might cause to damage the ignition coil if the gap of more than 17 mm (0.66 in) is taken.



IGNITION SIGNAL

< DTC/CIRCUIT DIAGNOSIS >

[QR25DE]

NOTE:

When the gap is less than 13 mm (0.52 in), the spark might be generated even if the coil is malfunctioning.

Is the inspection result normal?

YES >> INSPECTION END

NO >> Replace malfunctioning ignition coil with power transistor. Refer to [EM-41. "Removal and Installation"](#).

Component Inspection (Condenser-1)

INFOID:000000012602569

1. CHECK CONDENSER-1

1. Turn ignition switch OFF.
2. Disconnect condenser-1 harness connector.
3. Check resistance between condenser-1 terminals as per the following.

Condenser-1		Resistance
+	-	
Terminal		
1	2	Above 1 MΩ [at 25C° (77C°)]

Is the inspection result normal?

YES >> INSPECTION END

NO >> Replace condenser-1.

INFORMATION DISPLAY (ASCD)

Component Function Check

INFOID:000000012602570

1. CHECK INFORMATION DISPLAY

1. Start engine.
2. Press ASCD MAIN switch on ASCD steering switch.
3. Drive the vehicle at more than 40 km/h (25 MPH).
CAUTION:
Always drive vehicle at a safe speed.
4. Press SET/- switch.
5. Check that the reading of the speedometer shows the same value as the set speed indicated in the information display while driving the vehicle on a flat road.

Is the inspection result normal?

- YES >> INSPECTION END
 NO >> Proceed to [EC-553, "Diagnosis Procedure"](#).

Diagnosis Procedure

INFOID:000000012602571

1. CHECK DTC

Check that DTC UXXXX, P0500 or P1574 is not displayed.

Is the inspection result normal?

- YES >> GO TO 2.
 NO-1 >> Perform trouble diagnosis for DTC UXXXX.
 NO-2 >> Perform trouble diagnosis for DTC P0500. Refer to [EC-393, "DTC Logic"](#).
 NO-3 >> Perform trouble diagnosis for DTC P1574. Refer to [EC-478, "DTC Logic"](#).

2. CHECK DTC WITH COMBINATION METER

Refer to [MWI-18, "CONSULT Function \(METER/M&A\)"](#).

Is the inspection result normal?

- YES >> GO TO 3.
 NO >> Perform trouble diagnosis for DTC indicated.

3. CHECK INTERMITTENT INCIDENT

Perform [GI-44, "Intermittent Incident"](#).

Is the inspection result normal?

- YES >> Replace combination meter. Refer to [MWI-83, "Removal and Installation"](#).
 NO >> Repair or replace error-detected parts.

MALFUNCTION INDICATOR LAMP

< DTC/CIRCUIT DIAGNOSIS >

[QR25DE]

MALFUNCTION INDICATOR LAMP

Component Function Check

INFOID:000000012602572

1.CHECK MIL FUNCTION

1. Turn ignition switch ON.
2. Check that MIL illuminates.

Is the inspection result normal?

- YES >> INSPECTION END
NO >> Proceed to [EC-554. "Diagnosis Procedure"](#).

Diagnosis Procedure

INFOID:000000012602573

1.CHECK DTC

Check that DTC UXXXX is not displayed.

Is the inspection result normal?

- YES >> GO TO 2.
NO >> Perform trouble diagnosis for DTC UXXXX.

2.CHECK COMBINATION METER FUNCTION

Check combination meter function. Refer to [MWI-18. "CONSULT Function \(METER/M&A\)"](#).

Is the inspection result normal?

- YES >> GO TO 3.
NO >> Repair or replace.

3.CHECK INTERMITTENT INCIDENT

Check intermittent incident. Refer to [GI-44. "Intermittent Incident"](#).

Is the inspection result normal?

- YES >> Replace combination meter. Refer to [MWI-83. "Removal and Installation"](#).
NO >> Repair or replace error-detected parts.

ON BOARD REFUELING VAPOR RECOVERY (ORVR)

< DTC/CIRCUIT DIAGNOSIS >

[QR25DE]

ON BOARD REFUELING VAPOR RECOVERY (ORVR)

Component Function Check

INFOID:0000000012602574

1.CHECK ORVR FUNCTION

Check whether the following symptoms are present.

- Fuel odor from EVAP canister is strong.
- Cannot refuel/Fuel odor from the fuel filler opening is strong while refueling.

Are any symptoms present?

- YES >> Proceed to [EC-555, "Diagnosis Procedure"](#).
NO >> INSPECTION END

Diagnosis Procedure

INFOID:0000000012602575

1.INSPECTION START

Check whether the following symptoms are present.

- A: Fuel odor from EVAP canister is strong.
B: Cannot refuel/Fuel odor from the fuel filler opening is strong while refueling.

A or B

- A >> GO TO 2.
B >> GO TO 7.

2.CHECK EVAP CANISTER

1. Remove EVAP canister with EVAP canister vent control valve and EVAP control system pressure sensor attached. Refer to [FL-15, "Removal and Installation"](#).
2. Weigh the EVAP canister with EVAP canister vent control valve and EVAP control system pressure sensor attached.

The weight should be less than 2.1 kg (4.6 lb).

Is the inspection result normal?

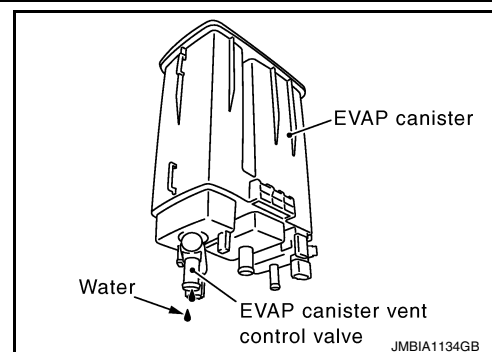
- YES >> GO TO 3.
NO >> GO TO 4.

3.CHECK IF EVAP CANISTER IS SATURATED WITH WATER

Check if water will drain from EVAP canister

Does water drain from the EVAP canister?

- YES >> GO TO 4.
NO >> GO TO 6.



4.REPLACE EVAP CANISTER

Replace EVAP canister with a new one. Refer to [FL-15, "Removal and Installation"](#).

>> GO TO 5.

5.DETECT MALFUNCTIONING PART

Check the EVAP hose between EVAP canister and vehicle frame for clogging or poor connection.

>> Repair or replace EVAP hose. Refer to [FL-10, "Removal and Installation"](#).

6.CHECK REFUELING EVAP VAPOR CUT VALVE

Check refueling EVAP vapor cut valve. Refer to [EC-557, "Component Inspection"](#).

ON BOARD REFUELING VAPOR RECOVERY (ORVR)

[QR25DE]

< DTC/CIRCUIT DIAGNOSIS >

Is the inspection result normal?

YES >> INSPECTION END

NO >> Replace refueling EVAP vapor cut valve with fuel tank. Refer to [FL-10. "Removal and Installation"](#).

7. CHECK EVAP CANISTER

1. Remove EVAP canister with EVAP canister vent control valve and EVAP control system pressure sensor attached. Refer to [FL-15. "Removal and Installation"](#).

2. Weigh the EVAP canister with EVAP canister vent control valve and EVAP control system pressure sensor attached.

The weight should be less than 2.1 kg (4.6 lb).

Is the inspection result normal?

YES >> GO TO 8.

NO >> GO TO 9.

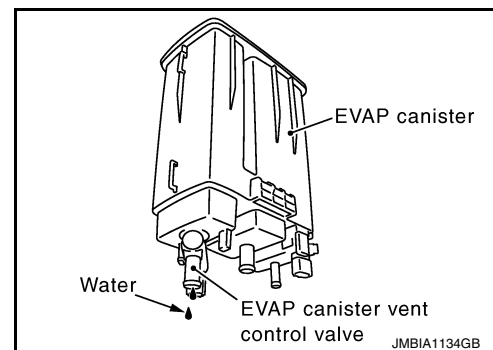
8. CHECK IF EVAP CANISTER IS SATURATED WITH WATER

Check if water will drain from EVAP canister.

Does water drain from the EVAP canister?

YES >> GO TO 6.

NO >> GO TO 11.



9. REPLACE EVAP CANISTER

Replace EVAP canister with a new one. Refer to [FL-15. "Removal and Installation"](#).

>> GO TO 10.

10. DETECT MALFUNCTIONING PART

Check the EVAP hose between EVAP canister and vehicle frame for clogging or poor connection.

>> Repair or replace EVAP hose. Refer to [FL-15. "Exploded View"](#).

11. CHECK VENT HOSES AND VENT TUBES

Check hoses and tubes between EVAP canister and refueling control valve for clogging, kinks, looseness and improper connection.

Is the inspection result normal?

YES >> GO TO 12.

NO >> Repair or replace hoses and tubes.

12. CHECK FILLER NECK TUBE

Check recirculation line for clogging, dents and cracks.

Is the inspection result normal?

YES >> GO TO 13.

NO >> Replace filler neck tube.

13. CHECK REFUELING EVAP VAPOR CUT VALVE

Check refueling EVAP vapor cut valve. Refer to [EC-557. "Component Inspection"](#).

Is the inspection result normal?

YES >> GO TO 14.

NO >> Replace refueling EVAP vapor cut valve with fuel tank. Refer to [FL-10. "Removal and Installation"](#).

14. CHECK FUEL FILLER TUBE

Check filler neck tube and hose connected to the fuel tank for clogging, dents and cracks.

ON BOARD REFUELING VAPOR RECOVERY (ORVR)

[QR25DE]

< DTC/CIRCUIT DIAGNOSIS >

Is the inspection result normal?

YES >> GO TO 15.

NO >> Replace fuel filler tube. Refer to [FL-10, "Exploded View"](#).

15.CHECK ONE-WAY FUEL VALVE-1

Check one-way valve for clogging.

Is the inspection result normal?

YES >> GO TO 16.

NO >> Repair or replace one-way fuel valve with fuel tank. Refer to [FL-10, "Removal and Installation"](#).

16.CHECK ONE-WAY FUEL VALVE-2

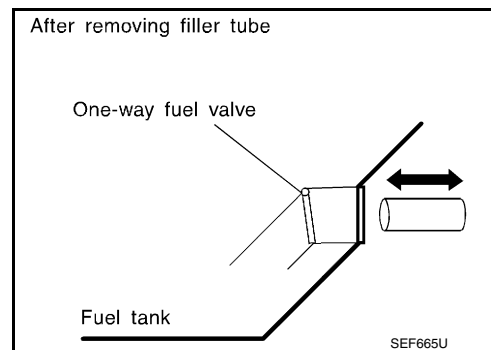
1. Check that fuel is drained from the tank.
2. Remove fuel filler tube and hose. Refer to [FL-10, "Exploded View"](#).
3. Check one-way fuel valve for operation as per the following.
When a stick is inserted, the valve should open, when removing stick it should close.

Do not drop any material into the tank.

Is the inspection result normal?

YES >> INSPECTION END

NO >> Replace fuel filler tube or replace one-way fuel valve with fuel tank. Refer to [FL-10, "Removal and Installation"](#).



INFOID:0000000012602576

Component Inspection

1.INSPECTION START

Will CONSULT be used?

Will CONSULT be used?

YES >> GO TO 2.

NO >> GO TO 3.

2.CHECK REFUELING EVAP VAPOR CUT VALVE

Ⓜ With CONSULT

1. Turn ignition switch OFF.
2. Remove fuel tank. Refer to [FL-10, "Removal and Installation"](#).
3. Drain fuel from the tank as per the following:
 - Remove fuel feed hose located on the fuel gauge retainer.
 - Connect a spare fuel hose, one side to fuel gauge retainer where the hose was removed and the other side to a fuel container.
 - Drain fuel using "FUEL PUMP RELAY" in "ACTIVE TEST" mode with CONSULT.
4. Check refueling EVAP vapor cut valve for being stuck to close as per the following.
Blow air into the refueling EVAP vapor cut valve (from the end of EVAP/ORVR line hose), and check that the air flows freely into the tank.
5. Check refueling EVAP vapor cut valve for being stuck to open as per the following.
 - Connect vacuum pump to hose end.
 - Remove fuel gauge retainer with fuel gauge unit.

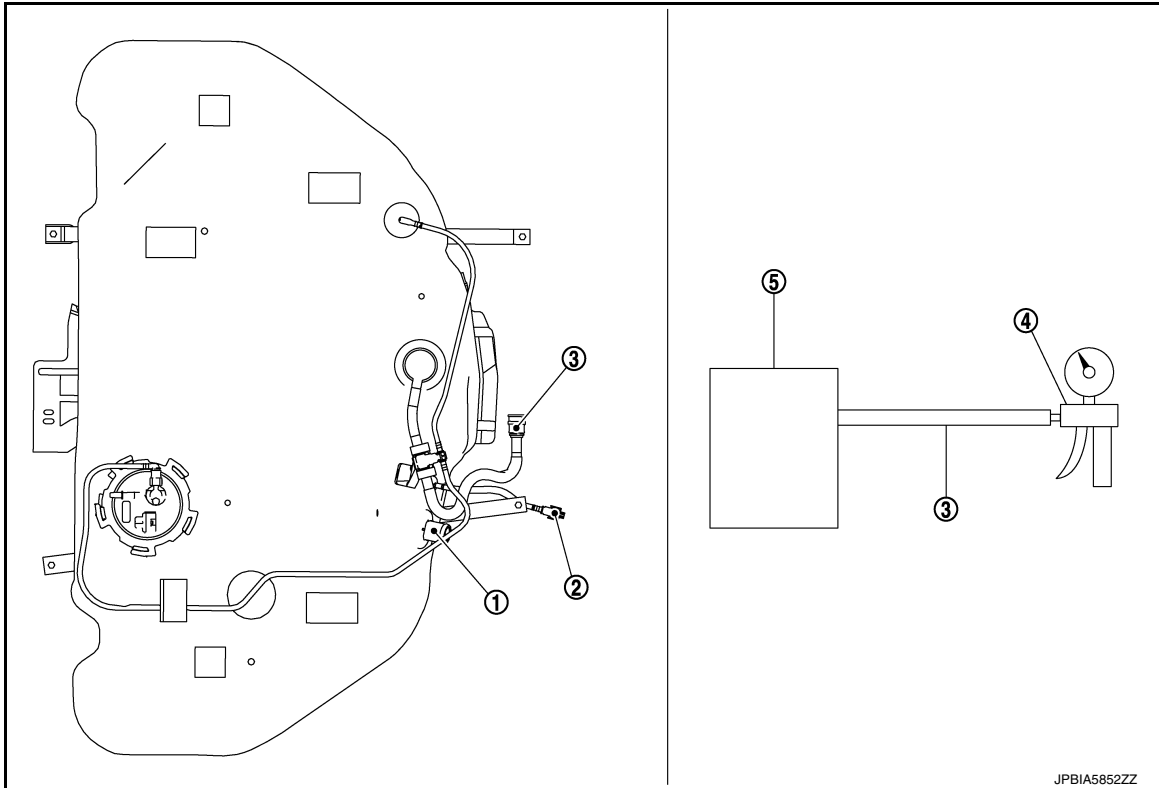
Always replace O-ring with new one.

 - Turn fuel tank upside down.
 - Apply vacuum pressure to hose end [-13.3 kPa (-0.136 kg/cm³, -1.93 psi)] with fuel gauge retainer remaining open and check that the pressure is applicable.

ON BOARD REFUELING VAPOR RECOVERY (ORVR)

< DTC/CIRCUIT DIAGNOSIS >

[QR25DE]



- ① Filler tube
- ② Recirculation line
- ③ EVAP/ORVR line
- ④ Vacuum/pressure handy pump
- ⑤ Fuel tank

Is the inspection result normal?

YES >> INSPECTION END

NO >> Replace refueling EVAP vapor cut valve with fuel tank. Refer to [FL-10, "Removal and Installation"](#).

3.CHECK REFUELING EVAP VAPOR CUT VALVE

⊗ Without CONSULT

1. Turn ignition switch OFF.
2. Remove fuel tank. Refer to [FL-10, "Removal and Installation"](#).
3. Drain fuel from the tank as per the following:
 - Remove fuel gauge retainer.
 - Drain fuel from the tank using a handy pump into a fuel container.
4. Check refueling EVAP vapor cut valve for being stuck to close as per the following.
Blow air into the refueling EVAP vapor cut valve (from the end of EVAP/ORVR line hose), and check that the air flows freely into the tank.
5. Check refueling EVAP vapor cut valve for being stuck to open as per the following.
 - Connect vacuum pump to hose end.
 - Remove fuel gauge retainer with fuel gauge unit.

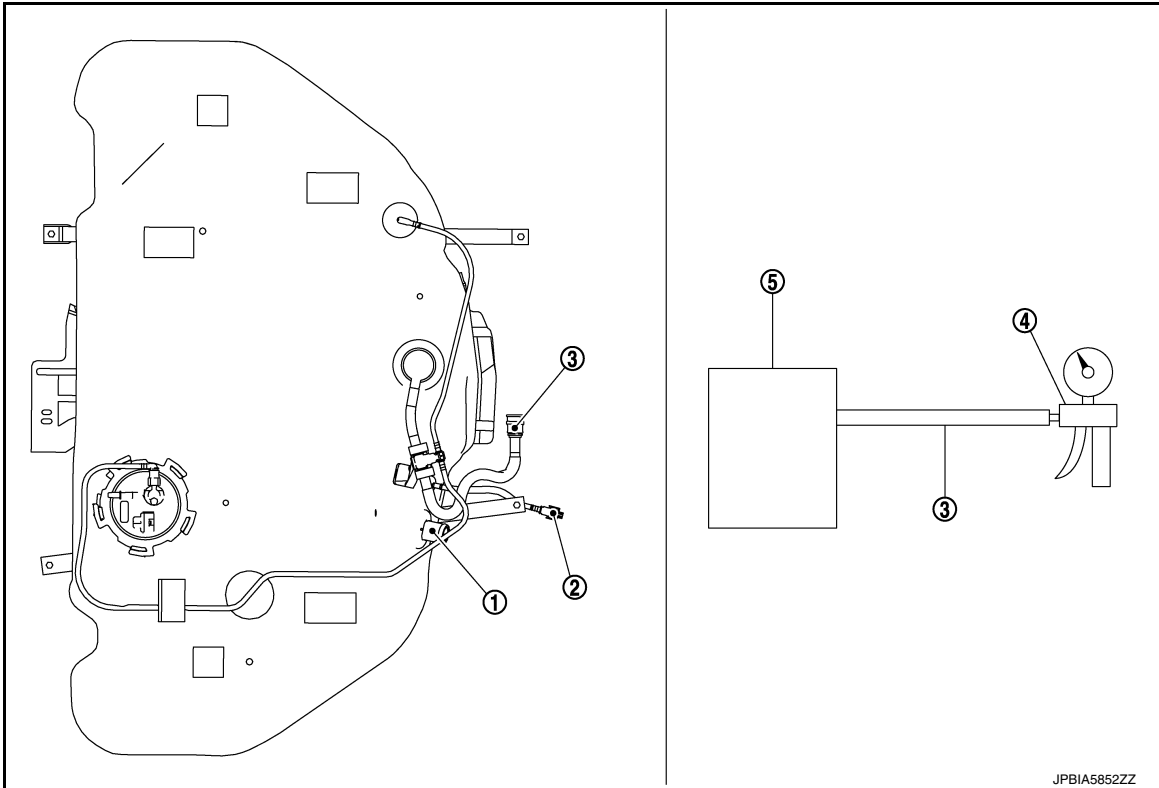
Always replace O-ring with new one.

 - Turn fuel tank upside down.
 - Apply vacuum pressure to hose end [-13.3 kPa (-0.136 kg/cm³, -1.93 psi)] with fuel gauge retainer remaining open and check that the pressure is applicable.

ON BOARD REFUELING VAPOR RECOVERY (ORVR)

< DTC/CIRCUIT DIAGNOSIS >

[QR25DE]



- ① Filler tube
- ② Recirculation line
- ③ EVAP/ORVR line
- ④ Vacuum/pressure handy pump
- ⑤ Fuel tank

Is the inspection result normal?

YES >> INSPECTION END

NO >> Replace refueling EVAP vapor cut valve with fuel tank. Refer to [FL-10, "Removal and Installation"](#).

A
EC
C
D
E
F
G
H
I
J
K
L
M
N
O
P

REFRIGERANT PRESSURE SENSOR

< DTC/CIRCUIT DIAGNOSIS >

[QR25DE]

REFRIGERANT PRESSURE SENSOR

Component Function Check

INFOID:000000012602577

1. CHECK REFRIGERANT PRESSURE SENSOR FUNCTION

1. Start engine and warm it up to normal operating temperature.
2. Turn A/C switch and blower fan switch ON.
3. Check the voltage between ECM harness connector terminals under the following conditions.

Connector	ECM		Voltage (V)
	+	-	
	Terminal		
E10*1 E31*2	103	124	1.0 - 4.0

*1: Except for California

*2: For California

Is the inspection result normal?

YES >> INSPECTION END

NO >> Proceed to [EC-560, "Diagnosis Procedure"](#).

Diagnosis Procedure

INFOID:000000012602578

1. CHECK REFRIGERANT PRESSURE SENSOR POWER SUPPLY

1. Disconnect refrigerant pressure sensor harness connector.
2. Turn ignition switch ON.
3. Check the voltage between refrigerant pressure sensor harness connector and ground.

+		-	Voltage (Approx.)
Refrigerant pressure sensor			
Connector	Terminal		
E219	1	Ground	5 V

Is the inspection result normal?

YES >> GO TO 3.

NO >> GO TO 2.

2. CHECK REFRIGERANT PRESSURE SENSOR POWER SUPPLY CIRCUIT

1. Turn ignition switch OFF.
2. Disconnect ECM harness connector.
3. Check the continuity between refrigerant pressure sensor harness connector and ECM harness connector.

+		-		Continuity
Refrigerant pressure sensor		ECM		
Connector	Terminal	Connector	Terminal	
E219	1	E10*1 E31*2	104	Existed

*1: Except for California

*2: For California

Is the inspection result normal?

YES >> Perform the trouble diagnosis for power supply circuit.

NO >> Repair or replace error-detected parts.

REFRIGERANT PRESSURE SENSOR

< DTC/CIRCUIT DIAGNOSIS >

[QR25DE]

3. CHECK REFRIGERANT PRESSURE SENSOR GROUND CIRCUIT

1. Turn ignition switch OFF.
2. Disconnect ECM harness connector.
3. Check the continuity between refrigerant pressure sensor harness connector and ECM harness connector.

+		-		Continuity
Refrigerant pressure sensor		ECM		
Connector	Terminal	Connector	Terminal	
E219	3	E10 ^{*1} E31 ^{*2}	124	Existed

*1: Except for California

*2: For California

4. Also check harness for short to power.

Is the inspection result normal?

YES >> GO TO 4.

NO >> Repair or replace error-detected parts.

4. CHECK REFRIGERANT PRESSURE SENSOR INPUT SIGNAL CIRCUIT

1. Check the continuity between refrigerant pressure sensor harness connector and ECM harness connector.

+		-		Continuity
Refrigerant pressure sensor		ECM		
Connector	Terminal	Connector	Terminal	
E219	2	E10 ^{*1} E31 ^{*2}	103	Existed

*1: Except for California

*2: For California

2. Also check harness for short to ground and to power.

Is the inspection result normal?

YES >> GO TO 5.

NO >> Repair or replace error-detected parts.

5. CHECK INTERMITTENT INCIDENT

Check intermittent incident. Refer to [GI-44, "Intermittent Incident"](#).

Is the inspection result normal?

YES >> Replace refrigerant pressure sensor. Refer to [HA-37, "CONDENSER : Removal and Installation"](#).

NO >> Repair or replace error-detected parts.

SENSOR POWER SUPPLY 2 CIRCUIT

< DTC/CIRCUIT DIAGNOSIS >

[QR25DE]

SENSOR POWER SUPPLY 2 CIRCUIT

Description

INFOID:000000012602579

ECM supplies a voltage of 5 V to some of the sensors systematically divided into 2 groups, respectively. Accordingly, when a short circuit develops in a sensor power source, a malfunction may occur simultaneously in the sensors belonging to the same group as the short-circuited sensor.

Sensor power supply 1

- APP sensor 1
- Battery current sensor
- CKP sensor (POS)
- Intake manifold runner control valve position sensor
- Refrigerant pressure sensor
- TP sensor

NOTE:

If sensor power supply 1 circuit is malfunctioning, DTC P0643 is displayed.

Sensor power supply 2

- APP sensor 2
- CMP sensor (PHASE)
- EVT control position sensor
- EOP sensor
- MAF sensor

Diagnosis Procedure

INFOID:000000012602580

1.CHECK APP SENSOR 2 POWER SUPPLY CIRCUIT-1

1. Turn ignition switch OFF.
2. Disconnect accelerator pedal position (APP) sensor harness connector.
3. Turn ignition switch ON.
4. Check the voltage between APP sensor harness connector and ground.

+		-	Voltage (Approx.)
APP sensor			
Connector	Terminal	Ground	5V
E40	5		

Is the inspection result normal?

YES >> INSPECTION END

NO >> GO TO 2.

2.CHECK APP SENSOR 2 POWER SUPPLY CIRCUIT-2

1. Turn ignition switch OFF.
2. Disconnect ECM harness connector.
3. Check the continuity between APP sensor harness connector and ECM harness connector.

+		+		Continuity
APP sensor		ECM		
Connector	Terminal	Connector	Terminal	Existed
E40	5	E10*1 E31*2	118	

*1: Except for California

*2: For California

Is the inspection result normal?

YES >> GO TO 3.

NO >> Repair open circuit.

SENSOR POWER SUPPLY 2 CIRCUIT

[QR25DE]

< DTC/CIRCUIT DIAGNOSIS >

3. CHECK SENSOR POWER SUPPLY 2 CIRCUIT

1. Disconnect following sensors harness connector.
2. Check harness for short to power and short to ground, between the following terminals.

ECM		Sensor		
Connector	Terminal	Name	Connector	Terminal
F14*1 F91*2	32	CMP sensor (PHASE)	F55	1
	36	MAF sensor	F31	1
	40	EOP sensor	F9	3
	44	EVT control position sensor	F58	1
E10*1 E31*2	118	APP sensor 2	E40	5

*1: Except for California

*2: For California

Is the inspection result normal?

YES >> GO TO 4.

NO >> Repair short to ground or short to power in harness or connectors.

4. CHECK COMPONENTS

Check the following.

- APP sensor 2 (Refer to [EC-512, "Component Inspection"](#).)
- Camshaft position sensor (PHASE) (Refer to [EC-344, "Component Inspection \(Camshaft position sensor\)"](#).)
- EVT control position sensor (Refer to [EC-434, "Component Inspection"](#).)
- EOP sensor (Refer to [EC-403, "Component Inspection"](#).)
- MAF sensor (Refer to [EC-244, "Component Inspection"](#).)

Is the inspection result normal?

YES >> Refer to [GI-44, "Intermittent Incident"](#).

NO >> Replace malfunctioning component.

A
EC
C
D
E
F
G
H
I
J
K
L
M
N
O
P

ENGINE CONTROL SYSTEM

< SYMPTOM DIAGNOSIS >

[QR25DE]

SYMPTOM DIAGNOSIS

ENGINE CONTROL SYSTEM

Symptom Table

INFOID:000000012602581

SYSTEM — BASIC ENGINE CONTROL SYSTEM

		SYMPTOM												Reference page	
		HARD/NO START/RESTART (EXCP. HA)	ENGINE STALL	HESITATION/SURGING/FLAT SPOT	SPARK KNOCK/DETONATION	LACK OF POWER/POOR ACCELERATION	HIGH IDLE/LOW IDLE	ROUGH IDLE/HUNTING	IDLING VIBRATION	SLOW/NO RETURN TO IDLE	OVERHEATS/WATER TEMPERATURE HIGH	EXCESSIVE FUEL CONSUMPTION	EXCESSIVE OIL CONSUMPTION		BATTERY DEAD (UNDER CHARGE)
Warranty symptom code		AA	AB	AC	AD	AE	AF	AG	AH	AJ	AK	AL	AM	HA	
Fuel	Fuel pump circuit	1	1	2	3	2		2	2			3		2	EC-545
	Fuel pressure regulator system	3	3	4	4	4	4	4	4	4		4			EC-190
	Fuel injector circuit	1	1	2	3	2		2	2			2			EC-542
	Fuel level sensor circuit														EC-389 , EC-391
	Fuel tank temperature sensor circuit														EC-317 , EC-319
	Evaporative emission system	3	3	4	4	4	4	4	4	4	4		4		EC-573
Air	Positive crankcase ventilation system	3	3	4	4	4	4	4	4	4		4	1	EC-576	
	Incorrect idle speed adjustment					1	1	1	1	1		1		EC-187	
	Electric throttle control actuator	1	1	2	3	3	2	2	2	2		2		2	EC-501 , EC-506
Ignition	Incorrect ignition timing adjustment	3	3	1	1	1		1	1			1		EC-572	
	Ignition circuit	1	1	2	2	2		2	2			2		EC-548	
Main power supply and ground circuit		2	2	3	3	3		3	3		2	3		EC-211	

ENGINE CONTROL SYSTEM

< SYMPTOM DIAGNOSIS >

[QR25DE]

	SYMPTOM												Reference page	
	HARD/NO START/RESTART (EXCP. HA)	ENGINE STALL	HESITATION/SURGING/FLAT SPOT	SPARK KNOCK/DETONATION	LACK OF POWER/POOR ACCELERATION	HIGH IDLE/LOW IDLE	ROUGH IDLE/HUNTING	IDLING VIBRATION	SLOW/NO RETURN TO IDLE	OVERHEATS/WATER TEMPERATURE HIGH	EXCESSIVE FUEL CONSUMPTION	EXCESSIVE OIL CONSUMPTION		BATTERY DEAD (UNDER CHARGE)
Warranty symptom code	AA	AB	AC	AD	AE	AF	AG	AH	AJ	AK	AL	AM	HA	
Mass air flow sensor circuit	1			2										EC-242 , EC-247
Intake air temperature sensor circuit														EC-253 , EC-254
Engine coolant temperature sensor circuit							3			3				EC-258 , EC-264
Air fuel ratio (A/F) sensor 1 circuit		1	2	3	2		2	2			2			EC-271 , EC-275 , EC-278 , EC-302 , EC-494
Throttle position sensor circuit						2			2					EC-261 , EC-328 , EC-440 , EC-441 , EC-514
Accelerator pedal position sensor circuit			3	2	1									EC-508 , EC-511 , EC-517
Heated oxygen sensor 2 circuit			6		6		6	6			5			EC-281 , EC-289 , EC-297
Knock sensor circuit			2								3			EC-337
Engine oil temperature sensor circuit			4		2						3			EC-324 , EC-325
Engine oil pressure sensor circuit			4		4	3	3	3			3			EC-401 , EC-405
Crankshaft position sensor (POS) circuit	2	2												EC-339
Camshaft position sensor (PHASE) circuit	3	2												EC-342
Vehicle speed signal circuit		2	3		3						3			EC-393
ECM	2	2	3	3	3	3	3	3	3	3	3			EC-416 , EC-417 , EC-418 , EC-420
Intake valve timing control solenoid valve circuit		3	2		1	3	2	2	3		3			EC-223 , EC-235
Intake valve timing intermediate lock control solenoid valve circuit														EC-407

A
EC
C
D
E
F
G
H
I
J
K
L
M
N
O
P

ENGINE CONTROL SYSTEM

< SYMPTOM DIAGNOSIS >

[QR25DE]

	SYMPTOM												Reference page	
	HARD/NO START/RESTART (EXCP. HA)	ENGINE STALL	HESITATION/SURGING/FLAT SPOT	SPARK KNOCK/DETONATION	LACK OF POWER/POOR ACCELERATION	HIGH IDLE/LOW IDLE	ROUGH IDLE/HUNTING	IDLING VIBRATION	SLOW/NO RETURN TO IDLE	OVERHEATS/WATER TEMPERATURE HIGH	EXCESSIVE FUEL CONSUMPTION	EXCESSIVE OIL CONSUMPTION		BATTERY DEAD (UNDER CHARGE)
Warranty symptom code	AA	AB	AC	AD	AE	AF	AG	AH	AJ	AK	AL	AM	HA	
Exhaust valve timing control solenoid valve circuit		3	2		1	3	2	2	3		3			EC-239
PNP signal circuit			3		3		3	3			3			EC-429
Refrigerant pressure sensor circuit		2				3			3		4			EC-560
Electrical load signal circuit							3							EC-540
Intake manifold runner control valve motor circuit					4	4								EC-488
Intake manifold runner control valve position sensor circuit					4	4								EC-491
Intake manifold tuning valve circuit					1									EC-482
Air conditioner circuit	2	2	3	3	3	3	3	3	3		3		2	HAC-45 , HAC-138
Battery current sensor circuit					4		5	5					3	EC-442 , EC-445 , EC-448 , EC-452
Battery temperature sensor circuit					4		5	5					3	EC-454
ASCD steering switch circuit														EC-456
ABS actuator and electric unit (control unit)			4											BRC-242

1 - 6: The numbers refer to the order of inspection.

(continued on next table)

SYSTEM — ENGINE MECHANICAL & OTHER

ENGINE CONTROL SYSTEM

< SYMPTOM DIAGNOSIS >

[QR25DE]

		SYMPTOM													Reference page	
		HARD/NO START/RESTART (EXCP. HA)	ENGINE STALL	HESITATION/SURGING/FLAT SPOT	SPARK KNOCK/DETONATION	LACK OF POWER/POOR ACCELERATION	HIGH IDLE/LOW IDLE	ROUGH IDLE/HUNTING	IDLING VIBRATION	SLOW/NO RETURN TO IDLE	OVERHEATSWATER TEMPERATURE HIGH	EXCESSIVE FUEL CONSUMPTION	EXCESSIVE OIL CONSUMPTION	BATTERY DEAD (UNDER CHARGE)		
Warranty symptom code		A A	AB	AC	AD	AE	AF	AG	AH	AJ	AK	AL	AM	HA		
Fuel	Fuel tank	5	5												FL-10	
	Fuel piping			5	5	5		5	5			5			EM-42	
	Vapor lock	5														—
	Valve deposit															—
	Poor fuel (Heavy weight gasoline, Low octane)			5	5	5	5		5	5			5			—
Air	Air duct	5	5	5	5	5	5	5	5	5	5	5	5	5	5	EM-30
	Air cleaner															
	Air leakage from air duct (Mass air flow sensor — electric throttle control actuator)															
	Electric throttle control actuator															
	Air leakage from intake manifold/Collector/Gasket															
Cranking	Battery	1	1	1		1		1	1					1	PG-78	
	Generator circuit														1	CHG-9
	Starter circuit	3										1				STR-6
	Signal plate	6														EM-92
	PNP signal	4														TM-210
Engine	Cylinder head	5	5	5	5	5		5	5			5			3	EM-81
	Cylinder head gasket										4					
	Cylinder block															
	Piston												4			
	Piston ring															
	Connecting rod	6	6	6	6	6		6	6			6				EM-92
	Bearing															
	Crankshaft															

A
EC
C
D
E
F
G
H
I
J
K
L
M
N
O
P

ENGINE CONTROL SYSTEM

< SYMPTOM DIAGNOSIS >

[QR25DE]

		SYMPTOM												Reference page	
		HARD/NO START/RESTART (EXCP. HA)	ENGINE STALL	HESITATION/SURGING/FLAT SPOT	SPARK KNOCK/DETONATION	LACK OF POWER/POOR ACCELERATION	HIGH IDLE/LOW IDLE	ROUGH IDLE/HUNTING	IDLING VIBRATION	SLOW/NO RETURN TO IDLE	OVERHEATS/WATER TEMPERATURE HIGH	EXCESSIVE FUEL CONSUMPTION	EXCESSIVE OIL CONSUMPTION		BATTERY DEAD (UNDER CHARGE)
Warranty symptom code		A A	AB	AC	AD	AE	AF	AG	AH	AJ	AK	AL	AM	HA	
Valve mechanism	Timing chain														EM-62
	Camshaft														EM-48
	Intake valve timing control	5	5	5	5	5		5	5			5			EM-62
	Intake valve														EM-58
	Exhaust valve												3		
Exhaust	Exhaust manifold/Tube/Muffler/Gasket	5	5	5	5	5		5	5			5			EM-33 , EX-6
	Three way catalyst														
Lubrication	Oil pan/Oil strainer/Oil pump/Oil filter/Oil gallery/Oil cooler	5	5	5	5	5		5	5			5			EM-36 , LU-15 , LU-14 , LU-7 , LU-18
	Oil level (Low)/Filthy oil														LU-9
Cooling	Radiator/Hose/Radiator filler cap														CO-16
	Thermostat									5					CO-22
	Water pump														CO-19
	Water gallery	5	5	5	5	5		5	5		4	5			CO-5
	Cooling fan														CO-17
	Coolant level (Low)/Contaminated coolant										5				
NVIS (NISSAN Vehicle Immobilizer System — NATS)		1	1												SEC-65

1 - 6: The numbers refer to the order of inspection.

INFORMATION DISPLAY IS MALFUNCTIONING

< SYMPTOM DIAGNOSIS >

[QR25DE]

INFORMATION DISPLAY IS MALFUNCTIONING

Diagnosis Procedure

INFOID:000000012602582

1.CHECK DTC WITH ECM

Check that DTC is not displayed.

Is the inspection result normal?

YES >> GO TO 2.

NO >> Perform trouble diagnosis relevant to DTC indicated.

2.CHECK INFORMATION DISPLAY (ASCD)

Refer to [EC-553. "Component Function Check"](#).

Is the inspection result normal?

YES >> GO TO 3.

NO >> Repair or replace malfunctioning part.

3.CHECK INTERMITTENT INCIDENT

Refer to [GI-44. "Intermittent Incident"](#).

>> INSPECTION END

A

EC

C

D

E

F

G

H

I

J

K

L

M

N

O

P

NORMAL OPERATING CONDITION

Description

INFOID:000000012602583

FUEL CUT CONTROL (AT NO LOAD AND HIGH ENGINE SPEED)

If the engine speed is above 2,000 rpm under no load (for example, the selector lever position is neutral and engine speed is over 2,000 rpm) fuel will be cut off after some time. The exact time when the fuel is cut off varies based on engine speed.

Fuel cut will be operated until the engine speed reaches 1,500 rpm, then fuel cut will be cancelled.

NOTE:

This function is different from deceleration control listed under Multiport Fuel Injection (MFI) System, [EC-45. "MULTIPOINT FUEL INJECTION SYSTEM : System Description \(with automatic air conditioner\)"](#) or [EC-48. "MULTIPOINT FUEL INJECTION SYSTEM : System Description \(with manual air conditioner\)"](#).

PERIODIC MAINTENANCE

IDLE SPEED

Inspection

INFOID:0000000012602584

A

EC

1. CHECK IDLE SPEED

Ⓜ With CONSULT

Check idle speed in "DATA MONITOR" mode of "ENGINE" using CONSULT.

C

Ⓜ With GST

Check idle speed with Service \$01 of GST.

D

>> INSPECTION END

E

F

G

H

I

J

K

L

M

N

O

P

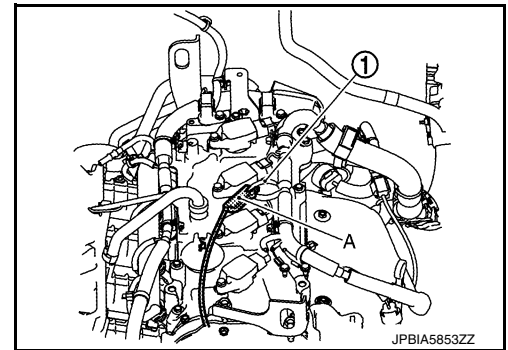
IGNITION TIMING

Inspection

INFOID:000000012602585

1.CHECK IGNITION TIMING

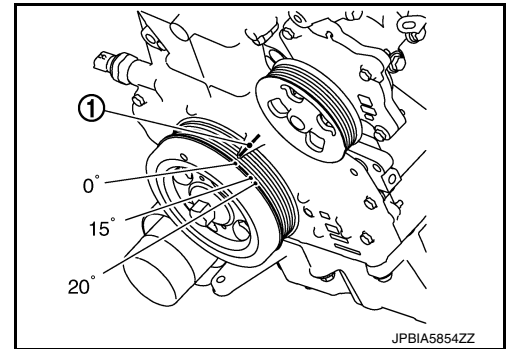
1. Attach timing light (A) to the ignition coil No.1 harness①.



2. Check ignition timing.

① : Timing indicator

>> INSPECTION END



EVAPORATIVE EMISSION SYSTEM

< PERIODIC MAINTENANCE >

[QR25DE]

EVAPORATIVE EMISSION SYSTEM

Inspection

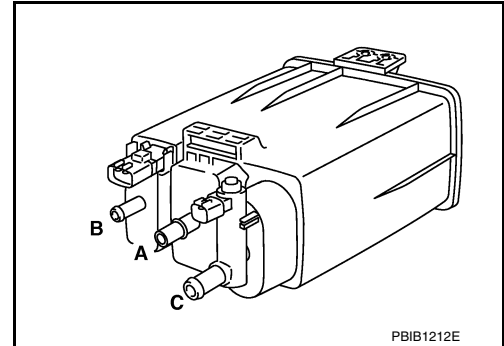
INFOID:000000012602586

EVAP CANISTER

1. CHECK EVAP CANISTER

1. Block port (B).
2. Blow air into port (A) and check that it flows freely out of port (C).
3. Release blocked port (B).
4. Apply vacuum pressure to port (B) and check that vacuum pressure exists at the ports (A) and (C).
5. Block port (A) and (B).
6. Apply pressure to port (C) and check that there is no leakage.

>> INSPECTION END



A

EC

C

D

E

F

G

H

I

J

K

L

M

N

O

P

EVAP LEAK CHECK

< PERIODIC MAINTENANCE >

[QR25DE]

EVAP LEAK CHECK

Inspection

INFOID:000000012602587

CAUTION:

- Do not use compressed air or a high pressure pump.
- Do not exceed 4.12 kPa (0.042 kg/cm², 0.6 psi) of pressure in EVAP system.

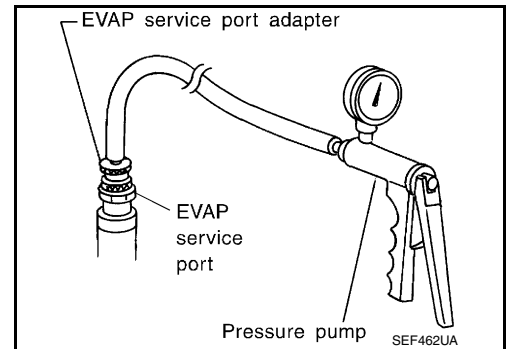
NOTE:

- Do not start engine.
- Improper installation of EVAP service port adapter [commercial service tool: (J-41413-OBD)] to the EVAP service port may cause a leak.

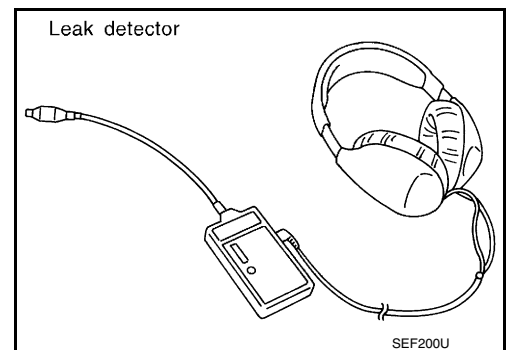
1. EVAP LEAK CHECK

④ With CONSULT

1. Install EVAP service port adapter [commercial service tool: (J-41413-OBD)] and pressure pump to EVAP service port.

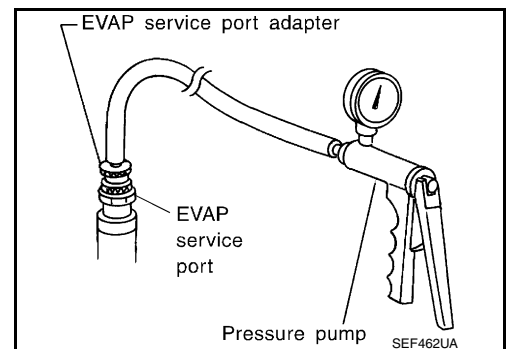


2. Turn ignition switch ON.
3. Select the "EVAP SYSTEM CLOSE" in "WORK SUPPORT" mode of "ENGINE" using CONSULT.
4. Touch "START". A bar graph (Pressure indicating display) will appear on the screen.
5. Apply positive pressure to the EVAP system until the pressure indicator reaches the middle of the bar graph.
6. Remove EVAP service port adapter [commercial service tool: (J-41413-OBD)] and hose with pressure pump.
7. Locate the leak using a leak detector [commercial service tool: (J-41416)]. Refer to [EC-64, "EVAPORATIVE EMISSION SYSTEM : System Description"](#).



⊗ Without CONSULT

1. Install EVAP service port adapter [commercial service tool: (J-41413-OBD)] and pressure pump to EVAP service port.



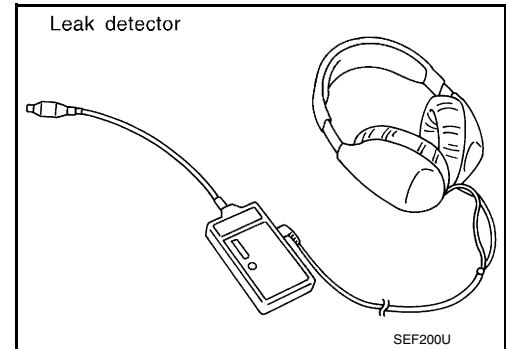
EVAP LEAK CHECK

[QR25DE]

< PERIODIC MAINTENANCE >

2. Apply battery voltage between the terminals of EVAP canister vent control valve to make a closed EVAP system.
3. To locate the leak, deliver positive pressure to the EVAP system until pressure gauge points reach 1.38 to 2.76 kPa (0.014 to 0.028 kg/cm², 0.2 to 0.4 psi).
4. Remove EVAP service port adapter [commercial service tool: (J-41413-OBD)] and hose with pressure pump.
5. Locate the leak using a leak detector [commercial service tool: (J-41416)]. Refer to [EC-64, "EVAPORATIVE EMISSION SYSTEM : System Description"](#).

>> INSPECTION END



A
EC
C
D
E
F
G
H
I
J
K
L
M
N
O
P

POSITIVE CRANKCASE VENTILATION

< PERIODIC MAINTENANCE >

[QR25DE]

POSITIVE CRANKCASE VENTILATION

Inspection

INFOID:000000012602588

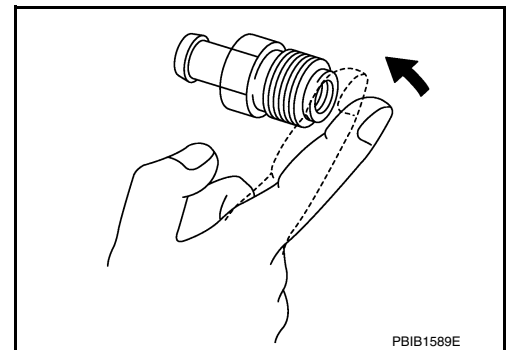
1. CHECK PCV VALVE

With engine running at idle, remove PCV valve from rocker cover. A properly working valve makes a hissing noise as air passes through it. A strong vacuum should be felt immediately when a finger is placed over valve inlet.

Is the inspection result normal?

YES >> INSPECTION END

NO >> Replace PCV valve. Refer to [EC-22](#),
["Component Parts Location"](#).



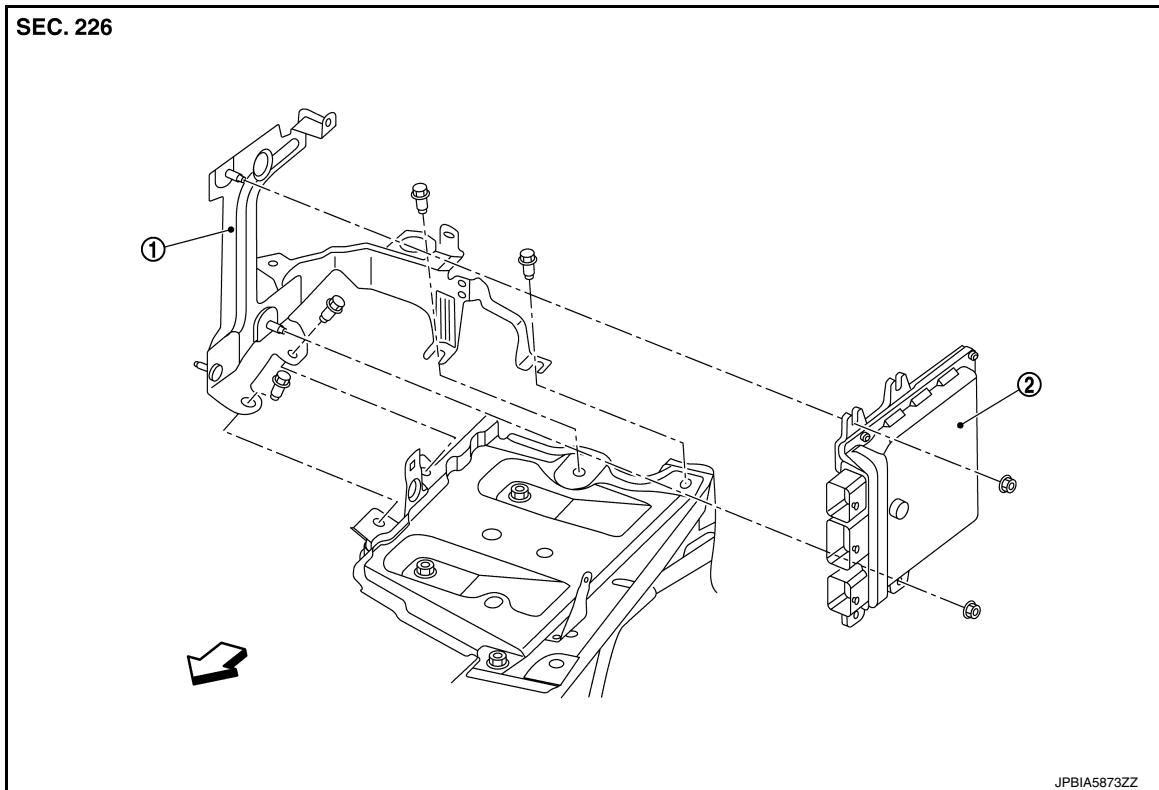
REMOVAL AND INSTALLATION

ECM

Removal and Installation

INFOID:000000012602589

EXPLODED VIEW



1. ECM bracket

2. ECM

← Front

REMOVAL**CAUTION:**

Perform **ADDITIONAL SERVICE WHEN REPLACING ECM**. Refer to [EC-182, "Description"](#).

1. Remove battery. Refer to [PG-78, "Removal and Installation"](#).
2. Disconnect the harness connectors from ECM.
3. Remove ECM nuts, and then remove ECM.

INSTALLATION

Installation is in the reverse order of removal.

SERVICE DATA AND SPECIFICATIONS (SDS)

< SERVICE DATA AND SPECIFICATIONS (SDS)

[QR25DE]

SERVICE DATA AND SPECIFICATIONS (SDS)

SERVICE DATA AND SPECIFICATIONS (SDS)

Idle Speed

INFOID:0000000012602590

Condition	Specification
No load* (in P or N position)	650 ± 50 rpm

*: Under the following conditions

- A/C switch: OFF
- Electric load: OFF (Lights, heater fan & rear window defogger)
- Steering wheel: Kept in straight-ahead position

Ignition Timing

INFOID:0000000012602591

Condition	Specification
No load* (in P or N position)	10 ± 2° BTDC

*: Under the following conditions

- A/C switch: OFF
- Electric load: OFF (Lights, heater fan & rear window defogger)
- Steering wheel: Kept in straight-ahead position

Calculated Load Value

INFOID:0000000012602592

Condition	Specification (Using CONSULT or GST)
At idle	10 – 35 %
At 2,500 rpm	10 – 35 %

Mass Air Flow Sensor

INFOID:0000000012602593

Supply voltage	Battery voltage (11 – 14 V)
Output voltage at idle	4,100 – 4,700 Hz*
Mass air flow (Using CONSULT or GST)	1.0 – 4.0 g/s at idle* 4.0 – 10.0 g/s at 2,500 rpm*

*: Engine is warmed up to normal operating temperature and running under no load.

PRECAUTION

PRECAUTIONS

Precaution for Supplemental Restraint System (SRS) "AIR BAG" and "SEAT BELT PRE-TENSIONER"

INFOID:000000012602594

The Supplemental Restraint System such as "AIR BAG" and "SEAT BELT PRE-TENSIONER", used along with a front seat belt, helps to reduce the risk or severity of injury to the driver and front passenger for certain types of collision. Information necessary to service the system safely is included in the SR and SB section of this Service Manual.

WARNING:

- To avoid rendering the SRS inoperative, which could increase the risk of personal injury or death in the event of a collision which would result in air bag inflation, it is recommended that all maintenance and repair be performed by an authorized NISSAN/INFINITI dealer.
- Improper repair, including incorrect removal and installation of the SRS, can lead to personal injury caused by unintentional activation of the system. For removal of Spiral Cable and Air Bag Module, see the SR section.
- Do not use electrical test equipment on any circuit related to the SRS unless instructed to in this Service Manual. SRS wiring harnesses can be identified by yellow and/or orange harnesses or harness connectors.

PRECAUTIONS WHEN USING POWER TOOLS (AIR OR ELECTRIC) AND HAMMERS

WARNING:

- When working near the Airbag Diagnosis Sensor Unit or other Airbag System sensors with the Ignition ON or engine running, DO NOT use air or electric power tools or strike near the sensor(s) with a hammer. Heavy vibration could activate the sensor(s) and deploy the air bag(s), possibly causing serious injury.
- When using air or electric power tools or hammers, always switch the Ignition OFF, disconnect the battery or batteries, and wait at least three minutes before performing any service.

On Board Diagnostic (OBD) System of Engine and CVT

INFOID:000000012602595

The ECM has an on board diagnostic system. It will illuminate the malfunction indicator lamp (MIL) to warn the driver of a malfunction causing emission deterioration.

CAUTION:

- Always to turn the ignition switch OFF and disconnect the negative battery cable before any repair or inspection work. The open/short circuit of related switches, sensors, solenoid valves, etc. will cause the MIL to illuminate.
- Always to connect and lock the connectors securely after work. A loose (unlocked) connector will cause the MIL to illuminate due to the open circuit. (Be sure the connector is free from water, grease, dirt, bent terminals, etc.)
- Certain systems and components, especially those related to OBD, may use a new style slide-locking type harness connector. For description and how to disconnect, refer to [PG-9, "Harness Connector"](#).
- Always route and secure the harnesses properly after work. The interference of the harness with a bracket, etc. may cause the MIL to illuminate due to the short circuit.
- Always to connect rubber tubes properly after work. A misconnected or disconnected rubber tube may cause the MIL to illuminate due to the malfunction of the EVAP system or fuel injection system, etc.
- Always to erase the unnecessary malfunction information (repairs completed) from the ECM and TCM (Transmission control module) before returning the vehicle to the customer.

PRECAUTIONS

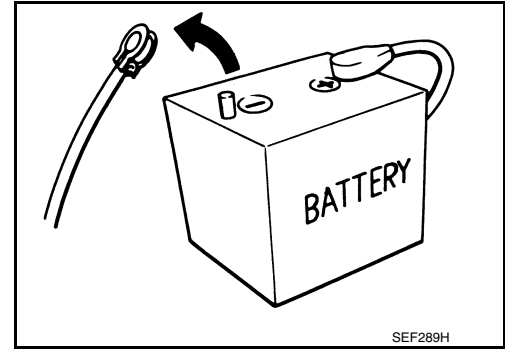
[VQ35DE]

< PRECAUTION >

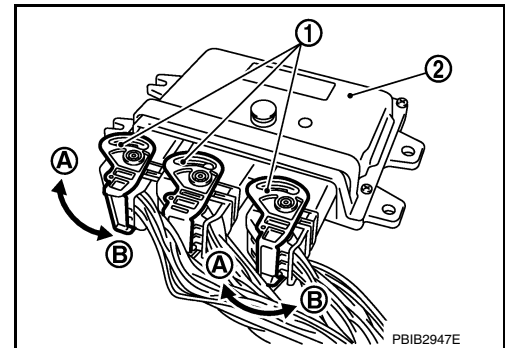
General Precautions

INFOID:000000012602596

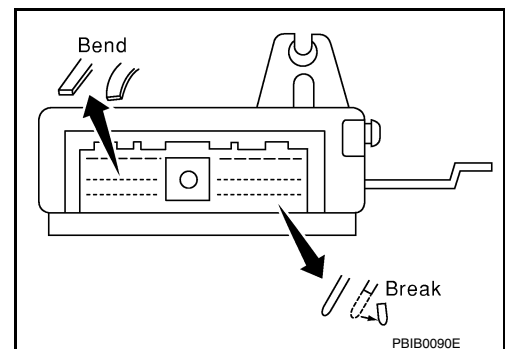
- Always use a 12 volt battery as power source.
- Never attempt to disconnect battery cables while engine is running.
- Before connecting or disconnecting the ECM harness connector, turn ignition switch OFF and disconnect negative battery cable. Failure to do so may damage the ECM because battery voltage is applied to ECM even if ignition switch is turned OFF.
- Before removing parts, turn ignition switch OFF and then disconnect battery ground cable.



- Never disassemble ECM.
- If a battery cable is disconnected, the memory will return to the ECM value. The ECM will now start to self-control at its initial value. Thus, engine operation can vary slightly in this case. However, this is not an indication of a malfunction. Never replace parts because of a slight variation.
- If the battery is disconnected, the following emission-related diagnostic information will be lost within 24 hours.
 - Diagnostic trouble codes
 - 1st trip diagnostic trouble codes
 - Freeze frame data
 - 1st trip freeze frame data
 - System readiness test (SRT) codes
 - Test values
- When connecting ECM harness connector, fasten (B) it securely with a lever (1) as far as it will go as shown in the figure.
 - ECM (2)
 - Loosen (A)



- When connecting or disconnecting pin connectors into or from ECM, never damage pin terminals (bends or break). Check that there are not any bends or breaks on ECM pin terminal, when connecting pin connectors.
- Securely connect ECM harness connectors. A poor connection can cause an extremely high (surge) voltage to develop in coil and condenser, thus resulting in damage to ICs.
- Keep engine control system harness at least 10 cm (4 in) away from adjacent harness, to prevent engine control system malfunctions due to receiving external noise, degraded operation of ICs, etc.
- Keep engine control system parts and harness dry.

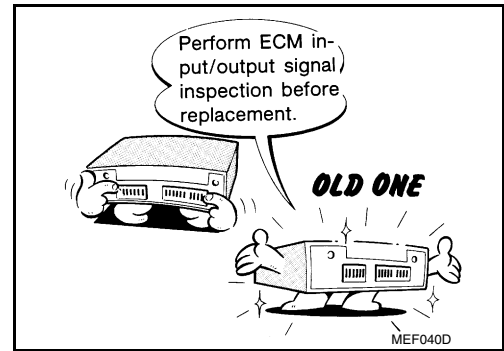


PRECAUTIONS

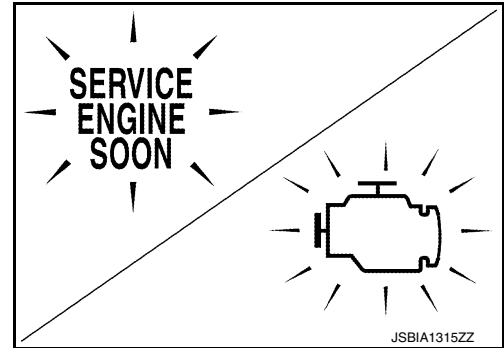
[VQ35DE]

< PRECAUTION >

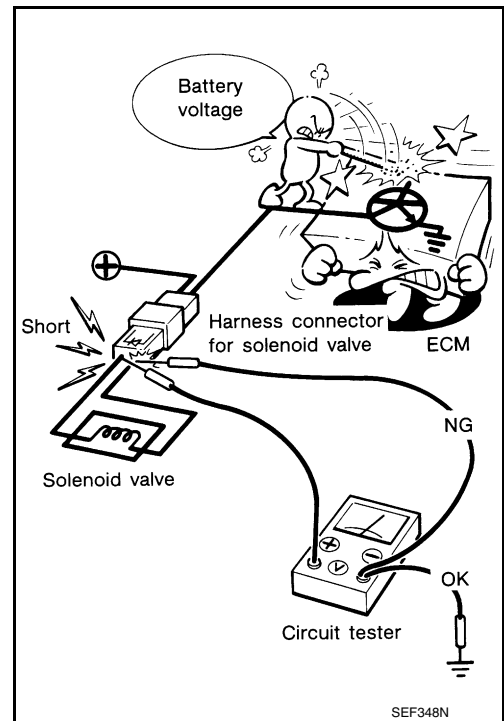
- Before replacing ECM, perform ECM Terminals and Reference Value inspection and check ECM functions properly. Refer to [EC-656, "Reference Value"](#).
- Handle mass air flow sensor carefully to avoid damage.
- Never clean mass air flow sensor with any type of detergent.
- Never disassemble electric throttle control actuator.
- Even a slight leakage in the air intake system can cause serious incidents.
- Never shock or jar the camshaft position sensor (PHASE), crankshaft position sensor (POS).



- After performing each TROUBLE DIAGNOSIS, perform DTC Confirmation Procedure or Component Function Check. The DTC should not be displayed in the DTC Confirmation Procedure if the repair is completed. The Component Function Check should be a good result if the repair is completed.



- When measuring ECM signals with a circuit tester, never allow the two tester probes to contact. Accidental contact of probes will cause a short circuit and damage the ECM power transistor.

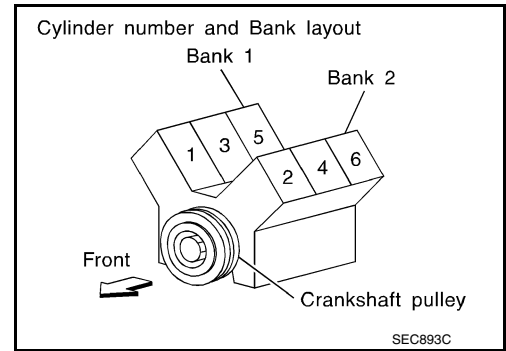


PRECAUTIONS

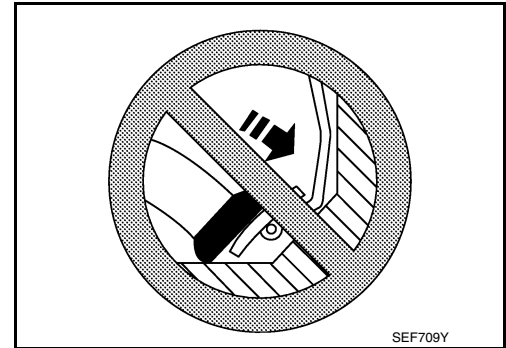
[VQ35DE]

< PRECAUTION >

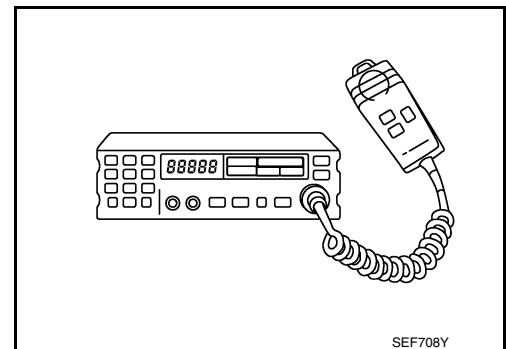
- B1 indicates bank 1, B2 indicates bank 2 as shown in the figure.
- Never operate fuel pump when there is no fuel in lines.
- Tighten fuel hose clamps to the specified torque.



- Never depress accelerator pedal when starting.
- Immediately after starting, never rev up engine unnecessarily.
- Never rev up engine just prior to shutdown.



- When installing C.B. ham radio or a mobile phone, be sure to observe the following as it may adversely affect electronic control systems depending on installation location.
 - Keep the antenna as far as possible from the electronic control units.
 - Keep the antenna feeder line more than 20 cm (8 in) away from the harness of electronic controls. Never let them run parallel for a long distance.
 - Adjust the antenna and feeder line so that the standing-wave ratio can be kept smaller.
 - Be sure to ground the radio to vehicle body.



PREPARATION

< PREPARATION >

[VQ35DE]

PREPARATION

PREPARATION

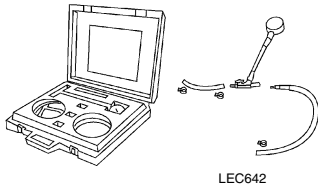
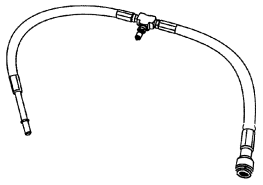
Special Service Tools

INFOID:0000000012602597

A

EC

The actual shape of the tools may differ from those illustrated here.

Tool number (TechMate No.) Tool name	Description
(J-44321) Fuel pressure gauge kit  LEC642	Checks fuel pressure
(J-44321-6) Fuel pressure adapter  LBIA0376E	Connects fuel pressure gauge to quick connector type fuel lines

C

D

E


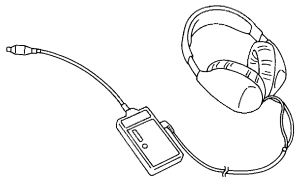
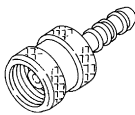
F

G

H

Commercial Service Tools

INFOID:0000000012602598

Tool name (TechMate No.)	Description
(J-45488) Quick connector re- lease  PBIC0198E	Removes fuel tube quick connectors in engine room
Leak detector i.e.: (J-41416)  S-NT703	Locates the EVAP leakage
EVAP service port adapter i.e.: (J-41413-OB)  S-NT704	Applys positive pressure through EVAP service port

I

J

K

L

M

N

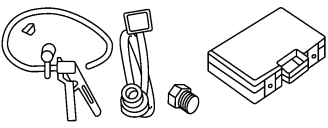
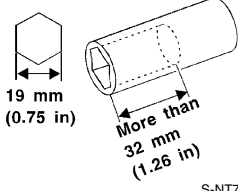
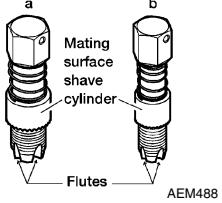
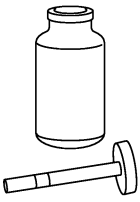
O

P

PREPARATION

[VQ35DE]

< PREPARATION >

Tool name (TechMate No.)	Description
Fuel filler cap adapter i.e.: (J-42909) <div style="text-align: center;">  <p>ALBIA1353ZZ</p> </div>	Checks fuel tank vacuum relief valve opening pressure
Socket wrench <div style="text-align: center;">  <p>S-NT705</p> </div>	Removes and installs engine coolant temperature sensor. Refer to CO-48, "Exploded View" .
Oxygen sensor thread cleaner i.e.: (J-43897-18) (J-43897-12) <div style="text-align: center;">  <p>AEM488</p> </div>	Reconditions the exhaust system threads before installing a new oxygen sensor. Use with anti-seize lubricant shown below. a: 18 mm diameter with pitch 1.5 mm for Zirconia Oxygen Sensor b: 12 mm diameter with pitch 1.25 mm for Titania Oxygen Sensor
Anti-seize lubricant i.e.: (Permatex™ 133AR or equivalent meeting MIL specification MIL-A-907) <div style="text-align: center;">  <p>S-NT779</p> </div>	Lubricates oxygen sensor thread cleaning tool when reconditioning exhaust system threads.

COMPONENT PARTS

< SYSTEM DESCRIPTION >

[VQ35DE]

SYSTEM DESCRIPTION

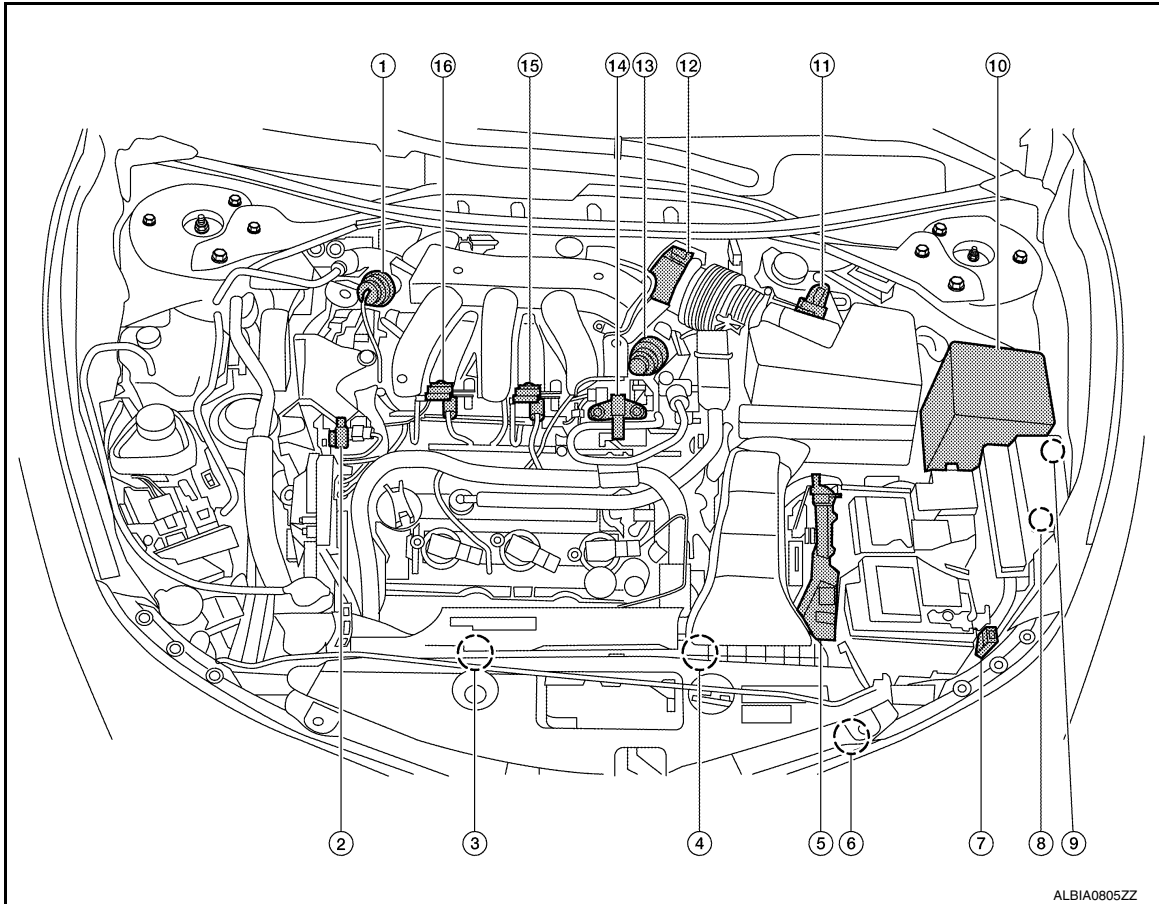
COMPONENT PARTS

ENGINE CONTROL SYSTEM

ENGINE CONTROL SYSTEM : Component Parts Location

INFOID:000000012602599

ENGINE ROOM



No.	Component	Function
1.	Power valve actuator 1	EC-599. "Power Valve Actuator 1 and 2"
2.	Electronic controlled engine mount control solenoid valve	EC-592. "Electronic Controlled Engine Mount"
3.	Cooling fan motor-2	EC-591. "Cooling Fan"
4.	Cooling fan motor-1	EC-591. "Cooling Fan"
5.	ECM	EC-591. "ECM"
6.	Refrigerant pressure sensor	EC-599. "Refrigerant Pressure Sensor"
7.	Battery current sensor (with battery temperature sensor)	EC-590. "Battery Current Sensor (With Battery Temperature Sensor)"
8.	Cooling fan motor relay-2	EC-591. "Cooling Fan"
9.	Cooling fan motor relay-3	EC-591. "Cooling Fan"
10.	IPDM E/R	IPDM E/R activates the internal control circuit to perform the relay ON-OFF control according to the input signals from various sensors and the request signals received from control units via CAN communication. Refer to PCS-47. "Removal and Installation" for detailed installation location.

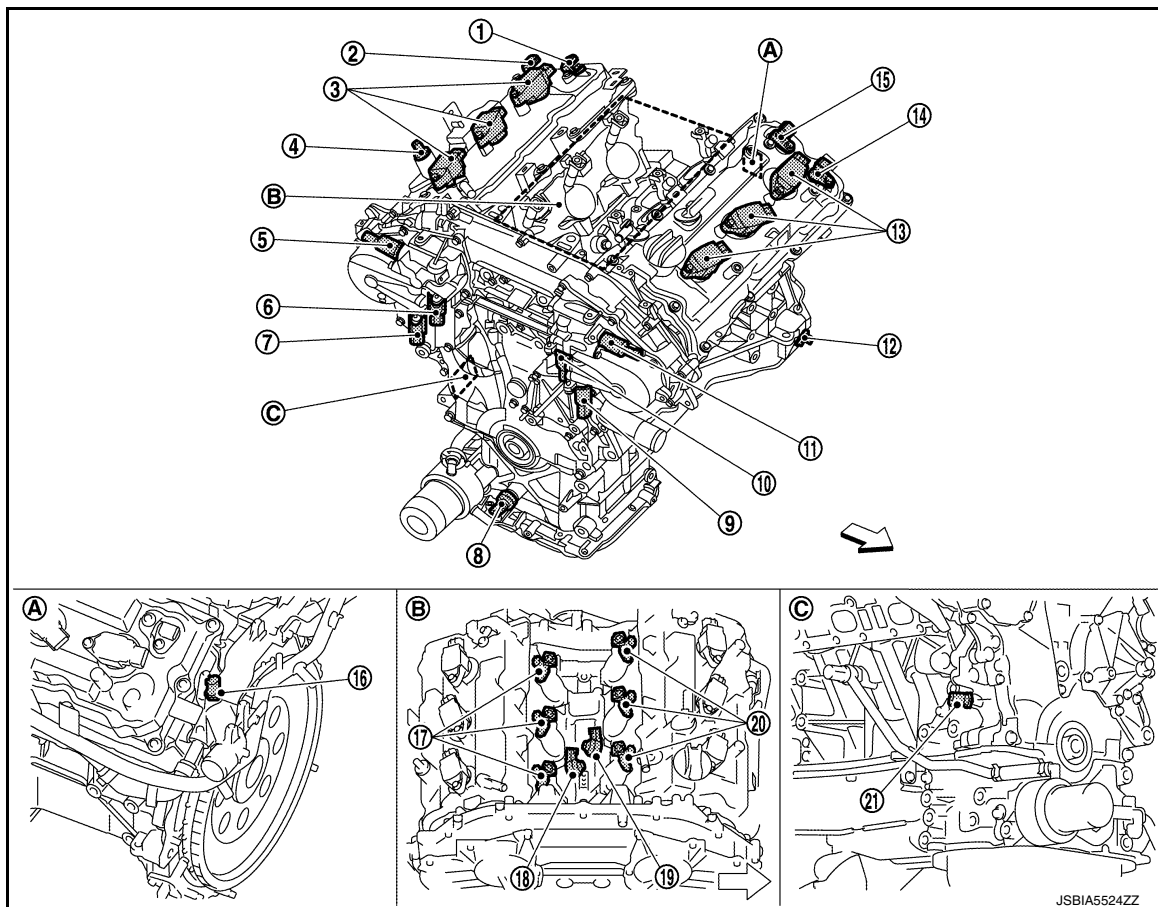
COMPONENT PARTS

< SYSTEM DESCRIPTION >

[VQ35DE]

No.	Component	Function
11.	Mass air flow sensor (with intake air temperature sensor)	EC-598, "Mass Air Flow Sensor (With Intake Air Temperature Sensor)"
12.	Electric throttle control actuator	EC-592, "Electric Throttle Control Actuator"
13.	Power valve actuator 2	EC-599, "Power Valve Actuator 1 and 2"
14.	EVAP canister purge volume control solenoid valve	EC-594, "EVAP Canister Purge Volume Control Solenoid Valve"
15.	VIAS control solenoid valve 2	EC-599, "VIAS Control Solenoid Valve 1 and 2"
16.	VIAS control solenoid valve 1	EC-599, "VIAS Control Solenoid Valve 1 and 2"

ENGINE



A. Engine rear upper-left

B. Engine top center

C. Engine front lower-right

↶ :Vehicle front

No.	Component	Function
1.	Camshaft position sensor (PHASE) (bank 1)	EC-590, "Camshaft Position Sensor (PHASE)"
2.	Exhaust valve timing control position sensor (bank 1)	EC-597, "Exhaust Valve Timing Control Position Sensor"
3.	Ignition coil (with power transistor) (bank 1)	EC-596, "Ignition Coil (With Power Transistor)"
4.	PCV valve	EC-600, "Positive Crankcase Ventilation (PCV)"
5.	Intake valve timing intermediate lock control solenoid valve (bank 1)	EC-597, "Intake Valve Timing Intermediate Lock Control Solenoid Valve"
6.	Intake valve timing control solenoid valve (bank 1)	EC-596, "Intake Valve Timing Control Solenoid Valve"
7.	Exhaust valve timing control position sensor (bank 1)	EC-597, "Exhaust Valve Timing Control Position Sensor"

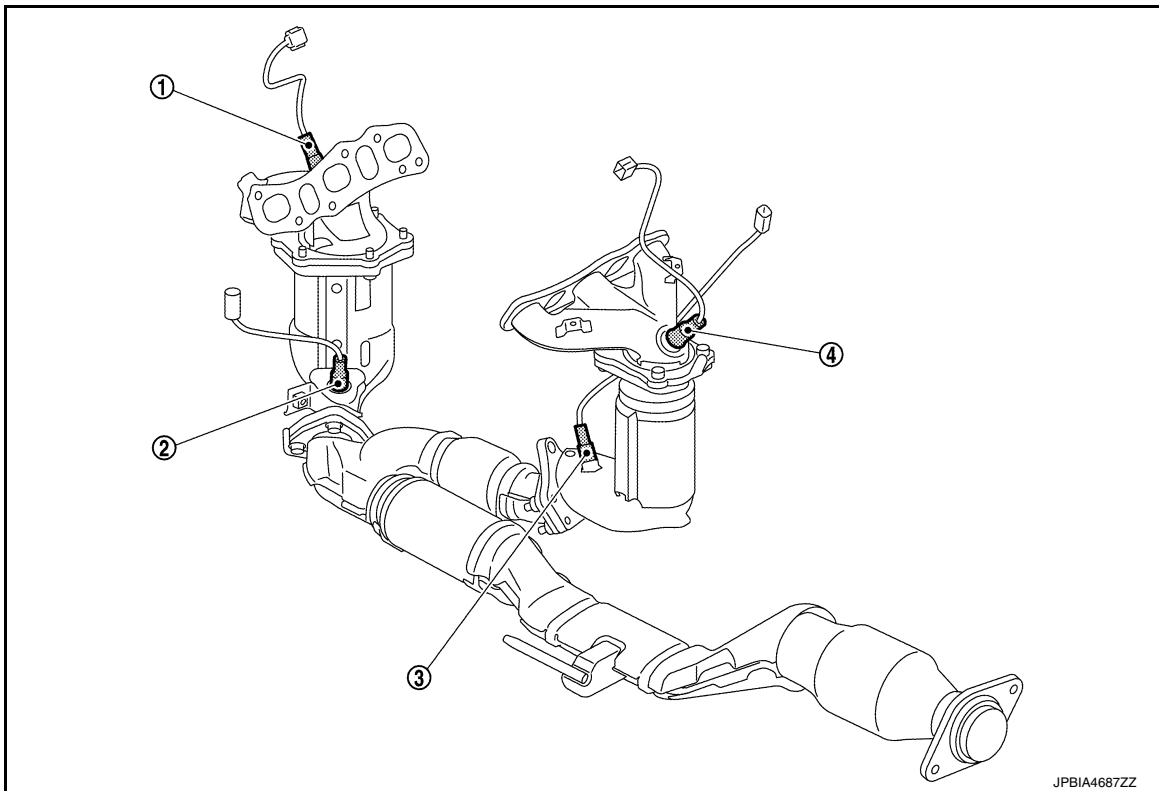
COMPONENT PARTS

< SYSTEM DESCRIPTION >

[VQ35DE]

No.	Component	Function
8.	Engine oil pressure sensor	EC-593. "Engine Oil Pressure Sensor"
9.	Exhaust valve timing control position sensor (bank 2)	EC-597. "Exhaust Valve Timing Control Position Sensor"
10.	Intake valve timing control solenoid valve (bank 2)	EC-596. "Intake Valve Timing Control Solenoid Valve"
11.	Intake valve timing intermediate lock control solenoid valve (bank 2)	EC-597. "Intake Valve Timing Intermediate Lock Control Solenoid Valve"
12.	Crankshaft position sensor (POS)	EC-591. "Crankshaft Position Sensor (POS)"
13.	Ignition coil (with power transistor) (bank 2)	EC-596. "Ignition Coil (With Power Transistor)"
14.	Exhaust valve timing control position sensor (bank 2)	EC-597. "Exhaust Valve Timing Control Position Sensor"
15.	Camshaft position sensor (PHASE) (bank 2)	EC-590. "Camshaft Position Sensor (PHASE)"
16.	Engine coolant temperature sensor	EC-593. "Engine Coolant Temperature Sensor"
17.	Fuel injector (bank 1)	EC-595. "Fuel Injector"
18.	Knock sensor (bank 1)	EC-597. "Knock Sensor"
19.	Knock sensor (bank 2)	EC-597. "Knock Sensor"
20.	Fuel injector (bank 2)	EC-595. "Fuel Injector"
21.	Engine oil temperature sensor	EC-593. "Engine Oil Temperature Sensor"

EXHAUST



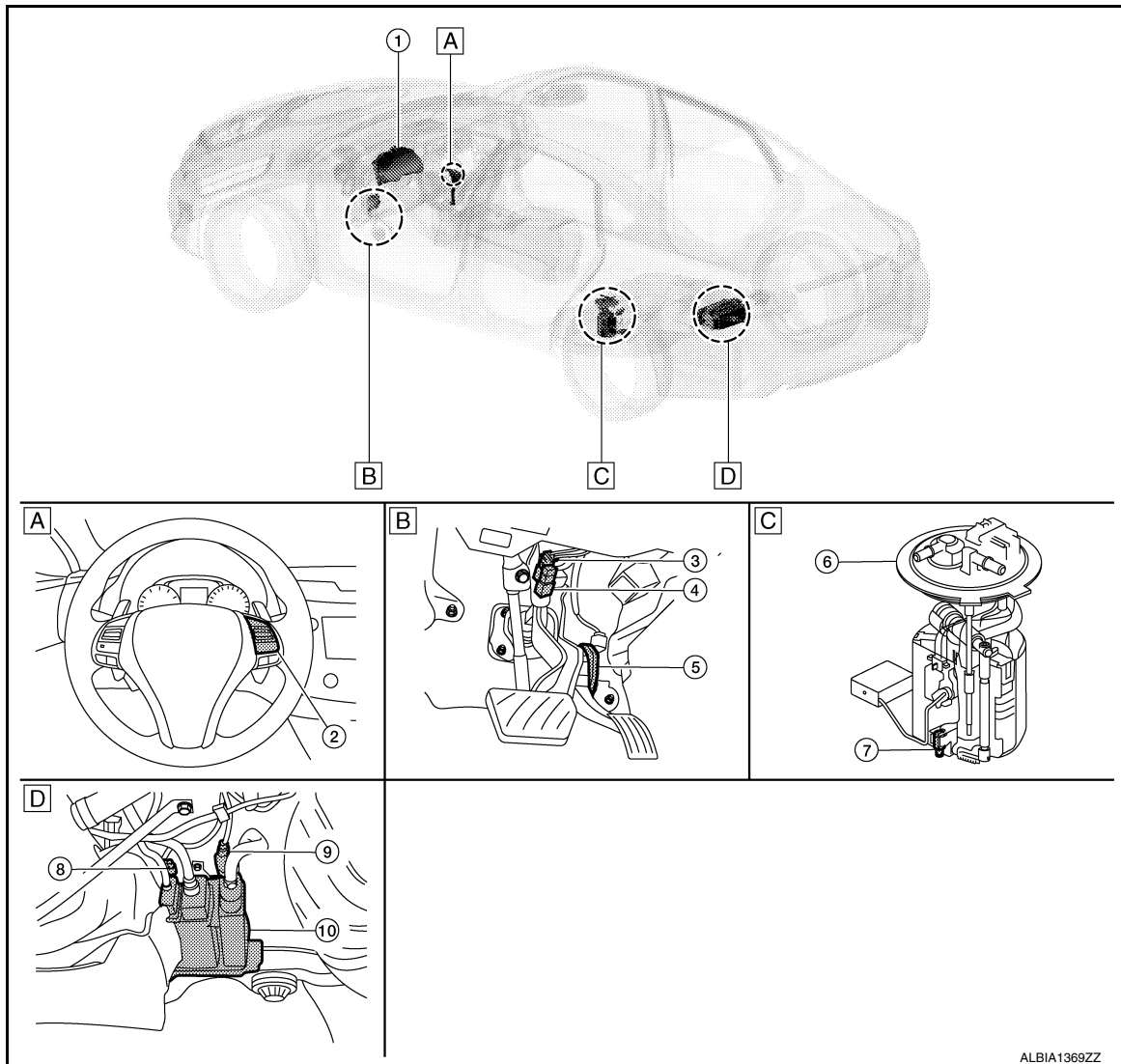
No.	Component	Function
1.	Air fuel ratio (A/F) sensor 1 (bank 2)	EC-589. "Air Fuel Ratio (A/F) Sensor 1"
2.	Heated oxygen sensor 2 (bank 2)	EC-596. "Heated Oxygen Sensor 2"
3.	Heated oxygen sensor 2 (bank 1)	EC-596. "Heated Oxygen Sensor 2"
4.	Air fuel ratio (A/F) sensor 1 (bank 1)	EC-589. "Air Fuel Ratio (A/F) Sensor 1"

BODY

COMPONENT PARTS

< SYSTEM DESCRIPTION >

[VQ35DE]



ALBIA1369ZZ

- A. Instrument panel periphery (driver side) B. Pedal periphery C. Inside fuel tank periphery
 D. Rear of fuel tank area

No.	Component	Function
1.	Malfunction indicator lamp (MIL)	EC-598. "Malfunction Indicator lamp (MIL)"
	Information display	The operation mode of the ASCD is indicated on the information display in the combination meter. ECM transmits the status signal to the combination meter via CAN communication according to ASCD operation.
2.	ASCD steering switch	EC-590. "ASCD Steering Switch"
3.	Stop lamp switch	EC-599. "Stop Lamp Switch & Brake Pedal Position Switch"
4.	Brake pedal position switch	EC-599. "Stop Lamp Switch & Brake Pedal Position Switch"
5.	Accelerator pedal position sensor	EC-589. "Accelerator Pedal Position Sensor"
6.	Fuel level sensor unit and fuel pump	EC-595. "Fuel Level Sensor Unit and Fuel Pump (With Fuel Tank Temperature Sensor)"
7.	Fuel tank temperature sensor	EC-595. "Fuel Level Sensor Unit and Fuel Pump (With Fuel Tank Temperature Sensor)"
8.	EVAP control system pressure sensor	EC-594. "EVAP Control System Pressure Sensor"

COMPONENT PARTS

< SYSTEM DESCRIPTION >

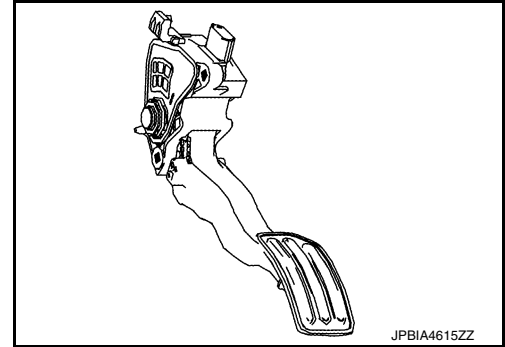
[VQ35DE]

No.	Component	Function
9.	EVAP canister vent control valve	EC-594, "EVAP Canister Vent Control Valve"
10.	EVAP canister	EC-594, "EVAP Canister"

Accelerator Pedal Position Sensor

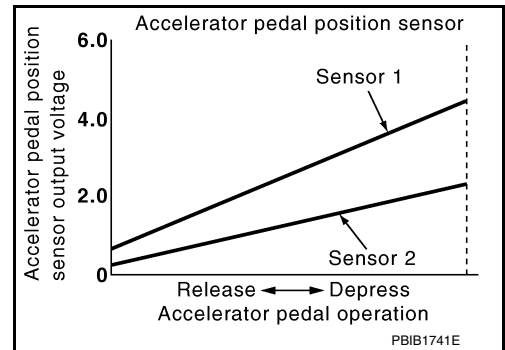
INFOID:000000012602600

The accelerator pedal position sensor is installed on the upper end of the accelerator pedal assembly. The sensor detects the accelerator position and sends a signal to the ECM.



Accelerator pedal position sensor has two sensors. These sensors are a kind of potentiometers which transform the accelerator pedal position into output voltage, and emit the voltage signal to the ECM. In addition, these sensors detect the opening and closing speed of the accelerator pedal and feed the voltage signals to the ECM. The ECM judges the current opening angle of the accelerator pedal from these signals and controls the throttle control motor based on these signals.

Idle position of the accelerator pedal is determined by the ECM receiving the signal from the accelerator pedal position sensor. The ECM uses this signal for the engine operation such as fuel cut.



Air Fuel Ratio (A/F) Sensor 1

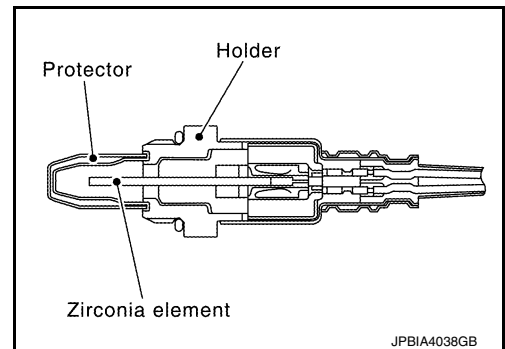
INFOID:000000012602601

DESCRIPTION

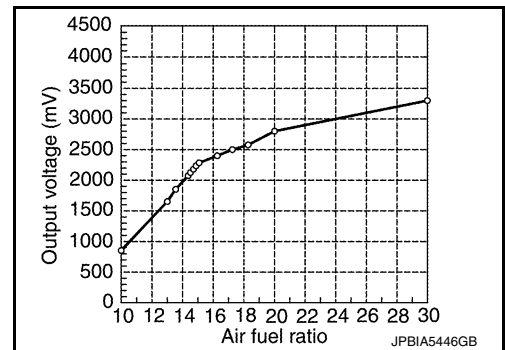
The air fuel ratio (A/F) sensor 1 is a planar one-cell limit current sensor. The sensor element of the A/F sensor 1 is composed an electrode layer, which transports ions. It has a heater in the element.

The sensor is capable of precise measurement $\lambda = 1$, but also in the lean and rich range. Together with its control electronics, the sensor outputs a clear, continuous signal throughout a wide λ range.

The exhaust gas components diffuse through the diffusion layer at the sensor cell. An electrode layer is applied voltage, and this current relative oxygen density in lean. Also this current relative hydrocarbon density in rich.



Therefore, the A/F sensor 1 is able to indicate air fuel ratio by this electrode layer of current. In addition, a heater is integrated in the sensor to ensure the required operating temperature of approximately 800°C (1,472°F).



A/F SENSOR 1 HEATER

COMPONENT PARTS

[VQ35DE]

< SYSTEM DESCRIPTION >

A/F sensor 1 heater is integrated in the sensor.

The ECM performs ON/OFF duty control of the A/F sensor 1 heater corresponding to the engine operating condition to keep the temperature of A/F sensor 1 element within the specified range.

ASCD Steering Switch

INFOID:0000000012602602

ASCD steering switch has variant values of electrical resistance for each button. ECM reads voltage variation of switch, and determines which button is operated.

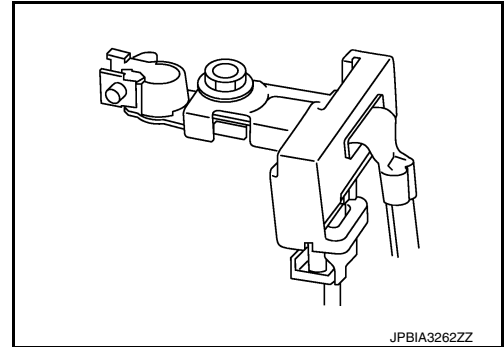
Battery Current Sensor (With Battery Temperature Sensor)

INFOID:0000000012602603

OUTLINE

The power generation voltage variable control enables fuel consumption to be decreased by reducing the engine load which is caused by the power generation of the generator.

Based on sensor signals, ECM judges whether or not the power generation voltage variable control is performed. When performing the power generation voltage variable control, ECM calculates the target power generation voltage based on the sensor signal. And ECM sends the calculated value as the power generation command value to IPDM E/R.



CAUTION:

Never connect the electrical component or the ground wire directly to the battery terminal. The connection causes the malfunction of the power generation voltage variable control, and then the battery discharge may occur.

BATTERY CURRENT SENSOR

The battery current sensor is installed to the battery cable at the negative terminal. The sensor measures the charging/discharging current of the battery.

BATTERY TEMPERATURE SENSOR

Battery temperature sensor is integrated in battery current sensor.

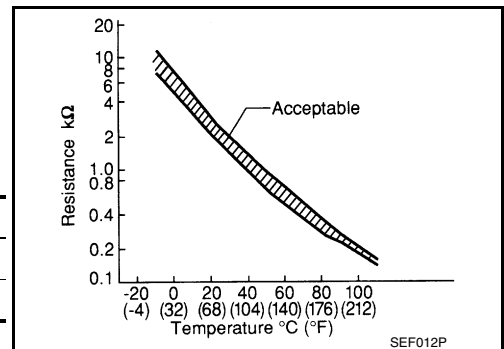
The sensor measures temperature around the battery.

The electrical resistance of the thermistor decreases as temperature increases.

<Reference data>

Temperature [°C (°F)]	Voltage* (V)	Resistance (kΩ)
25 (77)	3.333	1.9 - 2.1
90 (194)	0.969	0.222 - 0.258

*: These data are reference values and are measured between battery temperature sensor signal terminal and sensor ground.



Camshaft Position Sensor (PHASE)

INFOID:0000000012602604

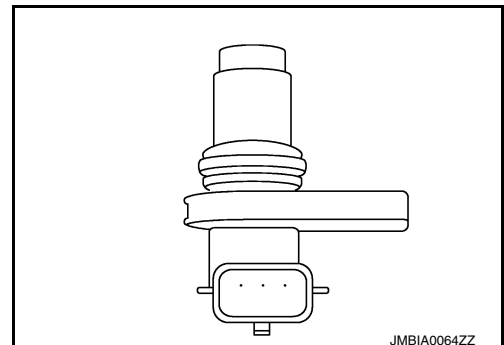
The camshaft position sensor (PHASE) senses the retraction of intake camshaft to identify a particular cylinder. The camshaft position sensor (PHASE) senses the piston position.

When the crankshaft position sensor (POS) system becomes inoperative, the camshaft position sensor (PHASE) provides various controls of engine parts instead, utilizing timing of cylinder identification signals.

The sensor consists of a permanent magnet and Hall IC.

When engine is running, the high and low parts of the teeth cause the gap with the sensor to change.

The changing gap causes the magnetic field near the sensor to change.

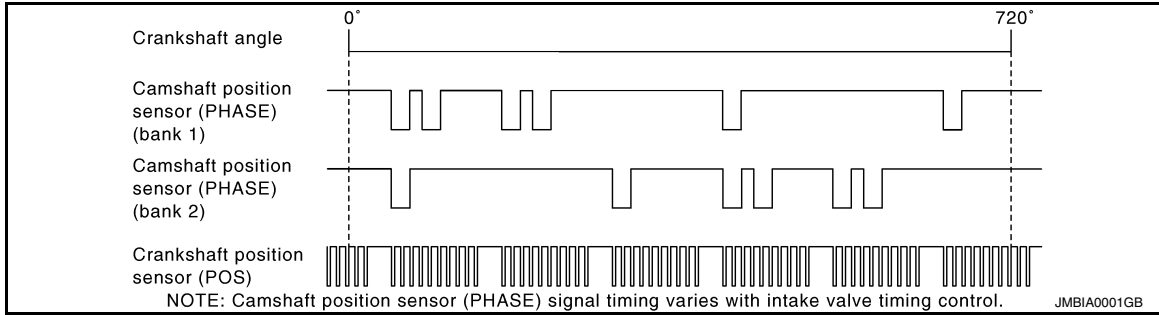


COMPONENT PARTS

< SYSTEM DESCRIPTION >

[VQ35DE]

Due to the changing magnetic field, the voltage from the sensor changes. ECM receives the signals as shown in the figure.



Cooling Fan

INFOID:0000000012602605

DESCRIPTION

The ECM controls the cooling fan corresponding to the vehicle speed, engine coolant temperature, refrigerant pressure, and air conditioner ON signal. The control system has 4-step control [HIGH/MIDDLE/LOW/OFF]. Refer to [EC-613, "COOLING FAN CONTROL : System Description"](#) for cooling fan operation.

COOLING FAN MOTOR RELAY

Power supply for the cooling fan motor is provided via cooling fan motor relay.

Crankshaft Position Sensor (POS)

INFOID:0000000012602606

The crankshaft position sensor (POS) is located on the oil pan facing the gear teeth (cogs) of the signal plate. It detects the fluctuation of the engine revolution.

The sensor consists of a permanent magnet and Hall IC.

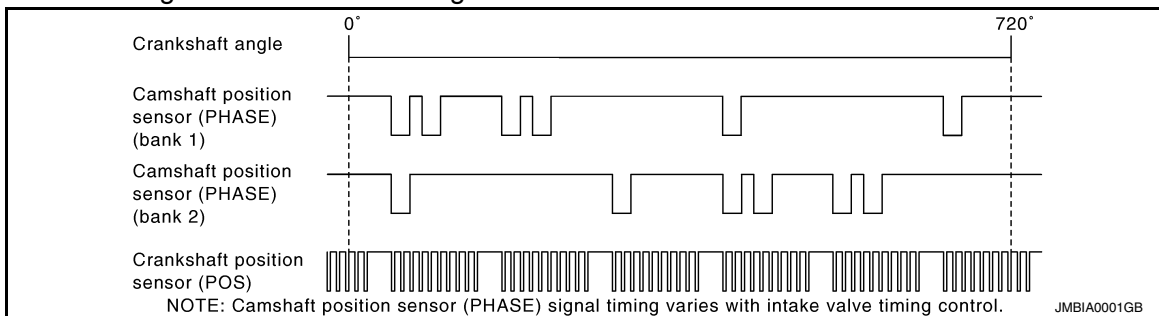
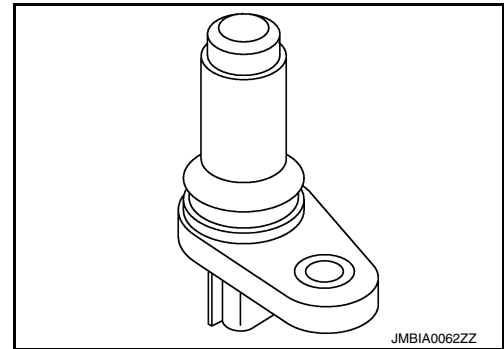
When the engine is running, the high and low parts of the teeth cause the gap with the sensor to change.

The changing gap causes the magnetic field near the sensor to change.

Due to the changing magnetic field, the voltage from the sensor changes.

The ECM receives the voltage signal and detects the fluctuation of the engine revolution.

ECM receives the signals as shown in the figure.



ECM

INFOID:0000000012602607

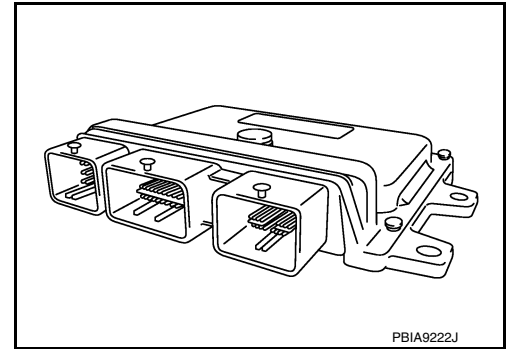
- ECM (Engine Control Module) controls the engine.

COMPONENT PARTS

[VQ35DE]

< SYSTEM DESCRIPTION >

- ECM consists of a microcomputer and connectors for signal input and output and for power supply.
- Battery voltage is supplied to the ECM even when the ignition switch is turned OFF for the ECM memory function of the DTC memory, the air-fuel ratio feedback compensation value memory, the idle air volume learning value memory, etc.

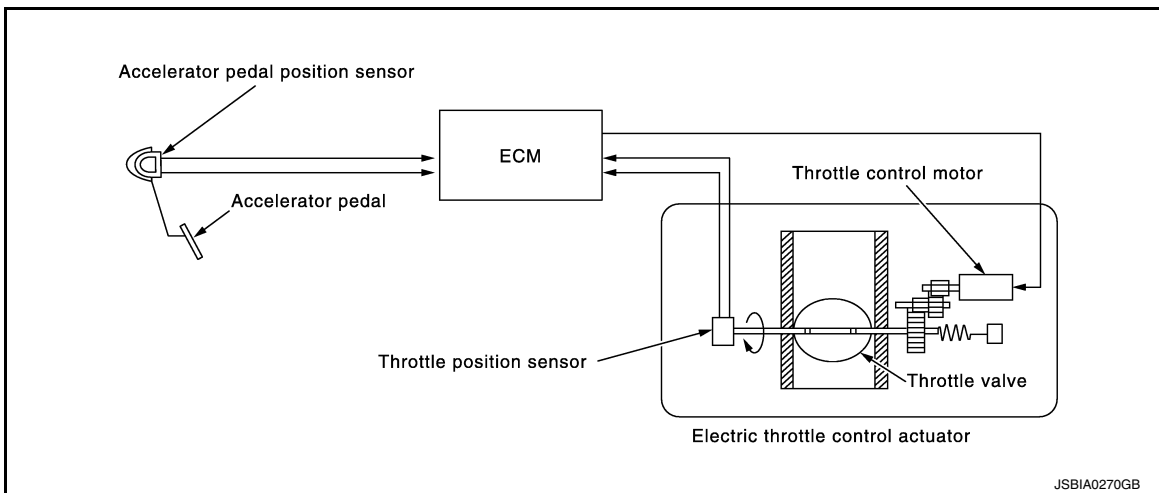


Electric Throttle Control Actuator

INFOID:000000012602608

OUTLINE

Electric throttle control actuator consists of throttle body, throttle valve, throttle control motor and throttle position sensor.

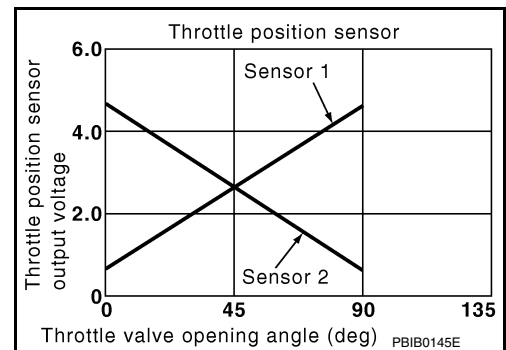


THROTTLE CONTROL MOTOR

The throttle control motor is operated by the ECM and it opens and closes the throttle valve. The current opening angle of the throttle valve is detected by the throttle position sensor and it provides feedback to the ECM to control the throttle control motor to make the throttle valve opening angle properly in response to driving condition.

THROTTLE POSITION SENSOR

The throttle position sensor responds to the throttle valve movement. The throttle position sensor has two sensors. These sensors are a kind of potentiometers which transform the throttle valve position into output voltage, and emit the voltage signal to the ECM. In addition, these sensors detect the opening and closing speed of the throttle valve and feed the voltage signals to the ECM. The ECM judges the current opening angle of the throttle valve from these signals and the ECM controls the throttle control motor to make the throttle valve opening angle properly in response to driving condition.



Electronic Controlled Engine Mount

INFOID:000000012602609

In the idle range, ECM turns OFF the electronically-controlled engine mount control solenoid valve and applies manifold pressure to the electronically-controlled engine mount. This decreases damping force of the electronically-controlled engine mount and absorbs vibrations traveling from the engine to the body for improving the quietness.

COMPONENT PARTS

< SYSTEM DESCRIPTION >

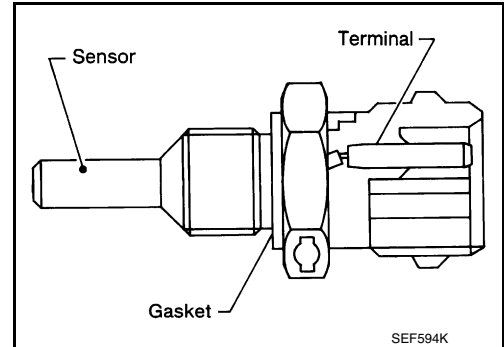
[VQ35DE]

In the driving range, ECM turns ON the electronically-controlled engine mount control solenoid valve and cuts manifold pressure applied on the electronically-controlled engine mount. This increases damping force of the electronically-controlled engine mount and reduces vibrations generated during driving.

Engine Coolant Temperature Sensor

INFOID:0000000012602610

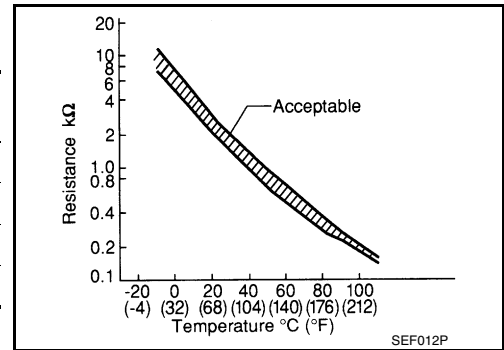
The engine coolant temperature sensor is used to detect the engine coolant temperature. The sensor modifies a voltage signal from the ECM. The modified signal returns to the ECM as the engine coolant temperature input. The sensor uses a thermistor which is sensitive to the change in temperature. The electrical resistance of the thermistor decreases as temperature increases.



<Reference data>

Engine coolant temperature [°C (°F)]	Voltage* (V)	Resistance (kΩ)
-10 (14)	4.4	7.0 - 11.4
20 (68)	3.5	2.37 - 2.63
50 (122)	2.2	0.68 - 1.00
90 (194)	0.9	0.236 - 0.260

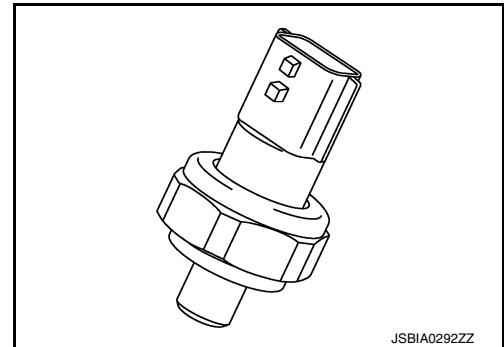
*: These data are reference values and are measured between ECM terminals.



Engine Oil Pressure Sensor

INFOID:0000000012602611

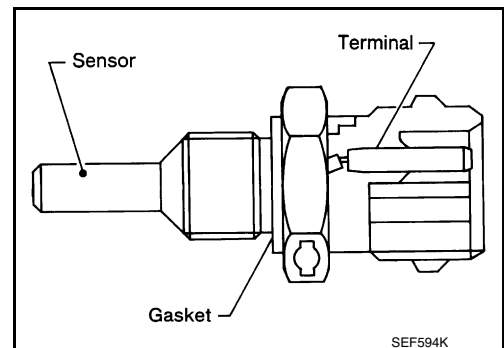
The engine oil pressure (EOP) sensor is detects engine oil pressure and transmits a voltage signal to the ECM.



Engine Oil Temperature Sensor

INFOID:0000000012602612

The engine oil temperature sensor is used to detect the engine oil temperature. The sensor modifies a voltage signal from the ECM. The modified signal returns to the ECM as the engine oil temperature input. The sensor uses a thermistor which is sensitive to the change in temperature. The electrical resistance of the thermistor decreases as temperature increases.



COMPONENT PARTS

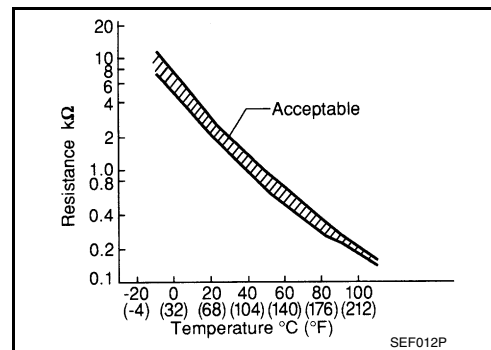
< SYSTEM DESCRIPTION >

[VQ35DE]

<Reference data>

Engine oil temperature [°C (°F)]	Voltage* (V)	Resistance (kΩ)
-10 (14)	4.4	7.0 - 11.4
20 (68)	3.5	2.37 - 2.63
50 (122)	2.2	0.68 - 1.00
90 (194)	0.9	0.236 - 0.260
110 (230)	0.6	0.143 - 0.153

*: These data are reference values and are measured between ECM terminals.



EVAP Canister

INFOID:000000012602613

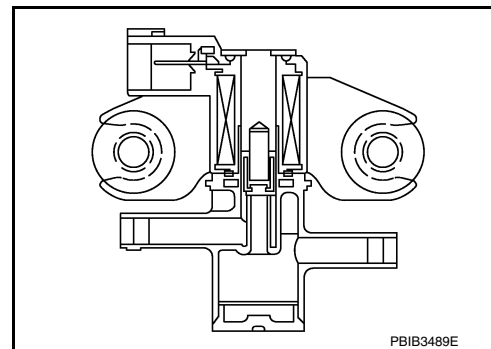
The fuel vapor in the sealed fuel tank is led into the EVAP canister which contains activated carbon and the vapor is stored there when the engine is not operating or when refueling to the fuel tank.

For details, refer to [EC-618. "EVAPORATIVE EMISSION SYSTEM : System Description"](#).

EVAP Canister Purge Volume Control Solenoid Valve

INFOID:000000012602614

The EVAP canister purge volume control solenoid valve is used to control the flow rate of fuel vapor from the EVAP canister. The EVAP canister purge volume control solenoid valve is moved by ON/OFF pulses from the ECM. The longer the ON pulse, the greater the amount of fuel vapor that will flow through the valve.



EVAP Canister Vent Control Valve

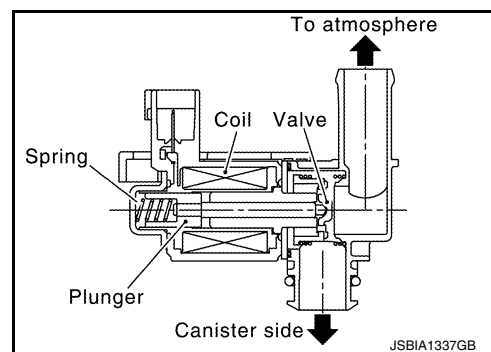
INFOID:000000012602615

The EVAP canister vent control valve is located on the EVAP canister and is used to seal the canister vent.

This solenoid valve responds to signals from the ECM. When the ECM sends an ON signal, the coil in the solenoid valve is energized. A plunger will then move to seal the canister vent. The ability to seal the vent is necessary for the on board diagnosis of other evaporative emission control system components.

This solenoid valve is used only for diagnosis, and usually remains opened.

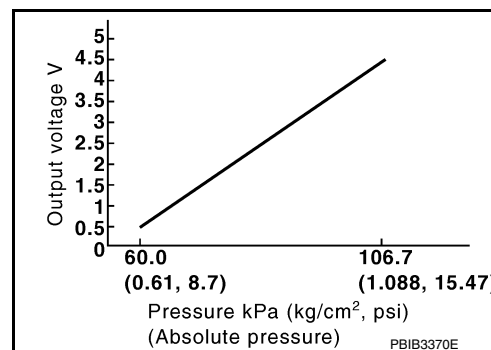
When the vent is closed, under normal purge conditions, the evaporative emission control system is depressurized and allows "EVAP Control System" diagnosis.



EVAP Control System Pressure Sensor

INFOID:000000012602616

The EVAP control system pressure sensor detects pressure in the purge line. The sensor output voltage to the ECM increases as pressure increases.



COMPONENT PARTS

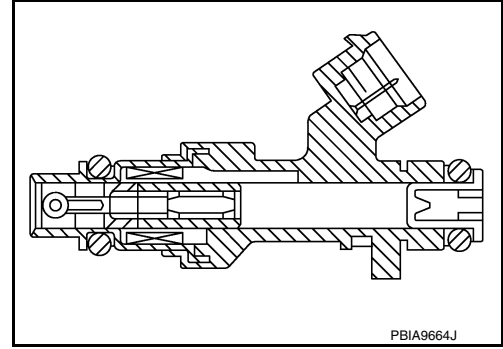
< SYSTEM DESCRIPTION >

[VQ35DE]

Fuel Injector

INFOID:000000012602617

The fuel injector is a small, precise solenoid valve. When the ECM supplies a ground to the fuel injector circuit, the coil in the fuel injector is energized. The energized coil pulls the ball valve back and allows fuel to flow through the fuel injector into the intake manifold. The amount of fuel injected depends upon the injection pulse duration. Pulse duration is the length of time the fuel injector remains open. The ECM controls the injection pulse duration based on engine fuel needs.

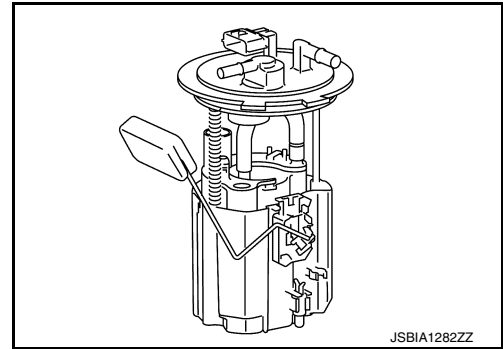


Fuel Level Sensor Unit and Fuel Pump (With Fuel Tank Temperature Sensor)

INFOID:000000012602618

FUEL PUMP

The ECM activates the fuel pump for 1 second after the ignition switch is turned ON to improve engine start ability. If the ECM receives a engine speed signal from the camshaft position sensor (PHASE), it knows that the engine is rotating, and causes the pump to operate. If the engine speed signal is not received when the ignition switch is ON, the engine stalls. The ECM stops pump operation and prevents battery discharging, thereby improving safety. The ECM does not directly drive the fuel pump. It sends the control signal to the fuel pump control module, which in turn controls the fuel pump.



Condition	Fuel pump operation
Ignition switch is turned to ON.	Operates for 1 second.
Engine running and cranking	Operates.
When engine is stopped	Stops in 1.5 seconds.
Except as shown above	Stops.

FUEL LEVEL SENSOR

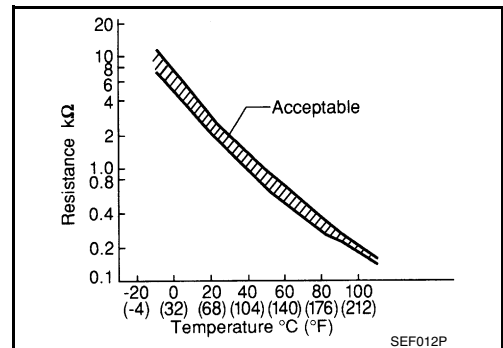
The fuel level sensor is mounted in the fuel level sensor unit. The sensor detects a fuel level in the fuel tank and transmits a signal to the combination meter. The combination meter sends the fuel level sensor signal to the ECM via the CAN communication line. It consists of two parts, one is mechanical float and the other is variable resistor. Fuel level sensor output voltage changes depending on the movement of the fuel mechanical float.

FUEL TANK TEMPERATURE SENSOR

The fuel tank temperature sensor is used to detect the fuel temperature inside the fuel tank. The sensor modifies a voltage signal from the ECM. The modified signal returns to the ECM as the fuel temperature input. The sensor uses a thermistor which is sensitive to the change in temperature. The electrical resistance of the thermistor decreases as temperature increases.

<Reference data>

Fluid temperature [°C (°F)]	Voltage* (V)	Resistance (kΩ)
20 (68)	3.5	2.3 - 2.7
50 (122)	2.2	0.79 - 0.90



*: These data are reference values and are measured between ECM terminals 95 (Fuel tank temperature sensor) and ground.

COMPONENT PARTS

< SYSTEM DESCRIPTION >

[VQ35DE]

Heated Oxygen Sensor 2

INFOID:000000012602619

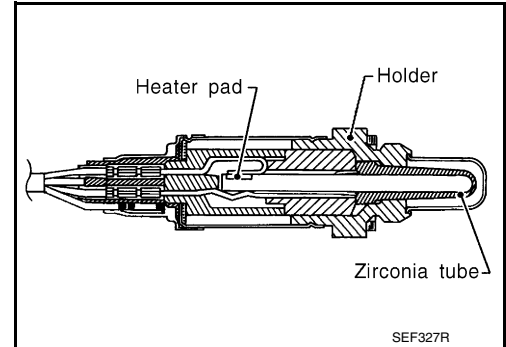
DESCRIPTION

The heated oxygen sensor 2, after three way catalyst (manifold), monitors the oxygen level in the exhaust gas.

Even if switching characteristics of the air fuel ratio (A/F) sensor 1 are shifted, the air fuel ratio is controlled to stoichiometric, by the signal from the heated oxygen sensor 2.

This sensor is made of ceramic zirconia. The zirconia generates voltage from approximately 1 V in richer conditions to 0 V in leaner conditions.

Under normal conditions the heated oxygen sensor 2 is not used for engine control operation.



HEATED OXYGEN SENSOR 2 HEATER

Heated oxygen sensor 2 heater is integrated in the sensor.

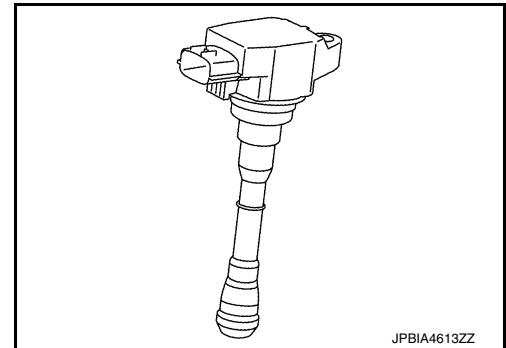
The ECM performs ON/OFF control of the heated oxygen sensor 2 heater corresponding to the engine speed, amount of intake air and engine coolant temperature.

Engine speed	Heated oxygen sensor 2 heater
Above 3,600 rpm	OFF
Below 3,600 rpm after the following conditions are met. <ul style="list-style-type: none"> • Engine: After warming up • Keeping the engine speed between 3,500 and 4,000 rpm for 1 minute and at idle for 1 minute under no load 	ON

Ignition Coil (With Power Transistor)

INFOID:000000012602620

The ignition signal from the ECM is sent to and amplified by the power transistor. The power transistor turns ON and OFF the ignition coil primary circuit. This ON/OFF operation induces the proper high voltage in the coil secondary circuit.



Intake Valve Timing Control Solenoid Valve

INFOID:000000012602621

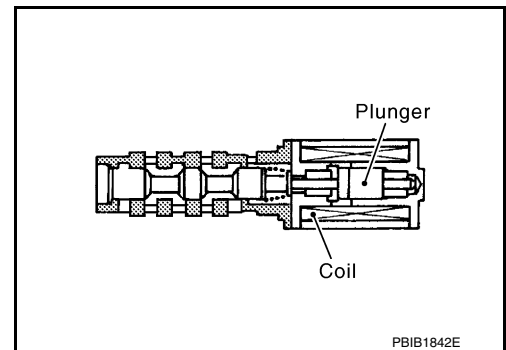
Intake valve timing control solenoid valve is activated by ON/OFF pulse duty (ratio) signals from the ECM.

The intake valve timing control solenoid valve changes the oil amount and direction of flow through intake valve timing control unit or stops oil flow.

The longer pulse width advances valve angle.

The shorter pulse width retards valve angle.

When ON and OFF pulse widths become equal, the solenoid valve stops oil pressure flow to fix the intake valve angle at the control position.



COMPONENT PARTS

< SYSTEM DESCRIPTION >

[VQ35DE]

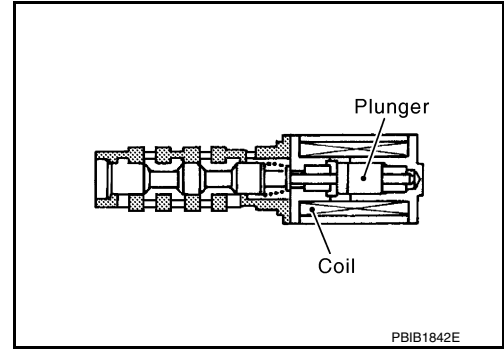
Intake Valve Timing Intermediate Lock Control Solenoid Valve

INFOID:000000012602622

Intake valve timing intermediate lock control solenoid valve is activated by ON/OFF signals from the ECM.

The intake valve timing intermediate lock control solenoid valve opens/closes the path of oil pressure acting on the lock pin in the camshaft sprocket (INT).

- When the solenoid valve becomes ON, oil pressure to the lock pin is trained to perform intermediate lock.
- When the solenoid valve becomes OFF, oil pressure is acted on the lock pin to release the intermediate lock.



Exhaust Valve Timing Control Position Sensor

INFOID:000000012602623

Exhaust valve timing control position sensor detects the protrusion of the signal plate installed to the exhaust camshaft front end.

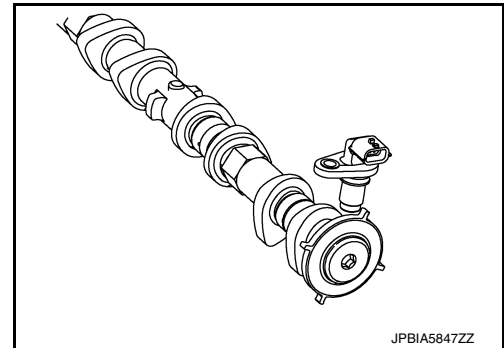
This sensor signal is used for sensing a position of the exhaust camshaft.

The sensor consists of a permanent magnet and Hall IC.

When engine is running, the high and low parts of the teeth cause the gap with the sensor to change.

The changing gap causes the magnetic field near the sensor to change.

Due to the changing magnetic field, the voltage from the sensor changes.



Exhaust Valve Timing Control Solenoid Valve

INFOID:000000012602624

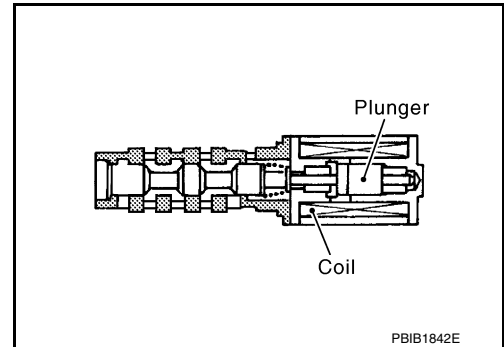
Exhaust valve timing control solenoid valve is activated by ON/OFF pulse duty (ratio) signals from the ECM.

The exhaust valve timing control solenoid valve changes the oil amount and direction of flow through exhaust valve timing control unit or stops oil flow.

The longer pulse width retards valve angle.

The shorter pulse width advances valve angle.

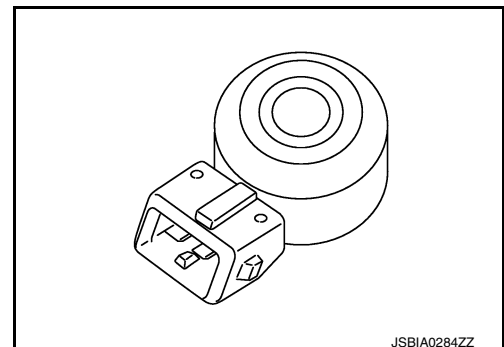
When ON and OFF pulse widths become equal, the solenoid valve stops oil pressure flow to fix the exhaust valve angle at the control position.



Knock Sensor

INFOID:000000012602625

The knock sensor is attached to the cylinder block. It senses engine knocking using a piezoelectric element. A knocking vibration from the cylinder block is sensed as vibrational pressure. This pressure is converted into a voltage signal and sent to the ECM.



COMPONENT PARTS

< SYSTEM DESCRIPTION >

[VQ35DE]

Malfunction Indicator lamp (MIL)

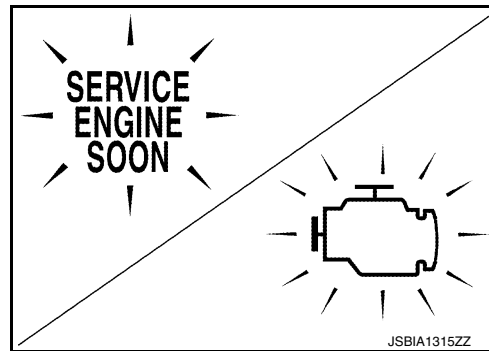
INFOID:000000012602626

Malfunction Indicator lamp (MIL) is located on the combination meter.

MIL will illuminate when the ignition switch is turned ON without the engine running. This is a bulb check.

When the engine is started, MIL should turn OFF. If the MIL remains illuminated, the on board diagnostic system has detected an engine system malfunction.

For details, refer to [EC-631. "Diagnosis Description"](#).



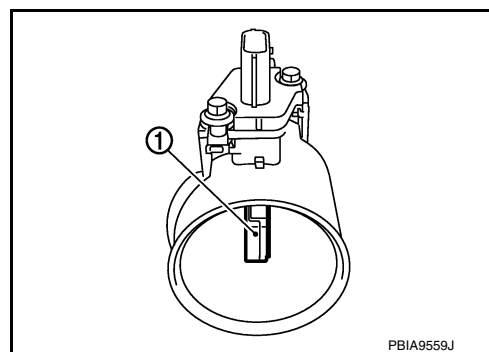
Mass Air Flow Sensor (With Intake Air Temperature Sensor)

INFOID:000000012602627

MASS AIR FLOW SENSOR

The mass air flow sensor (1) is placed in the stream of intake air. It measures the intake flow rate by measuring a part of the entire intake flow. The mass air flow sensor controls the temperature of the hot wire to a certain amount. The heat generated by the hot wire is reduced as the intake air flows around it. The more air, the greater the heat loss.

Therefore, the electric current supplied to hot wire is changed to maintain the temperature of the hot wire as air flow increases. The ECM detects the air flow by means of this current change.



INTAKE AIR TEMPERATURE SENSOR

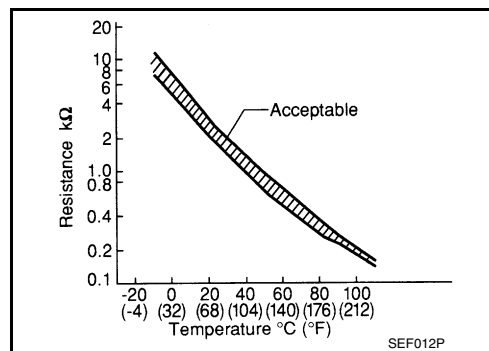
The intake air temperature sensor is built-into mass air flow sensor. The sensor detects intake air temperature and transmits a signal to the ECM.

The temperature sensing unit uses a thermistor which is sensitive to the change in temperature. Electrical resistance of the thermistor decreases in response to the temperature rise.

<Reference data>

Intake air temperature [°C (°F)]	Voltage* (V)	Resistance (kΩ)
25 (77)	3.3	1.800 - 2.200
80 (176)	1.2	0.283 - 0.359

*: These data are reference values and are measured between ECM terminals.



COMPONENT PARTS

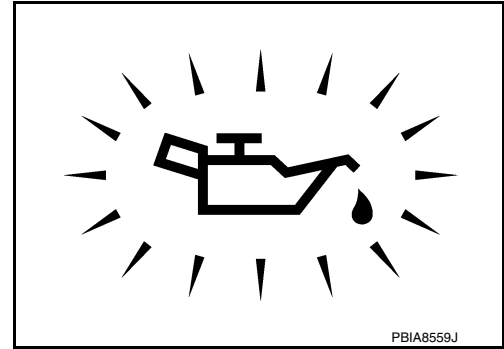
< SYSTEM DESCRIPTION >

[VQ35DE]

Oil Pressure Warning Lamp

INFOID:000000012602628

Oil pressure warning lamp is located on the combination meter. It indicates the low pressure of the engine oil and the malfunction of the engine oil pressure system. Combination meter turns the oil pressure warning lamp ON/OFF according to the oil pressure warning lamp signal received from ECM via CAN communication. For details, refer to [EC-624. "ENGINE PROTECTION CONTROL AT LOW ENGINE OIL PRESSURE : System Description"](#).



Power Valve Actuator 1 and 2

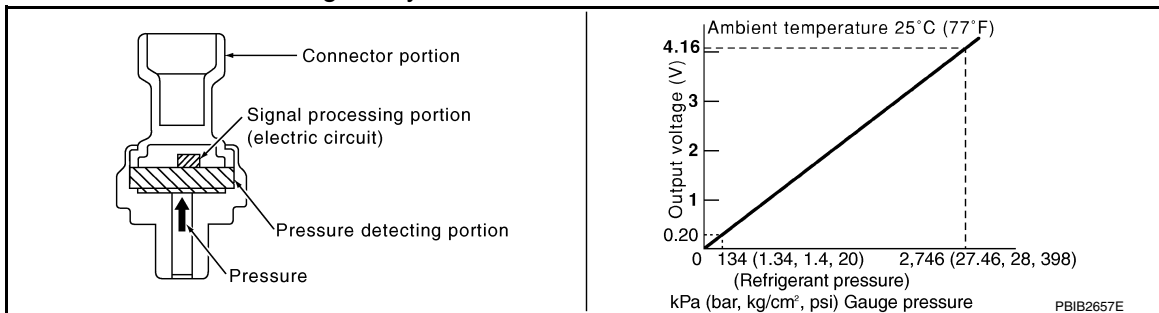
INFOID:000000012602629

The power valves are used to control the suction passage of the variable induction air control system. They are set in the fully closed or fully opened position by the power valve actuators operated by the vacuum stored in the vacuum tank. The vacuum to power valve actuators is controlled by the VIAS control solenoid valves.

Refrigerant Pressure Sensor

INFOID:000000012602630

The refrigerant pressure sensor is installed at the condenser of the air conditioner system. The sensor uses an electrostatic volume pressure transducer to convert refrigerant pressure to voltage. The voltage signal is sent to ECM, and ECM controls cooling fan system.



Stop Lamp Switch & Brake Pedal Position Switch

INFOID:000000012602631

Stop lamp switch and brake pedal position switch are installed to brake pedal bracket. ECM detects the state of the brake pedal by those two types of input (ON/OFF signal).

Brake pedal	Brake pedal position switch	Stop lamp switch
Released	ON	OFF
Depressed	OFF	ON

VIAS Control Solenoid Valve 1 and 2

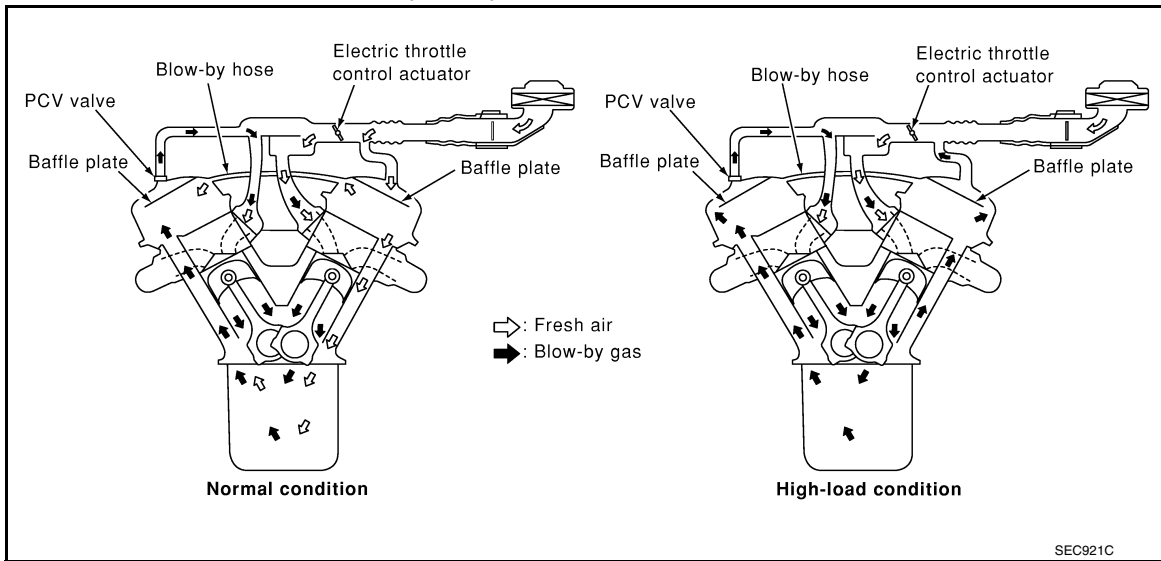
INFOID:000000012602632

The VIAS control solenoid valve cuts the intake manifold vacuum signal for power valve control. It responds to ON/OFF signals from the ECM. When the solenoid is OFF, the vacuum signal from the intake manifold is cut. When the ECM sends an ON signal the coil pulls the plunger downward and sends the vacuum signal to the power valve actuator.

STRUCTURE AND OPERATION

Positive Crankcase Ventilation (PCV)

INFOID:000000012602633



This system returns blow-by gas to the intake manifold.

The positive crankcase ventilation (PCV) valve is provided to conduct crankcase blow-by gas to the intake manifold.

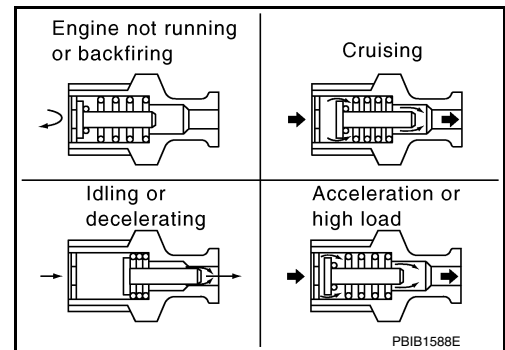
During partial throttle operation of the engine, the intake manifold sucks the blow-by gas through the PCV valve.

Normally, the capacity of the valve is sufficient to handle any blow-by and a small amount of ventilating air.

The ventilating air is drawn from the air inlet tubes into the crankcase. In this process the air passes through the hose connecting air inlet tubes to rocker cover.

Under full-throttle condition, the manifold vacuum is insufficient to draw the blow-by flow through the valve. The flow goes through the hose connection in the reverse direction.

On vehicles with an excessively high blow-by, the valve does not meet the requirement. This is because some of the flow will go through the hose connection to the air inlet tubes under all conditions.



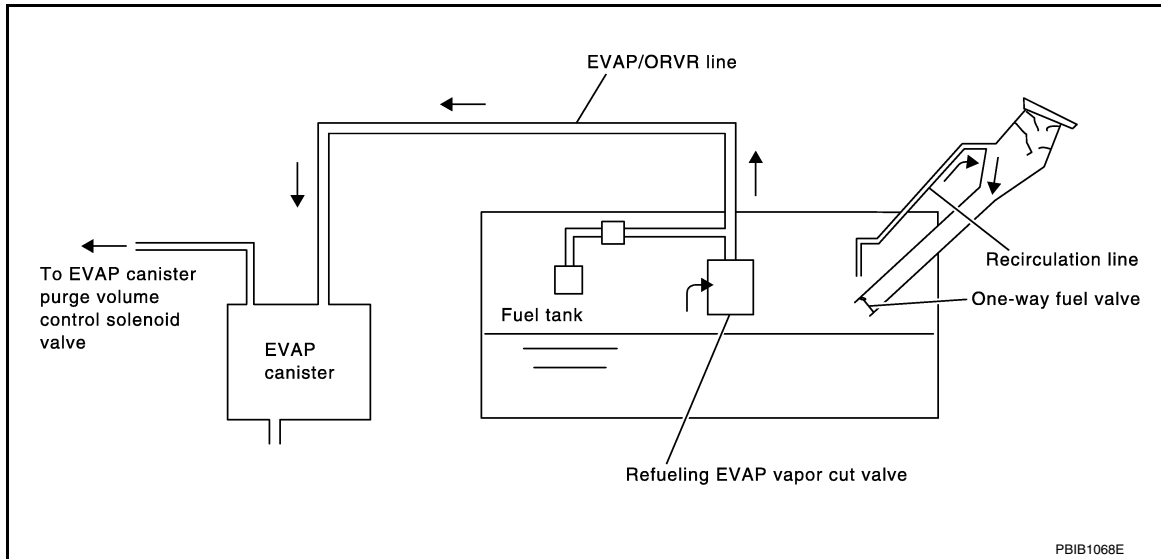
STRUCTURE AND OPERATION

< SYSTEM DESCRIPTION >

[VQ35DE]

On Board Refueling Vapor Recovery (ORVR)

INFOID:000000012602634



From the beginning of refueling, the air and vapor inside the fuel tank go through refueling EVAP vapor cut valve and EVAP/ORVR line to the EVAP canister. The vapor is absorbed by the EVAP canister and the air is released to the atmosphere.

When the refueling has reached the full level of the fuel tank, the refueling EVAP vapor cut valve is closed and refueling is stopped because of auto shut-off. The vapor which was absorbed by the EVAP canister is purged during driving.

WARNING:

When conducting inspections below, be sure to observe the following:

- Put a "CAUTION: FLAMMABLE" sign in workshop.
- Never smoke while servicing fuel system. Keep open flames and sparks away from work area.
- Always to furnish the workshop with a CO₂ fire extinguisher.

CAUTION:

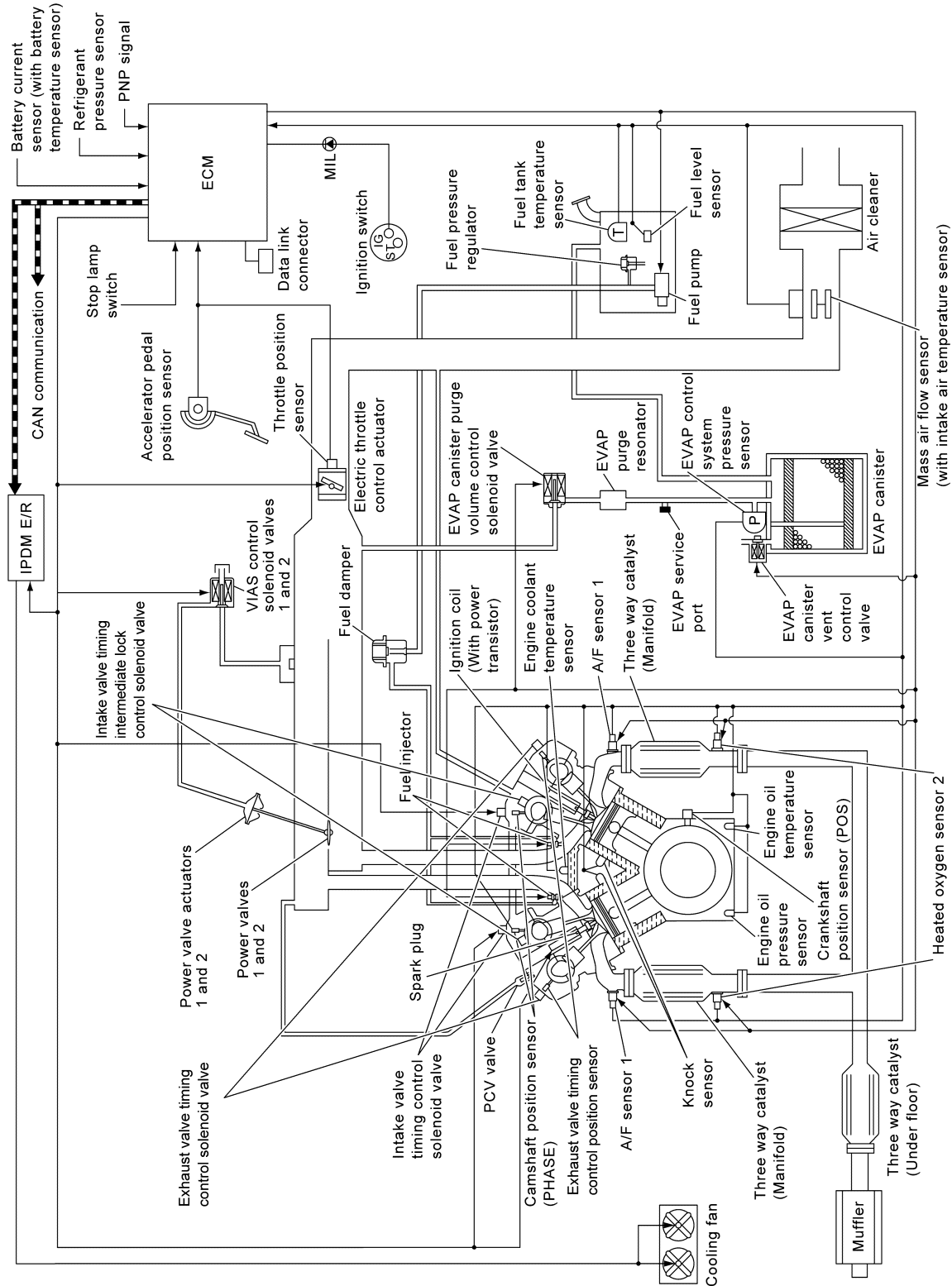
- Before removing fuel line parts, carry out the following procedures:
 - Put drained fuel in an explosion-proof container and put lid on securely.
 - Release fuel pressure from fuel line. Refer to [EC-736, "Work Procedure"](#).
 - Disconnect battery ground cable.
- Always replace O-ring when the fuel gauge retainer is removed.
- Never kink or twist hose and tube when they are installed.
- Never tighten hose and clamps excessively to avoid damaging hoses.
- After installation, run engine and check for fuel leakage at connections.
- Never attempt to top off the fuel tank after the fuel pump nozzle shuts off automatically. Continued refueling may cause fuel overflow, resulting in fuel spray and possibly a fire.

SYSTEM ENGINE CONTROL SYSTEM

ENGINE CONTROL SYSTEM : System Description

INFOID:000000012602635

SYSTEM DIAGRAM



JSBIA5506GB

SYSTEM DESCRIPTION

SYSTEM

[VQ35DE]

< SYSTEM DESCRIPTION >

ECM controls the engine by various functions.

Function	Reference
Multiport fuel injection system	EC-606. "MULTIPOINT FUEL INJECTION SYSTEM : System Description"
Electric ignition system	EC-609. "ELECTRIC IGNITION SYSTEM : System Description"
Air conditioning cut control	EC-611. "AIR CONDITIONING CUT CONTROL : System Description"
Automatic speed control device (ASCD)	EC-612. "AUTOMATIC SPEED CONTROL DEVICE (ASCD) : System Description"
Cooling fan control	EC-613. "COOLING FAN CONTROL : System Description"
Electronic controlled engine mount	EC-615. "ELECTRONIC CONTROLLED ENGINE MOUNT : System Description"
Evaporative emission system	EC-618. "EVAPORATIVE EMISSION SYSTEM : System Description"
Throttle control	EC-619. "THROTTLE CONTROL : System Description"
Intake valve timing control	EC-620. "INTAKE VALVE TIMING CONTROL : System Description"
Engine protection control at low engine oil pressure	EC-624. "ENGINE PROTECTION CONTROL AT LOW ENGINE OIL PRESSURE : System Description"
Fuel filler cap warning system	EC-626. "FUEL FILLER CAP WARNING SYSTEM : System Description"
Variable induction air system	EC-627. "VARIABLE INDUCTION AIR SYSTEM : System Description"
Integrated control of engine, CVT, and ABS	EC-629. "INTEGRATED CONTROL OF ENGINE, CVT, AND ABS : System Description"
Alternator power generation voltage variable control system	EC-629. "ALTERNATOR POWER GENERATION VOLTAGE VARIABLE CONTROL SYSTEM : System Description"
CAN communication	EC-629. "CAN COMMUNICATION : System Description"

ENGINE CONTROL SYSTEM : Fail-safe

INFOID:000000013261510

DTC No.	Detected items	Engine operating condition in fail-safe mode
P0011 P0021	Intake valve timing (IVT) control	The signal is not energized to the intake valve timing control solenoid valve and the valve control does not function. ECM activates the IVT intermediate lock control solenoid valve to bring the cam sprocket into an intermediate lock condition.
P0014 P0024 P0078 P0084	Exhaust valve timing control	—
P0101 P0102 P0103	Mass air flow sensor circuit	Engine speed will not rise more than 2,400 rpm due to the fuel cut.

SYSTEM

< SYSTEM DESCRIPTION >

[VQ35DE]

DTC No.	Detected items	Engine operating condition in fail-safe mode	
P0117 P0118	Engine coolant temperature sensor circuit	Engine coolant temperature will be determined by ECM based on the following condition. CONSULT displays the engine coolant temperature decided by ECM.	
		Condition	Engine coolant temperature decided (CONSULT display)
		Just as ignition switch is turned ON or START	40°C (104°F)
		Approx 4 minutes or more after engine starting	80°C (176°F)
		Except as shown above	40 - 80°C (104 - 176°F) (Depends on the time)
		When the fail-safe system for engine coolant temperature sensor is activated, the cooling fan operates while engine is running.	
P0122 P0123 P0222 P0223 P2135	Throttle position sensor	<p>The ECM controls the electric throttle control actuator in regulating the throttle opening in order for the idle position to be within +10 degrees.</p> <p>The ECM regulates the opening speed of the throttle valve to be slower than the normal condition.</p> <p>Therefore, the acceleration will be poor.</p>	
P0196 P0197 P0198	Engine oil temperature sensor	Intake valve timing control does not function.	
P0500	Vehicle speed sensor	The cooling fan operates (Highest) while engine is running.	
P0524	Engine oil pressure	<ul style="list-style-type: none"> • ECM illuminates oil pressure warning lamp on the combination meter. • Engine speed will not rise more than 4,000 rpm due to the fuel cut. • Fail-safe is canceled when ignition switch OFF → ON. 	
P052A P052B P052C P052D	Intake valve timing intermediate lock control	—	
P0603 P0607	ECM	Engine torque may be limited.	
P0604	ECM	<ul style="list-style-type: none"> • ECM stops the electric throttle control actuator control, throttle valve is maintained at a fixed opening (approx. 5 degrees) by the return spring. • The position of the following components is fixed. <ul style="list-style-type: none"> - Intake valve timing control solenoid valve - Exhaust valve timing control solenoid valve • ASCD operation may be deactivated. 	
P0605 P0606 P060B	ECM	<p>NOTE:</p> <p>Fail-safe may not occur depending on malfunction type.</p> <ul style="list-style-type: none"> • ECM stops the electric throttle control actuator control, throttle valve is maintained at a fixed opening (approx. 5 degrees) by the return spring. • The position of the following components is fixed. <ul style="list-style-type: none"> - Intake valve timing control solenoid valve - Exhaust valve timing control solenoid valve • ASCD operation may be deactivated. 	
P060A	ECM	<p>NOTE:</p> <p>Fail-safe may not occur depending on malfunction type.</p> <ul style="list-style-type: none"> • ECM stops the electric throttle control actuator control, throttle valve is maintained at a fixed opening (approx. 5 degrees) by the return spring. • The position of the following components is fixed. <ul style="list-style-type: none"> - Intake valve timing control solenoid valve - Exhaust valve timing control solenoid valve • Engine torque may be limited. • ASCD operation may be deactivated. 	
P0643	ECM	<ul style="list-style-type: none"> • ECM stops the electric throttle control actuator control, throttle valve is maintained at a fixed opening (approx. 5 degrees) by the return spring. • The position of the following components is fixed. <ul style="list-style-type: none"> - Intake valve timing control solenoid valve - Exhaust valve timing control solenoid valve 	

SYSTEM

< SYSTEM DESCRIPTION >

[VQ35DE]

DTC No.	Detected items	Engine operating condition in fail-safe mode	
P1078 P1084	Exhaust valve timing control position sensor circuit	—	
P1805	Brake switch	ECM controls the electric throttle control actuator by regulating the throttle opening to a small range. Therefore, acceleration will be poor.	
		Vehicle condition	Driving condition
		When engine is idling	Normal
		When accelerating	Poor acceleration
P2100 P2103	Throttle control motor relay	ECM stops the electric throttle control actuator control, throttle valve is maintained at a fixed opening (approx. 5 degrees) by the return spring.	
P2101	Electric throttle control function	ECM stops the electric throttle control actuator control, throttle valve is maintained at a fixed opening (approx. 5 degrees) by the return spring.	
P2118	Throttle control motor	ECM stops the electric throttle control actuator control, throttle valve is maintained at a fixed opening (approx. 5 degrees) by the return spring.	
P2119	Electric throttle control actuator	(When electric throttle control actuator does not function properly due to the return spring malfunction:) ECM controls the electric throttle actuator by regulating the throttle opening around the idle position. The engine speed will not rise more than 2,000 rpm.	
		(When throttle valve opening angle in fail-safe mode is not in specified range:) ECM controls the electric throttle control actuator by regulating the throttle opening to 20 degrees or less.	
		(When ECM detects the throttle valve is stuck open:) While the vehicle is being driven, it slows down gradually because of fuel cut. After the vehicle stops, the engine stalls. The engine can restart in the N or P position, and engine speed will not exceed 1,000 rpm or more.	
P2122 P2123 P2127 P2128 P2138	Accelerator pedal position sensor	The ECM controls the electric throttle control actuator in regulating the throttle opening in order for the idle position to be within +10 degrees. The ECM regulates the opening speed of the throttle valve to be slower than the normal condition. Therefore, the acceleration will be poor.	

MULTIPOINT FUEL INJECTION SYSTEM

A
EC
C
D
E
F
G
H
I
J
K
L
M
N
O
P

SYSTEM

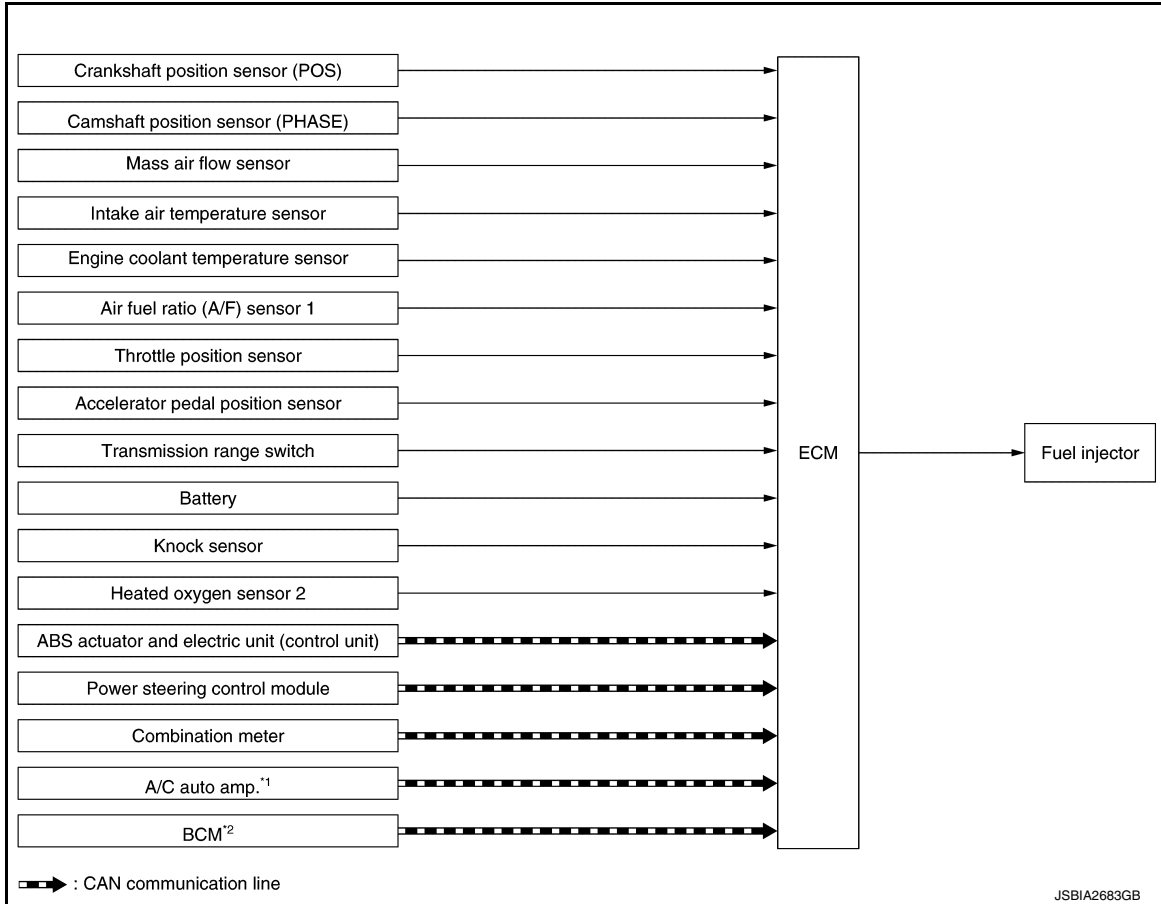
< SYSTEM DESCRIPTION >

[VQ35DE]

MULTIPOINT FUEL INJECTION SYSTEM : System Description

INFOID:000000012602637

SYSTEM DIAGRAM



*1: Automatic air conditioning system

*2: Manual air conditioning system

INPUT/OUTPUT SIGNAL CHART

SYSTEM

< SYSTEM DESCRIPTION >

[VQ35DE]

Sensor	Input signal to ECM	ECM function	Actuator	
Crankshaft position sensor (POS)	Engine speed* ¹	Fuel injection & mixture ratio control	Fuel injector	
Camshaft position sensor (PHASE)	Piston position			
Mass air flow sensor	Amount of intake air			
Intake air temperature sensor	Intake air temperature			
Engine coolant temperature sensor	Engine coolant temperature			
Air fuel ratio (A/F) sensor 1	Density of oxygen in exhaust gas			
Throttle position sensor	Throttle position			
Accelerator pedal position sensor	Accelerator pedal position			
Transmission range switch	Gear position			
Battery	Battery voltage* ¹			
Knock sensor	Engine knocking condition			
Heated oxygen sensor 2* ²	Density of oxygen in exhaust gas			
ABS actuator and electric unit (control unit)	<ul style="list-style-type: none"> • VDC operation signal • TCS operation signal 			CAN communication
Power steering control module	EPS operation signal			
Combination meter	Vehicle speed signal			
A/C auto amp.* ³	<ul style="list-style-type: none"> • A/C ON signal • Blower fan ON signal 			
BCM* ⁴				

*1: ECM determines the start signal status by the signals of engine speed and battery voltage.

*2: This sensor is not used to control the engine system under normal conditions.

*3: Automatic air conditioning system

*4: Manual air conditioning system

SYSTEM DESCRIPTION

The amount of fuel injected from the fuel injector is determined by the ECM. The ECM controls the length of time the valve remains open (injection pulse duration). The amount of fuel injected is a program value in the ECM memory. The program value is preset by engine operating conditions. These conditions are determined by input signals (for engine speed and intake air) from the crankshaft position sensor (POS), camshaft position sensor (PHASE) and the mass air flow sensor.

VARIOUS FUEL INJECTION INCREASE/DECREASE COMPENSATION

In addition, the amount of fuel injected is compensated to improve engine performance under various operating conditions as listed below.

<Fuel increase>

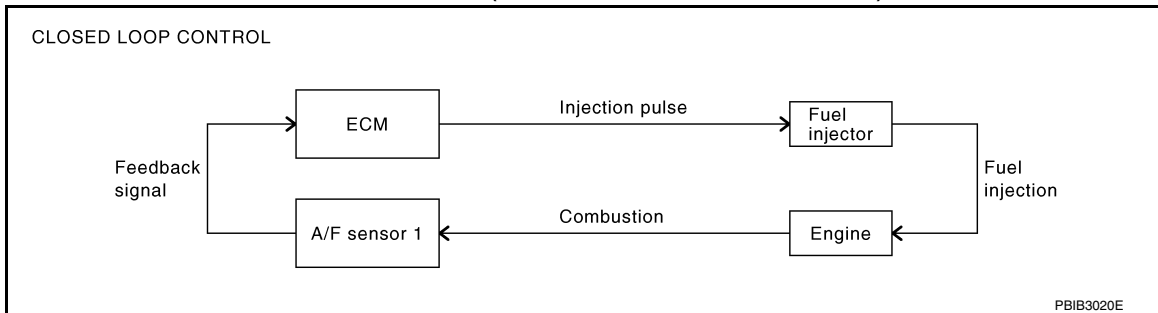
- During warm-up
- When starting the engine
- During acceleration
- Hot-engine operation
- When selector lever position is changed from N to D
- High-load, high-speed operation

<Fuel decrease>

- During deceleration
- During high engine speed operation

< SYSTEM DESCRIPTION >

MIXTURE RATIO FEEDBACK CONTROL (CLOSED LOOP CONTROL)



The mixture ratio feedback system provides the best air-fuel mixture ratio for drive ability and emission control. The three way catalyst (manifold) can better reduce CO, HC and NOx emissions. This system uses A/F sensor 1 in the exhaust manifold to monitor whether the engine operation is rich or lean. The ECM adjusts the injection pulse width according to the sensor voltage signal. For more information about A/F sensor 1, refer to [EC-589, "Air Fuel Ratio \(A/F\) Sensor 1"](#). This maintains the mixture ratio within the range of stoichiometric (ideal air-fuel mixture).

This stage is referred to as the closed loop control condition.

Heated oxygen sensor 2 is located downstream of the three way catalyst (manifold). Even if the switching characteristics of A/F sensor 1 shift, the air-fuel ratio is controlled to stoichiometric by the signal from heated oxygen sensor 2.

- Open Loop Control

The open loop system condition refers to when the ECM detects any of the following conditions. Feedback control stops in order to maintain stabilized fuel combustion.

- Deceleration and acceleration
- High-load, high-speed operation
- Malfunction of A/F sensor 1 or its circuit
- Insufficient activation of A/F sensor 1 at low engine coolant temperature
- High engine coolant temperature
- During warm-up
- After shifting from N to D
- When starting the engine

MIXTURE RATIO SELF-LEARNING CONTROL

The mixture ratio feedback control system monitors the mixture ratio signal transmitted from A/F sensor 1. This feedback signal is then sent to the ECM. The ECM controls the basic mixture ratio as close to the theoretical mixture ratio as possible. However, the basic mixture ratio is not necessarily controlled as originally designed. Both manufacturing differences (i.e., mass air flow sensor hot wire) and characteristic changes during operation (i.e., fuel injector clogging) directly affect mixture ratio.

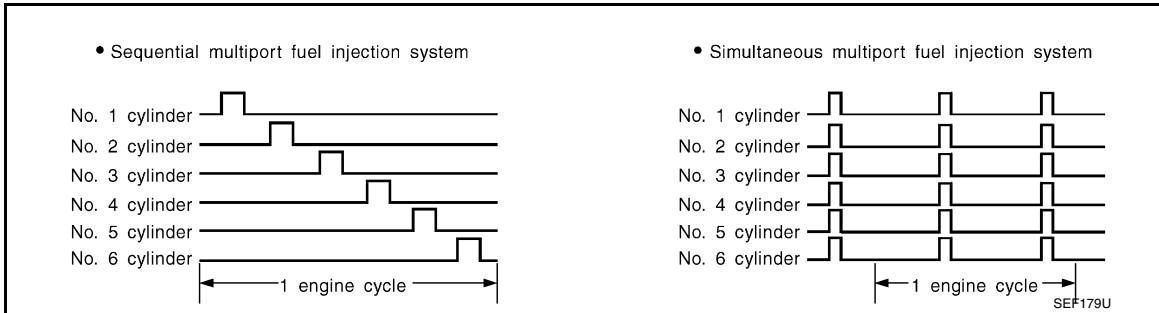
Accordingly, the difference between the basic and theoretical mixture ratios is monitored in this system. This is then computed in terms of "injection pulse duration" to automatically compensate for the difference between the two ratios.

"Fuel trim" refers to the feedback compensation value compared against the basic injection duration. Fuel trim includes "short-term fuel trim" and "long-term fuel trim".

"Short-term fuel trim" is the short-term fuel compensation used to maintain the mixture ratio at its theoretical value. The signal from A/F sensor 1 indicates whether the mixture ratio is RICH or LEAN compared to the theoretical value. The signal then triggers a reduction in fuel volume if the mixture ratio is rich, and an increase in fuel volume if it is lean.

"Long-term fuel trim" is overall fuel compensation carried out over time to compensate for continual deviation of the "short-term fuel trim" from the central value. Continual deviation will occur due to individual engine differences, wear over time and changes in the usage environment.

FUEL INJECTION TIMING



Two types of systems are used.

- **Sequential Multiport Fuel Injection System**

Fuel is injected into each cylinder during each engine cycle according to the ignition order. This system is used when the engine is running.

- **Simultaneous Multiport Fuel Injection System**

Fuel is injected simultaneously into all six cylinders twice each engine cycle. In other words, pulse signals of the same width are simultaneously transmitted from the ECM.

The six injectors will then receive the signals 2 times for each engine cycle.

This system is used when the engine is being started and/or if the fail-safe system (CPU) is operating.

FUEL SHUT-OFF

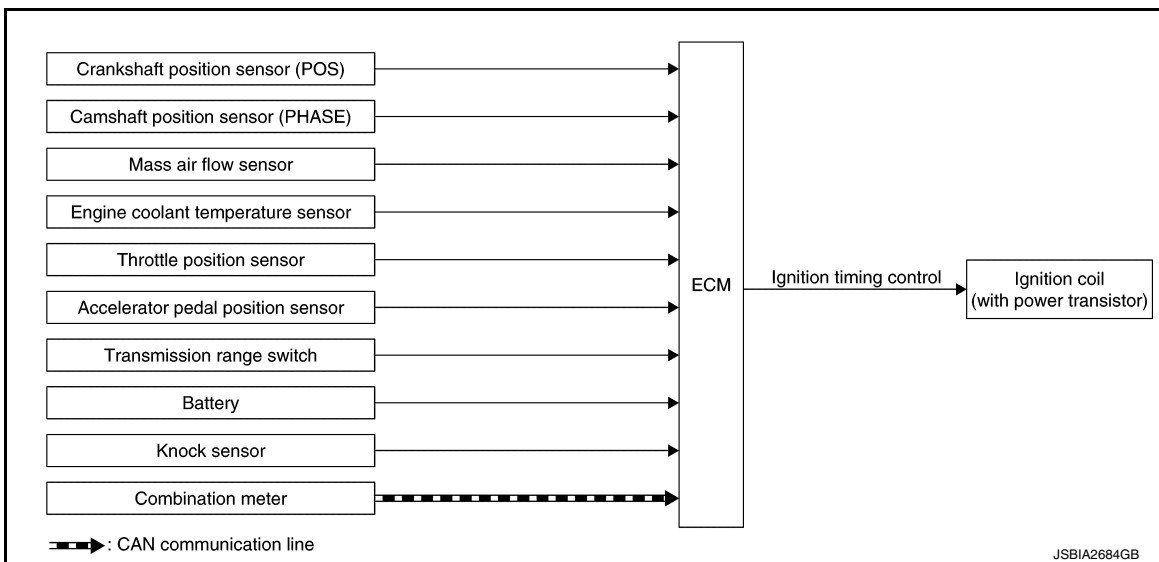
Fuel to each cylinder is cut off during deceleration, operation of the engine at excessively high speeds or operation of the vehicle at excessively high speeds.

ELECTRIC IGNITION SYSTEM

ELECTRIC IGNITION SYSTEM : System Description

INFOID:000000012602638

SYSTEM DIAGRAM



INPUT/OUTPUT SIGNAL CHART

SYSTEM

< SYSTEM DESCRIPTION >

[VQ35DE]

Sensor	Input signal to ECM		ECM function	Actuator
Crankshaft position sensor (POS)	Engine speed*		Ignition timing control	Ignition coil (with power transistor)
Camshaft position sensor (PHASE)	Piston position			
Mass air flow sensor	Amount of intake air			
Engine coolant temperature sensor	Engine coolant temperature			
Throttle position sensor	Throttle position			
Accelerator pedal position sensor	Accelerator pedal position			
Transmission range switch	Gear position			
Battery	Battery voltage*			
Knock sensor	Engine knocking			
Combination meter	Vehicle speed	CAN communication		

*: ECM determines the start signal status by the signals of engine speed and battery voltage.

SYSTEM DESCRIPTION

Ignition order: 1 - 2 - 3 - 4 - 5 - 6

The ignition timing is controlled by the ECM to maintain the best air-fuel ratio for every running condition of the engine. The ignition timing data is stored in the ECM.

The ECM receives information such as the injection pulse width and camshaft position sensor (PHASE) signal. Computing this information, ignition signals are transmitted to the power transistor.

During the following conditions, the ignition timing is revised by the ECM according to the other data stored in the ECM.

- At starting
- During warm-up
- At idle
- At low battery voltage
- During acceleration

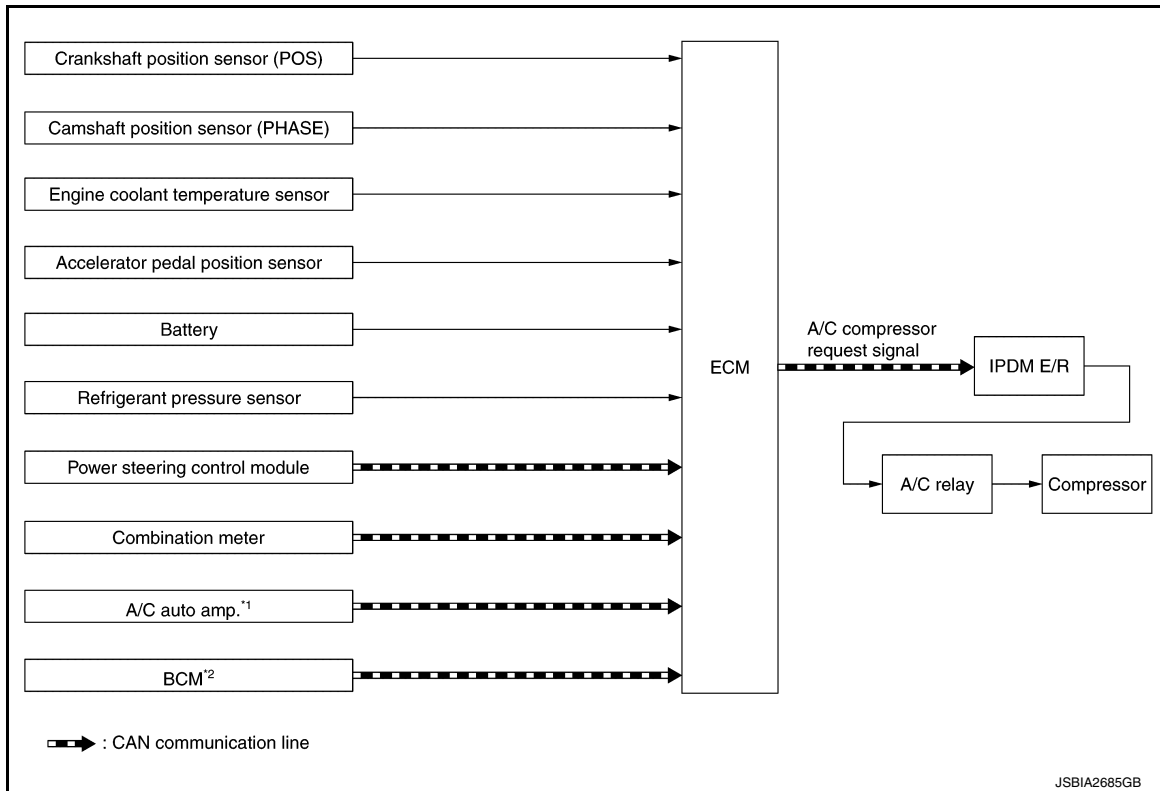
The knock sensor retard system is designed only for emergencies. The basic ignition timing is programmed within the anti-knocking zone, if recommended fuel is used under dry conditions. The retard system does not operate under normal driving conditions. If engine knocking occurs, the knock sensor monitors the condition. The signal is transmitted to the ECM. The ECM retards the ignition timing to eliminate the knocking condition.

AIR CONDITIONING CUT CONTROL

AIR CONDITIONING CUT CONTROL : System Description

INFOID:000000012602639

SYSTEM DIAGRAM



*1: Automatic air conditioning system

*2: Manual air conditioning system

INPUT/OUTPUT SIGNAL CHART

Sensor	Input signal to ECM	ECM function	Actuator	
Crankshaft position sensor (POS)	Engine speed ^{*1}	Air conditioner cut control	IPDM E/R ↓ Air conditioner relay ↓ Compressor	
Camshaft position sensor (PHASE)				
Engine coolant temperature sensor	Engine coolant temperature			
Accelerator pedal position sensor	Accelerator pedal position			
Battery	Battery voltage ^{*1}			
Refrigerant pressure sensor	Refrigerant pressure			
Power steering control module	EPS operation signal			
Combination meter	Vehicle speed signal			
A/C auto amp. ^{*2}	CAN communication line			• A/C ON signal • Blower fan ON signal
BCM ^{*3}				

*1: ECM determines the start signal status by the signals of engine speed and battery voltage.

*2: Automatic air conditioning system

*3: Manual air conditioning system

SYSTEM DESCRIPTION

This system improves engine operation when the air conditioner is used. Under the following conditions, the air conditioner is turned OFF.

- When the accelerator pedal is fully depressed.
- When cranking the engine.
- At high engine speeds.
- When the engine coolant temperature becomes excessively high.
- When operating power steering during low engine speed or low vehicle speed.

SYSTEM

[VQ35DE]

< SYSTEM DESCRIPTION >

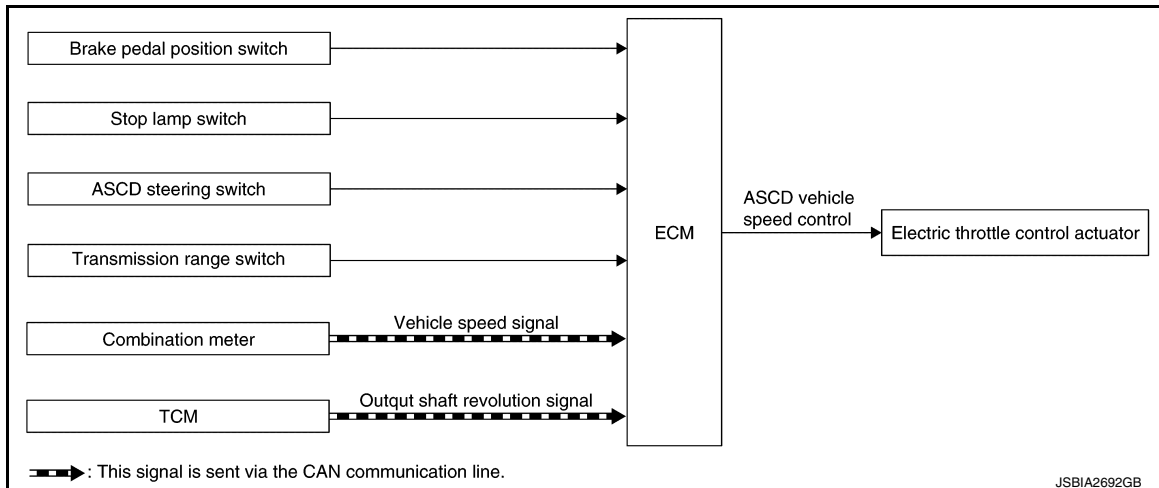
- When engine speed is excessively low.
- When refrigerant pressure is excessively low or high.

AUTOMATIC SPEED CONTROL DEVICE (ASCD)

AUTOMATIC SPEED CONTROL DEVICE (ASCD) : System Description

INFOID:0000000012602640

SYSTEM DIAGRAM



INPUT/OUTPUT SIGNAL CHART

Sensor	Input signal to ECM	ECM function	Actuator
Brake pedal position switch	Brake pedal operation	ASCD vehicle speed control	Electric throttle control actuator
Stop lamp switch	Brake pedal operation		
ASCD steering switch	ASCD steering switch operation		
Transmission range switch	Park/neutral position signal	ASCD status signal	Combination meter
Combination meter	Vehicle speed*		
TCM	Output shaft revolution signal*		

*: This signal is sent to the ECM via the CAN communication line

BASIC ASCD SYSTEM

Refer to Owner's Manual for ASCD operating instructions.

Automatic Speed Control Device (ASCD) allows a driver to keep vehicle at predetermined constant speed without depressing accelerator pedal. Driver can set vehicle speed in advance between approximately 40 km/h (25 MPH) and 144 km/h (89 MPH).

ECM controls throttle angle of electric throttle control actuator to regulate engine speed.

Operation status of ASCD is indicated by CRUISE indicator and SET indicator in combination meter. If any malfunction occurs in the ASCD system, it automatically deactivates control.

NOTE:

Always drive vehicle in a safe manner according to traffic conditions and obey all traffic laws.

SET OPERATION

Press MAIN switch. (The CRUISE indicator in combination meter illuminates.)

When vehicle speed reaches a desired speed between approximately 40 km/h (25 MPH) and 144 km/h (89 MPH), press SET/COAST switch. (Then SET lamp in combination meter illuminates.)

ACCELERATE OPERATION

If the RESUME/ACCELERATE switch is pressed during cruise control driving, increase the vehicle speed until the switch is released or vehicle speed reaches maximum speed controlled by the system.

And then ASCD will maintain the new set speed.

CANCEL OPERATION

When any of following conditions exist, cruise operation will be canceled.

- CANCEL switch is pressed
- ON/OFF (MAIN) switch pressed (Set speed is cleared)

SYSTEM

[VQ35DE]

< SYSTEM DESCRIPTION >

- More than 2 switches at ASCD steering switch are pressed at the same time (Set speed will be cleared)
- Brake pedal is depressed
- Selector lever is in the N, P, R position
- Vehicle speed decreased to 13 km/h (8 MPH) lower than the set speed
- TCS system is operated

When the ECM detects any of the following conditions, the ECM will cancel the cruise operation and inform the driver by blinking indicator lamp.

- Engine coolant temperature is slightly higher than the normal operating temperature, CRUISE lamp may blink slowly.

When the engine coolant temperature decreases to the normal operating temperature, CRUISE lamp will stop blinking and the cruise operation will be able to work by pressing SET/COAST switch or RESUME/ACCELERATE switch.

- Malfunction for some self-diagnoses regarding ASCD control: SET indicator will blink quickly.

If MAIN switch is turned to OFF while ASCD is activated, all of ASCD operations will be canceled and vehicle speed memory will be erased.

COAST OPERATION

When the SET/COAST switch is pressed during cruise control driving, decrease vehicle set speed until the switch is released. And then ASCD will maintain the new set speed.

RESUME OPERATION

When the RESUME/ACCELERATE switch is pressed after cancel operation other than pressing MAIN switch is performed, vehicle speed will return to last set speed. To resume vehicle set speed, vehicle condition must meet following conditions.

- Brake pedal is released
- CVT selector lever is in the P and N positions
- Vehicle speed is greater than 40 km/h (25 MPH) and less than 144 km/h (89 MPH)

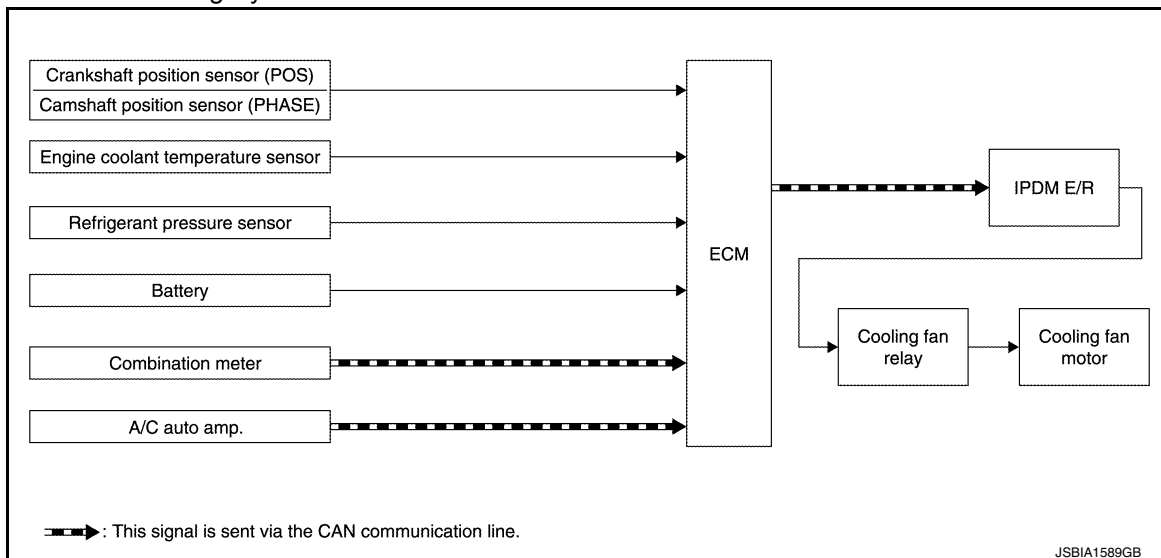
COOLING FAN CONTROL

COOLING FAN CONTROL : System Description

INFOID:0000000012602641

SYSTEM DIAGRAM

Automatic Air Conditioning System

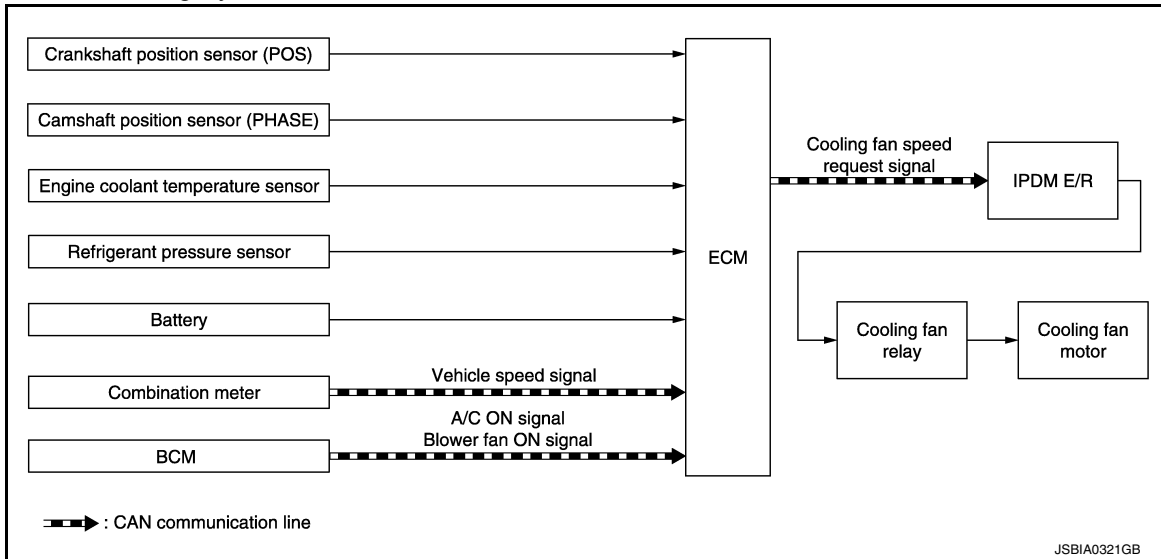


SYSTEM

[VQ35DE]

< SYSTEM DESCRIPTION >

Manual Air Conditioning System



INPUT/OUTPUT SIGNAL CHART

Sensor	Input signal to ECM	ECM function	Actuator
Crankshaft position sensor (POS) Camshaft position sensor (PHASE)	Engine speed* ¹ Piston position	Cooling fan control	IPDM E/R ↓ Cooling fan relay ↓ Cooling fan motor
Engine coolant temperature sensor	Engine coolant temperature		
Refrigerant pressure sensor	Refrigerant pressure		
Battery	Battery voltage* ¹		
Combination meter	Vehicle speed signal* ²		
A/C auto amp.* ³ BCM* ⁴	• A/C ON signal • Blower fan ON signal		

*1: The ECM determines the start signal status by the signals of engine speed and battery voltage.

*2: This signal is sent to ECM via the CAN communication line.

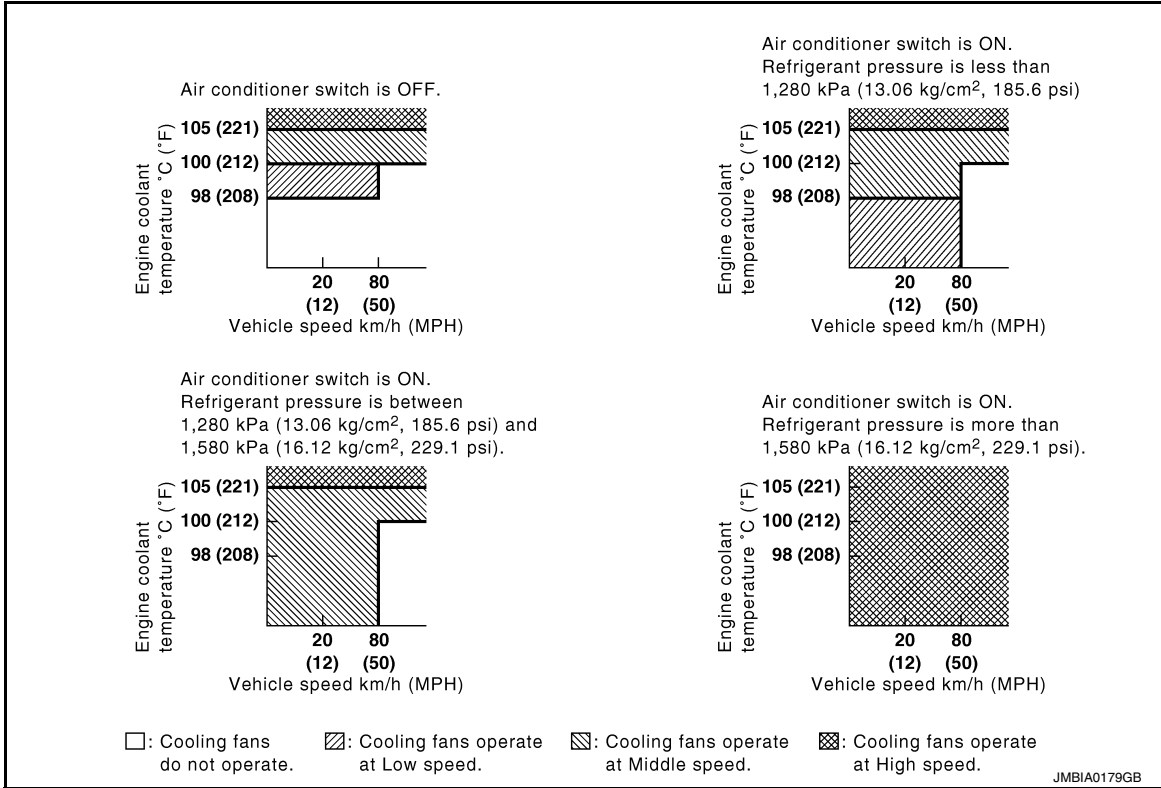
*3: Automatic air conditioning system

*4: Manual air conditioning system

SYSTEM DESCRIPTION

The ECM controls the cooling fan corresponding to the vehicle speed, engine coolant temperature, refrigerant pressure, and air conditioner ON signal. The control system has 4-step control [HIGH/MIDDLE/LOW/OFF].

Cooling Fan Operation



Cooling Fan Relay Operation

The ECM controls cooling fan relays in the IPDM E/R through CAN communication line.

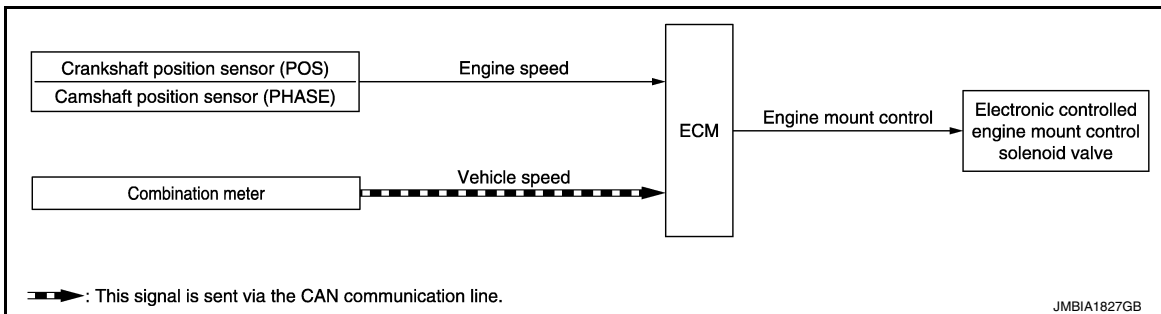
Cooling fan speed	Cooling fan relay		
	1	2	3
Stop (OFF)	OFF	OFF	OFF
Low (LOW)	ON	OFF	OFF
Middle (MID)	OFF	ON	OFF
High (HI)	OFF	ON	ON

ELECTRONIC CONTROLLED ENGINE MOUNT

ELECTRONIC CONTROLLED ENGINE MOUNT : System Description

INFOID:000000012602642

SYSTEM DIAGRAM



INPUT/OUTPUT SIGNAL CHART

SYSTEM

< SYSTEM DESCRIPTION >

[VQ35DE]

Sensor	Input signal to ECM	ECM function	Actuator
Crankshaft position sensor (POS) Camshaft position sensor (PHASE)	Engine speed	Engine mount control	Electronic controlled engine mount control solenoid valve
Combination meter	Vehicle speed*		

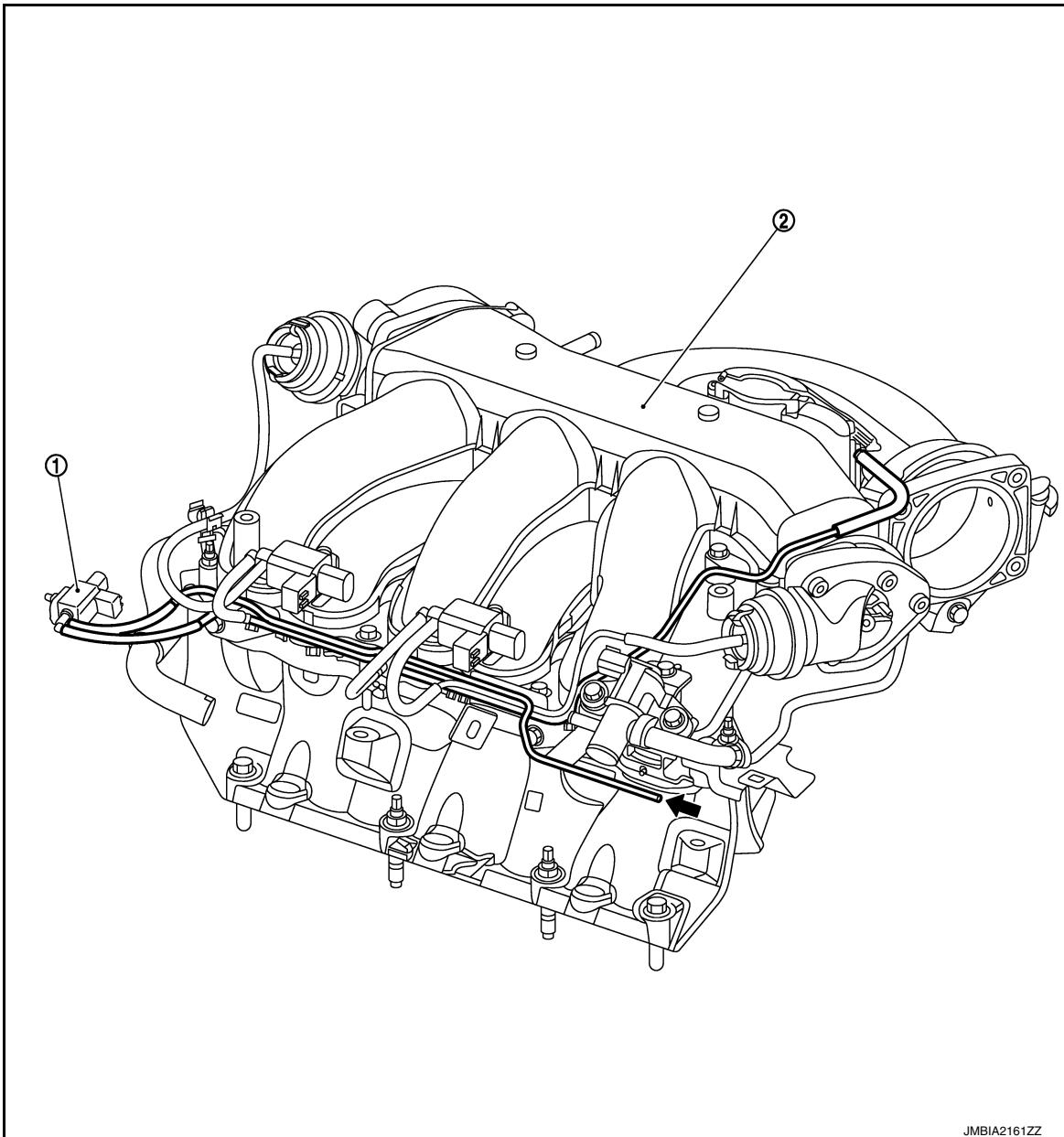
*: This signal is sent to the ECM via the CAN communication line.

SYSTEM DESCRIPTION

The ECM controls the engine mount operation corresponding to the engine speed. The control system has a 2-step control [Soft/Hard]

Vehicle condition	Engine mount control
Engine speed: Below 950 rpm	Soft
Engine speed: Above 950 rpm	Hard

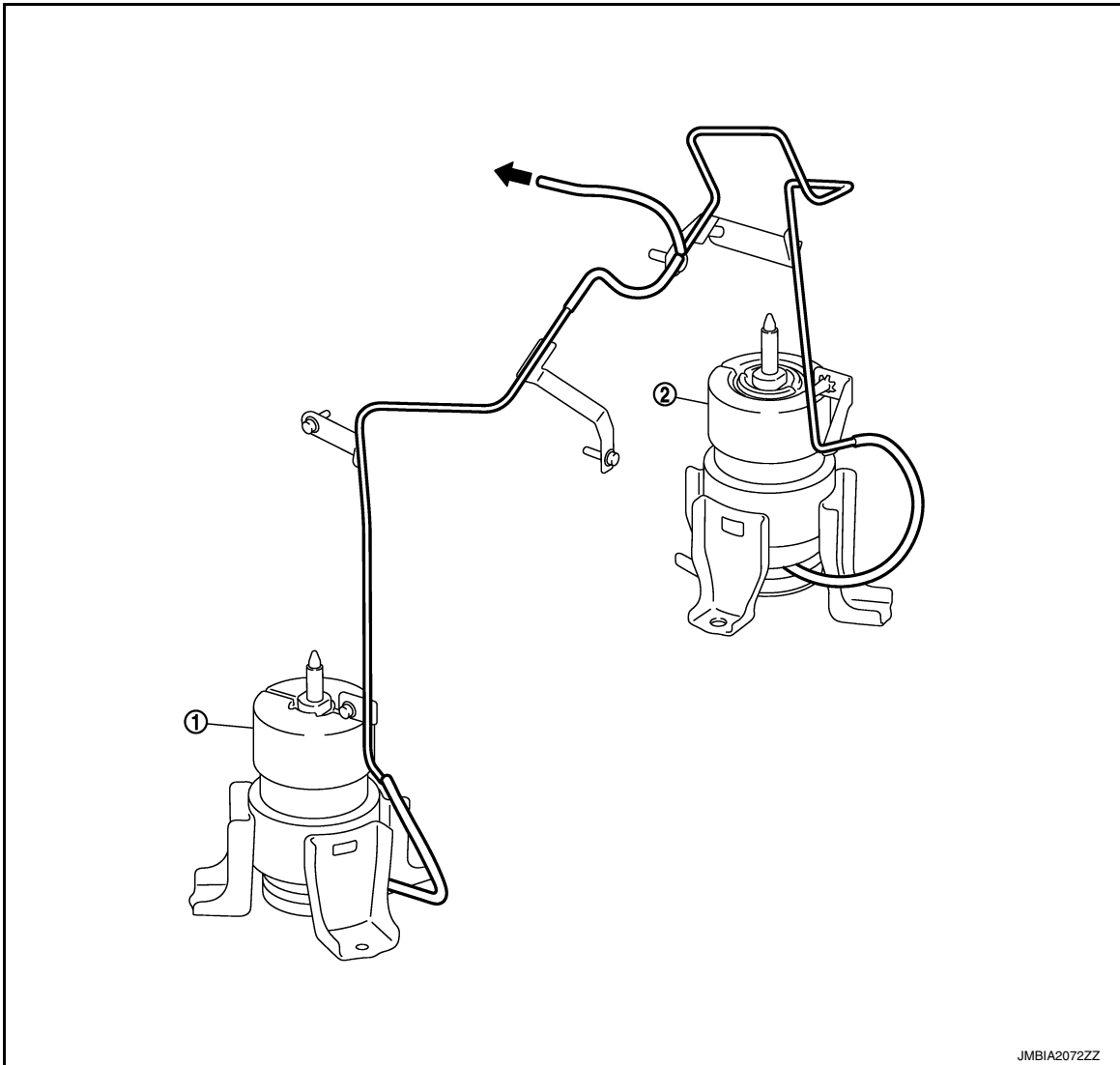
ELECTRONIC CONTROLLED ENGINE MOUNT LINE DRAWING



JMBIA2161ZZ

- 1. Electronic controlled engine mount control solenoid valve
- 2. Intake manifold collector

← : From next figure



- 1. Front electronic controlled engine mount
- 2. Rear electronic controlled engine mount

← : To previous figure

NOTE:

Do not use soapy water or any type of solvent while installing vacuum hose.

EVAPORATIVE EMISSION SYSTEM

A
EC
C
D
E
F
G
H
I
J
K
L
M
N
O
P

SYSTEM

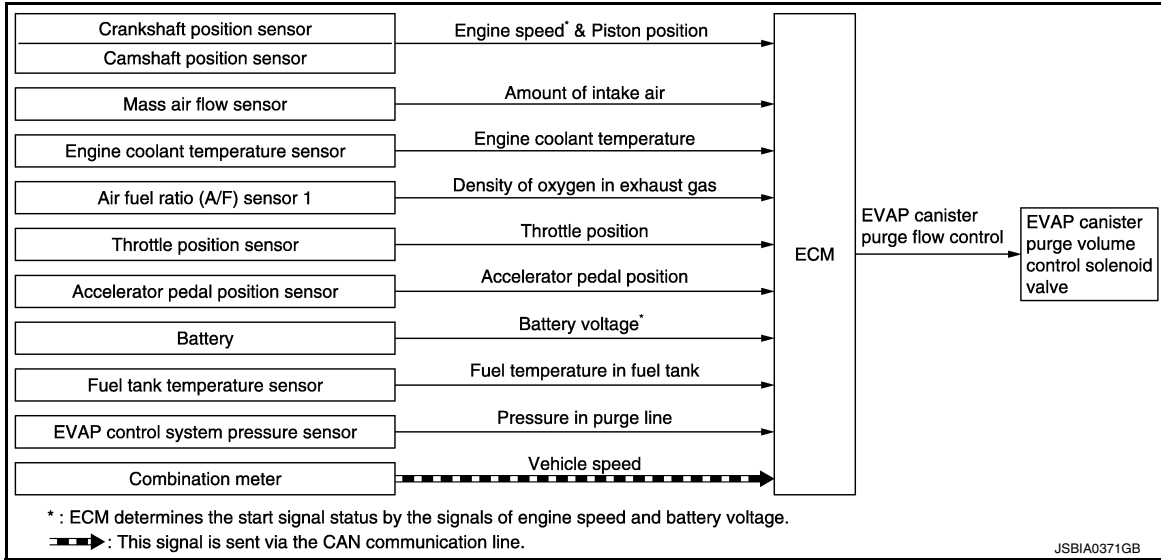
< SYSTEM DESCRIPTION >

[VQ35DE]

EVAPORATIVE EMISSION SYSTEM : System Description

INFOID:000000012602643

SYSTEM DIAGRAM



INPUT/OUTPUT SIGNAL CHART

Sensor	Input signal to ECM	ECM function	Actuator
Crankshaft position sensor (POS)	Engine speed* ¹	EVAP canister purge flow control	EVAP canister purge vol- ume control solenoid valve
Camshaft position sensor (PHASE)	Piston position		
Mass air flow sensor	Amount of intake air		
Engine coolant temperature sensor	Engine coolant temperature		
Air fuel ratio (A/F) sensor 1	Density of oxygen in exhaust gas (Mixture ratio feedback signal)		
Throttle position sensor	Throttle position		
Accelerator pedal position sensor	Accelerator pedal position		
Battery	Battery voltage* ¹		
Fuel tank temperature sensor	Fuel temperature in fuel tank		
EVAP control system pressure sensor	Pressure in purge line		
Combination meter	Vehicle speed* ²		

*1: ECM determines the start signal status by the signals of engine speed and battery voltage.

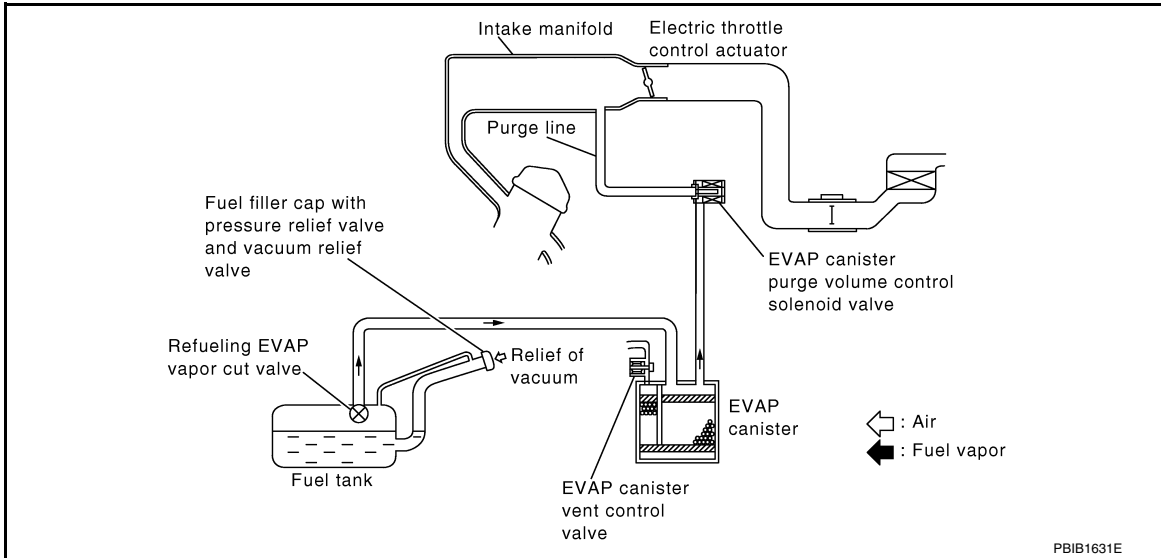
*2: This signal is sent to the ECM via the CAN communication line.

SYSTEM

< SYSTEM DESCRIPTION >

[VQ35DE]

SYSTEM DESCRIPTION



The evaporative emission system is used to reduce hydrocarbons emitted into the atmosphere from the fuel system. This reduction of hydrocarbons is accomplished by activated charcoals in the EVAP canister. The fuel vapor in the sealed fuel tank is led into the EVAP canister which contains activated carbon and the vapor is stored there when the engine is not operating or when refueling to the fuel tank. The vapor in the EVAP canister is purged by the air through the purge line to the intake manifold when the engine is operating. EVAP canister purge volume control solenoid valve is controlled by ECM. When the engine operates, the flow rate of vapor controlled by EVAP canister purge volume control solenoid valve is proportionally regulated as the air flow increases. EVAP canister purge volume control solenoid valve also shuts off the vapor purge line during decelerating and idling.

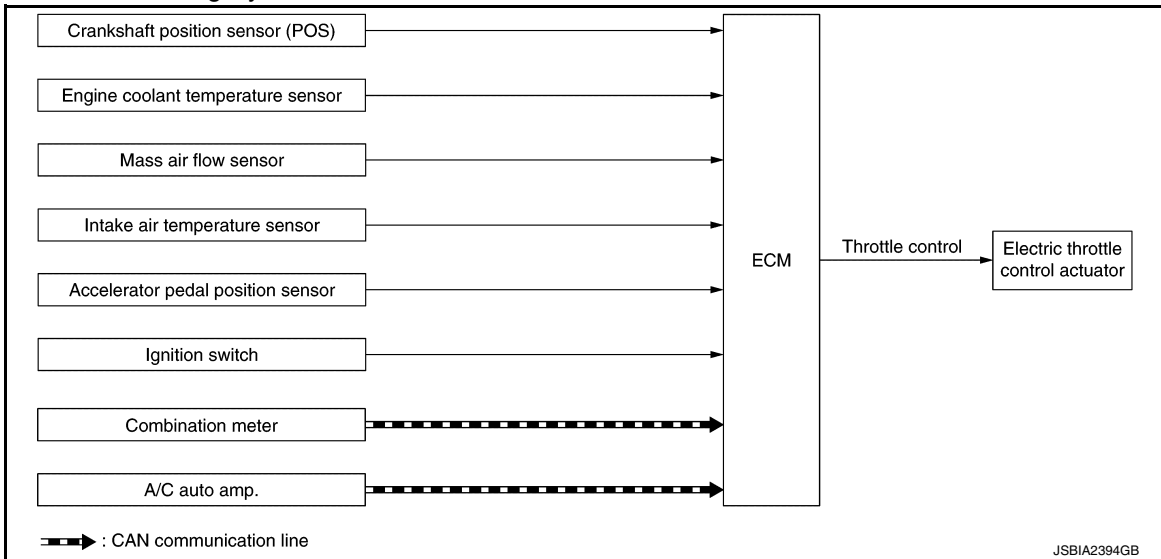
THROTTLE CONTROL

THROTTLE CONTROL : System Description

INFOID:000000012602644

SYSTEM DIAGRAM

Automatic Air Conditioning System

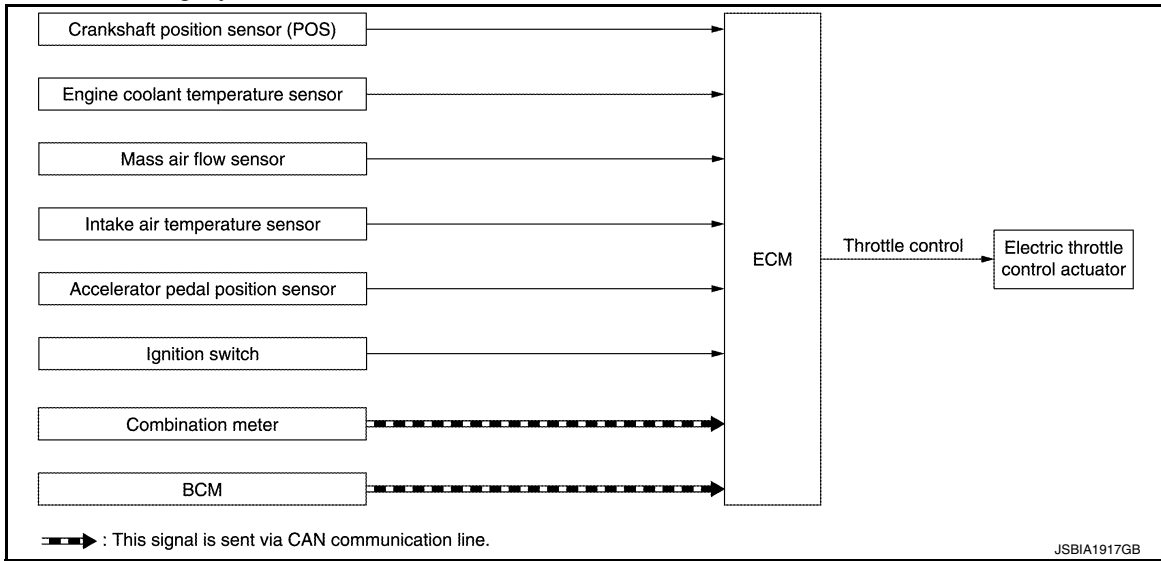


SYSTEM

[VQ35DE]

< SYSTEM DESCRIPTION >

Manual Air Conditioning System



INPUT/OUTPUT SIGNAL CHART

Sensor	Input signal to ECM		ECM function	Actuator
Crankshaft position sensor (POS)	Engine speed* ¹		Throttle control	Electric throttle control actuator
Engine coolant temperature sensor	Engine coolant temperature			
Mass air flow sensor	Amount of intake air			
Intake air temperature sensor	Intake air temperature			
Accelerator pedal position sensor	Accelerator pedal position			
Ignition switch	Start signal and ignition OFF			
Combination meter	CAN communication	Vehicle speed signal		
A/C auto amp.* ²	CAN communication	<ul style="list-style-type: none"> A/C ON signal Blower fan ON signal 		
BCM* ³				

*1: ECM determines the start signal status by the signals of engine speed and battery voltage.

*2: Automatic air conditioning system

*3: Manual air conditioning system

SYSTEM DESCRIPTION

ECM calculates the value of signal transmitted from the accelerator pedal and activates the throttle valve by transmitting a control signal to the electric throttle control actuator. This allows the optimum throttle angle and improves drivability and fuel consumption. In addition, ECM learns the fully closed position every time when the ignition switch is turned OFF to improve the accuracy in throttle valve position.

When a malfunction occurs in the throttle control system, the throttle valve is closed by the return spring and maintains the minimum engine speed by holding a slightly opened condition which is close to the fully opened condition. This allows the securing of brake system, power steering system, and electric system and the ensuring of the safety.

INTAKE VALVE TIMING CONTROL

INTAKE VALVE TIMING CONTROL : System Description

INFOID:0000000012602645

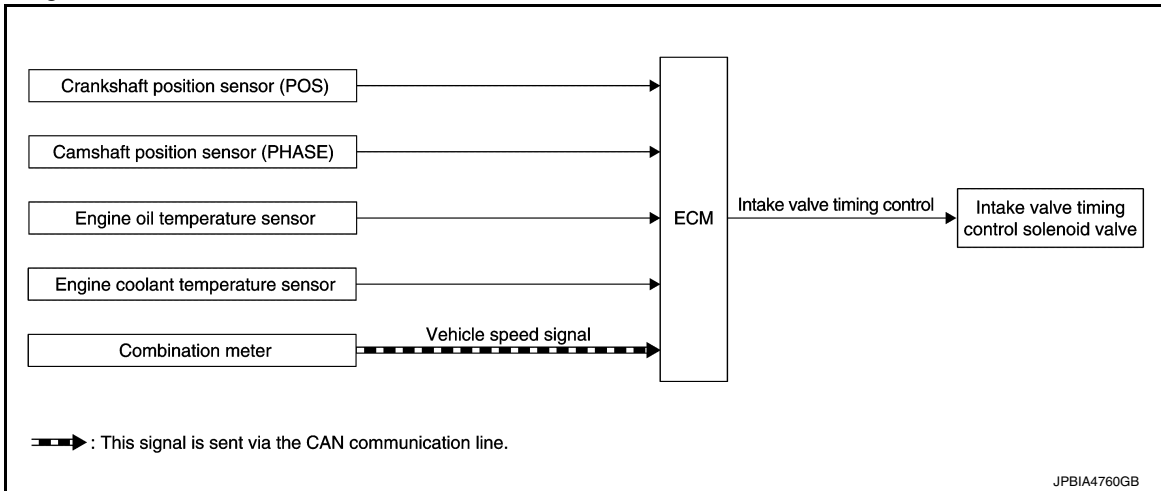
INTAKE VALVE TIMING CONTROL

SYSTEM

< SYSTEM DESCRIPTION >

[VQ35DE]

System Diagram

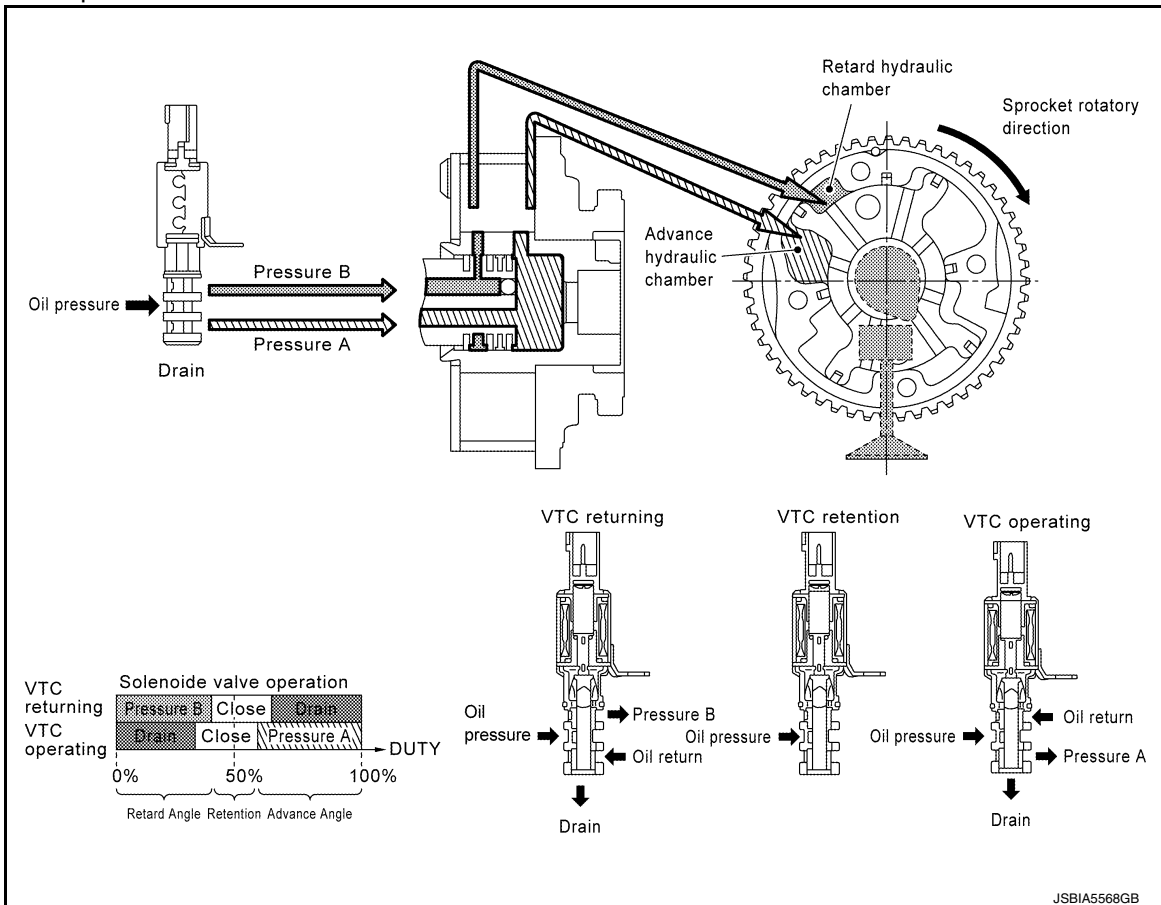


Input/Output Signal Chart

Sensor	Input signal to ECM	ECM function	Actuator
Crankshaft position sensor (POS)	Engine speed and piston position	Intake valve timing control	Intake valve timing control solenoid valve
Camshaft position sensor (PHASE)			
Engine oil temperature sensor	Engine oil temperature		
Engine coolant temperature sensor	Engine coolant temperature		
Combination meter	Vehicle speed*		

*: This signal is sent to the ECM through CAN communication line

System Description



SYSTEM

[VQ35DE]

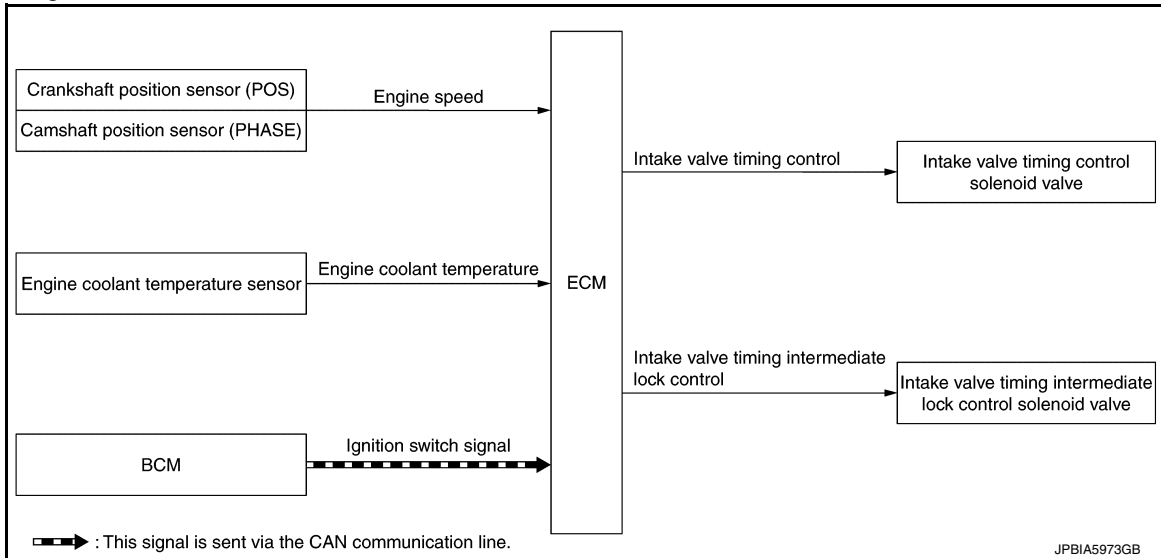
< SYSTEM DESCRIPTION >

This mechanism hydraulically controls cam phases continuously with the fixed operating angle of the intake valve.

The ECM receives signals such as crankshaft position, camshaft position, engine speed, and engine coolant temperature. Then, the ECM sends ON/OFF pulse duty signals to the intake valve timing (IVT) control solenoid valve depending on driving status. This makes it possible to control the shut/open timing of the intake valve to increase engine torque in low/mid speed range and output in high-speed range.

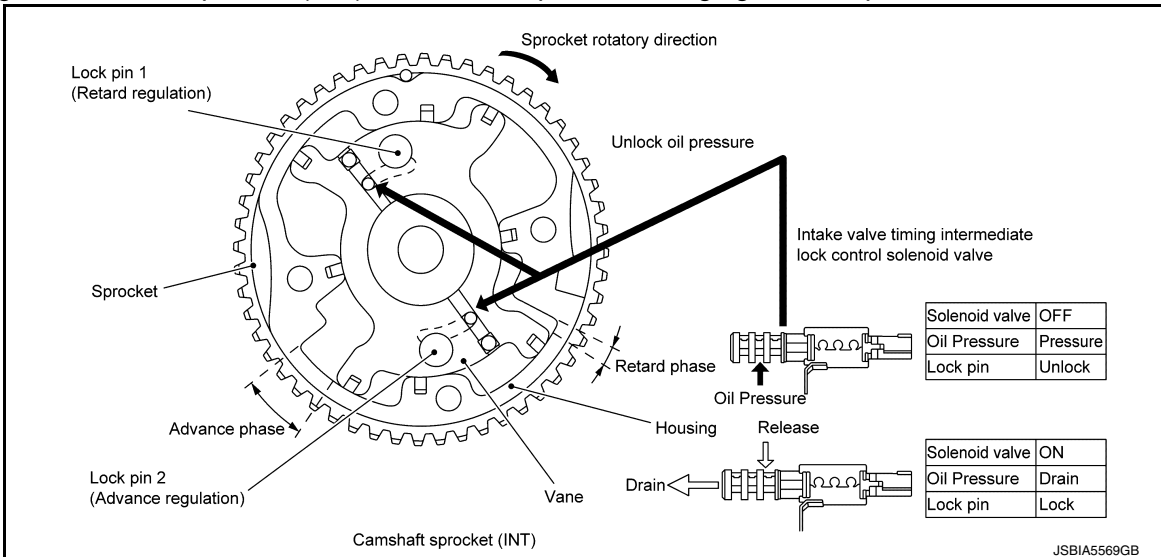
INTAKE VALVE TIMING INTERMEDIATE LOCK CONTROL

System Diagram



System Description

The intake valve timing intermediate lock control improves the cleaning ability of exhaust gas at cold starting by fixing the camshaft sprocket (INT) with two lock pins and bringing the cam phase into intermediate phase.



Cam phase is fixed at the intermediate phase by two lock pins in the camshaft sprocket (INT). Lock pin 1 controls retard position and lock pin 2 controls advance position.

ECM controls the intermediate phase lock by opening/closing the intake valve timing intermediate lock control solenoid valve to control oil pressure acting on the lock pin and locking/unlocking the lock pin.

Lock/Unlock Activation

When ECM activates the intake valve timing intermediate lock control solenoid valve, oil pressure generated in the oil pump is drained through the oil pressure path in the control valve. Since oil pressure is not acted on the lock pin, the lock pin position is fixed by the spring tension and the cam phase is fixed at the intermediate phase.

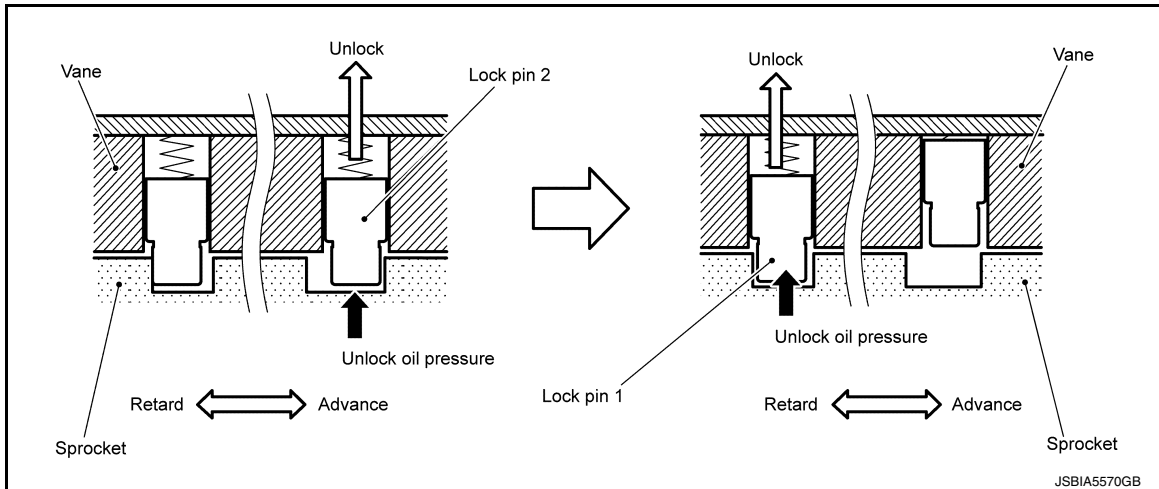
When ECM deactivates the intake valve timing intermediate lock control solenoid valve, unlocking oil pressure acts on each lock pin. Lock pin 1 is not released because it is under load due to sprocket rotational force. For

SYSTEM

< SYSTEM DESCRIPTION >

[VQ35DE]

this reason, lock pin 2 is released first by being pushed up by unlocking oil pressure. When lock pin 2 is released, some clearance is formed between lock pin 1 and the rotor due to sprocket rotational force and return spring force. Accordingly, lock pin 1 is pushed up by unlocking oil pressure and the intermediated phase lock is released.



When stopping the engine

When the ignition switch is turned from idle state to OFF, ECM receives an ignition switch signal from BCM via CAN communication and activates the intake valve timing intermediate lock control solenoid valve and drains oil pressure acting on the lock pin before activating the intake valve timing control solenoid valve and operating the cam phase toward the advance position.

The cam phase is fixed by the lock pin when shifting to the intermediated phase and ECM performs Lock judgment to stop the engine.

When starting the engine

When starting the engine by cold start, ECM judges the locked/unlocked state when ignition switch is turned ON. When judged as locked state (fixed at the intermediate phase), the intake valve timing intermediate lock control solenoid valve is activated. Since oil pressure does not act on the lock pin even when the engine is started, the cam phase is fixed at the intermediate phase and the intake valve timing control is not performed.

When the engine stops without locking the cam phase at the intermediate phase due to an engine stall and the state is not judged as locked, the intake valve timing intermediate lock control solenoid valve and the intake valve timing control solenoid valve are activated and the cam phase shifts to the advanced position to be locked at the intermediate phase. Even when not locked in the intermediate lock phase due to no oil pressure or low oil pressure, a ratchet structure of the camshaft sprocket (INT) rotor allows the conversion to the intermediate phase in stages by engine vibration.

When engine coolant temperature is more than 60°C, the intake valve timing is controlled by deactivating the intake valve timing intermediate lock control solenoid valve and releasing the intermediate phase lock.

When the engine is started after warming up, ECM releases the intermediate phase lock immediately after the engine start and controls the intake valve timing.

EXHAUST VALVE TIMING CONTROL

SYSTEM

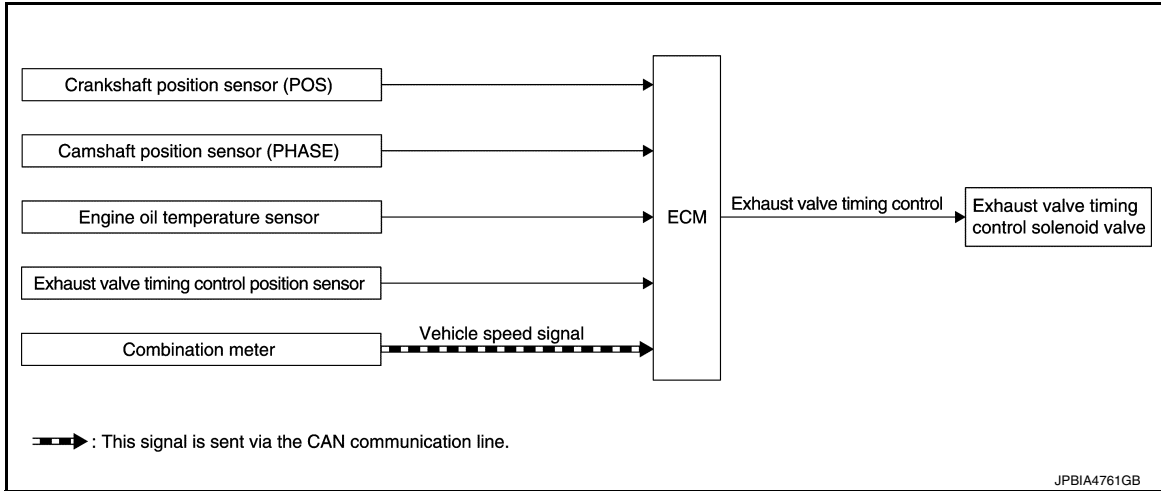
< SYSTEM DESCRIPTION >

[VQ35DE]

EXHAUST VALVE TIMING CONTROL : System Description

INFOID:000000012602646

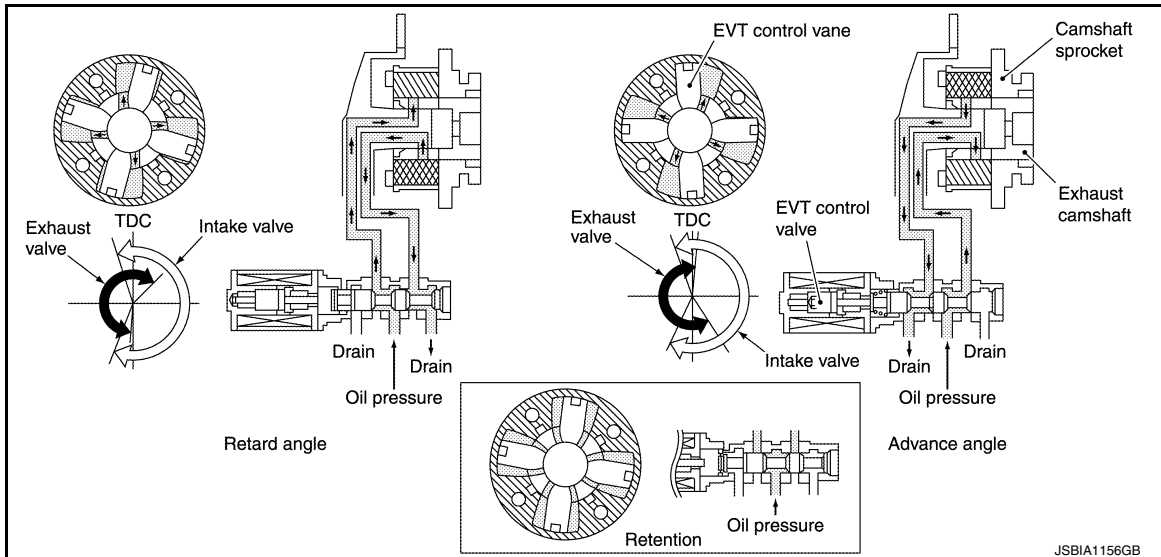
SYSTEM DIAGRAM



INPUT/OUTPUT SIGNAL CHART

Sensor	Input signal to ECM	ECM function	Actuator
Crankshaft position sensor (POS)	Engine speed and piston position	Exhaust valve timing control	Exhaust valve timing control solenoid valve
Camshaft position sensor (PHASE)			
Engine oil temperature sensor	Engine oil temperature		
Exhaust valve timing control position sensor	Exhaust valve timing signal		
Combination meter	CAN communication		

SYSTEM DESCRIPTION



This mechanism hydraulically controls cam phases continuously with the fixed operating angle of the exhaust valve.

The ECM receives signals such as crankshaft position, camshaft position, engine speed, and engine oil temperature. Then, the ECM sends ON/OFF pulse duty signals to the exhaust valve timing (EVT) control solenoid valve depending on driving status. This makes it possible to control the shut/open timing of the exhaust valve to increase engine torque and output in a range of high engine speed.

ENGINE PROTECTION CONTROL AT LOW ENGINE OIL PRESSURE

ENGINE PROTECTION CONTROL AT LOW ENGINE OIL PRESSURE : System De-

SYSTEM

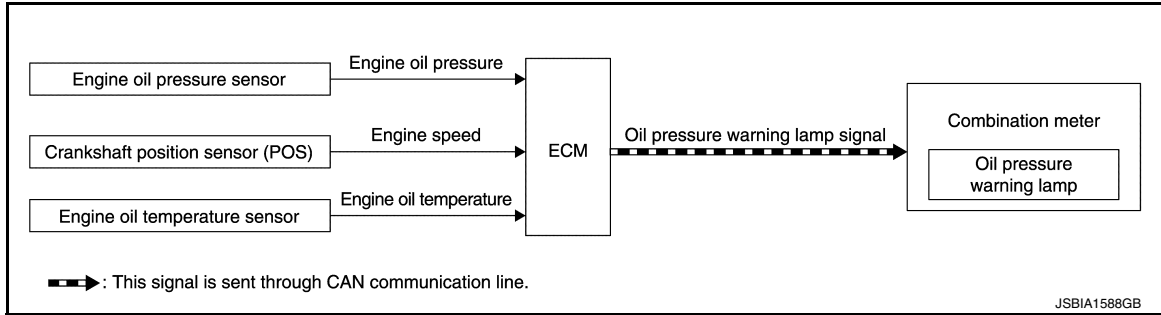
< SYSTEM DESCRIPTION >

[VQ35DE]

INFOID:000000012602647

scription

SYSTEM DIAGRAM



INPUT/OUTPUT SIGNAL CHART

Sensor	Input signal to ECM	ECM function	Actuator
Engine oil pressure sensor	Engine oil pressure	Engine protection control • Oil pressure warning lamp signal • Fuel cut control	Combination meter (Oil pressure warning lamp)
Crankshaft position sensor (POS)	Engine speed		
Engine oil temperature sensor	Engine oil temperature		

SYSTEM DESCRIPTION

- The engine protection control at low engine oil pressure warns the driver of a decrease in engine oil pressure by the oil pressure warning lamp before the engine becomes damaged.
- When detecting a decrease in engine oil pressure at an engine speed less than 1,000 rpm, ECM transmits an oil pressure warning lamp signal to the combination meter. The combination meter turns ON the oil pressure warning lamp, according to the signal.
- When detecting a decrease in engine oil pressure at an engine speed 1,000 rpm or more, ECM transmits an oil pressure warning lamp signal to the combination meter. The combination meter turns ON the oil pressure warning lamp, according to the signals. When detecting a decrease in engine oil pressure, ECM cuts fuel if the engine speed exceeds the specified value.

Decrease in engine oil pressure	Engine speed	Combination meter	Fuel cut
		Oil pressure warning lamp	
Detection	Less than 1,000 rpm	ON*	NO
	1,000 rpm or more	ON	YES

*: When detecting a normal engine oil pressure, ECM turns OFF the oil pressure warning lamp.

FUEL FILLER CAP WARNING SYSTEM

SYSTEM

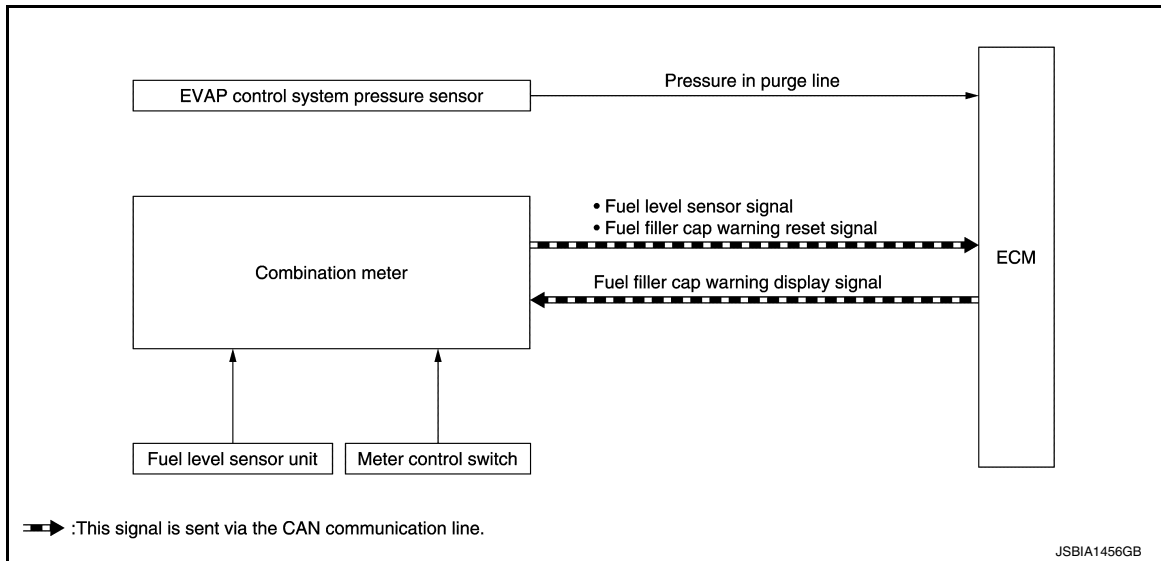
< SYSTEM DESCRIPTION >

[VQ35DE]

FUEL FILLER CAP WARNING SYSTEM : System Description

INFOID:000000012602648

SYSTEM DIAGRAM



INPUT/OUTPUT SIGNAL CHART

Input

Unit/Sensor	Input signal to ECM	ECM function
EVAP control system pressure sensor	Pressure in purge line	Fuel filler cap warning control
Combination meter	Fuel level sensor signal*	
	Fuel filler cap warning reset signal*	

*: This signal is sent to the ECM via the CAN communication line.

Output

Unit	Output signal	Actuator
ECM	Fuel filler cap warning display signal*	Combination meter

*: This signal is sent to the combination meter via the CAN communication line.

SYSTEM DESCRIPTION

The fuel filler cap warning system alerts the driver to the prevention of the fuel filler being left uncapped and malfunction occurrences after refueling, by turning ON the fuel filler cap warning display on the combination meter.

ECM judges a refueled state, based on a fuel level signal transmitted from the combination meter.

When a very small leak is detected through the EVAP leak diagnosis performed after judging the refueled state, ECM transmits a fuel filler cap warning display signal (request for display ON) to the combination meter via CAN communication.

When receiving the signal, the combination meter turns ON the fuel filler cap warning display.

CAUTION:

Check fuel filler cap installation condition when the fuel filler cap warning display turns ON.

Reset Operation

The fuel filler cap warning lamp turns OFF, according to any condition listed below:

- Reset operation is performed by operating the meter control switch on the combination meter.
- When the reset operation is performed, the combination meter transmits a fuel filler cap warning reset signal to ECM via CAN communication. ECM transmits a fuel filler cap warning display signal (request for display OFF) to the combination meter via CAN communication. When receiving the signal, the combination meter turns OFF the fuel filler cap warning display.
- EVAP leak diagnosis result is normal.
- Fuel refilled.
- DTC erased by using CONSULT.

NOTE:

SYSTEM

< SYSTEM DESCRIPTION >

[VQ35DE]

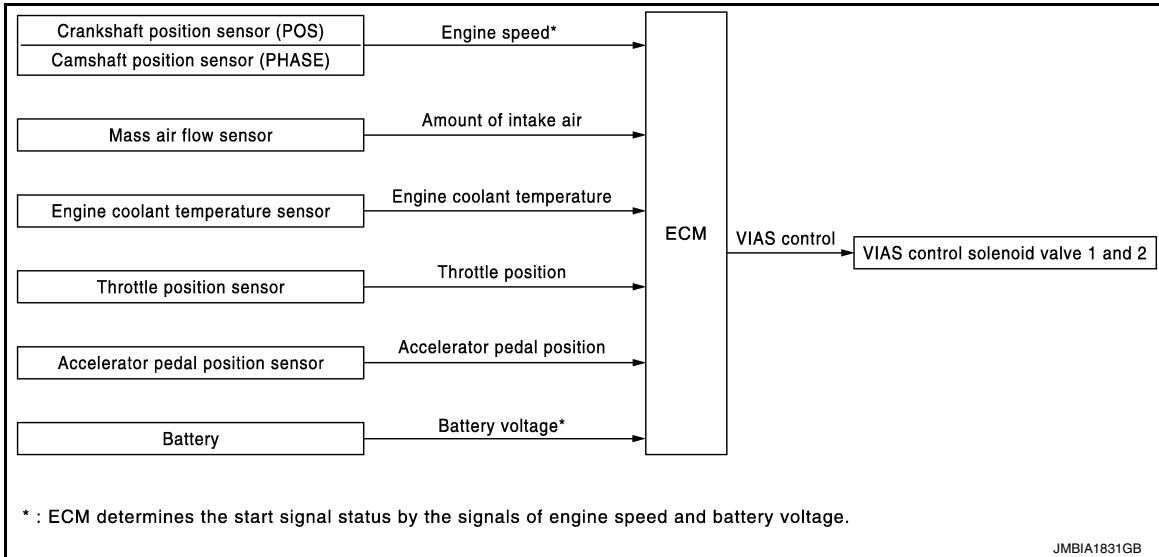
MIL turns ON if a malfunction is detected in leak diagnosis results again at the trip after the fuel filler cap warning display turns ON/OFF.

VARIABLE INDUCTION AIR SYSTEM

VARIABLE INDUCTION AIR SYSTEM : System Description

INFOID:000000012602649

SYSTEM DIAGRAM

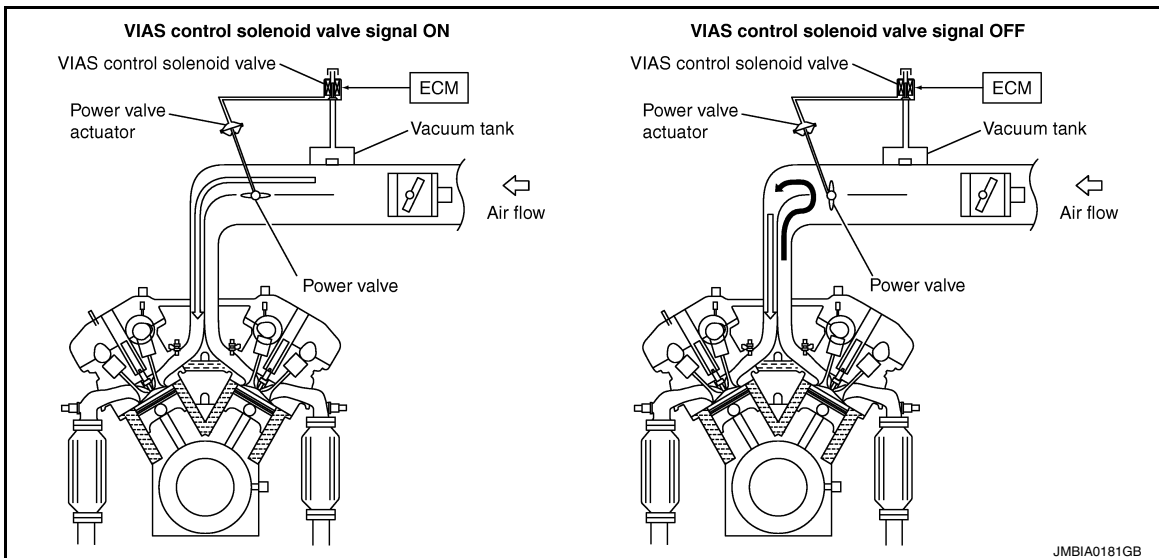


INPUT/OUTPUT SIGNAL CHART

Sensor	Input signal to ECM	ECM function	Actuator
Crankshaft position sensor (POS) Camshaft position sensor (PHASE)	Engine speed*	VIAS control	VIAS control solenoid valve 1 VIAS control solenoid valve 2
Mass air flow sensor	Amount of intake air		
Engine coolant temperature sensor	Engine coolant temperature		
Throttle position sensor	Throttle position		
Accelerator pedal position sensor	Accelerator pedal position		
Battery	Battery voltage*		

*: ECM determines the start signal status by the signals of engine speed and battery voltage.

SYSTEM DESCRIPTION



SYSTEM

< SYSTEM DESCRIPTION >

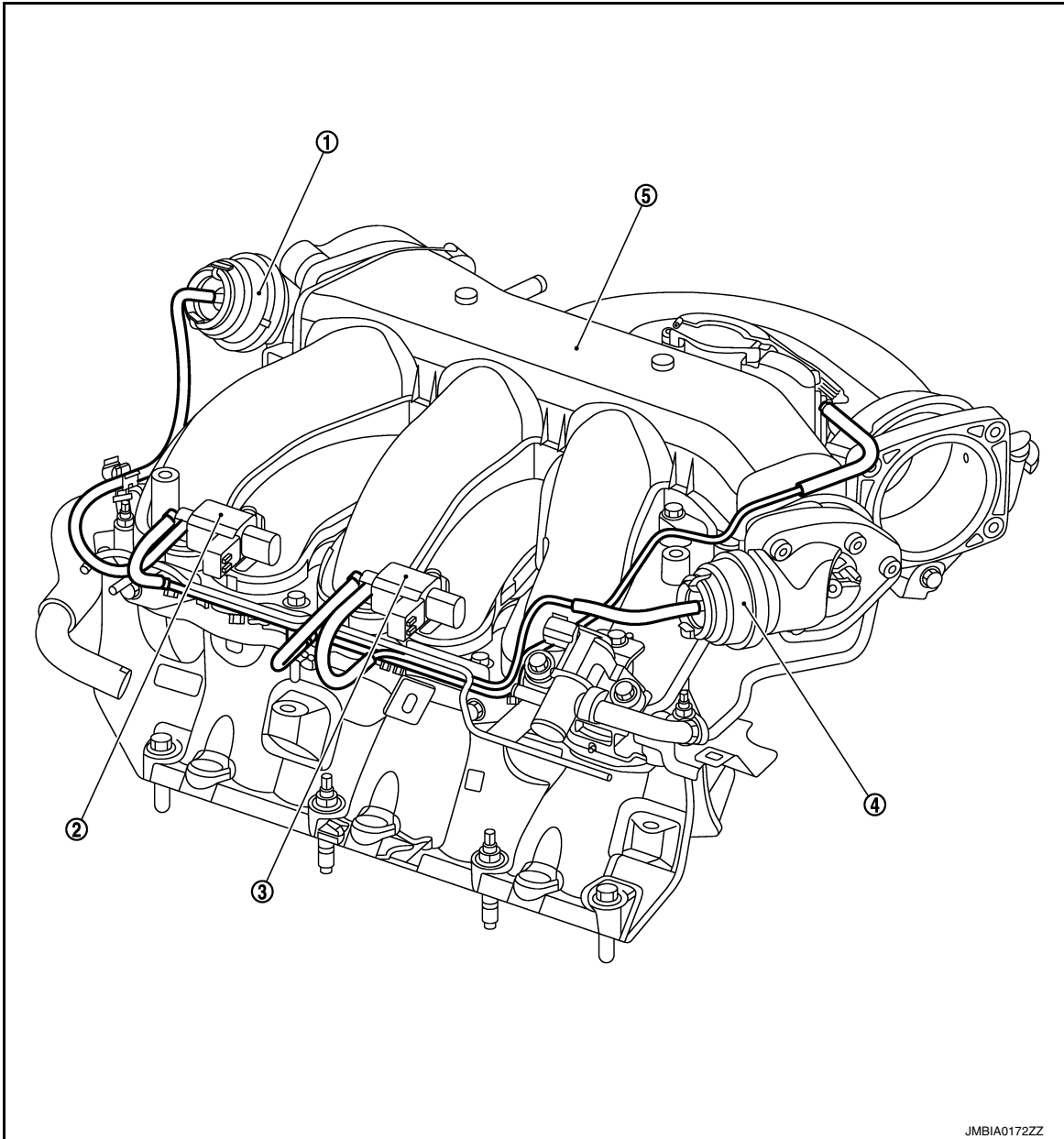
[VQ35DE]

In the medium speed range, the ECM sends the ON signal to the VIAS control solenoid valve. This signal introduces the intake manifold vacuum into the power valve actuator and therefore closes the power valve. Under this condition, the pressure waves of the exhaust stroke do not disturb the pressure waves of the intake stroke of each opposite bank. Therefore, charging efficiency is increased together with the effect of the long intake passage.

However, in the high speed range, the ECM sends the OFF signal to the VIAS control solenoid valve and the power valve is opened. Under this condition, the pressure waves of intake stroke are resonant with those of each opposite bank exhaust stroke. Therefore, charging efficiency is also increased.

In addition, both valves 1 and 2 are opened or closed in other ranges mentioned above. Thus maximum charging efficiency is obtained for the various driving conditions.

VACUUM HOSE DRAWING



JMBIA0172ZZ

- | | | |
|---------------------------|----------------------------------|----------------------------------|
| 1. Power valve actuator 1 | 2. VIAS control solenoid valve 1 | 3. VIAS control solenoid valve 2 |
| 4. Power valve actuator 2 | 5. Intake manifold collector | |

INTEGRATED CONTROL OF ENGINE, CVT, AND ABS

INTEGRATED CONTROL OF ENGINE, CVT, AND ABS : System Description

INFOID:0000000012602650

A

Real time communications (signal exchange) among control units (e.g. ECM, CVT, ABS, and combination meter) via CAN communication optimizes engine torque and lock-up during gear shift and prevents engine speed from decreasing during deceleration.

EC

ALTERNATOR POWER GENERATION VOLTAGE VARIABLE CONTROL SYSTEM

C

ALTERNATOR POWER GENERATION VOLTAGE VARIABLE CONTROL SYSTEM : System Description

INFOID:0000000012602651

D

The alternator power generation voltage variable control system controls the amount of power generation, according to a battery loaded condition. ECM judges a battery condition, according to a signal received from the battery current sensor which detects a charge/discharge current. ECM then transmits a signal to IPDM E/R to command power generation via CAN communication. IPDM E/R transmits a power generation control signal to the alternator so that the system can control the amount of power generation. The voltage of power generation is lowered during battery low-load conditions and boosted under heavy load conditions. In this way, the system reduces the engine load through the adequate power generation control.

E

F

For details, refer to [CHG-10. "System Description"](#).

CAN COMMUNICATION

G

CAN COMMUNICATION : System Description

INFOID:0000000012602652

CAN (Controller Area Network) is a serial communication line for real time application. It is an on-vehicle multiplex communication line with high data communication speed and excellent error detection ability. Many electronic control units are equipped onto a vehicle, and each control unit shares information and links with other control units during operation (not independent). In CAN communication, control units are connected with 2 communication lines (CAN H line, CAN L line) allowing a high rate of information transmission with less wiring. Each control unit transmits/receives data but selectively reads required data only.

H

I

Refer to [LAN-35. "CAN COMMUNICATION SYSTEM : CAN Communication Signal Chart"](#), about CAN communication for detail.

J

K

L

M

N

O

P

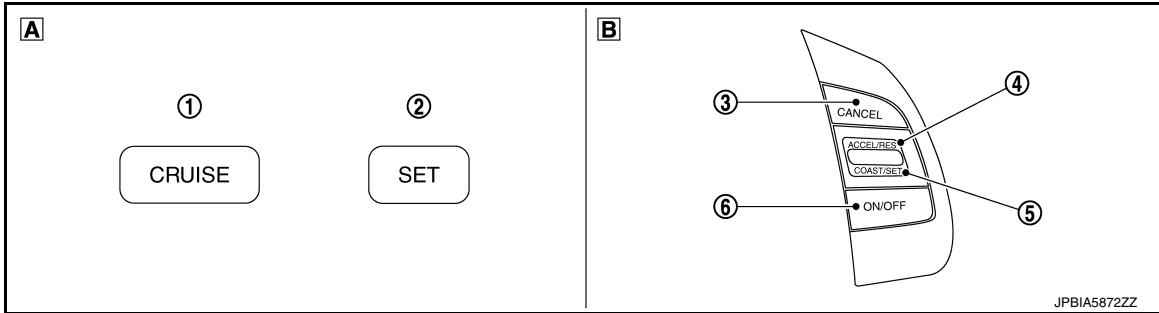
OPERATION

AUTOMATIC SPEED CONTROL DEVICE (ASCD)

AUTOMATIC SPEED CONTROL DEVICE (ASCD) : Switch Name and Function

INFOID:000000012602653

SWITCHES AND INDICATORS



- | | | |
|---|--------------------------|-------------------------|
| 1. CRUISE indicator | 2. SET indicator | 3. CANCEL switch |
| 4. ACCEL/RES switch
(ACCELERATE/RESUME) | 5. COAST/SET switch | 6. ON/OFF (MAIN) switch |
| A. On the combination meter (Information display) | B. On the steering wheel | |

SET SPEED RANGE

ASCD system can be set the following vehicle speed.

Minimum speed (Approx.)	Maximum speed (Approx.)
38 km/h (24 MPH)	144 km/h (89 MPH)

SWITCH OPERATION

Item	Function
CANCEL switch	Cancels the cruise control driving.
ACCEL/RES switch (RESUME/ACCELERATE)	<ul style="list-style-type: none"> Resumes the set speed. Increases speed incrementally during cruise control driving.
COAST/SET switch (SET/COAST)	<ul style="list-style-type: none"> Sets desired cruise speed. Decreases speed incrementally during cruise control driving.
ON/OFF (MAIN) switch	Master switch to activate the ASCD system.

ON BOARD DIAGNOSTIC (OBD) SYSTEM

< SYSTEM DESCRIPTION >

[VQ35DE]

ON BOARD DIAGNOSTIC (OBD) SYSTEM

Diagnosis Description

INFOID:000000012602654

This system is an on board diagnostic system that records exhaust emission-related diagnostic information and detects a sensors/actuator-related malfunction. A malfunction is indicated by the malfunction indicator lamp (MIL) and stored in ECU memory as a DTC. The diagnostic information can be obtained with the diagnostic tool (GST: Generic Scan Tool).

GST (Generic Scan Tool)

INFOID:000000012602655

When GST is connected with a data link connector equipped on the vehicle side, it will communicate with the control unit equipped in the vehicle and then enable various kinds of diagnostic tests. Refer to [EC-631, "Diagnosis Description"](#).

NOTE:

Service \$0A is not applied for regions where it is not mandated.

A
EC
C
D
E
F
G
H
I
J
K
L
M
N
O
P

DIAGNOSIS SYSTEM (ECM)

DIAGNOSIS DESCRIPTION

DIAGNOSIS DESCRIPTION : 1st Trip Detection Logic and Two Trip Detection Logic

INFOID:000000012602656

When a malfunction is detected for the first time, 1st trip DTC and 1st trip Freeze Frame data are stored in the ECM memory. The MIL will not illuminate at this stage. <1st trip>

If the same malfunction is detected again during the next drive, the DTC and Freeze Frame data are stored in the ECM memory, and the MIL illuminates. The MIL illuminates at the same time when the DTC is stored. <2nd trip> The "trip" in the "Two Trip Detection Logic" means a driving mode in which self-diagnosis is performed during vehicle operation. Specific on board diagnostic items will cause the ECM to illuminate or blink the MIL, and store DTC and Freeze Frame data, even in the 1st trip, as shown below.

×: Applicable —: Not applicable

Items	MIL				DTC		1st trip DTC	
	1st trip		2nd trip		1st trip displaying	2nd trip displaying	1st trip displaying	2nd trip displaying
	Blinking	Illuminated	Blinking	Illuminated				
Misfire (Possible three way catalyst damage) — DTC: P0300 – P0308 is being detected	×	—	—	—	—	—	×	—
Misfire (Possible three way catalyst damage) — DTC: P0300 – P0308 is being detected	—	—	×	—	—	×	—	—
One trip detection diagnoses (Refer to EC-676, "DTC Index" .)	—	×	—	—	×	—	—	—
Except above	—	—	—	×	—	×	×	—

DIAGNOSIS DESCRIPTION : DTC and Freeze Frame Data

INFOID:000000012602657

DTC AND 1ST TRIP DTC

The 1st trip DTC (whose number is the same as the DTC number) is displayed for the latest self-diagnostic result obtained. If the ECM memory was cleared previously, and the 1st trip DTC did not recur, the 1st trip DTC will not be displayed.

If a malfunction is detected during the 1st trip, the 1st trip DTC is saved in the ECM memory. The MIL will not light up (two trip detection logic). If the same malfunction is not detected in the 2nd trip (meeting the required driving pattern), the 1st trip DTC is cleared from the ECM memory. If the same malfunction is detected in the 2nd trip, both the 1st trip DTC and DTC are saved in the ECM memory and the MIL lights up. In other words, the DTC is stored in the ECM memory and the MIL lights up when the same malfunction occurs in two consecutive trips. If a 1st trip DTC is stored and a non-diagnostic operation is performed between the 1st and 2nd trips, only the 1st trip DTC will continue to be stored. For malfunctions that blink or light up the MIL during the 1st trip, the DTC and 1st trip DTC are stored in the ECM memory.

For malfunctions in which 1st trip DTCs are displayed, refer to [EC-676, "DTC Index"](#). These items are required by legal regulations to continuously monitor the system/component. In addition, the items monitored non-continuously are also displayed on CONSULT.

1st trip DTC is specified in Service \$07 of SAE J1979/ISO 15031-5. 1st trip DTC detection occurs without illuminating the MIL and therefore does not warn the driver of a malfunction.

When a 1st trip DTC is detected, check, print out or write down and erase (1st trip) DTC and Freeze Frame data as specified in Work Flow procedure Step 2, refer to [EC-719, "Work Flow"](#). Then perform DTC Confirmation Procedure or Component Function Check to try to duplicate the malfunction. If the malfunction is duplicated, the item requires repair.

FREEZE FRAME DATA AND 1ST TRIP FREEZE FRAME DATA

The ECM records the driving conditions such as fuel system status, calculated load value, engine coolant temperature, short term fuel trim, long term fuel trim, engine speed, vehicle speed, absolute throttle position, base fuel schedule and intake air temperature at the moment a malfunction is detected.

Data which are stored in the ECM memory, along with the 1st trip DTC, are called 1st trip freeze frame data. The data, stored together with the DTC data, are called freeze frame data and displayed on CONSULT or GST. The 1st trip freeze frame data can only be displayed on the CONSULT screen.

DIAGNOSIS SYSTEM (ECM)

[VQ35DE]

< SYSTEM DESCRIPTION >

Only one set of freeze frame data (either 1st trip freeze frame data or freeze frame data) can be stored in the ECM. 1st trip freeze frame data is stored in the ECM memory along with the 1st trip DTC. There is no priority for 1st trip freeze frame data and it is updated each time a different 1st trip DTC is detected. However, once freeze frame data (2nd trip detection/MIL on) is stored in the ECM memory, 1st trip freeze frame data is no longer stored. Remember, only one set of freeze frame data can be stored in the ECM. The ECM has the following priorities to update the data.

Priority	Items	
1	Freeze frame data	Misfire — DTC: P0300 – P0308 Fuel Injection System Function — DTC: P0171, P0172, P0174, P0175
2		Except the above items
3	1st trip freeze frame data	

For example, the EGR malfunction (Priority: 2) was detected and the freeze frame data was saved in the 2nd trip. After that when the misfire (Priority: 1) is detected in another trip, the freeze frame data will be updated from the EGR malfunction to the misfire. The 1st trip freeze frame data is updated each time a different malfunction is detected. There is no priority for 1st trip freeze frame data. However, once freeze frame data is stored in the ECM memory, 1st trip freeze data is no longer stored (because only one freeze frame data or 1st trip freeze frame data can be stored in the ECM). If freeze frame data is stored in the ECM memory and freeze frame data with the same priority occurs later, the first (original) freeze frame data remains unchanged in the ECM memory.

Both 1st trip freeze frame data and freeze frame data (along with the DTCs) are cleared when the ECM memory is erased.

DIAGNOSIS DESCRIPTION : Counter System

INFOID:000000012602658

RELATIONSHIP BETWEEN MIL, 1ST TRIP DTC, DTC, AND DETECTABLE ITEMS

- When a malfunction is detected for the first time, the 1st trip DTC and the 1st trip freeze frame data are stored in the ECM memory.
- When the same malfunction is detected in two consecutive trips, the DTC and the freeze frame data are stored in the ECM memory, and the MIL will come on.
- The MIL will turn OFF after the vehicle is driven 3 times (driving pattern B) with no malfunction. The drive is counted only when the recorded driving pattern is met (as stored in the ECM). If another malfunction occurs while counting, the counter will reset.
- The DTC and the freeze frame data will be stored until the vehicle is driven 40 times (driving pattern A) without the same malfunction recurring (except for Misfire and Fuel Injection System). For Misfire and Fuel Injection System, the DTC and freeze frame data will be stored until the vehicle is driven 80 times (driving pattern C) without the same malfunction recurring. The “TIME” in “SELF-DIAGNOSTIC RESULTS” mode of CONSULT will count the number of times the vehicle is driven.
- The 1st trip DTC is not displayed when the self-diagnosis results in OK for the 2nd trip.

COUNTER SYSTEM CHART

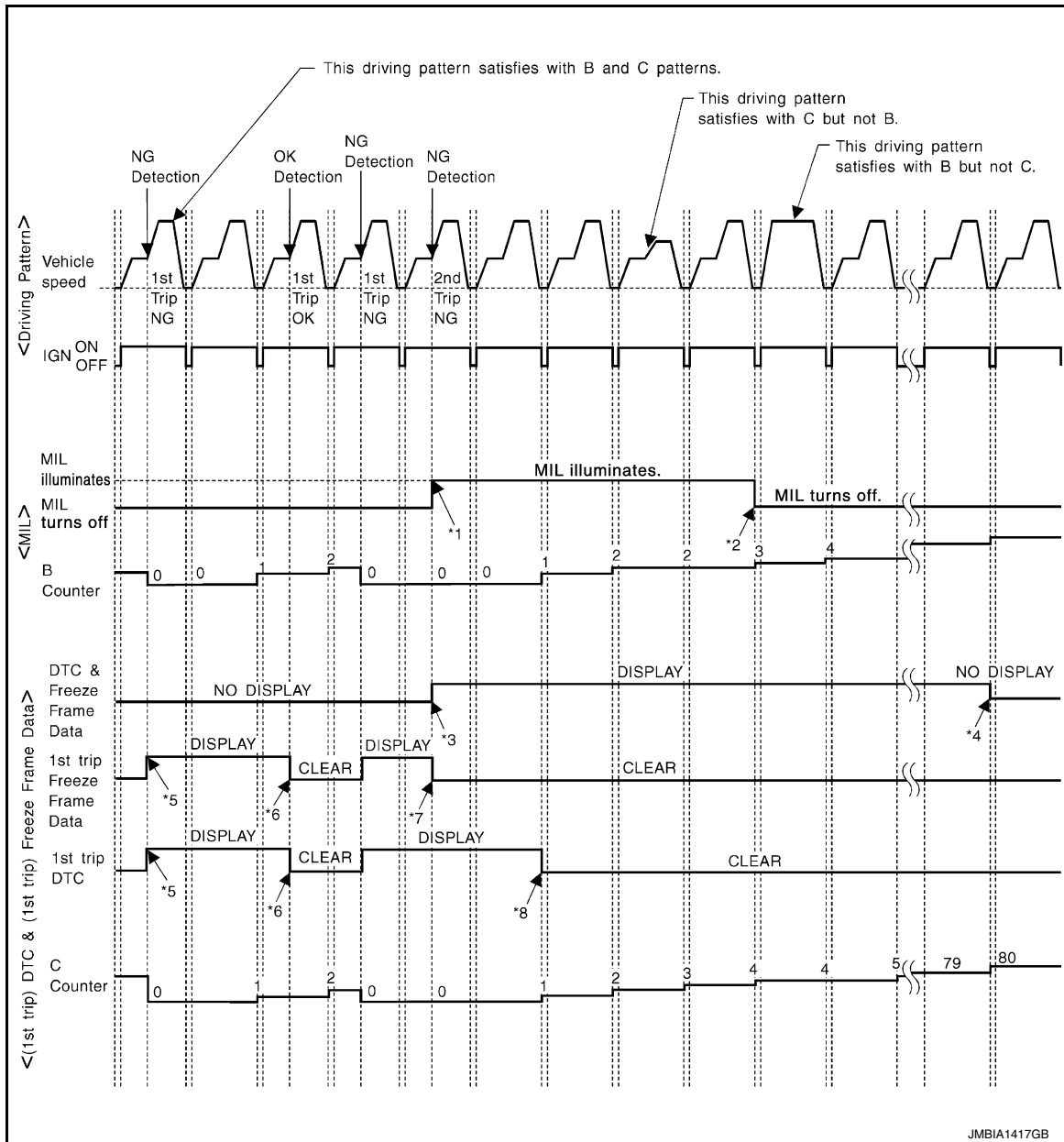
Items	Fuel Injection System	Misfire	Other
MIL (turns OFF)	3 (pattern B)	3 (pattern B)	3 (pattern B)
DTC, Freeze Frame Data (no display)	80 (pattern C)	80 (pattern C)	40 (pattern A)
1st Trip DTC (clear)	1 (pattern C), *1	1 (pattern C), *1	1 (pattern B)
1st Trip Freeze Frame Data (clear)	*1, *2	*1, *2	1 (pattern B)

For details about patterns B and C under “Fuel Injection System” and “Misfire”, see “EXPLANATION FOR DRIVING PATTERNS FOR “MISFIRE <EXHAUST QUALITY DETERIORATION>”, “FUEL INJECTION SYSTEM”.

For details about patterns A and B under Other, see “EXPLANATION FOR DRIVING PATTERNS FOR “MISFIRE <EXHAUST QUALITY DETERIORATION>”, “FUEL INJECTION SYSTEM”.

- *1: Clear timing is at the moment OK is detected.
- *2: Clear timing is when the same malfunction is detected in the 2nd trip.

Relationship Between MIL, DTC, 1st Trip DTC and Driving Patterns for “Misfire <Exhaust Quality Deterioration>”, “Fuel Injection System”



- *1: When the same malfunction is detected in two consecutive trips, MIL will light up.
- *2: MIL will turn OFF after vehicle is driven 3 times (pattern B) without any malfunctions.
- *3: When the same malfunction is detected in two consecutive trips, the DTC and the freeze frame data will be stored in ECM.
- *4: The DTC and the freeze frame data will not be displayed any longer after vehicle is driven 80 times (pattern C) without the same malfunction. (The DTC and the freeze frame data still remain in ECM.)
- *5: When a malfunction is detected for the first time, the 1st trip DTC and the 1st trip freeze frame data will be stored in ECM.
- *6: The 1st trip DTC and the 1st trip freeze frame data will be cleared at the moment OK is detected.
- *7: When the same malfunction is detected in the 2nd trip, the 1st trip freeze frame data will be cleared.
- *8: 1st trip DTC will be cleared when vehicle is driven once (pattern C) without the same malfunction after DTC is stored in ECM.

Explanation for Driving Patterns for “Misfire <Exhaust Quality Deterioration>”, “Fuel Injection System”

Driving Pattern B

Refer to [EC-636. "DIAGNOSIS DESCRIPTION : Driving Pattern"](#).

DIAGNOSIS SYSTEM (ECM)

[VQ35DE]

< SYSTEM DESCRIPTION >

Driving Pattern C

Refer to [EC-636, "DIAGNOSIS DESCRIPTION : Driving Pattern"](#).

Example:

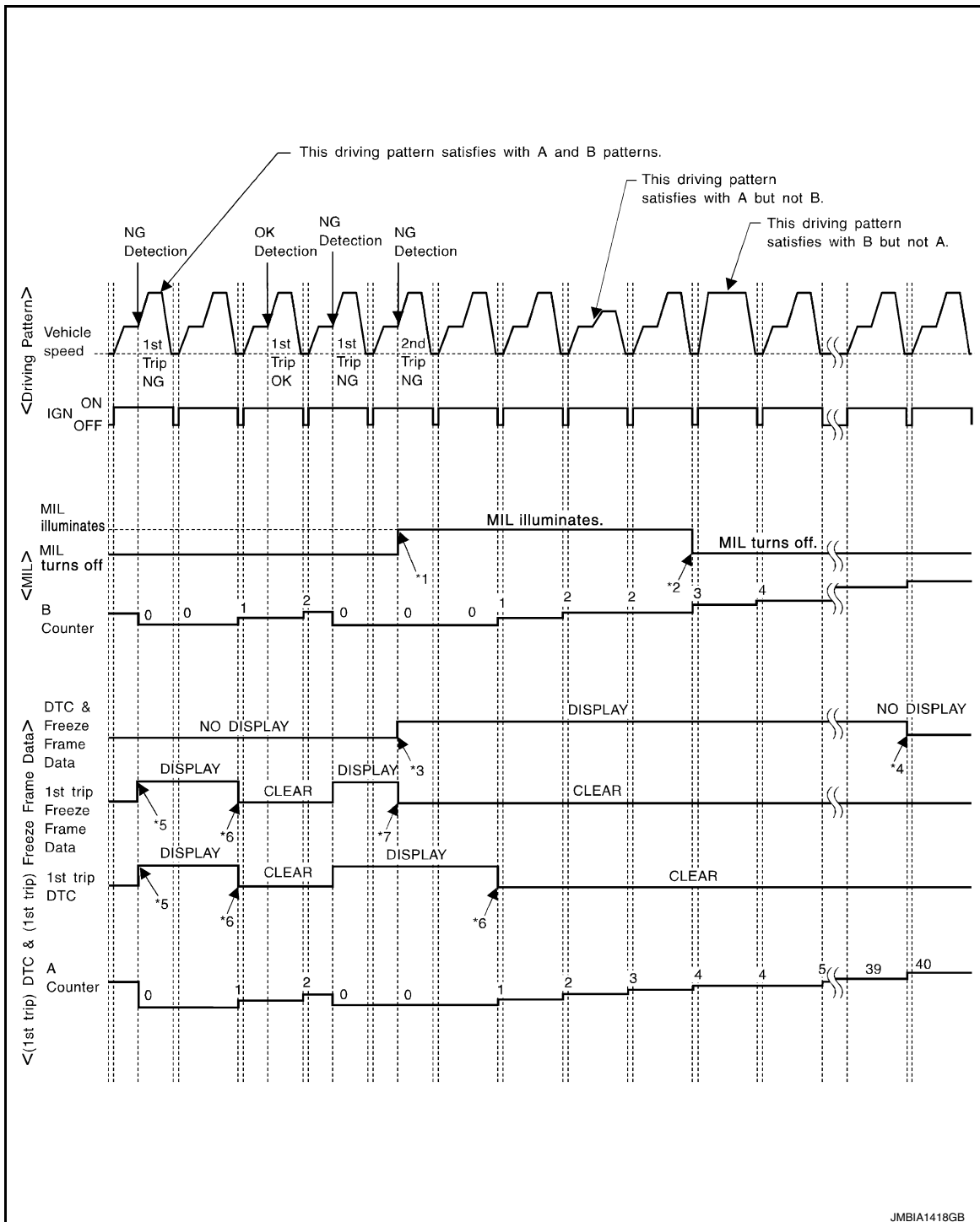
If the stored freeze frame data is as per the following:

Engine speed: 850 rpm, Calculated load value: 30%, Engine coolant temperature: 80°C (176°F)

To be satisfied with driving pattern C, the vehicle should run under the following conditions:

Engine speed: 475 – 1,225 rpm, Calculated load value: 27 – 33%, Engine coolant temperature: more than 70°C (158°F)

Relationship Between MIL, DTC, 1st Trip DTC and Driving Patterns Except For “Misfire <Exhaust Quality Deterioration>”, “Fuel Injection System”



JMBIA1418GB

- | | | |
|---|--|---|
| <p>*1: When the same malfunction is detected in two consecutive trips, MIL will light up.</p> | <p>*2: MIL will turn OFF after vehicle is driven 3 times (pattern B) without any malfunctions.</p> | <p>*3: When the same malfunction is detected in two consecutive trips, the DTC and the freeze frame data will be stored in ECM.</p> |
| <p>*4: The DTC and the freeze frame data will not be displayed any longer after vehicle is driven 40 times (pattern A) without the same malfunction.
(The DTC and the freeze frame data still remain in ECM.)</p> | <p>*5: When a malfunction is detected for the first time, the 1st trip DTC and the 1st trip freeze frame data will be stored in ECM.</p> | <p>*6: 1st trip DTC will be cleared after vehicle is driven once (pattern B) without the same malfunction.</p> |
| <p>*7: When the same malfunction is detected in the 2nd trip, the 1st trip freeze frame data will be cleared.</p> | | |

Explanation for Driving Patterns Except for “Misfire <Exhaust Quality Deterioration>”, “Fuel Injection System”

Driving Pattern A

Refer to [EC-636, "DIAGNOSIS DESCRIPTION : Driving Pattern"](#).

Driving Pattern B

Refer to [EC-636, "DIAGNOSIS DESCRIPTION : Driving Pattern"](#).

DIAGNOSIS DESCRIPTION : Driving Pattern

INFOID:000000012602659

CAUTION:

Always drive at a safe speed.

DRIVING PATTERN A

Driving pattern A means a trip satisfying the following conditions.

- Engine speed reaches 400 rpm or more.
- Engine coolant temperature rises by 20°C (36°F) or more after starting the engine.
- Engine coolant temperature reaches 70°C (158°F) or more.
- The ignition switch is turned from ON to OFF.

NOTE:

- When the same malfunction is detected regardless of driving conditions, reset the counter of driving pattern A.
- When the above conditions are satisfied without detecting the same malfunction, reset the counter of driving pattern A.

DRIVING PATTERN B

Driving pattern B means a trip satisfying the following conditions.

- Engine speed reaches 400 rpm or more.
- Engine coolant temperature reaches 70°C (158°F) or more.
- Vehicle speed of 70 – 120 km/h (44 – 75 MPH) is maintained for 60 seconds or more under the control of closed loop.
- Vehicle speed of 30 – 60 km/h (19 – 37 MPH) is maintained for 10 seconds or more under the control of closed loop.
- Under the closed loop control condition, the following state reaches 12 seconds or more in total: Vehicle speed of 4 km/h (2 MPH) or less with idling condition.
- The state of driving at 10 km/h (7 MPH) or more reaches 10 minutes or more in total.
- A lapse of 22 minutes or more after engine start.

NOTE:

- Drive the vehicle at a constant velocity.
- When the same malfunction is detected regardless of driving conditions, reset the counter of driving pattern B.
- When the above conditions are satisfied without detecting the same malfunction, reset the counter of driving pattern B.

DRIVING PATTERN C

Driving pattern C means operating vehicle as per the following:

The following conditions should be satisfied at the same time:

Engine speed: (Engine speed in the freeze frame data) ±375 rpm

DIAGNOSIS SYSTEM (ECM)

[VQ35DE]

< SYSTEM DESCRIPTION >

Calculated load value: (Calculated load value in the freeze frame data) x (1±0.1) [%]

Engine coolant temperature condition:

- When the freeze frame data shows lower than 70°C (158°F), engine coolant temperature should be lower than 70°C (158°F).
- When the freeze frame data shows higher than or equal to 70°C (158°F), engine coolant temperature should be higher than or equal to 70°C (158°F).

NOTE:

- When the same malfunction is detected regardless of the above vehicle conditions, reset the counter of driving pattern C.
- When the above conditions are satisfied without detecting the same malfunction, reset the counter of driving pattern C.
- The 1st trip DTC will be cleared when C counter is counted once without the same malfunction after DTC is stored in ECM.

DRIVING PATTERN D

Driving pattern D means a trip satisfying the following conditions.

- The state of driving at 40 km/h (25 MPH) reaches 300 seconds or more in total.
- Idle speed lasts 30 seconds or more.
- A lapse of 600 seconds or more after engine start.

NOTE:

- When the same malfunction is detected regardless of driving conditions, reset the counter of driving pattern D.
- When the above conditions are satisfied without detecting the same malfunction, reset the counter of driving pattern D.

DIAGNOSIS DESCRIPTION : System Readiness Test (SRT) Code

INFOID:0000000012602660

System Readiness Test (SRT) code is specified in Service §01 of SAE J1979/ISO 15031-5.

As part of an enhanced emissions test for Inspection & Maintenance (I/M), certain states require the status of SRT be used to indicate whether the ECM has completed self-diagnosis of major emission systems and components. Completion must be verified in order for the emissions inspection to proceed.

If a vehicle is rejected for a State emissions inspection due to one or more SRT items indicating "INCMP", use the information in this Service Manual to set the SRT to "CMPLT".

In most cases the ECM will automatically complete its self-diagnosis cycle during normal usage, and the SRT status will indicate "CMPLT" for each application system. Once set as "CMPLT", the SRT status remains "CMPLT" until the self-diagnosis memory is erased.

Occasionally, certain portions of the self-diagnostic test may not be completed as a result of the customer's normal driving pattern; the SRT will indicate "INCMP" for these items.

NOTE:

The SRT will also indicate "INCMP" if the self-diagnosis memory is erased for any reason or if the ECM memory power supply is interrupted for several hours.

If, during the state emissions inspection, the SRT indicates "CMPLT" for all test items, the inspector will continue with the emissions test. However, if the SRT indicates "INCMP" for one or more of the SRT items the vehicle is returned to the customer untested.

NOTE:

If permanent DTC is stored or MIL illuminates during the state emissions inspection, the vehicle is also returned to the customer untested even though the SRT indicates "CMPLT" for all test items. Therefore, it is important to check SRT ("CMPLT"), DTC (No DTCs) and permanent DTC (NO permanent DTCs) before the inspection.

SRT SET TIMING

SRT is set as "CMPLT" after self-diagnosis has been performed one or more times. Completion of SRT is done regardless of whether the result is OK or NG. The set timing is different between OK and NG results and is shown in the table below.

DIAGNOSIS SYSTEM (ECM)

< SYSTEM DESCRIPTION >

[VQ35DE]

Self-diagnosis result		Example						
		Diagnosis	Ignition cycle					
	← ON →		OFF	← ON →	OFF	← ON →	OFF	← ON →
All OK	Case 1	P0400	OK (1)	— (1)	OK (2)	— (2)		
		P0402	OK (1)	— (1)	— (1)	OK (2)		
		P1402	OK (1)	OK (2)	— (2)	— (2)		
		SRT of EGR	“CMPLT”	“CMPLT”	“CMPLT”	“CMPLT”		
	Case 2	P0400	OK (1)	— (1)	— (1)	— (1)		
		P0402	— (0)	— (0)	OK (1)	— (1)		
		P1402	OK (1)	OK (2)	— (2)	— (2)		
		SRT of EGR	“INCMP”	“INCMP”	“CMPLT”	“CMPLT”		
NG exists	Case 3	P0400	OK	OK	—	—		
		P0402	—	—	—	—		
		P1402	NG	—	NG	NG (Consecutive NG)		
		(1st trip) DTC	1st trip DTC	—	1st trip DTC	DTC (= MIL ON)		
		SRT of EGR	“INCMP”	“INCMP”	“INCMP”	“CMPLT”		

OK: Self-diagnosis is carried out and the result is OK.

NG: Self-diagnosis is carried out and the result is NG.

—: Self-diagnosis is not carried out.

When all SRT related self-diagnoses show OK results in a single cycle (Ignition OFF-ON-OFF), the SRT will indicate “CMPLT”. → Case 1 above

When all SRT related self-diagnoses show OK results through several different cycles, the SRT will indicate “CMPLT” at the time the respective self-diagnoses have at least one OK result. → Case 2 above

If one or more SRT related self-diagnoses show NG results in 2 consecutive cycles, the SRT will also indicate “CMPLT”. → Case 3 above

The table above shows that the minimum number of cycles for setting SRT as “INCMP” is the number one (1) for each self-diagnosis (Case 1 & 2) or the number two (2) for one of self-diagnoses (Case 3). However, in preparation for the state emissions inspection, it is unnecessary for each self-diagnosis to be executed twice (Case 3) for the following reasons:

- The SRT will indicate “CMPLT” at the time the respective self-diagnoses have one (1) OK result.
- The emissions inspection requires “CMPLT” of the SRT only with OK self-diagnosis results.
- During SRT driving pattern, the 1st trip DTC (NG) is detected prior to “CMPLT” of SRT and the self-diagnosis memory must be erased from the ECM after repair.
- If the 1st trip DTC is erased, all the SRT will indicate “INCMP”.

NOTE:

SRT can be set as “CMPLT” together with the DTC(s). Therefore, DTC check must always be carried out prior to the state emission inspection even though the SRT indicates “CMPLT”.

DIAGNOSIS DESCRIPTION : Permanent Diagnostic Trouble Code (Permanent DTC)

INFOID:000000012602661

Permanent DTC is defined in SAE J1979/ISO 15031-5 Service \$0A.

ECM stores a DTC issuing a command of turning on MIL as a permanent DTC and keeps storing the DTC as a permanent DTC until ECM judges that there is no presence of malfunction.

Permanent DTCs cannot be erased by using the Erase function of CONSULT or Generic Scan Tool (GST) and by disconnecting the battery to shut off power to ECM. This prevents a vehicle from passing the state emission inspection without repairing a malfunctioning part.

When not passing the state emission inspection due to more than one permanent DTC, permanent DTCs should be erased, referring to this manual.

NOTE:

- The important items in state emission inspection are that MIL is not ON, SRT test items are set, and permanent DTCs are not included.
- Permanent DTCs do not apply for regions that permanent DTCs are not regulated by law.

< SYSTEM DESCRIPTION >

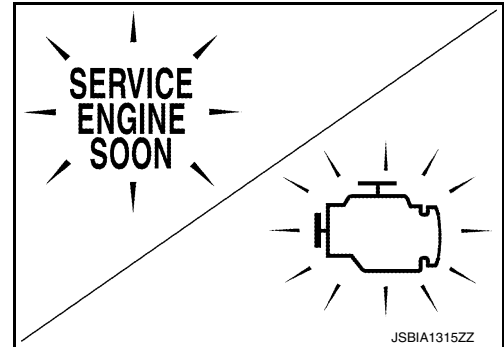
PERMANENT DTC SET TIMING

The setting timing of permanent DTC is stored in ECM with the lighting of MIL when a DTC is confirmed.

DIAGNOSIS DESCRIPTION : Malfunction Indicator Lamp (MIL)

INFOID:000000012602662

- When detecting a DTC that affects exhaust gas, the exhaust emission-related control module transmits a malfunction indicator lamp signal to ECM via CAN communication line. ECM prioritizes (MIL: ON/blink) the signal received from the exhaust emission-related control module and the ECM-stored DTC that affects exhaust gas and transmits a malfunction indicator lamp signal to the combination meter via CAN communication line. The combination meter turns ON or blinks the MIL, according to the signal transmitted from ECM, and alerts the driver of malfunction detection.
- Control modules that a DTC of MIL ON/Blink is stored (Control module varies among DTCs.):



- ECM
- TCM

1. The MIL illuminates when ignition switch is turned ON (engine is not running).

NOTE:

Check the MIL circuit if MIL does not illuminate. Refer to [EC-1064, "Component Function Check"](#).

2. When the engine is started, the MIL should go off.

NOTE:

If MIL remains ON or continues blinking, a DTC(s) that affects exhaust gas is detected. In this case, Self diagnosis is required for performing inspection and repair.

On Board Diagnosis Function

INFOID:000000012602663

ON BOARD DIAGNOSIS ITEM

The on board diagnostic system has the following functions.

Diagnostic test mode	Function
Bulb check	MIL can be checked.
SRT status	ECM can read if SRT codes are set.
Malfunction warning	If ECM detects a malfunction, it illuminates or blinks MIL to inform the driver that a malfunction has been detected.
Self-diagnostic results	DTCs or 1st trip DTCs stored in ECM can be read.
Accelerator pedal released position learning	ECM can learn the accelerator pedal released position. Refer to EC-730, "Description" .
Throttle valve closed position learning	ECM can learn the throttle valve closed position. Refer to EC-731, "Description" .
Idle air volume learning	ECM can learn the idle air volume. Refer to EC-732, "Description" .
Mixture ratio self-learning value clear	Mixture ratio self-learning value can be erased. Refer to EC-734, "Description" .

BULB CHECK MODE

Description

This function allows damage inspection in the MIL bulb (blown, open circuit, etc.).

Operation Procedure

1. Turn ignition switch ON.
2. The MIL on the instrument panel should stay ON.
If it remains OFF, check MIL circuit. Refer to [EC-1064, "Diagnosis Procedure"](#).

SRT STATUS MODE

Description

DIAGNOSIS SYSTEM (ECM)

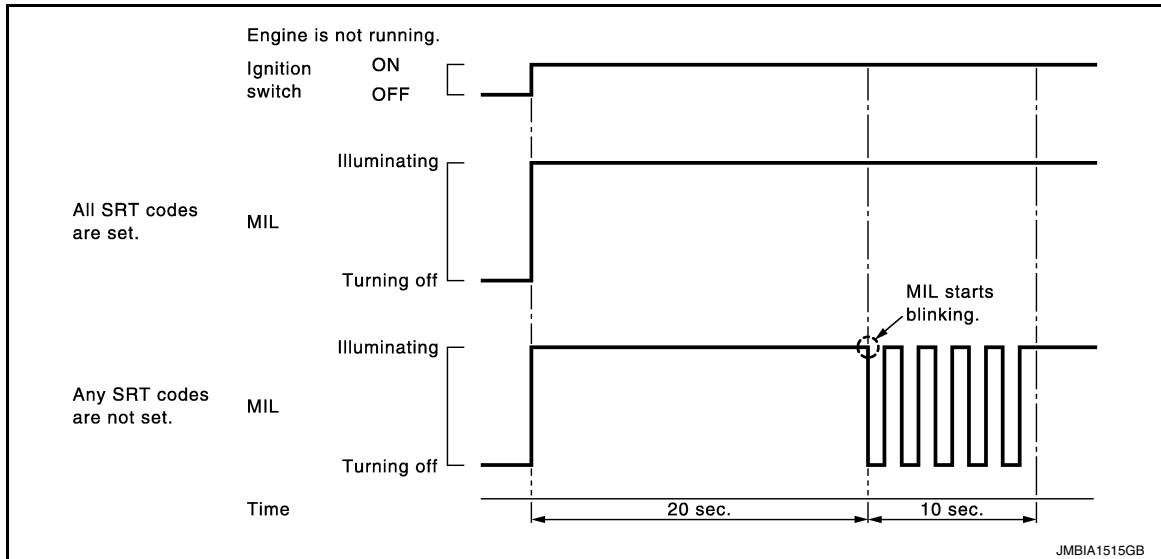
[VQ35DE]

< SYSTEM DESCRIPTION >

This function allows to read if ECM has completed the self-diagnoses of major emission control systems and components. For SRT, refer to [EC-637, "DIAGNOSIS DESCRIPTION : System Readiness Test \(SRT\) Code"](#).

Operation Procedure

1. Turn ignition switch ON and wait 20 seconds.
2. SRT status is indicated as shown blow.
 - ECM continues to illuminate MIL if all SRT codes are set.
 - ECM blinks MIL for about 10 seconds if all SRT codes are not set.



MALFUNCTION WARNING MODE

Description

In this function ECM turns on or blinks MIL when it detects a malfunction in the emission control system components and/or the powertrain control components (which affect vehicle emissions) to inform the driver that a malfunction has been detected.

Operation Procedure

1. Turn ignition switch ON.
2. Check that MIL illuminates.
If it remains OFF, check MIL circuit. Refer to [EC-1064, "Diagnosis Procedure"](#).
3. Start engine and let it idle.
 - For two trip detection logic diagnoses, ECM turns on MIL when it detects the same malfunction twice in the two consecutive driving cycles.
 - For 1st trip detection logic diagnoses, ECM turns on MIL when it detects a malfunction in one driving cycle.
 - ECM blinks MIL when it detects a malfunction that may damage the three way catalyst (misfire).

SELF-DIAGNOSTIC RESULTS MODE

Description

This function allows to indicate DTCs or 1st trip DTCs stored in ECM according to the number of times MIL is blinking.

How to Set Self-diagnostic Results Mode

NOTE:

- It is better to count the time accurately with a clock.
 - It is impossible to switch the diagnostic mode when an accelerator pedal position sensor circuit has a malfunction.
 - After ignition switch is turned off, ECM is always released from the "self-diagnostic results" mode.
1. Confirm that accelerator pedal is fully released, turn ignition switch ON and wait 3 seconds.
 2. Repeat the following procedure quickly five times within 5 seconds.
 - Fully depress the accelerator pedal.
 - Fully release the accelerator pedal.

DIAGNOSIS SYSTEM (ECM)

[VQ35DE]

< SYSTEM DESCRIPTION >

- Wait 7 seconds, fully depress the accelerator pedal and keep it depressed for approx. 10 seconds until the MIL starts blinking.

NOTE:

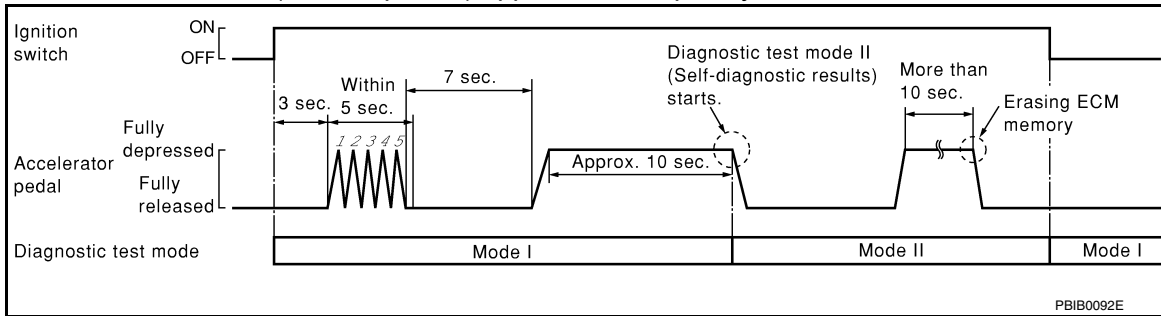
Do not release the accelerator pedal for 10 seconds if MIL starts blinking during this period. This blinking is displaying SRT status and is continued for another 10 seconds.

- Fully release the accelerator pedal.

ECM has entered to "Self-diagnostic results" mode.

NOTE:

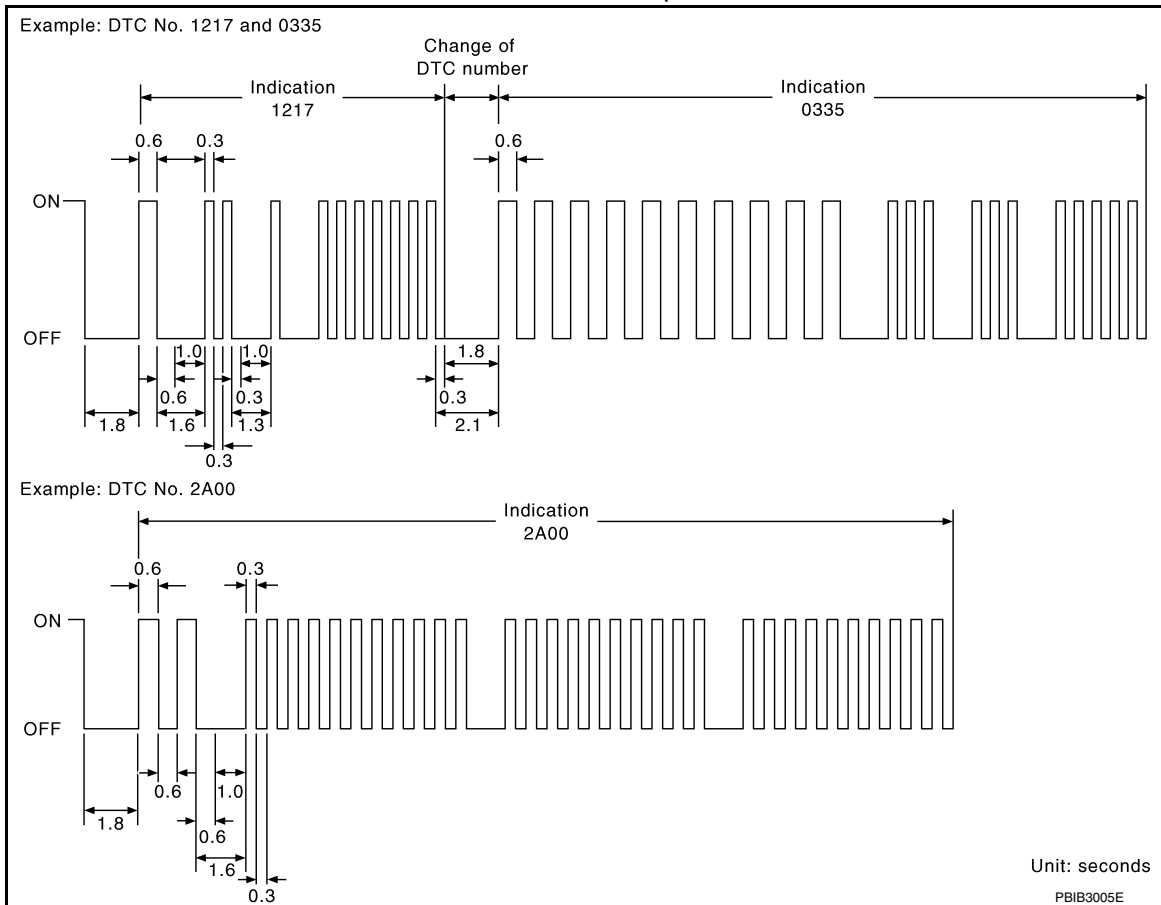
Wait until the same DTC (or 1st trip DTC) appears to completely confirm all DTCs.



How to Read Self-diagnostic Results

The DTC and 1st trip DTC are indicated by the number of blinks of the MIL as shown below.

The DTC and 1st trip DTC are displayed at the same time. If the MIL does not illuminate in diagnostic test mode I (Malfunction warning), all displayed items are 1st trip DTCs. If only one code is displayed when the MIL illuminates in "malfunction warning" mode, it is a DTC; if two or more codes are displayed, they may be either DTCs or 1st trip DTCs. DTC No. is same as that of 1st trip DTC. These unidentified codes can be identified by using the CONSULT or GST. A DTC will be used as an example for how to read a code.



A particular trouble code can be identified by the number of four-digit numeral flashes per the following.

Number	0	1	2	3	4	5	6	7	8	9	A	B	C	D	E	F
Flashes	10	1	2	3	4	5	6	7	8	9	11	12	13	14	15	16

DIAGNOSIS SYSTEM (ECM)

[VQ35DE]

< SYSTEM DESCRIPTION >

The length of time the 1,000th-digit numeral flashes on and off is 1.2 seconds consisting of an ON (0.6-seconds) - OFF (0.6-seconds) cycle.

The 100th-digit numeral and lower digit numerals consist of a 0.3-seconds ON and 0.3-seconds OFF cycle.

A change from one digit numeral to another occurs at an interval of 1.0-second OFF. In other words, the later numeral appears on the display 1.3 seconds after the former numeral has disappeared.

A change from one trouble code to another occurs at an interval of 1.8-seconds OFF.

In this way, all the detected malfunctions are classified by their DTC numbers. The DTC 0000 refers to no malfunction. Refer to [EC-676, "DTC Index"](#).

How to Erase Self-diagnostic Results

By performing this procedure, ECM memory is erased and the following diagnostic information is erased as well.

- Diagnostic trouble codes
- 1st trip diagnostic trouble codes
- Freeze frame data
- 1st trip freeze frame data
- System readiness test (SRT) codes
- Test values

NOTE:

Also, if a battery terminal is disconnected, ECM memory is erased and the diagnostic information as listed above is erased. (The amount of time required for erasing may vary from a few seconds to several hours.)

1. Turn ignition switch OFF and wait at least 10 seconds.
2. Turn ignition switch ON.
3. Turn ignition switch OFF and wait at least 10 seconds.
4. Turn ignition switch ON.
5. Set ECM in "self-diagnostic results" mode.
6. The diagnostic information has been erased from the backup memory in the ECM. Fully depress the accelerator pedal and keep it depressed for more than 10 seconds.
7. Fully release the accelerator pedal, and confirm the DTC 0000 is displayed.

CONSULT Function

INFOID:000000012602664

FUNCTION

Diagnostic test mode	Function
Self Diagnostic Result	Self-diagnostic results such as 1st trip DTC, DTCs and 1st trip freeze frame data or freeze frame data can be read and erased quickly.*
Data Monitor	Input/Output data in the ECM can be read.
Work support	This mode enables a technician to adjust some devices faster and more accurately by following the indications on the CONSULT unit.
Active Test	Diagnostic Test Mode in which CONSULT drives some actuators apart from the ECMs and also shifts some parameters in a specified range.
ECU Identification	ECM part number can be read.
DTC Work Support	The status of system monitoring tests and the self-diagnosis status/results can be confirmed.

*: The following emission-related diagnostic information is cleared when the ECM memory is erased.

- Diagnostic trouble codes
- 1st trip diagnostic trouble codes
- Freeze frame data
- 1st trip freeze frame data
- System readiness test (SRT) codes
- Test values

SELF DIAGNOSTIC RESULT MODE

Self Diagnostic Item

Regarding items of DTC and 1st trip DTC, refer to [EC-676, "DTC Index"](#).

How to Read DTC and 1st Trip DTC

DIAGNOSIS SYSTEM (ECM)

[VQ35DE]

< SYSTEM DESCRIPTION >

DTCs and 1st trip DTCs related to the malfunction are displayed in “self-diag results”.

- When ECM detects a 1st trip DTC, 1t is displayed for “TIME”.
- When ECM has detected a current DTC, “0” is displayed for “TIME”.
- If “TIME” is neither “0” nor “1t”, the DTC occurred in the past and ECM shows the number of times the vehicle has been driven since the last detection of the DTC.

How to Erase DTC and 1st Trip DTC

NOTE:

- If the ignition switch stays ON after repair work, be sure to turn ignition switch OFF once. Wait at least 10 seconds and then turn it ON (engine stopped) again.
- If the DTC is not for A/T related items (see [EC-676, "DTC Index"](#)), skip step 1.

1. Select “ENGINE” with CONSULT.
2. Select “SELF-DIAG RESULTS”.
3. Touch “ERASE”. (DTC in ECM will be erased.)

Freeze Frame Data and 1st Trip Freeze Frame Data

Freeze frame data item*	Description
DIAG TROUBLE CODE [PXXXX]	The engine control component part/control system has a trouble code that is displayed as PXXXX. (Refer to EC-676, "DTC Index" .)
FUEL SYS-B1	<ul style="list-style-type: none"> • “Fuel injection system status” at the moment a malfunction is detected is displayed. • One of the following mode is displayed. Mode2: Open loop due to detected system malfunction Mode3: Open loop due to driving conditions (power enrichment, deceleration enrichment) Mode4: Closed loop - using oxygen sensor(s) as feedback for fuel control Mode5: Open loop - has not yet satisfied condition to go to closed loop
FUEL SYS-B2	
COMBUST CONDITION	These items are displayed but are not applicable to this model.
CAL/LD VALUE [%]	The calculated load value at the moment a malfunction is detected is displayed.
COOLANT TEMP [°C] or [°F]	The engine coolant temperature at the moment a malfunction is detected is displayed.
L-FUEL TRM-B1 [%]	<ul style="list-style-type: none"> • “Long-term fuel trim” at the moment a malfunction is detected is displayed. • The long-term fuel trim indicates much more gradual feedback compensation to the base fuel schedule than short-term fuel trim.
L-FUEL TRM-B2 [%]	
S-FUEL TRM-B1 [%]	<ul style="list-style-type: none"> • “Short-term fuel trim” at the moment a malfunction is detected is displayed. • The short-term fuel trim indicates dynamic or instantaneous feedback compensation to the base fuel schedule.
S-FUEL TRM-B2 [%]	
ENGINE SPEED [rpm]	The engine speed at the moment a malfunction is detected is displayed.
VEHICL SPEED [km/h] or [mph]	The vehicle speed at the moment a malfunction is detected is displayed.
INT MANI PRES [kPa]	These items are displayed but are not applicable to this model.
ABSOL TH-P/S [%]	The throttle valve opening angle at the moment a malfunction is detected is displayed.
B/FUEL SCHDL [msec]	The base fuel schedule at the moment a malfunction is detected is displayed.
INT/A TEMP SE [°C] or [°F]	The intake air temperature at the moment a malfunction is detected is displayed.

*: The items are the same as those of 1st trip freeze frame data.

DATA MONITOR MODE

NOTE:

- The following table includes information (items) inapplicable to this vehicle. For information (items) applicable to this vehicle, refer to CONSULT display items.
- For reference values of the following items, refer to [EC-656, "Reference Value"](#).

Monitored Item

DIAGNOSIS SYSTEM (ECM)

< SYSTEM DESCRIPTION >

[VQ35DE]

×: Applicable

Monitored item	Unit	Monitor Item Selection		Description	Remarks
		ECU INPUT SIGNALS	MAIN-SIGNALS		
COOLANT TEMP/S	°C or °F	×	×	The engine coolant temperature (determined by the signal voltage of the engine coolant temperature sensor) is displayed.	When the engine coolant temperature sensor is open or short-circuited, ECM enters fail-safe mode. The engine coolant temperature determined by the ECM is displayed.
VHCL SPEED SE	km/h or mph	×	×	The vehicle speed computed from the vehicle speed signal sent from combination meter is displayed.	
BATTERY VOLT	V			The power supply voltage of ECM is displayed.	
INT/A TEMP SE	°C or °F	×	×	The intake air temperature (determined by the signal voltage of the intake air temperature sensor) is indicated.	
IGN TIMING	BTDC		×	Indicates the ignition timing computed by ECM according to the input signals.	When the engine is stopped, a certain value is indicated.
PURG VOL C/V	%			<ul style="list-style-type: none"> • Indicates the EVAP canister purge volume control solenoid valve control value computed by the ECM according to the input signals. • The opening becomes larger as the value increases. 	
FUEL T/TMP SE	°C or °F			The fuel temperature (determined by the signal voltage of the fuel tank temperature sensor) is displayed.	
FUEL LEVEL SE	V	×		The signal voltage of the fuel level sensor is displayed.	
EVAP SYS PRES	V			The signal voltage of EVAP control system pressure sensor is displayed.	
CAL/LD VALUE	%			"Calculated load value" indicates the value of the current air flow divided by peak air flow.	
HO2S2 (B1)	V	×	×	The signal voltage of the heated oxygen sensor 2 is displayed.	
HO2S2 (B2)		×	×		
ENG OIL TEMP	°C or °F			The engine oil temperature (determined by the signal voltage of the engine oil temperature sensor) is displayed.	
A/F ALPHA-B1	%			The mean value of the air-fuel ratio feedback correction factor per cycle is indicated.	<ul style="list-style-type: none"> • When the engine is stopped, a certain value is indicated. • This data also includes the data for the air-fuel ratio learning control. • When engine is running, specification range is indicated in "SPEC".
A/F ALPHA-B2					
INT/V TIM (B1)	°CA			Indicates [°CA] of intake camshaft advance angle.	

DIAGNOSIS SYSTEM (ECM)

< SYSTEM DESCRIPTION >

[VQ35DE]

Monitored item	Unit	Monitor Item Selection		Description	Remarks	
		ECU INPUT SIGNALS	MAIN-SIGNALS			
INT/V SOL(B1)	%			<ul style="list-style-type: none"> The control value of the intake valve timing control solenoid valve (determined by ECM according to the input signals) is indicated. The advance angle becomes larger as the value increases. 	A	
INT/V SOL(B2)					EC	
A/F S1 HTR(B1)	%			<ul style="list-style-type: none"> Air fuel ratio (A/F) sensor 1 heater control value computed by ECM according to the input signals. The current flow to the heater becomes larger as the value increases. 	C	
A/F S1 HTR(B2)					D	
INT/V TIM (B2)	°CA			Indicates [°CA] of intake camshaft advance angle.	E	
EXH/V TIM B1	°CA			<ul style="list-style-type: none"> Indicates [°CA] of exhaust camshaft advance angle. 	F	
EXH/V TIM B2	°CA			<ul style="list-style-type: none"> Indicates [°CA] of exhaust camshaft advance angle. 	G	
FAN DUTY	%			<ul style="list-style-type: none"> Indicates a command value for cooling fan. The value is calculated by ECM based on input signals. 	H	
AC EVA TEMP	°C or °F			<ul style="list-style-type: none"> Indicates A/C evaporator temperature sent from "unified meter and A/C amp." 	I	
AC EVA TARGET	°C or °F			<ul style="list-style-type: none"> Indicates target A/C evaporator temperature sent from "unified meter and A/C amp." 	J	
ALT DUTY	%			Indicates the duty ratio of the power generation command value. The ratio is calculated by ECM based on the battery current sensor signal.	K	
BAT TEMP SEN	V			The signal voltage from the battery temperature sensor is displayed.	L	
THRTL STK CNT B1*	—			—	M	
ENG SPEED	rpm	×	×	Indicates the engine speed computed from the signal of the crankshaft position sensor (POS) and camshaft position sensor (PHASE).	<ul style="list-style-type: none"> Accuracy becomes poor if engine speed drops below the idle rpm. If the signal is interrupted while the engine is running, an abnormal value may be indicated. 	N
TRVL AFTER MIL	km or mile			Distance traveled while MIL is activated.	O	
INJ PULSE-B1	msec			Indicates the actual fuel injection pulse width compensated by ECM according to the input signals.	When the engine is stopped, a certain computed value is indicated.	
INJ PULSE-B2						
B/FUEL SCHDL	ms	×	×	"Base fuel schedule" indicates the fuel injection pulse width programmed into ECM, prior to any learned on board correction.	<ul style="list-style-type: none"> When engine is running, specification range is indicated in "SPEC". 	P
MASS AIRFLOW	g/s			Indicates the mass air flow computed by ECM according to the signal voltage of the mass air flow sensor.		

DIAGNOSIS SYSTEM (ECM)

< SYSTEM DESCRIPTION >

[VQ35DE]

Monitored item	Unit	Monitor Item Selection		Description	Remarks
		ECU INPUT SIGNALS	MAIN-SIGNALS		
ACCEL SEN 1	V			The accelerator pedal position sensor signal voltage is displayed.	ACCEL SEN 2 signal is converted by ECM internally. Thus, it differs from ECM terminal voltage signal.
ACCEL SEN 2					
TP SEN 1-B1	V	×	×	The throttle position sensor signal voltage is displayed.	TP SEN 2-B1 signal is converted by ECM internally. Thus, it differs from ECM terminal voltage signal.
TP SEN 2-B1		×	×		
I/P PULLY SPD	rpm			Indicates the engine speed computed from the input speed sensor signal.	
VEHICLE SPEED	km/h or mph			The vehicle speed computed from the vehicle speed signal sent from TCM is displayed.	
AC PRESS SEN	V			The signal voltage from the refrigerant pressure sensor is displayed.	
A/F SEN1 (B1)	V	×	×	The A/F signal computed from the input signal of the air fuel ratio (A/F) sensor 1 is displayed.	
A/F SEN1 (B2)		×	×		
VHCL SPEED SE	km/h or mph			The vehicle speed computed from the vehicle speed signal sent from combination meter is displayed.	
SET VHCL SPD	km/h or mph			<ul style="list-style-type: none"> The preset vehicle speed is displayed. 	
VTC DTY EX B1*	%			<ul style="list-style-type: none"> The control value of the exhaust valve timing control solenoid valve (determined by ECM according to the input signals) is indicated. The advance angle becomes larger as the value increases. 	
VTC DTY EX B2*	%			<ul style="list-style-type: none"> The control value of the exhaust valve timing control solenoid valve (determined by ECM according to the input signals) is indicated. The advance angle becomes larger as the value increases. 	
BAT CUR SEN	V			The signal voltage of battery current sensor is displayed.	
A/F ADJ-B1	—			Indicates the correction of a factor stored in ECM. The factor is calculated from the difference between the target air-fuel ratio stored in ECM and the air-fuel ratio calculated from A/F sensor 1 signal.	
A/F ADJ-B2					
EOP SENSOR	V			The signal voltage of EOP sensor is displayed.	
MASS AIR FLOW SENSOR (Hz)	Hz	×	×	The signal frequency of the mass air flow sensor is displayed.	
A/F-S ATMSPHRC CRCT B2	—			Displays a determined value of atmospheric correction factor necessary for correcting an A/F sensor signal input to ECM. The signal used for the correction is an A/F sensor signal transmitted while driving under atmospheric pressure.	

DIAGNOSIS SYSTEM (ECM)

< SYSTEM DESCRIPTION >

[VQ35DE]

Monitored item	Unit	Monitor Item Selection		Description	Remarks
		ECU INPUT SIGNALS	MAIN-SIGNALS		
A/F-S ATMSPHRC CRCT B1	—			Displays a determined value of atmospheric correction factor necessary for correcting an A/F sensor signal input to ECM. The signal used for the correction is an A/F sensor signal transmitted while driving under atmospheric pressure.	
A/F-S ATMSPHRC CRCT UP B2	count			Displays the number of updates of the A/F sensor atmospheric correction factor.	
A/F-S ATMSPHRC CRCT UP B1	count			Displays the number of updates of the A/F sensor atmospheric correction factor.	
LOAD SIGNAL	On/Off	×	×	Indicates [On/Off] condition from the electrical load signal. <ul style="list-style-type: none"> • On: Rear window defogger switch is ON and/or lighting switch is in 2nd position. • Off: Both rear window defogger switch and lighting switch are OFF. 	
AIR COND SIG	On/Off	×	×	Indicates [On/Off] condition of the air conditioner switch as determined by the air conditioner signal.	
PW/ST SIGNAL	On/Off	×	×	[On/Off] condition of the power steering system (determined by the signal voltage of the power steering pressure sensor) is indicated.	
P/N POSI SW	On/Off	×	×	Indicates [On/Off] condition from the park/neutral position (PNP) signal.	
START SIGNAL	On/Off			Indicates start signal status [On/Off] computed by the ECM according to the signals of engine speed and battery voltage.	After starting the engine, [Off] is displayed regardless of the starter signal.
CLSD THL POS	On/Off	×	×	Indicates idle position [On/Off] computed by ECM according to the accelerator pedal position sensor signal.	
HO2S2 MNTR(B1)	RICH/ LEAN		×	Display of heated oxygen sensor 2 signal: <ul style="list-style-type: none"> • RICH: means the amount of oxygen after three way catalyst is relatively small. • LEAN: means the amount of oxygen after three way catalyst is relatively large. 	When the engine is stopped, a certain value is indicated.
HO2S2 MNTR(B2)			×		
IGNITION SW	On/Off	×	×	Indicates [On/Off] condition from ignition switch signal.	
HEATER FAN SW	On/Off	×		Indicates [On/Off] condition from the heater fan switch signal.	

A
EC
C
D
E
F
G
H
I
J
K
L
M
N
O
P

DIAGNOSIS SYSTEM (ECM)

< SYSTEM DESCRIPTION >

[VQ35DE]

Monitored item	Unit	Monitor Item Selection		Description	Remarks
		ECU INPUT SIGNALS	MAIN-SIGNALS		
IDL AV LEARN	YET/ CMPLT			Displays the condition of idle air volume learning <ul style="list-style-type: none"> • Yet: Idle Air Volume Learning has not been performed yet. • Cmplt: Idle Air Volume Learning has already been performed successfully. 	
BRAKE SW	On/Off			Indicates [On/Off] condition from the stop lamp switch signal.	
VIAS S/V-1	On/Off			The control condition of the VIAS control solenoid valve 1 (determined by ECM according to the input signals) is indicated. <ul style="list-style-type: none"> • On: VIAS control solenoid valve 1 is operating. • Off: VIAS control solenoid valve 1 is not operating. 	
AIR COND RLY	On/Off			The air conditioner relay control condition (determined by ECM according to the input signals) is indicated.	
ENGINE MOUNT	IDLE/ TRVL			The control condition of the electronic controlled engine mount (determined by ECM according to the input signals) is indicated. <ul style="list-style-type: none"> • IDLE: Engine speed is below 950 rpm • TRVL: Engine speed is above 950 rpm 	
FUEL PUMP RLY	On/Off			Indicates the fuel pump relay control condition determined by ECM according to the input signals.	
VENT CONT/V	On/Off			The control condition of the EVAP canister vent control valve (determined by ECM according to the input signals) is indicated. <ul style="list-style-type: none"> • On: Closed • Off: Open 	
THRTL RELAY	On/Off			Indicates the throttle control motor relay control condition determined by the ECM according to the input signals.	
HO2S2 HTR (B1)	On/Off			Indicates [On/Off] condition of heated oxygen sensor 2 heater determined by ECM according to the input signals.	
HO2S2 HTR (B2)					
DIST SW	ON/ OFF			Indicates [ON/OFF] condition from DISTANCE switch signal.	
BRAKE SW2	On/Off			Indicates [On/Off] condition of stop lamp switch signal.	
BRAKE SW1	On/Off			Indicates [On/Off] condition from brake pedal position switch signal or ASCD clutch switch.	
SET SW	On/Off			Indicates [On/Off] condition from SET/COAST switch signal.	

DIAGNOSIS SYSTEM (ECM)

< SYSTEM DESCRIPTION >

[VQ35DE]

Monitored item	Unit	Monitor Item Selection		Description	Remarks
		ECU INPUT SIGNALS	MAIN-SIGNALS		
RESUME/ACC SW	On/Off			Indicates [On/Off] condition from RESUME/ACCELERATE switch signal.	
CANCEL SW	On/Off			Indicates [On/Off] condition from CANCEL switch signal.	
MAIN SW	On/Off			Indicates [On/Off] condition from MAIN switch signal.	
SET LAMP	On/Off			<ul style="list-style-type: none"> Indicates [On/Off] condition of SET lamp determined by the ECM according to the input signals. 	
AT OD CANCEL	On/Off			<ul style="list-style-type: none"> Indicates [On/Off] condition of CVT O/D cancel request signal. 	
AT OD MONITOR	On/Off			<ul style="list-style-type: none"> Indicates [On/Off] condition of CVT O/D according to the input signal from the TCM. 	
CRUISE LAMP	On/Off			Indicates [On/Off] condition of CRUISE lamp determined by the ECM according to the input signals.	
LO SPEED CUT	Non/Cut			<ul style="list-style-type: none"> Indicates the vehicle cruise condition. NON: Vehicle speed is maintained at the ASCD set speed. CUT: Vehicle speed decreased to excessively low, and ASCD operation is cut off. 	
VHCL SPD CUT	Non/Cut			<ul style="list-style-type: none"> Indicates the vehicle cruise condition. NON: Vehicle speed is maintained at the ASCD set speed. CUT: Vehicle speed decreased to excessively low compared with the ASCD set speed, and ASCD operation is cut off. 	
VIAS S/V-2	On/Off			<p>The control condition of the VIAS control solenoid valve 2 (determined by ECM according to the input signals) is indicated.</p> <ul style="list-style-type: none"> On: VIAS control solenoid valve 2 is operating. Off: VIAS control solenoid valve 2 is not operating. 	
ALT DUTY SIG	On/Off			<p>The control condition of the power generation voltage variable control (determined by ECM according to the input signals) is indicated.</p> <ul style="list-style-type: none"> On: Power generation voltage variable control is active. Off: Power generation voltage variable control is inactive. 	
HO2 S2 DIAG2(B2)	INCMP/CMPLT			<p>Indicates DTC P0139 self-diagnosis (slow response) condition.</p> <ul style="list-style-type: none"> INCMP: Self-diagnosis is incomplete. CMPLT: Self-diagnosis is complete. 	

A
EC
C
D
E
F
G
H
I
J
K
L
M
N
O
P

DIAGNOSIS SYSTEM (ECM)

< SYSTEM DESCRIPTION >

[VQ35DE]

Monitored item	Unit	Monitor Item Selection		Description	Remarks
		ECU INPUT SIGNALS	MAIN-SIGNALS		
HO2 S2 DIAG2(B1)	INCMP/CMPLT			Indicates DTC P0139 self-diagnosis (slow response) condition. <ul style="list-style-type: none"> • INCMP: Self-diagnosis is incomplete. • CMPLT: Self-diagnosis is complete. 	
EVAP LEAK DIAG	Yet/Cmplt			Indicates the condition of EVAP leak diagnosis. <ul style="list-style-type: none"> • YET: EVAP leak diagnosis has not been performed yet. • CMPLT: EVAP leak diagnosis has been performed successfully. 	
EVAP DIAG READY	On/Off			Indicates the ready condition of EVAP leak diagnosis. <ul style="list-style-type: none"> • On: Diagnosis has been ready condition. • Off: Diagnosis has not been ready condition. 	
SYSTEM 1 DIAGNOSIS A B2	INCMP/CMPLT			<ul style="list-style-type: none"> • Indicates DTC P219B self-diagnosis condition. - INCMP: Self-diagnosis is incomplete. - CMPLT: Self-diagnosis is complete. 	
SYSTEM 1 DIAGNOSIS A B1	INCMP/CMPLT			<ul style="list-style-type: none"> • Indicates DTC P219A self-diagnosis condition. - INCMP: Self-diagnosis is incomplete. - CMPLT: Self-diagnosis is complete. 	
A/F SEN1 DIAG1(B2)	INCMP/CMPLT			Indicates DTC P015C or P015D self-diagnosis condition. <ul style="list-style-type: none"> • INCMP: Self-diagnosis is incomplete. • CMPLT: Self-diagnosis is complete. 	
A/F SEN1 DIAG1(B1)	INCMP/CMPLT			Indicates DTC P015A or P015B self-diagnosis condition. <ul style="list-style-type: none"> • INCMP: Self-diagnosis is incomplete. • CMPLT: Self-diagnosis is complete. 	
A/F SEN1 DIAG2(B2)	INCMP/CMPLT			Indicates DTC P014E or P014F self-diagnosis condition. <ul style="list-style-type: none"> • INCMP: Self-diagnosis is incomplete. • CMPLT: Self-diagnosis is complete. 	
A/F SEN1 DIAG2(B1)	INCMP/CMPLT			Indicates DTC P014C or P014D self-diagnosis condition. <ul style="list-style-type: none"> • INCMP: Self-diagnosis is incomplete. • CMPLT: Self-diagnosis is complete. 	

DIAGNOSIS SYSTEM (ECM)

< SYSTEM DESCRIPTION >

[VQ35DE]

Monitored item	Unit	Monitor Item Selection		Description	Remarks
		ECU INPUT SIGNALS	MAIN-SIGNALS		
SYSTEM 1 DIAGNOSIS B B2	ABSNT/ PRSNT			<ul style="list-style-type: none"> Indicates DTC P219B self-diagnosis condition. - ABSNT: Self-diagnosis standby - PRSNT: Under self-diagnosis 	
SYSTEM 1 DIAGNOSIS B B1	ABSNT/ PRSNT			<ul style="list-style-type: none"> Indicates DTC P219A self-diagnosis condition. - ABSNT: Self-diagnosis standby - PRSNT: Under self-diagnosis 	
A/F SEN1 DIAG3(B2)	ABSNT/ PRSNT			<ul style="list-style-type: none"> Indicates DTC P014C, P014D, P015A or P015B self-diagnosis condition. • ABSNT: The vehicle condition is not within the diagnosis range. • PRSNT: The vehicle condition is within the diagnosis range. 	
A/F SEN1 DIAG3(B1)	ABSNT/ PRSNT			<ul style="list-style-type: none"> Indicates DTC P014C, P014D, P015A or P015B self-diagnosis condition. • ABSNT: The vehicle condition is not within the diagnosis range. • PRSNT: The vehicle condition is within the diagnosis range. 	
HO2 S2 DIAG1(B2)	INCMP/ CMPLT			<ul style="list-style-type: none"> Indicates DTC P0139 self-diagnosis (delayed response) condition. • INCMP: Self-diagnosis is incomplete. • CMPLT: Self-diagnosis is complete. 	
HO2 S2 DIAG1(B1)	INCMP/ CMPLT			<ul style="list-style-type: none"> Indicates DTC P0139 self-diagnosis (delayed response) condition. • INCMP: Self-diagnosis is incomplete. • CMPLT: Self-diagnosis is complete. 	
COOLING FAN	HI/MID/ LOW/ OFF			<ul style="list-style-type: none"> The control condition of the cooling fan (determined by ECM according to the input signals) is indicated. HI: High speed operation MID: Middle speed operation LOW: Low speed operation OFF: Stop 	

*: The item is indicated, but not used.

NOTE:

Any monitored item that does not match the vehicle being diagnosed is deleted from the display automatically.

WORK SUPPORT MODE

Work Item

DIAGNOSIS SYSTEM (ECM)

< SYSTEM DESCRIPTION >

[VQ35DE]

WORK ITEM	CONDITION	USAGE
IDLE AIR VOL LEARN	The idle air volume that keeps the engine within the specified range is memorized in ecm.	When learning the idle air volume
EVAP SYSTEM CLOSE	<p>Close the EVAP canister vent control valve in order to make EVAP system close under the following conditions.</p> <ul style="list-style-type: none"> • Ignition switch ON • Engine not running • Ambient temperature is above 0°C (32°F). • No vacuum and no high pressure in EVAP system • Fuel tank temperature is more than 0°C (32°F). • Within 10 minutes after starting "EVAP SYSTEM CLOSE" • When trying to execute "EVAP SYSTEM CLOSE" under the condition except above, CONSULT will discontinue it and display appropriate instruction. <p>NOTE: When starting engine, CONSULT may display "BATTERY VOLTAGE IS LOW. CHARGE BATTERY", even in using charged battery.</p>	When detecting EVAP vapor leakage in the EVAP system
FUEL PRESSURE RELEASE	Fuel pump will stop by touching "START" during idling. crank a few times after engine stalls.	When releasing fuel pressure from fuel line
SELF-LEARNING CONT	The coefficient of self-learning control mixture ratio returns to the original coefficient.	When clearing mixture ratio self-learning value
TARGET IGN TIM ADJ*	Idle condition	When adjusting target ignition timing
TARGET IDLE RPM ADJ*	Idle condition	When setting target idle speed
VIN REGISTRATION	In this mode, VIN is registered in ECM	When registering VIN in ECM
CLSD THL POS LEARN	Ignition on and engine stopped.	When learning the throttle valve closed position
SAVING DATA FOR REPLC CPU	In this mode, save data that is in ECM.	When ECM replaced.
WRITING DATA FOR REPLC CPU	In this mode, write data stored by "SAVING DATA FOR REPLC CPU" in work support mode to ECM.	When ECM replaced.

*: This function is not necessary in the usual service procedure.

ACTIVE TEST MODE

Test Item

TEST ITEM	CONDITION	JUDGMENT	CHECK ITEM (REMEDY)
FUEL INJECTION	<ul style="list-style-type: none"> • Engine: Return to the original non-standard condition • Change the amount of fuel injection using CONSULT. 	If malfunctioning symptom disappears, see CHECK ITEM.	<ul style="list-style-type: none"> • Harness and connectors • Fuel injector • Air fuel ratio (A/F) sensor 1
ENG COOLANT TEMP	<ul style="list-style-type: none"> • Engine: Return to the original non-standard condition • Change the engine coolant temperature using CONSULT. 	If malfunctioning symptom disappears, see CHECK ITEM.	<ul style="list-style-type: none"> • Harness and connectors • Engine coolant temperature sensor • Fuel injector
PURG VOL CONT/V	<ul style="list-style-type: none"> • Engine: After warming up, run engine at 1,500 rpm. • Change the EVAP canister purge volume control solenoid valve opening percent using CONSULT. 	Engine speed changes according to the opening percent.	<ul style="list-style-type: none"> • Harness and connectors • Solenoid valve
FUEL/T TEMP SEN	<ul style="list-style-type: none"> • Change the fuel tank temperature using CONSULT. 		
ALTERNATOR DUTY	<ul style="list-style-type: none"> • Engine: Idle • Change duty ratio using CONSULT. 	Battery voltage changes.	<ul style="list-style-type: none"> • Harness and connectors • IPDM E/R • Alternator

DIAGNOSIS SYSTEM (ECM)

< SYSTEM DESCRIPTION >

[VQ35DE]

TEST ITEM	CONDITION	JUDGMENT	CHECK ITEM (REMEDY)
INT V/T ASSIGN ANGLE	<ul style="list-style-type: none"> Engine: Return to the original non-standard condition Change intake valve timing using CONSULT. 	If malfunctioning symptom disappears, see CHECK ITEM.	<ul style="list-style-type: none"> Harness and connectors Intake valve timing control solenoid valve
EXH V/T ASSIGN ANGLE	<ul style="list-style-type: none"> Engine: Return to the original non-standard condition Change exhaust valve timing using CONSULT. 	If malfunctioning symptom disappears, see CHECK ITEM.	<ul style="list-style-type: none"> Harness and connectors Exhaust valve timing control solenoid valve
FUEL PUMP RELAY	<ul style="list-style-type: none"> Ignition switch: ON (Engine stopped) Turn the fuel pump relay "ON" and "OFF" using CONSULT and listen to operating sound. 	Fuel pump relay makes the operating sound.	<ul style="list-style-type: none"> Harness and connectors Fuel pump relay
VIAS S/V-1	<ul style="list-style-type: none"> Ignition switch: ON Turn solenoid valve "ON" and "OFF" using CONSULT and listen to operating sound. 	Solenoid valve makes the operating sound.	<ul style="list-style-type: none"> Harness and connectors Solenoid valve
ENGINE MOUNTING	<ul style="list-style-type: none"> Ignition switch: ON Turn electronic controlled engine mount "IDLE" and "TRVL" with CONSULT. 	Electronic controlled engine mount makes the operating sound.	<ul style="list-style-type: none"> Harness and connectors Electronic controlled engine mount
VIAS S/V-2	<ul style="list-style-type: none"> Ignition switch: ON Turn solenoid valve "ON" and "OFF" using CONSULT and listen to operating sound. 	Solenoid valve makes the operating sound.	<ul style="list-style-type: none"> Harness and connectors Solenoid valve
IGNITION TIMING	<ul style="list-style-type: none"> Engine: Return to the original non-standard condition Timing light: Set Retard the ignition timing using CONSULT. 	If malfunctioning symptom disappears, see CHECK ITEM.	Perform Idle Air Volume Learning.
POWER BALANCE	<ul style="list-style-type: none"> Engine: After warming up, idle the engine. A/C switch OFF Selector lever: P or N position Cut off each injector signal one at a time using CONSULT. 	Engine runs rough or stops.	<ul style="list-style-type: none"> Harness and connectors Compression Fuel injector Power transistor Spark plug Ignition coil
FAN DUTY CONTROL*	<ul style="list-style-type: none"> Ignition switch: ON Change duty ratio using CONSULT. 	Cooling fan speed changes.	<ul style="list-style-type: none"> Harness and connectors Cooling fan motor Cooling fan relay Cooling fan control module IPDM E/R
VENT CONTROL/V	<ul style="list-style-type: none"> Ignition switch: ON (Engine stopped) Turn solenoid valve "ON" and "OFF" with the CONSULT and listen to operating sound. 	Solenoid valve makes an operating sound.	<ul style="list-style-type: none"> Harness and connectors Solenoid valve
COOLING FAN*	<ul style="list-style-type: none"> Ignition switch: ON Turn the cooling fan "HI", "MID", "LOW" and "OFF" using CONSULT. 	Cooling fan moves and stops.	<ul style="list-style-type: none"> Harness and connectors Cooling fan motor IPDM E/R

*: Leaving cooling fan OFF with CONSULT while engine is running may cause the engine to overheat.

DTC WORK SUPPORT MODE

DIAGNOSIS SYSTEM (ECM)

[VQ35DE]

< SYSTEM DESCRIPTION >

Test mode	Test item	Corresponding DTC No.	Reference page
A/F SEN1	A/F SEN1(B1) P1276	P0130	EC-813
	A/F SEN1(B2) P1286	P0150	EC-813
	A/F SENSOR1(B1) P014C, P014D	P014C, P014D	EC-842
	A/F SENSOR1(B2) P014E, P014F	P014E, P014F	EC-842
	A/F SENSOR1(B1) P015A, P015B	P015A, P015B	EC-842
	A/F SENSOR1(B2) P015C, P015D	P015C, P015D	EC-842
EVAPORATIVE SYSTEM	PURG FLOW P0441	P0441	EC-889
	PURG VOL CN/V P1444	P0443	EC-894
HO2S2	HO2S2(B1) P1146	P0138	EC-829
	HO2S2(B1) P1147	P0137	EC-823
	HO2S2(B1) P0139	P0139	EC-836
	HO2S2(B2) P1166	P0158	EC-829
	HO2S2(B2) P1167	P0157	EC-823
	HO2S2(B2) P0159	P0159	EC-836

SRT & P-DTC MODE

SRT STATUS Mode

- For items whose SRT codes are set, “CMPLT” is displayed on the CONSULT screen; for items whose SRT codes are not set, “INCMP” is displayed.
- “SRT STATUS” provides the presence or absence of permanent DTCs stored in ECM memory.

PERMANENT DTC STATUS Mode

How to display permanent DTC status

1. Turn ignition switch OFF and wait at least 10 seconds.
2. Turn ignition switch ON.
3. Turn ignition switch OFF and wait at least 10 seconds.
4. Turn ignition switch ON.
5. Select “PERMANENT DTC STATUS” in “DTC & SRT CONFIRMATION” mode with CONSULT.

NOTE:

Permanent DTCs stored in ECM memory are displayed on the CONSULT screen to show if a driving pattern required for erasing permanent DTCs is complete (CMPLT) or incomplete (INCMP).

CAUTION:

Since the “PERMANENT DTC STATUS” screen displays the previous trip information, repeat the following twice to update the information: “Ignition switch OFF”, “Wait for more than 10 seconds” and “Ignition switch ON”.

PERMANENT DTC & SRT CONFIRMATION : PERMANENT DTC STATUS		
<p>CAUTION: Turn ignition switch from ON to OFF twice to update the information on the status screen.</p>		
PERMANENT DTC	DRIVING PATTERN B	DRIVING PATTERN D
XXXX	INCMP	INCMP
XXXX	CMPLT	INCMP
XXXX	INCMP	CMPLT
XXXX	CMPLT	INCMP
XXXX	INCMP	INCMP
XXXX	INCMP	INCMP
<p>The previous trip information is displayed. </p>		

JSBIA0062GB

NOTE:

DIAGNOSIS SYSTEM (ECM)

[VQ35DE]

< SYSTEM DESCRIPTION >

This mode is not used in regions that permanent DTCs are not regulated by law.

SRT WORK SUPPORT Mode

This mode enables a technician to drive a vehicle to set the SRT while monitoring the SRT status.

PERMANENT DTC WORK SUPPORT Mode

This mode enables a technician to drive a vehicle to complete the driving pattern that is required for erasing permanent DTC.

NOTE:

This mode is not used in regions that permanent DTCs are not regulated by law.

A

EC

C

D

E

F

G

H

I

J

K

L

M

N

O

P

ECU DIAGNOSIS INFORMATION

ECM

Reference Value

INFOID:0000000012602665

VALUES ON THE DIAGNOSIS TOOL

NOTE:

- The following table includes information (items) inapplicable to this vehicle. For information (items) applicable to this vehicle, refer to CONSULT display items.
- Numerical values in the following table are reference values.
- These values are input/output values that ECM receives/transmits and may differ from actual operations.
Example: The ignition timing shown by the timing light may differ from the ignition timing displayed on the data monitor.
This occurs because the timing light shows a value calculated by ECM according to signals received from the camshaft position sensor and other sensors related to ignition timing.
- For outlines of following items, refer to [EC-642. "CONSULT Function"](#).

Monitor Item	Condition		Values/Status
ENG SPEED	Run engine and compare CONSULT value with the tachometer indication.		Almost the same speed as the tachometer indication.
MASS AIR FLOW SENSOR (Hz)	See EC-750. "Description" .		
B/FUEL SCHDL	See EC-750. "Description" .		
A/F ALPHA-B1	See EC-750. "Description" .		
A/F ALPHA-B2	See EC-750. "Description" .		
COOLAN TEMP/S	Engine: After warming up		More than 70°C (158°F)
A/F SEN1 (B1)	Engine: After warming up	Maintaining engine speed at 2,000 rpm	Fluctuates around 2.2 V
A/F SEN1 (B2)	Engine: After warming up	Maintaining engine speed at 2,000 rpm	Fluctuates around 2.2 V
HO2S2 (B1)	Revving engine from idle to 3,000 rpm quickly after the following conditions are met. <ul style="list-style-type: none"> • Engine: After warming up • After keeping engine speed between 3,500 and 4,000 rpm for 1 minute and at idle for 1 minute under no load 		0 - 0.3 V ↔ Approx. 0.6 - 1.0 V
HO2S2 (B2)	Revving engine from idle to 3,000 rpm quickly after the following conditions are met. <ul style="list-style-type: none"> • Engine: After warming up • After keeping engine speed between 3,500 and 4,000 rpm for 1 minute and at idle for 1 minute under no load 		0 - 0.3 V ↔ Approx. 0.6 - 1.0 V
HO2S2 MNTR(B1)	Revving engine from idle to 3,000 rpm quickly after the following conditions are met. <ul style="list-style-type: none"> • Engine: After warming up • After keeping engine speed between 3,500 and 4,000 rpm for 1 minute and at idle for 1 minute under no load 		LEAN ↔ RICH
HO2S2 MNTR(B2)	Revving engine from idle to 3,000 rpm quickly after the following conditions are met. <ul style="list-style-type: none"> • Engine: After warming up • After keeping engine speed between 3,500 and 4,000 rpm for 1 minute and at idle for 1 minute under no load 		LEAN ↔ RICH
VHCL SPEED SE	Turn drive wheels and compare CONSULT value with the speedometer indication.		Almost the same speed as speedometer indication
BATTERY VOLT	Ignition switch: ON (Engine stopped)		11 - 14 V
ACCEL SEN 1	Ignition switch: ON (Engine stopped)	Accelerator pedal: Fully released	0.5 - 1.0 V
		Accelerator pedal: Fully depressed	4.2 - 4.8 V
ACCEL SEN 2*1	Ignition switch: ON (Engine stopped)	Accelerator pedal: Fully released	0.5 - 1.0 V
		Accelerator pedal: Fully depressed	4.2 - 4.8 V

ECM

< ECU DIAGNOSIS INFORMATION >

[VQ35DE]

Monitor Item	Condition		Values/Status	
TP SEN 1-B1	<ul style="list-style-type: none"> Ignition switch: ON (Engine stopped) Selector lever: D position 	Accelerator pedal: Fully released	More than 0.36 V	A
		Accelerator pedal: Fully depressed	Less than 4.75 V	
TP SEN 2-B1*1	<ul style="list-style-type: none"> Ignition switch: ON (Engine stopped) Selector lever: D position 	Accelerator pedal: Fully released	More than 0.36 V	EC
		Accelerator pedal: Fully depressed	Less than 4.75 V	
FUEL T/TMP SE	Ignition switch: ON		Indicates fuel tank temperature	C
EVAP SYS PRES	Ignition switch: ON		Approx. 1.8 - 4.8 V	
FUEL LEVEL SE	Ignition switch: ON		Depending on fuel level of fuel tank	D
START SIGNAL	Ignition switch: ON → START → ON		Off → On → Off	
CLSD THL POS	Ignition switch: ON (Engine stopped)	Accelerator pedal: Fully released	On	E
		Accelerator pedal: Slightly depressed	Off	
AIR COND SIG	Engine: After warming up, idle the engine	Air conditioner switch: OFF	Off	F
		Air conditioner switch: ON (Compressor operates.)	On	
PW/ST SIGNAL	Engine: After warming up, idle the engine	Steering wheel: Not being turned	Off	G
		Steering wheel: Being turned	On	
LOAD SIGNAL	Ignition switch: ON	Rear window defogger switch: ON and/or Lighting switch: 2nd position	On	H
		Rear window defogger switch and lighting switch: OFF	Off	
IGNITION SW	Ignition switch: ON → OFF → ON		On → Off → On	I
HEATER FAN SW	Engine: After warming up, idle the engine	Heater fan switch: ON	On	J
		Heater fan switch: OFF	Off	
BRAKE SW	Ignition switch: ON	Brake pedal: Fully released	Off	K
		Brake pedal: Slightly depressed	On	
INJ PULSE-B1	<ul style="list-style-type: none"> Engine: After warming up Selector lever: P or N position Air conditioner switch: OFF No load 	Idle	2.0 - 3.0 msec	L
		2,000 rpm	1.9 - 2.9 msec	
INJ PULSE-B2	<ul style="list-style-type: none"> Engine: After warming up Selector lever: P or N position Air conditioner switch: OFF No load 	Idle	2.0 - 3.0 msec	M
		2,000 rpm	1.9 - 2.9 msec	
IGN TIMING	<ul style="list-style-type: none"> Engine: After warming up Selector lever: P or N position Air conditioner switch: OFF No load 	Idle	7 - 17°BTDC	N
		2,000 rpm	25 - 45°BTDC	
CAL/LD VALUE	<ul style="list-style-type: none"> Engine: After warming up Selector lever: P or N position Air conditioner switch: OFF No load 	Idle	5 - 35%	O
		2,500 rpm	5 - 35%	
MASS AIRFLOW	<ul style="list-style-type: none"> Engine: After warming up Selector lever: P or N position Air conditioner switch: OFF No load 	Idle	2.0 - 6.0 g/s	P
		2,500 rpm	7.0 - 20.0 g/s	
PURG VOL C/V	<ul style="list-style-type: none"> Engine: After warming up Selector lever: P or N position Air conditioner switch: OFF No load 	Idle (Accelerator pedal: Not depressed even slightly, after engine starting.)	0%	
		2,000 rpm	—	

ECM

< ECU DIAGNOSIS INFORMATION >

[VQ35DE]

Monitor Item	Condition		Values/Status
INT/V TIM (B1)	<ul style="list-style-type: none"> Engine: After warming up Selector lever: P or N position Air conditioner switch: OFF No load 	Idle	-5 - 5°C
		2,000 rpm	Approx. 0 - 30°C
INT/V TIM (B2)	<ul style="list-style-type: none"> Engine: After warming up Selector lever: P or N position Air conditioner switch: OFF No load 	Idle	-5 - 5°C
		2,000 rpm	Approx. 0 - 30°C
INT/V SOL(B1)	<ul style="list-style-type: none"> Engine: After warming up Selector lever: P or N position Air conditioner switch: OFF No load 	Idle	0 - 2%
		2,000 rpm	Approx. 0 - 50%
INT/V SOL(B2)	<ul style="list-style-type: none"> Engine: After warming up Selector lever: P or N position Air conditioner switch: OFF No load 	Idle	0 - 2%
		2,000 rpm	Approx. 0 - 50%
VIAS S/V-1	<ul style="list-style-type: none"> Engine: After warming up Selector lever: P or N position Air conditioner switch: OFF No load 	When revving engine up to 5,000 rpm quickly	Off → On → Off
VIAS S/V-2	<ul style="list-style-type: none"> Engine: After warming up Selector lever: P or N position Air conditioner switch: OFF No load 	When revving engine up to 5,000 rpm quickly	Off → On → Off
AIR COND RLY	Engine: After warming up, idle the engine	Air conditioner switch: OFF	Off
		Air conditioner switch: ON (Compressor operates)	On
ENGINE MOUNT	Engine: After warming up	Below 950 rpm	IDLE
		Above 950 rpm	TRVL
FUEL PUMP RLY	<ul style="list-style-type: none"> For 1 second after turning ignition switch: ON Engine running or cranking 		On
	Except above		Off
VENT CONT/V	Ignition switch: ON		Off
THRTL RELAY	Ignition switch: ON		On
A/F S1 HTR(B1)	Engine: After warming up, idle the engine (More than 140 seconds after starting engine)		4 - 100%
A/F S1 HTR(B2)	Engine: After warming up, idle the engine (More than 140 seconds after starting engine)		4 - 100%
COOLING FAN	<ul style="list-style-type: none"> Engine: After warming up, idle the engine Air conditioner switch: OFF 	Engine coolant temperature: 97°C (206°F) or less	OFF
		Engine coolant temperature: Between 98°C (208°F) and 99°C (210°F)	LOW
		Engine coolant temperature: Between 100°C (212°F) and 104°C (219°F)	MID
		Engine coolant temperature: 105°C (221°F) or more	HI
HO2S2 HTR (B1)	Engine speed: Below 3,600 rpm after the following conditions are met. <ul style="list-style-type: none"> Engine: After warming up Keeping the engine speed between 3,500 and 4,000 rpm for 1 minute and at idle for 1 minute under no load 		On
	Engine speed: Above 3,600 rpm		Off

ECM

< ECU DIAGNOSIS INFORMATION >

[VQ35DE]

Monitor Item	Condition		Values/Status
HO2S2 HTR (B2)	Engine speed: Below 3,600 rpm after the following conditions are met. • Engine: After warming up • Keeping the engine speed between 3,500 and 4,000 rpm for 1 minute and at idle for 1 minute under no load		On
	Engine speed: Above 3,600 rpm		Off
ALT DUTY SIG	Power generation voltage variable control: Operating		On
	Power generation voltage variable control: Not operating		Off
I/P PULLY SPD	Vehicle speed: More than 20 km/h (12 MPH)		Almost the same speed as the tachometer indication
VEHICLE SPEED	Turn drive wheels and compare CONSULT value with the speedometer indication.		Almost the same speed as the speedometer indication
IDL A/V LEARN	Engine: Running	Idle air volume learning has not been performed yet.	YET
		Idle air volume learning has already been performed successfully.	CMPLT
TRVL AFTER MIL	Ignition switch: ON	Vehicle has traveled after MIL has illuminated.	0 - 65,535 km (0 - 40,723 miles)
ENG OIL TEMP	Engine: After warming up		More than 70°C (158°F)
VHCL SPEED SE	Turn drive wheels and compare CONSULT value with the speedometer indication.		Almost the same speed as the speedometer indication
SET VHCL SPD	Engine: Running	ASCD: Operating	The preset vehicle speed is displayed
MAIN SW	Ignition switch: ON	MAIN switch: Pressed	On
		MAIN switch: Released	Off
CANCEL SW	Ignition switch: ON	CANCEL switch: Pressed	On
		CANCEL switch: Released	Off
RESUME/ACC SW	Ignition switch: ON	RESUME/ACCELERATE switch: Pressed	On
		RESUME/ACCELERATE switch: Released	Off
SET SW	Ignition switch: ON	SET/COAST switch: Pressed	On
		SET/COAST switch: Released	Off
BRAKE SW1 (Brake pedal position switch)	Ignition switch: ON	Brake pedal: Fully released	On
		Brake pedal: Slightly depressed	Off
BRAKE SW2 (Stop lamp switch)	Ignition switch: ON	Brake pedal: Fully released	Off
		Brake pedal: Slightly depressed	On
DIST SW	Ignition switch: ON	DISTANCE switch: Pressed	ON
		DISTANCE switch: Released	OFF
VHCL SPD CUT	Ignition switch: ON		Non
LO SPEED CUT	Ignition switch: ON		Non
AT OD MONITOR	Ignition switch: ON		Off
AT OD CANCEL	Ignition switch: ON		Off
CRUISE LAMP	Ignition switch: ON	MAIN switch: Pressed at the 1st time → at the 2nd time	On → Off
SET LAMP	• MAIN switch: ON • When vehicle speed is between 40 km/h (25 MPH) and 144 km/h (89 MPH)	ASCD: Operating	On
		ASCD: Not operating	Off
ALT DUTY	Engine: Idle		0 - 80%

ECM

< ECU DIAGNOSIS INFORMATION >

[VQ35DE]

Monitor Item	Condition		Values/Status
BAT CUR SEN	<ul style="list-style-type: none"> • Engine speed: Idle • Battery: Fully charged*2 • Selector lever: P or N position • Air conditioner switch: OFF • No load 		Approx. 2.6 - 3.5 V
A/F ADJ-B1	Engine: Running		-0.330 - 0.330
A/F ADJ-B2	Engine: Running		-0.330 - 0.330
P/N POSI SW	Ignition switch: ON	Selector lever: P or N position	On
		Selector lever: Except above position	Off
INT/A TEMP SE	Ignition switch: ON		Indicates intake air temperature
AC PRESS SEN	<ul style="list-style-type: none"> • Engine: Idle • Both A/C switch and blower fan switch: ON (Compressor operates) 		1.0 - 4.0 V
VTC DTY EX B2*3	—		—
EVAP LEAK DIAG	Ignition switch: ON		Indicates the condition of EVAP leak diagnosis.
EVAP DIAG READY	Ignition switch: ON		Indicates the ready condition of EVAP leak diagnosis.
BAT TEMP SEN	<ul style="list-style-type: none"> • Engine: After warming up • Selector lever: P or N position • Air conditioner switch: OFF • No load 	Idle	Indicates the temperature around the battery.
THRTL STK CNT B1*3	—		—
HO2 S2 DIAG1(B2)	DTC P0159 self-diagnosis (delayed response) has not been performed yet.		INCMP
	DTC P0159 self-diagnosis (delayed response) has already been performed successfully.		CMPLT
A/F SEN1 DIAG1 (B2)	DTC P015C and P015D self-diagnosis is incomplete.		INCMP
	DTC P015C and P015D self-diagnosis is complete.		CMPLT
A/F SEN1 DIAG1 (B1)	DTC P015A and P015B self-diagnosis is incomplete.		INCMP
	DTC P015A and P015B self-diagnosis is complete.		CMPLT
A/F SEN1 DIAG2 (B2)	DTC P014E and P014F self-diagnosis is incomplete.		INCMP
	DTC P014E and P014F self-diagnosis is complete.		CMPLT
A/F SEN1 DIAG2 (B1)	DTC P014C and P014D self-diagnosis is incomplete.		INCMP
	DTC P014C and P014D self-diagnosis is complete.		CMPLT
A/F SEN1 DIAG3 (B2)	The vehicle condition is not within the diagnosis range of DTC P014E, P014F, P015C or P015D.		ABSNT
	The vehicle condition is within the diagnosis range of DTC P014E, P014F, P015C or P015D.		PRSNT
A/F SEN1 DIAG3 (B1)	The vehicle condition is not within the diagnosis range of DTC P014C, P014D, P015A or P015B.		ABSNT
	The vehicle condition is within the diagnosis range of DTC P014C, P014D, P015A or P015B.		PRSNT
HO2 S2 DIAG2(B2)	DTC P0159 self-diagnosis (slow response) has not been performed yet.		INCMP
	DTC P0159 self-diagnosis (slow response) has already been performed successfully.		CMPLT
HO2 S2 DIAG2(B1)	DTC P0139 self-diagnosis (slow response) has not been performed yet.		INCMP
	DTC P0139 self-diagnosis (slow response) has already been performed successfully.		CMPLT

ECM

< ECU DIAGNOSIS INFORMATION >

[VQ35DE]

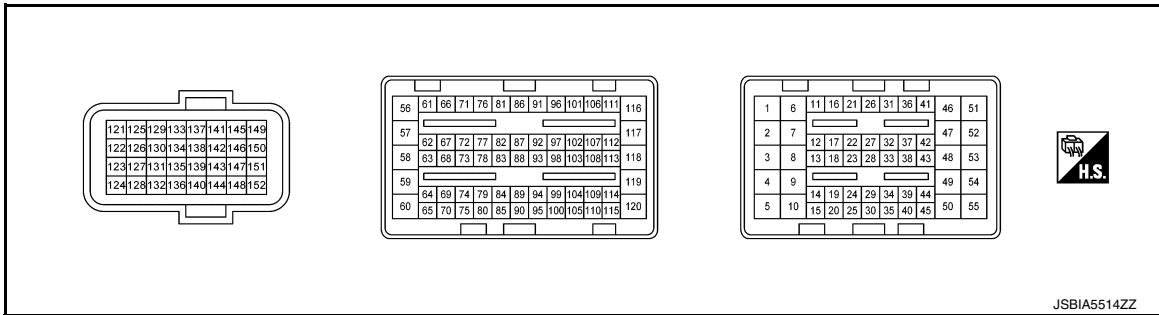
Monitor Item	Condition	Values/Status
EOP SENSOR	<ul style="list-style-type: none"> Engine: After warming up Selector lever: P or N Air conditioner switch: OFF No load 	Idle Approx. 1.45 V
	2,000 rpm	Approx. 2.85 V
HO2 S2 DIAG1(B1)	DTC P0139 self-diagnosis (delayed response) has not been performed yet.	
	DTC P0139 self-diagnosis (delayed response) has already been performed successfully.	
A/F-S ATMSPHRC CRCT B1	Engine: After warming up, idle the engine	Varies depending on vehicle environment.
A/F-S ATMSPHRC CRCT B2	Engine: After warming up, idle the engine	Varies depending on vehicle environment.
A/F-S ATMSPHRC CRCT UP B1	Engine: Running	Varies depending on the number of updates.
A/F-S ATMSPHRC CRCT UP B2	Engine: Running	Varies depending on the number of updates.

*1: Accelerator pedal position sensor 2 signal and throttle position sensor 2 signal are converted by ECM internally. Thus, they differ from ECM terminals voltage signal.

*2: Before measuring the terminal voltage, confirm that the battery is fully charged. Refer to [PG-69. "How to Handle Battery"](#).

*3: The item is indicated, but not used.

TERMINAL LAYOUT



PHYSICAL VALUES

NOTE:

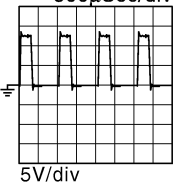
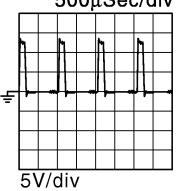
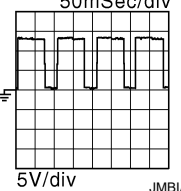
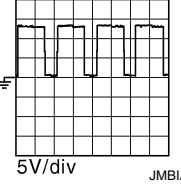
- ECM is located in the engine room left side near battery.
- Specification data are reference values.
- Pulse signal is measured by CONSULT.

Terminal No.		Description		Condition	Value (Approx.)
+	—	Signal name	Input/Output		
1 (G)	152 (GR)	Throttle control motor (Close)	Output	[Ignition switch: ON] • Engine stopped • Selector lever: D position • Accelerator pedal: Fully released	0 - 14 V★ 500 μSec/div 5V/div JMBIA1125GB
2 (R)	152 (GR)	Throttle control motor power supply	Input	[Ignition switch: ON]	BATTERY VOLTAGE (11 - 14 V)

ECM

< ECU DIAGNOSIS INFORMATION >

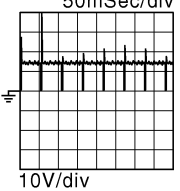
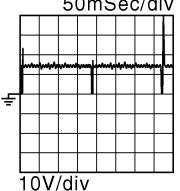
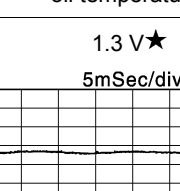
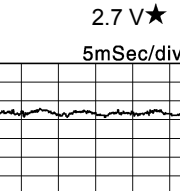
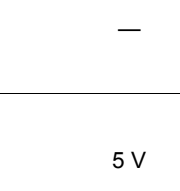
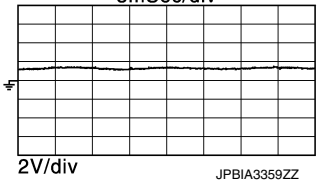
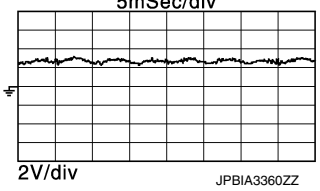
[VQ35DE]

Terminal No.		Description		Condition	Value (Approx.)
+	—	Signal name	Input/Output		
3 (W)	152 (GR)	Throttle control motor (Open)	Output	[Ignition switch: ON] • Engine stopped • Selector lever: D position • Accelerator pedal: Fully depressed	0 - 14 V★  5V/div JMBIA0031GB
				[Ignition switch: ON] • Engine stopped • Selector lever: D position • Accelerator pedal: Fully released	0 - 14 V★  5V/div JMBIA0032GB
4 (GR)	—	Sensor ground [Knock sensor (bank 1), Knock sensor (bank 2)]	—	—	—
5 (B)	4 (GR)	Knock sensor (bank 1)	Input	[Engine is running] Idle speed	2.5 V*1
6 (BR)	152 (GR)	A/F sensor 1 heater (bank 1)	Output	[Engine is running] • Warm-up condition • Idle speed (More than 140 seconds after starting engine)	2.9 - 8.8 V★  5V/div JMBIA0902GB
7 (SB)	152 (GR)	Heated oxygen sensor 2 heater (bank 1)	Output	[Engine is running] Engine speed: Below 3,600 rpm after the following conditions are met • Engine: after warming up • Keeping the engine speed between 3,500 and 4,000 rpm for 1 minute and at idle for 1 minute under no load	10 V★  5V/div JMBIA0902GB
				• [Ignition switch: ON] Engine stopped • [Engine is running] Engine speed: Above 3,600 rpm	BATTERY VOLTAGE (11 - 14 V)
8 (G)	152 (GR)	Throttle control motor relay	Output	[Ignition switch: ON → OFF]	0 - 1.0 V → BATTERY VOLTAGE (11 - 14 V) → 0 V
				[Ignition switch: ON]	0 - 1.0 V
9 (W)	4 (GR)	Knock sensor (bank 2)	Input	[Engine is running] Idle speed	2.5 V*1
10 (B)	—	ECM ground	—	—	—

ECM

< ECU DIAGNOSIS INFORMATION >

[VQ35DE]

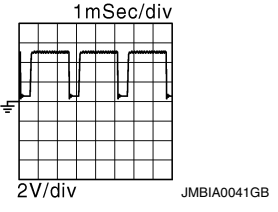
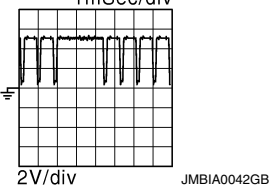
Terminal No.		Description		Condition	Value (Approx.)				
+	—	Signal name	Input/Output						
11 (Y)	152 (GR)	Fuel injector No. 5	Output	[Engine is running] • Warm-up condition • Engine speed: 2,000 rpm	BATTERY VOLTAGE (11 - 14 V)★ 50mSec/div 				
12 (V)		Fuel injector No. 4			[Engine is running] • Warm-up condition • Idle speed NOTE: The pulse cycle changes depending on rpm at idle	BATTERY VOLTAGE (11 - 14 V)★ 50mSec/div 			
16 (V)		Fuel injector No. 2				[Engine is running] • Warm-up condition • Idle speed NOTE: The pulse cycle changes depending on rpm at idle	BATTERY VOLTAGE (11 - 14 V)★ 50mSec/div 		
17 (Y)		Fuel injector No. 1					[Engine is running] • Warm-up condition • Idle speed NOTE: The pulse cycle changes depending on rpm at idle	BATTERY VOLTAGE (11 - 14 V)★ 50mSec/div 	
21 (V)		Fuel injector No. 6						[Engine is running] • Warm-up condition • Idle speed NOTE: The pulse cycle changes depending on rpm at idle	BATTERY VOLTAGE (11 - 14 V)★ 50mSec/div 
22 (Y)		Fuel injector No. 3							[Engine is running] • Warm-up condition • Idle speed NOTE: The pulse cycle changes depending on rpm at idle
13 (G)	15 (B)	Engine oil temperature sensor	Input	[Engine is running]					
14 (W)	18 (Y)	Engine oil pressure sensor	Input	[Engine is running] • Warm-up condition • Idle speed	1.3 V★ 5mSec/div 				
					[Engine is running] • Warm-up condition • Engine speed is 2,000 rpm	2.7 V★ 5mSec/div 			
15 (B)	—	Sensor ground (Engine oil temperature sensor, engine oil pressure sensor)	—	—	—				
18 (Y)	15 (B)	Sensor power supply (Engine oil pressure sensor)	—	[Ignition switch: ON]	5 V				
	25 (V)	Sensor power supply (Refrigerant pressure sensor)							
19 (W)	152 (GR)	Fuel pump relay	Output	• [Ignition switch: ON] For 1 second after turning ignition switch ON • [Engine is running]	0 - 1.0 V				
20 (SB)	25 (V)	Refrigerant pressure sensor	Input	[Engine is running] • Warm-up condition • Both A/C switch and blower fan motor switch: ON (Compressor operates)	1.0 - 4.0 V				

A
EC
C
D
E
F
G
H
I
J
K
L
M
N
O
P

ECM

< ECU DIAGNOSIS INFORMATION >

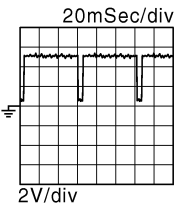
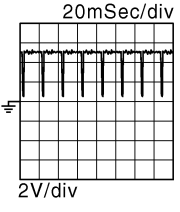
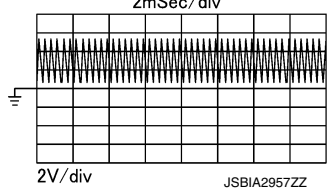
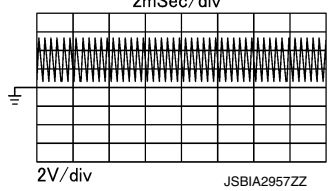
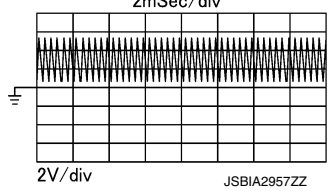
[VQ35DE]

Terminal No.		Description		Condition	Value (Approx.)
+	—	Signal name	Input/Output		
25 (V)	—	Sensor ground (Refrigerant pressure sensor)	—	—	—
28 (LG)	40 (BR)	Sensor power supply [Exhaust valve timing control position sensor (bank 1), exhaust valve timing control position sensor (bank 2), crankshaft position sensor (POS), mass air flow sensor]	Input	[Engine is running]	5 V
31 (BR)	35 (B)	Engine coolant temperature sensor	Input	[Engine is running]	0 - 4.8 V Output voltage varies with engine coolant temperature.
32 (W)	152 (GR)	Heated oxygen sensor 2 (bank 2)	Input	[Engine is running] Revsing engine from idle to 3,000 rpm quickly after the following conditions are met • Engine: after warming up • Keeping the engine speed between 3,500 and 4,000 rpm for 1 minute and at idle for 1 minute under no load	0 - 1.0 V
34 (V)	40 (BR)	Intake air temperature sensor	Input	[Engine is running]	0 - 4.8 V Output voltage varies with intake air temperature.
35 (B)	—	Sensor ground (Heated oxygen sensor 2, engine coolant temperature sensor)	—	—	—
36 (GR)	40 (BR)	Crankshaft position sensor (POS)	Input	[Engine is running] • Warm-up condition • Idle speed NOTE: The pulse cycle changes depending on rpm at idle	<p>4.0 - 5.0 V★</p>  <p>2V/div JMBIA0041GB</p>
				[Engine is running] Engine speed: 2,000 rpm	<p>4.0 - 5.0 V★</p>  <p>2V/div JMBIA0042GB</p>

ECM

< ECU DIAGNOSIS INFORMATION >

[VQ35DE]

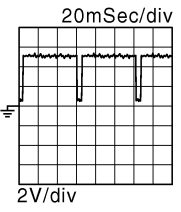
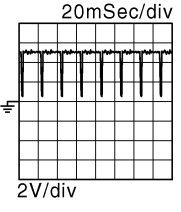
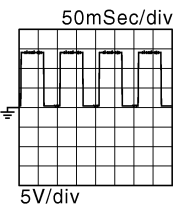
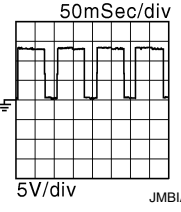
Terminal No.		Description		Condition	Value (Approx.)
+	—	Signal name	Input/Output		
37 (GR)	152 (GR)	Exhaust valve timing control position sensor (bank 1)	Input	[Engine is running] <ul style="list-style-type: none"> • Warm-up condition • Idle speed NOTE: The pulse cycle changes depending on rpm at idle	4.0 – 5.0 V★ 
				[Engine is running] <ul style="list-style-type: none"> • Warm-up condition • Engine speed: 2,000 rpm 	4.0 – 5.0 V★ 
38 (GR)	40 (BR)	Mass air flow sensor	Input	[Ignition switch: ON] <ul style="list-style-type: none"> • Engine stopped 	3,720 Hz 
				[Engine is running] <ul style="list-style-type: none"> • Warm-up condition • Idle speed 	4,100 – 4,700 Hz 
				[Engine is running] <ul style="list-style-type: none"> • Warm-up condition • Engine speed: idle to about 4,000 rpm NOTE: Check for linear frequency rise in response to engine being increased to about 4,000 rpm	4,100 – 4,700 → 8000 Hz 

A
EC
C
D
E
F
G
H
I
J
K
L
M
N
O
P

ECM

< ECU DIAGNOSIS INFORMATION >

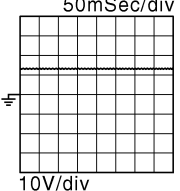
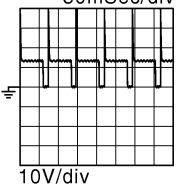
[VQ35DE]

Terminal No.		Description		Condition	Value (Approx.)
+	—	Signal name	Input/Output		
39 (GR)	152 (GR)	Exhaust valve timing control position sensor (bank 2)	Input	[Engine is running] <ul style="list-style-type: none"> • Warm-up condition • Idle speed NOTE: The pulse cycle changes depending on rpm at idle	4.0 – 5.0 V★ 
				[Engine is running] <ul style="list-style-type: none"> • Warm-up condition • Engine speed: 2,000 rpm 	4.0 – 5.0 V★ 
40 (BR)	—	Sensor ground (Exhaust valve timing control position sensor (bank 1), exhaust valve timing control position sensor (bank 2), crankshaft position sensor (POS), mass air flow sensor)	—	—	—
41 (W)	152 (GR)	Heated oxygen sensor 2 (bank 1)	Input	[Engine is running] <ul style="list-style-type: none"> • Revving engine from idle to 3,000 rpm quickly after the following conditions are met • Engine: after warming up • Keeping the engine speed between 3,500 and 4,000 rpm for 1 minute and at idle for 1 minute under no load 	0 - 1.0 V
46 (Y)	152 (GR)	A/F sensor 1 heater (bank 2)	Output	[Engine is running] <ul style="list-style-type: none"> • Warm-up condition • Idle speed (More than 140 seconds after starting engine) 	2.9 - 8.8 V★ 
47 (SB)	152 (GR)	Heated oxygen sensor 2 heater (bank 2)	Output	[Engine is running] <ul style="list-style-type: none"> • Engine speed: Below 3,600 rpm after the following conditions are met • Engine: after warming up • Keeping the engine speed between 3,500 and 4,000 rpm for 1 minute and at idle for 1 minute under no load 	10 V★ 
				<ul style="list-style-type: none"> • [Ignition switch: ON] Engine stopped • [Engine is running] Engine speed: Above 3,600 rpm 	BATTERY VOLTAGE (11 - 14 V)

ECM

< ECU DIAGNOSIS INFORMATION >

[VQ35DE]

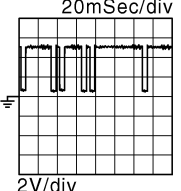
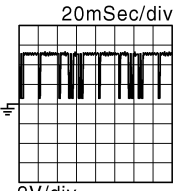
Terminal No.		Description		Condition	Value (Approx.)
+	—	Signal name	Input/Output		
49 (BR)	152 (GR)	Electronic controlled engine mount control solenoid valve	Output	[Engine is running] Idle speed	0 - 1.0 V
				[Engine is running] Engine speed: More than 950 rpm	BATTERY VOLTAGE (11 - 14 V)
51 (L)	152 (GR)	Power supply for ECM (Valve)	Input	[Ignition switch: ON]	BATTERY VOLTAGE (11 - 14 V)
54 (BR)	152 (GR)	EVAP canister purge volume control solenoid valve	Output	[Engine is running] • Idle speed • Accelerator pedal: Not depressed even slightly, after engine starting	BATTERY VOLTAGE (11 - 14 V)★  50mSec/div 10V/div JMBIA0039GB
				[Engine is running] Engine speed: approximately 2,000 rpm (More than 100 seconds after starting engine)	BATTERY VOLTAGE (11 - 14 V)★  50mSec/div 10V/div JMBIA0040GB
55 (B)	—	ECM ground	—	—	—
58 (SB)	152 (GR)	Exhaust valve timing control solenoid valve (bank 1)	Output	[Engine is running] • Warm-up condition • Idle speed	0 V
				[Engine is running] • Warm-up condition • Engine speed: 2,000rpm	BATTERY VOLTAGE (11 - 14 V)
60 (BR)	152 (GR)	Exhaust valve timing control solenoid valve (bank 2)	Output	[Engine is running] • Warm-up condition • Idle speed	0 V
				[Engine is running] • Warm-up condition • Engine speed: 2,000rpm	BATTERY VOLTAGE (11 - 14 V)
64 (G)	—	Sensor ground (Battery current sensor, battery temperature sensor)	—	—	—
66 (W)	152 (GR)	A/F sensor 1 (bank 1)	Input	[Engine is running] • Warm-up condition • Engine speed: 2,000 rpm	2.2 V Output voltage varies with air fuel ratio.
67 (B)	152 (GR)	A/F sensor 1 (bank 1)	Input	[Ignition switch: ON]	1.8 V
68 (Y)	64 (G)	Battery temperature sensor	Input	[Engine is running]	0 - 4.8 V Output voltage varies with battery temperature.
69 (W)	64 (G)	Battery current sensor	Input	[Engine is running] • Battery: Fully charged*2 • Idle speed	2.6 - 3.5 V

A
EC
C
D
E
F
G
H
I
J
K
L
M
N
O
P

ECM

< ECU DIAGNOSIS INFORMATION >

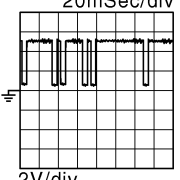
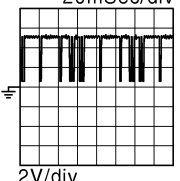
[VQ35DE]

Terminal No.		Description		Condition	Value (Approx.)
+	—	Signal name	Input/ Output		
70 (GR)	—	Shield	—	—	—
71 (B)	152 (GR)	Throttle position sensor 1	Input	[Ignition switch: ON] • Engine stopped • Selector lever: D position • Accelerator pedal: Fully released	More than 0.36 V
				[Ignition switch: ON] • Engine stopped • Selector lever: D position • Accelerator pedal: Fully depressed	Less than 4.75 V
72 (W)	152 (GR)	Throttle position sensor 2	Input	[Ignition switch: ON] • Engine stopped • Selector lever: D position • Accelerator pedal: Fully released	Less than 4.75 V
				[Ignition switch: ON] • Engine stopped • Selector lever: D position • Accelerator pedal: Fully depressed	More than 0.36 V
75 (R)	—	Sensor ground (Throttle position sensor)	—	—	—
76 (W)	152 (GR)	A/F sensor 1 (bank 2)	Input	[Engine is running] • Warm-up condition • Engine speed: 2,000 rpm	2.2 V Output voltage varies with air fuel ratio.
77 (W)	152 (GR)	A/F sensor 1 (bank 2)	Input	[Ignition switch: ON]	1.8 V
80 (Shield)	—	Shield	—	—	—
83 (R)	152 (GR)	PNP signal	Input	[Ignition switch: ON] Selector lever: P or N position	BATTERY VOLTAGE (11 - 14 V)
				[Ignition switch: ON] Selector lever: Except above position	0 V
84 (GR)	90 (LG)	Camshaft position sensor (PHASE) (bank 1)	Input	[Engine is running] • Warm-up condition • Idle speed NOTE: The pulse cycle changes depending on rpm at idle	3.0 - 5.0 V★ 
				[Engine is running] Engine speed is 2,000 rpm	3.0 - 5.0 V★ 

ECM

< ECU DIAGNOSIS INFORMATION >

[VQ35DE]

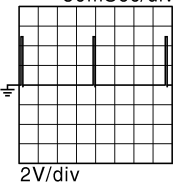
Terminal No.		Description		Condition	Value (Approx.)
+	—	Signal name	Input/Output		
86 (V)	152 (GR)	ECM relay (Self shut-off)	Output	<ul style="list-style-type: none"> [Engine is running] [Ignition switch: OFF] A few seconds after turning ignition switch OFF	0 - 1.5 V
				[Ignition switch: OFF] More than a few seconds after turning ignition switch OFF	BATTERY VOLTAGE (11 - 14 V)
87 (LG)	64 (G)	Sensor power supply (Battery current sensor)	—	[Ignition switch: ON]	5 V
89 (GR)	90 (LG)	Camshaft position sensor (PHASE) (bank 2)	Input	<ul style="list-style-type: none"> [Engine is running] Warm-up condition Idle speed NOTE: The pulse cycle changes depending on rpm at idle	3.0 - 5.0 V★ 20mSec/div  2V/div JMBIA0045GB
				[Engine is running] Engine speed is 2,000 rpm	3.0 - 5.0 V★ 20mSec/div  2V/div JMBIA0046GB
90 (LG)	—	Sensor ground [Camshaft position sensor (PHASE) (bank 1), camshaft position sensor (PHASE) (bank 2)]	—	—	—
92 (BR)	90 (LG)	Sensor power supply [Camshaft position sensor (PHASE) (bank 1), camshaft position sensor (PHASE) (bank 2)]	—	[Ignition switch: ON]	5 V
98 (G)	75 (R)	Sensor power supply (Throttle position sensor)	—	[Ignition switch: ON]	5 V
102 (BR)	152 (GR)	VIAS control solenoid valve 2	Output	<ul style="list-style-type: none"> [Engine is running] Warm-up condition Idle speed 	BATTERY VOLTAGE (11 - 14 V)
				<ul style="list-style-type: none"> [Engine is running] Warm-up condition When revving engine up to 5,000 rpm quickly 	BATTERY VOLTAGE (11 - 14 V) ↓ 0 - 1.0 V ↓ BATTERY VOLTAGE (11 - 14 V)

A
EC
C
D
E
F
G
H
I
J
K
L
M
N
O
P

ECM

< ECU DIAGNOSIS INFORMATION >

[VQ35DE]

Terminal No.		Description		Condition	Value (Approx.)
+	—	Signal name	Input/Output		
103 (LG)	152 (GR)	Ignition signal No. 3	Output	[Engine is running] • Warm-up condition • Idle speed NOTE: The pulse cycle changes depending on rpm at idle	0 - 0.2 V★
104 (LG)		Ignition signal No. 6			
106 (LG)		Ignition signal No. 2			
107 (LG)		Ignition signal No. 5			
113 (LG)		Ignition signal No. 1			
114 (LG)		Ignition signal No. 4			
105 (B)	—	ECM ground	—	—	—
108 (BR)	152 (GR)	VIAS control solenoid valve 1	Output	[Engine is running] • Warm-up condition • Idle speed	BATTERY VOLTAGE (11 - 14 V)
				[Engine is running] • Warm-up condition • When revving engine up to 5,000 rpm quickly	BATTERY VOLTAGE (11 - 14 V) ↓ 0 - 1.0 V ↓ BATTERY VOLTAGE (11 - 14 V)
110 (B)	—	ECM ground	—	—	—
116 (GR)	152 (GR)	Power supply for ECM (Back-up)	Input	[Ignition switch: OFF]	BATTERY VOLTAGE (11 - 14 V)
117 (BR)	152 (GR)	Intake valve timing control solenoid valve (bank 1)	Output	[Engine is running] • Warm-up condition • Idle speed	0 V
				[Engine is running] • Warm-up condition • When revving engine up to 2,000rpm quickly	BATTERY VOLTAGE (11 - 14 V)
118 (LG)	152 (GR)	Intake valve timing intermediate lock control solenoid valve (bank 1)	Output	[Engine is running] • Warm-up condition • Idle speed	0 V
				[Engine is running] • Cold condition [Engine coolant temperature: below 60°C (140°F)] • Idle speed	Battery voltage (11 - 14 V)
119 (Y)	152 (GR)	Intake valve timing control solenoid valve (bank 2)	Output	[Engine is running] • Warm-up condition • Idle speed	0 V
				[Engine is running] • Warm-up condition • When revving engine up to 2,000rpm quickly	BATTERY VOLTAGE (11 - 14 V)

ECM

< ECU DIAGNOSIS INFORMATION >

[VQ35DE]

Terminal No.		Description		Condition	Value (Approx.)	
+	—	Signal name	Input/ Output			
120 (R)	152 (GR)	Intake valve timing intermediate lock control solenoid valve (bank 2)	Output	[Engine is running] • Warm-up condition • Idle speed	0 V	EC
				[Engine is running] • Cold condition [Engine coolant temperature: below 60°C (140°F)] • Idle speed	Battery voltage (11 - 14 V)	C
121 (G)	148 (R)	EVAP control system pressure sensor	Input	[Ignition switch: ON]	1.8 - 4.8 V	D
123 (P)	—	CAN communication line (CAN-L)	Input/ Output	—	—	E
124 (L)	—	CAN communication line (CAN-H)	Input/ Output	—	—	F
125 (P)	148 (R)	Sensor power supply (EVAP control system pressure sensor)	—	[Ignition switch: ON]	5 V	G
128 (O)	148 (R)	Fuel tank temperature sensor	Input	[Engine is running]	0 - 4.8 V Output voltage varies with fuel tank temperature.	H
133 (L)	152 (GR)	Ignition switch	Input	[Ignition switch: OFF]	0 V	I
134 (O)	135 (R)	ASCD steering switch (models with ASCD system)	Input	[Ignition switch: ON] ASCD steering switch: OFF	4 V	J
				[Ignition switch: ON] MAIN switch: Pressed	0 V	K
				[Ignition switch: ON] CANCEL switch: Pressed	1 V	L
				[Ignition switch: ON] RESUME/ACCELERATE switch: Pressed	3 V	M
				[Ignition switch: ON] SET/COAST switch: Pressed	2 V	N
134 (O)	135 (R)	ICC steering switch (models with ICC system)	Input	[Ignition switch: ON] MAIN switch: Pressed	0 V	O
				[Ignition switch: ON] CANCEL switch: Pressed	1.18 V	P
				[Ignition switch: ON] DISTANCE switch: Pressed	1.51 V	
				[Ignition switch: ON] SET/COAST switch: Pressed	2.00 V	
				[Ignition switch: ON] RESUME/ACCELERATE switch: Pressed	2.71 V	
135 (R)	—	Sensor ground (ASCD steering switch)	—	—	—	
139 (L)	152 (GR)	Stop lamp switch	Input	[Ignition switch: OFF] Brake pedal: Fully released	0 V	
				[Ignition switch: OFF] Brake pedal: Slightly depressed	BATTERY VOLTAGE (11 - 14 V)	

ECM

< ECU DIAGNOSIS INFORMATION >

[VQ35DE]

Terminal No.		Description		Condition	Value (Approx.)
+	—	Signal name	Input/ Output		
140 (BR)	152 (GR)	Brake pedal position switch	Input	[Ignition switch: ON] Brake pedal: Slightly depressed	0 V
				[Ignition switch: ON] Brake pedal: Fully released	BATTERY VOLTAGE (11 - 14 V)
141 (Y)	152 (GR)	EVAP canister vent control valve	Output	[Ignition switch: ON]	BATTERY VOLTAGE (11 - 14 V)
142 (G)	144 (G)	Sensor power supply (Accelerator pedal position sensor 2)	—	[Ignition switch: ON]	5 V
143 (P)	144 (G)	Accelerator pedal position sensor 2	Input	[Ignition switch: ON] • Engine stopped • Accelerator pedal: Fully released	0.25 - 0.50 V
				[Ignition switch: ON] • Engine stopped • Accelerator pedal: Fully depressed	2.0 - 2.5 V
144 (G)	—	Sensor ground (Accelerator pedal position sensor 2)	—	—	—
145 (LG)	152 (GR)	Power supply for ECM	Input	[Ignition switch: ON]	BATTERY VOLTAGE (11 - 14 V)
146 (R)	151 (O)	Sensor power supply (Accelerator pedal position sensor 1)	—	[Ignition switch: ON]	5 V
147 (GR) 149 (GR) 152 (GR)	—	ECM ground	—	—	—
148 (R)	—	Sensor ground (EVAP control system pressure sensor, Fuel tank temperature sensor)	—	—	—
150 (W)	151 (O)	Accelerator pedal position sensor 1	Input	[Ignition switch: ON] • Engine stopped • Accelerator pedal: Fully released	0.5 - 1.0 V
				[Ignition switch: ON] • Engine stopped • Accelerator pedal: Fully depressed	4.2 - 4.8 V
151 (O)	—	Sensor ground (Accelerator pedal position sensor 1)	—	—	—

★: Average voltage for pulse signal (Actual pulse signal can be confirmed by oscilloscope.)

*1: This may vary depending on internal resistance of the tester.

*2: Before measuring the terminal voltage, confirm that the battery is fully charged. Refer to [PG-69, "How to Handle Battery"](#).

ECM

< ECU DIAGNOSIS INFORMATION >

[VQ35DE]

Fail-safe

INFOID:000000012602666

DTC No.	Detected items	Engine operating condition in fail-safe mode	
P0011 P0021	Intake valve timing (IVT) control	The signal is not energized to the intake valve timing control solenoid valve and the valve control does not function. ECM activates the IVT intermediate lock control solenoid valve to bring the cam sprocket into an intermediate lock condition.	
P0014 P0024 P0078 P0084	Exhaust valve timing control	—	
P0101 P0102 P0103	Mass air flow sensor circuit	Engine speed will not rise more than 2,400 rpm due to the fuel cut.	
P0117 P0118	Engine coolant temperature sensor circuit	Engine coolant temperature will be determined by ECM based on the following condition. CONSULT displays the engine coolant temperature decided by ECM.	
		Condition	Engine coolant temperature decided (CONSULT display)
		Just as ignition switch is turned ON or START	40°C (104°F)
		Approx 4 minutes or more after engine starting	80°C (176°F)
		Except as shown above	40 - 80°C (104 - 176°F) (Depends on the time)
		When the fail-safe system for engine coolant temperature sensor is activated, the cooling fan operates while engine is running.	
P0122 P0123 P0222 P0223 P2135	Throttle position sensor	The ECM controls the electric throttle control actuator in regulating the throttle opening in order for the idle position to be within +10 degrees. The ECM regulates the opening speed of the throttle valve to be slower than the normal condition. Therefore, the acceleration will be poor.	
P0196 P0197 P0198	Engine oil temperature sensor	Intake valve timing control does not function.	
P0500	Vehicle speed sensor	The cooling fan operates (Highest) while engine is running.	
P0524	Engine oil pressure	<ul style="list-style-type: none"> • ECM illuminates oil pressure warning lamp on the combination meter. • Engine speed will not rise more than 4,000 rpm due to the fuel cut. • Fail-safe is canceled when ignition switch OFF → ON. 	
P052A P052B P052C P052D	Intake valve timing intermediate lock control	—	
P0603 P0607	ECM	Engine torque may be limited.	
P0604	ECM	<ul style="list-style-type: none"> • ECM stops the electric throttle control actuator control, throttle valve is maintained at a fixed opening (approx. 5 degrees) by the return spring. • The position of the following components is fixed. <ul style="list-style-type: none"> - Intake valve timing control solenoid valve - Exhaust valve timing control solenoid valve • ASCD operation may be deactivated. 	

A
EC
C
D
E
F
G
H
I
J
K
L
M
N
O
P

ECM

< ECU DIAGNOSIS INFORMATION >

[VQ35DE]

DTC No.	Detected items	Engine operating condition in fail-safe mode						
P0605 P0606 P060B	ECM	<p>NOTE: Fail-safe may not occur depending on malfunction type.</p> <ul style="list-style-type: none"> • ECM stops the electric throttle control actuator control, throttle valve is maintained at a fixed opening (approx. 5 degrees) by the return spring. • The position of the following components is fixed. <ul style="list-style-type: none"> - Intake valve timing control solenoid valve - Exhaust valve timing control solenoid valve • ASCD operation may be deactivated. 						
P060A	ECM	<p>NOTE: Fail-safe may not occur depending on malfunction type.</p> <ul style="list-style-type: none"> • ECM stops the electric throttle control actuator control, throttle valve is maintained at a fixed opening (approx. 5 degrees) by the return spring. • The position of the following components is fixed. <ul style="list-style-type: none"> - Intake valve timing control solenoid valve - Exhaust valve timing control solenoid valve • Engine torque may be limited. • ASCD operation may be deactivated. 						
P0643	ECM	<ul style="list-style-type: none"> • ECM stops the electric throttle control actuator control, throttle valve is maintained at a fixed opening (approx. 5 degrees) by the return spring. • The position of the following components is fixed. <ul style="list-style-type: none"> - Intake valve timing control solenoid valve - Exhaust valve timing control solenoid valve 						
P1078 P1084	Exhaust valve timing control position sensor circuit	—						
P1805	Brake switch	<p>ECM controls the electric throttle control actuator by regulating the throttle opening to a small range. Therefore, acceleration will be poor.</p> <table border="1" style="width: 100%; border-collapse: collapse;"> <thead> <tr> <th style="width: 50%; text-align: center;">Vehicle condition</th> <th style="width: 50%; text-align: center;">Driving condition</th> </tr> </thead> <tbody> <tr> <td style="text-align: center;">When engine is idling</td> <td style="text-align: center;">Normal</td> </tr> <tr> <td style="text-align: center;">When accelerating</td> <td style="text-align: center;">Poor acceleration</td> </tr> </tbody> </table>	Vehicle condition	Driving condition	When engine is idling	Normal	When accelerating	Poor acceleration
Vehicle condition	Driving condition							
When engine is idling	Normal							
When accelerating	Poor acceleration							
P2100 P2103	Throttle control motor relay	ECM stops the electric throttle control actuator control, throttle valve is maintained at a fixed opening (approx. 5 degrees) by the return spring.						
P2101	Electric throttle control function	ECM stops the electric throttle control actuator control, throttle valve is maintained at a fixed opening (approx. 5 degrees) by the return spring.						
P2118	Throttle control motor	ECM stops the electric throttle control actuator control, throttle valve is maintained at a fixed opening (approx. 5 degrees) by the return spring.						
P2119	Electric throttle control actuator	<p>(When electric throttle control actuator does not function properly due to the return spring malfunction:) ECM controls the electric throttle actuator by regulating the throttle opening around the idle position. The engine speed will not rise more than 2,000 rpm.</p> <p>(When throttle valve opening angle in fail-safe mode is not in specified range:) ECM controls the electric throttle control actuator by regulating the throttle opening to 20 degrees or less.</p> <p>(When ECM detects the throttle valve is stuck open:) While the vehicle is being driven, it slows down gradually because of fuel cut. After the vehicle stops, the engine stalls. The engine can restart in the N or P position, and engine speed will not exceed 1,000 rpm or more.</p>						
P2122 P2123 P2127 P2128 P2138	Accelerator pedal position sensor	<p>The ECM controls the electric throttle control actuator in regulating the throttle opening in order for the idle position to be within +10 degrees.</p> <p>The ECM regulates the opening speed of the throttle valve to be slower than the normal condition.</p> <p>Therefore, the acceleration will be poor.</p>						

DTC Inspection Priority Chart

INFOID:000000012602667

If some DTCs are displayed at the same time, perform inspections one by one based on the following priority chart.

ECM

< ECU DIAGNOSIS INFORMATION >

[VQ35DE]

Priority	Detected items (DTC)	Detected items (DTC)	A
1	U0101, U1001	CAN communication line	
	P0101, P0102, P0103	Mass air flow sensor	EC
	P0111, P0112, P0113, P0127	Intake air temperature sensor	
	P0116, P0117, P0118, P0125	Engine coolant temperature sensor	
	P0122, P0123, P0222, P0223, P1225, P1226, P2135	Throttle position sensor	C
	P0128	Thermostat function	
	P0181, P0182, P0183	Fuel tank temperature sensor	
	P0196, P0197, P0198	Engine oil temperature sensor	D
	P0327, P0328, P0332, P0333	Knock sensor	
	P0335	Crankshaft position sensor (POS)	E
	P0340, P0345	Camshaft position sensor (PHASE)	
	P0460, P0461, P0462, P0463	Fuel level sensor	
	P0500	Vehicle speed sensor	F
	P0520	EOP sensor	
	P0603, P0604, P0605, P0606, P0607, P060A, P060B, P062F, P2610	ECM	G
	P0643	Sensor power supply	
	P0850	Transmission range switch	H
	P1078, P1084	Exhaust valve timing control position sensor	
	P1550, P1551, P1552, P1553, P1554	Battery current sensor	
	P1556, P1557	Battery temperature sensor	I
P1610 - P1615	NATS		
P2122, P2123, P2127, P2128, P2138	Accelerator pedal position sensor	J	
2	P0030, P0031, P0032, P0036, P0051, P0052	Air fuel ratio (A/F) sensor 1 heater	
	P0037, P0038, P0057, P0058	Heated oxygen sensor 2 heater	
	P0075, P0081	Intake valve timing control solenoid valve	K
	P0078, P0084	Exhaust valve timing control solenoid valve	
	P0130, P0131, P0132, P014C, P014D, P014E, P014F, P0150, P0151, P0152, P2096, P2097, P2098, P2099, P219A, P219B	Air fuel ratio (A/F) sensor 1	L
	P0137, P0138, P0139, P0157, P0158, P0159	Heated oxygen sensor 2	
	P0441	EVAP control system purge flow monitoring	M
	P0443, P0444, P0445	EVAP canister purge volume control solenoid valve	
	P0447, P0448	EVAP canister vent control valve	N
	P0451, P0452, P0453	EVAP control system pressure sensor	
	P1217	Engine over temperature (OVERHEAT)	
	P1800, P1801	VIAS control solenoid valve	O
	P1805	Brake switch	
	P2100, P2103	Throttle control motor relay	
	P2101	Electric throttle control function	P
	P2118	Throttle control motor	

Priority	Detected items (DTC)	Detected items (DTC)
3	P0011, P0021	Intake valve timing control
	P0014, P0024	Exhaust valve timing control
	P0171, P0172, P0174, P0175	Fuel injection system function
	P0300 - P0306	Misfire
	P0420, P0430	Three way catalyst function
	P0456	EVAP control system (VERY SMALL LEAK)
	P0506, P0507	Idle speed control system
	P050A, P050E	Cold start control
	P0524	Engine oil pressure
	P1148, P1168	Closed loop control
	P1212	TCS communication line
	P1564	ASCD steering switch / ICC steering switch
	P1568	ICC command value
	P1572	Brake pedal position switch
	P1574	ASCD vehicle speed sensor / ICC steering switch
	P1715	Input speed sensor
P2119	Electric throttle control actuator	

DTC Index

INFOID:000000012602668

x:Applicable —: Not applicable

DTC*1		Items (CONSULT screen terms)	SRT code	Trip	MIL	Perma- nent DTC group*4	Reference page
CONSULT GST*2	ECM*3						
U0101	0101*5	LOST COMM (ECM)	—	1	x	B	EC-762
U1000	1000*5	CAN COMM CIRCUIT	—	2	—	—	EC-763
P0000	0000	NO DTC IS DETECTED. FURTHER TESTING MAY BE REQUIRED.	—	—	Blink- ing*6	—	—
P0011	0011	INT/V TIM CONT-B1	x	2	x	B	EC-764
P0014	0014	EXH/V TIM CONT-B1	—	2	x	B	EC-764
P0021	0021	INT/V TIM CONT-B2	x	2	x	B	EC-764
P0024	0024	EXH/V TIM CONT-B2	—	2	x	B	EC-764
P0030	0030	A/F SEN1 HTR (B1)	—	2	x	B	EC-774
P0031	0031	A/F SEN1 HTR (B1)	—	2	x	B	EC-774
P0032	0032	A/F SEN1 HTR (B1)	—	2	x	B	EC-774
P0036	0036	A/F SEN1 HTR (B2)	—	2	x	B	EC-774
P0037	0037	HO2S2 HTR (B1)	—	2	x	B	EC-777
P0038	0038	HO2S2 HTR (B1)	—	2	x	B	EC-777
P0051	0051	A/F SEN1 HTR (B2)	—	2	x	B	EC-774
P0052	0052	A/F SEN1 HTR (B2)	—	2	x	B	EC-774
P0057	0057	HO2S2 HTR (B2)	—	2	x	B	EC-777
P0058	0058	HO2S2 HTR (B2)	—	2	x	B	EC-777
P0075	0075	INT/V TIM V/CIR-B1	—	2	x	B	EC-780
P0078	0078	EX V/T ACT/CIRC-B1	—	2	x	B	EC-780
P0081	0081	INT/V TIM V/CIR-B2	—	2	x	B	EC-780

ECM

< ECU DIAGNOSIS INFORMATION >

[VQ35DE]

DTC*1		Items (CONSULT screen terms)	SRT code	Trip	MIL	Perma- nent DTC group*4	Reference page	
CONSULT GST*2	ECM*3							
P0084	0084	EX V/T ACT/CIRC-B2	—	2	×	B	EC-780	A
P0101	0101	MAF SEN/CIRCUIT-B1	—	2	×	B	EC-787	EC
P0102	0102	MAF SEN/CIRCUIT-B1	—	1	×	B	EC-792	
P0103	0103	MAF SEN/CIRCUIT-B1	—	1	×	B	EC-792	C
P0111	0111	IAT SENSOR 1 B1	—	2	×	A	EC-796	
P0112	0112	IAT SEN/CIRCUIT-B1	—	2	×	B	EC-798	D
P0113	0113	IAT SEN/CIRCUIT-B1	—	2	×	B	EC-798	
P0116	0116	ECT SEN/CIRC	—	2	×	A	EC-800	
P0117	0117	ECT SEN/CIRC	—	1	×	B	EC-802	E
P0118	0118	ECT SEN/CIRC	—	1	×	B	EC-802	
P0122	0122	TP SEN 2/CIRC-B1	—	1	×	B	EC-804	F
P0123	0123	TP SEN 2/CIRC-B1	—	1	×	B	EC-804	
P0125	0125	ECT SENSOR	—	2	×	B	EC-806	
P0127	0127	IAT SENSOR-B1	—	2	×	B	EC-808	G
P0128	0128	THERMSTAT FNCTN	—	2	×	A	EC-810	
P0130	0130	A/F SENSOR1 (B1)	—	2	×	A	EC-813	H
P0131	0131	A/F SENSOR1 (B1)	—	2	×	B	EC-817	
P0132	0132	A/F SENSOR1 (B1)	—	2	×	B	EC-820	
P0137	0137	HO2S2 (B1)	×	2	×	A	EC-823	I
P0138	0138	HO2S2 (B1)	×	2	×	A	EC-829	
P0139	0139	HO2S2 (B1)	×	2	×	A	EC-836	
P014C	014C	A/F SENSOR1 (B1)	×	2	×	A	EC-842	J
P014D	014D	A/F SENSOR1 (B1)	×	2	×	A	EC-842	
P014E	014E	A/F SENSOR1 (B2)	×	2	×	A	EC-842	K
P014F	014F	A/F SENSOR1 (B2)	×	2	×	A	EC-842	
P0150	0150	A/F SENSOR1 (B2)	—	2	×	A	EC-813	
P0151	0151	A/F SENSOR1 (B2)	—	2	×	B	EC-817	L
P0152	0152	A/F SENSOR1 (B2)	—	2	×	B	EC-820	
P0157	0157	HO2S2 (B2)	×	2	×	A	EC-823	M
P0158	0158	HO2S2 (B2)	×	2	×	A	EC-829	
P0159	0159	HO2S2 (B2)	×	2	×	A	EC-836	
P015A	015A	A/F SENSOR1 (B1)	×	2	×	A	EC-842	N
P015B	015B	A/F SENSOR1 (B1)	×	2	×	A	EC-842	
P015C	015C	A/F SENSOR1 (B2)	×	2	×	A	EC-842	
P015D	015D	A/F SENSOR1 (B2)	×	2	×	A	EC-842	O
P0171	0171	FUEL SYS-LEAN-B1	—	2	×	B	EC-848	
P0172	0172	FUEL SYS-RICH-B1	—	2	×	B	EC-852	P
P0174	0174	FUEL SYS-LEAN-B2	—	2	×	B	EC-848	
P0175	0175	FUEL SYS-RICH-B2	—	2	×	B	EC-852	
P0181	0181	FTT SENSOR	—	2	×	A and B	EC-856	
P0182	0182	FTT SEN/CIRCUIT	—	2	×	B	EC-860	
P0183	0183	FTT SEN/CIRCUIT	—	2	×	B	EC-860	

ECM

< ECU DIAGNOSIS INFORMATION >

[VQ35DE]

DTC*1		Items (CONSULT screen terms)	SRT code	Trip	MIL	Perma- nent DTC group*4	Reference page
CONSULT GST*2	ECM*3						
P0196	0196	EOT SENSOR	—	2	×	A and B	EC-862
P0197	0197	EOT SEN/CIRC	—	2	×	B	EC-866
P0198	0198	EOT SEN/CIRC	—	2	×	B	EC-866
P0222	0222	TP SEN 1/CIRC-B1	—	1	×	B	EC-868
P0223	0223	TP SEN 1/CIRC-B1	—	1	×	B	EC-868
P0300	0300	MULTI CYL MISFIRE	—	1 or 2	×	B	EC-870
P0301	0301	CYL 1 MISFIRE	—	1 or 2	×	B	EC-870
P0302	0302	CYL 2 MISFIRE	—	1 or 2	×	B	EC-870
P0303	0303	CYL 3 MISFIRE	—	1 or 2	×	B	EC-870
P0304	0304	CYL 4 MISFIRE	—	1 or 2	×	B	EC-870
P0305	0305	CYL 5 MISFIRE	—	1 or 2	×	B	EC-870
P0306	0306	CYL 6 MISFIRE	—	1 or 2	×	B	EC-870
P0327	0327	KNOCK SEN/CIRC-B1	—	2	—	—	EC-876
P0328	0328	KNOCK SEN/CIRC-B1	—	2	—	—	EC-876
P0332	0332	KNOCK SEN/CIRC-B2	—	2	—	—	EC-876
P0333	0333	KNOCK SEN/CIRC-B2	—	2	—	—	EC-876
P0335	0335	CKP SEN/CIRCUIT	—	2	×	B	EC-878
P0340	0340	CMP SEN/CIRC-B1	—	2	×	B	EC-881
P0345	0345	CMP SEN/CIRC-B2	—	2	×	B	EC-881
P0420	0420	TW CATALYST SYS-B1	×	2	×	A	EC-884
P0430	0430	TW CATALYST SYS-B2	×	2	×	A	EC-884
P0441	0441	EVAP PURG FLOW/MON	×	2	×	A	EC-889
P0443	0443	PURG VOLUME CONT/V	—	2	×	A	EC-894
P0444	0444	PURG VOLUME CONT/V	—	2	×	B	EC-898
P0445	0445	PURG VOLUME CONT/V	—	2	×	B	EC-898
P0447	0447	VENT CONTROL VALVE	—	2	×	B	EC-901
P0448	0448	VENT CONTROL VALVE	—	2	×	B	EC-904
P0451	0451	EVAP SYS PRES SEN	—	2	×	A	EC-908
P0452	0452	EVAP SYS PRES SEN	—	2	×	B	EC-911
P0453	0453	EVAP SYS PRES SEN	—	2	×	B	EC-914
P0456	0456	EVAP VERY SML LEAK	×*7	2	×	A	EC-918
P0460	0460	FUEL LEV SEN SLOSH	—	2	×	A	EC-924
P0461	0461	FUEL LEVEL SENSOR	—	2	×	B	EC-925
P0462	0462	FUEL LEVL SEN/CIRC	—	2	×	B	EC-927
P0463	0463	FUEL LEVL SEN/CIRC	—	2	×	B	EC-927
P0500	0500	VEH SPEED SEN/CIRC*8	—	2	×	B	EC-928
P0506	0506	ISC SYSTEM	—	2	×	B	EC-930
P0507	0507	ISC SYSTEM	—	2	×	B	EC-932
P050A	050A	COLD START CONTROL	—	2	×	A	EC-934
P050E	050E	COLD START CONTROL	—	2	×	A	EC-934
P0520	0520	EOP SENSOR/SWITCH	—	2	—	—	EC-936
P0520	0520	EOP SENSOR/SWITCH	—	2	—	—	EC-936

ECM

< ECU DIAGNOSIS INFORMATION >

[VQ35DE]

DTC*1		Items (CONSULT screen terms)	SRT code	Trip	MIL	Perma- nent DTC group*4	Reference page	
CONSULT GST*2	ECM*3							
P052A	052A	CAMSHAFT POSITION TIMING B1	—	2	×	B	EC-942	EC
P052B	052B	CAMSHAFT POSITION TIMING B1	—	2	×	B	EC-942	C
P052C	052C	CAMSHAFT POSITION TIMING B2	—	2	×	B	EC-942	D
P052D	052D	CAMSHAFT POSITION TIMING B2	—	2	×	B	EC-942	
P0524	0524	ENGINE OIL PRESSURE	—	1	—	—	EC-939	
P0603	0603	ECM BACK UP/CIRCUIT*9	—	2	× or —	B	EC-948	E
P0604	0604	ECM	—	1	×	B	EC-950	F
P0605	0605	ECM	—	1	×	B	EC-951	
P0606	0606	CONTROL MODULE	—	1	× or —	B	EC-952	G
P0607	0607	ECM	—	1 or 2	× or —	B	EC-953	
P060A	060A	CONTROL MODULE	—	1	×	B	EC-954	H
P060B	060B	CONTROL MODULE	—	1	×	B	EC-955	
P062F	062F	CONTROL MODULE	—	1	×	B	EC-956	I
P0850	0850	P-N POS SW/CIRCUIT	—	2	×	B	EC-958	
P1078	1078	EXH TIM SEN/CIRC-B1	—	2	×	B	EC-961	J
P1084	1084	EXH TIM SEN/CIRC-B2	—	2	×	B	EC-432	
P1148	1148	CLOSED LOOP-B1	—	1	×	A	EC-965	K
P1168	1168	CLOSED LOOP-B2	—	1	×	A	EC-965	
P1212	1212	TCS/CIRC	—	2	—	—	EC-966	L
P1217	1217	ENG OVER TEMP	—	1	×	B	EC-967	
P1225	1225	CTP LEARNING-B1	—	2	—	—	EC-970	M
P1226	1226	CTP LEARNING-B1	—	2	—	—	EC-971	
P1550	1550	BAT CURRENT SENSOR	—	2	—	—	EC-972	N
P1551	1551	BAT CURRENT SENSOR	—	2	—	—	EC-974	
P1552	1552	BAT CURRENT SENSOR	—	2	—	—	EC-974	O
P1553	1553	BAT CURRENT SENSOR	—	2	—	—	EC-976	
P1554	1554	BAT CURRENT SENSOR	—	2	—	—	EC-978	P
P1556	1556	BAT TMP SEN/CIRC	—	2	—	—	EC-981	
P1557	1557	BAT TMP SEN/CIRC	—	2	—	—	EC-981	
P1564	1564	ASCD SW	—	1	—	—	EC-983 (With ASCD) EC-986 (With ICC)	
P1568	1568	ICC COMMAND VALUE	—	1	—	—	EC-989	
P1572	1572	ASCD BRAKE SW	—	1	—	—	EC-990	
P1574	1574	ASCD VHL SPD SEN	—	1	—	—	EC-997 (With ASCD) EC-999 (With ICC)	
P1610	1610	LOCK MODE	—	2	—	—	SEC-70	
P1611	1611	ID DISCORD, IMM-ECM	—	2	—	—	SEC-71	

DTC*1		Items (CONSULT screen terms)	SRT code	Trip	MIL	Perma- nent DTC group*4	Reference page
CONSULT GST*2	ECM*3						
P1612	1612	CHAIN OF ECM-IMMU	—	2	—	—	SEC-72
P1614	1614	CHAIN OF IMMU-KEY	—	2	—	—	SEC-73
P1715	1715	IN PULY SPEED	—	2	—	—	EC-1001
P1800	1800	VIAS S/V-1	—	2	—	—	EC-1003
P1801	1801	VIAS S/V-2	—	2	—	—	EC-1005
P1805	1805	BRAKE SW/CIRCUIT	—	2	—	—	EC-1007
P2096	2096	A/F SENSOR1 (B1)	—	2	×	A	EC-1010
P2097	2097	A/F SENSOR1 (B1)	—	2	×	A	EC-1010
P2098	2098	A/F SENSOR1 (B2)	—	2	×	A	EC-1010
P2099	2099	A/F SENSOR1 (B2)	—	2	×	A	EC-1010
P2100	2100	ETC MOT PWR-B1	—	1	×	B	EC-1014
P2101	2101	ETC FNCTN/CIRC-B1	—	1	×	B	EC-1016
P2103	2103	ETC MOT PWR	—	1	×	B	EC-1014
P2118	2118	ETC MOT-B1	—	1	×	B	EC-1019
P2119	2119	ETC ACTR-B1	—	1	×	B	EC-1021
P2122	2122	APP SEN 1/CIRC	—	1	×	B	EC-1023
P2123	2123	APP SEN 1/CIRC	—	1	×	B	EC-1023
P2127	2127	APP SEN 2/CIRC	—	1	×	B	EC-1025
P2128	2128	APP SEN 2/CIRC	—	1	×	B	EC-1025
P2135	2135	TP SENSOR-B1	—	1	×	B	EC-1028
P2138	2138	APP SENSOR	—	1	×	B	EC-1030
P219A	219A	AIR FUEL RATIO IMBALANCE B1	—	2	×	A	EC-1033
P219B	219B	AIR FUEL RATIO IMBALANCE B2	—	2	×	A	EC-1033
P2610	2610	ECM/PCM INTERNAL ENG OFF TIMER	—	2	×	A and B	EC-1038

*1: 1st trip DTC No. is the same as DTC No.

*2: This number is prescribed by SAE J2012/ISO 15031-6.

*3: In Diagnostic Test Mode II (Self-diagnostic results), this number is controlled by NISSAN.

*4: Refer to [EC-744](#), "Description".

*5: The troubleshooting for this DTC needs CONSULT.

*6: When the ECM is in the mode displays SRT status, MIL may blink. For the details, refer to "How to Display SRT Status".

*7: SRT code will not be set if the self-diagnostic result is NG.

*8: When the fail-safe operations for both self-diagnoses occur, the MIL illuminates.

*9: This self-diagnosis is not for ECM power supply circuit, even though "ECM BACK UP/CIRCUIT" is displayed on CONSULT screen.

Test Value and Test Limit

INFOID:0000000013270953

The following is the information specified in Service \$06 of SAE J1979/ISO 15031-5.

The test value is a parameter used to determine whether a system/circuit diagnostic test is OK or NG while being monitored by the ECM during self-diagnosis. The test limit is a reference value which is specified as the maximum or minimum value and is compared with the test value being monitored.

These data (test value and test limit) are specified by On Board Monitor ID (OBDMID), Test ID (TID), Unit and Scaling ID and can be displayed on the GST screen.

The items of the test value and test limit will be displayed with GST screen which items are provided by the ECM. (e.g., if bank 2 is not applied on this vehicle, only the items of bank 1 are displayed)

ECM

< ECU DIAGNOSIS INFORMATION >

[VQ35DE]

Item	OBD-MID	Self-diagnostic test item	DTC	Test value and Test limit (GST display)		Description
				TID	Unit and Scaling ID	
HO2S	01H	Air fuel ratio (A/F) sensor 1 (Bank 1)	P0131	83H	0BH	Minimum sensor output voltage for test cycle
			P0131	84H	0BH	Maximum sensor output voltage for test cycle
			P0130	85H	0BH	Minimum sensor output voltage for test cycle
			P0130	86H	0BH	Maximum sensor output voltage for test cycle
			P0133	87H	04H	Response rate: Response ratio (lean to rich)
			P0133	88H	04H	Response rate: Response ratio (rich to lean)
			P2A00 or P2096	89H	84H	The amount of shift in air fuel ratio (too lean)
			P2A00 or P2097	8AH	84H	The amount of shift in air fuel ratio (too rich)
			P0130	8BH	0BH	Difference in sensor output voltage
			P0133	8CH	83H	Response gain at the limited frequency
			P014C	8DH	04H	O2 sensor slow response - Rich to lean bank 1 sensor 1
			P014C	8EH	04H	O2 sensor slow response - Rich to lean bank 1 sensor 1
			P014D	8FH	84H	O2 sensor slow response - Lean to rich bank 1 sensor 1
			P014D	90H	84H	O2 sensor slow response - Lean to rich bank 1 sensor 1
			P015A	91H	01H	O2 sensor delayed response - Rich to lean bank 1 sensor 1
			P015A	92H	01H	O2 sensor delayed response - Rich to lean bank 1 sensor 1
			P015B	93H	01H	O2 sensor delayed response - Lean to rich bank 1 sensor 1
			P015B	94H	01H	O2 sensor delayed response - Lean to rich bank 1 sensor 1
			P0133	95H	04H	Response rate: Response ratio (lean to rich)
			P0133	96H	84H	Response rate: Response ratio (rich to lean)

A
EC
C
D
E
F
G
H
I
J
K
L
M
N
O
P

ECM

< ECU DIAGNOSIS INFORMATION >

[VQ35DE]

Item	OBD-MID	Self-diagnostic test item	DTC	Test value and Test limit (GST display)		Description
				TID	Unit and Scaling ID	
HO2S	02H	Heated oxygen sensor 2 (Bank 1)	P0138	07H	0CH	Minimum sensor output voltage for test cycle
			P0137	08H	0CH	Maximum sensor output voltage for test cycle
			P0138	80H	0CH	Sensor output voltage
			P0139	81H	0CH	Difference in sensor output voltage
			P0139	82H	11H	Rear O2 sensor delay response diagnosis
	03H	Heated oxygen sensor 3 (Bank 1)	P0143	07H	0CH	Minimum sensor output voltage for test cycle
			P0144	08H	0CH	Maximum sensor output voltage for test cycle
			P0146	80H	0CH	Sensor output voltage
			P0145	81H	0CH	Difference in sensor output voltage
	05H	Air fuel ratio (A/F) sensor 1 (Bank 2)	P0151	83H	0BH	Minimum sensor output voltage for test cycle
			P0151	84H	0BH	Maximum sensor output voltage for test cycle
			P0150	85H	0BH	Minimum sensor output voltage for test cycle
			P0150	86H	0BH	Maximum sensor output voltage for test cycle
			P0153	87H	04H	Response rate: Response ratio (lean to rich)
			P0153	88H	04H	Response rate: Response ratio (rich to lean)
			P2A03 or P2098	89H	84H	The amount of shift in air fuel ratio (too lean)
			P2A03 or P2099	8AH	84H	The amount of shift in air fuel ratio (too rich)
			P0150	8BH	0BH	Difference in sensor output voltage
			P0153	8CH	83H	Response gain at the limited frequency
			P014E	8DH	04H	O2 sensor slow response - Rich to lean bank 2 sensor 1
			P014E	8EH	04H	O2 sensor slow response - Rich to lean bank 2 sensor 1
			P014F	8FH	84H	O2 sensor slow response - Lean to rich bank 2 sensor 1
			P014F	90H	84H	O2 sensor slow response - Lean to rich bank 2 sensor 1
P015C	91H	01H	O2 sensor delayed response - Rich to lean bank 2 sensor 1			
P015C	92H	01H	O2 sensor delayed response - Rich to lean bank 2 sensor 1			
P015D	93H	01H	O2 sensor delayed response - Lean to rich bank 2 sensor 1			

ECM

< ECU DIAGNOSIS INFORMATION >

[VQ35DE]

Item	OBD-MID	Self-diagnostic test item	DTC	Test value and Test limit (GST display)		Description	
				TID	Unit and Scaling ID		
HO2S	05H	Air fuel ratio (A/F) sensor 1 (Bank 2)	P015D	94H	01H	O2 sensor delayed response - Lean to rich bank 2 sensor 1	
			P0153	95H	04H	Response rate: Response ratio (lean to rich)	
			P0153	96H	84H	Response rate: Response ratio (rich to lean)	
	06H	Heated oxygen sensor 2 (Bank 2)	P0158	07H	0CH	Minimum sensor output voltage for test cycle	
			P0157	08H	0CH	Maximum sensor output voltage for test cycle	
			P0158	80H	0CH	Sensor output voltage	
			P0159	81H	0CH	Difference in sensor output voltage	
			P0159	82H	11H	Rear O2 sensor delay response diagnosis	
	07H	Heated oxygen sensor 3 (Bank2)	P0163	07H	0CH	Minimum sensor output voltage for test cycle	
			P0164	08H	0CH	Maximum sensor output voltage for test cycle	
			P0166	80H	0CH	Sensor output voltage	
			P0165	81H	0CH	Difference in sensor output voltage	
	CATA- LYST	21H	Three way catalyst function (Bank1)	P0420	80H	01H	O2 storage index
				P0420	82H	01H	Switching time lag engine exhaust index value
				P2423	83H	0CH	Difference in 3rd O2 sensor output voltage
P2423				84H	84H	O2 storage index in HC trap catalyst	
22H		Three way catalyst function (Bank2)	P0430	80H	01H	O2 storage index	
			P0430	82H	01H	Switching time lag engine exhaust index value	
			P2424	83H	0CH	Difference in 3rd O2 sensor output voltage	
			P2424	84H	84H	O2 storage index in HC trap catalyst	
EGR SYSTEM	31H	EGR function	P0400	80H	96H	Low flow faults: EGR temp change rate (short term)	
			P0400	81H	96H	Low flow faults: EGR temp change rate (long term)	
			P0400	82H	96H	Low flow faults: Difference between max EGR temp and EGR temp under idling condition	
			P0400	83H	96H	Low flow faults: Max EGR temp	
			P1402	84H	96H	High Flow Faults: EGR temp increase rate	
			P0402	85H	FCH	EGR differential pressure high flow	
			P0401	86H	37H	EGR differential pressure low flow	
			P2457	87H	96H	EGR temperature	

A

EC

C

D

E

F

G

H

I

J

K

L

M

N

O

P

ECM

< ECU DIAGNOSIS INFORMATION >

[VQ35DE]

Item	OBD-MID	Self-diagnostic test item	DTC	Test value and Test limit (GST display)		Description
				TID	Unit and Scaling ID	
VVT SYSTEM	35H	VVT Monitor (Bank1)	P0011	80H	9DH	VTC intake function diagnosis (VTC alignment check diagnosis)
			P0014	81H	9DH	VTC exhaust function diagnosis (VTC alignment check diagnosis)
			P0011	82H	9DH	VTC intake function diagnosis (VTC drive failure diagnosis)
			P0014	83H	9DH	VTC exhaust function diagnosis (VTC drive failure diagnosis)
			P100A	84H	10H	VEL slow response diagnosis
			P1090	85H	10H	VEL servo system diagnosis
			P0011	86H	9DH	VTC intake intermediate lock function diagnosis (VTC intermediate position alignment check diagnosis)
			Advanced: P052A Retarded: P052B	87H	9DH	VTC intake intermediate lock system diagnosis (VTC intermediate lock position check diagnosis)
	36H	VVT Monitor (Bank2)	P0021	80H	9DH	VTC intake function diagnosis (VTC alignment check diagnosis)
			P0024	81H	9DH	VTC exhaust function diagnosis (VTC alignment check diagnosis)
			P0021	82H	9DH	VTC intake function diagnosis (VTC drive failure diagnosis)
			P0024	83H	9DH	VTC exhaust function diagnosis (VTC drive failure diagnosis)
			P100B	84H	10H	VEL slow response diagnosis
			P1093	85H	10H	VEL servo system diagnosis
P0021			86H	9DH	VTC intake intermediate lock function diagnosis (VTC intermediate position alignment check diagnosis)	
		Advanced: P052C Retarded: P052D	87H	9DH	VTC intake intermediate lock system diagnosis (VTC intermediate lock position check diagnosis)	
EVAP SYSTEM	39H	EVAP control system leak (Cap Off)	P0455	80H	0CH	Difference in pressure sensor output voltage before and after pull down
	3BH	EVAP control system leak (Small leak)	P0442	80H	05H	Leak area index (for more than 0.04 inch)
	3CH	EVAP control system leak (Very small leak)	P0456	80H	05H	Leak area index (for more than 0.02 inch)
			P0456	81H	FDH	Maximum internal pressure of EVAP system during monitoring
			P0456	82H	FDH	Internal pressure of EVAP system at the end of monitoring
3DH	Purge flow system	P0441	83H	0CH	Difference in pressure sensor output voltage before and after vent control valve close	

ECM

< ECU DIAGNOSIS INFORMATION >

[VQ35DE]

Item	OBD-MID	Self-diagnostic test item	DTC	Test value and Test limit (GST display)		Description	
				TID	Unit and Scaling ID		
O2 SENSOR HEATER	41H	A/F sensor 1 heater (Bank 1)	Low Input: P0031 High Input: P0032	81H	0BH	Converted value of heater electric current to voltage	
			P0030	83H	0BH	A/F sensor heater circuit malfunction	
	42H	Heated oxygen sensor 2 heater (Bank 1)	Low Input: P0037 High Input: P0038	80H	0CH	Converted value of heater electric current to voltage	
			P0141	81H	14H	Rear O2 sensor internal impedance	
	43H	Heated oxygen sensor 3 heater (Bank 1)	P0043	80H	0CH	Converted value of heater electric current to voltage	
	45H	A/F sensor 1 heater (Bank 2)	Low Input: P0051 High Input: P0052	81H	0BH	Converted value of heater electric current to voltage	
			P0036	83H	0BH	A/F sensor heater circuit malfunction	
	46H	Heated oxygen sensor 2 heater (Bank 2)	Low Input: P0057 High Input: P0058	80H	0CH	Converted value of heater electric current to voltage	
			P0161	81H	14CH	Rear O2 sensor internal impedance	
	47H	Heated oxygen sensor 3 heater (Bank 2)	P0063	80H	0CH	Converted value of heater electric current to voltage	
	SECONDARY AIR	71H	Secondary air system	P0411	80H	01H	Secondary air injection system incorrect flow detected
				Bank1: P0491 Bank2: P0492	81H	01H	Secondary air injection system insufficient flow
P2445				82H	01H	Secondary air injection system pump stuck off	
P2448				83H	01H	Secondary air injection system high airflow	
Bank1: P2440 Bank2: P2442				84H	01H	Secondary air injection system switching valve stuck open	
P2440				85H	01H	Secondary air injection system switching valve stuck open	
P2444				86H	01H	Secondary air injection system pump stuck on	

A
EC
C
D
E
F
G
H
I
J
K
L
M
N
O
P

ECM

< ECU DIAGNOSIS INFORMATION >

[VQ35DE]

Item	OBD-MID	Self-diagnostic test item	DTC	Test value and Test limit (GST display)		Description
				TID	Unit and Scaling ID	
FUEL SYSTEM	81H	Fuel injection system function (Bank 1)	P0171 or P0172	80H	2FH	Long term fuel trim
			P0171 or P0172	81H	24H	The number of lambda control clamped
			P117A / P219A	82H	03H	Cylinder A/F imbalance monitoring
			P219C	83H	83H	Air-fuel ratio cylinder imbalance diagnosis CPS (Crankshaft Position Sensor) method #1 cylinder parameter
			P219D	84H	83H	Air-fuel ratio cylinder imbalance diagnosis CPS (Crankshaft Position Sensor) method #2 cylinder parameter
			P219E	85H	83H	Air-fuel ratio cylinder imbalance diagnosis CPS (Crankshaft Position Sensor) method #3 cylinder parameter
			P219F	86H	83H	Air-fuel ratio cylinder imbalance diagnosis CPS (Crankshaft Position Sensor) method #4 cylinder parameter
			P21A0	87H	83H	Air-fuel ratio cylinder imbalance diagnosis CPS (Crankshaft Position Sensor) method #5 cylinder parameter
			P21A2	89H	83H	Air-fuel ratio cylinder imbalance diagnosis CPS (Crankshaft Position Sensor) method #7 cylinder parameter
	82H	Fuel injection system function (Bank 2)	P0174 or P0175	80H	2FH	Long term fuel trim
			P0174 or P0175	81H	24H	The number of lambda control clamped
			P117B / P219B	82H	03H	Cylinder A/F imbalance monitoring
			P219D	84H	83H	Air-fuel ratio cylinder imbalance diagnosis CPS (Crankshaft Position Sensor) method #2 cylinder parameter
			P219F	86H	83H	Air-fuel ratio cylinder imbalance diagnosis CPS (Crankshaft Position Sensor) method #4 cylinder parameter
			P21A1	88H	83H	Air-fuel ratio cylinder imbalance diagnosis CPS (Crankshaft Position Sensor) method #6 cylinder parameter
P21A3	8AH	83H	Air-fuel ratio cylinder imbalance diagnosis CPS (Crankshaft Position Sensor) method #8 cylinder parameter			

ECM

< ECU DIAGNOSIS INFORMATION >

[VQ35DE]

Item	OBD-MID	Self-diagnostic test item	DTC	Test value and Test limit (GST display)		Description
				TID	Unit and Scaling ID	
MISFIRE	A1H	Multiple cylinder misfires	P0301	80H	24H	Misfiring counter at 1000 revolution of the first cylinder
			P0302	81H	24H	Misfiring counter at 1000 revolution of the second cylinder
			P0303	82H	24H	Misfiring counter at 1000 revolution of the third cylinder
			P0304	83H	24H	Misfiring counter at 1000 revolution of the fourth cylinder
			P0305	84H	24H	Misfiring counter at 1000 revolution of the fifth cylinder
			P0306	85H	24H	Misfiring counter at 1000 revolution of the sixth cylinder
			P0307	86H	24H	Misfiring counter at 1000 revolution of the seventh cylinder
			P0308	87H	24H	Misfiring counter at 1000 revolution of the eighth cylinder
			P0300	88H	24H	Misfiring counter at 1000 revolution of the multiple cylinders
			P0301	89H	24H	Misfiring counter at 200 revolution of the first cylinder
			P0302	8AH	24H	Misfiring counter at 200 revolution of the second cylinder
			P0303	8BH	24H	Misfiring counter at 200 revolution of the third cylinder
			P0304	8CH	24H	Misfiring counter at 200 revolution of the fourth cylinder
			P0305	8DH	24H	Misfiring counter at 200 revolution of the fifth cylinder
			P0306	8EH	24H	Misfiring counter at 200 revolution of the sixth cylinder
			P0307	8FH	24H	Misfiring counter at 200 revolution of the seventh cylinder
			P0308	90H	24H	Misfiring counter at 200 revolution of the eighth cylinder
			P0300	91H	24H	Misfiring counter at 1000 revolution of the single cylinder
			P0300	92H	24H	Misfiring counter at 200 revolution of the single cylinder
			P0300	93H	24H	Misfiring counter at 200 revolution of the multiple cylinders

A
EC
C
D
E
F
G
H
I
J
K
L
M
N
O
P

ECM

< ECU DIAGNOSIS INFORMATION >

[VQ35DE]

Item	OBD-MID	Self-diagnostic test item	DTC	Test value and Test limit (GST display)		Description
				TID	Unit and Scaling ID	
MISFIRE	A2H	No. 1 cylinder misfire	P0301	0BH	24H	EWMA (Exponential Weighted Moving Average) misfire counts for last 10 driving cycles
			P0301	0CH	24H	Misfire counts for last/current driving cycles
	A3H	No. 2 cylinder misfire	P0302	0BH	24H	EWMA (Exponential Weighted Moving Average) misfire counts for last 10 driving cycles
			P0302	0CH	24H	Misfire counts for last/current driving cycles
	A4H	No. 3 cylinder misfire	P0303	0BH	24H	EWMA (Exponential Weighted Moving Average) misfire counts for last 10 driving cycles
			P0303	0CH	24H	Misfire counts for last/current driving cycles
	A5H	No. 4 cylinder misfire	P0304	0BH	24H	EWMA (Exponential Weighted Moving Average) misfire counts for last 10 driving cycles
			P0304	0CH	24H	Misfire counts for last/current driving cycles
	A6H	No. 5 cylinder misfire	P0305	0BH	24H	EWMA (Exponential Weighted Moving Average) misfire counts for last 10 driving cycles
			P0305	0CH	24H	Misfire counts for last/current driving cycles
	A7H	No. 6 cylinder misfire	P0306	0BH	24H	EWMA (Exponential Weighted Moving Average) misfire counts for last 10 driving cycles
			P0306	0CH	24H	Misfire counts for last/current driving cycles
	A8H	No. 7 cylinder misfire	P0307	0BH	24H	EWMA (Exponential Weighted Moving Average) misfire counts for last 10 driving cycles
			P0307	0CH	24H	Misfire counts for last/current driving cycles
	A9H	No. 8 cylinder misfire	P0308	0BH	24H	EWMA (Exponential Weighted Moving Average) misfire counts for last 10 driving cycles
			P0308	0CH	24H	Misfire counts for last/current driving cycles

WIRING DIAGRAM

ENGINE CONTROL SYSTEM

Wiring Diagram

INFOID:000000012602670

A

EC

C

D

E

F

G

H

I

J

K

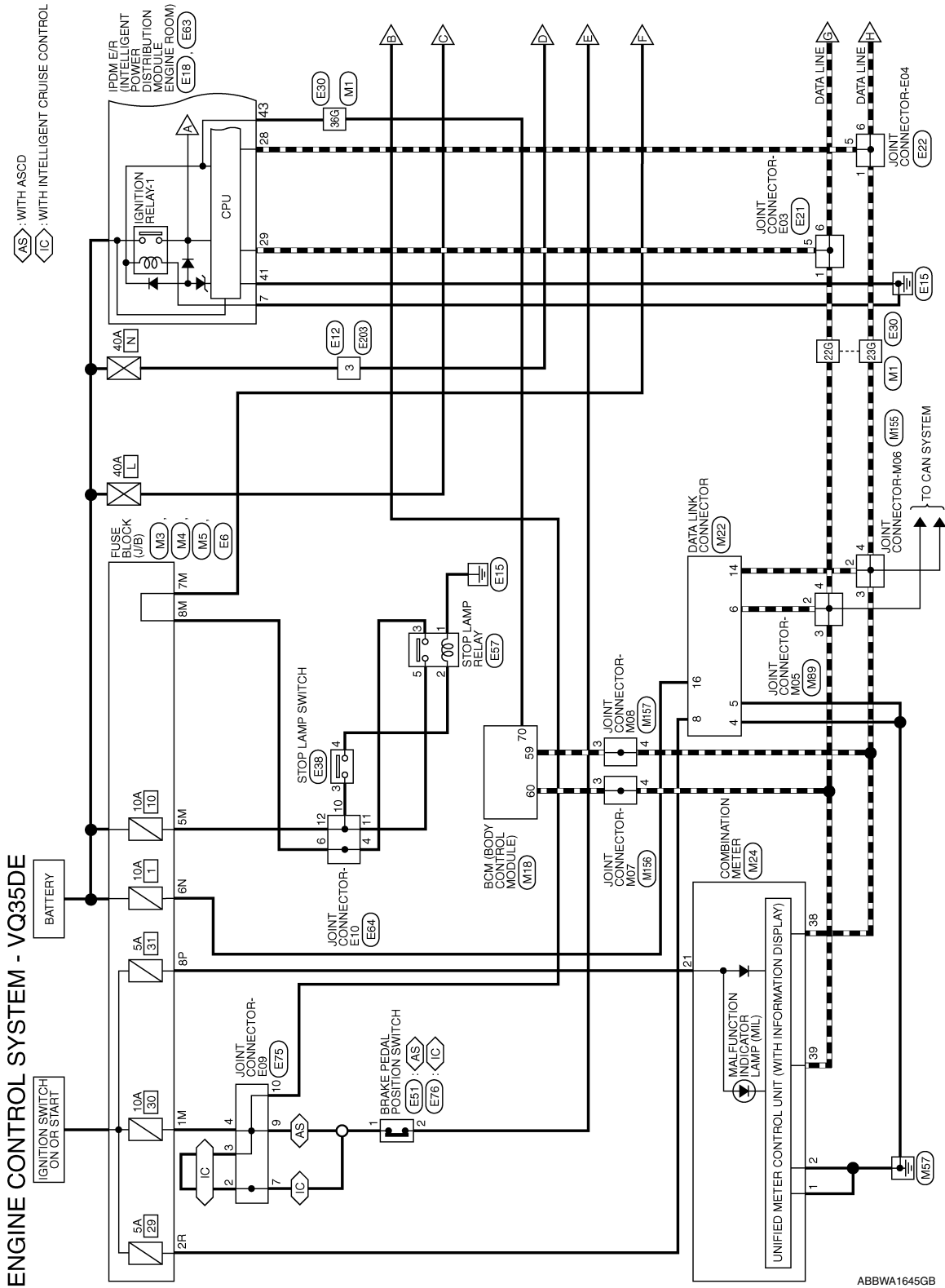
L

M

N

O

P

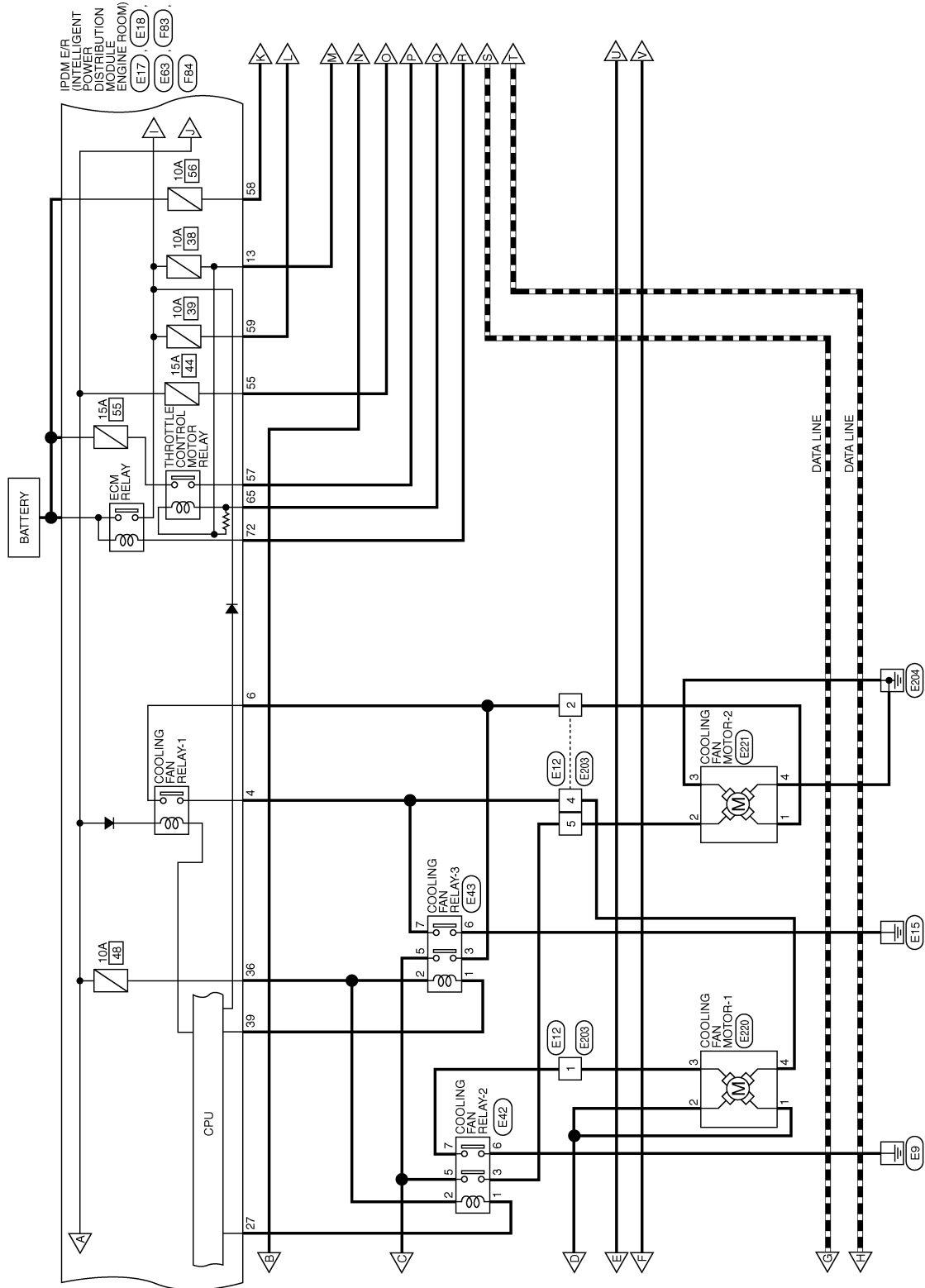


ABBWA1645GB

ENGINE CONTROL SYSTEM

< WIRING DIAGRAM >

[VQ35DE]

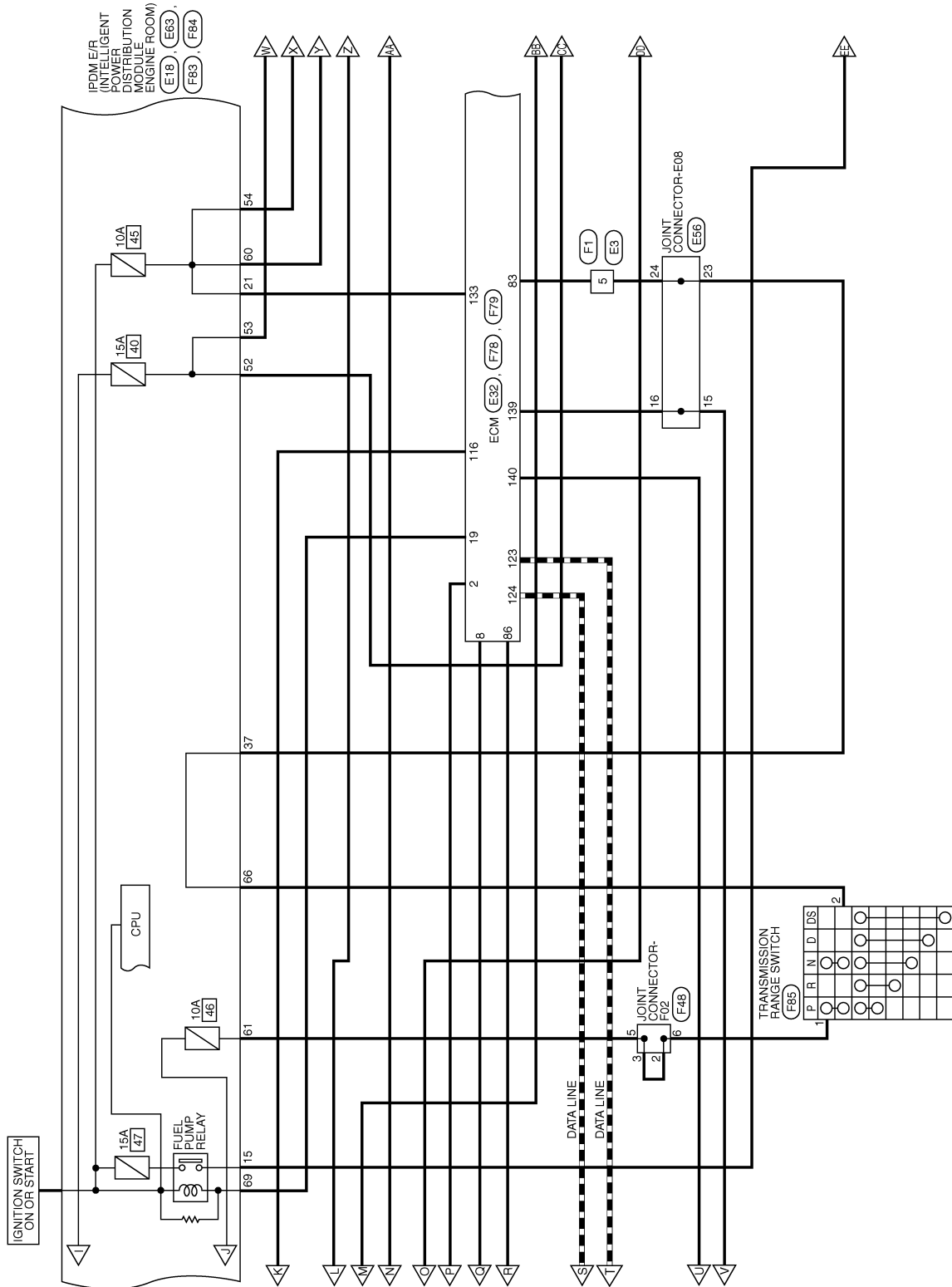


ABBWA1646GB

ENGINE CONTROL SYSTEM

< WIRING DIAGRAM >

[VQ35DE]



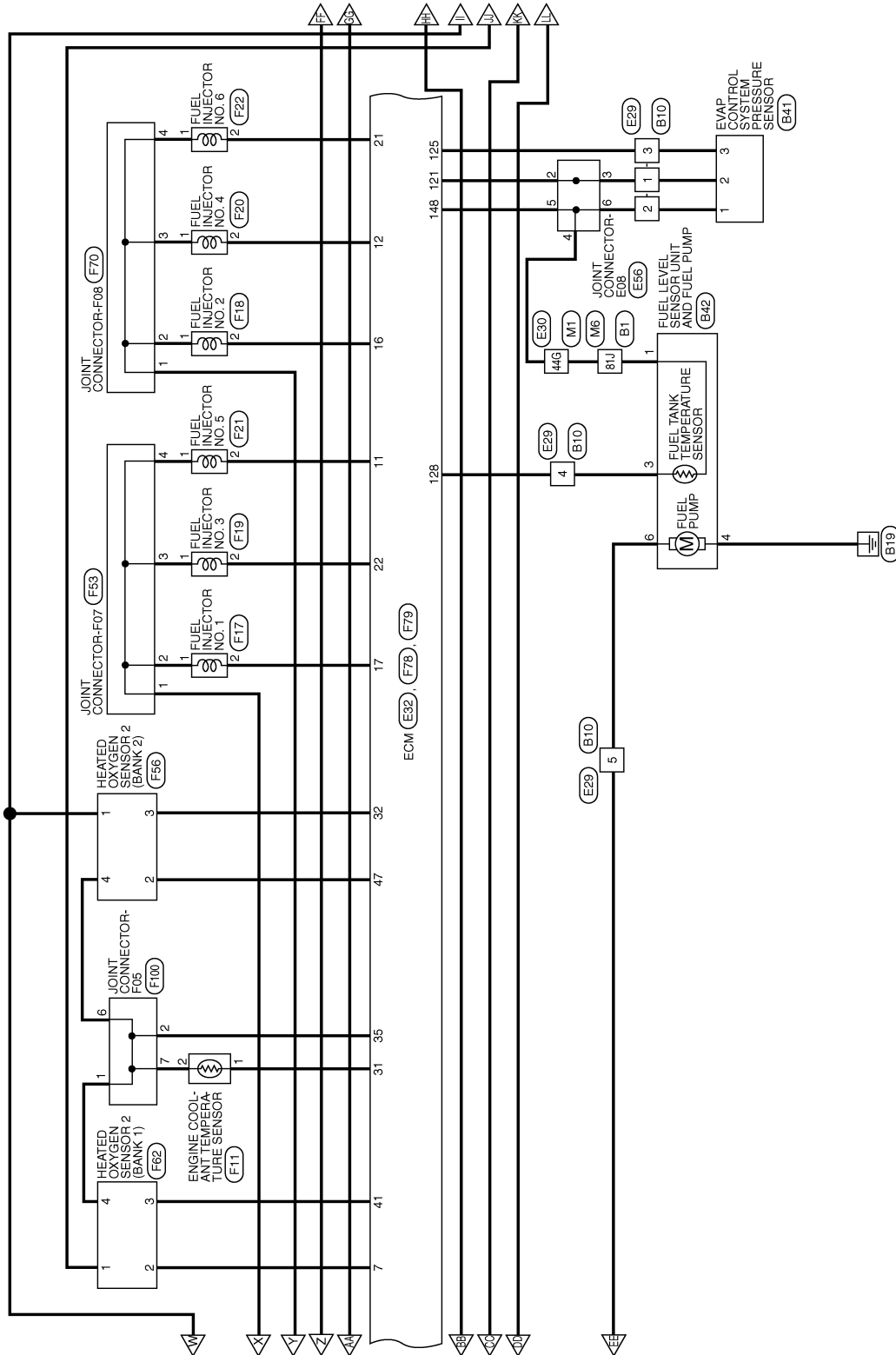
ABBWA1647GB

A
EC
 C
 D
 E
 F
 G
 H
 I
 J
 K
 L
 M
 N
 O
 P

ENGINE CONTROL SYSTEM

< WIRING DIAGRAM >

[VQ35DE]

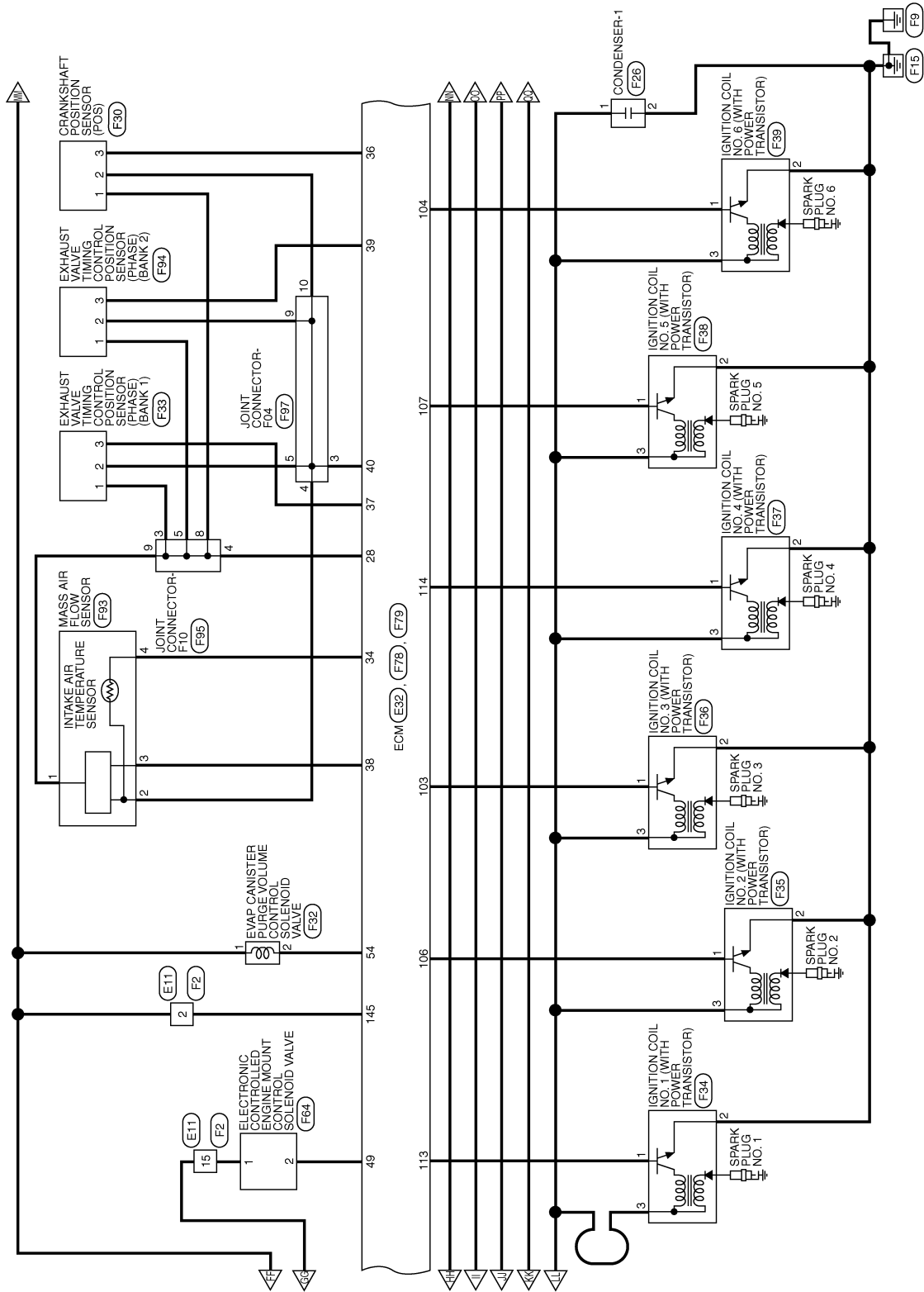


ABBWA1648GB

ENGINE CONTROL SYSTEM

< WIRING DIAGRAM >

[VQ35DE]



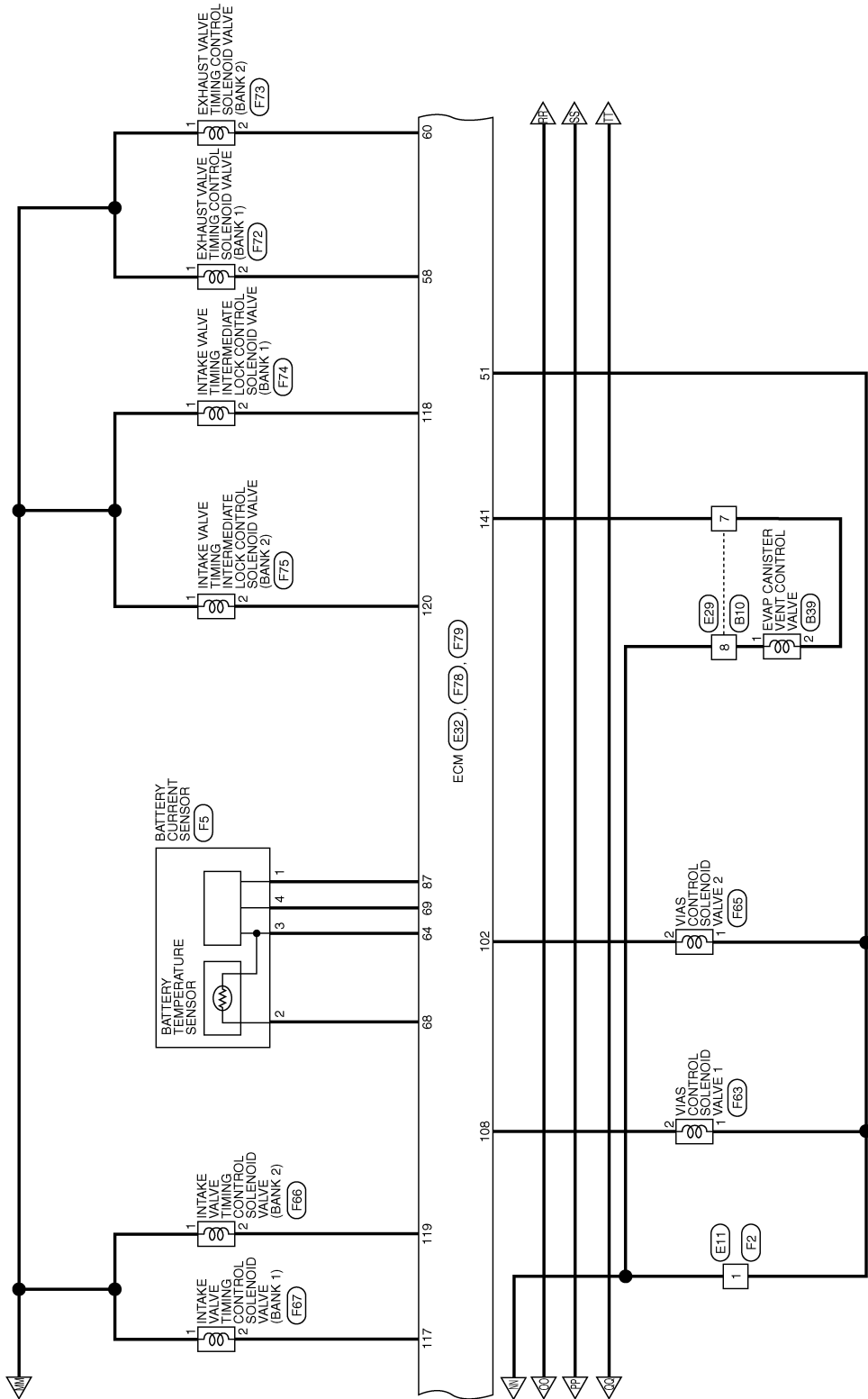
ABBWA1649GB

A
EC
C
D
E
F
G
H
I
J
K
L
M
N
O
P

ENGINE CONTROL SYSTEM

< WIRING DIAGRAM >

[VQ35DE]

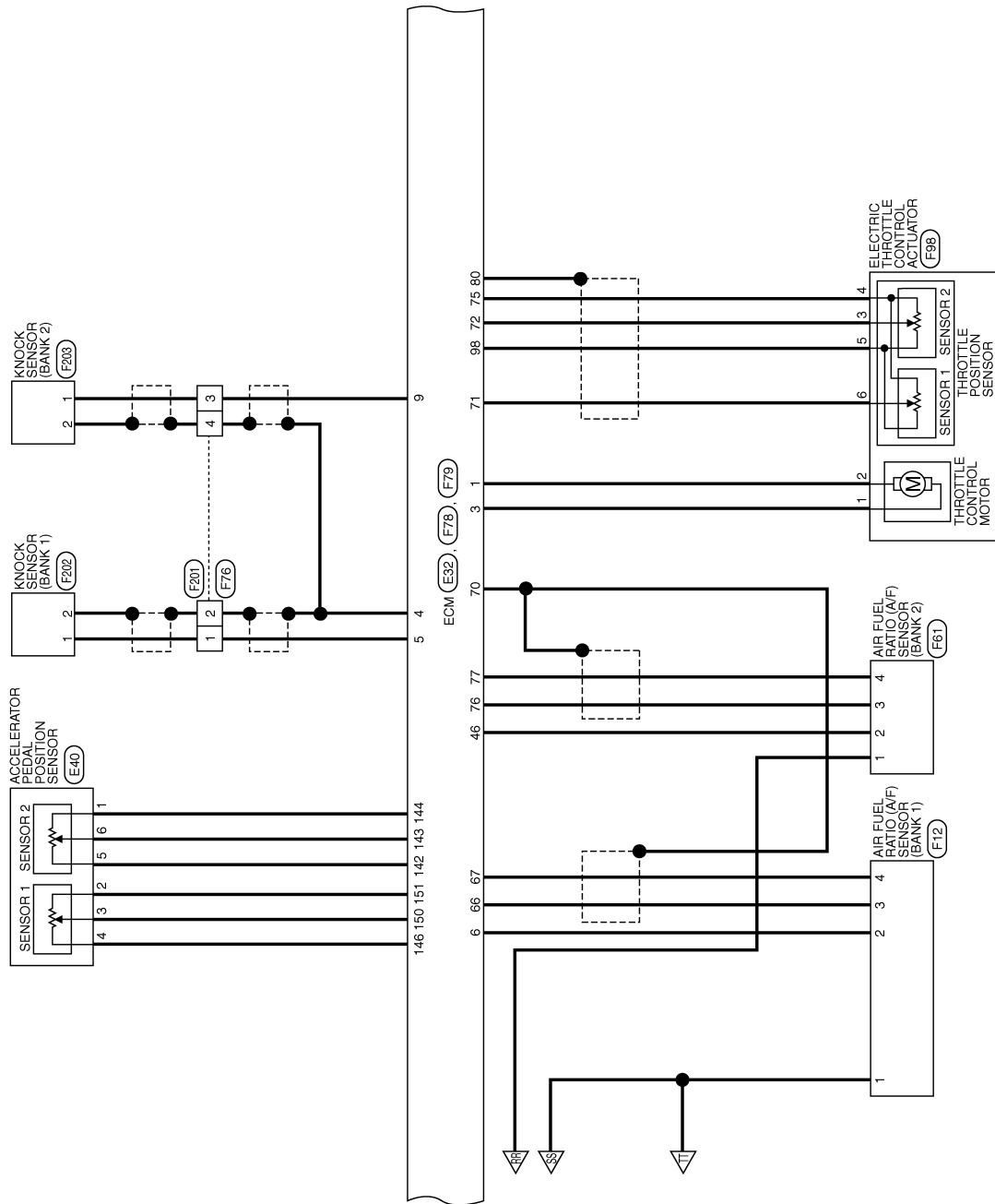


ABBWA1650GB

ENGINE CONTROL SYSTEM

< WIRING DIAGRAM >

[VQ35DE]



ABBWA1602GB

A

EC

C

D

E

F

G

H

I

J

K

L

M

N

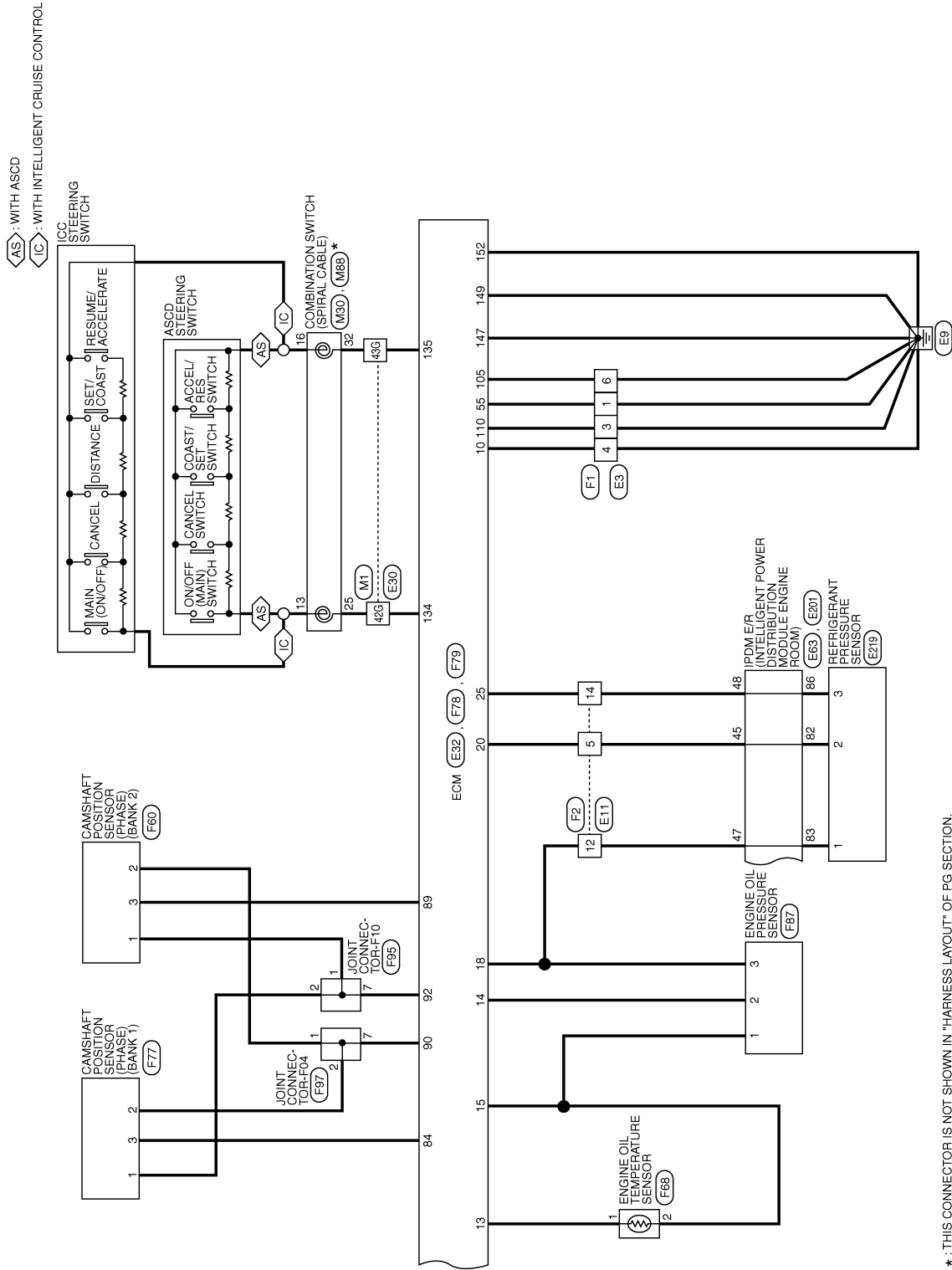
O

P

ENGINE CONTROL SYSTEM

< WIRING DIAGRAM >

[VQ35DE]

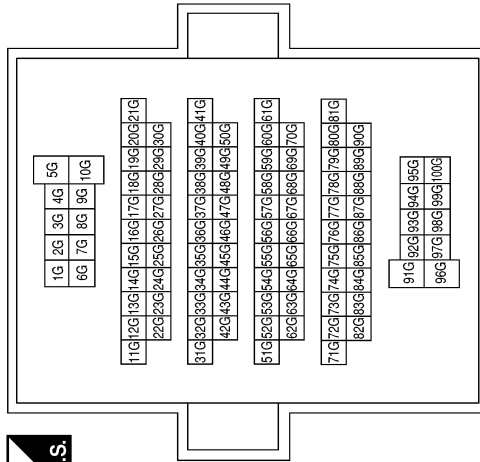


* : THIS CONNECTOR IS NOT SHOWN IN "HARNES LAYOUT" OF PG SECTION.

ABBWA1655GB

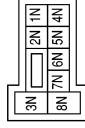
ENGINE CONTROL SYSTEM CONNECTORS - VQ35DE

Connector No.	M1
Connector Name	WIRE TO WIRE
Connector Color	WHITE



Terminal No.	Color of Wire	Signal Name
22G	L	-
23G	P	-
36G	G	-
42G	BG	-
43G	G	-
44G	R	- (WITH VQ35DE)

Connector No.	M3
Connector Name	FUSE BLOCK (J/B)
Connector Color	WHITE



Terminal No.	6N	Color of Wire	W	Signal Name	-
--------------	----	---------------	---	-------------	---

Connector No.	M4
Connector Name	FUSE BLOCK (J/B)
Connector Color	BROWN



Connector No.	M5
Connector Name	FUSE BLOCK (J/B)
Connector Color	WHITE



Terminal No.	2R	Color of Wire	BG	Signal Name	-
--------------	----	---------------	----	-------------	---

Terminal No.	8P	Color of Wire	BR	Signal Name	-
--------------	----	---------------	----	-------------	---

ABBIA2382GB

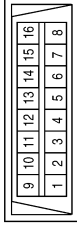
A
EC
C
D
E
F
G
H
I
J
K
L
M
N
O
P

ENGINE CONTROL SYSTEM

< WIRING DIAGRAM >

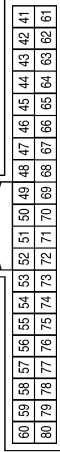
[VQ35DE]

Connector No.	M22
Connector Name	DATA LINK CONNECTOR
Connector Color	WHITE



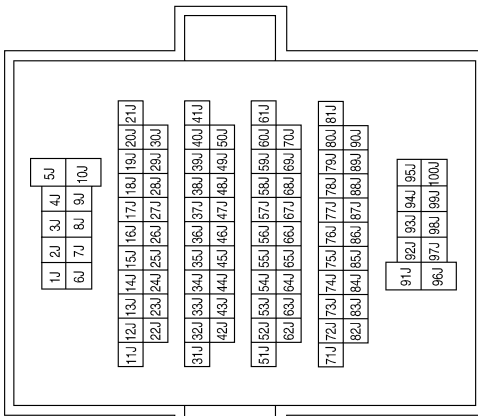
Terminal No.	Color of Wire	Signal Name
4	B	-
5	B	-
6	L	-
8	BG	-
14	P	-
16	W	-

Connector No.	M18
Connector Name	BCM (BODY CONTROL MODULE)
Connector Color	BLACK



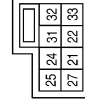
Terminal No.	Color of Wire	Signal Name
59	P	CAN-L
60	L	CAN-H
70	G	IGN USM OUT 1

Connector No.	M6
Connector Name	WIRE TO WIRE
Connector Color	GRAY



Terminal No.	Color of Wire	Signal Name
81J	R	- (WITH VQ35DE)

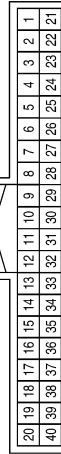
Connector No.	M30
Connector Name	COMBINATION SWITCH (SPIRAL CABLE)
Connector Color	GRAY



Terminal No.	Color of Wire	Signal Name
25	BG	-
32	G	-

Terminal No.	Color of Wire	Signal Name
1	B	GND1
2	B	GND2
21	BR	IGN
38	P	CAN-L
39	L	CAN-H

Connector No.	M24
Connector Name	COMBINATION METER
Connector Color	WHITE



ABBIA2383GB

ENGINE CONTROL SYSTEM

< WIRING DIAGRAM >

[VQ35DE]

Connector No.	M155
Connector Name	JOINT CONNECTOR-M06
Connector Color	WHITE



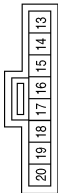
Terminal No.	Color of Wire	Signal Name
2	P	-
3	P	-
4	P	-

Connector No.	M89
Connector Name	JOINT CONNECTOR-M05
Connector Color	WHITE



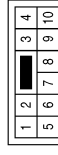
Terminal No.	Color of Wire	Signal Name
2	L	-
3	L	-
4	L	-

Connector No.	M88
Connector Name	COMBINATION SWITCH (SPIRAL CABLE)
Connector Color	GRAY



Terminal No.	Color of Wire	Signal Name
13	V	-
16	GR	-

Connector No.	E3
Connector Name	WIRE TO WIRE
Connector Color	WHITE



Terminal No.	Color of Wire	Signal Name
1	GR	-
3	GR	-
4	GR	-
5	W	-
6	GR	-

Connector No.	M157
Connector Name	JOINT CONNECTOR-M08
Connector Color	WHITE



Terminal No.	Color of Wire	Signal Name
3	P	-
4	P	-

Connector No.	M156
Connector Name	JOINT CONNECTOR-M07
Connector Color	WHITE



Terminal No.	Color of Wire	Signal Name
3	L	-
4	L	-

ABBIA3104GB

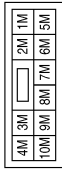
A
EC
C
D
E
F
G
H
I
J
K
L
M
N
O
P

ENGINE CONTROL SYSTEM

< WIRING DIAGRAM >

[VQ35DE]

Connector No.	E6
Connector Name	FUSE BLOCK (J/B)
Connector Color	WHITE



Terminal No.	Color of Wire	Signal Name
1M	BG	-
5M	G	-
7M	L	-
8M	W	-

Connector No.	E11
Connector Name	WIRE TO WIRE
Connector Color	WHITE



Terminal No.	Color of Wire	Signal Name
1	L	-(WITH VQ35DE)
2	LG	-
5	P	-(WITH VQ35DE)
12	BG	-(WITH VQ35DE)
14	SB	-
15	BG	-

Connector No.	E12
Connector Name	WIRE TO WIRE
Connector Color	WHITE



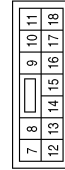
Terminal No.	Color of Wire	Signal Name
1	R	-
2	R	-
3	BR	-
4	P	-
5	L	-

Connector No.	E17
Connector Name	IPDM E/R (INTELLIGENT POWER DISTRIBUTION MODULE ENGINE ROOM)
Connector Color	WHITE



Terminal No.	Color of Wire	Signal Name
4	P	MOTOR FAN 1
6	R	F/L MOTOR FAN

Connector No.	E18
Connector Name	IPDM E/R (INTELLIGENT POWER DISTRIBUTION MODULE ENGINE ROOM)
Connector Color	WHITE



Terminal No.	Color of Wire	Signal Name
7	B	GND (POWER)
13	L	ECM VB
15	R	FUEL PUMP

Connector No.	E21
Connector Name	JOINT CONNECTOR-E03
Connector Color	GRAY



Terminal No.	Color of Wire	Signal Name
1	L	-
5	L	-
6	L	-

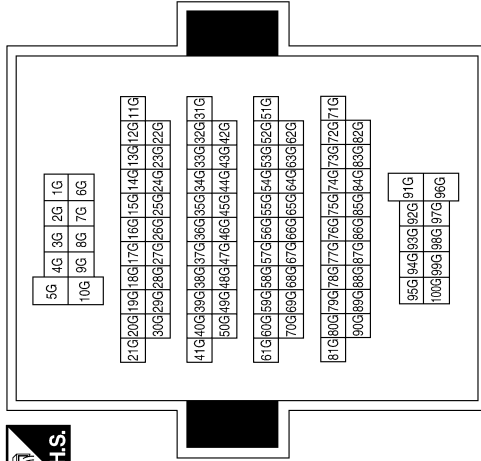
ABBIA3105GB

ENGINE CONTROL SYSTEM

< WIRING DIAGRAM >

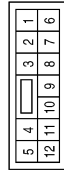
[VQ35DE]

Connector No.	E30
Connector Name	WIRE TO WIRE
Connector Color	WHITE



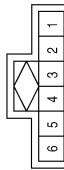
Terminal No.	Color of Wire	Signal Name
22G	L	-
23G	P	-
36G	LG	-
42G	O	-
43G	R	-
44G	SB	-

Connector No.	E29
Connector Name	WIRE TO WIRE
Connector Color	WHITE



Terminal No.	Color of Wire	Signal Name
1	G	- (WITH VQ35DE)
2	R	- (WITH VQ35DE)
3	P	-
4	O	- (WITH VQ35DE)
5	R	-
7	Y	-
8	L	-

Connector No.	E22
Connector Name	JOINT CONNECTOR-E04
Connector Color	GRAY



Terminal No.	Color of Wire	Signal Name
1	P	-
5	P	-
6	P	-

ABBIA2385GB

A
EC
C
D
E
F
G
H
I
J
K
L
M
N
O
P

ENGINE CONTROL SYSTEM

< WIRING DIAGRAM >

[VQ35DE]

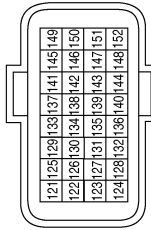
Connector No.	E38
Connector Name	STOP LAMP SWITCH
Connector Color	WHITE



Terminal No.	Color of Wire	Signal Name
3	G	-
4	R	-

Terminal No.	Color of Wire	Signal Name
134	O	ASCD STEERING SWITCH (MODELS WITH ASCD SYSTEM)
134	O	ICC STEERING SWITCH (MODELS WITH ICC SYSTEM)
135	R	SENSOR GROUND
136	-	-
137	-	-
138	-	-
139	L	STOP LAMP SWITCH
140	BR	BRAKE PEDAL POSITION SWITCH
141	Y	EVAP CANISTER VENT CONTROL VALVE
142	G	SENSOR POWER SUPPLY
143	P	ACCELERATOR PEDAL POSITION SENSOR 2
144	G	SENSOR GROUND
145	LG	POWER SUPPLY FOR ECM
146	R	SENSOR POWER SUPPLY
147	GR	ECM GROUND
148	R	SENSOR GROUND
149	GR	ECM GROUND
150	W	ACCELERATOR PEDAL POSITION SENSOR 1
151	O	SENSOR GROUND
152	GR	ECM GROUND

Connector No.	E32
Connector Name	ECM (WITH VQ35DE)
Connector Color	BLACK



Terminal No.	Color of Wire	Signal Name
121	G	EVAP CONTROL SYSTEM PRESSURE SENSOR
122	-	-
123	P	CAN COMMUNICATION LINE (CAN-L)
124	L	CAN COMMUNICATION LINE (CAN-H)
125	P	SENSOR POWER SUPPLY
126	-	-
127	-	-
128	O	FUEL TANK TEMPERATURE SENSOR
129	-	-
130	-	-
131	-	-
132	-	-
133	L	IGNITION SWITCH

ABBIA3106GB

ENGINE CONTROL SYSTEM

< WIRING DIAGRAM >

[VQ35DE]

Connector No.	E43
Connector Name	COOLING FAN RELAY-3
Connector Color	BROWN



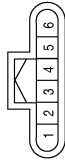
Terminal No.	Color of Wire	Signal Name
1	G	-
2	W	-
3	R	-
5	Y	-
6	B	-
7	P	-

Connector No.	E42
Connector Name	COOLING FAN RELAY-2
Connector Color	BROWN



Terminal No.	Color of Wire	Signal Name
1	BG	-
2	W	-
3	L	-
5	Y	-
6	GR	-
7	R	-

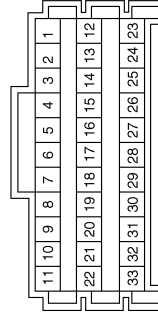
Connector No.	E40
Connector Name	ACCELERATOR PEDAL POSITION SENSOR
Connector Color	BLACK



Terminal No.	Color of Wire	Signal Name
1	G	-
2	O	-(WITH VQ35DE)
3	W	-(WITH VQ35DE)
4	R	-(WITH VQ35DE)
5	G	-
6	P	-

Terminal No.	Color of Wire	Signal Name
2	G	-
3	G	-
4	SB	-
5	R	-
6	R	-
15	L	-
16	L	-
23	W	-(EXCEPT FOR CALIFORNIA)
24	W	-(EXCEPT FOR CALIFORNIA)

Connector No.	E56
Connector Name	JOINT CONNECTOR-E08
Connector Color	WHITE



Connector No.	E51
Connector Name	BRAKE PEDAL POSITION SWITCH
Connector Color	BROWN



Terminal No.	Color of Wire	Signal Name
1	BG	-
2	BR	-

ABBIA3107GB

A
EC
C
D
E
F
G
H
I
J
K
L
M
N
O
P

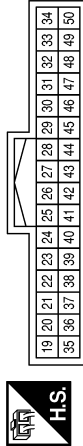
ENGINE CONTROL SYSTEM

< WIRING DIAGRAM >

[VQ35DE]

Terminal No.	Color of Wire	Signal Name
37	W	TRANS RANGE SW
39	G	MOTOR FAN RLY HI
41	B	GND (SIGNAL)
43	LG	IGN SIGNAL
45	P	PD SENS SIG-E/R (WITH VQ35DE)
47	BG	PD SENS PWR-E/R (WITH VQ35DE)
48	SB	PD SENS GND-E/R

Connector No.	E63
Connector Name	IPDM E/R (INTELLIGENT POWER DISTRIBUTION MODULE ENGINE ROOM)
Connector Color	WHITE



Terminal No.	Color of Wire	Signal Name
21	L	BCM IGN SW
27	BG	MOTOR FAN RLY MID
28	P	CAN-L
29	L	CAN-H
36	W	START IG-E/R

Connector No.	E57
Connector Name	STOP LAMP RELAY
Connector Color	BLUE



Terminal No.	Color of Wire	Signal Name
1	B	-
2	R	-
3	W	-
5	G	-

Connector No.	E76
Connector Name	BRAKE PEDAL POSITION SWITCH
Connector Color	BROWN



Connector No.	E75
Connector Name	JOINT CONNECTOR-E09
Connector Color	BLACK



Terminal No.	Color of Wire	Signal Name
1	R	-
2	BR	-

Connector No.	E64
Connector Name	JOINT CONNECTOR-E10
Connector Color	BLUE



Terminal No.	Color of Wire	Signal Name
4	W	-
6	W	-
10	G	-
11	G	-
12	G	-

ABBIA3108GB

ENGINE CONTROL SYSTEM

< WIRING DIAGRAM >

[VQ35DE]

Connector No.	E219
Connector Name	REFRIGERANT PRESSURE SENSOR
Connector Color	BLACK



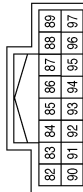
Terminal No.	Color of Wire	Signal Name
1	G	-
2	W	-
3	R	-

Connector No.	E203
Connector Name	WIRE TO WIRE
Connector Color	WHITE



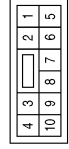
Terminal No.	Color of Wire	Signal Name
1	R	-
2	G	-
3	BR	-
4	P	-
5	L	-

Connector No.	E201
Connector Name	IPDM E/R (INTELLIGENT POWER DISTRIBUTION MODULE ENGINE ROOM)
Connector Color	WHITE



Terminal No.	Color of Wire	Signal Name
82	W	PD SENS SIG-FEM
83	G	PD SENS PWR-FEM
86	R	PD SENS GND-FEM

Connector No.	F1
Connector Name	WIRE TO WIRE
Connector Color	WHITE



Terminal No.	Color of Wire	Signal Name
1	B	-
3	B	-
4	B	-
5	R	-
6	B	-

Connector No.	E221
Connector Name	COOLING FAN MOTOR-2
Connector Color	GRAY



Terminal No.	Color of Wire	Signal Name
1	G	-
2	L	-
3	B	-
4	B	-

Connector No.	E220
Connector Name	COOLING FAN MOTOR-1
Connector Color	GRAY



Terminal No.	Color of Wire	Signal Name
1	BR	-
2	BR	-
3	R	-
4	P	-

ABBIA3109GB

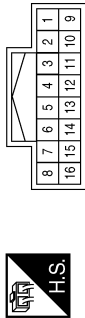
A
EC
C
D
E
F
G
H
I
J
K
L
M
N
O
P

ENGINE CONTROL SYSTEM

< WIRING DIAGRAM >

[VQ35DE]

Connector No.	F2
Connector Name	WIRE TO WIRE
Connector Color	WHITE



Terminal No.	Color of Wire	Signal Name
1	L	-(WITH VQ35DE)
2	LG	-
5	SB	-(WITH VQ35DE)
12	Y	-(WITH VQ35DE)
14	V	-
15	L	-

Connector No.	F5
Connector Name	BATTERY CURRENT SENSOR
Connector Color	GRAY



Terminal No.	Color of Wire	Signal Name
1	LG	-(WITH VQ35DE)
2	Y	-(WITH VQ35DE)
3	G	-(WITH VQ35DE)
4	W	-(WITH VQ35DE)

Connector No.	F11
Connector Name	ENGINE COOLANT TEMPERATURE SENSOR
Connector Color	GRAY



Terminal No.	Color of Wire	Signal Name
1	BR	-
2	B	-

Connector No.	F12
Connector Name	AIR FUEL RATIO (A/F) SENSOR (BANK 1)
Connector Color	GRAY



Terminal No.	Color of Wire	Signal Name
1	W	-
2	BR	-
3	W	-
4	B	-

Connector No.	F17
Connector Name	FUEL INJECTOR NO. 1
Connector Color	GRAY



Terminal No.	Color of Wire	Signal Name
1	L	-(WITH VQ35DE)
2	Y	-(WITH VQ35DE)

Connector No.	F18
Connector Name	FUEL INJECTOR NO. 2
Connector Color	GRAY



Terminal No.	Color of Wire	Signal Name
1	LG	-(WITH VQ35DE)
2	V	-(WITH VQ35DE)

ABBIA3110GB

ENGINE CONTROL SYSTEM

< WIRING DIAGRAM >

[VQ35DE]

Connector No.	F21
Connector Name	FUEL INJECTOR NO. 5
Connector Color	GRAY



Terminal No.	Color of Wire	Signal Name
1	L	-
2	Y	-

Connector No.	F20
Connector Name	FUEL INJECTOR NO. 4
Connector Color	GRAY



Terminal No.	Color of Wire	Signal Name
1	LG	-(WITH VQ35DE)
2	V	-(WITH VQ35DE)

Connector No.	F19
Connector Name	FUEL INJECTOR NO. 3
Connector Color	GRAY



Terminal No.	Color of Wire	Signal Name
1	L	-(WITH VQ35DE)
2	Y	-(WITH VQ35DE)

Connector No.	F30
Connector Name	CRANKSHAFT POSITION SENSOR (POS)
Connector Color	BLACK



Terminal No.	Color of Wire	Signal Name
1	LG	-(WITH VQ35DE)
2	BR	-(WITH VQ35DE)
3	LG	-

Connector No.	F26
Connector Name	CONDENSER-1
Connector Color	WHITE



Terminal No.	Color of Wire	Signal Name
1	W	-
2	B	-

Connector No.	F22
Connector Name	FUEL INJECTOR NO. 6
Connector Color	GRAY



Terminal No.	Color of Wire	Signal Name
1	LG	-
2	V	-

ABBIA3111GB

A
EC
C
D
E
F
G
H
I
J
K
L
M
N
O
P

ENGINE CONTROL SYSTEM

< WIRING DIAGRAM >

[VQ35DE]

Connector No.	F34
Connector Name	IGNITION COIL NO. 1 (WITH POWER TRANSISTOR)
Connector Color	GRAY



Terminal No.	Color of Wire	Signal Name
1	LG	– (WITH VQ35DE)
2	B	–
3	W	–

Connector No.	F33
Connector Name	EXHAUST VALVE TIMING CONTROL POSITION SENSOR (PHASE) (BANK 1)
Connector Color	BLACK



Terminal No.	Color of Wire	Signal Name
1	LG	–
2	BR	–
3	GR	–

Connector No.	F32
Connector Name	EVAP CANISTER PURGE VOLUME CONTROL SOLENOID VALVE (WITH VQ35DE)
Connector Color	BLUE



Terminal No.	Color of Wire	Signal Name
1	L	–
2	BR	–

Connector No.	F37
Connector Name	IGNITION COIL NO. 4 (WITH POWER TRANSISTOR)
Connector Color	GRAY



Terminal No.	Color of Wire	Signal Name
1	LG	– (WITH VQ35DE)
2	B	–
3	W	–

Connector No.	F36
Connector Name	IGNITION COIL NO. 3 (WITH POWER TRANSISTOR)
Connector Color	GRAY



Terminal No.	Color of Wire	Signal Name
1	LG	–
2	B	–
3	W	–

Connector No.	F35
Connector Name	IGNITION COIL NO. 2 (WITH POWER TRANSISTOR)
Connector Color	GRAY



Terminal No.	Color of Wire	Signal Name
1	LG	– (WITH VQ35DE)
2	B	–
3	W	–

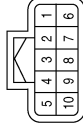
ABBIA3112GB

ENGINE CONTROL SYSTEM

< WIRING DIAGRAM >

[VQ35DE]

Connector No.	F48
Connector Name	JOINT CONNECTOR-F02
Connector Color	BLACK



Terminal No.	Color of Wire	Signal Name
2	Y	-
3	Y	-
5	Y	-
6	L	-(WITH VQ35DE)

Connector No.	F39
Connector Name	IGNITION COIL NO. 6 (WITH POWER TRANSISTOR)
Connector Color	GRAY



Terminal No.	Color of Wire	Signal Name
1	LG	-
2	B	-
3	W	-

Connector No.	F38
Connector Name	IGNITION COIL NO. 5 (WITH POWER TRANSISTOR)
Connector Color	GRAY



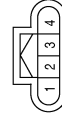
Terminal No.	Color of Wire	Signal Name
1	LG	-
2	B	-
3	W	-

Connector No.	F60
Connector Name	CAMSHAFT POSITION SENSOR (PHASE) (BANK 2)
Connector Color	BLACK



Terminal No.	Color of Wire	Signal Name
1	BR	-
2	LG	-
3	GR	-

Connector No.	F56
Connector Name	HEATED OXYGEN SENSOR 2 (BANK 2)
Connector Color	GRAY



Terminal No.	Color of Wire	Signal Name
1	W	-
2	SB	-
3	W	-
4	B	-

Connector No.	F53
Connector Name	JOINT CONNECTOR-F07
Connector Color	WHITE



Terminal No.	Color of Wire	Signal Name
1	L	-(WITH VQ35DE)
2	L	-(WITH VQ35DE)
3	L	-(WITH VQ35DE)
4	L	-

ABBIA3113GB

A
EC
C
D
E
F
G
H
I
J
K
L
M
N
O
P

ENGINE CONTROL SYSTEM

< WIRING DIAGRAM >

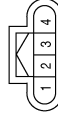
[VQ35DE]

Connector No.	F63
Connector Name	VIAS CONTROL SOLENOID VALVE 1
Connector Color	BLACK



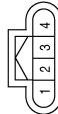
Terminal No.	Color of Wire	Signal Name
1	L	-
2	BR	-

Connector No.	F62
Connector Name	HEATED OXYGEN SENSOR 2 (BANK 1)
Connector Color	GRAY



Terminal No.	Color of Wire	Signal Name
1	W	-
2	SB	-
3	W	-
4	B	-

Connector No.	F61
Connector Name	AIR FUEL RATIO (A/F) SENSOR (BANK 2)
Connector Color	GRAY



Terminal No.	Color of Wire	Signal Name
1	W	-
2	Y	-
3	W	-
4	B	-

Connector No.	F66
Connector Name	INTAKE VALVE TIMING CONTROL SOLENOID VALVE (BANK 2)
Connector Color	GRAY



Terminal No.	Color of Wire	Signal Name
1	L	-
2	Y	-

Connector No.	F65
Connector Name	VIAS CONTROL SOLENOID VALVE 2
Connector Color	BLACK



Terminal No.	Color of Wire	Signal Name
1	L	-
2	BR	-

Connector No.	F64
Connector Name	ELECTRONIC CONTROLLED ENGINE MOUNT CONTROL SOLENOID VALVE
Connector Color	BROWN



Terminal No.	Color of Wire	Signal Name
1	L	-
2	V	-

ABBIA3114GB

ENGINE CONTROL SYSTEM

< WIRING DIAGRAM >

[VQ35DE]

Connector No.	F70
Connector Name	JOINT CONNECTOR-F08
Connector Color	WHITE



Terminal No.	Color of Wire	Signal Name
1	LG	– (WITH VQ35DE)
2	LG	– (WITH VQ35DE)
3	LG	– (WITH VQ35DE)
4	LG	– (WITH VQ35DE)

Connector No.	F68
Connector Name	ENGINE OIL TEMPERATURE SENSOR
Connector Color	GRAY



Terminal No.	Color of Wire	Signal Name
1	G	– (WITH VQ35DE)
2	B	– (WITH VQ35DE)

Connector No.	F67
Connector Name	INTAKE VALVE TIMING CONTROL SOLENOID VALVE (BANK 1)
Connector Color	GRAY



Terminal No.	Color of Wire	Signal Name
1	L	–
2	BR	–

Connector No.	F74
Connector Name	INTAKE VALVE TIMING INTERMEDIATE LOCK CONTROL SOLENOID VALVE (BANK 1)
Connector Color	GREEN



Terminal No.	Color of Wire	Signal Name
1	L	–
2	LG	–

Connector No.	F73
Connector Name	EXHAUST VALVE TIMING CONTROL SOLENOID VALVE (BANK 2)
Connector Color	GREEN



Terminal No.	Color of Wire	Signal Name
1	L	–
2	BR	–

Connector No.	F72
Connector Name	EXHAUST VALVE TIMING CONTROL SOLENOID VALVE (BANK 1)
Connector Color	GREEN



Terminal No.	Color of Wire	Signal Name
1	L	–
2	SB	–

ABBIA3115GB

A
EC
C
D
E
F
G
H
I
J
K
L
M
N
O
P

ENGINE CONTROL SYSTEM

< WIRING DIAGRAM >

[VQ35DE]

Connector No.	F77
Connector Name	INTAKE CAMSHAFT POSITION SENSOR (PHASE) (BANK 1)
Connector Color	BLACK



Terminal No.	Color of Wire	Signal Name
1	BR	-
2	LG	-
3	GR	-

Connector No.	F76
Connector Name	WIRE TO WIRE
Connector Color	BLUE



Terminal No.	Color of Wire	Signal Name
1	B	-
2	SHIELD	-
3	W	-
4	SHIELD	-

Connector No.	F75
Connector Name	INTAKE VALVE TIMING INTERMEDIATE LOCK CONTROL SOLENOID VALVE (BANK 2)
Connector Color	GREEN



Terminal No.	Color of Wire	Signal Name
1	L	-
2	R	-

ABBIA3116GB

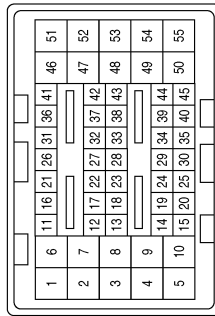
ENGINE CONTROL SYSTEM

< WIRING DIAGRAM >

[VQ35DE]

A
EC
C
D
E
F
G
H
I
J
K
L
M
N
O
P

Connector No.	F78
Connector Name	ECM (WITH VQ35DE)
Connector Color	BLACK



Terminal No.	Color of Wire	Signal Name
13	G	ENGINE OIL TEMPERATURE SENSOR
14	W	ENGINE OIL PRESSURE SENSOR
15	B	SENSOR GROUND
16	V	FUEL INJECTOR NO. 2
17	Y	FUEL INJECTOR NO. 1
18	Y	SENSOR POWER SUPPLY
19	W	FUEL PUMP RELAY
20	SB	REFRIGERANT PRESSURE SENSOR
21	V	FUEL INJECTOR NO. 6
22	Y	FUEL INJECTOR NO. 3
23	-	-
24	-	-
25	V	SENSOR GROUND
26	-	POWER SUPPLY FOR ECM (BACK-UP)
27	-	-
28	LG	SENSOR POWER SUPPLY
29	-	-
30	-	-
31	BR	ENGINE COOLANT TEMPERATURE SENSOR
32	W	HEATED OXYGEN SENSOR 2 (BANK 2)
33	-	FUEL INJECTOR NO. 1
34	V	INTAKE AIR TEMPERATURE SENSOR

Terminal No.	Color of Wire	Signal Name
35	B	SENSOR GROUND
36	GR	CRANKSHAFT POSITION SENSOR (POS)
37	GR	EXHAUST VALVE TIMING CONTROL POSITION SENSOR (PHASE) (BANK 1)
38	GR	MASS AIR FLOW SENSOR
39	GR	EXHAUST VALVE TIMING CONTROL POSITION SENSOR (PHASE) (BANK 2)
40	BR	SENSOR GROUND
41	W	HEATED OXYGEN SENSOR 2 (BANK 1)
42	-	-
43	-	-
44	-	-
45	-	-
46	Y	A/F SENSOR 1 HEATER (BANK 2)
47	SB	HEATED OXYGEN SENSOR 2 HEATER (BANK 2)
48	-	-
49	BR	ELECTRONIC CONTROLLED ENGINE MOUNT CONTROL SOLENOID VALVE
50	-	-
51	L	POWER SUPPLY FOR ECM
52	-	-
53	-	-
54	BR	EVAP CANISTER PURGE VOLUME CONTROL SOLENOID VALVE
55	B	ECM GROUND

Terminal No.	Color of Wire	Signal Name
1	G	THROTTLE CONTROL MOTOR (CLOSE)
2	R	THROTTLE CONTROL MOTOR POWER SUPPLY
3	W	THROTTLE CONTROL MOTOR (OPEN)
4	GR	KNOCK SENSOR [KNOCK SENSOR (BANK 1), KNOCK SENSOR (BANK 2)]
5	B	KNOCK SENSOR (BANK 1)
6	BR	A/F SENSOR 1 HEATER (BANK 1)
7	SB	HEATED OXYGEN SENSOR 2 (BANK 1)
8	G	THROTTLE CONTROL MOTOR RELAY
9	W	KNOCK SENSOR (BANK 2)
10	B	ECM GROUND
11	Y	FUEL INJECTOR NO. 5
12	V	FUEL INJECTOR NO. 4

ABBIA3187GB

ENGINE CONTROL SYSTEM

< WIRING DIAGRAM >

[VQ35DE]

Terminal No.	Color of Wire	Signal Name
94	-	-
95	-	-
96	-	-
97	-	-
98	G	SENSOR POWER SUPPLY
99	-	-
100	-	-
101	-	-
102	BR	VIAS CONTROL SOLENOID VALVE 2
103	LG	IGNITION SIGNAL NO. 3
104	LG	IGNITION SIGNAL NO. 6
105	B	ECM GROUND
106	LG	IGNITION SIGNAL NO. 2
107	LG	IGNITION SIGNAL NO. 5
108	BR	VIAS CONTROL SOLENOID VALVE 1
109	-	-
110	B	ECM GROUND
111	-	-
112	-	-
113	LG	IGNITION SIGNAL NO. 1
114	LG	IGNITION SIGNAL NO. 4
115	-	-
116	GR	POWER SUPPLY FOR ECM (BACK-UP)
117	BR	INTAKE VALVE TIMING CONTROL SOLENOID VALVE (BANK 1)
118	LG	INTAKE VALVE TIMING INTERMEDIATE LOCK CONTROL SOLENOID VALVE (BANK 1)
119	Y	INTAKE VALVE TIMING CONTROL SOLENOID VALVE (BANK 2)
120	R	INTAKE VALVE TIMING INTERMEDIATE LOCK CONTROL SOLENOID VALVE (BANK 2)

Terminal No.	Color of Wire	Signal Name
75	R	SENSOR GROUND
76	W	A/F SENSOR 1 (BANK 2)
77	W	A/F SENSOR 1 (BANK 2)
78	-	-
79	-	-
80	SHIELD	SHIELD (ELECTRIC THROTTLE CONTROL ACTUATOR)
81	-	-
82	-	-
83	R	PNP SIGNAL
84	GR	CAMSHAFT POSITION SENSOR (PHASE) (BANK 1)
85	-	-
86	V	ECM RELAY (SELF SHUT-OFF)
87	LG	SENSOR POWER SUPPLY
88	-	-
89	GR	CAMSHAFT POSITION SENSOR (PHASE) (BANK 2)
90	LG	SENSOR GROUND
91	-	-
92	BR	SENSOR POWER SUPPLY
93	-	-

Connector No.	F79
Connector Name	ECM (WITH VQ35DE)
Connector Color	BLACK

56	61	66	71	76	81	86	91	96	101	106	111	116
57	62	67	72	77	82	87	92	97	102	107	112	117
58	63	68	73	78	83	88	93	98	103	108	113	118
59	64	69	74	79	84	89	94	99	104	109	114	119
60	65	70	75	80	85	90	95	100	105	110	115	120



Terminal No.	Color of Wire	Signal Name
56	-	-
57	-	-
58	SB	EXHAUST VALVE TIMING CONTROL SOLENOID VALVE (BANK 1)
59	-	-
60	BR	EXHAUST VALVE TIMING CONTROL SOLENOID VALVE (BANK 2)
61	-	-
62	-	-
63	-	-
64	G	SENSOR GROUND
65	-	-
66	W	A/F SENSOR 1 (BANK 1)
67	B	A/F SENSOR 1 (BANK 1)
68	Y	BATTERY TEMPERATURE SENSOR
69	W	BATTERY CURRENT SENSOR
70	GR	SHIELD
71	B	THROTTLE POSITION SENSOR 1
72	W	THROTTLE POSITION SENSOR 2
73	-	-
74	-	-

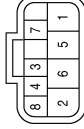
ABBIA3188GB

ENGINE CONTROL SYSTEM

< WIRING DIAGRAM >

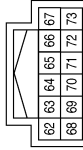
[VQ35DE]

Connector No.	F85
Connector Name	TRANSMISSION RANGE SWITCH
Connector Color	BLACK



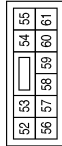
Terminal No.	Color of Wire	Signal Name
1	L	– (WITH VQ35DE)
2	G	– (WITH VQ35DE)

Connector No.	F84
Connector Name	IPDM E/R (INTELLIGENT POWER DISTRIBUTION MODULE ENGINE ROOM)
Connector Color	WHITE



Terminal No.	Color of Wire	Signal Name
65	L	MOTRLY (WITH VQ35DE)
66	LG	NP SW
69	V	FPR
72	Y	SSOFF (WITH VQ35DE)

Connector No.	F83
Connector Name	IPDM E/R (INTELLIGENT POWER DISTRIBUTION MODULE ENGINE ROOM)
Connector Color	WHITE



Terminal No.	Color of Wire	Signal Name
52	P	O2SENS #2 (WITH VQ35DE)
53	G	O2SENS #1 (WITH VQ35DE)
54	LG	INJECTOR #1
55	G	IGN COIL (WITH VQ35DE)
57	R	ETC
58	SB	ECM BAT
59	LG	ENG SOL
60	V	INJECTOR #2
61	Y	AT ECU

Connector No.	F94
Connector Name	EXHAUST VALVE TIMING CONTROL POSITION SENSOR (PHASE) (BANK 2)
Connector Color	BLACK



Terminal No.	Color of Wire	Signal Name
1	LG	–
2	BR	–
3	GR	–

Connector No.	F93
Connector Name	MASS AIR FLOW SENSOR (WITH VQ35DE)
Connector Color	BLACK



Terminal No.	Color of Wire	Signal Name
1	LG	–
2	BR	–
3	GR	–
4	V	–

Connector No.	F87
Connector Name	ENGINE OIL PRESSURE SENSOR
Connector Color	BLACK



Terminal No.	Color of Wire	Signal Name
1	B	– (WITH VQ35DE)
2	W	– (WITH VQ35DE)
3	Y	– (WITH VQ35DE)

ABBIA3117GB

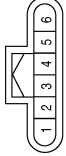
A
EC
C
D
E
F
G
H
I
J
K
L
M
N
O
P

ENGINE CONTROL SYSTEM

< WIRING DIAGRAM >

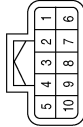
[VQ35DE]

Connector No.	F98
Connector Name	ELECTRIC THROTTLE CONTROL ACTUATOR (WITH VQ35DE)
Connector Color	BLACK



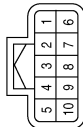
Terminal No.	Color of Wire	Signal Name
1	W	-
2	G	-
3	W	-
4	R	-
5	G	-
6	B	-

Connector No.	F97
Connector Name	JOINT CONNECTOR-F04
Connector Color	BLACK



Terminal No.	Color of Wire	Signal Name
1	LG	-
2	LG	-
3	BR	-
4	BR	-
5	BR	-
7	LG	-
9	BR	-
10	BR	-

Connector No.	F95
Connector Name	JOINT CONNECTOR-F10
Connector Color	BLACK



Terminal No.	Color of Wire	Signal Name
1	BR	-
2	BR	-
3	LG	-
4	LG	-
5	LG	-
7	BR	-
8	LG	-
9	LG	-

Connector No.	F202
Connector Name	KNOCK SENSOR (BANK 1)
Connector Color	GRAY



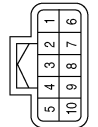
Terminal No.	Color of Wire	Signal Name
1	B	-
2	SHIELD	-

Connector No.	F201
Connector Name	WIRE TO WIRE
Connector Color	BLUE



Terminal No.	Color of Wire	Signal Name
1	B	-
2	SHIELD	-
3	W	-
4	SHIELD	-

Connector No.	F100
Connector Name	JOINT CONNECTOR-F05
Connector Color	BLACK



Terminal No.	Color of Wire	Signal Name
1	B	-
2	B	-
6	B	-
7	B	-

ABBIA3118GB

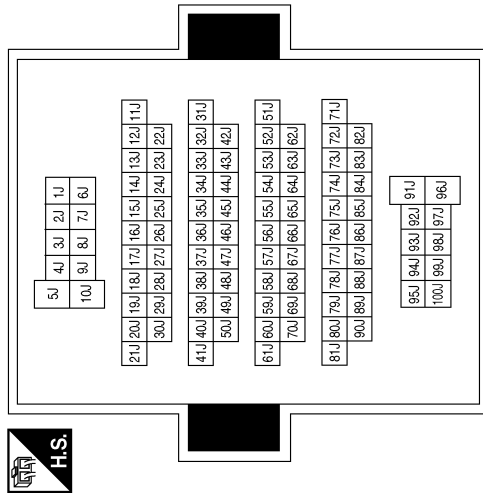
ENGINE CONTROL SYSTEM

< WIRING DIAGRAM >

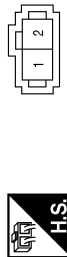
[VQ35DE]

Terminal No.	Color of Wire	Signal Name
81J	R	-

Connector No.	B1
Connector Name	WIRE TO WIRE
Connector Color	GRAY



Connector No.	F203
Connector Name	KNOCK SENSOR (BANK 2)
Connector Color	GRAY



Terminal No.	Color of Wire	Signal Name
1	W	-
2	SHIELD	-

Connector No.	B41
Connector Name	EVAP CONTROL SYSTEM PRESSURE SENSOR
Connector Color	GRAY



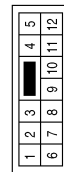
Terminal No.	Color of Wire	Signal Name
1	R	-
2	BG	-
3	W	-

Connector No.	B39
Connector Name	EVAP CANISTER VENT CONTROL VALVE
Connector Color	BLACK



Terminal No.	Color of Wire	Signal Name
1	L	-
2	Y	-

Connector No.	B10
Connector Name	WIRE TO WIRE
Connector Color	WHITE



Terminal No.	Color of Wire	Signal Name
1	BG	-
2	R	-
3	W	-
4	BG	-
5	R	-
7	Y	-
8	L	-

ABBIA3119GB

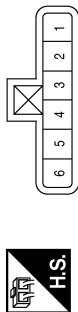
A
EC
C
D
E
F
G
H
I
J
K
L
M
N
O
P

ENGINE CONTROL SYSTEM

< WIRING DIAGRAM >

[VQ35DE]

Connector No.	B42
Connector Name	FUEL LEVEL SENSOR UNIT AND FUEL PUMP
Connector Color	GRAY



Terminal No.	Color of Wire	Signal Name
1	R	-
3	BG	-
4	B	-
6	R	-

ABBIA3120GB

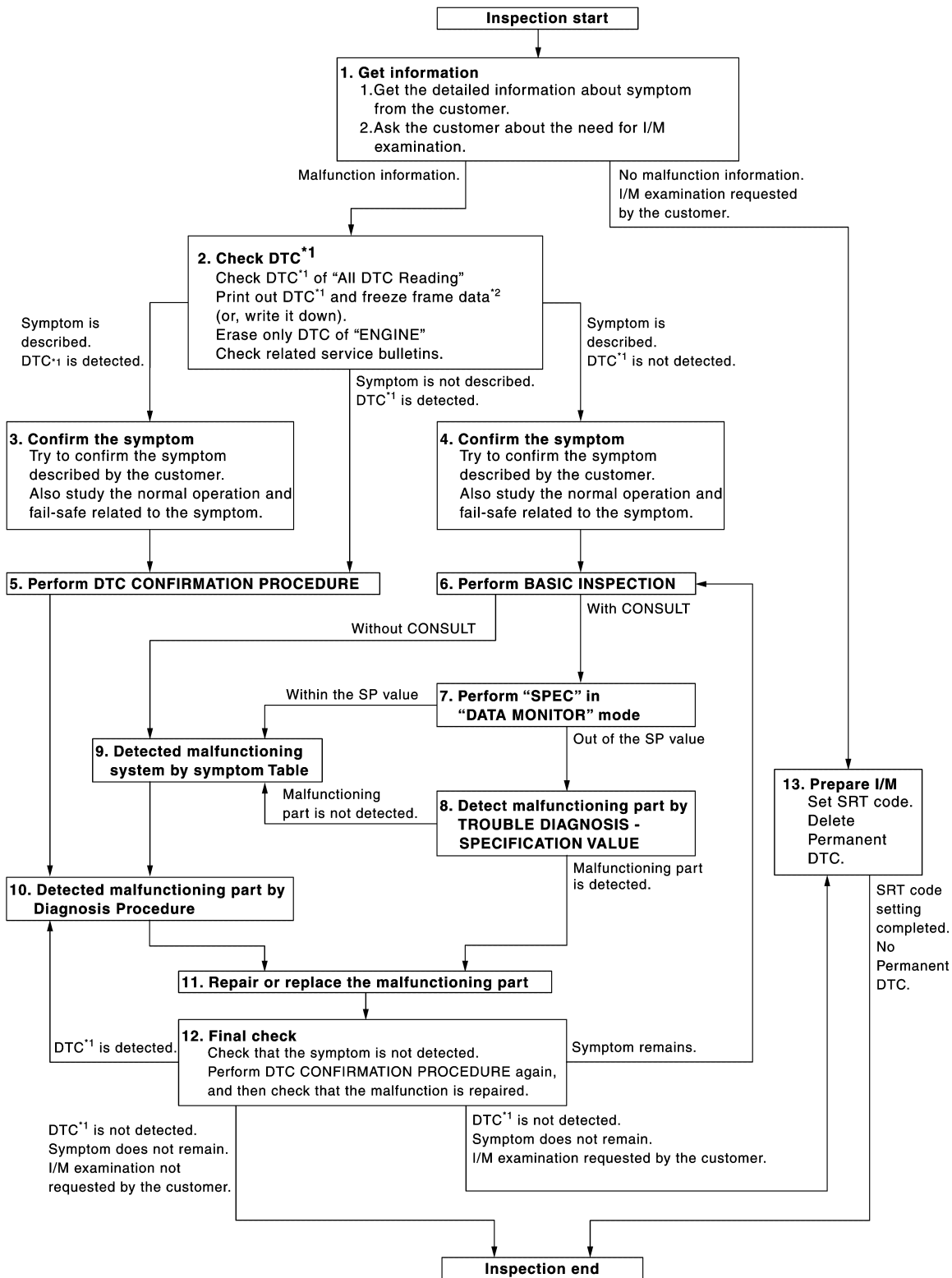
BASIC INSPECTION

DIAGNOSIS AND REPAIR WORKFLOW

Work Flow

INFOID:0000000012602671

OVERALL SEQUENCE



JSBIA0123GB

< BASIC INSPECTION >

*1: Include 1st trip DTC.

*2: Include 1st trip freeze frame data.

DETAILED FLOW

1. GET INFORMATION FOR SYMPTOM

1. Get the detailed information from the customer about the symptom (the condition and the environment when the incident/malfunction occurred) using the "Diagnostic Work Sheet". (Refer to [EC-722, "Diagnostic Work Sheet"](#).)
2. Ask if the customer requests I/M examination.

Malfunction information, obtained>>GO TO 2.

No Malfunction information, but a request for I/M examination>>GO TO 13.

2. CHECK DTC

1. Check DTC of "All DTC Reading".
2. Perform the following procedure if DTC is displayed.
 - Record DTC and freeze frame data. (Print them out with CONSULT or GST.)
 - Erase only DTC of "ENGINE".
 - ⊗ With CONSULT: Refer to "How to Erase DTC and 1st Trip DTC" in [EC-642, "CONSULT Function"](#).
 - ⊗ Without CONSULT: Refer to "How to Erase Self-diagnostic Results" in [EC-639, "On Board Diagnosis Function"](#).
 - Turn ignition switch OFF.
 - Study the relationship between the cause detected by DTC and the symptom described by the customer. (Symptom Table is useful. Refer to [EC-1078, "Symptom Table"](#).)
3. Check related service bulletins for information.

Are any symptoms described and any DTCs detected?

Symptom is described, DTC is detected>>GO TO 3.

Symptom is described, DTC is not detected>>GO TO 4.

Symptom is not described, DTC is detected>>GO TO 5.

3. CONFIRM THE SYMPTOM

Try to confirm the symptom described by the customer (except MIL ON).

Also study the normal operation and fail-safe related to the symptom. Refer to [EC-1082, "Description"](#) and [EC-673, "Fail-safe"](#).

Diagnosis Work Sheet is useful to verify the incident.

Verify relation between the symptom and the condition when the symptom is detected.

>> GO TO 5.

4. CONFIRM THE SYMPTOM

Try to confirm the symptom described by the customer.

Also study the normal operation and fail-safe related to the symptom. Refer to [EC-1082, "Description"](#) and [EC-673, "Fail-safe"](#).

Diagnosis Work Sheet is useful to verify the incident.

Verify relation between the symptom and the condition when the symptom is detected.

>> GO TO 6.

5. PERFORM DTC CONFIRMATION PROCEDURE

Perform DTC CONFIRMATION PROCEDURE for the displayed DTC, and then make sure that DTC is detected again.

If two or more DTCs are detected, refer to [EC-674, "DTC Inspection Priority Chart"](#) and determine trouble diagnosis order.

NOTE:

- Freeze frame data is useful if the DTC is not detected.

DIAGNOSIS AND REPAIR WORKFLOW

[VQ35DE]

< BASIC INSPECTION >

- Perform Component Function Check if DTC CONFIRMATION PROCEDURE is not included on Service Manual. This simplified check procedure is an effective alternative though DTC cannot be detected during this check.
If the result of Component Function Check is NG, it is the same as the detection of DTC by DTC CONFIRMATION PROCEDURE.

Is DTC detected?

- YES >> GO TO 10.
- NO >> Check according to [GI-44, "Intermittent Incident"](#).

6. PERFORM BASIC INSPECTION

Perform [EC-724, "Work Procedure"](#).

Do you have CONSULT?

- YES >> GO TO 7.
- NO >> GO TO 9.

7. PERFORM SPEC IN DATA MONITOR MODE

With CONSULT

Make sure that "MASS AIR FLOW SENSOR (Hz)", "B/FUEL SCHDL", "A/F ALPHA-B1" and "A/F ALPHA-B2" are within the SP value using CONSULT "SPEC" in "DATA MONITOR" mode of "ENGINE". Refer to [EC-750, "Component Function Check"](#).

Is the measurement value within the SP value?

- YES >> GO TO 9.
- NO >> GO TO 8.

8. DETECT MALFUNCTIONING PART BY TROUBLE DIAGNOSIS - SPECIFICATION VALUE

Detect malfunctioning part according to [EC-751, "Diagnosis Procedure"](#).

Is a malfunctioning part detected?

- YES >> GO TO 11.
- NO >> GO TO 9.

9. DETECT MALFUNCTIONING SYSTEM BY SYMPTOM TABLE

Detect malfunctioning system according to [EC-1078, "Symptom Table"](#) based on the confirmed symptom in step 4, and determine the trouble diagnosis order based on possible causes and symptoms.

>> GO TO 10.

10. DETECT MALFUNCTIONING PART BY DIAGNOSIS PROCEDURE

Inspect according to Diagnosis Procedure of the system.



NOTE:

The Diagnosis Procedure in EC section described based on open circuit inspection. A short circuit inspection is also required for the circuit check in the Diagnosis Procedure. For details, refer to [GI-46, "Circuit Inspection"](#).

Is a malfunctioning part detected?

- YES >> GO TO 11.
- NO >> Monitor input data from related sensors or check voltage of related ECM terminals using CONSULT. Refer to [EC-656, "Reference Value"](#).

11. REPAIR OR REPLACE THE MALFUNCTIONING PART

1. Repair or replace the malfunctioning part.
2. Reconnect parts or connectors disconnected during Diagnosis Procedure again after repair and replacement.
3. Check DTC. If DTC is displayed, erase it.
 -  With CONSULT: Refer to "How to Erase DTC and 1st Trip DTC" in [EC-642, "CONSULT Function"](#).
 -  Without CONSULT: Refer to "How to Erase Self-diagnostic Results" in [EC-639, "On Board Diagnosis Function"](#).

>> GO TO 12.

DIAGNOSIS AND REPAIR WORKFLOW

< BASIC INSPECTION >

[VQ35DE]

12.FINAL CHECK

When DTC was detected in step 2, perform DTC CONFIRMATION PROCEDURE or Component Function Check again, and then make sure that the malfunction have been completely repaired.

When symptom was described from the customer, refer to confirmed symptom in step 3 or 4, and make sure that the symptom is not detected.

Is DTC detected and does symptom remain?

YES-1 >> DTC is detected: GO TO 10.

YES-2 >> Symptom remains: GO TO 6.

NO-1 >> No request for I/M examination from the customer: Before returning the vehicle to the customer, always erase unnecessary DTC in ECM and TCM (⊗ With CONSULT: Refer to "How to Read DTC and 1st Trip DTC" in [EC-642, "CONSULT Function"](#), ⊗ Without CONSULT: Refer to "How to Read Self-diagnostic Results" in [EC-639, "On Board Diagnosis Function"](#)).

NO-2 >> I/M examination, requested from the customer: GO TO 13.

13.PREPARE FOR I/M EXAMINATION

1. Set SRT codes. Refer to [EC-738, "Description"](#).
2. Erase permanent DTCs. Refer to [EC-744, "Description"](#).

>> INSPECTION END.

Diagnostic Work Sheet

INFOID:000000012602672

DESCRIPTION

There are many operating conditions that lead to the malfunction of engine components. A good grasp of such conditions can make troubleshooting faster and more accurate.

In general, each customer feels differently about symptoms. It is important to fully understand the symptoms or conditions for a customer complaint.

Utilize a diagnostic worksheet like the WORKSHEET SAMPLE below in order to organize all the information for troubleshooting.

Some conditions may cause the MIL to illuminate or blink, and DTC to be detected. Examples:

- Vehicle ran out of fuel, which caused the engine to misfire.
- Fuel filler cap was left off or incorrectly screwed on, allowing fuel to evaporate into the atmosphere.

KEY POINTS

WHAT Vehicle & engine model
WHEN Date, Frequencies
WHERE..... Road conditions
HOW Operating conditions,
Weather conditions,
Symptoms

SEF907L

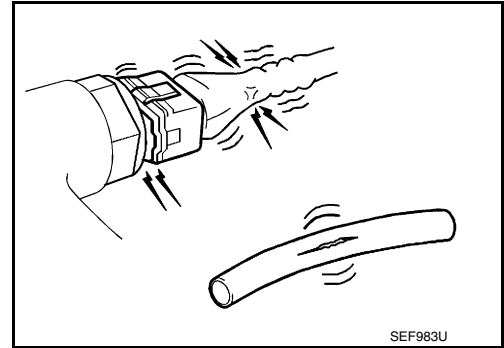
BASIC INSPECTION

Work Procedure

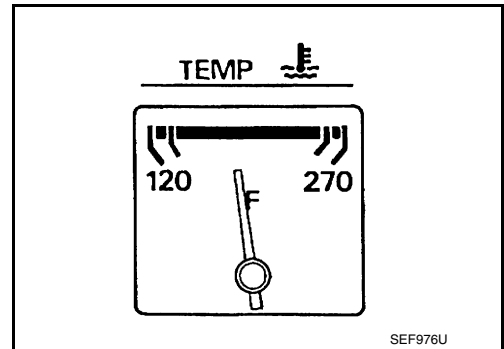
INFOID:000000012602673

1.INSPECTION START

1. Check service records for any recent repairs that may indicate a related malfunction, or a current need for scheduled maintenance.
2. Open engine hood and check the following:
 - Harness connectors for improper connections
 - Wiring harness for improper connections, pinches and cut
 - Vacuum hoses for splits, kinks and improper connections
 - Hoses and ducts for leakage
 - Air cleaner clogging
 - Gasket
3. Check that electrical or mechanical loads are not applied.
 - Head lamp switch is OFF.
 - Air conditioner switch is OFF.
 - Rear window defogger switch is OFF.
 - Steering wheel is in the straight-ahead position, etc.



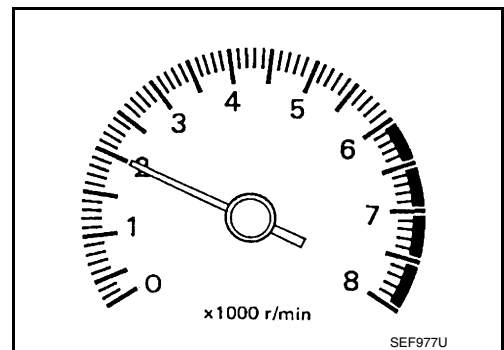
4. Start engine and warm it up until engine coolant temperature indicator points to the middle of gauge. Check that engine stays below 1,000 rpm.



5. Run engine at approximately 2,000 rpm for approximately 2 minutes under no load.
6. Check that no DTC is displayed with CONSULT or GST.

Are any DTCs detected?

- YES >> GO TO 2.
 NO >> GO TO 3.



2.REPAIR OR REPLACE

Repair or replace components as necessary according to corresponding Diagnostic Procedure.

>> GO TO 3

3.CHECK TARGET IDLE SPEED

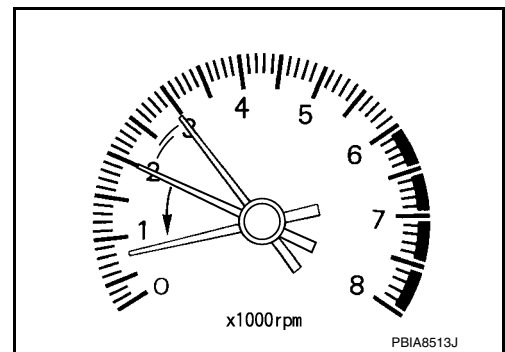
1. Run engine at approximately 2,000 rpm for approximately 2 minutes under no load.

BASIC INSPECTION

[VQ35DE]

< BASIC INSPECTION >

- Rev engine (2,000 to 3,000 rpm) 2 or 3 times under no load, then run engine at idle speed for approximately 1 minute.
- Check idle speed.
For procedure, refer to [EC-1083, "Work Procedure"](#).
For specification, refer to [EC-1089, "Idle Speed"](#).



Is the inspection result normal?

- YES >> GO TO 10.
NO >> GO TO 4.

4.PERFORM ACCELERATOR PEDAL RELEASED POSITION LEARNING

- Stop engine.
- Perform [EC-730, "Description"](#).

>> GO TO 5.

5.PERFORM THROTTLE VALVE CLOSED POSITION LEARNING

Perform [EC-731, "Description"](#).

>> GO TO 6.

6.PERFORM IDLE AIR VOLUME LEARNING

Perform [EC-732, "Description"](#).

Is Idle Air Volume Learning carried out successfully?

- YES >> GO TO 7.
NO >> Follow the instruction of Idle Air Volume Learning. Then GO TO 4.

7.CHECK IDLE SPEED AGAIN

- Start engine and warm it up to normal operating temperature.
- Check idle speed.
For procedure, refer to [EC-1083, "Work Procedure"](#).
For specification, refer to [EC-1089, "Idle Speed"](#).

Is the inspection result normal?

- YES >> GO TO 10.
NO >> GO TO 8.

8.DETECT MALFUNCTIONING PART

Check the Following.

- Check camshaft position sensor (PHASE) and circuit. Refer to [EC-881, "Diagnosis Procedure"](#).
- Check crankshaft position sensor (POS) and circuit. Refer to [EC-878, "Diagnosis Procedure"](#).

Is the inspection result normal?

- YES >> GO TO 9.
NO >> Repair or replace malfunctioning part. Then GO TO 4.

9.CHECK ECM FUNCTION

- Substitute with a non-malfunctioning ECM to check ECM function. (ECM may be the cause of the incident, although this is rare.)
- Perform initialization of NVIS (NATS) system and registration of all NVIS (NATS) ignition key IDs. Refer to [SEC-68, "ECM : Description"](#).

>> GO TO 4.

10.CHECK IGNITION TIMING

- Run engine at idle.
- Check ignition timing with a timing light.
For procedure, refer to [EC-1084, "Work Procedure"](#).

BASIC INSPECTION

[VQ35DE]

< BASIC INSPECTION >

For specification, refer to [EC-1089, "Ignition Timing"](#).

Is the inspection result normal?

- YES >> GO TO 19.
NO >> GO TO 11.

11.PERFORM ACCELERATOR PEDAL RELEASED POSITION LEARNING

1. Stop engine.
2. Perform [EC-730, "Description"](#).

>> GO TO 12.

12.PERFORM THROTTLE VALVE CLOSED POSITION LEARNING

Perform [EC-731, "Description"](#).

>> GO TO 13.

13.PERFORM IDLE AIR VOLUME LEARNING

Perform [EC-732, "Description"](#).

Is Idle Air Volume Learning carried out successfully?

- YES >> GO TO 14.
NO >> Follow the instruction of Idle Air Volume Learning. Then GO TO 4.

14.CHECK IDLE SPEED AGAIN

1. Start engine and warm it up to normal operating temperature.
2. Check idle speed.
For procedure, refer to [EC-1083, "Work Procedure"](#).
For specification, refer to [EC-1089, "Idle Speed"](#).

Is the inspection result normal?

- YES >> GO TO 15.
NO >> GO TO 17.

15.CHECK IGNITION TIMING AGAIN

1. Run engine at idle.
2. Check ignition timing with a timing light.
For procedure, refer to [EC-1084, "Work Procedure"](#).
For specification, refer to [EC-1089, "Ignition Timing"](#).

Is the inspection result normal?

- YES >> GO TO 19.
NO >> GO TO 16.

16.CHECK TIMING CHAIN INSTALLATION

Check timing chain installation. Refer to [EM-187, "Exploded View"](#).

Is the inspection result normal?

- YES >> GO TO 17.
NO >> Repair the timing chain installation. Then GO TO 4.

17.DETECT MALFUNCTIONING PART

Check the following.

- Check camshaft position sensor (PHASE) and circuit. Refer to [EC-881, "Diagnosis Procedure"](#).
- Check crankshaft position sensor (POS) and circuit. Refer to [EC-878, "Diagnosis Procedure"](#).

Is the inspection result normal?

- YES >> GO TO 18.
NO >> Repair or replace malfunctioning part. Then GO TO 4.

18.CHECK ECM FUNCTION

1. Substitute with a non-malfunctioning ECM to check ECM function. (ECM may be the cause of the incident, although this is rare.)

BASIC INSPECTION

[VQ35DE]

< BASIC INSPECTION >

2. Perform initialization of NVIS (NATS) system and registration of all NVIS (NATS) ignition key IDs. Refer to [SEC-68, "ECM : Description"](#).

A

>> GO TO 4.

19.INSPECTION END

EC

If ECM is replaced during this BASIC INSPECTION procedure, perform [EC-728, "Description"](#).

C

>> INSPECTION END

D

E

F

G

H

I

J

K

L

M

N

O

P

ADDITIONAL SERVICE WHEN REPLACING ECM

< BASIC INSPECTION >

[VQ35DE]

ADDITIONAL SERVICE WHEN REPLACING ECM

Description

INFOID:000000012602674

When replacing ECM, the following procedure must be performed. (For details, refer to [EC-728, "Work Procedure"](#).)

PROGRAMMING OPERATION

NOTE:

After replacing with a blank ECM, programming is required to write ECM information. Be sure to follow the procedure to perform the programming.

BEFORE REPLACEMENT

When replacing ECM, perform "SAVING DATA FOR REPLC CPU" in "WORK SUPPORT" of "ENGINE" by using CONSULT to save current ECM data before replacement.

AFTER REPLACEMENT

After replacing ECM, the following items must be performed:

- Write data after replace CPU
- Accelerator pedal released position learning
- Throttle valve closed position learning
- Idle air volume learning

Work Procedure

INFOID:000000012602675

1. SAVE ECM DATA

Ⓟ With CONSULT

1. Turn ignition switch OFF.
2. Reconnect all harness connectors disconnected.
3. Turn ignition switch ON.
4. Select "SAVING DATA FOR REPLC CPU" in "WORK SUPPORT" mode of "ENGINE" using CONSULT.
5. Follow the instruction of CONSULT display.

NOTE:

- Necessary data in ECM is copied and saved to CONSULT.
- Go to Step 2 regardless of with or without success in saving data.

>> GO TO 2.

2. CHECK ECM PART NUMBER

Check ECM part number to see whether it is blank ECM or not.

NOTE:

- Part number of blank ECM is 23703 - xxxxxx.
- Check part number when ordering ECM or the one included in the label on the container box.

Is the ECM a blank ECM?

- YES >> GO TO 3.
NO >> GO TO 5.

3. SAVE ECM PART NUMBER

Read out the part number from the old ECM and save the number, following the programming instructions. Refer to CONSULT Operation Manual.

NOTE:

- The ECM part number is saved in CONSULT.
- Even when ECM part number is not saved in CONSULT, go to 4.

>> GO TO 4.

4. PERFORM ECM PROGRAMMING

After replacing ECM, perform the ECM programming. Refer to CONSULT Operation Manual.

NOTE:

- Refer to [EC-1088, "Removal and Installation"](#) for replacement of ECM.

ADDITIONAL SERVICE WHEN REPLACING ECM

[VQ35DE]

< BASIC INSPECTION >

- During programming, maintain the following conditions:
 - Ignition switch: ON
 - Electric load: OFF
 - Brake pedal: Not depressed
 - Battery voltage: 12 – 13.5 V (Be sure to check the value of battery voltage by selecting “BATTERY VOLT” in “Data monitor” of CONSULT.)

>> GO TO 6.

5. REPLACE ECM

Replace ECM. Refer to [EC-1088, "Removal and Installation"](#).

>> GO TO 6.

6. PERFORM INITIALIZATION OF NVIS (NATS) SYSTEM AND REGISTRATION OF ALL NVIS (NATS) IGNITION KEY IDS

Perform initialization of NVIS (NATS) system and registration of all NVIS (NATS) ignition key IDs. Refer to [SEC-68, "ECM : Description"](#).

>> GO TO 7.

7. CHECK ECM DATA STATUS

Check if the data is successfully copied from the ECM at Step 1 (before replacement) and saved in CONSULT.

Is the data saved successfully?

- YES >> GO TO 8.
- NO >> GO TO 9.

8. WRITE ECM DATA

Ⓜ With CONSULT

1. Select “WRITING DATA FOR REPLC CPU” in “WORK SUPPORT” mode of “ENGINE” using CONSULT.
2. Follow the instruction of CONSULT display.

NOTE:

The data saved by “SAVING DATA FOR REPLC CPU” is written to ECM.

>> GO TO 10.

9. PERFORM VIN REGISTRATION

Perform VIN registration. Refer to [EC-735, "Description"](#).

>> GO TO 10.

10. PERFORM ACCELERATOR PEDAL RELEASED POSITION LEARNING

Perform accelerator pedal released position learning. Refer to [EC-730, "Description"](#).

>> GO TO 11.

11. PERFORM THROTTLE VALVE CLOSED POSITION LEARNING

Perform throttle valve closed position learning. Refer to [EC-731, "Description"](#).

>> GO TO 12.

12. PERFORM IDLE AIR VOLUME LEARNING

Perform idle air volume learning. Refer to [EC-732, "Description"](#).

>> END

ACCELERATOR PEDAL RELEASED POSITION LEARNING

< BASIC INSPECTION >

[VQ35DE]

ACCELERATOR PEDAL RELEASED POSITION LEARNING

Description

INFOID:000000012602676

Accelerator Pedal Released Position Learning is a function of ECM to learn the fully released position of the accelerator pedal by monitoring the accelerator pedal position sensor output signal. It must be performed each time the harness connector of the accelerator pedal position sensor or ECM is disconnected. (For details, refer to [EC-730, "Work Procedure"](#).)

Work Procedure

INFOID:000000012602677

1. START

1. Check that accelerator pedal is fully released.
2. Turn ignition switch ON and wait at least 2 seconds.
3. Turn ignition switch OFF and wait at least 10 seconds.
4. Turn ignition switch ON and wait at least 2 seconds.
5. Turn ignition switch OFF and wait at least 10 seconds.

>> END

THROTTLE VALVE CLOSED POSITION LEARNING

< BASIC INSPECTION >

[VQ35DE]

THROTTLE VALVE CLOSED POSITION LEARNING

Description

INFOID:000000012602678

Throttle Valve Closed Position Learning is a function of ECM to learn the fully closed position of the throttle valve by monitoring the throttle position sensor output signal. It must be performed each time the harness connector of electric throttle control actuator or ECM is disconnected or electric throttle control actuator is cleaned. (For details, refer to [EC-731, "Work Procedure"](#).)

Work Procedure

INFOID:000000012602679

1. START

④ WITH CONSULT

1. Turn ignition switch ON.
2. Select "CLSD THL POS LEARN" in "WORK SUPPORT" mode.
3. Follow the instructions on the CONSULT display.
4. Turn ignition switch OFF and wait at least 10 seconds.
Check that throttle valve moves during the above 10 seconds by confirming the operating sound.

⊗ WITHOUT CONSULT

1. Start the engine.
NOTE:
Coolant temperature is less than 25°C (77°F) before engine starts.
2. Warm up the engine.
NOTE:
Warm up the engine until "COOLAN TEMP/S" on "DATA MONITOR" of CONSULT reaches more than 65°C (149°F).
3. Turn ignition switch OFF and wait at least 10 seconds.
NOTE:
Check that throttle valve moves during the above 10 seconds by confirming the operating sound.

>> END

IDLE AIR VOLUME LEARNING

Description

INFOID:000000012602680

Idle Air Volume Learning is a function of ECM to learn the idle air volume that keeps engine idle speed within the specific range. It must be performed under the following conditions:

- Each time the electric throttle control actuator or ECM is replaced.
- Idle speed or ignition timing is out of the specification.

(For details, refer to [EC-732, "Description"](#).)

Work Procedure

INFOID:000000012602681

1. PRECONDITIONING

Check that all of the following conditions are satisfied.

Learning will be cancelled if any of the following conditions are missed for even a moment.

- Battery voltage: More than 12.9 V (At idle)
- Engine coolant temperature: 70 - 100°C (158 - 212°F)
- Selector lever position: P or N
- Electric load switch: OFF
(Air conditioner, head lamp, rear window defogger)

On vehicles equipped with daytime light systems, if the parking brake is applied before the engine is started the head lamp will not illuminate.

- Steering wheel: Neutral (Straight-ahead position)
- Vehicle speed: Stopped
- Transmission: Warmed-up
- With CONSULT: Drive vehicle until "ATF TEMP SEN" in "DATA MONITOR" mode of "CVT" system indicates less than 0.9 V.
- Without CONSULT: Drive vehicle for 10 minutes.

Will CONSULT be used?

- YES >> GO TO 2.
- NO >> GO TO 3.

2. PERFORM IDLE AIR VOLUME LEARNING

With CONSULT

1. Perform Accelerator Pedal Released Position Learning. Refer to [EC-730, "Description"](#).
2. Perform Throttle Valve Closed Position Learning. Refer to [EC-731, "Description"](#).
3. Start engine and warm it up to normal operating temperature.
4. Select "IDLE AIR VOL LEARN" in "WORK SUPPORT" mode.
5. Touch "START" and wait 20 seconds.

Is "CMPLT" displayed on CONSULT screen?

- YES >> GO TO 4.
- NO >> GO TO 5.

3. PERFORM IDLE AIR VOLUME LEARNING

Without CONSULT

NOTE:

- **It is better to count the time accurately with a clock.**
- **It is impossible to switch the diagnostic mode when an accelerator pedal position sensor circuit has a malfunction.**

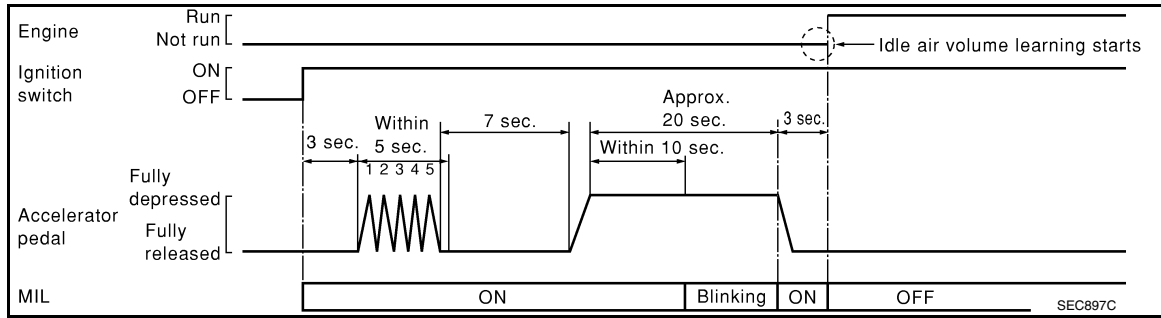
1. Perform Accelerator Pedal Released Position Learning. Refer to [EC-730, "Description"](#).
2. Perform Throttle Valve Closed Position Learning. Refer to [EC-731, "Description"](#).
3. Start engine and warm it up to normal operating temperature.
4. Turn ignition switch OFF and wait at least 10 seconds.
5. Confirm that accelerator pedal is fully released, turn ignition switch ON and wait 3 seconds.
6. Repeat the following procedure quickly 5 times within 5 seconds.
 - Fully depress the accelerator pedal.
 - Fully release the accelerator pedal.
7. Wait 7 seconds, fully depress the accelerator pedal for approx. 20 seconds until the MIL stops blinking and turns ON.

IDLE AIR VOLUME LEARNING

[VQ35DE]

< BASIC INSPECTION >

8. Fully release the accelerator pedal within 3 seconds after the MIL turns ON.
9. Start engine and let it idle.
10. Wait 20 seconds.



>> GO TO 4.

4. CHECK IDLE SPEED AND IGNITION TIMING

Rev up the engine 2 or 3 times and check that idle speed and ignition timing are within the specifications. For procedure, refer to [EC-1083, "Work Procedure"](#) and [EC-1084, "Work Procedure"](#). For specifications, refer to [EC-1089, "Idle Speed"](#) and [EC-1089, "Ignition Timing"](#).

Is the inspection result normal?

- YES >> INSPECTION END
- NO >> GO TO 5.

5. DETECT MALFUNCTIONING PART-I

Check the following

- Check that throttle valve is fully closed.
- Check PCV valve operation.
- Check that downstream of throttle valve is free from air leakage.

Is the inspection result normal?

- YES >> GO TO 6.
- NO >> Repair or replace malfunctioning part.

6. DETECT MALFUNCTIONING PART-II

Engine component parts and their installation condition are questionable. Check and eliminate the cause of the incident.

It is useful to perform "TROUBLE DIAGNOSIS - SPECIFICATION VALUE". Refer to [EC-750, "Description"](#). If any of the following conditions occur after the engine has started, eliminate the cause of the incident and perform Idle Air Volume Learning again:

- Engine stalls.
- Incorrect idle.

>> INSPECTION END

MIXTURE RATIO SELF-LEARNING VALUE CLEAR

< BASIC INSPECTION >

[VQ35DE]

MIXTURE RATIO SELF-LEARNING VALUE CLEAR

Description

INFOID:000000012602682

This describes show to erase the mixture ratio self-learning value. (For details, refer to [EC-734, "Work Procedure."](#))

Work Procedure

INFOID:000000012602683

1.START

With CONSULT

1. Start engine and warm it up to normal operating temperature.
2. Select "SELF-LEARNING CONT" in "WORK SUPPORT" mode with CONSULT.
3. Clear mixture ratio self-learning value by touching "CLEAR".

With GST

1. Start engine and warm it up to normal operating temperature.
2. Turn ignition switch OFF.
3. Disconnect mass air flow sensor harness connector.
4. Restart engine and let it idle for at least 5 seconds.
5. Stop engine and reconnect mass air flow sensor harness connector.
6. Select Service \$03 with GST. Check that DTC P0102 is detected.
7. Select Service \$04 with GST to erase the DTC P0102.

>> END

VIN REGISTRATION

< BASIC INSPECTION >

[VQ35DE]

VIN REGISTRATION

Description

INFOID:000000012602684

VIN Registration is an operation to register VIN in ECM. It must be performed each time ECM is replaced. (For details, refer to [EC-735, "Work Procedure"](#).)

NOTE:

Accurate VIN which is registered in ECM may be required for Inspection & Maintenance (I/M).

Work Procedure

INFOID:000000012602685

1. CHECK VIN

Check the VIN of the vehicle and note it. Refer to [GI-24, "Identification Plate"](#).

>> GO TO 2.

2. PERFORM VIN REGISTRATION

With CONSULT

1. Turn ignition switch ON with engine stopped.
2. Select "VIN REGISTRATION" in "WORK SUPPORT" mode.
3. Follow the instructions on the CONSULT display.

>> END

A
EC
C
D
E
F
G
H
I
J
K
L
M
N
O
P

FUEL PRESSURE

Work Procedure

INFOID:000000012602686

FUEL PRESSURE RELEASE

1. FUEL PRESSURE RELEASE

☐ With CONSULT

1. Turn ignition switch ON.
2. Perform "FUEL PRESSURE RELEASE" in "WORK SUPPORT" mode with CONSULT.
3. Start engine.
4. After engine stalls, crank it two or three times to release all fuel pressure.
5. Turn ignition switch OFF.

⊗ Without CONSULT

1. Remove fuel pump fuse located in IPDM E/R.
2. Start engine.
3. After engine stalls, crank it two or three times to release all fuel pressure.
4. Turn ignition switch OFF.
5. Reinstall fuel pump fuse after servicing fuel system.

>> INSPECTION END

FUEL PRESSURE CHECK

CAUTION:

- The fuel hose connection method used when taking fuel pressure check must not be used for other purposes.
- Before disconnecting fuel line, release fuel pressure from fuel line to eliminate danger.
- Be careful not to scratch or get the fuel hose connection area dirty when servicing, so that the quick connector o-ring maintains seal ability.
- Use Fuel Pressure Gauge Kit [SST: — (J-44321)] and Fuel Pressure Adapter [SST: — (J-44321-6)] to check fuel pressure.

NOTE:

Prepare pans or saucers under the disconnected fuel line because the fuel may spill out. The fuel pressure cannot be completely released because this models do not have fuel return system.

1. FUEL PRESSURE CHECK

1. Release fuel pressure to zero.
2. Remove fuel hose using Quick Connector Release [SST: — (J-45488)].

CAUTION:

- Do not twist or kink fuel hose because it is plastic hose.
- Do not remove fuel hose from quick connector.
- Keep fuel hose connections clean.

3. Install Fuel Pressure Adapter [SST: — (J-44321-6)] (B) and Fuel Pressure Gauge kit [SST: — (J44321)] (A) as shown in figure.

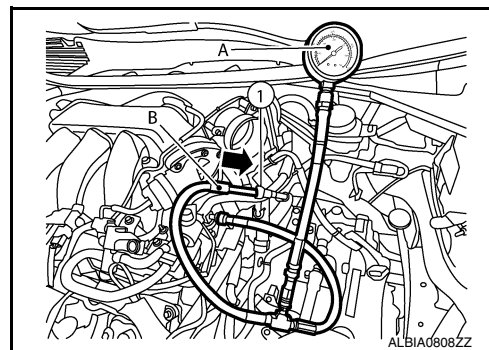
CAUTION:

- Do not distort or bend fuel rail tube when installing fuel pressure gauge adapter.
- When reconnecting fuel hose, check the original fuel hose (1) for damage and abnormality.

4. Turn ignition switch ON (reactivate fuel pump) and check for fuel leakage.
5. Start engine and check for fuel leakage.
6. Read the indication of fuel pressure gauge kit [SST: — (J-44321)].

CAUTION:

- During fuel pressure check, check for fuel leakage from fuel connection every 3 minutes.



At idling : Approximately 350 kPa (3.57 kg/cm², 51 psi)

Is the inspection result normal?

FUEL PRESSURE

[VQ35DE]

< BASIC INSPECTION >

YES >> INSPECTION END

NO >> GO TO 2.

A

2.CHECK FUEL HOSES

Check the following.

- Fuel hoses and fuel tubes for clogging
- Fuel filter for clogging
- Fuel pump
- Fuel pressure regulator for clogging

EC

Is the inspection result normal?

C

YES >> Replace fuel pressure regulator.

NO >> Repair or replace error-detected parts.

D

CAUTION:

Before disconnecting Fuel Pressure Gauge kit [SST: — (J-44321)] and Fuel Pressure Adapter [SST: — (J-44321-6)], release fuel pressure to zero.

E

F

G

H

I

J

K

L

M

N

O

P

HOW TO SET SRT CODE

< BASIC INSPECTION >

[VQ35DE]

HOW TO SET SRT CODE

Description

INFOID:000000012602687

OUTLINE

In order to set all SRTs, the self-diagnoses as in the "SRT ITEM" table must have been performed at least once. Each diagnosis may require actual driving for a long period of time under various conditions.

SRT ITEM

The table below shows required self-diagnostic items to set the SRT to "CMPLT".

SRT item*1 (CONSULT indication)	Performance Priority*2	Required self-diagnostic items to set the SRT to "CMPLT"	Corresponding DTC No.
CATALYST	2	Three way catalyst function	P0420, P0430
EVAP SYSTEM	2	EVAP control system purge flow monitoring	P0441
		EVAP control system	P0456
HO2S	2	Air fuel ratio (A/F) sensor 1	P014C, P014D, P014E, P014F, P015A, P015B,P015C, P015D
		Heated oxygen sensor 2	P0137, P0157
		Heated oxygen sensor 2	P0138, P0158
		Heated oxygen sensor 2	P0139, P0159
EGR/VVT SYSTEM	3	Intake valve timing control function	P0011, P0021, P052A, P052B, P052C, P052D

*1: Though displayed on the CONSULT screen, "HO2S HTR" is not SRT item.

*2: If completion of several SRTs is required, perform driving patterns (DTC confirmation procedure), one by one based on the priority for models with CONSULT.

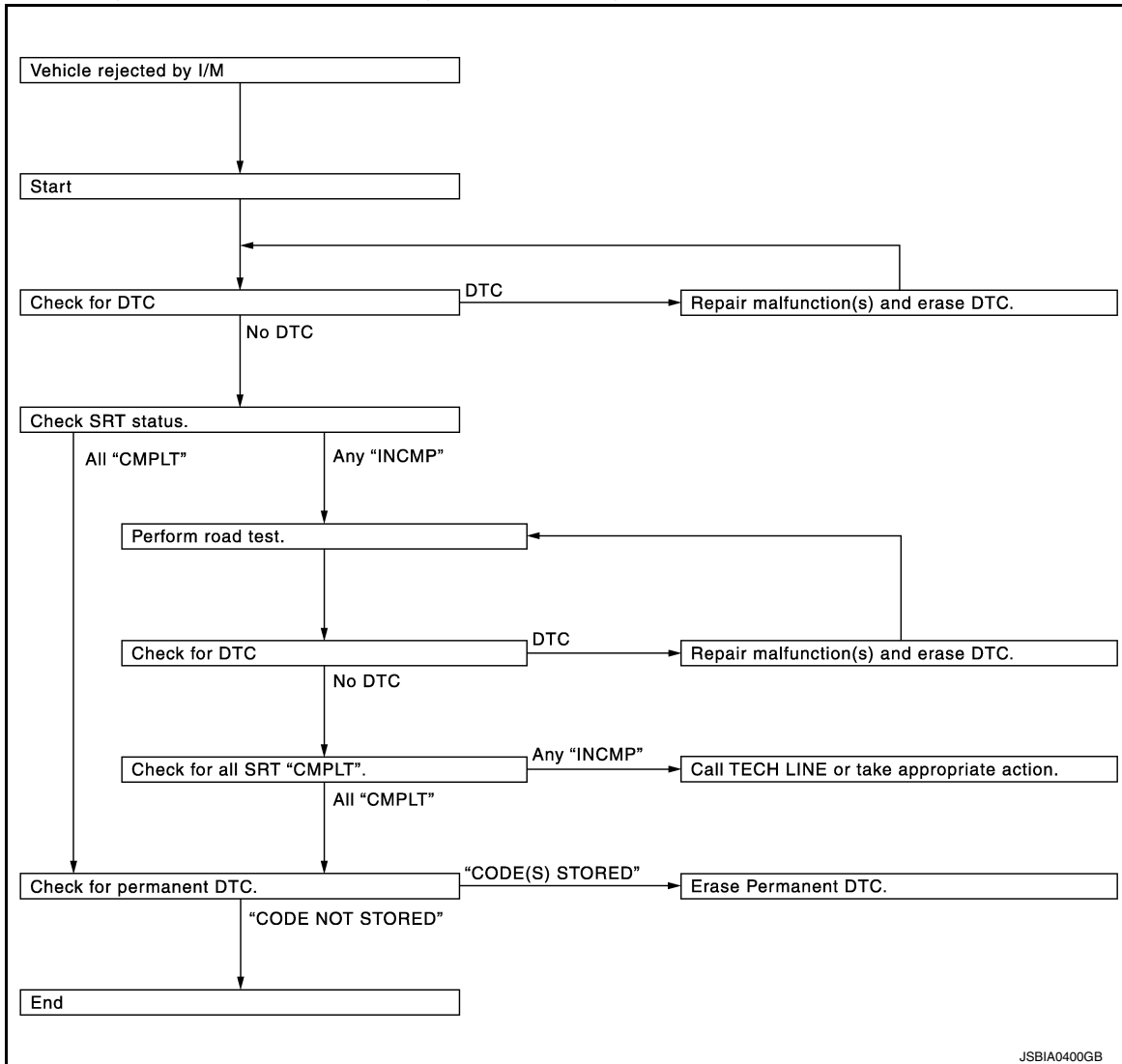
SRT SERVICE PROCEDURE

HOW TO SET SRT CODE

< BASIC INSPECTION >

[VQ35DE]

If a vehicle has failed the state emissions inspection due to one or more SRT items indicating "INCMP", review the flowchart diagnostic sequence, referring to the following flowchart.



SRT Set Driving Pattern

INFOID:000000012602688

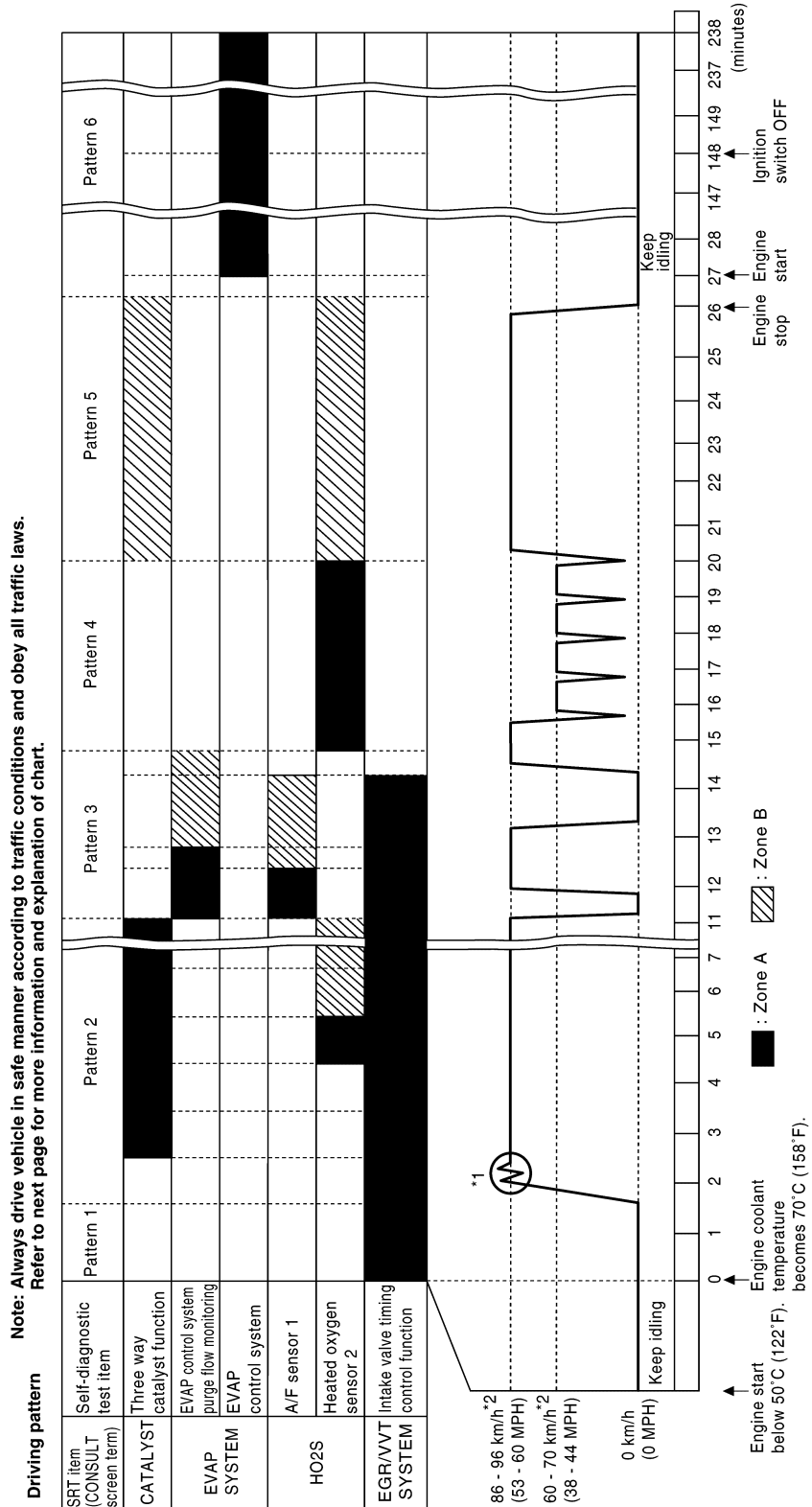
CAUTION:

HOW TO SET SRT CODE

< BASIC INSPECTION >

[VQ35DE]

Always drive the vehicle in safe manner according to traffic conditions and obey all traffic laws.



JSBIA1932GB

*1: Depress the accelerator pedal until vehicle speed is 90 km/h (56 MPH), then release the accelerator pedal and keep it released for more than 10 seconds. Depress the accelerator pedal until vehicle speed is 90 km/h (56 MPH) again.

*2: Checking the vehicle speed with GST is advised.

- The time required for each diagnosis varies with road surface conditions, weather, altitude, individual driving habits, etc.
- "Zone A" is the fastest time where required for the diagnosis under normal conditions*. If the diagnosis is not completed within "Zone A", the diagnosis can still be performed within "Zone B".

HOW TO SET SRT CODE

[VQ35DE]

< BASIC INSPECTION >

*: Normal conditions

- Sea level
- Flat road
- Ambient air temperature: 20 – 30°C (68 – 86°F)

NOTE:

Diagnosis is performed as quickly as possible under normal conditions. However, under other conditions, diagnosis may also be performed. [For example: ambient air temperature other than 20 – 30°C (68 – 86°F)]

Work Procedure

INFOID:000000012602689

1.CHECK DTC

Check DTC.

Is any DTC detected?

- YES >> Repair malfunction(s) and erase DTC. Refer to [EC-676, "DTC Index"](#).
- NO >> GO TO 2.

2.CHECK SRT STATUS

With CONSULT

Select "SRT STATUS" in "DTC & SRT CONFIRMATION" mode with CONSULT.

Without CONSULT

Perform "SRT status" mode with [EC-639, "On Board Diagnosis Function"](#).

With GST

Select Service \$01 with GST.

Is SRT code(s) set?

- YES >> GO TO 12.
- NO-1 >> With CONSULT: GO TO 3.
- NO-2 >> Without CONSULT: GO TO 4.

3.DTC CONFIRMATION PROCEDURE

1. Select "SRT WORK SUPPORT" in "DTC & SRT CONFIRMATION" mode with CONSULT.
2. For SRT(s) that is not set, perform the corresponding "DTC CONFIRMATION PROCEDURE" according to the "Performance Priority" in the "SRT ITEM" table. Refer to [EC-738, "Description"](#).
3. Check DTC.

Is any DTC detected?

- YES >> Repair malfunction(s) and erase DTC. Refer to [EC-676, "DTC Index"](#).
- NO >> GO TO 11.

4.PERFORM ROAD TEST

- Check the "Performance Priority" in the "SRT ITEM" table. Refer to [EC-738, "Description"](#).
- Perform the most efficient SRT set driving pattern to set the SRT properly. Refer to [EC-739, "SRT Set Driving Pattern"](#).

In order to set all SRTs, the SRT set driving pattern must be performed at least once.

>> GO TO 5.

5.PATTERN 1

1. Check the vehicle condition;
 - Engine coolant temperature is –10 to 35°C (14 to 95°F).
 - Fuel tank temperature is more than 0°C (32°F).
2. Start the engine.
3. Keep engine idling until the engine coolant temperature is greater than 70°C (158°F)

NOTE:

ECM terminal voltage is follows;

- Engine coolant temperature
 - –10 to 35°C (14 to 95°F): 3.0 – 4.3 V
 - 70°(158°F): Less than 4.1 V
- Fuel tank temperature: Less than 1.4 V

Refer to [EC-656, "Reference Value"](#).

>> GO TO 6.

6. PATTERN 2

1. Drive the vehicle. And depress the accelerator pedal until vehicle speed is 90 km/h (56 MPH), then release the accelerator pedal and keep it released for more than 10 seconds.
2. Depress the accelerator pedal until vehicle speed is 90 km/h (56 MPH) again

NOTE:

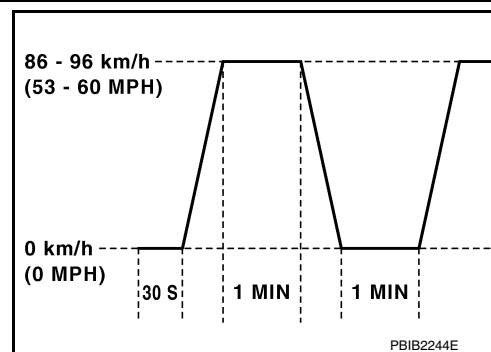
- Checking the vehicle speed with GST is advised.
- When steady-state driving is performed again even after it is interrupted, each diagnosis can be conducted. In this case, the time required for diagnosis may be extended.

>> GO TO 7.

7. PATTERN 3

- Operate vehicle following the driving pattern shown in the figure.
- Release the accelerator pedal during deceleration of vehicle speed from 90 km/h (56 MPH) to 0 km/h (0 MPH).

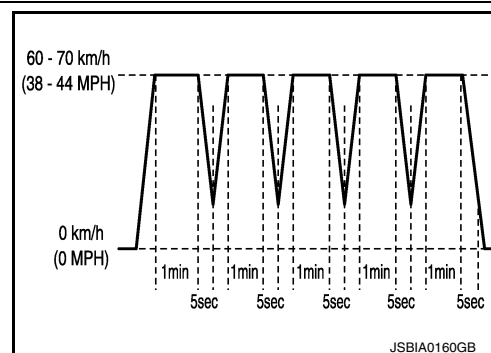
>> GO TO 8.



8. PATTERN 4

- Operate vehicle, following the driving pattern shown in the figure.
- Drive the vehicle in a proper gear at 60 km/h (38 MPH) and maintain the speed.
- Release the accelerator pedal fully at least 5 seconds.
- Repeat the above two steps at least 5 times.

>> GO TO 9.



9. PATTERN 5

- The accelerator pedal must be held very steady during steady-state driving.
- If the accelerator pedal is moved, the test must be conducted again.

>> GO TO 10.

10. PATTERN 6

- Cool down the engine so that the engine coolant temperature lowers between 15 – 35°C (59 – 95°F).
- CAUTION:**
Never turn the ignition switch ON while cooling down the engine.
- Engine coolant temperature at engine start is between 15 – 35°C (59 – 95°F) and has lowered 45°C (113°F) or more since the latest engine stop.

>> GO TO 11.

11. CHECK SRT STATUS

With CONSULT

HOW TO SET SRT CODE

[VQ35DE]

< BASIC INSPECTION >

Select "SRT STATUS" in "DTC & SRT CONFIRMATION" mode with CONSULT.

Without CONSULT

Perform "SRT status" mode with [EC-639, "On Board Diagnosis Function"](#).

With GST

Select Service \$01 with GST.

Is SRT(s) set?

YES >> GO TO 12.

NO >> Call TECH LINE or take appropriate action.

12.CHECK PERMANENT DTC

NOTE:

Permanent DTC cannot be checked with a tool other than CONSULT or GST.

With CONSULT

Select "SRT STATUS" in "DTC & SRT CONFIRMATION" mode with CONSULT.

With GST

Select Service \$0A with GST.

Is permanent DTC(s) detected?

YES >> Proceed to [EC-744, "Description"](#).

NO >> END

A

EC

C

D

E

F

G

H

I

J

K

L

M

N

O

P

HOW TO ERASE PERMANENT DTC

< BASIC INSPECTION >

[VQ35DE]

HOW TO ERASE PERMANENT DTC

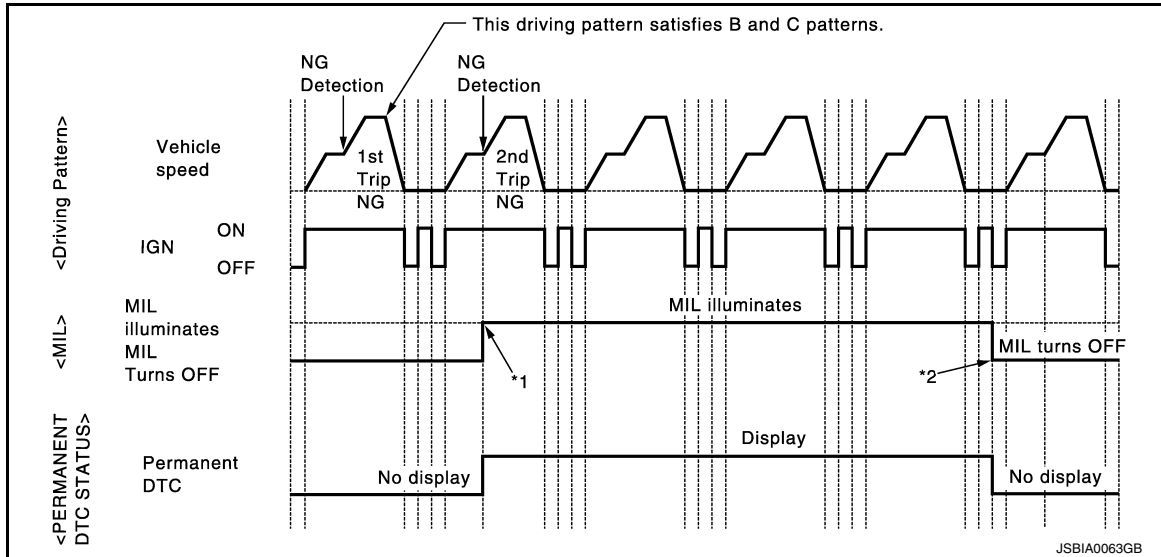
Description

INFOID:000000012602690

OUTLINE

When a DTC is stored in ECM

When a DTC is stored in ECM and MIL is ON, a permanent DTC is erased with MIL shutoff if the same malfunction is not detected after performing the driving pattern for MIL shutoff three times in a row.



*1: When the same malfunction is detected in two consecutive trips, MIL will illuminate.

*2: MIL will turn off after vehicle is driven 3 times (driving pattern B) without any malfunctions.

When a DTC is not stored in ECM

The erasing method depends on a permanent DTC stored in ECM. Refer to the following table.

NOTE:

If the applicable permanent DTC includes multiple groups, perform the procedure of Group B first. If the permanent DTC is not erased, perform the procedure of Group A.

×: Applicable —: Not applicable

Group *	Perform "DTC CONFIRMATION PROCEDURE" for applicable DTCs.	Driving pattern		Reference
		B	D	
A	×	—	—	EC-745. "Work Procedure (Group A)"
B	—	×	×	EC-747. "Work Procedure (Group B)"

*: For group, refer to [EC-676. "DTC Index"](#).

PERMANENT DTC ITEM

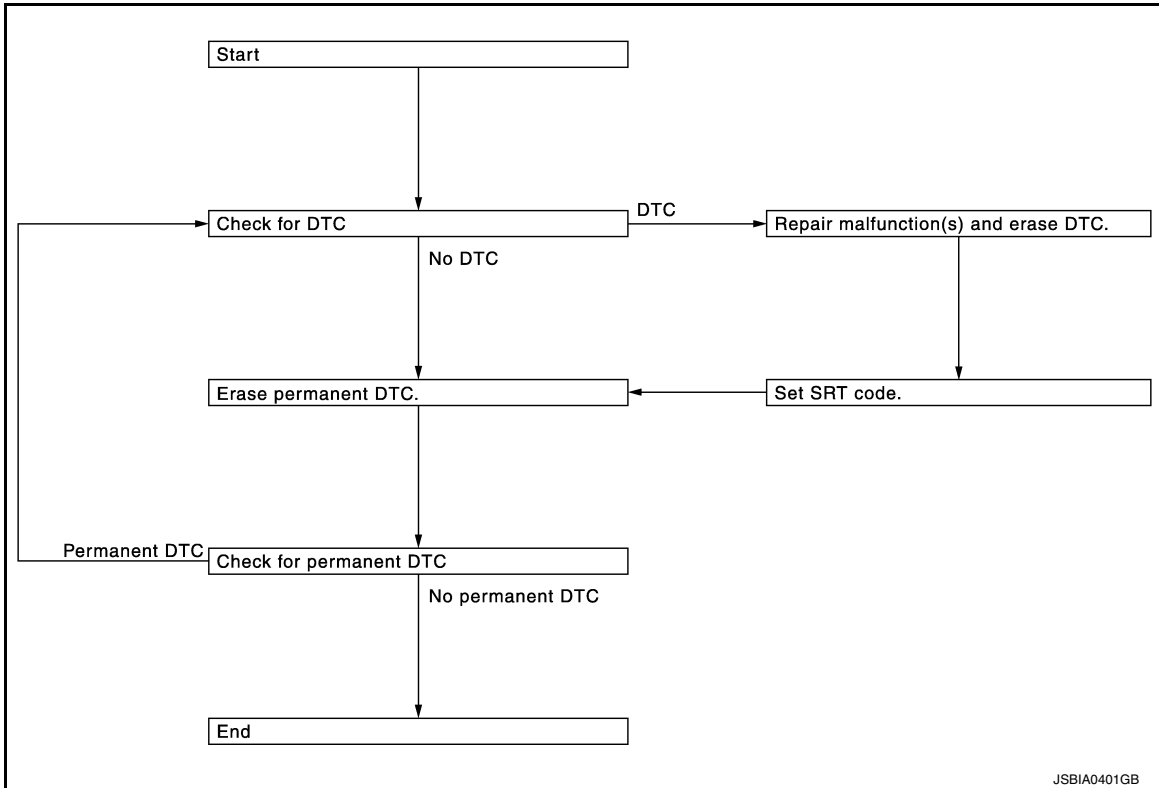
For permanent DTC items, MIL turns ON. Refer to [EC-676. "DTC Index"](#).

HOW TO ERASE PERMANENT DTC

< BASIC INSPECTION >

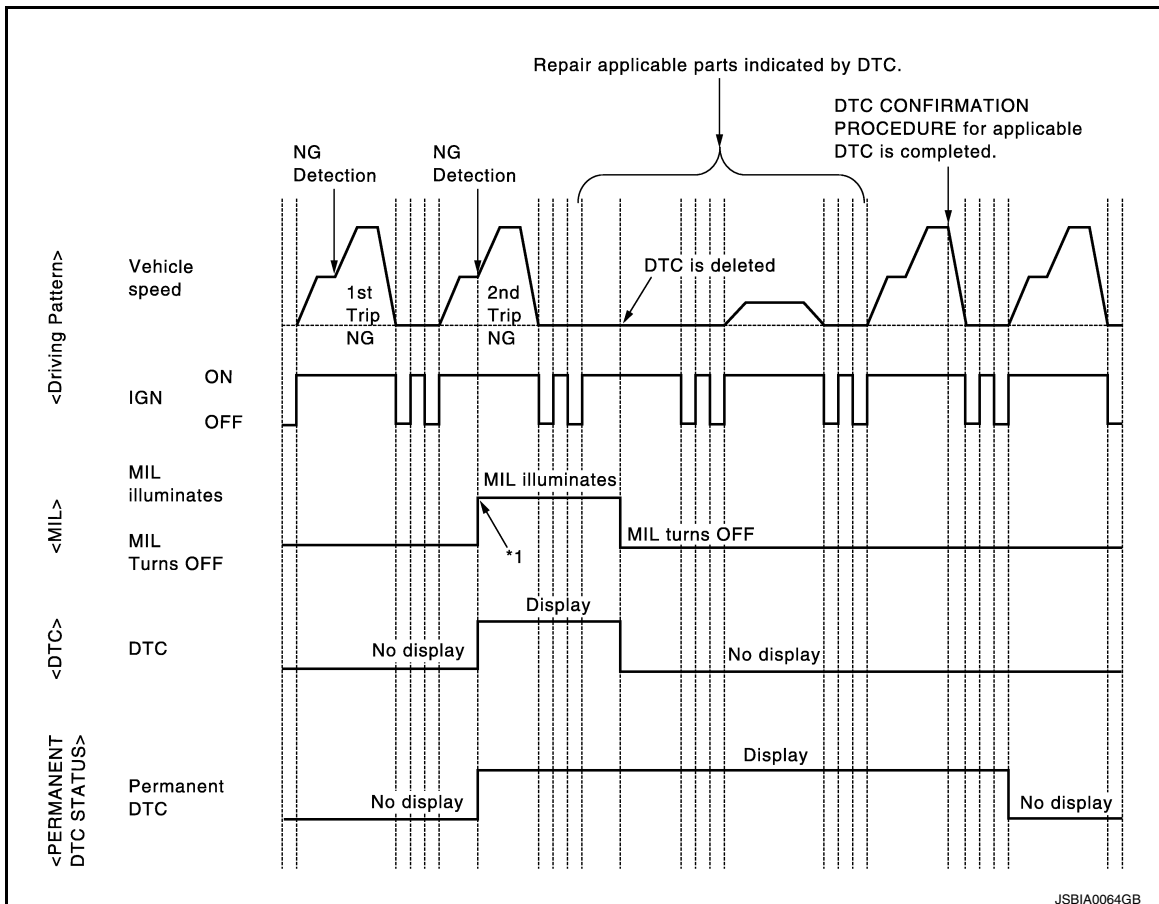
[VQ35DE]

PERMANENT DTC SERVICE PROCEDURE



Work Procedure (Group A)

INFOID:000000012602691



HOW TO ERASE PERMANENT DTC

[VQ35DE]

< BASIC INSPECTION >

*1: When the same malfunction is detected in two consecutive trips, MIL will illuminate.

1. CHECK DTC


Check DTC.

Is any DTC detected?

YES >> Repair malfunction(s) and erase DTC. Refer to [EC-639, "On Board Diagnosis Function"](#) or [EC-642, "CONSULT Function"](#).

NO >> GO TO 2.

2. CHECK PERMANENT DTC

 With CONSULT

1. Turn ignition switch OFF and wait at least 10 seconds.
2. Turn ignition switch ON.
3. Turn ignition switch OFF and wait at least 10 seconds.
4. Turn ignition switch ON.
5. Select "PERMANENT DTC STATUS" mode with CONSULT.

 With GST

1. Turn ignition switch OFF and wait at least 10 seconds.
2. Turn ignition switch ON.
3. Turn ignition switch OFF and wait at least 10 seconds.
4. Turn ignition switch ON.
5. Select Service \$0A with GST.

Is any permanent DTC detected?

YES >> GO TO 3.

NO >> END

3. PERFORM DTC CONFIRMATION PROCEDURE

Perform "DTC CONFIRMATION PROCEDURE" for DTCs which are the same as permanent DTCs stored in ECM. Refer to [EC-676, "DTC Index"](#).

>> GO TO 4.

4. CHECK PERMANENT DTC

 With CONSULT

1. Turn ignition switch OFF and wait at least 10 seconds.
2. Turn ignition switch ON.
3. Turn ignition switch OFF and wait at least 10 seconds.
4. Turn ignition switch ON.
5. Select "PERMANENT DTC STATUS" mode with CONSULT.

 With GST

1. Turn ignition switch OFF and wait at least 10 seconds.
2. Turn ignition switch ON.
3. Turn ignition switch OFF and wait at least 10 seconds.
4. Turn ignition switch ON.
5. Select Service \$0A with GST.

Is any permanent DTC detected?

YES >> GO TO 1.

NO >> END

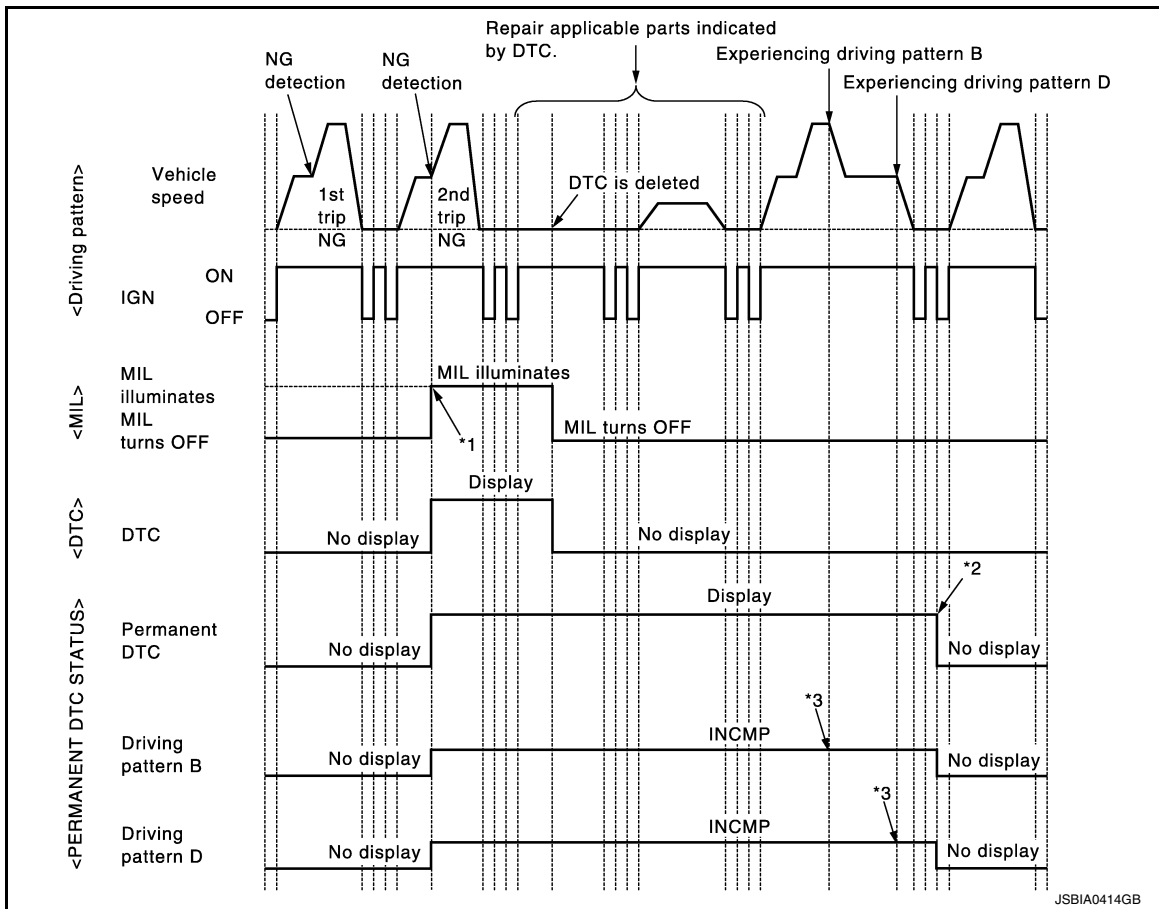
HOW TO ERASE PERMANENT DTC

< BASIC INSPECTION >

[VQ35DE]

Work Procedure (Group B)

INFOID:000000012602692



*1: When the same malfunction is detected in two consecutive trips, MIL will illuminate.

*2: After experiencing driving pattern B and D, permanent DTC is erased.

*3: Indication does not change unless the ignition switch is turned from ON to OFF twice even after experiencing driving pattern B or D.

NOTE:

Drive the vehicle according to only driving patterns indicating "INCMP" in driving patterns B and D on the "PERMANENT DTC STATUS" screen.

1. CHECK DTC

Check DTC.

Is any DTC detected?

YES >> Repair malfunction(s) and erase DTC. Refer to [EC-639. "On Board Diagnosis Function"](#) or [EC-642. "CONSULT Function"](#).

NO >> GO TO 2.

2. CHECK PERMANENT DTC

With CONSULT

1. Turn ignition switch OFF and wait at least 10 seconds.
2. Turn ignition switch ON.
3. Turn ignition switch OFF and wait at least 10 seconds.
4. Turn ignition switch ON.
5. Select "PERMANENT DTC STATUS" mode with CONSULT.

With GST

1. Turn ignition switch OFF and wait at least 10 seconds.
2. Turn ignition switch ON.
3. Turn ignition switch OFF and wait at least 10 seconds.

HOW TO ERASE PERMANENT DTC

[VQ35DE]

< BASIC INSPECTION >

4. Turn ignition switch ON.
5. Select Service \$0A with GST.

Is any permanent DTC detected?

- YES >> GO TO 3.
NO >> END

3.DRIVE DRIVING PATTERN B

CAUTION:

- Always drive at a safe speed.
- Never erase self-diagnosis results.
- If self-diagnosis results are erased during the trip of driving pattern B or D, the counter of driving pattern B and D is reset.

Ⓟ With CONSULT

1. Start engine and warm it up to normal operating temperature.
2. Use "PERMANENT DTC WORK SUPPORT" mode with CONSULT to drive the vehicle according to driving pattern B. Refer to [EC-642. "CONSULT Function"](#), [EC-636. "DIAGNOSIS DESCRIPTION : Driving Pattern"](#).

Ⓢ With GST

1. Start engine and warm it up to normal operating temperature.
2. Drive the vehicle according to driving pattern B. Refer to [EC-636. "DIAGNOSIS DESCRIPTION : Driving Pattern"](#).

>> GO TO 4.

4.CHECK PERMANENT DTC

Ⓟ With CONSULT

1. Turn ignition switch OFF and wait at least 10 seconds.
2. Turn ignition switch ON.
3. Turn ignition switch OFF and wait at least 10 seconds.
4. Turn ignition switch ON.
5. Select "PERMANENT DTC STATUS" mode with CONSULT.

Ⓢ With GST

1. Turn ignition switch OFF and wait at least 10 seconds.
2. Turn ignition switch ON.
3. Turn ignition switch OFF and wait at least 10 seconds.
4. Turn ignition switch ON.
5. Select Service \$0A with GST.

Is any permanent DTC detected?

- YES >> GO TO 5.
NO >> END

5.DRIVE DRIVING PATTERN D

CAUTION:

- Always drive at a safe speed.
- Never erase self-diagnosis results.
- If self-diagnosis results are erased during the trip of driving pattern B or D, the counter of driving pattern B and D is reset.

1. Drive the vehicle according to driving pattern D. Refer to [EC-636. "DIAGNOSIS DESCRIPTION : Driving Pattern"](#).

>> GO TO 6.

6.CHECK PERMANENT DTC

Ⓟ With CONSULT

1. Turn ignition switch OFF and wait at least 10 seconds.
2. Turn ignition switch ON.
3. Turn ignition switch OFF and wait at least 10 seconds.
4. Turn ignition switch ON.

HOW TO ERASE PERMANENT DTC

[VQ35DE]

< BASIC INSPECTION >

5. Select "PERMANENT DTC STATUS" mode with CONSULT.

 With GST

1. Turn ignition switch OFF and wait at least 10 seconds.
2. Turn ignition switch ON.
3. Turn ignition switch OFF and wait at least 10 seconds.
4. Turn ignition switch ON.
5. Select Service \$0A with GST.

Is any permanent DTC detected?

YES >> GO TO 1.

NO >> END

A

EC

C

D

E

F

G

H

I

J

K

L

M

N

O

P

DTC/CIRCUIT DIAGNOSIS

TROUBLE DIAGNOSIS - SPECIFICATION VALUE

Description

INFOID:0000000012602693

The specification (SP) value indicates the tolerance of the value that is displayed in "SPEC" in "DATA MONITOR" mode of CONSULT during normal operation of the Engine Control System. When the value in "SPEC" in "DATA MONITOR" mode is within the SP value, the Engine Control System is confirmed OK. When the value in "SPEC" in "DATA MONITOR" mode is NOT within the SP value, the Engine Control System may have one or more malfunctions.

The SP value is used to detect malfunctions that may affect the Engine Control System, but will not illuminate the MIL.

The SP value will be displayed for the following three items:

- B/FUEL SCHDL (The fuel injection pulse width programmed into ECM prior to any learned on board correction)
- A/F ALPHA-B1/B2 (The mean value of air-fuel ratio feedback correction factor per cycle)
- MASS AIR FLOW SENSOR (Hz) (The signal frequency of the mass air flow sensor)

Component Function Check

INFOID:0000000012602694

1. START

Check that all of the following conditions are satisfied.

- Vehicle driven distance: More than 5,000 km (3,107 miles)
- Barometric pressure: 98.3 - 104.3 kPa (1.003 - 1.064 kg/cm², 14.25 - 15.12 psi)
- Atmospheric temperature: 20 - 30°C (68 - 86°F)
- Engine coolant temperature: 75 - 95°C (167 - 203°F)
- Transmission: Warmed-up
 - After the engine is warmed up to normal operating temperature, drive vehicle until "FLUID TEMP SE" (CVT fluid temperature sensor signal) indicates more than 60°C (140°F).
- Electrical load: Not applied
 - Rear window defogger switch, air conditioner switch lighting switch are OFF. Steering wheel is straight ahead.
- Engine speed: Idle

>> GO TO 2.

2. PERFORM "SPEC" OF "DATA MONITOR" MODE

With CONSULT

NOTE:

Perform "SPEC" in "DATA MONITOR" mode in maximum scale display.

1. Perform basic inspection. Refer to [EC-724. "Work Procedure"](#).
2. Select "B/FUEL SCHDL", "A/F ALPHA-B1", "A/F ALPHA-B2" and "MASS AIR FLOW SENSOR (Hz)" in "SPEC" of "DATA MONITOR" mode with CONSULT.
3. Check that monitor items are within the SP value.

Is the measurement value within the SP value?

YES >> INSPECTION END

NO >> Proceed to [EC-751. "Diagnosis Procedure"](#).

TROUBLE DIAGNOSIS - SPECIFICATION VALUE

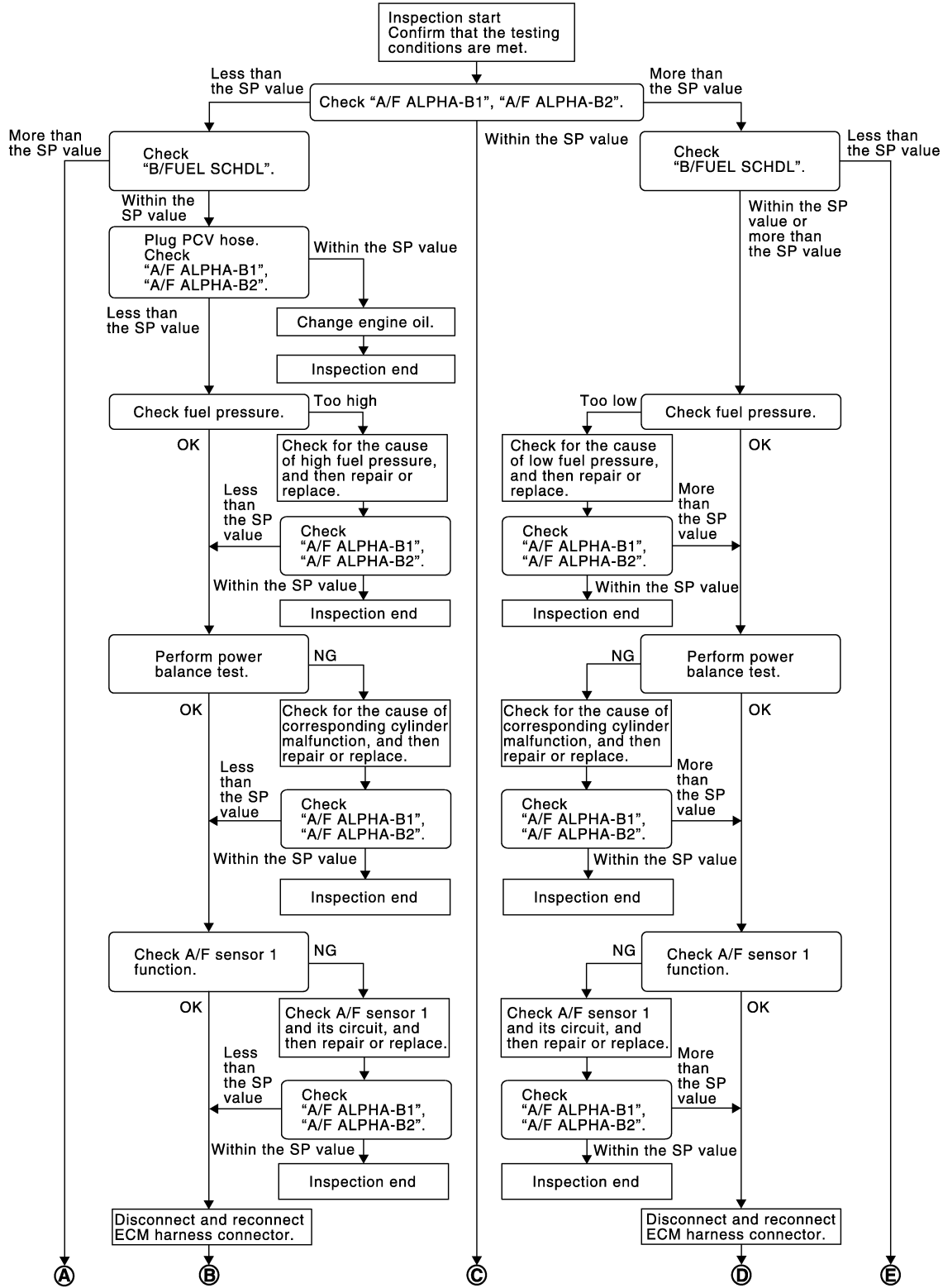
< DTC/CIRCUIT DIAGNOSIS >

[VQ35DE]

Diagnosis Procedure

INFOID:000000012602695

OVERALL SEQUENCE

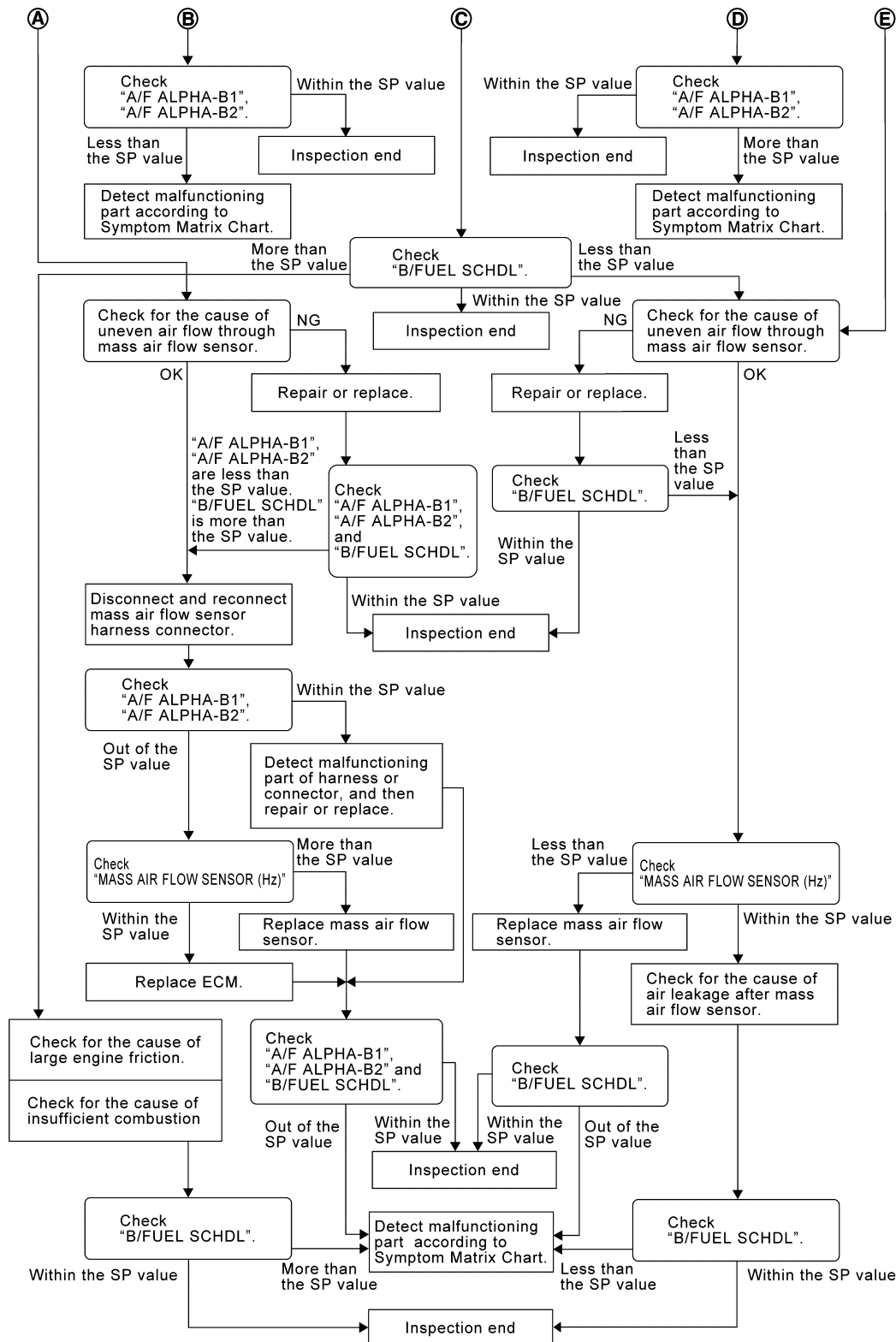


JMBIA1468GB

TROUBLE DIAGNOSIS - SPECIFICATION VALUE

< DTC/CIRCUIT DIAGNOSIS >

[VQ35DE]



JSBIA5535GB

DETAILED PROCEDURE

1. CHECK "A/F ALPHA-B1", "A/F ALPHA-B2"

ⓑ With CONSULT

1. Start engine.
2. Confirm that the testing conditions are met. Refer to [EC-750, "Component Function Check"](#).
3. Select "A/F ALPHA-B1", "A/F ALPHA-B2" in "SPEC" of "DATA MONITOR" mode, and check that each indication is within the SP value.

TROUBLE DIAGNOSIS - SPECIFICATION VALUE

< DTC/CIRCUIT DIAGNOSIS >

[VQ35DE]

NOTE:

Check "A/F ALPHA-B1", "A/F ALPHA-B2" for approximately 1 minute because they may fluctuate. It is NG if the indication is out of the SP value even a little.

Is the measurement value within the SP value?

YES >> GO TO 17.

NO-1 >> Less than the SP value: GO TO 2.

NO-2 >> More than the SP value: GO TO 3.

2.CHECK "B/FUEL SCHDL"

Select "B/FUEL SCHDL" in "SPEC" of "DATA MONITOR" mode, and check that the indication is within the SP value.

Is the measurement value within the SP value?

YES >> GO TO 4.

NO >> More than the SP value: GO TO 19.

3.CHECK "B/FUEL SCHDL"

Select "B/FUEL SCHDL" in "SPEC" of "DATA MONITOR" mode, and check that the indication is within the SP value.

Is the measurement value within the SP value?

YES >> GO TO 6.

NO-1 >> More than the SP value: GO TO 6.

NO-2 >> Less than the SP value: GO TO 25.

4.CHECK "A/F ALPHA-B1", "A/F ALPHA-B2"

1. Stop the engine.

2. Disconnect PCV hose, and then plug it.

3. Start engine.

4. Select "A/F ALPHA-B1", "A/F ALPHA-B2" in "SPEC" of "DATA MONITOR" mode, and check that each indication is within the SP value.

Is the measurement value within the SP value?

YES >> GO TO 5.

NO >> GO TO 6.

5.CHANGE ENGINE OIL

1. Stop the engine.

2. Change engine oil.

NOTE:

This symptom may occur when a large amount of gasoline is mixed with engine oil because of driving conditions (such as when engine oil temperature does not rise enough since a journey distance is too short during winter). The symptom will not be detected after changing engine oil or changing driving conditions.

>> INSPECTION END

6.CHECK FUEL PRESSURE

Check fuel pressure. (Refer to [EC-736, "Work Procedure"](#).)

Is the inspection result normal?

YES >> GO TO 9.

NO-1 >> Fuel pressure is too high: Replace "fuel filter and fuel pump assembly", refer to [FL-5, "Removal and Installation"](#), and then GO TO 8.

NO-2 >> Fuel pressure is too low: GO TO 7.

7.DETECT MALFUNCTIONING PART

Check fuel hoses and fuel tubes for clogging.

Is the inspection result normal?

YES >> Replace "fuel filter and fuel pump assembly", refer to [FL-5, "Removal and Installation"](#), and then GO TO 8.

NO >> Repair or replace malfunctioning part and then GO TO 8.

TROUBLE DIAGNOSIS - SPECIFICATION VALUE

[VQ35DE]

< DTC/CIRCUIT DIAGNOSIS >

8. CHECK "A/F ALPHA-B1", "A/F ALPHA-B2"

1. Start engine.
2. Select "A/F ALPHA-B1", "A/F ALPHA-B2" in "SPEC" of "DATA MONITOR" mode, and check that each indication is within the SP value.

Is the measurement value within the SP value?

YES >> INSPECTION END

NO >> GO TO 9.

9. PERFORM POWER BALANCE TEST

1. Perform "POWER BALANCE" in "ACTIVE TEST" mode.
2. Check that the each cylinder produces a momentary engine speed drop.

Is the inspection result normal?

YES >> GO TO 12.

NO >> GO TO 10.

10. DETECT MALFUNCTIONING PART

Check the following below.

- Ignition coil and its circuit (Refer to [EC-1058, "Component Function Check"](#).)
- Fuel injector and its circuit (Refer to [EC-1053, "Component Function Check"](#).)
- Intake air leakage
- Low compression pressure (Refer to [EM-144, "On-Vehicle Service"](#).)

Is the inspection result normal?

YES >> Replace fuel injector, refer to [EM-167, "Removal and Installation"](#), and then GO TO 11.

NO >> Repair or replace malfunctioning part and then GO TO 11.

11. CHECK "A/F ALPHA-B1", "A/F ALPHA-B2"

1. Start engine.
2. Select "A/F ALPHA-B1", "A/F ALPHA-B2" in "SPEC" of "DATA MONITOR" mode, and check that each indication is within the SP value.

Is the measurement value within the SP value?

YES >> INSPECTION END

NO >> GO TO 12.

12. CHECK A/F SENSOR 1 FUNCTION

Perform all DTC CONFIRMATION PROCEDURE related with A/F sensor 1.

- For DTC P0130, P0150, refer to [EC-813, "DTC Logic"](#).
- For DTC P0131, P0151, refer to [EC-817, "DTC Logic"](#).
- For DTC P0132, P0152, refer to [EC-820, "DTC Logic"](#).
- For DTC P014C, P014D, P014E, P014F, P015A, P015B, P015C, P015D, refer to [EC-842, "DTC Logic"](#).
- For DTC P2096, P2097, P2098, P2099, refer to [EC-1010, "DTC Logic"](#).

Are any DTCs detected?

YES >> GO TO 15.

NO >> GO TO 13.

13. CHECK A/F SENSOR 1 CIRCUIT

Perform Diagnostic Procedure according to corresponding DTC.

>> GO TO 14.

14. CHECK "A/F ALPHA-B1", "A/F ALPHA-B2"

1. Start engine.
2. Select "A/F ALPHA-B1", "A/F ALPHA-B2" in "SPEC" of "DATA MONITOR" mode, and check that each indication is within the SP value.

Is the measurement value within the SP value?

YES >> INSPECTION END

NO >> GO TO 15.

TROUBLE DIAGNOSIS - SPECIFICATION VALUE

< DTC/CIRCUIT DIAGNOSIS >

[VQ35DE]

15. DISCONNECT AND RECONNECT ECM HARNESS CONNECTOR

1. Stop the engine.
2. Disconnect ECM harness connector. Check pin terminal and connector for damage, and then reconnect it.

>> GO TO 16.

16. CHECK "A/F ALPHA-B1", "A/F ALPHA-B2"

1. Start engine.
2. Select "A/F ALPHA-B1", "A/F ALPHA-B2" in "SPEC" of "DATA MONITOR" mode, and check that each indication is within the SP value.

Is the measurement value within the SP value?

YES >> INSPECTION END

NO >> Detect malfunctioning part according to [EC-1078. "Symptom Table"](#).

17. CHECK "B/FUEL SCHDL"

Select "B/FUEL SCHDL" in "SPEC" of "DATA MONITOR" mode, and check that the indication is within the SP value.

Is the measurement value within the SP value?

YES >> INSPECTION END

NO-1 >> More than the SP value: GO TO 18.

NO-2 >> Less than the SP value: GO TO 25.

18. DETECT MALFUNCTIONING PART

1. Check for the cause of large engine friction. Refer to the following.
 - Engine oil level is too high
 - Engine oil viscosity
 - Belt tension of power steering, alternator, A/C compressor, etc. is excessive
 - Noise from engine
 - Noise from transmission, etc.
2. Check for the cause of insufficient combustion. Refer to the following.
 - Valve clearance malfunction
 - Intake valve timing control function malfunction
 - Camshaft sprocket installation malfunction, etc.

>> Repair or replace malfunctioning part, and then GO TO 30.

19. CHECK INTAKE SYSTEM

Check for the cause of uneven air flow through mass air flow sensor. Refer to the following.

- Crushed air ducts
- Malfunctioning seal of air cleaner element
- Uneven dirt of air cleaner element
- Improper specification of intake air system

Is the inspection result normal?

YES >> GO TO 21.

NO >> Repair or replace malfunctioning part, and then GO TO 20.

20. CHECK "A/F ALPHA-B1", "A/F ALPHA-B2", AND "B/FUEL SCHDL"

Select "A/F ALPHA-B1", "A/F ALPHA-B2", and "B/FUEL SCHDL" in "SPEC" of "DATA MONITOR" mode, and check that each indication is within the SP value.

Is the measurement value within the SP value?

YES >> INSPECTION END

NO >> "B/FUEL SCHDL" is more, "A/F ALPHA-B1", "A/F ALPHA-B2" are less than the SP value: GO TO 21.

21. DISCONNECT AND RECONNECT MASS AIR FLOW SENSOR HARNESS CONNECTOR

1. Stop the engine.

TROUBLE DIAGNOSIS - SPECIFICATION VALUE

[VQ35DE]

< DTC/CIRCUIT DIAGNOSIS >

2. Disconnect mass air flow sensor harness connector. Check pin terminal and connector for damage and then reconnect it again.

>> GO TO 22.

22.CHECK "A/F ALPHA-B1", "A/F ALPHA-B2"

1. Start engine.
2. Select "A/F ALPHA-B1", "A/F ALPHA-B2" in "SPEC" of "DATA MONITOR" mode, and check that each indication is within the SP value.

Is the measurement value within the SP value?

YES >> Detect malfunctioning part of mass air flow sensor circuit and repair it. Refer to [EC-792. "Diagnosis Procedure"](#). Then GO TO 29.

NO >> GO TO 23.

23.CHECK "MASS AIR FLOW SENSOR (HZ)"

Select "MASS AIR FLOW SENSOR (Hz)" in "SPEC" of "DATA MONITOR" mode, and check that the indication is within the SP value.

Is the measurement value within the SP value?

YES >> GO TO 24.

NO >> More than the SP value: Replace mass air flow sensor, refer to [EM-146. "Removal and Installation"](#), and then GO TO 29.

24.REPLACE ECM

Replace ECM. Refer to [EC-1088. "Removal and Installation"](#).

>> GO TO 29.

25.CHECK INTAKE SYSTEM

Check for the cause of uneven air flow through mass air flow sensor. Refer to the following.

- Crushed air ducts
- Malfunctioning seal in air cleaner element
- Uneven dirt in air cleaner element
- Improper specification in intake air system

Is the inspection result normal?

YES >> GO TO 27.

NO >> Repair or replace malfunctioning part, and then GO TO 26.

26.CHECK "B/FUEL SCHDL"

Select "B/FUEL SCHDL" in "SPEC" of "DATA MONITOR" mode, and check that the indication is within the SP value.

Is the measurement value within the SP value?

YES >> INSPECTION END

NO >> Less than the SP value: GO TO 27.

27.CHECK "MASS AIR FLOW SENSOR (HZ)"

Select "MASS AIR FLOW SENSOR (Hz)" in "SPEC" of "DATA MONITOR" mode, and check that the indication is within the SP value.

Is the measurement value within the SP value?

YES >> GO TO 28.

NO >> Less than the SP value: Replace mass air flow sensor, refer to [EM-146. "Removal and Installation"](#), and then GO TO 30.

28.CHECK INTAKE SYSTEM

Check for the cause of air leakage after the mass air flow sensor. Refer to the following.

- Disconnection, looseness, and cracks in air duct
- Looseness of oil filler cap
- Disconnection of oil level gauge
- Open stuck, breakage, hose disconnection, or cracks in PCV valve

TROUBLE DIAGNOSIS - SPECIFICATION VALUE

[VQ35DE]

< DTC/CIRCUIT DIAGNOSIS >

- Disconnection or cracks in EVAP purge hose, stuck open EVAP canister purge volume control solenoid valve
- Malfunctioning seal in rocker cover gasket
- Disconnection, looseness, or cracks in hoses, such as a vacuum hose, connecting to intake air system parts
- Malfunctioning seal in intake air system, etc.

>> GO TO 30.

29.CHECK "A/F ALPHA-B1", "A/F ALPHA-B2", AND "B/FUEL SCHDL"

Select "A/F ALPHA-B1", "A/F ALPHA-B2", and "B/FUEL SCHDL" in "SPEC" of "DATA MONITOR" mode, and check that each indication is within the SP value.

Is the measurement value within the SP value?

YES >> INSPECTION END

NO >> Detect malfunctioning part according to [EC-1078. "Symptom Table"](#).

30.CHECK "B/FUEL SCHDL"

Select "B/FUEL SCHDL" in "SPEC" of "DATA MONITOR" mode, and then check that the indication is within the SP value.

Is the measurement value within the SP value?

YES >> INSPECTION END

NO >> Detect malfunctioning part according to [EC-1078. "Symptom Table"](#).

POWER SUPPLY AND GROUND CIRCUIT

< DTC/CIRCUIT DIAGNOSIS >

[VQ35DE]

POWER SUPPLY AND GROUND CIRCUIT

Diagnosis Procedure

INFOID:000000012602696

1.CHECK FUSE

Check that the following fuses and are not blowing.

Location	Fuse No.	Capacity
IPDM E/R	#38	10 A
	#39	10 A
	#45	10 A
	#56	10 A

Is the fuse blown (open)?

YES >> Replace the fuse after repairing the applicable circuit. (If the replaced fuse is blown again, check IPDM E/R power supply circuit.)

NO >> GO TO 2.

2.CHECK GROUND CONNECTION

1. Turn ignition switch OFF.
2. Check ground connection E9. Refer to [GI-46, "Circuit Inspection"](#).

Is the inspection result normal?

YES >> GO TO 3.

NO >> Repair or replace ground connection.

3.CHECK ECM GROUND CIRCUIT

1. Disconnect ECM harness connectors.
2. Check the continuity between ECM harness connector and ground.

+		-	Continuity
ECM			
Connector	Terminal	Ground	Existed
F78	10		
	55		
F79	105		
	110		
E32	147		
	149		
	152		

Is the inspection result normal?

YES >> GO TO 4.

NO >> Repair or replace error-detected parts.

4.CHECK ECM POWER SUPPLY (MAIN)-I

1. Reconnect ECM harness connector.
2. Turn ignition switch ON.
3. Check the voltage between ECM harness connector terminals.

POWER SUPPLY AND GROUND CIRCUIT

< DTC/CIRCUIT DIAGNOSIS >

[VQ35DE]

ECM			Voltage
Connector	+	-	
	Terminal		
F78	51	152	Battery voltage
E32	145		

Is the inspection result normal?

- YES >> GO TO 6.
NO >> GO TO 5.

5. CHECK ECM POWER SUPPLY (MAIN) CIRCUIT

- Turn ignition switch OFF.
- Disconnect ECM harness connectors.
- Disconnect IPDM E/R harness connector.
- Check the continuity between ECM harness connector and IPDM E/R harness connector.

+		-		Continuity
ECM		IPDM E/R		
Connector	Terminal	Connector	Terminal	
F78	51	E18	13	Existed
E32	145	F83	59	

5. Also check harness for short to ground.

Is the inspection result normal?

- YES >> Perform the trouble diagnosis for power supply circuit.
NO >> Repair or replace error-detected parts.

6. CHECK ECM POWER SUPPLY (MAIN)-II

- Turn ignition switch OFF and wait at least 10 seconds.
- Check the voltage between ECM harness connector terminals as per the following.

ECM			Condition	Voltage (Approx.)
Connector	+	-		
	Terminal			
F78	51	152	After turning ignition switch OFF, battery voltage will exist for a few seconds	Drop to 0 V
E32	145			

Is the inspection result normal?

- YES >> GO TO 9.
NO >> GO TO 7.

7. CHECK ECM RELAY CONTROL SIGNAL

Check the voltage between ECM harness connector terminals as per the following.

ECM				Condition	Voltage (Approx.)
+		-			
Connector	Terminal	Connector	Terminal		
F79	86	E32	152	Ignition switch ON	0 V
				Turn ignition switch OFF and wait at least 10 seconds.	Battery voltage

Is the inspection result normal?

- YES >> Check intermittent incident. Refer to [GI-44. "Intermittent Incident"](#).

POWER SUPPLY AND GROUND CIRCUIT

[VQ35DE]

< DTC/CIRCUIT DIAGNOSIS >

NO >> GO TO 8.

8. CHECK ECM RELAY CONTROL SIGNAL CIRCUIT

1. Turn ignition switch OFF.
2. Disconnect ECM harness connector.
3. Disconnect IPDM E/R harness connector.
4. Check the continuity between ECM harness connector and IPDM E/R harness connector.

+		-		Continuity
ECM		IPDM E/R		
Connector	Terminal	Connector	Terminal	
F79	86	F84	72	Existed

5. Also check harness for short to ground and to power.

Is the inspection result normal?

YES >> Replace IPDM E/R. Refer to [PCS-47, "Removal and Installation"](#).

NO >> Repair or replace error-detected parts.

9. CHECK IGNITION SWITCH SIGNAL

1. Turn ignition switch ON.
2. Check the voltage between ECM harness connector terminals.

Connector	ECM		Condition	Voltage (Approx.)
	+	-		
	Terminal			
E32	133	152	Ignition switch OFF	0 V
			Ignition switch ON	Battery voltage

Is the inspection result normal?

YES >> GO TO 11.

NO >> GO TO 10.

10. CHECK IGNITION SWITCH SIGNAL CIRCUIT

1. Turn ignition switch OFF.
2. Disconnect ECM harness connector.
3. Disconnect IPDM E/R harness connector.
4. Check the continuity between ECM harness connector and IPDM E/R harness connector.

+		-		Continuity
ECM		IPDM E/R		
Connector	Terminal	Connector	Terminal	
E32	133	E63	21	Existed

5. Also check harness for short to ground and to power.

Is the inspection result normal?

YES >> Perform the trouble diagnosis for power supply circuit.

NO >> Repair or replace error-detected parts.

11. CHECK ECM POWER SUPPLY (BACK-UP)

Check the voltage between ECM harness connector terminals.

ECM				Voltage
+		-		
Connector	Terminal	Connector	Terminal	
F79	116	E32	152	Battery voltage

POWER SUPPLY AND GROUND CIRCUIT

[VQ35DE]

< DTC/CIRCUIT DIAGNOSIS >

Is the inspection result normal?

YES >> Check intermittent incident. Refer to [GI-44, "Intermittent Incident"](#).

NO >> GO TO 12.

12. CHECK ECM POWER SUPPLY (BACK-UP) CIRCUIT

1. Turn ignition switch OFF.
2. Disconnect ECM harness connector.
3. Disconnect IPDM E/R harness connector.
4. Check the continuity between ECM harness connector and IPDM E/R harness connector.

+		-		Continuity
ECM		IPDM E/R		
Connector	Terminal	Connector	Terminal	
F79	116	F83	58	Existed

5. Also check harness for short to ground.

Is the inspection result normal?

YES >> Perform the trouble diagnosis for power supply circuit.

NO >> Repair or replace error-detected parts.

A
EC
C
D
E
F
G
H
I
J
K
L
M
N
O
P

U0101 CAN COMM CIRCUIT

< DTC/CIRCUIT DIAGNOSIS >

[VQ35DE]

U0101 CAN COMM CIRCUIT

Description

INFOID:000000012602697

CAN (Controller Area Network) is a serial communication line for real time application. It is an on-vehicle multiplex communication line with high data communication speed and excellent error detection ability. Many electronic control units are equipped onto a vehicle, and each control unit shares information and links with other control units during operation (not independent). In CAN communication, control units are connected with 2 communication lines (CAN H line, CAN L line) allowing a high rate of information transmission with less wiring. Each control unit transmits/receives data but selectively reads required data only.

DTC Logic

INFOID:000000012602698

DTC DETECTION LOGIC

DTC No.	Trouble diagnosis name	DTC detecting condition	Possible cause
U0101	Lost communication with TCM	When ECM is not transmitting or receiving CAN communication signal of OBD (emission-related diagnosis) with TCM for 2 seconds or more.	<ul style="list-style-type: none">• CAN communication line between TCM and ECM• CAN communication line open or shorted

DTC CONFIRMATION PROCEDURE

1. PERFORM DTC CONFIRMATION PROCEDURE

1. Turn ignition switch ON and wait at least 3 seconds.
2. Check DTC.

Is DTC detected?

- YES >> Proceed to [EC-762, "Diagnosis Procedure"](#).
NO >> INSPECTION END

Diagnosis Procedure

INFOID:000000012602699

Perform the trouble diagnosis for CAN communication system. Refer to [LAN-19, "Trouble Diagnosis Flow Chart"](#).

U1000 CAN COMM CIRCUIT

< DTC/CIRCUIT DIAGNOSIS >

[VQ35DE]

U1000 CAN COMM CIRCUIT

Description

INFOID:000000012602700

CAN (Controller Area Network) is a serial communication line for real time application. It is an on-vehicle multiplex communication line with high data communication speed and excellent error detection ability. Many electronic control units are equipped onto a vehicle, and each control unit shares information and links with other control units during operation (not independent). In CAN communication, control units are connected with 2 communication lines (CAN H line, CAN L line) allowing a high rate of information transmission with less wiring. Each control unit transmits/receives data but selectively reads required data only.

DTC Logic

INFOID:000000012602701

DTC DETECTION LOGIC

DTC No.	Trouble diagnosis name (Trouble diagnosis content)	DTC detecting condition	Possible cause
U1000	CAN COMM CIRCUIT (CAN communication line)	When EMCM is not transmitting or receiving CAN communication signal of OBD (emission related diagnosis) for 2 seconds or more.	Harness or connectors (CAN communication line is open or shorted)

DTC CONFIRMATION PROCEDURE

1. PRECONDITIONING

If the other DTC Confirmation Procedure is performed right before this procedure, the ignition switch must be turned OFF and wait for 10 seconds or more to start this procedure.

TESTING CONDITION:

>> GO TO 2.

2. PERFORM DTC CONFIRMATION PROCEDURE

1. Turn ignition switch ON and wait at least 3 seconds.
2. Check DTC.

Is DTC detected?

YES >> Proceed to [EC-763. "Diagnosis Procedure"](#).

NO >> INSPECTION END

Diagnosis Procedure

INFOID:000000012602702

Perform the trouble diagnosis for CAN communication system. Refer to [LAN-19. "Trouble Diagnosis Flow Chart"](#).

P0011, P0021 IVT CONTROL

< DTC/CIRCUIT DIAGNOSIS >

[VQ35DE]

P0011, P0021 IVT CONTROL

DTC Logic

INFOID:000000012602703

DTC DETECTION LOGIC

NOTE:

If DTC P0011 or P0021 is displayed with DTC P0075 or P0081, first perform the trouble diagnosis for DTC P0075, P0081. Refer to [EC-780, "DTC Logic"](#).

DTC No.	Trouble diagnosis name	DTC detecting condition	Possible cause
P0011	Intake valve timing control performance (bank 1)	There is a gap between angle of target and phase-control angle degree.	<ul style="list-style-type: none">• Crankshaft position sensor (POS)• Camshaft position sensor (PHASE)• Intake valve timing control solenoid valve• Accumulation of debris to the signal pick-up portion of the camshaft• Timing chain installation• Foreign matter caught in the oil groove for intake valve timing control
P0021	Intake valve timing control performance (bank 2)		

DTC CONFIRMATION PROCEDURE

1. PRECONDITIONING

If DTC Confirmation Procedure has been previously conducted, always perform the following before conducting the next test.

1. Turn ignition switch OFF and wait at least 10 seconds.
2. Turn ignition switch ON.
3. Turn ignition switch OFF and wait at least 10 seconds.

TESTING CONDITION:

Before performing the following procedure, confirm that battery voltage is between 10 V and 16 V at idle.

>> GO TO 2.

2. PERFORM DTC CONFIRMATION PROCEDURE-I

With CONSULT

1. Turn ignition switch ON and select "DATA MONITOR" mode with CONSULT.
2. Start engine and warm it up to the normal operating temperature.
3. Maintain the following conditions for at least 6 consecutive seconds. Hold the accelerator pedal as steady as possible.

ENG SPEED	1,200 - 2,000 rpm
COOLAN TEMP/S	More than 60°C (140°F)
Selector lever	D position

CAUTION:

Always drive at a safe speed.

4. Stop vehicle with engine running and let engine idle for 10 seconds.
5. Check 1st trip DTC.

With GST

Follow the procedure "With CONSULT" above.

Is 1st trip DTC detected?

- YES >> Proceed to [EC-765, "Diagnosis Procedure"](#)
NO >> GO TO 3.

3. PERFORM DTC CONFIRMATION PROCEDURE-II

With CONSULT

1. Maintain the following conditions for at least 20 consecutive seconds.

P0011, P0021 IVT CONTROL

< DTC/CIRCUIT DIAGNOSIS >

[VQ35DE]

ENG SPEED	1,200 - 3,175 rpm (A constant rotation is maintained.)
COOLAN TEMP/S	More than 60°C (140°F)
Selector lever	1st or 2nd position
Driving location uphill	Driving vehicle uphill (Increased engine load will help maintain the driving conditions required for this test.)

CAUTION:

Always drive at a safe speed.

2. Check 1st trip DTC.

With GST

Follow the procedure "With CONSULT" above.

Is 1st trip DTC detected?

- YES >> Proceed to [EC-765, "Diagnosis Procedure"](#)
- NO >> INSPECTION END

Diagnosis Procedure

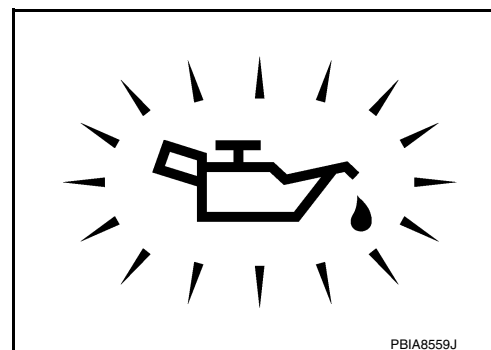
INFOID:000000012602704

1. CHECK OIL PRESSURE WARNING LAMP

1. Start engine.
2. Check oil pressure warning lamp and confirm it is not illuminated.

Is oil pressure warning lamp illuminated?

- YES >> Check the engine oil level. Refer to [LU-28, "Inspection"](#).
- NO >> GO TO 2.



2. CHECK INTAKE VALVE TIMING CONTROL SOLENOID VALVE

Check intake valve timing control solenoid valve. Refer to [EC-766, "Component Inspection"](#).

Is the inspection result normal?

- YES >> GO TO 3.
- NO >> Replace malfunctioning intake valve timing control solenoid valve. Refer to [EM-177, "Valve Timing Control Cover \(bank 2\)"](#) or [EM-176, "Valve Timing Control Cover \(bank 1\)"](#).

3. CHECK CRANKSHAFT POSITION SENSOR (POS)

Check crankshaft position sensor (POS). Refer to [EC-880, "Component Inspection"](#).

Is the inspection result normal?

- YES >> GO TO 4.
- NO >> Replace crankshaft position sensor (POS). Refer to [EM-161, "Removal and Installation \(Upper Oil Pan\)"](#).

4. CHECK CAMSHAFT POSITION SENSOR (PHASE)

Check camshaft position sensor (PHASE). Refer to [EC-883, "Component Inspection"](#).

Is the inspection result normal?

- YES >> GO TO 5.
- NO >> Replace malfunctioning camshaft position sensor (PHASE). Refer to [EM-172, "Removal and Installation \(bank 2\)"](#) or [EM-173, "Removal and Installation \(bank 1\)"](#).

5. CHECK CAMSHAFT (INTAKE)

Check the following.

P0011, P0021 IVT CONTROL

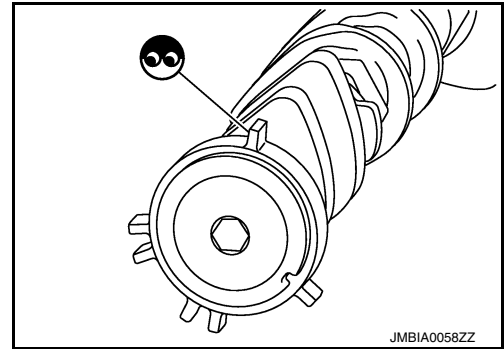
[VQ35DE]

< DTC/CIRCUIT DIAGNOSIS >

- Accumulation of debris on the signal plate of camshaft rear end
- Chipping signal plate of camshaft rear end

Is the inspection result normal?

- YES >> GO TO 6.
 NO >> Remove debris and clean the signal plate of camshaft rear end or replace camshaft. Refer to [EM-200, "Removal and Installation"](#).



JMBIA0058ZZ

6. CHECK TIMING CHAIN INSTALLATION

Check service records for any recent repairs that may cause timing chain misalignment.

Are there any service records that may cause timing chain misalignment?

- YES >> Check timing chain installation. Refer to [EM-187, "Removal and Installation"](#).
 NO >> GO TO 7.

7. CHECK LUBRICATION CIRCUIT

Check lubrication circuit. Refer to [EM-208, "Inspection after Installation"](#).

Is the inspection result normal?

- YES >> Check intermittent incident. Refer to [GI-44, "Intermittent Incident"](#).
 NO >> Clean lubrication line.

Component Inspection

INFOID:0000000012602705

1. CHECK INTAKE VALVE TIMING CONTROL SOLENOID VALVE-I

1. Turn ignition switch OFF.
2. Disconnect intake valve timing control solenoid valve harness connector.
3. Check resistance between intake valve timing control solenoid valve terminals as per the following.

Intake valve timing control solenoid valve		Resistance
+	-	
Terminal		
1	2	7.0 - 7.8 Ω [at 20°C (68°F)]
1	Ground	$\infty \Omega$
2		(Continuity should not exist)

Is the inspection result normal?

- YES >> GO TO 2.
 NO >> Replace malfunctioning intake valve timing control solenoid valve. Refer to [EM-177, "Valve Timing Control Cover \(bank 2\)"](#) or [EM-176, "Valve Timing Control Cover \(bank 1\)"](#).

2. CHECK INTAKE VALVE TIMING CONTROL SOLENOID VALVE-II

1. Remove intake valve timing control solenoid valve. Refer to [EM-177, "Valve Timing Control Cover \(bank 2\)"](#) or [EM-176, "Valve Timing Control Cover \(bank 1\)"](#).
2. Provide 12 V DC between intake valve timing control solenoid valve terminals 1 and 2, and then interrupt it. Check that the plunger moves as shown in the figure.

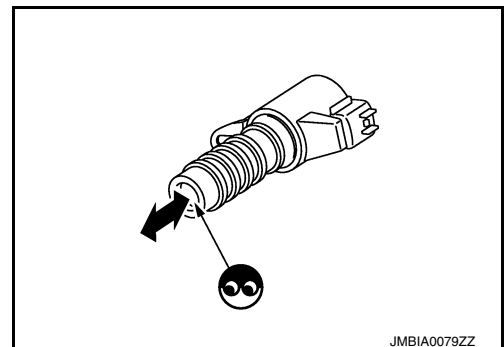
CAUTION:

Never apply 12 V DC continuously for 5 seconds or more. Doing so may result in damage to the coil in intake valve timing control solenoid valve.

NOTE:

Always replace O-ring when intake valve timing control solenoid valve is removed.

Is the inspection result normal?



JMBIA0079ZZ

P0011, P0021 IVT CONTROL

[VQ35DE]

< DTC/CIRCUIT DIAGNOSIS >

YES >> INSPECTION END

NO >> Replace malfunctioning intake valve timing control solenoid valve. Refer to [EM-177, "Valve Timing Control Cover \(bank 2\)"](#) or [EM-176, "Valve Timing Control Cover \(bank 1\)"](#).

A

EC

C

D

E

F

G

H

I

J

K

L

M

N

O

P

P0014, P0024 EVT CONTROL

DTC Description

INFOID:000000012602706

DTC DETECTION LOGIC

DTC No.	CONSULT screen terms (Trouble diagnosis content)	DTC detecting condition
P0014	EXH/V TIM CONT-B1 [Exhaust valve timing control performance (bank 1)]	There is a gap between angle of target and phase-control angle degree.
P0024	EXH/V TIM CONT-B2 [Exhaust valve timing control performance (bank 2)]	

POSSIBLE CAUSE

- Crankshaft position sensor
- Camshaft position sensor
- Exhaust valve timing control position sensor
- Exhaust valve timing control solenoid valve
- Accumulation of debris to the signal pick-up portion of the camshaft
- Timing chain installation
- Foreign matter caught in the oil groove for exhaust valve timing control

TESTING CONDITION:

Before performing the following procedure, confirm that battery voltage is between 10 V and 16 V at idle.

DTC CONFIRMATION PROCEDURE

1. CHECK DTC PRIORITY

If DTC P0014 or P0024 is displayed with DTC P0078, P0084, P1078, or P1084, first perform the confirmation procedure (trouble diagnosis) for DTC P0078, P0084, P1078, or P1084.

Is applicable DTC detected?

- YES >> Perform diagnosis of applicable.
- DTC P0078: Refer to [EC-784, "DTC Description"](#).
 - DTC P0084: Refer to [EC-784, "DTC Description"](#).
 - DTC P1078: Refer to [EC-961, "DTC Description"](#).
 - DTC P1084: Refer to [EC-961, "DTC Description"](#).

NO >> GO TO 2.

2. PRECONDITIONING

If DTC Confirmation Procedure has been previously conducted, always perform the following procedure before conducting the next test.

1. Turn ignition switch OFF and wait at least 10 seconds.
2. Turn ignition switch ON
3. Turn ignition switch OFF and wait at least 10 seconds.

TESTING CONDITION:

Before performing the following procedure, confirm that battery voltage is between 10 V and 16 V at idle.

>> GO TO 3.

3. PERFORM DTC CONFIRMATION PROCEDURE - 1

Ⓜ With CONSULT

1. Turn the ignition switch ON and select "DATA MONITOR" mode of "ENGINE" using CONSULT.
2. Warm engine up to the normal operating temperature.
3. Maintain the following conditions for at least 6 consecutive seconds. Hold the accelerator pedal as steady as possible.

P0014, P0024 EVT CONTROL

< DTC/CIRCUIT DIAGNOSIS >

[VQ35DE]

ENG SPEED	500 – 2,000 rpm (A constant rotation is maintained)
COOLAN TEMP/S	More than 20°C (68°F)
Selector lever	P or N position

- Let engine idle for 10 seconds.
- Check 1st trip DTC.

 With GST

Follow the procedure “With CONSULT” above.

Is 1st trip DTC detected?

- YES >> Proceed to [EC-769, "Diagnosis Procedure"](#)
- NO >> GO TO 4.

4.PERFORM DTC CONFIRMATION PROCEDURE - 2

 With CONSULT

- Select “DATA MONITOR” mode of “ENGINE” using CONSULT.
- Maintain the following conditions for at least 20 consecutive seconds.

ENG SPEED	1,400 – 3,175 rpm (A constant rotation is maintained.)
COOLAN TEMP/S	More than 60°C (140°F)
Selector lever	1st or 2nd position
Driving location uphill	Driving vehicle uphill (Increased engine load will help maintain the driving conditions required for this test.)

CAUTION:

Always drive vehicle at a safe speed.

- Check 1st trip DTC.

 With GST

Follow the procedure “With CONSULT” above.

Is 1st trip DTC detected?

- YES >> Proceed to [EC-769, "Diagnosis Procedure"](#).
- NO-1 >> To check malfunction symptom before repair: Refer to [GI-44, "Intermittent Incident"](#).
- NO-2 >> Confirmation after repair: INSPECTION END

Diagnosis Procedure

INFOID:0000000012602707

1.CHECK DTC PRIORITY

If DTC P0014 or P0024 is displayed with DTC P0078, P0084, P1078, or P1084, first perform the confirmation procedure (trouble diagnosis) for DTC P0078, P0084, P1078, or P1084.

Is applicable DTC detected?

- YES >> Perform diagnosis of applicable.
 - DTC P0078: Refer to [EC-784, "DTC Description"](#).
 - DTC P0084: Refer to [EC-784, "DTC Description"](#).
 - DTC P1078: Refer to [EC-961, "DTC Description"](#).
 - DTC P1084: Refer to [EC-961, "DTC Description"](#).
- NO >> GO TO 2.

2.CHECK ENGINE OIL PRESSURE WARNING LAMP

- Start the engine.

P0014, P0024 EVT CONTROL

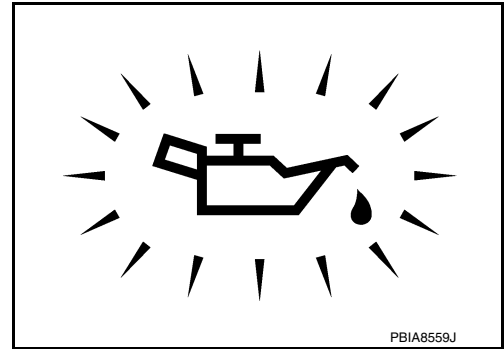
[VQ35DE]

< DTC/CIRCUIT DIAGNOSIS >

2. Check that engine oil pressure warning lamp is not illuminated.

Is engine oil pressure warning lamp illuminated?

- YES >> Proceed to [LU-28. "Inspection"](#).
NO >> GO TO 3.



3. CHECK EXHAUST VALVE TIMING CONTROL SOLENOID VALVE

Check exhaust valve timing control solenoid valve. Refer to [EC-773. "Component Inspection \(Exhaust Valve Timing Control Solenoid Valve\)"](#).

Is the inspection result normal?

- YES >> GO TO 4.
NO >> Replace malfunctioning exhaust valve timing control solenoid valve. Refer to [EM-176. "Exploded View"](#).

4. CHECK EXHAUST VALVE TIMING CONTROL POSITION SENSOR

Check exhaust valve timing control position sensor. Refer to [EC-772. "Component Inspection \(Exhaust Valve Timing Control Position Sensor\)"](#).

Is the inspection result normal?

- YES >> GO TO 5.
NO >> Replace malfunctioning exhaust valve timing control position sensor. Refer to [EM-176. "Exploded View"](#).

5. CHECK CRANKSHAFT POSITION SENSOR

Check crankshaft position sensor. Refer to [EC-771. "Component Inspection \(Crankshaft Position Sensor\)"](#).

Is the inspection result normal?

- YES >> GO TO 6.
NO >> Replace crankshaft position sensor. Refer to [EM-160. "Exploded View"](#).

6. CHECK CAMSHAFT POSITION SENSOR

Check camshaft position sensor. Refer to [EC-771. "Component Inspection \(Camshaft Position Sensor\)"](#).

Is the inspection result normal?

- YES >> GO TO 7.
NO >> Replace malfunctioning camshaft position sensor. Refer to [EM-172. "Exploded View"](#).

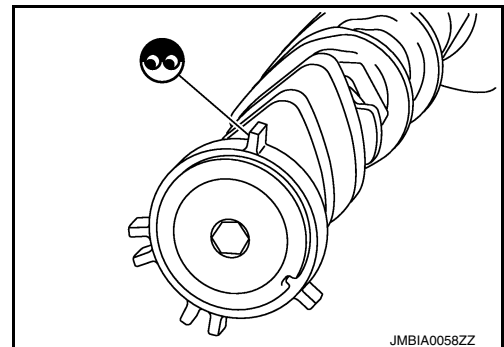
7. CHECK CAMSHAFT (EXH)

Check the following.

- Accumulation of debris on the signal plate of camshaft rear end
- Chipping signal plate of camshaft rear end

Is the inspection result normal?

- YES >> GO TO 8.
NO >> Remove debris and clean the signal plate of camshaft rear end or replace camshaft. Refer to [EM-200. "Removal and Installation"](#).



8. CHECK TIMING CHAIN INSTALLATION

Check service records for any recent repairs that may cause timing chain misaligned.

Are there any service records that may cause timing chain misaligned?

- YES >> Check timing chain installation. Refer to [EM-187. "Removal and Installation"](#).

< DTC/CIRCUIT DIAGNOSIS >

NO >> GO TO 9.

9. CHECK LUBRICATION CIRCUIT

Perform "Inspection of Camshaft Sprocket (EXT) Oil Groove". Refer to [EM-208, "Inspection after Installation"](#).

Is the inspection result normal?

YES >> INSPECTION END
 NO >> Clean lubrication line.

Component Inspection (Camshaft Position Sensor)

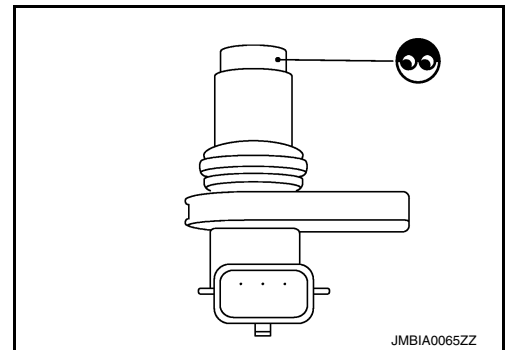
INFOID:0000000012602708

1. CHECK CAMSHAFT POSITION SENSOR (PHASE) - 1

1. Turn ignition switch OFF.
2. Loosen the fixing bolt of the sensor.
3. Disconnect camshaft position sensor (PHASE) harness connector.
4. Remove the sensor. Refer to [EM-172, "Removal and Installation \(bank 2\)"](#), [EM-173, "Removal and Installation \(bank 1\)"](#).
5. Visually check the sensor for chipping.

Is the inspection result normal?

YES >> GO TO 2.
 NO >> Replace malfunctioning camshaft position sensor (PHASE). Refer to [EM-172, "Removal and Installation \(bank 2\)"](#), [EM-173, "Removal and Installation \(bank 1\)"](#).



2. CHECK CAMSHAFT POSITION SENSOR (PHASE) - 2

Check resistance camshaft position sensor (PHASE) terminals as follows.

Crankshaft position sensor		Condition		Resistance
+	-			
Terminals		Temperature	25°C (77°F)	Except 0 Ω or ∞
1	2			
1	3			
2	3			

Is the inspection result normal?

YES >> INSPECTION END
 NO >> Replace malfunctioning camshaft position sensor (PHASE). Refer to [EM-172, "Removal and Installation \(bank 2\)"](#), [EM-173, "Removal and Installation \(bank 1\)"](#).

Component Inspection (Crankshaft Position Sensor)

INFOID:0000000012602709

1. CHECK CRANKSHAFT POSITION SENSOR (POS) - 1

1. Turn ignition switch OFF.
2. Loosen the fixing bolt of the sensor.
3. Disconnect crankshaft position sensor (POS) harness connector.
4. Remove the sensor. Refer to [EM-160, "Exploded View"](#).

P0014, P0024 EVT CONTROL

[VQ35DE]

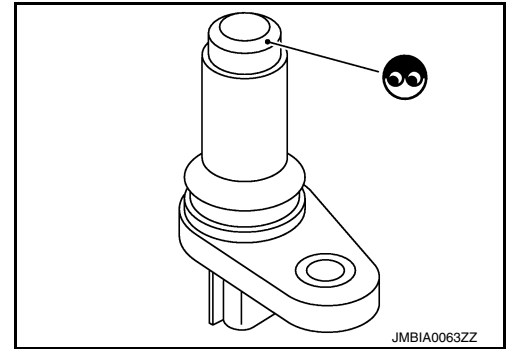
< DTC/CIRCUIT DIAGNOSIS >

5. Visually check the sensor for chipping.

Is the inspection result normal?

YES >> GO TO 2.

NO >> Replace crankshaft position sensor (POS). Refer to [EM-160, "Exploded View"](#).



2. CHECK CRANKSHAFT POSITION SENSOR (POS) - 2

Check resistance between crankshaft position sensor (POS) terminals as follows.

Crankshaft position sensor		Condition		Resistance
+	-			
Terminals				
1	2	Temperature	25°C (77°F)	Except 0 Ω or ∞
1	3			
2	3			

Is the inspection result normal?

YES >> INSPECTION END

NO >> Replace crankshaft position sensor (POS). Refer to [EM-160, "Exploded View"](#).

Component Inspection (Exhaust Valve Timing Control Position Sensor)

INFOID:0000000012602710

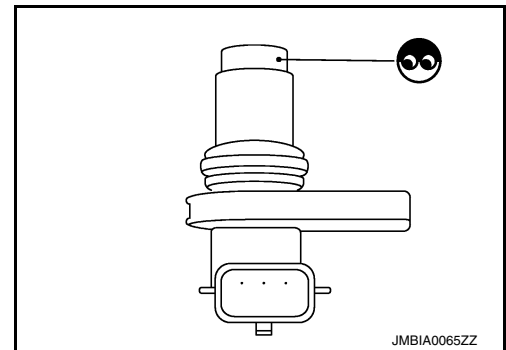
1. EXHAUST VALVE TIMING CONTROL POSITION SENSOR - 1

1. Turn ignition switch OFF.
2. Disconnect exhaust valve timing control position sensor harness connector.
3. Loosen the fixing bolt of the sensor.
4. Remove the sensor. Refer to [EM-172, "Exploded View"](#).
5. Visually check the sensor for chipping.

Is the inspection result normal?

YES >> GO TO 2.

NO >> Replace malfunctioning exhaust valve timing control position sensor. Refer to [EM-172, "Exploded View"](#).



2. EXHAUST VALVE TIMING CONTROL POSITION SENSOR - 2

Check resistance exhaust valve timing control position sensor terminals as follows.

Exhaust valve timing control position sensor		Condition		Resistance
+	-			
Terminal				
1	2	Temperature	25°C (77°F)	Except 0 Ω or ∞ Ω
1	3			
2	3			

Is the inspection result normal?

P0014, P0024 EVT CONTROL

[VQ35DE]

< DTC/CIRCUIT DIAGNOSIS >

- YES >> INSPECTION END
 NO >> Replace malfunctioning exhaust valve timing control position sensor. Refer to [EM-172, "Exploded View"](#).

Component Inspection (Exhaust Valve Timing Control Solenoid Valve)

INFOID:000000012602711

EC

1. CHECK EXHAUST VALVE TIMING CONTROL SOLENOID VALVE - 1

- Turn ignition switch OFF.
- Disconnect exhaust valve timing control solenoid valve harness connector.
- Check resistance between exhaust valve timing control solenoid valve terminals as follows.

Exhaust valve timing control solenoid valve		Condition		Resistance
+	-			
Terminal				
1	2			7.0 – 7.8 Ω
1	Ground	Temperature	20°C (68°F)	∞ (Continuity should not exist)
2				

Is the inspection result normal?

- YES >> GO TO 2.
 NO >> Replace malfunctioning exhaust valve timing control solenoid valve. Refer to [EM-176, "Exploded View"](#).

2. CHECK EXHAUST VALVE TIMING CONTROL SOLENOID VALVE - 2

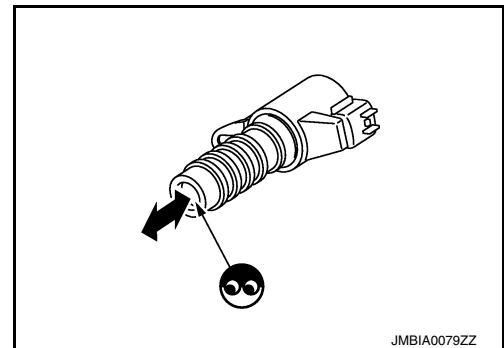
- Remove intake valve timing control solenoid valve. Refer to [EM-176, "Exploded View"](#).
- Apply 12 V between exhaust valve timing control solenoid valve terminals 1 and 2, and then interrupt it. Check that the plunger moves as shown in the figure.

CAUTION:

Never apply 12 V continuously for 5 seconds or more. Doing so may result in damage to the coil in exhaust valve timing control solenoid valve.

NOTE:

Always replace O-ring when exhaust valve timing control solenoid valve is removed.



Is the inspection result normal?

- YES >> INSPECTION END
 NO >> Replace malfunctioning exhaust valve timing control solenoid valve. Refer to [EM-176, "Exploded View"](#).

P0030, P0031, P0032, P0036, P0051, P0052 A/F SENSOR 1 HEATER

< DTC/CIRCUIT DIAGNOSIS >

[VQ35DE]

P0030, P0031, P0032, P0036, P0051, P0052 A/F SENSOR 1 HEATER

DTC Logic

INFOID:000000012602712

DTC DETECTION LOGIC

DTC No.	Trouble diagnosis name	DTC detecting condition	Possible cause
P0030	Air fuel ratio (A/F) sensor 1 heater (bank 1) performance	Deterioration in A/F sensor 1 heater performance. (Voltage signal transmitted from A/F sensor 1 heater to ECM is higher/lower than voltage in the normal range.)	<ul style="list-style-type: none">• Harness or connectors (The A/F sensor 1 heater circuit is open or shorted.)• A/F sensor 1 heater
P0031	Air fuel ratio (A/F) sensor 1 heater (bank 1) control circuit low	The current amperage in the A/F sensor 1 heater circuit is out of the normal range. (An excessively low voltage signal is sent to ECM through the A/F sensor 1 heater.)	<ul style="list-style-type: none">• Harness or connectors (The A/F sensor 1 heater circuit is open or shorted.)• A/F sensor 1 heater
P0032	Air fuel ratio (A/F) sensor 1 heater (bank 1) control circuit high	The current amperage in the A/F sensor 1 heater circuit is out of the normal range. (An excessively high voltage signal is sent to ECM through the A/F sensor 1 heater.)	<ul style="list-style-type: none">• Harness or connectors (The A/F sensor 1 heater circuit is shorted.)• A/F sensor 1 heater
P0036	Air fuel ratio (A/F) sensor 1 heater (bank 2) performance	Deterioration in A/F sensor 1 heater performance. (Voltage signal transmitted from A/F sensor 1 heater to ECM is higher/lower than voltage in the normal range.)	<ul style="list-style-type: none">• Harness or connectors (The A/F sensor 1 heater circuit is open or shorted.)• A/F sensor 1 heater
P0051	Air fuel ratio (A/F) sensor 1 heater (bank 2) control circuit low	The current amperage in the A/F sensor 1 heater circuit is out of the normal range. (An excessively low voltage signal is sent to ECM through the A/F sensor 1 heater.)	<ul style="list-style-type: none">• Harness or connectors (The A/F sensor 1 heater circuit is open or shorted.)• A/F sensor 1 heater
P0052	Air fuel ratio (A/F) sensor 1 heater (bank 2) control circuit high	The current amperage in the A/F sensor 1 heater circuit is out of the normal range. (An excessively high voltage signal is sent to ECM through the A/F sensor 1 heater.)	<ul style="list-style-type: none">• Harness or connectors (The A/F sensor 1 heater circuit is shorted.)• A/F sensor 1 heater

DTC CONFIRMATION PROCEDURE

1. PRECONDITIONING

If DTC Confirmation Procedure has been previously conducted, always perform the following before conducting the next test.

1. Turn ignition switch OFF and wait at least 10 seconds.
2. Turn ignition switch ON.
3. Turn ignition switch OFF and wait at least 10 seconds.

TESTING CONDITION:

Before performing the following procedure, confirm that battery voltage is more than 11 V at idle.

>> GO TO 2.

2. PERFORM DTC CONFIRMATION PROCEDURE

1. Start engine and let it idle for at least 10 seconds.
2. Check 1st trip DTC.

Is 1st trip DTC detected?

- YES >> Proceed to [EC-774, "Diagnosis Procedure"](#).
- NG >> INSPECTION END

Diagnosis Procedure

INFOID:000000012602713

1. CHECK AIR FUEL RATIO (A/F) SENSOR 1 POWER SUPPLY

1. Disconnect air fuel ratio (A/F) sensor 1 harness connector.
2. Turn ignition switch ON.
3. Check the voltage between A/F sensor 1 harness connector and ground.

P0030, P0031, P0032, P0036, P0051, P0052 A/F SENSOR 1 HEATER

< DTC/CIRCUIT DIAGNOSIS >

[VQ35DE]

DTC	A/F sensor 1			Ground	Voltage
	Bank	Connector	Terminal		
P0030, P0031, P0032	1	F12	1	Ground	Battery voltage
P0036, P0051, P0052	2	F61	1		

Is the inspection result normal?

- YES >> GO TO 3.
- NO >> GO TO 2.

2. CHECK AIR FUEL RATIO (A/F) SENSOR 1 POWER SUPPLY CIRCUIT

1. Turn ignition switch OFF.
2. Disconnect IPDM E/R harness connector.
3. Check the continuity between A/F sensor 1 harness connector and IPDM E/R harness connector.

DTC	A/F sensor 1			IPDM E/R		Continuity
	Bank	Connector	Terminal	Connector	Terminal	
P0030, P0031, P0032	1	F12	1	F83	52	Existed
P0036, P0051, P0052	2	F61	1		53	

Is the inspection result normal?

- YES >> Perform the trouble diagnosis for power supply circuit.
- NO >> Repair or replace error-detected parts.

3. CHECK A/F SENSOR 1 HEATER OUTPUT SIGNAL CIRCUIT

1. Turn ignition switch OFF.
2. Disconnect ECM harness connector.
3. Check harness continuity between A/F sensor 1 harness connector and ECM harness connector.

DTC	A/F sensor 1			ECM		Continuity
	Bank	Connector	Terminal	Connector	Terminal	
P0030, P0031, P0032	1	F12	2	F78	6	Existed
P0036, P0051, P0052	2	F61	2		46	

4. Also check harness for short to ground and short to power.

Is the inspection result normal?

- YES >> GO TO 4.
- NO >> Repair open circuit, short to ground or short to power in harness or connectors.

4. CHECK A/F SENSOR 1 HEATER

Check A/F sensor 1 heater. Refer to [EC-775, "Component Inspection"](#).

Is the inspection result normal?

- YES >> Check intermittent incident. Refer to [GI-44, "Intermittent Incident"](#).
- NO >> Replace malfunctioning air fuel ratio (A/F) sensor 1. Refer to [EM-153, "Removal and Installation \(bank 2\)"](#) or [EM-155, "Removal and Installation \(bank 1\)"](#).

Component Inspection

INFOID:000000012602714

1. CHECK AIR FUEL RATIO (A/F) SENSOR 1

1. Turn ignition switch OFF.
2. Disconnect A/F sensor 1 harness connector.
3. Check resistance between A/F sensor 1 terminals as per the following.

P0030, P0031, P0032, P0036, P0051, P0052 A/F SENSOR 1 HEATER

< DTC/CIRCUIT DIAGNOSIS >

[VQ35DE]

+		-		Resistance
A/F sensor 1				
Terminal				
2	1	3	4	1.8 - 2.44 Ω [at 25°C (77°F)]
	1	3	4	$\infty\Omega$ (Continuity should not exist)
	1	3	4	

Is the inspection result normal?

YES >> INSPECTION END

NO >> Replace malfunctioning air fuel ratio (A/F) sensor 1. Refer to [EM-153. "Removal and Installation \(bank 2\)"](#) or [EM-155. "Removal and Installation \(bank 1\)"](#).

P0037, P0038, P0057, P0058 HO2S2 HEATER

< DTC/CIRCUIT DIAGNOSIS >

[VQ35DE]

P0037, P0038, P0057, P0058 HO2S2 HEATER

DTC Logic

INFOID:000000012602715

DTC DETECTION LOGIC

DTC No.	Trouble diagnosis name	DTC detecting condition	Possible cause
P0037	Heated oxygen sensor 2 heater (bank 1) control circuit low	The current amperage in the heated oxygen sensor 2 heater circuit is out of the normal range. (An excessively low voltage signal is sent to ECM through the heated oxygen sensor 2 heater.)	<ul style="list-style-type: none">• Harness or connectors (The heated oxygen sensor 2 heater circuit is open or shorted.)• Heated oxygen sensor 2 heater
P0038	Heated oxygen sensor 2 heater (bank 1) control circuit high	The current amperage in the heated oxygen sensor 2 heater circuit is out of the normal range. (An excessively high voltage signal is sent to ECM through the heated oxygen sensor 2 heater.)	<ul style="list-style-type: none">• Harness or connectors (The heated oxygen sensor 2 heater circuit is shorted.)• Heated oxygen sensor 2 heater
P0057	Heated oxygen sensor 2 heater (bank 2) control circuit low	The current amperage in the heated oxygen sensor 2 heater circuit is out of the normal range. (An excessively low voltage signal is sent to ECM through the heated oxygen sensor 2 heater.)	<ul style="list-style-type: none">• Harness or connectors (The heated oxygen sensor 2 heater circuit is open or shorted.)• Heated oxygen sensor 2 heater
P0058	Heated oxygen sensor 2 heater (bank 2) control circuit high	The current amperage in the heated oxygen sensor 2 heater circuit is out of the normal range. (An excessively high voltage signal is sent to ECM through the heated oxygen sensor 2 heater.)	<ul style="list-style-type: none">• Harness or connectors (The heated oxygen sensor 2 heater circuit is shorted.)• Heated oxygen sensor 2 heater

DTC CONFIRMATION PROCEDURE

1. PRECONDITIONING

If DTC Confirmation Procedure has been previously conducted, always perform the following before conducting the next test.

1. Turn ignition switch OFF and wait at least 10 seconds.
2. Turn ignition switch ON.
3. Turn ignition switch OFF and wait at least 10 seconds.

TESTING CONDITION:

Before performing the following procedure, confirm that battery voltage is between 10.5 V and 16 V at idle.

>> GO TO 2.

2. PERFORM DTC CONFIRMATION PROCEDURE

1. Start engine and warm it up to the normal operating temperature.
2. Turn ignition switch OFF and wait at least 10 seconds.
3. Turn ignition switch ON.
4. Turn ignition switch OFF and wait at least 10 seconds.
5. Start engine and keep the engine speed between 3,500 and 4,000 rpm for at least 1 minute under no load.
6. Let engine idle for 1 minute.
7. Check 1st trip DTC.

Is 1st trip DTC detected?

- YES >> Proceed to [EC-777, "Diagnosis Procedure"](#).
NO >> INSPECTION END

Diagnosis Procedure

INFOID:000000012602716

1. CHECK HO2S2 POWER SUPPLY

1. Disconnect heated oxygen sensor 2 (HO2S2) harness connector.
2. Turn ignition switch ON.
3. Check the voltage between HO2S2 harness connector and ground.

P0037, P0038, P0057, P0058 HO2S2 HEATER

< DTC/CIRCUIT DIAGNOSIS >

[VQ35DE]

DTC	HO2S2			Ground	Voltage
	Bank	Connector	Terminal		
P0037, P0038	1	F62	1	Ground	Battery voltage
P0057, P0058	2	F56	1		

Is the inspection result normal?

YES >> GO TO 3.

NO >> GO TO 2.

2. CHECK HO2S2 SENSOR 1 POWER SUPPLY CIRCUIT

1. Turn ignition switch OFF.
2. Disconnect IPDM E/R harness connector.
3. Check the continuity between HO2S2 harness connector and IPDM E/R harness connector.

DTC	HO2S2			IPDM E/R		Continuity
	Bank	Connector	Terminal	Connector	Terminal	
P0037, P0038	1	F62	1	F83	52	Existed
P0057, P0058	2	F56	1		53	

Is the inspection result normal?

YES >> Perform the trouble diagnosis for power supply circuit.

NO >> Repair or replace error-detected parts.

3. CHECK HO2S2 HEATER OUTPUT SIGNAL CIRCUIT FOR OPEN AND SHORT

1. Turn ignition switch OFF.
2. Disconnect ECM harness connector.
3. Check the continuity between HO2S2 harness connector and ECM harness connector.

DTC	HO2S2			ECM		Continuity
	Bank	Connector	Terminal	Connector	Terminal	
P0037, P0038	1	F62	2	F78	7	Existed
P0057, P0058	2	F56	2		47	

4. Also check harness for short to ground and short to power.

Is the inspection result normal?

YES >> GO TO 4.

NO >> Repair open circuit, short to ground or short to power in harness or connectors.

4. CHECK HEATED OXYGEN SENSOR 2 HEATER

Check heated oxygen sensor 2 heater. Refer to [EC-778, "Component Inspection"](#).

Is the inspection result normal?

YES >> Check intermittent incident. Refer to [GI-44, "Intermittent Incident"](#).

NO >> Replace malfunctioning heated oxygen sensor 2. Refer to [EM-153, "Removal and Installation \(bank 2\)"](#).

Component Inspection

INFOID:0000000012602717

1. CHECK HEATED OXYGEN SENSOR 2 HEATER

1. Turn ignition switch OFF.
2. Disconnect heated oxygen sensor 2 harness connector.
3. Check resistance between HO2S2 terminals as per the following.

P0037, P0038, P0057, P0058 HO2S2 HEATER

< DTC/CIRCUIT DIAGNOSIS >

[VQ35DE]

+		-		Resistance
Heated oxygen sensor 2				
Terminal				
1		2		3.4 - 4.4 Ω [at 25°C (77°F)]
4		1		∞Ω (Continuity should not exist)
		2		
		3		
3		4		
		1		
		2		

Is the inspection result normal?

YES >> INSPECTION END

NO >> Replace malfunctioning heated oxygen sensor 2. Refer to [EM-153. "Removal and Installation \(bank 2\)"](#).

A

EC

C

D

E

F

G

H

I

J

K

L

M

N

O

P

P0075, P0081 IVT CONTROL SOLENOID VALVE

< DTC/CIRCUIT DIAGNOSIS >

[VQ35DE]

P0075, P0081 IVT CONTROL SOLENOID VALVE

DTC Logic

INFOID:000000012602718

DTC DETECTION LOGIC

DTC No.	Trouble diagnosis name	DTC detecting condition	Possible cause
P0075	INT/V TIM V/CIR-B1 (Intake valve control solenoid circuit bank 1)	<ul style="list-style-type: none">ECM detects an abnormal voltage in the intake valve timing control solenoid valve control circuit.ECM detects an abnormal voltage in the intake valve timing intermediate lock control solenoid valve control circuit.	<ul style="list-style-type: none">Harness or connectors (Intake valve timing control solenoid valve circuit is open or shorted.) (Intake valve timing intermediate lock control solenoid valve circuit is open or shorted.)Intake valve timing control solenoid valveIntake valve timing intermediate lock control solenoid valve
P0081	INT/V TIM V/CIR-B1 (Intake valve control solenoid circuit bank 2)		

DTC CONFIRMATION PROCEDURE

1. PRECONDITIONING

If DTC Confirmation Procedure has been previously conducted, always perform the following before conducting the next test.

- Turn ignition switch OFF and wait at least 10 seconds.
- Turn ignition switch ON.
- Turn ignition switch OFF and wait at least 10 seconds.

>> GO TO 2.

2. PERFORM DTC CONFIRMATION PROCEDURE

- Start engine and let it idle for 5 seconds.
- Check 1st trip DTC.

Is 1st trip DTC detected?

- YES >> Proceed to [EC-780, "Diagnosis Procedure"](#).
NO >> INSPECTION END

Diagnosis Procedure

INFOID:000000012602719

1. CHECK INTAKE VALVE TIMING CONTROL SOLENOID VALVE POWER SUPPLY

- Turn ignition switch OFF.
- Disconnect intake valve timing (IVT) control solenoid valve harness connector.
- Turn ignition switch ON.
- Check the voltage between intake valve timing control solenoid valve harness connector and ground with CONSULT or tester.

DTC	IVT control solenoid valve			Ground	Voltage
	Bank	Connector	Terminal		
P0075	1	F67	1	Ground	Battery voltage
P0081	2	F66	1		

Is the inspection result normal?

- YES >> GO TO 2.
NO >> Repair open circuit, short to ground or short to power in harness or connectors.

2. CHECK IVT CONTROL SOLENOID VALVE POWER SUPPLY CIRCUIT

- Turn ignition switch OFF.
- Disconnect IPDM E/R harness connector.
- Check the continuity between IVT control solenoid valve harness connector and IPDM E/R harness connector.

P0075, P0081 IVT CONTROL SOLENOID VALVE

< DTC/CIRCUIT DIAGNOSIS >

[VQ35DE]

DTC	IVT control solenoid valve			IPDM E/R		Continuity
	Bank	Connector	Terminal	Connector	Terminal	
P0075	1	F67	1	F83	59	Existed
P0081	2	F66	1			

4. Also check harness for short to ground.

Is the inspection result normal?

YES >> GO TO 3.

NO >> Repair or replace error-detected parts.

3. CHECK INTAKE VALVE TIMING CONTROL SOLENOID VALVE OUTPUT SIGNAL CIRCUIT FOR OPEN AND SHORT

1. Turn ignition switch OFF.
2. Disconnect ECM harness connector.
3. Check the continuity between intake valve timing control solenoid valve harness connector and ECM harness connector.

DTC	IVT control solenoid valve			ECM		Continuity
	Bank	Connector	Terminal	Connector	Terminal	
P0075	1	F67	2	F79	117	Existed
P0081	2	F66	2		119	

4. Also check harness for short to ground and short to power.

Is the inspection result normal?

YES >> GO TO 4.

NO >> Repair open circuit, short to ground or short to power in harness or connectors.

4. CHECK IVT CONTROL SOLENOID VALVE

Check the IVT control solenoid valve. Refer to [EC-782, "Component Inspection \(IVT Control Solenoid Valve\)"](#).

Is the inspection result normal?

YES >> GO TO 5.

NO >> Replace IVT control solenoid valve. Refer to [EM-176, "Exploded View"](#).

5. CHECK IVT INTERMEDIATE LOCK CONTROL SOLENOID VALVE POWER SUPPLY

1. Disconnect IVT intermediate lock control solenoid valve harness connector.
2. Turn ignition switch ON.
3. Check the voltage between IVT intermediate lock control solenoid valve harness connector and ground.

DTC	IVT intermediate lock control solenoid valve			Ground	Voltage
	Bank	Connector	Terminal		
P0075	1	F74	1	Ground	Battery voltage
P0081	2	F75	1		

Is the inspection result normal?

YES >> GO TO 7.

NO >> GO TO 6.

6. CHECK IVT INTERMEDIATE LOCK CONTROL SOLENOID VALVE POWER SUPPLY CIRCUIT

1. Turn ignition switch OFF.
2. Disconnect IPDM E/R harness connector.
3. Check the continuity between IVT intermediate lock control solenoid valve harness connector and IPDM E/R harness connector.

P0075, P0081 IVT CONTROL SOLENOID VALVE

< DTC/CIRCUIT DIAGNOSIS >

[VQ35DE]

DTC	IVT intermediate lock control solenoid valve			IPDM E/R		Continuity
	Bank	Connector	Terminal	Connector	Terminal	
P0075	1	F74	1	F83	59	Existed
P0081	2	F75	1			

4. Also check harness for short to ground.

Is the inspection result normal?

YES >> Perform the trouble diagnosis for power supply circuit.

NO >> Repair or replace error-detected parts.

7. CHECK IVT INTERMEDIATE LOCK CONTROL SOLENOID VALVE GROUND CIRCUIT

1. Turn ignition switch OFF.
2. Disconnect ECM harness connector.
3. Check the continuity between IVT intermediate lock control solenoid valve harness connector and ECM harness connector.

DTC	IVT intermediate lock control solenoid valve			ECM		Continuity
	Bank	Connector	Terminal	Connector	Terminal	
P0075	1	F74	2	F79	118	Existed
P0081	2	F75	2		120	

4. Also check harness for short to ground and short to power.

Is the inspection result normal?

YES >> GO TO 8.

NO >> Repair or replace error-detected parts.

8. CHECK IVT INTERMEDIATE LOCK CONTROL SOLENOID VALVE

Check the IVT intermediate lock control solenoid valve. Refer to [EC-783, "Component Inspection \(IVT Intermediate Lock Control Solenoid Valve\)"](#).

Is the inspection result normal?

YES >> Check intermittent incident. Refer to [GI-44, "Intermittent Incident"](#).

NO >> Replace IVT intermediate lock control solenoid valve. Refer to [EM-176, "Exploded View"](#).

Component Inspection (IVT Control Solenoid Valve)

INFOID:000000012602720

1. CHECK INTAKE VALVE TIMING CONTROL SOLENOID VALVE-I

1. Turn ignition switch OFF.
2. Disconnect intake valve timing control solenoid valve harness connector.
3. Check resistance between intake valve timing control solenoid valve terminals as follows.

Terminals	Resistance
1 and 2	7.0 - 7.8 Ω [at 20°C (68°F)]
1 or 2 and ground	$\infty \Omega$ (Continuity should not exist)

Is the inspection result normal?

YES >> GO TO 2.

NO >> Replace intake valve timing control solenoid valve. Refer to [EM-176, "Exploded View"](#).

2. CHECK INTAKE VALVE TIMING CONTROL SOLENOID VALVE-II

1. Remove intake valve timing control solenoid valve. Refer to [EM-176, "Exploded View"](#).

P0075, P0081 IVT CONTROL SOLENOID VALVE

[VQ35DE]

< DTC/CIRCUIT DIAGNOSIS >

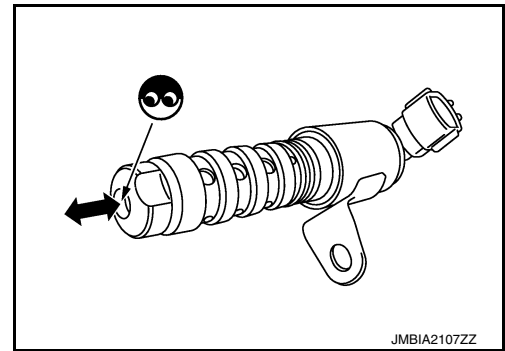
- Provide 12 V DC between intake valve timing control solenoid valve terminals 1 and 2, and then interrupt it. Make sure that the plunger moves as shown in the figure.

CAUTION:

Do not apply 12 V DC continuously for 5 seconds or more. Doing so may result in damage to the coil in intake valve timing control solenoid valve.

NOTE:

Always replace O-ring when intake valve timing control solenoid valve is removed.



Is the inspection result normal?

YES >> INSPECTION END

NO >> Replace intake valve timing control solenoid valve. Refer to [EM-176, "Exploded View"](#).

Component Inspection (IVT Intermediate Lock Control Solenoid Valve)

INFOID:0000000012602721

1. CHECK INTAKE VALVE TIMING INTERMEDIATE LOCK CONTROL SOLENOID VALVE-I

- Turn ignition switch OFF.
- Disconnect intake valve timing intermediate lock control solenoid valve harness connector.
- Check resistance between intake valve timing intermediate lock control solenoid valve terminals as follows.

Terminals	Resistance
1 and 2	7.0 - 7.8 Ω [at 20°C (68°F)]
1 or 2 and ground	$\infty \Omega$ (Continuity should not exist)

Is the inspection result normal?

YES >> GO TO 2.

NO >> Replace intake valve timing intermediate lock control solenoid valve. Refer to [EM-176, "Exploded View"](#).

2. CHECK INTAKE VALVE TIMING INTERMEDIATE LOCK CONTROL SOLENOID VALVE-II

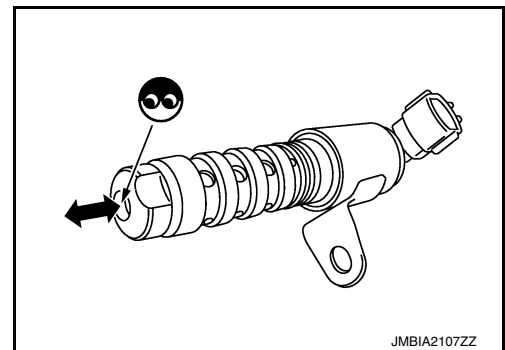
- Remove intake valve timing intermediate lock control solenoid valve. Refer to [EM-176, "Exploded View"](#).
- Provide 12 V DC between intake valve timing intermediate lock control solenoid valve terminals 1 and 2, and then interrupt it. Make sure that the plunger moves as shown in the figure.

CAUTION:

Do not apply 12 V DC continuously for 5 seconds or more. Doing so may result in damage to the coil in intake valve timing intermediate lock control solenoid valve.

NOTE:

Always replace O-ring when intake valve timing intermediate lock control solenoid valve is removed.



Is the inspection result normal?

YES >> INSPECTION END

NO >> Replace intake valve timing intermediate lock control solenoid valve. Refer to [EM-176, "Exploded View"](#).

P0078, P0084 EVT CONTROL SOLENOID VALVE

< DTC/CIRCUIT DIAGNOSIS >

[VQ35DE]

P0078, P0084 EVT CONTROL SOLENOID VALVE

DTC Description

INFOID:000000012602722

DTC DETECTION LOGIC

DTC No.	CONSULT screen terms (Trouble diagnosis content)	DTC detecting condition
P0078	EX V/T ACT/CIRC-B1 [Exhaust valve timing control solenoid valve (bank 1) circuit]	An improper voltage is sent to the ECM through exhaust valve timing control solenoid valve.
P0084	EX V/T ACT/CIRC-B2 [Exhaust valve timing control solenoid valve (bank 2) circuit]	

POSSIBLE CAUSE

- Harness or connectors (Exhaust valve timing control solenoid valve circuit is open or shorted.)
- Exhaust valve timing control solenoid valve

DTC CONFIRMATION PROCEDURE

1. PRECONDITIONING

If DTC Confirmation Procedure has been previously conducted, always perform the following procedure before conducting the next test.

1. Turn ignition switch OFF and wait at least 10 seconds.
2. Turn ignition switch ON.
3. Turn ignition switch OFF and wait at least 10 seconds.

>> GO TO 2.

2. PERFORM DTC CONFIRMATION PROCEDURE

1. Start the engine and let it idle for 5 seconds.
2. Check 1st trip DTC.

Is 1st trip DTC detected?

- YES >> Proceed to [EC-784, "Diagnosis Procedure"](#).
NO-1 >> To check malfunction symptom before repair: Refer to [GI-44, "Intermittent Incident"](#).
NO-2 >> Confirmation after repair: INSPECTION END

Diagnosis Procedure

INFOID:000000012602723

1. CHECK EXHAUST VALVE TIMING CONTROL SOLENOID VALVE POWER SUPPLY CIRCUIT - 1

1. Turn ignition switch OFF.
2. Disconnect exhaust valve timing control solenoid valve harness connector.
3. Turn ignition switch ON.
4. Check the voltage between exhaust valve timing control solenoid valve harness connector and ground.

DTC	+			-	Voltage
	Exhaust valve timing control solenoid valve				
	Bank	Connector	Terminal		
P0078	1	F72	1	Ground	Battery voltage
P0084	2	F73	1		

Is the inspection result normal?

- YES >> GO TO 2.
NO >> GO TO 4.

2. CHECK EVT CONTROL SOLENOID VALVE OUTPUT SIGNAL CIRCUIT FOR OPEN AND SHORT

1. Turn ignition switch OFF.

P0078, P0084 EVT CONTROL SOLENOID VALVE

[VQ35DE]

< DTC/CIRCUIT DIAGNOSIS >

2. Disconnect ECM harness connector.
3. Check the continuity between exhaust valve timing control solenoid valve harness connector and ECM harness connector.

DTC	+			-		Continuity
	Exhaust valve timing control solenoid valve			ECM		
	Bank	Connector	Terminal	Connector	Terminal	
P0078	1	F72	2	F79	58	Existed
P0084	2	F73	2		60	

4. Also check harness for short to ground and short to power.

Is the inspection result normal?

YES >> GO TO 3.

NO >> Repair open circuit, short to ground or short to power in harness or connectors.

3.CHECK EXHAUST VALVE TIMING CONTROL SOLENOID VALVE

Check exhaust valve timing control solenoid valve. Refer to [EC-785, "Component Inspection \(Exhaust Valve Timing Control Solenoid Valve\)"](#).

Is the inspection result normal?

YES >> INSPECTION END

NO >> Replace malfunctioning exhaust valve timing control solenoid valve. Refer to [EM-176, "Exploded View"](#).

4.CHECK EXHAUST VALVE TIMING CONTROL SOLENOID VALVE POWER SUPPLY CIRCUIT - 2

1. Turn ignition switch OFF.
2. Disconnect IPDM E/R harness connector.
3. Check the continuity between IPDM E/R harness connector and exhaust valve timing control solenoid valve harness connector.

DTC	+		-		Continuity
	IPDM E/R		Exhaust valve timing control solenoid valve		
	Connector	Terminal	Connector	Terminal	
P0075	F83	59	F72	1	Existed
P0081			F73		Existed

4. Also check harness for short to ground.

Is the inspection result normal?

YES >> Perform the trouble diagnosis for power supply circuit.

NO >> Repair or replace error-detected parts.

Component Inspection (Exhaust Valve Timing Control Solenoid Valve)

INFOID:0000000012602724

1.CHECK EXHAUST VALVE TIMING CONTROL SOLENOID VALVE - 1

1. Turn ignition switch OFF.
2. Disconnect exhaust valve timing control solenoid valve harness connector.
3. Check resistance between exhaust valve timing control solenoid valve terminals as follows.

P0078, P0084 EVT CONTROL SOLENOID VALVE

< DTC/CIRCUIT DIAGNOSIS >

[VQ35DE]

Exhaust valve timing control solenoid valve		Condition		Resistance
+	-			
Terminal				
1	2	Temperature	20°C (68°F)	7.0 – 7.8 Ω
1	Ground			∞ (Continuity should not exist)
2				

Is the inspection result normal?

YES >> GO TO 2.

NO >> Replace malfunctioning exhaust valve timing control solenoid valve. Refer to [EM-176. "Exploded View"](#).

2. CHECK EXHAUST VALVE TIMING CONTROL SOLENOID VALVE - 2

1. Remove exhaust valve timing control solenoid valve. Refer to [EM-176. "Exploded View"](#).

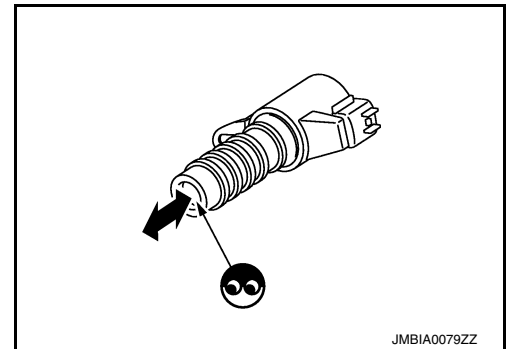
2. Apply 12 V between exhaust valve timing control solenoid valve terminals 1 and 2, and then interrupt it. Check that the plunger moves as shown in the figure.

CAUTION:

Never apply 12 V continuously for 5 seconds or more. Doing so may result in damage to the coil in exhaust valve timing control solenoid valve.

NOTE:

Always replace O-ring when exhaust valve timing control solenoid valve is removed.



Is the inspection result normal?

YES >> INSPECTION END

NO >> Replace malfunctioning exhaust valve timing control solenoid valve. Refer to [EM-176. "Exploded View"](#).

P0101 MAF SENSOR

< DTC/CIRCUIT DIAGNOSIS >

[VQ35DE]

P0101 MAF SENSOR

DTC Logic

INFOID:0000000012602725

DTC DETECTION LOGIC

NOTE:

If DTC P0101 is displayed with other DTC, first perform the trouble diagnosis for other DTC.

DTC No.	Trouble diagnosis (Trouble diagnosis content)	DTC detecting condition	Possible cause
P0101	MAF SEN/CIRCUIT-B1 [Mass air flow (MAF) sensor circuit range/performance]	<ul style="list-style-type: none">• A high voltage from the sensor is sent to ECM under light load driving condition.• A low voltage from the sensor is sent to ECM under heavy load driving condition.	<ul style="list-style-type: none">• Harness or connectors (The sensor circuit is open or shorted.)• Intake air leaks• MAF sensor• EVAP control system pressure sensor• Intake air temperature sensor

DTC CONFIRMATION PROCEDURE

1. PRECONDITIONING

If DTC CONFIRMATION PROCEDURE has been previously conducted, always perform the following procedure before conducting the next test.

1. Turn ignition switch OFF and wait at least 10 seconds.
2. Turn ignition switch ON.
3. Turn ignition switch OFF and wait at least 10 seconds.

>> GO TO 2.

2. PERFORM DTC CONFIRMATION PROCEDURE

1. Start engine and warm it up to normal operating temperature.
2. Drive the vehicle for at least 5 seconds under the following conditions:

CAUTION:

Always drive vehicle at safe speed.

Selector lever	Suitable position
Vehicle speed	40 km/h (25 MPH) or more

NOTE:

- The gear must be fixed while driving the vehicle.
- Keep the accelerator pedal as steady as possible during cruising.

3. Check 1st trip DTC.

Is 1st trip DTC detected?

- YES >> Proceed to [EC-787, "Diagnosis Procedure"](#).
NO >> INSPECTION END

Diagnosis Procedure

INFOID:0000000012602726

1. CHECK INTAKE SYSTEM

Check the following for connection.

- Air duct
- Vacuum hoses
- Intake air passage between air duct and intake manifold

Is the inspection result normal?

- YES >> GO TO 2.
NO >> Reconnect the parts.

2. CHECK MASS AIR FLOW (MAF) SENSOR POWER SUPPLY

P0101 MAF SENSOR

[VQ35DE]

< DTC/CIRCUIT DIAGNOSIS >

1. Disconnect MAF sensor harness connector.
2. Turn ignition switch ON.
3. Check the voltage between MAF sensor harness connector and ground.

MAF sensor		Ground	Voltage
Connector	Terminal		
F93	1	Ground	5V

Is the inspection result normal?

YES >> GO TO 3.

NO >> Perform the trouble diagnosis for power supply circuit.

3.CHECK MAF SENSOR GROUND CIRCUIT

1. Turn ignition switch OFF.
2. Disconnect ECM harness connector.
3. Check the continuity between MAF sensor harness connector and ECM harness connector.

MAF sensor		ECM		Continuity
Connector	Terminal	Connector	Terminal	
F93	2	F78	40	Existed

4. Also check harness for short to ground and short to power.

Is the inspection result normal?

YES >> GO TO 4.

NO >> Repair open circuit or short to ground or short to power in harness or connectors.

4.CHECK MAF SENSOR INPUT SIGNAL CIRCUIT

1. Check the continuity between MAF sensor harness connector and ECM harness connector.

MAF sensor		ECM		Continuity
Connector	Terminal	Connector	Terminal	
F93	3	F78	38	Existed

2. Also check harness for short to ground and short to power.

Is the inspection result normal?

YES >> GO TO 5.

NO >> Repair open circuit or short to ground or short to power in harness or connectors.

5.CHECK INTAKE AIR TEMPERATURE SENSOR

Check intake air temperature sensor. Refer to [EC-789, "Component Inspection"](#).

Is the inspection result normal?

YES >> GO TO 6.

NO >> Replace MAF sensor (with intake air temperature sensor).

6.CHECK EVAP CONTROL SYSTEM PRESSURE SENSOR

Check EVAP control system pressure sensor. Refer to [EC-910, "Component Inspection"](#).

Is the inspection result normal?

YES >> GO TO 7.

NO >> Replace EVAP control system pressure sensor.

7.CHECK MAF SENSOR

Check MAF sensor. Refer to [EC-789, "Component Inspection"](#).

Is the inspection result normal?

YES >> Check intermittent incident. Refer to [GI-44, "Intermittent Incident"](#).

NO >> Replace MAF sensor. Refer to [EM-146, "Removal and Installation"](#).

P0101 MAF SENSOR

< DTC/CIRCUIT DIAGNOSIS >

[VQ35DE]

INFOID:000000012602727

Component Inspection

1. CHECK MASS AIR FLOW (MAF) SENSOR-I

With CONSULT

1. Turn ignition switch OFF.
2. Reconnect all harness connectors disconnected.
3. Start engine and warm it up to normal operating temperature.
4. Connect CONSULT and select "DATA MONITOR" mode.
5. Select "MASS AIR FLOW SENSOR (Hz)" and check the indication.

Monitor item	Condition	Indication (Hz)
MASS AIR FLOW SENSOR (Hz)	Ignition switch ON (Engine stopped.)	Approx. 3,720 Hz
	Idle (Engine is warmed-up to normal operating temperature.)	4,100 – 4,700 Hz
	Idle to about 4,000 rpm	4,100 – 4,700 to Approx. 8,000 Hz*

*: Check for linear frequency rise in response to engine being increased to about 4,000 rpm.

Without CONSULT

1. Turn ignition switch OFF.
2. Reconnect all harness connectors disconnected.
3. Start engine and warm it up to normal operating temperature.
4. Check the frequency between ECM harness connector terminals under the following conditions.

Connector	ECM		Condition	Frequency (Hz)
	+	-		
Terminal				
F78	38	40	Ignition switch ON (Engine stopped.)	Approx. 3,720 Hz
			Idle (Engine is warmed-up to normal operating temperature.)	4,100 – 4,700 Hz
			Idle to about 4,000 rpm	4,100 – 4,700 to Approx. 8,000 Hz*

*: Check for linear frequency rise in response to engine being increased to about 4,000 rpm.

Is the inspection result normal?

- YES >> GO TO 4.
NO >> GO TO 2.

2. CHECK FOR THE CAUSE OF UNEVEN AIR FLOW THROUGH MAF SENSOR

1. Turn ignition switch OFF.
2. Check for the cause of uneven air flow through MAF sensor. Refer to the following.
 - Crushed air ducts
 - Malfunctioning seal of air cleaner element
 - Uneven dirt of air cleaner element
 - Improper specification of intake air system parts

Is the inspection result normal?

- YES >> GO TO 4.
NO >> GO TO 3.

3. CHECK MAF SENSOR-II

With CONSULT

1. Repair or replace malfunctioning part.
2. Start engine and warm it up to normal operating temperature.
3. Connect CONSULT and select "DATA MONITOR" mode.
4. Select "MASS AIR FLOW SENSOR (Hz)" and check the indication.

P0101 MAF SENSOR

< DTC/CIRCUIT DIAGNOSIS >

[VQ35DE]

Monitor item	Condition	Indication (Hz)
MASS AIR FLOW SENSOR (Hz)	Ignition switch ON (Engine stopped.)	Approx. 3,720 Hz
	Idle (Engine is warmed-up to normal operating temperature.)	4,100 – 4,700 Hz
	Idle to about 4,000 rpm	4,100 – 4,700 to Approx. 8,000 Hz*

*: Check for linear frequency rise in response to engine being increased to about 4,000 rpm.

Without CONSULT

1. Repair or replace malfunctioning part.
2. Start engine and warm it up to normal operating temperature.
3. Check the frequency between ECM harness connector terminals under the following conditions.

ECM			Condition	Frequency (Hz)
Connector	+	-		
	Terminal			
F78	38	40	Ignition switch ON (Engine stopped.)	Approx. 3,720 Hz
			Idle (Engine is warmed-up to normal operating temperature.)	4,100 – 4,700 Hz
			Idle to about 4,000 rpm	4,100 – 4,700 to Approx. 8,000 Hz*

*: Check for linear frequency rise in response to engine being increased to about 4,000 rpm.

Is the inspection result normal?

- YES >> INSPECTION END
 NO >> GO TO 4.

4. CHECK MAF SENSOR-III

With CONSULT

1. Turn ignition switch OFF.
2. Disconnect MAF sensor harness connector and reconnect it again.
3. Start engine and warm it up to normal operating temperature.
4. Connect CONSULT and select "DATA MONITOR" mode.
5. Select "MASS AIR FLOW SENSOR (Hz)" and check the indication.

Monitor item	Condition	Indication (Hz)
MASS AIR FLOW SENSOR (Hz)	Ignition switch ON (Engine stopped.)	Approx. 3,720 Hz
	Idle (Engine is warmed-up to normal operating temperature.)	4,100 – 4,700 Hz
	Idle to about 4,000 rpm	4,100 – 4,700 to Approx. 8,000 Hz*

*: Check for linear frequency rise in response to engine being increased to about 4,000 rpm.

Without CONSULT

1. Turn ignition switch OFF.
2. Disconnect MAF sensor harness connector and reconnect it again.
3. Start engine and warm it up to normal operating temperature.
4. Check the frequency between ECM harness connector terminals under the following conditions.

ECM			Condition	Frequency (Hz)
Connector	+	-		
	Terminal			
F78	38	40	Ignition switch ON (Engine stopped.)	Approx. 3,720 Hz
			Idle (Engine is warmed-up to normal operating temperature.)	4,100 – 4,700 Hz
			Idle to about 4,000 rpm	4,100 – 4,700 to Approx. 8,000 Hz*

*: Check for linear frequency rise in response to engine being increased to about 4,000 rpm.

Is the inspection result normal?

P0101 MAF SENSOR

[VQ35DE]

< DTC/CIRCUIT DIAGNOSIS >

YES >> INSPECTION END

NO >> Clean or replace MAF sensor. Refer to [EM-146, "Removal and Installation"](#).

A

EC

C

D

E

F

G

H

I

J

K

L

M

N

O

P

P0102, P0103 MAF SENSOR

< DTC/CIRCUIT DIAGNOSIS >

[VQ35DE]

P0102, P0103 MAF SENSOR

DTC Logic

INFOID:000000012602728

DTC DETECTION LOGIC

DTC No.	Trouble diagnosis name	DTC detecting condition	Possible cause
P0102	Mass air flow sensor circuit low input	An excessively low voltage from the sensor is sent to ECM.	<ul style="list-style-type: none">• Harness or connectors (The sensor circuit is open or shorted.)• Intake air leakage• Mass air flow sensor
P0103	Mass air flow sensor circuit high input	An excessively high voltage from the sensor is sent to ECM.	<ul style="list-style-type: none">• Harness or connectors (The sensor circuit is open or shorted.)• Mass air flow sensor

DTC CONFIRMATION PROCEDURE

1. PRECONDITIONING

If DTC Confirmation Procedure has been previously conducted, always perform the following before conducting the next test.

1. Turn ignition switch OFF and wait at least 10 seconds.
2. Turn ignition switch ON.
3. Turn ignition switch OFF and wait at least 10 seconds.

Which DTC is detected?

- P0102 >> GO TO 2.
- P0103 >> GO TO 3.

2. PERFORM DTC CONFIRMATION PROCEDURE FOR DTC P0102

1. Start engine and wait at least 5 seconds.
2. Check DTC.

Is DTC detected?

- YES >> Proceed to [EC-792, "Diagnosis Procedure"](#).
- NO >> INSPECTION END

3. PERFORM DTC CONFIRMATION PROCEDURE FOR DTC P0103-I

1. Turn ignition switch ON and wait at least 5 seconds.
2. Check DTC.

Is DTC detected?

- YES >> Proceed to [EC-792, "Diagnosis Procedure"](#).
- NO >> GO TO 4.

4. PERFORM DTC CONFIRMATION PROCEDURE FOR DTC P0103-II

1. Start engine and wait at least 5 seconds.
2. Check DTC.

Is DTC detected?

- YES >> Proceed to [EC-792, "Diagnosis Procedure"](#).
- NO >> INSPECTION END

Diagnosis Procedure

INFOID:000000012602729

1. INSPECTION START

Confirm the detected DTC.

Which DTC is detected?

- P0102 >> GO TO 2.
- P0103 >> GO TO 3.

2. CHECK INTAKE SYSTEM

P0102, P0103 MAF SENSOR

[VQ35DE]

< DTC/CIRCUIT DIAGNOSIS >

Check the following for connection.

- Air duct
- Vacuum hoses
- Intake air passage between air duct to intake manifold

Is the inspection result normal?

YES >> GO TO 3.

NO >> Reconnect the parts.

3.CHECK MAF SENSOR POWER SUPPLY

1. Disconnect mass air flow (MAF) sensor harness connector.
2. Turn ignition switch ON.
3. Check the voltage between MAF sensor harness connector and ground.

MAF sensor		Ground	Voltage
Connector	Terminal		
F93	1	Ground	5 V

Is the inspection result normal?

YES >> GO TO 4.

NO >> Perform the trouble diagnosis for power supply circuit.

4.CHECK MAF SENSOR GROUND CIRCUIT FOR OPEN AND SHORT

1. Turn ignition switch OFF.
2. Disconnect ECM harness connector.
3. Check the continuity between MAF sensor harness connector and ECM harness connector.

MAF sensor		ECM		Continuity
Connector	Terminal	Connector	Terminal	
F93	2	F78	40	Existed

4. Also check harness for short to ground and short to power.

Is the inspection result normal?

YES >> GO TO 5.

NO >> Repair open circuit, short to ground or short to power in harness or connectors.

5.CHECK MAF SENSOR INPUT SIGNAL CIRCUIT FOR OPEN AND SHORT

1. Check the continuity between MAF sensor harness connector and ECM harness connector.

MAF sensor		ECM		Continuity
Connector	Terminal	Connector	Terminal	
F93	3	F78	38	Existed

2. Also check harness for short to ground and short to power.

Is the inspection result normal?

YES >> GO TO 6.

NO >> Repair open circuit, short to ground or short to power in harness or connectors.

6.CHECK MASS AIR FLOW SENSOR

Check mass air flow sensor. Refer to [EC-793. "Component Inspection"](#).

Is the inspection result normal?

YES >> Check intermittent incident. Refer to [GI-44. "Intermittent Incident"](#).

NO >> Replace mass air flow sensor. Refer to [EM-146. "Removal and Installation"](#).

Component Inspection

INFOID:000000012602730

1.CHECK MASS AIR FLOW SENSOR-I

 **With CONSULT**

P0102, P0103 MAF SENSOR

[VQ35DE]

< DTC/CIRCUIT DIAGNOSIS >

1. Reconnect all harness connectors disconnected.
2. Start engine and warm it up to normal operating temperature.
3. Connect CONSULT and select "DATA MONITOR" mode.
4. Select "MASS AIR FLOW SENSOR (Hz)" and check indication under the following conditions.

Monitor item	Condition	Indication (Hz)
MASS AIR FLOW SENSOR (Hz)	Ignition switch ON (Engine stopped.)	Approx. 3,720 Hz
	Idle (Engine is warmed-up to normal operating temperature.)	4,100 – 4,700 Hz
	Idle to about 4,000 rpm	4,100 – 4,700 to Approx. 8,000 Hz*

*: Check for linear frequency rise in response to engine being increased to about 4,000 rpm.

⊗ Without CONSULT

1. Reconnect all harness connectors disconnected.
2. Start engine and warm it up to normal operating temperature.
3. Check the frequency between ECM harness connector terminals under the following conditions.

ECM			Condition	Frequency (Hz)
Connector	+	-		
	Terminal			
F78	38	40	Ignition switch ON (Engine stopped.)	Approx. 3,720 Hz
			Idle (Engine is warmed-up to normal operating temperature.)	4,100 – 4,700 Hz
			Idle to about 4,000 rpm	4,100 – 4,700 to Approx. 8,000 Hz*

*: Check for linear frequency rise in response to engine being increased to about 4,000 rpm.

Is the inspection result normal?

- YES >> INSPECTION END
 NO >> GO TO 2.

2. CHECK FOR THE CAUSE OF UNEVEN AIR FLOW THROUGH MASS AIR FLOW SENSOR

Check for the cause of uneven air flow through mass air flow sensor. Refer to the following.

- Crushed air ducts
- Malfunctioning seal of air cleaner element
- Uneven dirt of air cleaner element
- Improper specification of intake air system parts

Is the inspection result normal?

- YES >> GO TO 4.
 NO >> GO TO 3.

3. CHECK MASS AIR FLOW SENSOR-II

Ⓜ With CONSULT

1. Repair or replace malfunctioning part.
2. Start engine and warm it up to normal operating temperature.
3. Connect CONSULT and select "DATA MONITOR" mode.
4. Select "MASS AIR FLOW SENSOR (Hz)" and check indication under the following conditions.

Monitor item	Condition	Indication (Hz)
MASS AIR FLOW SENSOR (Hz)	Ignition switch ON (Engine stopped.)	Approx. 3,720 Hz
	Idle (Engine is warmed-up to normal operating temperature.)	4,100 – 4,700 Hz
	Idle to about 4,000 rpm	4,100 – 4,700 to Approx. 8,000 Hz*

*: Check for linear frequency rise in response to engine being increased to about 4,000 rpm.

⊗ Without CONSULT

1. Repair or replace malfunctioning part.
2. Start engine and warm it up to normal operating temperature.
3. Check the frequency between ECM harness connector terminals under the following conditions.

P0102, P0103 MAF SENSOR

< DTC/CIRCUIT DIAGNOSIS >

[VQ35DE]

ECM			Condition	Frequency (Hz)
Connector	+	-		
	Terminal			
F78	38	40	Ignition switch ON (Engine stopped.)	Approx. 3,720 Hz
			Idle (Engine is warmed-up to normal operating temperature.)	4,100 – 4,700 Hz
			Idle to about 4,000 rpm	4,100 – 4,700 to Approx. 8,000 Hz*

*: Check for linear frequency rise in response to engine being increased to about 4,000 rpm.

Is the inspection result normal?

- YES >> INSPECTION END
- NO >> GO TO 4.

4. CHECK MASS AIR FLOW SENSOR-III

With CONSULT

1. Turn ignition switch OFF.
2. Disconnect mass air flow sensor harness connector and reconnect it again.
3. Start engine and warm it up to normal operating temperature.
4. Connect CONSULT and select "DATA MONITOR" mode.
5. Select "MASS AIR FLOW SENSOR (Hz)" and check indication under the following conditions.

Monitor item	Condition	Indication (Hz)
MASS AIR FLOW SENSOR (Hz)	Ignition switch ON (Engine stopped.)	Approx. 3,720 Hz
	Idle (Engine is warmed-up to normal operating temperature.)	4,100 – 4,700 Hz
	Idle to about 4,000 rpm	4,100 – 4,700 to Approx. 8,000 Hz*

*: Check for linear frequency rise in response to engine being increased to about 4,000 rpm.

Without CONSULT

1. Turn ignition switch OFF.
2. Disconnect mass air flow sensor harness connector and reconnect it again.
3. Start engine and warm it up to normal operating temperature.
4. Check the frequency between ECM harness connector terminals under the following conditions.

ECM			Condition	Frequency (Hz)
Connector	+	-		
	Terminal			
F78	38	40	Ignition switch ON (Engine stopped.)	Approx. 3,720 Hz
			Idle (Engine is warmed-up to normal operating temperature.)	4,100 – 4,700 Hz
			Idle to about 4,000 rpm	4,100 – 4,700 to Approx. 8,000 Hz*

*: Check for linear frequency rise in response to engine being increased to about 4,000 rpm.

Is the inspection result normal?

- YES >> INSPECTION END
- NO >> Clean or replace mass air flow sensor. Refer to [EM-146, "Removal and Installation"](#).

P0111 IAT SENSOR

< DTC/CIRCUIT DIAGNOSIS >

[VQ35DE]

P0111 IAT SENSOR

DTC Logic

INFOID:000000012602731

DTC DETECTION LOGIC

DTC No.	Trouble diagnosis (Trouble diagnosis content)	DTC detecting condition	Possible cause
P0111	IAT SENSOR 1 B1 [Intake air temperature (IAT) sensor circuit range/perfor- mance]	The comparison result of signals transmitted to ECM from each temperature sensor (IAT sensor, ECT sensor, FTT sensor, and EOT sensor) shows that the voltage signal of the IAT sensor is higher/lower than that of other temperature sensors when the engine is started with its cold state.	<ul style="list-style-type: none">• Harness or connectors (High or low resistance in the IAT sensor circuit)• IAT sensor

DTC CONFIRMATION PROCEDURE

1.INSPECTION START

Is it necessary to erase permanent DTC?

YES >> GO TO 3.

NO >> GO TO 2.

2.PERFORM COMPONENT FUNCTION CHECK

Perform component function check. Refer to [EC-797, "Component Function Check"](#).

NOTE:

Use the component function check to check the overall function of the IAT sensor circuit. During this check, a 1st trip DTC might not be confirmed.

Is the inspection result normal?

YES >> INSPECTION END

NO >> Proceed to [EC-797, "Diagnosis Procedure"](#).

3.PRECONDITIONING

If DTC CONFIRMATION PROCEDURE has been previously conducted, always perform the following procedure before conducting the next test.

1. Turn ignition switch OFF and wait at least 10 seconds.
2. Turn ignition switch ON.
3. Turn ignition switch OFF and wait at least 10 seconds.

TESTING CONDITION:

- Before performing the following procedure, do not add fuel.
- Before performing the following procedure, check that fuel level is between 1/4 and 4/4.
- Before performing the following procedure, confirm that battery voltage is 11 V or more at idle.

>> GO TO 4.

4.PERFORM DTC CONFIRMATION PROCEDURE

1. Move the vehicle to a cool place.

NOTE:

Cool the vehicle in an environment of ambient air temperature between -10°C (14°F) and 35°C (95°F).

2. Turn ignition switch OFF and leave the vehicle for 12 hours.

CAUTION:

Never turn ignition switch ON during this procedure.

NOTE:

The vehicle must be cooled with the hood open.

3. Start engine and let it idle for 5 minutes or more.

CAUTION:

Never turn ignition switch OFF during idling.

4. Check 1st trip DTC.

P0111 IAT SENSOR

[VQ35DE]

< DTC/CIRCUIT DIAGNOSIS >

Is 1st trip DTC detected?

- YES >> Proceed to [EC-797, "Diagnosis Procedure"](#).
- NO >> INSPECTION END

Component Function Check

INFOID:0000000012602732

EC

1. CHECK INTAKE AIR TEMPERATURE (IAT) SENSOR

1. Turn ignition switch OFF.
2. Disconnect mass air flow sensor harness connector.
3. Check resistance between mass air flow sensor terminals as follows.

Terminals	Condition		Resistance (kΩ)
4 and 2	Temperature [°C (°F)]	25 (77)	1,800 – 2,200

Is the inspection result normal?

- YES >> Check intermittent incident. Refer to [GI-44, "Intermittent Incident"](#).
- NO >> Proceed to [EC-797, "Diagnosis Procedure"](#).

Diagnosis Procedure

INFOID:0000000012602733

1. CHECK INTAKE AIR TEMPERATURE (IAT) SENSOR

Check intake air temperature sensor. Refer to [EC-797, "Component Inspection"](#).

Is the inspection result normal?

- YES >> Check intermittent incident. Refer to [GI-44, "Intermittent Incident"](#).
- NO >> Replace mass air flow sensor. Refer to [EM-146, "Removal and Installation"](#).

Component Inspection

INFOID:0000000012602734

1. CHECK INTAKE AIR TEMPERATURE SENSOR

1. Turn ignition switch OFF.
2. Disconnect mass air flow sensor harness connector.
3. Check resistance between mass air flow sensor terminals as per the following.

Mass air flow sensor		Condition	Resistance (kΩ)
+	-		
Terminals			
4	2	Temperature [°C (°F)]	25 (77) 1.800 - 2.200

Is the inspection result normal?

- YES >> INSPECTION END
- NO >> Replace mass air flow sensor. Refer to [EM-146, "Removal and Installation"](#).

P0112, P0113 IAT SENSOR

< DTC/CIRCUIT DIAGNOSIS >

[VQ35DE]

P0112, P0113 IAT SENSOR

DTC Logic

INFOID:000000012602735

DTC DETECTION LOGIC

DTC No.	Trouble diagnosis name	DTC detecting condition	Possible cause
P0112	Intake air temperature sensor circuit low input	An excessively low voltage from the sensor is sent to ECM.	• Harness or connectors (The sensor circuit is open or shorted.) • Intake air temperature sensor
P0113	Intake air temperature sensor circuit high input	An excessively high voltage from the sensor is sent to ECM.	

DTC CONFIRMATION PROCEDURE

1. PRECONDITIONING

If DTC Confirmation Procedure has been previously conducted, always perform the following before conducting the next test.

1. Turn ignition switch OFF and wait at least 10 seconds.
2. Turn ignition switch ON.
3. Turn ignition switch OFF and wait at least 10 seconds.

>> GO TO 2.

2. PERFORM DTC CONFIRMATION PROCEDURE

1. Turn ignition switch ON and wait at least 5 seconds.
2. Check 1st trip DTC.

Is 1st trip DTC detected?

- YES >> Proceed to [EC-798. "Diagnosis Procedure"](#).
NO >> INSPECTION END

Diagnosis Procedure

INFOID:000000012602736

1. CHECK INTAKE AIR TEMPERATURE SENSOR POWER SUPPLY

1. Disconnect mass air flow sensor (with intake air temperature sensor) harness connector.
2. Turn ignition switch ON.
3. Check the voltage between mass air flow sensor harness connector and ground.

MAF sensor		Ground	Voltage
Connector	Terminal		
F93	4	Ground	Approx. 5 V

Is the inspection result normal?

- YES >> GO TO 2.
NO >> Repair open circuit, short to ground or short to power in harness or connectors.

2. CHECK INTAKE AIR TEMPERATURE SENSOR GROUND CIRCUIT FOR OPEN AND SHORT

1. Turn ignition switch OFF.
2. Disconnect ECM harness connector.
3. Check harness continuity between mass air flow sensor harness connector and ECM harness connector.

MAF sensor		ECM		Continuity
Connector	Terminal	Connector	Terminal	
F93	2	F78	40	Existed

P0112, P0113 IAT SENSOR

[VQ35DE]

< DTC/CIRCUIT DIAGNOSIS >

4. Also check harness for short to ground and short to power.

Is the inspection result normal?

YES >> GO TO 3.

NO >> Repair open circuit, short to ground or short to power in harness or connectors.

3.CHECK INTAKE AIR TEMPERATURE SENSOR

Check intake air temperature sensor. Refer to [EC-799, "Component Inspection"](#).

Is the inspection result normal?

YES >> Check intermittent incident. Refer to [GI-44, "Intermittent Incident"](#).

NO >> Replace mass air flow sensor. Refer to [EM-146, "Removal and Installation"](#).

Component Inspection

INFOID:000000012602737

1.CHECK INTAKE AIR TEMPERATURE SENSOR

1. Turn ignition switch OFF.
2. Disconnect mass air flow sensor harness connector.
3. Check resistance between mass air flow sensor terminals as per the following.

Mass air flow sensor		Condition	Resistance (kΩ)	
+	-			
Terminals				
4	2	Temperature [°C (°F)]	25 (77)	1.800 - 2.200

Is the inspection result normal?

YES >> INSPECTION END

NO >> Replace mass air flow sensor. Refer to [EM-146, "Removal and Installation"](#).

P0116 ECT SENSOR

[VQ35DE]

< DTC/CIRCUIT DIAGNOSIS >

P0116 ECT SENSOR

DTC Logic

INFOID:000000012602738

DTC DETECTION LOGIC

DTC No.	Trouble diagnosis (Trouble diagnosis content)	DTC detecting condition	Possible cause
P0116	ECT SEN/CIRC [Engine coolant temperature (ECT) sensor circuit range/per- formance]	The comparison result of signals transmitted to ECM from each temperature sensor (IAT sensor, ECT sensor, FTT sensor, and EOT sensor) shows that the voltage signal of the ECT sensor is higher/lower than that of other temperature sensors when the engine is started with its cold state.	<ul style="list-style-type: none">• Harness or connectors (High or low resistance in the ECT sensor circuit)• ECT sensor

DTC CONFIRMATION PROCEDURE

1. INSPECTION START

Is it necessary to erase permanent DTC?

YES >> GO TO 3.

NO >> GO TO 2.

2. PERFORM COMPONENT FUNCTION CHECK

Perform component function check. Refer to [EC-801, "Component Function Check"](#).

NOTE:

Use the component function check to check the overall function of the ECT sensor circuit. During this check, a 1st trip DTC might not be confirmed.

Is the inspection result normal?

YES >> INSPECTION END

NO >> Proceed to [EC-801, "Diagnosis Procedure"](#).

3. PRECONDITIONING

If DTC CONFIRMATION PROCEDURE has been previously conducted, always perform the following procedure before conducting the next test.

1. Turn ignition switch OFF and wait at least 10 seconds.
2. Turn ignition switch ON.
3. Turn ignition switch OFF and wait at least 10 seconds.

TESTING CONDITION:

- Before performing the following procedure, do not add fuel.
- Before performing the following procedure, check that fuel level is between 1/4 and 4/4.
- Before performing the following procedure, confirm that battery voltage is 11 V or more at idle.

>> GO TO 4.

4. PERFORM DTC CONFIRMATION PROCEDURE

1. Move the vehicle to a cool place.

NOTE:

Cool the vehicle in an environment of ambient air temperature between -10°C (14°F) and 35°C (95°F).

2. Turn ignition switch OFF and leave the vehicle for 12 hours.

CAUTION:

Never turn ignition switch ON during this procedure.

NOTE:

The vehicle must be cooled with the hood open.

3. Start engine and let it idle for 5 minutes or more.

CAUTION:

Never turn ignition switch OFF during idling.

4. Check 1st trip DTC.

P0116 ECT SENSOR

[VQ35DE]

< DTC/CIRCUIT DIAGNOSIS >

Is 1st trip DTC detected?

- YES >> Proceed to [EC-801, "Diagnosis Procedure"](#).
- NO >> INSPECTION END

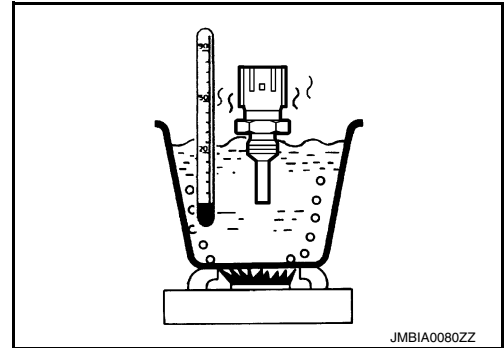
Component Function Check

INFOID:000000012602739

1. CHECK ENGINE COOLANT TEMPERATURE (ECT) SENSOR

1. Turn ignition switch OFF.
2. Disconnect ECT sensor harness connector.
3. Remove ECT sensor. Refer to [CO-48, "Removal and Installation"](#).
4. Check resistance between ECT sensor terminals by heating with hot water as shown in the figure.

Terminals	Condition	Resistance (kΩ)	
2 and 1	Temperature [°C (°F)]	20 (68)	2.37 – 2.63
		50 (122)	0.68 – 1.00
		90 (194)	0.236 – 0.260



Is the inspection result normal?

- YES >> Check intermittent incident. Refer to [GI-44, "Intermittent Incident"](#).
- NO >> Proceed to [EC-801, "Diagnosis Procedure"](#).

Diagnosis Procedure

INFOID:000000012602740

1. CHECK ENGINE COOLANT TEMPERATURE (ECT) SENSOR

Check ECT sensor. Refer to [EC-801, "Component Inspection"](#).

Is the inspection result normal?

- YES >> Check intermittent incident. Refer to [GI-44, "Intermittent Incident"](#).
- NO >> Replace ECT sensor. Refer to [CO-48, "Removal and Installation"](#).

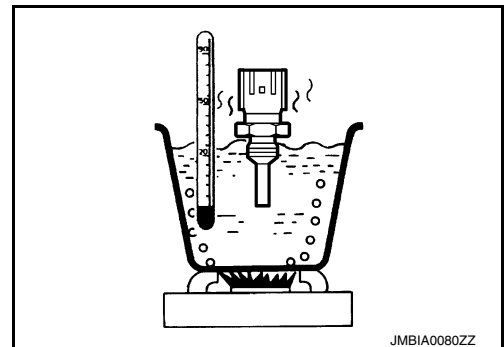
Component Inspection

INFOID:000000012602741

1. CHECK ENGINE COOLANT TEMPERATURE SENSOR

1. Turn ignition switch OFF.
2. Disconnect engine coolant temperature sensor harness connector.
3. Remove engine coolant temperature sensor. Refer to [CO-48, "Removal and Installation"](#).
4. Check resistance between engine coolant temperature sensor terminals as per the following.

ECT sensor		Condition	Resistance (kΩ)	
+	-			
Terminal				
2	1	Temperature [°C (°F)]	20 (68)	2.37 - 2.63
			50 (122)	0.68 - 1.00
			90 (194)	0.236 - 0.260



Is the inspection result normal?

- YES >> INSPECTION END
- NO >> Replace engine coolant temperature sensor. Refer to [CO-48, "Removal and Installation"](#).

P0117, P0118 ECT SENSOR

< DTC/CIRCUIT DIAGNOSIS >

[VQ35DE]

P0117, P0118 ECT SENSOR

DTC Logic

INFOID:0000000012602742

DTC DETECTION LOGIC

DTC No.	Trouble Diagnosis Name	DTC detecting condition	Possible Cause
P0117	Engine coolant temperature sensor circuit low input	An excessively low voltage from the sensor is sent to ECM.	• Harness or connectors (The sensor circuit is open or shorted.) • Engine coolant temperature sensor
P0118	Engine coolant temperature sensor circuit high input	An excessively high voltage from the sensor is sent to ECM.	

DTC CONFIRMATION PROCEDURE

1. PRECONDITIONING

If DTC Confirmation Procedure has been previously conducted, always perform the following before conducting the next test.

1. Turn ignition switch OFF and wait at least 10 seconds.
2. Turn ignition switch ON.
3. Turn ignition switch OFF and wait at least 10 seconds.

>> GO TO 2.

2. PERFORM DTC CONFIRMATION PROCEDURE

1. Turn ignition switch ON and wait at least 5 seconds.
2. Check DTC.

Is DTC detected?

YES >> Proceed to [EC-802, "Diagnosis Procedure"](#).

NO >> INSPECTION END

Diagnosis Procedure

INFOID:0000000012602743

1. CHECK ECT SENSOR POWER SUPPLY

1. Disconnect engine coolant temperature (ECT) sensor harness connector.
2. Turn ignition switch ON.
3. Check the voltage between ECT sensor harness connector and ground.

ECT sensor		Ground	Voltage
Connector	Terminal		
F11	1	Ground	Approx. 5 V

Is the inspection result normal?

YES >> GO TO 2.

NO >> Repair open circuit, short to ground or short to power in harness or connectors.

2. CHECK ECT SENSOR GROUND CIRCUIT

1. Turn ignition switch OFF.
2. Disconnect ECM harness connector.
3. Check the continuity between ECT sensor harness connector and ECM harness connector.

ECT sensor		ECM		Continuity
Connector	Terminal	Connector	Terminal	
F11	2	F78	35	Existed

4. Also check harness for short to ground and short to power.

P0117, P0118 ECT SENSOR

[VQ35DE]

< DTC/CIRCUIT DIAGNOSIS >

Is the inspection result normal?

- YES >> GO TO 3.
- NO >> Repair open circuit, short to ground or short to power in harness or connectors.

3.CHECK ENGINE COOLANT TEMPERATURE SENSOR

Check engine coolant temperature sensor. Refer to [EC-803, "Component Inspection"](#).

Is the inspection result normal?

- YES >> Check intermittent incident. Refer to [GI-44, "Intermittent Incident"](#).
- NO >> Replace engine coolant temperature sensor. Refer to [CO-48, "Removal and Installation"](#).

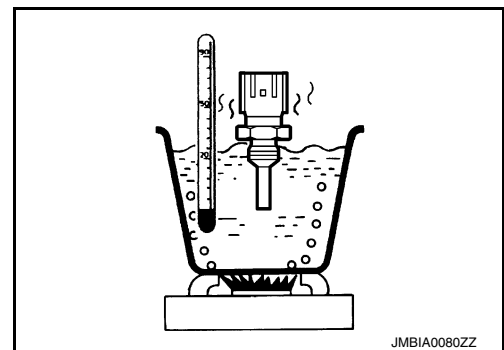
Component Inspection

INFOID:000000012602744

1.CHECK ENGINE COOLANT TEMPERATURE SENSOR

1. Turn ignition switch OFF.
2. Disconnect engine coolant temperature sensor harness connector.
3. Remove engine coolant temperature sensor. Refer to [CO-48, "Removal and Installation"](#).
4. Check resistance between engine coolant temperature sensor terminals as per the following.

ECT sensor		Condition	Resistance (kΩ)	
+	-			
Terminal				
1	2	Temperature [°C (°F)]	20 (68)	2.37 - 2.63
			50 (122)	0.68 - 1.00
			90 (194)	0.236 - 0.260



Is the inspection result normal?

- YES >> INSPECTION END
- NO >> Replace engine coolant temperature sensor. Refer to [CO-48, "Removal and Installation"](#).

A
EC
C
D
E
F
G
H
I
J
K
L
M
N
O
P

P0122, P0123 TP SENSOR

< DTC/CIRCUIT DIAGNOSIS >

[VQ35DE]

P0122, P0123 TP SENSOR

DTC Logic

INFOID:000000012602745

DTC DETECTION LOGIC

NOTE:

If DTC P0122 or P0123 is displayed with DTC P0643, first perform the trouble diagnosis for DTC P0643. Refer to [EC-956, "DTC Logic"](#).

DTC No.	Trouble diagnosis name	DTC detecting condition	Possible cause
P0122	Throttle position sensor 2 circuit low input	An excessively low voltage from the TP sensor 2 is sent to ECM.	<ul style="list-style-type: none">• Harness or connectors (TP sensor 2 circuit is open or shorted.)• Electric throttle control actuator (TP sensor 2)
P0123	Throttle position sensor 2 circuit high input	An excessively high voltage from the TP sensor 2 is sent to ECM.	

DTC CONFIRMATION PROCEDURE

1. PRECONDITIONING

If DTC Confirmation Procedure has been previously conducted, always perform the following before conducting the next test.

1. Turn ignition switch OFF and wait at least 10 seconds.
2. Turn ignition switch ON.
3. Turn ignition switch OFF and wait at least 10 seconds.

TESTING CONDITION:

Before performing the following procedure, confirm that battery voltage is more than 8 V at idle.

>> GO TO 2.

2. PERFORM DTC CONFIRMATION PROCEDURE

1. Start engine and let it idle for 1 second.
2. Check DTC.

Is DTC detected?

- YES >> Proceed to [EC-804, "Diagnosis Procedure"](#).
NO >> INSPECTION END

Diagnosis Procedure

INFOID:000000012602746

1. CHECK THROTTLE POSITION SENSOR 2 POWER SUPPLY

1. Disconnect electric throttle control actuator harness connector.
2. Turn ignition switch ON.
3. Check the voltage between electric throttle control actuator harness connector and ground.

Electric throttle control actuator		Ground	Voltage
Connector	Terminal		
F98	5	Ground	Approx. 5 V

Is the inspection result normal?

- YES >> GO TO 2.
NO >> Repair open circuit, short to ground or short to power in harness or connectors.

2. CHECK THROTTLE POSITION SENSOR 2 GROUND CIRCUIT

1. Turn ignition switch OFF.
2. Disconnect ECM harness connector.
3. Check the continuity between electric throttle control actuator harness connector and ECM harness connector.

P0122, P0123 TP SENSOR

< DTC/CIRCUIT DIAGNOSIS >

[VQ35DE]

Electric throttle control actuator		ECM		Continuity
Connector	Terminal	Connector	Terminal	
F98	4	F79	75	Existed

4. Also check harness for short to ground and short to power.

Is the inspection result normal?

YES >> GO TO 3.

NO >> Repair open circuit, short to ground or short to power in harness or connectors.

3. CHECK THROTTLE POSITION SENSOR 2 INPUT SIGNAL CIRCUIT

1. Check the continuity between electric throttle control actuator harness connector and ECM harness connector.

Electric throttle control actuator		ECM		Continuity
Connector	Terminal	Connector	Terminal	
F98	3	F79	72	Existed

2. Also check harness for short to ground and short to power.

Is the inspection result normal?

YES >> GO TO 4.

NO >> Repair open circuit, short to ground or short to power in harness or connectors.

4. CHECK THROTTLE POSITION SENSOR

Check throttle position sensor. Refer to [EC-805, "Component Inspection"](#).

Is the inspection result normal?

YES >> Check intermittent incident. Refer to [GI-44, "Intermittent Incident"](#).

NO >> Replace electric throttle control actuator. Refer to [EM-148, "Removal and Installation"](#).

Component Inspection

INFOID:0000000012602747

1. CHECK THROTTLE POSITION SENSOR

- Turn ignition switch OFF.
- Reconnect all harness connectors disconnected.
- Perform [EC-731, "Description"](#).
- Turn ignition switch ON.
- Set selector lever to D position.
- Check the voltage between ECM harness connector terminals under the following conditions.

Connector	ECM		Condition	Voltage
	+	-		
	Terminal	Terminal		
F79	71	75	Fully released	More than 0.36 V
			Fully depressed	Less than 4.75 V
	72		Fully released	Less than 4.75 V
			Fully depressed	More than 0.36 V

Is the inspection result normal?

YES >> INSPECTION END

NO >> Replace electric throttle control actuator. Refer to [EM-148, "Removal and Installation"](#).

P0125 ECT SENSOR

DTC Logic

INFOID:000000012602748

DTC DETECTION LOGIC

NOTE:

- If DTC P0125 is displayed with P0116, first perform the trouble diagnosis for DTC P0116. Refer to [EC-800, "DTC Logic"](#).
- If DTC P0125 is displayed with P0117 or P0118, first perform the trouble diagnosis for DTC P0117, P0118. Refer to [EC-802, "DTC Logic"](#).

DTC No.	Trouble diagnosis name	DTC detecting condition	Possible cause
P0125	Insufficient engine coolant temperature for closed loop fuel control	<ul style="list-style-type: none"> • Voltage sent to ECM from the sensor is not practical, even when some time has passed after starting the engine. • Engine coolant temperature is insufficient for closed loop fuel control. 	<ul style="list-style-type: none"> • Harness or connectors (High resistance in the circuit) • Engine coolant temperature sensor • Thermostat

DTC CONFIRMATION PROCEDURE

1. PRECONDITIONING

If DTC Confirmation Procedure has been previously conducted, always perform the following before conducting the next test.

1. Turn ignition switch OFF and wait at least 10 seconds.
2. Turn ignition switch ON.
3. Turn ignition switch OFF and wait at least 10 seconds.

>> GO TO 2.

2. CHECK ENGINE COOLANT TEMPERATURE SENSOR FUNCTION

 With CONSULT

1. Turn ignition switch ON.
2. Select "DATA MONITOR" mode with CONSULT.
3. Check that "COOLAN TEMP/S" is above 10°C (50°F).

 With GST

Follow the procedure "With CONSULT" above.

Is the temperature above 10°C (50°F)?

- YES >> INSPECTION END
 NO >> GO TO 3.

3. PERFORM DTC CONFIRMATION PROCEDURE

 With CONSULT

1. Start engine and run it for 65 minutes at idle speed.
If "COOLAN TEMP/S" increases to more than 10°C (50°F) within 65 minutes, stop engine because the test result will be OK.

CAUTION:

Never overheat engine.

2. Check 1st trip DTC.

 With GST

Follow the procedure "With CONSULT" above.

Is 1st trip DTC detected?

- YES >> [EC-806, "Diagnosis Procedure"](#)
 NO >> INSPECTION END

Diagnosis Procedure

INFOID:000000012602749

1. CHECK ENGINE COOLANT TEMPERATURE SENSOR

Check engine coolant temperature sensor. Refer to [EC-807, "Component Inspection"](#).

P0125 ECT SENSOR

[VQ35DE]

< DTC/CIRCUIT DIAGNOSIS >

Is the inspection result normal?

- YES >> GO TO 2.
- NO >> Replace engine coolant temperature sensor.

2. CHECK THERMOSTAT OPERATION

When the engine is cold [lower than 70°C (158°F)] condition, grasp lower radiator hose and confirm that the engine coolant does not flow.

Is the inspection result normal?

- YES >> Check intermittent incident. Refer to [GI-44. "Intermittent Incident"](#).
- NO >> Repair or replace thermostat. Refer to [CO-46. "Removal and Installation"](#).

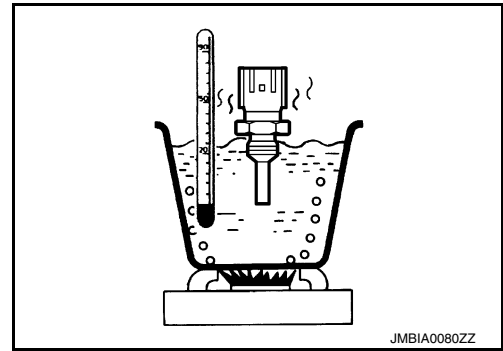
Component Inspection

INFOID:0000000012602750

1. CHECK ENGINE COOLANT TEMPERATURE SENSOR

1. Turn ignition switch OFF.
2. Disconnect engine coolant temperature sensor harness connector.
3. Remove engine coolant temperature sensor. Refer to [CO-48. "Removal and Installation"](#).
4. Check resistance between engine coolant temperature sensor terminals as per the following.

ECT sensor		Condition	Resistance (kΩ)
+	-		
Terminal			
1	2	20 (68)	2.37 - 2.63
		50 (122)	0.68 - 1.00
		90 (194)	0.236 - 0.260



Is the inspection result normal?

- YES >> INSPECTION END
- NO >> Replace engine coolant temperature sensor. Refer to [CO-48. "Removal and Installation"](#).

P0127 IAT SENSOR

< DTC/CIRCUIT DIAGNOSIS >

[VQ35DE]

P0127 IAT SENSOR

DTC Logic

INFOID:000000012602751

DTC DETECTION LOGIC

DTC No.	Trouble diagnosis name	DTC detecting condition	Possible cause
P0127	Intake air temperature too high	Rationally incorrect voltage from the sensor is sent to ECM, compared with the voltage signal from engine coolant temperature sensor.	<ul style="list-style-type: none">• Harness or connectors (The sensor circuit is open or shorted)• Intake air temperature sensor

DTC CONFIRMATION PROCEDURE

1. PRECONDITIONING

If DTC Confirmation Procedure has been previously conducted, always perform the following before conducting the next test.

1. Turn ignition switch OFF and wait at least 10 seconds.
2. Turn ignition switch ON.
3. Turn ignition switch OFF and wait at least 10 seconds.

TESTING CONDITION:

This test may be conducted with the drive wheels lifted in the shop or by driving the vehicle. If a road test is expected to be easier, it is unnecessary to lift the vehicle.

>> GO TO 2.

2. PERFORM DTC CONFIRMATION PROCEDURE

With CONSULT

1. Wait until engine coolant temperature is less than 96°C (205°F)
 - Turn ignition switch ON.
 - Select "DATA MONITOR" mode with CONSULT.
 - Check the engine coolant temperature.
 - If the engine coolant temperature is not less than 96°C (205°F), turn ignition switch OFF and cool down engine.

NOTE:

Perform the following steps before engine coolant temperature is above 96°C (205°F).

2. Turn ignition switch ON.
3. Select "DATA MONITOR" mode with CONSULT.
4. Start engine.
5. Hold vehicle speed at more than 70 km/h (43 MPH) for 100 consecutive seconds.

CAUTION:

Always drive vehicle at a safe speed.

6. Check 1st trip DTC.

With GST

Follow the procedure "With CONSULT" above.

Is 1st trip DTC detected?

- YES >> Proceed to [EC-808, "Diagnosis Procedure"](#).
NO >> INSPECTION END

Diagnosis Procedure

INFOID:000000012602752

1. CHECK INTAKE AIR TEMPERATURE SENSOR

Check intake air temperature sensor. Refer to [EC-809, "Component Inspection"](#).

Is the inspection result normal?

- YES >> Check intermittent incident. Refer to [GI-44, "Intermittent Incident"](#).
NO >> Replace mass air flow sensor (with intake air temperature sensor).

P0127 IAT SENSOR

< DTC/CIRCUIT DIAGNOSIS >

[VQ35DE]

Component Inspection

INFOID:000000012602753

1. CHECK INTAKE AIR TEMPERATURE SENSOR

1. Turn ignition switch OFF.
2. Disconnect mass air flow sensor harness connector.
3. Check resistance between mass air flow sensor terminals as per the following.

Mass air flow sensor		Condition	Resistance (kΩ)
+	-		
Terminals			
4	2	Temperature [°C (°F)] 25 (77)	1.800 - 2.200

Is the inspection result normal?

YES >> INSPECTION END

NO >> Replace mass air flow sensor. Refer to [EM-146. "Removal and Installation"](#).

A

EC

C

D

E

F

G

H

I

J

K

L

M

N

O

P

P0128 THERMOSTAT FUNCTION

< DTC/CIRCUIT DIAGNOSIS >

[VQ35DE]

P0128 THERMOSTAT FUNCTION

DTC Logic

INFOID:000000012602754

DTC DETECTION LOGIC

NOTE:

If DTC P0128 is displayed with DTC P0300, P0301, P0302, P0303, P0304, P0305 or P0306, first perform the trouble diagnosis for P0300, P0301, P0302, P0303, P0304, P0305, P0306. Refer to [EC-870, "DTC Logic"](#).

Engine coolant temperature has not risen enough to open the thermostat even though the engine has run long enough.

This is due to a leak in the seal or the thermostat being stuck open.

DTC No.	Trouble diagnosis (Trouble diagnosis content)	DTC detecting condition	Possible cause
P0128	THERMSTAT FNCTN [Coolant thermostat (coolant temperature below thermostat regulating temperature)]	The engine coolant temperature does not reach to specified temperature even though the engine has run long enough.	<ul style="list-style-type: none">• Thermostat• Leakage from sealing portion of thermostat• Engine coolant temperature sensor

DTC CONFIRMATION PROCEDURE

NOTE:

Never refuel before and during the following procedure.

1. PRECONDITIONING-I

If DTC Confirmation Procedure has been previously conducted, always perform the following procedure before conducting the next test.

1. Turn ignition switch OFF and wait at least 10 seconds.
2. Turn ignition switch ON.
3. Turn ignition switch OFF and wait at least 10 seconds.

>> GO TO 2.

2. PRECONDITIONING-II

Ⓟ With CONSULT

1. Turn ignition switch ON.
2. Check the following conditions:

Ambient temperature	-10°C (14°F) or more
A/C switch	OFF
Blower fan switch	OFF

3. Select "DATA MONITOR" mode of "ENGINE" using CONSULT.
4. Check the following conditions:

COOLAN TEMP/S	-10°C – 46°C (14 – 115°F)
---------------	---------------------------

Is the condition satisfied?

- YES >> GO TO 3.
NO >> 1. Satisfy the condition.
2. GO TO 3.

3. PERFORM DTC CONFIRMATION PROCEDURE-I

Ⓟ With CONSULT

1. Start engine.
2. Drive the vehicle until the following condition is satisfied.

CAUTION:

Always drive vehicle at safe speed.

- **STEP 1**

P0128 THERMOSTAT FUNCTION

[VQ35DE]

< DTC/CIRCUIT DIAGNOSIS >

Drive the vehicle under the conditions instructed below until the difference between "COOLAN TEMP/S" and "FUEL T/TMP SE" becomes at least 24°C (43°F).

COOLAN TEMP/S	65°C (149°F) or less
FUEL T/TMP SE	Less than the value calculated by subtracting 24°C (43°F) from "COOLAN TEMP/S".*

*: Example

COOLAN TEMP/S	FUEL T/TMP SE
70°C (158°F)	46°C (115°F) or less
65°C (149°F)	41°C (106°F) or less
60°C (140°F)	36°C (97°F) or less

- STEP 2

Drive the vehicle at 50 km/h (32 MPH) or more with the difference between "COOLAN TEMP/S" and "FUEL T/TMP SE" maintained at 24°C (43°F) or more.

NOTE:

Keep the accelerator pedal as steady as possible during cruising.

- STEP 3

Drive the vehicle at 50 km/h (32 MPH) or more until "COOLAN TEMP/S" increases by 6°C (11°F).

NOTE:


Keep the accelerator pedal as steady as possible during cruising.

Is the condition satisfied?

YES >> GO TO 4.

NO >> GO TO 1.

4.PERFORM DTC CONFIRMATION PROCEDURE-II

 With CONSULT

1. Drive the vehicle until the following condition is satisfied.

COOLAN TEMP/S	65°C (149°F) or more
---------------	----------------------

CAUTION:

Always drive vehicle at safe speed.

2. Check 1st trip DTC.

Is 1st trip DTC detected?

YES >> Proceed to [EC-811, "Diagnosis Procedure"](#).

NO >> INSPECTION END

Diagnosis Procedure

INFOID:0000000012602755

1.CHECK ENGINE COOLANT TEMPERATURE SENSOR

Check engine coolant temperature sensor. Refer to [EC-811, "Component Inspection"](#).

Is the inspection result normal?

YES >> GO TO 2.

NO >> Replace engine coolant temperature sensor.

2.CHECK THERMOSTAT

Check thermostat. Refer to [CO-46, "Removal and Installation"](#).

Is the inspection result normal?

YES >> INSPECTION END

NO >> Replace thermostat. Refer to [CO-46, "Removal and Installation"](#).

Component Inspection

INFOID:0000000012602756

1.CHECK ENGINE COOLANT TEMPERATURE SENSOR

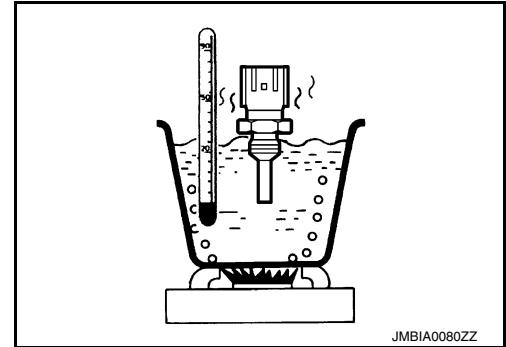
P0128 THERMOSTAT FUNCTION

[VQ35DE]

< DTC/CIRCUIT DIAGNOSIS >

1. Turn ignition switch OFF.
2. Disconnect engine coolant temperature sensor harness connector.
3. Remove engine coolant temperature sensor. Refer to [CO-48, "Removal and Installation"](#).
4. Check resistance between engine coolant temperature sensor terminals as per the following.

ECT sensor		Condition	Resistance (kΩ)
+	-		
Terminal			
1	2	20 (68)	2.37 - 2.63
		50 (122)	0.68 - 1.00
		90 (194)	0.236 - 0.260



Is the inspection result normal?

YES >> INSPECTION END

NO >> Replace engine coolant temperature sensor. Refer to [CO-48, "Removal and Installation"](#).

P0130, P0150 A/F SENSOR 1

< DTC/CIRCUIT DIAGNOSIS >

[VQ35DE]

P0130, P0150 A/F SENSOR 1

DTC Logic

INFOID:000000012602757

DTC DETECTION LOGIC

To judge malfunctions, the diagnosis checks that the A/F signal computed by ECM from the A/F sensor 1 signal fluctuates according to fuel feedback control.

DTC No.	Trouble diagnosis name	DTC detecting condition		Possible cause
P0130	Air fuel ratio (A/F) sensor 1 (bank 1) circuit	A)	The A/F signal computed by ECM from the A/F sensor 1 signal is constantly in a range other than approx. 2.2 V.	• Harness or connectors (The A/F sensor 1 circuit is open or shorted.) • A/F sensor 1
		B)	The A/F signal computed by ECM from the A/F sensor 1 signal is constantly approx. 2.2 V.	
P0150	Air fuel ratio (A/F) sensor 1 (bank 2) circuit	A)	The A/F signal computed by ECM from the A/F sensor 1 signal is constantly in a range other than approx. 2.2 V.	• Harness or connectors (The A/F sensor 1 circuit is open or shorted.) • A/F sensor 1
		B)	The A/F signal computed by ECM from the A/F sensor 1 signal is constantly approx. 2.2 V.	

DTC CONFIRMATION PROCEDURE

1. PRECONDITIONING

If DTC Confirmation Procedure has been previously conducted, always perform the following before conducting the next test.

1. Turn ignition switch OFF and wait at least 10 seconds.
2. Turn ignition switch ON.
3. Turn ignition switch OFF and wait at least 10 seconds.

TESTING CONDITION:

Before performing the following procedure, confirm that battery voltage is more than 11 V at idle.

>> GO TO 2.

2. PERFORM DTC CONFIRMATION PROCEDURE FOR MALFUNCTION A

1. Start engine and warm it up to normal operating temperature.
2. Let engine idle for 2 minutes.
3. Check 1st trip DTC.

Is 1st trip DTC detected?

- YES >> Proceed to [EC-815, "Diagnosis Procedure"](#).
NO-1 >> With CONSULT: GO TO 3.
NO-2 >> With GST: GO TO 7.

3. CHECK AIR FUEL RATIO (A/F) SENSOR 1 FUNCTION

1. Start engine and warm it up to normal operating temperature.
2. Select "A/F SEN1 (B1)" or "A/F SEN1 (B2)" in "DATA MONITOR" mode with CONSULT.
3. Check "A/F SEN1 (B1)" or "A/F SEN1 (B2)" indication.

Does the indication fluctuate around 2.2 V?

- YES >> GO TO 4.
NO >> Proceed to [EC-815, "Diagnosis Procedure"](#).

4. PERFORM DTC CONFIRMATION PROCEDURE FOR MALFUNCTION B-I

1. Select "A/F SEN1 (B1) P1276" (for DTC P0130) or "A/F SEN1 (B2) P1286" (for DTC P0150) of "A/F SEN1" in "DTC WORK SUPPORT" mode with CONSULT.
2. Touch "START".
3. When the following conditions are met, "TESTING" will be displayed on the CONSULT screen.

ENG SPEED	1,000 - 3,200 rpm
VHCL SPEED SE	More than 64 km/h (40 mph)
B/FUEL SCHDL	1.0 - 10.0 msec
Selector lever	D position

If "TESTING" is not displayed after 20 seconds, retry from step 2.

CAUTION:

Always drive vehicle at a safe speed.

Is "TESTING" displayed on CONSULT screen?

YES >> GO TO 5.

NO >> Check A/F sensor 1 function again. GO TO 3.

5. PERFORM DTC CONFIRMATION PROCEDURE FOR MALFUNCTION B-II

Release accelerator pedal fully.

NOTE:

Never apply brake when releasing the accelerator pedal.

Which does "TESTING" change to?

COMPLETED>>GO TO 6.

OUT OF CONDITION>>Retry DTC CONFIRMATION PROCEDURE. GO TO 4.

6. PERFORM DTC CONFIRMATION PROCEDURE FOR MALFUNCTION B-III

Touch "SELF-DIAG RESULT".

Which is displayed on CONSULT screen?

OK >> INSPECTION END

NG >> Proceed to [EC-815, "Diagnosis Procedure"](#).

7. PERFORM COMPONENT FUNCTION CHECK FOR MALFUNCTION B

Perform component function check. Refer to [EC-814, "Component Function Check"](#).

NOTE:

Use component function check to check the overall function of the A/F sensor 1 circuit. During this check, a 1st trip DTC might not be confirmed.

Is the inspection result normal?

YES >> INSPECTION END

NO >> Proceed to [EC-815, "Diagnosis Procedure"](#).

Component Function Check

INFOID:000000012602758

1. PERFORM COMPONENT FUNCTION CHECK

 **With GST**

1. Start engine and warm it up to normal operating temperature.
2. Drive the vehicle at a speed of 80 km/h (50 MPH) for a few minutes in the suitable gear position.
3. Shift the selector lever to the D position, then release the accelerator pedal fully until the vehicle speed decreases to 50 km/h (31 MPH).

CAUTION:

Always drive vehicle at a safe speed.

NOTE:

Never apply brake when releasing the accelerator pedal.

4. Repeat steps 2 and 3 for 5 times.
5. Stop the vehicle and turn ignition switch OFF.
6. Wait at least 10 seconds and restart engine.
7. Repeat steps 2 and 3 for 5 times.
8. Stop the vehicle.
9. Check 1st trip DTC.

Is 1st trip DTC detected?

YES >> Proceed to [EC-815, "Diagnosis Procedure"](#).

NO >> INSPECTION END

P0130, P0150 A/F SENSOR 1

< DTC/CIRCUIT DIAGNOSIS >

[VQ35DE]

INFOID:000000012602759

Diagnosis Procedure

1. CHECK AIR FUEL RATIO (A/F) SENSOR 1 POWER SUPPLY

1. Disconnect A/F sensor 1 harness connector.
2. Turn ignition switch ON.
3. Check the voltage between A/F sensor 1 harness connector and ground.

DTC	A/F sensor 1			Ground	Voltage
	Bank	Connector	Terminal		
P0130	1	F12	1	Ground	Battery voltage
P0150	2	F61	1		

Is the inspection result normal?

YES >> GO TO 3.

NO >> GO TO 2.

2. CHECK AIR FUEL RATIO (A/F) SENSOR 1 POWER SUPPLY CIRCUIT

1. Turn ignition switch OFF.
2. Disconnect IPDM E/R harness connector.
3. Check the continuity between A/F sensor 1 harness connector and IPDM E/R harness connector.

DTC	A/F sensor 1			IPDM E/R		Continuity
	Bank	Connector	Terminal	Connector	Terminal	
P0130	1	F12	1	F83	52	Existed
P0150	2	F61	1		53	

Is the inspection result normal?

YES >> Perform the trouble diagnosis for power supply circuit.

NO >> Repair or replace error-detected parts.

3. CHECK A/F SENSOR 1 INPUT SIGNAL CIRCUIT

1. Turn ignition switch OFF.
2. Disconnect ECM harness connector.
3. Check the continuity between A/F sensor 1 harness connector and ECM harness connector.

DTC	A/F sensor 1			ECM		Continuity
	Bank	Connector	Terminal	Connector	Terminal	
P0130	1	F12	3	F79	66	Existed
			4		67	
P0150	2	F61	3		76	
			4		77	

4. Check the continuity between A/F sensor 1 harness connector and ground, or ECM harness connector and ground.

DTC	A/F sensor 1			Ground	Continuity
	Bank	Connector	Terminal		
P0130	1	F12	3	Ground	Not existed
			4		
P0150	2	F61	3		
			4		

P0130, P0150 A/F SENSOR 1

[VQ35DE]

< DTC/CIRCUIT DIAGNOSIS >

DTC	ECM		Ground	Continuity
	Connector	Terminal		
P0130	F79	66	Ground	Not existed
		67		
P0150		76		
		77		

5. Also check harness for short to power.

Is the inspection result normal?

YES >> GO TO 4.

NO >> Repair open circuit, short to ground or short to power in harness or connectors.

4. CHECK INTERMITTENT INCIDENT

Check intermittent incident. Refer to [GI-44. "Intermittent Incident"](#).

Is the inspection result normal?

YES >> Replace malfunctioning air fuel ratio (A/F) sensor 1. Refer to [EM-155. "Removal and Installation \(bank 1\)"](#) or [EM-153. "Removal and Installation \(bank 2\)"](#).

NO >> Repair or replace error-detected parts.

P0131, P0151 A/F SENSOR 1

< DTC/CIRCUIT DIAGNOSIS >

[VQ35DE]

P0131, P0151 A/F SENSOR 1

DTC Logic

INFOID:000000012602760

DTC DETECTION LOGIC

To judge the malfunction, the diagnosis checks that the A/F signal computed by ECM from the A/F sensor 1 signal is not inordinately low.

DTC No.	Trouble diagnosis name	DTC detecting condition	Possible cause
P0131	Air fuel ratio (A/F) sensor 1 (bank 1) circuit low voltage	• The A/F signal computed by ECM from the A/F sensor 1 signal is constantly approx. 0 V.	• Harness or connectors (The A/F sensor 1 circuit is open or shorted.) • A/F sensor 1
P0151	Air fuel ratio (A/F) sensor 1 (bank 2) circuit low voltage		

DTC CONFIRMATION PROCEDURE

1. PRECONDITIONING

If DTC Confirmation Procedure has been previously conducted, always perform the following before conducting the next test.

1. Turn ignition switch OFF and wait at least 10 seconds.
2. Turn ignition switch ON.
3. Turn ignition switch OFF and wait at least 10 seconds.

TESTING CONDITION:

Before performing the following procedure, confirm that battery voltage is more than 10.5 V at idle.

>> GO TO 2.

2. CHECK A/F SENSOR 1 FUNCTION

With CONSULT

1. Start engine and warm it up to normal operating temperature.
2. Select "A/F SEN1 (B1)" or "A/F SEN1 (B2)" in "DATA MONITOR" mode with CONSULT.
3. Check "A/F SEN1 (B1)" or "A/F SEN1 (B2)" indication.

With GST

Follow the procedure "With CONSULT" above.

Is the indication constantly approx. 0 V?

YES >> Proceed to [EC-818, "Diagnosis Procedure"](#).

NO >> GO TO 3.

3. PERFORM DTC CONFIRMATION PROCEDURE

With CONSULT

1. Turn ignition switch OFF, wait at least 10 seconds.
2. Turn ignition switch ON.
3. Turn ignition switch OFF, wait at least 10 seconds and then restart engine.
4. Drive and accelerate vehicle to more than 40 km/h (25 MPH) within 20 seconds after restarting engine.

CAUTION:

Always drive vehicle at a safe speed.

5. Maintain the following conditions for approximately 20 consecutive seconds.

ENG SPEED	1,000 - 3,200 rpm
VHCL SPEED SE	More than 40 km/h (25 mph)
B/FUEL SCHDL	1.5 - 9.0 msec
Selector lever	Suitable position

NOTE:

- Keep the accelerator pedal as steady as possible during cruising.
- If this procedure is not completed within 1 minute after restarting engine at step 1, return to step 1.

6. Check 1st trip DTC.

P0131, P0151 A/F SENSOR 1

[VQ35DE]

< DTC/CIRCUIT DIAGNOSIS >

 **With GST**

Follow the procedure "With CONSULT" above.

Is 1st trip DTC detected?

- YES >> Proceed to [EC-818. "Diagnosis Procedure"](#).
- NO >> INSPECTION END

Diagnosis Procedure

INFOID:000000012602761

1. CHECK AIR FUEL RATIO (A/F) SENSOR 1 POWER SUPPLY

1. Disconnect A/F sensor 1 harness connector.
2. Turn ignition switch ON.
3. Check the voltage between A/F sensor 1 harness connector and ground.

DTC	A/F sensor 1			Ground	Voltage
	Bank	Connector	Terminal		
P0131	1	F12	1	Ground	Battery voltage
P0151	2	F61	1		

Is the inspection result normal?

- YES >> GO TO 3.
- NO >> GO TO 2.

2. CHECK AIR FUEL RATIO (A/F) SENSOR 1 POWER SUPPLY CIRCUIT

1. Turn ignition switch OFF.
2. Disconnect IPDM E/R harness connector.
3. Check the continuity between A/F sensor 1 harness connector and IPDM E/R harness connector.

DTC	A/F sensor 1			IPDM E/R		Continuity
	Bank	Connector	Terminal	Connector	Terminal	
P0131	1	F12	1	F83	52	Existed
P0151	2	F61	1		53	

Is the inspection result normal?

- YES >> Perform the trouble diagnosis for power supply circuit.
- NO >> Repair or replace error-detected parts.

3. CHECK A/F SENSOR 1 INPUT SIGNAL CIRCUIT

1. Turn ignition switch OFF.
2. Disconnect ECM harness connector.
3. Check the continuity between A/F sensor 1 harness connector and ECM harness connector.

DTC	A/F sensor 1			ECM		Continuity
	Bank	Connector	Terminal	Connector	Terminal	
P0131	1	F12	3	F79	66	Existed
			4		67	
P0151	2	F61	3		76	
			4		77	

4. Check the continuity between A/F sensor 1 harness connector and ground, or ECM harness connector and ground.

P0131, P0151 A/F SENSOR 1

< DTC/CIRCUIT DIAGNOSIS >

[VQ35DE]

DTC	A/F sensor 1			Ground	Continuity
	Bank	Connector	Terminal		
P0131	1	F12	3	Ground	Not existed
			4		
P0151	2	F61	3		
			4		

DTC	ECM		Ground	Continuity
	Connector	Terminal		
P0131	F79	66	Ground	Not existed
		67		
P0151		76		
		77		

5. Also check harness for short to power.

Is the inspection result normal?

YES >> GO TO 4.

NO >> Repair open circuit, short to ground or short to power in harness or connectors.

4. CHECK INTERMITTENT INCIDENT

Check intermittent incident. Refer to [GI-44, "Intermittent Incident"](#).

Is the inspection result normal?

YES >> Replace malfunctioning air fuel ratio (A/F) sensor 1. Refer to [EM-155, "Removal and Installation \(bank 1\)"](#) or [EM-153, "Removal and Installation \(bank 2\)"](#).

NO >> Repair or replace error-detected parts.

A
EC
C
D
E
F
G
H
I
J
K
L
M
N
O
P

P0132, P0152 A/F SENSOR 1

< DTC/CIRCUIT DIAGNOSIS >

[VQ35DE]

P0132, P0152 A/F SENSOR 1

DTC Logic

INFOID:000000012602762

DTC DETECTION LOGIC

To judge the malfunction, the diagnosis checks that the A/F signal computed by ECM from the A/F sensor 1 signal is not inordinately high.

DTC No.	Trouble diagnosis name	DTC detecting condition	Possible cause
P0132	Air fuel ratio (A/F) sensor 1 (bank 1) circuit high voltage	• The A/F signal computed by ECM from the A/F sensor 1 signal is constantly approx. 5 V.	• Harness or connectors (The A/F sensor 1 circuit is open or shorted.) • A/F sensor 1
P0152	Air fuel ratio (A/F) sensor 1 (bank 2) circuit high voltage		

DTC CONFIRMATION PROCEDURE

1. PRECONDITIONING

If DTC Confirmation Procedure has been previously conducted, always perform the following before conducting the next test.

1. Turn ignition switch OFF and wait at least 10 seconds.
2. Turn ignition switch ON.
3. Turn ignition switch OFF and wait at least 10 seconds.

TESTING CONDITION:

Before performing the following procedure, confirm that battery voltage is more than 10.5 V at idle.

>> GO TO 2.

2. CHECK A/F SENSOR 1 FUNCTION

With CONSULT

1. Start engine and warm it up to normal operating temperature.
2. Select "A/F SEN1 (B1)" or "A/F SEN1 (B2)" in "DATA MONITOR" mode with CONSULT.
3. Check "A/F SEN1 (B1)" or "A/F SEN1 (B2)" indication.

With GST

Follow the procedure "With CONSULT" above.

Is the indication constantly approx. 5 V?

- YES >> Proceed to [EC-821, "Diagnosis Procedure"](#).
NO >> GO TO 3.

3. PERFORM DTC CONFIRMATION PROCEDURE

With CONSULT

1. Turn ignition switch OFF and wait at least 10 seconds.
2. Turn ignition switch ON.
3. Turn ignition switch OFF, wait at least 10 seconds and then restart engine.
4. Drive and accelerate vehicle to more than 40 km/h (25 MPH) within 20 seconds after restarting engine.

CAUTION:

Always drive vehicle at a safe speed.

5. Maintain the following conditions for approximately 20 consecutive seconds.

ENG SPEED	1,000 - 3,200 rpm
VHCL SPEED SE	More than 40 km/h (25 mph)
B/FUEL SCHDL	1.5 - 9.0 msec
Selector lever	Suitable position

NOTE:

- Keep the accelerator pedal as steady as possible during cruising.
- If this procedure is not completed within 1 minute after restarting engine at step 1, return to step 1.

6. Check 1st trip DTC.

P0132, P0152 A/F SENSOR 1

< DTC/CIRCUIT DIAGNOSIS >

[VQ35DE]

With GST

Follow the procedure "With CONSULT" above.

Is 1st trip DTC detected?

- YES >> Proceed to [EC-821, "Diagnosis Procedure"](#).
- NO >> INSPECTION END

Diagnosis Procedure

INFOID:000000012602763

1. CHECK AIR FUEL RATIO (A/F) SENSOR 1 POWER SUPPLY

1. Disconnect A/F sensor 1 harness connector.
2. Turn ignition switch ON.
3. Check the voltage between A/F sensor 1 harness connector and ground.

DTC	A/F sensor 1			Ground	Voltage
	Bank	Connector	Terminal		
P0132	1	F12	1	Ground	Battery voltage
P0152	2	F61	1		

Is the inspection result normal?

- YES >> GO TO 3.
- NO >> GO TO 2.

2. CHECK AIR FUEL RATIO (A/F) SENSOR 1 POWER SUPPLY CIRCUIT

1. Turn ignition switch OFF.
2. Disconnect IPDM E/R harness connector.
3. Check the continuity between A/F sensor 1 harness connector and IPDM E/R harness connector.

DTC	A/F sensor 1			IPDM E/R		Continuity
	Bank	Connector	Terminal	Connector	Terminal	
P0132	1	F12	1	F83	52	Existed
P0152	2	F61	1		53	

Is the inspection result normal?

- YES >> Perform the trouble diagnosis for power supply circuit.
- NO >> Repair or replace error-detected parts.

3. CHECK A/F SENSOR 1 INPUT SIGNAL CIRCUIT FOR OPEN AND SHORT

1. Turn ignition switch OFF.
2. Disconnect ECM harness connector.
3. Check the continuity between A/F sensor 1 harness connector and ECM harness connector.

DTC	A/F sensor 1			ECM		Continuity
	Bank	Connector	Terminal	Connector	Terminal	
P0132	1	F12	3	F79	66	Existed
			4		67	
P0152	2	F61	3		76	
			4		77	

4. Check the continuity between A/F sensor 1 harness connector and ground, or ECM harness connector and ground.

P0132, P0152 A/F SENSOR 1

[VQ35DE]

< DTC/CIRCUIT DIAGNOSIS >

DTC	A/F sensor 1			Ground	Continuity
	Bank	Connector	Terminal		
P0132	1	F12	3	Ground	Not existed
			4		
P0152	2	F61	3		
			4		

DTC	ECM		Ground	Continuity
	Connector	Terminal		
P0132	F79	66	Ground	Not existed
		67		
76				
77				
P0152				

5. Also check harness for short to power.

Is the inspection result normal?

YES >> GO TO 4.

NO >> Repair open circuit, short to ground or short to power in harness or connectors.

4. CHECK INTERMITTENT INCIDENT

Check intermittent incident. Refer to [GI-44, "Intermittent Incident"](#).

Is the inspection result normal?

YES >> Replace malfunctioning air fuel ratio (A/F) sensor 1. Refer to [EM-155, "Removal and Installation \(bank 1\)"](#) or [EM-153, "Removal and Installation \(bank 2\)"](#).

NO >> Repair or replace error-detected parts.

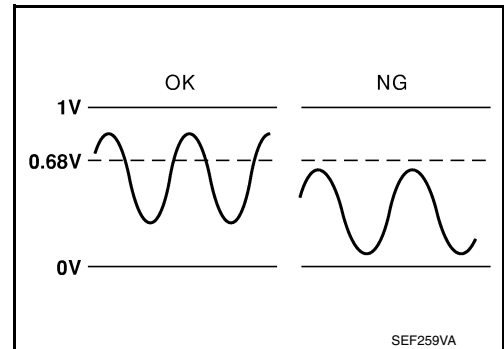
P0137, P0157 HO2S2

DTC Logic

INFOID:000000012602764

DTC DETECTION LOGIC

The heated oxygen sensor 2 has a much longer switching time between rich and lean than the air fuel ratio (A/F) sensor 1. The oxygen storage capacity of the three way catalyst (manifold) causes the longer switching time. To judge the malfunctions of heated oxygen sensor 2, ECM monitors whether the maximum voltage of the sensor is sufficiently high during various driving conditions such as fuel-cut.



DTC No.	Trouble diagnosis name	DTC detecting condition	Possible cause
P0137	Heated oxygen sensor 2 (bank 1) circuit low voltage	The maximum voltage from the sensor does not reach the specified voltage.	<ul style="list-style-type: none"> • Harness or connectors (The sensor circuit is open or shorted) • Heated oxygen sensor 2 • Fuel pressure • Fuel injector • Intake air leakage
P0157	Heated oxygen sensor 2 (bank 2) circuit low voltage		

DTC CONFIRMATION PROCEDURE

1.INSPECTION START

Will CONSULT be used?

Will CONSULT be used?

- YES >> GO TO 2.
- NO >> GO TO 5.

2.PRECONDITIONING

If DTC confirmation Procedure has been previously conducted, always perform the following before conducting the next test.

1. Turn ignition switch OFF and wait at least 10 seconds.
2. Turn ignition switch ON.
3. Turn ignition switch OFF and wait at least 10 seconds.

TESTING CONDITION:

For better results, perform "DTC WORK SUPPORT" at a temperature of 0 to 30°C (32 to 86°F).

>> GO TO 3.

3.PERFORM DTC CONFIRMATION PROCEDURE

Ⓜ With CONSULT

1. Turn ignition switch ON and select "DATA MONITOR" mode with CONSULT.
2. Start engine and warm it up to the normal operating temperature.
3. Turn ignition switch OFF and wait at least 10 seconds.
4. Turn ignition switch ON.
5. Turn ignition switch OFF and wait at least 10 seconds.
6. Start engine and keep the engine speed between 3,500 and 4,000 rpm for at least 1 minute under no load.
7. Let engine idle for 1 minute.
8. Check that "COOLAN TEMP/S" indicates more than 70°C (158°F).
If not, warm up engine and go to next step when "COOLAN TEMP/S" indication reaches 70°C (158°F).
9. Open engine hood.

P0137, P0157 HO2S2

[VQ35DE]

< DTC/CIRCUIT DIAGNOSIS >

10. Select "HO2S2 (B1) P1147" (for DTC P0137) or "HO2S2 (B2) P1167" (for DTC P0157) of "HO2S2" in "DTC WORK SUPPORT" mode with CONSULT.
11. Follow the instruction of CONSULT display.

NOTE:

It will take at most 10 minutes until "COMPLETED" is displayed.

12. Touch "SELF-DIAG RESULTS".

Which is displayed on CONSULT screen?

- OK >> INSPECTION END
 NG >> Proceed to [EC-825. "Diagnosis Procedure"](#).
 CAN NOT BE DIAGNOSED>>GO TO 4.

4.PERFORM DTC CONFIRMATION PROCEDURE AGAIN

1. Turn ignition switch OFF and leave the vehicle in a cool place (soak the vehicle).
2. Perform DTC confirmation procedure again.

>> GO TO 3.

5.PERFORM COMPONENT FUNCTION CHECK

Perform component function check. Refer to [EC-824. "Component Function Check"](#).

NOTE:

Use component function check to check the overall function of the heated oxygen sensor 2 circuit. During this check, a 1st trip DTC might not be confirmed.

Is the inspection result normal?

- YES >> INSPECTION END
 NO >> Proceed to [EC-825. "Diagnosis Procedure"](#).

Component Function Check

INFOID:000000012602765

1.PERFORM COMPONENT FUNCTION CHECK-I

Without CONSULT

1. Start engine and warm it up to the normal operating temperature.
2. Turn ignition switch OFF and wait at least 10 seconds.
3. Turn ignition switch ON.
4. Turn ignition switch OFF and wait at least 10 seconds.
5. Start engine and keep the engine speed between 3,500 and 4,000 rpm for at least 1 minute under no load.
6. Let engine idle for 1 minute.
7. Check the voltage between ECM harness connector terminals under the following conditions.

DTC	ECM			Condition	Voltage
	Conne- tor	+	-		
		Terminal	Terminal		
P0137	F78	41	35	Revving up to 4,000 rpm under no load at least 10 times	The voltage should be above 0.68 V at least once during this procedure.
P0157		32			

Is the inspection result normal?

- YES >> INSPECTION END
 NO >> GO TO 2.

2.PERFORM COMPONENT FUNCTION CHECK-II

Check the voltage between ECM harness connector terminals under the following conditions.

DTC	ECM			Condition	Voltage
	Conne- tor	+	-		
		Terminal	Terminal		
P0137	F78	41	35	Keeping engine at idle for 10 minutes	The voltage should be above 0.68 V at least once during this procedure.
P0157		32			

< DTC/CIRCUIT DIAGNOSIS >

Is the inspection result normal?

- YES >> INSPECTION END
- NO >> GO TO 3.

3.PERFORM COMPONENT FUNCTION CHECK-III

Check the voltage between ECM harness connector terminals under the following conditions.

DTC	ECM			Condition	Voltage
	Conne- tor	+	-		
		Terminal	Terminal		
P0137	F78	41	35	Coasting from 80 km/h (50 MPH) with selector lever in the D position	The voltage should be above 0.68 V at least once during this procedure.
P0157		32			

Is the inspection result normal?

- YES >> INSPECTION END
- NO >> Proceed to [EC-825, "Diagnosis Procedure"](#).

Diagnosis Procedure

INFOID:000000012602766

1.CLEAR MIXTURE RATIO SELF-LEARNING VALUE

1. Clear the mixture ratio self-learning value. Refer to [EC-734, "Description"](#).
2. Run engine for at least 10 minutes at idle speed.

Is the 1st trip DTC P0171 or P0174 detected? Is it difficult to start engine?

- YES >> Perform trouble diagnosis for DTC P0171 or P0174. Refer to [EC-848, "DTC Logic"](#).
- NO >> GO TO 2.

2.CHECK HO2S2 GROUND CIRCUIT

1. Turn ignition switch OFF.
2. Disconnect heated oxygen sensor 2 harness connector.
3. Disconnect ECM harness connector.
4. Check the continuity between heated oxygen sensor 2 (HO2S2) harness connector and ECM harness connector.

DTC	HO2S2			ECM		Continuity
	Bank	Connector	Terminal	Connector	Terminal	
P0137	1	F62	4	F78	35	Existed
P0157	2	F56	4			

5. Also check harness for short to ground and short to power.

Is the inspection result normal?

- YES >> GO TO 3.
- NO >> Repair open circuit, short to ground or short to power in harness or connectors.

3.CHECK HO2S2 INPUT SIGNAL CIRCUIT FOR OPEN AND SHORT

1. Check the continuity between HO2S2 harness connector and ECM harness connector.

DTC	HO2S2			ECM		Continuity
	Bank	Connector	Terminal	Connector	Terminal	
P0137	1	F62	3	F78	41	Existed
P0157	2	F56	3		32	

2. Check the continuity between HO2S2 harness connector and ground, or ECM harness connector and ground.

< DTC/CIRCUIT DIAGNOSIS >

DTC	HO2S2			Ground	Continuity
	Bank	Connector	Terminal		
P0137	1	F62	3	Ground	Not existed
P0157	2	F56	3		

DTC	ECM		Ground	Continuity
	Connector	Terminal		
P0137	F78	41	Ground	Not existed
P0157		32		

3. Also check harness for short to power.

Is the inspection result normal?

YES >> GO TO 4.

NO >> Repair open circuit, short to ground or short to power in harness or connectors.

4. CHECK HEATED OXYGEN SENSOR 2

Check heated oxygen sensor 2. Refer to [EC-826, "Component Inspection"](#).

Is the inspection result normal?

YES >> Check intermittent incident. Refer to [GI-44, "Intermittent Incident"](#).

NO >> Replace malfunctioning heated oxygen sensor 2. Refer to [EM-155, "Removal and Installation \(bank 1\)"](#) or [EM-153, "Removal and Installation \(bank 2\)"](#).

Component Inspection

INFOID:0000000012602767

1. INSPECTION START

Will CONSULT be used?

Will CONSULT be used?

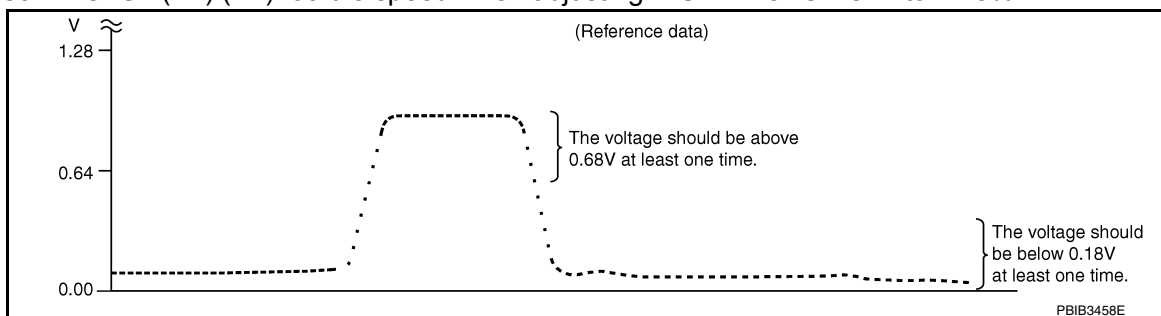
YES >> GO TO 2.

NO >> GO TO 3.

2. CHECK HEATED OXYGEN SENSOR 2

Ⓟ With CONSULT

1. Turn ignition switch ON and select "DATA MONITOR" mode with CONSULT.
2. Start engine and warm it up to the normal operating temperature.
3. Turn ignition switch OFF and wait at least 10 seconds.
4. Start engine and keep the engine speed between 3,500 and 4,000 rpm for at least 1 minute under no load.
5. Let engine idle for 1 minute.
6. Select "FUEL INJECTION" in "ACTIVE TEST" mode, and select "HO2S2 (B1)/(B2)" as the monitor item with CONSULT.
7. Check "HO2S2 (B1)/(B2)" at idle speed when adjusting "FUEL INJECTION" to $\pm 25\%$.



"HO2S2 (B1)/(B2)" should be above 0.68 V at least once when the "FUEL INJECTION" is + 25%.

"HO2S2 (B1)/(B2)" should be below 0.18 V at least once when the "FUEL INJECTION" is - 25%.

Is the inspection result normal?

YES >> INSPECTION END

< DTC/CIRCUIT DIAGNOSIS >

NO >> Replace malfunctioning heated oxygen sensor 2. Refer to [EM-155. "Removal and Installation \(bank 1\)"](#) or [EM-153. "Removal and Installation \(bank 2\)"](#).

3.CHECK HEATED OXYGEN SENSOR 2-I

⊗ Without CONSULT

1. Start engine and warm it up to the normal operating temperature.
2. Turn ignition switch OFF and wait at least 10 seconds.
3. Start engine and keep the engine speed between 3,500 and 4,000 rpm for at least 1 minute under no load.
4. Let engine idle for 1 minute.
5. Check the voltage between ECM harness connector terminals under the following conditions.

Connector	ECM		Condition	Voltage
	+	-		
	Terminal	Terminal		
F78	41	35	Revving up to 4,000 rpm under no load at least 10 times	The voltage should be above 0.68 V at least once during this procedure. The voltage should be below 0.18 V at least once during this procedure.
	32			

Is the inspection result normal?

YES >> INSPECTION END

NO >> GO TO 4.

4.CHECK HEATED OXYGEN SENSOR 2-II

Check the voltage between ECM harness connector terminals under the following conditions.

Connector	ECM		Condition	Voltage
	+	-		
	Terminal	Terminal		
F78	41	35	Keeping engine at idle for 10 minutes	The voltage should be above 0.68 V at least once during this procedure. The voltage should be below 0.18 V at least once during this procedure.
	32			

Is the inspection result normal?

YES >> INSPECTION END

NO >> GO TO 5.

5.CHECK HEATED OXYGEN SENSOR 2-III

Check the voltage between ECM harness connector terminals under the following conditions.

Connector	ECM		Condition	Voltage
	+	-		
	Terminal	Terminal		
F78	41	35	Coasting from 80 km/h (50 MPH) with selector lever in the D position	The voltage should be above 0.68 V at least once during this procedure. The voltage should be below 0.18 V at least once during this procedure.
	32			

Is the inspection result normal?

YES >> INSPECTION END

NO >> Replace malfunctioning heated oxygen sensor 2. Refer to [EM-155. "Removal and Installation \(bank 1\)"](#) or [EM-153. "Removal and Installation \(bank 2\)"](#).

P0138, P0158 HO2S2

DTC Logic

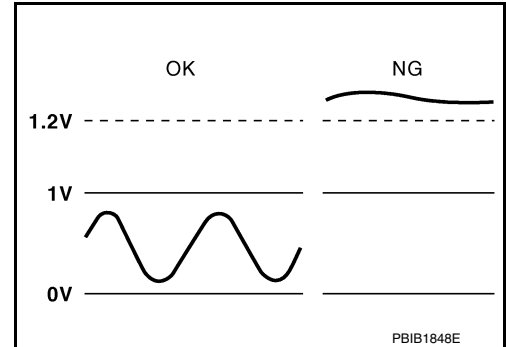
INFOID:000000012602768

DTC DETECTION LOGIC

The heated oxygen sensor 2 has a much longer switching time between rich and lean than the air fuel ratio (A/F) sensor 1. The oxygen storage capacity of the three way catalyst (manifold) causes the longer switching time.

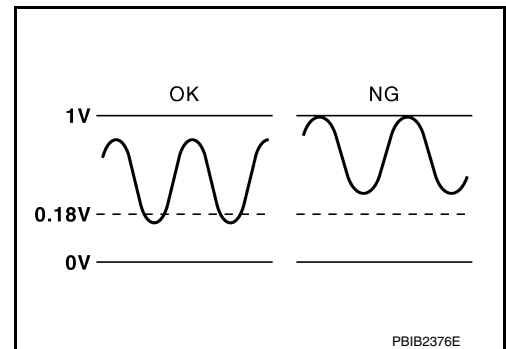
MALFUNCTION A

To judge the malfunctions of heated oxygen sensor 2, ECM monitors whether the voltage is unusually high during various driving conditions such as fuel cut.



MALFUNCTION B

To judge the malfunctions of heated oxygen sensor 2, ECM monitors whether the minimum voltage of sensor is sufficiently low during various driving conditions such as fuel-cut.



DTC No.	Trouble diagnosis name	DTC detecting condition		Possible cause
P0138	Heated oxygen sensor 2 (bank 1) circuit high voltage	A)	An excessively high voltage from the sensor is sent to ECM.	<ul style="list-style-type: none"> • Harness or connectors (The sensor circuit is open or shorted) • Heated oxygen sensor 2
		B)	The minimum voltage from the sensor is not reached to the specified voltage.	<ul style="list-style-type: none"> • Harness or connectors (The sensor circuit is open or shorted) • Heated oxygen sensor 2 • Fuel pressure • Fuel injector
P0158	Heated oxygen sensor 2 (bank 2) circuit high voltage	A)	An excessively high voltage from the sensor is sent to ECM.	<ul style="list-style-type: none"> • Harness or connectors (The sensor circuit is open or shorted) • Heated oxygen sensor 2
		B)	The minimum voltage from the sensor is not reached to the specified voltage.	<ul style="list-style-type: none"> • Harness or connectors (The sensor circuit is open or shorted) • Heated oxygen sensor 2 • Fuel pressure • Fuel injector

DTC CONFIRMATION PROCEDURE

1. PRECONDITIONING

If DTC Confirmation Procedure has been previously conducted, always perform the following before conducting the next test.

1. Turn ignition switch OFF and wait at least 10 seconds.
2. Turn ignition switch ON.
3. Turn ignition switch OFF and wait at least 10 seconds.

>> GO TO 2.

2. PERFORM DTC CONFIRMATION PROCEDURE FOR MALFUNCTION A

1. Start engine and warm it up to the normal operating temperature.
2. Turn ignition switch OFF and wait at least 10 seconds.
3. Turn ignition switch ON.
4. Turn ignition switch OFF and wait at least 10 seconds.
5. Start engine and keep the engine speed between 3,500 and 4,000 rpm for at least 1 minute under no load.
6. Let engine idle for 2 minutes.
7. Check 1st trip DTC.

Is 1st trip DTC detected?

YES >> Proceed to [EC-831, "Diagnosis Procedure"](#).

NO-1 >> With CONSULT: GO TO 3.

NO-2 >> Without CONSULT: GO TO 5.

3. PERFORM DTC CONFIRMATION PROCEDURE FOR MALFUNCTION B

NOTE:

For better results, perform "DTC WORK SUPPORT" at a temperature of 0 to 30°C (32 to 86°F).

1. Select "DATA MONITOR" mode with CONSULT.
2. Start engine and warm it up to the normal operating temperature.
3. Turn ignition switch OFF and wait at least 10 seconds.
4. Turn ignition switch ON.
5. Turn ignition switch OFF and wait at least 10 seconds.
6. Start engine and keep the engine speed between 3,500 and 4,000 rpm for at least 1 minute under no load.
7. Let engine idle for 1 minute.
8. Check that "COOLAN TEMP/S" indicates more than 70°C (158°F).
If not, warm up engine and go to next step when "COOLAN TEMP/S" indication reaches 70°C (158°F).
9. Open engine hood.
10. Select "HO2S2 (B1) P1146" (for DTC P0138) or "HO2S2 (B2) P1166" (for DTC P0158) of "HO2S2" in "DTC WORK SUPPORT" mode with CONSULT.
11. Follow the instruction of CONSULT display.

NOTE:

It will take at most 10 minutes until "COMPLETED" is displayed.

12. Touch "SELF-DIAG RESULTS".

Which is displayed on CONSULT screen?

OK >> INSPECTION END

NG >> Proceed to [EC-831, "Diagnosis Procedure"](#).

CON NOT BE DIAGNOSED>>GO TO 4.

4. PERFORM DTC CONFIRMATION PROCEDURE FOR MALFUNCTION B AGAIN

1. Turn ignition switch OFF and leave the vehicle in a cool place (soak the vehicle).
2. Perform DTC confirmation procedure again.

>> GO TO 3.

5. PERFORM COMPONENT FUNCTION CHECK FOR MALFUNCTION B

Perform component function check. Refer to [EC-831, "Component Function Check"](#).

NOTE:

Use component function check to check the overall function of the heated oxygen sensor 2 circuit. During this check, a 1st trip DTC might not be confirmed.

Is the inspection result normal?

YES >> INSPECTION END

NO >> Proceed to [EC-831, "Diagnosis Procedure"](#).

Component Function Check

INFOID:000000012602769

1. PERFORM COMPONENT FUNCTION CHECK-I

⊗ Without CONSULT

1. Start engine and warm it up to the normal operating temperature.
2. Turn ignition switch OFF and wait at least 10 seconds.
3. Turn ignition switch ON.
4. Turn ignition switch OFF and wait at least 10 seconds.
5. Start engine and keep the engine speed between 3,500 and 4,000 rpm for at least 1 minute under no load.
6. Let engine idle for 1 minute.
7. Check the voltage between ECM harness connector terminals under the following conditions.

DTC	ECM			Condition	Voltage
	Conne- tor	+	-		
		Terminal	Terminal		
P0138	F78	41	35	Revsing up to 4,000 rpm under no load at least 10 times	The voltage should be below 0.18 V at least once during this procedure.
P0158		32			

Is the inspection result normal?

- YES >> INSPECTION END
 NO >> GO TO 2.

2.PERFORM COMPONENT FUNCTION CHECK-II

Check the voltage between ECM harness connector terminals under the following conditions.

DTC	ECM			Condition	Voltage
	Conne- tor	+	-		
		Terminal	Terminal		
P0138	F78	41	35	Keeping engine speed at idle for 10 minutes	The voltage should be below 0.18 V at least once during this procedure.
P0158		32			

Is the inspection result normal?

- YES >> INSPECTION END
 NO >> GO TO 3.

3.PERFORM COMPONENT FUNCTION CHECK-III

Check the voltage between ECM harness connector terminals under the following conditions.

DTC	ECM			Condition	Voltage
	Conne- tor	+	-		
		Terminal	Terminal		
P0138	F78	41	35	Coasting from 80 km/h (50 MPH) with selector lever in the D position	The voltage should be below 0.18 V at least once during this procedure.
P0158		32			

Is the inspection result normal?

- YES >> INSPECTION END
 NO >> Proceed to [EC-831, "Diagnosis Procedure"](#).

Diagnosis Procedure

INFOID:000000012602770

1.INSPECTION START

Confirm the detected malfunction (A or B). Refer to [EC-829, "DTC Logic"](#).

Which malfunction is detected?

- A >> GO TO 2.
 B >> GO TO 6.

2.CHECK HO2S2 CONNECTOR FOR WATER

1. Disconnect heated oxygen sensor 2 harness connector.
2. Check that water is not inside connectors.

< DTC/CIRCUIT DIAGNOSIS >

Is the inspection result normal?

- YES >> GO TO 3.
- NO >> Repair or replace harness or connectors.

3.CHECK HO2S2 GROUND CIRCUIT

1. Disconnect heated oxygen sensor 2 harness connector.
2. Disconnect ECM harness connector.
3. Check the continuity between heated oxygen sensor 2 (HO2S2) harness connector and ECM harness connector.

DTC	HO2S2			ECM		Continuity
	Bank	Connector	Terminal	Connector	Terminal	
P0138	1	F62	4	F78	35	Existed
P0158	2	F56	4			

4. Also check harness for short to ground and short to power.

Is the inspection result normal?

- YES >> GO TO 4.
- NO >> Repair open circuit, short to ground or short to power in harness or connectors.

4.CHECK HO2S2 INPUT SIGNAL CIRCUIT

1. Check the continuity between HO2S2 harness connector and ECM harness connector.

DTC	HO2S2			ECM		Continuity
	Bank	Connector	Terminal	Connector	Terminal	
P0138	1	F62	3	F78	41	Existed
P0158	2	F56	3		32	

2. Check the continuity between HO2S2 harness connector and ground, or ECM harness connector and ground.

DTC	HO2S2			Ground	Continuity
	Bank	Connector	Terminal		
P0138	1	F62	3	Ground	Not existed
P0158	2	F56	3		

DTC	ECM		Ground	Continuity
	Connector	Terminal		
P0138	F78	41	Ground	Not existed
P0158		32		

3. Also check harness for short to power.

Is the inspection result normal?

- YES >> GO TO 5.
- NO >> Repair open circuit, short to ground or short to power in harness or connectors.

5.CHECK HEATED OXYGEN SENSOR 2

Check heated oxygen sensor 2. Refer to [EC-834, "Component Inspection"](#).

Is the inspection result normal?

- YES >> Check intermittent incident. Refer to [GI-44, "Intermittent Incident"](#).
- NO >> Replace malfunctioning heated oxygen sensor 2. Refer to [EM-155, "Removal and Installation \(bank 1\)"](#) or [EM-153, "Removal and Installation \(bank 2\)"](#).

6.CLEAR MIXTURE RATIO SELF-LEARNING VALUE

1. Clear the mixture ratio self-learning value. Refer to [EC-734, "Description"](#).

P0138, P0158 HO2S2

[VQ35DE]

< DTC/CIRCUIT DIAGNOSIS >

2. Run engine for at least 10 minutes at idle speed.

Is the 1st trip DTC P0172 or P0175 detected? Is it difficult to start engine?

YES >> Perform trouble diagnosis for DTC P0172, P0175. Refer to [EC-852, "DTC Logic"](#).

NO >> GO TO 7.

7. CHECK HO2S2 GROUND CIRCUIT

1. Turn ignition switch OFF.
2. Disconnect heated oxygen sensor 2 harness connector.
3. Disconnect ECM harness connector.
4. Check the continuity between HO2S2 harness connector and ECM harness connector.

DTC	HO2S2			ECM		Continuity
	Bank	Connector	Terminal	Connector	Terminal	
P0138	1	F62	4	F78	35	Existed
P0158	2	F56	4			

5. Also check harness for short to ground and short to power.

Is the inspection result normal?

YES >> GO TO 8.

NO >> Repair open circuit, short to ground or short to power in harness or connectors.

8. CHECK HO2S2 INPUT SIGNAL CIRCUIT

1. Check the continuity between HO2S2 harness connector and ECM harness connector.

DTC	HO2S2			ECM		Continuity
	Bank	Connector	Terminal	Connector	Terminal	
P0138	1	F62	3	F78	41	Existed
P0158	2	F56	3		32	

2. Check the continuity between HO2S2 harness connector and ground, or ECM harness connector and ground.

DTC	HO2S2			Ground	Continuity
	Bank	Connector	Terminal		
P0138	1	F62	3	Ground	Not existed
P0158	2	F56	3		

DTC	ECM		Ground	Continuity
	Connector	Terminal		
P0138	F78	41	Ground	Not existed
P0158		32		

3. Also check harness for short to power.

Is the inspection result normal?

YES >> GO TO 9.

NO >> Repair open circuit, short to ground or short to power in harness or connectors.

9. CHECK HEATED OXYGEN SENSOR 2

Check heated oxygen sensor 2. Refer to [EC-834, "Component Inspection"](#)

Is the inspection result normal?

YES >> Check intermittent incident. Refer to [GI-44, "Intermittent Incident"](#).

NO >> Replace malfunctioning heated oxygen sensor 2. Refer to [EM-155, "Removal and Installation \(bank 1\)"](#) or [EM-153, "Removal and Installation \(bank 2\)"](#).

Component Inspection

1.INSPECTION START

Will CONSULT be used?

Will CONSULT be used?

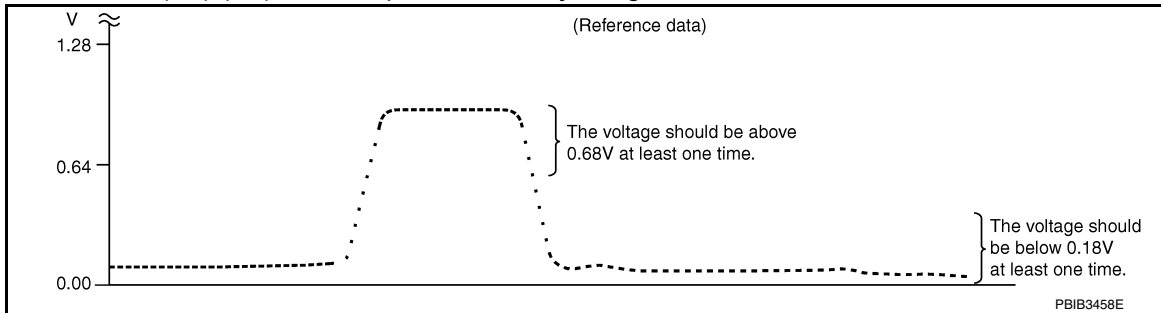
YES >> GO TO 2.

NO >> GO TO 3.

2.CHECK HEATED OXYGEN SENSOR 2

 With CONSULT

1. Turn ignition switch ON and select "DATA MONITOR" mode with CONSULT.
2. Start engine and warm it up to the normal operating temperature.
3. Turn ignition switch OFF and wait at least 10 seconds.
4. Start engine and keep the engine speed between 3,500 and 4,000 rpm for at least 1 minute under no load.
5. Let engine idle for 1 minute.
6. Select "FUEL INJECTION" in "ACTIVE TEST" mode, and select "HO2S2 (B1)/(B2)" as the monitor item with CONSULT.
7. Check "HO2S2 (B1)/(B2)" at idle speed when adjusting "FUEL INJECTION" to $\pm 25\%$.



"HO2S2 (B1)/(B2)" should be above 0.68 V at least once when the "FUEL INJECTION" is + 25%.

"HO2S2 (B1)/(B2)" should be below 0.18 V at least once when the "FUEL INJECTION" is - 25%.

Is the inspection result normal?

YES >> INSPECTION END

NO >> Replace malfunctioning heated oxygen sensor 2. Refer to [EM-155. "Removal and Installation \(bank 1\)"](#) or [EM-153. "Removal and Installation \(bank 2\)"](#).

3.CHECK HEATED OXYGEN SENSOR 2-I

 Without CONSULT

1. Start engine and warm it up to the normal operating temperature.
2. Turn ignition switch OFF and wait at least 10 seconds.
3. Start engine and keep the engine speed between 3,500 and 4,000 rpm for at least 1 minute under no load.
4. Let engine idle for 1 minute.
5. Check the voltage between ECM harness connector terminals under the following conditions.

Connector	ECM		Condition	Voltage
	+	-		
	Terminal	Terminal		
F78	41	35	Revving up to 4,000 rpm under no load at least 10 times	The voltage should be above 0.68 V at least once during this procedure. The voltage should be below 0.18 V at least once during this procedure.
	32			

Is the inspection result normal?

YES >> INSPECTION END

NO >> GO TO 4.

4.CHECK HEATED OXYGEN SENSOR 2-II

Check the voltage between ECM harness connector terminals under the following conditions.

ECM			Condition	Voltage
Connector	+	-		
	Terminal	Terminal		
F78	41	35	Keeping engine at idle for 10 minutes	The voltage should be above 0.68 V at least once during this procedure. The voltage should be below 0.18 V at least once during this procedure.
	32			

Is the inspection result normal?

YES >> INSPECTION END
NO >> GO TO 5.

5.CHECK HEATED OXYGEN SENSOR 2-III

Check the voltage between ECM harness connector terminals under the following conditions.

ECM			Condition	Voltage
Connector	+	-		
	Terminal	Terminal		
F78	41	35	Coasting from 80 km/h (50 MPH) with selector lever in the D position	The voltage should be above 0.68 V at least once during this procedure. The voltage should be below 0.18 V at least once during this procedure.
	32			

Is the inspection result normal?

YES >> INSPECTION END
NO >> Replace malfunctioning heated oxygen sensor 2. Refer to [EM-155, "Removal and Installation \(bank 1\)"](#) or [EM-153, "Removal and Installation \(bank 2\)"](#).

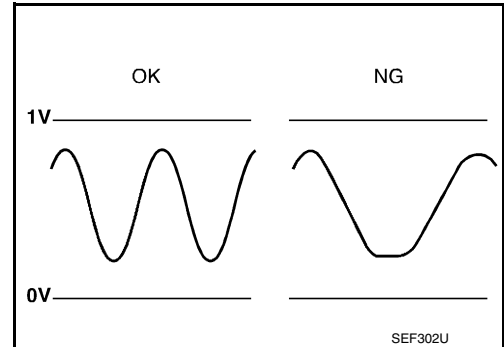
P0139, P0159 HO2S2

DTC Logic

INFOID:000000012602772

DTC DETECTION LOGIC

The heated oxygen sensor 2 has a much longer switching time between rich and lean than the air fuel ratio (A/F) sensor 1. The oxygen storage capacity of the three way catalyst 1 causes the longer switching time. To judge the malfunctions of heated oxygen sensor 2, ECM monitors whether the switching response of the sensor's voltage is faster than specified during various driving conditions such as fuel cut.



DTC No.	Trouble diagnosis name	DTC detecting condition	Possible cause
P0139	Heated oxygen sensor 2 (bank 1) circuit slow response	The switching time between rich and lean of a heated oxygen sensor 2 signal delays more than the specified time computed by ECM.	<ul style="list-style-type: none"> • Harness or connectors (The sensor circuit is open or shorted) • Heated oxygen sensor 2 • Fuel system • EVAP system • Intake air system
P0159	Heated oxygen sensor 2 (bank 2) circuit slow response		

DTC CONFIRMATION PROCEDURE

1.INSPECTION START

Do you have CONSULT?

Do you have CONSULT?

- YES >> GO TO 2.
- NO >> GO TO 7.

2.PRECONDITIONING

If DTC Confirmation Procedure has been previously conducted, always perform the following procedure before conducting the next test.

1. Turn ignition switch OFF and wait at least 10 seconds.
2. Turn ignition switch ON.
3. Turn ignition switch OFF and wait at least 10 seconds.

TESTING CONDITION:

For better results, perform "DTC WORK SUPPORT" at a temperature of 0 to 30°C (32 to 86°F).

>> GO TO 3.

3.PERFORM DTC CONFIRMATION PROCEDURE

Ⓜ With CONSULT

1. Turn ignition switch ON and select "DATA MONITOR" mode with CONSULT.
2. Start engine and warm it up to the normal operating temperature.
3. Turn ignition switch OFF and wait at least 10 seconds.
4. Turn ignition switch ON.
5. Turn ignition switch OFF and wait at least 10 seconds.
6. Start engine and keep the engine speed between 3,500 and 4,000 rpm for at least 1 minute under no load.
7. Let engine idle for 1 minute.
8. Make sure that "COOLAN TEMP/S" indicates more than 70°C (158°F).
9. Drive the vehicle in a proper gear at 60 km/h (38MPH) and maintain the speed.

CAUTION:

Always drive vehicle at a safe speed.

< DTC/CIRCUIT DIAGNOSIS >

10. Release the accelerator pedal fully at least 5 seconds.

CAUTION:

- Enable the engine brake.
- Always drive carefully.
- Never apply brake when releasing the accelerator pedal.

11. Repeat step 9 and 10 at least 8 times.

12. Check the following item of "DATA MONITOR".

DTC	Data monitor item	Status
P0139	HO2 S2 DIAG1 (B1)	CMPLT
	HO2 S2 DIAG2 (B1)	
P0159	HO2 S2 DIAG1 (B2)	
	HO2 S2 DIAG2 (B2)	

Is "CMPLT" displayed on CONSULT screen?

YES >> GO TO 6.

NO-1: "CMPLT" is not displayed on DIAG 1>>Perform DTC confirmation procedure again.

NO-2: "CMPLT" is not displayed on DIAG 2>>GO TO 4.

4.PERFORM DTC WORK SUPPORT

1. Open engine hood.

2. Select "HO2S2 (B1) P0139" or "HO2S2 (B2) P0159" of "HO2S2" in "DTC WORK SUPPORT" mode with CONSULT.

3. Start engine and follow the instruction of CONSULT display.

NOTE:

It will take at most 10 minutes until "COMPLETED" is displayed.

Is "COMPLETED" displayed on CONSULT screen?

YES >> GO TO 6.

NO >> GO TO 5.

5.PERFORM DTC CONFIRMATION PROCEDURE AGAIN

1. Turn ignition switch OFF and leave the vehicle in a cool place (soak the vehicle).

2. Perform DTC confirmation procedure again.

>> GO TO 3.

6.PERFORM SELF-DIAGNOSIS

Ⓜ With CONSULT

Perform ECM self-diagnosis.

Is DTC "P0139" or "P0159" detected?

YES >> Proceed to [EC-838, "Diagnosis Procedure"](#).

NO >> INSPECTION END

7.PERFORM COMPONENT FUNCTION CHECK

Perform component function check. Refer to [EC-837, "Component Function Check"](#).

NOTE:

Use component function check to check the overall function of the heated oxygen sensor 2 circuit. During this check, a 1st trip DTC might not be confirmed.

Is the inspection result normal?

YES >> INSPECTION END

NO >> Proceed to [EC-838, "Diagnosis Procedure"](#).

Component Function Check

INFOID:000000012602773

1.PERFORM COMPONENT FUNCTION CHECK-I

ⓧ Without CONSULT

1. Start engine and warm it up to the normal operating temperature.

< DTC/CIRCUIT DIAGNOSIS >

2. Turn ignition switch OFF and wait at least 10 seconds.
3. Turn ignition switch ON.
4. Turn ignition switch OFF and wait at least 10 seconds.
5. Start engine and keep the engine speed between 3,500 and 4,000 rpm for at least 1 minute under no load.
6. Let engine idle for 1 minute.
7. Check the voltage between ECM harness connector terminals under the following conditions.

DTC	ECM			Condition	Voltage
	Conne- ctor	+	-		
		Terminal	Terminal		
P0139	F78	41	35	Revving up to 4,000 rpm under no load at least 10 times	A change of voltage should be more than 0.96 V for 1 second during this procedure.
P0159		32			

Is the inspection result normal?

YES >> INSPECTION END

NO >> GO TO 2.

2.PERFORM COMPONENT FUNCTION CHECK-II

Check the voltage between ECM harness connector terminals under the following conditions.

DTC	ECM			Condition	Voltage
	Conne- ctor	+	-		
		Terminal	Terminal		
P0139	F78	41	35	Keeping engine at idle for 10 minutes	A change of voltage should be more than 0.96 V for 1 second during this procedure.
P0159		32			

Is the inspection result normal?

YES >> INSPECTION END

NO >> GO TO 3.

3.PERFORM COMPONENT FUNCTION CHECK-III

Check the voltage between ECM harness connector terminals under the following conditions.

DTC	ECM			Condition	Voltage
	Conne- ctor	+	-		
		Terminal	Terminal		
P0139	F78	41	35	Coasting from 80 km/h (50 MPH) in D position	A change of voltage should be more than 0.96 V for 1 second during this procedure.
P0159		32			

Is the inspection result normal?

YES >> INSPECTION END

NO >> Proceed to [EC-838, "Diagnosis Procedure"](#).

Diagnosis Procedure

INFOID:000000012602774

1.CLEAR MIXTURE RATIO SELF-LEARNING VALUE

1. Clear the mixture ratio self-learning value. Refer to [EC-734, "Description"](#).
2. Run engine for at least 10 minutes at idle speed.

Is the 1st trip DTC P0171, P0172, P0174 or P0175 detected? Is it difficult to start engine?

YES >> Perform trouble diagnosis for DTC P0171, P0174 or P0172, P0175. Refer to [EC-848, "DTC Logic"](#) or [EC-852, "DTC Logic"](#).

NO >> GO TO 2.

< DTC/CIRCUIT DIAGNOSIS >

2. CHECK HO2S2 GROUND CIRCUIT

1. Turn ignition switch OFF.
2. Disconnect heated oxygen sensor 2 harness connector.
3. Disconnect ECM harness connector.
4. Check the continuity between heated oxygen sensor 2 (HO2S2) harness connector and ECM harness connector.

DTC	HO2S2			ECM		Continuity
	Bank	Connector	Terminal	Connector	Terminal	
P0139	1	F62	4	F78	35	Existed
P0159	2	F56	4			

5. Also check harness for short to ground and short to power.

Is the inspection result normal?

YES >> GO TO 3.

NO >> Repair open circuit, short to ground or short to power in harness or connectors.

3. CHECK HO2S2 INPUT SIGNAL CIRCUIT

1. Check the continuity between HO2S2 harness connector and ECM harness connector.

DTC	HO2S2			ECM		Continuity
	Bank	Connector	Terminal	Connector	Terminal	
P0139	1	F62	3	F78	41	Existed
P0159	2	F56	3		32	

2. Check the continuity between HO2S2 harness connector and ground, or ECM harness connector and ground.

DTC	HO2S2			Ground	Continuity
	Bank	Connector	Terminal		
P0139	1	F62	3	Ground	Not existed
P0159	2	F56	3		

DTC	ECM		Ground	Continuity
	Connector	Terminal		
P0139	F78	41	Ground	Not existed
P0159		32		

3. Also check harness for short to power.

Is the inspection result normal?

YES >> GO TO 4.

NO >> Repair open circuit, short to ground or short to power in harness or connectors.

4. CHECK HEATED OXYGEN SENSOR 2

Check heated oxygen sensor 2. Refer to [EC-839, "Component Inspection"](#).

Is the inspection result normal?

YES >> Check intermittent incident. Refer to [GI-44, "Intermittent Incident"](#).

NO >> Replace malfunctioning heated oxygen sensor 2. Refer to [EM-155, "Removal and Installation \(bank 1\)"](#) or [EM-153, "Removal and Installation \(bank 2\)"](#).

Component Inspection

INFOID:0000000012602775

1. INSPECTION START

Will CONSULT be used?

< DTC/CIRCUIT DIAGNOSIS >

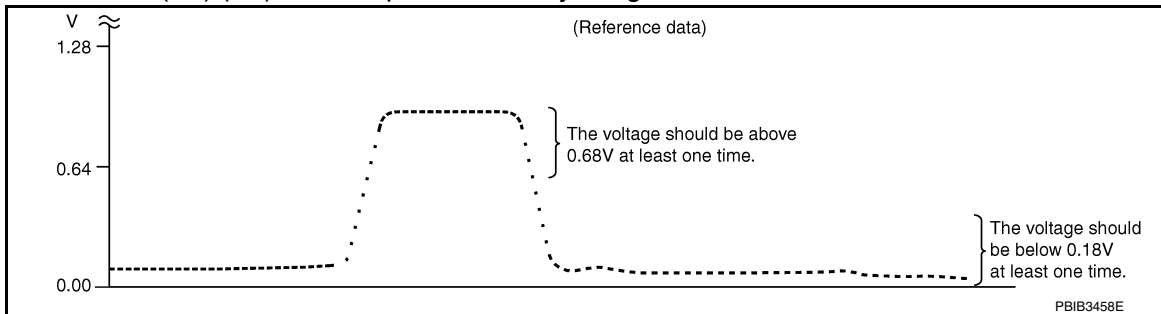
Will CONSULT be used?

- YES >> GO TO 2.
- NO >> GO TO 3.

2.CHECK HEATED OXYGEN SENSOR 2

With CONSULT

1. Turn ignition switch ON and select "DATA MONITOR" mode with CONSULT.
2. Start engine and warm it up to the normal operating temperature.
3. Turn ignition switch OFF and wait at least 10 seconds.
4. Start engine and keep the engine speed between 3,500 and 4,000 rpm for at least 1 minute under no load.
5. Let engine idle for 1 minute.
6. Select "FUEL INJECTION" in "ACTIVE TEST" mode, and select "HO2S2 (B1)/(B2)" as the monitor item with CONSULT.
7. Check "HO2S2 (B1)/(B2)" at idle speed when adjusting "FUEL INJECTION" to $\pm 25\%$.



"HO2S2 (B1)/(B2)" should be above 0.68 V at least once when the "FUEL INJECTION" is + 25%.
 "HO2S2 (B1)/(B2)" should be below 0.18 V at least once when the "FUEL INJECTION" is - 25%.

Is the inspection result normal?

- YES >> INSPECTION END
- NO >> Replace malfunctioning heated oxygen sensor 2. Refer to [EM-155, "Removal and Installation \(bank 1\)"](#) or [EM-153, "Removal and Installation \(bank 2\)"](#).

3.CHECK HEATED OXYGEN SENSOR 2-I

Without CONSULT

1. Start engine and warm it up to the normal operating temperature.
2. Turn ignition switch OFF and wait at least 10 seconds.
3. Start engine and keep the engine speed between 3,500 and 4,000 rpm for at least 1 minute under no load.
4. Let engine idle for 1 minute.
5. Check the voltage between ECM harness connector terminals under the following conditions.

Connector	ECM		Condition	Voltage
	+	-		
	Terminal	Terminal		
F78	41	35	Revving up to 4,000 rpm under no load at least 10 times	The voltage should be above 0.68 V at least once during this procedure. The voltage should be below 0.18 V at least once during this procedure.
	32			

Is the inspection result normal?

- YES >> INSPECTION END
- NO >> GO TO 4.

4.CHECK HEATED OXYGEN SENSOR 2-II

Check the voltage between ECM harness connector terminals under the following conditions.

ECM			Condition	Voltage
Connector	+	-		
		Terminal	Terminal	
F78	41	35	Keeping engine at idle for 10 minutes	The voltage should be above 0.68 V at least once during this procedure. The voltage should be below 0.18 V at least once during this procedure.
	32			

Is the inspection result normal?

YES >> INSPECTION END
NO >> GO TO 5.

5.CHECK HEATED OXYGEN SENSOR 2-III

Check the voltage between ECM harness connector terminals under the following conditions.

ECM			Condition	Voltage
Connector	+	-		
		Terminal	Terminal	
F78	41	35	Coasting from 80 km/h (50 MPH) with selector lever in the D position	The voltage should be above 0.68 V at least once during this procedure. The voltage should be below 0.18 V at least once during this procedure.
	32			

Is the inspection result normal?

YES >> INSPECTION END
NO >> Replace malfunctioning heated oxygen sensor 2. Refer to [EM-155, "Removal and Installation \(bank 1\)"](#) or [EM-153, "Removal and Installation \(bank 2\)"](#).

P014C, P014D, P014E, P014F, P015A, P015B, P015C, P015D A/F SENSOR 1

< DTC/CIRCUIT DIAGNOSIS >

[VQ35DE]

P014C, P014D, P014E, P014F, P015A, P015B, P015C, P015D A/F SENSOR 1

DTC Logic

INFOID:000000012602776

A
EC

DTC DETECTION LOGIC

To judge malfunctions, this diagnosis measures response time of the A/F signal computed by ECM from the A/F sensor 1 signal. The time is compensated by engine operating (speed and load), fuel feedback control constant, and the A/F sensor 1 temperature index. Judgment is based on whether the compensated time (the A/F signal cycling time index) is inordinately long or not.

DTC No.	Trouble diagnosis name	DTC detecting condition	Possible Cause
P014C	Air fuel ratio (A/F) sensor 1 (bank 1) circuit slow response	• The response time of a A/F sensor 1 signal delays more than the specified time computed by ECM.	• Harness or connectors (The A/F sensor 1 circuit is open or shorted.) • A/F sensor 1
P014D			
P015A	Air fuel ratio (A/F) sensor 1 (bank 1) circuit delayed response		
P015B			
P014E	Air fuel ratio (A/F) sensor 1 (bank 2) circuit slow response		
P014F			
P015C	Air fuel ratio (A/F) sensor 1 (bank 2) circuit delayed response		
P015D			

C
D
E
F
G
H

DTC CONFIRMATION PROCEDURE

1. PRECONDITIONING

If DTC Confirmation Procedure has been previously conducted, always perform the following procedure before conducting the next test.

1. Turn ignition switch OFF and wait at least 10 seconds.
2. Turn ignition switch ON.
3. Turn ignition switch OFF and wait at least 10 seconds.

TESTING CONDITION:

Before performing the following procedure, confirm that battery voltage is more than 11 V at idle.

Do you have CONSULT?

- YES >> GO TO 2.
NO >> GO TO 6.

2. PERFORM DTC CONFIRMATION PROCEDURE-1

With CONSULT

1. Start engine and warm it up to normal operating temperature.
2. Turn ignition switch OFF and wait at least 10 seconds.
3. Turn ignition switch ON.
4. Turn ignition switch OFF and wait at least 10 seconds.
5. Start engine and keep the engine speed between 3,500 and 4,000 rpm for at least 1 minute under no load.
6. Let engine idle for 1 minute.
7. Increase the engine speed up to about 3,600 rpm and keep it for 10 seconds.
8. Fully release accelerator pedal and then let engine idle for about 1 minute.
9. Check the items status of "DATA MONITOR" as follows.

NOTE:

If "PRCNT" changed to "ABSNT", refer to [EC-750, "Component Function Check"](#).

M
N
O
P

DTC	Data monitor item	Status
<ul style="list-style-type: none"> • P014C • P014D • P015A • P015B 	A/F SEN1 DIAG3 (B1)	PRSENT
<ul style="list-style-type: none"> • P014E • P014F • P015C • P015D 	A/F SEN1 DIAG3 (B2)	

Is “PRSENT” displayed on CONSULT screen?

- YES >> GO TO 4.
- NO >> GO TO 3.

3.PERFORM DTC CONFIRMATION PROCEDURE-2

Ⓟ With CONSULT

Perform DTC confirmation procedure-1 again.

Is “PRSENT” displayed on CONSULT screen?

- YES >> GO TO 4.
- NO >> Refer to [EC-750, "Component Function Check"](#).

4.PERFORM DTC CONFIRMATION PROCEDURE-2

Ⓟ With CONSULT

1. Wait for about 20 seconds at idle.
2. Check the items status of “DATA MONITOR” as follows.

NOTE:

If “CMPLT” changed to “INCOMP”, refer to [EC-750, "Component Function Check"](#).

DTC	Data monitor item	Status
<ul style="list-style-type: none"> • P014C • P014D • P015A • P015B 	A/F SEN1 DIAG1 (B1)	CMPLT
	A/F SEN1 DIAG2 (B1)	
<ul style="list-style-type: none"> • P014E • P014F • P015C • P015D 	A/F SEN1 DIAG1 (B2)	
	A/F SEN1 DIAG2 (B2)	

Is “CMPLT” displayed on CONSULT screen?

- YES >> GO TO 5.
- NO >> Refer to [EC-750, "Component Function Check"](#).

5.PERFORM SELF-DIAGNOSIS

Ⓟ With CONSULT

Check the “SELF-DIAG RESULT”.

Is any DTC detected?

- YES >> Proceed to [EC-844, "Diagnosis Procedure"](#).
- NO >> INSPECTION END

6.CHECK AIR-FUEL RATIO SELF-LEARNING VALUE

Ⓟ With GST

1. Start engine and warm it up to normal operating temperature.
2. Select Service \$01 with GST.
3. Calculate the total value of “Short term fuel trim” and “Long term fuel trim” indications.

Is the total percentage within ±15%?

- YES >> GO TO 8.
- NO >> GO TO 7.

7. DETECT MALFUNCTIONING PART

Check the following.

- Intake air leaks
- Exhaust gas leaks
- Incorrect fuel pressure
- Lack of fuel
- Fuel injector
- Incorrect PCV hose connection
- PCV valve
- Mass air flow sensor

>> Repair or replace malfunctioning part.

8. PERFORM DTC CONFIRMATION PROCEDURE

1. Turn ignition switch OFF and wait at least 10 seconds.
2. Turn ignition switch ON.
3. Turn ignition switch OFF and wait at least 10 seconds.
4. Start engine and keep the engine speed between 3,500 and 4,000 rpm for at least 1 minute under no load.
5. Let engine idle for 1 minute.
6. Increase the engine speed up to about 3,600 rpm and keep it for 10 seconds.
7. Fully release accelerator pedal and then let engine idle for about 1 minute.
8. Check 1st trip DTC.

Is 1st trip DTC detected?

- YES >> Proceed to [EC-844. "Diagnosis Procedure"](#).
 NO >> INSPECTION END

Diagnosis Procedure

INFOID:000000012602777

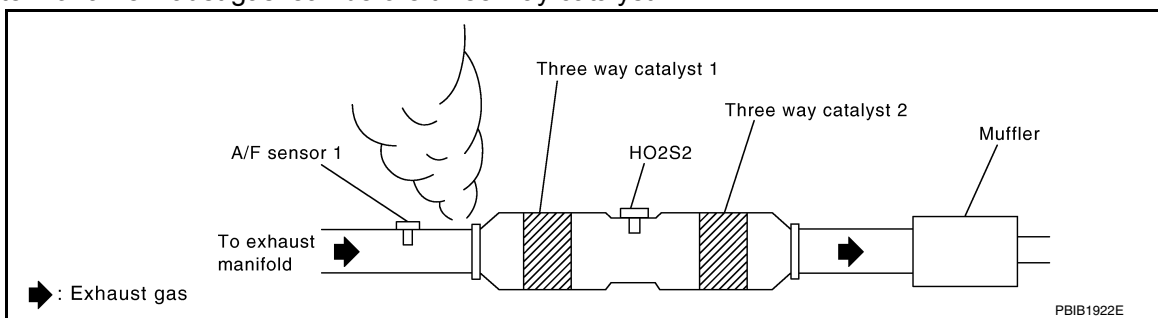
1. RETIGHTEN A/F SENSOR 1

Loosen and retighten the A/F sensor 1. Refer to [EM-155. "Removal and Installation \(bank 1\)"](#) or [EM-153. "Removal and Installation \(bank 2\)"](#).

>> GO TO 2.

2. CHECK EXHAUST GAS LEAK

1. Start engine and run it at idle.
2. Listen for an exhaust gas leak before three way catalyst 1.



Is exhaust gas leak detected?

- YES >> Repair or replace.
 NO >> GO TO 3.

3. CHECK FOR INTAKE AIR LEAK

Listen for an intake air leak after the mass air flow sensor.

Is intake air leak detected?

- YES >> Repair or replace.
 NO >> GO TO 4.

P014C, P014D, P014E, P014F, P015A, P015B, P015C, P015D A/F SENSOR 1

< DTC/CIRCUIT DIAGNOSIS >

[VQ35DE]

4. CLEAR THE MIXTURE RATIO SELF-LEARNING VALUE

1. Clear the mixture ratio self-learning value. Refer to [EC-734, "Description"](#).
2. Run engine for at least 10 minutes at idle speed.

Is the 1st trip DTC P0171, P0172, P0174 or P0175 detected? Is it difficult to start engine?

YES >> Perform trouble diagnosis for DTC P0171, P0174 or P0172, P0175. Refer to [EC-848, "DTC Logic"](#) or [EC-852, "DTC Logic"](#).

NO >> GO TO 5.

5. CHECK AIR FUEL RATIO (A/F) SENSOR 1 POWER SUPPLY

1. Disconnect A/F sensor 1 harness connector.
2. Turn ignition switch ON.
3. Check the voltage between A/F sensor 1 harness connector and ground.

DTC	A/F sensor 1			Ground	Voltage
	Bank	Connector	Terminal		
<ul style="list-style-type: none">• P014C• P014D• P015A• P015B	1	F12	1	Ground	Battery voltage
<ul style="list-style-type: none">• P014E• P014F• P015C• P015D	2	F61	1		

Is the inspection result normal?

YES >> GO TO 7.

NO >> GO TO 6.

6. CHECK AIR FUEL RATIO (A/F) SENSOR 1 POWER SUPPLY CIRCUIT

1. Turn ignition switch OFF.
2. Disconnect IPDM E/R harness connector.
3. Check the continuity between A/F sensor 1 harness connector and IPDM E/R harness connector.

DTC	A/F sensor 1			IPDM E/R		Continuity
	Bank	Connector	Terminal	Connector	Terminal	
<ul style="list-style-type: none">• P014C• P014D• P015A• P015B	1	F12	1	F83	52	Existed
<ul style="list-style-type: none">• P014E• P014F• P015C• P015D	2	F61	1		53	

Is the inspection result normal?

YES >> Perform the trouble diagnosis for power supply circuit.

NO >> Repair or replace error-detected parts.

7. CHECK A/F SENSOR 1 INPUT SIGNAL CIRCUIT FOR OPEN AND SHORT

1. Turn ignition switch OFF.
2. Disconnect ECM harness connector.
3. Check the continuity between A/F sensor 1 harness connector and ECM harness connector.

DTC	A/F sensor 1			ECM		Continuity
	Bank	Connector	Terminal	Connector	Terminal	
<ul style="list-style-type: none"> • P014C • P014D • P015A • P015B 	1	F12	3	F79	66	Existed
			4		67	
<ul style="list-style-type: none"> • P014E • P014F • P015C • P015D 	2	F61	3		76	
			4		77	

4. Check the continuity between A/F sensor 1 harness connector and ground, or ECM harness connector and ground.

DTC	A/F sensor 1			Ground	Continuity
	Bank	Connector	Terminal		
<ul style="list-style-type: none"> • P014C • P014D • P015A • P015B 	1	F12	3	Ground	Not existed
			4		
<ul style="list-style-type: none"> • P014E • P014F • P015C • P015D 	2	F61	3		
			4		

DTC	ECM			Ground	Continuity
	Bank	Connector	Terminal		
<ul style="list-style-type: none"> • P014C • P014D • P015A • P015B 	1	F79	66	Ground	Not existed
			67		
<ul style="list-style-type: none"> • P014E • P014F • P015C • P015D 	2		76		
			77		

5. Also check harness for short to power.

Is the inspection result normal?

YES >> GO TO 8.

NO >> Repair open circuit, short to ground or short to power in harness or connectors.

8.CHECK AIR FUEL RATIO (A/F) SENSOR 1 HEATER

Check air fuel ratio (A/F) sensor 1 heater. Refer to [EC-775, "Component Inspection"](#).

Is the inspection result normal?

YES >> GO TO 9.

NO >> Replace malfunctioning air fuel ratio (A/F) sensor 1. Refer to [EM-155, "Removal and Installation \(bank 1\)"](#) or [EM-153, "Removal and Installation \(bank 2\)"](#).

9.CHECK MASS AIR FLOW SENSOR

Check both mass air flow sensor (bank 1 and bank 2). Refer to [EC-789, "Component Inspection"](#).

Is the inspection result normal?

YES >> GO TO 10.

NO >> Replace malfunctioning mass air flow sensor. Refer to [EM-146, "Removal and Installation"](#).

10.CHECK PCV VALVE

Check PCV valve. Refer to [EC-1087, "Work Procedure"](#).

Is the inspection result normal?

A
EC
C
D
E
F
G
H
I
J
K
L
M
N
O
P

P014C, P014D, P014E, P014F, P015A, P015B, P015C, P015D A/F SENSOR 1

< DTC/CIRCUIT DIAGNOSIS >

[VQ35DE]

YES >> GO TO 11.

NO >> Repair or replace PCV valve. Refer to [EC-585, "ENGINE CONTROL SYSTEM : Component Parts Location"](#).

11.CHECK INTERMITTENT INCIDENT

Check intermittent incident. Refer to [GI-44, "Intermittent Incident"](#).

Is the inspection result normal?

YES >> Replace malfunctioning air fuel ratio (A/F) sensor 1. Refer to [EM-155, "Removal and Installation \(bank 1\)"](#) or [EM-153, "Removal and Installation \(bank 2\)"](#).

NO >> Repair or replace error-detected parts.

P0171, P0174 FUEL INJECTION SYSTEM FUNCTION

< DTC/CIRCUIT DIAGNOSIS >

[VQ35DE]

P0171, P0174 FUEL INJECTION SYSTEM FUNCTION

DTC Logic

INFOID:000000012602778

DTC DETECTION LOGIC

With the Air/Fuel Mixture Ratio Self-Learning Control, the actual mixture ratio can be brought closely to the theoretical mixture ratio based on the mixture ratio feedback signal from A/F sensor 1. The ECM calculates the necessary compensation to correct the offset between the actual and the theoretical ratios.

In case the amount of the compensation value is extremely large (the actual mixture ratio is too lean), the ECM judges the condition as the fuel injection system malfunction and illuminates the MIL (2 trip detection logic).

Sensor	Input signal to ECM	ECM function	Actuator
A/F sensor 1	Density of oxygen in exhaust gas (Mixture ratio feedback signal)	Fuel injection control	Fuel injector

DTC No.	Trouble diagnosis name	DTC detecting condition	Possible cause
P0171	Fuel injection system too lean (bank 1)	• Fuel injection system does not operate properly. • The amount of mixture ratio compensation is too large. (The mixture ratio is too lean.)	• Intake air leakage • A/F sensor 1 • Fuel injector • Exhaust gas leakage • Incorrect fuel pressure • Lack of fuel • Mass air flow sensor • Incorrect PCV hose connection
P0174	Fuel injection system too lean (bank 2)		

DTC CONFIRMATION PROCEDURE

1. PRECONDITIONING

If DTC Confirmation Procedure has been previously conducted, always perform the following before conducting the next test.

1. Turn ignition switch OFF and wait at least 10 seconds.
2. Turn ignition switch ON.
3. Turn ignition switch OFF and wait at least 10 seconds.

>> GO TO 2.

2. PERFORM DTC CONFIRMATION PROCEDURE-I

1. Clear the mixture ratio self-learning value. Refer to [EC-734, "Description"](#).
2. Start engine.

Is it difficult to start engine?

- YES >> GO TO 3.
NO >> GO TO 4.

3. RESTART ENGINE

If it is difficult to start engine, the fuel injection system has a malfunction, too.
Crank engine while depressing accelerator pedal.

NOTE:

- **When depressing accelerator pedal three-fourths (3/4) or more, the control system does not start the engine. Do not depress accelerator pedal too much.**

Does engine start?

- YES >> Proceed to [EC-849, "Diagnosis Procedure"](#).
NO >> Check exhaust and intake air leakage visually.

4. PERFORM DTC CONFIRMATION PROCEDURE-II

1. Keep engine idle for at least 5 minutes.
2. Check 1st trip DTC.

Is 1st trip DTC detected?

P0171, P0174 FUEL INJECTION SYSTEM FUNCTION

[VQ35DE]

< DTC/CIRCUIT DIAGNOSIS >

- YES >> Proceed to [EC-849. "Diagnosis Procedure"](#).
 NO >> GO TO 5.

5. PERFORM DTC CONFIRMATION PROCEDURE-III

- Turn ignition switch OFF and wait at least 10 seconds.
- Start engine.
- Maintain the following conditions for at least 10 consecutive minutes.
Hold the accelerator pedal as steady as possible.

VHCL SPEED SE	50 - 120 km/h (31 - 75 mph)
---------------	-----------------------------

CAUTION:

Always drive vehicle at a safe speed.

- Check 1st trip DTC.

Is 1st trip DTC detected?

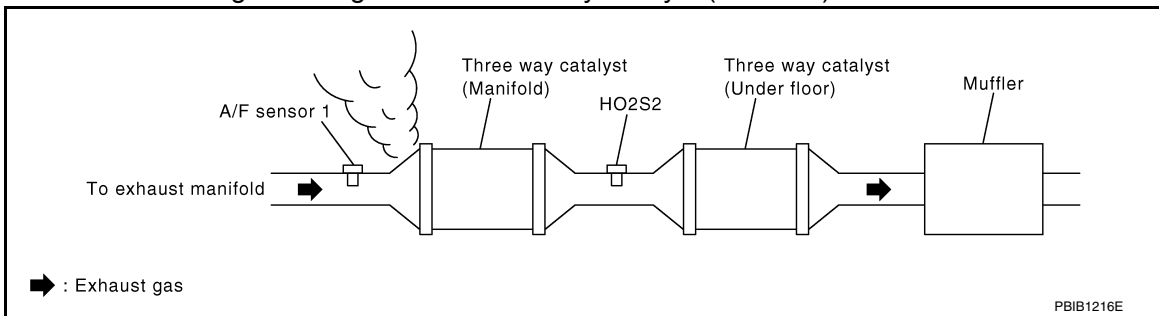
- YES >> Proceed to [EC-849. "Diagnosis Procedure"](#).
 NO >> INSPECTION END

Diagnosis Procedure

INFOID:0000000012602779

1. CHECK EXHAUST GAS LEAKAGE

- Start engine and run it at idle.
- Listen for an exhaust gas leakage before three way catalyst (manifold).



Is exhaust gas leakage detected?

- YES >> Repair or replace malfunctioning part.
 NO >> GO TO 2.

2. CHECK FOR INTAKE AIR LEAKAGE

- Listen for an intake air leakage after the mass air flow sensor.
- Check PCV hose connection.

Is intake air leakage detected?

- YES >> Repair or replace malfunctioning part.
 NO >> GO TO 3.

3. CHECK A/F SENSOR 1 INPUT SIGNAL CIRCUIT

- Turn ignition switch OFF.
- Disconnect corresponding A/F sensor 1 harness connector.
- Disconnect ECM harness connector.
- Check the continuity between A/F sensor 1 harness connector and ECM harness connector.

DTC	A/F sensor 1			ECM		Continuity
	Bank	Connector	Terminal	Connector	Terminal	
P0171	1	F12	3	F79	66	Existed
			4		67	
P0174	2	F61	3		76	
			4		77	

P0171, P0174 FUEL INJECTION SYSTEM FUNCTION

[VQ35DE]

< DTC/CIRCUIT DIAGNOSIS >

5. Check the continuity between A/F sensor 1 harness connector and ground, or ECM harness connector and ground.

DTC	A/F sensor 1			Ground	Continuity
	Bank	Connector	Terminal		
P0171	1	F12	3	Ground	Not existed
			4		
P0174	2	F61	3		
			4		

DTC	ECM		Ground	Continuity
	Connector	Terminal		
P0171	F79	66	Ground	Not existed
		67		
		76		
77				
P0174				

6. Also check harness for short to power.

Is the inspection result normal?

YES >> GO TO 4.

NO >> Repair open circuit, short to ground or short to power in harness or connectors.

4. CHECK FUEL PRESSURE

- Release fuel pressure to zero. Refer to [EC-736, "Work Procedure"](#).
- Install fuel pressure gauge kit [SST: — (J-44321)] and check fuel pressure. Refer to [EC-736, "Work Procedure"](#).

At idling: Approximately 350 kPa (3.57 kg/cm², 51 psi)

Is the inspection result normal?

YES >> GO TO 6.

NO >> GO TO 5.

5. DETECT MALFUNCTIONING PART

Check fuel hoses and fuel tubes for clogging.

Is the inspection result normal?

YES >> Replace "fuel filter and fuel pump assembly". Refer to [FL-5, "Removal and Installation"](#).

NO >> Repair or replace malfunctioning part.

6. CHECK MASS AIR FLOW SENSOR

With CONSULT

- Install all removed parts.
- Check "MASS AIR FLOW" in "DATA MONITOR" mode with CONSULT.
For specification, refer to [EC-1089, "Mass Air Flow Sensor"](#).

With GST

- Install all removed parts.
- Check mass air flow sensor signal in Service \$01 with GST.
For specification, refer to [EC-1089, "Mass Air Flow Sensor"](#).

Is the measurement value within the specification?

YES >> GO TO 7.

NO >> Check connectors for rusted terminals or loose connections in the mass air flow sensor circuit or ground. Refer to [EC-792, "Diagnosis Procedure"](#).

7. CHECK FUNCTION OF FUEL INJECTOR

With CONSULT

P0171, P0174 FUEL INJECTION SYSTEM FUNCTION

[VQ35DE]

< DTC/CIRCUIT DIAGNOSIS >

1. Start engine.
2. Perform "POWER BALANCE" in "ACTIVE TEST" mode with CONSULT.
3. Check that each circuit produces a momentary engine speed drop.

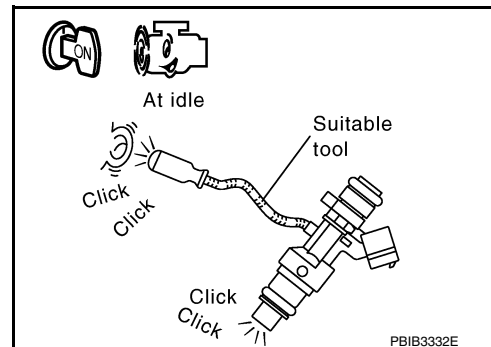
With GST

1. Let engine idle.
2. Listen to each fuel injector operating sound.

Is the inspection result normal?

YES >> GO TO 8.

NO >> Perform trouble diagnosis for FUEL INJECTOR, refer to [EC-1053, "Diagnosis Procedure"](#).



8. CHECK FUEL INJECTOR

1. Turn ignition switch OFF.
2. Confirm that the engine is cooled down and there are no fire hazards near the vehicle.
3. Disconnect all fuel injector harness connectors.
4. Remove fuel tube assembly. Refer to [EM-167, "Removal and Installation"](#).
Keep fuel hose and all fuel injectors connected to fuel tube.
5. For DTC P0171, reconnect fuel injector harness connectors on bank 1.
For DTC P0174, reconnect fuel injector harness connectors on bank 2.
6. Disconnect all ignition coil harness connectors.
7. Prepare pans or saucers under each fuel injector.
8. Crank engine for about 3 seconds.
For DTC P0171, check that fuel sprays out from fuel injectors on bank 1.
For DTC P0174, check that fuel sprays out from fuel injectors on bank 2.

Fuel should be sprayed evenly for each fuel injector.

Is the inspection result normal?

YES >> Check intermittent incident. Refer to [GI-44, "Intermittent Incident"](#).

NO >> Replace fuel injectors from which fuel does not spray out. Always replace O-ring with new ones.
Refer to [EM-167, "Removal and Installation"](#).

P0172, P0175 FUEL INJECTION SYSTEM FUNCTION

< DTC/CIRCUIT DIAGNOSIS >

[VQ35DE]

P0172, P0175 FUEL INJECTION SYSTEM FUNCTION

DTC Logic

INFOID:000000012602780

DTC DETECTION LOGIC

With the Air/Fuel Mixture Ratio Self-Learning Control, the actual mixture ratio can be brought closely to the theoretical mixture ratio based on the mixture ratio feedback signal from A/F sensor 1. The ECM calculates the necessary compensation to correct the offset between the actual and the theoretical ratios.

In case the amount of the compensation value is extremely large (the actual mixture ratio is too rich), the ECM judges the condition as the fuel injection system malfunction and illuminates the MIL (2 trip detection logic).

Sensor	Input signal to ECM	ECM function	Actuator
A/F sensor 1	Density of oxygen in exhaust gas (Mixture ratio feedback signal)	Fuel injection control	Fuel injector

DTC No.	Trouble diagnosis name	DTC detecting condition	Possible cause
P0172	Fuel injection system too rich (bank 1)	• Fuel injection system does not operate properly. • The amount of mixture ratio compensation is too large. (The mixture ratio is too rich.)	• A/F sensor 1 • Fuel injector • Exhaust gas leakage • Incorrect fuel pressure • Mass air flow sensor
P0175	Fuel injection system too rich (bank 2)		

DTC CONFIRMATION PROCEDURE

1. PRECONDITIONING

If DTC Confirmation Procedure has been previously conducted, always perform the following before conducting the next test.

1. Turn ignition switch OFF and wait at least 10 seconds.
2. Turn ignition switch ON.
3. Turn ignition switch OFF and wait at least 10 seconds.

>> GO TO 2.

2. PERFORM DTC CONFIRMATION PROCEDURE-I

1. Clear the mixture ratio self-learning value. Refer to [EC-734, "Description"](#).
2. Start engine.

Is it difficult to start engine?

YES >> GO TO 3.

NO >> GO TO 4.

3. RESTART ENGINE

If it is difficult to start engine, the fuel injection system has a malfunction, too.

Crank engine while depressing accelerator pedal.

NOTE:

- **When depressing accelerator pedal three-fourths (3/4) or more, the control system does not start the engine. Do not depress accelerator pedal too much.**

Does engine start?

YES >> Proceed to [EC-853, "Diagnosis Procedure"](#).

NO >> Check exhaust and intake air leakage visually.

4. PERFORM DTC CONFIRMATION PROCEDURE-II

1. Keep engine idle for at least 5 minutes.
2. Check 1st trip DTC.

Is 1st trip DTC detected?

YES >> Proceed to [EC-853, "Diagnosis Procedure"](#).

NO >> GO TO 5.

5. PERFORM DTC CONFIRMATION PROCEDURE-III

P0172, P0175 FUEL INJECTION SYSTEM FUNCTION

[VQ35DE]

< DTC/CIRCUIT DIAGNOSIS >

1. Turn ignition switch OFF and wait at least 10 seconds.
2. Start engine.
3. Maintain the following conditions for at least 10 consecutive minutes.
Hold the accelerator pedal as steady as possible.

VHCL SPEED SE	50 - 120 km/h (31 - 75 mph)
---------------	-----------------------------

CAUTION:

Always drive vehicle at a safe speed.

4. Check 1st trip DTC.

Is 1st trip DTC detected?

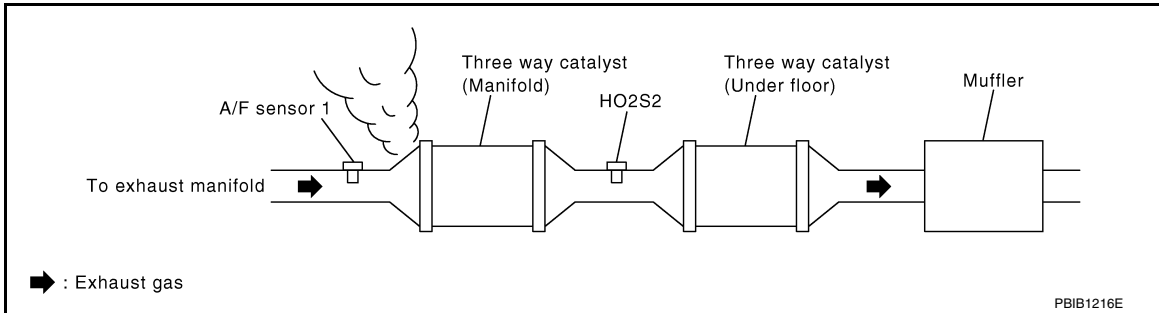
- YES >> Proceed to [EC-853. "Diagnosis Procedure"](#).
NO >> INSPECTION END

Diagnosis Procedure

INFOID:000000012602781

1.CHECK EXHAUST GAS LEAKAGE

1. Start engine and run it at idle.
2. Listen for an exhaust gas leakage before three way catalyst (manifold).



Is exhaust gas leakage detected?

- YES >> Repair or replace malfunctioning part.
NO >> GO TO 2.

2.CHECK FOR INTAKE AIR LEAKAGE

Listen for an intake air leakage after the mass air flow sensor.

Is intake air leakage detected?

- YES >> Repair or replace malfunctioning part.
NO >> GO TO 3.

3.CHECK A/F SENSOR 1 INPUT SIGNAL CIRCUIT

1. Turn ignition switch OFF.
2. Disconnect corresponding A/F sensor 1 harness connector.
3. Disconnect ECM harness connector.
4. Check the continuity between A/F sensor 1 harness connector and ECM harness connector.

DTC	A/F sensor 1			ECM		Continuity
	Bank	Connector	Terminal	Connector	Terminal	
P0172	1	F12	3	F79	66	Existed
			4		67	
P0175	2	F61	3		76	
			4		77	

5. Check the continuity between A/F sensor 1 harness connector and ground, or ECM harness connector and ground.

P0172, P0175 FUEL INJECTION SYSTEM FUNCTION

< DTC/CIRCUIT DIAGNOSIS >

[VQ35DE]

DTC	A/F sensor 1			Ground	Continuity
	Bank	Connector	Terminal		
P0172	1	F12	3	Ground	Not existed
			4		
P0175	2	F61	3		
			4		

DTC	ECM		Ground	Continuity
	Connector	Terminal		
P0172	F79	66	Ground	Not existed
		67		
P0175		76		
		77		

6. Also check harness for short to power.

Is the inspection result normal?

YES >> GO TO 4.

NO >> Repair open circuit, short to ground or short to power in harness or connectors.

4. CHECK FUEL PRESSURE

1. Release fuel pressure to zero. Refer to [EC-736, "Work Procedure"](#).
2. Install fuel pressure gauge kit [SST: — (J-44321)] and check fuel pressure. Refer to [EC-736, "Work Procedure"](#).

At idling: Approximately 350 kPa (3.57 kg/cm², 51 psi)

Is the inspection result normal?

YES >> GO TO 5.

NO >> Replace "fuel filter and fuel pump assembly". Refer to [FL-5, "Removal and Installation"](#).

5. CHECK MASS AIR FLOW SENSOR

With CONSULT

1. Install all removed parts.
2. Check "MASS AIR FLOW" in "DATA MONITOR" mode with CONSULT.
For specification, refer to [EC-1089, "Mass Air Flow Sensor"](#).

With GST

1. Install all removed parts.
2. Check mass air flow sensor signal in "Service \$01" with GST.
For specification, refer to [EC-1089, "Mass Air Flow Sensor"](#).

Is the measurement value within the specification?

YES >> GO TO 6.

NO >> Check connectors for rusted terminals or loose connections in the mass air flow sensor circuit or ground. Refer to [EC-792, "Diagnosis Procedure"](#).

6. CHECK FUNCTION OF FUEL INJECTOR

With CONSULT

1. Start engine.
2. Perform "POWER BALANCE" in "ACTIVE TEST" mode with CONSULT.
3. Check that each circuit produces a momentary engine speed drop.

With GST

1. Let engine idle.

P0172, P0175 FUEL INJECTION SYSTEM FUNCTION

[VQ35DE]

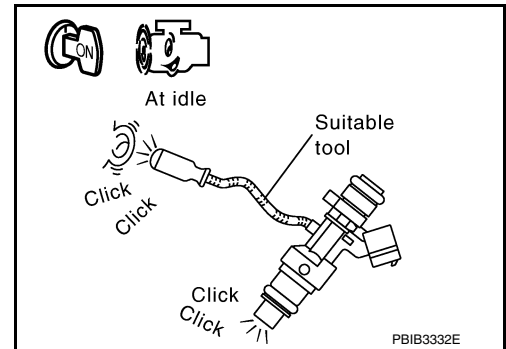
< DTC/CIRCUIT DIAGNOSIS >

2. Listen to each fuel injector operating sound.

Is the inspection result normal?

YES >> GO TO 7.

NO >> Perform trouble diagnosis for FUEL INJECTOR, refer to [EC-1053, "Diagnosis Procedure"](#).



7. CHECK FUEL INJECTOR

1. Remove fuel injector assembly. Refer to [EM-167, "Removal and Installation"](#).
Keep fuel hose and all fuel injectors connected to fuel tube.
2. Confirm that the engine is cooled down and there are no fire hazards near the vehicle.
3. Disconnect all fuel injector harness connectors.
4. Disconnect all ignition coil harness connectors.
5. Prepare pans or saucers under each fuel injectors.
6. Crank engine for about 3 seconds.
Check fuel does not drip from fuel injector.

Is the inspection result normal?

YES >> Check intermittent incident. Refer to [GI-44, "Intermittent Incident"](#).

NO >> Replace the fuel injectors from which fuel is dripping. Always replace O-ring with new one. Refer to [EM-167, "Removal and Installation"](#).

P0181 FTT SENSOR

< DTC/CIRCUIT DIAGNOSIS >

[VQ35DE]

P0181 FTT SENSOR

DTC Logic

INFOID:000000012602782

DTC DETECTION LOGIC

DTC No.	Trouble diagnosis (Trouble diagnosis content)	DTC detecting condition		Possible cause
P0181	FTT SENSOR [Fuel tank temperature (FTT) sensor circuit range/performance]	A)	Rationally incorrect voltage from the sensor is sent to ECM, compared with the voltage signals from ECT sensor and intake air temperature sensor.	<ul style="list-style-type: none"> • Harness or connectors (The FTT sensor circuit is open or shorted) • FTT sensor
		B)	The comparison result of signals transmitted to ECM from each temperature sensor (IAT sensor, ECT sensor, EOT sensor, and FTT sensor) shows that the voltage signal of the FTT sensor is higher/lower than that of other temperature sensors when the engine is started with its cold state.	<ul style="list-style-type: none"> • Harness or connectors (High or low resistance in the FTT sensor circuit) • FTT sensor

DTC CONFIRMATION PROCEDURE

1.INSPECTION START

Is it necessary to erase permanent DTC?

- YES >> GO TO 7.
NO >> GO TO 2.

2.PRECONDITIONING

If DTC CONFIRMATION PROCEDURE has been previously conducted, always perform the following procedure before conducting the next test.

1. Turn ignition switch OFF and wait at least 10 seconds.
2. Turn ignition switch ON.
3. Turn ignition switch OFF and wait at least 10 seconds.

>> GO TO 3.

3.PERFORM DTC CONFIRMATION PROCEDURE FOR MALFUNCTION A-I

1. Turn ignition switch ON and wait at least 10 seconds.
2. Check 1st trip DTC.

Is 1st trip DTC detected?

- YES >> Proceed to [EC-858, "Diagnosis Procedure"](#).
NO >> GO TO 4.

4.CHECK ENGINE COOLANT TEMPERATURE

With CONSULT

1. Select "COOLAN TEMP/S" in "DATA MONITOR" with CONSULT.
2. Check "COOLAN TEMP/S" value.

With GST

Follow the procedure "With CONSULT" above.

"COOLAN TEMP/S" less than 60°C (140°F)?

- YES >> INSPECTION END
NO >> GO TO 5.

5.PERFORM DTC CONFIRMATION PROCEDURE FOR MALFUNCTION A-II

With CONSULT

1. Cool engine down until "COOLAN TEMP/S" is less than 60°C (140°F).

< DTC/CIRCUIT DIAGNOSIS >

2. Wait at least 10 seconds.
3. Check 1st trip DTC.

 With GST

Follow the procedure "With CONSULT" above.

Is 1st trip DTC detected?

- YES >> Proceed to [EC-858, "Diagnosis Procedure"](#).
 NO >> GO TO 6.

6. PERFORM COMPONENT FUNCTION CHECK (FOR MALFUNCTION B)

Perform component function check. Refer to [EC-857, "Component Function Check"](#).

NOTE:

Use the component function check to check the overall function of the FTT sensor circuit. During this check, a 1st trip DTC might not be confirmed.

Is the inspection result normal?

- YES >> INSPECTION END
 NO >> Proceed to [EC-858, "Diagnosis Procedure"](#).

7. PRECONDITIONING

If DTC CONFIRMATION PROCEDURE has been previously conducted, always perform the following procedure before conducting the next test.

1. Turn ignition switch OFF and wait at least 10 seconds.
2. Turn ignition switch ON.
3. Turn ignition switch OFF and wait at least 10 seconds.

TESTING CONDITION:

- Before performing the following procedure, do not add fuel.
- Before performing the following procedure, check that fuel level is between 1/4 and 4/4.
- Before performing the following procedure, confirm that battery voltage is 11 V or more at idle.

>> GO TO 8.

8. PERFORM DTC CONFIRMATION PROCEDURE B

1. Move the vehicle to a cool place.

NOTE:

Cool the vehicle in an environment of ambient air temperature between -10°C (14°F) and 35°C (95°F).

2. Turn ignition switch OFF and leave the vehicle for 12 hours.

CAUTION:

Never turn ignition switch ON during this procedure.

NOTE:

The vehicle must be cooled with the hood open.

3. Start engine and let it idle for 5 minutes or more.

CAUTION:

Never turn ignition switch OFF during idling.

4. Check 1st trip DTC.

Is 1st trip DTC detected?

- YES >> Proceed to [EC-858, "Diagnosis Procedure"](#).
 NO >> INSPECTION END

Component Function Check

INFOID:000000012602783

1. CHECK FUEL TANK TEMPERATURE (FTT) SENSOR

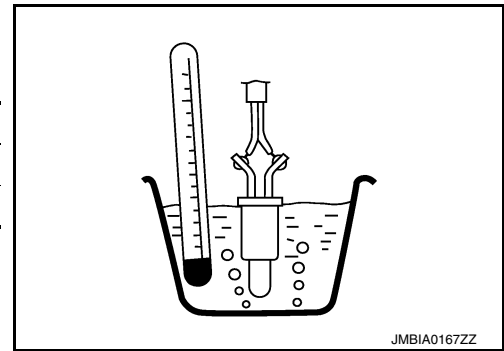
1. Turn ignition switch OFF.
2. Disconnect fuel level sensor unit and fuel pump harness connector.
3. Remove fuel level sensor unit. Refer to [FL-5, "Removal and Installation"](#).

P0181 FTT SENSOR

[VQ35DE]

< DTC/CIRCUIT DIAGNOSIS >

- Check resistance between fuel level sensor unit and fuel pump terminals by heating with hot water as shown in the figure.



Terminals	Condition		Resistance (kΩ)
1 and 3	Temperature [°C (°F)]	20 (68)	2.3 – 2.7
		50 (122)	0.79 – 0.90

Is the inspection result normal?

- YES >> GO TO 2.
 NO >> Proceed to [EC-858, "Diagnosis Procedure"](#).

2.CHECK INTERMITTENT INCIDENT

Check intermittent incident. Refer to [GI-44, "Intermittent Incident"](#).

Is the inspection result normal?

- YES >> INSPECTION END
 NO >> Proceed to [EC-858, "Diagnosis Procedure"](#).

Diagnosis Procedure

INFOID:0000000012602784

1.INSPECTION START

Confirm the detected malfunction (A or B). Refer to [EC-856, "DTC Logic"](#).

Which malfunction is detected?

- A >> GO TO 2.
 B >> GO TO 5.

2.CHECK FUEL TANK TEMPERATURE SENSOR POWER SUPPLY

- Turn ignition switch OFF.
- Disconnect fuel level sensor unit and fuel pump harness connector.
- Turn ignition switch ON.
- Check the voltage between fuel level sensor unit and fuel pump harness connector and ground.

Fuel level sensor unit and fuel pump		Ground	Voltage
Connector	Terminal		
B42	3	Ground	Approx. 5 V

Is the inspection result normal?

- YES >> GO TO 4.
 NO >> GO TO 3.

3.CHECK FUEL TANK TEMPERATURE SENSOR POWER SUPPLY CIRCUIT

- Turn ignition switch OFF.
- Disconnect ECM harness connector.
- Check the continuity between fuel tank temperature sensor harness connector and ECM harness connector.

Fuel level sensor unit and fuel pump		ECM		Continuity
Connector	Terminal	Connector	Terminal	
B42	3	E32	128	Existed

Is the inspection result normal?

- YES >> Perform the trouble diagnosis for power supply circuit.
 NO >> Repair or replace error-detected parts.

4.CHECK FUEL TANK TEMPERATURE SENSOR GROUND CIRCUIT FOR OPEN AND SHORT

- Turn ignition switch OFF.
- Disconnect ECM harness connector.

P0181 FTT SENSOR

[VQ35DE]

< DTC/CIRCUIT DIAGNOSIS >

3. Check the continuity between fuel level sensor unit and fuel pump harness connector and ECM harness connector.

Fuel level sensor unit and fuel pump		ECM		Continuity
Connector	Terminal	Connector	Terminal	
B42	1	E32	148	Existed

4. Also check harness for short to ground and short to power.

Is the inspection result normal?

YES >> GO TO 5.

NO >> Repair open circuit, short to ground or short to power in harness or connector.

5. CHECK FUEL TANK TEMPERATURE SENSOR

Check fuel tank temperature sensor. Refer to [EC-859, "Component Inspection"](#).

Is the inspection result normal?

YES >> Check intermittent incident. Refer to [GI-44, "Intermittent Incident"](#).

NO >> Replace fuel level sensor unit and fuel pump. Refer to [FL-5, "Removal and Installation"](#).

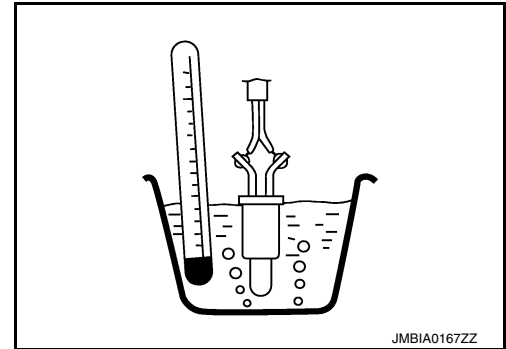
Component Inspection

INFOID:0000000012602785

1. CHECK FUEL TANK TEMPERATURE SENSOR

1. Turn ignition switch OFF.
2. Remove fuel level sensor unit. Refer to [FL-5, "Removal and Installation"](#).
3. Check resistance between "fuel level sensor unit and fuel pump" terminals by heating with hot water as shown in the figure.

Fuel tank temperature sensor		Condition	Resistance (kΩ)	
+	-			
Terminals				
3	1	Temperature [°C (°F)]	20 (68)	2.3 - 2.7 kΩ
			50 (122)	0.79 - 0.90 kΩ



JMBIA0167ZZ

Is the inspection result normal?

YES >> INSPECTION END

NO >> Replace fuel level sensor unit and fuel pump. Refer to [FL-5, "Removal and Installation"](#).

P0182, P0183 FTT SENSOR

< DTC/CIRCUIT DIAGNOSIS >

[VQ35DE]

P0182, P0183 FTT SENSOR

DTC Logic

INFOID:0000000012602786

DTC DETECTION LOGIC

DTC No.	Trouble diagnosis name	DTC detecting condition	Possible cause
P0182	Fuel tank temperature sensor circuit low input	An excessively low voltage from the sensor is sent to ECM.	<ul style="list-style-type: none"> • Harness or connectors (The sensor circuit is open or shorted.) • Fuel tank temperature sensor
P0183	Fuel tank temperature sensor circuit high input	An excessively high voltage from the sensor is sent to ECM.	

DTC CONFIRMATION PROCEDURE

1. PRECONDITIONING

If DTC Confirmation Procedure has been previously conducted, always perform the following before conducting the next test.

1. Turn ignition switch OFF and wait at least 10 seconds.
2. Turn ignition switch ON.
3. Turn ignition switch OFF and wait at least 10 seconds.

>> GO TO 2.

2. PERFORM DTC CONFIRMATION PROCEDURE

1. Turn ignition switch ON and wait at least 5 seconds.
2. Check 1st trip DTC.

Is 1st trip DTC detected?

- YES >> Proceed to [EC-860, "Diagnosis Procedure"](#).
 NO >> INSPECTION END

Diagnosis Procedure

INFOID:0000000012602787

1. CHECK FUEL TANK TEMPERATURE SENSOR POWER SUPPLY

1. Turn ignition switch OFF.
2. Disconnect "fuel level sensor unit and fuel pump" harness connector.
3. Turn ignition switch ON.
4. Check the voltage between "fuel level sensor unit and fuel pump" harness connector and ground.

Fuel level sensor unit and fuel pump		Ground	Voltage
Connector	Terminal		
B42	3	Ground	Approx. 5 V

Is the inspection result normal?

- YES >> GO TO 3.
 NO >> GO TO 2.

2. CHECK FUEL TANK TEMPERATURE SENSOR POWER SUPPLY CIRCUIT

1. Turn ignition switch OFF.
2. Disconnect ECM harness connector.
3. Check the continuity between "fuel level sensor unit and fuel pump" harness connector and ECM harness connector.

Fuel level sensor unit and fuel pump		ECM		Continuity
Connector	Terminal	Connector	Terminal	
B42	3	E32	128	Existed

4. Also check harness for short to ground and short to power.

P0182, P0183 FTT SENSOR

[VQ35DE]

< DTC/CIRCUIT DIAGNOSIS >

Is the inspection result normal?

- YES >> GO TO 3.
- NO >> Repair or replace error-detected parts.

3. CHECK FUEL TANK TEMPERATURE SENSOR GROUND CIRCUIT

1. Turn ignition switch OFF.
2. Disconnect ECM harness connector.
3. Check the continuity between "fuel level sensor unit and fuel pump" harness connector and ECM harness connector.

Fuel level sensor unit and fuel pump		ECM		Continuity
Connector	Terminal	Connector	Terminal	
B42	1	E32	148	Existed

4. Also check harness for short to ground and short to power.

Is the inspection result normal?

- YES >> GO TO 4.
- NO >> Repair or replace error-detected parts.

4. CHECK FUEL TANK TEMPERATURE SENSOR

Check fuel tank temperature sensor. Refer to [EC-861, "Component Inspection"](#).

Is the inspection result normal?

- YES >> Check intermittent incident. Refer to [GI-44, "Intermittent Incident"](#).
- NO >> Replace "fuel level sensor unit and fuel pump". Refer to [FL-5, "Removal and Installation"](#).

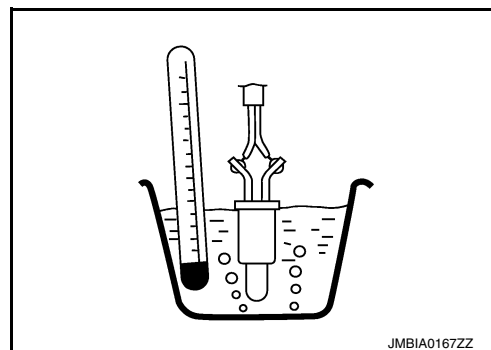
Component Inspection

INFOID:000000012602788

1. CHECK FUEL TANK TEMPERATURE SENSOR

1. Turn ignition switch OFF.
2. Remove fuel level sensor unit. Refer to [FL-5, "Removal and Installation"](#).
3. Check resistance between "fuel level sensor unit and fuel pump" terminals by heating with hot water as shown in the figure.

Fuel tank temperature sensor		Condition	Resistance (kΩ)	
+	-			
Terminals				
3	1	Temperature [°C (°F)]	20 (68)	2.3 - 2.7 kΩ
			50 (122)	0.79 - 0.90 kΩ



JMBIA0167ZZ

Is the inspection result normal?

- YES >> INSPECTION END
- NO >> Replace fuel level sensor unit and fuel pump. Refer to [FL-5, "Removal and Installation"](#).

P0196 EOT SENSOR

< DTC/CIRCUIT DIAGNOSIS >

[VQ35DE]

P0196 EOT SENSOR

DTC Logic

INFOID:000000012602789

DTC DETECTION LOGIC

NOTE:

If DTC P0196 is displayed with DTC P0197 or P0198, first perform the trouble diagnosis for DTC P0197 or P0198. Refer to [EC-866, "DTC Logic"](#).

DTC No.	Trouble diagnosis (Trouble diagnosis content)	DTC detecting condition		Possible cause
P0196	EOT SENSOR [Engine oil temperature (EOT) sensor circuit range/perfor- mance]	A)	Rationally incorrect voltage from the sensor is sent to ECM, compared with the voltage signals from EOT sensor and intake air temperature sensor.	<ul style="list-style-type: none"> • Harness or connectors (The EOT sensor circuit is open or shorted) • EOT sensor
		B)	The comparison result of signals transmitted to ECM from each temperature sensor (IAT sensor, ECT sensor, FTT sensor, and EOT sensor) shows that the signal voltage of the EOT sensor is higher/lower than that of other temperature sensors when the engine is started with its cold state.	<ul style="list-style-type: none"> • Harness or connectors (High or low resistance in the EOT sensor circuit) • EOT sensor

DTC CONFIRMATION PROCEDURE

1. INSPECTION START

Is it necessary to erase permanent DTC?

- YES >> GO TO 6.
- NO >> GO TO 2.

2. PRECONDITIONING

If DTC CONFIRMATION PROCEDURE has been previously conducted, always perform the following procedure before conducting the next test.

1. Turn ignition switch OFF and wait at least 10 seconds.
2. Turn ignition switch ON.
3. Turn ignition switch OFF and wait at least 10 seconds.

TESTING CONDITION:

Before performing the following procedure, confirm that battery voltage is 11 V or more at idle.

>> GO TO 3.


3. PERFORM DTC CONFIRMATION PROCEDURE FOR MULFUNCTION A-I

1. Start engine and warm it up to normal operating temperature.
2. Turn ignition switch OFF and wait at least 10 seconds.
3. Turn ignition switch ON.
4. Turn ignition switch OFF and wait at least 10 seconds.
5. Start engine and let it idle for 5 minutes and 10 seconds.
6. Check 1st trip DTC.

Is 1st trip DTC detected?

- YES >> Proceed to [EC-864, "Diagnosis Procedure"](#).
- NO >> GO TO 4.

4. PERFORM DTC CONFIRMATION PROCEDURE FOR MULFUNCTION A-II

 With CONSULT

1. Select "DATA MONITOR" mode with CONSULT.
2. Check that "COOLAN TEMP/S" indicates above 70°C (158°F).
If it is above 70°C (158°F), go to the following steps.

P0196 EOT SENSOR

[VQ35DE]

< DTC/CIRCUIT DIAGNOSIS >

If it is below 70°C (158°F), warm engine up until "COOLAN TEMP/S" indicates more than 70°C (158°F). Then perform the following steps.

3. Turn ignition switch OFF and soak the vehicle in a cool place.
4. Turn ignition switch ON.

NOTE:

Do not turn ignition switch OFF until step 8.

5. Select "DATA MONITOR" mode with CONSULT.
6. Check the following.

COOLAN TEMP/S	Below 40°C (104°F)
INT/A TEMP SE	Below 40°C (104°F)
Difference between "COOLAN TEMP/S" and "INT/A TEMP SE"	Within 6°C (11°F)

If they are within the specified range, perform the following steps.

If they are out of the specified range, soak the vehicle to meet the above conditions. Then perform the following steps.

NOTE:

- **Do not turn ignition switch OFF.**
- **If it is supposed to need a long period of time, do not deplete the battery.**

7. Start engine and let it idle for 5 minutes.
8. Check 1st trip DTC.

 With GST

Follow the procedure "With CONSULT" above.

Is 1st trip DTC detected?

- YES >> Proceed to [EC-864, "Diagnosis Procedure"](#).
NO >> GO TO 5.

5.PERFORM COMPONENT FUNCTION CHECK (FOR MULFUNCTION B)

Perform component function check. Refer to [EC-864, "Component Function Check"](#).

NOTE:

Use the component function check to check the overall function of the EOT sensor circuit. During this check, a 1st trip DTC might not be confirmed.

Is the inspection result normal?

- YES >> INSPECTION END
NO >> Proceed to [EC-864, "Diagnosis Procedure"](#).

6.PRECONDITIONING

If DTC CONFIRMATION PROCEDURE has been previously conducted, always perform the following procedure before conducting the next test.

1. Turn ignition switch OFF and wait at least 10 seconds.
2. Turn ignition switch ON.
3. Turn ignition switch OFF and wait at least 10 seconds.

TESTING CONDITION:

- **Before performing the following procedure, do not add fuel.**
- **Before performing the following procedure, check that fuel level is between 1/4 and 4/4.**
- **Before performing the following procedure, confirm that battery voltage is 11 V or more at idle.**

>> GO TO 7.

7.PERFORM DTC CONFIRMATION PROCEDURE B

1. Move the vehicle to a cool place.

NOTE:

Cool the vehicle in an environment of ambient air temperature between -10°C (14°F) and 35°C (95°F).

2. Turn ignition switch OFF and leave the vehicle for 12 hours.

CAUTION:

Never turn ignition switch ON during this procedure.

NOTE:

The vehicle must be cooled with the hood open.

3. Start engine and let it idle for 5 minutes or more.

CAUTION:

Never turn ignition switch OFF during idling.

4. Check 1st trip DTC.

Is 1st trip DTC detected?

- YES >> Proceed to [EC-864, "Diagnosis Procedure"](#).
- NO >> INSPECTION END

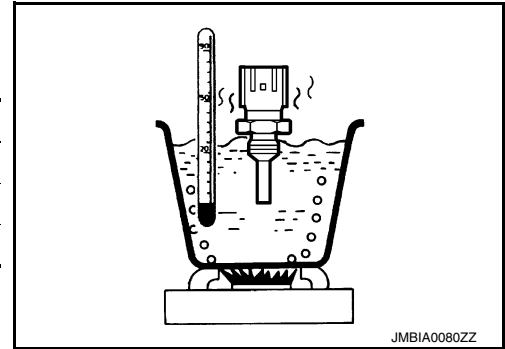
Component Function Check

INFOID:0000000012602790

1. CHECK ENGINE OIL TEMPERATURE (EOT) SENSOR

1. Turn ignition switch OFF.
2. Disconnect EOT sensor harness connector.
3. Remove EOT sensor. Refer to [EC-585, "ENGINE CONTROL SYSTEM : Component Parts Location"](#).
4. Check resistance between EOT sensor terminals by heating with hot water as shown in the figure.

Terminals	Condition		Resistance (kΩ)
1 and 2	Temperature [°C (°F)]	20 (68)	2.37 – 2.63
		50 (122)	0.68 – 1.00
		90 (194)	0.236 – 0.260



Is the inspection result normal?

- YES >> GO TO 2.
- NO >> Proceed to [EC-864, "Diagnosis Procedure"](#).

2. CHECK INTERMITTENT INCIDENT

Check intermittent incident. Refer to [GI-44, "Intermittent Incident"](#).

Is the inspection result normal?

- YES >> INSPECTION END
- NO >> Proceed to [EC-864, "Diagnosis Procedure"](#).

Diagnosis Procedure

INFOID:0000000012602791

1. CHECK ENGINE OIL TEMPERATURE SENSOR

Check engine oil temperature sensor. Refer to [EC-864, "Component Inspection"](#).

Is the inspection result normal?

- YES >> Check intermittent incident. Refer to [GI-44, "Intermittent Incident"](#).
- NO >> Replace engine oil temperature sensor. Refer to [EC-585, "ENGINE CONTROL SYSTEM : Component Parts Location"](#).

Component Inspection

INFOID:0000000012602792

1. CHECK ENGINE OIL TEMPERATURE SENSOR

1. Turn ignition switch OFF.
2. Disconnect engine oil temperature sensor harness connector.
3. Remove engine oil temperature sensor. Refer to [EC-585, "ENGINE CONTROL SYSTEM : Component Parts Location"](#).

P0196 EOT SENSOR

[VQ35DE]

< DTC/CIRCUIT DIAGNOSIS >

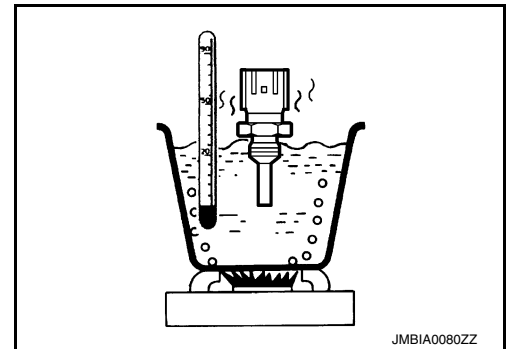
4. Check resistance between engine oil temperature sensor terminals by heating with hot water as shown in the figure.

Terminals	Condition	Resistance (k Ω)	
1 and 2	Temperature [$^{\circ}$ C ($^{\circ}$ F)]	20 (68)	2.37 - 2.63
		50 (122)	0.68 - 1.00
		90 (194)	0.236 - 0.260

Is the inspection result normal?

YES >> INSPECTION END

NO >> Replace engine oil temperature sensor. Refer to [EC-585, "ENGINE CONTROL SYSTEM : Component Parts Location"](#).



P0197, P0198 EOT SENSOR

< DTC/CIRCUIT DIAGNOSIS >

[VQ35DE]

P0197, P0198 EOT SENSOR

DTC Logic

INFOID:000000012602793

DTC DETECTION LOGIC

DTC No.	Trouble Diagnosis Name	DTC detecting condition	Possible Cause
P0197	Engine oil temperature sensor circuit low input	An excessively low voltage from the sensor is sent to ECM.	• Harness or connectors (The sensor circuit is open or shorted.) • Engine oil temperature sensor
P0198	Engine oil temperature sensor circuit high input	An excessively high voltage from the sensor is sent to ECM.	

DTC CONFIRMATION PROCEDURE

1. PRECONDITIONING

If DTC Confirmation Procedure has been previously conducted, always perform the following before conducting the next test.

1. Turn ignition switch OFF and wait at least 10 seconds.
2. Turn ignition switch ON.
3. Turn ignition switch OFF and wait at least 10 seconds.

>> GO TO 2.

2. PERFORM DTC CONFIRMATION PROCEDURE

1. Start engine and wait at least 5 seconds.
2. Check 1st trip DTC.

Is 1st trip DTC detected?

- YES >> Proceed to [EC-866, "Diagnosis Procedure"](#).
NO >> INSPECTION END

Diagnosis Procedure

INFOID:000000012602794

1. CHECK EOT SENSOR POWER SUPPLY

1. Disconnect engine oil temperature (EOT) sensor harness connector.
2. Turn ignition switch ON.
3. Check the voltage between EOT sensor harness connector and ground.

EOT sensor		Ground	Voltage
Connector	Terminal		
F68	1	Ground	Approx. 5 V

Is the inspection result normal?

- YES >> GO TO 2.
NO >> Repair open circuit, short to ground or short to power in harness or connectors.

2. CHECK EOT SENSOR GROUND CIRCUIT FOR OPEN AND SHORT

1. Turn ignition switch OFF.
2. Disconnect ECM harness connector.
3. Check the continuity between EOT sensor harness connector and ECM harness connector.

EOT sensor		ECM		Continuity
Connector	Terminal	Connector	Terminal	
F68	2	F78	15	Existed

4. Also check harness for short to ground and short to power.

P0197, P0198 EOT SENSOR

[VQ35DE]

< DTC/CIRCUIT DIAGNOSIS >

Is the inspection result normal?

YES >> GO TO 3.

NO >> Repair open circuit, short to ground or short to power in harness or connectors.

3. CHECK ENGINE OIL TEMPERATURE SENSOR

Check engine oil temperature sensor. Refer to [EC-867. "Component Inspection"](#).

Is the inspection result normal?

YES >> Check intermittent incident. Refer to [GI-44. "Intermittent Incident"](#).

NO >> Replace engine oil temperature sensor. Refer to [EC-585. "ENGINE CONTROL SYSTEM : Component Parts Location"](#).

Component Inspection

INFOID:0000000012602795

1. CHECK ENGINE OIL TEMPERATURE SENSOR

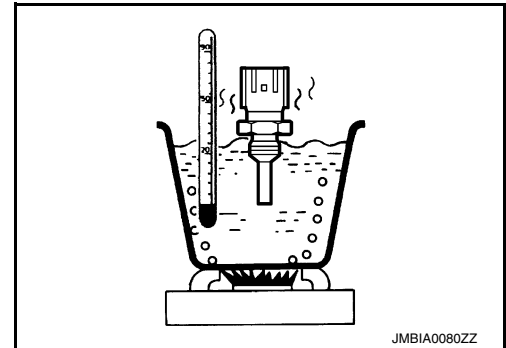
1. Turn ignition switch OFF.
2. Disconnect engine oil temperature sensor harness connector.
3. Remove engine oil temperature sensor. Refer to [EC-585. "ENGINE CONTROL SYSTEM : Component Parts Location"](#).
4. Check resistance between engine oil temperature sensor terminals by heating with hot water as shown in the figure.

Terminals	Condition	Resistance (k Ω)	
1 and 2	Temperature [$^{\circ}$ C ($^{\circ}$ F)]	20 (68)	2.37 - 2.63
		50 (122)	0.68 - 1.00
		90 (194)	0.236 - 0.260

Is the inspection result normal?

YES >> INSPECTION END

NO >> Replace engine oil temperature sensor. Refer to [EC-585. "ENGINE CONTROL SYSTEM : Component Parts Location"](#).



P0222, P0223 TP SENSOR

< DTC/CIRCUIT DIAGNOSIS >

[VQ35DE]

P0222, P0223 TP SENSOR

DTC Logic

INFOID:000000012602796

DTC DETECTION LOGIC

NOTE:

If DTC P0222 or P0223 is displayed with DTC P0643, first perform the trouble diagnosis for DTC P0643. Refer to [EC-956, "DTC Logic"](#).

DTC No.	Trouble diagnosis name	DTC detecting condition	Possible cause
P0222	Throttle position sensor 1 circuit low input	An excessively low voltage from the TP sensor 1 is sent to ECM.	• Harness or connectors (TP sensor 1 circuit is open or shorted.)
P0223	Throttle position sensor 1 circuit high input	An excessively high voltage from the TP sensor 1 is sent to ECM.	• Electric throttle control actuator (TP sensor 1)

DTC CONFIRMATION PROCEDURE

1. PRECONDITIONING

If DTC Confirmation Procedure has been previously conducted, always perform the following before conducting the next test.

1. Turn ignition switch OFF and wait at least 10 seconds.
2. Turn ignition switch ON.
3. Turn ignition switch OFF and wait at least 10 seconds.

TESTING CONDITION:

Before performing the following procedure, confirm that battery voltage is more than 10 V at idle.

>> GO TO 2.

2. PERFORM DTC CONFIRMATION PROCEDURE

1. Start engine and let it idle for 1 second.
2. Check DTC.

Is DTC detected?

YES >> Proceed to [EC-868, "Diagnosis Procedure"](#).

NO >> INSPECTION END

Diagnosis Procedure

INFOID:000000012602797

1. CHECK THROTTLE POSITION SENSOR 1 POWER SUPPLY

1. Disconnect electric throttle control actuator harness connector.
2. Turn ignition switch ON.
3. Check the voltage between electric throttle control actuator harness connector and ground.

Electric throttle control actuator		Ground	Voltage
Connector	Terminal		
F98	5	Ground	Approx. 5 V

Is the inspection result normal?

YES >> GO TO 2.

NO >> Repair open circuit, short to ground or short to power in harness or connectors.

2. CHECK THROTTLE POSITION SENSOR 1 GROUND CIRCUIT

1. Turn ignition switch OFF.
2. Disconnect ECM harness connector.
3. Check the continuity between electric throttle control actuator and ECM harness connector.

P0222, P0223 TP SENSOR

< DTC/CIRCUIT DIAGNOSIS >

[VQ35DE]

Electric throttle control actuator		ECM		Continuity
Connector	Terminal	Connector	Terminal	
F98	4	F79	75	Existed

4. Also check harness for short to ground and short to power.

Is the inspection result normal?

YES >> GO TO 3.

NO >> Repair open circuit, short to ground or short to power in harness or connectors.

3. CHECK THROTTLE POSITION SENSOR 1 INPUT SIGNAL CIRCUIT

1. Check the continuity between electric throttle control actuator and ECM harness connector.

Electric throttle control actuator		ECM		Continuity
Connector	Terminal	Connector	Terminal	
F98	6	F79	71	Existed

2. Also check harness for short to ground and short to power.

Is the inspection result normal?

YES >> GO TO 4.

NO >> Repair open circuit, short to ground or short to power in harness or connectors.

4. CHECK THROTTLE POSITION SENSOR

Check throttle position sensor. Refer to [EC-869, "Component Inspection"](#).

Is the inspection result normal?

YES >> Check intermittent incident. Refer to [GI-44, "Intermittent Incident"](#).

NO >> Replace electric throttle control actuator. Refer to [EM-148, "Removal and Installation"](#).

Component Inspection

INFOID:000000012602798

1. CHECK THROTTLE POSITION SENSOR

1. Turn ignition switch OFF.
2. Reconnect all harness connectors disconnected.
3. Perform [EC-731, "Description"](#).
4. Turn ignition switch ON.
5. Set selector lever to D position.
6. Check the voltage between ECM harness connector terminals under the following conditions.

Connector	ECM		Condition	Voltage
	+	-		
	Terminal	Terminal		
F79	71	75	Fully released	More than 0.36 V
			Fully depressed	Less than 4.75 V
	72		Fully released	Less than 4.75 V
			Fully depressed	More than 0.36 V

Is the inspection result normal?

YES >> INSPECTION END

NO >> Replace electric throttle control actuator. Refer to [EM-148, "Removal and Installation"](#).

P0300, P0301, P0302, P0303, P0304, P0305, P0306 MISFIRE

< DTC/CIRCUIT DIAGNOSIS >

[VQ35DE]

P0300, P0301, P0302, P0303, P0304, P0305, P0306 MISFIRE

DTC Logic

INFOID:000000012602799

DTC DETECTION LOGIC

When a misfire occurs, engine speed will fluctuate. If the engine speed fluctuates enough to cause the crankshaft position (CKP) sensor (POS) signal to vary, ECM can determine that a misfire is occurring.

Sensor	Input signal to ECM	ECM function
Crankshaft position sensor (POS)	Engine speed	On board diagnosis of misfire

The misfire detection logic consists of the following two conditions.

- One Trip Detection Logic (Three Way Catalyst Damage)**
On the 1st trip, when a misfire condition occurs that can damage the three way catalyst (TWC) due to overheating, the MIL will blink.
When a misfire condition occurs, the ECM monitors the CKP sensor signal every 200 engine revolutions for a change.
When the misfire condition decreases to a level that will not damage the TWC, the MIL will turn off.
If another misfire condition occurs that can damage the TWC on a second trip, the MIL will blink.
When the misfire condition decreases to a level that will not damage the TWC, the MIL will remain on.
If another misfire condition occurs that can damage the TWC, the MIL will begin to blink again.
- Two Trip Detection Logic (Exhaust quality deterioration)**
For misfire conditions that will not damage the TWC (but will affect vehicle emissions), the MIL will only illuminate when the misfire is detected on a second trip. During this condition, the ECM monitors the CKP sensor signal every 1,000 engine revolutions.
A misfire malfunction can be detected in any one cylinder or in multiple cylinders.

DTC No.	Trouble diagnosis name	DTC detecting condition	Possible cause
P0300	Multiple cylinder misfires detected	Multiple cylinders misfire.	<ul style="list-style-type: none">• Improper spark plug• Insufficient compression• Incorrect fuel pressure• The fuel injector circuit is open or shorted• Fuel injector• Intake air leakage• The ignition signal circuit is open or shorted• Lack of fuel• Signal plate• A/F sensor 1• Incorrect PCV hose connection
P0301	No. 1 cylinder misfire detected	No. 1 cylinder misfires.	
P0302	No. 2 cylinder misfire detected	No. 2 cylinder misfires.	
P0303	No. 3 cylinder misfire detected	No. 3 cylinder misfires.	
P0304	No. 4 cylinder misfire detected	No. 4 cylinder misfires.	
P0305	No. 5 cylinder misfire detected	No. 5 cylinder misfires.	
P0306	No. 6 cylinder misfire detected	No. 6 cylinder misfires.	

DTC CONFIRMATION PROCEDURE

1. PRECONDITIONING

If DTC Confirmation Procedure has been previously conducted, always perform the following procedure before conducting the next test.

1. Turn ignition switch OFF and wait at least 10 seconds.
2. Turn ignition switch ON.
3. Turn ignition switch OFF and wait at least 10 seconds.

>> GO TO 2.

2. PERFORM DTC CONFIRMATION PROCEDURE-I

1. Start engine and warm it up to normal operating temperature.
2. Turn ignition switch OFF and wait at least 10 seconds.
3. Turn ignition switch ON.
4. Turn ignition switch OFF and wait at least 10 seconds.
5. Restart engine and let it idle for approximately 15 minutes.
6. Check 1st trip DTC.

Is 1st trip DTC detected?

P0300, P0301, P0302, P0303, P0304, P0305, P0306 MISFIRE

< DTC/CIRCUIT DIAGNOSIS >

[VQ35DE]

- YES >> Proceed to [EC-871. "Diagnosis Procedure"](#).
NO >> GO TO 3.

3.PERFORM DTC CONFIRMATION PROCEDURE-II

1. Turn ignition switch OFF and wait at least 10 seconds.
2. Turn ignition switch ON.
3. Turn ignition switch OFF and wait at least 10 seconds.
4. Start engine and drive the vehicle under similar conditions to (1st trip) Freeze Frame Data for a certain time. Refer to the table below.

Hold the accelerator pedal as steady as possible.

Similar conditions to (1st trip) Freeze Frame Data mean that the following conditions should be satisfied at the same time.

CAUTION:

Always drive vehicle in safe manner according to traffic conditions and obey all traffic laws when driving.

Engine speed	Engine speed in the freeze frame data \pm 400 rpm
Vehicle speed	Vehicle speed in the freeze frame data \pm 10 km/h (6 MPH)
Basic fuel schedule	Basic fuel schedule in freeze frame data \times (1 \pm 0.1)
Engine coolant temperature (T) condition	When the freeze frame data shows lower than 70°C (158°F), T should be lower than 70°C (158°F).
	When the freeze frame data shows higher than or equal to 70°C (158°F), T should be higher than or equal to 70°C (158°F).

Driving time varies according to the engine speed in the freeze frame data.

Engine speed	Time
Around 1,000 rpm	Approximately 10 minutes
Around 2,000 rpm	Approximately 5 minutes
More than 3,000 rpm	Approximately 3.5 minutes

5. Check 1st trip DTC.

Is 1st trip DTC detected?

- YES >> Proceed to [EC-871. "Diagnosis Procedure"](#).
NO >> INSPECTION END

Diagnosis Procedure

INFOID:000000012602800

1.CHECK GROUND CONNECTION

Check the following.

- Connection condition of the ground F9 and F15
- Connection condition of the ground harness between the engine assembly and vehicle body (if equipped)

Is the inspection result normal?

- YES >> GO TO 2.
NO >> Repair or replace the error-detected parts.

2.CHECK FOR INTAKE AIR LEAKAGE AND PCV HOSE

1. Start engine and run it at idle speed.
2. Listen for the sound of the intake air leakage.
3. Check PCV hose connection.

Is intake air leakage detected?

- YES >> Discover air leakage location and repair.
NO >> GO TO 3.

3.CHECK FOR EXHAUST SYSTEM CLOGGING

Stop engine and visually check exhaust tube, three way catalyst and muffler for dents.

Is the inspection result normal?

P0300, P0301, P0302, P0303, P0304, P0305, P0306 MISFIRE

< DTC/CIRCUIT DIAGNOSIS >

[VQ35DE]

- YES-1 >> With CONSULT: GO TO 4.
- YES-2 >> Without CONSULT: GO TO 5.
- NO >> Repair or replace malfunctioning part.

4. PERFORM POWER BALANCE TEST

With CONSULT

1. Start engine.
2. Perform "POWER BALANCE" in "ACTIVE TEST" mode with CONSULT.
3. Check that each circuit produces a momentary engine speed drop.

Is the inspection result normal?

- YES >> GO TO 10.
- NO >> GO TO 5.

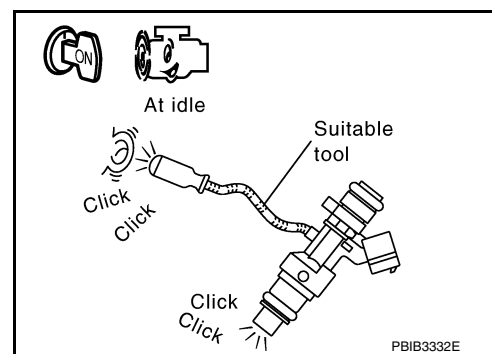
5. CHECK FUNCTION OF FUEL INJECTOR

1. Start engine and let it idle.
2. Listen to each fuel injector make operation sound.

Clicking sound should be heard.

Is the inspection result normal?

- YES >> GO TO 6.
- NO >> Perform trouble diagnosis for FUEL INJECTOR, refer to [EC-1053, "Diagnosis Procedure"](#).



6. CHECK FUNCTION OF IGNITION COIL-I

CAUTION:

Perform the following procedure in a place with no combustible objects and good ventilation.

1. Turn ignition switch OFF.
2. Remove fuel pump fuse in IPDM E/R to release fuel pressure.

NOTE:

Do not use CONSULT to release fuel pressure, or fuel pressure applies again during the following procedure.

3. Start engine.
4. After engine stalls, crank it 2 or 3 times to release all fuel pressure.
5. Turn ignition switch OFF.
6. Remove all ignition coil harness connectors to avoid the electrical discharge from the ignition coils.
7. Remove ignition coil and spark plug of the cylinder to be checked.
8. Crank engine for 5 seconds or more to remove combustion gas in the cylinder.
9. Connect spark plug and harness connector to ignition coil.
10. Fix ignition coil using a rope etc. with gap of 13 - 17 mm (0.52 - 0.66 in) between the edge of the spark plug and grounded metal portion as shown in the figure.
11. Crank engine for approximately 3 seconds, and check whether spark is generated between the spark plug and the grounded metal portion.

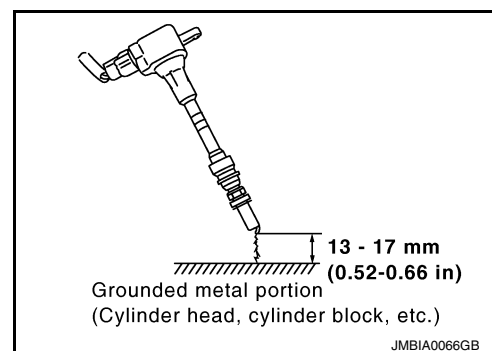
Spark should be generated.

CAUTION:

- During the operation, always stay 0.5 m (19.7 in) or more away from the spark plug and the ignition coil. Be careful not to get an electrical shock while checking, because the electrical discharge voltage becomes 20 kV or more.
- It might damage the ignition coil if the gap of more than 17 mm (0.66 in) is made.

NOTE:

When the gap is less than 13 mm (0.52 in), a spark might be generated even if the coil is malfunctioning.



< DTC/CIRCUIT DIAGNOSIS >

Is the inspection result normal?

- YES >> GO TO 10.
 NO >> GO TO 7.

7. CHECK FUNCTION OF IGNITION COIL-II

1. Turn ignition switch OFF.
2. Disconnect spark plug and connect a non-malfunctioning spark plug.
3. Crank engine for approximately 3 seconds, and recheck whether spark is generated between the spark plug and the grounded metal portion.

Spark should be generated.Is the inspection result normal?

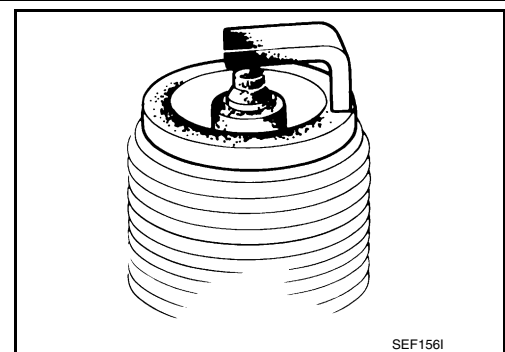
- YES >> GO TO 8.
 NO >> Check ignition coil, power transistor and their circuits. Refer to [EC-1058. "Diagnosis Procedure"](#).

8. CHECK SPARK PLUG

Check the initial spark plug for fouling, etc.

Is the inspection result normal?

- YES >> Replace spark plug(s) with standard type one(s). For spark plug type, refer to [EM-253. "Spark Plug"](#).
 NO >> Repair or clean spark plug. Then GO TO 9.

**9. CHECK FUNCTION OF IGNITION COIL-III**

1. Reconnect the initial spark plugs.
2. Crank engine for approximately 3 seconds, and recheck whether spark is generated between the spark plug and the grounded portion.

Spark should be generated.Is the inspection result normal?

- YES >> INSPECTION END
 NO >> Replace spark plug(s) with standard type one(s). For spark plug type, refer to [EM-253. "Spark Plug"](#).

10. CHECK COMPRESSION PRESSURECheck compression pressure. Refer to [EM-144. "On-Vehicle Service"](#).Is the inspection result normal?

- YES >> GO TO 11.
 NO >> Check pistons, piston rings, valves, valve seats and cylinder head gaskets.

11. CHECK FUEL PRESSURE

1. Install all removed parts.
2. Release fuel pressure to zero. Refer to [EC-736. "Work Procedure"](#).
3. Install fuel pressure gauge kit [SST: — (J-44321)] and check fuel pressure. Refer to [EC-736. "Work Procedure"](#).

At idle: Approximately 350 kPa (3.57 kg/cm², 51 psi)Is the inspection result normal?

- YES >> GO TO 13.
 NO >> GO TO 12.

12. DETECT MALFUNCTIONING PART

P0300, P0301, P0302, P0303, P0304, P0305, P0306 MISFIRE

[VQ35DE]

< DTC/CIRCUIT DIAGNOSIS >

Check fuel hoses and fuel tubes for clogging.

Is the inspection result normal?

- YES >> Replace "fuel filter and fuel pump assembly". Refer to [FL-5, "Removal and Installation"](#).
- NO >> Repair or replace malfunctioning part.

13.CHECK IGNITION TIMING

Check idle speed and ignition timing.

For procedure, refer to [EC-724, "Work Procedure"](#).

For specification, refer to [EC-1089, "Idle Speed"](#) and [EC-1089, "Ignition Timing"](#).

Is the inspection result normal?

- YES >> GO TO 14.
- NO >> Follow the [EC-724, "Work Procedure"](#).

14.CHECK A/F SENSOR 1 INPUT SIGNAL CIRCUIT

1. Turn ignition switch OFF.
2. Disconnect corresponding A/F sensor 1 harness connector.
3. Disconnect ECM harness connector.
4. Check the continuity between A/F sensor 1 harness connector and ECM harness connector.

A/F sensor 1			ECM		Continuity
Bank	Connector	Terminal	Connector	Terminal	
1	F12	3	F79	66	Existed
		4		67	
2	F61	3		76	
		4		77	

5. Check the continuity between A/F sensor 1 harness connector and ground, or ECM harness connector and ground.

A/F sensor 1			Ground	Continuity
Bank	Connector	Terminal		
1	F12	3	Ground	Not existed
		4		
2	F61	3		
		4		

ECM		Ground	Continuity
Connector	Terminal		
F79	66	Ground	Not existed
	67		
	76		
	77		

6. Also check harness for short to power.

Is the inspection result normal?

- YES >> GO TO 15.
- NO >> Repair open circuit, short to ground or short to power in harness or connectors.

15.CHECK A/F SENSOR 1 HEATER

Check A/F sensor 1 heater. Refer to [EC-775, "Component Inspection"](#).

Is the inspection result normal?

- YES >> GO TO 16.

P0300, P0301, P0302, P0303, P0304, P0305, P0306 MISFIRE

< DTC/CIRCUIT DIAGNOSIS >

[VQ35DE]

NO >> Replace malfunctioning A/F sensor 1. Refer to [EM-155, "Removal and Installation \(bank 1\)"](#) or [EM-153, "Removal and Installation \(bank 2\)"](#).

16. CHECK MASS AIR FLOW SENSOR

With CONSULT

1. Check "MASS AIR FLOW" in "DATA MONITOR" mode with CONSULT.
2. For specification, refer to [EC-1089, "Mass Air Flow Sensor"](#).

With GST

1. Check mass air flow sensor signal in Service \$01 with GST.
2. For specification, refer to [EC-1089, "Mass Air Flow Sensor"](#).

Is the measurement value within the specification?

YES >> GO TO 17.

NO >> Check connectors for rusted terminals or loose connections in the mass air flow sensor circuit or ground. Refer to [EC-792, "Diagnosis Procedure"](#).

17. CHECK SYMPTOM TABLE

Check items on the rough idle symptom in [EC-1078, "Symptom Table"](#).

Is the inspection result normal?

YES >> GO TO 18.

NO >> Repair or replace malfunctioning part.

18. ERASE THE 1ST TRIP DTC

Some tests may cause a 1st trip DTC to be set.

Erase the 1st trip DTC from the ECM memory after performing the tests. Refer to [EC-642, "CONSULT Function"](#).

>> Check intermittent incident. Refer to [GI-44, "Intermittent Incident"](#).

P0327, P0328, P0332, P0333 KS

DTC Logic

INFOID:000000012602801

DTC DETECTION LOGIC

DTC No.	Trouble diagnosis name	DTC detected condition	Possible cause
P0327	Knock sensor (bank 1) circuit low input	An excessively low voltage from the sensor is sent to ECM.	<ul style="list-style-type: none"> • Harness or connectors (The sensor circuit is open or shorted.) • Knock sensor
P0328	Knock sensor (bank 1) circuit high input	An excessively high voltage from the sensor is sent to ECM.	
P0332	Knock sensor (bank 2) circuit low input	An excessively low voltage from the sensor is sent to ECM.	
P0333	Knock sensor (bank 2) circuit high input	An excessively high voltage from the sensor is sent to ECM.	

DTC CONFIRMATION PROCEDURE

1. PRECONDITIONING

If DTC Confirmation Procedure has been previously conducted, always perform the following before conducting the next test.

1. Turn ignition switch OFF and wait at least 10 seconds.
2. Turn ignition switch ON.
3. Turn ignition switch OFF and wait at least 10 seconds.

TESTING CONDITION:

Before performing the following procedure, confirm that battery voltage is more than 10 V at idle.

>> GO TO 2.

2. PERFORM DTC CONFIRMATION PROCEDURE

1. Start engine and run it for at least 5 seconds at idle speed.
2. Check 1st trip DTC.

Is 1st trip DTC detected?

YES >> Proceed to [EC-876, "Diagnosis Procedure"](#).

NO >> INSPECTION END

Diagnosis Procedure

INFOID:000000012602802

1. CHECK KNOCK SENSOR GROUND CIRCUIT

1. Disconnect knock sensor harness connector and ECM harness connector.
2. Check the continuity between knock sensor harness connector and ECM harness connector.

DTC	Knock sensor			ECM		Continuity
	Bank	Connector	Terminal	Connector	Terminal	
P0327, P0328	1	F202	2	F78	4	Existed
P0332, P0333	2	F203	2			

3. Also check harness for short to ground and short to power.

Is the inspection result normal?

YES >> GO TO 2.

NO >> Repair open circuit, short to ground or short to power in harness or connectors.

2. CHECK KNOCK SENSOR INPUT SIGNAL CIRCUIT

1. Check the continuity between knock sensor harness connector and ECM harness connector.

P0327, P0328, P0332, P0333 KS

< DTC/CIRCUIT DIAGNOSIS >

[VQ35DE]

DTC	Knock sensor			ECM		Continuity
	Bank	Connector	Terminal	Connector	Terminal	
P0327, P0328	1	F202	1	F78	5	Existed
P0332, P0333	2	F203	1		9	

2. Also check harness for short to ground and short to power.

Is the inspection result normal?

YES >> GO TO 3.

NO >> Repair open circuit, short to ground or short to power in harness or connectors.

3.CHECK KNOCK SENSOR

Check knock sensor. Refer to [EC-877, "Component Inspection"](#).

Is the inspection result normal?

YES >> Check intermittent incident. Refer to [GI-44, "Intermittent Incident"](#).

NO >> Replace malfunctioning knock sensor. Refer to [EM-231, "Disassembly and Assembly"](#).

Component Inspection

INFOID:000000012602803

1.CHECK KNOCK SENSOR

1. Turn ignition switch OFF.
2. Disconnect knock sensor harness connector.
3. Check resistance between knock sensor terminal as per the following.

NOTE:

It is necessary to use an ohmmeter which can measure more than 10 MΩ.

Knock sensor		Resistance
+	-	
Terminals		
1	2	Approx. 532 - 588 kΩ [at 20°C (68°F)]

CAUTION:

Never use any knock sensors that have been dropped or physically damaged. Use only new ones.

Is the inspection result normal?

YES >> INSPECTION END

NO >> Replace malfunctioning knock sensor. Refer to [EM-231, "Disassembly and Assembly"](#).

P0335 CKP SENSOR (POS)

< DTC/CIRCUIT DIAGNOSIS >

[VQ35DE]

P0335 CKP SENSOR (POS)

DTC Logic

INFOID:000000012602804

DTC DETECTION LOGIC

DTC No.	Trouble diagnosis name	DTC detecting condition	Possible cause
P0335	Crankshaft position sensor (POS) circuit	<ul style="list-style-type: none"> The crankshaft position sensor (POS) signal is not detected by the ECM during the first few seconds of engine cranking. The proper pulse signal from the crankshaft position sensor (POS) is not sent to ECM while the engine is running. The crankshaft position sensor (POS) signal is not in the normal pattern during engine running. 	<ul style="list-style-type: none"> Harness or connectors [CKP sensor (POS) circuit is open or shorted.] (APP sensor 2 circuit is shorted.) (EVAP control system pressure sensor circuit is shorted.) (Refrigerant pressure sensor circuit is shorted.) Crankshaft position sensor (POS) Accelerator pedal position sensor EVAP control system pressure sensor Refrigerant pressure sensor Signal plate Sensor power supply 2 circuit

DTC CONFIRMATION PROCEDURE

1. PRECONDITIONING

If DTC Confirmation Procedure has been previously conducted, always perform the following before conducting the next test.

- Turn ignition switch OFF and wait at least 10 seconds.
- Turn ignition switch ON.
- Turn ignition switch OFF and wait at least 10 seconds.

TESTING CONDITION:

Before performing the following procedure, confirm that battery voltage is more than 10.5 V with ignition switch ON.

>> GO TO 2.

2. PERFORM DTC CONFIRMATION PROCEDURE

- Start engine and let it idle for at least 5 seconds.
If engine does not start, crank engine for at least 2 seconds.
- Check 1st trip DTC.

Is 1st trip DTC detected?

- YES >> Proceed to [EC-878, "Diagnosis Procedure"](#).
NO >> INSPECTION END

Diagnosis Procedure

INFOID:000000012602805

1. CHECK CRANKSHAFT POSITION (CKP) SENSOR (POS) POWER SUPPLY

- Disconnect crankshaft position (CKP) sensor (POS) harness connector.
- Turn ignition switch ON.
- Check the voltage between CKP sensor (POS) harness connector and ground.

CKP sensor (POS)		Ground	Voltage (V)
Connector	Terminal		
F30	1	Ground	Approx. 5

Is the inspection result normal?

- YES >> GO TO 4.
NO >> GO TO 2.

P0335 CKP SENSOR (POS)

[VQ35DE]

< DTC/CIRCUIT DIAGNOSIS >

2. CHECK CRANKSHAFT POSITION (CKP) SENSOR (POS) POWER SUPPLY CIRCUIT

1. Turn ignition switch ON.
2. Disconnect ECM harness connector.
3. Check the continuity between CKP sensor (POS) harness connector and ECM harness connector.

CKP sensor (POS)		ECM		Continuity
Connector	Terminal	Connector	Terminal	
F30	1	F78	28	Existed

Is the inspection result normal?

YES >> GO TO 3.

NO >> Repair or replace error-detected parts.

3. CHECK SENSOR POWER SUPPLY 2 CIRCUIT

Check sensor power supply 2 circuit. Refer to [EC-1072, "Diagnosis Procedure"](#).

Is the inspection result normal?

YES >> Perform the trouble diagnosis for power supply circuit.

NO >> Repair or replace error-detected parts.

4. CHECK CKP SENSOR (POS) GROUND CIRCUIT

1. Turn ignition switch OFF.
2. Disconnect ECM harness connector.
3. Check the continuity between CKP sensor (POS) harness connector and ECM harness connector.

CKP sensor (POS)		ECM		Continuity
Connector	Terminal	Connector	Terminal	
F30	2	F78	40	Existed

4. Also check harness for short to ground and short to power.

Is the inspection result normal?

YES >> GO TO 5.

NO >> Repair or replace error-detected parts.

5. CHECK CKP SENSOR (POS) INPUT SIGNAL CIRCUIT FOR OPEN AND SHORT

1. Check the continuity between CKP sensor (POS) harness connector and ECM harness connector.

CKP sensor (POS)		ECM		Continuity
Connector	Terminal	Connector	Terminal	
F30	3	F78	36	Existed

2. Also check harness for short to ground and short to power.

Is the inspection result normal?

YES >> GO TO 6.

NO >> Repair or replace error-detected parts.

6. CHECK CRANKSHAFT POSITION SENSOR (POS)

Check crankshaft position sensor (POS). Refer to [EC-880, "Component Inspection"](#).

Is the inspection result normal?

YES >> GO TO 7.

NO >> Replace crankshaft position sensor (POS). Refer to [EM-161, "Removal and Installation \(Upper Oil Pan\)"](#).

7. CHECK GEAR TOOTH

Visually check for chipping signal plate gear tooth.

Is the inspection result normal?

YES >> Check intermittent incident. Refer to [GI-44, "Intermittent Incident"](#).

P0335 CKP SENSOR (POS)

[VQ35DE]

< DTC/CIRCUIT DIAGNOSIS >

NO >> Replace the drive plate. Refer to [EM-231, "Disassembly and Assembly"](#).

Component Inspection

INFOID:000000012602806

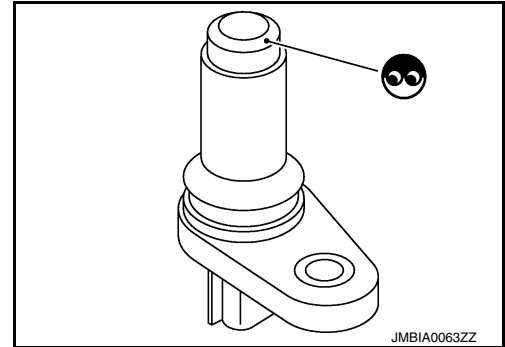
1. CHECK CRANKSHAFT POSITION SENSOR (POS)-I

1. Loosen the fixing bolt of the sensor.
2. Disconnect crankshaft position sensor (POS) harness connector.
3. Remove the sensor.
4. Visually check the sensor for chipping.

Is the inspection result normal?

YES >> GO TO 2.

NO >> Replace crankshaft position sensor (POS). Refer to [EM-161, "Removal and Installation \(Upper Oil Pan\)"](#).



2. CHECK CRANKSHAFT POSITION SENSOR (POS)-II

Check the resistance between crankshaft position sensor (POS) terminals as per the following.

Crankshaft position sensor (POS)		Resistance [at 25°C (77°F)]
+	-	
Terminal (Polarity)		Except 0 or ∞ Ω
1	3	
	2	
3	2	

Is the inspection result normal?

YES >> INSPECTION END

NO >> Replace crankshaft position sensor (POS). Refer to [EM-161, "Removal and Installation \(Upper Oil Pan\)"](#).

P0340, P0345 CMP SENSOR (PHASE)

< DTC/CIRCUIT DIAGNOSIS >

[VQ35DE]

P0340, P0345 CMP SENSOR (PHASE)

DTC Logic

INFOID:000000012602807

DTC DETECTION LOGIC

NOTE:

If DTC P0340 or P0345 is displayed with DTC P0643, first perform the trouble diagnosis for DTC P0643. Refer to [EC-956, "DTC Logic"](#).

DTC No.	Trouble diagnosis name	DTC detecting condition	Possible cause
P0340	Camshaft position sensor (PHASE) (bank 1) circuit	<ul style="list-style-type: none">The cylinder No. signal is not sent to ECM for the first few seconds during engine cranking.The cylinder No. signal is not sent to ECM during engine running.The cylinder No. signal is not in the normal pattern during engine running.	<ul style="list-style-type: none">Harness or connectors (The sensor circuit is open or shorted)Camshaft position sensor (PHASE)Camshaft (INT)Starter motor (Refer to STR-6, "System Description".)Starting system circuit (Refer to STR-6, "System Description".)Dead (Weak) battery
P0345	Camshaft position sensor (PHASE) (bank 2) circuit		

DTC CONFIRMATION PROCEDURE

1. PRECONDITIONING

If DTC Confirmation Procedure has been previously conducted, always perform the following before conducting the next test.

- Turn ignition switch OFF and wait at least 10 seconds.
- Turn ignition switch ON.
- Turn ignition switch OFF and wait at least 10 seconds.

TESTING CONDITION:

Before performing the following procedure, confirm that battery voltage is more than 10.5 V with ignition switch ON.

>> GO TO 2.

2. PERFORM DTC CONFIRMATION PROCEDURE-I

- Start engine and let it idle for at least 5 seconds.
If engine does not start, crank engine for at least 2 seconds.
- Check 1st trip DTC.

Is 1st trip DTC detected?

- YES >> Proceed to [EC-881, "Diagnosis Procedure"](#).
NO >> GO TO 3.

3. PERFORM DTC CONFIRMATION PROCEDURE-II

- Maintaining engine speed at more than 800 rpm for at least 5 seconds.
- Check 1st trip DTC.

Is 1st trip DTC detected?

- YES >> Proceed to [EC-881, "Diagnosis Procedure"](#).
NO >> INSPECTION END

Diagnosis Procedure

INFOID:000000012602808

1. CHECK STARTING SYSTEM

Turn ignition switch to START position.

Does the engine turn over? Does the starter motor operate?

- YES >> GO TO 2.
NO >> Check starting system. (Refer to [STR-12, "Work Flow \(With GR8-1200 NI\)"](#) or [STR-15, "Work Flow \(Without GR8-1200 NI\)"](#).)

P0340, P0345 CMP SENSOR (PHASE)

[VQ35DE]

< DTC/CIRCUIT DIAGNOSIS >

2. CHECK CAMSHAFT POSITION (CMP) SENSOR (PHASE) POWER SUPPLY

1. Disconnect camshaft position (CMP) sensor (PHASE) harness connector.
2. Turn ignition switch ON.
3. Check the voltage between CMP sensor (PHASE) harness connector and ground.

DTC	CMP sensor (PHASE)			Ground	Voltage (V)
	Bank	Connector	Terminal		
P0340	1	F77	1	Ground	Approx. 5
P0345	2	F60	1		

Is the inspection result normal?

YES >> GO TO 3.

NO >> Repair open circuit, short to ground or short to power in harness or connectors.

3. CHECK CMP SENSOR (PHASE) GROUND CIRCUIT

1. Turn ignition switch OFF.
2. Disconnect ECM harness connector.
3. Check the continuity between CMP sensor (PHASE) harness connector and ECM harness connector.

DTC	CMP sensor (PHASE)			ECM		Continuity
	Bank	Connector	Terminal	Connector	Terminal	
P0340	1	F77	2	F79	90	Existed
P0345	2	F60	2			

4. Also check harness for short to ground and short to power.

Is the inspection result normal?

YES >> GO TO 4.

NO >> Repair open circuit, short to ground or short to power in harness or connectors.

4. CHECK CMP SENSOR (PHASE) INPUT SIGNAL CIRCUIT

1. Check the continuity between CMP sensor (PHASE) harness connector and ECM harness connector.

DTC	CMP sensor (PHASE)			ECM		Continuity
	Bank	Connector	Terminal	Connector	Terminal	
P0340	1	F77	3	F79	84	Existed
P0345	2	F60	3		89	

2. Also check harness for short to ground and short to power.

Is the inspection result normal?

YES >> GO TO 5.

NO >> Repair open circuit, short to ground or short to power in harness or connectors.

5. CHECK CAMSHAFT POSITION SENSOR (PHASE)

Check camshaft position sensor (PHASE). Refer to [EC-883, "Component Inspection"](#).

Is the inspection result normal?

YES >> GO TO 6.

NO >> Replace malfunctioning camshaft position sensor (PHASE). Refer to [EM-172, "Removal and Installation \(bank 2\)"](#) or [EM-173, "Removal and Installation \(bank 1\)"](#).

6. CHECK CAMSHAFT (INT)

Check the following.

P0340, P0345 CMP SENSOR (PHASE)

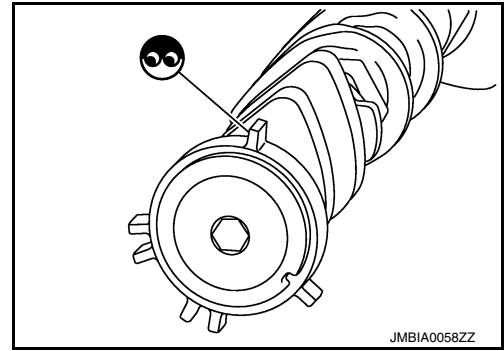
[VQ35DE]

< DTC/CIRCUIT DIAGNOSIS >

- Accumulation of debris to the signal plate of camshaft rear end
- Chipping signal plate of camshaft rear end

Is the inspection result normal?

- YES >> Check intermittent incident. Refer to [GI-44. "Intermittent Incident"](#).
- NO >> Remove debris and clean the signal plate of camshaft rear end or replace camshaft. Refer to [EM-200. "Removal and Installation"](#).



INFOID:000000012602809

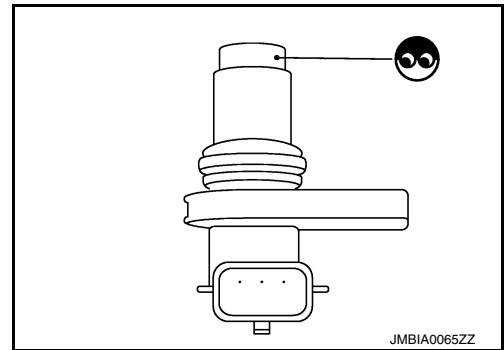
Component Inspection

1. CHECK CAMSHAFT POSITION SENSOR (PHASE)-I

1. Turn ignition switch OFF.
2. Loosen the fixing bolt of the sensor.
3. Disconnect camshaft position sensor (PHASE) harness connector.
4. Remove the sensor.
5. Visually check the sensor for chipping.

Is the inspection result normal?

- YES >> GO TO 2.
- NO >> Replace malfunctioning camshaft position sensor (PHASE). Refer to [EM-172. "Removal and Installation \(bank 2\)"](#) or [EM-173. "Removal and Installation \(bank 1\)"](#).



2. CHECK CAMSHAFT POSITION SENSOR (PHASE)-II

Check the resistance camshaft position sensor (PHASE) terminals as per the following.

Camshaft position sensor (PHASE)		Resistance [Ω at 25°C (77°F)]
+	-	
Terminals (Polarity)		Except 0 or ∞
1	2	
	3	
2	3	

Is the inspection result normal?

- YES >> INSPECTION END
- NO >> Replace malfunctioning camshaft position sensor (PHASE). Refer to [EM-172. "Removal and Installation \(bank 2\)"](#) or [EM-173. "Removal and Installation \(bank 1\)"](#).

P0420, P0430 THREE WAY CATALYST FUNCTION

< DTC/CIRCUIT DIAGNOSIS >

[VQ35DE]

P0420, P0430 THREE WAY CATALYST FUNCTION

DTC Logic

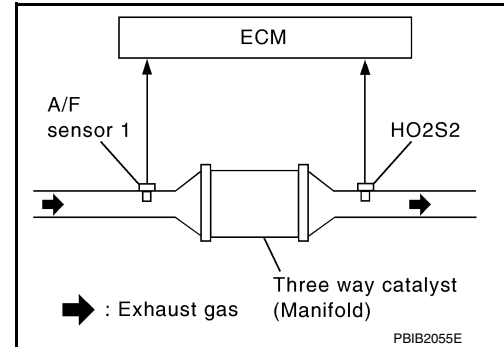
INFOID:000000012602810

DTC DETECTION LOGIC

The ECM monitors the switching frequency ratio of air fuel ratio (A/F) sensor 1 and heated oxygen sensor 2.

A three way catalyst (manifold) with high oxygen storage capacity will indicate a low switching frequency of heated oxygen sensor 2. As oxygen storage capacity decreases, the heated oxygen sensor 2 switching frequency will increase.

When the frequency ratio of A/F sensor 1 and heated oxygen sensor 2 approaches a specified limit value, the three way catalyst (manifold) malfunction is diagnosed.



DTC No.	Trouble diagnosis name	DTC detecting condition	Possible cause
P0420	Catalyst system efficiency below threshold (bank 1)	<ul style="list-style-type: none"> • Three way catalyst (manifold) does not operate properly. • Three way catalyst (manifold) does not have enough oxygen storage capacity. 	<ul style="list-style-type: none"> • Three way catalyst (manifold) • Exhaust tube • Intake air leakage • Fuel injector • Fuel injector leakage • Spark plug • Improper ignition timing
P0430	Catalyst system efficiency below threshold (bank 2)		

DTC CONFIRMATION PROCEDURE

1. INSPECTION START

Will CONSULT be used?

Will CONSULT be used?

YES >> GO TO 2.

NO >> GO TO 7.

2. PRECONDITIONING

If DTC Confirmation Procedure has been previously conducted, always perform the following before conducting the next test.

1. Turn ignition switch OFF and wait at least 10 seconds.
2. Turn ignition switch ON.
3. Turn ignition switch OFF and wait at least 10 seconds.

TESTING CONDITION:

Do not maintain engine speed for more than the specified minutes below.

>> GO TO 3.

3. PERFORM DTC CONFIRMATION PROCEDURE-I

Ⓜ With CONSULT

1. Turn ignition switch ON and select "DATA MONITOR" mode with CONSULT.
2. Start engine and warm it up to the normal operating temperature.
3. Turn ignition switch OFF and wait at least 10 seconds.
4. Turn ignition switch ON.
5. Turn ignition switch OFF and wait at least 10 seconds.
6. Start engine and keep the engine speed between 3,500 and 4,000 rpm for at least 1 minute under no load.
7. Let engine idle for 1 minute.
8. Check that "COOLAN TEMP/S" indicates more than 70°C (158°F).
If not, warm up engine and go to next step when "COOLAN TEMP/S" indication reaches 70°C (158°F).
9. Open engine hood.
10. Select "DTC & SRT CONFIRMATION" then "SRT WORK SUPPORT" mode with CONSULT.

P0420, P0430 THREE WAY CATALYST FUNCTION

[VQ35DE]

< DTC/CIRCUIT DIAGNOSIS >

- Rev engine between 2,000 and 3,000 rpm and hold it for 3 consecutive minutes then release the accelerator pedal completely.
- Check the indication of "CATALYST".

Which is displayed on CONSULT screen?

- CMPLT >> GO TO 6.
- INCMP >> GO TO 4.

4.PERFORM DTC CONFIRMATION PROCEDURE-II

- Wait 5 seconds at idle.
- Rev engine between 2,000 and 3,000 rpm and maintain it until "INCMP" of "CATALYST" changes to "CMPLT" (It will take approximately 5 minutes).

Does the indication change to "CMPLT"?

- YES >> GO TO 6.
- NO >> GO TO 5.

5.PERFORM DTC CONFIRMATION PROCEDURE AGAIN

- Stop engine and cool it down to less than 70°C (158°F).
- Perform DTC CONFIRMATION PROCEDURE again.

>> GO TO 3.

6.PERFORM DTC CONFIRMATION PROCEDURE-III

Check 1st trip DTC.

Is 1st trip DTC detected?

- YES >> Proceed to [EC-886, "Diagnosis Procedure"](#).
- NO >> INSPECTION END

7.PERFORM COMPONENT FUNCTION CHECK

Perform component function check. Refer to [EC-885, "Component Function Check"](#).

NOTE:

Use component function check to check the overall function of the three way catalyst (manifold). During this check, a 1st trip DTC might not be confirmed.

Is the inspection result normal?

- YES >> INSPECTION END
- NO >> Proceed to [EC-886, "Diagnosis Procedure"](#).

Component Function Check

INFOID:000000012602811

1.PERFORM COMPONENT FUNCTION CHECK

Without CONSULT

- Start engine and warm it up to the normal operating temperature.
- Turn ignition switch OFF and wait at least 10 seconds.
- Turn ignition switch ON.
- Turn ignition switch OFF and wait at least 10 seconds.
- Start engine and keep the engine speed between 3,500 and 4,000 rpm for at least 1 minute under no load.
- Let engine idle for 1 minute.
- Open engine hood.
- Check the voltage between ECM harness connector terminals under the following conditions.

DTC	ECM		Condition	Voltage (V)
	Conne- tor	+ Terminal		
P0420	F78	41	Keeping engine speed at 2,500 rpm constant under no load	The voltage fluctuation cycle takes more than 5 seconds. • 1 cycle: 0.6 - 1.0 → 0 - 0.3 → 0.6 - 1.0
P0430		32		

P0420, P0430 THREE WAY CATALYST FUNCTION

[VQ35DE]

< DTC/CIRCUIT DIAGNOSIS >

Is the inspection result normal?

- YES >> INSPECTION END
- NO >> Proceed to [EC-886, "Diagnosis Procedure"](#).

Diagnosis Procedure

INFOID:000000012602812

1.CHECK EXHAUST SYSTEM

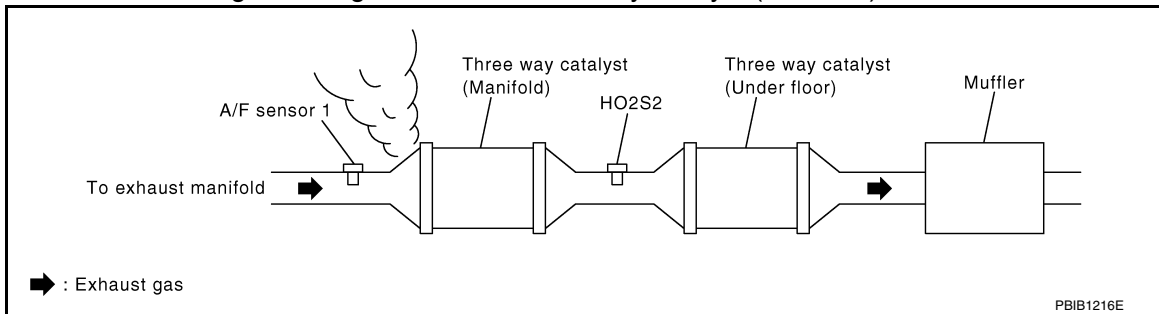
Visually check exhaust tubes and muffler for dents.

Is the inspection result normal?

- YES >> GO TO 2.
- NO >> Repair or replace malfunctioning part.

2.CHECK EXHAUST GAS LEAKAGE

1. Start engine and run it at idle.
2. Listen for an exhaust gas leakage before the three way catalyst (manifold).



Is exhaust gas leakage detected?

- YES >> Repair or replace malfunctioning part.
- NO >> GO TO 3.

3.CHECK INTAKE AIR LEAKAGE

Listen for an intake air leakage after the mass air flow sensor.

Is intake air leakage detected?

- YES >> Repair or replace malfunctioning part.
- NO >> GO TO 4.

4.CHECK IGNITION TIMING

Check idle speed and ignition timing.

For procedure, refer to [EC-724, "Work Procedure"](#).

For specification, refer to [EC-1089, "Idle Speed"](#) and [EC-1089, "Ignition Timing"](#).

Is the inspection result normal?

- YES >> GO TO 5.
- NO >> Follow the [EC-724, "Work Procedure"](#).

5.CHECK FUEL INJECTORS

1. Stop engine and then turn ignition switch ON.
2. Check the voltage between ECM harness connector terminals.

P0420, P0430 THREE WAY CATALYST FUNCTION

< DTC/CIRCUIT DIAGNOSIS >

[VQ35DE]

ECM				Voltage
+		-		
Connector	Terminal	Connector	Terminal	
F78	17	E32	152	Battery voltage
	16			
	21			
	11			
	12			
	22			

Is the inspection result normal?

YES >> GO TO 6.

NO >> Perform [EC-1053, "Diagnosis Procedure"](#).

6. CHECK FUNCTION OF IGNITION COIL-I

CAUTION:

Perform the following procedure in a place with no combustible objects and good ventilation.

1. Turn ignition switch OFF.
2. Remove fuel pump fuse in IPDM E/R to release fuel pressure.

NOTE:

Do not use CONSULT to release fuel pressure, or fuel pressure applies again during the following procedure.

3. Start engine.
4. After engine stalls, crank it 2 or 3 times to release all fuel pressure.
5. Turn ignition switch OFF.
6. Remove all ignition coil harness connectors to avoid the electrical discharge from the ignition coils.
7. Remove ignition coil and spark plug of the cylinder to be checked.
8. Crank engine for 5 seconds or more to remove combustion gas in the cylinder.
9. Connect spark plug and harness connector to ignition coil.
10. Fix ignition coil using a rope etc. with gap of 13 - 17 mm (0.52 - 0.66 in) between the edge of the spark plug and grounded metal portion as shown in the figure.
11. Crank engine for approximately 3 seconds, and check whether spark is generated between the spark plug and the grounded metal portion.

Spark should be generated.

CAUTION:

- During the operation, always stay 0.5 m (19.7 in) or more away from the spark plug and the ignition coil. Be careful not to get an electrical shock while checking, because the electrical discharge voltage becomes 20 kV or more.
- It might cause to damage the ignition coil if the gap of more than 17 mm (0.66 in) is taken.

NOTE:

When the gap is less than 13 mm (0.52 in), the spark might be generated even if the coil is malfunctioning.

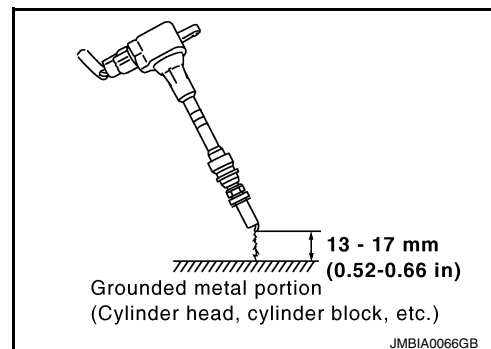
Is the inspection result normal?

YES >> GO TO 10.

NO >> GO TO 7.

7. CHECK FUNCTION OF IGNITION COIL-II

1. Turn ignition switch OFF.
2. Disconnect spark plug and connect a known-good spark plug.
3. Crank engine for approximately 3 seconds, and recheck whether spark is generated between the spark plug and the grounded metal portion.



P0420, P0430 THREE WAY CATALYST FUNCTION

< DTC/CIRCUIT DIAGNOSIS >

[VQ35DE]

Spark should be generated.

Is the inspection result normal?

YES >> GO TO 8.

NO >> Check ignition coil, power transistor and their circuit. Refer to [EC-1058, "Diagnosis Procedure"](#).

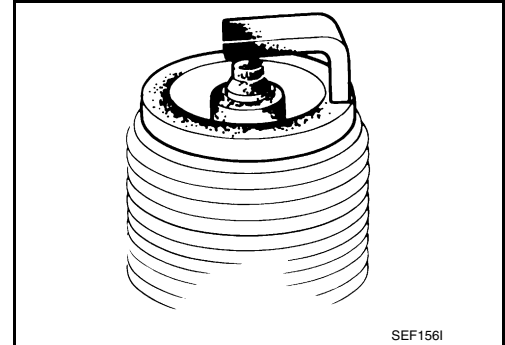
8. CHECK SPARK PLUG

Check the initial spark plug for fouling, etc.

Is the inspection result normal?

YES >> Replace spark plug(s) with standard type one(s). For spark plug type, refer to [EM-253, "Spark Plug"](#).

NO >> Repair or clean spark plug. Then GO TO 9.



9. CHECK FUNCTION OF IGNITION COIL-III

1. Reconnect the initial spark plugs.
2. Crank engine for approximately 3 seconds, and recheck whether spark is generated between the spark plug and the grounded portion.

Spark should be generated.

Is the inspection result normal?

YES >> INSPECTION END

NO >> Replace spark plug(s) with standard type one(s). For spark plug type, refer to [EM-253, "Spark Plug"](#).

10. CHECK FUEL INJECTOR

1. Turn ignition switch OFF.
2. Remove fuel injector assembly. Refer to [EM-167, "Removal and Installation"](#). Keep fuel hose and all fuel injectors connected to fuel tube.
3. Disconnect all ignition coil harness connectors.
4. Reconnect all fuel injector harness connectors disconnected.
5. Turn ignition switch ON.
6. Check that the fuel does not drip from fuel injector.

Does fuel drip from fuel injector?

YES >> Replace the fuel injector(s) from which fuel is dripping. Refer to [EM-167, "Removal and Installation"](#).

NO >> GO TO 11.

11. CHECK INTERMITTENT INCIDENT

Check intermittent incident. Refer to [GI-44, "Intermittent Incident"](#).

Is the inspection result normal?

YES >> Replace three way catalyst assembly. Refer to [EM-155, "Removal and Installation \(bank 1\)"](#) or [EM-153, "Removal and Installation \(bank 2\)"](#).

NO >> Repair or replace error-detected parts.

P0441 EVAP CONTROL SYSTEM

< DTC/CIRCUIT DIAGNOSIS >

[VQ35DE]

P0441 EVAP CONTROL SYSTEM

DTC Logic

INFOID:000000012602813

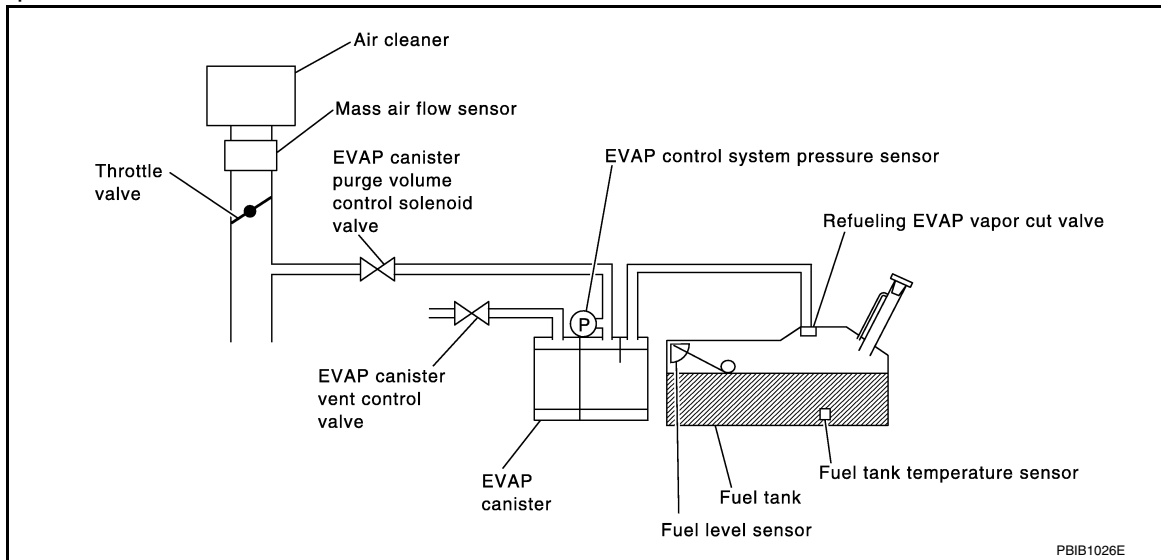
DTC DETECTION LOGIC

NOTE:

If DTC P0441 is displayed with other DTC such as P2122, P2123, P2127, P2128 or P2138, first perform trouble diagnosis for other DTC.

In this evaporative emission (EVAP) control system, purge flow occurs during non-closed throttle conditions. Purge volume is related to air intake volume. Under normal purge conditions (non-closed throttle), the EVAP canister purge volume control solenoid valve is open to admit purge flow. Purge flow exposes the EVAP control system pressure sensor to intake manifold vacuum.

Under normal conditions (non-closed throttle), sensor output voltage indicates if pressure drop and purge flow are adequate. If not, a malfunction is determined.



DTC No.	Trouble diagnosis name	DTC detecting condition	Possible cause
P0441	EVAP control system incorrect purge flow	EVAP control system does not operate properly, EVAP control system has a leakage between intake manifold and EVAP control system pressure sensor.	<ul style="list-style-type: none"> • EVAP canister purge volume control solenoid valve stuck closed • EVAP control system pressure sensor and the circuit • Loose, disconnected or improper connection of rubber tube • Blocked rubber tube • Cracked EVAP canister • EVAP canister purge volume control solenoid valve circuit • Accelerator pedal position sensor • Blocked purge port • EVAP canister vent control valve

DTC CONFIRMATION PROCEDURE

1. INSPECTION START

Will CONSULT be used?

Will CONSULT be used?

YES >> GO TO 2.

NO >> GO TO 6.

2. PRECONDITIONING

If DTC Confirmation Procedure has been previously conducted, always perform the following before conducting the next test.

1. Turn ignition switch OFF and wait at least 10 seconds.

P0441 EVAP CONTROL SYSTEM

< DTC/CIRCUIT DIAGNOSIS >

[VQ35DE]

2. Turn ignition switch ON.
3. Turn ignition switch OFF and wait at least 10 seconds.

TESTING CONDITION:

Always perform test at a temperature of 5°C (41°F) or more.

>> GO TO 3.

3.PERFORM DTC CONFIRMATION PROCEDURE-I

With CONSULT

1. Start engine and warm it up to normal operating temperature.
2. Turn ignition switch OFF and wait at least 10 seconds.
3. Turn ignition switch ON.
4. Turn ignition switch OFF and wait at least 10 seconds.
5. Start engine and let it idle for at least 70 seconds.
6. Select "PURG FLOW P0441" of "EVAPORATIVE SYSTEM" in "DTC WORK SUPPORT" mode with CONSULT.
7. Touch "START".

Is "COMPLETED" displayed on CONSULT screen?

- YES >> GO TO 5.
NO >> GO TO 4.

4.PERFORM DTC CONFIRMATION PROCEDURE-II

When the following conditions are met, "TESTING" will be displayed on the CONSULT screen. Maintain the conditions continuously until "TESTING" changes to "COMPLETED". (It will take at least 35 seconds.)

Selector lever	Suitable position
VHCL SPEED SE	32 - 120 km/h (20 - 75 mph)
ENG SPEED	500 - 3,000 rpm
B/FUEL SCHDL	1.3 - 9.0 msec
COOLAN TEMP/S	More than 0°C (32°F)

CAUTION:

Always drive vehicle at a safe speed.

If "TESTING" does not change for a long time, retry from step 2.

Is "COMPLETED" displayed on CONSULT screen?

- YES >> GO TO 5.
NO >> Perform DTC CONFIRMATION PROCEDURE again. GO TO 3.

5.PERFORM DTC CONFIRMATION PROCEDURE-III

Touch "SELF-DIAG RESULTS".

Which is displayed on CONSULT screen?

- OK >> INSPECTION END
NG >> Proceed to [EC-891, "Diagnosis Procedure"](#).

6.PERFORM COMPONENT FUNCTION CHECK

Perform component function check. Refer to [EC-890, "Component Function Check"](#).

NOTE:

Use component function check to check the overall monitoring function of the EVAP control system purge flow monitoring. During this check, a 1st trip DTC might not be confirmed.

Is the inspection result normal?

- YES >> INSPECTION END
NO >> Proceed to [EC-891, "Diagnosis Procedure"](#).

Component Function Check

INFOID:0000000012602814

1.PERFORM COMPONENT FUNCTION CHECK

Without CONSULT

P0441 EVAP CONTROL SYSTEM

[VQ35DE]

< DTC/CIRCUIT DIAGNOSIS >

1. Lift up drive wheels.
2. Start engine (VDC switch OFF) and warm it up to normal operating temperature.
3. Turn ignition switch OFF, wait at least 10 seconds.
4. Turn ignition switch ON.
5. Turn ignition switch OFF, wait at least 10 seconds.
6. Start engine and wait at least 70 seconds.
7. Set voltmeter probes to ECM harness connector terminals under the following conditions.

ECM		
Connector	+	-
	Terminal	
E32	121	148

8. Check EVAP control system pressure sensor value at idle speed and note it.
9. Establish and maintain the following conditions for at least 1 minute.

Air conditioner switch	ON
Head lamp switch	ON
Rear window defogger switch	ON
Engine speed	Approx. 3,000 rpm
Gear position	Any position other than P, N or R

10. Verify that EVAP control system pressure sensor value stays 0.1 V less than the value at idle speed (measured at step 6) for at least 1 second.

Is the inspection result normal?

- YES >> INSPECTION END
NO >> Proceed to [EC-891. "Diagnosis Procedure"](#).

Diagnosis Procedure

INFOID:000000012602815

1.CHECK EVAP CANISTER

1. Turn ignition switch OFF.
2. Check EVAP canister for cracks.

Is the inspection result normal?

- YES-1 >> With CONSULT: GO TO 2.
YES-2 >> Without CONSULT: GO TO 3.
NO >> Replace EVAP canister. Refer to [FL-15. "Removal and Installation"](#).

2.CHECK PURGE FLOW

With CONSULT

1. Disconnect vacuum hose connected to EVAP canister purge volume control solenoid valve at EVAP service port and install vacuum gauge. For the location of EVAP service port, refer to [EC-618. "EVAPORATIVE EMISSION SYSTEM : System Description"](#).
2. Start engine and let it idle.
3. Select "PURG VOL C/V" in "ACTIVE TEST" mode with CONSULT.
4. Touch "Qd" and "Qu" on CONSULT screen to adjust "PURG VOL C/V" opening and check vacuum existence.

PURG VOL C/V	Vacuum
100%	Existed
0%	Not existed

Is the inspection result normal?

- YES >> GO TO 7.
NO >> GO TO 4.

3.CHECK PURGE FLOW

P0441 EVAP CONTROL SYSTEM

< DTC/CIRCUIT DIAGNOSIS >

[VQ35DE]

⊗ Without CONSULT

1. Start engine and warm it up to normal operating temperature.
2. Stop engine.
3. Disconnect vacuum hose connected to EVAP canister purge volume control solenoid valve at EVAP service port and install vacuum gauge. For the location of EVAP service port, refer to [EC-618, "EVAPORATIVE EMISSION SYSTEM : System Description"](#).
4. Start engine and let it idle.
Do not depress accelerator pedal even slightly.
5. Check vacuum gauge indication before 60 seconds pass after starting engine.

Vacuum should not exist.

6. Rev engine up to 2,000 rpm after 100 seconds pass after starting engine.

Vacuum should exist.

Is the inspection result normal?

- YES >> GO TO 7.
- NO >> GO TO 4.

4.CHECK EVAP PURGE LINE

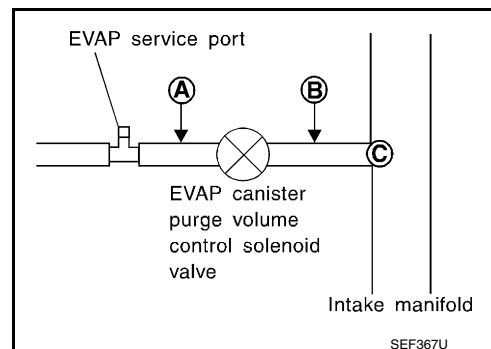
1. Turn ignition switch OFF.
2. Check EVAP purge line for improper connection or disconnection.
Refer to [EC-618, "EVAPORATIVE EMISSION SYSTEM : System Description"](#).

Is the inspection result normal?

- YES >> GO TO 5.
- NO >> Repair EVAP purge line.

5.CHECK EVAP PURGE HOSE AND PURGE PORT

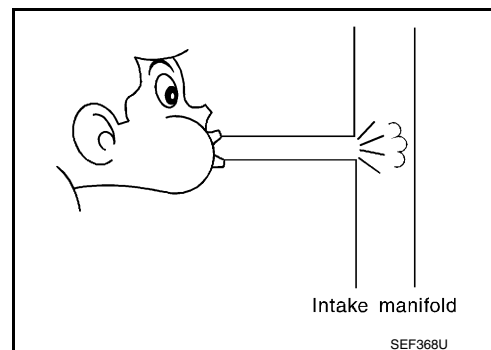
1. Disconnect purge hoses connected to EVAP service port **A** and EVAP canister purge volume control solenoid valve **B**.
2. Blow air into each hose and EVAP purge port **C**.



3. Check that air flows freely.

Is the inspection result normal?

- YES-1 >> With CONSULT: GO TO 6.
- YES-2 >> Without CONSULT: GO TO 7.
- NO >> Repair or clean hoses and/or purge port.



6.CHECK EVAP CANISTER PURGE VOLUME CONTROL SOLENOID VALVE

Ⓜ With CONSULT

1. Start engine.
2. Perform "PURG VOL C/V" in "ACTIVE TEST" mode with CONSULT. Check that engine speed varies according to the valve opening.

Does engine speed vary according to the valve opening?

P0441 EVAP CONTROL SYSTEM

[VQ35DE]

< DTC/CIRCUIT DIAGNOSIS >

- YES >> GO TO 8.
NO >> GO TO 7.

7. CHECK EVAP CANISTER PURGE VOLUME CONTROL SOLENOID VALVE

Check EVAP canister purge volume control solenoid valve. Refer to [EC-896, "Component Inspection"](#).

Is the inspection result normal?

- YES >> GO TO 8.
NO >> Replace EVAP canister purge volume control solenoid valve. Refer to [EC-585, "ENGINE CONTROL SYSTEM : Component Parts Location"](#).

8. CHECK EVAP CONTROL SYSTEM PRESSURE SENSOR CONNECTOR

1. Disconnect EVAP control system pressure sensor harness connector.
2. Check that water is not inside connectors.

Is the inspection result normal?

- YES >> GO TO 9.
NO >> Replace EVAP control system pressure sensor. Refer to [FL-19, "Removal and Installation"](#).

9. CHECK EVAP CONTROL SYSTEM PRESSURE SENSOR FUNCTION

Check EVAP control system pressure sensor function. Refer to [EC-911, "DTC Logic"](#) for DTC P0452, [EC-914, "DTC Logic"](#) for DTC P0453.

Is the inspection result normal?

- YES >> GO TO 10.
NO >> Replace EVAP control system pressure sensor. Refer to [FL-19, "Removal and Installation"](#).

10. CHECK RUBBER TUBE FOR CLOGGING

1. Disconnect rubber tube connected to EVAP canister vent control valve.
2. Check the rubber tube for clogging.

Is the inspection result normal?

- YES >> GO TO 11.
NO >> Clean the rubber tube using an air blower.

11. CHECK EVAP CANISTER VENT CONTROL VALVE

Check EVAP canister vent control valve. Refer to [EC-902, "Component Inspection"](#).

Is the inspection result normal?

- YES >> GO TO 12.
NO >> Replace EVAP canister vent control valve. Refer to [FL-18, "Removal and Installation"](#).

12. CHECK EVAP PURGE LINE

Inspect EVAP purge line (pipe and rubber tube). Check for evidence of leakage. Refer to [EC-618, "EVAPORATIVE EMISSION SYSTEM : System Description"](#).

Is the inspection result normal?

- YES >> GO TO 13.
NO >> Repair EVAP purge line.

13. CLEAN EVAP PURGE LINE

Clean EVAP purge line (pipe and rubber tube) using air blower.

>> Check intermittent incident. Refer to [GI-44, "Intermittent Incident"](#).

P0443 EVAP CANISTER PURGE VOLUME CONTROL SOLENOID VALVE

< DTC/CIRCUIT DIAGNOSIS >

[VQ35DE]

P0443 EVAP CANISTER PURGE VOLUME CONTROL SOLENOID VALVE

DTC Logic

INFOID:000000012602816

DTC DETECTION LOGIC

DTC No.	Trouble diagnosis name	DTC detecting condition	Possible cause
P0443	EVAP canister purge volume control solenoid valve	The canister purge flow is detected during the specified driving conditions, even when EVAP canister purge volume control solenoid valve is completely closed.	<ul style="list-style-type: none">• EVAP control system pressure sensor• EVAP canister purge volume control solenoid valve (The valve is stuck open.)• EVAP canister vent control valve• EVAP canister• Hoses (Hoses are connected incorrectly or clogged.)

DTC CONFIRMATION PROCEDURE

1. PRECONDITIONING

If DTC Confirmation Procedure has been previously conducted, always perform the following procedure before conducting the next test.

1. Turn ignition switch OFF and wait at least 10 seconds.
2. Turn ignition switch ON.
3. Turn ignition switch OFF and wait at least 10 seconds.

TESTING CONDITION:

Always perform test at a temperature of 5°C (41°F) or more.

Do you have CONSULT

- YES >> GO TO 2.
NO >> GO TO 3.

2. PERFORM DTC CONFIRMATION PROCEDURE

With CONSULT

1. Start engine and warm it up to normal operating temperature.
2. Turn ignition switch OFF and wait at least 10 seconds.
3. Turn ignition switch ON.
4. Turn ignition switch OFF and wait at least 10 seconds.
5. Turn ignition switch ON.
6. Select "PURG VOL CN/V P1444" of "EVAPORATIVE SYSTEM" in "DTC WORK SUPPORT" mode with CONSULT.
7. Touch "START".
8. Start engine and let it idle until "TESTING" on CONSULT changes to "COMPLETED". (It will take approximately 10 seconds.)
If "TESTING" is not displayed after 5 minutes, retry from step 2.
9. Touch "SELF-DIAG RESULTS".

Which is displayed on CONSULT screen?

- OK >> INSPECTION END
NG >> Proceed to [EC-895, "Diagnosis Procedure"](#).

3. PERFORM DTC CONFIRMATION PROCEDURE

With GST

1. Start engine and warm it up to normal operating temperature.
2. Turn ignition switch OFF and wait at least 10 seconds.
3. Turn ignition switch ON.
4. Turn ignition switch OFF and wait at least 10 seconds.
5. Start engine and let it idle for at least 20 seconds.
6. Check 1st trip DTC.

Is 1st trip DTC displayed?

- YES >> Proceed to [EC-895, "Diagnosis Procedure"](#).
NO >> INSPECTION END

P0443 EVAP CANISTER PURGE VOLUME CONTROL SOLENOID VALVE

< DTC/CIRCUIT DIAGNOSIS >

[VQ35DE]

Diagnosis Procedure

INFOID:000000012602817

1. CHECK EVAP CANISTER PURGE VOLUME CONTROL SOLENOID VALVE POWER SUPPLY

1. Turn ignition switch OFF.
2. Disconnect EVAP canister purge volume control solenoid valve harness connector.
3. Turn ignition switch ON.
4. Check the voltage between EVAP canister purge volume control solenoid valve harness connector and ground.

EVAP canister purge volume control solenoid valve		Ground	Voltage
Connector	Terminal		
F32	1	Ground	Battery voltage

Is the inspection result normal?

YES >> GO TO 2.

NO >> Perform the trouble diagnosis for power supply circuit.

2. CHECK EVAP CANISTER PURGE VOLUME CONTROL SOLENOID VALVE OUTPUT SIGNAL CIRCUIT

1. Turn ignition switch OFF.
2. Disconnect ECM harness connector.
3. Check the continuity between EVAP canister purge volume control solenoid valve harness connector and ECM harness connector.

EVAP canister purge volume control solenoid valve		ECM		Continuity
Connector	Terminal	Connector	Terminal	
F32	2	F78	54	Existed

4. Also check harness for short to ground and short to power.

Is the inspection result normal?

YES >> GO TO 3.

NO >> Repair open circuit, short to ground or short to power in harness or connectors.

3. CHECK EVAP CONTROL SYSTEM PRESSURE SENSOR CONNECTOR

1. Disconnect EVAP control system pressure sensor harness connector.
2. Check that water is not inside connectors.

Is the inspection result normal?

YES >> GO TO 4.

NO >> Replace EVAP control system pressure sensor. Refer to [FL-19, "Removal and Installation"](#).

4. CHECK EVAP CONTROL SYSTEM PRESSURE SENSOR

Check EVAP control system pressure sensor. Refer to [EC-910, "Component Inspection"](#).

Is the inspection result normal?

YES-1 >> With CONSULT: GO TO 5.

YES-2 >> Without CONSULT: GO TO 6.

NO >> Replace EVAP control system pressure sensor. Refer to [FL-19, "Removal and Installation"](#).

5. CHECK EVAP CANISTER PURGE VOLUME CONTROL SOLENOID VALVE

ⓑ **With CONSULT**

1. Turn ignition switch OFF.
2. Reconnect harness connectors disconnected.
3. Start engine.
4. Perform "PURG VOL C/V" in "ACTIVE TEST" mode with CONSULT. Check that engine speed varies according to the valve opening.

Does engine speed vary according to the valve opening?

YES >> GO TO 7.

P0443 EVAP CANISTER PURGE VOLUME CONTROL SOLENOID VALVE

< DTC/CIRCUIT DIAGNOSIS >

[VQ35DE]

NO >> GO TO 6.

6. CHECK EVAP CANISTER PURGE VOLUME CONTROL SOLENOID VALVE

Check EVAP canister purge volume control solenoid valve. Refer to [EC-896, "Component Inspection"](#).

Is the inspection result normal?

YES >> GO TO 7.

NO >> Replace EVAP canister purge volume control solenoid valve. Refer to [EC-585, "ENGINE CONTROL SYSTEM : Component Parts Location"](#).

7. CHECK RUBBER TUBE FOR CLOGGING

1. Disconnect rubber tube connected to EVAP canister vent control valve.
2. Check the rubber tube for clogging.

Is the inspection result normal?

YES >> GO TO 8.

NO >> Clean the rubber tube using an air blower.

8. CHECK EVAP CANISTER VENT CONTROL VALVE

Check EVAP canister vent control valve. Refer to [EC-902, "Component Inspection"](#).

Is the inspection result normal?

YES >> GO TO 9.

NO >> Replace EVAP canister vent control valve. Refer to [FL-18, "Removal and Installation"](#).

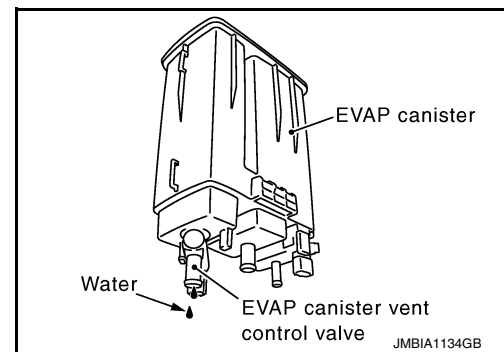
9. CHECK IF EVAP CANISTER IS SATURATED WITH WATER

Remove EVAP canister with EVAP canister vent control valve and EVAP control system pressure sensor attached. Refer to [FL-15, "Exploded View"](#).

Does water drain from the EVAP canister?

YES >> GO TO 10.

NO >> Check intermittent incident. Refer to [GI-44, "Intermittent Incident"](#).



10. CHECK EVAP CANISTER

Weigh the EVAP canister with the EVAP canister vent control valve and EVAP control system pressure sensor attached.

The weight should be less than 2.1 kg (4.6 lb).

Is the inspection result normal?

YES >> Check intermittent incident. Refer to [GI-44, "Intermittent Incident"](#).

NO >> GO TO 11.

11. DETECT MALFUNCTIONING PART

Check the following.

- EVAP canister for damage
- EVAP hose between EVAP canister and vehicle frame for clogging or poor connection

>> Repair hose or replace EVAP canister. Refer to [FL-15, "Exploded View"](#).

Component Inspection

INFOID:000000012602818

1. CHECK EVAP CANISTER PURGE VOLUME CONTROL SOLENOID VALVE

With CONSULT

1. Turn ignition switch OFF.
2. Reconnect all harness connectors disconnected.
3. Disconnect EVAP purge hoses connected to EVAP canister purge volume control solenoid valve.
4. Start the engine.

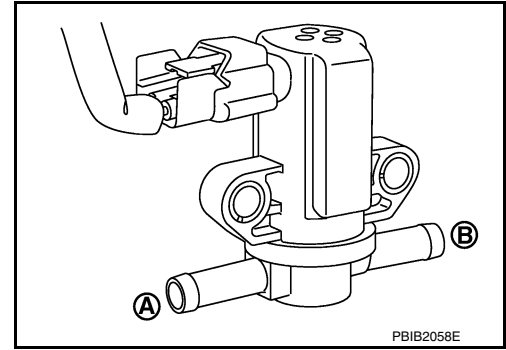
P0443 EVAP CANISTER PURGE VOLUME CONTROL SOLENOID VALVE

[VQ35DE]

< DTC/CIRCUIT DIAGNOSIS >

5. Select "PURG VOL C/V" in "ACTIVE TEST" mode with CONSULT.
6. Touch "Qd" and "Qu" on CONSULT screen to adjust "PURG VOL C/V" opening and check air passage continuity of EVAP canister purge volume control solenoid valve under the following conditions.

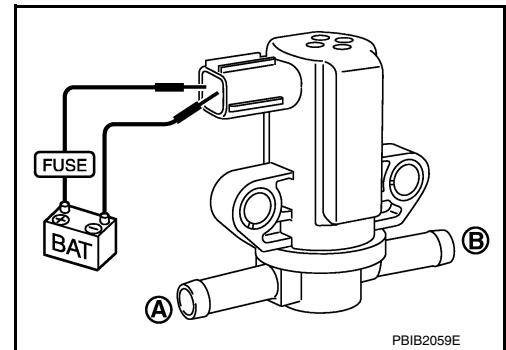
Condition (PURG VOL C/V value)	Air passage continuity between (A) and (B)
100%	Existed
0%	Not existed



⊗ Without CONSULT

1. Turn ignition switch OFF.
2. Disconnect EVAP canister purge volume control solenoid valve harness connector.
3. Disconnect EVAP purge hoses connected to EVAP canister purge volume control solenoid valve.
4. Check air passage continuity of EVAP canister purge volume control solenoid valve under the following conditions.

Condition	Air passage continuity between (A) and (B)
12 V direct current supply between terminals 1 and 2	Existed
No supply	Not existed



Is the inspection result normal?

YES >> INSPECTION END

NO >> Replace EVAP canister purge volume control solenoid valve. Refer to [EC-585, "ENGINE CONTROL SYSTEM : Component Parts Location"](#).

P0444, P0445 EVAP CANISTER PURGE VOLUME CONTROL SOLENOID VALVE

< DTC/CIRCUIT DIAGNOSIS >

[VQ35DE]

P0444, P0445 EVAP CANISTER PURGE VOLUME CONTROL SOLENOID VALVE

DTC Logic

INFOID:000000012602819

DTC DETECTION LOGIC

DTC No.	Trouble diagnosis name	DTC detecting condition	Possible cause
P0444	EVAP canister purge volume control solenoid valve circuit open	An excessively low voltage signal is sent to ECM through the valve	<ul style="list-style-type: none"> Harness or connectors (The solenoid valve circuit is open or shorted.) EVAP canister purge volume control solenoid valve
P0445	EVAP canister purge volume control solenoid valve circuit shorted	An excessively high voltage signal is sent to ECM through the valve	<ul style="list-style-type: none"> Harness or connectors (The solenoid valve circuit is shorted.) EVAP canister purge volume control solenoid valve

DTC CONFIRMATION PROCEDURE

1.CONDITIONING

If DTC Confirmation Procedure has been previously conducted, always perform the following before conducting the next test.

- Turn ignition switch OFF and wait at least 10 seconds.
- Turn ignition switch ON.
- Turn ignition switch OFF and wait at least 10 seconds.

TESTING CONDITION:

Before performing the following procedure, confirm battery voltage is more than 11 V at idle.

>> GO TO 2.

2.PERFORM DTC CONFIRMATION PROCEDURE

- Start engine and let it idle for at least 13 seconds.
- Check 1st trip DTC.

Is 1st trip DTC detected?

- YES >> Proceed to [EC-898, "Diagnosis Procedure"](#).
 NO >> INSPECTION END

Diagnosis Procedure

INFOID:000000012602820

1.CHECK EVAP CANISTER PURGE VOLUME CONTROL SOLENOID VALVE POWER SUPPLY

- Turn ignition switch OFF.
- Disconnect EVAP canister purge volume control solenoid valve harness connector.
- Turn ignition switch ON.
- Check the voltage between EVAP canister purge volume control solenoid valve harness connector and ground.

EVAP canister purge volume control solenoid valve		Ground	Voltage
Connector	Terminal		
F32	1	Ground	Battery voltage

Is the inspection result normal?

- YES >> GO TO 2.
 NO >> Perform the trouble diagnosis for power supply circuit.

2.CHECK EVAP CANISTER PURGE VOLUME CONTROL SOLENOID VALVE OUTPUT SIGNAL CIRCUIT

- Turn ignition switch OFF.

P0444, P0445 EVAP CANISTER PURGE VOLUME CONTROL SOLENOID VALVE

[VQ35DE]

< DTC/CIRCUIT DIAGNOSIS >

- Disconnect ECM harness connector.
- Check the continuity between EVAP canister purge volume control solenoid valve harness connector and ECM harness connector.

EVAP canister purge volume control solenoid valve		ECM		Continuity
Connector	Terminal	Connector	Terminal	
F32	2	F78	54	Existed

- Also check harness for short to ground and short to power.

Is the inspection result normal?

- YES-1 >> With CONSULT: GO TO 3.
 YES-2 >> Without CONSULT: GO TO 4.
 NO >> Repair open circuit, short to ground or short to power in harness or connectors.

3. CHECK EVAP CANISTER PURGE VOLUME CONTROL SOLENOID VALVE OPERATION

Ⓟ With CONSULT

- Reconnect all harness connectors disconnected.
- Start engine.
- Perform "PURG VOL C/V" in "ACTIVE TEST" mode with CONSULT. Check that engine speed varies according to the valve opening.

Does engine speed vary according to the valve opening?

- YES >> Check intermittent incident. Refer to [GI-44, "Intermittent Incident"](#).
 NO >> GO TO 4.

4. CHECK EVAP CANISTER PURGE VOLUME CONTROL SOLENOID VALVE

Check EVAP canister purge volume control solenoid valve. Refer to [EC-899, "Component Inspection"](#).

Is the inspection result normal?

- YES >> Check intermittent incident. Refer to [GI-44, "Intermittent Incident"](#).
 NO >> Replace EVAP canister purge volume control solenoid valve. Refer to [EC-585, "ENGINE CONTROL SYSTEM : Component Parts Location"](#).

Component Inspection

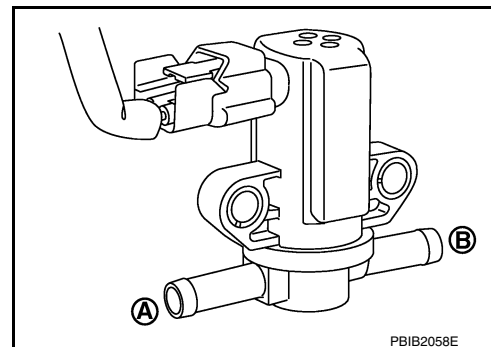
INFOID:0000000012602821

1. CHECK EVAP CANISTER PURGE VOLUME CONTROL SOLENOID VALVE

Ⓟ With CONSULT

- Turn ignition switch OFF.
- Reconnect all harness connectors disconnected.
- Disconnect EVAP purge hoses connected to EVAP canister purge volume control solenoid valve.
- Start the engine.
- Select "PURG VOL C/V" in "ACTIVE TEST" mode with CONSULT.
- Touch "Qd" and "Qu" on CONSULT screen to adjust "PURG VOL C/V" opening and check air passage continuity of EVAP canister purge volume control solenoid valve under the following conditions.

Condition (PURG VOL C/V value)	Air passage continuity between (A) and (B)
100%	Existed
0%	Not existed



ⓧ Without CONSULT

- Turn ignition switch OFF.
- Disconnect EVAP canister purge volume control solenoid valve harness connector.
- Disconnect EVAP purge hoses connected to EVAP canister purge volume control solenoid valve.

P0444, P0445 EVAP CANISTER PURGE VOLUME CONTROL SOLENOID VALVE

[VQ35DE]

< DTC/CIRCUIT DIAGNOSIS >

4. Check air passage continuity of EVAP canister purge volume control solenoid valve under the following conditions.

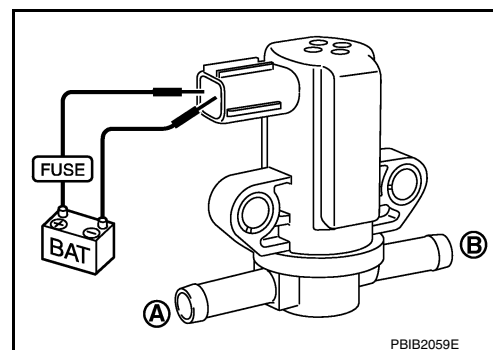
Condition	Air passage continuity between (A) and (B)
12 V direct current supply between terminals 1 and 2	Existed
No supply	Not existed

Is the inspection result normal?

YES >> INSPECTION END

NO >> Replace EVAP canister purge volume control solenoid

valve. Refer to [EC-585. "ENGINE CONTROL SYSTEM : Component Parts Location"](#).



A
EC
C
D
E
F
G
H
I
J
K
L
M
N
O
P

P0447 EVAP CANISTER VENT CONTROL VALVE

< DTC/CIRCUIT DIAGNOSIS >

[VQ35DE]

P0447 EVAP CANISTER VENT CONTROL VALVE

DTC Logic

INFOID:000000012602822

DTC DETECTION LOGIC

DTC No.	Trouble diagnosis name	DTC detecting condition	Possible cause
P0447	EVAP canister vent control valve circuit open	An improper voltage signal is sent to ECM through EVAP canister vent control valve.	<ul style="list-style-type: none">• Harness or connectors (The valve circuit is open or shorted.)• EVAP canister vent control valve• Hoses (Hoses are connected incorrectly or clogged.)

DTC CONFIRMATION PROCEDURE

1. PRECONDITIONING

If DTC Confirmation Procedure has been previously conducted, always perform the following before conducting the next test.

1. Turn ignition switch OFF and wait at least 10 seconds.
2. Turn ignition switch ON.
3. Turn ignition switch OFF and wait at least 10 seconds.

TESTING CONDITION:

Before performing the following procedure, confirm battery voltage is more than 11 V at idle.

>> GO TO 2.

2. PERFORM DTC CONFIRMATION PROCEDURE

1. Start engine and wait at least 8 seconds.
2. Check 1st trip DTC.

Is 1st trip DTC detected?

- YES >> Proceed to [EC-901, "Diagnosis Procedure"](#).
NO >> INSPECTION END

Diagnosis Procedure

INFOID:000000012602823

1. INSPECTION START

Will CONSULT be used?

Will CONSULT be used?

- YES >> GO TO 2.
NO >> GO TO 3.

2. CHECK EVAP CANISTER VENT CONTROL VALVE CIRCUIT

With CONSULT

1. Turn ignition switch OFF and then ON.
2. Select "VENT CONTROL/V" in "ACTIVE TEST" mode with CONSULT.
3. Touch "ON/OFF" on CONSULT screen.
4. Check for operating sound of the valve.

Clicking sound should be heard.

Is the inspection result normal?

- YES >> GO TO 6.
NO >> GO TO 3.

3. CHECK EVAP CANISTER VENT CONTROL VALVE POWER SUPPLY

1. Turn ignition switch OFF.
2. Disconnect EVAP canister vent control valve harness connector.

P0447 EVAP CANISTER VENT CONTROL VALVE

[VQ35DE]

< DTC/CIRCUIT DIAGNOSIS >

3. Turn ignition switch ON.
4. Check the voltage between EVAP canister vent control valve harness connector and ground.

EVAP canister vent control valve		Ground	Voltage
Connector	Terminal		
B39	1	Ground	Battery voltage

Is the inspection result normal?

- YES >> GO TO 4.
NO >> Perform the trouble diagnosis for power supply circuit.

4.CHECK EVAP CANISTER VENT CONTROL VALVE OUTPUT SIGNAL CIRCUIT

1. Turn ignition switch OFF.
2. Disconnect ECM harness connector.
3. Check the continuity between ECM harness connector and EVAP canister vent control valve harness connector.
Refer to Wiring Diagram.

EVAP canister vent control valve		ECM		Continuity
Connector	Terminal	Connector	Terminal	
B39	2	E32	141	Existed

4. Also check harness for short to ground and short to power.

Is the inspection result normal?

- YES >> GO TO 5.
NO >> Repair open circuit, short to ground or short to power in harness or connectors.

5.CHECK RUBBER TUBE FOR CLOGGING

1. Disconnect rubber tube connected to EVAP canister vent control valve.
2. Check the rubber tube for clogging.

Is the inspection result normal?

- YES >> GO TO 6.
NO >> Clean the rubber tube using an air blower.

6.CHECK EVAP CANISTER VENT CONTROL VALVE

Check EVAP canister vent control valve. Refer to [EC-902. "Component Inspection"](#).

Is the inspection result normal?

- YES >> Check intermittent incident. Refer to [GI-44. "Intermittent Incident"](#).
NO >> Replace EVAP canister vent control valve. Refer to [FL-18. "Removal and Installation"](#).

Component Inspection

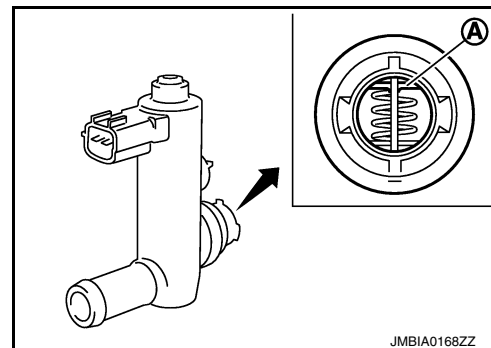
INFOID:000000012602824

1.CHECK EVAP CANISTER VENT CONTROL VALVE-I

1. Remove EVAP canister vent control valve from EVAP canister. Refer to [FL-18. "Exploded View"](#).
2. Check portion (A) of EVAP canister vent control valve for rust.

Is it rusted?

- YES >> Replace EVAP canister vent control valve. Refer to [FL-19. "Removal and Installation"](#).
NO >> GO TO 2.



2.CHECK EVAP CANISTER VENT CONTROL VALVE-II

P0447 EVAP CANISTER VENT CONTROL VALVE

[VQ35DE]

< DTC/CIRCUIT DIAGNOSIS >

Ⓟ With CONSULT

1. Reconnect harness connectors disconnected.
2. Turn ignition switch ON.
3. Perform "VENT CONTROL/V" in "ACTIVE TEST" mode.
4. Check air passage continuity and operation delay time.
Check that new O-ring is installed properly.

Condition VENT CONTROL/V	Air passage continuity between (A) and (B)
ON	Not existed
OFF	Existed

Operation takes less than 1 second.

ⓧ Without CONSULT

1. Disconnect EVAP canister vent control valve harness connector.
2. Check air passage continuity and operation delay time under the following conditions.

Check that new O-ring is installed properly.

Condition	Air passage continuity between (A) and (B)
12 V direct current supply between terminals 1 and 2	Not existed
OFF	Existed

Operation takes less than 1 second.

Is the inspection result normal?

- YES >> INSPECTION END
NO >> GO TO 3.

3. CHECK EVAP CANISTER VENT CONTROL VALVE-III

Ⓟ With CONSULT

1. Clean the air passage [portion (A) to (B)] of EVAP canister vent control valve using an air blower.
2. Perform "VENT CONTROL/V" in "ACTIVE TEST" mode.
3. Check air passage continuity and operation delay time.
Check that new O-ring is installed properly.

Condition VENT CONTROL/V	Air passage continuity between (A) and (B)
ON	No
OFF	Yes

Operation takes less than 1 second.

ⓧ Without CONSULT

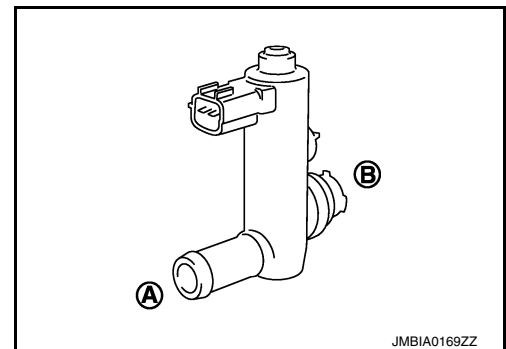
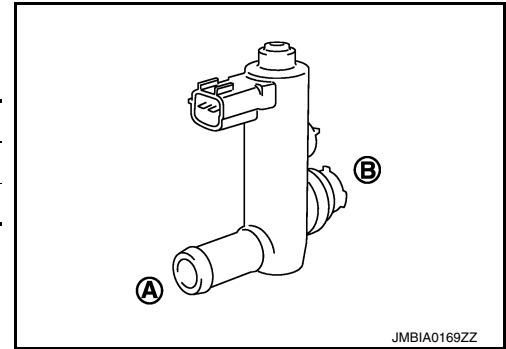
1. Clean the air passage [portion (A) to (B)] of EVAP canister vent control valve using an air blower.
2. Check air passage continuity and operation delay time under the following conditions.
Check that new O-ring is installed properly.

Condition	Air passage continuity between (A) and (B)
12 V direct current supply between terminals (1) and (2)	No
OFF	Yes

Operation takes less than 1 second.

Is the inspection result normal?

- YES >> INSPECTION END
NO >> Replace EVAP canister vent control valve. Refer to [FL-18, "Removal and Installation"](#).



P0448 EVAP CANISTER VENT CONTROL VALVE

< DTC/CIRCUIT DIAGNOSIS >

[VQ35DE]

P0448 EVAP CANISTER VENT CONTROL VALVE

DTC Logic

INFOID:000000012602825

DTC DETECTION LOGIC

DTC No.	Trouble diagnosis name	DTC detecting condition	Possible cause
P0448	EVAP canister vent control valve close	EVAP canister vent control valve remains closed under specified driving conditions.	<ul style="list-style-type: none"> EVAP canister vent control valve EVAP control system pressure sensor and the circuit Blocked rubber tube to EVAP canister vent control valve EVAP canister is saturated with water

DTC CONFIRMATION PROCEDURE

1. PRECONDITIONING

If DTC Confirmation Procedure has been previously conducted, always perform the following before conducting the next test.

- Turn ignition switch OFF and wait at least 10 seconds.
- Turn ignition switch ON.
- Turn ignition switch OFF and wait at least 10 seconds.

>> GO TO 2.

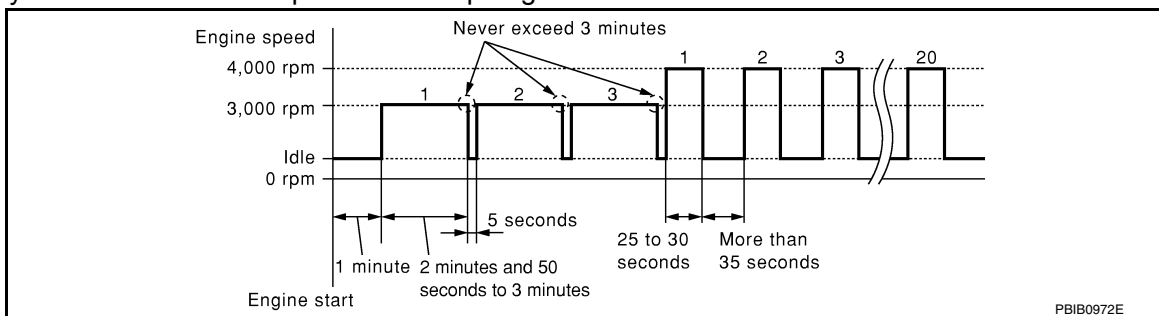
2. PERFORM DTC CONFIRMATION PROCEDURE

With CONSULT

- Turn ignition switch ON and wait at least 5 seconds.
- Turn ignition switch OFF and wait at least 10 seconds.
- Turn ignition switch ON and select "DATA MONITOR" mode with CONSULT.
- Start engine and let it idle for at least 1 minute.
- Repeat next procedures 3 times.
 - Increase the engine speed up to 3,000 to 3,500 rpm and keep it for 2 minutes and 50 seconds to 3 minutes.

Never exceed 3 minutes.

- Fully released accelerator pedal and keep engine idle for about 5 seconds.
- Repeat next procedure 20 times.
 - Quickly increase the engine speed up to 4,000 to 4,500 rpm or more and keep it for 25 to 30 seconds.
 - Fully released accelerator pedal and keep engine idle for at least 35 seconds.



- Check 1st trip DTC.

Is 1st trip DTC detected?

- YES >> Proceed to [EC-904, "Diagnosis Procedure"](#).
 NO >> INSPECTION END

Diagnosis Procedure

INFOID:000000012602826

1. CHECK RUBBER TUBE

- Turn ignition switch OFF.

P0448 EVAP CANISTER VENT CONTROL VALVE

[VQ35DE]

< DTC/CIRCUIT DIAGNOSIS >

2. Disconnect rubber tube connected to EVAP canister vent control valve.
3. Check the rubber tube for clogging.

Is the inspection result normal?

- YES >> GO TO 2.
NO >> Clean rubber tube using an air blower.

2.CHECK EVAP CANISTER VENT CONTROL VALVE

Check EVAP canister vent control valve. Refer to [EC-906, "Component Inspection"](#).

Is the inspection result normal?

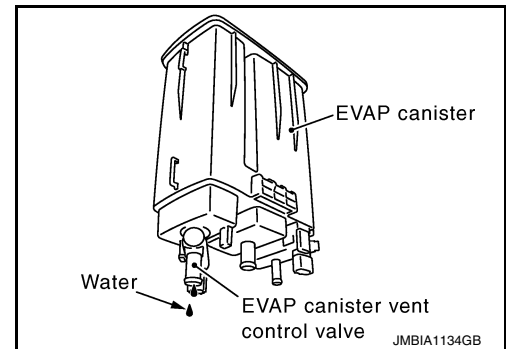
- YES >> GO TO 3.
NO >> Replace EVAP canister vent control valve. Refer to [FL-18, "Removal and Installation"](#).

3.CHECK IF EVAP CANISTER SATURATED WITH WATER

1. Remove EVAP canister with EVAP canister vent control valve and EVAP control system pressure sensor attached. Refer to [FL-18, "Removal and Installation"](#).
2. Check if water will drain from the EVAP canister.

Does water drain from the EVAP canister?

- YES >> GO TO 4.
NO >> GO TO 6.



4.CHECK EVAP CANISTER

Weigh the EVAP canister with the EVAP canister vent control valve and EVAP control system pressure sensor attached.

The weight should be less than 2.1 kg (4.6 lb).

Is the inspection result normal?

- YES >> GO TO 6.
NO >> GO TO 5.

5.DETECT MALFUNCTIONING PART

Check the following.

- EVAP canister for damage
- EVAP hose between EVAP canister and vehicle frame for clogging or poor connection

>> Repair hose or replace EVAP canister. Refer to [FL-15, "Exploded View"](#).

6.CHECK EVAP CONTROL SYSTEM PRESSURE SENSOR CONNECTOR

1. Disconnect EVAP control system pressure sensor harness connector.
2. Check that water is not inside connectors.

Is the inspection result normal?

- YES >> GO TO 7.
NO >> Replace EVAP control system pressure sensor. Refer to [FL-19, "Removal and Installation"](#).

7.CHECK EVAP CONTROL SYSTEM PRESSURE SENSOR

Check EVAP control system pressure sensor. Refer to [EC-910, "Component Inspection"](#).

Is the inspection result normal?

- YES >> Check intermittent incident. Refer to [GI-44, "Intermittent Incident"](#).
NO >> Replace EVAP control system pressure sensor. Refer to [FL-19, "Removal and Installation"](#).

P0448 EVAP CANISTER VENT CONTROL VALVE

< DTC/CIRCUIT DIAGNOSIS >

[VQ35DE]

INFOID:000000012602827

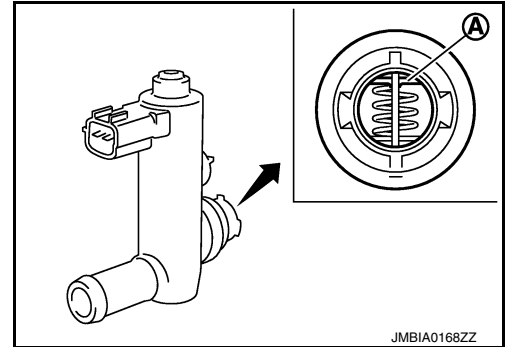
Component Inspection

1. CHECK EVAP CANISTER VENT CONTROL VALVE-I

1. Remove EVAP canister vent control valve from EVAP canister. Refer to [FL-18. "Removal and Installation"](#).
2. Check portion (A) of EVAP canister vent control valve for rust.

Is it rusted?

- YES >> Replace EVAP canister vent control valve. Refer to [FL-18. "Removal and Installation"](#).
- NO >> GO TO 2.



2. CHECK EVAP CANISTER VENT CONTROL VALVE-II

With CONSULT

1. Reconnect harness connectors disconnected.
2. Turn ignition switch ON.
3. Perform "VENT CONTROL/V" in "ACTIVE TEST" mode.
4. Check air passage continuity and operation delay time.
Check that new O-ring is installed properly.

Condition VENT CONTROL/V	Air passage continuity between (A) and (B)
ON	Not existed
OFF	Existed

Operation takes less than 1 second.

Without CONSULT

1. Disconnect EVAP canister vent control valve harness connector.
2. Check air passage continuity and operation delay time under the following conditions.

Check that new O-ring is installed properly.

Condition	Air passage continuity between (A) and (B)
12 V direct current supply between terminals 1 and 2	Not existed
OFF	Existed

Operation takes less than 1 second.

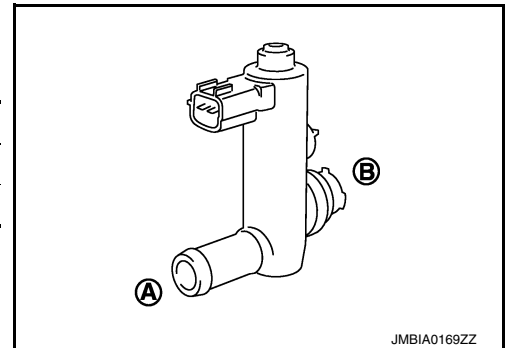
Is the inspection result normal?

- YES >> INSPECTION END
- NO >> GO TO 3.

3. CHECK EVAP CANISTER VENT CONTROL VALVE-III

With CONSULT

1. Clean the air passage [portion (A) to (B)] of EVAP canister vent control valve using an air blower.
2. Perform "VENT CONTROL/V" in "ACTIVE TEST" mode.



P0448 EVAP CANISTER VENT CONTROL VALVE

[VQ35DE]

< DTC/CIRCUIT DIAGNOSIS >

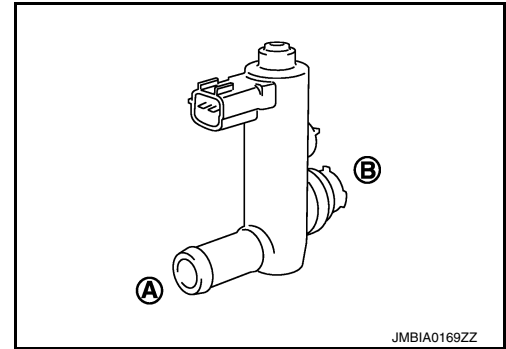
3. Check air passage continuity and operation delay time.
Check that new O-ring is installed properly.

Condition VENT CONTROL/V	Air passage continuity between (A) and (B)
ON	No
OFF	Yes

Operation takes less than 1 second.

⊗ **Without CONSULT**

1. Clean the air passage [portion (A) to (B)] of EVAP canister vent control valve using an air blower.
2. Check air passage continuity and operation delay time under the following conditions.
Check that new O-ring is installed properly.



Condition	Air passage continuity between (A) and (B)
12 V direct current supply between terminals (1) and (2)	No
OFF	Yes

Operation takes less than 1 second.

Is the inspection result normal?

YES >> INSPECTION END

NO >> Replace EVAP canister vent control valve. Refer to [FL-18. "Removal and Installation"](#).

P0451 EVAP CONTROL SYSTEM PRESSURE SENSOR

< DTC/CIRCUIT DIAGNOSIS >

[VQ35DE]

P0451 EVAP CONTROL SYSTEM PRESSURE SENSOR

DTC Logic

INFOID:000000012602828

DTC DETECTION LOGIC

DTC No.	Trouble diagnosis name	DTC detecting condition	Possible cause
P0451	EVAP control system pressure sensor performance	ECM detects a sloshing signal from the EVAP control system pressure sensor	<ul style="list-style-type: none"> • Harness or connectors (EVAP control system pressure sensor circuit is shorted.) [CKP sensor (POS) circuit is shorted.] (APP sensor 2 circuit is shorted.) (Refrigerant pressure sensor circuit is shorted.) • EVAP control system pressure sensor • Crankshaft position sensor (POS) • Accelerator pedal position sensor • Refrigerant pressure sensor • Sensor power supply 2 circuit

DTC CONFIRMATION PROCEDURE

NOTE:

Never remove fuel filler cap during DTC confirmation procedure.

1. PRECONDITIONING

If DTC Confirmation Procedure has been previously conducted, always perform the following procedure before conducting the next test.

1. Turn ignition switch OFF and wait at least 10 seconds.
2. Turn ignition switch ON.
3. Turn ignition switch OFF and wait at least 10 seconds.

With CONSULT >> GO TO 2.

Without CONSULT >> GO TO 5.

2. PERFORM DTC CONFIRMATION PROCEDURE-1

With CONSULT

1. Start engine and let it idle for least 40 seconds.

NOTE:

Do not depress accelerator pedal even slightly.

2. Check 1st trip DTC.

Is 1st trip DTC detected?

YES >> Proceed to [EC-909, "Diagnosis Procedure"](#).

NO >> GO TO 3.

3. PERFORM DTC CONFIRMATION PROCEDURE-2

With CONSULT

1. Select "EVAP DIAG READY" in "DATA MONITOR" mode of "ENGINE".
2. Let it idle until "OFF" of "EVAP DIAG READY" changes to "ON".

NOTE:

It will take at most 2 hours until "OFF" of "EVAP DIAG READY" changes to "ON".

3. Turn ignition switch OFF and wait at least 90 minutes.

NOTE:

Never turn ignition switch ON during 90 minutes.

4. Turn ignition switch ON.
5. Select "EVAP LEAK DIAG" in "DATA MONITOR" mode of "ENGINE".
6. Check that "EVAP LEAK DIAG" indication.

Which is displayed on CONSULT?

CMPLT >> GO TO 4.

YET >> 1. Perform DTC CONFIRMATION PROCEDURE again.

P0451 EVAP CONTROL SYSTEM PRESSURE SENSOR

< DTC/CIRCUIT DIAGNOSIS >

[VQ35DE]

2. GO TO 1.

4.PERFORM DTC CONFIRMATION PROCEDURE-3

Ⓜ With CONSULT
Check 1st trip DTC.

Is 1st trip DTC detected?

YES >> Proceed to [EC-909. "Diagnosis Procedure"](#).
NO >> INSPECTION END

5.PERFORM DTC CONFIRMATION PROCEDURE-4

Ⓜ With GST

1. Start engine and let it idle for least 40 seconds.

NOTE:

Do not depress accelerator pedal even slightly.

2. Check 1st trip DTC.

Is 1st trip DTC detected?

YES >> Proceed to [EC-909. "Diagnosis Procedure"](#).
NO >> GO TO 6.

6.PERFORM DTC CONFIRMATION PROCEDURE-5

Ⓜ With GST

1. Let it idle for at least 2 hours.

2. Turn ignition switch OFF and wait at least 90 minutes.

NOTE:

Never turn ignition switch ON during 90 minutes.

3. Turn ignition switch ON.

4. Check 1st trip DTC.

Is 1st trip DTC detected?

YES >> Proceed to [EC-909. "Diagnosis Procedure"](#).
NO >> INSPECTION END

Diagnosis Procedure

INFOID:000000012602829

1.CHECK EVAP CONTROL SYSTEM PRESSURE SENSOR CONNECTOR FOR WATER

1. Disconnect EVAP control system pressure sensor harness connector.
2. Check that water is not inside connectors.

Is the inspection result normal?

YES >> GO TO 2.
NO >> Repair or replace error-detected parts.

2.CHECK EVAP CONTROL SYSTEM PRESSURE SENSOR POWER SUPPLY

1. Turn ignition switch ON.
2. Check the voltage between EVAP control system pressure sensor harness connector and ground.

EVAP control system pressure sensor		Ground	Voltage (V)
Connector	Terminal		
B41	3	Ground	Approx. 5

Is the inspection result normal?

YES >> GO TO 4.
NO >> GO TO 3.

3.CHECK SENSOR POWER SUPPLY 2 CIRCUIT

Check sensor power supply 2 circuit. Refer to [EC-1072. "Diagnosis Procedure"](#).

Is the inspection result normal?

YES >> Perform the trouble diagnosis for power supply circuit.
NO >> Repair or replace error-detected parts.

P0451 EVAP CONTROL SYSTEM PRESSURE SENSOR

< DTC/CIRCUIT DIAGNOSIS >

[VQ35DE]

4. CHECK EVAP CONTROL SYSTEM PRESSURE SENSOR GROUND CIRCUIT

1. Turn ignition switch OFF.
2. Disconnect ECM harness connector.
3. Check the continuity between EVAP control system pressure sensor harness connector and ECM harness connector.

EVAP control system pressure sensor		ECM		Continuity
Connector	Terminal	Connector	Terminal	
B41	1	E32	148	Existed

4. Also check harness for short to ground and short to power.

Is the inspection result normal?

- YES >> GO TO 5.
 NO >> Repair or replace error-detected parts.

5. CHECK EVAP CONTROL SYSTEM PRESSURE SENSOR

Check EVAP control system pressure sensor. Refer to [EC-910, "Component Inspection"](#).

Is the inspection result normal?

- YES >> Check intermittent incident. Refer to [GI-44, "Intermittent Incident"](#).
 NO >> Replace EVAP control system pressure sensor. Refer to [FL-19, "Removal and Installation"](#).

Component Inspection

INFOID:000000012602830

1. CHECK EVAP CONTROL SYSTEM PRESSURE SENSOR

1. Turn ignition switch OFF.
2. Remove EVAP control system pressure sensor with its harness connector. Refer to [FL-19, "Removal and Installation"](#).
Always replace O-ring with a new one.
3. Install a vacuum pump to EVAP control system pressure sensor.
4. Turn ignition switch ON and check output voltage between ECM terminals under the following conditions.

Connector	ECM		Applied vacuum kPa (kg/cm ² , psi)	Voltage
	+	-		
	Terminal	Terminal		
E32	121	148	Not applied	1.8 - 4.8 V
			-26.7 (-0.272, -3.87)	2.1 to 2.5 V lower than above value

CAUTION:

- Always calibrate the vacuum pump gauge when using it.
- Never apply below -93.3 kPa (-0.952 kg/cm², -13.53 psi) or pressure over 101.3 kPa (1.033 kg/cm², 14.69 psi).

Is the inspection result normal?

- YES >> INSPECTION END
 NO >> Replace EVAP control system pressure sensor. Refer to [FL-19, "Removal and Installation"](#).

P0452 EVAP CONTROL SYSTEM PRESSURE SENSOR

< DTC/CIRCUIT DIAGNOSIS >

[VQ35DE]

P0452 EVAP CONTROL SYSTEM PRESSURE SENSOR

DTC Logic

INFOID:000000012602831

DTC DETECTION LOGIC

DTC No.	Trouble diagnosis name	DTC detecting condition	Possible cause
P0452	EVAP control system pressure sensor low input	An excessively low voltage from the sensor is sent to ECM.	<ul style="list-style-type: none"> • Harness or connectors (The sensor circuit is open or shorted.) [CKP sensor (POS) circuit is shorted.] (APP sensor 2 circuit is shorted.) (Refrigerant pressure sensor circuit is shorted.) • EVAP control system pressure sensor • Crankshaft position sensor (POS) • Accelerator pedal position sensor • Refrigerant pressure sensor • Sensor power supply 2 circuit

DTC CONFIRMATION PROCEDURE

1. PRECONDITIONING

If DTC Confirmation Procedure has been previously conducted, always perform the following before conducting the next test.

1. Turn ignition switch OFF and wait at least 10 seconds.
2. Turn ignition switch ON.
3. Turn ignition switch OFF and wait at least 10 seconds.

TESTING CONDITION:

Always perform test at a temperature of 5°C (41°F) or more.

>> GO TO 2.

2. PERFORM DTC CONFIRMATION PROCEDURE

With CONSULT

1. Start engine and warm it up to normal operating temperature.
2. Turn ignition switch OFF and wait at least 10 seconds.
3. Turn ignition switch ON.
4. Turn ignition switch OFF and wait at least 10 seconds.
5. Turn ignition switch ON.
6. Select "DATA MONITOR" mode with CONSULT.
7. Check that "FUEL T/TMP SE" is more than 0°C (32°F).
8. Start engine and wait at least 20 seconds.
9. Check 1st trip DTC.

With GST

1. Start engine and warm it up to normal operating temperature.
2. Set voltmeter probes to ECM harness connector terminals under the following conditions.

Connector	ECM	
	+	-
	Terminal	
E32	128	148

3. Check that the voltage is less than 4.2 V.
4. Turn ignition switch OFF and wait at least 10 seconds.
5. Turn ignition switch ON.
6. Turn ignition switch OFF and wait at least 10 seconds.
7. Start engine and wait at least 20 seconds.
8. Check 1st trip DTC.

Is 1st trip DTC detected?

P0452 EVAP CONTROL SYSTEM PRESSURE SENSOR

[VQ35DE]

< DTC/CIRCUIT DIAGNOSIS >

- YES >> Proceed to [EC-912, "Diagnosis Procedure"](#).
- NO >> INSPECTION END

Diagnosis Procedure

INFOID:0000000012602832

1. CHECK CONNECTOR

1. Disconnect EVAP control system pressure sensor harness connector.
2. Check that water is not inside connector.

Is the inspection result normal?

- YES >> GO TO 2.
- NO >> Repair or replace harness connector.

2. CHECK EVAP CONTROL SYSTEM PRESSURE SENSOR POWER SUPPLY

1. Turn ignition switch ON.
2. Check the voltage between EVAP control system pressure sensor harness connector and ground.

EVAP control system pressure sensor		Ground	Voltage (V)
Connector	Terminal		
B41	3	Ground	Approx. 5

Is the inspection result normal?

- YES >> GO TO 5.
- NO >> GO TO 3.

3. CHECK EVAP CONTROL SYSTEM PRESSURE SENSOR POWER SUPPLY CIRCUIT

1. Turn ignition switch OFF.
2. Disconnect ECM harness connector.
3. Check the continuity between EVAP control system pressure sensor harness connector and ECM harness connector.

EVAP control system pressure sensor		ECM		Continuity
Connector	Terminal	Connector	Terminal	
B41	3	E32	125	Existed

Is the inspection result normal?

- YES >> GO TO 4.
- NO >> Repair or replace harness connector.

4. CHECK SENSOR POWER SUPPLY 2 CIRCUIT

Check sensor power supply 2 circuit. Refer to [EC-1072, "Diagnosis Procedure"](#).

Is the inspection result normal?

- YES >> Perform the trouble diagnosis for power supply circuit.
- NO >> Repair or replace error-detected parts.

5. CHECK EVAP CONTROL SYSTEM PRESSURE SENSOR GROUND CIRCUIT

1. Turn ignition switch OFF.
2. Disconnect ECM harness connector.
3. Check the continuity between EVAP control system pressure sensor harness connector and ECM harness connector.

EVAP control system pressure sensor		ECM		Continuity
Connector	Terminal	Connector	Terminal	
B41	1	E32	148	Existed

4. Also check harness for short to ground and short to power.

Is the inspection result normal?

- YES >> GO TO 6.

P0452 EVAP CONTROL SYSTEM PRESSURE SENSOR

[VQ35DE]

< DTC/CIRCUIT DIAGNOSIS >

NO >> Repair open circuit, short to ground or short to power in harness or connectors.

6. CHECK EVAP CONTROL SYSTEM PRESSURE SENSOR INPUT SIGNAL CIRCUIT

1. Check the continuity between EVAP control system pressure sensor harness connector and ECM harness connector.

EVAP control system pressure sensor		ECM		Continuity
Connector	Terminal	Connector	Terminal	
B41	2	E32	121	Existed

2. Also check harness for short to ground and short to power.

Is the inspection result normal?

YES >> GO TO 7.

NO >> Repair open circuit, short to ground or short to power in harness or connectors.

7. CHECK EVAP CONTROL SYSTEM PRESSURE SENSOR

Check EVAP control system pressure sensor. Refer to [EC-913, "Component Inspection"](#).

Is the inspection result normal?

YES >> Check intermittent incident. Refer to [GI-44, "Intermittent Incident"](#).

NO >> Replace EVAP control system pressure sensor. Refer to [FL-19, "Removal and Installation"](#).

Component Inspection

INFOID:000000012602833

1. CHECK EVAP CONTROL SYSTEM PRESSURE SENSOR

1. Turn ignition switch OFF.
2. Remove EVAP control system pressure sensor with its harness connector. Refer to [FL-19, "Removal and Installation"](#).
Always replace O-ring with a new one.
3. Install a vacuum pump to EVAP control system pressure sensor.
4. Turn ignition switch ON and check output voltage between ECM terminals under the following conditions.

Connector	ECM		Applied vacuum kPa (kg/cm ² , psi)	Voltage
	+	-		
	Terminal	Terminal		
E32	121	148	Not applied	1.8 - 4.8 V
			-26.7 (-0.272, -3.87)	2.1 to 2.5 V lower than above value

CAUTION:

- Always calibrate the vacuum pump gauge when using it.
- Never apply below -93.3 kPa (-0.952 kg/cm², -13.53 psi) or pressure over 101.3 kPa (1.033 kg/cm², 14.69 psi).

Is the inspection result normal?

YES >> INSPECTION END

NO >> Replace EVAP control system pressure sensor. Refer to [FL-19, "Removal and Installation"](#).

P0453 EVAP CONTROL SYSTEM PRESSURE SENSOR

< DTC/CIRCUIT DIAGNOSIS >

[VQ35DE]

P0453 EVAP CONTROL SYSTEM PRESSURE SENSOR

DTC Logic

INFOID:000000012602834

DTC DETECTION LOGIC

DTC No.	Trouble diagnosis name	DTC detecting condition	Possible cause
P0453	EVAP control system pressure sensor high input	An excessively high voltage from the sensor is sent to ECM.	<ul style="list-style-type: none"> Harness or connectors (The sensor circuit is open or shorted.) [CKP sensor (POS) circuit is shorted.] (APP sensor 2 circuit is shorted.) (Refrigerant pressure sensor circuit is shorted.) EVAP control system pressure sensor Crankshaft position sensor (POS) Accelerator pedal position sensor Refrigerant pressure sensor EVAP canister vent control valve EVAP canister Rubber hose from EVAP canister vent control valve to vehicle frame Sensor power supply 2 circuit

DTC CONFIRMATION PROCEDURE

1. PRECONDITIONING

If DTC Confirmation Procedure has been previously conducted, always perform the following before conducting the next test.

- Turn ignition switch OFF and wait at least 10 seconds.
- Turn ignition switch ON.
- Turn ignition switch OFF and wait at least 10 seconds.

TESTING CONDITION:

Always perform test at a temperature of 5°C (41°F) or more.

>> GO TO 2.

2. PERFORM DTC CONFIRMATION PROCEDURE

With CONSULT

- Start engine and warm it up to normal operating temperature.
- Turn ignition switch OFF and wait at least 10 seconds.
- Turn ignition switch ON.
- Turn ignition switch OFF and wait at least 10 seconds.
- Turn ignition switch ON.
- Select "DATA MONITOR" mode with CONSULT.
- Check that "FUEL T/TMP SE" is more than 0°C (32°F).
- Start engine and wait at least 20 seconds.
- Check 1st trip DTC.

With GST

- Start engine and warm it up to normal operating temperature.
- Set voltmeter probes to ECM harness connector terminals.

ECM		
Connector	+	-
	Terminal	
E32	128	148

- Check that the voltage is less than 4.2 V.
- Turn ignition switch OFF and wait at least 10 seconds.
- Turn ignition switch ON.

P0453 EVAP CONTROL SYSTEM PRESSURE SENSOR

[VQ35DE]

< DTC/CIRCUIT DIAGNOSIS >

6. Turn ignition switch OFF and wait at least 10 seconds.
7. Start engine and wait at least 20 seconds.
8. Check 1st trip DTC.

Is 1st trip DTC detected?

- YES >> Proceed to [EC-915, "Diagnosis Procedure"](#).
NO >> INSPECTION END

Diagnosis Procedure

INFOID:000000012602835

1. CHECK CONNECTOR

1. Disconnect EVAP control system pressure sensor harness connector.
2. Check that water is not inside connectors.

Is the inspection result normal?

- YES >> GO TO 2.
NO >> Repair or replace harness connector.

2. CHECK EVAP CONTROL SYSTEM PRESSURE SENSOR POWER SUPPLY

1. Turn ignition switch ON.
2. Check the voltage between EVAP control system pressure sensor harness connector and ground.

EVAP control system pressure sensor		Ground	Voltage (V)
Connector	Terminal		
B41	3	Ground	Approx. 5

Is the inspection result normal?

- YES >> GO TO 5.
NO >> GO TO 3.

3. CHECK EVAP CONTROL SYSTEM PRESSURE SENSOR POWER SUPPLY CIRCUIT

1. Turn ignition switch OFF.
2. Disconnect ECM harness connector.
3. Check the continuity between EVAP control system pressure sensor harness connector and ECM harness connector.

EVAP control system pressure sensor		ECM		Continuity
Connector	Terminal	Connector	Terminal	
B41	3	E32	125	Existed

Is the inspection result normal?

- YES >> GO TO 4.
NO >> Repair open circuit.

4. CHECK SENSOR POWER SUPPLY 2 CIRCUIT

Check sensor power supply 2 circuit. Refer to [EC-1072, "Diagnosis Procedure"](#).

Is the inspection result normal?

- YES >> Perform the trouble diagnosis for power supply circuit.
NO >> Repair or replace error-detected parts.

5. CHECK EVAP CONTROL SYSTEM PRESSURE SENSOR GROUND CIRCUIT

1. Turn ignition switch OFF.
2. Disconnect ECM harness connector.
3. Check the continuity between EVAP control system pressure sensor harness connector and ECM harness connector.

P0453 EVAP CONTROL SYSTEM PRESSURE SENSOR

< DTC/CIRCUIT DIAGNOSIS >

[VQ35DE]

EVAP control system pressure sensor		ECM		Continuity
Connector	Terminal	Connector	Terminal	
B41	1	E32	148	Existed

4. Also check harness for short to ground and short to power.

Is the inspection result normal?

YES >> GO TO 6.

NO >> Repair open circuit, short to ground or short to power in harness or connectors.

6. CHECK EVAP CONTROL SYSTEM PRESSURE SENSOR INPUT SIGNAL CIRCUIT

1. Check the continuity between EVAP control system pressure sensor harness connector and ECM harness connector.

EVAP control system pressure sensor		ECM		Continuity
Connector	Terminal	Connector	Terminal	
B41	2	E32	121	Existed

2. Also check harness for short to ground and short to power.

Is the inspection result normal?

YES >> GO TO 7.

NO >> Repair open circuit, short to ground or short to power in harness or connectors.

7. CHECK RUBBER TUBE

1. Disconnect rubber tube connected to EVAP canister vent control valve.
2. Check the rubber tube for clogging.

Is the inspection result normal?

YES >> GO TO 8.

NO >> Clean the rubber tube using an air blower, repair or replace rubber tube.

8. CHECK EVAP CANISTER VENT CONTROL VALVE

Check EVAP canister vent control valve. Refer to [EC-917, "Component Inspection"](#).

Is the inspection result normal?

YES >> GO TO 9.

NO >> Replace EVAP canister vent control valve. Refer to [FL-18, "Removal and Installation"](#).

9. CHECK EVAP CONTROL SYSTEM PRESSURE SENSOR

Check EVAP control system pressure sensor. Refer to [EC-917, "Component Inspection"](#).

Is the inspection result normal?

YES >> GO TO 10.

NO >> Replace EVAP control system pressure sensor. Refer to [FL-19, "Removal and Installation"](#).

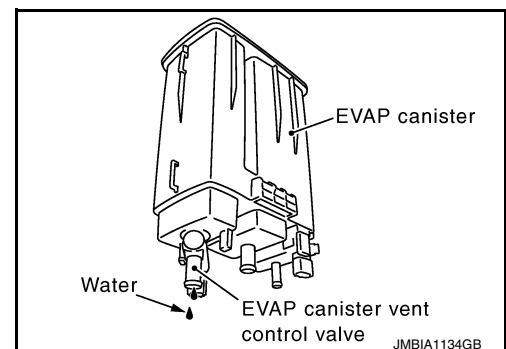
10. CHECK IF EVAP CANISTER IS SATURATED WITH WATER

1. Remove EVAP canister with EVAP canister vent control valve and EVAP control system pressure sensor attached. Refer to [FL-15, "Removal and Installation"](#).
2. Check if water will drain from the EVAP canister.

Does water drain from the EVAP canister?

YES >> GO TO 11.

NO >> Check intermittent incident. Refer to [GI-44, "Intermittent Incident"](#).



P0453 EVAP CONTROL SYSTEM PRESSURE SENSOR

< DTC/CIRCUIT DIAGNOSIS >

[VQ35DE]

11. CHECK EVAP CANISTER

Weigh the EVAP canister with the EVAP canister vent control valve and EVAP control system pressure sensor attached.

The weight should be less than 2.1 kg (4.6 lb).

Is the inspection result normal?

YES >> Check intermittent incident. Refer to [GI-44, "Intermittent Incident"](#).

NO >> GO TO 12.

12. DETECT MALFUNCTIONING PART

Check the following.

- EVAP canister for damage
- EVAP hose between EVAP canister and vehicle frame for clogging or poor connection

>> Repair hose or replace EVAP canister. Refer to [FL-15, "Removal and Installation"](#).

Component Inspection

INFOID:0000000012602836

1. CHECK EVAP CONTROL SYSTEM PRESSURE SENSOR

1. Turn ignition switch OFF.
2. Remove EVAP control system pressure sensor with its harness connector. Refer to [FL-19, "Removal and Installation"](#).
Always replace O-ring with a new one.
3. Install a vacuum pump to EVAP control system pressure sensor.
4. Turn ignition switch ON and check output voltage between ECM terminals under the following conditions.

Connector	ECM		Applied vacuum kPa (kg/cm ² , psi)	Voltage
	+	-		
	Terminal	Terminal		
E32	121	148	Not applied	1.8 - 4.8 V
			-26.7 (-0.272, -3.87)	2.1 to 2.5 V lower than above value

CAUTION:

- **Always calibrate the vacuum pump gauge when using it.**
- **Never apply below -93.3 kPa (-0.952 kg/cm², -13.53 psi) or pressure over 101.3 kPa (1.033 kg/cm², 14.69 psi).**

Is the inspection result normal?

YES >> INSPECTION END

NO >> Replace EVAP control system pressure sensor. Refer to [FL-19, "Removal and Installation"](#).

P0456 EVAP CONTROL SYSTEM

< DTC/CIRCUIT DIAGNOSIS >

[VQ35DE]

P0456 EVAP CONTROL SYSTEM

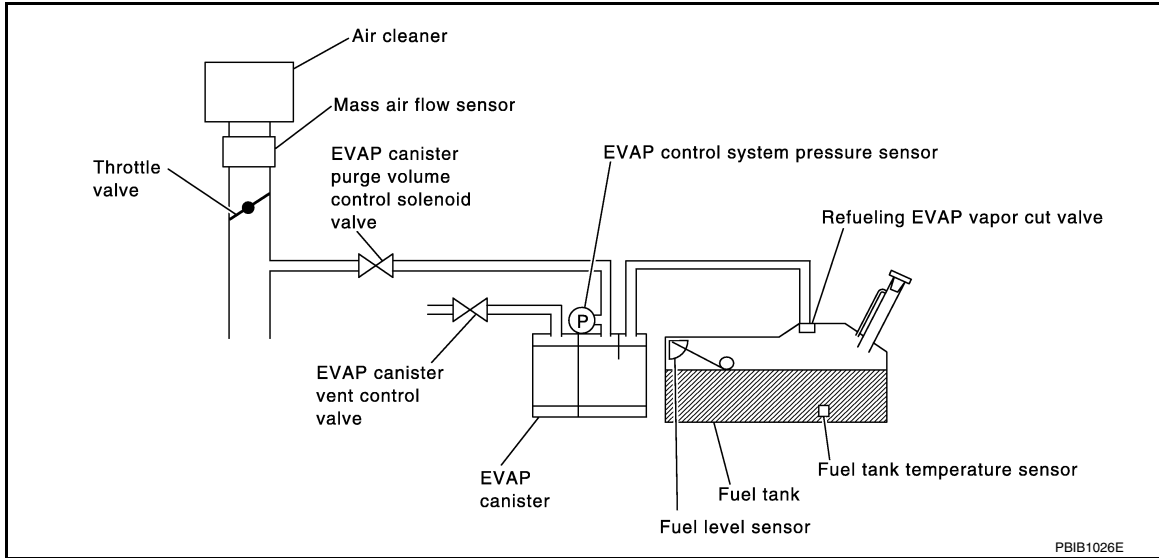
DTC Logic

INFOID:000000012602837

DTC DETECTION LOGIC

This diagnosis detects leaks in the EVAP line between fuel tank and EVAP canister purge volume control solenoid valve, using the negative pressure caused by decrease of fuel temperature in the fuel tank after turning ignition switch OFF.

If ECM judges there are no leaks, the diagnosis will be OK.



DTC No.	Trouble diagnosis name	DTC detecting condition	Possible cause
P0456	Evaporative emission control system leak	<ul style="list-style-type: none"> EVAP system has a leak. EVAP system does not operate properly. 	<ul style="list-style-type: none"> Incorrect fuel tank vacuum relief valve Incorrect fuel filler cap used Fuel filler cap remains open or fails to close. Foreign matter caught in fuel filler cap. Leak is in line between intake manifold and EVAP canister purge volume control solenoid valve. Foreign matter caught in EVAP canister vent control valve. EVAP canister or fuel tank leaks EVAP purge line (pipe and rubber tube) leaks EVAP purge line rubber tube bent Loose or disconnected rubber tube EVAP canister vent control valve and the circuit EVAP canister purge volume control solenoid valve and the circuit Fuel tank temperature sensor O-ring of EVAP canister vent control valve is missing or damaged EVAP canister is saturated with water EVAP control system pressure sensor Refueling EVAP vapor cut valve ORVR system leaks Fuel level sensor and the circuit Foreign matter caught in EVAP canister purge volume control solenoid valve

CAUTION:

- Use only a genuine NISSAN fuel filler cap as a replacement. If an incorrect fuel filler cap is used, the MIL may come on.
- If the fuel filler cap is not tightened properly, the MIL may come on.
- Use only a genuine NISSAN rubber tube as a replacement.

DTC CONFIRMATION PROCEDURE

1. PRECONDITIONING

P0456 EVAP CONTROL SYSTEM

[VQ35DE]

< DTC/CIRCUIT DIAGNOSIS >

If DTC Confirmation Procedure has been previously conducted, always perform the following before conducting the next test.

1. Turn ignition switch OFF and wait at least 10 seconds.
2. Turn ignition switch ON.
3. Turn ignition switch OFF and wait at least 10 seconds.

Do you have CONSULT?

YES >> GO TO 2.

NO >> GO TO 4.

2.PERFORM DTC CONFIRMATION PROCEDURE-I

With CONSULT

1. Turn ignition switch ON and select "EVAP DIAG READY" in "DATA MONITOR" mode with CONSULT.
2. Start engine and wait at idle until "OFF" of "EVAP DIAG READY" changes to "ON".

NOTE:

It will take at most 2 hours until "OFF" of "EVAP DIAG READY" changes to "ON".

3. Turn ignition switch OFF and wait at least 90 minutes.

NOTE:

Never turn ignition switch ON during 90 minutes.

4. Turn ignition switch ON and select "EVAP LEAK DIAG" in "DATA MONITOR" mode with CONSULT.
5. Check that "EVAP LEAK DIAG" indication.

Which is displayed on CONSULT?

CMPLT >> GO TO 3.

YET >> Perform DTC CONFIRMATION PROCEDURE again. GO TO 1.

3.PERFORM DTC CONFIRMATION PROCEDURE-II

Check 1st trip DTC.

Is 1st trip DTC detected?

YES >> Go to [EC-919, "Diagnosis Procedure"](#).

NO >> INSPECTION END.

4.PERFORM DTC CONFIRMATION PROCEDURE

With GST

1. Start engine and wait engine idle for at least 2 hours.
2. Turn ignition switch OFF and wait at least 90 minutes.

NOTE:

Never turn ignition switch ON during 90 minutes.

3. Turn ignition switch ON.
4. Check 1st trip DTC.

Is 1st trip DTC detected?

YES >> Go to [EC-919, "Diagnosis Procedure"](#).

NO >> INSPECTION END.

Diagnosis Procedure

INFOID:000000012602838

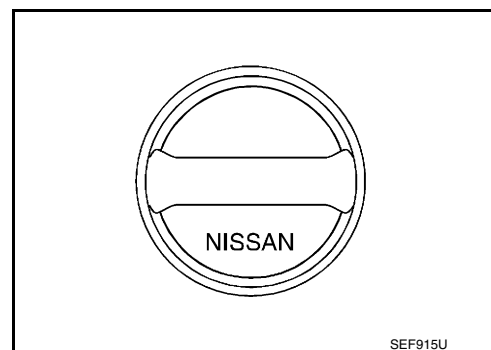
1.CHECK FUEL FILLER CAP DESIGN

1. Turn ignition switch OFF.
2. Check for genuine NISSAN fuel filler cap design.

Is the inspection result normal?

YES >> GO TO 2.

NO >> Replace with genuine NISSAN fuel filler cap.



SEF915U

P0456 EVAP CONTROL SYSTEM

< DTC/CIRCUIT DIAGNOSIS >

[VQ35DE]

2. CHECK FUEL FILLER CAP INSTALLATION

Check that the cap is tightened properly by rotating the cap clockwise.

Is the inspection result normal?

YES >> GO TO 3.

NO >> Open fuel filler cap, then clean cap and fuel filler neck threads using air blower. Then retighten until ratcheting sound is heard.

3. CHECK FUEL FILLER CAP FUNCTION

Check for air releasing sound while opening the fuel filler cap.

Is the inspection result normal?

YES >> GO TO 5.

NO >> GO TO 4.

4. CHECK FUEL TANK VACUUM RELIEF VALVE

Refer to [EC-922, "Component Inspection"](#).

Is the inspection result normal?

YES >> GO TO 5.

NO >> Replace fuel filler cap with a genuine one.

5. CHECK FOR EVAP LEAK

Refer to [EC-1085, "Work Procedure"](#).

Is there any leak in EVAP line?

YES >> Repair or replace.

NO >> GO TO 6.

6. CHECK EVAP CANISTER VENT CONTROL VALVE

Check the following.

• EVAP canister vent control valve is installed properly.

Refer to [FL-18, "Removal and Installation"](#).

• EVAP canister vent control valve.

Refer to [EC-902, "Component Inspection"](#).

Is the inspection result normal?

YES >> GO TO 7.

NO >> Repair or replace EVAP canister vent control valve and O-ring.

7. CHECK IF EVAP CANISTER SATURATED WITH WATER

1. Remove EVAP canister with EVAP canister vent control valve and EVAP control system pressure sensor attached.

2. Check if water will drain from the EVAP canister.

Does water drain from EVAP canister?

YES >> GO TO 8.

NO-1 >> With CONSULT: GO TO 10.

NO-2 >> Without CONSULT: GO TO 11.

8. CHECK EVAP CANISTER

Weigh the EVAP canister assembly with the EVAP canister vent control valve and EVAP control system pressure sensor attached.

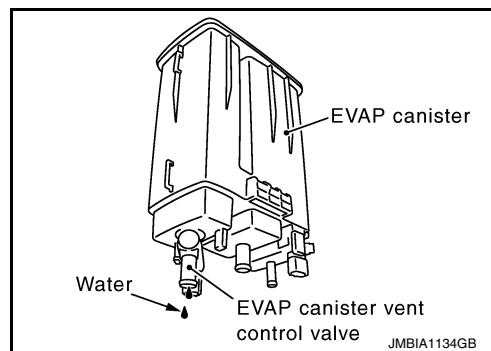
The weight should be less than 2.1 kg (4.6 lb).

Is the inspection result normal?

YES-1 >> With CONSULT: GO TO 10.

YES-2 >> Without CONSULT: GO TO 11.

NO >> GO TO 9.



9. DETECT MALFUNCTIONING PART

Check the following.

- EVAP canister for damage
- EVAP hose between EVAP canister and vehicle frame for clogging or poor connection

>> Repair hose or replace EVAP canister.

10. CHECK EVAP CANISTER PURGE VOLUME CONTROL SOLENOID VALVE OPERATION

With CONSULT

1. Disconnect vacuum hose to EVAP canister purge volume control solenoid valve at EVAP service port.
2. Start engine and let it idle.
3. Select "PURG VOL CONT/V" in "ACTIVE TEST" mode.
4. Touch "Qu" on CONSULT screen to increase "PURG VOL CONT/V" opening to 100%.
5. Check vacuum hose for vacuum.

Vacuum should exist.

Is the inspection result normal?

YES >> GO TO 13.

NO >> GO TO 12.

11. CHECK EVAP CANISTER PURGE VOLUME CONTROL SOLENOID VALVE OPERATION

Without CONSULT

1. Start engine and warm it up to normal operating temperature.
2. Stop engine.
3. Disconnect vacuum hose to EVAP canister purge volume control solenoid valve at EVAP service port.
4. Start engine and let it idle for at least 80 seconds.
5. Check vacuum hose for vacuum when revving engine up to 2,000 rpm.

Vacuum should exist.

Is the inspection result normal?

YES >> GO TO 13.

NO >> GO TO 12.

12. CHECK VACUUM HOSE

Check vacuum hoses for clogging or disconnection. Refer to [EC-618. "EVAPORATIVE EMISSION SYSTEM: System Description"](#).

Is the inspection result normal?

YES >> GO TO 13.

NO >> Repair or reconnect the hose.

13. CHECK EVAP CANISTER PURGE VOLUME CONTROL SOLENOID VALVE

Refer to [EC-896. "Component Inspection"](#).

Is the inspection result normal?

YES >> GO TO 14.

NO >> Replace EVAP canister purge volume control solenoid valve.

14. CHECK FUEL TANK TEMPERATURE SENSOR

Refer to [EC-859. "Component Inspection"](#).

Is the inspection result normal?

YES >> GO TO 15.

NO >> Replace fuel level sensor unit.

15. CHECK EVAP CONTROL SYSTEM PRESSURE SENSOR

Refer to [EC-910. "Component Inspection"](#).

Is the inspection result normal?

YES >> GO TO 16.

P0456 EVAP CONTROL SYSTEM

[VQ35DE]

< DTC/CIRCUIT DIAGNOSIS >

NO >> Replace EVAP control system pressure sensor.

16.CHECK EVAP PURGE LINE

Check EVAP purge line (pipe, rubber tube, fuel tank and EVAP canister) for cracks or improper connection. Refer to [EC-618, "EVAPORATIVE EMISSION SYSTEM : System Description"](#).

Is the inspection result normal?

YES >> GO TO 17.

NO >> Repair or reconnect the hose.

17.CLEAN EVAP PURGE LINE

Clean EVAP purge line (pipe and rubber tube) using air blower.

>> GO TO 18.

18.CHECK EVAP/ORVR LINE

Check EVAP/ORVR line between EVAP canister and fuel tank for clogging, kink, looseness and improper connection. For location, refer to [EC-601, "On Board Refueling Vapor Recovery \(ORVR\)"](#).

Is the inspection result normal?

YES >> GO TO 19.

NO >> Repair or replace hoses and tubes.

19.CHECK RECIRCULATION LINE

Check recirculation line between fuel filler tube and fuel tank for clogging, kink, cracks, looseness and improper connection.

Is the inspection result normal?

YES >> GO TO 20.

NO >> Repair or replace hose, tube or fuel filler tube.

20.CHECK REFUELING EVAP VAPOR CUT VALVE

Refer to [EC-1067, "Component Inspection"](#).

Is the inspection result normal?

YES >> GO TO 21.

NO >> Replace refueling EVAP vapor cut valve with fuel tank.

21.CHECK FUEL LEVEL SENSOR

Refer to [EC-925, "Component Function Check"](#).

Is the inspection result normal?

YES >> GO TO 22.

NO >> Replace fuel level sensor unit.

22.CHECK INTERMITTENT INCIDENT

Refer to [GI-44, "Intermittent Incident"](#).

>> INSPECTION END

Component Inspection

INFOID:000000012602839

1.CHECK FUEL FILLER CAP

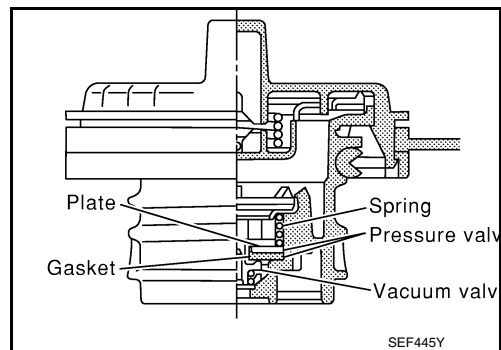
1. Turn ignition switch OFF.
2. Remove fuel filler cap. Refer to [FL-10, "Exploded View"](#).

P0456 EVAP CONTROL SYSTEM

< DTC/CIRCUIT DIAGNOSIS >

[VQ35DE]

3. Wipe clean valve housing.



4. Install fuel filler cap adapter (commercial service tool) to fuel filler cap.
5. Check valve opening pressure and vacuum.

Pressure: 15.3 - 20.0 kPa (0.156 - 0.204 kg/cm², 2.22 - 2.90 psi)

Vacuum: -6.0 to -3.3 kPa (-0.061 to -0.034 kg/cm², -0.87 to -0.48 psi)

Is the inspection result normal?

YES >> INSPECTION END

NO >> GO TO 2.

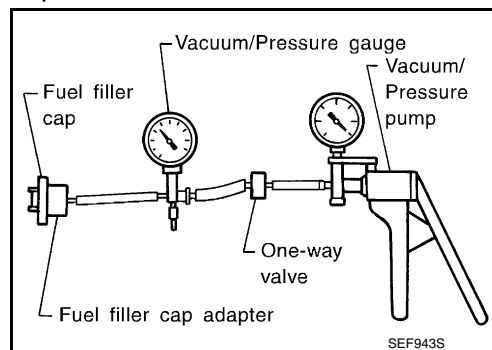
2. REPLACE FUEL FILLER CAP

Replace fuel filler cap. Refer to [FL-10, "Exploded View"](#).

CAUTION:

Use only a genuine fuel filler cap as a replacement. If an incorrect fuel filler cap is used, the MIL may illuminate.

>> INSPECTION END



P0460 FUEL LEVEL SENSOR

< DTC/CIRCUIT DIAGNOSIS >

[VQ35DE]

P0460 FUEL LEVEL SENSOR

DTC Logic

INFOID:000000012602840

DTC DETECTION LOGIC

NOTE:

- If DTC P0460 is displayed with DTC UXXXX, first perform the trouble diagnosis for DTC UXXXX.
- If DTC P0460 is displayed with DTC P0607, first perform the trouble diagnosis for DTC P0607. Refer to [EC-953, "DTC Logic"](#).

When the vehicle is parked, the fuel level in the fuel tank is naturally stable. It means that output signal of the fuel level sensor does not change. If ECM senses sloshing signal from the sensor, fuel level sensor malfunction is detected.

DTC No.	Trouble diagnosis name	DTC detecting condition	Possible cause
P0460	Fuel level sensor circuit noise	Even though the vehicle is parked, a signal being varied is sent from the fuel level sensor to ECM.	<ul style="list-style-type: none">• Harness or connectors (The CAN communication line is open or shorted)• Harness or connectors (The sensor circuit is open or shorted)• Combination meter• Fuel level sensor

DTC CONFIRMATION PROCEDURE

1. PRECONDITIONING

If DTC Confirmation Procedure has been previously conducted, always perform the following before conducting the next test.

1. Turn ignition switch OFF and wait at least 10 seconds.
2. Turn ignition switch ON.
3. Turn ignition switch OFF and wait at least 10 seconds.

>> GO TO 2.

2. PERFORM DTC CONFIRMATION PROCEDURE

1. Start engine and wait maximum of 2 consecutive minutes.
2. Check 1st trip DTC.

Is 1st trip DTC detected?

- YES >> Proceed to [EC-924, "Diagnosis Procedure"](#).
NO >> INSPECTION END

Diagnosis Procedure

INFOID:000000012602841

1. CHECK COMBINATION METER FUNCTION

Check combination meter function. Refer to [MWI-18, "CONSULT Function \(METER/M&A\)"](#).

Is the inspection result normal?

- YES >> Check intermittent incident. Refer to [GI-44, "Intermittent Incident"](#).
NO >> Proceed to [MWI-62, "Diagnosis Procedure"](#).

P0461 FUEL LEVEL SENSOR

< DTC/CIRCUIT DIAGNOSIS >

[VQ35DE]

P0461 FUEL LEVEL SENSOR

DTC Logic

INFOID:000000012602842

DTC DETECTION LOGIC

NOTE:

- If DTC P0461 is displayed with DTC UXXXX, first perform the trouble diagnosis for DTC UXXXX.
- If DTC P0461 is displayed with DTC P0607, first perform the trouble diagnosis for DTC P0607. Refer to [EC-953, "DTC Logic"](#).

Driving long distances naturally affect fuel gauge level.

This diagnosis detects the fuel gauge malfunction of the gauge not moving even after a long distance has been driven.

DTC No.	Trouble diagnosis name	DTC detecting condition	Possible cause
P0461	Fuel level sensor circuit range/performance	The output signal of the fuel level sensor does not change within the specified range even though the vehicle has been driven a long distance.	<ul style="list-style-type: none">• Harness or connectors (The CAN communication line is open or shorted)• Harness or connectors (The sensor circuit is open or shorted)• Combination meter• Fuel level sensor

DTC CONFIRMATION PROCEDURE

1. PERFORM COMPONENT FUNCTION CHECK

Perform component function check. Refer to [EC-925, "Component Function Check"](#).

Use component function check to check the overall function of the fuel level sensor. During this check, a 1st trip DTC might not be confirmed.

Is the inspection result normal?

YES >> INSPECTION END

NO >> Proceed to [EC-926, "Diagnosis Procedure"](#).

Component Function Check

INFOID:000000012602843

1. PRECONDITIONING

WARNING:

When performing the following procedure, always observe the handling of the fuel. Refer to [FL-5, "Exploded View"](#).

TESTING CONDITION:

Before starting component function check, preparation of draining fuel and refilling fuel is required.

Will CONSULT be used?

YES >> GO TO 2.

NO >> GO TO 3.

2. PERFORM COMPONENT FUNCTION CHECK

Ⓟ With CONSULT

NOTE:

Start from step 10, if it is possible to confirm that the fuel cannot be drained by 30 ℓ (7-7/8 US gal, 6-5/8 Imp gal) in advance.

1. Prepare a fuel container and a spare hose.
2. Release fuel pressure from fuel line, refer to [EC-1085, "Work Procedure"](#).
3. Remove the fuel feed hose on the fuel level sensor unit.
4. Connect a spare fuel hose where the fuel feed hose was removed.
5. Turn ignition switch OFF and wait at least 10 seconds then turn ON.
6. Select "FUEL LEVEL SE" in "DATA MONITOR" mode with CONSULT.
7. Check "FUEL LEVEL SE" output voltage and note it.
8. Select "FUEL PUMP RELAY" in "ACTIVE TEST" mode with CONSULT.

P0461 FUEL LEVEL SENSOR

[VQ35DE]

< DTC/CIRCUIT DIAGNOSIS >

9. Touch "ON" and drain fuel approximately 30 ℓ (7-7/8 US gal, 6-5/8 Imp gal) and stop it.
10. Check "FUEL LEVEL SE" output voltage and note it.
11. Fill fuel into the fuel tank for 30 ℓ (7-7/8 US gal, 6-5/8 Imp gal).
12. Check "FUEL LEVEL SE" output voltage and note it.
13. Confirm whether the voltage changes more than 0.03 V during step 7 to 10 and 10 to 12.

Is the inspection result normal?

- YES >> INSPECTION END
NO >> Proceed to [EC-926, "Diagnosis Procedure"](#).

3.PERFORM COMPONENT FUNCTION CHECK

Without CONSULT

NOTE:

Start from step 8, if it is possible to confirm that the fuel cannot be drained by 30 ℓ (7-7/8 US gal, 6-5/8 Imp gal) in advance.

1. Prepare a fuel container and a spare hose.
2. Release fuel pressure from fuel line. Refer to [EC-1085, "Work Procedure"](#).
3. Remove the fuel feed hose on the fuel level sensor unit. Refer to [FL-5, "Exploded View"](#).
4. Connect a spare fuel hose where the fuel feed hose was removed.
5. Turn ignition switch ON.
6. Drain fuel by 30 ℓ (7-7/8 US gal, 6-5/8 Imp gal) from the fuel tank using proper equipment.
7. Confirm that the fuel gauge indication varies.
8. Fill fuel into the fuel tank for 30 ℓ (7-7/8 US gal, 6-5/8 Imp gal).
9. Confirm that the fuel gauge indication varies.

Is the inspection result normal?

- YES >> INSPECTION END
NO >> Proceed to [EC-926, "Diagnosis Procedure"](#).

Diagnosis Procedure

INFOID:000000012602844

1.CHECK COMBINATION METER FUNCTION

Check combination meter function. Refer to [MWI-18, "CONSULT Function \(METER/M&A\)"](#).

Is the inspection result normal?

- YES >> Check intermittent incident. Refer to [GI-44, "Intermittent Incident"](#).
NO >> Proceed to [MWI-62, "Diagnosis Procedure"](#).

P0462, P0463 FUEL LEVEL SENSOR

< DTC/CIRCUIT DIAGNOSIS >

[VQ35DE]

P0462, P0463 FUEL LEVEL SENSOR

DTC Logic

INFOID:000000012602845

DTC DETECTION LOGIC

NOTE:

- If DTC P0462 or P0463 is displayed with DTC UXXXX, first perform the trouble diagnosis for DTC UXXXX.
- If DTC P0462 or P0463 is displayed with DTC P0607, first perform the trouble diagnosis for DTC P0607. Refer to [EC-953, "DTC Logic"](#).

DTC No.	Trouble diagnosis name	DTC detecting condition	Possible cause
P0462	Fuel level sensor circuit low input	An excessively low voltage from the sensor is sent to ECM.	<ul style="list-style-type: none">• Harness or connectors (The CAN communication line is open or shorted)• Harness or connectors (The sensor circuit is open or shorted)• Combination meter• Fuel level sensor
P0463	Fuel level sensor circuit high input	An excessively high voltage from the sensor is sent to ECM.	

DTC CONFIRMATION PROCEDURE

1. PRECONDITIONING

If DTC Confirmation Procedure has been previously conducted, always perform the following before conducting the next test.

1. Turn ignition switch OFF and wait at least 10 seconds.
2. Turn ignition switch ON.
3. Turn ignition switch OFF and wait at least 10 seconds.

TESTING CONDITION:

Before performing the following procedure, confirm that battery voltage is more than 11 V at ignition switch ON.

>> GO TO 2.

2. PERFORM DTC CONFIRMATION PROCEDURE

1. Turn ignition switch ON and wait at least 5 seconds.
2. Check 1st trip DTC.

Is 1st trip DTC detected?

- YES >> Proceed to [EC-927, "Diagnosis Procedure"](#).
NO >> INSPECTION END

Diagnosis Procedure

INFOID:000000012602846

1. CHECK COMBINATION METER FUNCTION

Check combination meter function. Refer to [MWI-18, "CONSULT Function \(METER/M&A\)"](#).

Is the inspection result normal?

- YES >> Check intermittent incident. Refer to [GI-44, "Intermittent Incident"](#).
NO >> Proceed to [MWI-62, "Diagnosis Procedure"](#).

P0500 VSS

Description

INFOID:0000000012602847

ECM receives vehicle speed signals from two different paths via CAN communication line: One is from the ABS actuator and electric unit (control unit) via the combination unit and the other is from TCM.

DTC Logic

INFOID:0000000012602848

DTC DETECTION LOGIC

NOTE:

- If DTC P0500 is displayed with DTC UXXXX, first perform the trouble diagnosis for DTC UXXXX.
- If DTC P0500 is displayed with DTC P0607, first perform the trouble diagnosis for DTC P0607. Refer to [EC-953, "DTC Logic"](#).

DTC No.	Trouble diagnosis (Trouble diagnosis content)	DTC detecting condition	Possible cause
P0500	VEH SPEED SEN/CIRC (Vehicle speed sensor)	At 20 km/h (13 MPH), ECM detects the following status continuously for 5 seconds or more: The difference between vehicle speed calculated by input speed sensor transmitted from TCM to ECM via CAN communication and the vehicle speed indicated on the combination meter exceeds 15km/h (10 MPH).	<ul style="list-style-type: none"> • Harness or connector (The CAN communication line is open or shorted.) • Combination meter • ABS actuator and electric unit (control unit) • Wheel sensor • TCM • Input speed sensor

DTC CONFIRMATION PROCEDURE

1. PRECONDITIONING

If DTC CONFIRMATION PROCEDURE has been previously conducted, always perform the following procedure before conducting the next test.

1. Turn ignition switch OFF and wait at least 10 seconds.
2. Turn ignition switch ON.
3. Turn ignition switch OFF and wait at least 10 seconds.

TESTING CONDITION:

Before performing the following procedure, confirm that battery voltage is 10 V or more at idle.

>> GO TO 2.

2. PERFORM DTC CONFIRMATION PROCEDURE

1. Start the engine.
2. Shift the selector lever to D range and wait at least for 2 seconds.
3. Drive the vehicle at least 5 seconds at 20 km/h (13 MPH) or more.

CAUTION:

Always drive vehicle at a safe speed.

NOTE:

This procedure may be conducted with the drive wheels lifted in the shop or by driving the vehicle. If a road test is expected to be easier, it is unnecessary to lift the vehicle.

4. Check 1st trip DTC.

Is 1st trip DTC detected?

- YES >> Proceed to [EC-928, "Diagnosis Procedure"](#)
- NO >> INSPECTION END

Diagnosis Procedure

INFOID:0000000012602849

1. CHECK DTC WITH TCM

Check DTC with TCM. Refer to [TM-249, "CONSULT Function"](#).

Is the inspection result normal?

- YES >> GO TO 2.

< DTC/CIRCUIT DIAGNOSIS >

NO >> Perform trouble shooting relevant to DTC indicated.

2.CHECK DTC WITH ABS ACTUATOR AND ELECTRIC UNIT (CONTROL UNIT)

Check DTC with ABS actuator and electric unit (control unit). Refer to [BRC-38, "CONSULT Function"](#) (Without ICC), [BRC-209, "CONSULT Function"](#) (With ICC).

Is the inspection result normal?

YES >> GO TO 3.

NO >> Perform trouble shooting relevant to DTC indicated.

3.CHECK DTC WITH COMBINATION METER

Check DTC with combination meter. Refer to [MWI-18, "CONSULT Function \(METER/M&A\)"](#).

Is the inspection result normal?

YES >> GO TO 4.

NO >> Perform trouble shooting relevant to DTC indicated.

4.CHECK INPUT SPEED SENSOR

Check input speed sensor. Refer to [TM-369, "Diagnosis Procedure"](#).

Is the inspection result normal?

YES >> GO TO 5.

NO >> Replace or replace error-detected parts.

5.CHECK WHEEL SENSOR

Check wheel sensor. Refer to [BRC-91, "Diagnosis Procedure"](#) (Without ICC), [BRC-284, "Diagnosis Procedure"](#) (With ICC).

Is the inspection result normal?

YES >> Check intermittent incident. Refer to [GI-44, "Intermittent Incident"](#).

NO >> Replace or replace error-detected parts.

P0506 ISC SYSTEM

Description

INFOID:000000012602850

The ECM controls the engine idle speed to a specified level through the fine adjustment of the air, which is let into the intake manifold, by operating the electric throttle control actuator. The operating of the throttle valve is varied to allow for optimum control of the engine idling speed. The crankshaft position sensor (POS) detects the actual engine speed and sends a signal to the ECM.

The ECM controls the electric throttle control actuator so that the engine speed coincides with the target value memorized in the ECM. The target engine speed is the lowest speed at which the engine can operate steadily. The optimum value stored in the ECM is determined by taking into consideration various engine conditions, such as during warming up, deceleration and engine load (air conditioner, power steering and cooling fan operation, etc.).

DTC Logic

INFOID:000000012602851

DTC DETECTION LOGIC

NOTE:

If DTC P0506 is displayed with other DTC, first perform the trouble diagnosis for the other DTC.

DTC No.	Trouble diagnosis name	DTC detecting condition	Possible cause
P0506	Idle speed control system RPM lower than expected	The idle speed is less than the target idle speed by 100 rpm or more.	<ul style="list-style-type: none"> • Electric throttle control actuator • Intake air leakage

DTC CONFIRMATION PROCEDURE

1. PRECONDITIONING

If DTC Confirmation Procedure has been previously conducted, always perform the following before conducting the next test.

1. Turn ignition switch OFF and wait at least 10 seconds.
2. Turn ignition switch ON.
3. Turn ignition switch OFF and wait at least 10 seconds.

If the target idle speed is out of the specified value, perform [EC-732, "Description"](#), before conducting DTC CONFIRMATION PROCEDURE.

TESTING CONDITION:

- Before performing the following procedure, confirm that battery voltage is more than 11 V at idle.
- Always perform the test at a temperature above -10°C(14°F).

>> GO TO 2.

2. PERFORM DTC CONFIRMATION PROCEDURE

1. Start engine and warm it up to normal operating temperature.
2. Turn ignition switch OFF and wait at least 10 seconds.
3. Turn ignition switch ON.
4. Turn ignition switch OFF and wait at least 10 seconds.
5. Restart engine and run it for at least 1 minute at idle speed.
6. Check 1st trip DTC.

Is 1st trip DTC detected?

- YES >> Proceed to [EC-930, "Diagnosis Procedure"](#).
- NO >> INSPECTION END

Diagnosis Procedure

INFOID:000000012602852

1. CHECK INTAKE AIR LEAKAGE

1. Start engine and let it idle.
2. Listen for an intake air leakage after the mass air flow sensor.

Is intake air leakage detected?

P0506 ISC SYSTEM

< DTC/CIRCUIT DIAGNOSIS >

[VQ35DE]

-
- YES >> Discover air leakage location and repair.
 - NO >> Replace ECM. Refer to [EC-1088, "Removal and Installation"](#).

P0507 ISC SYSTEM

Description

INFOID:000000012602853

The ECM controls the engine idle speed to a specified level through the fine adjustment of the air, which is let into the intake manifold, by operating the electric throttle control actuator. The operating of the throttle valve is varied to allow for optimum control of the engine idling speed. The crankshaft position sensor (POS) detects the actual engine speed and sends a signal to the ECM.

The ECM controls the electric throttle control actuator so that the engine speed coincides with the target value memorized in the ECM. The target engine speed is the lowest speed at which the engine can operate steadily. The optimum value stored in the ECM is determined by taking into consideration various engine conditions, such as during warming up, deceleration and engine load (air conditioner, power steering and cooling fan operation, etc.).

DTC Logic

INFOID:000000012602854

DTC DETECTION LOGIC

NOTE:

If DTC P0507 is displayed with other DTC, first perform the trouble diagnosis for the other DTC.

DTC No.	Trouble diagnosis name	DTC detecting condition	Possible cause
P0507	Idle speed control system RPM higher than expected	The idle speed is more than the target idle speed by 200 rpm or more.	<ul style="list-style-type: none"> • Electric throttle control actuator • Intake air leakage • PCV system

DTC CONFIRMATION PROCEDURE

1. PRECONDITIONING

If DTC Confirmation Procedure has been previously conducted, always perform the following before conducting the next test.

1. Turn ignition switch OFF and wait at least 10 seconds.
2. Turn ignition switch ON.
3. Turn ignition switch OFF and wait at least 10 seconds.

If the target idle speed is out of the specified value, perform [EC-732, "Description"](#), before conducting DTC Confirmation Procedure.

TESTING CONDITION:

- Before performing the following procedure, confirm that battery voltage is more than 11 V at idle.
- Always perform the test at a temperature above -10°C(14°F).

>> GO TO 2.

2. PERFORM DTC CONFIRMATION PROCEDURE

1. Start engine and warm it up to normal operating temperature.
2. Turn ignition switch OFF and wait at least 10 seconds.
3. Turn ignition switch ON.
4. Turn ignition switch OFF and wait at least 10 seconds.
5. Restart engine and run it for at least 1 minute at idle speed.
6. Check 1st trip DTC.

Is 1st trip DTC detected?

- YES >> Proceed to [EC-932, "Diagnosis Procedure"](#).
- NO >> INSPECTION END

Diagnosis Procedure

INFOID:000000012602855

1. CHECK PCV HOSE CONNECTION

Confirm that PCV hose is connected correctly.

Is the inspection result normal?

- YES >> GO TO 2.

P0507 ISC SYSTEM

< DTC/CIRCUIT DIAGNOSIS >

[VQ35DE]

NO >> Repair or replace malfunctioning part.

2. CHECK INTAKE AIR LEAKAGE

1. Start engine and let it idle.
2. Listen for an intake air leakage after the mass air flow sensor.

Is intake air leakage detected?

YES >> Discover air leakage location and repair.

NO >> Replace ECM. Refer to [EC-1088, "Removal and Installation"](#).

P050A, P050E COLD START CONTROL

< DTC/CIRCUIT DIAGNOSIS >

[VQ35DE]

P050A, P050E COLD START CONTROL

Description

INFOID:000000012602856

ECM controls ignition timing and engine idle speed when engine is started with pre-warming up condition. This control promotes the activation of three way catalyst by heating the catalyst and reduces emissions.

DTC Logic

INFOID:000000012602857

DTC DETECTION LOGIC

NOTE:

If DTC P050A, P050E is displayed with other DTC, first perform the trouble diagnosis for other DTC.

DTC No.	Trouble diagnosis name	DTC detecting condition	Possible cause
P050A	Cold start idle air control system performance	ECM does not control engine idle speed properly when engine is started with pre-warming up condition.	<ul style="list-style-type: none">Lack of intake air volumeFuel injection systemECM
P050E	Cold start engine exhaust temperature too low	The temperature of the catalyst inlet does not rise to the proper temperature when the engine is started with pre-warming up condition.	

DTC CONFIRMATION PROCEDURE

1. PRECONDITIONING

If DTC Confirmation Procedure has been previously conducted, always perform the following procedure before conducting the next test.

- Turn ignition switch OFF and wait at least 10 seconds.
- Turn ignition switch ON.
- Turn ignition switch OFF and wait at least 10 seconds.

TESTING CONDITION:

Before performing the following procedure, confirm that battery voltage is more than 11 V at idle.

>> GO TO 2.

2. PERFORM DTC CONFIRMATION PROCEDURE-I

With CONSULT

- Turn ignition switch OFF and wait at least 10 seconds.
- Turn ignition switch ON.
- Select "DATA MONITOR" mode with CONSULT.
- Check the indication of "COOLAN TEMP/S".

With GST

Follow the procedure "With CONSULT" above.

Is the value of "COOLAN TEMP/S" between 4°C (39°F) and 36°C (97°F)?

YES >> GO TO 3.

NO-1 [If it is below 4°C (39°F)]>>Warm up the engine until the value of "COOLAN TEMP/S" reaches 4°C (39°F) or more. Retry from step 1.

NO-2 [If it is above 36°C (97°F)]>>Cool engine down to less than 36°C (97°F). Retry from step 1.

3. PERFORM DTC CONFIRMATION PROCEDURE-II

With CONSULT

- Set the select lever in N range.
- Start the engine and warm up in idle with the value of "COOLAN TEMP/S" between 4°C (39°F) and 40°C (104°F) for more than 15 seconds.
- Check 1st trip DTC.

With GST

Follow the procedure "With CONSULT" above.

Is 1st trip DTC detected?

YES >> Proceed to [EC-935. "Diagnosis Procedure"](#).

P050A, P050E COLD START CONTROL

< DTC/CIRCUIT DIAGNOSIS >

[VQ35DE]

NO >> INSPECTION END

Diagnosis Procedure

INFOID:000000012602858

1. PERFORM IDLE AIR VOLUME LEARNING

Perform [EC-732, "Description"](#).

Is Idle Air Volume Learning carried out successfully?

YES >> GO TO 2.

NO >> Follow the instruction of Idle Air Volume Learning.

2. CHECK INTAKE SYSTEM

Check for the cause of intake air volume lacking. Refer to the following.

- Crushed intake air passage
- Intake air passage clogging
- Clogging of throttle body

Is the inspection result normal?

YES >> GO TO 3.

NO >> Repair or replace malfunctioning part

3. CHECK FUEL INJECTION SYSTEM FUNCTION

Perform DTC Confirmation Procedure for DTC P0171, P0174. Refer to [EC-848, "DTC Logic"](#).

Is the inspection result normal?

YES >> GO TO 4.

NO >> Proceed to [EC-849, "Diagnosis Procedure"](#) for DTC P0171, P0174.

4. PERFORM DTC CONFIRMATION PROCEDURE

1. Turn ignition switch ON.
2. Erase DTC.
3. Perform DTC Confirmation Procedure.
See [EC-934, "DTC Logic"](#).

Is the 1st trip DTC P050A, P050E displayed again?

YES >> Replace ECM. Refer to [EC-1088, "Removal and Installation"](#).

NO >> INSPECTION END

P0520 EOP SENSOR

< DTC/CIRCUIT DIAGNOSIS >

[VQ35DE]

P0520 EOP SENSOR

DTC Logic

INFOID:000000012602859

DTC DETECTION LOGIC

DTC No.	Trouble diagnosis (Trouble diagnosis content)	DTC detecting condition	Possible cause
P0520	EOP SENSOR/SWITCH (EOP sensor circuit)	ECM detects the following status continuously for 5 seconds or more: <ul style="list-style-type: none"> A voltage signal transmitted from the engine oil pressure sensor is lower than 0.26 V. A voltage signal transmitted from the engine oil pressure sensor is higher than 4.9 V. 	<ul style="list-style-type: none"> Harness or connectors (EOP sensor circuit is open or shorted) EOP sensor Sensor power supply 2 circuit

DTC CONFIRMATION PROCEDURE

1. PRECONDITIONING

If DTC Confirmation Procedure has been previously conducted, always perform the following procedure before conducting the next test.

- Turn ignition switch OFF and wait at least 10 seconds.
- Turn ignition switch ON.
- Turn ignition switch OFF and wait at least 10 seconds.

>> GO TO 2.

2. CHECK ENGINE OIL LEVEL

- Turn ignition switch OFF.
- Check engine oil level. Refer to [LU-28, "Inspection"](#).

Is inspection result normal?

YES >> GO TO 3.

NO >> Check engine oil leak. Refer to [LU-28, "Inspection"](#).

3. PERFORM DTC CONFIRMATION PROCEDURE

- Start engine and let it idle for at least 5 seconds.
- Check 1st trip DTC.

Is 1st trip DTC detected?

YES >> Proceed to [EC-936, "Diagnosis Procedure"](#).

NO >> INSPECTION END

Diagnosis Procedure

INFOID:000000012602860

1. CHECK EOP SENSOR POWER SUPPLY-I

- Turn ignition switch OFF.
- Disconnect EOP sensor harness connector.
- Turn ignition switch ON.
- Check the voltage between EOP sensor harness connector terminals.

Connector	EOP sensor		Voltage (Approx.)
	+	-	
F87	3	1	5 V

Is the inspection result normal?

YES >> GO TO 2.

NO >> GO TO 4.

P0520 EOP SENSOR

[VQ35DE]

< DTC/CIRCUIT DIAGNOSIS >

2. CHECK EOP SENSOR SIGNAL CIRCUIT

1. Turn ignition switch OFF.
2. Disconnect ECM harness connectors.
3. Check the continuity between EOP sensor harness connector and ECM harness connector.

+		-		Continuity
EOP sensor		ECM		
Connector	Terminal	Connector	Terminal	
F87	2	F78	14	Existed

4. Also check harness for short to ground and short to power.

Is the inspection result normal?

YES >> GO TO 3.

NO >> Repair or replace error-detected parts.

3. CHECK EOP SENSOR

Check EOP sensor. Refer to [EC-938, "Component Inspection"](#).

Is the inspection result normal?

YES >> Check intermittent incident. Refer to [GI-44, "Intermittent Incident"](#).

NO >> Repair or replace error-detected parts.

4. CHECK EOP SENSOR POWER SUPPLY-II

Check the voltage between EOP sensor harness connector terminal and ground.

+		-	Voltage (Approx.)
EOP sensor			
Connector	Terminal		
F87	3	Ground	5 V

Is the inspection result normal?

YES >> GO TO 7.

NO >> GO TO 5.

5. CHECK EOP SENSOR POWER SUPPLY CIRCUIT

1. Turn ignition switch OFF.
2. Disconnect ECM harness connectors.
3. Check the continuity between EOP sensor harness connector and ECM harness connector.

+		-		Continuity
EOP sensor		ECM		
Connector	Terminal	Connector	Terminal	
F87	3	F78	18	Existed

4. Also check harness for short to ground and short to power.

Is the inspection result normal?

YES >> GO TO 6.

NO >> Repair or replace error-detected parts.

6. CHECK SENSOR POWER SUPPLY 2 CIRCUIT

Check sensor power supply 2 circuit. Refer to [EC-1072, "Diagnosis Procedure"](#).

Is inspection result normal?

YES >> Perform the trouble diagnosis for power supply circuit.

NO >> Repair or replace error-detected parts.

7. CHECK EOP SENSOR GROUND CIRCUIT

P0520 EOP SENSOR

[VQ35DE]

< DTC/CIRCUIT DIAGNOSIS >

1. Turn ignition switch OFF.
2. Disconnect ECM harness connector.
3. Check the continuity between EOP sensor harness connector and ECM harness connector.

+		-		Continuity
EOP sensor		ECM		
Connector	Terminal	Connector	Terminal	
F87	1	F78	15	Existed

Is the inspection result normal?

- YES >> GO TO 8.
 NO >> Repair or replace error-detected parts.

8.CHECK ECM GROUND CIRCUIT

Check the continuity between ECM harness connector and ground.

+		-	Continuity
ECM			
Connector	Terminal		
F78	10	Ground	Existed
	55		
F79	105		
	110		
E32	147		
	149		
	152		

Is the inspection result normal?

- YES >> Check intermittent incident. Refer to [GI-44. "Intermittent Incident"](#).
 NO >> Repair or replace error-detected parts.

Component Inspection

INFOID:000000012602861

1.CHECK EOP SENSOR

1. Turn ignition switch OFF.
2. Disconnect EOP sensor harness connector.
3. Check resistance between EOP sensor connector terminals.

EOP sensor		Condition	Resistance (kΩ)
+	-		
Terminal			
1	2	None	4 – 10
	3		2 – 8
2	1		4 – 10
	3		1 – 3
3	1		2 – 8
	2		1 – 3

Is the inspection result normal?

- YES >> INSPECTION END.
 NO >> Replace EOP sensor. Refer to [EC-585. "ENGINE CONTROL SYSTEM : Component Parts Location"](#).

P0524 ENGINE OIL PRESSURE

< DTC/CIRCUIT DIAGNOSIS >

[VQ35DE]

P0524 ENGINE OIL PRESSURE

DTC Logic

INFOID:000000012602862

DTC DETECTION LOGIC

DTC No.	Trouble diagnosis (Trouble diagnosis content)	DTC detecting condition	Possible cause
P0524	ENGINE OIL PRESSURE (Engine oil pressure too low)	An EOP sensor signal voltage applied to ECM remains lower than the specified value continuously for 10 seconds or more when the engine speed is 1,000 rpm or more.	<ul style="list-style-type: none">• Decrease in engine oil pressure• Decrease in engine oil level• Engine oil condition• EOP sensor• Engine body

DTC CONFIRMATION PROCEDURE

CAUTION:

If "[EC-940, "Diagnosis Procedure"](#)" is unfinished, be sure to perform Step 3 and 4.

1. PRECONDITIONING-1

If DTC Confirmation Procedure has been previously conducted, always perform the following procedure before conducting the next test.

1. Turn ignition switch OFF and wait at least 10 seconds.
2. Turn ignition switch ON.
3. Turn ignition switch OFF and wait at least 10 seconds.

TEST CONDITION:

Before performing the following procedure, confirm that battery voltage is 11 V or more at idle.

>> GO TO 2.

2. PRECONDITIONING-2

Is "Diagnosis Procedure" of DTC P0524 finished?

- YES >> GO TO 3.
NO >> GO TO 4.

3. PERFORM DTC CONFIRMATION PROCEDURE

1. Start engine and warm it up to normal operating temperature.
2. Maintain the following conditions for about 10 consecutive seconds.

Selector lever	P or N position
Engine coolant temperature	70°C (158°F) or more
Engine speed	1,000 rpm or more

NOTE:

With engine speed set around 4,000 rpm, the phenomenon can be reproduced more easily.

3. Check DTC.

Is DTC detected?

- YES >> Proceed to [EC-940, "Diagnosis Procedure"](#).
NO >> INSPECTION END

4. CHECK ENGINE OIL LEVEL

Check engine oil level. Refer to [LU-28, "Inspection"](#).

Is the inspection result normal?

- YES >> GO TO 5.
NO >> Proceed to [EC-940, "Diagnosis Procedure"](#).

5. CHECK ENGINE OIL PRESSURE

Ⓜ With CONSULT

P0524 ENGINE OIL PRESSURE

[VQ35DE]

< DTC/CIRCUIT DIAGNOSIS >

1. Turn ignition switch ON.
2. Select "DATA MONITOR" mode of "ENGINE" using CONSULT.
3. Start the engine and check that "EOP SENSOR" changes, according to engine speeds.

Monitor item	Condition	Value (Approx.)
EOP SENSOR	<ul style="list-style-type: none">• Engine oil temperature: 80°C (176°F)• Selector lever: P or N position• Air conditioner switch: OFF• No load	Engine speed: Idle 1.45 V or more
		Engine speed: 2,000 rpm 2.85 V or more

⊗ Without CONSULT

Check engine oil pressure. Refer to [LU-28, "Inspection"](#).

Is the inspection result normal?

YES >> GO TO 3.

NO >> Proceed to [EC-940, "Diagnosis Procedure"](#).

Diagnosis Procedure

INFOID:000000012602863

1. CHECK ENGINE OIL LEVEL

1. Turn ignition switch OFF.
2. Check engine oil level. Refer to [LU-28, "Inspection"](#).

Is the inspection result normal?

YES >> GO TO 2.

NO >> GO TO 4.

2. CHECK ENGINE OIL PRESSURE

Ⓜ With CONSULT

1. Turn ignition switch ON.
2. Select "DATA MONITOR" mode of "ENGINE" using CONSULT.
3. Start the engine and check that "EOP SENSOR" changes, according to engine speeds.

Monitor item	Condition	Value (Approx.)
EOP SENSOR	<ul style="list-style-type: none">• Engine oil temperature: 80°C (176°F)• Selector lever: P or N position• Air conditioner switch: OFF• No load	Engine speed: Idle 1.45 V or more
		Engine speed: 2,000 rpm 2.85 V or more

⊗ Without CONSULT

Check engine oil level. Refer to [LU-28, "Inspection"](#).

Is the inspection result normal?

YES >> GO TO 3.

NO >> Check oil pump. Refer to [LU-32, "Removal and Installation"](#).

3. CHECK EOP SENSOR

Check EOP sensor. Refer to [EC-941, "Component Inspection"](#).

Is the inspection result normal?

YES >> Check intermittent incident. Refer to [GI-44, "Intermittent Incident"](#).

NO >> Repair or replace error-detected parts.

4. CHECK ENGINE OIL LEAKAGE

Check engine oil leakage. Refer to [LU-26, "Lubrication Circuit"](#).

Is the inspection result normal?

YES >> GO TO 5.

NO >> Repair or replace error-detected parts.

P0524 ENGINE OIL PRESSURE

< DTC/CIRCUIT DIAGNOSIS >

[VQ35DE]

5.CHECK CAUSE OF ENGINE OIL CONSUMPTION

Check the following item.

Step	Inspection item	Equipment	Standard	Reference
1	PCV valve	EC-1087, "Work Procedure"		
2	Exhaust front tube	Visual	<ul style="list-style-type: none"> • No blocking • No abnormal sounds 	—
3	Oil pump	LU-32, "Removal and Installation"		
4	<ul style="list-style-type: none"> • Piston • Piston pin • Piston ring 	<ul style="list-style-type: none"> • Piston to piston pin oil clearance • Piston ring side clearance • Piston ring end gap 		EM-231, "Disassembly and Assembly"
5	Cylinder block	<ul style="list-style-type: none"> • Cylinder block top surface distortion • Piston to cylinder bore clearance 		EM-241, "Inspection"

>> Repair or replace error-detected parts.

Component Inspection

INFOID:0000000012602864

1.CHECK EOP SENSOR

1. Turn ignition switch OFF.
2. Disconnect EOP sensor harness connector.
3. Check resistance between EOP sensor connector terminals.

EOP sensor		Condition	Resistance (kΩ)		
+	-				
Terminal		None			
1	2			None	4 – 10
	3				2 – 8
2	1				4 – 10
	3				1 – 3
3	1				2 – 8
	2				1 – 3

Is the inspection result normal?

YES >> INSPECTION END.

NO >> Replace EOP sensor. Refer to [EC-585, "ENGINE CONTROL SYSTEM : Component Parts Location"](#).

P052A, P052B, P052C, P052D INTAKE VALVE TIMING CONTROL

< DTC/CIRCUIT DIAGNOSIS >

[VQ35DE]

P052A, P052B, P052C, P052D INTAKE VALVE TIMING CONTROL

DTC Logic

INFOID:000000012602865

DTC DETECTION LOGIC

NOTE:

If DTC P052A, P052B, P052C and P052D is displayed with DTC P0075, perform the trouble diagnosis for DTC P0075. Refer to [EC-780, "DTC Logic"](#).

DTC No.	Trouble diagnosis (Trouble diagnosis content)	Detecting condition	Possible cause
P052A	CAMSHAFT POSITION TIMING B1 (Cold start "A" camshaft position timing over-advanced bank 1)	There is a gap between the target phase angle and the detected phase angle when the engine is operating in cold conditions.	<ul style="list-style-type: none"> • Crankshaft position sensor • Camshaft position sensor • Intake valve timing control solenoid valve • Intake valve timing intermediate lock control solenoid valve • Accumulation of debris to the signal pick-up portion of the camshaft • Timing chain installation • Foreign matter caught in the intake valve timing control (or intermediate lock control) solenoid valve
P052B	CAMSHAFT POSITION TIMING B1 (Cold start "A" camshaft position timing over-retarded bank 1)		
P052C	CAMSHAFT POSITION TIMING B2 (Cold start "A" camshaft position timing over-advanced bank 2)		
P052D	CAMSHAFT POSITION TIMING B2 (Cold start "A" camshaft position timing over-retarded bank 2)		

DTC CONFIRMATION PROCEDURE

1. PRECONDITIONING

TESTING CONDITION:

Before performing the following procedure, confirm that battery voltage is 10 V or more at idle.

With CONSULT

1. Turn ignition switch OFF and wait at least 10 seconds.
2. Turn ignition switch ON.
3. Turn ignition switch OFF and wait at least 10 seconds.
4. Turn ignition switch ON.
5. On the CONSULT screen, select "ENGINE" >> "DATA MONITOR" >> "COOLAN TEMP/S".
6. Check "COOLAN TEMP/S" indication value.

With GST

Follow the procedure "With CONSULT" above.

Is the value of "COOLAN TEMP/S" -5°C (23°F) and 45°C (113°F)?

YES >> GO TO 2.

NO-1 [if it is below -5°C (23°F)]>>Warm up the engine until the value of "COOLAN TEMP/S" indicates -5°C (23°F) and 45°C (113°F). And then GO TO 2.

NO-2 [if it is above 45°C (113°F)]>>Cool the engine down to the value of "COOLAN TEMP/S" indicates -5°C (23°F) and 45°C (113°F). And then GO TO 2.

2. PERFORM DTC CONFIRMATION PROCEDURE-I

1. Turn ignition switch OFF and wait at 10 seconds.
2. Turn ignition switch ON.
3. Set the selector lever in N range.
4. Start the engine and let it idle for 20 seconds or more.
5. Check 1st trip DTC.

P052A, P052B, P052C, P052D INTAKE VALVE TIMING CONTROL

< DTC/CIRCUIT DIAGNOSIS >

[VQ35DE]

Is 1st trip DTC detected?

- YES >> Proceed to [EC-943, "Diagnosis Procedure"](#)
- NO >> INSPECTION END

Diagnosis Procedure

INFOID:000000012602866

1.INSPECTION START

- With CONSULT>>GO TO 2.
- Without CONSULT>>GO TO 3.

2.CHECK VTC POSITION

With CONSULT

1. Turn ignition switch ON.
2. On the CONSULT screen, select "ENGINE" >> "DATA MONITOR" >> "COOLAN TEMP/S".
3. Check that the "COOLAN TEMP/S" indication value is between -5°C (23°F) and 45°C (113°F).
4. Start engine and wait at least 5 seconds.
5. On the CONSULT screen, select "ENGINE" >> "DATA MONITOR" >> "INT/V TIM (B1)".
6. Check that the data monitor item indicates as follows:

Item	Value ($^{\circ}\text{CA}$)
INT/V TIM (B1)	10 ± 2
INT/V TIM (B2)	10 ± 2

Is the inspection result normal?

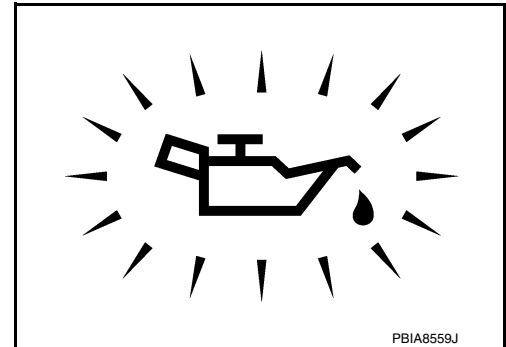
- YES >> Check intermittent incident. Refer to [GI-44, "Intermittent Incident"](#).
- NO >> GO TO 3.

3.CHECK OIL PRESSURE WARNING LAMP

1. Start engine.
2. Check that oil pressure warning lamp is not illuminated.

Is oil pressure warning lamp illuminated?

- YES >> Refer to [LU-28, "Inspection"](#).
- NO >> GO TO 4.



4.CHECK INTAKE VALVE TIMING INTERMEDIATE LOCK CONTROL SOLENOID VALVE

Perform Component Inspection of the intake valve timing intermediate lock control solenoid valve. Refer to [EC-945, "Component Inspection \(Intake Valve Timing Intermediate Lock Control Solenoid Valve\)"](#).

Is the inspection result normal?

- YES >> GO TO 5.
- NO >> Repair or replace error-detected parts.

5.CHECK INTAKE VALVE TIMING CONTROL SOLENOID VALVE

Perform Component Inspection of the intake valve timing control solenoid valve. Refer to [EC-944, "Component Inspection \(Intake Valve Timing Control Solenoid Valve\)"](#).

Is the inspection result normal?

- YES >> GO TO 6.
- NO >> Repair or replace error-detected parts.

6.CHECK CRANKSHAFT POSITION SENSOR

P052A, P052B, P052C, P052D INTAKE VALVE TIMING CONTROL

< DTC/CIRCUIT DIAGNOSIS >

[VQ35DE]

Perform Component Inspection of the crankshaft position sensor. Refer to [EC-945. "Component Inspection \(Crankshaft Position sensor\)"](#).

Is the inspection result normal?

YES >> GO TO 7.

NO >> Repair or replace error-detected parts.

7. CHECK CAMSHAFT POSITION SENSOR

Perform Component Inspection of the camshaft position sensor. Refer to [EC-946. "Component Inspection \(Camshaft position sensor\)"](#).

Is the inspection result normal?

YES >> GO TO 8.

NO >> Repair or replace error-detected parts.

8. CHECK CAMSHAFT (INTAKE)

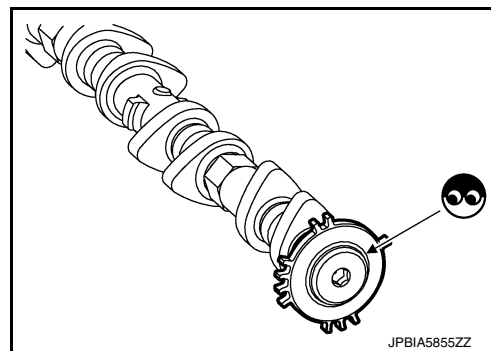
Check the following.

1. Accumulation of debris on the signal plate of camshaft front end
2. Chipping signal plate of camshaft front end

Is the inspection result normal?

YES >> GO TO 9.

NO >> Remove debris and clean the signal plate of camshaft front end or replace camshaft. Refer to [EM-200. "Removal and Installation"](#).



9. CHECK TIMING CHAIN INSTALLATION

Check service records for any recent repairs that may cause timing chain misalignment.

Are there any service records that may cause timing chain misalignment?

YES >> Check timing chain installation. Refer to [EM-187. "Removal and Installation"](#).

NO >> GO TO 10.

10. CHECK LUBRICATION CIRCUIT

Perform "Inspection of Camshaft Sprocket (INT) Oil Groove". Refer to [EM-208. "Inspection after Installation"](#).

Is the inspection result normal?

YES >> Check intermittent incident. Refer to [GI-44. "Intermittent Incident"](#).

NO >> Clean lubrication line.

Component Inspection (Intake Valve Timing Control Solenoid Valve)

INFOID:000000012602867

1. CHECK INTAKE VALVE TIMING CONTROL SOLENOID VALVE-I

1. Turn ignition switch OFF.
2. Disconnect intake valve timing control solenoid valve harness connector.
3. Check resistance between intake valve timing control solenoid valve terminals as per the following.

Terminals	Resistance
1 and 2	7.0 - 7.8 Ω [at 20°C (68°F)]
1 or 2 and ground	$\infty \Omega$ (Continuity should not exist)

Is the inspection result normal?

YES >> GO TO 2.

NO >> Replace malfunctioning intake valve timing control solenoid valve. Refer to [EM-176. "Exploded View"](#).

2. CHECK INTAKE VALVE TIMING CONTROL SOLENOID VALVE-II

1. Remove intake valve timing control solenoid valve. Refer to [EM-176. "Exploded View"](#).

P052A, P052B, P052C, P052D INTAKE VALVE TIMING CONTROL

[VQ35DE]

< DTC/CIRCUIT DIAGNOSIS >

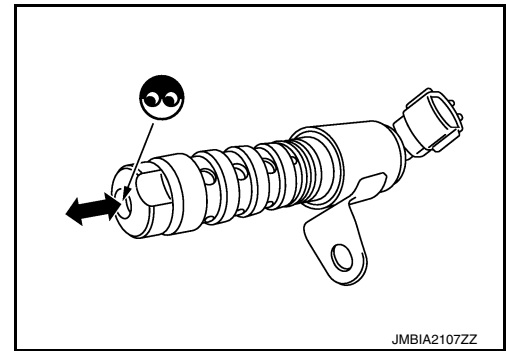
2. Provide 12 V DC between intake valve timing control solenoid valve terminals 1 and 2, and then interrupt it. Check that the plunger moves as shown in the figure.

CAUTION:

Never apply 12 V DC continuously for 5 seconds or more. Doing so may result in damage to the coil in intake valve timing control solenoid valve.

NOTE:

Always replace O-ring when intake valve timing control solenoid valve is removed.



Is the inspection result normal?

YES >> INSPECTION END

NO >> Replace malfunctioning intake valve timing control solenoid valve. Refer to [EM-176. "Exploded View"](#).

Component Inspection (Intake Valve Timing Intermediate Lock Control Solenoid Valve)

INFOID:000000012602868

1. CHECK INTAKE VALVE TIMING INTERMEDIATE LOCK CONTROL SOLENOID VALVE-I

1. Turn ignition switch OFF.
2. Disconnect intake valve timing intermediate lock control solenoid valve harness connector.
3. Check resistance between intake valve timing intermediate lock control solenoid valve terminals as per the following.

Terminals	Resistance
1 and 2	7.0 - 7.8 Ω [at 20°C (68°F)]
1 or 2 and ground	$\infty \Omega$ (Continuity should not exist)

Is the inspection result normal?

YES >> GO TO 2.

NO >> Replace malfunctioning intake valve timing intermediate lock control solenoid valve. Refer to [EM-176. "Exploded View"](#).

2. CHECK INTAKE VALVE TIMING INTERMEDIATE LOCK CONTROL SOLENOID VALVE-II

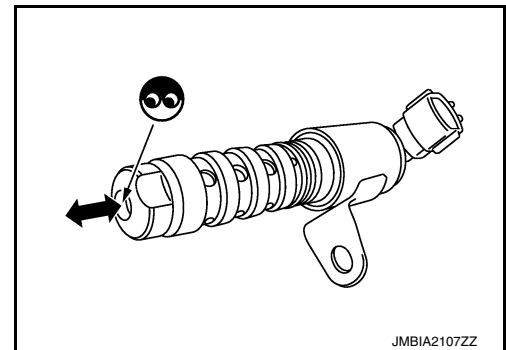
1. Remove intake valve timing intermediate lock control solenoid valve. Refer to [EM-176. "Exploded View"](#).
2. Provide 12 V DC between intake valve timing intermediate lock control solenoid valve terminals 1 and 2, and then interrupt it. Check that the plunger moves as shown in the figure.

CAUTION:

Never apply 12 V DC continuously for 5 seconds or more. Doing so may result in damage to the coil in intake valve timing intermediate lock control solenoid valve.

NOTE:

Always replace O-ring when intake valve timing intermediate lock control solenoid valve is removed.



Is the inspection result normal?

YES >> INSPECTION END

NO >> Replace malfunctioning intake valve timing intermediate lock control solenoid valve. Refer to [EM-176. "Exploded View"](#).

Component Inspection (Crankshaft Position sensor)

INFOID:000000012602869

1. CHECK CRANKSHAFT POSITION SENSOR (POS)-1

1. Turn ignition switch OFF.
2. Loosen the fixing bolt of the sensor.
3. Disconnect crankshaft position sensor (POS) harness connector.
4. Remove the sensor.

P052A, P052B, P052C, P052D INTAKE VALVE TIMING CONTROL

[VQ35DE]

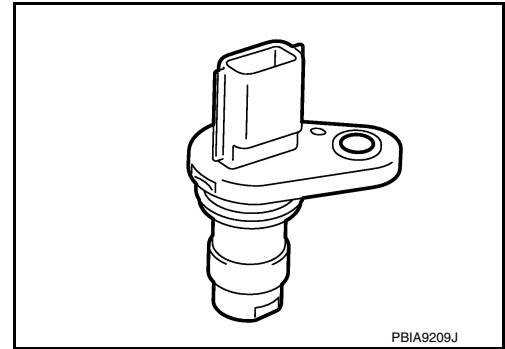
< DTC/CIRCUIT DIAGNOSIS >

5. Visually check the sensor for chipping.

Is the inspection result normal?

YES >> GO TO 2.

NO >> Replace crankshaft position sensor (POS). Refer to [EM-230, "Exploded View"](#).



2.CHECK CRANKSHAFT POSITION SENSOR (POS)-2

Check the resistance between crankshaft position sensor (POS) terminals as per the following.

Crankshaft position sensor (POS)		Resistance [at 25°C (77°F)]
+	-	
Terminal (Polarity)		Except 0 or ∞ Ω
1	2	
	3	
2	3	

Is the inspection result normal?

YES >> INSPECTION END

NO >> Replace crankshaft position sensor (POS). Refer to [EM-230, "Exploded View"](#).

Component Inspection (Camshaft position sensor)

INFOID:0000000012602870

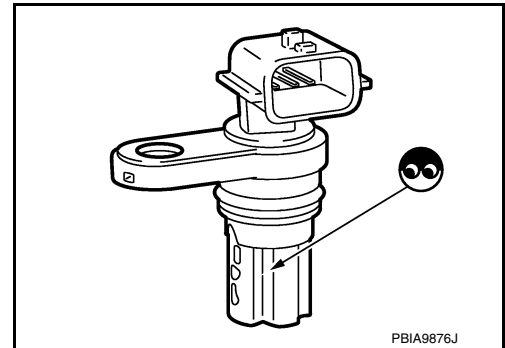
1.CHECK CAMSHAFT POSITION SENSOR (PHASE)-1

1. Turn ignition switch OFF.
2. Loosen the fixing bolt of the sensor.
3. Disconnect camshaft position sensor (PHASE) harness connector.
4. Remove the sensor.
5. Visually check the sensor for chipping.

Is the inspection result normal?

YES >> GO TO 2.

NO >> Replace camshaft position sensor (PHASE).



2.CHECK CAMSHAFT POSITION SENSOR (PHASE)-2

Check the resistance camshaft position sensor (PHASE) terminals as per the following.

Camshaft position sensor (PHASE)		Resistance [Ω at 25°C (77°F)]
+	-	
Terminals (Polarity)		Except 0 or ∞
1	2	
	3	
2	3	

Is the inspection result normal?

P052A, P052B, P052C, P052D INTAKE VALVE TIMING CONTROL

< DTC/CIRCUIT DIAGNOSIS >

[VQ35DE]

YES >> INSPECTION END

NO >> Replace camshaft position sensor (PHASE). Refer to [EM-172, "Removal and Installation \(bank 2\)"](#), [EM-173, "Removal and Installation \(bank 1\)"](#).

P0603, P062F ECM

DTC Description

INFOID:000000012602871

DTC DETECTION LOGIC

DTC No.	CONSULT screen terms (Trouble diagnosis content)	DTC detecting condition
P0603	ECM BACK UP/CIRCUIT [Internal Control Module Keep Alive Memory (KAM) Error]	ECM buck up system does not function properly.
P062F	CONTROL MODULE (Internal control module EEPROM error)	EEPROM (built-in microcomputer) system internal ECM does not function properly.

POSSIBLE CAUSE

DTC P0603

- Harness or connectors (ECM power supply circuit is open or shorted.)
- ECM

DTC P062F

ECM

FAIL-SAFE

Not applicable

DTC CONFIRMATION PROCEDURE

1. PRECONDITIONING

Perform the following procedure before performing DTC Confirmation Procedure.

1. Turn ignition switch OFF and wait at least 10 seconds.
2. Turn ignition switch ON.
3. Turn ignition switch OFF and wait at least 10 seconds.

>> GO TO 2.

2. PERFORM DTC CONFIRMATION PROCEDURE FOR DTC P062F

1. Start engine and wait at least 10 seconds.
2. Turn ignition switch OFF and wait at least 10 seconds.
3. Repeat steps 1 and 2 for 4 times.
4. Turn ignition switch ON.
5. Erase DTC.
6. Turn ignition switch OFF and wait at least 10 seconds.
7. Start engine and wait at least 10 seconds.
8. Check 1st trip DTC.

Is 1st trip DTC detected?

- YES >> Proceed to [EC-949, "Diagnosis Procedure"](#).
 NO >> GO TO 3.

3. PERFORM DTC CONFIRMATION PROCEDURE FOR DTC P0603

1. Turn ignition switch OFF and wait at least 10 seconds.
2. Turn ignition switch ON and wait at least 10 seconds.
3. Turn ignition switch OFF and wait at least 5 minutes.
4. Turn ignition switch ON and wait at least 10 seconds.
5. Repeat steps 3 and 4 for 5 times.
6. Turn ignition switch ON.
7. Check 1st trip DTC.

Is 1st trip DTC detected?

- YES >> Proceed to [EC-949, "Diagnosis Procedure"](#).
 NO >> INSPECTION END

Diagnosis Procedure

INFOID:000000012602872

1.INSPECTION START

Check that the battery negative terminal is not disconnected during ignition switch ON.

Is the inspection result normal?

- YES >> GO TO 3.
- NO >> GO TO 2.

2.ERASE DTC

1. Start the engine and let it idle at least 10 seconds.
2. Turn ignition switch OFF.
3. Repeat steps 1 and 2 for 4 times.
4. Erase DTC.
5. Turn ignition switch OFF and wait at least 10 seconds.
6. Start the engine and let it idle for 10 seconds.
7. Check 1st trip DTC.

Is DTC P062F detected again?

- YES >> Replace ECM. Refer to [EC-1088, "Removal and Installation"](#).
- NO >> INSPECTION END

3.CHECK ECM POWER SUPPLY AND GROUND CIRCUIT

Check ECM power supply and ground circuit. Refer to [EC-758, "Diagnosis Procedure"](#).

Is the inspection result normal?

- YES >> GO TO 4.
- NO >> Repair or replace error-detected parts.

4.CHECK INTERMITTENT INCIDENT

Check intermittent incident. Refer to [GI-44, "Intermittent Incident"](#).

Is the inspection result normal?

- YES >> GO TO 5.
- NO >> Repair or replace error-detected parts.

5.PERFORM DTC CONFIRMATION PROCEDURE

1. Turn ignition switch ON.
2. Erase DTC.
3. Perform DTC confirmation procedure. Refer to [EC-948, "DTC Description"](#).

Is the DTC P0603 or P062F detected again?

- YES >> Replace ECM. Refer to [EC-1088, "Removal and Installation"](#).
- NO >> INSPECTION END

P0604 ECM

DTC Logic

INFOID:0000000012602873

DTC DETECTION LOGIC

DTC No.	CONSULT screen terms (Trouble diagnosis content)	DTC detecting condition	Possible cause
P0604	ECM [Internal control module random access memory (RAM) error]	Malfunction in the internal RAM of ECM.	ECM

DTC CONFIRMATION PROCEDURE

1. PRECONDITIONING

1. Turn ignition switch OFF and wait at least 10 seconds.
2. Turn ignition switch ON.
3. Turn ignition switch OFF and wait at least 10 seconds.

TESTING CONDITION:

Before performing the following procedure, confirm that battery voltage is 11 V or more with ignition switch ON.

>> GO TO 2.

2. PERFORM DTC CONFIRMATION PROCEDURE

1. Turn ignition switch ON (engine stopped) and wait least 20 minutes.

CAUTION:

Never start engine during this procedure.

2. Turn ignition switch OFF and wait at least 10 seconds.
3. Turn ignition switch ON.
4. Check 1st trip DTC.

Is 1st trip DTC detected?

YES >> Proceed to [EC-950, "Diagnosis Procedure"](#).

NO >> INSPECTION END

Diagnosis Procedure

INFOID:0000000012602874

1. PERFORM DTC CONFIRMATION PROCEDURE

1. Turn ignition switch ON.
2. Erase DTC.
3. Perform DTC confirmation procedure. Refer to [EC-950, "DTC Logic"](#).

Is the 1st trip DTC P0604 displayed again?

YES >> Replace ECM. Refer to [EC-1088, "Removal and Installation"](#).

NO >> INSPECTION END

P0605 ECM

DTC Logic

INFOID:000000012602875

DTC DETECTION LOGIC

DTC No.	CONSULT screen terms (Trouble diagnosis content)	DTC detecting condition	Possible cause
P0605	ECM [Internal control module read only memory (ROM) error]	Malfunction in the internal ROM of ECM.	ECM

DTC CONFIRMATION PROCEDURE

1. PRECONDITIONING

1. Turn ignition switch OFF and wait at least 10 seconds.
2. Turn ignition switch ON.
3. Turn ignition switch OFF and wait at least 10 seconds.

TESTING CONDITION:

Before performing the following procedure, confirm that battery voltage is 11 V or more with ignition switch ON.

>> GO TO 2.

2. PERFORM DTC CONFIRMATION PROCEDURE

1. Turn ignition switch ON (engine stopped) and wait least 20 minutes.

CAUTION:

Never start engine during this procedure.

2. Turn ignition switch OFF and wait at least 10 seconds.
3. Turn ignition switch ON.
4. Check 1st trip DTC.

Is 1st trip DTC detected?

YES >> Proceed to [EC-951, "Diagnosis Procedure"](#).

NO >> INSPECTION END

Diagnosis Procedure

INFOID:000000012602876

1. PERFORM DTC CONFIRMATION PROCEDURE

1. Turn ignition switch ON.
2. Erase DTC.
3. Perform DTC confirmation procedure. Refer to [EC-950, "DTC Logic"](#).

Is the 1st trip DTC P0605 displayed again?

YES >> Replace ECM. Refer to [EC-1088, "Removal and Installation"](#).

NO >> INSPECTION END

P0606 ECM

DTC Logic

INFOID:000000012602877

DTC DETECTION LOGIC

DTC No.	CONSULT screen terms (Trouble diagnosis content)	DTC detecting condition	Possible cause
P0606	CONTROL MODULE (Control module processor)	Malfunction in ECM processor.	ECM

DTC CONFIRMATION PROCEDURE

1. PRECONDITIONING

1. Turn ignition switch OFF and wait at least 10 seconds.
2. Turn ignition switch ON.
3. Turn ignition switch OFF and wait at least 10 seconds.

TESTING CONDITION:

Before performing the following procedure, confirm that battery voltage is 11 V or more with ignition switch ON.

>> GO TO 2.

2. PERFORM DTC CONFIRMATION PROCEDURE-I

1. Turn ignition switch ON (engine stopped) and wait at least 10 seconds.

CAUTION:

Never start engine during this procedure.

2. Turn ignition switch OFF and wait at least 10 seconds.
3. Turn ignition switch ON.
4. Check 1st trip DTC.

Is 1st trip DTC detected?

- YES >> Proceed to [EC-952, "Diagnosis Procedure"](#).
- NO >> GO TO 3.

3. PERFORM DTC CONFIRMATION PROCEDURE-II

1. Start engine.
2. Rev up the engine quickly to approximately 3,000 rpm under unloaded condition and completely release the accelerator pedal.
3. Let the engine idle and wait at least 10 seconds.
4. Turn ignition switch OFF and wait at least 10 seconds.
5. Turn ignition switch ON.
6. Check 1st trip DTC.

Is 1st trip DTC detected?

- YES >> Proceed to [EC-952, "Diagnosis Procedure"](#).
- NO >> INSPECTION END

Diagnosis Procedure

INFOID:000000012602878

1. PERFORM DTC CONFIRMATION PROCEDURE

1. Turn ignition switch ON.
2. Erase DTC.
3. Perform DTC confirmation procedure for 3 times. Refer to [EC-952, "DTC Logic"](#).

Is the 1st trip DTC P0606 displayed again?

- YES >> Replace ECM. Refer to [EC-1088, "Removal and Installation"](#).
- NO >> INSPECTION END

P0607 ECM

DTC Logic

INFOID:000000012602879

DTC DETECTION LOGIC

DTC No.	CONSULT screen terms (Trouble diagnosis content)	DTC detecting condition	Possible cause
P0607	ECM (Control module performance)	ECM internal communication system is malfunctioning.	ECM

DTC CONFIRMATION PROCEDURE

1. PRECONDITIONING

1. Turn ignition switch OFF and wait at least 10 seconds.
2. Turn ignition switch ON.
3. Turn ignition switch OFF and wait at least 10 seconds.

TESTING CONDITION:

Before performing the following procedure, confirm that battery voltage is 11 V or more with ignition switch ON.

>> GO TO 2.

2. PERFORM DTC CONFIRMATION PROCEDURE

1. Turn ignition switch ON (engine stopped) and wait least 10 seconds.
2. Turn ignition switch OFF and wait at least 10 seconds.
3. Turn ignition switch ON.
4. Check 1st trip DTC.

Is 1st trip DTC detected?

- YES >> Proceed to [EC-953. "Diagnosis Procedure"](#).
 NO >> INSPECTION END

Diagnosis Procedure

INFOID:000000012602880

1. PERFORM DTC CONFIRMATION PROCEDURE

1. Turn ignition switch ON.
2. Erase DTC.
3. Perform DTC confirmation procedure. Refer to [EC-950. "DTC Logic"](#).

Is the 1st trip DTC P0607 displayed again?

- YES >> Replace ECM. Refer to [EC-1088. "Removal and Installation"](#).
 NO >> INSPECTION END

P060A ECM

DTC Logic

INFOID:000000012602881

DTC DETECTION LOGIC

DTC No.	CONSULT screen terms (Trouble diagnosis content)	DTC detecting condition	Possible cause
P060A	CONTROL MODULE (Internal control module monitoring processor performance)	ECM internal monitoring processor is malfunctioning.	ECM

DTC CONFIRMATION PROCEDURE

1. PRECONDITIONING

1. Turn ignition switch OFF and wait at least 10 seconds.
2. Turn ignition switch ON.
3. Turn ignition switch OFF and wait at least 10 seconds.

TESTING CONDITION:

Before performing the following procedure, confirm that battery voltage is 11 V or more with ignition switch ON.

>> GO TO 2.

2. PERFORM DTC CONFIRMATION PROCEDURE

1. Start engine and wait at least 10 seconds.
2. Turn ignition switch OFF and wait at least 10 seconds.
3. Repeat step 1 and 2 for 5 times.
4. Turn ignition switch ON.
5. Check 1st trip DTC.

Is 1st trip DTC detected?

- YES >> Proceed to [EC-954, "Diagnosis Procedure"](#).
- NO >> INSPECTION END

Diagnosis Procedure

INFOID:000000012602882

1. PERFORM DTC CONFIRMATION PROCEDURE

1. Turn ignition switch ON.
2. Erase DTC.
3. Perform DTC confirmation procedure. Refer to [EC-954, "DTC Logic"](#).

Is the 1st trip DTC P060A displayed again?

- YES >> Replace ECM. Refer to [EC-1088, "Removal and Installation"](#).
- NO >> INSPECTION END

P060B ECM

DTC Logic

INFOID:000000012602883

DTC DETECTION LOGIC

DTC No.	CONSULT screen terms (Trouble diagnosis content)	DTC detecting condition	Possible cause
P060B	CONTROL MODULE (Internal control module A/ D processing performance)	ECM internal analog/digital conversion processing system is malfunctioning.	ECM

DTC CONFIRMATION PROCEDURE

1. PRECONDITIONING

1. Turn ignition switch OFF and wait at least 10 seconds.
2. Turn ignition switch ON.
3. Turn ignition switch OFF and wait at least 10 seconds.

TESTING CONDITION:

Before performing the following procedure, confirm that battery voltage is 11 V or more with ignition switch ON.

>> GO TO 2.

2. PERFORM DTC CONFIRMATION PROCEDURE

1. Turn ignition switch ON (engine stopped) and wait least 10 seconds.
2. Turn ignition switch OFF and wait at least 10 seconds.
3. Turn ignition switch ON.
4. Check 1st trip DTC.

Is 1st trip DTC detected?

- YES >> Proceed to [EC-955. "Diagnosis Procedure"](#).
- NO >> INSPECTION END

Diagnosis Procedure

INFOID:000000012602884

1. PERFORM DTC CONFIRMATION PROCEDURE

1. Turn ignition switch ON.
2. Erase DTC.
3. Perform DTC confirmation procedure. Refer to [EC-955. "DTC Logic"](#).

Is the 1st trip DTC P060B displayed again?

- YES >> Replace ECM. Refer to [EC-1088. "Removal and Installation"](#).
- NO >> INSPECTION END

P0643 SENSOR POWER SUPPLY

< DTC/CIRCUIT DIAGNOSIS >

[VQ35DE]

P0643 SENSOR POWER SUPPLY

Description

INFOID:000000012602885

ECM supplies a voltage of 5 V to some of the sensors systematically divided into 2 groups, respectively. Accordingly, when a short circuit develops in a sensor power source, a malfunction may occur simultaneously in the sensors belonging to the same group as the short-circuited sensor.

Sensor power supply 1

- Accelerator pedal position (APP) sensor 1
- Crankshaft position (CKP) sensor (POS)
- Exhaust valve timing control position sensor (bank 1)
- Exhaust valve timing control position sensor (bank 2)
- Mass air flow sensor
- Electric throttle control actuator

NOTE:

If sensor power supply 1 circuit is malfunctioning, DTC P0643 is displayed.

Sensor power supply 2

- Accelerator pedal position (APP) sensor 2
- Battery current sensor
- Camshaft position (CMP) sensor (PHASE)
- Engine oil pressure sensor
- Refrigerant pressure sensor

DTC Logic

INFOID:000000012602886

DTC DETECTION LOGIC

DTC No.	Trouble diagnosis name (Trouble diagnosis content)	DTC detecting condition	Possible cause
P0643	SENSOR POWER/ CIRC (Sensor power supply 1 circuit short)	ECM detects a voltage of power source for sensor is excessively low or high.	Sensor power supply 1 circuit

DTC CONFIRMATION PROCEDURE

1. PRECONDITIONING

If DTC Confirmation Procedure has been previously conducted, always perform the following procedure before conducting the next test.

1. Turn ignition switch OFF and wait at least 10 seconds.
2. Turn ignition switch ON.
3. Turn ignition switch OFF and wait at least 10 seconds.

TESTING CONDITION:

Before performing the following procedure, confirm that battery voltage is more than 8 V at idle.

>> GO TO 2.

2. PERFORM DTC CONFIRMATION PROCEDURE

1. Start the engine and let it idle for 1 second.
2. Check DTC.

Is DTC detected?

- YES >> Proceed to [EC-956. "Diagnosis Procedure"](#).
NO >> INSPECTION END

Diagnosis Procedure

INFOID:000000012602887

1. CHECK SENSOR POWER SUPPLY 1

P0643 SENSOR POWER SUPPLY

[VQ35DE]

< DTC/CIRCUIT DIAGNOSIS >

1. Turn ignition switch OFF.
2. Disconnect ECM harness connector.
3. Turn ignition switch ON.
4. Check the voltage between ECM harness connector and ground.

+		-	Voltage (Approx.)
ECM			
Connector	Terminal	Ground	5 V
F78	28		
F79	98		
E32	146		

Is the inspection result normal?

YES >> Check intermittent incident. Refer to [GI-44, "Intermittent Incident"](#).

NO >> GO TO 2.

2. CHECK SENSOR POWER SUPPLY 1 ROUTING CIRCUIT FOR SHORT

1. Turn ignition switch OFF.
2. Disconnect following sensor harness connector.
3. Check harness for short to power and to ground, between the following terminals.

ECM		Sensor		
+		Name	-	
Connector	Terminal		Connector	Terminal
F78	28	CKP sensor (POS)	F30	1
		Exhaust valve timing control position sensor (bank1)	F33	1
		Exhaust valve timing control position sensor (bank2)	F94	1
		Mass air flow sensor	F93	1
F79	98	TP sensor	F98	5
E32	146	APP sensor 1	E40	4

Is the inspection result normal?

YES >> GO TO 3.

NO >> Repair or replace error-detected parts.

3. CHECK COMPONENTS

Check the following.

- Throttle position sensor (Refer to [EC-805, "Component Inspection"](#).)
- Accelerator pedal position sensor (Refer to [EC-1024, "Component Inspection"](#).)
- CKP sensor (POS) (Refer to [EC-771, "Component Inspection \(Crankshaft Position Sensor\)"](#).)
- Exhaust valve timing control position sensor (bank1) (Refer to [EC-772, "Component Inspection \(Exhaust Valve Timing Control Position Sensor\)"](#).)
- Exhaust valve timing control position sensor (bank2) (Refer to [EC-772, "Component Inspection \(Exhaust Valve Timing Control Position Sensor\)"](#).)
- Mass air flow sensor (Refer to [EC-789, "Component Inspection"](#).)

Is the inspection result normal?

YES >> Check intermittent incident. Refer to [GI-44, "Intermittent Incident"](#).

NO >> Replace malfunctioning component.

P0850 PNP SWITCH

< DTC/CIRCUIT DIAGNOSIS >

[VQ35DE]

P0850 PNP SWITCH

Description

INFOID:0000000012602888

When the selector lever position is P or N, park/neutral position (PNP) signal from the transmission range switch is sent to ECM.

DTC Logic

INFOID:0000000012602889

DTC DETECTION LOGIC

DTC No.	Trouble diagnosis name	DTC detecting condition	Possible cause
P0850	Park/neutral position switch	The signal of the park/neutral position (PNP) signal does not change during driving after the engine is started.	<ul style="list-style-type: none">• Harness or connectors [The park/neutral position (PNP) signal circuit is open or shorted.]• Transmission range switch

DTC CONFIRMATION PROCEDURE

1. INSPECTION START

Will CONSULT be used?

Will CONSULT be used?

YES >> GO TO 2.

NO >> GO TO 5.

2. PRECONDITIONING

If DTC Confirmation Procedure has been previously conducted, always perform the following before conducting the next test.

1. Turn ignition switch OFF and wait at least 10 seconds.
2. Turn ignition switch ON.
3. Turn ignition switch OFF and wait at least 10 seconds.

>> GO TO 3.

3. CHECK PNP SIGNAL

With CONSULT

1. Turn ignition switch ON.
2. Select "P/N POSI SW" in "DATA MONITOR" mode with CONSULT. Then check the "P/N POSI SW" signal under the following conditions.

Position (Selector lever)	Known-good signal
N or P position	ON
Except above position	OFF

Is the inspection result normal?

YES >> GO TO 4.

NO >> Proceed to [EC-959, "Diagnosis Procedure"](#).

4. PERFORM DTC CONFIRMATION PROCEDURE

1. Select "DATA MONITOR" mode with CONSULT.
2. Start engine and warm it up to normal operating temperature.
3. Maintain the following conditions for at least 50 consecutive seconds.

CAUTION:

Always drive vehicle at a safe speed.

ENG SPEED	1,100 - 6,375 rpm
COOLAN TEMP/S	More than 65°C (149°F)

P0850 PNP SWITCH

[VQ35DE]

< DTC/CIRCUIT DIAGNOSIS >

B/FUEL SCHDL	2.2 - 31.8 msec
VHCL SPEED SE	More than 64 km/h (40 mph)
Selector lever	Suitable position

4. Check 1st trip DTC.

Is 1st trip DTC detected?

YES >> Proceed to [EC-959, "Diagnosis Procedure"](#).

NO >> INSPECTION END

5.PERFORM COMPONENT FUNCTION CHECK

Perform component function check. Refer to [EC-959, "Component Function Check"](#).

NOTE:

Use component function check to check the overall function of the park/neutral position (PNP) signal circuit. During this check, a 1st trip DTC might not be confirmed.

Is the inspection result normal?

YES >> INSPECTION END

NO >> Proceed to [EC-959, "Diagnosis Procedure"](#).

Component Function Check

INFOID:0000000012602890

1.PERFORM COMPONENT FUNCTION CHECK

1. Turn ignition switch ON.
2. Check the voltage between ECM harness connector terminals.

ECM				Condition	Voltage
+		-			
Connector	Terminal	Connector	Terminal		
F79	83	E32	152	Selector lever position	Battery voltage Except above

Is the inspection result normal?

YES >> INSPECTION END

NO >> Proceed to [EC-959, "Diagnosis Procedure"](#).

Diagnosis Procedure

INFOID:0000000012602891

1.CHECK TRANSMISSION RANGE SWITCH POWER SUPPLY

1. Turn ignition switch OFF.
2. Disconnect transmission range switch harness connector.
3. Turn ignition switch ON.
4. Check the voltage between transmission range switch harness connector and ground.

+		-	Voltage
Transmission range switch			
Connector	Terminal		
F85	1	Ground	Battery voltage

Is the inspection result normal?

YES >> GO TO 3.

NO >> GO TO 2.

2.CHECK TRANSMISSION RANGE SWITCH POWER SUPPLY CIRCUIT

1. Turn ignition switch OFF.
2. Disconnect IPDM E/R harness connector.
3. Check the continuity between transmission range switch harness connector and IPDM E/R harness connector.

P0850 PNP SWITCH

[VQ35DE]

< DTC/CIRCUIT DIAGNOSIS >

+		-		Continuity
Transmission range switch		IPDM E/R		
Connector	Terminal	Connector	Terminal	
F85	1	F83	61	Existed

4. Also check harness for short to ground.

Is the inspection result normal?

YES >> Perform the trouble diagnosis for power supply circuit.

NO >> Repair or replace error-detected parts.

3. CHECK TRANSMISSION RANGE SWITCH SIGNAL CIRCUIT

1. Turn ignition switch OFF.
2. Disconnect ECM harness connector.
3. Check the continuity between transmission range switch harness connector and ECM harness connector.

+		-		Continuity
Transmission range switch		ECM		
Connector	Terminal	Connector	Terminal	
F85	2	F79	83	Existed

4. Also check harness for short to ground and to power.

Is the inspection result normal?

YES >> GO TO 4.

NO >> Repair or replace error-detected parts.

4. CHECK TRANSMISSION RANGE SWITCH

Check the transmission range switch. Refer to [TM-310. "Component Inspection"](#).

Is the inspection result normal?

YES >> Check intermittent incident. Refer to [GI-44. "Intermittent Incident"](#).

NO >> Replace transaxle assembly. Refer to [TM-415. "Removal and Installation"](#).

P1078, P1084 EVT CONTROL POSITION SENSOR

< DTC/CIRCUIT DIAGNOSIS >

[VQ35DE]

P1078, P1084 EVT CONTROL POSITION SENSOR

DTC Description

INFOID:000000012602892

DTC DETECTION LOGIC

DTC No.	CONSULT screen terms (Trouble diagnosis content)	DTC detecting condition
P1078	EXH TIM SEN/CIRC-B1 [Exhaust valve timing (EVT) control position sensor (bank 1) circuit]	An excessively high or low voltage from the sensor is sent to ECM.
P1084	EXH TIM SEN/CIRC-B2 [Exhaust valve timing (EVT) control position sensor (bank 2) circuit]	

POSSIBLE CAUSE

DTC P1078

- Harness or connectors [EVT control position sensor (bank 1) circuit is open or shorted.]
- EVT control position sensor
- Crankshaft position (CKP) sensor
- Camshaft position (CMP) sensor (bank 1)
- Accumulation of debris to the signal pick-up portion of the camshaft

DTC P1084

- Harness or connectors
- EVT control position sensor (bank 2) circuit is open or shorted.
- Sensor power supply 2 circuit is open or shorted.
- EVT control position sensor (bank 2)
- Each sensor, connected with sensor power supply 2 circuit
- Accumulation of debris to the signal pick-up portion of the camshaft

DTC CONFIRMATION PROCEDURE

1. CHECK DTC PRIORITY

If DTC P1078 is displayed with DTC P0643, first perform the confirmation procedure (trouble diagnosis) for DTC P0643.

Is applicable DTC detected?

- YES >> Perform diagnosis of applicable. Refer to [EC-956, "Description"](#).
NO >> GO TO 2.

2. PRECONDITIONING

If DTC Confirmation Procedure has been previously conducted, always perform the following procedure before conducting the next test.

1. Turn ignition switch OFF and wait at least 10 seconds.
2. Turn ignition switch ON.
3. Turn ignition switch OFF and wait at least 10 seconds.

>> GO TO 3.

3. PERFORM DTC CONFIRMATION PROCEDURE

1. Start engine and let it idle for 10 seconds.
2. Check 1st trip DTC.

Is 1st trip DTC detected?

- YES >> Proceed to [EC-962, "Diagnosis Procedure"](#).
NO-1 >> To check malfunction symptom before repair: Refer to [GI-44, "Intermittent Incident"](#).
NO-2 >> Confirmation after repair: INSPECTION END

P1078, P1084 EVT CONTROL POSITION SENSOR

< DTC/CIRCUIT DIAGNOSIS >

[VQ35DE]

INFOID:000000012602893

Diagnosis Procedure

1. CHECK DTC PRIORITY

If DTC P1078 is displayed with DTC P0643, first perform the confirmation procedure (trouble diagnosis) for DTC P0643.

Is applicable DTC detected?

- YES >> Perform diagnosis of applicable. Refer to [EC-956, "Description"](#).
- NO >> GO TO 2.

2. CHECK EXHAUST VALVE TIMING (EVT) CONTROL POSITION SENSOR POWER SUPPLY CIRCUIT - 1

1. Disconnect EVT control position sensor harness connector.
2. Turn ignition switch ON.
3. Check the voltage between EVT control position sensor harness connector and ground.

DTC	+			-	Voltage (V)
	EVT control position sensor				
	Bank	Connector	Terminal		
P1078	1	F33	1	Ground	Approx. 5
P1084	2	F94	1		

Is the inspection result normal?

- YES >> GO TO 5.
- NO-1 >> P1078: Repair open circuit, short to ground or short to power in harness or connectors.
- NO-2 >> P1084: GO TO 3.

3. CHECK EVT CONTROL POSITION SENSOR POWER SUPPLY CIRCUIT - 2

1. Turn ignition switch OFF.
2. Disconnect ECM harness connector.
3. Check the continuity between EVT control position sensor harness connector and ECM harness connector.

+			-		Continuity
EVT control position sensor			ECM		
Bank	Connector	Terminal	Connector	Terminal	
2	F94	1	F78	28	Existed

Is the inspection result normal?

- YES >> GO TO 4.
- NO >> Repair open circuit.

4. CHECK SENSOR POWER SUPPLY 2 CIRCUIT

Check sensor power supply 2 circuit. Refer to [EC-1072, "Diagnosis Procedure"](#).

Is the inspection result normal?

- YES >> INSPECTION END
- NO >> Repair short to ground or short to power in harness or connectors.

5. CHECK EVT CONTROL POSITION SENSOR GROUND CIRCUIT FOR OPEN AND SHORT

1. Turn ignition switch OFF.
2. Disconnect ECM harness connector.
3. Check the continuity between EVT control position sensor harness connector and ECM harness connector.

P1078, P1084 EVT CONTROL POSITION SENSOR

< DTC/CIRCUIT DIAGNOSIS >

[VQ35DE]

DTC	+			-		Continuity
	EVT control position sensor			ECM		
	Bank	Connector	Terminal	Connector	Terminal	
P1078	1	F33	2	F78	40	Existed
P1084	2	F94	2			

4. Also check harness for short to ground and short to power.

Is the inspection result normal?

YES >> GO TO 6.

NO >> Repair open circuit, short to ground or short to power in harness or connectors.

6. CHECK EVT CONTROL POSITION SENSOR INPUT SIGNAL CIRCUIT FOR OPEN AND SHORT

1. Check the continuity between exhaust valve timing control position sensor harness connector and ECM harness connector.

DTC	+			-		Continuity
	EVT control position sensor			ECM		
	Bank	Connector	Terminal	Connector	Terminal	
P1078	1	F33	3	F78	37	Existed
P1084	2	F94	3		39	

2. Also check harness for short to ground and short to power.

Is the inspection result normal?

YES >> GO TO 7.

NO >> Repair or replace error-detected parts.

7. CHECK EVT CONTROL POSITION SENSOR

Check exhaust valve timing control position sensor. Refer to [EC-964, "Component Inspection \(Exhaust Valve Timing Control Position Sensor\)"](#).

Is the inspection result normal?

YES >> GO TO 8.

NO >> Replace malfunctioning EVT control position sensor. Refer to [EM-172, "Exploded View"](#).

8. CHECK CKP SENSOR

Check Crankshaft position sensor. Refer to [EC-880, "Component Inspection"](#).

Is the inspection result normal?

YES >> GO TO 9.

NO >> Replace crankshaft position sensor. Refer to [EM-160, "Exploded View"](#).

9. CHECK CMP SENSOR

Check camshaft position sensor. Refer to [EC-883, "Component Inspection"](#).

Is the inspection result normal?

YES >> GO TO 10.

NO >> Replace malfunctioning camshaft position sensor. Refer to [EM-172, "Exploded View"](#).

10. CHECK CAMSHAFT (EXH)

Check the following.

P1078, P1084 EVT CONTROL POSITION SENSOR

[VQ35DE]

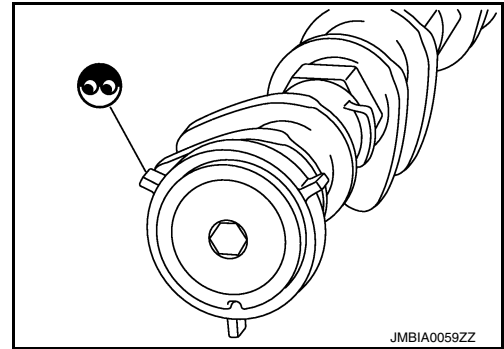
< DTC/CIRCUIT DIAGNOSIS >

- Accumulation of debris to the signal plate of camshaft rear end
- Chipping signal plate of camshaft rear end

Is the inspection result normal?

YES >> INSPECTION END

NO >> Remove debris and clean the signal plate of camshaft rear end or replace camshaft. Refer to [EM-200, "Removal and Installation"](#).



Component Inspection (Exhaust Valve Timing Control Position Sensor)

INFOID:000000012602894

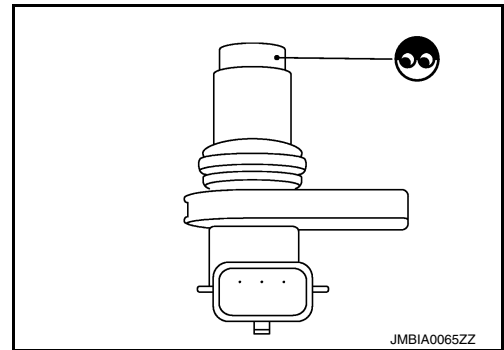
1. EXHAUST VALVE TIMING CONTROL POSITION SENSOR - 1

1. Turn ignition switch OFF.
2. Disconnect exhaust valve timing control position sensor harness connector.
3. Loosen the fixing bolt of the sensor.
4. Remove the sensor. Refer to [EM-172, "Exploded View"](#).
5. Visually check the sensor for chipping.

Is the inspection result normal?

YES >> GO TO 2.

NO >> Replace malfunctioning exhaust valve timing control position sensor. Refer to [EM-172, "Exploded View"](#).



2. EXHAUST VALVE TIMING CONTROL POSITION SENSOR - 2

Check resistance exhaust valve timing control position sensor terminals as follows.

Exhaust valve timing control position sensor		Condition		Resistance
+	-			
Terminal				
1	2	Temperature	25°C (77°F)	Except 0 Ω or ∞ Ω
1	3			
2	3			

Is the inspection result normal?

YES >> INSPECTION END

NO >> Replace malfunctioning exhaust valve timing control position sensor. Refer to [EM-172, "Exploded View"](#).

A
EC
C
D
E
F
G
H
I
J
K
L
M
N
O
P

P1148, P1168 CLOSED LOOP CONTROL

< DTC/CIRCUIT DIAGNOSIS >

[VQ35DE]

P1148, P1168 CLOSED LOOP CONTROL

DTC Logic

INFOID:000000012602895

DTC DETECTION LOGIC

NOTE:

**DTC P1148 or P1168 is displayed with another DTC for A/F sensor 1.
Perform the trouble diagnosis for the corresponding DTC.**

DTC No.	Trouble diagnosis name	DTC detecting condition	Possible cause
P1148	Closed loop control function (bank 1)	The closed loop control function for bank 1 does not operate even when vehicle is being driven in the specified condition.	<ul style="list-style-type: none">• Harness or connectors (The A/F sensor 1 circuit is open or shorted.)• A/F sensor 1• A/F sensor 1 heater
P1168	Closed loop control function (bank 2)	The closed loop control function for bank 2 does not operate even when vehicle is being driven in the specified condition.	

P1212 TCS COMMUNICATION LINE

< DTC/CIRCUIT DIAGNOSIS >

[VQ35DE]

P1212 TCS COMMUNICATION LINE

Description

INFOID:0000000012602896

This CAN communication line is used to control the smooth engine operation during the TCS operation. Pulse signals are exchanged between ECM and "ABS actuator and electric unit (control unit)".

Be sure to erase the malfunction information such as DTC not only for "ABS actuator and electric unit (control unit)" but also for ECM after TCS related repair.

DTC Logic

INFOID:0000000012602897

DTC DETECTION LOGIC

NOTE:

- If DTC P1212 is displayed with DTC UXXXX, first perform the trouble diagnosis for DTC UXXXX.
- If DTC P1212 is displayed with DTC P0607, first perform the trouble diagnosis for DTC P0607. Refer to [EC-953, "DTC Logic"](#).

Freeze frame data is not stored in the ECM for this self-diagnosis.

DTC No.	Trouble diagnosis name	DTC detecting condition	Possible cause
P1212	TCS communication line	ECM cannot receive the information from "ABS actuator and electric unit (control unit)" continuously.	<ul style="list-style-type: none">• Harness or connectors (The CAN communication line is open or shorted.)• ABS actuator and electric unit (control unit)• Dead (Weak) battery

DTC CONFIRMATION PROCEDURE

1. PRECONDITIONING

If DTC Confirmation Procedure has been previously conducted, always perform the following before conducting the next test

1. Turn ignition switch OFF and wait at least 10 seconds.
2. Turn ignition switch ON.
3. Turn ignition switch OFF and wait at least 10 seconds.

TESTING CONDITION:

Before performing the following procedure, confirm that battery voltage is more than 10.5 V at idle.

>> GO TO 2.

2. PERFORM DTC CONFIRMATION PROCEDURE

1. Start engine and let it idle for at least 10 seconds.
2. Check 1st trip DTC.

Is 1st trip DTC detected?

YES >> Proceed to [EC-966, "Diagnosis Procedure"](#).

NO >> INSPECTION END

Diagnosis Procedure

INFOID:0000000012602898

Perform the trouble diagnosis for TCS. Refer to [BRC-60, "Work Flow"](#) (Without ICC), [BRC-242, "Work Flow"](#) (With ICC).

NOTE:

If DTC P1212 is displayed with DTC UXXXX and/or P0607, perform the following trouble diagnosis.

- Trouble diagnosis for DTC UXXXX Refer to [EC-676, "DTC Index"](#).
- Trouble diagnosis for DTC P0607 Refer to [EC-953, "DTC Logic"](#).

P1217 ENGINE OVER TEMPERATURE

< DTC/CIRCUIT DIAGNOSIS >

[VQ35DE]

P1217 ENGINE OVER TEMPERATURE

DTC Logic

INFOID:000000012602899

DTC DETECTION LOGIC

NOTE:

- If DTC P1217 is displayed with DTC UXXXX, first perform the trouble diagnosis for DTC UXXXX.
- If DTC P1217 is displayed with DTC P0607, first perform the trouble diagnosis for DTC P0607. Refer to [EC-953, "DTC Logic"](#).

If the cooling fan or another component in the cooling system malfunctions, engine coolant temperature will rise.

When the engine coolant temperature reaches an abnormally high temperature condition, a malfunction is indicated.

DTC No.	Trouble diagnosis name (Trouble diagnosis content)	DTC detecting condition	Possible cause
P1217	ENG OVER TEMP [Engine over temperature (Overheat)]	<ul style="list-style-type: none">• Cooling fan does not operate properly (Overheat).• Cooling fan system does not operate properly (Overheat).• Engine coolant was not added to the system using the proper filling method.• Engine coolant is not within the specified range.	<ul style="list-style-type: none">• Harness or connectors (Cooling fan circuit is open or shorted.)• IPDM E/R• Cooling fan motor• Radiator hose• Radiator• Radiator cap• Reservoir tank• Water pump• Thermostat• Water control valve

CAUTION:

When a malfunction is indicated, be sure to replace the coolant. Refer to [CO-33, "System Inspection"](#). Also, replace the engine oil. Refer to [LU-29, "Changing Engine Oil"](#).

1. Fill radiator with coolant up to specified level with a filling speed of 2 liters per minute. Be sure to use coolant with the proper mixture ratio. Refer to [MA-13, "Engine Coolant Mixture Ratio"](#).
2. After refilling coolant, run engine to ensure that no water-flow noise is emitted.

DTC CONFIRMATION PROCEDURE

1. PERFORM COMPONENT FUNCTION CHECK

Perform component function check. Refer to [EC-967, "Component Function Check"](#).

NOTE:

Use component function check to check the overall function of the cooling fan. During this check, a DTC might not be confirmed.

Is the inspection result normal?

- YES >> INSPECTION END
- NO >> Proceed to [EC-968, "Diagnosis Procedure"](#).

Component Function Check

INFOID:000000012602900

1. PERFORM COMPONENT FUNCTION CHECK-I

WARNING:

Never remove the radiator cap when the engine is hot. Serious burns could be caused by high pressure fluid escaping from the radiator.

Wrap a thick cloth around cap. Carefully remove the cap by turning it a quarter turn to allow built-up pressure to escape. Then turn the cap all the way off.

P1217 ENGINE OVER TEMPERATURE

[VQ35DE]

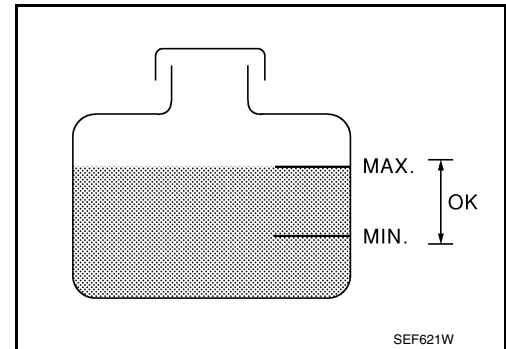
< DTC/CIRCUIT DIAGNOSIS >

Check the coolant level in the reservoir tank and radiator.

Allow engine to cool before checking coolant level.

Is the coolant level in the reservoir tank and/or radiator below the proper range?

- YES >> Proceed to [EC-968, "Diagnosis Procedure"](#).
NO >> GO TO 2.



2.PERFORM COMPONENT FUNCTION CHECK-II

Confirm whether customer filled the coolant or not.

Did customer fill the coolant?

- YES >> Proceed to [EC-968, "Diagnosis Procedure"](#).
NO >> GO TO 3.

3.PERFORM COMPONENT FUNCTION CHECK-III

With CONSULT

1. Turn ignition switch ON.
2. Perform "FAN DUTY CONTROL" in "ACTIVE TEST" mode of "ENGINE" using CONSULT.
3. Check that cooling fan speed varies according to the percentage.

Without CONSULT

1. Activate IPDM E/R auto active test and check cooling fan motors operation. Refer to [PCS-9, "Diagnosis Description"](#).
2. Check that cooling fan operates.

Is the inspection result normal?

- YES >> INSPECTION END
NO >> Proceed to [EC-968, "Diagnosis Procedure"](#).

Diagnosis Procedure

INFOID:000000012602901

1.CHECK COOLING FAN OPERATION

With CONSULT

1. Turn ignition switch ON.
2. Perform "COOLING FAN" in "ACTIVE TEST" mode of "ENGINE" using CONSULT.
3. Check that cooling fans-1 and -2 operate at each speed (LOW/MID/HI).

Without CONSULT

1. Activate IPDM E/R auto active test and check cooling fan motors operation. Refer to [PCS-9, "Diagnosis Description"](#).
2. Check that cooling fans-1 and -2 operate at each speed (Low/Middle/High).

Is the inspection result normal?

- YES >> GO TO 2.
NO >> Proceed to [EC-1044, "Diagnosis Procedure"](#).

2.CHECK COOLING SYSTEM FOR LEAK-I

Check cooling system for leak. Refer to [CO-33, "System Inspection"](#).

Is leakage detected?

- YES >> GO TO 3.
NO >> GO TO 4.

3.CHECK COOLING SYSTEM FOR LEAK-II

Check the following for leak.

- Hose (Refer to [CO-33, "System Inspection"](#).)
- Radiator (Refer to [CO-33, "System Inspection"](#).)
- Water pump (Refer to [CO-33, "System Inspection"](#).)

P1217 ENGINE OVER TEMPERATURE

[VQ35DE]

< DTC/CIRCUIT DIAGNOSIS >

>> Repair or replace malfunctioning part.

4. CHECK RADIATOR CAP

Check radiator cap. Refer to [CO-33, "System Inspection"](#).

Is the inspection result normal?

YES >> GO TO 5.

NO >> Replace radiator cap. Refer to [CO-37, "Exploded View"](#).

5. CHECK THERMOSTAT

Check thermostat. Refer to [CO-46, "Removal and Installation"](#).

Is the inspection result normal?

YES >> GO TO 6.

NO >> Replace thermostat. Refer to [CO-46, "Removal and Installation"](#).

6. CHECK ENGINE COOLANT TEMPERATURE SENSOR

Refer to [EC-801, "Component Inspection"](#).

Is the inspection result normal?

YES >> GO TO 7.

NO >> Replace engine coolant temperature sensor. Refer to [CO-48, "Exploded View"](#).

7. OVERHEATING CAUSE ANALYSIS

If the cause cannot be isolated, check the [CO-31, "Troubleshooting Chart"](#).

>> INSPECTION END

P1225 TP SENSOR

< DTC/CIRCUIT DIAGNOSIS >

[VQ35DE]

P1225 TP SENSOR

DTC Logic

INFOID:000000012602902

DTC DETECTION LOGIC

DTC No.	Trouble diagnosis name	DTC detecting condition	Possible cause
P1225	Closed throttle position learning performance	Closed throttle position learning value is excessively low.	• Electric throttle control actuator (TP sensor 1 and 2)

DTC CONFIRMATION PROCEDURE

1. PRECONDITIONING

If DTC Confirmation Procedure has been previously conducted, always perform the following before conducting the next test.

1. Turn ignition switch OFF and wait at least 10 seconds.
2. Turn ignition switch ON.
3. Turn ignition switch OFF and wait at least 10 seconds.

TESTING CONDITION:

Before performing the following procedure, confirm that battery voltage is more than 10 V at idle.

>> GO TO 2.

2. PERFORM DTC CONFIRMATION PROCEDURE

1. Turn ignition switch ON.
2. Turn ignition switch OFF and wait at least 10 seconds.
3. Turn ignition switch ON.
4. Check 1st trip DTC.

Is 1st trip DTC detected?

- YES >> Proceed to [EC-970, "Diagnosis Procedure"](#).
- NO >> INSPECTION END

Diagnosis Procedure

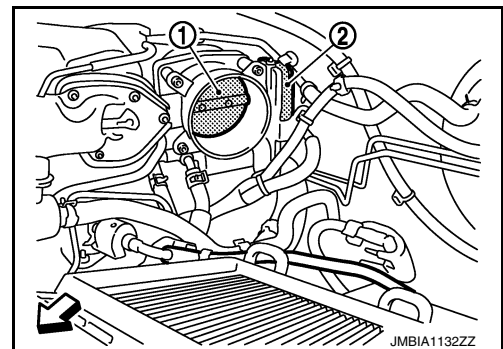
INFOID:000000012602903

1. CHECK ELECTRIC THROTTLE CONTROL ACTUATOR VISUALLY

1. Turn ignition switch OFF.
2. Remove the intake air duct. Refer to [EM-146, "Removal and Installation"](#).
3. Check if foreign matter is caught between the throttle valve (1) and the housing.
 - Electric throttle control actuator (2)
 - ⇐: Vehicle front

Is the inspection result normal?

- YES >> GO TO 2.
- NO >> Remove the foreign matter and clean the electric throttle control actuator inside, and then perform throttle valve closed position learning. Refer to [EC-731, "Description"](#).



2. REPLACE ELECTRIC THROTTLE CONTROL ACTUATOR

1. Replace electric throttle control actuator. Refer to [EM-148, "Removal and Installation"](#).
2. Go to [EC-732, "Description"](#).

>> INSPECTION END

P1226 TP SENSOR

< DTC/CIRCUIT DIAGNOSIS >

[VQ35DE]

P1226 TP SENSOR

DTC Logic

INFOID:000000012602904

DTC DETECTION LOGIC

DTC No.	Trouble diagnosis name	DTC detecting condition	Possible cause
P1226	Closed throttle position learning performance	Closed throttle position learning is not performed successfully, repeatedly.	• Electric throttle control actuator (TP sensor 1 and 2)

DTC CONFIRMATION PROCEDURE

1. PRECONDITIONING

If DTC Confirmation Procedure has been previously conducted, always perform the following before conducting the next test.

1. Turn ignition switch OFF and wait at least 10 seconds.
2. Turn ignition switch ON.
3. Turn ignition switch OFF and wait at least 10 seconds.

TESTING CONDITION:

Before performing the following procedure, confirm that battery voltage is more than 10 V at idle.

>> GO TO 2.

2. PERFORM DTC CONFIRMATION PROCEDURE

1. Turn ignition switch ON.
2. Turn ignition switch OFF and wait at least 10 seconds.
3. Turn ignition switch ON.
4. Repeat steps 2 and 3 for 32 times.
5. Check 1st trip DTC.

Is 1st trip DTC detected?

- YES >> Proceed to [EC-971, "Diagnosis Procedure"](#).
- NO >> INSPECTION END

Diagnosis Procedure

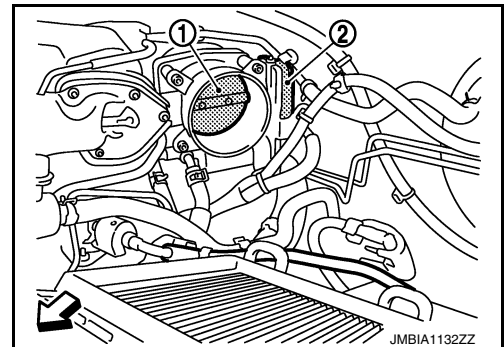
INFOID:000000012602905

1. CHECK ELECTRIC THROTTLE CONTROL ACTUATOR VISUALLY

1. Turn ignition switch OFF.
2. Remove the intake air duct. Refer to [EM-146, "Removal and Installation"](#).
3. Check if foreign matter is caught between the throttle valve (1) and the housing.
 - Electric throttle control actuator (2)
 - ⇐: Vehicle front

Is the inspection result normal?

- YES >> GO TO 2.
- NO >> Remove the foreign matter and clean the electric throttle control actuator inside, and then perform throttle valve closed position learning. Refer to [EC-731, "Description"](#).



2. REPLACE ELECTRIC THROTTLE CONTROL ACTUATOR

1. Replace electric throttle control actuator. Refer to [EM-148, "Removal and Installation"](#).
2. Go to [EC-732, "Description"](#).

>> INSPECTION END

P1550 BATTERY CURRENT SENSOR

< DTC/CIRCUIT DIAGNOSIS >

[VQ35DE]

P1550 BATTERY CURRENT SENSOR

DTC Logic

INFOID:000000012602906

DTC DETECTION LOGIC

NOTE:

If DTC P1550 is displayed with DTC P0643, first perform the trouble diagnosis for DTC P0643. Refer to [EC-956, "DTC Logic"](#).

DTC No.	Trouble diagnosis name	DTC detecting condition	Possible cause
P1550	Battery current sensor circuit range/performance	The output voltage of the battery current sensor remains within the specified range while engine is running.	<ul style="list-style-type: none"> • Harness or connectors (The sensor circuit is open or shorted.) • Battery current sensor

DTC CONFIRMATION PROCEDURE

1. PRECONDITIONING

If DTC Confirmation Procedure has been previously conducted, always perform the following before conducting the next test.

1. Turn ignition switch OFF and wait at least 10 seconds.
2. Turn ignition switch ON.
3. Turn ignition switch OFF and wait at least 10 seconds.

TESTING CONDITION:

Before performing the following procedure, confirm that battery voltage is more than 8 V at idle.

>> GO TO 2.

2. PERFORM DTC CONFIRMATION PROCEDURE

1. Start engine and wait at least 10 seconds.
2. Check 1st trip DTC.

Is 1st trip DTC detected?

- YES >> Proceed to [EC-972, "Diagnosis Procedure"](#).
 NO >> INSPECTION END

Diagnosis Procedure

INFOID:000000012602907

1. CHECK BATTERY CURRENT SENSOR POWER SUPPLY

1. Disconnect battery current sensor harness connector.
2. Turn ignition switch ON.
3. Check the voltage between battery current sensor harness connector and ground.

Battery current sensor		Ground	Voltage (V)
Connector	Terminal		
F5	1	Ground	Approx. 5

Is the inspection result normal?

- YES >> GO TO 2.
 NO >> Repair open circuit, short to ground or short to power in harness or connectors.

2. CHECK BATTERY CURRENT SENSOR GROUND CIRCUIT

1. Turn ignition switch OFF.
2. Disconnect ECM harness connector.
3. Check the continuity between battery current sensor harness connector and ECM harness connector.

Battery current sensor		ECM		Continuity
Connector	Terminal	Connector	Terminal	
F5	3	F79	64	Existed

P1550 BATTERY CURRENT SENSOR

[VQ35DE]

< DTC/CIRCUIT DIAGNOSIS >

4. Also check harness for short to ground and short to power.

Is the inspection result normal?

YES >> GO TO 3.

NO >> Repair open circuit, short to ground or short to power in harness or connectors.

3. CHECK BATTERY CURRENT SENSOR INPUT SIGNAL CIRCUIT

1. Check the continuity between battery current sensor harness connector and ECM harness connector.

Battery current sensor		ECM		Continuity
Connector	Terminal	Connector	Terminal	
F5	4	F79	69	Existed

2. Also check harness for short to ground and short to power.

Is the inspection result normal?

YES >> GO TO 4.

NO >> Repair open circuit, short to ground or short to power in harness or connectors.

4. CHECK BATTERY CURRENT SENSOR

Check battery current sensor. Refer to [EC-973, "Component Inspection"](#).

Is the inspection result normal?

YES >> Check intermittent incident. Refer to [GI-44, "Intermittent Incident"](#).

NO >> Replace battery negative cable assembly.

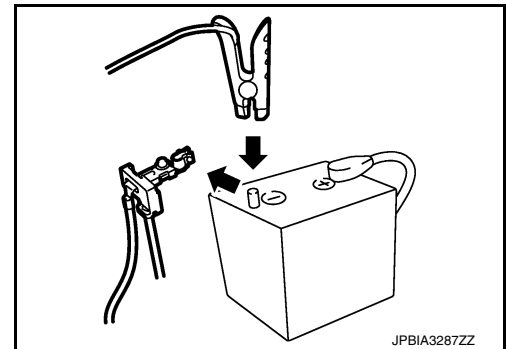
Component Inspection

INFOID:000000012602908

1. CHECK BATTERY CURRENT SENSOR

1. Turn ignition switch OFF.
2. Reconnect harness connectors disconnected.
3. Disconnect battery negative cable.
4. Install jumper cable between battery negative terminal and body ground.
5. Turn ignition switch ON.
6. Check the voltage between ECM harness connector terminals under the following conditions.

Connector	ECM		Voltage (V)
	+	-	
	Terminal	Terminal	
F79	69	64	Approx. 2.5



Before measuring the terminal voltage, confirm that the battery is fully charged. Refer to [PG-69, "How to Handle Battery"](#).

Is the inspection result normal?

YES >> INSPECTION END

NO >> Replace battery negative cable assembly.

P1551, P1552 BATTERY CURRENT SENSOR

< DTC/CIRCUIT DIAGNOSIS >

[VQ35DE]

P1551, P1552 BATTERY CURRENT SENSOR

DTC Logic

INFOID:0000000012602909

DTC DETECTION LOGIC

NOTE:

If DTC P1551 or P1552 is displayed with DTC P0643, first perform the trouble diagnosis for DTC P0643. Refer to [EC-956, "DTC Logic"](#).

DTC No.	Trouble diagnosis name	DTC detecting condition	Possible cause
P1551	Battery current sensor circuit low input	An excessively low voltage from the sensor is sent to ECM.	• Harness or connectors (The sensor circuit is open or shorted.) • Battery current sensor
P1552	Battery current sensor circuit high input	An excessively high voltage from the sensor is sent to ECM.	

DTC CONFIRMATION PROCEDURE

1. PRECONDITIONING

If DTC Confirmation Procedure has been previously conducted, always perform the following before conducting the next test.

1. Turn ignition switch OFF and wait at least 10 seconds.
2. Turn ignition switch ON.
3. Turn ignition switch OFF and wait at least 10 seconds.

TESTING CONDITION:

Before performing the following procedure, confirm that battery voltage is more than 8 V with ignition switch ON

>> GO TO 2.

2. PERFORM DTC CONFIRMATION PROCEDURE

1. Turn ignition switch ON and wait at least 10 seconds.
2. Check 1st trip DTC.

Is 1st trip DTC detected?

- YES >> Proceed to [EC-974, "Diagnosis Procedure"](#).
NO >> INSPECTION END

Diagnosis Procedure

INFOID:0000000012602910

1. CHECK BATTERY CURRENT SENSOR POWER SUPPLY

1. Disconnect battery current sensor harness connector.
2. Turn ignition switch ON.
3. Check the voltage between battery current sensor harness connector and ground.

Battery current sensor		Ground	Voltage (V)
Connector	Terminal		
F5	1	Ground	Approx. 5

Is the inspection result normal?

- YES >> GO TO 2.
NO >> Repair open circuit, short to ground or short to power in harness or connectors.

2. CHECK BATTERY CURRENT SENSOR GROUND CIRCUIT

1. Turn ignition switch OFF.
2. Disconnect ECM harness connector.
3. Check the continuity between battery current sensor harness connector and ECM harness connector.

P1551, P1552 BATTERY CURRENT SENSOR

[VQ35DE]

< DTC/CIRCUIT DIAGNOSIS >

Battery current sensor		ECM		Continuity
Connector	Terminal	Connector	Terminal	
F5	3	F79	64	Existed

4. Also check harness for short to ground and short to power.

Is the inspection result normal?

YES >> GO TO 3.

NO >> Repair open circuit, short to ground or short to power in harness or connectors.

3. CHECK BATTERY CURRENT SENSOR INPUT SIGNAL CIRCUIT

1. Check the continuity between battery current sensor harness connector and ECM harness connector.

Battery current sensor		ECM		Continuity
Connector	Terminal	Connector	Terminal	
F5	4	F79	69	Existed

2. Also check harness for short to ground and short to power.

Is the inspection result normal?

YES >> GO TO 4.

NO >> Repair open circuit, short to ground or short to power in harness or connectors.

4. CHECK BATTERY CURRENT SENSOR

Check battery current sensor. Refer to [EC-979, "Component Inspection"](#).

Is the inspection result normal?

YES >> Check intermittent incident. Refer to [GI-44, "Intermittent Incident"](#).

NO >> Replace battery negative cable assembly.

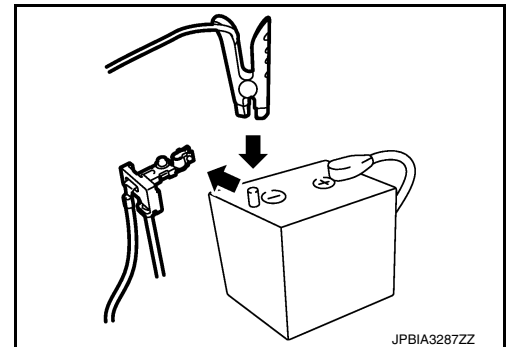
Component Inspection

INFOID:000000012602911

1. CHECK BATTERY CURRENT SENSOR

1. Turn ignition switch OFF.
2. Reconnect harness connectors disconnected.
3. Disconnect battery negative cable.
4. Install jumper cable between battery negative terminal and body ground.
5. Turn ignition switch ON.
6. Check the voltage between ECM harness connector terminals under the following conditions.

Connector	ECM		Voltage (V)
	+	-	
	Terminal	Terminal	
F79	69	64	Approx. 2.5



Before measuring the terminal voltage, confirm that the battery is fully charged. Refer to [PG-69, "How to Handle Battery"](#).

Is the inspection result normal?

YES >> INSPECTION END

NO >> Replace battery negative cable assembly.

P1553 BATTERY CURRENT SENSOR

< DTC/CIRCUIT DIAGNOSIS >

[VQ35DE]

P1553 BATTERY CURRENT SENSOR

DTC Logic

INFOID:000000012602912

DTC DETECTION LOGIC

NOTE:

If DTC P1553 is displayed with DTC P0643, first perform the trouble diagnosis for DTC P0643. Refer to [EC-956, "DTC Logic"](#).

DTC No.	Trouble diagnosis name	DTC detecting condition	Possible cause
P1553	Battery current sensor performance	The signal voltage transmitted from the sensor to ECM is higher than the amount of the maximum power generation.	<ul style="list-style-type: none">• Harness or connectors (The sensor circuit is open or shorted.)• Battery current sensor

DTC CONFIRMATION PROCEDURE

1. PRECONDITIONING

If DTC Confirmation Procedure has been previously conducted, always perform the following before conducting the next test.

1. Turn ignition switch OFF and wait at least 10 seconds.
2. Turn ignition switch ON.
3. Turn ignition switch OFF and wait at least 10 seconds.

TESTING CONDITION:

Before performing the following procedure, confirm that battery voltage is more than 8 V at idle.

>> GO TO 2.

2. PERFORM DTC CONFIRMATION PROCEDURE

1. Start engine and wait at least 10 seconds.
2. Check 1st trip DTC.

Is 1st trip DTC detected?

- YES >> Proceed to [EC-976, "Diagnosis Procedure"](#).
NO >> INSPECTION END

Diagnosis Procedure

INFOID:000000012602913

1. CHECK BATTERY CURRENT SENSOR POWER SUPPLY

1. Disconnect battery current sensor harness connector.
2. Turn ignition switch ON.
3. Check the voltage between battery current sensor harness connector and ground.

Battery current sensor		Ground	Voltage (V)
Connector	Terminal		
F5	1	Ground	Approx. 5

Is the inspection result normal?

- YES >> GO TO 2.
NO >> Repair open circuit, short to ground or short to power in harness or connectors.

2. CHECK BATTERY CURRENT SENSOR GROUND CIRCUIT

1. Turn ignition switch OFF.
2. Disconnect ECM harness connector.
3. Check the continuity between battery current sensor harness connector and ECM harness connector.

Battery current sensor		ECM		Continuity
Connector	Terminal	Connector	Terminal	
F5	3	F79	64	Existed

P1553 BATTERY CURRENT SENSOR

[VQ35DE]

< DTC/CIRCUIT DIAGNOSIS >

4. Also check harness for short to ground and short to power.

Is the inspection result normal?

YES >> GO TO 3.

NO >> Repair open circuit, short to ground or short to power in harness or connectors.

3. CHECK BATTERY CURRENT SENSOR INPUT SIGNAL CIRCUIT

1. Check the continuity between battery current sensor harness connector and ECM harness connector.

Battery current sensor		ECM		Continuity
Connector	Terminal	Connector	Terminal	
F5	4	F79	69	Existed

2. Also check harness for short to ground and short to power.

Is the inspection result normal?

YES >> GO TO 4.

NO >> Repair open circuit, short to ground or short to power in harness or connectors.

4. CHECK BATTERY CURRENT SENSOR

Check battery current sensor. Refer to [EC-979, "Component Inspection"](#).

Is the inspection result normal?

YES >> Check intermittent incident. Refer to [GI-44, "Intermittent Incident"](#).

NO >> Replace battery negative cable assembly.

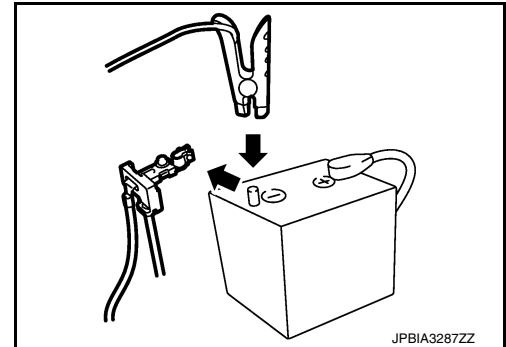
Component Inspection

INFOID:000000012602914

1. CHECK BATTERY CURRENT SENSOR

1. Turn ignition switch OFF.
2. Reconnect harness connectors disconnected.
3. Disconnect battery negative cable.
4. Install jumper cable between battery negative terminal and body ground.
5. Turn ignition switch ON.
6. Check the voltage between ECM harness connector terminals under the following conditions.

Connector	ECM		Voltage (V)
	+	-	
	Terminal	Terminal	
F79	69	64	Approx. 2.5



Before measuring the terminal voltage, confirm that the battery is fully charged. Refer to [PG-69, "How to Handle Battery"](#).

Is the inspection result normal?

YES >> INSPECTION END

NO >> Replace battery negative cable assembly.

P1554 BATTERY CURRENT SENSOR

< DTC/CIRCUIT DIAGNOSIS >

[VQ35DE]

P1554 BATTERY CURRENT SENSOR

DTC Logic

INFOID:000000012602915

DTC DETECTION LOGIC

NOTE:

If DTC P1554 is displayed with DTC P0643, first perform the trouble diagnosis for DTC P0643. Refer to [EC-956, "DTC Logic"](#).

DTC No.	Trouble diagnosis name	DTC detecting condition	Possible cause
P1554	Battery current sensor performance	The output voltage of the battery current sensor is lower than the specified value while the battery voltage is high enough.	<ul style="list-style-type: none">• Harness or connectors (The sensor circuit is open or shorted.)• Battery current sensor

DTC CONFIRMATION PROCEDURE

1.PERFORM COMPONENT FUNCTION CHECK

Perform component function check. Refer to [EC-978, "Component Function Check"](#).

NOTE:

Use component function check to check the overall function of the battery current sensor circuit. During this check, a 1st trip DTC might not be confirmed.

Is the inspection result normal?

- YES >> INSPECTION END
NO >> Proceed to [EC-978, "Diagnosis Procedure"](#).

Component Function Check

INFOID:000000012602916

1.PRECONDITIONING

TESTING CONDITION:

- Before performing the following procedure, confirm that battery voltage is more than 12.8 V at idle.
- Before performing the following procedure, confirm that all load switches and A/C switch are turned OFF.

>> GO TO 2.

2.PERFORM COMPONENT FUNCTION CHECK

With CONSULT

1. Start engine and let it idle.
2. Select "BAT CUR SEN" in "DATA MONITOR" mode with CONSULT.
3. Check "BAT CUR SEN" indication for 10 seconds.
"BAT CUR SEN" should be above 2.3V at least once.

Without CONSULT

1. Start engine and let it idle.
2. Check voltage between ECM harness connector terminals under the following conditions.

Connector	ECM		Voltage (V)
	+	-	
	Terminal		
F79	69	64	Above 2.3 at least once

Is the inspection result normal?

- YES >> INSPECTION END
NO >> Proceed to [EC-978, "Diagnosis Procedure"](#)

Diagnosis Procedure

INFOID:000000012602917

1.CHECK BATTERY CURRENT SENSOR POWER SUPPLY

P1554 BATTERY CURRENT SENSOR

[VQ35DE]

< DTC/CIRCUIT DIAGNOSIS >

1. Disconnect battery current sensor harness connector.
2. Turn ignition switch ON.
3. Check the voltage between battery current sensor harness connector and ground.

Battery current sensor		Ground	Voltage (V)
Connector	Terminal		
F5	1	Ground	Approx. 5

Is the inspection result normal?

YES >> GO TO 2.

NO >> Repair open circuit, short to ground or short to power in harness or connectors.

2.CHECK BATTERY CURRENT SENSOR GROUND CIRCUIT

1. Turn ignition switch OFF.
2. Disconnect ECM harness connector.
3. Check the continuity between battery current sensor harness connector and ECM harness connector.

Battery current sensor		ECM		Continuity
Connector	Terminal	Connector	Terminal	
F5	3	F79	64	Existed

4. Also check harness for short to ground and short to power.

Is the inspection result normal?

YES >> GO TO 3.

NO >> Repair open circuit, short to ground or short to power in harness or connectors.

3.CHECK BATTERY CURRENT SENSOR INPUT SIGNAL CIRCUIT

1. Check the continuity between battery current sensor harness connector and ECM harness connector.

Battery current sensor		ECM		Continuity
Connector	Terminal	Connector	Terminal	
F5	4	F79	69	Existed

2. Also check harness for short to ground and short to power.

Is the inspection result normal?

YES >> GO TO 4.

NO >> Repair open circuit, short to ground or short to power in harness or connectors.

4.CHECK BATTERY CURRENT SENSOR

Check battery current sensor. Refer to [EC-979. "Component Inspection"](#).

Is the inspection result normal?

YES >> Check intermittent incident. Refer to [GI-44. "Intermittent Incident"](#).

NO >> Replace battery negative cable assembly.

Component Inspection

INFOID:0000000012602918

1.CHECK BATTERY CURRENT SENSOR

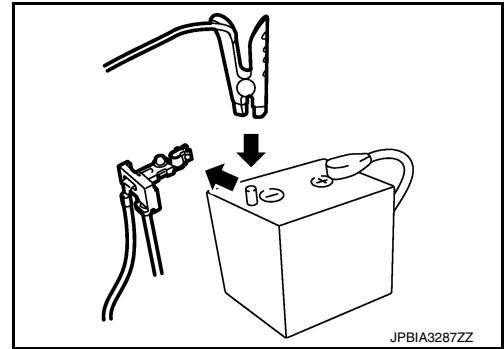
1. Turn ignition switch OFF.
2. Reconnect harness connectors disconnected.

P1554 BATTERY CURRENT SENSOR

[VQ35DE]

< DTC/CIRCUIT DIAGNOSIS >

3. Disconnect battery negative cable.
4. Install jumper cable between battery negative terminal and body ground.
5. Turn ignition switch ON.
6. Check the voltage between ECM harness connector terminals under the following conditions.



Connector	ECM		Voltage (V)
	+	-	
	Terminal	Terminal	
F79	69	64	Approx. 2.5

Before measuring the terminal voltage, confirm that the battery is fully charged. Refer to [PG-69, "How to Handle Battery"](#).

Is the inspection result normal?

- YES >> INSPECTION END
NO >> Replace battery negative cable assembly.

A
EC
C
D
E
F
G
H
I
J
K
L
M
N
O
P

P1556, P1557 BATTERY TEMPERATURE SENSOR

< DTC/CIRCUIT DIAGNOSIS >

[VQ35DE]

P1556, P1557 BATTERY TEMPERATURE SENSOR

DTC Logic

INFOID:000000012602919

DTC DETECTION LOGIC

DTC No.	Trouble diagnosis name (Trouble diagnosis content)	DTC detecting condition	Possible cause
P1556	BAT TMP SEN/CIRC (Battery temperature sensor circuit low input)	Signal voltage from Battery temperature sensor remains 0.16V or less for 5 seconds or more.	<ul style="list-style-type: none"> • Harness or connectors [Battery current sensor (Battery temperature sensor) circuit is shorted.] [Camshaft position sensor (PHESE) circuit is open or shorted.] (Accelerator pedal position sensor 2 circuit is shorted.) (Throttle position sensor circuit is shorted.) • Battery current sensor (Battery temperature sensor) • Camshaft position sensor (PHESE) • Accelerator pedal position sensor • Throttle position sensor
P1557	BAT TMP SEN/CIRC (Battery temperature sensor circuit high input)	Signal voltage from Battery temperature sensor remains 4.84V or more for 5 seconds or more.	

DTC CONFIRMATION PROCEDURE

1. PRECONDITIONING

1. Turn ignition switch OFF and wait at least 10 seconds.
2. Turn ignition switch ON.
3. Turn ignition switch OFF and wait at least 10 seconds.

TESTING CONDITION:

Before performing the following procedure, confirm that battery voltage is 10 V or more at idle.

>> GO TO 2.

2. PERFORM DTC CONFIRMATION PROCEDURE

1. Start the engine and let it idle at least 10 seconds.
2. Check 1st trip DTC.

Is 1st trip DTC detected?

YES >> Proceed to [EC-981, "Diagnosis Procedure"](#).

NO >> INSPECTION END

Diagnosis Procedure

INFOID:000000012602920

1. CHECK BATTERY TEMPERATURE SENSOR INPUT SIGNAL

1. Disconnect battery current sensor harness connector.
2. Turn ignition switch ON.
3. Check the voltage between battery current sensor harness connector and ground.

Battery current sensor		Ground	Voltage (V)
Connector	Terminal		
F5	2	Ground	Approx. 5

Is the inspection result normal?

YES >> GO TO 3.

NO >> GO TO 2.

2. CHECK BATTERY TEMPERATURE SENSOR INPUT SIGNAL CIRCUIT

1. Turn ignition switch ON.
2. Disconnect ECM harness connector.

P1556, P1557 BATTERY TEMPERATURE SENSOR

< DTC/CIRCUIT DIAGNOSIS >

[VQ35DE]

3. Check the continuity between battery current sensor harness connector and ECM harness connector.

Battery current sensor		ECM		Continuity
Connector	Terminal	Connector	Terminal	
F5	2	F79	68	Existed

Is the inspection result normal?

YES >> Perform the trouble diagnosis for power supply circuit.

NO >> Repair or replace error-detected parts.

3. CHECK BATTERY TEMPERATURE SENSOR GROUND CIRCUIT

1. Turn ignition switch OFF.
2. Disconnect ECM harness connector.
3. Check the continuity between battery current sensor harness connector and ECM harness connector.

Battery current sensor		ECM		Continuity
Connector	Terminal	Connector	Terminal	
F5	3	F79	64	Existed

4. Also check harness for short to ground and short to power.

Is the inspection result normal?

YES >> GO TO 4.

NO >> Repair open circuit, short to ground or short to power in harness or connectors.

4. CHECK BATTERY TEMPERATURE SENSOR

Check battery temperature sensor. Refer to [EC-982, "Component Inspection \(Battery Temperature Sensor\)"](#).

Is the inspection result normal?

YES >> Check intermittent incident. Refer to [GI-44, "Intermittent Incident"](#).

NO >> Replace battery negative cable assembly.

Component Inspection (Battery Temperature Sensor)

INFOID:0000000012602921

1. CHECK BATTERY TEMPERATURE SENSOR

1. Turn ignition switch OFF.
2. Disconnect battery current sensor.
3. Check the resistance between battery current sensor connector terminals.

Battery current sensor		Resistance
+	-	
Terminal		
2	3	continuity with the resistance value 100 Ω or more

Is the inspection result normal?

YES >> INSPECTION END

NO >> Replace battery negative cable assembly.

P1564 ASCD STEERING SWITCH

< DTC/CIRCUIT DIAGNOSIS >

[VQ35DE]

P1564 ASCD STEERING SWITCH

DTC Logic

INFOID:000000012602922

DTC DETECTION LOGIC

NOTE:

If DTC P1564 is displayed with DTC P0605, first perform the trouble diagnosis for DTC P0605. Refer to [EC-951, "DTC Logic"](#).

DTC No.	Trouble diagnosis name	DTC detecting condition	Possible cause
P1564	ASCD steering switch	<ul style="list-style-type: none">An excessively high voltage signal from the ASCD steering switch is sent to ECM.ECM detects that input signal from the ASCD steering switch is out of the specified range.ECM detects that the ASCD steering switch is stuck ON.	<ul style="list-style-type: none">Harness or connectors (The switch circuit is open or shorted.)ASCD steering switchECM

DTC CONFIRMATION PROCEDURE

1. PRECONDITIONING

If DTC Confirmation Procedure has been previously conducted, always perform the following before conducting the next test.

- Turn ignition switch OFF and wait at least 10 seconds.
- Turn ignition switch ON.
- Turn ignition switch OFF and wait at least 10 seconds.

>> GO TO 2.

2. PERFORM DTC CONFIRMATION PROCEDURE

- Turn ignition switch ON and wait at least 10 seconds.
- Press MAIN switch for at least 10 seconds, then release it and wait at least 10 seconds.
- Press CANCEL switch for at least 10 seconds, then release it and wait at least 10 seconds.
- Press RESUME/ACCELERATE switch for at least 10 seconds, then release it and wait at least 10 seconds.
- Press SET/COAST switch for at least 10 seconds, then release it and wait at least 10 seconds.
- Check DTC.

Is DTC detected?

- YES >> Proceed to [EC-983, "Diagnosis Procedure"](#).
NO >> INSPECTION END

Diagnosis Procedure

INFOID:000000012602923

1. CHECK ASCD STEERING SWITCH CIRCUIT

With CONSULT

- Turn ignition switch ON.
- Select "MAIN SW", "CANCEL SW", "RESUME/ACC SW" and "SET SW" in "DATA MONITOR" mode with CONSULT.
- Check each item indication under the following conditions.

Monitor item	Condition	Indication	
MAIN SW	ON/OFF (MAIN) switch	Pressed	ON
		Released	OFF
CANCEL SW	CANCEL switch	Pressed	ON
		Released	OFF

P1564 ASCD STEERING SWITCH

< DTC/CIRCUIT DIAGNOSIS >

[VQ35DE]

Monitor item	Condition		Indication
RESUME/ACC SW	ACCEL/RES switch	Pressed	ON
		Released	OFF
SET SW	COAST/SET switch	Pressed	ON
		Released	OFF

⊗ Without CONSULT

- Turn ignition switch ON.
- Check the voltage between ECM harness connector terminals under the following conditions.

Con- nector	ECM		Condition	Voltage (V)
	+	-		
	Terminal	Terminal		
E32	134	135	ON/OFF (MAIN) switch: Pressed	Approx. 0
			CANCEL switch: Pressed	Approx. 1
			COAST/SET switch: Pressed	Approx. 2
			ACCEL/RES switch: Pressed	Approx. 3
			All ASCD steering switches: Released	Approx. 4

Is the inspection result normal?

- YES >> Check intermittent incident. Refer to [GI-44. "Intermittent Incident"](#).
 NO >> GO TO 2.

2.CHECK ASCD STEERING SWITCH GROUND CIRCUIT

- Turn ignition switch OFF.
- Disconnect ECM harness connector.
- Disconnect combination switch harness connector M88.
- Check the continuity between combination switch and ECM harness connector.

Combination switch	ECM		Continuity
	Terminal	Connector	
16	E32	135	Existed

- Also check harness for short to ground and short to power.

Is the inspection result normal?

- YES >> GO TO 3.
 NO >> Repair or replace error-detected parts.

3.CHECK ASCD STEERING SWITCH INPUT SIGNAL CIRCUIT

- Check the continuity between combination switch and ECM harness connector.

Combination switch	ECM		Continuity
	Terminal	Connector	
13	E32	134	Existed

- Also check harness for short to ground and short to power.

Is the inspection result normal?

- YES >> GO TO 4.
 NO >> Repair or replace error-detected parts.

4.CHECK ASCD STEERING SWITCH

Check ASCD steering switch. Refer to [EC-985. "Component Inspection"](#).

Is the inspection result normal?

- YES >> Check intermittent incident. Refer to [GI-44. "Intermittent Incident"](#).

P1564 ASCD STEERING SWITCH

[VQ35DE]

< DTC/CIRCUIT DIAGNOSIS >

NO >> Replace ASCD steering switch. Refer to [EC-585. "ENGINE CONTROL SYSTEM : Component Parts Location"](#).

Component Inspection

INFOID:000000012602924

1. CHECK ASCD STEERING SWITCH

1. Turn ignition switch OFF.
2. Disconnect combination switch (spiral cable) harness connector.
3. Check resistance between combination switch harness connector terminals as per the following.

Combination switch		Condition	Resistance (Ω)
Connector	Terminals		
M88	13 and 16	ON/OFF (MAIN) switch: Pressed	Approx. 0
		CANCEL switch: Pressed	Approx. 250
		COAST/SET switch: Pressed	Approx. 660
		ACCEL/RES switch: Pressed	Approx. 1,480
		All ASCD steering switches: Released	Approx. 4,000

Is the inspection result normal?

YES >> INSPECTION END

NO >> Replace ASCD steering switch. Refer to [EC-585. "ENGINE CONTROL SYSTEM : Component Parts Location"](#).

P1564 ICC STEERING SWITCH

< DTC/CIRCUIT DIAGNOSIS >

[VQ35DE]

P1564 ICC STEERING SWITCH

DTC Logic

INFOID:000000013260030

DTC DETECTION LOGIC

NOTE:

If DTC P1564 is displayed with DTC P0605, first perform the trouble diagnosis for DTC P0605. Refer to [EC-951, "DTC Logic"](#).

DTC No.	Trouble diagnosis name	DTC detecting condition	Possible cause
P1564	ICC steering switch	<ul style="list-style-type: none">An excessively high voltage signal from the ICC steering switch is sent to ECM.ECM detects that input signal from the ICC steering switch is out of the specified range.ECM detects that the ICC steering switch is stuck ON.	<ul style="list-style-type: none">Harness or connectors (The switch circuit is open or shorted.)ICC steering switchECM

DTC CONFIRMATION PROCEDURE

1. PRECONDITIONING

If DTC Confirmation Procedure has been previously conducted, always perform the following before conducting the next test.

- Turn ignition switch OFF and wait at least 10 seconds.
- Turn ignition switch ON.
- Turn ignition switch OFF and wait at least 10 seconds.

>> GO TO 2.

2. PERFORM DTC CONFIRMATION PROCEDURE

- Turn ignition switch ON and wait at least 10 seconds.
- Press MAIN switch for at least 10 seconds, then release it and wait at least 10 seconds.
- Press CANCEL switch for at least 10 seconds, then release it and wait at least 10 seconds.
- Press RESUME/ACCELERATE switch for at least 10 seconds, then release it and wait at least 10 seconds.
- Press SET/COAST switch for at least 10 seconds, then release it and wait at least 10 seconds.
- Press DISTANCE switch for at least 10 seconds, then release it and wait at least 10 seconds.
- Check DTC.

Is DTC detected?

- YES >> Proceed to [EC-986, "Diagnosis Procedure"](#).
NO >> INSPECTION END

Diagnosis Procedure

INFOID:000000013260031

1. CHECK ICC STEERING SWITCH CIRCUIT

With CONSULT

- Turn ignition switch ON.
- Select "MAIN SW", "CANCEL SW", "RESUME/ACC SW" and "SET SW" in "DATA MONITOR" mode with CONSULT.
- Check each item indication under the following conditions.

Monitor item	Condition	Indication	
MAIN SW	ON/OFF (MAIN) switch	Pressed	ON
		Released	OFF
CANCEL SW	CANCEL switch	Pressed	ON
		Released	OFF

P1564 ICC STEERING SWITCH

[VQ35DE]

< DTC/CIRCUIT DIAGNOSIS >

Monitor item	Condition		Indication
DIST SW	DISTANCE switch	Pressed	ON
		Released	OFF
RESUME/ACC SW	RESUME/ACCELERATE switch	Pressed	ON
		Released	OFF
SET SW	SET/COAST switch	Pressed	ON
		Released	OFF

Without CONSULT

1. Turn ignition switch ON.
2. Check the voltage between ECM harness connector terminals under the following conditions.

ECM			Condition	Voltage (V)
Con- nector	+	-		
	Terminal	Terminal		
E32	134	135	ON/OFF (MAIN) switch: Pressed	Approx. 0
			CANCEL switch: Pressed	Approx. 1.18
			DISTANCE switch: Pressed	Approx. 1.51
			SET/COAST switch: Pressed	Approx. 2.0
			RESUME/ACCELERATE switch: Pressed	Approx. 2.71

Is the inspection result normal?

- YES >> Check intermittent incident. Refer to [GI-44. "Intermittent Incident"](#).
 NO >> GO TO 2.

2.CHECK ICC STEERING SWITCH GROUND CIRCUIT

1. Turn ignition switch OFF.
2. Disconnect ECM harness connector.
3. Disconnect combination switch harness connector M88.
4. Check the continuity between combination switch and ECM harness connector.

Combination switch Terminal	ECM		Continuity
	Connector	Terminal	
16	E32	135	Existed

5. Also check harness for short to ground and short to power.

Is the inspection result normal?

- YES >> GO TO 3.
 NO >> Repair or replace error-detected parts.

3.CHECK ICC STEERING SWITCH INPUT SIGNAL CIRCUIT

1. Check the continuity between combination switch and ECM harness connector.

Combination switch Terminal	ECM		Continuity
	Connector	Terminal	
13	E32	134	Existed

2. Also check harness for short to ground and short to power.

Is the inspection result normal?

- YES >> GO TO 4.
 NO >> Repair or replace error-detected parts.

4.CHECK ICC STEERING SWITCH

Check ICC steering switch. Refer to [EC-988. "Component Inspection"](#).

P1564 ICC STEERING SWITCH

[VQ35DE]

< DTC/CIRCUIT DIAGNOSIS >

Is the inspection result normal?

YES >> Check intermittent incident. Refer to [GI-44, "Intermittent Incident"](#).

NO >> Replace ICC steering switch. Refer to [EC-585, "ENGINE CONTROL SYSTEM : Component Parts Location"](#).

Component Inspection

INFOID:000000013260032

EC

1. CHECK ICC STEERING SWITCH

1. Turn ignition switch OFF.
2. Disconnect combination switch (spiral cable) harness connector.
3. Check resistance between combination switch harness connector terminals as per the following.

Combination switch		Condition	Resistance (Ω)
Connector	Terminals		
M88	13 and 16	ON/OFF (MAIN) switch: Pressed	Approx. 0
		CANCEL switch: Pressed	Approx. 310
		DISTANCE switch: Pressed	Approx. 740
		SET/COAST switch: Pressed	Approx. 1,410
		RESUME/ACCELERATE switch: Pressed	Approx. 2,590
		All ICC steering switches: Released	Approx. 5,460

Is the inspection result normal?

YES >> INSPECTION END

NO >> Replace ICC steering switch. Refer to [EC-585, "ENGINE CONTROL SYSTEM : Component Parts Location"](#).

P1568 ICC FUNCTION

DTC Logic

INFOID:000000013257839

DTC DETECTION LOGIC

NOTE:

- If DTC P1568 is displayed with DTC UXXXX, first perform the trouble diagnosis for DTC UXXXX.
- If DTC P1568 is displayed with DTC P0605, first perform the trouble diagnosis for DTC P0605. Refer to [EC-951, "DTC Logic"](#).
- If DTC P1568 is displayed with DTC P0607, first perform the trouble diagnosis for DTC P0607. Refer to [EC-953, "DTC Logic"](#).

DTC No.	Trouble Diagnosis Name	DTC Detecting Condition	Possible Cause
P1568	ICC function	ECM detects a difference between signals from ADAS control unit is out of specified range.	<ul style="list-style-type: none"> • Harness or connectors (The CAN communication line is open or shorted.) • ADAS control unit • ECM

DTC CONFIRMATION PROCEDURE

1. PRECONDITIONING

If DTC Confirmation Procedure has been previously conducted, always perform the following procedure before conducting the next test.

1. Turn ignition switch OFF and wait at least 10 seconds.
2. Turn ignition switch ON.
3. Turn ignition switch OFF and wait at least 10 seconds.

TESTING CONDITION:

Step 4 may be conducted with the drive wheels lifted in the shop or by driving the vehicle. If a road test is expected to be easier, it is unnecessary to lift the vehicle.

>> GO TO 2.

2. PERFORM DTC CONFIRMATION PROCEDURE

1. Turn ignition switch ON.
2. Press MAIN switch on ICC steering switch.
3. Drive the vehicle at more than 40 km/h (25 MPH).

CAUTION:

Always drive vehicle at a safe speed.

4. Press SET/COAST switch.
5. Check DTC.

Is DTC detected?

- YES >> Go to [EC-989, "Diagnosis Procedure"](#).
 NO >> INSPECTION END

Diagnosis Procedure

INFOID:000000013257840

1. REPLACE ADAS CONTROL UNIT

1. Replace ADAS control unit.
2. Perform [DAS-37, "Description"](#).
3. Check DTC of ADAS control unit. Refer to [DAS-21, "DTC Index"](#).

>> INSPECTION END

P1572 BRAKE PEDAL POSITION SWITCH

< DTC/CIRCUIT DIAGNOSIS >

[VQ35DE]

P1572 BRAKE PEDAL POSITION SWITCH

Description

INFOID:000000012602925

WITH ASCD MODELS

When the brake pedal is depressed, brake pedal position switch is turned OFF and stop lamp switch is turned ON. ECM detects the state of the brake pedal by this input of two kinds (ON/OFF signal).

Refer to [EC-612. "AUTOMATIC SPEED CONTROL DEVICE \(ASCD\) : System Description"](#) for the ASCD function.

DTC Logic

INFOID:000000012602926

DTC DETECTION LOGIC

NOTE:

- If DTC P1572 is displayed with DTC P0605, first perform the trouble diagnosis for DTC P0605. Refer to [EC-951. "DTC Logic"](#).
- This self-diagnosis has the one trip detection logic. When malfunction A is detected, DTC is not stored in ECM memory. And in that case, 1st trip DTC and 1st trip freeze frame data are displayed. 1st trip DTC is erased when ignition switch OFF. And even when malfunction A is detected in two consecutive trips, DTC is not stored in ECM memory.

DTC No.	Trouble diagnosis name	DTC detecting condition		Possible cause
P1572	Brake pedal position switch	A)	When the vehicle speed is above 30 km/h (19 MPH), ON signals from the stop lamp switch and the brake pedal position switch are sent to the ECM at the same time.	<ul style="list-style-type: none">• Harness or connectors (The stop lamp switch circuit is shorted.)• Harness or connectors (The brake pedal position switch circuit is shorted.)• Stop lamp switch• Brake pedal position switch• Incorrect stop lamp switch installation• Incorrect brake pedal position switch installation• ECM
		B)	Brake pedal position switch signal is not sent to ECM for extremely long time while the vehicle is driving.	

DTC CONFIRMATION PROCEDURE

1. INSPECTION START

Do you have CONSULT?

Do you have CONSULT?

YES >> GO TO 2.

NO >> GO TO 5.

2. PRECONDITIONING

If DTC Confirmation Procedure has been previously conducted, always turn ignition switch OFF and wait at least 10 seconds before conducting the next test.

NOTE:

Procedure for malfunction B is not described here. It takes extremely long time to complete procedure for malfunction B. By performing procedure for malfunction A, the incident that causes malfunction B can be detected.

>> GO TO 3.

3. PERFORM DTC CONFIRMATION PROCEDURE FOR MALFUNCTION A-I

1. Start engine (VDC switch OFF).
2. Select "DATA MONITOR" mode with CONSULT.
3. Press MAIN switch and make sure that CRUISE lamp lights up.
4. Drive the vehicle for at least 5 consecutive seconds under the following conditions.

CAUTION:

Always drive vehicle at a safe speed.

NOTE:

P1572 BRAKE PEDAL POSITION SWITCH

[VQ35DE]

< DTC/CIRCUIT DIAGNOSIS >

This procedure may be conducted with the drive wheels lifted in the shop or by driving the vehicle.
If a road test is expected to be easier, it is unnecessary to lift the vehicle.

VHCL SPEED SE	More than 30 km/h (19 mph)
Selector lever	Suitable position

5. Check 1st trip DTC.

Is 1st trip DTC detected?

YES >> Go to [EC-992, "Diagnosis Procedure"](#).

NO >> GO TO 4.

4.PERFORM DTC CONFIRMATION PROCEDURE A-II

1. Drive the vehicle for at least 5 consecutive seconds under the following conditions.

CAUTION:

Always drive vehicle at a safe speed.

NOTE:

This procedure may be conducted with the drive wheels lifted in the shop or by driving the vehicle.
If a road test is expected to be easier, it is unnecessary to lift the vehicle.

VHCL SPEED SE	More than 30 km/h (19 mph)
Selector lever	Suitable position
Driving location	Depress the brake pedal for more than five seconds so as not to come off from the above-mentioned vehicle speed.

2. Check 1st trip DTC.

Is 1st trip DTC detected?

YES >> Go to [EC-992, "Diagnosis Procedure"](#).

NO >> INSPECTION END

5.PERFORM COMPONENT FUNCTION CHECK

Perform component function check. Refer to [EC-991, "Component Function Check"](#).

NOTE:

Use component function check to check the overall function of brake pedal position switch. During this check, a DTC might not be confirmed.

Is the inspection result normal?

YES >> INSPECTION END

NO >> Go to [EC-992, "Diagnosis Procedure"](#).

Component Function Check

INFOID:000000012602927

1.PERFORM COMPONENT FUNCTION CHECK

1. Turn ignition switch ON.
2. Check the voltage between ECM harness connectors.

ECM			Condition	Voltage	
Con- nector	+	-			
	Terminal	Terminal			
E32	140	152	Brake pedal	Slightly depressed	Approx. 0 V
			Fully re- leased	Battery voltage	

Is the inspection result normal?

YES >> INSPECTION END

NO >> GO TO 2.

P1572 BRAKE PEDAL POSITION SWITCH

< DTC/CIRCUIT DIAGNOSIS >

[VQ35DE]

2.PERFORM COMPONENT FUNCTION CHECK-II

Check the voltage between ECM harness connectors.

ECM			Condition	Voltage	
Con- nector	+	-			
	Terminal	Terminal			
E32	139	152	Brake pedal	Slightly depressed	Battery voltage
				Fully re- leased	Approx. 0 V

Is the inspection result normal?

YES >> INSPECTION END

NO >> Go to [EC-992, "Diagnosis Procedure"](#).

Diagnosis Procedure

INFOID:0000000012602928

1.CHECK OVERALL FUNCTION-I

With CONSULT

- Turn ignition switch ON.
- Select "BRAKE SW1" in "DATA MONITOR" mode with CONSULT.
- Check "BRAKE SW1" indication under the following conditions.

Monitor item	Condition		Indication
BRAKE SW1	Brake pedal	Slightly depressed	OFF
		Fully released	ON

Without CONSULT

- Turn ignition switch ON.
- Check the voltage between ECM harness connectors.

ECM			Condition	Voltage	
Con- nector	+	-			
	Terminal	Terminal			
E32	140	152	Brake pedal	Slightly depressed	Approx. 0 V
				Fully re- leased	Battery voltage

Is the inspection result normal?

YES >> GO TO 2.

NO >> GO TO 3.

2.CHECK OVERALL FUNCTION-II

With CONSULT

Check "BRAKE SW2" indication in "DATA MONITOR" mode.

Monitor item	Condition		Indication
BRAKE SW2	Brake pedal	Slightly depressed	ON
		Fully released	OFF

Without CONSULT

Check the voltage between ECM harness connectors.

P1572 BRAKE PEDAL POSITION SWITCH

< DTC/CIRCUIT DIAGNOSIS >

[VQ35DE]

ECM			Condition	Voltage	
Con- nector	+	-			
	Terminal	Terminal			
E32	139	152	Brake pedal	Slightly depressed	Battery voltage
				Fully re- leased	Approx. 0 V

Is the inspection result normal?

YES >> Check intermittent incident. Refer to [GI-44, "Intermittent Incident"](#).

NO >> GO TO 6.

3. CHECK BRAKE PEDAL POSITION SWITCH POWER SUPPLY

1. Turn ignition switch OFF.
2. Disconnect brake pedal position switch harness connector.
3. Turn ignition switch ON.
4. Check the voltage between brake pedal position switch harness connector and ground.

Brake pedal position switch		Ground	Voltage
Connector	Terminal		
E51*1 E76*2	1	Ground	Battery voltage

*1: With ASCD

*2: With ICC

Is the inspection result normal?

YES >> GO TO 4.

NO >> Repair or replace error-detected parts.

4. CHECK BRAKE PEDAL POSITION SWITCH INPUT SIGNAL CIRCUIT

1. Turn ignition switch OFF.
2. Disconnect ECM harness connector.
3. Check the continuity between brake pedal position switch harness connector and ECM harness connector.

Brake pedal position switch		ECM		Continuity
Connector	Terminal	Connector	Terminal	
E51*1 E76*2	2	E32	140	Existed

*1: With ASCD

*2: With ICC

4. Also check harness for short to ground and short to power.

Is the inspection result normal?

YES >> GO TO 5.

NO >> Repair open circuit, short to ground or short to power in harness or connectors.

5. CHECK BRAKE PEDAL POSITION SWITCH

Check brake pedal position switch. Refer to [EC-995, "Component Inspection \(Brake Pedal Position Switch\)"](#).

Is the inspection result normal?

YES >> Check intermittent incident. Refer to [GI-44, "Intermittent Incident"](#).

NO >> Replace brake pedal position switch. Refer to [BR-21, "Exploded View"](#).

6. CHECK STOP LAMP SWITCH POWER SUPPLY CIRCUIT

1. Turn ignition switch OFF.
2. Disconnect stop lamp switch harness connector.

P1572 BRAKE PEDAL POSITION SWITCH

[VQ35DE]

< DTC/CIRCUIT DIAGNOSIS >

3. Check the voltage between stop lamp switch harness connector and ground.

+		-	Voltage
Stop lamp switch			
Connector	Terminal	Ground	Battery voltage
E38	3		

Is the inspection result normal?

YES >> GO TO 7.

NO >> Perform the trouble diagnosis for power supply circuit.

7. CHECK STOP LAMP SWITCH GROUND CIRCUIT

1. Disconnect stop lamp relay harness connector.
2. Check the continuity between stop lamp switch harness connector and stop lamp relay harness connector.

+		-		Continuity
Stop lamp switch		Stop lamp relay		
Connector	Terminal	Connector	Terminal	Existed
E38	4	E57	2	

3. Also check harness for short to ground and to power.

Is the inspection result normal?

YES >> GO TO 8.

NO >> Repair or replace error-detected parts.

8. CHECK STOP LAMP SWITCH

Check the stop lamp switch. Refer to [EC-995, "Component Inspection \(Stop Lamp Switch\)"](#).

Is the inspection result normal?

YES >> GO TO 9.

NO >> Replace stop lamp switch. Refer to [BR-21, "Exploded View"](#).

9. CHECK STOP LAMP RELAY GROUND CIRCUIT

1. Check the continuity between stop lamp relay harness connector and ground.

+		-	Continuity
Stop lamp relay			
Connector	Terminal	Ground	Existed
E57	1		

2. Also check harness for short to power.

Is the inspection result normal?

YES >> GO TO 10.

NO >> Repair or replace error-detected parts.

10. CHECK STOP LAMP SWITCH SIGNAL POWER SUPPLY

Check the voltage between stop lamp relay harness connector and ground.

+		-	Voltage
Stop lamp relay			
Connector	Terminal	Ground	Battery voltage
E57	5		

Is the inspection result normal?

YES >> GO TO 11.

P1572 BRAKE PEDAL POSITION SWITCH

[VQ35DE]

< DTC/CIRCUIT DIAGNOSIS >

NO >> Perform the trouble diagnosis for power supply circuit.

11.CHECK STOP LAMP SWITCH SIGNAL CIRCUIT

1. Disconnect ECM harness connector.
2. Check the continuity between stop lamp relay harness connector and ECM harness connector.

+		-		Continuity
Stop lamp relay		ECM		
Connector	Terminal	Connector	Terminal	
E57	3	E32	139	Existed

3. Also check harness for short to ground and to power.

Is the inspection result normal?

YES >> GO TO 12.

NO >> Repair or replace error-detected parts

12.CHECK STOP LAMP RELAY

Check the stop lamp relay. Refer to [EC-996, "Component Inspection \(Stop Lamp Relay\)"](#).

Is the inspection result normal?

YES >> Check intermittent incident. Refer to [GI-44, "Intermittent Incident"](#).

NO >> Replace stop lamp relay.

Component Inspection (Brake Pedal Position Switch)

INFOID:000000012602929

1.CHECK BRAKE PEDAL POSITION SWITCH-I

1. Turn ignition switch OFF.
2. Disconnect brake pedal position switch harness connector.
3. Check the continuity between brake pedal position switch terminals under the following conditions.

Terminals	Condition		Continuity
1 and 2	Brake pedal	Fully released	Existed
		Slightly depressed	Not existed

Is the inspection result normal?

YES >> INSPECTION END

NO >> GO TO 2.

2.CHECK BRAKE PEDAL POSITION SWITCH-II

1. Adjust brake pedal position switch installation. Refer to [BR-14, "Inspection and Adjustment"](#).
2. Check the continuity between brake pedal position switch terminals under the following conditions.

Terminals	Condition		Continuity
1 and 2	Brake pedal	Fully released	Existed
		Slightly depressed	Not existed

Is the inspection result normal?

YES >> INSPECTION END

NO >> Replace brake pedal position switch. Refer to [BR-21, "Exploded View"](#).

Component Inspection (Stop Lamp Switch)

INFOID:000000012602930

1.CHECK STOP LAMP SWITCH-I

1. Turn ignition switch OFF.
2. Disconnect stop lamp switch harness connector.
3. Check harness continuity between stop lamp switch terminals under the following conditions.

P1572 BRAKE PEDAL POSITION SWITCH

< DTC/CIRCUIT DIAGNOSIS >

[VQ35DE]

Terminals	Condition		Continuity
1 and 2	Brake pedal	Fully released	Not existed
		Slightly depressed	Existed

Is the inspection result normal?

- YES >> INSPECTION END
- NO >> GO TO 2.

2.CHECK STOP LAMP SWITCH-II

1. Adjust stop lamp switch installation. Refer to [BR-14. "Inspection and Adjustment"](#).
2. Check harness continuity between stop lamp switch terminals under the following conditions.

Terminals	Condition		Continuity
1 and 2	Brake pedal	Fully released	Not existed
		Slightly depressed	Existed

Is the inspection result normal?

- YES >> INSPECTION END
- NO >> Replace stop lamp switch. Refer to [BR-21. "Exploded View"](#).

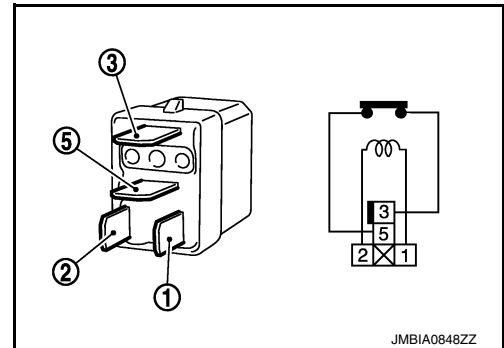
Component Inspection (Stop Lamp Relay)

INFOID:000000012602931

1.CHECK STOP LAMP RELAY

1. Turn ignition switch OFF.
2. Remove stop lamp relay.
3. Check the continuity between stop lamp relay terminals as per the following conditions.

Stop lamp relay		Condition	Continuity
+	-		
Terminal			
3	5	12 V direct current supply between terminals 1 and 2	Existed
		No current supply	Not existed



Is the inspection result normal?

- YES >> INSPECTION END
- NO >> Replace stop lamp relay.

A
EC
C
D
E
F
G
H
I
J
K
L
M
N
O
P

P1574 ASCD VEHICLE SPEED SENSOR

< DTC/CIRCUIT DIAGNOSIS >

[VQ35DE]

P1574 ASCD VEHICLE SPEED SENSOR

Description

INFOID:0000000012602932

The ECM receives two vehicle speed signals via CAN communication line. One is sent from combination meter, and the other is from TCM (Transmission control module). The ECM uses these signals for ASCD control. Refer to [EC-612, "AUTOMATIC SPEED CONTROL DEVICE \(ASCD\) : System Description"](#) for ASCD functions.

DTC Logic

INFOID:0000000012602933

DTC DETECTION LOGIC

NOTE:

- If DTC P1574 is displayed with DTC UXXXX, first perform the trouble diagnosis for DTC UXXXX.
- If DTC P1574 is displayed with DTC P0500, first perform the trouble diagnosis for DTC P0500. Refer to [EC-928, "DTC Logic"](#).
- If DTC P1574 is displayed with DTC P0605, first perform the trouble diagnosis for DTC P0605. Refer to [EC-951, "DTC Logic"](#).
- If DTC P1574 is displayed with DTC P0607, first perform the trouble diagnosis for DTC P0607. Refer to [EC-953, "DTC Logic"](#).

DTC No.	Trouble diagnosis name	DTC detecting condition	Possible cause
P1574	ASCD vehicle speed sensor	The difference the between two vehicle speed signals is out of the specified range.	<ul style="list-style-type: none">• Harness or connectors (The CAN communication line is open or shorted.)• Combination meter• ABS actuator and electric unit (control unit)• Wheel sensor• TCM• ECM

DTC CONFIRMATION PROCEDURE

1. PRECONDITIONING

If DTC Confirmation Procedure has been previously conducted, always perform the following before conducting the next test.

1. Turn ignition switch OFF and wait at least 10 seconds.
2. Turn ignition switch ON.
3. Turn ignition switch OFF and wait at least 10 seconds.

>> GO TO 2.

2. PERFORM DTC CONFIRMATION PROCEDURE

1. Start engine (VDC switch OFF).
2. Drive the vehicle at more than 40 km/h (25 MPH).

CAUTION:

Always drive vehicle at a safe speed.

NOTE:

This procedure may be conducted with the drive wheels lifted in the shop or by driving the vehicle. If a road test is expected to be easier, it is unnecessary to lift the vehicle.

3. Check DTC.

Is DTC detected?

- YES >> Proceed to [EC-997, "Diagnosis Procedure"](#).
NO >> INSPECTION END

Diagnosis Procedure

INFOID:0000000012602934

1. CHECK DTC WITH TCM

Check DTC with TCM. Refer to [TM-249, "CONSULT Function"](#).

P1574 ASCD VEHICLE SPEED SENSOR

[VQ35DE]

< DTC/CIRCUIT DIAGNOSIS >

Is the inspection result normal?

YES >> GO TO 2.

NO >> Perform trouble shooting relevant to DTC indicated.

2.CHECK DTC WITH ABS ACTUATOR AND ELECTRIC UNIT (CONTROL UNIT)

Check DTC with ABS actuator and electric unit (control unit). Refer to [BRC-38, "CONSULT Function"](#) (Without ICC), [BRC-209, "CONSULT Function"](#) (With ICC).

Is the inspection result normal?

YES >> GO TO 3.

NO >> Repair or replace malfunctioning part.

3.CHECK COMBINATION METER FUNCTION

Check combination meter function. Refer to [MWI-18, "CONSULT Function \(METER/M&A\)"](#).

>> INSPECTION END

A

EC

C

D

E

F

G

H

I

J

K

L

M

N

O

P

P1574 ICC VEHICLE SPEED SENSOR

< DTC/CIRCUIT DIAGNOSIS >

[VQ35DE]

P1574 ICC VEHICLE SPEED SENSOR

Description

INFOID:000000013260040

The ECM receives two vehicle speed signals via CAN communication line. One is sent from combination meter, and the other is from TCM (Transmission control module). The ECM uses these signals for ICC control. Refer to [CCS-14, "INTELLIGENT CRUISE CONTROL : System Description"](#) for ICC functions.

DTC Logic

INFOID:000000013260041

DTC DETECTION LOGIC

NOTE:

- If DTC P1574 is displayed with DTC UXXXX, first perform the trouble diagnosis for DTC UXXXX.
- If DTC P1574 is displayed with DTC P0500, first perform the trouble diagnosis for DTC P0500. Refer to [EC-928, "DTC Logic"](#).
- If DTC P1574 is displayed with DTC P0605, first perform the trouble diagnosis for DTC P0605. Refer to [EC-951, "DTC Logic"](#).
- If DTC P1574 is displayed with DTC P0607, first perform the trouble diagnosis for DTC P0607. Refer to [EC-953, "DTC Logic"](#).

DTC No.	Trouble diagnosis name	DTC detecting condition	Possible cause
P1574	ICC vehicle speed sensor	The difference the between two vehicle speed signals is out of the specified range.	<ul style="list-style-type: none">• Harness or connectors (The CAN communication line is open or shorted.)• Combination meter• ABS actuator and electric unit (control unit)• Wheel sensor• TCM• ECM

DTC CONFIRMATION PROCEDURE

1. PRECONDITIONING

If DTC Confirmation Procedure has been previously conducted, always perform the following before conducting the next test.

1. Turn ignition switch OFF and wait at least 10 seconds.
2. Turn ignition switch ON.
3. Turn ignition switch OFF and wait at least 10 seconds.

>> GO TO 2.

2. PERFORM DTC CONFIRMATION PROCEDURE

1. Start engine (VDC switch OFF).
2. Drive the vehicle at more than 40 km/h (25 MPH).

CAUTION:

Always drive vehicle at a safe speed.

NOTE:

This procedure may be conducted with the drive wheels lifted in the shop or by driving the vehicle.

If a road test is expected to be easier, it is unnecessary to lift the vehicle.

3. Check DTC.

Is DTC detected?

- YES >> Proceed to [EC-999, "Diagnosis Procedure"](#).
NO >> INSPECTION END

Diagnosis Procedure

INFOID:000000013260042

1. CHECK DTC WITH TCM

Check DTC with TCM. Refer to [TM-249, "CONSULT Function"](#).

Is the inspection result normal?

P1574 ICC VEHICLE SPEED SENSOR

[VQ35DE]

< DTC/CIRCUIT DIAGNOSIS >

- YES >> GO TO 2.
- NO >> Perform trouble shooting relevant to DTC indicated.

A

2.CHECK DTC WITH ABS ACTUATOR AND ELECTRIC UNIT (CONTROL UNIT)

Check DTC with ABS actuator and electric unit (control unit). Refer to [BRC-38. "CONSULT Function"](#) (Without ICC), [BRC-209. "CONSULT Function"](#) (With ICC).

EC

Is the inspection result normal?

- YES >> GO TO 3.
- NO >> Repair or replace malfunctioning part.

C

3.CHECK COMBINATION METER FUNCTION

Check combination meter function. Refer to [MWI-18. "CONSULT Function \(METER/M&A\)"](#).

D

>> INSPECTION END

E

F

G

H

I

J

K

L

M

N

O

P

P1715 INPUT SPEED SENSOR

< DTC/CIRCUIT DIAGNOSIS >

[VQ35DE]

P1715 INPUT SPEED SENSOR

Description

INFOID:0000000012602935

ECM receives input speed sensor signal from TCM through CAN communication line. ECM uses this signal for engine control.

DTC Logic

INFOID:0000000012602936

DTC DETECTION LOGIC

NOTE:

- If DTC P1715 is displayed with DTC UXXXX, first perform the trouble diagnosis for DTC UXXXX.
- If DTC P1715 is displayed with DTC P0335, first perform the trouble diagnosis for DTC P0335. Refer to [EC-878, "DTC Logic"](#).
- If DTC P1715 is displayed with DTC P0340, first perform the trouble diagnosis for DTC P0340. Refer to [EC-881, "DTC Logic"](#).
- If DTC P1715 is displayed with DTC P0603, P0604, P0605, P0606, P0607, P060A, and P060B, first perform the trouble diagnosis for DTC P0603, P0604, P0605, P0606, P0607, P060A, and P060B. Refer to [EC-676, "DTC Index"](#).

DTC No.	CONSULT screen terms (Trouble diagnosis content)	DTC detecting condition	Possible cause
P1715	IN PULY SPEED (IN PULY SPEED)	Input speed sensor signal is different from the theoretical value calculated by ECM from output speed sensor signal and engine rpm signal.	<ul style="list-style-type: none">• Harness or connectors (The CAN communication line is open or shorted)• Harness or connectors (Input speed sensor circuit is open or shorted)• TCM

DTC CONFIRMATION PROCEDURE

1. PRECONDITIONING

If DTC Confirmation Procedure has been previously conducted, always perform the following before conducting the next test.

1. Turn ignition switch OFF and wait at least 10 seconds.
2. Turn ignition switch ON.
3. Turn ignition switch OFF and wait at least 10 seconds.

>> GO TO 2.

2. PERFORM DTC CONFIRMATION PROCEDURE

1. Start engine and drive the vehicle at more than 50 km/h (31 MPH) for at least 5 seconds.

CAUTION:

Always drive vehicle at a safe speed.

2. Check 1st trip DTC.

Is 1st trip DTC detected?

YES >> Proceed to [EC-1001, "Diagnosis Procedure"](#).

NO >> INSPECTION END

Diagnosis Procedure

INFOID:0000000012602937

1. CHECK DTC WITH TCM

Check DTC with TCM. Refer to [TM-249, "CONSULT Function"](#).

Is the inspection result normal?

YES >> GO TO 2.

NO >> Perform trouble shooting relevant to DTC indicated.

2. REPLACE TCM

P1715 INPUT SPEED SENSOR

< DTC/CIRCUIT DIAGNOSIS >

[VQ35DE]

Replace TCM. Refer to [TM-395. "Removal and Installation"](#).

>> INSPECTION END

A

EC

C

D

E

F

G

H

I

J

K

L

M

N

O

P

P1800 VIAS CONTROL SOLENOID VALVE 1

< DTC/CIRCUIT DIAGNOSIS >

[VQ35DE]

P1800 VIAS CONTROL SOLENOID VALVE 1

DTC Logic

INFOID:000000012602938

DTC DETECTION LOGIC

DTC No.	Trouble diagnosis name	DTC detecting condition	Possible cause
P1800	VIAS control solenoid valve 1 circuit	An excessively low or high voltage signal is sent to ECM through the VIAS control solenoid valve 1.	<ul style="list-style-type: none"> Harness or connectors (The solenoid valve 1 circuit is open or shorted.) VIAS control solenoid valve 1

DTC CONFIRMATION PROCEDURE

1.CONDITIONING

If DTC Confirmation Procedure has been previously conducted, always perform the following before conducting the next test.

- Turn ignition switch OFF and wait at least 10 seconds.
- Turn ignition switch ON.
- Turn ignition switch OFF and wait at least 10 seconds.

TESTING CONDITION:

Before performing the following procedure, confirm battery voltage is more than 11 V at idle.

>> GO TO 2.

2.PERFORM DTC CONFIRMATION PROCEDURE

- Start engine and let it idle for at least 5 seconds.
- Check 1st trip DTC.

Is 1st trip DTC detected?

- YES >> Proceed to [EC-1003, "Diagnosis Procedure"](#).
 NO >> INSPECTION END

Diagnosis Procedure

INFOID:000000012602939

1.CHECK VIAS CONTROL SOLENOID VALVE 1 POWER SUPPLY

- Turn ignition switch OFF.
- Disconnect VIAS control solenoid valve 1 harness connector.
- Turn ignition switch ON.
- Check the voltage between VIAS control solenoid valve 1 harness connector and ground.

VIAS control solenoid valve 1		Ground	Voltage
Connector	Terminal		
F63	1	Ground	Battery voltage

Is the inspection result normal?

- YES >> GO TO 2.
 NO >> Repair open circuit, short to ground or short to power in harness or connectors.

2.CHECK VIAS CONTROL SOLENOID VALVE 1 OUTPUT SIGNAL CIRCUIT

- Turn ignition switch OFF.
- Disconnect ECM harness connector.
- Check the continuity between VIAS control solenoid valve 1 harness connector and ECM harness connector.

VIAS control solenoid valve 1		ECM		Continuity
Connector	Terminal	Connector	Terminal	
F63	2	F79	108	Existed

P1800 VIAS CONTROL SOLENOID VALVE 1

[VQ35DE]

< DTC/CIRCUIT DIAGNOSIS >

4. Also check harness for short to ground and short to power.

Is the inspection result normal?

YES >> GO TO 3.

NO >> Repair open circuit, short to ground or short to power in harness or connectors.

3. CHECK VIAS CONTROL SOLENOID VALVE 1

Check VIAS control solenoid valve 1. Refer to [EC-1004, "Component Inspection"](#).

Is the inspection result normal?

YES >> Check intermittent incident. Refer to [GI-44, "Intermittent Incident"](#).

NO >> Replace VIAS control solenoid valve 1. Refer to [EC-585, "ENGINE CONTROL SYSTEM : Component Parts Location"](#).

Component Inspection

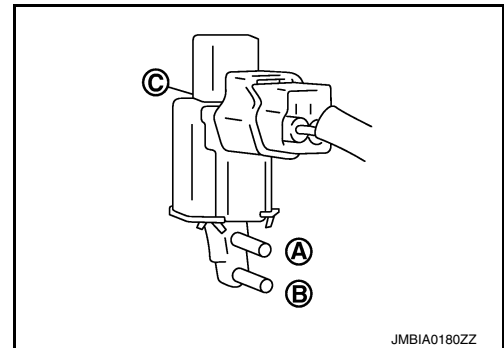
INFOID:000000012602940

1. CHECK VIAS CONTROL SOLENOID VALVE 1

With CONSULT

1. Turn ignition switch OFF.
2. Reconnect all harness connectors disconnected.
3. Disconnect vacuum hoses connected to VIAS control solenoid valve 1.
4. Turn ignition switch ON.
5. Select "VIAS S/V-1" in "ACTIVE TEST" mode with CONSULT.
6. Check air passage continuity and operation delay time under the following conditions.

Condition (VIAS S/V-1)	Air passage continuity between (A) and (B)	Air passage continuity between (A) and (C)
ON	Existed	Not existed
OFF	Not existed	Existed

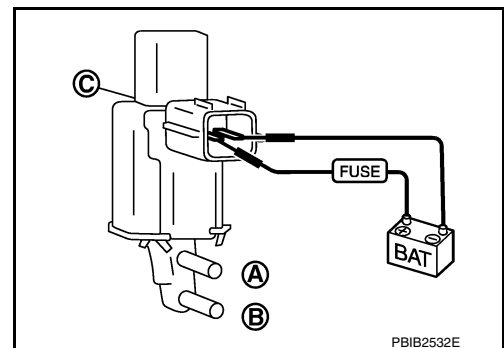


JMBIA0180ZZ

Without CONSULT

1. Turn ignition switch OFF.
2. Disconnect VIAS control solenoid valve 1 harness connector.
3. Disconnect vacuum hoses connected to VIAS volume control solenoid valve 1.
4. Check air passage continuity and operation delay time under the following conditions.

Condition	Air passage continuity between (A) and (B)	Air passage continuity between (A) and (C)
12 V direct current supply between terminals 1 and 2	Existed	Not existed
No supply	Not existed	Existed



PBIB2532E

Is the inspection result normal?

YES >> INSPECTION END

NO >> Replace VIAS control solenoid valve 1. Refer to [EC-585, "ENGINE CONTROL SYSTEM : Component Parts Location"](#).

P1801 VIAS CONTROL SOLENOID VALVE 2

< DTC/CIRCUIT DIAGNOSIS >

[VQ35DE]

P1801 VIAS CONTROL SOLENOID VALVE 2

DTC Logic

INFOID:0000000012602941

DTC DETECTION LOGIC

DTC No.	Trouble diagnosis name	DTC detecting condition	Possible cause
P1801	VIAS control solenoid valve 2 circuit	An excessively low or high voltage signal is sent to ECM through the VIAS control solenoid valve 2.	<ul style="list-style-type: none">• Harness or connectors (The solenoid valve 2 circuit is open or shorted.)• VIAS control solenoid valve 2

DTC CONFIRMATION PROCEDURE

1.CONDITIONING

If DTC Confirmation Procedure has been previously conducted, always perform the following before conducting the next test.

1. Turn ignition switch OFF and wait at least 10 seconds.
2. Turn ignition switch ON.
3. Turn ignition switch OFF and wait at least 10 seconds.

TESTING CONDITION:

Before performing the following procedure, confirm battery voltage is more than 11 V at idle.

>> GO TO 2.

2.PERFORM DTC CONFIRMATION PROCEDURE

1. Start engine and let it idle for at least 5 seconds.
2. Check 1st trip DTC.

Is 1st trip DTC detected?

- YES >> Proceed to [EC-1005, "Diagnosis Procedure"](#).
NO >> INSPECTION END

Diagnosis Procedure

INFOID:0000000012602942

1.CHECK VIAS CONTROL SOLENOID VALVE 2 POWER SUPPLY

1. Turn ignition switch OFF.
2. Disconnect VIAS control solenoid valve 2 harness connector.
3. Turn ignition switch ON.
4. Check the voltage between VIAS control solenoid valve 2 harness connector and ground.

VIAS control solenoid valve 2		Ground	Voltage
Connector	Terminal		
F65	1	Ground	Battery voltage

Is the inspection result normal?

- YES >> GO TO 2.
NO >> Repair open circuit, short to ground or short to power in harness or connectors.

2.CHECK VIAS CONTROL SOLENOID VALVE 2 OUTPUT SIGNAL CIRCUIT FOR OPEN AND SHORT

1. Turn ignition switch OFF.
2. Disconnect ECM harness connector.
3. Check the continuity between VIAS control solenoid valve 2 harness connector and ECM harness connector.

VIAS control solenoid valve 2		ECM		Continuity
Connector	Terminal	Connector	Terminal	
F65	2	F79	102	Existed

P1801 VIAS CONTROL SOLENOID VALVE 2

[VQ35DE]

< DTC/CIRCUIT DIAGNOSIS >

4. Also check harness for short to ground and short to power.

Is the inspection result normal?

YES >> GO TO 3.

NO >> Repair open circuit, short to ground or short to power in harness or connectors.

3. CHECK VIAS CONTROL SOLENOID VALVE 2

Check VIAS control solenoid valve 2. Refer to [EC-1006, "Component Inspection"](#).

Is the inspection result normal?

YES >> Check intermittent incident. Refer to [GI-44, "Intermittent Incident"](#).

NO >> Replace VIAS control solenoid valve 2. Refer to [EC-585, "ENGINE CONTROL SYSTEM : Component Parts Location"](#).

Component Inspection

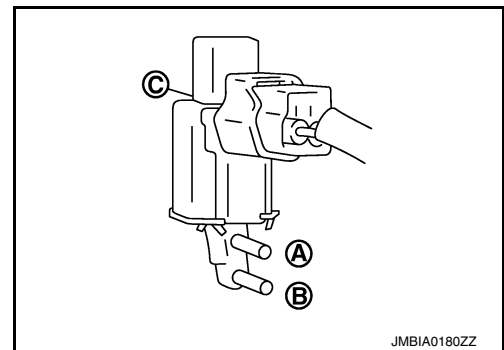
INFOID:000000012602943

1. CHECK VIAS CONTROL SOLENOID VALVE 2

With CONSULT

1. Turn ignition switch OFF.
2. Reconnect all harness connectors disconnected.
3. Disconnect vacuum hoses connected to VIAS control solenoid valve 2.
4. Turn ignition switch ON.
5. Select "VIAS S/V-2" in "ACTIVE TEST" mode with CONSULT.
6. Check air passage continuity and operation delay time under the following conditions.

Condition (VIAS S/V-2)	Air passage continuity between (A) and (B)	Air passage continuity between (A) and (C)
ON	Existed	Not existed
OFF	Not existed	Existed

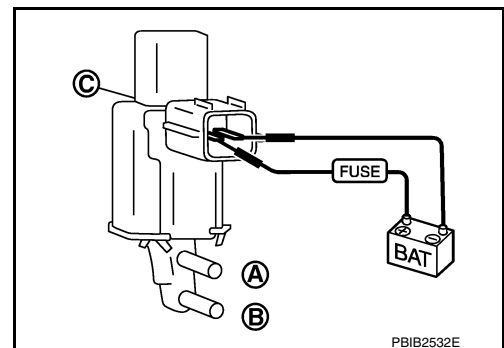


JMBIA0180ZZ

Without CONSULT

1. Turn ignition switch OFF.
2. Disconnect VIAS control solenoid valve 2 harness connector.
3. Disconnect vacuum hoses connected to VIAS volume control solenoid valve 2.
4. Check air passage continuity and operation delay time under the following conditions.

Condition	Air passage continuity between (A) and (B)	Air passage continuity between (A) and (C)
12 V direct current supply between terminals 1 and 2	Existed	Not existed
No supply	Not existed	Existed



PBIB2532E

Is the inspection result normal?

YES >> INSPECTION END

NO >> Replace VIAS control solenoid valve 2. Refer to [EC-585, "ENGINE CONTROL SYSTEM : Component Parts Location"](#).

P1805 BRAKE SWITCH

[VQ35DE]

< DTC/CIRCUIT DIAGNOSIS >

P1805 BRAKE SWITCH

Description

INFOID:000000012602944

Brake switch signal is applied to the ECM via the stop lamp switch when the brake pedal is depressed. This signal is used mainly to decrease the engine speed when the vehicle is driven.

DTC Logic

INFOID:000000012602945

DTC DETECTION LOGIC

DTC No.	Trouble diagnosis name	DTC detecting condition	Possible cause
P1805	Brake switch	A brake switch signal is not sent to ECM for extremely long time while the vehicle is driving.	<ul style="list-style-type: none">• Harness or connectors (Stop lamp switch circuit is open or shorted.)• Stop lamp switch

DTC CONFIRMATION PROCEDURE

1. PERFORM DTC CONFIRMATION PROCEDURE

1. Turn ignition switch ON.
2. Fully depress the brake pedal for at least 5 seconds.
3. Erase the DTC with CONSULT.
4. Check 1st trip DTC.

Is 1st trip DTC detected?

YES >> Go to [EC-1007, "Diagnosis Procedure"](#).

NO >> INSPECTION END

Diagnosis Procedure

INFOID:000000012602946

1. CHECK STOP LAMP SWITCH CIRCUIT

1. Turn ignition switch OFF.
2. Check the stop lamp when depressing and releasing the brake pedal.

Brake pedal	Stop lamp
Fully released	Not illuminated
Slightly depressed	Illuminated

Is the inspection result normal?

YES >> Check intermittent incident. Refer to [GI-44, "Intermittent Incident"](#).

NO >> GO TO 2.

2. CHECK STOP LAMP SWITCH POWER SUPPLY CIRCUIT

1. Turn ignition switch OFF.
2. Disconnect stop lamp switch harness connector.
3. Check the voltage between stop lamp switch harness connector and ground.

+		-	Voltage
Stop lamp switch			
Connector	Terminal		
E38	3	Ground	Battery voltage

Is the inspection result normal?

YES >> GO TO 3.

NO >> Perform the trouble diagnosis for power supply circuit.

3. CHECK STOP LAMP SWITCH GROUND CIRCUIT

P1805 BRAKE SWITCH

[VQ35DE]

< DTC/CIRCUIT DIAGNOSIS >

1. Disconnect stop lamp relay harness connector.
2. Check the continuity between stop lamp switch harness connector and stop lamp relay harness connector.

+		-		Continuity
Stop lamp switch		Stop lamp relay		
Connector	Terminal	Connector	Terminal	
E38	4	E57	2	Existed

3. Also check harness for short to ground and to power.

Is the inspection result normal?

- YES >> GO TO 4.
 NO >> Repair or replace error-detected parts.

4.CHECK STOP LAMP SWITCH

Check the stop lamp switch. Refer to [EC-1009, "Component Inspection \(Stop Lamp Switch\)"](#).

Is the inspection result normal?

- YES >> GO TO 5.
 NO >> Replace stop lamp switch. Refer to [BR-21, "Exploded View"](#).

5.CHECK STOP LAMP RELAY GROUND CIRCUIT

1. Check the continuity between stop lamp relay harness connector and ground.

+		-	Continuity
Stop lamp relay			
Connector	Terminal		
E57	1	Ground	Existed

2. Also check harness for short to power.

Is the inspection result normal?

- YES >> GO TO 6.
 NO >> Repair or replace error-detected parts.

6.CHECK STOP LAMP SWITCH SIGNAL POWER SUPPLY

Check the voltage between stop lamp relay harness connector and ground.

+		-	Voltage
Stop lamp relay			
Connector	Terminal		
E57	5	Ground	Battery voltage

Is the inspection result normal?

- YES >> GO TO 7.
 NO >> Perform the trouble diagnosis for power supply circuit.

7.CHECK STOP LAMP SWITCH SIGNAL CIRCUIT

1. Disconnect ECM harness connector.
2. Check the continuity between stop lamp relay harness connector and ECM harness connector.

+		-		Continuity
Stop lamp relay		ECM		
Connector	Terminal	Connector	Terminal	
E57	3	E32	139	Existed

3. Also check harness for short to ground and to power.

P1805 BRAKE SWITCH

[VQ35DE]

< DTC/CIRCUIT DIAGNOSIS >

Is the inspection result normal?

- YES >> GO TO 8.
- NO >> Repair or replace error-detected parts

8.CHECK STOP LAMP RELAY

Check the stop lamp relay. Refer to [EC-1009. "Component Inspection \(Stop Lamp Relay\)".](#)

Is the inspection result normal?

- YES >> Check intermittent incident. Refer to [GI-44. "Intermittent Incident".](#)
- NO >> Replace stop lamp relay.

Component Inspection (Stop Lamp Switch)

INFOID:0000000012602947

1.CHECK STOP LAMP SWITCH-I

1. Turn ignition switch OFF.
2. Disconnect stop lamp switch harness connector.
3. Check harness continuity between stop lamp switch terminals under the following conditions.

Terminals	Condition		Continuity
1 and 2	Brake pedal	Fully released	Not existed
		Slightly depressed	Existed

Is the inspection result normal?

- YES >> INSPECTION END
- NO >> GO TO 2.

2.CHECK STOP LAMP SWITCH-II

1. Adjust stop lamp switch installation. Refer to [BR-14. "Inspection and Adjustment".](#)
2. Check harness continuity between stop lamp switch terminals under the following conditions.

Terminals	Condition		Continuity
1 and 2	Brake pedal	Fully released	Not existed
		Slightly depressed	Existed

Is the inspection result normal?

- YES >> INSPECTION END
- NO >> Replace stop lamp switch. Refer to [BR-21. "Exploded View".](#)

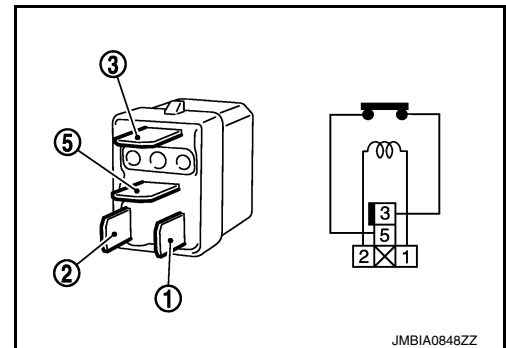
Component Inspection (Stop Lamp Relay)

INFOID:0000000012602948

1.CHECK STOP LAMP RELAY

1. Turn ignition switch OFF.
2. Remove stop lamp relay.
3. Check the continuity between stop lamp relay terminals as per the following conditions.

Stop lamp relay		Condition	Continuity
+	-		
Terminal			
3	5	12 V direct current supply between terminals 1 and 2	Existed
		No current supply	Not existed



JMBIA0848ZZ

Is the inspection result normal?

- YES >> INSPECTION END
- NO >> Replace stop lamp relay.

P2096, P2097, P2098, P2099 A/F SENSOR 1

< DTC/CIRCUIT DIAGNOSIS >

[VQ35DE]

P2096, P2097, P2098, P2099 A/F SENSOR 1

DTC Logic

INFOID:000000012602949

DTC DETECTION LOGIC

To judge the malfunction, the A/F signal computed by ECM from the A/F sensor 1 signal is monitored so it will not shift to LEAN side or RICH side.

DTC No.	Trouble diagnosis name (Trouble diagnosis content)	DTC detecting condition	Possible Cause
P2096	POST CAT FUEL TRIM SYS B1 (Post catalyst fuel trim system too lean bank 1)	The output voltage computed by ECM from the A/F sensor 1 signal is shifts to the lean side for a specified period.	<ul style="list-style-type: none">A/F sensor 1 (bank 1)A/F sensor 1 heaterHeated oxygen sensor 2 (bank 1)Fuel pressure
P2097	POST CAT FUEL TRIM SYS B1 (Post catalyst fuel trim system too rich bank 1)	The A/F signal computed by ECM from the A/F sensor 1 signal is shifts to the rich side for a specified period.	<ul style="list-style-type: none">Fuel injectorIntake air leaksExhaust gas leaks
P2098	POST CAT FUEL TRIM SYS B2 (Post catalyst fuel trim system too lean bank 2)	The output voltage computed by ECM from the A/F sensor 1 signal is shifts to the lean side for a specified period.	<ul style="list-style-type: none">A/F sensor 1 (bank 2)A/F sensor 1 heaterHeated oxygen sensor 2 (bank 2)Fuel pressure
P2099	POST CAT FUEL TRIM SYS B2 (Post catalyst fuel trim system too rich bank 2)	The A/F signal computed by ECM from the A/F sensor 1 signal is shifts to the rich side for a specified period.	<ul style="list-style-type: none">Fuel injectorIntake air leaksExhaust gas leaks

DTC CONFIRMATION PROCEDURE

1. PRECONDITIONING

If DTC Confirmation Procedure has been previously conducted, always perform the following before conducting the next test.

1. Turn ignition switch OFF and wait at least 10 seconds.
2. Turn ignition switch ON.
3. Turn ignition switch OFF and wait at least 10 seconds.

TESTING CONDITION:

Before performing the following procedure, confirm that battery voltage is more than 11 V at idle.

>> GO TO 2.

2. PERFORM DTC CONFIRMATION PROCEDURE

1. Clear the mixture ratio self-learning value. Refer to [EC-734, "Description"](#).
2. Turn ignition switch OFF and wait at least 10 seconds.
3. Turn ignition switch ON.
4. Turn ignition switch OFF and wait at least 10 seconds.
5. Start engine and keep the engine speed between 3,500 and 4,000 rpm for 1 minute under no load.
6. Let engine idle for 1 minute.
7. Keep engine speed between 2,500 and 3,000 rpm for 20 minutes.
8. Check 1st trip DTC.

Is 1st trip DTC detected?

- YES >> Proceed to [EC-1010, "Diagnosis Procedure"](#).
NO >> INSPECTION END

Diagnosis Procedure

INFOID:000000012602950

1. RETIGHTEN A/F SENSOR 1 AND HEATED OXYGEN SENSOR 2

Loosen and retighten the A/F sensor 1 and heated oxygen sensor 2. Refer to [EM-155, "Removal and Installation \(bank 1\)"](#) or [EM-153, "Removal and Installation \(bank 2\)"](#).

P2096, P2097, P2098, P2099 A/F SENSOR 1

[VQ35DE]

< DTC/CIRCUIT DIAGNOSIS >

>> GO TO 2.

2. CHECK FOR EXHAUST GAS LEAK

1. Start engine and run it at idle.
2. Listen for an exhaust gas leak before the three way catalyst 2.

Is exhaust gas leak detected?

- YES >> Repair or replace.
NO >> GO TO 3.

3. CHECK FOR INTAKE AIR LEAKAGE

1. Start engine and run it at idle.
2. Listen for an intake air leakage after the mass air flow sensor.

Is intake air leakage detected?

- YES >> GO TO 4.
NO >> Repair or replace malfunctioning part.

4. CLEAR THE MIXTURE RATIO SELF-LEARNING VALUE

1. Clear the mixture ratio self-learning value. Refer to [EC-734, "Description"](#).
2. Run engine for at least 10 minutes at idle speed.

Is the 1st trip DTC P0171, P0172, P0174 or P0175 detected? Is it difficult to start engine?

- YES >> Perform trouble diagnosis for DTC P0171, P0174 or P0172, P0175. Refer to [EC-848, "DTC Logic"](#) or [EC-852, "DTC Logic"](#).
NO >> GO TO 5.

5. CHECK HARNESS CONNECTOR

1. Turn ignition switch OFF.
2. Disconnect A/F sensor 1 harness connector.
3. Check harness connector for water.

Water should not exit.

Is the inspection result normal?

- YES >> GO TO 6.
NO >> Repair or replace harness connector.

6. CHECK AIR FUEL RATIO (A/F) SENSOR 1 POWER SUPPLY

1. Disconnect A/F sensor 1 harness connector.
2. Turn ignition switch ON.
3. Check the voltage between A/F sensor 1 harness connector and ground.

DTC	A/F sensor			Ground	Voltage (V)
	Bank	Connector	Terminal		
P2096 P2097	1	F12	1	Ground	Battery voltage
P2098 P2099	2	F61	1		

Is the inspection result normal?

- YES >> GO TO 8.
NO >> GO TO 7.

7. CHECK AIR FUEL RATIO (A/F) SENSOR 1 POWER SUPPLY CIRCUIT

1. Turn ignition switch OFF.
2. Disconnect IPDM E/R harness connector.
3. Check the continuity between A/F sensor 1 harness connector and IPDM E/R harness connector.

P2096, P2097, P2098, P2099 A/F SENSOR 1

< DTC/CIRCUIT DIAGNOSIS >

[VQ35DE]

DTC	A/F sensor 1			IPDM E/R		Continuity
	Bank	Connector	Terminal	Connector	Terminal	
P2096 P2097	1	F12	1	F83	52	Existed
P2098 P2099	2	F61	1		53	

Is the inspection result normal?

YES >> Perform the trouble diagnosis for power supply circuit.

NO >> Repair or replace error-detected parts.

8. CHECK A/F SENSOR 1 INPUT SIGNAL CIRCUIT FOR OPEN AND SHORT

1. Turn ignition switch OFF.
2. Disconnect ECM harness connector.
3. Check the continuity between A/F sensor 1 harness connector and ECM harness connector.

DTC	A/F sensor 1			ECM		Continuity
	Bank	Connector	Terminal	Connector	Terminal	
P2096 P2097	1	F12	3	F79	66	Existed
			4		67	
P2098 P2099	2	F61	3		76	
			4		77	

4. Check the continuity between A/F sensor 1 harness connector and ground, or ECM harness connector and ground.

DTC	A/F sensor 1			Ground	Continuity
	Bank	Connector	Terminal		
P2096 P2097	1	F12	3	Ground	Not existed
			4		
P2098 P2099	2	F61	3		
			4		

DTC	ECM		Ground	Continuity
	Connector	Terminal		
P2096 P2097	F79	66	Ground	Not existed
		67		
76				
77				

5. Also check harness for short to power.

Is the inspection result normal?

YES >> GO TO 9.

NO >> Repair open circuit, short to ground or short to power in harness or connectors.

9. CHECK A/F SENSOR 1 HEATER

Check A/F sensor 1 heater. Refer to [EC-775. "Component Inspection"](#).

Is the inspection result normal?

YES >> GO TO 10.

NO >> GO TO 12.

10. CHECK HEATED OXYGEN SENSOR 2

Check heated oxygen sensor 2. Refer to [EC-778. "Component Inspection"](#).

P2096, P2097, P2098, P2099 A/F SENSOR 1

[VQ35DE]

< DTC/CIRCUIT DIAGNOSIS >

Is the inspection result normal?

- YES >> GO TO 11.
- NO >> Replace malfunctioning heated oxygen sensor 2.

11. CHECK INTERMITTENT INCIDENT

Check intermittent incident. Perform [GI-44. "Intermittent Incident"](#).

Is the inspection result normal?

- YES >> GO TO 12.
- NO >> Repair or replace malfunctioning part.

12. REPLACE AIR FUEL RATIO (A/F) SENSOR 1

Replace malfunctioning air fuel ratio (A/F) sensor 1. Refer to [EM-155. "Removal and Installation \(bank 1\)"](#) or [EM-153. "Removal and Installation \(bank 2\)"](#).

Do you have CONSULT?

- YES >> GO TO 13.
- NO >> GO TO 14.

13. CONFIRM A/F ADJUSTMENT DATA

Ⓟ **With CONSULT**

1. Turn ignition switch ON.
2. Select "A/F ADJ-B1" and "A/F ADJ-B2" in "DATA MONITOR" mode with CONSULT.
3. Make sure that "0.000" is displayed on CONSULT screen.

Is "0.000" displayed?

- YES >> INSPECTION END
- NO >> GO TO 14.

14. CLEAR THE MIXTURE RATIO SELF-LEARNING VALUE

Clear the mixture ratio self-learning value. Refer to [EC-734. "Work Procedure"](#).

Do you have CONSULT?

- YES >> GO TO 15.
- NO >> INSPECTION END

15. CONFIRM A/F ADJUSTMENT DATA

Ⓟ **With CONSULT**

1. Turn ignition switch ON.
2. Select "A/F ADJ-B1" and "A/F ADJ-B2" in "DATA MONITOR" mode with CONSULT.
3. Make sure that "0.000" is displayed on CONSULT screen.

>> INSPECTION END

P2100, P2103 THROTTLE CONTROL MOTOR RELAY

< DTC/CIRCUIT DIAGNOSIS >

[VQ35DE]

P2100, P2103 THROTTLE CONTROL MOTOR RELAY

DTC Logic

INFOID:000000012602951

DTC DETECTION LOGIC

DTC No.	Trouble diagnosis name	DTC detecting condition	Possible cause
P2100	Throttle control motor relay circuit open	ECM detects that the voltage of power source for throttle control motor is excessively low.	<ul style="list-style-type: none"> Harness or connectors (Throttle control motor relay circuit is open) Throttle control motor relay
P2103	Throttle control motor relay circuit short	ECM detects that the throttle control motor relay is stuck ON.	<ul style="list-style-type: none"> Harness or connectors (Throttle control motor relay circuit is shorted) Throttle control motor relay

DTC CONFIRMATION PROCEDURE

1. PRECONDITIONING

If DTC Confirmation Procedure has been previously conducted, always perform the following before conducting the next test.

- Turn ignition switch OFF and wait at least 10 seconds.
- Turn ignition switch ON.
- Turn ignition switch OFF and wait at least 10 seconds.

TESTING CONDITION:

Before performing the following procedure, confirm that battery voltage is more than 8 V.

With DTC is detected?

- P2100 >> GO TO 2.
P2103 >> GO TO 3.

2. PERFORM DTC CONFIRMATION PROCEDURE FOR DTC P2100

- Turn ignition switch ON and wait at least 2 seconds.
- Start engine and let it idle for 5 seconds.
- Check DTC.

Is DTC detected?

- YES >> Proceed to [EC-1014, "Diagnosis Procedure"](#).
NO >> INSPECTION END

3. PERFORM DTC CONFIRMATION PROCEDURE FOR DTC P2103

- Turn ignition switch ON and wait at least 1 second.
- Check DTC.

Is DTC detected?

- YES >> Proceed to [EC-1014, "Diagnosis Procedure"](#).
NO >> INSPECTION END

Diagnosis Procedure

INFOID:000000012602952

1. CHECK THROTTLE CONTROL MOTOR RELAY POWER SUPPLY CIRCUIT

- Turn ignition switch OFF.
- Disconnect ECM harness connector.
- Disconnect IPDM E/R harness connector.
- Check the continuity between IPDM E/R harness connector and ECM harness connector.

IPDM E/R		ECM		Continuity
Connector	Terminal	Connector	Terminal	
F83	57	F78	2	Existed

P2100, P2103 THROTTLE CONTROL MOTOR RELAY

[VQ35DE]

< DTC/CIRCUIT DIAGNOSIS >

5. Also check harness for short to ground and short to power.

Is the inspection result normal?

YES >> GO TO 2.

NO >> Repair open circuit, short to ground or short to power in harness or connectors.

2. CHECK THROTTLE CONTROL MOTOR RELAY INPUT SIGNAL CIRCUIT

1. Check the continuity between IPDM E/R harness connector and ECM harness connector.

IPDM E/R		ECM		Continuity
Connector	Terminal	Connector	Terminal	
F84	65	F78	8	Existed

2. Also check harness for short to ground and short to power.

Is the inspection result normal?

YES >> Perform the trouble diagnosis for power supply circuit.

NO >> Repair open circuit, short to ground or short to power in harness or connectors.

P2101 ELECTRIC THROTTLE CONTROL FUNCTION

< DTC/CIRCUIT DIAGNOSIS >

[VQ35DE]

P2101 ELECTRIC THROTTLE CONTROL FUNCTION

DTC Logic

INFOID:000000012602953

DTC DETECTION LOGIC

NOTE:

If DTC P2101 is displayed with DTC P2100, first perform the trouble diagnosis for DTC P2100. Refer to [EC-1014, "DTC Logic"](#).

If DTC P2101 is displayed with DTC P2119, first perform the trouble diagnosis for DTC P2119. Refer to [EC-1021, "DTC Logic"](#).

DTC No.	Trouble diagnosis name	DTC detecting condition	Possible cause
P2101	Electric throttle control performance	Electric throttle control function does not operate properly.	<ul style="list-style-type: none">Harness or connectors (Throttle control motor circuit is open or shorted)Electric throttle control actuator

DTC CONFIRMATION PROCEDURE

1. PRECONDITIONING

If DTC Confirmation Procedure has been previously conducted, always perform the following before conducting the next test.

- Turn ignition switch OFF and wait at least 10 seconds.
- Turn ignition switch ON.
- Turn ignition switch OFF and wait at least 10 seconds.

TESTING CONDITION:

Before performing the following procedure, confirm that battery voltage is more than 11 V when engine is running.

>> GO TO 2.

2. PERFORM DTC CONFIRMATION PROCEDURE

- Turn ignition switch ON and wait at least 2 seconds.
- Start engine and let it idle for 5 seconds.
- Check DTC.

Is DTC detected?

- YES >> Proceed to [EC-1016, "Diagnosis Procedure"](#).
NO >> INSPECTION END

Diagnosis Procedure

INFOID:000000012602954

1. CHECK THROTTLE CONTROL MOTOR RELAY INPUT SIGNAL

- Check the voltage between ECM harness connector terminals.

ECM				Condition	Voltage
+		-			
Connector	Terminal	Condition	Terminal		
F78	8	E32	152	Ignition switch OFF	Approx. 0 V
				Ignition switch ON	Battery voltage

Is the inspection result normal?

- YES >> GO TO 4.
NO >> GO TO 2.

2. CHECK THROTTLE CONTROL MOTOR RELAY POWER SUPPLY CIRCUIT

- Turn ignition switch OFF.
- Disconnect ECM harness connector.

P2101 ELECTRIC THROTTLE CONTROL FUNCTION

[VQ35DE]

< DTC/CIRCUIT DIAGNOSIS >

3. Disconnect IPDM E/R harness connector.
4. Check the continuity between IPDM E/R harness connector and ECM harness connector.

IPDM E/R		ECM		Continuity
Connector	Terminal	Connector	Terminal	
F83	57	F78	2	Existed

5. Also check harness for short to ground and short to power.

Is the inspection result normal?

YES >> GO TO 3.

NO >> Repair open circuit, short to ground or short to power in harness or connectors.

3. CHECK THROTTLE CONTROL MOTOR RELAY INPUT SIGNAL CIRCUIT

1. Check the continuity between IPDM E/R harness connector and ECM harness connector.

IPDM E/R		ECM		Continuity
Connector	Terminal	Connector	Terminal	
F84	65	F78	8	Existed

2. Also check harness for short to ground and short to power.

Is the inspection result normal?

YES >> Perform the trouble diagnosis for power supply circuit.

NO >> Repair open circuit, short to ground or short to power in harness or connectors.

4. CHECK THROTTLE CONTROL MOTOR OUTPUT SIGNAL CIRCUIT FOR OPEN OR SHORT

1. Turn ignition switch OFF.
2. Disconnect electric throttle control actuator harness connector.
3. Disconnect ECM harness connector.
4. Check the continuity between electric throttle control actuator harness connector and ECM harness connector.

Electric throttle control actuator		ECM		Continuity
Connector	Terminal	Connector	Terminal	
F98	2	F78	3	Not existed
			1	Existed
	1		3	Existed
			1	Not existed

5. Also check harness for short to ground and short to power.

Is the inspection result normal?

YES >> GO TO 5.

NO >> Repair or replace malfunctioning part.

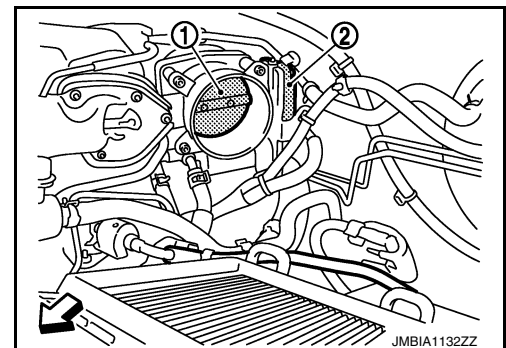
5. CHECK ELECTRIC THROTTLE CONTROL ACTUATOR VISUALLY

1. Remove the intake air duct. Refer to [EM-146, "Exploded View"](#).
2. Check if foreign matter is caught between the throttle valve (1) and the housing.
 - Electric throttle control actuator (2)
 - ↶: Vehicle front

Is the inspection result normal?

YES >> GO TO 6.

NO >> Remove the foreign matter and clean the electric throttle control actuator inside, refer to [EM-148, "Exploded View"](#), and then perform throttle valve closed position learning. Refer to [EC-731, "Description"](#).



P2101 ELECTRIC THROTTLE CONTROL FUNCTION

< DTC/CIRCUIT DIAGNOSIS >

[VQ35DE]

6. CHECK THROTTLE CONTROL MOTOR

Check throttle control motor. Refer to [EC-1018, "Component Inspection"](#).

Is the inspection result normal?

YES >> GO TO 7.

NO >> Replace electric throttle control actuator. Refer to [EM-148, "Exploded View"](#).

7. CHECK INTERMITTENT INCIDENT

Check intermittent incident. Refer to [GI-44, "Intermittent Incident"](#).

Is the inspection result normal?

YES >> Replace electric throttle control actuator. Refer to [EM-148, "Exploded View"](#).

NO >> Repair or replace error-detected parts.

Component Inspection

INFOID:0000000012602955

1. CHECK THROTTLE CONTROL MOTOR

1. Turn ignition switch OFF.
2. Disconnect electric throttle control actuator harness connector.
3. Check resistance between electric throttle control actuator terminals as per the following.

Terminals	Resistance
2 and 1	Approx. 1 - 15 Ω [at 25°C (77°F)]

Is the inspection result normal?

YES >> INSPECTION END

NO >> Replace electric throttle control actuator. Refer to [EM-148, "Exploded View"](#).

P2118 THROTTLE CONTROL MOTOR

< DTC/CIRCUIT DIAGNOSIS >

[VQ35DE]

P2118 THROTTLE CONTROL MOTOR

DTC Logic

INFOID:000000012602956

DTC DETECTION LOGIC

DTC No.	Trouble diagnosis name	DTC detecting condition	Possible cause
P2118	Throttle control motor circuit short	ECM detects short in both circuits between ECM and throttle control motor.	<ul style="list-style-type: none">• Harness or connectors (Throttle control motor circuit is shorted.)• Electric throttle control actuator (Throttle control motor)

DTC CONFIRMATION PROCEDURE

1. PRECONDITIONING

If DTC Confirmation Procedure has been previously conducted, always perform the following before conducting the next test.

1. Turn ignition switch OFF and wait at least 10 seconds.
2. Turn ignition switch ON.
3. Turn ignition switch OFF and wait at least 10 seconds.

>> GO TO 2.

2. PERFORM DTC CONFIRMATION PROCEDURE

1. Turn ignition switch ON and wait at least 2 seconds.
2. Start engine and let it idle for 5 seconds.
3. Check DTC.

Is DTC detected?

- YES >> Proceed to [EC-1019, "Diagnosis Procedure"](#).
NO >> INSPECTION END

Diagnosis Procedure

INFOID:000000012602957

1. CHECK THROTTLE CONTROL MOTOR OUTPUT SIGNAL CIRCUIT FOR OPEN AND SHORT

1. Disconnect electric throttle control actuator harness connector.
2. Disconnect ECM harness connector.
3. Check the continuity between electric throttle control actuator harness connector and ECM harness connector.

Electric throttle control actuator		ECM		Continuity
Connector	Terminal	Connector	Terminal	
F98	2	F78	3	Not existed
			1	Existed
	1		3	Existed
			1	Not existed

4. Also check harness for short to ground and short to power.

Is the inspection result normal?

- YES >> GO TO 2.
NO >> Repair or replace malfunctioning part.

2. CHECK THROTTLE CONTROL MOTOR

Check throttle control motor. Refer to [EC-1020, "Component Inspection"](#).

Is the inspection result normal?

- YES >> Check intermittent incident. Refer to [GI-44, "Intermittent Incident"](#).
NO >> Replace electric throttle control actuator. Refer to [EM-148, "Removal and Installation"](#).

P2118 THROTTLE CONTROL MOTOR

< DTC/CIRCUIT DIAGNOSIS >

[VQ35DE]

Component Inspection

INFOID:000000012602958

1. CHECK THROTTLE CONTROL MOTOR

1. Turn ignition switch OFF.
2. Disconnect electric throttle control actuator harness connector.
3. Check resistance between electric throttle control actuator terminals as per the following.

Terminals	Resistance
2 and 1	Approx. 1 - 15 Ω [at 25°C (77°F)]

Is the inspection result normal?

- YES >> INSPECTION END
NO >> Replace electric throttle control actuator. Refer to [EM-148, "Removal and Installation"](#).

A

EC

C

D

E

F

G

H

I

J

K

L

M

N

O

P

P2119 ELECTRIC THROTTLE CONTROL ACTUATOR

< DTC/CIRCUIT DIAGNOSIS >

[VQ35DE]

P2119 ELECTRIC THROTTLE CONTROL ACTUATOR

DTC Logic

INFOID:000000012602959

DTC DETECTION LOGIC

DTC No.	Trouble diagnosis name	DTC detecting condition		Possible cause
P2119	Electric throttle control actuator	A)	Electric throttle control actuator does not function properly due to the return spring malfunction.	• Electric throttle control actuator
		B)	Throttle valve opening angle in fail-safe mode is not in specified range.	
		C)	ECM detects that the throttle valve is stuck open.	

DTC CONFIRMATION PROCEDURE

1. PRECONDITIONING

If DTC Confirmation Procedure has been previously conducted, always perform the following before conducting the next test.

1. Turn ignition switch OFF and wait at least 10 seconds.
2. Turn ignition switch ON.
3. Turn ignition switch OFF and wait at least 10 seconds.

>> GO TO 2.

2. PERFORM DTC CONFIRMATION PROCEDURE FOR MALFUNCTION A AND B

1. Turn ignition switch ON and wait at least 1 second.
2. Shift selector lever to the D position and wait at least 3 seconds.
3. Shift selector lever to the P position.
4. Turn ignition switch OFF and wait at least 10 seconds.
5. Turn ignition switch ON and wait at least 1 second.
6. Shift selector lever to the D position and wait at least 3 seconds.
7. Shift selector lever to the P position.
8. Turn ignition switch OFF, wait at least 10 seconds, and then turn ON.
9. Check DTC.

Is DTC detected?

- YES >> Proceed to [EC-1021. "Diagnosis Procedure"](#).
NO >> GO TO 3.

3. PERFORM DTC CONFIRMATION PROCEDURE FOR MALFUNCTION C

1. Turn ignition switch ON and wait at least 1 second.
2. Shift selector lever to the D position and wait at least 3 seconds.
3. Shift selector lever to the N or P position.
4. Start engine and let it idle for 3 seconds.
5. Check DTC.

Is DTC detected?

- YES >> Proceed to [EC-1021. "Diagnosis Procedure"](#).
NO >> INSPECTION END

Diagnosis Procedure

INFOID:000000012602960

1. CHECK ELECTRIC THROTTLE CONTROL ACTUATOR VISUALLY

1. Turn ignition switch OFF.
2. Remove the intake air duct. Refer to [EM-146. "Removal and Installation"](#).

P2119 ELECTRIC THROTTLE CONTROL ACTUATOR

[VQ35DE]

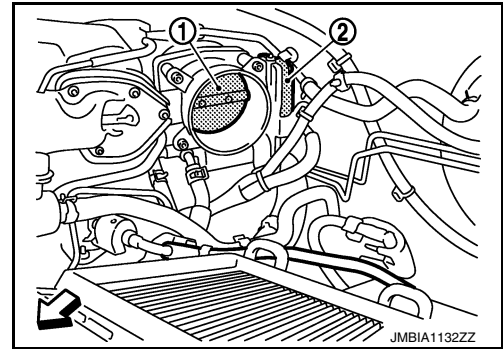
< DTC/CIRCUIT DIAGNOSIS >

3. Check if foreign matter is caught between the throttle valve (1) and the housing.
 - Electric throttle control actuator (2)
 - ⇐: Vehicle front

Is the inspection result normal?

YES >> GO TO 2.

NO >> Remove the foreign matter and clean the electric throttle control actuator inside, and then perform throttle valve closed position learning. Refer to [EC-731. "Description"](#).



2. REPLACE ELECTRIC THROTTLE CONTROL ACTUATOR

1. Replace electric throttle control actuator. Refer to [EM-148. "Removal and Installation"](#).
2. Go to [EC-732. "Description"](#).

>> INSPECTION END

A

EC

C

D

E

F

G

H

I

J

K

L

M

N

O

P

P2122, P2123 APP SENSOR

< DTC/CIRCUIT DIAGNOSIS >

[VQ35DE]

P2122, P2123 APP SENSOR

DTC Logic

INFOID:000000012602961

DTC DETECTION LOGIC

NOTE:

If DTC P2122 or P2123 is displayed with DTC P0643, first perform the trouble diagnosis for DTC P0643. Refer to [EC-956, "DTC Logic"](#).

DTC No.	Trouble diagnosis name	DTC detecting condition	Possible cause
P2122	Accelerator pedal position sensor 1 circuit low input	An excessively low voltage from the APP sensor 1 is sent to ECM.	<ul style="list-style-type: none">• Harness or connectors (APP sensor 1 circuit is open or shorted.)• Accelerator pedal position sensor (APP sensor 1)
P2123	Accelerator pedal position sensor 1 circuit high input	An excessively high voltage from the APP sensor 1 is sent to ECM.	

DTC CONFIRMATION PROCEDURE

1. PRECONDITIONING

If DTC Confirmation Procedure has been previously conducted, always perform the following before conducting the next test.

1. Turn ignition switch OFF and wait at least 10 seconds.
2. Turn ignition switch ON.
3. Turn ignition switch OFF and wait at least 10 seconds.

TESTING CONDITION:

Before performing the following procedure, confirm that battery voltage is more than 10 V at idle.

>> GO TO 2.

2. PERFORM DTC CONFIRMATION PROCEDURE

1. Start engine and let it idle for 1 second.
2. Check DTC.

Is DTC detected?

- YES >> Proceed to [EC-1023, "Diagnosis Procedure"](#).
NO >> INSPECTION END

Diagnosis Procedure

INFOID:000000012602962

1. CHECK APP SENSOR 1 POWER SUPPLY

1. Disconnect accelerator pedal position (APP) sensor harness connector.
2. Turn ignition switch ON.
3. Check the voltage between APP sensor harness connector and ground.

APP sensor		Ground	Voltage (V)
Connector	Terminal		
E40	4	Ground	Approx. 5

Is the inspection result normal?

- YES >> GO TO 2.
NO >> Repair open circuit, short to ground or short to power in harness or connectors.

2. CHECK APP SENSOR 1 GROUND CIRCUIT

1. Turn ignition switch OFF.
2. Disconnect ECM harness connector.
3. Check the continuity between APP sensor harness connector and ECM harness connector.

P2122, P2123 APP SENSOR

< DTC/CIRCUIT DIAGNOSIS >

[VQ35DE]

APP sensor		ECM		Continuity
Connector	Terminal	Connector	Terminal	
E40	2	E32	151	Existed

4. Also check harness for short to ground and short to power.

Is the inspection result normal?

YES >> GO TO 3.

NO >> Repair open circuit, short to ground or short to power in harness or connectors.

3. CHECK APP SENSOR 1 INPUT SIGNAL CIRCUIT

1. Check the continuity between APP sensor harness connector and ECM harness connector.

APP sensor		ECM		Continuity
Connector	Terminal	Connector	Terminal	
E40	3	E32	150	Existed

2. Also check harness for short to ground and short to power.

Is the inspection result normal?

YES >> GO TO 4.

NO >> Repair open circuit, short to ground or short to power in harness or connectors.

4. CHECK APP SENSOR

Check APP sensor. Refer to [EC-1024. "Component Inspection"](#).

Is the inspection result normal?

YES >> Check intermittent incident. Refer to [GI-44. "Intermittent Incident"](#).

NO >> Replace accelerator pedal assembly. Refer to [ACC-3. "Removal and Installation"](#).

Component Inspection

INFOID:0000000012602963

1. CHECK ACCELERATOR PEDAL POSITION SENSOR

1. Reconnect all harness connectors disconnected.
2. Turn ignition switch ON.
3. Check the voltage between ECM harness connector terminals under the following conditions.

Connector	ECM		Condition	Voltage (V)
	+	-		
	Terminal			
E32	150	151	Fully released	0.5 - 1.0
		151	Fully depressed	4.2 - 4.8
	143	144	Fully released	0.25 - 0.50
			Fully depressed	2.0 - 2.5

Is the inspection result normal?

YES >> INSPECTION END

NO >> Replace accelerator pedal assembly. Refer to [ACC-3. "Removal and Installation"](#).

P2127, P2128 APP SENSOR

< DTC/CIRCUIT DIAGNOSIS >

[VQ35DE]

P2127, P2128 APP SENSOR

DTC Logic

INFOID:000000012602964

DTC DETECTION LOGIC

DTC No.	Trouble diagnosis name	DTC detecting condition	Possible cause
P2127	Accelerator pedal position sensor 2 circuit low input	An excessively low voltage from the APP sensor 2 is sent to ECM.	<ul style="list-style-type: none"> • Harness or connectors (APP sensor 2 circuit is open or shorted.) [CKP sensor (POS) circuit is shorted.] (Refrigerant pressure sensor circuit is shorted.) (EVAP control system pressure sensor circuit is shorted.) • Accelerator pedal position sensor (APP sensor 2) • Crankshaft position sensor (POS) • EVAP control system pressure sensor • Refrigerant pressure sensor • Sensor power supply 2 circuit
P2128	Accelerator pedal position sensor 2 circuit high input	An excessively high voltage from the APP sensor 2 is sent to ECM.	

DTC CONFIRMATION PROCEDURE

1. PRECONDITIONING

If DTC Confirmation Procedure has been previously conducted, always perform the following before conducting the next test.

1. Turn ignition switch OFF and wait at least 10 seconds.
2. Turn ignition switch ON.
3. Turn ignition switch OFF and wait at least 10 seconds.

TESTING CONDITION:

Before performing the following procedure, confirm that battery voltage is more than 8 V at idle.

>> GO TO 2.

2. PERFORM DTC CONFIRMATION PROCEDURE

1. Start engine and let it idle for 1 second.
2. Check DTC.

Is DTC detected?

- YES >> Proceed to [EC-1025. "Diagnosis Procedure"](#).
 NO >> INSPECTION END

Diagnosis Procedure

INFOID:000000012602965

1. CHECK APP SENSOR 2 POWER SUPPLY

1. Disconnect accelerator pedal position (APP) sensor harness connector.
2. Turn ignition switch ON.
3. Check the voltage between APP sensor harness connector and ground.

APP sensor		Ground	Voltage (V)
Connector	Terminal		
E40	5	Ground	Approx. 5

Is the inspection result normal?

- YES >> GO TO 4.
 NO >> GO TO 2.

2. CHECK APP SENSOR 2 POWER SUPPLY CIRCUIT

1. Turn ignition switch OFF.
2. Disconnect ECM harness connector.

P2127, P2128 APP SENSOR

[VQ35DE]

< DTC/CIRCUIT DIAGNOSIS >

3. Check the continuity between APP sensor harness connector and ECM harness connector.

APP sensor		ECM		Continuity
Connector	Terminal	Connector	Terminal	
E40	5	E32	142	Existed

Is the inspection result normal?

- YES >> GO TO 3.
NO >> Repair open circuit.

3.CHECK SENSOR POWER SUPPLY 2 CIRCUIT

Check sensor power supply 2 circuit. Refer to [EC-1072, "Diagnosis Procedure"](#).

Is the inspection result normal?

- YES >> Perform the trouble diagnosis for power supply circuit.
NO >> Repair or replace error-detected parts.

4.CHECK APP SENSOR 2 GROUND CIRCUIT

1. Turn ignition switch OFF.
2. Disconnect ECM harness connector.
3. Check the continuity between APP sensor harness connector and ECM harness connector.

APP sensor		ECM		Continuity
Connector	Terminal	Connector	Terminal	
E40	1	E32	144	Existed

4. Also check harness for short to ground and short to power.

Is the inspection result normal?

- YES >> GO TO 5.
NO >> Repair open circuit, short to ground or short to power in harness or connectors.

5.CHECK APP SENSOR 2 INPUT SIGNAL CIRCUIT

1. Check the continuity between APP sensor harness connector and ECM harness connector.

APP sensor		ECM		Continuity
Connector	Terminal	Connector	Terminal	
E40	6	E32	143	Existed

2. Also check harness for short to ground and short to power.

Is the inspection result normal?

- YES >> GO TO 6.
NO >> Repair open circuit, short to ground or short to power in harness or connectors.

6.CHECK APP SENSOR

Check APP sensor. Refer to [EC-1026, "Component Inspection"](#).

Is the inspection result normal?

- YES >> Check intermittent incident. Refer to [GI-44, "Intermittent Incident"](#).
NO >> Replace accelerator pedal assembly. Refer to [ACC-3, "Removal and Installation"](#).

Component Inspection

INFOID:000000012602966

1.CHECK ACCELERATOR PEDAL POSITION SENSOR

1. Reconnect all harness connectors disconnected.
2. Turn ignition switch ON.
3. Check the voltage between ECM harness connector terminals under the following conditions.

P2127, P2128 APP SENSOR

< DTC/CIRCUIT DIAGNOSIS >

[VQ35DE]

ECM			Condition	Voltage (V)
Connector	+	-		
	Terminal			
E32	150	151	Fully released	0.5 - 1.0
			Fully depressed	4.2 - 4.8
	143	144	Fully released	0.25 - 0.50
			Fully depressed	2.0 - 2.5

Is the inspection result normal?

YES >> INSPECTION END

NO >> Replace accelerator pedal assembly. Refer to [ACC-3. "Removal and Installation"](#).

P2135 TP SENSOR

< DTC/CIRCUIT DIAGNOSIS >

[VQ35DE]

P2135 TP SENSOR

DTC Logic

INFOID:000000012602967

DTC DETECTION LOGIC

NOTE:

If DTC P2135 is displayed with DTC P0643, first perform the trouble diagnosis for DTC P0643. Refer to [EC-956, "DTC Logic"](#).

DTC No.	Trouble diagnosis name	DTC detecting condition	Possible cause
P2135	Throttle position sensor circuit range/performance	Rationally incorrect voltage is sent to ECM compared with the signals from TP sensor 1 and TP sensor 2.	<ul style="list-style-type: none">• Harness or connector (TP sensor 1 or 2 circuit is open or shorted.)• Electric throttle control actuator (TP sensor 1 or 2)

DTC CONFIRMATION PROCEDURE

1. PRECONDITIONING

If DTC Confirmation Procedure has been previously conducted, always perform the following before conducting the next test.

1. Turn ignition switch OFF and wait at least 10 seconds.
2. Turn ignition switch ON.
3. Turn ignition switch OFF and wait at least 10 seconds.

TESTING CONDITION:

Before performing the following procedure, confirm that battery voltage is more than 8 V at idle.

>> GO TO 2.

2. PERFORM DTC CONFIRMATION PROCEDURE

1. Start engine and let it idle for 1 second.
2. Check DTC.

Is DTC detected?

- YES >> Proceed to [EC-1028, "Diagnosis Procedure"](#).
NO >> INSPECTION END

Diagnosis Procedure

INFOID:000000012602968

1. CHECK THROTTLE POSITION SENSOR POWER SUPPLY

1. Disconnect electric throttle control actuator harness connector.
2. Turn ignition switch ON.
3. Check the voltage between electric throttle control actuator harness connector and ground.

Electric throttle control actuator		Ground	Voltage (V)
Connector	Terminal		
F98	5	Ground	Approx. 5

Is the inspection result normal?

- YES >> GO TO 2.
NO >> Repair open circuit, short to ground or short to power in harness or connectors.

2. CHECK THROTTLE POSITION SENSOR GROUND CIRCUIT

1. Turn ignition switch OFF.
2. Disconnect ECM harness connector.
3. Check the continuity between electric throttle control actuator harness connector and ECM harness connector.

P2135 TP SENSOR

[VQ35DE]

< DTC/CIRCUIT DIAGNOSIS >

Electric throttle control actuator		ECM		Continuity
Connector	Terminal	Connector	Terminal	
F98	4	F79	75	Existed

4. Also check harness for short to ground and short to power.

Is the inspection result normal?

YES >> GO TO 3.

NO >> Repair open circuit, short to ground or short to power in harness or connectors.

3. CHECK THROTTLE POSITION SENSOR INPUT SIGNAL CIRCUIT

1. Check the continuity between electric throttle control actuator harness connector and ECM harness connector.

Electric throttle control actuator		ECM		Continuity
Connector	Terminal	Connector	Terminal	
F98	6	F79	71	Existed
	3		72	

2. Also check harness for short to ground and short to power.

Is the inspection result normal?

YES >> GO TO 4.

NO >> Repair open circuit, short to ground or short to power in harness or connectors.

4. CHECK THROTTLE POSITION SENSOR

Check throttle position sensor. Refer to [EC-1029, "Component Inspection"](#).

Is the inspection result normal?

YES >> Check intermittent incident. Refer to [GI-44, "Intermittent Incident"](#).

NO >> Replace electric throttle control actuator. Refer to [EM-148, "Removal and Installation"](#).

Component Inspection

INFOID:000000012602969

1. CHECK THROTTLE POSITION SENSOR

1. Turn ignition switch OFF.
2. Reconnect all harness connectors disconnected.
3. Perform [EC-731, "Description"](#).
4. Turn ignition switch ON.
5. Shift selector lever position to D.
6. Check the voltage between ECM harness connector terminals under the following conditions.

Connector	ECM		Condition	Voltage		
	+	-				
Terminal			Accelerator pedal			
F79	71	75			Fully released	More than 0.36 V
	72				Fully depressed	Less than 4.75 V
					Fully released	Less than 4.75 V
		Fully depressed	More than 0.36 V			

Is the inspection result normal?

YES >> INSPECTION END

NO >> Replace electric throttle control actuator. Refer to [EM-148, "Removal and Installation"](#).

P2138 APP SENSOR

< DTC/CIRCUIT DIAGNOSIS >

[VQ35DE]

P2138 APP SENSOR

DTC Logic

INFOID:000000012602970

DTC DETECTION LOGIC

NOTE:

If DTC P2138 is displayed with DTC P0643, first perform the trouble diagnosis for DTC P0643. Refer to [EC-956, "DTC Logic"](#).

DTC No.	Trouble diagnosis name	DTC detecting condition	Possible cause
P2138	Accelerator pedal position sensor circuit range/performance	Rationally incorrect voltage is sent to ECM compared with the signals from APP sensor 1 and APP sensor 2.	<ul style="list-style-type: none"> Harness or connector (APP sensor 1 or 2 circuit is open or shorted.) [CKP sensor (POS) circuit is shorted.] (Refrigerant pressure sensor circuit is shorted.) (EVAP control system pressure sensor circuit is shorted.) Accelerator pedal position sensor (APP sensor 1 or 2) Crankshaft position sensor (POS) EVAP control system pressure sensor Refrigerant pressure sensor Sensor power supply 2 circuit

DTC CONFIRMATION PROCEDURE

1. PRECONDITIONING

If DTC Confirmation Procedure has been previously conducted, always perform the following before conducting the next test.

- Turn ignition switch OFF and wait at least 10 seconds.
- Turn ignition switch ON.
- Turn ignition switch OFF and wait at least 10 seconds.

TESTING CONDITION:

Before performing the following procedure, confirm that battery voltage is more than 8 V at idle.

>> GO TO 2.

2. PERFORM DTC CONFIRMATION PROCEDURE

- Start engine and let it idle for 1 second.
- Check DTC.

Is DTC detected?

- YES >> Proceed to [EC-1030, "Diagnosis Procedure"](#).
 NO >> INSPECTION END

Diagnosis Procedure

INFOID:000000012602971

1. CHECK APP SENSOR 1 POWER SUPPLY

- Disconnect accelerator pedal position (APP) sensor harness connector.
- Turn ignition switch ON.
- Check the voltage between APP sensor harness connector and ground.

APP sensor		Ground	Voltage (V)
Connector	Terminal		
E40	4	Ground	Approx. 5

Is the inspection result normal?

- YES >> GO TO 3.
 NO >> GO TO 2.

P2138 APP SENSOR

[VQ35DE]

< DTC/CIRCUIT DIAGNOSIS >

2. CHECK APP SENSOR 1 POWER SUPPLY CIRCUIT

1. Turn ignition switch OFF.
2. Disconnect ECM harness connector.
3. Check the continuity between APP sensor harness connector and ECM harness connector.

APP sensor		ECM		Continuity
Connector	Terminal	Connector	Terminal	
E40	4	E32	146	Existed

Is the inspection result normal?

YES >> GO TO 3.

NO >> Repair or replace error-detected parts.

3. CHECK APP SENSOR 2 POWER SUPPLY

1. Turn ignition switch ON.
2. Check the voltage between APP sensor harness connector and ground.

APP sensor		Ground	Voltage (V)
Connector	Terminal		
E40	5	Ground	Approx. 5

Is the inspection result normal?

YES >> GO TO 6.

NO >> GO TO 4.

4. CHECK APP SENSOR 2 POWER SUPPLY CIRCUIT

1. Turn ignition switch OFF.
2. Disconnect ECM harness connector.
3. Check the continuity between APP sensor harness connector and ECM harness connector.

APP sensor		ECM		Continuity
Connector	Terminal	Connector	Terminal	
E40	5	E32	142	Existed

Is the inspection result normal?

YES >> GO TO 5.

NO >> Repair or replace error-detected parts.

5. CHECK SENSOR POWER SUPPLY 2 CIRCUIT

Check sensor power supply 2 circuit. Refer to [EC-1072, "Diagnosis Procedure"](#).

Is the inspection result normal?

YES >> Perform the trouble diagnosis for power supply circuit.

NO >> Repair or replace error-detected parts.

6. CHECK APP SENSOR GROUND CIRCUIT

1. Turn ignition switch OFF.
2. Disconnect ECM harness connector.
3. Check the continuity between APP sensor harness connector and ECM harness connector.

APP sensor		ECM		Continuity
Connector	Terminal	Connector	Terminal	
E40	2	E32	151	Existed
	1		144	

4. Also check harness for short to ground and short to power.

Is the inspection result normal?

P2138 APP SENSOR

[VQ35DE]

< DTC/CIRCUIT DIAGNOSIS >

- YES >> GO TO 7.
 NO >> Repair open circuit, short to ground or short to power in harness or connectors.

7.CHECK APP SENSOR INPUT SIGNAL CIRCUIT

1. Check the continuity between APP sensor harness connector and ECM harness connector.

APP sensor		ECM		Continuity
Connector	Terminal	Connector	Terminal	
E40	3	E32	150	Existed
	6		143	

2. Also check harness for short to ground and short to power.

Is the inspection result normal?

- YES >> GO TO 8.
 NO >> Repair open circuit, short to ground or short to power in harness or connectors.

8.CHECK APP SENSOR

Check APP sensor. Refer to [EC-1032, "Component Inspection"](#).

Is the inspection result normal?

- YES >> Check intermittent incident. Refer to [GI-44, "Intermittent Incident"](#).
 NO >> Replace accelerator pedal assembly. Refer to [ACC-3, "Removal and Installation"](#).

Component Inspection

INFOID:000000012602972

1.CHECK ACCELERATOR PEDAL POSITION SENSOR

1. Reconnect all harness connectors disconnected.
 2. Turn ignition switch ON.
 3. Check the voltage between ECM harness connector terminals under the following conditions.

Connector	ECM		Condition	Voltage (V)
	+	-		
Terminal				
E32	150	151	Fully released	0.5 - 1.0
			Fully depressed	4.2 - 4.8
	143	144	Fully released	0.25 - 0.50
			Fully depressed	2.0 - 2.5

Is the inspection result normal?

- YES >> INSPECTION END
 NO >> Replace accelerator pedal assembly. Refer to [ACC-3, "Removal and Installation"](#).

P219A, P219B AIR FUEL RATIO

< DTC/CIRCUIT DIAGNOSIS >

[VQ35DE]

P219A, P219B AIR FUEL RATIO

DTC Logic

INFOID:000000012602973

DTC DETECTION LOGIC

NOTE:

If DTC P219A or P219B is displayed with other DTC, first perform the trouble diagnosis for the other DTC. Refer to [EC-676, "DTC Index"](#).

DTC No.	CONSULT screen terms (Trouble diagnosis content)	DTC detecting condition	Possible cause
P219A	AIR FUEL RATIO IMBALANCE B1 (Air-fuel ratio imbalance bank 1)	ECM detects a lean/rich air fuel ratio state in any cylinder for a specified length of time.	<ul style="list-style-type: none">• Fuel injector• Exhaust gas leaks• Incorrect fuel pressure• Mass air flow sensor• Intake air leaks• Lack of fuel• Incorrect PCV hose connection• Improper spark plug• Insufficient compression• The fuel injector circuit is open or shorted• ignition coil• The ignition signal circuit is open or shorted
P219B	AIR FUEL RATIO IMBALANCE B2 (Air-fuel ratio imbalance bank 2)		

DTC CONFIRMATION PROCEDURE

1. PRECONDITIONING-1

If DTC Confirmation Procedure has been previously conducted, always perform the following before conducting the next test.

1. Turn ignition switch OFF and wait at least 10 seconds.
2. Turn ignition switch ON.
3. Turn ignition switch OFF and wait at least 10 seconds.

NOTE:

Before performing the following procedure, confirm that battery voltage is 11 V or more at idle.

>> GO TO 2.

2. PRECONDITIONING-2

1. Turn ignition switch ON.
2. Clear the mixture ratio self-learning value. Refer to [EC-734, "Description"](#).

Will CONSULT be used?

- YES >> GO TO 3.
NO >> GO TO 6.

3. PERFORM DTC CONFIRMATION PROCEDURE-1

1. Turn ignition switch ON.
2. Select "COOLAN TEMP/S" in "DATA MONITOR" mode of "ENGINE" using CONSULT.
3. Start engine.
4. Make sure that "COOLAN TEMP/S" indicates more than 80°C (176°F).

>> GO TO 4.

4. PERFORM DTC CONFIRMATION PROCEDURE-2

With CONSULT

1. Select "SYSTEM 1 DIAGNOSIS B B1" and "SYSTEM 1 DIAGNOSIS A B1" in "DATA MONITOR" mode of "ENGINE" using CONSULT.
2. Drive vehicle under the following conditions for at least 5 consecutive seconds.

CAUTION:

P219A, P219B AIR FUEL RATIO

< DTC/CIRCUIT DIAGNOSIS >

[VQ35DE]

- Always drive vehicle at a safe speed.

ENG SPEED	1,000 – 1,600rpm
COOLAN TEMP/S	More than 80°C (176°F)
B/FUEL SCHDL	5 – 12 msec
Selector lever	D position
SYSTEM 1 DIAGNOSIS B B1	PRSENT

NOTE:

- Drive the vehicle at approximately 88 km/h (55MPH) allows easy diagnosis.
- Keep the accelerator pedal as possible during crusing.

3. Check “SYSTEM 1 DIAGNOSIS A B1” indication.

Is “CMPLT” displayed?

- YES >> GO TO 5.
NO >> GO TO 2.

5.PERFORM DTC CONFIRMATION PROCEDURE-3

Check 1st trip DTC.

Is 1st trip DTC detected?

- YES >> Proceed to [EC-1034, "Diagnosis Procedure"](#).
NO >> INSPECTION END

6.PERFORM DTC CONFIRMATION PROCEDURE-4

Without CONSULT

1. Start the engine and warm it up to normal operating temperature.
2. Drive vehicle under the following conditions for at least 5 consecutive seconds.

CAUTION:

- Always drive vehicle at a safe speed.

Engine speed	1,000 – 1,600 rpm
Calculated load value	27 – 63 %
Selector lever	D position

NOTE:

- Drive the vehicle at approximately 88 km/h (55MPH) allows easy diagnosis.
- Keep the accelerator pedal as possible during crusing.

3. Check 1st trip DTC.

Is 1st trip DTC detected?

- YES >> Proceed to [EC-1034, "Diagnosis Procedure"](#).
NO >> INSPECTION END

Diagnosis Procedure

INFOID:000000012602974

1.CHECK FOR INTAKE AIR LEAK

1. Stop engine and check the following for connection.
 - Air duct
 - Vacuum hoses
 - PCV hose
 - Intake air passage between air duct to intake manifold
2. Start engine and let it idle.
3. Listen for an intake air leak after the mass air flow sensor.

Is the inspection result normal?

- YES >> GO TO 2.
NO >> Repair or replace error-detected parts.

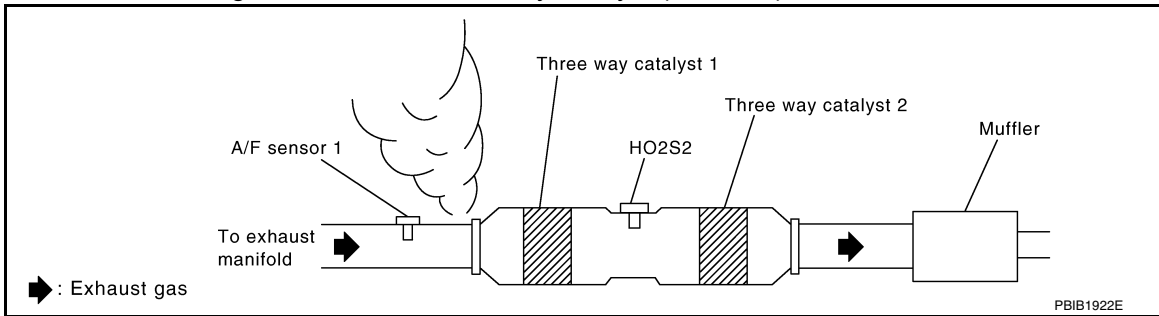
2.CHECK EXHAUST GAS LEAK

P219A, P219B AIR FUEL RATIO

[VQ35DE]

< DTC/CIRCUIT DIAGNOSIS >

1. Stop engine and visually check exhaust tube, three way catalyst and muffler for dents connection.
2. Start engine and let it idle.
3. Listen for an exhaust gas leak before three way catalyst (manifold).



Is the inspection result normal?

- YES >> GO TO 3.
NO >> Repair or replace error-detected parts.

3. CHECK FUEL PRESSURE

1. Release fuel pressure to zero. Refer to [EC-736, "Work Procedure"](#).
2. Check fuel pressure. Refer to [EC-736, "Work Procedure"](#).

Is the inspection result normal?

- YES >> GO TO 4.
NO >> GO TO 9.

4. CHECK MASS AIR FLOW SENSOR

Ⓜ With CONSULT

Check "MASS AIR FLOW" in "DATA MONITOR" mode of "ENGINE" using CONSULT.
For specification, refer to [EC-1089, "Mass Air Flow Sensor"](#).

Ⓜ With GST

Check mass air flow sensor signal in Service \$01 using GST.
For specification, refer to [EC-1089, "Mass Air Flow Sensor"](#).

Is the inspection result normal?

- YES >> GO TO 5.
NO >> Check connectors for rusted terminals or loose connections in the mass air flow sensor circuit or grounds. Refer to [EC-787, "Diagnosis Procedure"](#).

5. CHECK FUNCTION OF FUEL INJECTOR-1

Ⓜ With CONSULT

1. Start engine.
2. Perform "POWER BALANCE" in "ACTIVE TEST" mode of "ENGINE" using CONSULT.
3. Check that each circuit produces a momentary engine speed drop.

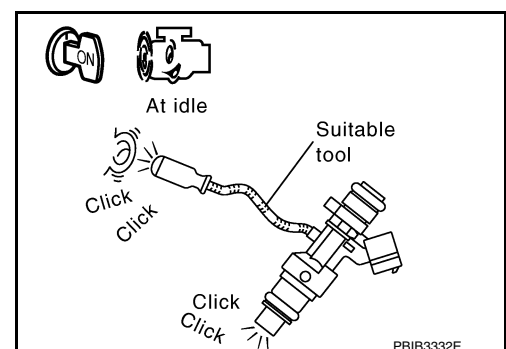
⊗ Without CONSULT

1. Let engine idle.
2. Listen to each fuel injector operating sound.

Clicking noise should be heard.

Is the inspection result normal?

- YES >> GO TO 6.
NO >> Perform trouble diagnosis for fuel injector, refer to [EC-1054, "Component Inspection"](#).



6. CHECK FUNCTION OF FUEL INJECTOR-2

CAUTION:

P219A, P219B AIR FUEL RATIO

< DTC/CIRCUIT DIAGNOSIS >

[VQ35DE]

Perform the following procedure in a place with no combustible objects and good ventilation.

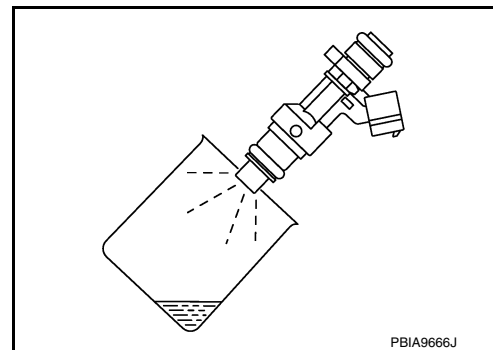
1. Turn ignition switch OFF.
2. Confirm that the engine is cooled down and there are no fire hazards near the vehicle.
3. Disconnect all fuel injector harness connectors.
4. Remove fuel tube assembly. Refer to [EM-167, "Removal and Installation"](#).
Keep fuel hose and all fuel injectors connected to fuel tube.
5. Disconnect all ignition coil harness connectors.
6. Prepare pans or saucers under each fuel injector.
7. Crank engine for approximately 3 seconds.

- Fuel should be sprayed evenly for each fuel injector.
- Fuel must not drip from the tip of fuel injector.

Is the inspection result normal?

YES >> GO TO 7.

NO >> Replace fuel injector. Refer to [EM-167, "Removal and Installation"](#).



7. CHECK FUNCTION OF IGNITION COIL-1

CAUTION:

Perform the following steps in a well-ventilated area with no combustibles.

1. Turn ignition switch OFF.
2. Remove fuel pump fuse from IPDM E/R to release fuel pressure.
NOTE:
CONSULT must not be used to release fuel pressure. It develops again during the following steps, if released by using CONSULT.
3. Start the engine.
4. After an engine stall, crank the engine two or three times to release all the fuel pressure.
5. Turn ignition switch OFF.
6. Disconnect all the harness connectors of ignition coil to prevent electric discharge from occurring in ignition coil.
7. Remove ignition coil assembly and spark plug of cylinder. Refer to [EM-166, "Removal and Installation \(bank 2\)"](#), [EM-166, "Removal and Installation \(bank 1\)"](#).
8. Crank engine for 5 seconds or more to remove combustion gas in the cylinder.
9. Connect spark plug and harness connector to ignition coil.
10. Allow a 13-17mm (0.52-0.66 in) spacing between spark plug and grounded metal portion as shown in the figure to fix the ignition coil with a rope or an equivalent.
11. Crank the engine for approximately 3 seconds to see if sparking occurs between spark plug and the grounded metal portion.

Spark should be generated.

CAUTION:

- The discharge voltage becomes 20 kV or higher. Therefore, always stay away from the spark plug and ignition coil at least 50 cm (19.7 in) during the inspection.
- Leaving a space of more than 17mm (0.66 in) may damage the ignition coil.

NOTE:

When the gap is less than 13 mm (0.52 in), a spark might be generated even if the coil is malfunctioning.

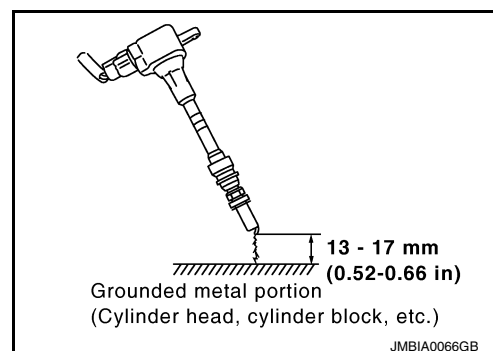
Is the inspection result normal?

YES >> GO TO 8.

NO >> GO TO 10.

8. CHECK COMPRESSION PRESSURE

Check compression pressure. Refer to [EM-144, "On-Vehicle Service"](#).



P219A, P219B AIR FUEL RATIO

[VQ35DE]

< DTC/CIRCUIT DIAGNOSIS >

Is the inspection result normal?

- YES >> Check intermittent incident. Refer to [GI-44, "Intermittent Incident"](#).
NO >> Check pistons, piston rings, valves, valve seats and cylinder head gaskets.

9. DETECT MALFUNCTIONING PART

Check fuel hoses and fuel tubes for clogging.

Is the inspection result normal?

- YES >> Replace fuel filter and fuel pump assembly. Refer to [EM-167, "Removal and Installation"](#).
NO >> Repair or replace error-detected parts.

10. CHECK FUNCTION OF IGNITION COIL-2

1. Turn ignition switch OFF.
2. Disconnect spark plug and connect a non-malfunctioning spark plug.
3. Crank engine for approximately 3 seconds, and recheck whether spark is generated between the spark plug and the grounded metal portion.

Spark should be generated.

Is the inspection result normal?

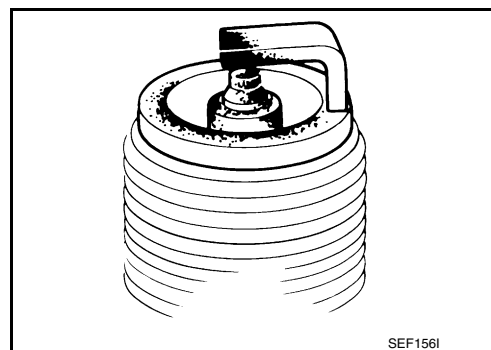
- YES >> GO TO 11.
NO >> Check ignition coil, power transistor and their circuits. Refer to [EC-1058, "Component Function Check"](#).

11. CHECK SPARK PLUG

Check the initial spark plug for fouling, etc.

Is the inspection result normal?

- YES >> 1. Repair or clean spark plug. Refer to [MA-30, "SPARK PLUG : Removal and Installation"](#).
2. GO TO 12.
NO >> Replace spark plug(s) with standard type one(s). For spark plug type, refer to [MA-30, "SPARK PLUG : Removal and Installation"](#).



12. CHECK FUNCTION OF IGNITION COIL-3

1. Reconnect the initial spark plugs.
2. Crank engine for approximately 3 seconds, and recheck whether spark is generated between the spark plug and the grounded portion.

Spark should be generated.

Is the inspection result normal?

- YES >> Check intermittent incident. Refer to [GI-44, "Intermittent Incident"](#).
NO >> Replace spark plug(s) with standard type one(s). For spark plug type, refer to [EM-253, "Spark Plug"](#).

P2610 ECM INTERNAL TIMER

< DTC/CIRCUIT DIAGNOSIS >

[VQ35DE]

P2610 ECM INTERNAL TIMER

Description

INFOID:000000012602975

This ECM contains a timer and measures time between an ignition switch OFF and the next ignition switch ON. This enables the judging of the state of engine cooling at an engine start.

DTC Logic

INFOID:000000012602976

DTC DETECTION LOGIC

DTC No.	CONSULT screen terms (Trouble diagnosis content)	DTC detecting condition	Possible cause
P2610	ECM/PCM INTERNAL ENG OFF TIMER (ECM/PCM internal engine off timer performance)	<ul style="list-style-type: none">ECM internal engine off timer is malfunctioning.The time calculated by ECM based on a descent allowance of engine coolant temperatures during ignition switch OFF is extremely shorter than the time counted by the Engine internal OFF timer.	<ul style="list-style-type: none">ECMECM power supply

DTC CONFIRMATION PROCEDURE

1.INSPECTION START

It is necessary to erase permanent DTC?

YES >> GO TO 4.

NO >> GO TO 2.

2.PRECONDITIONING

- Turn ignition switch OFF and wait at least 10 seconds.
- Turn ignition switch ON.
- Turn ignition switch OFF and wait at least 10 seconds.

TESTING CONDITION:

Before performing the following procedure, confirm that battery voltage is 12 V or more under ignition switch OFF condition.

>> GO TO 3.

3.PERFORM DTC CONFIRMATION PROCEDURE-I

- Turn ignition switch ON and wait at least 190 seconds.
- Check 1st trip DTC.

Is 1st trip DTC detected?

YES >> Proceed to [EC-1039. "Diagnosis Procedure"](#).

NO >> INSPECTION END

4.PRECONDITIONING

- Turn ignition switch OFF and wait at least 10 seconds.
- Turn ignition switch ON.
- Turn ignition switch OFF and wait at least 10 seconds.

TESTING CONDITION:

- Before performing the following procedure, confirm that battery voltage is 12 V or more under ignition switch OFF condition.**
- Before performing the following procedure, check that fuel level is between 2/8 and 7/8.**

>> GO TO 5.

5.PERFORM DTC CONFIRMATION PROCEDURE-I

- Turn ignition switch ON and wait at least 190 seconds.

P2610 ECM INTERNAL TIMER

[VQ35DE]

< DTC/CIRCUIT DIAGNOSIS >

2. Check 1st trip DTC.

Is 1st trip DTC detected?

- YES >> Proceed to [EC-1039, "Diagnosis Procedure"](#).
- NO >> GO TO 6.

6.PERFORM DTC CONFIRMATION PROCEDURE-II

CAUTION:

To start this self-diagnosis, the conditions listed bellow are required to be satisfied. Perform the following steps to satisfy the conditions.

- Engine coolant temperature decrease by 55°C (131°F) or more during the time between an ignition switch OFF (after engine warm-up) and the second ignition switch ON.
- A fuel temperature at the second ignition switch ON is -5°C (23°F) or more and less than 35°C (95°F).
- The temperature difference between engine coolant and fuel is 5°C (41°F) or more.

NOTE:

This self-diagnosis is not performed if the distance traveled is extremely short.

1. Turn ignition switch ON.
2. Start engine and warm it up to normal operating temperature.
3. Turn ignition switch OFF and soak the vehicle for at least 12 hours.

CAUTION:

- Never turn ON the ignition switch during soaking.
- Never open the fuel filler cap and perform refueling during soaking.

4. Turn ignition switch ON and wait at least 190 seconds.
5. Check 1st trip DTC.

Is 1st trip DTC detected?

- YES >> Proceed to [EC-1039, "Diagnosis Procedure"](#).
- NO >> INSPECTION END

Diagnosis Procedure

INFOID:000000012602977

1.CHECK ECM POWER SUPPLY AND GROUND CIRCUIT

Check ECM power supply and ground circuit. Refer to [EC-758, "Diagnosis Procedure"](#).

Is the inspection result normal?

- YES >> GO TO 2.
- NO >> Repair or replace error-detected parts.

2.CHECK SELF-DIAGNOSTIC RESULT

Check that DTCs related to the fuel system and the cooling system are not detected.

Is the inspection result normal?

- YES >> Check the DTC. Refer to [EC-676, "DTC Index"](#).
- NO >> GO TO 3.

3.PERFORM DTC CONFIRMATION PROCEDURE

1. Erase DTC.
2. Perform DTC Confirmation Procedure again. Refer to [EC-1038, "DTC Logic"](#).

Is the 1st trip DTC P2610 displayed again?

- YES >> Replace ECM. Refer to [EC-1088, "Removal and Installation"](#).
- NO >> INSPECTION END

BRAKE PEDAL POSITION SWITCH

< DTC/CIRCUIT DIAGNOSIS >

[VQ35DE]

BRAKE PEDAL POSITION SWITCH

Component Function Check

INFOID:000000012602978

1. CHECK BRAKE PEDAL POSITION SWITCH FUNCTION

With CONSULT

1. Turn ignition switch ON.
2. Select "BRAKE SW1" in "DATA MONITOR" mode with CONSULT.
3. Check "BRAKE SW1" indication under the following conditions.

Monitor item	Condition		Indication
BRAKE SW1	Brake pedal	Slightly depressed	OFF
		Fully released	ON

Without CONSULT

1. Turn ignition switch ON.
2. Check the voltage between ECM harness connector terminals.

ECM			Condition	Voltage	
Connector	+	-			
	Terminal	Terminal			
E32	140	152	Brake pedal	Slightly depressed	Approx. 0 V
			Fully released	Battery voltage	

Is the inspection result normal?

YES >> INSPECTION END

NO >> Proceed to [EC-1040, "Diagnosis Procedure"](#).

Diagnosis Procedure

INFOID:000000012602979

1. CHECK BRAKE PEDAL POSITION SWITCH POWER SUPPLY CIRCUIT

1. Turn ignition switch OFF.
2. Disconnect brake pedal position switch harness connector.
3. Turn ignition switch ON.
4. Check the voltage between brake pedal position switch harness connector and ground.

Brake pedal position switch		Ground	Voltage
Connector	Terminal		
E51*1 E76*2	1	Ground	Battery voltage

*1: With ASCD

*2: With ICC

Is the inspection result normal?

YES >> GO TO 3.

NO >> GO TO 2.

2. CHECK BRAKE PEDAL POSITION SWITCH POWER SUPPLY CIRCUIT

1. Turn ignition switch OFF.
2. Disconnect fuse block (J/B) harness connector.
3. Check the continuity between brake pedal position switch harness connector and fuse block (J/B) harness connector.

BRAKE PEDAL POSITION SWITCH

[VQ35DE]

< DTC/CIRCUIT DIAGNOSIS >

Brake pedal position switch		Fuse block (J/B)		Continuity
Connector	Terminal	Connector	Terminal	
E51*1 E76*2	1	E6	1M	Existed

*1: With ASCD

*2: With ICC

Is the inspection result normal?

YES >> Perform the trouble diagnosis for power supply circuit.

NO >> Repair or replace error-detected parts.

3. CHECK BRAKE PEDAL POSITION SWITCH INPUT SIGNAL CIRCUIT FOR OPEN AND SHORT

1. Turn ignition switch OFF.
2. Disconnect ECM harness connector.
3. Check the continuity between brake pedal position switch harness connector and ECM harness connector.

Brake pedal position switch		ECM		Continuity
Connector	Terminal	Connector	Terminal	
E51*1 E76*2	2	E32	140	Existed

*1: With ASCD

*2: With ICC

4. Also check harness for short to ground and short to power.

Is the inspection result normal?

YES >> GO TO 4.

NO >> Repair open circuit, short to ground or short to power in harness or connectors.

4. CHECK BRAKE PEDAL POSITION SWITCH

Check brake pedal position switch. Refer to [EC-1041, "Component Inspection \(Brake Pedal Position Switch\)"](#).

Is the inspection result normal?

YES >> Check intermittent incident. Refer to [GI-44, "Intermittent Incident"](#).

NO >> Replace brake pedal position switch. Refer to [BR-21, "Exploded View"](#).

Component Inspection (Brake Pedal Position Switch)

INFOID:0000000012602980

1. CHECK BRAKE PEDAL POSITION SWITCH-I

1. Turn ignition switch OFF.
2. Disconnect brake pedal position switch harness connector.
3. Check the continuity between brake pedal position switch terminals under the following conditions.

Terminals	Condition		Continuity
1 and 2	Brake pedal	Fully released	Existed
		Slightly depressed	Not existed

Is the inspection result normal?

YES >> INSPECTION END

NO >> GO TO 2.

2. CHECK BRAKE PEDAL POSITION SWITCH-II

1. Adjust brake pedal position switch installation. Refer to [BR-14, "Inspection and Adjustment"](#).
2. Check the continuity between brake pedal position switch terminals under the following conditions.

BRAKE PEDAL POSITION SWITCH

< DTC/CIRCUIT DIAGNOSIS >

[VQ35DE]

Terminals	Condition		Continuity
1 and 2	Brake pedal	Fully released	Existed
		Slightly depressed	Not existed

Is the inspection result normal?

YES >> INSPECTION END

NO >> Replace brake pedal position switch. Refer to [BR-21. "Removal and Installation"](#).

A

EC

C

D

E

F

G

H

I

J

K

L

M

N

O

P

ASCD INDICATOR

< DTC/CIRCUIT DIAGNOSIS >

[VQ35DE]

ASCD INDICATOR

Component Function Check

INFOID:000000012602981

1.CHECK ASCD INDICATOR FUNCTION

Check ASCD indicator under the following conditions.

ASCD INDICATOR	CONDITION		SPECIFICATION
CRUISE	• Ignition switch: ON	• MAIN switch: Pressed at the 1st time →at the 2nd time	ON → OFF

Is the inspection result normal?

YES >> INSPECTION END

NO >> Proceed to [EC-1043, "Diagnosis Procedure"](#).

Diagnosis Procedure

INFOID:000000012602982

1.CHECK DTC

Check that DTC UXXXX is not displayed.

Is the inspection result normal?

YES >> GO TO 2.

NO >> Perform trouble diagnosis for DTC UXXXX.

2.CHECK COMBINATION METER FUNCTION

Check combination meter function. Refer to [MWI-18, "CONSULT Function \(METER/M&A\)"](#).

Is the inspection result normal?

YES >> GO TO 3.

NO >> Repair or replace malfunctioning part.

3.CHECK INTERMITTENT INCIDENT

Check intermittent incident. Refer to [GI-44, "Intermittent Incident"](#).

Is the inspection result normal?

YES >> Replace combination meter. Refer to [MWI-83, "Removal and Installation"](#).

NO >> Repair or replace error-detected parts.

COOLING FAN

< DTC/CIRCUIT DIAGNOSIS >

[VQ35DE]

COOLING FAN

Component Function Check

INFOID:0000000012602983

1. CHECK COOLING FAN FUNCTION

With CONSULT

1. Turn ignition switch ON.
2. Perform "COOLING FAN" in "ACTIVE TEST" mode with CONSULT.
3. Check that cooling fan operates at each speed.

Without CONSULT

1. Perform IPDM E/R auto active test and check cooling fan motors operation, refer to [PCS-9. "Diagnosis Description"](#).
2. Check that cooling fan operates at each speed.

Is the inspection result normal?

- YES >> INSPECTION END
 NO >> Proceed to [EC-1044. "Diagnosis Procedure"](#).

Diagnosis Procedure

INFOID:0000000012602984

1. CHECK COOLING FAN RELAY POWER SUPPLY

1. Turn ignition switch OFF.
2. Disconnect cooling fan relays-2, -3.
3. Turn ignition switch ON.
4. Check the voltage between cooling fan relays-2, -3 harness connectors and ground.

Cooling fan relay		Ground	Voltage
Connector	Terminal		
E42 (cooling fan relay-2)	2	Ground	Battery voltage
	5		
E43 (cooling fan relay-3)	2		
	5		

Is the inspection result normal?

- YES >> GO TO 2.
 NO >> Perform the trouble diagnosis for power supply circuit.

2. CHECK COOLING FAN RELAY OUTPUT SIGNAL CIRCUIT

1. Turn ignition switch OFF.
2. Disconnect IPDM E/R harness connectors.
3. Check the continuity between cooling fan relay-2, -3 harness connectors and IPDM E/R harness connector.

Cooling fan relay		IPDM E/R		Continuity
Connector	Terminal	Connector	Terminal	
E42 (cooling fan relay-2)	1	E63	27	Existed
	E43 (cooling fan relay-3)		1	

4. Also check harness for short to ground and short to power.

Is the inspection result normal?

- YES >> GO TO 3.
 NO >> Repair open circuit, short to ground or short to power in harness or connectors.

3. CHECK COOLING FAN MOTOR POWER SUPPLY

COOLING FAN

[VQ35DE]

< DTC/CIRCUIT DIAGNOSIS >

1. Disconnect cooling fan motor-1 harness connector.
2. Check the voltage between cooling fan motor-1 harness connector and ground.

Cooling fan motor-1		Ground	Voltage
Connector	Terminal		
E220	1	Ground	Battery voltage
	2		

Is the inspection result normal?

YES >> GO TO 4.

NO >> Perform the trouble diagnosis for power supply circuit.

4. CHECK COOLING FAN MOTOR CIRCUIT-I

1. Disconnect cooling fan motor-2 harness connector.
2. Check the continuity between cooling fan relay-2, -3 harness connectors and cooling fan motor-1, -2 harness connectors.

Cooling fan relay		Cooling fan motor		Continuity
Connector	Terminal	Connector	Terminal	
E42 (cooling fan relay-2)	3	E221 (Cooling fan motor-2)	2	Existed
	7	E220 (Cooling fan motor-1)	3	
E43 (cooling fan relay-3)	3	E221 (Cooling fan motor-2)	1	
	7	E220 (Cooling fan motor-1)	4	

3. Also check harness for short to ground and short to power.

Is the inspection result normal?

YES >> GO TO 5.

NO >> Perform the trouble diagnosis for power supply circuit.

5. CHECK COOLING FAN MOTOR CIRCUIT-II

1. Check the continuity between IPDM E/R harness connector and cooling fan motor-1, -2 harness connector.

IPDM E/R		Cooling fan motor		Continuity
Connector	Terminal	Connector	Terminal	
E17	4	E220 (Cooling fan motor-1)	4	Existed
	6	E221 (Cooling fan motor-2)	1	

2. Also check harness for short to ground and short to power.

Is the inspection result normal?

YES >> GO TO 6.

NO >> Perform the trouble diagnosis for power supply circuit.

6. CHECK COOLING FAN MOTOR CIRCUIT-III

1. Check the continuity between cooling fan relay-2, -3 harness connectors and ground.

COOLING FAN

< DTC/CIRCUIT DIAGNOSIS >

[VQ35DE]

Cooling fan motor		Ground	Continuity
Connector	Terminal		
E42 (cooling fan relay-2)	6	Ground	Existed
E43 (cooling fan relay-3)			

2. Also check harness for short to ground and short to power.

Is the inspection result normal?

YES >> GO TO 7.

NO >> Repair open circuit, short to ground or short to power in harness or connectors.

7. CHECK COOLING FAN MOTOR CIRCUIT-IV

1. Check the continuity between cooling fan motor-2 harness connector and ground.

Cooling fan motor-2		Ground	Continuity
Connector	Terminal		
E221	3	Ground	Existed
	4		

2. Also check harness for short to ground and short to power.

Is the inspection result normal?

YES >> GO TO 8.

NO >> Repair open circuit, short to ground or short to power in harness or connectors.

8. CHECK COOLING FAN RELAYS-2 AND -3

Check cooling fan relays-2 and -3. Refer to [EC-1047, "Component Inspection \(Cooling Fan Relay\)"](#).

Is the inspection result normal?

YES >> GO TO 9.

NO >> Replace malfunctioning cooling fan relay.

9. CHECK COOLING FAN MOTORS-1 AND -2

Check cooling fan motors-1 and -2. Refer to [EC-1046, "Component Inspection \(Cooling Fan Motor\)"](#).

Is the inspection result normal?

YES >> GO TO 10.

NO >> Replace malfunctioning cooling fan motor. Refer to [CO-39, "Removal and Installation"](#).

10. CHECK INTERMITTENT INCIDENT

Check intermittent incident. Refer to [GI-44, "Intermittent Incident"](#).

Is the inspection result normal?

YES >> Replace IPDM E/R. Refer to [PCS-47, "Removal and Installation"](#).

NO >> Repair or replace error-detected parts.

Component Inspection (Cooling Fan Motor)

INFOID:000000012602985

1. CHECK COOLING FAN MOTOR

1. Turn ignition switch OFF.
2. Disconnect cooling fan motor harness connector.
3. Supply cooling fan motor terminals with battery voltage and check operation.

COOLING FAN

< DTC/CIRCUIT DIAGNOSIS >

[VQ35DE]

	Condition	Terminals	
		(+)	(-)
Cooling fan motor	A	1	3 and 4
		2	3 and 4
		1 and 2	3
		1 and 2	4
	B	1, 2	3, 4

Check that cooling fan speed of condition B is higher than that of A.

Is the inspection result normal?

YES >> INSPECTION END

NO >> Replace cooling fan motor. Refer to [CO-39, "Removal and Installation"](#).

Component Inspection (Cooling Fan Relay)

INFOID:0000000012602986

1. CHECK COOLING FAN RELAY

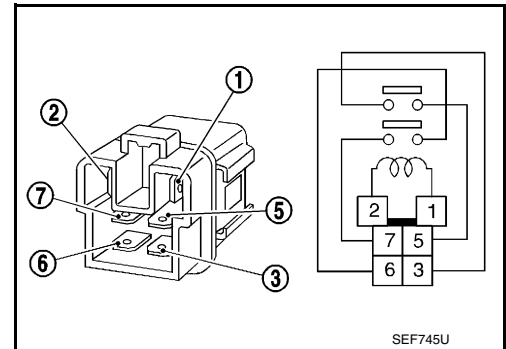
1. Disconnect cooling fan relays -2, -3 harness connectors.
2. Check continuity between cooling fan relay -2, -3 terminals under the following conditions.

Terminals	Conditions	Continuity
3 and 5 6 and 7	12 V direct current supply between terminals 1 and 2	Existed
	No current supply	Not existed

Is the inspection result normal?

YES >> INSPECTION END

NO >> Replace cooling fan relay.



ELECTRICAL LOAD SIGNAL

[VQ35DE]

< DTC/CIRCUIT DIAGNOSIS >

ELECTRICAL LOAD SIGNAL

Description

INFOID:000000012602987

The electrical load signal (Headlamp switch signal, rear window defogger switch signal, etc.) is transferred via the CAN communication.

Component Function Check

INFOID:000000012602988

1. CHECK REAR WINDOW DEFOGGER SWITCH FUNCTION

1. Turn ignition switch ON.
2. Connect CONSULT and select "DATA MONITOR" mode.
3. Select "LOAD SIGNAL" and check indication under the following conditions.

Monitor item	Condition	Indication	
LOAD SIGNAL	Rear window defogger switch	ON	ON
		OFF	OFF

Is the inspection result normal?

- YES >> GO TO 2.
NO >> Proceed to [EC-1048, "Diagnosis Procedure"](#).

2. CHECK LIGHTING SWITCH FUNCTION

Check "LOAD SIGNAL" indication under the following conditions.

Monitor item	Condition	Indication	
LOAD SIGNAL	Lighting switch	ON at 2nd position	ON
		OFF	OFF

Is the inspection result normal?

- YES >> GO TO 3.
NO >> Proceed to [EC-1048, "Diagnosis Procedure"](#).

3. CHECK HEATER FAN CONTROL SWITCH FUNCTION

Select "HEATER FAN SW" and check indication under the following conditions.

Monitor item	Condition	Indication	
HEATER FAN SW	Heater fan control switch	ON	ON
		OFF	OFF

Is the inspection result normal?

- YES >> INSPECTION END
NO >> Proceed to [EC-1048, "Diagnosis Procedure"](#).

Diagnosis Procedure

INFOID:000000012602989

1. INSPECTION START

Confirm the malfunctioning circuit (rear window defogger, headlamp or heater fan). Refer to [EC-1048, "Component Function Check"](#).

Which circuit is related to the incident?

- Rear window defogger >> GO TO 2.
Headlamp >> GO TO 3.
Heater fan >> GO TO 4.

2. CHECK REAR WINDOW DEFOGGER SYSTEM

Check rear window defogger system. Refer to [DEF-16, "Work Flow"](#).

ELECTRICAL LOAD SIGNAL

< DTC/CIRCUIT DIAGNOSIS >

[VQ35DE]

>> INSPECTION END

3.CHECK HEADLAMP SYSTEM

Check headlamp system. Refer to [EXL-80, "Work Flow"](#) (With HALOGEN headlamp), [EXL-213, "Work Flow"](#) (With LED headlamp).

>> INSPECTION END

4.CHECK HEATER FAN CONTROL SYSTEM

Check heater fan control system. Refer to [HA-15, "Workflow"](#).

>> INSPECTION END

ELECTRONIC CONTROLLED ENGINE MOUNT

< DTC/CIRCUIT DIAGNOSIS >

[VQ35DE]

ELECTRONIC CONTROLLED ENGINE MOUNT

Component Function Check

INFOID:000000012602990

1.CHECK OVERALL FUNCTION

1. Start engine and warm it up to normal operating temperature.
2. Shift selector position is D while depressing the brake pedal and parking brake pedal.
3. Disconnect electronic controlled engine mount control solenoid valve harness connector.
4. Check that body vibration increases compared to the condition of step 2 above (with vehicle stopped).

Is the inspection result normal?

- YES >> INSPECTION END
NO >> [EC-1050, "Diagnosis Procedure"](#).

Diagnosis Procedure

INFOID:000000012602991

1.CHECK VACUUM SOURCE

1. Turn ignition switch OFF.
2. Reconnect electronic controlled engine mount control solenoid valve harness connector.
3. Disconnect vacuum hose connected to electronic controlled engine mount.
4. Start engine and let it idle.
5. Check vacuum hose for vacuum existence.

Vacuum should exist.

Is the inspection result normal?

- YES >> GO TO 7.
NO >> GO TO 2.

2.CHECK VACUUM HOSES AND VACUUM GALLERY

1. Turn ignition switch OFF.
2. Check vacuum hoses and vacuum gallery for clogging, cracks or improper connection. Refer to [EC-615, "ELECTRONIC CONTROLLED ENGINE MOUNT : System Description"](#).

Is the inspection result normal?

- YES >> GO TO 3.
NO >> Repair or replace vacuum hoses and vacuum gallery.

3.CHECK ELECTRONIC CONTROLLED ENGINE MOUNT CONTROL SOLENOID VALVE POWER SUPPLY

1. Disconnect electronic controlled engine mount control solenoid valve harness connector.
2. Turn ignition switch ON.
3. Check the voltage between front electronic controlled engine mount harness connector and ground.

Electronic controlled engine mount control solenoid valve		Ground	Voltage
Connector	Terminal		
F64	1	Ground	Battery voltage

Is the inspection result normal?

- YES >> GO TO 5.
NO >> GO TO 4.

4.CHECK ELECTRONIC CONTROLLED ENGINE MOUNT CONTROL SOLENOID VALVE POWER SUPPLY CIRCUIT

1. Turn ignition switch OFF.
2. Disconnect fuse block (J/B) harness connector.
3. Check the continuity between electronic controlled engine mount harness connector and fuse block (J/B) harness connector.

ELECTRONIC CONTROLLED ENGINE MOUNT

[VQ35DE]

< DTC/CIRCUIT DIAGNOSIS >

Electronic controlled engine mount control solenoid valve		Fuse block (J/B)		Continuity
Connector	Terminal	Connector	Terminal	
F64	1	E6	1M	Existed

Is the inspection result normal?

YES >> Perform the trouble diagnosis for power supply circuit.

NO >> Repair or replace error-detected parts.

5. CHECK ELECTRONIC CONTROLLED ENGINE MOUNT CONTROL SOLENOID VALVE OUTPUT SIGNAL CIRCUIT FOR OPEN AND SHORT

1. Disconnect ECM harness connector.
2. Check the continuity between ECM harness connector and electronic controlled engine mount control solenoid valve harness connector.

ECM		Electronic controlled engine mount control solenoid valve		Continuity
Connector	Terminal	Connector	Terminal	
F78	49	F64	2	Existed

3. Also check harness for short to ground and short to power.

Is the inspection result normal?

YES >> GO TO 6.

NO >> Repair open circuit, short to ground or short to power in harness connectors.

6. CHECK ELECTRONIC CONTROLLED ENGINE MOUNT CONTROL SOLENOID VALVE

Check electronic controlled engine mount control solenoid valve. Refer to [EC-1051, "Component Inspection"](#).

Is the inspection result normal?

YES >> GO TO 7.

NO >> Replace electronic controlled engine mount control solenoid valve. Refer to [EC-585, "ENGINE CONTROL SYSTEM : Component Parts Location"](#).

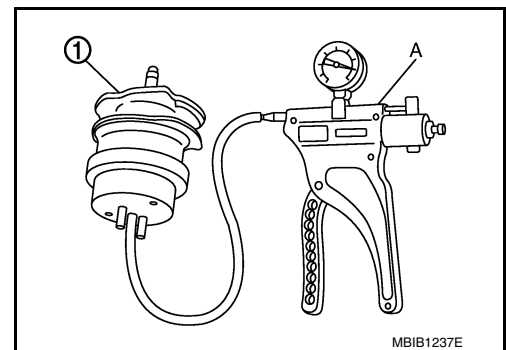
7. CHECK ELECTRONIC CONTROLLED ENGINE MOUNT

1. Turn ignition switch OFF.
2. Install vacuum pump (A) to electronic controlled engine mount (1).
3. Check that a vacuum is maintained when applying the vacuum of -40 kPa (-0.41 kg/cm², -5.8 psi) to electronic controlled engine mount.
4. Also visually check electronic controlled engine mount.

Is the inspection result normal?

YES >> GO TO 8.

NO >> Replace electronic controlled engine mount.



8. CHECK INTERMITTENT INCIDENT

Check intermittent incident. Refer to [GI-44, "Intermittent Incident"](#).

Is the inspection result normal?

YES >> Replace intake manifold collector. Refer to [EM-148, "Removal and Installation"](#).

NO >> Repair or replace error-detected parts.

Component Inspection

INFOID:000000012602992

1. CHECK ELECTRONIC CONTROLLED ENGINE MOUNT CONTROL SOLENOID VALVE

Ⓟ With CONSULT

1. Turn ignition switch OFF.

ELECTRONIC CONTROLLED ENGINE MOUNT

[VQ35DE]

< DTC/CIRCUIT DIAGNOSIS >

2. Reconnect electronic controlled engine mount control solenoid valve harness connector.
3. Disconnect vacuum hoses connected to electronic controlled engine mount control solenoid valve.
4. Turn ignition switch ON.
5. Select "ENGINE MOUNTING" in "ACTIVE TEST" mode with CONSULT.
6. Check air passage continuity and operation delay time under the following conditions.

Condition (ENGINE MOUNTING)	Air passage continuity between (A) and (B)	Air passage continuity between (A) and (C)
TRVL	Existed	Not existed
IDLE	Not existed	Existed

Without CONSULT

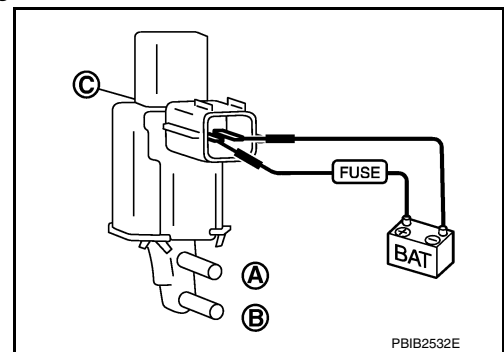
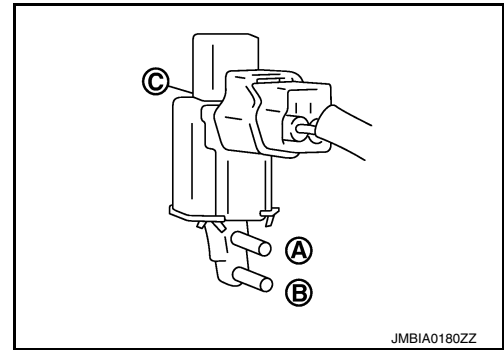
1. Turn ignition switch OFF.
2. Disconnect electronic controlled engine mount control solenoid valve harness connector.
3. Disconnect vacuum hoses connected to electronic controlled engine mount control solenoid valve.
4. Check air passage continuity and operation delay time under the following conditions.

Condition	Air passage continuity between (A) and (B)	Air passage continuity between (A) and (C)
12 V direct current supply between terminals 1 and 2	Existed	Not existed
No supply	Not existed	Existed

Is the inspection result normal?

YES >> INSPECTION END

NO >> Replace electronic controlled engine mount control solenoid valve. Refer to [EC-585, "ENGINE CONTROL SYSTEM : Component Parts Location"](#).



A
EC
C
D
E
F
G
H
I
J
K
L
M
N
O
P

FUEL INJECTOR

[VQ35DE]

< DTC/CIRCUIT DIAGNOSIS >

FUEL INJECTOR

Component Function Check

INFOID:000000012602993

1.INSPECTION START

Turn ignition switch to START.

Are any cylinders ignited?

YES >> GO TO 2.

NO >> Proceed to [EC-1053, "Diagnosis Procedure"](#).

2.CHECK FUEL INJECTOR FUNCTION

Ⓜ With CONSULT

1. Start engine.
2. Perform "POWER BALANCE" in "ACTIVE TEST" mode with CONSULT.
3. Check that each circuit produces a momentary engine speed drop.

ⓧ Without CONSULT

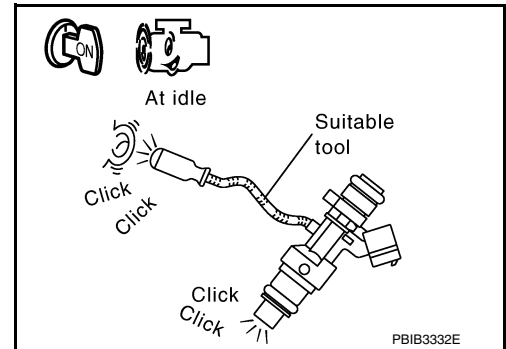
1. Start engine.
2. Listen to each fuel injector operating sound.

Clicking sound should be heard.

Is the inspection result normal?

YES >> INSPECTION END

NO >> Proceed to [EC-1053, "Diagnosis Procedure"](#).



INFOID:000000012602994

Diagnosis Procedure

1.CHECK FUEL INJECTOR POWER SUPPLY

1. Turn ignition switch OFF.
2. Disconnect fuel injector harness connector.
3. Turn ignition switch ON.
4. Check the voltage between fuel injector harness connector and ground.

Fuel injector			Ground	Voltage
Cylinder	Connector	Terminal		
1	F17	1	Ground	Battery voltage
2	F18	1		
3	F19	1		
4	F20	1		
5	F21	1		
6	F22	1		

Is the inspection result normal?

YES >> GO TO 3.

NO >> GO TO 2.

2.CHECK FUEL INJECTOR POWER SUPPLY CIRCUIT

1. Turn ignition switch OFF.
2. Disconnect IPDM E/R harness connector.
3. Check the continuity between fuel injector harness connector and IPDM E/R harness connector.

FUEL INJECTOR

< DTC/CIRCUIT DIAGNOSIS >

[VQ35DE]

Fuel injector			IPDM E/R		Continuity
Cylinder	Connector	Terminal	Connector	Terminal	
1	F17	1	F83	54	Existed
2	F18	1		60	
3	F19	1		54	
4	F20	1		60	
5	F21	1		54	
6	F22	1		60	

Is the inspection result normal?

YES >> Perform the trouble diagnosis for power supply circuit.

NO >> Repair or replace error-detected parts.

3.CHECK FUEL INJECTOR OUTPUT SIGNAL CIRCUIT FOR OPEN AND SHORT

1. Turn ignition switch OFF.
2. Disconnect ECM harness connector.
3. Check the continuity between fuel injector harness connector and ECM harness connector.

Fuel injector			ECM		Continuity
Cylinder	Connector	Terminal	Connector	Terminal	
1	F17	2	F78	17	Existed
2	F18	2		16	
3	F19	2		22	
4	F20	2		12	
5	F21	2		11	
6	F22	2		21	

4. Also check harness for short to ground and short to power.

Is the inspection result normal?

YES >> GO TO 4.

NO >> Repair open circuit, short to ground or short to power in harness or connectors.

4.CHECK FUEL INJECTOR

Check fuel injector. Refer to [EC-1054, "Component Inspection"](#).

Is the inspection result normal?

YES >> GO TO 5.

NO >> Replace malfunctioning fuel injector. Refer to [EM-167, "Removal and Installation"](#).

5.CHECK INTERMITTENT INCIDENT

Check intermittent incident. Refer to [GI-44, "Intermittent Incident"](#).

Is the inspection result normal?

YES >> Replace IPDM E/R. Refer to [PCS-47, "Removal and Installation"](#).

NO >> Repair or replace error-detected parts.

Component Inspection

INFOID:0000000012602995

1.CHECK FUEL INJECTOR

1. Turn ignition switch OFF.
2. Disconnect fuel injector harness connector.

FUEL INJECTOR

[VQ35DE]

< DTC/CIRCUIT DIAGNOSIS >

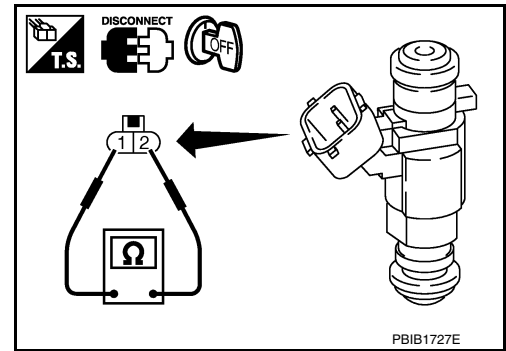
3. Check resistance between fuel injector terminals as per the following.

Terminals	Resistance
1 and 2	11.1 - 14.5 Ω [at 10 - 60°C (50 - 140°F)]

Is the inspection result normal?

YES >> INSPECTION END

NO >> Replace malfunctioning fuel injector. Refer to [EM-167](#).
["Removal and Installation"](#).



FUEL PUMP

< DTC/CIRCUIT DIAGNOSIS >

[VQ35DE]

FUEL PUMP

Component Function Check

INFOID:000000012602996

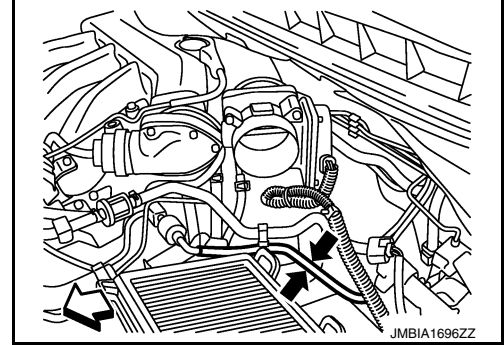
1. CHECK FUEL PUMP FUNCTION

1. Turn ignition switch ON.
2. Pinch fuel feed hose with two fingers.

Fuel pressure pulsation should be felt on the fuel feed hose for 1 second after ignition switch is turned ON.

Is the inspection result normal?

- YES >> INSPECTION END
 NO >> [EC-1056, "Diagnosis Procedure"](#).



Diagnosis Procedure

INFOID:000000012602997

1. CHECK FUEL PUMP RELAY POWER SUPPLY-I

1. Turn ignition switch OFF.
2. Disconnect ECM harness connector.
3. Turn ignition switch ON.
4. Check the voltage between ECM harness connector terminals.

ECM				Voltage
+		-		
Connector	Terminal	Connector	Terminal	
F78	19	E32	152	Battery voltage

Is the inspection result normal?

- YES >> GO TO 4.
 NO >> GO TO 2.

2. CHECK FUEL PUMP RELAY POWER SUPPLY-II

Check the voltage between IPDM E/R harness connector and ground.

IPDM E/R		Ground	Voltage
Connector	Terminal		
F84	69	Ground	Battery voltage

Is the inspection result normal?

- YES >> GO TO 3.
 NO >> GO TO 7.

3. CHECK FUEL PUMP RELAY POWER SUPPLY CIRCUIT

1. Turn ignition switch OFF.
2. Disconnect IPDM E/R harness connector.
3. Check the continuity between ECM harness connector and IPDM E/R harness connector.

ECM		IPDM E/R		Continuity
Connector	Terminal	Connector	Terminal	
F78	19	F84	69	Existed

Is the inspection result normal?

- YES >> Perform the trouble diagnosis for power supply circuit.

FUEL PUMP

[VQ35DE]

< DTC/CIRCUIT DIAGNOSIS >

NO >> Repair or replace error-detected parts.

4.CHECK FUEL PUMP POWER SUPPLY CIRCUIT

1. Disconnect "fuel level sensor unit and fuel pump" harness connector.
2. Check harness continuity between IPDM E/R harness connector and "fuel level sensor unit and fuel pump" harness connector.

IPDM E/R		Fuel level sensor unit and fuel pump		Continuity
Connector	Terminal	Connector	Terminal	
E18	15	B42	6	Existed

Is the inspection result normal?

YES >> GO TO 5.

NO >> Repair open circuit or short to power in harness or connectors.

5.CHECK FUEL PUMP GROUND CIRCUIT

1. Disconnect "fuel level sensor unit and fuel pump" harness connector.
2. Check the continuity between "fuel level sensor unit and fuel pump" harness connector and ground.

Fuel level sensor unit and fuel pump		Ground	Continuity
Connector	Terminal		
B42	4	Ground	Existed

Is the inspection result normal?

YES >> GO TO 6.

NO >> Repair open circuit or short to power in harness or connectors.

6.CHECK FUEL PUMP

Check fuel pump. Refer to [EC-1057, "Component Inspection"](#).

Is the inspection result normal?

YES >> GO TO 7.

NO >> Replace fuel pump. Refer to [FL-5, "Exploded View"](#).

7.CHECK INTERMITTENT INCIDENT

Check intermittent incident. Refer to [GI-44, "Intermittent Incident"](#).

Is the inspection result normal?

YES >> Replace IPDM E/R. Refer to [PCS-47, "Removal and Installation"](#).

NO >> Repair or replace error-detected parts.

Component Inspection

INFOID:0000000012602998

1.CHECK FUEL PUMP

1. Turn ignition switch OFF.
2. Disconnect "fuel level sensor unit (fuel pump)" harness connector.
3. Check resistance between "fuel level sensor unit (fuel pump)" terminals as follows.

Terminals	Resistance [at 25°C (77°F)]
4 and 6	0.2 - 5.0 Ω

Is the inspection result normal?

YES >> INSPECTION END

NO >> Replace fuel level sensor unit, fuel filter and fuel pump assembly. Refer to [FL-5, "Removal and Installation"](#).

IGNITION SIGNAL

< DTC/CIRCUIT DIAGNOSIS >

[VQ35DE]

IGNITION SIGNAL

Component Function Check

INFOID:000000012602999

1.INSPECTION START

Turn ignition switch OFF, and restart engine.

Does the engine start?

- YES-1 >> With CONSULT: GO TO 2.
- YES-2 >> Without CONSULT: GO TO 3.
- NO >> Proceed to [EC-1058, "Diagnosis Procedure"](#).

2.CHECK IGNITION SIGNAL FUNCTION

With CONSULT

1. Perform "POWER BALANCE" in "ACTIVE TEST" mode with CONSULT.
2. Check that each circuit produces a momentary engine speed drop.

Is the inspection result normal?

- YES >> INSPECTION END
- NO >> Proceed to [EC-1058, "Diagnosis Procedure"](#).

3.CHECK IGNITION SIGNAL FUNCTION

Without CONSULT

1. Let engine idle.
2. Read the voltage signal between ECM harness connector terminals with an oscilloscope.

ECM				Voltage signal
+		-		
Connector	Terminal	Connector	Terminal	
F79	103	E32	152	
	106			
	113			
	104			
	107			
	114			

NOTE:

The pulse cycle changes depending on rpm at idle.

Is the inspection result normal?

- YES >> INSPECTION END
- NO >> Proceed to [EC-1058, "Diagnosis Procedure"](#).

Diagnosis Procedure

INFOID:000000012603000

1.CHECK ECM POWER SUPPLY

1. Turn ignition switch OFF, wait at least 10 seconds and then turn it ON.
2. Check the voltage between ECM harness connector terminals.

ECM				Voltage
Connector	Terminal	Connector	Terminal	
F79	86	E32	152	Battery voltage

Is the inspection result normal?

- YES >> GO TO 2.
- NO >> Refer to [EC-758, "Diagnosis Procedure"](#).

IGNITION SIGNAL

< DTC/CIRCUIT DIAGNOSIS >

[VQ35DE]

2. CHECK CONDENSER POWER SUPPLY

1. Turn ignition switch OFF.
2. Disconnect condenser harness connector.
3. Turn ignition switch ON.
4. Check the voltage between condenser harness connector and ground.

Condenser		Ground	Voltage
Connector	Terminal		
F26	1	Ground	Battery voltage

Is the inspection result normal?

YES >> GO TO 4.

NO >> GO TO 3.

3. CHECK CONDENSER POWER SUPPLY CIRCUIT

1. Turn ignition switch OFF.
2. Disconnect IPDM E/R harness connector.
3. Check the continuity between IPDM E/R harness connector and condenser harness connector.

IPDM E/R		Condenser		Continuity
Connector	Terminal	Connector	Terminal	
F83	55	F26	1	Existed

4. Also check harness for short to ground and short to power.

Is the inspection result normal?

YES >> Refer to [EC-758, "Diagnosis Procedure"](#).

NO >> Repair open circuit, short to ground or short to power in harness or connectors.

4. CHECK CONDENSER GROUND CIRCUIT

1. Turn ignition switch OFF.
2. Check the continuity between condenser harness connector and ground.

Condenser		Ground	Continuity
Connector	Terminal		
F26	2	Ground	Existed

3. Also check harness for short to power.

Is the inspection result normal?

YES >> GO TO 5.

NO >> Repair open circuit or short to power in harness or connectors.

5. CHECK CONDENSER

Check condenser. Refer to [EC-1062, "Component Inspection \(Condenser\)"](#)

Is the inspection result normal?

YES >> GO TO 6.

NO >> Replace condenser.

6. CHECK IGNITION COIL POWER SUPPLY

1. Reconnect all harness connectors disconnected.
2. Disconnect ignition coil harness connector.
3. Turn ignition switch ON.
4. Check the voltage between ignition coil harness connector and ground.

IGNITION SIGNAL

< DTC/CIRCUIT DIAGNOSIS >

[VQ35DE]

Ignition coil			Ground	Voltage
Cylinder	Connector	Terminal		
1	F34	3	Ground	Battery voltage
2	F35	3		
3	F36	3		
4	F37	3		
5	F38	3		
6	F39	3		

Is the inspection result normal?

YES >> GO TO 7.

NO >> Repair or replace harness or connectors.

7. CHECK IGNITION COIL GROUND CIRCUIT FOR OPEN AND SHORT

1. Turn ignition switch OFF.
2. Check the continuity between ignition coil harness connector and ground.

Ignition coil			Ground	Continuity
Cylinder	Connector	Terminal		
1	F34	2	Ground	Existed
2	F35	2		
3	F36	2		
4	F37	2		
5	F38	2		
6	F39	2		

3. Also check harness for short to power.

Is the inspection result normal?

YES >> GO TO 8.

NO >> Repair open circuit or short to power in harness or connectors.

8. CHECK IGNITION COIL OUTPUT SIGNAL CIRCUIT FOR OPEN AND SHORT

1. Disconnect ECM harness connector.
2. Check the continuity between ignition coil harness connector and ECM harness connector.

Ignition coil			ECM		Continuity
Cylinder	Connector	Terminal	Connector	Terminal	
1	F34	1	F79	113	Existed
2	F35	1		106	
3	F36	1		103	
4	F37	1		114	
5	F38	1		107	
6	F39	1		104	

3. Also check harness for short to ground and short to power.

Is the inspection result normal?

YES >> GO TO 9.

NO >> Repair open circuit, short to ground or short to power in harness or connectors.

9. CHECK IGNITION COIL WITH POWER TRANSISTOR

Check ignition coil with power transistor. Refer to [EC-1061, "Component Inspection \(Ignition Coil with Power Transistor\)"](#).

IGNITION SIGNAL

< DTC/CIRCUIT DIAGNOSIS >

[VQ35DE]

Is the inspection result normal?

- YES >> Check intermittent incident. Refer to [GI-44, "Intermittent Incident"](#).
NO >> Replace malfunctioning ignition coil with power transistor. Refer to [EM-166, "Removal and Installation \(bank 2\)"](#) or [EM-166, "Removal and Installation \(bank 1\)"](#).

Component Inspection (Ignition Coil with Power Transistor)

INFOID:000000012603001

1. CHECK IGNITION COIL WITH POWER TRANSISTOR-I

1. Turn ignition switch OFF.
2. Disconnect ignition coil harness connector.
3. Check resistance between ignition coil terminals as per the following.

Terminal No. (Polarity)	Resistance Ω [at 25°C (77°F)]
1 and 2	Except 0 or ∞
1 and 3	Except 0
2 and 3	

Is the inspection result normal?

- YES >> GO TO 2.
NO >> Replace malfunctioning ignition coil with power transistor. Refer to [EM-166, "Removal and Installation \(bank 2\)"](#) or [EM-166, "Removal and Installation \(bank 1\)"](#).

2. CHECK IGNITION COIL WITH POWER TRANSISTOR-II

CAUTION:

Perform the following procedure in a place with no combustible objects and good ventilation.

1. Turn ignition switch OFF.
2. Reconnect all harness connectors disconnected.
3. Remove fuel pump fuse in IPDM E/R to release fuel pressure.

NOTE:

Do not use CONSULT to release fuel pressure, or fuel pressure applies again during the following procedure.

4. Start engine.
5. After engine stalls, crank it 2 or 3 times to release all fuel pressure.
6. Turn ignition switch OFF.
7. Remove all ignition coil harness connectors to avoid the electrical discharge from the ignition coils.
8. Remove ignition coil and spark plug of the cylinder to be checked.
9. Crank engine for 5 seconds or more to remove combustion gas in the cylinder.
10. Connect spark plug and harness connector to ignition coil.
11. Fix ignition coil using a rope etc. with gap of 13 - 17 mm (0.52 - 0.66 in) between the edge of the spark plug and grounded metal portion as shown in the figure.
12. Crank engine for approximately 3 seconds, and check whether spark is generated between the spark plug and the grounded metal portion.

Spark should be generated.

CAUTION:

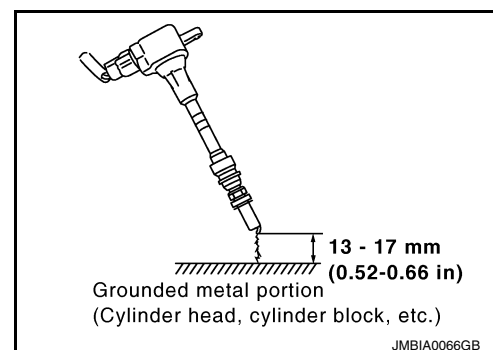
- During the operation, always stay 0.5 m (19.7 in) or more away from the spark plug and the ignition coil. Be careful not to get an electrical shock while checking, because the electrical discharge voltage becomes 20 kV or more.
- It might cause to damage the ignition coil if the gap of more than 17 mm (0.66 in) is taken.

NOTE:

When the gap is less than 13 mm (0.52 in), the spark might be generated even if the coil is malfunctioning.

Is the inspection result normal?

- YES >> INSPECTION END



IGNITION SIGNAL

[VQ35DE]

< DTC/CIRCUIT DIAGNOSIS >

NO >> Replace malfunctioning ignition coil with power transistor. Refer to [EM-166, "Removal and Installation \(bank 2\)"](#) or [EM-166, "Removal and Installation \(bank 1\)"](#).

A

Component Inspection (Condenser)

INFOID:0000000012603002

1. CHECK CONDENSER

EC

1. Turn ignition switch OFF.
2. Disconnect condenser harness connector.
3. Check resistance between condenser terminals as per the following.

C

Terminals	Resistance
1 and 2	Above 1 M Ω [at 25C° (77C°)]

D

Is the inspection result normal?

- YES >> INSPECTION END
NO >> Replace condenser.

E

F

G

H

I

J

K

L

M

N

O

P

INFORMATION DISPLAY (ASCD)

Component Function Check

INFOID:000000012603003

1. CHECK INFORMATION DISPLAY

1. Start engine.
2. Press MAIN switch on ASCD steering switch.
3. Drive the vehicle at more than 40 km/h (25 MPH).
CAUTION:
Always drive vehicle at a safe speed.
4. Press SET/COAST switch.
5. Check that the reading of the speedometer shows the same value as the set speed indicated in the information display while driving the vehicle on a flat road.

Is the inspection result normal?

- YES >> INSPECTION END
 NO >> Proceed to [EC-1063, "Diagnosis Procedure"](#).

Diagnosis Procedure

INFOID:000000012603004

1. CHECK DTC

Check that DTC UXXXX, P0500 or P1574 is not displayed.

Is the inspection result normal?

- YES >> GO TO 2.
 NO-1 >> Perform trouble diagnosis for DTC UXXXX.
 NO-2 >> Perform trouble diagnosis for DTC P0500. Refer to [EC-928, "DTC Logic"](#).
 NO-3 >> Perform trouble diagnosis for DTC P1574. Refer to [EC-997, "DTC Logic"](#).

2. CHECK DTC WITH COMBINATION METER

Refer to [MWI-18, "CONSULT Function \(METER/M&A\)"](#).

Is the inspection result normal?

- YES >> GO TO 3.
 NO >> Perform trouble diagnosis for DTC indicated.

3. CHECK INTERMITTENT INCIDENT

Refer to [GI-44, "Intermittent Incident"](#).

Is the inspection result normal?

- YES >> Replace combination meter. Refer to [MWI-83, "Removal and Installation"](#).
 NO >> Repair or replace.

MALFUNCTION INDICATOR LAMP

< DTC/CIRCUIT DIAGNOSIS >

[VQ35DE]

MALFUNCTION INDICATOR LAMP

Component Function Check

INFOID:000000012603005

1.CHECK MIL FUNCTION

1. Turn ignition switch ON.
2. Check that MIL illuminates.

Is the inspection result normal?

- YES >> INSPECTION END
NO >> Proceed to [EC-1064, "Diagnosis Procedure"](#).

Diagnosis Procedure

INFOID:000000012603006

1.CHECK DTC

Check that DTC UXXXX is not displayed.

Is the inspection result normal?

- YES >> GO TO 2.
NO >> Perform trouble diagnosis for DTC UXXXX.

2.CHECK COMBINATION METER FUNCTION

Check combination meter function. Refer to [MWI-18, "CONSULT Function \(METER/M&A\)"](#).

Is the inspection result normal?

- YES >> GO TO 3.
NO >> Repair or replace.

3.CHECK INTERMITTENT INCIDENT

Check intermittent incident. Refer to [GI-44, "Intermittent Incident"](#).

Is the inspection result normal?

- YES >> Replace combination meter. Refer to [MWI-83, "Removal and Installation"](#).
NO >> Repair or replace error-detected parts.

A
EC
C
D
E
F
G
H
I
J
K
L
M
N
O
P

ON BOARD REFUELING VAPOR RECOVERY (ORVR)

< DTC/CIRCUIT DIAGNOSIS >

[VQ35DE]

ON BOARD REFUELING VAPOR RECOVERY (ORVR)

Component Function Check

INFOID:000000012603007

1.CHECK ORVR FUNCTION

Check whether the following symptoms are present.

- Fuel odor from EVAP canister is strong.
- Cannot refuel/Fuel odor from the fuel filler opening is strong while refueling.

Are any symptoms present?

- YES >> Proceed to [EC-1065. "Diagnosis Procedure"](#).
NO >> INSPECTION END

Diagnosis Procedure

INFOID:000000012603008

1.INSPECTION START

Check whether the following symptoms are present.

- A: Fuel odor from EVAP canister is strong.
B: Cannot refuel/Fuel odor from the fuel filler opening is strong while refueling.

A or B

- A >> GO TO 2.
B >> GO TO 7.

2.CHECK EVAP CANISTER

1. Remove EVAP canister with EVAP canister vent control valve and EVAP control system pressure sensor attached. Refer to [FL-15. "Removal and Installation"](#).
2. Weigh the EVAP canister with EVAP canister vent control valve and EVAP control system pressure sensor attached.

The weight should be less than 2.1 kg (4.6 lb).

Is the inspection result normal?

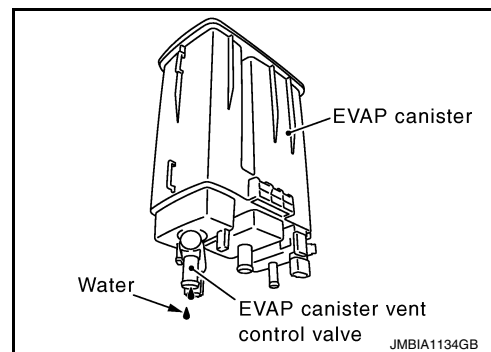
- YES >> GO TO 3.
NO >> GO TO 4.

3.CHECK IF EVAP CANISTER IS SATURATED WITH WATER

Check if water will drain from EVAP canister

Does water drain from the EVAP canister?

- YES >> GO TO 4.
NO >> GO TO 6.



4.REPLACE EVAP CANISTER

Replace EVAP canister with a new one. Refer to [FL-15. "Removal and Installation"](#).

>> GO TO 5.

5.DETECT MALFUNCTIONING PART

Check the EVAP hose between EVAP canister and vehicle frame for clogging or poor connection.

>> Repair or replace EVAP hose. Refer to [FL-17. "Removal and Installation"](#).

6.CHECK REFUELING EVAP VAPOR CUT VALVE

Check refueling EVAP vapor cut valve. Refer to [EC-1067. "Component Inspection"](#).

ON BOARD REFUELING VAPOR RECOVERY (ORVR)

< DTC/CIRCUIT DIAGNOSIS >

[VQ35DE]

Is the inspection result normal?

YES >> INSPECTION END

NO >> Replace refueling EVAP vapor cut valve with fuel tank. Refer to [FL-10, "Removal and Installation"](#).

7. CHECK EVAP CANISTER

1. Remove EVAP canister with EVAP canister vent control valve and EVAP control system pressure sensor attached. Refer to [FL-15, "Removal and Installation"](#).

2. Weigh the EVAP canister with EVAP canister vent control valve and EVAP control system pressure sensor attached.

The weight should be less than 2.1 kg (4.6 lb).

Is the inspection result normal?

YES >> GO TO 8.

NO >> GO TO 9.

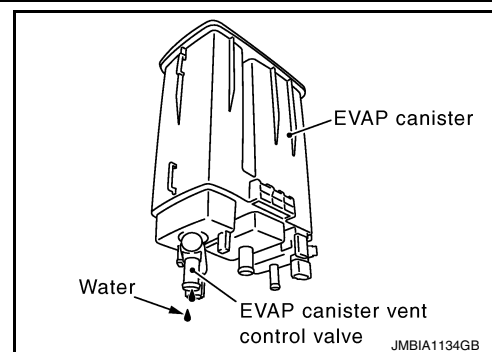
8. CHECK IF EVAP CANISTER IS SATURATED WITH WATER

Check if water will drain from EVAP canister.

Does water drain from the EVAP canister?

YES >> GO TO 6.

NO >> GO TO 11.



9. REPLACE EVAP CANISTER

Replace EVAP canister with a new one. Refer to [FL-15, "Removal and Installation"](#).

>> GO TO 10.

10. DETECT MALFUNCTIONING PART

Check the EVAP hose between EVAP canister and vehicle frame for clogging or poor connection.

>> Repair or replace EVAP hose. Refer to [FL-17, "Removal and Installation"](#).

11. CHECK VENT HOSES AND VENT TUBES

Check hoses and tubes between EVAP canister and refueling control valve for clogging, kinks, looseness and improper connection.

Is the inspection result normal?

YES >> GO TO 12.

NO >> Repair or replace hoses and tubes.

12. CHECK FILLER NECK TUBE

Check recirculation line for clogging, dents and cracks.

Is the inspection result normal?

YES >> GO TO 13.

NO >> Replace filler neck tube.

13. CHECK REFUELING EVAP VAPOR CUT VALVE

Check refueling EVAP vapor cut valve. Refer to [EC-1067, "Component Inspection"](#).

Is the inspection result normal?

YES >> GO TO 14.

NO >> Replace refueling EVAP vapor cut valve with fuel tank. Refer to [FL-10, "Removal and Installation"](#).

14. CHECK FUEL FILLER TUBE

Check filler neck tube and hose connected to the fuel tank for clogging, dents and cracks.

ON BOARD REFUELING VAPOR RECOVERY (ORVR)

[VQ35DE]

< DTC/CIRCUIT DIAGNOSIS >

Is the inspection result normal?

YES >> GO TO 15.

NO >> Replace fuel filler tube. Refer to [FL-10, "Removal and Installation"](#).

15.CHECK ONE-WAY FUEL VALVE-I

Check one-way valve for clogging.

Is the inspection result normal?

YES >> GO TO 16.

NO >> Repair or replace one-way fuel valve with fuel tank. Refer to [FL-10, "Removal and Installation"](#).

16.CHECK ONE-WAY FUEL VALVE-II

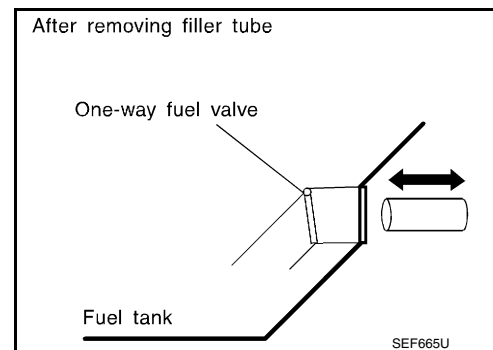
1. Check that fuel is drained from the tank.
2. Remove fuel filler tube and hose. Refer to [FL-10, "Removal and Installation"](#).
3. Check one-way fuel valve for operation as per the following.
When a stick is inserted, the valve should open, when removing stick it should close.

Do not drop any material into the tank.

Is the inspection result normal?

YES >> INSPECTION END

NO >> Replace fuel filler tube or replace one-way fuel valve with fuel tank. Refer to [FL-10, "Removal and Installation"](#).



INFOID:000000012603009

Component Inspection

1.INSPECTION START

Will CONSULT be used?

Will CONSULT be used?

YES >> GO TO 2.

NO >> GO TO 3.

2.CHECK REFUELING EVAP VAPOR CUT VALVE

ⓈWith CONSULT

1. Turn ignition switch OFF.
2. Remove fuel tank. Refer to [FL-10, "Removal and Installation"](#).
3. Drain fuel from the tank as per the following:
 - Remove fuel feed hose located on the fuel gauge retainer. Refer to [FL-10, "Removal and Installation"](#).
 - Connect a spare fuel hose, one side to fuel gauge retainer where the hose was removed and the other side to a fuel container.
 - Drain fuel using "FUEL PUMP RELAY" in "ACTIVE TEST" mode with CONSULT.
4. Check refueling EVAP vapor cut valve for being stuck to close as per the following.
Blow air into the refueling EVAP vapor cut valve (from the end of EVAP/ORVR line hose), and check that the air flows freely into the tank.
5. Check refueling EVAP vapor cut valve for being stuck to open as per the following.
 - Connect vacuum pump to hose end.
 - Remove fuel gauge retainer with fuel gauge unit.

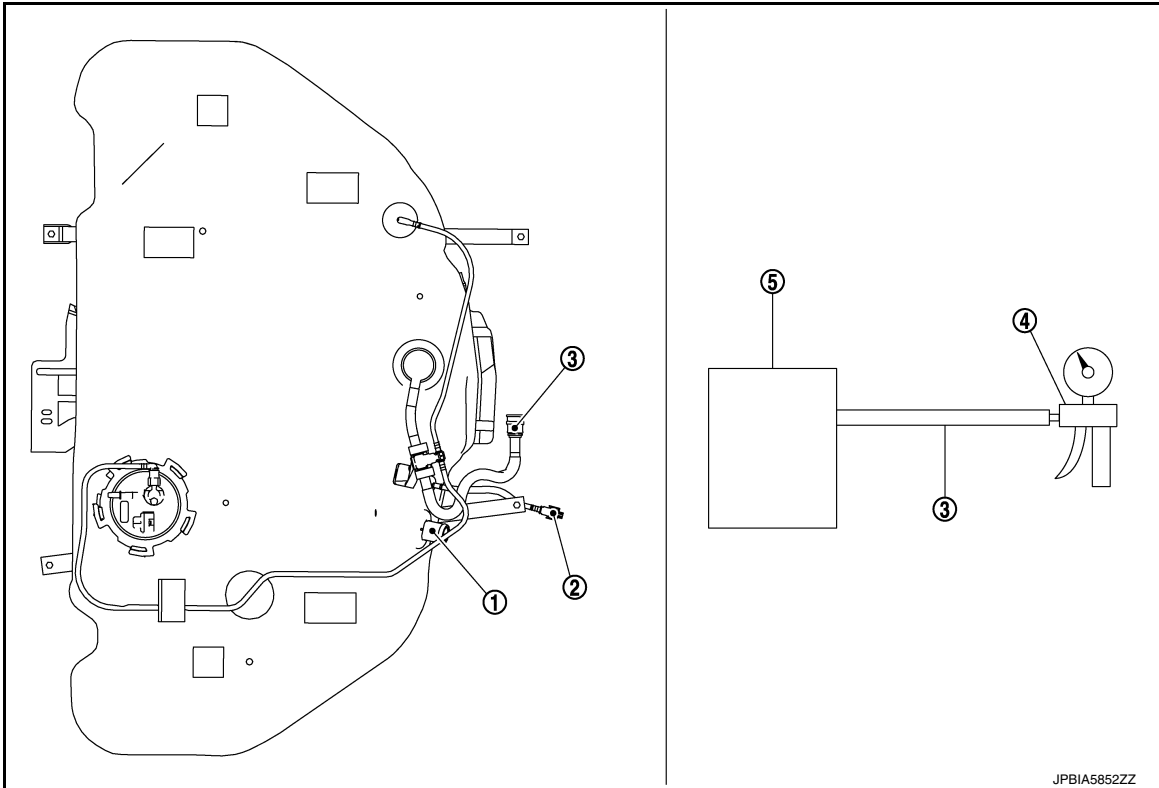
Always replace O-ring with new one.

 - Turn fuel tank upside down.
 - Apply vacuum pressure to hose end [-13.3 kPa (-0.136 kg/cm², -1.93 psi)] with fuel gauge retainer remaining open and check that the pressure is applicable.

ON BOARD REFUELING VAPOR RECOVERY (ORVR)

< DTC/CIRCUIT DIAGNOSIS >

[VQ35DE]



1. Filler tube
2. Recirculation line
3. EVAP/ORVR line
4. Vacuum/pressure handy pump
5. Fuel tank

Is the inspection result normal?

YES >> INSPECTION END

NO >> Replace refueling EVAP vapor cut valve with fuel tank. Refer to [FL-10, "Removal and Installation"](#).

3. CHECK REFUELING EVAP VAPOR CUT VALVE

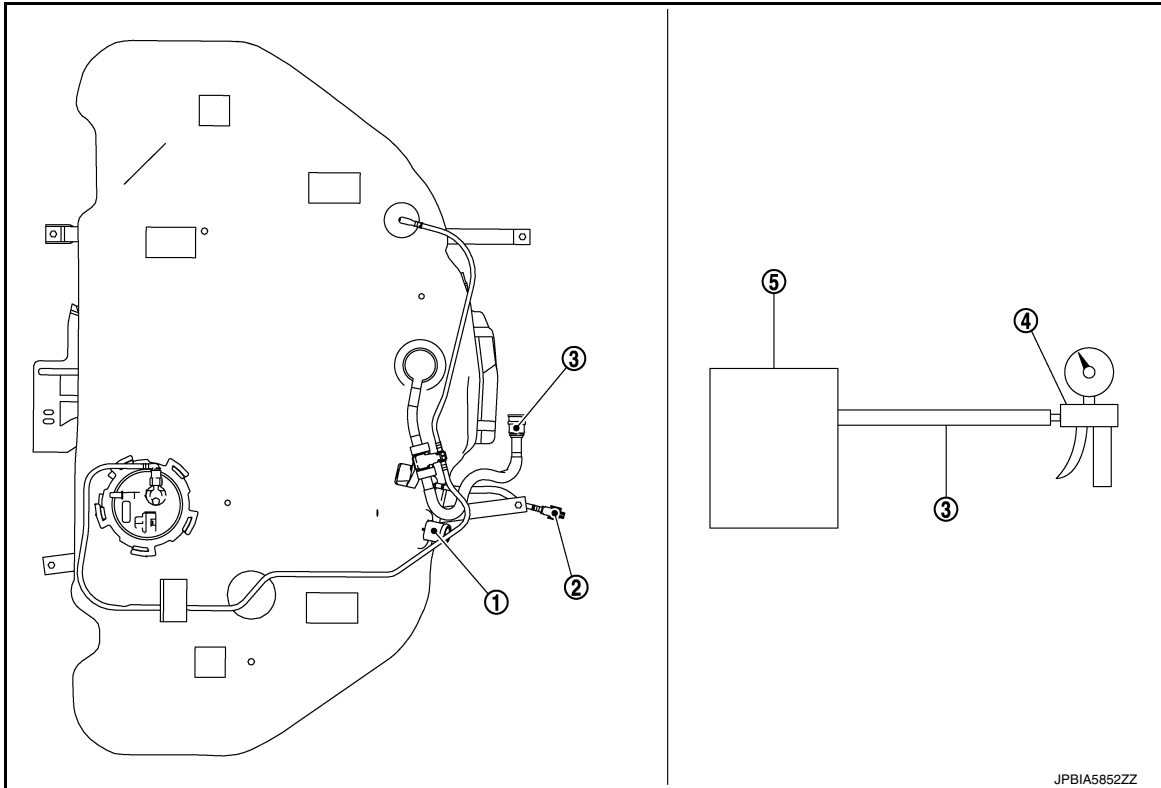
Without CONSULT

1. Turn ignition switch OFF.
 2. Remove fuel tank. Refer to [FL-10, "Removal and Installation"](#).
 3. Drain fuel from the tank as per the following:
 - Remove fuel gauge retainer.
 - Drain fuel from the tank using a handy pump into a fuel container.
 4. Check refueling EVAP vapor cut valve for being stuck to close as per the following.
Blow air into the refueling EVAP vapor cut valve (from the end of EVAP/ORVR line hose), and check that the air flows freely into the tank.
 5. Check refueling EVAP vapor cut valve for being stuck to open as per the following.
 - Connect vacuum pump to hose end.
 - Remove fuel gauge retainer with fuel gauge unit.
- Always replace O-ring with new one.**
- Turn fuel tank upside down.
 - Apply vacuum pressure to hose end [-13.3 kPa (-0.136 kg/cm², -1.93 psi)] with fuel gauge retainer remaining open and check that the pressure is applicable.

ON BOARD REFUELING VAPOR RECOVERY (ORVR)

< DTC/CIRCUIT DIAGNOSIS >

[VQ35DE]



- 1. Filler tube
- 2. Recirculation line
- 3. EVAP/ORVR line
- 4. Vacuum/pressure handy pump
- 5. Fuel tank

Is the inspection result normal?

YES >> INSPECTION END

NO >> Replace refueling EVAP vapor cut valve with fuel tank. Refer to [FL-10, "Removal and Installation"](#).

REFRIGERANT PRESSURE SENSOR

< DTC/CIRCUIT DIAGNOSIS >

[VQ35DE]

REFRIGERANT PRESSURE SENSOR

Component Function Check

INFOID:000000012603010

1. CHECK REFRIGERANT PRESSURE SENSOR FUNCTION

1. Start engine and warm it up to normal operating temperature.
2. Turn A/C switch and blower fan switch ON.
3. Check the voltage between ECM harness connector terminals under the following conditions.

Connector	ECM		Voltage (V)
	+	-	
	Terminal		
F78	20	25	1.0 - 4.0

Is the inspection result normal?

YES >> INSPECTION END

NO >> Proceed to [EC-1070, "Diagnosis Procedure"](#).

Diagnosis Procedure

INFOID:000000012603011

1. CHECK REFRIGERANT PRESSURE SENSOR POWER SUPPLY

1. Disconnect refrigerant pressure sensor harness connector.
2. Turn ignition switch ON.
3. Check the voltage between refrigerant pressure sensor harness connector and ground.

Refrigerant pressure sensor		Ground	Voltage (V)
Connector	Terminal		
E219	1	Ground	Approx. 5

Is the inspection result normal?

YES >> GO TO 3.

NO >> GO TO 2.

2. CHECK REFRIGERANT PRESSURE SENSOR POWER SUPPLY CIRCUIT

1. Turn ignition switch OFF.
2. Disconnect ECM harness connector.
3. Check the continuity between refrigerant pressure sensor harness connector and ECM harness connector.

Refrigerant pressure sensor		ECM		Continuity
Connector	Terminal	Connector	Terminal	
E219	1	F78	18	Existed

Is the inspection result normal?

YES >> Perform the trouble diagnosis for power supply circuit.

NO >> Repair or replace error-detected parts.

3. CHECK REFRIGERANT PRESSURE SENSOR GROUND CIRCUIT FOR OPEN AND SHORT

1. Turn ignition switch OFF.
2. Disconnect ECM harness connector.
3. Check the continuity between refrigerant pressure sensor harness connector and ECM harness connector.

Refrigerant pressure sensor		ECM		Continuity
Connector	Terminal	Connector	Terminal	
E219	3	F78	25	Existed

REFRIGERANT PRESSURE SENSOR

[VQ35DE]

< DTC/CIRCUIT DIAGNOSIS >

4. Also check harness for short to ground and short to power.

Is the inspection result normal?

YES >> GO TO 4.

NO >> Repair or replace error-detected parts.

4.CHECK REFRIGERANT PRESSURE SENSOR INPUT SIGNAL CIRCUIT FOR OPEN AND SHORT

1. Check the continuity between refrigerant pressure sensor harness connector and ECM harness connector.

Refrigerant pressure sensor		ECM		Continuity
Connector	Terminal	Connector	Terminal	
E219	2	F78	20	Existed

2. Also check harness for short to ground and short to power.

Is the inspection result normal?

YES >> GO TO 5.

NO >> Repair or replace error-detected parts.

5.CHECK INTERMITTENT INCIDENT

Check intermittent incident. Refer to [GI-44, "Intermittent Incident"](#).

Is the inspection result normal?

YES >> Replace refrigerant pressure sensor. Refer to [HAC-106, "Removal and Installation"](#) (WITH AUTO A/C), [HAC-161, "Removal and Installation"](#) (WITH MANUAL A/C).

NO >> Repair or replace error-detected parts.

SENSOR POWER SUPPLY2 CIRCUIT

< DTC/CIRCUIT DIAGNOSIS >

[VQ35DE]

SENSOR POWER SUPPLY2 CIRCUIT

Description

INFOID:000000012603012

ECM supplies a voltage of 5 V to some of the sensors systematically divided into 2 groups, respectively. Accordingly, when a short circuit develops in a sensor power source, a malfunction may occur simultaneously in the sensors belonging to the same group as the short-circuited sensor.

Sensor power supply 1

- Accelerator pedal position (APP) sensor 1
- Crankshaft position (CKP) sensor (POS)
- Exhaust valve timing control position sensor (bank 1)
- Exhaust valve timing control position sensor (bank 2)
- Mass air flow sensor
- Electric throttle control actuator

NOTE:

If sensor power supply 1 circuit is malfunctioning, DTC P0643 is displayed.

Sensor power supply 2

- Accelerator pedal position (APP) sensor 2
- Battery current sensor
- Camshaft position (CMP) sensor (PHASE)
- Engine oil pressure sensor
- Refrigerant pressure sensor

Diagnosis Procedure

INFOID:000000012603013

1. CHECK SENSOR POWER SUPPLY 1

1. Turn ignition switch OFF.
2. Disconnect ECM harness connectors
3. Turn ignition switch ON.
4. Check the voltage between ECM harness connector and ground.

+		-	Voltage (Approx.)
ECM			
Connector	Terminal	Ground	5 V
F78	18		
F79	87		
	92		
E32	142		

Is the inspection result normal?

- YES >> Check intermittent incident. Refer to [GI-44. "Intermittent Incident"](#).
NO >> GO TO 2.

2. CHECK SENSOR POWER SUPPLY 2 CIRCUIT

1. Turn ignition switch OFF.
2. Disconnect following sensors harness connector.
3. Check harness for short to power and short to ground, between the following terminals.

ECM		Sensor		
+		Name	+	
Connector	Terminal		Connector	Terminal
F78	18	Refrigerant pressure sensor	E219	1
		EOP sensor	F87	3

SENSOR POWER SUPPLY2 CIRCUIT

< DTC/CIRCUIT DIAGNOSIS >

[VQ35DE]

ECM		Sensor		
+		Name	+	
Connector	Terminal		Connector	Terminal
F79	87	Battery current sensor	F5	1
	92	CMP sensor (PHASE) (bank 1)	F77	1
		CMP sensor (PHASE) (bank 2)	F60	1
E32	142	APP sensor 2	E40	5

Is the inspection result normal?

YES >> GO TO 3.

NO >> Repair or replace error-detected parts.

3. CHECK COMPONENTS

Check the following.

- Refrigerant pressure sensor (Refer to [EC-1070, "Diagnosis Procedure"](#).)
- APP sensor 2 (Refer to [EC-1024, "Component Inspection"](#).)
- EOP sensor (Refer to [EC-938, "Component Inspection"](#).)
- CMP sensor (PHASE) (bank 1) (Refer to [EC-883, "Component Inspection"](#).)
- CMP sensor (PHASE) (bank 2) (Refer to [EC-883, "Component Inspection"](#).)
- Battery current sensor (Refer to [EC-973, "Component Inspection"](#).)

Is the inspection result normal?

YES >> Perform [GI-44, "Intermittent Incident"](#).

NO >> Replace malfunctioning component.

VARIABLE INDUCTION AIR SYSTEM

< DTC/CIRCUIT DIAGNOSIS >

[VQ35DE]

VARIABLE INDUCTION AIR SYSTEM

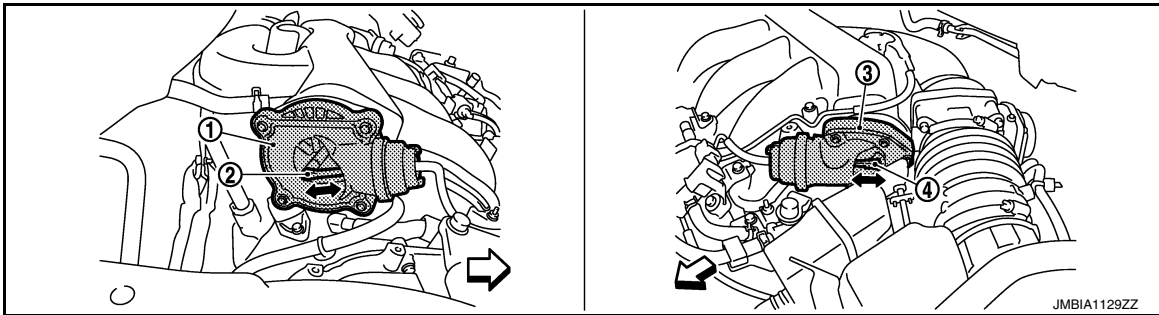
Component Function Check

INFOID:000000012603014

1. CHECK OVERALL FUNCTION-I

With CONSULT

1. Start engine and warm it up to the normal operating temperature.
2. Perform "VIAS S/V-1" in "ACTIVE TEST" mode with CONSULT.
3. Turn VIAS control solenoid valve 1 "ON" and "OFF", and check that power valve actuator 1 rod moves.

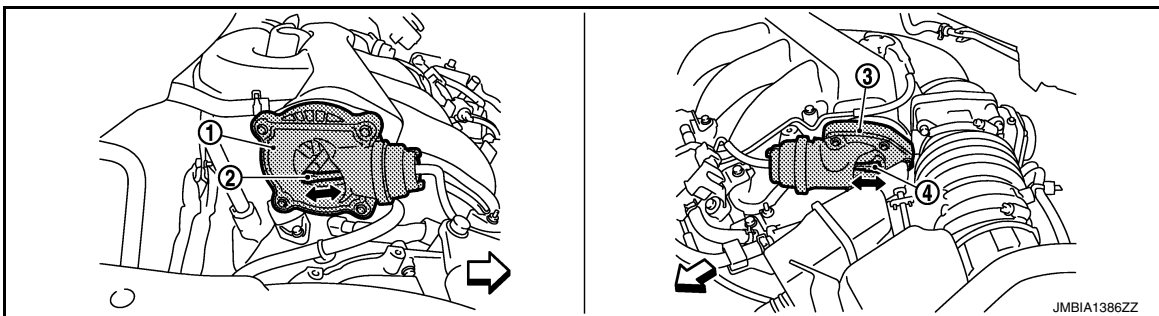


1. Power valve actuator 1
2. Power valve actuator 1 rod
3. Power valve actuator 2
4. Power valve actuator 2 rod

← : Vehicle front

Without CONSULT

1. Start engine and warm it up to the normal operating temperature.
2. Rev engine quickly up to approximately 5,000 rpm.
3. Check that power valve actuator 1 rod moves.



1. Power valve actuator 1
2. Power valve actuator 1 rod
3. Power valve actuator 2
4. Power valve actuator 2 rod

← : Vehicle front

Is the inspection result normal?

YES >> GO TO 2.

NO >> [EC-1075, "Diagnosis Procedure"](#).

2. CHECK OVERALL FUNCTION-II

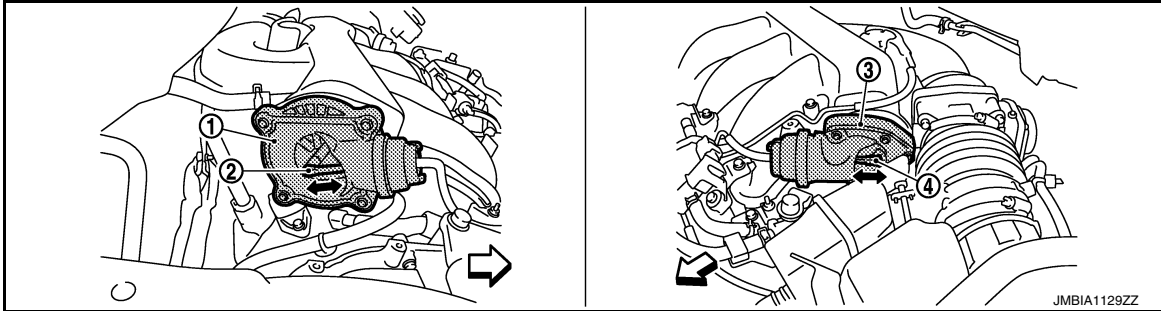
With CONSULT

1. Perform "VIAS S/V-2" in "ACTIVE TEST" mode with CONSULT.
2. Turn VIAS control solenoid valve 2 "ON" and "OFF", and check that power valve actuator 2 rod moves.

VARIABLE INDUCTION AIR SYSTEM

< DTC/CIRCUIT DIAGNOSIS >

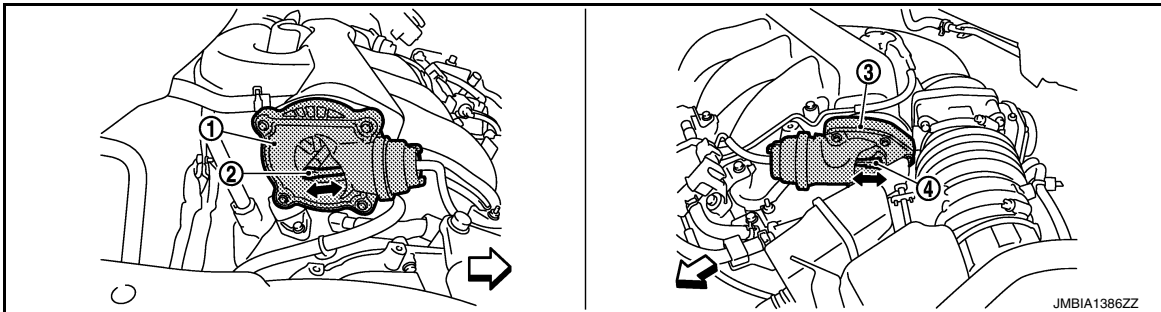
[VQ35DE]



1. Power valve actuator 1
 2. Power valve actuator 1 rod
 3. Power valve actuator 2
 4. Power valve actuator 2 rod
- ↶ : Vehicle front

⊗ Without CONSULT

1. When revving engine up to 5,000 rpm quickly.
2. Rev engine quickly up to approximately 5,000 rpm.
3. Check that power valve actuator 2 rod moves.



1. Power valve actuator 1
 2. Power valve actuator 1 rod
 3. Power valve actuator 2
 4. Power valve actuator 2 rod
- ↶ : Vehicle front

Is the inspection result normal?

- YES >> INSPECTION END
NO >> [EC-1075. "Diagnosis Procedure"](#).

Diagnosis Procedure

INFOID:000000012603015

1.INSPECTION START

Confirm the malfunctioning system (power valve 1 or power valve 2). Refer to [EC-1074. "Component Function Check"](#).

Which system is related to the incident?

- Power valve 1>>GO TO 2.
Power valve 2>>GO TO 6.

2.CHECK VACUUM EXISTENCE-I

Ⓟ With CONSULT

1. Stop engine and disconnect vacuum hose connected to power valve actuator 1.
2. Start engine and let it idle.
3. Perform "VIAS S/V-1" in "ACTIVE TEST" mode with CONSULT.
4. Turn VIAS control solenoid valve 1 ON and OFF, and check vacuum existence under the following conditions.

VARIABLE INDUCTION AIR SYSTEM

< DTC/CIRCUIT DIAGNOSIS >

[VQ35DE]

VIAS S/V-1	Vacuum
ON	Existed
OFF	Not existed

⊗ Without CONSULT

1. Stop engine and disconnect vacuum hose connected to power valve actuator 1.
2. Disconnect VIAS control solenoid valve 1 harness connector.
3. Start engine.
4. Rev engine quickly up to approximately 5,000 rpm.
5. Check vacuum existence under the following conditions.

Condition	Vacuum
Idle	Existed
Rev engine quickly up to approximately 5,000 rpm	Not existed

Is the inspection result normal?

YES >> Repair or replace power valve actuator 1. Refer to [EC-585. "ENGINE CONTROL SYSTEM : Component Parts Location"](#).

NO >> GO TO 3.

3. CHECK VACUUM TANK

1. Stop engine and disconnect vacuum hose connected to intake manifold collector.
2. Start engine and let it idle.
3. Check vacuum existence from intake manifold collector.

Does vacuum existence from the intake manifold collector?

YES >> GO TO 4.

NO >> Replace intake manifold collector. Refer to [EM-148. "Removal and Installation"](#).

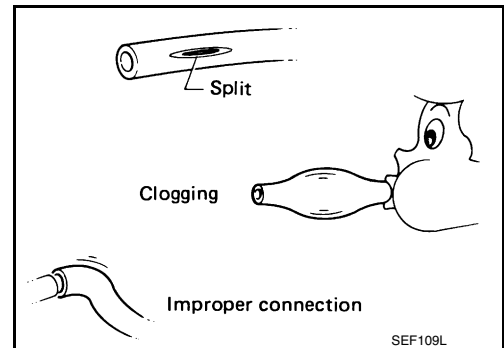
4. CHECK VACUUM HOSE

1. Stop engine.
2. Check vacuum hose for crack, clogging, improper connection or disconnection. Refer to [EC-627. "VARIABLE INDUCTION AIR SYSTEM : System Description"](#).

Is the inspection result normal?

YES >> GO TO 5.

NO >> Repair hoses or tubes.



5. CHECK VIAS CONTROL SOLENOID VALVE 1

Check VIAS control solenoid valve 1. Refer to [EC-1004. "Component Inspection"](#).

Is the inspection result normal?

YES >> GO TO 8.

NO >> Replace VIAS control solenoid valve 1. Refer to [EC-585. "ENGINE CONTROL SYSTEM : Component Parts Location"](#).

6. CHECK VACUUM EXISTENCE-II

Ⓜ With CONSULT

1. Stop engine and disconnect vacuum hose connected to power valve actuator 2.
2. Start engine and let it idle.
3. Perform "VIAS S/V-2" in "ACTIVE TEST" mode with CONSULT.
4. Turn VIAS control solenoid valve 2 ON and OFF, and check vacuum existence under the following conditions.

VARIABLE INDUCTION AIR SYSTEM

[VQ35DE]

< DTC/CIRCUIT DIAGNOSIS >

VIAS S/V 2	Vacuum
ON	Existed
OFF	Not existed

⊗ Without CONSULT

1. Stop engine and disconnect vacuum hose connected to power valve actuator 2.
2. Disconnect VIAS control solenoid valve 1 harness connector.
3. Start engine.
4. Rev engine quickly up to approximately 5,000 rpm.
5. Check vacuum existence under the following conditions.

Condition	Operation
Idle	Existed
Rev engine quickly up to approximately 5,000 rpm	Not existed

Is the inspection result normal?

YES >> Repair or replace power valve actuator 2. Refer to [EC-585, "ENGINE CONTROL SYSTEM : Component Parts Location"](#).

NO >> GO TO 7.

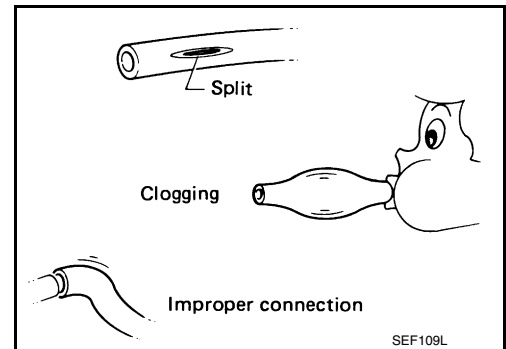
7. CHECK VACUUM HOSE

1. Stop engine.
2. Check vacuum hose for crack, clogging, improper connection or disconnection. Refer to [EC-627, "VARIABLE INDUCTION AIR SYSTEM : System Description"](#).

Is the inspection result normal?

YES >> GO TO 8.

NO >> Repair hoses or tubes.



8. CHECK VIAS CONTROL SOLENOID VALVE 2

Check VIAS control solenoid valve 2. Refer to [EC-1006, "Component Inspection"](#).

Is the inspection result normal?

YES >> Check intermittent incident. Refer to [GI-44, "Intermittent Incident"](#).

NO >> Replace VIAS control solenoid valve 2. Refer to [EC-585, "ENGINE CONTROL SYSTEM : Component Parts Location"](#).

ENGINE CONTROL SYSTEM SYMPTOMS

< SYMPTOM DIAGNOSIS >

[VQ35DE]

SYMPTOM DIAGNOSIS

ENGINE CONTROL SYSTEM SYMPTOMS

Symptom Table

INFOID:0000000012603016

SYSTEM — BASIC ENGINE CONTROL SYSTEM

		SYMPTOM												Reference page	
		HARD/NO START/RESTART (EXCP. HA)	ENGINE STALL	HESITATION/SURGING/FLAT SPOT	SPARK KNOCK/DETONATION	LACK OF POWER/POOR ACCELERATION	HIGH IDLE/LOW IDLE	ROUGH IDLE/HUNTING	IDLING VIBRATION	SLOW/NO RETURN TO IDLE	OVERHEATS/WATER TEMPERATURE HIGH	EXCESSIVE FUEL CONSUMPTION	EXCESSIVE OIL CONSUMPTION		BATTERY DEAD (UNDER CHARGE)
Warranty symptom code		AA	AB	AC	AD	AE	AF	AG	AH	AJ	AK	AL	AM	HA	
Fuel	Fuel pump circuit	1	1	2	3	2		2	2			3		2	EC-1056
	Fuel pressure regulator system	3	3	4	4	4	4	4	4	4		4			EC-736
	Fuel injector circuit	1	1	2	3	2		2	2			2			EC-1053
	Evaporative emission system	3	3	4	4	4	4	4	4	4	4	4			EC-618
Air	Positive crankcase ventilation system	3	3	4	4	4	4	4	4	4	4	4	1		EC-600
	Incorrect idle speed adjustment						1	1	1	1		1			EC-724
	Electric throttle control actuator	1	1	2	3	3	2	2	2	2		2		2	EC-1016 , EC-1021
Ignition	Incorrect ignition timing adjustment	3	3	1	1	1		1	1			1			EC-724
	Ignition circuit	1	1	2	2	2		2	2			2			EC-1058
Power supply and ground circuit		2	2	3	3	3		3	3		2	3			EC-758
Mass air flow sensor circuit		1			2										EC-787 , EC-792
Engine coolant temperature sensor circuit							3			3					EC-802 , EC-806
Air fuel ratio (A/F) sensor 1 circuit			1	2	3	2		2	2			2			EC-813 , EC-817 , EC-820 , EC-842 , EC-1010
Throttle position sensor circuit							2			2					EC-804 , EC-868 , EC-970 , EC-971 , EC-1028
Accelerator pedal position sensor circuit				3	2	1									EC-956 , EC-1023 , EC-1025 , EC-1030

ENGINE CONTROL SYSTEM SYMPTOMS

< SYMPTOM DIAGNOSIS >

[VQ35DE]

	SYMPTOM												Reference page	
	HARD/NO START/RESTART (EXCP. HA)	ENGINE STALL	HESITATION/SURGING/FLAT SPOT	SPARK KNOCK/DETONATION	LACK OF POWER/POOR ACCELERATION	HIGH IDLE/LOW IDLE	ROUGH IDLE/HUNTING	IDLING VIBRATION	SLOW/NO RETURN TO IDLE	OVERHEATS/WATER TEMPERATURE HIGH	EXCESSIVE FUEL CONSUMPTION	EXCESSIVE OIL CONSUMPTION		BATTERY DEAD (UNDER CHARGE)
Warranty symptom code	AA	AB	AC	AD	AE	AF	AG	AH	AJ	AK	AL	AM	HA	
Knock sensor circuit			2								3			EC-876
Engine oil temperature sensor			4		2						3			EC-862 , EC-866
Crankshaft position sensor (POS) circuit	2	2												EC-878
Camshaft position sensor (PHASE) circuit	3	2												EC-881
Vehicle speed signal circuit		2	3		3						3			EC-928
ECM	2	2	3	3	3	3	3	3	3	3	3			—
Intake valve timing control solenoid valve circuit		3	2		1	3	2	2	3		3			EC-780
PNP signal circuit			3		3		3	3			3			EC-958
VIAS control solenoid valve 1 circuit					1									EC-1003
VIAS control solenoid valve 2 circuit					1									EC-1005
Refrigerant pressure sensor circuit		2				3			3		4			EC-1070
Electrical load signal circuit							3							EC-1048
Air conditioner circuit	2	2	3	3	3	3	3	3	3		3		2	HAC-45 , HAC-138
ABS actuator and electric unit (control unit)			4											BRC-60 , BRC-242

1 - 6: The numbers refer to the order of inspection.

(continued on next page)

SYSTEM — ENGINE MECHANICAL & OTHER

ENGINE CONTROL SYSTEM SYMPTOMS

< SYMPTOM DIAGNOSIS >

[VQ35DE]

		SYMPTOM												Reference page			
		HARD/NO START/RESTART (EXCP. HA)	ENGINE STALL	HESITATION/SURGING/FLAT SPOT	SPARK KNOCK/DETONATION	LACK OF POWER/POOR ACCELERATION	HIGH IDLE/LOW IDLE	ROUGH IDLE/HUNTING	IDLING VIBRATION	SLOW/NO RETURN TO IDLE	OVERHEATSWATER TEMPERATURE HIGH	EXCESSIVE FUEL CONSUMPTION	EXCESSIVE OIL CONSUMPTION		BATTERY DEAD (UNDER CHARGE)		
Warranty symptom code		AA	AB	AC	AD	AE	AF	AG	AH	AJ	AK	AL	AM	HA			
Fuel	Fuel tank	5	5											FL-4			
	Fuel piping			5	5	5		5	5		5						
	Vapor lock														—		
	Valve deposit														—		
	Poor fuel (Heavy weight gasoline, Low octane)	5			5	5	5		5	5			5		—		
Air	Air duct		5											EM-146			
	Air cleaner													EM-139			
	Air leakage from air duct (Mass air flow sensor — electric throttle control actuator)	5		5	5	5		5	5				5		EM-146		
	Electric throttle control actuator				5		5				5				EM-148		
	Air leakage from intake manifold/Collector/Gasket														EM-148, EM-151		
Cranking	Battery	1	1	1		1		1	1					1	PG-69		
	Generator circuit															CHG-17, CHG-20	
	Starter circuit	3										1		STR-12, STR-15			
	Signal plate	6												EM-241			
	PNP signal	4												TM-306			
Engine	Cylinder head	5	5	5	5	5		5	5		4	5	3	EM-231			
	Cylinder head gasket																
	Cylinder block																
	Piston												4				
	Piston ring	6	6	6	6	6		6	6		6	6		EM-231			
	Connecting rod																
	Bearing																
Crankshaft																	

A
EC
C
D
E
F
G
H
I
J
K
L
M
N
O
P

ENGINE CONTROL SYSTEM SYMPTOMS

< SYMPTOM DIAGNOSIS >

[VQ35DE]

		SYMPTOM												Reference page	
		HARD/NO START/RESTART (EXCP. HA)	ENGINE STALL	HESITATION/SURGING/FLAT SPOT	SPARK KNOCK/DETONATION	LACK OF POWER/POOR ACCELERATION	HIGH IDLE/LOW IDLE	ROUGH IDLE/HUNTING	IDLING VIBRATION	SLOW/NO RETURN TO IDLE	OVERHEATS/WATER TEMPERATURE HIGH	EXCESSIVE FUEL CONSUMPTION	EXCESSIVE OIL CONSUMPTION		BATTERY DEAD (UNDER CHARGE)
Warranty symptom code		AA	AB	AC	AD	AE	AF	AG	AH	AJ	AK	AL	AM	HA	
Valve mechanism	Timing chain														EM-187
	Camshaft														EM-200
	Intake valve timing control	5	5	5	5	5		5	5			5			EM-177 , EM-176
	Intake valve													3	EM-213
	Exhaust valve														
Exhaust	Exhaust manifold/Tube/Muffler/Gasket	5	5	5	5	5		5	5			5			EM-155 , EM-153
	Three way catalyst														
Lubrication	Oil pan/Oil strainer/Oil pump/Oil filter/Oil gallery/Oil cooler	5	5	5	5	5		5	5			5			EM-160 , LU-30 , LU-32 , LU-35
	Oil level (Low)/Filthy oil														LU-28
Cooling	Radiator/Hose/Radiator filler cap														CO-37 , CO-48
	Thermostat											5			CO-46
	Water pump														CO-41
	Water gallery	5	5	5	5	5		5	5		4	5			CO-29
	Cooling fan														CO-39
	Coolant level (Low)/Contaminated coolant											5			CO-33
NVIS (NISSAN Vehicle Immobilizer System — NATS)		1	1												SEC-65

1 - 6: The numbers refer to the order of inspection.

NORMAL OPERATING CONDITION

< SYMPTOM DIAGNOSIS >

[VQ35DE]

NORMAL OPERATING CONDITION

Description

INFOID:000000012603017

FUEL CUT CONTROL (AT NO LOAD AND HIGH ENGINE SPEED)

If the engine speed is above 2,000 rpm under no load (for example, the selector lever position is P or N and engine speed is over 2,000 rpm) fuel will be cut off after some time. The exact time when the fuel is cut off varies based on engine speed.

Fuel cut will be operated until the engine speed reaches 1,100 rpm, then fuel cut will be cancelled.

NOTE:

This function is different from deceleration control listed under Multiport Fuel Injection (MFI) System, [EC-606](#), "[MULTIPOINT FUEL INJECTION SYSTEM : System Description](#)".

A
EC
C
D
E
F
G
H
I
J
K
L
M
N
O
P

PERIODIC MAINTENANCE

IDLE SPEED

Work Procedure

INFOID:000000012603018

1. CHECK IDLE SPEED

 **With CONSULT**

Check idle speed in "DATA MONITOR" mode with CONSULT.

 **With GST**

Check idle speed with Service \$01 of GST.

>> INSPECTION END

IGNITION TIMING

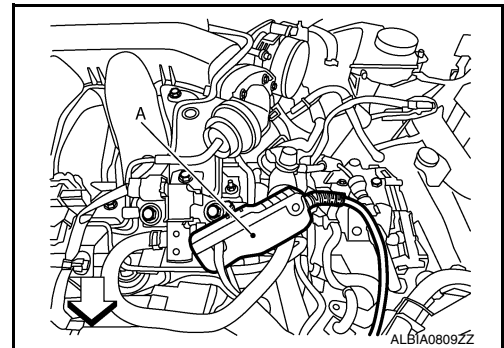
Work Procedure

INFOID:000000012603019

1. CHECK IGNITION TIMING

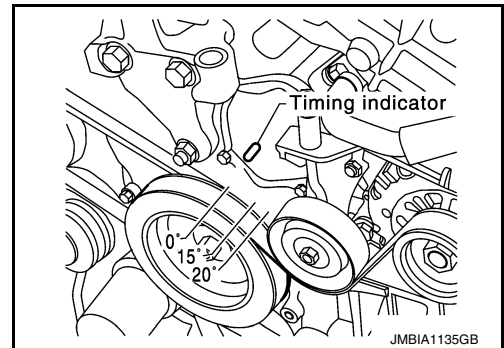
1. Attach timing light (A) to loop wires as shown.

← : Vehicle front



2. Check ignition timing.

>> INSPECTION END



A

EC

C

D

E

F

G

H

I

J

K

L

M

N

O

P

EVAP LEAK CHECK

< PERIODIC MAINTENANCE >

[VQ35DE]

EVAP LEAK CHECK

Work Procedure

INFOID:000000012603020

CAUTION:

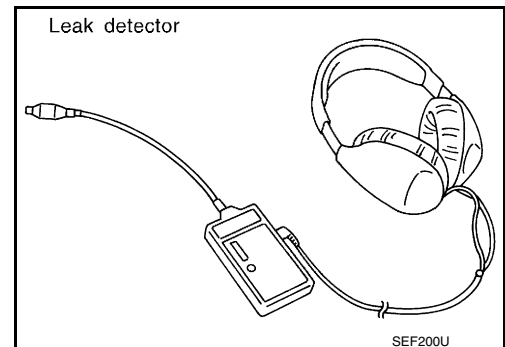
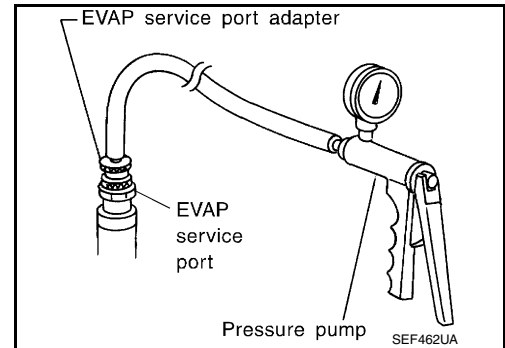
- Never use compressed air or a high pressure pump.
- Never exceed 4.12 kPa (0.042 kg/cm², 0.6 psi) of pressure in EVAP system.

NOTE:

- Do not start engine.
- Improper installation of EVAP service port adapter (commercial service tool) to the EVAP service port may cause a leakage.

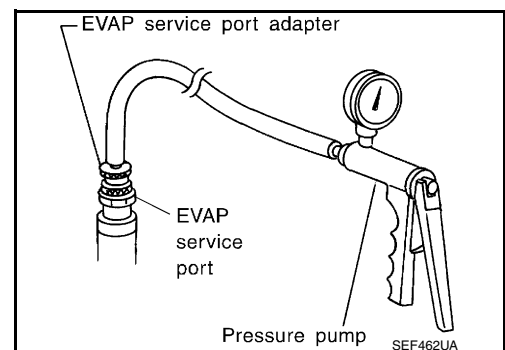
Ⓟ WITH CONSULT

1. To locate the EVAP leakage, install EVAP service port adapter (commercial service tool) and pressure pump to EVAP service port.
2. Turn ignition switch ON.
3. Select the "EVAP SYSTEM CLOSE" of "WORK SUPPORT MODE" with CONSULT.
4. Touch "START". A bar graph (Pressure indicating display) will appear on the screen.
5. Apply positive pressure to the EVAP system until the pressure indicator reaches the middle of the bar graph.
6. Remove EVAP service port adapter (commercial service tool) and hose with pressure pump.
7. Locate the leakage using a leakage detector (commercial service tool). Refer to [EC-618, "EVAPORATIVE EMISSION SYSTEM : System Description"](#).



ⓧ WITHOUT CONSULT

1. To locate the EVAP leakage, install EVAP service port adapter (commercial service tool) and pressure pump to EVAP service port.
2. Apply battery voltage between the terminals of EVAP canister vent control valve to make a closed EVAP system.
3. To locate the leakage, deliver positive pressure to the EVAP system until pressure gauge points reach 1.38 to 2.76 kPa (0.014 to 0.028 kg/cm², 0.2 to 0.4 psi).
4. Remove EVAP service port adapter (commercial service tool) and hose with pressure pump.

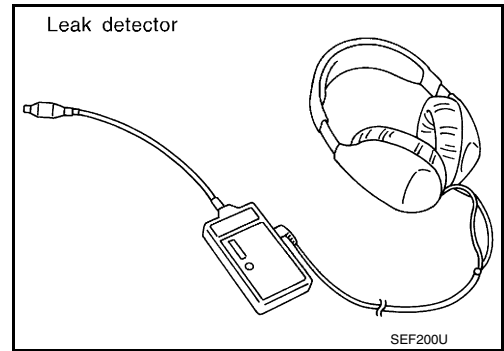


EVAP LEAK CHECK

< PERIODIC MAINTENANCE >

[VQ35DE]

5. Locate the leakage using a leak detector (commercial service tool). Refer to [EC-618, "EVAPORATIVE EMISSION SYSTEM : System Description"](#).



A

EC

C

D

E

F

G

H

I

J

K

L

M

N

O

P

POSITIVE CRANKCASE VENTILATION

< PERIODIC MAINTENANCE >

[VQ35DE]

POSITIVE CRANKCASE VENTILATION

Work Procedure

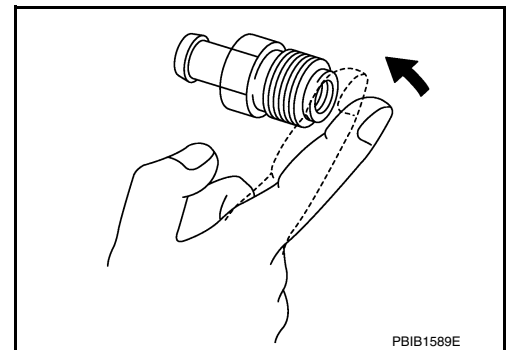
INFOID:000000012603021

1. CHECK PCV VALVE

With engine running at idle, remove PCV valve from rocker cover. A properly working valve makes a hissing noise as air passes through it. A strong vacuum should be felt immediately when a finger is placed over valve inlet.

Is the inspection result normal?

- YES >> INSPECTION END
- NO >> Replace PCV valve.



REMOVAL AND INSTALLATION

ECM

Removal and Installation

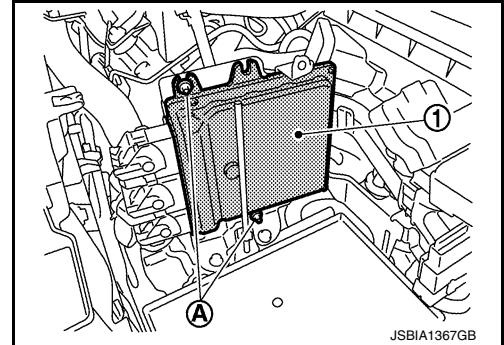
INFOID:0000000012603022

CAUTION:

Perform **ADDITIONAL SERVICE WHEN REPLACING ECM**. Refer to [EC-728, "Description"](#).

REMOVAL

1. Remove battery. Refer to [PG-78, "Exploded View"](#).
2. Disconnect the harness connectors from ECM. Refer to [PG-9, "Harness Connector"](#).
3. Remove ECM nuts (A), and then remove ECM (1).



INSTALLATION

Installation is in the reverse order of removal.

SERVICE DATA AND SPECIFICATIONS (SDS)

< SERVICE DATA AND SPECIFICATIONS (SDS)

[VQ35DE]

SERVICE DATA AND SPECIFICATIONS (SDS)

SERVICE DATA AND SPECIFICATIONS (SDS)

Idle Speed

INFOID:0000000012603023

Condition	Specification
No load* (in P or N position)	650 ± 50 rpm

*: Under the following conditions

- A/C switch: OFF
- Electric load: OFF (Lights, heater fan & rear window defogger)
- Steering wheel: Kept in straight-ahead position

Ignition Timing

INFOID:0000000012603024

Condition	Specification
No load* (in P or N position)	12 ± 2° BTDC

*: Under the following conditions

- A/C switch: OFF
- Electric load: OFF (Lights, heater fan & rear window defogger)
- Steering wheel: Kept in straight-ahead position

Calculated Load Value

INFOID:0000000012603025

Condition	Specification (Using CONSULT or GST)
At idle	10 – 35 %
At 2,500 rpm	10 – 35 %

Mass Air Flow Sensor

INFOID:0000000012603026

Supply voltage	Battery voltage (11 – 14 V)
Output frequency at idle (in N position)	4,100 – 4,700 Hz*
Mass air flow (Using CONSULT or GST)	2.0 – 6.0 g/s at idle* 7.0 – 20.0 g/s at 2,500 rpm*

*: Engine is warmed up to normal operating temperature and running under no load.

SERVICE DATA AND SPECIFICATIONS (SDS)

< SERVICE DATA AND SPECIFICATIONS (SDS)

[VQ35DE]

A

EC

C

D

E

F

G

H

I

J

K

L

M

N

O

P