

SECTION **RAX**
REAR AXLE

A
B
C

RAX

CONTENTS

E
F
G
H
I
J
K
L
M
N
O
P

| | | | |
|--|---|--|---|
| PRECAUTION | 2 | PERIODIC MAINTENANCE | 5 |
| PRECAUTIONS | 2 | WHEEL HUB | 5 |
| Precaution for Supplemental Restraint System (SRS) "AIR BAG" and "SEAT BELT PRE-TENSIONER" | 2 | On-vehicle Service | 5 |
| PREPARATION | 3 | REMOVAL AND INSTALLATION | 6 |
| PREPARATION | 3 | WHEEL HUB | 6 |
| Commercial Service Tool | 3 | Exploded View | 6 |
| SYMPTOM DIAGNOSIS | 4 | Removal and Installation | 6 |
| NOISE, VIBRATION, AND HARSHNESS(NVH) TROUBLESHOOTING | 4 | SERVICE DATA AND SPECIFICATIONS (SDS) | 8 |
| NVH Troubleshooting Chart | 4 | SERVICE DATA AND SPECIFICATIONS (SDS) | 8 |
| | | Wheel Hub Bearing | 8 |

PRECAUTIONS

< PRECAUTION >

PRECAUTION

PRECAUTIONS

Precaution for Supplemental Restraint System (SRS) "AIR BAG" and "SEAT BELT PRE-TENSIONER"

INFOID:000000012601924

The Supplemental Restraint System such as "AIR BAG" and "SEAT BELT PRE-TENSIONER", used along with a front seat belt, helps to reduce the risk or severity of injury to the driver and front passenger for certain types of collision. Information necessary to service the system safely is included in the SR and SB section of this Service Manual.

WARNING:

- To avoid rendering the SRS inoperative, which could increase the risk of personal injury or death in the event of a collision which would result in air bag inflation, it is recommended that all maintenance and repair be performed by an authorized NISSAN/INFINITI dealer.
- Improper repair, including incorrect removal and installation of the SRS, can lead to personal injury caused by unintentional activation of the system. For removal of Spiral Cable and Air Bag Module, see the SR section.
- Do not use electrical test equipment on any circuit related to the SRS unless instructed to in this Service Manual. SRS wiring harnesses can be identified by yellow and/or orange harnesses or harness connectors.

PRECAUTIONS WHEN USING POWER TOOLS (AIR OR ELECTRIC) AND HAMMERS

WARNING:

- When working near the Airbag Diagnosis Sensor Unit or other Airbag System sensors with the Ignition ON or engine running, DO NOT use air or electric power tools or strike near the sensor(s) with a hammer. Heavy vibration could activate the sensor(s) and deploy the air bag(s), possibly causing serious injury.
- When using air or electric power tools or hammers, always switch the Ignition OFF, disconnect the battery or batteries, and wait at least three minutes before performing any service.

PREPARATION


< PREPARATION >

PREPARATION

PREPARATION

Commercial Service Tool

INFOID:000000012601925

| Tool name | Description |
|--|----------------------------------|
| Power tool  PIIB1407E | Loosening nuts, screws and bolts |

A

B

C

RAX

E

F

G

H

I

J

K

L

M

N

O

P

NOISE, VIBRATION, AND HARSHNESS(NVH) TROUBLESHOOTING

< SYMPTOM DIAGNOSIS >

SYMPTOM DIAGNOSIS

NOISE, VIBRATION, AND HARSHNESS(NVH) TROUBLESHOOTING

NVH Troubleshooting Chart

INFOID:000000012601926

Use the chart below to help you find the cause of the symptom. If necessary, repair or replace these parts.

| Reference page | | | RAX-6 | RAX-6 | RAX-5 | WT-51 | WT-51 |
|------------------------------------|-----------|-------------------------------|----------------------------------|-----------------------|-----------------------|-----------------------|-----------------------|
| Possible cause and SUSPECTED PARTS | | | Improper installation, looseness | Parts interference | Wheel bearing damage | TIRES | WHEEL |
| Symptom | REAR AXLE | Noise | x | x | | x | x |
| | | Shake | x | x | | x | x |
| | | Vibration | x | x | | x | |
| | | Shimmy | x | x | | x | x |
| | | Shudder | x | | | x | x |
| | | Poor quality ride or handling | x | x | x | x | x |

x: Applicable

WHEEL HUB

< PERIODIC MAINTENANCE >

PERIODIC MAINTENANCE

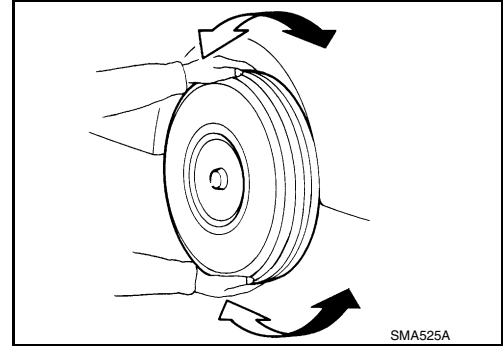
WHEEL HUB

On-vehicle Service

INFOID:000000012601927

Check axle and suspension parts for excessive play, wear or damage.

- Shake each rear wheel to check for excessive play.



Wheel Hub Bearing

If the following conditions are not met or not within specification, replace the wheel hub and bearing.

- Check that wheel hub and bearing rotates smoothly.
- Check wheel hub and bearing axial end play.

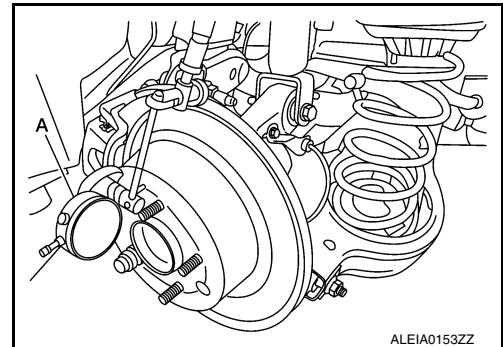
Axial end play : Refer to [RAX-8, "Wheel Hub Bearing"](#).

- Check wheel hub and bearing runout.

Runout : Refer to [RAX-8, "Wheel Hub Bearing"](#).

NOTE:

- Make sure the area between the disc brake rotor and wheel hub and bearing are free from dirt or debris.
- Place the dial gauge on smooth surface, free from scratches or dents.
- Make sure the disc brake rotor is securely fastened to the wheel hub and bearing.



WHEEL HUB

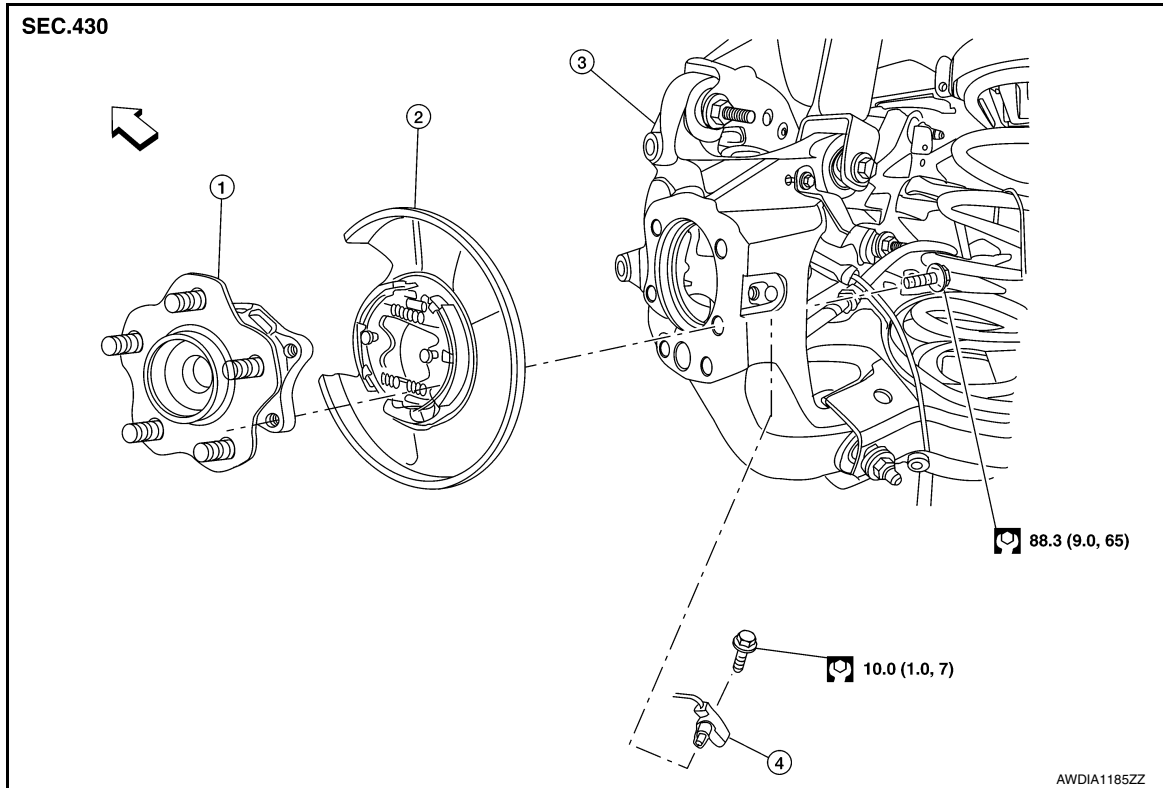
< REMOVAL AND INSTALLATION >

REMOVAL AND INSTALLATION

WHEEL HUB

Exploded View

INFOID:0000000012601928



- 1. Wheel hub and bearing
 - 2. Baffle plate
 - 3. Knuckle
 - 4. Rear wheel sensor
- ↔ Front

Removal and Installation

INFOID:0000000012601929

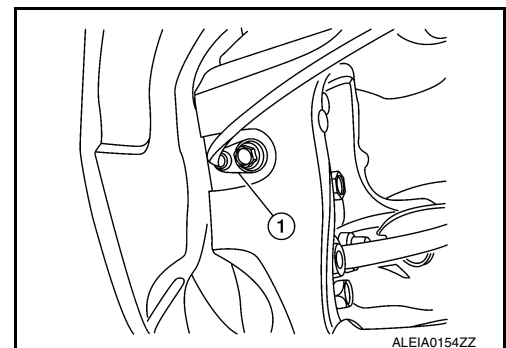
REMOVAL

1. Remove the rear wheel and tire using power tool. Refer to [WT-54, "Adjustment"](#).
2. Remove brake caliper torque member bolts, leaving brake hose attached. Position the brake caliper aside with wire. Refer to [BR-43, "BRAKE CALIPER ASSEMBLY : Exploded View"](#).

CAUTION:

Do not depress brake pedal while brake caliper is removed.

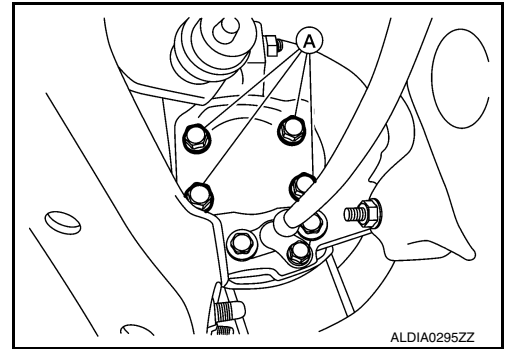
3. Put alignment marks on the disc brake rotor and rear wheel hub and bearing, then remove the disc brake rotor.
4. Remove the rear wheel sensor (1) from the knuckle and position it aside.



WHEEL HUB

< REMOVAL AND INSTALLATION >

5. Remove the bolts (A) from the wheel hub and bearing.



6. Remove the wheel hub and bearing from knuckle.
7. Remove the wheel hub and bearing dust cap.

INSTALLATION

Installation is in the reverse order of removal.

- Check that the wheel hub and bearing operates smoothly.
- Align the marks made on the rotor and wheel hub and bearing.

A
B
C

RAX

E
F
G
H
I
J
K
L
M
N
O
P

SERVICE DATA AND SPECIFICATIONS (SDS)

< SERVICE DATA AND SPECIFICATIONS (SDS)

SERVICE DATA AND SPECIFICATIONS (SDS)

SERVICE DATA AND SPECIFICATIONS (SDS)

Wheel Hub Bearing

INFOID:0000000012601930

| | |
|----------------|----------------------------|
| Axial end play | 0.1 mm (0.004 in) or less |
| Runout | 0.05 mm (0.002 in) or less |