

SECTION **EXT**
EXTERIOR

A
B
C
D
E
F
G
H
I
J
L
M
N
O
P

CONTENTS

SERVICE INFORMATION	2	FRONT GRILLE	16
PRECAUTIONS	2	Removal and Installation	16
Precaution for Supplemental Restraint System (SRS) "AIR BAG" and "SEAT BELT PRE-TEN- SIONER"	2	COWL TOP	17
Service Notice	2	Removal and Installation	17
PREPARATION	3	FRONT FENDER	19
Special Service Tool	3	Removal and Installation	19
Commercial Service Tool	3	FENDER PROTECTOR	20
SQUEAK AND RATTLE TROUBLE DIAG- NOSES	4	Removal and Installation	20
Work Flow	4	RUNNING BOARDS	22
Generic Squeak and Rattle Troubleshooting	6	Removal and Installation	22
Diagnostic Worksheet	8	REAR SPOILER	23
CLIP AND FASTENER	10	Removal and Installation	23
Description	10	ROOF RACK	24
FRONT BUMPER	12	Removal and Installation	24
Removal and Installation	12	DOOR OUTSIDE MOLDING	25
REAR BUMPER	14	Removal and Installation	25
Removal and Installation	14	SIDE GUARD MOLDING	27
		Removal and Installation	27

EXT

PRECAUTIONS

< SERVICE INFORMATION >

SERVICE INFORMATION

PRECAUTIONS

Precaution for Supplemental Restraint System (SRS) "AIR BAG" and "SEAT BELT PRE-TENSIONER"

INFOID:000000003708698

The Supplemental Restraint System such as "AIR BAG" and "SEAT BELT PRE-TENSIONER", used along with a front seat belt, helps to reduce the risk or severity of injury to the driver and front passenger for certain types of collision. This system includes seat belt switch inputs and dual stage front air bag modules. The SRS system uses the seat belt switches to determine the front air bag deployment, and may only deploy one front air bag, depending on the severity of a collision and whether the front occupants are belted or unbelted. Information necessary to service the system safely is included in the SR and SB section of this Service Manual.

WARNING:

- **To avoid rendering the SRS inoperative, which could increase the risk of personal injury or death in the event of a collision which would result in air bag inflation, all maintenance must be performed by an authorized NISSAN/INFINITI dealer.**
- **Improper maintenance, including incorrect removal and installation of the SRS, can lead to personal injury caused by unintentional activation of the system. For removal of Spiral Cable and Air Bag Module, see the SR section.**
- **Do not use electrical test equipment on any circuit related to the SRS unless instructed to in this Service Manual. SRS wiring harnesses can be identified by yellow and/or orange harnesses or harness connectors.**

Service Notice

INFOID:000000003708699

- When removing or installing various parts, place a cloth or padding on the vehicle body to prevent scratches.
- Handle trim, molding, instruments, grille, etc. carefully during removing or installing. Be careful not to soil or damage them.
- Apply sealing compound where necessary when installing parts.
- When applying sealing compound, be careful that the sealing compound does not protrude from parts.
- When replacing any metal parts (for example body outer panel, members, etc.), be sure to take rust prevention measures.

PREPARATION

< SERVICE INFORMATION >

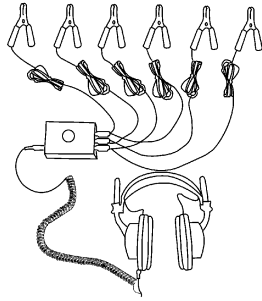
PREPARATION

Special Service Tool

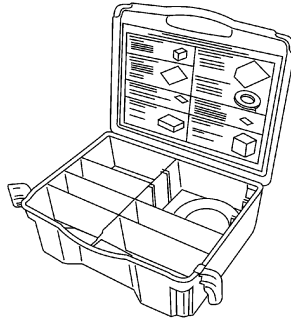
INFOID:000000003708700

The actual shapes of Kent-Moore tools may differ from those of special service tools illustrated here.

Tool number (Kent-Moore No.) Tool name	Description
— (J-39570) Chassis ear	Locating the noise
— (J-43980) NISSAN Squeak and Rattle kit	Repairing the cause of noise



SBT839

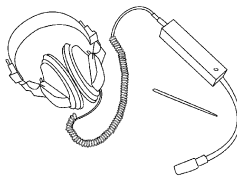


SBT840

Commercial Service Tool

INFOID:000000003708701

(Kent-Moore No.) Tool name	Description
(J-39565) Engine ear	Locating the noise



S1IA0995E

A
B
C
D
E
F
G
H
I
J
EXT
L
M
N
O
P

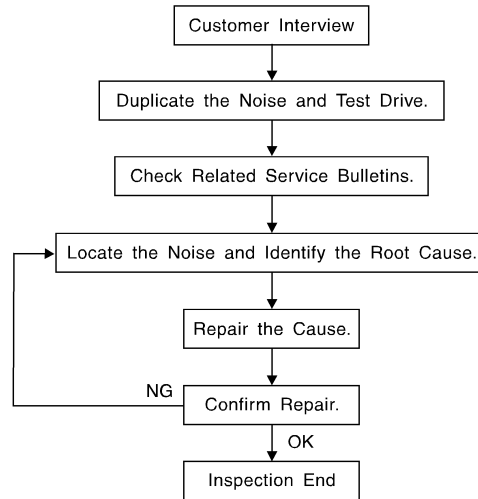
SQUEAK AND RATTLE TROUBLE DIAGNOSES

< SERVICE INFORMATION >

SQUEAK AND RATTLE TROUBLE DIAGNOSES

Work Flow

INFOID:000000003708702



SBT842

CUSTOMER INTERVIEW

Interview the customer if possible, to determine the conditions that exist when the noise occurs. Use the Diagnostic Worksheet during the interview to document the facts and conditions when the noise occurs and any customer's comments; refer to [EXT-8, "Diagnostic Worksheet"](#). This information is necessary to duplicate the conditions that exist when the noise occurs.

- The customer may not be able to provide a detailed description or the location of the noise. Attempt to obtain all the facts and conditions that exist when the noise occurs (or does not occur).
- If there is more than one noise in the vehicle, be sure to diagnose and repair the noise that the customer is concerned about. This can be accomplished by test driving the vehicle with the customer.
- After identifying the type of noise, isolate the noise in terms of its characteristics. The noise characteristics are provided so the customer, service adviser and technician are all speaking the same language when defining the noise.
- Squeak —(Like tennis shoes on a clean floor)
Squeak characteristics include the light contact/fast movement/brought on by road conditions/hard surfaces = higher pitch noise/softer surfaces = lower pitch noises/edge to surface = chirping.
- Creak—(Like walking on an old wooden floor)
Creak characteristics include firm contact/slow movement/twisting with a rotational movement/pitch dependent on materials/often brought on by activity.
- Rattle—(Like shaking a baby rattle)
Rattle characteristics include the fast repeated contact/vibration or similar movement/loose parts/missing clip or fastener/incorrect clearance.
- Knock —(Like a knock on a door)
Knock characteristics include hollow sounding/sometimes repeating/often brought on by driver action.
- Tick—(Like a clock second hand)
Tick characteristics include gentle contacting of light materials/loose components/can be caused by driver action or road conditions.
- Thump—(Heavy, muffled knock noise)
Thump characteristics include softer knock/dead sound often brought on by activity.
- Buzz—(Like a bumble bee)
Buzz characteristics include high frequency rattle/firm contact.
- Often the degree of acceptable noise level will vary depending upon the person. A noise that you may judge as acceptable may be very irritating to the customer.
- Weather conditions, especially humidity and temperature, may have a great effect on noise level.

DUPLICATE THE NOISE AND TEST DRIVE

If possible, drive the vehicle with the customer until the noise is duplicated. Note any additional information on the Diagnostic Worksheet regarding the conditions or location of the noise. This information can be used to duplicate the same conditions when you confirm the repair.

SQUEAK AND RATTLE TROUBLE DIAGNOSES

< SERVICE INFORMATION >

If the noise can be duplicated easily during the test drive, to help identify the source of the noise, try to duplicate the noise with the vehicle stopped by doing one or all of the following:

- 1) Close a door.
 - 2) Tap or push/pull around the area where the noise appears to be coming from.
 - 3) Rev the engine.
 - 4) Use a floor jack to recreate vehicle "twist".
 - 5) At idle, apply engine load (electrical load, half-clutch on M/T model, drive position on A/T model).
 - 6) Raise the vehicle on a hoist and hit a tire with a rubber hammer.
- Drive the vehicle and attempt to duplicate the conditions the customer states exist when the noise occurs.
 - If it is difficult to duplicate the noise, drive the vehicle slowly on an undulating or rough road to stress the vehicle body.

CHECK RELATED SERVICE BULLETINS

After verifying the customer concern or symptom, check ASIST for Technical Service Bulletins (TSBs) related to that concern or symptom.

If a TSB relates to the symptom, follow the procedure to repair the noise.

LOCATE THE NOISE AND IDENTIFY THE ROOT CAUSE

1. Narrow down the noise to a general area. To help pinpoint the source of the noise, use a listening tool (Chassis Ear: J-39570, Engine Ear: J-39565 and mechanic's stethoscope).
2. Narrow down the noise to a more specific area and identify the cause of the noise by:
 - removing the components in the area that you suspect the noise is coming from.
Do not use too much force when removing clips and fasteners, otherwise clips and fasteners can be broken or lost during the repair, resulting in the creation of new noise.
 - tapping or pushing/pulling the component that you suspect is causing the noise.
Do not tap or push/pull the component with excessive force, otherwise the noise will be eliminated only temporarily.
 - feeling for a vibration with your hand by touching the component(s) that you suspect is (are) causing the noise.
 - placing a piece of paper between components that you suspect are causing the noise.
 - looking for loose components and contact marks.Refer to [EXT-6. "Generic Squeak and Rattle Troubleshooting"](#).

REPAIR THE CAUSE

- If the cause is a loose component, tighten the component securely.
- If the cause is insufficient clearance between components:
 - separate components by repositioning or loosening and retightening the component, if possible.
 - insulate components with a suitable insulator such as urethane pads, foam blocks, felt cloth tape or urethane tape. A NISSAN Squeak and Rattle Kit (J-43980) is available through your authorized NISSAN Parts Department.

CAUTION:

Do not use excessive force as many components are constructed of plastic and may be damaged.

Always check with the Parts Department for the latest parts information.

The following materials are contained in the NISSAN Squeak and Rattle Kit (J-43980). Each item can be ordered separately as needed.

URETHANE PADS [1.5 mm (0.059 in) thick]

Insulates connectors, harness, etc.

76268-9E005: 100×135 mm (3.94×5.31 in)/76884-71L01: 60×85 mm (2.36×3.35 in)/76884-71L02: 15×25 mm (0.59×0.98 in)

INSULATOR (Foam blocks)

Insulates components from contact. Can be used to fill space behind a panel.

73982-9E000: 45 mm (1.77 in) thick, 50×50 mm (1.97×1.97 in)/73982-50Y00: 10 mm (0.39 in) thick, 50×50 mm (1.97×1.97 in)

INSULATOR (Light foam block)

80845-71L00: 30 mm (1.18 in) thick, 30×50 mm (1.18×1.97 in)

FELT CLOTH TAPE

Used to insulate where movement does not occur. Ideal for instrument panel applications.

68370-4B000: 15×25 mm (0.59×0.98 in) pad/68239-13E00: 5 mm (0.20 in) wide tape roll. The following materials not found in the kit can also be used to repair squeaks and rattles.

UHMW (TEFLON) TAPE

Insulates where slight movement is present. Ideal for instrument panel applications.

SQUEAK AND RATTLE TROUBLE DIAGNOSES

< SERVICE INFORMATION >

SILICONE GREASE

Used instead of UHMW tape that will be visible or not fit.

Note: Will only last a few months.

SILICONE SPRAY

Use when grease cannot be applied.

DUCT TAPE

Use to eliminate movement.

CONFIRM THE REPAIR

Confirm that the cause of a noise is repaired by test driving the vehicle. Operate the vehicle under the same conditions as when the noise originally occurred. Refer to the notes on the Diagnostic Worksheet.

Generic Squeak and Rattle Troubleshooting

INFOID:000000003708703

Refer to Table of Contents for specific component removal and installation information.

INSTRUMENT PANEL

Most incidents are caused by contact and movement between:

1. The cluster lid A and instrument panel
2. Acrylic lens and combination meter housing
3. Instrument panel to front pillar garnish
4. Instrument panel to windshield
5. Instrument panel pins
6. Wiring harnesses behind the combination meter
7. A/C defroster duct and duct joint

These incidents can usually be located by tapping or moving the components to duplicate the noise or by pressing on the components while driving to stop the noise. Most of these incidents can be repaired by applying felt cloth tape or silicone spray (in hard to reach areas). Urethane pads can be used to insulate wiring harness.

CAUTION:

Do not use silicone spray to isolate a squeak or rattle. If you saturate the area with silicone, you will not be able to recheck the repair.

CENTER CONSOLE

Components to pay attention to include:

1. Shifter assembly cover to finisher
2. A/C control unit and cluster lid C
3. Wiring harnesses behind audio and A/C control unit

The instrument panel repair and isolation procedures also apply to the center console.

DOORS

Pay attention to the:

1. Finisher and inner panel making a slapping noise
2. Inside handle escutcheon to door finisher
3. Wiring harnesses tapping
4. Door striker out of alignment causing a popping noise on starts and stops

Tapping or moving the components or pressing on them while driving to duplicate the conditions can isolate many of these incidents. You can usually insulate the areas with felt cloth tape or insulator foam blocks from the NISSAN Squeak and Rattle Kit (J-43980) to repair the noise.

TRUNK

Trunk noises are often caused by a loose jack or loose items put into the trunk by the owner.

In addition look for:

1. Trunk lid bumpers out of adjustment
2. Trunk lid striker out of adjustment
3. The trunk lid torsion bars knocking together
4. A loose license plate or bracket

SQUEAK AND RATTLE TROUBLE DIAGNOSES

< SERVICE INFORMATION >

Most of these incidents can be repaired by adjusting, securing or insulating the item(s) or component(s) causing the noise.

SUNROOF/HEADLINING

Noises in the sunroof/headlining area can often be traced to one of the following:

1. Sunroof lid, rail, linkage or seals making a rattle or light knocking noise
2. Sun visor shaft shaking in the holder
3. Front or rear windshield touching headliner and squeaking

Again, pressing on the components to stop the noise while duplicating the conditions can isolate most of these incidents. Repairs usually consist of insulating with felt cloth tape.

OVERHEAD CONSOLE (FRONT AND REAR)

Overhead console noises are often caused by the console panel clips not being engaged correctly. Most of these incidents are repaired by pushing up on the console at the clip locations until the clips engage.

In addition look for:

1. Loose harness or harness connectors.
2. Front console map/reading lamp lens loose.
3. Loose screws at console attachment points.

SEATS

When isolating seat noise it's important to note the position the seat is in and the load placed on the seat when the noise is present. These conditions should be duplicated when verifying and isolating the cause of the noise.

Cause of seat noise include:

1. Headrest rods and holder
2. A squeak between the seat pad cushion and frame
3. The rear seatback lock and bracket

These noises can be isolated by moving or pressing on the suspected components while duplicating the conditions under which the noise occurs. Most of these incidents can be repaired by repositioning the component or applying urethane tape to the contact area.

UNDERHOOD

Some interior noise may be caused by components under the hood or on the engine wall. The noise is then transmitted into the passenger compartment.

Causes of transmitted underhood noise include:

1. Any component installed to the engine wall
2. Components that pass through the engine wall
3. Engine wall mounts and connectors
4. Loose radiator installation pins
5. Hood bumpers out of adjustment
6. Hood striker out of adjustment

These noises can be difficult to isolate since they cannot be reached from the interior of the vehicle. The best method is to secure, move or insulate one component at a time and test drive the vehicle. Also, engine RPM or load can be changed to isolate the noise. Repairs can usually be made by moving, adjusting, securing, or insulating the component causing the noise.

A
B
C
D
E
F
G
H
I
J
L
M
N
O
P

EXT

SQUEAK AND RATTLE TROUBLE DIAGNOSES

< SERVICE INFORMATION >

Diagnostic Worksheet

INFOID:000000003708704

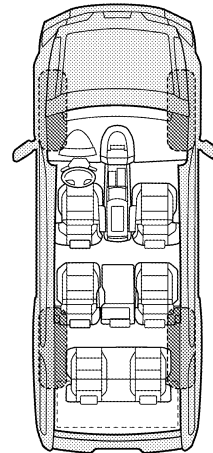
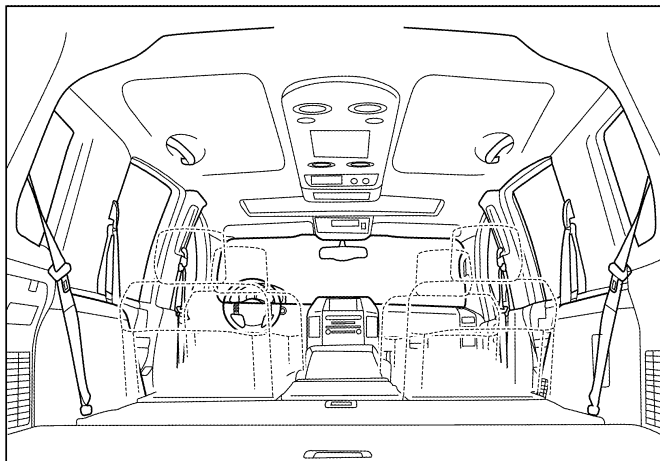
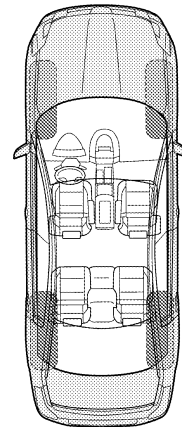
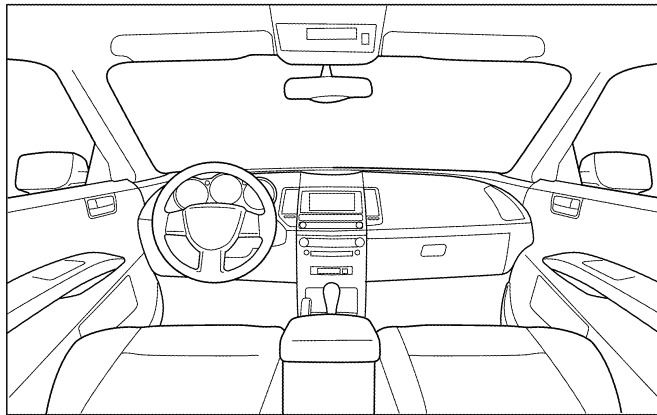
Dear Customer:

We are concerned about your satisfaction with your vehicle. Repairing a squeak or rattle sometimes can be very difficult. To help us fix your vehicle right the first time, please take a moment to note the area of the vehicle where the squeak or rattle occurs and under what conditions. You may be asked to take a test drive with a service advisor or technician to ensure we confirm the noise you are hearing.

SQUEAK & RATTLE DIAGNOSTIC WORKSHEET

I. WHERE DOES THE NOISE COME FROM? (circle the area of the vehicle)

The illustrations are for reference only, and may not reflect the actual configuration of your vehicle.



Continue to page 2 of the worksheet and briefly describe the location of the noise or rattle. In addition, please indicate the conditions which are present when the noise occurs.

SQUEAK AND RATTLE TROUBLE DIAGNOSES

< SERVICE INFORMATION >

SQUEAK & RATTLE DIAGNOSTIC WORKSHEET - page 2

Briefly describe the location where the noise occurs:

II. WHEN DOES IT OCCUR? (please check the boxes that apply)

- | | |
|---|--|
| <input type="checkbox"/> Anytime | <input type="checkbox"/> After sitting out in the rain |
| <input type="checkbox"/> 1st time in the morning | <input type="checkbox"/> When it is raining or wet |
| <input type="checkbox"/> Only when it is cold outside | <input type="checkbox"/> Dry or dusty conditions |
| <input type="checkbox"/> Only when it is hot outside | <input type="checkbox"/> Other: |

III. WHEN DRIVING:

- Through driveways
- Over rough roads
- Over speed bumps
- Only about ____ mph
- On acceleration
- Coming to a stop
- On turns: left, right or either (circle)
- With passengers or cargo
- Other: _____
- After driving ____ miles or ____ minutes

IV. WHAT TYPE OF NOISE

- Squeak (like tennis shoes on a clean floor)
- Creak (like walking on an old wooden floor)
- Rattle (like shaking a baby rattle)
- Knock (like a knock at the door)
- Tick (like a clock second hand)
- Thump (heavy muffled knock noise)
- Buzz (like a bumble bee)

TO BE COMPLETED BY DEALERSHIP PERSONNEL

Test Drive Notes:

	YES	NO	Initials of person performing
Vehicle test driven with customer	<input type="checkbox"/>	<input type="checkbox"/>	_____
- Noise verified on test drive	<input type="checkbox"/>	<input type="checkbox"/>	_____
- Noise source located and repaired	<input type="checkbox"/>	<input type="checkbox"/>	_____
- Follow up test drive performed to confirm repair	<input type="checkbox"/>	<input type="checkbox"/>	_____

VIN: _____ Customer Name _____

W.O.# _____ Date: _____

This form must be attached to Work Order

LAI A0071E

A
B
C
D
E
F
G
H
I
J
L
M
N
O
P

EXT

CLIP AND FASTENER


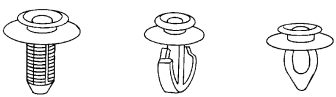


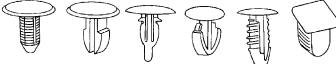
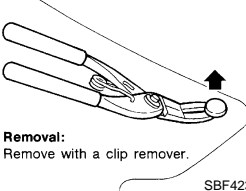

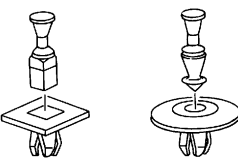
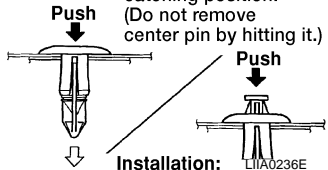

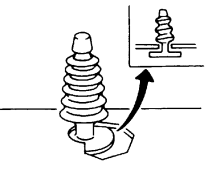
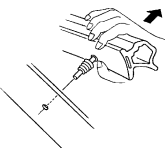
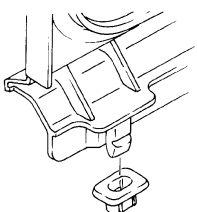
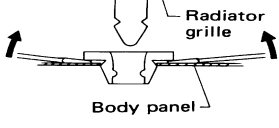
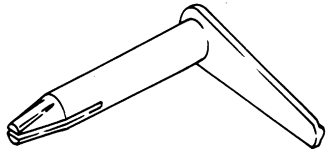
< SERVICE INFORMATION >

CLIP AND FASTENER

Description


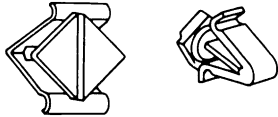
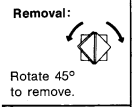

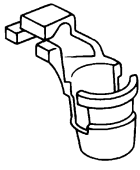
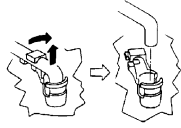

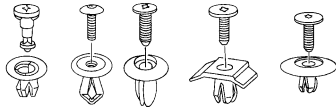


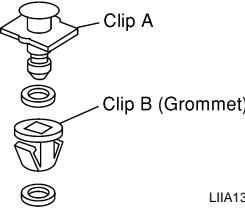
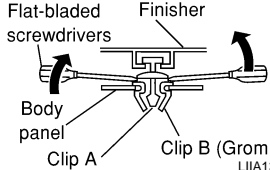

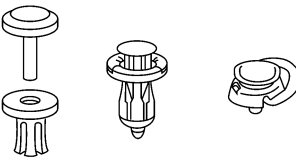
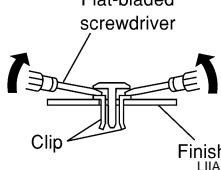
INFOID:000000003708705

- Replace any clips and/or fasteners which are damaged during removal or installation.

Symbol No.	Shapes	Removal & Installation
C101 	 SBF302H	Removal: Remove by bending up with flat-bladed screwdrivers or clip remover.  SBF367BA
C103 	 SBT095	 Removal: Remove with a clip remover. SBF423H
C203 	 SBF258G	 Installation: Push center pin to catching position. (Do not remove center pin by hitting it.) LIIA0236E
CE103 	 SBF104B	Removal:  SBF147B
CG104	 LIIA0237E	Removal: Remove by bending up with flat-bladed screwdrivers.  Radiator grille Body panel SBF352C
CE114	 SBF353C	—

CLIP AND FASTENER

< SERVICE INFORMATION >

Symbol No.	Shapes	Removal & Installation	
<p>CG101</p> 	 <p>SBF145B</p>	<p>Removal:</p>  <p>Rotate 45° to remove.</p> <p>Installation:</p>  <p>SBF085B</p>	<p>A</p> <p>B</p> <p>C</p>
<p>CR103</p>	 <p>SBF768B</p>	<p>Removal:</p> <p>Holder portion of clip must be spread out to remove rod.</p>  <p>SBF770B</p>	<p>D</p> <p>E</p> <p>F</p>
<p>CS101</p> 	 <p>SBF078B</p>	<p>Removal:</p> <ol style="list-style-type: none"> Screw out with a Phillips screwdriver. Remove female portion with flat-bladed screwdriver.  <p>SBF992G</p>	<p>G</p> <p>H</p>
<p>CF118</p> 	 <p>Clip A</p> <p>Clip B (Grommet)</p> <p>LIIA1341E</p>	<p>Removal:</p>  <p>Flat-bladed screwdrivers</p> <p>Finisher</p> <p>Body panel</p> <p>Clip A</p> <p>Clip B (Grommet)</p> <p>LIIA1342E</p>	<p>I</p> <p>J</p>
<p>C205</p> 	 <p>LIIA1344E</p>	<p>Removal:</p>  <p>Flat-bladed screwdriver</p> <p>Clip</p> <p>Finisher</p> <p>LIIA1345E</p>	<p>EXT</p> <p>L</p> <p>M</p>

FRONT BUMPER

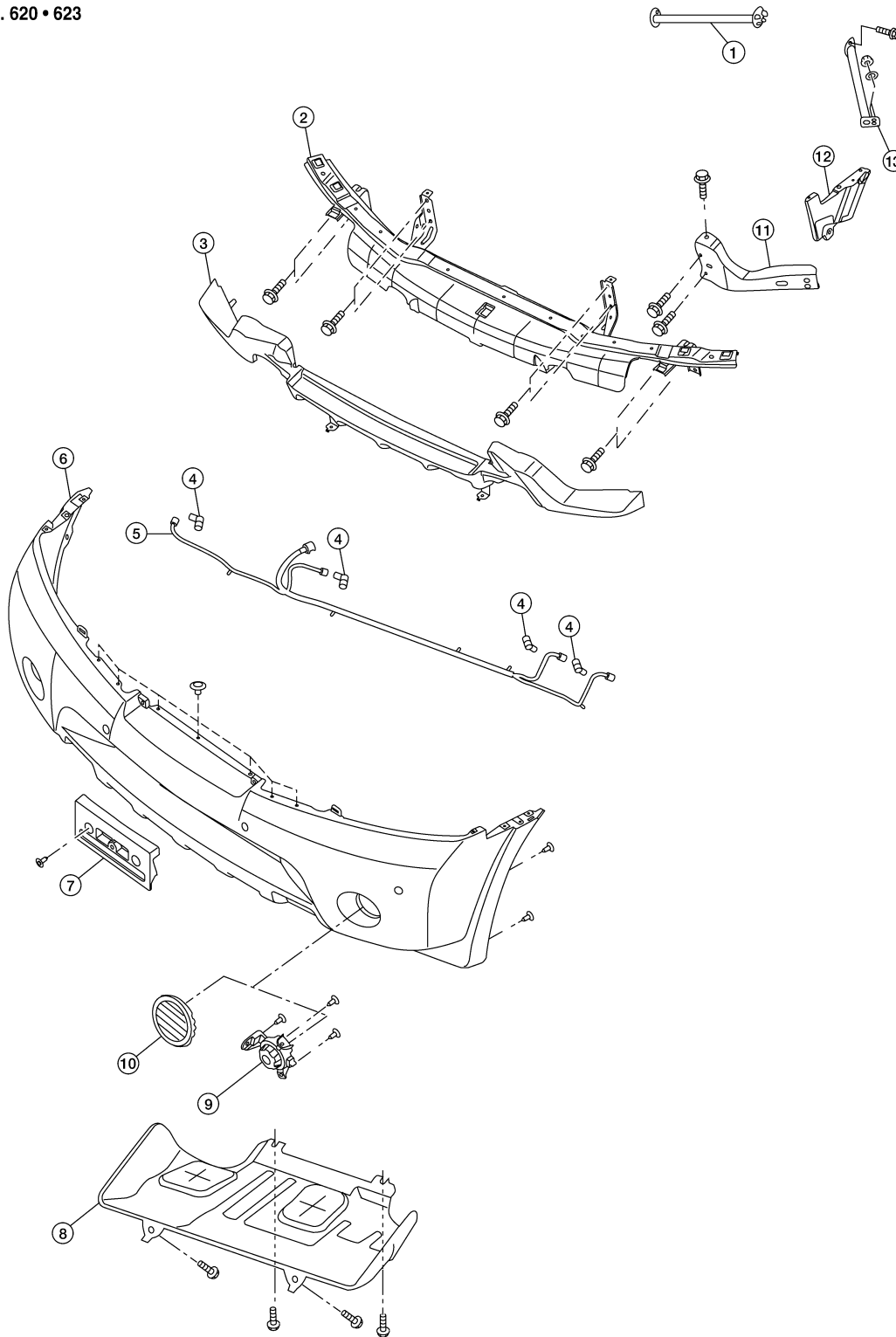
< SERVICE INFORMATION >

FRONT BUMPER

Removal and Installation

INFOID:00000003708706

SEC. 620 • 623



- | | | |
|--------------------------------|---------------------------------------|------------------------------------|
| 1. Strut brace RH | 2. Front bumper reinforcement | 3. Energy absorber |
| 4. Sonar sensors (if equipped) | 5. Sonar sensor harness (if equipped) | 6. Front bumper fascia |
| 7. License plate bracket | 8. Engine under cover | 9. Fog lamp assembly (if equipped) |

AWKIA0009ZZ

FRONT BUMPER

< SERVICE INFORMATION >

- | | | | |
|---|-----------------------------------|------------------------|---|
| 10. Fog lamp opening finisher (if equipped) | 11. Side reinforcement (LH shown) | 12. Bracket (LH shown) | A |
| 13. Strut brace LH | | | |

REMOVAL

- | | |
|---|---|
| 1. Disconnect the negative battery terminal. | B |
| 2. Remove the front grille. Refer to EXT-16 . | |
| 3. Remove the engine under cover. | C |
| 4. Disconnect the RH and LH fog lamp harness connectors, if equipped. | |
| 5. Disconnect the front sonar sensor harness connector, if equipped. | |
| 6. Remove the front bumper fascia screws, then remove the front bumper fascia. | D |
| 7. Remove the front sonar sensor harness, then remove the front sonar sensors, if equipped. | |
| 8. Disconnect the front sonar sensor retainers, if equipped. | |
| 9. Remove the front fog lamp screws, then remove the front fog lamps if equipped. | E |
| 10. Remove the RH and LH side reinforcement bolts. | |
| 11. Remove the RH and LH strut brace nuts, then remove the side reinforcements. | F |
| 12. Remove the RH and LH strut brace bolts, then remove the RH and LH strut braces. | |
| 13. Remove the front bumper energy absorber. | |
| 14. Remove the front bumper reinforcement bolts, then remove front bumper reinforcement. | G |

INSTALLATION

Installation is in the reverse order of removal.

A
B
C
D
E
F
G
H
I
J
L
M
N
O
P

EXT

REAR BUMPER

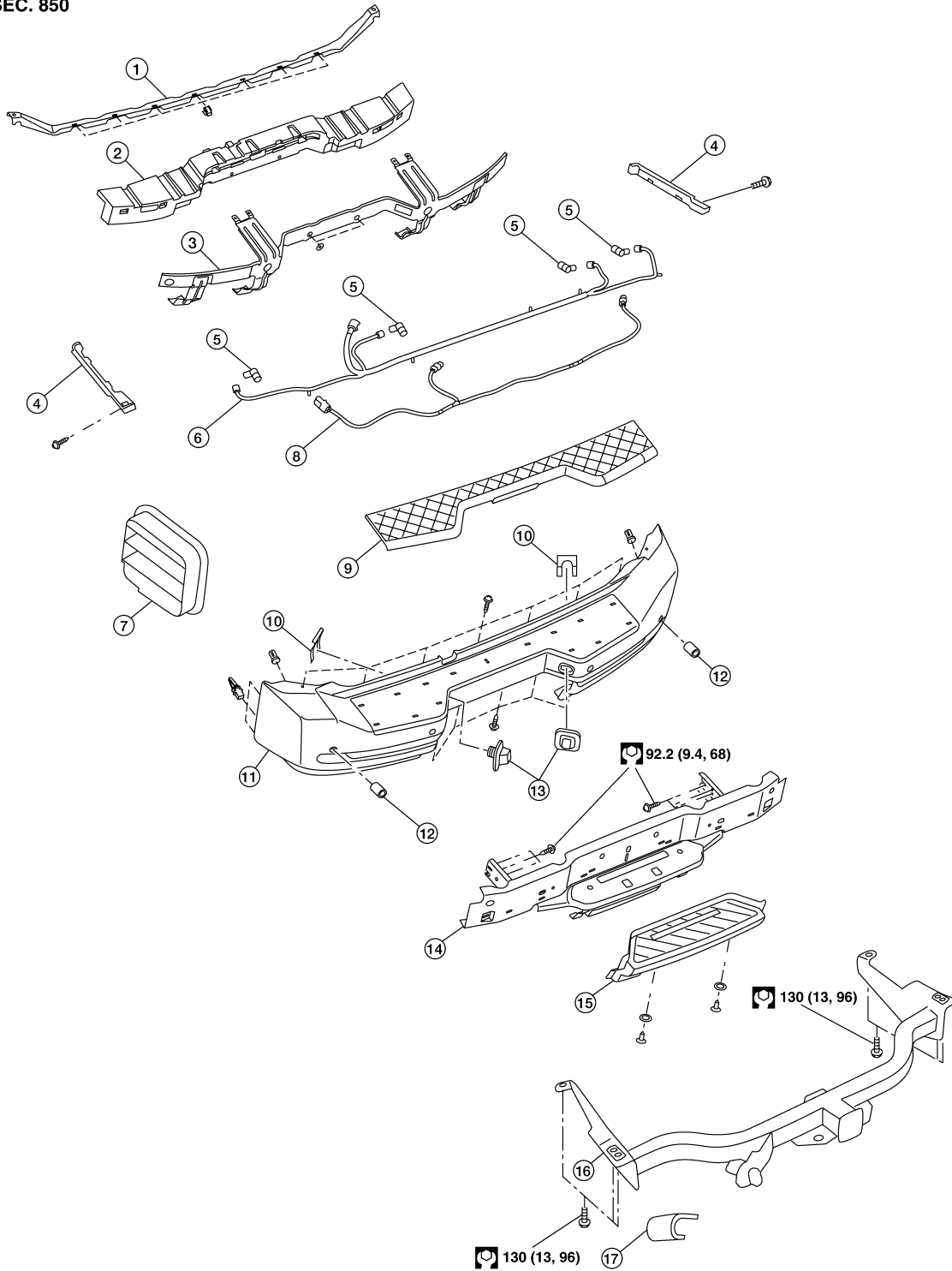
< SERVICE INFORMATION >

REAR BUMPER

Removal and Installation

INFOID:000000003708707

SEC. 850



AWKIA0010ZZ

REAR BUMPER

< SERVICE INFORMATION >

- | | | | |
|---|---|--|---|
| 1. Rear bumper fascia reinforcement | 2. Rear bumper energy absorber | 3. Rear bumper energy absorber reinforcement | A |
| 4. Lower rear bumper fascia reinforcement finishers LH and RH | 5. Rear sonar sensors | 6. Rear sonar sensor harness | B |
| 7. Drafter duct | 8. License lamp harness | 9. Upper step pad | B |
| 10. License lamp clips | 11. Rear bumper fascia | 12. Rear sonar sensor retainers | C |
| 13. License lamps | 14. Lower step pad reinforcement | 15. Lower step pad | C |
| 16. Tow hitch (if equipped) | 17. Tow hitch harness cover (if equipped) | | D |

REMOVAL

1. Remove the rear combination lamps. Refer to [EXL-145. "Removal and Installation"](#).
2. Remove the LH and RH lower rear bumper fascia reinforcement finisher screws, then remove the lower rear bumper fascia reinforcements finishers.
3. Disconnect the rear sonar sensor harness connector, if equipped.
4. Disconnect the license lamp harness connector.
5. Remove the rear bumper fascia screws, then remove the rear bumper fascia.
6. Remove the license lamp harness.
7. Remove the license lamp clips from the license lamps and remove the license lamps.
8. Remove the rear sonar sensor harness, then remove the rear sonar sensors.
9. Disconnect the rear sonar sensor retainers.
10. Release the clips and remove the upper step pad.
11. Remove the rear bumper energy absorber.
12. Remove the lower step pad screws, then release the clips and remove the lower step pad.
13. Disconnect the harness on left side of lower step pad reinforcement.
14. Remove the harness cover on tow hitch, if equipped.
15. Remove the bolts on each side of tow hitch and remove the tow hitch, if equipped.
16. Remove the lower step pad reinforcement bolts, then remove the lower step pad reinforcement.
17. Remove the rear bumper fascia reinforcement nuts, then remove the rear bumper fascia reinforcement.
18. Remove the drafter duct from under the LH quarter panel.

INSTALLATION

Installation is in the reverse order of removal.

- Apply sealant to clips securing upper step pad during installation.

EXT

L

M

N

O

P

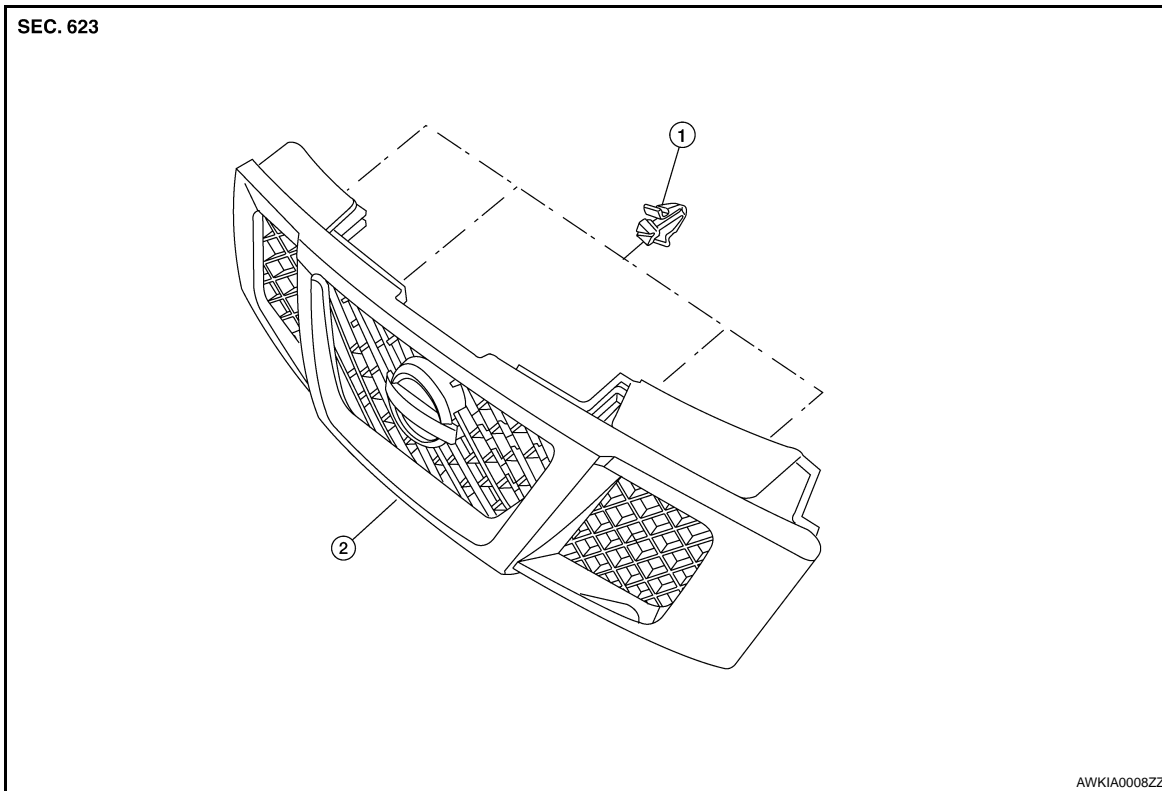
FRONT GRILLE

< SERVICE INFORMATION >

FRONT GRILLE

Removal and Installation

INFOID:000000003708708



1. Clip CG101

2. Front grille

REMOVAL

1. Release the front grille clips (CG101) at the top of the front grille.
2. Detach the front grille clips at the LH and RH sides, lower part of the front grille and remove the front grille.

INSTALLATION

Installation is in the reverse order of removal.

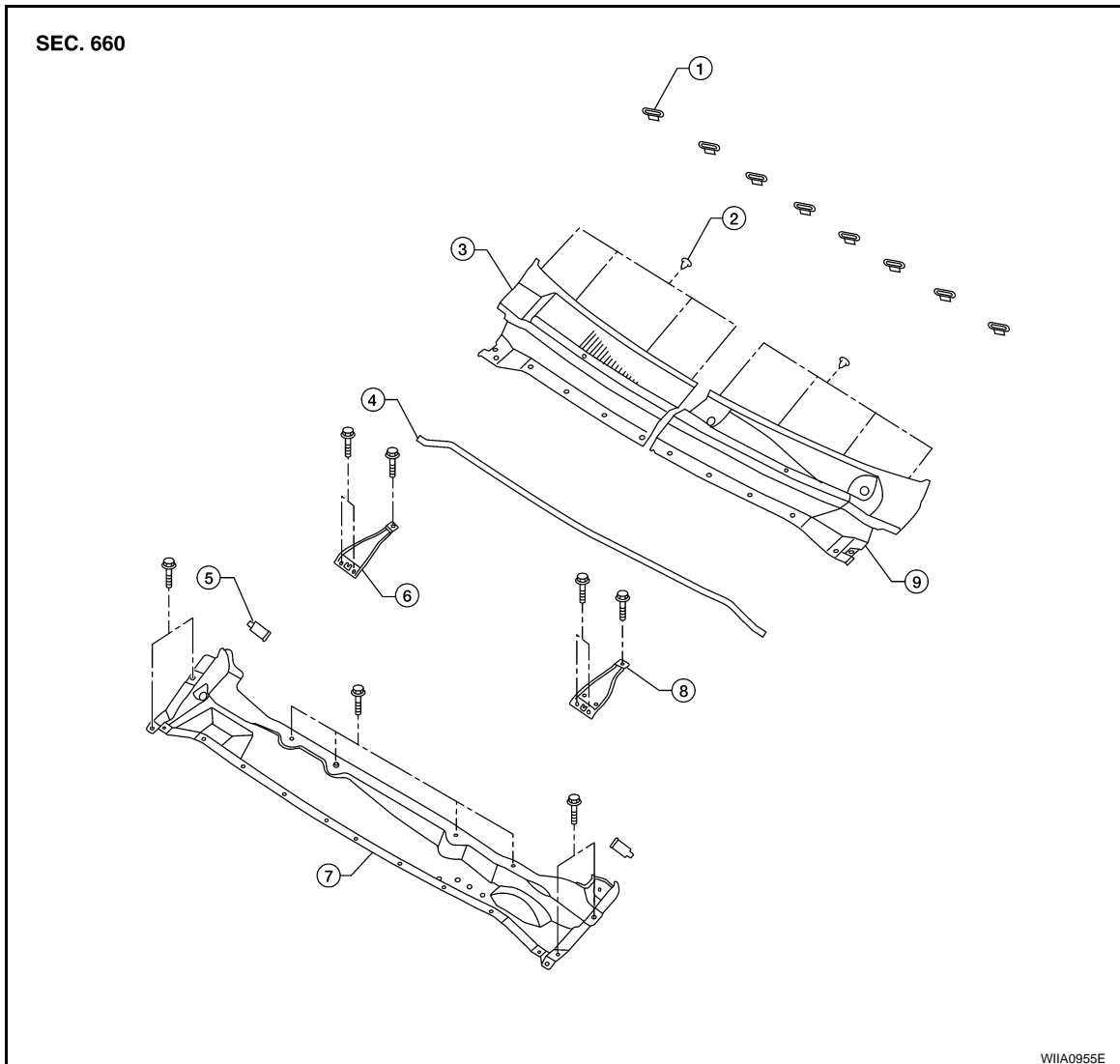
COWL TOP

< SERVICE INFORMATION >

COWL TOP

Removal and Installation

INFOID:000000003708709



- | | | |
|-----------------------|----------------------------------|----------------------------------|
| 1. Clip CG104 | 2. Clip C103 | 3. Cowl top cover RH |
| 4. Cowl top seal | 5. Drain tube | 6. Cowl top extension bracket RH |
| 7. Cowl top extension | 8. Cowl top extension bracket LH | 9. Cowl top cover LH |

REMOVAL

1. Remove the front wiper arms. Refer to [WW-73, "Front Wiper Arms"](#).
2. Remove cowl top seal.
 - Release plastics clips on cowl top seal which go through cowl tops LH and RH and cowl top extension.
3. Remove cowl top covers LH and RH.
 - Release plastic clips under cowl top covers attaching to grommets on hoodledge.
 - Disconnect washer tubes from washer nozzles under cowl top covers.
4. Remove cowl top extension brackets LH and HR.
 - Disconnect wiper motor harness from cowl top extension bracket LH.
 - Cowl top extension bracket LH must be removed prior to removal of wiper motor and connecting rod assembly.
5. Remove wiper motor and connecting rod linkage. Refer to [WW-74, "Wiper Motor and Linkage"](#).
6. Disconnect windshield washer tube. Refer to [WW-75, "Washer Tube Layout"](#).

A
B
C
D
E
F
G
H
I
J

EXT

L

M

N

O

P

COWL TOP

< SERVICE INFORMATION >

7. Disconnect the water cut valve bracket from cowl top extension.
8. Remove drain tube from each side of cowl top extension.
9. Remove cowl top extension.

INSTALLATION

Installation is in the reverse order of removal.

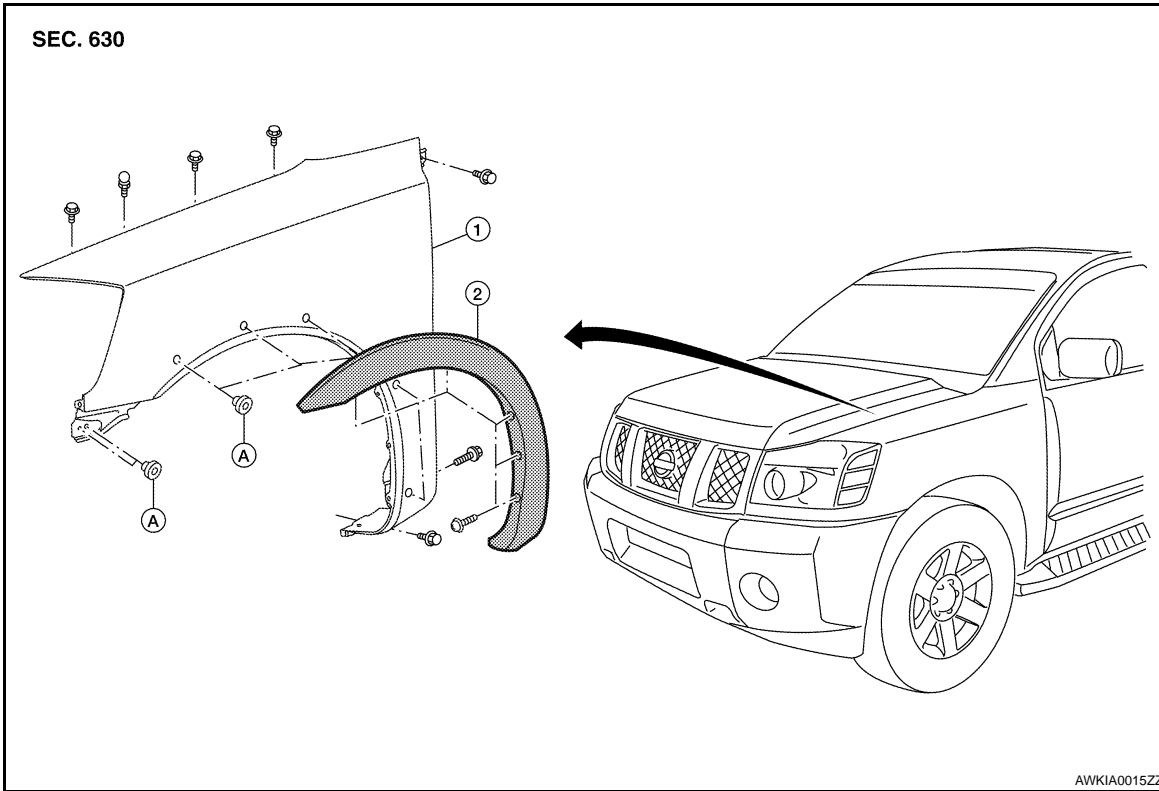
FRONT FENDER

< SERVICE INFORMATION >

FRONT FENDER

Removal and Installation

INFOID:000000003708710



1. Front fender

2. Front fender wheel opening finisher A. Clips

REMOVAL

1. Remove the headlamp assembly. Refer to [EXL-137. "Removal and Installation"](#).
2. Remove the fender protector. Refer to [EXT-20](#).
3. Remove the hood stay. Refer to [DLK-225. "Removal and Installation of Hood Assembly"](#).
4. Remove the front fender.

INSTALLATION

Installation is in the reverse order of removal.

A
B
C
D
E
F
G
H
I
J
L
M
N
O
P

EXT

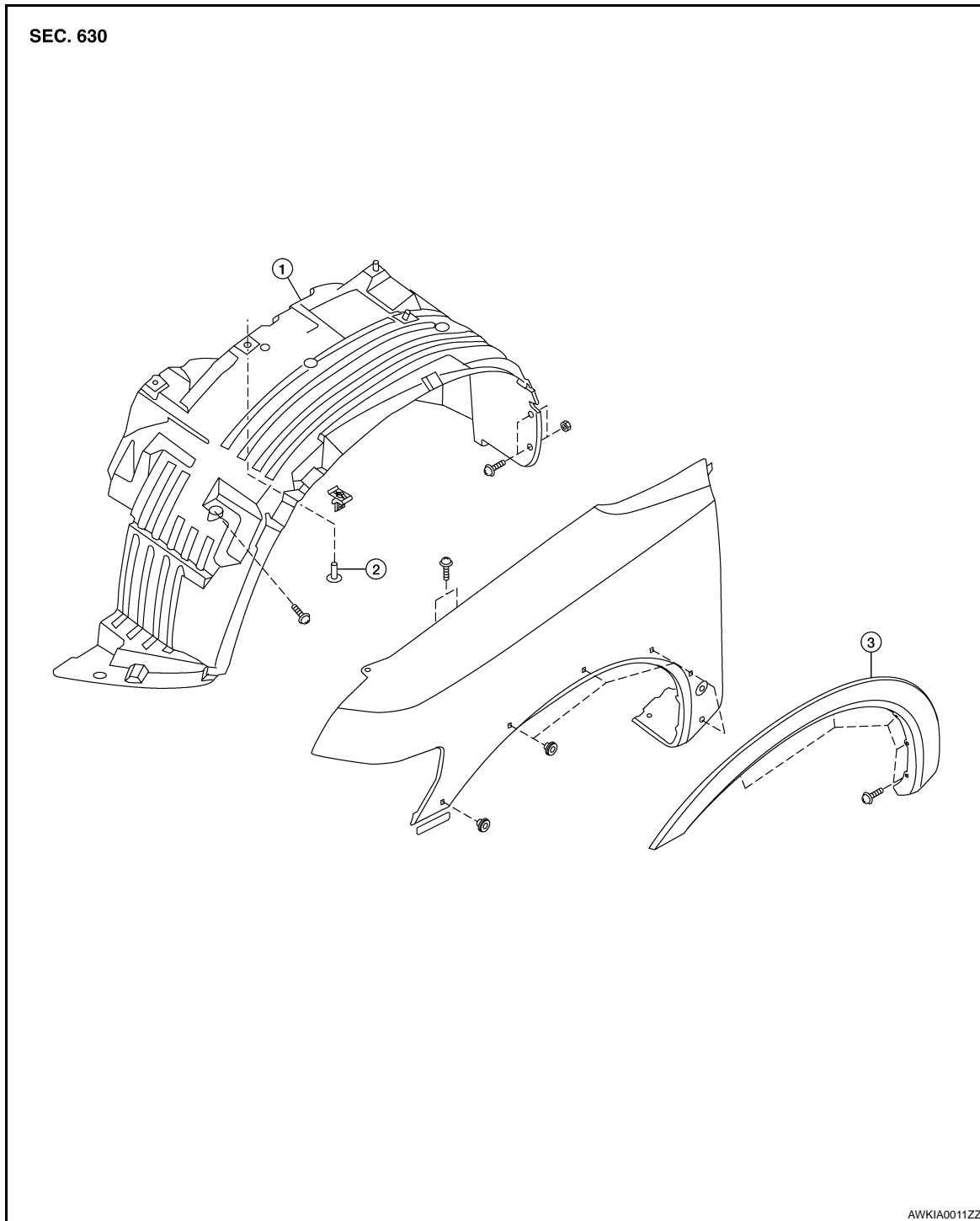
FENDER PROTECTOR

< SERVICE INFORMATION >

FENDER PROTECTOR

Removal and Installation

INFOID:000000003708711



1. Front fender protector (LH shown)

2. Clip C205

3. Front fender wheel opening finisher

REMOVAL

1. Remove the front fender protector screws.
2. Remove the front fender protector clip (C205).
3. Remove the front fender protector.

FENDER PROTECTOR

< SERVICE INFORMATION >

4. Remove the front fender wheel opening finisher screws, then remove the front fender wheel opening finisher using a suitable tool.

INSTALLATION

Installation is in the reverse order of removal.

A

B

C

D

E

F

G

H

I

J

EXT

L

M

N

O

P

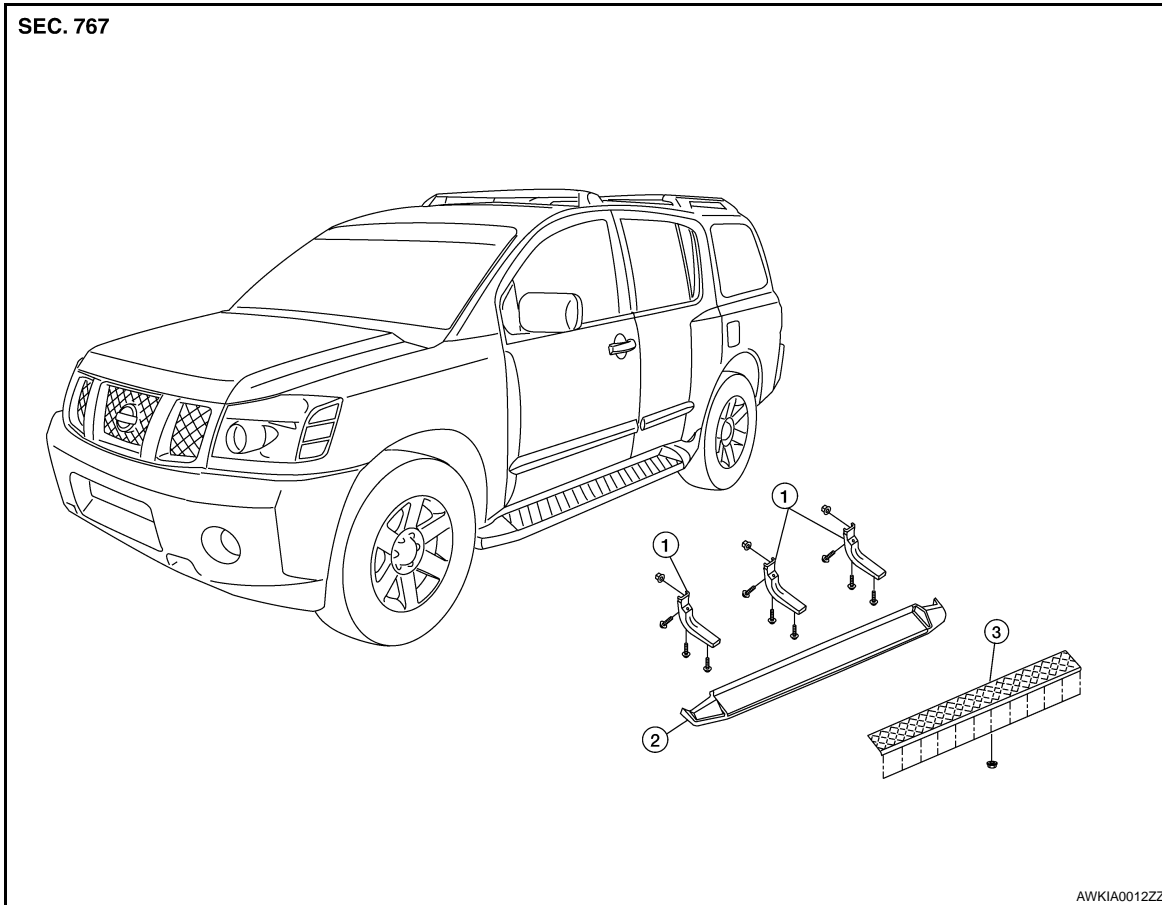
RUNNING BOARDS

< SERVICE INFORMATION >

RUNNING BOARDS

Removal and Installation

INFOID:000000003708712



1. Running board brackets

2. Running board

3. Step pad

REMOVAL

1. Remove the running board bolts and the remove the running board from running board brackets.
2. Remove the step pad nuts and remove the step pad from running board.
3. Remove the running board bracket nuts and bolts and remove the running board brackets.

INSTALLATION

Installation is in the reverse order of removal.

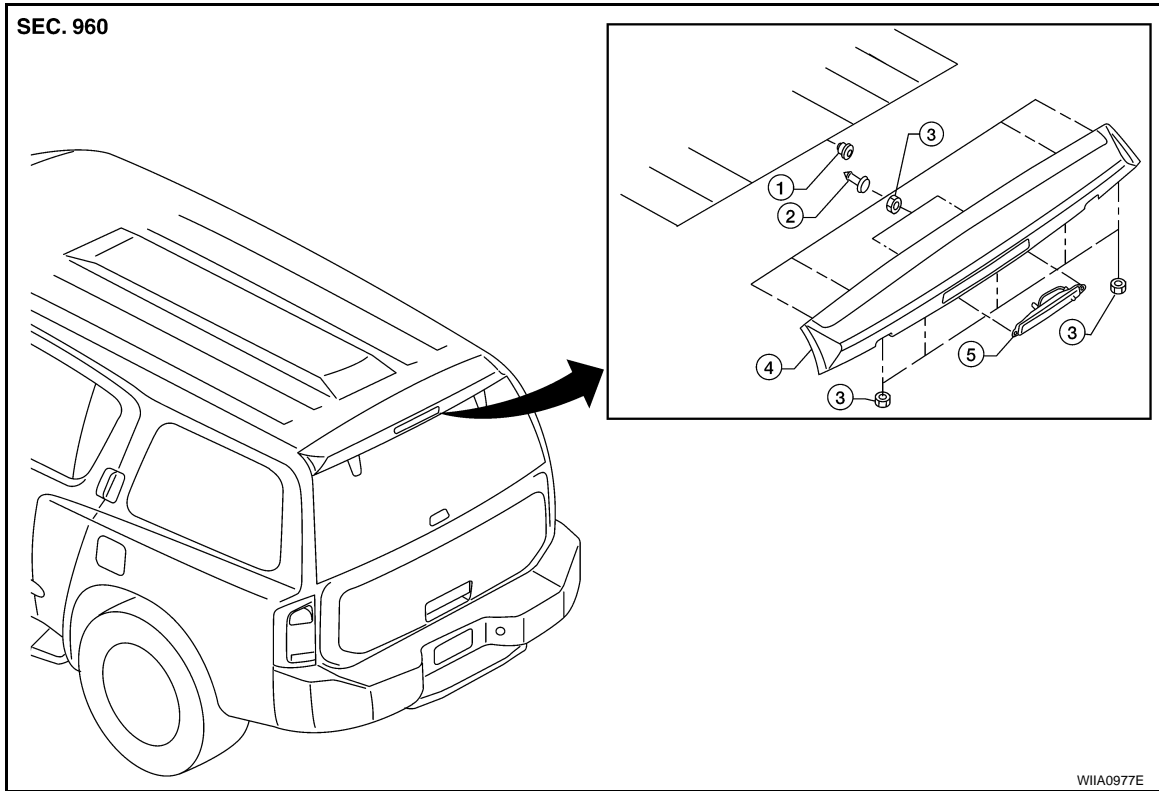
REAR SPOILER

< SERVICE INFORMATION >

REAR SPOILER

Removal and Installation

INFOID:000000003708713



- | | | |
|---------------------|-------------------------|--------|
| 1. Grommet | 2. Clip CF118 | 3. Nut |
| 4. Rear air spoiler | 5. High mount stop lamp | |

REMOVAL

1. Remove the back door trim. Refer to [INT-20, "Removal and Installation"](#).
2. Disconnect the harness to high mount stop lamp.
3. Disconnect the washer tube.
4. Remove the rear air spoiler nuts, release rear air spoiler clips and remove the rear air spoiler.
 - Release adhesive tape with sawing motion from monofilament line that has knots in it.
 - Remove residue of adhesive tape completely from vehicle surface with strip-off wheel or equivalent.

CAUTION:

- **Never apply tack-paper adhesive remover to body panel surface finished with lacquer-based paints.**
- **Use care not to damage the vehicle surface during adhesive tape residue removal.**

5. Remove the high mount lamp nuts and remove the high mount stop lamp.

INSTALLATION

Installation is in the reverse order of removal.

NOTE:

Apply adhesion promoter only to areas of rear air spoiler that tape will be applied, as required.

A
B
C
D
E
F
G
H
I
J
L
M
N
O
P

EXT

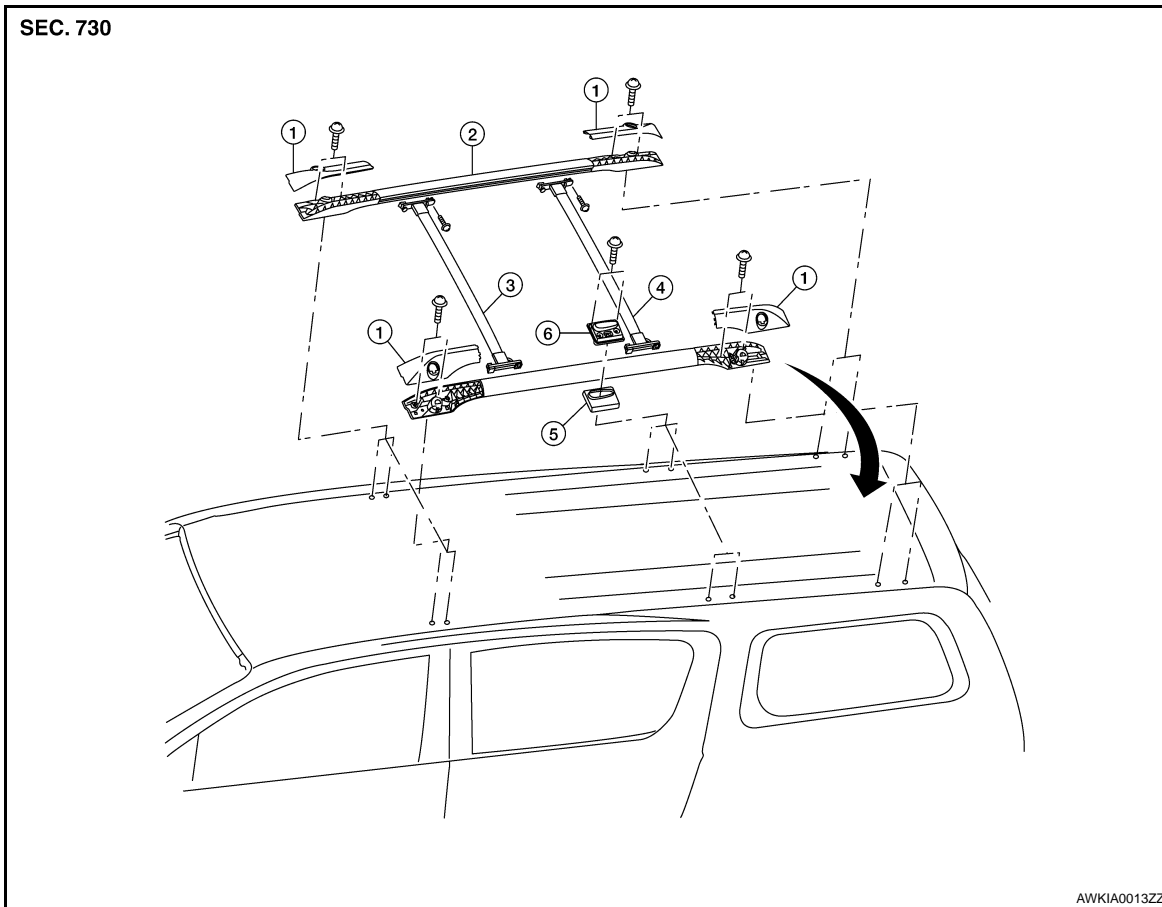
ROOF RACK

< SERVICE INFORMATION >

ROOF RACK

Removal and Installation

INFOID:000000003708714



- | | | |
|--|---|---|
| 1. Finisher covers | 2. Roof rack side rails | 3. Front sliding crossbar (if equipped) |
| 4. Rear sliding crossbar (if equipped) | 5. Center support finisher covers RH/LH | 6. Center support mount plates RH/LH |

REMOVAL

1. Using a suitable tool remove the finisher covers, then remove the roof rack bolts at the four corners and slide the roof rack back, enough to release the center supports.
2. Remove the complete roof rack off the vehicle.
3. Remove the center support finisher covers, then remove the center support mount plate bolts and remove the center support mount plates RH and LH.
4. Remove the front and rear sliding crossbar bolts, then loosen the front and rear sliding crossbar star lock down bolts and remove the front and rear sliding crossbars.

INSTALLATION

Installation is in the reverse order of removal.

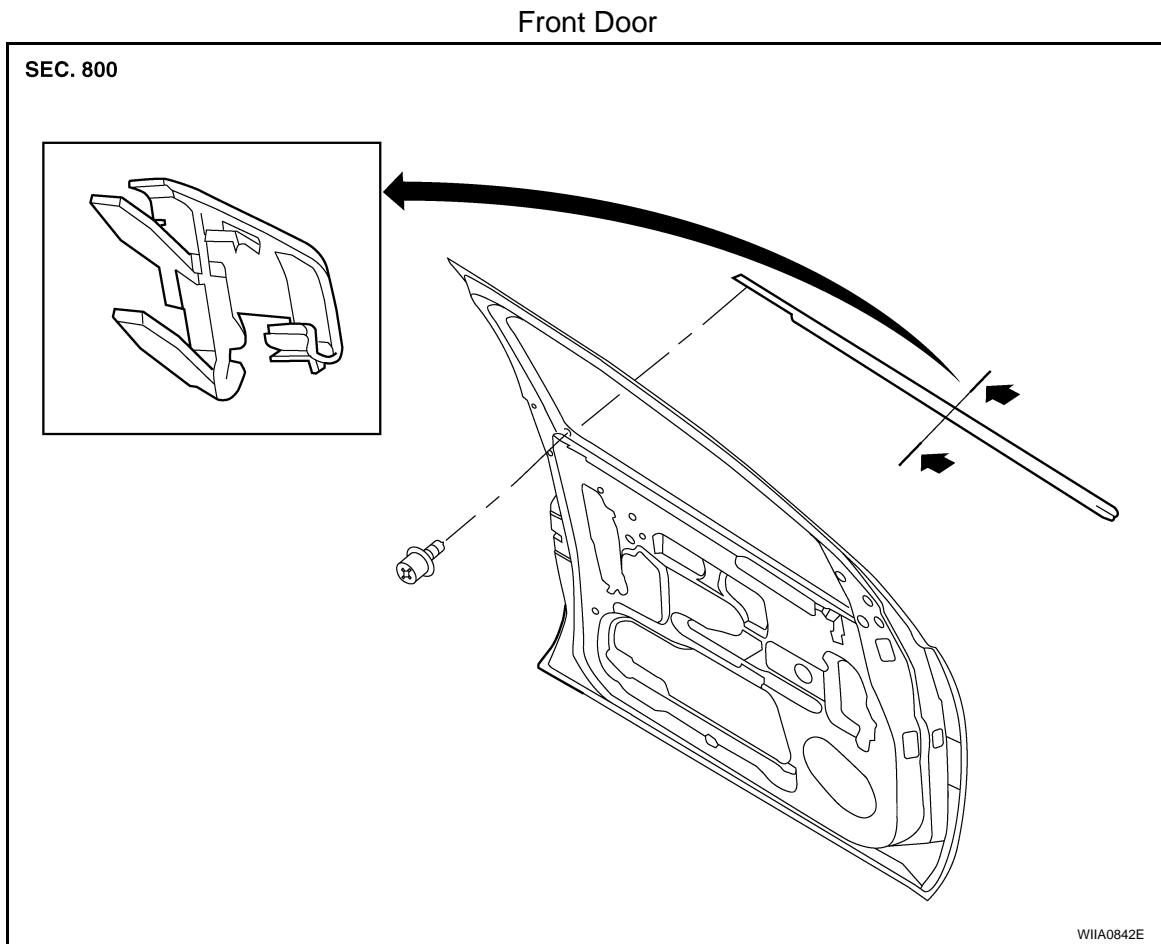
DOOR OUTSIDE MOLDING

< SERVICE INFORMATION >

DOOR OUTSIDE MOLDING

Removal and Installation

INFOID:000000003708715



Removal

1. Open the front door and door window fully.
2. Disconnect the battery negative terminal.
3. Remove the door mirror. Refer to [MIR-19. "Door Mirror Assembly"](#).
4. Remove the front door outside molding.
 - Remove the hole cover and remove screw.
 - Lift the molding from rear edge first.
 - Disconnect the clips from the flange working forward.

Installation

Installation is in the reverse order of removal.

A
B
C
D
E
F
G
H
I
J

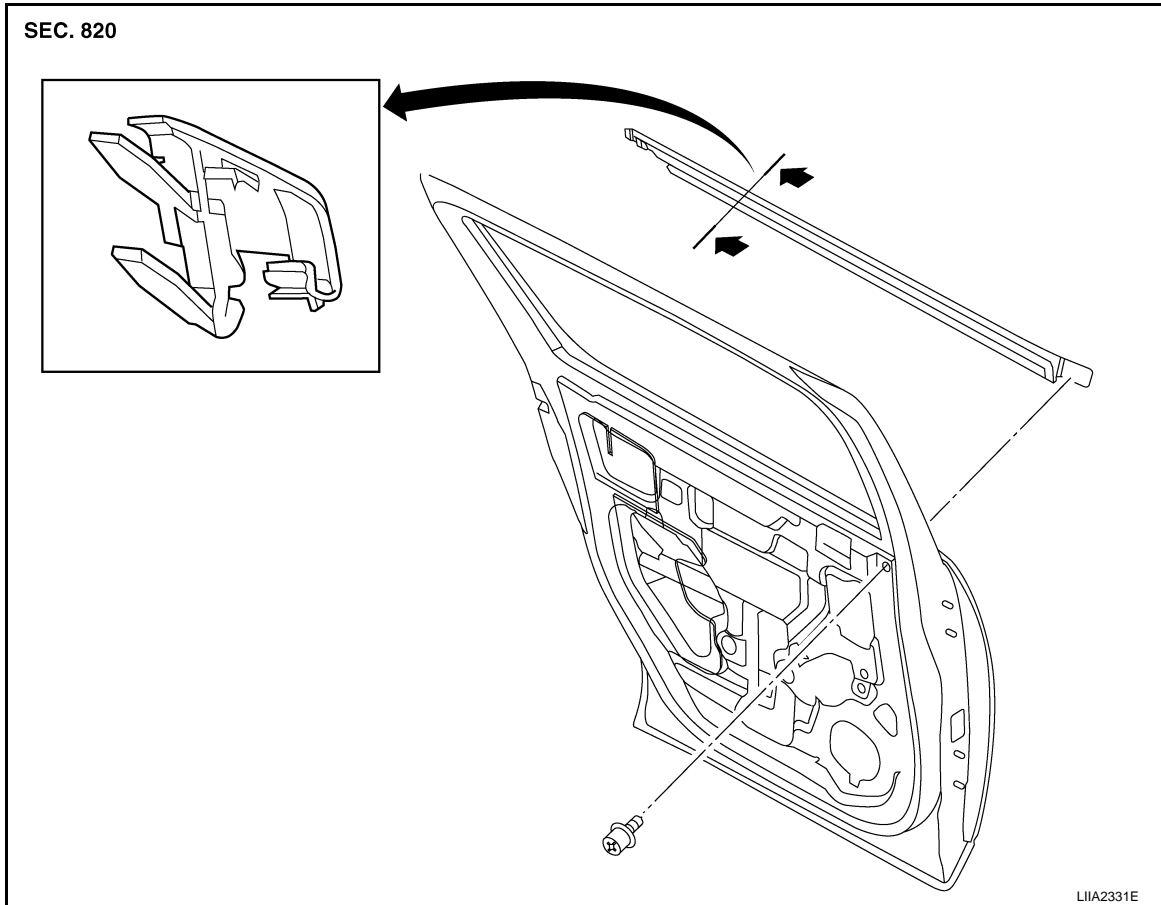
EXT

L
M
N
O
P

DOOR OUTSIDE MOLDING

< SERVICE INFORMATION >

Rear Door



Removal

1. Open the windows fully.
2. Remove the door outside molding.
 - Remove the hole cover and remove screw.
 - Lift the molding from front edge first.
 - Disconnect the clips from the flange working rearward.

Installation

Installation is in the reverse order of removal.

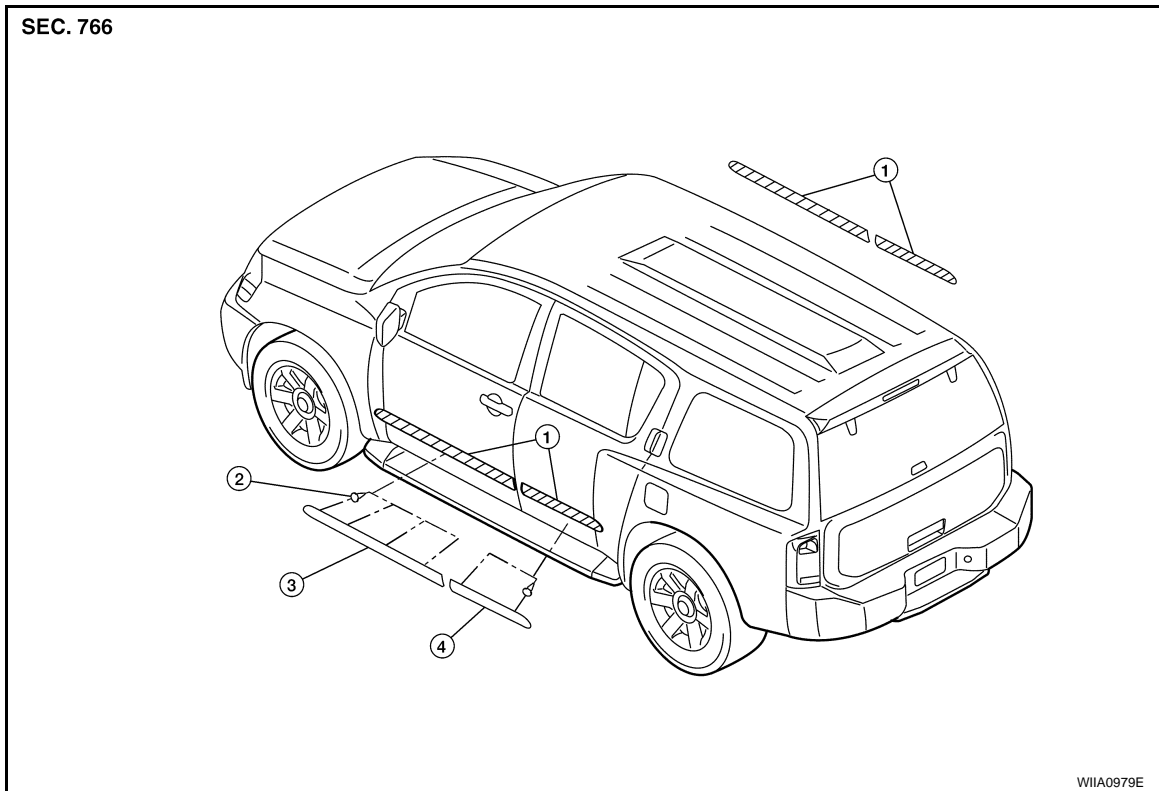
SIDE GUARD MOLDING

< SERVICE INFORMATION >

SIDE GUARD MOLDING

Removal and Installation

INFOID:000000003708716



1. Double-faced adhesive tape
2. Clip C101
3. Front door side guard molding
4. Rear door side guard molding

Removal

CAUTION:

Never apply tack-paper adhesive remover to body panel surface finished with lacquer-based paints.

- Original side guard molding is affixed to body panel with double-faced adhesive tape.
1. Heat molding to between 30° and 40°C (86° to 104°F) with a heat gun.
 2. Raise end of molding to release clips, then cut away tape to remove molding. Remove all traces of tape.

Installation

- On vehicles coated with Hard Clear Coat, use double-faced 3M adhesive tape Product No. 4210 or equivalent, after priming with 3M primer Product No. N200 or C-100 or equivalent.
- The repair parts are also affixed with double-faced adhesive tape.
- To re-use existing molding, clean all traces of double sided tape from the molding and apply new double-faced tape to the molding.

CAUTION:

To secure contact, do not wash vehicle for 24 hours after installation.

1. Clean the panel surface with isopropyl alcohol or equivalent to degrease the surface.
2. Heat the panel and molding tape surface to 30° to 40°C (86° to 104°F).
3. Remove the backing sheet from the tape surface.
 - Align the locating pin into the hole in the outer door.
 - Continue aligning the pins into their corresponding holes in the outer door during installation.
4. Press ends by hand and use a roller to apply 5 kg-f (11 lbs-f) to press molding to door surface.
 - Apply even pressure along molding to insure proper wet out.

A
B
C
D
E
F
G
H
I
J

EXT

L
M
N
O
P