

SECTION **WCS**

WARNING CHIME SYSTEM

A
B
C
D
E
F
G
H
I
J
K
L
M
N
O
P

CONTENTS

<p>BASIC INSPECTION 3</p> <p>DIAGNOSIS AND REPAIR WORKFLOW 3</p> <p style="padding-left: 20px;">Work Flow3</p> <p>FUNCTION DIAGNOSIS 4</p> <p>WARNING CHIME SYSTEM 4</p> <p>WARNING CHIME SYSTEM4</p> <p style="padding-left: 20px;">WARNING CHIME SYSTEM : System Diagram4</p> <p style="padding-left: 20px;">WARNING CHIME SYSTEM : System Description4</p> <p style="padding-left: 20px;">WARNING CHIME SYSTEM : Component Parts Location5</p> <p style="padding-left: 20px;">WARNING CHIME SYSTEM : Component Description5</p> <p>LIGHT REMINDER WARNING CHIME6</p> <p style="padding-left: 20px;">LIGHT REMINDER WARNING CHIME : System Diagram6</p> <p style="padding-left: 20px;">LIGHT REMINDER WARNING CHIME : System Description6</p> <p style="padding-left: 20px;">LIGHT REMINDER WARNING CHIME : Component Parts Location7</p> <p style="padding-left: 20px;">LIGHT REMINDER WARNING CHIME : Component Description7</p> <p>SEAT BELT WARNING CHIME8</p> <p style="padding-left: 20px;">SEAT BELT WARNING CHIME : System Diagram8</p> <p style="padding-left: 20px;">SEAT BELT WARNING CHIME : System Description8</p> <p style="padding-left: 20px;">SEAT BELT WARNING CHIME : Component Parts Location9</p> <p style="padding-left: 20px;">SEAT BELT WARNING CHIME : Component Description9</p> <p>KEY WARNING CHIME (WITH INTELLIGENT KEY) 10</p> <p style="padding-left: 20px;">KEY WARNING CHIME (WITH INTELLIGENT KEY) : System Diagram 10</p>	<p style="padding-left: 20px;">KEY WARNING CHIME (WITH INTELLIGENT KEY) : System Description10</p> <p style="padding-left: 20px;">KEY WARNING CHIME (WITH INTELLIGENT KEY) : Component Parts Location11</p> <p style="padding-left: 20px;">KEY WARNING CHIME (WITH INTELLIGENT KEY) : Component Description11</p> <p>KEY WARNING CHIME (WITHOUT INTELLIGENT KEY)12</p> <p style="padding-left: 20px;">KEY WARNING CHIME (WITHOUT INTELLIGENT KEY) : System Diagram12</p> <p style="padding-left: 20px;">KEY WARNING CHIME (WITHOUT INTELLIGENT KEY) : System Description12</p> <p style="padding-left: 20px;">KEY WARNING CHIME (WITHOUT INTELLIGENT KEY) : Component Parts Location13</p> <p style="padding-left: 20px;">KEY WARNING CHIME (WITHOUT INTELLIGENT KEY) : Component Description13</p> <p>DIAGNOSIS SYSTEM (METER) 15</p> <p style="padding-left: 20px;">Diagnosis Description15</p> <p style="padding-left: 20px;">CONSULT-III Function (METER/M&A)16</p> <p>DIAGNOSIS SYSTEM (BCM) 19</p> <p>BUZZER19</p> <p style="padding-left: 20px;">BUZZER : CONSULT-III Function (BCM - BUZZER)19</p> <p>COMPONENT DIAGNOSIS20</p> <p>POWER SUPPLY AND GROUND CIRCUIT20</p> <p>COMBINATION METER20</p> <p style="padding-left: 20px;">COMBINATION METER : Diagnosis Procedure20</p> <p>BCM (BODY CONTROL MODULE)21</p> <p style="padding-left: 20px;">BCM (BODY CONTROL MODULE) : Diagnosis Procedure21</p> <p>METER BUZZER CIRCUIT23</p> <p style="padding-left: 20px;">Description23</p> <p style="padding-left: 20px;">Component Function Check23</p> <p style="padding-left: 20px;">Diagnosis Procedure23</p>
--	---

WCS

SEAT BELT BUCKLE SWITCH SIGNAL CIRCUIT	24	BCM (BODY CONTROL MODULE)	56
Description	24	Reference Value	56
Component Function Check	24	Terminal Layout	59
Diagnosis Procedure	24	Physical Values	59
Component Inspection	25	Wiring Diagram	65
KEY SWITCH SIGNAL CIRCUIT (WITH INTELLIGENT KEY)	26	Fail Safe	69
Description	26	DTC Inspection Priority Chart	70
Component Function Check	26	DTC Index	70
Diagnosis Procedure	26	SYMPTOM DIAGNOSIS	72
Component Inspection	27	THE LIGHT REMINDER WARNING DOES NOT SOUND	72
KEY SWITCH SIGNAL CIRCUIT (WITHOUT INTELLIGENT KEY)	28	Description	72
Description	28	Diagnosis Procedure	72
Component Function Check	28	THE SEAT BELT WARNING CONTINUES SOUNDING, OR DOES NOT SOUND	73
Diagnosis Procedure	28	Description	73
Component Inspection	29	Diagnosis Procedure	73
WARNING CHIME SYSTEM	30	THE KEY WARNING DOES NOT SOUND	74
Wiring Diagram	30	Description	74
ECU DIAGNOSIS	35	Diagnosis Procedure	74
COMBINATION METER	35	PRECAUTION	75
Reference Value	35	PRECAUTIONS	75
Wiring Diagram	37	Precaution for Supplemental Restraint System (SRS) "AIR BAG" and "SEAT BELT PRE-TENSIONER"	75
Fail Safe	53		
DTC Index	54		

DIAGNOSIS AND REPAIR WORKFLOW

< BASIC INSPECTION >

BASIC INSPECTION

DIAGNOSIS AND REPAIR WORKFLOW

Work Flow

INFOID:000000004916495

DETAILED FLOW

1.OBTAIN INFORMATION ABOUT SYMPTOM

Interview the customer to obtain as much information as possible about the conditions and environment under which the malfunction occurred.

>> GO TO 2

2.CHECK SYMPTOM

- Check the symptom based on the information obtained from the customer.
- Check to see if any other malfunctions are present.

>> GO TO 3

3.CHECK CONSULT-III SELF-DIAGNOSIS RESULTS

Connect CONSULT-III and perform "SELF-DIAGNOSIS". Refer to [MWI-27, "CONSULT-III Function \(METER/M&A\)"](#).

Are self-diagnosis results normal?

YES >> GO TO 4

NO >> Repair or replace the malfunctioning parts, GO TO 5

4.NARROW DOWN MALFUNCTIONING PARTS THROUGH SYMPTOM DIAGNOSIS

Perform symptom diagnosis and repair or replace the identified malfunctioning parts.

>> GO TO 5

5.FINAL CHECK

Check that the warning buzzer in the combination meter operates normally.

Does it operate normally?

YES >> Inspection End.

NO >> GO TO 1

A
B
C
D
E
F
G
H
I
J
K
L
M
O
P

WCS

WARNING CHIME SYSTEM

< FUNCTION DIAGNOSIS >

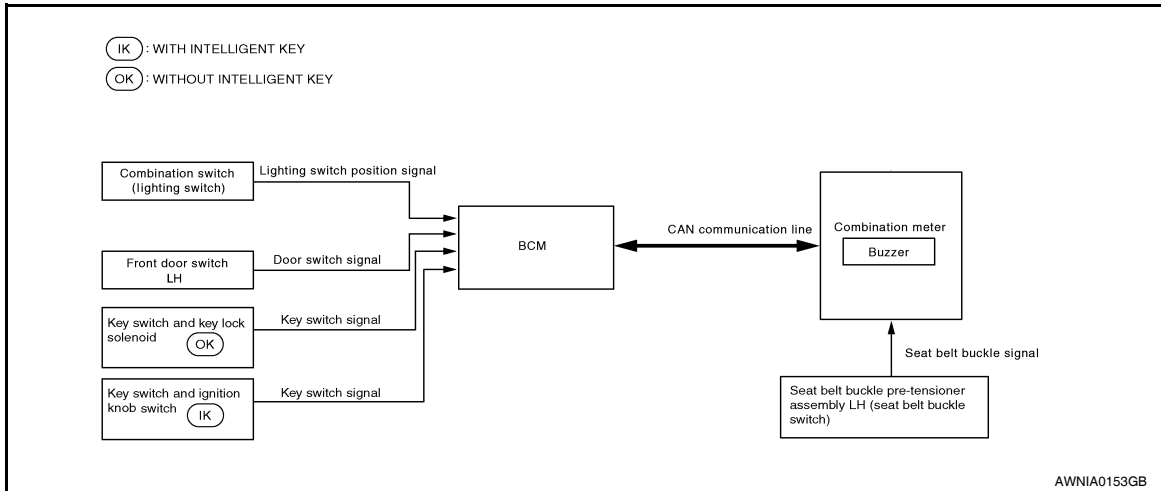
FUNCTION DIAGNOSIS

WARNING CHIME SYSTEM

WARNING CHIME SYSTEM

WARNING CHIME SYSTEM : System Diagram

INFOID:000000004916496



WARNING CHIME SYSTEM : System Description

INFOID:000000004916497

COMBINATION METER

- The buzzer for warning chime system is installed in the combination meter.
- The buzzer sounds when the combination meter receives a buzzer output signal from each unit.

BCM

BCM receives signals from various units and transmits a buzzer output signal to the combination meter with CAN communication line if it judges that the warning buzzer should be activated.

BCM warning function list

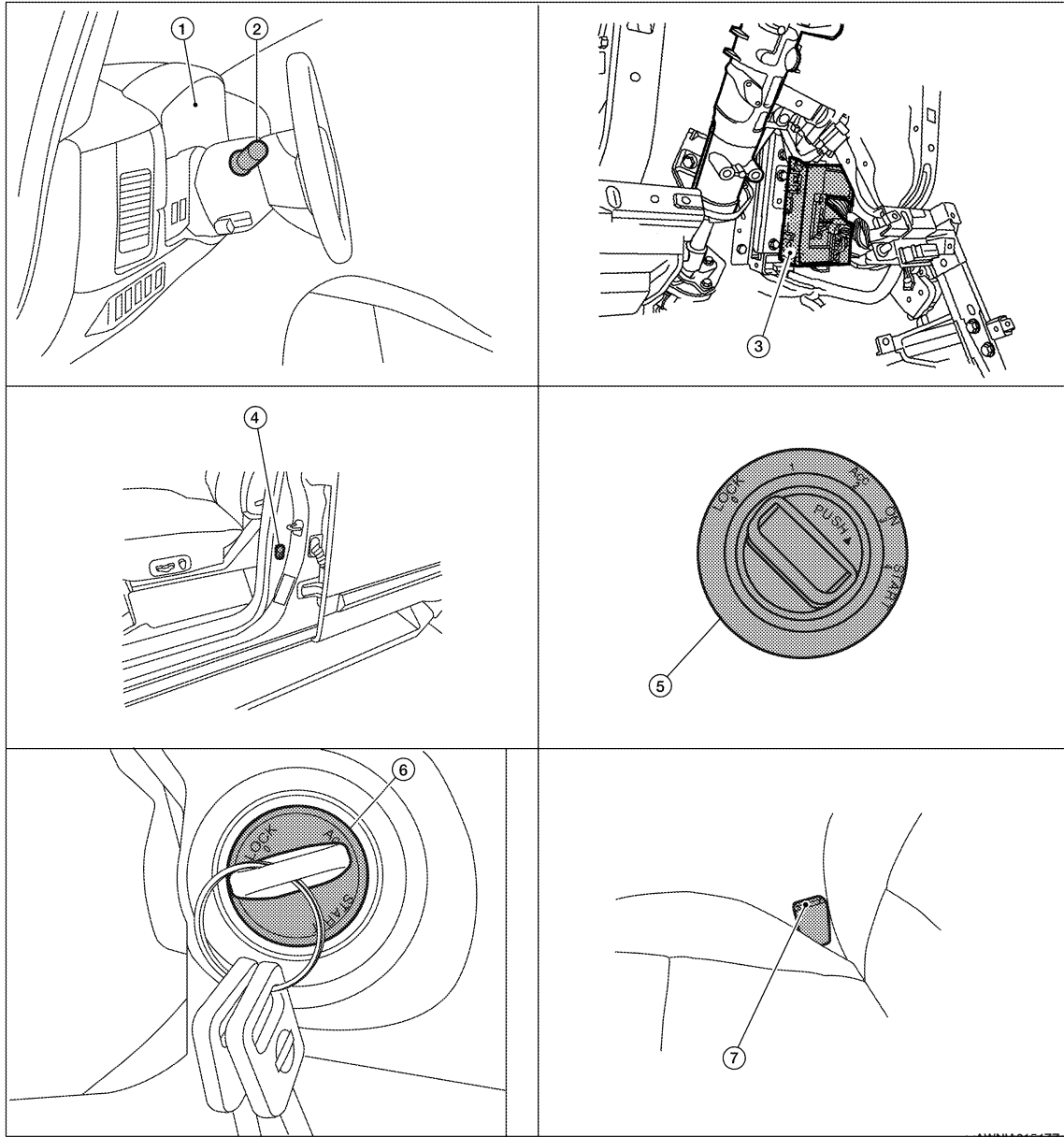
Warning functions	Signal name
Light reminder warning chime	<ul style="list-style-type: none"> • Lighting switch position signal • Door switch signal
Seat belt warning chime	Seat belt buckle switch signal
Key warning chime	<ul style="list-style-type: none"> • Key switch signal • Door switch signal

WARNING CHIME SYSTEM

< FUNCTION DIAGNOSIS >

WARNING CHIME SYSTEM : Component Parts Location

INFOID:000000004916498



- | | | |
|---|---|--|
| 1. Combination meter M24 | 2. Combination switch (lighting switch) M28 | 3. BCM M18, M19, M20 (view with instrument lower panel LH removed) |
| 4. Front door switch LH B8 | 5. Key switch and ignition knob switch M12 (with Intelligent Key) | 6. Key switch and key lock solenoid M27 (without Intelligent Key) |
| 7. Seat belt buckle pre-tensioner assembly LH (seat belt buckle switch) B74 | | |

WARNING CHIME SYSTEM : Component Description

INFOID:000000004916499

Unit	Description
Combination meter	<ul style="list-style-type: none"> • Receives the seat belt buckle switch signal from the seat belt buckle pre-tensioner assembly LH (seat belt buckle switch) and transmits it to BCM with CAN communication line. • Receives a buzzer output signal from BCM with CAN communication line.
BCM	Transmits signals provided by various units to the combination meter with CAN communication line.

A
B
C
D
E
F
G
H
I
J
K
L
M
O
P

WCS

WARNING CHIME SYSTEM

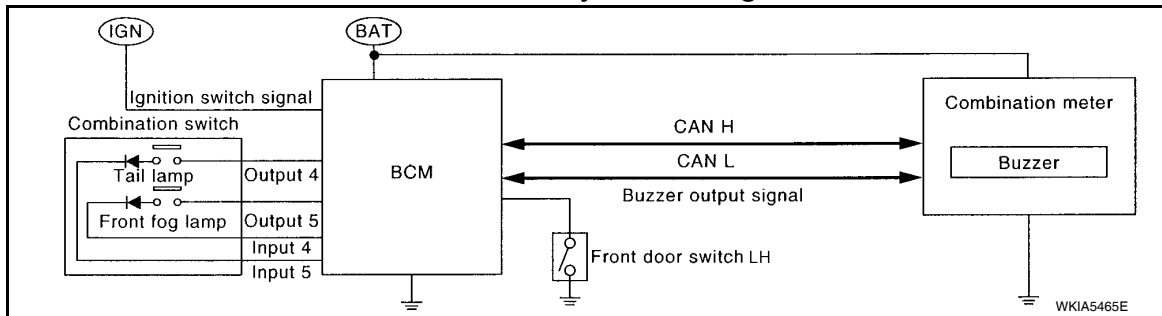
< FUNCTION DIAGNOSIS >

Unit	Description
Key switch and ignition knob switch (with Intelligent Key)	Transmits key switch signal to BCM.
Key switch and key lock solenoid (without Intelligent Key)	Transmits key switch signal to BCM.
Seat belt buckle pre-tensioner assembly LH (seat belt buckle switch)	Transmits a seat belt buckle switch signal to the combination meter.
Combination switch (Lighting switch)	Transmits the lighting switch position signal to BCM.
Front door switch LH	Transmits the door switch signal to BCM.

LIGHT REMINDER WARNING CHIME

LIGHT REMINDER WARNING CHIME : System Diagram

INFOID:000000004916500



LIGHT REMINDER WARNING CHIME : System Description

INFOID:000000004916501

DESCRIPTION

With ignition switch in OFF or ACC position, driver door open, and lighting switch in 1ST or 2ND position, the light warning chime will sound.

- BCM detects ignition switch in OFF or ACC position, front door switch LH ON, and lighting switch in 1ST or 2ND position. And then transmits buzzer output signal (light reminder warning chime) to combination meter with CAN communication line.
- When combination meter receives buzzer output signal (light reminder warning chime), it sounds the buzzer.

WARNING OPERATION CONDITIONS

If all of the following conditions are fulfilled

- Lighting switch is at 1st or 2nd position
- Ignition switch is at OFF or ACC
- Front door switch LH is ON

WARNING CANCEL CONDITIONS

Warning is canceled if any of the following conditions is fulfilled.

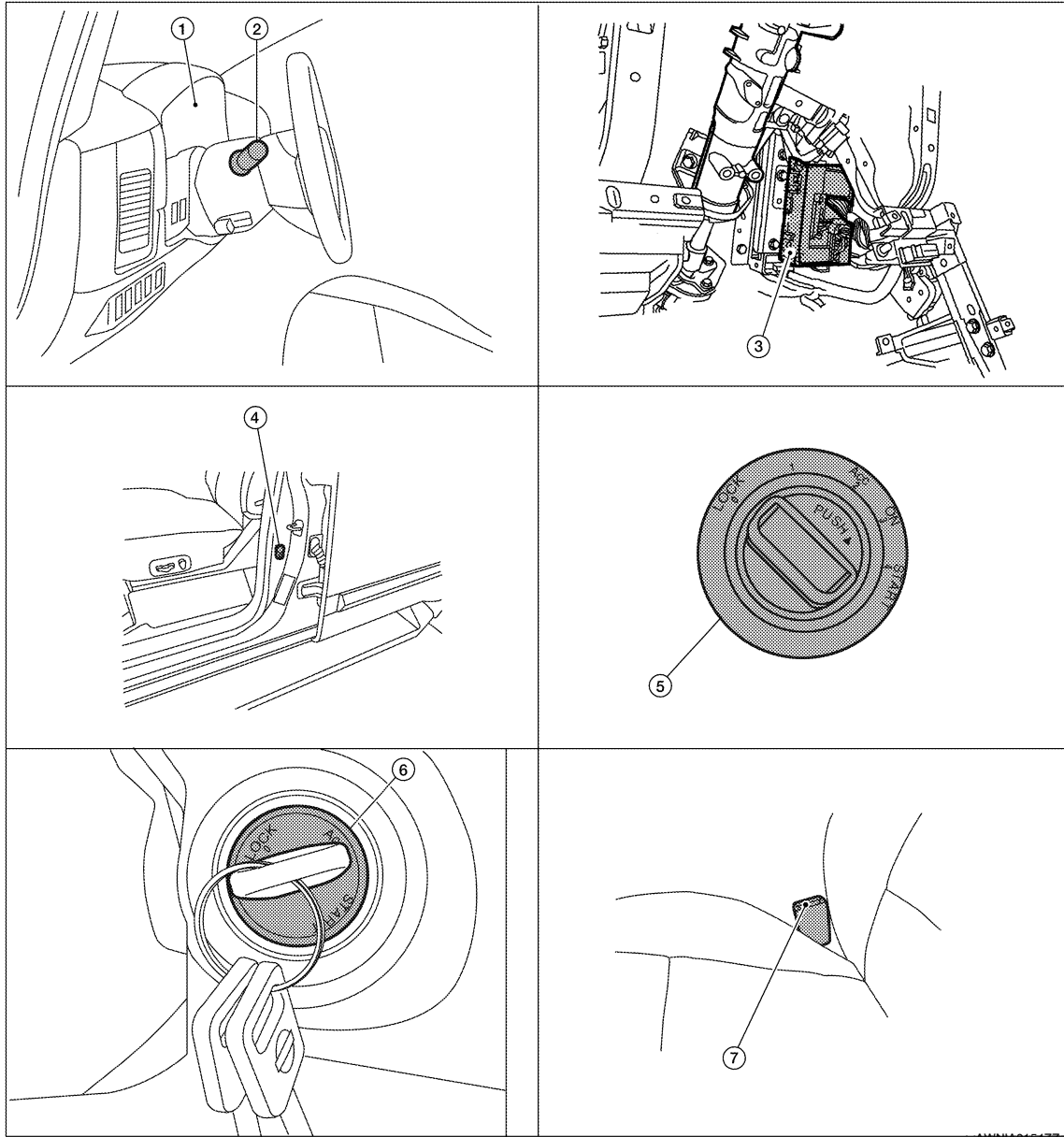
- Lighting switch OFF
- Ignition switch ON
- Front door switch LH is OFF

WARNING CHIME SYSTEM

< FUNCTION DIAGNOSIS >

LIGHT REMINDER WARNING CHIME : Component Parts Location

INFOID:000000004916502



- | | | |
|---|---|--|
| 1. Combination meter M24 | 2. Combination switch (lighting switch) M28 | 3. BCM M18, M19, M20 (view with instrument lower panel LH removed) |
| 4. Front door switch LH B8 | 5. Key switch and ignition knob switch M12 (with Intelligent Key) | 6. Key switch and key lock solenoid M27 (without Intelligent Key) |
| 7. Seat belt buckle pre-tensioner assembly LH (seat belt buckle switch) B74 | | |

LIGHT REMINDER WARNING CHIME : Component Description

INFOID:000000004916503

Unit	Description
Combination meter	Receives a buzzer output signal from BCM via CAN communication line and sounds the buzzer.
BCM	Judges the light warning conditions from the signals provided by various switches and transmits a buzzer output signal to the combination meter via CAN communication line if necessary.
Combination switch (Lighting switch)	Transmits the lighting switch position signal to BCM.
Front door switch LH	Transmits the door switch signal to BCM.

A
B
C
D
E
F
G
H
I
J
K
L

M

WCS

O

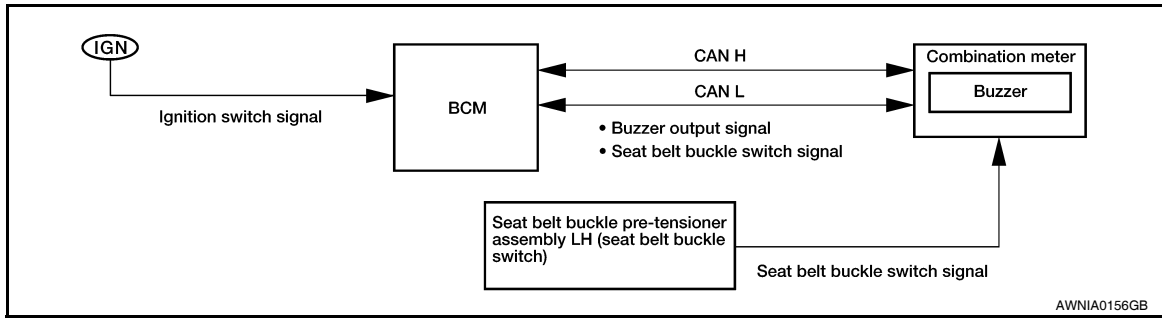
P

WARNING CHIME SYSTEM

< FUNCTION DIAGNOSIS >

SEAT BELT WARNING CHIME

SEAT BELT WARNING CHIME : System Diagram



SEAT BELT WARNING CHIME : System Description

INFOID:000000004916505

DESCRIPTION

With ignition switch turned ON and driver seat belt unfastened, seat belt warning chime will sound for approximately 6 seconds.

- BCM receives seat belt buckle switch signal from combination meter with CAN communication line.
- BCM detects ignition switch turned ON and seat belt buckle switch LH ON. And then transmits buzzer output signal (seat belt warning chime) to combination meter with CAN communication line.
- When combination meter receives buzzer output signal (seat belt warning chime), it sounds the buzzer.

WARNING OPERATION CONDITIONS

If all of the following conditions are fulfilled

- Ignition switch OFF→ON
- Seat belt buckle switch LH is ON (driver seat belt not fastened)

WARNING CANCEL CONDITIONS

Cancels the warning if any of the following conditions is fulfilled.

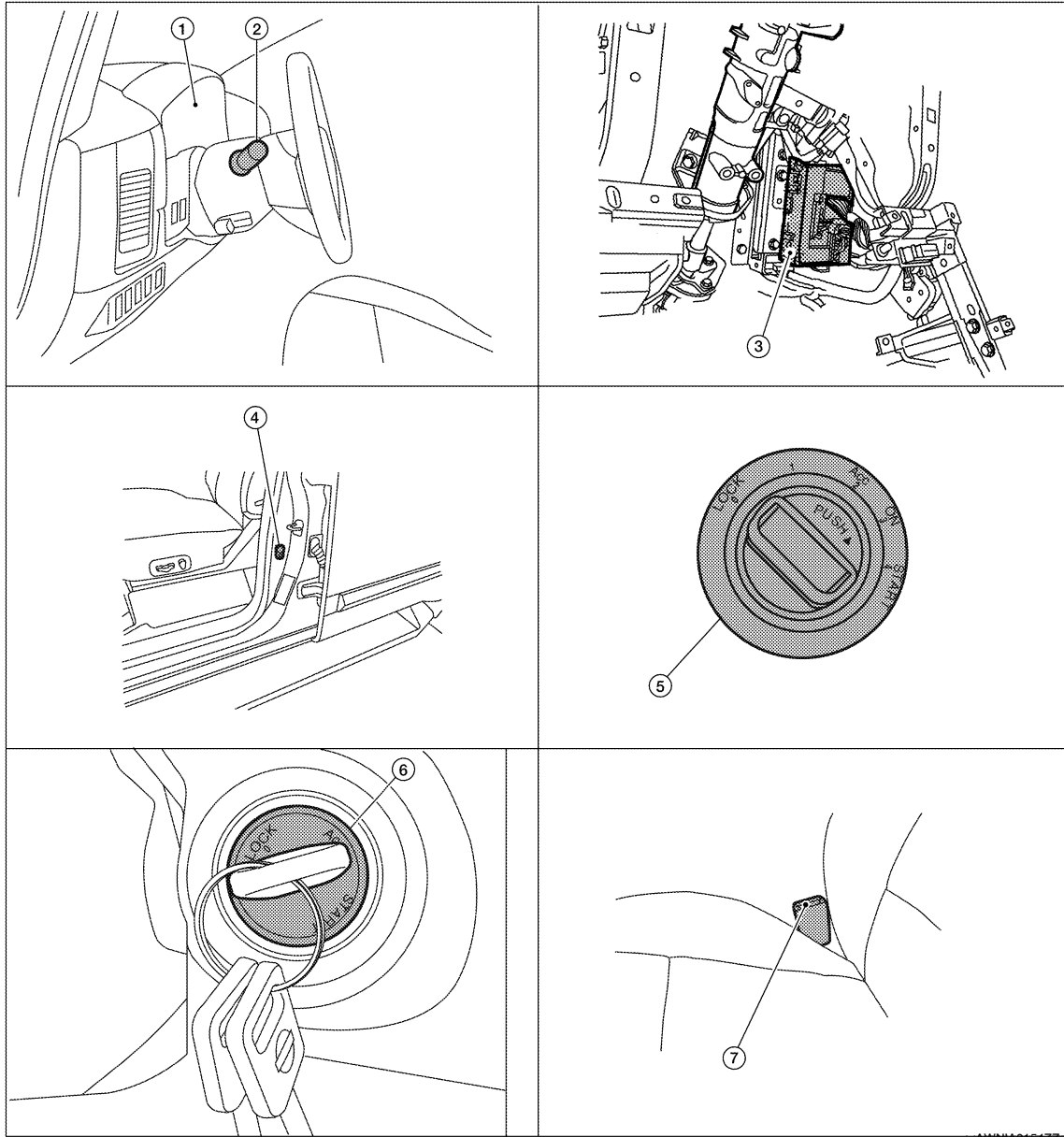
- Ignition switch OFF
- Seat belt buckle switch LH is OFF (driver seat belt fastened)

WARNING CHIME SYSTEM

< FUNCTION DIAGNOSIS >

SEAT BELT WARNING CHIME : Component Parts Location

INFOID:000000004916506



- | | | |
|---|---|--|
| 1. Combination meter M24 | 2. Combination switch (lighting switch) M28 | 3. BCM M18, M19, M20 (view with instrument lower panel LH removed) |
| 4. Front door switch LH B8 | 5. Key switch and ignition knob switch M12 (with Intelligent Key) | 6. Key switch and key lock solenoid M27 (without Intelligent Key) |
| 7. Seat belt buckle pre-tensioner assembly LH (seat belt buckle switch) B74 | | |

SEAT BELT WARNING CHIME : Component Description

INFOID:000000004916507

Unit	Description
Combination meter	<ul style="list-style-type: none"> • Receives the seat belt buckle switch signal from the seat belt buckle switch and transmits it to BCM via CAN communication line. • Receives a buzzer output signal from BCM via CAN communication line and sounds the buzzer.

A
B
C
D
E
F
G
H
I
J
K
L
M
O
P

WCS

WARNING CHIME SYSTEM

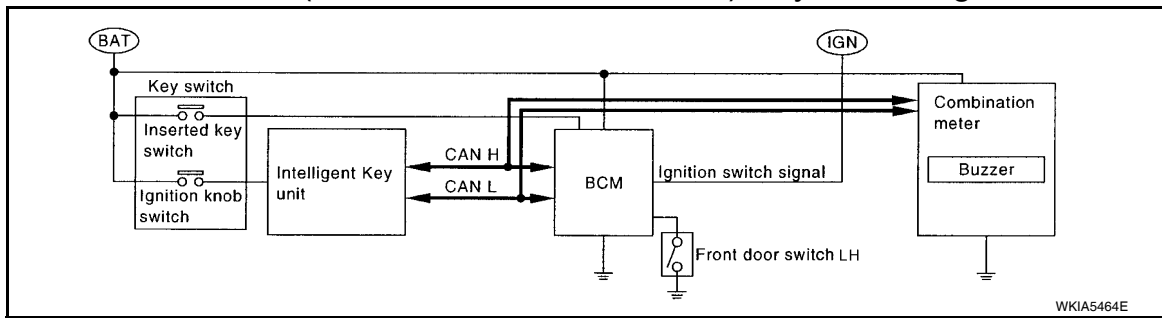
< FUNCTION DIAGNOSIS >

Unit	Description
BCM	Judges the seat belt warning condition from the seat belt buckle switch signal received from the combination meter and transmits a buzzer output signal to the combination meter via CAN communication line if necessary.
Seat belt buckle pre-tensioner assembly LH (seat belt buckle switch)	Transmits seat belt buckle switch signal to combination meter.

KEY WARNING CHIME (WITH INTELLIGENT KEY)

KEY WARNING CHIME (WITH INTELLIGENT KEY) : System Diagram

INFOID:000000004916508



WKIA5464E

KEY WARNING CHIME (WITH INTELLIGENT KEY) : System Description

INFOID:000000004916509

WHEN MECHANICAL KEY IS USED

With the key inserted into the key switch, and the ignition switch in the LOCK or ACC position, when driver's door is opened, the warning chime will sound.

- BCM detects key inserted into the ignition switch, and sends key warning signal to combination meter with CAN communication line.
- When combination meter receives key warning signal, it sounds the warning chime.

WHEN INTELLIGENT KEY IS CARRIED WITH THE DRIVER

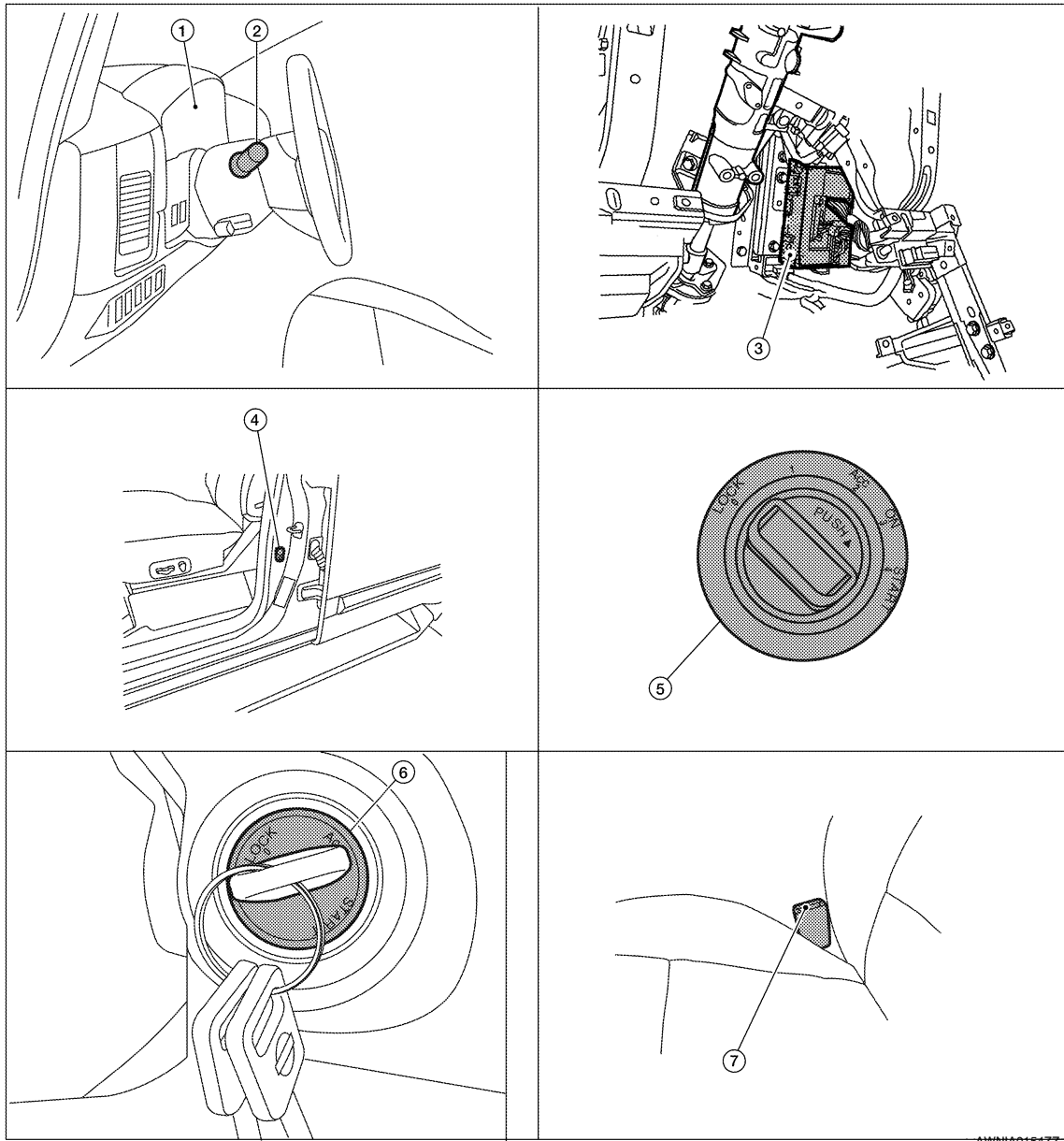
Refer to [DLK-8. "Work Flow"](#).

WARNING CHIME SYSTEM

< FUNCTION DIAGNOSIS >

KEY WARNING CHIME (WITH INTELLIGENT KEY) : Component Parts Location

INFOID:000000004916510



AWNIA0154ZZ

- | | | |
|---|---|--|
| 1. Combination meter M24 | 2. Combination switch (lighting switch) M28 | 3. BCM M18, M19, M20 (view with instrument lower panel LH removed) |
| 4. Front door switch LH B8 | 5. Key switch and ignition knob switch M12 (with Intelligent Key) | 6. Key switch and key lock solenoid M27 (without Intelligent Key) |
| 7. Seat belt buckle pre-tensioner assembly LH (seat belt buckle switch) B74 | | |

KEY WARNING CHIME (WITH INTELLIGENT KEY) : Component Description

INFOID:000000004916511

Unit	Description
Combination meter	Receives key warning signal from BCM via CAN communication line and sounds the buzzer.
BCM	Judges the key warning condition using the door switch signal received from the front door switch LH, and the key switch signal received from the key switch and ignition knob switch. It then transmits a buzzer output signal to the combination meter via CAN communication line if necessary.

A
B
C
D
E
F
G
H
I
J
K
L
M
O
P

WCS

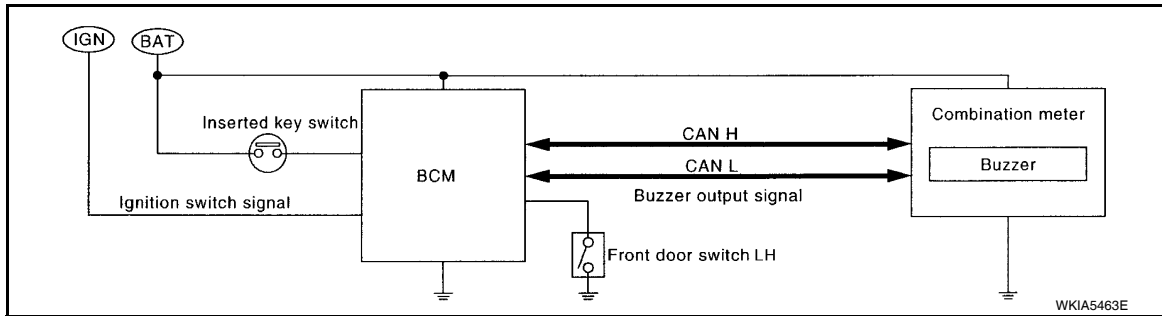
WARNING CHIME SYSTEM

< FUNCTION DIAGNOSIS >

Unit	Description
Front door switch LH	Transmits door switch signal to BCM.
Key switch and ignition knob switch	Transmits key switch signal to BCM.

KEY WARNING CHIME (WITHOUT INTELLIGENT KEY)

KEY WARNING CHIME (WITHOUT INTELLIGENT KEY) : System Diagram



KEY WARNING CHIME (WITHOUT INTELLIGENT KEY) : System Description

INFOID:000000004916513

With the key inserted into the key switch, and the ignition switch in the OFF or ACC position, when driver's door is opened, the warning chime will sound.

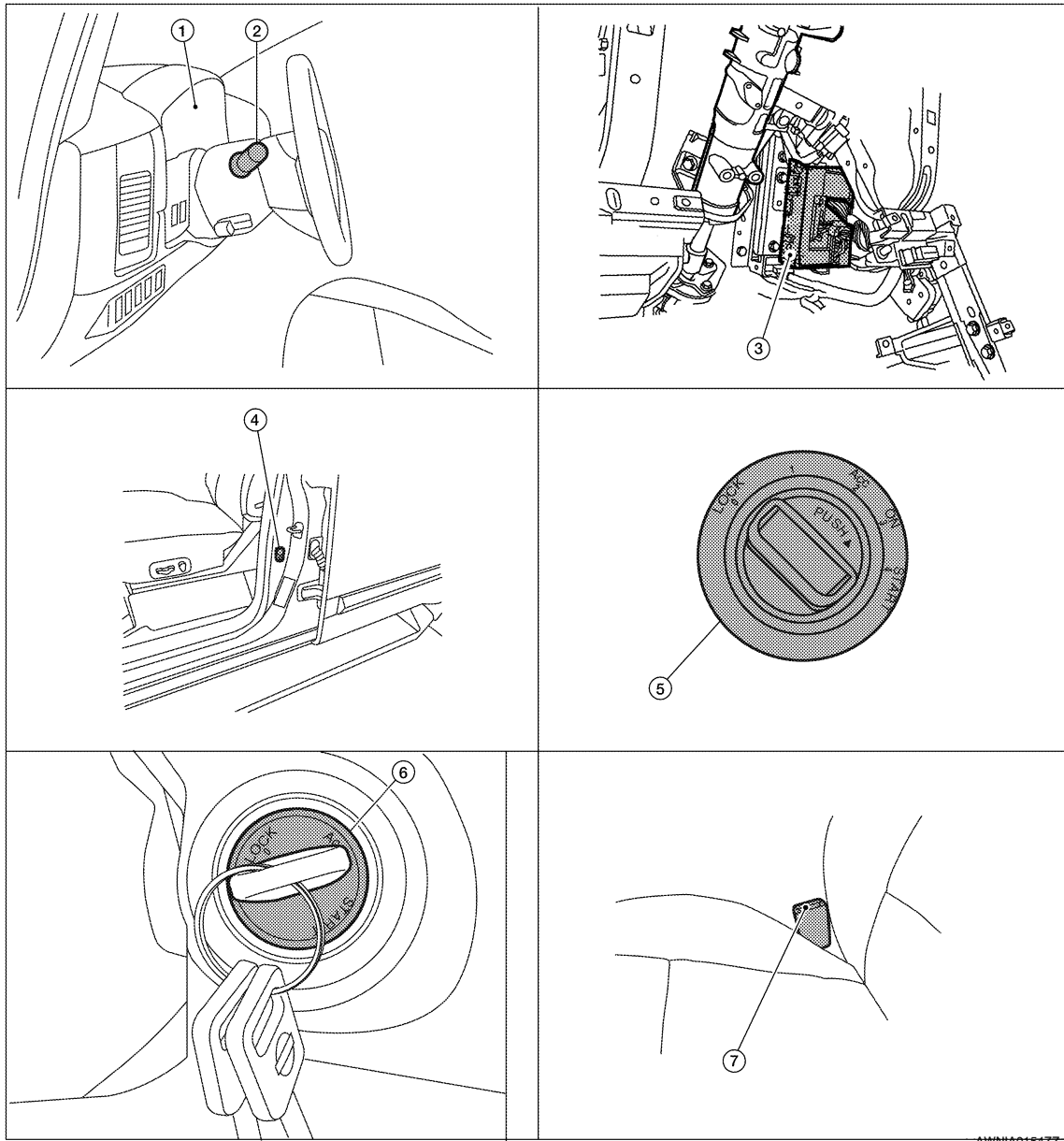
- BCM detects key inserted into the ignition switch, and sends key warning signal to combination meter with CAN communication line.
- When combination meter receives key warning signal, it sounds warning chime.

WARNING CHIME SYSTEM

< FUNCTION DIAGNOSIS >

KEY WARNING CHIME (WITHOUT INTELLIGENT KEY) : Component Parts Location

INFOID:000000004916514



- | | | |
|---|---|--|
| 1. Combination meter M24 | 2. Combination switch (lighting switch) M28 | 3. BCM M18, M19, M20 (view with instrument lower panel LH removed) |
| 4. Front door switch LH B8 | 5. Key switch and ignition knob switch M12 (with Intelligent Key) | 6. Key switch and key lock solenoid M27 (without Intelligent Key) |
| 7. Seat belt buckle pre-tensioner assembly LH (seat belt buckle switch) B74 | | |

KEY WARNING CHIME (WITHOUT INTELLIGENT KEY) : Component Description

INFOID:000000004916515

Unit	Description
Combination meter	Receives key warning signal from BCM via CAN communication line and sounds the buzzer.
BCM	Judges the key warning condition from the door switch signal received from the front door switch LH, and the key switch signal received from the key switch and key lock solenoid. It then transmits a buzzer output signal to the combination meter via CAN communication line if necessary.

A
B
C
D
E
F
G
H
I
J
K
L
M
O
P

WCS

WARNING CHIME SYSTEM

< FUNCTION DIAGNOSIS >

Unit	Description
Front door switch LH	Transmits door switch signal to BCM.
Key switch and key lock solenoid	Transmits key switch signal to BCM.

DIAGNOSIS SYSTEM (METER)

< FUNCTION DIAGNOSIS >

DIAGNOSIS SYSTEM (METER)

Diagnosis Description

INFOID:000000005252113

SELF-DIAGNOSIS MODE

The following items can be checked during Combination Meter Self-Diagnosis Mode.

- Gauge sweep and present gauge values.
- Illuminates all odometer/trip meters and A/T indicator segments.
- Illuminates all micro controlled lamps/LEDs regardless of switch position.
- Displays estimated present battery voltage.
- Displays seat belt buckle switch LH status.

OPERATION PROCEDURE

NOTE:

- Once entered, combination meter self-diagnosis mode will function with the ignition switch in ON or START. Combination meter self-diagnosis mode will exit upon turning the ignition switch to OFF or ACC.
- If the diagnosis function is activated with trip A displayed, the mileage on trip A is reset to 0000.0. (Trip B operates the same way.)

To initiate combination meter self-diagnosis mode, refer to the following procedure.

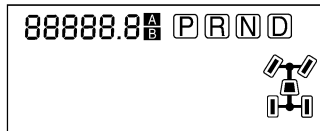
1. Turn the ignition switch ON, while pressing the odometer/trip meter switch for 5 - 8 seconds. When the diagnosis function is activated, the odometer/trip meter will display tEst.

NOTE:

Check combination meter power supply and ground circuit when self-diagnosis mode of combination meter does not start. Refer to [WCS-20, "COMBINATION METER : Diagnosis Procedure"](#). Replace combination meter if normal. Refer to [MWI-106, "Removal and Installation"](#).

COMBINATION METER SELF-DIAGNOSIS MODE FUNCTIONS

To interpret combination meter self-diagnosis mode functions, refer to the following table.

Event	Odometer Display	Description of Test/Data	Notes:
Odometer/trip meter A/B switch held from 5 to 8 seconds (or until released)	tEst		Initiating self-diagnosis mode
Switch released	GAGE	Performs sweep of all gauges, then displays present gauge values.	Gauges sweep within 10 seconds
Switch pressed	(All segments illuminated)	Lights all LCD segments. Compare with picture.	 ALNIA0280ZZ
Switch pressed	bulb	Illuminates all micro-controlled lamps/LEDs.	Part may not be configured for all lamps (functions) that turn on during test. This is normal.
Switch pressed	r XXXX, FAIL	Return to normal operation of all lamps/LEDs and displays "r XXXX".	If a malfunction exists, "FAIL" will flash.
Switch pressed	nrXXXX	Displays Hex ROM rev as stored in NVM.	
Switch pressed	EE XX, FAIL	Displays "EE XX".	If a malfunction exists, "FAIL" will flash.
Switch pressed	dtXXXX	Hex coding of final manufacturing test date.	

DIAGNOSIS SYSTEM (METER)

< FUNCTION DIAGNOSIS >

Event	Odometer Display	Description of Test/Data	Notes:
Switch pressed (3 times)	Sc1 XX through Epr XX	Displays 8 bit software configuration value in Hex format	
Switch pressed	1nF XX	Displays 8-bit market info value in Hex format.	\$31 = USA \$2A = Canada
Switch pressed (3 times)	cYL XX through tF	N/A	
Switch pressed	ot1 XX	Displays oil pressure tell-tale "" in Hex format.	
Switch pressed	ot0 XX	Displays oil pressure tell-tale "" in Hex format.	
Switch pressed	XXXXX	"Corrected" speed value in hundredths of MPH. Gauge indication may be slightly higher. This is normal.	Will display "----" if message is not received. Will display "99999" if data received is invalid.
Switch pressed	XXXXX	"Corrected" speed value in hundredths of KPH. Gauge indication may be slightly different. This is normal.	Will display "----" if message is not received. Will display "99999" if data received is invalid.
Switch pressed	t XXXX	Tachometer value in RPM. Gauge indication may be higher at higher RPM. This is normal.	Will display "----" if message is not received.
Switch pressed	F1XXXX	Present fuel level A/D input. This input represents fuel sender input.	000-009 = Short circuit 010-254 = Normal range 255 = Open circuit
Switch pressed	F2XXX	Present FLPS.	010-254 = Normal range
Switch pressed	XXXXC	Last temperature gauge input value in degrees C. Temperature gauge indicates present temperature per indication standard.	Will display "---"C if message is not received. Will display "999" if data received is invalid. High = 130 deg C Normal = 70 - 105 deg C Low = less than 50 deg C
Switch pressed	BAtXX.X	Estimated present battery voltage.	
Switch pressed	rES -X	Seat belt buckle switch LH status.	1 = Buckled 0 = Unbuckled
Switch pressed (33 times)	PA -XX through PA1-XX	N/A	
Switch pressed	GAGE		Return to beginning of self-diagnosis cycle.

CONSULT-III Function (METER/M&A)

INFOID:000000005252114

CONSULT-III can display each diagnostic item using the diagnostic test modes shown following.

METER/M&A diagnosis mode	Description
SELF-DIAG RESULTS	Displays combination meter self-diagnosis results.
DATA MONITOR	Displays combination meter input/output data in real time.
CAN DIAG SUPPORT MNTR	The result of transmit/receive diagnosis of CAN communication can be read.

SELF-DIAG RESULTS

Display Item List

DIAGNOSIS SYSTEM (METER)

< FUNCTION DIAGNOSIS >

Refer to [WCS-54. "DTC Index"](#).

DATA MONITOR

Display Item List

X: Applicable

Display item [Unit]	MAIN SIGNALS	SELECTION FROM MENU	Description
SPEED METER [km/h] or [mph]	X	X	Displays the value of vehicle speed signal.
SPEED OUTPUT [km/h] or [mph]	X	X	Displays the value of vehicle speed signal, which is transmitted to each unit with CAN communication.
TACHO METER [rpm]	X	X	Displays the value of engine speed signal, which is input from ECM.
FUEL METER [lit.]	X	X	Displays the value, which processes a resistance signal from fuel gauge.
W TEMP METER [°C] or [°F]	X	X	Displays the value of engine coolant temperature signal, which is input from ECM.
ABS W/L [ON/OFF]		X	Displays [ON/OFF] condition of ABS warning lamp.
VDC/TCS IND [ON/OFF]		X	Displays [ON/OFF] condition of VDC OFF indicator lamp.
SLIP IND [ON/OFF]		X	Displays [ON/OFF] condition of SLIP indicator lamp.
BRAKE W/L [ON/OFF]		X	Displays [ON/OFF] condition of brake warning lamp.*
DOOR W/L [ON/OFF]		X	Displays [ON/OFF] condition of door warning lamp.
TRUNK W/L [ON/OFF]		X	Displays [ON/OFF] condition of glass hatch warning lamp.
HI-BEAM IND [ON/OFF]		X	Displays [ON/OFF] condition of high beam indicator.
TURN IND [ON/OFF]		X	Displays [ON/OFF] condition of turn indicator.
OIL W/L [ON/OFF]		X	Displays [ON/OFF] condition of oil pressure warning lamp.
C-ENG W/L [ON/OFF]		X	Displays [ON/OFF] condition of malfunction indicator lamp.
CRUISE IND [ON/OFF]		X	Displays [ON/OFF] condition of CRUISE indicator.
SET IND [ON/OFF]		X	Displays [ON/OFF] condition of SET indicator.
AT CHECK W/L [ON/OFF]		X	Displays [ON/OFF] condition of AT CHECK warning lamp.
FUEL W/L [ON/OFF]	X	X	Displays [ON/OFF] condition of low-fuel warning lamp.
AIR PRES W/L [ON/OFF]		X	Displays [ON/OFF] condition of tire pressure warning lamp.
KEY G/Y W/L [ON/OFF]		X	Displays [ON/OFF] condition of key green warning lamp.
KEY R W/L [ON/OFF]		X	Displays [ON/OFF] condition of key red warning lamp.
KEY KNOB W/L [ON/OFF]		X	Displays [ON/OFF] condition of key knob warning lamp.
M RANGE SW [ON/OFF]	X	X	Displays [ON/OFF] condition of manual mode range switch.
NM RANGE SW [ON/OFF]	X	X	Displays [ON/OFF] condition of except for manual mode range switch.
AT SFT UP SW [ON/OFF]	X	X	Displays [ON/OFF] condition of A/T shift-up switch.
AT SFT DWN SW [ON/OFF]	X	X	Displays [ON/OFF] condition of A/T shift-down switch.
DISTANCE [km] or [mile]	X	X	Displays the value, which is calculated by vehicle speed signal, fuel gauge and fuel consumption from ECM.
BUZZER [ON/OFF]	X	X	Displays [ON/OFF] condition of buzzer.
BRAKE SW [ON/OFF]		X	Indicates [ON/OFF] condition of parking brake switch.
AT-M GEAR [1, 2, 3, 4, 5]	X	X	Indicates [1, 2, 3, 4, 5] condition of A/T manual mode gear position.
P RANGE IND [ON/OFF]	X	X	Indicates [ON/OFF] condition of A/T shift P range indicator.
R RANGE IND [ON/OFF]	X	X	Indicates [ON/OFF] condition of A/T shift R range indicator.
N RANGE IND [ON/OFF]	X	X	Indicates [ON/OFF] condition of A/T shift N range indicator.
D RANGE IND [ON/OFF]	X	X	Indicates [ON/OFF] condition of A/T shift D range indicator.
4 RANGE IND [ON/OFF]	X	X	Indicates [ON/OFF] condition of A/T shift 4 range indicator.

DIAGNOSIS SYSTEM (METER)

< FUNCTION DIAGNOSIS >

Display item [Unit]	MAIN SIGNALS	SELECTION FROM MENU	Description
3 RANGE IND [ON/OFF]	X	X	Indicates [ON/OFF] condition of A/T shift 3 range indicator.
2 RANGE IND [ON/OFF]	X	X	Indicates [ON/OFF] condition of A/T shift 2 range indicator.
1 RANGE IND [ON/OFF]	X	X	Indicates [ON/OFF] condition of A/T shift 1 range indicator.
CRUISE W/L [ON/OFF]		X	Indicates [ON/OFF] condition of CRUISE warning lamp.
4WD LOCK SW [ON/OFF]		X	Indicates [ON/OFF] condition of 4WD lock switch.
4WD LOCK IND [ON/OFF]		X	Indicates [ON/OFF] condition of 4WD lock indicator.
SEAT BELT W/L [ON/OFF]		X	Indicates [ON/OFF] condition of seat belt warning lamp.

NOTE:

Some items are not available due to vehicle specification.

*: The monitor will indicate "OFF" even though the brake warning lamp is on if either of the following conditions exist.

- The parking brake is engaged
- The brake fluid level is low

DIAGNOSIS SYSTEM (BCM)

< FUNCTION DIAGNOSIS >

DIAGNOSIS SYSTEM (BCM)

BUZZER

BUZZER : CONSULT-III Function (BCM - BUZZER)

INFOID:000000005252112

DATA MONITOR

Monitor Item [Unit]	Description
DOOR SW -DR [ON/OFF]	Front door switch (driver side) status judged by BCM
IGN ON SW [ON/OFF]	Ignition switch (ON) status judged by ignition power supply input
KEY ON SW [ON/OFF]	Key switch status
LIGHT SW 1ST [ON/OFF]	Lighting switch status judged by the lighting switch signal read with combination switch reading function
BUCKLE SW [ON/OFF]	Seat belt buckle switch status

ACTIVE TEST

Test Item	Description
SEAT BELT WARN TEST	The seat belt warning operation can be checked by operating the relevant function (On/Off).
LIGHT WARN ALM	The light reminder warning operation can be checked by operating the relevant function (On/Off).
IGN KEY WARN ALM	The key reminder warning operation can be checked by operating the relevant function (On/Off).

A

B

C

D

E

F

G

H

I

J

K

L

M

WCS

O

P

POWER SUPPLY AND GROUND CIRCUIT

< COMPONENT DIAGNOSIS >

COMPONENT DIAGNOSIS

POWER SUPPLY AND GROUND CIRCUIT COMBINATION METER

COMBINATION METER : Diagnosis Procedure

INFOID:000000005252115

Regarding Wiring Diagram information, refer to [MWI-45, "Wiring Diagram"](#).

1. CHECK FUSES

Check for blown combination meter fuses.

Unit	Power source	Fuse No.
Combination meter	Battery	3
	Ignition switch ON or START	14
	Ignition switch ACC or ON	4

Is the inspection result normal?

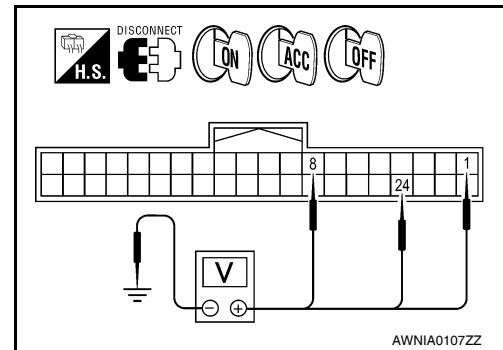
YES >> GO TO 2

NO >> If fuse is blown, be sure to eliminate cause of malfunction before installing new fuse.

2. POWER SUPPLY CIRCUIT CHECK

1. Disconnect combination meter connector M24.
2. Check voltage between combination meter harness connector M24 terminals 1, 8, 24 and ground.

Terminals		Ignition switch position				
(+)		(-)	OFF	ACC	ON	START
Connector	Terminal					
M24	1	Ground	0V	Battery voltage	Battery voltage	0V
	8		Battery voltage	Battery voltage	Battery voltage	Battery voltage
	24		0V	0V	Battery voltage	Battery voltage



Is the inspection result normal?

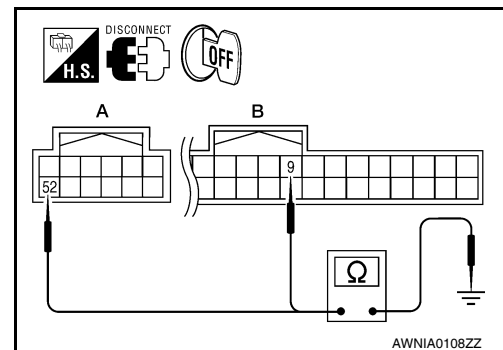
YES >> GO TO 3

NO >> Check harness for open between combination meter and fuse.

3. GROUND CIRCUIT CHECK

1. Turn ignition switch OFF.
2. Disconnect combination meter connector M23.
3. Check continuity between combination meter harness connector M23 terminal 52 and ground, and connector M24 terminal 9 and ground.

Terminals		Continuity
(+)		
Connector	Terminal	
A: M23	52	Ground
B: M24	9	
		Yes



Is the inspection result normal?

POWER SUPPLY AND GROUND CIRCUIT

< COMPONENT DIAGNOSIS >

- YES >> Inspection End.
 NO >> Check ground harness.

BCM (BODY CONTROL MODULE)

BCM (BODY CONTROL MODULE) : Diagnosis Procedure

INFOID:000000005252104

Regarding Wiring Diagram information, refer to [WCS-65, "Wiring Diagram"](#).

1. CHECK FUSES AND FUSIBLE LINK

Check that the following fuses and fusible link are not blown.

Terminal No.	Signal name	Fuses and fusible link No.
57	Battery power supply	22 (15A)
70		F (50A)
11	Ignition ACC or ON	4 (10A)
38	Ignition ON or START	59 (10A)

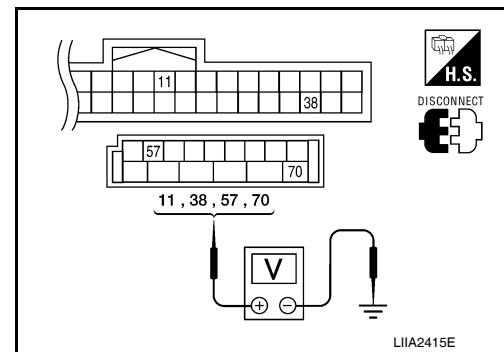
Is the fuse blown?

- YES >> Replace the blown fuse or fusible link after repairing the affected circuit.
 NO >> GO TO 2

2. CHECK POWER SUPPLY CIRCUIT

- Turn ignition switch OFF.
- Disconnect BCM.
- Check voltage between BCM harness connector and ground.

Connector	Terminals		Power source	Condition	Voltage (V) (Approx.)
	(+)	(-)			
M18	11	Ground	ACC power supply	Ignition switch ACC or ON	Battery voltage
	38	Ground	Ignition power supply	Ignition switch ON or START	Battery voltage
M20	57	Ground	Battery power supply	Ignition switch OFF	Battery voltage
	70	Ground	Battery power supply	Ignition switch OFF	Battery voltage



Is the measurement value normal?

- YES >> GO TO 3
 NO >> Repair or replace harness.

3. CHECK GROUND CIRCUIT

POWER SUPPLY AND GROUND CIRCUIT

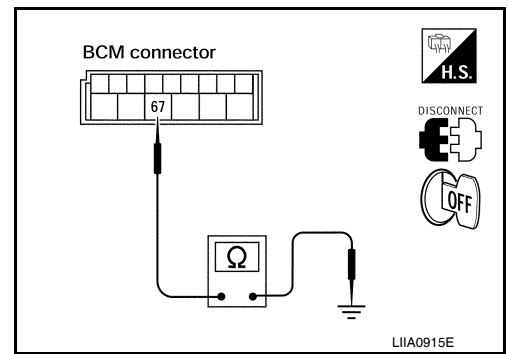
< COMPONENT DIAGNOSIS >

Check continuity between BCM harness connector and ground.

BCM		Ground	Continuity
Connector	Terminal		
M20	67		Yes

Does continuity exist?

- YES >> Inspection End.
- NO >> Repair or replace harness.



METER BUZZER CIRCUIT

< COMPONENT DIAGNOSIS >

METER BUZZER CIRCUIT

Description

INFOID:000000004916520

- The buzzer for warning chime system is installed in the combination meter.
- The combination meter sounds the alarm buzzer based on the signals transmitted from various units.

Component Function Check

INFOID:000000004916521

1. CHECK OPERATION OF METER BUZZER

1. Select "BUZZER" of "BCM" on CONSULT-III.
2. Perform "LIGHT WARN ALM" of "ACTIVE TEST".

Does meter buzzer activate?

- YES >> Inspection End.
NO >> Replace combination meter. Refer to [MWI-106. "Removal and Installation"](#).

Diagnosis Procedure

INFOID:000000004916522

1. CHECK POWER SUPPLY OF COMBINATION METER

Check power supply of combination meter. Refer to [MWI-32. "COMBINATION METER : Diagnosis Procedure"](#).

Is the inspection result normal?

- YES >> Inspection End.
NO >> Repair power supply circuit of combination meter.

A
B
C
D
E
F
G
H
I
J
K
L
M
O
P

WCS

SEAT BELT BUCKLE SWITCH SIGNAL CIRCUIT

< COMPONENT DIAGNOSIS >

SEAT BELT BUCKLE SWITCH SIGNAL CIRCUIT

Description

INFOID:000000004916523

Transmits a seat belt buckle switch signal to the combination meter.

Component Function Check

INFOID:000000004916524

1. CHECK COMBINATION METER INPUT SIGNAL

Select "DATA MONITOR" for "METER/M&A" and check the "SEAT BELT W/L" monitor value.

SEAT BELT W/L

When seat belt is fastened : OFF

When seat belt is unfastened : ON

>> Inspection End.

Diagnosis Procedure

INFOID:000000004916525

1. CHECK COMBINATION METER INPUT SIGNAL

1. Turn ignition switch ON.
2. Check voltage between combination meter harness connector M24 terminal 27 and ground.

27 - Ground

When driver seat belt is fastened : Approx. 12V

When driver seat belt is unfastened : Approx. 0V

Is the inspection result normal?

YES >> Replace combination meter. Refer to [MWI-106](#), "Removal and Installation".

NO >> GO TO 2

2. CHECK SEAT BELT BUCKLE SWITCH CIRCUIT

1. Turn ignition switch OFF.
2. Disconnect combination meter and seat belt buckle pre-tensioner assembly LH (seat belt buckle switch).
3. Check continuity between combination meter harness connector M24 (B) terminal 27 and seat belt buckle pre-tensioner assembly LH (seat belt buckle switch) harness connector B74 (A) terminal 1.

27 - 1 : Continuity should exist.

4. Check continuity between combination meter harness connector M24 (B) terminal 27 and ground.

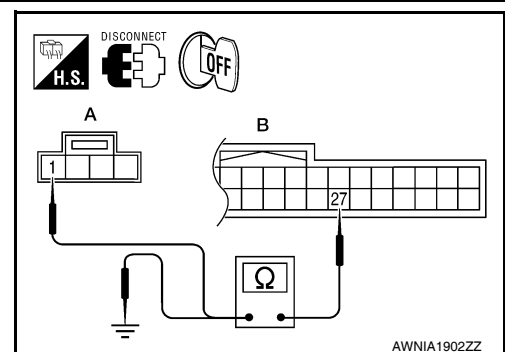
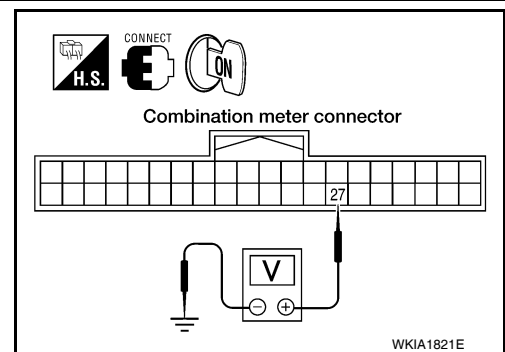
27 - Ground : Continuity should not exist.

Is the inspection result normal?

YES >> GO TO 3

NO >> Repair or replace harness.

3. CHECK SEAT BELT BUCKLE SWITCH GROUND CIRCUIT



SEAT BELT BUCKLE SWITCH SIGNAL CIRCUIT

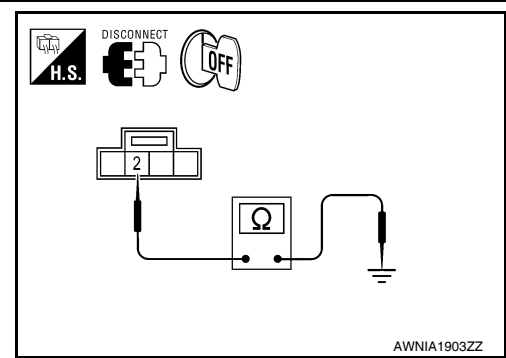
< COMPONENT DIAGNOSIS >

Check continuity between seat belt buckle pre-tensioner assembly LH (seat belt buckle switch) harness connector B74 terminal 2 and ground.

2 - Ground : Continuity should exist.

Is the inspection result normal?

- YES >> Inspection End.
- NO >> Repair or replace harness.



INFOID:000000004916526

Component Inspection

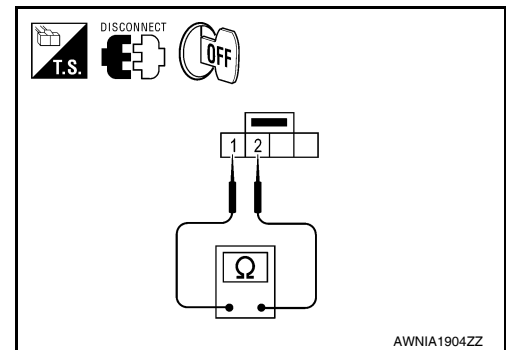
1. CHECK SEAT BELT BUCKLE SWITCH

1. Turn ignition switch OFF.
2. Disconnect the seat belt buckle pre-tensioner assembly LH (seat belt buckle switch).
3. Check continuity between terminals 1 and 2.

1-2
When seat belt is fastened : Continuity should not exist.
When seat belt is unfastened : Continuity should exist.

Is the inspection result normal?

- YES >> Inspection End.
- NO >> Replace the seat belt buckle pre-tensioner assembly LH (seat belt buckle switch).



A
B
C
D
E
F
G
H
I
J
K
L
M
O
P

WCS

KEY SWITCH SIGNAL CIRCUIT (WITH INTELLIGENT KEY)

< COMPONENT DIAGNOSIS >

KEY SWITCH SIGNAL CIRCUIT (WITH INTELLIGENT KEY)

Description

INFOID:000000004916527

Transmits a key switch signal to the BCM.

Component Function Check

INFOID:000000004916528

1. CHECK BCM INPUT SIGNAL

Select "DATA MONITOR" for "BCM" and check the "KEY ON SW" monitor value.

KEY ON SW

When key is inserted into key cylinder : ON

When key is removed from key cylinder : OFF

>> Inspection End.

Diagnosis Procedure

INFOID:000000004916529

1. CHECK FUSE

Check if the key switch and ignition knob switch 10A fuse (No. 62, located in the fuse and relay box) is blown.

Is the fuse blown?

YES >> Be sure to repair the cause of malfunction before installing new fuse.

NO >> GO TO 2

2. CHECK BCM INPUT SIGNAL

Check voltage between BCM harness connector and ground.

Terminals		Condition	Voltage (Approx.)
(+)	(-)		
BCM connector	Terminal		
M18	37	Key is inserted	Battery voltage
		Key is removed	0

Is the inspection result normal?

YES >> Inspection End.

NO >> GO TO 3

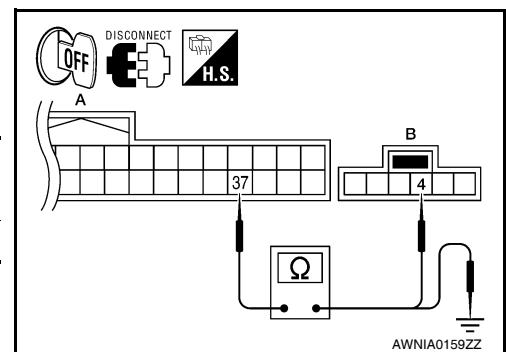
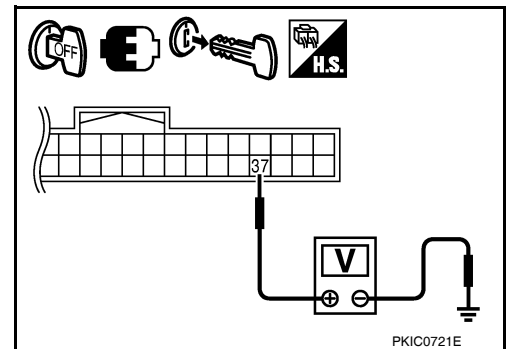
3. CHECK KEY SWITCH CIRCUIT

1. Disconnect BCM and key switch and ignition knob switch.
2. Check continuity between BCM harness connector M18 and key switch and ignition knob switch harness connector M12.

A		B		Continuity
Connector	Terminal	Connector	Terminal	
M18 (A)	37	M12 (B)	4	Yes

3. Check continuity between BCM harness connector M18 and ground.

A		Ground	Continuity
Connector	Terminal		
M18 (A)	37		No



KEY SWITCH SIGNAL CIRCUIT (WITH INTELLIGENT KEY)

< COMPONENT DIAGNOSIS >

Is the inspection result normal?

- YES >> GO TO 4
- NO >> Repair or replace harness.

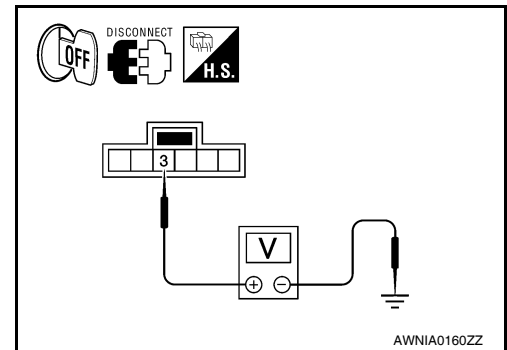
4. CHECK KEY SWITCH POWER SUPPLY CIRCUIT

Check voltage between key switch and ignition knob switch harness connector and ground.

Terminals			Voltage (Approx.)
(+)		(-)	
Key switch and ignition knob switch connector	Terminal		
M12	3	Ground	Battery voltage

Is the inspection result normal?

- YES >> Replace key switch and ignition knob switch.
- NO >> Repair or replace harness.



INFOID:000000004916530

Component Inspection

1. CHECK KEY SWITCH

1. Turn ignition switch OFF.
2. Disconnect key switch and ignition knob switch.
3. Check continuity between key switch and ignition knob switch terminals 3 and 4.

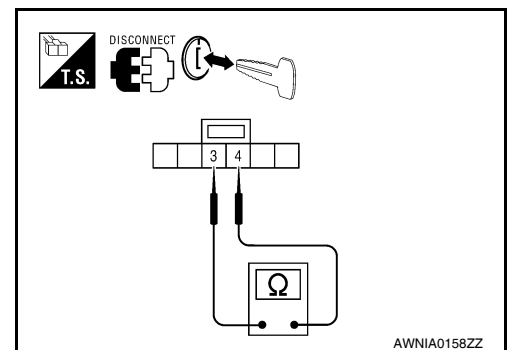
3 – 4

When key is inserted into key cylinder : Continuity should exist.

When key is removed from key cylinder : Continuity should not exist.

Is the inspection result normal?

- YES >> Inspection End.
- NO >> Replace key switch and ignition knob switch.



A
B
C
D
E
F
G
H
I
J
K
L
M
O
P

WCS

KEY SWITCH SIGNAL CIRCUIT (WITHOUT INTELLIGENT KEY)

< COMPONENT DIAGNOSIS >

KEY SWITCH SIGNAL CIRCUIT (WITHOUT INTELLIGENT KEY)

Description

INFOID:000000004916531

Transmits a key switch signal to the BCM.

Component Function Check

INFOID:000000004916532

1. CHECK BCM INPUT SIGNAL

Select "DATA MONITOR" for "BCM" and check the "KEY ON SW" monitor value.

KEY ON SW

When key is inserted into key cylinder : ON

When key is removed from key cylinder : OFF

>> Inspection End.

Diagnosis Procedure

INFOID:000000004916533

1. CHECK FUSE

Check if the key switch and key lock solenoid 10A fuse [No. 3, located in the fuse block (J/B)] is blown.

Is the fuse blown?

YES >> Be sure to repair the cause of malfunction before installing new fuse.

NO >> GO TO 2

2. CHECK BCM INPUT SIGNAL

Check voltage between BCM harness connector and ground.

Terminals		Condition	Voltage (Approx.)
(+)	(-)		
BCM connector	Terminal		
M18	37	Key is inserted	Battery voltage
		Key is removed	0

Is the inspection result normal?

YES >> Inspection End.

NO >> GO TO 3

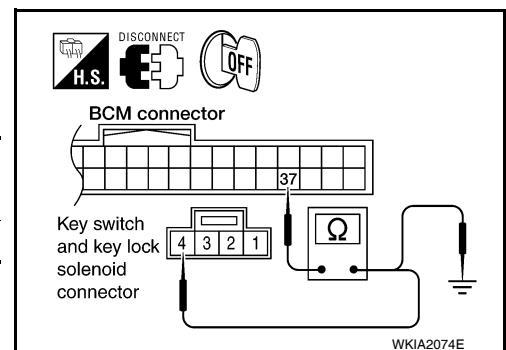
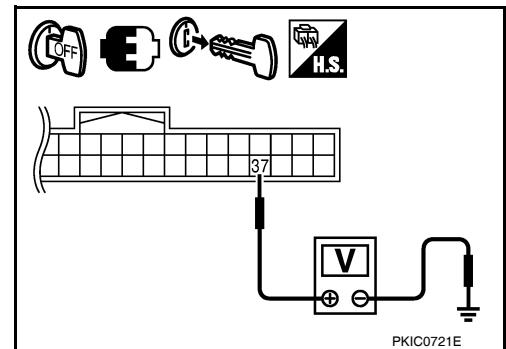
3. CHECK KEY SWITCH CIRCUIT

1. Disconnect BCM and key switch and key lock solenoid.
2. Check continuity between BCM harness connector M18 and key switch and key lock solenoid harness connector M27.

A		B		Continuity
Connector	Terminal	Connector	Terminal	
M18	37	M27	4	Yes

3. Check continuity between BCM harness connector M18 and ground.

A		Ground	Continuity
Connector	Terminal		
M18	37		No



KEY SWITCH SIGNAL CIRCUIT (WITHOUT INTELLIGENT KEY)

< COMPONENT DIAGNOSIS >

Is the inspection result normal?

- YES >> GO TO 4
- NO >> Repair or replace harness.

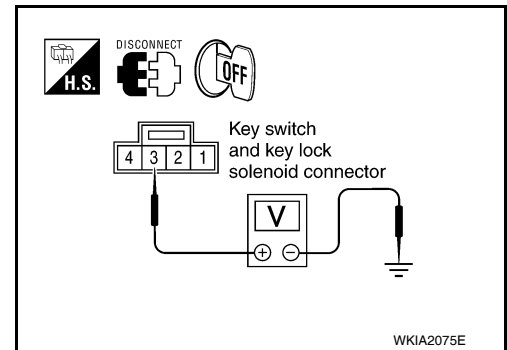
4. CHECK KEY SWITCH POWER SUPPLY CIRCUIT

Check voltage between key switch and key lock solenoid harness connector and ground.

Terminals		Terminal	(-)	Voltage (Approx.)
(+)				
Key switch and key lock solenoid		3	Ground	Battery voltage
M27				

Is the inspection result normal?

- YES >> Replace key switch and key lock solenoid.
- NO >> Repair or replace harness.



INFOID:000000004916534

Component Inspection

1. CHECK KEY SWITCH

1. Turn ignition switch OFF.
2. Disconnect key switch and key lock solenoid.
3. Check continuity between key switch and key lock solenoid terminals 3 and 4.

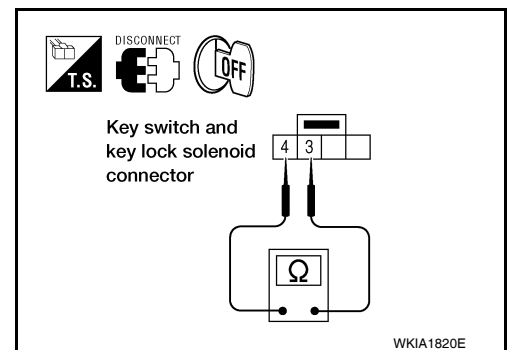
3 – 4

When key is inserted into key cylinder : Continuity should exist.

When key is removed from key cylinder : Continuity should not exist.

Is the inspection result normal?

- YES >> Inspection End.
- NO >> Replace key switch and key lock solenoid.



A
B
C
D
E
F
G
H
I
J
K
L
M
O
P

WCS

WARNING CHIME SYSTEM

< COMPONENT DIAGNOSIS >

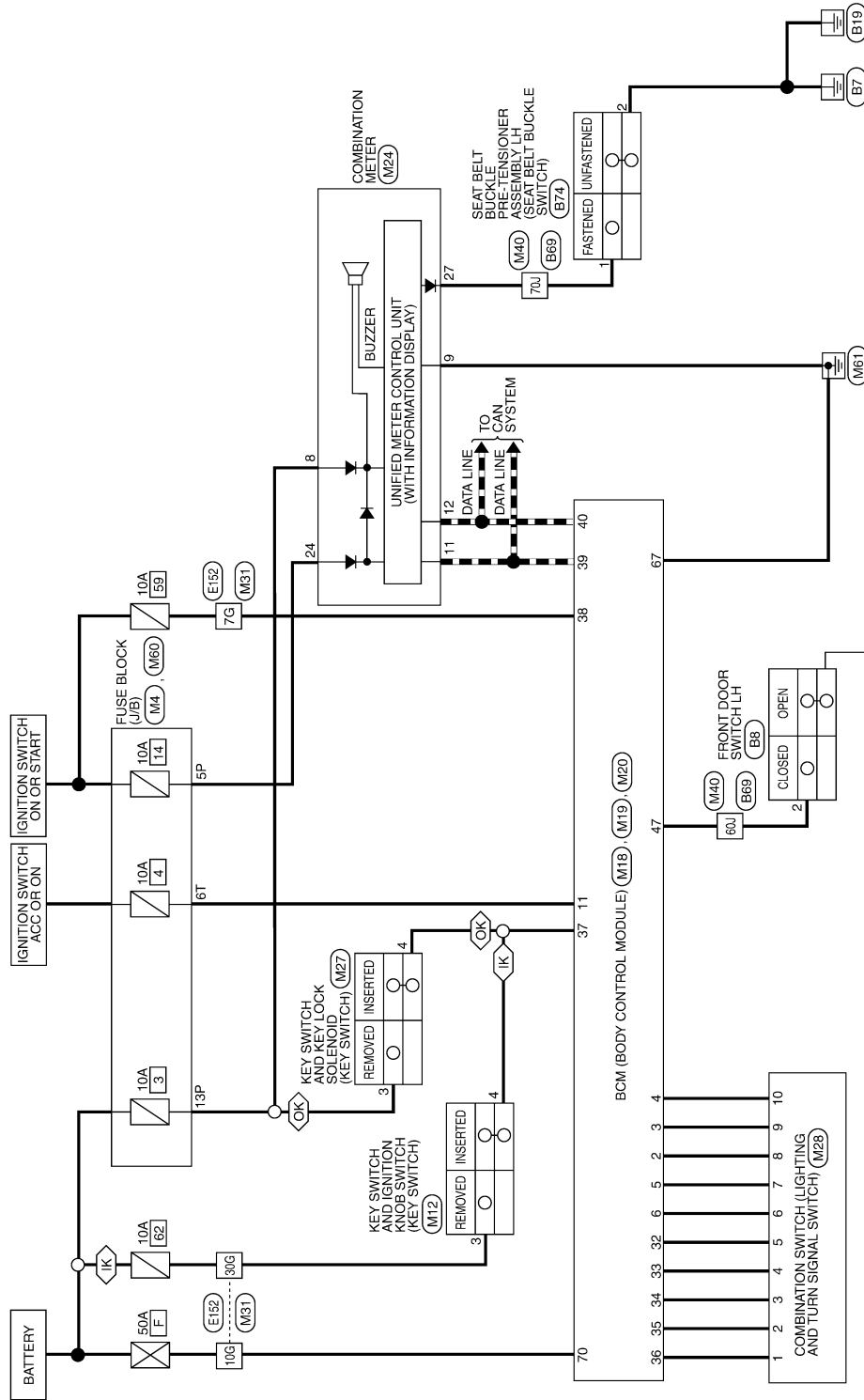
WARNING CHIME SYSTEM

Wiring Diagram

INFOID:000000004916535

IK : WITH INTELLIGENT KEY SYSTEM
 OK : WITHOUT INTELLIGENT KEY SYSTEM

WARNING CHIME SYSTEM



ABNWA0419GB

WARNING CHIME SYSTEM

< COMPONENT DIAGNOSIS >

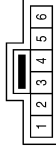
WARNING CHIME SYSTEM CONNECTORS

Connector No.	M4
Connector Name	FUSE BLOCK (J/B)
Connector Color	WHITE



Terminal No.	Color of Wire	Signal Name
5P	O/L	-
13P	P	-

Connector No.	M12
Connector Name	KEY SWITCH AND IGNITION KNOB SWITCH
Connector Color	GRAY



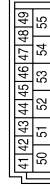
Terminal No.	Color of Wire	Signal Name
3	Y	-
4	B/R	-

Connector No.	M18
Connector Name	BCM (BODY CONTROL MODULE)
Connector Color	WHITE



Terminal No.	Color of Wire	Signal Name
2	SB	INPUT 5
3	G/Y	INPUT 4
4	Y	INPUT 3
5	G/B	INPUT 2
6	V	INPUT 1
11	O	ACC SW
32	R/G	OUTPUT 5
33	R/Y	OUTPUT 4
34	L	OUTPUT 3
35	O/B	OUTPUT 2
36	R/W	OUTPUT 1
37	B/R	KEY SW
38	W/L	IGN SW
39	L	CAN-H
40	P	CAN-L

Connector No.	M19
Connector Name	BCM (BODY CONTROL MODULE)
Connector Color	WHITE



Terminal No.	Color of Wire	Signal Name
47	SB	DOOR SW (DR)

ABNIA1364GB

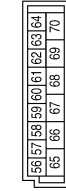
A
B
C
D
E
F
G
H
I
J
K
L
M
O
P

WCS

WARNING CHIME SYSTEM

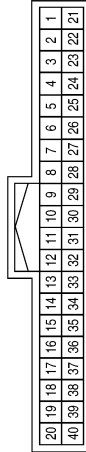
< COMPONENT DIAGNOSIS >

Connector No.	M20
Connector Name	BCM (BODY CONTROL MODULE)
Connector Color	BLACK



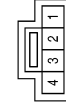
Terminal No.	Color of Wire	Signal Name
67	B	GND (POWER)
70	W/B	BAT (F/L)

Connector No.	M24
Connector Name	COMBINATION METER
Connector Color	WHITE



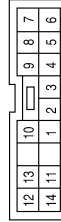
Terminal No.	Color of Wire	Signal Name
8	P	BATTERY
9	B	GND
11	L	CAN-H
12	P	CAN-L
24	O/L	RUN/START
27	O/B	SEATBELT

Connector No.	M27
Connector Name	KEY SWITCH AND KEY LOCK SOLENOID
Connector Color	WHITE



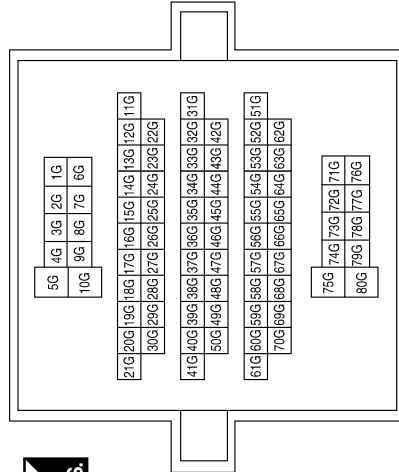
Terminal No.	Color of Wire	Signal Name
3	P	-
4	B/R	-

Connector No.	M28
Connector Name	COMBINATION SWITCH
Connector Color	WHITE



Terminal No.	Color of Wire	Signal Name
1	R/W	INPUT 1
2	O/B	INPUT 2
3	L	INPUT 3
4	R/Y	INPUT 4
5	R/G	INPUT 5
6	V	OUTPUT 1
7	G/B	OUTPUT 2
8	SB	OUTPUT 5
9	G/Y	OUTPUT 4
10	Y	OUTPUT 3

Connector No.	M31
Connector Name	WIRE TO WIRE
Connector Color	WHITE

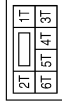


Terminal No.	Color of Wire	Signal Name
7G	W/L	-
10G	W/B	-
30G	Y	-

WARNING CHIME SYSTEM

< COMPONENT DIAGNOSIS >

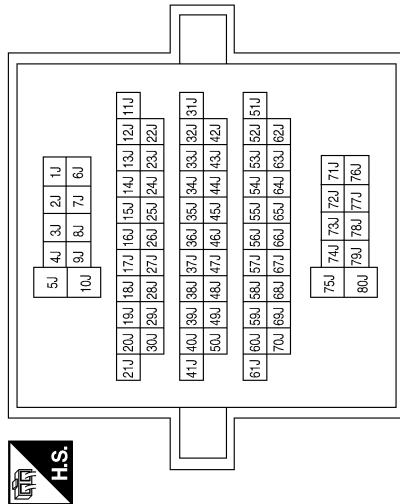
Connector No.	M60
Connector Name	FUSE BLOCK (J/B)
Connector Color	WHITE



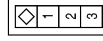
Terminal No.	Color of Wire	Signal Name
6T	O	-

Terminal No.	Color of Wire	Signal Name
60J	SB	-
70J	O/B	-

Connector No.	M40
Connector Name	WIRE TO WIRE
Connector Color	WHITE



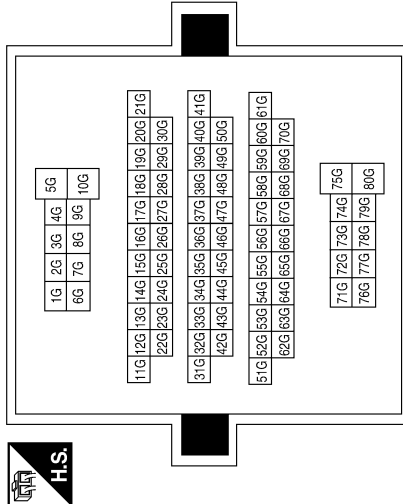
Connector No.	B8
Connector Name	FRONT DOOR SWITCH LH
Connector Color	WHITE



Terminal No.	Color of Wire	Signal Name
2	SB	-

Terminal No.	Color of Wire	Signal Name
7G	LW	-
10G	W/B	-
30G	Y	-

Connector No.	E152
Connector Name	WIRE TO WIRE
Connector Color	WHITE



ABN0A211GB

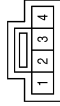
A
B
C
D
E
F
G
H
I
J
K
L
M
N
O
P

WCS

WARNING CHIME SYSTEM

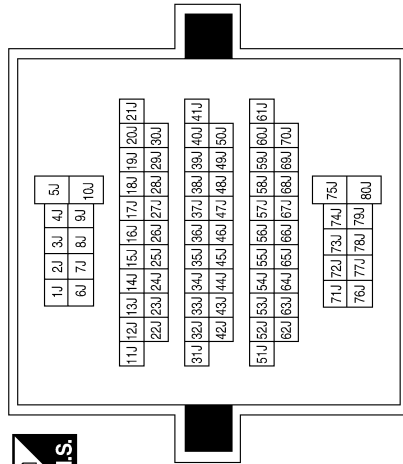
< COMPONENT DIAGNOSIS >

Connector No.	B74
Connector Name	SEAT BELT BUCKLE PRE-TENSIONER ASSEMBLY LH
Connector Color	YELLOW



Terminal No.	Color of Wire	Signal Name
1	O/B	-
2	B	-

Connector No.	B69
Connector Name	WIRE TO WIRE
Connector Color	WHITE



Terminal No.	Color of Wire	Signal Name
60J	SB	-
70J	O/B	-

ABNIA1312GB

COMBINATION METER

< ECU DIAGNOSIS >

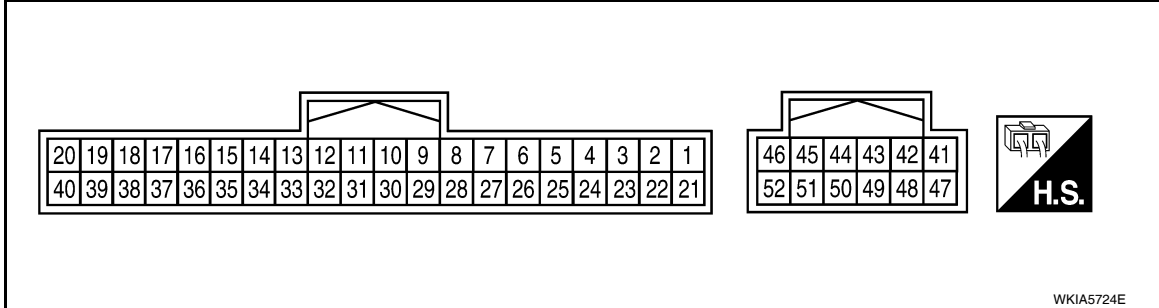
ECU DIAGNOSIS

COMBINATION METER

Reference Value

INFOID:000000005252116

TERMINAL LAYOUT

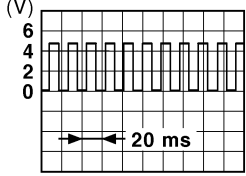


PHYSICAL VALUES

Terminal	Wire color	Item	Condition		Reference value (V) (Approx.)
			Ignition switch	Operation or condition	
1	O	Ignition switch ACC or ON	—	—	Battery voltage
2	P	Air bag warning lamp input	ON	Air bag warning lamp ON	4
				Air bag warning lamp OFF	0
3	BR	CK SUSP warning lamp input	—	CK SUSP warning lamp ON	0
				CK SUSP warning lamp OFF	Battery voltage
8	P	Battery power supply	—	—	Battery voltage
9	B	Ground	—	—	0
11	L	CAN-H	—	—	—
12	P	CAN-L	—	—	—
15	Y/L	Fuel level sensor signal	—	—	Refer to MWI-12, "FUEL GAUGE : System Description" .
16	B/P	Fuel level sensor ground	ON	—	0
18	P/B	Brake fluid level switch	ON	Brake fluid level low	0
				Brake fluid level normal	Battery voltage
23	G	Parking brake switch	ON	Parking brake applied	0
				Parking brake released	Battery voltage
24	O/L	Ignition switch ON or START	ON	—	Battery voltage
27	O/B	Seat belt buckle switch LH	ON	Unfastened (ON)	0
				Fastened (OFF)	Battery voltage
28	G/O	Security indicator input	OFF	Security indicator ON	0
				Security indicator OFF	Battery voltage

COMBINATION METER

< ECU DIAGNOSIS >

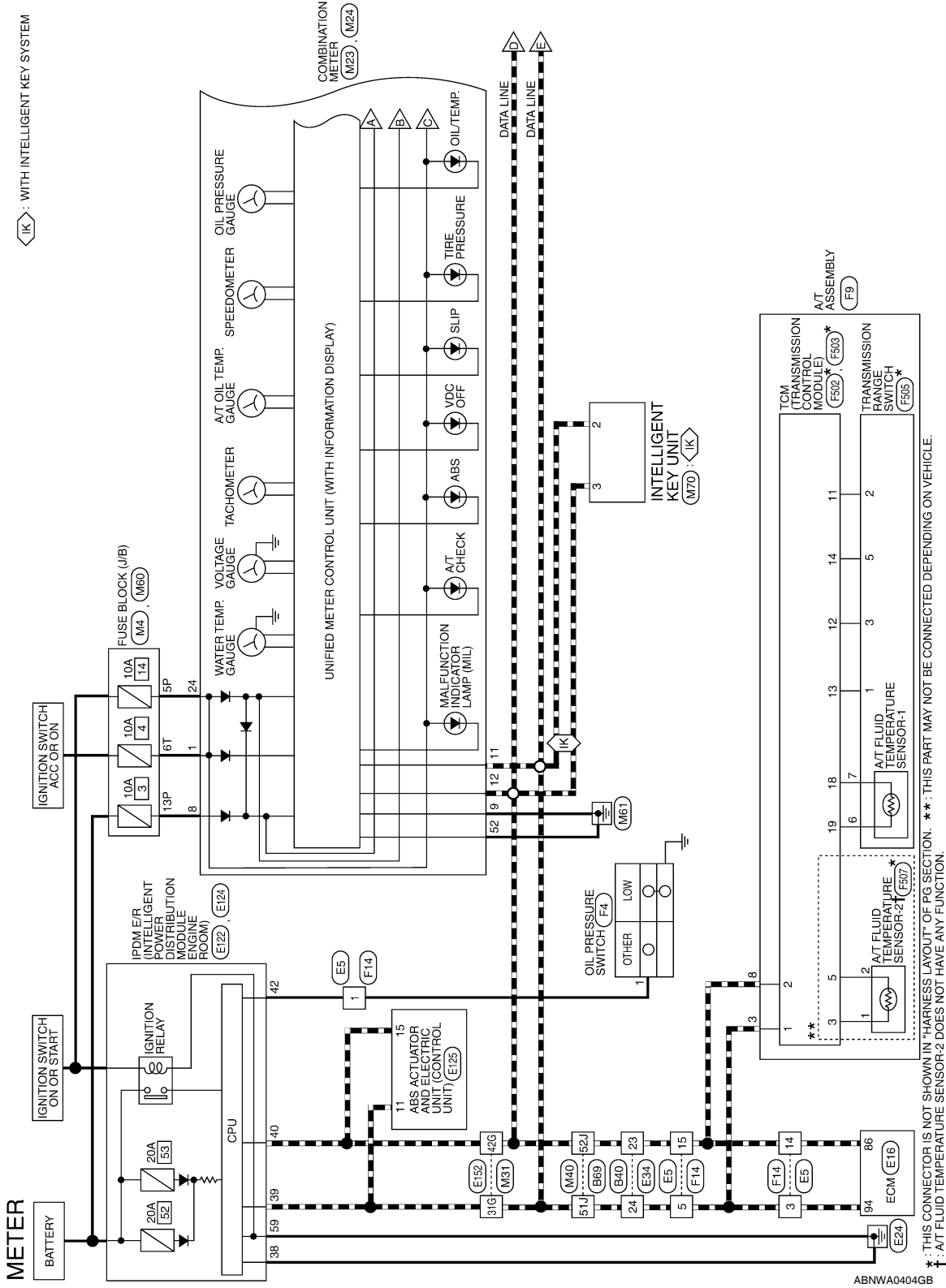
Terminal	Wire color	Item	Condition		Reference value (V) (Approx.)
			Ignition switch	Operation or condition	
29	W/R	Vehicle speed signal output (8-pulse)	ON	Speedometer operated [When vehicle speed is approx. 40 km/h (25 MPH)]	NOTE: Maximum voltage may be 12V due to specifications (connected units).  <small>PKIC0643E</small>
37	W/L	Washer fluid level switch	ON	Washer fluid level low	0
				Washer fluid level normal	Battery voltage
41	P/L	Seat belt buckle switch RH	ON	Unfastened (ON)	0
				Fastened (OFF)	Battery voltage
45	BR/W	Generator	ON	Generator voltage low	0
				Generator voltage normal	Battery voltage
50	BR	Illumination output	—	—	Refer to INL-9, "System Description" .
52	B	Ground	—	—	0

COMBINATION METER

< ECU DIAGNOSIS >

Wiring Diagram

INFOID:000000005252117



† : THIS CONNECTOR IS NOT SHOWN IN "HARNESS LAYOUT" OF PG SECTION. ** : THIS PART MAY NOT BE CONNECTED DEPENDING ON VEHICLE.

† : A/T FLUID TEMPERATURE SENSOR-2 DOES NOT HAVE ANY FUNCTION.

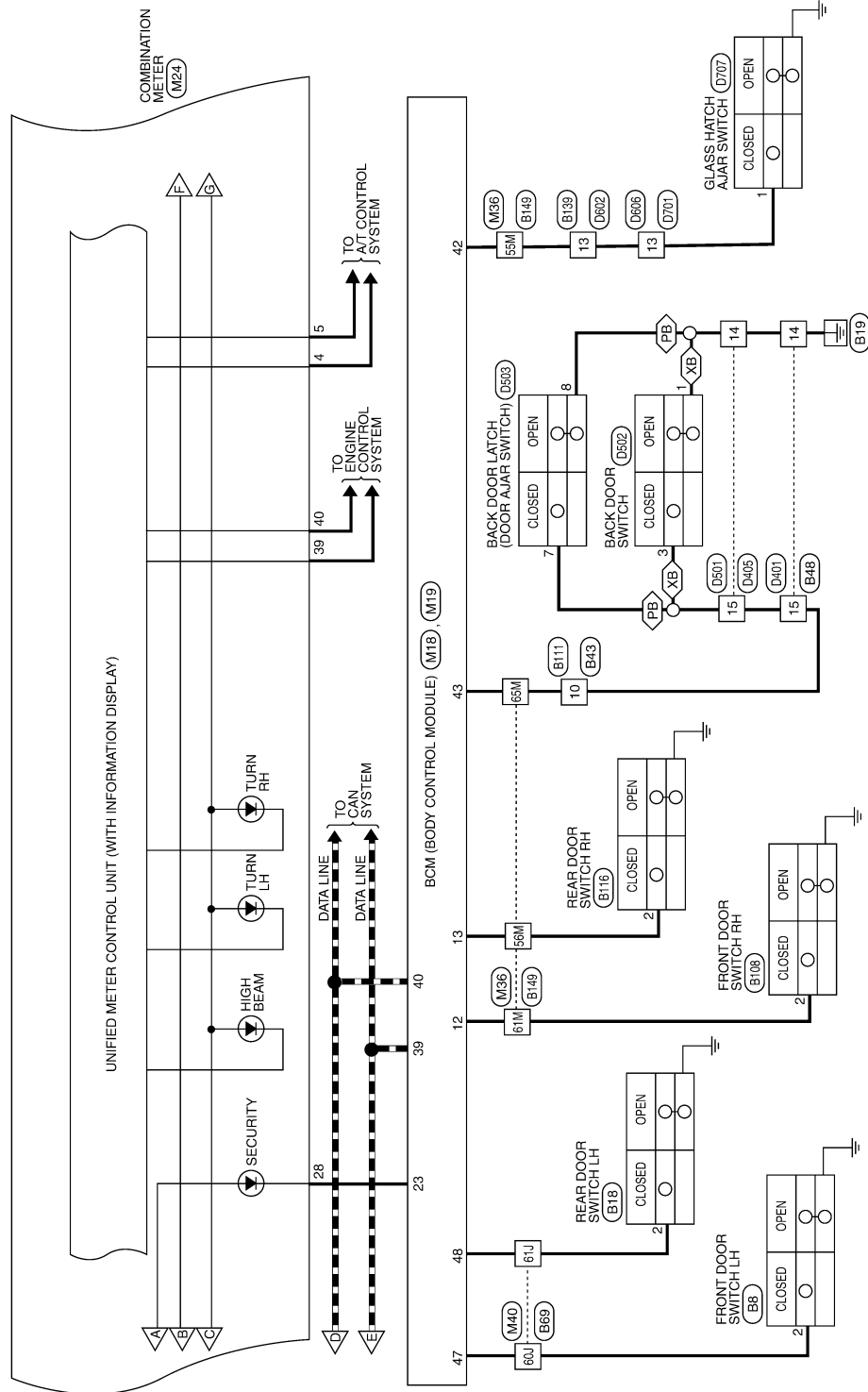
A
B
C
D
E
F
G
H
I
J
K
L
M
N
O
P

WCS

COMBINATION METER

< ECU DIAGNOSIS >

◁PB▷ : WITH POWER BACK DOOR
 ◁XB▷ : WITHOUT POWER BACK DOOR

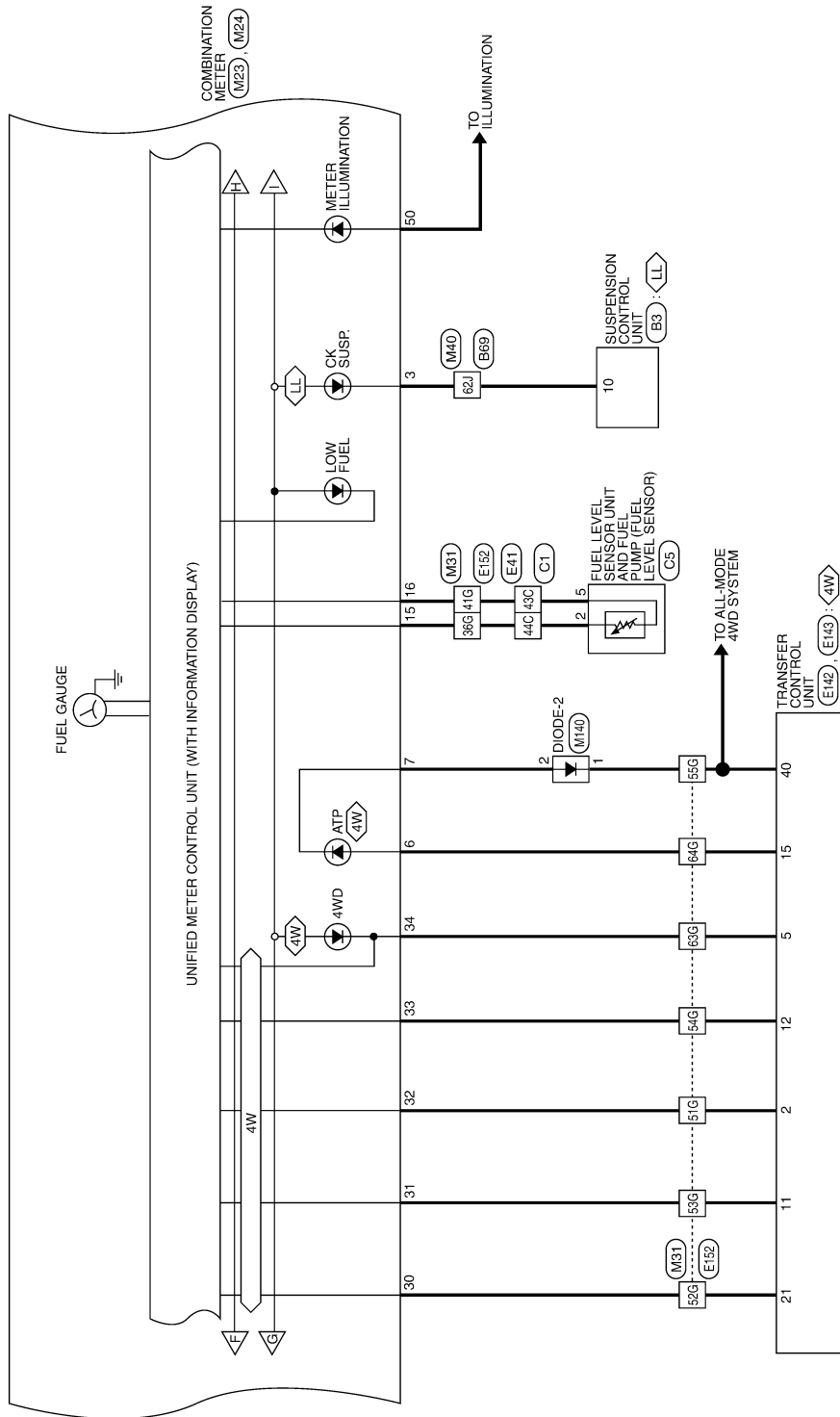


ABNWA0442GB

COMBINATION METER

< ECU DIAGNOSIS >

◁4W> : WITH 4-WHEEL DRIVE
 ◁LL> : WITH REAR LOAD LEVELING AIR SUSPENSION SYSTEM



ABNWA0405GB

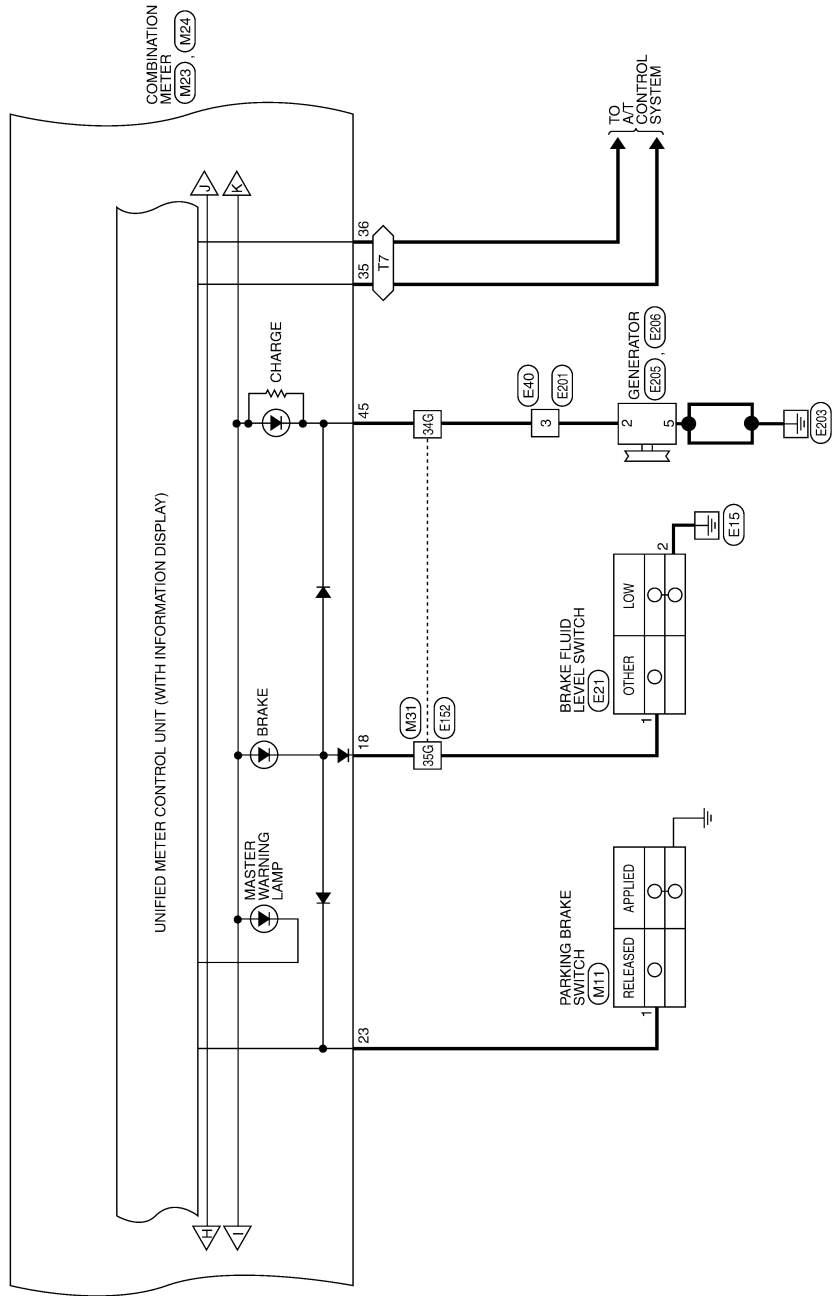
A
B
C
D
E
F
G
H
I
J
K
L
M
N
O
P

WCS

COMBINATION METER

< ECU DIAGNOSIS >

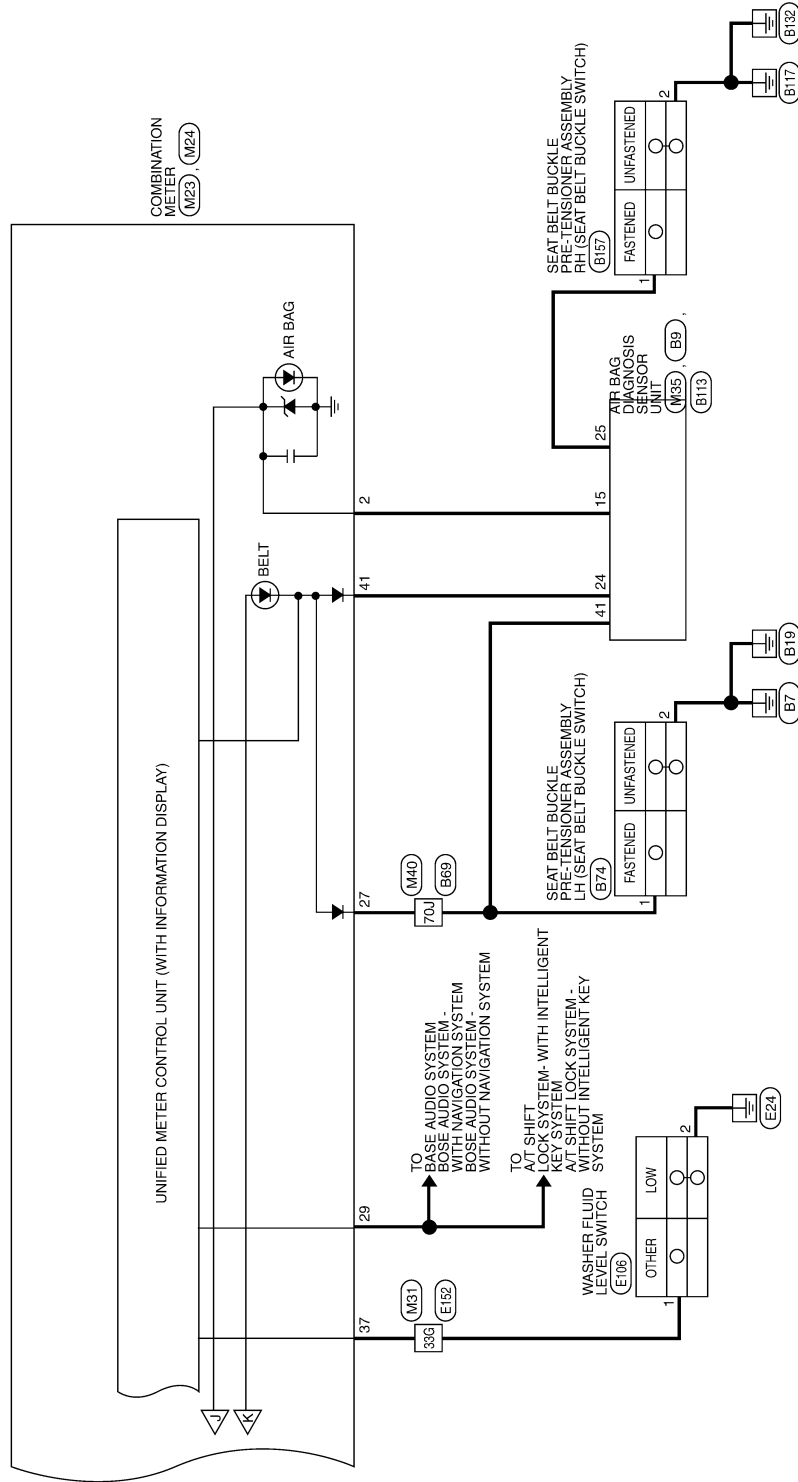
T7 : TRAILER TOW 7 PIN



ABNWA0406GB

COMBINATION METER

< ECU DIAGNOSIS >



ABNWA0407GB

A
B
C
D
E
F
G
H
I
J
K
L
M
N
O
P

WCS

COMBINATION METER

< ECU DIAGNOSIS >

METER CONNECTORS

Connector No.	M4
Connector Name	FUSE BLOCK (J/B)
Connector Color	WHITE



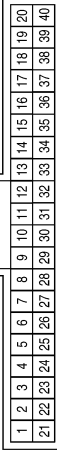
Terminal No.	Color of Wire	Signal Name
5P	O/L	-
13P	P	-

Connector No.	M11
Connector Name	PARKING BRAKE SWITCH
Connector Color	BLACK



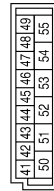
Terminal No.	Color of Wire	Signal Name
1	G	-

Connector No.	M18
Connector Name	BCM (BODY CONTROL MODULE)
Connector Color	WHITE



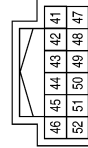
Terminal No.	Color of Wire	Signal Name
12	R/L	DOOR SW (AS)
13	GR	DOOR SW (RR)
23	G/O	SECURITY INDICATOR OUTPUT
39	L	CAN-H
40	P	CAN-L

Connector No.	M19
Connector Name	BCM (BODY CONTROL MODULE)
Connector Color	WHITE



Terminal No.	Color of Wire	Signal Name
42	GR	GLASS HATCH SW
43	R/B	BACK DOOR SW
47	SB	DOOR SW (DR)
48	R/Y	DOOR SW (RL)

Connector No.	M23
Connector Name	COMBINATION METER
Connector Color	WHITE



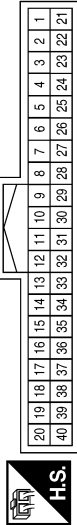
Terminal No.	Color of Wire	Signal Name
41	P/L	PASS SEAT BELT
42	-	-
43	-	-
44	-	-

Terminal No.	Color of Wire	Signal Name
45	B/W	CHARGE IN
46	-	-
47	-	-
48	-	-
49	-	-
50	BR	ILL LED CON OUTPUT
51	-	-
52	B	ILL GND

COMBINATION METER

< ECU DIAGNOSIS >

Connector No.	M24
Connector Name	COMBINATION METER
Connector Color	WHITE

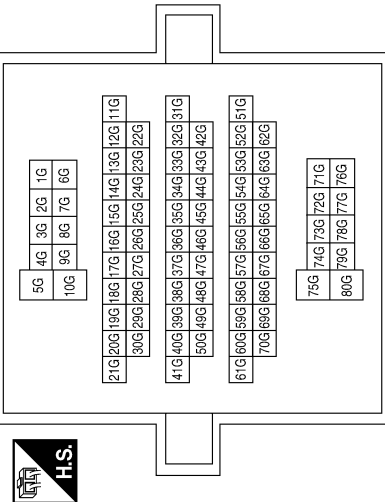


Terminal No.	Color of Wire	Signal Name
1	O	ACCESSORY
2	P	AIR BAG
3	BR	AIR LEVELIZER
4	Y/G	AT 1 RANGE
5	SB	AT 4 RANGE
6	L/B	ATP+
7	R/B	ATP-
8	P	BATTERY
9	B	GND
10	-	-

Terminal No.	Color of Wire	Signal Name
11	L	CAN-H
12	P	CAN-L
13	-	-
14	-	-
15	Y/L	FUEL IN
16	B/P	ANALOG GND
17	-	-
18	P/B	BRAKE FLUID
19	-	-
20	-	-
21	-	-
22	-	-
23	G	PARK BRAKE
24	O/L	RUN/START
25	-	-
26	-	-

Terminal No.	Color of Wire	Signal Name
27	O/B	SEATBELT
28	G/O	SECURITY
29	W/R	SPEED OUT
30	BR	TF AUTO
31	L	TF LOCK
32	B/W	TF 2WD
33	W/G	TF 4LO
34	W/B	TF 4WD
35	LG/R	TOW MODE
36	Y/V	TOW MODE LAMP
37	W/L	WASHER FLUID
38	-	-
39	B/R	PN ATCU
40	GR/R	PN REVERSE

Connector No.	M31
Connector Name	WIRE TO WIRE
Connector Color	WHITE



Terminal No.	Color of Wire	Signal Name
31G	L	-
33G	W/L	-
34G	BR/W	-
35G	P/B	-
36G	Y/L	-
41G	B/P	-
42G	P	-
51G	B/W	-
52G	BR	-
53G	L	-
54G	W/G	-
55G	L/Y	-

Terminal No.	Color of Wire	Signal Name
63G	W/B	-
64G	L/B	-

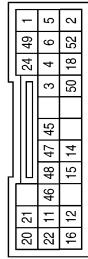
ABNIA1278GB

A
B
C
D
E
F
G
H
I
J
K
L
M
N
O
P

COMBINATION METER

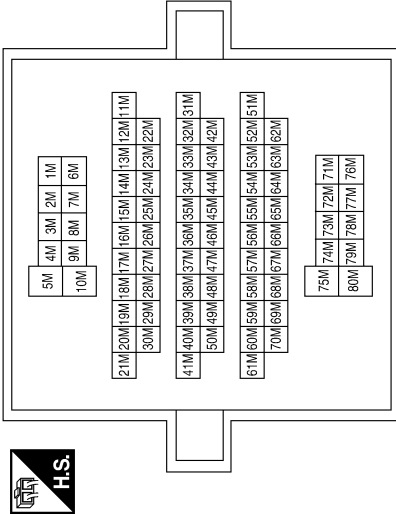
< ECU DIAGNOSIS >

Connector No.	M35
Connector Name	AIR BAG DIAGNOSIS SENSOR UNIT
Connector Color	YELLOW



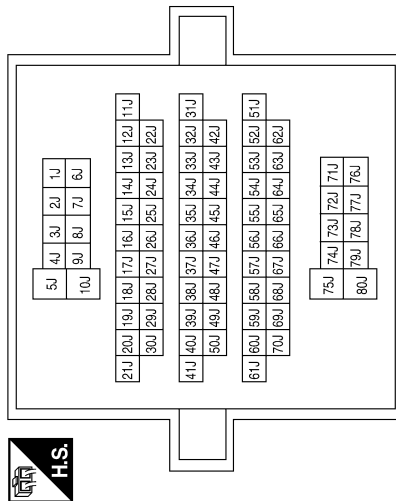
Terminal No.	Color of Wire	Signal Name
15	P	WARN LAMP
24	P/L	SEATBELT MINDER

Connector No.	M36
Connector Name	WIRE TO WIRE
Connector Color	WHITE



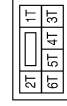
Terminal No.	Color of Wire	Signal Name
55M	GR	-
56M	GR	-
61M	R/L	-
65M	R/B	-

Connector No.	M40
Connector Name	WIRE TO WIRE
Connector Color	WHITE



Terminal No.	Color of Wire	Signal Name
51J	L	-
52J	P	-
60J	SB	-
61J	R/Y	-
62J	BR	-
70J	O/B	-

Connector No.	M60
Connector Name	FUSE BLOCK (J/B)
Connector Color	WHITE



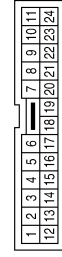
Terminal No.	Color of Wire	Signal Name
6T	O	-

ABNIA0041GB

COMBINATION METER

< ECU DIAGNOSIS >

Connector No.	E5
Connector Name	WIRE TO WIRE
Connector Color	WHITE



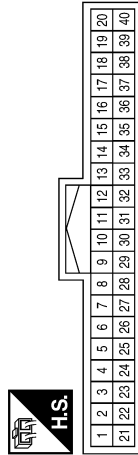
Terminal No.	Color of Wire	Signal Name
1	GR	-
3	L	-
5	L	-
14	P	-
15	P	-

Connector No.	M140
Connector Name	DIODE-2
Connector Color	BLACK



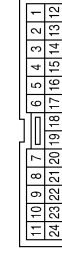
Terminal No.	Color of Wire	Signal Name
1	L/Y	-
2	R/B	-

Connector No.	M70
Connector Name	INTELLIGENT KEY UNIT
Connector Color	WHITE



Terminal No.	Color of Wire	Signal Name
2	L	CAN-H
3	P	CAN-L

Connector No.	E34
Connector Name	WIRE TO WIRE
Connector Color	WHITE



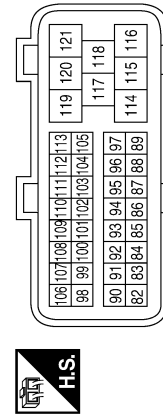
Terminal No.	Color of Wire	Signal Name
23	P	-
24	L	-

Connector No.	E21
Connector Name	BRAKE FLUID LEVEL SWITCH
Connector Color	GRAY



Terminal No.	Color of Wire	Signal Name
1	P/B	-
2	B	-

Connector No.	E16
Connector Name	ECM
Connector Color	BLACK



Terminal No.	Color of Wire	Signal Name
86	P	CAN-L
94	L	CAN-H

ABNIA1280GB

A
B
C
D
E
F
G
H
I
J
K
L
M
O
P



COMBINATION METER

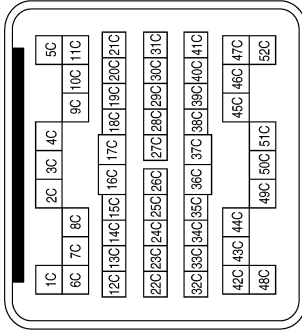
< ECU DIAGNOSIS >

Connector No.	E40
Connector Name	WIRE TO WIRE
Connector Color	BLACK



Terminal No.	Color of Wire	Signal Name
3	BR/W	-

Connector No.	E41
Connector Name	WIRE TO WIRE
Connector Color	GRAY



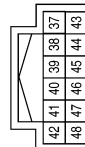
Terminal No.	Color of Wire	Signal Name
43C	B/P	-
44C	Y/L	-

Connector No.	E106
Connector Name	WASHER FLUID LEVEL SWITCH
Connector Color	BROWN



Terminal No.	Color of Wire	Signal Name
1	W/L	-
2	B	-

Connector No.	E122
Connector Name	IPDM E/R (INTELLIGENT POWER DISTRIBUTION MODULE ENGINE ROOM)
Connector Color	WHITE



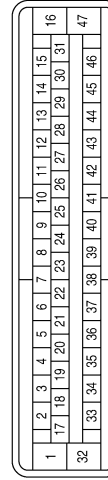
Terminal No.	Color of Wire	Signal Name
38	B	GND (SIGNAL)
39	L	CAN-H
40	P	CAN-L
42	GR	OIL PRESSURE SW

Connector No.	E124
Connector Name	IPDM E/R (INTELLIGENT POWER DISTRIBUTION MODULE ENGINE ROOM)
Connector Color	BLACK



Terminal No.	Color of Wire	Signal Name
59	B	GND (POWER)

Connector No.	E125
Connector Name	ABS ACTUATOR AND ELECTRIC UNIT (CONTROL UNIT)
Connector Color	BLACK

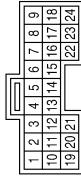


Terminal No.	Color of Wire	Signal Name
11	L	CAN-H
15	P	CAN-L

COMBINATION METER

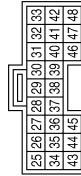
< ECU DIAGNOSIS >

Connector No.	E142
Connector Name	TRANSFER CONTROL UNIT
Connector Color	WHITE



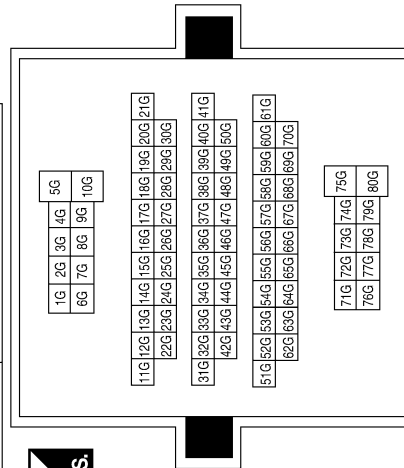
Terminal No.	Color of Wire	Signal Name
2	B/W	2WD IND
5	W/B	ETS FAIL
11	L	LOCK IND
12	W/G	4LO IND
15	L/B	ATP IND
21	BR	AUTO IND

Connector No.	E143
Connector Name	TRANSFER CONTROL UNIT
Connector Color	GRAY



Terminal No.	Color of Wire	Signal Name
40	L/Y	ATP SW

Connector No.	E152
Connector Name	WIRE TO WIRE
Connector Color	WHITE



Terminal No.	Color of Wire	Signal Name
31G	L	-
33G	W/L	-
34G	BR/W	-
35G	P/B	-
36G	Y/L	-
41G	B/P	-
42G	P	-
51G	B/W	-
52G	BR	-
53G	L	-
54G	W/G	-
55G	L/Y	-
63G	W/B	-
64G	L/B	-

Connector No.	E201
Connector Name	WIRE TO WIRE
Connector Color	BLACK



Terminal No.	Color of Wire	Signal Name
3	BR/W	-

ABNIA1282GB

A
B
C
D
E
F
G
H
I
J
K
L
M
N
O
P

WCS

COMBINATION METER

< ECU DIAGNOSIS >

Connector No.	E205
Connector Name	GENERATOR
Connector Color	BLACK



Terminal No.	2	Color of Wire	BR/W	Signal Name	-
--------------	---	---------------	------	-------------	---

Connector No.	E206
Connector Name	GENERATOR
Connector Color	-



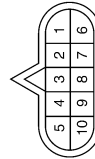
Terminal No.	5	Color of Wire	B	Signal Name	-
--------------	---	---------------	---	-------------	---

Connector No.	F4
Connector Name	OIL PRESSURE SWITCH
Connector Color	GRAY



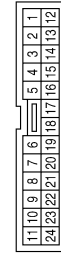
Terminal No.	1	Color of Wire	GR	Signal Name	-
--------------	---	---------------	----	-------------	---

Connector No.	F9
Connector Name	A/T ASSEMBLY
Connector Color	GREEN



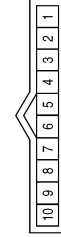
Terminal No.	3	Color of Wire	L	Signal Name	-
	8	Color of Wire	P	Signal Name	-

Connector No.	F14
Connector Name	WIRE TO WIRE
Connector Color	WHITE



Terminal No.	1	Color of Wire	GR	Signal Name	-
	3	Color of Wire	L	Signal Name	-
	5	Color of Wire	L	Signal Name	-
	14	Color of Wire	P	Signal Name	-
	15	Color of Wire	P	Signal Name	-

Connector No.	F502
Connector Name	TCM (TRANSMISSION CONTROL MODULE)
Connector Color	GRAY



Terminal No.	1	Color of Wire	BR	Signal Name	CAN-H
	2	Color of Wire	L/Y	Signal Name	CAN-L
	3	Color of Wire	W/Y	Signal Name	ATF SENS 2-
	5	Color of Wire	W/R	Signal Name	ATF SENS 2+

COMBINATION METER

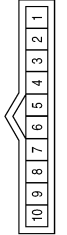
< ECU DIAGNOSIS >

Connector No.	F507
Connector Name	AT FLUID TEMPERATURE SENSOR-2
Connector Color	WHITE



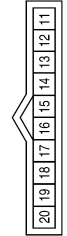
Terminal No.	Color of Wire	Signal Name
1	W/Y	-
2	W/R	-

Connector No.	F505
Connector Name	TRANSMISSION RANGE SWITCH
Connector Color	GRAY



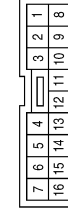
Terminal No.	Color of Wire	Signal Name
1	BR	S1
2	W	S4
3	GR	S2
5	L	S3
6	G	-
7	O	-

Connector No.	F503
Connector Name	TCM (TRANSMISSION CONTROL MODULE)
Connector Color	GREEN



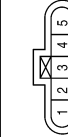
Terminal No.	Color of Wire	Signal Name
11	W	INH-SW4
12	GR	INH-SW2
13	BR	INH-SW1
14	L	INH-SW3
18	O	ATF SENS 1-
19	G	ATF SENS 1+

Connector No.	B3
Connector Name	SUSPENSION CONTROL UNIT
Connector Color	WHITE



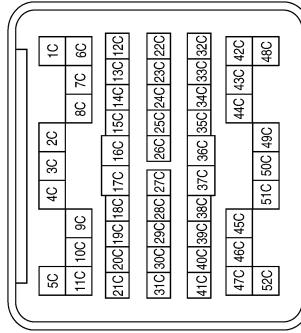
Terminal No.	Color of Wire	Signal Name
10	BR	WARNING LAMP OUTPUT

Connector No.	C5
Connector Name	FUEL LEVEL SENSOR UNIT AND FUEL PUMP
Connector Color	GRAY



Terminal No.	Color of Wire	Signal Name
2	Y/L	-
5	B/P	-

Connector No.	C1
Connector Name	WIRE TO WIRE
Connector Color	GRAY



Terminal No.	Color of Wire	Signal Name
43C	B/P	-
44C	Y/L	-

ABN1A1284GB

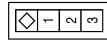
A
B
C
D
E
F
G
H
I
J
K
L
M
N
O
P

WCS

COMBINATION METER

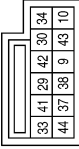
< ECU DIAGNOSIS >

Connector No.	B8
Connector Name	FRONT DOOR SWITCH LH
Connector Color	WHITE



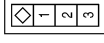
Terminal No.	Color of Wire	Signal Name
2	SB	-

Connector No.	B9
Connector Name	AIR BAG DIAGNOSIS SENSOR UNIT
Connector Color	YELLOW



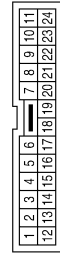
Terminal No.	Color of Wire	Signal Name
41	O/B	BUCKLE SW LH

Connector No.	B18
Connector Name	REAR DOOR SWITCH LH
Connector Color	WHITE



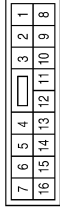
Terminal No.	Color of Wire	Signal Name
2	R/Y	-

Connector No.	B40
Connector Name	WIRE TO WIRE
Connector Color	WHITE



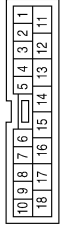
Terminal No.	Color of Wire	Signal Name
23	P	-
24	L	-

Connector No.	B43
Connector Name	WIRE TO WIRE
Connector Color	WHITE



Terminal No.	Color of Wire	Signal Name
10	R/W	-

Connector No.	B48
Connector Name	WIRE TO WIRE
Connector Color	WHITE

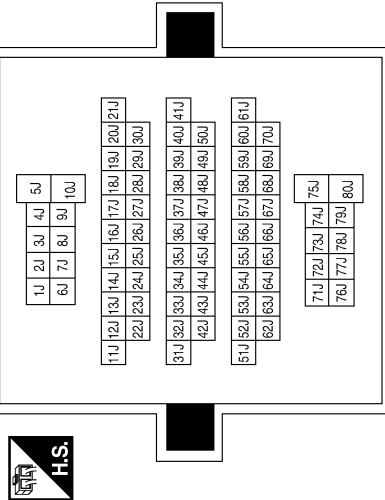


Terminal No.	Color of Wire	Signal Name
14	B	-
15	R/W	-

COMBINATION METER

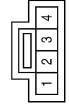
< ECU DIAGNOSIS >

Connector No.	B69
Connector Name	WIRE TO WIRE
Connector Color	WHITE



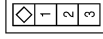
Terminal No.	Color of Wire	Signal Name
51J	L	-
52J	P	-
60J	SB	-
61J	R/Y	-
62J	BR	-
70J	O/B	-

Connector No.	B74
Connector Name	SEAT BELT BUCKLE PRE-TENSIONER ASSEMBLY LH
Connector Color	YELLOW



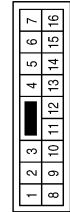
Terminal No.	Color of Wire	Signal Name
1	O/B	-
2	B	-

Connector No.	B108
Connector Name	FRONT DOOR SWITCH RH
Connector Color	WHITE



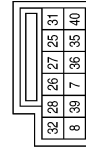
Terminal No.	Color of Wire	Signal Name
2	R/L	-

Connector No.	B111
Connector Name	WIRE TO WIRE
Connector Color	WHITE



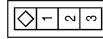
Terminal No.	Color of Wire	Signal Name
10	R/W	-

Connector No.	B113
Connector Name	AIR BAG DIAGNOSIS SENSOR UNIT
Connector Color	YELLOW



Terminal No.	Color of Wire	Signal Name
25	L	BUCKLE SW RH

Connector No.	B116
Connector Name	REAR DOOR SWITCH RH
Connector Color	WHITE



Terminal No.	Color of Wire	Signal Name
2	GR	-

ABNIA1286GB

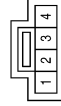
A
B
C
D
E
F
G
H
I
J
K
L
M
N
O
P

WCS

COMBINATION METER

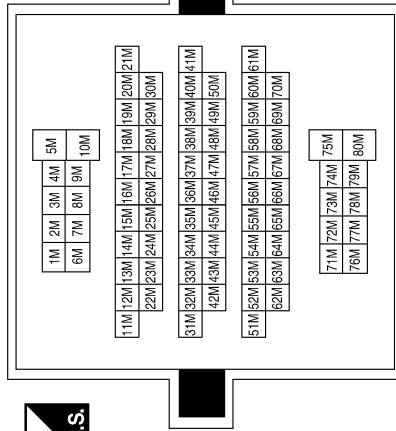
< ECU DIAGNOSIS >

Connector No.	B157
Connector Name	SEAT BELT BUCKLE PRE-TENSIONER ASSEMBLY RH
Connector Color	YELLOW



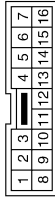
Terminal No.	Color of Wire	Signal Name
1	L	-
2	B	-

Connector No.	B149
Connector Name	WIRE TO WIRE
Connector Color	WHITE



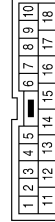
Terminal No.	Color of Wire	Signal Name
55M	GR	-
56M	GR	-
61M	R/L	-
65M	R/W	-

Connector No.	B139
Connector Name	WIRE TO WIRE
Connector Color	WHITE



Terminal No.	Color of Wire	Signal Name
13	GR	-

Connector No.	D501
Connector Name	WIRE TO WIRE
Connector Color	WHITE



Connector No.	D405
Connector Name	WIRE TO WIRE
Connector Color	WHITE



Connector No.	D401
Connector Name	WIRE TO WIRE
Connector Color	WHITE



Terminal No.	Color of Wire	Signal Name
14	B	-
15	R/W	-

Terminal No.	Color of Wire	Signal Name
14	B	-
15	R/W	-

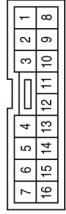
Terminal No.	Color of Wire	Signal Name
14	B	-
15	R/W	-

ABNIA1287GB

COMBINATION METER

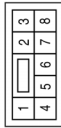
< ECU DIAGNOSIS >

Connector No.	D602
Connector Name	WIRE TO WIRE
Connector Color	WHITE



Terminal No.	13	Color of Wire	GR	Signal Name	-
--------------	----	---------------	----	-------------	---

Connector No.	D503
Connector Name	BACK DOOR LATCH
Connector Color	WHITE



Terminal No.	7	Color of Wire	R/W	Signal Name	-
8	B	-	-	-	-

Connector No.	D502
Connector Name	BACK DOOR SWITCH
Connector Color	WHITE



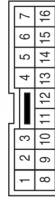
Terminal No.	1	Color of Wire	B	Signal Name	-
3	R/W	-	-	-	-

Connector No.	D707
Connector Name	GLASS HATCH AJAR SWITCH
Connector Color	BLACK



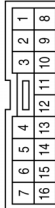
Terminal No.	1	Color of Wire	GR	Signal Name	-
--------------	---	---------------	----	-------------	---

Connector No.	D701
Connector Name	WIRE TO WIRE
Connector Color	WHITE



Terminal No.	13	Color of Wire	GR	Signal Name	-
--------------	----	---------------	----	-------------	---

Connector No.	D606
Connector Name	WIRE TO WIRE
Connector Color	WHITE



Terminal No.	13	Color of Wire	GR	Signal Name	-
--------------	----	---------------	----	-------------	---

Fail Safe

The combination meter performs a fail-safe operation for the functions listed below when communication is lost.

ABNIA1288GB

INFOID:000000005252118

A
B
C
D
E
F
G
H
I
J
K
L
M
O
P



COMBINATION METER

< ECU DIAGNOSIS >

Function		Specifications
Speedometer		Zero indication.
Tachometer		
Fuel gauge		
Engine coolant temperature gauge		
Engine oil pressure gauge		
Voltage gauge		
A/T oil temperature gauge		
Illumination control	Meter illumination	Change to nighttime mode when communication is lost.
Segment LCD	Odometer	Freeze current indication.
	A/T position	Display turns off.
Buzzer		Buzzer turns off.
Warning lamp/indicator lamp	ABS warning lamp	Lamp turns on when communication is lost.
	Brake warning lamp	
	VDC OFF indicator lamp	
	SLIP indicator lamp	
	A/T CHECK warning lamp	Lamp turns off when communication is lost.
	Oil pressure/coolant temperature warning lamp	
	Malfunction indicator lamp	
	Master warning lamp	
	Air bag warning lamp	
	High beam indicator	Lamp turns off when disconnected.
	Turn signal indicator lamp	
	Intelligent Key system warning lamp	
	Driver and passenger seat belt warning lamp	
	Charge warning lamp	
	Security indicator lamp	
	4WD indicator lamp	
ATP indicator lamp		
CK SUSP warning lamp	Lamp will flash every second for 1 minute and then stay on continuously thereafter.	
Low tire pressure warning lamp		

DTC Index

INFOID:000000005252119

CONSULT-III display	Malfunction	Reference page
CAN COMM CIRC [U1000]	Malfunction is detected in CAN communication. CAUTION: Even when there is no malfunction on CAN communication system, malfunction may be misinterpreted when battery has low voltage (when maintaining 7 - 8 V for about 2 seconds) or 10A fuse [No. 3, located in the fuse block (J/B)] is disconnected.	MWI-30
VEHICLE SPEED CIRC [B2205]	Malfunction is detected when an erroneous speed signal is input. CAUTION: Even when there is no malfunction on speed signal system, malfunction may be misinterpreted when battery has low voltage (when maintaining 7 - 8 V for about 2 seconds).	MWI-31

NOTE:

COMBINATION METER

< ECU DIAGNOSIS >

“TIME” indicates the following.

- 0: Indicates that a malfunction is detected at present.
- 1-63: Indicates that a malfunction was detected in the past. (Displays number of ignition switch OFF → ON cycles after malfunction is detected. Self-diagnosis result is erased when “63” is exceeded.)

A

B

C

D

E

F

G

H

I

J

K

L

M

WCS

O

P

BCM (BODY CONTROL MODULE)

< ECU DIAGNOSIS >

BCM (BODY CONTROL MODULE)

Reference Value

INFOID:000000005252105

VALUES ON THE DIAGNOSIS TOOL

Monitor Item	Condition	Value/Status
AIR COND SW	A/C switch OFF	OFF
	A/C switch ON	ON
AUT LIGHT SYS	Outside of the room is dark	OFF
	Outside of the room is bright	ON
AUTO LIGHT SW	Lighting switch OFF	OFF
	Lighting switch AUTO	ON
BACK DOOR SW	Back door closed	OFF
	Back door opened	ON
CARGO LAMP SW	Cargo lamp switch OFF	OFF
	Cargo lamp switch ON	ON
CDL LOCK SW	Door lock/unlock switch does not operate	OFF
	Press door lock/unlock switch to the LOCK side	ON
CDL UNLOCK SW	Door lock/unlock switch does not operate	OFF
	Press door lock/unlock switch to the UNLOCK side	ON
DOOR SW-AS	Front door RH closed	OFF
	Front door RH opened	ON
DOOR SW-DR	Front door LH closed	OFF
	Front door LH opened	ON
DOOR SW-RL	Rear door LH closed	OFF
	Rear door LH opened	ON
DOOR SW-RR	Rear door RH closed	OFF
	Rear door RH opened	ON
ENGINE RUN	Engine stopped	OFF
	Engine running	ON
FR FOG SW	Front fog lamp switch OFF	OFF
	Front fog lamp switch ON	ON
FR WASHER SW	Front washer switch OFF	OFF
	Front washer switch ON	ON
FR WIPER LOW	Front wiper switch OFF	OFF
	Front wiper switch LO	ON
FR WIPER HI	Front wiper switch OFF	OFF
	Front wiper switch HI	ON
FR WIPER INT	Front wiper switch OFF	OFF
	Front wiper switch INT	ON
FR WIPER STOP	Any position other than front wiper stop position	OFF
	Front wiper stop position	ON
HAZARD SW	When hazard switch is not pressed	OFF
	When hazard switch is pressed	ON

BCM (BODY CONTROL MODULE)

< ECU DIAGNOSIS >

Monitor Item	Condition	Value/Status	
LIGHT SW 1ST	Lighting switch OFF	OFF	A
	Lighting switch 1st	ON	
HEAD LAMP SW1	Headlamp switch OFF	OFF	B
	Headlamp switch 1st	ON	
HEAD LAMP SW2	Headlamp switch OFF	OFF	C
	Headlamp switch 1st	ON	
HI BEAM SW	High beam switch OFF	OFF	D
	High beam switch HI	ON	
IGN ON SW	Ignition switch OFF or ACC	OFF	E
	Ignition switch ON	ON	
IGN SW CAN	Ignition switch OFF or ACC	OFF	F
	Ignition switch ON	ON	
INT VOLUME	Wiper intermittent dial is in a dial position 1 - 7	1 - 7	F
I-KEY LOCK ¹	LOCK button of Intelligent Key is not pressed	OFF	G
	LOCK button of Intelligent Key is pressed	ON	
I-KEY UNLOCK ¹	UNLOCK button of Intelligent Key is not pressed	OFF	H
	UNLOCK button of Intelligent Key is pressed	ON	
KEY CYL LK-SW	Door key cylinder LOCK position	ON	I
	Door key cylinder other than LOCK position	OF	
KEY CYL UN-SW	Door key cylinder UNLOCK position	ON	J
	Door key cylinder other than UNLOCK position	ON	
KEY ON SW	Mechanical key is removed from key cylinder	OFF	K
	Mechanical key is inserted to key cylinder	ON	
KEYLESS LOCK ²	LOCK button of key fob is not pressed	OFF	L
	LOCK button of key fob is pressed	ON	
KEYLESS UNLOCK ²	UNLOCK button of key fob is not pressed	OFF	M
	UNLOCK button of key fob is pressed	ON	
OIL PRESS SW	<ul style="list-style-type: none"> • Ignition switch OFF or ACC • Engine running 	OFF	
	Ignition switch ON	ON	
OPTICAL SENSOR	Bright outside of the vehicle	Close to 5V	
	Dark outside of the vehicle	Close to 0V	
PASSING SW	Other than lighting switch PASS	OFF	
	Lighting switch PASS	ON	WCS
PUSH SW ¹	Return to ignition switch to LOCK position	OFF	
	Press ignition switch	ON	
REAR DEF SW	Rear window defogger switch OFF	OFF	O
	Rear window defogger switch ON	ON	
RKE LCK-UNLCK	LOCK/UNLOCK buttons of key fob not pressed at same time	OFF	P
	LOCK/UNLOCK buttons of key fob pressed at same time	ON	
RKE KEEP UNLK	UNLOCK button of key fob is not pressed	OFF	
	UNLOCK button of key fob is pressed	ON	
RR WASHER SW	Rear washer switch OFF	OFF	
	Rear washer switch ON	ON	

BCM (BODY CONTROL MODULE)

< ECU DIAGNOSIS >

Monitor Item	Condition	Value/Status
RR WIPER INT	Rear wiper switch OFF	OFF
	Rear wiper switch INT	ON
RR WIPER ON	Rear wiper switch OFF	OFF
	Rear wiper switch ON	ON
RR WIPER STOP	Rear wiper stop position	OFF
	Other than rear wiper stop position	ON
RR WIPER STP2	Rear wiper stop position	OFF
	Other than rear wiper stop position	ON
TRNK OPNR SW	When back door opener switch is not pressed	OFF
	When back door opener switch is pressed	ON
TURN SIGNAL L	Turn signal switch OFF	OFF
	Turn signal switch LH	ON
TURN SIGNAL R	Turn signal switch OFF	OFF
	Turn signal switch RH	ON
VEHICLE SPEED	While driving	Equivalent to speedometer reading

1: With Intelligent Key

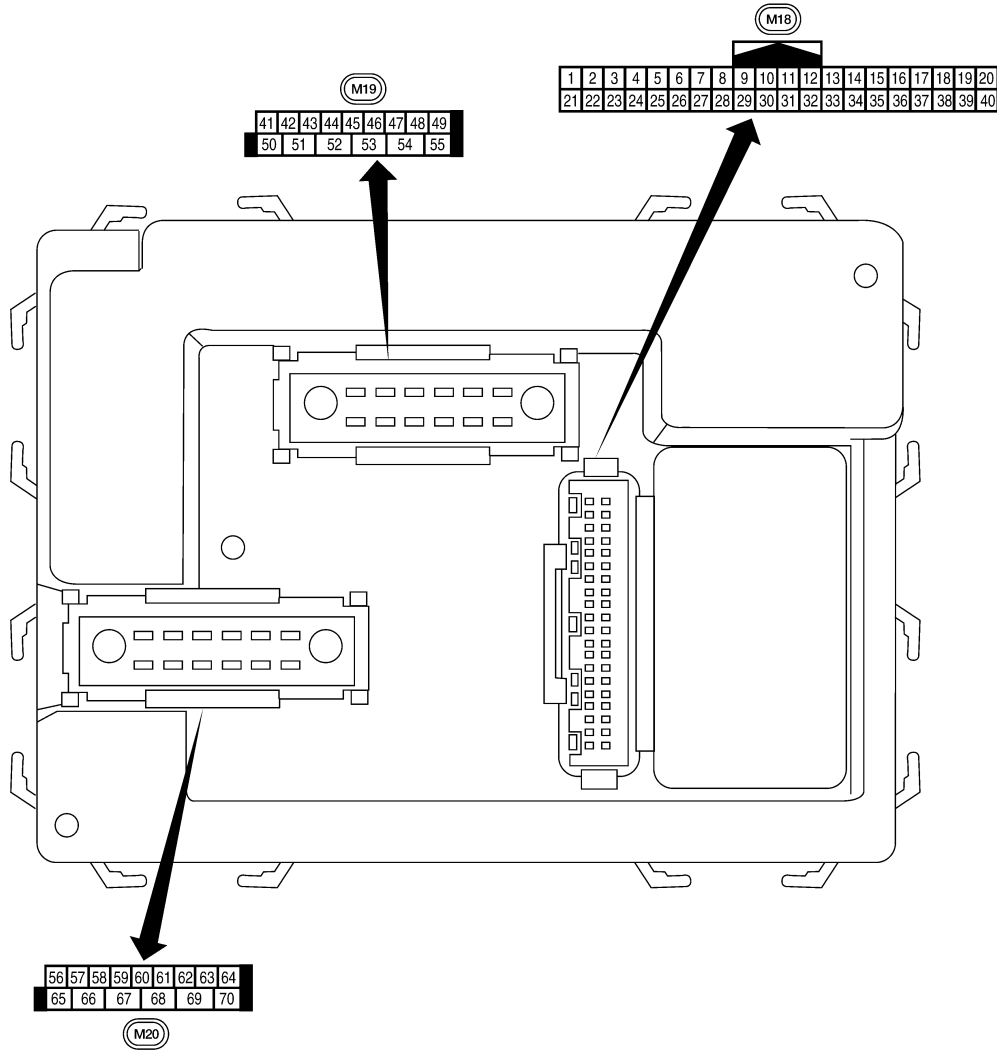
2: With remote keyless entry system

BCM (BODY CONTROL MODULE)

< ECU DIAGNOSIS >

Terminal Layout

INFOID:000000005252106



A
B
C
D
E
F
G
H
I
J
K
L
M

WCS


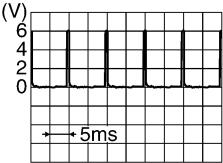

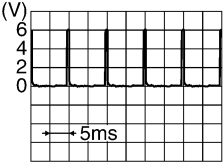
Physical Values

LIA2443E

INFOID:000000005252107

BCM (BODY CONTROL MODULE)

< ECU DIAGNOSIS >

Terminal	Wire color	Signal name	Signal input/output	Measuring condition		Reference value or waveform (Approx.)
				Ignition switch	Operation or condition	
1	BR/W	Ignition keyhole illumination	Output	OFF	Door is locked (SW OFF)	Battery voltage
					Door is unlocked (SW ON)	0V
2	SB	Combination switch input 5	Input	ON	Lighting, turn, wiper OFF Wiper dial position 4	 <p style="text-align: right; font-size: small;">SKIA5291E</p>
3	G/Y	Combination switch input 4	Input	ON	Lighting, turn, wiper OFF Wiper dial position 4	 <p style="text-align: right; font-size: small;">SKIA5292E</p>
4	Y	Combination switch input 3	Input	ON	Lighting, turn, wiper OFF Wiper dial position 4	 <p style="text-align: right; font-size: small;">SKIA5291E</p>
5	G/B	Combination switch input 2	Input	ON	Lighting, turn, wiper OFF Wiper dial position 4	 <p style="text-align: right; font-size: small;">SKIA5292E</p>
6	V	Combination switch input 1				
9	GR/R	Rear window defogger switch	Input	ON	Rear window defogger switch ON	0V
					Rear window defogger switch OFF	5V
10	G	Hazard lamp flash	Input	OFF	ON (opening or closing)	0V
					OFF (other than above)	Battery voltage
11	O	Ignition switch (ACC or ON)	Input	ACC or ON	Ignition switch ACC or ON	Battery voltage
12	R/L	Front door switch RH	Input	OFF	ON (open)	0V
					OFF (closed)	Battery voltage
13	GR	Rear door switch RH	Input	OFF	ON (open)	0V
					OFF (closed)	Battery voltage
15	L/W	Tire pressure warning check connector	Input	OFF	—	5V
18	P	Remote keyless entry receiver and optical sensor (ground)	Output	OFF	—	0V

BCM (BODY CONTROL MODULE)

< ECU DIAGNOSIS >

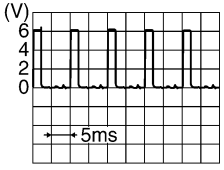
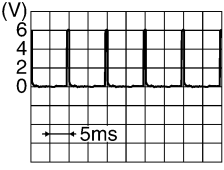
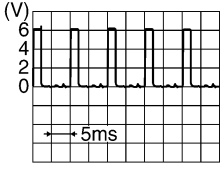
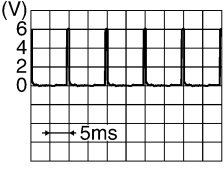
Terminal	Wire color	Signal name	Signal input/output	Measuring condition		Reference value or waveform (Approx.)
				Ignition switch	Operation or condition	
19	V/W	Remote keyless entry receiver (power supply)	Output	OFF	Ignition switch OFF	<p style="text-align: right;">LIA1893E</p>
20	G/W	Remote keyless entry receiver (signal)	Input	OFF	Stand-by (keyfob buttons released)	<p style="text-align: right;">LIA1894E</p>
					When remote keyless entry receiver receives signal from keyfob (keyfob buttons pressed)	<p style="text-align: right;">LIA1895E</p>
21	G	NATS antenna amp.	Input	OFF → ON	Ignition switch (OFF → ON)	Just after turning ignition switch ON: Pointer of tester should move for approx. 1 second, then return to battery voltage.
22	W/V	BUS	—	—	Ignition switch ON or power window timer operates	<p style="text-align: right;">PIIA2344E</p>
23	G/O	Security indicator lamp	Output	OFF	Goes OFF → illuminates (Every 2.4 seconds)	Battery voltage → 0V
25	BR	NATS antenna amp.	Input	OFF → ON	Ignition switch (OFF → ON)	Just after turning ignition switch ON: Pointer of tester should move for approx. 1 second, then return to battery voltage.
26	Y/L	Rear wiper auto stop switch 2	Input	ON	Rise up position (rear wiper arm on stopper)	0V
					A Position (full clockwise stop position)	0V
					Forward sweep (counterclockwise direction)	Fluctuating
					B Position (full counterclockwise stop position)	Battery voltage
					Reverse sweep (clockwise direction)	Fluctuating
27	W/R	Compressor ON signal	Input	ON	A/C switch OFF	5V
					A/C switch ON	0V

A
B
C
D
E
F
G
H
I
J
K
L
M
O
P

WCS

BCM (BODY CONTROL MODULE)

< ECU DIAGNOSIS >

Terminal	Wire color	Signal name	Signal input/output	Measuring condition		Reference value or waveform (Approx.)
				Ignition switch	Operation or condition	
28	L/R	Front blower monitor	Input	ON	Front blower motor OFF	Battery voltage
					Front blower motor ON	0V
29	W/B	Hazard switch	Input	OFF	ON	0V
					OFF	5V
32	R/G	Combination switch output 5	Output	ON	Lighting, turn, wiper OFF Wiper dial position 4	 <p style="text-align: right; font-size: small;">SKIA5291E</p>
33	R/Y	Combination switch output 4	Output	ON	Lighting, turn, wiper OFF Wiper dial position 4	 <p style="text-align: right; font-size: small;">SKIA5292E</p>
34	L	Combination switch output 3	Output	ON	Lighting, turn, wiper OFF Wiper dial position 4	 <p style="text-align: right; font-size: small;">SKIA5291E</p>
35	O/B	Combination switch output 2	Output	ON	Lighting, turn, wiper OFF Wiper dial position 4	 <p style="text-align: right; font-size: small;">SKIA5292E</p>
36	R/W	Combination switch output 1				
37 ¹	B/R	Key switch and ignition knob switch	Input	OFF	Intelligent Key inserted	Battery voltage
					Intelligent Key inserted	0V
37 ²	B/R	Key switch and key lock solenoid	Input	OFF	Key inserted	Battery voltage
					Key inserted	0V
38	W/L	Ignition switch (ON)	Input	ON	—	Battery voltage
39	L	CAN-H	—	—	—	—
40	P	CAN-L	—	—	—	—
42	GR	Glass hatch ajar switch	Input	ON	Glass hatch open	0
					Glass hatch closed	Battery
43	R/B	Back door switch (without power back door) or back door latch (door ajar switch) (with power back door)	Input	OFF	ON (open)	0V
					OFF (closed)	Battery voltage

BCM (BODY CONTROL MODULE)

< ECU DIAGNOSIS >

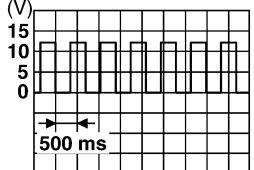
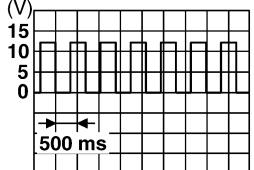
Terminal	Wire color	Signal name	Signal input/output	Measuring condition		Reference value or waveform (Approx.)
				Ignition switch	Operation or condition	
44	O	Rear wiper auto stop switch 1	Input	ON	Rise up position (rear wiper arm on stopper)	0V
					A Position (full clockwise stop position)	Battery voltage
					Forward sweep (counterclockwise direction)	Fluctuating
					B Position (full counterclockwise stop position)	0V
					Reverse sweep (clockwise direction)	Fluctuating
47	SB	Front door switch LH	Input	OFF	ON (open)	0V
					OFF (closed)	Battery voltage
48	R/Y	Rear door switch LH	Input	OFF	ON (open)	0V
					OFF (closed)	Battery voltage
49	R	Cargo lamp	Output	OFF	Any door open (ON)	0V
					All doors closed (OFF)	Battery voltage
51	G/Y	Trailer turn signal (right)	Output	ON	Turn right ON	
52	G/B	Trailer turn signal (left)	Output	ON	Turn left ON	
54	Y	Rear wiper output circuit 2	Input	ON	Rise up position (rear wiper arm on stopper)	0V
					A Position (full clockwise stop position)	0V
					Forward sweep (counterclockwise direction)	0V
					B Position (full counterclockwise stop position)	Battery voltage
					Reverse sweep (clockwise direction)	Battery voltage
55	SB	Rear wiper output circuit 1	Output	ON	OFF	0
					ON	Battery voltage
56	R/G	Battery saver output	Output	OFF	30 minutes after ignition switch is turned OFF	0V
				ON	—	Battery voltage
57	Y/R	Battery power supply	Input	OFF	—	Battery voltage

A
B
C
D
E
F
G
H
I
J
K
L
M
O
P

WCS

BCM (BODY CONTROL MODULE)

< ECU DIAGNOSIS >

Terminal	Wire color	Signal name	Signal input/output	Measuring condition		Reference value or waveform (Approx.)
				Ignition switch	Operation or condition	
58	W/R	Optical sensor	Input	ON	When optical sensor is illuminated	3.1V or more
					When optical sensor is not illuminated	0.6V or less
59	G	Front door lock assembly LH actuator (unlock)	Output	OFF	OFF (neutral)	0V
					ON (unlock)	Battery voltage
60	G/B	Turn signal (left)	Output	ON	Turn left ON	 <p style="text-align: right; font-size: small;">SKIA3009J</p>
61	G/Y	Turn signal (right)	Output	ON	Turn right ON	 <p style="text-align: right; font-size: small;">SKIA3009J</p>
62	R/W	Step lamp LH and RH	Output	OFF	ON (any door open)	0V
					OFF (all doors closed)	Battery voltage
63	L	Interior room/map lamp	Output	OFF	Any door switch	ON (open) 0V OFF (closed) Battery voltage
65	V	All door lock actuators (lock)	Output	OFF	OFF (neutral)	0V
					ON (lock)	Battery voltage
66	G/Y	Front door lock actuator RH, rear door lock actuators LH/RH and back door lock actuator (unlock)	Output	OFF	OFF (neutral)	0V
					ON (unlock)	Battery voltage
67	B	Ground	Input	ON	—	0V
68	W/L	Power window power supply (RAP)	Output	—	Ignition switch ON	Battery voltage
					Within 45 seconds after ignition switch OFF	Battery voltage
					More than 45 seconds after ignition switch OFF	0V
					When front door LH or RH is open or power window timer operates	0V
69	W/R	Power window power supply	Output	—	—	Battery voltage
70	W/B	Battery power supply	Input	OFF	—	Battery voltage

1: With Intelligent Key system

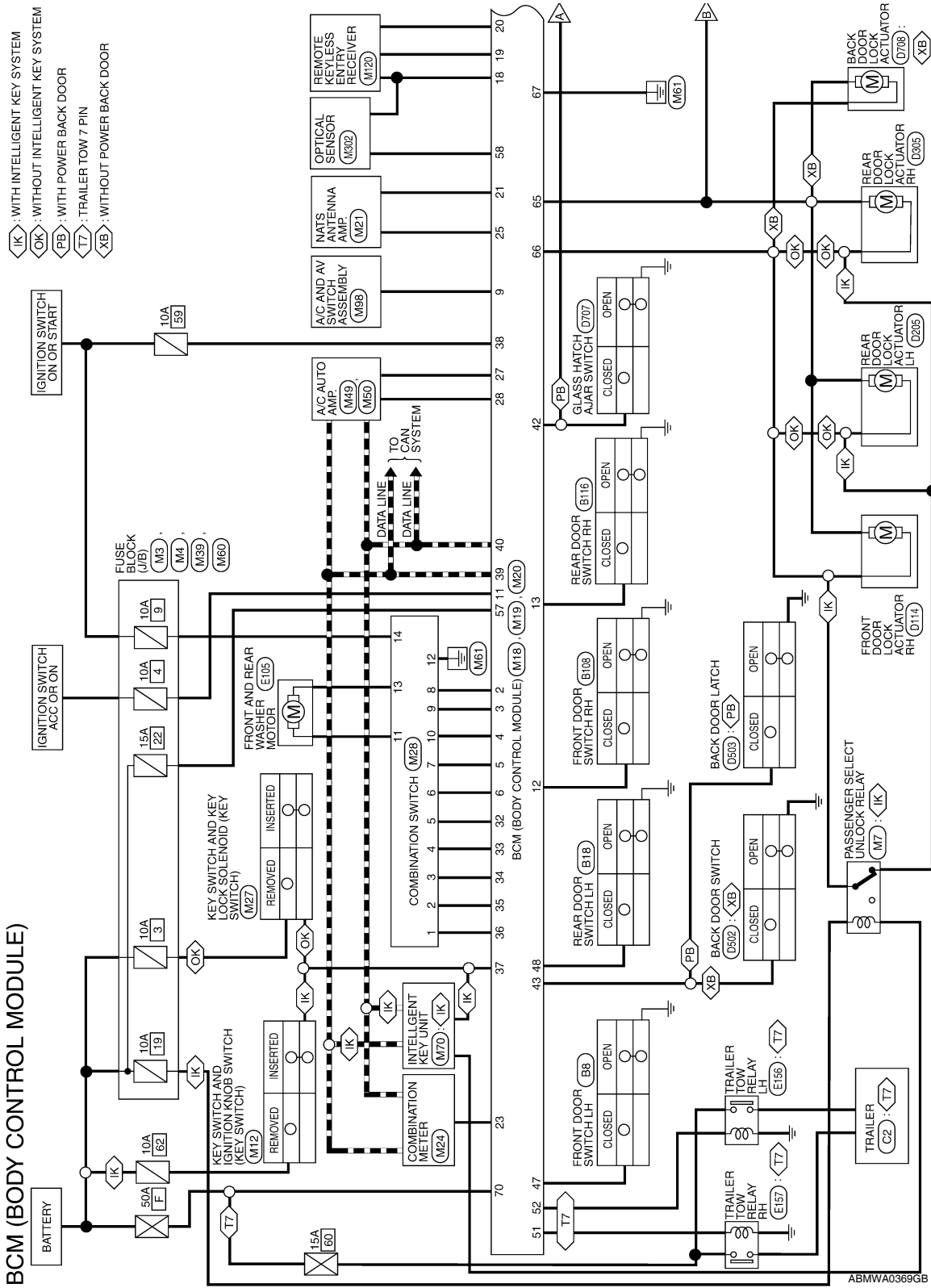
2: With remote keyless entry system

BCM (BODY CONTROL MODULE)

< ECU DIAGNOSIS >

Wiring Diagram

INFOID:000000005252108



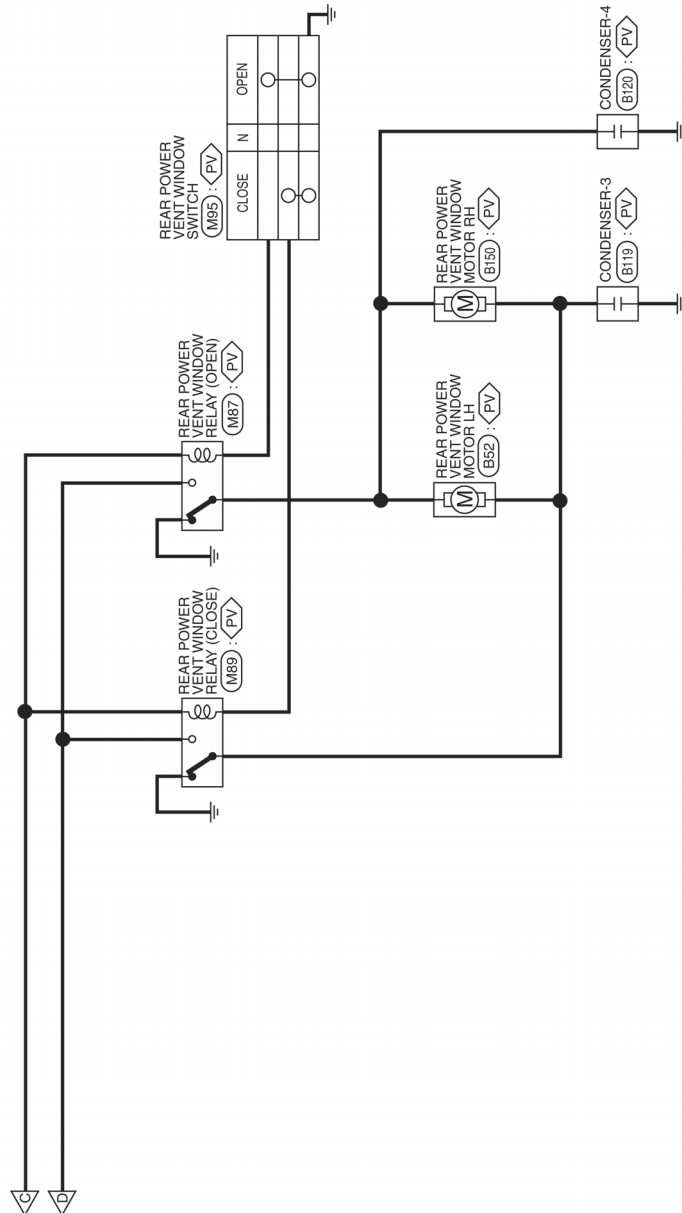
A
B
C
D
E
F
G
H
I
J
K
L
M
N
O
P

WCS

BCM (BODY CONTROL MODULE)

< ECU DIAGNOSIS >

(PV) WITH REAR POWER VENT WINDOWS



A
B
C
D
E
F
G
H
I
J
K
L
M
O
P

WCS

BCM (BODY CONTROL MODULE)

< ECU DIAGNOSIS >

BCM (BODY CONTROL MODULE) CONNECTORS

Connector No.	M18
Connector Name	BCM (BODY CONTROL MODULE)
Connector Color	WHITE



1	2	3	4	5	6	7	8	9	10	11	12	13	14	15	16	17	18	19	20
21	22	23	24	25	26	27	28	29	30	31	32	33	34	35	36	37	38	39	40

Terminal No.	Color of Wire	Signal Name
1	BR/W	KEY RING OUTPUT
2	SB	INPUT 5
3	G/Y	INPUT 4
4	Y	INPUT 3
5	G/B	INPUT 2
6	V	INPUT 1
7	-	-
8	-	-
9	GR/R	REAR DEFOGGER SW
10	G	IVCS INPUT
11	O	ACC SW
12	R/L	DOOR SW (AS)
13	GR	DOOR SW (RR)
14	-	-
15	L/W	TPMS MODE TRIGGER SW

Terminal No.	Color of Wire	Signal Name
16	-	-
17	-	-
18	P	KEYLESS AND AUTO LIGHT SENSOR GND
19	V/W	KEYLESS TUNER POWER SUPPLY OUTPUT
20	G/W	KEYLESS TUNER SIGNAL
21	G	IMMOBILIZER ANTENNA SIGNAL (CLOCK)
22	W/V	ANTI-PINCH SERIAL LINK (RX, TX)
23	G/O	SECURITY INDICATOR OUTPUT
24	-	-
25	BR	IMMOBILIZER ANTENNA SIGNAL (RX, TX)
26	Y/L	REAR WIPER AUTO STOP SW2
27	W/R	AIRCON SW
28	L/R	BLOWER FAN SW
29	W/B	HAZARD SW
30	-	-
31	-	-
32	R/G	OUTPUT 5
33	R/Y	OUTPUT 4
34	L	OUTPUT 3
35	O/B	OUTPUT 2
36	R/W	OUTPUT 1
37	B/R	KEY SW
38	W/L	IGN SW
39	L	CAN-H
40	P	CAN-L

Connector No.	M19
Connector Name	BCM (BODY CONTROL MODULE)
Connector Color	WHITE



41	42	43	44	45	46	47	48	49	50	51	52	53	54	55
----	----	----	----	----	----	----	----	----	----	----	----	----	----	----

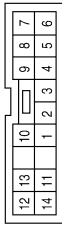
Terminal No.	Color of Wire	Signal Name
41	-	-
42	GR	GLASS HATCH SW
43	R/B	BACK DOOR SW
44	O	REAR WIPER AUTO STOP SW1
45	-	-
46	-	-
47	SB	DOOR SW (DR)
48	R/Y	DOOR SW (RL)
49	R	LUGGAGE LAMP OUTPUT
50	-	-
51	G/Y	TRAILER FLASHER OUTPUT (RIGHT)
52	G/B	TRAILER FLASHER OUTPUT (LEFT)
53	-	-
54	Y	REAR WIPER MOTOR OUTPUT 2
55	SB	REAR WIPER MOTOR OUTPUT 1

BCM (BODY CONTROL MODULE)

< ECU DIAGNOSIS >

A
B
C
D
E
F
G
H
I
J
K
L
M
N
O
P

Connector No.	M28
Connector Name	COMBINATION SWITCH
Connector Color	WHITE



Terminal No.	Color of Wire	Signal Name
1	R/W	INPUT 1
2	O/B	INPUT 2
3	L	INPUT 3
4	R/Y	INPUT 4
5	R/G	INPUT 5
6	V	OUTPUT 1
7	G/B	OUTPUT 2
8	SB	OUTPUT 5
9	G/Y	OUTPUT 4
10	Y	OUTPUT 3
11	V/W	WASHER MOTOR
12	B	GND
13	W/R	WASHER MOTOR
14	R/L	IGN

Connector No.	M20
Connector Name	BCM (BODY CONTROL MODULE)
Connector Color	BLACK



Terminal No.	Color of Wire	Signal Name
56	R/G	BATTERY SAVER OUTPUT
57	Y/R	BAT (FUSE)
58	W/R	AUTO LIGHT SENSOR INPUT 2
59	G	DOOR UNLOCK OUTPUT (DR)
60	G/B	FLASHER OUTPUT (LEFT)
61	G/Y	FLASHER OUTPUT (RIGHT)
62	R/W	STEP LAMP OUTPUT
63	L	ROOM LAMP OUTPUT
64	-	-
65	V	DOOR LOCK OUTPUT (ALL)
66	G/Y	DOOR UNLOCK OUTPUT (OTHER)
67	B	GND (POWER)
68	W/L	POWER WINDOW POWER SUPPLY (LINKED TO RAP)
69	W/R	POWER WINDOW POWER SUPPLY (BAT)
70	W/B	BAT (F/L)

WCS

Fail Safe

ABMIA1056GB

INFOID:000000005252109

Fail-safe index

BCM performs fail-safe control when any DTC listed below is detected.

BCM (BODY CONTROL MODULE)

< ECU DIAGNOSIS >

Display contents of CONSULT	Fail-safe	Cancellation
U1000: CAN COMM CIRCUIT	Inhibit engine cranking	When the BCM re-establishes communication with the other modules.

DTC Inspection Priority Chart

INFOID:000000005252110

If some DTCs are displayed at the same time, perform inspections one by one based on the following priority chart.

Priority	DTC
1	<ul style="list-style-type: none"> U1000: CAN COMM CIRCUIT
2	<ul style="list-style-type: none"> B2190: NATS ANTENNA AMP B2191: DIFFERENCE OF KEY B2192: ID DISCORD BCM-ECM B2193: CHAIN OF BCM-ECM B2013: STRG COMM 1 B2552: INTELLIGENT KEY B2590: NATS MALFUNCTION
3	<ul style="list-style-type: none"> C1729: VHCL SPEED SIG ERR C1735: IGNITION SIGNAL
4	<ul style="list-style-type: none"> C1708: [NO DATA] FL C1709: [NO DATA] FR C1710: [NO DATA] RR C1711: [NO DATA] RL C1712: [CHECKSUM ERR] FL C1713: [CHECKSUM ERR] FR C1714: [CHECKSUM ERR] RR C1715: [CHECKSUM ERR] RL C1716: [PRESSDATA ERR] FL C1717: [PRESSDATA ERR] FR C1718: [PRESSDATA ERR] RR C1719: [PRESSDATA ERR] RL C1720: [CODE ERR] FL C1721: [CODE ERR] FR C1722: [CODE ERR] RR C1723: [CODE ERR] RL C1724: [BATT VOLT LOW] FL C1725: [BATT VOLT LOW] FR C1726: [BATT VOLT LOW] RR C1727: [BATT VOLT LOW] RL

DTC Index

INFOID:000000005252111

NOTE:

- Details of time display
- CRNT: Displays when there is a malfunction now or after returning to the normal condition until turning ignition switch OFF → ON again.
- 1 - 39: Displayed if any previous malfunction is present when current condition is normal. It increases like 1 → 2 → 3...38 → 39 after returning to the normal condition whenever ignition switch OFF → ON. The counter remains at 39 even if the number of cycles exceeds it. It is counted from 1 again when turning ignition switch OFF → ON after returning to the normal condition if the malfunction is detected again.

CONSULT display	Fail-safe	Intelligent Key warning lamp ON	Tire pressure monitor warning lamp ON	Reference page
No DTC is detected. further testing may be required.	—	—	—	—
U1000: CAN COMM CIRCUIT	—	—	—	BCS-33
B2013: STRG COMM 1	—	—	—	SEC-28

BCM (BODY CONTROL MODULE)

< ECU DIAGNOSIS >

CONSULT display	Fail-safe	Intelligent Key warning lamp ON	Tire pressure monitor warning lamp ON	Reference page	A
B2190: NATS ANTENNA AMP	—	—	—	SEC-31 (with I-Key), SEC-134 (without I-Key)	B
B2191: DIFFERENCE OF KEY	—	—	—	SEC-34 (with I-Key), SEC-137 (without I-Key)	C
B2192: ID DISCORD BCM-ECM	—	—	—	SEC-35 (with I-Key), SEC-138 (without I-Key)	D
B2193: CHAIN OF BCM-ECM	—	—	—	SEC-37 (with I-Key), SEC-140 (without I-Key)	E
B2552: INTELLIGENT KEY	—	—	—	SEC-39	
B2590: NATS MALFUNCTION	—	—	—	SEC-40	
C1708: [NO DATA] FL	—	—	—	WT-14	F
C1709: [NO DATA] FR	—	—	—	WT-16	
C1710: [NO DATA] RR	—	—	—	WT-16	G
C1711: [NO DATA] RL	—	—	—	WT-16	
C1712: [CHECKSUM ERR] FL	—	—	—	WT-16	
C1713: [CHECKSUM ERR] FR	—	—	—	WT-16	H
C1714: [CHECKSUM ERR] RR	—	—	—	WT-16	
C1715: [CHECKSUM ERR] RL	—	—	—	WT-16	I
C1716: [PRESSDATA ERR] FL	—	—	—	WT-18	
C1717: [PRESSDATA ERR] FR	—	—	—	WT-16	J
C1718: [PRESSDATA ERR] RR	—	—	—	WT-16	
C1719: [PRESSDATA ERR] RL	—	—	—	WT-16	K
C1720: [CODE ERR] FL	—	—	—	WT-16	
C1721: [CODE ERR] FR	—	—	—	WT-16	L
C1722: [CODE ERR] RR	—	—	—	WT-16	
C1723: [CODE ERR] RL	—	—	—	WT-16	M
C1724: [BATT VOLT LOW] FL	—	—	—	WT-16	
C1725: [BATT VOLT LOW] FR	—	—	—	WT-16	WCS
C1726: [BATT VOLT LOW] RR	—	—	—	WT-16	
C1727: [BATT VOLT LOW] RL	—	—	—	WT-16	
C1729: VHCL SPEED SIG ERR	—	—	—	WT-19	
C1735: IGN_CIRCUIT_OPEN	—	—	—	—	

THE LIGHT REMINDER WARNING DOES NOT SOUND

< SYMPTOM DIAGNOSIS >

SYMPTOM DIAGNOSIS

THE LIGHT REMINDER WARNING DOES NOT SOUND

Description

INFOID:000000004916547

Light reminder warning does not sound even though headlamp is illuminated.

Diagnosis Procedure

INFOID:000000004916548

1. CHECK COMBINATION SWITCH (LIGHTING SWITCH) OPERATION

Check that the headlamps operate normally by operating the combination switch (lighting switch).

Do they operate normally?

YES >> GO TO 2

NO >> Refer to [EXL-4, "Work Flow"](#).

2. CHECK FRONT DOOR SWITCH LH SIGNAL CIRCUIT

Perform inspection of the front door switch LH signal circuit. Refer to [DLK-73, "Diagnosis Procedure"](#).

Is the inspection result normal?

YES >> GO TO 3

NO >> Repair harness or connector.

3. CHECK FRONT DOOR SWITCH LH

Perform a unit inspection for the front door switch LH. Refer to [DLK-73, "Diagnosis Procedure"](#).

Is the inspection result normal?

YES >> Replace the BCM. Refer to [BCS-60, "Removal and Installation"](#).

NO >> Replace the front door switch LH.

THE SEAT BELT WARNING CONTINUES SOUNDING, OR DOES NOT SOUND

< SYMPTOM DIAGNOSIS >

THE SEAT BELT WARNING CONTINUES SOUNDING, OR DOES NOT SOUND

Description

INFOID:000000004916549

- Seat belt warning does not sound even though driver seat belt is not fastened.
- Seat belt warning sounds even though driver seat belt is fastened.

Diagnosis Procedure

INFOID:000000004916550

1. CHECK WARNING CHIME OPERATION

1. With key removed from key switch and the front door LH open, turn lighting switch to 1st or 2nd position.
2. Return lighting switch to off position, and insert key into key switch.

Does warning chime sound for both steps?

YES >> GO TO 2

NO >> Replace combination meter. Refer to [MWI-106. "Removal and Installation"](#).

2. CHECK SEAT BELT WARNING LAMP

1. Turn ignition switch ON.
2. Check the operation of the seat belt warning lamp in the combination meter.

Seat belt fastened : OFF

Seat belt not fastened : ON

Is the inspection result normal?

YES >> Replace BCM. Refer to [BCS-60. "Removal and Installation"](#).

NO >> GO TO 3

3. CHECK SEAT BELT BUCKLE SWITCH CIRCUIT

Perform inspection of the seat belt buckle switch circuit. Refer to [WCS-24. "Diagnosis Procedure"](#).

Is the inspection result normal?

YES >> GO TO 4

NO >> Repair harness or connector.

4. CHECK SEAT BELT BUCKLE SWITCH UNIT

Perform a unit inspection for the seat belt buckle switch. Refer to [WCS-25. "Component Inspection"](#).

Is the inspection result normal?

YES >> Replace the combination meter. Refer to [MWI-106. "Removal and Installation"](#).

NO >> Replace the seat belt buckle pre-tensioner assembly LH (seat belt buckle switch).

A
B
C
D
E
F
G
H
I
J
K
L
M

WCS

THE KEY WARNING DOES NOT SOUND

< SYMPTOM DIAGNOSIS >

THE KEY WARNING DOES NOT SOUND

Description

INFOID:000000004916551

Key warning does not sound even though key is in ignition and front door LH is opened.

Diagnosis Procedure

INFOID:000000004916552

1.CHECK WARNING CHIME OPERATION

With key removed from the ignition and the front door LH open, turn the lighting switch to 1st or 2nd position.

Does warning chime sound?

YES >> GO TO 2

NO >> Replace combination meter. Refer to [MWI-106, "Removal and Installation"](#).

2.CHECK KEY SWITCH CIRCUIT

Perform inspection of the key switch circuit. Refer to [WCS-26, "Diagnosis Procedure"](#) (with Intelligent Key) or [WCS-28, "Diagnosis Procedure"](#) (without Intelligent Key).

Is the inspection result normal?

YES >> GO TO 3

NO >> Repair harness or connector.

3.CHECK KEY SWITCH

Perform a unit inspection for the key switch. Refer to [WCS-27, "Component Inspection"](#) (with Intelligent Key) or [WCS-29, "Component Inspection"](#) (without Intelligent Key).

Is the inspection result normal?

YES >> Replace the BCM. Refer to [BCS-60, "Removal and Installation"](#).

NO >> Replace the key switch and ignition knob switch (with Intelligent Key) or key switch and key lock solenoid (without Intelligent Key).

PRECAUTIONS

< PRECAUTION >

PRECAUTION

PRECAUTIONS

Precaution for Supplemental Restraint System (SRS) "AIR BAG" and "SEAT BELT PRE-TENSIONER"

INFOID:000000005155801

The Supplemental Restraint System such as "AIR BAG" and "SEAT BELT PRE-TENSIONER", used along with a front seat belt, helps to reduce the risk or severity of injury to the driver and front passenger for certain types of collision. This system includes seat belt switch inputs and dual stage front air bag modules. The SRS system uses the seat belt switches to determine the front air bag deployment, and may only deploy one front air bag, depending on the severity of a collision and whether the front occupants are belted or unbelted. Information necessary to service the system safely is included in the SR and SB section of this Service Manual.

WARNING:

- To avoid rendering the SRS inoperative, which could increase the risk of personal injury or death in the event of a collision which would result in air bag inflation, all maintenance must be performed by an authorized NISSAN/INFINITI dealer.
- Improper maintenance, including incorrect removal and installation of the SRS, can lead to personal injury caused by unintentional activation of the system. For removal of Spiral Cable and Air Bag Module, see the SR section.
- Do not use electrical test equipment on any circuit related to the SRS unless instructed to in this Service Manual. SRS wiring harnesses can be identified by yellow and/or orange harnesses or harness connectors.

PRECAUTIONS WHEN USING POWER TOOLS (AIR OR ELECTRIC) AND HAMMERS

WARNING:

- When working near the Airbag Diagnosis Sensor Unit or other Airbag System sensors with the Ignition ON or engine running, DO NOT use air or electric power tools or strike near the sensor(s) with a hammer. Heavy vibration could activate the sensor(s) and deploy the air bag(s), possibly causing serious injury.
- When using air or electric power tools or hammers, always switch the Ignition OFF, disconnect the battery, and wait at least 3 minutes before performing any service.

A
B
C
D
E
F
G
H
I
J
K
L
M
O
P

WCS