

Edition: July 2010

Revision: July 2010

Publication No. SM1E-1T60U

NISSAN ARMADA MODEL TA60 SERIES

All rights reserved. No part of this Service Manual may be reproduced or stored in a retrieval system, or transmitted in any form, or by any means, electronic, mechanical, photo-copying, recording or otherwise, without the prior written permission of Nissan North America, Inc.

QUICK REFERENCE INDEX

A GENERAL INFORMATION	GI General Information
B ENGINE	EM Engine Mechanical
	LU Engine Lubrication System
	CO Engine Cooling System
	EC Engine Control System
	FL Fuel System
	EX Exhaust System
	STR Starting System
C HYBRID	ACC Accelerator Control System
	HBC Hybrid Control System
	HBB Hybrid Battery System
HBR Hybrid Brake System	
	TM Transaxle & Transmission
	DLN Driveline
D TRANSMISSION & DRIVE-LINE	FAX Front Axle
	RAX Rear Axle
	FSU Front Suspension
E SUSPENSION	RSU Rear Suspension
	SCS Suspension Control System
	WT Road Wheels & Tires
F BRAKES	BR Brake System
	PB Parking Brake System
	BRC Brake Control System
G STEERING	ST Steering System
	STC Steering Control System
	SB Seat Belt
H RESTRAINTS	SBC Seat Belt Control System
	SR SRS Airbag
	SRC SRS Airbag Control System
I VENTILATION, HEATER & AIR CONDITIONER	VTL Ventilation System
	HA Heater & Air Conditioning System
	HAC Heater & Air Conditioning Control System
J BODY INTERIOR	INT Interior
	IP Instrument Panel
	SE Seat
	ADP Automatic Drive Postioner
	AP Adjustable Pedal
	DLK Door & Lock
K BODY EXTERIOR, DOORS, ROOF & VEHICLE SECURITY	SEC Security Control System
	GW Glass & Window System
	PWC Power Window Control System
	RF Roof
	EXT Exterior
	BRM Body Repair Manual
L DRIVER CONTROLS	MIR Mirrors
	EXL Exterior Lighting System
	INL Interior Lighting System
	WW Wiper & Washer
	DEF Defogger
	HRN Horn
M ELECTRICAL & POWER CONTROL	PWO Power Outlet
	BCS Body Control System
	LAN LAN System
	PCS Power Control System
	CHG Charging System
	PG Power Supply, Ground & Circuit Elements
N DRIVER INFORMATION & MULTIMEDIA	MWI Meter, Warning Lamp & Indicator
	WCS Warning Chime System
	SN Sonar System
	AV Audio, Visual & Navigation System
O CRUISE CONTROL	CCS Cruise Control System
P MAINTENANCE	MA Maintenance

A

B

C

D

E

F

G

H

I

J

K

L

M

N

O

P

FOREWORD

This manual contains maintenance and repair procedure for the 2011 NISSAN ARMADA.

In order to assure your safety and the efficient functioning of the vehicle, this manual should be read thoroughly. It is especially important that the PRECAUTIONS in the GI section be completely understood before starting any repair task.

All information in this manual is based on the latest product information at the time of publication. The right is reserved to make changes in specifications and methods at any time without notice.

IMPORTANT SAFETY NOTICE

The proper performance of service is essential for both the safety of the technician and the efficient functioning of the vehicle.

The service methods in this Service Manual are described in such a manner that the service may be performed safely and accurately. Service varies with the procedures used, the skills of the technician and the tools and parts available. Accordingly, anyone using service procedures, tools or parts which are not specifically recommended by NISSAN must first be completely satisfied that neither personal safety nor the vehicle's safety will be jeopardized by the service method selected.



NISSAN NORTH AMERICA, INC.
Technical Publications Department



PLEASE HELP MAKE THIS SERVICE MANUAL BETTER!

Your comments are important to NISSAN and will help us to improve our Service Manuals.
Use this form to report any issues or comments you may have regarding our Service Manuals.

Please print this form and type or write your comments below. Mail or fax to:

Nissan North America, Inc.
Technical Service Information
39001 Sunrise Drive, P.O. Box 9200
Farmington Hills, MI USA 48331
FAX: (248) 488-3910

SERVICE MANUAL: Model: _____ **Year:** _____

PUBLICATION NO. (Refer to Quick Reference Index): _____

Please describe any Service Manual issues or problems in detail:

Page number(s) _____ *Note: Please include a copy of each page, marked with your comments.*

Are the trouble diagnosis procedures logical and easy to use? (circle your answer) YES NO

If no, what page number(s)? _____ *Note: Please include a copy of each page, marked with your comments.*

Please describe the issue or problem in detail: _____

Is the organization of the manual clear and easy to follow? (circle your answer) YES NO

Please comment: _____

What information should be included in NISSAN Service Manuals to better support you in servicing or repairing customer vehicles?

DATE: _____ YOUR NAME: _____ POSITION: _____

DEALER: _____ DEALER NO.: _____ ADDRESS: _____

CITY: _____ STATE/PROV./COUNTRY: _____ ZIP/POSTAL CODE: _____

QUICK REFERENCE CHART: ARMADA

Engine Tune-up Data

INFOID:000000006766249

GENERAL SPECIFICATIONS

Cylinder arrangement		V-8
Displacement cm ³ (in ³)		5,552 (338.80)
Bore and stroke mm (in)		98 x 92 (3.86 x 3.62)
Valve arrangement		DOHC
Firing order		1-8-7-3-6-5-4-2
Number of piston rings	Compression	2
	Oil	1
Number of main bearings		5
Compression ratio		9.8:1
Compression pressure kPa (kg/cm ² , psi)/rpm	Standard	1,520 (15.5, 220)/200
	Minimum	1,324 (13.5, 192)/200
	Differential limit between cylinders	98 (1.0, 14)/200

Cylinder number

SEM957C

Valve timing

PBIC0187E

Unit: degree

a	b	c	d	e	f
244°	232°	-8°	60°	10°	54°

DRIVE BELTS

Tension of drive belts	Auto adjustment by auto tensioner
------------------------	-----------------------------------

QUICK REFERENCE CHART: ARMADA

2011

SPARK PLUG

Unit: mm (in)

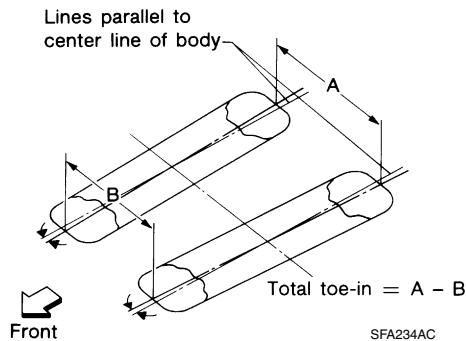
Make	NGK	
Model	Standard model	FFV model
Standard type*	DILFR5A-11	DILFR5A-11D
Gap (Nominal)	1.1 (0.043)	1.1 (0.043)

*: Always check with the Parts Department for the latest parts information.

Front Wheel Alignment (Unladen*¹)

INFOID:000000006766248

Drive type	2WD		4WD		
	Standard	Air leveling	Standard	Air leveling	
Camber Degree minute (decimal degree)	Minimum	-0° 51' (-0.85°)	-0° 33' (-0.55°)		
	Nominal	-0° 6' (-0.10°)	0° 12' (0.20°)		
	Maximum	0° 39' (0.65°)	0° 57' (0.95°)		
	Cross camber	0° 45' (0.75°) or less		0° 45' (0.75°) or less	
Caster Degree minute (decimal degree)	Minimum	2° 39' (2.65°)	3° 15' (3.25°)	2° 15' (2.25°)	2°45' (2.75°)
	Nominal	3° 24' (3.40°)	4° 0' (4.00°)	3° 0' (3.00°)	3° 30' (3.50°)
	Maximum	4° 09' (4.15°)	4° 45' (4.75°)	3° 45' (3.75°)	4° 15' (4.25°)
	Cross caster	0° 45' (0.75°) or less		0° 45' (0.75°) or less	
Kingpin inclination Degree minute (decimal degree)	13° 32' (13.53°)		13°13' (13.22°)		



Toe-in	Distance (A - B)	Minimum	1.8 mm (0.07 in)	1.8 mm (0.07 in)
		Nominal	2.8 mm (0.11 in)	2.8 mm (0.11 in)
		Maximum	3.8 mm (0.15 in)	3.8 mm (0.15 in)
	Angle (left side or right side) Degree minute (decimal degree)	Minimum	0° 3' (0.05°)	0° 3' (0.05°)
		Nominal	0° 5' (0.08°)	0° 5' (0.08°)
		Maximum	0° 7' (0.12°)	0° 7' (0.12°)
Wheel turning angle (full turn)	Inside Degree minute (decimal degree)	34° 31' - 38° 31' *2 (34.52° - 38.52°)		34° 44' - 38° 44' *4 (34.73° - 38.73°)
	Outside Degree minute (decimal degree)	30° 59' - 34° 59' *3 (30.98° - 34.98°)		30° 29' - 34° 29' *5 (30.48° - 34.48°)

*1: Fuel, radiator coolant and engine oil full. Spare tire, jack, hand tools and mats in designated positions.

*2: Target value 37° 31' (37.52°)

*3: Target value 33° 59' (33.98°)

*4: Target value 37° 44' (37.73°)

*5: Target value 33° 29' (33.48°)

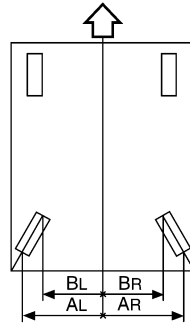
QUICK REFERENCE CHART: ARMADA

2011

Rear Wheel Alignment (Unladen*¹)

INFOID:000000006766246

Applied model			Without air leveling	With air leveling
Camber Degree minute (decimal degree)		Minimum	- 0° 25' (- 0.4°)	- 1° 0' (- 1°)
		Nominal	0° 5' (0.1°)	- 0° 30' (- 0.5°)
		Maximum	0° 35' (0.6°)	0° 0' (0°)
		Cross camber	0° 45' (0.75°) or less	



ALEIA0059ZZ

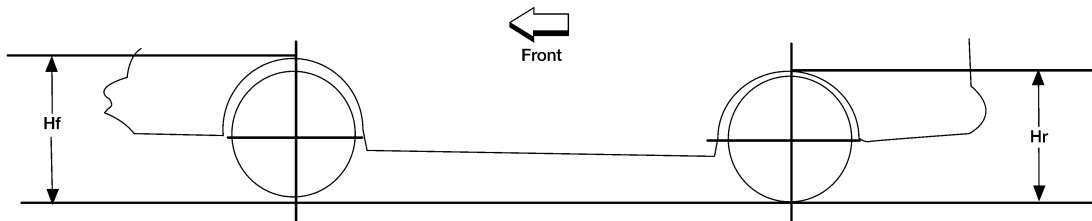
Toe-in	Distance	Toe-in (left side or right side) AL - BL or AR - BR mm (in) ↩:Front	Minimum	- 2.4 mm (- 0.094 in)	0 mm (0 in)
			Nominal	0.9 mm (0.035 in)	3.3 mm (0.130 in)
			Maximum	4.2 mm (0.165 in)	6.6 mm (0.260 in)
		Cross toe (AL - BL) - (AR - BR) mm (in)	2 mm (0.079 in) or less		
	Angle	Toe angle (left side or right side) Degree minute (Decimal degree)	Minimum	- 0° 5' (- 0.08°)	0° 0' (0°)
			Nominal	0° 2' (0.03°)	0° 7' (0.11°)
Maximum			0° 9' (0.14°)	0° 14' (0.22°)	
	Cross toe Degree minute (Decimal degree)	0° 8' (0.14°) or less			

*1: Fuel tank, engine coolant and engine oil full. Spare tire, jack, hand tools and mats in designated positions.

Wheelarch Height (Unladen*¹)

INFOID:000000006766247

Unit: mm (in)



LEIA0085E

Suspension type	With air leveling* ²				Without air leveling			
Applied model	2WD		4WD		2WD		4WD	
Tire size	P265/ 70R18	P275/ 60R20	P265/ 70R18	P275/ 60R20	P265/ 70R18	P275/ 60R20	P265/ 70R18	P275/ 60R20

QUICK REFERENCE CHART: ARMADA

2011

Front wheelarch height (Hf)	914 (35.98)	920 (36.22)	931 (36.65)	937 (36.89)	914 (35.98)	920 (36.22)	931 (36.65)	937 (36.89)
Rear wheelarch height (Hr)	911 (35.87)	917 (36.10)	931 (36.65)	937 (36.89)	931 (36.65)	937 (36.89)	951 (37.44)	957 (37.68)

*1: Fuel, radiator coolant and engine oil full. Spare tire, jack, hand tools and mats in designated positions.

*2: Verify the vehicle height. If vehicle height is not within ± 10 mm (0.39 in) of the specification, perform the control unit initialization procedure.

Brake Specifications

INFOID:000000006766244

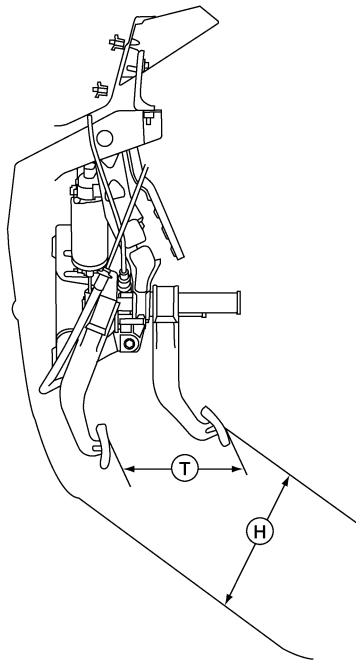
Unit: mm (in)

Front brake	Brake model	AD41VA
	Rotor outer diameter \times thickness	350 x 30 (13.78 x 1.181)
	Pad Length \times width \times thickness	151.6 x 56.5 x 12.0 (5.97 x 2.22 x 0.476)
	Cylinder bore diameter	50.8 (2.00)
Rear brake	Brake model	AD14VE
	Rotor outer diameter \times thickness	320 x 14 (12.60 x 0.551)
	Pad Length \times width \times thickness	83.0 x 33.0 x 12.0 (3.268 x 1.299 x 0.472)
	Cylinder bore diameter	48 (1.89)
Control valve	Valve model	Electric brake force distribution
Brake booster	Booster model	C215T
	Diaphragm diameter	215 (8.46)

Brake Pedal

INFOID:000000006766245

Unit: mm (in)



ALFIA0149ZZ

Pedal free height (H) with pedal in forward most position	182.3 - 192.3 (7.18 - 7.57)
Pedal travel (T)	153.3 (6.04)
Stop lamp switch and ASCD cancel switch threaded end to brake pedal bracket gap	0.74 - 1.96 (0.029 - 0.077)

CAUTION:

QUICK REFERENCE CHART: ARMADA

2011

When equipped with adjustable pedal, the pedal must be in the forward most position (closest to the floor) for pedal height adjustment.

Front Disc Brake

INFOID:000000006766242

Unit: mm (in)

Brake model		AD41VA
Brake pad	Standard thickness (new)	12.0 (0.476)
	Repair limit thickness	1.0 (0.039)
Disc rotor	Standard thickness (new)	30 (1.181)
	Repair limit thickness	28.5 (1.122)
	Maximum uneven wear (measured at 8 positions)	0.015 (0.0006)
	Runout limit (with it attached to the vehicle)	0.03 (0.001)

Rear Disc Brake

INFOID:000000006766243

Unit: mm (in)

Brake model		AD14VE
Brake pad	Standard thickness (new)	12.0 (0.472)
	Repair limit thickness	1.0 (0.039)
Disc rotor	Standard thickness (new)	14.0 (0.551)
	Repair limit thickness	12.0 (0.472)
	Maximum uneven wear (measured at 8 positions)	0.015 (0.0006)
	Runout limit (with it attached to the vehicle)	0.05 (0.002)

Fluids and Lubricants: FOR USA AND CANADA

INFOID:000000006766237

Description	Capacity (Approximate)		
	Metric	US measure	Imp measure
Fuel	105.8 ℓ	28 gal	23 1/4 gal
Engine oil Drain and refill	With oil filter change	6.5 ℓ	6 7/8 qt
	Without oil filter change	6.2 ℓ	6 1/2 qt
Dry engine (engine overhaul)	7.6 ℓ	8 qt	6 3/4 qt
Cooling system	With reservoir at MAX level	14.4 ℓ	15 1/4 qt
Automatic transmission fluid (ATF)	10.6 ℓ	11 1/4 qt	9 3/8 qt
Rear differential gear oil	1.75 ℓ	3 3/4 pt	3 1/8 pt
Transfer fluid	3.0 ℓ	3 1/8 qt	2 5/8 qt
Front differential gear oil	1.6 ℓ	3 3/8 pt	2 7/8 pt
Power steering fluid (PSF)	1.0 ℓ	2 1/8 pt	1 3/4 pt
Brake fluid	—	—	—
Multi-purpose grease	—	—	—
Brake grease	—	—	—
Windshield washer fluid	4.5 ℓ	1 1/4 gal	1 gal
Air conditioning system refrigerant	1.08 ± 0.05 kg	2.38 ± 0.11 lb	2.38 ± 0.11 lb
Air conditioning system oil	290 m ℓ	9.8 fl oz	10.2 fl oz

QUICK REFERENCE CHART: ARMADA

2011

Fluids and Lubricants: FOR MEXICO

INFOID:000000006766240

Description		Capacity (Approximate)		
		Metric	US measure	Imp measure
Fuel		105.8 ℓ	28 gal	23 1/4 gal
Engine oil Drain and refill	With oil filter change	6.5 ℓ	6 7/8 qt	5 3/4 qt
	Without oil filter change	6.2 ℓ	6 1/2 qt	5 1/2 qt
Dry engine (engine overhaul)		7.6 ℓ	8 qt	6 3/4 qt
Cooling system	With reservoir at MAX level	14.4 ℓ	15 1/4 qt	12 5/8 qt
Automatic transmission fluid (ATF)		10.6 ℓ	11 1/4 qt	9 3/8 qt
Rear final drive oil		1.75 ℓ	3 3/4 pt	3 1/8 pt
Transfer fluid		3.0 ℓ	3 1/8 qt	2 5/8 qt
Front final drive oil		1.6 ℓ	3 3/8 pt	2 7/8 pt
Power steering fluid (PSF)		1.0 ℓ	2 1/8 pt	1 3/4 pt
Brake fluid		—	—	—
Multi-purpose grease		—	—	—
Brake grease		—	—	—
Windshield washer fluid		4.5 ℓ	1 1/4 gal	1 gal
Air conditioning system refrigerant		1.08 ± 0.05 kg	2.38 ± 0.11 lb	2.38 ± 0.11 lb
Air conditioning system oil		290 m ℓ	9.8 fl oz	10.2 fl oz